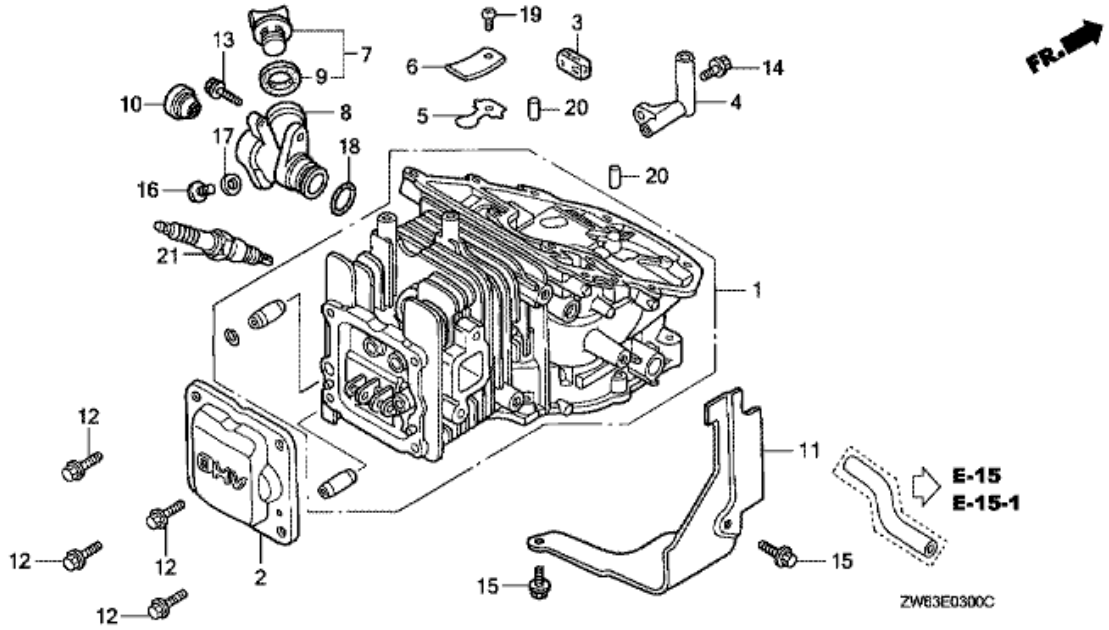
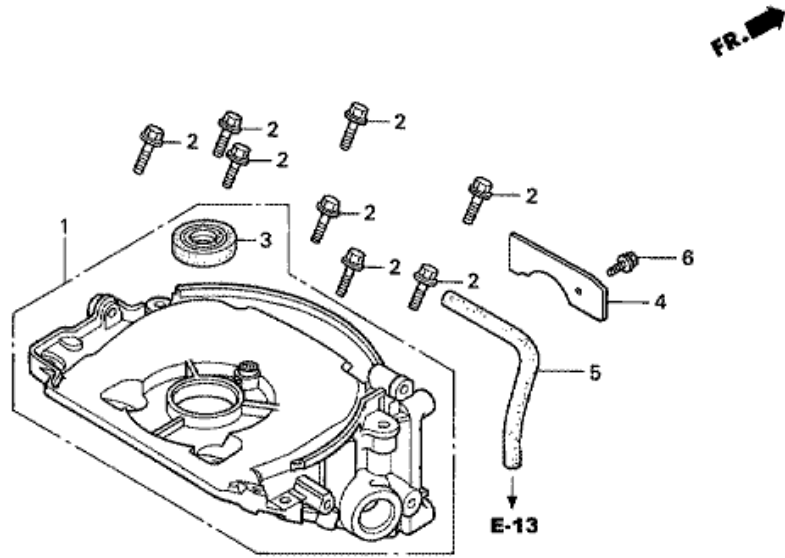


## E-3 CYLINDER BARREL



| Refnr | Parça Numarası | Açıklama                    | İlk numara | Son numara | Birim Adedi | Tipler     |
|-------|----------------|-----------------------------|------------|------------|-------------|------------|
| 1     | 12100ZW6000    | BARREL COMP., CYLINDER      |            |            | 001         | SCHD, LCHD |
| 2     | 12311ZW6000ZA  | COVER, HEAD *NH105 *        |            | 2000766    | 001         | SCHD, LCHD |
| 3     | 12367ZE6010    | FILTER, BREATHER            |            |            | 001         | SCHD, LCHD |
| 4     | 15171ZN4000    | PIPE, BREATHER              |            |            | 001         | SCHD, LCHD |
| 5     | 15571ZM7003    | VALVE, OIL OUTLET           |            |            | 001         | SCHD, LCHD |
| 6     | 15572ZM7000    | PLATE, STOPPER              |            |            | 001         | SCHD, LCHD |
| 7     | 15600ZG4003    | CAP ASSY., OIL FILLER       |            |            | 001         | SCHD, LCHD |
| 8     | 15622ZW6000    | EXTENSION, OIL LEVEL FINDER |            |            | 001         | SCHD, LCHD |
| 9     | 15625ZE1003    | PACKING, OIL FILLER CAP     |            |            | 001         | SCHD, LCHD |
| 10    | 15661ZV0003    | FINDER, OIL LEVEL           |            |            | 001         | SCHD, LCHD |
| 11    | 19631ZW6010    | SHROUD                      |            |            | 001         | SCHD, LCHD |
| 12    | 90002ZW6000    | BOLT, FLANGE, 5X12 (CT200)  |            | 1056253    | 004         | SCHD, LCHD |
| 12    | 90002ZW6010    | BOLT, FLANGE, 5X12 (CT200)  | 1056254    |            | 004         | SCHD, LCHD |
| 13    | 90003ZW6000    | BOLT, FLANGE, 5X16          |            | 1055335    | 001         | SCHD, LCHD |
| 13    | 90003ZW6010    | BOLT, FLANGE, 5X16          | 1055336    |            | 001         | SCHD, LCHD |
| 14    | 90008ZM7000    | BOLT, 4X10                  |            |            | 001         | SCHD, LCHD |
| 15    | 90019ZV1000    | BOLT, FLANGE, 5X10          |            | 1055335    | 002         | SCHD, LCHD |
| 15    | 90019ZV1010    | BOLT, FLANGE, 5X10          | 1055336    |            | 002         | SCHD, LCHD |
| 16    | 90105ZV4650    | BOLT, OIL CHECK, 8X8        |            |            | 001         | SCHD, LCHD |
| 17    | 90471580000    | PACKING, 8MM                |            |            | 001         | SCHD, LCHD |
| 18    | 91301ZE9003    | O-RING, 22.1X2.2            |            |            | 001         | SCHD, LCHD |
| 19    | 93500030050A   | SCREW, PAN, 3X5             |            |            | 001         | SCHD, LCHD |
| 20    | 9622060150     | ROLLER, 6X15                |            |            | 002         | SCHD, LCHD |
| 21    | 9805654757     | PLUG, SPARK (U14FSR-UB)     | 1026044    |            | 001         | SCHD, LCHD |
| 21    | 9805654777     | PLUG, SPARK (CR4HSB)        | 1026044    |            | 001         | SCHD, LCHD |

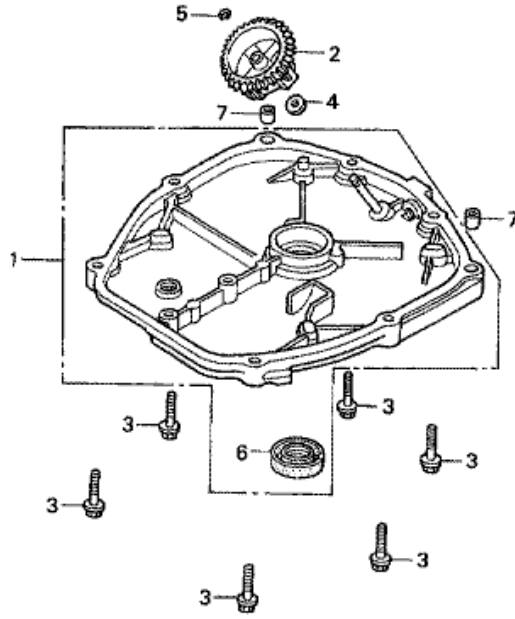
## E-5 OIL CASE



ZW63-E0500B

| Refnr | Parça Numarası | Açıklama                      | İlk numara | Son numara | Birim Adedi | Tipler     |
|-------|----------------|-------------------------------|------------|------------|-------------|------------|
| 1     | 11300ZW6000    | CASE ASSY., OIL               |            |            | 001         | SCHD, LCHD |
| 2     | 90006ZM7000    | BOLT, FLANGE, 5X23            |            |            | 008         | SCHD, LCHD |
| 3     | 91202HC5003    | OIL SEAL, 17X27X5 (ARAI)      |            |            | 001         | SCHD, LCHD |
| 4     | 11316ZW6000    | PLATE, TUBE SETTING           | 1026044    |            | 001         | SCHD, LCHD |
| 5     | 15723ZW6000    | TUBE, CLUTCH HOUSING BREATHER | 1026044    |            | 001         | SCHD, LCHD |
| 6     | 90019ZV1000    | BOLT, FLANGE, 5X10            | 1026044    |            | 001         | SCHD, LCHD |
| 6     | 90019ZV1010    | BOLT, FLANGE, 5X10            | 1055336    |            | 001         | SCHD, LCHD |

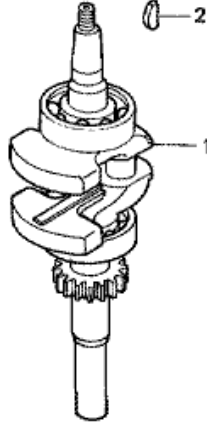
## E-6 CRANKCASE COVER



ZW63-E0600

| Refnr | Parça Numarası | Açıklama                    | İlk numara | Son numara | Birim Adedi | Tipler     |
|-------|----------------|-----------------------------|------------|------------|-------------|------------|
| 1     | 11340ZW6030    | COVER COMP., CRANKCASE SIDE | 1041215    |            | 001         | SCHD, LCHD |
| 2     | 16512ZM7D00    | HOLDER, GOVERNOR WEIGHT     |            |            | 001         | SCHD, LCHD |
| 3     | 90006ZM7000    | BOLT, FLANGE, 5X23          |            |            | 006         | SCHD, LCHD |
| 4     | 90441ZM7000    | WASHER, 4.2X13              |            |            | 001         | SCHD, LCHD |
| 5     | 90602ZM7000    | CLIP, GOVERNOR HOLDER       |            |            | 001         | SCHD, LCHD |
| 6     | 91202HC5003    | OIL SEAL, 17X27X5 (ARAI)    |            |            | 001         | SCHD, LCHD |
| 7     | 9430106100     | DOWEL PIN, 6X10             |            |            | 002         | SCHD, LCHD |

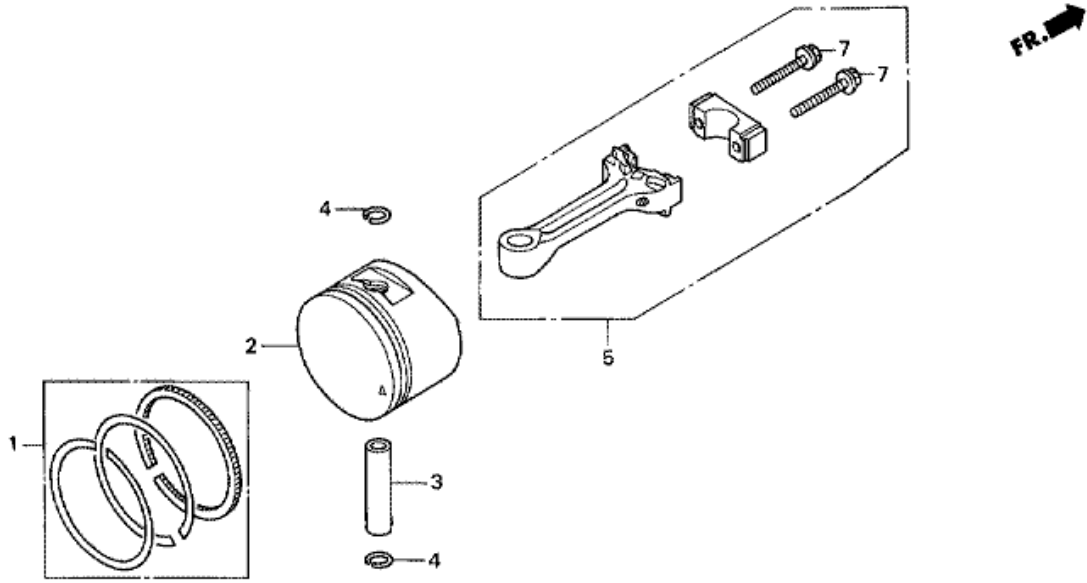
## E-7 CRANKSHAFT

FR. 

ZW63-E0700

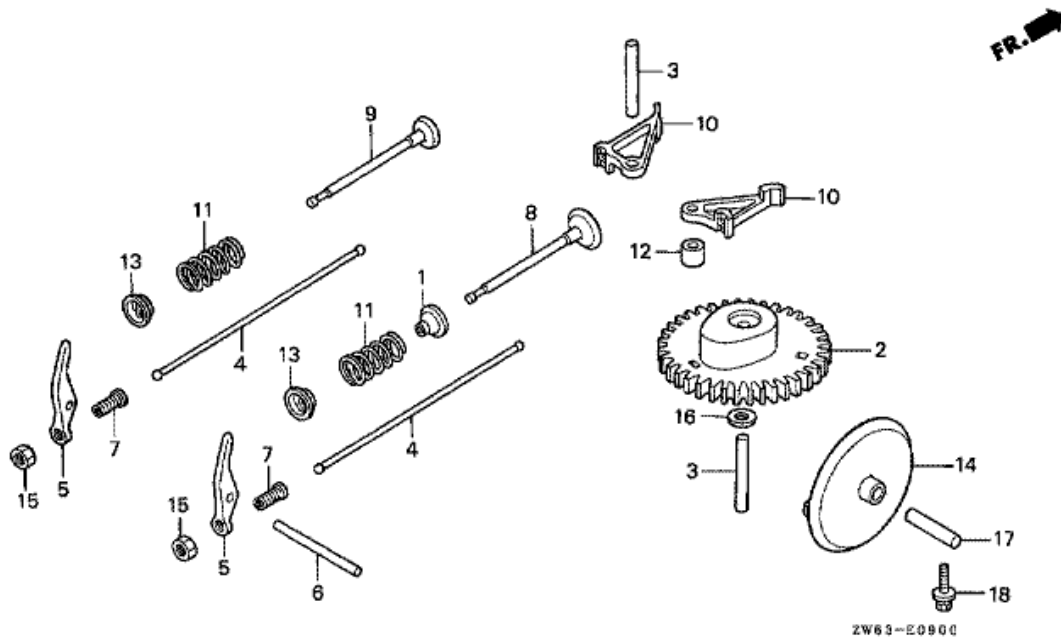
| Refnr | Parça Numarası | Acıklama         | İlk numara | Son numara | Birim Adedi | Tipler     |
|-------|----------------|------------------|------------|------------|-------------|------------|
| 1     | 13310ZN4000    | CRANKSHAFT COMP. |            | 2053371    | 001         | SCHD, LCHD |
| 2     | 13331ZM7000    | KEY, SPECIAL     |            |            | 001         | SCHD, LCHD |

## E-8 PISTON



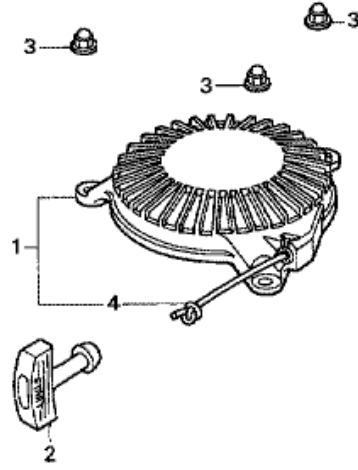
ZW63-E0800A

| Refnr | Parça Numarası | Acıklama                | İlk numara | Son numara | Birim Adedi | Tipler     |
|-------|----------------|-------------------------|------------|------------|-------------|------------|
| 1     | 13010ZW6000    | RING SET, PISTON (STD.) |            |            | 001         | SCHD, LCHD |
| 2     | 13101ZW6000    | PISTON                  |            | 1051353    | 001         | SCHD, LCHD |
| 2     | 13101ZW6010    | PISTON (STD.)           | 1051354    |            | 001         | SCHD, LCHD |
| 3     | 13111122000    | PIN, PISTON, 10X33      |            |            | 001         | SCHD, LCHD |
| 4     | 13115147000    | CLIP, PISTON PIN, 10MM  |            |            | 002         | SCHD, LCHD |
| 5     | 13200ZN4000    | ROD ASSY., CONNECTING   |            |            | 001         | SCHD, LCHD |
| 7     | 90001ZM7000    | BOLT, CONNECTING ROD    |            |            | 002         | SCHD, LCHD |



| Refnr | Parça Numarası | Açıklama               | İlk numara | Son numara | Birim Adedi | Tipler     |
|-------|----------------|------------------------|------------|------------|-------------|------------|
| 1     | 12209ZM7003    | SEAL, VALVE STEM       |            |            | 001         | SCHD, LCHD |
| 2     | 14111ZM7000    | CAMSHAFT               |            |            | 001         | SCHD, LCHD |
| 3     | 14126Z0G003    | ROLLER (5X29.8)        | 1041215    |            | 002         | SCHD, LCHD |
| 4     | 14410ZM7000    | ROD, PUSH              |            |            | 002         | SCHD, LCHD |
| 5     | 14431ZM7000    | ARM, VALVE ROCKER      |            |            | 002         | SCHD, LCHD |
| 6     | 14435ZM7003    | ROLLER (4X37.8)        |            |            | 001         | SCHD, LCHD |
| 7     | 14451ZM7000    | PIVOT, ROCKER ARM      |            |            | 002         | SCHD, LCHD |
| 8     | 14711ZW6000    | VALVE, IN.             |            |            | 001         | SCHD, LCHD |
| 9     | 14721ZW6000    | VALVE, EX.             |            |            | 001         | SCHD, LCHD |
| 10    | 14731ZM7013    | LIFTER, VALVE          |            |            | 002         | SCHD, LCHD |
| 11    | 14751ZM7000    | SPRING, VALVE          |            |            | 002         | SCHD, LCHD |
| 12    | 14754ZM7000    | COLLAR, LIFTER         |            |            | 001         | SCHD, LCHD |
| 13    | 14771ZM3010    | RETAINER, VALVE SPRING |            |            | 002         | SCHD, LCHD |
| 14    | 15361ZN4000    | SLINGER, OIL           |            |            | 001         | SCHD, LCHD |
| 15    | 90206KM3000    | NUT, TAPPET ADJUSTING  |            |            | 002         | SCHD, LCHD |
| 16    | 90401ZW6000    | WASHER, 6MM            |            |            | 001         | SCHD, LCHD |
| 17    | 91151VB5800    | ROLLER, 6X25           |            |            | 001         | SCHD, LCHD |
| 18    | 934040501608   | BOLT-WASHER, 5X16      |            |            | 001         | SCHD, LCHD |

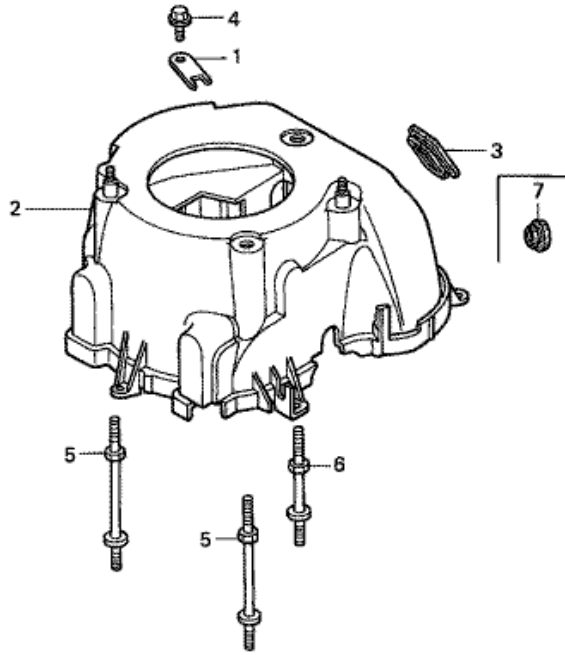
## E-11 RECOIL STARTER



ZW63-E1100A

| Refnr | Parça Numarası | Açıklama              | İlk numara | Son numara | Birim Adedi | Tipler     |
|-------|----------------|-----------------------|------------|------------|-------------|------------|
| 1     | 28400ZW6003    | STARTER ASSY., RECOIL |            |            | 001         | SCHD, LCHD |
| 2     | 28461ZA8902    | KNOB, STARTER         |            | 2048689    | 001         | SCHD, LCHD |
| 3     | 90303GC2630    | NUT, FLANGE CAP, 5MM  |            |            | 003         | SCHD, LCHD |
| 4     | 28462ZW6003    | ROPE, RECOIL STARTER  |            |            | 001         | SCHD, LCHD |

## E-12 FAN COVER

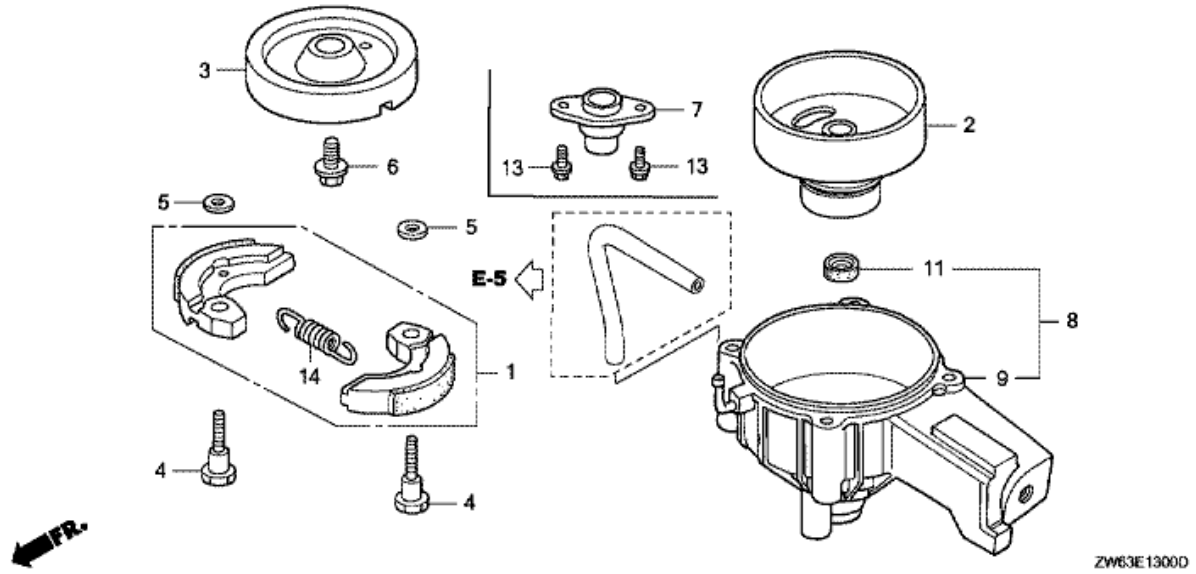


ZW63-E1200 A

| Refnr | Parça Numarası | Açıklama           | İlk numara | Son numara | Birim Adedi | Tipler     |
|-------|----------------|--------------------|------------|------------|-------------|------------|
| 1     | 16576ZV0010    | HOLDER, CABLE      |            |            | 001         | SCHD, LCHD |
| 2     | 19610ZW6000    | COVER COMP., FAN   |            | 2021808    | 001         | SCHD, LCHD |
| 3     | 19615ZV0000    | GROMMET, FAN COVER |            |            | 001         | SCHD, LCHD |
| 4     | 90002ZV0000    | BOLT, FLANGE, 5X10 |            | 1055335    | 001         | SCHD, LCHD |
| 4     | 90002ZV0010    | BOLT, FLANGE, 5X10 | 1055336    |            | 001         | SCHD, LCHD |
| 5     | 90042ZM7000    | BOLT A, STUD,      |            |            | 002         | SCHD, LCHD |
| 6     | 90043ZM7000    | BOLT B, STUD,      |            |            | 001         | SCHD, LCHD |

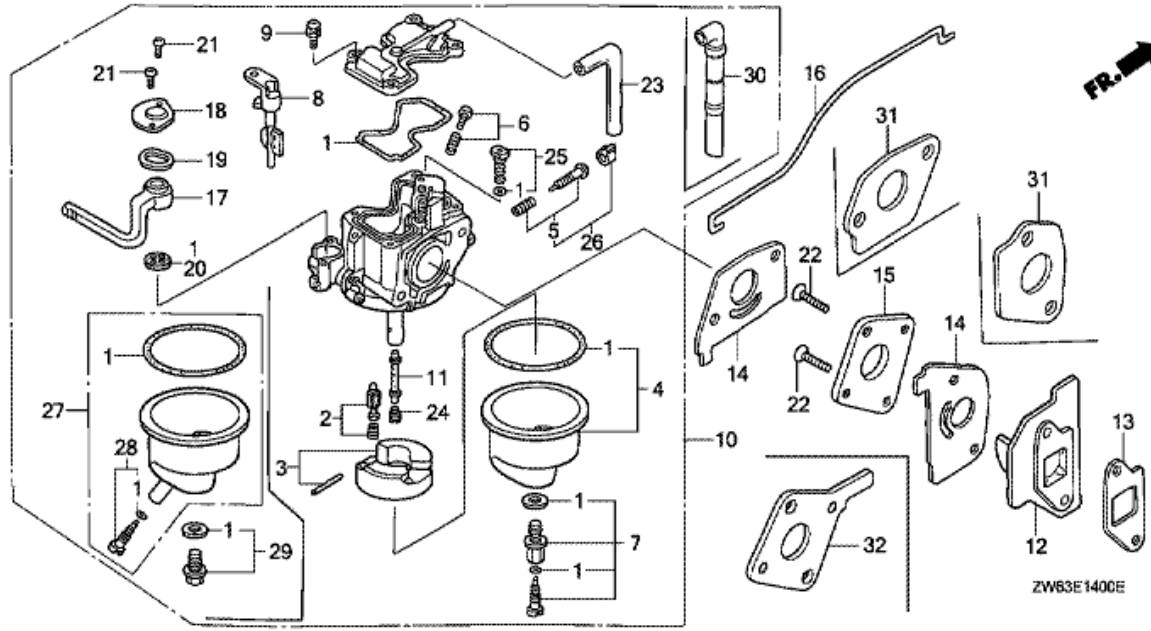


## E-13 CLUTCH



| Refnr | Parça Numarası | Açıklama                | İlk numara | Son numara | Birim Adedi | Tipler     |
|-------|----------------|-------------------------|------------|------------|-------------|------------|
| 1     | 22000ZW6701    | CLUTCH ASSY.            |            |            | 001         | SCHD, LCHD |
| 2     | 22100ZW6701    | OUTER ASSY., CLUTCH     |            | 1061219    | 001         | SCHD, LCHD |
| 2     | 22100ZW6702    | OUTER ASSY., CLUTCH     | 1061220    |            | 001         | SCHD, LCHD |
| 3     | 22214ZW6700    | STAY, CLUTCH            |            | 1061219    | 001         | SCHD, LCHD |
| 3     | 22214ZW6701    | STAY, CLUTCH            | 1061220    |            | 001         | SCHD, LCHD |
| 4     | 22253ZW6700    | BOLT, CLUTCH (8MM)      |            |            | 002         | SCHD, LCHD |
| 5     | 22254ZW6700    | WASHER, PLAIN (8MM)     |            |            | 002         | SCHD, LCHD |
| 6     | 22255ZN4000    | BOLT, CLUTCH STAY (8MM) |            |            | 001         | SCHD, LCHD |
| 8     | 22260ZW6020    | HOUSING ASSY., CLUTCH   | 1026044    |            | 001         | SCHD, LCHD |
| 9     | 22261ZW6020    | HOUSING COMP., CLUTCH   |            |            | 001         | SCHD, LCHD |
| 11    | 91251ZW6013    | SEAL, WATER, 11X21X8    |            |            | 001         | SCHD, LCHD |
| 14    | 22252ZW6701    | SPRING, CLUTCH SHOE     |            |            | 001         | SCHD, LCHD |

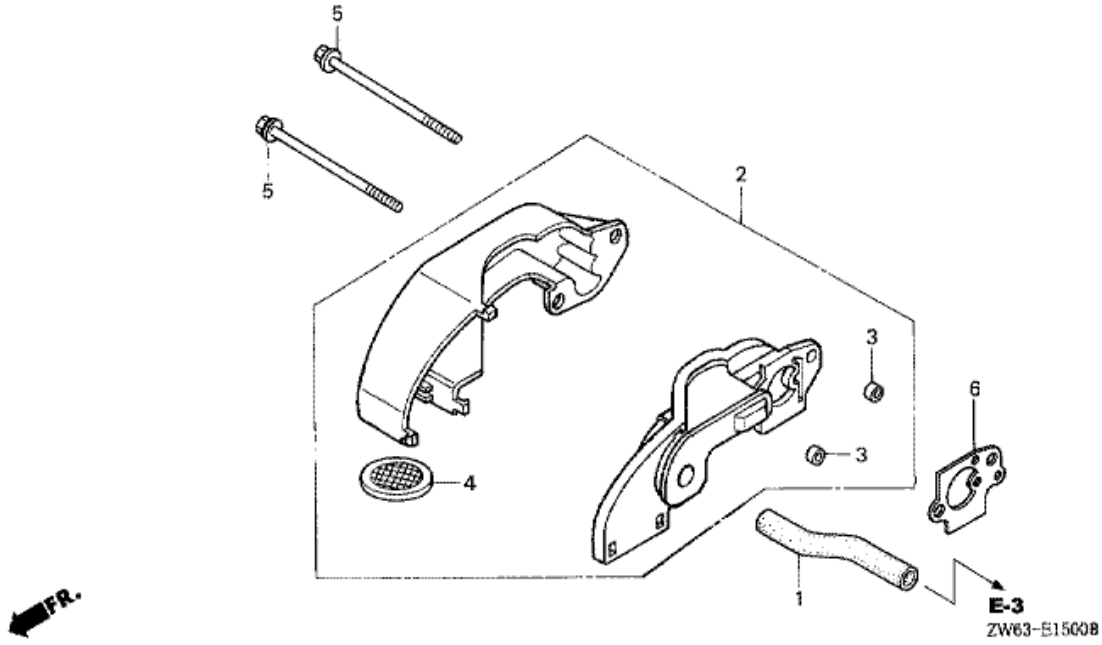
## E-14 CARBURETOR



| Refnr | Parça Numarası | Açıklama                   | İlk numara | Son numara | Birim Adedi | Tipler     |
|-------|----------------|----------------------------|------------|------------|-------------|------------|
| 1     | 16010ZV0025    | GASKET SET                 |            | BF33C D    | 001         | SCHD, LCHD |
| 1     | 16010ZW6611    | GASKET SET                 | BF33C E    |            | 001         | SCHD, LCHD |
| 2     | 16011ZE0005    | VALVE SET, FLOAT           |            |            | 001         | SCHD, LCHD |
| 3     | 16013ZG0811    | FLOAT SET                  |            |            | 001         | SCHD, LCHD |
| 4     | 16015ZW6003    | CHAMBER SET, FLOAT         | BF33A B    |            | 001         | SCHD, LCHD |
| 5     | 16016ZW6003    | SCREW SET                  |            | BF33A C    | 001         | SCHD, LCHD |
| 5     | 16016ZW6611    | SCREW SET                  |            |            | 001         | SCHD, LCHD |
| 6     | 16028ZW6003    | SCREW SET                  |            |            | 001         | SCHD, LCHD |
| 7     | 16029ZW6013    | SCREW SET                  |            |            | 001         | SCHD, LCHD |
| 8     | 16044ZV0A01    | LEVER SET, CHOKE           |            |            | 001         | SCHD, LCHD |
| 9     | 16082ZV0A00    | SCREW, PAN                 |            | 2017070    | 004         | SCHD, LCHD |
| 10    | 16100ZW6023    | CARBURETOR ASSY. (BF33A C) | 1043883    |            | 001         | SCHD, LCHD |
| 10    | 16100ZW6033    | CARBURETOR ASSY. (BF33A D) | 1051189    | 1052953    | 001         | SCHD, LCHD |
| 10    | 16100ZW6043    | CARBURETOR ASSY. (BF33A E) |            | 2017070    | 001         | SCHD, LCHD |
| 11    | 16166ZW6003    | NOZZLE, MAIN               |            | BF33A C    | 001         | SCHD, LCHD |
| 11    | 16166ZW6711    | NOZZLE, MAIN               | BF33B D    |            | 001         | SCHD, LCHD |
| 12    | 16211ZN4000    | INSULATOR, CARBURETOR      |            |            | 001         | SCHD, LCHD |
| 13    | 16212ZM7000    | PACKING, INSULATOR         |            |            | 001         | SCHD, LCHD |
| 14    | 16221ZG0801    | PACKING, CARBURETOR        |            |            | 002         | SCHD, LCHD |
| 15    | 16225ZW6000    | PLATE, CARBURETOR JOINT    |            |            | 001         | SCHD, LCHD |
| 16    | 16674ZW6000    | ROD, CHOKE                 |            |            | 001         | SCHD, LCHD |
| 17    | 16953ZW6003    | LEVER, COCK                |            |            | 001         | SCHD, LCHD |
| 18    | 16954ZW6003    | PLATE, LEVER SETTING       | BF33A B    |            | 001         | SCHD, LCHD |
| 19    | 16956ZE1811    | SPRING, COCK LEVER         |            |            | 001         | SCHD, LCHD |
| 20    | 16957ZE1812    | PACKING, FUEL COCK         |            |            | 001         | SCHD, LCHD |
| 21    | 16082ZW6003    | SCREW, PAN, 3X6            |            |            | 002         | SCHD, LCHD |
| 22    | 90183ZW4000    | SCREW, FLAT, 5X20          | 1055560    |            | 002         | SCHD, LCHD |
| 22    | 93600050200B   | SCREW, FLAT, 5X20          |            | 1055559    | 002         | SCHD, LCHD |
| 23    | 04101ZW6010    | TUBE KIT, AIR VENT         |            |            | 001         | SCHD, LCHD |
| 24    | 99101ZG00600   | JET, MAIN, #60             |            |            | (1)         | SCHD, LCHD |
| 24    | 99101ZG00620   | JET, MAIN, #62             |            |            | (1)         | SCHD, LCHD |
| 24    | 99101ZG00650   | JET, MAIN, #65             |            | BF33A E    | 001         | SCHD, LCHD |
| 25    | 99204ZE00350   | JET SET, PILOT, #35        |            |            | 001         | SCHD, LCHD |
| 27    | 16015ZW6611    | CHAMBER SET, FLOAT         | BF33C E    |            | 001         | SCHD, LCHD |
| 28    | 16024ZB9005    | SCREW SET, DRAIN           |            |            | 001         | SCHD, LCHD |
| 29    | 16028ZW6611    | SCREW SET                  | BF33C E    |            | 001         | SCHD, LCHD |

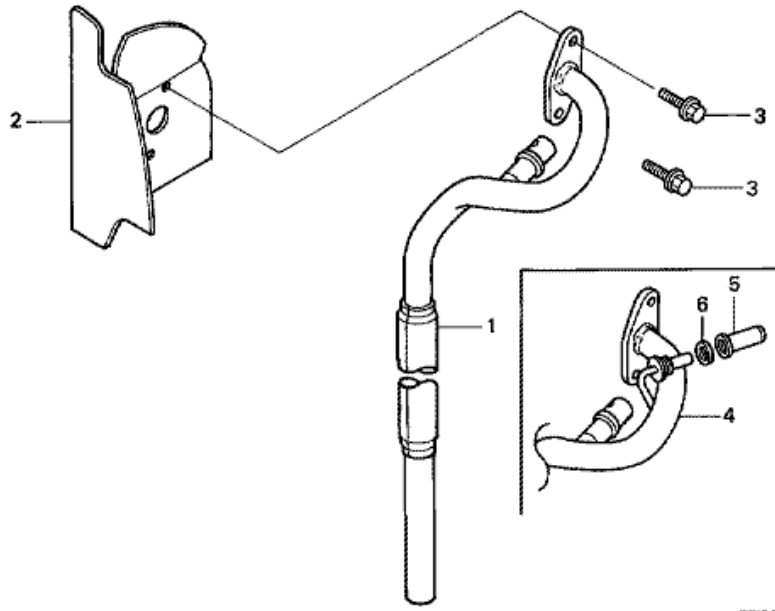


## E-15 AIR CLEANER (1)



| Refnr | Parça Numarası | Açıklama           | İlk numara | Son numara | Birim Adedi | Tipler     |
|-------|----------------|--------------------|------------|------------|-------------|------------|
| 1     | 15721ZW6000    | TUBE, BREATHER     |            | 2024588    | 001         | SCHD, LCHD |
| 2     | 17201ZW6010    | GUIDE, AIR         | 1046413    |            | 001         | SCHD, LCHD |
| 3     | 17202ZW6300    | COLLAR, DISTANCE   | 1046413    |            | 002         | SCHD, LCHD |
| 4     | 17203ZV0000    | TRAP, FLAME        |            |            | 001         | SCHD, LCHD |
| 5     | 90001ZW6000    | BOLT, FLANGE, 5X62 |            | 1055336    | 002         | SCHD, LCHD |
| 5     | 90001ZW6010    | BOLT, FLANGE, 5X62 | 1055337    |            | 002         | SCHD, LCHD |
| 6     | 16202ZW6000    | PACKING, AIR GUIDE | 1046413    |            | 001         | SCHD, LCHD |

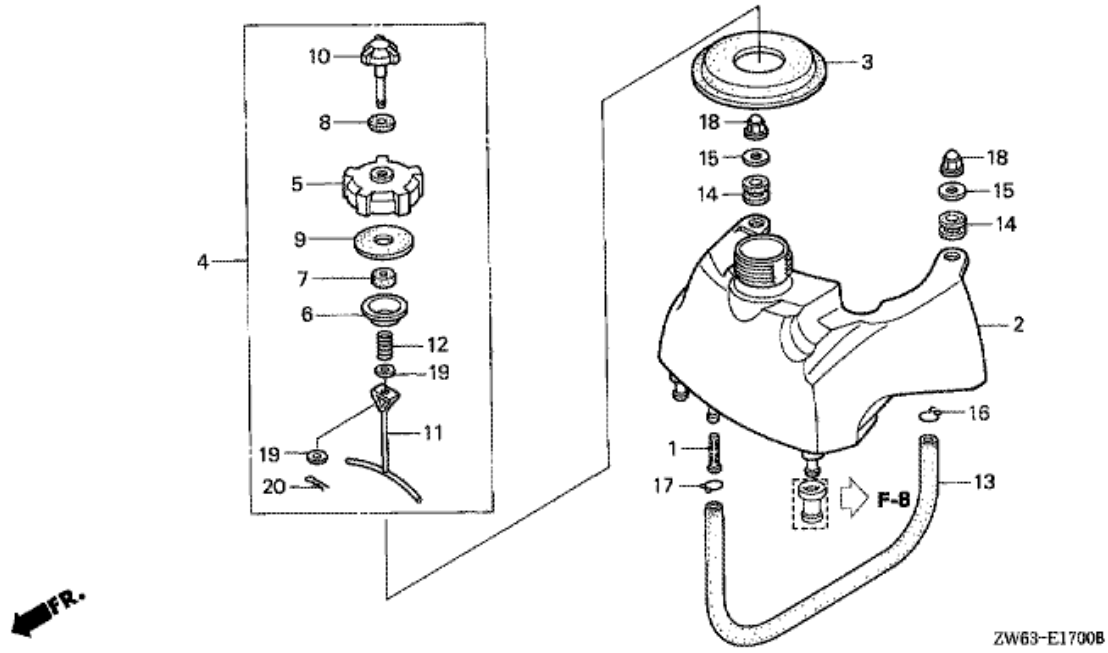
## E-16 MUFFLER



ZW63-E1600 A

| Refnr | Parça Numarası | Açıklama           | İlk numara | Son numara | Birim Adedi | Tipler     |
|-------|----------------|--------------------|------------|------------|-------------|------------|
| 1     | 18330ZW6010    | PIPE COMP., EX.    |            |            | 001         | SCHD, LCHD |
| 2     | 18515ZW6000    | GUIDE, AIR EX.     |            |            | 001         | SCHD, LCHD |
| 3     | 90003ZW6000    | BOLT, FLANGE, 5X16 |            | 1055335    | 002         | SCHD, LCHD |
| 3     | 90003ZW6010    | BOLT, FLANGE, 5X16 | 1055336    |            | 002         | SCHD, LCHD |

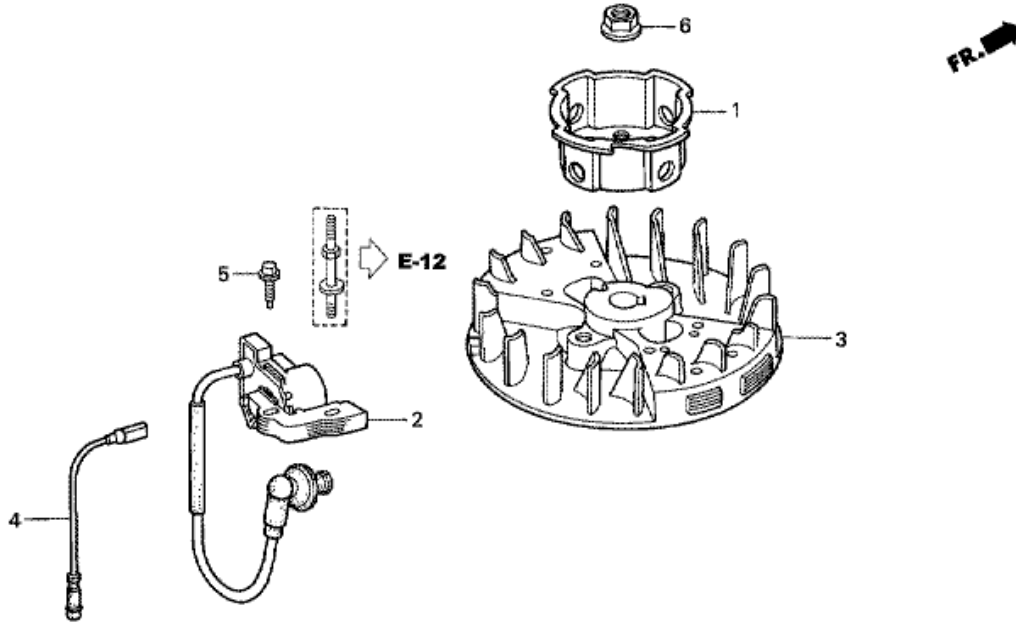
## E-17 FUEL TANK



ZW63-E1700B

| Refnr | Parça Numarası | Açıklama                  | İlk numara | Son numara | Birim Adedi | Tipler     |
|-------|----------------|---------------------------|------------|------------|-------------|------------|
| 1     | 16952ZE6000    | STRAINER, FUEL            |            |            | 001         | SCHD, LCHD |
| 2     | 17511ZW6010    | TANK, FUEL                |            |            | 001         | SCHD, LCHD |
| 3     | 17515ZV0000    | RUBBER A, TANK MOUNTING   |            |            | 001         | SCHD, LCHD |
| 4     | 17620ZW6020    | CAP ASSY., FUEL TANK      | 1046413    |            | 001         | SCHD, LCHD |
| 5     | 17621ZV0020    | BODY, FUEL CAP            |            |            | 001         | SCHD, LCHD |
| 6     | 17622ZV0000    | INNER, FUEL CAP           |            |            | 001         | SCHD, LCHD |
| 7     | 17623ZV0000    | SPONGE, FUEL CAP BREATHER |            |            | 001         | SCHD, LCHD |
| 8     | 17624ZV0000    | PACKING, VALVE            |            |            | 001         | SCHD, LCHD |
| 9     | 17625ZV0000    | PACKING, FUEL CAP         |            |            | 001         | SCHD, LCHD |
| 10    | 17626ZW6000    | VALVE COMP., BREATHER     | 1046413    |            | 001         | SCHD, LCHD |
| 11    | 17628ZV0000    | LINK, FUEL CAP            |            |            | 001         | SCHD, LCHD |
| 12    | 17629ZV0000    | SPRING, FUEL CAP          |            |            | 001         | SCHD, LCHD |
| 13    | 17701ZW6000    | TUBE, FUEL                |            |            | 001         | SCHD, LCHD |
| 14    | 80105MG9000    | CUSHION, AIR CLEANER      |            |            | 002         | SCHD, LCHD |
| 15    | 90403ZW6000    | WASHER, 6.5X18            |            | 2049887    | 002         | SCHD, LCHD |
| 15    | 90545323700    | WASHER, 6.5X18            |            | 1079823    | 002         | SCHD, LCHD |
| 16    | 90602ZV0000    | CLIP, TUBE (B10)          |            | 2023637    | 001         | SCHD, LCHD |
| 17    | 90604ZV0000    | CLIP, TUBE (B12)          |            |            | 001         | SCHD, LCHD |
| 18    | 94021060200S   | NUT, CAP, 6MM             |            |            | 002         | SCHD, LCHD |
| 19    | 90402ZW6000    | WASHER, PLAIN, 4MM        | 1046413    |            | 002         | SCHD, LCHD |
| 20    | 90701ZW6000    | PIN, LOCK, 4MM            | 1046413    |            | 001         | SCHD, LCHD |

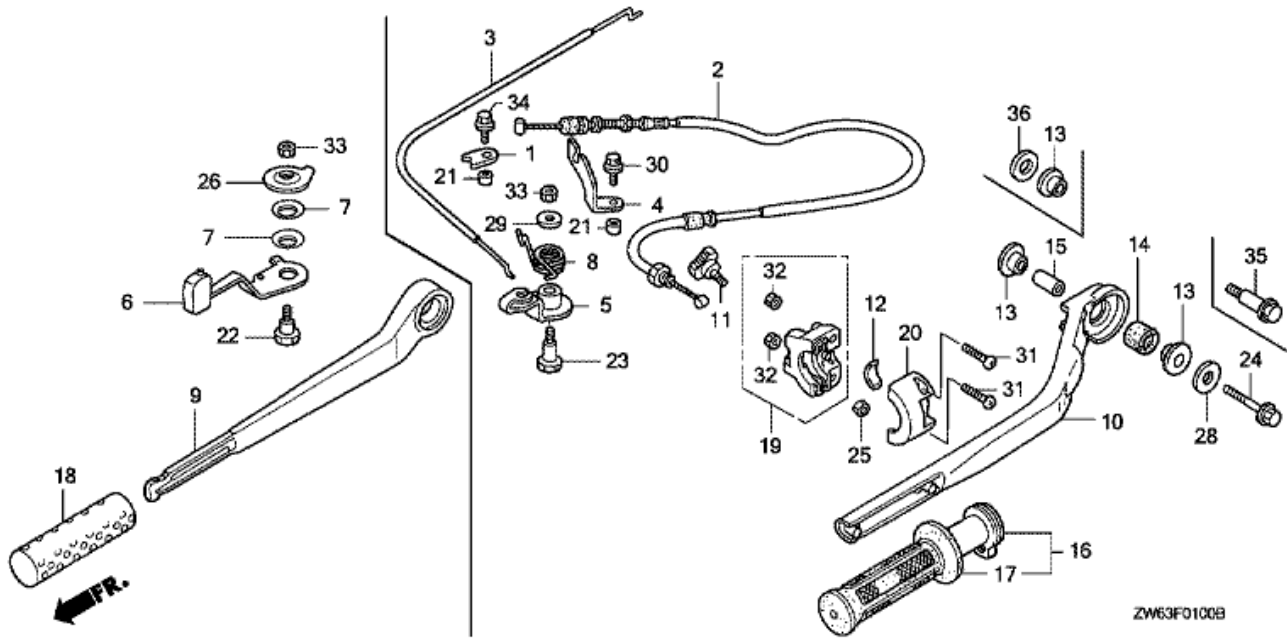
## E-19 FLYWHEEL/IGNITION COIL



ZW63-E1900B

| Refnr | Parça Numarası | Açıklama                   | İlk numara | Son numara | Birim Adedi | Tipler     |
|-------|----------------|----------------------------|------------|------------|-------------|------------|
| 1     | 28451ZW6003    | PULLEY, STARTER            |            |            | 001         | SCHD, LCHD |
| 2     | 30500ZW6004    | COIL ASSY., IGNITION       |            |            | 001         | SCHD, LCHD |
| 3     | 31110ZW6004    | FLYWHEEL COMP.             |            |            | 001         | SCHD, LCHD |
| 4     | 32195ZW6000    | CORD, STOP SWITCH          |            |            | 001         | SCHD, LCHD |
| 5     | 90004ZC3000    | BOLT, FLANGE, 5X20         |            | 1055496    | 001         | SCHD, LCHD |
| 5     | 90004ZW4000    | BOLT, FLANGE, 5X20 (CT200) | 1055497    |            | 001         | SCHD, LCHD |
| 6     | 90305ZW4000    | NUT, FLANGE, 10MM          | 1055853    |            | 001         | SCHD, LCHD |
| 6     | 90373SP0000    | NUT, FLANGE, 10MM          |            | 1055852    | 001         | SCHD, LCHD |

## F-1 STEERING HANDLE

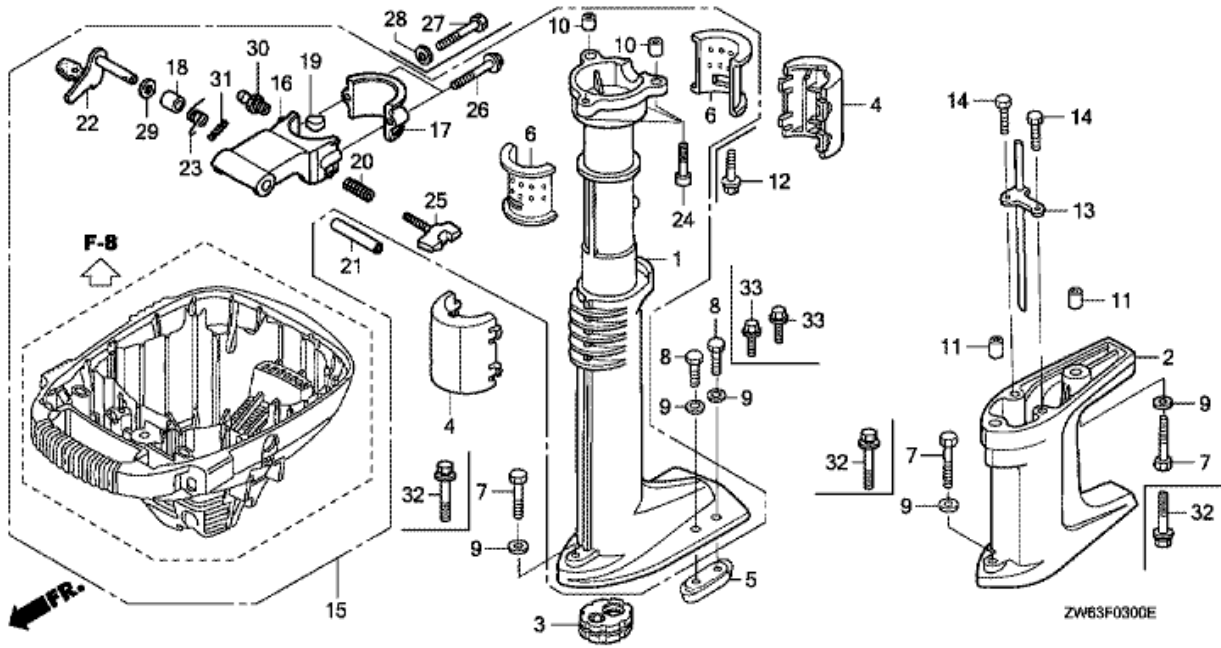


ZW63F0100B

| Refnr | Parça Numarası | Acıklama                  | İlk numara | Son numara | Birim Adedi | Tipler     |
|-------|----------------|---------------------------|------------|------------|-------------|------------|
| 1     | 16576ZV0010    | HOLDER, CABLE             | 1318063    |            | 001         | SCHD, LCHD |
| 1     | 16576ZW6010    | HOLDER, CABLE             |            | 1318062    | 001         | SCHD, LCHD |
| 2     | 17910ZW6702    | CABLE COMP., THROTTLE (A) |            |            | 001         | SCHD, LCHD |
| 3     | 17920ZW6000    | CABLE COMP., THROTTLE (B) |            |            | 001         | SCHD, LCHD |
| 4     | 17921ZV1020    | HOLDER, CABLE             |            |            | 001         | SCHD, LCHD |
| 5     | 17930ZW6700    | ARM COMP., THROTTLE       |            |            | 001         | SCHD, LCHD |
| 8     | 17932ZW6700    | SPRING, THROTTLE ARM      |            |            | 001         | SCHD, LCHD |
| 10    | 53101ZW6700ZA  | HANDLE, STEERING *NH246 * |            |            | 001         | SCHD, LCHD |
| 11    | 53104ZW6700    | BOLT, FRICTION            |            |            | 001         | SCHD, LCHD |
| 12    | 53106ZW6700    | BLOCK, THROTTLE FRICTION  |            |            | 001         | SCHD, LCHD |
| 13    | 53107ZV0000    | COLLAR, HANDLE MOUNTING   |            |            | 002         | SCHD, LCHD |
| 14    | 53108ZV0000    | RUBBER, HANDLE MOUNTING   |            |            | 001         | SCHD, LCHD |
| 15    | 53109ZV0000    | COLLAR, DISTANCE          |            |            | 001         | SCHD, LCHD |
| 16    | 53140GW0000    | GRIP COMP., THROTTLE      |            |            | 001         | SCHD, LCHD |
| 17    | 53165GW0000    | GRIP, R. HANDLE           |            |            | 001         | SCHD, LCHD |
| 19    | 53167ZW6701    | HOUSING, UNDER THROTTLE   |            |            | 001         | SCHD, LCHD |
| 20    | 53168GAH700    | HOUSING, UPPER THROTTLE   |            |            | 001         | SCHD, LCHD |
| 21    | 91553ZW6C00    | COLLAR, 6.2X8.5X5         |            |            | 001         | SCHD, LCHD |
| 23    | 90101ZW6700    | BOLT, HEX., 6X24          |            |            | 001         | SCHD, LCHD |
| 24    | 90105ZV0000    | BOLT, FLANGE, 8X40        |            |            | 001         | SCHD, LCHD |
| 25    | 94001064900S   | NUT, HEX., 6MM            |            |            | 001         | SCHD, LCHD |
| 28    | 90508ZV0000    | WASHER, 12.5X32           |            |            | 001         | SCHD, LCHD |
| 29    | 90511ZV4000    | WASHER, PLAIN, 6MM        |            |            | 001         | SCHD, LCHD |
| 30    | 90056ZY3000    | BOLT, FLANGE, 6X12        |            |            | 001         | SCHD, LCHD |
| 31    | 93500050204J   | SCREW, PAN, 5X20          |            |            | 002         | SCHD, LCHD |
| 32    | 94001054900S   | NUT, HEX., 5MM            |            |            | 002         | SCHD, LCHD |
| 33    | 90302ZW4000    | NUT, HEX., 6MM            | 1304159    |            | 001         | SCHD, LCHD |
| 33    | 94001060200S   | NUT, HEX., 6MM            |            |            | 001         | SCHD, LCHD |
| 34    | 90056ZY3000    | BOLT, FLANGE, 6X12        |            |            | 001         | SCHD, LCHD |
| 34    | 957010601202   | BOLT, FLANGE, 6X12        |            | 1300867    | 001         | SCHD, LCHD |

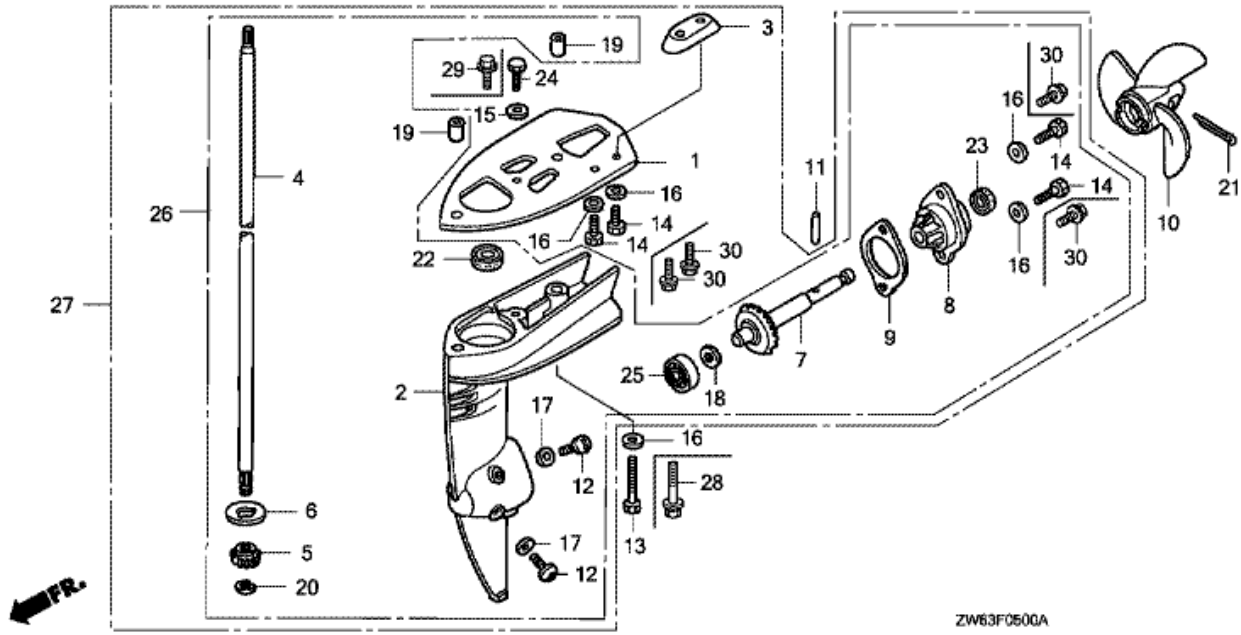


## F-3 EXTENSION CASE



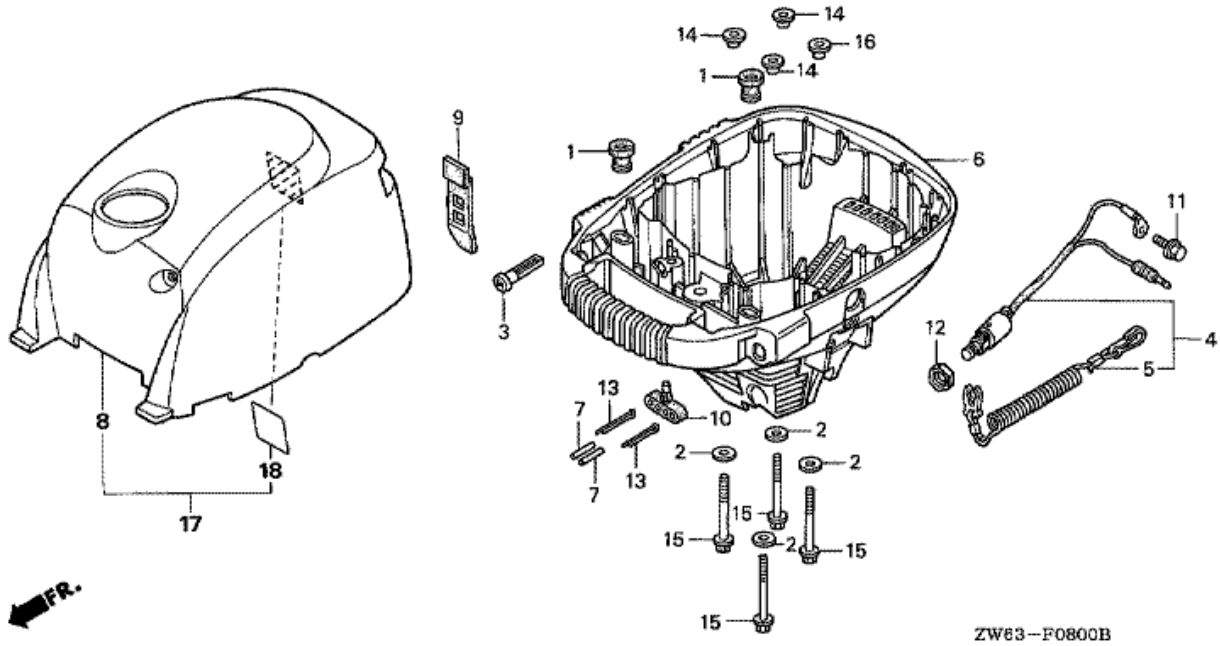
| Refnr | Parça Numarası | Acıklama                       | İlk numara | Son numara | Birim Adedi | Tipler     |
|-------|----------------|--------------------------------|------------|------------|-------------|------------|
| 2     | 40202ZW6610ZA  | SEPARATOR, EXTENSION *NH246 *  |            |            | 001         | LCHD       |
| 3     | 40210ZW6000    | BUSH COMP., VERTICAL SHAFT (S) |            |            | 001         | SCHD       |
| 3     | 40210ZW6611    | BUSH COMP., VERTICAL SHAFT (L) |            |            | 001         | LCHD       |
| 4     | 40218ZW6000    | PROTECTOR, EXTENSION           |            |            | 002         | SCHD, LCHD |
| 5     | 41106ZV4650    | METAL, ANODE                   |            |            | 001         | SCHD       |
| 6     | 50211ZV0000    | LINER, SWIVEL CASE             |            | 2002721    | 002         | SCHD, LCHD |
| 7     | 90113ZV0000    | BOLT, HEX., 6X35               |            | 2019240    | 003         | SCHD, LCHD |
| 8     | 90127ZV4000    | BOLT, HEX., 6X16               |            | 2019240    | 002         | SCHD       |
| 9     | 90506ZV4000    | WASHER, PLAIN, 6MM             |            | 2019240    | 003         | SCHD, LCHD |
| 10    | 9430108100     | DOWEL PIN, 8X10                |            |            | 002         | SCHD, LCHD |
| 11    | 9430108140     | DOWEL PIN, 8X14                |            |            | 002         | LCHD       |
| 12    | 90102ZW6000    | BOLT, FLANGE, 6X25             | 1019362    |            | 003         | SCHD, LCHD |
| 13    | 19251ZW6610    | TUBE COMP., WATER              |            |            | 001         | LCHD       |
| 14    | 92101050164J   | BOLT, HEX., 5X16               |            |            | 002         | LCHD       |
| 15    | 04402ZW6010ZA  | CASE KIT, EXTENSION *NH246*    |            |            | 001         | SCHD, LCHD |
| 16    | 50201ZW6000ZA  | CASE, SWIVEL *NH246 *          |            |            | 001         | SCHD, LCHD |
| 17    | 50203ZW6000ZA  | CAP, SWIVEL CASE *NH246 *      |            | 2002721    | 001         | SCHD, LCHD |
| 18    | 50204ZV0000    | COLLAR, SWIVEL CASE            |            |            | 001         | SCHD, LCHD |
| 19    | 50212ZW6305    | BLOCK, FRICTION                |            |            | 001         | SCHD, LCHD |
| 20    | 50233ZV0000    | SPRING, FRICTION ADJUSTING     |            |            | 001         | SCHD, LCHD |
| 21    | 50337ZV0000    | COLLAR, DISTANCE               |            |            | 001         | SCHD, LCHD |
| 22    | 50511ZV0010    | ARM COMP., TILT LOCK           |            |            | 001         | SCHD, LCHD |
| 23    | 50516ZV0000    | SPRING, TILT LOCK              |            |            | 001         | SCHD, LCHD |
| 25    | 90106ZV0000    | BOLT, SWIVEL CASE              |            |            | 001         | SCHD, LCHD |
| 27    | 90116881000    | BOLT, HEX., 8X40               |            | 2014924    | 002         | SCHD, LCHD |
| 28    | 90507ZV4000    | WASHER, PLAIN, 8MM             |            |            | 002         | SCHD, LCHD |
| 29    | 90518921000    | WASHER, PLAIN, 8MM             |            |            | 001         | SCHD, LCHD |
| 30    | 90951ZV7010    | NIPPLE, GREASE                 |            |            | 001         | SCHD, LCHD |
| 31    | 90752ZW6000    | PIN, SPRING, 2.5X20            |            |            | 001         | SCHD, LCHD |

## F-5 PROPELLER/GEAR CASE/VERTICAL SHAFT



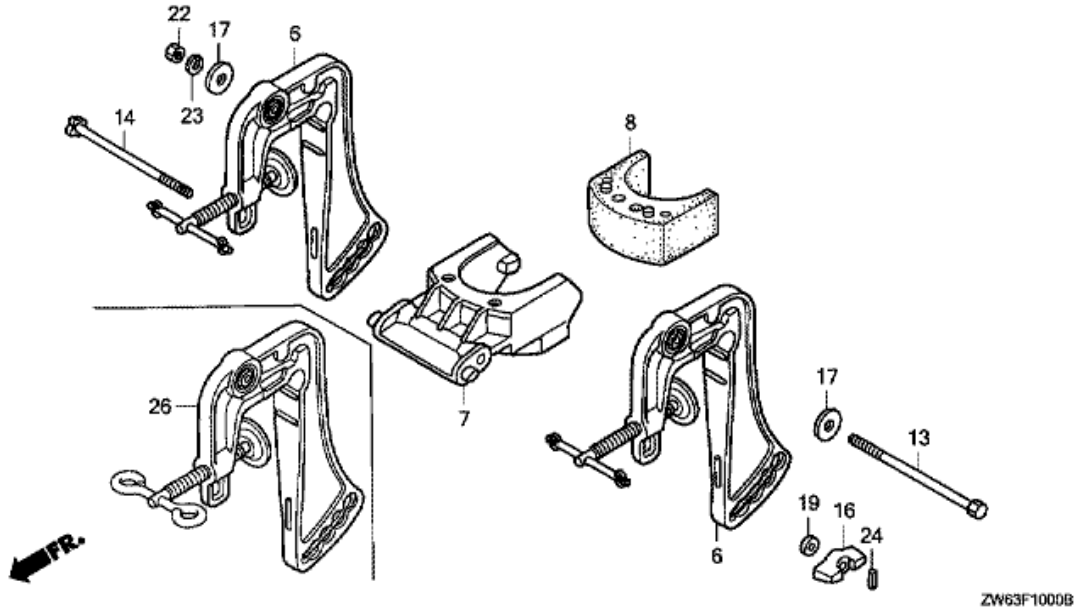
| Refnr | Parça Numarası | Açıklama                               | İlk numara | Son numara | Birim Adedi | Tipler     |
|-------|----------------|--|------------|------------|-------------|------------|
| 1     | 40205ZW6610ZA  | PLATE, CAVITATION *NH246 *             |            | 2019263    | 001         | LCHD       |
| 2     | 41100ZW6010ZA  | CASE COMP., GEAR *NH246 *              |            |            | 001         | SCHD, LCHD |
| 3     | 41106ZV4650    | METAL, ANODE                           |            |            | 001         | LCHD       |
| 4     | 41112ZW6010    | SHAFT, VERTICAL (S)                    |            |            | 001         | SCHD       |
| 4     | 41112ZW6611    | SHAFT, VERTICAL (L)                    |            |            | 001         | LCHD       |
| 5     | 41131ZW6000    | GEAR, PINION                           |            |            | 001         | SCHD, LCHD |
| 6     | 41135ZV0000    | WASHER, PINION THRUST                  |            |            | 001         | SCHD, LCHD |
| 7     | 41160ZW6000    | SHAFT COMP., PROPELLER                 |            |            | 001         | SCHD, LCHD |
| 8     | 41200ZW6000ZA  | HOLDER ASSY., PROPELLER SHAFT *NH246 * |            | 2019240    | 001         | SCHD, LCHD |
| 9     | 41281ZV0850    | PACKING, PROPELLER SHAFT HOLDER        |            |            | 001         | SCHD, LCHD |
| 10    | 58130ZV0841ZB  | PROPELLER COMP., THREE BLADES *NH283 * |            |            | 001         | SCHD, LCHD |
| 11    | 58131ZV0000    | PIN, SHEAR                             |            |            | 001         | SCHD, LCHD |
| 12    | 90105ZV4650    | BOLT, OIL CHECK, 8X8                   |            |            | 002         | SCHD, LCHD |
| 13    | 90113ZV0000    | BOLT, HEX., 6X35                       |            | 2019240    | 001         | SCHD, LCHD |
| 14    | 90127ZV4000    | BOLT, HEX., 6X16                       |            | 2003003    | 002         | SCHD, LCHD |
| 15    | 90504921010    | WASHER, PLAIN, 6MM                     |            | 2019263    | 001         | LCHD       |
| 16    | 90506ZV4000    | WASHER, PLAIN, 6MM                     |            | 2019240    | 003         | SCHD, LCHD |
| 17    | 90507921000    | WASHER, NYLON, 8MM                     |            |            | 002         | SCHD, LCHD |
| 18    | 90531ZV0000    | WASHER, GEAR (A) (1.00)                |            |            | 001         | SCHD, LCHD |
| 18    | 90532ZV0000    | WASHER, GEAR (B) (1.05)                |            |            | 001         | SCHD, LCHD |
| 18    | 90533ZV0000    | WASHER, GEAR (C) (1.10)                |            |            | 001         | SCHD, LCHD |
| 18    | 90534ZV0000    | WASHER, GEAR (D) (1.15)                |            |            | 001         | SCHD, LCHD |
| 18    | 90535ZV0000    | WASHER, GEAR (E) (1.20)                |            |            | 001         | SCHD, LCHD |
| 19    | 9430108140     | DOWEL PIN, 8X14                        |            |            | 002         | SCHD, LCHD |
| 20    | 90755SB2000    | E-RING, 6MM                            |            | 2002998    | 001         | SCHD, LCHD |
| 21    | 90757ZV0000    | PIN, SPLIT, 3MM                        |            |            | 001         | SCHD, LCHD |
| 22    | 91251ZV0003    | WATER SEAL, 11X21X8                    |            |            | 001         | SCHD, LCHD |
| 23    | 91253ZV0003    | WATER SEAL, 11X21X8                    |            |            | 001         | SCHD, LCHD |
| 24    | 92101060124J   | BOLT, HEX., 6X12                       |            | 2019263    | 001         | LCHD       |
| 25    | 961006000000   | BEARING, RADIAL BALL, 6000             |            |            | 001         | SCHD, LCHD |

## F-8 ENGINE CASE



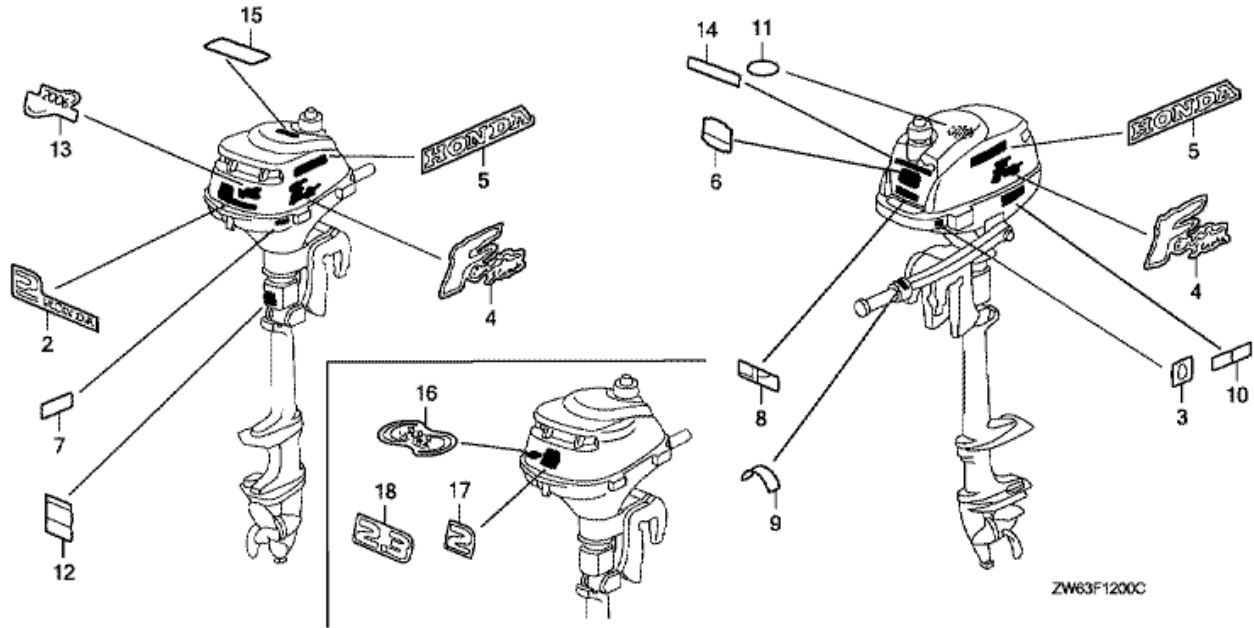
| Refnr | Parça Numarası | Acıklama                     | İlk numara | Son numara | Birim Adedi | Tipler     |
|-------|----------------|------------------------------|------------|------------|-------------|------------|
| 1     | 17514ZV0000    | RUBBER, TANK MOUNTING (C)    |            |            | 002         | SCHD, LCHD |
| 2     | 17936921000    | WASHER, PIVOT                |            |            | 004         | SCHD, LCHD |
| 3     | 17951ZG1000    | KNOB, CHOKE                  |            |            | 001         | SCHD, LCHD |
| 4     | 35180ZW6003    | SWITCH ASSY., EMERGENCY STOP |            |            | 001         | SCHD, LCHD |
| 5     | 36182ZV4650    | CORD COMP., EMERGENCY        |            |            | 001         | SCHD, LCHD |
| 6     | 40100ZW6020    | CASE COMP., ENGINE UNDER     |            | 1300867    | 001         | SCHD, LCHD |
| 6     | 40100ZW6030    | CASE COMP., ENGINE UNDER     | 1302244    |            | 001         | SCHD, LCHD |
| 7     | 58131ZV0000    | PIN, SHEAR                   |            |            | 002         | SCHD, LCHD |
| 8     | 63101ZW6020ZA  | COVER, ENGINE *NH282MU *     |            | 2010524    | 001         | SCHD, LCHD |
| 9     | 63103ZV0000    | BELT, ENGINE COVER           |            |            | 001         | SCHD, LCHD |
| 10    | 88111ZV0000    | HOLDER, PARTS                |            |            | 001         | SCHD, LCHD |
| 11    | 90019ZV1000    | BOLT, FLANGE, 5X10           |            | 1301083    | 001         | SCHD, LCHD |
| 11    | 90019ZW4000    | BOLT, FLANGE, 5X10           |            |            | 001         | SCHD, LCHD |
| 12    | 90302921000    | NUT, HEX., 16MM              |            |            | 001         | SCHD, LCHD |
| 13    | 90757ZV0000    | PIN, SPLIT, 3MM              |            |            | 002         | SCHD, LCHD |
| 14    | 91551ZW6000    | COLLAR, 6X4                  |            |            | 003         | SCHD, LCHD |
| 15    | 90103ZW6000    | BOLT, FLANGE, 6X60           |            |            | 004         | SCHD, LCHD |
| 16    | 91552ZW6000    | COLLAR, ENGINE UNDER CASE    |            |            | 001         | SCHD, LCHD |

## F-10 STERN BRACKET



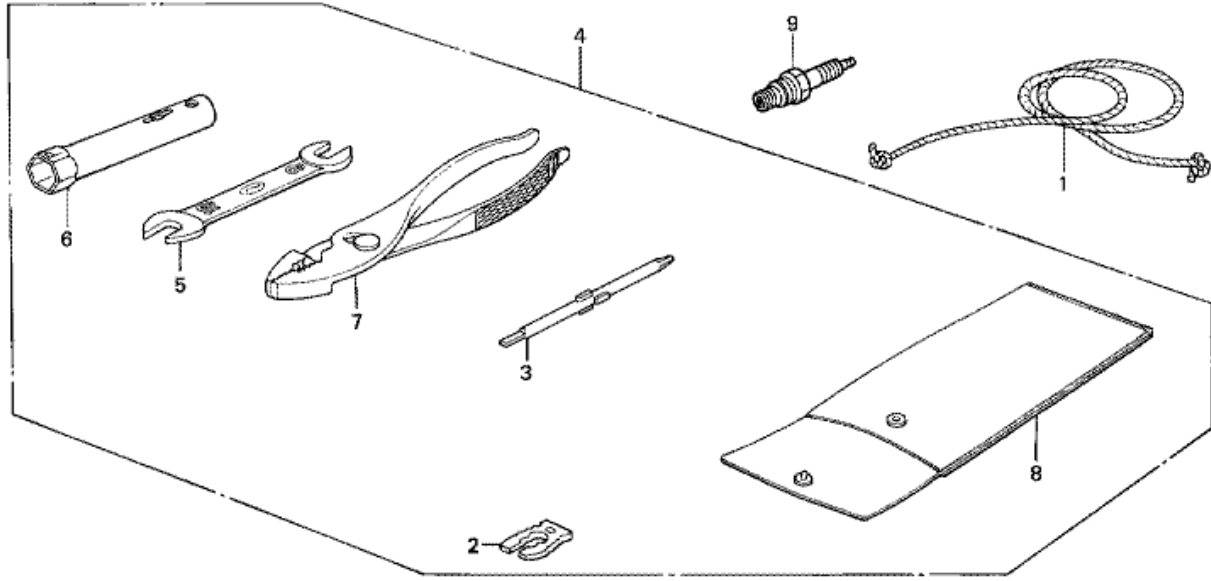
| Refnr | Parça Numarası | Acıklama                      | İlk numara | Son numara | Birim Adedi | Tipler     |
|-------|----------------|-------------------------------|------------|------------|-------------|------------|
| 6     | 50300ZW6000ZA  | BRACKET COMP., STERN *NH246 * |            | 2002621    | 002         | SCHD, LCHD |
| 7     | 50302ZW6000    | RECEIVER, THRUST              |            |            | 001         | SCHD, LCHD |
| 8     | 50303ZV0000    | RUBBER COMP., THRUST          |            |            | 001         | SCHD, LCHD |
| 13    | 90107ZV0000    | BOLT, HEX., 8X110             |            |            | 001         | SCHD, LCHD |
| 14    | 90108ZV0000    | BOLT, DIAMOND, 6X110          |            |            | 001         | SCHD, LCHD |
| 16    | 90301ZV0000    | NUT, WING                     |            |            | 001         | SCHD, LCHD |
| 17    | 90501ZV0000    | WASHER, PLAIN, 8MM            |            |            | 002         | SCHD, LCHD |
| 19    | 90512ZV0000    | WASHER, PLAIN, 6MM            |            |            | 001         | SCHD, LCHD |
| 22    | 94001084900S   | NUT, HEX., 8MM                |            |            | 001         | SCHD, LCHD |
| 24    | 90751ZW6000    | PIN, SPRING, 2.5X8            |            |            | 001         | SCHD, LCHD |

## F-12 LABEL



| Refnr | Parça Numarası | Acıklama  | İlk numara | Son numara | Birim Adedi | Tipler     |
|-------|----------------|---|------------|------------|-------------|------------|
| 3     | 87124ZW6000    | MARK, EMERGENCY SWITCH INDICATION               |            | 2002993    | 001         | SCHD, LCHD |
| 4     | 87131ZW6B00    | MARK, SIDE                                      |            |            | 002         | SCHD, LCHD |
| 5     | 87132ZW6B00    | MARK, SIDE STRIPE (HONDA)                       |            |            | 002         | SCHD, LCHD |
| 6     | 87516ZW6620    | MARK, OPERATOR CAUTION                          |            |            | 001         | SCHD, LCHD |
| 7     | 87521ZV0601    | MARK, FUEL COCK (E,F)                           |            |            | 001         | SCHD, LCHD |
| 9     | 87533ZW6700    | MARK, THROTTLE (GRIP TYPE)                      |            |            | 001         | SCHD, LCHD |
| 12    | 87539ZW6620    | MARK, EX. CAUTION                               |            |            | 001         | SCHD, LCHD |
| 13    | 87634ZW4H10    | MARK, ENVIRONMENT (2006 EPA STANDARD)           |            | 1401458    | 001         | SCHD, LCHD |
| 15    | 87135ZW5000    | MARK (E-SPEC)                                   |            |            | 001         | SCHD, LCHD |
| 16    | 87634ZW4H11    | MARK, ENVIRONMENT (ULTRA LOW EMISSION) (3-STAR) | 1321104    |            | 001         | SCHD, LCHD |
| 17    | 87121ZW6B00    | MARK, RR.                                       |            |            | 001         | SCHD, LCHD |

## F-13 TOOL



ZW63-F1300

| Refnr | Parça Numarası | Açıklama               | İlk numara | Son numara | Birim Adedi | Tipler     |
|-------|----------------|------------------------|------------|------------|-------------|------------|
| 1     | 28462ZV0000    | ROPE, STARTER          |            |            | 001         | SCHD, LCHD |
| 2     | 36187ZV4651    | CLIP, EMERGENCY LOCK   |            | 2002754    | 001         | SCHD, LCHD |
| 3     | 83513044000    | DRIVER                 |            |            | 001         | SCHD, LCHD |
| 4     | 89000ZW6000    | TOOL KIT               |            | 2015179    | 001         | SCHD, LCHD |
| 5     | 89203VF9003    | SPANNER, 8X10          |            |            | 001         | SCHD, LCHD |
| 6     | 89216130690    | WRENCH, SPARK PLUG     |            |            | 001         | SCHD, LCHD |
| 7     | 9900213500     | PLIERS, 135            |            |            | 001         | SCHD, LCHD |
| 8     | 9900801600     | BAG, TOOL, 160MM       |            |            | 001         | SCHD, LCHD |
| 9     | 980565475U     | PLUG, SPARK (1UF14-UB) |            |            | (1)         | SCHD, LCHD |