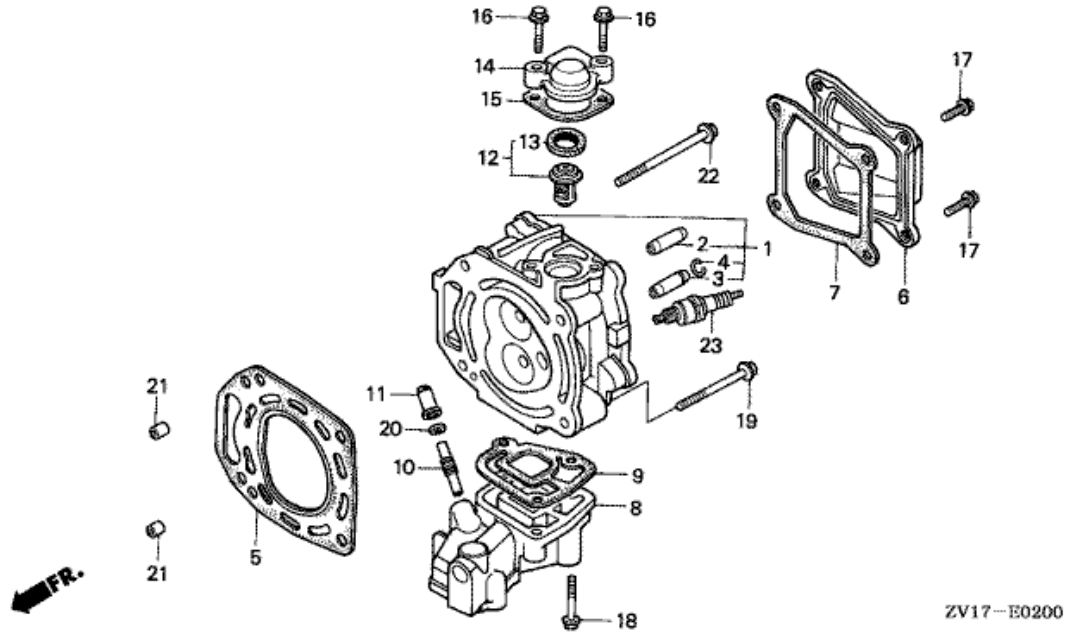


BF5A4 (ZV1P2 59;17ZV10E1,extZV1P2 59;17ZV10E1,ZV1P2 53;17ZV10E1,extZV1P2 53;17ZV10E1,ZV1P2 79;17ZV10E1,extZV1P2 79;17ZV10E1,ZV1P2 58;17ZV10E1,extZV1P2 58;17ZV10E1,ZV1P2 52;17ZV10E1,extZV1P2 52;17ZV10E1,ZV1P2 78;17ZV10E1,extZV1P2 78;17ZV10E1)

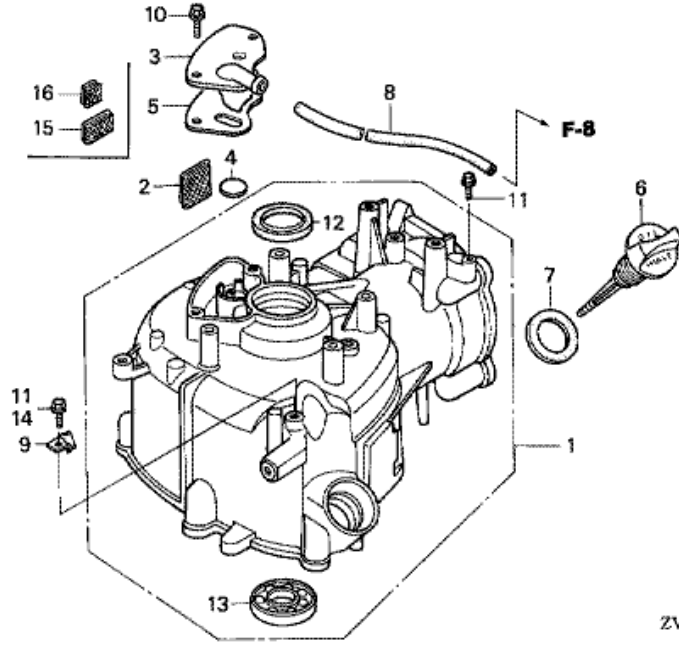
E-2 CYLINDER HEAD



Refnr	Parça Numarası	Açıklama	İlk numara	Son numara	Birim Adedi	Tipler
1	12200ZV1415	HEAD COMP., CYLINDER			001	SE, LE
1	12200ZV1415	HEAD COMP., CYLINDER		2049410	001	SD, LD, SE, LE, SU, LU
1	12210ZV1405ZA	HEAD COMP., CYLINDER *NH8*			001	SD, LD, SU, LU
1	12210ZV1405ZA	HEAD COMP., CYLINDER *NH8*	2049411		001	SD, LD, SU, LU
2	12204ZE1306	GUIDE, IN. VALVE (O.S.)			(1)	SD, LD, SE, LE, SU, LU
5	12251ZV1850	GASKET, CYLINDER HEAD			001	SD, LD, SE, LE, SU, LU
5	12251ZV1850	GASKET, CYLINDER HEAD		2031262	001	SD, LD, SE, LE, SU, LU
5	12251ZV1851	GASKET, CYLINDER HEAD	2031263		001	SD, LD, SU, LU
6	12311ZV1000	COVER, HEAD		2000899	001	SD, LD, SE, LE
6	12311ZV1000	COVER, HEAD			001	SD, LD, SE, LE
6	12311ZV1010	COVER, HEAD	2000900		001	SD, LD, SE, LE, SU, LU
6	12311ZV1010	COVER, HEAD			001	SU, LU
7	12391ZV1850	PACKING, HEAD COVER			001	SD, LD, SE, LE, SU, LU
8	18110ZV1000ZA	MANIFOLD COMP., EX. *NH8 *			001	SD, LD, SE, LE, SU, LU
9	18115ZV1850	GASKET, EX. MANIFOLD			001	SD, LD, SE, LE, SU, LU
9	18115ZV1850	GASKET, EX. MANIFOLD		2053373	001	SD, LD, SE, LE, SU, LU
9	18115ZV1851	GASKET, EX. MANIFOLD	2053374		001	SD, LD, SU, LU
12	19300881761	THERMOSTAT ASSY.			001	SD, LD, SE, LE, SU, LU
13	19302921003	RUBBER, THERMOSTAT			001	SD, LD, SE, LE, SU, LU
14	19310ZV1000ZA	COVER, THERMOSTAT *NH8 *			001	SD, LD, SE, LE, SU, LU
15	19351ZV1850	PACKING, THERMOSTAT COVER			001	SD, LD, SE,

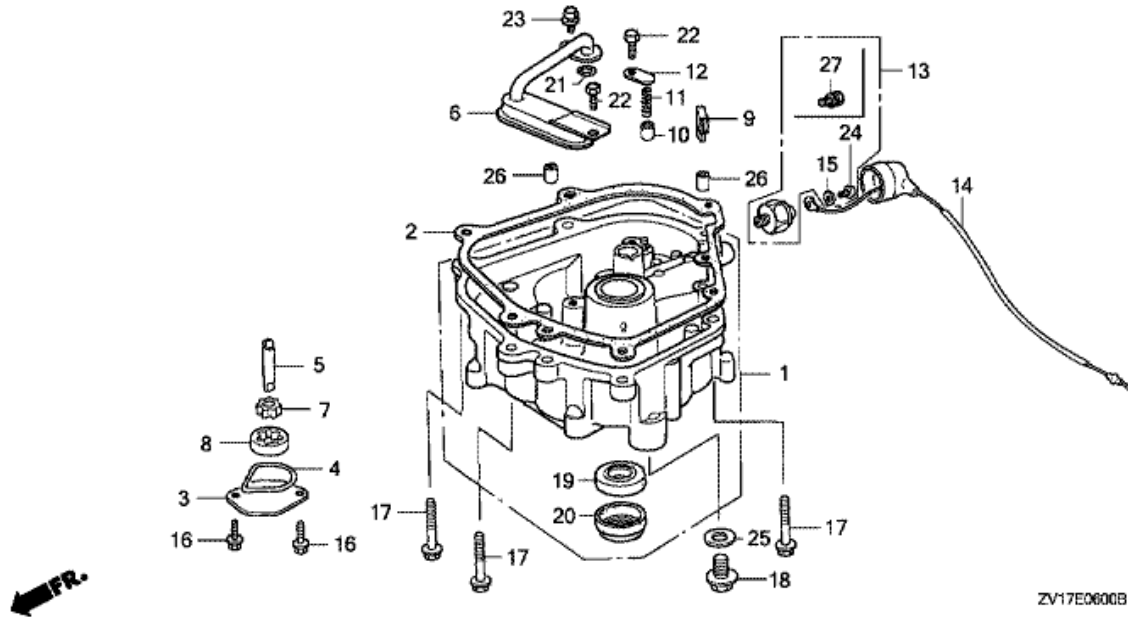
						LE, SU, LU
16	90018ZV1010	BOLT, FLANGE, 6X23			002	SD, LD, SE, LE, SU, LU
17	90122ZV1010	BOLT, FLANGE, 6X12			004	SD, LD, SE, LE, SU, LU
18	90123ZV0010	BOLT, FLANGE, 6X32			003	SD, LD, SE, LE, SU, LU
19	90127ZV1010	BOLT, FLANGE, 8X60			002	SD, LD, SE, LE, SU, LU
21	9430110160	DOWEL PIN, 10X16			002	SD, LD, SE, LE, SU, LU
22	959230809009	BOLT, FLANGE, 8X90			002	SD, LD, SE, LE, SU, LU
23	9807955817	PLUG, SPARK (BPR5ES)			001	SD, LD, SE, LE, SU, LU
23	9807955827	PLUG, SPARK (W16EPR-U)			001	SD, LD, SE, LE, SU, LU

E-3 CYLINDER BARREL



Refnr	Parça Numarası	Açıklama	İlk numara	Son numara	Birim Adedi	Tipler
1	12000ZV1415	BARREL ASSY., CYLINDER			001	SD, LD, SE, LE, SU, LU
3	12371ZV1010	CAP, BREATHER CHAMBER			001	SD, LD, SE, LE, SU, LU
4	12372879000	VALVE, BREATHER			001	SD, LD, SE, LE, SU, LU
5	12373ZV1000	PACKING, BREATHER CAP			001	SD, LD, SE, LE, SU, LU
6	15620ZV1003	CAP, OIL FILLER			001	SD, LD, SE, LE, SU, LU
7	15625ZE6000	PACKING, OIL FILLER CAP			001	SD, LD, SE, LE, SU, LU
8	15721ZV1C50	TUBE, BREATHER			001	SD, LD, SE, LE, SU, LU
8	15721ZV1C50	TUBE, BREATHER		2025033	001	SD, LD, SE, LE, SU, LU
8	15721ZV1C51	TUBE, BREATHER	2025034		001	SD, LD, SU, LU
9	15725ZV1010	CLAMP, BREATHER TUBE			001	SD, LD, SE, LE, SU, LU
9	15725ZV1010	CLAMP, BREATHER TUBE		2025033	001	SD, LD, SU, LU
9	15725ZV1020	CLAMP, BREATHER TUBE	2025034		001	SD, LD, SU, LU
10	90013ZV0010	BOLT, FLANGE, 6X12			002	SD, LD, SE, LE, SU, LU
11	90019ZW4000	BOLT, FLANGE, 5X10			001	SD, LD, SE, LE, SU, LU
12	91252888003	OIL SEAL, 25X38X7 (ARAI)			001	SD, LD, SE, LE, SU, LU
13	961006205000	BEARING, RADIAL BALL, 6205			001	SD, LD, SE, LE, SU, LU
14	90019ZV1010	BOLT, FLANGE, 5X10			001	SD, LD, SE, LE, SU, LU
15	12367ZV1F00	FILTER A, BREATHER			001	SD, LD, SE, LE, SU, LU
16	12368ZV1F00	FILTER B, BREATHER			001	SD, LD, SE, LE, SU, LU

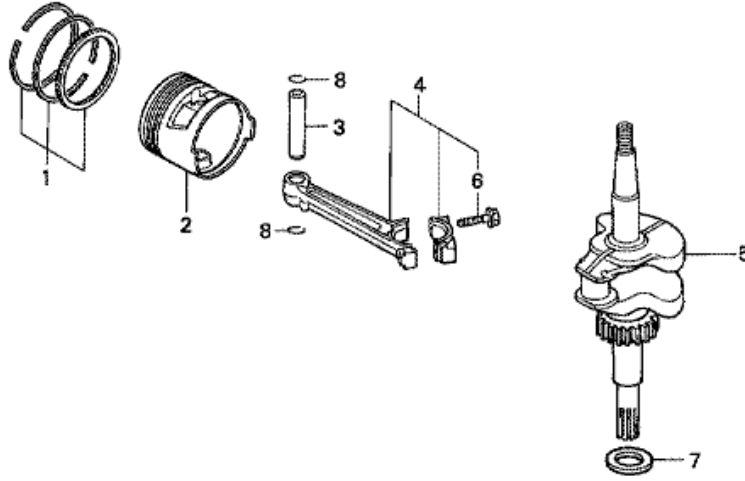
E-6 OIL PAN



Refnr	Parça Numarası	Açıklama	İlk numara	Son numara	Birim Adedi	Tipler
1	11300ZV1405ZA	PAN ASSY., OIL *NH8*			001	SD, LD, SE, LE, SU, LU
2	11381ZV1850	PACKING, OIL PAN			001	SD, LD, SE, LE, SU, LU
3	15130ZV1000	COVER, OIL PUMP			001	SD, LD, SE, LE, SU, LU
4	15131ZV1000	O-RING, PUMP COVER			001	SD, LD, SE, LE, SU, LU
5	15136ZV1000	SHAFT, OIL PUMP			001	SD, LD, SE, LE, SU, LU
6	15220ZV1000	STRAINER COMP., OIL			001	SD, LD, SE, LE, SU, LU
7	15331399000	ROTOR, OIL PUMP INNER (YAMADA)			001	SD, LD, SE, LE, SU, LU
8	15332399000	ROTOR, OIL PUMP OUTER (YAMADA)			001	SD, LD, SE, LE, SU, LU
9	15335ZV1000	RUBBER, OIL RETURN			001	SD, LD, SE, LE, SU, LU
10	15473ZA0000	VALVE, CHECK			001	SD, LD, SE, LE, SU, LU
11	15474881000	SPRING, CHECK VALVE			001	SD, LD, SE, LE, SU, LU
12	15475ZA0000	PLATE, CHECK VALVE			001	SD, LD, SE, LE, SU, LU
13	37200935004	SWITCH, OIL PRESSURE			001	SD, LD, SE, LE, SU, LU
14	37201ZV1000	CORD, OIL PRESSURE SWITCH			001	SD, LD, SE, LE, SU, LU
15	37202935004	WASHER, 4MM			001	SD, LD, SE, LE, SU, LU
15	37202935004	WASHER, 4MM		2051083	001	SD, LD, SU, LU
16	90013ZV0010	BOLT, FLANGE, 6X12			002	SD, LD, SE, LE, SU, LU
17	90036ZY3000	BOLT, FLANGE, 8X32	2014687		006	SD, LD, SE, LE
17	90036ZY3000	BOLT, FLANGE, 8X32			006	SU, LU
17	90126ZV1010	BOLT, FLANGE, 8X32	1305966		006	SD, LD, SE, LE

17	90126ZV1010	BOLT, FLANGE, 8X32		2014686	006	SD, LD, SE, LE
18	90131ZW4000	BOLT, DRAIN PLUG, 12X15			001	SD, LD, SE, LE, SU, LU
19	91252888003	OIL SEAL, 25X38X7 (ARAI)			001	SD, LD, SE, LE, SU, LU
20	91255ZV1003	SEAL, COUPLING, 25X40X14			001	SD, LD, SE, LE, SU, LU
21	91305639000	O-RING, 9.5X3			001	SD, LD, SE, LE, SU, LU
22	92101060120J	BOLT, HEX., 6X12			002	SD, LD, SE, LE, SU, LU
23	934920601408	BOLT-WASHER, 6X14			001	SD, LD, SE, LE, SU, LU
24	93500040063J	SCREW, PAN, 4X6			001	SD, LD, SE, LE, SU, LU
24	93500040063J	SCREW, PAN, 4X6		2051083	001	SD, LD, SU, LU
25	9410912000	WASHER, DRAIN PLUG, 12MM			001	SD, LD, SE, LE, SU, LU
26	9430108140	DOWEL PIN, 8X14			002	SD, LD, SE, LE, SU, LU
27	90002ZW2F01	SCREW-WASHER, 4X8			001	SD, LD, SU, LU
27	90002ZW2F01	SCREW-WASHER, 4X8	2051084		001	SD, LD, SU, LU

E-7 CRANKSHAFT/PISTON



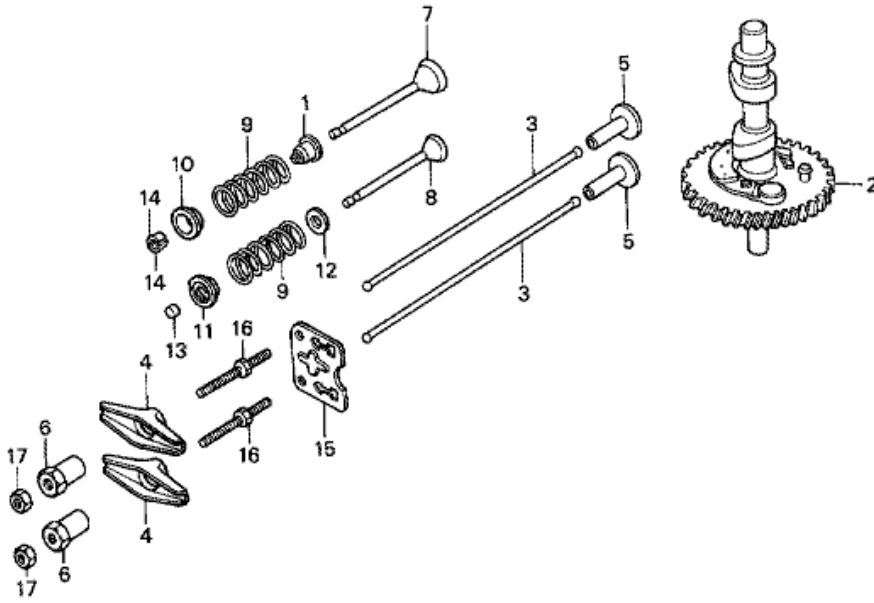
ZV17-E0700



Refnr	Parça Numarası	Açıklama	İlk numara	Son numara	Birim Adedi	Tipler
1	13010ZH7003	RING SET, PISTON (STD.) (TEIKOKU)			001	SD, LD, SE, LE, SU, LU
2	13101ZV1000	PISTON			001	SD, LD, SE, LE, SU, LU
3	13111ZV1000	PIN, PISTON			001	SD, LD, SE, LE, SU, LU
4	13200ZV1000	ROD ASSY., CONNECTING			001	SD, LD, SE, LE, SU, LU
5	13310ZV1000	CRANKSHAFT COMP.			001	SD, LD, SE, LE, SU, LU
5	13310ZV1000	CRANKSHAFT COMP.		2049410	001	SD, LD, SE, LE, SU, LU
5	13310ZV1010	CRANKSHAFT COMP.	2049411		001	SD, LD, SU, LU
6	90001ZE1000	BOLT, CONNECTING ROD			002	SD, LD, SE, LE, SU, LU
7	90459357000	WASHER C, THRUST, 25MM			001	SD, LD, SE, LE, SU, LU
8	90551ZE1000	CLIP, PISTON PIN, 18MM			002	SD, LD, SE, LE, SU, LU

BF5A4 (ZV1P2 59;17ZV10E1,extZV1P2 59;17ZV10E1,ZV1P2 53;17ZV10E1,extZV1P2 53;17ZV10E1,ZV1P2 79;17ZV10E1,extZV1P2 79;17ZV10E1,ZV1P2 58;17ZV10E1,extZV1P2 58;17ZV10E1,ZV1P2 52;17ZV10E1,extZV1P2 52;17ZV10E1,ZV1P2 78;17ZV10E1,extZV1P2 78;17ZV10E1)

E-9 CAMSHAFT

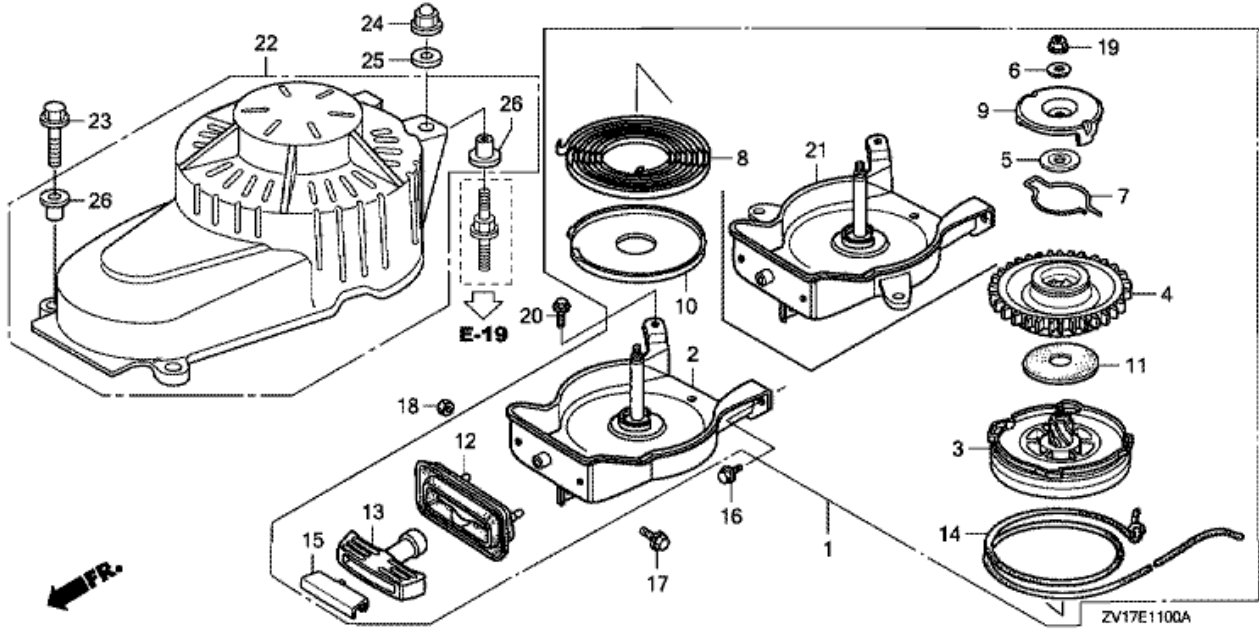


ZV17-E0900

Refnr	Parça Numarası	Acıklama	İlk numara	Son numara	Birim Adedi	Tipler
1	12209ZE6G02	SEAL, VALVE STEM			001	SD, LD, SE, LE, SU, LU
2	14111ZV1030	CAMSHAFT			001	SD, LD, SE, LE, SU, LU
3	14410ZE1010	ROD, PUSH			002	SD, LD, SE, LE, SU, LU
4	14431ZE1000	ARM, VALVE ROCKER			002	SD, LD, SE, LE, SU, LU
5	14441ZE1010	LIFTER, VALVE			002	SD, LD, SE, LE, SU, LU
6	14451ZE1013	PIVOT, ROCKER ARM			002	SD, LD, SE, LE, SU, LU
7	14711ZV1000	VALVE, IN.			001	SD, LD, SE, LE, SU, LU
8	14721ZV1000	VALVE, EX.			001	SD, LD, SE, LE, SU, LU
9	14751ZV1000	SPRING, VALVE			002	SD, LD, SE, LE, SU, LU
10	14771ZV1000	RETAINER, VALVE SPRING			001	SD, LD, SE, LE, SU, LU
11	14773ZE1000	RETAINER, EX. VALVE SPRING			001	SD, LD, SE, LE, SU, LU
12	14775028010	SEAT, VALVE SPRING			001	SD, LD, SE, LE, SU, LU
13	14781ZE1000	ROTATOR, VALVE			001	SD, LD, SE, LE, SU, LU
14	14781107003	COTTER, VALVE (SANKO)			002	SD, LD, SE, LE, SU, LU
15	14791ZE1010	PLATE, PUSH ROD GUIDE			001	SD, LD, SE, LE, SU, LU
16	90012ZE0010	BOLT, PIVOT, 8MM			002	SD, LD, SE, LE, SU, LU
17	90206ZE1000	NUT, PIVOT ADJUSTING			002	SD, LD, SE, LE, SU, LU

BF5A4 (ZV1P2 59;17ZV10E1,extZV1P2 59;17ZV10E1,ZV1P2 53;17ZV10E1,extZV1P2 53;17ZV10E1,ZV1P2 79;17ZV10E1,extZV1P2 79;17ZV10E1,ZV1P2 58;17ZV10E1,extZV1P2 58;17ZV10E1,ZV1P2 52;17ZV10E1,extZV1P2 52;17ZV10E1,ZV1P2 78;17ZV10E1,extZV1P2 78;17ZV10E1)

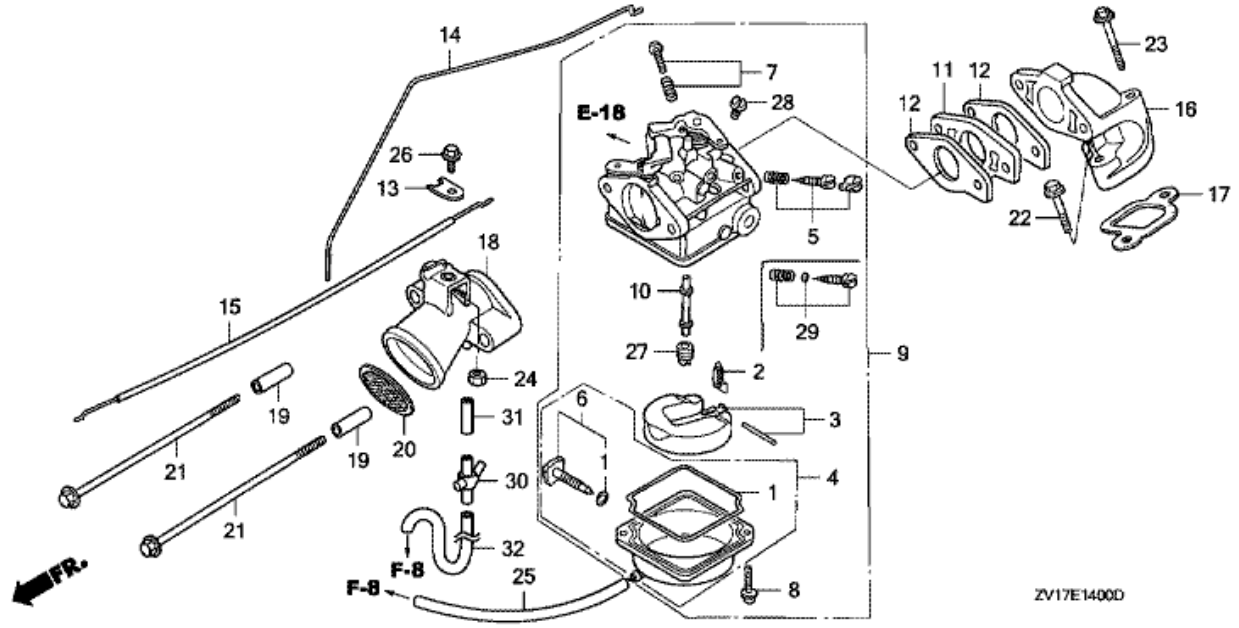
E-11 RECOIL STARTER



Refnr	Parça Numarası	Açıklama	İlk numara	Son numara	Birim Adedi	Tipler
1	28400ZV1043ZB	STARTER ASSY., RECOIL *TBLACK *		2010603	001	SD, LD, SE, LE
1	28400ZV1053ZB	STARTER ASSY., RECOIL *TBLACK *	2010604		001	SD, LD, SE, LE, SU, LU
1	28400ZV1053ZB	STARTER ASSY., RECOIL *TBLACK *	2010604	2025033	001	SD, LD
1	28400ZV1053ZB	STARTER ASSY., RECOIL *TBLACK *		2025033	001	SU, LU
1	28400ZV1063ZB	STARTER ASSY., RECOIL *TBLACK *	2025034	2046521	001	SD, LD, SU, LU
1	28400ZV1073ZB	STARTER ASSY., RECOIL *TBLACK *	2046522	2050426	001	SD, LD, SU, LU
1	28400ZV1083ZB	STARTER ASSY., RECOIL *TBLACK*	2050427		001	SD, LD, SU, LU
2	28410ZV1013ZB	CASE COMP., RECOIL STARTER *TBLACK *		2010603	001	SD, LD, SE, LE
2	28410ZV1023ZB	CASE COMP., RECOIL STARTER *TBLACK *	2010604	2025033	001	SD, LD
2	28410ZV1023ZB	CASE COMP., RECOIL STARTER *TBLACK *		2025033	001	SD, LD, SE, LE, SU, LU
2	28410ZV1023ZB	CASE COMP., RECOIL STARTER *TBLACK *	2010604		001	SE, LE
3	28421ZV1003	PULLEY, RECOIL STARTER			001	SD, LD, SE, LE, SU, LU
4	28426ZV1023	GEAR, STARTER		2046521	001	SD, LD, SE, LE, SU, LU
4	28426ZV1023	GEAR, STARTER			001	SE, LE
4	28426ZV1033	GEAR, STARTER	2046522		001	SD, LD, SU, LU
4	28426ZV1033	GEAR, STARTER			001	SD, LD, SU, LU
5	28431ZV1003	WASHER, THRUST			001	SD, LD, SE, LE
5	28431ZV1003	WASHER, THRUST		2010603	001	SD, LD, SE, LE
5	28431ZV1013	WASHER, THRUST	2010604		001	SD, LD, SE, LE
5	28431ZV1013	WASHER, THRUST			001	SU, LU
6	28432ZV1003	WASHER		2010603	001	SD, LD, SE, LE
6	28432ZV1003	WASHER			001	SD, LD, SE, LE
6	28432ZV1013	WASHER	2010604		001	SD, LD, SE, LE, SU, LU
6	28432ZV1013	WASHER			001	SU, LU
7	28441ZV1003	SPRING, FRICTION		2010603	001	SD, LD, SE,

						LE
7	28441ZV1003	SPRING, FRICTION			001	SD, LD, SE, LE
7	28441ZV1013	SPRING, FRICTION	2010604		001	SD, LD, SE, LE, SU, LU
7	28441ZV1013	SPRING, FRICTION			001	SU, LU
8	28442ZV1003	SPRING, STARTER RETURN			001	SD, LD, SE, LE, SU, LU
9	28443ZV1023	RETAINER, SPRING		2010603	001	SD, LD, SE, LE
9	28443ZV1033	RETAINER, SPRING			001	SD, LD, SE, LE, SU, LU
9	28443ZV1033	RETAINER, SPRING	2010604		001	SD, LD, SE, LE
10	28445ZV1003	HOLDER, SPRING			001	SD, LD, SE, LE, SU, LU
11	28454ZV1003	RUBBER, CUSHION			001	SD, LD, SE, LE, SU, LU
12	28455ZV1000	RUBBER, ENGINE COVER SEAL			001	SD, LD, SE, LE, SU, LU
13	28461ZV1013	GRIP, STARTER			001	SE, LE
13	28461ZV1013	GRIP, STARTER		2050426	001	SD, LD, SE, LE, SU, LU
13	28461ZV1023	GRIP, STARTER			001	SD, LD, SU, LU
13	28461ZV1023	GRIP, STARTER	2050427		001	SD, LD, SU, LU
14	28462ZV1003	ROPE, RECOIL STARTER			001	SD, LD, SE, LE, SU, LU
15	28463ZV1003	CAP, GRIP			001	SD, LD, SE, LE, SU, LU
16	90013ZV0010	BOLT, FLANGE, 6X12			001	SD, LD, SE, LE, SU, LU
17	90128ZV1010	BOLT, FLANGE, 6X16			001	SD, LD, SE, LE, SU, LU
18	90302ZW4000	NUT, HEX., 6MM			001	SD, LD, SE, LE, SU, LU
19	90201ZV1003	NUT, FLANGE, 6MM			001	SU, LU
19	90201ZV1003	NUT, FLANGE, 6MM	2010604		001	SD, LD, SE, LE, SU, LU
19	9405006020	NUT, FLANGE, 6MM		2010603	001	SD, LD, SE, LE
19	9405006020	NUT, FLANGE, 6MM			001	SD, LD, SE, LE
20	90017ZY3000	BOLT, FLANGE, 6X16			001	SD, LD, SE, LE, SU, LU
20	90017ZY3000	BOLT, FLANGE, 6X16	1247741		001	SD, LD, SE, LE, SU, LU
21	28410ZV1033ZB	CASE COMP., RECOIL STARTER *TBLACK *			001	SD, LD, SU, LU
21	28410ZV1033ZB	CASE COMP., RECOIL STARTER *TBLACK *	2025034		001	SD, LD, SU, LU
22	31145ZV1000	COVER COMP., FLYWHEEL			001	SD, LD, SU, LU
22	31145ZV1000	COVER COMP., FLYWHEEL	2025034		001	SD, LD, SU, LU
23	90028ZY3000	BOLT, FLANGE, 6X18	2025034		002	SD, LD, SU, LU
24	90201ZY6000	NUT, FLANGE CAP, 6MM			002	SD, LD, SU, LU
24	90201ZY6000	NUT, FLANGE CAP, 6MM	2025034		002	SD, LD, SU, LU
25	90403ZW6000	WASHER, 6.5X18	2025034		002	SD, LD, SU, LU
25	90403ZW6000	WASHER, 6.5X18			002	SD, LD, SU, LU
26	90504ZS9000	COLLAR, RECOIL STARTER			004	SD, LD, SU, LU
26	90504ZS9000	COLLAR, RECOIL STARTER	2025034		004	SD, LD, SU, LU

E-14 CARBURETOR



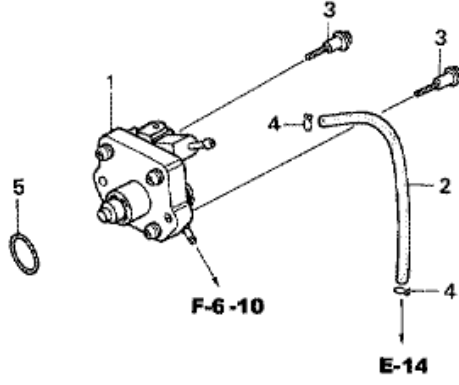
Refnr	Parça Numarası	Açıklama	İlk numara	Son numara	Birim Adedi	Tipler
1	16010881A00	GASKET SET			001	SD, LD, SE, LE, SU, LU
2	16011ZV1F01	VALVE SET, FLOAT			001	SD, LD, SE, LE, SU, LU
3	16013ZV1F01	FLOAT SET			001	SD, LD, SE, LE, SU, LU
4	16015ZV1A00	CHAMBER SET, FLOAT			001	SD, LD, SE, LE, SU, LU
6	16024ZV1A00	SCREW SET, DRAIN		BC05F A	001	SD, LD, SE, LE, SU, LU
6	16024ZV1A00	SCREW SET, DRAIN			001	SE, LE
6	16024ZV1A00	SCREW SET, DRAIN		BC05D A	001	SD, LD
6	16024ZY3000	SCREW SET, DRAIN	BC05F B		001	SD, LD, SU, LU
6	16024ZY3000	SCREW SET, DRAIN	BC05D B		001	SD, LD
7	16028ZV1F01	SCREW SET			001	SD, LD, SE, LE, SU, LU
8	16081ZV1A00	SCREW, PAN			002	SD, LD, SE, LE, SU, LU
9	16100ZV1F01	CARBURETOR ASSY. (BC05D A)		2055056	001	SD, LD, SE, LE
9	16100ZV1F01	CARBURETOR ASSY. (BC05D A)			001	SE, LE
9	16100ZV1F02	CARBURETOR ASSY. (BC05D A)	2055057		001	SD, LD
9	16100ZV1G01	CARBURETOR ASSY. (BC05F A)		2055496	001	SU, LU
9	16100ZV1G02	CARBURETOR ASSY. (BC05F A)	2055497		001	SU, LU
10	16166ZV1F01	NOZZLE, MAIN			001	SD, LD, SE, LE
10	16166ZV1G01	NOZZLE, MAIN			001	SU, LU
11	16211ZV1000	INSULATOR, CARBURETOR			001	SD, LD, SE, LE, SU, LU
12	16221ZV1850	PACKING, CARBURETOR			002	SD, LD, SE, LE, SU, LU
13	16576ZV0010	HOLDER, CABLE			001	SD, LD, SE, LE, SU, LU
14	16593ZV1000	ROD, THROTTLE			001	SD, LD, SE, LE, SU, LU
15	16620ZV1A00	CABLE COMP., CHOKE			001	SD, LD, SE, LE, SU, LU

16	17101ZV1010	MANIFOLD, INTAKE	2026882		001	SD, LD, SU, LU
16	17101ZV1010ZA	MANIFOLD, INTAKE *NH8 *			001	SD, LD, SE, LE, SU, LU
16	17101ZV1010ZA	MANIFOLD, INTAKE *NH8 *		2026881	001	SD, LD, SE, LE, SU, LU
17	17151ZV1850	PACKING, INTAKE MANIFOLD			001	SD, LD, SE, LE, SU, LU
18	17201ZV1C50	GUIDE COMP., AIR			001	SD, LD, SE, LE, SU, LU
18	17201ZV1C50	GUIDE COMP., AIR		2022777	001	SD, LD, SE, LE, SU, LU
18	17201ZV1C51	GUIDE COMP., AIR	2022778		001	SD, LD, SU, LU
19	17202ZV1010	COLLAR, DISTANCE			002	SD, LD, SE, LE, SU, LU
20	17203ZV4000	TRAP, FLAME			001	SD, LD, SE, LE, SU, LU
21	90012ZV1010	BOLT, FLANGE, 6X102			002	SD, LD, SE, LE, SU, LU
22	90015ZV0C10	BOLT, FLANGE, 6X28 (CT200)			001	SD, LD, SE, LE, SU, LU
23	90125ZV1010	BOLT, FLANGE, 6X42			001	SD, LD, SE, LE, SU, LU
24	90302ZW4000	NUT, HEX., 6MM			001	SD, LD, SE, LE, SU, LU
24	90302ZW4000	NUT, HEX., 6MM	1247722		001	SD, LD, SE, LE, SU, LU
25	950030501731	TUBE, VINYL, 3.5X6.5X170 (95003-05001-60M)		2022777	001	SD, LD, SE, LE, SU, LU
25	950030501731	TUBE, VINYL, 3.5X6.5X170 (95003-05001-60M)			001	SD, LD, SE, LE, SU, LU
26	90056ZY3000	BOLT, FLANGE, 6X12			001	SD, LD, SE, LE, SU, LU
26	90056ZY3000	BOLT, FLANGE, 6X12	1247741		001	SD, LD, SE, LE, SU, LU
27	99101ZF50650	JET, MAIN, #65			(1)	SU, LU
27	99101ZF50680	JET, MAIN, #68			(1)	SU, LU
27	99101ZF50700	JET, MAIN, #70			(1)	SD, LD, SE, LE, SU, LU
27	99101ZF50700	JET, MAIN, #70			001	SU, LU
27	99101ZF50720	JET, MAIN, #72			(1)	SD, LD, SE, LE
27	99101ZF50750	JET, MAIN, #75			001	SD, LD, SE, LE
27	99101ZF50750	JET, MAIN, #75			(1)	SD, LD, SE, LE
28	991038810380	JET COMP. (#38)			001	SD, LD, SE, LE, SU, LU
29	16016ZV1C41	SCREW SET A	BC10A B		001	SU, LU
29	16016ZV1C41	SCREW SET A			001	SU, LU
29	16016ZV1F01	SCREW SET			001	SD, LD, SE, LE
30	17396ZW1000	JOINT, THREE WAY	2022778		001	SD, LD, SU, LU
30	17396ZW1000	JOINT, THREE WAY			001	SD, LD, SU, LU
31	950030700431	TUBE, VINYL, 4X7X40 (95003-07001-60M)			001	SD, LD, SU, LU
31	950030700431	TUBE, VINYL, 4X7X40 (95003-07001-60M)	2022778		001	SD, LD, SU, LU
32	950030701331	TUBE, VINYL, 4X7X130 (95003-07001-60M)			001	SD, LD, SU, LU
32	950030701331	TUBE, VINYL, 4X7X130 (95003-07001-60M)	2022778		001	SD, LD, SU, LU

BF5A4 (ZV1P2 59;17ZV10E1,extZV1P2 59;17ZV10E1,ZV1P2 53;17ZV10E1,extZV1P2 53;17ZV10E1,ZV1P2 79;17ZV10E1,extZV1P2 79;17ZV10E1,ZV1P2 58;17ZV10E1,extZV1P2 58;17ZV10E1,ZV1P2 52;17ZV10E1,extZV1P2

E-18 FUEL PUMP

FR.

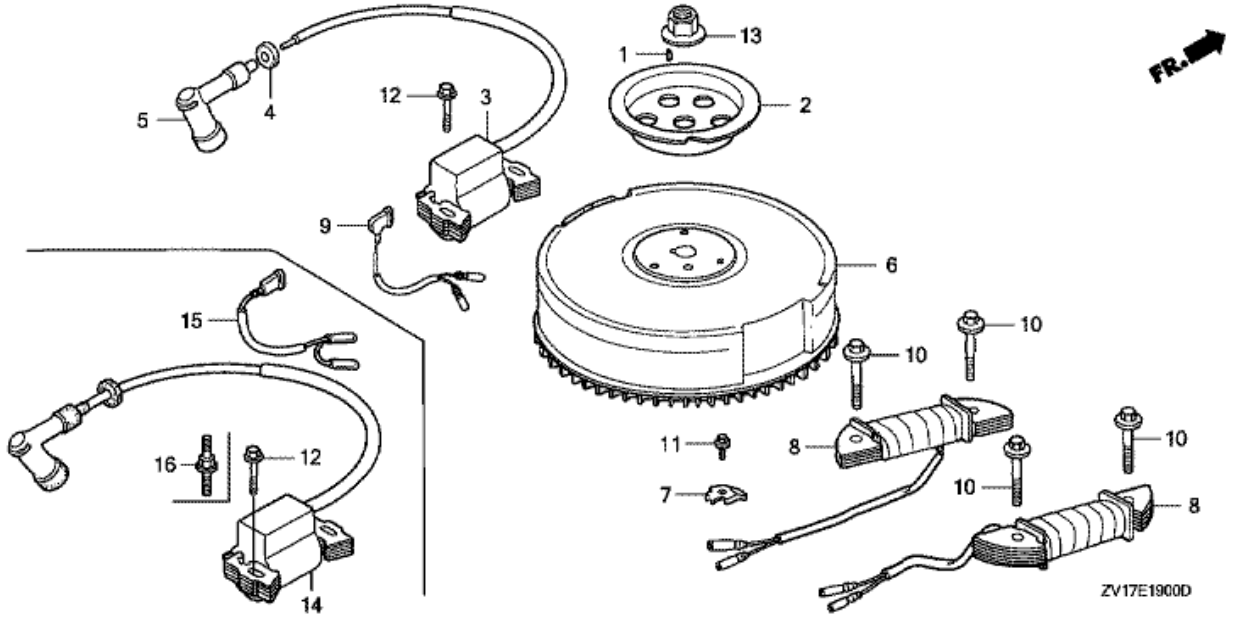


ZV17- E1800A

Refnr	Parça Numarası	Acıklama	İlk numara	Son numara	Birim Adedi	Tipler
1	16700ZV1015	PUMP ASSY., FUEL	1250926		001	SD, LD, SE, LE, SU, LU
1	16700ZV1015	PUMP ASSY., FUEL		2049327	001	SD, LD, SU, LU
1	16700ZV1015	PUMP ASSY., FUEL			001	SE, LE
1	16700ZV1025	PUMP ASSY., FUEL	2049328		001	SD, LD, SU, LU
2	16792ZV1000	TUBE, FUEL, 4.5			001	SD, LD, SE, LE, SU, LU
3	90124ZV1010	BOLT, SPECIAL, 6X34			002	SD, LD, SE, LE, SU, LU
4	90602921000	CLIP, TUBE (B8)			002	SD, LD, SE, LE, SU, LU
5	91306921000	O-RING, 20.8X2.4			001	SD, LD, SE, LE, SU, LU

BF5A4 (ZV1P2 59;17ZV10E1,extZV1P2 59;17ZV10E1,ZV1P2 53;17ZV10E1,extZV1P2 53;17ZV10E1,ZV1P2 79;17ZV10E1,extZV1P2 79;17ZV10E1,ZV1P2 58;17ZV10E1,extZV1P2 58;17ZV10E1,ZV1P2 52;17ZV10E1,extZV1P2 52;17ZV10E1,ZV1P2 78;17ZV10E1,extZV1P2 78;17ZV10E1)

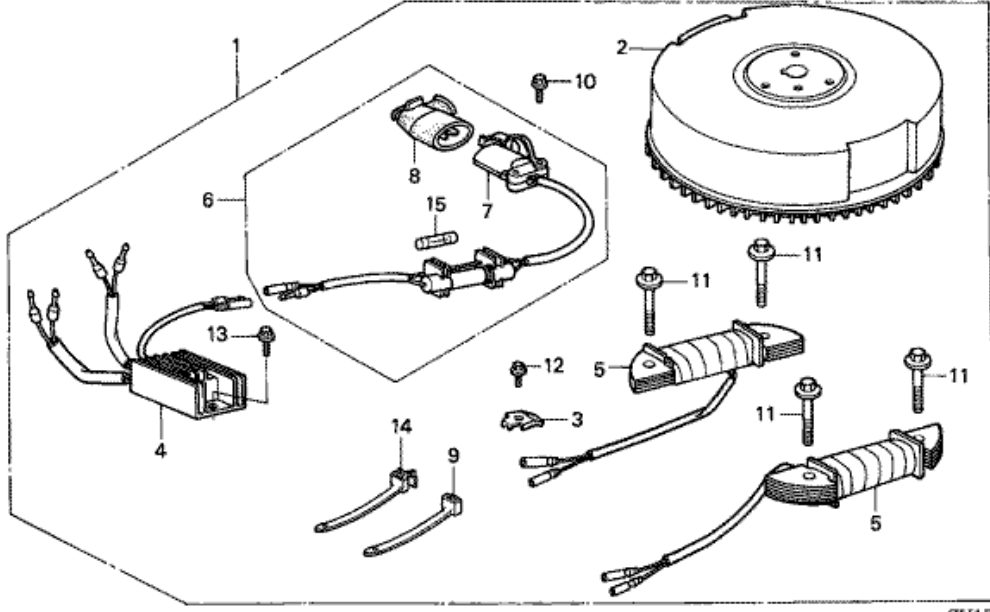
E-19 FLYWHEEL/IGNITION COIL



Refnr	Parça Numarası	Açıklama	İlk numara	Son numara	Birim Adedi	Tipler
1	13331357000	KEY, SPECIAL WOODRUFF, 25X18			001	SD, LD, SE, LE, SU, LU
2	28451ZV1010	PULLEY, STARTER			001	SD, LD, SE, LE, SU, LU
6	31100ZV1F00ZA	FLYWHEEL COMP. *TBLACK *			001	SD, LD, SE, LE, SU, LU
12	90121ZV1F00	BOLT, FLANGE, 6X28 (CT200)		2025033	002	SD, LD, SE, LE, SU, LU
12	90121ZV1F00	BOLT, FLANGE, 6X28 (CT200)			002	SE, LE
13	90201881000	NUT, SPECIAL, 14MM			001	SD, LD, SE, LE, SU, LU
14	30500ZV1F01	COIL ASSY., IGNITION		2009929	001	SD, LD, SE, LE
14	30500ZV1G01	COIL ASSY., IGNITION			001	SD, LD, SE, LE, SU, LU
14	30500ZV1G01	COIL ASSY., IGNITION	2009930		001	SD, LD, SE, LE
15	36101ZV1F00	CORD, STOP SWITCH			001	SD, LD, SE, LE, SU, LU
16	90001ZV1000	BOLT, SPECIAL (6MM)			002	SD, LD, SU, LU
16	90001ZV1000	BOLT, SPECIAL (6MM)	2025034		002	SD, LD, SU, LU

BF5A4 (ZV1P2 59;17ZV10E1,extZV1P2 59;17ZV10E1,ZV1P2 53;17ZV10E1,extZV1P2 53;17ZV10E1,ZV1P2 79;17ZV10E1,extZV1P2 79;17ZV10E1,ZV1P2 58;17ZV10E1,extZV1P2 58;17ZV10E1,ZV1P2 52;17ZV10E1,extZV1P2 52;17ZV10E1,ZV1P2 78;17ZV10E1,extZV1P2 78;17ZV10E1)

EOP-2 CHARGE RECEPTACLE KIT



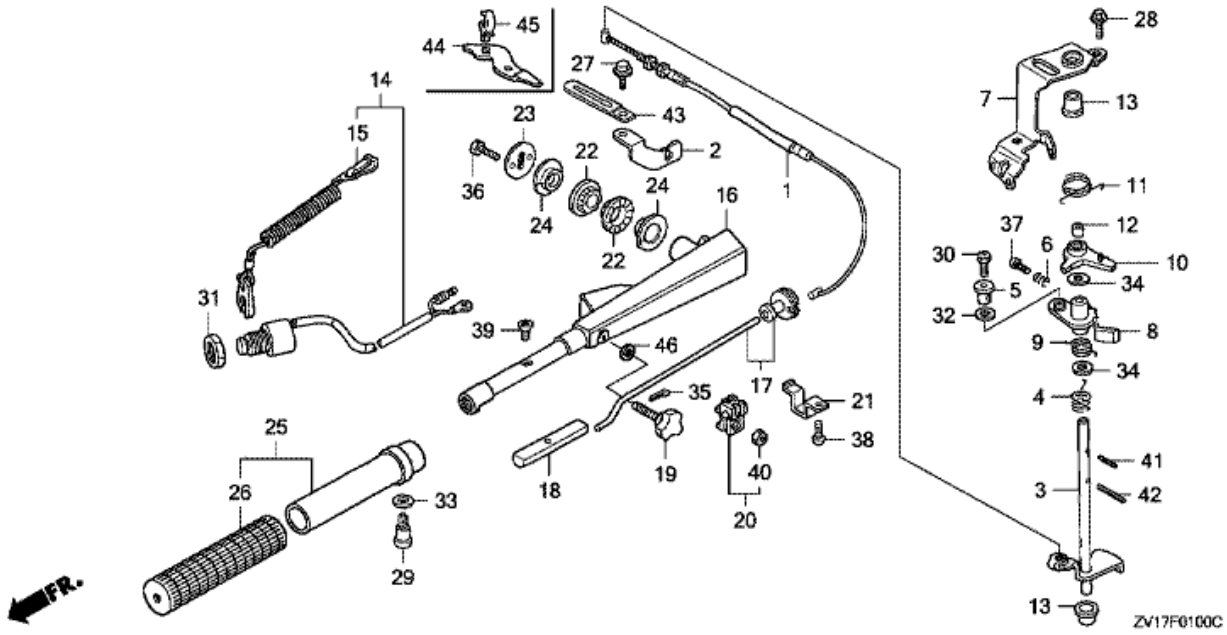
ZV17-X0200

Refnr	Parça Numarası	Açıklama	İlk numara	Son numara	Birim Adedi	Tipler
1	06310ZV1F00ZA	RECEPTACLE KIT, CHARGE *TBLACK *		2025033	(1)	SD, LD, SE, LE, SU, LU
1	06310ZV1F00ZA	RECEPTACLE KIT, CHARGE *TBLACK *			(1)	SE, LE
1	06310ZV1F01ZA	RECEPTACLE KIT, CHARGE *TBLACK *	2025034		(1)	SD, LD, SU, LU
2	31100ZV1F40ZA	FLYWHEEL COMP. (CHARGE) *TBLACK *			(1)	SD, LD, SE, LE, SU, LU
3	31511ZV1811	CLAMPER, CORD		2025033	(1)	SD, LD, SE, LE, SU, LU
3	31511ZV1811	CLAMPER, CORD			(1)	SE, LE
3	31511ZV1812	CLAMPER, CORD			(1)	SD, LD, SU, LU
3	31511ZV1812	CLAMPER, CORD	2025034		(1)	SD, LD, SU, LU
4	31620ZV1A01	RECTIFIER ASSY., REGULATOR			(1)	SD, LD, SE, LE, SU, LU
5	31630ZV1A01	COIL ASSY., CHARGE (12V/1.5A)			(2)	SD, LD, SE, LE, SU, LU
6	31650ZV1A02	RECEPTACLE ASSY., CHARGE	1308875		(1)	SD, LD, SE, LE, SU, LU
6	31650ZV1A02	RECEPTACLE ASSY., CHARGE			(1)	SD, LD, SE, LE, SU, LU
7	31651ZV1A01	CONSENT			(1)	SD, LD, SE, LE, SU, LU
8	31652881024	PLUG, CONSENT	1308875		(1)	SD, LD, SE, LE, SU, LU
8	31652881024	PLUG, CONSENT			(1)	SD, LD, SE, LE, SU, LU
9	32901952770	TIE, CABLE (2.4X92) (NATURAL)			(1)	SD, LD, SE, LE, SU, LU
10	90014ZV1010	BOLT, FLANGE, 5X22			(2)	SD, LD, SE, LE, SU, LU
11	90015ZV0C10	BOLT, FLANGE, 6X28 (CT200)			(4)	SD, LD, SE, LE, SU, LU
12	90019ZV1010	BOLT, FLANGE, 5X10			(1)	SD, LD, SE, LE, SU, LU
13	90128ZV1010	BOLT, FLANGE, 6X16			(1)	SD, LD, SE, LE, SU, LU
14	90674ZV1003	BAND, CABLE			(1)	SD, LD, SE,

						LE, SU, LU
15	9820010500	FUSE A (5A)			(1)	SD, LD, SE, LE, SU, LU

BF5A4 (ZV1P2 59;17ZV10E1,extZV1P2 59;17ZV10E1,ZV1P2 53;17ZV10E1,extZV1P2 53;17ZV10E1,ZV1P2 79;17ZV10E1,extZV1P2 79;17ZV10E1,ZV1P2 58;17ZV10E1,extZV1P2 58;17ZV10E1,ZV1P2 52;17ZV10E1,extZV1P2 52;17ZV10E1,ZV1P2 78;17ZV10E1,extZV1P2 78;17ZV10E1)

F-1 STEERING HANDLE/THROTTLE CABLE



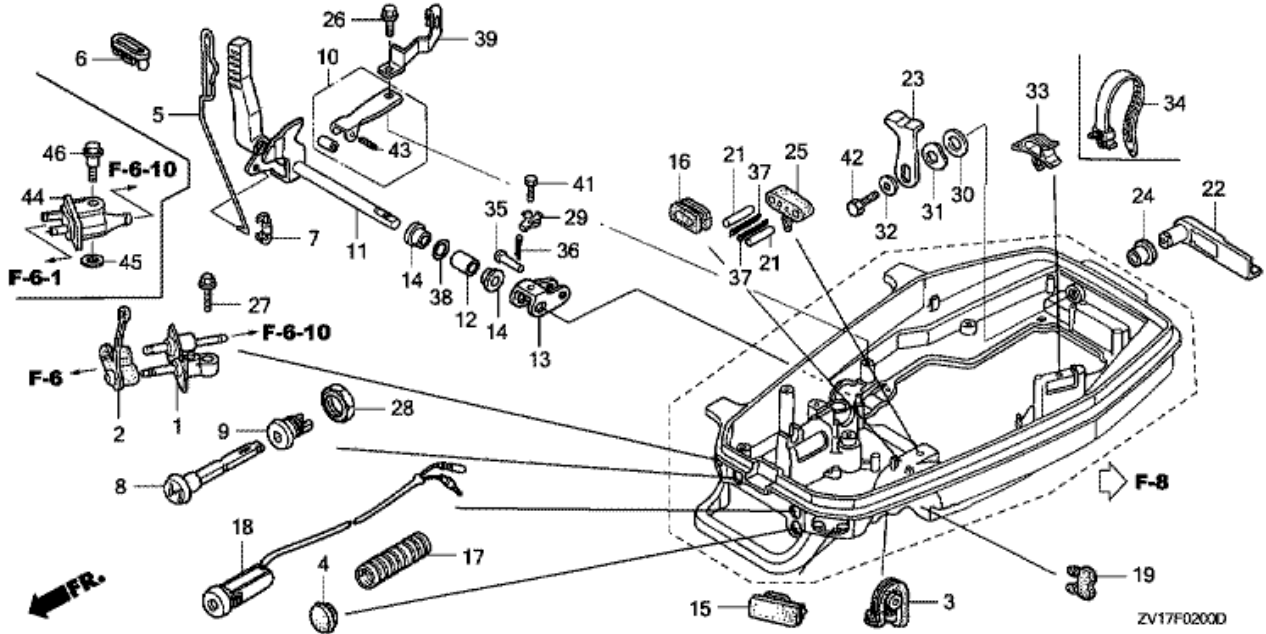
Refnr	Parça Numarası	Açıklama	İlk numara	Son numara	Birim Adedi	Tipler
1	17910ZV1000	CABLE COMP., THROTTLE			001	SD, LD, SE, LE, SU, LU
2	17921ZV1020	HOLDER, CABLE			001	SD, LD, SE, LE, SU, LU
3	17930ZV1020	SHAFT COMP., THROTTLE			001	SD, LD, SE, LE, SU, LU
4	17932ZV1000	SPRING, THROTTLE ARM			001	SD, LD, SE, LE, SU, LU
5	17933ZV1000	HOLDER, THROTTLE ROD			001	SD, LD, SE, LE, SU, LU
6	17934ZV1000	SPRING, THROTTLE ADJUSTING			001	SD, LD, SE, LE, SU, LU
7	17935ZV1000	STAY, THROTTLE SHAFT		2001753	001	LD, LE
7	17935ZV1000	STAY, THROTTLE SHAFT			001	SD, LD, SE, LE
7	17935ZV1000	STAY, THROTTLE SHAFT		2006915	001	SD, SE
7	17935ZV1010	STAY, THROTTLE SHAFT	2006916		001	SD, LD, SE, LE, SU, LU
7	17935ZV1010	STAY, THROTTLE SHAFT	2001754		001	LD, LE
7	17935ZV1010	STAY, THROTTLE SHAFT			001	SU, LU
8	17936ZV1000	LINK COMP., THROTTLE			001	SD, LD, SE, LE, SU, LU
9	17937ZV1000	SPRING, RETURN			001	SD, LD, SE, LE, SU, LU
10	17941ZV1000	POWL, NEUTRAL START			001	SD, LD, SE, LE, SU, LU
11	17942ZV1000	SPRING, POWL			001	SD, LD, SE, LE, SU, LU
12	17943ZV1000	COLLAR, POWL			001	SD, LD, SE, LE, SU, LU
13	24621921010	BUSH, SHAFT			002	SD, LD, SE, LE, SU, LU
14	36180ZV1A03	SWITCH ASSY., EMERGENCY STOP			001	SD, LD, SE, LE, SU, LU
14	36180ZV1A03	SWITCH ASSY., EMERGENCY STOP		2015841	001	SD, SU, LU
14	36180ZV1A03	SWITCH ASSY., EMERGENCY STOP		2002696	001	LD
14	36180ZV1A04	SWITCH ASSY., EMERGENCY STOP	2200548		001	SD, LD, SU, LU
14	36180ZV1A04	SWITCH ASSY., EMERGENCY STOP	2002697		001	LD

14	36180ZV1A04	SWITCH ASSY., EMERGENCY STOP	2015842		001	SD, SU, LU
15	36182ZV4650	CORD COMP., EMERGENCY			001	SD, LD, SE, LE, SU, LU
15	36182ZV4650	CORD COMP., EMERGENCY		2002696	001	LD
15	36182ZV4650	CORD COMP., EMERGENCY		2015841	001	SD, SU, LU
15	36182ZV4651	CORD COMP., EMERGENCY	2200548		001	SD, LD, SU, LU
15	36182ZV4651	CORD COMP., EMERGENCY	2015842		001	SD, SU, LU
15	36182ZV4651	CORD COMP., EMERGENCY	2002697		001	LD
16	53101ZV1A00ZB	HANDLE, STEERING *NH282MU *			001	SD, LD, SE, LE, SU, LU
17	53102ZV1000	REEL COMP., THROTTLE			001	SD, LD, SE, LE, SU, LU
18	53103ZV1000	WEIGHT, STEERING HANDLE			001	SD, LD, SE, LE, SU, LU
19	53104ZV1000	BOLT, FRICTION			001	SD, LD, SE, LE, SU, LU
20	53106ZV1000	BLOCK, THROTTLE FRICTION			001	SD, LD, SE, LE, SU, LU
21	53108ZV1000	STAY A, THROTTLE REEL			001	SD, LD, SE, LE, SU, LU
22	53109ZV1000	RUBBER, HANDLE MOUNTING			002	SD, LD, SE, LE, SU, LU
23	53111ZV1000	PLATE, STEERING HANDLE			001	SD, LD, SE, LE, SU, LU
24	53112ZV1000	COLLAR, STEERING HANDLE			002	SD, LD, SE, LE, SU, LU
25	53140ZV1A00	PIPE COMP., GRIP			001	SD, LD, SE, LE, SU, LU
26	53165ZV1A00	RUBBER, GRIP			001	SD, LD, SE, LE, SU, LU
27	90011ZW9000	BOLT, FLANGE, 6X14 (CT200)	2000189		001	SD, LD, SE, LE, SU, LU
27	90011ZW9000	BOLT, FLANGE, 6X14 (CT200)	2001754		001	LD, LE
27	90011ZW9000	BOLT, FLANGE, 6X14 (CT200)			001	SU, LU
27	90011ZW9000	BOLT, FLANGE, 6X14 (CT200)	2006916		001	SD, SE
27	90013ZV0010	BOLT, FLANGE, 6X12			001	SD, LD, SE, LE, SU, LU
27	90013ZV0010	BOLT, FLANGE, 6X12		2006915	001	SD, SE
27	90013ZV0010	BOLT, FLANGE, 6X12		2001753	001	LD, LE
28	90011ZW9000	BOLT, FLANGE, 6X14 (CT200)			001	SD, LD, SE, LE, SU, LU
29	90106ZV1000	BOLT, PIPE GRIP			001	SD, LD, SE, LE, SU, LU
30	90116ZV1000	BOLT, RECESSED, 5X8			001	SD, LD, SE, LE, SU, LU
31	90302921000	NUT, HEX., 16MM			001	SD, LD, SE, LE, SU, LU
32	90507ZV1000	WASHER, NYLON, 9MM			001	SD, LD, SE, LE, SU, LU
33	90508ZV1000	WASHER, 7.5MM			001	SD, LD, SE, LE, SU, LU
34	90511921000	WASHER, PLAIN, 10MM			002	SD, LD, SE, LE, SU, LU
35	90759ZV1000	PIN, SPLIT, 2.0			001	SD, LD, SE, LE, SU, LU
36	92101060164J	BOLT, HEX., 6X16			002	SD, LD, SE, LE, SU, LU
37	93500040164J	SCREW, PAN, 4X16			001	SD, LD, SE, LE, SU, LU
37	93500040164J	SCREW, PAN, 4X16		2002714	001	LD
37	93500040164J	SCREW, PAN, 4X16		2016381	001	SD, SU, LU
37	93500040204J	SCREW, PAN, 4X20			001	SD, LD, SU, LU
37	93500040204J	SCREW, PAN, 4X20	2016382		001	SD, SU, LU
37	93500040204J	SCREW, PAN, 4X20	2002715		001	LD
38	93500050124J	SCREW, PAN, 5X12			001	SD, LD, SE, LE, SU, LU
39	93700060124J	SCREW, OVAL, 6X12			001	SD, LD, SE,

						LE, SU, LU
40	94002064900S	NUT, HEX., 6MM			001	SD, LD, SE, LE, SU, LU
41	9430530183	PIN, SPRING, 3X18			001	SD, LD, SE, LE, SU, LU
42	9430530323	PIN, SPRING, 3X32			001	SD, LD, SE, LE, SU, LU
43	91403881000	CLIP B, CORD			001	SD, LD, SE, LE
44	16818ZV1000	STAY, FUEL TUBE			001	SD, LD, SE, LE, SU, LU
44	16818ZV1000	STAY, FUEL TUBE	2001754	2003242	001	LD
44	16818ZV1000	STAY, FUEL TUBE	2006916		001	SE
44	16818ZV1000	STAY, FUEL TUBE	2006916	2035722	001	SD
44	16818ZV1000	STAY, FUEL TUBE		2035722	001	SU, LU
44	16818ZV1000	STAY, FUEL TUBE	2001754		001	LE
44	16818ZV1010	STAY, FUEL TUBE	2035723		001	SD, SU, LU
44	16818ZV1010	STAY, FUEL TUBE	2003243		001	LD
45	16233PD2003	CLAMP, CARBURETOR SOLENOID WIRE HARNESS	2003243		001	SD, LD, SU, LU
45	16233PD2003	CLAMP, CARBURETOR SOLENOID WIRE HARNESS	2035723		001	SD, SU, LU
45	90659KG4000	CLAMP, WIRE, 8MM	2000695		001	SD, LD, SE, LE, SU, LU
45	90659KG4000	CLAMP, WIRE, 8MM	2006916		001	SE
45	90659KG4000	CLAMP, WIRE, 8MM		2035722	001	SU, LU
45	90659KG4000	CLAMP, WIRE, 8MM	2006916	2035722	001	SD
45	90659KG4000	CLAMP, WIRE, 8MM	2001754		001	LE
45	90659KG4000	CLAMP, WIRE, 8MM	2001754	2003242	001	LD
46	90504921010	WASHER, PLAIN, 6MM			001	SD, LD, SE, LE, SU, LU

BF5A4 (ZV1P2 59;17ZV10E1,extZV1P2 59;17ZV10E1,ZV1P2 53;17ZV10E1,extZV1P2 53;17ZV10E1,ZV1P2 79;17ZV10E1,extZV1P2 79;17ZV10E1,ZV1P2 58;17ZV10E1,extZV1P2 58;17ZV10E1,ZV1P2 52;17ZV10E1,extZV1P2 52;17ZV10E1,ZV1P2 78;17ZV10E1,extZV1P2 78;17ZV10E1)

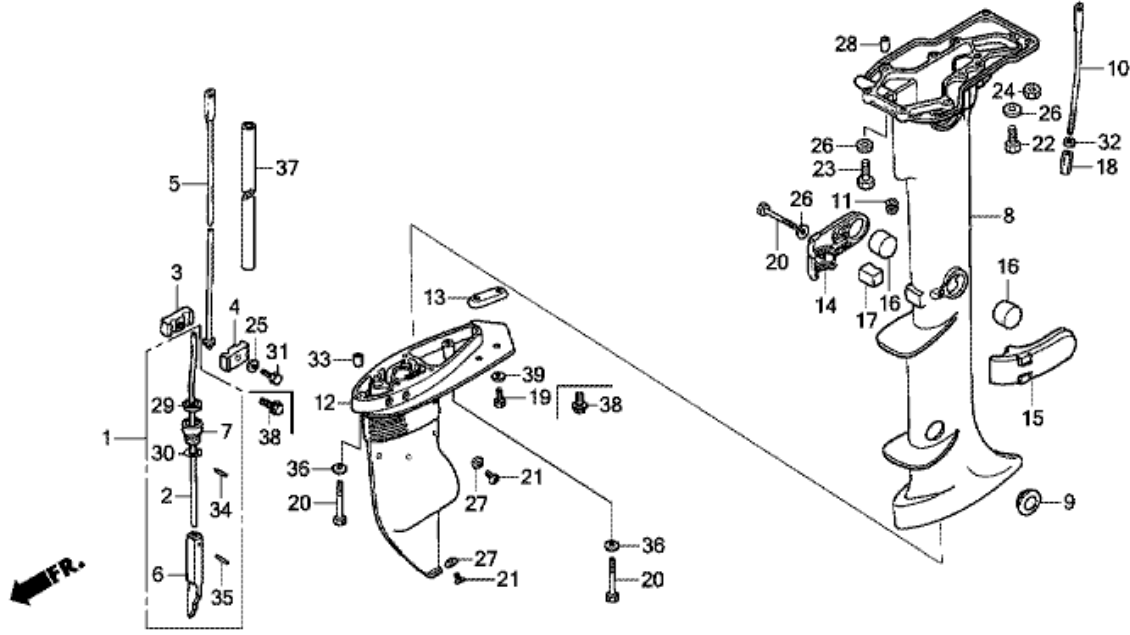
F-2 SHIFT SHAFT/COVER LOCK LEVER



Refnr	Parça Numarası	Açıklama	İlk numara	Son numara	Birim Adedi	Tipler
1	17710ZV1841ZB	CONNECTOR, FUEL *NH282MU *			001	SD, LD, SE, LE, SU, LU
1	17710ZV1841ZB	CONNECTOR, FUEL *NH282MU *		2003242	001	LD
1	17710ZV1841ZB	CONNECTOR, FUEL *NH282MU *		2035722	001	SD, SU, LU
2	17714ZV1000	CAP, FUEL JOINT			001	SD, LD, SE, LE, SU, LU
2	17714ZV1000	CAP, FUEL JOINT		2003242	001	LD
2	17714ZV1000	CAP, FUEL JOINT		2035722	001	SD, SU, LU
3	17918ZV1000	GROMMET, THROTTLE CABLE			001	SD, LD, SE, LE, SU, LU
4	17938ZV1000	GROMMET B, CASE UNDER			001	SD, LD, SE, LE, SU, LU
5	17944ZV1000	ROD, CAM			001	SD, LD, SE, LE, SU, LU
6	17945ZV1000	BUSH, CAM ROD			001	SD, LD, SE, LE, SU, LU
7	17946ZV1000	BUSH, LINKAGE			001	SD, LD, SE, LE, SU, LU
8	17951ZV1000	KNOB, CHOKE			001	SD, LD, SE, LE, SU, LU
9	17953ZV1000	GUIDE, CHOKE KNOB			001	SD, LD, SE, LE, SU, LU
10	24210ZV1010	SPRING COMP., CLICK			001	SD, LD, SE, LE, SU, LU
11	24610ZV1000	SHAFT COMP., SHIFT			001	SD, LD, SE, LE, SU, LU
12	24611ZV1000	COLLAR, SHIFT SHAFT			001	SD, LD, SE, LE, SU, LU
13	24612ZV1000	ARM COMP., SHIFT			001	SD, LD, SE, LE, SU, LU
14	24621921010	BUSH, SHAFT			002	SD, LD, SE, LE, SU, LU
15	31659ZV1000	GROMMET A, CASE UNDER			001	SD, LD, SE, LE, SU, LU
16	32972402830	GROMMET B, GENERATOR CORD			001	SD, LD, SE, LE, SU, LU
16	32972402830	GROMMET B, GENERATOR CORD			002	SD, LD, SE, LE, SU, LU
17	36104ZV1000	TUBE, CORD CLAMP			001	SD, LD, SE,

						LE, SU, LU
18	37210ZV1F01	LAMP ASSY., INDICATOR			001	SD, LD, SE, LE, SU, LU
19	50158ZV1000	RUBBER C, MOUNTING			001	SD, LD, SE, LE, SU, LU
21	58131ZV1010	PIN, SHEAR			002	SD, LD, SE, LE, SU, LU
22	63201ZV1841ZB	LEVER, COVER LOCK *NH282MU *			001	SD, LD, SE, LE, SU, LU
23	63202ZV1000	HOOK, COVER LOCK			001	SD, LD, SE, LE, SU, LU
24	63205920000	BUSH, COVER LOCK			001	SD, LD, SE, LE, SU, LU
25	88111921010	HOLDER, PARTS			001	SD, LD, SE, LE, SU, LU
26	90013ZV0010	BOLT, FLANGE, 6X12			001	SD, LD, SE, LE, SU, LU
27	90013ZV4010	BOLT, FLANGE, 6X20			001	SE, LE
27	90013ZV4010	BOLT, FLANGE, 6X20	2003242		001	SD, LD, SE, LE, SU, LU
27	90013ZV4010	BOLT, FLANGE, 6X20	2035722		001	SD, SU, LU
28	90302921000	NUT, HEX., 16MM			001	SD, LD, SE, LE, SU, LU
29	90501ZV1000	WASHER, TONGUED			001	SD, LD, SE, LE, SU, LU
30	90505ZV1000	WASHER, 14MM			001	SD, LD, SE, LE, SU, LU
31	90506ZV1000	WASHER, WAVE, 14MM			001	SD, LD, SE, LE, SU, LU
32	90512921010	WASHER, 6MM			001	SD, LD, SE, LE, SU, LU
33	90652ZV1000	CLIP, CABLE			001	SD, LD, SE, LE, SU, LU
35	90754ZV1000	PIN, 5X34			001	SD, LD, SE, LE, SU, LU
36	90756921000	PIN, SPLIT, 1.6MM			001	SD, LD, SE, LE, SU, LU
37	90758ZV1000	PIN, SPLIT			002	SD, LD, SE, LE, SU, LU
38	91352526000	O-RING, 9.8X2.4			001	SD, LD, SE, LE, SU, LU
39	91403ZV1000	CLIP, TUBE			001	SD, LD, SE, LE, SU, LU
41	92101050164J	BOLT, HEX., 5X16			001	SD, LD, SE, LE, SU, LU
42	92101060164J	BOLT, HEX., 6X16			001	SD, LD, SE, LE, SU, LU
43	9430530163	PIN, SPRING, 3X16			001	SD, LD, SE, LE, SU, LU
44	17710ZW9033	CONNECTOR ASSY., FUEL (B)			001	SD, LD, SU, LU
44	17710ZW9033	CONNECTOR ASSY., FUEL (B)	2003243		001	LD
44	17710ZW9033	CONNECTOR ASSY., FUEL (B)	2035723		001	SD, SU, LU
45	17936921000	WASHER, PIVOT			001	SD, LD, SU, LU
45	17936921000	WASHER, PIVOT	2035723		001	SD, SU, LU
45	17936921000	WASHER, PIVOT	2003243		001	LD
46	90112ZY1000	BOLT, SPECIAL, 6X22 (CT200)			001	SD, LD, SU, LU
46	90112ZY1000	BOLT, SPECIAL, 6X22 (CT200)	2035723		001	SD, SU, LU
46	90112ZY1000	BOLT, SPECIAL, 6X22 (CT200)	2003243		001	LD

F-3 EXTENSION CASE/GEAR CASE



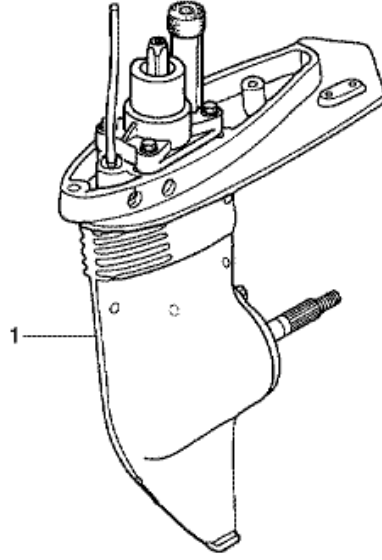
ZV17F0300C

Refnr	Parça Numarası	Açıklama	İlk numara	Son numara	Birim Adedi	Tipler
1	24310ZV1000	ROD COMP. B, SHIFT			001	SD, LD, SE, LE, SU, LU
2	24311ZV1300	ROD B, SHIFT			001	SD, LD, SE, LE, SU, LU
3	24312ZV1003	JOINT, R. SHIFT ROD			001	SD, LD, SE, LE, SU, LU
4	24313ZV1003	JOINT, L. SHIFT ROD			001	SD, LD, SE, LE, SU, LU
5	24320ZV1000	ROD A, SHIFT (S)			001	SD, SE, SU
5	24320ZV1700	ROD A, SHIFT (L)			001	LD, LE, LU
6	24341ZV1300	ROD, PUSH			001	SD, LD, SE, LE, SU, LU
7	24343ZV1000	HOLDER, SEAL			001	SD, LD, SE, LE, SU, LU
8	40201ZV1843ZB	CASE, EXTENSION (S) *NH282MU *			001	SD, SE, SU
8	40201ZV1943ZB	CASE, EXTENSION (L) *NH282MU *			001	LD, LE, LU
8	40201ZV1943ZB	CASE, EXTENSION (L) *NH282MU *	1707147		001	LD, LE, LU
9	40202ZV1000	GROMMET, EXTENSION			001	SD, LD, SE, LE, SU, LU
10	40204ZV1000	SHAFT, REVERSE LOCK			001	SD, LD, SE, LE, SU, LU
11	40205ZV1000	GROMMET, LOCK SHAFT			001	SD, LD, SE, LE, SU, LU
12	41100ZV1A00ZB	CASE COMP., GEAR *NH282MU *			001	SD, LD, SE, LE, SU, LU
13	41106ZV4650	METAL, ANODE			001	SD, LD, SE, LE, SU, LU
14	50111ZV1842ZB	HOUSING, R. LOWER MOUNTING *NH282MU *			001	SD, LD, SE, LE, SU, LU
15	50121ZV1842ZB	HOUSING, L. LOWER MOUNTING *NH282MU *			001	SD, LD, SE, LE, SU, LU
16	50152ZV1000	RUBBER A, LOWER MOUNTING			002	SD, LD, SE, LE, SU, LU
17	50155ZV1000	RUBBER B, LOWER MOUNTING			001	SD, LD, SE, LE, SU, LU
18	90005ZV1000	NUT, REVERSE LOCK			001	SD, LD, SE, LE, SU, LU
19	90101ZV1000	BOLT, HEX., 6X18			002	SD, LD, SE, LE, SU, LU

19	90101ZV1000	BOLT, HEX., 6X18		2003341	002	LD
19	90101ZV1000	BOLT, HEX., 6X18		2042804	002	SD, SU, LU
20	90102ZV1000	BOLT, HEX., 6X50			002	SD, LD, SE, LE, SU, LU
20	90102ZV1000	BOLT, HEX., 6X50			004	SD, LD, SE, LE, SU, LU
21	90105ZV4650	BOLT, OIL CHECK, 8X8			003	SD, LD, SE, LE, SU, LU
22	90111881000	BOLT, HEX., 6X32			007	SD, LD, SE, LE, SU, LU
23	90114881000	BOLT, HEX., 6X40	2018198		002	SD, SU, LU
23	90114881000	BOLT, HEX., 6X40	2002742		002	SD, LD, SU, LU
23	90120ZV4000	BOLT, HEX., 6X40			002	SD, LD, SE, LE, SU, LU
23	90120ZV4000	BOLT, HEX., 6X40		2002741	002	LD
23	90120ZV4000	BOLT, HEX., 6X40		2018197	002	SD, SU, LU
24	90304ZV4000	NUT, HEX., 6MM			004	SD, LD, SE, LE, SU, LU
25	90504921010	WASHER, PLAIN, 6MM			001	SE, LE
25	90504921010	WASHER, PLAIN, 6MM		2003341	001	SD, LD, SE, LE, SU, LU
25	90504921010	WASHER, PLAIN, 6MM		2042804	001	SD, SU, LU
26	90506ZV4000	WASHER, PLAIN, 6MM			011	SD, LD, SE, LE, SU, LU
27	90507921000	WASHER, NYLON, 8MM			003	SD, LD, SE, LE, SU, LU
28	90702HC4000	DOWEL PIN, 8X16			002	SD, LD, SE, LE, SU, LU
29	91253921003	WATER SEAL, 6MM			001	SD, LD, SE, LE, SU, LU
30	91303ZV1003	O-RING (10.8X2.5)			001	SD, LD, SE, LE, SU, LU
31	92101060164J	BOLT, HEX., 6X16			001	SD, LD, SE, LE, SU, LU
31	92101060164J	BOLT, HEX., 6X16		2042804	001	SD, SU, LU
31	92101060164J	BOLT, HEX., 6X16		2003341	001	LD
32	94001054900S	NUT, HEX., 5MM			001	SD, LD, SE, LE, SU, LU
33	9430108140	DOWEL PIN, 8X14			002	SD, LD, SE, LE, SU, LU
34	9430525102	PIN, SPRING, 2.5X10			001	SD, LD, SE, LE, SU, LU
35	9622025118	ROLLER, 2.5X11.8			001	SD, LD, SE, LE, SU, LU
36	90506ZV4000	WASHER, PLAIN, 6MM			002	SD, LD, SE, LE, SU, LU
37	950018025040	TUBE, FUEL, 8X250 (95001-80001-60M)			001	LD, LU
37	950018025040	TUBE, FUEL, 8X250 (95001-80001-60M)	2003262		001	LD
37	950018025040	TUBE, FUEL, 8X250 (95001-80001-60M)	2037028		001	LU
38	90215HW1671	BOLT, FLANGE, 6X16	2042805		002	SD, SU, LU
38	90215HW1671	BOLT, FLANGE, 6X16	2003342		002	LD
39	90506ZV4000	WASHER, PLAIN, 6MM		2042804	002	SD, SU, LU
39	90506ZV4000	WASHER, PLAIN, 6MM			002	SE, LE
39	90506ZV4000	WASHER, PLAIN, 6MM		2003341	002	LD

BF5A4 (ZV1P2 59;17ZV10E1,extZV1P2 59;17ZV10E1,ZV1P2 53;17ZV10E1,extZV1P2 53;17ZV10E1,ZV1P2 79;17ZV10E1,extZV1P2 79;17ZV10E1,ZV1P2 58;17ZV10E1,extZV1P2 58;17ZV10E1,ZV1P2 52;17ZV10E1,extZV1P2 52;17ZV10E1,ZV1P2 78;17ZV10E1,extZV1P2 78;17ZV10E1)

F-3-10 GEAR CASE ASSY.

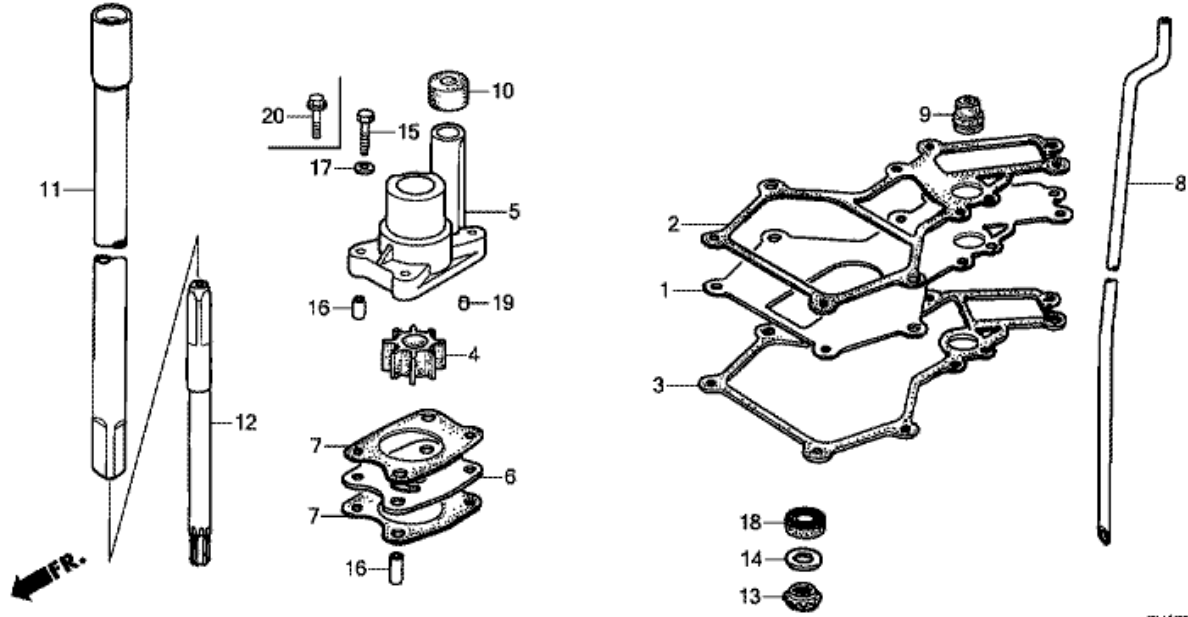


ZV17F0310

Refnr	Parça Numarası	Açıklama	İlk numara	Son numara	Birim Adedi	Tipler
1	41005ZV1C00ZA	CASE ASSY., GEAR *NH282MU*	2003342		001	LD
1	41005ZV1C00ZA	CASE ASSY., GEAR *NH282MU*	2042805		001	SD, SU, LU

BF5A4 (ZV1P2 59;17ZV10E1,extZV1P2 59;17ZV10E1,ZV1P2 53;17ZV10E1,extZV1P2 53;17ZV10E1,ZV1P2 79;17ZV10E1,extZV1P2 79;17ZV10E1,ZV1P2 58;17ZV10E1,extZV1P2 58;17ZV10E1,ZV1P2 52;17ZV10E1,extZV1P2 52;17ZV10E1,ZV1P2 78;17ZV10E1,extZV1P2 78;17ZV10E1)

F-4 VERTICAL SHAFT/WATER PUMP

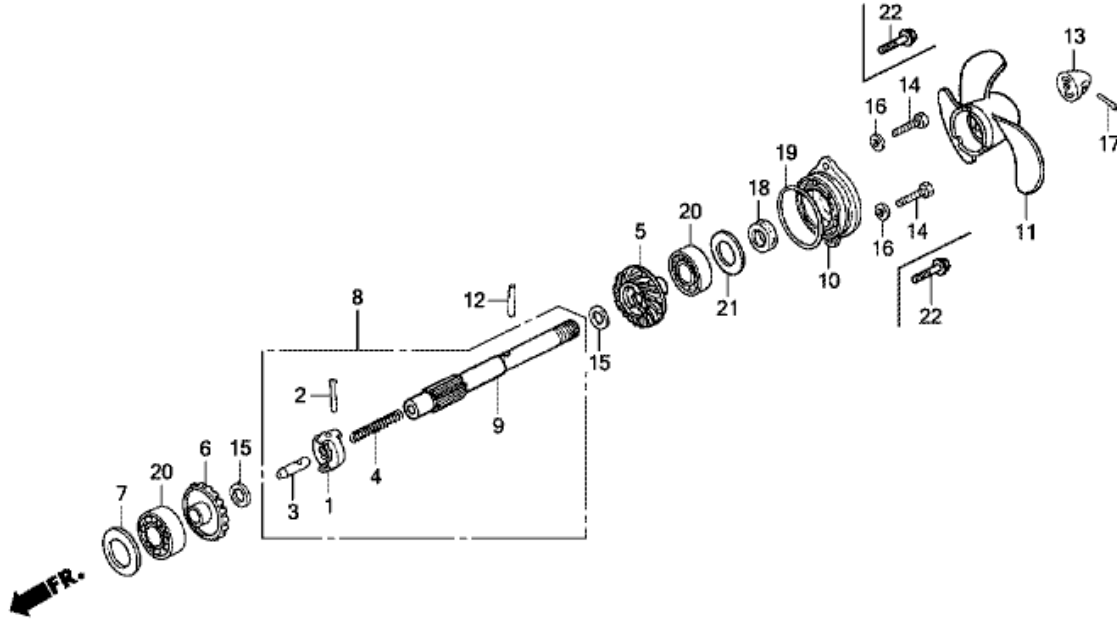


ZV17F0400A

Refnr	Parça Numarası	Açıklama	İlk numara	Son numara	Birim Adedi	Tipler
1	12515ZV1010	PLATE, EX. CHAMBER			001	SD, LD, SE, LE, SU, LU
2	12516ZV1850	GASKET, UPPER EX. CHAMBER			001	SD, LD, SE, LE, SU, LU
3	12517ZV1850	GASKET, LOWER EX. CHAMBER			001	SD, LD, SE, LE, SU, LU
4	19210881A02	IMPELLER, PUMP			001	SD, LD, SE, LE, SU, LU
5	19220ZV1A00	HOUSING COMP., IMPELLER			001	SD, LD, SE, LE, SU, LU
6	19231ZV1A00	COVER, IMPELLER			001	SD, LD, SE, LE, SU, LU
7	19232ZV1A10	GASKET, IMPELLER			002	SD, LD, SE, LE, SU, LU
8	19251ZV1010	TUBE, WATER (S)			001	SD, SE, SU
8	19251ZV1701	TUBE, WATER (L)			001	LD, LE, LU
9	19252ZV1000	GROMMET, WATER TUBE			001	SD, LD, SE, LE, SU, LU
10	19253ZV1000	RING, WATER TUBE SEAL			001	SD, LD, SE, LE, SU, LU
11	41110ZV1010	SHAFT COMP., VERTICAL (S)			001	SD, SE, SU
11	41110ZV1701	SHAFT COMP., VERTICAL (L)			001	LD, LE, LU
12	41121ZV1010	SHAFT, PINION			001	SD, LD, SE, LE, SU, LU
13	41131ZV1000	PINION			001	SD, LD, SE, LE, SU, LU
14	41135ZV1000	WASHER A (1.00MM)			001	SD, LD, SE, LE, SU, LU
14	41136ZV1000	WASHER B (1.05MM)			001	SD, LD, SE, LE, SU, LU
15	90108881000	BOLT, HEX., 6X28			004	SD, LD, SE, LE, SU, LU
15	90108881000	BOLT, HEX., 6X28		2003341	004	LD
15	90108881000	BOLT, HEX., 6X28		2042804	004	SD, SU, LU
16	90112881000	COLLAR B, DISTANCE			004	SD, LD, SE, LE, SU, LU
17	90504921010	WASHER, PLAIN, 6MM			004	SD, LD, SE, LE, SU, LU
17	90504921010	WASHER, PLAIN, 6MM		2042804	004	SD, SU, LU

17	90504921010	WASHER, PLAIN, 6MM		2003341	004	LD
18	91252ZV1003	SEAL, WATER, 13MM (ARAI)			001	SD, LD, SE, LE, SU, LU
19	9622040100	ROLLER, 4X10			002	SD, LD, SE, LE, SU, LU
20	90059ZY3000	BOLT-WASHER, 6X29	2042805		004	SD, SU, LU
20	90059ZY3000	BOLT-WASHER, 6X29	2003342		004	LD

F-5 PROPELLER/PROPELLER SHAFT



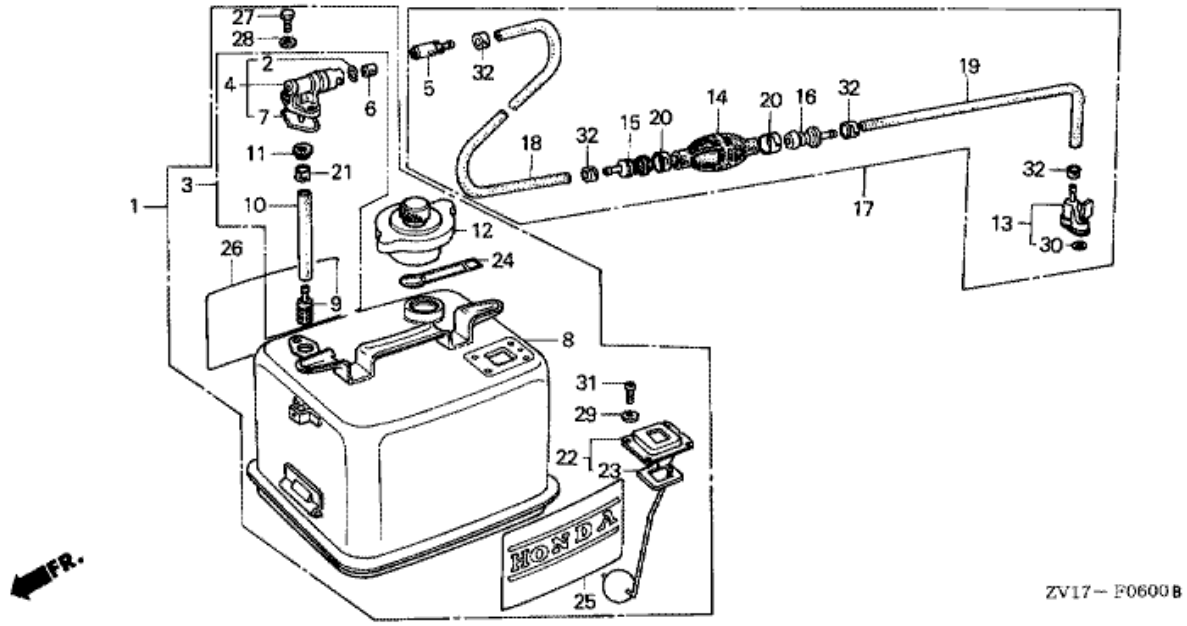
ZV17F0500B

Refnr	Parça Numarası	Açıklama	İlk numara	Son numara	Birim Adedi	Tipler
1	24101ZV1300	SHIFTER, CLUTCH			001	SD, LD, SE, LE, SU, LU
2	24102ZV1300	PIN, SHIFTER, 3X26			001	SD, LD, SE, LE, SU, LU
3	24122ZV1300	SLIDER, SHIFT			001	SD, LD, SE, LE, SU, LU
4	24123ZV1300	SPRING, SHIFT			001	SD, LD, SE, LE, SU, LU
5	41150ZV1000	GEAR COMP., BEVEL (R)			001	SD, LD, SE, LE, SU, LU
6	41145ZV1000	GEAR COMP., BEVEL (F)			001	SD, LD, SE, LE, SU, LU
7	41158ZV1000	SHIM B, GEAR (0.10MM)		1701363	N	SD, LD, SE, LE, SU, LU
7	41158ZV1000	SHIM B, GEAR (0.10MM)			001	SD, LD, SE, LE, SU, LU
7	41159ZV1000	SHIM C, GEAR (0.15MM)			001	SD, LD, SE, LE, SU, LU
8	41160ZV1000	SHAFT COMP., PROPELLER			001	SD, LD, SE, LE, SU, LU
9	41161ZV1300	SHAFT, PROPELLER			001	SD, LD, SE, LE, SU, LU
10	41201ZV1843ZB	HOLDER, PROPELLER SHAFT *NH282MU *			001	SD, LD, SE, LE, SU, LU
10	41201ZV1843ZB	HOLDER, PROPELLER SHAFT *NH282MU *		2003341	001	LD
10	41201ZV1843ZB	HOLDER, PROPELLER SHAFT *NH282MU *		2042804	001	SD, SU, LU
10	41201ZV1C00ZA	HOLDER, PROPELLER SHAFT *NH282MU*	2003342		001	LD
10	41201ZV1C00ZA	HOLDER, PROPELLER SHAFT *NH282MU*	2042805		001	SD, SU, LU
11	58130ZV1840ZB	PROPELLER COMP., THREE BLADES (200X190) *NH283 *			001	SD, LD
11	58130ZV1840ZB	PROPELLER COMP., THREE BLADES (200X190) *NH283 *		2002947	001	LD
11	58130ZV1840ZB	PROPELLER COMP., THREE BLADES (200X190) *NH283 *		2025287	001	SD
11	58130ZV1841ZB	PROPELLER COMP., THREE BLADES (200X190) *NH283 *	2201542		001	SD, LD
11	58130ZV1841ZB	PROPELLER COMP., THREE BLADES (200X190) *NH283 *	2002948		001	LD
11	58130ZV1841ZB	PROPELLER COMP., THREE BLADES (200X190) *NH283 *	2025288		001	SD

		*NH283 *				
11	58130ZV1940ZB	PROPELLER COMP., THREE BLADES (200X170) *NH283 *			001	SE, LE
11	58130ZV1940ZB	PROPELLER COMP., THREE BLADES (200X170) *NH283 *		2025287	001	SE, LE, SU, LU
11	58130ZV1941ZB	PROPELLER COMP., THREE BLADES (200X170) *NH283 *	2025288		001	SU, LU
12	58131ZV1010	PIN, SHEAR			001	SD, LD, SE, LE, SU, LU
13	58141ZV1000	CAP, PROPELLER			001	SD, LD, SE, LE, SU, LU
14	90101ZV1000	BOLT, HEX., 6X18			002	SD, LD, SE, LE, SU, LU
14	90101ZV1000	BOLT, HEX., 6X18		2003341	002	LD
14	90101ZV1000	BOLT, HEX., 6X18		2042804	002	SD, SU, LU
15	90503ZV1000	WASHER, 13MM			002	SD, LD, SE, LE, SU, LU
16	90506ZV4000	WASHER, PLAIN, 6MM		2042804	002	SD, SU, LU
16	90506ZV4000	WASHER, PLAIN, 6MM			002	SD, LD, SE, LE, SU, LU
16	90506ZV4000	WASHER, PLAIN, 6MM		2003341	002	LD
17	90758ZV1000	PIN, SPLIT			001	SD, LD, SE, LE, SU, LU
18	91252ZV1003	SEAL, WATER, 13MM (ARAI)			001	SD, LD, SE, LE, SU, LU
19	91351ZV1003	O-RING (52MM)			001	SD, LD, SE, LE, SU, LU
20	961006004000	BEARING, RADIAL BALL, 6004			002	SD, LD, SE, LE, SU, LU
22	90215HW1671	BOLT, FLANGE, 6X16	2003342		002	LD
22	90215HW1671	BOLT, FLANGE, 6X16	2042805		002	SD, SU, LU

BF5A4 (ZV1P2 59;17ZV10E1,extZV1P2 59;17ZV10E1,ZV1P2 53;17ZV10E1,extZV1P2 53;17ZV10E1,ZV1P2 79;17ZV10E1,extZV1P2 79;17ZV10E1,ZV1P2 58;17ZV10E1,extZV1P2 58;17ZV10E1,ZV1P2 52;17ZV10E1,extZV1P2 52;17ZV10E1,ZV1P2 78;17ZV10E1,extZV1P2 78;17ZV10E1)

F-6 FUEL TANK (STANDARD)

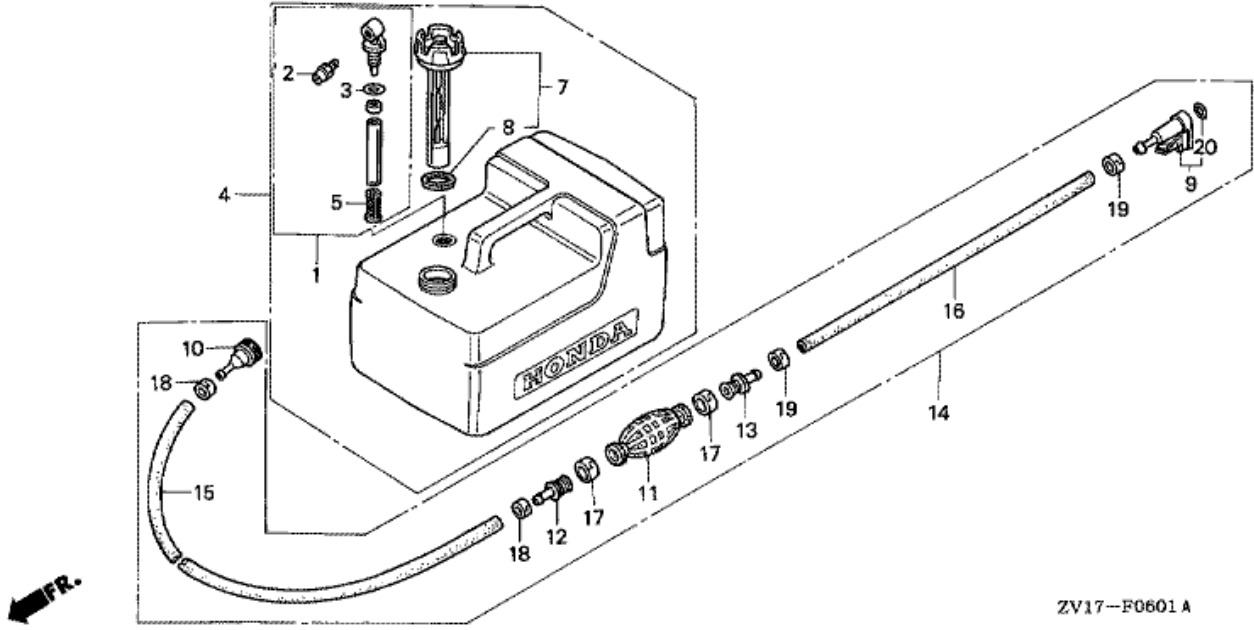


Refnr	Parça Numarası	Açıklama	İlk numara	Son numara	Birim Adedi	Tipler
1	06175881C12ZB	TANK KIT, FUEL (D) *R280 *		2000574	001	LD
1	06175881C12ZB	TANK KIT, FUEL (D) *R280 *		2003458	001	SD
2	16075935006	O-RING			001	SD, LD
2	16075935006	O-RING		2000574	001	LD
2	16075935006	O-RING		2003458	001	SD
3	16900881010	JOINT COMP. A, FUEL		2000574	001	LD
3	16900881010	JOINT COMP. A, FUEL		2003458	001	SD
3	16900881010	JOINT COMP. A, FUEL			001	SD, LD
4	16951935006	JOINT A, FUEL CONSENT		2003458	001	SD
4	16951935006	JOINT A, FUEL CONSENT			001	SD, LD
4	16951935006	JOINT A, FUEL CONSENT		2000574	001	LD
5	16952935016	JOINT B, FUEL CONSENT			001	SD, LD
5	16952935016	JOINT B, FUEL CONSENT		2000574	001	LD
5	16952935016	JOINT B, FUEL CONSENT		2003458	001	SD
6	16953935000	ABSORBER, FUEL			001	SD, LD
6	16953935000	ABSORBER, FUEL		2000574	001	LD
6	16953935000	ABSORBER, FUEL		2003458	001	SD
7	16962865010	RING, COCK SEAL			001	SD, LD
7	16962865010	RING, COCK SEAL		2000574	001	LD
7	16962865010	RING, COCK SEAL		2003458	001	SD
8	17500881C01ZB	TANK COMP., FUEL *R280 *		2000159	001	LD
8	17500881C01ZB	TANK COMP., FUEL *R280 *	1704302		001	SD, LD
8	17500881C01ZB	TANK COMP., FUEL *R280 *		2001276	001	SD
8	17500881C02ZB	TANK COMP., FUEL *R280 *	2001277	2003458	001	SD
8	17500881C02ZB	TANK COMP., FUEL *R280 *	2000160	2000574	001	LD
9	17583881000	FILTER, FUEL			001	SD, LD
9	17583881000	FILTER, FUEL		2000574	001	LD
9	17583881000	FILTER, FUEL		2003458	001	SD
10	17611935000	TUBE, INNER			001	SD, LD
10	17611935000	TUBE, INNER		2000574	001	LD
10	17611935000	TUBE, INNER		2003458	001	SD
11	17612881000	SEAL, INNER			001	SD, LD
11	17612881000	SEAL, INNER		2000574	001	LD
11	17612881000	SEAL, INNER		2003458	001	SD
12	17620881053	CAP COMP., FUEL FILLER		2000574	001	LD

12	17620881053	CAP COMP., FUEL FILLER		2003458	001	SD
12	17620881053	CAP COMP., FUEL FILLER			001	SD, LD
13	17650921003ZB	CONNECTOR COMP., FUEL *NH1 *		2000574	001	LD
13	17650921003ZB	CONNECTOR COMP., FUEL *NH1 *		2003458	001	SD
13	17650921003ZB	CONNECTOR COMP., FUEL *NH1 *			001	SD, LD
14	17661921000	BULB, PRIMER		2000159	001	LD
14	17661921000	BULB, PRIMER			001	SD, LD
14	17661921000	BULB, PRIMER		2001379	001	SD
14	17661921010	BULB, PRIMER	2001380	2003458	001	SD, LD
14	17661921010	BULB, PRIMER	2000160	2000574	001	LD
15	17670921000	VALVE COMP., IN.			001	SD, LD
15	17670921000	VALVE COMP., IN.		2000574	001	LD
15	17670921000	VALVE COMP., IN.		2003458	001	SD
16	17680921000	VALVE COMP., OUTLET			001	SD, LD
16	17680921000	VALVE COMP., OUTLET		2000574	001	LD
16	17680921000	VALVE COMP., OUTLET		2003458	001	SD
17	17700881010ZD	TUBE COMP., FUEL *NH1 *		2000574	001	LD
17	17700881010ZD	TUBE COMP., FUEL *NH1 *		2003458	001	SD
17	17700881010ZD	TUBE COMP., FUEL *NH1 *	1705066		001	SD, LD
18	17701881000	TUBE, FUEL LONG		2003458	001	SD
18	17701881000	TUBE, FUEL LONG			001	SD, LD
18	17701881000	TUBE, FUEL LONG		2000574	001	LD
19	17702921000	TUBE, FUEL SHORT			001	SD, LD
19	17702921000	TUBE, FUEL SHORT		2000574	001	LD
19	17702921000	TUBE, FUEL SHORT		2003458	001	SD
20	17703921010	BAND, TUBE CLIP, 20MM	1500203		002	SD, LD
20	17703921010	BAND, TUBE CLIP, 20MM		2000574	002	LD
20	17703921010	BAND, TUBE CLIP, 20MM		2003458	002	SD
21	17704921000	BAND, TUBE CLIP, 11MM			001	SD, LD
21	17704921000	BAND, TUBE CLIP, 11MM		2000574	001	LD
21	17704921000	BAND, TUBE CLIP, 11MM		2003458	001	SD
22	17800ZV1611	METER ASSY., FUEL		2000574	001	LD
22	17800ZV1611	METER ASSY., FUEL		2003458	001	SD
22	17800ZV1611	METER ASSY., FUEL			001	SD, LD
23	17803GC3003	PACKING, FUEL METER			001	SD, LD
23	17803GC3003	PACKING, FUEL METER		2000574	001	LD
23	17803GC3003	PACKING, FUEL METER		2003458	001	SD
24	87571881671	MARK, TANK CAUTION (ENGLISH/FRENCH)		2000574	001	LD
24	87571881671	MARK, TANK CAUTION (ENGLISH/FRENCH)		2003458	001	SD
24	87571881671	MARK, TANK CAUTION (ENGLISH/FRENCH)			001	SD, LD
25	87573881671	MARK, TANK (ENGLISH)		2003458	001	SD
25	87573881671	MARK, TANK (ENGLISH)		2000091	001	SD, LD
25	87573881671	MARK, TANK (ENGLISH)		2000574	001	LD
26	87574881671	MARK, TANK (FRENCH)		2003458	001	SD, LD
26	87574881671	MARK, TANK (FRENCH)		2000574	001	LD
27	90120881010	BOLT, FLANGE, 6X16		2000032	002	SD, LD
27	90120881010	BOLT, FLANGE, 6X16		2000574	002	LD
27	90120881010	BOLT, FLANGE, 6X16		2003458	002	SD
28	90445700000	PACKING, FIBER, 6MM			002	SD, LD
28	90445700000	PACKING, FIBER, 6MM		2000574	002	LD
28	90445700000	PACKING, FIBER, 6MM		2003458	002	SD
29	90540881000	PACKING, FIBER, 5MM		2000574	004	LD
29	90540881000	PACKING, FIBER, 5MM		2003458	004	SD
29	90540881000	PACKING, FIBER, 5MM			004	SD, LD
30	91353921310	O-RING, 5.5MM		2003458	001	SD
30	91353921310	O-RING, 5.5MM			001	SD, LD
30	91353921310	O-RING, 5.5MM		2000574	001	LD
31	93500050104J	SCREW, PAN, 5X10			004	SD, LD
31	93500050104J	SCREW, PAN, 5X10		2000574	004	LD
31	93500050104J	SCREW, PAN, 5X10		2003458	004	SD
32	17704ZW9660	BAND, TUBE CLIP, 11MM		2000574	004	SD, LD
32	17704ZW9660	BAND, TUBE CLIP, 11MM		2003458	004	SD

BF5A4 (ZV1P2 59;17ZV10E1,extZV1P2 59;17ZV10E1,ZV1P2 53;17ZV10E1,extZV1P2 53;17ZV10E1,ZV1P2 79;17ZV10E1,extZV1P2 79;17ZV10E1,ZV1P2 58;17ZV10E1,extZV1P2 58;17ZV10E1,ZV1P2 52;17ZV10E1,extZV1P2 52;17ZV10E1,ZV1P2 78;17ZV10E1,extZV1P2 78;17ZV10E1)

F-6-1 FUEL TANK (PLASTICS)

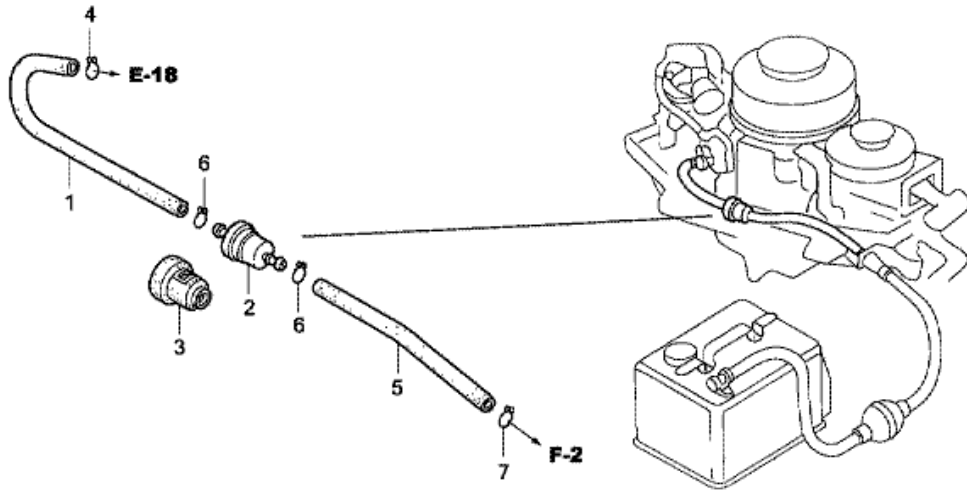


Refnr	Parça Numarası	Açıklama	İlk numara	Son numara	Birim Adedi	Tipler
1	16900ZV4A22	JOINT ASSY., FUEL	1701882		001	SD, LD, SE, LE, SU, LU
1	16900ZV4A22	JOINT ASSY., FUEL	2000575		001	LD
1	16900ZV4A22	JOINT ASSY., FUEL			001	SE, LE, SU, LU
1	16900ZV4A22	JOINT ASSY., FUEL	2003459		001	SD
2	16977ZV5A00	FITTING, QUICK DISCONNECT			001	SD, LD, SE, LE, SU, LU
2	16977ZV5A00	FITTING, QUICK DISCONNECT	2000575		001	LD
2	16977ZV5A00	FITTING, QUICK DISCONNECT	2003459		001	SD
3	16979ZV5901	O-RING	2000092		001	SD, LD, SE, LE, SU, LU
3	16979ZV5901	O-RING	2000575		001	LD
3	16979ZV5901	O-RING			001	SE, LE, SU, LU
3	16979ZV5901	O-RING	2003459		001	SD
4	17500ZV4A22	TANK ASSY., FUEL		2000574	001	LE
4	17500ZV4A22	TANK ASSY., FUEL		2003458	001	SE
4	17500ZV4A22	TANK ASSY., FUEL	1802507		001	SE, LE
4	17500ZV4A23	TANK ASSY., FUEL	2003459		001	SE
4	17500ZV4A23	TANK ASSY., FUEL	2003459	2017596	001	SD, LD, SE, LE, SU, LU
4	17500ZV4A23	TANK ASSY., FUEL		2017596	001	SU, LU
4	17500ZV4A23	TANK ASSY., FUEL	2000575		001	LE
4	17500ZV4A23	TANK ASSY., FUEL	2000575	2002741	001	LD
4	17500ZV4A24	TANK ASSY., FUEL	2017597	2038754	001	SD, SU, LU
4	17500ZV4A24	TANK ASSY., FUEL	2002742	2003281	001	SD, LD, SU, LU
4	17500ZV4A25	TANK ASSY., FUEL	2003282		001	LD
4	17500ZV4A25	TANK ASSY., FUEL	2038755		001	SD, LD, SU, LU
5	17583ZV5901	FILTER, FUEL	2000033		001	SD, LD, SE, LE, SU, LU
5	17583ZV5901	FILTER, FUEL	2000575		001	LD
5	17583ZV5901	FILTER, FUEL			001	SE, LE, SU, LU
5	17583ZV5901	FILTER, FUEL	2003459		001	SD

7	17620ZV4A21	CAP COMP., FUEL FILLER		2000574	001	LE
7	17620ZV4A21	CAP COMP., FUEL FILLER		2003458	001	SE
7	17620ZV4A21	CAP COMP., FUEL FILLER	1706954		001	SE, LE
7	17620ZV4A22	CAP COMP., FUEL FILLER	2000575	2003281	001	SD, LD, SE, LE, SU, LU
7	17620ZV4A22	CAP COMP., FUEL FILLER	2003459		001	SE
7	17620ZV4A22	CAP COMP., FUEL FILLER		2038754	001	SU, LU
7	17620ZV4A22	CAP COMP., FUEL FILLER	2003459	2038754	001	SD
7	17620ZV4A22	CAP COMP., FUEL FILLER	2000575		001	LE
7	17620ZV4A23	CAP COMP., FUEL FILLER	2038755		001	SD, SU, LU
7	17620ZV4A23	CAP COMP., FUEL FILLER	2003282		001	LD
8	17624ZV5901	PACKING, FUEL CAP		2000574	001	LE
8	17624ZV5901	PACKING, FUEL CAP		2003458	001	SE
8	17624ZV5901	PACKING, FUEL CAP	1802507		001	SE, LE
8	17624ZV5902	PACKING, FUEL CAP	2003459		001	SD, LD, SE, LE, SU, LU
8	17624ZV5902	PACKING, FUEL CAP	2000575		001	LD, LE
8	17624ZV5902	PACKING, FUEL CAP			001	SU, LU
9	17650921003ZB	CONNECTOR COMP., FUEL *NH1 *			001	SD, LD, SE, LE, SU, LU
9	17650921003ZB	CONNECTOR COMP., FUEL *NH1 *		2015841	001	SU, LU
9	17650921003ZB	CONNECTOR COMP., FUEL *NH1 *	2000575	2002722	001	LD
9	17650921003ZB	CONNECTOR COMP., FUEL *NH1 *	2003459	2015841	001	SD
9	17650921003ZC	CONNECTOR COMP., FUEL *NH282MU *	2200639		001	SD, LD, SU, LU
9	17650921003ZC	CONNECTOR COMP., FUEL *NH282MU *	2015842	2035722	001	SD, SU, LU
9	17650921003ZC	CONNECTOR COMP., FUEL *NH282MU *	2002723	2003242	001	LD
9	17650ZW9023	CONNECTOR ASSY., FUEL (A)	2035723		001	SD, LD, SU, LU
9	17650ZW9023	CONNECTOR ASSY., FUEL (A)	2003243		001	LD
10	17660ZW9003	CONNECTOR COMP., FUEL			001	SE, LE, SU, LU
10	17660ZW9003	CONNECTOR COMP., FUEL	2000092		001	SD, LD, SE, LE, SU, LU
10	17660ZW9003	CONNECTOR COMP., FUEL	2000575		001	LD
10	17660ZW9003	CONNECTOR COMP., FUEL	2003459		001	SD
11	17661921000	BULB, PRIMER		2000159	001	LE
11	17661921000	BULB, PRIMER		2001379	001	SE
11	17661921000	BULB, PRIMER			001	SE, LE
11	17661921010	BULB, PRIMER	2000575		001	SD, LD, SE, LE, SU, LU
11	17661921010	BULB, PRIMER	2000160		001	LE
11	17661921010	BULB, PRIMER	2001380		001	SE
11	17661921010	BULB, PRIMER			001	SU, LU
11	17661921010	BULB, PRIMER	2003459		001	SD
12	17665ZV5000	VALVE COMP., IN.			001	SD, LD, SE, LE, SU, LU
12	17665ZV5000	VALVE COMP., IN.	2000575		001	LD
12	17665ZV5000	VALVE COMP., IN.	2003459		001	SD
13	17680921000	VALVE COMP., OUTLET			001	SD, LD, SE, LE, SU, LU
13	17680921000	VALVE COMP., OUTLET	2003459	2035722	001	SD
13	17680921000	VALVE COMP., OUTLET		2035722	001	SU, LU
13	17680921000	VALVE COMP., OUTLET	2000575	2003242	001	LD
13	17680ZV4000	VALVE COMP., OUTLET	2035723		001	SD, SU, LU
13	17680ZV4000	VALVE COMP., OUTLET	2003243		001	LD
14	17700881C03ZA	TUBE COMP., FUEL *NH1 *	2003459	2015841	001	SD, LD, SE, LE, SU, LU
14	17700881C03ZA	TUBE COMP., FUEL *NH1 *	2000575	2002722	001	LD
14	17700881C03ZA	TUBE COMP., FUEL *NH1 *			001	SE, LE
14	17700881C03ZA	TUBE COMP., FUEL *NH1 *		2015841	001	SU, LU
14	17700881C03ZB	TUBE COMP., FUEL *NH282MU *	2002723	2003242	001	SD, LD, SU, LU
14	17700881C03ZB	TUBE COMP., FUEL *NH282MU *	2015842	2035722	001	SD, SU, LU
14	17700ZW9030	TUBE ASSY., FUEL	2035723		001	SD, LD, SU, LU

14	17700ZW9030	TUBE ASSY., FUEL	2003243		001	LD
15	17701ZV5000	TUBE, FUEL LONG (7.3X2000)			001	SD, LD, SE, LE, SU, LU
15	17701ZV5000	TUBE, FUEL LONG (7.3X2000)	2000575		001	LD
15	17701ZV5000	TUBE, FUEL LONG (7.3X2000)	2003459		001	SD
16	17702921000	TUBE, FUEL SHORT			001	SD, LD, SE, LE, SU, LU
16	17702921000	TUBE, FUEL SHORT		2035722	001	SU, LU
16	17702921000	TUBE, FUEL SHORT	2000575	2003242	001	LD
16	17702921000	TUBE, FUEL SHORT	2003459	2035722	001	SD
16	17702ZV4000	TUBE, FUEL SHORT (6.3X500)	2035723		001	SD, SU, LU
16	17702ZV4000	TUBE, FUEL SHORT (6.3X500)	2003243		001	LD
17	17703921010	BAND, TUBE CLIP, 20MM	2003459		002	SD, LD, SE, LE, SU, LU
17	17703921010	BAND, TUBE CLIP, 20MM			002	SE, LE, SU, LU
17	17703921010	BAND, TUBE CLIP, 20MM	2000575		002	LD
18	17704ZV4010	BAND, TUBE CLIP, 12.5MM			002	SD, LD, SE, LE, SU, LU
18	17704ZV4010	BAND, TUBE CLIP, 12.5MM	2003459		002	SD
18	17704ZV4010	BAND, TUBE CLIP, 12.5MM	2000575		002	LD
19	17704ZV4010	BAND, TUBE CLIP, 12.5MM			002	SD, LD, SU, LU
19	17704ZV4010	BAND, TUBE CLIP, 12.5MM	2003243		002	LD
19	17704ZV4010	BAND, TUBE CLIP, 12.5MM	2035723		002	SD, SU, LU
19	17704ZW9660	BAND, TUBE CLIP, 11MM	1801325		002	SD, LD, SE, LE, SU, LU
19	17704ZW9660	BAND, TUBE CLIP, 11MM			002	SE, LE
19	17704ZW9660	BAND, TUBE CLIP, 11MM		2035722	002	SU, LU
19	17704ZW9660	BAND, TUBE CLIP, 11MM	2000575	2003242	002	LD
19	17704ZW9660	BAND, TUBE CLIP, 11MM	2003459	2035722	002	SD
20	91353921310	O-RING, 5.5MM			001	SD, LD, SE, LE, SU, LU
20	91353921310	O-RING, 5.5MM		2035722	001	SU, LU
20	91353921310	O-RING, 5.5MM	2000575	2003242	001	LD
20	91353921310	O-RING, 5.5MM	2003459	2035722	001	SD

F-6-10 FUEL STRAINER

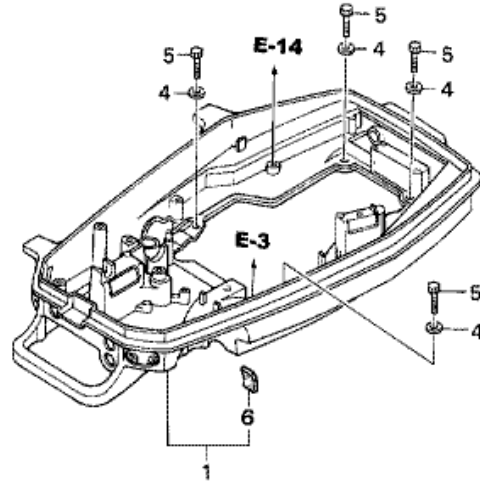
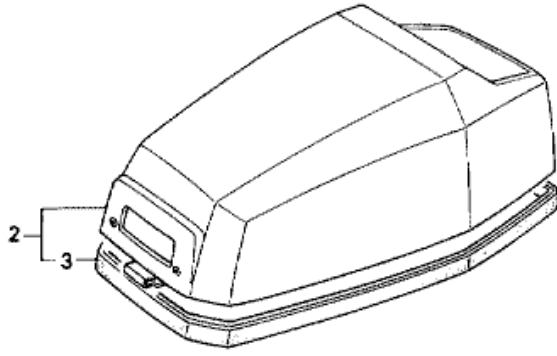


ZV17F0610B

Refnr	Parça Numarası	Açıklama	İlk numara	Son numara	Birim Adedi	Tipler
1	16791ZV1000	TUBE, FUEL, 4.5MM			001	SD, LD, SE, LE, SU, LU
1	16791ZV1000	TUBE, FUEL, 4.5MM		2003242	001	LD
1	16791ZV1000	TUBE, FUEL, 4.5MM		2035722	001	SD, SU, LU
1	16791ZV1010	TUBE, FUEL, 4.5MM	2035723		001	SD, LD, SU, LU
1	16791ZV1010	TUBE, FUEL, 4.5MM	2003243		001	LD
2	16910GAH690	STRAINER COMP., FUEL	2003243		001	SD, LD, SU, LU
2	16910GAH690	STRAINER COMP., FUEL	2035723		001	SD, SU, LU
2	16910GB2005	STRAINER COMP., FUEL			001	SD, LD, SE, LE, SU, LU
2	16910GB2005	STRAINER COMP., FUEL		2035722	001	SD, SU, LU
2	16910GB2005	STRAINER COMP., FUEL		2003242	001	LD
3	16915GB2000	SUSPENSION, STRAINER			001	SD, LD, SE, LE, SU, LU
4	90602921000	CLIP, TUBE (B8)			001	SD, LD, SE, LE, SU, LU
5	16793ZV1000	TUBE A, FUEL	2003243		001	LD
5	16793ZV1000	TUBE A, FUEL	2035723		001	SD, LD, SU, LU
5	950014526540	TUBE, FUEL, 4.5X265 (95001-45001-60M)		2006915	001	SD, LD, SE, LE
5	950014526540	TUBE, FUEL, 4.5X265 (95001-45001-60M)		2001753	001	LD, LE
5	950014527040	TUBE, FUEL, 4.5X270 (95001-45001-60M)	2001754	2003242	001	SD, LD, SE, LE, SU, LU
5	950014527040	TUBE, FUEL, 4.5X270 (95001-45001-60M)		2035722	001	SU, LU
5	950014527040	TUBE, FUEL, 4.5X270 (95001-45001-60M)	2006916	2035722	001	SD
5	950014527040	TUBE, FUEL, 4.5X270 (95001-45001-60M)	2001754		001	LE
5	950014527040	TUBE, FUEL, 4.5X270 (95001-45001-60M)	2006916		001	SE
6	90602921000	CLIP, TUBE (B8)			002	SD, LD, SE, LE, SU, LU
6	90602921000	CLIP, TUBE (B8)		2003242	002	LD
6	90602921000	CLIP, TUBE (B8)		2035722	002	SD, SU, LU
6	90603ZV4000	CLIP, TUBE (B10)	2035723		002	SD, SU, LU
6	90603ZV4000	CLIP, TUBE (B10)			002	SD, LD, SU, LU
6	90603ZV4000	CLIP, TUBE (B10)	2003243		002	LD

7	16163GHB610	CLIP, TUBE	2003243		001	SD, LD, SU, LU
7	16163GHB610	CLIP, TUBE	2035723		001	SD, SU, LU
7	90602921000	CLIP, TUBE (B8)			001	SD, LD, SE, LE, SU, LU
7	90602921000	CLIP, TUBE (B8)		2003242	001	LD
7	90602921000	CLIP, TUBE (B8)		2035722	001	SD, SU, LU

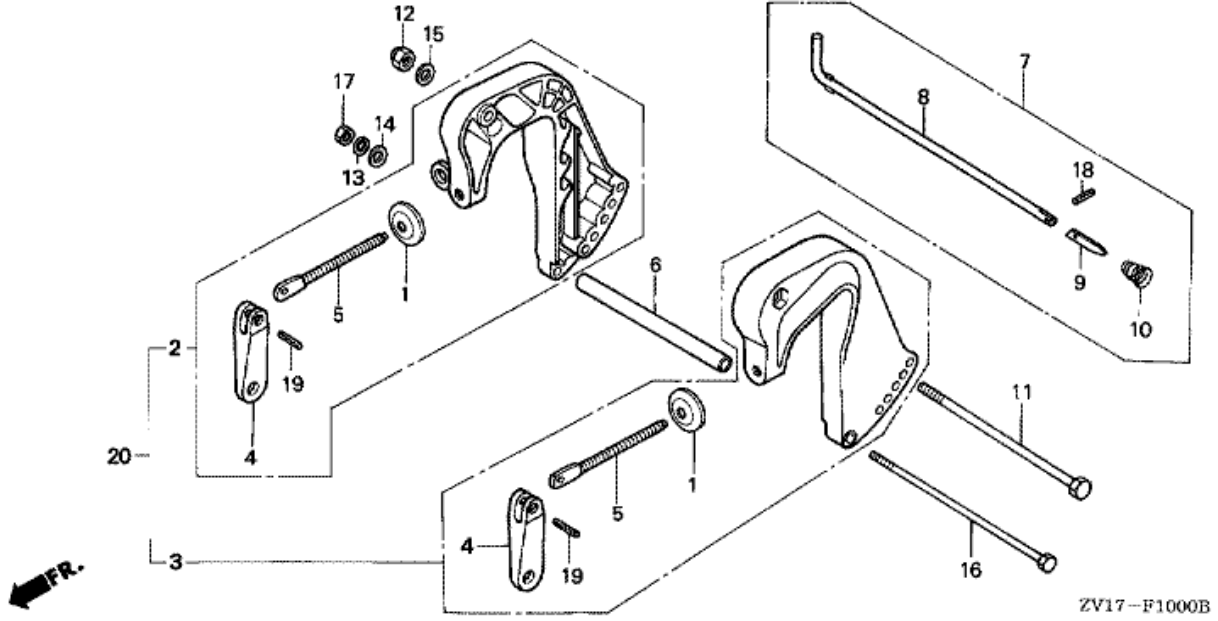
F-8 ENGINE COVER



ZV17-F0800B

Refnr	Parça Numarası	Açıklama	İlk numara	Son numara	Birim Adedi	Tipler
1	40100ZV1842ZB	CASE COMP., ENGINE UNDER *NH282MU *			001	SE, LE
1	40100ZV1842ZB	CASE COMP., ENGINE UNDER *NH282MU *		2002667	001	SD, LD, SE, LE, SU, LU
1	40100ZV1842ZB	CASE COMP., ENGINE UNDER *NH282MU *		2014651	001	SD, SU, LU
1	40100ZV1843ZB	CASE COMP., ENGINE UNDER *NH282MU *	2014652	2035722	001	SD, SU, LU
1	40100ZV1843ZB	CASE COMP., ENGINE UNDER *NH282MU *	2200353		001	SD, LD, SU, LU
1	40100ZV1843ZB	CASE COMP., ENGINE UNDER *NH282MU *	2002668	2003242	001	LD
1	40100ZV1844ZB	CASE COMP., ENGINE UNDER *NH282MU*	2035723		001	SD, LD, SU, LU
1	40100ZV1844ZB	CASE COMP., ENGINE UNDER *NH282MU*	2003243		001	LD
2	63100ZV1842ZB	COVER COMP., ENGINE *NH282MU *		2002674	001	SD, LD, SE, LE, SU, LU
2	63100ZV1842ZB	COVER COMP., ENGINE *NH282MU *		2015143	001	SD, SU, LU
2	63100ZV1842ZB	COVER COMP., ENGINE *NH282MU *			001	SE, LE
2	63100ZV1843ZB	COVER COMP., ENGINE *NH282MU *	2200393		001	SD, LD, SU, LU
2	63100ZV1843ZB	COVER COMP., ENGINE *NH282MU *	2015144		001	SD, SU, LU
2	63100ZV1843ZB	COVER COMP., ENGINE *NH282MU *	2002675		001	LD
3	63102ZV1300	SEAL, ENGINE COVER			001	SD, LD, SE, LE, SU, LU
4	90506ZV4000	WASHER, PLAIN, 6MM			004	SD, LD, SU, LU
4	90506ZV4000	WASHER, PLAIN, 6MM	2015446		004	SD, SU, LU
4	90506ZV4000	WASHER, PLAIN, 6MM	2002679		004	LD
5	92101060164J	BOLT, HEX., 6X16			004	SD, LD, SE, LE, SU, LU
6	50159ZV1000	RUBBER, DAMPER			001	SD, LD, SE, LE, SU, LU

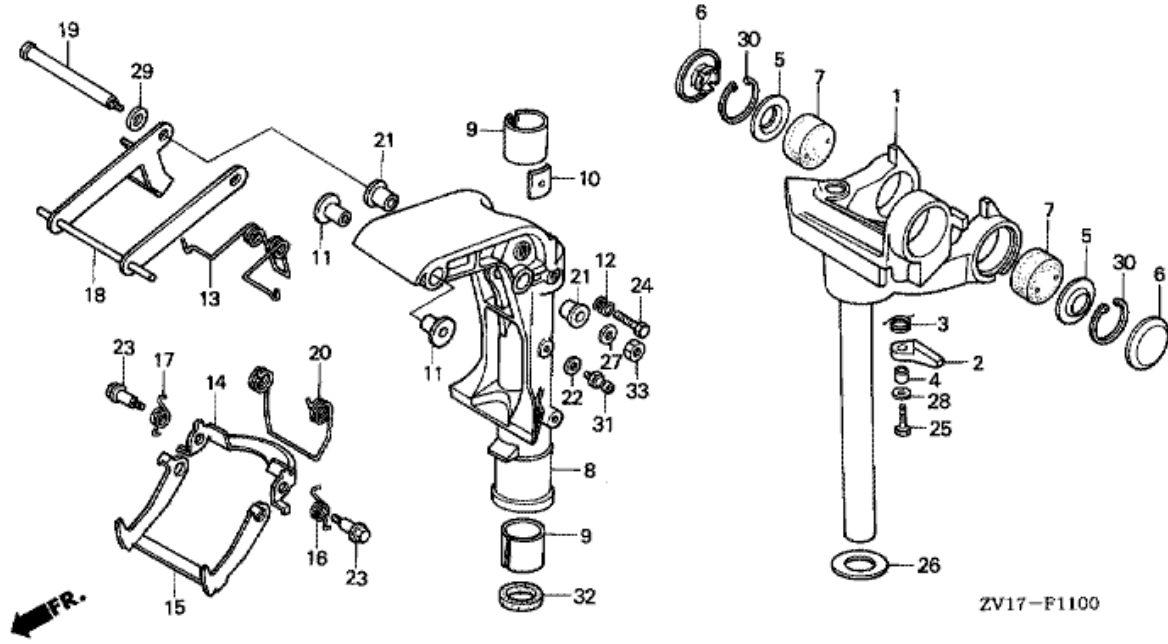
F-10 STERN BRACKET



Refnr	Parça Numarası	Açıklama	İlk numara	Son numara	Birim Adedi	Tipler
1	50122935010	PLATE, PUSH			002	SD, LD, SE, LE, SU, LU
2	50300ZV1841ZB	BRACKET COMP., R. STERN *NH282MU *			001	SD, LD, SE, LE
2	50300ZV1841ZB	BRACKET COMP., R. STERN *NH282MU *		2002412	001	LD, LE
2	50300ZV1841ZB	BRACKET COMP., R. STERN *NH282MU *		2009633	001	SD, SE
2	50300ZV1842ZB	BRACKET COMP., R. STERN *NH282MU *	2009634		001	SD, LD, SE, LE, SU, LU
2	50300ZV1842ZB	BRACKET COMP., R. STERN *NH282MU *			001	SU, LU
2	50300ZV1842ZB	BRACKET COMP., R. STERN *NH282MU *	2002413		001	LD, LE
3	50310ZV1841ZB	BRACKET COMP., L. STERN *NH282MU *		2002412	001	LD, LE
3	50310ZV1841ZB	BRACKET COMP., L. STERN *NH282MU *			001	SD, LD, SE, LE
3	50310ZV1841ZB	BRACKET COMP., L. STERN *NH282MU *		2009633	001	SD, SE
3	50310ZV1842ZB	BRACKET COMP., L. STERN *NH282MU *	2002413		001	SD, LD, SE, LE, SU, LU
3	50310ZV1842ZB	BRACKET COMP., L. STERN *NH282MU *		2014760	001	SU, LU
3	50310ZV1842ZB	BRACKET COMP., L. STERN *NH282MU *	2002413	2002670	001	LD
3	50310ZV1842ZB	BRACKET COMP., L. STERN *NH282MU *	2009634		001	SE
3	50310ZV1842ZB	BRACKET COMP., L. STERN *NH282MU *	2009634	2014760	001	SD
3	50310ZV1843ZB	BRACKET COMP., L. STERN *NH282MU *	2002671		001	LD
3	50310ZV1843ZB	BRACKET COMP., L. STERN *NH282MU *	2200353		001	SD, LD, SU, LU
3	50310ZV1843ZB	BRACKET COMP., L. STERN *NH282MU *	2014761		001	SD, SU, LU
4	50323ZV1300	GRIP, CLAMP			002	SD, LD, SE, LE
4	50323ZV1300	GRIP, CLAMP		2002412	002	LD, LE
4	50323ZV1300	GRIP, CLAMP		2009633	002	SD, SE
4	50323ZW9300	GRIP, CLAMP	2009634		002	SD, LD, SE, LE, SU, LU
4	50323ZW9300	GRIP, CLAMP			002	SU, LU
4	50323ZW9300	GRIP, CLAMP	2002413		002	LD, LE
5	50325ZV1310	SCREW, CLAMP			002	SD, LD, SE, LE
5	50325ZV1310	SCREW, CLAMP		2002412	002	LD, LE
5	50325ZV1310	SCREW, CLAMP		2009633	002	SD, SE
5	50325ZW9830	SCREW, CLAMP	2009634		002	SD, LD, SE,

						LE, SU, LU
5	50325ZW9830	SCREW, CLAMP			002	SU, LU
5	50325ZW9830	SCREW, CLAMP	2002413		002	LD, LE
6	50335ZV1000	COLLAR, DISTANCE, 6MM			001	SD, LD, SE, LE, SU, LU
7	50340ZV1000	ROD COMP., ADJUSTING			001	SD, LD, SE, LE, SU, LU
8	50341ZV1310	ROD, ADJUSTING			001	SD, LD, SE, LE, SU, LU
9	50342ZV1310	STOPPER, ROD			001	SD, LD, SE, LE, SU, LU
10	50343ZV1300	SPRING, ROD ADJUSTING			001	SD, LD, SE, LE, SU, LU
11	90107ZV1000	BOLT, HEX., 8X130			001	SD, LD, SE, LE, SU, LU
12	90305ZV4000	NUT, SELF-LOCK, 8MM			001	SD, LD, SE, LE, SU, LU
13	90407920000	WASHER, SPRING, 6MM			001	SD, LD, SE, LE, SU, LU
14	90504921010	WASHER, PLAIN, 6MM			001	SD, LD, SE, LE, SU, LU
15	90514921000	WASHER, 8MM			001	SD, LD, SE, LE, SU, LU
16	90103ZV1000	BOLT, HEX., 6X140	2002815		001	SD, LD, SU, LU
16	90103ZV1000	BOLT, HEX., 6X140	2021802		001	SD, SU, LU
16	92101061404J	BOLT, HEX., 6X140			001	SD, LD, SE, LE, SU, LU
16	92101061404J	BOLT, HEX., 6X140		2021801	001	SD, SU, LU
16	92101061404J	BOLT, HEX., 6X140		2002814	001	LD
17	94001064900S	NUT, HEX., 6MM			001	SD, LD, SE, LE, SU, LU
18	9430520063	PIN, SPRING, 2X6			001	SD, LD, SE, LE, SU, LU
19	90855ZW9300	RIVET, 4X22.6	2000319		002	SD, LD, SE, LE, SU, LU
19	90855ZW9300	RIVET, 4X22.6	2009634		002	SD, SE
19	90855ZW9300	RIVET, 4X22.6			002	SU, LU
19	90855ZW9300	RIVET, 4X22.6	2002413		002	LD, LE
19	9430540203	PIN, SPRING, 4X20		2009633	002	SD, SE
19	9430540203	PIN, SPRING, 4X20			002	SD, LD, SE, LE
19	9430540203	PIN, SPRING, 4X20		2002412	002	LD, LE
20	04601ZV1000ZA	BRACKET KIT, STERN *NH282MU *			(1)	SD, LD, SE, LE, SU, LU
20	04601ZV1000ZA	BRACKET KIT, STERN *NH282MU *		2002670	(1)	LD
20	04601ZV1000ZA	BRACKET KIT, STERN *NH282MU *		2014760	(1)	SD, SU, LU
20	04601ZV1010ZA	BRACKET KIT, STERN *NH282MU *	2200353		(1)	SD, LD, SU, LU
20	04601ZV1010ZA	BRACKET KIT, STERN *NH282MU *	2002671		(1)	LD
20	04601ZV1010ZA	BRACKET KIT, STERN *NH282MU *	2014761		(1)	SD, SU, LU

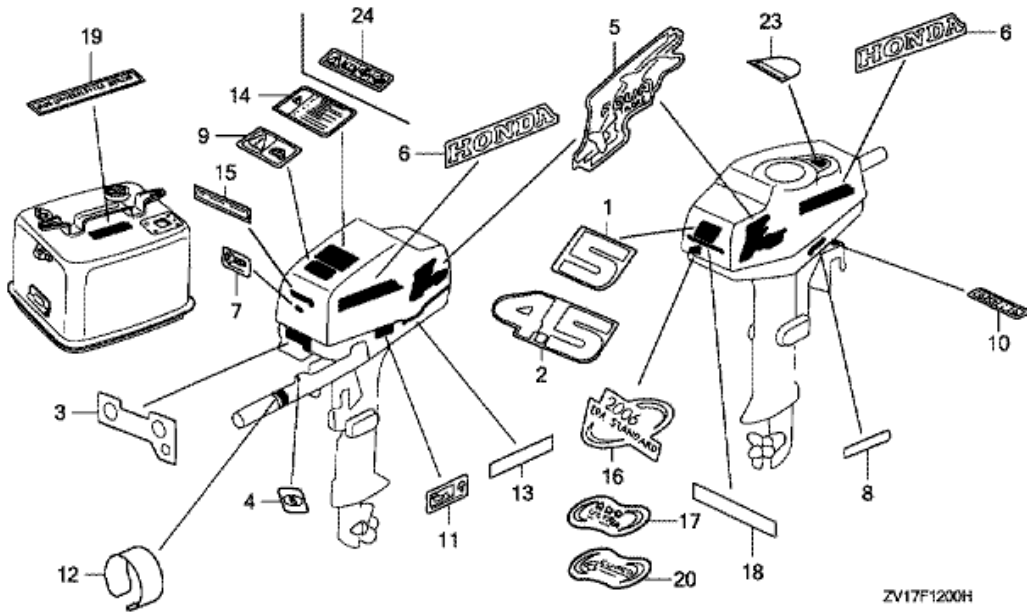
F-11 MOUNT FRAME/SWIVEL CASE



Refnr	Parça Numarası	Açıklama	İlk numara	Son numara	Birim Adedi	Tipler
1	50100ZV1841ZB	FRAME COMP., MOUNTING *NH282MU *			001	SD, LD, SE, LE, SU, LU
2	50105ZV1841ZB	STOPPER, STEERING HANDLE *NH282MU *			001	SD, LD, SE, LE, SU, LU
3	50106ZV1000	SPRING, HANDLE			001	SD, LD, SE, LE, SU, LU
4	50107ZV1000	COLLAR, STOPPER			001	SD, LD, SE, LE, SU, LU
5	50112ZV1000	WASHER, MOUNTING			002	SD, LD, SE, LE, SU, LU
6	50113ZV1840	CAP, MOUNTING			002	SD, LD, SE, LE, SU, LU
7	50151ZV1000	RUBBER, MOUNTING UPPER			002	SD, LD, SE, LE, SU, LU
8	50201ZV1851ZB	CASE, SWIVEL *NH282MU *			001	SD, LD, SE, LE, SU, LU
9	50211ZV1000	LINER, SWIVEL CASE			002	SD, LD, SE, LE, SU, LU
10	50212ZV1000	BLOCK, FRICTION			001	SD, LD, SE, LE, SU, LU
11	50214ZV1000	BUSH, SWIVEL CASE			002	SD, LD, SE, LE, SU, LU
12	50233881000	SPRING, FRICTION ADJUSTING			001	SD, LD, SE, LE, SU, LU
13	50403ZV1000	SPRING, HOOK RETURN			001	SD, LD, SE, LE, SU, LU
14	50511ZV1000	PLATE, REVERSE LOCK			001	SD, LD, SE, LE, SU, LU
15	50512ZV1000	HOOK, REVERSE LOCK			001	SD, LD, SE, LE, SU, LU
16	50514ZV1000	SPRING, L. REVERSE LOCK			001	SD, LD, SE, LE, SU, LU
17	50513ZV1000	SPRING, R. REVERSE LOCK			001	SD, LD, SE, LE, SU, LU
18	50515ZV1010	ARM COMP., TILT			001	SD, LD, SE, LE, SU, LU
19	50517ZV1000	SHAFT, TILT			001	SD, LD, SE, LE, SU, LU
20	50519ZV1000	SPRING, REVERSE LOCK			001	SD, LD, SE, LE, SU, LU

21	50521ZV1000	BUSH, TILT LEVER			002	SD, LD, SE, LE, SU, LU
22	51427230300	WASHER, 6X11			001	SD, LD, SE, LE, SU, LU
23	90105ZV1000	BOLT, REVERSE LOCK			002	SD, LD, SE, LE, SU, LU
24	90109ZV4000	BOLT, SPECIAL, 8X20			001	SD, LD, SE, LE, SU, LU
25	90124ZV4000	BOLT, HEX., 6X20			001	SD, LD, SE, LE, SU, LU
26	90454ZV1000	WASHER, THRUST			001	SD, LD, SE, LE, SU, LU
27	90504921010	WASHER, PLAIN, 6MM			001	SD, LD, SE, LE, SU, LU
28	90506ZV4000	WASHER, PLAIN, 6MM			001	SD, LD, SE, LE, SU, LU
29	90511921000	WASHER, PLAIN, 10MM			001	SD, LD, SE, LE
30	90651ZV1000	CIRCLIP, INTERNAL, 40			002	SD, LD, SE, LE, SU, LU
31	90951ZV7010	NIPPLE, GREASE			001	SD, LD, SE, LE, SU, LU
32	91256ZV1003	OIL SEAL, 27.8X33X5 (ARAI)			001	SD, LD, SE, LE, SU, LU
33	94001064900S	NUT, HEX., 6MM			001	SD, LD, SE, LE, SU, LU

F-12 LABEL

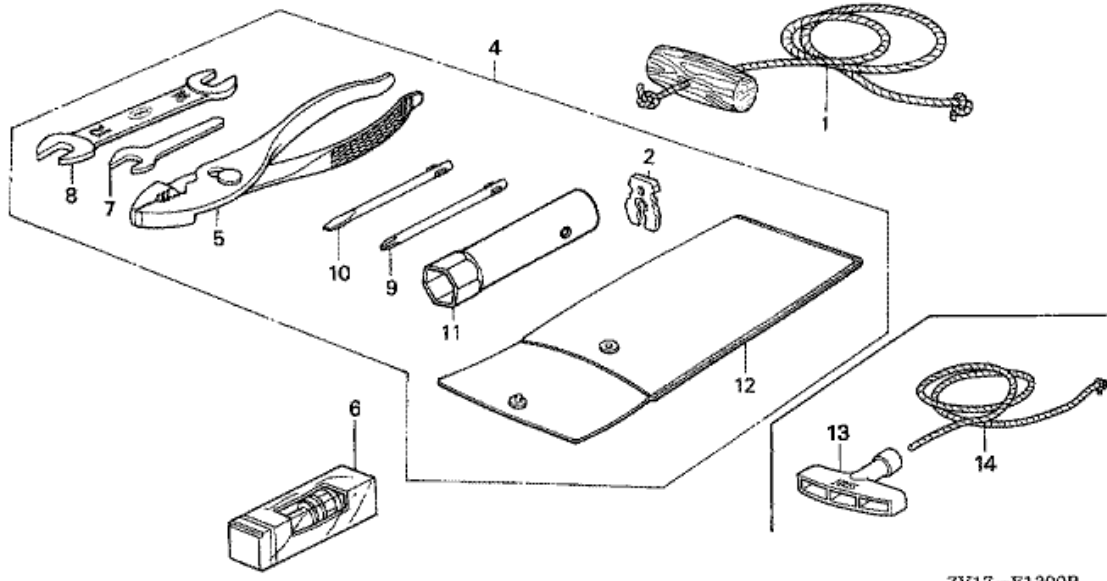


ZV17F1200H

Refnr	Parça Numarası	Açıklama	İlk numara	Son numara	Birim Adedi	Tipler
1	87121ZV1F00	MARK, RR. (5)			001	SD, LD, SE, LE, SU, LU
3	87123ZV1841	LABEL, INDICATION			001	SD, LD, SE, LE, SU, LU
4	87124ZV3010	MARK, EMERGENCY SWITCH INDICATION			001	SD, LD, SE, LE, SU, LU
4	87124ZV3010	MARK, EMERGENCY SWITCH INDICATION		2003258	001	LD
4	87124ZV3010	MARK, EMERGENCY SWITCH INDICATION		2036821	001	SU, LU
4	87124ZV3010	MARK, EMERGENCY SWITCH INDICATION		2037021	001	SD
4	87124ZW6U80	MARK, EMERGENCY SWITCH INDICATION (EU)	2039567		001	SD, LD, SU, LU
4	87124ZW6U80	MARK, EMERGENCY SWITCH INDICATION (EU)	2003284		001	LD
4	87124ZZ5780	MARK, EMERGENCY SWITCH INDICATION (EU)	2003259	2003283	001	SD, LD, SU, LU
4	87124ZZ5780	MARK, EMERGENCY SWITCH INDICATION (EU)	2036822	2039566	001	SU, LU
4	87124ZZ5780	MARK, EMERGENCY SWITCH INDICATION (EU)	2037022	2039566	001	SD
5	87131ZW9S00	MARK, SIDE			002	SD, LD, SE, LE, SU, LU
6	87132ZV1F00	MARK, SIDE STRIPE (HONDA)			002	SD, LD, SE, LE, SU, LU
7	87135ZW5000	MARK (E-SPEC)		2002529	001	LD, LE
7	87135ZW5000	MARK (E-SPEC)			001	SD, LD, SE, LE
7	87135ZW5000	MARK (E-SPEC)		2009929	001	SD, SE
8	87511ZV1C11	MARK, CHANGE (ENGLISH/FRENCH)			001	SD, LD, SE, LE, SU, LU
9	87516VA9B50	MARK, OPERATOR CAUTION			001	SD, LD, SE, LE, SU, LU
9	87516VA9B50	MARK, OPERATOR CAUTION		2036821	001	SU, LU
10	87516ZV4A10	MARK, OPERATOR CAUTION			001	SD, LD, SE, LE, SU, LU
10	87516ZV4A10	MARK, OPERATOR CAUTION		2010085	001	SD
10	87516ZV4A10	MARK, OPERATOR CAUTION		2002529	001	LD
11	87531ZV5611	LABEL, OIL CAUTION (ENGLISH/FRENCH)			001	SD, LD, SE, LE, SU, LU
12	87532ZV1C01	MARK, THROTTLE			001	SD, LD, SE, LE, SU, LU
13	87535ZW6U80	LABEL, STORING CAUTION (EU)	2036822		001	SU, LU

14	87538ZW1720	LABEL, WARNING OPERATOR (EC)			001	SD, LD, SE, LE, SU, LU
14	87538ZW1720	LABEL, WARNING OPERATOR (EC)		2002640	001	LD, LE
14	87538ZW1720	LABEL, WARNING OPERATOR (EC)		2014077	001	SD, SE, SU, LU
14	87538ZW1721	LABEL, WARNING OPERATOR (EC)	2014078	2036821	001	SD, LD, SE, LE, SU, LU
14	87538ZW1721	LABEL, WARNING OPERATOR (EC)	2014078		001	SD, SE
14	87538ZW1721	LABEL, WARNING OPERATOR (EC)	2002641		001	LD, LE
17	87634ZW4H11	MARK, ENVIRONMENT (ULTRA LOW EMISSION) (3-STAR)			001	SD, LD, SE, LE
17	87634ZY1U80	MARK, ENVIRONMENT (EU RCD EMISSIONS)			001	SU, LU
18	87122ZV1F00	MARK, PROGRAMMED IGNITION			001	SD, LD, SE, LE, SU, LU
20	87634ZY1U80	MARK, ENVIRONMENT (EU RCD EMISSIONS)			001	SU, LU
23	87546ZV1F20	MARK, EMERGENCY START (E)	2016382	2036821	001	SU, LU
23	87546ZV1F20	MARK, EMERGENCY START (E)			001	SD, LD, SU, LU
23	87546ZV1F20	MARK, EMERGENCY START (E)	2016382		001	SD
23	87546ZV1F20	MARK, EMERGENCY START (E)	2002715		001	LD
23	87546ZV1F30	MARK, EMERGENCY START (F)	2016382		001	SD, LD, SU, LU
23	87546ZV1F30	MARK, EMERGENCY START (F)	2002715		001	LD
23	87546ZV1F30	MARK, EMERGENCY START (F)	2016382	2036821	001	SU, LU
23	87546ZV1U80	MARK, EMERGENCY START (EU)	2036822		001	SU, LU
24	87538ZY9U80	LABEL, WARNING OPERATOR (EU)	2036822		001	SU, LU

F-13 TOOL

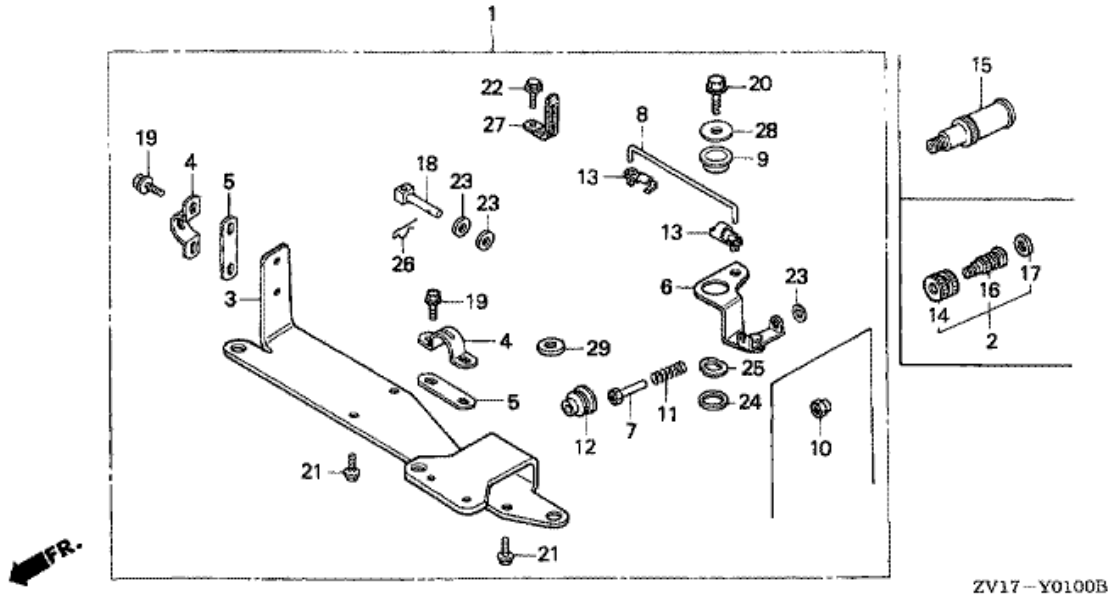


ZV17--F1300B

Refnr	Parça Numarası	Açıklama	İlk numara	Son numara	Birim Adedi	Tipler
1	28470816000	ROPE, STARTER			001	SD, LD, SE, LE
1	28470816000	ROPE, STARTER		2002274	001	LD, LE
1	28470816000	ROPE, STARTER		2009112	001	SD, SE
2	36187ZV4651	CLIP, EMERGENCY LOCK			001	SD, LD, SE, LE, SU, LU
2	36187ZV4651	CLIP, EMERGENCY LOCK		2015841	001	SD, SU, LU
2	36187ZV4651	CLIP, EMERGENCY LOCK		2002696	001	LD
2	36187ZV4652	CLIP, EMERGENCY LOCK	2200548		001	SD, LD, SU, LU
2	36187ZV4652	CLIP, EMERGENCY LOCK	2015842		001	SD, SU, LU
2	36187ZV4652	CLIP, EMERGENCY LOCK	2002697		001	LD
4	89000ZV1C00	TOOL KIT (###)		2002158	001	LD, LE
4	89000ZV1C00	TOOL KIT (###)			001	SD, LD, SE, LE
4	89000ZV1C00	TOOL KIT (###)		2008887	001	SD, SE
4	89000ZV1F00	TOOL KIT	2008888	2015841	001	SD, LD, SE, LE, SU, LU
4	89000ZV1F00	TOOL KIT		2015841	001	SU, LU
4	89000ZV1F00	TOOL KIT	2002159		001	LE
4	89000ZV1F00	TOOL KIT	2002159	2002696	001	LD
4	89000ZV1F00	TOOL KIT	2008888		001	SE
4	89000ZV1F01	TOOL KIT	2002697		001	LD
4	89000ZV1F01	TOOL KIT	2200548		001	SD, LD, SU, LU
4	89000ZV1F01	TOOL KIT	2015842		001	SD, SU, LU
5	89210GBJJ00	PLIERS, 135 (RIKEN)			001	SU, LU
5	89210GBJJ00	PLIERS, 135 (RIKEN)	2000280		001	SD, LD, SE, LE, SU, LU
5	89210GBJJ00	PLIERS, 135 (RIKEN)	2008888		001	SD, SE
5	89210GBJJ00	PLIERS, 135 (RIKEN)	2002159		001	LD, LE
5	89210GBJJ10	PLIERS, 135 (KOWA)		2008887	001	SD, LD, SE, LE
5	89210GBJJ10	PLIERS, 135 (KOWA)		2002158	001	LD, LE
6	9807955817	PLUG, SPARK (BPR5ES)			001	SD, LD, SE, LE, SU, LU
6	9807955827	PLUG, SPARK (W16EPR-U)			001	SD, LD, SE,

						LE, SU, LU
7	9900108000	SPANNER, 8			001	SD, LD, SE, LE, SU, LU
8	9900110120	SPANNER, 10X12			001	SD, LD, SE, LE, SU, LU
9	9900310000	DRIVER 1, PLUS SCREW (NO.2)			001	SD, LD, SE, LE, SU, LU
10	9900330000	DRIVER 3, MINUS SCREW (NO.2)			001	SD, LD, SE, LE, SU, LU
11	9900421001	WRENCH, BOX (P21)			001	SD, LD, SE, LE, SU, LU
12	9900801600	BAG, TOOL, 160MM			001	SU, LU
12	9900801600	BAG, TOOL, 160MM	2000280		001	SD, LD, SE, LE, SU, LU
12	9900801600	BAG, TOOL, 160MM	2008888		001	SD, SE
12	9900801600	BAG, TOOL, 160MM	2002159		001	LD, LE
12	9900802000	BAG, TOOL, 200MM		2000279	001	SD, LD, SE, LE
12	9900802000	BAG, TOOL, 200MM		2002158	001	LD, LE
12	9900802000	BAG, TOOL, 200MM		2008887	001	SD, SE
13	28461ZH8003	GRIP, STARTER	2009113		001	SE
13	28461ZH8003	GRIP, STARTER			001	SD, LD, SE, LE, SU, LU
13	28461ZH8003	GRIP, STARTER	2009113	2036780	001	SD
13	28461ZH8003	GRIP, STARTER		2036780	001	SU, LU
13	28461ZH8003	GRIP, STARTER	2002275		001	LE
13	28461ZH8003	GRIP, STARTER	2002275	2003250	001	LD
13	28461ZH8013	GRIP, STARTER	2036781		001	SD, LD, SU, LU
13	28461ZH8013	GRIP, STARTER	2003251		001	LD
14	28462ZW9003	ROPE, RECOIL STARTER			001	SD, LD, SE, LE, SU, LU
14	28462ZW9003	ROPE, RECOIL STARTER	2009113		001	SD, SE
14	28462ZW9003	ROPE, RECOIL STARTER	2002275		001	LD, LE

FOP-1 REMOTE CONTROL KIT/WATERHOSE JOINT KIT

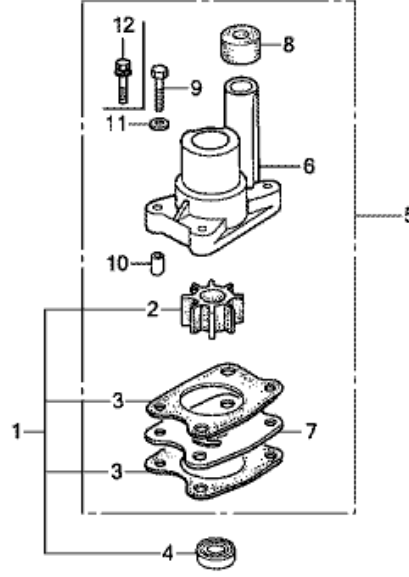


ZV17-Y0100B

Refnr	Parça Numarası	Açıklama	İlk numara	Son numara	Birim Adedi	Tipler
1	06170ZV1812	CONTROL KIT, REMOTE			(1)	SD, LD, SE, LE, SU, LU
3	17851ZV1810	BRACKET, STEERING			(1)	SD, LD, SE, LE, SU, LU
4	17855ZV1810	CLAMP, CABLE			(2)	SD, LD, SE, LE, SU, LU
5	17856ZV1810	SHIM, CABLE CLAMP			(2)	SD, LD, SE, LE, SU, LU
6	17860ZV1810	LEVER COMP., CONTROL			(1)	SD, LD, SE, LE, SU, LU
7	17864ZV1810	NUT B, CONTROL ADJUSTING			(1)	SD, LD, SE, LE, SU, LU
8	17865ZV1810	ROD, CONTROL			(1)	SD, LD, SE, LE, SU, LU
9	17866ZV1810	BUSH, CONTROL LEVER			(1)	SD, LD, SE, LE, SU, LU
10	17867ZV1810	NUT A, CONTROL ADJUSTING			(1)	SD, LD, SE, LE, SU, LU
11	17868ZV1810	SPRING, CONTROL LEVER			(1)	SD, LD, SE, LE, SU, LU
12	17938ZV1810	GROMMET, CONTROL CABLE			(1)	SD, LD, SE, LE, SU, LU
13	17946ZV1000	BUSH, LINKAGE			(2)	SD, LD, SE, LE, SU, LU
15	19271ZV1000	JOINT, WATER HOSE			(1)	SD, LD, SE, LE, SU, LU
18	24618ZV1810	PIVOT, SHIFT			(1)	SD, LD, SE, LE, SU, LU
19	90058ZY3000	BOLT, FLANGE, 5X10			(4)	SD, LD, SE, LE, SU, LU
20	90013ZV0010	BOLT, FLANGE, 6X12			(1)	SD, LD, SE, LE, SU, LU
21	90011ZW9000	BOLT, FLANGE, 6X14 (CT200)			(3)	SD, LD, SE, LE, SU, LU
22	90019ZV1010	BOLT, FLANGE, 5X10			(1)	SD, LD, SE, LE, SU, LU
23	90452GK4600	WASHER, PLAIN, 5MM			(3)	SD, LD, SE, LE, SU, LU
24	90505ZV1000	WASHER, 14MM			(1)	SD, LD, SE, LE, SU, LU

25	90506ZV1000	WASHER, WAVE, 14MM			(1)	SD, LD, SE, LE, SU, LU
26	90757ZV1000	PIN, LOCK, 5MM			(1)	SD, LD, SE, LE, SU, LU
27	91403881000	CLIP B, CORD			(1)	SD, LD, SE, LE, SU, LU
28	90508ZY3000	WASHER, PLAIN, 6MM			(1)	SD, LD, SE, LE, SU, LU
29	90404ZY3000	WASHER, PLAIN, 22X6X1.6			(1)	SD, LD, SE, LE, SU, LU

FOP-2 WATER PUMP IMPELLER KIT

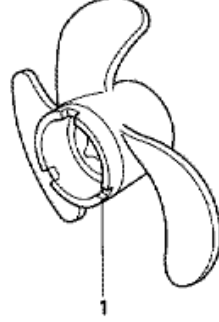


ZV17Y0200C

Refnr	Parça Numarası	Açıklama	İlk numara	Son numara	Birim Adedi	Tipler
1	06192ZV1C00	IMPELLER KIT, WATER PUMP			(1)	SD, LD, SE, LE, SU, LU
2	19210881A02	IMPELLER, PUMP			(1)	SD, LD, SE, LE, SU, LU
3	19232ZV1A10	GASKET, IMPELLER			(2)	SD, LD, SE, LE, SU, LU
4	91252ZV1003	SEAL, WATER, 13MM (ARAI)			(1)	SD, LD, SE, LE, SU, LU
4	91252ZV1004	SEAL, WATER, 13MM (NOK)			(1)	SD, LD, SE, LE, SU, LU
5	06193ZV1000	PUMP KIT, IMPELLER			(1)	SD, LD, SE, LE, SU, LU
6	19220ZV1A00	HOUSING COMP., IMPELLER			(1)	SD, LD, SE, LE, SU, LU
7	19231ZV1A00	COVER, IMPELLER			(1)	SD, LD, SE, LE, SU, LU
8	19253ZV1000	RING, WATER TUBE SEAL			(1)	SD, LD, SE, LE, SU, LU
9	90108881000	BOLT, HEX., 6X28			(4)	SD, LD, SE, LE, SU, LU
10	90112881000	COLLAR B, DISTANCE			(4)	SD, LD, SE, LE, SU, LU
11	90504921010	WASHER, PLAIN, 6MM			(4)	SD, LD, SE, LE, SU, LU
12	90059ZY3000	BOLT-WASHER, 6X29	2003342		(4)	LD
12	90059ZY3000	BOLT-WASHER, 6X29	2042805		(4)	SD, SU, LU

BF5A4 (ZV1P2 59;17ZV10E1,extZV1P2 59;17ZV10E1,ZV1P2 53;17ZV10E1,extZV1P2 53;17ZV10E1,ZV1P2 79;17ZV10E1,extZV1P2 79;17ZV10E1,ZV1P2 58;17ZV10E1,extZV1P2 58;17ZV10E1,ZV1P2 52;17ZV10E1,extZV1P2 52;17ZV10E1,ZV1P2 78;17ZV10E1,extZV1P2 78;17ZV10E1)

FOP-3 PROPELLER

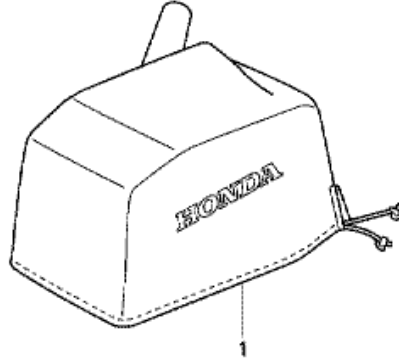


ZV17- Y0300

Refnr	Parça Numarası	Açıklama	İlk numara	Son numara	Birim Adedi	Tipler
1	58130ZV1840ZB	PROPELLER COMP., THREE BLADES (200X190) *NH283 *			(1)	SE, LE, SU, LU
1	58130ZV1840ZB	PROPELLER COMP., THREE BLADES (200X190) *NH283 *		2025287	(1)	SU, LU
1	58130ZV1841ZB	PROPELLER COMP., THREE BLADES (200X190) *NH283 *	2025288		(1)	SU, LU
1	58130ZV1940ZB	PROPELLER COMP., THREE BLADES (200X170) *NH283 *		2201541	(1)	SD, LD
1	58130ZV1940ZB	PROPELLER COMP., THREE BLADES (200X170) *NH283 *		2025287	(1)	SD
1	58130ZV1940ZB	PROPELLER COMP., THREE BLADES (200X170) *NH283 *		2002947	(1)	LD
1	58130ZV1941ZB	PROPELLER COMP., THREE BLADES (200X170) *NH283 *	2002948		(1)	SD, LD
1	58130ZV1941ZB	PROPELLER COMP., THREE BLADES (200X170) *NH283 *	2025288		(1)	SD

BF5A4 (ZV1P2 59;17ZV10E1,extZV1P2 59;17ZV10E1,ZV1P2 53;17ZV10E1,extZV1P2 53;17ZV10E1,ZV1P2 79;17ZV10E1,extZV1P2 79;17ZV10E1,ZV1P2 58;17ZV10E1,extZV1P2 58;17ZV10E1,ZV1P2 52;17ZV10E1,extZV1P2 52;17ZV10E1,ZV1P2 78;17ZV10E1,extZV1P2 78;17ZV10E1)

FOP-4 BODY COVER



ZV17- Y0400

Refnr	Parça Numarası	Açıklama	İlk numara	Son numara	Birim Adedi	Tipler
1	63311ZV1000	COVER, BODY			(1)	SD, LD, SE, LE
1	63311ZV1000	COVER, BODY		2000574	(1)	LD, LE
1	63311ZV1000	COVER, BODY		2003458	(1)	SD, SE
1	63311ZV1010	COVER, BODY	2000092		(1)	SD, LD, SE, LE, SU, LU
1	63311ZV1010	COVER, BODY			(1)	SU, LU
1	63311ZV1010	COVER, BODY	2000575		(1)	LD, LE
1	63311ZV1010	COVER, BODY	2003459		(1)	SD, SE