

**PARTS
CATALOGUE
CATALOGUE
DE PIÈCES DÉTACHÉES**

115BETO'02(6E51)

2A6E5-300F1

YAMAHA
GENUINE
Parts & Accessories

A1

FOREWORD

This Parts Catalogue is related to the parts for the model(s) in the below frame. When you are ordering replacement parts, please refer to this Parts Catalogue and quote both part numbers and part names correctly.

115BETO'02(6E51)

1. Modifications or additions which have been made after issue of the Parts Catalogue will be announced in the Yamaha Parts News. It is advisable that you make necessary corrections to the Parts Catalogue according to the Yamaha Parts News.

2. Abbreviations

The Following abbreviations are used in this Parts Catalogue.

- “UR” Use specified parts number.
- “UN” Use as many as needed.
- “AP” Alternate Parts
- “LM” Local Made
(Parts need to be ordered locally)
- “O/S” Over Size

3. Parts, which are to be supplied in an assembly, are listed with a dot(.) in front of the part name as shown below.

EXAMPLE
 CARBURETOR ASSY
 .JET, PILOT
 .NOZZLE, MAIN

4. Number of component for assembly

The numeral appearing to the right of each component part indicates the quantity of parts for each assembly unit.

EXAMPLE

PART NO.	DESCRIPTION	□	□	□	□	REMARKS
6E0-85500-70	C.D.I. MAGNETO ASSY	1				
6E0-85550-70	.ROTOR ASSY	1				
6E0-15723-00-94.	.PULLY, STARTER	1				

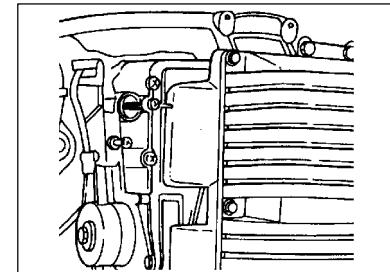
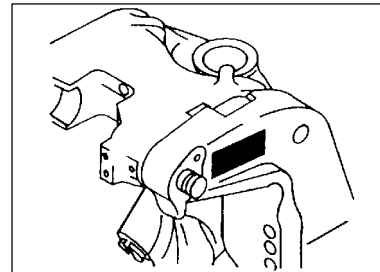
5. Quantity Column Information

NAME for Q'TY COLUMN	APPLICABLE MODEL
115B	115BETO

6. Applicable Starting Serial No. and Color Code

1) Engine Starting Serial No.

115BETO 6E5 L : 370393



2) Color Code

Color Code	Color Name	Abbreviation
004D	DARK BLUISH GRAY METALLIC 2	DBNM2

7. Note that the illustrations for reference in finding parts numbers, not to be used for assembling. When assembling, please use the applicable service manual.

8. The asterisk (*) before a reference number indicates modification items after the first edition.

CONTENTS

SHEET 1/2

TOP COWLING	A4
CYLINDER. CRANKCASE 1	A5
CRANKSHAFT. PISTON	A6
CYLINDER. CRANKCASE 2	B1
INTAKE	B2
CARBURETOR	B4
OIL PUMP	B5
OIL TANK	B6
FUEL 1	C1
FUEL 2	C3
GENERATOR	C4
ELECTRICAL 1	C5
ELECTRICAL 2	C6
STARTING MOTOR	D1
BOTTOM COWLING	D2
CONTROL	D4
BRACKET 1	D7
BRACKET 2	E2
POWER TRIM & TILT ASSY 1	E4
POWER TRIM & TILT ASSY 2	E6
UPPER CASING	F1
LOWER CASING. DRIVE 1	F3
LOWER CASING. DRIVE 2	F7

INDEX

NUMERICAL INDEX	G1
-----------------------	----

SHEET 2/2

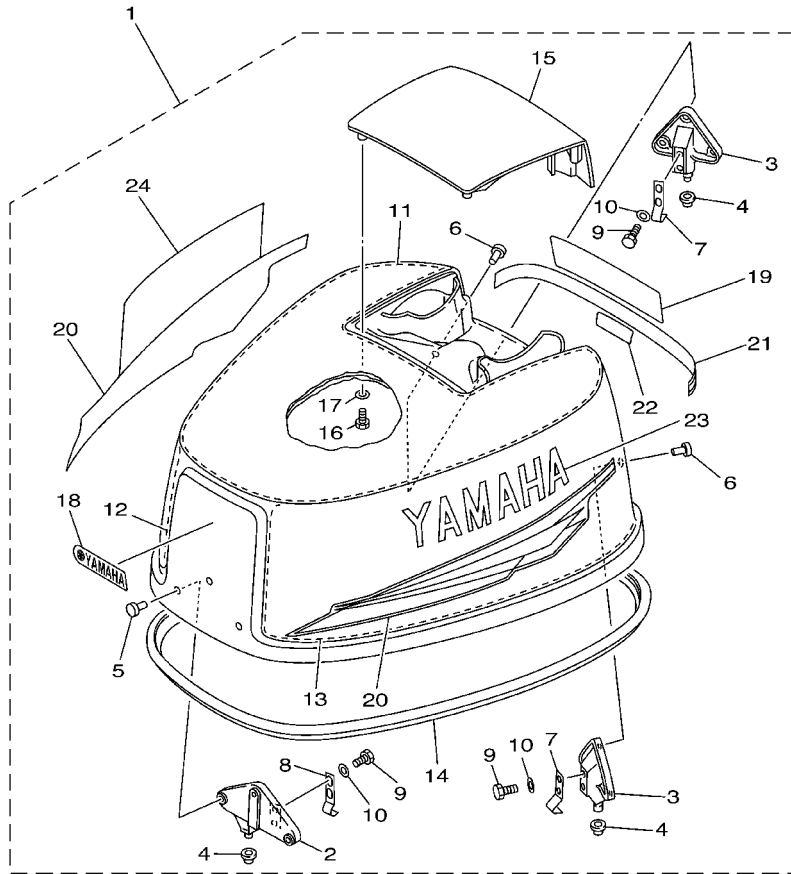
LOWER CASING. DRIVE 2	A4*
STEERING GUIDE	A5*
REMOTE CONTROL BOX	A6*
REMOTE CONTROL ASSY	A7*
METER	B3*
REPAIR KIT 1	B4*
REPAIR KIT 2	B6*

INDEX

NUMERICAL INDEX	G1*
-----------------------	-----

FIG. 1 TOP COWLING

CAPOT SUPERIEUR

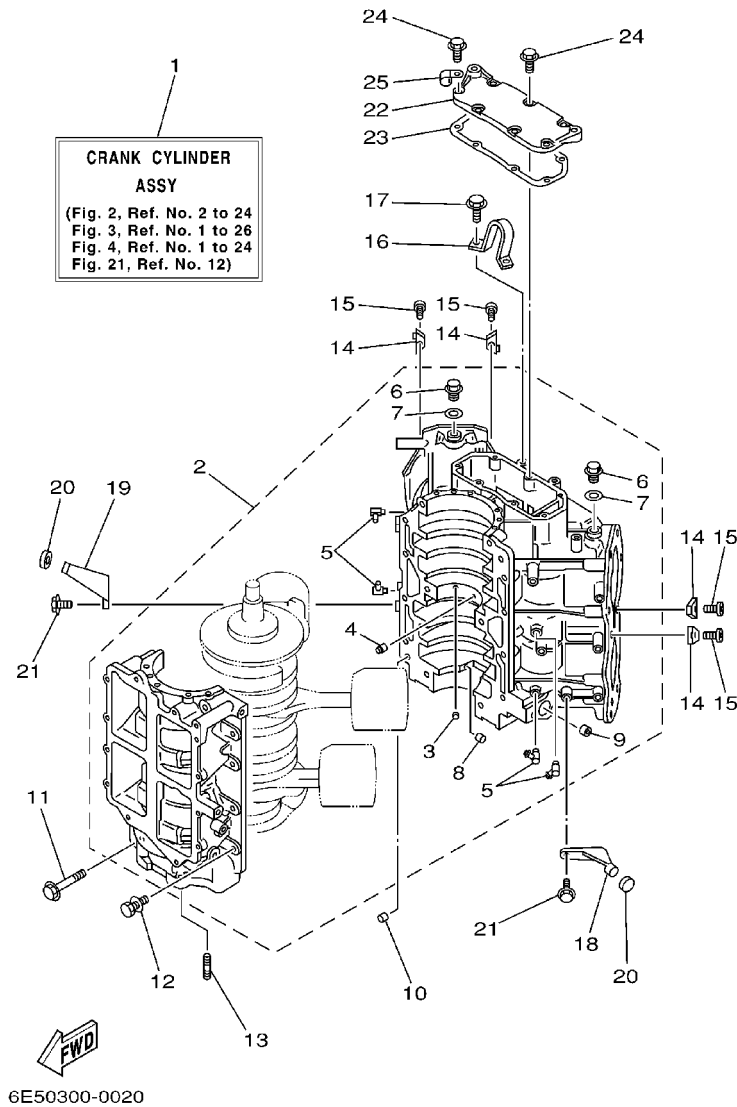


REF. NO.	PART NO. NO. PIECES	DESCRIPTION DESCRIPTION	115B				REMARKS REMARQUES
1	6E5-42610-M0-4D	TOP COWLING ASSY CAPOT (ENS.)	1				
2	6E5-42647-00-94	.HOLDER, CLAMP BAND .SUPPORT, SANDOW DE SERRAGE	1				
3	6E5-42649-01-94	.HOLDER, CLAMP BAND .SUPPORT, SANDOW DE SERRAGE	2				
4	663-42662-00	.DAMPER .AMORTISSEUR	3				
5	90266-06009	.RIVET .RIVET	3				
6	90266-06M02	.RIVET .RIVET	6				
7	6E5-42652-00	.HOOK .CROCHET	2				
8	688-42652-00	.HOOK .CROCHET	1				
9	97095-06016	.BOLT .BOULON	6				
10	92995-06600	.WASHER .RONDELLE	6				
11	6E5-42617-00	.DAMPER, FORM .BOURRELET, CAOUTCHOUC	1				
12	6E5-42619-00	.DAMPER, FORM .BOURRELET, CAOUTCHOUC	1				
13	6E5-42627-00	.DAMPER, FORM .BOURRELET, CAOUTCHOUC	1				
14	6E5-42615-00	.SEAL .JOINT	1				
15	6E5-42613-01-4D	.MOLDING, AIR DUCT .MANCHON A AIR	1				
16	97095-06016	.BOLT .BOULON	4				
17	92995-06600	.WASHER .RONDELLE	4				
18	688-42677-D0	.GRAPHIC, FRONT .ADHESIF, AVANT	1				
19	6E5-42678-31	.GRAPHIC, REAR .ADHESIF, ARRIERE	1				
20	6N7-W0070-30	.GRAPHIC SET .JEU DIEMBLEMES	1				
21	6E5-4267A-31	.GRAPHIC, REAR 2 .ADHESIF, ARRIERE 2	1				
22	6N7-42678-30	.GRAPHIC, REAR .ADHESIF, ARRIERE	1				
23	6N7-42681-30	.MARK, COWLING .ADHESIF, CAPOT	1				
24	6N7-42682-30	.MARK, COWLING .ADHESIF, CAPOT	1				



6E51300-2010

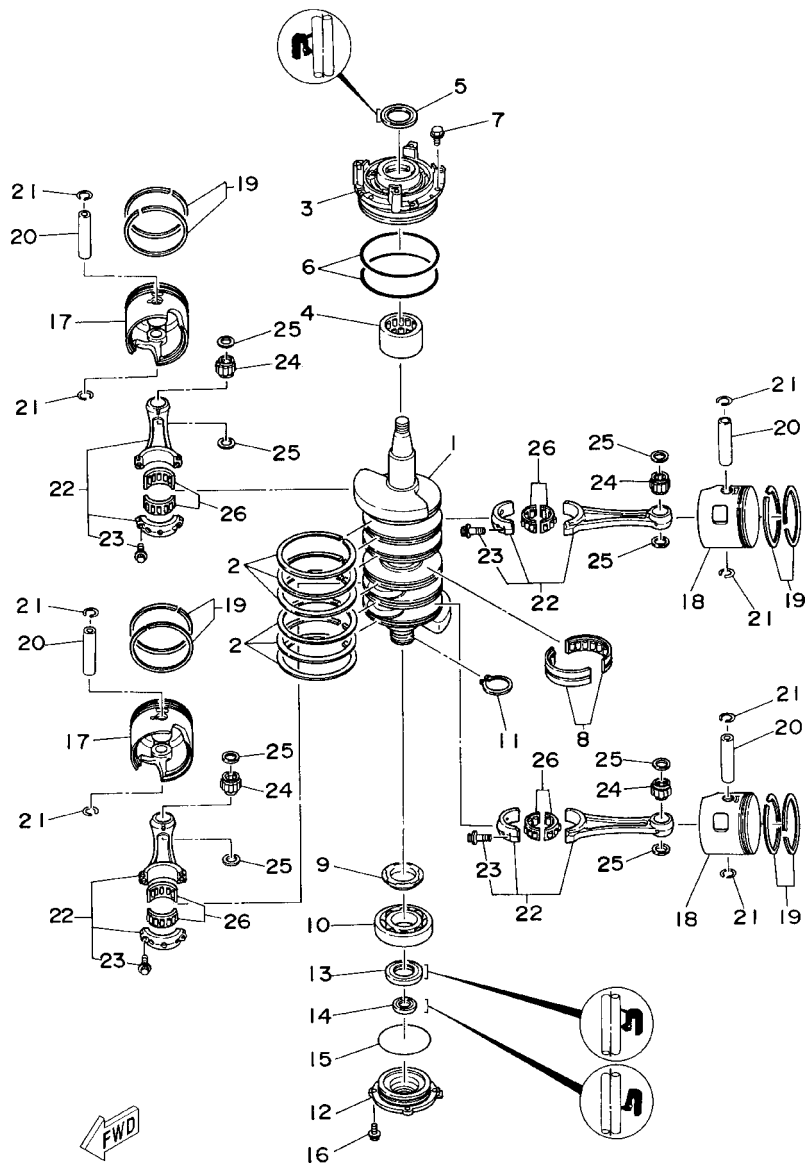
FIG. 2 CYLINDER. CRANKCASE 1 CYLINDRE. CARTER 1



REF. NO.	PART NO. NO. PIECES	DESCRIPTION DESCRIPTION	115B	REMARKS REMARQUES
1	6E5-W0090-54-1S	CRANK CYLINDER ASSY EMBIELLAGE CYLINDRE (ENS.)	1	
2	6N6-15100-01-1S	CRANKCASE ASSY CARTER DE MOTEUR COMPLET	1	
3	624-11379-00	.VALVE, CHECK .CLAPET	1	
4	663-11518-01	.LOCK, BEARING .CENTREUR, ROULEMENT	1	
5	6E5-11372-00	.NIPPLE, HOSE .RACCORD, TUYAU	4	
6	90340-14M00	.PLUG, STRAIGHT SCREW .PLOT, FILETE DROIT	2	
7	90430-14115	.GASKET .JOINT	2	
8	90384-06M07	.BUSH, BIMETAL FORMED .DOUILLE, BIMETAL MISE EN FORM	1	
9	90384-14M09	.BUSH, BIMETAL FORMED .DOUILLE, BIMETAL MISE EN FORM	1	
10	93608-12063	PIN, DOWEL GOUJON	2	
11	90105-10M20	BOLT, FLANGE BOULON	6	
12	90119-08M94	BOLT, WITH WASHER BOULON, AVEC RONDELLE	8	
13	90116-08M45	BOLT, STUD GOUJON	2	
14	6E5-11325-00	ANODE ANODE	4	
15	98780-04015	SCREW, FLAT HEAD VIS, TETE PLATE	4	
16	6E5-11119-01	HANGER, ENGINE ANNEAU, LEVAGE	1	
17	90119-08MA3	BOLT, WITH WASHER BOULON, AVEC RONDELLE	2	
18	6E5-42761-00-1S	STOPPER PLAQUETTE	1	
19	6E5-42762-00-1S	STOPPER PLAQUETTE	1	
20	68F-44533-00	DAMPER, UPPER MOUNT RUBBER COUVERCLE, SUSPENSION INFERIEU	2	
21	90119-06MA2	BOLT, WITH WASHER BOULON, AVEC RONDELLE	4	
22	6E5-11371-00-1S	COVER COUVERCLE	1	
23	6E5-11381-A2	GASKET 1 JOINT 1	1	
24	90119-06MA2	BOLT, WITH WASHER BOULON, AVEC RONDELLE	7	
25	90465-06M86	CLAMP BRIDE	1	

FIG. 3 CRANKSHAFT. PISTON

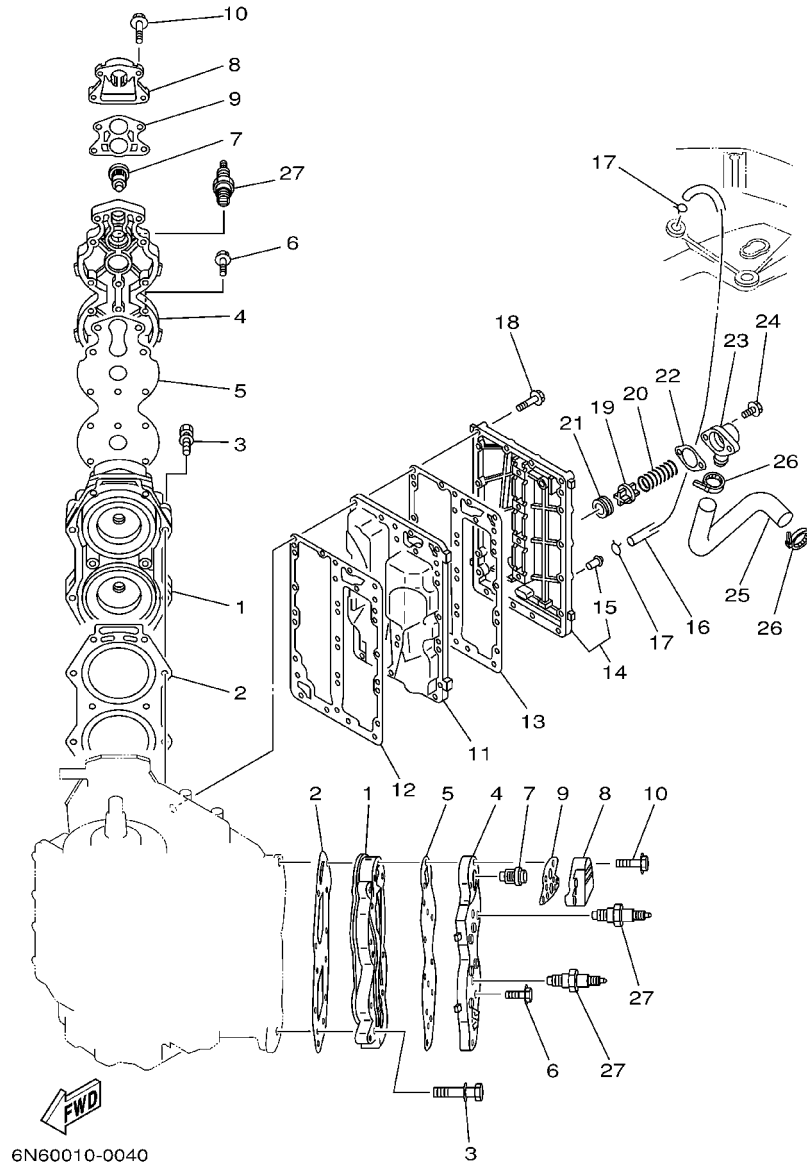
VILEBREQUIN. PISTON



6N60010-4030

REF. NO.	PART NO. NO. PIECES	DESCRIPTION DESCRIPTION	115B	REMARKS REMARQUES
1	6N7-11411-01	CRANKSHAFT VILEBREQUIN COMPLET	1	
2	6E5-11447-00	SEAL, CRANK JOINT, VILEBREQUIN	6	
3	6E5-15163-00-1S	HOUSING, BEARING 1 LOGEMENT, ROULEMENT 1	1	
4	93311-940U3	BEARING ROULEMENT	1	
5	93102-40M14	OIL SEAL JOINT SPY	1	
6	93211-04001	O-RING JOINT TORIQUE	2	
7	90119-06MA2	BOLT, WITH WASHER BOULON, AVEC RONDELLE	4	
8	93310-954U1	BEARING ROULEMENT	1	
9	6R3-11536-00	GEAR, DRIVE ENGRENAGE, MENANT	1	
10	93306-208U0	BEARING ROULEMENT	1	
11	93410-40M03	CIRCLIP CIRCLIP, TYPE S	1	
12	6G5-15359-00-94	HOUSING, OIL SEAL LOGEMENT, BAGUE D'ETANCHEITE	1	
13	93102-35M13	OIL SEAL JOINT SPY	1	
14	93101-22M15	OIL SEAL JOINT SPY	1	
15	93210-74M35	O-RING JOINT TORIQUE	1	
16	90119-06MA2	BOLT, WITH WASHER BOULON, AVEC RONDELLE	4	
17	6R5-11631-11-93	PISTON (STD)	2	
	6R5-11635-11	PISTON (0.25MM O/S)	2	AP
	6R5-11636-11	PISTON (0.50MM O/S)	2	AP
18	6R5-11642-11-93	PISTON 2 (STD)	2	
	6R5-11645-11	PISTON 2 (0.25MM O/S)	2	AP
	6R5-11646-11	PISTON 2 (0.50MM O/S)	2	AP
19	64D-11603-01	PISTON RING SET (STD)	4	
	64D-11604-01	PISTON RING SET (0.25MM O/S)	4	AP
	64D-11605-01	PISTON RING SET (0.50MM O/S)	4	AP
20	6R5-11633-10	PIN, PISTON	4	
21	6R5-11634-10	CLIP, PISTON PIN AGRAFE, AXE DE PISTON	8	

FIG. 4 CYLINDER. CRANKCASE 2 CYLINDRE. CARTER 2



6N60010-0040

REF. NO.	PART NO. NO. PIECES	DESCRIPTION DESCRIPTION	115B				REMARKS REMARQUES
1	6E5-11111-10-1S	HEAD, CYLINDER 1 CULASSE	2				
2	6E5-11181-A1	GASKET, CYLINDER HEAD 1 JOINT, DE CULASSE 1	2				
3	90119-08MA8	BOLT, WITH WASHER BOULON, AVEC RONDELLE	20				
4	6E5-11191-01-1S	COVER, CYLINDER HEAD 1 COUVERCLE, CULASSE 1	2				
5	6E5-11193-A0	GASKET, HEAD COVER 1 JOINT, COUVERCLE DE CULASSE 1	2				
6	90119-06MA4	BOLT, WITH WASHER BOULON, AVEC RONDELLE	24				
7	6E5-12411-20	THERMOSTAT THERMOSTAT	2				
8	6G5-12413-00-1S	COVER, THERMOSTAT COUVERCLE, THERMOSTAT	2				
9	688-12414-A1	GASKET, COVER JOINT, COUVERCLE	2				
10	90119-06MA6	BOLT, WITH WASHER BOULON, AVEC RONDELLE	8				
11	6E5-41111-00-1S	INNER COVER, EXHAUST PLAQUE, ECHAPPEMENT	1				
12	6E5-41112-A1	GASKET, EXHAUST INNER COVER JOINT, PLAQUE D'ECHAPPEMENT	1				
13	6E5-41112-A1	GASKET, EXHAUST INNER COVER JOINT, PLAQUE D'ECHAPPEMENT	1				
14	6N7-41113-00-1S	OUTER COVER, EXHAUST COUVERCLE, ECHAPPEMENT	1				
15	650-24378-00	PIPE, JOINT 4 DURITE RACCORDEMENT 4	1				
16	6E5-24312-00	PIPE 2 DURITE 2	1				
17	90467-08004	CLIP JONC	2				
18	90119-06MA5	BOLT, WITH WASHER BOULON, AVEC RONDELLE	23				
19	6G5-12416-00	VALVE, PRESSURE CONTROL SOUPAPE DE CONTROLEUR PRESS	1				
20	90501-16M11	SPRING, COMPRESSION RESSORT, COMPRESSION	1				
21	90480-20M05	GROMMET PASSE-FIL	1				
22	6G5-11382-A1	GASKET 2 JOINT 2	1				
23	6G5-11372-00-1S	COVER, BYPASS 2 CONVERCLE	1				
24	90119-06MA2	BOLT, WITH WASHER BOULON, AVEC RONDELLE	2				
25	6E5-12576-00	HOSE 1 TUYAU 1	1				
26	90465-13M18	CLAMP BRIDE	2				
27	94702-00247	PLUG, SPARK (NGK BR8HS-10) BOUGIE D'ALLUMAGE (NGK BR8HS-10)	4				

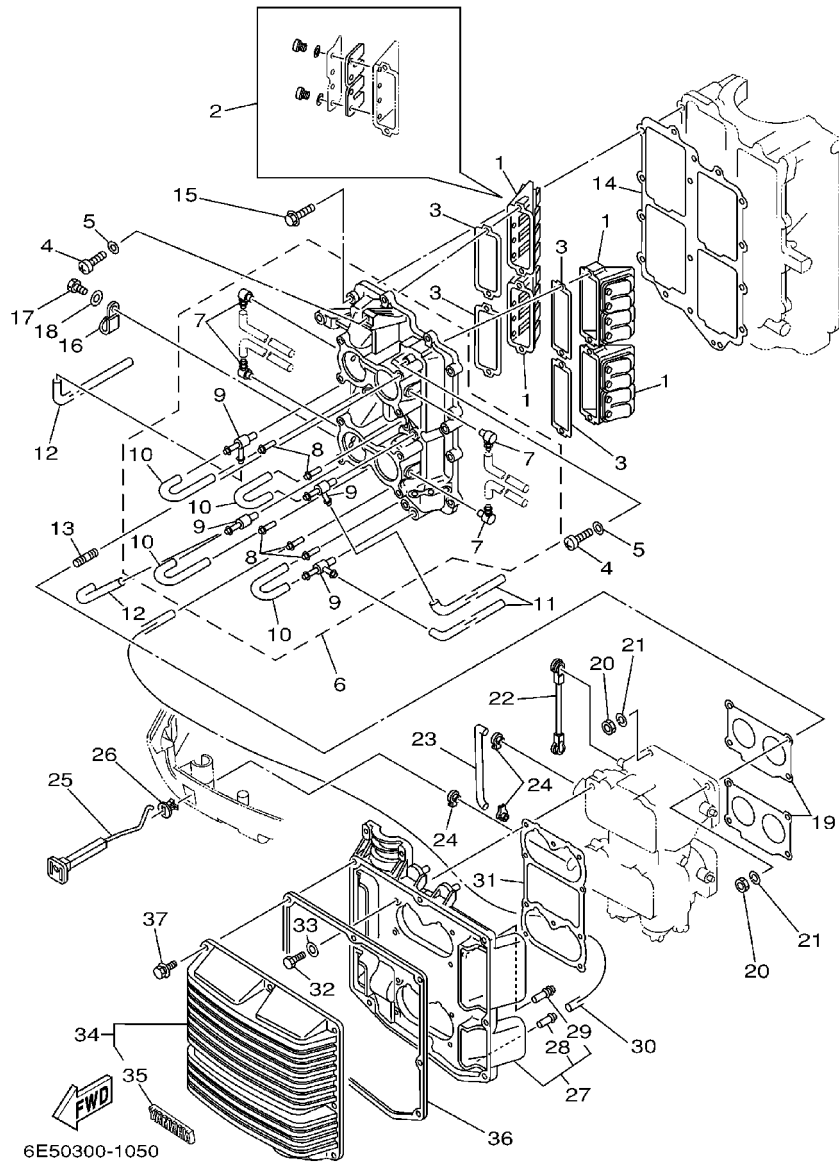


FIG. 5 INTAKE

ADMISSION

REF. NO.	PART NO. NO. PIECES	DESCRIPTION DESCRIPTION	115B			REMARKS REMARQUES
1	6E5-13610-00	REED VALVE ASSY CLAPET COMPLET	4			
2	6E5-W0004-00	.REED SET .JEU DE CLAPETS	1			
3	6E5-13621-A1	GASKET, VALVE SEAT JOINT, SIEGE DE CLAPET	4			
4	97880-05025	SCREW, PAN HEAD VIS, TETE TRONCONIQUE	8			
5	92990-05600	WASHER, PLATE RONDELLE, PLATE	8			
6	6E5-13641-11-1S	MANIFOLD 1 TUBULURE 1	1			
7	6E5-13552-00	.NOZZLE .GICLEUR	4			
8	624-14485-00	.PIPE, JOINT .DURITE	5			
9	6E5-11370-00	.CHECK VALVE ASSY .CLAPET (ENS.)	4			
10	90445-07M28	.HOSE (L70) .DURITE (L70)	4			
11	90445-07M24	HOSE (L240) DURITE (L240)	2			
12	90445-07M46	HOSE (L360) DURITE (L360)	2			
13	90116-06M30	BOLT, STUD GOUJON	8			
14	6E5-13645-A1	GASKET, MANIFOLD 1 JOINT, TUBULURE 1	1			
15	90119-06MA3	BOLT, WITH WASHER BOULON, AVEC RONDELLE	12			
16	90465-06M86	CLAMP BRIDE	1			
17	97095-06012	BOLT BOULON	1			
18	92995-06600	WASHER RONDELLE	1			
19	6E5-14198-A2	GASKET JOINT	2			
20	95380-06600	NUT, HEXAGON ECROU	8			
21	92995-06100	WASHER, SPRING RONDELLE, GROWER	8			
22	6E5-41217-01	ROD, ACCEL. LEVER TIGE, LEVIER ACCELERATION	1			
23	6E5-41256-01	ROD, CHOKE 1 TRINGLE 1, STARTER	1			
24	661-41262-02	JOINT, CHOKE LEVER RACCORD, LEVIER DE STARTER	3			
25	6E5-41271-02	KNOB, CHOKE BOUTON DE STARTER	1			
26	689-41273-00	GROMMET PASSE-FIL	1			
27	6E5-14417-10-94	COVER 1 COUVERCLE 1	1			

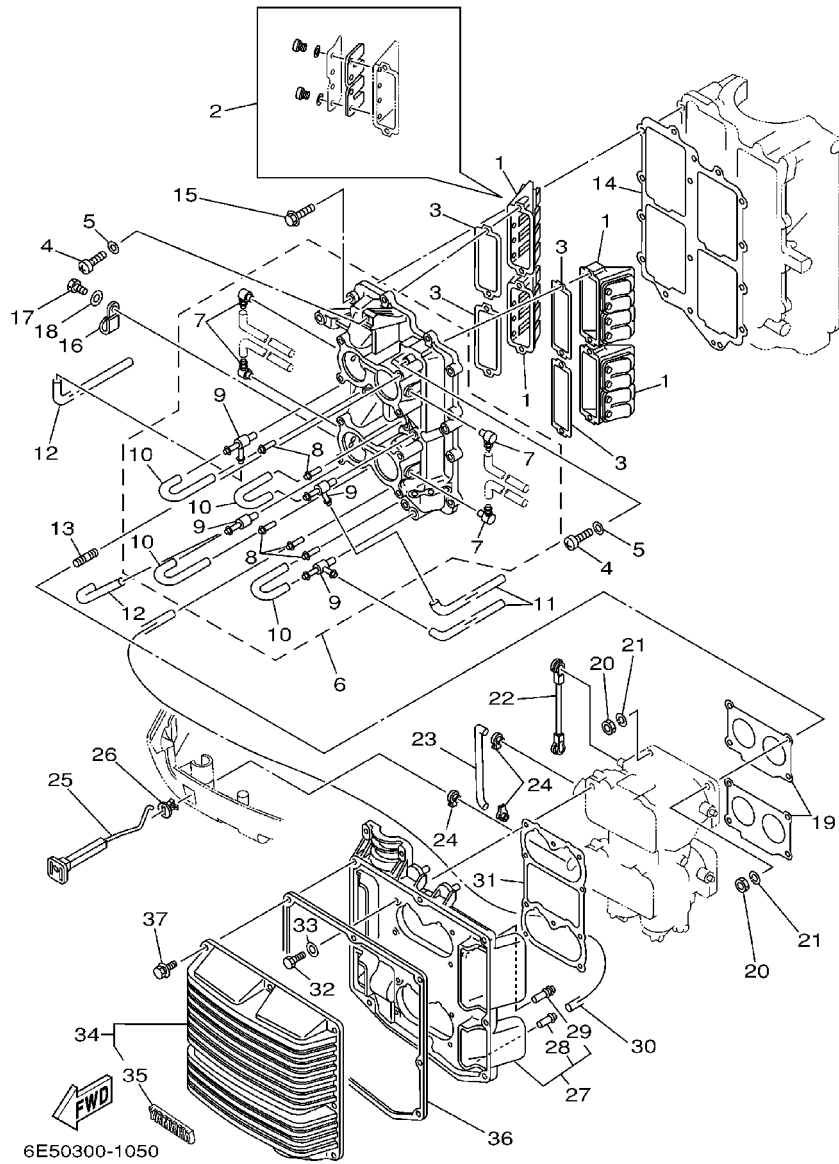


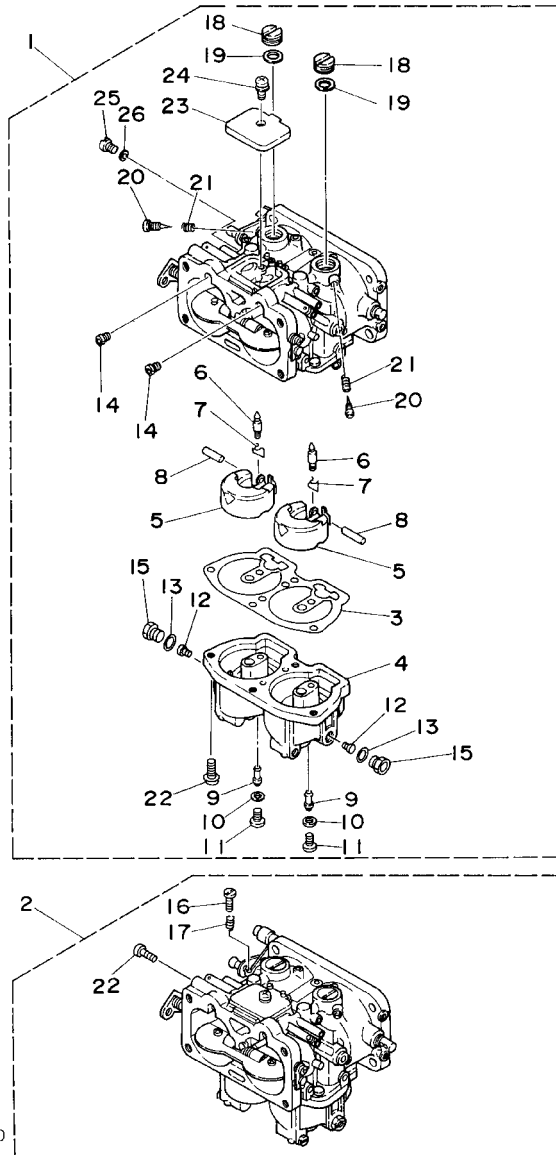
FIG. 5 INTAKE

ADMISSION

REF. NO.	PART NO. NO. PIECES	DESCRIPTION DESCRIPTION	115B				REMARKS REMARQUES
28	624-14485-00	.PIPE, JOINT .DURITE	1				
29	6E5-14485-00	.PIPE, JOINT .DURITE	1				
30	90445-07M23	HOSE (L408) DURITE (L408)	1				
31	6E5-14483-A1	GASKET JOINT	1				
32	97013-06020	BOLT BOULON	8				
33	92903-06600	WASHER, PLATE RONDELLE, PLATE	8				
34	6E5-14418-00	COVER 2 COUVERCLE 2	1				
35	6E5-1441K-00	.EMBLEM .EMBLEME	1				
36	6E5-14416-A1	GASKET, AIR CLEANER JOINT, FILTRE A AIR	1				
37	90119-06M31	BOLT, WITH WASHER BOULON, AVEC RONDELLE	8				

FIG. 6 CARBURETOR

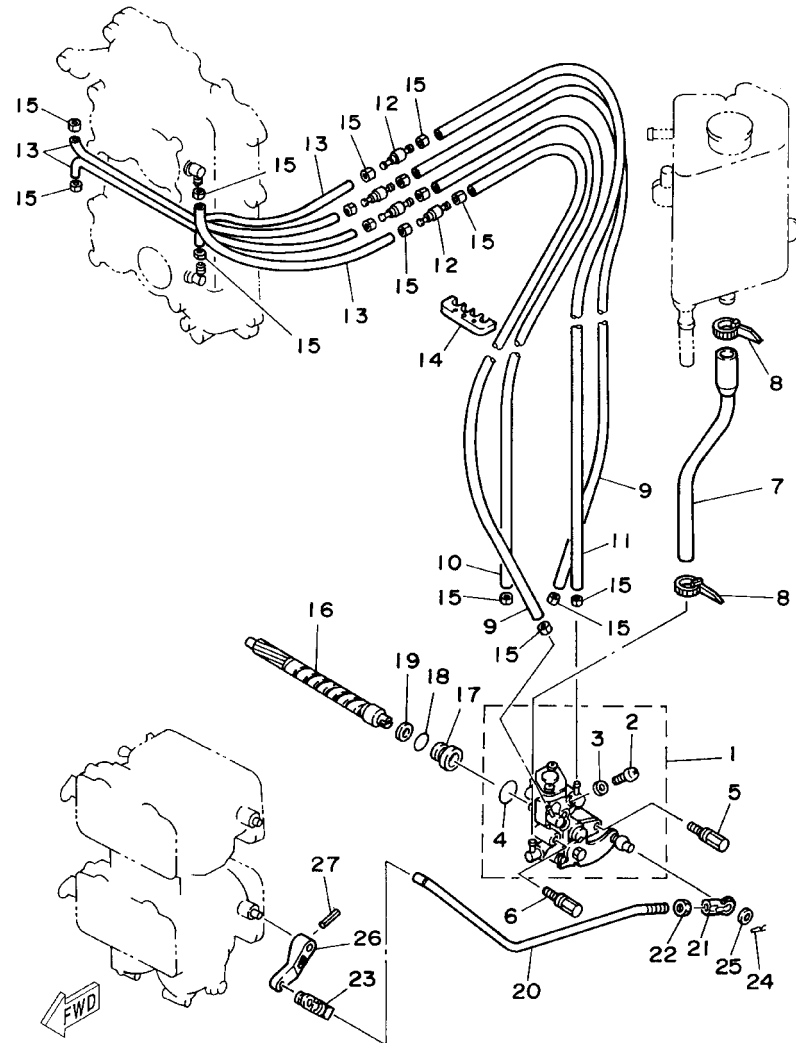
CARBUREATEUR



REF. NO.	PART NO. NO. PIECES	DESCRIPTION DESCRIPTION	115B	REMARKS REMARQUES
1	6E5-14301-16	CARBURETOR ASSY 1 CARBURATEUR COMPLET 1	1	
2	6E5-14302-16	CARBURETOR ASSY 2 CARBURATEUR COMPLET 2	1	
3	64D-14384-01	.GASKET, FLOAT CHAMBER .JOINT, CUVE DE FLOTTEUR	2	
4	64D-14381-00	.BODY, FLOAT CHAMBER .CORPS, CUVE DE FLOTTEUR	2	
5	6E5-14385-02	.FLOAT .FLOTTEUR	4	
6	6E5-14546-00	.VALVE, NEEDLE .POINTEAU	4	
7	6E5-14159-00	.CLIP .JONC	4	
8	6E5-14386-02	.PIN, FLOAT .AXE, FLOTTEUR	4	
9	64D-1492F-39	.JET, AIR SLOW (#78) .GICLÉUR, AIR (#78)	4	
10	61U-14959-00	.GASKET .JOINT	4	
11	64D-14394-00	.VALVE, DRAIN .SOUPAPE, VIDANGE	4	
12	64D-1492E-88	.JET, MAIN (#176) .GICLÉUR, PRINCIPAL (#176)	4	
13	6E5-14398-00	.GASKET .JOINT	4	
14	61A-1492H-12	.JET, SLOW AIR BLEED (#60) .GICLÉUR, AIR (#60)	4	
15	61A-14383-01	.SCREW, DRAIN .BOUCHON, PURGE	4	
16	6E5-14321-00	.SCREW, THROTTLE .VIS, ACCELERATEUR	1	#2
17	6J8-14334-00	.SPRING, THROTTLE .RESSORT, ACCELERATEUR	1	#2
18	6E5-14328-01	.PLUG .PLOT	4	
19	6E5-14979-00	.GASKET .JOINT	4	
20	6E5-14323-03	.SCREW, AIR ADJUSTING .VIS DE DOSEUR D'AIR	4	
21	6E5-14223-00	.SPRING, AIR ADJUSTING .RESSORT, DOSAGE DE L'AIR	4	
22	97980-05116	.SCREW, WITH WASHER .VIS, AVEC RONDELLE	9	
23	6E5-14527-01	.PLATE .PLAQUE	2	
24	97980-05108	.SCREW, WITH WASHER .VIS, AVEC RONDELLE	2	
25	6E5-14324-00	.SCREW, FLAT HEAD .VIS TETE PLATE	2	
26	6J8-14959-00	.GASKET .JOINT	2	

FIG. 7 OIL PUMP

POMPE A HUILE

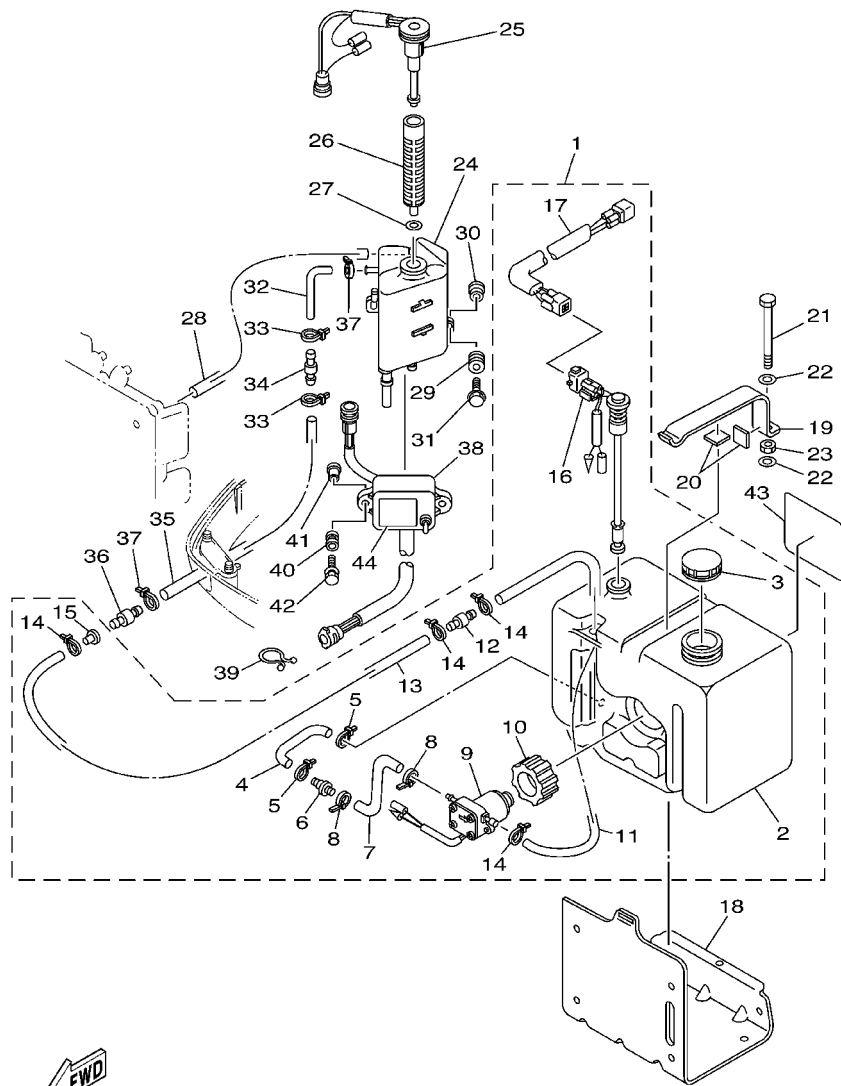


6N60010-4070

REF. NO.	PART NO. NO. PIECES	DESCRIPTION DESCRIPTION	115B				REMARKS REMARQUES
1	6N6-13200-00	OIL INJECTION PUMP ASSY POMPE A HUILE COMPLET	1				
2	6R3-13471-00	.PLUG, DRAIN .PLOT, VIDANGE	1				
3	6L2-13475-00	.GASKET .JOINT	1				
4	93210-19MA7	.O-RING .JOINT TORIQUE	1				
5	90109-06M40	BOLT BOULON	1				
6	90109-06M39	BOLT BOULON	1				
7	6N7-13416-00	PIPE, OIL 1 DURITE A HUILE	1				
8	90465-11M10	CLAMP BRIDE	2				
9	90445-07M89	HOSE (L310) DURITE (L310)	2				
10	90445-07196	HOSE (L160) DURITE (L160)	1				
11	90445-07M72	HOSE (L250) DURITE (L250)	1				
12	6R3-13183-10	VALVE, CHECK S'OUPAPE DE RATANUE	4				
13	90445-07M87	HOSE (L110) DURITE (L110)	4				
14	90464-07M06	CLAMP BRIDE	1				
15	90468-07M02	CLIP JONC	16				
16	6R3-11537-00	GEAR, DRIVEN PIGNON SECONDAIRE	1				
17	6R3-13117-00	COLLAR, DISTANCE ENTRETOISE	1				
18	93210-13M04	O-RING JOINT TORIQUE	1				
19	90202-08M44	WASHER, PLATE RONDELLE, PLATE	1				
20	6R3-41241-00	ROD, LINK BIELLETTTE	1				
21	6H1-41237-00	JOINT, LINK RACCORD	1				
22	95380-05600	NUT ECROU	1				
23	6R5-41237-00	JOINT, LINK RACCORD	1				
24	90468-05M03	CLIP JONC	1				
25	90202-05088	WASHER, PLATE RONDELLE, PLATE	1				
26	6E5-14276-01	LEVER LEVIER	1				
27	91690-30016	PIN, SPRING GOUPILLE, ELASTIQUE	1				

FIG. 8 OIL TANK

RESERVOIR A PETROLE



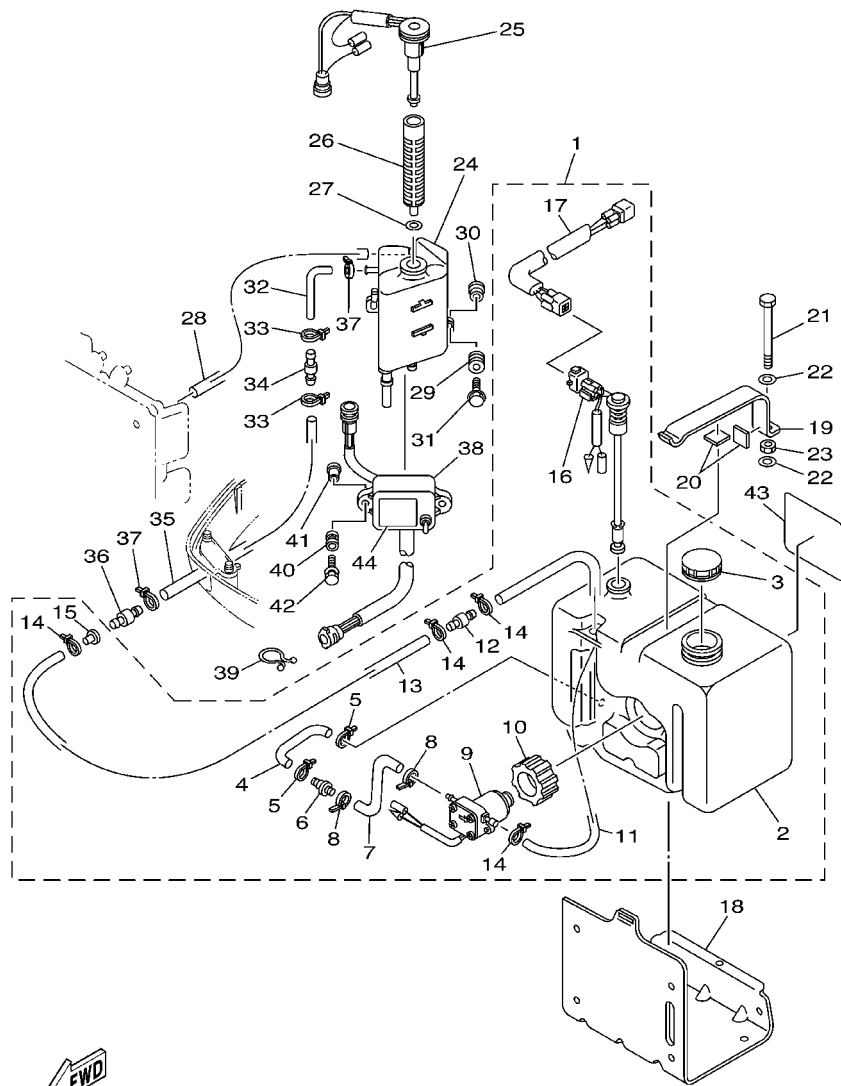
REF. NO.	PART NO. NO. PIECES	DESCRIPTION DESCRIPTION	115B				REMARKS REMARQUES
1	6E5-21708-08	OIL TANK SUB-ASSY RESERVIO A HOSE	1				
2	6E5-21733-02	.SUB TANK, OIL (10.5L) .RESERVOIR A HUILE SECOURS:10.	1				
3	6E5-21770-03	.OIL TANK CAP ASSY .CABOCHON DE RESERVOIR A HUILE	1				
4	6E5-24322-00	.PIPE 11 .DURITE	1				
5	90465-11M10	.CLAMP .BRIDE	2				
6	646-24251-02	.STRAINER 1 .FILTRE 1	1				
7	6E5-24319-01	.PIPE, OIL .DURITE A HUILE	1				
8	90465-11M10	.CLAMP .BRIDE	2				
9	6E5-81900-01	.OIL FEED PUMP ASSY .VIEUX	1				
10	6E5-81922-00	.GROMMET .OUILLET CAOUTCHOUC	1				
11	6E5-24321-01	.PIPE 10 .DURITE	1				
12	6E5-24379-00	.PIPE, JOINT 4 .DURITE RACCORDEMENT	1				
13	90445-11M81	.HOSE (L3000) .DURITE (L3000)	1				
14	90465-11M10	.CLAMP .BRIDE	4				
15	90480-06M19	.GROMMET .PASSE-FIL	1				
16	6E5-85720-04	.OIL LEVEL GAUGE ASSY .JAUGE A HUILE CPLT	1				
17	6R3-85721-30	.WIRE, LEAD (3M) .FIL, SECONDAIRE (3M)	1				
18	6E5-21734-01-33	HOLDER, OIL SUB TANK SUPPORT, RESERV AUXIL A HUILE	1				
19	6E5-21798-01-33	BRACKET, DAMPER SUPPORT, AMORTISSEUR	1				
20	6E5-21746-00	DAMPER AMORTISSEUR	2				
21	97080-06100	BOLT BOULON	1				
22	92990-06600	WASHER, PLATE RONDELLE, PLATE	2				
23	95380-06600	NUT, HEXAGON ECROU	1				
24	6E5-21750-05	OIL TANK ASSY RESERVOIR A HUILE	1				
25	6E5-85730-14	OIL LEVEL GAUGE ASSY VIEUX	1				
26	6E5-13411-00	.STRAINER, OIL FILTRE, HUILE	1				
27	6E5-13414-00	GASKET, STRAINER COVER JOINT, COUVERCLE DE FILTRE	1				



6E51300-2080

FIG. 8 OIL TANK

RESERVOIR A PETROLE



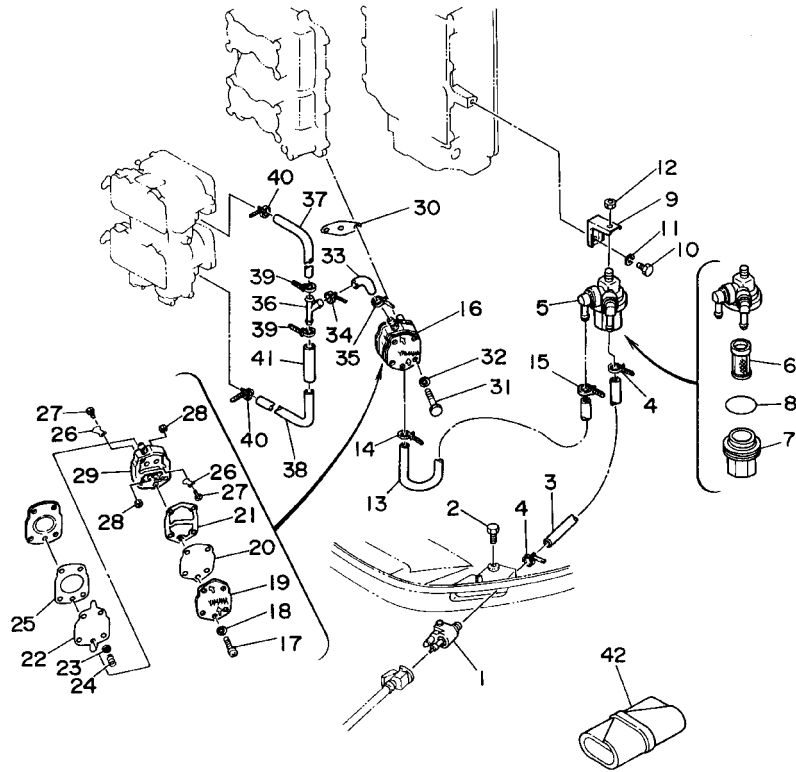
REF. NO.	PART NO. NO. PIECES	DESCRIPTION DESCRIPTION	115B				REMARKS REMARQUES
28	90445-05M02	HOSE (L380) DURITE (L380)	1				
29	6A0-82317-00	DAMPER, IGNITION COIL AMORTISSEUR, BOBINE D'ALLUM	3				
30	624-42542-00	PIPE TUYAU	3				
31	90119-06M65	BOLT, WITH WASHER BOULON, AVEC RONDELLE	3				
32	64E-24323-00	PIPE 12 DURITE	1				
33	90465-11M10	CLAMP BRIDE	2				
34	6E5-24379-00	PIPE, JOINT 4 DURITE RACCORDEMENT	1				
35	90445-12M11	HOSE (L350) DURITE (L350)	1				
36	6E5-24461-00	PIPE, JOINT DURITE, RACCORDEMENT	1				
37	90465-11M10	CLAMP BRIDE	2				
38	6E5-85740-02	CONTROL UNIT ASSY UNITE DE CONTROLE COMPLETE	1				
39	90464-15M11	CLAMP BRIDE	1				
40	6A0-82317-00	DAMPER, IGNITION COIL AMORTISSEUR, BOBINE D'ALLUM	2				
41	624-42542-00	PIPE TUYAU	2				
42	90119-06M65	BOLT, WITH WASHER BOULON, AVEC RONDELLE	2				
43	6E5-13437-62	MARK, CAUTION MARKER	1				
44	6E5-85711-60	MARK, CAUTION MARKER	1				



6E51300-2080

FIG. 9 FUEL 1

CARBURANT 1

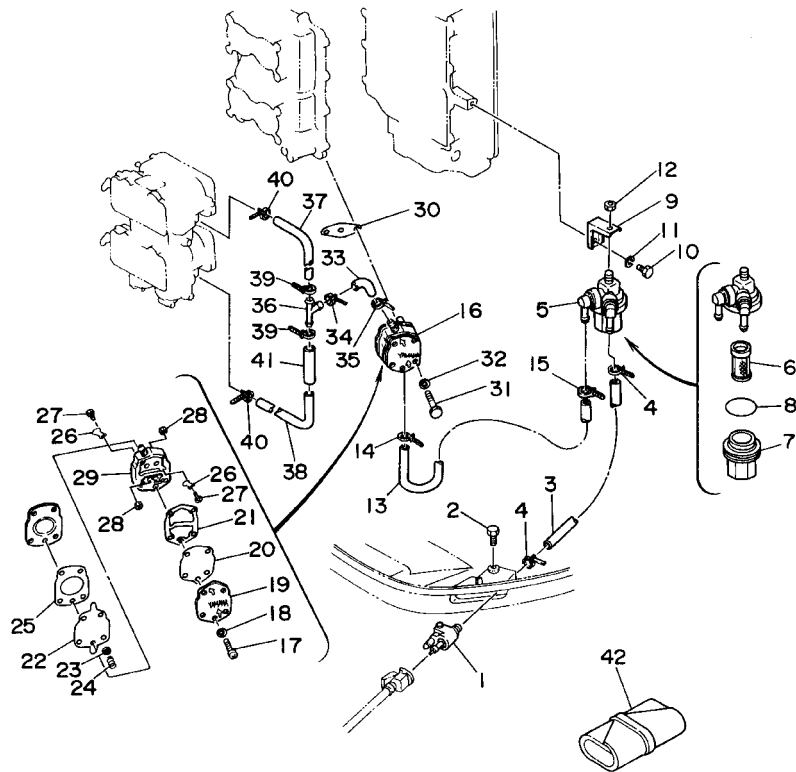


REF. NO.	PART NO. NO. PIECES	DESCRIPTION DESCRIPTION	115B			REMARKS REMARQUES
1	6E5-24304-10	FUEL PIPE JOINT COMP. 1 DURITE RACCORDEMT. A ESSENCE	1			
2	97095-06028	BOLT BOULON	1			
3	6E5-24313-00	PIPE 3 DURITE 3	1			
4	90465-11M10	CLAMP BRIDE	2			
5	6R3-24560-00	FILTER ASSY ENS FILTRE	1			
6	61N-24563-00	.ELEMENT, FILTER .ELEMENT, FILTRE	1			
7	61N-24521-00	.CUP, FILTER .CUVETTE, FILTRE	1			
8	93210-32738	.O-RING .JOINT TORIQUE	1			
9	6E5-24566-00	BRACKET, FILTER SUPPORT, FILTRE	1			
10	97013-06014	BOLT BOULON	1			
11	92903-06100	WASHER, SPRING RONDELLE, GROWER	1			
12	95380-08600	NUT ECROU	1			
13	6E5-24314-00	PIPE 4 DURITE 4	1			
14	90465-11M10	CLAMP BRIDE	1			
15	90465-11M10	CLAMP BRIDE	1			
16	6E5-24410-03	FUEL PUMP ASSY POMPE A ESSENCE	1			
17	98503-05035	.SCREW, PAN HEAD .VIS, TETE TRONCONIQUE	3			
18	92903-05600	.WASHER, PLATE .RONDELLE, PLATE	3			
19	6E5-24413-00	.BODY 2 .CORPS 2	1			
20	6E5-24471-00	.DIAPHRAGM .DIAPHRAGME	1			
21	6E5-24435-00	.GASKET, BODY 2 .JOINT, CORPS 2	1			
22	6E5-24411-00	.DIAPHRAGM .DIAPHRAGME	1			
23	648-24424-00	.SEAT, SPRING .SIEGE, RESSORT	1			
24	6E5-24423-00	.SPRING, DIAPHRAGM .RESSORT, DIAPHRAGME	1			
25	6E5-24434-02	.GASKET, BODY .JOINT, CORPS	1			
26	6A0-24421-01	.VALVE, CHECK .SOUPAPE, RETENUE	4			
27	6A0-14325-00	.SCREW, PAN HEAD .VIS TETE CONIQUE	4			

FWD
6E50300-4090

FIG. 9 FUEL 1

CARBURANT 1



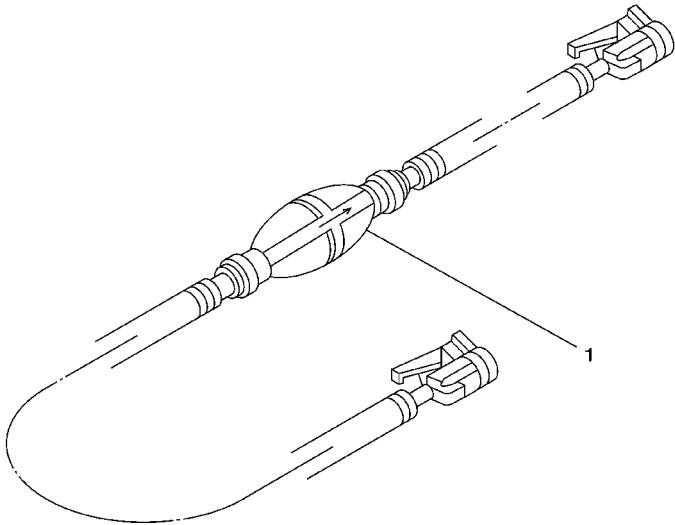
REF. NO.	PART NO. NO. PIECES	DESCRIPTION DESCRIPTION	115B				REMARKS REMARQUES
28	95380-03600	.NUT .ECROU	4				
29	6E5-24412-10	.BODY 1 .CORPS 1	1				
30	650-24431-A0	GASKET, FUEL PUMP 1 JOINT 1 DE POMPE A ESSENCE	1				
31	97095-06050	BOLT BOULON	2				
32	92995-06600	WASHER RONDELLE	2				
33	6G5-24316-10	PIPE 6 DURITE 6	1				
34	90465-11M10	CLAMP BRIDE	1				
35	90465-11M10	CLAMP BRIDE	1				
36	6E5-24376-10	PIPE, JOINT 1 DURITE 1, RACCORDEMENT	1				
37	6G5-24318-10	PIPE, OVERFLOW DURITE, REFOULEMENT	1				
38	6G5-24319-10	PIPE, OIL DURITE A HUILE	1				
39	90465-11M10	CLAMP BRIDE	2				
40	90465-11M10	CLAMP BRIDE	2				
41	90446-15M07	HOSE DURITE	1				
42	656-W2810-02	TOOL KIT TROUSSE A OUTILS	1				

FWD
6E50300-4090

FIG. 10 FUEL 2

CARBURANT 2

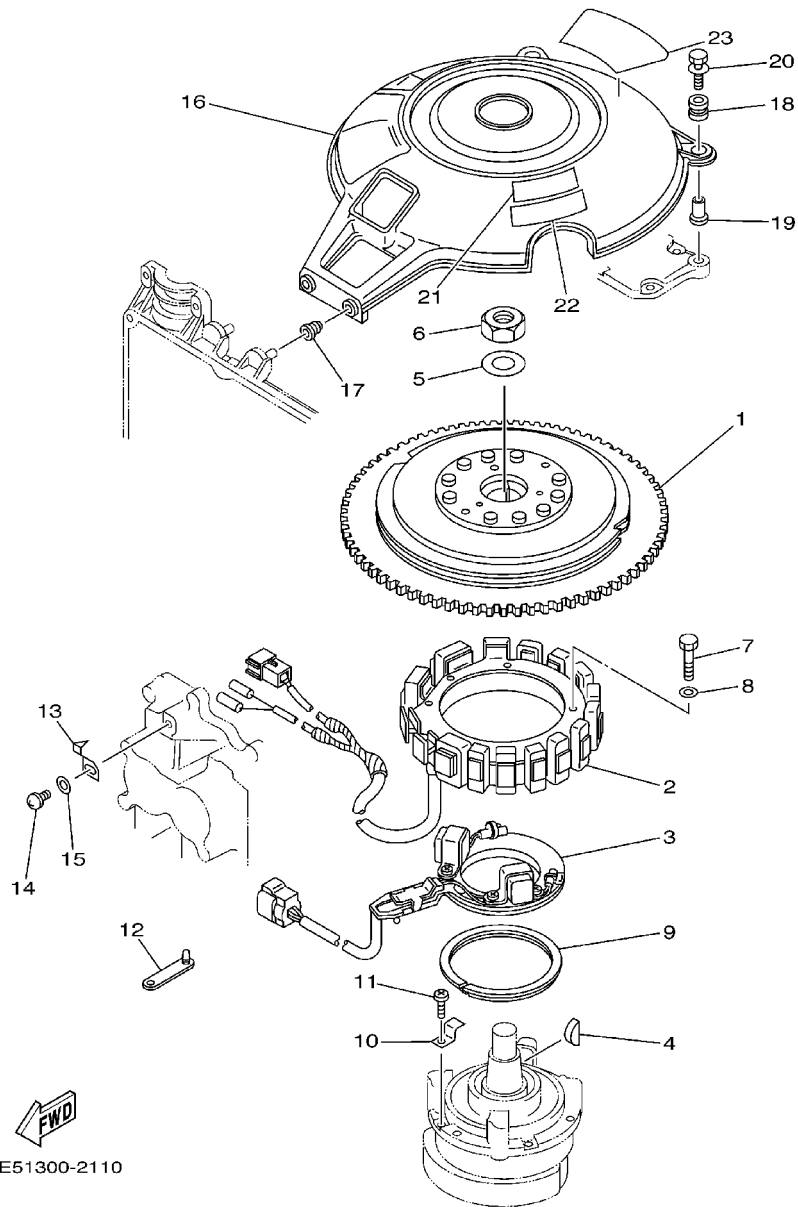
REF. NO.	PART NO. NO. PIECES	DESCRIPTION DESCRIPTION	115B					REMARKS REMARQUES
1	6YK-24306-52	FUEL PIPE COMP. 1 DURITE A ESSENCE 1	1					AP



6E50300-0100

FIG. 11 GENERATOR

GENERATRICE



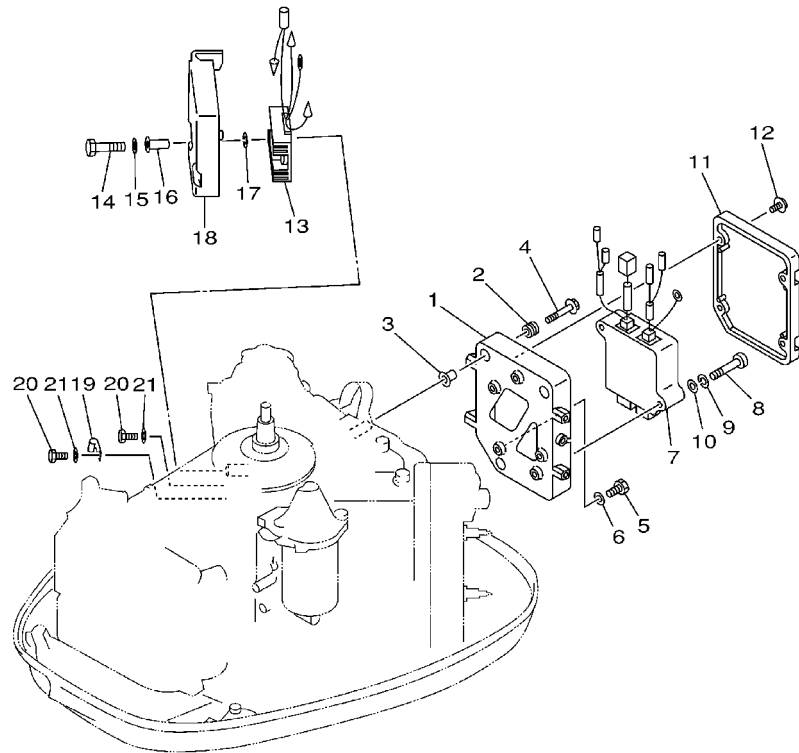
REF. NO.	PART NO. NO. PIECES	DESCRIPTION DESCRIPTION	115B				REMARKS REMARQUES
1	6E5-85550-00	ROTOR ASSY ROTOR CPLT	1				
2	6E5-85510-01	STATOR ASSY STATOR CPLT	1				
3	6E5-85580-00	COIL, PULSER BOBINE, PULSEUR	1				
4	90280-05015	KEY, WOODRUFF CLAVETTE, DEMI-LUNE	1				
5	90201-21M18	WASHER, PLATE RONDELLE, PLATE	1				
6	90170-20137	NUT ECROU	1				
7	97013-06060	BOLT BOULON	3				
8	92903-06600	WASHER, PLATE RONDELLE, PLATE	3				
9	688-41611-00	RETAINER, MAGNETO BASE FLASQUE, PLATEAU D'AVANCE	1				
10	688-41612-00	RETAINER, MAGNETO BASE FLASQUE, PLATEAU D'AVANCE	4				
11	97880-06018	SCREW, PAN HEAD VIS, TETE TRONCONIQUE	4				
12	90464-12M00	CLAMP BRIDE	1				
13	6E5-81332-00	PLATE, TIMING PLATEAU, ALLUMAGE	1				
14	97885-06010	SCREW, PAN HEAD VIS, TETE TRONCONIQUE	1				
15	92995-06600	WASHER RONDELLE	1				
16	6E5-81337-01	COVER, FLYWHEEL COUVERCLE, VOLANT	1				
17	6G5-82317-00	DAMPER, IGNITION COIL AMORTISSEUR, BOBINE D'ALLUM	2				
18	6A0-82317-00	DAMPER, IGNITION COIL AMORTISSEUR, BOBINE D'ALLUM	2				
19	624-42542-00	PIPE TUYAU	2				
20	90119-06M65	BOLT, WITH WASHER BOULON, AVEC RONDELLE	2				
21	6A1-83625-51	MARK 5 ETIQUETTE 5	1				
22	6A1-83625-41	MARK 5 ETIQUETTE 5	1				
23	6E5-14488-00	LABEL, CAUTION ETIQUETTE, RECOMMANDATION	1				



6E51300-2110

FIG. 12 ELECTRICAL 1

PARTIE ELECTRIQUE 1



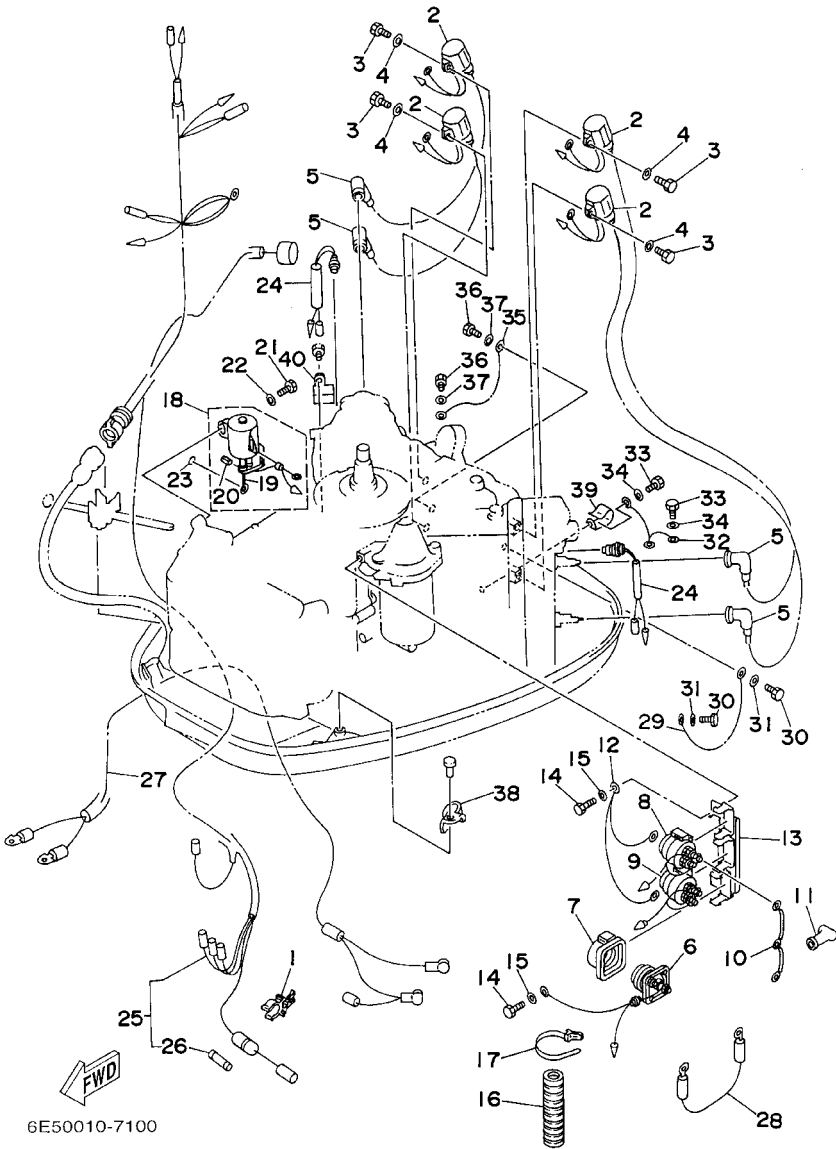
REF. NO.	PART NO. NO. PIECES	DESCRIPTION DESCRIPTION	115B				REMARKS REMARQUES
1	6N7-85542-01-1S	BRACKET SUPPORT	1				
2	6A0-82317-00	DAMPER, IGNITION COIL AMORTISSEUR, BOBINE D'ALLUM	3				
3	624-42542-00	PIPE TUYAU	3				
4	90119-06M59	BOLT, WITH WASHER BOULON, AVEC RONDELLE	3				
5	97095-06012	BOLT BOULON	1				
6	92995-06600	WASHER RONDELLE	1				
7	6E5-85540-00	C.D.I. UNIT ASSY BLOC C.D.I.	1				
8	97880-06040	SCREW, PAN HEAD VIS, TETE TRONCONIQUE	2				
9	92990-06100	WASHER, SPRING RONDELLE, GROWER	2				
10	92990-06600	WASHER, PLATE RONDELLE, PLATE	2				
11	6N7-85537-00	COVER COUVERCLE	1				
12	90159-06M11	SCREW, WITH WASHER VIS, AVEC RONDELLE	4				
13	6H0-81960-00	RECTIFIER & REGULATOR ASSY REDRESSEUR REGULATEUR CPLT	1				
14	97013-06045	BOLT BOULON	2				
15	92903-06600	WASHER, PLATE RONDELLE, PLATE	2				
16	90387-06M77	COLLAR COLLERETTE	2				
17	90201-06M05	WASHER, PLATE RONDELLE, PLATE	2				
18	6E5-81961-00	COVER COUVERCLE	1				
19	90465-06M86	CLAMP BRIDE	1				
20	97095-06012	BOLT BOULON	2				
21	92995-06600	WASHER RONDELLE	2				



6E50010-0091

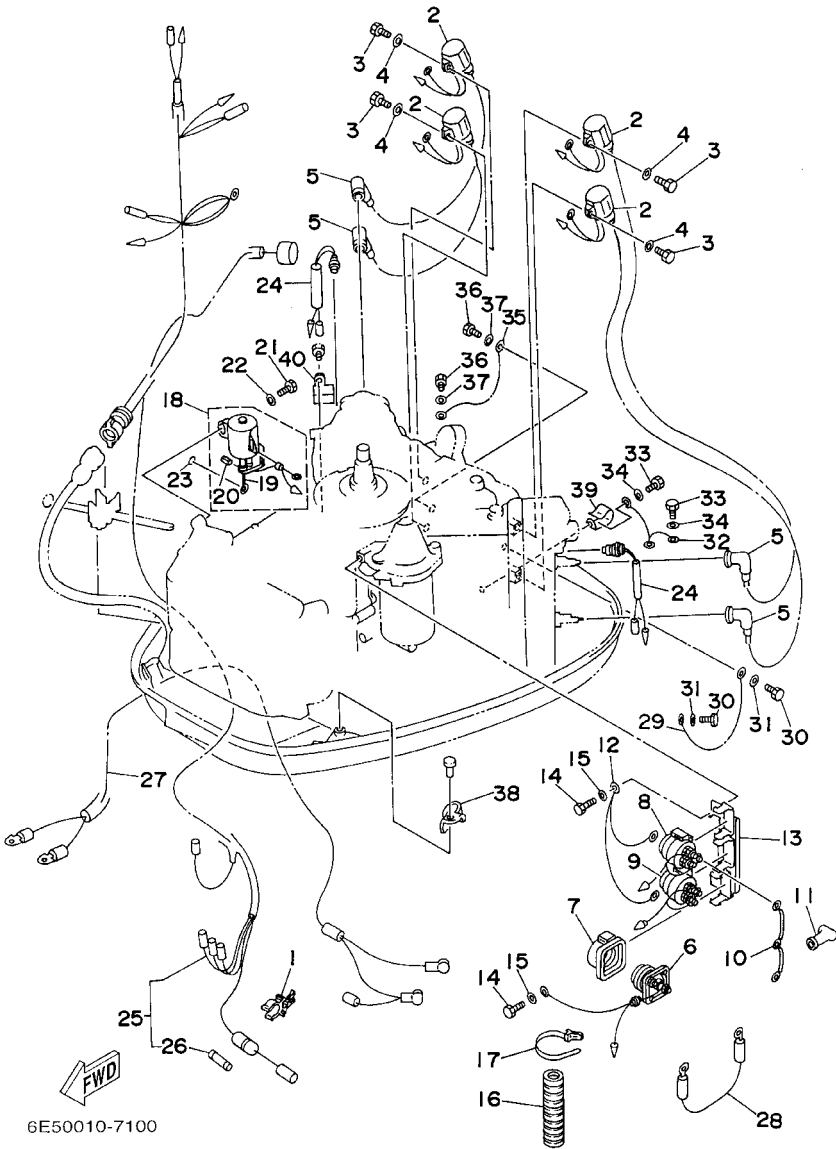
FIG. 13 ELECTRICAL 2

PARTIE ELECTRIQUE 2



6E50010-7100

REF. NO.	PART NO. NO. PIECES	DESCRIPTION DESCRIPTION	115B				REMARKS REMARQUES
1	6G5-82152-00	HOLDER, FUSE SUPPORT, FUSIBLE	1				
2	6R3-85570-01	IGNITION COIL ASSY BOBINE D'ALLUMAGE (ENS.)	4				
3	97095-06020	BOLT BOULON	4				
4	92995-06600	WASHER RONDELLE	4				
5	6G1-82370-21	PLUG CAP ASSY ANTIPARASITE	4				
6	61A-81941-00	STARTER RELAY ASSY LANCEUR RELAIS (ENS.)	1				
7	689-81952-10	HOLDER, RELAY SUPPORT, RELAIS	1				
8	6E5-81950-00	RELAY ASSY RELAIS COMPLET	1				
9	6E5-8195A-00	RELAY ASSY RELAIS COMPLET	1				
10	6G5-87149-10	CONNECTOR RACCORD	1				
11	6G5-82119-00	COVER, LEAD WIRE GARNITURE, FIL	2				
12	6E5-82116-00	WIRE, MINUS LEAD FIL, NEGATIF	1				
13	6E5-81948-22	BRACKET JOINT TORIQUE	1				
14	97095-06016	BOLT BOULON	2				
15	92995-06600	WASHER RONDELLE	2				
16	6N7-83557-00	TUBE TUBE	1				I.DIA.: 22MM
17	90465-13M18	CLAMP BRIDE	1				
18	6E5-86110-02	SOLENOID SOLENOID	1				
19	6E5-86116-01	.WIRE, PULL .CABLE, TENSION	1				
20	91609-30010	.PIN, SPRING .GOUPILLE, ELASTIQUE	1				
21	97095-06016	BOLT BOULON	2				
22	92995-06600	WASHER RONDELLE	2				
23	93210-03261	O-RING JOINT TORIQUE	1				
24	688-82560-10	THERMO SWITCH ASSY THERMO-CONTACT COMPLET	2				
25	6E5-82590-15	WIRE HARNESS ASSY FAISCEAU DE FILS COMPLET	1				
26	663-82151-00	.FUSE (12V-20A) .FUSIBLE (12V-20A)	1				
27	6E5-82105-12	WIRE HARNESS FAISCEAU DE FILS	1				



6E50010-7100

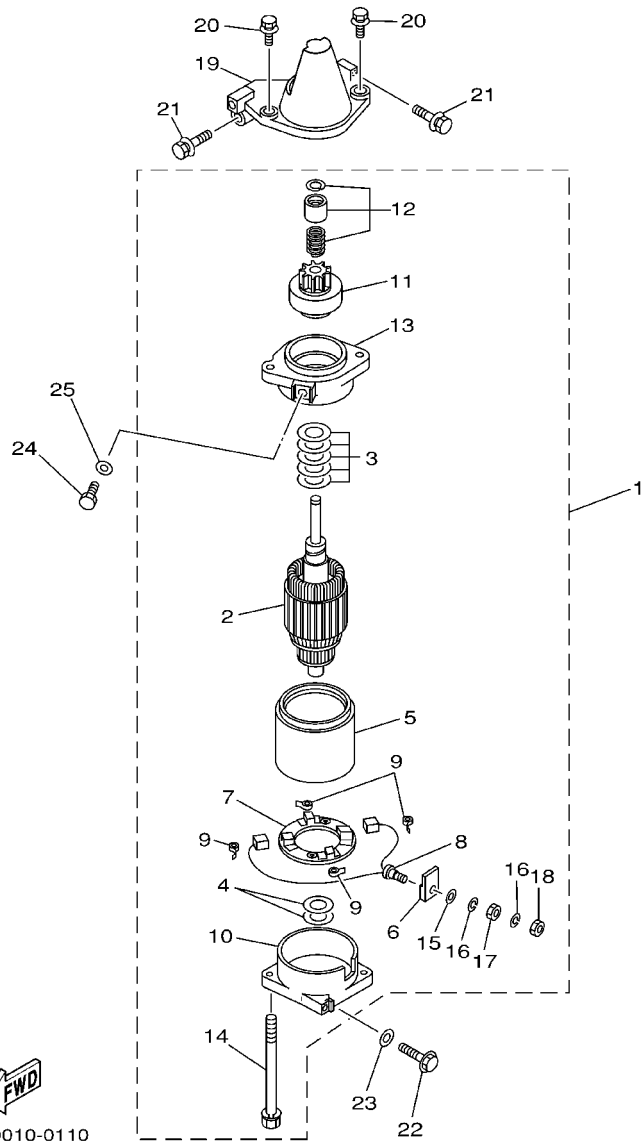
FIG. 13 ELECTRICAL 2

PARTIE ELECTRIQUE 2

REF. NO.	PART NO. NO. PIECES	DESCRIPTION DESCRIPTION	115B				REMARKS REMARQUES
28	6E5-82117-01	WIRE, LEAD FIL	1				
29	6R3-82519-00	WIRE, EARTH LEAD FIL, MASSE	1				
30	97095-06012	BOLT BOULON	2				
31	92995-06600	WASHER RONDELLE	2				
32	6E5-82531-10	WIRE, LEAD FIL	1				
33	97095-06012	BOLT BOULON	2				
34	92995-06600	WASHER RONDELLE	2				
35	662-82519-00	WIRE, EARTH LEAD FIL, MASSE	1				
36	97095-06012	BOLT BOULON	2				
37	92995-06600	WASHER RONDELLE	2				
38	90465-12M25	CLAMP BRIDE	1				
39	90465-05M87	CLAMP BRIDE	1				
40	90465-08M89	CLAMP BRIDE	1				

FIG. 14 STARTING MOTOR

DEMARREUR ELECTRIQUE

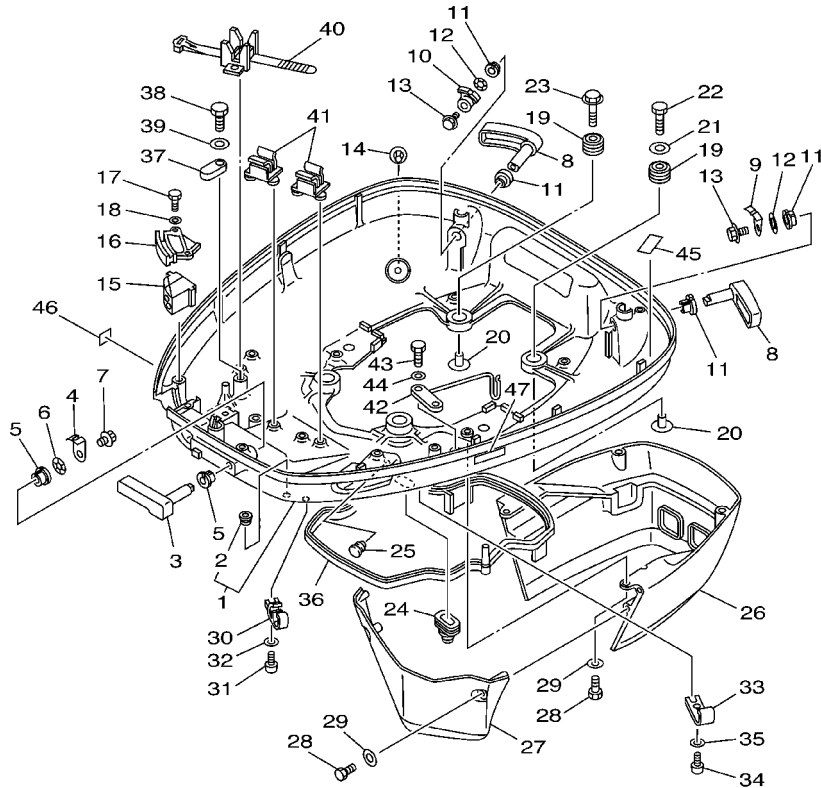


6E50010-0110

REF. NO.	PART NO. NO. PIECES	DESCRIPTION DESCRIPTION	115B				REMARKS REMARQUES
1	6N7-81800-10	STARTING MOTOR ASSY DEMARREUR ELECTRIQUE COMPLET	1				
2	6N7-81850-10	.ARMATURE ASSY .INDUIT	1				
3	61A-81809-00	.WASHER KIT .JEU DE RONDELLES	1				
4	61A-81824-00	.WASHER 2 .RONDELLE 2	2				
5	6N7-81810-00	.STATOR ASSY .STATOR COMPLET	1				
6	6K7-8182G-10	.BUSH, TERMINAL .DOUILLE	1				
7	6N7-81840-00	.BRUSH HOLDER ASSY .SUPPORT DE CHARBON	1				
8	6N7-81801-00	.BRUSH SET .CHARBON	1				
9	6N7-81813-00	.SPRING, BRUSH .RESSORT, DE CHARBON	4				
10	6N7-81820-10	.REAR BRACKET ASSY .SUPPORT ARRIERE COMPLET	1				
11	6N7-81807-00	.GEAR ASSY, STARTING MOTOR .PIGNON, DEMARREUR ELECTRIQUE	1				
12	6N7-81857-00	.RETAINER .ARRETOIR	1				
13	6N7-81830-00	.FRONT BRACKET ASSY .SUPPORT AVANT	1				
14	6K7-81826-10	.BOLT .BOULON	2				
15	6E5-8182E-10	.WASHER .RONDELLE	1				
16	6E5-8182F-10	.WASHER .RONDELLE	2				
17	6E5-8182A-10	.NUT .ECROU	1				
18	6E5-8182K-10	.NUT .ECROU	1				
19	6E5-81822-02-98	BRACKET, STARTING MOTOR SUPPORT, DEMARREUR ELECTRIQUE	1				
20	90119-08M76	BOLT, WITH WASHER BOULON, AVEC RONDELLE	2				
21	90119-08M77	BOLT, WITH WASHER BOULON, AVEC RONDELLE	2				
22	90119-08M57	BOLT, WITH WASHER BOULON, AVEC RONDELLE	1				
23	92990-08600	WASHER, PLATE RONDELLE, PLATE	1				
24	97095-08016	BOLT BOULON	1				
25	92995-08600	WASHER RONDELLE	1				

FIG. 15 BOTTOM COWLING

CAPOT INFERIEUR

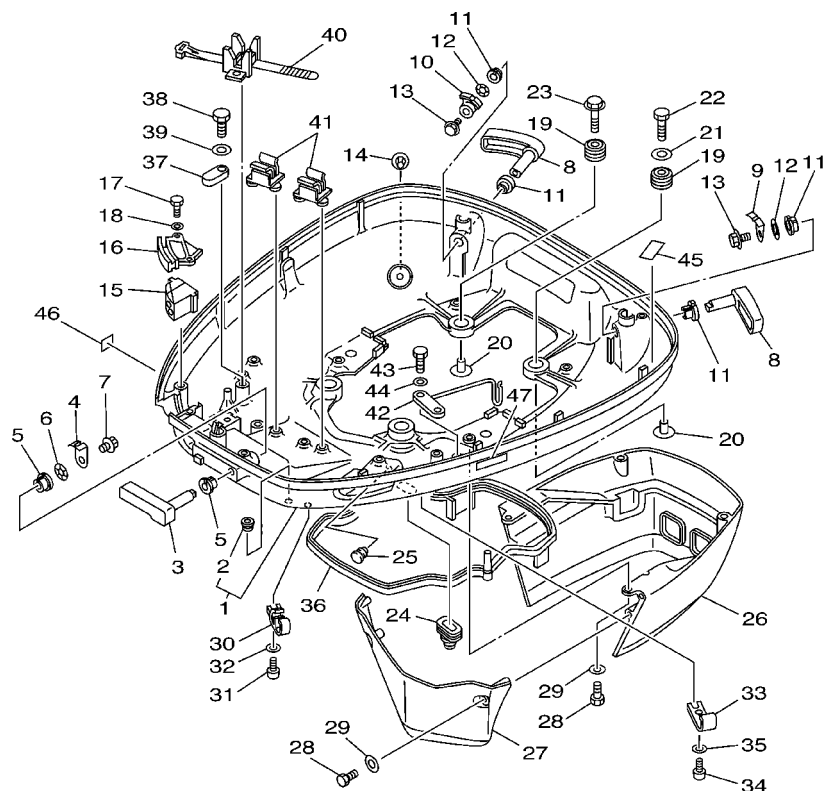


6E51300-2150

REF. NO.	PART NO. NO. PIECES	DESCRIPTION DESCRIPTION	115B				REMARKS REMARQUES
1	6E5-W4271-05-4D	COWLING, BOTTOM CUVETTE	1				
2	6H4-42748-00	.GROMMET .PASSE-FIL	1				
3	688-42815-01-4D	LEVER, CLAMP LEVIER, PRESSE	1				
4	688-42816-00	LEVER, CLAMP LEVIER, PRESSE	1				
5	90386-13M38	BUSH DOUILLE	2				
6	90206-13M10	WASHER, WAVE RONDELLE, ONDULEE	1				
7	90119-06M09	BOLT, WITH WASHER BOULON, AVEC RONDELLE	1				
8	6E5-42817-01-4D	LEVER, CLAMP LEVIER, PRESSE	2				
9	6G5-42816-00	LEVER, CLAMP LEVIER, PRESSE	1				
10	6E5-42816-01	LEVER, CLAMP LEVIER, PRESSE	1				
11	90386-13M38	BUSH DOUILLE	4				
12	90206-13M10	WASHER, WAVE RONDELLE, ONDULEE	2				
13	90119-06M09	BOLT, WITH WASHER BOULON, AVEC RONDELLE	2				
14	6E5-44391-00	NIPPLE, HOSE RACCORD D'ESSENCE	1				
15	6E5-42725-11	GROMMET PASSE-FIL	1				
16	6E5-42738-01-5B	PLATE, FITTING ETRIER	1				
17	97095-06016	BOLT BOULON	2				
18	92995-06600	WASHER RONDELLE	2				
19	90480-22M15	GROMMET PASSE-FIL	4				
20	90387-08M37	COLLAR COLLERETTE	4				
21	90201-08M54	WASHER, PLATE RONDELLE, PLATE	1				
22	97075-08035	BOLT BOULON	1				
23	90119-08M22	BOLT, WITH WASHER BOULON, AVEC RONDELLE	3				
24	688-42726-10	GROMMET PASSE-FIL	1				
25	90480-13M24	GROMMET PASSE-FIL	1				
26	6E5-42741-01-4D	APRON CAPOT LATERAL	1				
27	6E5-42771-01-4D	APRON CAPOT LATERAL	1				

FIG. 15 BOTTOM COWLING

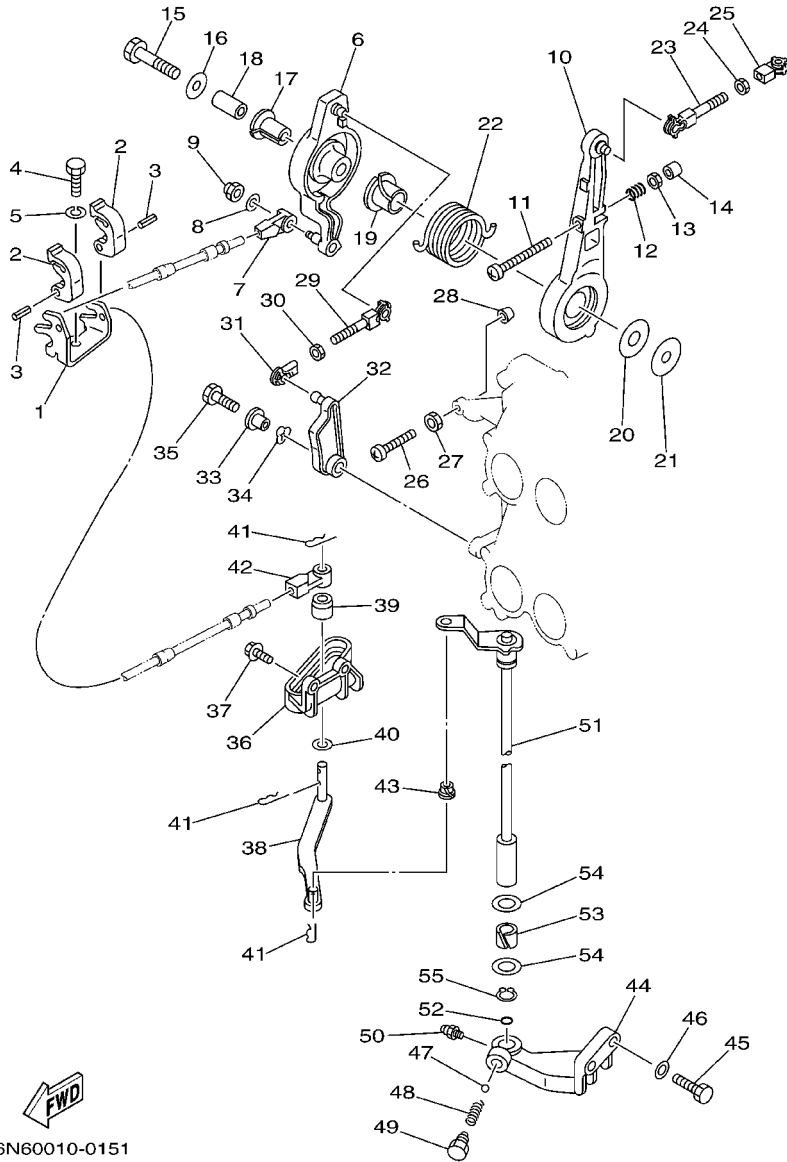
CAPOT INFERIEUR



REF. NO.	PART NO. NO. PIECES	DESCRIPTION DESCRIPTION	115B				REMARKS REMARQUES
28	97095-06020	BOLT BOULON	6				
29	92995-06600	WASHER RONDELLE	6				
30	6E5-24367-01	CLAMP, FUEL PIPE 2 COLLIER DE DURITE A ESSENCE	2				
31	90157-06M01	SCREW, PAN HEAD VIS, TETE TRONCONIQUE	2				
32	92990-06600	WASHER, PLATE RONDELLE, PLATE	2				
33	6E5-24367-10	CLAMP, FUEL PIPE 2 COLLIER DE DURITE A ESSENCE	1				
34	90157-06M01	SCREW, PAN HEAD VIS, TETE TRONCONIQUE	1				
35	92990-06600	WASHER, PLATE RONDELLE, PLATE	1				
36	6E5-42716-00	RUBBER, SEAL 1 JOINT EN CAOUTCHOUC 1	1				
37	6E5-82588-00	PLATE PLAQUE	1				
38	97095-06020	BOLT BOULON	1				
39	92995-06600	WASHER RONDELLE	1				
40	688-82594-00	CLAMP BRIDE	1				
41	6E5-82594-00	CLAMP BRIDE	2				
42	6K7-82588-00	PLATE PLAQUE	1				
43	97095-06020	BOLT BOULON	1				
44	92995-06600	WASHER RONDELLE	1				
45	6G5-42791-10	MARK 1 ETIQUETTE 1	1				
46	6A1-28176-00	LABEL, CAUTION ETIQUETTE, RECOMMANDATION	1				
47	6E3-8257H-00	PLATE, MARK PLAQUE, ADHESIF	1				



6E51300-2150

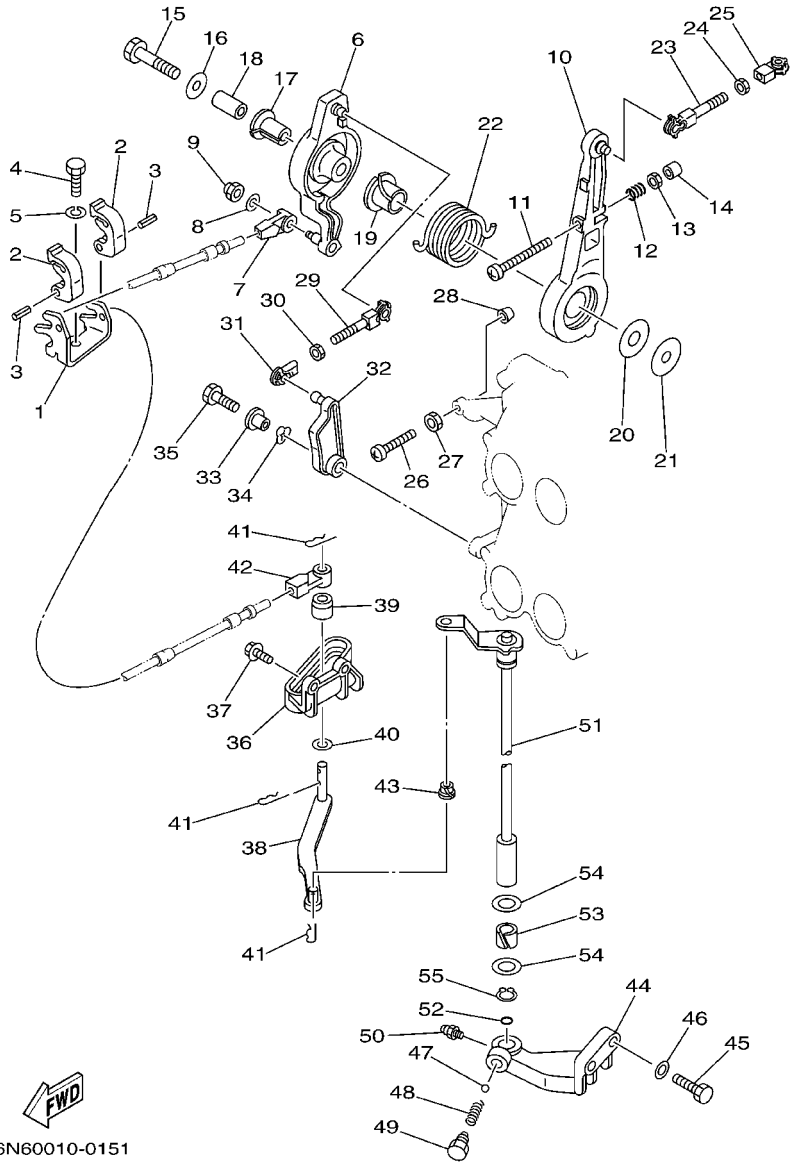


6N60010-0151

FIG. 16 CONTROL

COMMANDE

REF. NO.	PART NO. NO. PIECES	DESCRIPTION DESCRIPTION	115B			REMARKS REMARQUES
1	6E5-48531-00	BRACKET, REMOTE CONTROL 1 ETRIER 1, COMMANDE A DISTANCE	1			
2	6E5-48538-00	CLAMP, CABLE 1 COLLIER	2			
3	91690-30012	PIN, SPRING GOUILLE, ELASTIQUE	2			
4	97095-08020	BOLT BOULON	1			
5	92995-08100	WASHER RONDELLE	1			
6	6E5-41632-02-1S	LEVER, MAGNETO CONTROL LEVIER, COMMANDE D'AVANCE	1			
7	6E5-48344-00	CABLE END, REMOTE CONTROL CHAPE CABLE	1			
8	92990-06200	WASHER, PLAIN RONDELLE, PLATE	1			
9	90185-06M07	NUT, SELF-LOCKING ECROU, AUTO-BLOCANT	1			
10	6E5-41631-01-1S	LEVER, MAGNETO CONTROL LEVIER, COMMANDE D'AVANCE	1			
11	90157-06013	SCREW, PAN HEAD VIS, TETE TRONCONIQUE	1			
12	90501-16M12	SPRING, COMPRESSION RESSORT, COMPRESSION	1			
13	95303-06600	NUT ECROU	1			
14	688-44194-00	CAP CAPUCHON	1			
15	97013-08045	BOLT BOULON	1			
16	90201-08M23	WASHER, PLATE RONDELLE, PLATE	1			
17	90386-12089	BUSH DOUILLE	1			
18	90387-08M16	COLLAR COLLERETTE	1			
19	90386-22M13	BUSH DOUILLE	1			
20	90202-12092	WASHER, PLATE RONDELLE, PLATE	1			
21	90201-08M13	WASHER, PLATE RONDELLE, PLATE	1			
22	90508-29M12	SPRING, TORSION RESSORT, TORSION	1			
23	6E5-41636-01	ROD, MAGNETO CONTROL BIELLETTTE, COMMANDE D'AVANCE	1			
24	95380-05600	NUT ECROU	1			
25	662-41237-01	JOINT, LINK RACCORD	1			
26	90157-06013	SCREW, PAN HEAD VIS, TETE TRONCONIQUE	1			
27	95303-06600	NUT ECROU	1			



6N60010-0151

FIG. 16 CONTROL

COMMANDE

REF. NO.	PART NO. NO. PIECES	DESCRIPTION DESCRIPTION	115B			REMARKS REMARQUES
28	688-44194-00	CAP CAPUCHON	1			
29	688-41636-00	ROD, MAGNETO CONTROL BIELLETTTE, COMMANDE D'AVANCE	1			
30	95380-05600	NUT ECROU	1			
31	662-41237-01	JOINT, LINK RACCORD	1			
32	6E5-41213-00	CAM, ACCEL. CAME, ACCELERATION	1			
33	90387-06M29	COLLAR COLLERETTE	1			
34	90206-10M04	WASHER, WAVE RONDELLE, ONDULEE	1			
35	97095-06025	BOLT BOULON	1			
36	6E5-44117-00-1S	BRACKET SUPPORT	1			
37	90119-06MA2	BOLT, WITH WASHER BOULON, AVEC RONDELLE	2			
38	68F-44121-00	LEVER, SHIFT ROD LEVIER, TIGE D'INVERSION	1			
39	6E5-44122-00	BUSHING, SHIFT ROD LEVER DOUILLE, LEVIER D'EMBRAYAGE	1			
40	90202-08M20	WASHER, PLATE RONDELLE, PLATE	1			
41	90468-18008	CLIP JONC	3			
42	6E5-48344-00	CABLE END, REMOTE CONTROL CHAPE CABLE	1			
43	90386-06M12	BUSH DOUILLE	1			
44	6E5-44118-01-94	BRACKET SUPPORT	1			
45	97013-08030	BOLT BOULON	2			
46	92903-08600	WASHER, PLATE RONDELLE, PLATE	2			
47	93501-04M02	BALL BILLE	1			
48	90501-12082	SPRING, COMPRESSION RESSORT, COMPRESSION	1			
49	648-42715-00	BUSHING COUSSINET	1			
50	93700-06M03	NIPPLE, GREASE GRAISSEUR	1			
51	6E5-44120-03	HANDLE GEAR SHIFT ASSY LEVIER D'EMBRAYAGE	1			L
52	93210-09165	O-RING JOINT TORIQUE	1			
53	90386-16M66	BUSH DOUILLE	1			
54	90202-16061	WASHER, PLATE RONDELLE, PLATE	2			

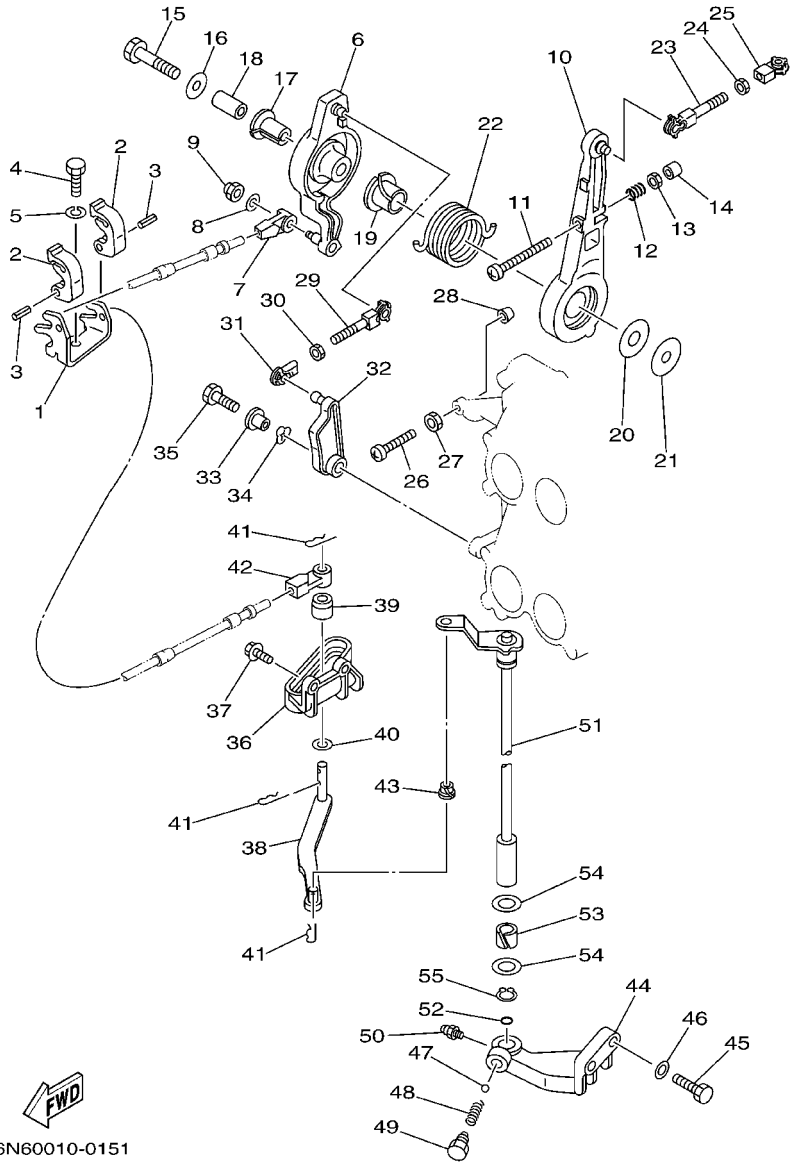


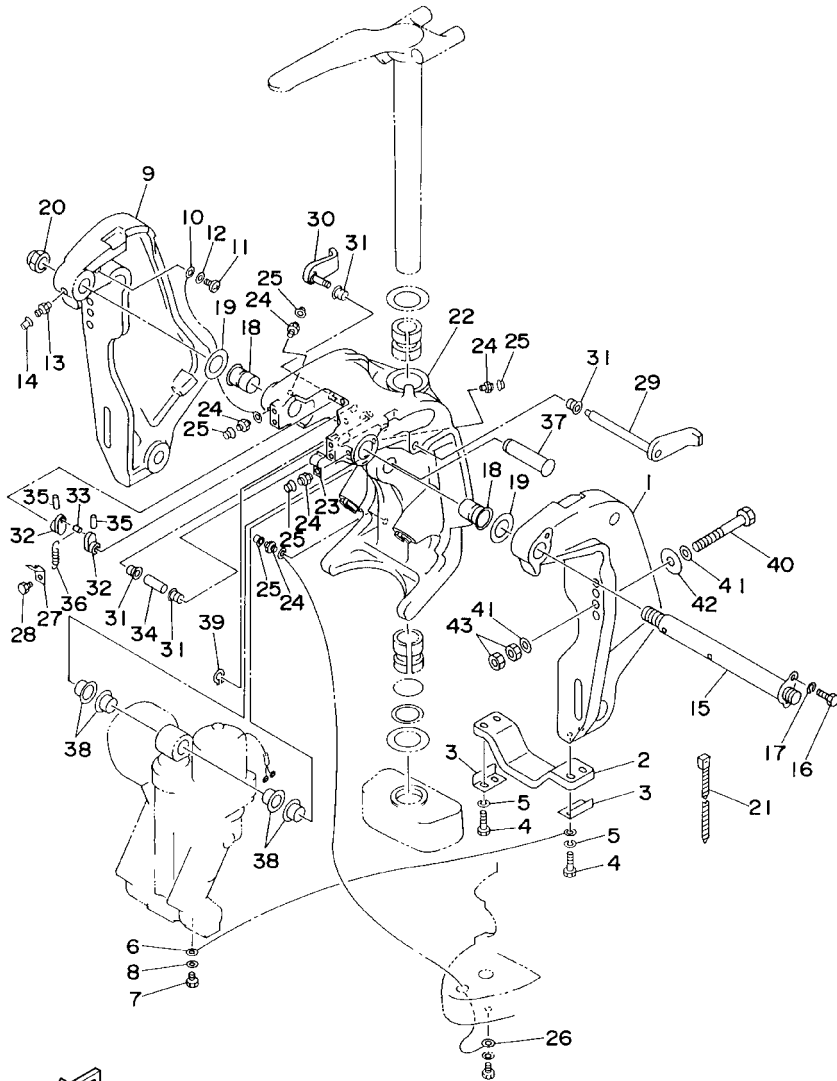
FIG. 16 CONTROL

COMMANDE

REF. NO.	PART NO. NO. PIECES	DESCRIPTION DESCRIPTION	115B				REMARKS REMARQUES
55	93410-16006	CIRCLIP CIRCLIP, TYPE S	1				

FIG. 17 BRACKET 1

SUPPORT 1



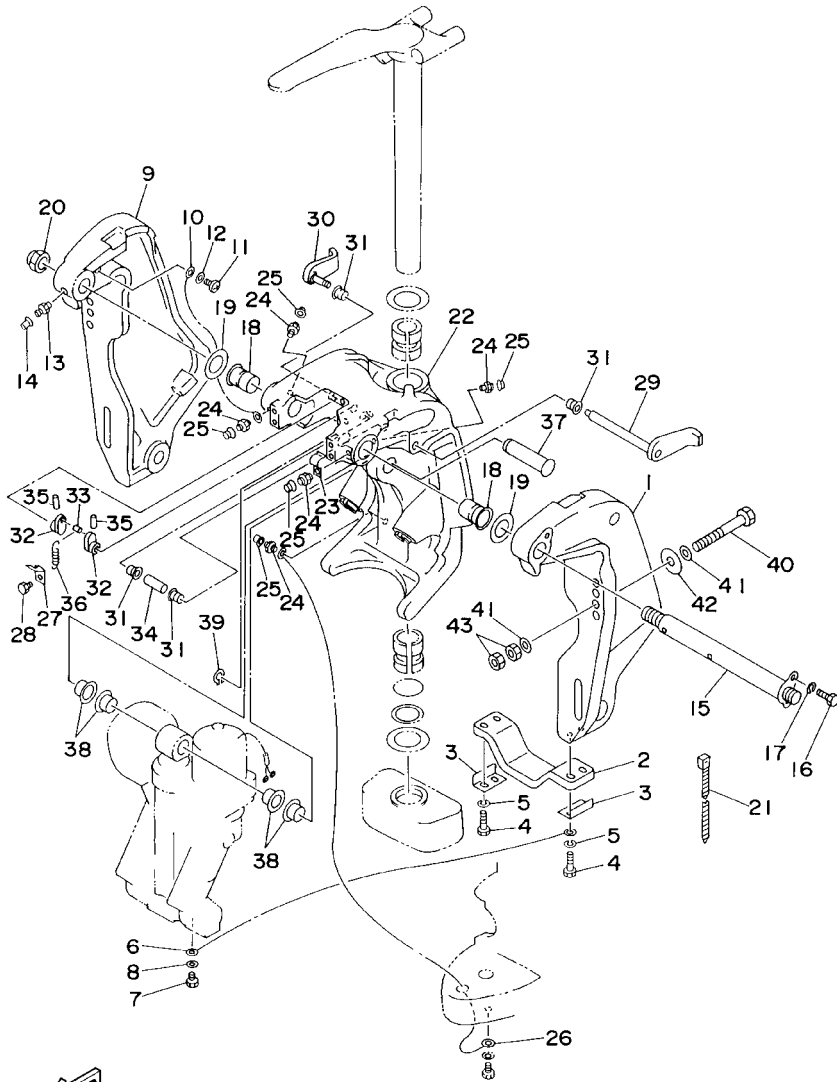
6N60010-7160

REF. NO.	PART NO. NO. PIECES	DESCRIPTION DESCRIPTION	115B			REMARKS REMARQUES
1	64E-43111-02-8D	BRACKET, CLAMP PRESSE	1			
2	6G5-45251-02	ANODE ANODE	1			
3	6G5-44526-00	PLATE PLAQUE	2			
4	97095-06030	BOLT BOULON	4			
5	92995-06100	WASHER, SPRING RONDELLE, GROWER	4			
6	6E5-82148-00	WIRE, LEAD 4 FIL 4	1			
7	97095-06010	BOLT BOULON	1			
8	92995-06600	WASHER RONDELLE	1			
9	64E-43112-02-8D	BRACKET, CLAMP PRESSE	1			
10	6E5-82148-00	WIRE, LEAD 4 FIL 4	1			
11	97880-06012	SCREW, PAN HEAD VIS, TETE TRONCONIQUE	1			
12	92990-06600	WASHER, PLATE RONDELLE, PLATE	1			
13	93700-06M03	NIPPLE, GREASE GRAISSEUR	1			
14	663-45119-00	CAP, GREASE NIPPLE CAPUCHON, GRAISSEUR	1			AP
15	64E-43131-01	BOLT, CLAMP BRACKET BOULON, PRESSE	1			
16	97095-08020	BOLT BOULON	1			
17	92995-08100	WASHER RONDELLE	1			
18	90386-25M31	BUSH DOUILLE	2			
19	90201-26M59	WASHER, PLATE RONDELLE, PLATE	2			
20	90185-22M11	NUT, SELF-LOCKING ECROU, AUTO-BLOCANT	1			
21	90465-11M10	CLAMP BRIDE	1			
22	64E-43311-10-8D	BRACKET, SWIVEL 1 SUPPORT, PIVOT 1	1			L
23	90465-08M63	CLAMP BRIDE	1			
24	93700-06M03	NIPPLE, GREASE GRAISSEUR	5			
25	663-45119-00	CAP, GREASE NIPPLE CAPUCHON, GRAISSEUR	5			AP
26	6E5-82147-00	WIRE, LEAD 4 FIL 4	1			L
27	6G5-43144-00	HOOK, SPRING CROCHET	1			

D7

FIG. 17 BRACKET 1

SUPPORT 1

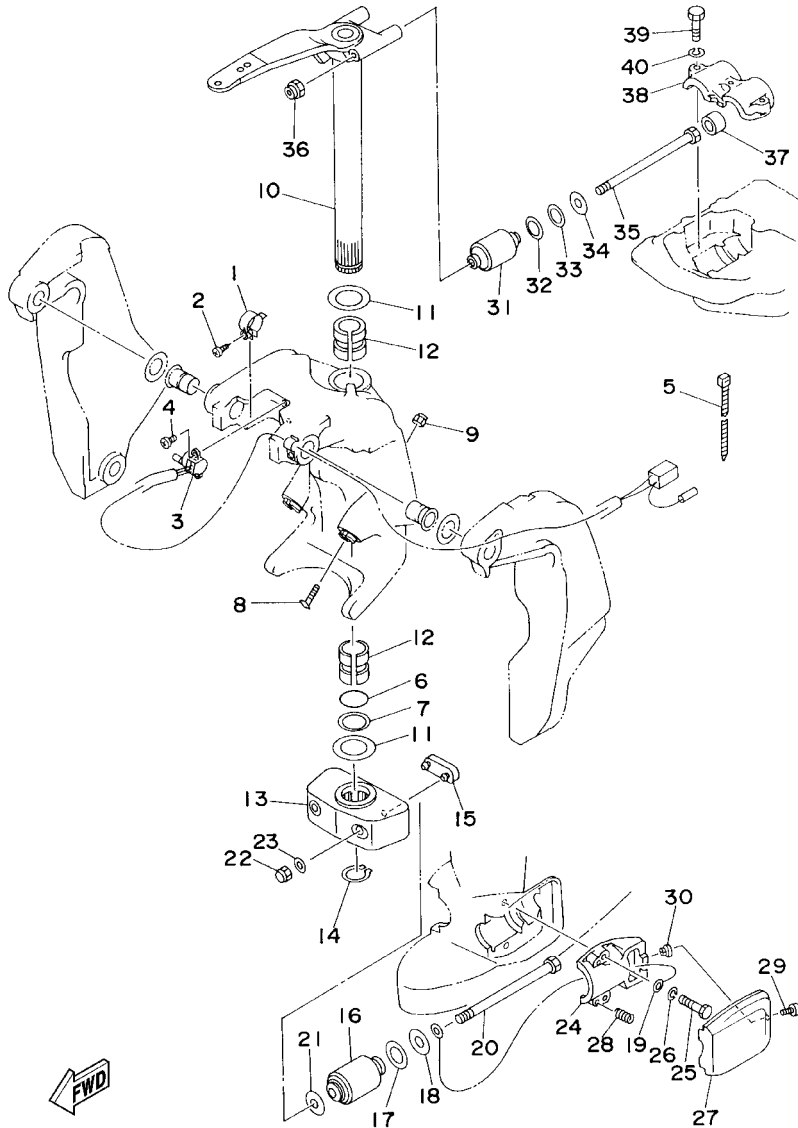


6N60010-7160

REF. NO.	PART NO. NO. PIECES	DESCRIPTION DESCRIPTION	115B				REMARKS REMARQUES
28	97095-06010	BOLT BOULON	1				
29	6G5-43181-02	LEVER, TILT STOP LEVIER, VERROUILLAGE RELEVAGE	1				
30	6G5-43185-02	LEVER, TILT STOP LEVIER, VERROUILLAGE RELEVAGE	1				
31	90386-10M16	BUSH DOUILLE	4				
32	6G5-43148-00	COLLAR, DISTANCE ENTRETOISE	2				
33	90249-06M19	PIN GOUPILLE	1				
34	90387-10M05	COLLAR COLLERETTE	1				
35	91690-30020	PIN, SPRING GOUPILLE, ELASTIQUE	2				
36	90506-14M24	SPRING, TENSION RESSORT, TENSION	1				
37	64E-43126-00	PIN, UPPER SHOCK MOUNT AXE, SUPERIEUR AMORTISSEUR	1				
38	90386-22M98	BUSH DOUILLE	4				
39	93410-22M11	CIRCLIP CIRCLIP, TYPE S	1				
40	90101-12M03	BOLT (L:115MM) BOULON (L:115MM)	4				
41	90201-13M01	WASHER, PLATE RONDELLE, PLATE	8				
42	90201-12M05	WASHER, PLATE RONDELLE, PLATE	4				
43	95380-12600	NUT ECROU	8				

FIG. 18 BRACKET 2

SUPPORT 2

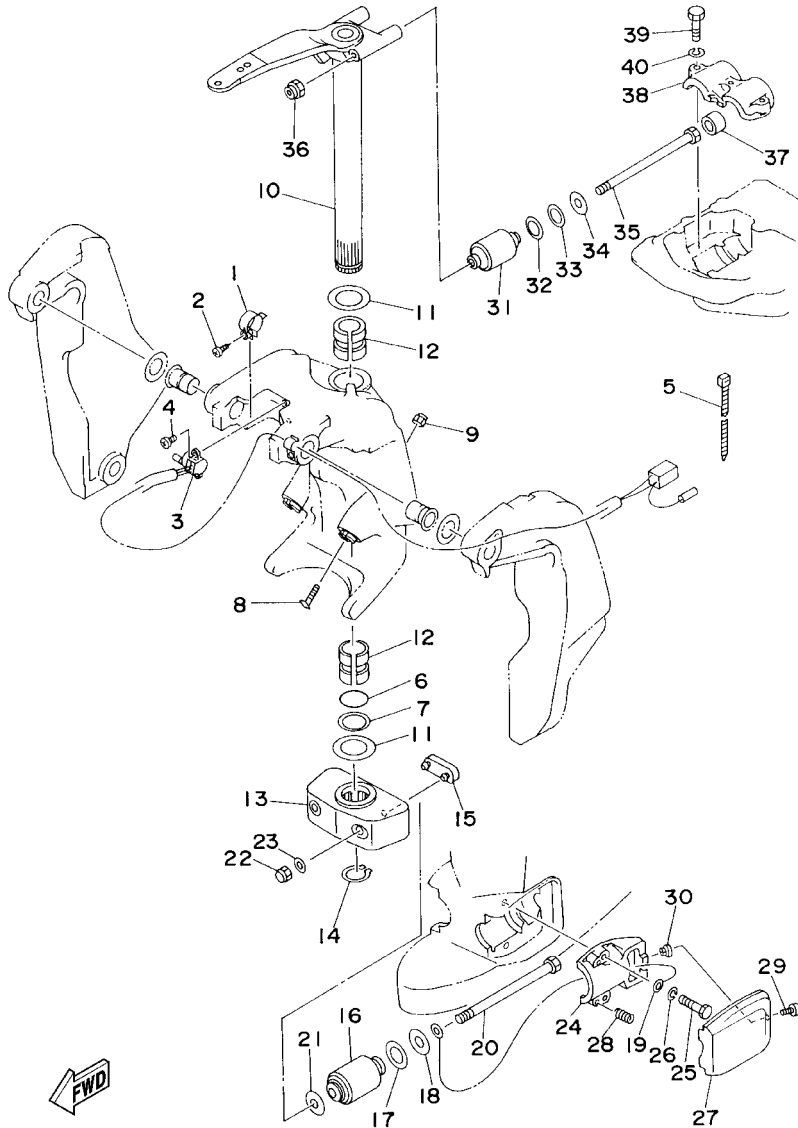


64D0010-7170

REF. NO.	PART NO. NO. PIECES	DESCRIPTION DESCRIPTION	115B			REMARKS REMARQUES
1	64E-43139-02	CAM, TRIM SENDER VILEBREQUIN TRUM	1			
2	97780-60525	SCREW, TAPPING VIS, TETE FRAISEE	1			
3	64E-83672-02	TRIM SENDER INCLINER RACCORD	1			
4	97885-06016	SCREW, PAN HEAD VIS, TETE TRONCONIQUE	2			
5	90465-11M10	CLAMP BRIDE	3			
6	93210-37MH7	O-RING JOINT TORIQUE	1			
7	90202-40M47	WASHER, PLATE RONDELLE, PLATE	1			
8	61A-43376-00	BOLT, THRUST RECEIVER BOULON	2			
9	95780-10300	NUT, FLANGE ECROU, A COLLERETTE	2			
10	6E5-42510-05-8D	STEERING BRACKET ASSY DIRECTION SUPPORT (ENS.)	1			L
11	90201-38M60	WASHER, PLATE RONDELLE, PLATE	2			
12	90386-38M32	BUSH DOUILLE	2			
13	6G5-44551-01-8D	HOUSING, LOWER MOUNT RUBBER BOITIER, SILENT-BLOC INFERIEUR	1			
14	93410-37M04	CIRCLIP CIRCLIP, TYPE S	1			
15	6E5-44575-00	DAMPER, LOWER MOUNT RUBBER SILENT-BLOC, INFERIEUR	1			
16	6E5-44555-00-94	MOUNT DAMPER, LOWER SIDE SILENT-BLOC, INFERIEUR LATERAL	2			
17	90202-32M19	WASHER, PLATE RONDELLE, PLATE	2			
18	90201-16M55	WASHER, PLATE RONDELLE, PLATE	2			
19	6E5-82149-00	WIRE, LEAD 3 FIL 3	1			
20	90109-14M34	BOLT BOULON	2			
21	90201-15M58	WASHER, PLATE RONDELLE, PLATE	2			
22	95380-14800	NUT ECROU	2			
23	92995-14600	WASHER RONDELLE	2			
24	6E5-44552-01-94	HOUSING, LOWER MOUNT RUBBER BOITIER, SILENT-BLOC INFERIEUR	2			
25	97095-10045	BOLT BOULON	4			
26	92995-10100	WASHER RONDELLE	4			
27	6E5-44553-01-8D	COVER, LOWER MOUNT COUVERCLE, SUSPENSION INFERIEUR	2			

FIG. 18 BRACKET 2

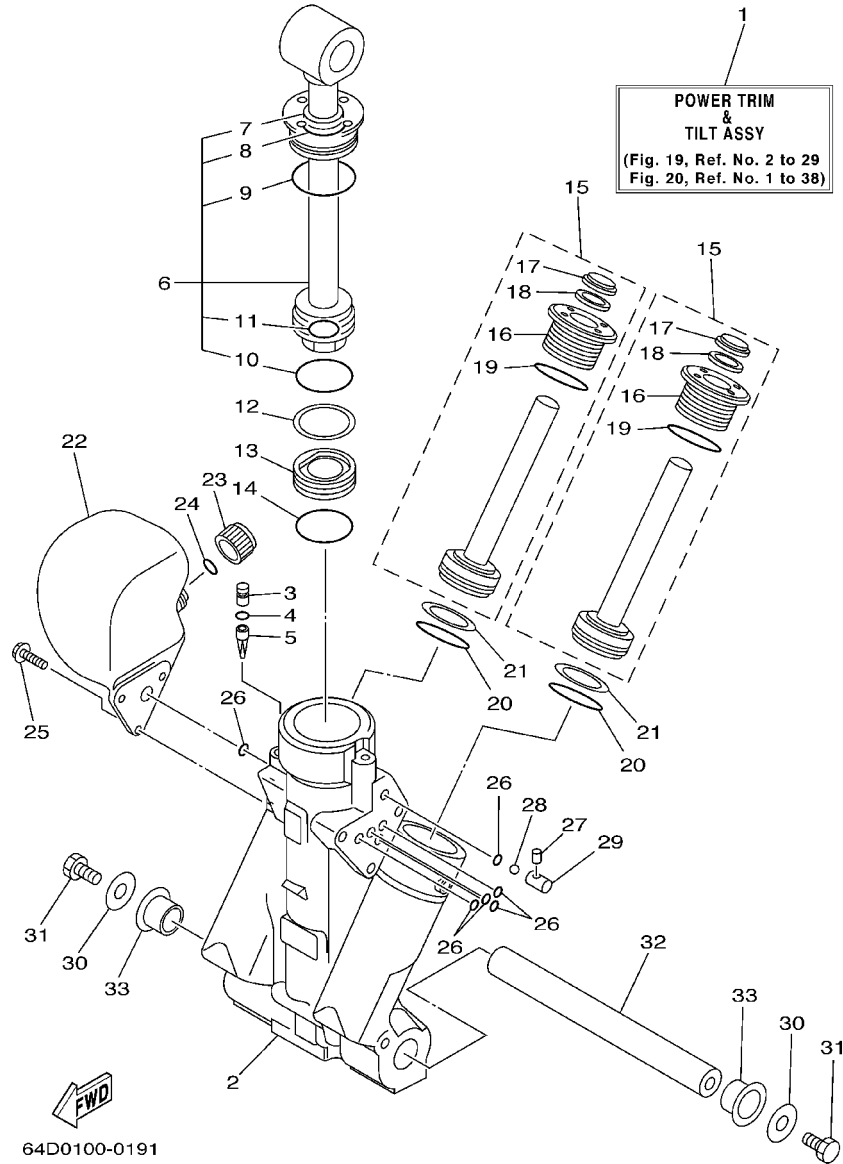
SUPPORT 2



64D0010-7170

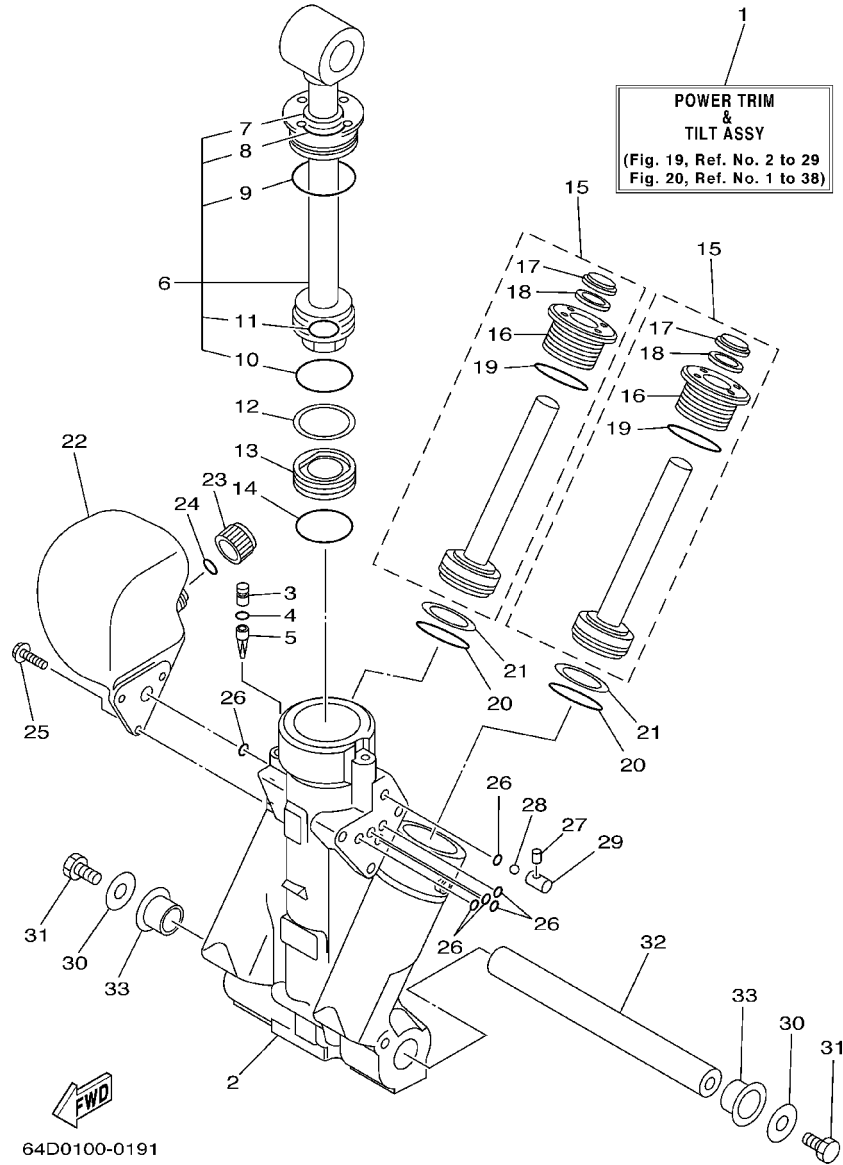
REF. NO.	PART NO. NO. PIECES	DESCRIPTION DESCRIPTION	115B				REMARKS REMARQUES
28	90501-16M28	SPRING, COMPRESSION RESSORT, COMPRESSION	4				
29	97885-06016	SCREW, PAN HEAD VIS, TETE TRONCONIQUE	2				
30	90179-06066	NUT ECROU	2				
31	6E5-44514-00-94	MOUNT DAMPER, UPPER SIDE SILENT-BLOC, SUPERIEUR LATERAL	2				
32	90201-26M57	WASHER, PLATE RONDELLE, PLATE	2				
33	90202-26M18	WASHER, PLATE RONDELLE, PLATE	2				
34	90201-14M56	WASHER, PLATE RONDELLE, PLATE	2				
35	90109-12M37	BOLT BOULON	2				
36	90185-12M12	NUT, SELF-LOCKING ECROU, AUTO-BLOCANT	2				
37	663-44575-00	DAMPER, LOWER MOUNT RUBBER SILENT-BLOC, INFERIEUR	2				
38	6E5-44511-00-5B	COVER, UPPER MOUNT COUVERCLE, SUSPENSION SUPERIEUR	1				
39	97095-10045	BOLT BOULON	3				
40	92995-10100	WASHER RONDELLE	3				

FIG. 19 POWER TRIM & TILT ASSY 1 PUISSANCE PARER ET INCLINER 1



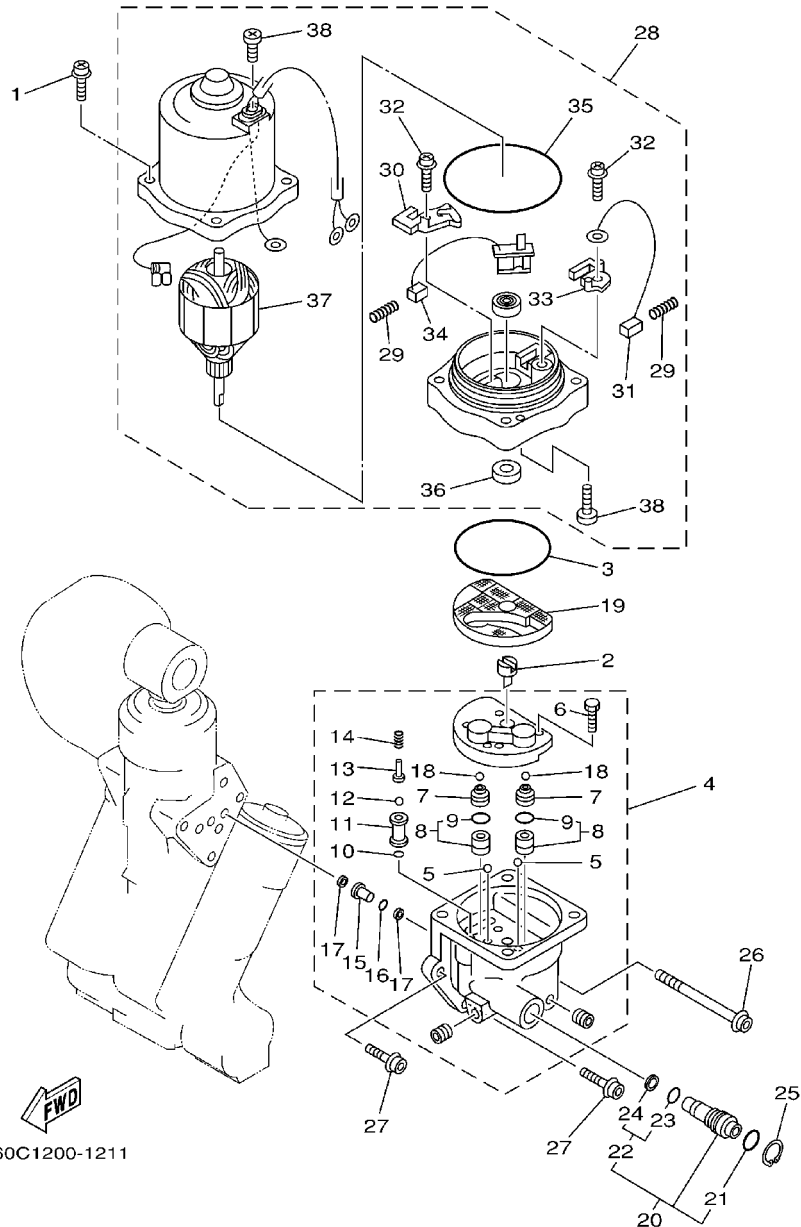
REF. NO.	PART NO. NO. PIECES	DESCRIPTION DESCRIPTION	115B				REMARKS REMARQUES
1	64E-43800-02-4D	POWER TRIM & TILT ASSY PUISSANCE PARER ET INCLINER (ENS.)	1				
2	64E-43825-01	HOUSING, TRIM & TILT CARTER	1				
3	64E-4388J-00	PLUG 2 BOUCHON 2	1				
4	93210-10M74	O-RING JOINT TORIQUE	1				
5	64E-43817-00	FILTER 2 FILTRE 2	1				
6	64E-43810-00	TILT PISTON SUB ASSY INCLINER PISTON AUXILIAIRE(ENS)	1				
7	64E-43898-00	.SEAL ,DUST 2 .JOINT ANTI-PUSSIERE	1				
8	64E-43867-00	.O-RING .JOINT TORIQUE	1				
9	64E-43866-00	.O-RING .JOINT TORIQUE	1				
10	6E5-43862-00	.O-RING .JOINT TORIQUE	1				
11	64E-43883-00	.O-RING .JOINT TORIQUE	1				
12	6E5-43872-00	RING, BACK UP RESSORT	1				
13	6E5-43814-02	PISTON, FREE PISTON	1				
14	6E5-43862-00	O-RING JOINT TORIQUE	1				
15	64E-43820-00	TRIM PISTON SUB ASSY PARER PISTON AUXILIAIRE (ENS.)	2				
16	64E-43821-00	SCREW, TRIM CYLINDER END .VIS	1				
17	64E-43822-00	.SEAL, TRIM DUST .JOINT	1				
18	64E-4384J-00	.SEAL, TRIM DOWN .JOINT	1				
19	6G5-43864-00	.O-RING .JOINT TORIQUE	1				
20	6E5-43864-00	O-RING JOINT TORIQUE	2				
21	6E5-43874-01	RING, BACK UP RESSORT	2				
22	64E-43828-00	BODY, RESERVOIR CORPS	1				
23	64E-43829-00	PLUG, RESERVOIR BOUCHON	1				
24	64E-43897-00	O-RING JOINT TORIQUE	1				
25	64E-4388E-00	BOLT ,SCREW (L:14MM) VIS (L:14MM)	3				
26	64E-43869-00	O-RING JOINT TORIQUE	6				
27	64E-4381G-00	PIN COUPILL	1				

FIG. 19 POWER TRIM & TILT ASSY 1 PUISSANCE PARER ET INCLINER 1



REF. NO.	PART NO. NO. PIECES	DESCRIPTION DESCRIPTION	115B				REMARKS REMARQUES
28	6E5-43858-00	BALL BILLE	1				
29	64E-4382G-00	VALVE, SEAT JEU DE POINTEAUX	1				
30	90201-08M14	WASHER, PLATE RONDELLE, PLATE	2				
31	97080-08016	BOLT BOULON	2				
32	64E-43818-01	PIN, LOWER SHOCK MOUNT AXE, INFERIEUR AMORTISSEUR	1				
33	90386-22M98	BUSH DOUILLE	2				

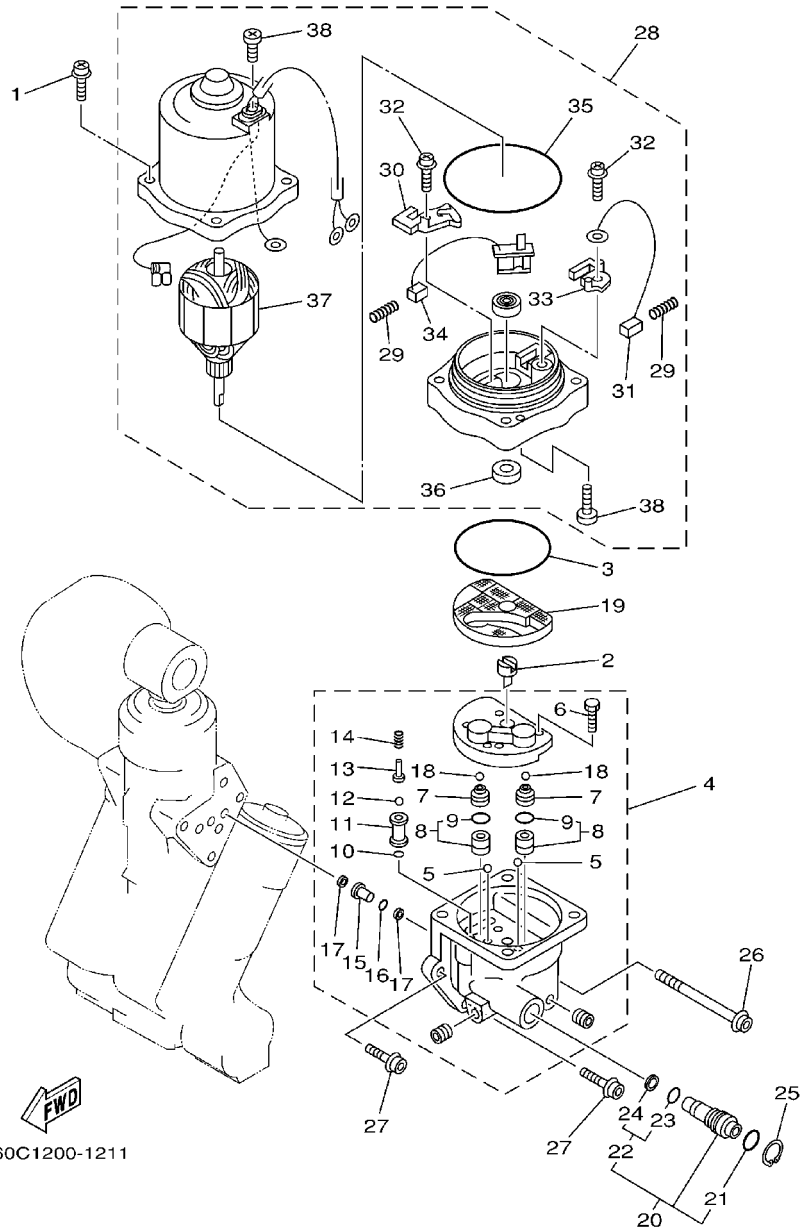
FIG. 20 POWER TRIM & TILT ASSY 2 PUISSANCE PARER ET INCLINER 2



60C1200-1211

REF. NO.	PART NO. NO. PIECES	DESCRIPTION DESCRIPTION	115B				REMARKS REMARQUES
1	64E-4388E-10	BOLT ,SCREW (L:34.7MM) VIS (L:34.7MM)	4				
2	64E-43831-00	CONNECTOR, SHAFT RACCORD	1				
3	64E-43868-00	O-RING JOINT TORIQUE	1				
4	64E-43830-00	GEAR PUMP ASSY POMPE A PIGNON (ENS.)	1				
5	72X-43858-00	.BALL .BILLE	2				
6	64E-43843-00	.SCREW, VALVE LOCK .VIS	4				
7	64E-43841-00	.PISTON, SHUTTLE .PISTON	2				
8	64E-43802-00	.VALVE SUB ASSY .CLAPET AUXILIAIRE (ENS.)	2				
9	6E5-43896-00	..O-RING ..JOINT TORIQUE	1				
10	6G5-43863-00	.O-RING JOINT TORIQUE	1				
11	64E-43851-00	.SEAT, RELIEF VALVE .SIEGE	1				
12	64E-43858-00	.BALL .BILLE	1				
13	64E-43859-00	.PIN, VALVE SUPPORT .GOUPILLE	1				
14	64E-43855-00	.SPRING, UP RELIEF .RESSORT	1				
15	64E-43850-00	.VALVE SUB ASSY .CLAPET AUXILIAIRE (ENS.)	1				
16	64E-43865-00	.O-RING JOINT TORIQUE	1				
17	64E-43816-00	.FILTER 1 .FILTRE 1	2				
18	64E-43858-00	.BALL .BILLE	2				
19	64E-43817-10	FILTER 2 FILTRE 2	1				
20	64E-43860-00	MANUAL VALVE SUB-ASSY SOUPAPE, MANUEL (ENS.)	1				
21	72X-85075-L0	.O-RING JOINT TORIQUE	1				
22	64E-43827-00	.RING SET .BILLE	1				
23	64E-4387A-00	..O-RING ..JOINT TORIQUE	1				
24	64E-43873-00	..RING, BACK UP ..RESSORT	1				
25	64E-43875-00	RING, SNAP RESSORT	1				
26	64E-43879-10	SCREW, WITH WASHER VIS, AVEC RONDELLE	1				
27	64E-43879-00	SCREW, WITH WASHER VIS, AVEC RONDELLE	2				

FIG. 20 POWER TRIM & TILT ASSY 2 PUISSANCE PARER ET INCLINER 2

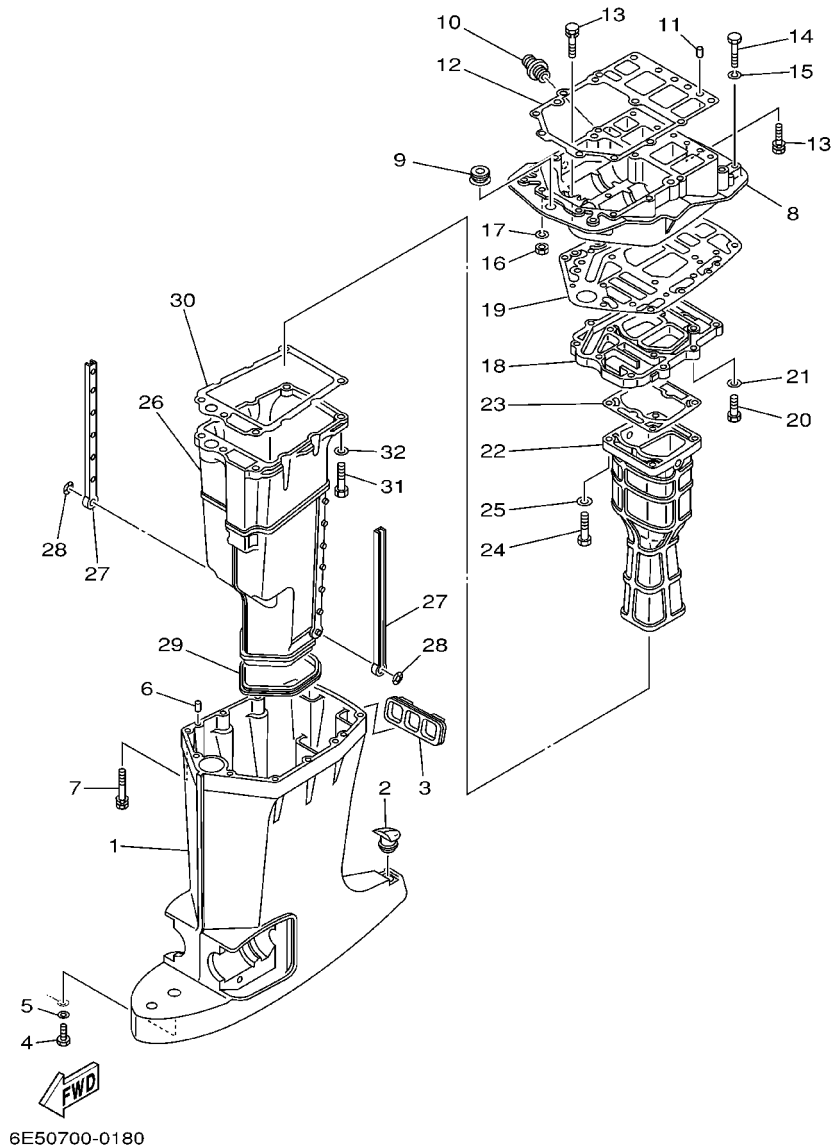


60C1200-1211

REF. NO.	PART NO. NO. PIECES	DESCRIPTION DESCRIPTION	115B				REMARKS REMARQUES
28	64E-43880-01	MOTOR ASSY MOTEUR (ENS.)	1				
29	6H1-4386K-10	.SPRING, BRUSH .RESSORT, BALAI	2				
30	64E-4380J-00	.HOLDER, BRUSH .PORTE-BALAI	1				
31	64E-43891-00	.BRUSH 1 .BALAI 1	1				
32	97607-04310	.SCREW, PAN HEAD WITH WASHER .VIS HEXAGONAL	2				
33	64E-4380F-00	.HOLDER, BRUSH 2 .PORTE-BALAI 2	1				
34	64E-43892-00	.BRUSH 2 .BALAI 2	1				
35	6G5-43865-00	.O-RING .JOINT TORIQUE	1				
36	93102-08M43	.OIL SEAL .JOINT SPY	1				
37	64E-43805-00	.ARMATURE ASSY .INDUIT (ENS.)	1				
38	64E-43843-10	.SCREW, VALVE LOCK .VIS	3				

FIG. 21 UPPER CASING

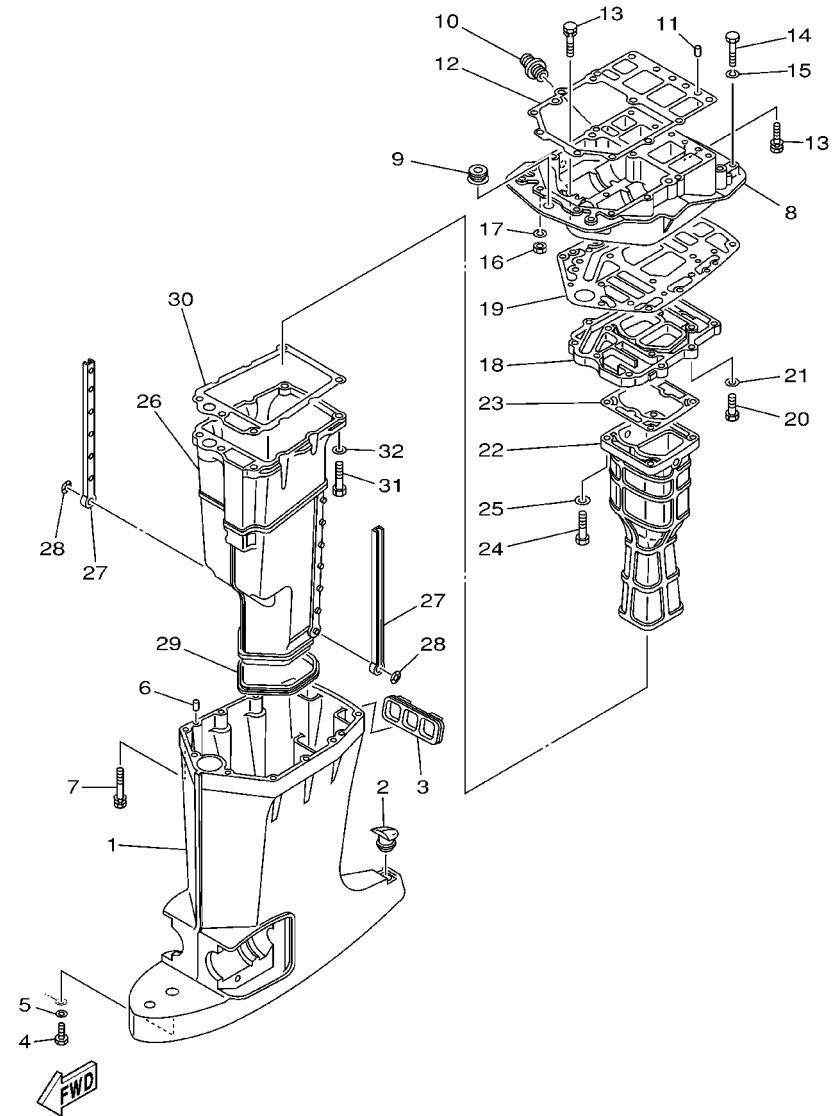
FOURREAU



REF. NO.	PART NO. NO. PIECES	DESCRIPTION DESCRIPTION	115B			REMARKS REMARQUES
1	6E5-45111-02-8D	CASING, UPPER FOURREAU	1			L
2	6E5-45155-00	CAP CAPUCHON	1			
3	6E5-42769-00	SEAL, RUBBER BOURRELET, CAOUTCHOUC	1			
4	97095-06010	BOLT BOULON	1			
5	92995-06600	WASHER RONDELLE	1			
6	93608-12M05	PIN, DOWEL GOUJON	2			
7	90119-08027	BOLT, WITH WASHER BOULON, AVEC RONDELLE	6			
8	6G5-41137-02-94	GUIDE, EXHAUST COLLECTEUR D'ECHAPPEMENT	1			
9	6E5-42724-00	GROMMET PASSE-FIL	1			
10	6G5-12581-00	JOINT, HOSE 1 JOINT DE TUYAU	1			
11	93608-12M05	PIN, DOWEL GOUJON	2			
12	6G5-45113-A1	GASKET, UPPER CASING JOINT, TUBE D'ARBRE	1			
13	90119-08M79	BOLT, WITH WASHER BOULON, AVEC RONDELLE	6			
14	97095-08045	BOLT BOULON	2			
15	92995-08100	WASHER RONDELLE	2			
16	95380-08700	NUT ECROU	2			
17	92995-08100	WASHER RONDELLE	2			
18	6G5-41131-01-5B	MANIFOLD, EXT. 1 PIPE D'ECHAPPEMENT	1			
19	6G5-45114-A0	GASKET, UPPER CASING JOINT, TUBE D'ARBRE	1			
20	97095-08030	BOLT BOULON	4			
21	92995-08600	WASHER RONDELLE	4			
22	6E5-41132-10-5B	MANIFOLD, EXHAUST PIPE D'ECHAPPEMENT	1			
23	6E5-41134-A0	GASKET, EXHAUST MANIFOLD JOINT, PIPE D'ECHAPPEMENT	1			
24	97095-08045	BOLT BOULON	4			
25	92995-08600	WASHER RONDELLE	4			
26	6E5-14711-01-5B	MUFFLER 1 POT D'ECHAPPEMENT 1	1			
27	6E5-14737-00	DAMPER, MUFFLER AMORTISSEUR DE POT D'ECHAPPT	2			

FIG. 21 UPPER CASING

FOURREAU

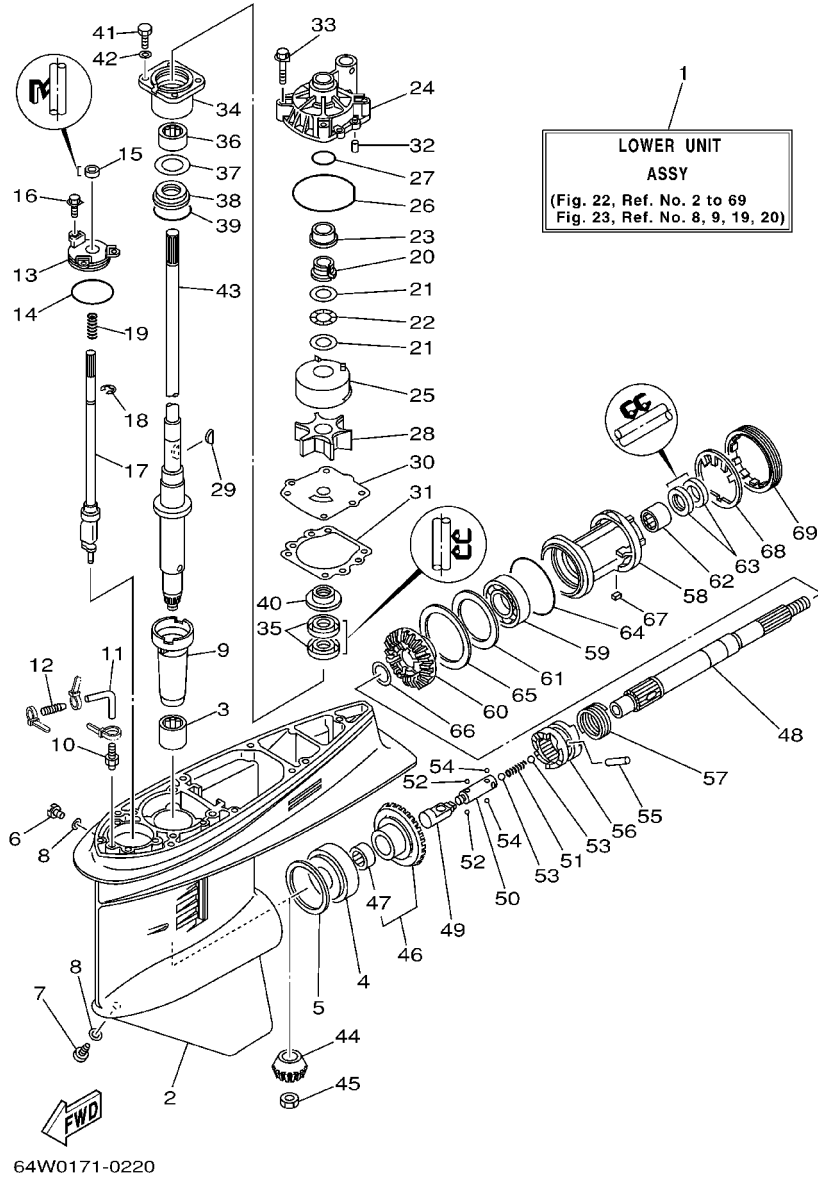


6E50700-0180

REF. NO.	PART NO. NO. PIECES	DESCRIPTION DESCRIPTION	115B				REMARKS REMARQUES
28	90183-05M02	NUT, SPRING ECROU, RESSORT	2				
29	6E5-45123-00	GASKET, MUFFLER JOINT, POT DE DETENTE	1				
30	6E5-41135-A0	GASKET, EXHAUST MANIFOLD JOINT, PIPE D'ECHAPPEMENT	1				
31	97095-08045	BOLT BOULON	5				
32	92995-08600	WASHER RONDELLE	5				
<hr style="border-top: 1px dashed black;"/>							
<hr style="border-top: 1px dashed black;"/>							
<hr style="border-top: 1px dashed black;"/>							
<hr style="border-top: 1px dashed black;"/>							
<hr style="border-top: 1px dashed black;"/>							
<hr style="border-top: 1px dashed black;"/>							
<hr style="border-top: 1px dashed black;"/>							
<hr style="border-top: 1px dashed black;"/>							

FIG. 22 LOWER CASING. DRIVE 1

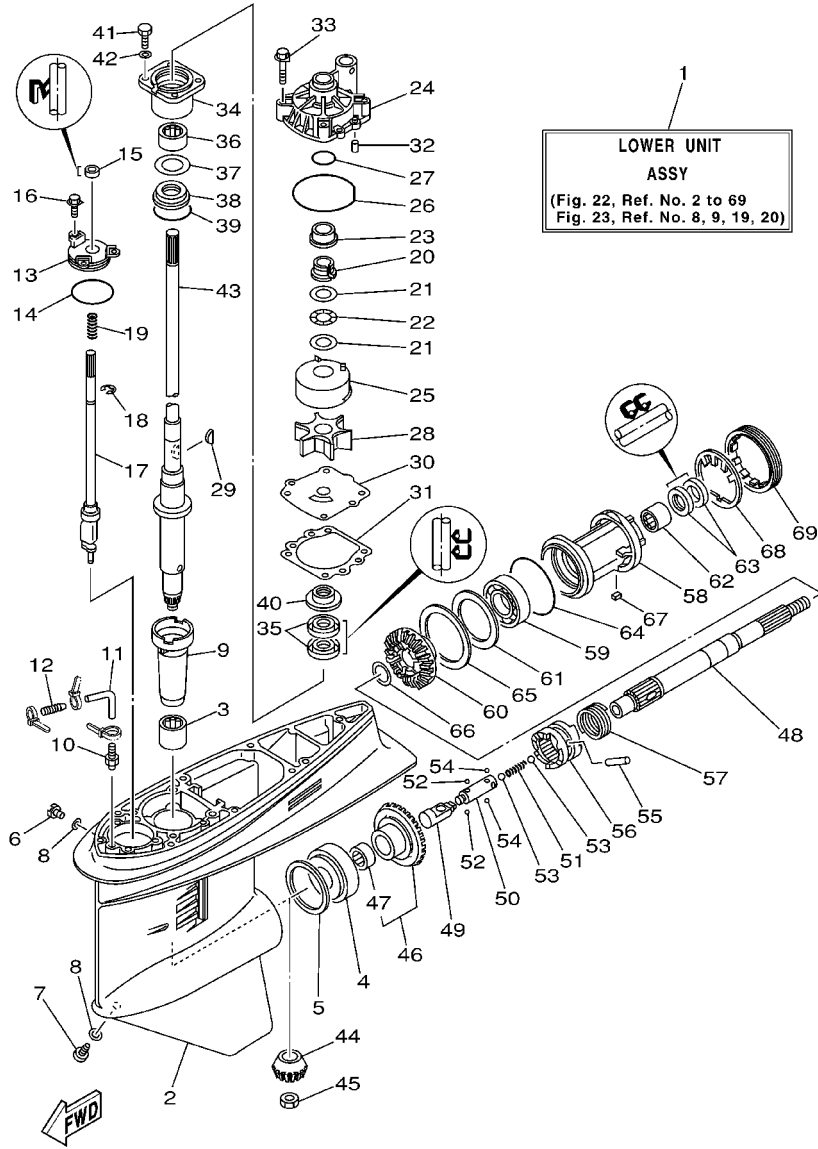
BOITIER D'HELICE, TRANSMISSION 1



REF. NO.	PART NO. NO. PIECES	DESCRIPTION DESCRIPTION	115B			REMARKS REMARQUES
1	6E5-45300-16-8D	LOWER UNIT ASSY UNITE INFERIEURE (ENS.)	1			L
2	6E5-45301-04-8D	CASING, LOWER BEQUILLE	1			
3	93315-628U9	BEARING ROULEMENT	1			
4	93332-000U7	BEARING ROULEMENT	1			
5	6E5-45567-01-10	SHIM (T:0.10MM) CALE (T:0.10MM)	1			UR
	6E5-45567-01-12	SHIM (T:0.12MM) CALE (T:0.12MM)	1			UR
	6E5-45567-01-15	SHIM (T:0.15MM) CALE (T:0.15MM)	1			UR
	6E5-45567-01-18	SHIM (T:0.18MM) CALE (T:0.18MM)	1			UR
	6E5-45567-01-30	SHIM (T:0.30MM) CALE (T:0.30MM)	1			UR
	6E5-45567-01-40	SHIM (T:0.40MM) CALE (T:0.40MM)	1			UR
	6E5-45567-01-50	SHIM (T:0.50MM) CALE (T:0.50MM)	1			UR
6	90340-08002	PLUG, STRAIGHT SCREW PLOT, FILETE DROIT	1			
7	688-45341-10	PLUG, DRAIN BOUCHON DE VIDANGE	1			
8	90430-08020	GASKET JOINT	2			
9	6E5-45536-00	SLEEVE, DRIVE SHAFT MANCHON, ARBRE MOTEUR	1			
10	6E5-45378-00	NIPPLE, HOSE RACCORD, TUYAU	1			
11	90445-07ME8	HOSE (L80) DURITE (L80)	1			L
12	6E5-83558-10	END, NIPPLE RACCORD DE NIPPLE	1			
13	6E5-45321-00	PLATE PLAQUETTE	1			
14	93210-58144	O-RING JOINT TORIQUE	1			
15	93106-09014	OIL SEAL JOINT SPY	1			
16	90119-06M10	BOLT, WITH WASHER BOULON, AVEC RONDELLE	3			
17	6E5-44150-02	SHIFT CAM ASSY CAME D'INVERSION	1			
18	99001-08600	CIRCLIP CIRCLIP	1			
19	90501-11M10	SPRING, COMPRESSION RESSORT, COMPRESSION	1			
20	61A-45538-00	SPACER 1 ENTRETOISE	1			
21	90201-22M01	WASHER, PLATE RONDELLE, PLATE	2			

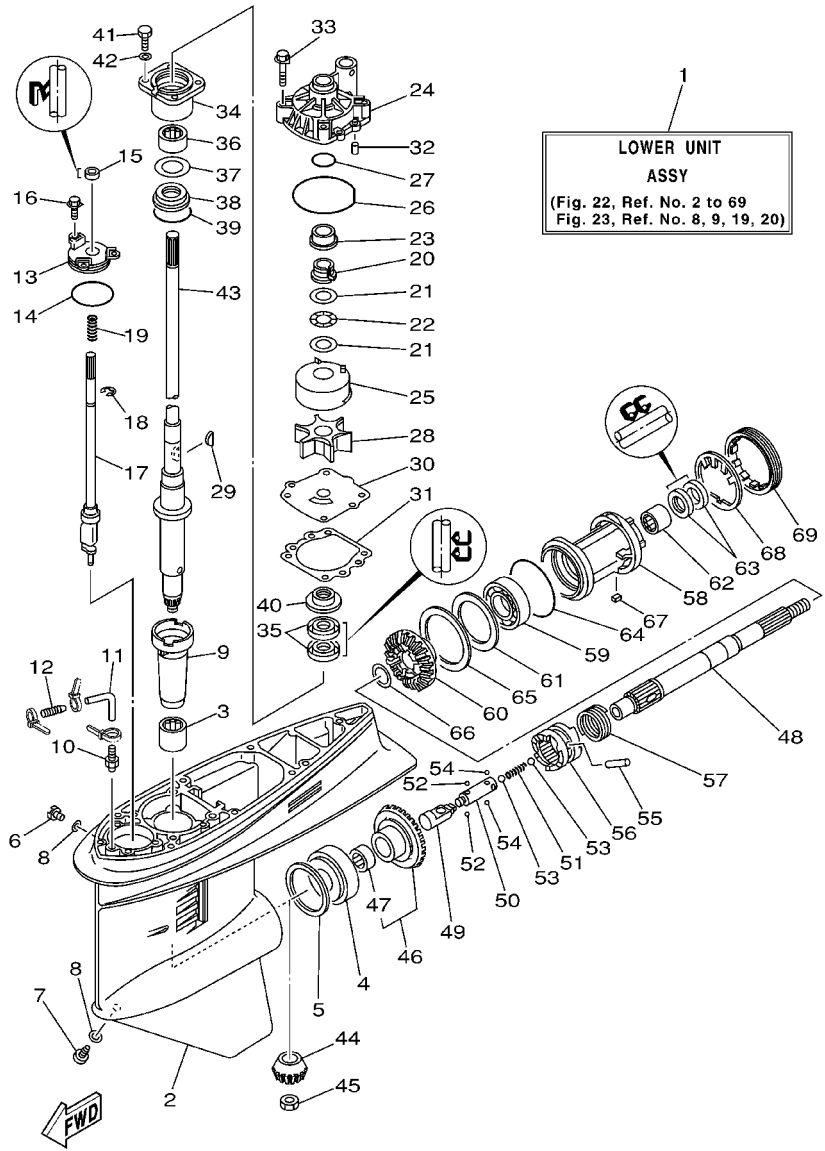
FIG. 22 LOWER CASING. DRIVE 1

BOITIER D'HELICE, TRANSMISSION 1



64W0171-0220

REF. NO.	PART NO. NO. PIECES	DESCRIPTION DESCRIPTION	115B				REMARKS REMARQUES
22	90206-22M19	WASHER, WAVE RONDELLE, ONDULEE	1				
23	61A-45527-00	COLLAR, DRIVE SHAFT ENTRETOISE	1				
24	61A-44311-01	HOUSING, WATER PUMP CORPS, POMPE A EAU	1				
25	61A-44322-02	INSERT, CARTRIDGE CUVETTE	1				
26	93210-86M38	O-RING JOINT TORIQUE	1				
27	93210-37160	O-RING JOINT TORIQUE	1				
28	6E5-44352-01	IMPELLER TURBINE	1				
29	90280-04M05	KEY, WOODRUFF CLAVETTE, DEMI-LUNE	1				
30	6E5-44323-00	OUTER PLATE, CARTRIDGE PLAQUE EXTERIEURE	1				
31	6E5-44315-A0	GASKET, WATER PUMP JOINT, POMPE A EAU	1				
32	93606-12019	PIN, DOWEL GOUJON	2				
33	90119-08M14	BOLT, WITH WASHER BOULON, AVEC RONDELLE	4				
34	6E5-45331-00-94	HOUSING, BEARING FLASQUE, ROULEMENT	1				
35	93101-28M16	OIL SEAL JOINT SPY	2				
36	93317-330U2	BEARING ROULEMENT	1				
37	6E5-45587-01-10	SHIM (T:0.10MM) CALE (T:0.10MM)	1				UR
	6E5-45587-01-12	SHIM (T:0.12MM) CALE (T:0.12MM)	1				UR
	6E5-45587-01-15	SHIM (T:0.15MM) CALE (T:0.15MM)	1				UR
	6E5-45587-01-18	SHIM (T:0.18MM) CALE (T:0.18MM)	1				UR
	6E5-45587-01-30	SHIM (T:0.30MM) CALE (T:0.30MM)	1				UR
	6E5-45587-01-40	SHIM (T:0.40MM) CALE (T:0.40MM)	1				UR
	6E5-45587-01-50	SHIM (T:0.50MM) CALE (T:0.50MM)	1				UR
38	93341-930V2	BEARING ROULEMENT	1				
39	93210-55M14	O-RING JOINT TORIQUE	1				
40	6E5-45344-00	COVER, OIL SEAL FLASQUE, JOINT D'HUILE	1				
41	97095-08025	BOLT BOULON	4				
42	92995-08600	WASHER RONDELLE	4				



64W0171-0220

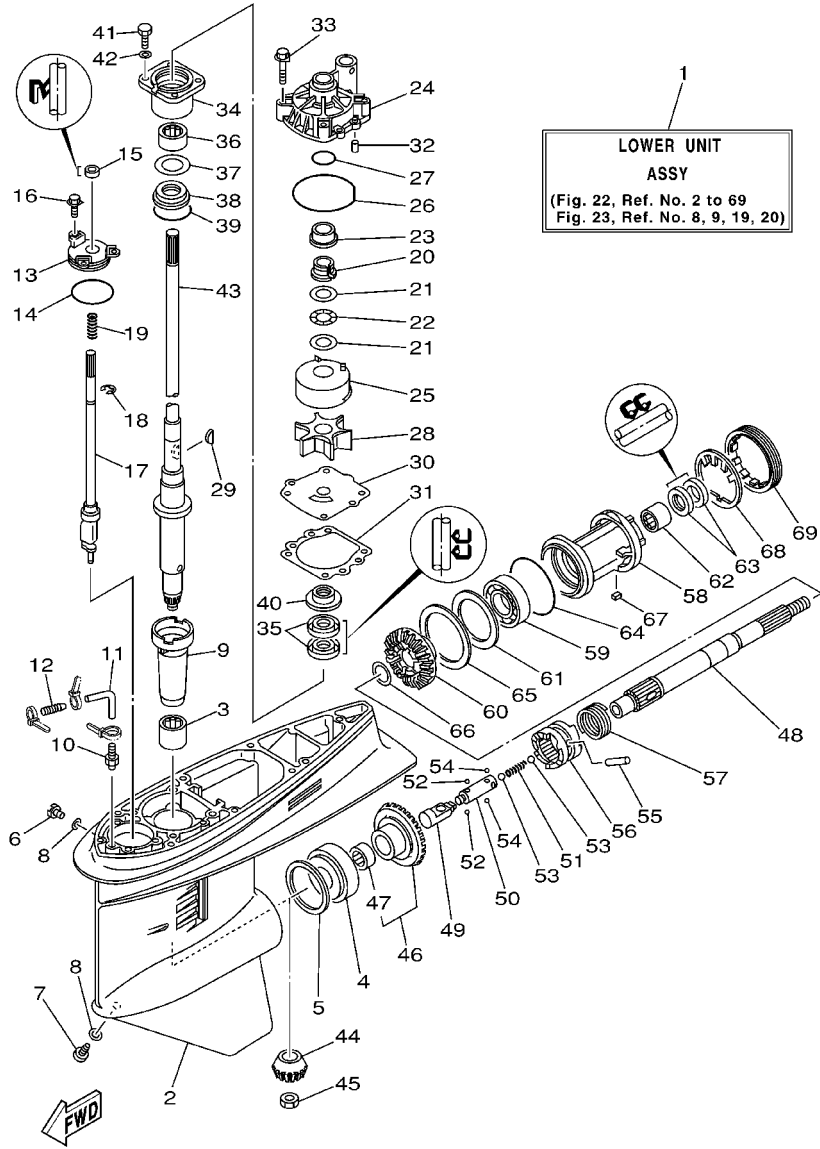
FIG. 22 LOWER CASING. DRIVE 1

BOITIER D'HELICE, TRANSMISSION 1

REF. NO.	PART NO. NO. PIECES	DESCRIPTION DESCRIPTION	115B				REMARKS REMARQUES
43	6E5-45501-01	DRIVE SHAFT COMP. ARBRE MOTEUR COMP.	1				L
44	6E5-45551-02	PINION PIGNON D'ATTAQUE	1				
45	90170-16M01	NUT ECROU	1				
46	6E5-45560-01	GEAR PIGNON	1				
47	93315-425U7	.BEARING ROULEMENT	1				
48	6E5-45611-01	SHAFT, PROPELLER ARBRE, HELICE	1				
49	6E5-45641-02	SHIFTER EMBRAYAGE	1				
50	6E5-45634-01	SLIDE, SHIFT CONTRE-POUSSOIR	1				
51	90501-16M37	SPRING, COMPRESSION RESSORT, COMPRESSION	1				
52	93507-32009	BALL BILLE	2				
53	93511-32017	BALL BILLE	2				
54	93503-16003	BALL BILLE	2				
55	90250-08M07	PIN, STRAIGHT GOUPILLE, DROITE	1				
56	6E5-45631-01	CLUTCH, DOG CRABOT	1				
57	6E5-45633-01	RING, CROSS PIN JONC, GOUPILLE CRABOT	1				
58	6E5-45332-00-94	HOUSING, BEARING FLASQUE, ROULEMENT	1				
59	93306-208U0	BEARING ROULEMENT	1				
60	6E5-45571-01	GEAR PIGNON	1				
61	6E5-45576-00	WASHER, THRUST RONDELLE DE CALAGE	1				
62	93315-430U8	BEARING ROULEMENT	1				
63	93101-30M17	OIL SEAL JOINT SPY	2				
64	93210-86M39	O-RING JOINT TORIQUE	1				
65	6L6-45577-00-10	SHIM (T:0.10MM) CALE (T:0.10MM)	1				UR
	6L6-45577-00-12	SHIM (T:0.12MM) CALE (T:0.12MM)	1				UR
	6L6-45577-00-15	SHIM (T:0.15MM) CALE (T:0.15MM)	1				UR
	6L6-45577-00-18	SHIM (T:0.18MM) CALE (T:0.18MM)	1				UR
	6L6-45577-00-30	SHIM (T:0.30MM) CALE (T:0.30MM)	1				UR

FIG. 22 LOWER CASING. DRIVE 1

BOITIER D'HELICE, TRANSMISSION 1

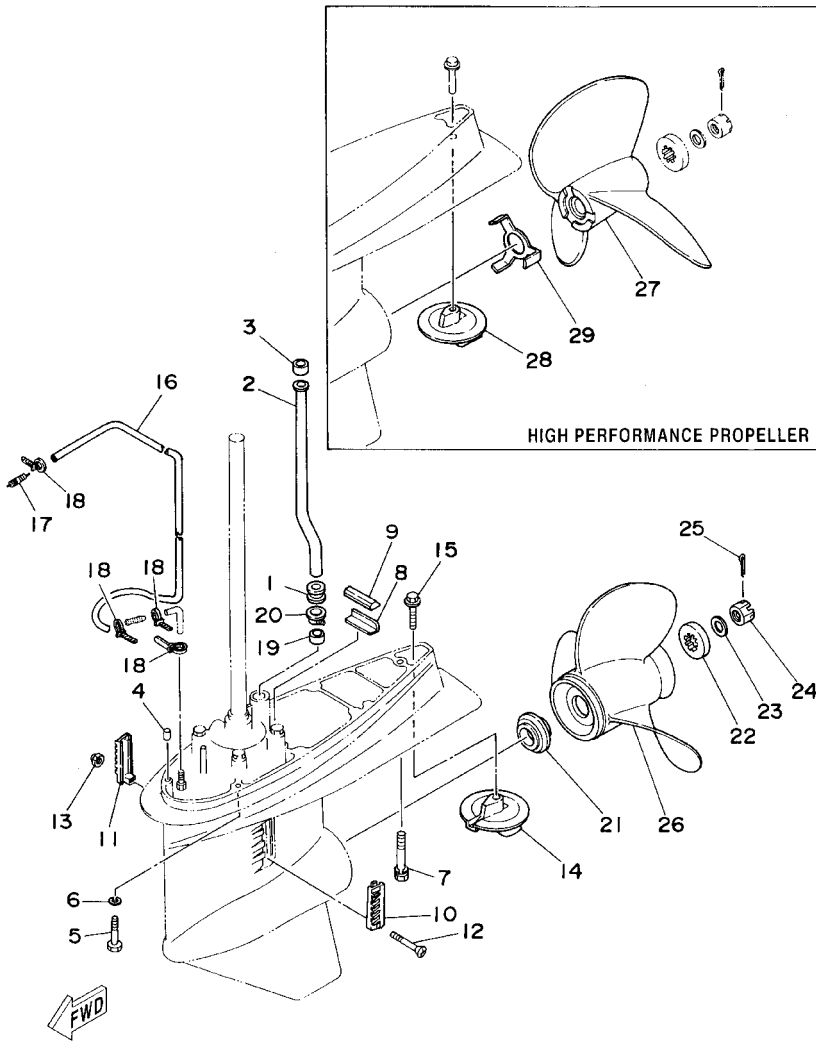


64W0171-0220

REF. NO.	PART NO. NO. PIECES	DESCRIPTION DESCRIPTION	115B			REMARKS REMARQUES
65	6L6-45577-00-40	SHIM (T:0.40MM)	1			UR
	6L6-45577-00-50	CALE (T:0.40MM)	1			UR
		SHIM (T:0.50MM)	1			
		CALE (T:0.50MM)	1			
66	90201-30M92	WASHER, PLATE	1			
67	90282-04010	RONDELLE, PLATE	1			
68	688-45383-02	KEY, STRAIGHT	1			
		CLAVETTE, DROITE	1			
		WASHER, CLAW	1			
		FREIN D'ECROU	1			
69	688-45384-00	NUT	1			
		ECROU	1			

FIG. 23 LOWER CASING. DRIVE 2

BOITIER D'HELICE, TRANSMISSION 2

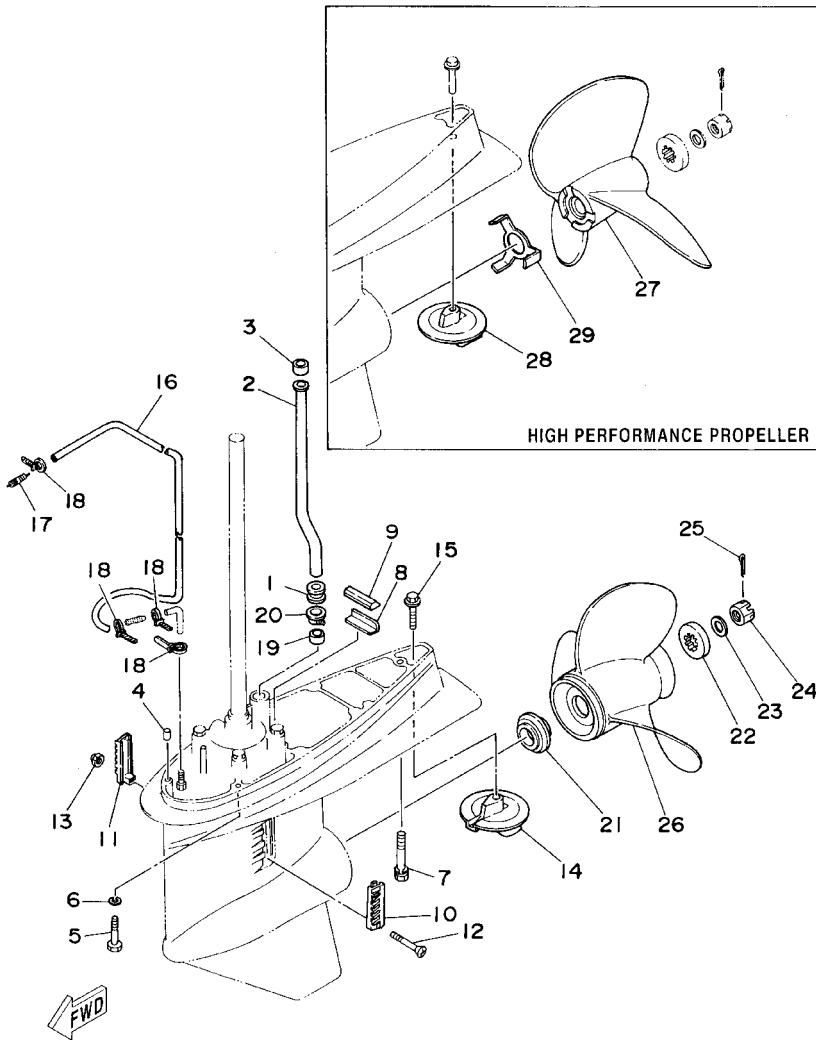


6N60010-4220

REF. NO.	PART NO. NO. PIECES	DESCRIPTION DESCRIPTION	115B				REMARKS REMARQUES
1	6E5-44366-00	DAMPER, WATER SEAL JOINT, TUBE D'EAU	1				
2	6E5-44361-00	TUBE, WATER TUBE D'EAU	1				L
3	6E5-44365-00	DAMPER, WATER SEAL JOINT, TUBE D'EAU	1				
4	93608-12M05	PIN, DOWEL GOUJON	2				
5	97075-10045	BOLT BOULON	6				
6	92995-10100	WASHER RONDELLE	6				
7	90119-10M89	BOLT, WITH WASHER BOULON, AVEC RONDELLE	1				
8	663-45376-00-94	GUIDE, SEAL DAMPER BUTEE, JOINT CAOUTCHOUC	1				
9	688-45375-00	DAMPER, SEAL BOURRELET, CAOUTCHOUC	1				
10	688-45214-02	COVER, WATER INLET GRILLE, ENTREE D'EAU	1				
11	688-45215-02	COVER, WATER INLET GRILLE, ENTREE D'EAU	1				
12	90152-05M07	SCREW, COUNTERSUNK VIS, TETE NOYEE	1				
13	90185-05002	NUT, SELF-LOCKING ECROU, AUTO-BLOCANT	1				
14	6E5-45371-01	TAB-TRIM ANODE DERIVE	1				
15	90105-10M00	BOLT, FLANGE BOULON	1				
16	90445-07MF0	HOSE (L1030) DURITE (L1030)	1				
17	6E5-83558-00	END, NIPPLE RACCORD DE NIPPLE	1				
18	90465-11M10	CLAMP BRIDE	4				
19	6E5-44365-00	DAMPER, WATER SEAL JOINT, TUBE D'EAU	1				
20	6E5-44312-00	COVER, WATER PUMP HOUSING COUVERCLE	1				
21	6E5-45987-01	SPACER ENTRETOISE	1				
22	688-45997-01	SPACER ENTRETOISE	1				
23	92990-18200	WASHER RONDELLE	1				
24	90171-18M04	NUT, CASTLE ECROU, CRENELE	1				
25	91490-40030	PIN, COTTER GOUPILLE, FENDUE	1				
26	6E5-45941-00-EL	PROPELLER (3X13"X19"-K) HELICE (3X13"X19"-K)	1				UR
	6E5-45943-00-EL	PROPELLER (3X12-5/8"X21"-K) HELICE (3X12-5/8"X21"-K)	1				UR

FIG. 23 LOWER CASING. DRIVE 2

BOITIER D'HELICE, TRANSMISSION 2

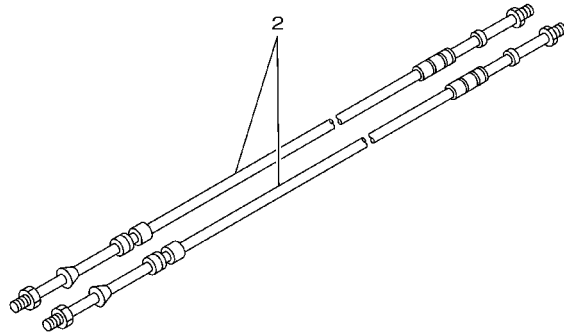
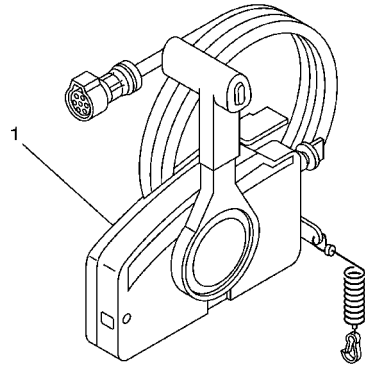


6N60010-4220

REF. NO.	PART NO. NO. PIECES	DESCRIPTION DESCRIPTION	115B	REMARKS REMARQUES
26	6E5-45945-01-EL	PROPELLER (3X13-1/4"X17"-K) HELICE (3X13-1/4"X17"-K)	1	UR
	6E5-45947-00-EL	PROPELLER (3X13-1/2"X15"-K) HELICE (3X13-1/2"X15"-K)	1	UR
	6E5-45949-00-EL	PROPELLER (3X13-5/8"X13"-K) HELICE (3X13-5/8"X13"-K)	1	UR
	6E5-45952-00-EL	PROPELLER (3X13"X23"-K) HELICE (3X13"X23"-K)	1	UR
	6E5-45954-00-EL	PROPELLER (3X14"X11"-K) HELICE (3X14"X11"-K)	1	UR
	6E5-45956-00-EL	PROPELLER (3X13"X25"-K) HELICE (3X13"X25"-K)	1	UR
		STAINLESS STEEL PROPELLER ACIER INOXYDABLE HELICE		
	688-45930-02-98	PROPELLER (3X13"X17"-K) HELICE (3X13"X17"-K)	1	UR
	688-45932-60-98	PROPELLER (3X13-1/2"X14"-K) HELICE (3X13-1/2"X14"-K)	1	UR
	688-45970-03-98	PROPELLER (3X13"X19"-K) HELICE (3X13"X19"-K)	1	UR
	688-45972-02-98	PROPELLER (3X13"X21"-K) HELICE (3X13"X21"-K)	1	UR
	688-45974-02-98	PROPELLER (3X13"X23"-K) HELICE (3X13"X23"-K)	1	UR
	688-45976-01-98	PROPELLER (3X13"X25"-K) HELICE (3X13"X25"-K)	1	UR
	688-45978-60-98	PROPELLER (3X13-1/2"X16"-K) HELICE (3X13-1/2"X16"-K)	1	UR
		HIGH PERFORMANCE PROPELLER HELICE RENDEMENT DE HAUTEUR		
27	6E5-45970-10	PROPELLER (3X14"X20"-P) HELICE (3X14"X20"-P)	1	UR
	6E5-45972-10	PROPELLER (3X14"X24"-P) HELICE (3X14"X24"-P)	1	UR
	6E5-45974-10	PROPELLER (3X14"X28"-P) HELICE (3X14"X28"-P)	1	UR
	6E5-45976-10	PROPELLER (3X14"X22"-P) HELICE (3X14"X22"-P)	1	UR
	6E5-45978-10	PROPELLER (3X14"X26"-P) HELICE (3X14"X26"-P)	1	UR
28	6E5-45371-10	TAB-TRIM ANODE DERIVE	1	
29	6E5-45994-10	PLATE, TOOTH PLAQUETTE	1	

FIG. 25 REMOTE CONTROL BOX

BOITIER DE COMMANDE A DISTANCE

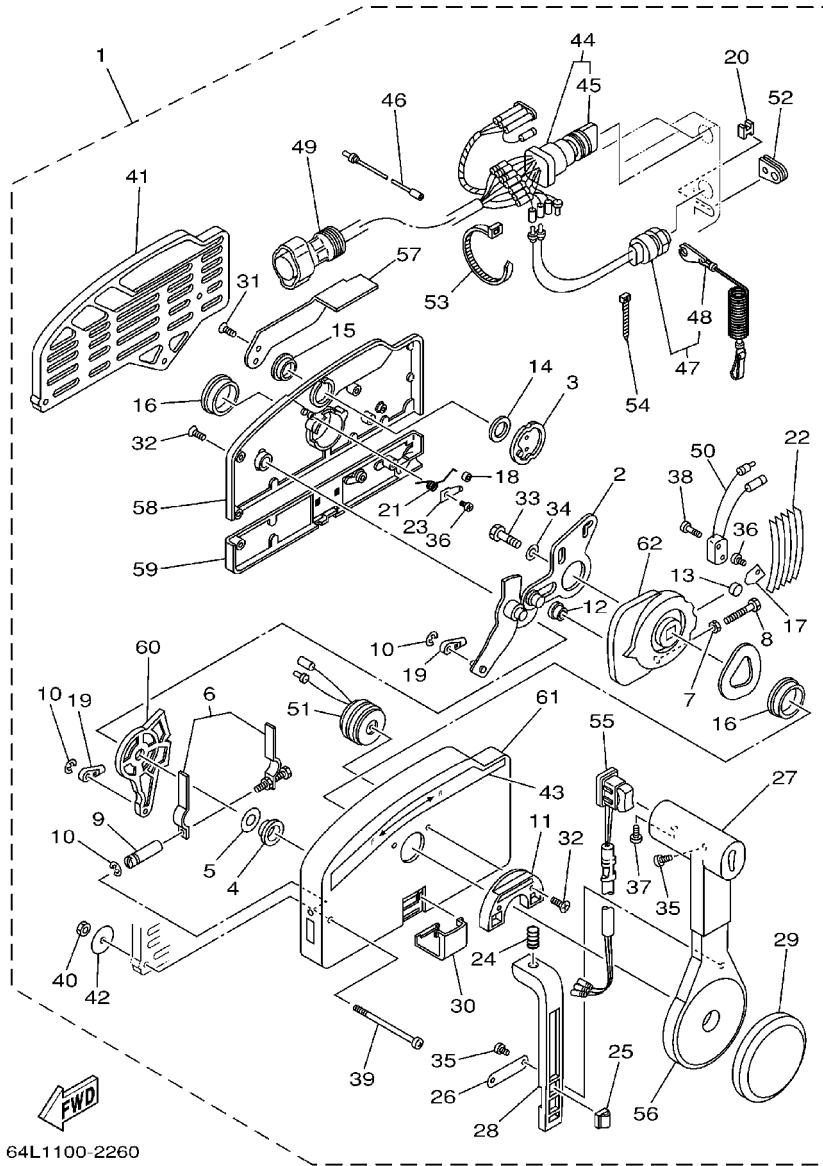


67M0100-8280

REF. NO.	PART NO. NO. PIECES	DESCRIPTION DESCRIPTION	115B				REMARKS REMARQUES
1	703-48205-17	REMOTE CONTROL ASSY BOITIER DE COMMANDE A DISTANCE	1				AP WITH PT/T SW.
2	701-48320-50	CABLE, REMOTE CONTROL L=15F CABLE, COMMANDE A DISTANCE:15F	2				UR
	701-48320-60	CABLE, REMOTE CONTROL L=16F CABLE, COMMANDE A DISTANCE:16F	2				UR
	701-48320-80	CABLE, REMOTE CONTROL L=17F CABLE, COMMANDE A DISTANCE:17F	2				UR
	701-48350-00	CABLE, REMOTE CONTROL L=21F CABLE, COMMANDE A DISTANCE:21F	2				UR
	701-48350-20	CABLE, REMOTE CONTROL L=23F CABLE, COMMANDE A DISTANCE:23F	2				UR
<hr/>							
<hr/>							
<hr/>							
<hr/>							
<hr/>							
<hr/>							

FIG. 26 REMOTE CONTROL ASSY

BOITIER DE COMMANDE A DISTANCE

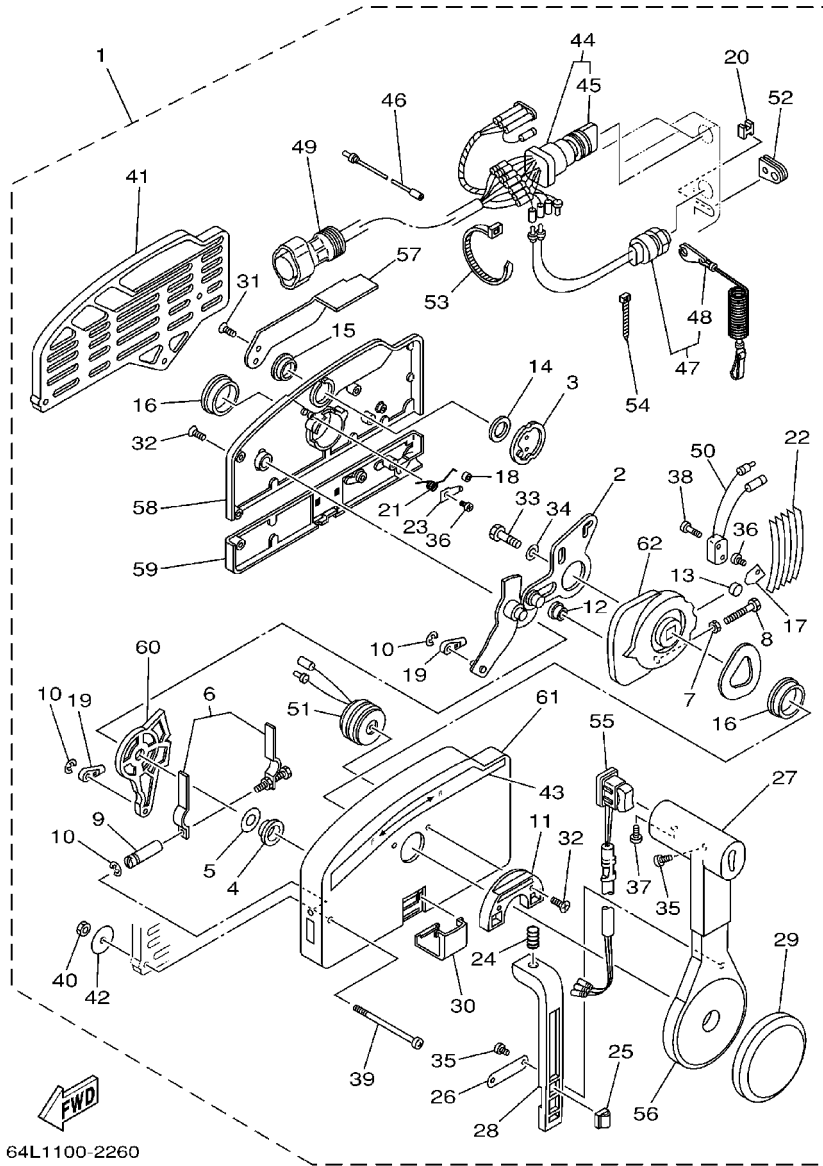


64L1100-2260

REF. NO.	PART NO. NO. PIECES	DESCRIPTION DESCRIPTION	115B		REMARKS REMARQUES
1	703-48205-17	REMOTE CONTROL ASSY BOITIER DE COMMANDE A DISTANCE	1		AP WITH PT/T SW.
2	703-48261-01	.ARM, THROTTLE .BRAS, ACCELERATION	1		
3	703-48153-00	.SHAFT, FREE ACCEL. .AXE	1		
4	703-48235-00	.BUSHING .COUSSINET	1		
5	703-48268-00	.SPACER .ENTRETOISE	1		
6	703-48264-00	.THROTTLE, FRICTION .ACCELERATION	1		
7	95380-05600	.NUT .ECROU	1		
8	97380-05025	.BOLT .BOULON	1		
9	703-48265-00	.SHAFT, FRICTION .AXE, COPILOTE	1		
10	93430-06024	.CIRCLIP .CIRCLIP, TYPE S	3		
11	703-48245-00	.PLATE, LOCK .PLAQUE, VERROU	1		
12	703-48252-00	.ROLLER, CAM .POULIE	1		
13	701-48248-00	.ROLLER, FREE ACCEL. .POULIE	1		
14	703-48198-00	.WASHER, WAVE .RONDELLE, ELASTIQUE ONDULEE	1		
15	703-48243-00	.BUSHING .COUSSINET	1		
16	703-48236-00	.BUSHING 1 .POULIE	2		
17	703-48189-00	.RETAINER .FLASQUE	1		
18	703-48234-00	.ROLLER, DETENT .POULIE	1		
19	703-48345-01	.CABLE END, REMOTE CONTROL 2 .CHAPE CABLE	2		
20	703-48358-00	.ANCHOR, CABLE .COLLIER	1		
21	703-48244-00	.SPRING, FREE ACCEL. .RESSORT	1		
22	703-48238-00	.SPRING, DETENT .RESSORT	5		
23	703-48246-00	.SPACER .ENTRETOISE	1		
24	703-48227-00	.SPRING, NEUTRAL LOCK .RESSORT	1		
25	703-82594-00	.CLAMP .BRIDE	1		WITH PT/T SW.
26	703-48226-00	.PLATE, STOPPER .PLAQUETTE	1		
27	703-48222-00	.GRIP, CONTROL LEVER .POIGNEE, COMMANDE LEVIER	1		SINGLE

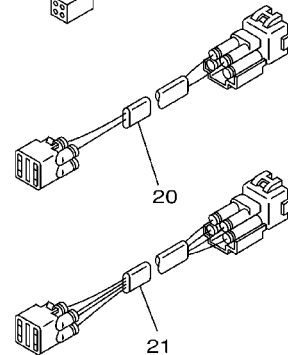
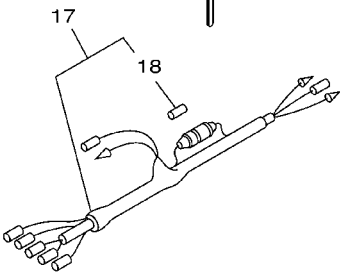
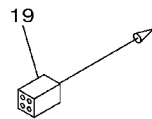
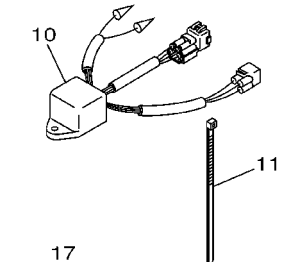
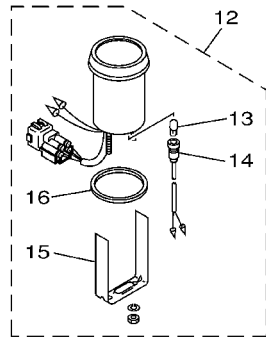
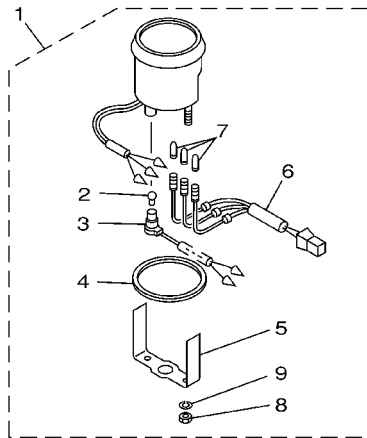
FIG. 26 REMOTE CONTROL ASSY

BOITIER DE COMMANDE A DISTANCE



64L1100-2260

REF. NO.	PART NO. NO. PIECES	DESCRIPTION DESCRIPTION	115B			REMARKS REMARQUES
28	703-48223-00	.LOCK, NEUTRAL .VERROU, NEUTRAL	1			
29	703-48225-00	.COVER .COUVERCLE	1			
30	703-48219-00	.COVER, LEAD .COUVERCLE	1			
31	703-48281-00	.SCREW .VIS	2			
32	703-48282-00	.SCREW .VIS	7			
33	97380-08030	.BOLT .BOULON	1			
34	92990-08600	.WASHER, PLATE .RONDELLE, PLATE	1			
35	98580-04010	.SCREW, PAN HEAD .VIS, TETE TRONCONIQUE	3			
36	98580-04006	.SCREW, PAN HEAD .VIS, TETE TRONCONIQUE	2			
37	98580-05010	.SCREW, PAN HEAD .VIS, TETE TRONCONIQUE	1			
38	98580-03015	.SCREW, PAN HEAD .VIS, TETE TRONCONIQUE	2			
39	703-48291-10	.SCREW (M6) .VIS (M6)	3			
40	95380-06600	.NUT, HEXAGON .ECROU	3			
41	703-48293-10	.SPACER, REMOTE CONTROL .ENTRETOISE	1			SINGLE
42	701-48287-00	.WASHER .RONDELLE	3			
43	703-48215-00	.GRAPHIC .ADHESIF	1			
44	703-82510-43	.MAIN SWITCH ASSY .CONTACTEUR A CLEF COMPLET	1			
45	703-82577-00	.CAP, KEY .CABOCHON	1			
46	703-82531-00	.WIRE, LEAD .FIL	1			
47	688-82575-01	.ENGINE STOP SWITCH ASSY .COUPE CIRCUIT CPLT	1			
48	682-82556-00	.STOPPER .PLAQUETTE	1			
49	688-8258A-20	.EXTENSION, WIRE HARNESS .EXTENSION, FAISCEAU	1			L:5M (10P)
50	703-82540-00	.NEUTRAL SWITCH ASSY .CONTACTEUR DE POINT-MORT	1			
51	703-83383-02	.BUZZER .RONFLEUR	1			
52	703-48284-00	.GROMMET .PASSE-FIL	1			
53	703-82591-00	.BAND .COLLIER	1			
54	703-82592-00	.BAND .COLLIER	1			



6E50300-0270

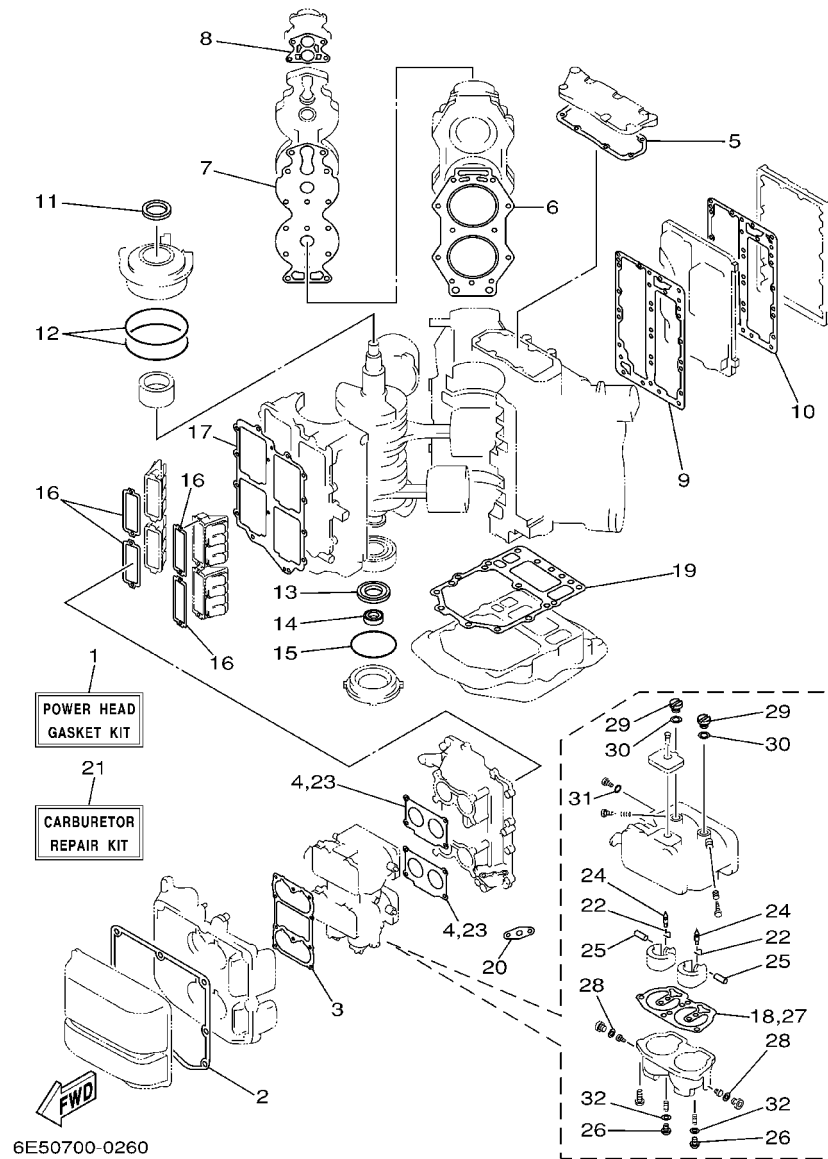
FIG. 27 METER

COMPTEUR

REF. NO.	PART NO. NO. PIECES	DESCRIPTION DESCRIPTION	115B				REMARKS REMARQUES
1	6Y5-83540-05	TACHOMETER ASSY COMPTE-TOURS CPLT	1				AP WITH OIL LAMP
2	6Y5-83517-00	.BULB (12V-1.7W, T10) .AMPOULE (12V-1.7W, T10)	1				
3	6Y5-83536-10	.SOCKET, METER .DOUILLE, COMPTEUR	1				
4	6Y5-83523-00	.DAMPER .AMORTISSEUR	1				
5	6Y5-83514-00	.PLATE, FITTING .PLAQUE, FIXATION	1				
6	6Y5-83509-03	.SOCKET CORD ASSY .CORDON DE FIL CPLT	1				
7	6Y5-83518-00	.BULB (12V-1.7W, T6.5) .AMPOULE (12V-1.7W, T6.5)	3				
8	95303-05600	.NUT .ECROU	2				
9	92903-05100	.WASHER, SPRING .RONDELLE, GROWER	2				
10	6Y5-81950-02	RELAY ASSY RELAIS COMPLET	1				AP
11	90465-13M18	CLAMP BRIDE	1				AP
12	6Y5-83670-12	TRIM METER ASSY. INCLINER-METRE	1				AP
13	6Y5-83518-00	.BULB (12V-1.7W, T6.5) .AMPOULE (12V-1.7W, T6.5)	1				
14	6Y5-83536-00	.SOCKET, METER .DOUILLE, COMPTEUR	1				
15	6Y5-83544-00	.PLATE, FITTING .PLAQUE, FIXATION	1				
16	688-83664-00	.DAMPER .AMORTISSEUR	1				
17	6Y5-83553-00	WIRE, LEAD FIL	1				AP
18	1E6-82151-00	.FUSE (10A) .FUSIBLE (10A)	1				
19	6Y5-82117-00	WIRE, LEAD (BLACK) FIL (NOIR)	1				AP
20	6R3-82521-70	WIRE, LEAD FIL	1				AP
21	6R3-82553-70	EXTENSION, WIRE LEAD EXTENSION, FAISCEAU	1				AP

FIG. 28 REPAIR KIT 1

KITS DE REPARATION 1

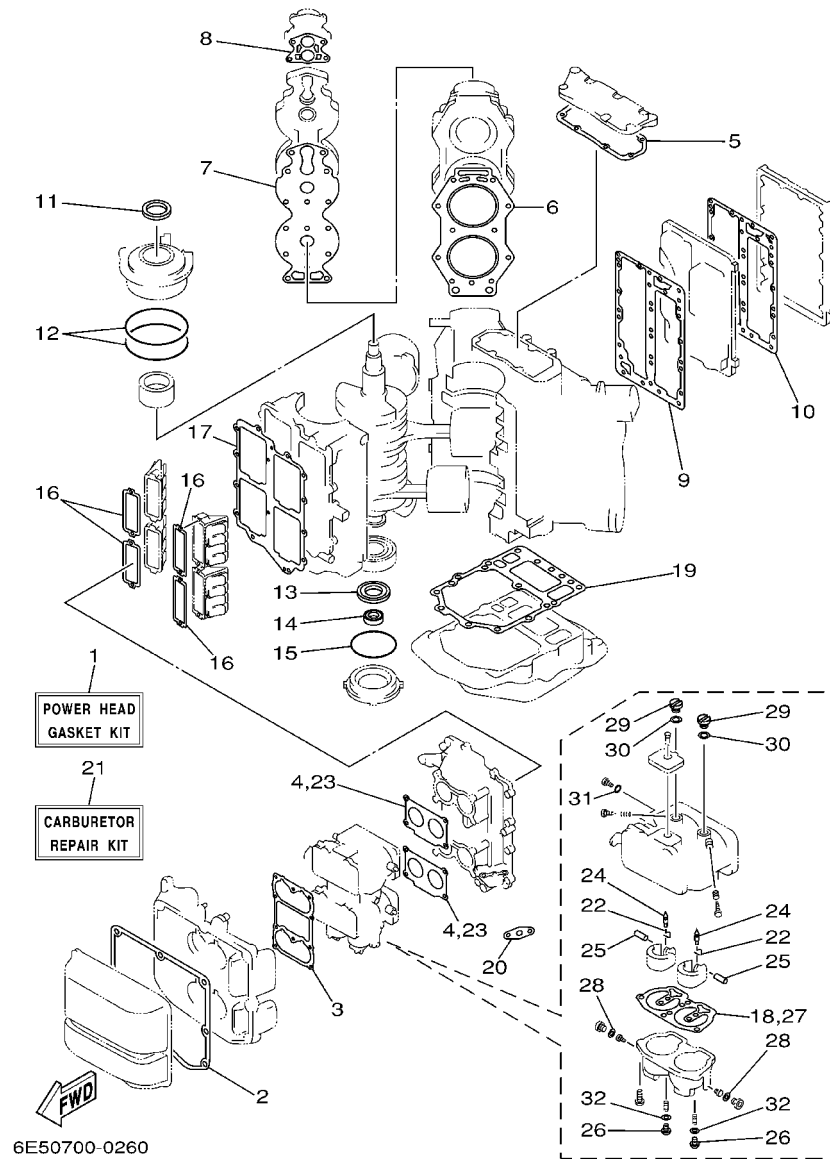


6E50700-0260

REF. NO.	PART NO. NO. PIECES	DESCRIPTION DESCRIPTION	115B				REMARKS REMARQUES
1	6F3-W0001-A5	POWER HEAD GASKET KIT POCHETTE DE JINTS TETE MOTRICE	1				
2	6E5-14416-A1	.GASKET, AIR CLEANER .JOINT, FILTRE A AIR	1				
3	6E5-14483-A1	.GASKET .JOINT	1				
4	6E5-14198-A2	.GASKET .JOINT	2				
5	6E5-11381-A2	.GASKET 1 .JOINT 1	1				
6	6E5-11181-A1	.GASKET, CYLINDER HEAD 1 .JOINT, DE CULASSE 1	2				
7	6E5-11193-A0	.GASKET, HEAD COVER 1 .JOINT, COUVERCLE DE CULASSE 1	2				
8	688-12414-A1	.GASKET, COVER .JOINT, COUVERCLE	2				
9	6E5-41112-A1	.GASKET, EXHAUST INNER COVER .JOINT, PLAQUE D'ECHAPPEMENT	1				
10	6E5-41112-A1	.GASKET, EXHAUST INNER COVER .JOINT, PLAQUE D'ECHAPPEMENT	1				
11	93102-40M14	.OIL SEAL .JOINT SPY	1				
12	93211-04001	.O-RING .JOINT TORIQUE	2				
13	93102-35M13	.OIL SEAL .JOINT SPY	1				
14	93101-22M15	.OIL SEAL .JOINT SPY	1				
15	93210-74M35	.O-RING .JOINT TORIQUE	1				
16	6E5-13621-A1	.GASKET, VALVE SEAT .JOINT, SIEGE DE CLAPET	4				
17	6E5-13645-A1	.GASKET, MANIFOLD 1 .JOINT, TUBULURE 1	1				
18	64D-14384-01	.GASKET, FLOAT CHAMBER .JOINT, CUVE DE FLOTTEUR	2				
19	6G5-45113-A1	.GASKET, UPPER CASING .JOINT, TUBE D'ARBRE	1				
20	650-24431-A0	.GASKET, FUEL PUMP 1 .JOINT 1 DE POMPE A ESSENCE	1				
21	6E5-W0093-09	CARBURETOR REPAIR KIT KIT DE REPARATION CARBURATEUR	1				
22	6E5-14159-00	.CLIP .JONC	2				
23	6E5-14198-A2	.GASKET .JOINT	1				
24	6E5-14546-00	.VALVE, NEEDLE .POINTEAU	2				
25	6E5-14386-02	.PIN, FLOAT .AXE, FLOTTEUR	2				
26	64D-14394-00	.VALVE, DRAIN .SOUPAPE, VIDANGE	2				
27	64D-14384-01	.GASKET, FLOAT CHAMBER .JOINT, CUVE DE FLOTTEUR	1				

FIG. 28 REPAIR KIT 1

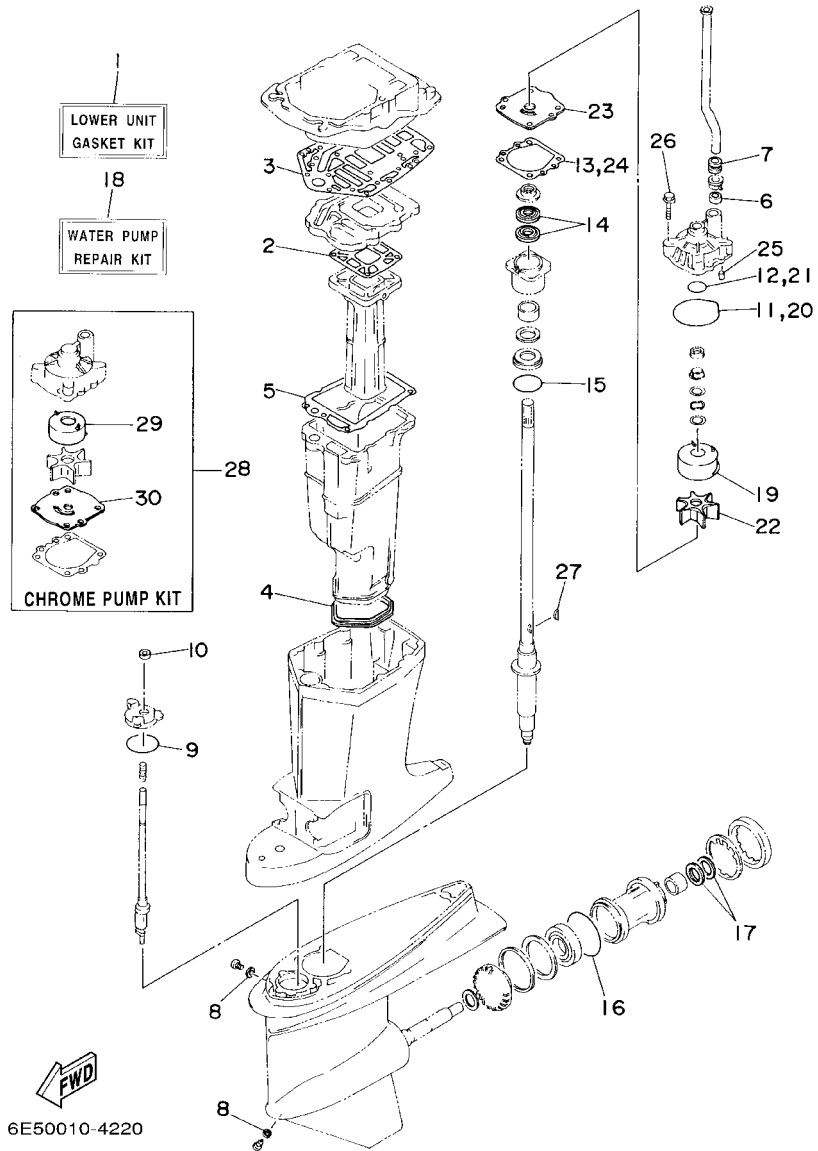
KITS DE REPARATION 1



REF. NO.	PART NO. NO. PIECES	DESCRIPTION DESCRIPTION	115B	REMARKS REMARQUES
28	6E5-14398-00	.GASKET .JOINT	2	
29	6E5-14328-01	.PLUG .PLOT	2	
30	6E5-14979-00	.GASKET .JOINT	2	
31	6J8-14959-00	.GASKET .JOINT	1	
32	61U-14959-00	.GASKET .JOINT	2	

FIG. 29 REPAIR KIT 2

KITS DE REPARATION 2



REF. NO.	PART NO. NO. PIECES	DESCRIPTION DESCRIPTION	115B				REMARKS REMARQUES
1	6E5-W0001-F1	LOWER UNIT GASKET KIT POCHETTE DE JOINTS EMBASE	1				
2	6E5-41134-A0	.GASKET, EXHAUST MANIFOLD .JOINT, PIPE D'ECHAPPEMENT	1				
3	6G5-45114-A0	.GASKET, UPPER CASING .JOINT, TUBE D'ARBRE	1				
4	6E5-45123-00	.GASKET, MUFFLER .JOINT, POT DE DETENTE	1				
5	6E5-41135-A0	.GASKET, EXHAUST MANIFOLD .JOINT, PIPE D'ECHAPPEMENT	1				
6	6E5-44365-00	.DAMPER, WATER SEAL .JOINT, TUBE D'EAU	1				
7	6E5-44366-00	.DAMPER, WATER SEAL .JOINT, TUBE D'EAU	1				
8	90430-08020	.GASKET .JOINT	2				
9	93210-58144	.O-RING .JOINT TORIQUE	1				
10	93106-09014	.OIL SEAL .JOINT SPY	1				
11	93210-86M38	.O-RING .JOINT TORIQUE	1				
12	93210-37160	.O-RING .JOINT TORIQUE	1				
13	6E5-44315-A0	.GASKET, WATER PUMP .JOINT, POMPE A EAU	1				
14	93101-28M16	.OIL SEAL .JOINT SPY	2				
15	93210-55M14	.O-RING .JOINT TORIQUE	1				
16	93210-86M39	.O-RING .JOINT TORIQUE	1				
17	93101-30M17	.OIL SEAL .JOINT SPY	2				
18	6N6-W0078-02	WATER PUMP REPAIR KIT KIT DE REPARATION DE LA POMPE	1				
19	61A-44322-02	.INSERT, CARTRIDGE .CUVETTE	1				
20	93210-86M38	.O-RING .JOINT TORIQUE	1				
21	93210-37160	.O-RING .JOINT TORIQUE	1				
22	6E5-44352-01	.IMPELLER .TURBINE	1				
23	6E5-44323-00	.OUTER PLATE, CARTRIDGE .PLAQUE EXTERIEURE	1				
24	6E5-44315-A0	.GASKET, WATER PUMP .JOINT, POMPE A EAU	1				
25	93606-12019	.PIN, DOWEL .GOIJON	2				
26	90119-08M14	.BOLT, WITH WASHER .BOULON, AVEC RONDELLE	4				
27	90280-04M05	.KEY, WOODRUFF .CLAVETTE, DEMI-LUNE	1				

NUMERICAL INDEX
INDEX NUMERIQUE

PART NO. NO. PIECES	REF. NO.	PART NO. NO. PIECES	REF. NO.	PART NO. NO. PIECES	REF. NO.	PART NO. NO. PIECES	REF. NO.	PART NO. NO. PIECES	REF. NO.	PART NO. NO. PIECES	REF. NO.
6E5-W0001-F1	29 - 1	6E5-12576-00	4 - 25	6E5-14416-A1	28 - 2	6E5-24376-10	9 - 36	6E5-41631-01-1S	16 - 10	64E-43139-02	18 - 1
6F3-W0001-A5	28 - 1	6G5-12581-00	21 - 10	6E5-14417-10-94	5 - 27	650-24378-00	4 - 15	6E5-41632-02-1S	16 - 6	6G5-43144-00	17 - 27
6E5-W0004-00	5 - 2	6R3-13117-00	7 - 17	6E5-14418-00	5 - 34	6E5-24379-00	8 - 12	6E5-41636-01	16 - 23	6E5-43145-01	24 - 8
6N7-W0070-30	1 - 20	6R3-13183-10	7 - 12	6E5-14483-A1	5 - 31		8 - 34	688-41636-00	16 - 29	6G5-43148-00	17 - 32
6E5-W0078-3A	29 - 28	6N6-13200-00	7 - 1		28 - 3	6E5-24410-03	9 - 16	6E5-42510-05-8D	18 - 10	6G5-43181-02	17 - 29
6N6-W0078-02	29 - 18	6E5-13411-00	8 - 26	6E5-14485-00	5 - 29	6E5-24411-00	9 - 22	624-42542-00	8 - 30	6G5-43185-02	17 - 30
6E5-W0090-54-1S	2 - 1	6E5-13414-00	8 - 27	624-14485-00	5 - 8	6E5-24412-10	9 - 29		8 - 41	64E-43311-10-8D	17 - 22
6E5-W0093-09	28 - 21	6N7-13416-00	7 - 7		5 - 28	6E5-24413-00	9 - 19		11 - 19	61A-43376-00	18 - 8
656-W2810-02	9 - 42	6E5-13437-62	8 - 43	6E5-14488-00	11 - 23	6A0-24421-01	9 - 26		12 - 3	64E-4380F-00	20 - 33
6E5-W4271-05-4D	15 - 1	6R3-13471-00	7 - 2	6E5-14527-01	6 - 23	6E5-24423-00	9 - 24	6E5-42610-M0-4D	1 - 1	64E-4380J-00	20 - 30
6E5-11111-10-1S	4 - 1	6L2-13475-00	7 - 3	6E5-14546-00	6 - 6	648-24424-00	9 - 23	6E5-42613-01-4D	1 - 15	64E-43800-2-4D	19 - 1
6E5-11119-01	2 - 16	6E5-13552-00	5 - 7		28 - 24	650-24431-A0	9 - 30	6E5-42615-00	1 - 14	64E-43802-00	20 - 8
6E5-11181-A1	4 - 2	6E5-13610-00	5 - 1	6E5-14711-01-5B	21 - 26		28 - 20	6E5-42617-00	1 - 11	64E-43805-00	20 - 37
	28 - 6	6E5-13621-A1	5 - 3	6E5-14737-00	21 - 27	6E5-24434-02	9 - 25	6E5-42619-00	1 - 12	64E-4381G-00	19 - 27
6E5-11191-01-1S	4 - 4		28 - 16	64D-1492E-88	6 - 12	6E5-24435-00	9 - 21	6E5-42627-00	1 - 13	64E-43810-00	19 - 6
6E5-11193-A0	4 - 5	6E5-13641-11-1S	5 - 6	64D-1492F-39	6 - 9	6E5-24461-00	8 - 36	6E5-42647-00-94	1 - 2	6E5-43814-02	19 - 13
	28 - 7	6E5-13645-A1	5 - 14	61A-1492H-12	6 - 14	6E5-24471-00	9 - 20	6E5-42649-01-94	1 - 3	64E-43816-00	20 - 17
6E5-11325-00	2 - 14		28 - 17	6J8-14959-00	6 - 26	61N-24521-00	9 - 7	6E5-42652-00	1 - 7	64E-43817-00	19 - 5
6E5-11370-00	5 - 9	6E5-14159-00	6 - 7		28 - 31	6R3-24560-00	9 - 5	688-42652-00	1 - 8	64E-43817-10	20 - 19
6E5-11371-00-1S	2 - 22		28 - 22	61U-14959-00	6 - 10	61N-24563-00	9 - 6	663-42662-00	1 - 4	64E-43818-01	19 - 32
6E5-11372-00	2 - 5	6E5-14198-A2	5 - 19		28 - 32	6E5-24566-00	9 - 9	6E5-4267A-31	1 - 21	64E-4382G-00	19 - 29
6G5-11372-00-1S	4 - 23		28 - 4	6E5-14979-00	6 - 19	6A1-28176-00	15 - 46	688-42677-D0	1 - 18	64E-43820-00	19 - 15
624-11379-00	2 - 3		28 - 23		28 - 30	6E5-41111-00-1S	4 - 11	6E5-42678-31	1 - 19	64E-43821-00	19 - 16
6E5-11381-A2	2 - 23	6E5-14223-00	6 - 21	6N6-15100-01-1S	2 - 2	6E5-41112-A1	4 - 12	6N7-42678-30	1 - 22	64E-43822-00	19 - 17
	28 - 5	6E5-14276-01	7 - 26	6E5-15163-00-1S	3 - 3		4 - 13	6N7-42681-30	1 - 23	64E-43825-01	19 - 2
6G5-11382-A1	4 - 22	6E5-14301-16	6 - 1	6G5-15359-00-94	3 - 12		28 - 9	6N7-42682-30	1 - 24	64E-43827-00	20 - 22
6N7-11411-01	3 - 1	6E5-14302-16	6 - 2	6E5-21708-08	8 - 1		28 - 10	648-42715-00	16 - 49	64E-43828-00	19 - 22
6E5-11447-00	3 - 2	6E5-14321-00	6 - 16	6E5-21733-02	8 - 2	6N7-41113-00-1S	4 - 14	6E5-42716-00	15 - 36	64E-43829-00	19 - 23
663-11518-01	2 - 4	6E5-14323-03	6 - 20	6E5-21734-01-33	8 - 18	6G5-41131-01-5B	21 - 18	6E5-42724-00	21 - 9	64E-43830-00	20 - 4
6R3-11536-00	3 - 9	6E5-14324-00	6 - 25	6E5-21746-00	8 - 20	6E5-41132-10-5B	21 - 22	6E5-42725-11	15 - 15	64E-43831-00	20 - 2
6R3-11537-00	7 - 16	6A0-14325-00	9 - 27	6E5-21750-05	8 - 24	6E5-41134-A0	21 - 23	688-42726-10	15 - 24	64E-4384J-00	19 - 18
64D-11603-01	3 - 19	6E5-14328-01	6 - 18	6E5-21770-03	8 - 3		29 - 2	6E5-42738-01-5B	15 - 16	64E-43841-00	20 - 7
64D-11604-01	3 - 19		28 - 29	6E5-21798-01-33	8 - 19	6E5-41135-A0	21 - 30	6E5-42741-01-4D	15 - 26	64E-43843-00	20 - 6
64D-11605-01	3 - 19	6J8-14334-00	6 - 17	646-24251-02	8 - 6		29 - 5	6H4-42748-00	15 - 2	64E-43843-10	20 - 38
6R5-11631-11-93	3 - 17	64D-14381-00	6 - 4	6E5-24304-10	9 - 1	6G5-41137-02-94	21 - 8	6E5-42761-00-1S	2 - 18	64E-43850-00	20 - 15
6R5-11633-10	3 - 20	61A-14383-01	6 - 15	6YK-24306-52	10 - 1	6E5-41213-00	16 - 32	6E5-42762-00-1S	2 - 19	64E-43851-00	20 - 11
6R5-11634-10	3 - 21	64D-14384-01	6 - 3	6E5-24312-00	4 - 16	6E5-41217-01	5 - 22	6E5-42769-00	21 - 3	64E-43855-00	20 - 14
6R5-11635-11	3 - 17		28 - 18	6E5-24313-00	9 - 3	6H1-41237-00	7 - 21	6E5-42771-01-4D	15 - 27	6E5-43858-00	19 - 28
6R5-11636-11	3 - 17		28 - 27	6E5-24314-00	9 - 13	6R5-41237-00	7 - 23	6G5-42791-10	15 - 45	64E-43858-00	20 - 12
6R5-11642-11-93	3 - 18	6E5-14385-02	6 - 5	6G5-24316-10	9 - 33	662-41237-01	16 - 25	688-42815-01-4D	15 - 3		20 - 18
6R5-11645-11	3 - 18	6E5-14386-02	6 - 8	6G5-24318-10	9 - 37		16 - 31	6E5-42816-01	15 - 10	72X-43858-00	20 - 5
6R5-11646-11	3 - 18		28 - 25	6E5-24319-01	8 - 7	6R3-41241-00	7 - 20	6G5-42816-00	15 - 9	64E-43859-00	20 - 13
6R5-11650-10	3 - 22	64D-14394-00	6 - 11	6G5-24319-10	9 - 38	6E5-41256-01	5 - 23	688-42816-00	15 - 4	6H1-4386K-10	20 - 29
6E5-12411-20	4 - 7		28 - 26	6E5-24321-01	8 - 11	661-41262-02	5 - 24	6E5-42817-01-4D	15 - 8	64E-43860-00	20 - 20
6G5-12413-00-1S	4 - 8	6E5-14398-00	6 - 13	6E5-24322-00	8 - 4	6E5-41271-02	5 - 25	64E-43111-02-8D	17 - 1	6E5-43862-00	19 - 10
688-12414-A1	4 - 9		28 - 28	64E-24323-00	8 - 32	689-41273-00	5 - 26	64E-43112-02-8D	17 - 9		19 - 14
	28 - 8	6E5-1441K-00	5 - 35	6E5-24367-01	15 - 30	688-41611-00	11 - 9	64E-43126-00	17 - 37	6G5-43863-00	20 - 10
6G5-12416-00	4 - 19	6E5-14416-A1	5 - 36	6E5-24367-10	15 - 33	688-41612-00	11 - 10	64E-43131-01	17 - 15	6E5-43864-00	19 - 20

NUMERICAL INDEX
INDEX NUMERIQUE

PART NO. NO. PIECES	REF. NO.	PART NO. NO. PIECES	REF. NO.	PART NO. NO. PIECES	REF. NO.	PART NO. NO. PIECES	REF. NO.	PART NO. NO. PIECES	REF. NO.	PART NO. NO. PIECES	REF. NO.
6G5-43864-00	19 - 19	6E5-44365-00	29 - 6	6E5-45567-01-12	22 - 5	6E5-45994-10	23 - 29	701-48350-20	25 - 2	663-82151-00	13 - 26
6G5-43865-00	20 - 35	6E5-44366-00	23 - 1	6E5-45567-01-15	22 - 5	688-45997-01	23 - 22	703-48358-00	26 - 20	6G5-82152-00	13 - 1
64E-43865-00	20 - 16		29 - 7	6E5-45567-01-18	22 - 5	703-48152-00	26 - 57	6E5-48531-00	16 - 1	6A0-82317-00	8 - 29
64E-43866-00	19 - 9	6E5-44391-00	15 - 14	6E5-45567-01-30	22 - 5	703-48153-00	26 - 3	6E5-48538-00	16 - 2		8 - 40
64E-43867-00	19 - 8	6E5-44511-00-5B	18 - 38	6E5-45567-01-40	22 - 5	703-48189-00	26 - 17	6E5-61350-02	24 - 1		11 - 18
64E-43868-00	20 - 3	6E5-44514-00-94	18 - 31	6E5-45567-01-50	22 - 5	703-48198-00	26 - 14	6E5-61351-01	24 - 2		12 - 2
64E-43869-00	19 - 26	6G5-44526-00	17 - 3	6E5-45571-01	22 - 60	703-48205-17	25 - 1	6E5-61355-00	24 - 5	6G5-82317-00	11 - 17
64E-4387A-00	20 - 23	68F-44533-00	2 - 20	6E5-45576-00	22 - 61		26 - 1	6E5-81332-00	11 - 13	6G1-82370-21	13 - 5
6E5-43872-00	19 - 12	6G5-44551-01-8D	18 - 13	6L6-45577-00-10	22 - 65	703-48211-01	26 - 61	6E5-81337-01	11 - 16	703-82510-43	26 - 44
64E-43873-00	20 - 24	6E5-44552-01-94	18 - 24	6L6-45577-00-12	22 - 65	703-48212-00	26 - 58	6N7-81800-10	14 - 1	6R3-82519-00	13 - 29
6E5-43874-01	19 - 21	6E5-44553-01-8D	18 - 27	6L6-45577-00-15	22 - 65	703-48213-00	26 - 59	6N7-81801-00	14 - 8	662-82519-00	13 - 35
64E-43875-00	20 - 25	6E5-44555-00-94	18 - 16	6L6-45577-00-18	22 - 65	703-48215-00	26 - 43	6N7-81807-00	14 - 11	6R3-82521-70	27 - 20
64E-43879-00	20 - 27	6E5-44575-00	18 - 15	6L6-45577-00-30	22 - 65	703-48219-00	26 - 30	61A-81809-00	14 - 3	6E5-82531-10	13 - 32
64E-43879-10	20 - 26	663-44575-00	18 - 37	6L6-45577-00-40	22 - 65	703-48221-00	26 - 56	6N7-81810-00	14 - 5	703-82531-00	26 - 46
64E-4388E-00	19 - 25	6E5-45111-02-8D	21 - 1	6L6-45577-00-50	22 - 65	703-48222-00	26 - 27	6N7-81813-00	14 - 9	703-82540-00	26 - 50
64E-4388E-10	20 - 1	6G5-45113-A1	21 - 12	6E5-45587-01-10	22 - 37	703-48223-00	26 - 28	6E5-8182A-10	14 - 17	6R3-82553-70	27 - 21
64E-4388J-00	19 - 3		28 - 19	6E5-45587-01-12	22 - 37	703-48225-00	26 - 29	6E5-8182E-10	14 - 15	682-82556-00	26 - 48
64E-43880-01	20 - 28	6G5-45114-A0	21 - 19	6E5-45587-01-15	22 - 37	703-48226-00	26 - 26	6E5-8182F-10	14 - 16	688-82560-10	13 - 24
64E-43883-00	19 - 11		29 - 3	6E5-45587-01-18	22 - 37	703-48227-00	26 - 24	6K7-8182G-10	14 - 6	703-82563-02	26 - 55
64E-43891-00	20 - 31	663-45119-00	17 - 14	6E5-45587-01-30	22 - 37	703-48232-00	26 - 62	6E5-8182K-10	14 - 18	6E3-8257H-00	15 - 47
64E-43892-00	20 - 34		17 - 25	6E5-45587-01-40	22 - 37	703-48234-00	26 - 18	6N7-81820-10	14 - 10	688-82575-01	26 - 47
6E5-43896-00	20 - 9	6E5-45123-00	21 - 29	6E5-45587-01-50	22 - 37	703-48235-00	26 - 4	6E5-81822-02-98	14 - 19	703-82577-00	26 - 45
64E-43897-00	19 - 24		29 - 4	6E5-45611-01	22 - 48	703-48236-00	26 - 16	61A-81824-00	14 - 4	688-8258A-20	26 - 49
64E-43898-00	19 - 7	6E5-45155-00	21 - 2	6E5-45631-01	22 - 56	703-48238-00	26 - 22	6K7-81826-10	14 - 14	6E5-82588-00	15 - 37
6E5-44117-00-1S	16 - 36	688-45214-02	23 - 10	6E5-45633-01	22 - 57	703-48243-00	26 - 15	6N7-81830-00	14 - 13	6K7-82588-00	15 - 42
6E5-44118-01-94	16 - 44	688-45215-02	23 - 11	6E5-45634-01	22 - 50	703-48244-00	26 - 21	6N7-81840-00	14 - 7	6E5-82590-15	13 - 25
6E5-44120-03	16 - 51	6G5-45251-02	17 - 2	6E5-45641-02	22 - 49	703-48245-00	26 - 11	6N7-81850-10	14 - 2	703-82591-00	26 - 53
68F-44121-00	16 - 38	6E5-45300-16-8D	22 - 1	688-45930-02-98	23 - 26	703-48246-00	26 - 23	6N7-81857-00	14 - 12	703-82592-00	26 - 54
6E5-44122-00	16 - 39	6E5-45301-04-8D	22 - 2	688-45932-60-98	23 - 26	701-48248-00	26 - 13	6E5-81900-01	8 - 9	6E5-82594-00	15 - 41
6E5-44150-02	22 - 17	6E5-45321-00	22 - 13	6E5-45941-00-EL	23 - 26	703-48252-00	26 - 12	6E5-81922-00	8 - 10	688-82594-00	15 - 40
688-44194-00	16 - 14	6E5-45331-00-94	22 - 34	6E5-45943-00-EL	23 - 26	703-48261-01	26 - 2	61A-81941-00	13 - 6	703-82594-00	26 - 25
	16 - 28	6E5-45332-00-94	22 - 58	6E5-45945-01-EL	23 - 26	703-48264-00	26 - 6	6E5-81948-22	13 - 13	703-83383-02	26 - 51
61A-44311-01	22 - 24	688-45341-10	22 - 7	6E5-45947-00-EL	23 - 26	703-48265-00	26 - 9	6E5-8195A-00	13 - 9	6Y5-83509-03	27 - 6
6E5-44312-00	23 - 20	6E5-45344-00	22 - 40	6E5-45949-00-EL	23 - 26	703-48268-00	26 - 5	6E5-81950-00	13 - 8	6Y5-83514-00	27 - 5
6E5-44315-A0	22 - 31	6E5-45371-01	23 - 14	6E5-45952-00-EL	23 - 26	703-48271-00	26 - 60	6Y5-81950-02	27 - 10	6Y5-83517-00	27 - 2
	29 - 13	6E5-45371-10	23 - 28	6E5-45954-00-EL	23 - 26	703-48281-00	26 - 31	689-81952-10	13 - 7	6Y5-83518-00	27 - 7
	29 - 24	688-45375-00	23 - 9	6E5-45956-00-EL	23 - 26	703-48282-00	26 - 32	6H0-81960-00	12 - 13		27 - 13
6R3-44322-42	29 - 29	663-45376-00-94	23 - 8	6E5-45970-10	23 - 27	703-48284-00	26 - 52	6E5-81961-00	12 - 18	6Y5-83523-00	27 - 4
61A-44322-02	22 - 25	6E5-45378-00	22 - 10	688-45970-03-98	23 - 26	701-48287-00	26 - 42	6E5-82105-12	13 - 27	6Y5-83536-00	27 - 14
	29 - 19	688-45383-02	22 - 68	6E5-45972-10	23 - 27	703-48291-10	26 - 39	6E5-82116-00	13 - 12	6Y5-83536-10	27 - 3
6E5-44323-00	22 - 30	688-45384-00	22 - 69	688-45972-02-98	23 - 26	703-48293-10	26 - 41	6E5-82117-01	13 - 28	6Y5-83540-05	27 - 1
	29 - 23	6E5-45501-01	22 - 43	6E5-45974-10	23 - 27	701-48320-50	25 - 2	6Y5-82117-00	27 - 19	6Y5-83544-00	27 - 15
6E5-44323-40	29 - 30	61A-45527-00	22 - 23	688-45974-02-98	23 - 26	701-48320-60	25 - 2	6G5-82119-00	13 - 11	6Y5-83553-00	27 - 17
6E5-44352-01	22 - 28	6E5-45536-00	22 - 9	6E5-45976-10	23 - 27	701-48320-80	25 - 2	6E5-82147-00	17 - 26	6N7-83557-00	13 - 16
	29 - 22	61A-45538-00	22 - 20	688-45976-01-98	23 - 26	6E5-48344-00	16 - 7	6E5-82148-00	17 - 6	6E5-83558-00	23 - 17
6E5-44361-00	23 - 2	6E5-45551-02	22 - 44	6E5-45978-10	23 - 27		16 - 42		17 - 10	6E5-83558-10	22 - 12
6E5-44365-00	23 - 3	6E5-45560-01	22 - 46	688-45978-60-98	23 - 26	703-48345-01	26 - 19	6E5-82149-00	18 - 19	6A1-83625-41	11 - 22
	23 - 19	6E5-45567-01-10	22 - 5	6E5-45987-01	23 - 21	701-48350-00	25 - 2	1E6-82151-00	27 - 18	6A1-83625-51	11 - 21

NUMERICAL INDEX
INDEX NUMERIQUE

PART NO. NO. PIECES	REF. NO.	PART NO. NO. PIECES	REF. NO.	PART NO. NO. PIECES	REF. NO.	PART NO. NO. PIECES	REF. NO.	PART NO. NO. PIECES	REF. NO.	PART NO. NO. PIECES	REF. NO.
688-83664-00	27 - 16	90119-08MA8	4 - 3	90202-12092	16 - 20	90445-07M72	7 - 11	90501-16M28	18 - 28	92995-06600	21 - 5
6Y5-83670-12	27 - 12	90119-08M14	22 - 33	90202-16061	16 - 54	90445-07M87	7 - 13	90501-16M37	22 - 51	92995-08100	16 - 5
64E-83672-02	18 - 3		29 - 26	90202-26M18	18 - 33	90445-07M89	7 - 9	90506-14M24	17 - 36		17 - 17
72X-85075-L0	20 - 21	90119-08M22	15 - 23	90202-32M19	18 - 17	90445-07196	7 - 10	90508-29M12	16 - 22		21 - 15
6E5-85510-01	11 - 2	90119-08M57	14 - 22	90202-40M47	18 - 7	90445-11M81	8 - 13	90560-12M01	24 - 4		21 - 17
6N7-85537-00	12 - 11	90119-08M76	14 - 20	90206-10M04	16 - 34	90445-12M11	8 - 35	91490-40030	23 - 25	92995-08600	14 - 25
6E5-85540-00	12 - 7	90119-08M77	14 - 21	90206-13M10	15 - 6	90446-15M07	9 - 41	91609-30010	13 - 20		21 - 21
6N7-85542-01-1S	12 - 1	90119-08M79	21 - 13		15 - 12	90464-07M06	7 - 14	91690-30012	16 - 3		21 - 25
6E5-85550-00	11 - 1	90119-08M94	2 - 12	90206-22M19	22 - 22	90464-12M00	11 - 12	91690-30016	7 - 27		21 - 32
6R3-85570-01	13 - 2	90119-08027	21 - 7	90249-06M19	17 - 33	90464-15M11	8 - 39	91690-30020	17 - 35		22 - 42
6E5-85580-00	11 - 3	90119-10M89	23 - 7	90250-08M07	22 - 55	90465-05M87	13 - 39	92903-05100	27 - 9	92995-10100	18 - 26
6E5-85711-60	8 - 44	90152-05M07	23 - 12	90266-06M02	1 - 6	90465-06M86	2 - 25	92903-05600	9 - 18		18 - 40
6E5-85720-04	8 - 16	90157-06M01	15 - 31	90266-06009	1 - 5		5 - 16	92903-06100	9 - 11		23 - 6
6R3-85721-30	8 - 17		15 - 34	90280-04M05	22 - 29		12 - 19	92903-06600	5 - 33	92995-14600	18 - 23
6E5-85730-14	8 - 25	90157-06013	16 - 11		29 - 27	90465-08M63	17 - 23		11 - 8	93101-22M15	3 - 14
6E5-85740-02	8 - 38		16 - 26	90280-05015	11 - 4	90465-08M89	13 - 40		12 - 15		28 - 14
6E5-86110-02	13 - 18	90159-06M11	12 - 12	90282-04010	22 - 67	90465-11M10	7 - 8	92903-08600	16 - 46	93101-28M16	22 - 35
6E5-86116-01	13 - 19	90170-16M01	22 - 45	90340-08002	22 - 6		8 - 5	92990-05600	5 - 5		29 - 14
6G5-87149-10	13 - 10	90170-20137	11 - 6	90340-14M00	2 - 6		8 - 8	92990-06100	12 - 9	93101-30M17	22 - 63
90101-12M03	17 - 40	90171-18M04	23 - 24	90384-06M07	2 - 8		8 - 14	92990-06200	16 - 8		29 - 17
90105-10M00	23 - 15	90179-06066	18 - 30	90384-14M09	2 - 9		8 - 33	92990-06600	8 - 22	93102-08M43	20 - 36
90105-10M20	2 - 11	90183-05M02	21 - 28	90386-06M12	16 - 43		8 - 37		12 - 10	93102-35M13	3 - 13
90109-06M39	7 - 6	90185-05002	23 - 13	90386-10M16	17 - 31		9 - 4		15 - 32		28 - 13
90109-06M40	7 - 5	90185-06M07	16 - 9	90386-12089	16 - 17		9 - 14		15 - 35	93102-40M14	3 - 5
90109-08022	3 - 23	90185-09M01	24 - 6	90386-13M38	15 - 5		9 - 15		17 - 12		28 - 11
90109-12M37	18 - 35	90185-12M12	18 - 36		15 - 11		9 - 34	92990-08600	14 - 23	93106-09014	22 - 15
90109-14M34	18 - 20	90185-22M11	17 - 20	90386-16M66	16 - 53		9 - 35		26 - 34		29 - 10
90116-06M30	5 - 13	90201-06M05	12 - 17	90386-22M13	16 - 19		9 - 39	92990-18200	23 - 23	93210-03261	13 - 23
90116-08M45	2 - 13	90201-08M13	16 - 21	90386-22M98	17 - 38		9 - 40	92995-06100	5 - 21	93210-09165	16 - 52
90119-06MA2	2 - 21	90201-08M14	19 - 30		19 - 33		17 - 21		17 - 5	93210-10M74	19 - 4
	2 - 24	90201-08M23	16 - 16	90386-25M31	17 - 18		18 - 5	92995-06600	1 - 10	93210-13M04	7 - 18
	3 - 7	90201-08M54	15 - 21	90386-38M32	18 - 12		23 - 18		1 - 17	93210-16275	24 - 9
	3 - 16	90201-10M20	24 - 7	90387-06M29	16 - 33	90465-12M25	13 - 38		5 - 18	93210-19MA7	7 - 4
	4 - 24	90201-12M05	17 - 42	90387-06M77	12 - 16	90465-13M18	4 - 26		9 - 32	93210-32738	9 - 8
	16 - 37	90201-13M01	17 - 41	90387-08M16	16 - 18		13 - 17		11 - 15	93210-37MH7	18 - 6
90119-06MA3	5 - 15	90201-14M56	18 - 34	90387-08M37	15 - 20		27 - 11		12 - 6	93210-37160	22 - 27
90119-06MA4	4 - 6	90201-15M58	18 - 21	90387-10M05	17 - 34	90467-08004	4 - 17		12 - 21		29 - 12
90119-06MA5	4 - 18	90201-16M55	18 - 18	90387-10M61	24 - 3	90468-05M03	7 - 24		13 - 4		29 - 21
90119-06MA6	4 - 10	90201-21M18	11 - 5	90430-08020	22 - 8	90468-07M02	7 - 15		13 - 15	93210-55M14	22 - 39
90119-06M09	15 - 7	90201-22M01	22 - 21		29 - 8	90468-18008	16 - 41		13 - 22		29 - 15
	15 - 13	90201-23M01	3 - 25	90430-14115	2 - 7	90480-06M19	8 - 15		13 - 31	93210-58144	22 - 14
90119-06M10	22 - 16	90201-26M57	18 - 32	90445-05M02	8 - 28	90480-13M24	15 - 25		13 - 34		29 - 9
90119-06M31	5 - 37	90201-26M59	17 - 19	90445-07ME8	22 - 11	90480-20M05	4 - 21		13 - 37	93210-74M35	3 - 15
90119-06M59	12 - 4	90201-30M92	22 - 66	90445-07MF0	23 - 16	90480-22M15	15 - 19		15 - 18		28 - 15
90119-06M65	8 - 31	90201-38M60	18 - 11	90445-07M23	5 - 30	90501-11M10	22 - 19		15 - 29	93210-86M38	22 - 26
	8 - 42	90202-05088	7 - 25	90445-07M24	5 - 11	90501-12082	16 - 48		15 - 39		29 - 11
	11 - 20	90202-08M20	16 - 40	90445-07M28	5 - 10	90501-16M11	4 - 20		15 - 44		29 - 20
90119-08MA3	2 - 17	90202-08M44	7 - 19	90445-07M46	5 - 12	90501-16M12	16 - 12		17 - 8	93210-86M39	22 - 64

NUMERICAL INDEX
INDEX NUMERIQUE

PART NO. NO. PIECES	REF. NO.	PART NO. NO. PIECES	REF. NO.	PART NO. NO. PIECES	REF. NO.	PART NO. NO. PIECES	REF. NO.	PART NO. NO. PIECES	REF. NO.	PART NO. NO. PIECES	REF. NO.
93210-86M39	29 - 16	95380-14800	18 - 22	97880-05025	5 - 4						
93211-04001	3 - 6	95780-10300	18 - 9	97880-06012	17 - 11						
	28 - 12	97013-06014	9 - 10	97880-06018	11 - 11						
93306-208U0	3 - 10	97013-06020	5 - 32	97880-06040	12 - 8						
	22 - 59	97013-06045	12 - 14	97885-06010	11 - 14						
93310-323V6	3 - 24	97013-06060	11 - 7	97885-06016	18 - 4						
93310-836U0	3 - 26	97013-08030	16 - 45		18 - 29						
93310-954U1	3 - 8	97013-08045	16 - 15	97980-05108	6 - 24						
93311-940U3	3 - 4	97075-08035	15 - 22	97980-05116	6 - 22						
93315-425U7	22 - 47	97075-10045	23 - 5	98503-05035	9 - 17						
93315-430U8	22 - 62	97080-06100	8 - 21	98580-03015	26 - 38						
93315-628U9	22 - 3	97080-08016	19 - 31	98580-04006	26 - 36						
93317-330U2	22 - 36	97095-06010	17 - 7	98580-04010	26 - 35						
93332-000U7	22 - 4		17 - 28	98580-05010	26 - 37						
93341-930V2	22 - 38		21 - 4	98780-04015	2 - 15						
93410-16006	16 - 55	97095-06012	5 - 17	99001-08600	22 - 18						
93410-22M11	17 - 39		12 - 5								
93410-37M04	18 - 14		12 - 20								
93410-40M03	3 - 11		13 - 30								
93430-06024	26 - 10		13 - 33								
93501-04M02	16 - 47		13 - 36								
93503-16003	22 - 54	97095-06016	1 - 9								
93507-32009	22 - 52		1 - 16								
93511-32017	22 - 53		13 - 14								
93606-12019	22 - 32		13 - 21								
	29 - 25		15 - 17								
93608-12M05	21 - 6	97095-06020	13 - 3								
	21 - 11		15 - 28								
	23 - 4		15 - 38								
93608-12063	2 - 10		15 - 43								
93700-06M03	16 - 50	97095-06025	16 - 35								
	17 - 13	97095-06028	9 - 2								
	17 - 24	97095-06030	17 - 4								
94702-00247	4 - 27	97095-06050	9 - 31								
95303-05600	27 - 8	97095-08016	14 - 24								
95303-06600	16 - 13	97095-08020	16 - 4								
	16 - 27		17 - 16								
95380-03600	9 - 28	97095-08025	22 - 41								
95380-05600	7 - 22	97095-08030	21 - 20								
	16 - 24	97095-08045	21 - 14								
	16 - 30		21 - 24								
	26 - 7		21 - 31								
95380-06600	5 - 20	97095-10045	18 - 25								
	8 - 23		18 - 39								
	26 - 40	97380-05025	26 - 8								
95380-08600	9 - 12	97380-08030	26 - 33								
95380-08700	21 - 16	97607-04310	20 - 32								
95380-12600	17 - 43	97780-60525	18 - 2								

115BETO
PARTS CATALOGUE
E2001 by Yamaha Motor Co., Ltd.
1st Edition, Oct. 2001
All rights reserved.
Any reprinting or unauthorized use
without the written permission of
Yamaha Motor Co., Ltd.
is expressly prohibited.

115BETO
CATALOGUE DE PIÈCES DÉTACHÉES
E2001 Yamaha Motor Co., Ltd.
1ère Edition, Oct. 2001
Tous droits réservés.
Toute réimpression ou utilisation
sans la permission écrite de la
Yamaha Motor Co., Ltd.
est formellement interdite.