

PARTS CATALOGUE

115CETO'02(6N61)

130BETO'02(6N71)

FOREWORD

This Parts Catalogue is related to the parts for the model(s) in the below frame. When you are ordering replacement parts, please refer to this Parts Catalogue and quote both part numbers and part names correctly.

115CETO'02(6N61), 130BETO'02(6N71)

1. Modifications or additions which have been made after issue of the Parts Catalogue will be announced in the Yamaha Parts News. It is advisable that you make necessary corrections to the Parts Catalogue according to the Yamaha Parts News.

2. Abbreviations
The Following abbreviations are used in this Parts Catalogue.

“UR” Use specified parts number.

“UN” Use as many as needed.

“AP” Alternate Parts

“LM” Local Made
(Parts need to be ordered locally)

“O/S” Over Size

“SWS” Salt Water Series

3. Parts, which are to be supplied in an assembly, are listed with a dot(.) in front of the part name as shown below.

EXAMPLE
CARBURETOR ASSY
.JET, PILOT
.NOZZLE, MAIN

4. Number of component for assembly
The numeral appearing to the right of each component part indicates the quantity of parts for each assembly unit.

EXAMPLE

PART NO.	DESCRIPTION	Ⓜ	Ⓜ	Ⓜ	REMARKS
6E0-85500-70	C.D.I. MAGNETO ASSY	1			
6E0-85550-70	.ROTOR ASSY	1			
6E0-15723-00-94.	PULLY, STARTER	1			

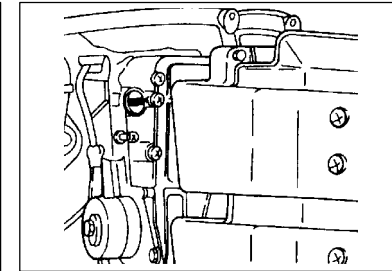
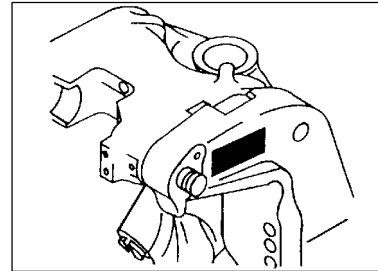
5. Quantity Column Information

NAME for Q'TY COLUMN	APPLICABLE MODEL
115C	115CETO
130C	130BETO

6. Applicable Starting Serial No. and Color Code

1) Engine Starting Serial No.

115CETO 6E5 L : 410242 6E5 X : 732148	130BETO 6L1 L : 313819
--	------------------------



2) Color Code

Color Code	Color Name	Abbreviation
004D	DARK BLUISH GRAY METALLIC 2	DBNM2

7. Note that the illustrations for reference in finding parts numbers, not to be used for assembling. When assembling, please use the applicable service manual.

8. The asterisk (*) before a reference number indicates modification items after the first edition.

CONTENTS

TOP COWLING	1
CYLINDER, CRANKCASE 1	2
CRANKSHAFT, PISTON	3
CYLINDER, CRANKCASE 2	5
INTAKE	7
CARBURETOR	9
OIL PUMP	11
OIL TANK	13
FUEL 1	15
FUEL 2	17
GENERATOR	18
ELECTRICAL 1	19
ELECTRICAL 2	20
STARTING MOTOR	22
BOTTOM COWLING	23
CONTROL	26
BRACKET 1	29
BRACKET 2	31
POWER TRIM & TILT ASSY 1	33
POWER TRIM & TILT ASSY 2	35

UPPER CASING	37
LOWER CASING, DRIVE 1	39
LOWER CASING, DRIVE 2	43
FUEL TANK	45
STEERING GUIDE	46
REMOTE CONTROL BOX	47
REMOTE CONTROL ASSY	48
METER	51
REPAIR KIT 1	52
REPAIR KIT 2	54

INDEX

NUMERICAL INDEX	56
-----------------------	----

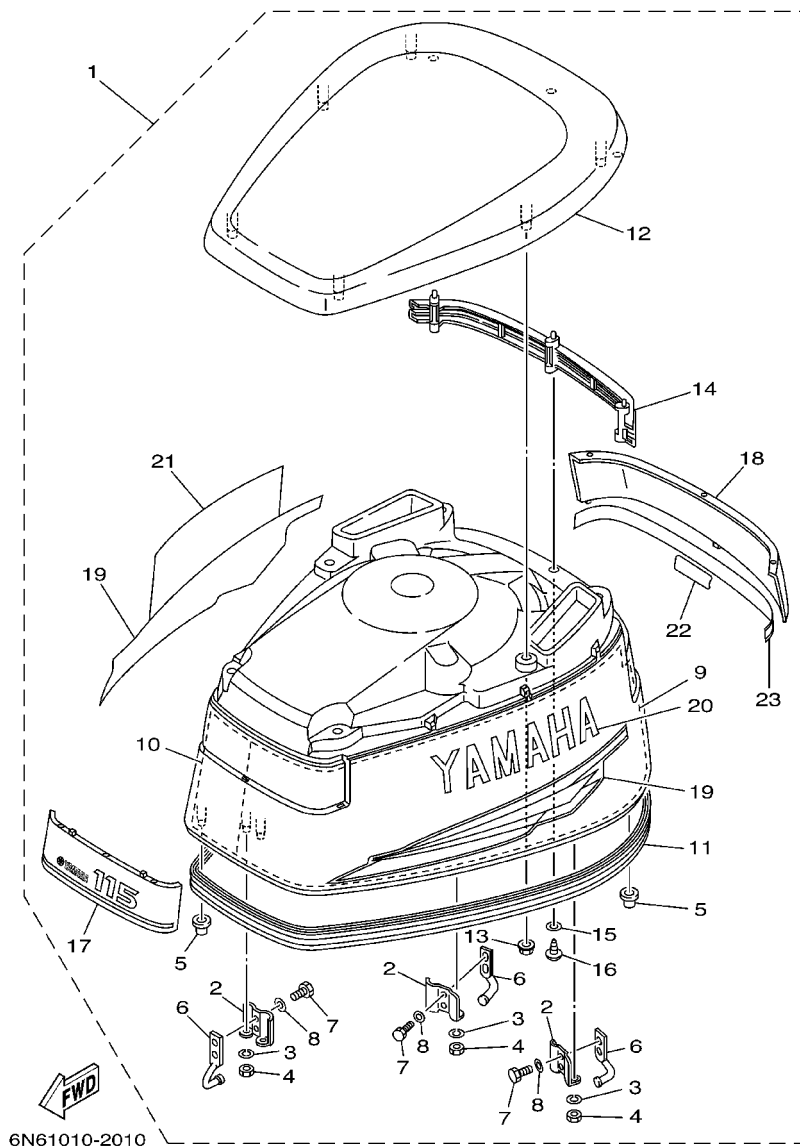
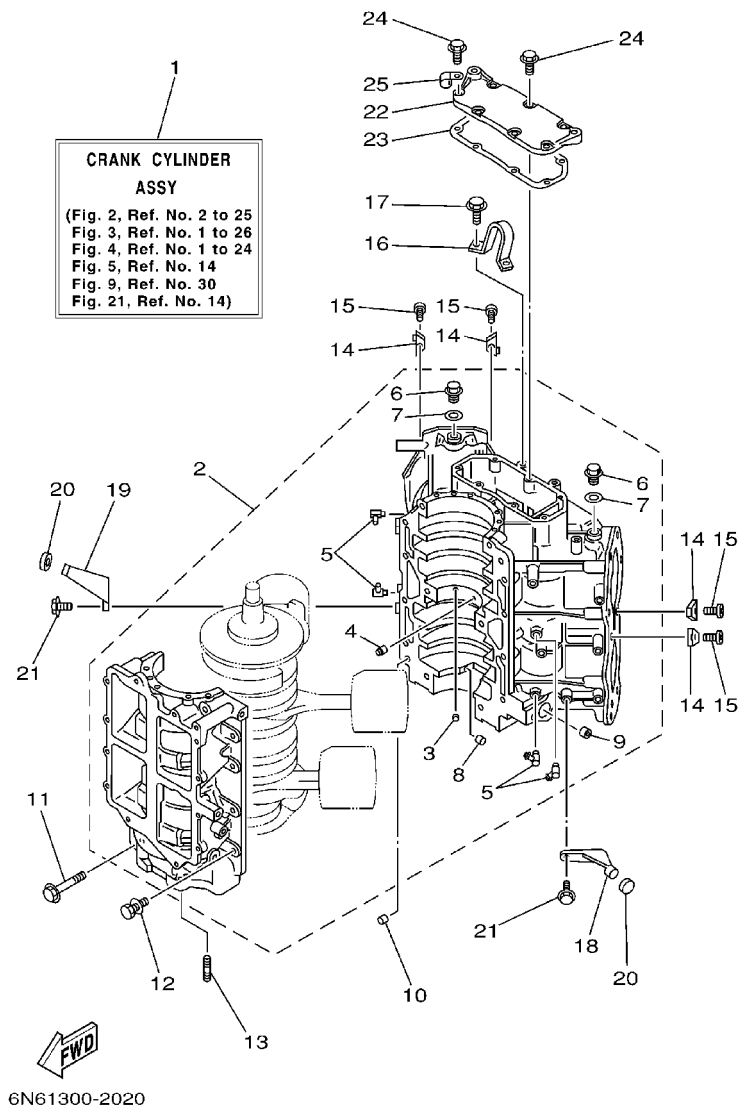


FIG. 1 TOP COWLING

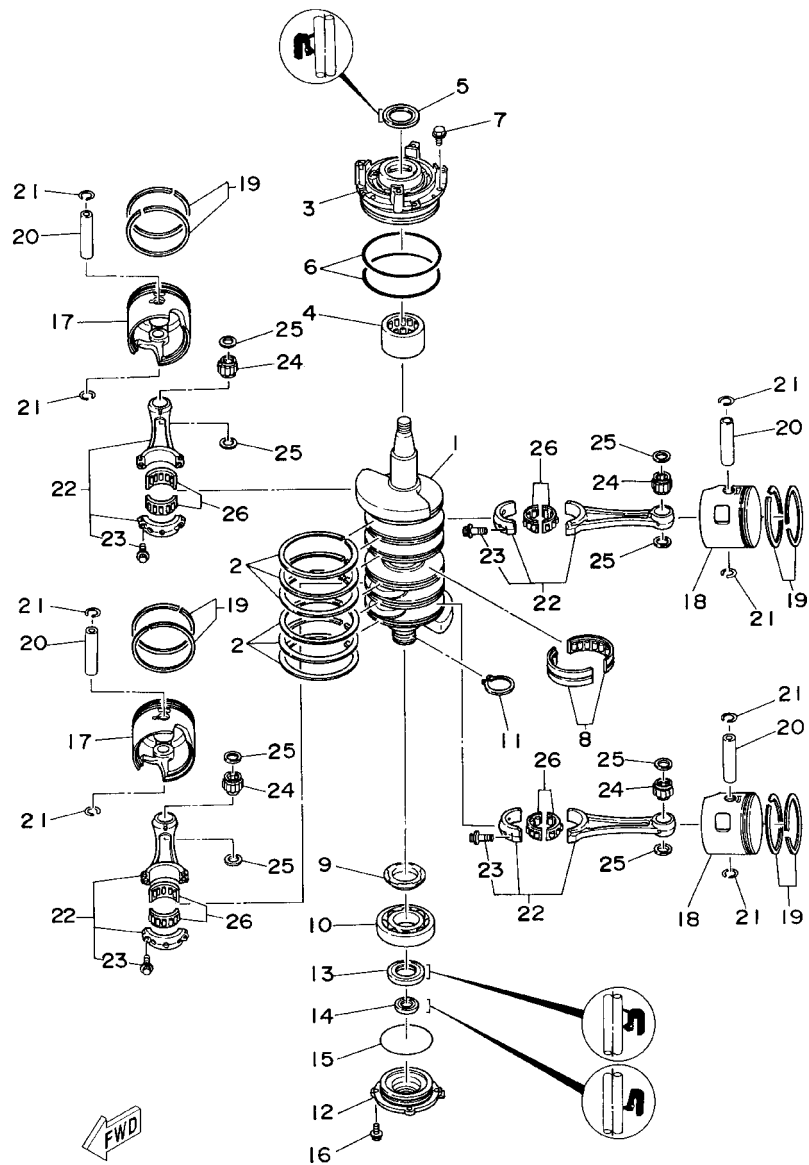
REF. NO.	PART NO.	DESCRIPTION	115C	130B	REMARKS
1	6N6-42610-60-4D	TOP COWLING ASSY	1		
	6N7-42610-60-4D	TOP COWLING ASSY		1	
2	6R3-42647-00	.HOLDER, CLAMP BAND	3	3	
3	92990-06100	.WASHER, SPRING	6	6	
4	95380-06600	.NUT, HEXAGON	6	6	
5	6R3-42662-00	.DAMPER	3	3	
6	6R3-42814-00	.HOOK, CLAMP	3	3	
7	97095-06012	.BOLT	6	6	
8	92995-06600	.WASHER	6	6	
9	6N7-42619-00	.DAMPER, FORM	1	1	
10	6N7-42627-00	.DAMPER, FORM	1	1	
11	6R3-42615-01	.SEAL	1	1	
12	6N7-42613-00-4D	.MOLDING, AIR DUCT	1	1	
13	90179-06M24	.NUT	6	6	
14	6N7-42636-00	.LOUVER 2	1	1	
15	92990-04600	.WASHER, PLATE	3	3	
16	97780-40520	.SCREW, TAPPING	3	3	
17	6N6-42686-40	.EMBLEM, FRONT	1		
	6N7-42686-40	.EMBLEM, FRONT		1	
18	6N6-42687-30	.EMBLEM, REAR	1		
	6N7-42687-30	.EMBLEM, REAR		1	
19	6N7-W0070-30	.GRAPHIC SET	1	1	
20	6N7-42681-30	.MARK, COWLING	1	1	
21	6N7-42682-30	.MARK, COWLING	1	1	
22	6N7-42678-30	.GRAPHIC, REAR	1	1	
23	6N7-4267A-30	.GRAPHIC, REAR 2	1	1	

FIG. 2 CYLINDER. CRANKCASE 1



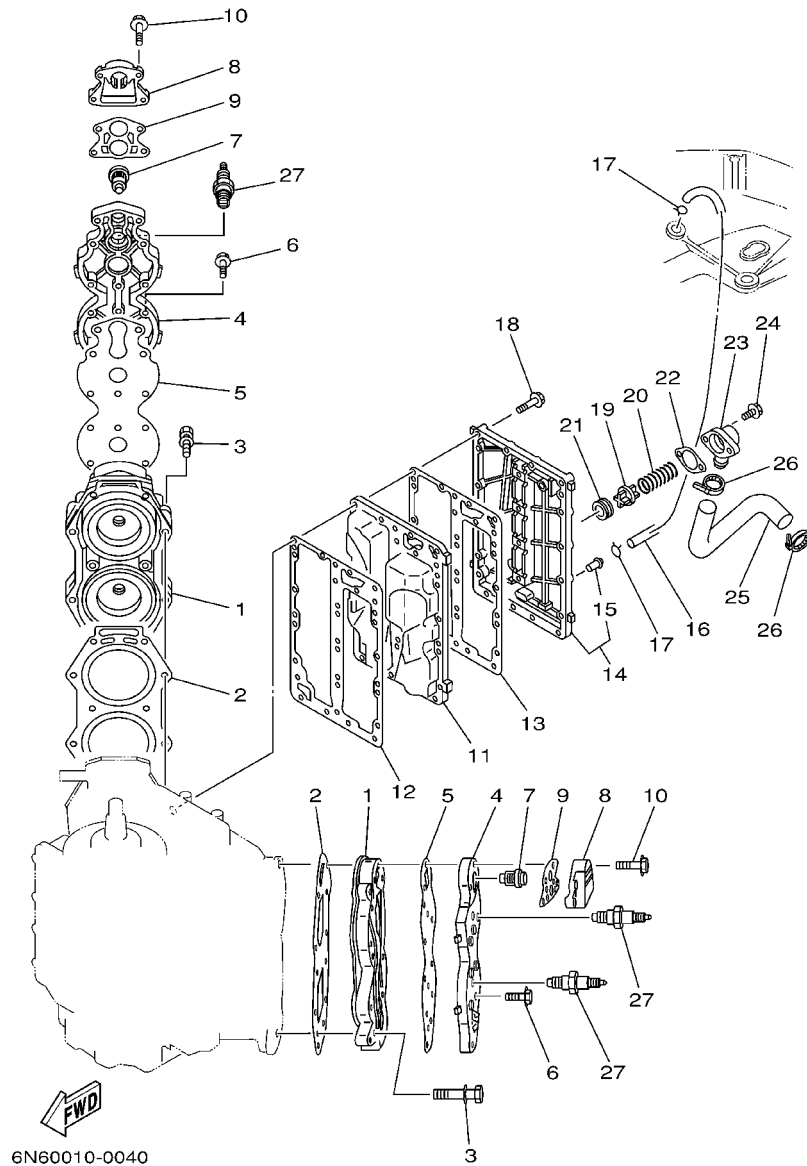
REF. NO.	PART NO.	DESCRIPTION	115C	130B	REMARKS
1	6N6-W0090-15-1S	CRANK CYLINDER ASSY	1		
	6N7-W0090-16-1S	CRANK CYLINDER ASSY		1	
2	6N6-15100-01-1S	CRANKCASE ASSY	1		
	6N7-15100-01-1S	CRANKCASE ASSY		1	
3	624-11379-00	.VALVE, CHECK	1	1	
4	663-11518-01	.LOCK, BEARING	1	1	
5	6E5-11372-00	.NIPPLE, HOSE	4	4	
6	90340-14M00	.PLUG, STRAIGHT SCREW	2	2	
7	90430-14115	.GASKET	2	2	
8	90384-06M07	.BUSH, BIMETAL FORMED	1	1	
9	90384-14M09	.BUSH, BIMETAL FORMED	1	1	
10	93608-12063	PIN, DOWEL	2	2	
11	90105-10M20	BOLT, FLANGE	6	6	
12	90119-08M94	BOLT, WITH WASHER	8	8	
13	90116-08M45	BOLT, STUD	2	2	
14	6E5-11325-00	ANODE	4	4	
15	98780-04015	SCREW, FLAT HEAD	4	4	
16	6E5-11119-01	HANGER, ENGINE	1	1	
17	90119-08MA3	BOLT, WITH WASHER	2	2	
18	6E5-42761-00-1S	STOPPER	1	1	
19	6E5-42762-00-1S	STOPPER	1	1	
20	68F-44533-00	DAMPER, UPPER MOUNT RUBBER	2	2	
21	90119-06MA2	BOLT, WITH WASHER	4	4	
22	6K7-11371-01-1S	COVER	1	1	
23	6E5-11381-A2	GASKET 1	1	1	
24	90119-06MA2	BOLT, WITH WASHER	7	7	
25	90465-06M86	CLAMP	1	1	

FIG. 3 CRANKSHAFT. PISTON



REF. NO.	PART NO.	DESCRIPTION	115C	130B	REMARKS
1	6N7-11411-01	CRANKSHAFT	1	1	
2	6E5-11447-00	SEAL, CRANK	6	6	
3	6R3-15163-00-1S	HOUSING, BEARING 1	1	1	
4	93311-940U3	BEARING	1	1	
5	93102-40M14	OIL SEAL	1	1	
6	93211-04001	O-RING	2	2	
7	90119-06MA2	BOLT, WITH WASHER	3	3	
8	93310-954U1	BEARING	1	1	
9	6R3-11536-00	GEAR, DRIVE	1	1	
10	93306-208U0	BEARING	1	1	
11	93410-40M03	CIRCLIP	1	1	
12	6G5-15359-00-94	HOUSING, OIL SEAL	1	1	
13	93102-35M13	OIL SEAL	1	1	
14	93101-22M15	OIL SEAL	1	1	
15	93210-74M35	O-RING	1	1	
16	90119-06MA2	BOLT, WITH WASHER	4	4	
17	6R5-11631-11-93	PISTON (STD)	2	2	
	6R5-11635-11	PISTON (0.25MM O/S)	2	2	AP
	6R5-11636-11	PISTON (0.50MM O/S)	2	2	AP
18	6R5-11642-11-93	PISTON 2 (STD)	2	2	
	6R5-11645-11	PISTON 2 (0.25MM O/S)	2	2	AP
	6R5-11646-11	PISTON 2 (0.50MM O/S)	2	2	AP
19	64D-11603-01	PISTON RING SET (STD)	4	4	
	64D-11604-01	PISTON RING SET (0.25MM O/S)	4	4	AP
	64D-11605-01	PISTON RING SET (0.50MM O/S)	4	4	AP
20	6R5-11633-10	PIN, PISTON	4	4	
21	6R5-11634-10	CLIP, PISTON PIN	8	8	

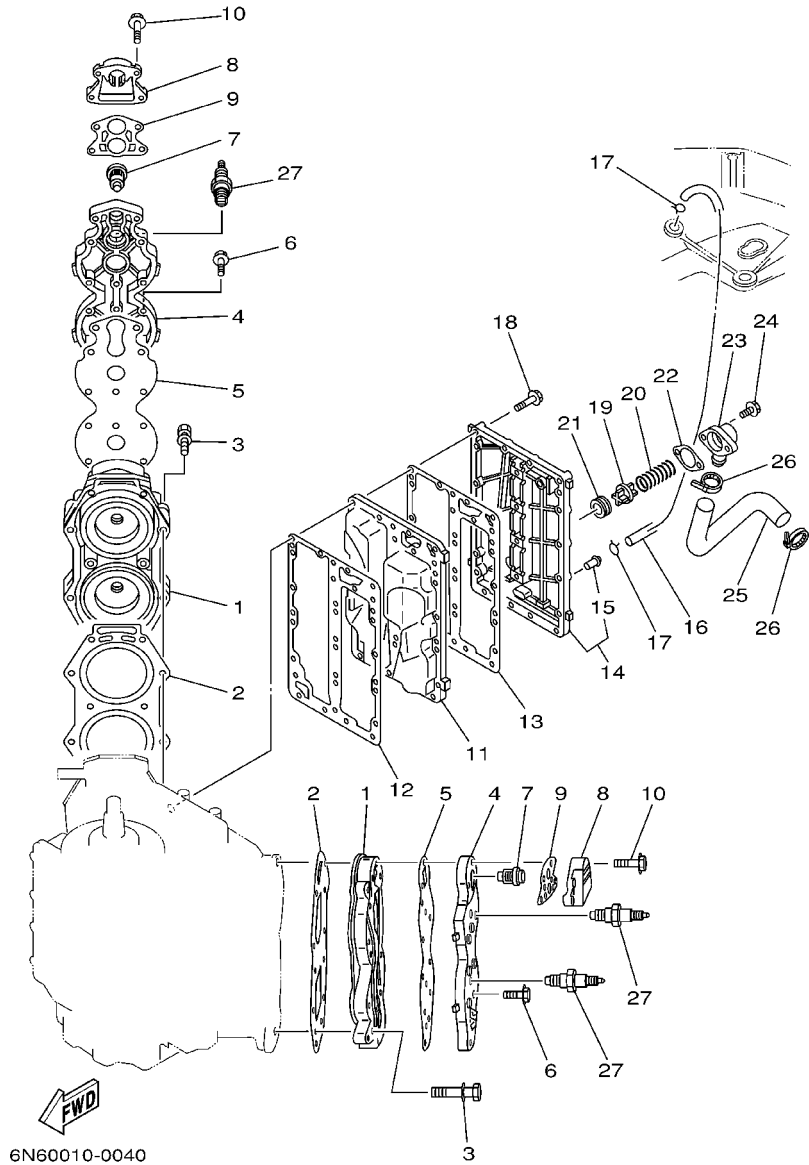
FIG. 4 CYLINDER. CRANKCASE 2



6N60010-0040

REF. NO.	PART NO.	DESCRIPTION	115C	130B	REMARKS
1	6E5-11111-10-1S	HEAD, CYLINDER 1	2		
	6L1-11111-00-1S	HEAD, CYLINDER 1		2	
2	6E5-11181-A1	GASKET, CYLINDER HEAD 1	2	2	
3	90119-08MA8	BOLT, WITH WASHER	20	20	
4	6E5-11191-01-1S	COVER, CYLINDER HEAD 1	2	2	
5	6E5-11193-A0	GASKET, HEAD COVER 1	2	2	
6	90119-06MA4	BOLT, WITH WASHER	24	24	
7	6E5-12411-20	THERMOSTAT	2	2	
8	6G5-12413-00-1S	COVER, THERMOSTAT	2	2	
9	688-12414-A1	GASKET, COVER	2	2	
10	90119-06MA6	BOLT, WITH WASHER	8	8	
11	6E5-41111-00-1S	INNER COVER, EXHAUST	1		
	6L1-41111-00-1S	INNER COVER, EXHAUST		1	
12	6E5-41112-A1	GASKET, EXHAUST INNER COVER	1	1	
13	6E5-41112-A1	GASKET, EXHAUST INNER COVER	1	1	
14	6N7-41113-00-1S	OUTER COVER, EXHAUST	1	1	
15	650-24378-00	.PIPE, JOINT 4	1	1	
16	6E5-24312-00	PIPE 2	1	1	
17	90467-08004	CLIP	2	2	
18	90119-06MA5	BOLT, WITH WASHER	23	23	
19	6G5-12416-00	VALVE, PRESSURE CONTROL	1	1	
20	90501-16M11	SPRING, COMPRESSION	1	1	
21	90480-20M05	GROMMET	1	1	
22	6G5-11382-A1	GASKET 2	1	1	
23	6G5-11372-00-1S	COVER, BYPASS 2	1	1	
24	90119-06MA2	BOLT, WITH WASHER	2	2	
25	6E5-12576-00	HOSE 1	1	1	

FIG. 4 CYLINDER. CRANKCASE 2



REF. NO.	PART NO.	DESCRIPTION	115C	130B	REMARKS
26	90465-13M18	CLAMP	2	2	
27	94702-00247	PLUG, SPARK (NGK BR8HS-10)	4		
	94702-00309	PLUG, SPARK (NGK BR9HS-10)		4	

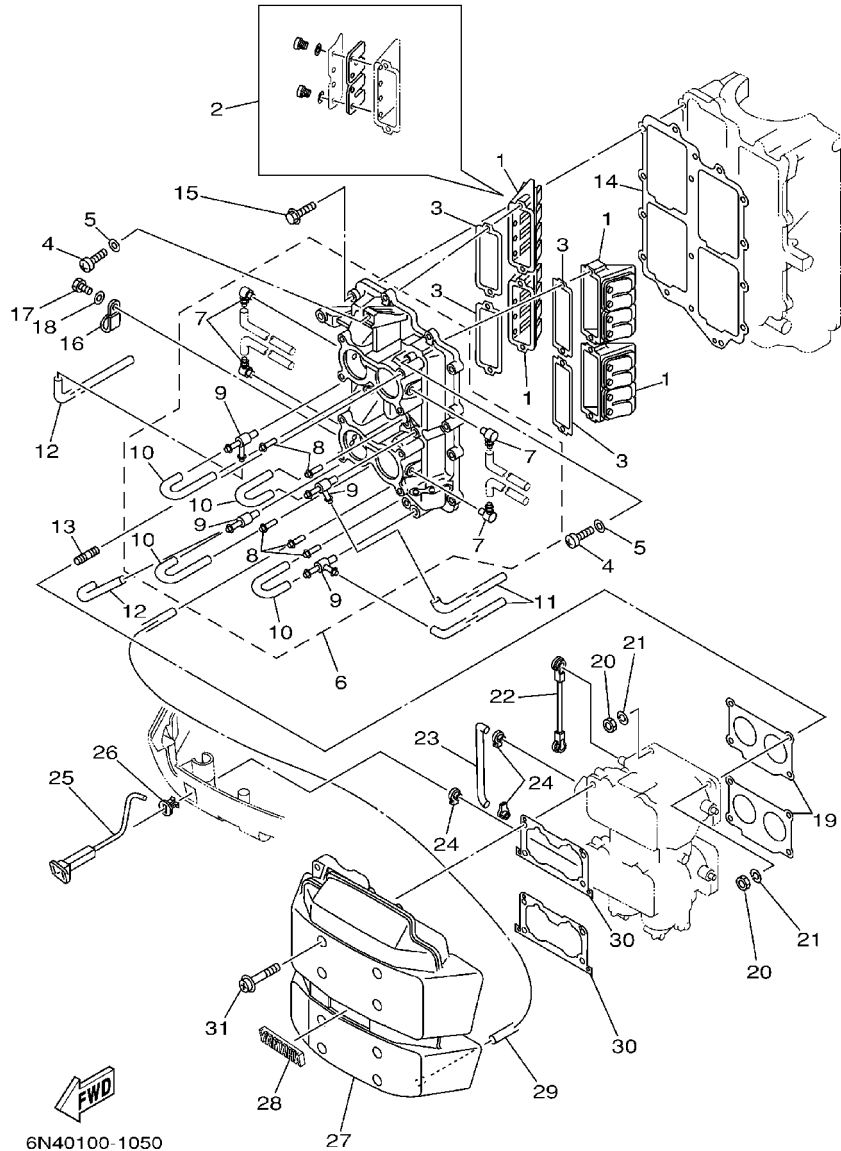


FIG. 5 INTAKE

REF. NO.	PART NO.	DESCRIPTION	115C	130B	REMARKS
1	6E5-13610-00	REED VALVE ASSY	4	4	
2	6E5-W0004-00	.REED SET	1	1	
3	6E5-13621-A1	GASKET, VALVE SEAT	4	4	
4	97880-05025	SCREW, PAN HEAD	8	8	
5	92990-05600	WASHER, PLATE	8	8	
6	6E5-13641-11-1S	MANIFOLD 1	1	1	
7	6E5-13552-00	.NOZZLE	4	4	
8	624-14485-00	.PIPE, JOINT	5	5	
9	6E5-11370-00	.CHECK VALVE ASSY	4	4	
10	90445-07M28	.HOSE (L70)	4	4	
11	90445-07M24	HOSE (L240)	2	2	
12	90445-07M46	HOSE (L360)	2	2	
13	90116-06M30	BOLT, STUD	8	8	
14	6E5-13645-A1	GASKET, MANIFOLD 1	1	1	
15	90119-06MA3	BOLT, WITH WASHER	12	12	
16	90465-06M86	CLAMP	1	1	
17	97095-06012	BOLT	1	1	
18	92995-06600	WASHER	1	1	
19	6E5-14198-A2	GASKET	2	2	
20	95380-06600	NUT, HEXAGON	8	8	
21	92995-06100	WASHER, SPRING	8	8	
22	6E5-41217-01	ROD, ACCEL. LEVER	1	1	
23	6E5-41256-01	ROD, CHOKE 1	1	1	
24	661-41262-02	JOINT, CHOKE LEVER	3	3	
25	6N7-41271-00	KNOB, CHOKE	1	1	
26	689-41273-00	GROMMET	1	1	
27	6N7-14440-01	SILENCER ASSY, INTAKE	1	1	

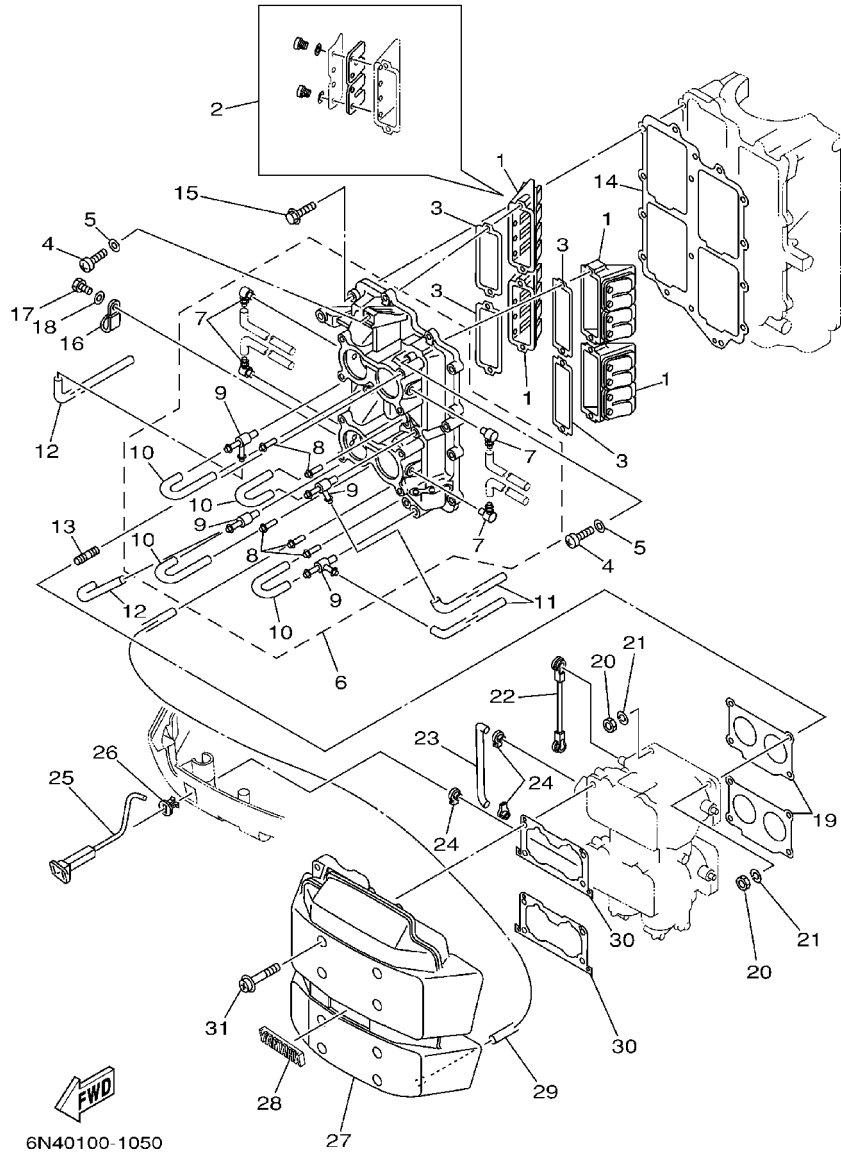
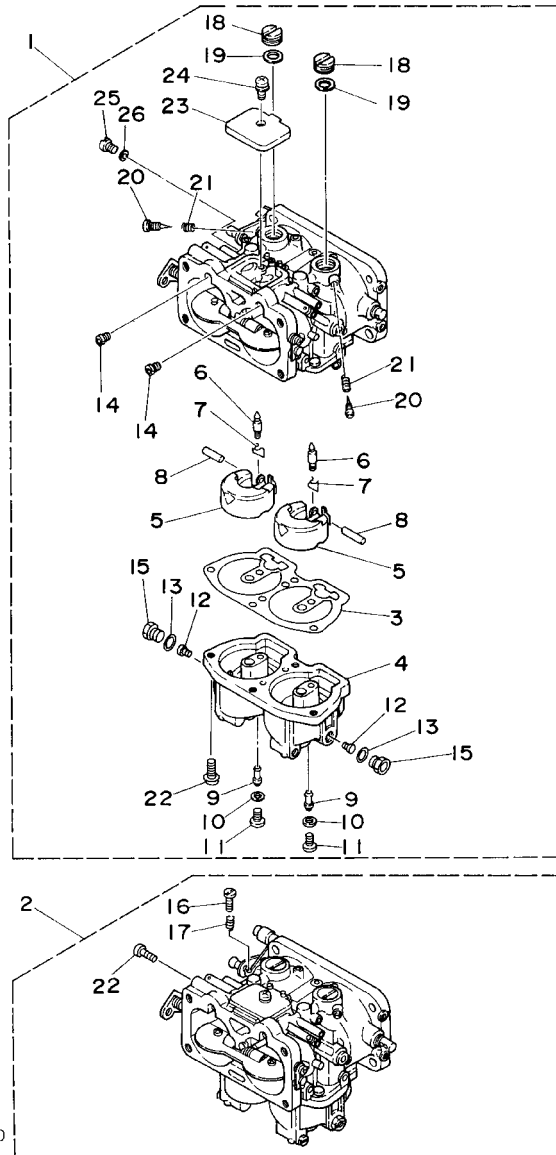


FIG. 5 INTAKE

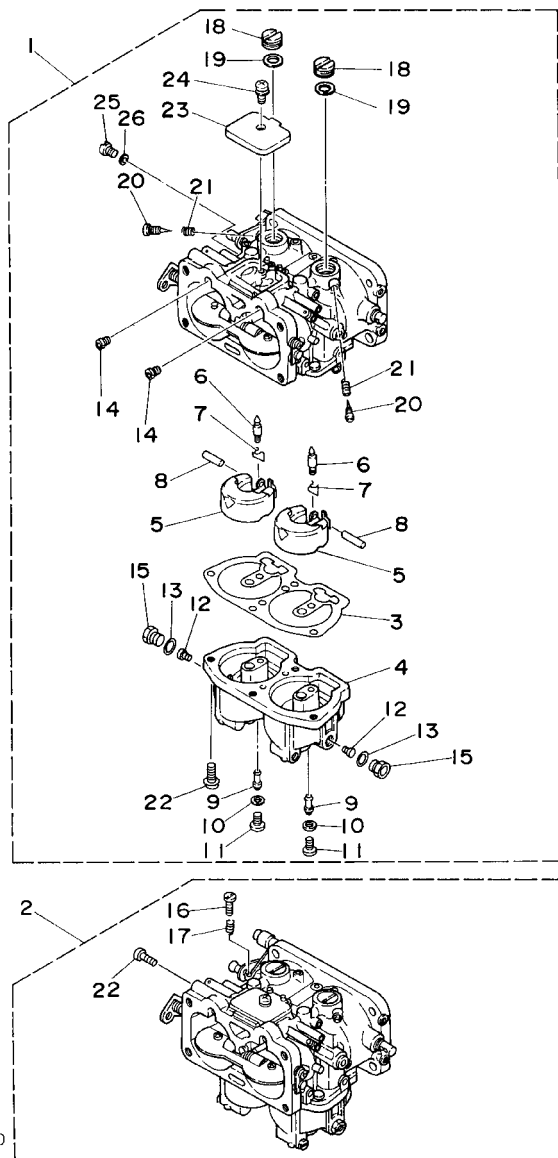
REF. NO.	PART NO.	DESCRIPTION	115C	130B	REMARKS
28	6E5-1441K-00	EMBLEM	1	1	
29	90445-07258	HOSE (L200)	1	1	
30	6K7-14483-00	GASKET	2	2	
31	90159-06M14	SCREW, WITH WASHER	8	8	

FIG. 6 CARBURETOR



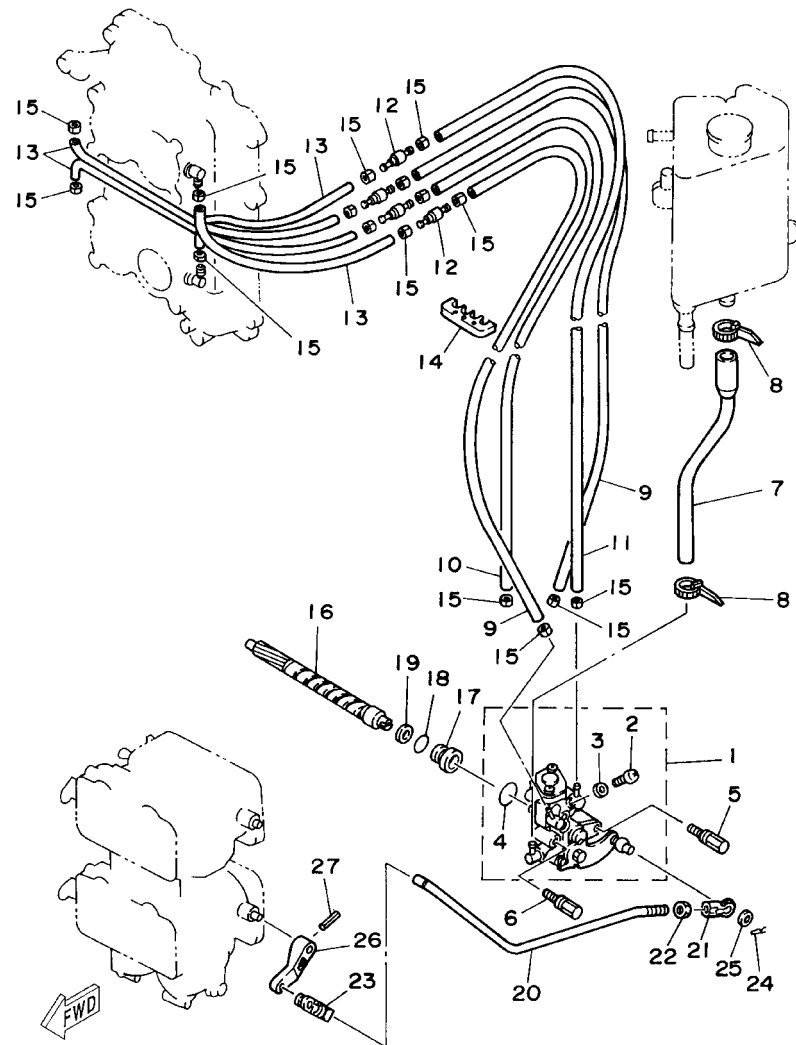
REF. NO.	PART NO.	DESCRIPTION	115C	130B	REMARKS
1	6E5-14301-16	CARBURETOR ASSY 1	1		
	6L1-14301-04	CARBURETOR ASSY 1		1	
2	6E5-14302-16	CARBURETOR ASSY 2	1		
	6L1-14302-04	CARBURETOR ASSY 2		1	
3	64D-14384-01	.GASKET, FLOAT CHAMBER	2	2	
4	64D-14381-00	.BODY, FLOAT CHAMBER	2	2	
5	6E5-14385-02	.FLOAT	4	4	
6	6E5-14546-00	.VALVE, NEEDLE	4	4	
7	6E5-14159-00	.CLIP	4	4	
8	6E5-14386-02	.PIN, FLOAT	4	4	
9	64D-1492F-39	.JET, AIR SLOW (#78)	4		
	64D-1492F-41	.JET, AIR SLOW (#82)		4	
10	61U-14959-00	.GASKET	4	4	
11	64D-14394-00	.VALVE, DRAIN	4	4	
12	64D-1492E-88	.JET, MAIN (#176)	4		
	64D-1492E-90	.JET, MAIN (#180)		4	
13	6E5-14398-00	.GASKET	4	4	
14	61A-1492H-12	.JET, SLOW AIR BLEED (#60)	4	4	
15	61A-14383-01	.SCREW, DRAIN	4	4	
16	6E5-14321-00	.SCREW, THROTTLE	1	1	#2
17	6J8-14334-00	.SPRING, THROTTLE	1	1	#2
18	6E5-14328-01	.PLUG	4	4	
19	6E5-14979-00	.GASKET	4	4	
20	6E5-14323-03	.SCREW, AIR ADJUSTING	4	4	
21	6E5-14223-00	.SPRING, AIR ADJUSTING	4	4	
22	97980-05116	.SCREW, WITH WASHER	9	9	
23	6E5-14527-01	.PLATE	2	2	

FIG. 6 CARBURETOR



6N60010-4060

REF. NO.	PART NO.	DESCRIPTION	115C	130B	REMARKS
24	97980-05108	.SCREW, WITH WASHER	2	2	
25	6E5-14324-00	.SCREW, FLAT HEAD	2	2	
26	6J8-14959-00	.GASKET	2	2	



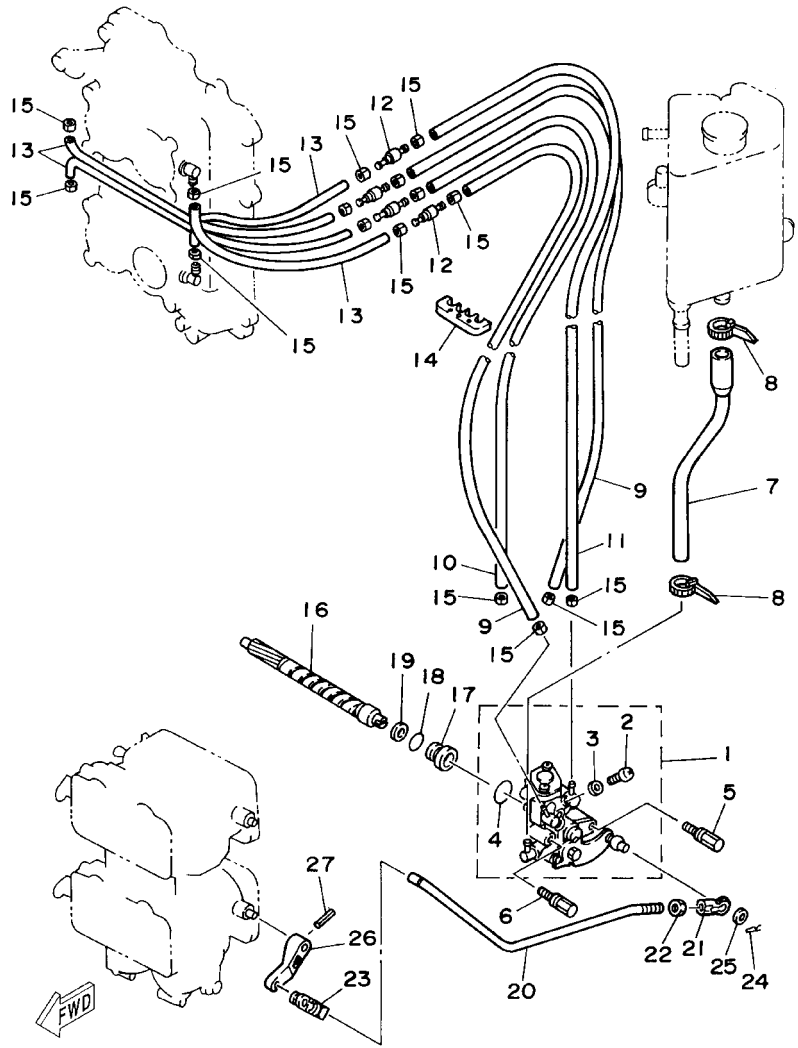
6N60010-4070

FIG. 7 OIL PUMP

REF. NO.	PART NO.	DESCRIPTION	115C	130B	REMARKS
1	6N6-13200-00	OIL INJECTION PUMP ASSY	1		
	6N7-13200-00	OIL INJECTION PUMP ASSY		1	
2	6R3-13471-00	.PLUG, DRAIN	1	1	
3	6L2-13475-00	.GASKET	1	1	
4	93210-19MA7	.O-RING	1	1	
5	90109-06M40	BOLT	1	1	
6	90109-06M39	BOLT	1	1	
7	6N7-13416-00	PIPE, OIL 1	1	1	
8	90465-11M10	CLAMP	2	2	
9	90445-07M89	HOSE (L310)	2	2	
10	90445-07196	HOSE (L160)	1	1	
11	90445-07M72	HOSE (L250)	1	1	
12	6R3-13183-10	VALVE, CHECK	4	4	
13	90445-07M87	HOSE (L110)	4	4	
14	90464-07M06	CLAMP	1	1	
15	90468-07M02	CLIP	16	16	
16	6R3-11537-00	GEAR, DRIVEN	1	1	
17	6R3-13117-00	COLLAR, DISTANCE	1	1	
18	93210-13M04	O-RING	1	1	
19	90202-08M44	WASHER, PLATE	1	1	
20	6R3-41241-00	ROD, LINK	1	1	
21	6H1-41237-00	JOINT, LINK	1	1	
22	95380-05600	NUT	1	1	
23	6R5-41237-00	JOINT, LINK	1	1	
24	90468-05M03	CLIP	1	1	
25	90202-05088	WASHER, PLATE	1	1	
26	6E5-14276-01	LEVER	1	1	

FIG. 7 OIL PUMP

REF. NO.	PART NO.	DESCRIPTION	115C	130B				REMARKS
27	91690-30016	PIN, SPRING	1	1				



6N60010-4070

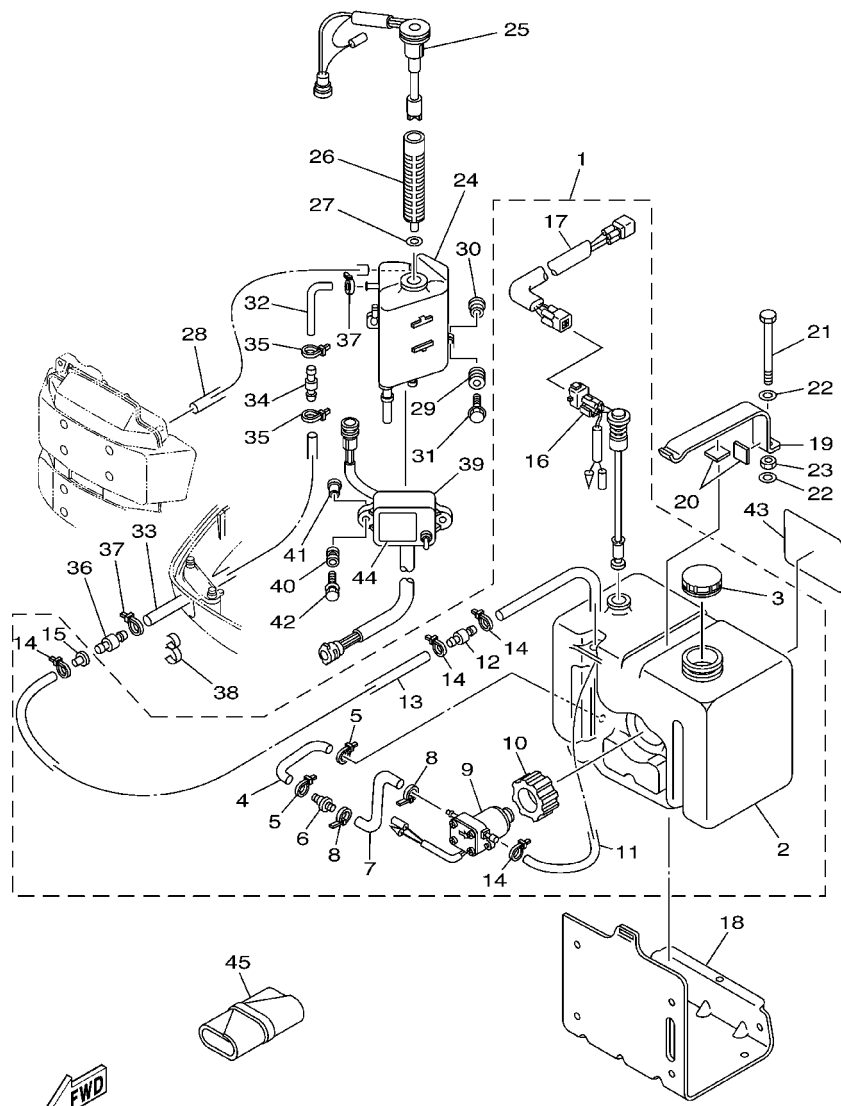
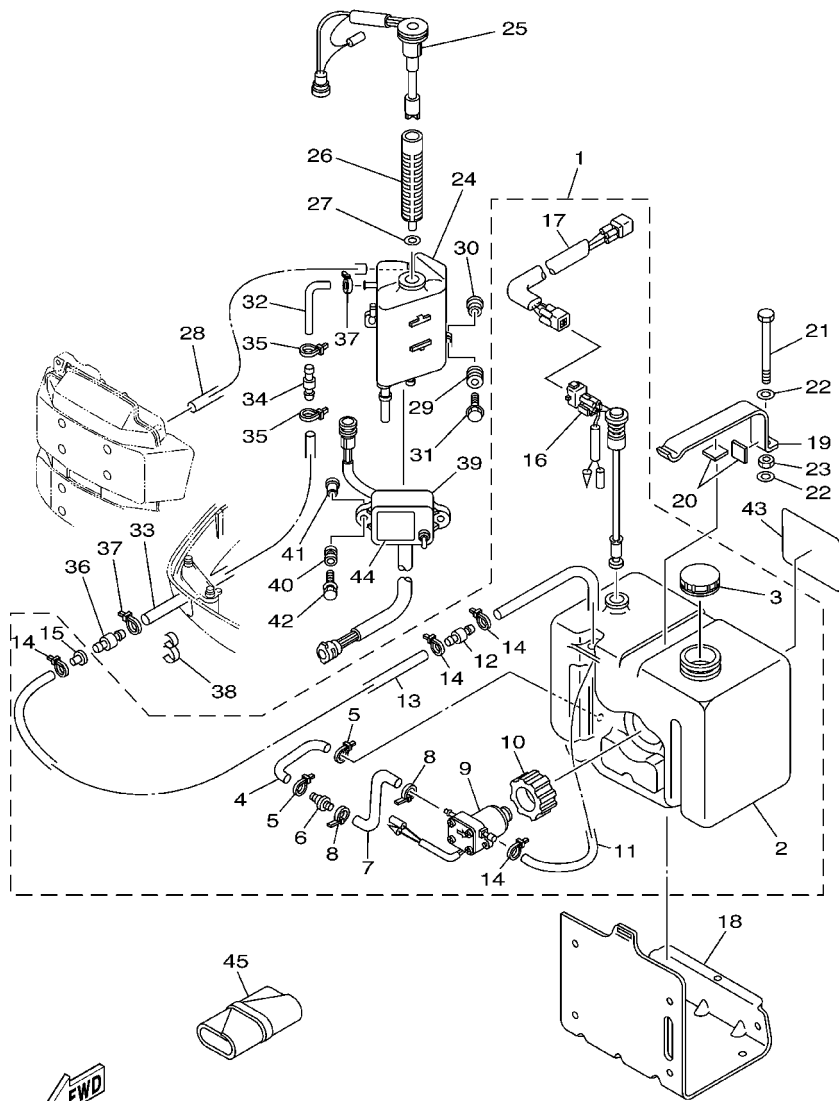


FIG. 8 OIL TANK

REF. NO.	PART NO.	DESCRIPTION	115C	130B	REMARKS
1	6E5-21708-08	OIL TANK SUB-ASSY	1	1	
2	6E5-21733-02	.SUB TANK, OIL (10.5L)	1	1	
3	6E5-21770-03	.OIL TANK CAP ASSY	1	1	
4	6E5-24322-00	.PIPE 11	1	1	
5	90465-11M10	.CLAMP	2	2	
6	646-24251-02	.STRAINER 1	1	1	
7	6E5-24319-01	.PIPE, OIL	1	1	
8	90465-11M10	.CLAMP	2	2	
9	6E5-81900-01	.OIL FEED PUMP ASSY	1	1	
10	6E5-81922-00	.GROMMET	1	1	
11	6E5-24321-01	.PIPE 10	1	1	
12	6E5-24379-00	.PIPE, JOINT 4	1	1	
13	90445-11M81	.HOSE (L3000)	1	1	
14	90465-11M10	.CLAMP	4	4	
15	90480-06M19	.GROMMET	1	1	
16	6E5-85720-04	.OIL LEVEL GAUGE ASSY	1	1	
17	6R3-85721-30	.WIRE, LEAD (3M)	1	1	
18	6E5-21734-01-33	HOLDER, OIL SUB TANK	1	1	
19	6E5-21798-01-33	BRACKET, DAMPER	1	1	
20	6E5-21746-00	DAMPER	2	2	
21	97080-06100	BOLT	1	1	
22	92990-06600	WASHER, PLATE	2	2	
23	95380-06600	NUT, HEXAGON	1	1	
24	6E5-21750-05	OIL TANK ASSY	1	1	
25	6G7-85730-04	OIL LEVEL GAUGE ASSY	1	1	
26	6E5-13411-00	.STRAINER, OIL	1	1	
27	6E5-13414-00	GASKET, STRAINER COVER	1	1	

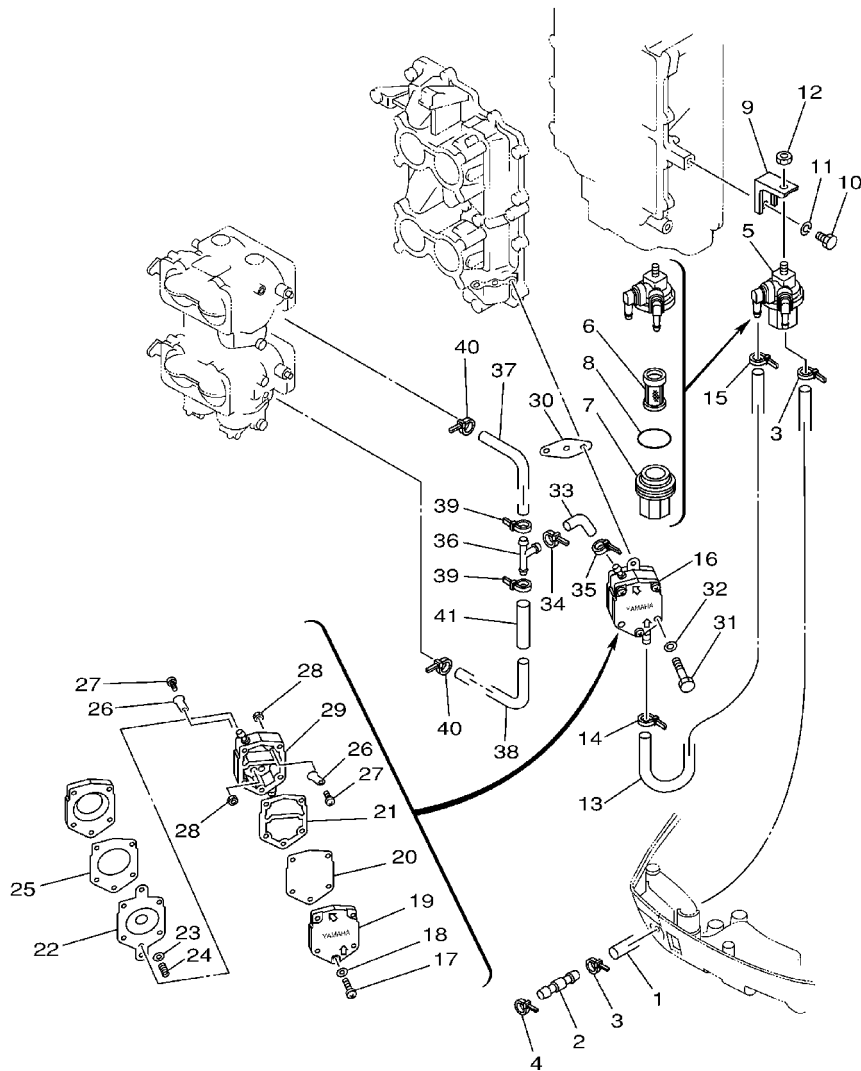
FIG. 8 OIL TANK



6N61664-2080

REF. NO.	PART NO.	DESCRIPTION	115C	130B	REMARKS
28	90445-05M02	HOSE (L380)	1	1	
29	6A0-82317-00	DAMPER, IGNITION COIL	3	3	
30	624-42542-00	PIPE	3	3	
31	90119-06M65	BOLT, WITH WASHER	3	3	
32	64E-24323-00	PIPE 12	1	1	
33	90445-12M12	HOSE (L940)	1	1	
34	6E5-24379-00	PIPE, JOINT 4	1	1	
35	90465-11M10	CLAMP	2	2	
36	6E5-24379-00	PIPE, JOINT 4	1	1	
37	90465-11M10	CLAMP	2	2	
38	90464-13M34	CLAMP	1	1	
39	6E5-85740-02	CONTROL UNIT ASSY	1	1	
40	6A0-82317-00	DAMPER, IGNITION COIL	2	2	
41	624-42542-00	PIPE	2	2	
42	90119-06M65	BOLT, WITH WASHER	2	2	
43	6E5-13437-62	MARK, CAUTION	1	1	
44	6E5-85711-60	MARK, CAUTION	1	1	
45	656-W2810-02	TOOL KIT	1	1	

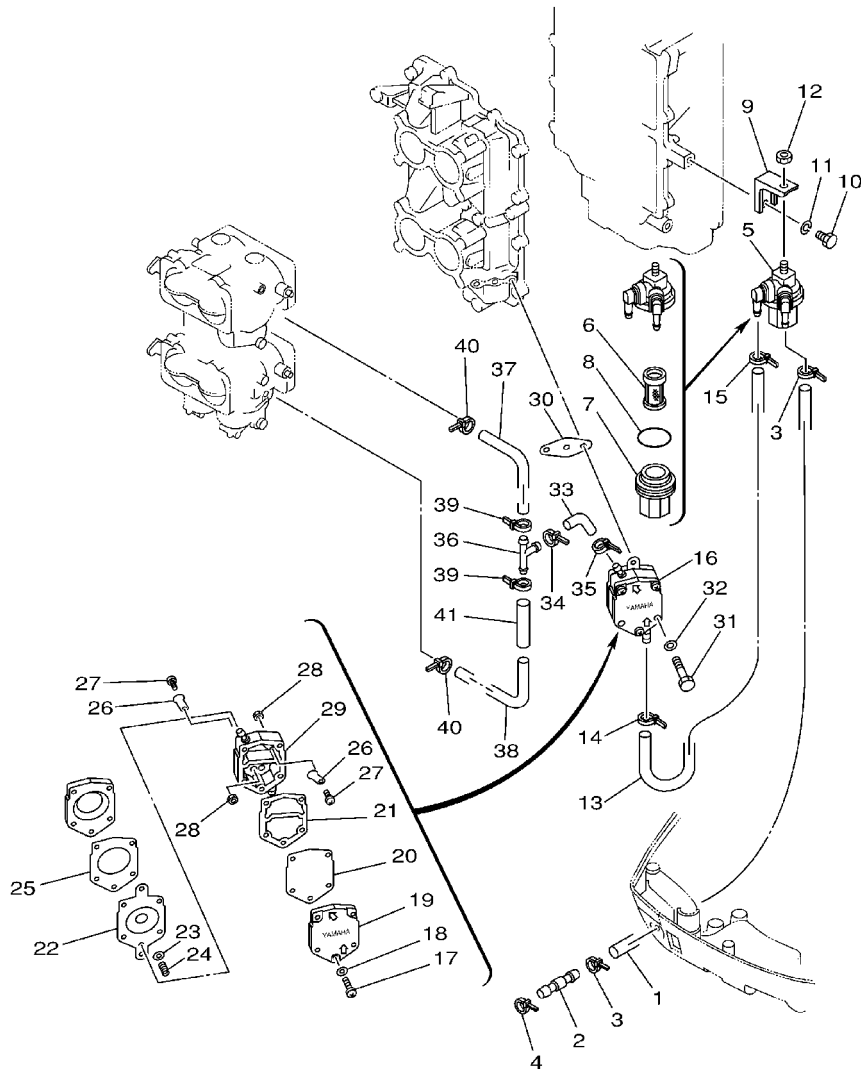
FIG. 9 FUEL 1



6N61300-2090

REF. NO.	PART NO.	DESCRIPTION	115C	130B	REMARKS
1	6N7-24313-00	PIPE 3	1	1	
2	6R3-24377-00	PIPE, JOINT 3	1	1	
3	90465-11M10	CLAMP	2	2	
4	90465-11M10	CLAMP	1	1	
5	6R3-24560-00	FILTER ASSY	1	1	
6	61N-24563-00	.ELEMENT, FILTER	1	1	
7	61N-24521-00	.CUP, FILTER	1	1	
8	93210-32738	.O-RING	1	1	
9	6E5-24566-00	BRACKET, FILTER	1	1	
10	97013-06014	BOLT	1	1	
11	92903-06100	WASHER, SPRING	1	1	
12	95380-08600	NUT	1	1	
13	6E5-24314-00	PIPE 4	1	1	
14	90465-11M10	CLAMP	1	1	
15	90465-11M10	CLAMP	1	1	
16	6E5-24410-03	FUEL PUMP ASSY	1	1	
17	98503-05035	.SCREW, PAN HEAD	3	3	
18	92903-05600	.WASHER, PLATE	3	3	
19	6E5-24413-00	.BODY 2	1	1	
20	6E5-24471-00	.DIAPHRAGM	1	1	
21	6E5-24435-00	.GASKET, BODY 2	1	1	
22	6E5-24411-00	.DIAPHRAGM	1	1	
23	648-24424-00	.SEAT, SPRING	1	1	
24	6E5-24423-00	.SPRING, DIAPHRAGM	1	1	
25	6E5-24434-02	.GASKET, BODY	1	1	
26	6A0-24421-01	.VALVE, CHECK	4	4	
27	6A0-14325-00	.SCREW, PAN HEAD	4	4	

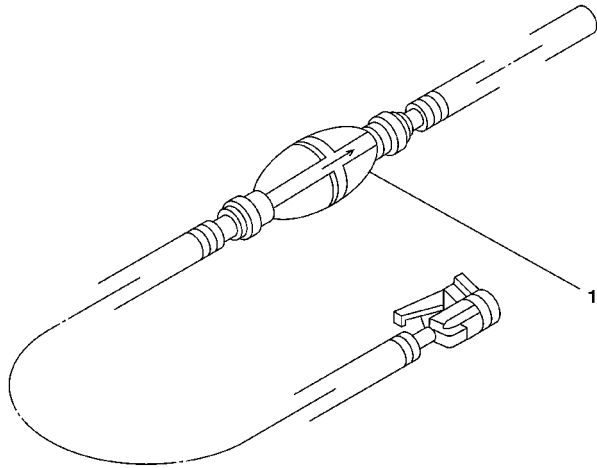
FIG. 9 FUEL 1



6N61300-2090

REF. NO.	PART NO.	DESCRIPTION	115C	130B	REMARKS
28	95380-03600	.NUT	4	4	
29	6E5-24412-10	.BODY 1	1	1	
30	650-24431-A0	GASKET, FUEL PUMP 1	1	1	
31	97095-06050	BOLT	2	2	
32	92995-06600	WASHER	2	2	
33	6G5-24316-10	PIPE 6	1	1	
34	90465-11M10	CLAMP	1	1	
35	90465-11M10	CLAMP	1	1	
36	6E5-24376-10	PIPE, JOINT 1	1	1	
37	6G5-24318-10	PIPE, OVERFLOW	1	1	
38	6G5-24319-10	PIPE, OIL	1	1	
39	90465-11M10	CLAMP	2	2	
40	90465-11M10	CLAMP	2	2	
41	90446-15M07	HOSE	1	1	

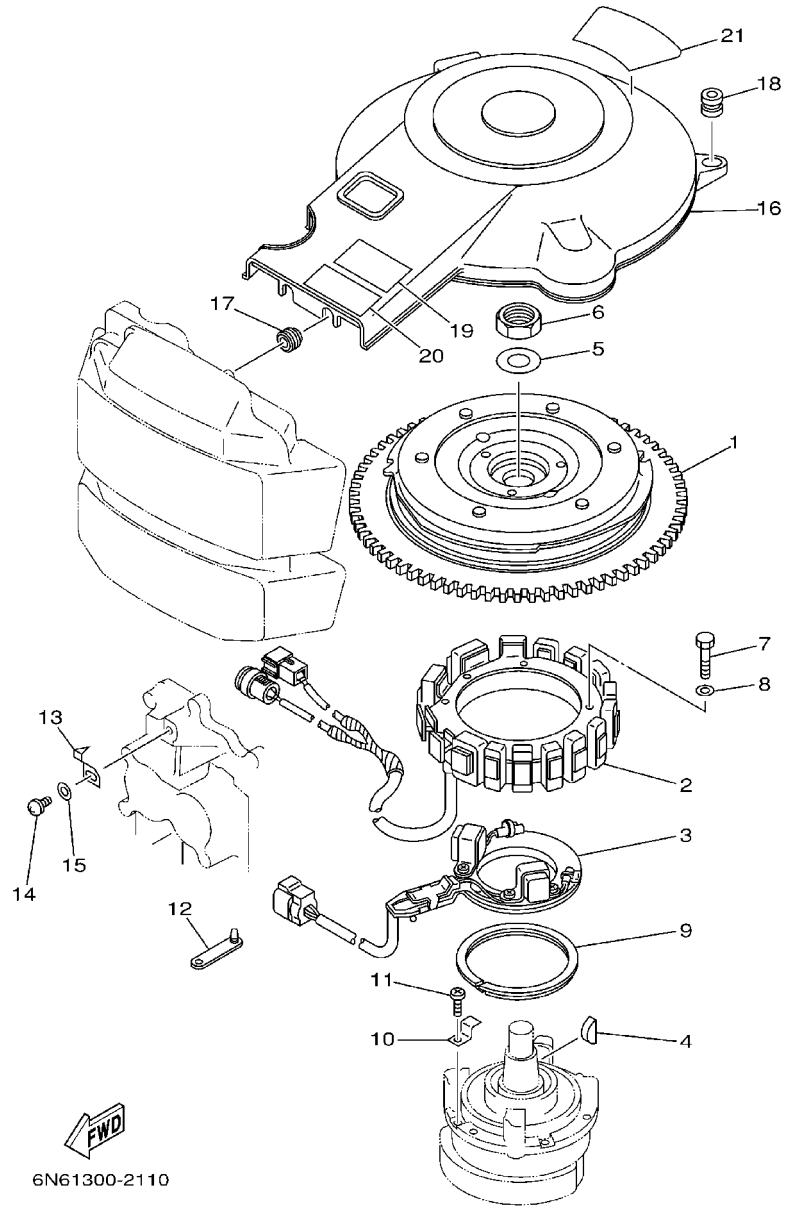
FIG. 10 FUEL 2



68F0300-0140

REF. NO.	PART NO.	DESCRIPTION	115C	130B	REMARKS
1	6YK-24306-42	FUEL PIPE COMP. 1	1	1	AP

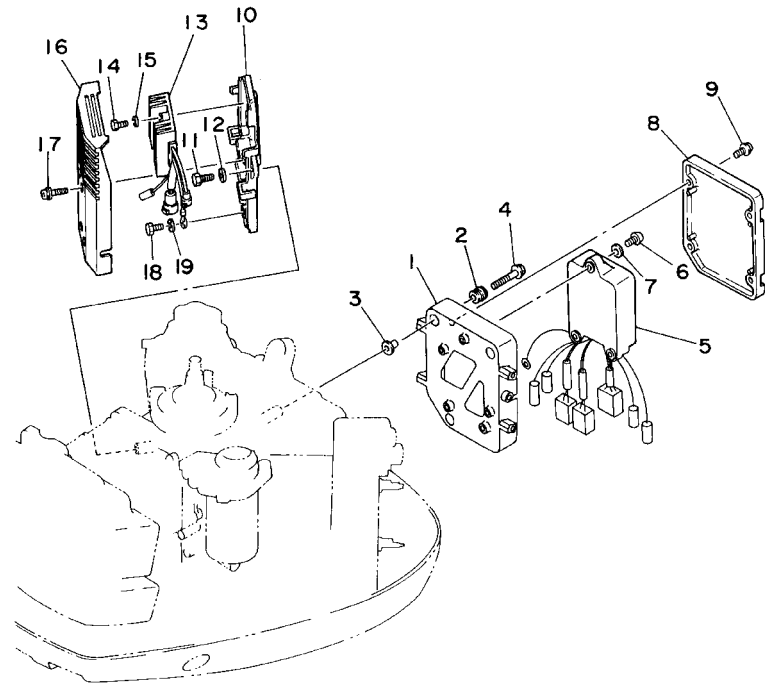
FIG. 11 GENERATOR



6N61300-2110

REF. NO.	PART NO.	DESCRIPTION	115C	130B	REMARKS
1	6N7-85550-00	ROTOR ASSY	1	1	
2	6N7-85510-00	STATOR ASSY	1	1	
3	6E5-85580-00	COIL, PULSER	1	1	
4	90280-05015	KEY, WOODRUFF	1	1	
5	90201-21M18	WASHER, PLATE	1	1	
6	90170-20137	NUT	1	1	
7	97013-06065	BOLT	4	4	
8	92903-06600	WASHER, PLATE	4	4	
9	688-41611-00	RETAINER, MAGNETO BASE	1	1	
10	688-41612-00	RETAINER, MAGNETO BASE	4	4	
11	97880-06018	SCREW, PAN HEAD	4	4	
12	90464-12M00	CLAMP	1	1	
13	6E5-81332-00	PLATE, TIMING	1	1	
14	97885-06010	SCREW, PAN HEAD	1	1	
15	92995-06600	WASHER	1	1	
16	6N7-81337-00	COVER, FLYWHEEL	1	1	
17	90480-12M11	GROMMET	2	2	
18	663-82317-01	DAMPER, IGNITION COIL	2	2	
19	6A1-83625-51	MARK 5	1	1	
20	6A1-83625-41	MARK 5	1	1	
21	6E5-14488-00	LABEL, CAUTION	1	1	

FIG. 12 ELECTRICAL 1

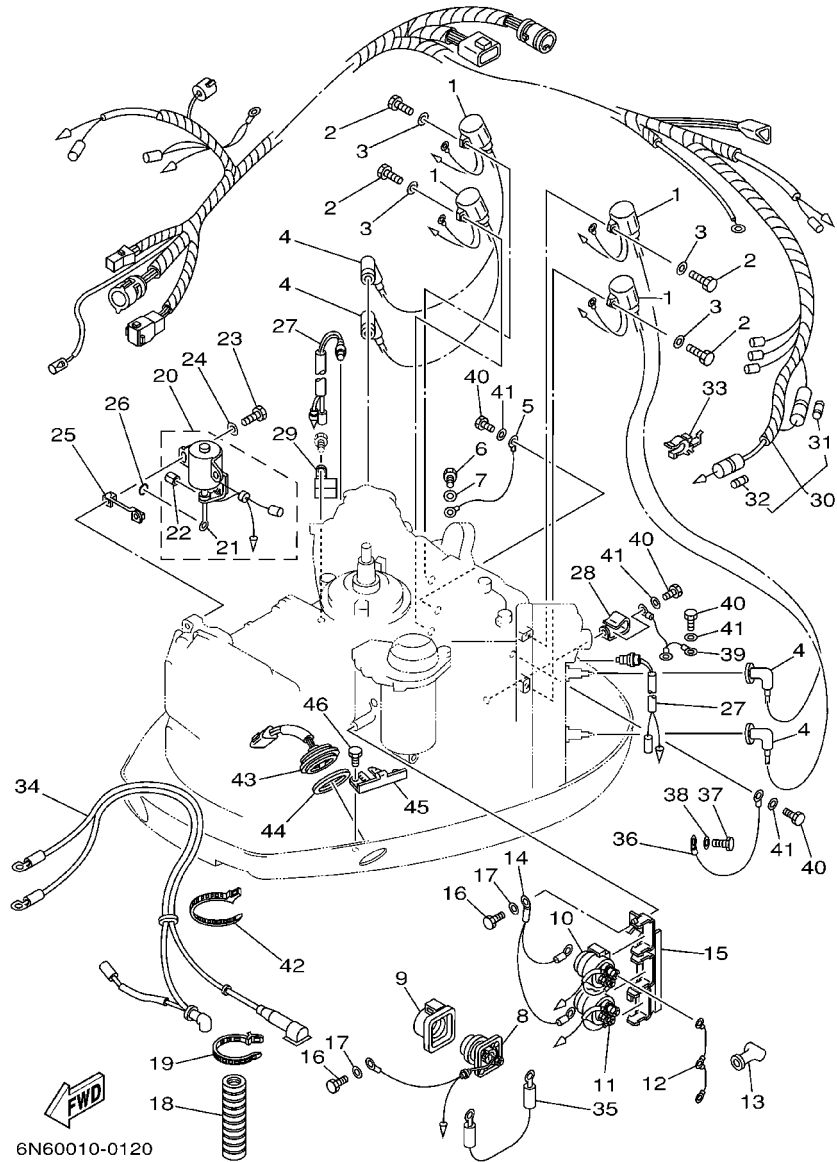


REF. NO.	PART NO.	DESCRIPTION	115C	130B	REMARKS
1	6N7-85542-01-1S	BRACKET	1	1	
2	6A0-82317-00	DAMPER, IGNITION COIL	3	3	
3	624-42542-00	PIPE	3	3	
4	90119-06M59	BOLT, WITH WASHER	3	3	
5	6N7-85540-01	C.D.I. UNIT ASSY	1	1	
6	97880-06020	SCREW, PAN HEAD	3	3	
7	92990-06600	WASHER, PLATE	3	3	
8	6N7-85537-00	COVER	1	1	
9	90159-06M11	SCREW, WITH WASHER	4	4	
10	6N7-81948-00-94	BRACKET	1	1	
11	97013-06016	BOLT	3	3	
12	92903-06600	WASHER, PLATE	3	3	
13	6R3-81960-00	RECTIFIER & REGULATOR ASSY	1	1	
14	97013-06025	BOLT	2	2	
15	92903-06600	WASHER, PLATE	2	2	
16	6R3-81942-00	COVER	1	1	
17	90159-06M08	SCREW, WITH WASHER	4	4	
18	97013-06012	BOLT	1	1	
19	92903-06600	WASHER, PLATE	1	1	



6N60010-4110

FIG. 13 ELECTRICAL 2



REF. NO.	PART NO.	DESCRIPTION	115C	130B	REMARKS
1	6R3-85570-01	IGNITION COIL ASSY	4	4	
2	97095-06020	BOLT	4	4	
3	92995-06600	WASHER	4	4	
4	6G1-82370-21	PLUG CAP ASSY	4	4	
5	662-82519-00	WIRE, EARTH LEAD	1	1	
6	97095-06012	BOLT	1	1	
7	92995-06600	WASHER	1	1	
8	61A-81941-00	STARTER RELAY ASSY	1	1	
9	689-81952-10	HOLDER, RELAY	1	1	
10	6E5-81950-00	RELAY ASSY	1	1	
11	6E5-8195A-00	RELAY ASSY	1	1	
12	6G5-87149-10	CONNECTOR	1	1	
13	6G5-82119-00	COVER, LEAD WIRE	2	2	
14	6E5-82116-00	WIRE, MINUS LEAD	1	1	
15	6E5-81948-22	BRACKET	1	1	
16	97095-06016	BOLT	2	2	
17	92995-06600	WASHER	2	2	
18	6N7-83557-00	TUBE	1	1	I.DIA.: 22MM
19	90465-13M18	CLAMP	1	1	
20	6N7-86110-00	SOLENOID	1	1	
21	6N7-86116-00	.WIRE, PULL	1	1	
22	91609-30010	.PIN, SPRING	1	1	
23	97095-06030	BOLT	2	2	
24	92995-06600	WASHER	2	2	
25	6N7-86112-00	STAY, SOLENOID	1	1	
26	93210-03261	O-RING	1	1	
27	688-82560-10	THERMO SWITCH ASSY	2	2	

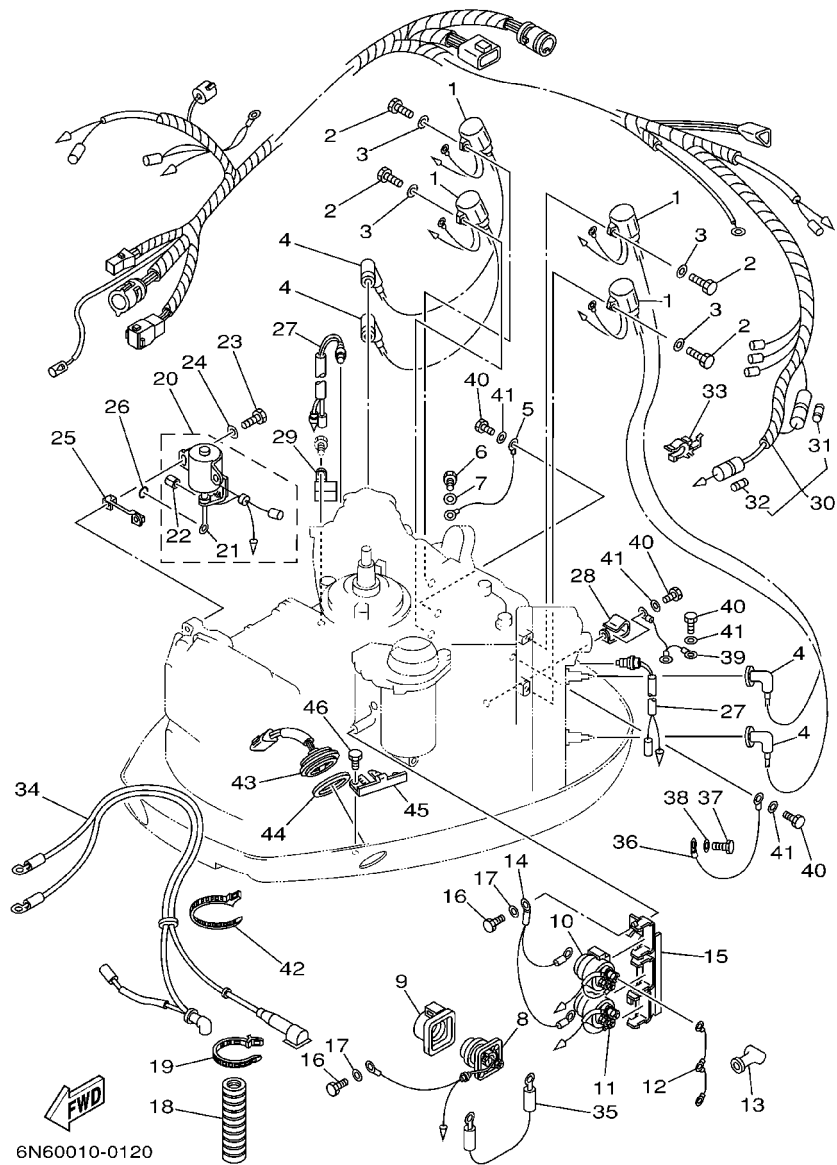
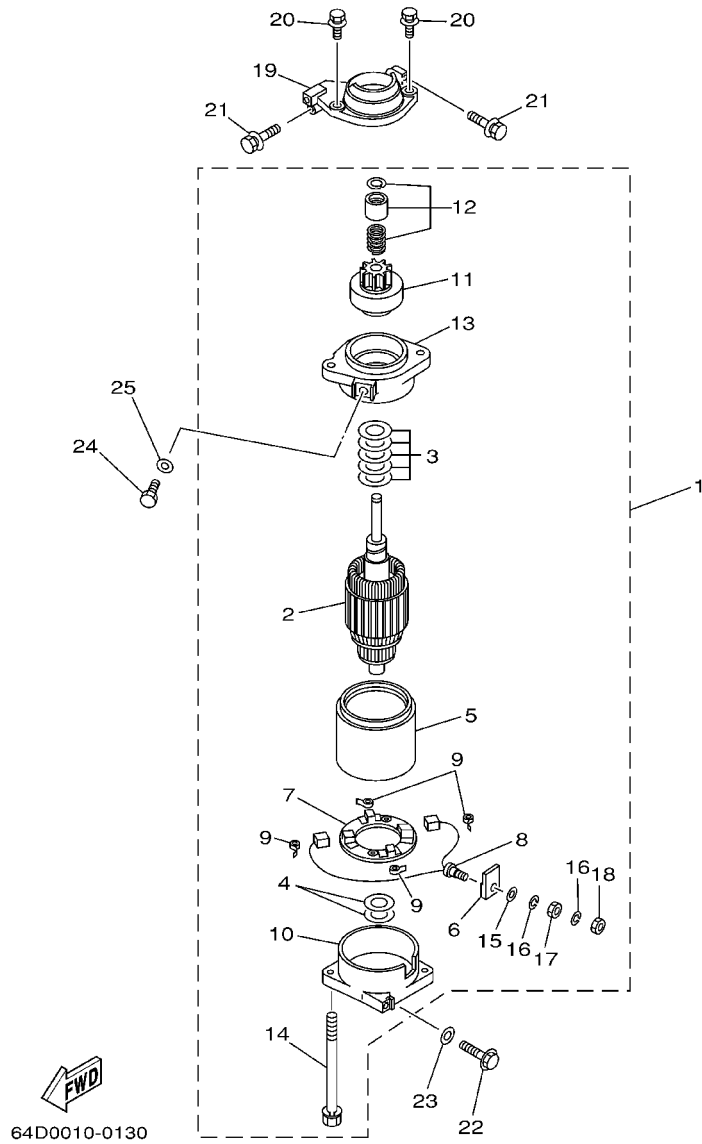


FIG. 13 ELECTRICAL 2

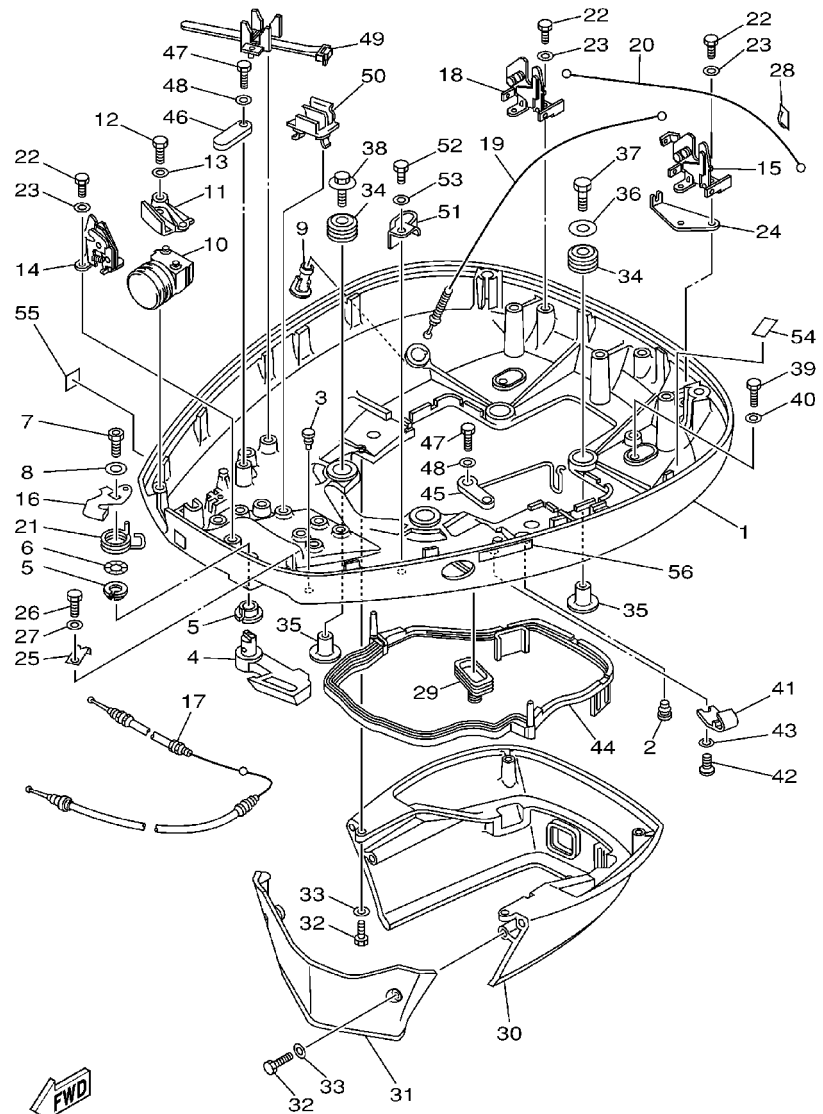
REF. NO.	PART NO.	DESCRIPTION	115C	130B	REMARKS
28	90465-05M87	CLAMP	1	1	
29	90465-08M89	CLAMP	1	1	
30	6N7-82590-14	WIRE HARNESS ASSY	1	1	
31	663-82151-00	.FUSE (12V-20A)	1	1	
32	705-82151-00	.FUSE (30A)	1	1	
33	6G5-82152-00	HOLDER, FUSE	2	2	
34	6N7-82105-02	WIRE HARNESS	1	1	
35	6E5-82117-01	WIRE, LEAD	1	1	
36	6R3-82519-00	WIRE, EARTH LEAD	1	1	
37	97095-06012	BOLT	1	1	
38	92995-06600	WASHER	1	1	
39	6E5-82531-10	WIRE, LEAD	1	1	
40	97095-06012	BOLT	4	4	
41	92995-06600	WASHER	4	4	
42	90465-13M18	CLAMP	1	1	
43	6R3-82563-00	TRIM & TILT SWITCH ASSY	1	1	
44	6E5-82587-00	GASKET	1	1	
45	6R3-83614-00	BRACKET	1	1	
46	97095-06012	BOLT	2	2	

FIG. 14 STARTING MOTOR



REF. NO.	PART NO.	DESCRIPTION	115C	130B	REMARKS
1	6N7-81800-10	STARTING MOTOR ASSY	1	1	
2	6N7-81850-10	.ARMATURE ASSY	1	1	
3	61A-81809-00	.WASHER KIT	1	1	
4	61A-81824-00	.WASHER 2	2	2	
5	6N7-81810-00	.STATOR ASSY	1	1	
6	6K7-8182G-10	.BUSH, TERMINAL	1	1	
7	6N7-81840-00	.BRUSH HOLDER ASSY	1	1	
8	6N7-81801-00	.BRUSH SET	1	1	
9	6N7-81813-00	.SPRING, BRUSH	4	4	
10	6N7-81820-10	.REAR BRACKET ASSY	1	1	
11	6N7-81807-00	.GEAR ASSY, STARTING MOTOR	1	1	
12	6N7-81857-00	.RETAINER	1	1	
13	6N7-81830-00	.FRONT BRACKET ASSY	1	1	
14	6K7-81826-10	.BOLT	2	2	
15	6E5-8182E-10	.WASHER	1	1	
16	6E5-8182F-10	.WASHER	2	2	
17	6E5-8182A-10	.NUT	1	1	
18	6E5-8182K-10	.NUT	1	1	
19	6R3-81822-00-94	BRACKET, STARTING MOTOR	1	1	
20	90119-08M76	BOLT, WITH WASHER	2	2	
21	90119-08M77	BOLT, WITH WASHER	2	2	
22	90119-08M57	BOLT, WITH WASHER	1	1	
23	92990-08600	WASHER, PLATE	1	1	
24	97095-08016	BOLT	1	1	
25	92995-08600	WASHER	1	1	

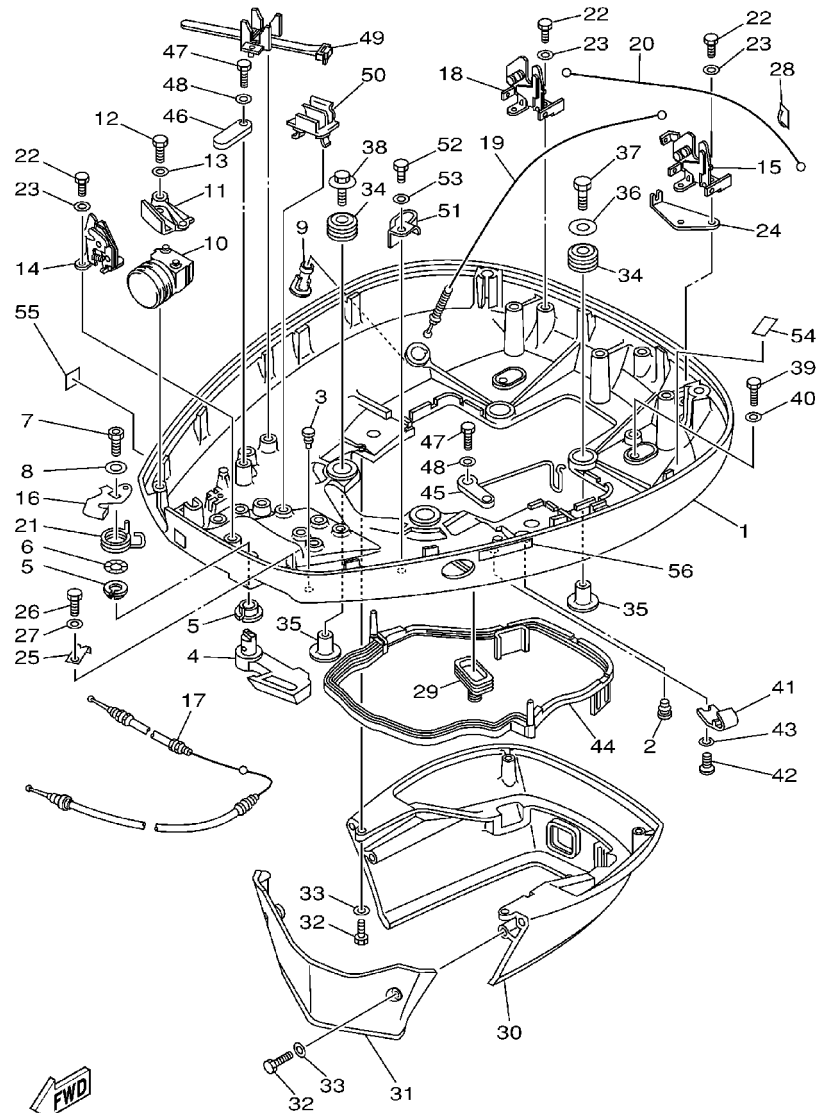
FIG. 15 BOTTOM COWLING



6N61300-2150

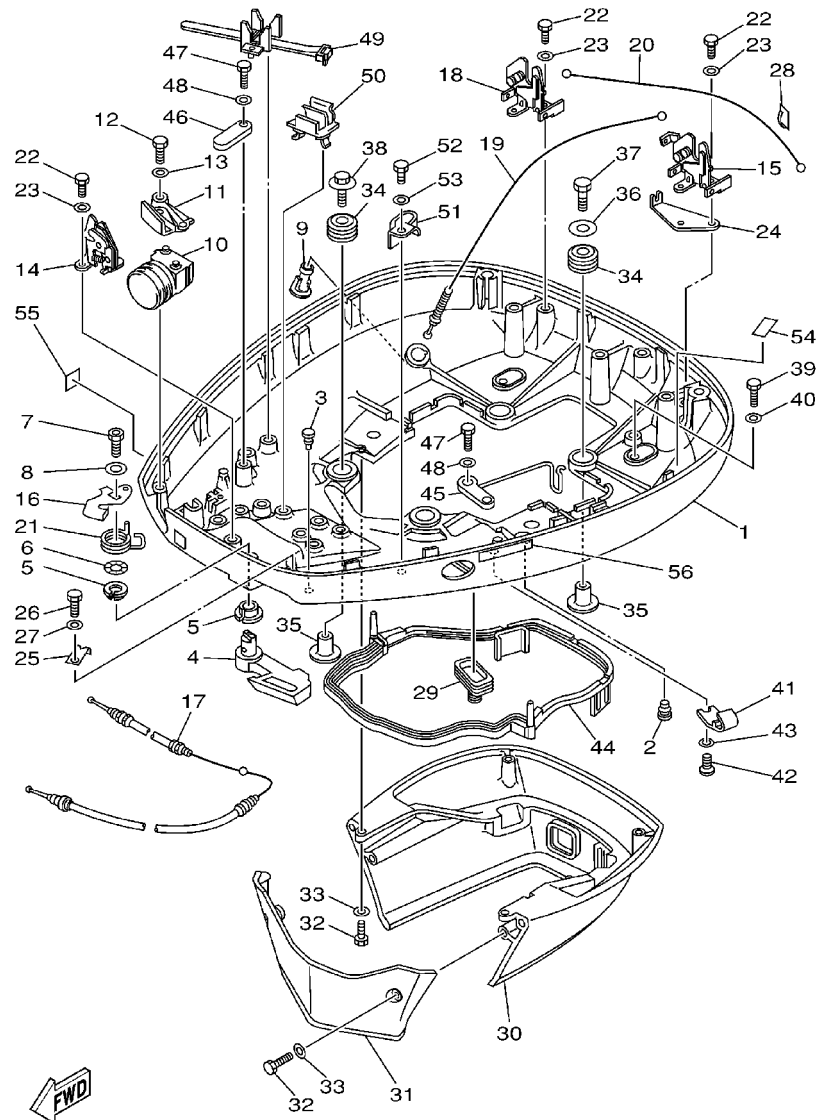
REF. NO.	PART NO.	DESCRIPTION	115C	130B	REMARKS
1	6N7-42711-43-8D	COWLING, BOTTOM	1	1	
2	90480-06M19	GROMMET	1	1	
3	6H4-42748-00	GROMMET	1	1	
4	6N7-42815-01-8D	LEVER, CLAMP	1	1	
5	90386-13M88	BUSH	2	2	
6	90206-13M10	WASHER, WAVE	1	1	
7	90109-08M45	BOLT	1	1	
8	92990-08200	WASHER, PLAIN	1	1	
9	6E5-44391-00	NIPPLE, HOSE	1	1	
10	6N7-42725-20	GROMMET	1	1	
11	6N7-42738-02-5B	PLATE, FITTING	1	1	
12	97095-06016	BOLT	2	2	
13	92995-06600	WASHER	2	2	
14	6R3-42824-00	BASE, CLAMP LEVER	1	1	
15	6R3-42811-01	STAY	1	1	
16	6R3-42816-00	LEVER, CLAMP	1	1	
17	6N7-42850-00	WIRE COMPLETE	1	1	
18	6R3-42811-10	STAY	1	1	
19	6N7-42850-10	WIRE COMPLETE	1	1	
20	6N7-42850-20	WIRE COMPLETE	1	1	
21	6R3-42813-00	SPRING, CLAMP LEVER	1	1	
22	97095-06016	BOLT	6	6	
23	92995-06600	WASHER	6	6	
24	6N7-42828-00	PLATE, CLAMP	1	1	
25	6R3-42828-00	PLATE, CLAMP	1	1	
26	97095-06010	BOLT	1	1	
27	92995-06600	WASHER	1	1	

FIG. 15 BOTTOM COWLING



6N61300-2150

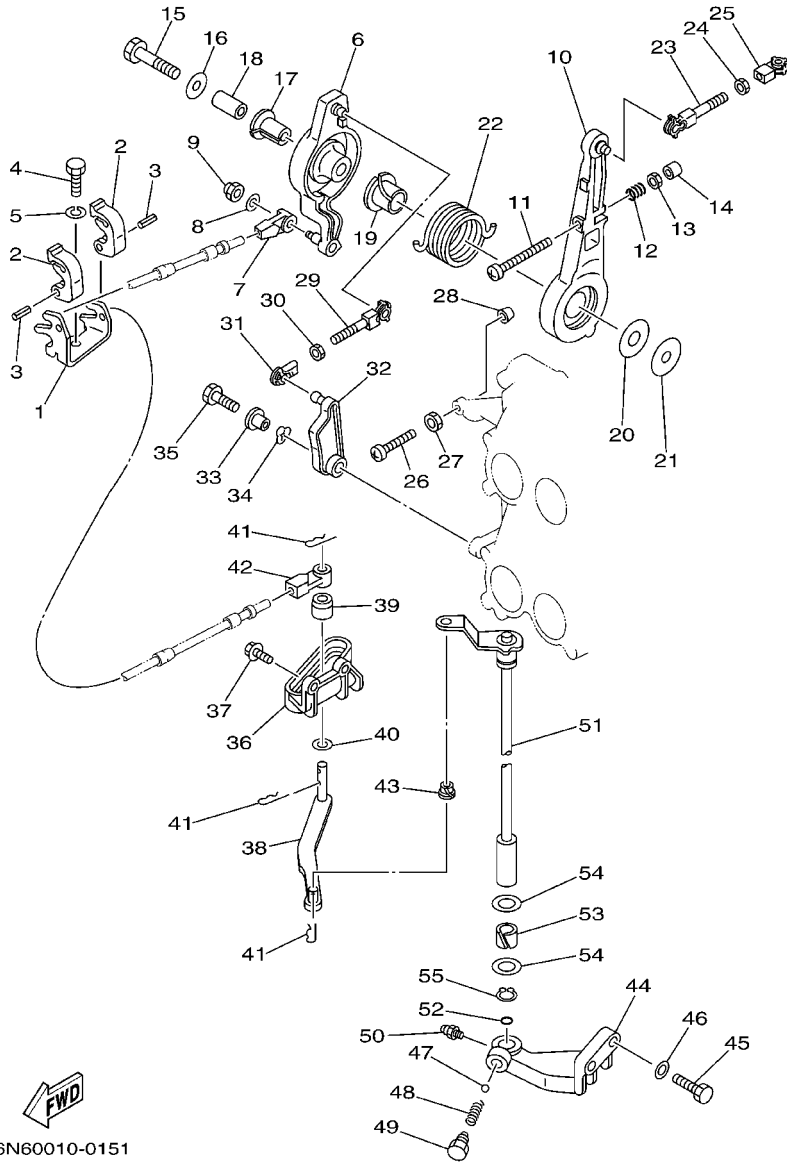
REF. NO.	PART NO.	DESCRIPTION	115C	130B	REMARKS
28	6N7-42841-00	MARK, CLAMP	1	1	
29	688-42726-10	GROMMET	1	1	
30	6N7-42741-01-8D	APRON	1	1	
31	6R3-42771-01-8D	APRON	1	1	
32	97095-06020	BOLT	4	4	
33	92995-06600	WASHER	4	4	
34	90480-22M15	GROMMET	4	4	
35	90387-08M37	COLLAR	4	4	
36	90201-08M54	WASHER, PLATE	1	1	
37	97075-08035	BOLT	1	1	
38	90119-08M22	BOLT, WITH WASHER	3	3	
39	97095-06020	BOLT	2	2	
40	92995-06600	WASHER	2	2	
41	6E5-24367-10	CLAMP, FUEL PIPE 2	1	1	
42	90157-06M01	SCREW, PAN HEAD	1	1	
43	92990-06600	WASHER, PLATE	1	1	
44	6E5-42716-00	RUBBER, SEAL 1	1	1	
45	6K7-82588-00	PLATE	1	1	
46	6E5-82588-00	PLATE	1	1	
47	97095-06020	BOLT	2	2	
48	92995-06600	WASHER	2	2	
49	688-82594-00	CLAMP	1	1	
50	6E5-82594-00	CLAMP	4	4	
51	90465-12M25	CLAMP	1	1	
52	97095-06012	BOLT	1	1	
53	92995-06600	WASHER	1	1	
54	6G5-42791-10	MARK 1	1		



6N61300-2150

FIG. 15 BOTTOM COWLING

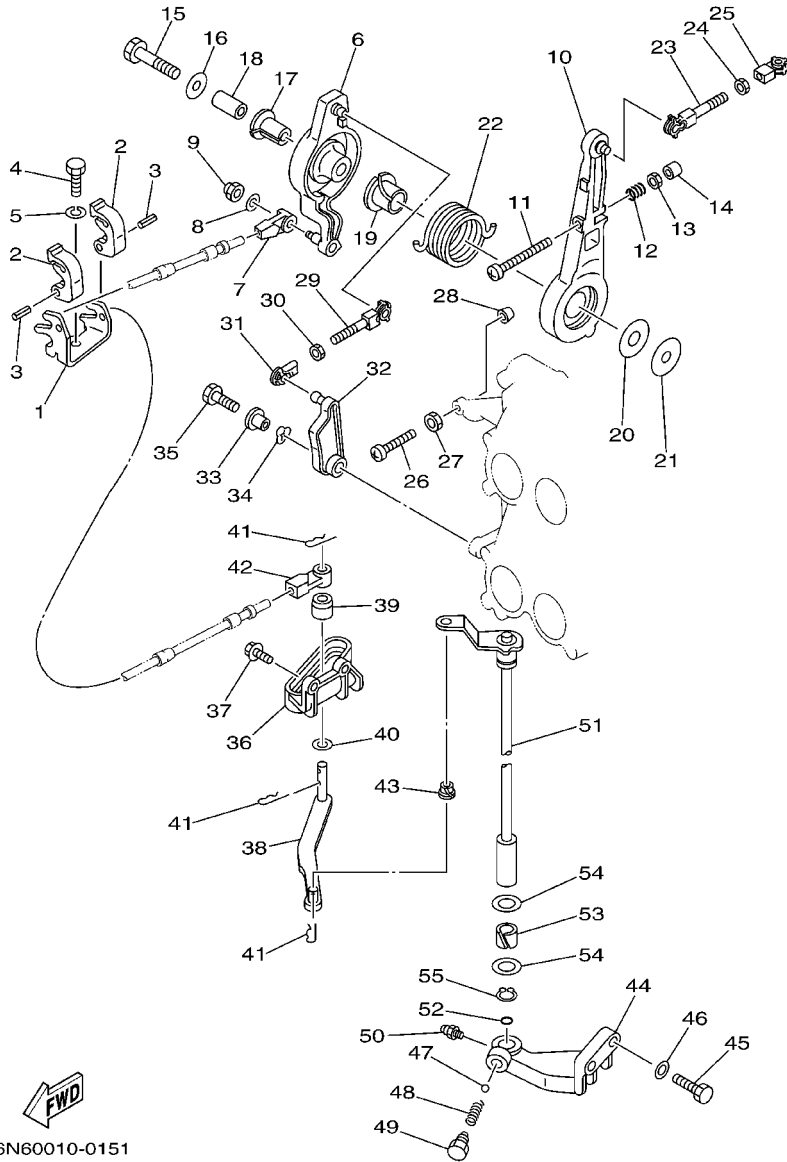
REF. NO.	PART NO.	DESCRIPTION	115C	130B	REMARKS
54	6K7-42791-00	MARK 1		1	
55	6A1-28176-00	LABEL, CAUTION	1	1	
56	6E3-8257H-00	PLATE, MARK	1	1	



6N60010-0151

FIG. 16 CONTROL

REF. NO.	PART NO.	DESCRIPTION	115C	130B	REMARKS
1	6E5-48531-00	BRACKET, REMOTE CONTROL 1	1	1	
2	6E5-48538-00	CLAMP, CABLE 1	2	2	
3	91690-30012	PIN, SPRING	2	2	
4	97095-08020	BOLT	1	1	
5	92995-08100	WASHER	1	1	
6	6E5-41632-02-1S	LEVER, MAGNETO CONTROL	1	1	
7	6E5-48344-00	CABLE END, REMOTE CONTROL	1	1	
8	92990-06200	WASHER, PLAIN	1	1	
9	90185-06M07	NUT, SELF-LOCKING	1	1	
10	6E5-41631-01-1S	LEVER, MAGNETO CONTROL	1	1	
11	90157-06013	SCREW, PAN HEAD	1	1	
12	90501-16M12	SPRING, COMPRESSION	1	1	
13	95303-06600	NUT	1	1	
14	688-44194-00	CAP	1	1	
15	97013-08045	BOLT	1	1	
16	90201-08M23	WASHER, PLATE	1	1	
17	90386-12089	BUSH	1	1	
18	90387-08M16	COLLAR	1	1	
19	90386-22M13	BUSH	1	1	
20	90202-12092	WASHER, PLATE	1	1	
21	90201-08M13	WASHER, PLATE	1	1	
22	90508-29M12	SPRING, TORSION	1	1	
23	6E5-41636-01	ROD, MAGNETO CONTROL	1	1	
24	95380-05600	NUT	1	1	
25	662-41237-01	JOINT, LINK	1	1	
26	90157-06013	SCREW, PAN HEAD	1	1	
27	95303-06600	NUT	1	1	



6N60010-0151

FIG. 16 CONTROL

REF. NO.	PART NO.	DESCRIPTION	115C	130B	REMARKS
28	688-44194-00	CAP	1	1	
29	688-41636-00	ROD, MAGNETO CONTROL	1	1	
30	95380-05600	NUT	1	1	
31	662-41237-01	JOINT, LINK	1	1	
32	6E5-41213-00	CAM, ACCEL.	1	1	
33	90387-06M29	COLLAR	1	1	
34	90206-10M04	WASHER, WAVE	1	1	
35	97095-06025	BOLT	1	1	
36	6E5-44117-00-1S	BRACKET	1	1	
37	90119-06MA2	BOLT, WITH WASHER	2	2	
38	68F-44121-00	LEVER, SHIFT ROD	1	1	
39	6E5-44122-00	BUSHING, SHIFT ROD LEVER	1	1	
40	90202-08M20	WASHER, PLATE	1	1	
41	90468-18008	CLIP	3	3	
42	6E5-48344-00	CABLE END, REMOTE CONTROL	1	1	
43	90386-06M12	BUSH	1	1	
44	6E5-44118-01-94	BRACKET	1	1	
45	97013-08030	BOLT	2	2	
46	92903-08600	WASHER, PLATE	2	2	
47	93501-04M02	BALL	1	1	
48	90501-12082	SPRING, COMPRESSION	1	1	
49	648-42715-00	BUSHING	1	1	
50	93700-06M03	NIPPLE, GREASE	1	1	
51	6E5-44120-03	HANDLE GEAR SHIFT ASSY	1	1	L
	6E5-44120-23	HANDLE GEAR SHIFT ASSY	1		X
52	93210-09165	O-RING	1	1	
53	90386-16M66	BUSH	1	1	

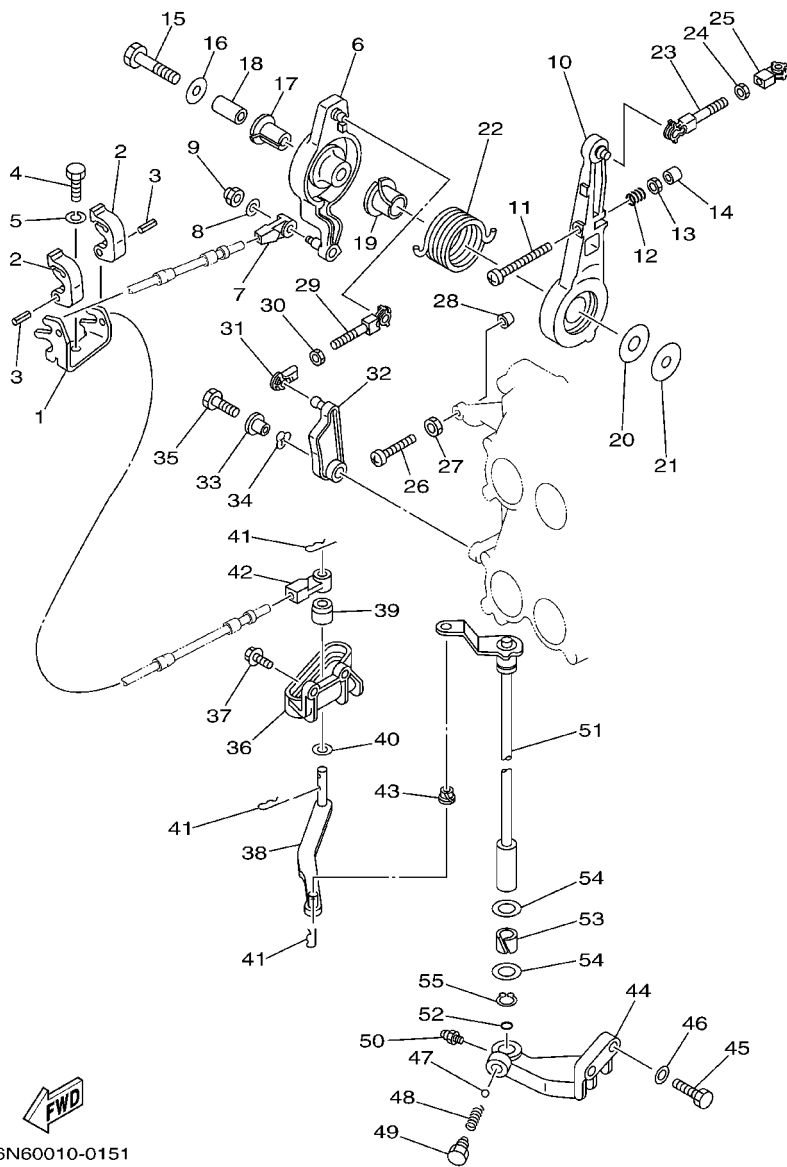
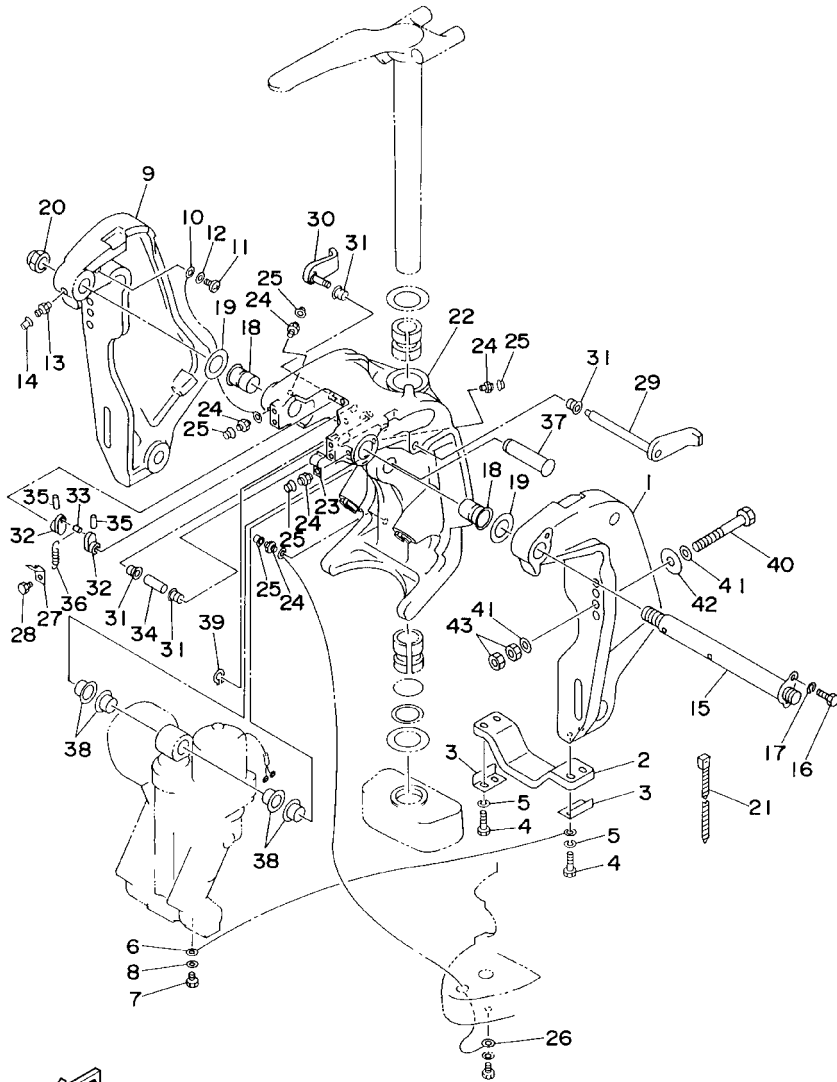


FIG. 16 CONTROL

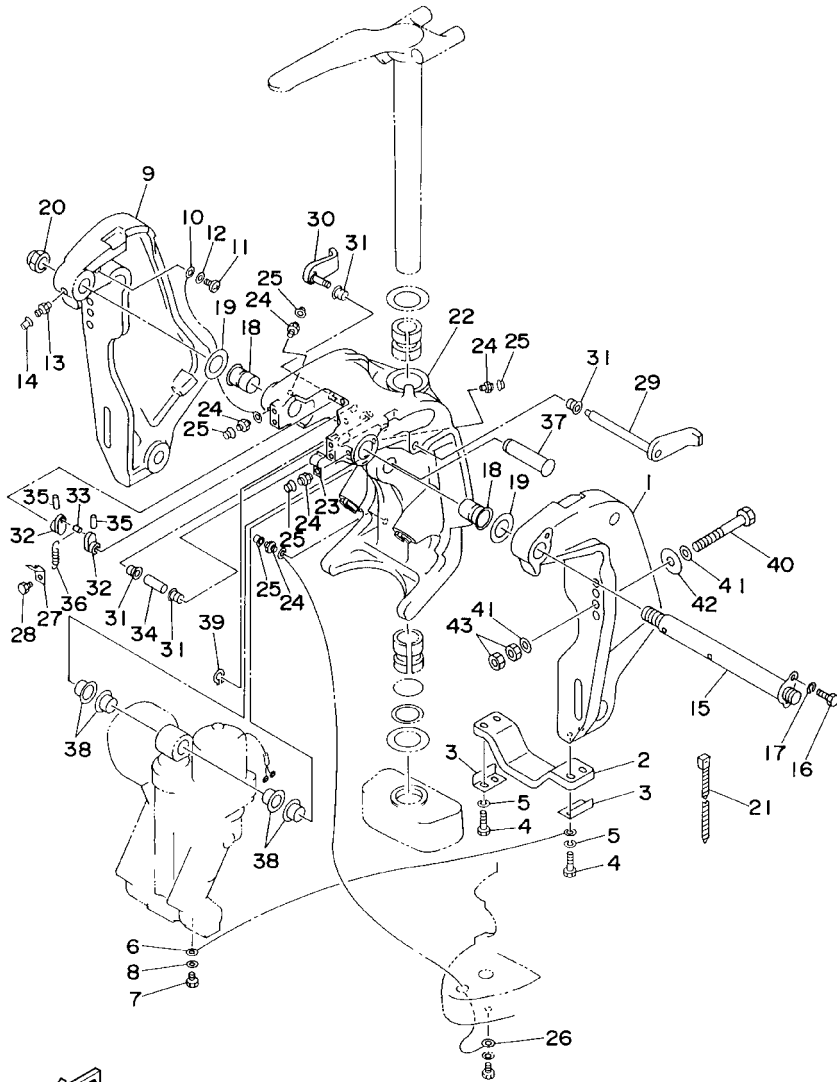
REF. NO.	PART NO.	DESCRIPTION			REMARKS
			115C	130B	
54	90202-16061	WASHER, PLATE	2	2	
55	93410-16006	CIRCLIP	1	1	



6N60010-7160

FIG. 17 BRACKET 1

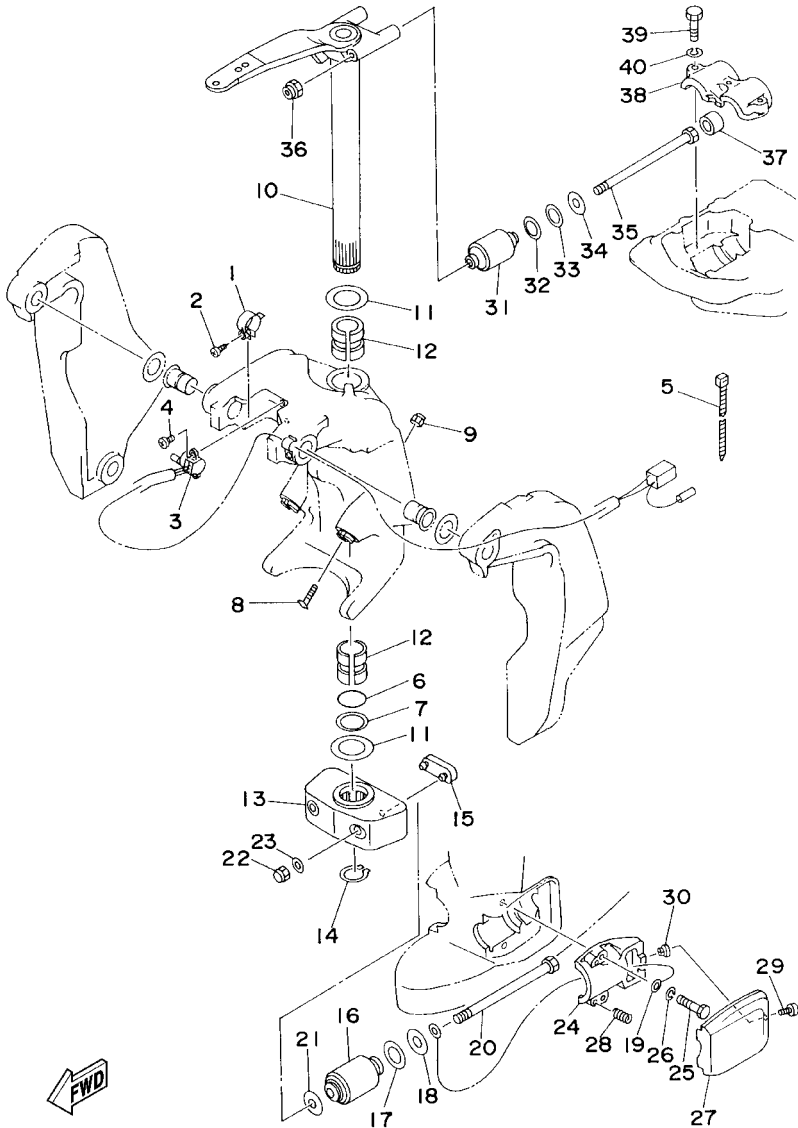
REF. NO.	PART NO.	DESCRIPTION	115C	130B	REMARKS
1	64E-43111-02-8D	BRACKET, CLAMP	1	1	
2	6G5-45251-02	ANODE	1	1	
3	6G5-44526-00	PLATE	2	2	
4	97095-06030	BOLT	4	4	
5	92995-06100	WASHER, SPRING	4	4	
6	6E5-82148-00	WIRE, LEAD 4	1	1	
7	97095-06010	BOLT	1	1	
8	92995-06600	WASHER	1	1	
9	64E-43112-02-8D	BRACKET, CLAMP	1	1	
10	6E5-82148-00	WIRE, LEAD 4	1	1	
11	97880-06012	SCREW, PAN HEAD	1	1	
12	92990-06600	WASHER, PLATE	1	1	
13	93700-06M03	NIPPLE, GREASE	1	1	
14	663-45119-00	CAP, GREASE NIPPLE	1	1	AP
15	64E-43131-01	BOLT, CLAMP BRACKET	1	1	
16	97095-08020	BOLT	1	1	
17	92995-08100	WASHER	1	1	
18	90386-25M31	BUSH	2	2	
19	90201-26M59	WASHER, PLATE	2	2	
20	90185-22M11	NUT, SELF-LOCKING	1	1	
21	90465-11M10	CLAMP	1	1	
22	64E-43311-10-8D	BRACKET, SWIVEL 1	1	1	L
	64E-43311-20-8D	BRACKET, SWIVEL 1	1	1	X
23	90465-08M63	CLAMP	1	1	
24	93700-06M03	NIPPLE, GREASE	5	5	
25	663-45119-00	CAP, GREASE NIPPLE	5	5	AP
26	6E5-82147-00	WIRE, LEAD 4	1	1	L



FWD
6N60010-7160

FIG. 17 BRACKET 1

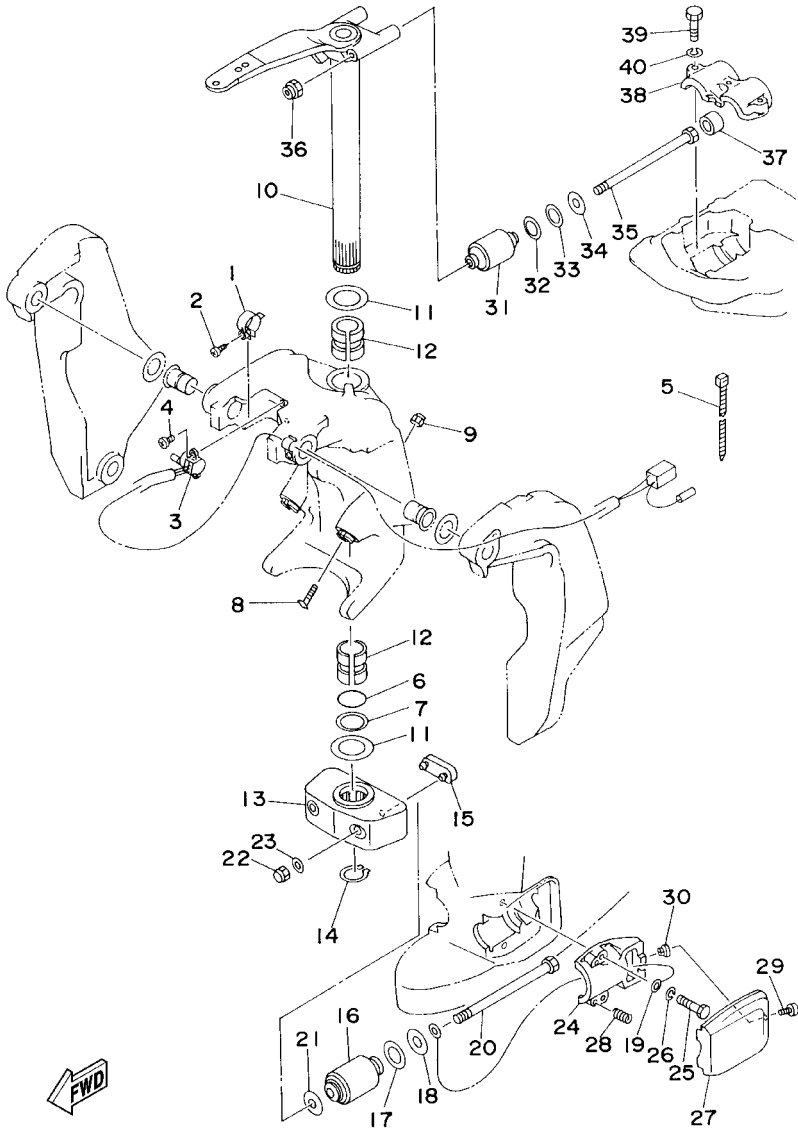
REF. NO.	PART NO.	DESCRIPTION	115C	130B	REMARKS
26	6E5-82147-20	WIRE, LEAD 4	1		X
27	6G5-43144-00	HOOK, SPRING	1	1	
28	97095-06010	BOLT	1	1	
29	6G5-43181-02	LEVER, TILT STOP	1	1	
30	6G5-43185-02	LEVER, TILT STOP	1	1	
31	90386-10M16	BUSH	4	4	
32	6G5-43148-00	COLLAR, DISTANCE	2	2	
33	90249-06M19	PIN	1	1	
34	90387-10M05	COLLAR	1	1	
35	91690-30020	PIN, SPRING	2	2	
36	90506-14M24	SPRING, TENSION	1	1	
37	64E-43126-00	PIN, UPPER SHOCK MOUNT	1	1	
38	90386-22M98	BUSH	4	4	
39	93410-22M11	CIRCLIP	1	1	
40	90101-12M03	BOLT (L:115MM)	4	4	
41	90201-13M01	WASHER, PLATE	8	8	
42	90201-12M05	WASHER, PLATE	4	4	
43	95380-12600	NUT	8	8	



64D0010-7170

FIG. 18 BRACKET 2

REF. NO.	PART NO.	DESCRIPTION	115C	130B	REMARKS
1	64E-43139-02	CAM, TRIM SENDER	1	1	
2	97780-60525	SCREW, TAPPING	1	1	
3	64E-83672-02	TRIM SENDER	1	1	
4	97885-06016	SCREW, PAN HEAD	2	2	
5	90465-11M10	CLAMP	3	3	
6	93210-37MH7	O-RING	1	1	
7	90202-40M47	WASHER, PLATE	1	1	
8	61A-43376-00	BOLT, THRUST RECEIVER	2	2	
9	95780-10300	NUT, FLANGE	2	2	
10	6E5-42510-A1-8D	STEERING BRACKET ASSY	1	1	L
	6E5-42510-B1-8D	STEERING BRACKET ASSY	1		X
11	90201-38M60	WASHER, PLATE	2	2	
12	90386-38M32	BUSH	2	2	
13	6G5-44551-01-8D	HOUSING, LOWER MOUNT RUBBER	1	1	
14	93410-37M04	CIRCLIP	1	1	
15	6E5-44575-00	DAMPER, LOWER MOUNT RUBBER	1	1	
16	6E5-44555-00-94	MOUNT DAMPER, LOWER SIDE	2	2	
17	90202-32M19	WASHER, PLATE	2	2	
18	90201-16M55	WASHER, PLATE	2	2	
19	6E5-82149-00	WIRE, LEAD 3	1	1	
20	90109-14M34	BOLT	2	2	
21	90201-15M58	WASHER, PLATE	2	2	
22	95380-14800	NUT	2	2	
23	92995-14600	WASHER	2	2	
24	6E5-44552-01-94	HOUSING, LOWER MOUNT RUBBER	2	2	
25	97095-10045	BOLT	4	4	
26	92995-10100	WASHER	4	4	



64D0010-7170

FIG. 18 BRACKET 2

REF. NO.	PART NO.	DESCRIPTION	115C	130B	REMARKS
27	6E5-44553-01-8D	COVER, LOWER MOUNT	2	2	
28	90501-16M28	SPRING, COMPRESSION	4	4	
29	97885-06016	SCREW, PAN HEAD	2	2	
30	90179-06066	NUT	2	2	
31	6E5-44514-00-94	MOUNT DAMPER, UPPER SIDE	2	2	
32	90201-26M57	WASHER, PLATE	2	2	
33	90202-26M18	WASHER, PLATE	2	2	
34	90201-14M56	WASHER, PLATE	2	2	
35	90109-12M37	BOLT	2	2	
36	90185-12M12	NUT, SELF-LOCKING	2	2	
37	663-44575-00	DAMPER, LOWER MOUNT RUBBER	2	2	
38	6E5-44511-00-5B	COVER, UPPER MOUNT	1	1	
39	97095-10045	BOLT	3	3	
40	92995-10100	WASHER	3	3	

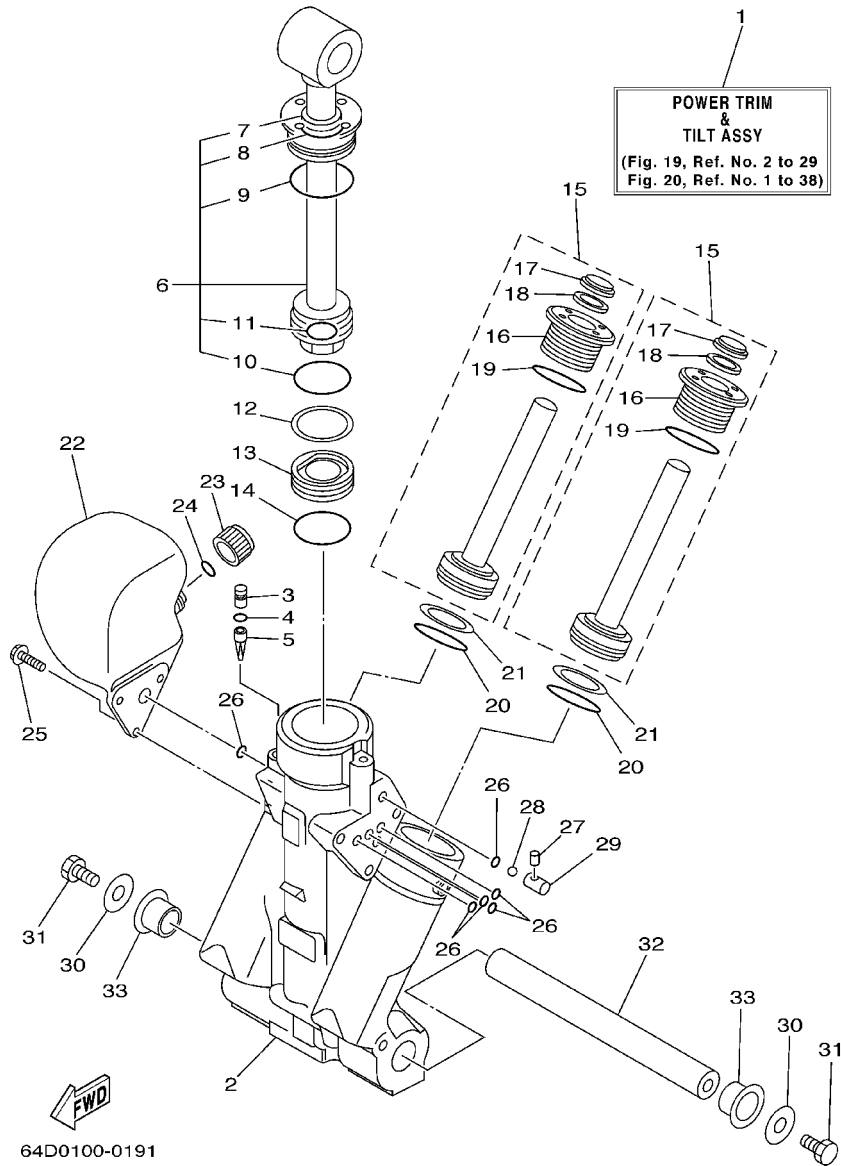


FIG. 19 POWER TRIM & TILT ASSY 1

REF. NO.	PART NO.	DESCRIPTION	115C	130B	REMARKS
1	64E-43800-02-4D	POWER TRIM & TILT ASSY	1	1	
2	64E-43825-01	HOUSING, TRIM & TILT	1	1	
3	64E-4388J-00	PLUG 2	1	1	
4	93210-10M74	O-RING	1	1	
5	64E-43817-00	FILTER 2	1	1	
6	64E-43810-00	TILT PISTON SUB ASSY	1	1	
7	64E-43898-00	.SEAL ,DUST 2	1	1	
8	64E-43867-00	.O-RING	1	1	
9	64E-43866-00	.O-RING	1	1	
10	6E5-43862-00	.O-RING	1	1	
11	64E-43883-00	.O-RING	1	1	
12	6E5-43872-00	RING, BACK UP	1	1	
13	6E5-43814-02	PISTON, FREE	1	1	
14	6E5-43862-00	O-RING	1	1	
15	64E-43820-00	TRIM PISTON SUB ASSY	2	2	
16	64E-43821-00	.SCREW, TRIM CYLINDER END	1	1	
17	64E-43822-00	.SEAL, TRIM DUST	1	1	
18	64E-4384J-00	.SEAL, TRIM DOWN	1	1	
19	6G5-43864-00	.O-RING	1	1	
20	6E5-43864-00	O-RING	2	2	
21	6E5-43874-01	RING, BACK UP	2	2	
22	64E-43828-00	BODY, RESERVOIR	1	1	
23	64E-43829-00	PLUG, RESERVOIR	1	1	
24	64E-43897-00	O-RING	1	1	
25	64E-4388E-00	BOLT ,SCREW (L:14MM)	3	3	
26	64E-43869-00	O-RING	6	6	
27	64E-4381G-00	PIN	1	1	

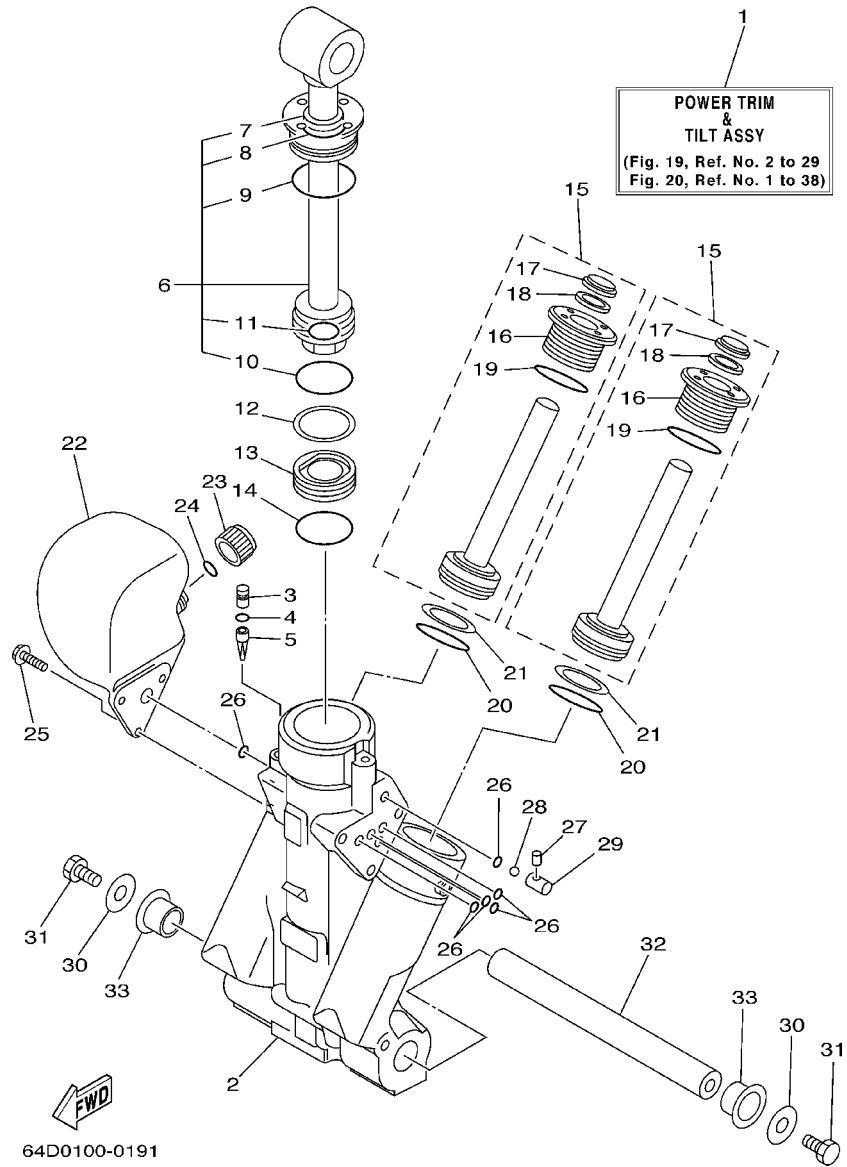
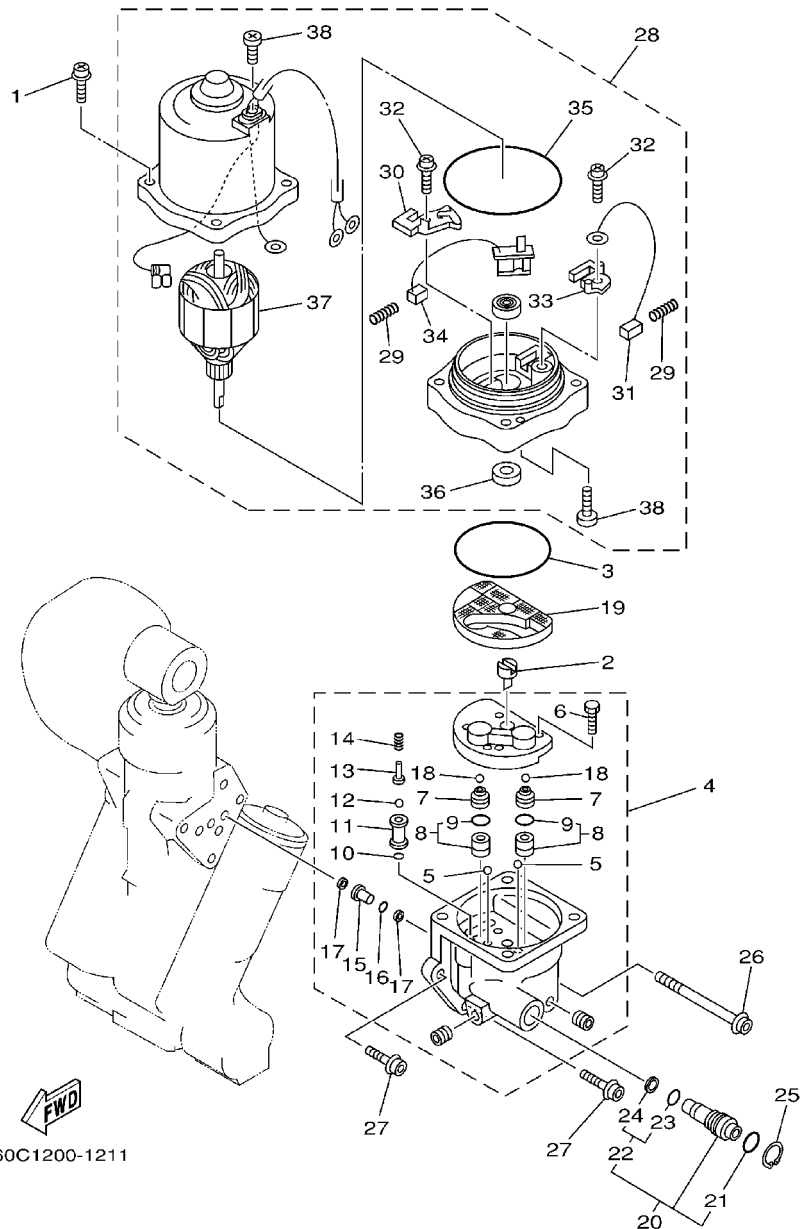


FIG. 19 POWER TRIM & TILT ASSY 1

REF. NO.	PART NO.	DESCRIPTION	115C	130B					REMARKS
28	6E5-43858-00	BALL	1	1					
29	64E-4382G-00	VALVE, SEAT	1	1					
30	90201-08M14	WASHER, PLATE	2	2					
31	97080-08016	BOLT	2	2					
32	64E-43818-01	PIN, LOWER SHOCK MOUNT	1	1					
33	90386-22M98	BUSH	2	2					

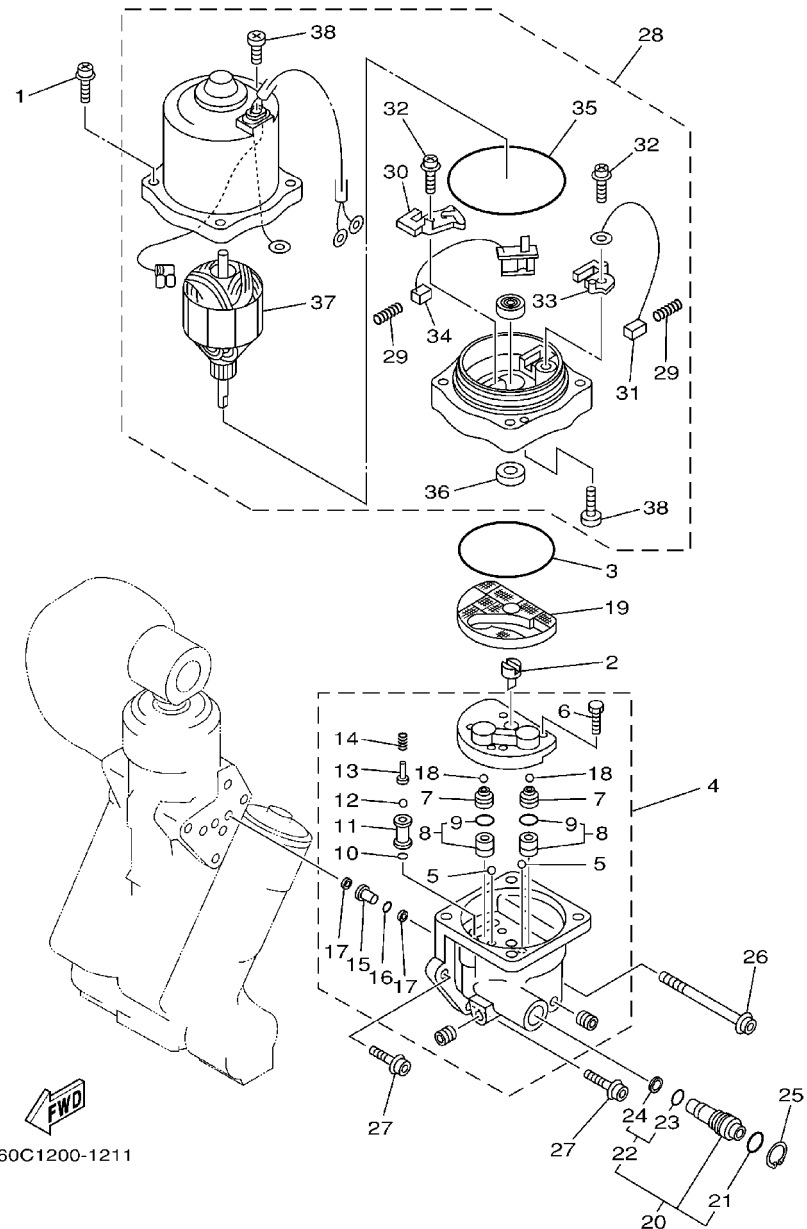
FIG. 20 POWER TRIM & TILT ASSY 2



60C1200-1211

REF. NO.	PART NO.	DESCRIPTION	115C	130B	REMARKS
1	64E-4388E-10	BOLT ,SCREW (L:34.7MM)	4	4	
2	64E-43831-00	CONNECTOR, SHAFT	1	1	
3	64E-43868-00	O-RING	1	1	
4	64E-43830-00	GEAR PUMP ASSY	1	1	
5	72X-43858-00	.BALL	2	2	
6	64E-43843-00	.SCREW, VALVE LOCK	4	4	
7	64E-43841-00	.PISTON, SHUTTLE	2	2	
8	64E-43802-00	.VALVE SUB ASSY	2	2	
9	6E5-43896-00	..O-RING	1	1	
10	6G5-43863-00	.O-RING	1	1	
11	64E-43851-00	.SEAT, RELIEF VALVE	1	1	
12	64E-43858-00	.BALL	1	1	
13	64E-43859-00	.PIN, VALVE SUPPORT	1	1	
14	64E-43855-00	.SPRING, UP RELIEF	1	1	
15	64E-43850-00	.VALVE SUB ASSY	1	1	
16	64E-43865-00	.O-RING	1	1	
17	64E-43816-00	.FILTER 1	2	2	
18	64E-43858-00	.BALL	2	2	
19	64E-43817-10	FILTER 2	1	1	
20	64E-43860-00	MANUAL VALVE SUB-ASSY	1	1	
21	72X-85075-L0	.O-RING	1	1	
22	64E-43827-00	.RING SET	1	1	
23	64E-4387A-00	..O-RING	1	1	
24	64E-43873-00	..RING, BACK UP	1	1	
25	64E-43875-00	RING, SNAP	1	1	
26	64E-43879-10	.SCREW, WITH WASHER	1	1	
27	64E-43879-00	SCREW, WITH WASHER	2	2	

FIG. 20 POWER TRIM & TILT ASSY 2



REF. NO.	PART NO.	DESCRIPTION	115C	130B		REMARKS
28	64E-43880-01	MOTOR ASSY	1	1		
29	6H1-4386K-10	.SPRING, BRUSH	2	2		
30	64E-4380J-00	.HOLDER, BRUSH	1	1		
31	64E-43891-00	.BRUSH 1	1	1		
32	97607-04310	.SCREW, PAN HEAD WITH WASHER	2	2		
33	64E-4380F-00	.HOLDER, BRUSH 2	1	1		
34	64E-43892-00	.BRUSH 2	1	1		
35	6G5-43865-00	.O-RING	1	1		
36	93102-08M43	.OIL SEAL	1	1		
37	64E-43805-00	.ARMATURE ASSY	1	1		
38	64E-43843-10	.SCREW, VALVE LOCK	3	3		

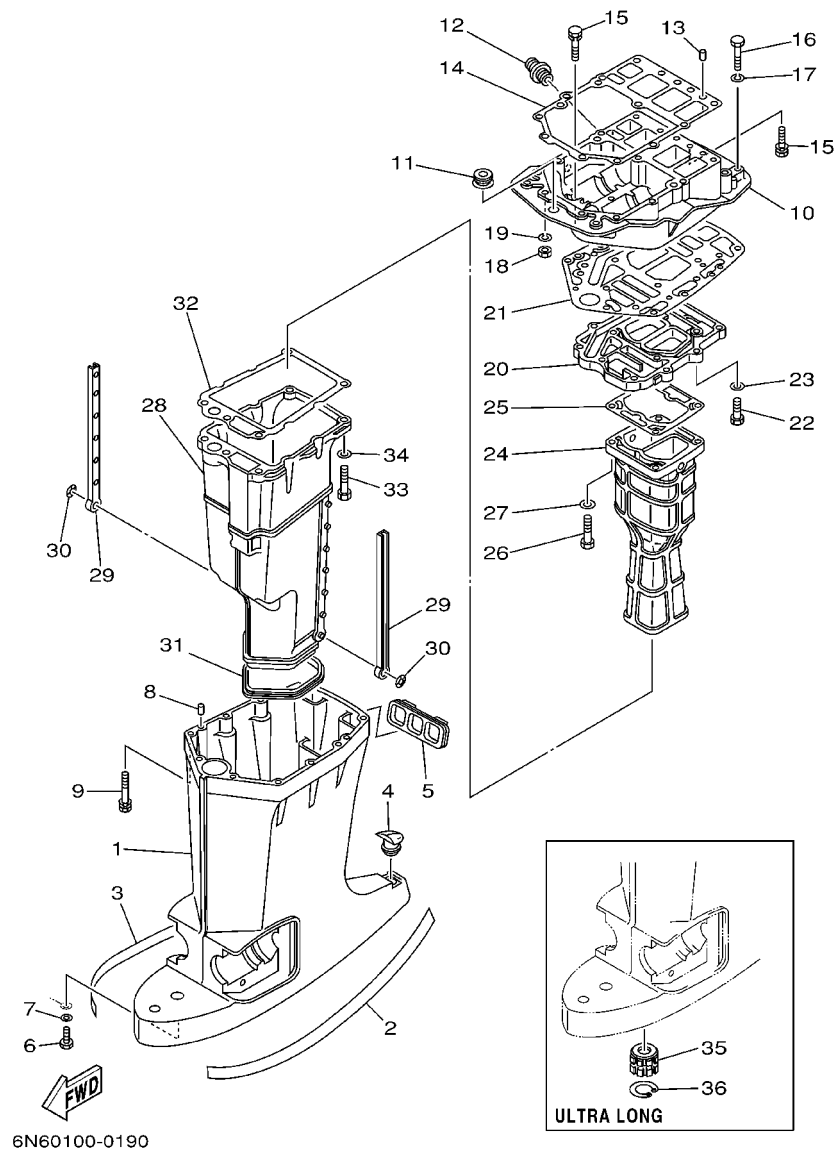
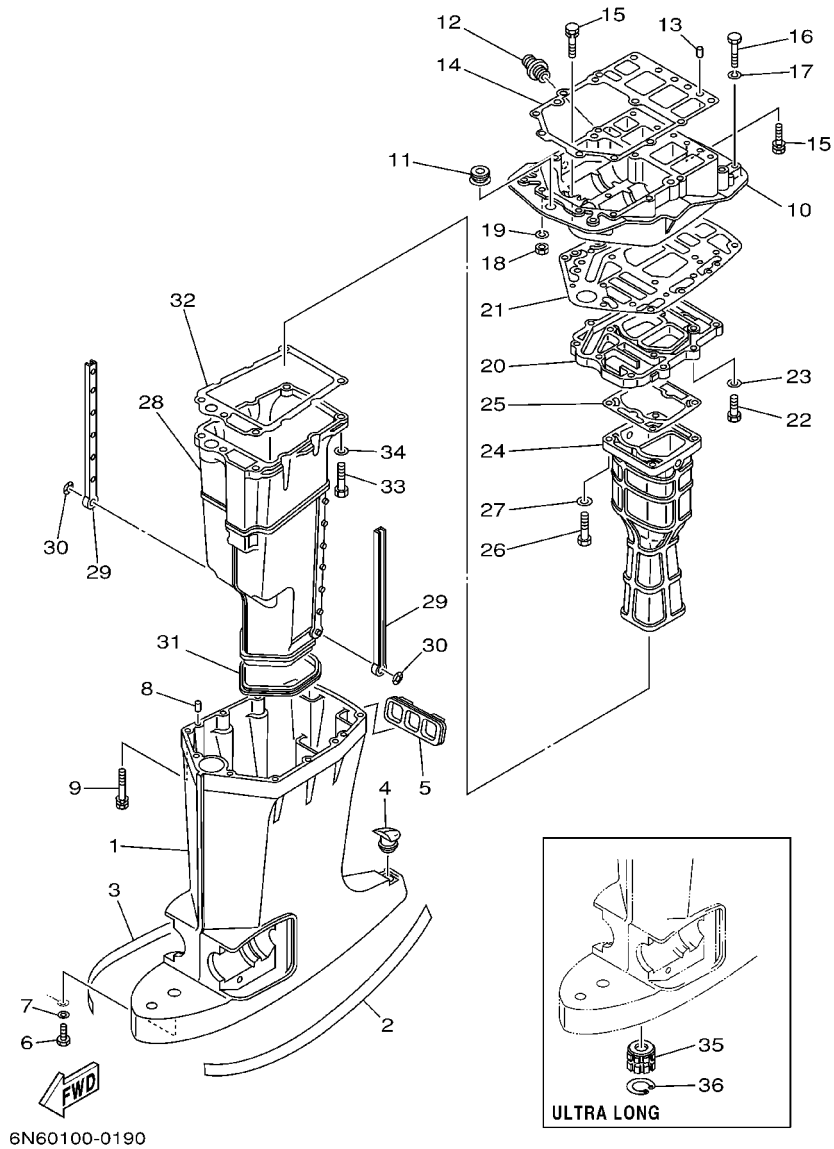


FIG. 21 UPPER CASING

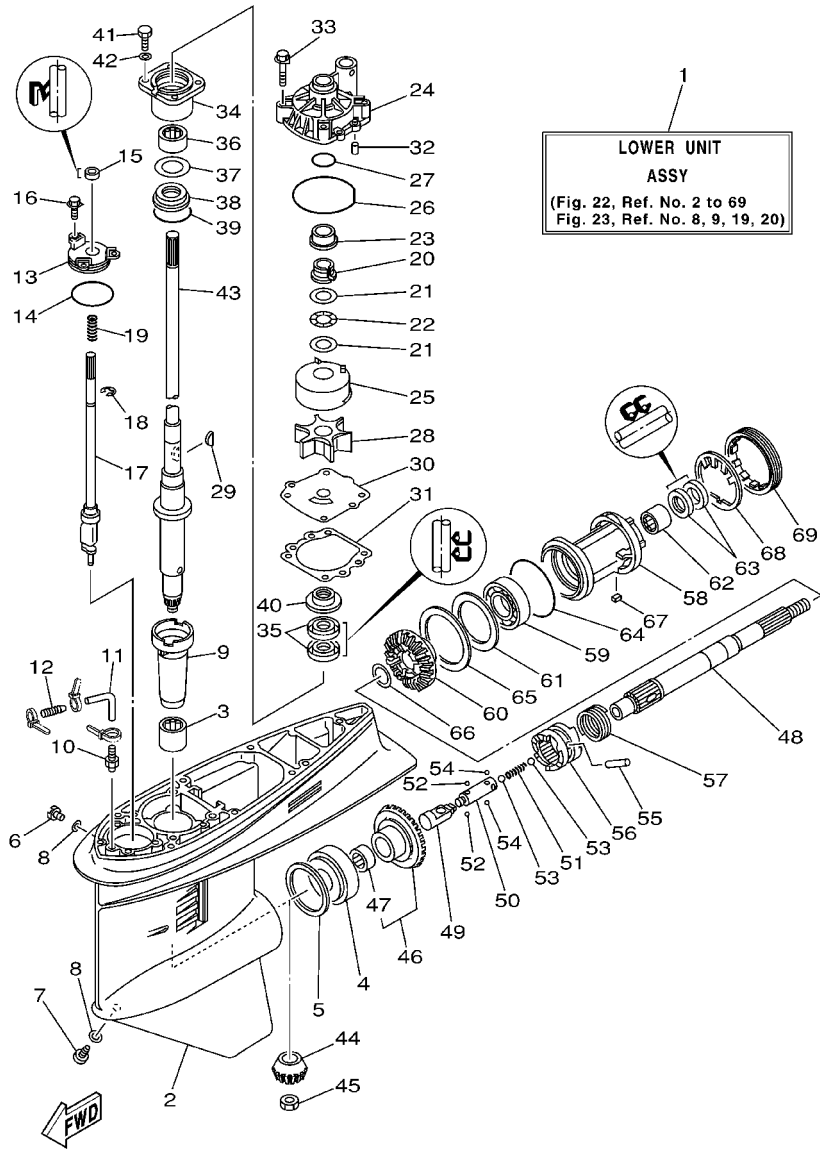
REF. NO.	PART NO.	DESCRIPTION	115C	130B	REMARKS
1	6E5-45111-02-8D	CASING, UPPER	1	1	L
	6E5-45111-23-8D	CASING, UPPER	1		X
2	6R3-42791-41	MARK 1	1	1	
3	6R3-42792-41	MARK	1	1	
4	6E5-45155-00	CAP	1	1	
5	6E5-42769-00	SEAL, RUBBER	1	1	
6	97095-06010	BOLT	1	1	
7	92995-06600	WASHER	1	1	
8	93608-12M05	PIN, DOWEL	2	2	
9	90119-08027	BOLT, WITH WASHER	6	6	
10	6G5-41137-02-94	GUIDE, EXHAUST	1	1	
11	6E5-42724-00	GROMMET	1	1	
12	6G5-12581-00	JOINT, HOSE 1	1	1	
13	93608-12M05	PIN, DOWEL	2	2	
14	6G5-45113-A1	GASKET, UPPER CASING	1	1	
15	90119-08M79	BOLT, WITH WASHER	6	6	
16	97095-08045	BOLT	2	2	
17	92995-08100	WASHER	2	2	
18	95380-08700	NUT	2	2	
19	92995-08100	WASHER	2	2	
20	6G5-41131-01-5B	MANIFOLD, EXT. 1	1	1	
21	6G5-45114-A0	GASKET, UPPER CASING	1	1	
22	97095-08030	BOLT	4	4	
23	92995-08600	WASHER	4	4	
24	6E5-41132-10-5B	MANIFOLD, EXHAUST	1		
	6L1-41132-00-5B	MANIFOLD, EXHAUST		1	
25	6E5-41134-A0	GASKET, EXHAUST MANIFOLD	1		

FIG. 21 UPPER CASING



REF. NO.	PART NO.	DESCRIPTION	115C	130B	REMARKS
25	6G5-41134-A0	GASKET, EXHAUST MANIFOLD		1	
26	97095-08045	BOLT	4	4	
27	92995-08600	WASHER	4	4	
28	6E5-14711-01-5B	MUFFLER 1	1	1	
29	6E5-14737-00	DAMPER, MUFFLER	2	2	
30	90183-05M02	NUT, SPRING	2	2	
31	6E5-45123-00	GASKET, MUFFLER	1	1	
32	6E5-41135-A0	GASKET, EXHAUST MANIFOLD	1	1	
33	97095-08045	BOLT	5	5	
34	92995-08600	WASHER	5	5	
35	6E5-45318-00	BUSHING, DRIVE SHAFT	1		X
36	93420-36M01	CIRCLIP	1		X

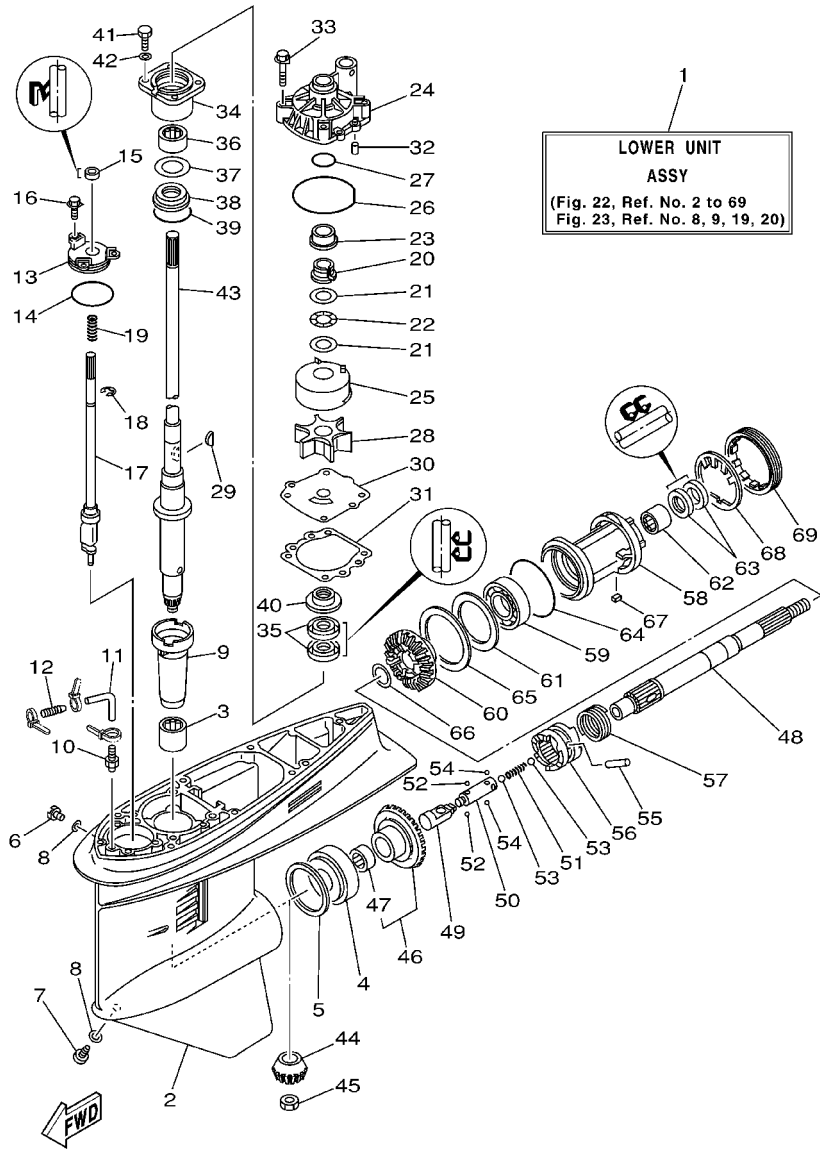
FIG. 22 LOWER CASING. DRIVE 1



64W0171-0220

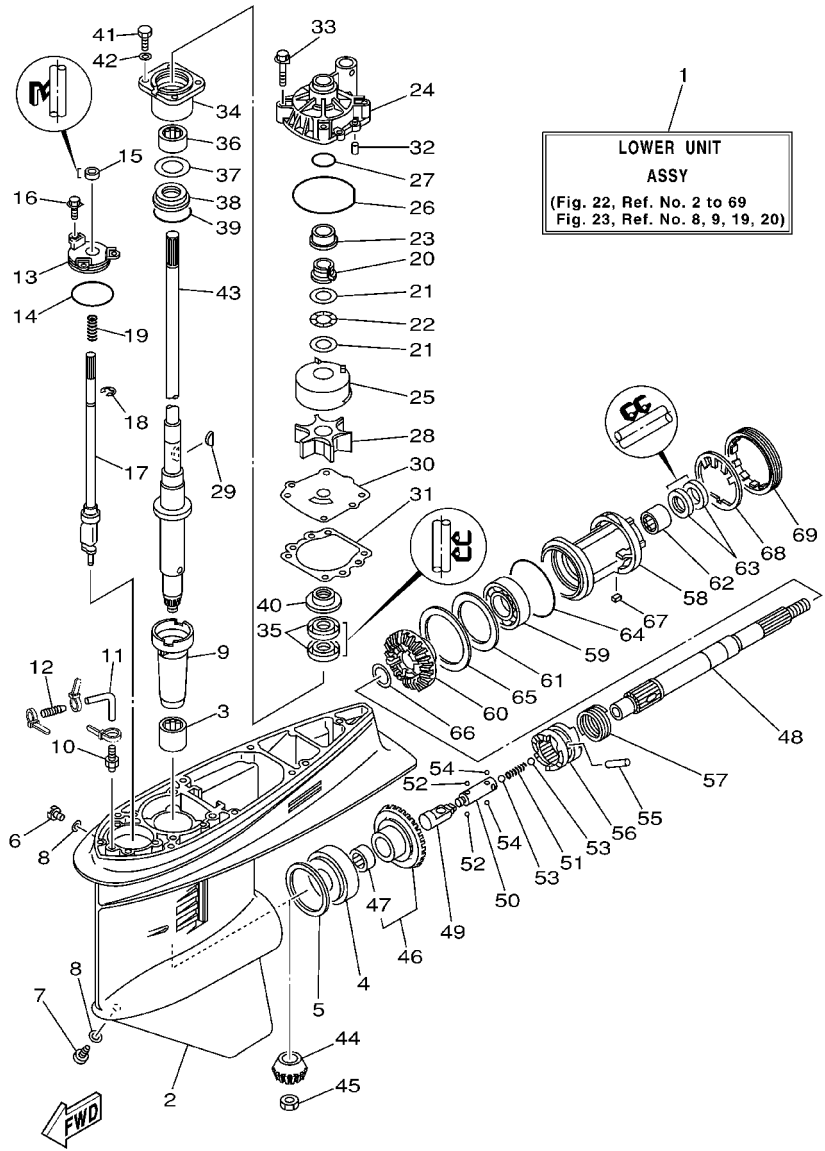
REF. NO.	PART NO.	DESCRIPTION	115C	130B	REMARKS
1	6E5-45300-16-8D	LOWER UNIT ASSY	1	1	L
	6E5-45300-26-8D	LOWER UNIT ASSY	1		X
2	6E5-45301-04-8D	CASING, LOWER	1	1	
3	93315-628U9	BEARING	1	1	
4	93332-000U7	BEARING	1	1	
5	6E5-45567-01-10	SHIM (T:0.10MM)	1	1	UR
	6E5-45567-01-12	SHIM (T:0.12MM)	1	1	UR
	6E5-45567-01-15	SHIM (T:0.15MM)	1	1	UR
	6E5-45567-01-18	SHIM (T:0.18MM)	1	1	UR
	6E5-45567-01-30	SHIM (T:0.30MM)	1	1	UR
	6E5-45567-01-40	SHIM (T:0.40MM)	1	1	UR
	6E5-45567-01-50	SHIM (T:0.50MM)	1	1	UR
6	90340-08002	PLUG, STRAIGHT SCREW	1	1	
7	688-45341-10	PLUG, DRAIN	1	1	
8	90430-08020	GASKET	2	2	
9	6E5-45536-00	SLEEVE, DRIVE SHAFT	1	1	
10	6E5-45378-00	NIPPLE, HOSE	1	1	
11	90445-07ME8	HOSE (L80)	1	1	L
	90445-07ME9	HOSE (L120)	1		X
12	6E5-83558-10	END, NIPPLE	1	1	
13	6E5-45321-00	PLATE	1	1	
14	93210-58144	O-RING	1	1	
15	93106-09014	OIL SEAL	1	1	
16	90119-06M10	BOLT, WITH WASHER	3	3	
17	6E5-44150-02	SHIFT CAM ASSY	1	1	
18	99001-08600	CIRCLIP	1	1	
19	90501-11M10	SPRING, COMPRESSION	1	1	

FIG. 22 LOWER CASING. DRIVE 1



64W0171-0220

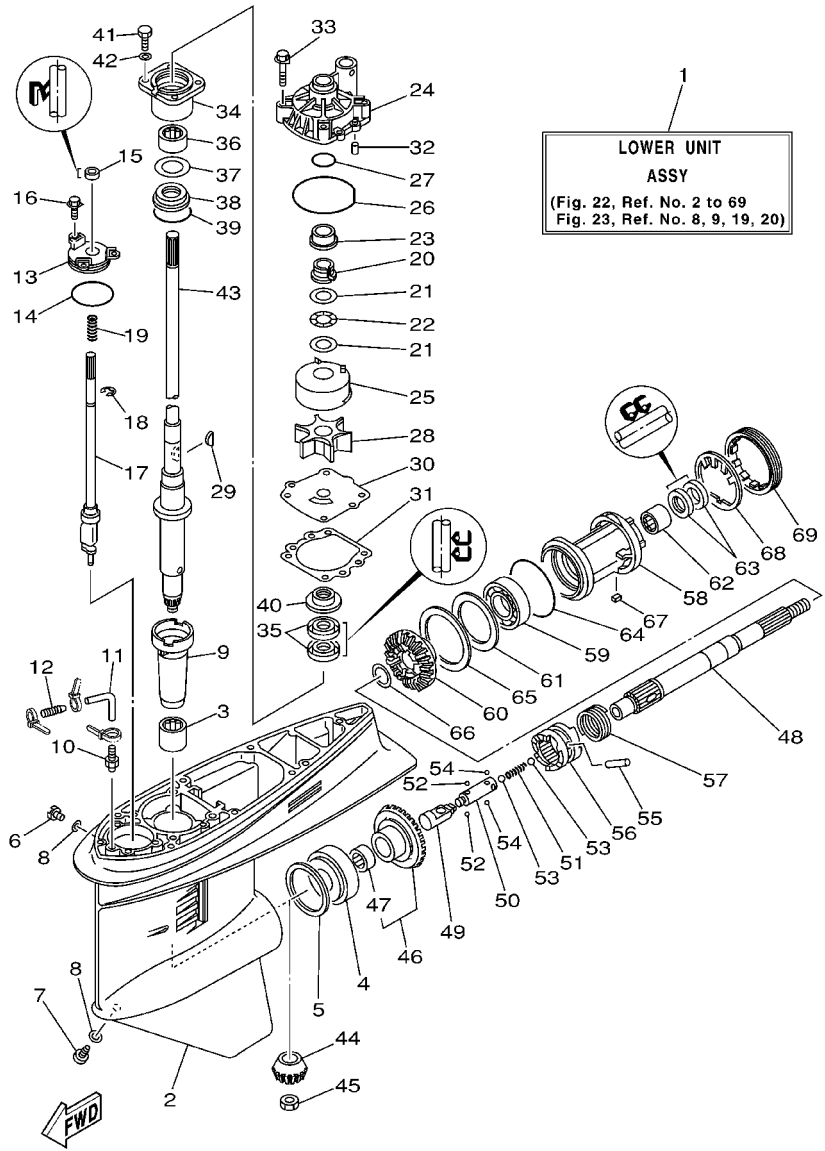
REF. NO.	PART NO.	DESCRIPTION	115C	130B	REMARKS
20	61A-45538-00	SPACER 1	1	1	
21	90201-22M01	WASHER, PLATE	2	2	
22	90206-22M19	WASHER, WAVE	1	1	
23	61A-45527-00	COLLAR, DRIVE SHAFT	1	1	
24	61A-44311-01	HOUSING, WATER PUMP	1	1	
25	61A-44322-02	INSERT, CARTRIDGE	1	1	
26	93210-86M38	O-RING	1	1	
27	93210-37160	O-RING	1	1	
28	6E5-44352-01	IMPELLER	1	1	
29	90280-04M05	KEY, WOODRUFF	1	1	
30	6E5-44323-00	OUTER PLATE, CARTRIDGE	1	1	
31	6E5-44315-A0	GASKET, WATER PUMP	1	1	
32	93606-12019	PIN, DOWEL	2	2	
33	90119-08M14	BOLT, WITH WASHER	4	4	
34	6E5-45331-00-94	HOUSING, BEARING	1	1	
35	93101-28M16	OIL SEAL	2	2	
36	93317-330U2	BEARING	1	1	
37	6E5-45587-01-10	SHIM (T:0.10MM)	1	1	UR
	6E5-45587-01-12	SHIM (T:0.12MM)	1	1	UR
	6E5-45587-01-15	SHIM (T:0.15MM)	1	1	UR
	6E5-45587-01-18	SHIM (T:0.18MM)	1	1	UR
	6E5-45587-01-30	SHIM (T:0.30MM)	1	1	UR
	6E5-45587-01-40	SHIM (T:0.40MM)	1	1	UR
	6E5-45587-01-50	SHIM (T:0.50MM)	1	1	UR
38	93341-930V2	BEARING	1	1	
39	93210-55M14	O-RING	1	1	
40	6E5-45344-00	COVER, OIL SEAL	1	1	



64W0171-0220

FIG. 22 LOWER CASING. DRIVE 1

REF. NO.	PART NO.	DESCRIPTION	115C	130B	REMARKS
41	97095-08025	BOLT	4	4	
42	92995-08600	WASHER	4	4	
43	6E5-45501-01	DRIVE SHAFT COMP.	1	1	L
	6E5-45501-21	DRIVE SHAFT COMP.	1		X
44	6E5-45551-02	PINION	1	1	
45	90170-16M01	NUT	1	1	
46	6E5-45560-01	GEAR	1	1	
47	93315-425U7	.BEARING	1	1	
48	6E5-45611-01	SHAFT, PROPELLER	1	1	
49	6E5-45641-02	SHIFTER	1	1	
50	6E5-45634-01	SLIDE, SHIFT	1	1	
51	90501-16M37	SPRING, COMPRESSION	1	1	
52	93507-32009	BALL	2	2	
53	93511-32017	BALL	2	2	
54	93503-16003	BALL	2	2	
55	90250-08M07	PIN, STRAIGHT	1	1	
56	6E5-45631-01	CLUTCH, DOG	1	1	
57	6E5-45633-01	RING, CROSS PIN	1	1	
58	6E5-45332-00-94	HOUSING, BEARING	1	1	
59	93306-208U0	BEARING	1	1	
60	6E5-45571-01	GEAR	1	1	
61	6E5-45576-00	WASHER, THRUST	1	1	
62	93315-430U8	BEARING	1	1	
63	93101-30M17	OIL SEAL	2	2	
64	93210-86M39	O-RING	1	1	
65	6L6-45577-00-10	SHIM (T:0.10MM)	1	1	UR
	6L6-45577-00-12	SHIM (T:0.12MM)	1	1	UR



64W0171-0220

FIG. 22 LOWER CASING. DRIVE 1

REF. NO.	PART NO.	DESCRIPTION	115C	130B	REMARKS
65	6L6-45577-00-15	SHIM (T:0.15MM)	1	1	UR
	6L6-45577-00-18	SHIM (T:0.18MM)	1	1	UR
	6L6-45577-00-30	SHIM (T:0.30MM)	1	1	UR
	6L6-45577-00-40	SHIM (T:0.40MM)	1	1	UR
	6L6-45577-00-50	SHIM (T:0.50MM)	1	1	UR
66	90201-30M92	WASHER, PLATE	1	1	
67	90282-04010	KEY, STRAIGHT	1	1	
68	688-45383-02	WASHER, CLAW	1	1	
69	688-45384-00	NUT	1	1	

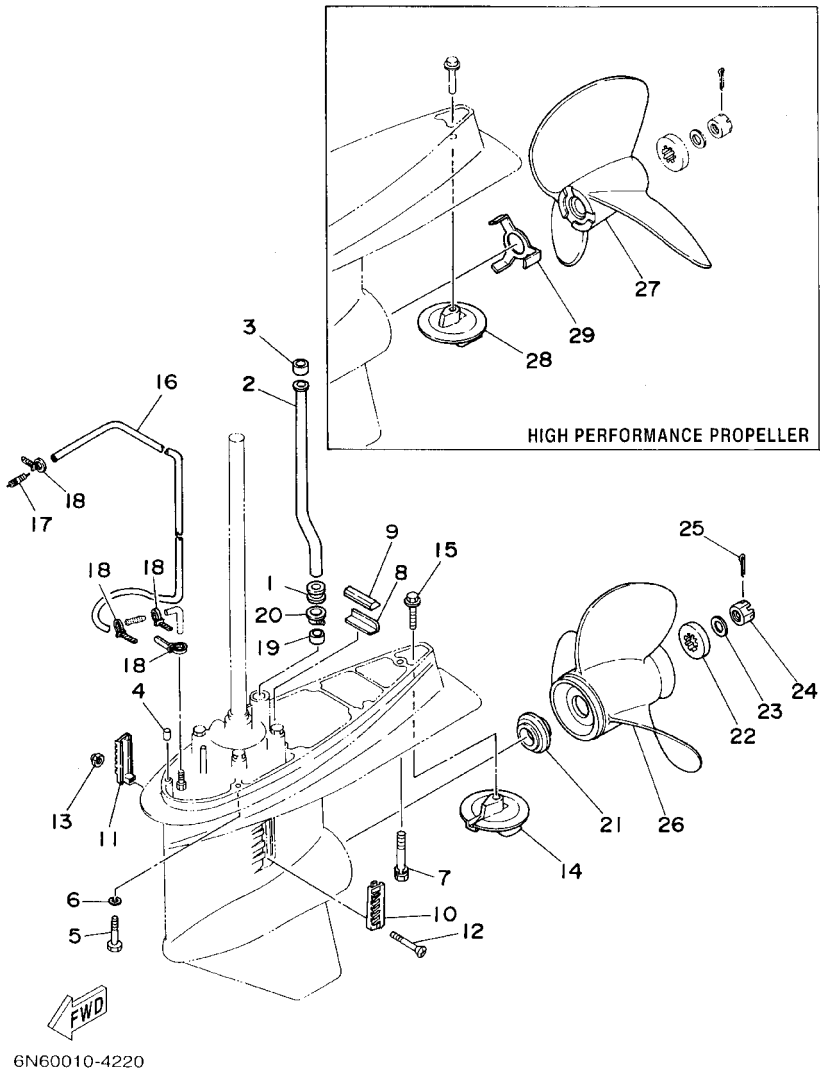
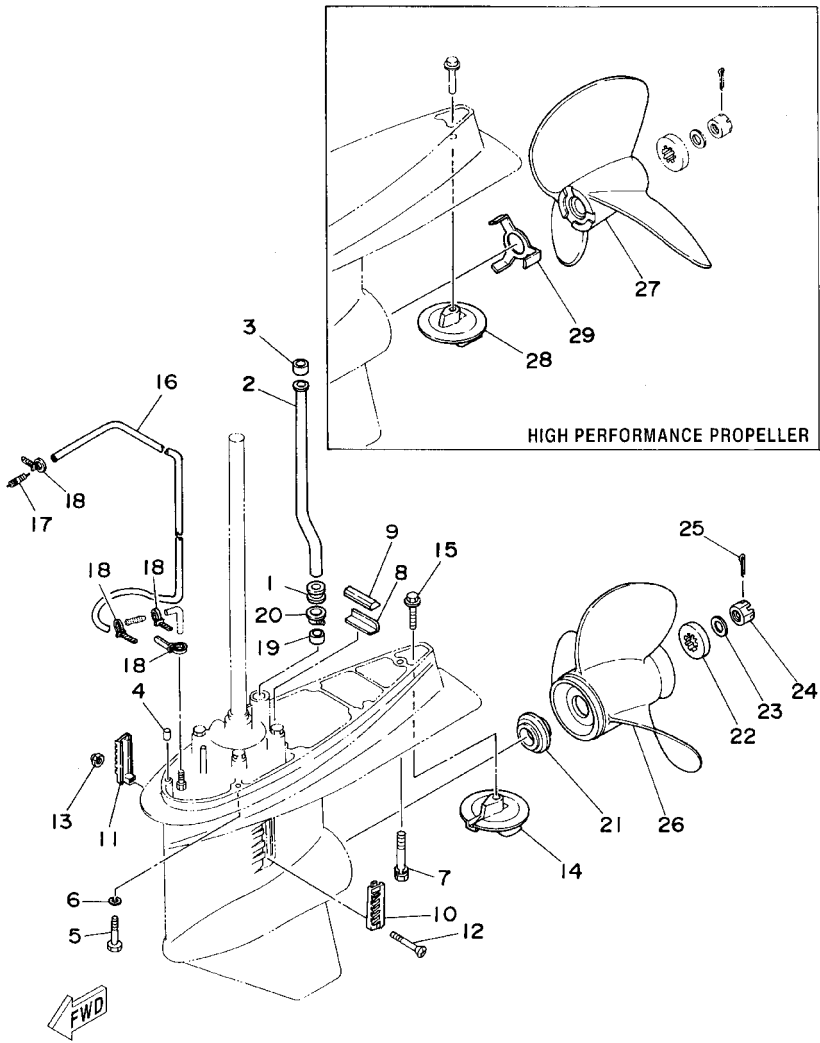


FIG. 23 LOWER CASING. DRIVE 2

REF. NO.	PART NO.	DESCRIPTION	115C	130B	REMARKS
1	6E5-44366-00	DAMPER, WATER SEAL	1	1	
2	6E5-44361-00	TUBE, WATER	1	1	L
	6E5-44361-20	TUBE, WATER	1		X
3	6E5-44365-00	DAMPER, WATER SEAL	1	1	
4	93608-12M05	PIN, DOWEL	2	2	
5	97075-10045	BOLT	6	6	
6	92995-10100	WASHER	6	6	
7	90119-10M89	BOLT, WITH WASHER	1	1	
8	663-45376-00-94	GUIDE, SEAL DAMPER	1	1	
9	688-45375-00	DAMPER, SEAL	1	1	
10	688-45214-02	COVER, WATER INLET	1	1	
11	688-45215-02	COVER, WATER INLET	1	1	
12	90152-05M07	SCREW, COUNTERSUNK	1	1	
13	90185-05002	NUT, SELF-LOCKING	1	1	
14	6E5-45371-01	TAB-TRIM	1	1	
15	90105-10M00	BOLT, FLANGE	1	1	
16	90445-07MF0	HOSE (L1030)	1	1	
17	6E5-83558-00	END, NIPPLE	1	1	
18	90465-11M10	CLAMP	4	4	
19	6E5-44365-00	DAMPER, WATER SEAL	1	1	
20	6E5-44312-00	COVER, WATER PUMP HOUSING	1	1	
21	6E5-45987-01	SPACER	1	1	
22	688-45997-01	SPACER	1	1	
23	92990-18200	WASHER	1	1	
24	90171-18M04	NUT, CASTLE	1	1	
25	91490-40030	PIN, COTTER	1	1	
26	6E5-45941-00-EL	PROPELLER (3X13"X19"-K)	1	1	UR



6N60010-4220

FIG. 23 LOWER CASING. DRIVE 2

REF. NO.	PART NO.	DESCRIPTION	115C	130B	REMARKS
26	6E5-45943-00-EL	PROPELLER (3X12-5/8"X21"-K)	1	1	UR
	6E5-45945-01-EL	PROPELLER (3X13-1/4"X17"-K)	1	1	UR
	6E5-45947-00-EL	PROPELLER (3X13-1/2"X15"-K)	1	1	UR
	6E5-45949-00-EL	PROPELLER (3X13-5/8"X13"-K)	1	1	UR
	6E5-45952-00-EL	PROPELLER (3X13"X23"-K)	1	1	UR
	6E5-45954-00-EL	PROPELLER (3X14"X11"-K)	1	1	UR
	6E5-45956-00-EL	PROPELLER (3X13"X25"-K)	1	1	UR
	STAINLESS STEEL PROPELLER				
	688-45930-02-98	PROPELLER (3X13"X17"-K)	1	1	UR
	688-45932-60-98	PROPELLER (3X13-1/2"X14"-K)	1	1	UR
	688-45970-03-98	PROPELLER (3X13"X19"-K)	1	1	UR
	688-45972-02-98	PROPELLER (3X13"X21"-K)	1	1	UR
	688-45974-02-98	PROPELLER (3X13"X23"-K)	1	1	UR
	688-45976-01-98	PROPELLER (3X13"X25"-K)	1	1	UR
	688-45978-60-98	PROPELLER (3X13-1/2"X16"-K)	1	1	UR
	HIGH PERFORMANCE PROPELLER				
27	6E5-45970-10	PROPELLER (3X14"X20"-P)	1	1	UR
	6E5-45972-10	PROPELLER (3X14"X24"-P)	1	1	UR
	6E5-45974-10	PROPELLER (3X14"X28"-P)	1	1	UR
	6E5-45976-10	PROPELLER (3X14"X22"-P)	1	1	UR
	6E5-45978-10	PROPELLER (3X14"X26"-P)	1	1	UR
28	6E5-45371-10	TAB-TRIM	1	1	
29	6E5-45994-10	PLATE, TOOTH	1	1	

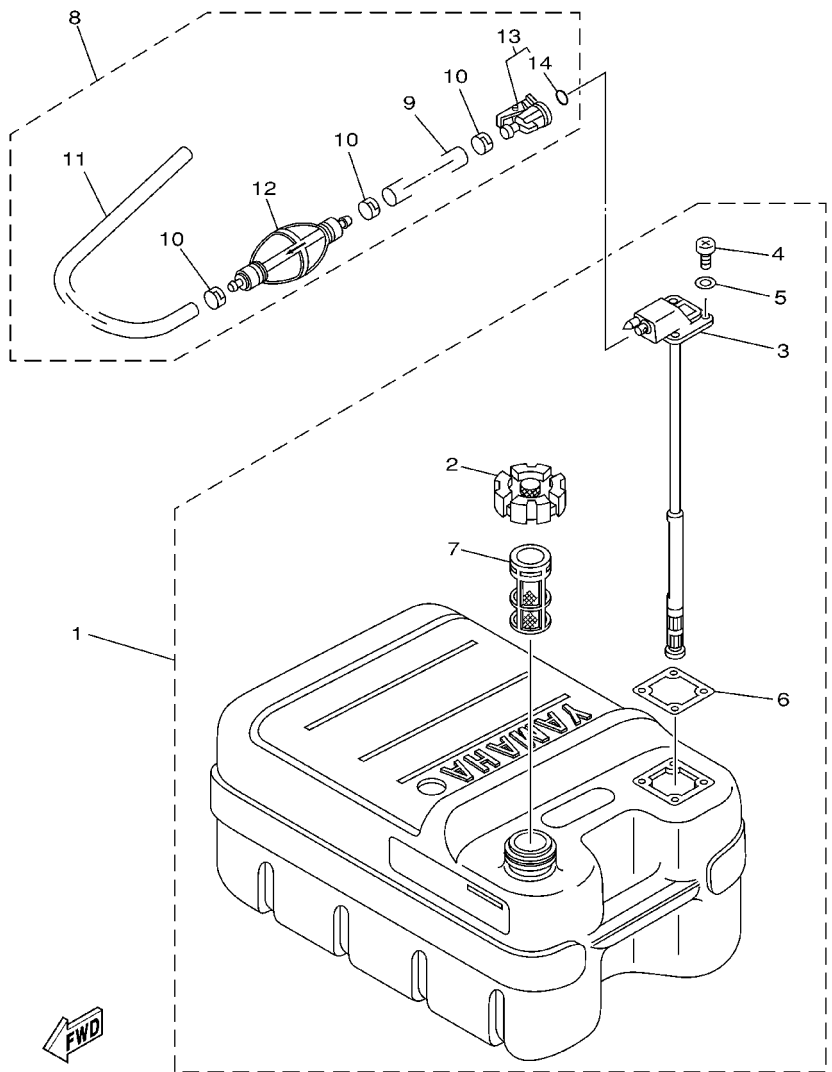
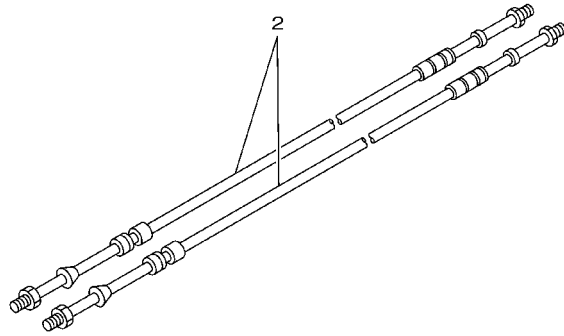
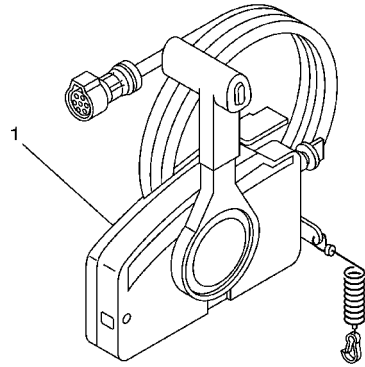


FIG. 24 FUEL TANK

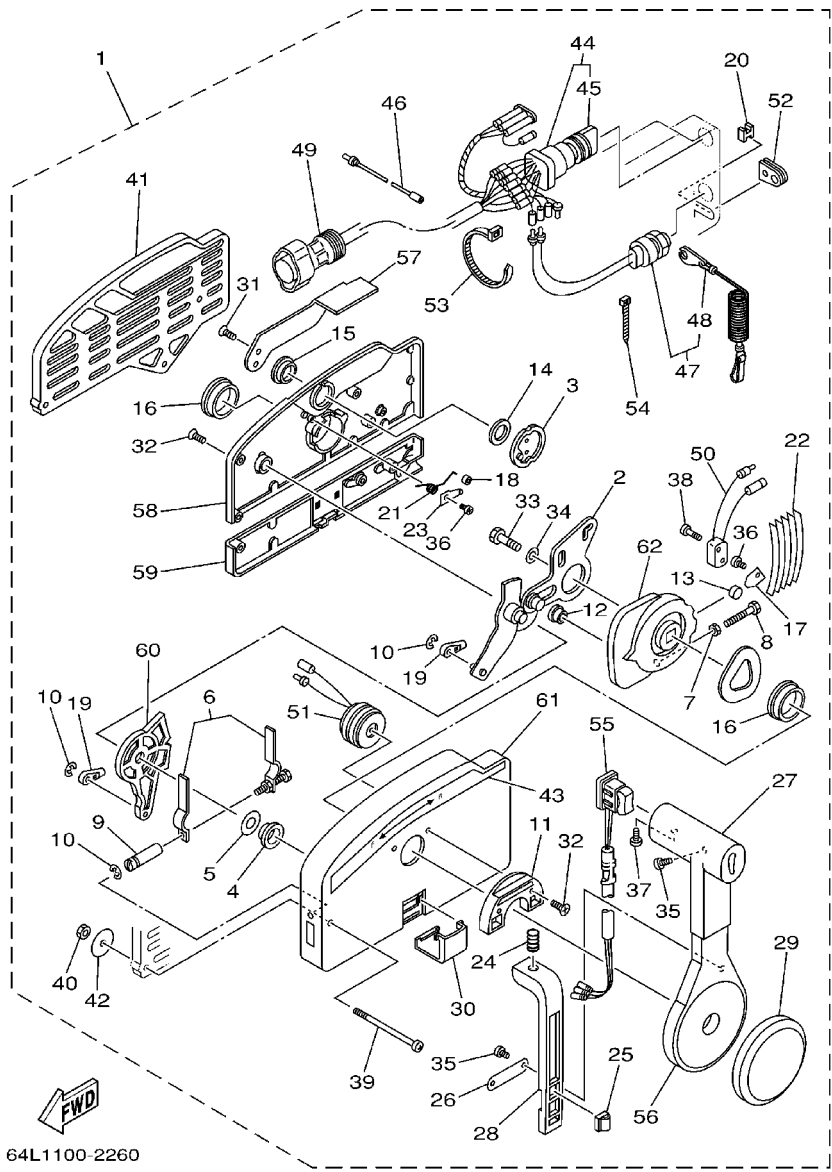
REF. NO.	PART NO.	DESCRIPTION	115C	130B	REMARKS
1	6YJ-24201-10	FUEL TANK ASSY (24L)	1		AP WITH INDICATOR
2	6YJ-24610-01	.CAP ASSY	1		
3	6Y1-24260-12	.FUEL METER ASSY	1		WITH INDICATOR
4	98586-05016	.SCREW, PAN HEAD	4		
5	6Y1-24329-00	.SEAL	4		
6	6Y1-24268-00	.GASKET, FUEL METER	1		
7	6YJ-24167-00	.STRAINER	1		
8	6Y2-24306-42	FUEL PIPE COMP. 1	1		AP
9	90445-13M01	.HOSE (L:2050)	1		
10	6E5-24351-51	.BAND 1	3		
11	90445-13M35	.HOSE (L:250)	1		
12	6Y2-24360-52	.PRIMER PUMP ASSY	1		
13	6Y2-24305-04	.FUEL PIPE JOINT COMP. 2	1		
14	93210-08287	.O-RING	1		



67M0100-8280

FIG. 26 REMOTE CONTROL BOX

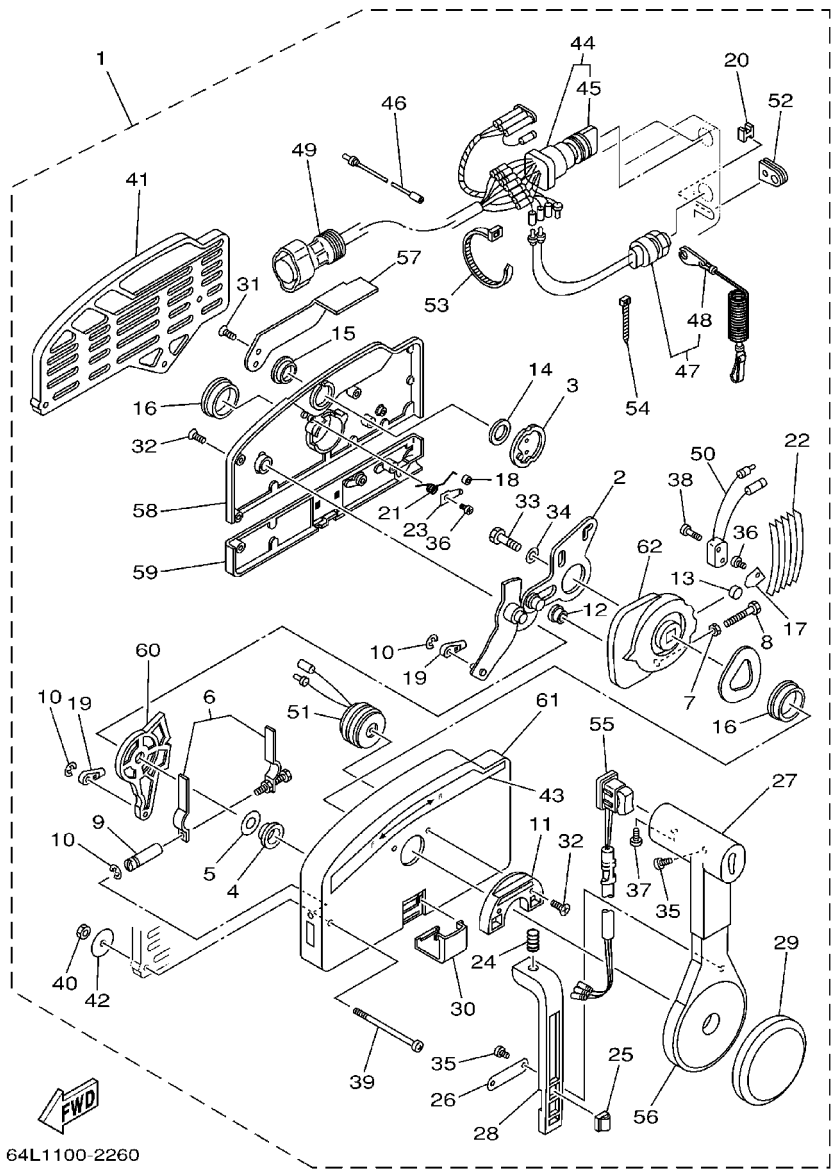
REF. NO.	PART NO.	DESCRIPTION	115C	130B	REMARKS
1	703-48205-17	REMOTE CONTROL ASSY	1	1	AP WITH PT/T SW.
2	701-48320-00	CABLE, REMOTE CONTROL L=12F	2	2	UR
	701-48320-50	CABLE, REMOTE CONTROL L=15F	2	2	UR
	701-48320-60	CABLE, REMOTE CONTROL L=16F	2	2	UR
	701-48320-80	CABLE, REMOTE CONTROL L=17F	2	2	UR
	701-48350-00	CABLE, REMOTE CONTROL L=21F	2	2	UR
	701-48350-20	CABLE, REMOTE CONTROL L=23F	2	2	UR



64L1100-2260

FIG. 27 REMOTE CONTROL ASSY

REF. NO.	PART NO.	DESCRIPTION	115C	130B	REMARKS
1	703-48205-17	REMOTE CONTROL ASSY	1	1	AP WITH PT/T SW.
2	703-48261-01	.ARM, THROTTLE	1	1	
3	703-48153-00	.SHAFT, FREE ACCEL.	1	1	
4	703-48235-00	.BUSHING	1	1	
5	703-48268-00	.SPACER	1	1	
6	703-48264-00	.THROTTLE, FRICTION	1	1	
7	95380-05600	.NUT	1	1	
8	97380-05025	.BOLT	1	1	
9	703-48265-00	.SHAFT, FRICTION	1	1	
10	93430-06024	.CIRCLIP	3	3	
11	703-48245-00	.PLATE, LOCK	1	1	
12	703-48252-00	.ROLLER, CAM	1	1	
13	701-48248-00	.ROLLER, FREE ACCEL.	1	1	
14	703-48198-00	.WASHER, WAVE	1	1	
15	703-48243-00	.BUSHING	1	1	
16	703-48236-00	.BUSHING 1	2	2	
17	703-48189-00	.RETAINER	1	1	
18	703-48234-00	.ROLLER, DETENT	1	1	
19	703-48345-01	.CABLE END,REMOTE CONTROL 2	2	2	
20	703-48358-00	.ANCHOR, CABLE	1	1	
21	703-48244-00	.SPRING, FREE ACCEL.	1	1	
22	703-48238-00	.SPRING, DETENT	5	5	
23	703-48246-00	.SPACER	1	1	
24	703-48227-00	.SPRING, NEUTRAL LOCK	1	1	
25	703-82594-00	.CLAMP	1	1	WITH PT/T SW.
26	703-48226-00	.PLATE, STOPPER	1	1	
27	703-48222-00	.GRIP, CONTROL LEVER	1	1	SINGLE

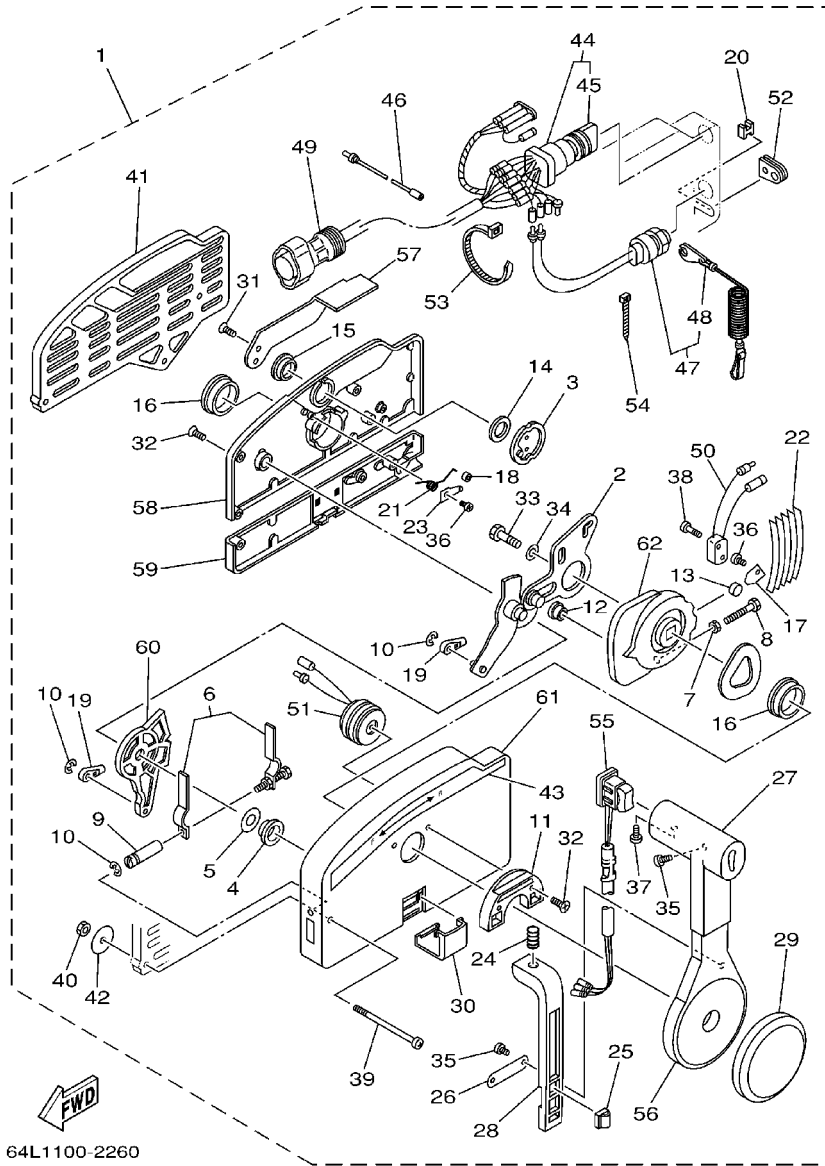


64L1100-2260

FIG. 27 REMOTE CONTROL ASSY

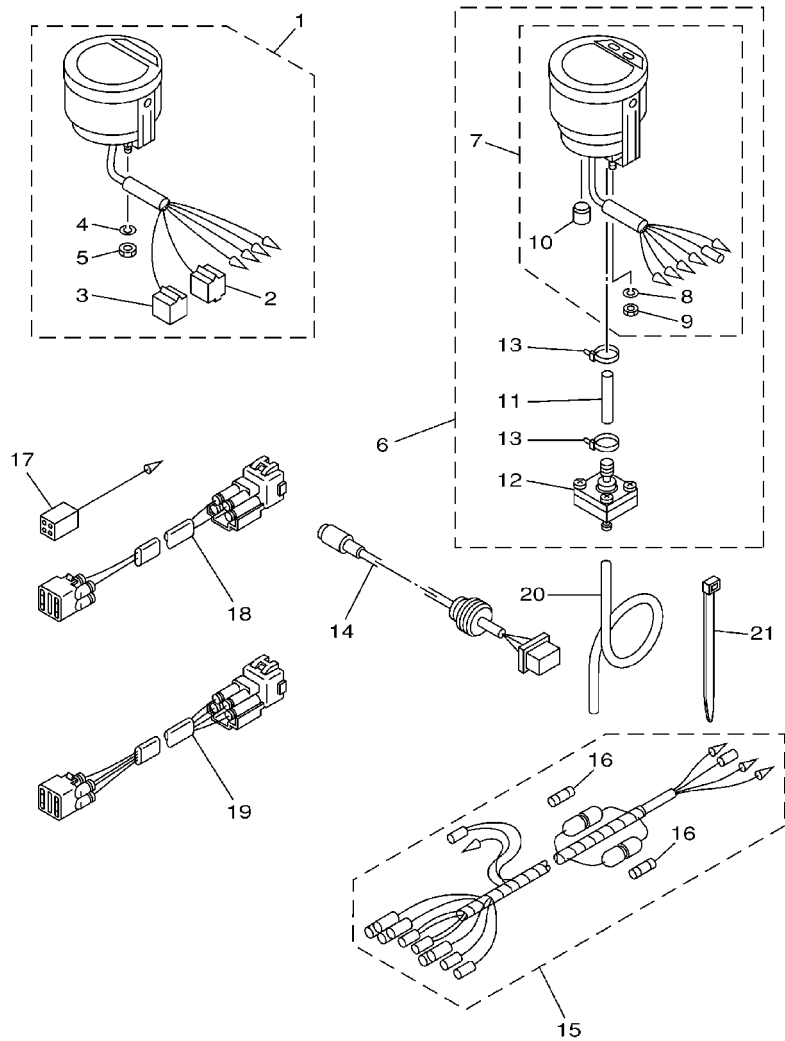
REF. NO.	PART NO.	DESCRIPTION	115C	130B	REMARKS
28	703-48223-00	.LOCK, NEUTRAL	1	1	
29	703-48225-00	.COVER	1	1	
30	703-48219-00	.COVER, LEAD	1	1	
31	703-48281-00	.SCREW	2	2	
32	703-48282-00	.SCREW	7	7	
33	97380-08030	.BOLT	1	1	
34	92990-08600	.WASHER, PLATE	1	1	
35	98580-04010	.SCREW, PAN HEAD	3	3	
36	98580-04006	.SCREW, PAN HEAD	2	2	
37	98580-05010	.SCREW, PAN HEAD	1	1	
38	98580-03015	.SCREW, PAN HEAD	2	2	
39	703-48291-10	.SCREW (M6)	3	3	
40	95380-06600	.NUT, HEXAGON	3	3	
41	703-48293-10	.SPACER, REMOTE CONTROL	1	1	SINGLE
42	701-48287-00	.WASHER	3	3	
43	703-48215-00	.GRAPHIC	1	1	
44	703-82510-43	.MAIN SWITCH ASSY	1	1	
45	703-82577-00	..CAP, KEY	1	1	
46	703-82531-00	.WIRE, LEAD	1	1	
47	688-82575-01	.ENGINE STOP SWITCH ASSY	1	1	
48	682-82556-00	..STOPPER	1	1	
49	688-8258A-20	.EXTENSION, WIRE HARNESS	1	1	L:5M (10P)
50	703-82540-00	.NEUTRAL SWITCH ASSY	1	1	
51	703-83383-02	.BUZZER	1	1	
52	703-48284-00	.GROMMET	1	1	
53	703-82591-00	.BAND	1	1	
54	703-82592-00	.BAND	1	1	

FIG. 27 REMOTE CONTROL ASSY



64L1100-2260

REF. NO.	PART NO.	DESCRIPTION	115C	130B	REMARKS
55	703-82563-02	.TRIM & TILT SWITCH ASSY	1	1	
56	703-48221-00	.LEVER, CONTROL	1	1	
57	703-48152-00	.KNOB, FREE ACCEL.	1	1	
58	703-48212-00	.BACK PLATE 1	1	1	
59	703-48213-00	.BACK PLATE 2	1	1	
60	703-48271-00	.ARM, SHIFT	1	1	
61	703-48211-01	.HOUSING,1	1	1	
62	703-48232-00	.GEAR	1	1	

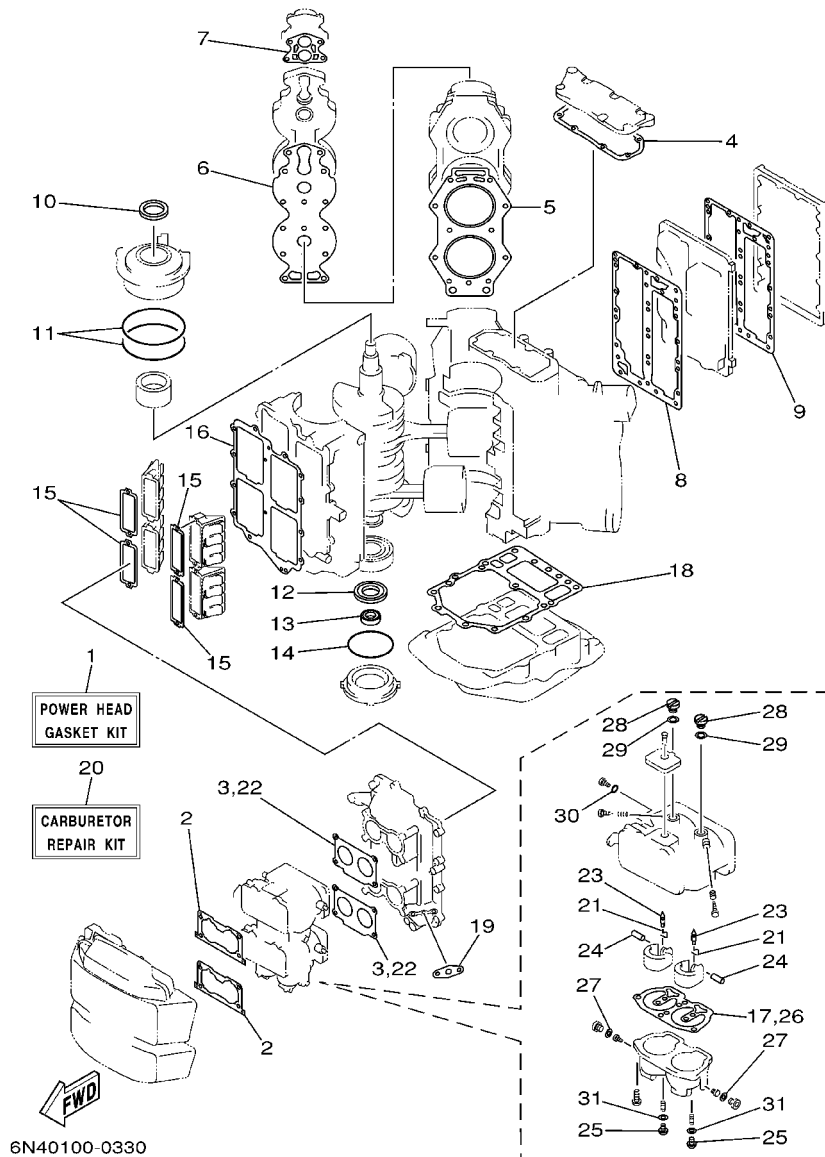


65N0300-1250

FIG. 28 METER

REF. NO.	PART NO.	DESCRIPTION	115C	130B	REMARKS
1	6Y5-8350T-01	DIGITAL TACHOMETER ASSY	1	1	AP
2	9E450-04433	.CONNECTOR	1	1	M-4-W
3	9E450-04533	.CONNECTOR	1	1	F-4-W
4	92990-04100	.WASHER, SPRING	2	2	
5	95380-04600	.NUT	2	2	
6	6Y5-83500-S5	DIGITAL SPEEDOMETER ASSY	1	1	AP
7	6Y5-83570-S5	.SPEEDOMETER ASSY	1	1	
8	92990-04100	..WASHER, SPRING	2	2	
9	95380-04600	..NUT	2	2	
10	6Y5-83533-T2	..GROMMET	1	1	
11	6Y5-83557-31	.TUBE	1	1	
12	6Y5-83728-00	.CONNECTOR ASSY	1	1	
13	90465-11M10	.CLAMP	2	2	
14	6Y5-87122-S0	CORD ASSY 1	1	1	AP
15	6Y5-83553-M0	WIRE, LEAD	1	1	AP
16	1E6-82151-00	.FUSE (10A)	2	2	
17	6Y5-82117-00	WIRE, LEAD (BLACK)	1	1	AP
18	6R3-82521-70	WIRE, LEAD	1	1	AP
19	6R3-82553-70	EXTENSION, WIRE LEAD	1	1	AP
20	6Y5-83557-00	TUBE (6M)	1	1	AP
21	90465-11M10	CLAMP	2	2	AP

FIG. 29 REPAIR KIT 1



REF. NO.	PART NO.	DESCRIPTION	115C	130B	REMARKS
1	6N6-W0001-A5	POWER HEAD GASKET KIT	1	1	
2	6K7-14483-00	.GASKET	2	2	
3	6E5-14198-A2	.GASKET	2	2	
4	6E5-11381-A2	.GASKET 1	1	1	
5	6E5-11181-A1	.GASKET, CYLINDER HEAD 1	2	2	
6	6E5-11193-A0	.GASKET, HEAD COVER 1	2	2	
7	688-12414-A1	.GASKET, COVER	2	2	
8	6E5-41112-A1	.GASKET, EXHAUST INNER COVER	1	1	
9	6E5-41112-A1	.GASKET, EXHAUST INNER COVER	1	1	
10	93102-40M14	.OIL SEAL	1	1	
11	93211-04001	.O-RING	2	2	
12	93102-35M13	.OIL SEAL	1	1	
13	93101-22M15	.OIL SEAL	1	1	
14	93210-74M35	.O-RING	1	1	
15	6E5-13621-A1	.GASKET, VALVE SEAT	4	4	
16	6E5-13645-A1	.GASKET, MANIFOLD 1	1	1	
17	64D-14384-01	.GASKET, FLOAT CHAMBER	2	2	
18	6G5-45113-A1	.GASKET, UPPER CASING	1	1	
19	650-24431-A0	.GASKET, FUEL PUMP 1	1	1	
20	6N6-W0093-09	CARBURETOR REPAIR KIT	1	1	
21	6E5-14159-00	.CLIP	2	2	
22	6E5-14198-A2	.GASKET	1	1	
23	6E5-14546-00	.VALVE, NEEDLE	2	2	
24	6E5-14386-02	.PIN, FLOAT	2	2	
25	64D-14394-00	.VALVE, DRAIN	2	2	
26	64D-14384-01	.GASKET, FLOAT CHAMBER	1	1	
27	6E5-14398-00	.GASKET	2	2	

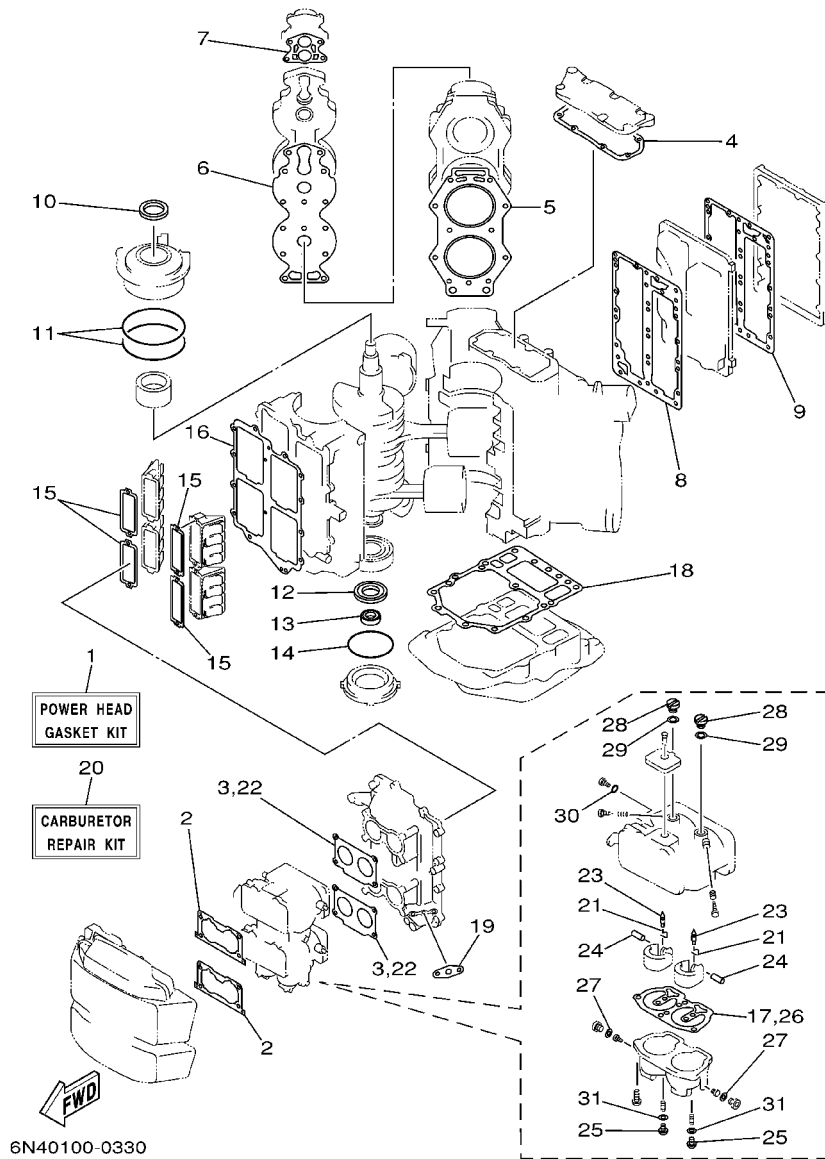


FIG. 29 REPAIR KIT 1

REF. NO.	PART NO.	DESCRIPTION	115C	130B	REMARKS
28	6E5-14328-01	.PLUG	2	2	
29	6E5-14979-00	.GASKET	2	2	
30	6J8-14959-00	.GASKET	1	1	
31	61U-14959-00	.GASKET	2	2	

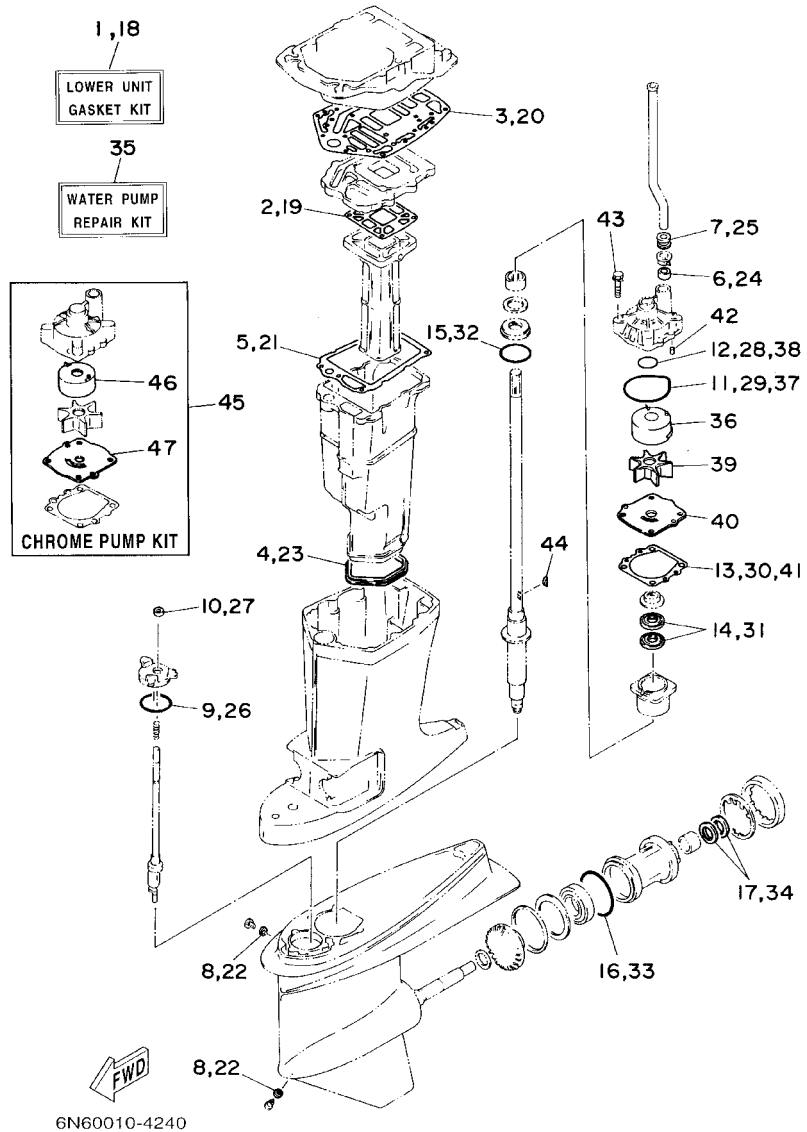


FIG. 30 REPAIR KIT 2

REF. NO.	PART NO.	DESCRIPTION	115C	130B	REMARKS
1	6E5-W0001-F1	LOWER UNIT GASKET KIT	1		
2	6E5-41134-A0	.GASKET, EXHAUST MANIFOLD	1		
3	6G5-45114-A0	.GASKET, UPPER CASING	1		
4	6E5-45123-00	.GASKET, MUFFLER	1		
5	6E5-41135-A0	.GASKET, EXHAUST MANIFOLD	1		
6	6E5-44365-00	.DAMPER, WATER SEAL	1		
7	6E5-44366-00	.DAMPER, WATER SEAL	1		
8	90430-08020	.GASKET	2		
9	93210-58144	.O-RING	1		
10	93106-09014	.OIL SEAL	1		
11	93210-86M38	.O-RING	1		
12	93210-37160	.O-RING	1		
13	6E5-44315-A0	.GASKET, WATER PUMP	1		
14	93101-28M16	.OIL SEAL	2		
15	93210-55M14	.O-RING	1		
16	93210-86M39	.O-RING	1		
17	93101-30M17	.OIL SEAL	2		
18	6F3-W0001-C1	LOWER UNIT GASKET KIT	1		
19	6G5-41134-A0	.GASKET, EXHAUST MANIFOLD	1		
20	6G5-45114-A0	.GASKET, UPPER CASING	1		
21	6E5-41135-A0	.GASKET, EXHAUST MANIFOLD	1		
22	90430-08020	.GASKET	2		
23	6E5-45123-00	.GASKET, MUFFLER	1		
24	6E5-44365-00	.DAMPER, WATER SEAL	1		
25	6E5-44366-00	.DAMPER, WATER SEAL	1		
26	93210-58144	.O-RING	1		
27	93106-09014	.OIL SEAL	1		

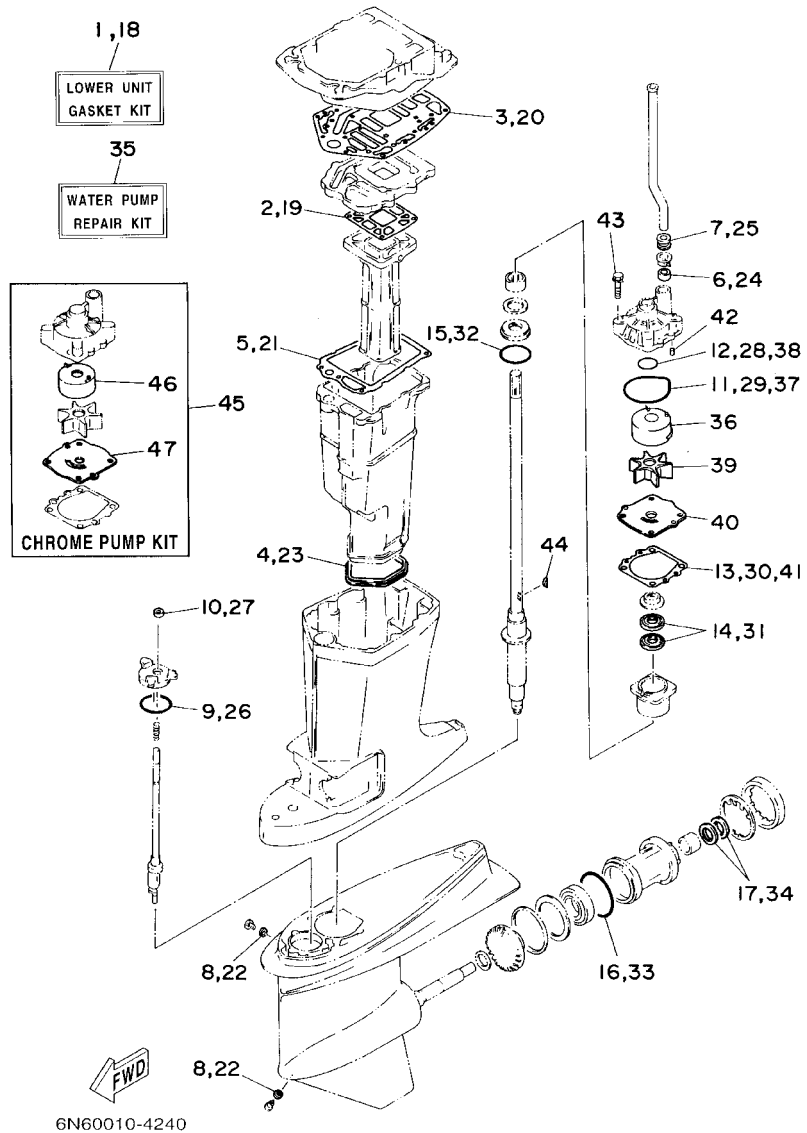


FIG. 30 REPAIR KIT 2

REF. NO.	PART NO.	DESCRIPTION	115C	130B	REMARKS
28	93210-37160	.O-RING		1	
29	93210-86M38	.O-RING		1	
30	6E5-44315-A0	.GASKET, WATER PUMP		1	
31	93101-28M16	.OIL SEAL		2	
32	93210-55M14	.O-RING		1	
33	93210-86M39	.O-RING		1	
34	93101-30M17	.OIL SEAL		2	
35	6N6-W0078-02	WATER PUMP REPAIR KIT	1	1	
36	61A-44322-02	.INSERT, CARTRIDGE	1	1	
37	93210-86M38	.O-RING	1	1	
38	93210-37160	.O-RING	1	1	
39	6E5-44352-01	.IMPELLER	1	1	
40	6E5-44323-00	.OUTER PLATE, CARTRIDGE	1	1	
41	6E5-44315-A0	.GASKET, WATER PUMP	1	1	
42	93606-12019	.PIN, DOWEL	2	2	
43	90119-08M14	.BOLT, WITH WASHER	4	4	
44	90280-04M05	.KEY, WOODRUFF	1	1	
45	6E5-W0078-3A	CHROME PUMP KIT	1	1	
46	6R3-44322-42	.INSERT, CARTRIDGE	1	1	
47	6E5-44323-40	.OUTER PLATE, CARTRIDGE	1	1	

NUMERICAL INDEX

PART NO.	REF. NO.	PART NO.	REF. NO.	PART NO.	REF. NO.	PART NO.	REF. NO.	PART NO.	REF. NO.	PART NO.	REF. NO.
6E5-W0001-F1	30 - 1	688-12414-A1	29 - 7	64D-14394-00	29 - 25	6G5-24318-10	9 - 37	6E5-41135-A0	21 - 32	688-42726-10	15 - 29
6F3-W0001-C1	30 - 18	6G5-12416-00	4 - 19	6E5-14398-00	6 - 13	6E5-24319-01	8 - 7		30 - 5	6N7-42738-02-5B	15 - 11
6N6-W0001-A5	29 - 1	6E5-12576-00	4 - 25		29 - 27	6G5-24319-10	9 - 38		30 - 21	6N7-42741-01-8D	15 - 30
6E5-W0004-00	5 - 2	6G5-12581-00	21 - 12	6E5-1441K-00	5 - 28	6E5-24321-01	8 - 11	6G5-41137-02-94	21 - 10	6H4-42748-00	15 - 3
6N7-W0070-30	1 - 19	6R3-13117-00	7 - 17	6N7-14440-01	5 - 27	6E5-24322-00	8 - 4	6E5-41213-00	16 - 32	6E5-42761-00-1S	2 - 18
6E5-W0078-3A	30 - 45	6R3-13183-10	7 - 12	6K7-14483-00	5 - 30	64E-24323-00	8 - 32	6E5-41217-01	5 - 22	6E5-42762-00-1S	2 - 19
6N6-W0078-02	30 - 35	6N6-13200-00	7 - 1		29 - 2	6Y1-24329-00	24 - 5	6H1-41237-00	7 - 21	6E5-42769-00	21 - 5
6N6-W0090-15-1S	2 - 1	6N7-13200-00	7 - 1	624-14485-00	5 - 8	6E5-24351-51	24 - 10	6R5-41237-00	7 - 23	6R3-42771-01-8D	15 - 31
6N7-W0090-16-1S	2 - 1	6E5-13411-00	8 - 26	6E5-14488-00	11 - 21	6Y2-24360-52	24 - 12	662-41237-01	16 - 25	6G5-42791-10	15 - 54
6N6-W0093-09	29 - 20	6E5-13414-00	8 - 27	6E5-14527-01	6 - 23	6E5-24367-10	15 - 41		16 - 31	6K7-42791-00	15 - 54
656-W2810-02	8 - 45	6N7-13416-00	7 - 7	6E5-14546-00	6 - 6	6E5-24376-10	9 - 36	6R3-41241-00	7 - 20	6R3-42791-41	21 - 2
6E5-11111-10-1S	4 - 1	6E5-13437-62	8 - 43		29 - 23	6R3-24377-00	9 - 2	6E5-41256-01	5 - 23	6R3-42792-41	21 - 3
6L1-11111-00-1S	4 - 1	6R3-13471-00	7 - 2	6E5-14711-01-5B	21 - 28	650-24378-00	4 - 15	661-41262-02	5 - 24	6R3-42811-01	15 - 15
6E5-11119-01	2 - 16	6L2-13475-00	7 - 3	6E5-14737-00	21 - 29	6E5-24379-00	8 - 12	6N7-41271-00	5 - 25	6R3-42811-10	15 - 18
6E5-11181-A1	4 - 2	6E5-13552-00	5 - 7	64D-1492E-88	6 - 12		8 - 34	689-41273-00	5 - 26	6R3-42813-00	15 - 21
	29 - 5	6E5-13610-00	5 - 1	64D-1492E-90	6 - 12		8 - 36	688-41611-00	11 - 9	6R3-42814-00	1 - 6
6E5-11191-01-1S	4 - 4	6E5-13621-A1	5 - 3	64D-1492F-39	6 - 9	6E5-24410-03	9 - 16	688-41612-00	11 - 10	6N7-42815-01-8D	15 - 4
6E5-11193-A0	4 - 5		29 - 15	64D-1492F-41	6 - 9	6E5-24411-00	9 - 22	6E5-41631-01-1S	16 - 10	6R3-42816-00	15 - 16
	29 - 6	6E5-13641-11-1S	5 - 6	61A-1492H-12	6 - 14	6E5-24412-10	9 - 29	6E5-41632-02-1S	16 - 6	6R3-42824-00	15 - 14
6E5-11325-00	2 - 14	6E5-13645-A1	5 - 14	6J8-14959-00	6 - 26	6E5-24413-00	9 - 19	6E5-41636-01	16 - 23	6N7-42828-00	15 - 24
6E5-11370-00	5 - 9		29 - 16		29 - 30	6A0-24421-01	9 - 26	688-41636-00	16 - 29	6R3-42828-00	15 - 25
6K7-11371-01-1S	2 - 22	6E5-14159-00	6 - 7	61U-14959-00	6 - 10	6E5-24423-00	9 - 24	6E5-42510-A1-8D	18 - 10	6N7-42841-00	15 - 28
6E5-11372-00	2 - 5		29 - 21		29 - 31	648-24424-00	9 - 23	6E5-42510-B1-8D	18 - 10	6N7-42850-00	15 - 17
6G5-11372-00-1S	4 - 23	6E5-14198-A2	5 - 19	6E5-14979-00	6 - 19	650-24431-A0	9 - 30	624-42542-00	8 - 30	6N7-42850-10	15 - 19
624-11379-00	2 - 3		29 - 3		29 - 29		29 - 19		8 - 41	6N7-42850-20	15 - 20
6E5-11381-A2	2 - 23		29 - 22	6N6-15100-01-1S	2 - 2	6E5-24434-02	9 - 25		12 - 3	64E-43111-02-8D	17 - 1
	29 - 4	6E5-14223-00	6 - 21	6N7-15100-01-1S	2 - 2	6E5-24435-00	9 - 21	6N6-42610-60-4D	1 - 1	64E-43112-02-8D	17 - 9
6G5-11382-A1	4 - 22	6E5-14276-01	7 - 26	6R3-15163-00-1S	3 - 3	6E5-24471-00	9 - 20	6N7-42610-60-4D	1 - 1	64E-43126-00	17 - 37
6N7-11411-01	3 - 1	6E5-14301-16	6 - 1	6G5-15359-00-94	3 - 12	61N-24521-00	9 - 7	6N7-42613-00-4D	1 - 12	64E-43131-01	17 - 15
6E5-11447-00	3 - 2	6L1-14301-04	6 - 1	6E5-21708-08	8 - 1	6R3-24560-00	9 - 5	6R3-42615-01	1 - 11	64E-43139-02	18 - 1
663-11518-01	2 - 4	6E5-14302-16	6 - 2	6E5-21733-02	8 - 2	61N-24563-00	9 - 6	6N7-42619-00	1 - 9	6G5-43144-00	17 - 27
6R3-11536-00	3 - 9	6L1-14302-04	6 - 2	6E5-21734-01-33	8 - 18	6E5-24566-00	9 - 9	6N7-42627-00	1 - 10	6E5-43145-01	25 - 8
6R3-11537-00	7 - 16	6E5-14321-00	6 - 16	6E5-21746-00	8 - 20	6YJ-24610-01	24 - 2	6N7-42636-00	1 - 14	6G5-43148-00	17 - 32
64D-11603-01	3 - 19	6E5-14323-03	6 - 20	6E5-21750-05	8 - 24	6A1-28176-00	15 - 55	6R3-42647-00	1 - 2	6G5-43181-02	17 - 29
64D-11604-01	3 - 19	6E5-14324-00	6 - 25	6E5-21770-03	8 - 3	6E5-41111-00-1S	4 - 11	6R3-42662-00	1 - 5	6G5-43185-02	17 - 30
64D-11605-01	3 - 19	6A0-14325-00	9 - 27	6E5-21798-01-33	8 - 19	6L1-41111-00-1S	4 - 11	6N7-4267A-30	1 - 23	64E-43311-10-8D	17 - 22
6R5-11631-11-93	3 - 17	6E5-14328-01	6 - 18	6YJ-24167-00	24 - 7	6E5-41112-A1	4 - 12	6N7-42678-30	1 - 22	64E-43311-20-8D	17 - 22
6R5-11633-10	3 - 20		29 - 28	6YJ-24201-10	24 - 1		4 - 13	6N7-42681-30	1 - 20	61A-43376-00	18 - 8
6R5-11634-10	3 - 21	6J8-14334-00	6 - 17	646-24251-02	8 - 6		29 - 8	6N7-42682-30	1 - 21	64E-4380F-00	20 - 33
6R5-11635-11	3 - 17	64D-14381-00	6 - 4	6Y1-24260-12	24 - 3		29 - 9	6N6-42686-40	1 - 17	64E-4380J-00	20 - 30
6R5-11636-11	3 - 17	61A-14383-01	6 - 15	6Y1-24268-00	24 - 6	6N7-41113-00-1S	4 - 14	6N7-42686-40	1 - 17	64E-43800-02-4D	19 - 1
6R5-11642-11-93	3 - 18	64D-14384-01	6 - 3	6Y2-24305-04	24 - 13	6G5-41131-01-5B	21 - 20	6N6-42687-30	1 - 18	64E-43802-00	20 - 8
6R5-11645-11	3 - 18		29 - 17	6YK-24306-42	10 - 1	6E5-41132-10-5B	21 - 24	6N7-42687-30	1 - 18	64E-43805-00	20 - 37
6R5-11646-11	3 - 18		29 - 26	6Y2-24306-42	24 - 8	6L1-41132-00-5B	21 - 24	6N7-42711-43-8D	15 - 1	64E-4381G-00	19 - 27
6R5-11650-10	3 - 22	6E5-14385-02	6 - 5	6E5-24312-00	4 - 16	6E5-41134-A0	21 - 25	648-42715-00	16 - 49	64E-43810-00	19 - 6
6E5-12411-20	4 - 7	6E5-14386-02	6 - 8	6N7-24313-00	9 - 1		30 - 2	6E5-42716-00	15 - 44	6E5-43814-02	19 - 13
6G5-12413-00-1S	4 - 8		29 - 24	6E5-24314-00	9 - 13	6G5-41134-A0	21 - 25	6E5-42724-00	21 - 11	64E-43816-00	20 - 17
688-12414-A1	4 - 9	64D-14394-00	6 - 11	6G5-24316-10	9 - 33		30 - 19	6N7-42725-20	15 - 10	64E-43817-00	19 - 5

NUMERICAL INDEX

PART NO.	REF. NO.	PART NO.	REF. NO.	PART NO.	REF. NO.	PART NO.	REF. NO.	PART NO.	REF. NO.	PART NO.	REF. NO.
64E-43817-10	20 - 19	64E-43883-00	19 - 11	663-44575-00	18 - 37	6E5-45576-00	22 - 61	703-48205-17	27 - 1	6E5-61355-00	25 - 5
64E-43818-01	19 - 32	64E-43891-00	20 - 31	6E5-45111-02-8D	21 - 1	6L6-45577-00-10	22 - 65	703-48211-01	27 - 61	6E5-81332-00	11 - 13
64E-4382G-00	19 - 29	64E-43892-00	20 - 34	6E5-45111-23-8D	21 - 1	6L6-45577-00-12	22 - 65	703-48212-00	27 - 58	6N7-81337-00	11 - 16
64E-43820-00	19 - 15	6E5-43896-00	20 - 9	6G5-45113-A1	21 - 14	6L6-45577-00-15	22 - 65	703-48213-00	27 - 59	6N7-81800-10	14 - 1
64E-43821-00	19 - 16	64E-43897-00	19 - 24		29 - 18	6L6-45577-00-18	22 - 65	703-48215-00	27 - 43	6N7-81801-00	14 - 8
64E-43822-00	19 - 17	64E-43898-00	19 - 7	6G5-45114-A0	21 - 21	6L6-45577-00-30	22 - 65	703-48219-00	27 - 30	6N7-81807-00	14 - 11
64E-43825-01	19 - 2	6E5-44117-00-1S	16 - 36		30 - 3	6L6-45577-00-40	22 - 65	703-48221-00	27 - 56	61A-81809-00	14 - 3
64E-43827-00	20 - 22	6E5-44118-01-94	16 - 44		30 - 20	6L6-45577-00-50	22 - 65	703-48222-00	27 - 27	6N7-81810-00	14 - 5
64E-43828-00	19 - 22	6E5-44120-03	16 - 51	663-45119-00	17 - 14	6E5-45587-01-10	22 - 37	703-48223-00	27 - 28	6N7-81813-00	14 - 9
64E-43829-00	19 - 23	6E5-44120-23	16 - 51		17 - 25	6E5-45587-01-12	22 - 37	703-48225-00	27 - 29	6E5-8182A-10	14 - 17
64E-43830-00	20 - 4	68F-44121-00	16 - 38	6E5-45123-00	21 - 31	6E5-45587-01-15	22 - 37	703-48226-00	27 - 26	6E5-8182E-10	14 - 15
64E-43831-00	20 - 2	6E5-44122-00	16 - 39		30 - 4	6E5-45587-01-18	22 - 37	703-48227-00	27 - 24	6E5-8182F-10	14 - 16
64E-4384J-00	19 - 18	6E5-44150-02	22 - 17		30 - 23	6E5-45587-01-30	22 - 37	703-48232-00	27 - 62	6K7-8182G-10	14 - 6
64E-43841-00	20 - 7	688-44194-00	16 - 14	6E5-45155-00	21 - 4	6E5-45587-01-40	22 - 37	703-48234-00	27 - 18	6E5-8182K-10	14 - 18
64E-43843-00	20 - 6		16 - 28	688-45214-02	23 - 10	6E5-45587-01-50	22 - 37	703-48235-00	27 - 4	6N7-81820-10	14 - 10
64E-43843-10	20 - 38	61A-44311-01	22 - 24	688-45215-02	23 - 11	6E5-45611-01	22 - 48	703-48236-00	27 - 16	6R3-81822-00-94	14 - 19
64E-43850-00	20 - 15	6E5-44312-00	23 - 20	6G5-45251-02	17 - 2	6E5-45631-01	22 - 56	703-48238-00	27 - 22	61A-81824-00	14 - 4
64E-43851-00	20 - 11	6E5-44315-A0	22 - 31	6E5-45300-16-8D	22 - 1	6E5-45633-01	22 - 57	703-48243-00	27 - 15	6K7-81826-10	14 - 14
64E-43855-00	20 - 14		30 - 13	6E5-45300-26-8D	22 - 1	6E5-45634-01	22 - 50	703-48244-00	27 - 21	6N7-81830-00	14 - 13
6E5-43858-00	19 - 28		30 - 30	6E5-45301-04-8D	22 - 2	6E5-45641-02	22 - 49	703-48245-00	27 - 11	6N7-81840-00	14 - 7
64E-43858-00	20 - 12		30 - 41	6E5-45318-00	21 - 35	688-45930-02-98	23 - 26	703-48246-00	27 - 23	6N7-81850-10	14 - 2
	20 - 18	6R3-44322-42	30 - 46	6E5-45321-00	22 - 13	688-45932-60-98	23 - 26	701-48248-00	27 - 13	6N7-81857-00	14 - 12
72X-43858-00	20 - 5	61A-44322-02	22 - 25	6E5-45331-00-94	22 - 34	6E5-45941-00-EL	23 - 26	703-48252-00	27 - 12	6E5-81900-01	8 - 9
64E-43859-00	20 - 13		30 - 36	6E5-45332-00-94	22 - 58	6E5-45943-00-EL	23 - 26	703-48261-01	27 - 2	6E5-81922-00	8 - 10
6H1-4386K-10	20 - 29	6E5-44323-00	22 - 30	688-45341-10	22 - 7	6E5-45945-01-EL	23 - 26	703-48264-00	27 - 6	61A-81941-00	13 - 8
64E-43860-00	20 - 20		30 - 40	6E5-45344-00	22 - 40	6E5-45947-00-EL	23 - 26	703-48265-00	27 - 9	6R3-81942-00	12 - 16
6E5-43862-00	19 - 10	6E5-44323-40	30 - 47	6E5-45371-01	23 - 14	6E5-45949-00-EL	23 - 26	703-48268-00	27 - 5	6E5-81948-22	13 - 15
	19 - 14	6E5-44352-01	22 - 28	6E5-45371-10	23 - 28	6E5-45952-00-EL	23 - 26	703-48271-00	27 - 60	6N7-81948-00-94	12 - 10
6G5-43863-00	20 - 10		30 - 39	688-45375-00	23 - 9	6E5-45954-00-EL	23 - 26	703-48281-00	27 - 31	6E5-8195A-00	13 - 11
6E5-43864-00	19 - 20	6E5-44361-00	23 - 2	663-45376-00-94	23 - 8	6E5-45956-00-EL	23 - 26	703-48282-00	27 - 32	6E5-81950-00	13 - 10
6G5-43864-00	19 - 19	6E5-44361-20	23 - 2	6E5-45378-00	22 - 10	6E5-45970-10	23 - 27	703-48284-00	27 - 52	689-81952-10	13 - 9
6G5-43865-00	20 - 35	6E5-44365-00	23 - 3	688-45383-02	22 - 68	688-45970-03-98	23 - 26	701-48287-00	27 - 42	6R3-81960-00	12 - 13
64E-43865-00	20 - 16		23 - 19	688-45384-00	22 - 69	6E5-45972-10	23 - 27	703-48291-10	27 - 39	6N7-82105-02	13 - 34
64E-43866-00	19 - 9		30 - 6	6E5-45501-01	22 - 43	688-45972-02-98	23 - 26	703-48293-10	27 - 41	6E5-82116-00	13 - 14
64E-43867-00	19 - 8		30 - 24	6E5-45501-21	22 - 43	6E5-45974-10	23 - 27	701-48320-00	26 - 2	6E5-82117-01	13 - 35
64E-43868-00	20 - 3	6E5-44366-00	23 - 1	61A-45527-00	22 - 23	688-45974-02-98	23 - 26	701-48320-50	26 - 2	6Y5-82117-00	28 - 17
64E-43869-00	19 - 26		30 - 7	6E5-45536-00	22 - 9	6E5-45976-10	23 - 27	701-48320-60	26 - 2	6G5-82119-00	13 - 13
64E-4387A-00	20 - 23		30 - 25	61A-45538-00	22 - 20	688-45976-01-98	23 - 26	701-48320-80	26 - 2	6E5-82147-00	17 - 26
6E5-43872-00	19 - 12	6E5-44391-00	15 - 9	6E5-45551-02	22 - 44	6E5-45978-10	23 - 27	6E5-48344-00	16 - 7	6E5-82147-20	17 - 26
64E-43873-00	20 - 24	6E5-44511-00-5B	18 - 38	6E5-45560-01	22 - 46	688-45978-60-98	23 - 26		16 - 42	6E5-82148-00	17 - 6
6E5-43874-01	19 - 21	6E5-44514-00-94	18 - 31	6E5-45567-01-10	22 - 5	6E5-45987-01	23 - 21	703-48345-01	27 - 19		17 - 10
64E-43875-00	20 - 25	6G5-44526-00	17 - 3	6E5-45567-01-12	22 - 5	6E5-45994-10	23 - 29	701-48350-00	26 - 2	6E5-82149-00	18 - 19
64E-43879-00	20 - 27	68F-44533-00	2 - 20	6E5-45567-01-15	22 - 5	688-45997-01	23 - 22	701-48350-20	26 - 2	1E6-82151-00	28 - 16
64E-43879-10	20 - 26	6G5-44551-01-8D	18 - 13	6E5-45567-01-18	22 - 5	703-48152-00	27 - 57	703-48358-00	27 - 20	663-82151-00	13 - 31
64E-4388E-00	19 - 25	6E5-44552-01-94	18 - 24	6E5-45567-01-30	22 - 5	703-48153-00	27 - 3	6E5-48531-00	16 - 1	705-82151-00	13 - 32
64E-4388E-10	20 - 1	6E5-44553-01-8D	18 - 27	6E5-45567-01-40	22 - 5	703-48189-00	27 - 17	6E5-48538-00	16 - 2	6G5-82152-00	13 - 33
64E-4388J-00	19 - 3	6E5-44555-00-94	18 - 16	6E5-45567-01-50	22 - 5	703-48198-00	27 - 14	6E5-61350-Q2	25 - 1	6A0-82317-00	8 - 29
64E-43880-01	20 - 28	6E5-44575-00	18 - 15	6E5-45571-01	22 - 60	703-48205-17	26 - 1	6E5-61351-01	25 - 2		8 - 40

NUMERICAL INDEX

PART NO.	REF. NO.	PART NO.	REF. NO.	PART NO.	REF. NO.	PART NO.	REF. NO.	PART NO.	REF. NO.	PART NO.	REF. NO.
6A0-82317-00	12 - 2	6N7-85542-01-1S	12 - 1	90119-08M77	14 - 21	90206-10M04	16 - 34	90446-15M07	9 - 41	90508-29M12	16 - 22
663-82317-01	11 - 18	6N7-85550-00	11 - 1	90119-08M79	21 - 15	90206-13M10	15 - 6	90464-07M06	7 - 14	90560-12M01	25 - 4
6G1-82370-21	13 - 4	6R3-85570-01	13 - 1	90119-08M94	2 - 12	90206-22M19	22 - 22	90464-12M00	11 - 12	91490-40030	23 - 25
703-82510-43	27 - 44	6E5-85580-00	11 - 3	90119-08O27	21 - 9	90249-06M19	17 - 33	90464-13M34	8 - 38	91609-30010	13 - 22
6R3-82519-00	13 - 36	6E5-85711-60	8 - 44	90119-10M89	23 - 7	90250-08M07	22 - 55	90465-05M87	13 - 28	91690-30012	16 - 3
662-82519-00	13 - 5	6E5-85720-04	8 - 16	90152-05M07	23 - 12	90280-04M05	22 - 29	90465-06M86	2 - 25	91690-30016	7 - 27
6R3-82521-70	28 - 18	6R3-85721-30	8 - 17	90157-06M01	15 - 42		30 - 44		5 - 16	91690-30020	17 - 35
6E5-82531-10	13 - 39	6G7-85730-04	8 - 25	90157-06O13	16 - 11	90280-05O15	11 - 4	90465-08M63	17 - 23	92903-05600	9 - 18
703-82531-00	27 - 46	6E5-85740-02	8 - 39		16 - 26	90282-04O10	22 - 67	90465-08M89	13 - 29	92903-06100	9 - 11
703-82540-00	27 - 50	6N7-86110-00	13 - 20	90159-06M08	12 - 17	90340-08O02	22 - 6	90465-11M10	7 - 8	92903-06600	11 - 8
6R3-82553-70	28 - 19	6N7-86112-00	13 - 25	90159-06M11	12 - 9	90340-14M00	2 - 6		8 - 5		12 - 12
682-82556-00	27 - 48	6N7-86116-00	13 - 21	90159-06M14	5 - 31	90384-06M07	2 - 8		8 - 8		12 - 15
688-82560-10	13 - 27	6Y5-87122-S0	28 - 14	90170-16M01	22 - 45	90384-14M09	2 - 9		8 - 14		12 - 19
6R3-82563-00	13 - 43	6G5-87149-10	13 - 12	90170-20I37	11 - 6	90386-06M12	16 - 43		8 - 35	92903-08600	16 - 46
703-82563-02	27 - 55	9E450-04433	28 - 2	90171-18M04	23 - 24	90386-10M16	17 - 31		8 - 37	92990-04100	28 - 4
6E3-8257H-00	15 - 56	9E450-04533	28 - 3	90179-06M24	1 - 13	90386-12O89	16 - 17		9 - 3		28 - 8
688-82575-01	27 - 47	90101-12M03	17 - 40	90179-06O66	18 - 30	90386-13M88	15 - 5		9 - 4	92990-04600	1 - 15
703-82577-00	27 - 45	90105-10M00	23 - 15	90183-05M02	21 - 30	90386-16M66	16 - 53		9 - 14	92990-05600	5 - 5
688-8258A-20	27 - 49	90105-10M20	2 - 11	90185-05O02	23 - 13	90386-22M13	16 - 19		9 - 15	92990-06100	1 - 3
6E5-82587-00	13 - 44	90109-06M39	7 - 6	90185-06M07	16 - 9	90386-22M98	17 - 38		9 - 34	92990-06200	16 - 8
6E5-82588-00	15 - 46	90109-06M40	7 - 5	90185-09M01	25 - 6		19 - 33		9 - 35	92990-06600	8 - 22
6K7-82588-00	15 - 45	90109-08M45	15 - 7	90185-12M12	18 - 36	90386-25M31	17 - 18		9 - 39		12 - 7
6N7-82590-14	13 - 30	90109-08O22	3 - 23	90185-22M11	17 - 20	90386-38M32	18 - 12		9 - 40		15 - 43
703-82591-00	27 - 53	90109-12M37	18 - 35	90201-08M13	16 - 21	90387-06M29	16 - 33		17 - 21		17 - 12
703-82592-00	27 - 54	90109-14M34	18 - 20	90201-08M14	19 - 30	90387-08M16	16 - 18		18 - 5	92990-08200	15 - 8
6E5-82594-00	15 - 50	90116-06M30	5 - 13	90201-08M23	16 - 16	90387-08M37	15 - 35		23 - 18	92990-08600	14 - 23
688-82594-00	15 - 49	90116-08M45	2 - 13	90201-08M54	15 - 36	90387-10M05	17 - 34		28 - 13		27 - 34
703-82594-00	27 - 25	90119-06MA2	2 - 21	90201-10M20	25 - 7	90387-10M61	25 - 3		28 - 21	92990-18200	23 - 23
703-83383-02	27 - 51		2 - 24	90201-12M05	17 - 42	90430-08O20	22 - 8	90465-12M25	15 - 51	92995-06100	5 - 21
6Y5-8350T-01	28 - 1		3 - 7	90201-13M01	17 - 41		30 - 8	90465-13M18	4 - 26		17 - 5
6Y5-83500-S5	28 - 6		3 - 16	90201-14M56	18 - 34		30 - 22		13 - 19	92995-06600	1 - 8
6Y5-83533-T2	28 - 10		4 - 24	90201-15M58	18 - 21	90430-14I15	2 - 7		13 - 42		5 - 18
6Y5-83553-M0	28 - 15		16 - 37	90201-16M55	18 - 18	90445-05M02	8 - 28	90467-08O04	4 - 17		9 - 32
6N7-83557-00	13 - 18	90119-06MA3	5 - 15	90201-21M18	11 - 5	90445-07ME8	22 - 11	90468-05M03	7 - 24		11 - 15
6Y5-83557-00	28 - 20	90119-06MA4	4 - 6	90201-22M01	22 - 21	90445-07ME9	22 - 11	90468-07M02	7 - 15		13 - 3
6Y5-83557-31	28 - 11	90119-06MA5	4 - 18	90201-23M01	3 - 25	90445-07MFO	23 - 16	90468-18O08	16 - 41		13 - 7
6E5-83558-00	23 - 17	90119-06MA6	4 - 10	90201-26M57	18 - 32	90445-07M24	5 - 11	90480-06M19	8 - 15		13 - 17
6E5-83558-10	22 - 12	90119-06M10	22 - 16	90201-26M59	17 - 19	90445-07M28	5 - 10		15 - 2		13 - 24
6Y5-83570-S5	28 - 7	90119-06M59	12 - 4	90201-30M92	22 - 66	90445-07M46	5 - 12	90480-12M11	11 - 17		13 - 38
6R3-83614-00	13 - 45	90119-06M65	8 - 31	90201-38M60	18 - 11	90445-07M72	7 - 11	90480-20M05	4 - 21		13 - 41
6A1-83625-41	11 - 20		8 - 42	90202-05O88	7 - 25	90445-07M87	7 - 13	90480-22M15	15 - 34		15 - 13
6A1-83625-51	11 - 19	90119-08MA3	2 - 17	90202-08M20	16 - 40	90445-07M89	7 - 9	90501-11M10	22 - 19		15 - 23
64E-83672-02	18 - 3	90119-08MA8	4 - 3	90202-08M44	7 - 19	90445-07I96	7 - 10	90501-12O82	16 - 48		15 - 27
6Y5-83728-00	28 - 12	90119-08M14	22 - 33	90202-12O92	16 - 20	90445-07J58	5 - 29	90501-16M11	4 - 20		15 - 33
72X-85075-LO	20 - 21		30 - 43	90202-16O61	16 - 54	90445-11M81	8 - 13	90501-16M12	16 - 12		15 - 40
6N7-85510-00	11 - 2	90119-08M22	15 - 38	90202-26M18	18 - 33	90445-12M12	8 - 33	90501-16M28	18 - 28		15 - 48
6N7-85537-00	12 - 8	90119-08M57	14 - 22	90202-32M19	18 - 17	90445-13M01	24 - 9	90501-16M37	22 - 51		15 - 53
6N7-85540-01	12 - 5	90119-08M76	14 - 20	90202-40M47	18 - 7	90445-13M35	24 - 11	90506-14M24	17 - 36		17 - 8

NUMERICAL INDEX

PART NO.	REF. NO.	PART NO.	REF. NO.	PART NO.	REF. NO.	PART NO.	REF. NO.	PART NO.	REF. NO.	PART NO.	REF. NO.
92995-06600	21 - 7	93210-58144	30 - 26	95380-04600	28 - 5	97095-08016	14 - 24				
92995-08100	16 - 5	93210-74M35	3 - 15		28 - 9	97095-08020	16 - 4				
	17 - 17		29 - 14	95380-05600	7 - 22		17 - 16				
	21 - 17	93210-86M38	22 - 26		16 - 24	97095-08025	22 - 41				
	21 - 19		30 - 11		16 - 30	97095-08030	21 - 22				
92995-08600	14 - 25		30 - 29		27 - 7	97095-08045	21 - 16				
	21 - 23		30 - 37	95380-06600	1 - 4		21 - 26				
	21 - 27	93210-86M39	22 - 64		5 - 20		21 - 33				
	21 - 34		30 - 16		8 - 23	97095-10045	18 - 25				
	22 - 42		30 - 33		27 - 40		18 - 39				
92995-10100	18 - 26	93211-04001	3 - 6	95380-08600	9 - 12	97380-05025	27 - 8				
	18 - 40		29 - 11	95380-08700	21 - 18	97380-08030	27 - 33				
	23 - 6	93306-208U0	3 - 10	95380-12600	17 - 43	97607-04310	20 - 32				
92995-14600	18 - 23		22 - 59	95380-14800	18 - 22	97780-40520	1 - 16				
93101-22M15	3 - 14	93310-323V6	3 - 24	95780-10300	18 - 9	97780-60525	18 - 2				
	29 - 13	93310-836U0	3 - 26	97013-06012	12 - 18	97880-05025	5 - 4				
93101-28M16	22 - 35	93310-954U1	3 - 8	97013-06014	9 - 10	97880-06012	17 - 11				
	30 - 14	93311-940U3	3 - 4	97013-06016	12 - 11	97880-06018	11 - 11				
	30 - 31	93315-425U7	22 - 47	97013-06025	12 - 14	97880-06020	12 - 6				
93101-30M17	22 - 63	93315-430U8	22 - 62	97013-06065	11 - 7	97885-06010	11 - 14				
	30 - 17	93315-628U9	22 - 3	97013-08030	16 - 45	97885-06016	18 - 4				
	30 - 34	93317-330U2	22 - 36	97013-08045	16 - 15		18 - 29				
93102-08M43	20 - 36	93332-000U7	22 - 4	97075-08035	15 - 37	97980-05108	6 - 24				
93102-35M13	3 - 13	93341-930V2	22 - 38	97075-10045	23 - 5	97980-05116	6 - 22				
	29 - 12	93410-16006	16 - 55	97080-06100	8 - 21	98503-05035	9 - 17				
93102-40M14	3 - 5	93410-22M11	17 - 39	97080-08016	19 - 31	98580-03015	27 - 38				
	29 - 10	93410-37M04	18 - 14	97095-06010	15 - 26	98580-04006	27 - 36				
93106-09014	22 - 15	93410-40M03	3 - 11		17 - 7	98580-04010	27 - 35				
	30 - 10	93420-36M01	21 - 36		17 - 28	98580-05010	27 - 37				
	30 - 27	93430-06024	27 - 10		21 - 6	98586-05016	24 - 4				
93210-03261	13 - 26	93501-04M02	16 - 47	97095-06012	1 - 7	98780-04015	2 - 15				
93210-08287	24 - 14	93503-16003	22 - 54		5 - 17	99001-08600	22 - 18				
93210-09165	16 - 52	93507-32009	22 - 52		13 - 6						
93210-10M74	19 - 4	93511-32017	22 - 53		13 - 37						
93210-13M04	7 - 18	93606-12019	22 - 32		13 - 40						
93210-16275	25 - 9		30 - 42		13 - 46						
93210-19MA7	7 - 4	93608-12M05	21 - 8		15 - 52						
93210-32738	9 - 8		21 - 13	97095-06016	13 - 16						
93210-37MH7	18 - 6		23 - 4		15 - 12						
93210-37160	22 - 27	93608-12063	2 - 10		15 - 22						
	30 - 12	93700-06M03	16 - 50	97095-06020	13 - 2						
	30 - 28		17 - 13		15 - 32						
	30 - 38		17 - 24		15 - 39						
93210-55M14	22 - 39	94702-00247	4 - 27		15 - 47						
	30 - 15	94702-00309	4 - 27	97095-06025	16 - 35						
	30 - 32	95303-06600	16 - 13	97095-06030	13 - 23						
93210-58144	22 - 14		16 - 27		17 - 4						
	30 - 9	95380-03600	9 - 28	97095-06050	9 - 31						

115CETO/130BETO
PARTS CATALOGUE
E2001 by Yamaha Motor Co., Ltd.
1st Edition, Oct. 2001
All rights reserved.

Any reprinting or unauthorized use
without the written permission of
Yamaha Motor Co., Ltd.
is expressly prohibited.
Printed in Japan