



# PARTS CATALOGUE

**115TRC** (6N63)

**130TRC** (6N73)

**115C'04** (6N63)

**130B'04** (6N73)

**L130B'04** (6N43)

# FOREWORD

This Parts Catalogue is related to the parts for the model(s) on the cover page. When you are ordering replacement parts, please refer to this Parts Catalogue and quote both part numbers and part names correctly.

1. Modifications or additions which have been made after the issue of the Parts Catalogue will be announced in the Yamaha Parts News.  
It is advisable that you make the necessary corrections to the Parts Catalogue according to the Yamaha Parts News.

2. Abbreviations

The following abbreviations are used in this Parts Catalogue.

“UR” Use specified parts number.

“UN” Use as many as needed.

“AP” Alternate Parts

“LM” Locally Made (Parts need to be ordered locally)

“F#” Frame No. (Applicable machine No.)

“O/S” Over Size

3. The number of components for assembly

- Parts, which are to be supplied in an assembly, are listed with a dot (.) in front of the part name as shown below.
- The numeral appearing to the right of each component part indicates the quantity of parts for each assembly unit.

PART NO.	DESCRIPTION	Q'TY	REMARKS
2F5-83310-60	FRONT FLASHER LIGHT ASSY	2	
115-83311-60	.BULB (6V-18W)	1	

4. Applicable colours of graphics are represented in the “REMARKS” as shown below.

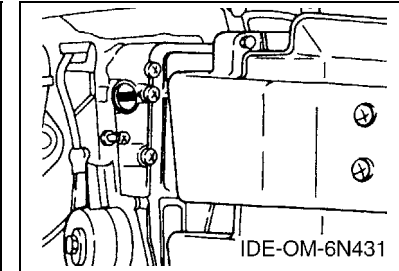
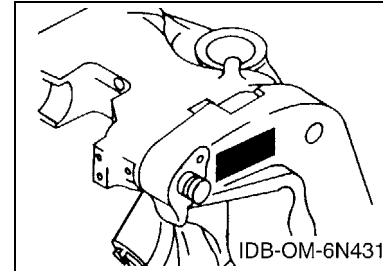
PART NO.	DESCRIPTION	Q'TY	REMARKS
2N4-24110-00-X5	FUEL TANK COMP.	2	MXR
3J1-24240-10	.GRAPHIC, FUEL TANK	1	FOR MXR

5. Note that the illustrations for reference in finding parts numbers are not to be used for assembling. When assembling, please use the applicable service manual.

6. The asterisk (\*) before a reference number indicates modified items after the first edition.

7. Applicable Serial No.

Engine Serial No.



8. Applicable Engine Starting Serial No.

Model	Serial No.	Model	Serial No.
115	6E5-1005727	115C	6E5-1005727
130	6L1-1001179	130B	6L1-1001179
L130B	6L6-1000019		

9. Applicable Colour Code

Abbreviation	Colour Name	Colour Code
DBNM2	DARK BLUIISH GRAY METALLIC 2	004D

10. Quantity Column Information

Column No.	Name Of Q'ty Column	Applicable Model
1	115	115TRC,115CET,115CETO
2	130	130TRC,130BETO
3	L130	L130BETO

# CONTENTS

## SHEET1/2

TOP COWLING .....	A4
CYLINDER. CRANKCASE 1 .....	A6
CRANKSHAFT. PISTON .....	B1
CYLINDER. CRANKCASE 2 .....	B3
INTAKE .....	B5
CARBURETOR .....	B7
OIL PUMP .....	C2
OIL TANK .....	C4
FUEL 1 .....	C7
FUEL 2 .....	D2
FUEL 3 .....	D3
GENERATOR .....	D4
ELECTRICAL 1 .....	D5
ELECTRICAL 2 .....	D6
STARTING MOTOR .....	E1
BOTTOM COWLING .....	E2
CONTROL .....	E5
BRACKET 1 .....	F1
BRACKET 2 .....	F3
POWER TRIM & TILT ASSY 1 .....	F5
POWER TRIM & TILT ASSY 2 .....	F7

## INDEX

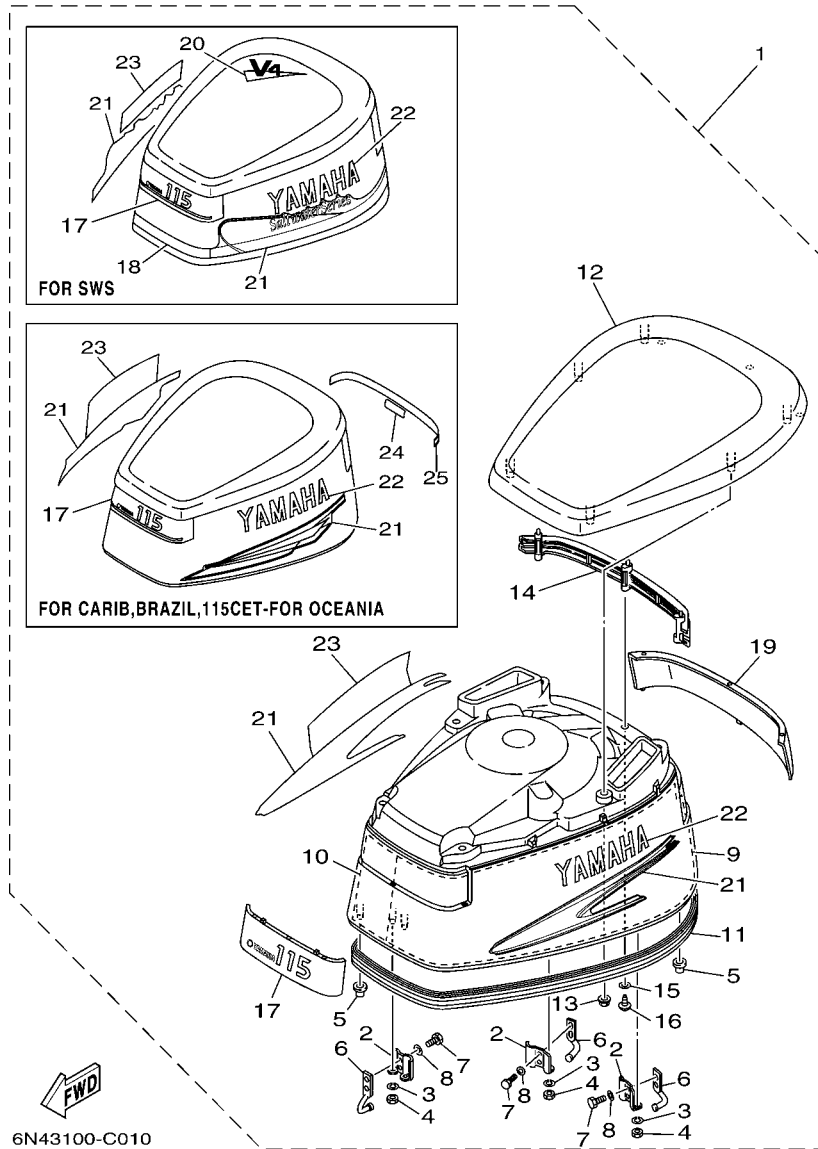
NUMERICAL INDEX .....	G1
-----------------------	----

## SHEET2/2

POWER TRIM & TILT ASSY 2 .....	A4*
UPPER CASING .....	A5*
LOWER CASING. DRIVE 1 .....	A7*
LOWER CASING. DRIVE 2 .....	B4*
LOWER CASING. DRIVE 3 .....	B6*
LOWER CASING. DRIVE 4 .....	C3*
FUEL TANK .....	C4*
STEERING GUIDE ATTACHMENT 1 .....	C5*
STEERING GUIDE ATTACHMENT 2 .....	C6*
REMOTE CONTROL BOX .....	C7*
REMOTE CONTROL ASSY 1 .....	D1*
REMOTE CONTROL ASSY 2 .....	D4*
METER .....	D7*
SWITCH. PANEL .....	E2*
REPAIR KIT 1 .....	E3*
REPAIR KIT 2 .....	E5*

## INDEX

NUMERICAL INDEX .....	G1*
-----------------------	-----



6N43100-C010

FIG. 1 TOP COWLING

REF. NO.	PART NO.	DESCRIPTION	115	130	L130	REMARKS
1	6N6-42610-80-4D	TOP COWLING ASSY	1			FOR USA
	6N7-42610-80-4D	TOP COWLING ASSY		1		FOR USA
	6N6-42610-60-4D	TOP COWLING ASSY	1			FOR OCE,CAR,BRA
	6N7-42610-60-4D	TOP COWLING ASSY		1		FOR CAR,BRA
	6N6-42610-T0-4D	TOP COWLING ASSY	1			FOR SWS
	6N7-42610-T0-4D	TOP COWLING ASSY		1	1	FOR SWS
2	6R3-42647-00	.HOLDER, CLAMP BAND	3	3	3	
3	92990-06100	.WASHER, SPRING	6	6	6	
4	95380-06600	.NUT, HEXAGON	6	6	6	
5	6R3-42662-00	.DAMPER	3	3	3	
6	6R3-42814-00	.HOOK, CLAMP	3	3	3	
7	97095-06012	.BOLT	6	6	6	
8	92995-06600	.WASHER	6	6	6	
9	6N7-42619-00	.DAMPER, FORM	1	1	1	
10	6N7-42627-00	.DAMPER, FORM	1	1	1	
11	6R3-42615-01	.SEAL	1	1	1	
12	6N7-42613-00-4D	.MOLDING, AIR DUCT	1	1	1	
13	90179-06M24	.NUT	6	6	6	
14	6N7-42636-00	.LOUVER 2	1	1	1	
15	92990-04600	.WASHER, PLATE	3	3	3	
16	97780-40520	.SCREW, TAPPING	3	3	3	
17	6N6-42686-60	.EMBLEM, FRONT	1			FOR USA
	6N7-42686-60	.EMBLEM, FRONT		1		FOR USA
	6N6-42686-40	.EMBLEM, FRONT	1			EXCEPT USA
	6N7-42686-40	.EMBLEM, FRONT		1	1	FOR CAR,BRA,SWS
18	6N6-42677-40	.GRAPHIC, FRONT	1	1	1	FOR SWS
19	6N6-42687-60	.EMBLEM, REAR	1			FOR USA

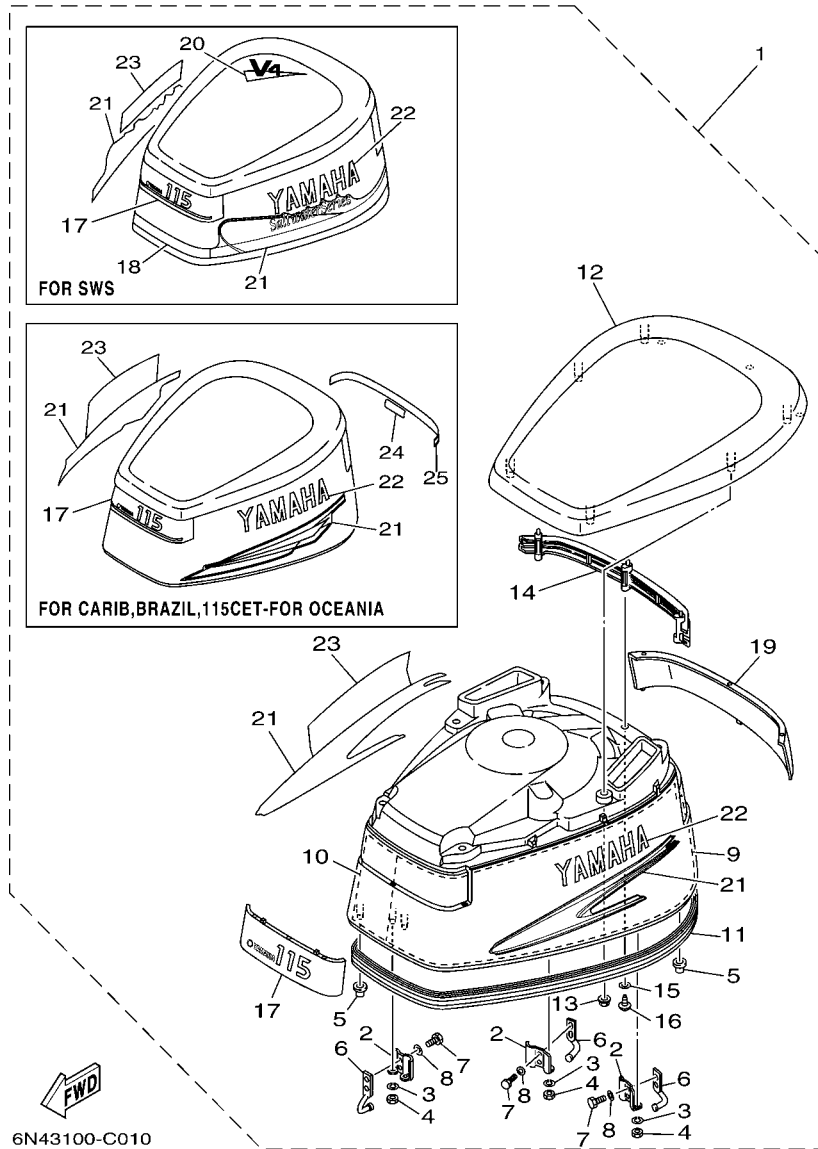
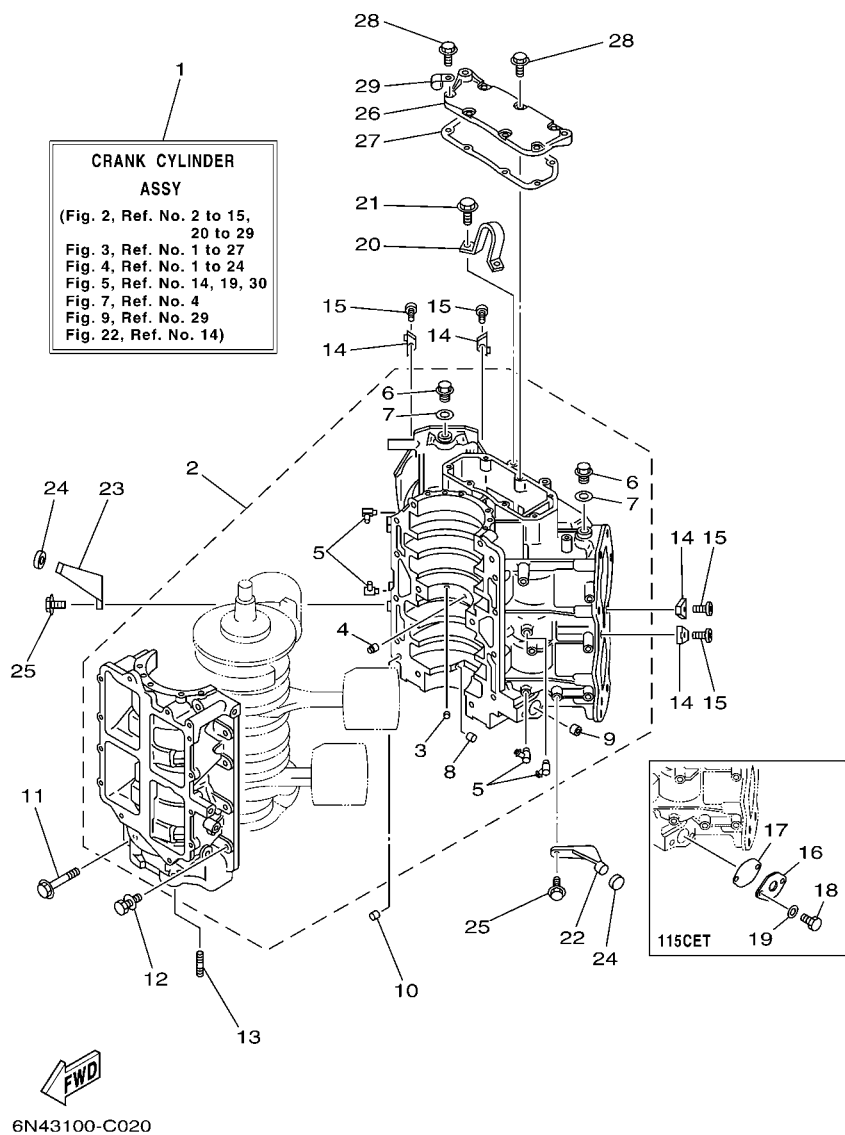


FIG. 1 TOP COWLING

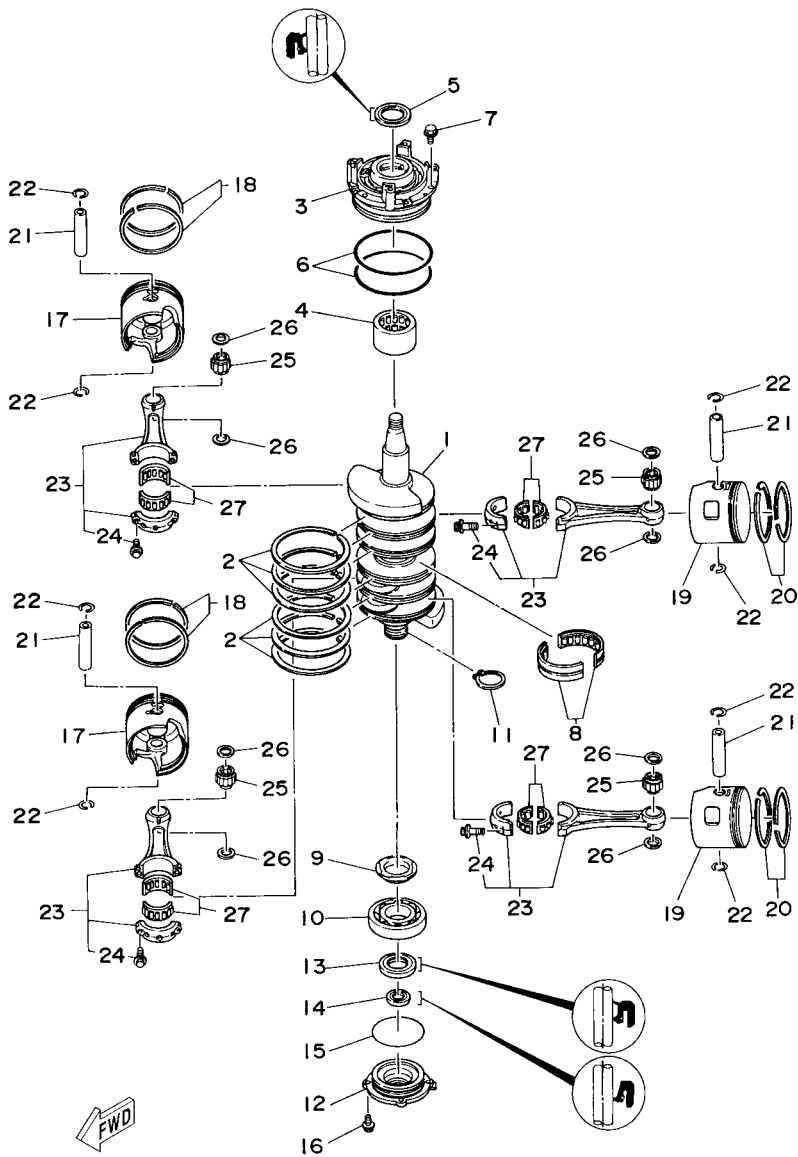
REF. NO.	PART NO.	DESCRIPTION	115	130	L130	REMARKS
19	6N7-42687-60	.EMBLEM, REAR		1		FOR USA
	6N6-42687-30	.EMBLEM, REAR	1			EXCEPT USA
	6N7-42687-30	.EMBLEM, REAR		1	1	FOR CAR,BRA,SWS
20	6N7-42683-40	.MARK, COWLING	1	1	1	FOR SWS
21	6N7-W0070-50	.GRAPHIC SET	1	1		FOR USA
	6N7-W0070-30	.GRAPHIC SET	1	1		FOR OCE,CAR,BRA
	6N7-W0070-S0	.GRAPHIC SET	1	1	1	FOR SWS
22	6N7-42681-50	.MARK, COWLING	1	1		FOR USA
	6N7-42681-30	.MARK, COWLING	1	1		FOR OCE,CAR,BRA
	6N6-42681-42	.MARK, COWLING	1	1	1	FOR SWS
23	6N7-42682-50	.MARK, COWLING	1	1		FOR USA
	6N7-42682-30	.MARK, COWLING	1	1		FOR OCE,CAR,BRA
	6N6-42682-42	.MARK, COWLING	1	1	1	FOR SWS
24	6N7-42678-30	.GRAPHIC, REAR	1	1		FOR OCE,CAR,BRA
25	6N7-4267A-30	.GRAPHIC, REAR 2	1	1		FOR OCE,CAR,BRA
	6N7-4267A-40	.GRAPHIC, REAR 2	1	1	1	FOR SWS



**FIG. 2 CYLINDER. CRANKCASE 1**

REF. NO.	PART NO.	DESCRIPTION	115	130	L130	REMARKS
1	6N6-W0090-16-1S	CRANK CYLINDER ASSY	1			
	6N7-W0090-17-1S	CRANK CYLINDER ASSY		1	1	
2	6N6-15100-01-1S	CRANKCASE ASSY	1			
	6N7-15100-01-1S	CRANKCASE ASSY		1	1	
3	624-11379-00	.VALVE, CHECK	1	1	1	
4	663-11518-01	.LOCK, BEARING	1	1	1	
5	6E5-11372-01	.NIPPLE, HOSE	4	4	4	
6	90340-14M00	.PLUG, STRAIGHT SCREW	2	2	2	
7	90430-14115	.GASKET	2	2	2	
8	90384-06M07	.BUSH, BIMETAL FORMED	1	1	1	
9	90384-14M09	.BUSH, BIMETAL FORMED	1	1	1	
10	93608-12063	PIN, DOWEL	2	2	2	
11	90105-10M20	BOLT, FLANGE	6	6	6	
12	90119-08M94	BOLT, WITH WASHER	8	8	8	
13	90116-08M45	BOLT, STUD	2	2	2	
14	6E5-11325-00	ANODE	4	4	4	
15	98780-04015	SCREW, FLAT HEAD	4	4	4	
16	6R3-1131M-01	COVER	1			115CET
17	6R3-11397-01	GASKET	1			115CET
18	97013-06016	BOLT	2			115CET
19	92903-06600	WASHER, PLATE	2			115CET
20	6E5-11119-01	HANGER, ENGINE	1	1	1	
21	90119-08MA3	BOLT, WITH WASHER	2	2	2	
22	6E5-42761-00-1S	STOPPER	1	1	1	
23	6E5-42762-00-1S	STOPPER	1	1	1	
24	68F-44533-00	DAMPER, UPPER MOUNT RUBBER	2	2	2	
25	90119-06MA2	BOLT, WITH WASHER	4	4	4	





6N42100-4030

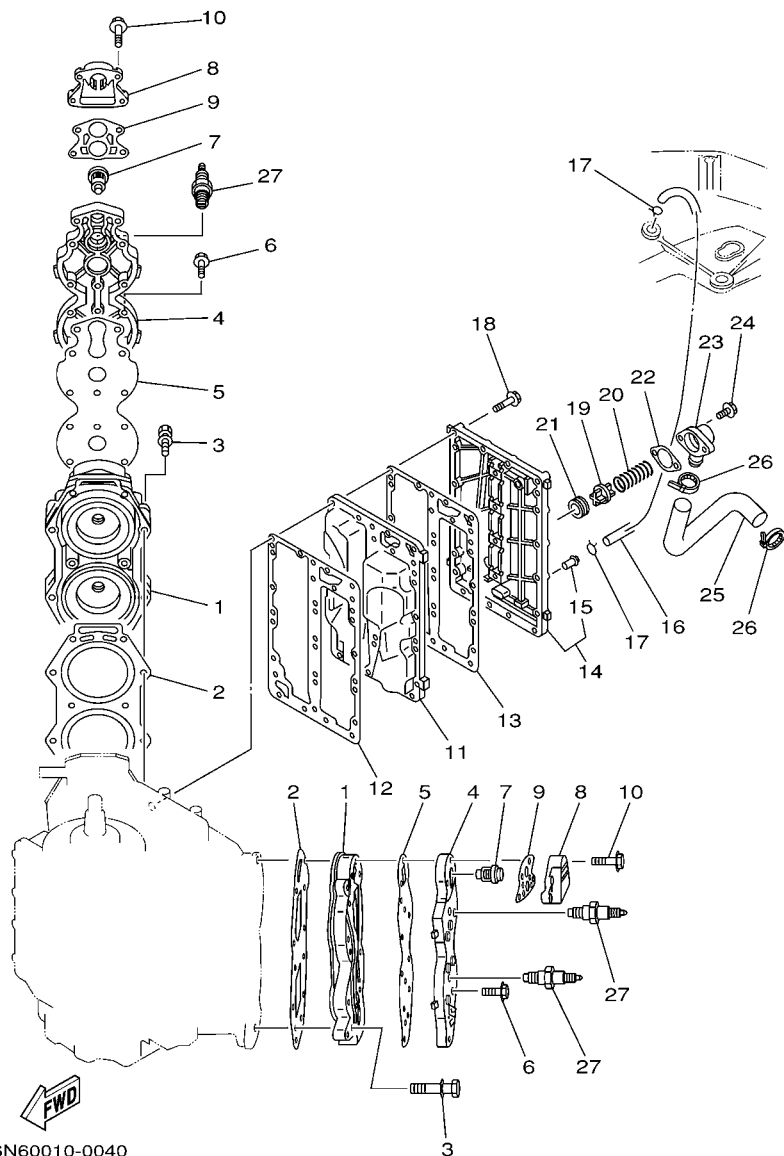
FIG. 3 CRANKSHAFT. PISTON

REF. NO.	PART NO.	DESCRIPTION	115	130	L130	REMARKS
1	6N7-11411-01	CRANKSHAFT	1	1	1	
2	6E5-11447-00	SEAL, CRANK	6	6	6	
3	6R3-15163-00-1S	HOUSING, BEARING 1	1	1	1	
4	93311-940U3	BEARING	1	1	1	
5	93102-40M14	OIL SEAL	1	1	1	
6	93211-04001	O-RING	2	2	2	
7	90119-06MA2	BOLT, WITH WASHER	3	3	3	
8	93310-954U1	BEARING	1	1	1	
9	6R3-11536-00	GEAR, DRIVE	1	1	1	EXCEPT 115CET
10	93306-208U0	BEARING	1	1	1	
11	93410-40M03	CIRCLIP	1	1	1	
12	6G5-15359-00-94	HOUSING, OIL SEAL	1	1	1	
13	93102-35M13	OIL SEAL	1	1	1	
14	93101-22M15	OIL SEAL	1	1	1	
15	93210-74M35	O-RING	1	1	1	
16	90119-06MA2	BOLT, WITH WASHER	4	4	4	
17	6R5-11631-11-93	PISTON (STD)	2	2	2	
	6R5-11635-11	PISTON (0.25MM O/S)	2	2	2	AP
	6R5-11636-11	PISTON (0.50MM O/S)	2	2	2	AP
18	64D-11603-01	PISTON RING SET (STD)	2	2	2	
	64D-11604-01	PISTON RING SET (0.25MM O/S)	2	2	2	AP
	64D-11605-01	PISTON RING SET (0.50MM O/S)	2	2	2	AP
19	6R5-11642-11-93	PISTON 2 (STD)	2	2	2	
	6R5-11645-11	PISTON 2 (0.25MM O/S)	2	2	2	AP
	6R5-11646-11	PISTON 2 (0.50MM O/S)	2	2	2	AP
20	64D-11603-01	PISTON RING SET (STD)	2	2	2	
	64D-11604-01	PISTON RING SET (0.25MM O/S)	2	2	2	AP



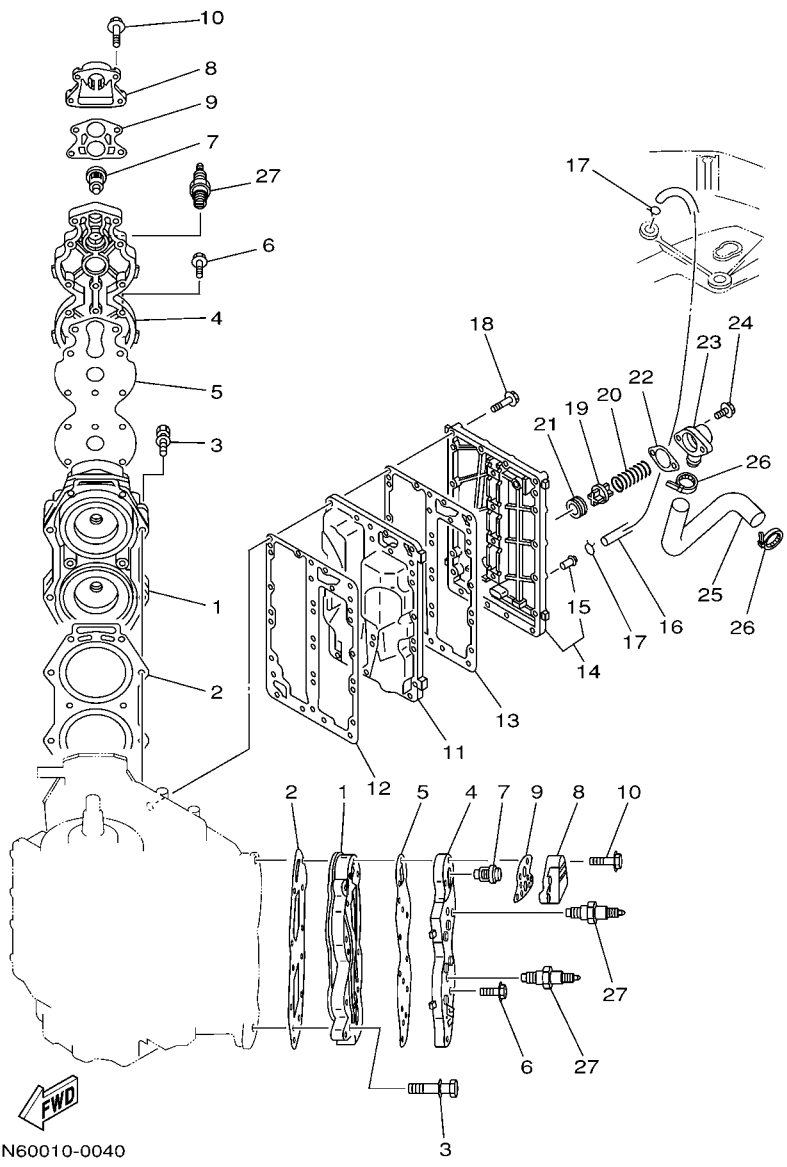


FIG. 4 CYLINDER. CRANKCASE 2



6N60010-0040

REF. NO.	PART NO.	DESCRIPTION	115	130	L130	REMARKS
1	6E5-11111-10-1S	HEAD, CYLINDER 1	2			
	6L1-11111-00-1S	HEAD, CYLINDER 1		2	2	
2	6E5-11181-A1	GASKET, CYLINDER HEAD 1	2	2	2	
3	90119-08MA8	BOLT, WITH WASHER	20	20	20	
4	6E5-11191-01-1S	COVER, CYLINDER HEAD 1	2	2	2	
5	6E5-11193-A0	GASKET, HEAD COVER 1	2	2	2	
6	90119-06MA4	BOLT, WITH WASHER	24	24	24	
7	6E5-12411-30	THERMOSTAT	2	2	2	
8	6G5-12413-00-1S	COVER, THERMOSTAT	2	2	2	
9	688-12414-A1	GASKET, COVER	2	2	2	
10	90119-06MA6	BOLT, WITH WASHER	8	8	8	
11	6E5-41111-00-1S	INNER COVER, EXHAUST	1			
	6L1-41111-00-1S	INNER COVER, EXHAUST		1	1	
12	6E5-41112-A1	GASKET, EXHAUST INNER COVER	1	1	1	
13	6E5-41114-A0	GASKET, EXHAUST OUTER COVER	1	1	1	
14	6N7-41113-00-1S	OUTER COVER, EXHAUST	1	1	1	
15	650-24378-00	.PIPE, JOINT 4	1	1	1	
16	6E5-24312-00	PIPE 2	1	1	1	
17	90467-08004	CLIP	2	2	2	
18	90119-06MA5	BOLT, WITH WASHER	23	23	23	
19	6G5-12416-00	VALVE, PRESSURE CONTROL	1	1	1	
20	90501-16M11	SPRING, COMPRESSION	1	1	1	
21	90480-20M05	GROMMET	1	1	1	
22	6G5-11382-A1	GASKET 2	1	1	1	
23	6G5-11372-00-1S	COVER, BYPASS 2	1	1	1	
24	90119-06MA2	BOLT, WITH WASHER	2	2	2	
25	6E5-12576-00	HOSE 1	1	1	1	



**FIG. 4 CYLINDER. CRANKCASE 2**

REF. NO.	PART NO.	DESCRIPTION	115	130	L130	REMARKS
26	90465-13M18	CLAMP	2	2	2	
27	94702-00247	PLUG, SPARK (NGK BR8HS-10)	4			
	94702-00309	PLUG, SPARK (NGK BR9HS-10)		4	4	
-----						
-----						
-----						
-----						
-----						
-----						
-----						
-----						
-----						





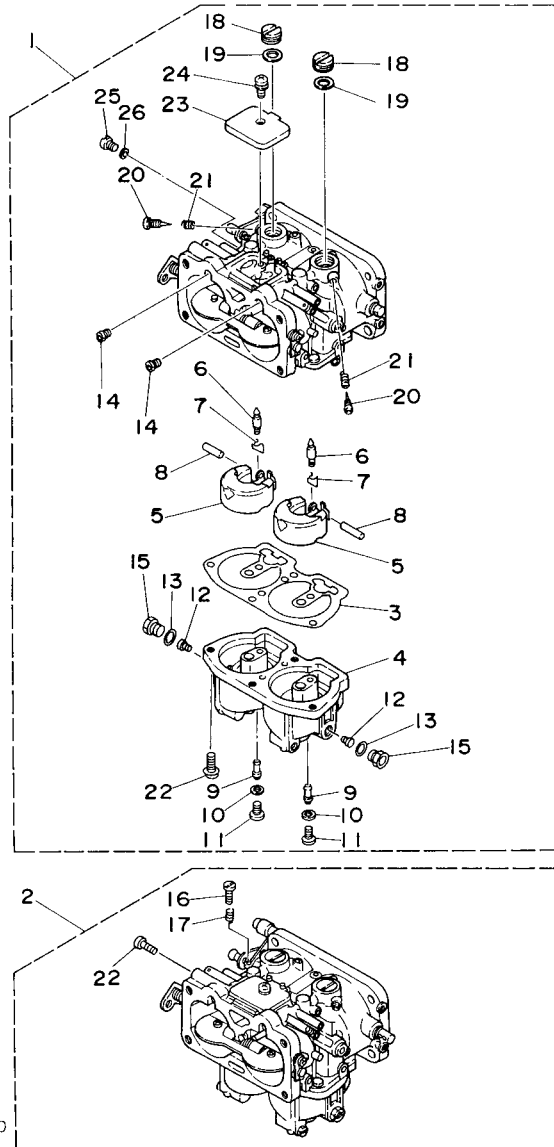
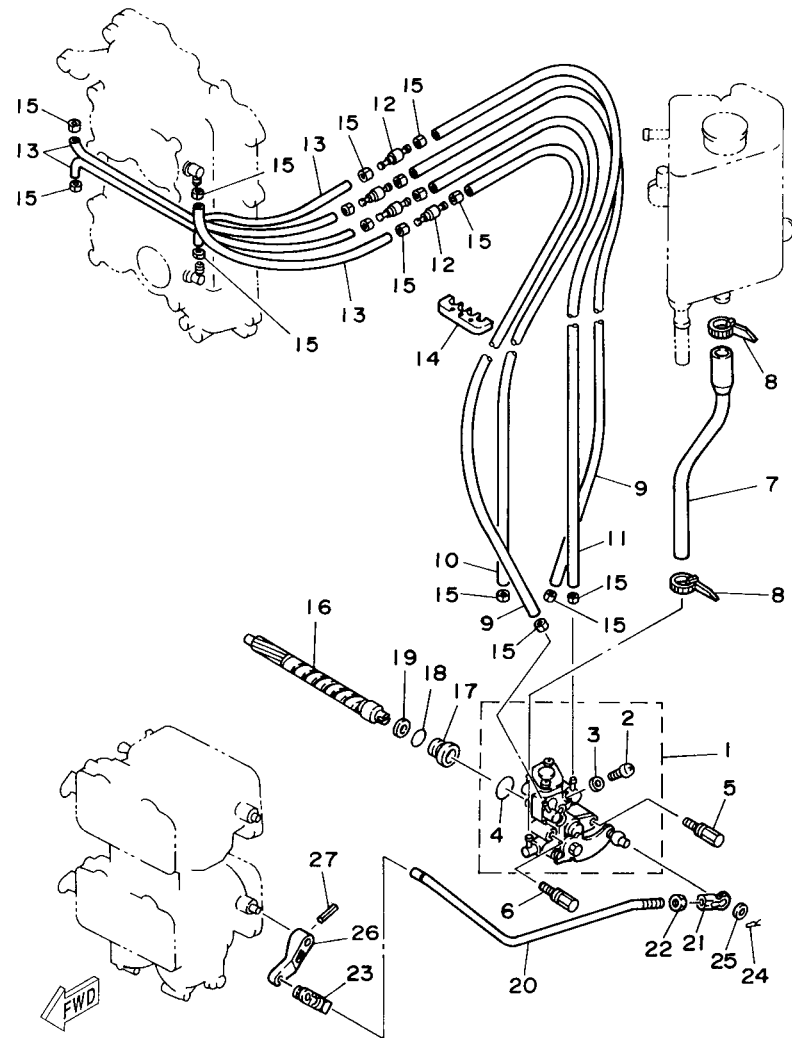


FIG. 6 CARBURETOR

REF. NO.	PART NO.	DESCRIPTION	115	130	L130	REMARKS
1	6E5-14301-17	CARBURETOR ASSY 1	1			FOR OCE,CAR,BRA
	6L1-14301-05	CARBURETOR ASSY 1		1	1	FOR OCE,CAR,BRA
	6N6-14301-00	CARBURETOR ASSY 1	1			FOR USA,CAR
	6N7-14301-00	CARBURETOR ASSY 1		1	1	FOR USA,CAR
2	6E5-14302-17	CARBURETOR ASSY 2	1			FOR OCE,CAR,BRA
	6L1-14302-05	CARBURETOR ASSY 2		1	1	FOR OCE,CAR,BRA
	6N6-14302-00	CARBURETOR ASSY 2	1			FOR USA,CAR
	6N7-14302-00	CARBURETOR ASSY 2		1	1	FOR USA,CAR
3	64D-14384-01	.GASKET, FLOAT CHAMBER	2	2	2	
4	64D-14381-00	.BODY, FLOAT CHAMBER	2	2	2	
5	6E5-14385-02	.FLOAT	4	4	4	
6	6E5-14546-00	.VALVE, NEEDLE	4	4	4	
7	6E5-14159-00	.CLIP	4	4	4	
8	6E5-14386-02	.PIN, FLOAT	4	4	4	
9	64D-1492F-39	.JET, AIR SLOW (#78)	4			
	64D-1492F-41	.JET, AIR SLOW (#82)		4	4	
10	61U-14959-00	.GASKET	4	4	4	
11	64D-14394-00	.VALVE, DRAIN	4	4	4	
12	64D-1492E-88	.JET, MAIN (#176)	4			
	64D-1492E-90	.JET, MAIN (#180)		4	4	
13	6E5-14398-00	.GASKET	4	4	4	
14	61A-1492H-12	.JET, SLOW AIR BLEED (#60)	4	4	4	
15	61A-14383-01	.SCREW, DRAIN	4	4	4	
16	6E5-14321-00	.SCREW, THROTTLE	1	1	1	#2
17	6J8-14334-00	.SPRING, THROTTLE	1	1	1	#2
18	6E5-14328-01	.PLUG	4	4	4	
19	6E5-14979-00	.GASKET	4	4	4	





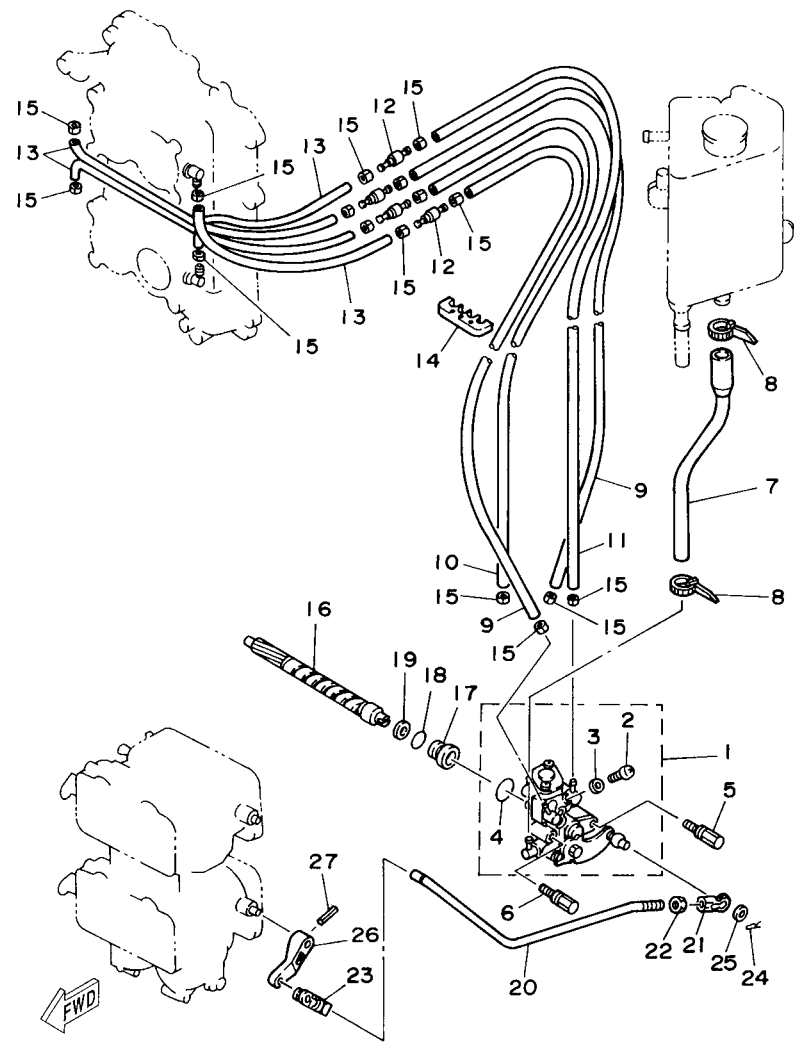
6N60010-4070

FIG. 7 OIL PUMP

REF. NO.	PART NO.	DESCRIPTION	115	130	L130	REMARKS
1	6N6-13200-00	OIL INJECTION PUMP ASSY	1			EXCEPT 115CET
	6N7-13200-00	OIL INJECTION PUMP ASSY		1	1	
2	6R3-13471-00	.PLUG, DRAIN	1	1	1	
3	6L2-13475-00	.GASKET	1	1	1	
4	93210-19MA7	.O-RING	1	1	1	
5	90109-06M40	BOLT	1	1	1	EXCEPT 115CET
6	90109-06M39	BOLT	1	1	1	EXCEPT 115CET
7	6N7-13416-00	PIPE, OIL 1	1	1	1	EXCEPT 115CET
8	90465-11M10	CLAMP	2	2	2	EXCEPT 115CET
9	90445-07M89	HOSE (L310)	2	2	2	EXCEPT 115CET
10	90445-07196	HOSE (L160)	1	1	1	EXCEPT 115CET
11	90445-07M72	HOSE (L250)	1	1	1	EXCEPT 115CET
12	6R3-13183-10	VALVE, CHECK	4	4	4	EXCEPT 115CET
13	90445-07M87	HOSE (L110)	4	4	4	EXCEPT 115CET
14	90464-07M06	CLAMP	1	1	1	EXCEPT 115CET
15	90468-07M02	CLIP	16	16	16	EXCEPT 115CET
16	6R3-11537-00	GEAR, DRIVEN	1	1	1	EXCEPT 115CET
17	6R3-13117-00	COLLAR, DISTANCE	1	1	1	EXCEPT 115CET
18	93210-13M04	O-RING	1	1	1	EXCEPT 115CET
19	90202-08M44	WASHER, PLATE	1	1	1	EXCEPT 115CET
20	6R3-41241-00	ROD, LINK	1	1	1	EXCEPT 115CET
21	6H1-41237-00	JOINT, LINK	1	1	1	EXCEPT 115CET
22	95380-05600	NUT	1	1	1	EXCEPT 115CET
23	6R5-41237-00	JOINT, LINK	1	1	1	EXCEPT 115CET
24	90468-05M03	CLIP	1	1	1	EXCEPT 115CET
25	90202-05088	WASHER, PLATE	1	1	1	EXCEPT 115CET
26	6E5-14276-01	LEVER	1	1	1	EXCEPT 115CET

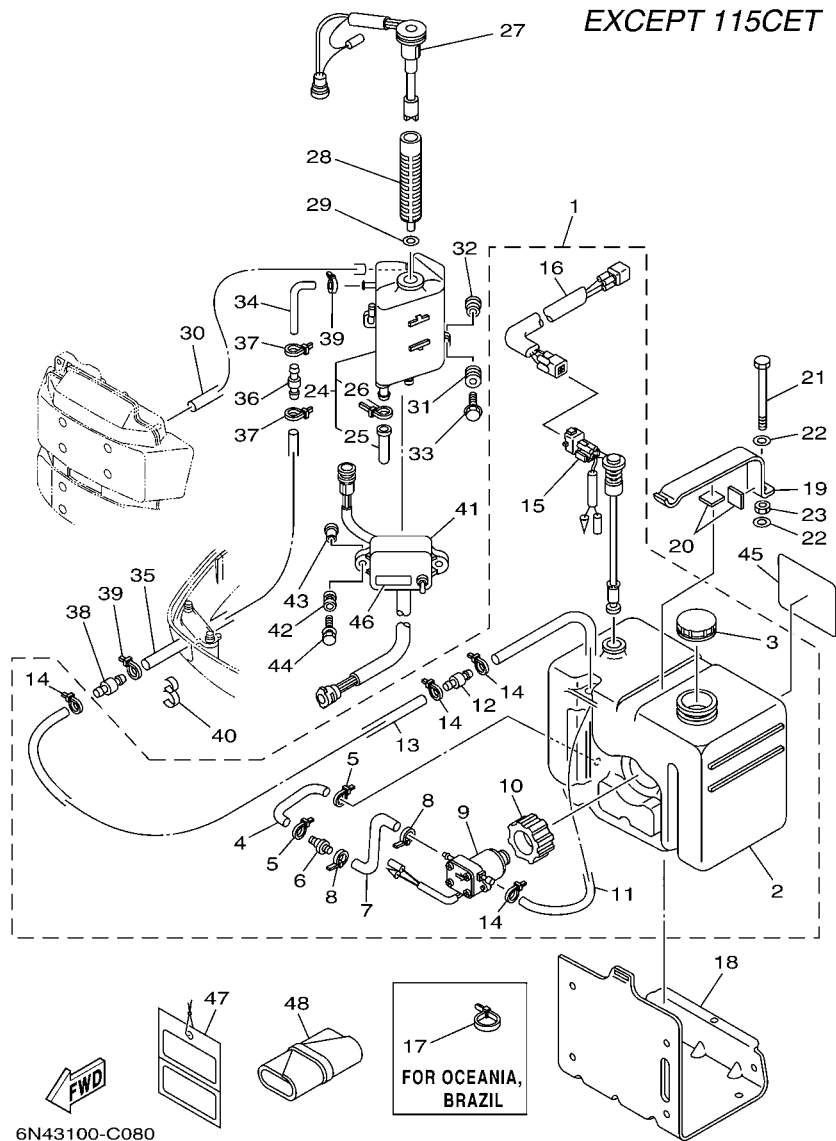


FIG. 7 OIL PUMP



6N60010-4070

REF. NO.	PART NO.	DESCRIPTION	115	130	L130	REMARKS
27	91690-30016	PIN, SPRING	1	1	1	EXCEPT 115CET



**FIG. 8 OIL TANK**

REF. NO.	PART NO.	DESCRIPTION	115	130	L130	REMARKS
1	6E5-21708-10	SUB OIL TANK ASSY	1	1		FOR CAR
	6K1-21708-10	SUB OIL TANK ASSY			1	FOR CAR
	61A-21708-20	SUB OIL TANK ASSY	1	1	1	FOR OCE,BRA
2	6E5-21733-20	.SUB TANK, OIL (10.5L)	1	1	1	
3	6E5-21770-03	.OIL TANK CAP ASSY	1	1	1	
4	6E5-24322-00	.PIPE 11	1	1	1	
5	90465-11M10	.CLAMP	2	2	2	
6	646-24251-02	.STRAINER 1	1	1	1	
7	6E5-24319-01	.PIPE, OIL	1	1	1	
8	90465-11M10	.CLAMP	2	2	2	
9	6E5-81900-01	.OIL FEED PUMP ASSY	1	1	1	
10	6E5-81922-00	.GROMMET	1	1	1	
11	6E5-24321-01	.PIPE 10	1	1	1	
12	6E5-24379-00	.PIPE, JOINT 4	1	1	1	
13	90445-11M81	.HOSE (L3000)	1	1		FOR 6E5-21708-10
	90445-11M00	.HOSE (L8000)			1	FOR 6K1-21708-10
	90445-11M26	.HOSE (L6500)	1	1	1	FOR 61A-21708-20
14	90465-11M10	.CLAMP	4	4	4	
15	6E5-85720-04	.OIL LEVEL GAUGE ASSY	1	1	1	
16	6R3-85721-30	.WIRE, LEAD (3M)	1	1		FOR 6E5-21708-10
	6R3-85721-80	.WIRE, LEAD (8M)	1	1	1	
17	90465-13M11	CLAMP	1	1	1	FOR OCE,BRA
18	6E5-21734-01-33	HOLDER, OIL SUB TANK	1	1	1	
19	6E5-21798-01-33	BRACKET, DAMPER	1	1	1	
20	6E5-21746-00	DAMPER	2	2	2	
21	97080-06100	BOLT	1	1	1	
22	92990-06600	WASHER, PLATE	2	2	2	

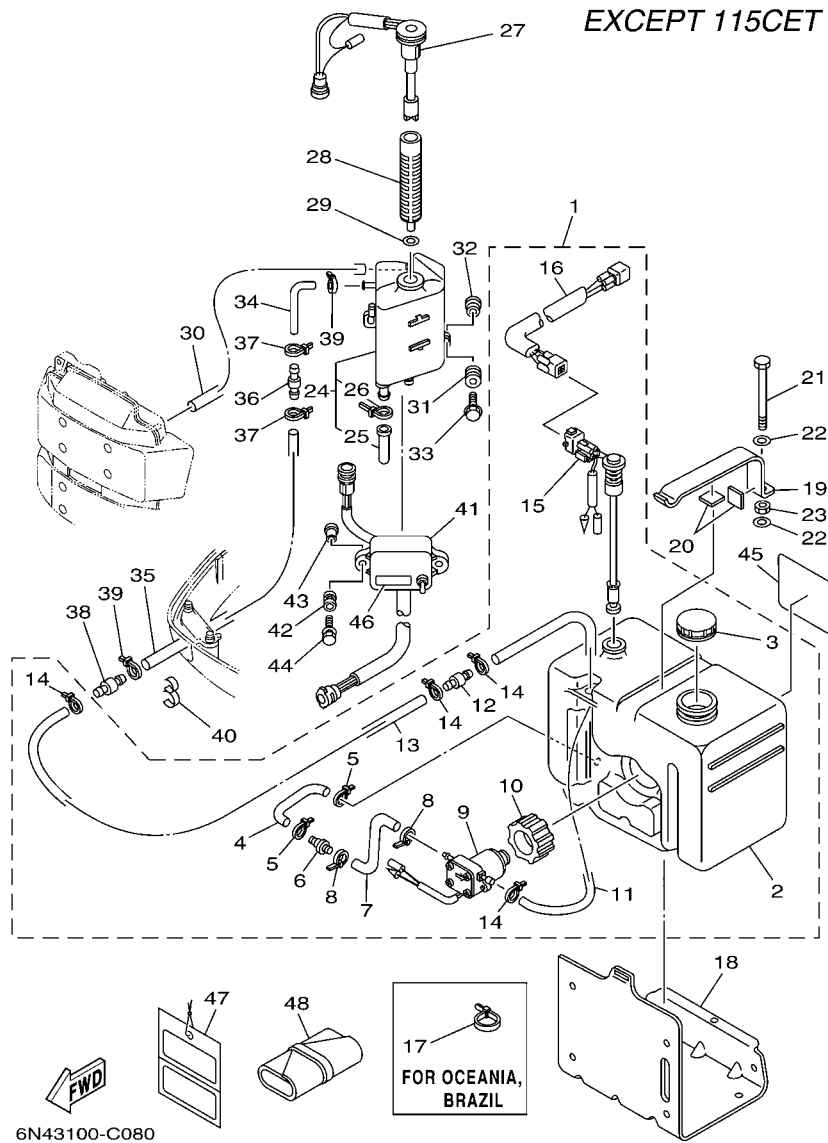
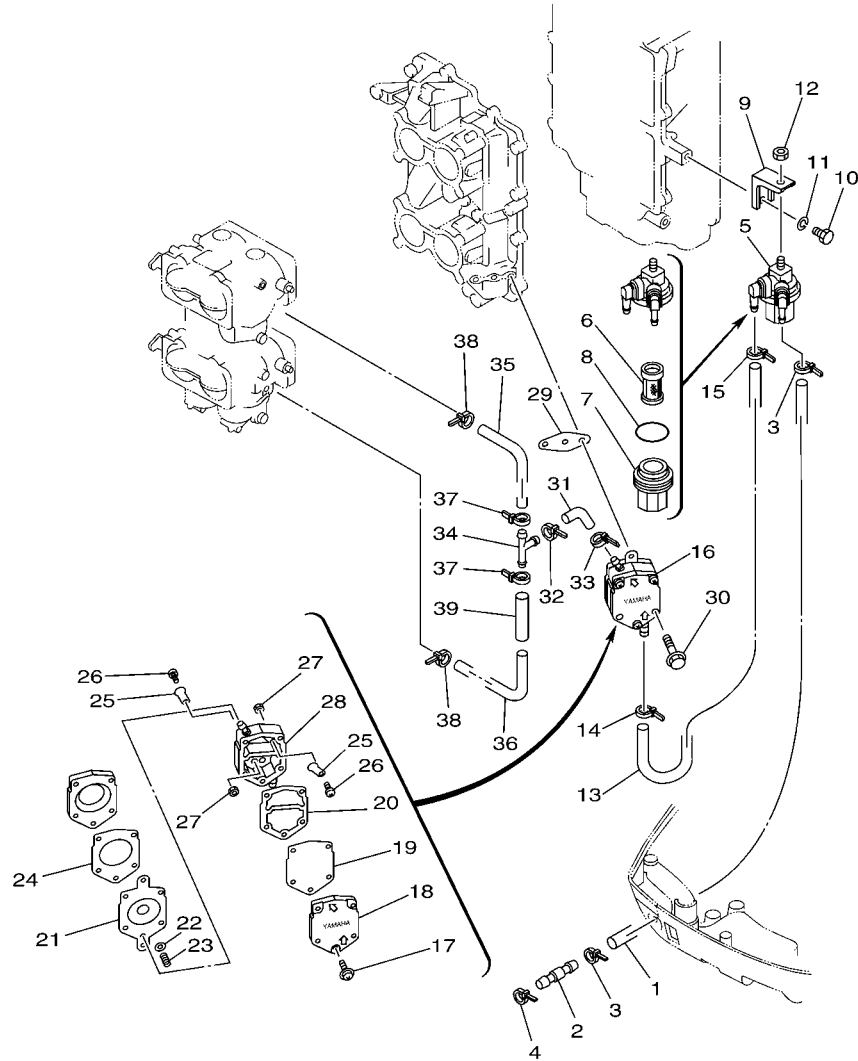


FIG. 8 OIL TANK

REF. NO.	PART NO.	DESCRIPTION	115	130	L130	REMARKS
23	95380-06600	NUT, HEXAGON	1	1	1	
24	6E5-21750-05	OIL TANK ASSY	1	1	1	
25	6E5-13448-00	.CAP	1	1	1	
26	90465-13M11	.CLAMP	1	1	1	
27	6G7-85730-04	OIL LEVEL GAUGE ASSY	1	1	1	
28	6E5-13411-00	STRAINER, OIL	1	1	1	
29	6E5-13414-00	GASKET, STRAINER COVER	1	1	1	
30	90445-05M02	HOSE (L380)	1	1	1	
31	6A0-82317-00	DAMPER, IGNITION COIL	3	3	3	
32	624-42542-00	PIPE	3	3	3	
33	90119-06M65	BOLT, WITH WASHER	3	3	3	
34	64E-24323-00	PIPE 12	1	1	1	
35	90445-12207	HOSE (L2400)	1	1	1	FOR USA,OCE,BRA
	90445-12M12	HOSE (L940)	1	1	1	FOR CAR
36	6E5-24379-00	PIPE, JOINT 4	1	1	1	
37	90465-11M10	CLAMP	2	2	2	
38	6E5-24379-00	PIPE, JOINT 4	1	1	1	
39	90465-11M10	CLAMP	2	2	2	
40	90464-13M34	CLAMP	1	1	1	
41	6N7-85740-00	CONTROL UNIT ASSY	1	1	1	
42	6A0-82317-00	DAMPER, IGNITION COIL	2	2	2	
43	624-42542-00	PIPE	2	2	2	
44	90119-06M65	BOLT, WITH WASHER	2	2	2	
45	6E5-13437-43	MARK, CAUTION	1	1	1	FOR USA,OCE,BRA
	6E5-13437-62	MARK, CAUTION	1	1	1	FOR CAR
46	6E5-85711-40	MARK, CAUTION	1	1	1	
47	61H-2819R-31	TAG, WARNING	1	1	1	EXCEPT BRA



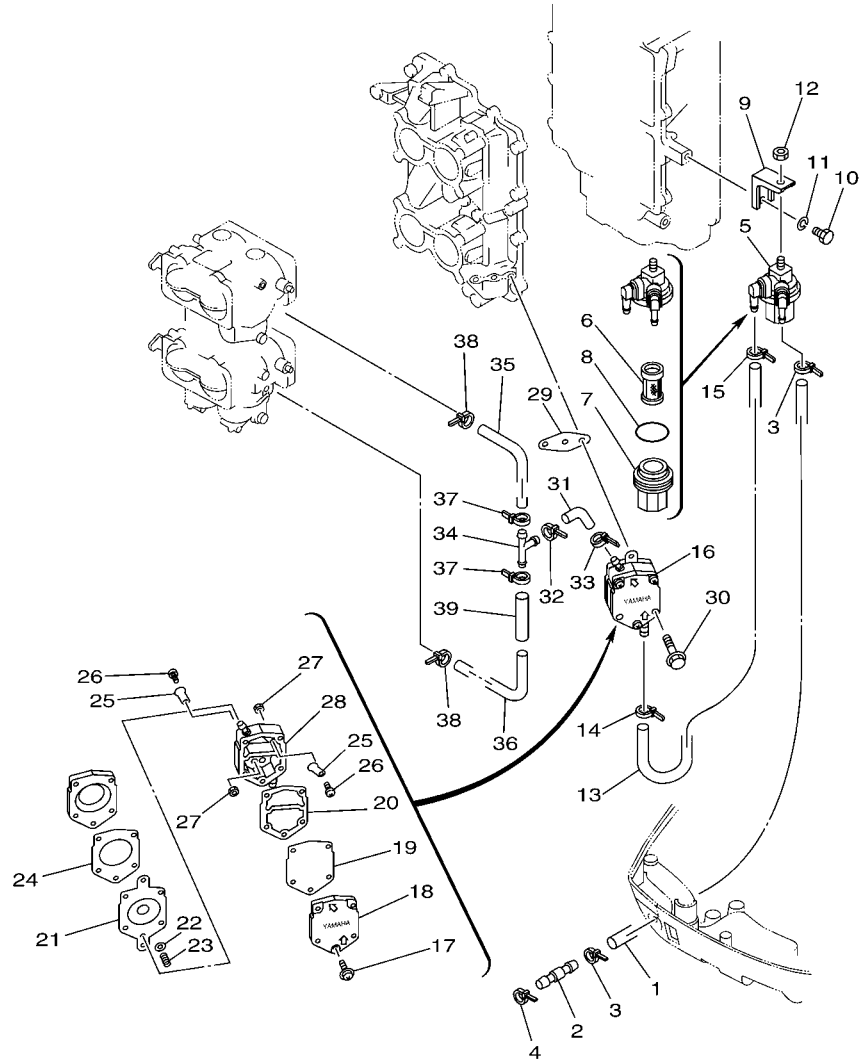
FIG. 9 FUEL 1



6N43100-C090

REF. NO.	PART NO.	DESCRIPTION	T15	L130	L130	REMARKS
1	6R3-24313-20	PIPE 3 (L:2820)	1	1	1	FOR USA,OCE,BRA
	6N7-24313-00	PIPE 3	1	1	1	FOR CAR
2	6R3-24377-00	PIPE, JOINT 3	1	1	1	FOR OCE,CAR,BRA
	6R3-24377-10	PIPE, JOINT 3	1	1	1	FOR USA
3	90465-11M10	CLAMP	2	2	2	
4	90465-11M10	CLAMP	1	1	1	
5	6R3-24560-00	FILTER ASSY	1	1	1	
6	6R3-24563-00	.ELEMENT, FILTER	1	1	1	
7	61N-24521-00	.CUP, FILTER	1	1	1	
8	93210-32738	.O-RING	1	1	1	
9	6E5-24566-00	BRACKET, FILTER	1	1	1	
10	97013-06014	BOLT	1	1	1	
11	92903-06100	WASHER, SPRING	1	1	1	
12	95380-08600	NUT	1	1	1	
13	6E5-24314-00	PIPE 4	1	1	1	
14	90465-11M10	CLAMP	1	1	1	
15	90465-11M10	CLAMP	1	1	1	
16	6E5-24410-03	FUEL PUMP ASSY	1	1	1	
17	6E5-24444-00	.SCREW	3	3	3	
18	6E5-24413-00	.BODY 2	1	1	1	
19	6E5-24471-00	.DIAPHRAGM	1	1	1	
20	6E5-24435-00	.GASKET, BODY 2	1	1	1	
21	6E5-24411-00	.DIAPHRAGM	1	1	1	
22	648-24424-00	.SEAT, SPRING	1	1	1	
23	6E5-24423-00	.SPRING, DIAPHRAGM	1	1	1	
24	6E5-24434-02	.GASKET, BODY	1	1	1	
25	6A0-24421-01	.VALVE, CHECK	4	4	4	

FIG. 9 FUEL 1



  
6N43100-C090

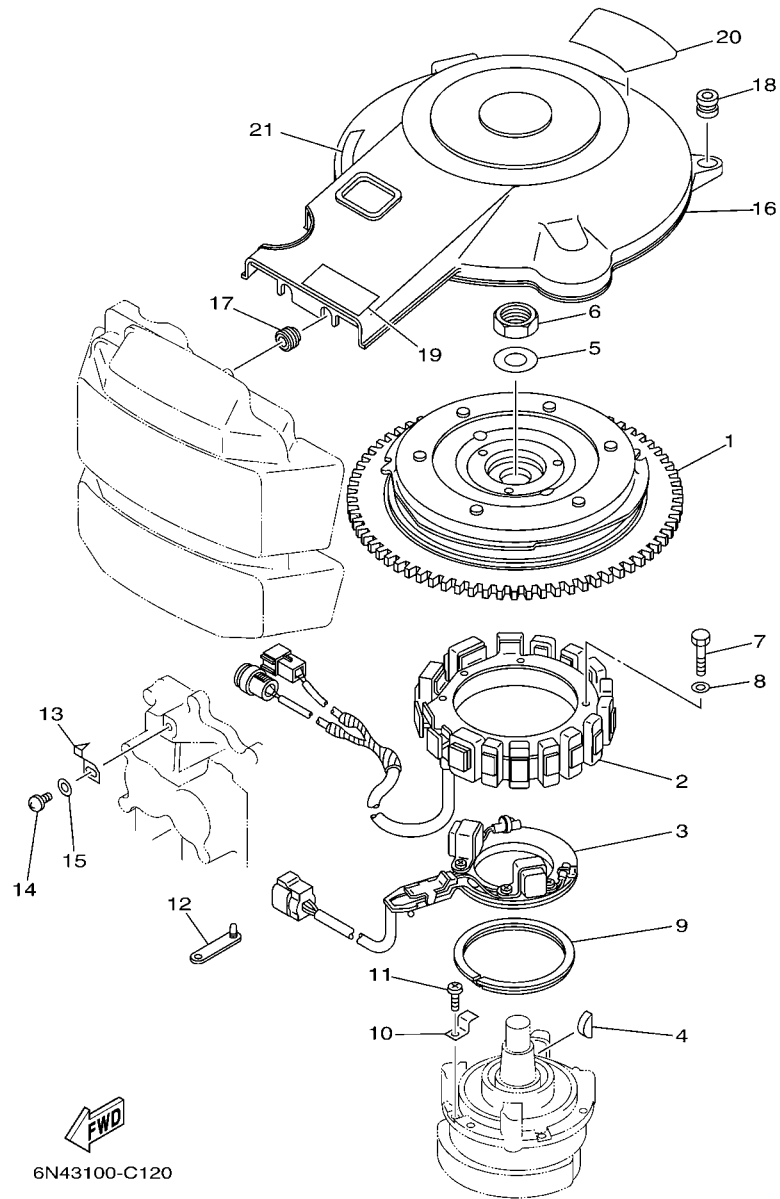
REF. NO.	PART NO.	DESCRIPTION	115	130	L130	REMARKS
26	6A0-14325-00	.SCREW, PAN HEAD	4	4	4	
27	95380-03600	.NUT	4	4	4	
28	6E5-24412-10	.BODY 1	1	1	1	
29	650-24431-A0	GASKET, FUEL PUMP 1	1	1	1	
30	97595-06550	BOLT, WITH WASHER	2	2	2	
31	6G5-24316-10	PIPE 6	1	1	1	
32	90465-11M10	CLAMP	1	1	1	
33	90465-11M10	CLAMP	1	1	1	
34	6E5-24376-10	PIPE, JOINT 1	1	1	1	
35	6G5-24318-10	PIPE, OVERFLOW	1	1	1	
36	6G5-24319-10	PIPE, OIL	1	1	1	
37	90465-11M10	CLAMP	2	2	2	
38	90465-11M10	CLAMP	2	2	2	
39	90446-15M07	HOSE (L60)	1	1	1	





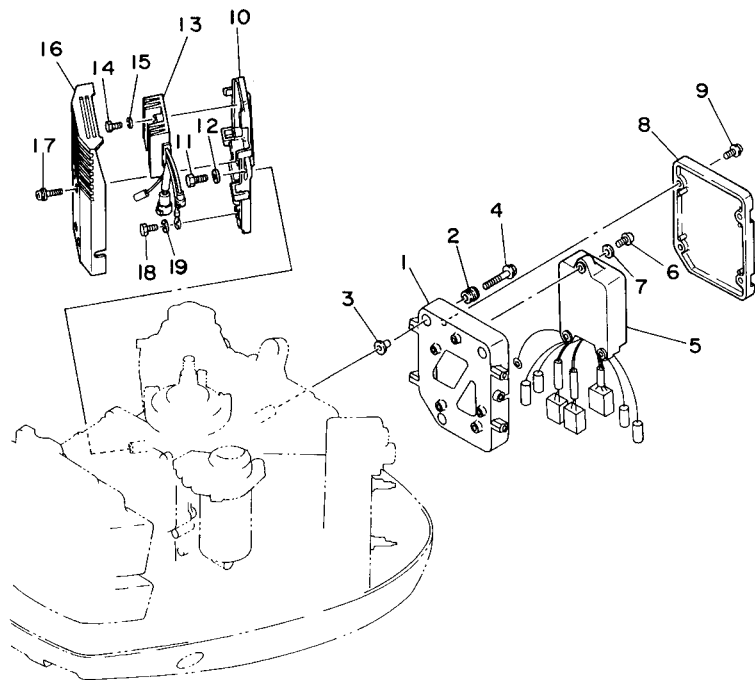


FIG. 12 GENERATOR



6N43100-C120

REF. NO.	PART NO.	DESCRIPTION	115	130	L130	REMARKS
1	6N7-85550-01	ROTOR ASSY	1	1	1	
2	6N7-85510-00	STATOR ASSY	1	1	1	
3	6N7-85580-10	COIL, PULSER	1	1	1	
	6E5-85580-00	COIL, PULSER	1			115CET
4	90280-05015	KEY, WOODRUFF	1	1	1	
5	90201-21M18	WASHER, PLATE	1	1	1	
6	90170-20137	NUT	1	1	1	
7	97013-06065	BOLT	4	4	4	
8	92903-06600	WASHER, PLATE	4	4	4	
9	688-41611-00	RETAINER, MAGNETO BASE	1	1	1	
10	688-41612-00	RETAINER, MAGNETO BASE	4	4	4	
11	97880-06018	SCREW, PAN HEAD	4	4	4	
12	90464-12M00	CLAMP	1	1	1	
13	6E5-81332-00	PLATE, TIMING	1	1	1	
14	97885-06010	SCREW, PAN HEAD	1	1	1	
15	92995-06600	WASHER	1	1	1	
16	6N7-81337-00	COVER, FLYWHEEL	1	1	1	
17	90480-12M11	GROMMET	2	2	2	
18	663-82317-01	DAMPER, IGNITION COIL	2	2	2	
19	6A1-83625-41	MARK 5	1	1	1	
20	6E5-14488-00	LABEL, CAUTION	1	1	1	
21	6K1-83623-41	MARK 3			1	



  
6N60010-4110

**FIG. 13 ELECTRICAL 1**

REF. NO.	PART NO.	DESCRIPTION	T15	T30	L130	REMARKS
1	6N7-85542-01-1S	BRACKET	1	1	1	
2	6A0-82317-00	DAMPER, IGNITION COIL	3	3	3	
3	624-42542-00	PIPE	3	3	3	
4	90119-06M59	BOLT, WITH WASHER	3	3	3	
5	6N7-85540-01	C.D.I. UNIT ASSY	1	1	1	
6	97880-06020	SCREW, PAN HEAD	3	3	3	
7	92990-06600	WASHER, PLATE	3	3	3	
8	6N7-85537-00	COVER	1	1	1	
9	90159-06M11	SCREW, WITH WASHER	4	4	4	
10	6N7-81948-00-94	BRACKET	1	1	1	
11	97013-06016	BOLT	3	3	3	
12	92903-06600	WASHER, PLATE	3	3	3	
13	6R3-81960-00	RECTIFIER & REGULATOR ASSY	1	1	1	
14	97013-06025	BOLT	2	2	2	
15	92903-06600	WASHER, PLATE	2	2	2	
16	6R3-81942-00	COVER	1	1	1	
17	90159-06M08	SCREW, WITH WASHER	4	4	4	
18	97095-06012	BOLT	1	1	1	
19	92995-06600	WASHER	1	1	1	

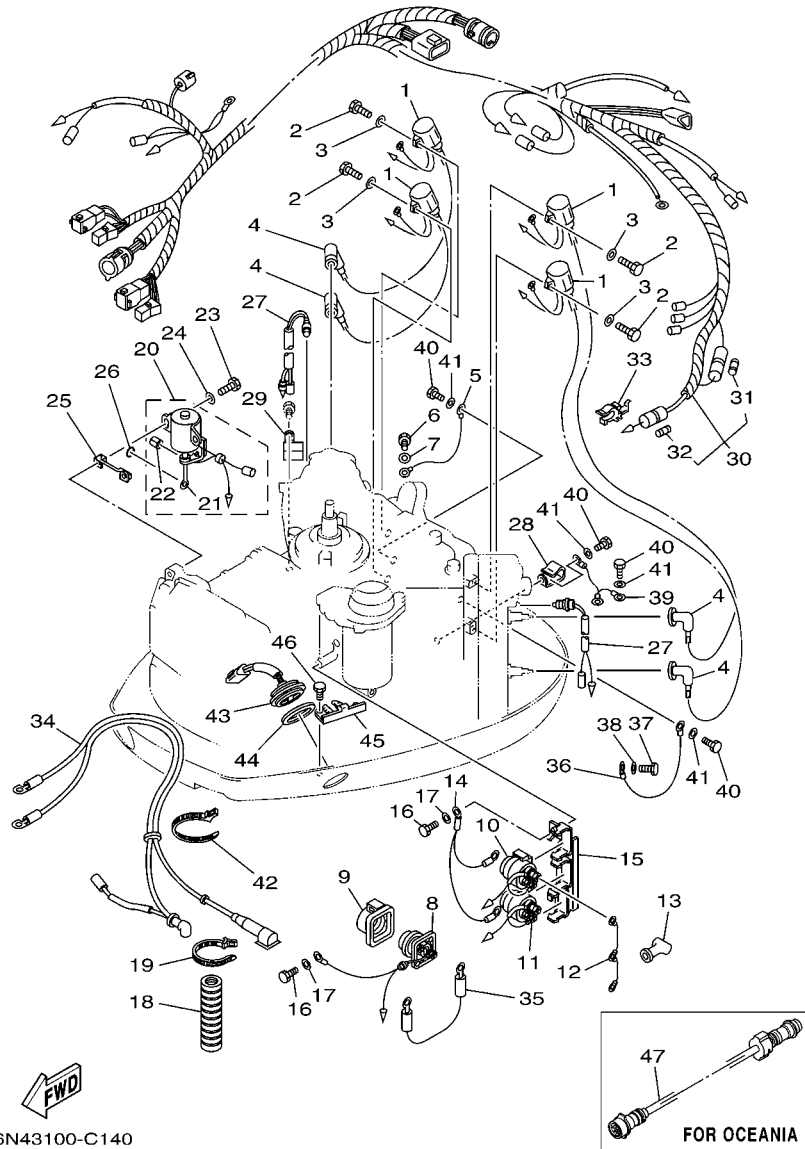
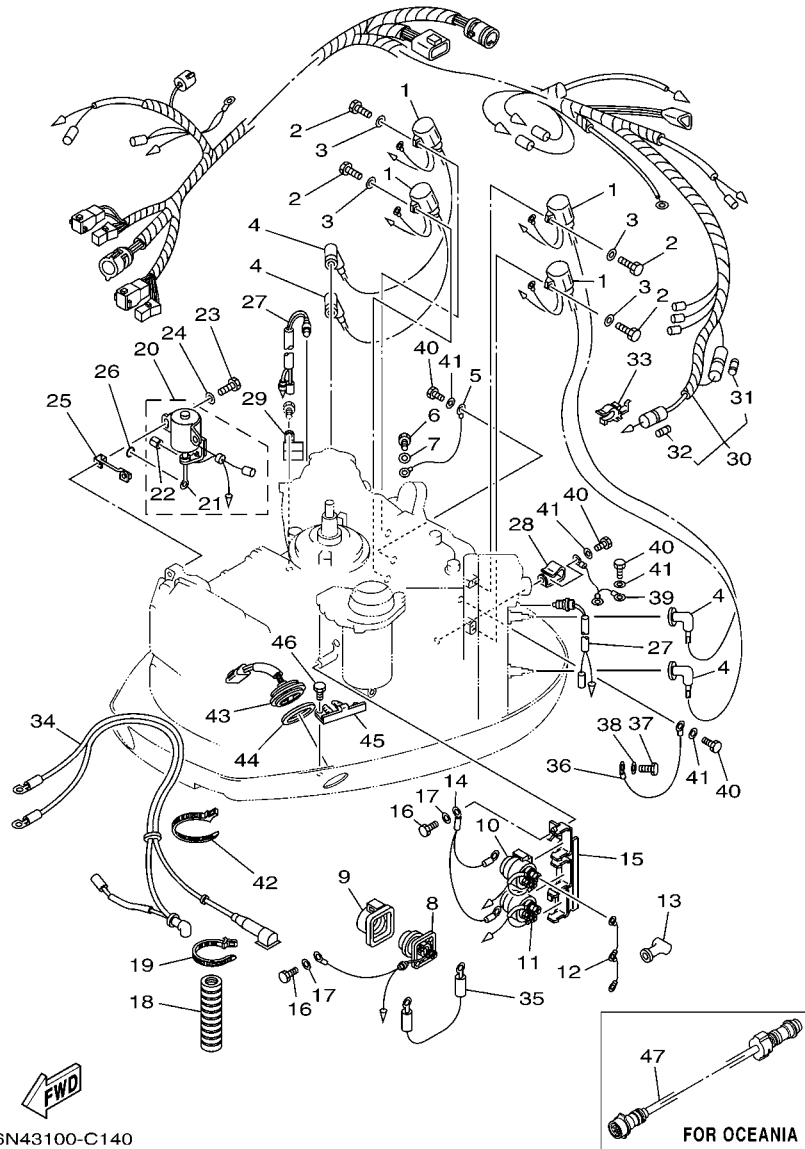


FIG. 14 ELECTRICAL 2

REF. NO.	PART NO.	DESCRIPTION	115	130	L130	REMARKS
1	6R3-85570-01	IGNITION COIL ASSY	4	4	4	
2	97095-06020	BOLT	4	4	4	
3	92995-06600	WASHER	4	4	4	
4	6G1-82370-21	PLUG CAP ASSY	4	4	4	
5	662-82519-00	WIRE, EARTH LEAD	1	1	1	
6	97095-06012	BOLT	1	1	1	
7	92995-06600	WASHER	1	1	1	
8	61A-81941-00	STARTER RELAY ASSY	1	1	1	
9	689-81952-10	HOLDER, RELAY	1	1	1	
10	6E5-81950-00	RELAY ASSY	1	1	1	
11	6E5-8195A-00	RELAY ASSY	1	1	1	
12	6G5-87149-10	CONNECTOR	1	1	1	
13	6G5-82119-00	COVER, LEAD WIRE	2	2	2	
14	6E5-82116-00	WIRE, MINUS LEAD	1	1	1	
15	6E5-81948-22	BRACKET	1	1	1	
16	97095-06016	BOLT	2	2	2	
17	92995-06600	WASHER	2	2	2	
18	6N7-83557-00	TUBE (I.DIA:22MM)	1	1	1	
19	90465-13M18	CLAMP	1	1	1	
20	6N7-86110-00	SOLENOID	1	1	1	
21	6N7-86116-00	.WIRE, PULL	1	1	1	
22	91609-30010	.PIN, SPRING	1	1	1	
23	97095-06030	BOLT	2	2	2	
24	92995-06600	WASHER	2	2	2	
25	6N7-86112-00	STAY, SOLENOID	1	1	1	
26	93210-03261	O-RING	1	1	1	
27	688-82560-10	THERMO SWITCH ASSY	2	2	2	

**D6**

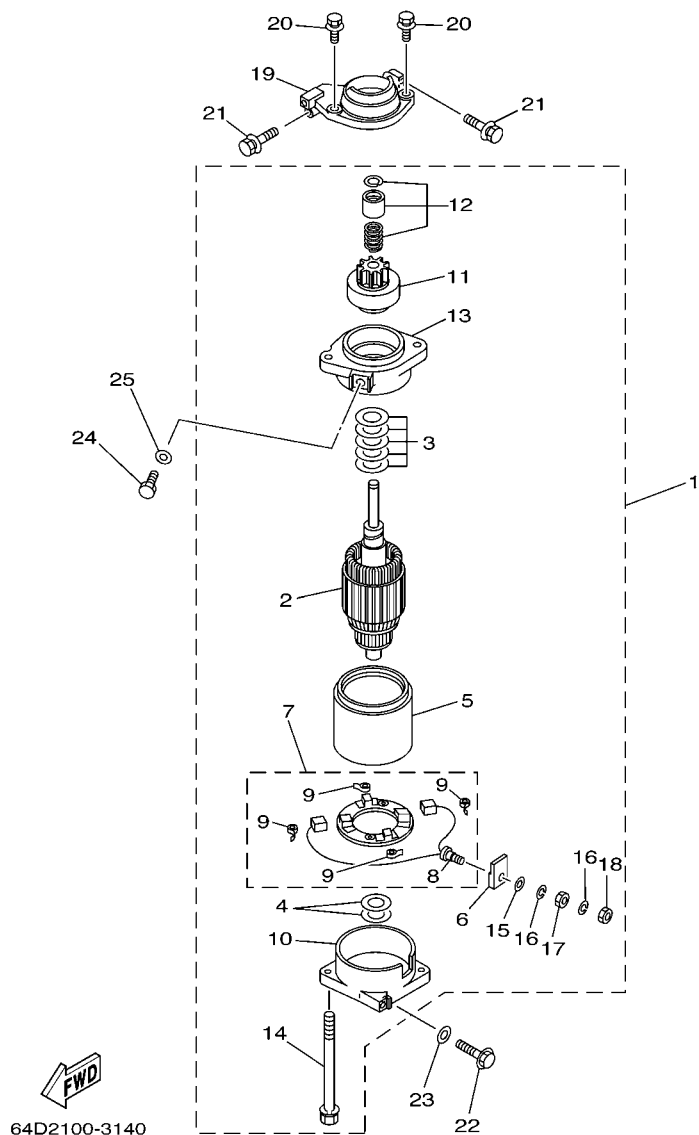


6N43100-C140

FIG. 14 ELECTRICAL 2

REF. NO.	PART NO.	DESCRIPTION	115	130	L130	REMARKS
28	90465-05M87	CLAMP	1	1	1	
29	90465-08M89	CLAMP	1	1	1	
30	6N7-82590-30	WIRE HARNESS ASSY	1	1		FOR USA
	6N7-82590-20	WIRE HARNESS ASSY	1	1	1	FOR OCE,CAR,BRA
	6N6-82590-00	WIRE HARNESS ASSY	1			115CET
31	663-82151-00	.FUSE (12V-20A)	1	1	1	
32	705-82151-00	.FUSE (30A)	1	1	1	
33	6G5-82152-00	HOLDER, FUSE	2	2	2	
34	6N7-82105-02	WIRE HARNESS	1	1	1	
35	6E5-82117-01	WIRE, LEAD	1	1	1	
36	6R3-82519-00	WIRE, EARTH LEAD	1	1	1	
37	97095-06012	BOLT	1	1	1	
38	92995-06600	WASHER	1	1	1	
39	6E5-82531-10	WIRE, LEAD	1	1	1	
40	97095-06012	BOLT	4	4	4	
41	92995-06600	WASHER	4	4	4	
42	90465-13M18	CLAMP	1	1	1	
43	6R3-82563-00	TRIM & TILT SWITCH ASSY	1	1	1	EXCEPT 115CET
44	6E5-82587-00	GASKET	1	1	1	EXCEPT 115CET
45	6R3-83614-00	BRACKET	1	1	1	EXCEPT 115CET
46	97095-06012	BOLT	2	2	2	EXCEPT 115CET
47	688-8258A-10	EXTENSION, WIRE HARNESS	1	1		AP FOR OCE

FIG. 15 STARTING MOTOR



REF. NO.	PART NO.	DESCRIPTION	115	130	L130	REMARKS
1	6N7-81800-10	STARTING MOTOR ASSY	1	1	1	
2	6N7-81850-10	.ARMATURE ASSY	1	1	1	
3	61A-81809-00	.WASHER KIT	1	1	1	
4	61A-81824-00	.WASHER 2	2	2	2	
5	6N7-81810-00	.STATOR ASSY	1	1	1	
6	6K7-8182G-10	.BUSH, TERMINAL	1	1	1	
7	6N7-81840-00	.BRUSH HOLDER ASSY	1	1	1	
8	6N7-81801-00	..BRUSH SET	1	1	1	
9	6N7-81813-00	..SPRING, BRUSH	4	4	4	
10	6N7-81820-10	.REAR BRACKET ASSY	1	1	1	
11	6N7-81807-00	.GEAR ASSY, STARTING MOTOR	1	1	1	
12	6N7-81857-00	.RETAINER	1	1	1	
13	6N7-81830-00	.FRONT BRACKET ASSY	1	1	1	
14	6K7-81826-10	.BOLT	2	2	2	
15	6E5-8182E-10	.WASHER	1	1	1	
16	6E5-8182F-10	.WASHER	2	2	2	
17	6E5-8182A-10	.NUT	1	1	1	
18	6E5-8182K-10	.NUT	1	1	1	
19	6R3-81822-00-94	BRACKET, STARTING MOTOR	1	1	1	
20	90119-08M76	BOLT, WITH WASHER	2	2	2	
21	90119-08M77	BOLT, WITH WASHER	2	2	2	
22	90119-08M57	BOLT, WITH WASHER	1	1	1	
23	92990-08600	WASHER, PLATE	1	1	1	
24	97095-08016	BOLT	1	1	1	
25	92995-08600	WASHER	1	1	1	

FIG. 16 BOTTOM COWLING

REF. NO.	PART NO.	DESCRIPTION	115	130	L130	REMARKS
1	6N7-42711-43-8D	COWLING, BOTTOM	1	1	1	
2	90169-05M00	SCREW, TRUSS HEAD TAPPING	1	1	1	FLUSHING KIT
	90480-06M19	GROMMET	1	1	1	FOR STD
3	6H4-42748-00	GROMMET	1	1	1	
4	6N7-42815-01-8D	LEVER, CLAMP	1	1	1	
5	90386-13M88	BUSH	2	2	2	
6	90206-13M10	WASHER, WAVE	1	1	1	
7	90109-08M45	BOLT	1	1	1	
8	92990-08200	WASHER, PLAIN	1	1	1	
9	6E5-44391-00	NIPPLE, HOSE	1	1	1	
10	6N7-42725-30	GROMMET	1	1	1	FOR USA,OCE
	6N7-42725-20	GROMMET	1	1	1	FOR CAR,BRA
	6N6-42725-20	GROMMET	1			115CET
11	6N7-42738-02-5B	PLATE, FITTING	1	1	1	
12	97095-06016	BOLT	2	2	2	
13	92995-06600	WASHER	2	2	2	
14	6R3-42824-00	BASE, CLAMP LEVER	1	1	1	
15	6R3-42811-01	STAY	1	1	1	
16	6R3-42816-00	LEVER, CLAMP	1	1	1	
17	6N7-42850-00	WIRE COMPLETE	1	1	1	
18	6R3-42811-10	STAY	1	1	1	
19	6N7-42850-10	WIRE COMPLETE	1	1	1	
20	6N7-42850-20	WIRE COMPLETE	1	1	1	
21	6R3-42813-00	SPRING, CLAMP LEVER	1	1	1	
22	97095-06016	BOLT	6	6	6	
23	92995-06600	WASHER	6	6	6	
24	6N7-42828-00	PLATE, CLAMP	1	1	1	

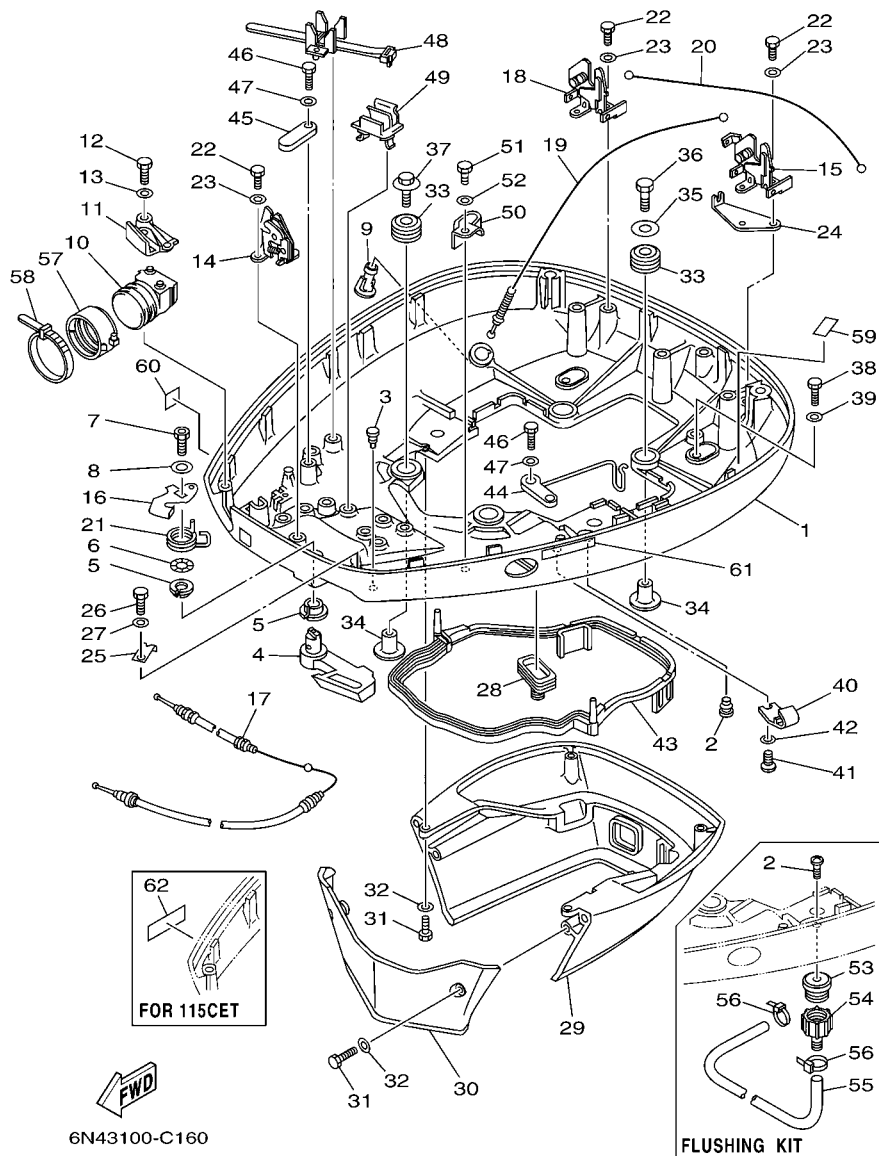
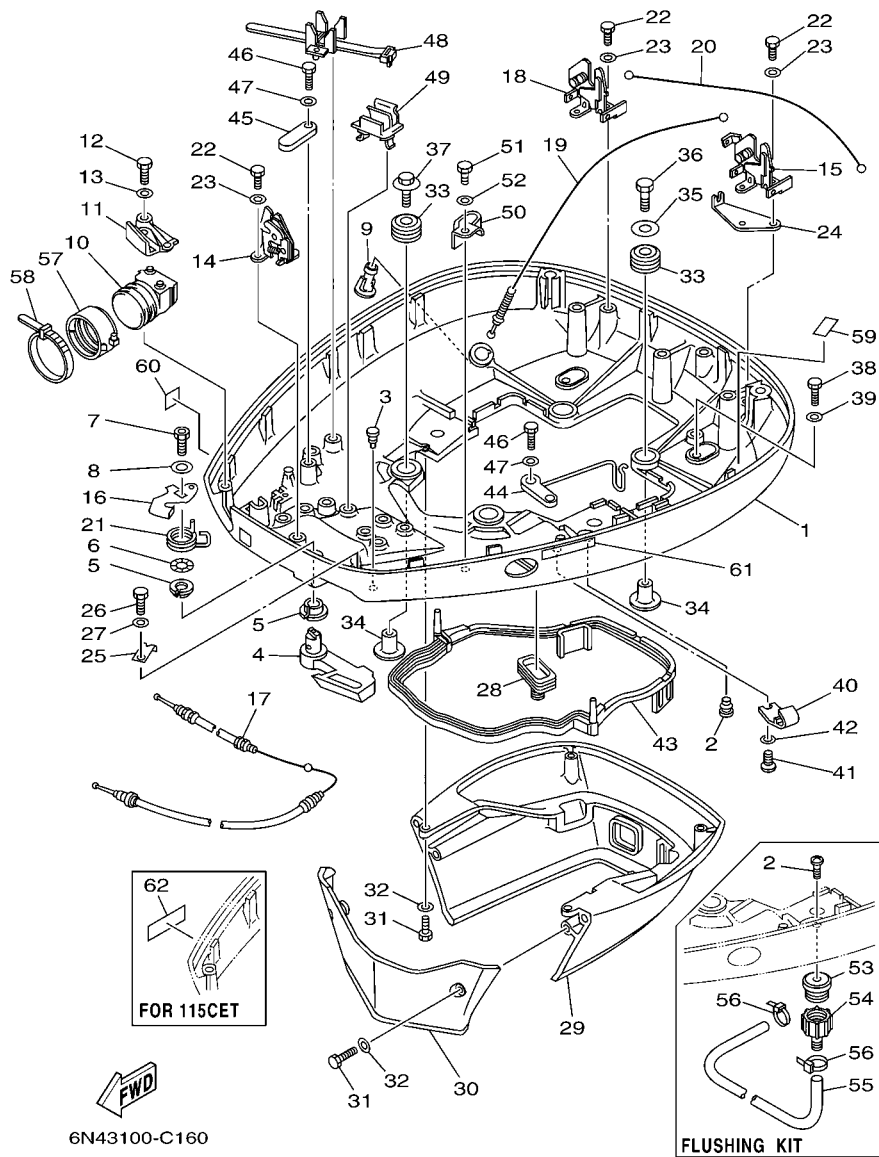


FIG. 16 BOTTOM COWLING

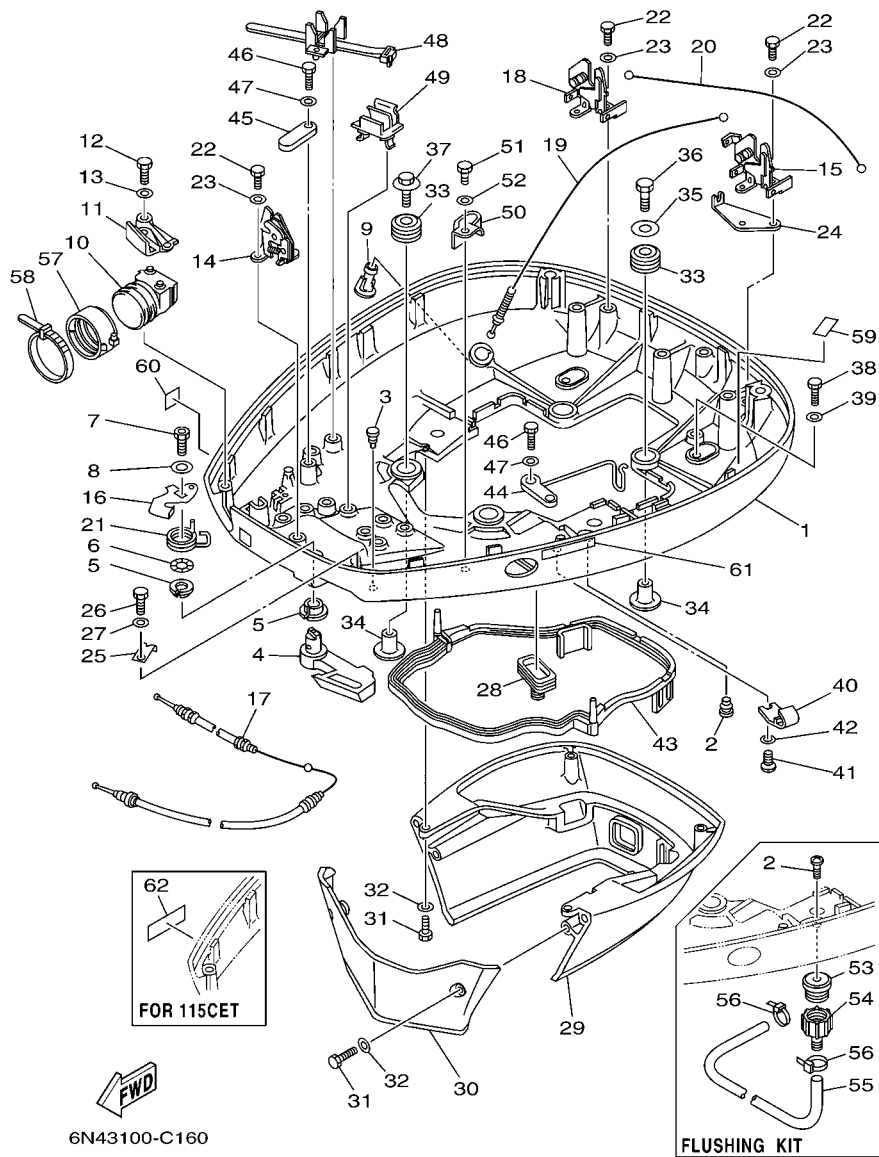
REF. NO.	PART NO.	DESCRIPTION	115	130	L130	REMARKS
25	6R3-42828-00	PLATE, CLAMP	1	1	1	
26	97095-06010	BOLT	1	1	1	
27	92995-06600	WASHER	1	1	1	
28	688-42726-10	GROMMET	1	1	1	
29	6N7-42741-01-8D	APRON	1	1	1	
30	6R3-42771-01-8D	APRON	1	1	1	
31	97095-06020	BOLT	4	4	4	
32	92995-06600	WASHER	4	4	4	
33	90480-22M15	GROMMET	4	4	4	
34	90387-08M37	COLLAR	4	4	4	
35	90201-08M54	WASHER, PLATE	1	1	1	
36	97075-08035	BOLT	1	1	1	
37	90119-08M22	BOLT, WITH WASHER	3	3	3	
38	97095-06020	BOLT	2	2	2	
39	92995-06600	WASHER	2	2	2	
40	6E5-24367-10	CLAMP, FUEL PIPE 2	1	1	1	
41	90157-06M01	SCREW, PAN HEAD	1	1	1	
42	92990-06600	WASHER, PLATE	1	1	1	
43	6E5-42716-00	RUBBER, SEAL 1	1	1	1	
44	6K7-82588-00	PLATE	1	1	1	
45	6E5-82588-00	PLATE	1	1	1	
46	97095-06020	BOLT	2	2	2	
47	92995-06600	WASHER	2	2	2	
48	688-82594-00	CLAMP	1	1	1	
49	6E5-82594-00	CLAMP	4	4	4	
50	90465-12M25	CLAMP	1	1	1	
51	97095-06012	BOLT	1	1	1	



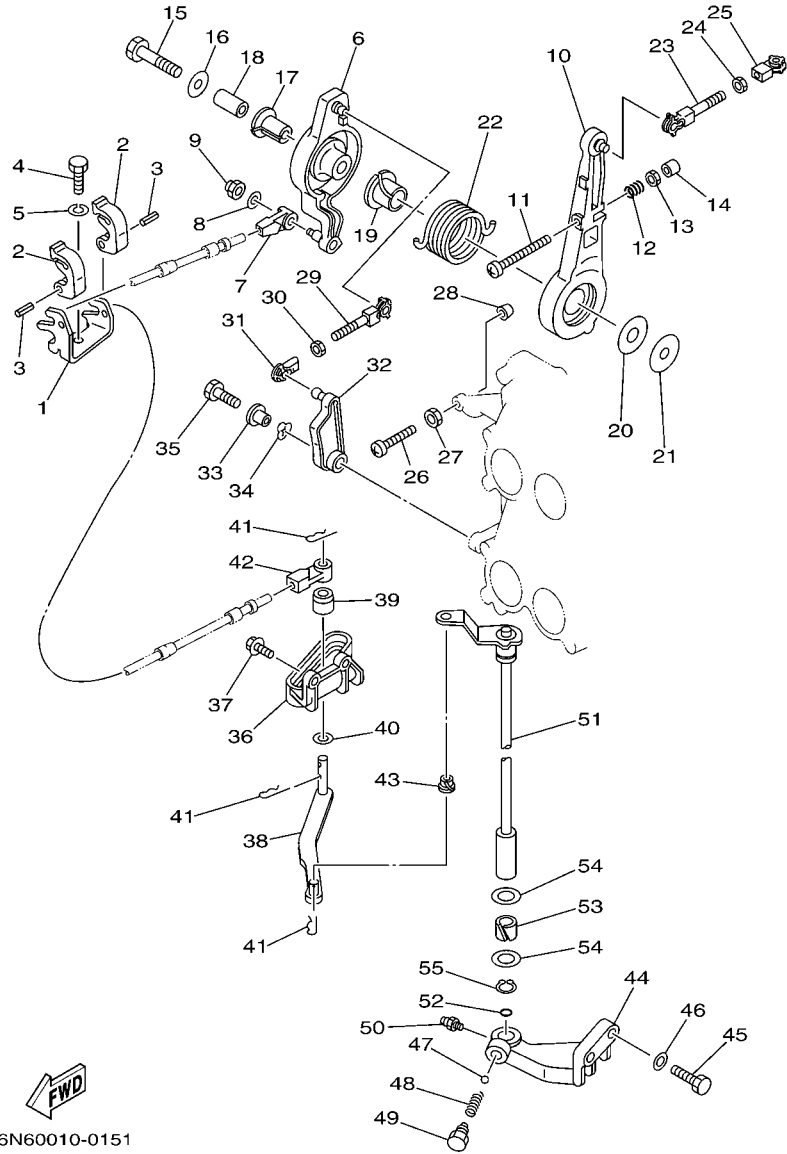
6N43100-C160

FIG. 16 BOTTOM COWLING

REF. NO.	PART NO.	DESCRIPTION	115	130	L130	REMARKS
52	92995-06600	WASHER	1	1	1	
53	6R3-12572-00	ADAPTER	1	1	1	FLUSHING KIT
54	6R3-12580-00	JOINT ASSY	1	1	1	FLUSHING KIT
55	90445-11M35	HOSE (L540)	1	1	1	FLUSHING KIT
56	90465-11M10	CLAMP	2	2	2	FLUSHING KIT
57	68F-42753-00	FASTNER	1	1	1	ETO-FOR OCE
58	90464-20258	CLAMP	1	1	1	ETO-FOR OCE
59	6G5-42791-00	MARK 1	1			FOR BRA
	6K7-42791-00	MARK 1		1	1	FOR USA,OCE,CAR
	6G5-42791-10	MARK 1	1			FOR USA,OCE,CAR
	6L1-42791-00	MARK 1		1		FOR BRA
60	6A1-28176-00	LABEL, CAUTION	1	1	1	FOR CAR
61	6E3-8257H-00	PLATE, MARK	1	1	1	FOR CAR
62	6R6-42791-40	MARK 1		1		115CET



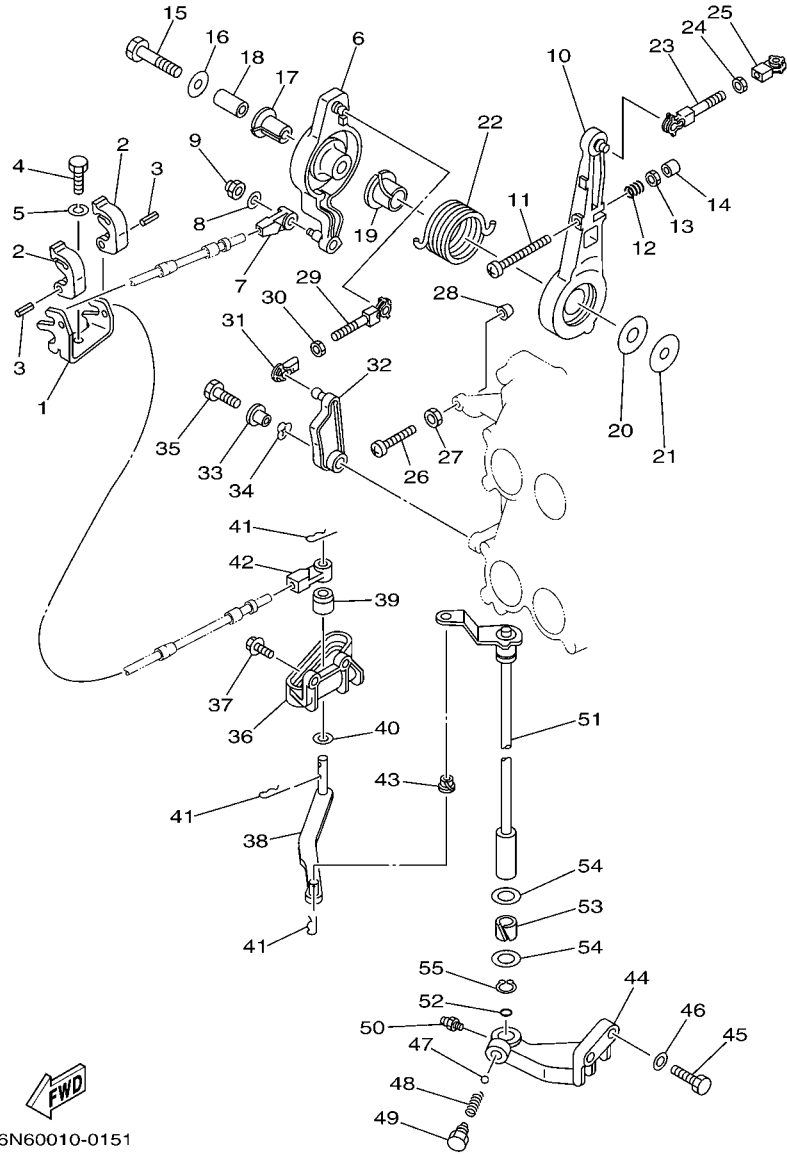




6N60010-0151

FIG. 17 CONTROL

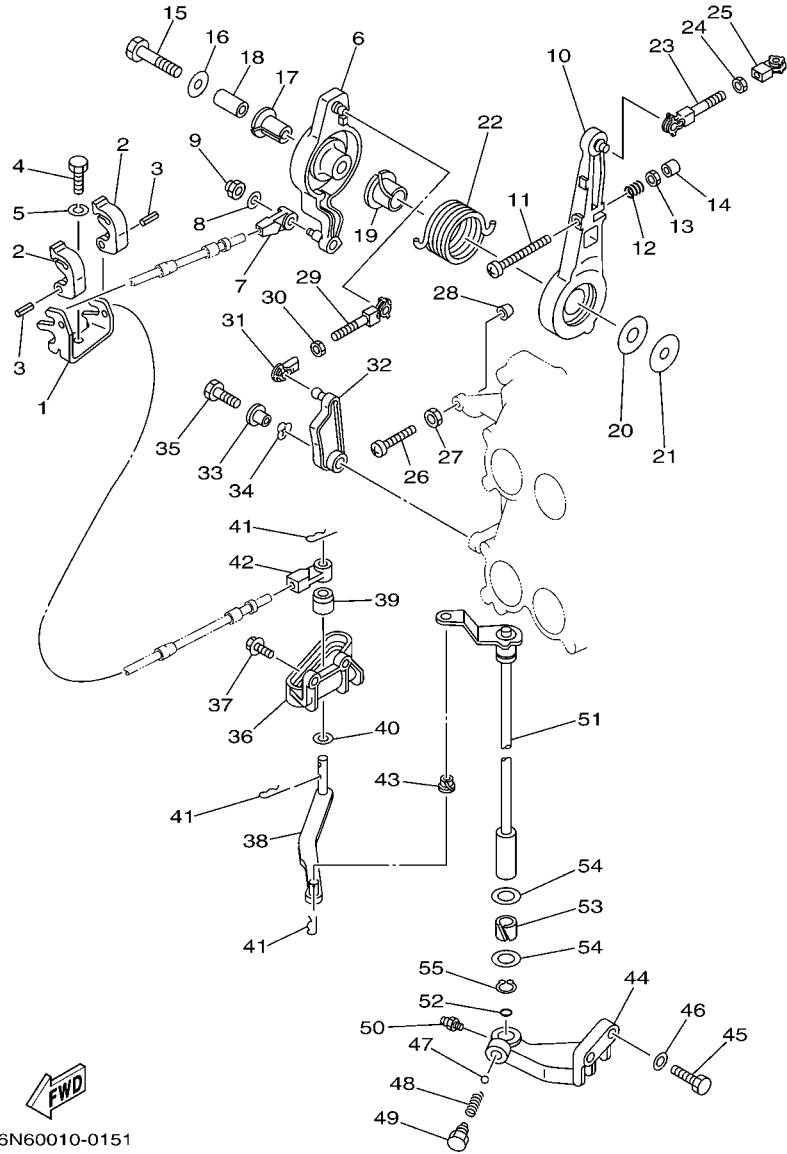
REF. NO.	PART NO.	DESCRIPTION	115	130	L130	REMARKS
1	6E5-48531-00	BRACKET, REMOTE CONTROL 1	1	1	1	
2	6E5-48538-00	CLAMP, CABLE	2	2	2	
3	91690-30012	PIN, SPRING	2	2	2	
4	97095-08020	BOLT	1	1	1	
5	92995-08100	WASHER	1	1	1	
6	6E5-41632-02-1S	LEVER, MAGNETO CONTROL	1	1	1	
7	6E5-48344-00	CABLE END, REMOTE CONTROL	1	1	1	
8	92990-06200	WASHER, PLAIN	1	1	1	
9	90185-06M07	NUT, SELF-LOCKING	1	1	1	
10	6E5-41631-01-1S	LEVER, MAGNETO CONTROL	1	1	1	
11	90157-06013	SCREW, PAN HEAD	1	1	1	
12	90501-16M12	SPRING, COMPRESSION	1	1	1	
13	95303-06600	NUT	1	1	1	
14	688-44194-00	CAP	1	1	1	
15	97013-08045	BOLT	1	1	1	
16	90201-08M23	WASHER, PLATE	1	1	1	
17	90386-12089	BUSH	1	1	1	
18	90387-08M16	COLLAR	1	1	1	
19	90386-22M13	BUSH	1	1	1	
20	90202-12092	WASHER, PLATE	1	1	1	
21	90201-08M13	WASHER, PLATE	1	1	1	
22	90508-29M12	SPRING, TORSION	1	1	1	
23	6E5-41636-01	ROD, MAGNETO CONTROL	1	1	1	
24	95380-05600	NUT	1	1	1	
25	662-41237-01	JOINT, LINK	1	1	1	
26	90157-06013	SCREW, PAN HEAD	1	1	1	
27	95303-06600	NUT	1	1	1	



6N60010-0151

FIG. 17 CONTROL

REF. NO.	PART NO.	DESCRIPTION	115	130	L130	REMARKS
28	688-44194-00	CAP	1	1	1	
29	688-41636-00	ROD, MAGNETO CONTROL	1	1	1	
30	95380-05600	NUT	1	1	1	
31	662-41237-01	JOINT, LINK	1	1	1	
32	6E5-41213-00	CAM, ACCEL.	1	1	1	
33	90387-06M29	COLLAR	1	1	1	
34	90206-10M04	WASHER, WAVE	1	1	1	
35	97095-06025	BOLT	1	1	1	
36	6E5-44117-00-1S	BRACKET	1	1	1	
37	90119-06MA2	BOLT, WITH WASHER	2	2	2	
38	68F-44121-00	LEVER, SHIFT ROD	1	1	1	
39	6E5-44122-00	BUSHING, SHIFT ROD LEVER	1	1	1	
40	90202-08M20	WASHER, PLATE	1	1	1	
41	90468-18008	CLIP	3	3	3	
42	6E5-48344-00	CABLE END, REMOTE CONTROL	1	1	1	
43	90386-06M12	BUSH	1	1	1	
44	6E5-44118-01-94	BRACKET	1	1	1	
45	97013-08030	BOLT	2	2	2	
46	92903-08600	WASHER, PLATE	2	2	2	
47	93501-04M02	BALL	1	1	1	
48	90501-12082	SPRING, COMPRESSION	1	1	1	
49	648-42715-00	BUSHING	1	1	1	
50	93700-06M03	NIPPLE, GREASE	1	1	1	
51	6E5-44120-03	HANDLE GEAR SHIFT ASSY	1	1	1	L
	6E5-44120-23	HANDLE GEAR SHIFT ASSY	1	1	1	X
52	93210-09165	O-RING	1	1	1	
53	90386-16M66	BUSH	1	1	1	



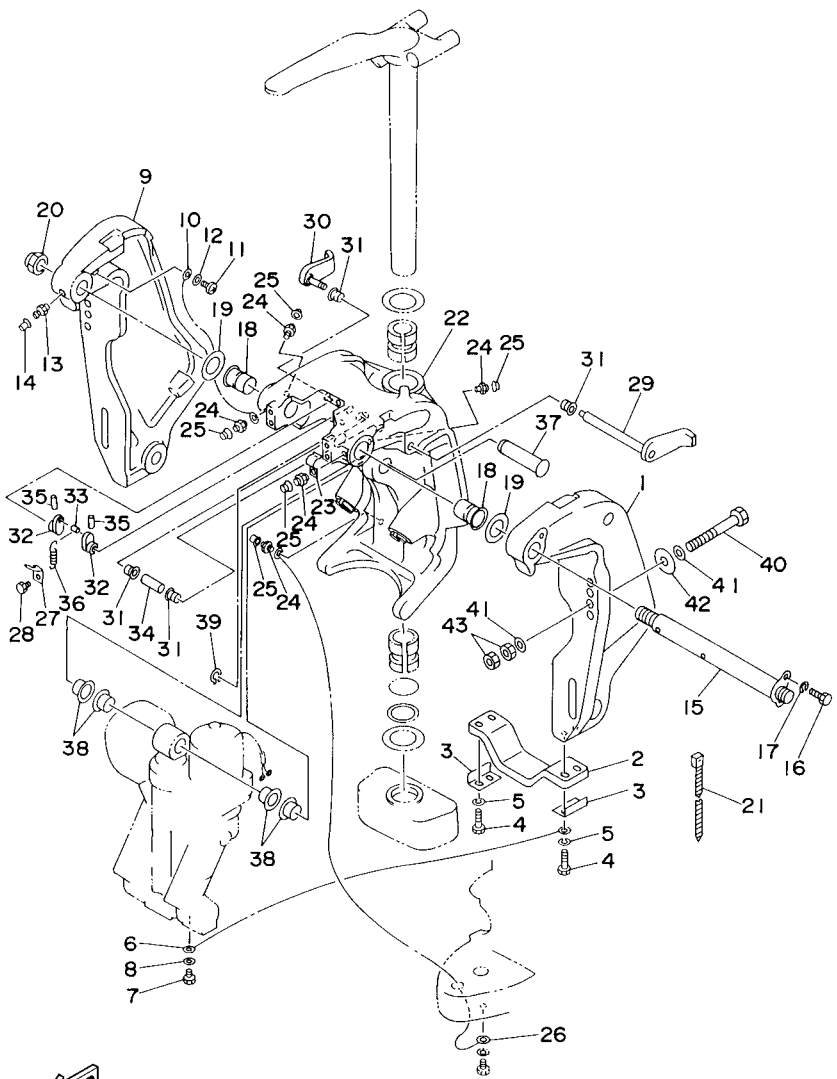
6N60010-0151

FIG. 17 CONTROL

REF. NO.	PART NO.	DESCRIPTION	115	130	L130	REMARKS
54	90202-16061	WASHER, PLATE	2	2	2	
55	93410-16006	CIRCLIP	1	1	1	
-----						
-----						
-----						
-----						
-----						
-----						
-----						
-----						
-----						
-----						

FIG. 18 BRACKET 1

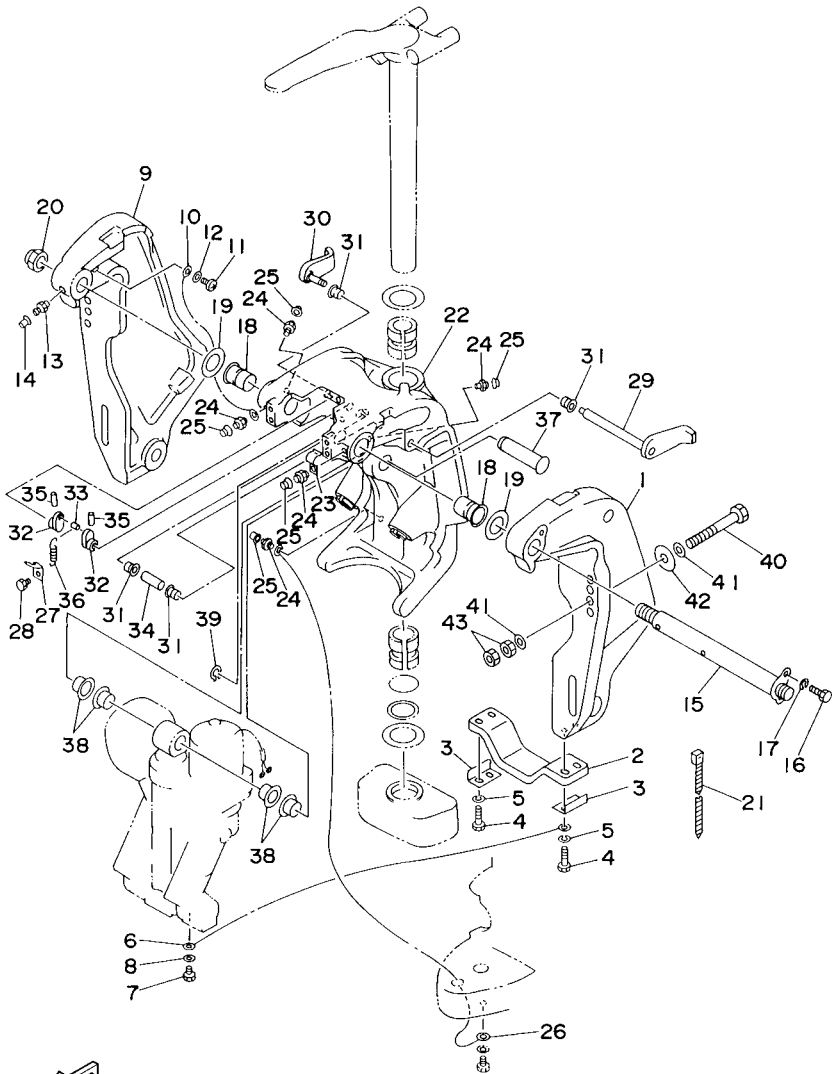
REF. NO.	PART NO.	DESCRIPTION	T15	L30	L130	REMARKS
1	64E-43111-02-8D	BRACKET, CLAMP	1	1	1	
2	6G5-45251-02	ANODE	1	1	1	
3	6G5-44526-00	PLATE	2	2	2	
4	97095-06030	BOLT	4	4	4	
5	92995-06100	WASHER, SPRING	4	4	4	
6	6E5-82148-00	WIRE, LEAD 4	1	1	1	
7	97095-06010	BOLT	1	1	1	
8	92995-06600	WASHER	1	1	1	
9	64E-43112-02-8D	BRACKET, CLAMP	1	1	1	
10	6E5-82148-00	WIRE, LEAD 4	1	1	1	
11	97880-06012	SCREW, PAN HEAD	1	1	1	
12	92990-06600	WASHER, PLATE	1	1	1	
13	93700-06M03	NIPPLE, GREASE	1	1	1	
14	663-45119-00	CAP, GREASE NIPPLE	1	1	1	AP
15	64E-43131-01	BOLT, CLAMP BRACKET	1	1	1	
16	97095-08020	BOLT	1	1	1	
17	92995-08100	WASHER	1	1	1	
18	90386-25M31	BUSH	2	2	2	
19	90201-26M59	WASHER, PLATE	2	2	2	
20	90185-22M11	NUT, SELF-LOCKING	1	1	1	
21	90465-11M10	CLAMP	1	1	1	
22	64E-43311-10-8D	BRACKET, SWIVEL 1	1	1		L
	64E-43311-20-8D	BRACKET, SWIVEL 1	1	1	1	X
23	90465-08M63	CLAMP	1	1	1	
24	93700-06M03	NIPPLE, GREASE	5	5	5	
25	663-45119-00	CAP, GREASE NIPPLE	5	5	5	AP
26	6E5-82147-00	WIRE, LEAD 4	1	1		L



6N60010-7160

FIG. 18 BRACKET 1

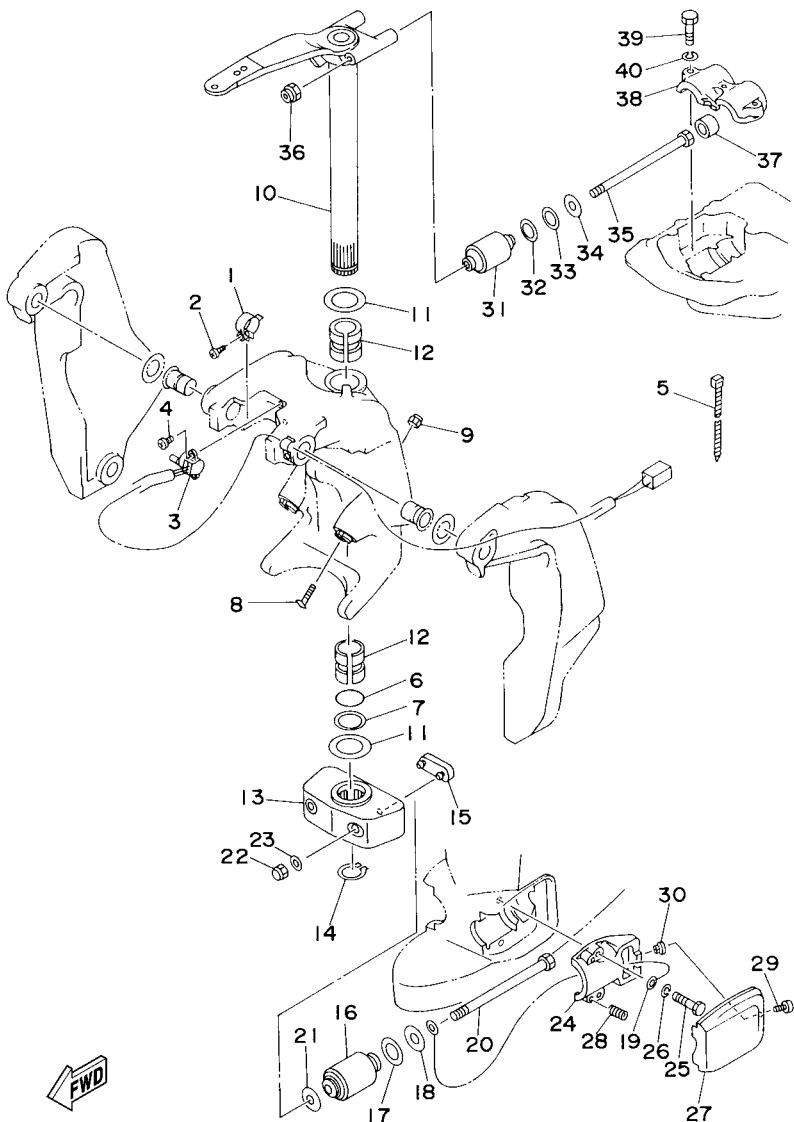
REF. NO.	PART NO.	DESCRIPTION	115	130	L130	REMARKS
26	6E5-82147-20	WIRE, LEAD 4	1	1	1	X
27	6G5-43144-00	HOOK, SPRING	1	1	1	
28	97095-06010	BOLT	1	1	1	
29	6G5-43181-02	LEVER, TILT STOP	1	1	1	
30	6G5-43185-02	LEVER, TILT STOP	1	1	1	
31	90386-10M16	BUSH	4	4	4	
32	6G5-43148-00	COLLAR, DISTANCE	2	2	2	
33	90249-06M19	PIN	1	1	1	
34	90387-10M05	COLLAR	1	1	1	
35	91690-30020	PIN, SPRING	2	2	2	
36	90506-14M24	SPRING, TENSION	1	1	1	
37	64E-43126-00	PIN, UPPER SHOCK MOUNT	1	1	1	
38	90386-22M98	BUSH	4	4	4	
39	93410-22M11	CIRCLIP	1	1	1	
40	90101-12M05	BOLT (L:130MM)	4	4	4	FOR USA,OCE
	90101-12M77	BOLT (L:150MM)	2	2	2	FOR USA,OCE
	90101-12M03	BOLT (L:115MM)	4	4	4	FOR CAR,BRA
41	90201-13M01	WASHER, PLATE	8	8	8	
42	90201-12M05	WASHER, PLATE	4	4	4	
43	95380-12600	NUT	8	8	8	



FWD  
6N60010-7160

FIG. 19 BRACKET 2

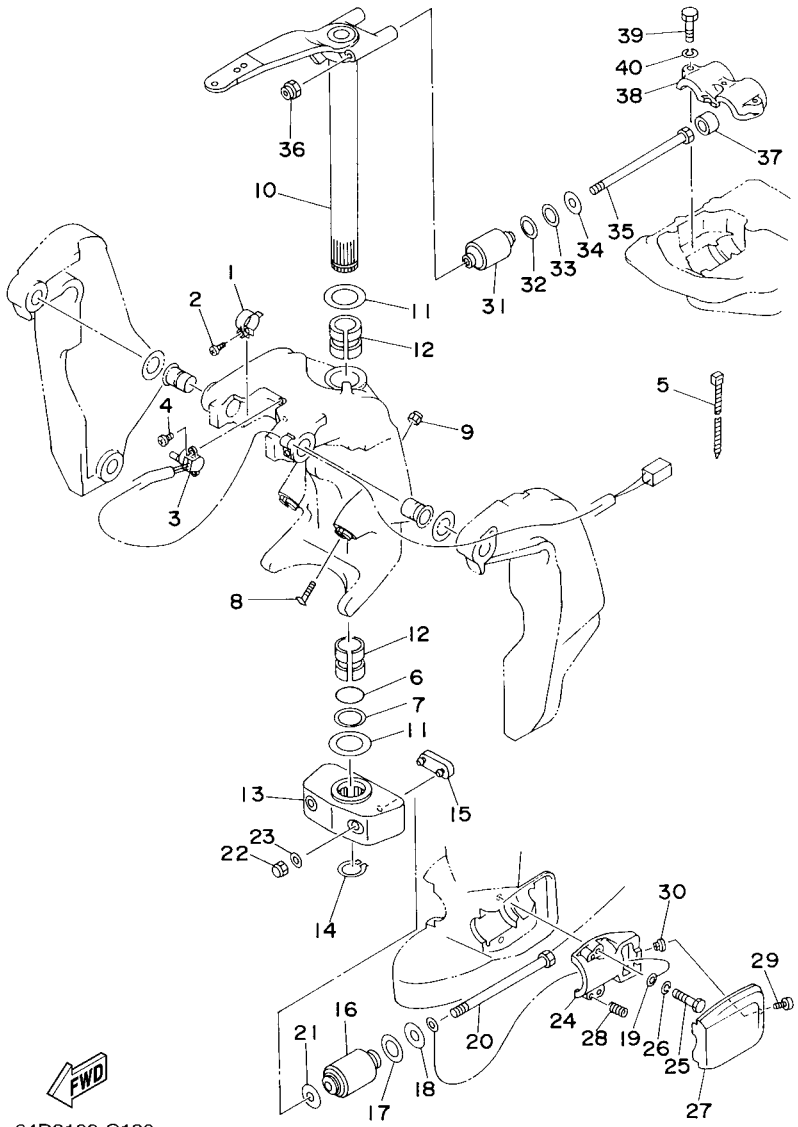
REF. NO.	PART NO.	DESCRIPTION	115	130	L130	REMARKS
1	64E-43139-02	CAM, TRIM SENDER	1	1	1	
2	97780-60525	SCREW, TAPPING	1	1	1	
3	67H-83672-00	TRIM SENDER	1	1		FOR USA
	64E-83672-02	TRIM SENDER	1	1	1	FOR OCE,CAR,BRA
4	97885-06016	SCREW, PAN HEAD	2	2	2	
5	90465-11M10	CLAMP	3	3	3	
6	93210-37MH7	O-RING	1	1	1	
7	90202-40M47	WASHER, PLATE	1	1	1	
8	61A-43376-00	BOLT, THRUST RECEIVER	2	2	2	
9	95780-10300	NUT, FLANGE	2	2	2	
10	6E5-42510-A1-8D	STEERING BRACKET ASSY	1	1		L
	6E5-42510-B1-8D	STEERING BRACKET ASSY	1	1	1	X
11	90201-38M60	WASHER, PLATE	2	2	2	
12	90386-38M32	BUSH	2	2	2	
13	6G5-44551-01-8D	HOUSING, LOWER MOUNT RUBBER	1	1	1	
14	93410-37M04	CIRCLIP	1	1	1	
15	6E5-44575-00	DAMPER, LOWER MOUNT RUBBER	1	1	1	
16	6E5-44555-00-94	MOUNT DAMPER, LOWER SIDE	2	2	2	
17	90202-32M19	WASHER, PLATE	2	2	2	
18	90201-16M55	WASHER, PLATE	2	2	2	
19	6E5-82149-00	WIRE, LEAD 3	1	1	1	
20	90109-14M34	BOLT	2	2	2	
21	90201-15M58	WASHER, PLATE	2	2	2	
22	95380-14800	NUT	2	2	2	
23	92995-14600	WASHER	2	2	2	
24	6E5-44552-01-94	HOUSING, LOWER MOUNT RUBBER	2	2	2	
25	97095-10045	BOLT	4	4	4	



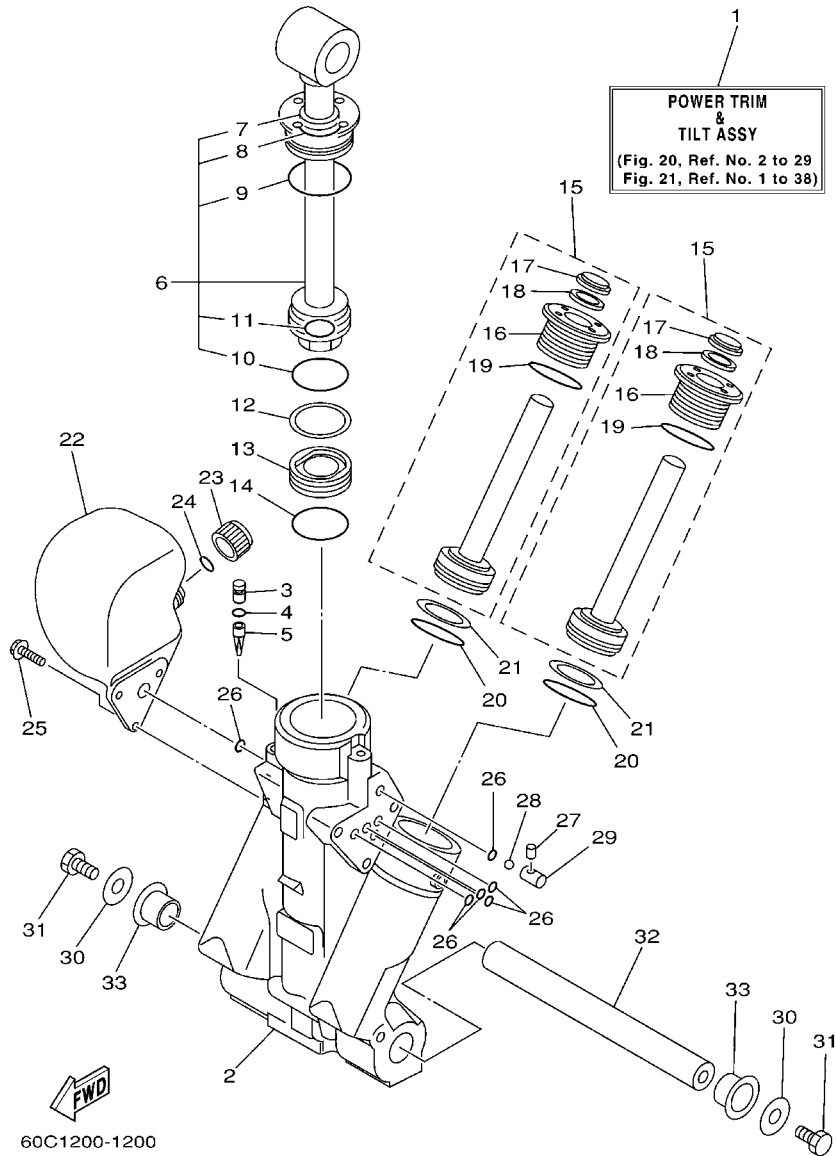
64D3100-C180

FIG. 19 BRACKET 2

REF. NO.	PART NO.	DESCRIPTION	115	130	L130	REMARKS
26	92995-10100	WASHER	4	4	4	
27	6E5-44553-01-8D	COVER, LOWER MOUNT	2	2	2	
28	90501-16M28	SPRING, COMPRESSION	4	4	4	
29	97885-06016	SCREW, PAN HEAD	2	2	2	
30	90179-06066	NUT	2	2	2	
31	6E5-44514-00-94	MOUNT DAMPER, UPPER SIDE	2	2	2	
32	90201-26M57	WASHER, PLATE	2	2	2	
33	90202-26M18	WASHER, PLATE	2	2	2	
34	90201-14M56	WASHER, PLATE	2	2	2	
35	90109-12M37	BOLT	2	2	2	
36	90185-12M12	NUT, SELF-LOCKING	2	2	2	
37	663-44575-00	DAMPER, LOWER MOUNT RUBBER	2	2	2	
38	6E5-44511-00-5B	COVER, UPPER MOUNT	1	1	1	
39	97095-10045	BOLT	3	3	3	
40	92995-10100	WASHER	3	3	3	



64D3100-C180



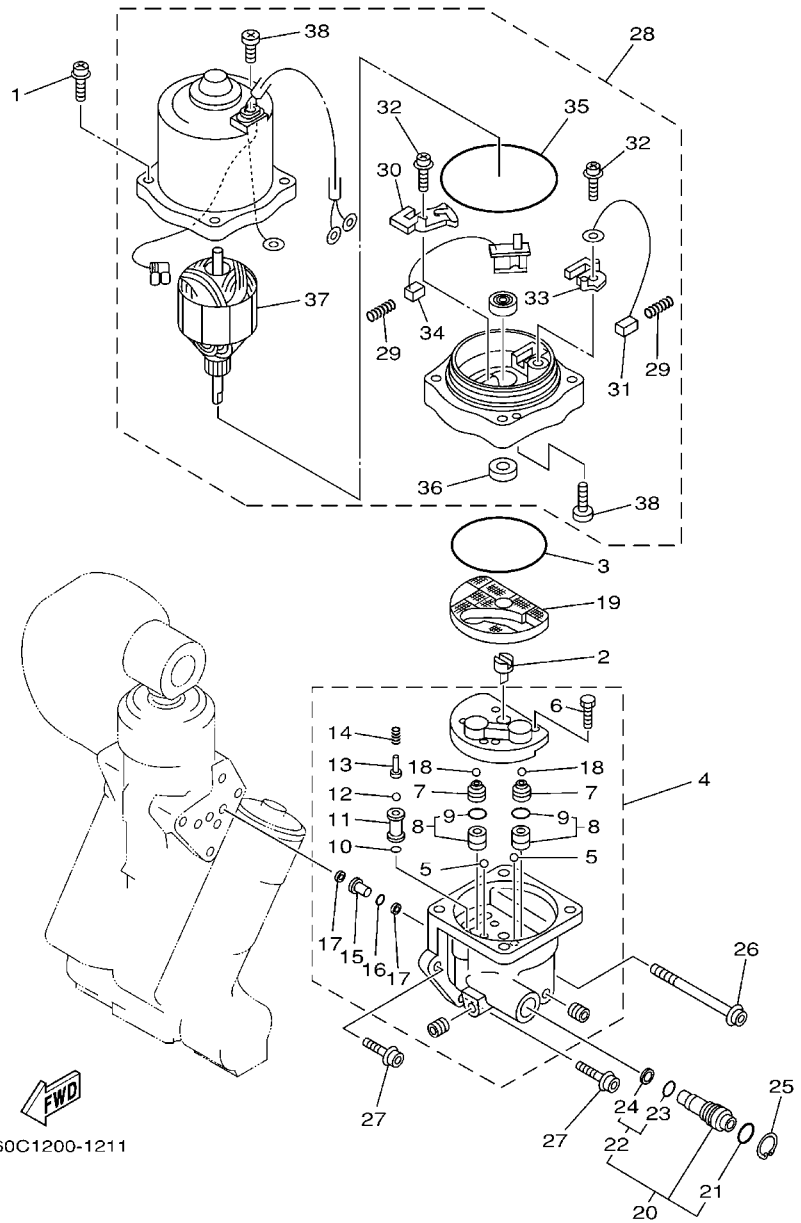
**FIG. 20 POWER TRIM & TILT ASSY 1**

REF. NO.	PART NO.	DESCRIPTION	115	130	L130	REMARKS
1	64E-43800-02-4D	POWER TRIM & TILT ASSY	1	1	1	
2	64E-43825-01	HOUSING, TRIM & TILT	1	1	1	
3	64E-4388J-00	PLUG 2	1	1	1	
4	93210-10M74	O-RING	1	1	1	
5	64E-43817-00	FILTER 2	1	1	1	
6	64E-43810-00	TILT PISTON SUB ASSY	1	1	1	
7	64E-43898-00	.SEAL ,DUST 2	1	1	1	
8	64E-43867-00	.O-RING	1	1	1	
9	64E-43866-00	.O-RING	1	1	1	
10	6E5-43862-00	.O-RING	1	1	1	
11	64E-43883-00	.O-RING	1	1	1	
12	6E5-43872-00	RING, BACK UP	1	1	1	
13	6E5-43814-02	PISTON, FREE	1	1	1	
14	6E5-43862-00	O-RING	1	1	1	
15	64E-43820-00	TRIM PISTON SUB ASSY	2	2	2	
16	64E-43821-00	.SCREW, TRIM CYLINDER END	1	1	1	
17	64E-43822-00	.SEAL, TRIM DUST	1	1	1	
18	64E-4384J-00	.SEAL, TRIM DOWN	1	1	1	
19	6G5-43864-00	.O-RING	1	1	1	
20	6E5-43864-00	O-RING	2	2	2	
21	6E5-43874-01	RING, BACK UP	2	2	2	
22	64E-43828-00	BODY, RESERVOIR	1	1	1	
23	64E-43829-00	PLUG, RESERVOIR	1	1	1	
24	64E-43897-00	O-RING	1	1	1	
25	64E-4388E-00	BOLT ,SCREW (L:14MM)	3	3	3	
26	64E-43869-00	O-RING	6	6	6	
27	64E-4381G-00	PIN	1	1	1	





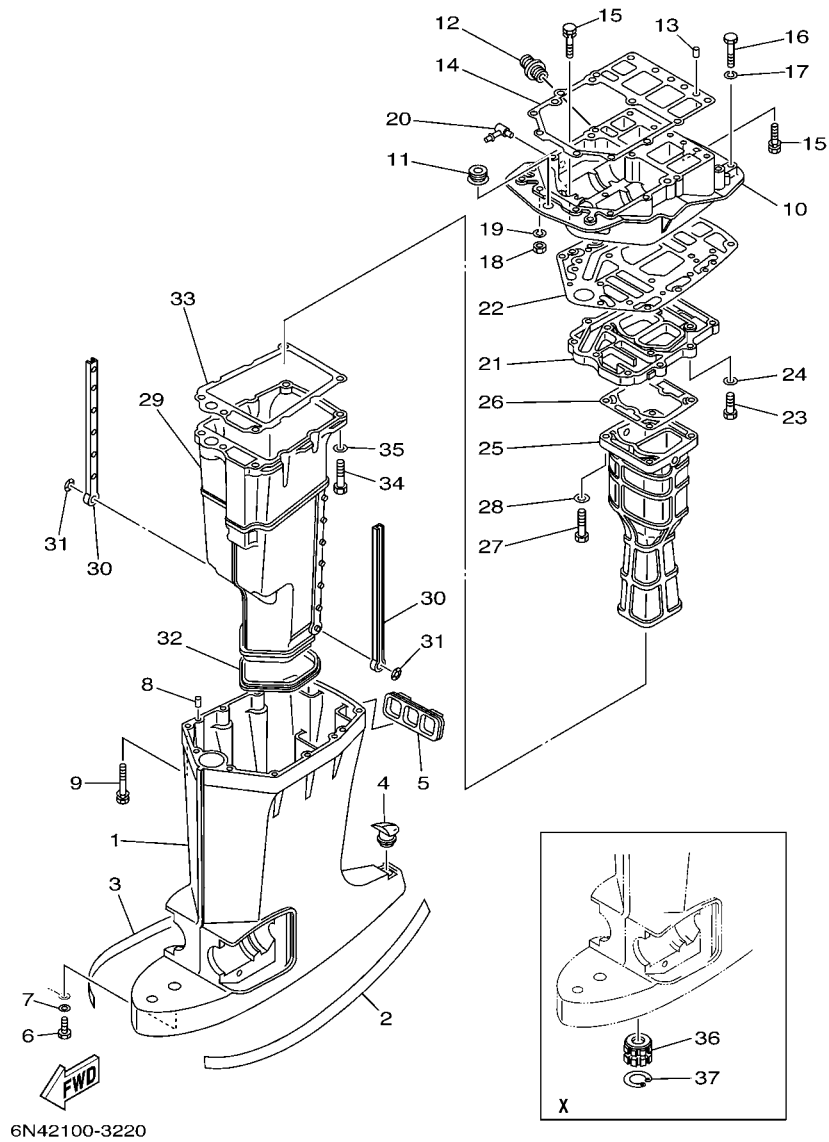
FIG. 21 POWER TRIM & TILT ASSY 2



REF. NO.	PART NO.	DESCRIPTION	115	130	L130	REMARKS
1	64E-4388E-10	BOLT ,SCREW (L:34.7MM)	4	4	4	
2	64E-43831-00	CONNECTOR, SHAFT	1	1	1	
3	64E-43868-00	O-RING	1	1	1	
4	64E-43830-00	GEAR PUMP ASSY	1	1	1	
5	72X-43858-00	.BALL	2	2	2	
6	64E-43843-00	.SCREW, VALVE LOCK	4	4	4	
7	64E-43841-00	.PISTON, SHUTTLE	2	2	2	
8	64E-43802-00	.VALVE SUB ASSY	2	2	2	
9	6E5-43896-00	..O-RING	1	1	1	
10	6G5-43863-00	.O-RING	1	1	1	
11	64E-43851-00	.SEAT, RELIEF VALVE	1	1	1	
12	64E-43858-00	.BALL	1	1	1	
13	64E-43859-00	.PIN, VALVE SUPPORT	1	1	1	
14	64E-43855-00	.SPRING, UP RELIEF	1	1	1	
15	64E-43850-00	.VALVE SUB ASSY	1	1	1	
16	64E-43865-00	.O-RING	1	1	1	
17	64E-43816-00	.FILTER 1	2	2	2	
18	64E-43858-00	.BALL	2	2	2	
19	64E-43817-10	FILTER 2	1	1	1	
20	64E-43860-00	MANUAL VALVE SUB-ASSY	1	1	1	
21	72X-85075-L0	.O-RING	1	1	1	
22	64E-43827-00	.RING SET	1	1	1	
23	64E-4387A-00	..O-RING	1	1	1	
24	64E-43873-00	..RING, BACK UP	1	1	1	
25	64E-43875-00	RING, SNAP	1	1	1	
26	64E-43879-10	SCREW, WITH WASHER	1	1	1	
27	64E-43879-00	SCREW, WITH WASHER	2	2	2	

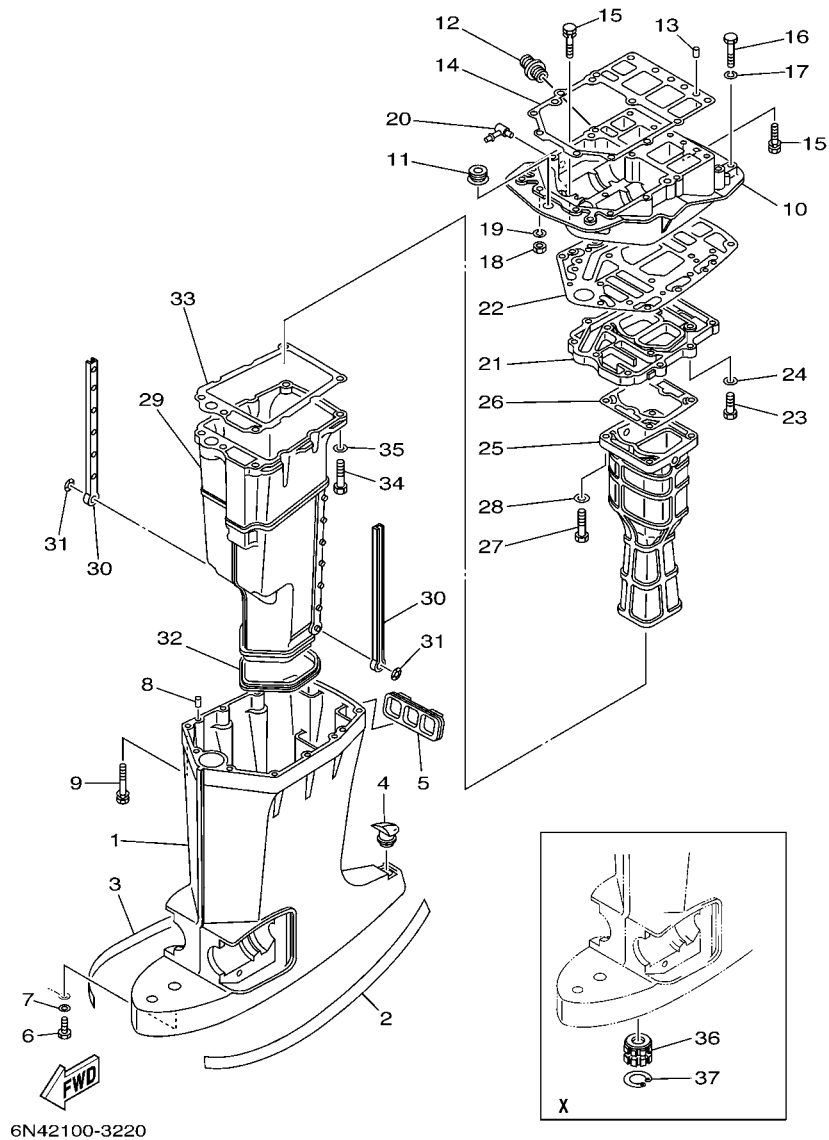


FIG. 22 UPPER CASING

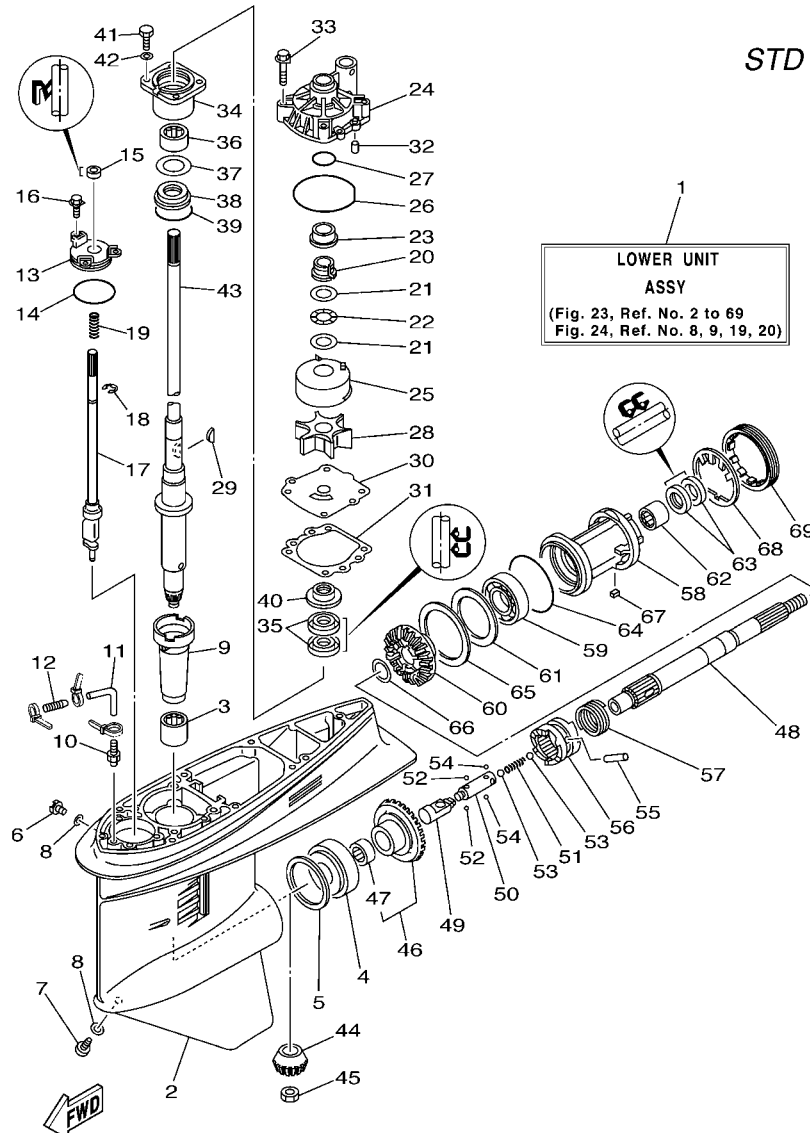


REF. NO.	PART NO.	DESCRIPTION	115	130	L130	REMARKS
1	6E5-45111-02-8D	CASING, UPPER	1	1		L
	6E5-45111-23-8D	CASING, UPPER	1	1	1	X
2	6R3-42791-41	MARK 1	1	1	1	
3	6R3-42792-41	MARK	1	1	1	
4	6E5-45155-00	CAP	1	1	1	
5	6E5-42769-00	SEAL, RUBBER	1	1	1	
6	97095-06010	BOLT	1	1	1	
7	92995-06600	WASHER	1	1	1	
8	93608-12M05	PIN, DOWEL	2	2	2	
9	90119-08027	BOLT, WITH WASHER	6	6	6	
10	6G5-41137-11-94	GUIDE, EXHAUST	1	1	1	FLUSHING KIT
	6G5-41137-02-94	GUIDE, EXHAUST	1	1		FOR STD
11	6E5-42724-00	GROMMET	1	1	1	
12	6G5-12581-00	JOINT, HOSE 1	1	1	1	
13	93608-12M05	PIN, DOWEL	2	2	2	
14	6G5-45113-A1	GASKET, UPPER CASING	1	1	1	
15	90119-08M79	BOLT, WITH WASHER	6	6	6	
16	97095-08045	BOLT	2	2	2	
17	92995-08100	WASHER	2	2	2	
18	95380-08700	NUT	2	2	2	
19	92995-08100	WASHER	2	2	2	
20	6H1-11372-00	NIPPLE, HOSE	1	1	1	FLUSHING KIT
21	6G5-41131-01-5B	MANIFOLD, EXT. 1	1	1	1	
22	6G5-45114-A1	GASKET, UPPER CASING	1	1	1	
23	97095-08030	BOLT	4	4	4	
24	92995-08600	WASHER	4	4	4	
25	6E5-41132-10-5B	MANIFOLD, EXHAUST	1			

FIG. 22 UPPER CASING



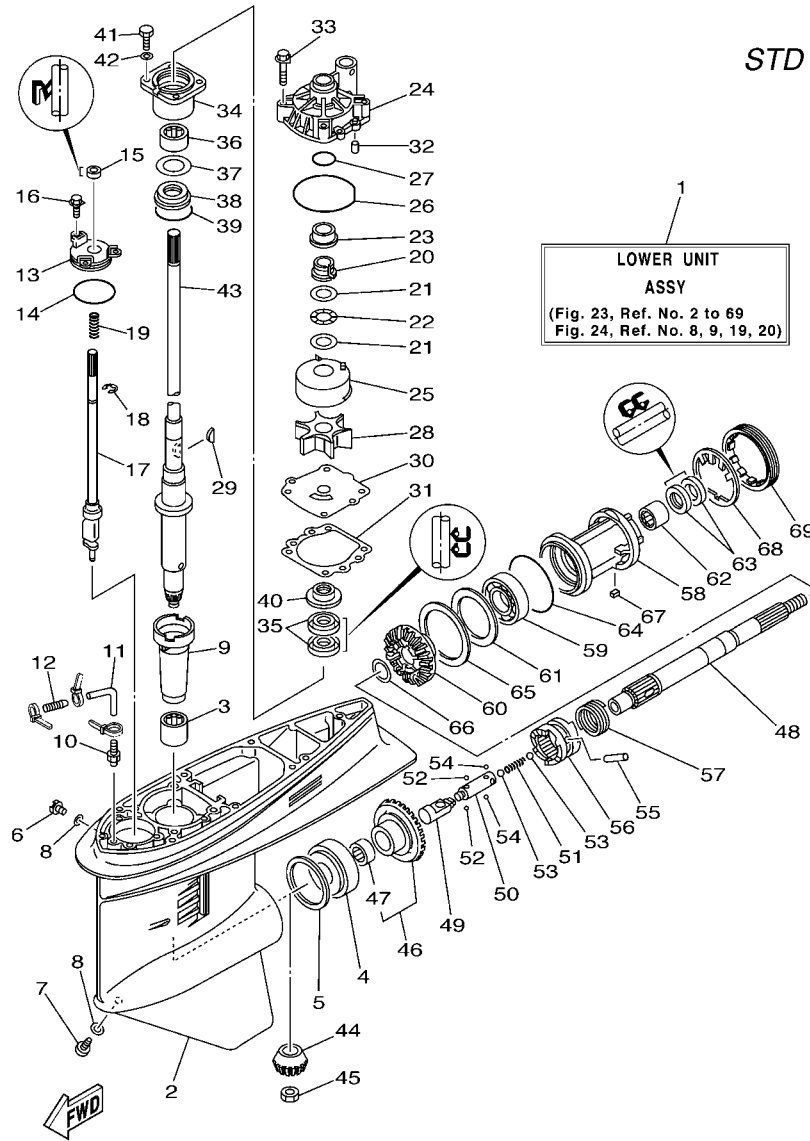
REF. NO.	PART NO.	DESCRIPTION	115	130	L130	REMARKS
25	6L1-41132-00-5B	MANIFOLD, EXHAUST		1	1	
26	6E5-41134-A0	GASKET, EXHAUST MANIFOLD	1			
	6G5-41134-A1	GASKET, EXHAUST MANIFOLD		1	1	
27	97095-08045	BOLT	4	4	4	
28	92995-08600	WASHER	4	4	4	
29	6E5-14711-01-5B	MUFFLER 1	1	1	1	
30	6E5-14737-00	DAMPER, MUFFLER	2	2	2	
31	90183-05M02	NUT, SPRING	2	2	2	
32	6E5-45123-00	GASKET, MUFFLER	1	1	1	
33	6E5-41135-A0	GASKET, EXHAUST MANIFOLD	1	1	1	
34	97095-08045	BOLT	5	5	5	
35	92995-08600	WASHER	5	5	5	
36	6E5-45318-00	BUSHING, DRIVE SHAFT	1	1	1	X
37	93420-36M01	CIRCLIP	1	1	1	X



6N41100-2230

FIG. 23 LOWER CASING. DRIVE 1

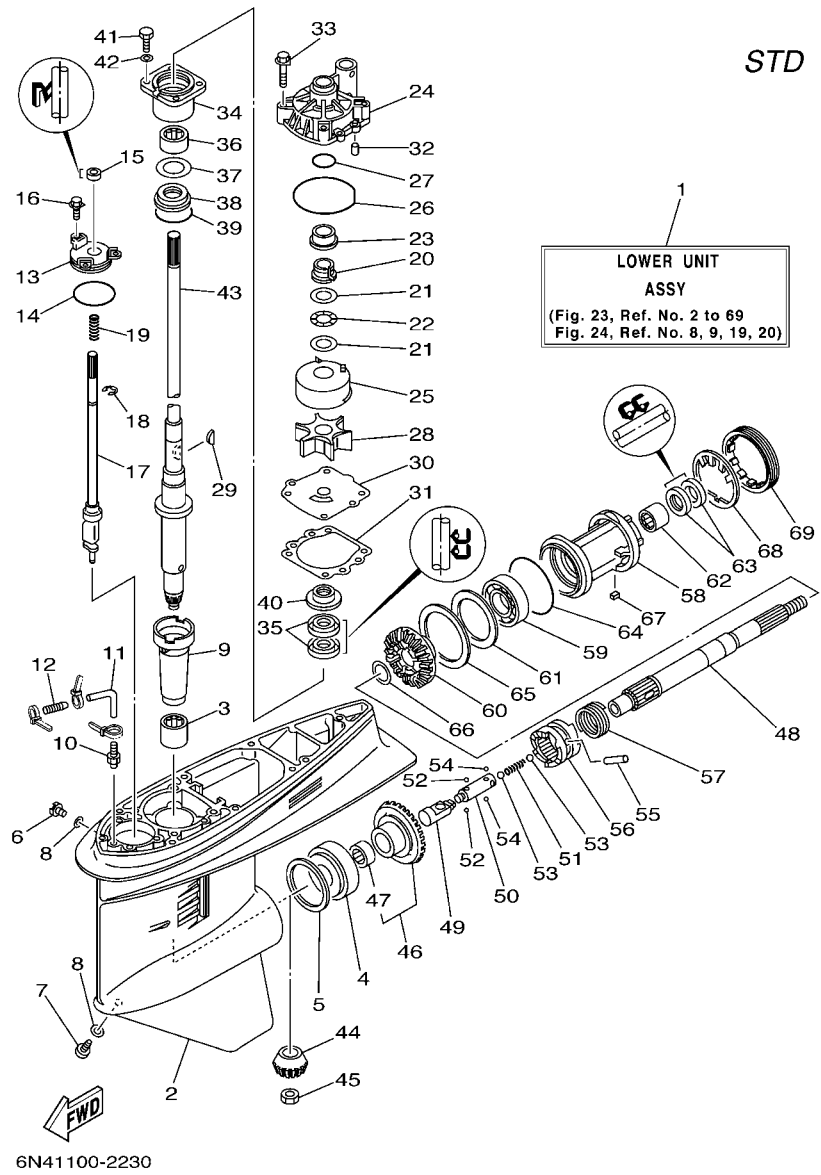
REF. NO.	PART NO.	DESCRIPTION	115	130	L130	REMARKS
1	6E5-45300-17-8D	LOWER UNIT ASSY	1	1		L
	6E5-45300-27-8D	LOWER UNIT ASSY	1	1		X
2	6E5-45301-05-8D	CASING, LOWER	1	1		
3	93315-628U9	BEARING	1	1		
4	93332-000U7	BEARING	1	1		
5	6E5-45567-01-10	SHIM (T:0.10MM)	1	1		UR
	6E5-45567-01-12	SHIM (T:0.12MM)	1	1		UR
	6E5-45567-01-15	SHIM (T:0.15MM)	1	1		UR
	6E5-45567-01-18	SHIM (T:0.18MM)	1	1		UR
	6E5-45567-01-30	SHIM (T:0.30MM)	1	1		UR
	6E5-45567-01-40	SHIM (T:0.40MM)	1	1		UR
	6E5-45567-01-50	SHIM (T:0.50MM)	1	1		UR
6	90340-08002	PLUG, STRAIGHT SCREW	1	1		
7	688-45341-10	PLUG, DRAIN	1	1		
8	90430-08020	GASKET	2	2		
9	6E5-45536-00	SLEEVE, DRIVE SHAFT	1	1		
10	6E5-45378-00	NIPPLE, HOSE	1	1		
11	90445-07ME8	HOSE (L80)	1	1		L
	90445-07ME9	HOSE (L120)	1	1		X
12	6E5-83558-10	END, NIPPLE	1	1		
13	6E5-45321-00	PLATE	1	1		
14	93210-58144	O-RING	1	1		
15	93106-09014	OIL SEAL	1	1		
16	90119-06M10	BOLT, WITH WASHER	3	3		
17	6E5-44150-02	SHIFT CAM ASSY	1	1		
18	99001-08600	CIRCLIP	1	1		
19	90501-11M10	SPRING, COMPRESSION	1	1		



6N41100-2230

FIG. 23 LOWER CASING. DRIVE 1

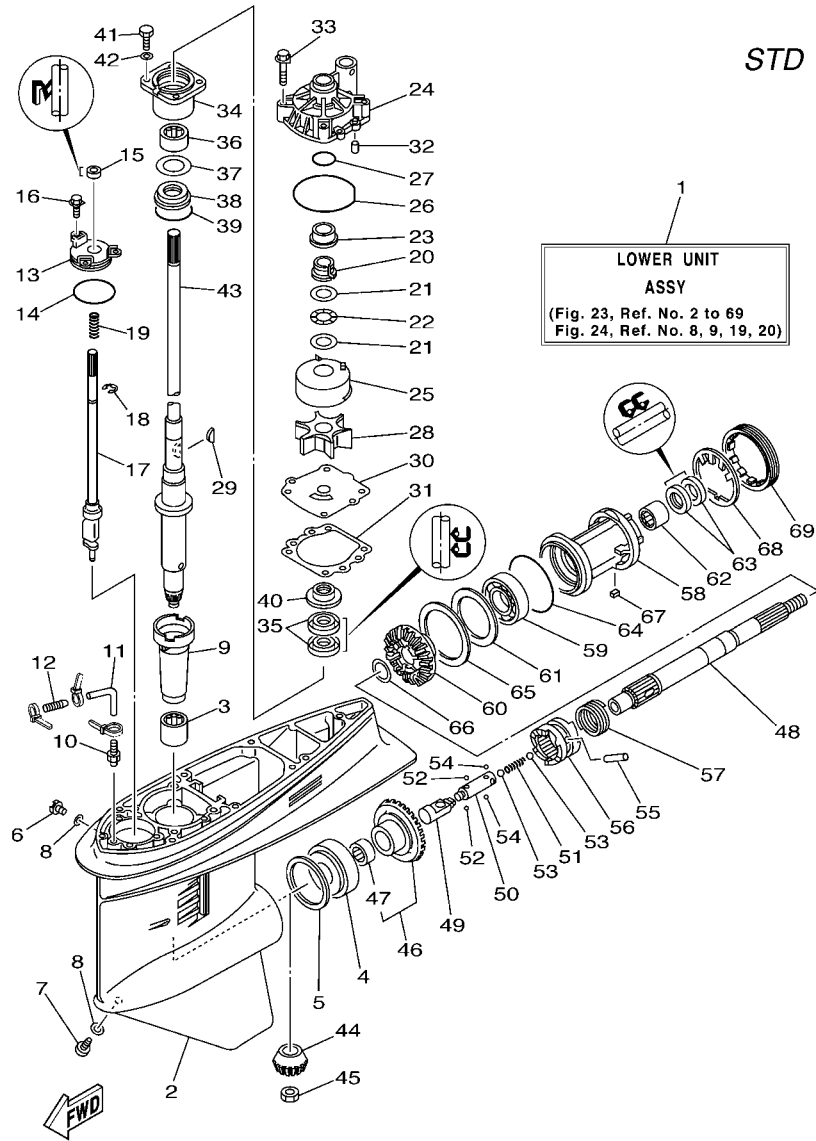
REF. NO.	PART NO.	DESCRIPTION	115	130	L130	REMARKS
20	61A-45538-00	SPACER 1	1	1		
21	90201-22M01	WASHER, PLATE	2	2		
22	90206-22M19	WASHER, WAVE	1	1		
23	61A-45527-00	COLLAR, DRIVE SHAFT	1	1		
24	61A-44311-01	HOUSING, WATER PUMP	1	1		
25	61A-44322-02	INSERT, CARTRIDGE	1	1		
26	93210-86M38	O-RING	1	1		
27	93210-37160	O-RING	1	1		
28	6E5-44352-01	IMPELLER	1	1		
29	90280-04M05	KEY, WOODRUFF	1	1		
30	6E5-44323-00	OUTER PLATE, CARTRIDGE	1	1		
31	6E5-44315-A0	GASKET, WATER PUMP	1	1		
32	93606-12019	PIN, DOWEL	2	2		
33	90119-08M14	BOLT, WITH WASHER	4	4		
34	6E5-45331-00-94	HOUSING, BEARING	1	1		
35	93101-28M16	OIL SEAL	2	2		
36	93317-330U2	BEARING	1	1		
37	6E5-45587-01-10	SHIM (T:0.10MM)	1	1		UR
	6E5-45587-01-12	SHIM (T:0.12MM)	1	1		UR
	6E5-45587-01-15	SHIM (T:0.15MM)	1	1		UR
	6E5-45587-01-18	SHIM (T:0.18MM)	1	1		UR
	6E5-45587-01-30	SHIM (T:0.30MM)	1	1		UR
	6E5-45587-01-40	SHIM (T:0.40MM)	1	1		UR
	6E5-45587-01-50	SHIM (T:0.50MM)	1	1		UR
38	93341-930V2	BEARING	1	1		
39	93210-55M14	O-RING	1	1		
40	6E5-45344-00	COVER, OIL SEAL	1	1		



**FIG. 23 LOWER CASING. DRIVE 1**

REF. NO.	PART NO.	DESCRIPTION	115	130	L130	REMARKS
41	97095-08025	BOLT	4	4		
42	92995-08600	WASHER	4	4		
43	6E5-45501-01	DRIVE SHAFT COMP.	1	1		L
	6E5-45501-21	DRIVE SHAFT COMP.	1	1		X
44	6E5-45551-02	PINION	1	1		
45	90170-16M01	NUT	1	1		
46	6E5-45560-01	GEAR	1	1		
47	93315-425U7	.BEARING	1	1		
48	6E5-45611-01	SHAFT, PROPELLER	1	1		
49	6E5-45641-03	SHIFTER	1	1		
50	6E5-45634-01	SLIDE, SHIFT	1	1		
51	90501-16M37	SPRING, COMPRESSION	1	1		
52	93507-32009	BALL	2	2		
53	93511-32017	BALL	2	2		
54	93503-16003	BALL	2	2		
55	90250-08M07	PIN, STRAIGHT	1	1		
56	6E5-45631-01	CLUTCH, DOG	1	1		
57	6E5-45633-01	RING, CROSS PIN	1	1		
58	6E5-45332-00-94	HOUSING, BEARING	1	1		
59	93306-208U0	BEARING	1	1		
60	6E5-45571-01	GEAR	1	1		
61	6E5-45576-00	WASHER, THRUST	1	1		
62	93315-43061	BEARING	1	1		
63	93101-30M17	OIL SEAL	2	2		
64	93210-86M39	O-RING	1	1		
65	6L6-45577-00-10	SHIM (T:0.10MM)	1	1		UR
	6L6-45577-00-12	SHIM (T:0.12MM)	1	1		UR





6N41100-2230

FIG. 23 LOWER CASING. DRIVE 1

REF. NO.	PART NO.	DESCRIPTION	115	130	L130	REMARKS
65	6L6-45577-00-15	SHIM (T:0.15MM)	1	1		UR
	6L6-45577-00-18	SHIM (T:0.18MM)	1	1		UR
	6L6-45577-00-30	SHIM (T:0.30MM)	1	1		UR
	6L6-45577-00-40	SHIM (T:0.40MM)	1	1		UR
	6L6-45577-00-50	SHIM (T:0.50MM)	1	1		UR
66	90201-30M92	WASHER, PLATE	1	1		
67	90282-04010	KEY, STRAIGHT	1	1		
68	688-45383-02	WASHER, CLAW	1	1		
69	688-45384-00	NUT	1	1		

FIG. 24 LOWER CASING. DRIVE 2

REF. NO.	PART NO.	DESCRIPTION	115	130	L130	REMARKS
1	6E5-44366-00	DAMPER, WATER SEAL	1	1		
2	6E5-44361-00	TUBE, WATER	1	1		L
	6E5-44361-20	TUBE, WATER	1	1		X
3	6E5-44365-00	DAMPER, WATER SEAL	1	1		
4	93608-12M05	PIN, DOWEL	2	2		
5	97075-10045	BOLT	6	6		
6	92995-10100	WASHER	6	6		
7	90119-10M89	BOLT, WITH WASHER	1	1		
8	663-45376-00-94	GUIDE, SEAL DAMPER	1	1		
9	688-45375-00	DAMPER, SEAL	1	1		
10	688-45214-02	COVER, WATER INLET	1	1		
11	688-45215-02	COVER, WATER INLET	1	1		
12	90152-05M07	SCREW, COUNTERSUNK	1	1		
13	90185-05002	NUT, SELF-LOCKING	1	1		
14	6E5-45371-01	TAB-TRIM	1	1		
15	90105-10M00	BOLT, FLANGE	1	1		
16	90445-07MF0	HOSE (L1030)	1	1		
17	6E5-83558-00	END, NIPPLE	1	1		
18	90465-11M10	CLAMP	4	4		
19	6E5-44365-00	DAMPER, WATER SEAL	1	1		
20	6E5-44312-00	COVER, WATER PUMP HOUSING	1	1		
21	6E5-45987-01	SPACER	1	1		
22	688-45997-01	SPACER	1	1		
23	92990-18200	WASHER	1	1		
24	90171-18M04	NUT, CASTLE	1	1		
25	91490-40030	PIN, COTTER	1	1		
26	6E5-45941-00-EL	PROPELLER (3X13"X19"-K)	1	1		UR

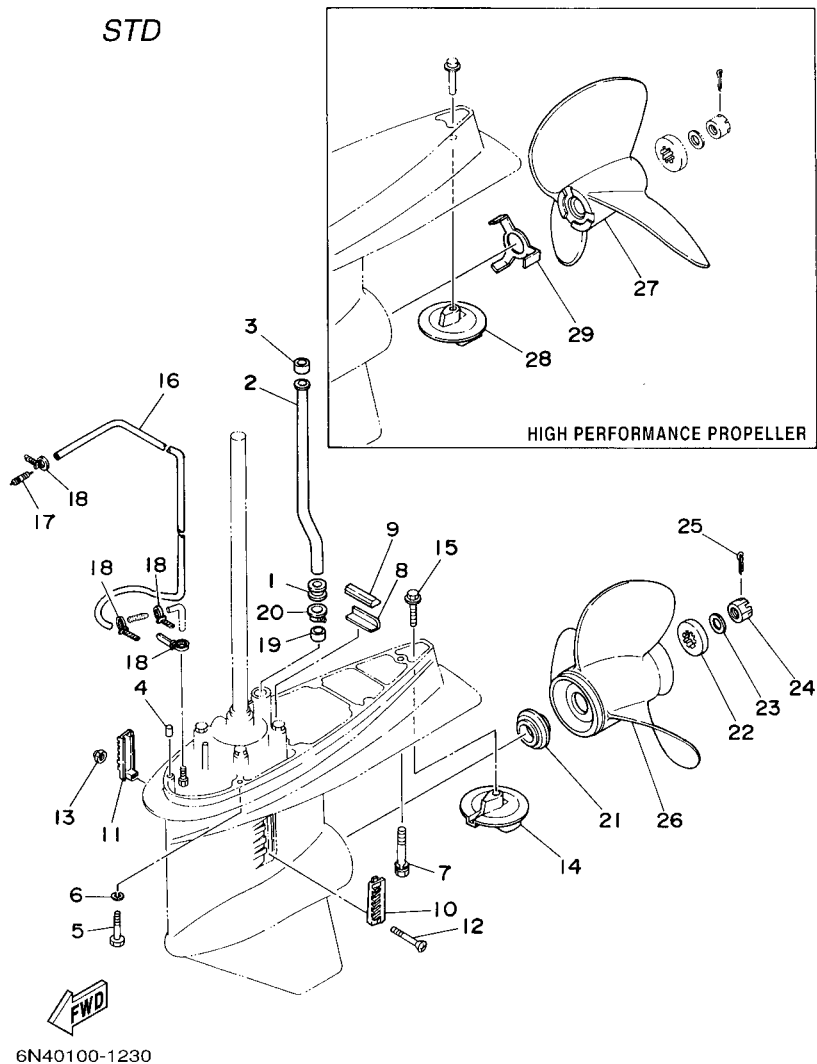


FIG. 24 LOWER CASING. DRIVE 2

REF. NO.	PART NO.	DESCRIPTION	115	130	L130	REMARKS
26	6E5-45943-00-EL	PROPELLER (3X12-5/8"X21"-K)	1	1		UR
	6E5-45945-01-EL	PROPELLER (3X13-1/4"X17"-K)	1	1		UR
	6E5-45947-00-EL	PROPELLER (3X13-1/2"X15"-K)	1	1		UR
	6E5-45949-00-EL	PROPELLER (3X13-5/8"X13"-K)	1	1		UR
	6E5-45952-00-EL	PROPELLER (3X13"X23"-K)	1	1		UR
	6E5-45954-00-EL	PROPELLER (3X14"X11"-K)	1	1		UR
	6E5-45956-00-EL	PROPELLER (3X13"X25"-K)	1	1		UR
	688-45930-02-98	PROPELLER (3X13"X17"-K)	1	1		UR
	688-45932-60-98	PROPELLER (3X13-1/2"X14"-K)	1	1		UR
	688-45970-03-98	PROPELLER (3X13"X19"-K)	1	1		UR
	688-45972-02-98	PROPELLER (3X13"X21"-K)	1	1		UR
	688-45974-02-98	PROPELLER (3X13"X23"-K)	1	1		UR
	688-45976-01-98	PROPELLER (3X13"X25"-K)	1	1		UR
	688-45978-60-98	PROPELLER (3X13-1/2"X16"-K)	1	1		UR
27	6E5-45970-10	PROPELLER (3X14"X20"-P)	1	1		UR
	6E5-45972-10	PROPELLER (3X14"X24"-P)	1	1		UR
	6E5-45974-10	PROPELLER (3X14"X28"-P)	1	1		UR
	6E5-45976-10	PROPELLER (3X14"X22"-P)	1	1		UR
	6E5-45978-10	PROPELLER (3X14"X26"-P)	1	1		UR
28	6E5-45371-10	TAB-TRIM	1	1		
29	6E5-45994-10	PLATE, TOOTH	1	1		

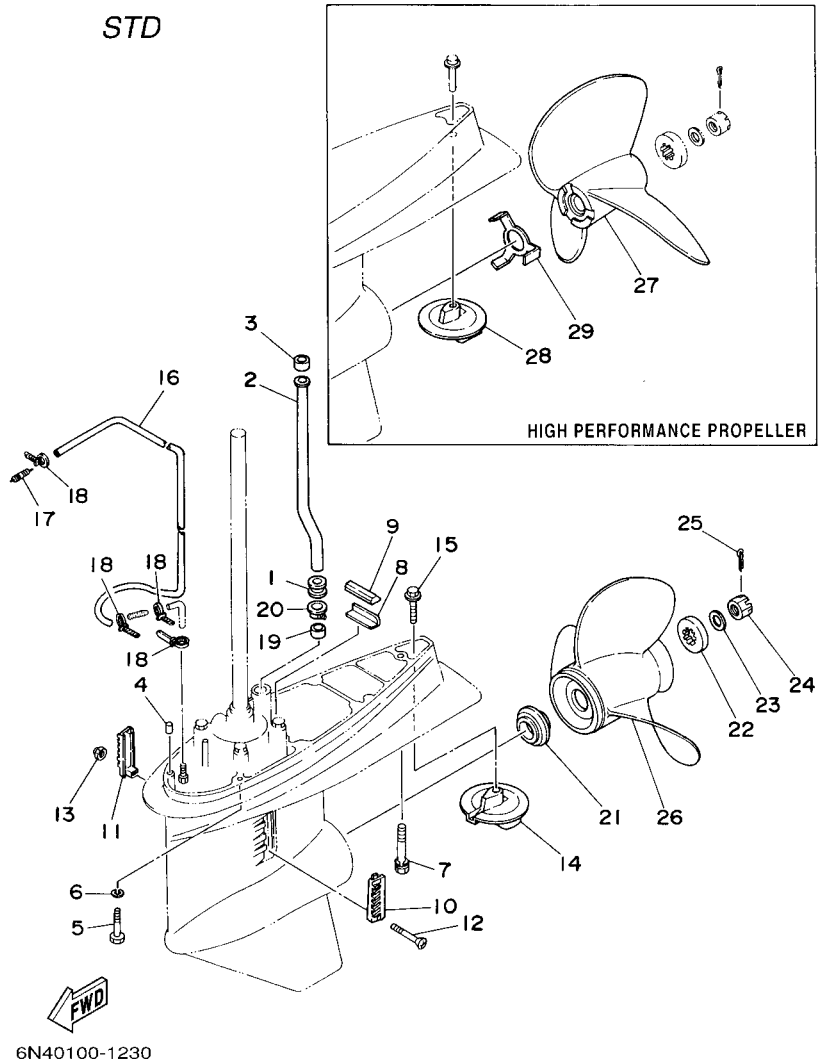
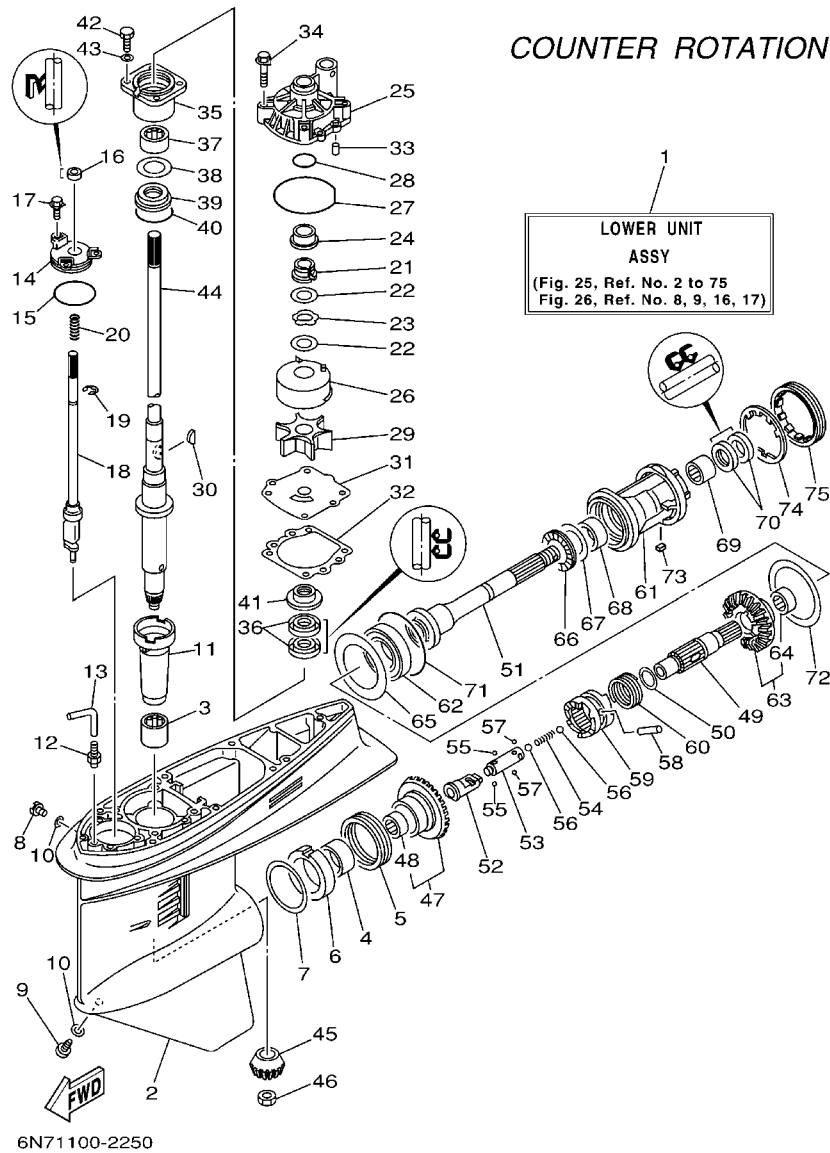
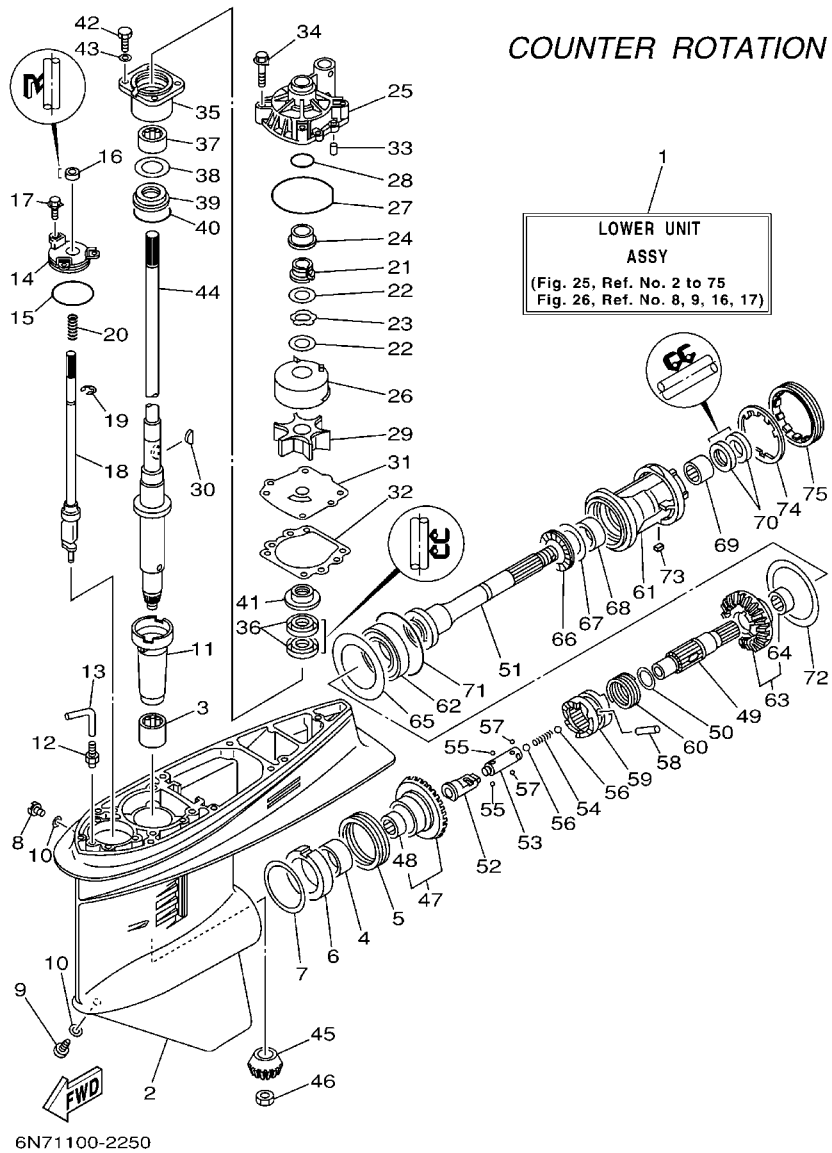


FIG. 25 LOWER CASING. DRIVE 3



REF. NO.	PART NO.	DESCRIPTION	115	130	L130	REMARKS
1	6L6-45300-25-8D	LOWER UNIT ASSY			1	X
2	6E5-45301-05-8D	CASING, LOWER			1	
3	93315-628U9	BEARING			1	
4	93315-345W0	BEARING			1	
5	93341-360U8	BEARING			1	
6	6L6-45538-00	SPACER 1			1	
7	6E5-45567-01-10	SHIM (T:0.10MM)			1	UR
	6E5-45567-01-12	SHIM (T:0.12MM)			1	UR
	6E5-45567-01-15	SHIM (T:0.15MM)			1	UR
	6E5-45567-01-18	SHIM (T:0.18MM)			1	UR
	6E5-45567-01-30	SHIM (T:0.30MM)			1	UR
	6E5-45567-01-40	SHIM (T:0.40MM)			1	UR
	6E5-45567-01-50	SHIM (T:0.50MM)			1	UR
8	90340-08002	PLUG, STRAIGHT SCREW			1	
9	688-45341-10	PLUG, DRAIN			1	
10	90430-08020	GASKET			2	
11	6E5-45536-00	SLEEVE, DRIVE SHAFT			1	
12	6J8-45378-00	NIPPLE, HOSE			1	
13	90445-07ME9	HOSE (L120)			1	X
14	6E5-45321-00	PLATE			1	
15	93210-58144	O-RING			1	
16	93106-09014	OIL SEAL			1	
17	90119-06M10	BOLT, WITH WASHER			3	
18	6L6-44150-01	SHIFT CAM ASSY			1	
19	99001-08600	CIRCLIP			1	
20	90501-11M10	SPRING, COMPRESSION			1	
21	61A-45538-00	SPACER 1			1	



**FIG. 25 LOWER CASING. DRIVE 3**

REF. NO.	PART NO.	DESCRIPTION	115	130	L130	REMARKS
22	90201-22M01	WASHER, PLATE			2	
23	90206-22M19	WASHER, WAVE			1	
24	61A-45527-00	COLLAR, DRIVE SHAFT			1	
25	61A-44311-01	HOUSING, WATER PUMP			1	
26	61A-44322-02	INSERT, CARTRIDGE			1	
27	93210-86M38	O-RING			1	
28	93210-37160	O-RING			1	
29	6E5-44352-01	IMPELLER			1	
30	90280-04M05	KEY, WOODRUFF			1	
31	6E5-44323-00	OUTER PLATE, CARTRIDGE			1	
32	6E5-44315-A0	GASKET, WATER PUMP			1	
33	93606-12019	PIN, DOWEL			2	
34	90119-08M14	BOLT, WITH WASHER			4	
35	6E5-45331-00-94	HOUSING, BEARING			1	
36	93101-28M16	OIL SEAL			2	
37	93317-330U2	BEARING			1	
38	6E5-45587-01-10	SHIM (T:0.10MM)			1	UR
	6E5-45587-01-12	SHIM (T:0.12MM)			1	UR
	6E5-45587-01-15	SHIM (T:0.15MM)			1	UR
	6E5-45587-01-18	SHIM (T:0.18MM)			1	UR
	6E5-45587-01-30	SHIM (T:0.30MM)			1	UR
	6E5-45587-01-40	SHIM (T:0.40MM)			1	UR
	6E5-45587-01-50	SHIM (T:0.50MM)			1	UR
39	93341-930V2	BEARING			1	
40	93210-55M14	O-RING			1	
41	6E5-45344-00	COVER, OIL SEAL			1	
42	97095-08025	BOLT			4	

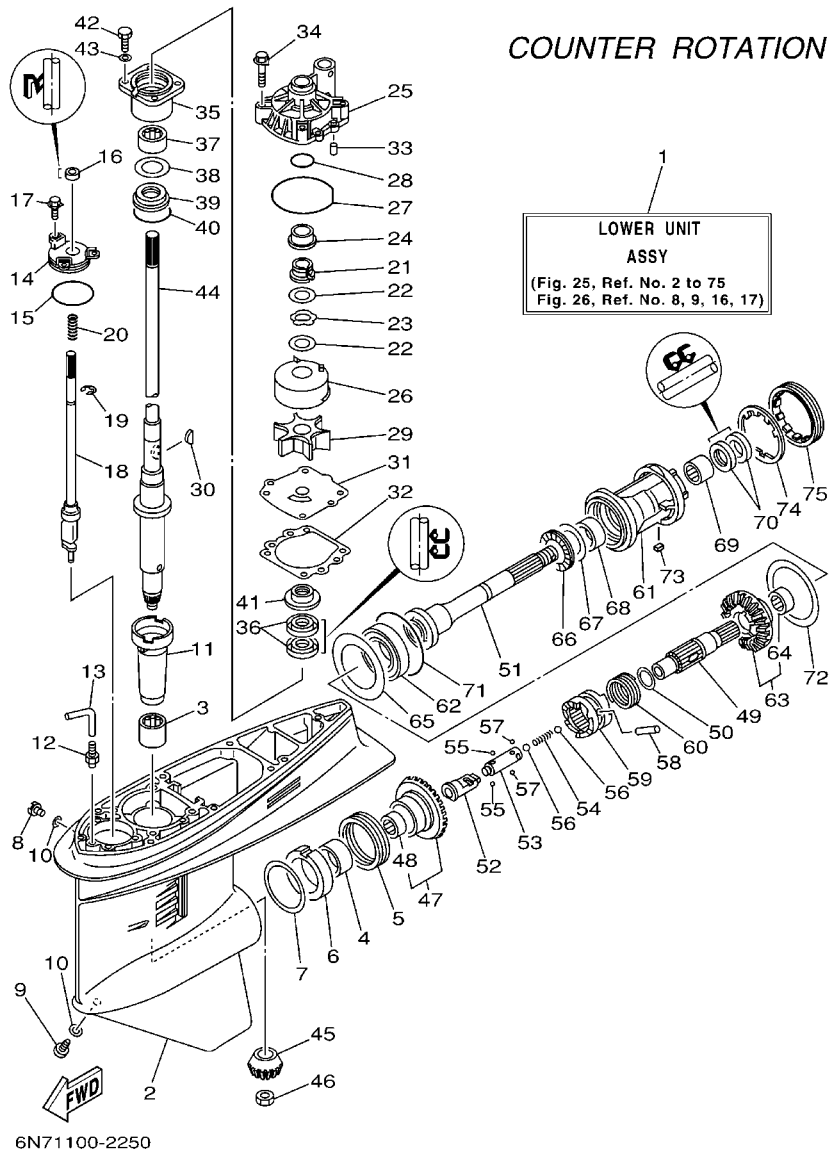
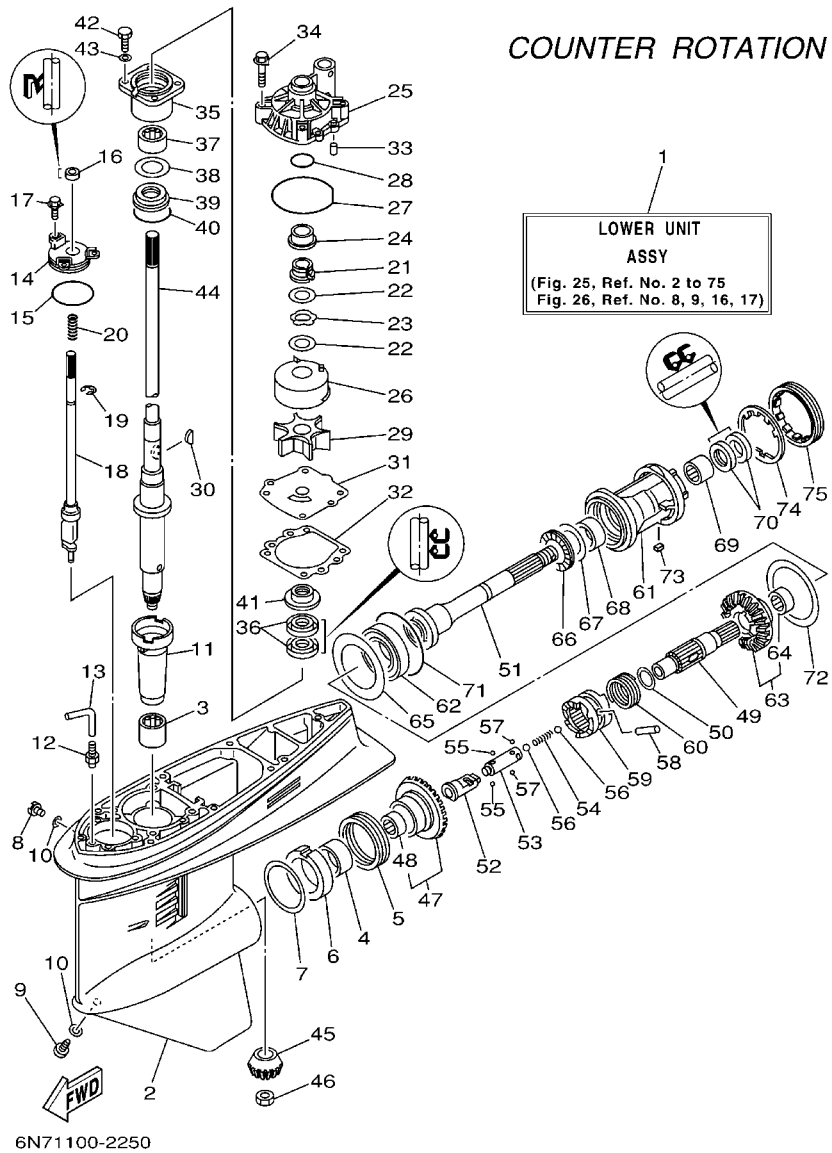


FIG. 25 LOWER CASING. DRIVE 3

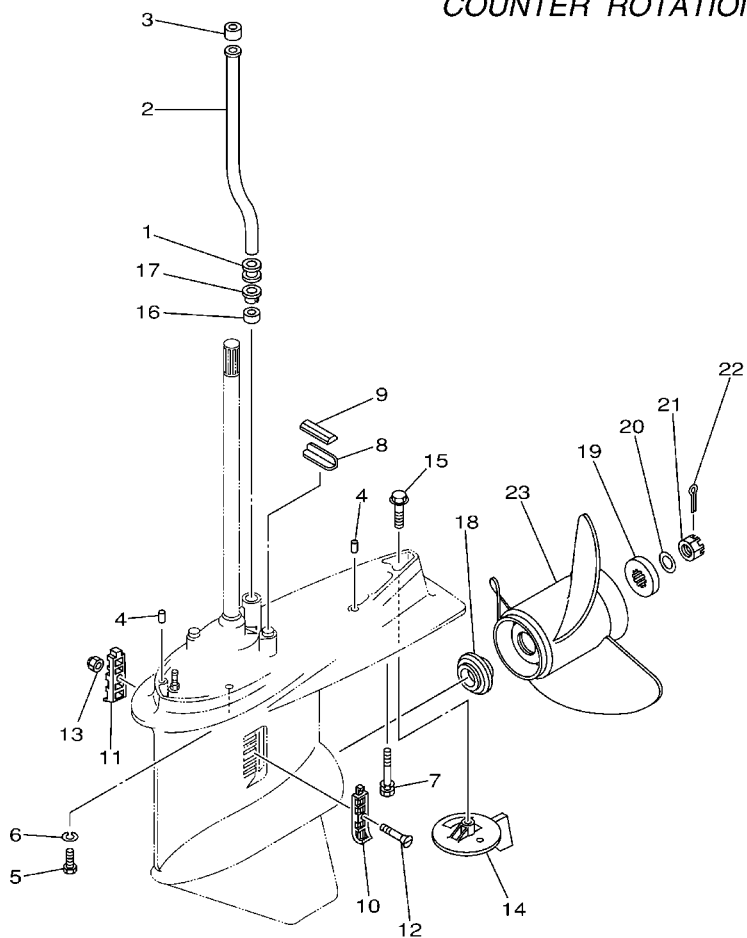
REF. NO.	PART NO.	DESCRIPTION	115	130	L130	REMARKS
43	92995-08600	WASHER			4	
44	6E5-45501-21	DRIVE SHAFT COMP.			1	X
45	6E5-45551-02	PINION			1	
46	90170-16M01	NUT			1	
47	6L6-45560-00	GEAR			1	
48	93315-425U7	.BEARING			1	
49	6K1-45611-00	SHAFT, PROPELLER			1	
50	90201-26M00	WASHER, PLATE			1	
51	6L6-45611-20	SHAFT, PROPELLER			1	
52	6K1-45641-01	SHIFTER			1	
53	6E5-45634-01	SLIDE, SHIFT			1	
54	90501-16M37	SPRING, COMPRESSION			1	
55	93507-32009	BALL			2	
56	93511-32017	BALL			2	
57	93503-16003	BALL			2	
58	90250-08M07	PIN, STRAIGHT			1	
59	6E5-45631-01	CLUTCH, DOG			1	
60	6E5-45633-01	RING, CROSS PIN			1	
61	6L6-45332-00-94	HOUSING, BEARING			1	
62	93332-000V7	BEARING			1	
63	6L6-45570-00	GEAR			1	
64	93315-430V5	.BEARING			1	
65	6L6-45576-00	WASHER, THRUST			1	
66	93341-440U5	BEARING			1	
67	6K1-45578-01-10	SHIM (T:0.10MM)			1	UR
	6K1-45578-01-12	SHIM (T:0.12MM)			1	UR
	6K1-45578-01-15	SHIM (T:0.15MM)			1	UR



**FIG. 25 LOWER CASING. DRIVE 3**

REF. NO.	PART NO.	DESCRIPTION	115	130	L130	REMARKS
67	6K1-45578-01-18	SHIM (T:0.18MM)			1	UR
	6K1-45578-01-30	SHIM (T:0.30MM)			1	UR
	6K1-45578-01-40	SHIM (T:0.40MM)			1	UR
	6K1-45578-01-50	SHIM (T:0.50MM)			1	UR
68	93315-440V6	BEARING			1	
69	93317-330U5	BEARING			1	
70	93101-30M17	OIL SEAL			2	
71	93210-86M39	O-RING			1	
72	6L6-45577-00-10	SHIM (T:0.10MM)			1	UR
	6L6-45577-00-12	SHIM (T:0.12MM)			1	UR
	6L6-45577-00-15	SHIM (T:0.15MM)			1	UR
	6L6-45577-00-18	SHIM (T:0.18MM)			1	UR
	6L6-45577-00-30	SHIM (T:0.30MM)			1	UR
	6L6-45577-00-40	SHIM (T:0.40MM)			1	UR
	6L6-45577-00-50	SHIM (T:0.50MM)			1	UR
73	90282-04010	KEY, STRAIGHT			1	
74	688-45383-02	WASHER, CLAW			1	
75	688-45384-00	NUT			1	

COUNTER ROTATION

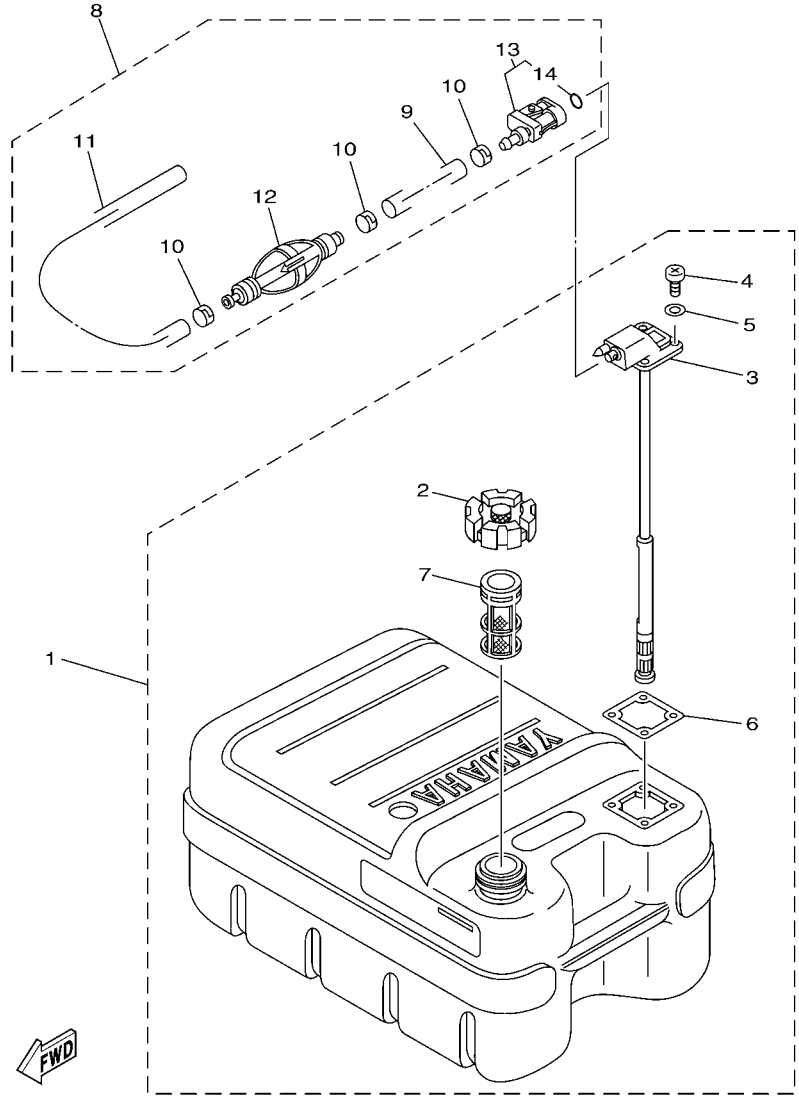


**FWD**  
6N70100-1250

**FIG. 26 LOWER CASING. DRIVE 4**

REF. NO.	PART NO.	DESCRIPTION	115	130	L130	REMARKS
1	6E5-44366-00	DAMPER, WATER SEAL			1	
2	6E5-44361-20	TUBE, WATER			1	X
3	6E5-44365-00	DAMPER, WATER SEAL			1	
4	93608-12M05	PIN, DOWEL			2	
5	97075-10045	BOLT			6	
6	92995-10100	WASHER			6	
7	90119-10M89	BOLT, WITH WASHER			1	
8	663-45376-00-94	GUIDE, SEAL DAMPER			1	
9	688-45375-00	DAMPER, SEAL			1	
10	688-45214-02	COVER, WATER INLET			1	
11	688-45215-02	COVER, WATER INLET			1	
12	90152-05M07	SCREW, COUNTERSUNK			1	
13	90185-05002	NUT, SELF-LOCKING			1	
14	6L6-45371-00	TAB-TRIM			1	
15	90105-10M00	BOLT, FLANGE			1	
16	6E5-44365-00	DAMPER, WATER SEAL			1	
17	6E5-44312-00	COVER, WATER PUMP HOUSING			1	
18	6E5-45987-01	SPACER			1	
19	688-45997-01	SPACER			1	
20	92990-18200	WASHER			1	
21	90171-18M04	NUT, CASTLE			1	
22	91490-40030	PIN, COTTER			1	
23	6L6-45930-01-98	PROPELLER (3X13"X17"-KL)			1	UR
	6L6-45970-00-98	PROPELLER (3X13"X19"-KL)			1	UR
	6L6-45972-00-98	PROPELLER (3X13"X21"-KL)			1	UR





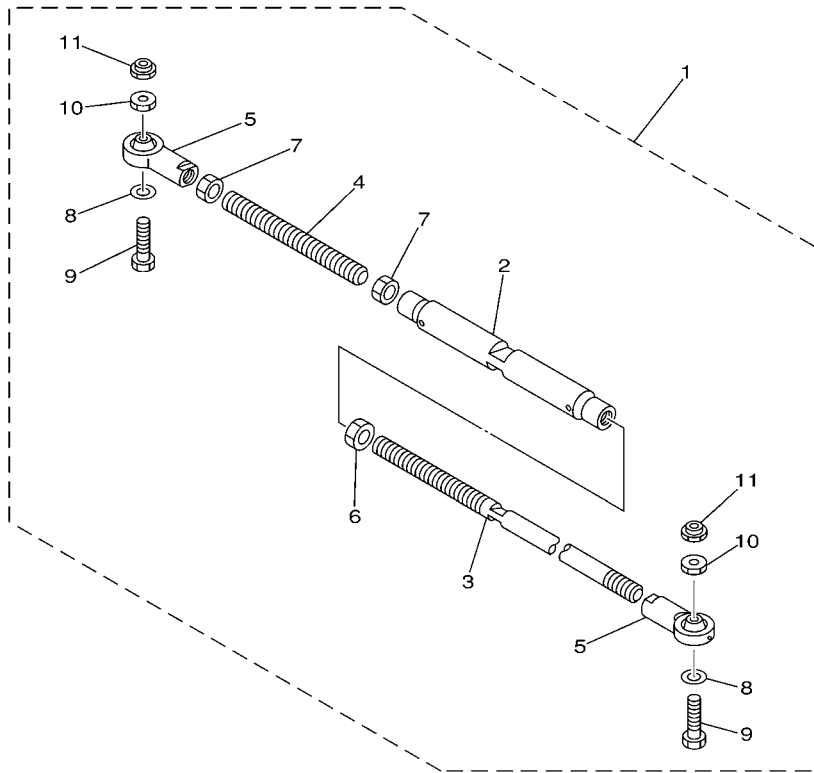
6N43100-C270

**FIG. 27 FUEL TANK**

REF. NO.	PART NO.	DESCRIPTION	115	130	L130	REMARKS
1	6YJ-24201-10	FUEL TANK ASSY (24L)	1	1		AP FOR CAR
2	6YJ-24610-00	.CAP ASSY	1	1		
3	6Y1-24260-12	.FUEL METER ASSY	1	1		WITH INDICATOR
4	98586-05016	.SCREW, PAN HEAD	4	4		
5	6Y1-24329-00	.SEAL	4	4		
6	6Y1-24268-00	.GASKET, FUEL METER	1	1		
7	6YJ-24167-00	.STRAINER	1	1		
8	6Y2-24306-44	FUEL PIPE COMP. 1	1	1		AP FOR CAR
9	90445-13M01	.HOSE (L2050)	1	1		
10	6E5-24351-51	.BAND 1	3	3		
11	90445-13M35	.HOSE (L250)	1	1		
12	6Y2-24360-60	.PRIMER PUMP ASSY	1	1		
13	6Y2-24305-05	.FUEL PIPE JOINT COMP. 2	1	1		
14	93210-08287	..O-RING	1	1		

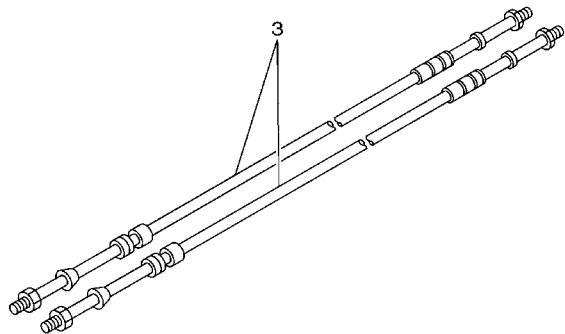
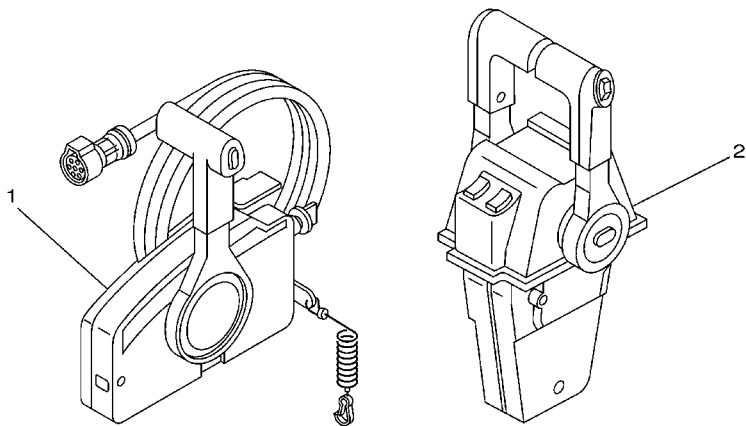


**FIG. 29 STEERING GUIDE ATTACHMENT 2**



67H0100-0300

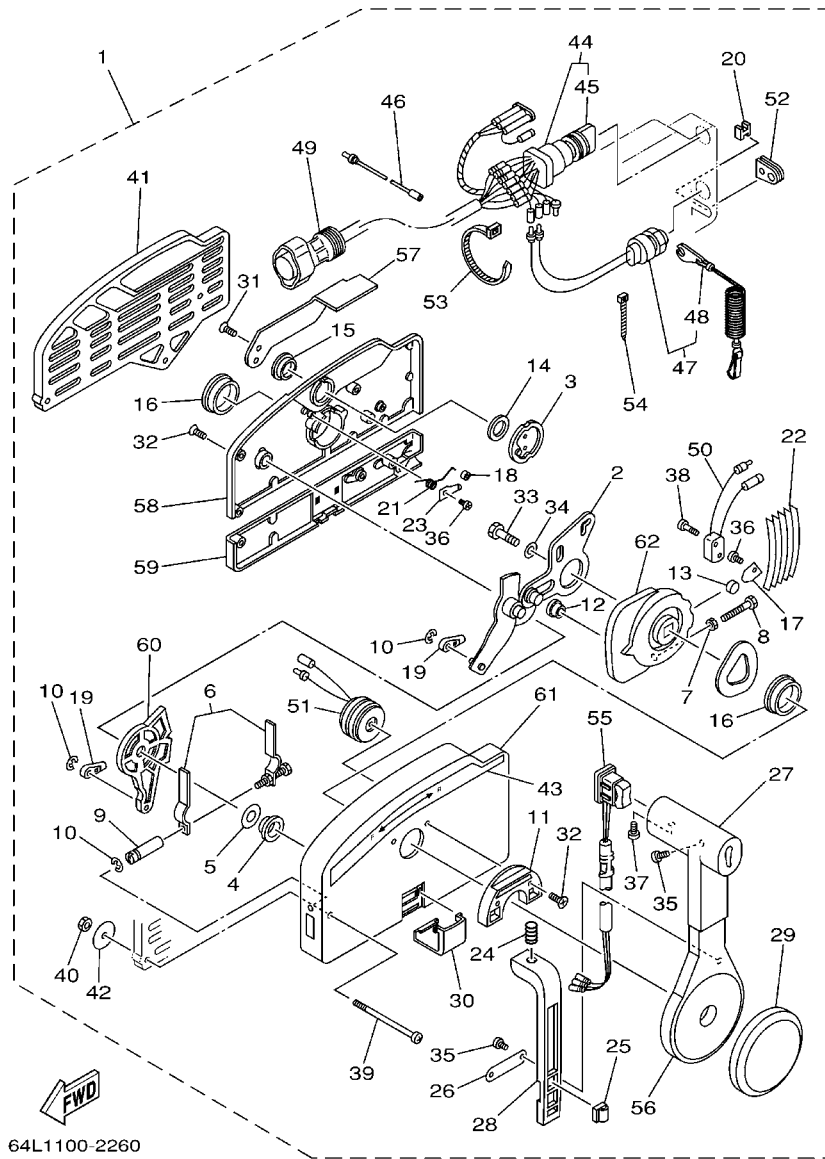
REF. NO.	PART NO.	DESCRIPTION	115	130	L130	REMARKS
1	6E5-61301-01	TWIN KIT (L:600-800MM)			1	AP
2	6E5-61313-00	.ADJUSTER			1	
3	6E5-61311-11	.TIE BAR			1	
4	6E5-61315-00	.TIE BAR			1	
5	6E5-61303-00	.STEERING EYE COMP.			2	
6	90170-14M06	.NUT			1	
7	95380-14700	.NUT			2	
8	90201-10M76	.WASHER, PLATE			2	
9	90101-09M70	.BOLT			2	
10	90170-09M05	.NUT			2	
11	90185-09M01	.NUT, SELF-LOCKING			2	



67H0100-9310

**FIG. 30 REMOTE CONTROL BOX**

REF. NO.	PART NO.	DESCRIPTION	115	130	L130	REMARKS
1	703-48205-17	REMOTE CONTROL ASSY	1	1		AP WITH PT/T SW.
	703-48207-17	REMOTE CONTROL ASSY	1	1		AP FOR BRA
2	704-48207-23	REMOTE CONTROL ASSY			1	AP WITH PT/T SW.
3	701-48320-00	CABLE, REMOTE CONTROL L=12F	2	2	2	UR
	701-48320-50	CABLE, REMOTE CONTROL L=15F	2	2	2	UR
	701-48320-60	CABLE, REMOTE CONTROL L=16F	2	2	2	UR
	701-48320-80	CABLE, REMOTE CONTROL L=17F	2	2	2	UR
	701-48350-00	CABLE, REMOTE CONTROL L=21F	2	2	2	UR
	701-48350-20	CABLE, REMOTE CONTROL L=23F	2	2	2	UR



64L1100-2260

FIG. 31 REMOTE CONTROL ASSY 1

REF. NO.	PART NO.	DESCRIPTION	115	130	L130	REMARKS
1	703-48205-17	REMOTE CONTROL ASSY	1	1		AP WITH PT/T SW.
	703-48207-17	REMOTE CONTROL ASSY	1	1		AP FOR BRA
2	703-48261-01	.ARM, THROTTLE	1	1		
3	703-48153-00	.SHAFT, FREE ACCEL.	1	1		
4	703-48235-00	.BUSHING	1	1		
5	703-48268-00	.SPACER	1	1		
6	703-48264-00	.THROTTLE, FRICTION	1	1		
7	95380-05600	.NUT	1	1		
8	97380-05025	.BOLT	1	1		
9	703-48265-00	.SHAFT, FRICTION	1	1		
10	93430-06024	.CIRCLIP	3	3		
11	703-48245-00	.PLATE, LOCK	1	1		
12	703-48252-00	.ROLLER, CAM	1	1		
13	701-48248-00	.ROLLER, FREE ACCEL.	1	1		
14	703-48198-00	.WASHER, WAVE	1	1		
15	703-48243-00	.BUSHING	1	1		
16	703-48236-00	.BUSHING 1	2	2		
17	703-48189-00	.RETAINER	1	1		
18	703-48234-00	.ROLLER, DETENT	1	1		
19	703-48345-01	.CABLE END, REMOTE CONTROL 2	2	2		
20	703-48358-00	.ANCHOR, CABLE	1	1		
21	703-48244-00	.SPRING, FREE ACCEL.	1	1		
22	703-48238-00	.SPRING, DETENT	5	5		
23	703-48246-00	.SPACER	1	1		
24	703-48227-00	.SPRING, NEUTRAL LOCK	1	1		
25	703-82594-00	.CLAMP	1	1		WITH PT/T SW.
26	703-48226-00	.PLATE, STOPPER	1	1		

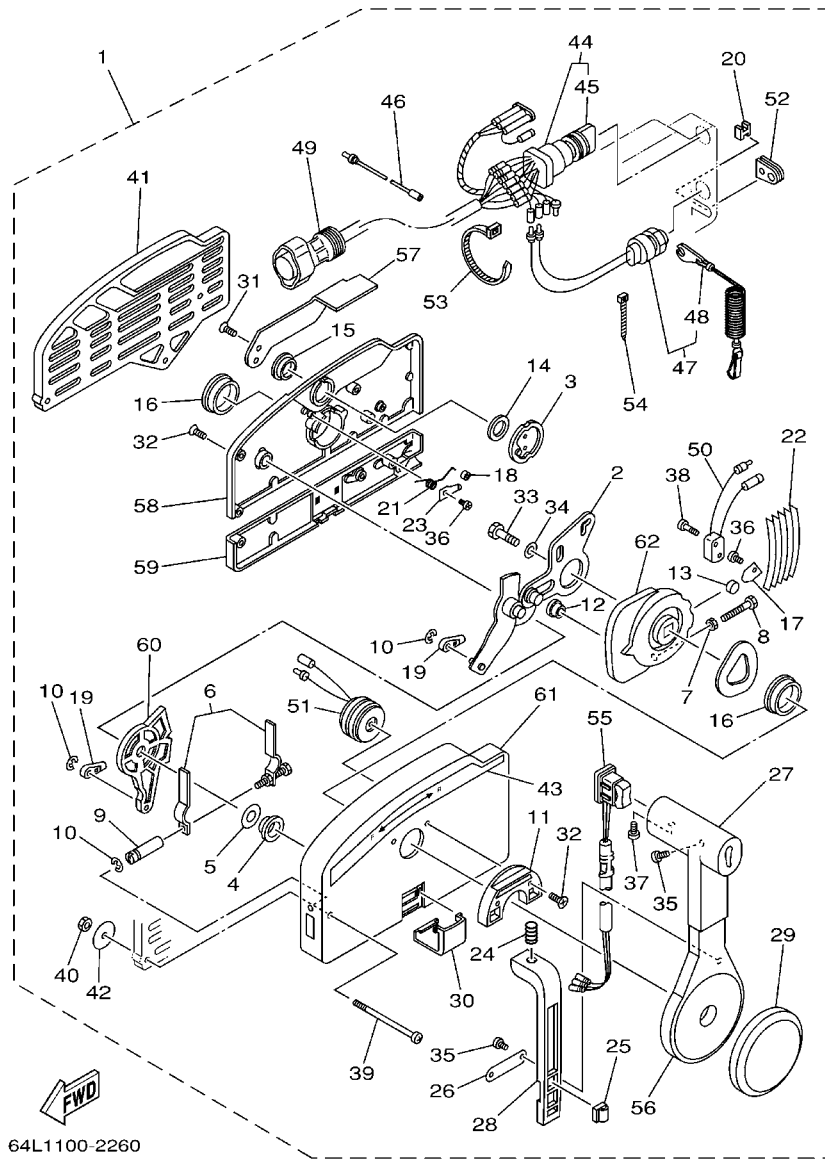
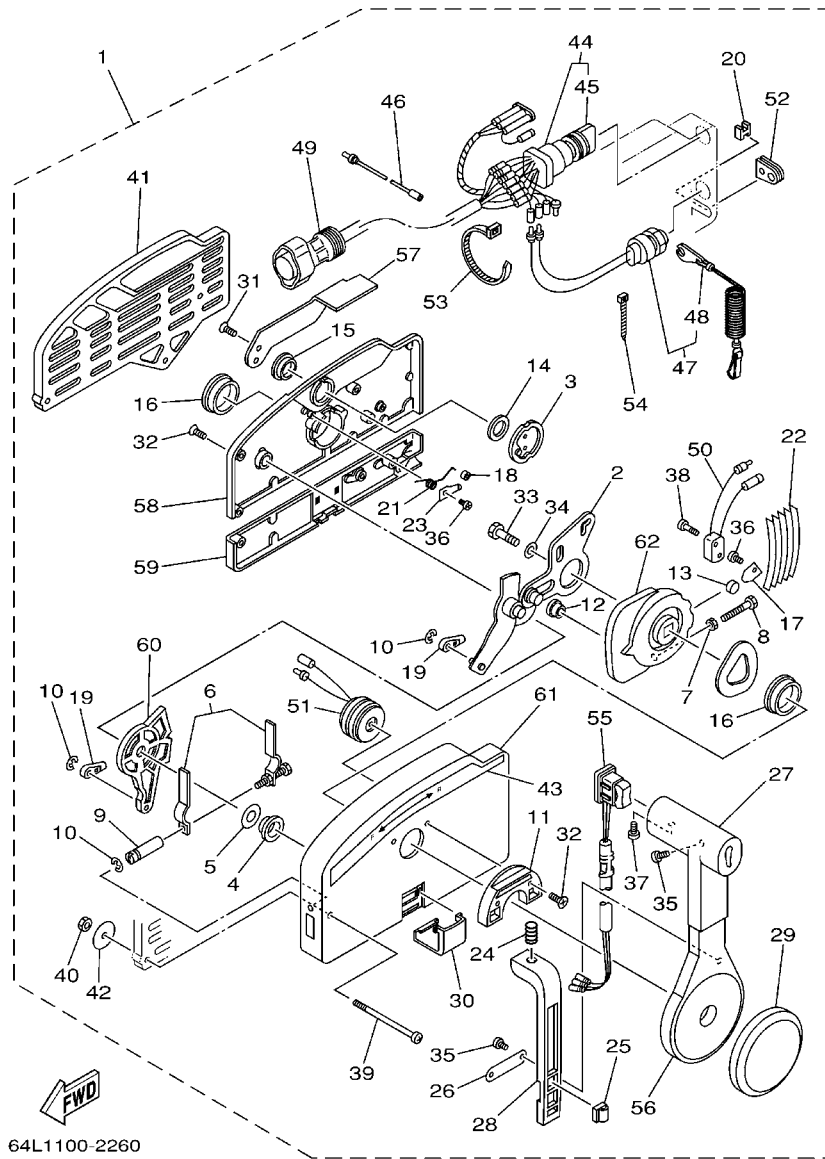


FIG. 31 REMOTE CONTROL ASSY 1

REF. NO.	PART NO.	DESCRIPTION	115	130	L130	REMARKS
27	703-48222-00	.GRIP, CONTROL LEVER	1	1		SINGLE
28	703-48223-00	.LOCK, NEUTRAL	1	1		
29	703-48225-00	.COVER	1	1		
30	703-48219-00	.COVER, LEAD	1	1		
31	703-48281-00	.SCREW	2	2		
32	703-48282-00	.SCREW	7	7		
33	97380-08030	.BOLT	1	1		
34	92990-08600	.WASHER, PLATE	1	1		
35	98580-04010	.SCREW, PAN HEAD	3	3		
36	98580-04006	.SCREW, PAN HEAD	2	2		
37	98580-05010	.SCREW, PAN HEAD	1	1		
38	98580-03015	.SCREW, PAN HEAD	2	2		
39	703-48291-10	.SCREW (M6)	3	3		
40	95380-06600	.NUT, HEXAGON	3	3		
41	703-48293-10	.SPACER, REMOTE CONTROL	1	1		SINGLE
42	701-48287-00	.WASHER	3	3		
43	703-48215-00	.GRAPHIC	1	1		
44	703-82510-43	.MAIN SWITCH ASSY	1	1		
45	703-82577-00	..CAP, KEY	1	1		
46	703-82531-00	.WIRE, LEAD	1	1		
47	688-82575-01	.ENGINE STOP SWITCH ASSY	1	1		
48	682-82556-00	..STOPPER	1	1		
49	688-8258A-20	.EXTENSION, WIRE HARNESS	1	1		L:5M (10P)
50	703-82540-00	.NEUTRAL SWITCH ASSY	1	1		
51	703-83383-02	.BUZZER	1	1		
52	703-48284-00	.GROMMET	1	1		FOR 703-48205-17
	703-48284-10	.GROMMET	1	1		FOR 703-48207-17



64L1100-2260

FIG. 31 REMOTE CONTROL ASSY 1

REF. NO.	PART NO.	DESCRIPTION	115	130	L130	REMARKS
53	703-82591-00	.BAND	1	1		FOR 703-48205-17
	703-82591-00	.BAND	3	3		FOR 703-48207-17
54	703-82592-00	.BAND	1	1		
55	703-82563-02	.TRIM & TILT SWITCH ASSY	1	1		WITH PT/T SW.
	703-82563-12	.TRIM & TILT SWITCH ASSY	1	1		FOR 703-48207-17
56	703-48221-00	.LEVER, CONTROL	1	1		
57	703-48152-00	.KNOB, FREE ACCEL.	1	1		
58	703-48212-00	.BACK PLATE 1	1	1		
59	703-48213-00	.BACK PLATE 2	1	1		
60	703-48271-00	.ARM, SHIFT	1	1		
61	703-48211-01	.HOUSING,1	1	1		
62	703-48232-00	.GEAR	1	1		

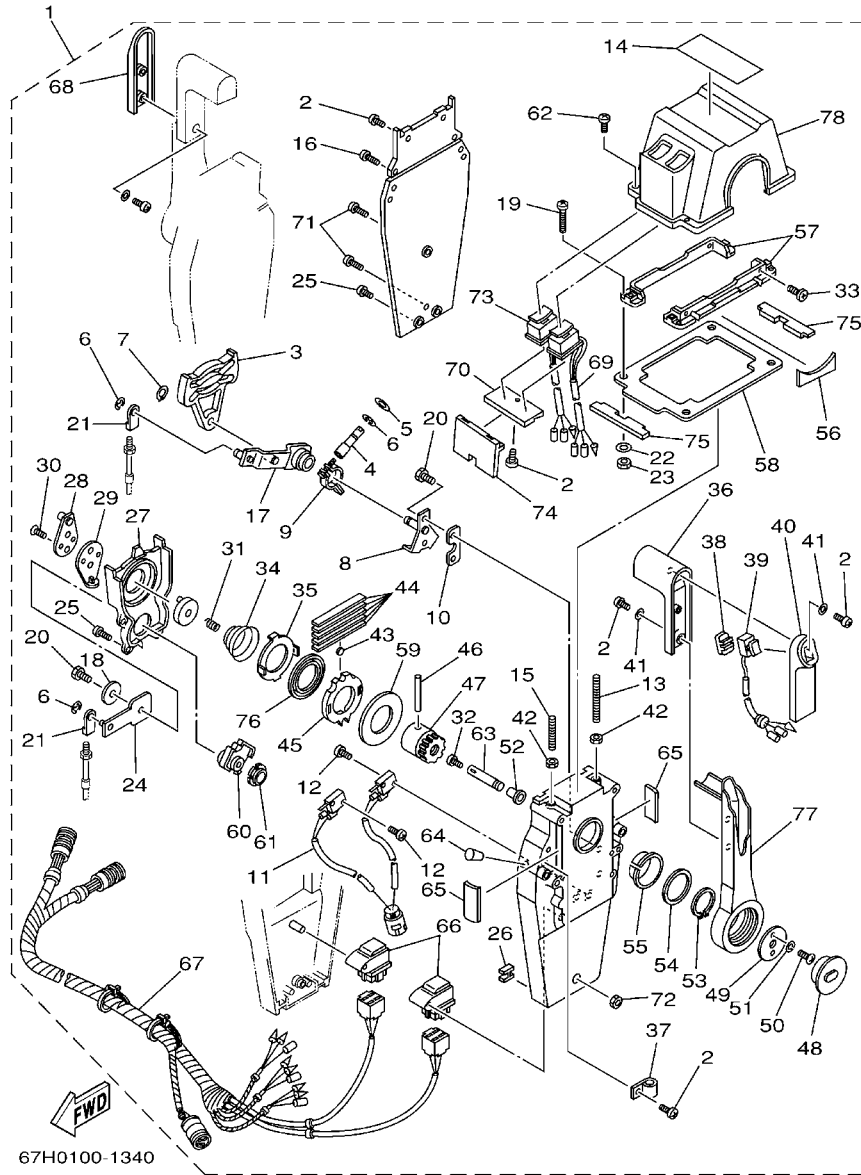


FIG. 32 REMOTE CONTROL ASSY 2

REF. NO.	PART NO.	DESCRIPTION	115	130	L130	REMARKS
1	704-48207-23	REMOTE CONTROL ASSY			1	AP WITH PT/T SW.
2	97890-05016	.SCREW, PAN HEAD			12	
3	EL8-48251-00	.PLATE, CAM			2	
4	704-48265-00	.SHAFT, FRICTION			2	
5	701-48246-00	.SPACER			2	
6	93430-06024	.CIRCLIP			8	
7	EL8-48259-00	.CIRCLIP 1			2	
8	704-48262-00	.SHAFT, THROTTLE			2	
9	704-48264-00	.THROTTLE, FRICTION			2	
10	704-48266-00	.SPACER			2	
11	704-82540-10	.NEUTRAL SWITCH ASSY			1	
12	6A5-48129-10	.SCREW 3			4	
13	EL8-48281-00	.SCREW			2	
14	704-48215-10	.GRAPHIC			1	
15	704-48281-00	.SCREW			2	
16	97890-05025	.SCREW, PAN HEAD			4	
17	704-48261-00	.ARM, THROTTLE			2	
18	EL8-48191-00	.WASHER 1			2	
19	704-48283-00	.SCREW			4	
20	97380-06018	.BOLT			6	
21	703-48345-01	.CABLE END, REMOTE CONTROL 2			4	
22	704-48287-00	.WASHER			4	
23	95380-05600	.NUT			4	
24	EL8-48271-00	.ARM, SHIFT			2	
25	EL8-48127-00	.SCREW 1			16	
26	703-48358-00	.ANCHOR, CABLE			2	
27	EL8-48231-00	.HOUSING, GEAR			2	



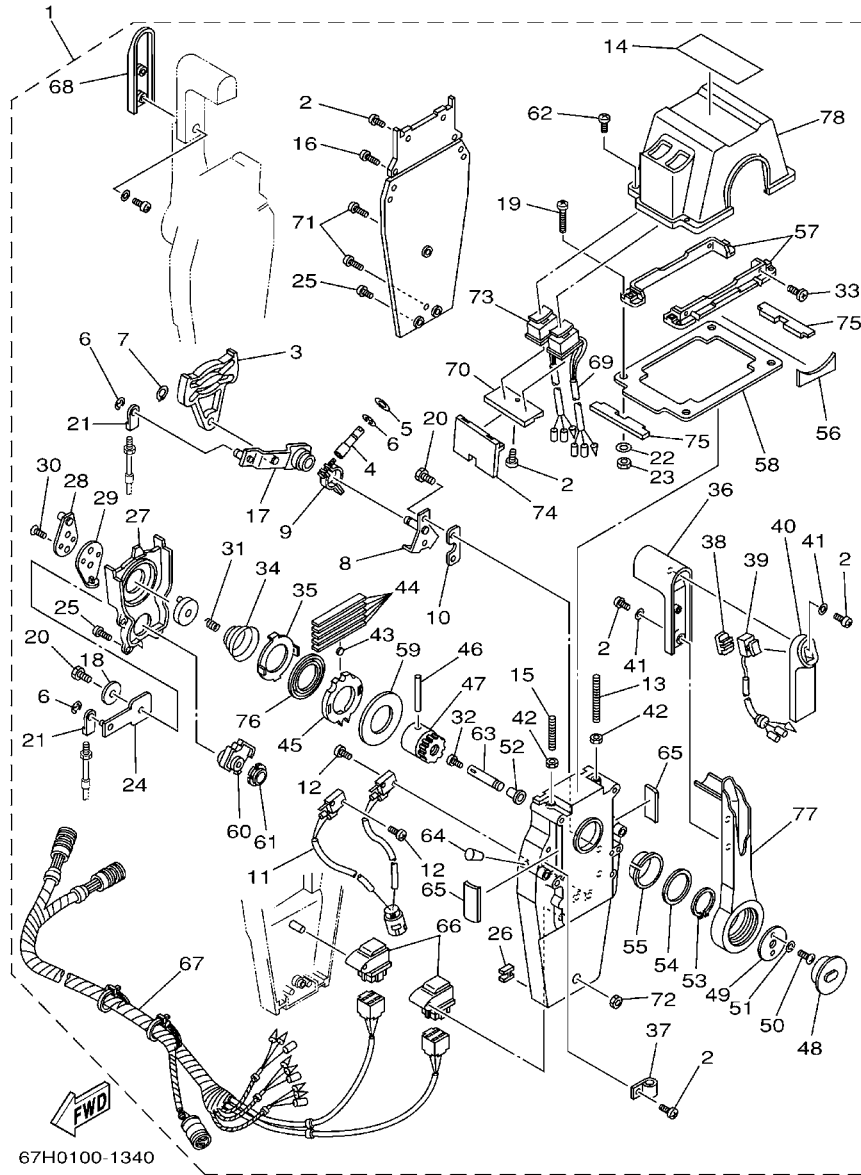


FIG. 32 REMOTE CONTROL ASSY 2

REF. NO.	PART NO.	DESCRIPTION	115	130	L130	REMARKS
28	EL8-48241-00	.ARM, DRIVE			2	
29	EL8-48254-00	.STOPPER, THROTTLE ADJUSTING			2	
30	92780-06020	.SCREW, FLAT HEAD			4	
31	EL8-48158-00	.SPRING 1			2	
32	98580-04006	.SCREW, PAN HEAD			2	
33	98780-05018	.SCREW, FLAT HEAD			4	
34	EL8-48244-00	.SPRING, FREE ACCEL.			2	
35	EL8-48245-00	.PLATE, LOCK			2	
36	704-48222-00	.GRIP, CONTROL LEVER			2	
37	704-82594-00	.CLAMP			1	
38	704-48228-00	.HOLDER, SWITCH			1	
39	704-82563-31	.TRIM & TILT SWITCH ASSY			1	
40	704-48229-00	.GRIP, CONTROL LEVER			1	
41	92990-05300	.WASHER, INTERNAL TOOTH			6	
42	95380-06600	.NUT, HEXAGON			4	
43	701-48248-00	.ROLLER, FREE ACCEL.			2	
44	703-48238-00	.SPRING, DETENT			10	
45	EL8-48232-00	.GEAR 1			2	
46	EL8-48164-00	.PIN 2			2	
47	704-48242-00	.SHAFT, DRIVE			2	
48	704-48225-00	.COVER			2	
49	704-48192-00	.WASHER 2			2	
50	97890-06018	.SCREW, PAN HEAD			4	
51	92990-06300	.WASHER, INTERNAL TOOTH			4	
52	702-48263-00	.BUSHING			2	
53	EL8-48279-00	.CIRCLIP 2			2	
54	704-48193-00	.WASHER 3			2	

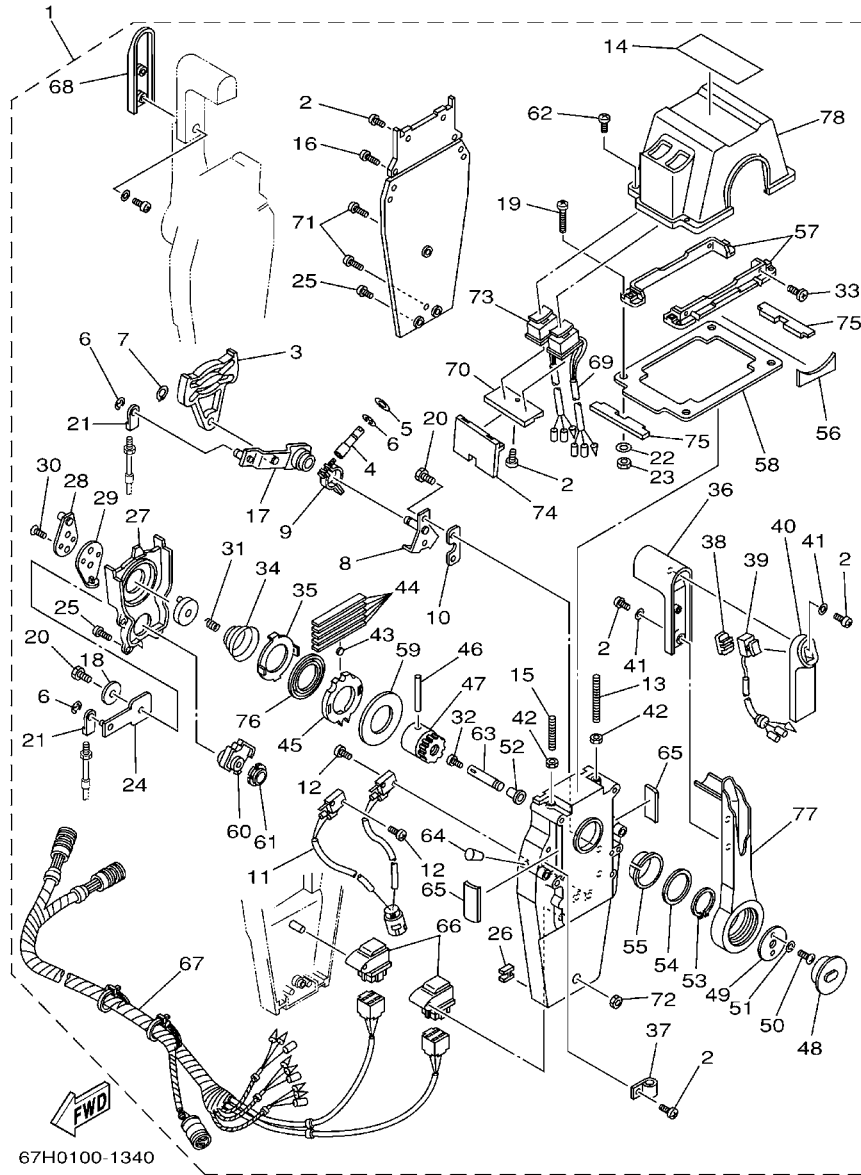
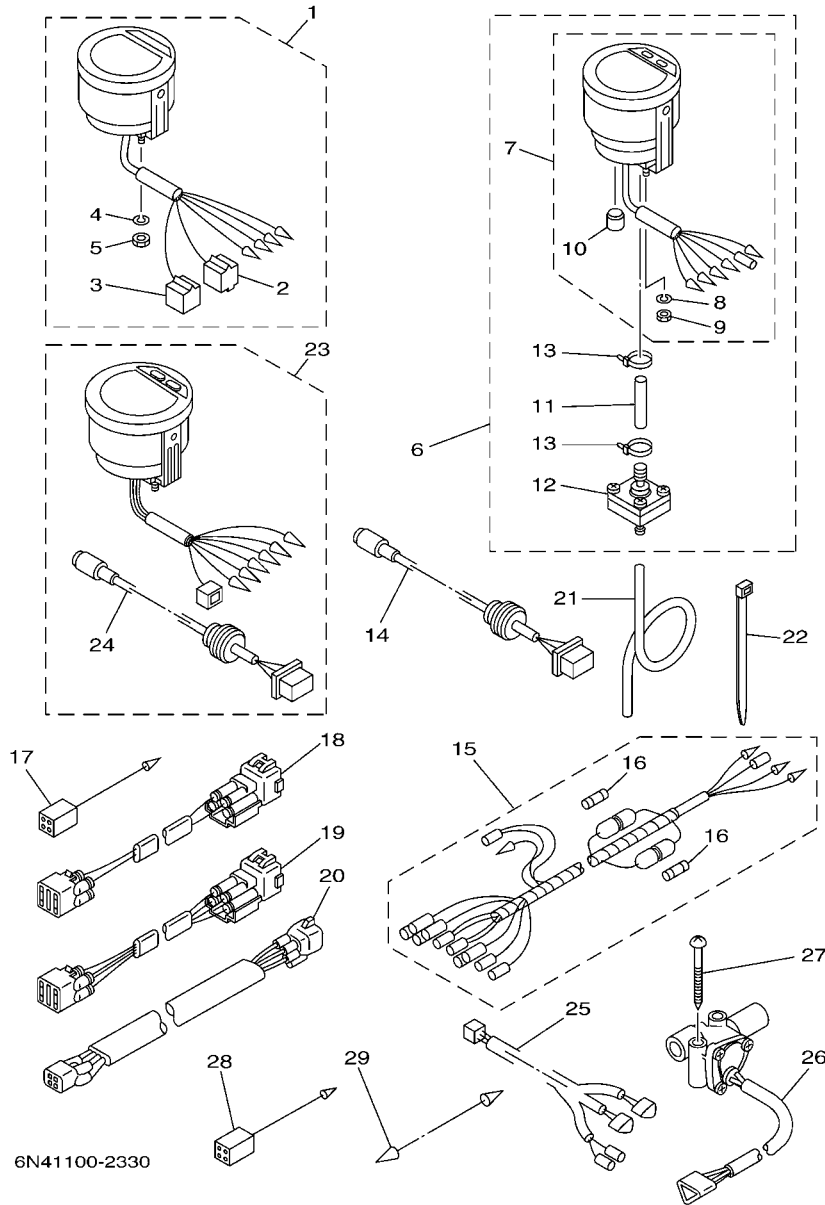


FIG. 32 REMOTE CONTROL ASSY 2

REF. NO.	PART NO.	DESCRIPTION	115	130	L130	REMARKS
55	EL8-48234-00	.BUSHING 1			2	
56	704-48219-00	.COVER, LEAD			2	
57	704-48144-00	.PLATE, STOPPER 2			2	
58	704-48176-10	.GROMMET			1	
59	703-48192-00	.WASHER 2			2	
60	EL8-48233-00	.GEAR 2			2	
61	703-48235-00	.BUSHING			2	
62	704-48282-00	.SCREW			4	
63	EL8-48153-10	.SHAFT, FREE ACCEL.			2	
64	704-48166-00	.PLUG			2	
65	704-48284-00	.GROMMET			4	
66	704-81950-00	.RELAY ASSY			2	
67	704-82590-10	.WIRE HARNESS ASSY			1	
68	704-48229-10	.GRIP, CONTROL LEVER			1	
69	704-82563-E0	.TRIM & TILT SWITCH ASSY			1	
70	704-48228-10	.HOLDER, SWITCH			1	
71	704-48128-00	.SCREW 2			3	
72	704-48156-00	.NUT 1			1	
73	704-82563-F0	.TRIM & TILT SWITCH ASSY			1	
74	704-48285-00	.GROMMET 2			1	
75	704-48286-00	.GROMMET 3			2	
76	704-48178-00	.PLATE, SHIFT			2	
77	704-48221-00	.LEVER, CONTROL			2	
78	704-48119-20	.COVER			1	

FIG. 33 METER



6N41100-2330

REF. NO.	PART NO.	DESCRIPTION	115	130	L130	REMARKS
1	6Y5-8350T-03	TACHOMETER ASSY	1	1	1	AP
2	9E450-04433	.CONNECTOR	1	1	1	M-4-W
3	9E450-04533	.CONNECTOR	1	1	1	F-4-W
4	92990-04100	.WASHER, SPRING	2	2	2	
5	95380-04600	.NUT	2	2	2	
6	6Y5-83500-S5	DIGITAL SPEEDOMETER ASSY	1	1		AP
7	6Y5-83570-S5	.SPEEDOMETER ASSY	1	1		
8	92990-04100	..WASHER, SPRING	2	2		
9	95380-04600	..NUT	2	2		
10	6Y5-83533-T2	..GROMMET	1	1		
11	6Y5-83557-31	.TUBE	1	1		
12	6Y5-83728-00	.CONNECTOR ASSY	1	1		
13	90465-11M10	.CLAMP	2	2		
14	6Y5-87122-S0	CORD ASSY 1	1	1		AP
15	6Y5-83553-M0	WIRE, LEAD	1	1		AP
	6Y5-83553-00	WIRE, LEAD			1	AP
16	1E6-82151-00	.FUSE (10A)	2	2		FOR 6Y5-83553-M0
	1E6-82151-00	.FUSE (10A)			1	FOR 6Y5-83553-00
17	6Y5-82117-00	WIRE, LEAD (BLACK)	1	1		AP
18	6R3-82521-70	WIRE, LEAD	1	1		AP FOR CAR 7M
	6R3-82521-80	WIRE, LEAD			1	AP FOR CAR 8M
19	6R3-82553-70	EXTENSION, WIRE LEAD	1	1		AP FOR CAR 4P,7M
	6R3-82553-80	EXTENSION, WIRE LEAD			1	AP FOR CAR 4P,8M
	68F-82553-80	EXTENSION, WIRE LEAD	1	1		AP FOR OCE,BRA
	68F-82553-90	EXTENSION, WIRE LEAD			1	AP FOR OCE
20	6R3-82553-30	EXTENSION, WIRE LEAD L=3000			2	AP FOR CAR
21	6Y5-83557-00	TUBE (6M)	1	1		AP FOR CAR

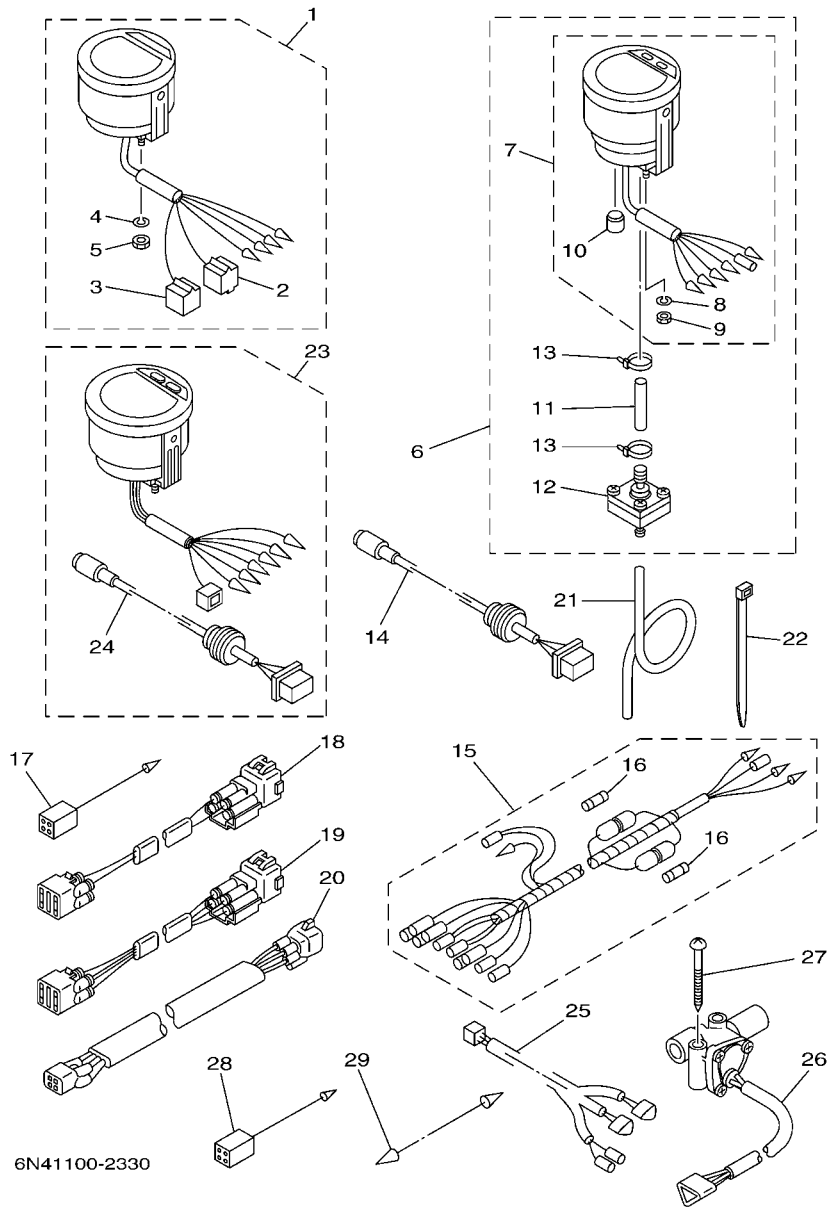
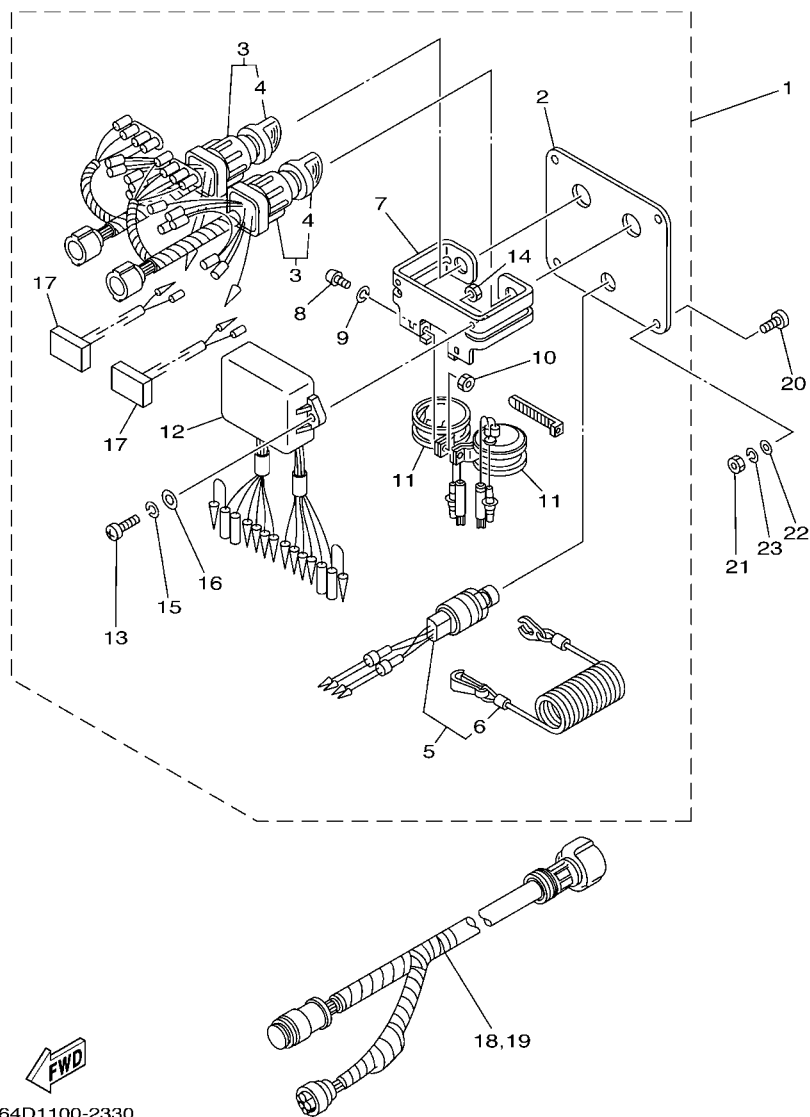


FIG. 33 METER

REF. NO.	PART NO.	DESCRIPTION	115	130	L130	REMARKS
21	6Y5-83557-10	TUBE (8M)	1	1		AP FOR OCE,BRA
22	90465-11M10	CLAMP	2	2		AP
23	6Y5-8350F-00	FUEL MANAGEMENT METER			1	AP FOR OCE
24	6Y5-87122-S0	.CORD ASSY 1			1	
25	6Y5-83553-F1	WIRE, LEAD			1	AP FOR OCE
26	6Y5-85752-01	SENDER UNIT ASSY, FUEL METER			2	AP FOR OCE
27	90158-06002	SCREW, WOOD			4	AP FOR OCE
28	6Y5-82117-00	WIRE, LEAD (BLACK)			1	AP FOR OCE
29	703-82531-00	WIRE, LEAD			1	AP FOR OCE

FIG. 34 SWITCH. PANEL



64D1100-2330

REF. NO.	PART NO.	DESCRIPTION	115	130	L130	REMARKS
1	6K1-82570-07	PANEL SWITCH ASSY			1	AP FOR OCE
2	6K1-82571-01	.PANEL, SWITCH			1	
3	6K1-82510-06	.MAIN SWITCH ASSY			2	
4	703-82577-00	..CAP, KEY			1	
5	6K1-82575-00	.ENGINE STOP SWITCH ASSY			1	
6	682-82556-00	..STOPPER			1	
7	6K1-83614-01	.BRACKET			1	
8	98980-05010	.SCREW, BIND			2	
9	92990-05100	.WASHER, SPRING			2	
10	95380-05600	.NUT			2	
11	688-83383-11	.BUZZER			2	
12	6K1-85830-01	.CONTROL UNIT ASSY			1	
13	98980-06020	.SCREW, BIND			2	
14	95380-06600	.NUT, HEXAGON			2	
15	92990-06100	.WASHER, SPRING			2	
16	92990-06600	.WASHER, PLATE			2	
17	6K1-81980-00	.DIODE ASSY			2	
18	6K1-8258A-40	EXTENSION, WIRE HARNESS			1	AP FOR OCE
19	61B-8258A-01	EXTENSION, WIRE HARNESS			1	AP FOR OCE
20	90149-05M05	SCREW			4	AP FOR OCE
21	95380-05600	NUT			4	AP FOR OCE
22	92990-05600	WASHER, PLATE			4	AP FOR OCE
23	92990-05100	WASHER, SPRING			4	AP FOR OCE

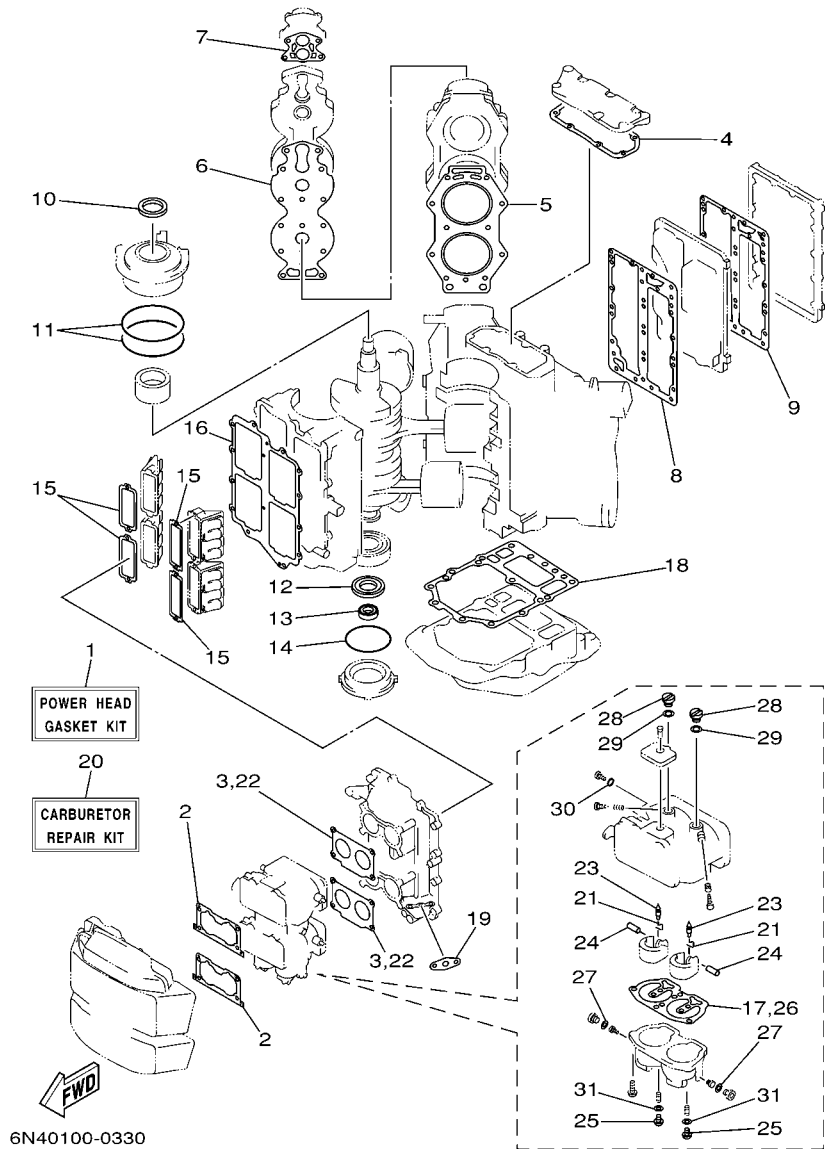


FIG. 35 REPAIR KIT 1

REF. NO.	PART NO.	DESCRIPTION	T15	T30	L130	REMARKS
1	6N6-W0001-A5	POWER HEAD GASKET KIT	1	1	1	
2	6K7-14483-00	.GASKET	2	2	2	
3	6E5-14198-A2	.GASKET	2	2	2	
4	6E5-11381-A2	.GASKET 1	1	1	1	
5	6E5-11181-A1	.GASKET, CYLINDER HEAD 1	2	2	2	
6	6E5-11193-A0	.GASKET, HEAD COVER 1	2	2	2	
7	688-12414-A1	.GASKET, COVER	2	2	2	
8	6E5-41112-A1	.GASKET, EXHAUST INNER COVER	1	1	1	
9	6E5-41114-A0	.GASKET, EXHAUST OUTER COVER	1	1	1	
10	93102-40M14	.OIL SEAL	1	1	1	
11	93211-04001	.O-RING	2	2	2	
12	93102-35M13	.OIL SEAL	1	1	1	
13	93101-22M15	.OIL SEAL	1	1	1	
14	93210-74M35	.O-RING	1	1	1	
15	6E5-13621-A1	.GASKET, VALVE SEAT	4	4	4	
16	6E5-13645-A1	.GASKET, MANIFOLD 1	1	1	1	
17	64D-14384-01	.GASKET, FLOAT CHAMBER	2	2	2	
18	6G5-45113-A1	.GASKET, UPPER CASING	1	1	1	
19	650-24431-A0	.GASKET, FUEL PUMP 1	1	1	1	
20	6N6-W0093-09	CARBURETOR REPAIR KIT	1	1	1	
21	6E5-14159-00	.CLIP	2	2	2	
22	6E5-14198-A2	.GASKET	1	1	1	
23	6E5-14546-00	.VALVE, NEEDLE	2	2	2	
24	6E5-14386-02	.PIN, FLOAT	2	2	2	
25	64D-14394-00	.VALVE, DRAIN	2	2	2	
26	64D-14384-01	.GASKET, FLOAT CHAMBER	1	1	1	
27	6E5-14398-00	.GASKET	2	2	2	



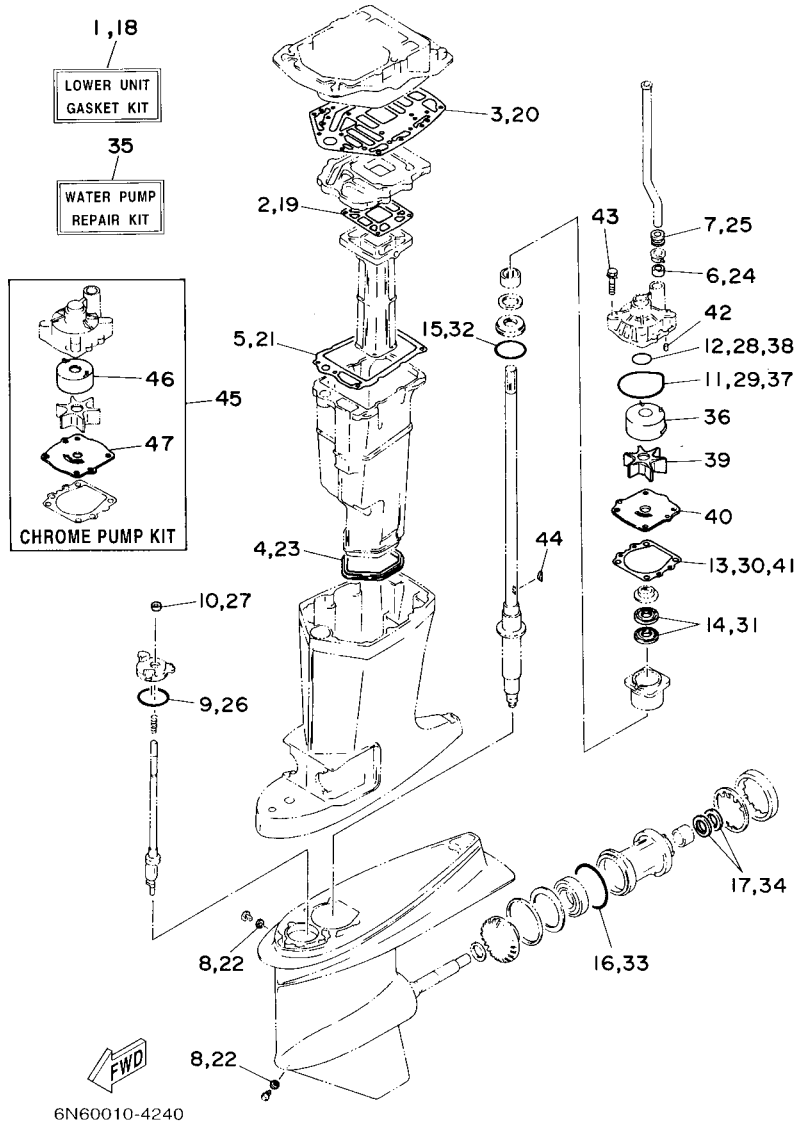
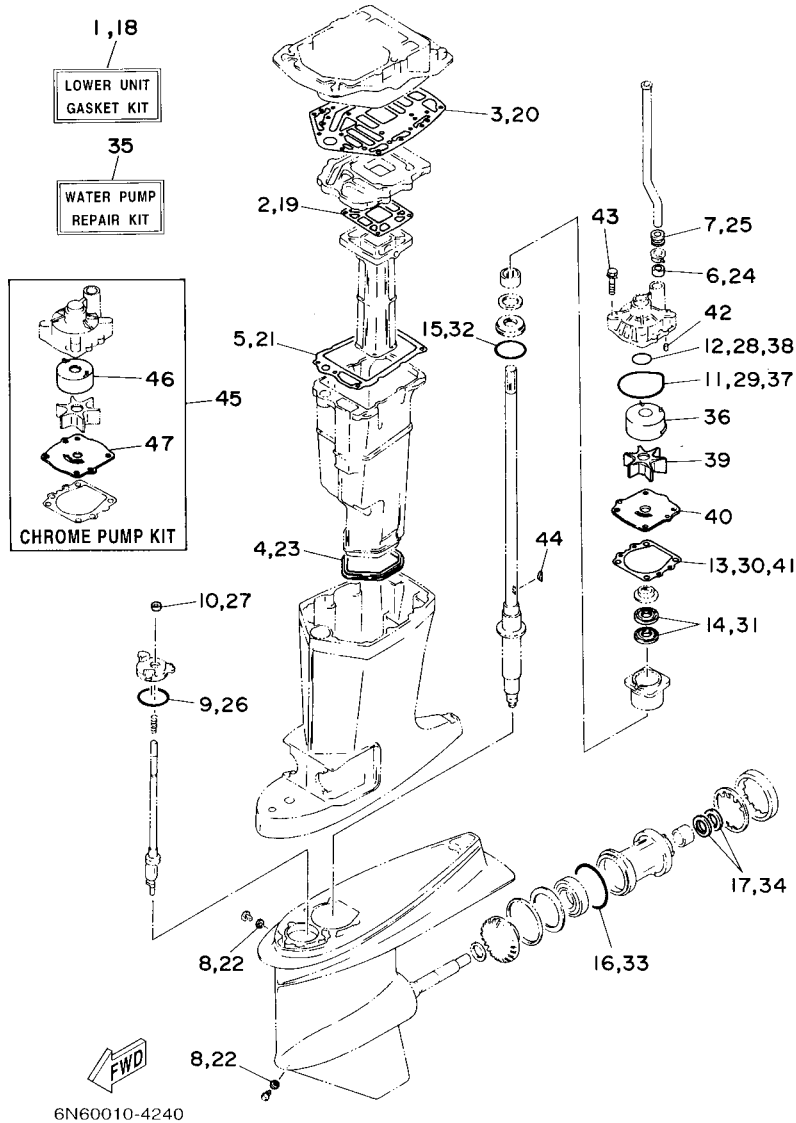


FIG. 36 REPAIR KIT 2

REF. NO.	PART NO.	DESCRIPTION	115	130	L130	REMARKS
1	6E5-W0001-F1	LOWER UNIT GASKET KIT	1			
2	6E5-41134-A0	.GASKET, EXHAUST MANIFOLD	1			
3	6G5-45114-A1	.GASKET, UPPER CASING	1			
4	6E5-45123-00	.GASKET, MUFFLER	1			
5	6E5-41135-A0	.GASKET, EXHAUST MANIFOLD	1			
6	6E5-44365-00	.DAMPER, WATER SEAL	1			
7	6E5-44366-00	.DAMPER, WATER SEAL	1			
8	90430-08020	.GASKET	2			
9	93210-58144	.O-RING	1			
10	93106-09014	.OIL SEAL	1			
11	93210-86M38	.O-RING	1			
12	93210-37160	.O-RING	1			
13	6E5-44315-A0	.GASKET, WATER PUMP	1			
14	93101-28M16	.OIL SEAL	2			
15	93210-55M14	.O-RING	1			
16	93210-86M39	.O-RING	1			
17	93101-30M17	.OIL SEAL	2			
18	6F3-W0001-C1	LOWER UNIT GASKET KIT		1	1	
19	6G5-41134-A1	.GASKET, EXHAUST MANIFOLD		1	1	
20	6G5-45114-A1	.GASKET, UPPER CASING		1	1	
21	6E5-41135-A0	.GASKET, EXHAUST MANIFOLD		1	1	
22	90430-08020	.GASKET		2	2	
23	6E5-45123-00	.GASKET, MUFFLER		1	1	
24	6E5-44365-00	.DAMPER, WATER SEAL		1	1	
25	6E5-44366-00	.DAMPER, WATER SEAL		1	1	
26	93210-58144	.O-RING		1	1	
27	93106-09014	.OIL SEAL		1	1	



FIG. 36 REPAIR KIT 2



REF. NO.	PART NO.	DESCRIPTION	115	130	L130	REMARKS
28	93210-37160	.O-RING		1	1	
29	93210-86M38	.O-RING		1	1	
30	6E5-44315-A0	.GASKET, WATER PUMP		1	1	
31	93101-28M16	.OIL SEAL		2	2	
32	93210-55M14	.O-RING		1	1	
33	93210-86M39	.O-RING		1	1	
34	93101-30M17	.OIL SEAL		2	2	
35	6N6-W0078-02	WATER PUMP REPAIR KIT	1	1	1	
36	61A-44322-02	.INSERT, CARTRIDGE	1	1	1	
37	93210-86M38	.O-RING	1	1	1	
38	93210-37160	.O-RING	1	1	1	
39	6E5-44352-01	.IMPELLER	1	1	1	
40	6E5-44323-00	.OUTER PLATE, CARTRIDGE	1	1	1	
41	6E5-44315-A0	.GASKET, WATER PUMP	1	1	1	
42	93606-12019	.PIN, DOWEL	2	2	2	
43	90119-08M14	.BOLT, WITH WASHER	4	4	4	
44	90280-04M05	.KEY, WOODRUFF	1	1	1	
45	6E5-W0078-3A	CHROME PUMP KIT	1	1	1	
46	6R3-44322-42	.INSERT, CARTRIDGE	1	1	1	
47	6E5-44323-40	.OUTER PLATE, CARTRIDGE	1	1	1	

NUMERICAL INDEX

PART NO.	REF. NO.	PART NO.	REF. NO.	PART NO.	REF. NO.	PART NO.	REF. NO.	PART NO.	REF. NO.	PART NO.	REF. NO.
6L1-11111-00-1S	4 - 1	6N6-13200-00	7 - 1	647-14395-60	5 - 29	6E5-24312-00	4 - 16	6N7-41113-00-1S	4 - 14	6N7-42678-30	1 - 24
6E5-11111-10-1S	4 - 1	6N7-13200-00	7 - 1	6E5-14398-00	6 - 13	6N7-24313-00	9 - 1	6E5-41114-A0	4 - 13	6N7-4267A-30	1 - 25
6E5-11119-01	2 - 20	6E5-13411-00	8 - 28		35 - 27	6R3-24313-20	9 - 1		35 - 9	6N7-4267A-40	1 - 25
6E5-11181-A1	4 - 2	6E5-13414-00	8 - 29	6E5-1441K-00	5 - 27	6E5-24314-00	9 - 13	6G5-41131-01-5B	22 - 21	6N7-42681-30	1 - 22
	35 - 5	6N7-13416-00	7 - 7	6N7-14440-01	5 - 26	6G5-24316-10	9 - 31	6L1-41132-00-5B	22 - 25	6N6-42681-42	1 - 22
6E5-11191-01-1S	4 - 4	6E5-13437-43	8 - 45	6K7-14483-00	5 - 30	6G5-24318-10	9 - 35	6E5-41132-10-5B	22 - 25	6N7-42681-50	1 - 22
6E5-11193-A0	4 - 5	6E5-13437-62	8 - 45		35 - 2	6E5-24319-01	8 - 7	6E5-41134-A0	22 - 26	6N7-42682-30	1 - 23
	35 - 6	6E5-13448-00	8 - 25	624-14485-00	5 - 8	6G5-24319-10	9 - 36		36 - 2	6N6-42682-42	1 - 23
6R3-1131M-01	2 - 16	6R3-13471-00	7 - 2	6E5-14488-00	12 - 20	6E5-24321-01	8 - 11	6G5-41134-A1	22 - 26	6N7-42682-50	1 - 23
6E5-11325-00	2 - 14	6L2-13475-00	7 - 3	6E5-14527-01	6 - 23	6E5-24322-00	8 - 4		36 - 19	6N7-42683-40	1 - 20
6E5-11370-01	5 - 9	6E5-13552-01	5 - 7	6E5-14546-00	6 - 6	64E-24323-00	8 - 34	6E5-41135-A0	22 - 33	6N6-42686-40	1 - 17
6K7-11371-01-1S	2 - 26	6E5-13610-00	5 - 1		35 - 23	6Y1-24329-00	27 - 5		36 - 5	6N7-42686-40	1 - 17
6H1-11372-00	22 - 20	6E5-13621-A1	5 - 3	6E5-14711-01-5B	22 - 29	6E5-24351-51	10 - 3	6G5-41137-02-94	22 - 10	6N6-42686-60	1 - 17
6G5-11372-00-1S	4 - 23		35 - 15	6E5-14737-00	22 - 30		11 - 3	6G5-41137-11-94	22 - 10	6N7-42686-60	1 - 17
6E5-11372-01	2 - 5	6E5-13641-03-1S	5 - 6	64D-1492E-88	6 - 12		27 - 10	6E5-41213-00	17 - 32	6N6-42687-30	1 - 19
624-11379-00	2 - 3	6E5-13641-11-1S	5 - 6	64D-1492E-90	6 - 12	6Y2-24360-60	10 - 5	6E5-41217-01	5 - 21	6N7-42687-30	1 - 19
6E5-11381-A2	2 - 27	6E5-13645-A1	5 - 14	64D-1492F-39	6 - 9		11 - 5	6H1-41237-00	7 - 21	6N6-42687-60	1 - 19
	35 - 4		35 - 16	64D-1492F-41	6 - 9		27 - 12	6R5-41237-00	7 - 23	6N7-42687-60	1 - 19
6G5-11382-A1	4 - 22	6E5-14159-00	6 - 7	61A-1492H-12	6 - 14	6E5-24367-10	16 - 40	662-41237-01	17 - 25	6N7-42711-43-8D	16 - 1
6R3-11397-01	2 - 17		35 - 21	61U-14959-00	6 - 10	6E5-24376-10	9 - 34	6R3-41241-00	7 - 20	648-42715-00	17 - 49
6N7-11411-01	3 - 1	6E5-14198-A2	5 - 19		35 - 31	6R3-24377-00	9 - 2	6E5-41256-01	5 - 22	6E5-42716-00	16 - 43
6E5-11447-00	3 - 2		35 - 3	6E5-14979-00	6 - 19	6R3-24377-10	9 - 2	661-41262-02	5 - 23	6E5-42724-00	22 - 11
663-11518-01	2 - 4	6E5-14223-00	6 - 21		35 - 29	650-24378-00	4 - 15	6N7-41271-00	5 - 24	6N6-42725-20	16 - 10
6R3-11536-00	3 - 9	6E5-14276-01	7 - 26	6J8-14995-00	6 - 26	6E5-24379-00	8 - 12	689-41273-00	5 - 25	6N7-42725-20	16 - 10
6R3-11537-00	7 - 16	6N6-14301-00	6 - 1		35 - 30	6E5-24410-03	9 - 16	688-41611-00	12 - 9	6N7-42725-30	16 - 10
64D-11603-01	3 - 18	6N7-14301-00	6 - 1	6N6-15100-01-1S	2 - 2	6E5-24411-00	9 - 21	688-41612-00	12 - 10	688-42726-10	16 - 28
64D-11604-01	3 - 18	6L1-14301-05	6 - 1	6N7-15100-01-1S	2 - 2	6E5-24412-10	9 - 28	6E5-41631-01-1S	17 - 10	6N7-42738-02-5B	16 - 11
64D-11605-01	3 - 18	6E5-14301-17	6 - 1	6R3-15163-00-1S	3 - 3	6E5-24413-00	9 - 18	6E5-41632-02-1S	17 - 6	6N7-42741-01-8D	16 - 29
6R5-11631-11-93	3 - 17	6N6-14302-00	6 - 2	6G5-15359-00-94	3 - 12	6A0-24421-01	9 - 25	688-41636-00	17 - 29	6H4-42748-00	16 - 3
6R5-11633-10	3 - 21	6N7-14302-00	6 - 2	6E5-21708-10	8 - 1	6E5-24423-00	9 - 23	6E5-41636-01	17 - 23	68F-42753-00	16 - 57
6R5-11634-10	3 - 22	6L1-14302-05	6 - 2	6K1-21708-10	8 - 1	648-24424-00	9 - 22	6E5-42510-A1-8D	19 - 10	6E5-42761-00-1S	2 - 22
6R5-11635-11	3 - 17	6E5-14302-17	6 - 2	61A-21708-20	8 - 1	650-24431-A0	9 - 29	6E5-42510-B1-8D	19 - 10	6E5-42762-00-1S	2 - 23
6R5-11636-11	3 - 17	6E5-14321-00	6 - 16	6E5-21733-20	8 - 2		35 - 19	624-42542-00	8 - 32	6E5-42769-00	22 - 5
6R5-11642-11-93	3 - 19	6E5-14323-03	6 - 20	6E5-21734-01-33	8 - 18	6E5-24434-02	9 - 24		13 - 3	6R3-42771-01-8D	16 - 30
6R5-11645-11	3 - 19	6E5-14324-00	6 - 25	6E5-21746-00	8 - 20	6E5-24435-00	9 - 20	6N6-42610-60-4D	1 - 1	6G5-42791-00	16 - 59
6R5-11646-11	3 - 19	6A0-14325-00	9 - 26	6E5-21750-05	8 - 24	6E5-24444-00	9 - 17	6N7-42610-60-4D	1 - 1	6K7-42791-00	16 - 59
6R5-11650-10	3 - 23	6E5-14328-01	6 - 18	6E5-21770-03	8 - 3	6E5-24471-00	9 - 19	6N6-42610-80-4D	1 - 1	6L1-42791-00	16 - 59
6E5-12411-30	4 - 7		35 - 28	6E5-21798-01-33	8 - 19	61N-24521-00	9 - 7	6N7-42610-80-4D	1 - 1	6G5-42791-10	16 - 59
6G5-12413-00-1S	4 - 8	6J8-14334-00	6 - 17	6YJ-24167-00	27 - 7	6R3-24560-00	9 - 5	6N6-42610-T0-4D	1 - 1	6R6-42791-40	16 - 62
688-12414-A1	4 - 9	64D-14381-00	6 - 4	6YJ-24201-10	27 - 1	6R3-24563-00	9 - 6	6N7-42610-T0-4D	1 - 1	6R3-42791-41	22 - 2
	35 - 7	61A-14383-01	6 - 15	646-24251-02	8 - 6	6E5-24566-00	9 - 9	6N7-42613-00-4D	1 - 12	6R3-42792-41	22 - 3
6G5-12416-00	4 - 19	64D-14384-01	6 - 3	6Y1-24260-12	27 - 3	6YJ-24610-00	27 - 2	6R3-42615-01	1 - 11	6R3-42811-01	16 - 15
6R3-12572-00	16 - 53		35 - 17	6Y1-24268-00	27 - 6	6A1-28176-00	16 - 60	6N7-42619-00	1 - 9	6R3-42811-10	16 - 18
6E5-12576-00	4 - 25	6E5-14385-02	6 - 5	6Y2-24305-05	10 - 6	61H-2819R-31	8 - 47	6N7-42627-00	1 - 10	6R3-42813-00	16 - 21
6R3-12580-00	16 - 54	6E5-14386-02	6 - 8		27 - 13	6E5-41111-00-1S	4 - 11	6N7-42636-00	1 - 14	6R3-42814-00	1 - 6
6G5-12581-00	22 - 12		35 - 24	6Y2-24306-44	10 - 1	6L1-41111-00-1S	4 - 11	6R3-42647-00	1 - 2	6N7-42815-01-8D	16 - 4
6R3-13117-00	7 - 17	64D-14394-00	6 - 11		27 - 8	6E5-41112-A1	4 - 12	6R3-42662-00	1 - 5	6R3-42816-00	16 - 16
6R3-13183-10	7 - 12		35 - 25	6Y2-24307-50	11 - 1		35 - 8	6N6-42677-40	1 - 18	6R3-42824-00	16 - 14

NUMERICAL INDEX

PART NO.	REF. NO.	PART NO.	REF. NO.	PART NO.	REF. NO.	PART NO.	REF. NO.	PART NO.	REF. NO.	PART NO.	REF. NO.
6N7-42828-00	16 - 24	6E5-43858-00	20 - 28	61A-44322-02	23 - 25	6E5-45300-27-8D	23 - 1	6E5-45567-01-18	25 - 7	6L6-45611-20	25 - 51
6R3-42828-00	16 - 25	72X-43858-00	21 - 5		25 - 26	6E5-45301-05-8D	23 - 2	6E5-45567-01-30	23 - 5	6E5-45631-01	23 - 56
6N7-42850-00	16 - 17	64E-43859-00	21 - 13		36 - 36		25 - 2		25 - 7		25 - 59
6N7-42850-10	16 - 19	64E-43860-00	21 - 20	6R3-44322-42	36 - 46	6E5-45318-00	22 - 36	6E5-45567-01-40	23 - 5	6E5-45633-01	23 - 57
6N7-42850-20	16 - 20	6E5-43862-00	20 - 10	6E5-44323-00	23 - 30	6E5-45321-00	23 - 13		25 - 7		25 - 60
64E-43111-02-8D	18 - 1	6G5-43863-00	21 - 10		25 - 31		25 - 14	6E5-45567-01-50	23 - 5	6E5-45634-01	23 - 50
64E-43112-02-8D	18 - 9	6E5-43864-00	20 - 20		36 - 40	6E5-45331-00-94	23 - 34		25 - 7		25 - 53
64E-43126-00	18 - 37	6G5-43864-00	20 - 19	6E5-44323-40	36 - 47		25 - 35	6L6-45570-00	25 - 63	6K1-45641-01	25 - 52
64E-43131-01	18 - 15	64E-43865-00	21 - 16	6E5-44352-01	23 - 28	6E5-45332-00-94	23 - 58	6E5-45571-01	23 - 60	6E5-45641-03	23 - 49
64E-43139-02	19 - 1	6G5-43865-00	21 - 35		25 - 29	6L6-45332-00-94	25 - 61	6E5-45576-00	23 - 61	6L6-45930-01-98	26 - 23
6G5-43144-00	18 - 27	64E-43866-00	20 - 9		36 - 39	688-45341-10	23 - 7	6L6-45576-00	25 - 65	688-45930-02-98	24 - 26
6E5-43145-01	28 - 8	64E-43867-00	20 - 8	6E5-44361-00	24 - 2		25 - 9	6L6-45577-00-10	23 - 65	688-45932-60-98	24 - 26
6G5-43148-00	18 - 32	64E-43868-00	21 - 3	6E5-44361-20	24 - 2	6E5-45344-00	23 - 40		25 - 72	6E5-45941-00-EL	24 - 26
6G5-43181-02	18 - 29	64E-43869-00	20 - 26		26 - 2		25 - 41	6L6-45577-00-12	23 - 65	6E5-45943-00-EL	24 - 26
6G5-43185-02	18 - 30	6H1-4386K-10	21 - 29	6E5-44365-00	24 - 3	6L6-45371-00	26 - 14		25 - 72	6E5-45945-01-EL	24 - 26
64E-43311-10-8D	18 - 22	6E5-43872-00	20 - 12		26 - 3	6E5-45371-01	24 - 14	6L6-45577-00-15	23 - 65	6E5-45947-00-EL	24 - 26
64E-43311-20-8D	18 - 22	64E-43873-00	21 - 24		26 - 6	6E5-45371-10	24 - 28		25 - 72	6E5-45949-00-EL	24 - 26
61A-43376-00	19 - 8	6E5-43874-01	20 - 21	6E5-44366-00	24 - 1	688-45375-00	24 - 9	6L6-45577-00-18	23 - 65	6E5-45952-00-EL	24 - 26
64E-43800-02-4D	20 - 1	64E-43875-00	21 - 25		26 - 1		26 - 9		25 - 72	6E5-45954-00-EL	24 - 26
64E-43802-00	21 - 8	64E-43879-00	21 - 27		36 - 7	663-45376-00-94	24 - 8	6L6-45577-00-30	23 - 65	6E5-45956-00-EL	24 - 26
64E-43805-00	21 - 37	64E-43879-10	21 - 26	6E5-44391-00	16 - 9		26 - 8		25 - 72	6L6-45970-00-98	26 - 23
64E-4380F-00	21 - 33	64E-4387A-00	21 - 23	6E5-44511-00-5B	19 - 38	6E5-45378-00	23 - 10	6L6-45577-00-40	23 - 65	688-45970-03-98	24 - 26
64E-4380J-00	21 - 30	64E-43880-01	21 - 28	6E5-44514-00-94	19 - 31	6J8-45378-00	25 - 12		25 - 72	6E5-45970-10	24 - 27
64E-43810-00	20 - 6	64E-43883-00	20 - 11	6G5-44526-00	18 - 3	688-45383-02	23 - 68	6L6-45577-00-50	23 - 65	6L6-45972-00-98	26 - 23
6E5-43814-02	20 - 13	64E-4388E-00	20 - 25	68F-44533-00	2 - 24		25 - 74		25 - 72	688-45972-02-98	24 - 26
64E-43816-00	21 - 17	64E-4388E-10	21 - 1	6G5-44551-01-8D	19 - 13	688-45384-00	23 - 69	6K1-45578-01-10	25 - 67	6E5-45972-10	24 - 27
64E-43817-00	20 - 5	64E-4388J-00	20 - 3	6E5-44552-01-94	19 - 24		25 - 75	6K1-45578-01-12	25 - 67	688-45974-02-98	24 - 26
64E-43817-10	21 - 19	64E-43891-00	21 - 31	6E5-44553-01-8D	19 - 27	6E5-45501-01	23 - 43	6K1-45578-01-15	25 - 67	6E5-45974-10	24 - 27
64E-43818-01	20 - 32	64E-43892-00	21 - 34	6E5-44555-00-94	19 - 16	6E5-45501-21	23 - 43	6K1-45578-01-18	25 - 67	688-45976-01-98	24 - 26
64E-4381G-00	20 - 27	6E5-43896-00	21 - 9	663-44575-00	19 - 37		25 - 44	6K1-45578-01-30	25 - 67	6E5-45976-10	24 - 27
64E-43820-00	20 - 15	64E-43897-00	20 - 24	6E5-44575-00	19 - 15	61A-45527-00	23 - 23	6K1-45578-01-40	25 - 67	6E5-45978-10	24 - 27
64E-43821-00	20 - 16	64E-43898-00	20 - 7	6E5-45111-02-8D	22 - 1		25 - 24	6K1-45578-01-50	25 - 67	688-45978-60-98	24 - 26
64E-43822-00	20 - 17	6E5-44117-00-1S	17 - 36	6E5-45111-23-8D	22 - 1	6E5-45536-00	23 - 9	6E5-45587-01-10	23 - 37	6E5-45987-01	24 - 21
64E-43825-01	20 - 2	6E5-44118-01-94	17 - 44	6G5-45113-A1	22 - 14		25 - 11		25 - 38		26 - 18
64E-43827-00	21 - 22	6E5-44120-03	17 - 51		35 - 18	61A-45538-00	23 - 20	6E5-45587-01-12	23 - 37	6E5-45994-10	24 - 29
64E-43828-00	20 - 22	6E5-44120-23	17 - 51	6G5-45114-A1	22 - 22		25 - 21		25 - 38	688-45997-01	24 - 22
64E-43829-00	20 - 23	68F-44121-00	17 - 38		36 - 3	6L6-45538-00	25 - 6	6E5-45587-01-15	23 - 37		26 - 19
64E-4382G-00	20 - 29	6E5-44122-00	17 - 39	663-45119-00	18 - 14	6E5-45551-02	23 - 44		25 - 38	704-48119-20	32 - 78
64E-43830-00	21 - 4	6L6-44150-01	25 - 18	6E5-45123-00	22 - 32		25 - 45	6E5-45587-01-18	23 - 37	EL8-48127-00	32 - 25
64E-43831-00	21 - 2	6E5-44150-02	23 - 17		36 - 4	6L6-45560-00	25 - 47		25 - 38	704-48128-00	32 - 71
64E-43841-00	21 - 7	688-44194-00	17 - 14	6E5-45155-00	22 - 4	6E5-45560-01	23 - 46	6E5-45587-01-30	23 - 37	6A5-48129-10	32 - 12
64E-43843-00	21 - 6	61A-44311-01	23 - 24	688-45214-02	24 - 10	6E5-45567-01-10	23 - 5		25 - 38	704-48144-00	32 - 57
64E-43843-10	21 - 38		25 - 25		26 - 10		25 - 7	6E5-45587-01-40	23 - 37	703-48152-00	31 - 57
64E-4384J-00	20 - 18	6E5-44312-00	24 - 20	688-45215-02	24 - 11	6E5-45567-01-12	23 - 5		25 - 38	703-48153-00	31 - 3
64E-43850-00	21 - 15		26 - 17		26 - 11		25 - 7	6E5-45587-01-50	23 - 37	EL8-48153-10	32 - 63
64E-43851-00	21 - 11	6E5-44315-A0	23 - 31	6G5-45251-02	18 - 2	6E5-45567-01-15	23 - 5		25 - 38	704-48156-00	32 - 72
64E-43855-00	21 - 14		25 - 32	6E5-45300-17-8D	23 - 1		25 - 7	6K1-45611-00	25 - 49	EL8-48158-00	32 - 31
64E-43858-00	21 - 12		36 - 13	6L6-45300-25-8D	25 - 1	6E5-45567-01-18	23 - 5	6E5-45611-01	23 - 48	EL8-48164-00	32 - 46



NUMERICAL INDEX

PART NO.	REF. NO.	PART NO.	REF. NO.	PART NO.	REF. NO.	PART NO.	REF. NO.	PART NO.	REF. NO.	PART NO.	REF. NO.
704-48166-00	32 - 64	703-48243-00	31 - 15	701-48350-00	30 - 3	6E5-82116-00	14 - 14	6E5-82587-00	14 - 44	6N7-85580-10	12 - 3
704-48176-10	32 - 58	703-48244-00	31 - 21	701-48350-20	30 - 3	6Y5-82117-00	33 - 17	6E5-82588-00	16 - 45	6E5-85711-40	8 - 46
704-48178-00	32 - 76	EL8-48244-00	32 - 34	703-48358-00	31 - 20	6E5-82117-01	14 - 35	6K7-82588-00	16 - 44	6E5-85720-04	8 - 15
703-48189-00	31 - 17	703-48245-00	31 - 11		32 - 26	6G5-82119-00	14 - 13	61B-8258A-01	34 - 19	6R3-85721-30	8 - 16
EL8-48191-00	32 - 18	EL8-48245-00	32 - 35	6E5-48531-00	17 - 1	6E5-82147-00	18 - 26	688-8258A-10	14 - 47	6R3-85721-80	8 - 16
703-48192-00	32 - 59	701-48246-00	32 - 5	6E5-48538-00	17 - 2	6E5-82147-20	18 - 26	688-8258A-20	31 - 49	6G7-85730-04	8 - 27
704-48192-00	32 - 49	703-48246-00	31 - 23	6E5-61301-01	29 - 1	6E5-82148-00	18 - 6	6K1-8258A-40	34 - 18	6N7-85740-00	8 - 41
704-48193-00	32 - 54	701-48248-00	31 - 13	6E5-61303-00	29 - 5	6E5-82149-00	19 - 19	6N6-82590-00	14 - 30	6Y5-85752-01	33 - 26
703-48198-00	31 - 14		32 - 43	6E5-61311-11	29 - 3	1E6-82151-00	33 - 16	704-82590-10	32 - 67	6K1-85830-01	34 - 12
703-48205-17	30 - 1	EL8-48251-00	32 - 3	6E5-61313-00	29 - 2	663-82151-00	14 - 31	6N7-82590-20	14 - 30	6N7-86110-00	14 - 20
	31 - 1	703-48252-00	31 - 12	6E5-61315-00	29 - 4	705-82151-00	14 - 32	6N7-82590-30	14 - 30	6N7-86112-00	14 - 25
703-48207-17	30 - 1	EL8-48254-00	32 - 29	6E5-61350-02	28 - 1	6G5-82152-00	14 - 33	703-82591-00	31 - 53	6N7-86116-00	14 - 21
	31 - 1	EL8-48259-00	32 - 7	6E5-61351-01	28 - 2	6A0-82317-00	8 - 31	703-82592-00	31 - 54	6Y5-87122-S0	33 - 14
704-48207-23	30 - 2	704-48261-00	32 - 17	6E5-61355-00	28 - 5		13 - 2	688-82594-00	16 - 48	6G5-87149-10	14 - 12
	32 - 1	703-48261-01	31 - 2	6E5-81332-00	12 - 13	663-82317-01	12 - 18	6E5-82594-00	16 - 49	6N6-W0001-A5	35 - 1
703-48211-01	31 - 61	704-48262-00	32 - 8	6N7-81337-00	12 - 16	6G1-82370-21	14 - 4	703-82594-00	31 - 25	6F3-W0001-C1	36 - 18
703-48212-00	31 - 58	702-48263-00	32 - 52	6N7-81800-10	15 - 1	6K1-82510-06	34 - 3	704-82594-00	32 - 37	6E5-W0001-F1	36 - 1
703-48213-00	31 - 59	703-48264-00	31 - 6	6N7-81801-00	15 - 8	703-82510-43	31 - 44	703-83383-02	31 - 51	6E5-W0004-00	5 - 2
703-48215-00	31 - 43	704-48264-00	32 - 9	6N7-81807-00	15 - 11	662-82519-00	14 - 5	688-83383-11	34 - 11	6N7-W0070-30	1 - 21
704-48215-10	32 - 14	703-48265-00	31 - 9	61A-81809-00	15 - 3	6R3-82519-00	14 - 36	6Y5-83500-S5	33 - 6	6N7-W0070-50	1 - 21
703-48219-00	31 - 30	704-48265-00	32 - 4	6N7-81810-00	15 - 5	6R3-82521-70	33 - 18	6Y5-8350F-00	33 - 23	6N7-W0070-S0	1 - 21
704-48219-00	32 - 56	704-48266-00	32 - 10	6N7-81813-00	15 - 9	6R3-82521-80	33 - 18	6Y5-8350T-03	33 - 1	6N6-W0078-02	36 - 35
703-48221-00	31 - 56	703-48268-00	31 - 5	6N7-81820-10	15 - 10	703-82531-00	31 - 46	6Y5-83533-T2	33 - 10	6E5-W0078-3A	36 - 45
704-48221-00	32 - 77	703-48271-00	31 - 60	6R3-81822-00-94	15 - 19		33 - 29	6Y5-83553-00	33 - 15	6N6-W0090-16-1S	2 - 1
703-48222-00	31 - 27	EL8-48271-00	32 - 24	61A-81824-00	15 - 4	6E5-82531-10	14 - 39	6Y5-83553-F1	33 - 25	6N7-W0090-17-1S	2 - 1
704-48222-00	32 - 36	EL8-48279-00	32 - 53	6K7-81826-10	15 - 14	703-82540-00	31 - 50	6Y5-83553-M0	33 - 15	6N6-W0093-09	35 - 20
703-48223-00	31 - 28	703-48281-00	31 - 31	6E5-8182A-10	15 - 17	704-82540-10	32 - 11	6N7-83557-00	14 - 18	656-W2810-02	8 - 48
703-48225-00	31 - 29	704-48281-00	32 - 15	6E5-8182E-10	15 - 15	6R3-82553-30	33 - 20	6Y5-83557-00	33 - 21	90101-09M70	29 - 9
704-48225-00	32 - 48	EL8-48281-00	32 - 13	6E5-8182F-10	15 - 16	6R3-82553-70	33 - 19	6Y5-83557-10	33 - 21	90101-12M03	18 - 40
703-48226-00	31 - 26	703-48282-00	31 - 32	6K7-8182G-10	15 - 6	68F-82553-80	33 - 19	6Y5-83557-31	33 - 11	90101-12M05	18 - 40
703-48227-00	31 - 24	704-48282-00	32 - 62	6E5-8182K-10	15 - 18	6R3-82553-80	33 - 19	6E5-83558-00	24 - 17	90101-12M77	18 - 40
704-48228-00	32 - 38	704-48283-00	32 - 19	6N7-81830-00	15 - 13	68F-82553-90	33 - 19	6E5-83558-10	23 - 12	90105-10M00	24 - 15
704-48228-10	32 - 70	703-48284-00	31 - 52	6N7-81840-00	15 - 7	682-82556-00	31 - 48	6Y5-83570-S5	33 - 7		26 - 15
704-48229-00	32 - 40	704-48284-00	32 - 65	6N7-81850-10	15 - 2		34 - 6	6R3-83614-00	14 - 45	90105-10M20	2 - 11
704-48229-10	32 - 68	703-48284-10	31 - 52	6N7-81857-00	15 - 12	688-82560-10	14 - 27	6K1-83614-01	34 - 7	90109-06M39	7 - 6
EL8-48231-00	32 - 27	704-48285-00	32 - 74	6E5-81900-01	8 - 9	6R3-82563-00	14 - 43	6K1-83623-41	12 - 21	90109-06M40	7 - 5
703-48232-00	31 - 62	704-48286-00	32 - 75	6E5-81922-00	8 - 10	703-82563-02	31 - 55	6A1-83625-41	12 - 19	90109-08022	3 - 24
EL8-48232-00	32 - 45	701-48287-00	31 - 42	61A-81941-00	14 - 8	703-82563-12	31 - 55	67H-83672-00	19 - 3	90109-08M45	16 - 7
EL8-48233-00	32 - 60	704-48287-00	32 - 22	6R3-81942-00	13 - 16	704-82563-31	32 - 39	64E-83672-02	19 - 3	90109-12M37	19 - 35
703-48234-00	31 - 18	703-48291-10	31 - 39	6N7-81948-00-94	13 - 10	704-82563-E0	32 - 69	6Y5-83728-00	33 - 12	90109-14M34	19 - 20
EL8-48234-00	32 - 55	703-48293-10	31 - 41	6E5-81948-22	14 - 15	704-82563-F0	32 - 73	72X-85075-L0	21 - 21	90116-06M30	5 - 13
703-48235-00	31 - 4	701-48320-00	30 - 3	6E5-81950-00	14 - 10	6K1-82570-07	34 - 1	6N7-85510-00	12 - 2	90116-08M45	2 - 13
	32 - 61	701-48320-50	30 - 3	704-81950-00	32 - 66	6K1-82571-01	34 - 2	6N7-85537-00	13 - 8	90119-06M10	23 - 16
703-48236-00	31 - 16	701-48320-60	30 - 3	689-81952-10	14 - 9	6K1-82575-00	34 - 5	6N7-85540-01	13 - 5		25 - 17
703-48238-00	31 - 22	701-48320-80	30 - 3	6E5-8195A-00	14 - 11	688-82575-01	31 - 47	6N7-85542-01-1S	13 - 1	90119-06M59	13 - 4
	32 - 44	6E5-48344-00	17 - 7	6R3-81960-00	13 - 13	703-82577-00	31 - 45	6N7-85550-01	12 - 1	90119-06M65	8 - 33
EL8-48241-00	32 - 28	703-48345-01	31 - 19	6K1-81980-00	34 - 17		34 - 4	6R3-85570-01	14 - 1	90119-06MA2	2 - 25
704-48242-00	32 - 47		32 - 21	6N7-82105-02	14 - 34	6E3-8257H-00	16 - 61	6E5-85580-00	12 - 3		3 - 7

NUMERICAL INDEX

PART NO.	REF. NO.	PART NO.	REF. NO.	PART NO.	REF. NO.	PART NO.	REF. NO.	PART NO.	REF. NO.	PART NO.	REF. NO.
90119-06MA2	4 - 24	90201-08M13	17 - 21	90386-12089	17 - 17	90465-06M86	5 - 16	92990-04600	1 - 15	93102-35M13	3 - 13
	17 - 37	90201-08M14	20 - 30	90386-13M88	16 - 5	90465-08M63	18 - 23	92990-05100	34 - 9		35 - 12
90119-06MA3	5 - 15	90201-08M23	17 - 16	90386-16M66	17 - 53	90465-08M89	14 - 29	92990-05300	32 - 41	93102-40M14	3 - 5
90119-06MA4	4 - 6	90201-08M54	16 - 35	90386-22M13	17 - 19	90465-11M10	7 - 8	92990-05600	5 - 5		35 - 10
90119-06MA5	4 - 18	90201-10M20	28 - 7	90386-22M98	18 - 38		8 - 5		34 - 22	93106-09014	23 - 15
90119-06MA6	4 - 10	90201-10M76	29 - 8		20 - 33		9 - 3	92990-06100	1 - 3		25 - 16
90119-08027	22 - 9	90201-12M05	18 - 42	90386-25M31	18 - 18		16 - 56		34 - 15		36 - 10
90119-08M14	23 - 33	90201-13M01	18 - 41	90386-38M32	19 - 12		18 - 21	92990-06200	17 - 8	93210-03261	14 - 26
	25 - 34	90201-14M56	19 - 34	90387-06M29	17 - 33		19 - 5	92990-06300	32 - 51	93210-08287	10 - 7
	36 - 43	90201-15M58	19 - 21	90387-08M16	17 - 18		24 - 18	92990-06600	8 - 22		27 - 14
90119-08M22	16 - 37	90201-16M55	19 - 18	90387-08M37	16 - 34		33 - 13		13 - 7	93210-09165	17 - 52
90119-08M57	15 - 22	90201-21M18	12 - 5	90387-10M05	18 - 34	90465-12M25	16 - 50		16 - 42	93210-10M74	20 - 4
90119-08M76	15 - 20	90201-22M01	23 - 21	90387-10M61	28 - 3	90465-13M11	8 - 17		18 - 12	93210-13M04	7 - 18
90119-08M77	15 - 21		25 - 22	90430-08020	23 - 8	90465-13M18	4 - 26		34 - 16	93210-16275	28 - 9
90119-08M79	22 - 15	90201-23M01	3 - 26		25 - 10		14 - 19	92990-08200	16 - 8	93210-19MA7	7 - 4
90119-08M94	2 - 12	90201-26M00	25 - 50		36 - 8	90467-08004	4 - 17	92990-08600	15 - 23	93210-32738	9 - 8
90119-08MA3	2 - 21	90201-26M57	19 - 32	90430-14115	2 - 7	90468-05M03	7 - 24		31 - 34	93210-37160	23 - 27
90119-08MA8	4 - 3	90201-26M59	18 - 19	90445-05M02	8 - 30	90468-07M02	7 - 15	92990-18200	24 - 23		25 - 28
90119-10M89	24 - 7	90201-30M92	23 - 66	90445-07196	7 - 10	90468-18008	17 - 41		26 - 20		36 - 12
	26 - 7	90201-38M60	19 - 11	90445-07258	5 - 28	90480-06M19	11 - 4	92995-06100	18 - 5	93210-37MH7	19 - 6
90149-05M05	34 - 20	90202-05088	7 - 25	90445-07M24	5 - 11		16 - 2	92995-06600	1 - 8	93210-55M14	23 - 39
90152-05M07	24 - 12	90202-08M20	17 - 40	90445-07M28	5 - 10	90480-12M11	12 - 17		5 - 18		25 - 40
	26 - 12	90202-08M44	7 - 19	90445-07M46	5 - 12	90480-20M05	4 - 21		12 - 15		36 - 15
90157-06013	17 - 11	90202-12092	17 - 20	90445-07M72	7 - 11	90480-22M15	16 - 33		13 - 19	93210-58144	23 - 14
90157-06M01	16 - 41	90202-16061	17 - 54	90445-07M87	7 - 13	90501-11M10	23 - 19		14 - 3		25 - 15
90158-06002	33 - 27	90202-26M18	19 - 33	90445-07M89	7 - 9		25 - 20		16 - 13		36 - 9
90159-06M08	13 - 17	90202-32M19	19 - 17	90445-07ME8	23 - 11	90501-12082	17 - 48		18 - 8	93210-74M35	3 - 15
90159-06M11	13 - 9	90202-40M47	19 - 7	90445-07ME9	23 - 11	90501-16M11	4 - 20		22 - 7		35 - 14
90159-06M14	5 - 31	90206-10M04	17 - 34		25 - 13	90501-16M12	17 - 12	92995-08100	17 - 5	93210-86M38	23 - 26
90169-05M00	16 - 2	90206-13M10	16 - 6	90445-07MF0	24 - 16	90501-16M28	19 - 28		18 - 17		25 - 27
90170-09M05	29 - 10	90206-22M19	23 - 22	90445-11M00	8 - 13	90501-16M37	23 - 51		22 - 17		36 - 11
90170-14M06	29 - 6		25 - 23	90445-11M26	8 - 13		25 - 54	92995-08600	15 - 25	93210-86M39	23 - 64
90170-16M01	23 - 45	90249-06M19	18 - 33	90445-11M35	16 - 55	90506-14M24	18 - 36		22 - 24		25 - 71
	25 - 46	90250-08M07	23 - 55	90445-11M81	8 - 13	90508-29M12	17 - 22		23 - 42		36 - 16
90170-20137	12 - 6		25 - 58	90445-12207	8 - 35	90560-12M01	28 - 4		25 - 43	93211-04001	3 - 6
90171-18M04	24 - 24	90280-04M05	23 - 29	90445-12M12	8 - 35	91490-40030	24 - 25	92995-10100	19 - 26		35 - 11
	26 - 21		25 - 30	90445-13M01	10 - 2		26 - 22		24 - 6	93306-208U0	3 - 10
90179-06066	19 - 30		36 - 44		11 - 2	91609-30010	14 - 22		26 - 6		23 - 59
90179-06M24	1 - 13	90280-05015	12 - 4		27 - 9	91690-30012	17 - 3	92995-14600	19 - 23	93310-32337	3 - 25
90179-06M28	5 - 20	90282-04010	23 - 67	90445-13M35	10 - 4	91690-30016	7 - 27	93101-22M15	3 - 14	93310-836U0	3 - 27
90183-05M02	22 - 31		25 - 73		27 - 11	91690-30020	18 - 35		35 - 13	93310-954U1	3 - 8
90185-05002	24 - 13	90340-08002	23 - 6	90446-15M07	9 - 39	92780-06020	32 - 30	93101-28M16	23 - 35	93311-940U3	3 - 4
	26 - 13		25 - 8	90464-07M06	7 - 14	92903-06100	9 - 11		25 - 36	93315-345W0	25 - 4
90185-06M07	17 - 9	90340-14M00	2 - 6	90464-12M00	12 - 12	92903-06600	2 - 19		36 - 14	93315-425U7	23 - 47
90185-09M01	28 - 6	90384-06M07	2 - 8	90464-13M34	8 - 40		12 - 8	93101-30M17	23 - 63		25 - 48
	29 - 11	90384-14M09	2 - 9	90464-20258	16 - 58		13 - 12		25 - 70	93315-43061	23 - 62
90185-12M12	19 - 36	90386-06M12	17 - 43	90465-05M87	14 - 28	92903-08600	17 - 46		36 - 17	93315-430V5	25 - 64
90185-22M11	18 - 20	90386-10M16	18 - 31	90465-06M86	2 - 29	92990-04100	33 - 4	93102-08M43	21 - 36	93315-440V6	25 - 68

NUMERICAL INDEX

PART NO.	REF. NO.	PART NO.	REF. NO.	PART NO.	REF. NO.	PART NO.	REF. NO.	PART NO.	REF. NO.	PART NO.	REF. NO.
93315-628U9	23 - 3	95380-06600	34 - 14	97780-60525	19 - 2						
	25 - 3	95380-08600	9 - 12	97880-05025	5 - 4						
93317-330U2	23 - 36	95380-08700	22 - 18	97880-06012	18 - 11						
	25 - 37	95380-12600	18 - 43	97880-06018	12 - 11						
93317-330U5	25 - 69	95380-14700	29 - 7	97880-06020	13 - 6						
93332-000U7	23 - 4	95380-14800	19 - 22	97885-06010	12 - 14						
93332-000V7	25 - 62	95780-10300	19 - 9	97885-06016	19 - 4						
93341-360U8	25 - 5	97013-06014	9 - 10	97890-05016	32 - 2						
93341-440U5	25 - 66	97013-06016	2 - 18	97890-05025	32 - 16						
93341-930V2	23 - 38		13 - 11	97890-06018	32 - 50						
	25 - 39	97013-06025	13 - 14	97980-05108	6 - 24						
93410-16006	17 - 55	97013-06065	12 - 7	97980-05116	6 - 22						
93410-22M11	18 - 39	97013-08030	17 - 45	98580-03015	31 - 38						
93410-37M04	19 - 14	97013-08045	17 - 15	98580-04006	31 - 36						
93410-40M03	3 - 11	97075-08035	16 - 36		32 - 32						
93420-36M01	22 - 37	97075-10045	24 - 5	98580-04010	31 - 35						
93430-06024	31 - 10		26 - 5	98580-05010	31 - 37						
	32 - 6	97080-06100	8 - 21	98586-05016	27 - 4						
93501-04M02	17 - 47	97080-08016	20 - 31	98780-04015	2 - 15						
93503-16003	23 - 54	97095-06010	16 - 26	98780-05018	32 - 33						
	25 - 57		18 - 7	98980-05010	34 - 8						
93507-32009	23 - 52		22 - 6	98980-06020	34 - 13						
	25 - 55	97095-06012	1 - 7	99001-08600	23 - 18						
93511-32017	23 - 53		5 - 17		25 - 19						
	25 - 56		13 - 18	9E450-04433	33 - 2						
93606-12019	23 - 32		14 - 6	9E450-04533	33 - 3						
	25 - 33		16 - 51								
	36 - 42	97095-06016	14 - 16								
93608-12063	2 - 10		16 - 12								
93608-12M05	22 - 8	97095-06020	14 - 2								
	24 - 4		16 - 31								
	26 - 4	97095-06025	17 - 35								
93700-06M03	17 - 50	97095-06030	14 - 23								
	18 - 13		18 - 4								
94702-00247	4 - 27	97095-08016	15 - 24								
94702-00309	4 - 27	97095-08020	17 - 4								
95303-06600	17 - 13		18 - 16								
95380-03600	9 - 27	97095-08025	23 - 41								
95380-04600	33 - 5		25 - 42								
95380-05600	7 - 22	97095-08030	22 - 23								
	17 - 24	97095-08045	22 - 16								
	31 - 7	97095-10045	19 - 25								
	32 - 23	97380-05025	31 - 8								
	34 - 10	97380-06018	32 - 20								
95380-06600	1 - 4	97380-08030	31 - 33								
	8 - 23	97595-06550	9 - 30								
	31 - 40	97607-04310	21 - 32								
	32 - 42	97780-40520	1 - 16								

115TRC/130TRC  
115C/130B/L130B  
PARTS CATALOGUE  
©2003 by Yamaha Motor Co., Ltd.  
1st edition, March 2003  
All rights reserved.  
Any reprinting or unauthorized use  
without the written permission of  
Yamaha Motor Co., Ltd.  
is expressly prohibited.  
Printed in Japan.