



PARTS CATALOGUE

115CETO'04 (6N63)

130BETO'04 (6N73)

FOREWORD

This Parts Catalogue is related to the parts for the model(s) on the cover page. When you are ordering replacement parts, please refer to this Parts Catalogue and quote both part numbers and part names correctly.

1. Modifications or additions which have been made after the issue of the Parts Catalogue will be announced in the Parts News.
It is advisable that you make the necessary corrections to the Parts Catalogue according to the Parts News.

2. Abbreviations

The following abbreviations are used in this Parts Catalogue.

“UR” Use specified parts number.

“UN” Use as many as needed.

“AP” Alternate Parts

“LM” Locally Made (Parts need to be ordered locally)

“F#” Frame No. (Applicable machine No.)

“O/S” Over Size

3. The number of components for assembly

- Parts, which are to be supplied in an assembly, are listed with a dot (.) in front of the part name as shown below.
- The numeral appearing to the right of each component part indicates the quantity of parts for each assembly unit.

PART NO.	DESCRIPTION	Q'TY	REMARKS
2F5-83310-60	FRONT FLASHER LIGHT ASSY	2	
115-83311-60	.BULB (6V-18W)	1	

4. Applicable colours of graphics are represented in the “REMARKS” as shown below.

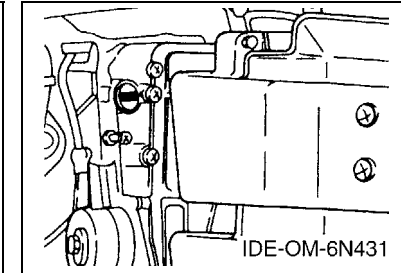
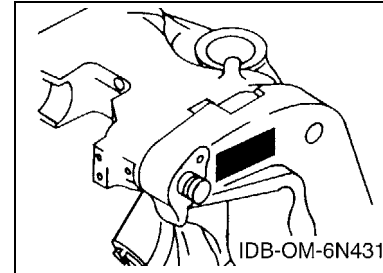
PART NO.	DESCRIPTION	Q'TY	REMARKS
2N4-24110-00-X5	FUEL TANK COMP.	2	MXR
3J1-24240-10	.GRAPHIC, FUEL TANK	1	FOR MXR

5. Note that the illustrations for reference in finding parts numbers are not to be used for assembling. When assembling, please use the applicable service manual.

6. The asterisk (*) before a reference number indicates modified items after the first edition.

7. Applicable Serial No.

Engine Serial No.



8. Applicable Engine Starting Serial No.

Model	Serial No.	Model	Serial No.
115C	6E5-1005727	130B	6L1-1001179

9. Applicable Colour Code

Abbreviation	Colour Name	Colour Code
DBNM2	DARK BLUISH GRAY METALLIC 2	004D

10. Quantity Column Information

Column No.	Name Of Q'ty Column	Applicable Model
1	115C	115CETO
2	130B	130BETO

CONTENTS

TOP COWLING	1
CYLINDER & CRANKCASE 1	2
CRANKSHAFT & PISTON	3
CYLINDER & CRANKCASE 2	5
INTAKE	7
CARBURETOR	9
OIL PUMP	11
OIL TANK	13
FUEL 1	15
FUEL 2	17
GENERATOR	18
ELECTRICAL 1	19
ELECTRICAL 2	20
STARTING MOTOR	22
BOTTOM COWLING	23
CONTROL	26
BRACKET 1	29
BRACKET 2	31
POWER TRIM & TILT ASSY 1	33
POWER TRIM & TILT ASSY 2	35
UPPER CASING	37
LOWER CASING & DRIVE 1	39
LOWER CASING & DRIVE 2	43
FUEL TANK	45
STEERING GUIDE	46
REMOTE CONTROL BOX	47
REMOTE CONTROL ASSY	48
METER	51
REPAIR KIT 1	52
REPAIR KIT 2	54
INDEX	
NUMERICAL INDEX	56

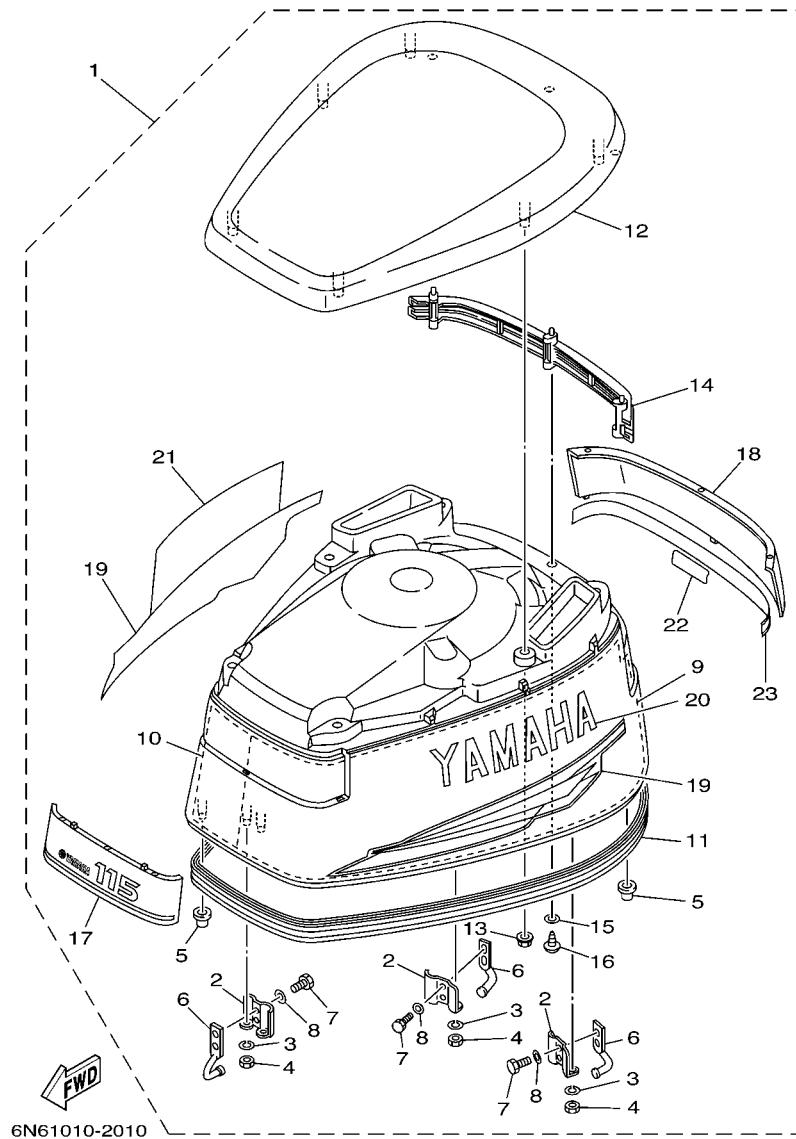


FIG. 1 TOP COWLING

REF. NO.	PART NO.	DESCRIPTION	115C	130B		REMARKS
1	6N6-42610-60-4D	TOP COWLING ASSY	1			
	6N7-42610-60-4D	TOP COWLING ASSY		1		
2	6R3-42647-00	.HOLDER, CLAMP BAND	3	3		
3	92990-06100	.WASHER, SPRING	6	6		
4	95380-06600	.NUT, HEXAGON	6	6		
5	6R3-42662-00	.DAMPER	3	3		
6	6R3-42814-00	.HOOK, CLAMP	3	3		
7	97095-06012	.BOLT	6	6		
8	92995-06600	.WASHER	6	6		
9	6N7-42619-00	.DAMPER, FORM	1	1		
10	6N7-42627-00	.DAMPER, FORM	1	1		
11	6R3-42615-01	.SEAL	1	1		
12	6N7-42613-00-4D	.MOLDING, AIR DUCT	1	1		
13	90179-06M24	.NUT	6	6		
14	6N7-42636-00	.LOUVER 2	1	1		
15	92990-04600	.WASHER, PLATE	3	3		
16	97780-40520	.SCREW, TAPPING	3	3		
17	6N6-42686-40	.EMBLEM, FRONT	1			
	6N7-42686-40	.EMBLEM, FRONT		1		
18	6N6-42687-30	.EMBLEM, REAR	1			
	6N7-42687-30	.EMBLEM, REAR		1		
19	6N7-W0070-30	.GRAPHIC SET	1	1		
20	6N7-42681-30	.MARK, COWLING	1	1		
21	6N7-42682-30	.MARK, COWLING	1	1		
22	6N7-42678-30	.GRAPHIC, REAR	1	1		
23	6N7-4267A-30	.GRAPHIC, REAR 2	1	1		

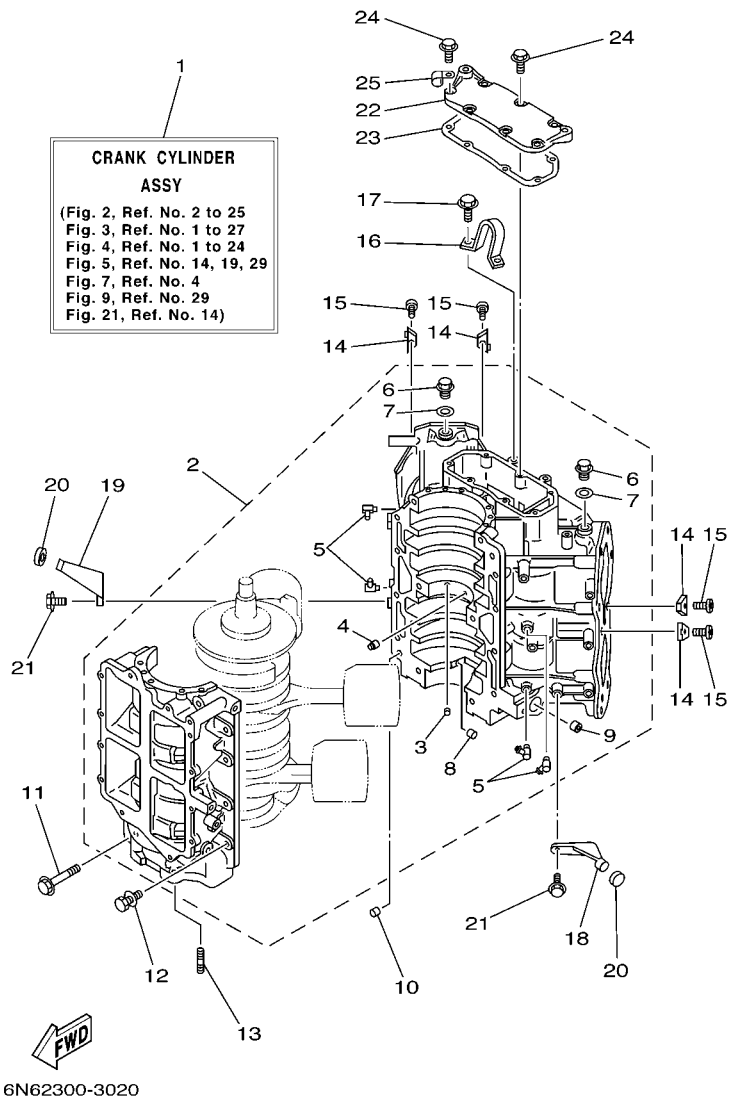
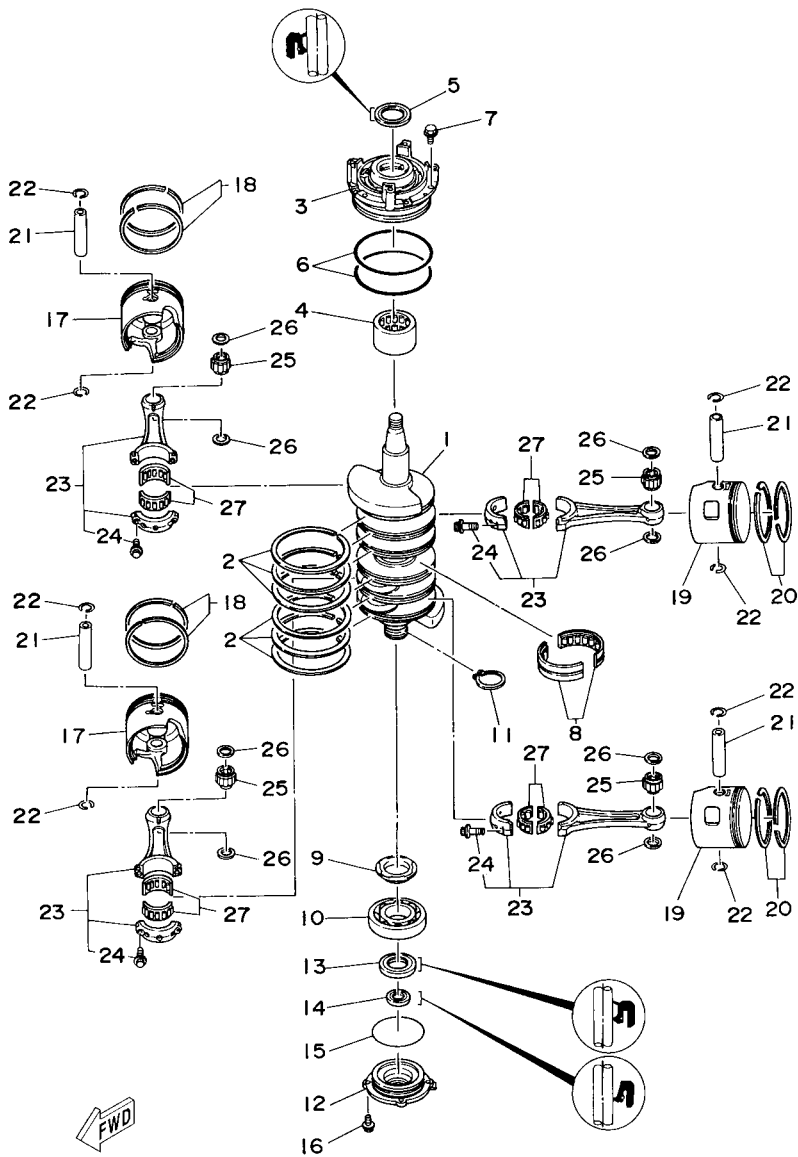


FIG. 2 CYLINDER & CRANKCASE 1

REF. NO.	PART NO.	DESCRIPTION	115C	130B		REMARKS
1	6N6-W0090-16-1S	CRANK CYLINDER ASSY	1			
	6N7-W0090-17-1S	CRANK CYLINDER ASSY		1		
2	6N6-15100-01-1S	CRANKCASE ASSY	1			
	6N7-15100-01-1S	CRANKCASE ASSY		1		
3	624-11379-00	.VALVE, CHECK	1	1		
4	663-11518-01	.LOCK, BEARING	1	1		
5	6E5-11372-01	.NIPPLE, HOSE	4	4		
6	90340-14M00	.PLUG, STRAIGHT SCREW	2	2		
7	90430-14115	.GASKET	2	2		
8	90384-06M07	.BUSH, BIMETAL FORMED	1	1		
9	90384-14M09	.BUSH, BIMETAL FORMED	1	1		
10	93608-12063	PIN, DOWEL	2	2		
11	90105-10M20	BOLT, FLANGE	6	6		
12	90119-08M94	BOLT, WITH WASHER	8	8		
13	90116-08M45	BOLT, STUD	2	2		
14	6E5-11325-00	ANODE	4	4		
15	98780-04015	SCREW, FLAT HEAD	4	4		
16	6E5-11119-01	HANGER, ENGINE	1	1		
17	90119-08MA3	BOLT, WITH WASHER	2	2		
18	6E5-42761-00-1S	STOPPER	1	1		
19	6E5-42762-00-1S	STOPPER	1	1		
20	68F-44533-00	DAMPER, UPPER MOUNT RUBBER	2	2		
21	90119-06MA2	BOLT, WITH WASHER	4	4		
22	6K7-11371-01-1S	COVER	1	1		
23	6E5-11381-A2	GASKET 1	1	1		
24	90119-06MA2	BOLT, WITH WASHER	7	7		
25	90465-06M86	CLAMP	1	1		



6N42100-4030

FIG. 3 CRANKSHAFT & PISTON

REF. NO.	PART NO.	DESCRIPTION	115C	130B	REMARKS
1	6N7-11411-01	CRANKSHAFT	1	1	
2	6E5-11447-00	SEAL, CRANK	6	6	
3	6R3-15163-00-1S	HOUSING, BEARING 1	1	1	
4	93311-940U3	BEARING	1	1	
5	93102-40M14	OIL SEAL	1	1	
6	93211-04001	O-RING	2	2	
7	90119-06MA2	BOLT, WITH WASHER	3	3	
8	93310-954U1	BEARING	1	1	
9	6R3-11536-00	GEAR, DRIVE	1	1	
10	93306-208U0	BEARING	1	1	
11	93410-40M03	CIRCLIP	1	1	
12	6G5-15359-00-94	HOUSING, OIL SEAL	1	1	
13	93102-35M13	OIL SEAL	1	1	
14	93101-22M15	OIL SEAL	1	1	
15	93210-74M35	O-RING	1	1	
16	90119-06MA2	BOLT, WITH WASHER	4	4	
17	6R5-11631-11-93	PISTON (STD)	2	2	
	6R5-11635-11	PISTON (0.25MM O/S)	2	2	AP
	6R5-11636-11	PISTON (0.50MM O/S)	2	2	AP
18	64D-11603-01	PISTON RING SET (STD)	2	2	
	64D-11604-01	PISTON RING SET (0.25MM O/S)	2	2	AP
	64D-11605-01	PISTON RING SET (0.50MM O/S)	2	2	AP
19	6R5-11642-11-93	PISTON 2 (STD)	2	2	
	6R5-11645-11	PISTON 2 (0.25MM O/S)	2	2	AP
	6R5-11646-11	PISTON 2 (0.50MM O/S)	2	2	AP
20	64D-11603-01	PISTON RING SET (STD)	2	2	
	64D-11604-01	PISTON RING SET (0.25MM O/S)	2	2	AP

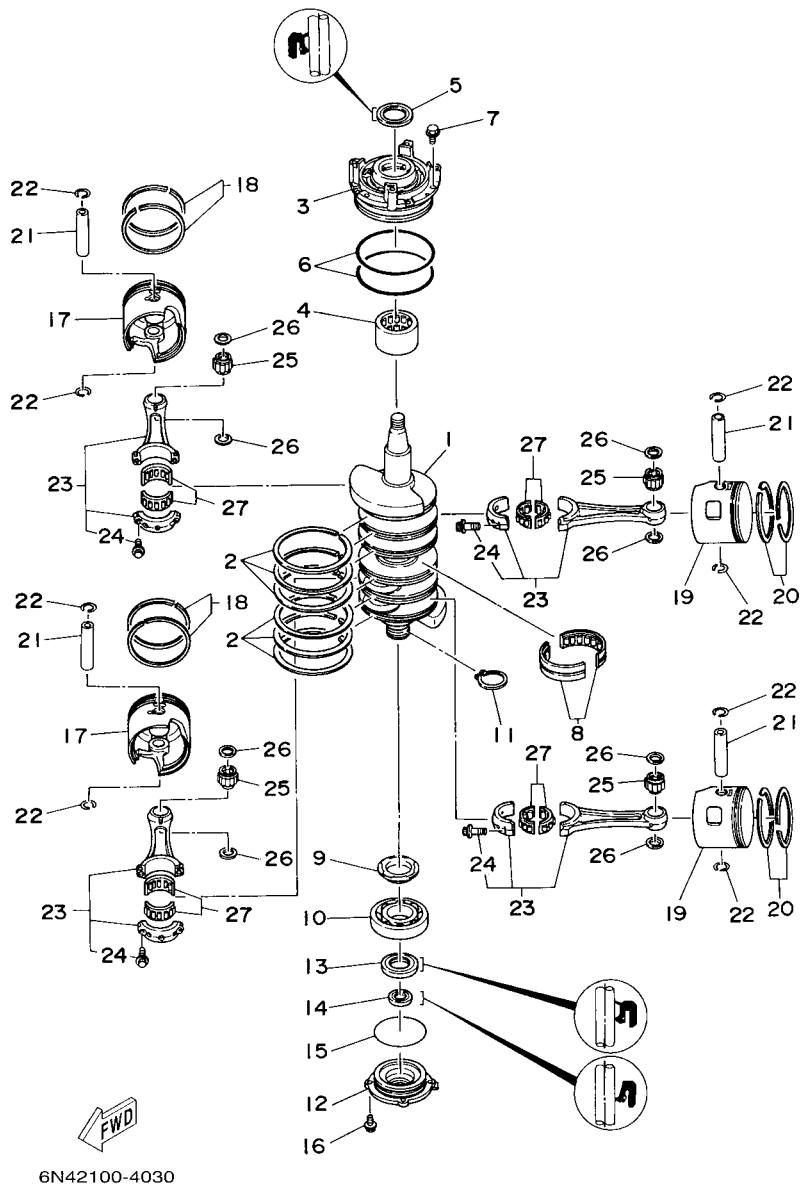
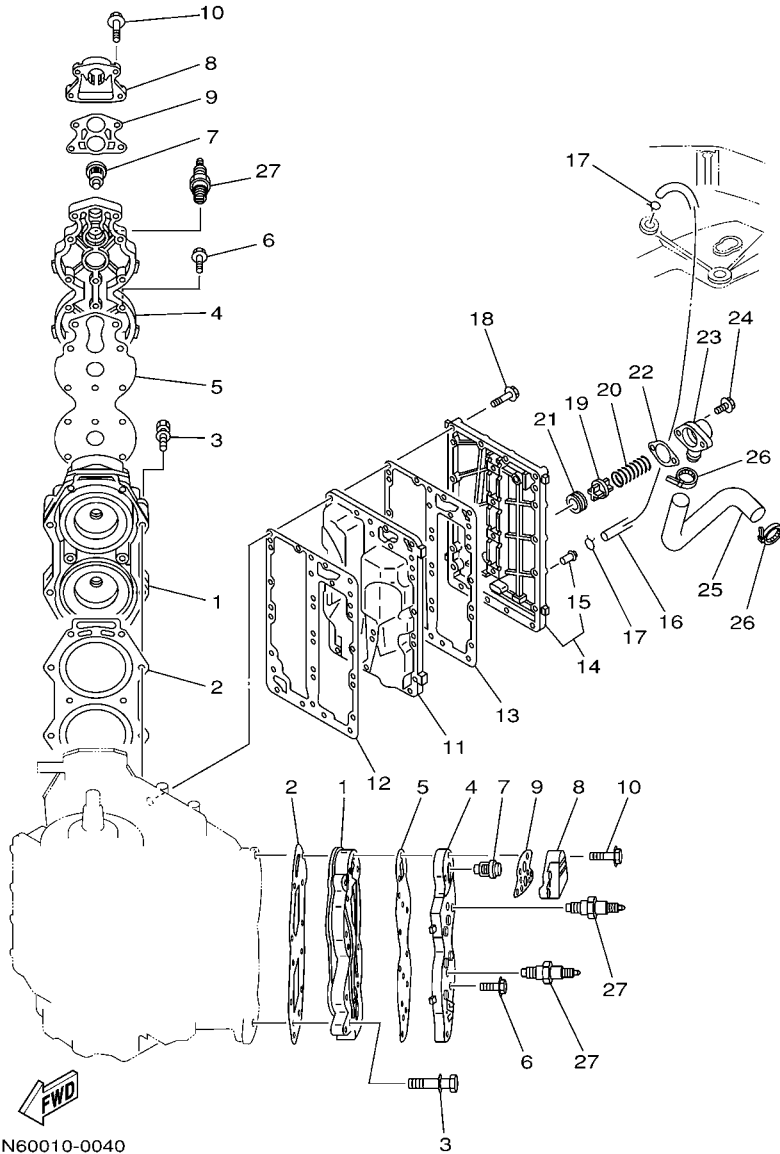


FIG. 3 CRANKSHAFT & PISTON

REF. NO.	PART NO.	DESCRIPTION			REMARKS
			115C	130B	
20	64D-11605-01	PISTON RING SET (0.50MM O/S)	2	2	AP
21	6R5-11633-10	PIN, PISTON	4	4	
22	6R5-11634-10	CLIP, PISTON PIN	8	8	
23	6R5-11650-10	CONNECTING ROD ASSY	4	4	
24	90109-08022	.BOLT	2	2	
25	93310-32337	BEARING	4	4	
26	90201-23M01	WASHER, PLATE	8	8	
27	93310-836U0	BEARING	4	4	



6N60010-0040

FIG. 4 CYLINDER & CRANKCASE 2

REF. NO.	PART NO.	DESCRIPTION	115C	130B		REMARKS
1	6E5-11111-10-1S	HEAD, CYLINDER 1	2			
	6L1-11111-00-1S	HEAD, CYLINDER 1		2		
2	6E5-11181-A1	GASKET, CYLINDER HEAD 1	2	2		
3	90119-08MA8	BOLT, WITH WASHER	20	20		
4	6E5-11191-01-1S	COVER, CYLINDER HEAD 1	2	2		
5	6E5-11193-A0	GASKET, HEAD COVER 1	2	2		
6	90119-06MA4	BOLT, WITH WASHER	24	24		
7	6E5-12411-30	THERMOSTAT	2	2		
8	6G5-12413-00-1S	COVER, THERMOSTAT	2	2		
9	688-12414-A1	GASKET, COVER	2	2		
10	90119-06MA6	BOLT, WITH WASHER	8	8		
11	6E5-41111-00-1S	INNER COVER, EXHAUST	1			
	6L1-41111-00-1S	INNER COVER, EXHAUST		1		
12	6E5-41112-A1	GASKET, EXHAUST INNER COVER	1	1		
13	6E5-41114-A0	GASKET, EXHAUST OUTER COVER	1	1		
14	6N7-41113-00-1S	OUTER COVER, EXHAUST	1	1		
15	650-24378-00	.PIPE, JOINT 4	1	1		
16	6E5-24312-00	PIPE 2	1	1		
17	90467-08004	CLIP	2	2		
18	90119-06MA5	BOLT, WITH WASHER	23	23		
19	6G5-12416-00	VALVE, PRESSURE CONTROL	1	1		
20	90501-16M11	SPRING, COMPRESSION	1	1		
21	90480-20M05	GROMMET	1	1		
22	6G5-11382-A1	GASKET 2	1	1		
23	6G5-11372-00-1S	COVER, BYPASS 2	1	1		
24	90119-06MA2	BOLT, WITH WASHER	2	2		
25	6E5-12576-00	HOSE 1	1	1		

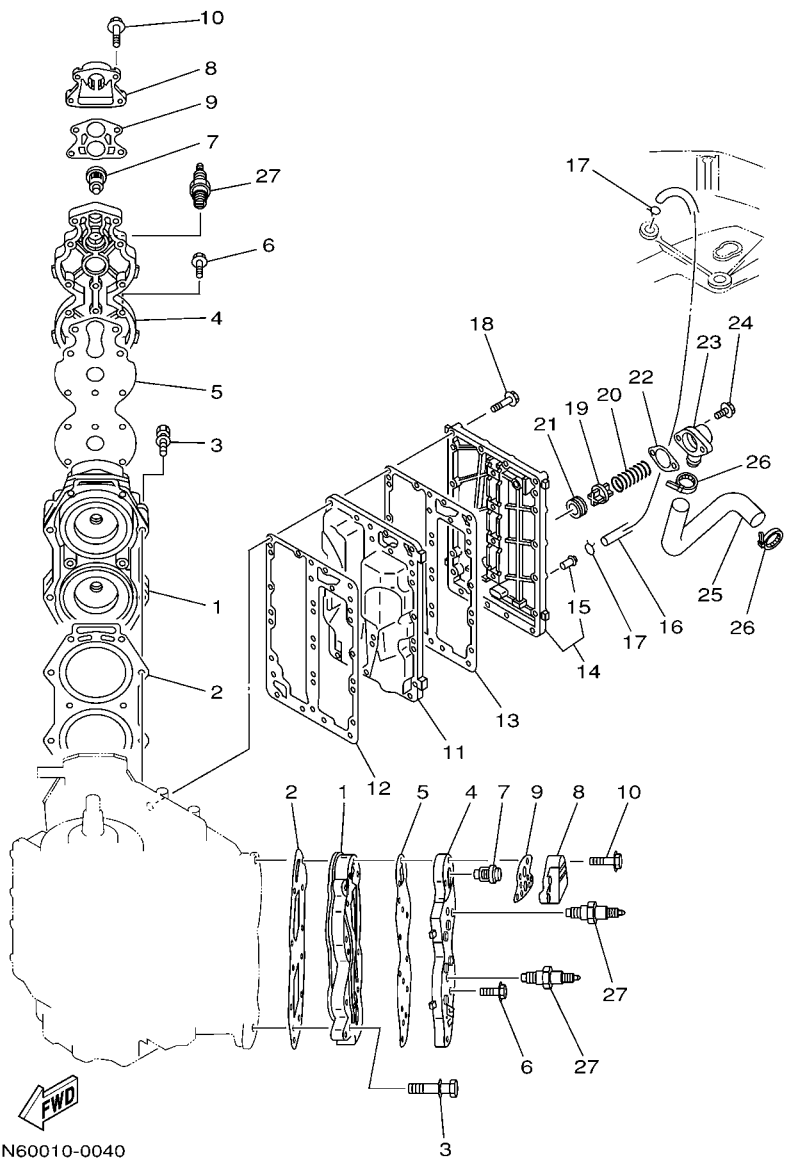


FIG. 4 CYLINDER & CRANKCASE 2

REF. NO.	PART NO.	DESCRIPTION	115C	130B			REMARKS
26	90465-13M18	CLAMP	2	2			
27	94702-00247	PLUG, SPARK (NGK BR8HS-10)	4				
	94702-00309	PLUG, SPARK (NGK BR9HS-10)		4			

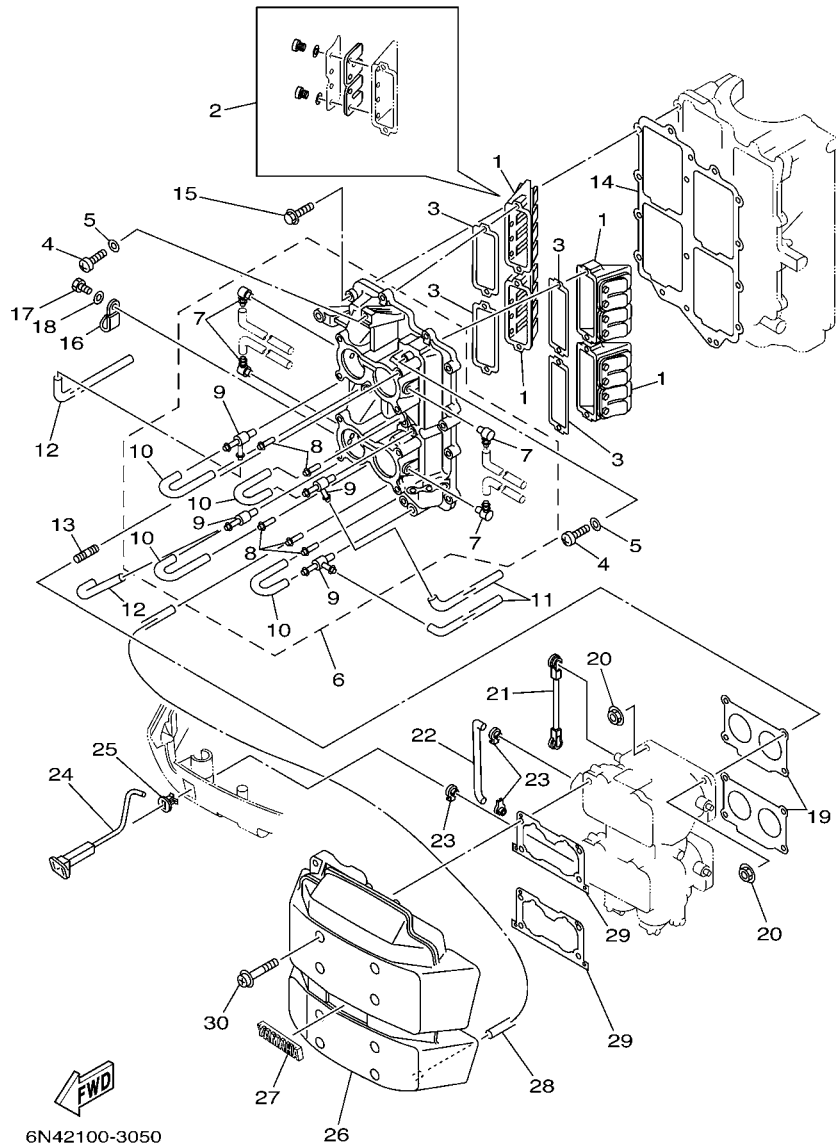


FIG. 5 INTAKE

REF. NO.	PART NO.	DESCRIPTION	115C	130B		REMARKS
1	6E5-13610-00	REED VALVE ASSY	4	4		
2	6E5-W0004-00	.REED SET	1	1		
3	6E5-13621-A1	GASKET, VALVE SEAT	4	4		
4	97880-05025	SCREW, PAN HEAD	8	8		
5	92990-05600	WASHER, PLATE	8	8		
6	6E5-13641-11-1S	MANIFOLD 1	1	1		
7	6E5-13552-01	.NOZZLE	4	4		
8	624-14485-00	.PIPE, JOINT	5	5		
9	6E5-11370-01	.CHECK VALVE ASSY	4	4		
10	90445-07M28	.HOSE (L70)	4	4		
11	90445-07M24	HOSE (L240)	2	2		
12	90445-07M46	HOSE (L360)	2	2		
13	90116-06M30	BOLT, STUD	8	8		
14	6E5-13645-A1	GASKET, MANIFOLD 1	1	1		
15	90119-06MA3	BOLT, WITH WASHER	12	12		
16	90465-06M86	CLAMP	1	1		
17	97095-06012	BOLT	1	1		
18	92995-06600	WASHER	1	1		
19	6E5-14198-A2	GASKET	2	2		
20	90179-06M28	NUT	8	8		
21	6E5-41217-01	ROD, ACCEL. LEVER	1	1		
22	6E5-41256-01	ROD, CHOKE 1	1	1		
23	661-41262-02	JOINT, CHOKE LEVER	3	3		
24	6N7-41271-00	KNOB, CHOKE	1	1		
25	689-41273-00	GROMMET	1	1		
26	6N7-14440-01	SILENCER ASSY, INTAKE	1	1		
27	6E5-1441K-00	EMBLEM	1	1		

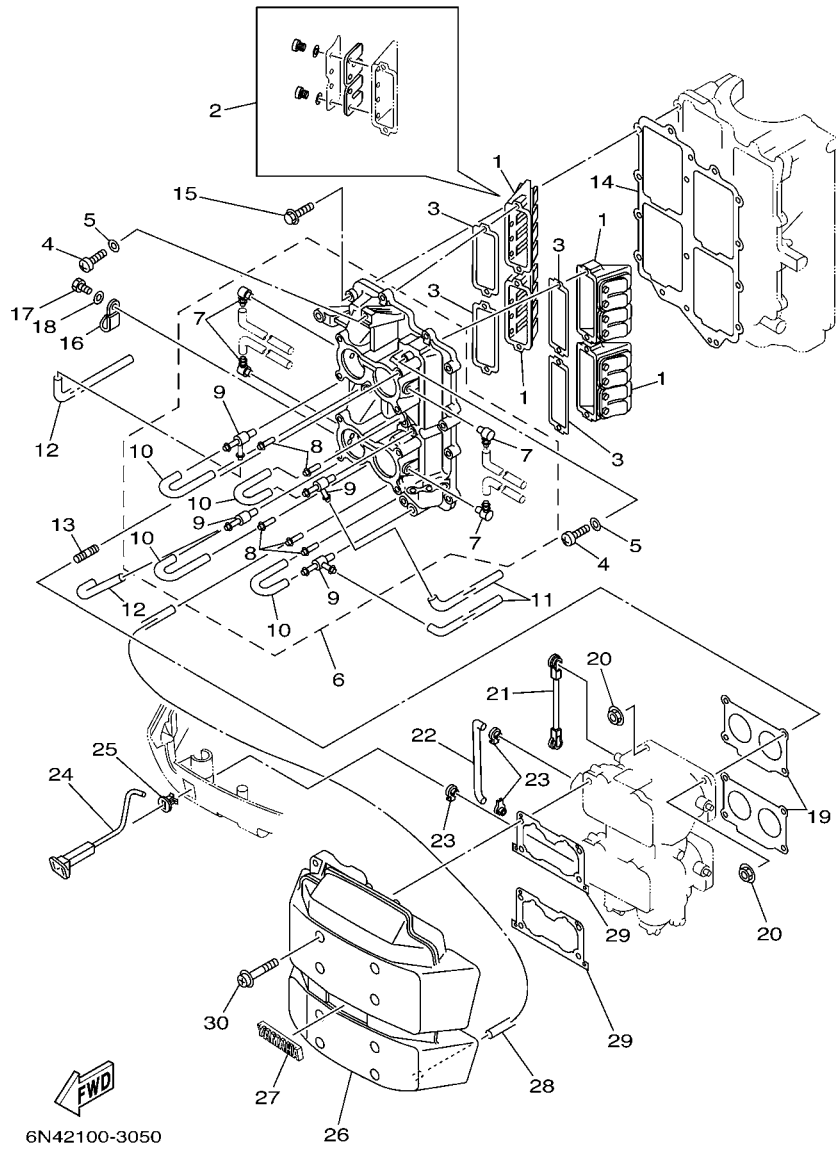
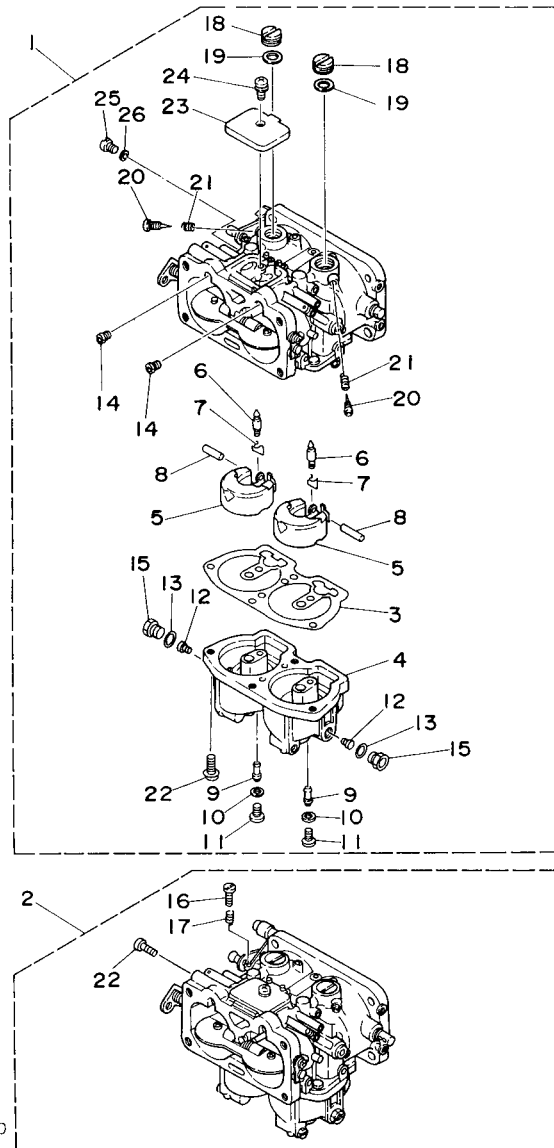


FIG. 5 INTAKE

REF. NO.	PART NO.	DESCRIPTION	115C	130B			REMARKS
28	90445-07258	HOSE (L200)	1	1			
29	6K7-14483-00	GASKET	2	2			
30	90159-06M14	SCREW, WITH WASHER	8	8			



6N60010-4060

FIG. 6 CARBURETOR

REF. NO.	PART NO.	DESCRIPTION	115C	130B		REMARKS
1	6E5-14301-17	CARBURETOR ASSY 1	1			
	6L1-14301-05	CARBURETOR ASSY 1		1		
2	6E5-14302-17	CARBURETOR ASSY 2	1			
	6L1-14302-05	CARBURETOR ASSY 2		1		
3	64D-14384-01	.GASKET, FLOAT CHAMBER	2	2		
4	64D-14381-00	.BODY, FLOAT CHAMBER	2	2		
5	6E5-14385-02	.FLOAT	4	4		
6	6E5-14546-00	.VALVE, NEEDLE	4	4		
7	6E5-14159-00	.CLIP	4	4		
8	6E5-14386-02	.PIN, FLOAT	4	4		
9	64D-1492F-39	.JET, AIR SLOW (#78)	4			
	64D-1492F-41	.JET, AIR SLOW (#82)		4		
10	61U-14959-00	.GASKET	4	4		
11	64D-14394-00	.VALVE, DRAIN	4	4		
12	64D-1492E-88	.JET, MAIN (#176)	4			
	64D-1492E-90	.JET, MAIN (#180)		4		
13	6E5-14398-00	.GASKET	4	4		
14	61A-1492H-12	.JET, SLOW AIR BLEED (#60)	4	4		
15	61A-14383-01	.SCREW, DRAIN	4	4		
16	6E5-14321-00	.SCREW, THROTTLE	1	1		#2
17	6J8-14334-00	.SPRING, THROTTLE	1	1		#2
18	6E5-14328-01	.PLUG	4	4		
19	6E5-14979-00	.GASKET	4	4		
20	6E5-14323-03	.SCREW, AIR ADJUSTING	4	4		
21	6E5-14223-00	.SPRING, AIR ADJUSTING	4	4		
22	97980-05116	.SCREW, WITH WASHER	9	9		
23	6E5-14527-01	.PLATE	2	2		

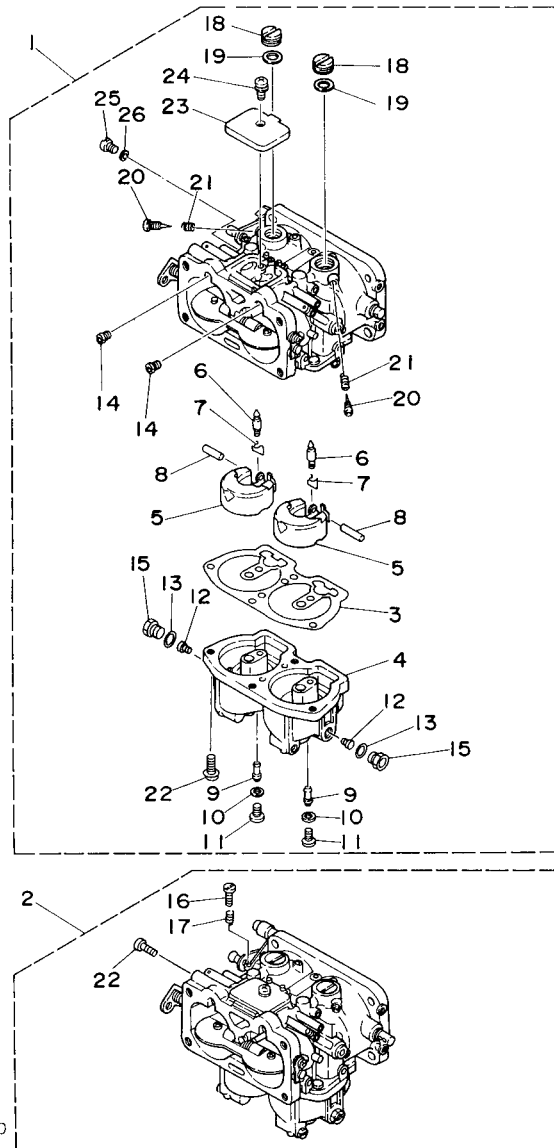


FIG. 6 CARBURETOR

REF. NO.	PART NO.	DESCRIPTION	115C	130B	REMARKS
24	97980-05108	.SCREW, WITH WASHER	2	2	
25	6E5-14324-00	.SCREW, FLAT HEAD	2	2	
26	6J8-14995-00	.GASKET	2	2	

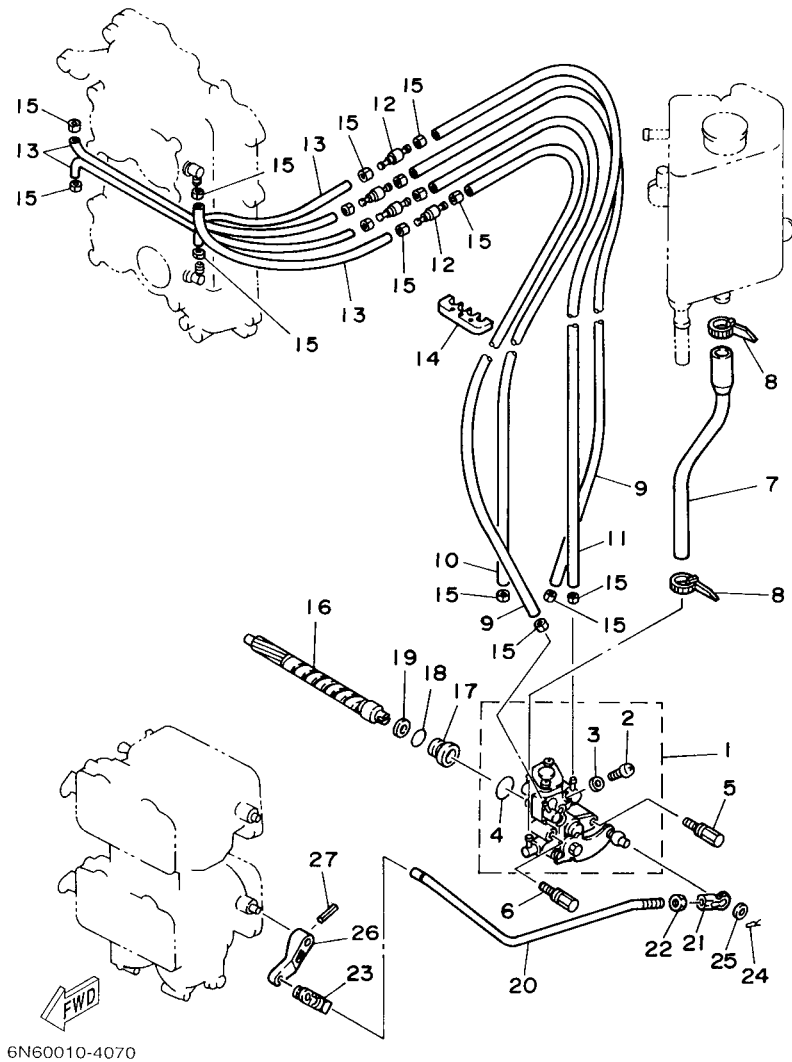
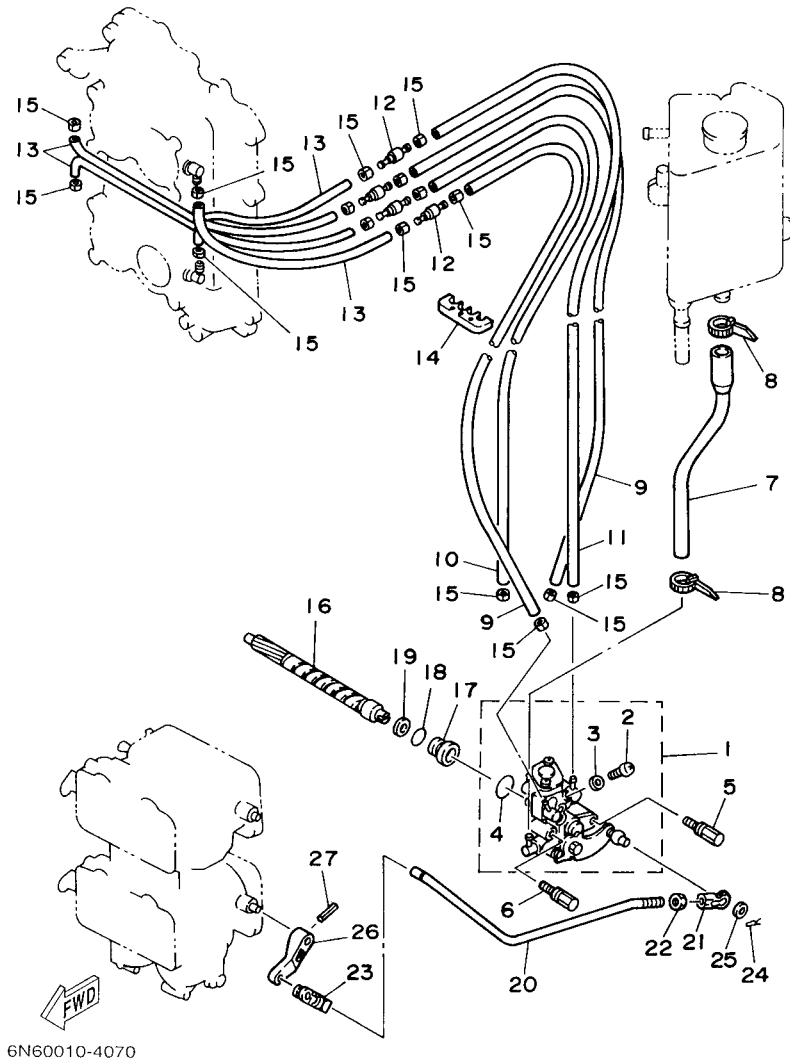


FIG. 7 OIL PUMP

REF. NO.	PART NO.	DESCRIPTION	115C	130B		REMARKS
1	6N6-13200-00	OIL INJECTION PUMP ASSY	1			
	6N7-13200-00	OIL INJECTION PUMP ASSY		1		
2	6R3-13471-00	.PLUG, DRAIN	1	1		
3	6L2-13475-00	.GASKET	1	1		
4	93210-19MA7	.O-RING	1	1		
5	90109-06M40	BOLT	1	1		
6	90109-06M39	BOLT	1	1		
7	6N7-13416-00	PIPE, OIL 1	1	1		
8	90465-11M10	CLAMP	2	2		
9	90445-07M89	HOSE (L310)	2	2		
10	90445-07196	HOSE (L160)	1	1		
11	90445-07M72	HOSE (L250)	1	1		
12	6R3-13183-10	VALVE, CHECK	4	4		
13	90445-07M87	HOSE (L110)	4	4		
14	90464-07M06	CLAMP	1	1		
15	90468-07M02	CLIP	16	16		
16	6R3-11537-00	GEAR, DRIVEN	1	1		
17	6R3-13117-00	COLLAR, DISTANCE	1	1		
18	93210-13M04	O-RING	1	1		
19	90202-08M44	WASHER, PLATE	1	1		
20	6R3-41241-00	ROD, LINK	1	1		
21	6H1-41237-00	JOINT, LINK	1	1		
22	95380-05600	NUT	1	1		
23	6R5-41237-00	JOINT, LINK	1	1		
24	90468-05M03	CLIP	1	1		
25	90202-05088	WASHER, PLATE	1	1		
26	6E5-14276-01	LEVER	1	1		

FIG. 7 OIL PUMP

REF. NO.	PART NO.	DESCRIPTION	115C	130B	REMARKS
27	91690-30016	PIN, SPRING	1	1	



6N60010-4070

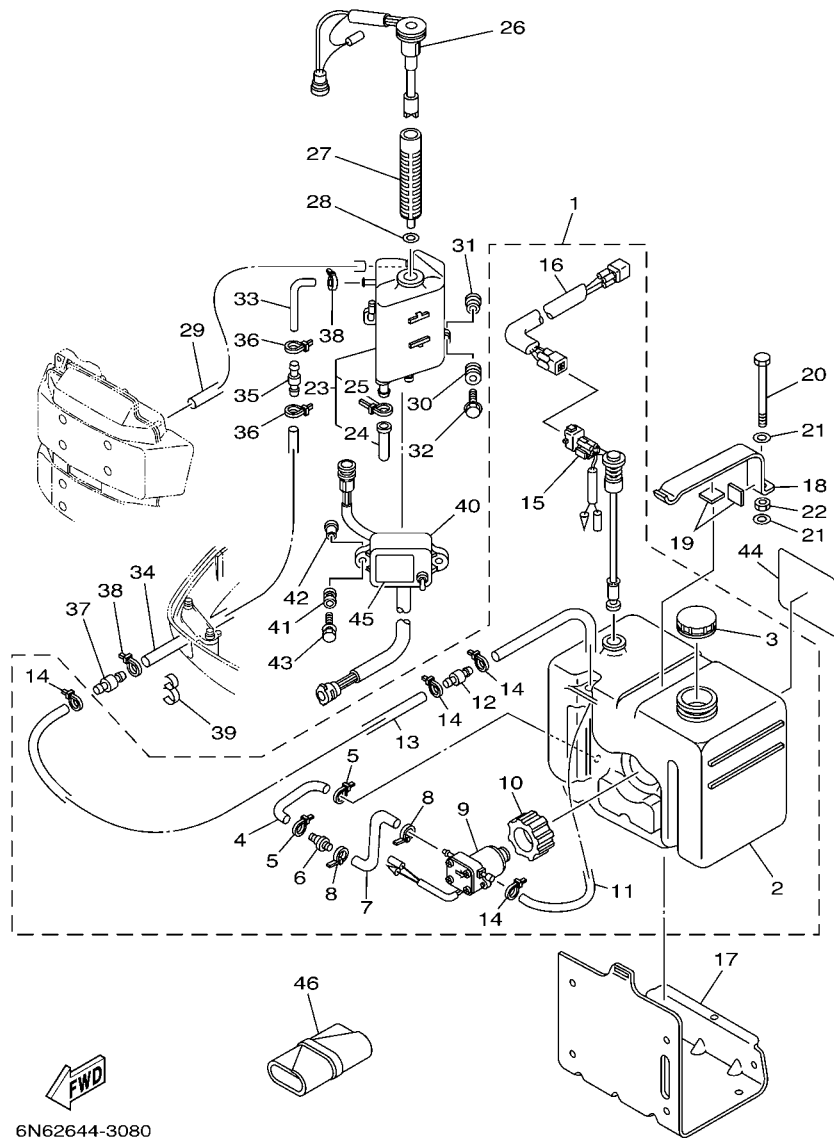
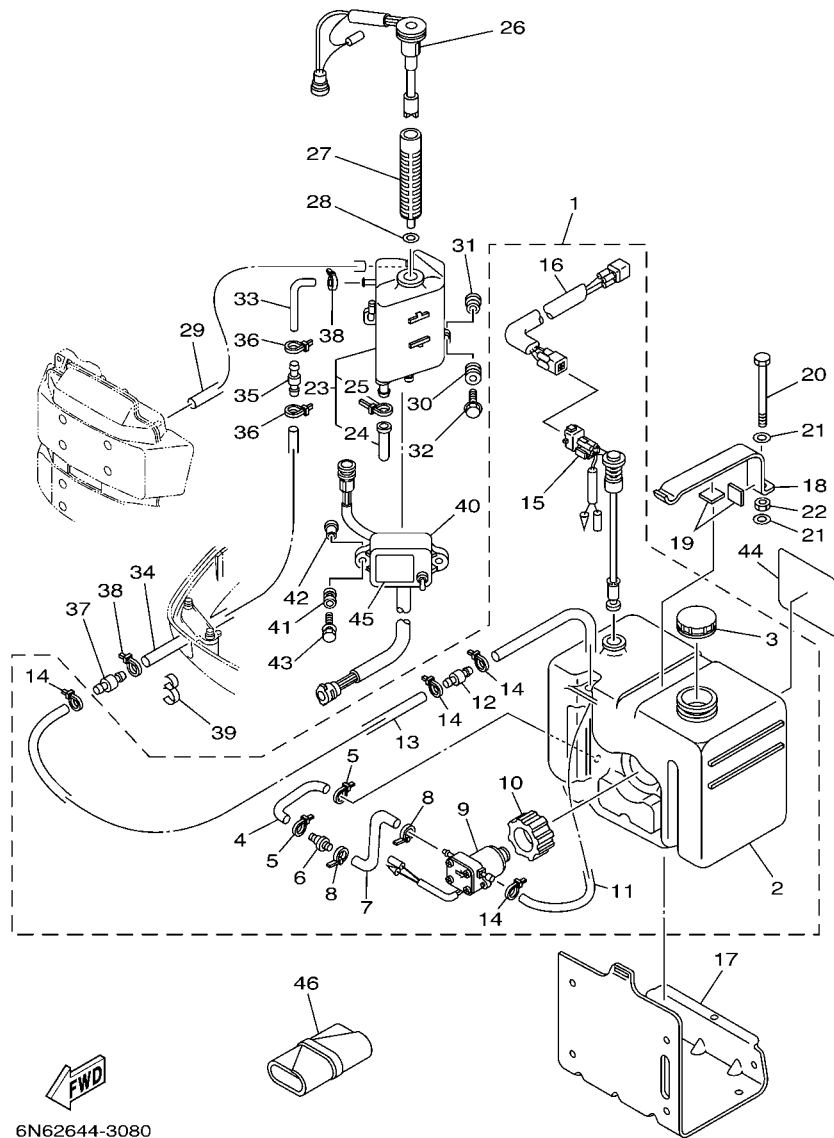


FIG. 8 OIL TANK

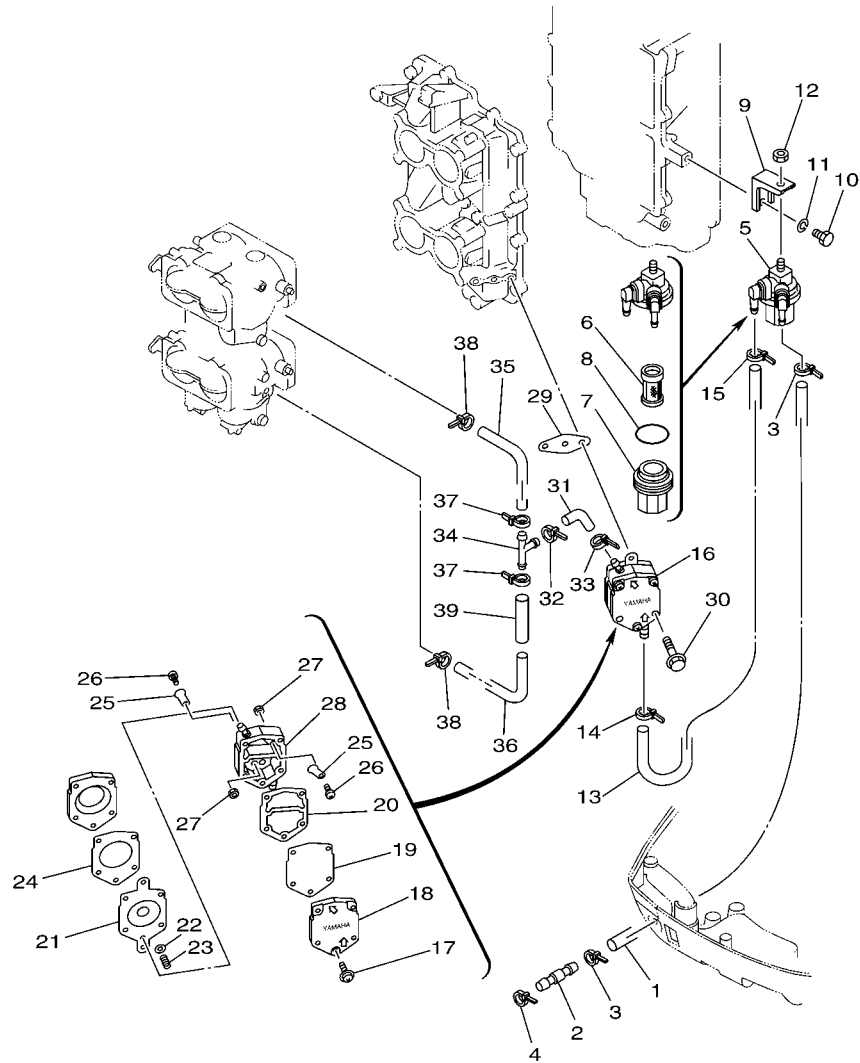
REF. NO.	PART NO.	DESCRIPTION	115C	130B	REMARKS
1	6E5-21708-10	SUB OIL TANK ASSY	1	1	
2	6E5-21733-20	.SUB TANK, OIL (10.5L)	1	1	
3	6E5-21770-03	.OIL TANK CAP ASSY	1	1	
4	6E5-24322-00	.PIPE 11	1	1	
5	90465-11M10	.CLAMP	2	2	
6	646-24251-02	.STRAINER 1	1	1	
7	6E5-24319-01	.PIPE, OIL	1	1	
8	90465-11M10	.CLAMP	2	2	
9	6E5-81900-01	.OIL FEED PUMP ASSY	1	1	
10	6E5-81922-00	.GROMMET	1	1	
11	6E5-24321-01	.PIPE 10	1	1	
12	6E5-24379-00	.PIPE, JOINT 4	1	1	
13	90445-11M81	.HOSE (L3000)	1	1	
14	90465-11M10	.CLAMP	4	4	
15	6E5-85720-05	.OIL LEVEL GAUGE ASSY	1	1	
16	6R3-85721-30	.WIRE, LEAD (3M)	1	1	
17	6E5-21734-01-33	HOLDER, OIL SUB TANK	1	1	
18	6E5-21798-01-33	BRACKET, DAMPER	1	1	
19	6E5-21746-00	DAMPER	2	2	
20	97080-06100	BOLT	1	1	
21	92990-06600	WASHER, PLATE	2	2	
22	95380-06600	NUT, HEXAGON	1	1	
23	6E5-21750-05	OIL TANK ASSY	1	1	
24	6E5-13448-00	.CAP	1	1	
25	90465-13M11	.CLAMP	1	1	
26	6G7-85730-04	OIL LEVEL GAUGE ASSY	1	1	
27	6E5-13411-00	STRAINER, OIL	1	1	



6N62644-3080

FIG. 8 OIL TANK

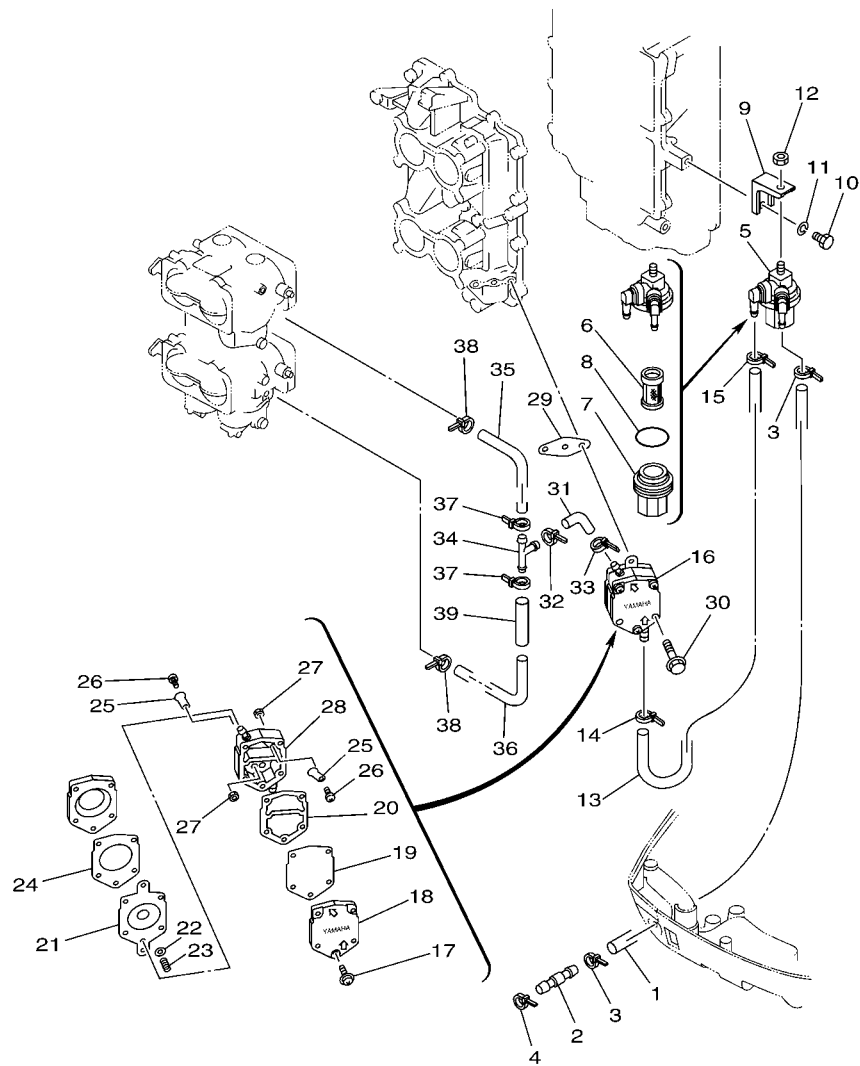
REF. NO.	PART NO.	DESCRIPTION	115C	130B	REMARKS
28	6E5-13414-00	GASKET, STRAINER COVER	1	1	
29	90445-05M02	HOSE (L380)	1	1	
30	6A0-82317-00	DAMPER, IGNITION COIL	3	3	
31	624-42542-00	PIPE	3	3	
32	90119-06M65	BOLT, WITH WASHER	3	3	
33	64E-24323-00	PIPE 12	1	1	
34	90445-12M12	HOSE (L940)	1	1	
35	6E5-24379-00	PIPE, JOINT 4	1	1	
36	90465-11M10	CLAMP	2	2	
37	6E5-24379-00	PIPE, JOINT 4	1	1	
38	90465-11M10	CLAMP	2	2	
39	90464-13M34	CLAMP	1	1	
40	6N7-85740-00	CONTROL UNIT ASSY	1	1	
41	6A0-82317-00	DAMPER, IGNITION COIL	2	2	
42	624-42542-00	PIPE	2	2	
43	90119-06M65	BOLT, WITH WASHER	2	2	
44	6E5-13437-62	MARK, CAUTION	1	1	
45	6E5-85711-60	MARK, CAUTION	1	1	
46	656-W2810-02	TOOL KIT	1	1	




 6N43100-C090

FIG. 9 FUEL 1

REF. NO.	PART NO.	DESCRIPTION	115C	130B	REMARKS
1	6N7-24313-00	PIPE 3	1	1	
2	6R3-24377-00	PIPE, JOINT 3	1	1	
3	90465-11M10	CLAMP	2	2	
4	90465-11M10	CLAMP	1	1	
5	6R3-24560-00	FILTER ASSY	1	1	
6	6R3-24563-00	.ÉLÉMENT, FILTER	1	1	
7	61N-24521-00	.CUP, FILTER	1	1	
8	93210-32738	.O-RING	1	1	
9	6E5-24566-00	BRACKET, FILTER	1	1	
10	97013-06014	BOLT	1	1	
11	92903-06100	WASHER, SPRING	1	1	
12	95380-08600	NUT	1	1	
13	6E5-24314-00	PIPE 4	1	1	
14	90465-11M10	CLAMP	1	1	
15	90465-11M10	CLAMP	1	1	
16	6E5-24410-03	FUEL PUMP ASSY	1	1	
17	6E5-24444-00	.SCREW	3	3	
18	6E5-24413-00	.BODY 2	1	1	
19	6E5-24471-00	.DIAPHRAGM	1	1	
20	6E5-24435-00	.GASKET, BODY 2	1	1	
21	6E5-24411-00	.DIAPHRAGM	1	1	
22	648-24424-00	.SEAT, SPRING	1	1	
23	6E5-24423-00	.SPRING, DIAPHRAGM	1	1	
24	6E5-24434-02	.GASKET, BODY	1	1	
25	6A0-24421-01	.VALVE, CHECK	4	4	
26	6A0-14325-00	.SCREW, PAN HEAD	4	4	
27	95380-03600	.NUT	4	4	



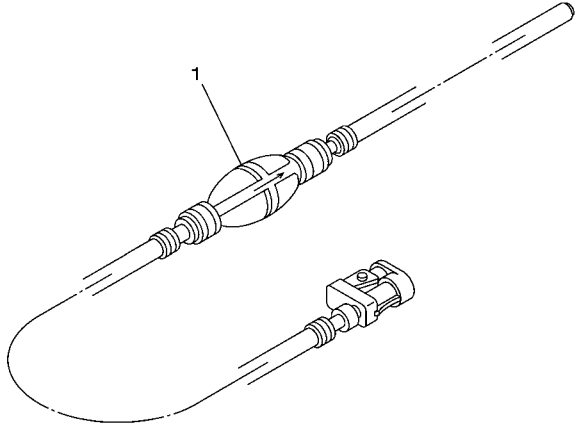

6N43100-C090

FIG. 9 FUEL 1

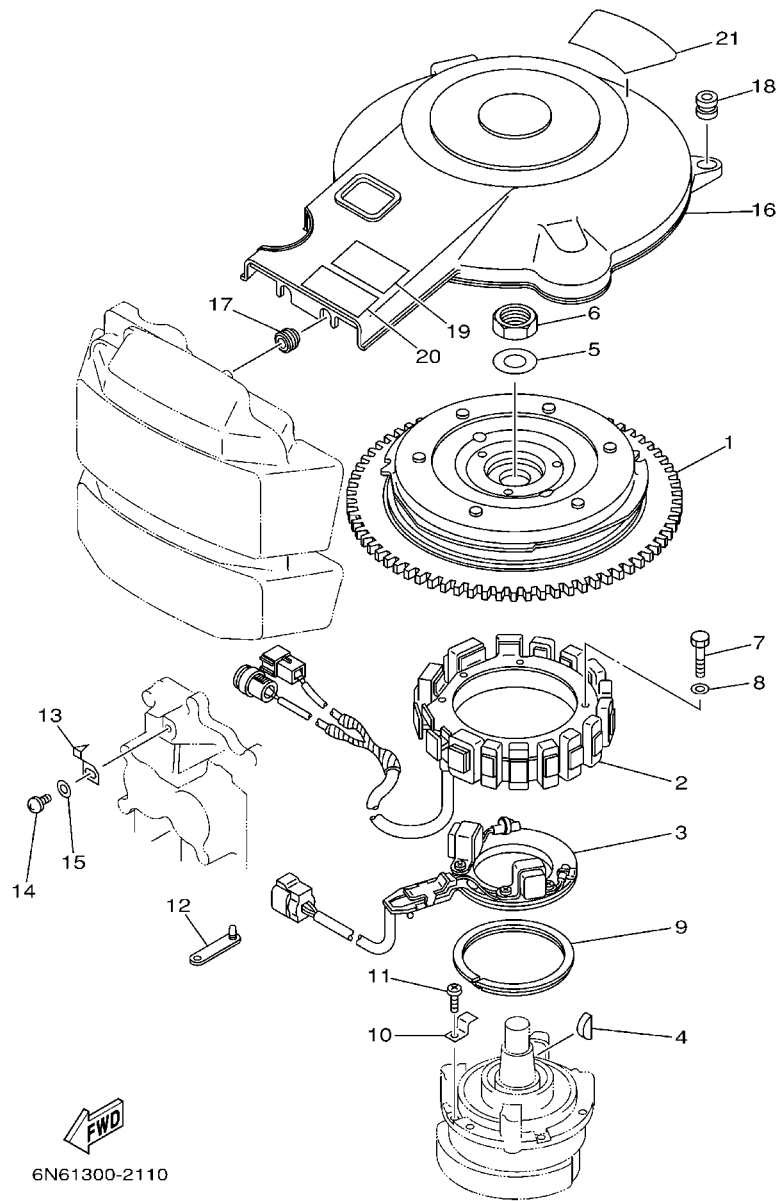
REF. NO.	PART NO.	DESCRIPTION	115C	130B			REMARKS
28	6E5-24412-10	.BODY 1	1	1			
29	650-24431-A0	GASKET, FUEL PUMP 1	1	1			
30	97595-06550	BOLT, WITH WASHER	2	2			
31	6G5-24316-10	PIPE 6	1	1			
32	90465-11M10	CLAMP	1	1			
33	90465-11M10	CLAMP	1	1			
34	6E5-24376-10	PIPE, JOINT 1	1	1			
35	6G5-24318-10	PIPE, OVERFLOW	1	1			
36	6G5-24319-10	PIPE, OIL	1	1			
37	90465-11M10	CLAMP	2	2			
38	90465-11M10	CLAMP	2	2			
39	90446-15M07	HOSE (L60)	1	1			

FIG. 10 FUEL 2

REF. NO.	PART NO.	DESCRIPTION	115C	130B		REMARKS
1	6YK-24306-43	FUEL PIPE COMP. 1	1	1		AP



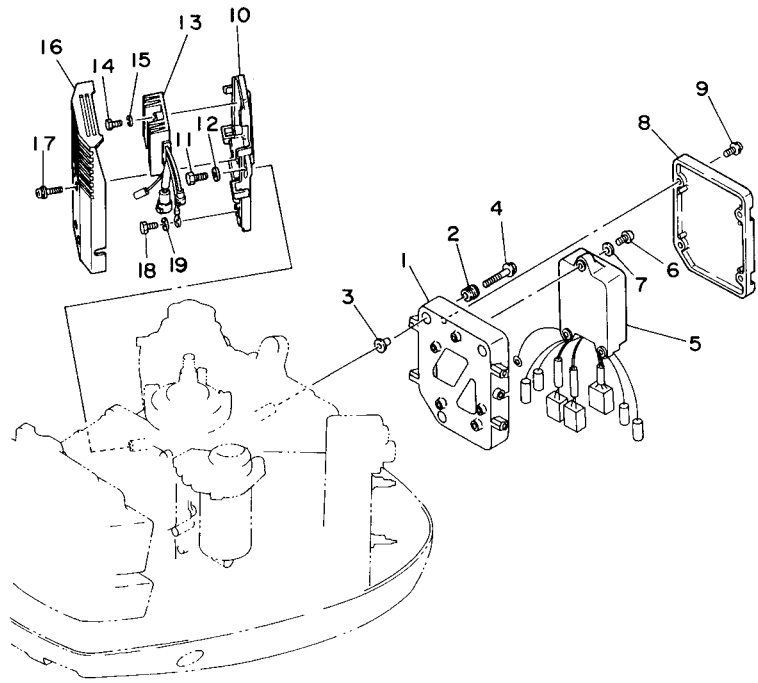

67F3300-C110



6N61300-2110

FIG. 11 GENERATOR

REF. NO.	PART NO.	DESCRIPTION	115C	130B		REMARKS
1	6N7-85550-01	ROTOR ASSY	1	1		
2	6N7-85510-00	STATOR ASSY	1	1		
3	6N7-85580-10	COIL, PULSER	1	1		
4	90280-05015	KEY, WOODRUFF	1	1		
5	90201-21M18	WASHER, PLATE	1	1		
6	90170-20137	NUT	1	1		
7	97013-06065	BOLT	4	4		
8	92903-06600	WASHER, PLATE	4	4		
9	688-41611-00	RETAINER, MAGNETO BASE	1	1		
10	688-41612-00	RETAINER, MAGNETO BASE	4	4		
11	97880-06018	SCREW, PAN HEAD	4	4		
12	90464-12M00	CLAMP	1	1		
13	6E5-81332-00	PLATE, TIMING	1	1		
14	97885-06010	SCREW, PAN HEAD	1	1		
15	92995-06600	WASHER	1	1		
16	6N7-81337-00	COVER, FLYWHEEL	1	1		
17	90480-12M11	GROMMET	2	2		
18	663-82317-01	DAMPER, IGNITION COIL	2	2		
19	6A1-83625-51	MARK 5	1	1		
20	6A1-83625-41	MARK 5	1	1		
21	6E5-14488-00	LABEL, CAUTION	1	1		



6N60010-4110

FIG. 12 ELECTRICAL 1

REF. NO.	PART NO.	DESCRIPTION	115C	130B		REMARKS
1	6N7-85542-01-1S	BRACKET	1	1		
2	6A0-82317-00	DAMPER, IGNITION COIL	3	3		
3	624-42542-00	PIPE	3	3		
4	90119-06M59	BOLT, WITH WASHER	3	3		
5	6N7-85540-01	C.D.I. UNIT ASSY	1	1		
6	97880-06020	SCREW, PAN HEAD	3	3		
7	92990-06600	WASHER, PLATE	3	3		
8	6N7-85537-00	COVER	1	1		
9	90159-06M11	SCREW, WITH WASHER	4	4		
10	6N7-81948-00-94	BRACKET	1	1		
11	97013-06016	BOLT	3	3		
12	92903-06600	WASHER, PLATE	3	3		
13	6R3-81960-00	RECTIFIER & REGULATOR ASSY	1	1		
14	97013-06025	BOLT	2	2		
15	92903-06600	WASHER, PLATE	2	2		
16	6R3-81942-00	COVER	1	1		
17	90159-06M08	SCREW, WITH WASHER	4	4		
18	97095-06012	BOLT	1	1		
19	92995-06600	WASHER	1	1		

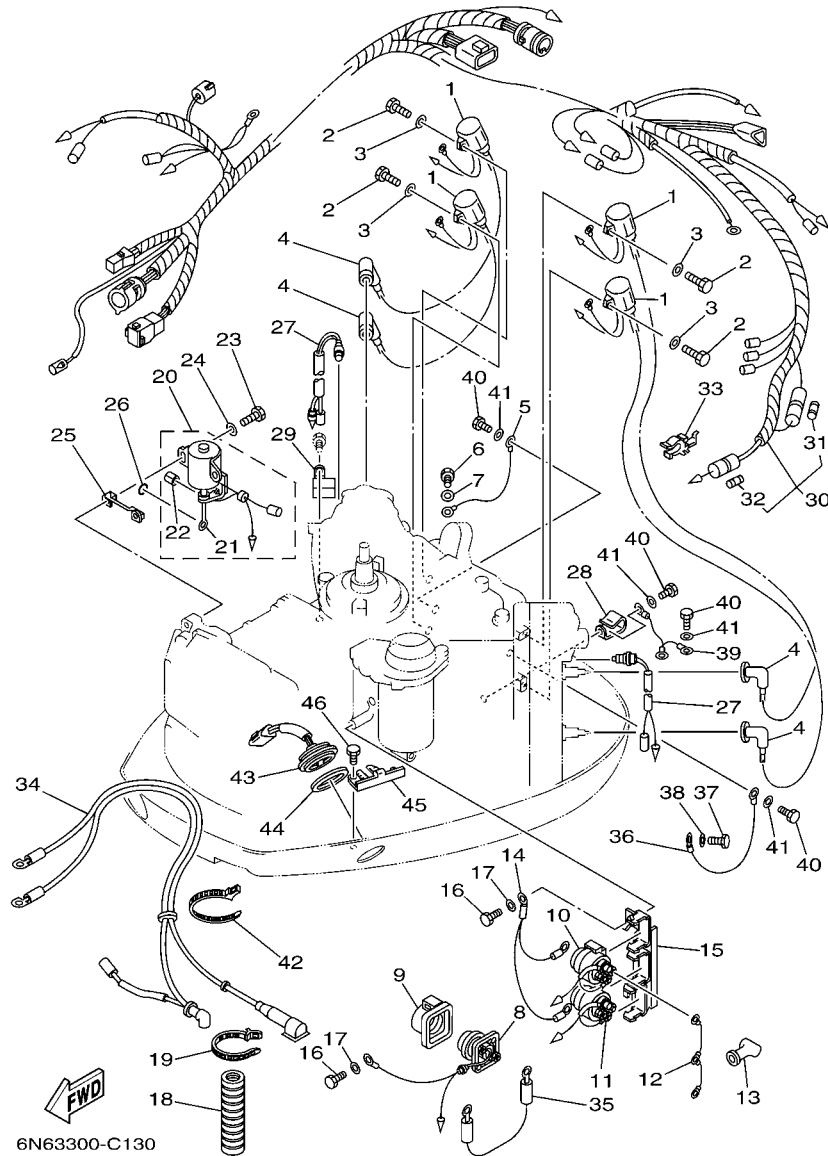


FIG. 13 ELECTRICAL 2

REF. NO.	PART NO.	DESCRIPTION	115C	130B	REMARKS
1	6R3-85570-01	IGNITION COIL ASSY	4	4	
2	97095-06020	BOLT	4	4	
3	92995-06600	WASHER	4	4	
4	6G1-82370-21	PLUG CAP ASSY	4	4	
5	662-82519-00	WIRE, EARTH LEAD	1	1	
6	97095-06012	BOLT	1	1	
7	92995-06600	WASHER	1	1	
8	61A-81941-00	STARTER RELAY ASSY	1	1	
9	689-81952-10	HOLDER, RELAY	1	1	
10	6E5-81950-00	RELAY ASSY	1	1	
11	6E5-8195A-00	RELAY ASSY	1	1	
12	6G5-87149-10	CONNECTOR	1	1	
13	6G5-82119-00	COVER, LEAD WIRE	2	2	
14	6E5-82116-00	WIRE, MINUS LEAD	1	1	
15	6E5-81948-22	BRACKET	1	1	
16	97095-06016	BOLT	2	2	
17	92995-06600	WASHER	2	2	
18	6N7-83557-00	TUBE (I.DIA:22MM)	1	1	
19	90465-13M18	CLAMP	1	1	
20	6N7-86110-00	SOLENOID	1	1	
21	6N7-86116-00	.WIRE, PULL	1	1	
22	91609-30010	.PIN, SPRING	1	1	
23	97095-06030	BOLT	2	2	
24	92995-06600	WASHER	2	2	
25	6N7-86112-00	STAY, SOLENOID	1	1	
26	93210-03261	O-RING	1	1	
27	688-82560-10	THERMO SWITCH ASSY	2	2	

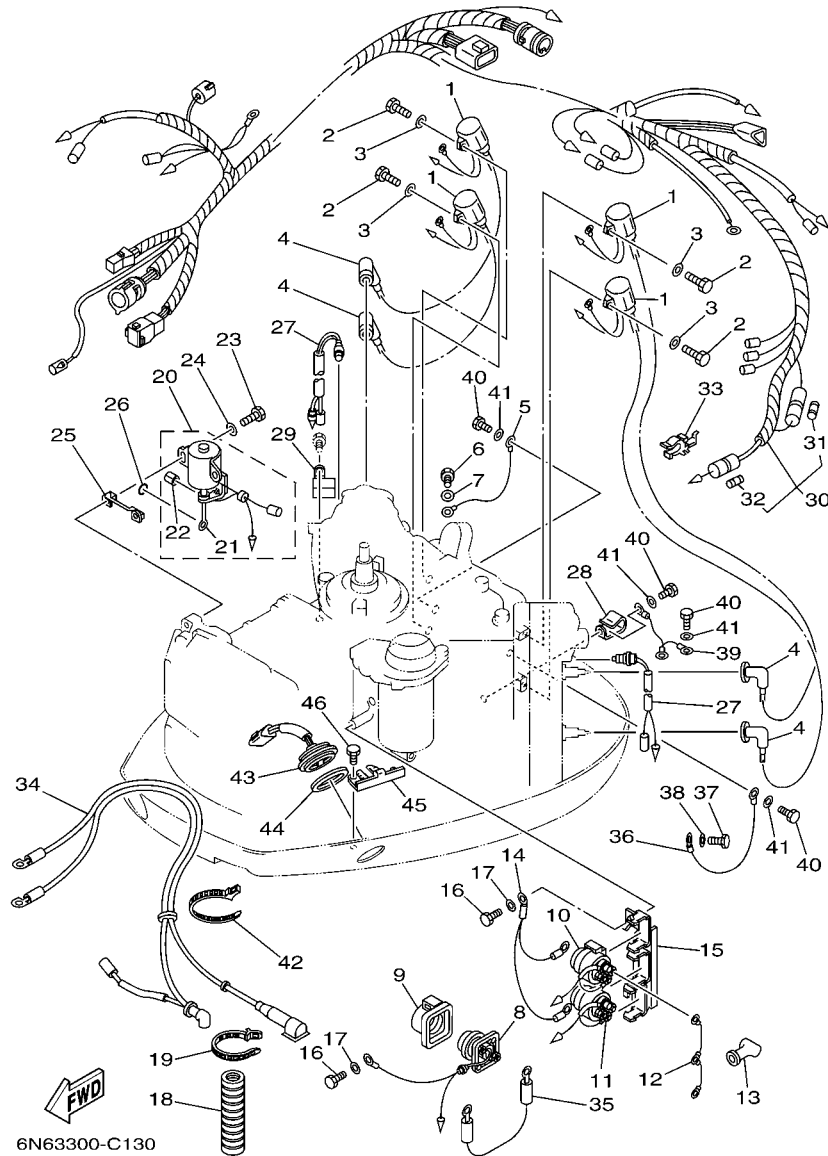
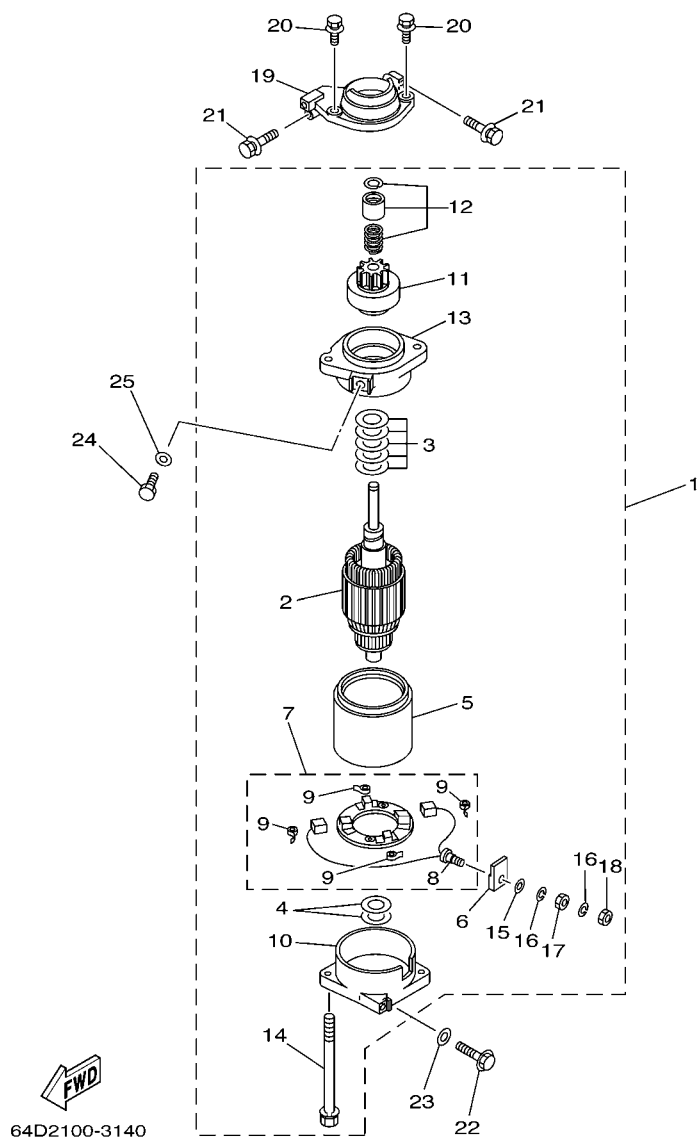


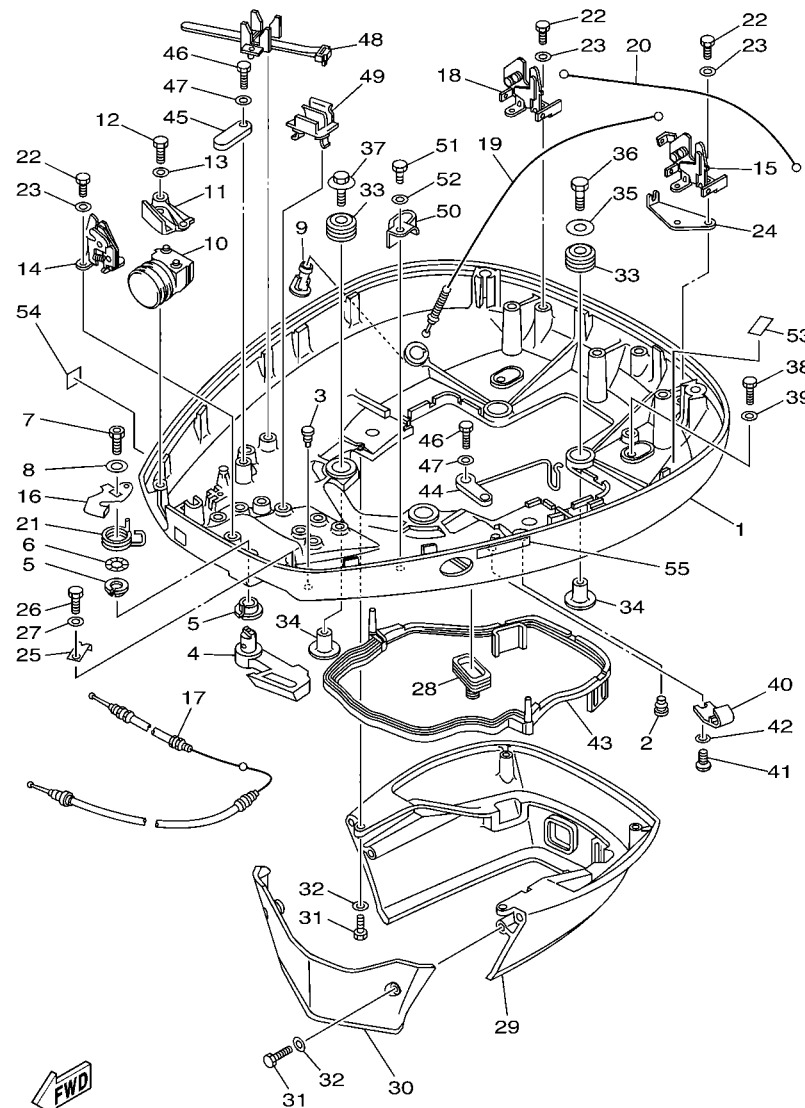
FIG. 13 ELECTRICAL 2

REF. NO.	PART NO.	DESCRIPTION	115C	130B	REMARKS
28	90465-05M87	CLAMP	1	1	
29	90465-08M89	CLAMP	1	1	
30	6N7-82590-20	WIRE HARNESS ASSY	1	1	
31	663-82151-00	.FUSE (12V-20A)	1	1	
32	705-82151-00	.FUSE (30A)	1	1	
33	6G5-82152-00	HOLDER, FUSE	2	2	
34	6N7-82105-02	WIRE HARNESS	1	1	
35	6E5-82117-01	WIRE, LEAD	1	1	
36	6R3-82519-00	WIRE, EARTH LEAD	1	1	
37	97095-06012	BOLT	1	1	
38	92995-06600	WASHER	1	1	
39	6E5-82531-10	WIRE, LEAD	1	1	
40	97095-06012	BOLT	4	4	
41	92995-06600	WASHER	4	4	
42	90465-13M18	CLAMP	1	1	
43	6R3-82563-00	TRIM & TILT SWITCH ASSY	1	1	
44	6E5-82587-00	GASKET	1	1	
45	6R3-83614-00	BRACKET	1	1	
46	97095-06012	BOLT	2	2	

FIG. 14 STARTING MOTOR



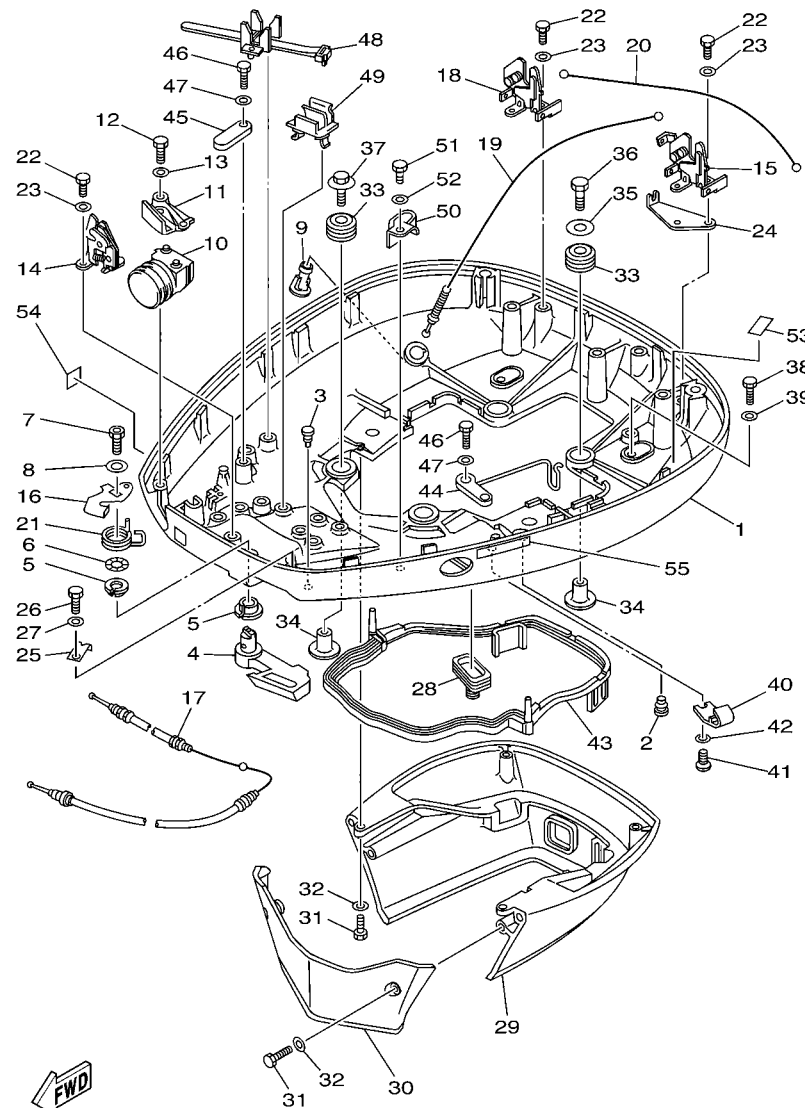
REF. NO.	PART NO.	DESCRIPTION	115C	130B		REMARKS
1	6N7-81800-10	STARTING MOTOR ASSY	1	1		
2	6N7-81850-10	.ARMATURE ASSY	1	1		
3	61A-81809-00	.WASHER KIT	1	1		
4	61A-81824-00	.WASHER 2	2	2		
5	6N7-81810-00	.STATOR ASSY	1	1		
6	6K7-8182G-10	.BUSH, TERMINAL	1	1		
7	6N7-81840-00	.BRUSH HOLDER ASSY	1	1		
8	6N7-81801-00	..BRUSH SET	1	1		
9	6N7-81813-00	..SPRING, BRUSH	4	4		
10	6N7-81820-10	.REAR BRACKET ASSY	1	1		
11	6N7-81807-00	.GEAR ASSY, STARTING MOTOR	1	1		
12	6N7-81857-00	.RETAINER	1	1		
13	6N7-81830-00	.FRONT BRACKET ASSY	1	1		
14	6K7-81826-10	.BOLT	2	2		
15	6E5-8182E-10	.WASHER	1	1		
16	6E5-8182F-10	.WASHER	2	2		
17	6E5-8182A-10	.NUT	1	1		
18	6E5-8182K-10	.NUT	1	1		
19	6R3-81822-00-94	BRACKET, STARTING MOTOR	1	1		
20	90119-08M76	BOLT, WITH WASHER	2	2		
21	90119-08M77	BOLT, WITH WASHER	2	2		
22	90119-08M57	BOLT, WITH WASHER	1	1		
23	92990-08600	WASHER, PLATE	1	1		
24	97095-08016	BOLT	1	1		
25	92995-08600	WASHER	1	1		



6N62664-3150

FIG. 15 BOTTOM COWLING

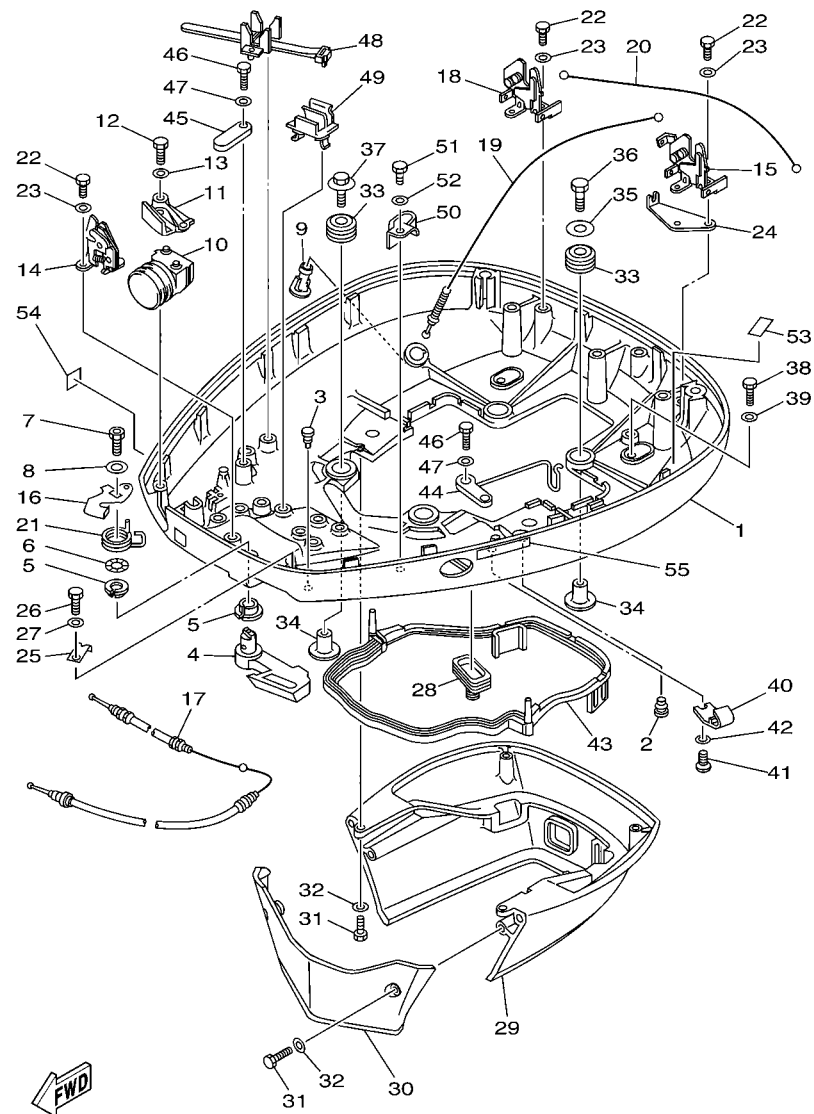
REF. NO.	PART NO.	DESCRIPTION	115C	130B	REMARKS
1	6N7-42711-43-8D	COWLING, BOTTOM	1	1	
2	90480-06M19	GROMMET	1	1	
3	6H4-42748-00	GROMMET	1	1	
4	6N7-42815-01-8D	LEVER, CLAMP	1	1	
5	90386-13M88	BUSH	2	2	
6	90206-13M10	WASHER, WAVE	1	1	
7	90109-08M45	BOLT	1	1	
8	92990-08200	WASHER, PLAIN	1	1	
9	6E5-44391-00	NIPPLE, HOSE	1	1	
10	6N7-42725-20	GROMMET	1	1	
11	6N7-42738-02-5B	PLATE, FITTING	1	1	
12	97095-06016	BOLT	2	2	
13	92995-06600	WASHER	2	2	
14	6R3-42824-00	BASE, CLAMP LEVER	1	1	
15	6R3-42811-01	STAY	1	1	
16	6R3-42816-00	LEVER, CLAMP	1	1	
17	6N7-42850-00	WIRE COMPLETE	1	1	
18	6R3-42811-10	STAY	1	1	
19	6N7-42850-10	WIRE COMPLETE	1	1	
20	6N7-42850-20	WIRE COMPLETE	1	1	
21	6R3-42813-00	SPRING, CLAMP LEVER	1	1	
22	97095-06016	BOLT	6	6	
23	92995-06600	WASHER	6	6	
24	6N7-42828-00	PLATE, CLAMP	1	1	
25	6R3-42828-00	PLATE, CLAMP	1	1	
26	97095-06010	BOLT	1	1	
27	92995-06600	WASHER	1	1	



6N62664-3150

FIG. 15 BOTTOM COWLING

REF. NO.	PART NO.	DESCRIPTION	115C	130B	REMARKS
28	688-42726-10	GROMMET	1	1	
29	6N7-42741-01-8D	APRON	1	1	
30	6R3-42771-01-8D	APRON	1	1	
31	97095-06020	BOLT	4	4	
32	92995-06600	WASHER	4	4	
33	90480-22M15	GROMMET	4	4	
34	90387-08M37	COLLAR	4	4	
35	90201-08M54	WASHER, PLATE	1	1	
36	97075-08035	BOLT	1	1	
37	90119-08M22	BOLT, WITH WASHER	3	3	
38	97095-06020	BOLT	2	2	
39	92995-06600	WASHER	2	2	
40	6E5-24367-10	CLAMP, FUEL PIPE 2	1	1	
41	90157-06M01	SCREW, PAN HEAD	1	1	
42	92990-06600	WASHER, PLATE	1	1	
43	6E5-42716-00	RUBBER, SEAL 1	1	1	
44	6K7-82588-00	PLATE	1	1	
45	6E5-82588-00	PLATE	1	1	
46	97095-06020	BOLT	2	2	
47	92995-06600	WASHER	2	2	
48	688-82594-00	CLAMP	1	1	
49	6E5-82594-00	CLAMP	4	4	
50	90465-12M25	CLAMP	1	1	
51	97095-06012	BOLT	1	1	
52	92995-06600	WASHER	1	1	
53	6G5-42791-10	MARK 1	1		
	6K7-42791-00	MARK 1		1	



6N62664-3150

FIG. 15 BOTTOM COWLING

REF. NO.	PART NO.	DESCRIPTION	115C	130B	REMARKS
54	6A1-28176-00	LABEL, CAUTION	1	1	
55	6E3-8257H-00	PLATE, MARK	1	1	

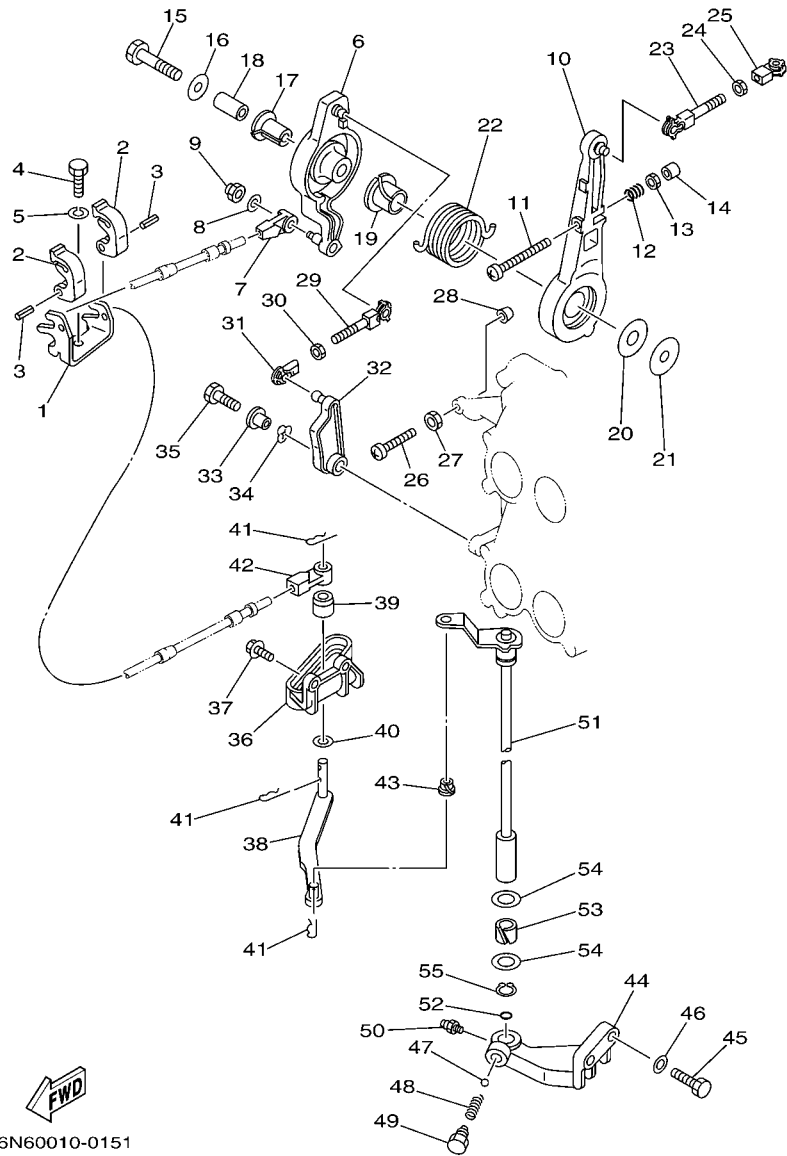
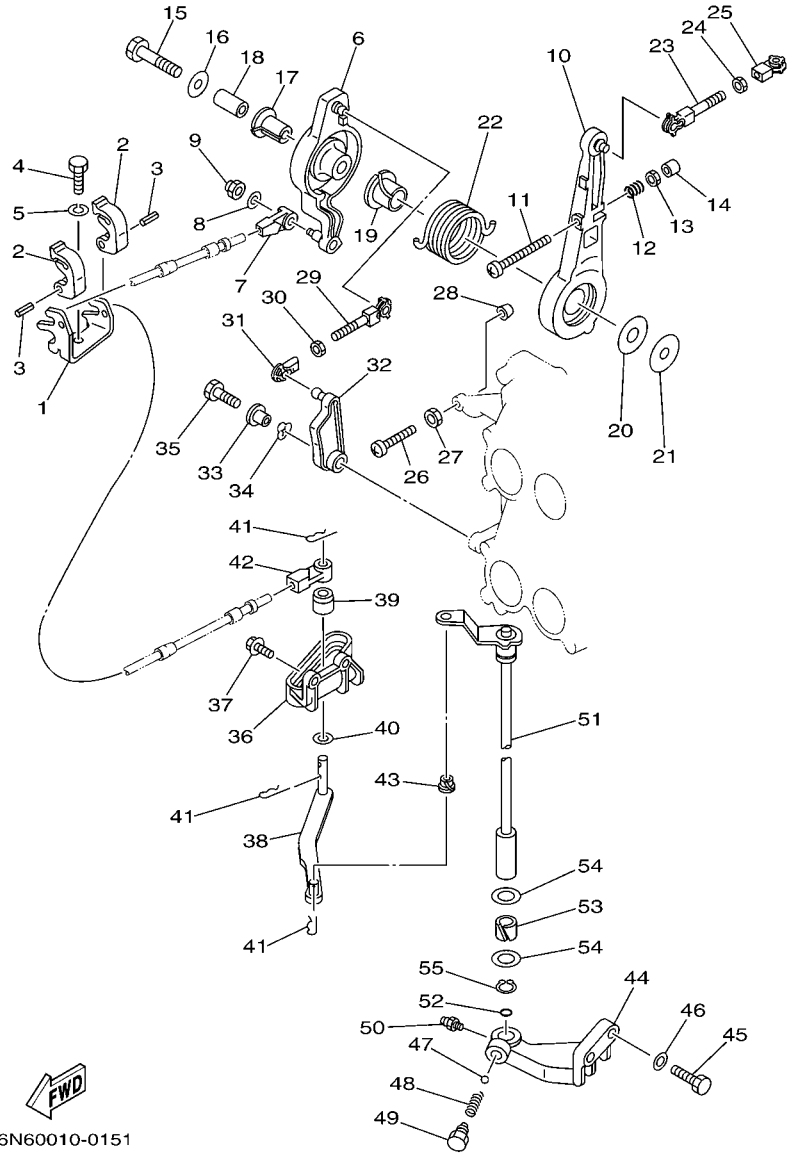


FIG. 16 CONTROL

REF. NO.	PART NO.	DESCRIPTION	115C	130B	REMARKS
1	6E5-48531-00	BRACKET, REMOTE CONTROL 1	1	1	
2	6E5-48538-00	CLAMP, CABLE	2	2	
3	91690-30012	PIN, SPRING	2	2	
4	97095-08020	BOLT	1	1	
5	92995-08100	WASHER	1	1	
6	6E5-41632-02-1S	LEVER, MAGNETO CONTROL	1	1	
7	6E5-48344-00	CABLE END, REMOTE CONTROL	1	1	
8	92990-06200	WASHER, PLAIN	1	1	
9	90185-06M07	NUT, SELF-LOCKING	1	1	
10	6E5-41631-01-1S	LEVER, MAGNETO CONTROL	1	1	
11	90157-06013	SCREW, PAN HEAD	1	1	
12	90501-16M12	SPRING, COMPRESSION	1	1	
13	95303-06600	NUT	1	1	
14	688-44194-00	CAP	1	1	
15	97013-08045	BOLT	1	1	
16	90201-08M23	WASHER, PLATE	1	1	
17	90386-12089	BUSH	1	1	
18	90387-08M16	COLLAR	1	1	
19	90386-22M13	BUSH	1	1	
20	90202-12092	WASHER, PLATE	1	1	
21	90201-08M13	WASHER, PLATE	1	1	
22	90508-29M12	SPRING, TORSION	1	1	
23	6E5-41636-01	ROD, MAGNETO CONTROL	1	1	
24	95380-05600	NUT	1	1	
25	662-41237-01	JOINT, LINK	1	1	
26	90157-06013	SCREW, PAN HEAD	1	1	
27	95303-06600	NUT	1	1	

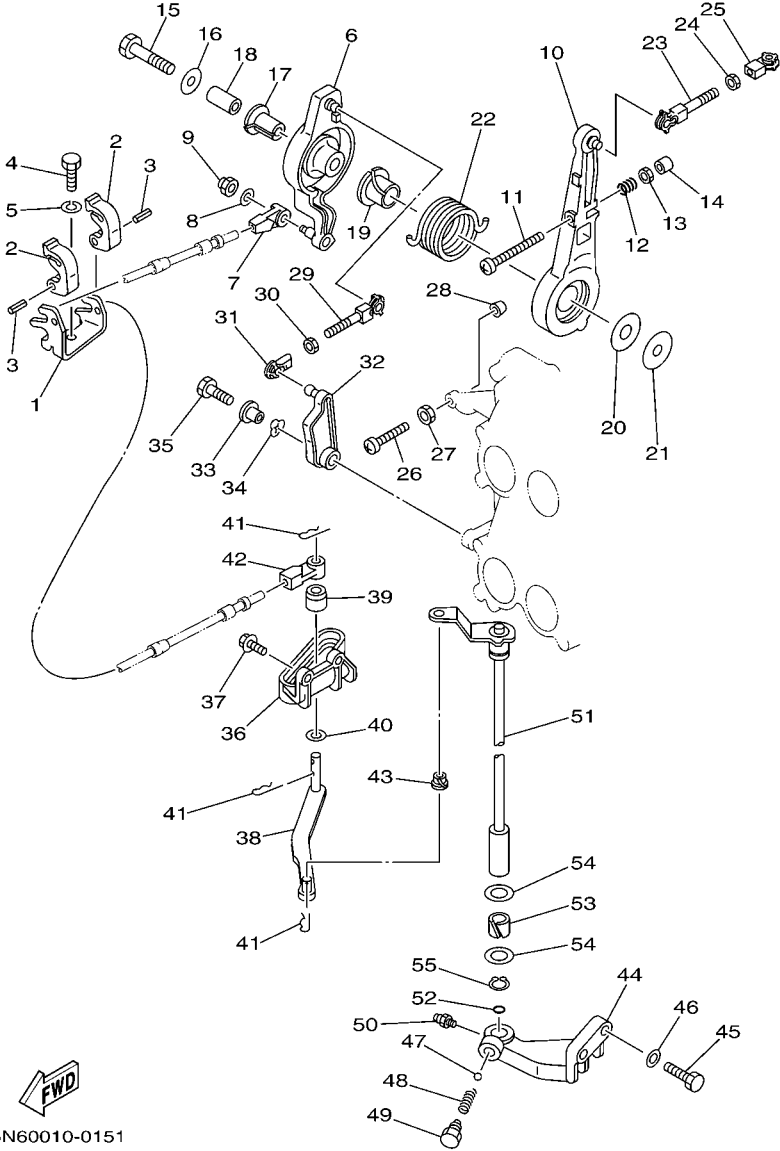


6N60010-0151

FIG. 16 CONTROL

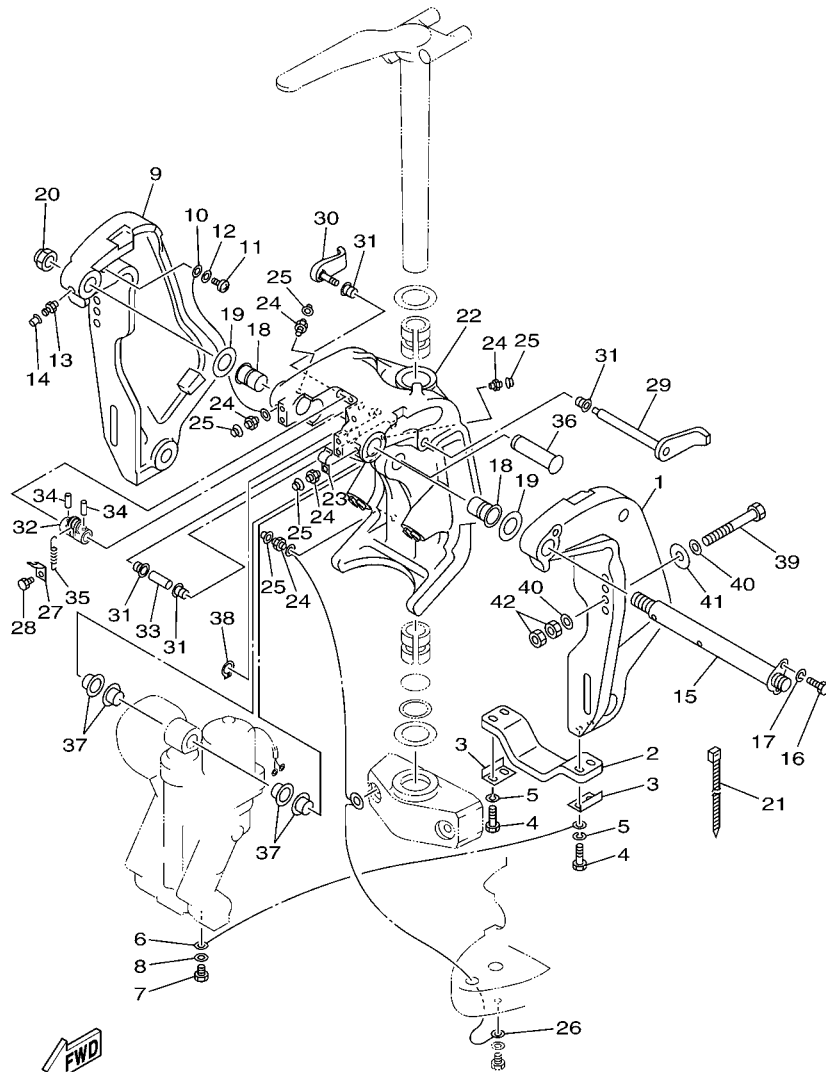
REF. NO.	PART NO.	DESCRIPTION	115C	130B	REMARKS
28	688-44194-00	CAP	1	1	
29	688-41636-00	ROD, MAGNETO CONTROL	1	1	
30	95380-05600	NUT	1	1	
31	662-41237-01	JOINT, LINK	1	1	
32	6E5-41213-00	CAM, ACCEL.	1	1	
33	90387-06M29	COLLAR	1	1	
34	90206-10M04	WASHER, WAVE	1	1	
35	97095-06025	BOLT	1	1	
36	6E5-44117-00-1S	BRACKET	1	1	
37	90119-06MA2	BOLT, WITH WASHER	2	2	
38	68F-44121-00	LEVER, SHIFT ROD	1	1	
39	6E5-44122-00	BUSHING, SHIFT ROD LEVER	1	1	
40	90202-08M20	WASHER, PLATE	1	1	
41	90468-18008	CLIP	3	3	
42	6E5-48344-00	CABLE END, REMOTE CONTROL	1	1	
43	90386-06M12	BUSH	1	1	
44	6E5-44118-01-94	BRACKET	1	1	
45	97013-08030	BOLT	2	2	
46	92903-08600	WASHER, PLATE	2	2	
47	93501-04M02	BALL	1	1	
48	90501-12082	SPRING, COMPRESSION	1	1	
49	648-42715-00	BUSHING	1	1	
50	93700-06M03	NIPPLE, GREASE	1	1	
51	6E5-44120-03	HANDLE GEAR SHIFT ASSY	1	1	L
	6E5-44120-23	HANDLE GEAR SHIFT ASSY	1	1	X
52	93210-09165	O-RING	1	1	
53	90386-16M66	BUSH	1	1	

FIG. 16 CONTROL



6N60010-0151

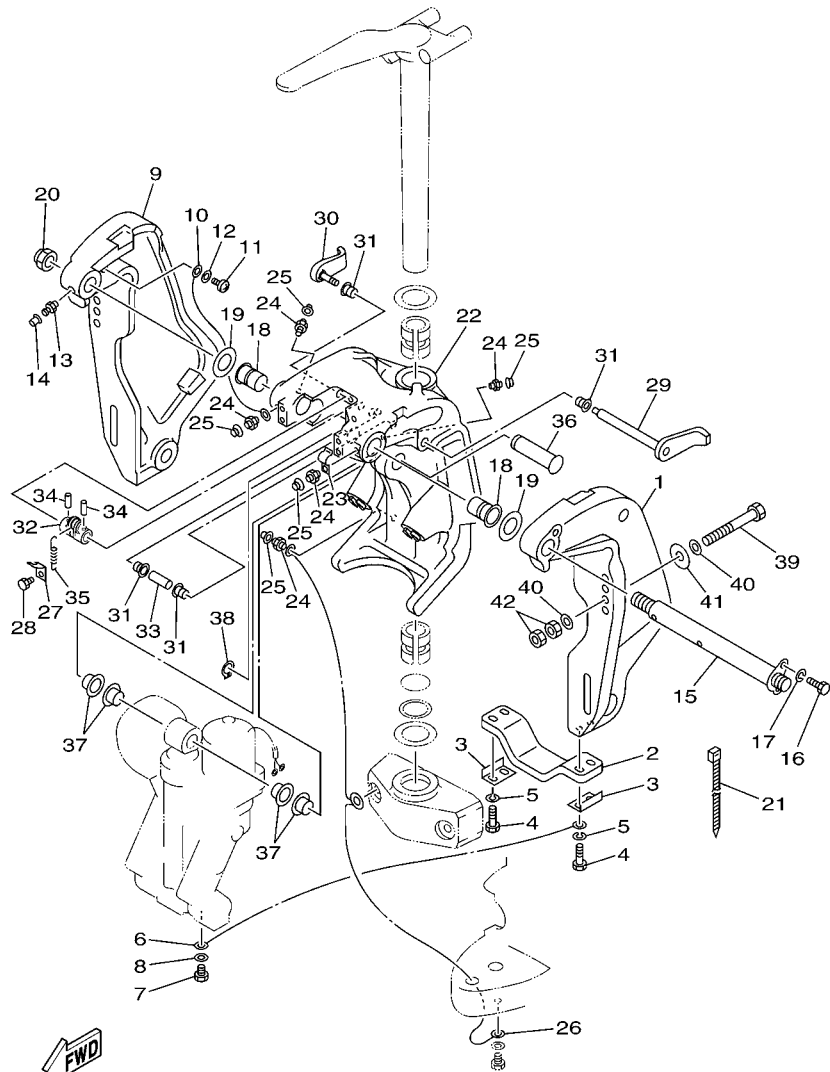
REF. NO.	PART NO.	DESCRIPTION	115C	130B	REMARKS
54	90202-16061	WASHER, PLATE	2	2	
55	93410-16006	CIRCLIP	1	1	



6N63300-C170

FIG. 17 BRACKET 1

REF. NO.	PART NO.	DESCRIPTION	115C	130B		REMARKS
1	64E-43111-02-8D	BRACKET, CLAMP	1	1		
2	6G5-45251-02	ANODE	1	1		
3	6G5-44526-00	PLATE	2	2		
4	97095-06030	BOLT	4	4		
5	92995-06100	WASHER, SPRING	4	4		
6	6E5-82148-00	WIRE, LEAD 4	1	1		
7	97095-06010	BOLT	1	1		
8	92995-06600	WASHER	1	1		
9	64E-43112-02-8D	BRACKET, CLAMP	1	1		
10	6E5-82148-00	WIRE, LEAD 4	1	1		
11	97880-06012	SCREW, PAN HEAD	1	1		
12	92990-06600	WASHER, PLATE	1	1		
13	93700-06M03	NIPPLE, GREASE	1	1		
14	663-45119-00	CAP, GREASE NIPPLE	1	1		AP
15	64E-43131-01	BOLT, CLAMP BRACKET	1	1		
16	97095-08020	BOLT	1	1		
17	92995-08100	WASHER	1	1		
18	90386-25M31	BUSH	2	2		
19	90201-26M59	WASHER, PLATE	2	2		
20	90185-22M11	NUT, SELF-LOCKING	1	1		
21	90465-11M10	CLAMP	1	1		
22	64E-43311-10-8D	BRACKET, SWIVEL 1	1	1		L
	64E-43311-20-8D	BRACKET, SWIVEL 1	1	1		X
23	90465-08M63	CLAMP	1	1		
24	93700-06M03	NIPPLE, GREASE	5	5		
25	663-45119-00	CAP, GREASE NIPPLE	5	5		AP
26	6E5-82147-00	WIRE, LEAD 4	1	1		L



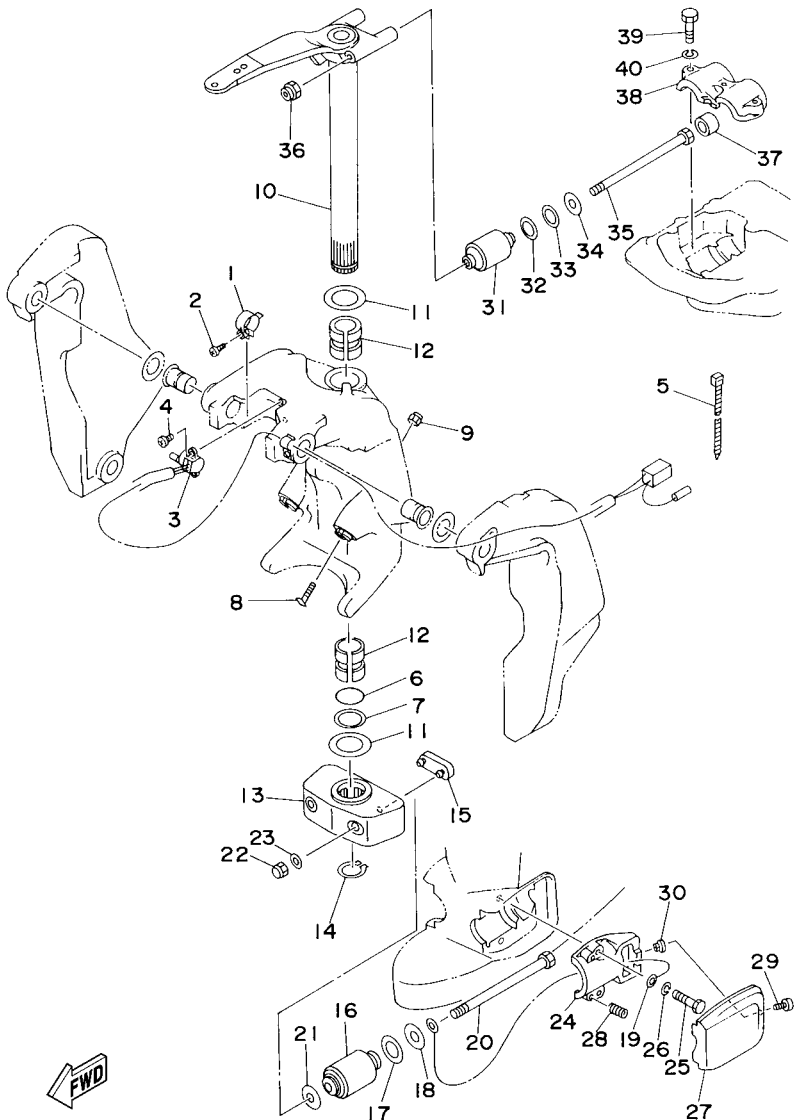
6N63300-C170

FIG. 17 BRACKET 1

REF. NO.	PART NO.	DESCRIPTION	115C	130B		REMARKS
26	6E5-82147-20	WIRE, LEAD 4	1			X
27	6G5-43144-00	HOOK, SPRING	1	1		
28	97095-06010	BOLT	1	1		
29	6G5-43181-02	LEVER, TILT STOP	1	1		
30	6G5-43185-02	LEVER, TILT STOP	1	1		
31	90386-10M16	BUSH	4	4		
32	6G5-43148-10	COLLAR, DISTANCE	1	1		
33	90387-10M05	COLLAR	1	1		
34	91690-30020	PIN, SPRING	2	2		
35	90506-20011	SPRING, TENSION	1	1		
36	64E-43126-00	PIN, UPPER SHOCK MOUNT	1	1		
37	90386-22M98	BUSH	4	4		
38	93410-22M11	CIRCLIP	1	1		
39	90101-12M03	BOLT (L:115MM)	4	4		
40	90201-13M01	WASHER, PLATE	8	8		
41	90201-12M05	WASHER, PLATE	4	4		
42	95380-12600	NUT	8	8		

FIG. 18 BRACKET 2

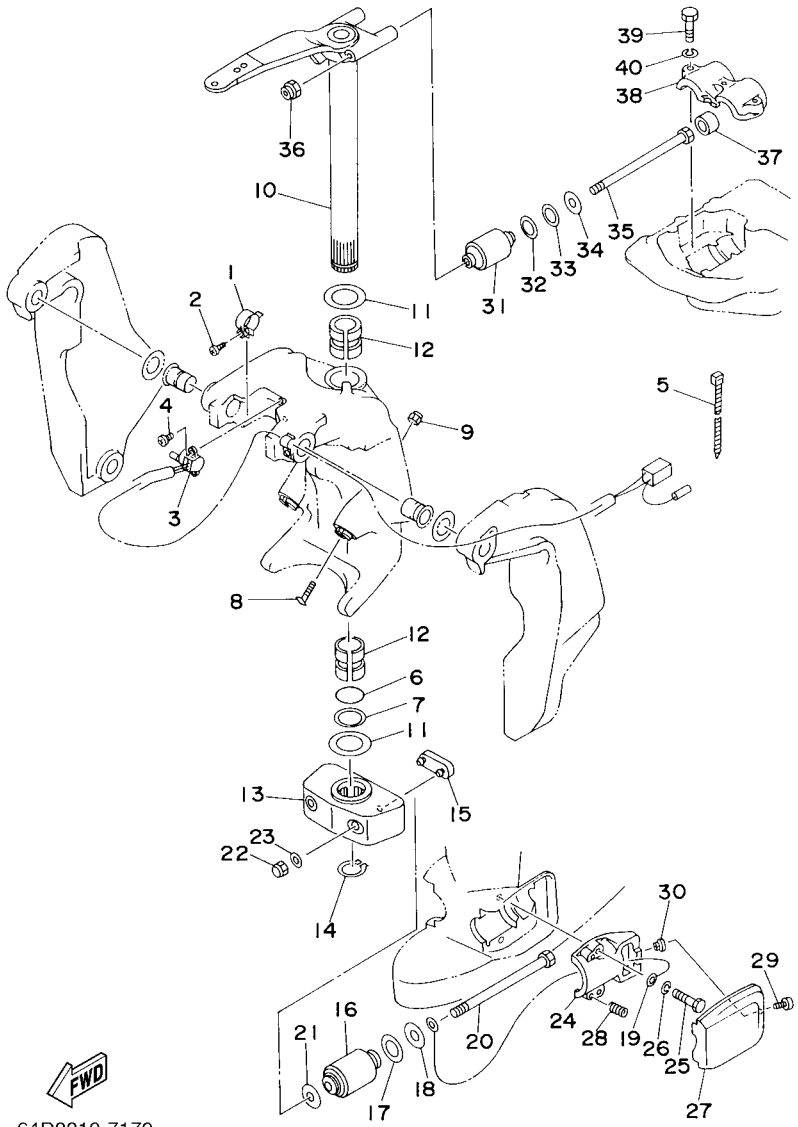
REF. NO.	PART NO.	DESCRIPTION	115C	130B		REMARKS
1	64E-43139-02	CAM, TRIM SENDER	1	1		
2	97780-60525	SCREW, TAPPING	1	1		
3	64E-83672-02	TRIM SENDER	1	1		
4	97885-06016	SCREW, PAN HEAD	2	2		
5	90465-11M10	CLAMP	3	3		
6	93210-37MH7	O-RING	1	1		
7	90202-40M47	WASHER, PLATE	1	1		
8	61A-43376-00	BOLT, THRUST RECEIVER	2	2		
9	95780-10300	NUT, FLANGE	2	2		
10	6E5-42510-A1-8D	STEERING BRACKET ASSY	1	1		L
	6E5-42510-B1-8D	STEERING BRACKET ASSY	1			X
11	90201-38M60	WASHER, PLATE	2	2		
12	90386-38M32	BUSH	2	2		
13	6G5-44551-01-8D	HOUSING, LOWER MOUNT RUBBER	1	1		
14	93410-37M04	CIRCLIP	1	1		
15	6E5-44575-00	DAMPER, LOWER MOUNT RUBBER	1	1		
16	6E5-44555-00-94	MOUNT DAMPER, LOWER SIDE	2	2		
17	90202-32M19	WASHER, PLATE	2	2		
18	90201-16M55	WASHER, PLATE	2	2		
19	6E5-82149-00	WIRE, LEAD 3	1	1		
20	90109-14M34	BOLT	2	2		
21	90201-15M58	WASHER, PLATE	2	2		
22	95380-14800	NUT	2	2		
23	92995-14600	WASHER	2	2		
24	6E5-44552-01-94	HOUSING, LOWER MOUNT RUBBER	2	2		
25	97095-10045	BOLT	4	4		
26	92995-10100	WASHER	4	4		



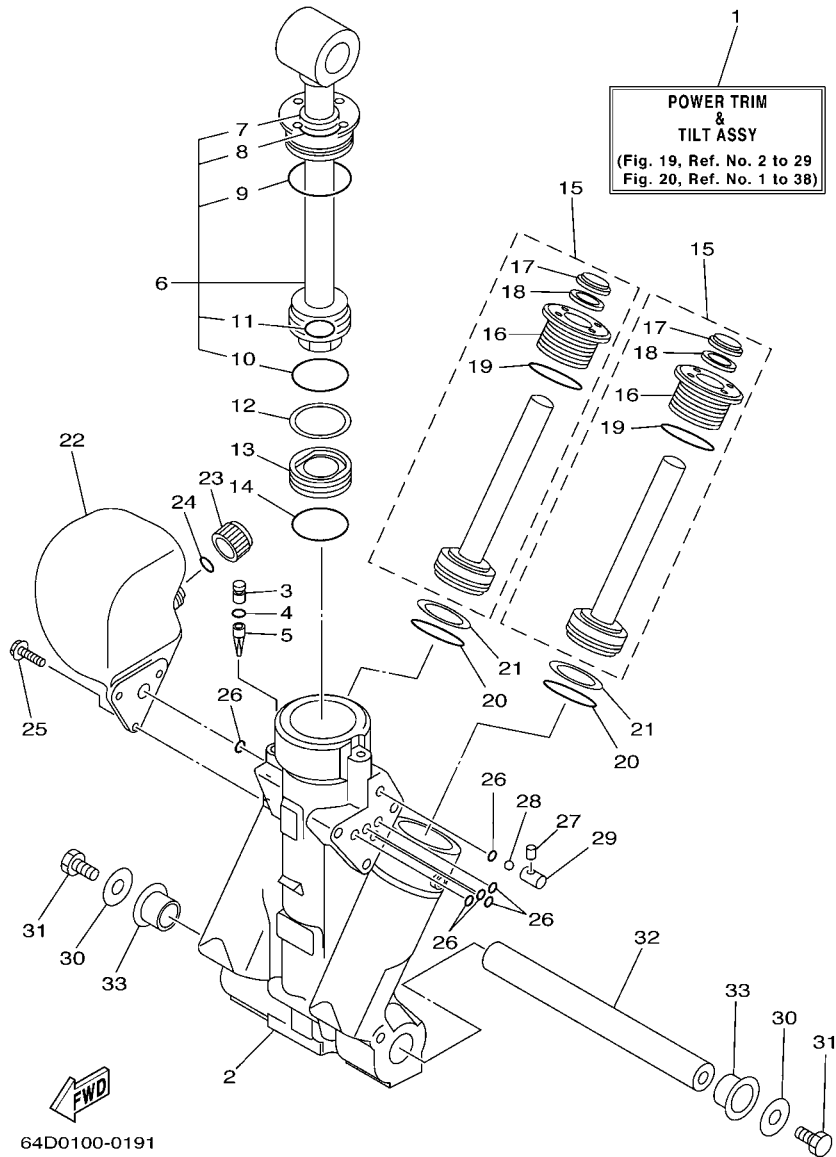
64D0010-7170

FIG. 18 BRACKET 2

REF. NO.	PART NO.	DESCRIPTION	115C	130B		REMARKS
27	6E5-44553-01-8D	COVER, LOWER MOUNT	2	2		
28	90501-16M28	SPRING, COMPRESSION	4	4		
29	97885-06016	SCREW, PAN HEAD	2	2		
30	90179-06066	NUT	2	2		
31	6E5-44514-00-94	MOUNT DAMPER, UPPER SIDE	2	2		
32	90201-26M57	WASHER, PLATE	2	2		
33	90202-26M18	WASHER, PLATE	2	2		
34	90201-14M56	WASHER, PLATE	2	2		
35	90109-12M37	BOLT	2	2		
36	90185-12M12	NUT, SELF-LOCKING	2	2		
37	663-44575-00	DAMPER, LOWER MOUNT RUBBER	2	2		
38	6E5-44511-00-5B	COVER, UPPER MOUNT	1	1		
39	97095-10045	BOLT	3	3		
40	92995-10100	WASHER	3	3		




64D0010-7170

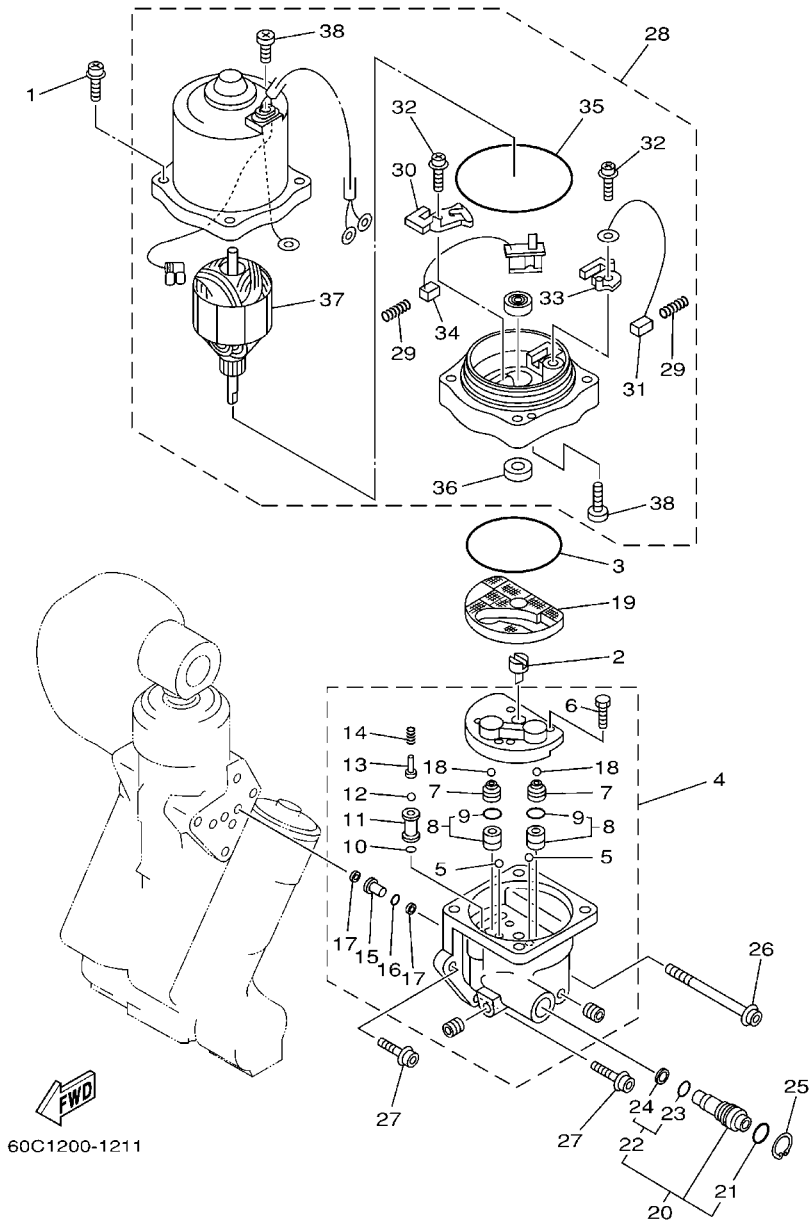


64D0100-0191

FIG. 19 POWER TRIM & TILT ASSY 1

REF. NO.	PART NO.	DESCRIPTION	115C	130B	REMARKS
1	64E-43800-02-4D	POWER TRIM & TILT ASSY	1	1	
2	64E-43825-01	HOUSING, TRIM & TILT	1	1	
3	64E-4388J-00	PLUG 2	1	1	
4	93210-10M74	O-RING	1	1	
5	64E-43817-00	FILTER 2	1	1	
6	64E-43810-00	TILT PISTON SUB ASSY	1	1	
7	64E-43898-00	.SEAL ,DUST 2	1	1	
8	64E-43867-00	.O-RING	1	1	
9	64E-43866-00	.O-RING	1	1	
10	6E5-43862-00	.O-RING	1	1	
11	64E-43883-00	.O-RING	1	1	
12	6E5-43872-00	RING, BACK UP	1	1	
13	6E5-43814-02	PISTON, FREE	1	1	
14	6E5-43862-00	O-RING	1	1	
15	64E-43820-00	TRIM PISTON SUB ASSY	2	2	
16	64E-43821-00	.SCREW, TRIM CYLINDER END	1	1	
17	64E-43822-00	.SEAL, TRIM DUST	1	1	
18	64E-4384J-00	.SEAL, TRIM DOWN	1	1	
19	6G5-43864-00	.O-RING	1	1	
20	6E5-43864-00	O-RING	2	2	
21	6E5-43874-01	RING, BACK UP	2	2	
22	64E-43828-00	BODY, RESERVOIR	1	1	
23	64E-43829-00	PLUG, RESERVOIR	1	1	
24	64E-43897-00	O-RING	1	1	
25	64E-4388E-00	BOLT ,SCREW (L:14MM)	3	3	
26	64E-43869-00	O-RING	6	6	
27	64E-4381G-00	PIN	1	1	

FIG. 20 POWER TRIM & TILT ASSY 2



60C1200-1211

REF. NO.	PART NO.	DESCRIPTION	115C	130B	REMARKS
1	64E-4388E-10	BOLT ,SCREW (L:34.7MM)	4	4	
2	64E-43831-00	CONNECTOR, SHAFT	1	1	
3	64E-43868-00	O-RING	1	1	
4	64E-43830-00	GEAR PUMP ASSY	1	1	
5	72X-43858-00	.BALL	2	2	
6	64E-43843-00	.SCREW, VALVE LOCK	4	4	
7	64E-43841-00	.PISTON, SHUTTLE	2	2	
8	64E-43802-00	.VALVE SUB ASSY	2	2	
9	6E5-43896-00	..O-RING	1	1	
10	6G5-43863-00	.O-RING	1	1	
11	64E-43851-00	.SEAT, RELIEF VALVE	1	1	
12	64E-43858-00	.BALL	1	1	
13	64E-43859-00	.PIN, VALVE SUPPORT	1	1	
14	64E-43855-00	.SPRING, UP RELIEF	1	1	
15	64E-43850-00	.VALVE SUB ASSY	1	1	
16	64E-43865-00	.O-RING	1	1	
17	64E-43816-00	.FILTER 1	2	2	
18	64E-43858-00	.BALL	2	2	
19	64E-43817-10	FILTER 2	1	1	
20	64E-43860-00	MANUAL VALVE SUB-ASSY	1	1	
21	72X-85075-L0	.O-RING	1	1	
22	64E-43827-00	.RING SET	1	1	
23	64E-4387A-00	..O-RING	1	1	
24	64E-43873-00	..RING, BACK UP	1	1	
25	64E-43875-00	RING, SNAP	1	1	
26	64E-43879-10	SCREW, WITH WASHER	1	1	
27	64E-43879-00	SCREW, WITH WASHER	2	2	

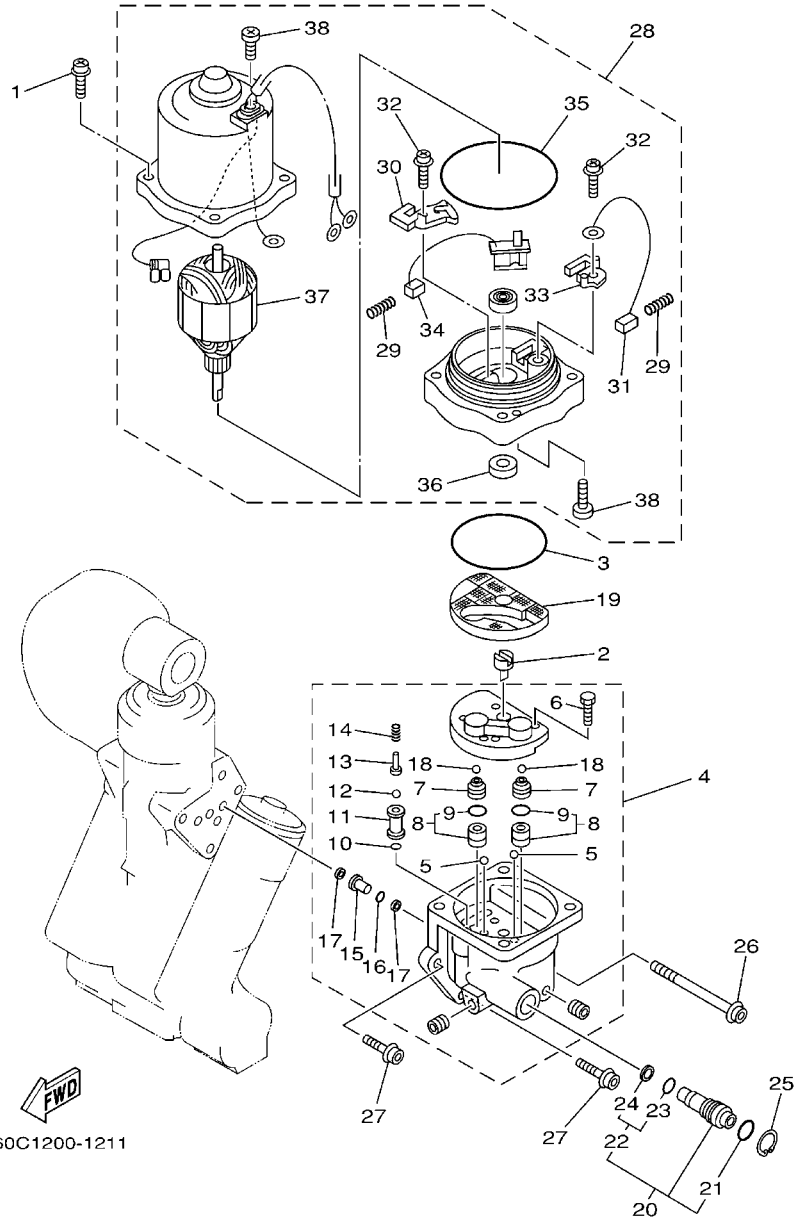


FIG. 20 POWER TRIM & TILT ASSY 2

REF. NO.	PART NO.	DESCRIPTION	115C	130B		REMARKS
28	64E-43880-01	MOTOR ASSY	1	1		
29	6H1-4386K-10	.SPRING, BRUSH	2	2		
30	64E-4380J-00	.HOLDER, BRUSH	1	1		
31	64E-43891-00	.BRUSH 1	1	1		
32	97607-04310	.SCREW,WITH WASHER	2	2		
33	64E-4380F-00	.HOLDER, BRUSH 2	1	1		
34	64E-43892-00	.BRUSH 2	1	1		
35	6G5-43865-00	.O-RING	1	1		
36	93102-08M43	.OIL SEAL	1	1		
37	64E-43805-00	.ARMATURE ASSY	1	1		
38	64E-43843-10	.SCREW, VALVE LOCK	3	3		

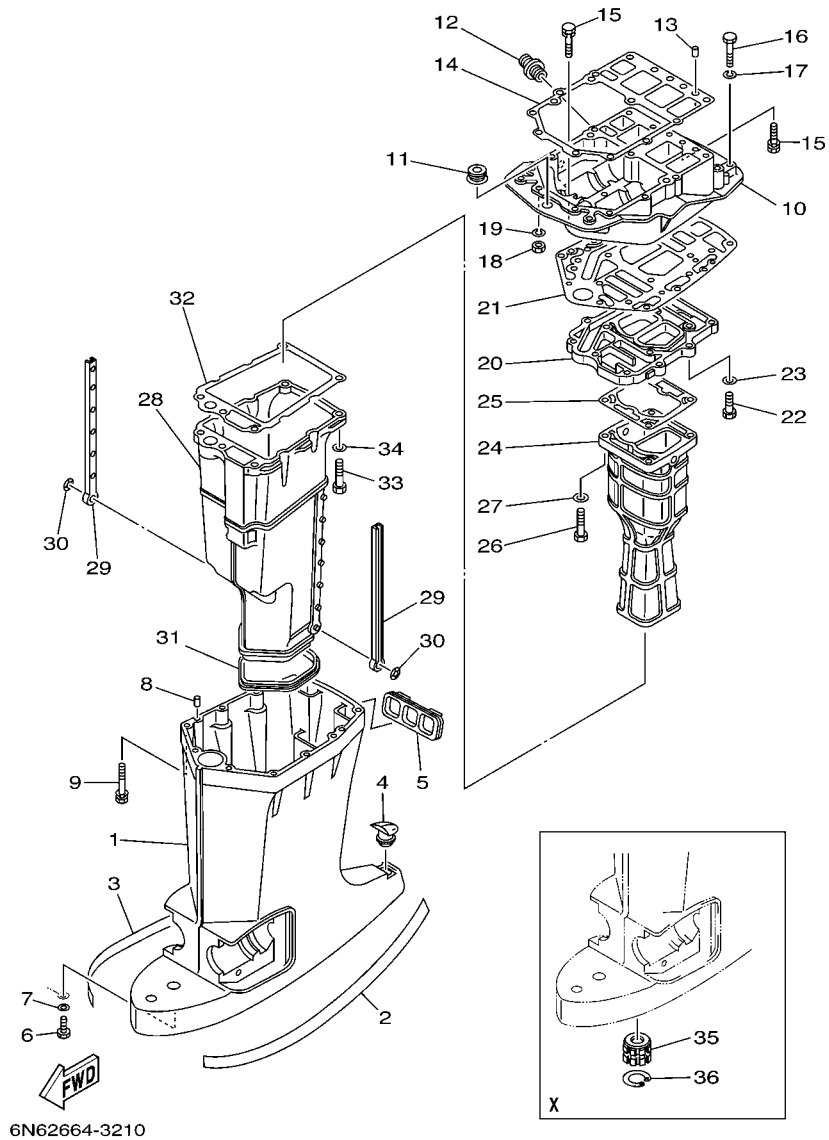
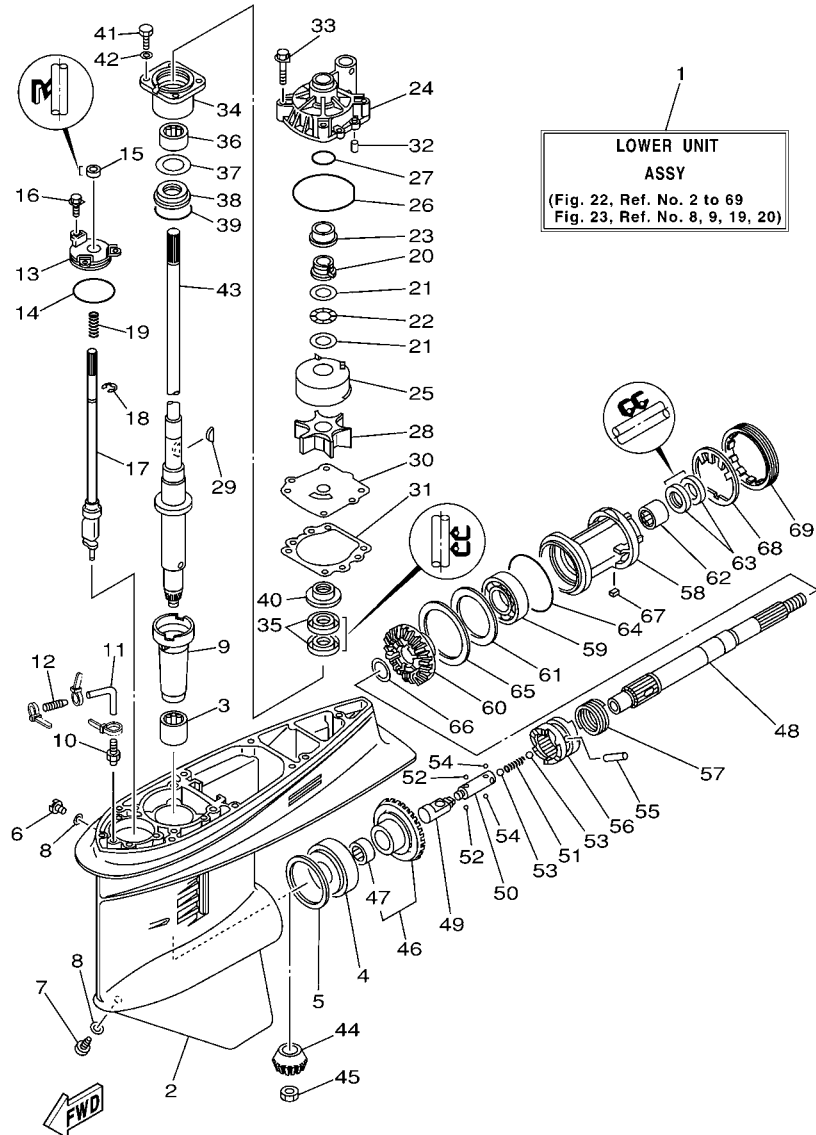


FIG. 21 UPPER CASING

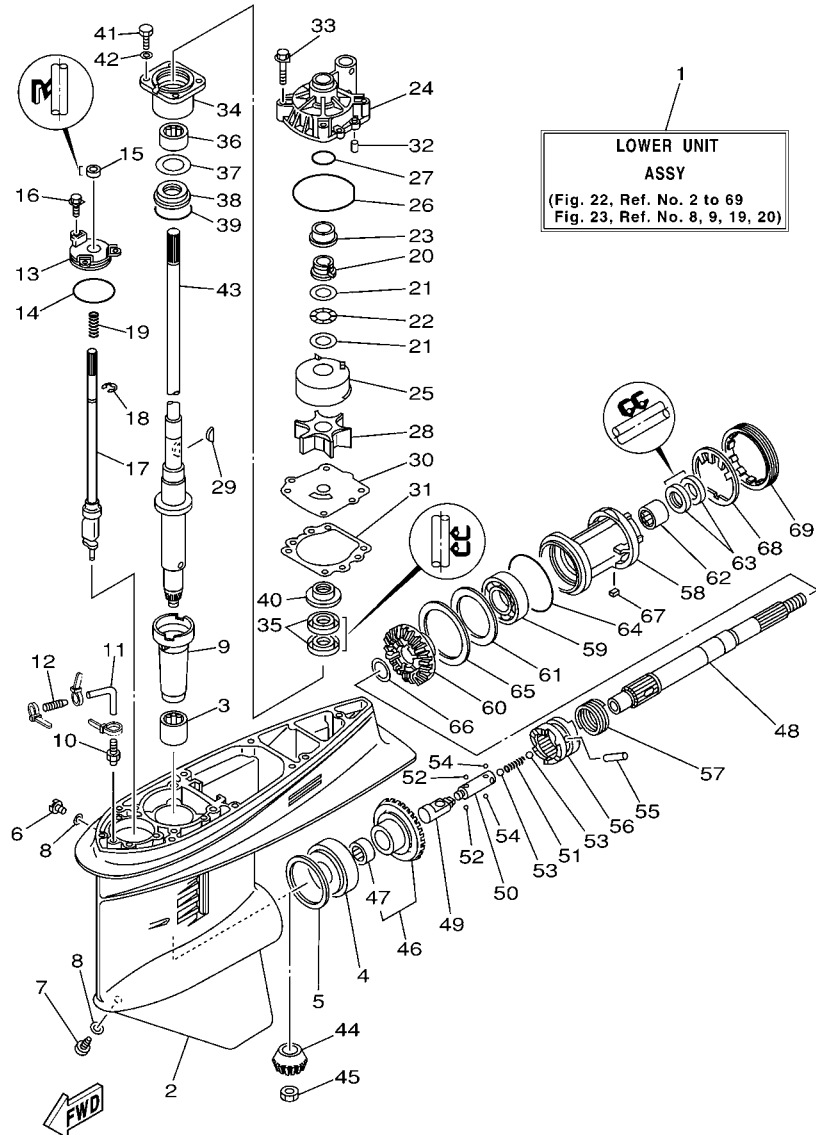
REF. NO.	PART NO.	DESCRIPTION	115C	130B		REMARKS
1	6E5-45111-02-8D	CASING, UPPER	1	1		L
	6E5-45111-23-8D	CASING, UPPER	1			X
2	6R3-42791-41	MARK 1	1	1		
3	6R3-42792-41	MARK	1	1		
4	6E5-45155-00	CAP	1	1		
5	6E5-42769-00	SEAL, RUBBER	1	1		
6	97095-06010	BOLT	1	1		
7	92995-06600	WASHER	1	1		
8	93608-12M05	PIN, DOWEL	2	2		
9	90119-08027	BOLT, WITH WASHER	6	6		
10	6G5-41137-02-94	GUIDE, EXHAUST	1	1		
11	6E5-42724-00	GROMMET	1	1		
12	6G5-12581-00	JOINT, HOSE 1	1	1		
13	93608-12M05	PIN, DOWEL	2	2		
14	6G5-45113-A1	GASKET, UPPER CASING	1	1		
15	90119-08M79	BOLT, WITH WASHER	6	6		
16	97095-08045	BOLT	2	2		
17	92995-08100	WASHER	2	2		
18	95380-08700	NUT	2	2		
19	92995-08100	WASHER	2	2		
20	6G5-41131-01-5B	MANIFOLD, EXT. 1	1	1		
21	6G5-45114-A1	GASKET, UPPER CASING	1	1		
22	97095-08030	BOLT	4	4		
23	92995-08600	WASHER	4	4		
24	6E5-41132-10-5B	MANIFOLD, EXHAUST	1			
	6L1-41132-00-5B	MANIFOLD, EXHAUST		1		
25	6E5-41134-A0	GASKET, EXHAUST MANIFOLD	1			



64W0171-0220

FIG. 22 LOWER CASING & DRIVE 1

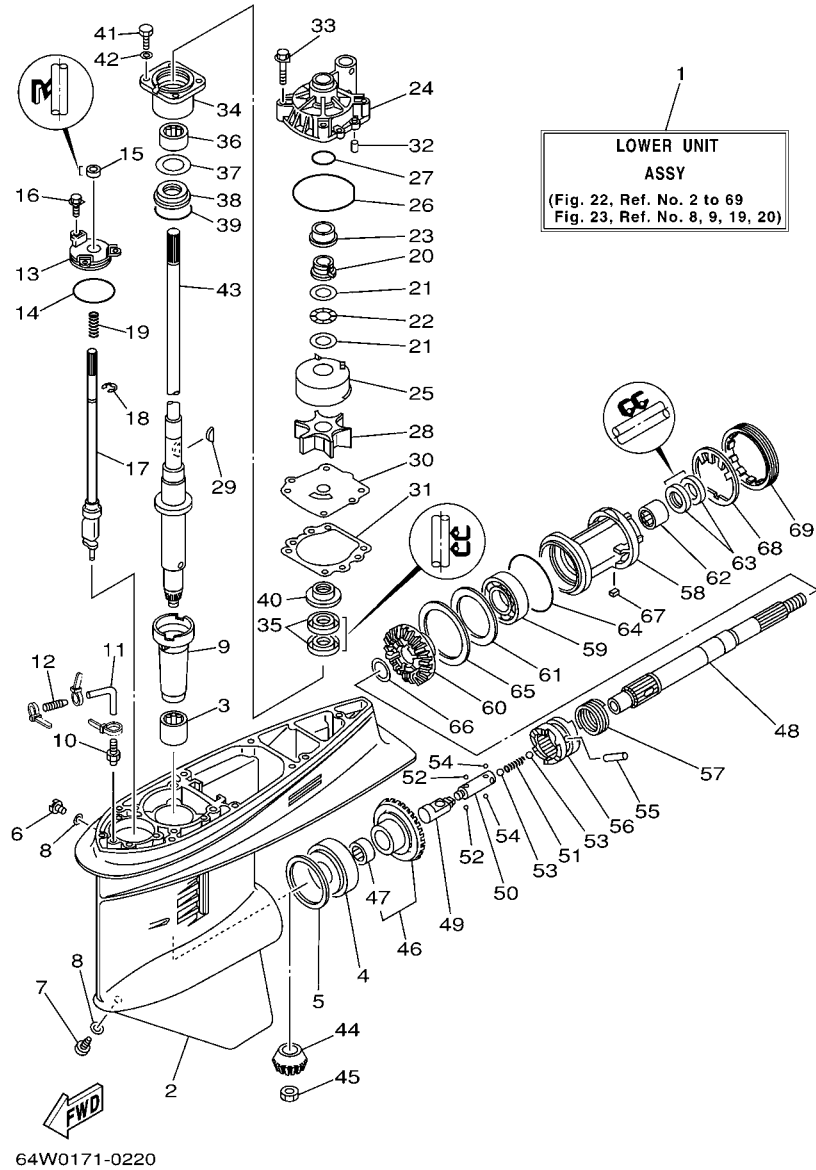
REF. NO.	PART NO.	DESCRIPTION	115C	130B	REMARKS
1	6E5-45300-17-8D	LOWER UNIT ASSY	1	1	L
	6E5-45300-27-8D	LOWER UNIT ASSY	1		X
2	6E5-45301-05-8D	CASING, LOWER	1	1	
3	93315-628U9	BEARING	1	1	
4	93332-000U7	BEARING	1	1	
5	6E5-45567-01-10	SHIM (T:0.10MM)	1	1	UR
	6E5-45567-01-12	SHIM (T:0.12MM)	1	1	UR
	6E5-45567-01-15	SHIM (T:0.15MM)	1	1	UR
	6E5-45567-01-18	SHIM (T:0.18MM)	1	1	UR
	6E5-45567-01-30	SHIM (T:0.30MM)	1	1	UR
	6E5-45567-01-40	SHIM (T:0.40MM)	1	1	UR
	6E5-45567-01-50	SHIM (T:0.50MM)	1	1	UR
6	90340-08002	PLUG, STRAIGHT SCREW	1	1	
7	688-45341-10	PLUG, DRAIN	1	1	
8	90430-08020	GASKET	2	2	
9	6E5-45536-00	SLEEVE, DRIVE SHAFT	1	1	
10	6E5-45378-00	NIPPLE, HOSE	1	1	
11	90445-07ME8	HOSE (L80)	1	1	L
	90445-07ME9	HOSE (L120)	1		X
12	6E5-83558-10	END, NIPPLE	1	1	
13	6E5-45321-00	PLATE	1	1	
14	93210-58144	O-RING	1	1	
15	93106-09014	OIL SEAL	1	1	
16	90119-06M10	BOLT, WITH WASHER	3	3	
17	6E5-44150-02	SHIFT CAM ASSY	1	1	
18	99001-08600	CIRCLIP	1	1	
19	90501-11M10	SPRING, COMPRESSION	1	1	



64W0171-0220

FIG. 22 LOWER CASING & DRIVE 1

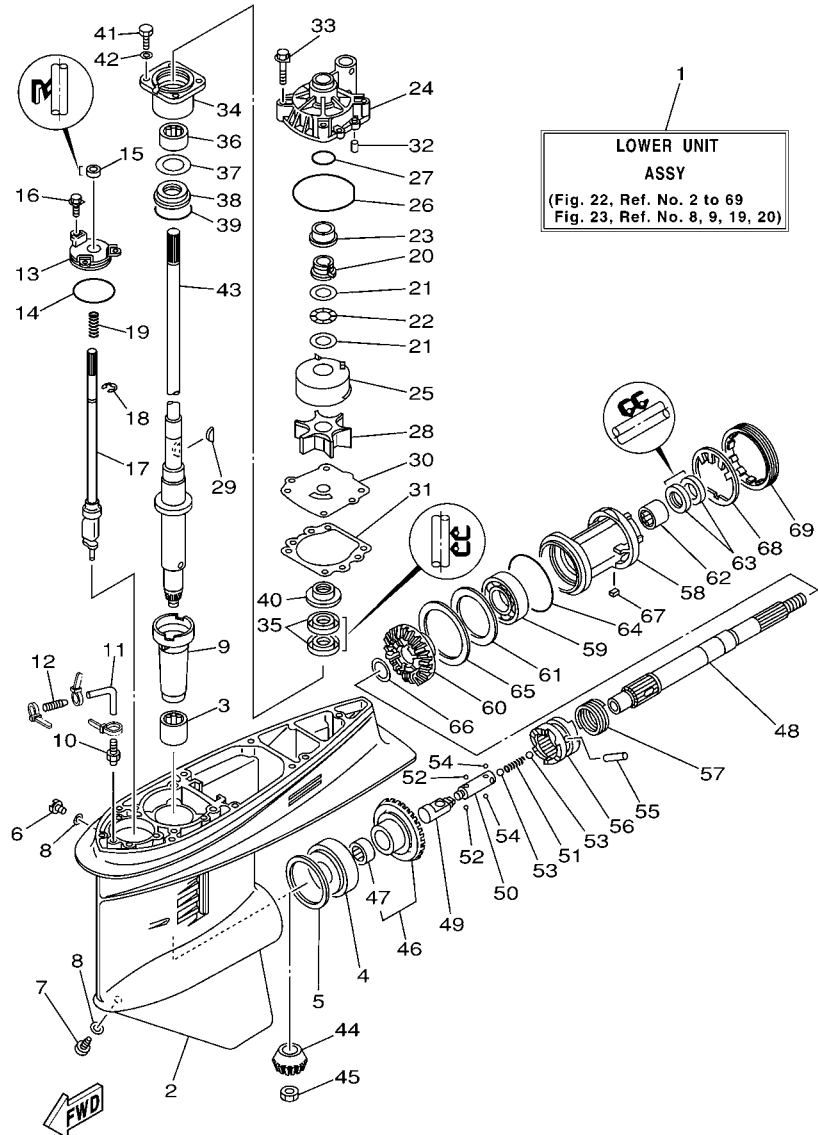
REF. NO.	PART NO.	DESCRIPTION	115C	130B	REMARKS
20	61A-45538-00	SPACER 1	1	1	
21	90201-22M01	WASHER, PLATE	2	2	
22	90206-22M19	WASHER, WAVE	1	1	
23	61A-45527-00	COLLAR, DRIVE SHAFT	1	1	
24	61A-44311-01	HOUSING, WATER PUMP	1	1	
25	61A-44322-02	INSERT, CARTRIDGE	1	1	
26	93210-86M38	O-RING	1	1	
27	93210-37160	O-RING	1	1	
28	6E5-44352-01	IMPELLER	1	1	
29	90280-04M05	KEY, WOODRUFF	1	1	
30	6E5-44323-00	OUTER PLATE, CARTRIDGE	1	1	
31	6E5-44315-A0	GASKET, WATER PUMP	1	1	
32	93606-12019	PIN, DOWEL	2	2	
33	90119-08M14	BOLT, WITH WASHER	4	4	
34	6E5-45331-00-94	HOUSING, BEARING	1	1	
35	93101-28M16	OIL SEAL	2	2	
36	93317-330U2	BEARING	1	1	
37	6E5-45587-01-10	SHIM (T:0.10MM)	1	1	UR
	6E5-45587-01-12	SHIM (T:0.12MM)	1	1	UR
	6E5-45587-01-15	SHIM (T:0.15MM)	1	1	UR
	6E5-45587-01-18	SHIM (T:0.18MM)	1	1	UR
	6E5-45587-01-30	SHIM (T:0.30MM)	1	1	UR
	6E5-45587-01-40	SHIM (T:0.40MM)	1	1	UR
	6E5-45587-01-50	SHIM (T:0.50MM)	1	1	UR
38	93341-930V2	BEARING	1	1	
39	93210-55M14	O-RING	1	1	
40	6E5-45344-00	COVER, OIL SEAL	1	1	



64W0171-0220

FIG. 22 LOWER CASING & DRIVE 1

REF. NO.	PART NO.	DESCRIPTION	115C	130B	REMARKS
41	97095-08025	BOLT	4	4	
42	92995-08600	WASHER	4	4	
43	6E5-45501-01	DRIVE SHAFT COMP.	1	1	L
	6E5-45501-21	DRIVE SHAFT COMP.	1	1	X
44	6E5-45551-02	PINION	1	1	
45	90170-16M01	NUT	1	1	
46	6E5-45560-01	GEAR	1	1	
47	93315-425U7	.BEARING	1	1	
48	6E5-45611-01	SHAFT, PROPELLER	1	1	
49	6E5-45641-03	SHIFTER	1	1	
50	6E5-45634-01	SLIDE, SHIFT	1	1	
51	90501-16M37	SPRING, COMPRESSION	1	1	
52	93507-32009	BALL	2	2	
53	93511-32017	BALL	2	2	
54	93503-16003	BALL	2	2	
55	90250-08M07	PIN, STRAIGHT	1	1	
56	6E5-45631-01	CLUTCH, DOG	1	1	
57	6E5-45633-01	RING, CROSS PIN	1	1	
58	6E5-45332-00-94	HOUSING, BEARING	1	1	
59	93306-208U0	BEARING	1	1	
60	6E5-45571-01	GEAR	1	1	
61	6E5-45576-00	WASHER, THRUST	1	1	
62	93315-43061	BEARING	1	1	
63	93101-30M17	OIL SEAL	2	2	
64	93210-86M39	O-RING	1	1	
65	6L6-45577-00-10	SHIM (T:0.10MM)	1	1	UR
	6L6-45577-00-12	SHIM (T:0.12MM)	1	1	UR



64W0171-0220

FIG. 22 LOWER CASING & DRIVE 1

REF. NO.	PART NO.	DESCRIPTION	115C	130B	REMARKS
65	6L6-45577-00-15	SHIM (T:0.15MM)	1	1	UR
	6L6-45577-00-18	SHIM (T:0.18MM)	1	1	UR
	6L6-45577-00-30	SHIM (T:0.30MM)	1	1	UR
	6L6-45577-00-40	SHIM (T:0.40MM)	1	1	UR
	6L6-45577-00-50	SHIM (T:0.50MM)	1	1	UR
66	90201-30M92	WASHER, PLATE	1	1	
67	90282-04010	KEY, STRAIGHT	1	1	
68	688-45383-02	WASHER, CLAW	1	1	
69	688-45384-00	NUT	1	1	

FIG. 23 LOWER CASING & DRIVE 2

REF. NO.	PART NO.	DESCRIPTION	115C	130B		REMARKS
1	6E5-44366-00	DAMPER, WATER SEAL	1	1		
2	6E5-44361-00	TUBE, WATER	1	1		L
	6E5-44361-20	TUBE, WATER	1			X
3	6E5-44365-00	DAMPER, WATER SEAL	1	1		
4	93608-12M05	PIN, DOWEL	2	2		
5	97075-10045	BOLT	6	6		
6	92995-10100	WASHER	6	6		
7	90119-10M89	BOLT, WITH WASHER	1	1		
8	663-45376-00-94	GUIDE, SEAL DAMPER	1	1		
9	688-45375-00	DAMPER, SEAL	1	1		
10	688-45214-02	COVER, WATER INLET	1	1		
11	688-45215-02	COVER, WATER INLET	1	1		
12	90152-05M07	SCREW, COUNTERSUNK	1	1		
13	90185-05002	NUT, SELF-LOCKING	1	1		
14	6E5-45371-01	TAB-TRIM	1	1		
15	90105-10M00	BOLT, FLANGE	1	1		
16	90445-07MF0	HOSE (L1030)	1	1		
17	6E5-83558-00	END, NIPPLE	1	1		
18	90465-11M10	CLAMP	4	4		
19	6E5-44365-00	DAMPER, WATER SEAL	1	1		
20	6E5-44312-00	COVER, WATER PUMP HOUSING	1	1		
21	6E5-45987-01	SPACER	1	1		
22	688-45997-01	SPACER	1	1		
23	92990-18200	WASHER	1	1		
24	90171-18M04	NUT, CASTLE	1	1		
25	91490-40030	PIN, COTTER	1	1		
26	6E5-45941-00-EL	PROPELLER (3X13"X19"-K)	1	1		UR

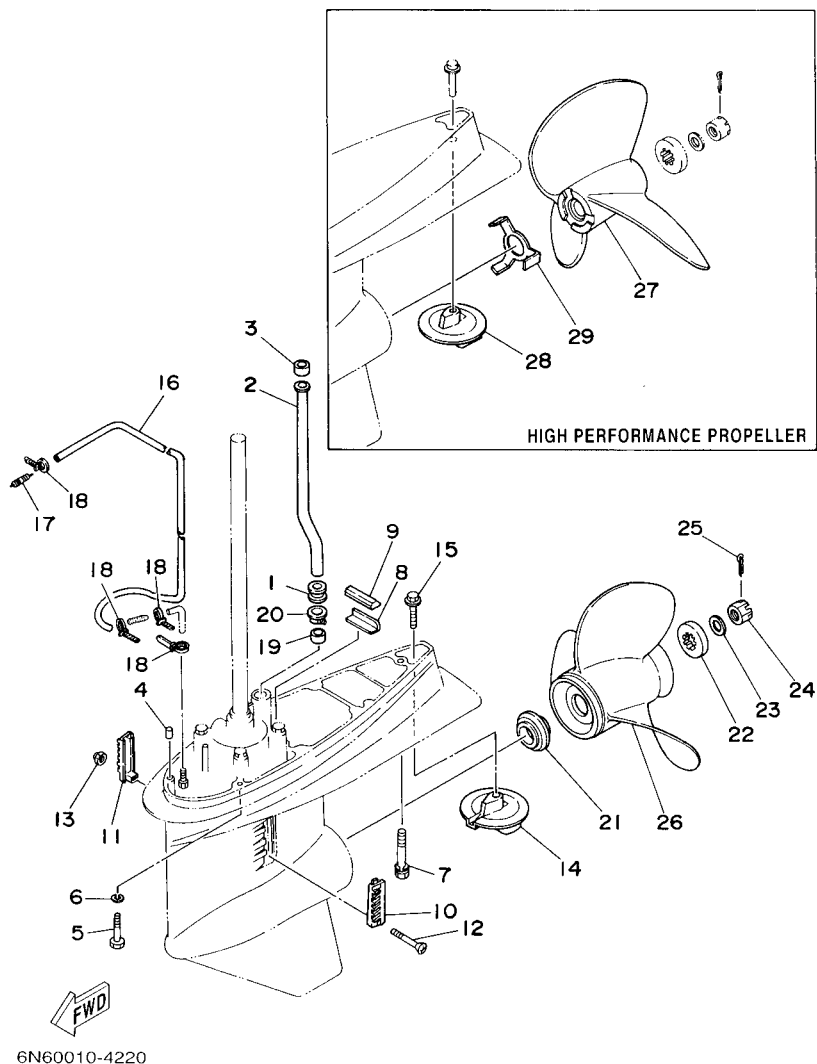
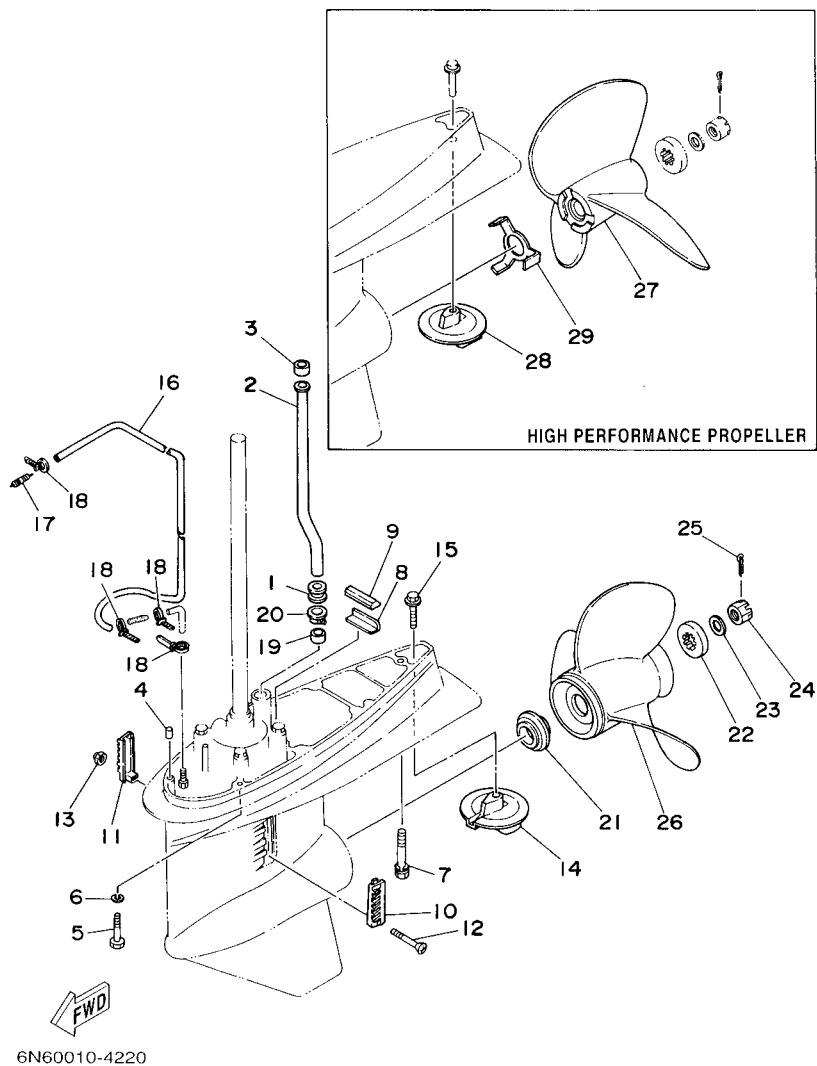


FIG. 23 LOWER CASING & DRIVE 2

REF. NO.	PART NO.	DESCRIPTION	115C	130B	REMARKS
26	6E5-45943-00-EL	PROPELLER (3X12-5/8"X21"-K)	1	1	UR
	6E5-45945-01-EL	PROPELLER (3X13-1/4"X17"-K)	1	1	UR
	6E5-45947-00-EL	PROPELLER (3X13-1/2"X15"-K)	1	1	UR
	6E5-45949-00-EL	PROPELLER (3X13-5/8"X13"-K)	1	1	UR
	6E5-45952-00-EL	PROPELLER (3X13"X23"-K)	1	1	UR
	6E5-45954-00-EL	PROPELLER (3X14"X11"-K)	1	1	UR
	6E5-45956-00-EL	PROPELLER (3X13"X25"-K)	1	1	UR
	688-45930-02-98	PROPELLER (3X13"X17"-K)	1	1	UR
	688-45932-60-98	PROPELLER (3X13-1/2"X14"-K)	1	1	UR
	688-45970-03-98	PROPELLER (3X13"X19"-K)	1	1	UR
	688-45972-02-98	PROPELLER (3X13"X21"-K)	1	1	UR
	688-45974-02-98	PROPELLER (3X13"X23"-K)	1	1	UR
	688-45976-01-98	PROPELLER (3X13"X25"-K)	1	1	UR
	688-45978-60-98	PROPELLER (3X13-1/2"X16"-K)	1	1	UR
27	6E5-45970-10	PROPELLER (3X14"X20"-P)	1	1	UR
	6E5-45972-10	PROPELLER (3X14"X24"-P)	1	1	UR
	6E5-45974-10	PROPELLER (3X14"X28"-P)	1	1	UR
	6E5-45976-10	PROPELLER (3X14"X22"-P)	1	1	UR
	6E5-45978-10	PROPELLER (3X14"X26"-P)	1	1	UR
28	6E5-45371-10	TAB-TRIM	1	1	
29	6E5-45994-10	PLATE, TOOTH	1	1	



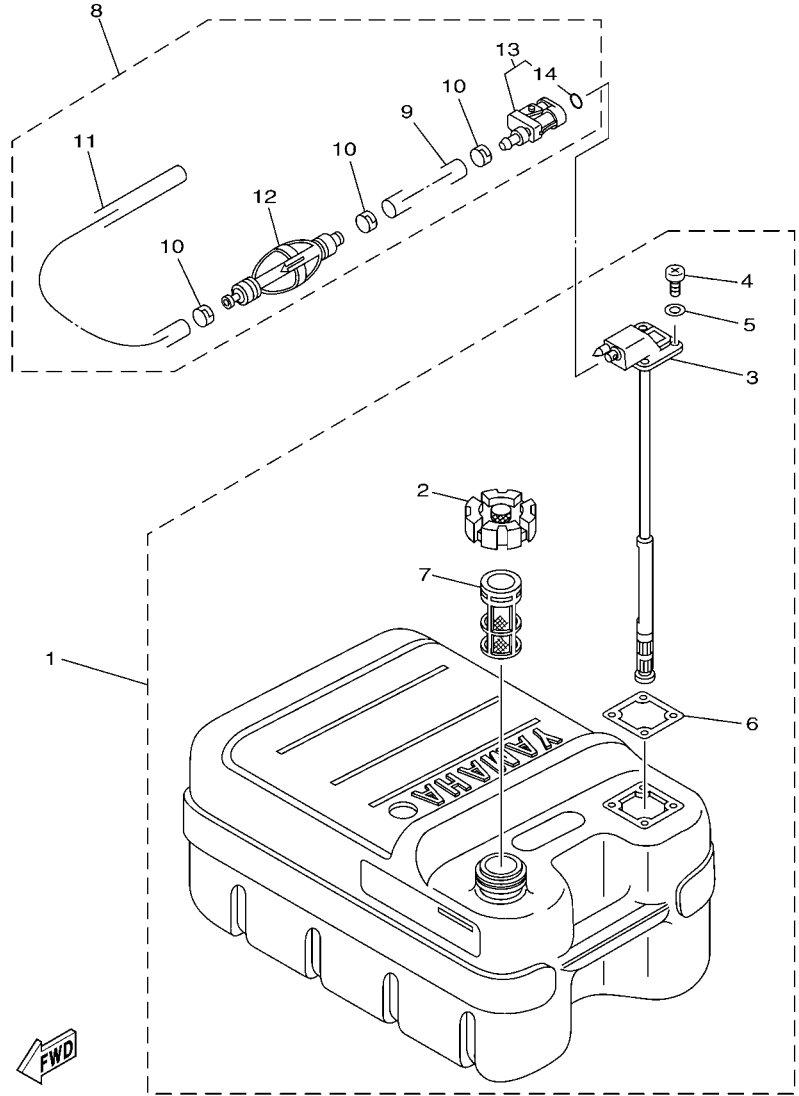
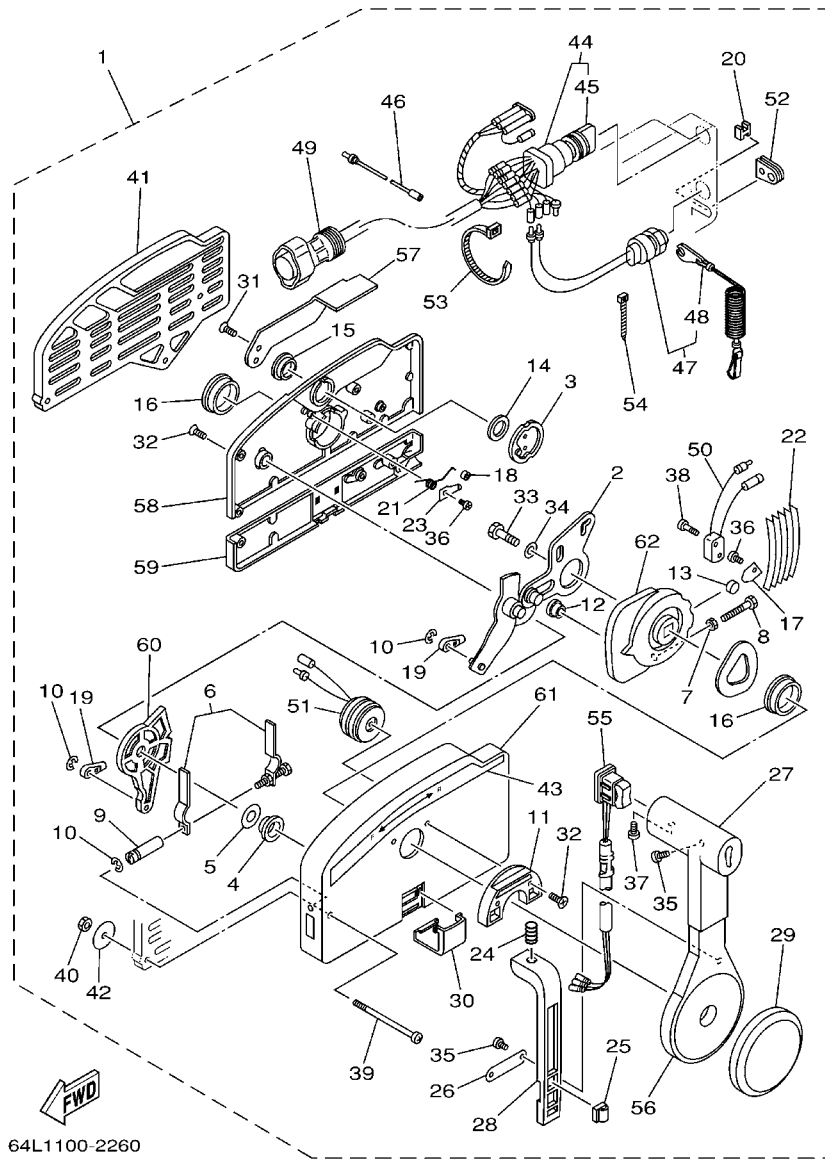


FIG. 24 FUEL TANK

REF. NO.	PART NO.	DESCRIPTION	115C	130B	REMARKS
1	6YJ-24201-10	FUEL TANK ASSY (24L)	1		AP
2	6YJ-24610-01	.CAP ASSY	1		
3	6Y1-24260-12	.FUEL METER ASSY	1		WITH INDICATOR
4	98586-05016	.SCREW, PAN HEAD	4		
5	6Y1-24329-00	.SEAL	4		
6	6Y1-24268-00	.GASKET, FUEL METER	1		
7	6YJ-24167-00	.STRAINER	1		
8	6Y2-24306-44	FUEL PIPE COMP. 1	1		AP
9	90445-13M01	.HOSE (L2050)	1		
10	6E5-24351-51	.BAND 1	3		
11	90445-13M35	.HOSE (L250)	1		
12	6Y2-24360-60	.PRIMER PUMP ASSY	1		
13	6Y2-24305-05	.FUEL PIPE JOINT COMP. 2	1		
14	93210-08287	..O-RING	1		



64L1100-2260

FIG. 27 REMOTE CONTROL ASSY

REF. NO.	PART NO.	DESCRIPTION	115C	130B	REMARKS
1	703-48205-17	REMOTE CONTROL ASSY (10P)	1	1	AP WITH PT/T SW.
2	703-48261-01	.ARM, THROTTLE	1	1	
3	703-48153-00	.SHAFT, FREE ACCEL.	1	1	
4	703-48235-00	.BUSHING	1	1	
5	703-48268-00	.SPACER	1	1	
6	703-48264-00	.THROTTLE, FRICTION	1	1	
7	95380-05600	.NUT	1	1	
8	97380-05025	.BOLT	1	1	
9	703-48265-00	.SHAFT, FRICTION	1	1	
10	93430-06024	.CIRCLIP	3	3	
11	703-48245-00	.PLATE, LOCK	1	1	
12	703-48252-00	.ROLLER, CAM	1	1	
13	701-48248-00	.ROLLER, FREE ACCEL.	1	1	
14	703-48198-00	.WASHER, WAVE	1	1	
15	703-48243-00	.BUSHING	1	1	
16	703-48236-00	.BUSHING 1	2	2	
17	703-48189-00	.RETAINER	1	1	
18	703-48234-00	.ROLLER, DETENT	1	1	
19	703-48345-01	.CABLE END, REMOTE CONTROL 2	2	2	
20	703-48358-00	.ANCHOR, CABLE	1	1	
21	703-48244-00	.SPRING, FREE ACCEL.	1	1	
22	703-48238-00	.SPRING, DETENT	5	5	
23	703-48246-00	.SPACER	1	1	
24	703-48227-00	.SPRING, NEUTRAL LOCK	1	1	
25	703-82594-00	.CLAMP	1	1	WITH PT/T SW.
26	703-48226-00	.PLATE, STOPPER	1	1	
27	703-48222-00	.GRIP, CONTROL LEVER	1	1	SINGLE

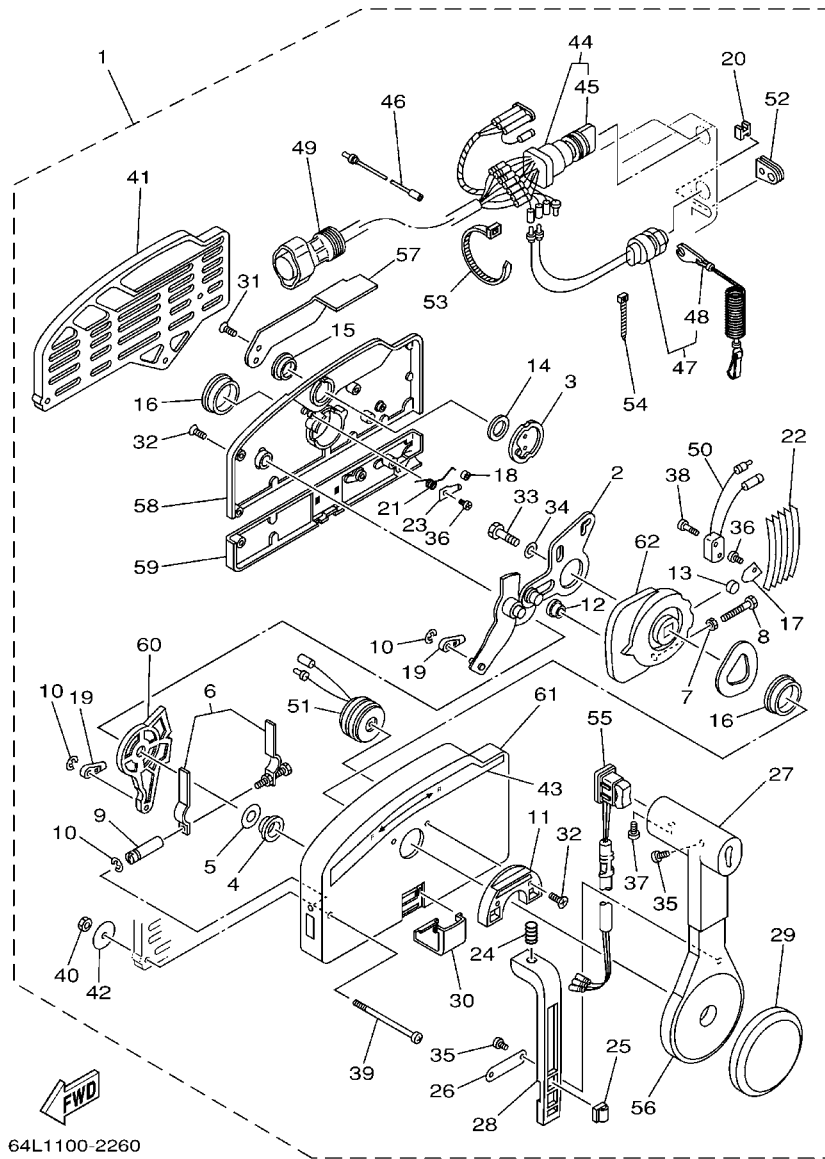
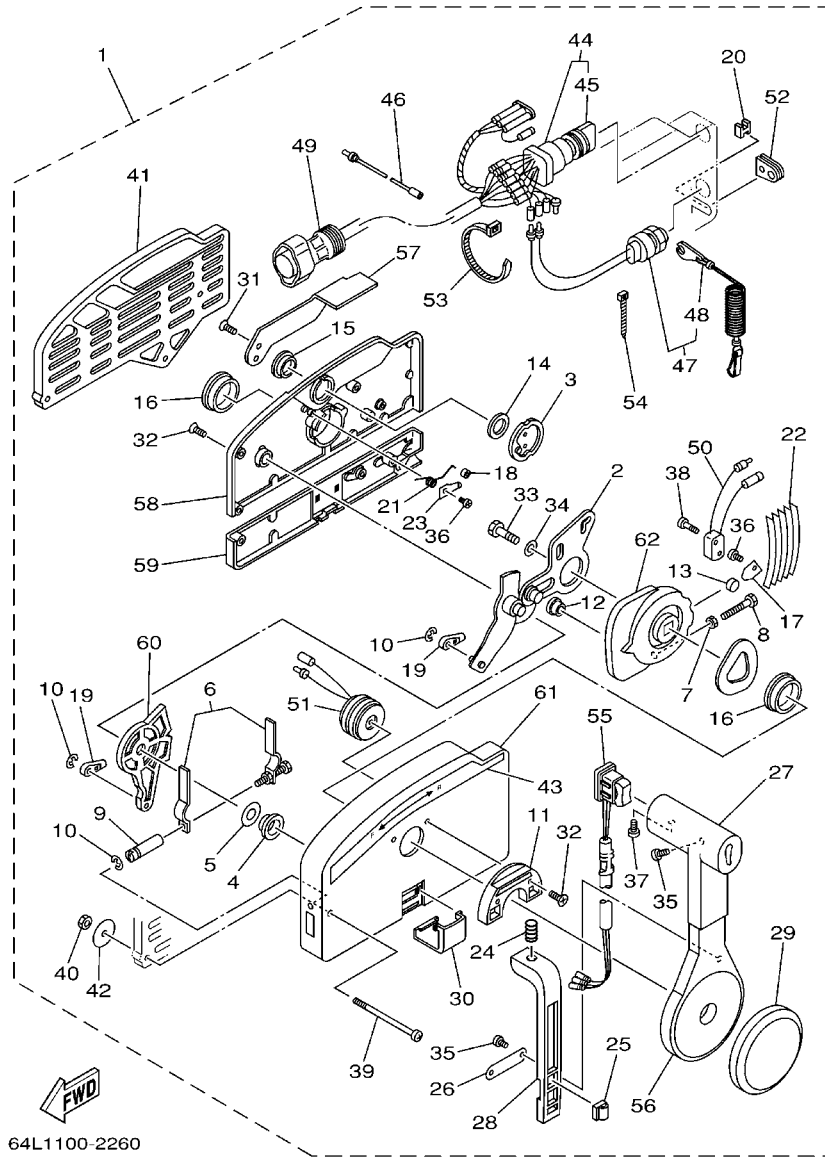


FIG. 27 REMOTE CONTROL ASSY

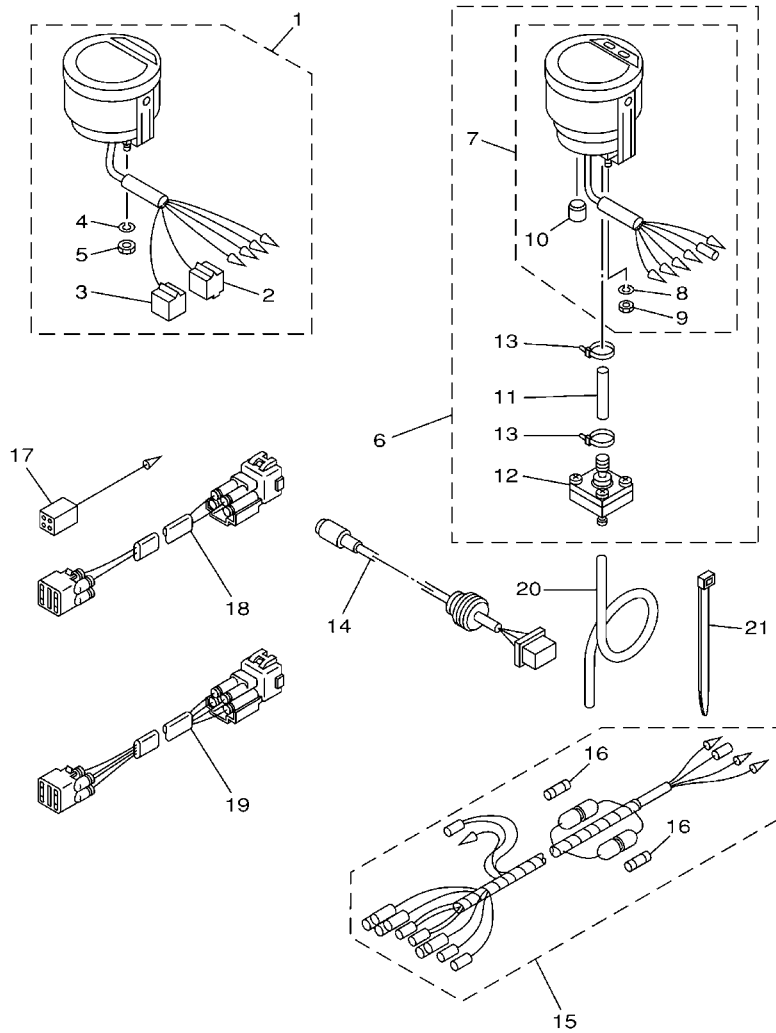
REF. NO.	PART NO.	DESCRIPTION	115C	130B		REMARKS
28	703-48223-00	.LOCK, NEUTRAL	1	1		
29	703-48225-00	.COVER	1	1		
30	703-48219-00	.COVER, LEAD	1	1		
31	703-48281-00	.SCREW	2	2		
32	703-48282-00	.SCREW	7	7		
33	97380-08030	.BOLT	1	1		
34	92990-08600	.WASHER, PLATE	1	1		
35	98580-04010	.SCREW, PAN HEAD	3	3		
36	98580-04006	.SCREW, PAN HEAD	2	2		
37	98580-05010	.SCREW, PAN HEAD	1	1		
38	98580-03015	.SCREW, PAN HEAD	2	2		
39	703-48291-10	.SCREW (M6)	3	3		
40	95380-06600	.NUT, HEXAGON	3	3		
41	703-48293-10	.SPACER, REMOTE CONTROL	1	1		SINGLE
42	701-48287-00	.WASHER	3	3		
43	703-48215-00	.GRAPHIC	1	1		
44	703-82510-43	.MAIN SWITCH ASSY	1	1		
45	703-82577-00	.CAP, KEY	1	1		
46	703-82531-00	.WIRE, LEAD	1	1		
47	688-82575-01	.ENGINE STOP SWITCH ASSY	1	1		
48	682-82556-00	.STOPPER	1	1		
49	688-8258A-20	.EXTENSION, WIRE HARNESS	1	1		L:5M (10P)
50	703-82540-00	.NEUTRAL SWITCH ASSY	1	1		
51	703-83383-02	.BUZZER	1	1		
52	703-48284-00	.GROMMET	1	1		
53	703-82591-00	.BAND	1	1		
54	703-82592-00	.BAND	1	1		



64L1100-2260

FIG. 27 REMOTE CONTROL ASSY

REF. NO.	PART NO.	DESCRIPTION	115C	130B	REMARKS
55	703-82563-02	.TRIM & TILT SWITCH ASSY	1	1	WITH PT/T SW.
56	703-48221-00	.LEVER, CONTROL	1	1	
57	703-48152-00	.KNOB, FREE ACCEL.	1	1	
58	703-48212-00	.BACK PLATE 1	1	1	
59	703-48213-00	.BACK PLATE 2	1	1	
60	703-48271-00	.ARM, SHIFT	1	1	
61	703-48211-01	.HOUSING,1	1	1	
62	703-48232-00	.GEAR	1	1	



65N0300-1250

FIG. 28 METER

REF. NO.	PART NO.	DESCRIPTION	115C	130B	REMARKS
1	6Y5-8350T-03	TACHOMETER ASSY	1	1	AP
2	9E450-04433	.CONNECTOR	1	1	M-4-W
3	9E450-04533	.CONNECTOR	1	1	F-4-W
4	92990-04100	.WASHER, SPRING	2	2	
5	95380-04600	.NUT	2	2	
6	6Y5-83500-S5	DIGITAL SPEEDOMETER ASSY	1	1	AP
7	6Y5-83570-S5	.SPEEDOMETER ASSY	1	1	
8	92990-04100	..WASHER, SPRING	2	2	
9	95380-04600	..NUT	2	2	
10	6Y5-83533-T2	..GROMMET	1	1	
11	6Y5-83557-31	.TUBE	1	1	
12	6Y5-83728-00	.CONNECTOR ASSY	1	1	
13	90465-11M10	.CLAMP	2	2	
14	6Y5-87122-S0	CORD ASSY 1	1	1	AP
15	6Y5-83553-M0	WIRE, LEAD	1	1	AP
16	1E6-82151-00	.FUSE (10A)	2	2	
17	6Y5-82117-00	WIRE, LEAD (BLACK)	1	1	AP
18	6R3-82521-70	WIRE, LEAD	1	1	AP 7M
19	6R3-82553-70	EXTENSION, WIRE LEAD	1	1	AP 4P,7M
20	6Y5-83557-00	TUBE (6M)	1	1	AP
21	90465-11M10	CLAMP	2	2	AP

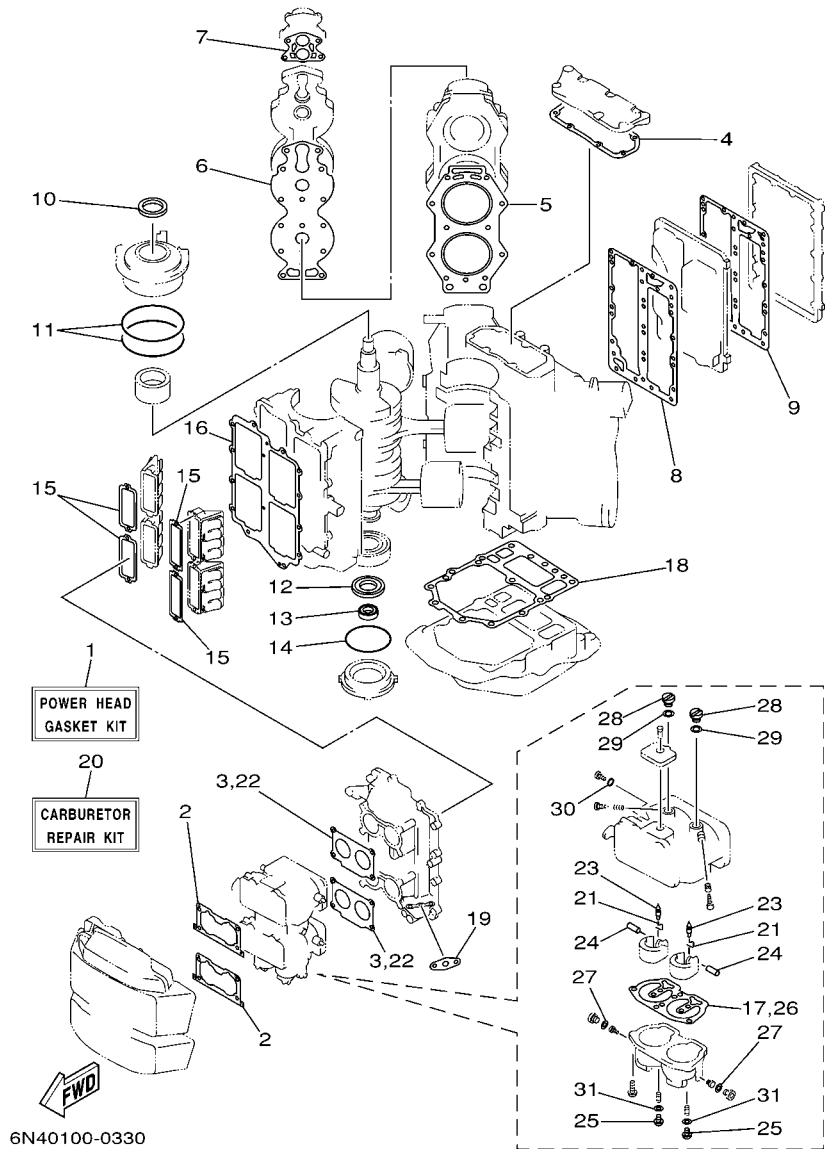


FIG. 29 REPAIR KIT 1

REF. NO.	PART NO.	DESCRIPTION	115C	130B		REMARKS
1	6N6-W0001-A5	POWER HEAD GASKET KIT	1	1		
2	6K7-14483-00	.GASKET	2	2		
3	6E5-14198-A2	.GASKET	2	2		
4	6E5-11381-A2	.GASKET 1	1	1		
5	6E5-11181-A1	.GASKET, CYLINDER HEAD 1	2	2		
6	6E5-11193-A0	.GASKET, HEAD COVER 1	2	2		
7	688-12414-A1	.GASKET, COVER	2	2		
8	6E5-41112-A1	.GASKET, EXHAUST INNER COVER	1	1		
9	6E5-41114-A0	.GASKET, EXHAUST OUTER COVER	1	1		
10	93102-40M14	.OIL SEAL	1	1		
11	93211-04001	.O-RING	2	2		
12	93102-35M13	.OIL SEAL	1	1		
13	93101-22M15	.OIL SEAL	1	1		
14	93210-74M35	.O-RING	1	1		
15	6E5-13621-A1	.GASKET, VALVE SEAT	4	4		
16	6E5-13645-A1	.GASKET, MANIFOLD 1	1	1		
17	64D-14384-01	.GASKET, FLOAT CHAMBER	2	2		
18	6G5-45113-A1	.GASKET, UPPER CASING	1	1		
19	650-24431-A0	.GASKET, FUEL PUMP 1	1	1		
20	6N6-W0093-09	CARBURETOR REPAIR KIT	1	1		
21	6E5-14159-00	.CLIP	2	2		
22	6E5-14198-A2	.GASKET	1	1		
23	6E5-14546-00	.VALVE, NEEDLE	2	2		
24	6E5-14386-02	.PIN, FLOAT	2	2		
25	64D-14394-00	.VALVE, DRAIN	2	2		
26	64D-14384-01	.GASKET, FLOAT CHAMBER	1	1		
27	6E5-14398-00	.GASKET	2	2		

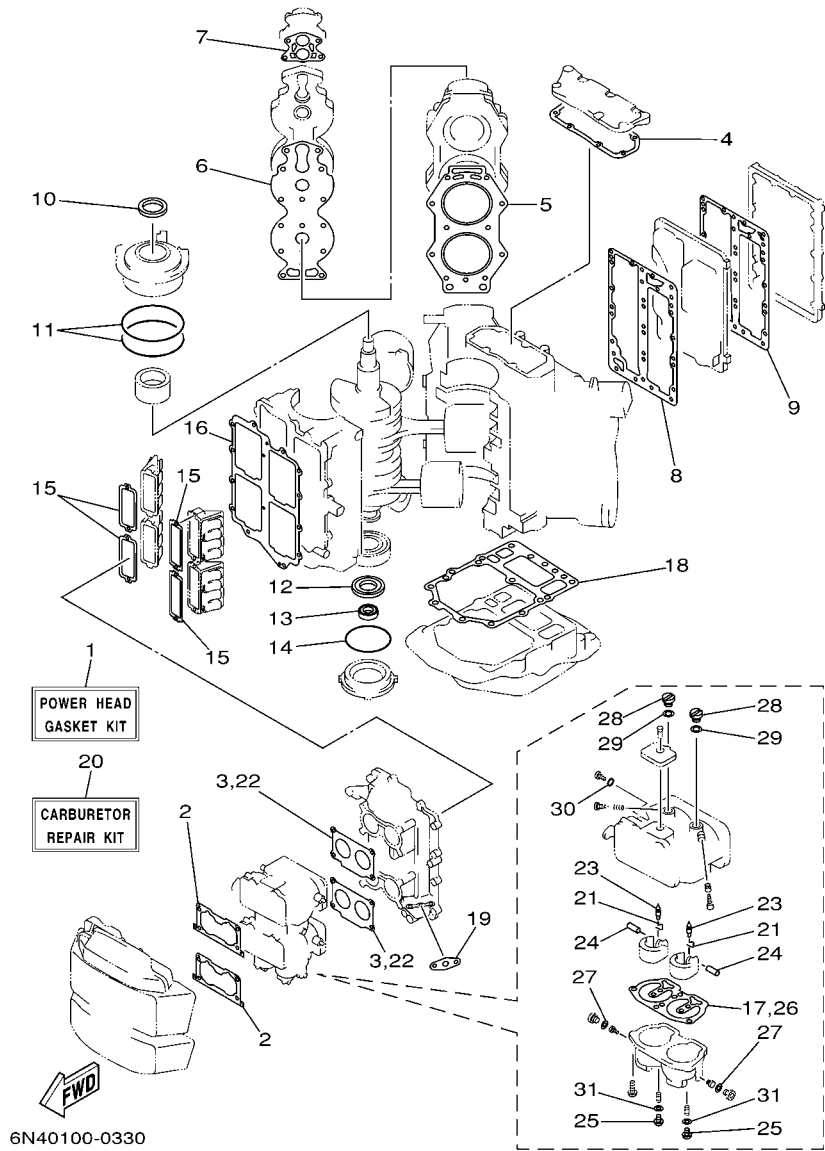


FIG. 29 REPAIR KIT 1

REF. NO.	PART NO.	DESCRIPTION	115C	130B			REMARKS
28	6E5-14328-01	.PLUG	2	2			
29	6E5-14979-00	.GASKET	2	2			
30	6J8-14995-00	.GASKET	1	1			
31	61U-14959-00	.GASKET	2	2			

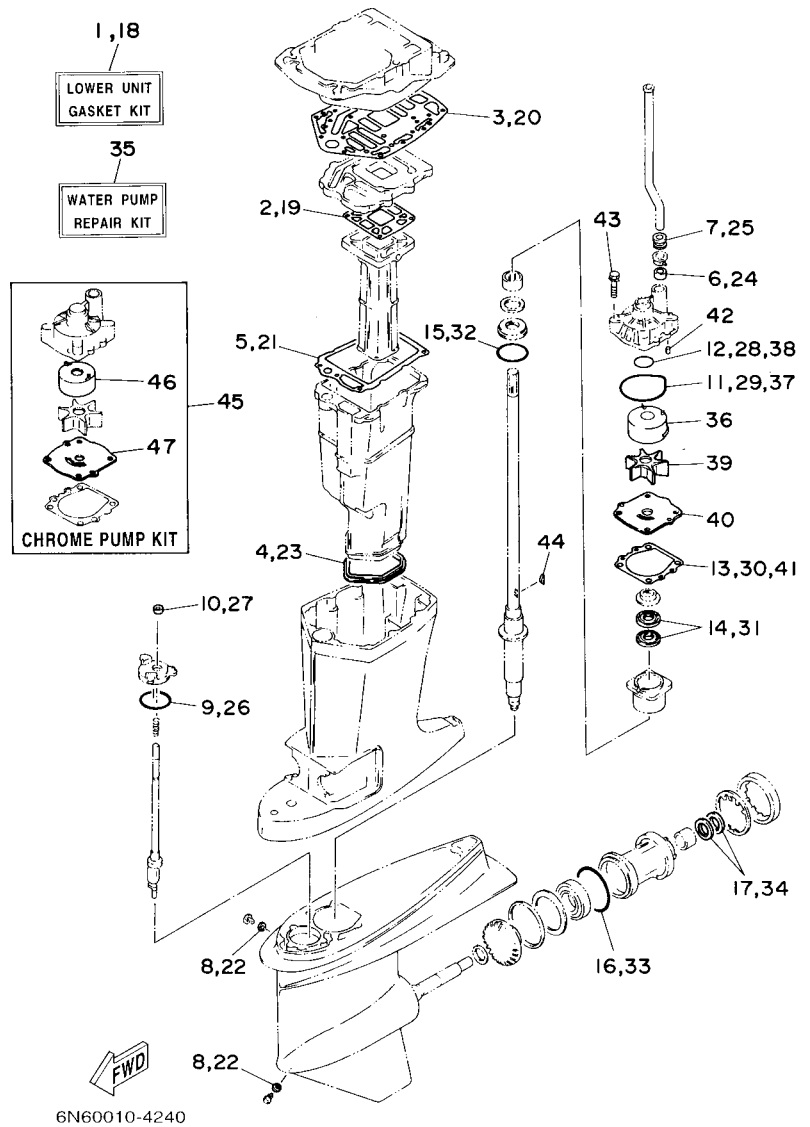


FIG. 30 REPAIR KIT 2

REF. NO.	PART NO.	DESCRIPTION	115C	130B	REMARKS
1	6E5-W0001-F1	LOWER UNIT GASKET KIT	1		
2	6E5-41134-A0	.GASKET, EXHAUST MANIFOLD	1		
3	6G5-45114-A1	.GASKET, UPPER CASING	1		
4	6E5-45123-00	.GASKET, MUFFLER	1		
5	6E5-41135-A0	.GASKET, EXHAUST MANIFOLD	1		
6	6E5-44365-00	.DAMPER, WATER SEAL	1		
7	6E5-44366-00	.DAMPER, WATER SEAL	1		
8	90430-08020	.GASKET	2		
9	93210-58144	.O-RING	1		
10	93106-09014	.OIL SEAL	1		
11	93210-86M38	.O-RING	1		
12	93210-37160	.O-RING	1		
13	6E5-44315-A0	.GASKET, WATER PUMP	1		
14	93101-28M16	.OIL SEAL	2		
15	93210-55M14	.O-RING	1		
16	93210-86M39	.O-RING	1		
17	93101-30M17	.OIL SEAL	2		
18	6F3-W0001-C1	LOWER UNIT GASKET KIT	1		
19	6G5-41134-A1	.GASKET, EXHAUST MANIFOLD	1		
20	6G5-45114-A1	.GASKET, UPPER CASING	1		
21	6E5-41135-A0	.GASKET, EXHAUST MANIFOLD	1		
22	90430-08020	.GASKET	2		
23	6E5-45123-00	.GASKET, MUFFLER	1		
24	6E5-44365-00	.DAMPER, WATER SEAL	1		
25	6E5-44366-00	.DAMPER, WATER SEAL	1		
26	93210-58144	.O-RING	1		
27	93106-09014	.OIL SEAL	1		

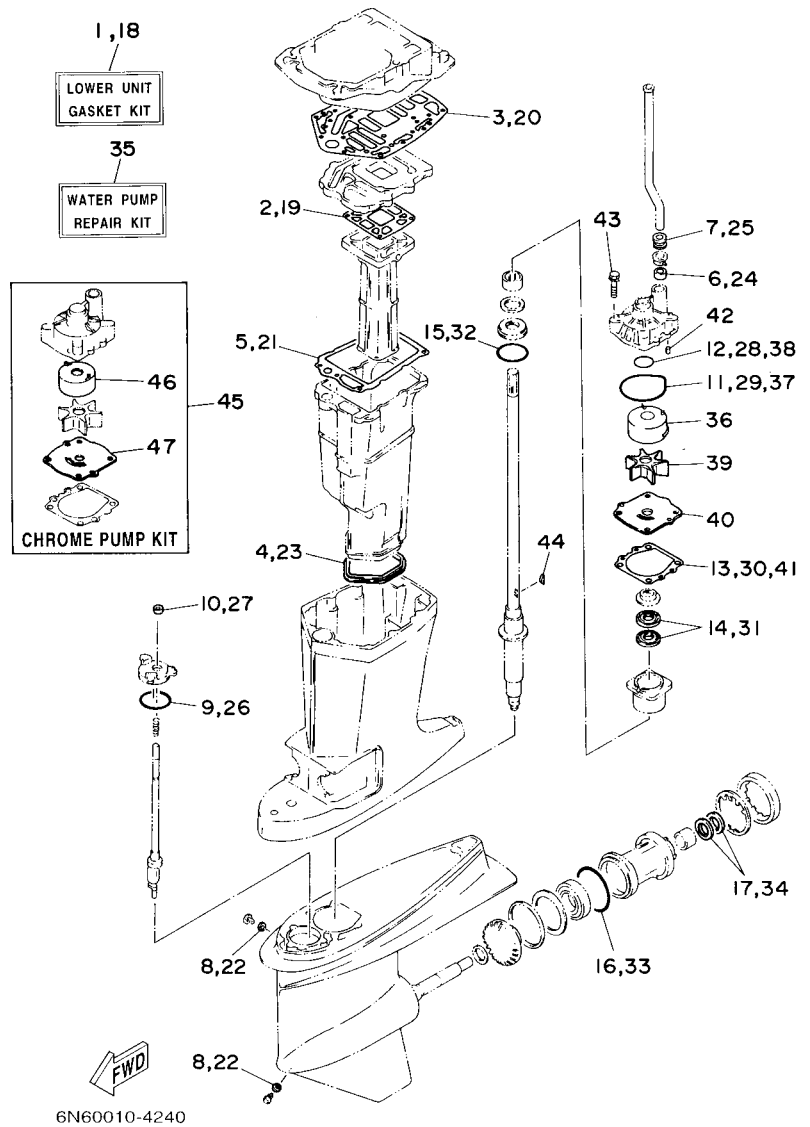


FIG. 30 REPAIR KIT 2

REF. NO.	PART NO.	DESCRIPTION	115C	130B	REMARKS
28	93210-37160	.O-RING		1	
29	93210-86M38	.O-RING		1	
30	6E5-44315-A0	.GASKET, WATER PUMP		1	
31	93101-28M16	.OIL SEAL		2	
32	93210-55M14	.O-RING		1	
33	93210-86M39	.O-RING		1	
34	93101-30M17	.OIL SEAL		2	
35	6N6-W0078-02	WATER PUMP REPAIR KIT	1	1	
36	61A-44322-02	.INSERT, CARTRIDGE	1	1	
37	93210-86M38	.O-RING	1	1	
38	93210-37160	.O-RING	1	1	
39	6E5-44352-01	.IMPELLER	1	1	
40	6E5-44323-00	.OUTER PLATE, CARTRIDGE	1	1	
41	6E5-44315-A0	.GASKET, WATER PUMP	1	1	
42	93606-12019	.PIN, DOWEL	2	2	
43	90119-08M14	.BOLT, WITH WASHER	4	4	
44	90280-04M05	.KEY, WOODRUFF	1	1	
45	6E5-W0078-3A	CHROME PUMP KIT	1	1	
46	6R3-44322-42	.INSERT, CARTRIDGE	1	1	
47	6E5-44323-40	.OUTER PLATE, CARTRIDGE	1	1	

NUMERICAL INDEX

PART NO.	REF. NO.	PART NO.	REF. NO.	PART NO.	REF. NO.	PART NO.	REF. NO.	PART NO.	REF. NO.	PART NO.	REF. NO.
6L1-11111-00-1S	4 - 1	6E5-13437-62	8 - 44	6E5-14711-01-5B	21 - 28	650-24378-00	4 - 15	688-41611-00	11 - 9	6N7-42815-01-8D	15 - 4
6E5-11111-10-1S	4 - 1	6E5-13448-00	8 - 24	6E5-14737-00	21 - 29	6E5-24379-00	8 - 12	688-41612-00	11 - 10	6R3-42816-00	15 - 16
6E5-11119-01	2 - 16	6R3-13471-00	7 - 2	64D-1492E-88	6 - 12	6E5-24410-03	9 - 16	6E5-41631-01-1S	16 - 10	6R3-42824-00	15 - 14
6E5-11181-A1	4 - 2	6L2-13475-00	7 - 3	64D-1492E-90	6 - 12	6E5-24411-00	9 - 21	6E5-41632-02-1S	16 - 6	6N7-42828-00	15 - 24
	29 - 5	6E5-13552-01	5 - 7	64D-1492F-39	6 - 9	6E5-24412-10	9 - 28	688-41636-00	16 - 29	6R3-42828-00	15 - 25
6E5-11191-01-1S	4 - 4	6E5-13610-00	5 - 1	64D-1492F-41	6 - 9	6E5-24413-00	9 - 18	6E5-41636-01	16 - 23	6N7-42850-00	15 - 17
6E5-11193-A0	4 - 5	6E5-13621-A1	5 - 3	61A-1492H-12	6 - 14	6A0-24421-01	9 - 25	6E5-42510-A1-8D	18 - 10	6N7-42850-10	15 - 19
	29 - 6		29 - 15	61U-14959-00	6 - 10	6E5-24423-00	9 - 23	6E5-42510-B1-8D	18 - 10	6N7-42850-20	15 - 20
6E5-11325-00	2 - 14	6E5-13641-11-1S	5 - 6		29 - 31	648-24424-00	9 - 22	624-42542-00	8 - 31	64E-43111-02-8D	17 - 1
6E5-11370-01	5 - 9	6E5-13645-A1	5 - 14	6E5-14979-00	6 - 19	650-24431-A0	9 - 29		12 - 3	64E-43112-02-8D	17 - 9
6K7-11371-01-1S	2 - 22		29 - 16		29 - 29		29 - 19	6N6-42610-60-4D	1 - 1	64E-43126-00	17 - 36
6G5-11372-00-1S	4 - 23	6E5-14159-00	6 - 7	6J8-14995-00	6 - 26	6E5-24434-02	9 - 24	6N7-42610-60-4D	1 - 1	64E-43131-01	17 - 15
6E5-11372-01	2 - 5		29 - 21		29 - 30	6E5-24435-00	9 - 20	6N7-42613-00-4D	1 - 12	64E-43139-02	18 - 1
624-11379-00	2 - 3	6E5-14198-A2	5 - 19	6N6-15100-01-1S	2 - 2	6E5-24444-00	9 - 17	6E5-43145-01	1 - 11	6G5-43144-00	17 - 27
6E5-11381-A2	2 - 23		29 - 3	6N7-15100-01-1S	2 - 2	6E5-24471-00	9 - 19	6E5-43145-01	1 - 9	6E5-43145-01	25 - 8
	29 - 4	6E5-14223-00	6 - 21	6R3-15163-00-1S	3 - 3	61N-24521-00	9 - 7	6N7-42619-00	1 - 10	6G5-43148-10	17 - 32
6G5-11382-A1	4 - 22	6E5-14276-01	7 - 26	6G5-15359-00-94	3 - 12	6R3-24560-00	9 - 5	6N7-42627-00	1 - 14	6G5-43181-02	17 - 29
6N7-11411-01	3 - 1	6L1-14301-05	6 - 1	6E5-21708-10	8 - 1	6R3-24563-00	9 - 6	6R3-42647-00	1 - 2	6G5-43185-02	17 - 30
6E5-11447-00	3 - 2	6E5-14301-17	6 - 1	6E5-21733-20	8 - 2	6E5-24566-00	9 - 9	6R3-42662-00	1 - 5	64E-43311-10-8D	17 - 22
663-11518-01	2 - 4	6L1-14302-05	6 - 2	6E5-21734-01-33	8 - 17	6YJ-24610-01	24 - 2	6N7-42678-30	1 - 22	64E-43311-20-8D	17 - 22
6R3-11536-00	3 - 9	6E5-14302-17	6 - 2	6E5-21746-00	8 - 19	6A1-28176-00	15 - 54	6A1-43376-30	1 - 23	61A-43376-00	18 - 8
6R3-11537-00	7 - 16	6E5-14321-00	6 - 16	6E5-21750-05	8 - 23	6E5-41111-00-1S	4 - 11	6N7-42681-30	1 - 20	64E-43800-02-4D	19 - 1
64D-11603-01	3 - 18	6E5-14323-03	6 - 20	6E5-21770-03	8 - 3	6L1-41111-00-1S	4 - 11	6N7-42682-30	1 - 21	64E-43802-00	20 - 8
64D-11604-01	3 - 18	6E5-14324-00	6 - 25	6E5-21798-01-33	8 - 18	6E5-41112-A1	4 - 12	6N6-42686-40	1 - 17	64E-43805-00	20 - 37
64D-11605-01	3 - 18	6A0-14325-00	9 - 26	6YJ-24167-00	24 - 7		29 - 8	6N7-42686-40	1 - 17	64E-4380F-00	20 - 33
6R5-11631-11-93	3 - 17	6E5-14328-01	6 - 18	6YJ-24201-10	24 - 1	6N7-41113-00-1S	4 - 14	6N6-42687-30	1 - 18	64E-4380J-00	20 - 30
6R5-11633-10	3 - 21		29 - 28	646-24251-02	8 - 6	6E5-41114-A0	4 - 13	6N7-42687-30	1 - 18	64E-43810-00	19 - 6
6R5-11634-10	3 - 22	6J8-14334-00	6 - 17	6Y1-24260-12	24 - 3		29 - 9	6N7-42711-43-8D	15 - 1	6E5-43814-02	19 - 13
6R5-11635-11	3 - 17	64D-14381-00	6 - 4	6Y1-24268-00	24 - 6	6G5-41131-01-5B	21 - 20	648-42715-00	16 - 49	64E-43816-00	20 - 17
6R5-11636-11	3 - 17	61A-14383-01	6 - 15	6Y2-24305-05	24 - 13	6L1-41132-00-5B	21 - 24	6E5-42716-00	15 - 43	64E-43817-00	19 - 5
6R5-11642-11-93	3 - 19	64D-14384-01	6 - 3	6YK-24306-43	10 - 1	6E5-41132-10-5B	21 - 24	6E5-42724-00	21 - 11	64E-43817-10	20 - 19
6R5-11645-11	3 - 19		29 - 17	6Y2-24306-44	24 - 8	6E5-41134-A0	21 - 25	6N7-42725-20	15 - 10	64E-43818-01	19 - 32
6R5-11646-11	3 - 19	6E5-14385-02	6 - 5	6E5-24312-00	4 - 16		30 - 2	688-42726-10	15 - 28	64E-43818-00	19 - 27
6R5-11650-10	3 - 23	6E5-14386-02	6 - 8	6N7-24313-00	9 - 1	6G5-41134-A1	21 - 25	6N7-42738-02-5B	15 - 11	64E-43820-00	19 - 15
6E5-12411-30	4 - 7		29 - 24	6E5-24314-00	9 - 13		30 - 19	6N7-42741-01-8D	15 - 29	64E-43821-00	19 - 16
6G5-12413-00-1S	4 - 8	64D-14394-00	6 - 11	6G5-24316-10	9 - 31	6E5-41135-A0	21 - 32	6H4-42748-00	15 - 3	64E-43822-00	19 - 17
688-12414-A1	4 - 9		29 - 25	6G5-24318-10	9 - 35		30 - 5	6E5-42761-00-1S	2 - 18	64E-43825-01	19 - 2
	29 - 7	6E5-14398-00	6 - 13	6E5-24319-01	8 - 7	6G5-41137-02-94	21 - 10	6E5-42762-00-1S	2 - 19	64E-43827-00	20 - 22
6G5-12416-00	4 - 19		29 - 27	6G5-24319-10	9 - 36	6E5-41213-00	16 - 32	6E5-42769-00	21 - 5	64E-43828-00	19 - 22
6E5-12576-00	4 - 25	6E5-1441K-00	5 - 27	6E5-24321-01	8 - 11	6E5-41217-01	5 - 21	6R3-42771-01-8D	15 - 30	64E-43829-00	19 - 23
6G5-12581-00	21 - 12	6N7-14440-01	5 - 26	6E5-24322-00	8 - 4	6H1-41237-00	7 - 21	6K7-42791-00	15 - 53	64E-4382G-00	19 - 29
6R3-13117-00	7 - 17	6K7-14483-00	5 - 29	64E-24323-00	8 - 33	6R5-41237-00	7 - 23	6G5-42791-10	15 - 53	64E-43830-00	20 - 4
6R3-13183-10	7 - 12		29 - 2	6Y1-24329-00	24 - 5	662-41237-01	16 - 25	6R3-42791-41	21 - 2	64E-43831-00	20 - 2
6N6-13200-00	7 - 1	624-14485-00	5 - 8	6E5-24351-51	24 - 10	6R3-41241-00	7 - 20	6R3-42792-41	21 - 3	64E-43841-00	20 - 7
6N7-13200-00	7 - 1	6E5-14488-00	11 - 21	6Y2-24360-60	24 - 12	6E5-41256-01	5 - 22	6R3-42811-01	15 - 15	64E-43843-00	20 - 6
6E5-13411-00	8 - 27	6E5-14527-01	6 - 23	6E5-24367-10	15 - 40	661-41262-02	5 - 23	6R3-42811-10	15 - 18	64E-43843-10	20 - 38
6E5-13414-00	8 - 28	6E5-14546-00	6 - 6	6E5-24376-10	9 - 34	6N7-41271-00	5 - 24	6R3-42813-00	15 - 21	64E-4384J-00	19 - 18
6N7-13416-00	7 - 7		29 - 23	6R3-24377-00	9 - 2	689-41273-00	5 - 25	6R3-42814-00	1 - 6	64E-43850-00	20 - 15

NUMERICAL INDEX

PART NO.	REF. NO.	PART NO.	REF. NO.	PART NO.	REF. NO.	PART NO.	REF. NO.	PART NO.	REF. NO.	PART NO.	REF. NO.
64E-43851-00	20 - 11	61A-44322-02	30 - 36	688-45375-00	23 - 9	6E5-45954-00-EL	23 - 26	703-48281-00	27 - 31	689-81952-10	13 - 9
64E-43855-00	20 - 14	6R3-44322-42	30 - 46	663-45376-00-94	23 - 8	6E5-45956-00-EL	23 - 26	703-48282-00	27 - 32	6E5-8195A-00	13 - 11
64E-43858-00	20 - 12	6E5-44323-00	22 - 30	6E5-45378-00	22 - 10	688-45970-03-98	23 - 26	703-48284-00	27 - 52	6R3-81960-00	12 - 13
6E5-43858-00	19 - 28		30 - 40	688-45383-02	22 - 68	6E5-45970-10	23 - 27	701-48287-00	27 - 42	6N7-82105-02	13 - 34
72X-43858-00	20 - 5	6E5-44323-40	30 - 47	688-45384-00	22 - 69	688-45972-02-98	23 - 26	703-48291-10	27 - 39	6E5-82116-00	13 - 14
64E-43859-00	20 - 13	6E5-44352-01	22 - 28	6E5-45501-01	22 - 43	6E5-45972-10	23 - 27	703-48293-10	27 - 41	6Y5-82117-00	28 - 17
64E-43860-00	20 - 20		30 - 39	6E5-45501-21	22 - 43	688-45974-02-98	23 - 26	701-48320-00	26 - 2	6E5-82117-01	13 - 35
6E5-43862-00	19 - 10	6E5-44361-00	23 - 2	61A-45527-00	22 - 23	6E5-45974-10	23 - 27	701-48320-50	26 - 2	6G5-82119-00	13 - 13
6G5-43863-00	20 - 10	6E5-44361-20	23 - 2	6E5-45536-00	22 - 9	688-45976-01-98	23 - 26	701-48320-60	26 - 2	6E5-82147-00	17 - 26
6E5-43864-00	19 - 20	6E5-44365-00	23 - 3	61A-45538-00	22 - 20	6E5-45976-10	23 - 27	701-48320-80	26 - 2	6E5-82147-20	17 - 26
6G5-43864-00	19 - 19		30 - 6	6E5-45551-02	22 - 44	6E5-45978-10	23 - 27	6E5-48344-00	16 - 7	6E5-82148-00	17 - 6
64E-43865-00	20 - 16	6E5-44366-00	23 - 1	6E5-45560-01	22 - 46	688-45978-60-98	23 - 26	703-48345-01	27 - 19	6E5-82149-00	18 - 19
6G5-43865-00	20 - 35		30 - 7	6E5-45567-01-10	22 - 5	6E5-45987-01	23 - 21	701-48350-00	26 - 2	1E6-82151-00	28 - 16
64E-43866-00	19 - 9	6E5-44391-00	15 - 9	6E5-45567-01-12	22 - 5	6E5-45994-10	23 - 29	701-48350-20	26 - 2	663-82151-00	13 - 31
64E-43867-00	19 - 8	6E5-44511-00-5B	18 - 38	6E5-45567-01-15	22 - 5	688-45997-01	23 - 22	703-48358-00	27 - 20	705-82151-00	13 - 32
64E-43868-00	20 - 3	6E5-44514-00-94	18 - 31	6E5-45567-01-18	22 - 5	703-48152-00	27 - 57	6E5-48531-00	16 - 1	6G5-82152-00	13 - 33
64E-43869-00	19 - 26	6G5-44526-00	17 - 3	6E5-45567-01-30	22 - 5	703-48153-00	27 - 3	6E5-48538-00	16 - 2	6A0-82317-00	8 - 30
6H1-4386K-10	20 - 29	68F-44533-00	2 - 20	6E5-45567-01-40	22 - 5	703-48189-00	27 - 17	6E5-61350-02	25 - 1		12 - 2
6E5-43872-00	19 - 12	6G5-44551-01-8D	18 - 13	6E5-45567-01-50	22 - 5	703-48198-00	27 - 14	6E5-61351-01	25 - 2	663-82317-01	11 - 18
64E-43873-00	20 - 24	6E5-44552-01-94	18 - 24	6E5-45571-01	22 - 60	703-48205-17	26 - 1	6E5-61355-00	25 - 5	6G1-82370-21	13 - 4
6E5-43874-01	19 - 21	6E5-44553-01-8D	18 - 27	6E5-45576-00	22 - 61		27 - 1	6E5-81332-00	11 - 13	703-82510-43	27 - 44
64E-43875-00	20 - 25	6E5-44555-00-94	18 - 16	6L6-45577-00-10	22 - 65	703-48211-01	27 - 61	6N7-81337-00	11 - 16	662-82519-00	13 - 5
64E-43879-00	20 - 27	663-44575-00	18 - 37	6L6-45577-00-12	22 - 65	703-48212-00	27 - 58	6N7-81800-10	14 - 1	6R3-82519-00	13 - 36
64E-43879-10	20 - 26	6E5-44575-00	18 - 15	6L6-45577-00-15	22 - 65	703-48213-00	27 - 59	6N7-81801-00	14 - 8	6R3-82521-70	28 - 18
64E-4387A-00	20 - 23	6E5-45111-02-8D	21 - 1	6L6-45577-00-18	22 - 65	703-48215-00	27 - 43	6N7-81807-00	14 - 11	703-82531-00	27 - 46
64E-43880-01	20 - 28	6E5-45111-23-8D	21 - 1	6L6-45577-00-30	22 - 65	703-48219-00	27 - 30	61A-81809-00	14 - 3	6E5-82531-10	13 - 39
64E-43883-00	19 - 11	6G5-45113-A1	21 - 14	6L6-45577-00-40	22 - 65	703-48221-00	27 - 56	703-81810-00	14 - 5	703-82540-00	27 - 50
64E-4388E-00	19 - 25		29 - 18	6L6-45577-00-50	22 - 65	703-48222-00	27 - 27	6N7-81813-00	14 - 9	6R3-82553-70	28 - 19
64E-4388E-10	20 - 1	6G5-45114-A1	21 - 21	6E5-45587-01-10	22 - 37	703-48223-00	27 - 28	6N7-81820-10	14 - 10	682-82556-00	27 - 48
64E-4388J-00	19 - 3		30 - 3	6E5-45587-01-12	22 - 37	703-48225-00	27 - 29	6R3-81822-00-94	14 - 19	688-82560-10	13 - 27
64E-43891-00	20 - 31	663-45119-00	17 - 14	6E5-45587-01-15	22 - 37	703-48226-00	27 - 26	61A-81824-00	14 - 4	6R3-82563-00	13 - 43
64E-43892-00	20 - 34	6E5-45123-00	21 - 31	6E5-45587-01-18	22 - 37	703-48227-00	27 - 24	6K7-81826-10	14 - 14	703-82563-02	27 - 55
6E5-43896-00	20 - 9		30 - 4	6E5-45587-01-30	22 - 37	703-48232-00	27 - 62	6E5-8182A-10	14 - 17	688-82575-01	27 - 47
64E-43897-00	19 - 24	6E5-45155-00	21 - 4	6E5-45587-01-40	22 - 37	703-48234-00	27 - 18	6E5-8182E-10	14 - 15	703-82577-00	27 - 45
64E-43898-00	19 - 7	688-45214-02	23 - 10	6E5-45587-01-50	22 - 37	703-48235-00	27 - 4	6E5-8182F-10	14 - 16	6E3-8257H-00	15 - 55
6E5-44117-00-1S	16 - 36	688-45215-02	23 - 11	6E5-45611-01	22 - 48	703-48236-00	27 - 16	6K7-8182G-10	14 - 6	6E5-82587-00	13 - 44
6E5-44118-01-94	16 - 44	6G5-45251-02	17 - 2	6E5-45631-01	22 - 56	703-48238-00	27 - 22	6E5-8182K-10	14 - 18	6E5-82588-00	15 - 45
6E5-44120-03	16 - 51	6E5-45300-17-8D	22 - 1	6E5-45633-01	22 - 57	703-48243-00	27 - 15	6N7-81830-00	14 - 13	6K7-82588-00	15 - 44
6E5-44120-23	16 - 51	6E5-45300-27-8D	22 - 1	6E5-45634-01	22 - 50	703-48244-00	27 - 21	6N7-81840-00	14 - 7	688-8258A-20	27 - 49
68F-44121-00	16 - 38	6E5-45301-05-8D	22 - 2	6E5-45641-03	22 - 49	703-48245-00	27 - 11	6N7-81850-10	14 - 2	6N7-82590-20	13 - 30
6E5-44122-00	16 - 39	6E5-45318-00	21 - 35	688-45930-02-98	23 - 26	703-48246-00	27 - 23	6N7-81857-00	14 - 12	703-82591-00	27 - 53
6E5-44150-02	22 - 17	6E5-45321-00	22 - 13	688-45932-60-98	23 - 26	701-48248-00	27 - 13	6E5-81900-01	8 - 9	703-82592-00	27 - 54
688-44194-00	16 - 14	6E5-45331-00-94	22 - 34	6E5-45941-00-EL	23 - 26	703-48252-00	27 - 12	6E5-81922-00	8 - 10	688-82594-00	15 - 48
61A-44311-01	22 - 24	6E5-45332-00-94	22 - 58	6E5-45943-00-EL	23 - 26	703-48261-01	27 - 2	61A-81941-00	13 - 8	6E5-82594-00	15 - 49
6E5-44312-00	23 - 20	688-45341-10	22 - 7	6E5-45945-01-EL	23 - 26	703-48264-00	27 - 6	6R3-81942-00	12 - 16	703-82594-00	27 - 25
6E5-44315-A0	22 - 31	6E5-45344-00	22 - 40	6E5-45947-00-EL	23 - 26	703-48265-00	27 - 9	6N7-81948-00-94	12 - 10	703-83383-02	27 - 51
	30 - 13	6E5-45371-01	23 - 14	6E5-45949-00-EL	23 - 26	703-48268-00	27 - 5	6E5-81948-22	13 - 15	6Y5-83500-S5	28 - 6
61A-44322-02	22 - 25	6E5-45371-10	23 - 28	6E5-45952-00-EL	23 - 26	703-48271-00	27 - 60	6E5-81950-00	13 - 10	6Y5-8350T-03	28 - 1

NUMERICAL INDEX

PART NO.	REF. NO.	PART NO.	REF. NO.	PART NO.	REF. NO.	PART NO.	REF. NO.	PART NO.	REF. NO.	PART NO.	REF. NO.
6Y5-83533-T2	28 - 10	90109-08M45	15 - 7	90201-08M23	16 - 16	90387-10M05	17 - 33	90480-22M15	15 - 33	92995-10100	23 - 6
6Y5-83553-M0	28 - 15	90109-12M37	18 - 35	90201-08M54	15 - 35	90387-10M61	25 - 3	90501-11M10	22 - 19	92995-14600	18 - 23
6N7-83557-00	13 - 18	90109-14M34	18 - 20	90201-10M20	25 - 7	90430-08020	22 - 8	90501-12082	16 - 48	93101-22M15	3 - 14
6Y5-83557-00	28 - 20	90116-06M30	5 - 13	90201-12M05	17 - 41		30 - 8	90501-16M11	4 - 20		29 - 13
6Y5-83557-31	28 - 11	90116-08M45	2 - 13	90201-13M01	17 - 40	90430-14115	2 - 7	90501-16M12	16 - 12	93101-28M16	22 - 35
6E5-83558-00	23 - 17	90119-06M10	22 - 16	90201-14M56	18 - 34	90445-05M02	8 - 29	90501-16M28	18 - 28		30 - 14
6E5-83558-10	22 - 12	90119-06M59	12 - 4	90201-15M58	18 - 21	90445-07196	7 - 10	90501-16M37	22 - 51	93101-30M17	22 - 63
6Y5-83570-S5	28 - 7	90119-06M65	8 - 32	90201-16M55	18 - 18	90445-07258	5 - 28	90506-20011	17 - 35		30 - 17
6R3-83614-00	13 - 45	90119-06MA2	2 - 21	90201-21M18	11 - 5	90445-07M24	5 - 11	90508-29M12	16 - 22	93102-08M43	20 - 36
6A1-83625-41	11 - 20		3 - 7	90201-22M01	22 - 21	90445-07M28	5 - 10	90560-12M01	25 - 4	93102-35M13	3 - 13
6A1-83625-51	11 - 19		4 - 24	90201-23M01	3 - 26	90445-07M46	5 - 12	91490-00030	23 - 25		29 - 12
64E-83672-02	18 - 3		16 - 37	90201-26M57	18 - 32	90445-07M72	7 - 11	91609-30010	13 - 22	93102-40M14	3 - 5
6Y5-83728-00	28 - 12	90119-06MA3	5 - 15	90201-26M59	17 - 19	90445-07M87	7 - 13	91690-30012	16 - 3		29 - 10
72X-85075-L0	20 - 21	90119-06MA4	4 - 6	90201-30M92	22 - 66	90445-07M89	7 - 9	91690-30016	7 - 27	93106-09014	22 - 15
6N7-85510-00	11 - 2	90119-06MA5	4 - 18	90201-38M60	18 - 11	90445-07ME8	22 - 11	91690-30020	17 - 34		30 - 10
6N7-85537-00	12 - 8	90119-06MA6	4 - 10	90202-05088	7 - 25	90445-07ME9	22 - 11	92903-06100	9 - 11	93210-03261	13 - 26
6N7-85540-01	12 - 5	90119-08027	21 - 9	90202-08M20	16 - 40	90445-07MF0	23 - 16	92903-06600	11 - 8	93210-08287	24 - 14
6N7-85542-01-1S	12 - 1	90119-08M14	22 - 33	90202-08M44	7 - 19	90445-11M81	8 - 13		12 - 12	93210-09165	16 - 52
6N7-85550-01	11 - 1		30 - 43	90202-12092	16 - 20	90445-12M12	8 - 34	92903-08600	16 - 46	93210-10M74	19 - 4
6R3-85570-01	13 - 1	90119-08M22	15 - 37	90202-16061	16 - 54	90445-13M01	24 - 9	92990-04100	28 - 4	93210-13M04	7 - 18
6N7-85580-10	11 - 3	90119-08M57	14 - 22	90202-26M18	18 - 33	90445-13M35	24 - 11	92990-04600	1 - 15	93210-16275	25 - 9
6E5-85711-60	8 - 45	90119-08M76	14 - 20	90202-32M19	18 - 17	90446-15M07	9 - 39	92990-05600	5 - 5	93210-19MA7	7 - 4
6E5-85720-05	8 - 15	90119-08M77	14 - 21	90202-40M47	18 - 7	90464-07M06	7 - 14	92990-06100	1 - 3	93210-32738	9 - 8
6R3-85721-30	8 - 16	90119-08M79	21 - 15	90206-10M04	16 - 34	90464-12M00	11 - 12	92990-06200	16 - 8	93210-37160	22 - 27
6G7-85730-04	8 - 26	90119-08M94	2 - 12	90206-13M10	15 - 6	90464-13M34	8 - 39	92990-06600	8 - 21		30 - 12
6N7-85740-00	8 - 40	90119-08MA3	2 - 17	90206-22M19	22 - 22	90465-05M87	13 - 28		12 - 7	93210-37MH7	18 - 6
6N7-86110-00	13 - 20	90119-08MA8	4 - 3	90250-08M07	22 - 55	90465-06M86	2 - 25		15 - 42	93210-55M14	22 - 39
6N7-86112-00	13 - 25	90119-10M89	23 - 7	90280-04M05	22 - 29		5 - 16		17 - 12		30 - 15
6N7-86116-00	13 - 21	90152-05M07	23 - 12		30 - 44	90465-08M63	17 - 23	92990-08200	15 - 8	93210-58144	22 - 14
6Y5-87122-S0	28 - 14	90157-06013	16 - 11	90280-05015	11 - 4	90465-08M89	13 - 29	92990-08600	14 - 23		30 - 9
6G5-87149-10	13 - 12	90157-06M01	15 - 41	90282-04010	22 - 67	90465-11M10	7 - 8		27 - 34	93210-74M35	3 - 15
6N6-W0001-A5	29 - 1	90159-06M08	12 - 17	90340-08002	22 - 6		8 - 5	92990-18200	23 - 23		29 - 14
6F3-W0001-C1	30 - 18	90159-06M11	12 - 9	90340-14M00	2 - 6		9 - 3	92995-06100	17 - 5	93210-86M38	22 - 26
6E5-W0001-F1	30 - 1	90159-06M14	5 - 30	90384-06M07	2 - 8		17 - 21	92995-06600	1 - 8		30 - 11
6E5-W0004-00	5 - 2	90170-16M01	22 - 45	90384-14M09	2 - 9		18 - 5		5 - 18	93210-86M39	22 - 64
6N7-W0070-30	1 - 19	90170-20137	11 - 6	90386-06M12	16 - 43		23 - 18		11 - 15		30 - 16
6N6-W0078-02	30 - 35	90171-18M04	23 - 24	90386-10M16	17 - 31		28 - 13		12 - 19	93211-04001	3 - 6
6E5-W0078-3A	30 - 45	90179-06066	18 - 30	90386-12089	16 - 17	90465-12M25	15 - 50		13 - 3		29 - 11
6N6-W0090-16-1S	2 - 1	90179-06M24	1 - 13	90386-13M88	15 - 5	90465-13M11	8 - 25		15 - 13	93306-208U0	3 - 10
6N7-W0090-17-1S	2 - 1	90179-06M28	5 - 20	90386-16M66	16 - 53	90465-13M18	4 - 26		17 - 8		22 - 59
6N6-W0093-09	29 - 20	90183-05M02	21 - 30	90386-22M13	16 - 19		13 - 19		21 - 7	93310-32337	3 - 25
656-W2810-02	8 - 46	90185-05002	23 - 13	90386-22M98	17 - 37	90467-08004	4 - 17	92995-08100	16 - 5	93310-836U0	3 - 27
90101-12M03	17 - 39	90185-06M07	16 - 9		19 - 33	90468-05M03	7 - 24		17 - 17	93310-954U1	3 - 8
90105-10M00	23 - 15	90185-09M01	25 - 6	90386-25M31	17 - 18	90468-07M02	7 - 15		21 - 17	93311-940U3	3 - 4
90105-10M20	2 - 11	90185-12M12	18 - 36	90386-38M32	18 - 12	90468-18008	16 - 41	92995-08600	14 - 25	93315-425U7	22 - 47
90109-06M39	7 - 6	90185-22M11	17 - 20	90387-06M29	16 - 33	90480-06M19	15 - 2		21 - 23	93315-43061	22 - 62
90109-06M40	7 - 5	90201-08M13	16 - 21	90387-08M16	16 - 18	90480-12M11	11 - 17		22 - 42	93315-628U9	22 - 3
90109-08022	3 - 24	90201-08M14	19 - 30	90387-08M37	15 - 34	90480-20M05	4 - 21	92995-10100	18 - 26	93317-330U2	22 - 36

NUMERICAL INDEX

PART NO.	REF. NO.	PART NO.	REF. NO.	PART NO.	REF. NO.	PART NO.	REF. NO.	PART NO.	REF. NO.	PART NO.	REF. NO.
93332-000U7	22 - 4	97095-06012	1 - 7								
93341-930V2	22 - 38		5 - 17								
93410-16006	16 - 55		12 - 18								
93410-22M11	17 - 38		13 - 6								
93410-37M04	18 - 14		15 - 51								
93410-40M03	3 - 11	97095-06016	13 - 16								
93420-36M01	21 - 36		15 - 12								
93430-06024	27 - 10	97095-06020	13 - 2								
93501-04M02	16 - 47		15 - 31								
93503-16003	22 - 54	97095-06025	16 - 35								
93507-32009	22 - 52	97095-06030	13 - 23								
93511-32017	22 - 53		17 - 4								
93606-12019	22 - 32	97095-08016	14 - 24								
	30 - 42	97095-08020	16 - 4								
93608-12063	2 - 10		17 - 16								
93608-12M05	21 - 8	97095-08025	22 - 41								
	23 - 4	97095-08030	21 - 22								
93700-06M03	16 - 50	97095-08045	21 - 16								
	17 - 13	97095-10045	18 - 25								
94702-00247	4 - 27	97380-05025	27 - 8								
94702-00309	4 - 27	97380-08030	27 - 33								
95303-06600	16 - 13	97595-06550	9 - 30								
95380-03600	9 - 27	97607-04310	20 - 32								
95380-04600	28 - 5	97780-40520	1 - 16								
95380-05600	7 - 22	97780-60525	18 - 2								
	16 - 24	97880-05025	5 - 4								
	27 - 7	97880-06012	17 - 11								
95380-06600	1 - 4	97880-06018	11 - 11								
	8 - 22	97880-06020	12 - 6								
	27 - 40	97885-06010	11 - 14								
95380-08600	9 - 12	97885-06016	18 - 4								
95380-08700	21 - 18	97980-05108	6 - 24								
95380-12600	17 - 42	97980-05116	6 - 22								
95380-14800	18 - 22	98580-03015	27 - 38								
95780-10300	18 - 9	98580-04006	27 - 36								
97013-06014	9 - 10	98580-04010	27 - 35								
97013-06016	12 - 11	98580-05010	27 - 37								
97013-06025	12 - 14	98586-05016	24 - 4								
97013-06065	11 - 7	98780-04015	2 - 15								
97013-08030	16 - 45	99001-08600	22 - 18								
97013-08045	16 - 15	9E450-04433	28 - 2								
97075-08035	15 - 36	9E450-04533	28 - 3								
97075-10045	23 - 5										
97080-06100	8 - 20										
97080-08016	19 - 31										
97095-06010	15 - 26										
	17 - 7										
	21 - 6										

115CETO/130BETO
PARTS CATALOGUE
©2003 by Yamaha Motor Co., Ltd.
1st edition, July 2003
All rights reserved.
Any reprinting or unauthorized use
without the written permission of
Yamaha Motor Co., Ltd.
is expressly prohibited.
Printed in Japan.