

**PARTS
CATALOGUE
CATALOGO
DE REPUESTOS**

150A '00_(6G4)

175A '00_(6G5)

200A '00_(6G6)

L150A'00_(6K0)

L200A'00_(6K1)

FOREWORD

This Parts Catalogue is related to the parts for the model(s) in the below frame. When you are ordering replacement parts, please refer to this Parts Catalogue and quote both part numbers and part names correctly.

150A'00(6G4), 175A'00(6G5), 200A'00(6G6),
L150A'00(6K0), L200A'00(6K1)

1. Modifications or additions which have been made after issue of the Parts Catalogue will be announced in the Yamaha Parts News.
It is advisable that you make necessary corrections to the Parts Catalogue according to the Yamaha Parts News.

2. Abbreviations

The Following abbreviations are used in this Parts Catalogue.

- "UR" Use specified parts number.
- "UN" Use as many as needed.
- "AP" Alternate Parts
- "LM" Local Made
(Parts need to be ordered locally)
- "O/S" Over Size
- "SWS" Salt Water Series

3. Parts, which are to be supplied in an assembly, are listed with a dot(.) in front of the part name as shown below.

EXAMPLE
CARBURETOR ASSY
.JET, PILOT
.NOZZLE, MAIN

4. Number of component for assembly

The numeral appearing to the right of each component part indicates the quantity of parts for each assembly unit.

EXAMPLE

PART NO.	DESCRIPTION	□	□	□	□	REMARKS
6E0-85500-70	C.D.I. MAGNETO ASSY	1				
6E0-85550-70	.ROTOR ASSY	1				
6E0-15723-00-94	.PULLY, STARTER	1				

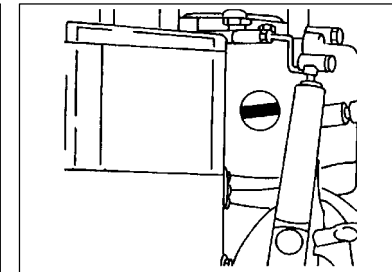
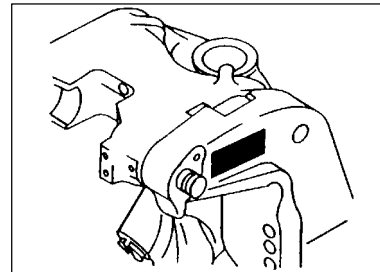
5. Quantity Column Information

NAME for Q'TY COLUMN	APPLICABLE MODEL
150A	150AET
175A	175AET
200A	200AET
L150	L150AET
L200	L200AET

6. Applicable Starting Serial No. and Color Code

1) Engine Starting Serial No.

<p>150AET L : 306169 X : 705735</p> <p>175AET L : 302481 X : 701142</p> <p>200AET L : 309069 X : 708130</p>	<p>L150AET X : 750386</p> <p>L200AET X : 752524</p>
---	---



2) Color Code

Color Code	Color Name	Abbreviation
004D	DARK BLUISH GRAY METALLIC 2	DBNM2

7. Note that the illustrations for reference in funding parts numbers, not to be used for assembling. When assembling, pleas use the applicable service manual.

8. The asterisk (*) before a reference number indicates modification items after the first edition.

CONTENTS

SHEET 1/2

TOP COWLING	A4
CYLINDER. CRANKCASE 1	A6
CRANKSHAFT. PISTON	B1
CYLINDER. CRANKCASE 2	B3
INTAKE	B4
CARBURETOR	B6
FUEL 1	C1
FUEL 2	C3
GENERATOR	C4
ELECTRICAL 1	C5
ELECTRICAL 2	C6
STARTING MOTOR	D1
BOTTOM COWLING	D2
CONTROL	D4
BRACKET 1	D7
BRACKET 2	E2
POWER TRIM & TILT ASSY 1	E4
POWER TRIM & TILT ASSY 2	E6
UPPER CASING	F1
LOWER CASING. DRIVE 1	F3
LOWER CASING. DRIVE 2	F7

INDEX

NUMERICAL INDEX	G1
-----------------------	----

SHEET 2/2

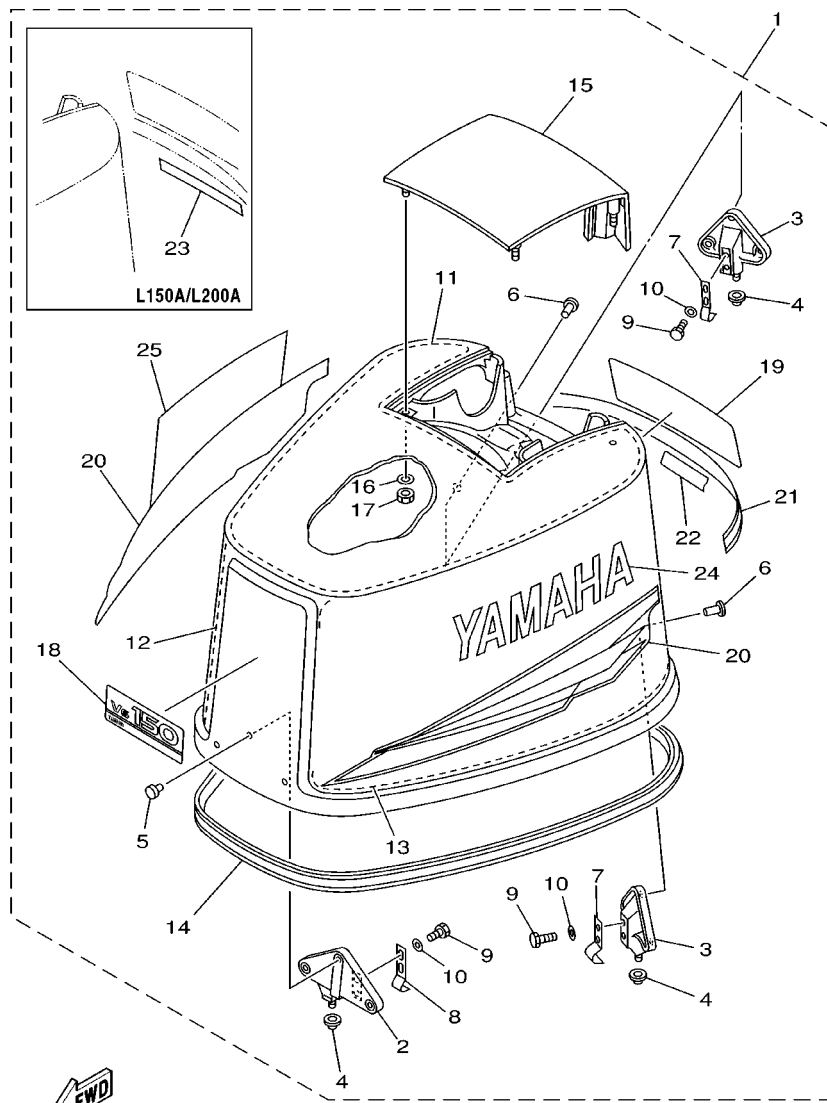
LOWER CASING. DRIVE 2	A4*
LOWER CASING. DRIVE 3	A5*
LOWER CASING. DRIVE 4	B2*
FUEL TANK	B3*
STEERING GUIDE ATTACHMENT 1	B4*
STEERING GUIDE ATTACHMENT 2	B5*
REMOTE CONTROL BOX	B6*
REMOTE CONTROL ASSY 1	B7*
REMOTE CONTROL ASSY 2	C3*
METER 1	C6*
METER 2	C7*
REPAIR KIT 1	D1*
REPAIR KIT 2	D3*

INDEX

NUMERICAL INDEX	G1*
-----------------------	-----

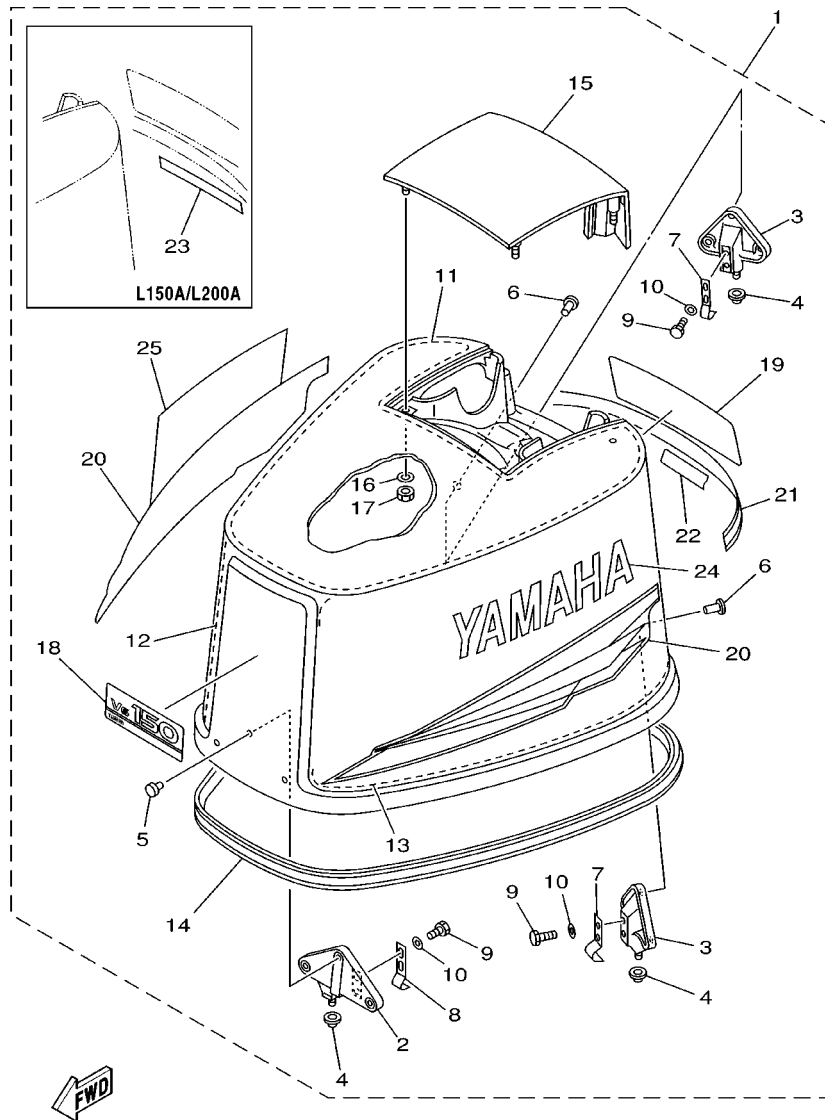
FIG. 1 TOP COWLING

SOPORTE SUPERIOR



6G50200-0010

REF. NO.	PART NO. CODIGO NO.	DESCRIPTION DESCRIPTION	150A	175A	200A	L150	L200	REMARKS OBSERVACION
1	6G4-42610-31-4D	TOP COWLING ASSY SOPORTE SUPERIOR COMPL.	1					
	6G5-42610-31-4D	TOP COWLING ASSY SOPORTE SUPERIOR COMPL.		1				
	6G6-42610-31-4D	TOP COWLING ASSY SOPORTE SUPERIOR COMPL.			1			
	6K0-42610-31-4D	TOP COWLING ASSY SOPORTE SUPERIOR COMPL.				1		
	6K1-42610-31-4D	TOP COWLING ASSY SOPORTE SUPERIOR COMPL.					1	
2	6E5-42647-00-94	.HOLDER, CLAMP BAND .MORDAZA DE ABRAZADERA	1	1	1	1	1	
3	6E5-42649-01-94	.HOLDER, CLAMP BAND .MORDAZA DE ABRAZADERA	2	2	2	2	2	
4	663-42662-00	.DAMPER .AMORTIGUADOR	3	3	3	3	3	
5	90266-06009	.RIVET .REMACHE	3	3	3	3	3	
6	90266-06M02	.RIVET .REMACHE	6	6	6	6	6	
7	6E5-42652-00	.HOOK .GANCHO	2	2	2	2	2	
8	688-42652-00	.HOOK .GANCHO	1	1	1	1	1	
9	97095-06016	.BOLT .PERNO	6	6	6	6	6	
10	92995-06600	.WASHER .ARANDELA	6	6	6	6	6	
11	6E5-42617-00	.DAMPER, FORM .HULE DE FORMA	1	1	1	1	1	
12	6G5-42619-00	.DAMPER, FORM .HULE DE FORMA	1	1	1	1	1	STARBOARD SIDE
13	6G5-42627-00	.DAMPER, FORM .AMORTIGUADOR FORMA 3	1	1	1	1	1	PORT SIDE
14	6E5-42615-00	.SEAL .SELLO	1	1	1	1	1	
15	6G5-42613-00-4D	.MOLDING, AIR DUCT .MOLDURA CONDUCTO AIRE	1	1	1	1	1	
16	92990-06600	.WASHER, PLATE .ARANDELA	4	4	4	4	4	
17	95380-06600	.NUT, HEXAGON .TUERCA	4	4	4	4	4	
18	6G4-42677-31	.GRAPHIC, FRONT .CALCAMONIA FRONTAL	1			1		
	6G5-42677-31	.GRAPHIC, FRONT .CALCAMONIA FRONTAL		1				
	6G6-42677-31	.GRAPHIC, FRONT .CALCAMONIA FRONTAL			1		1	
19	6G4-42678-31	.GRAPHIC, REAR .CALCAMONIA TRASERA	1			1		
	6G5-42678-31	.GRAPHIC, REAR .CALCAMONIA TRASERA		1				
	6G6-42678-31	.GRAPHIC, REAR .CALCAMONIA TRASERA			1		1	



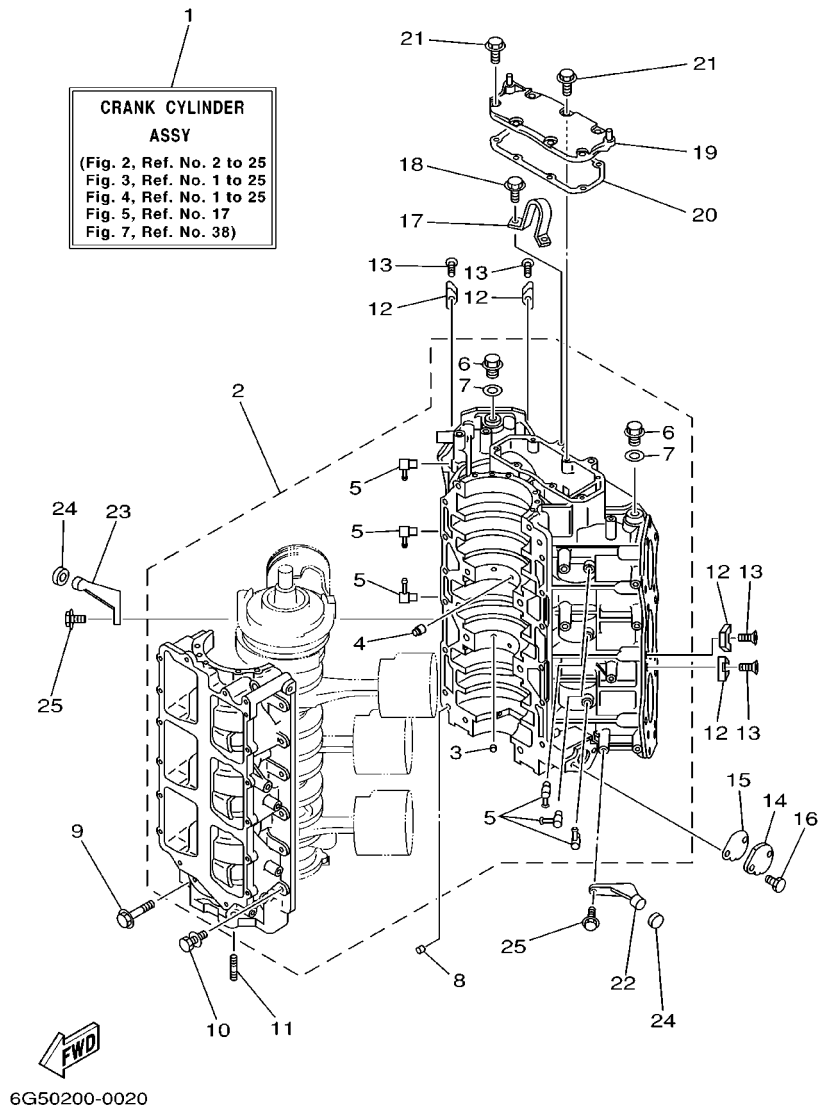
6G50200-0010

FIG. 1 TOP COWLING

SOPORTE SUPERIOR

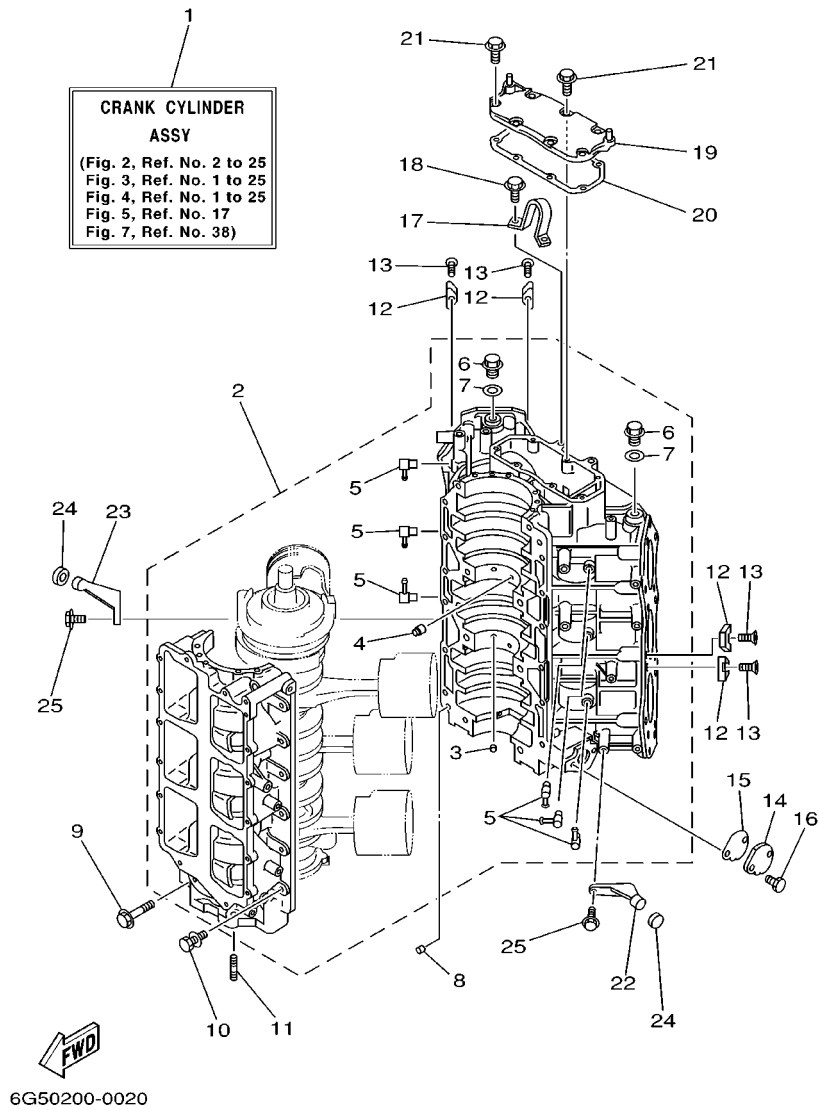
REF. NO.	PART NO. CODIGO NO.	DESCRIPTION DESCRIPTION	150A	175A	200A	L150	L200	REMARKS OBSERVACION
20	6G5-W0070-31	.GRAPHIC SET .JUEGO DE EMBLEMA	1	1	1	1	1	
21	6G5-4267A-31	.GRAPHIC, REAR 2 .CALCAMONIA TRASERA 2	1	1	1	1	1	
22	64D-42678-30	.GRAPHIC, REAR .CALCAMONIA TRASERA	1	1	1	1	1	
23	6R1-42678-G0	.GRAPHIC, REAR .CALCAMONIA TRASERA				1	1	
24	6G5-42681-31	.MARK, COWLING .MARCA DE CUBIERTA	1	1	1	1	1	
25	6G5-42682-31	.MARK, COWLING .MARCA DE CUBIERTA	1	1	1	1	1	

FIG. 2 CYLINDER, CRANKCASE 1 CILINDRO, CARTER 1



REF. NO.	PART NO. CODIGO NO.	DESCRIPTION DESCRIPTION	150A	175A	200A	L150	L200	REMARKS OBSERVACION
1	64C-W0090-01-1S	CRANK CYLINDER ASSY BLOQUE MOTOR COMPLETO	1			1		
	64D-W0090-01-1S	CRANK CYLINDER ASSY BLOQUE MOTOR COMPLETO		1				
	64E-W0090-02-1S	CRANK CYLINDER ASSY BLOQUE MOTOR COMPLETO			1		1	
2	64C-15100-21-1S	CRANKCASE ASSY CARTER COMPLETO	1			1		
	64D-15100-21-1S	CRANKCASE ASSY CARTER COMPLETO		1				
	64E-15100-21-1S	CRANKCASE ASSY CARTER COMPLETO			1		1	
3	624-11379-00	.VALVE, CHECK .VALVULA DE CONTROL	2	2	2	2	2	
4	663-11518-01	.LOCK, BEARING .SEGURO BALERO	2	2	2	2	2	
5	646-11370-00	.CHECK VALVE ASSY .VALVULA DE CONTROL COMPL.	6	6	6	6	6	
6	90340-14M00	.PLUG, STRAIGHT SCREW .TORNILLO DE DRENAJE	2	2	2	2	2	
7	90430-14115	.GASKET .JUNTA	2	2	2	2	2	
8	93608-12063	PIN, DOWEL PASADOR DE CLAVIJA	2	2	2	2	2	
9	90105-10M20	BOLT, WASHER BASED TORNILLO CON ARANDELA	8	8	8	8	8	
10	90119-08M94	BOLT, WITH WASHER TORNILLO CON ARANDELA	12	12	12	12	12	
11	90116-08M45	BOLT, STUD ESPARRAGO	2	2	2	2	2	
12	6E5-11325-00	ANODE ANODO	8	8	8	8	8	
13	98780-04015	SCREW, FLAT HEAD TORNILLO DE CABEZA PLANA	8	8	8	8	8	
14	6R3-1131M-01	COVER CUBIERTA	1	1	1	1	1	
15	6R3-11397-A0	GASKET EMPAQUE	1	1	1	1	1	
16	97013-06016	BOLT PERNO	2	2	2	2	2	
17	6E5-11119-01	HANGER, ENGINE SOPORTE DEL MOTOR	1	1	1	1	1	
18	90119-08MA3	BOLT, WITH WASHER TORNILLO CON ARANDELA	2	2	2	2	2	
19	6E5-11371-00-1S	COVER CUBIERTA 1	1	1	1	1	1	
20	6E5-11381-A2	GASKET 1 EMPAQUE 1	1	1	1	1	1	
21	90119-06MA2	BOLT, WITH WASHER TORNILLO CON ARANDELA	7	7	7	7	7	
22	6E5-42761-00-1S	STOPPER RETEN 1	1	1	1	1	1	
23	6E5-42762-00-1S	STOPPER RETEN 2	1	1	1	1	1	

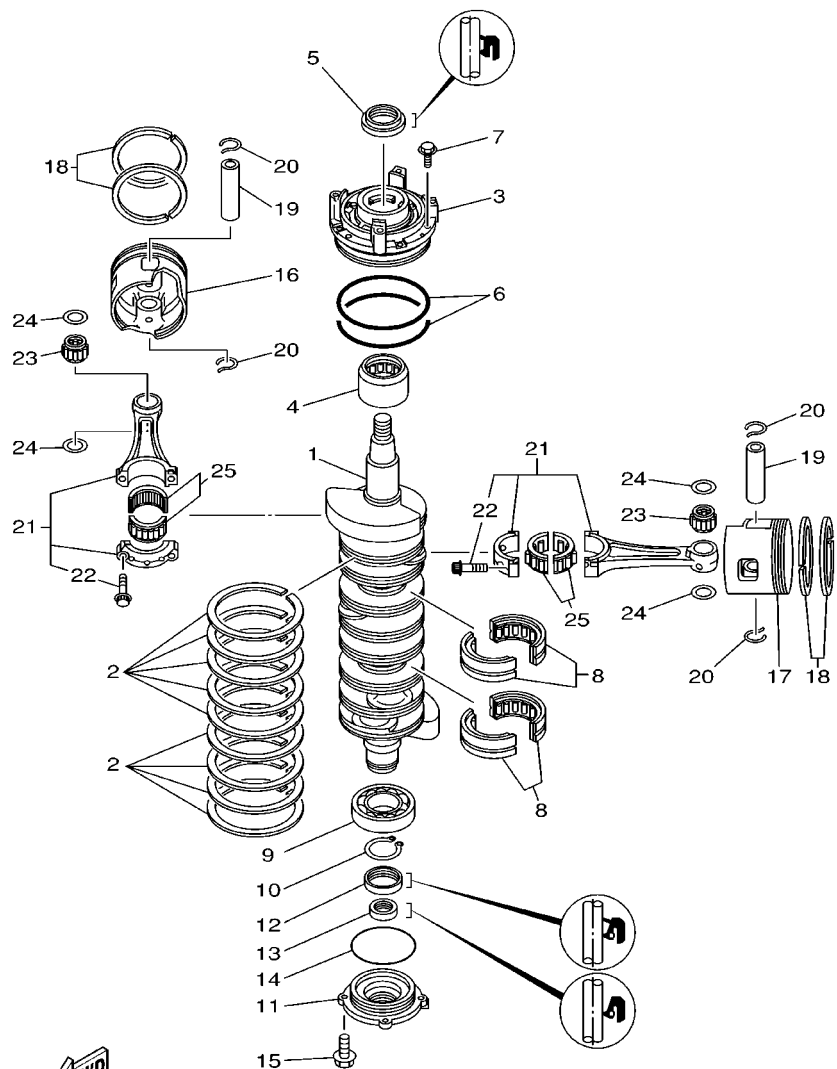
FIG. 2 CYLINDER. CRANKCASE 1 CYLINDRO. CARTER 1



REF. NO.	PART NO. CODIGO NO.	DESCRIPTION DESCRIPTION	150A	175A	200A	L150	L200	REMARKS OBSERVACION
24	663-44533-00	DAMPER, UPPER MOUNT RUBBER AMORTIGUADOR SUPERIOR	2	2	2	2	2	
25	90119-06MA2	BOLT, WITH WASHER TORNILLO CON ARANDELA	4	4	4	4	4	

FIG. 3 CRANKSHAFT. PISTON

CIGUENAL. PISTON



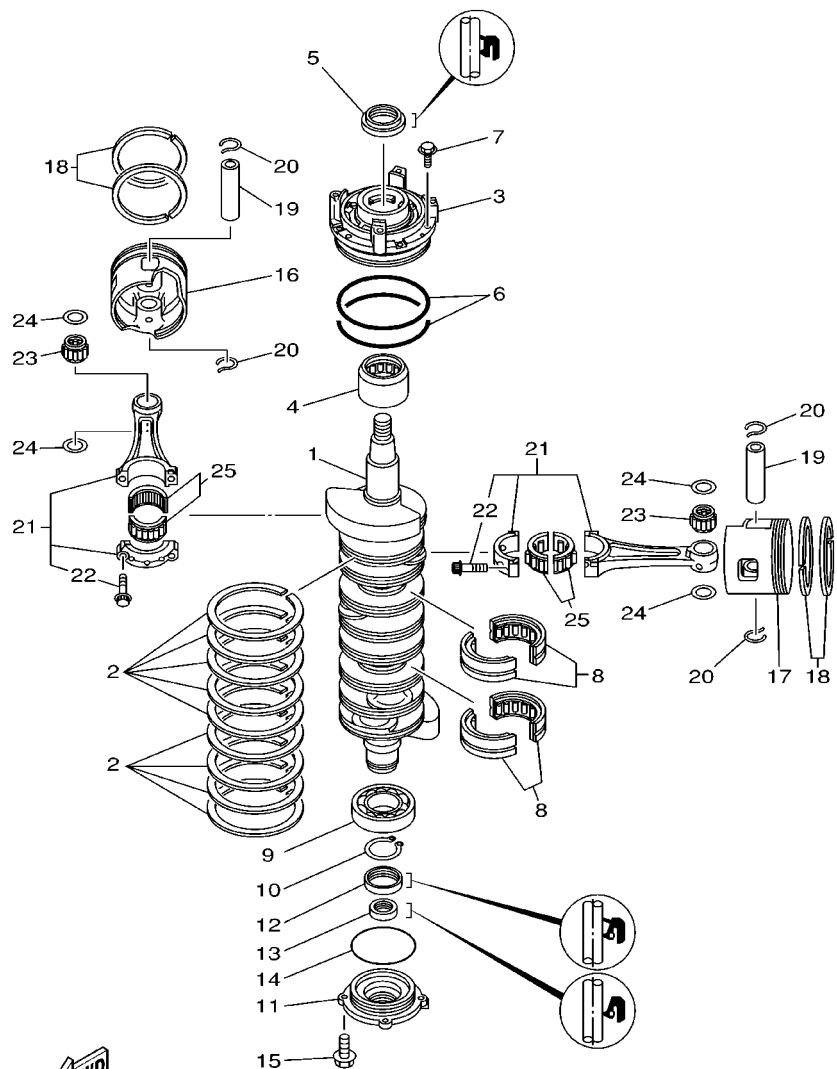
6G50010-0030

REF. NO.	PART NO. CODIGO NO.	DESCRIPTION DESCRIPTION	150A	175A	200A	L150	L200	REMARKS OBSERVACION
1	6G5-11411-00	CRANKSHAFT CIGUENAL	1	1	1	1	1	
2	6E5-11447-00	SEAL, CRANK SELLO MANIVELA	9	9	9	9	9	
3	6E5-15163-00-1S	HOUSING, BEARING 1 CAJA DE COJINETE 1	1	1	1	1	1	
4	93311-940U3	BEARING COJINETE	1	1	1	1	1	
5	93102-40M14	OIL SEAL SELLO ACEITE	1	1	1	1	1	
6	93211-04M36	O-RING ANILLO O	2	2	2	2	2	
7	90119-06MA2	BOLT, WITH WASHER TORNILLO CON ARANDELA	4	4	4	4	4	
8	93310-954U1	BEARING COJINETE	2	2	2	2	2	
9	93306-208U0	BEARING COJINETE	1	1	1	1	1	
10	93410-40M03	CIRCLIP BOLA	1	1	1	1	1	
11	6G5-15359-00-94	HOUSING, OIL SEAL CAJA DE SELLO DE ACEITE	1	1	1	1	1	
12	93102-35M13	OIL SEAL SELLO ACEITE	1	1	1	1	1	
13	93101-22M15	OIL SEAL SELLO ACEITE	1	1	1	1	1	
14	93210-74M35	O-RING ANILLO O	1	1	1	1	1	
15	90119-06MA2	BOLT, WITH WASHER TORNILLO CON ARANDELA	4	4	4	4	4	
16	64D-11631-01-90	PISTON (STD)	3	3		3		
	64D-11631-01-90	PISTON (STD)			2		2	#3,5
	64D-11631-21-90	PISTON (STD)			1		1	#1
	64D-11635-01	PISTON (0.25MM O/S)	3	3		3		AP
	64D-11635-01	PISTON (0.25MM O/S)			2		2	AP #3,5
	64D-11635-21	PISTON (0.25MM O/S)			1		1	AP #1
	64D-11636-01	PISTON (0.50MM O/S)	3	3		3		AP
	64D-11636-01	PISTON (0.50MM O/S)			2		2	AP #3,5
	64D-11636-21	PISTON (0.50MM O/S)			1		1	AP #1
17	64D-11642-01-90	PISTON 2 (STD)	3	3		3		
	64D-11642-01-90	PISTON 2 (STD)			2		2	#4,6
	64D-11642-21-90	PISTON 2 (STD)			1		1	#2

B1

FIG. 3 CRANKSHAFT. PISTON

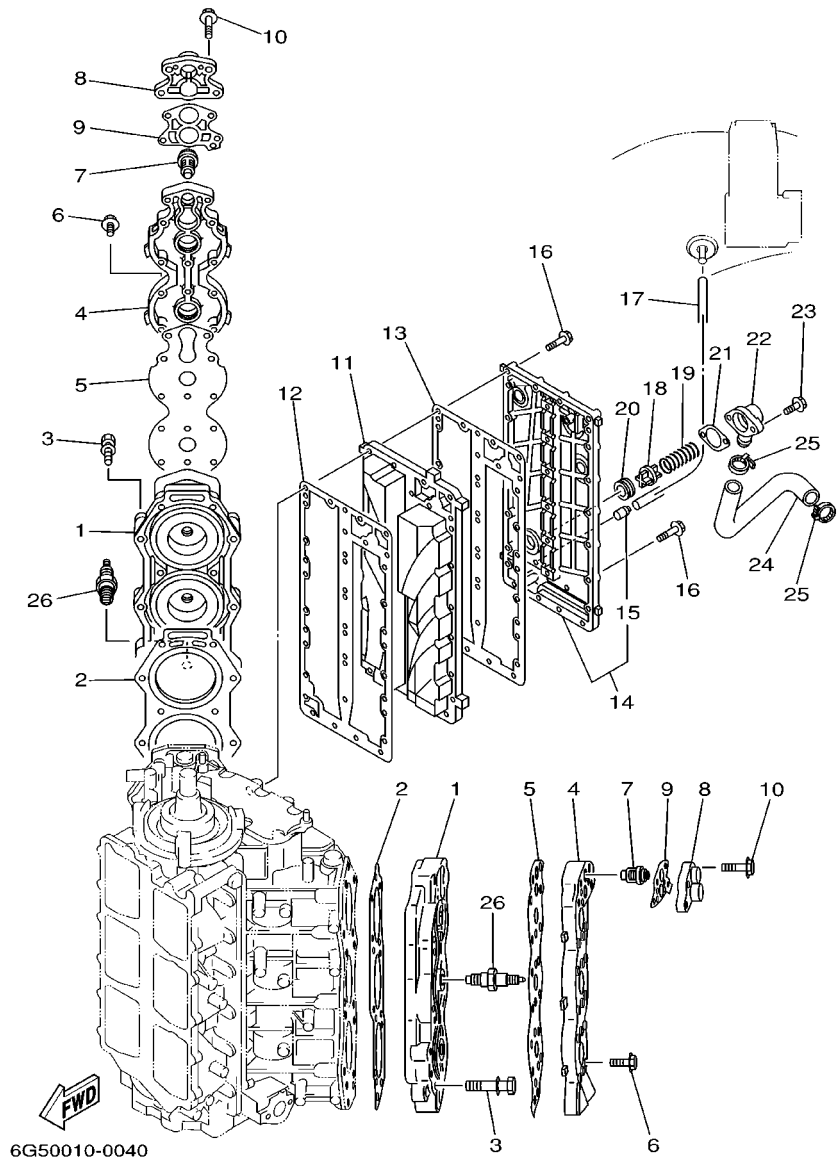
CIGUENAL. PISTON



6G50010-0030

REF. NO.	PART NO. CODIGO NO.	DESCRIPTION DESCRIPTION	150A	175A	200A	L150	L200	REMARKS OBSERVACION
17	64D-11645-01	PISTON 2 (0.25MM O/S)	3	3		3		AP
	64D-11645-01	PISTON 2 (0.25MM O/S)			2		2	AP #4,6
	64D-11645-21	PISTON 2 (0.25MM O/S)			1		1	AP #2
	64D-11646-01	PISTON 2 (0.50MM O/S)	3	3		3		AP
	64D-11646-01	PISTON 2 (0.50MM O/S)			2		2	AP #4,6
	64D-11646-21	PISTON 2 (0.50MM O/S)			1		1	AP #2
18	64D-11603-01	PISTON RING SET (STD)	6	6	6	6	6	
	64D-11604-01	JUEGO DE ANILLOS (STD)	6	6	6	6	6	AP
	64D-11605-01	PISTON RING SET (0.25MM O/S)	6	6	6	6	6	AP
	64D-11605-01	JUEGO DE ANILLOS (0.25MM O/S)	6	6	6	6	6	
19	6R5-11633-10	PIN, PISTON PASADOR, PISTON	6	6	6	6	6	
20	6R5-11634-10	CLIP, PISTON PIN PRESILLA, BULON DE PISTON	12	12	12	12	12	
21	6R5-11650-10	CONNECTING ROD ASSY BIELA COMPLETA	6	6	6	6	6	
22	90109-08M71	.BOLT .PERNO	2	2	2	2	2	
23	93310-323V6	BEARING COJINETE	6	6	6	6	6	
24	90201-23M01	WASHER, PLATE ARANDELA PLANA	12	12	12	12	12	
25	93310-836V2	BEARING COJINETE	6	6	6	6	6	

FIG. 4 CYLINDER, CRANKCASE 2 CYLINDRO, CARTER 2

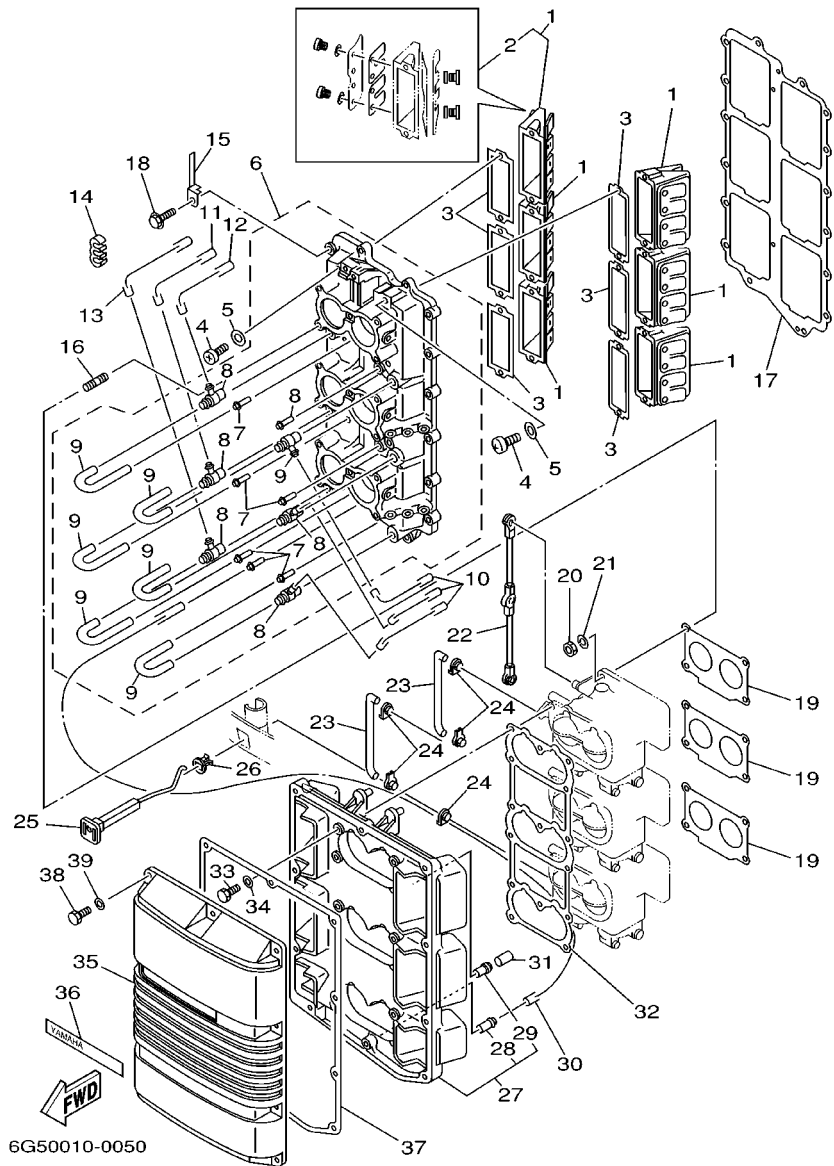


6G50010-0040

REF. NO.	PART NO. CODIGO NO.	DESCRIPTION DESCRIPTION	150A	175A	200A	L150	L200	REMARKS OBSERVACION
1	6G5-11111-04-1S	HEAD, CYLINDER 1 CULATA CILINDRO 1	2	2	2	2	2	
2	6G5-11181-A1	GASKET, CYLINDER HEAD 1 JUNTA, DE CULATA 1	2	2	2	2	2	
3	90119-08MA8	BOLT, WITH WASHER TORNILLO CON ARANDELA	28	28	28	28	28	
4	6G5-11191-00-1S	COVER, CYLINDER HEAD 1 TAPA CULATA DE CILINDRO 1	2	2	2	2	2	
5	6G5-11193-A0	GASKET, HEAD COVER 1 EMPAQUE	2	2	2	2	2	
6	90119-06MA4	BOLT, WITH WASHER TORNILLO CON ARANDELA	36	36	36	36	36	
7	6E5-12411-20	THERMOSTAT TERMOSTAT	2	2	2	2	2	
8	688-12413-00-1S	COVER, THERMOSTAT CUBIERTA TERMOSTATO	2	2	2	2	2	
9	688-12414-A1	GASKET, COVER EMPAQUE	2	2	2	2	2	
10	90119-06MA6	BOLT, WITH WASHER TORNILLO CON ARANDELA	8	8	8	8	8	
11	64D-41111-00-1S	INNER COVER, EXHAUST CUBIERTA INTERIOR DE ESCAPE	1	1	1	1	1	
12	6G5-41112-A1	GASKET, EXHAUST INNER COVER EMPAQUE	1	1	1	1	1	
13	6G5-41112-A1	GASKET, EXHAUST INNER COVER EMPAQUE	1	1	1	1	1	
14	6R3-41113-00-1S	OUTER COVER, EXHAUST CUBOERTA EXTERIOR DE ESCAPE	1	1	1	1	1	
15	652-24461-00	PIPE, JOINT TUBO DE UNION	1	1	1	1	1	
16	90119-06MA5	BOLT, WITH WASHER TORNILLO CON ARANDELA	29	29	29	29	29	
17	90445-09097	HOSE TUBO	1	1	1	1	1	
18	6G5-12416-00	VALVE, PRESSURE CONTROL VALVULA DE CONTROL DE PRESION	1	1	1	1	1	
19	90501-16M11	SPRING, COMPRESSION RESORTE DE COMPRESION	1	1	1	1	1	
20	90480-20M05	GROMMET TAPON	1	1	1	1	1	
21	6G5-11382-A1	GASKET 2 EMPAQUE 2	1	1	1	1	1	
22	6G5-11372-00-1S	COVER, BYPASS 2 CUBIERTA	1	1	1	1	1	
23	90119-06MA2	BOLT, WITH WASHER TORNILLO CON ARANDELA	2	2	2	2	2	
24	6G5-12576-00	HOSE 1 MANGUERA 1	1	1	1	1	1	
25	90465-13M18	CLAMP BRIDA	2	2	2	2	2	
26	94701-00160	PLUG, SPARK (NGK B8HS-10) BUJIA (NGK B8HS-10)	6	6	6	6	6	
	94702-00247	PLUG, SPARK (NGK BR8HS-10) BUJIA (NGK BR8HS-10)	6	6				FOR CHINA

FIG. 5 INTAKE

ADMISION



REF. NO.	PART NO. CODIGO NO.	DESCRIPTION DESCRIPTION	150A	175A	200A	L150	L200	REMARKS OBSERVACION
1	6G5-13610-00	REED VALVE ASSY VALVULA DE LAMINAS COMPLETA	6			6		
	6E5-13610-00	REED VALVE ASSY VALVULA DE LAMINAS COMPLETA		6	6		6	
2	6E5-W0004-00	.REED SET .JUEGO DE VALVULAS DE LENGUETA	1	1	1	1	1	
3	6E5-13621-A1	GASKET, VALVE SEAT JUNTA, DE VALV.DE EMPAQUE	6	6	6	6	6	
4	97880-05016	SCREW, PAN HEAD TORNILLO DE CABEZA CON PLANA	12	12	12	12	12	
5	92990-05600	WASHER, PLATE ARANDELA	12	12	12	12	12	
6	6G5-13641-00-1S	MANIFOLD 1 MULTIPLE 1	1	1	1	1	1	
7	624-14485-00	.PIPE, JOINT .TUBO DE UNION	7	7	7	7	7	
8	6E5-11370-00	.CHECK VALVE ASSY .VALVULA DE CONTROL COMPL.	6	6	6	6	6	
9	90445-07M28	.HOSE .TUBO	6	6	6	6	6	
10	90445-07M45	HOSE TUBO	3	3	3	3	3	
11	90445-07M46	HOSE TUBO	1	1	1	1	1	
12	90445-07M09	HOSE TUBO	1	1	1	1	1	
13	90445-07M59	HOSE TUBO	1	1	1	1	1	
14	90464-07M05	CLAMP BRIDA	2	2	2	2	2	
15	90465-10M91	CLAMP BRIDA	2	2	2	2	2	
16	90116-06M30	BOLT, STUD ESPARRAGO	12	12	12	12	12	
17	6G5-13645-A1	GASKET, MANIFOLD 1 EMPAQUE	1	1	1	1	1	
18	90119-06MA3	BOLT, WITH WASHER TORNILLO CON ARANDELA	16	16	16	16	16	
19	6E5-14198-A2	GASKET EMPAQUE	3	3	3	3	3	
20	95380-06600	NUT, HEXAGON TUERCA	12	12	12	12	12	
21	92995-06100	WASHER, SPRING ARANDELA	12	12	12	12	12	
22	6G5-41217-01	ROD, ACCEL. LEVER VARILLA PALANCA ACELERADOR	1	1	1	1	1	
23	6E5-41256-01	ROD, CHOKE 1 VARILLA DE AHOGADOR	2	2	2	2	2	
24	661-41262-02	JOINT, CHOKE LEVER CONECTOR DE AHOGADOR	5	5	5	5	5	
25	6E5-41271-02	KNÖB, CHÖKE PERILLA AHOGADOR	1	1	1	1	1	
26	689-41273-00	GROMMET TAPON PROTECTOR	1	1	1	1	1	

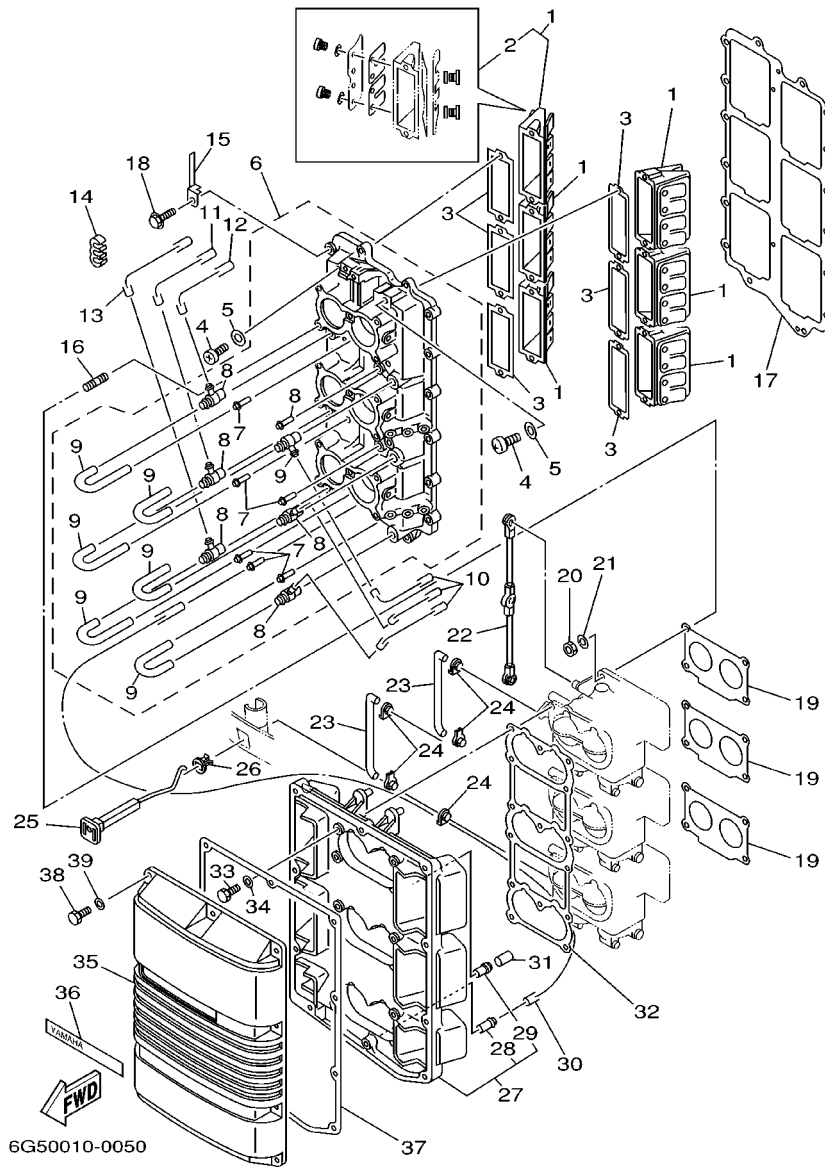


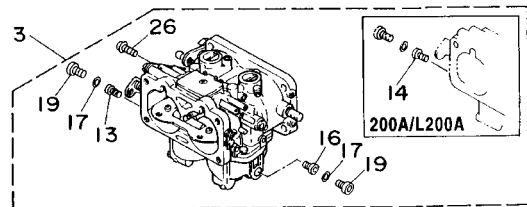
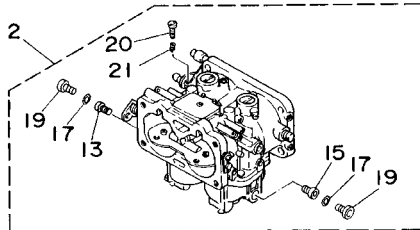
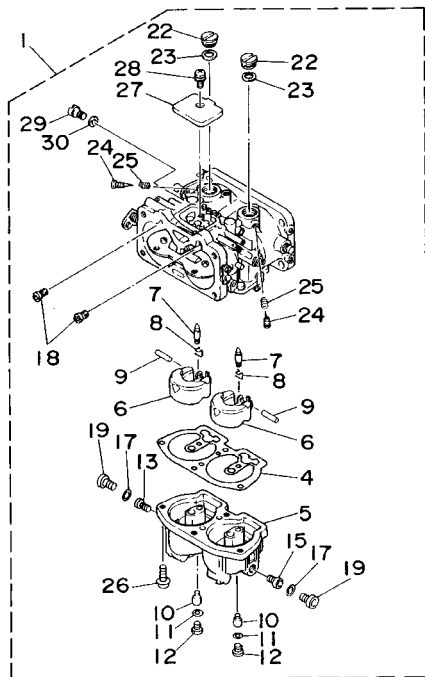
FIG. 5 INTAKE

ADMISION

REF. NO.	PART NO. CODIGO NO.	DESCRIPTION DESCRIPTION	150A	175A	200A	L150	L200	REMARKS OBSERVACION
27	6G5-14417-10-94	COVER 1 CUBIERTA 1	1	1	1	1	1	
28	624-14485-00	.PIPE, JOINT .TUBO DE UNION	1	1	1	1	1	
29	6E5-14485-00	.PIPE, JOINT .TUBO DE UNION	1	1	1	1	1	
30	90445-07M23	HOSE TUBO	1	1	1	1	1	
31	647-14395-60	CAP, OVERFLOW PIPE TAPA DE TUBO REBOSAMIENTO	1	1	1	1	1	
32	6G5-14483-A1	GASKET EMPAQUE	1	1	1	1	1	
33	97013-06020	BOLT PERNO	12	12	12	12	12	
34	92903-06600	WASHER, PLATE ARANDELA	12	12	12	12	12	
35	6G5-14418-00	COVER 2 CUBIERTA 2	1	1	1	1	1	
36	6G5-1441K-00	EMBLEM EMBLEMA	1	1	1	1	1	
37	6G5-14416-A1	GASKET, AIR CLEANER EMPAQUE	1	1	1	1	1	
38	97095-06020	BOLT PERNO	10	10	10	10	10	
39	92995-06600	WASHER ARANDELA	10	10	10	10	10	

FIG. 6 CARBURETOR

CARBURADOR



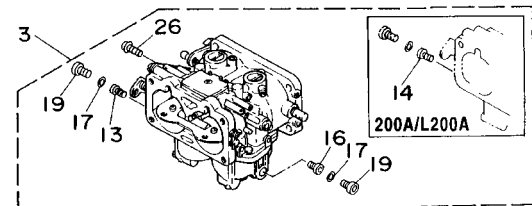
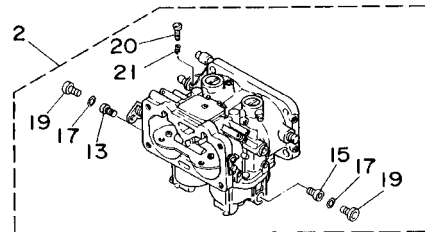
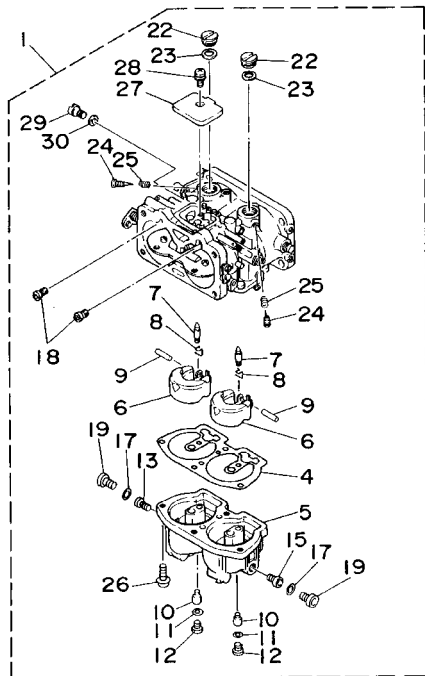
64D0010-6060

REF. NO.	PART NO. CODIGO NO.	DESCRIPTION DESCRIPTION	150A	175A	200A	L150	L200	REMARKS OBSERVACION
1	64C-14301-00	CARBURETOR ASSY 1 CARBURADOR COMPLETO 1	1			1		
	64D-14301-00	CARBURETOR ASSY 1 CARBURADOR COMPLETO 1		1				
	64E-14301-00	CARBURETOR ASSY 1 CARBURADOR COMPLETO 1			1		1	
2	64C-14302-00	CARBURETOR ASSY 2 CARBURADOR COMPLETO 2	1			1		
	64D-14302-00	CARBURETOR ASSY 2 CARBURADOR COMPLETO 2		1				
	64E-14302-00	CARBURETOR ASSY 2 CARBURADOR COMPLETO 2			1		1	
3	64C-14303-00	CARBURETOR ASSY 3 CARBURADOR COMPL. 3	1			1		
	64D-14303-00	CARBURETOR ASSY 3 CARBURADOR COMPL. 3		1				
	64E-14303-00	CARBURETOR ASSY 3 CARBURADOR COMPL. 3			1		1	
4	64D-14384-00	.GASKET, FLOAT CHAMBER .EMPAQUE DE CAMARA DE BOIA	3	3	3	3	3	
5	64D-14381-00	.BODY, FLOAT CHAMBER .CUERPO DE CAMARA DE BOIA	3	3	3	3	3	
6	6E5-14385-02	.FLOAT .BOIA	6	6	6	6	6	
7	6E5-14546-00	.VALVE, NEEDLE .VALVULA DE AGUJA	6	6	6	6	6	
8	6E5-14159-00	.CLIP .PRESILLA	6	6	6	6	6	
9	6E5-14386-02	.PIN, FLOAT .PASADOR DE BOIA	6	6	6	6	6	
10	64D-1492F-42	.JET, AIR SLOW (#84) .ESPREA (#84)	6	6	6	6	6	
11	61U-14959-00	.GASKET .EMPAQUE	6	6	6	6	6	
12	64D-14394-00	.VALVE, DRAIN .VALVULA DE DRENAJE	6	6	6	6	6	
13	64D-1492E-75	.JET, MAIN (#150) .INYECTOR PRINCIPAL (#150)	3	3		3		
	64D-1492E-75	.JET, MAIN (#150) .INYECTOR PRINCIPAL (#150)			2		2	
14	64D-1492E-76	.JET, MAIN (#152) .INYECTOR PRINCIPAL (#152)			1		1	
15	64D-1492E-77	.JET, MAIN (#154) .INYECTOR PRINCIPAL (#154)	2	2	2	2	2	
16	64D-1492E-79	.JET, MAIN (#158) .INYECTOR PRINCIPAL (#158)	1	1	1	1	1	
17	6E5-14398-01	.GASKET .EMPAQUE	6	6	6	6	6	
18	61A-1492H-12	.JET, SLOW AIR BLEED (#60) .ESPREA AIRE (#60)	6	6	6	6	6	
19	61A-14383-01	.SCREW, DRAIN .TORNILLO DE DRENAJE	6	6	6	6	6	
20	6E5-14321-00	.SCREW, THROTTLE .TORNILLO DE OBTURADOR	1	1	1	1	1	#2

B6

FIG. 6 CARBURETOR

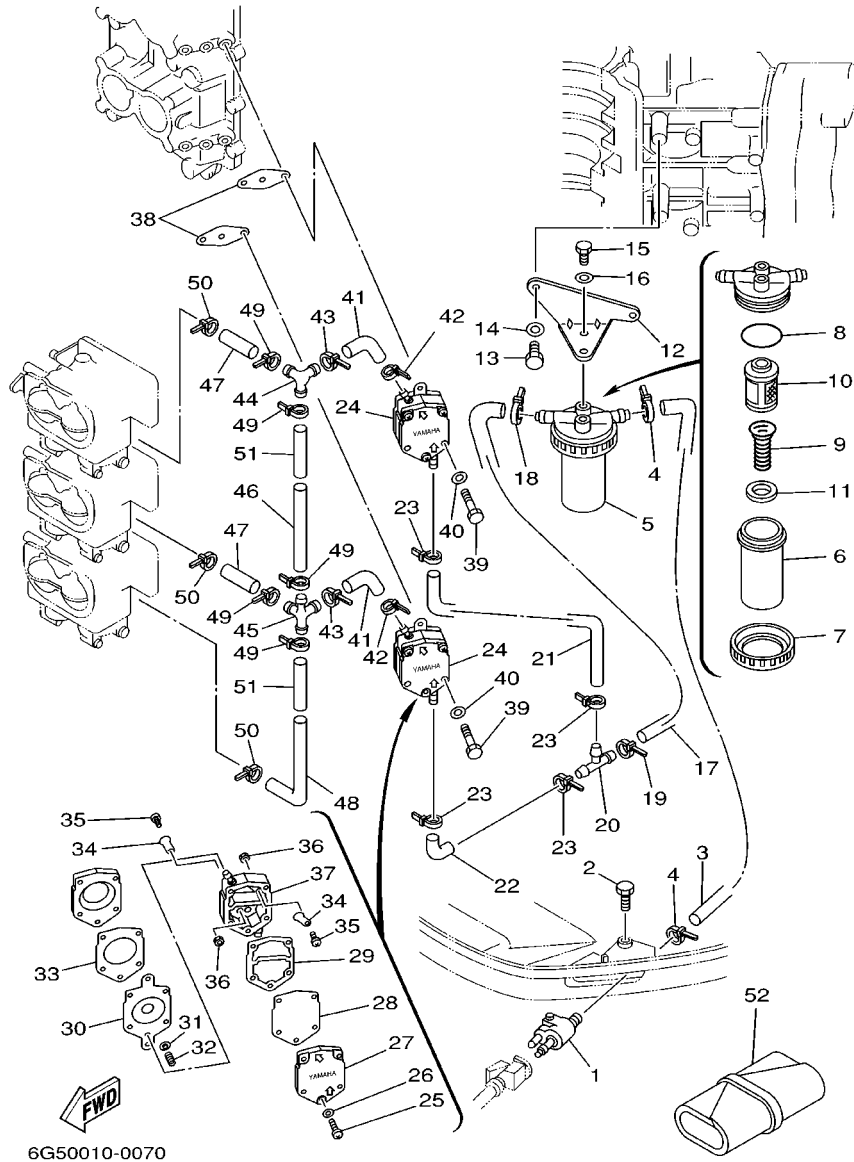
CARBURADOR



REF. NO.	PART NO. CODIGO NO.	DESCRIPTION DESCRIPTION	150A	175A	200A	L150	L200	REMARKS OBSERVACION
21	6J8-14334-00	.SPRING, THROTTLE .RESORTE DE AJUSTADOR DE AIRE	1	1	1	1	1	#2
22	6E5-14328-01	.PLUG .TORNILLO TOPE DE PILOTO	6	6	6	6	6	
23	6E5-14979-00	.GASKET .EMPAQUE DE ARRANQUE	6	6	6	6	6	
24	6E5-14323-03	.SCREW, AIR ADJUSTING .TORNILLO DE AJUSTE DE AIRE	6	6	6	6	6	
25	6E5-14223-00	.SPRING, AIR ADJUSTING .RESORTE AJUSTE DE AIRE	6	6	6	6	6	
26	97980-05116	.SCREW, WITH WASHER .TORNILLO, CON ARANDELA	13	13		13		
	97980-05116	.SCREW, WITH WASHER .TORNILLO, CON ARANDELA			12		12	
27	6E5-14527-01	.PLATE .PLACA	3	3	3	3	3	
28	97980-05108	.SCREW, WITH WASHER .TORNILLO, CON ARANDELA	3	3	3	3	3	
29	6E5-14324-00	.SCREW, FLAT HEAD .TORNILLO CABEZA PLANA	3	3	3	3	3	
30	6J8-14995-00	.GASKET .EMPAQUE	3	3	3	3	3	



64D0010-6060



6G50010-0070

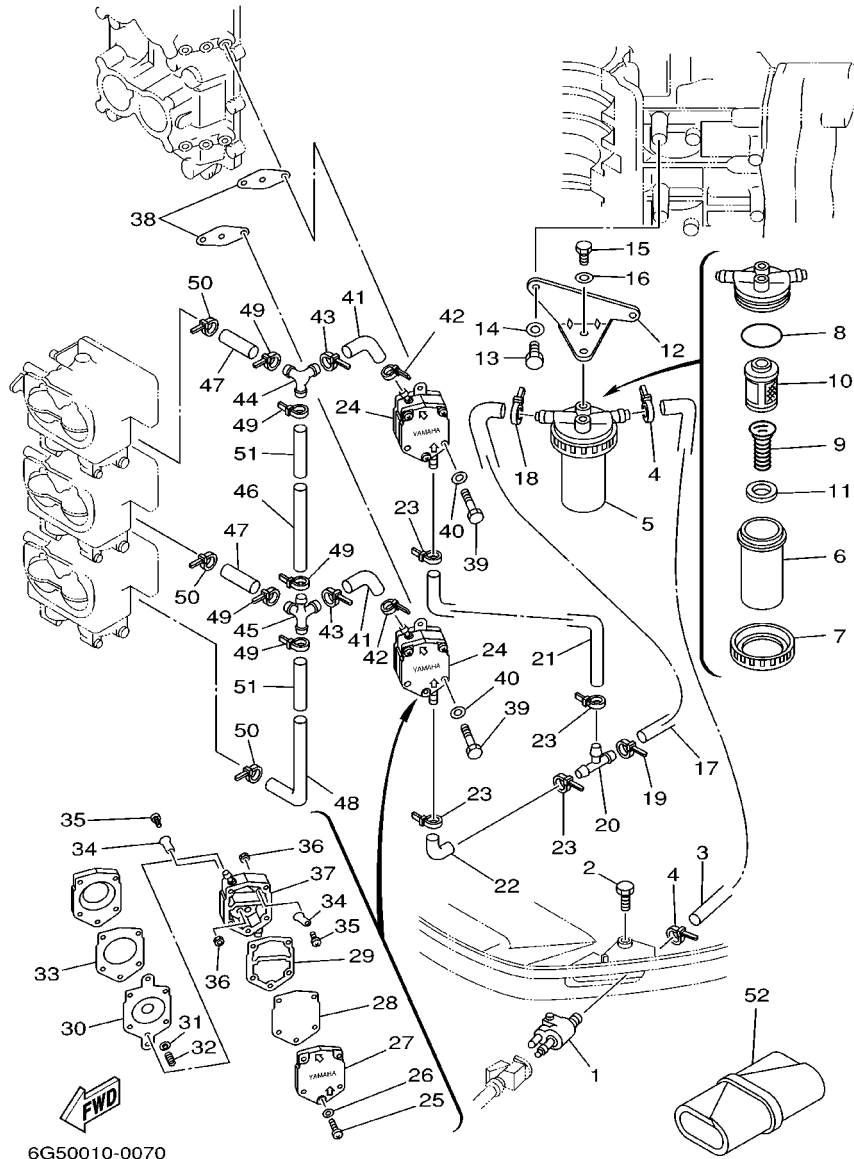
FIG. 7 FUEL 1

COMBUSTIBLE 1

REF. NO.	PART NO. CODIGO NO.	DESCRIPTION DESCRIPTION	150A	175A	200A	L150	L200	REMARKS OBSERVACION
1	6E5-24304-10	FUEL PIPE JOINT COMP. 1 CONECTOR MANGUERA COMBUST.1	1	1	1	1	1	
2	97095-06028	BOLT PERNO	1	1	1	1	1	
3	6G5-24313-01	PIPE 3 TUBO 3	1	1	1	1	1	
4	90465-11M10	CLAMP BRIDA	2	2	2	2	2	
5	61A-24560-02	FILTER ASSY FILTRO COMPLETO	1	1	1	1	1	
6	61A-24521-00	.CUP, FILTER .COPA DE FILTRO	1	1	1	1	1	
7	61A-24531-00	.NUT .TUERCA	1	1	1	1	1	
8	61A-24564-00	.GASKET .EMPAQUE	1	1	1	1	1	
9	61A-24577-01	.SPRING .RESORTE	1	1	1	1	1	
10	61A-24563-00	.ELEMENT, FILTER .ELEMENTO DEL FILTRO	1	1	1	1	1	
11	61A-24469-00	.FLOAT, WATER LEVEL .BOIA	1	1	1	1	1	
12	61U-24566-00	BRACKET, FILTER SOPORTE DEL FILTRO	1	1	1	1	1	
13	97095-06014	BOLT PERNO	2	2	2	2	2	
14	92995-06600	WASHER ARANDELA	2	2	2	2	2	
15	97095-06016	BOLT PERNO	2	2	2	2	2	
16	92995-06600	WASHER ARANDELA	2	2	2	2	2	
17	6G5-24314-10	PIPE 4 TUBO 4	1	1	1	1	1	
18	90465-11M10	CLAMP BRIDA	1	1	1	1	1	
19	90465-11M10	CLAMP BRIDA	1	1	1	1	1	
20	6E5-24378-00	PIPE, JOINT 4 TUBO DE UNION 4	1	1	1	1	1	
21	6G5-24315-00	PIPE 5 TUBO DE DESAGUE	1	1	1	1	1	
22	6E5-24315-00	PIPE 5 TUBO DE DESAGUE	1	1	1	1	1	
23	90465-11M10	CLAMP BRIDA	4	4	4	4	4	
24	6E5-24410-03	FUEL PUMP ASSY BOMBA DE COMBUSTIBLE COMPLETA	2	2	2	2	2	
25	98503-05035	.SCREW, PAN HEAD .TORNILLO DE CABEZA CON PLANA	3	3	3	3	3	
26	92903-05600	.WASHER, PLATE .ARANDELA	3	3	3	3	3	
27	6E5-24413-00	.BODY 2 .CUERPO 2	1	1	1	1	1	

FIG. 7 FUEL 1

COMBUSTIBLE 1

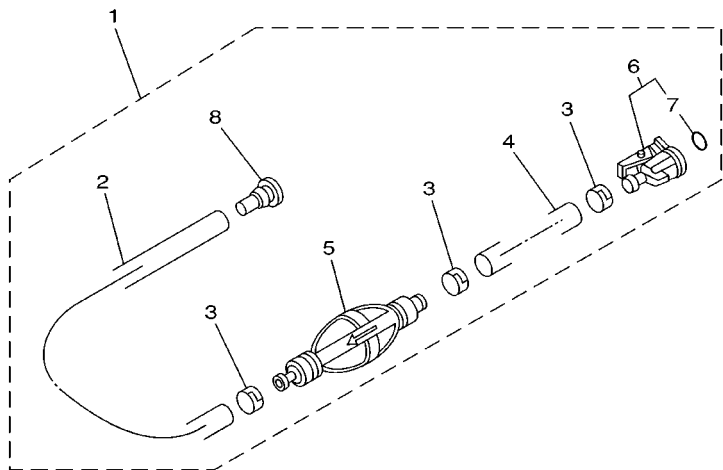


6G50010-0070

REF. NO.	PART NO. CODIGO NO.	DESCRIPTION DESCRIPTION	150A	175A	200A	L150	L200	REMARKS OBSERVACION
28	6E5-24471-00	.DIAPHRAGM .DIAFRAGMA	1	1	1	1	1	
29	6E5-24435-00	.GASKET, BODY 2 .EMPAQUE	1	1	1	1	1	
30	6E5-24411-00	.DIAPHRAGM .DIAFRAGMA	1	1	1	1	1	
31	648-24424-00	.SEAT, SPRING .PLACA DE RESORTE	1	1	1	1	1	
32	6E5-24423-00	.SPRING, DIAPHRAGM .RESORTE DE DIAFRAGMA	1	1	1	1	1	
33	6E5-24434-02	.GASKET, BODY .EMPAQUE	1	1	1	1	1	
34	6A0-24421-01	.VALVE, CHECK .VALVULA DE RETENCION	4	4	4	4	4	
35	6A0-14325-00	.SCREW, PAN HEAD .TORNILLO CABEZA REDONDA	4	4	4	4	4	
36	95380-03600	.NUT .TUERCA	4	4	4	4	4	
37	6E5-24412-10	.BODY 1 .CUERPO 1	1	1	1	1	1	
38	650-24431-A0	GASKET, FUEL PUMP 1 EMPAQUE BOMBA COMBUST 1	2	2	2	2	2	
39	97095-06050	BOLT PERNO	4	4	4	4	4	
40	92995-06600	WASHER ARANDELA	4	4	4	4	4	
41	6G5-24316-10	PIPE 6 TUBO 6	2	2	2	2	2	
42	90465-11M10	CLAMP BRIDA	2	2	2	2	2	
43	90465-11M10	CLAMP BRIDA	2	2	2	2	2	
44	6G5-24376-00	PIPE, JOINT 1 TUBO DE UNION 1	1	1	1	1	1	
45	6G5-24377-00	PIPE, JOINT 3 TUBO DE UNION 3	1	1	1	1	1	
46	6G5-24317-01	PIPE 7 TUBO 7	1	1	1	1	1	
47	6G5-24318-10	PIPE, OVERFLOW TUBO DE REBOSAMIENTO	2	2	2	2	2	
48	6G5-24319-10	PIPE, OIL TUBO DE ACEITE	1	1	1	1	1	
49	90465-11M10	CLAMP BRIDA	5	5	5	5	5	
50	90465-11M10	CLAMP BRIDA	3	3	3	3	3	
51	90446-15M07	HOSE TUBO RESEIRADERO	2	2	2	2	2	
52	656-W2810-02	TOOL KIT JUEGO DE HERRAMIENTAS	1	1	1	1	1	

FIG. 8 FUEL 2

COMBUSTIBLE 2



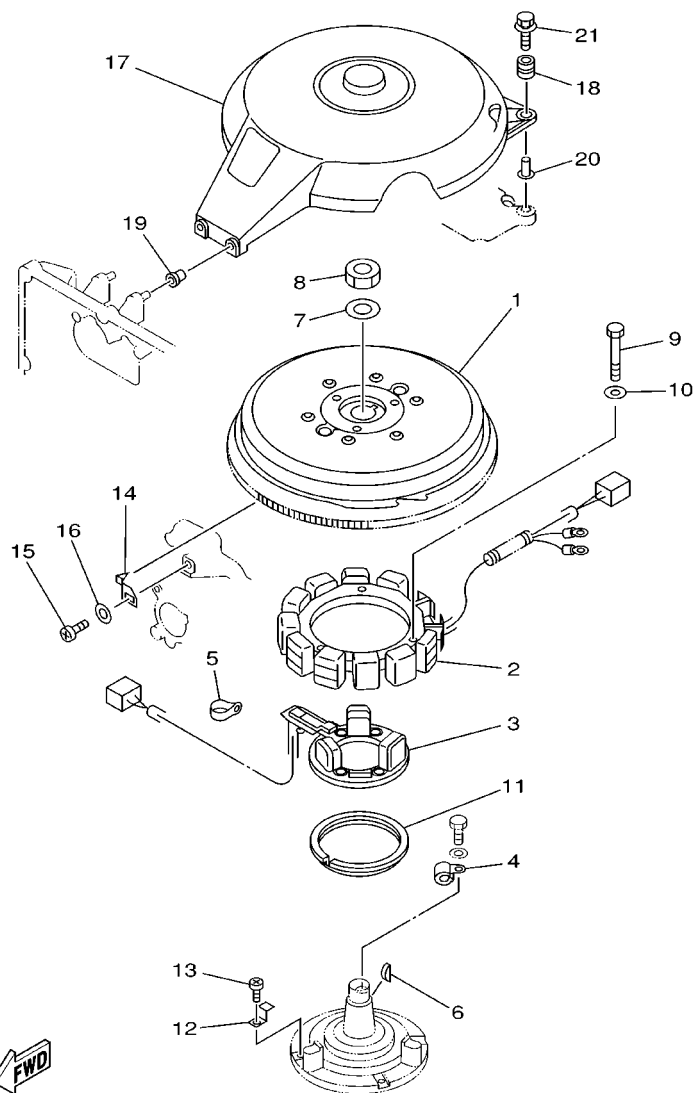
REF. NO.	PART NO. CODIGO NO.	DESCRIPTION DESCRIPTION	150A	175A	200A	L150	L200	REMARKS OBSERVACION
1	6Y2-24306-A1	FUEL PIPE COMP. 1 TUBO COMBUST. COMPL 1	1	1	1	1	1	AP
2	90445-13M01	.HOSE (L:2050) .MANGUERA (L:2050)	1	1	1	1	1	
3	6E5-24351-01	.BAND 1 .ABRAZADERA 1	3	3	3	3	3	
4	90445-13M00	.HOSE (L:850) .MANGUERA (L:850)	1	1	1	1	1	
5	6Y2-24360-02	.PRIMER PUMP ASSY .SOPORTE_BOMBA	1	1	1	1	1	
6	6E5-24305-03	.FUEL PIPE JOINT COMP. 2 .CONECTOR MANGUERA COMBUST.2	1	1	1	1	1	
7	93210-08287	..O-RING ..ANILLO O	1	1	1	1	1	
8	90480-06M19	.GROMMET .TAPON	1	1	1	1	1	



6G50200-0080

FIG. 9 GENERATOR

GENERADOR

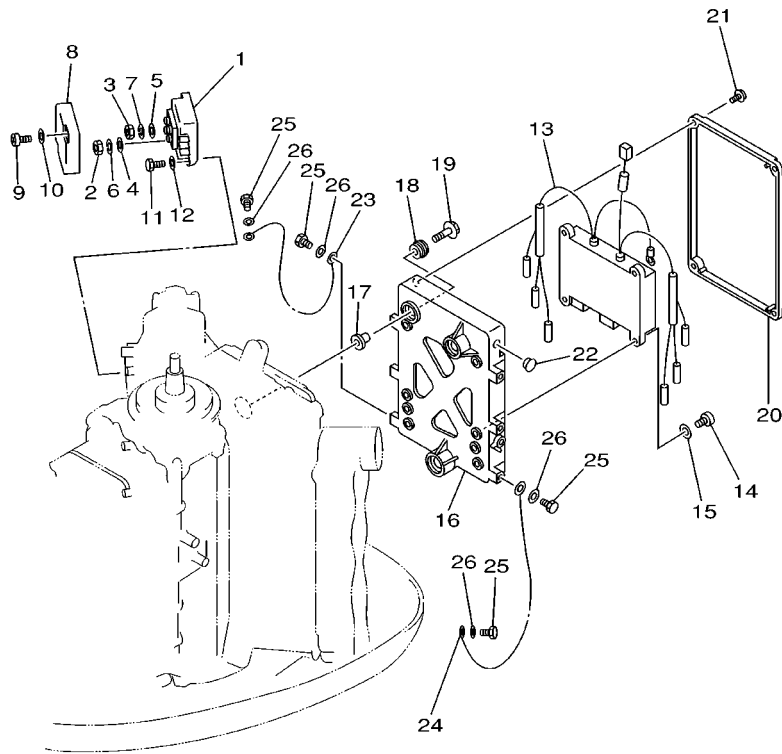


FWD
6G50010-0080

REF. NO.	PART NO. CODIGO NO.	DESCRIPTION DESCRIPTION	150A	175A	200A	L150	L200	REMARKS OBSERVACION
1	6G6-85550-02	ROTOR ASSY ROTOR COMPLETO	1	1	1	1	1	
2	6G6-85510-00	STATOR ASSY ESTATOR COMPLET	1	1	1	1	1	
3	6G6-85580-00	COIL, PULSER BOBINA DE PULSACION	1	1	1	1	1	
4	90465-06M86	CLAMP BRIDA	1	1	1	1	1	
5	90464-12M00	CLAMP BRIDA	1	1	1	1	1	
6	90280-05015	KEY, WOODRUFF CUNA WOODRUFF	1	1	1	1	1	
7	90201-21M18	WASHER, PLATE ARANDELA PLANA	1	1	1	1	1	
8	90170-20137	NUT TUERCA	1	1	1	1	1	
9	97013-06060	BOLT PERNO	3	3	3	3	3	
10	92903-06600	WASHER, PLATE ARANDELA	3	3	3	3	3	
11	688-41611-00	RETAINER, MAGNETO BASE RETENEDOR BASE MAGNETO	1	1	1	1	1	
12	688-41612-00	RETAINER, MAGNETO BASE RETENEDOR BASE MAGNETO	4	4	4	4	4	
13	97880-06018	SCREW, PAN HEAD TORNILLO DE CABEZA CON PLANA	4	4	4	4	4	
14	6E5-81332-00	PLATE, TIMING PLACA REGULADOR DE TIEMPO	1	1	1	1	1	
15	97885-06010	SCREW, PAN HEAD TORNILLO DE CABEZA CON PLANA	1	1	1	1	1	
16	92995-06600	WASHER ARANDELA	1	1	1	1	1	
17	6G5-81337-00	COVER, FLYWHEEL CUBIERTA DE VOLANTE	1	1	1	1	1	
18	6G5-82317-00	DAMPER, IGNITION COIL AMORTIGUADOR BOBINA ENCENDIDO	2	2	2	2	2	
19	6A0-82317-00	DAMPER, IGNITION COIL AMORTIGUADOR BOBINA ENCENDIDO	2	2	2	2	2	
20	624-42542-00	PIPE TUBO	2	2	2	2	2	
21	90119-06M59	BOLT, WITH WASHER TORNILLO CON ARANDELA	2	2	2	2	2	

FIG. 10 ELECTRICAL 1

EQUIPO ELECTRICO 1



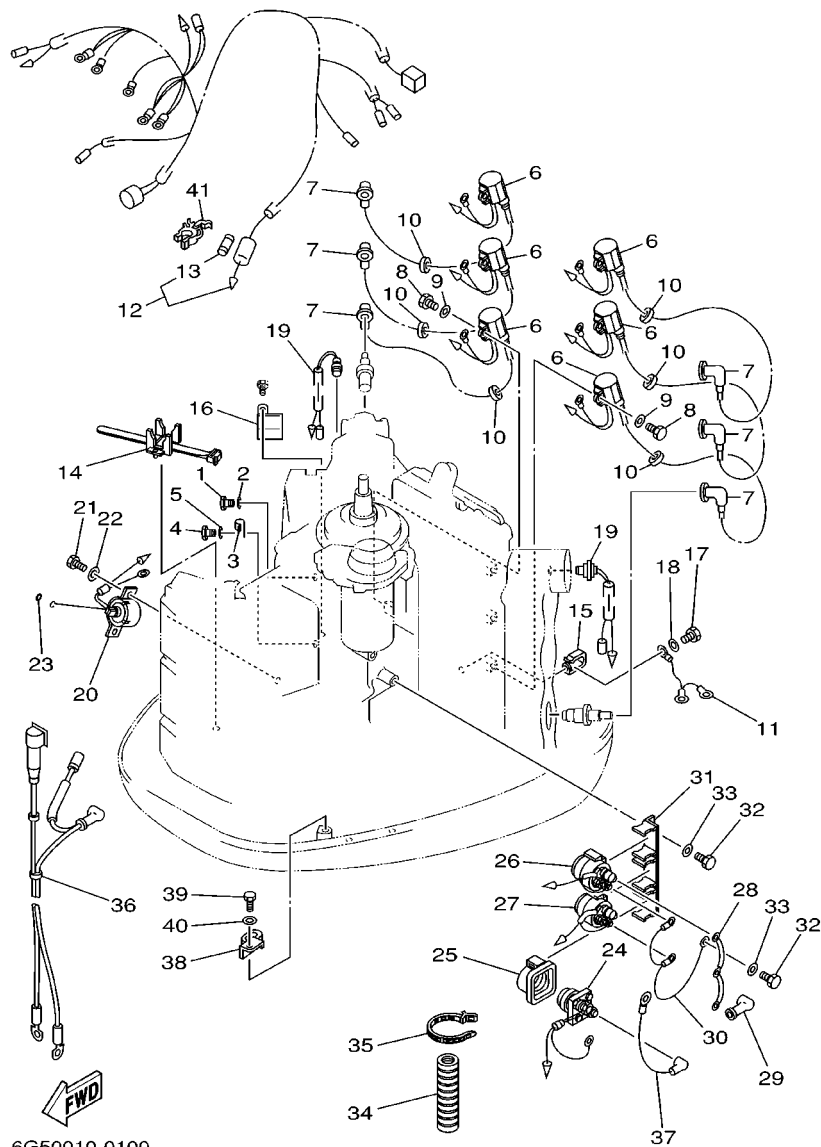
REF. NO.	PART NO. CODIGO NO.	DESCRIPTION DESCRIPTION	150A	175A	200A	L150	L200	REMARKS OBSERVACION
1	6G5-81960-A0	RECTIFIER & REGULATOR ASSY RECTIFICADOR Y REGULADOR	1	1	1	1	1	
2	95380-05600	NUT TUERCA	3	3	3	3	3	
3	95380-06600	NUT, HEXAGON TUERCA	1	1	1	1	1	
4	92990-05200	WASHER, PLAIN ARANDELA	3	3	3	3	3	
5	92990-06200	WASHER, PLAIN ARANDELA	1	1	1	1	1	
6	92903-05100	WASHER, SPRING ARANDELA	3	3	3	3	3	
7	92903-06100	WASHER, SPRING ARANDELA	1	1	1	1	1	
8	688-81961-01	COVER CUBIERTA	1	1	1	1	1	
9	97885-05025	SCREW, PAN HEAD TORNILLO DE CABEZA CON PLANA	2	2	2	2	2	
10	92995-05600	WASHER ARANDELA	2	2	2	2	2	
11	97013-06020	BOLT PERNO	2	2	2	2	2	
12	92903-06600	WASHER, PLATE ARANDELA	2	2	2	2	2	
13	6G6-85540-00	C.D.I. UNIT ASSY UNIDAD C.D.I. COMPLETA	1	1	1	1	1	
14	97880-06020	SCREW, PAN HEAD TORNILLO DE CABEZA CON PLANA	4	4	4	4	4	
15	92990-06600	WASHER, PLATE ARANDELA	4	4	4	4	4	
16	6R3-85542-03-1S	BRACKET SOPORTE	1	1	1	1	1	
17	90387-06M03	COLLAR CASQUILLO CON VALONA	3	3	3	3	3	
18	90480-09M12	GROMMET TAPON	3	3	3	3	3	
19	90119-06M60	BOLT, WITH WASHER TORNILLO CON ARANDELA	3	3	3	3	3	
20	6R3-85537-00	COVER CUBIERTA	1	1	1	1	1	
21	90159-06M11	SCREW, WITH WASHER TORNILLO CON VALONA	4	4	4	4	4	
22	90480-12M25	GROMMET TAPON	1	1	1	1	1	
23	662-82519-00	WIRE, EARTH LEAD CABLE CONDUCTOR A TIERRA	1	1	1	1	1	
24	6R3-82519-00	WIRE, EARTH LEAD CABLE CONDUCTOR A TIERRA	1	1	1	1	1	
25	97095-06012	BOLT PERNO	4	4	4	4	4	
26	92995-06600	WASHER ARANDELA	4	4	4	4	4	



6G50010-0090

FIG. 11 ELECTRICAL 2

EQUIPO ELECTRICO 2

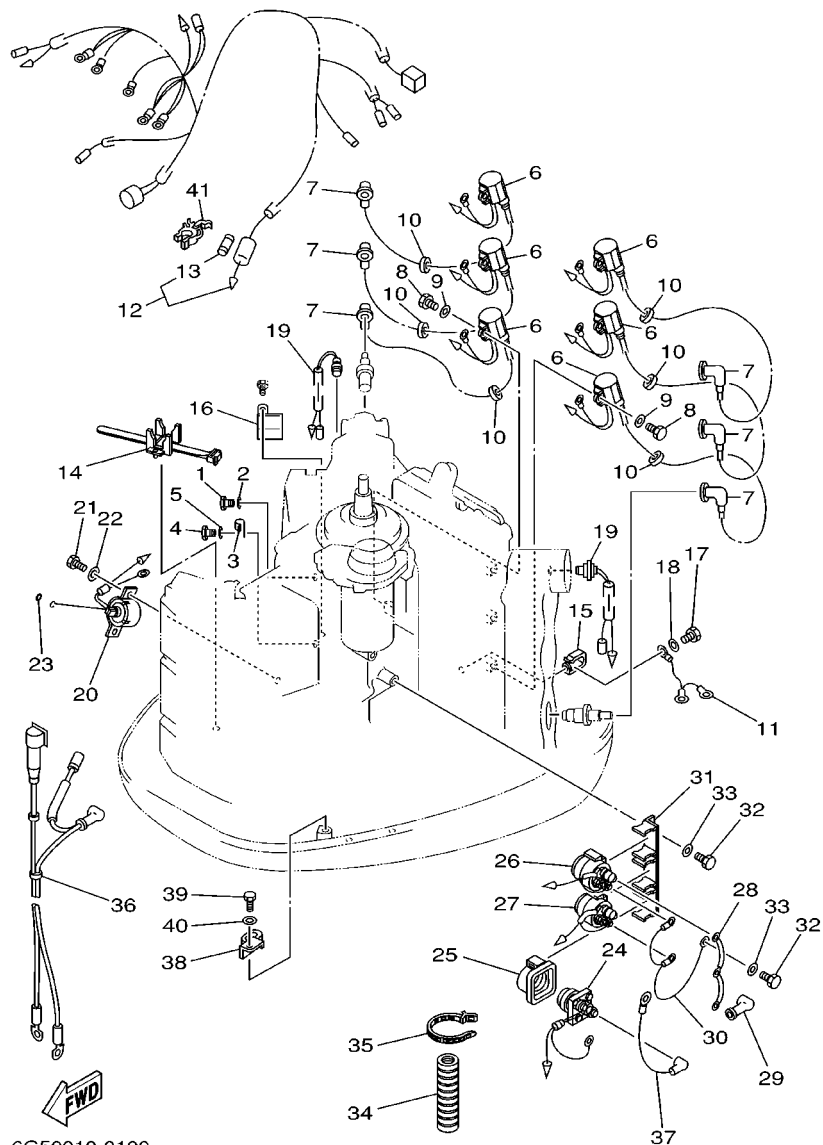


6G50010-0100

REF. NO.	PART NO. CODIGO NO.	DESCRIPTION DESCRIPTION	150A	175A	200A	L150	L200	REMARKS OBSERVACION
1	97013-06012	BOLT PERNO	1	1	1	1	1	
2	92903-06600	WASHER, PLATE ARANDELA	1	1	1	1	1	
3	90465-06M86	CLAMP BRIDA	1	1	1	1	1	
4	97013-06012	BOLT PERNO	1	1	1	1	1	
5	92903-06600	WASHER, PLATE ARANDELA	1	1	1	1	1	
6	6R3-85570-01	IGNITION COIL ASSY BOBINA DE IGNICION COMPLETO	6	6	6	6	6	
7	663-82370-01	PLUG CAP ASSY TAPON DE BUJIA COMPLT	6	6	6	6	6	
8	97095-06020	BOLT PERNO	6	6	6	6	6	
9	92995-06600	WASHER ARANDELA	6	6	6	6	6	
10	90480-25161	GROMMET TAPON	6	6	6	6	6	
11	6E5-82531-10	WIRE, LEAD CABLE CONDUCTOR	1	1	1	1	1	
12	6G6-82590-00	WIRE HARNESS ASSY CONJUNTO DE CABLES	1	1	1	1	1	
13	682-82151-00	.FUSE (20A) .FUSIBLE (20A)	1	1	1	1	1	
14	688-82594-00	CLAMP GRAMPA	1	1	1	1	1	
15	90465-05M87	CLAMP BRIDA	1	1	1	1	1	
16	90465-08M89	CLAMP BRIDA	1	1	1	1	1	
17	97095-06012	BOLT PERNO	1	1	1	1	1	
18	92995-06600	WASHER ARANDELA	1	1	1	1	1	
19	688-82560-10	THERMO SWITCH ASSY INTER. DE TERMO	2	2	2	2	2	
20	64D-86110-00	SOLENOID SOLENOIDE	1	1	1	1	1	
21	97095-06016	BOLT PERNO	2	2	2	2	2	
22	92995-06600	WASHER ARANDELA	2	2	2	2	2	
23	93210-03261	O-RING ANILLO O	1	1	1	1	1	
24	61A-81941-00	STARTER RELAY ASSY RELE DE ARRANQUE	1	1	1	1	1	
25	689-81952-10	HOLDER, RELAY SOSTEN DE RELE	1	1	1	1	1	
26	6E5-81950-00	RELAY ASSY RELE COMPLETO	1	1	1	1	1	
27	6E5-8195A-00	RELAY ASSY RELE COMPLETO	1	1	1	1	1	

FIG. 11 ELECTRICAL 2

EQUIPO ELECTRICO 2

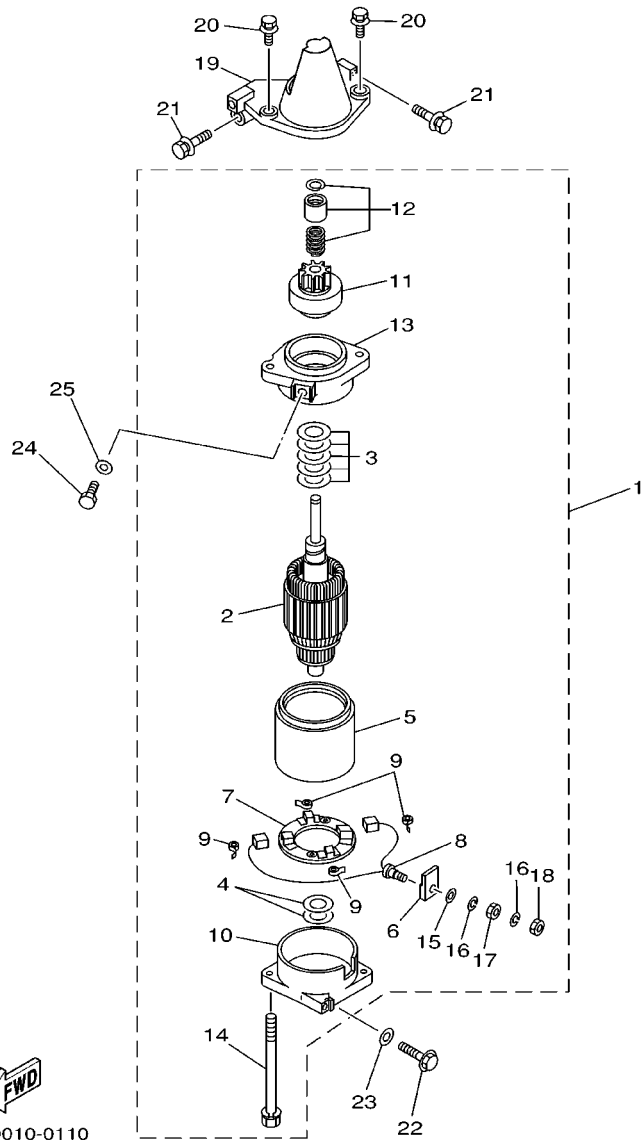


6G50010-0100

REF. NO.	PART NO. CODIGO NO.	DESCRIPTION DESCRIPTION	150A	175A	200A	L150	L200	REMARKS OBSERVACION
28	6G5-87149-10	CONNECTOR CONECTOR	1	1	1	1	1	
29	6G5-82119-00	COVER, LEAD WIRE CUBIERTA DE CABLE CONDUCTOR	2	2	2	2	2	
30	6E5-82116-00	WIRE, MINUS LEAD CABLE CONDUCTOR NEGATIVO	1	1	1	1	1	
31	6G5-81948-11	BRACKET SOPORTE	1	1	1	1	1	
32	97095-06016	BOLT PERNO	2	2	2	2	2	
33	92995-06600	WASHER ARANDELA	2	2	2	2	2	
34	6E9-83557-70	TUBE ENCHUFE DE ACEITE	1	1	1	1	1	
35	90465-13M18	CLAMP BRIDA	1	1	1	1	1	
36	6G5-82105-02	WIRE HARNESS ARNES DE CABLES	1	1	1	1	1	
37	6E5-82117-00	WIRE, LEAD CABLE CONDUCTOR	1	1	1	1	1	
38	90465-12M25	CLAMP BRIDA	1	1	1	1	1	
39	97095-06012	BOLT PERNO	1	1	1	1	1	
40	92995-06600	WASHER ARANDELA	1	1	1	1	1	
41	6G5-82152-00	HOLDER, FUSE PORTA-FUSIBLES	1	1	1	1	1	

FIG. 12 STARTING MOTOR

MOTOR DE ARRANQUE

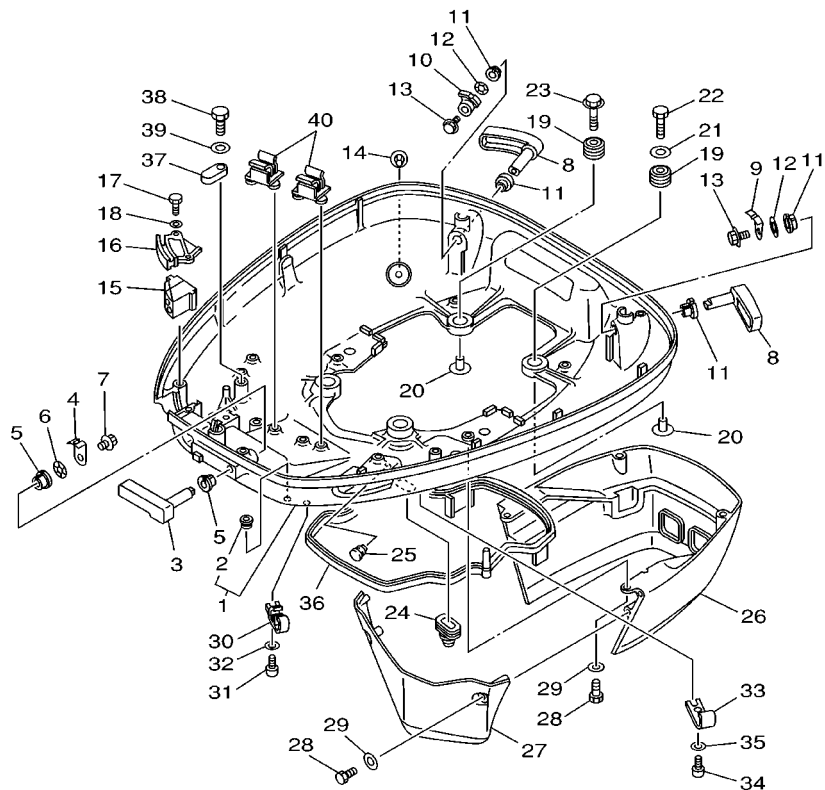


6E50010-0110

REF. NO.	PART NO. CODIGO NO.	DESCRIPTION DESCRIPTION	150A	175A	200A	L150	L200	REMARKS OBSERVACION
1	6N7-81800-10	STARTING MOTOR ASSY MOTOR DE ARRANQUE COMPLETO	1	1	1	1	1	
2	6N7-81850-10	.ARMATURE ASSY .INDUCIDO COMPLETO	1	1	1	1	1	
3	61A-81809-00	.WASHER KIT .JUEGO DE ARANDELA	1	1	1	1	1	
4	61A-81824-00	.WASHER 2 .ARANDELA 2	2	2	2	2	2	
5	6N7-81810-00	.STATOR ASSY .ESTATOR COMPLETO	1	1	1	1	1	
6	6K7-8182G-10	.BUSH, TERMINAL .BUJE DE TERMINAL	1	1	1	1	1	
7	6N7-81840-00	.BRUSH HOLDER ASSY .SOSTEN DE ESCOBILLA COMPLETO	1	1	1	1	1	
8	6N7-81801-00	.BRUSH SET .JUEGO DE ESCOBILLA	1	1	1	1	1	
9	6N7-81813-00	.SPRING, BRUSH .RESORTE DE ESCOBILLA	4	4	4	4	4	
10	6N7-81820-10	.REAR BRACKET ASSY .CUBIERTA TRASERA COMPL	1	1	1	1	1	
11	6N7-81807-00	.GEAR ASSY, STARTING MOTOR .PINON CONJUNTO	1	1	1	1	1	
12	6N7-81857-00	.RETAINER .SEGURO	1	1	1	1	1	
13	6N7-81830-00	.FRONT BRACKET ASSY .SOPORTE DELANTERO COMPLETO	1	1	1	1	1	
14	6K7-81826-10	.BOLT .PERNO	2	2	2	2	2	
15	6E5-8182E-10	.WASHER .RONDANA	1	1	1	1	1	
16	6E5-8182F-10	.WASHER .RONDANA	2	2	2	2	2	
17	6E5-8182A-10	.NUT .TUERCA	1	1	1	1	1	
18	6E5-8182K-10	.NUT .TUERCA	1	1	1	1	1	
19	6E5-81822-02-98	BRACKET, STARTING MOTOR SOPORTE DE MOTOR DE ARRANQUE	1	1	1	1	1	
20	90119-08M76	BOLT, WITH WASHER TORNILLO CON ARANDELA	2	2	2	2	2	
21	90119-08M77	BOLT, WITH WASHER TORNILLO CON ARANDELA	2	2	2	2	2	
22	90119-08M57	BOLT, WITH WASHER TORNILLO CON ARANDELA	1	1	1	1	1	
23	92990-08600	WASHER, PLATE ARANDELA	1	1	1	1	1	
24	97095-08016	BOLT PERNO	1	1	1	1	1	
25	92995-08600	WASHER ARANDELA	1	1	1	1	1	

FIG. 13 BOTTOM COWLING

CUBIERTA INFERIOR



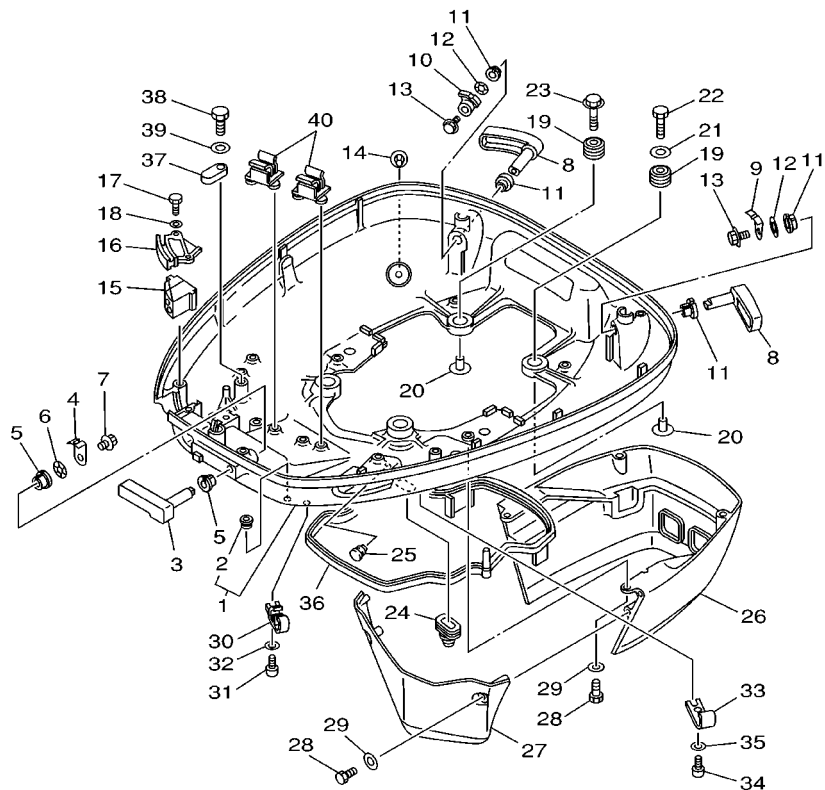
REF. NO.	PART NO. CODIGO NO.	DESCRIPTION DESCRIPTION	150A	175A	200A	L150	L200	REMARKS OBSERVACION
1	6E5-W4271-05-4D	COWLING, BOTTOM CUBIERTA INFERIOR	1	1	1	1	1	
2	6H4-42748-00	.GROMMET .TAPON	1	1	1	1	1	
3	688-42815-01-4D	LEVER, CLAMP PALANCA ABRAZADERA	1	1	1	1	1	
4	688-42816-00	LEVER, CLAMP PALANCA ABRAZADERA	1	1	1	1	1	
5	90386-13M38	BUSH BUJE	2	2	2	2	2	
6	90206-13M10	WASHER, WAVE ARANDELA ONDULADA	1	1	1	1	1	
7	90119-06M09	BOLT, WITH WASHER TORNILLO CON ARANDELA	1	1	1	1	1	
8	6E5-42817-01-4D	LEVER, CLAMP PALANCA ABRAZADERA	2	2	2	2	2	
9	6G5-42816-00	LEVER, CLAMP PALANCA ABRAZADERA	1	1	1	1	1	
10	6E5-42816-01	LEVER, CLAMP PALANCA ABRAZADERA	1	1	1	1	1	
11	90386-13M38	BUSH BUJE	4	4	4	4	4	
12	90206-13M10	WASHER, WAVE ARANDELA ONDULADA	2	2	2	2	2	
13	90119-06M09	BOLT, WITH WASHER TORNILLO CON ARANDELA	2	2	2	2	2	
14	6E5-44391-00	NIPPLE, HOSE NIPLE MANGUERA	1	1	1	1	1	
15	6E5-42725-00	GROMMET TAPON	1	1	1	1	1	
16	6E5-42738-01-5B	PLATE, FITTING PLACA DE AJUSTE	1	1	1	1	1	
17	97095-06016	BOLT PERNO	2	2	2	2	2	
18	92995-06600	WASHER ARANDELA	2	2	2	2	2	
19	90480-22M15	GROMMET TAPON	4	4	4	4	4	
20	90387-08M37	COLLAR CASQUILLO CON VALONA	4	4	4	4	4	
21	90201-08M54	WASHER, PLATE ARANDELA PLANA	1	1	1	1	1	
22	97075-08035	BOLT PERNO	1	1	1	1	1	
23	90119-08M22	BOLT, WITH WASHER TORNILLO CON ARANDELA	3	3	3	3	3	
24	688-42726-10	GROMMET TAPON	1	1	1	1	1	
25	90480-10M36	GROMMET TAPON	1	1	1	1	1	
26	6E5-42741-01-4D	APRON MANDIL	1	1	1	1	1	
27	6E5-42771-01-4D	APRON MANDIL	1	1	1	1	1	



6G50010-0120

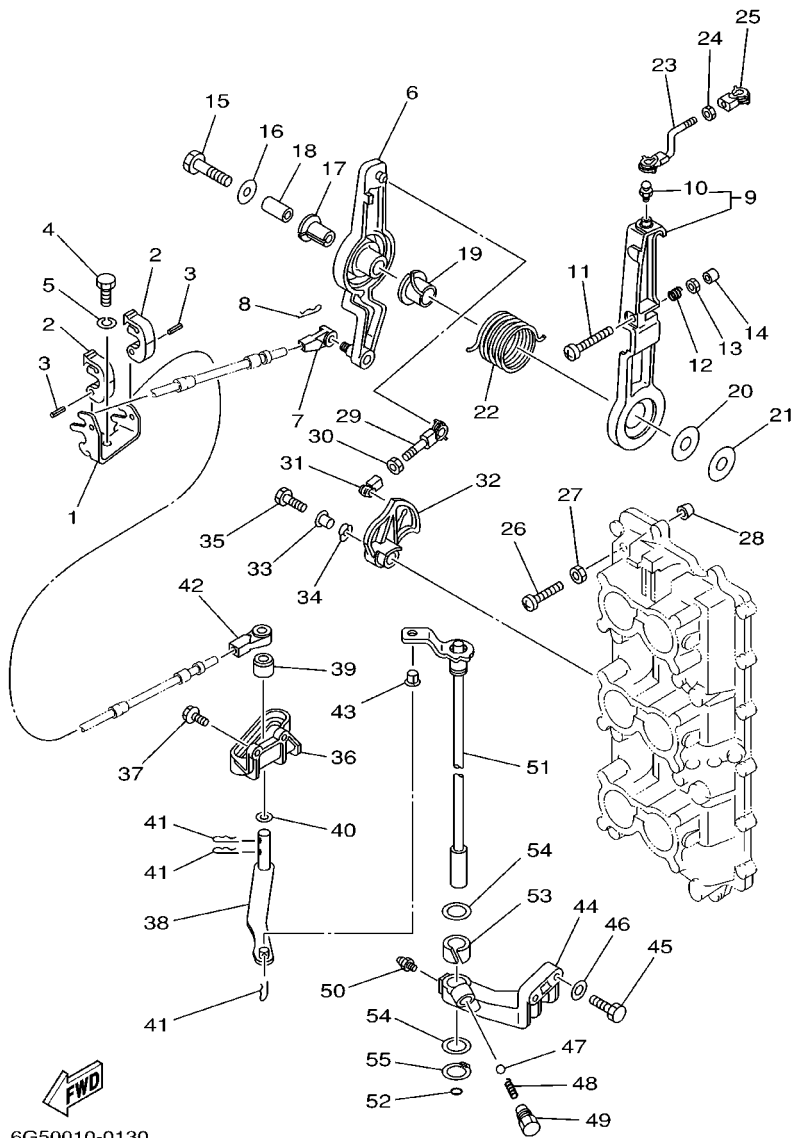
FIG. 13 BOTTOM COWLING

CUBIERTA INFERIOR



REF. NO.	PART NO. CODIGO NO.	DESCRIPTION DESCRIPTION	150A	175A	200A	L150	L200	REMARKS OBSERVACION
28	97095-06020	BOLT PERNO	6	6	6	6	6	
29	92995-06600	WASHER ARANDELA	6	6	6	6	6	
30	6E5-24367-01	CLAMP, FUEL PIPE 2 GRAMPA DE TUBO DE COMBUST.2	2	2	2	2	2	
31	90157-06M01	SCREW, PAN HEAD TORNILLO CABEZA CONICA PLANA	2	2	2	2	2	
32	92990-06600	WASHER, PLATE ARANDELA	2	2	2	2	2	
33	6E5-24367-10	CLAMP, FUEL PIPE 2 GRAMPA DE TUBO DE COMBUST.2	1	1	1	1	1	
34	90157-06M01	SCREW, PAN HEAD TORNILLO CABEZA CONICA PLANA	1	1	1	1	1	
35	92990-06600	WASHER, PLATE ARANDELA	1	1	1	1	1	
36	6E5-42716-00	RUBBER, SEAL 1 SELLO DE GOMA 1	1	1	1	1	1	
37	6E5-82588-00	PLATE PLACA	1	1	1	1	1	
38	97095-06020	BOLT PERNO	1	1	1	1	1	
39	92995-06600	WASHER ARANDELA	1	1	1	1	1	
40	6E5-82594-00	CLAMP GRAMPA	2	2	2	2	2	

FWD
6G50010-0120

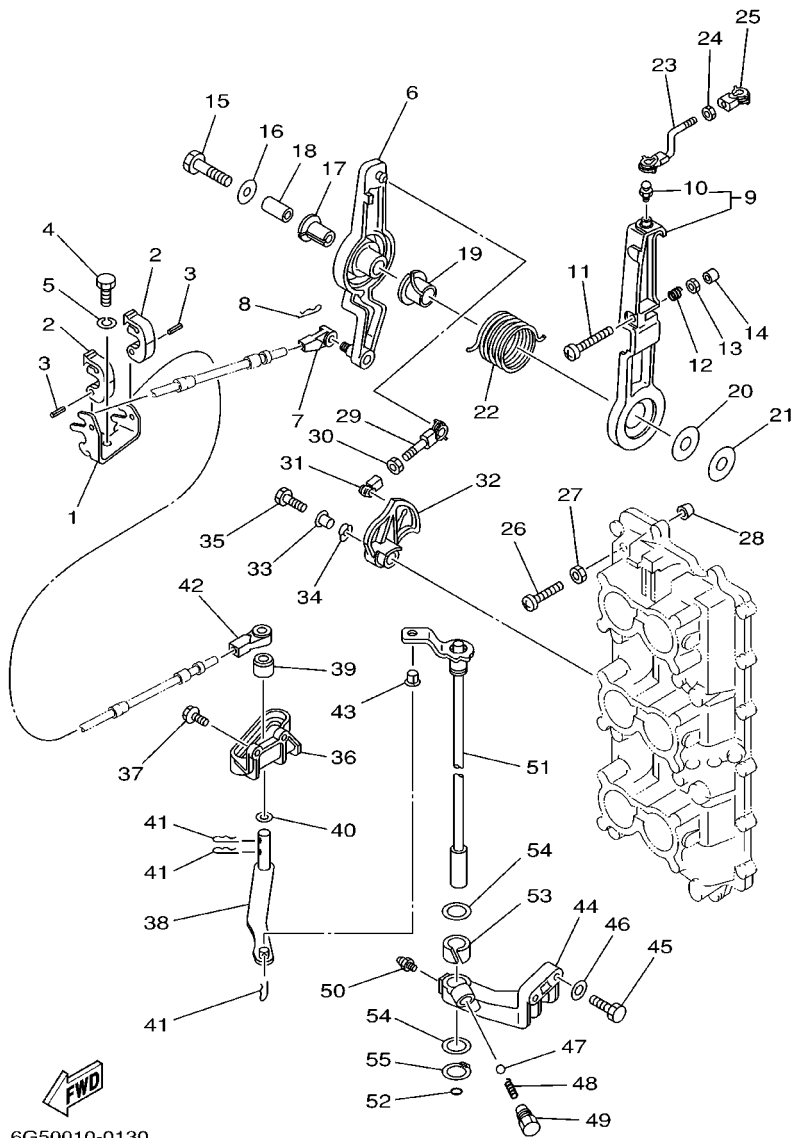


6G50010-0130

FIG. 14 CONTROL

CONTROL

REF. NO.	PART NO. CODIGO NO.	DESCRIPTION DESCRIPTION	150A	175A	200A	L150	L200	REMARKS OBSERVACION
1	6E5-48531-00	BRACKET, REMOTE CONTROL 1 SOPORTE DE CONTROL REMOTO	1	1	1	1	1	
2	6E5-48538-00	CLAMP, CABLE 1 GRAMPA DE CABLE	2	2	2	2	2	
3	91690-30012	PIN, SPRING PASADOR DE RESORTE	2	2	2	2	2	
4	97095-08020	BOLT PERNO	1	1	1	1	1	
5	92995-08100	WASHER ARANDELA	1	1	1	1	1	
6	61H-41632-02-1S	LEVER, MAGNETO CONTROL PALANCA DE CONTROL DE MAGNETO	1	1	1	1	1	
7	6E5-48344-00	CABLE END, REMOTE CONTROL BASE CONTROL	1	1	1	1	1	
8	90468-18008	CLIP PRESILLA	1	1	1	1	1	
9	6G5-41631-01-1S	LEVER, MAGNETO CONTROL PALANCA DE CONTROL DE MAGNETO	1	1	1	1	1	
10	663-85518-00	JOINT, BALL CONECTOR	1	1	1	1	1	
11	90157-06013	SCREW, PAN HEAD TORNILLO CABEZA CONICA PLANA	1	1	1	1	1	
12	90501-16M12	SPRING, COMPRESSION RESORTE DE COMPRESION	1	1	1	1	1	
13	95303-06600	NUT TUERCA	1	1	1	1	1	
14	688-44194-00	CAP TAPA	1	1	1	1	1	
15	97013-08045	BOLT PERNO	1	1	1	1	1	
16	90201-08M23	WASHER, PLATE ARANDELA PLANA	1	1	1	1	1	
17	90386-12089	BUSH BUJE	1	1	1	1	1	
18	90387-08M16	COLLAR CASQUILLO CON VALONA	1	1	1	1	1	
19	90386-22M13	BUSH BUJE	1	1	1	1	1	
20	90202-12092	WASHER, PLATE ARANDELA DE PLANA	1	1	1	1	1	
21	90201-08M13	WASHER, PLATE ARANDELA PLANA	1	1	1	1	1	
22	90508-29M12	SPRING, TORSION RESORTE DE TORSION	1	1	1	1	1	
23	6G5-41636-01	ROD, MAGNETO CONTROL VARILLA DE CONTROL MAGNETO	1	1	1	1	1	
24	95380-05600	NUT TUERCA	1	1	1	1	1	
25	662-41237-01	JOINT, LINK CONECTOR	1	1	1	1	1	
26	90157-06M00	SCREW, PAN HEAD TORNILLO CABEZA CONICA PLANA	1	1	1	1	1	
27	95303-06600	NUT TUERCA	1	1	1	1	1	

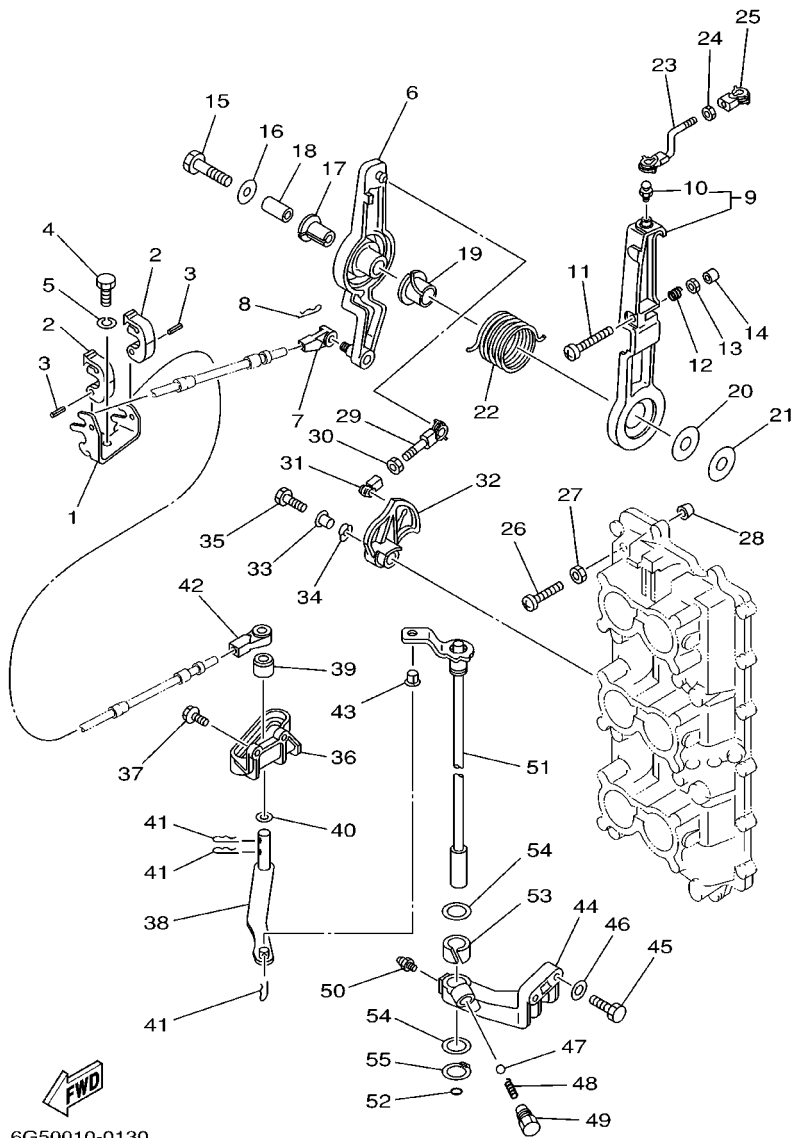


6G50010-0130

FIG. 14 CONTROL

CONTROL

REF. NO.	PART NO. CODIGO NO.	DESCRIPTION DESCRIPTION	150A	175A	200A	L150	L200	REMARKS OBSERVACION
28	688-44194-00	CAP TAPA	1	1	1	1	1	
29	6G5-41211-01	LINK, ACCEL. ES LABON, ACELERADOR	1	1	1	1	1	
30	95380-05600	NUT TUERCA	1	1	1	1	1	
31	662-41237-01	JOINT, LINK CONECTOR	1	1	1	1	1	
32	6G5-41213-00	CAM, ACCEL. LEVA ACELERADOR	1	1	1	1	1	
33	90387-06M29	COLLAR CASQUILLO CON VALONA	1	1	1	1	1	
34	90206-10M04	WASHER, WAVE ARANDELA ONDULADA	1	1	1	1	1	
35	97095-06025	BOLT PERNO	1	1	1	1	1	
36	6E5-44117-00-1S	BRACKET SOPORTE	1	1	1	1	1	
37	90119-06MA2	BOLT, WITH WASHER TORNILLO CON ARANDELA	2	2	2	2	2	
38	6E5-44121-01	LEVER, SHIFT ROD PALANCA VARILLA CAMBIOS	1	1	1	1	1	
39	6E5-44122-00	BUSHING, SHIFT ROD LEVER BUJE PALANCA VARILLA DE CAMBIO	1	1	1	1	1	
40	90202-08M20	WASHER, PLATE ARANDELA DE PLANA	1	1	1	1	1	
41	90468-18008	CLIP PRESILLA	3	3	3	3	3	
42	6E5-48344-00	CABLE END, REMOTE CONTROL BASE CONTROL	1	1	1	1	1	
43	90386-06M12	BUSH BUJE	1	1	1	1	1	
44	6E5-44118-01-94	BRACKET SOPORTE	1	1	1	1	1	
45	97013-08030	BOLT PERNO	2	2	2	2	2	
46	92903-08600	WASHER, PLATE ARANDELA	2	2	2	2	2	
47	93501-04M02	BALL BOLA	1	1	1	1	1	
48	90501-12082	SPRING, COMPRESSION RESORTE DE COMPRESION	1	1	1	1	1	
49	648-42715-00	BUSHING BUJE	1	1	1	1	1	
50	93700-06M03	NIPPLE, GREASE NIPLE DE ENGRASAR	1	1	1	1	1	
51	6E5-44120-03	HANDLE GEAR SHIFT ASSY MANIJA DE CAMBIO COMPL	1	1	1			L
	6E5-44120-23	HANDLE GEAR SHIFT ASSY MANIJA DE CAMBIO COMPL	1	1	1	1	1	X
52	93210-09165	O-RING ANILLO O	1	1	1	1	1	
53	90386-16M66	BUSH BUJE	1	1	1	1	1	



6G50010-0130

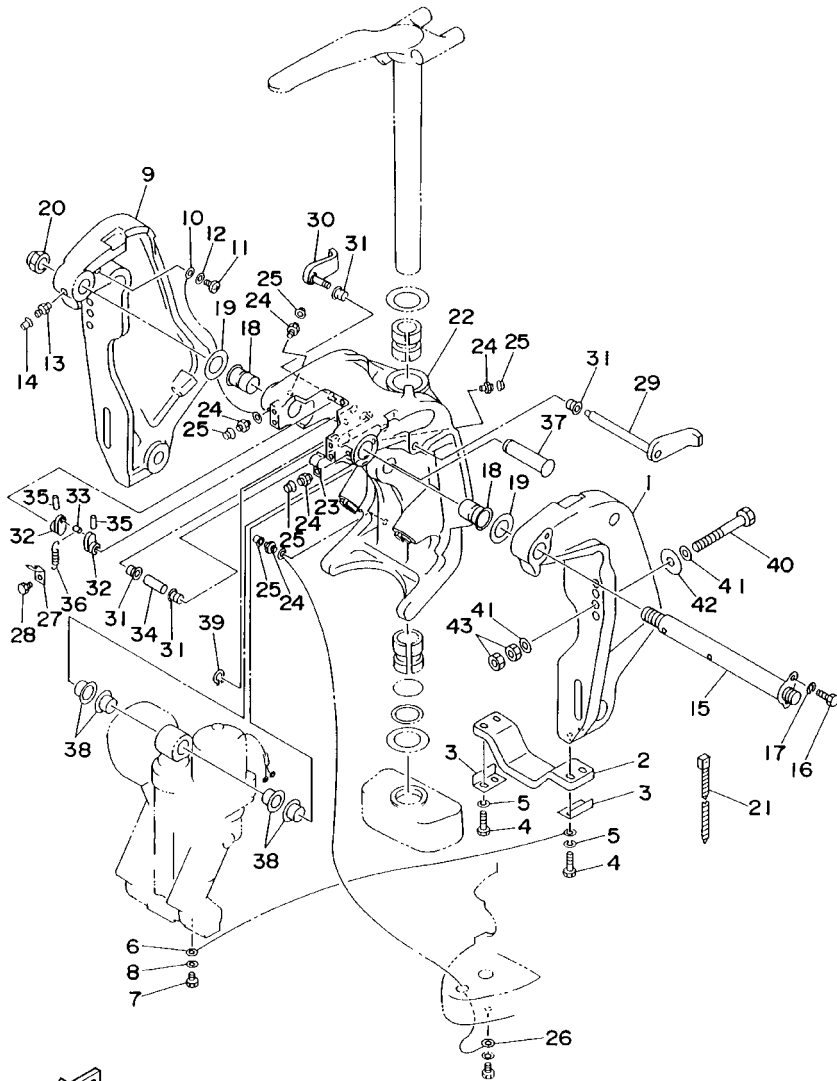
FIG. 14 CONTROL

CONTROL

REF. NO.	PART NO. CODIGO NO.	DESCRIPTION DESCRIPTION	150A	175A	200A	L150	L200	REMARKS OBSERVACION
54	90202-16061	WASHER, PLATE ARANDELA DE PLANA	2	2	2	2	2	
55	93410-16006	CIRCLIP BOLA	1	1	1	1	1	

FIG. 15 BRACKET 1

SOPORTE 1

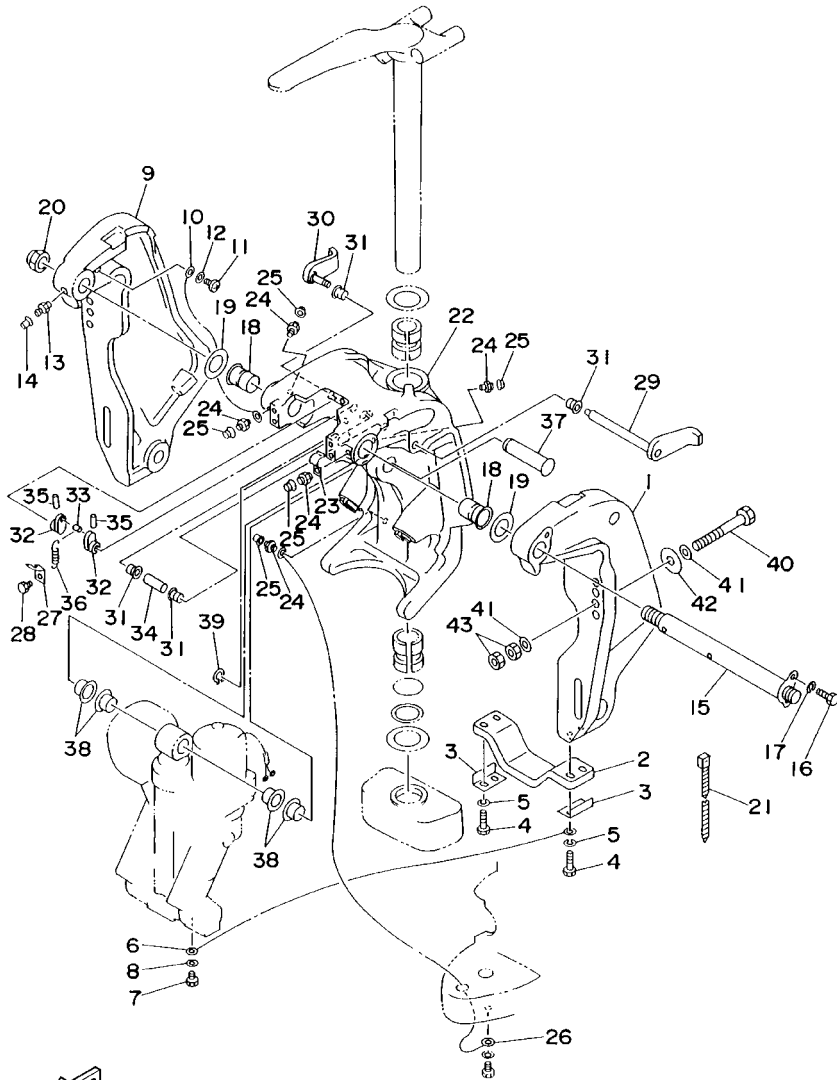


FWD
6N60010-7160

REF. NO.	PART NO. CODIGO NO.	DESCRIPTION DESCRIPTION	150A	175A	200A	L150	L200	REMARKS OBSERVACION
1	64E-43111-01-8D	BRACKET, CLAMP SOPORTE DE LA ABRAZADERA	1	1	1	1	1	
2	6G5-45251-01	ANODE CATODE	1	1	1	1	1	
3	6G5-44526-00	PLATE PLACA 1	2	2	2	2	2	
4	97095-06030	BOLT PERNO	4	4	4	4	4	
5	92995-06100	WASHER, SPRING ARANDELA	4	4	4	4	4	
6	6E5-82148-00	WIRE, LEAD 4 CABLE CONDUCTOR 4	1	1	1	1	1	
7	97095-06010	BOLT PERNO	1	1	1	1	1	
8	92995-06600	WASHER ARANDELA	1	1	1	1	1	
9	64E-43112-01-8D	BRACKET, CLAMP SOPORTE DE LA ABRAZADERA	1	1	1	1	1	
10	6E5-82148-00	WIRE, LEAD 4 CABLE CONDUCTOR 4	1	1	1	1	1	
11	97880-06012	SCREW, PAN HEAD TORNILLO DE CABEZA CON PLANA	1	1	1	1	1	
12	92990-06600	WASHER, PLATE ARANDELA	1	1	1	1	1	
13	93700-06M03	NIPPLE, GREASE NIPLE DE ENGRASAR	1	1	1	1	1	
14	663-45119-00	CAP, GREASE NIPPLE TAPA DE GRASERA	1	1	1	1	1	AP
15	64E-43131-01	BOLT, CLAMP BRACKET TORNILLO DE ABRAZADERA DEL SOP	1	1	1	1	1	
16	97095-08020	BOLT PERNO	1	1	1	1	1	
17	92995-08100	WASHER ARANDELA	1	1	1	1	1	
18	90386-25M31	BUSH BUJE	2	2	2	2	2	
19	90201-26M59	WASHER, PLATE ARANDELA PLANA	2	2	2	2	2	
20	90185-22M11	NUT, SELF-LOCKING TUERCA AUTOBLOCANTE	1	1	1	1	1	
21	90465-11M10	CLAMP BRIDA	1	1	1	1	1	
22	64E-43311-10-8D	BRACKET, SWIVEL SOPORTE GIRATORIO	1	1	1			L
	64E-43311-20-8D	BRACKET, SWIVEL SOPORTE GIRATORIO	1	1	1	1	1	X
23	90465-08M63	CLAMP BRIDA	1	1	1	1	1	
24	93700-06M03	NIPPLE, GREASE NIPLE DE ENGRASAR	5	5	5	5	5	
25	663-45119-00	CAP, GREASE NIPPLE TAPA DE GRASERA	5	5	5	5	5	AP
26	6E5-82147-00	WIRE, LEAD 4 CABLE CONDUCTOR 4	1	1	1			L

FIG. 15 BRACKET 1

SOPORTE 1

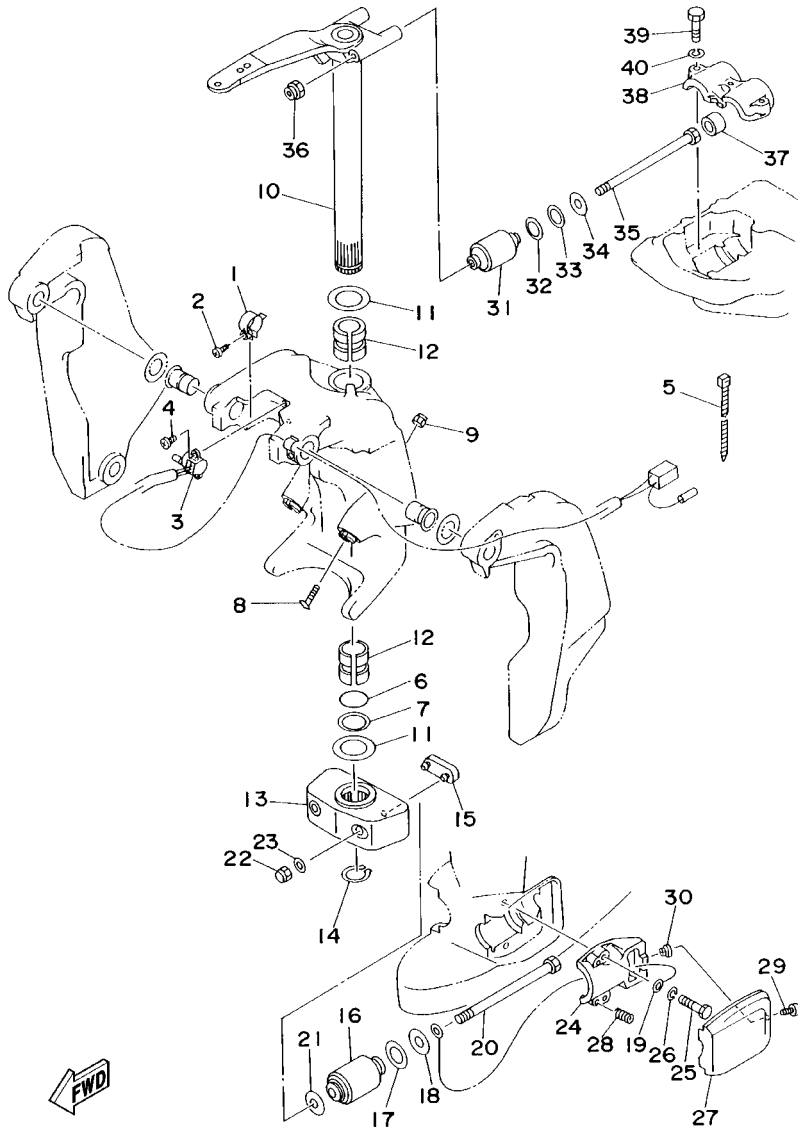


6N60010-7160

REF. NO.	PART NO. CODIGO NO.	DESCRIPTION DESCRIPTION	150A	175A	200A	L150	L200	REMARKS OBSERVACION
26	6E5-82147-20	WIRE, LEAD 4 CABLE CONDUCTOR 4	1	1	1	1	1	X
27	6G5-43144-00	HOOK, SPRING GANCHO	1	1	1	1	1	
28	97095-06010	BOLT PERNO	1	1	1	1	1	
29	6G5-43181-02	LEVER, TILT STOP PALANCA TOPE INCLINACION	1	1	1	1	1	
30	6G5-43185-02	LEVER, TILT STOP PALANCA TOPE INCLINACION	1	1	1	1	1	
31	90386-10M16	BUSH BUJE	4	4	4	4	4	
32	6G5-43148-00	COLLAR, DISTANCE COLLAR	2	2	2	2	2	
33	90249-06M19	PIN PASADOR	1	1	1	1	1	
34	90387-10M05	COLLAR CASQUILLO CON VALONA	1	1	1	1	1	
35	91690-30020	PIN, SPRING PASADOR DE RESORTE	2	2	2	2	2	
36	90506-14M24	SPRING, TENSION RESORTE DE TENSION	1	1	1	1	1	
37	64E-43126-00	PIN, UPPER SHOCK MOUNT PASADOR DE AMORTIGUADOR SUPERIOR	1	1	1	1	1	
38	90386-22M98	BUSH BUJE	4	4	4	4	4	
39	93410-22M11	CIRCLIP BOLA	1	1	1	1	1	
40	90101-12M03	BOLT (L:115MM) TORNILLO (L:115MM)	4	4	4	4	4	
41	90201-13M01	WASHER, PLATE ARANDELA PLANA	8	8	8	8	8	
42	90201-12M05	WASHER, PLATE ARANDELA PLANA	4	4	4	4	4	
43	95380-12600	NUT TUERCA	8	8	8	8	8	

FIG. 16 BRACKET 2

SOPORTE 2

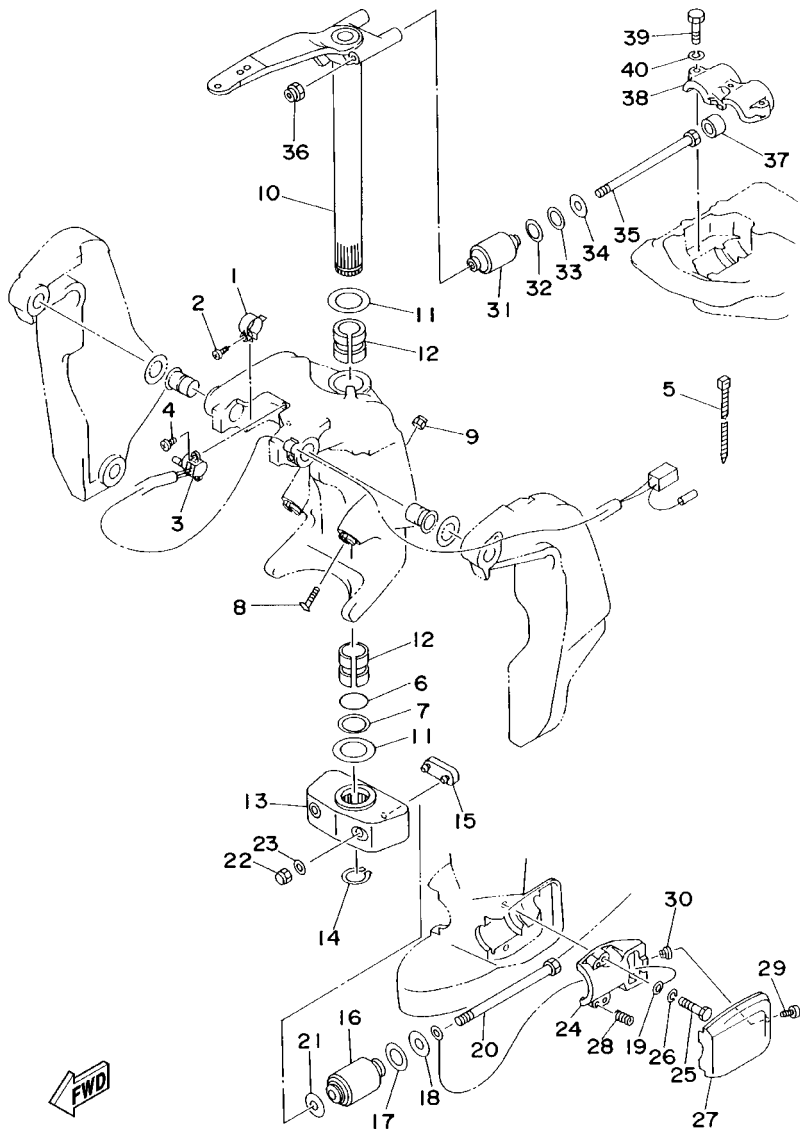


64D0010-7170

REF. NO.	PART NO. CODIGO NO.	DESCRIPTION DESCRIPTION	150A	175A	200A	L150	L200	REMARKS OBSERVACION
1	64E-43139-00	CAM, TRIM SENDER LEVA TRANSMISOR DE INCLINDOR	1	1	1	1	1	
2	97780-60525	SCREW, TAPPING TORNILLO ROSCA HEMBRA	1	1	1	1	1	
3	64E-83672-00	TRIM SENDER TRANSMISOR DE INCLINADOR	1	1	1	1	1	
4	97885-06016	SCREW, PAN HEAD TORNILLO DE CABEZA CON PLANA	2	2	2	2	2	
5	90465-11M10	CLAMP BRIDA	3	3	3	3	3	
6	93210-37MH7	O-RING ANILLO O	1	1	1	1	1	
7	90202-40M47	WASHER, PLATE ARANDELA DE PLANA	1	1	1	1	1	
8	61A-43376-00	BOLT, THRUST RECEIVER TORNILLO RECEPTOR	2	2	2	2	2	
9	95780-10300	NUT, FLANGE TUERCA DE BRIDA	2	2	2	2	2	
10	6E5-42510-05-8D	STEERING BRACKET ASSY SOPORTE DIRECCION COMPL.	1	1	1			L
	6E5-42510-25-8D	STEERING BRACKET ASSY SOPORTE DIRECCION COMPL.	1	1	1	1	1	X
11	90201-38M60	WASHER, PLATE ARANDELA PLANA	2	2	2	2	2	
12	90386-38M32	BUSH BUJE	2	2	2	2	2	
13	6G5-44551-01-8D	HOUSING, LOWER MOUNT RUBBER CAJA AMORTIGUADOR INFERIOR HU	1	1	1	1	1	
14	93410-37M04	CIRCLIP BOLA	1	1	1	1	1	
15	6E5-44575-00	DAMPER, LOWER MOUNT RUBBER AMORTIGUADOR INFERIOR	1	1	1	1	1	
16	6G5-44555-00-94	MOUNT DAMPER, LOWER SIDE AMORTIGUADOR DE HULE LADO INFE	2	2	2	2	2	
17	90202-32M19	WASHER, PLATE ARANDELA DE PLANA	2	2	2	2	2	
18	90201-16M55	WASHER, PLATE ARANDELA PLANA	2	2	2	2	2	
19	6E5-82149-00	WIRE, LEAD 3 CABLE CONDUCTOR 3	1	1	1	1	1	
20	90109-14M34	BOLT PERNO	2	2	2	2	2	
21	90201-15M58	WASHER, PLATE ARANDELA PLANA	2	2	2	2	2	
22	95380-14800	NUT TUERCA	2	2	2	2	2	
23	92995-14600	WASHER ARANDELA	2	2	2	2	2	
24	6E5-44552-01-94	HOUSING, LOWER MOUNT RUBBER CAJA AMORTIGUADOR INFERIOR HU	2	2	2	2	2	
25	97095-10045	BOLT PERNO	4	4	4	4	4	
26	92995-10100	WASHER ARANDELA	4	4	4	4	4	

FIG. 16 BRACKET 2

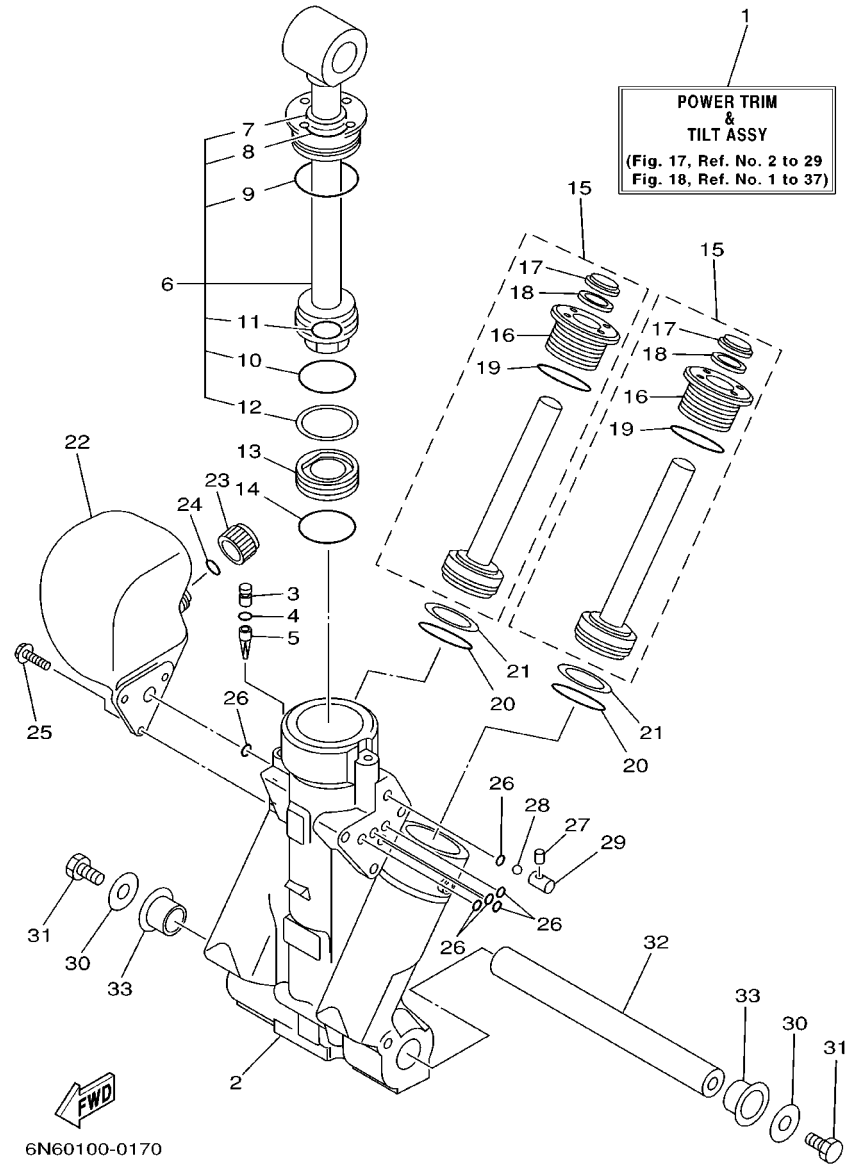
SOPORTE 2



64D0010-7170

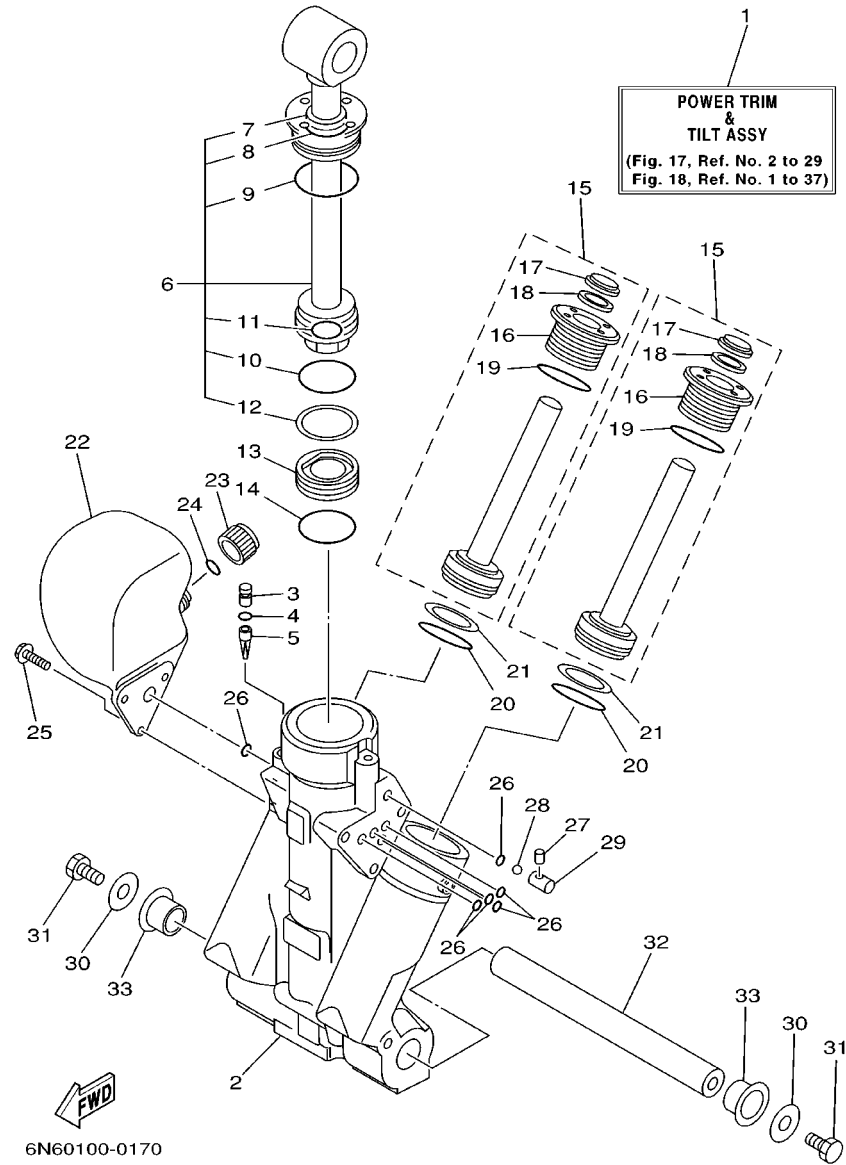
REF. NO.	PART NO. CODIGO NO.	DESCRIPTION DESCRIPTION	150A	175A	200A	L150	L200	REMARKS OBSERVACION
27	6E5-44553-01-8D	COVER, LOWER MOUNT CUBIERTA, AMORTIGUADOR INFERIOR	2	2	2	2	2	
28	90501-16M28	SPRING, COMPRESSION RESORTE DE COMPRESION	4	4	4	4	4	
29	97885-06016	SCREW, PAN HEAD TORNILLO DE CABEZA CON PLANA	2	2	2	2	2	
30	90179-06066	NUT TUERCA	2	2	2	2	2	
31	6G5-44514-00-94	MOUNT DAMPER, UPPER SIDE AMORTIGUADOR LADO SUPERIOR	2	2	2	2	2	
32	90201-26M57	WASHER, PLATE ARANDELA PLANA	2	2	2	2	2	
33	90202-26M18	WASHER, PLATE ARANDELA DE PLANA	2	2	2	2	2	
34	90201-14M56	WASHER, PLATE ARANDELA PLANA	2	2	2	2	2	
35	90109-12M37	BOLT PERNO	2	2	2	2	2	
36	90185-12M12	NUT, SELF-LOCKING TUERCA AUTOBLOCANTE	2	2	2	2	2	
37	663-44575-00	DAMPER, LOWER MOUNT RUBBER AMORTIGUADOR INFERIOR	2	2	2	2	2	
38	6E5-44511-00-5B	COVER, UPPER MOUNT CUBIERTA AMORTIGUADOR SUPERIOR	1	1	1	1	1	
39	97095-10045	BOLT PERNO	3	3	3	3	3	
40	92995-10100	WASHER ARANDELA	3	3	3	3	3	

FIG. 17 POWER TRIM & TILT ASSY 1 COMPONER Y PODER VARILLA 1



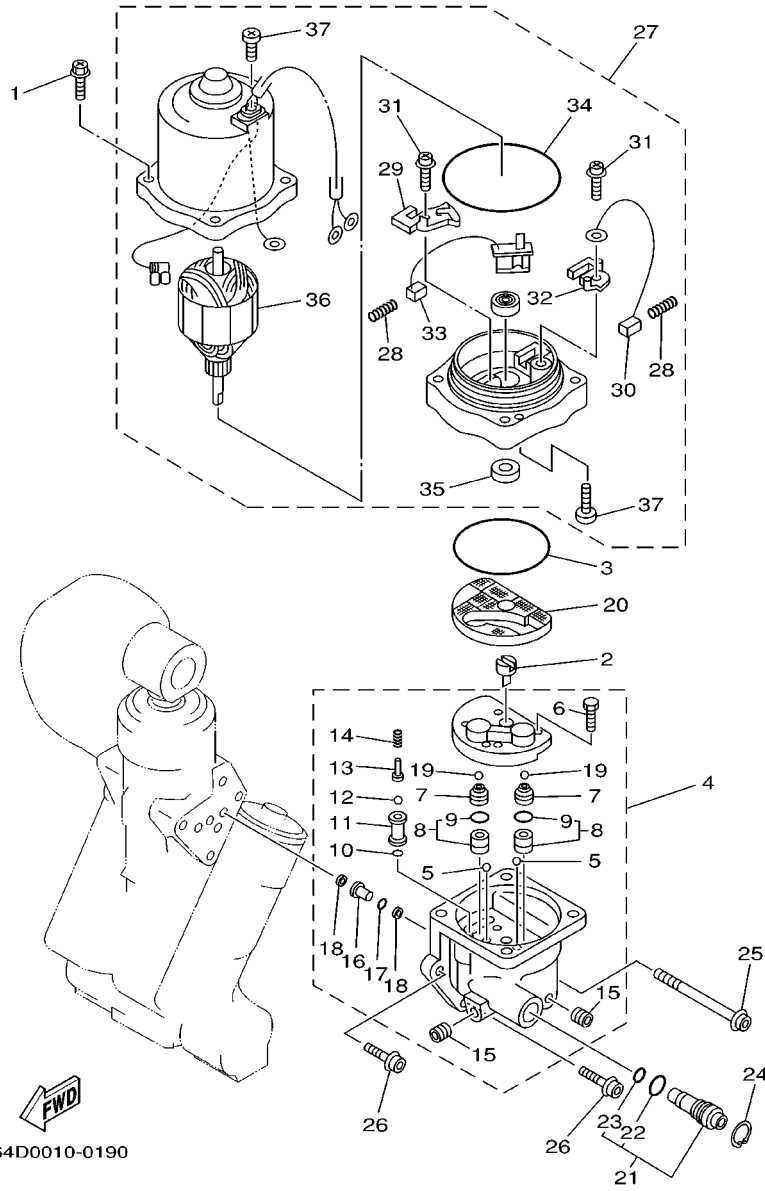
REF. NO.	PART NO. CODIGO NO.	DESCRIPTION DESCRIPTION	150A	175A	200A	L150	L200	REMARKS OBSERVACION
1	64E-43800-00-4D	POWER TRIM & TILT ASSY ELEVADOR HIDRAULICO COMPL	1	1	1	1	1	
2	64E-43825-00	HOUSING, TRIM & TILT CAJA INCLINACION Y ADRNO	1	1	1	1	1	
3	64E-4388J-00	PLUG 2 TAPON 2	1	1	1	1	1	
4	93210-10M74	O-RING ANILLO O	1	1	1	1	1	
5	64E-43817-00	FILTER 2 FILTRO 2	1	1	1	1	1	
6	64E-43810-00	PISTON SUB ASSY SUB-PISTON COMPL	1	1	1	1	1	
7	64E-43898-00	.SEAL ,DUST 2 .SELLO ANTIPOLVO	1	1	1	1	1	
8	64E-43867-00	.O-RING .ANILLO EN O 7	1	1	1	1	1	
9	64E-43866-00	.O-RING .ANILLO EN O 6	1	1	1	1	1	
10	6E5-43862-00	.O-RING .ANILLO EN O 2	1	1	1	1	1	
11	64E-43883-00	.O-RING .ANILLO EN O 10	1	1	1	1	1	
12	6E5-43872-00	.RING, BACK UP .ANILLO	1	1	1	1	1	
13	6E5-43814-02	PISTON, FREE PISTON LIBRE	1	1	1	1	1	
14	6E5-43862-00	O-RING ANILLO EN O 2	1	1	1	1	1	
15	64E-43820-00	PISTON SUB ASSY PISTON COMPL	2	2	2	2	2	
16	64E-43821-00	.SCREW, TRIM CYLINDER END .TORNILLO CILINDURO EXTREMO	1	1	1	1	1	
17	64E-43822-00	.SEAL, TRIM DUST .SELLO DE POLVO	1	1	1	1	1	
18	64E-4384J-00	.SEAL, TRIM DOWN .SELLO	1	1	1	1	1	
19	6G5-43864-00	.O-RING ANILLO EN O 4	1	1	1	1	1	
20	6E5-43864-00	O-RING ANILLO EN O 4	2	2	2	2	2	
21	6E5-43874-01	.RING, BACK UP ANILLO	2	2	2	2	2	
22	64E-43828-00	BODY, RESERVOIR CUERPO DEPOSITO	1	1	1	1	1	
23	64E-43829-00	PLUG, RESERVOIR TAPON DEPOSITO	1	1	1	1	1	
24	64E-43897-00	O-RING ANILLO EN O	1	1	1	1	1	
25	64E-4388E-00	BOLT ,SCREW TAPON	3	3	3	3	3	
26	64E-43869-00	O-RING ANILLO EN O 9	6	6	6	6	6	
27	64E-4381G-00	PIN PASADOR 1	1	1	1	1	1	

FIG. 17 POWER TRIM & TILT ASSY 1 COMPONER Y PODER VARILLA 1



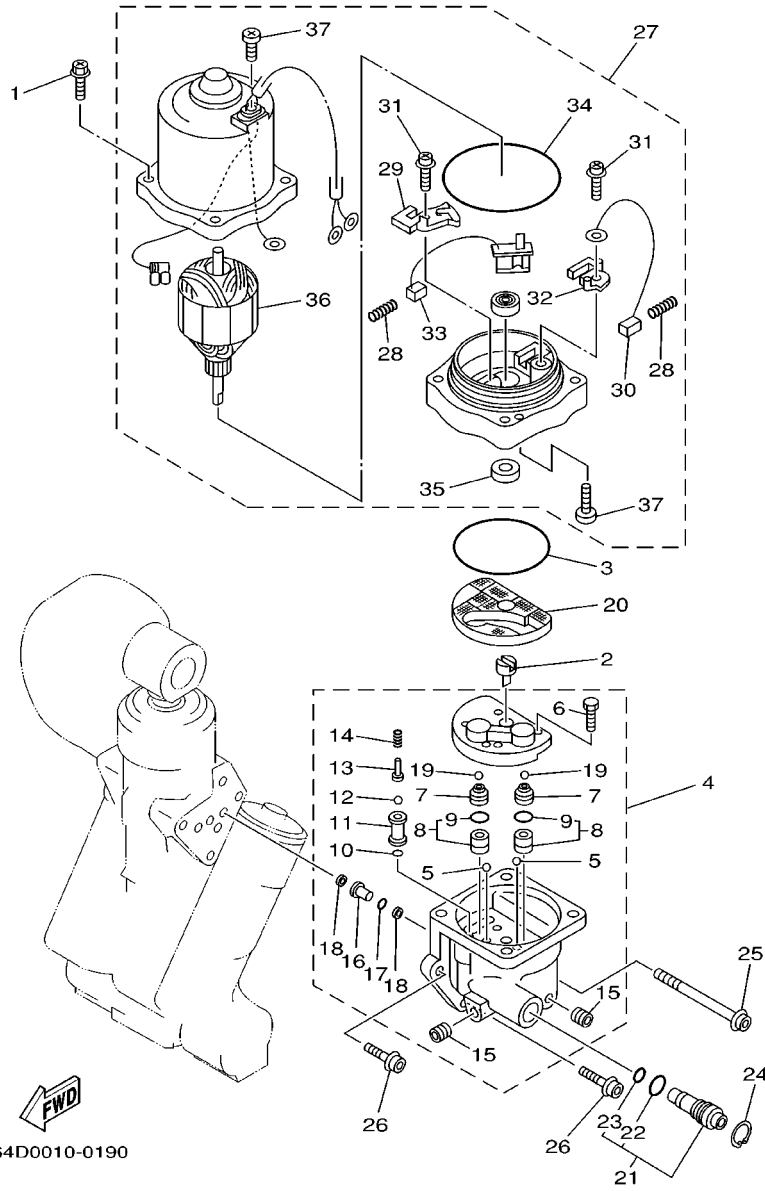
REF. NO.	PART NO. CODIGO NO.	DESCRIPTION DESCRIPTION	150A	175A	200A	L150	L200	REMARKS OBSERVACION
28	6E5-43858-00	BALL ESFERA	1	1	1	1	1	
29	6E5-4382G-00	VALVE SEAT JUEGO VALVUA	1	1	1	1	1	
30	90201-08M14	WASHER, PLATE ARANDELA PLANA	2	2	2	2	2	
31	97080-08016	BOLT PERNO	2	2	2	2	2	
32	64E-43818-01	PIN, LOWER SHOCK MOUNT PASADOR AMORTIGUADOR INFERIOR	1	1	1	1	1	
33	90386-22M98	BUSH BUJE	2	2	2	2	2	

FIG. 18 POWER TRIM & TILT ASSY 2 COMPONER Y PODER VARILLA 2



REF. NO.	PART NO. CODIGO NO.	DESCRIPTION DESCRIPTION	150A	175A	200A	L150	L200	REMARKS OBSERVACION
1	64E-4388E-00	BOLT ,SCREW TAPON	4	4	4	4	4	
2	64E-43831-00	CONNECTOR, SHAFT CONEXION EJE	1	1	1	1	1	
3	64E-43868-00	O-RING ANILLO EN O 8	1	1	1	1	1	
4	64E-43830-00	GEAR PUMP ASSY ENGRANAJE BOMBA COMPL.	1	1	1	1	1	
5	72X-43858-00	.BALL .ESFERA	2	2	2	2	2	
6	64E-43843-00	.SCREW, VALVE LOCK .TORNILLO	4	4	4	4	4	
7	64E-43841-00	.PISTON, SHUTTLE .PISTON	2	2	2	2	2	
8	64E-43802-00	.VALVE SUB ASSY .VALVULA PRINCIPAL COMPL.	2	2	2	2	2	
9	6E5-43896-00	..O-RING ..ANILLO EN O	1	1	1	1	1	
10	6G5-43863-00	.O-RING .ANILLO EN O 3	1	1	1	1	1	
11	64E-43851-00	.SEAT, RELIEF VALVE .ASIENTO VALVULA DE DESCARGA	1	1	1	1	1	
12	64E-43858-00	.BALL .ESFERA	1	1	1	1	1	
13	64E-43859-00	.PIN, VALVE SUPPORT .PASADOR VALVULA SOPORTE	1	1	1	1	1	
14	64E-43855-00	.SPRING, UP RELIEF .RESORTE SEGURIDAD SUPERIOR	1	1	1	1	1	
15	6E5-43826-01	.PLUG, TAPER SCREW .TAPON TORNILLO CONICO	2	2	2	2	2	
16	64E-43850-00	.VALVE SUB ASSY .VALVULA COMPL	1	1	1	1	1	
17	64E-43865-00	.O-RING ANILLO EN O 5	1	1	1	1	1	
18	64E-43816-00	.FILTER 1 .FIELTRO 1	2	2	2	2	2	
19	64E-43858-00	.BALL .ESFERA	2	2	2	2	2	
20	64E-43817-10	FILTER 2 FIELTRO 2	1	1	1	1	1	
21	64E-43860-00	MANUAL VALVE SUB-ASSY VALVULA SUB-COMPL.	1	1	1	1	1	
22	72X-85075-L0	.O-RING ANILLO EN O 5	1	1	1	1	1	
23	64E-43862-00	.O-RING ANILLO EN O 2	1	1	1	1	1	
24	64E-43875-00	RING, SNAP ANILLO	1	1	1	1	1	
25	64E-43879-10	SCREW, WITH WASHER TORNILLO CON RONDANA	1	1	1	1	1	
26	64E-43879-00	SCREW, WITH WASHER TORNILLO CON RONDANA	2	2	2	2	2	
27	64E-43880-00	MOTOR ASSY MOTOR COMPL.	1	1	1	1	1	

FIG. 18 POWER TRIM & TILT ASSY 2 COMPONER Y PODER VARILLA 2

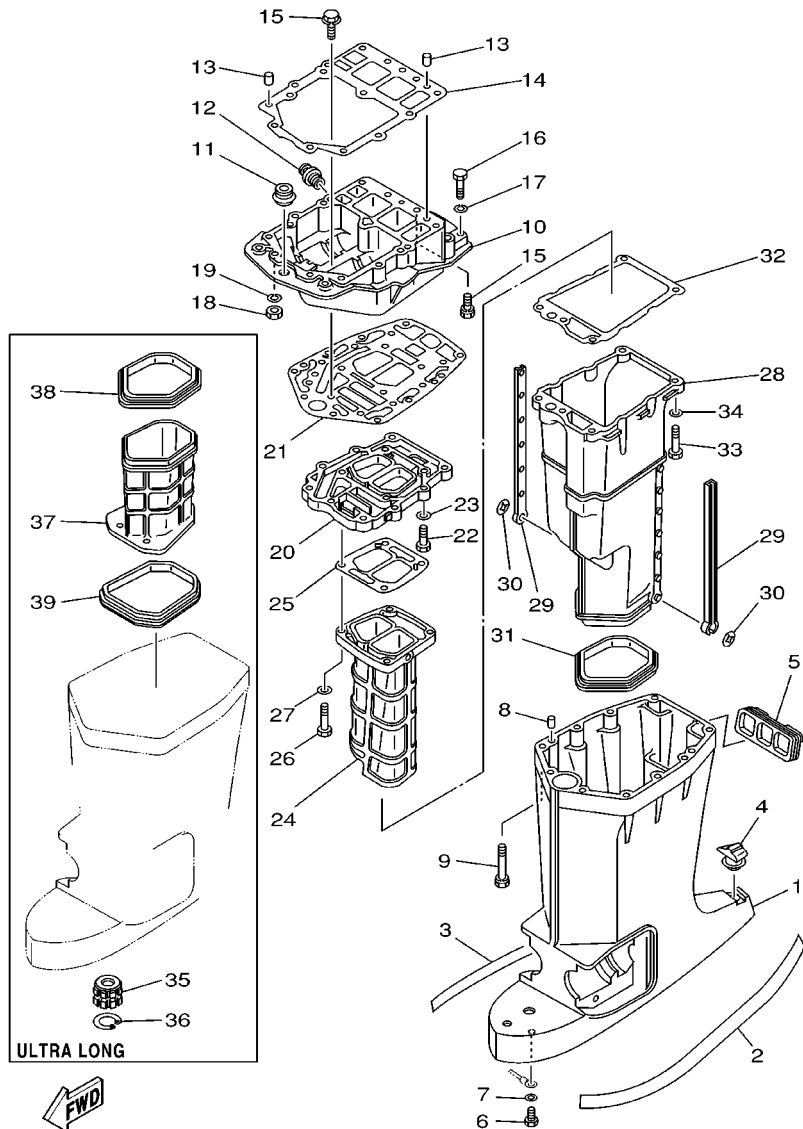


64D0010-0190

REF. NO.	PART NO. CODIGO NO.	DESCRIPTION DESCRIPTION	150A	175A	200A	L150	L200	REMARKS OBSERVACION
28	6H1-4386K-10	.SPRING, BRUSH .RESORTE, ESCOBILLA	2	2	2	2	2	
29	64E-4380J-00	.HOLDER, BRUSH .PORTAESCOBILLA	1	1	1	1	1	
30	64E-43891-00	.BRUSH 1 .ESCOBILLA 1	1	1	1	1	1	
31	98507-04010	.SCREW, PAN HEAD .TORNILLO DE CABEZA CON PLANA	2	2	2	2	2	
32	64E-4380F-00	.HOLDER, BRUSH 2 .PORTAESCOBILLA 2	1	1	1	1	1	
33	64E-43892-00	.BRUSH 2 .ESCOBILLA 2	1	1	1	1	1	
34	6G5-43865-00	.O-RING .ANILLO EN O 5	1	1	1	1	1	
35	93102-08M43	.OIL SEAL .SELLO ACEITE	1	1	1	1	1	
36	64E-43805-00	.ARMATURE ASSY .INDUCIDO COMPL.	1	1	1	1	1	
37	64E-43843-10	.SCREW, VALVE LOCK .TORNILLO	3	3	3	3	3	

FIG. 19 UPPER CASING

FUNDA SUPERIOR

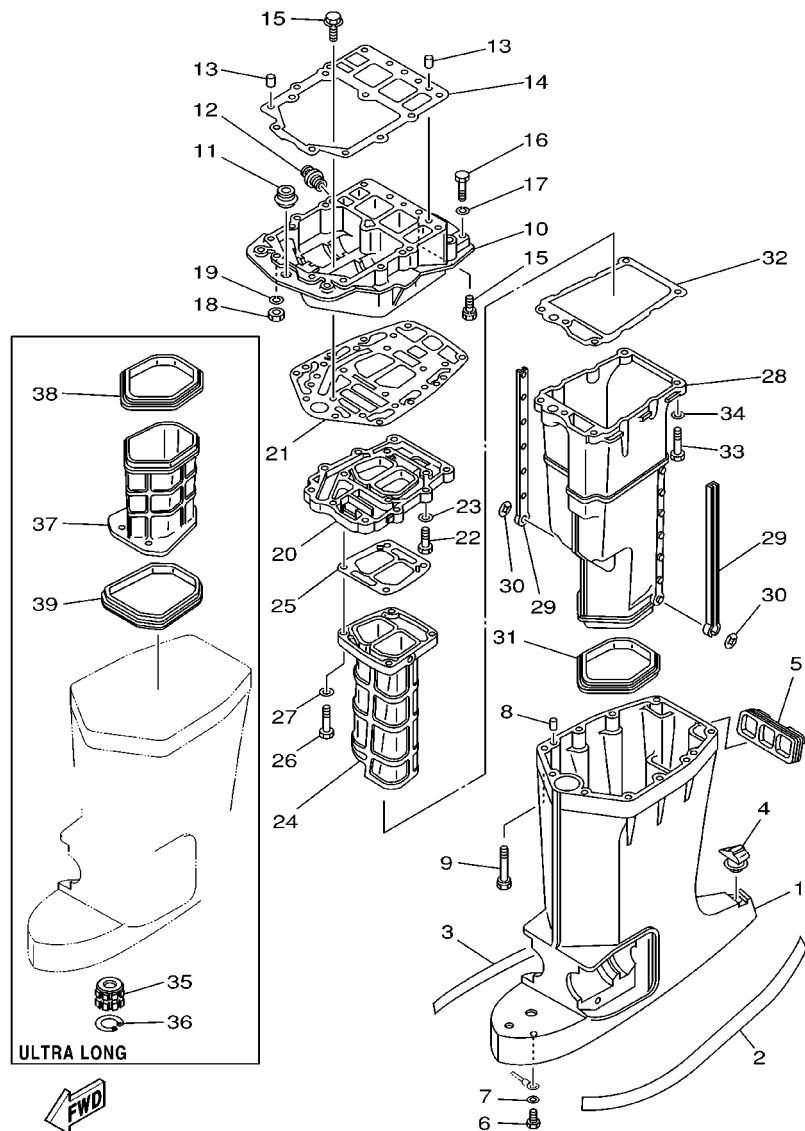


6G50200-9190

REF. NO.	PART NO. CODIGO NO.	DESCRIPTION DESCRIPTION	150A	175A	200A	L150	L200	REMARKS OBSERVACION
1	6E5-45111-02-8D	CASING, UPPER CAJA SUPERIOR	1	1	1			L
	6E5-45111-23-8D	CASING, UPPER CAJA SUPERIOR	1	1	1	1	1	X
2	6R3-42791-41	MARK 1 MARCA 1	1	1	1	1	1	
3	6R3-42792-41	MARK MARCA 2	1	1	1	1	1	
4	6E5-45155-00	CAP TAPA	1	1	1	1	1	
5	6E5-42769-00	SEAL, RUBBER SELLO DE GOMA	1	1	1	1	1	
6	97095-06010	BOLT PERNO	1	1	1	1	1	
7	92995-06600	WASHER ARANDELA	1	1	1	1	1	
8	93608-12M05	PIN, DOWEL PASADOR DE CLAVIJA	2	2	2	2	2	
9	90119-08M78	BOLT, WITH WASHER TORNILLO CON ARANDELA	6	6	6	6	6	
10	6G5-41137-02-94	GUIDE, EXHAUST GUIA DE ESCAPE	1	1	1	1	1	
11	6E5-42724-00	GROMMET TAPON	1	1	1	1	1	
12	6G5-12581-00	JOINT, HOSE 1 CONEXION	1	1	1	1	1	
13	93608-12M05	PIN, DOWEL PASADOR DE CLAVIJA	2	2	2	2	2	
14	6G5-45113-A1	GASKET, UPPER CASING EMPAQUE	1	1	1	1	1	
15	90119-08M79	BOLT, WITH WASHER TORNILLO CON ARANDELA	6	6	6	6	6	
16	97095-08045	BOLT PERNO	2	2	2	2	2	
17	92995-08100	WASHER ARANDELA	2	2	2	2	2	
18	95380-08700	NUT TUERCA	2	2	2	2	2	
19	92995-08100	WASHER ARANDELA	2	2	2	2	2	
20	6G5-41131-01-5B	MANIFOLD, EXT. 1 TUBO MULTIPLE DE ESCAPE	1	1	1	1	1	
21	6G5-45114-A0	GASKET, UPPER CASING EMPAQUE	1	1	1	1	1	
22	97095-08030	BOLT PERNO	4	4	4	4	4	
23	92995-08600	WASHER ARANDELA	4	4	4	4	4	
24	64D-41132-00-5B	MANIFOLD, EXHAUST TUBO MULTIPLE DE ESCAPE	1	1	1	1	1	
25	6G5-41134-A0	GASKET, EXHAUST MANIFOLD EMPAQUE	1	1	1	1	1	
26	97095-08045	BOLT PERNO	4	4	4	4	4	

FIG. 19 UPPER CASING

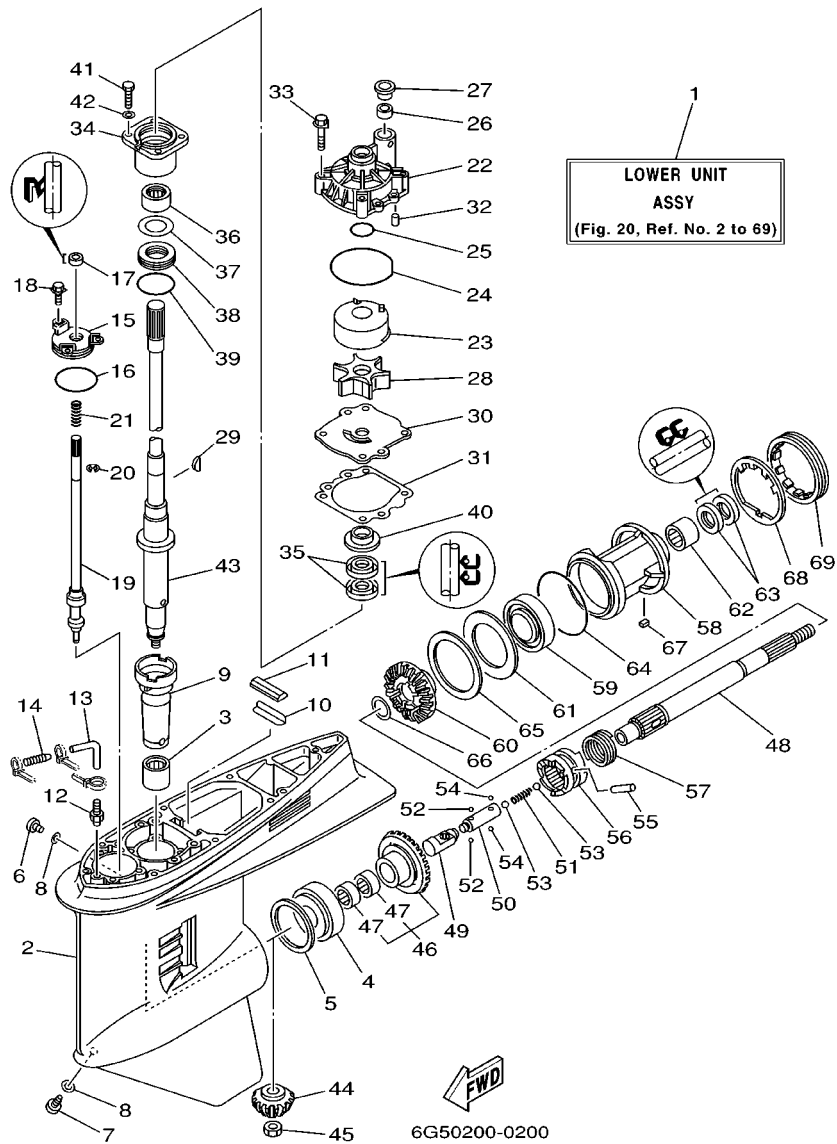
FUNDA SUPERIOR



6G50200-9190

REF. NO.	PART NO. CODIGO NO.	DESCRIPTION DESCRIPTION	150A	175A	200A	L150	L200	REMARKS OBSERVACION
27	92995-08600	WASHER ARANDELA	4	4	4	4	4	
28	6E5-14711-01-5B	MUFFLER 1 SILENCIADOR 1	1	1	1	1	1	
29	6E5-14737-00	DAMPER, MUFFLER AMORTIGUADOR DE SILENCIADOR	2	2	2	2	2	
30	90183-05M02	NUT, SPRING TUERCA DE RESORTE	2	2	2	2	2	
31	6E5-45123-00	GASKET, MUFFLER EMPAQUE SILENCIADOR	1	1	1	1	1	
32	6E5-41135-A0	GASKET, EXHAUST MANIFOLD EMPAQUE	1	1	1	1	1	
33	97095-08045	BOLT PERNO	5	5	5	5	5	
34	92995-08600	WASHER ARANDELA	5	5	5	5	5	
35	6E5-45318-00	BUSHING, DRIVE SHAFT BUJE, EJE DE MANDO	1	1	1	1	1	X
36	93420-36M01	CIRCLIP BOLA	1	1	1	1	1	X
37	64D-14721-20-5B	MUFFLER 2 SILENCIADOR 2	1	1	1	1	1	X
38	64D-45123-00	GASKET, MUFFLER EMPAQUE SILENCIADOR	1	1	1	1	1	X
39	64D-45375-00	DAMPER, SEAL GOMA DE SELLO	1	1	1	1	1	X

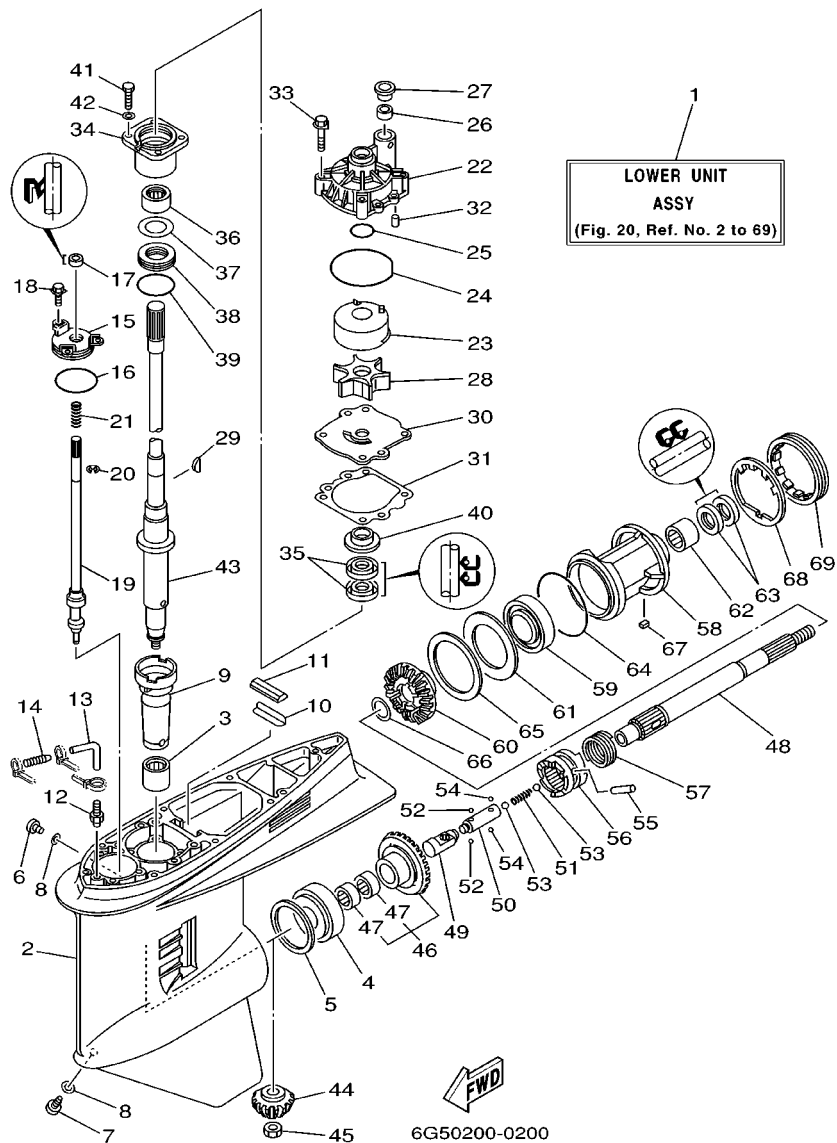
FIG. 20 LOWER CASING, DRIVE 1 IMPULSOR E INFERIOR 1



REF. NO.	PART NO. CODIGO NO.	DESCRIPTION DESCRIPTION	150A	175A	200A	L150	L200	REMARKS OBSERVACION
1	6G5-45300-15-8D	LOWER UNIT ASSY CONJUNTO UNIDAD INFERIOR	1	1	1			L
	6G5-45300-25-8D	LOWER UNIT ASSY CONJUNTO UNIDAD INFERIOR	1	1	1			X
2	6J9-45301-04-8D	CASING, LOWER FUNDA INFERIOR COMPLETA	1	1	1			
3	93311-928U5	BEARING COJINETE	1	1	1			
4	93332-000V3	BEARING COJINETE	1	1	1			
5	6G5-45567-01-10	SHIM (T:0.10MM) LAINA (T:0.10MM)	1	1	1			UR
	6G5-45567-01-12	SHIM (T:0.12MM) LAINA (T:0.12MM)	1	1	1			UR
	6G5-45567-01-15	SHIM (T:0.15MM) LAINA (T:0.15MM)	1	1	1			UR
	6G5-45567-01-18	SHIM (T:0.18MM) LAINA (T:0.18MM)	1	1	1			UR
	6G5-45567-01-30	SHIM (T:0.30MM) LAINA (T:0.30MM)	1	1	1			UR
	6G5-45567-01-40	SHIM (T:0.40MM) LAINA (T:0.40MM)	1	1	1			UR
	6G5-45567-01-50	SHIM (T:0.50MM) LAINA (T:0.50MM)	1	1	1			UR
6	90340-08M04	PLUG, STRAIGHT SCREW TORNILLO, DE DRENAJE	1	1	1			
7	688-45341-00	PLUG, DRAIN TAPON, DREN	1	1	1			
8	90430-08020	GASKET JUNTA	2	2	2			
9	6G5-45536-01	SLEEVÉ, DRIVE SHAFT CAMISA EJE DE MANDO	1	1	1			
10	663-45376-00-94	GUIDE, SEAL DAMPER GUIA DE SELLO GOMA	1	1	1			L
	64D-45376-00-94	GUIDE, SEAL DAMPER GUIA DE SELLO GOMA	1	1	1			X
11	688-45375-00	DAMPER, SEAL GOMA DE SELLO	1	1	1			
12	6E5-45378-00	NIPPLE, HOSE NIPLE MANGUERA	1	1	1			
13	90445-07ME8	HOSE TUBO	1	1	1			L
	90445-07ME9	HOSE TUBO	1	1	1			X
14	6E5-83558-10	END, NIPPLE EXTREMO DE NIPLE	1	1	1			
15	6E5-45321-00	PLATE PLACA	1	1	1			
16	93210-58144	O-RING ANILLO O	1	1	1			
17	93106-09014	OIL SEAL SELLO ACEITE	1	1	1			
18	90119-06M10	BOLT, WITH WASHER TORNILLO CON ARANDELA	3	3	3			

FIG. 20 LOWER CASING. DRIVE 1

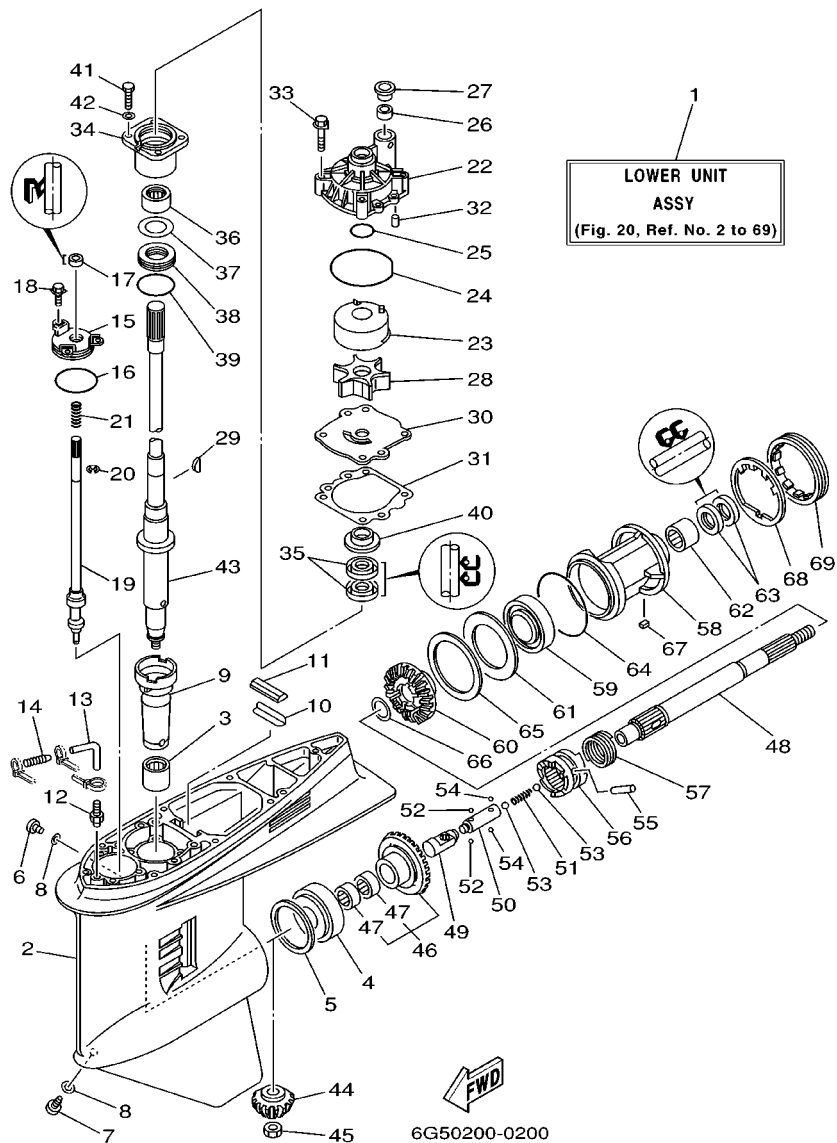
IMPULSOR E INFERIOR 1



REF. NO.	PART NO. CODIGO NO.	DESCRIPTION DESCRIPTION	150A	175A	200A	L150	L200	REMARKS OBSERVACION
19	6G5-44150-02	SHIFT CAM ASSY CONJUNTO EJE LEVA COMPL.	1	1	1			
20	93430-08006	CIRCLIP BOLA	1	1	1			
21	90501-11M10	SPRING, COMPRESSION RESORTE DE COMPRESION	1	1	1			
22	61A-44311-01	HOUSING, WATER PUMP CAJA BOMBA DE AGUA	1	1	1			
23	61A-44322-02	INSERT, CARTRIDGE CARTUCHO				1		STD
	6R3-44322-42	INSERT, CARTRIDGE CARTUCHO	1	1	1			CHROME
24	93210-86M38	O-RING ANILLO O	1	1	1			
25	93210-37160	O-RING ANILLO O	1	1	1			
26	6E5-44365-00	DAMPER, WATER SEAL HULE DE SELLO DE AGUA	1	1	1			
27	6E5-44312-00	COVER, WATER PUMP HOUSING CUBIERTA CAJA BOMBA DE AGUA	1	1	1			
28	6E5-44352-01	IMPELLER IMPULSOR	1	1	1			
29	90280-04M05	KEY, WOODRUFF CUNA WOODRUFF	1	1	1			
30	6G5-44323-00	OUTER PLATE, CARTRIDGE PLACA EXTERIOR DEL CARTUCHO				1		STD
	6G5-44323-40	OUTER PLATE, CARTRIDGE PLACA EXTERIOR DEL CARTUCHO	1	1	1			CHROME
31	6E5-44315-A0	GASKET, WATER PUMP EMPAQUE	1	1	1			
32	93606-12019	PIN, DOWEL PASADOR DE CLAVIJA	2	2	2			
33	90119-08M14	BOLT, WITH WASHER TORNILLO CON ARANDELA	4	4	4			
34	6E5-45331-00-94	HOUSING, BEARING CAJA DE COJINETE	1	1	1			
35	93101-28M16	OIL SEAL SELLO ACEITE	2	2	2			
36	93317-330U2	BEARING COJINETE	1	1	1			
37	6E5-45587-01-10	SHIM (T:0.10MM) LAINA (T:0.10MM)	1	1	1			UR
	6E5-45587-01-12	SHIM (T:0.12MM) LAINA (T:0.12MM)	1	1	1			UR
	6E5-45587-01-15	SHIM (T:0.15MM) LAINA (T:0.15MM)	1	1	1			UR
	6E5-45587-01-18	SHIM (T:0.18MM) LAINA (T:0.18MM)	1	1	1			UR
	6E5-45587-01-30	SHIM (T:0.30MM) LAINA (T:0.30MM)	1	1	1			UR
	6E5-45587-01-40	SHIM (T:0.40MM) LAINA (T:0.40MM)	1	1	1			UR
	6E5-45587-01-50	SHIM (T:0.50MM) LAINA (T:0.50MM)	1	1	1			UR

FIG. 20 LOWER CASING, DRIVE 1

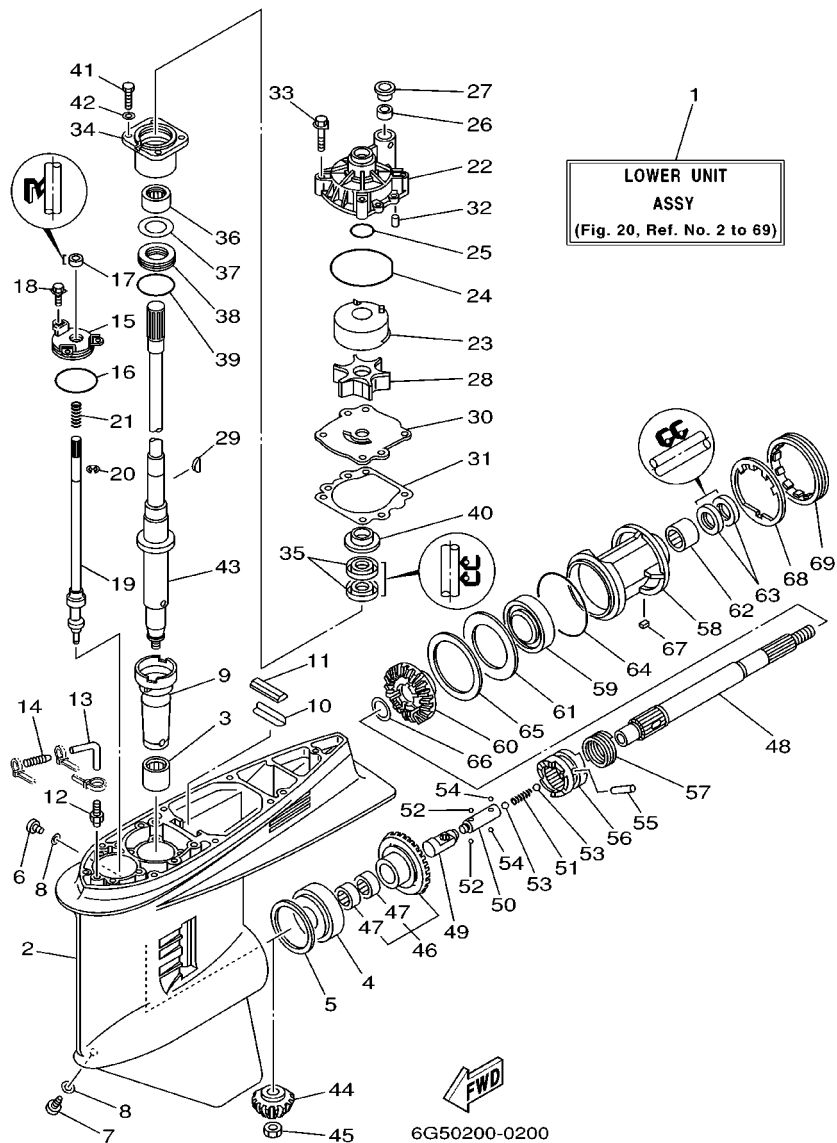
IMPULSOR E INFERIOR 1



REF. NO.	PART NO. CODIGO NO.	DESCRIPTION DESCRIPTION	150A	175A	200A	L150	L200	REMARKS OBSERVACION
38	93341-930V2	BEARING COJINETE	1	1	1			
39	93210-55M14	O-RING ANILLO O	1	1	1			
40	6E5-45344-00	COVER, OIL SEAL CUBIERTA SELLO ACEITE	1	1	1			
41	97095-08025	BOLT PERNO	4	4	4			
42	92995-08600	WASHER ARANDELA	4	4	4			
43	6G5-45501-01	DRIVE SHAFT COMP. EJE DE MANDO COMPL.	1	1	1			L
	6G5-45501-21	DRIVE SHAFT COMP. EJE DE MANDO COMPL.	1	1	1			X
44	6G5-45551-01	PINION PINON	1	1	1			
45	90170-16M01	NUT TUERCA	1	1	1			
46	6G5-45560-01	GEAR ENGRANE COMPLE 1	1	1	1			
47	93315-425V3	BEARING COJINETE	2	2	2			
48	6J9-45611-01	SHAFT, PROPELLER EJE PROPUSOR	1	1	1			
49	6E5-45641-02	SHIFTER CAMBIO	1	1	1			
50	6E5-45634-01	SLIDE, SHIFT DESILIZADOR, CAMBIO	1	1	1			
51	90501-16M37	SPRING, COMPRESSION RESORTE DE COMPRESION	1	1	1			
52	93507-32009	BALL BOLA	2	2	2			
53	93511-32017	BALL BOLA	2	2	2			
54	93503-16003	BALL BOLA	2	2	2			
55	90250-08M07	PIN, STRAIGHT PASADOR CILINDRICO	1	1	1			
56	6G5-45631-00	CLUTCH, DOG EMBRAGUE DE GARRA	1	1	1			
57	6E5-45633-01	RING, CROSS PIN ANILLO DE PASADOR	1	1	1			
58	6J9-45332-00-94	HOUSING, BEARING CAJA BALERO 2	1	1	1			
59	93306-209U0	BEARING COJINETE	1	1	1			
60	6G5-45571-02	GEAR ENGRANAJE	1	1	1			
61	6G5-45576-00	WASHER, THRUST ARANDELA DE EMPUJE AXIAL	1	1	1			
62	93315-430U8	BEARING COJINETE	1	1	1			
63	93101-30M17	OIL SEAL SELLO ACEITE	2	2	2			

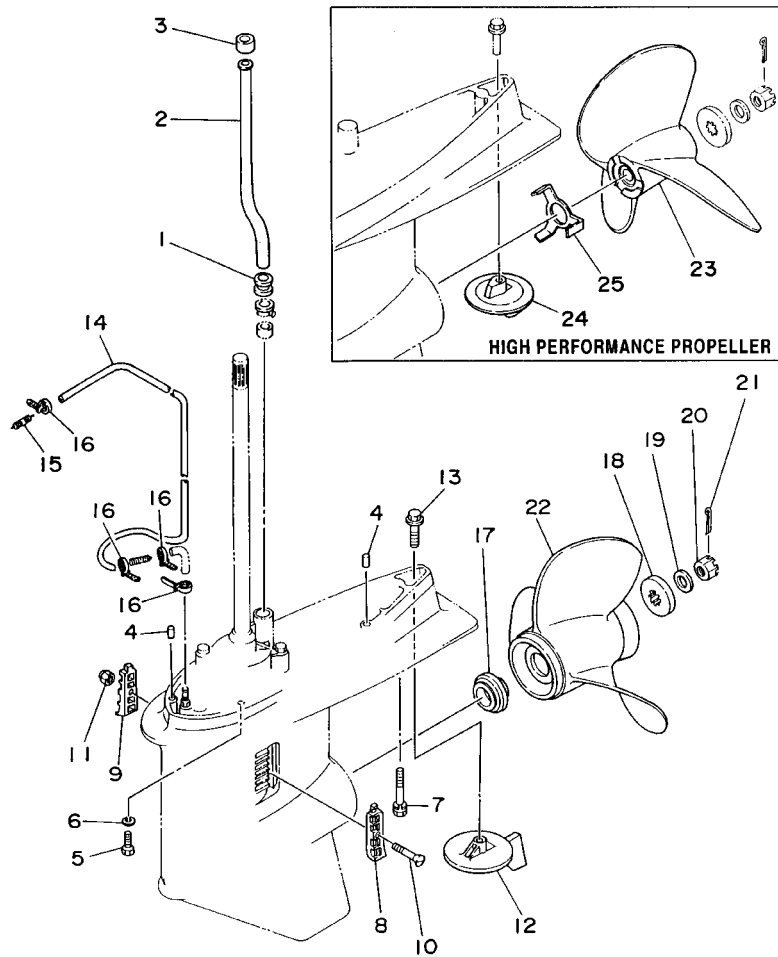
FIG. 20 LOWER CASING, DRIVE 1

IMPULSOR E INFERIOR 1



REF. NO.	PART NO. CODIGO NO.	DESCRIPTION DESCRIPTION	150A	175A	200A	L150	L200	REMARKS OBSERVACION
64	93210-97M55	O-RING ANILLO O	1	1	1			
65	6G5-45577-02-10	SHIM (T:0.10MM) LAINA (T:0.10MM)	1	1	1			UR
	6G5-45577-02-12	SHIM (T:0.12MM) LAINA (T:0.12MM)	1	1	1			UR
	6G5-45577-02-15	SHIM (T:0.15MM) LAINA (T:0.15MM)	1	1	1			UR
	6G5-45577-02-18	SHIM (T:0.18MM) LAINA (T:0.18MM)	1	1	1			UR
	6G5-45577-02-30	SHIM (T:0.30MM) LAINA (T:0.30MM)	1	1	1			UR
	6G5-45577-02-40	SHIM (T:0.40MM) LAINA (T:0.40MM)	1	1	1			UR
	6G5-45577-02-50	SHIM (T:0.50MM) LAINA (T:0.50MM)	1	1	1			UR
66	90201-30M92	WASHER, PLATE ARANDELA PLANA	1	1	1			
67	90282-04M00	KEY, STRAIGHT CHAVETA, RECTA	1	1	1			
68	6G5-45383-01	WASHER, CLAW ARANDELA DE UNA	1	1	1			
69	6G5-45384-00	NUT TUERCA	1	1	1			

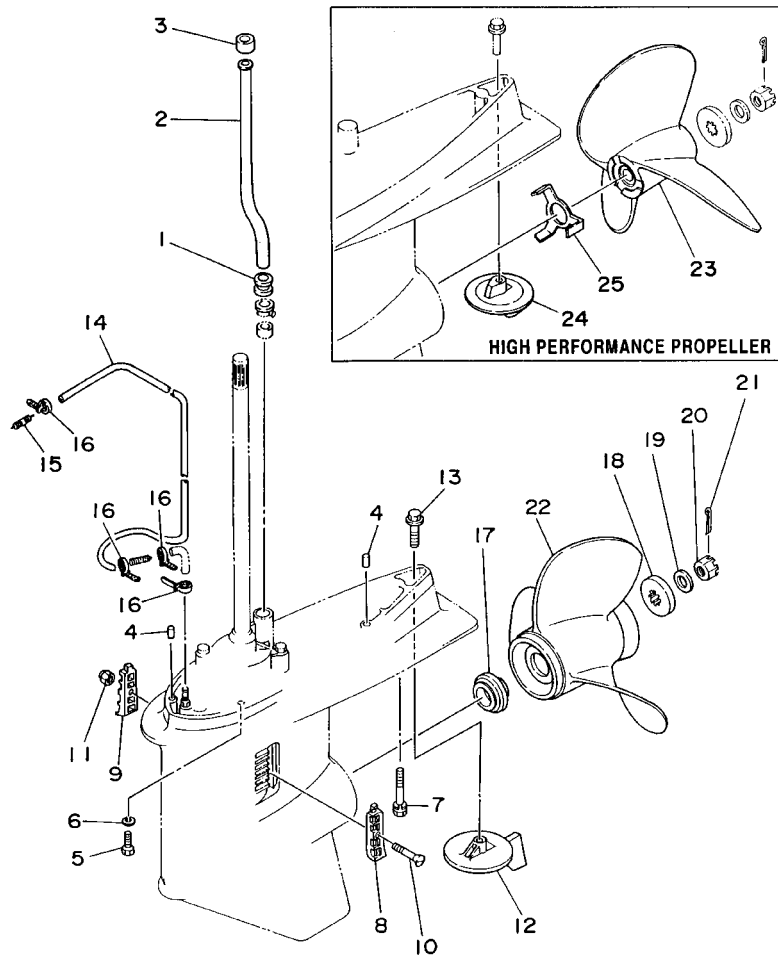
FIG. 21 LOWER CASING, DRIVE 2 IMPULSOR E INFERIOR 2



6G50010-6200

REF. NO.	PART NO. CODIGO NO.	DESCRIPTION DESCRIPTION	150A	175A	200A	L150	L200	REMARKS OBSERVACION
1	6E5-44366-00	DAMPER, WATER SEAL GOMA DEL SELLO DE AGUA	1	1	1			
2	6E5-44361-00	TUBE, WATER TUBO DE AGUA	1	1	1			L
	6E5-44361-20	TUBE, WATER TUBO DE AGUA	1	1	1			X
3	6E5-44365-00	DAMPER, WATER SEAL HULE DE SELLO DE AGUA	1	1	1			
4	93608-12M05	PIN, DOWEL PASADOR DE CLAVIJA	2	2	2			
5	97075-10045	BOLT PERNO	6	6	6			
6	92995-10100	WASHER ARANDELA	6	6	6			
7	90119-10M89	BOLT, WITH WASHER TORNILLO CON ARANDELA	1	1	1			
8	6J9-45214-00	COVER, WATER INLET CUBIERTA ENTRADA AGUA	1	1	1			
9	6J9-45215-00	COVER, WATER INLET CUBIERTA ENTRADA AGUA	1	1	1			
10	90152-05M08	SCREW, COUNTERSUNK TORNILLO EMBUTIDO	1	1	1			
11	90185-05002	NUT, SELF-LOCKING TUERCA AUTOBLOCANTE	1	1	1			
12	6J9-45371-01	TAB-TRIM QUILLA ESTABILIZADOR	1	1	1			
13	90105-10M00	BOLT, WASHER BASED TORNILLO CON ARANDELA	1	1	1			
14	90445-07MF0	HOSE TUBO	1	1	1			
15	6E5-83558-00	END, NIPPLE EXTREMO DE NIPLE	1	1	1			
16	90465-11M10	CLAMP BRIDA	4	4	4			
17	6E5-45987-01	SPACER ESPACIADOR	1	1	1			
18	688-45997-01	SPACER ESPACIADOR	1	1	1			
19	92990-18200	WASHER ARANDELA	1	1	1			
20	90171-18M04	NUT, CASTLE TUERCA ENTALLADA	1	1	1			
21	91490-40030	PIN, COTTER PASADOR DE CHAVETA	1	1	1			
22	6G5-45941-01-98	PROPELLER (3X15-1/4"X15"-M) PROPELA (3X15-1/4"X15"-M)	1	1	1			UR
	6G5-45945-01-98	PROPELLER (3X14"X19"-M) PROPELA (3X14"X19"-M)	1	1	1			UR
	6G5-45947-01-98	PROPELLER (3X14-1/2"X17"-M) PROPELA (3X14-1/2"X17"-M)	1	1	1			UR
	6G5-45949-00-98	PROPELLER (3X13-1/2"X23"-M) PROPELA (3X13-1/2"X23"-M)	1	1	1			UR
	6G5-45952-00-98	PROPELLER (3X14-5/8"X16"-M) PROPELA (3X14-5/8"X16"-M)	1	1	1			UR

FIG. 21 LOWER CASING, DRIVE 2 IMPULSOR E INFERIOR 2



6G50010-6200

REF. NO.	PART NO. CODIGO NO.	DESCRIPTION DESCRIPTION	150A	175A	200A	L150	L200	REMARKS OBSERVACION
22	6G5-45970-02-98	STAINLESS STEEL PROPELLER LIMPIO-ACERO DEL PROPELA PROPELLER (3X15-1/4"X15"-M) PROPELA (3X15-1/4"X15"-M)	1	1	1			UR
	6G5-45972-02-98	PROPELLER (3X13-3/4"X21"-M) PROPELA (3X13-3/4"X21"-M)	1	1	1			UR
	6G5-45974-03-98	PROPELLER (3X13-3/4"X19"-M2) PROPELA (3X13-3/4"X19"-M2)	1	1	1			UR
	6G5-45976-01-98	PROPELLER (3X13-3/8"X23"-M) PROPELA (3X13-3/8"X23"-M)	1	1	1			UR
	6G5-45978-03-98	PROPELLER (3X13-3/4"X17"-M2) PROPELA (3X13-3/4"X17"-M2)	1	1	1			UR
	6G5-45930-00-98	PROPELLER (3X13-3/8"X25"-M) PROPELA (3X13-3/8"X25"-M)	1	1	1			UR
	6G5-45932-00-98	PROPELLER (3X15-3/4"X13"-M) PROPELA (3X15-3/4"X13"-M)	1	1	1			UR
23	6E5-45970-10	HIGH PERFORMANCE PROPELLER ALTO COMPOSICION DEL PROPELA PROPELLER (3X14"X20"-P) PROPELA (3X14"X20"-P)	1	1	1			UR
	6E5-45972-10	PROPELLER (3X14"X24"-P) PROPELA (3X14"X24"-P)	1	1	1			UR
	6E5-45974-10	PROPELLER (3X14"X28"-P) PROPELA (3X14"X28"-P)	1	1	1			UR
	6E5-45976-10	PROPELLER (3X14"X22"-P) PROPELA (3X14"X22"-P)	1	1	1			UR
	6E5-45978-10	PROPELLER (3X14"X26"-P) PROPELA (3X14"X26"-P)	1	1	1			UR
24	6E5-45371-10	TAB-TRIM QUILLA ESTABILIZADOR	1	1	1			
25	6E5-45994-10	PLATE, TOOTH PLACA	1	1	1			

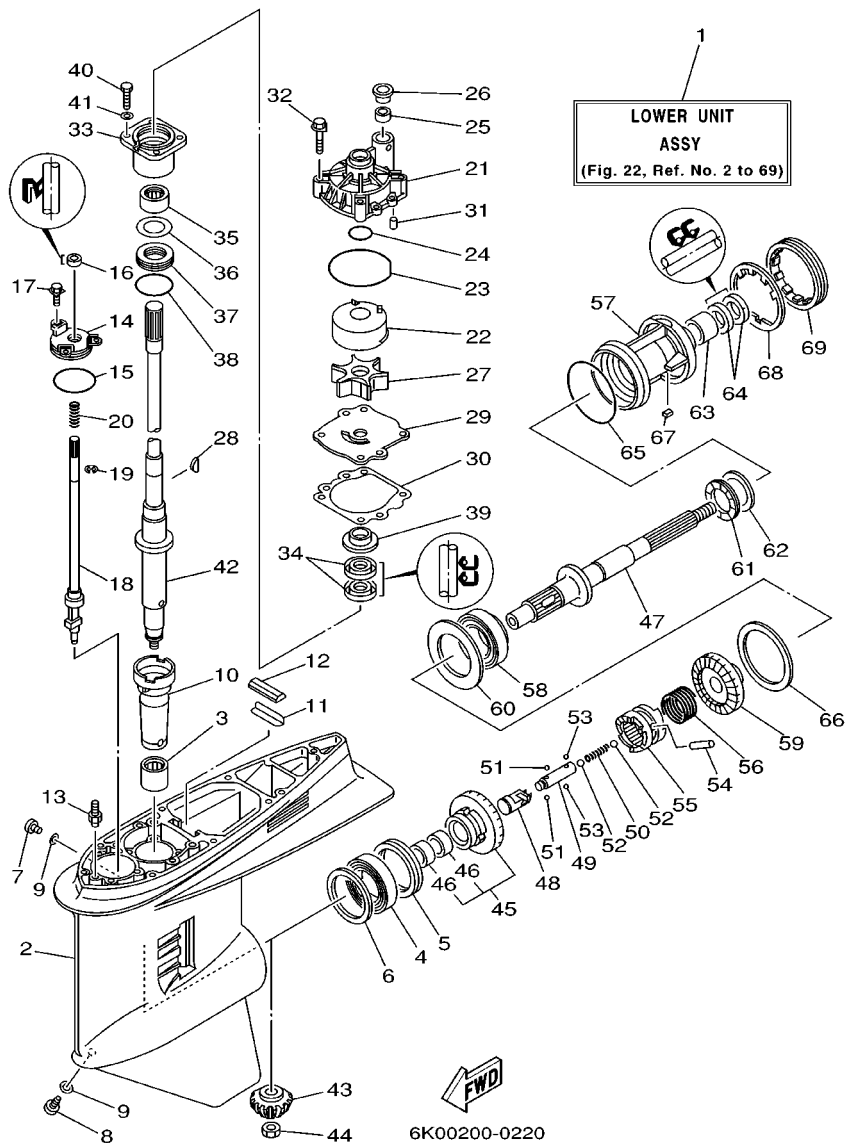


FIG. 22 LOWER CASING, DRIVE 3 IMPULSOR E INFERIOR 3

REF. NO.	PART NO. CODIGO NO.	DESCRIPTION DESCRIPTION	150A	175A	200A	L150	L200	REMARKS OBSERVACION
1	6K1-45300-24-8D	LOWER UNIT ASSY CONJUNTO UNIDAD INFERIOR				1	1	X
2	6J9-45301-04-8D	CASING, LOWER FUNDA INFERIOR COMPLETA				1	1	
3	93311-928U5	BEARING COJINETE				1	1	
4	93390-000U2	BEARING COJINETE				1	1	
5	93341-465U4	BEARING COJINETE				1	1	
6	6G5-45567-01-10	SHIM (T:0.10MM) LAINA (T:0.10MM)				1	1	UR
	6G5-45567-01-12	SHIM (T:0.12MM) LAINA (T:0.12MM)				1	1	UR
	6G5-45567-01-15	SHIM (T:0.15MM) LAINA (T:0.15MM)				1	1	UR
	6G5-45567-01-18	SHIM (T:0.18MM) LAINA (T:0.18MM)				1	1	UR
	6G5-45567-01-30	SHIM (T:0.30MM) LAINA (T:0.30MM)				1	1	UR
	6G5-45567-01-40	SHIM (T:0.40MM) LAINA (T:0.40MM)				1	1	UR
	6G5-45567-01-50	SHIM (T:0.50MM) LAINA (T:0.50MM)				1	1	UR
7	90340-08M04	PLUG, STRAIGHT SCREW TORNILLO, DE DRENAJE				1	1	
8	688-45341-00	PLUG, DRAIN TAPON, DREN				1	1	
9	90430-08020	GASKET JUNTA				2	2	
10	6G5-45536-01	SLEEVE, DRIVE SHAFT CAMISA EJE DE MANDO				1	1	
11	64D-45376-00-94	GUIDE, SEAL DAMPER GUIA DE SELLO GOMA				1	1	X
12	688-45375-00	DAMPER, SEAL GOMA DE SELLO				1	1	
13	6J8-45378-00	NIPPLE, HOSE NIPLE MANGUERA				1	1	
14	6E5-45321-00	PLATE PLACA				1	1	
15	93210-58144	O-RING ANILLO O				1	1	
16	93106-09014	OIL SEAL SELLO ACEITE				1	1	
17	90119-06M10	BOLT, WITH WASHER TORNILLO CON ARANDELA				3	3	
18	6K1-44150-01	SHIFT CAM ASSY CONJUNTO EJE LEVA COMPL.				1	1	
19	93430-08006	CIRCLIP BOLA				1	1	
20	90501-11M10	SPRING, COMPRESSION RESORTE DE COMPRESION				1	1	
21	61A-44311-01	HOUSING, WATER PUMP CAJA BOMBA DE AGUA				1	1	

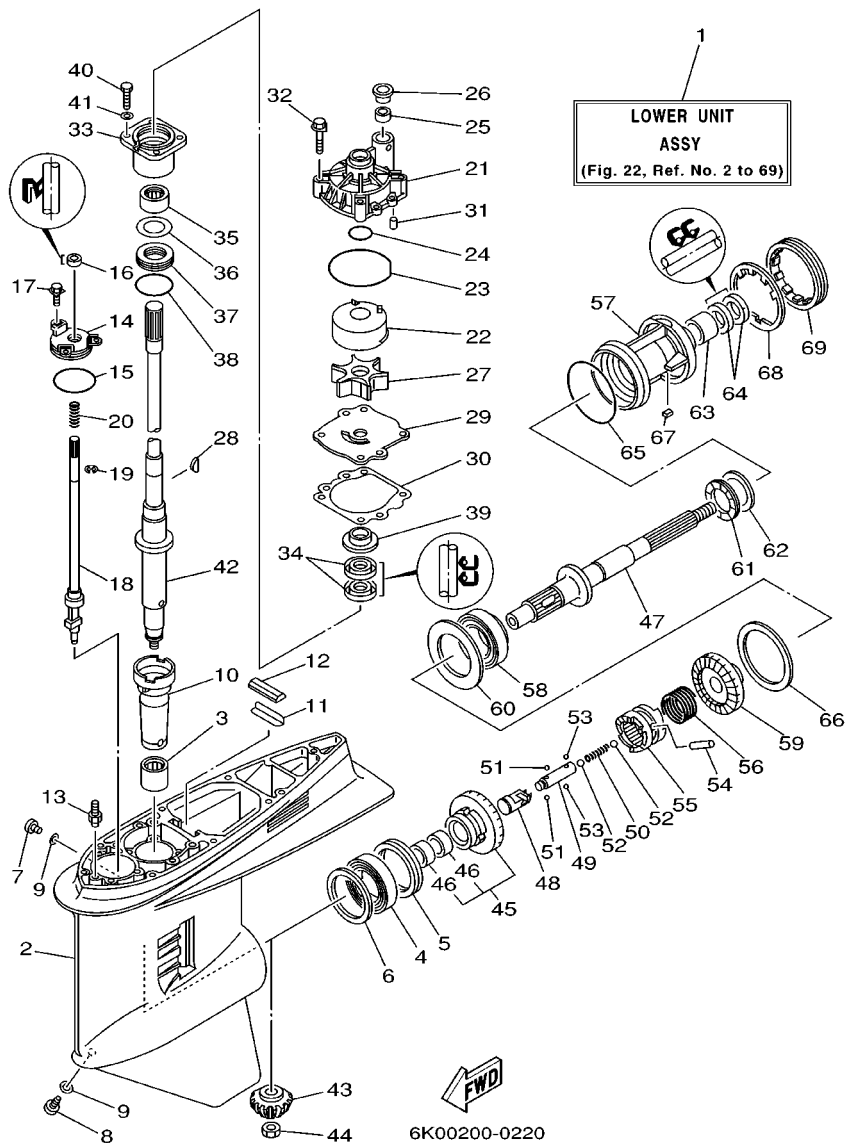


FIG. 22 LOWER CASING, DRIVE 3 IMPULSOR E INFERIOR 3

REF. NO.	PART NO. CODIGO NO.	DESCRIPTION DESCRIPTION	150A	175A	200A	L150	L200	REMARKS OBSERVACION
22	61A-44322-02	INSERT, CARTRIDGE CARTUCHO				1	1	STD
23	93210-86M38	O-RING ANILLO O				1	1	
24	93210-37160	O-RING ANILLO O				1	1	
25	6E5-44365-00	DAMPER, WATER SEAL HULE DE SELLO DE AGUA				1	1	
26	6E5-44312-00	COVER, WATER PUMP HOUSING CUBIERTA CAJA BOMBA DE AGUA				1	1	
27	6E5-44352-01	IMPELLER IMPULSOR				1	1	
28	90280-04M05	KEY, WOODRUFF CUNA WOODRUFF				1	1	
29	6G5-44323-00	OUTER PLATE, CARTRIDGE PLACA EXTERIOR DEL CARTUCHO				1	1	STD
30	6E5-44315-A0	GASKET, WATER PUMP EMPAQUE				1	1	
31	93606-12019	PIN, DOWEL PASADOR DE CLAVIJA				2	2	
32	90119-08M14	BOLT, WITH WASHER TORNILLO CON ARANDELA				4	4	
33	6E5-45331-00-94	HOUSING, BEARING CAJA DE COJINETE				1	1	
34	93101-28M16	OIL SEAL SELLO ACEITE				2	2	
35	93317-330U2	BEARING COJINETE				1	1	
36	6E5-45587-01-10	SHIM (T:0.10MM) LAINA (T:0.10MM)				1	1	UR
	6E5-45587-01-12	SHIM (T:0.12MM) LAINA (T:0.12MM)				1	1	UR
	6E5-45587-01-15	SHIM (T:0.15MM) LAINA (T:0.15MM)				1	1	UR
	6E5-45587-01-18	SHIM (T:0.18MM) LAINA (T:0.18MM)				1	1	UR
	6E5-45587-01-30	SHIM (T:0.30MM) LAINA (T:0.30MM)				1	1	UR
	6E5-45587-01-40	SHIM (T:0.40MM) LAINA (T:0.40MM)				1	1	UR
	6E5-45587-01-50	SHIM (T:0.50MM) LAINA (T:0.50MM)				1	1	UR
37	93341-930V2	BEARING COJINETE				1	1	
38	93210-55M14	O-RING ANILLO O				1	1	
39	6E5-45344-00	COVER, OIL SEAL CUBIERTA SELLO ACEITE				1	1	
40	97095-08025	BOLT PERNO				4	4	
41	92995-08600	WASHER ARANDELA				4	4	
42	6G5-45501-21	DRIVE SHAFT COMP. EJE DE MANDO COMPL.				1	1	X

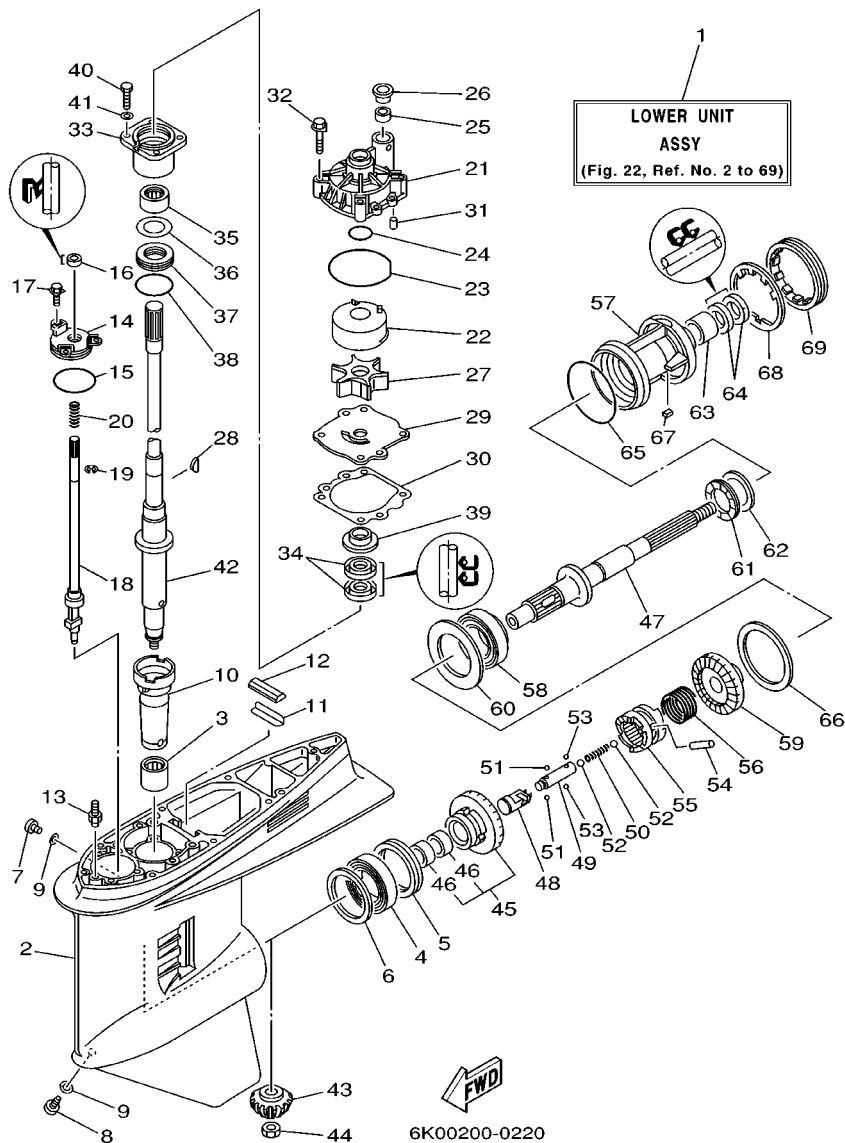
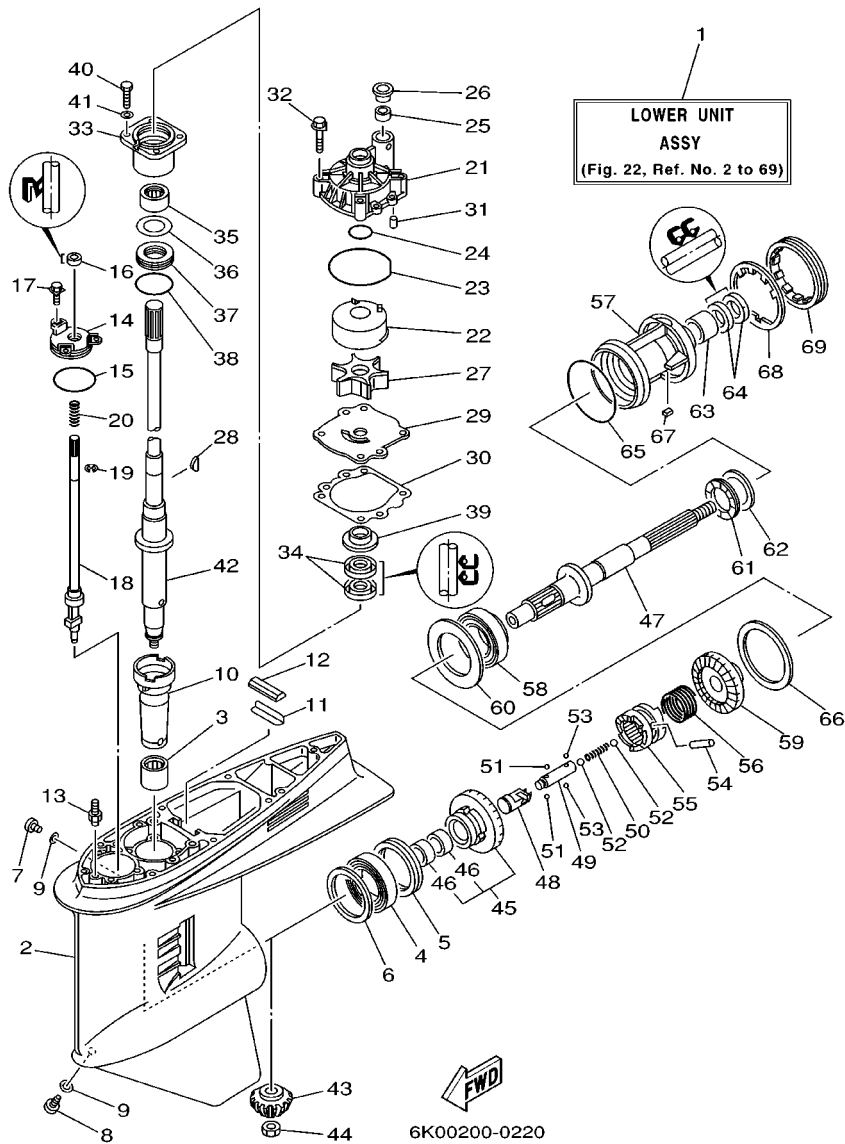


FIG. 22 LOWER CASING. DRIVE 3 IMPULSOR E INFERIOR 3

REF. NO.	PART NO. CODIGO NO.	DESCRIPTION DESCRIPTION	150A	175A	200A	L150	L200	REMARKS OBSERVACION
43	6G5-45551-01	PINION PINON				1	1	
44	90170-16M01	NUT TUERCA				1	1	
45	6K1-45560-01	GEAR ENGRANE COMPLE 1				1	1	
46	93315-425V3	.BEARING .COJINETE				2	2	
47	6K1-45611-10	SHAFT, PROPELLER EJE PROPUSOR				1	1	
48	6K1-45641-01	SHIFTER CAMBIO				1	1	
49	6E5-45634-01	SLIDE, SHIFT DESLIZADOR, CAMBIO				1	1	
50	90501-16M37	SPRING, COMPRESSION RESORTE DE COMPRESION				1	1	
51	93507-32009	BALL BOLA				2	2	
52	93511-32017	BALL BOLA				2	2	
53	93503-16003	BALL BOLA				2	2	
54	90250-08M07	PIN, STRAIGHT PASADOR CILINDRICO				1	1	
55	6G5-45631-00	CLUTCH, DOG EMBRAGUE DE GARRA				1	1	
56	6E5-45633-01	RING, CROSS PIN ANILLO DE PASADOR				1	1	
57	6K1-45332-01-94	HOUSING, BEARING CAJA BALERO 2				1	1	
58	93332-00048	BEARING COJINETE				1	1	
59	6K1-45570-01	GEAR ENGRANE COMPL 2				1	1	
60	6K1-45576-00	WASHER, THRUST ARANDELA DE EMPUJE AXIAL				1	1	
61	93341-440U5	BEARING COJINETE				1	1	
62	6K1-45578-01-10	SHIM (T:0.10MM) LAINA (T:0.10MM)				1	1	UR
	6K1-45578-01-12	SHIM (T:0.12MM) LAINA (T:0.12MM)				1	1	UR
	6K1-45578-01-15	SHIM (T:0.15MM) LAINA (T:0.15MM)				1	1	UR
	6K1-45578-01-18	SHIM (T:0.18MM) LAINA (T:0.18MM)				1	1	UR
	6K1-45578-01-30	SHIM (T:0.30MM) LAINA (T:0.30MM)				1	1	UR
	6K1-45578-01-40	SHIM (T:0.40MM) LAINA (T:0.40MM)				1	1	UR
	6K1-45578-01-50	SHIM (T:0.50MM) LAINA (T:0.50MM)				1	1	UR
63	93315-430U8	BEARING COJINETE				1	1	

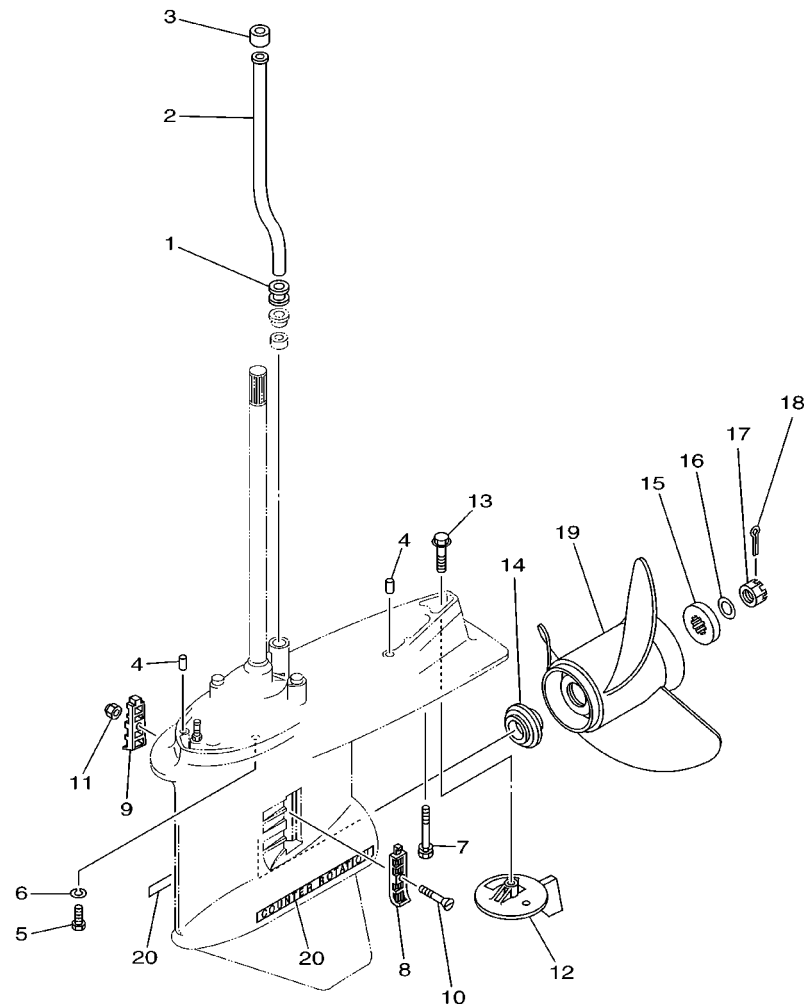
FIG. 22 LOWER CASING, DRIVE 3

IMPULSOR E INFERIOR 3



REF. NO.	PART NO. CODIGO NO.	DESCRIPTION DESCRIPTION	150A	175A	200A	L150	L200	REMARKS OBSERVACION
64	93101-30M17	OIL SEAL SELLO ACEITE					2	2
65	93210-97M55	O-RING ANILLO O					1	1
66	6G5-45577-02-10	SHIM (T:0.10MM) LAINA (T:0.10MM)					1	1 UR
	6G5-45577-02-12	SHIM (T:0.12MM) LAINA (T:0.12MM)					1	1 UR
	6G5-45577-02-15	SHIM (T:0.15MM) LAINA (T:0.15MM)					1	1 UR
	6G5-45577-02-18	SHIM (T:0.18MM) LAINA (T:0.18MM)					1	1 UR
	6G5-45577-02-30	SHIM (T:0.30MM) LAINA (T:0.30MM)					1	1 UR
	6G5-45577-02-40	SHIM (T:0.40MM) LAINA (T:0.40MM)					1	1 UR
	6G5-45577-02-50	SHIM (T:0.50MM) LAINA (T:0.50MM)					1	1 UR
67	90282-04M00	KEY, STRAIGHT CHAVETA, RECTA					1	1
68	6G5-45383-01	WASHER, CLAW ARANDELA DE UNA					1	1
69	6G5-45384-00	NUT TUERCA					1	1

FIG. 23 LOWER CASING. DRIVE 4 IMPULSOR E INFERIOR 4

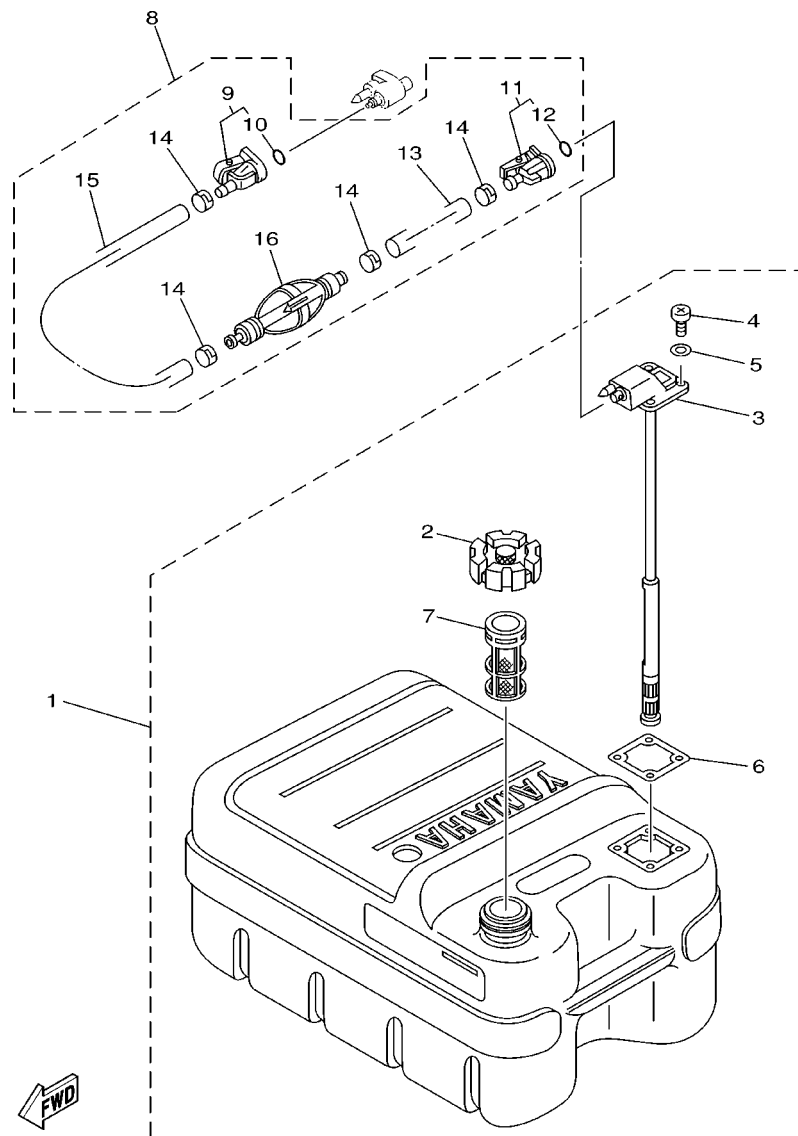


67J0100-9280

REF. NO.	PART NO. CODIGO NO.	DESCRIPTION DESCRIPTION	150A	175A	200A	L150	L200	REMARKS OBSERVACION
1	6E5-44366-00	DAMPER, WATER SEAL GOMA DEL SELLO DE AGUA				1	1	
2	6E5-44361-20	TUBE, WATER TUBO DE AGUA				1	1	X
3	6E5-44365-00	DAMPER, WATER SEAL HULE DE SELLO DE AGUA				1	1	
4	93608-12M05	PIN, DOWEL PASADOR DE CLAVIJA				2	2	
5	97075-10045	BOLT PERNO				6	6	
6	92995-10100	WASHER ARANDELA				6	6	
7	90119-10M89	BOLT, WITH WASHER TORNILLO CON ARANDELA				1	1	
8	6J9-45214-00	COVER, WATER INLET CUBIERTA ENTRADA AGUA				1	1	
9	6J9-45215-00	COVER, WATER INLET CUBIERTA ENTRADA AGUA				1	1	
10	90152-05M08	SCREW, COUNTERSUNK TORNILLO EMBUTIDO				1	1	
11	90185-05002	NUT, SELF-LOCKING TUERCA AUTOBLOCANTE				1	1	
12	6K1-45371-02	TAB-TRIM QUILLA ESTABILIZADOR				1	1	
13	90105-10M00	BOLT, WASHER BASED TORNILLO CON ARANDELA				1	1	
14	6E5-45987-01	SPACER ESPACIADOR				1	1	
15	688-45997-01	SPACER ESPACIADOR				1	1	
16	92990-18200	WASHER ARANDELA				1	1	
17	90171-18M04	NUT, CASTLE TUERCA ENTALLADA				1	1	
18	91490-40030	PIN, COTTER PASADOR DE CHAVETA				1	1	
19	6K1-45970-01-98	PROPELLER (3X15-1/4"X15"-ML) HELICE				1	1	UR
	6K1-45972-01-98	PROPELLER (3X13-3/4"X21"-ML) HELICE				1	1	UR
	6K1-45974-02-98	PROPELLER (3X13-3/4"X19"-ML1) HELICE				1	1	UR
	6K1-45978-02-98	PROPELLER (3X13-3/4"X17"-ML1) HELICE				1	1	UR
20	6K1-45392-00	GRAPHIC, LOWER CALCOMANIA				2	2	

FIG. 24 FUEL TANK

DEPOSITO DE COMBUSTIBLE

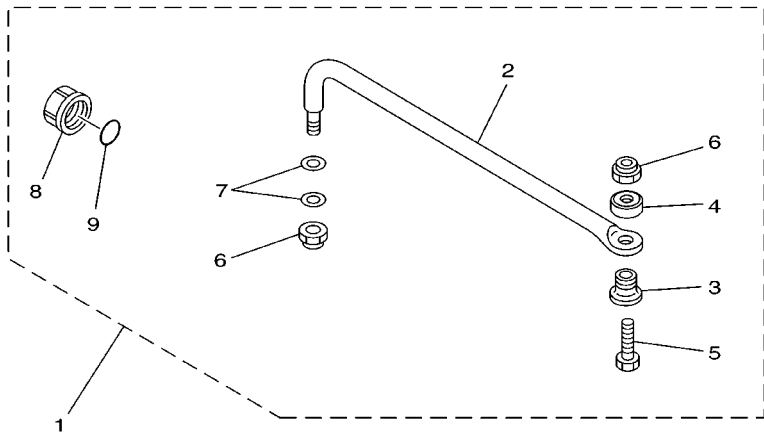


6E50700-0210

REF. NO.	PART NO. CODIGO NO.	DESCRIPTION DESCRIPTION	150A	175A	200A	L150	L200	REMARKS OBSERVACION
1	6YJ-24201-10	FUEL TANK ASSY (24L) TANQUE DEL COMBUSTIBLE (24L)	1		1			AP FOR CHINA
2	6YJ-24610-01	.CAP ASSY .TAPA COMPLETA	1		1			
3	6Y1-24260-12	.FUEL METER ASSY .MEDIDOR DE COMBUSTIBLE COMPL.	1		1			WITH INDICATOR
4	98586-05016	.SCREW, PAN HEAD .TORNILLO DE CABEZA CON PLANA	4		4			
5	6Y1-24329-00	.SEAL .SELLO	4		4			
6	6Y1-24268-00	.GASKET, FUEL METER .EMPAQ MEDIDOR DE COMBUSTIBLE	1		1			
7	6YJ-24167-00	.STRAINER .COLADOR	1		1			
8	6Y2-24306-06	FUEL PIPE COMP. 1 TUBO COMBUST. COMPL 1	1		1			AP FOR CHINA
9	6E5-24305-03	.FUEL PIPE JOINT COMP. 2 .CONECTOR MANGUERA COMBUST.2	1		1			
10	93210-08287	..O-RING ..ANILLO O	1		1			
11	6Y2-24305-03	.FUEL PIPE JOINT COMP. 2 .CONECTOR MANGUERA COMBUST.2	1		1			
12	93210-08287	..O-RING ..ANILLO O	1		1			
13	90445-13M01	.HOSE (L:2050) .MANGUERA (L:2050)	1		1			
14	6E5-24351-50	BAND 1 .ABRAZADERA 1	4		4			
15	90445-13M00	.HOSE (L:850) .MANGUERA (L:850)	1		1			
16	6Y2-24360-02	.PRIMER PUMP ASSY .SOPORTE BOMBA	1		1			

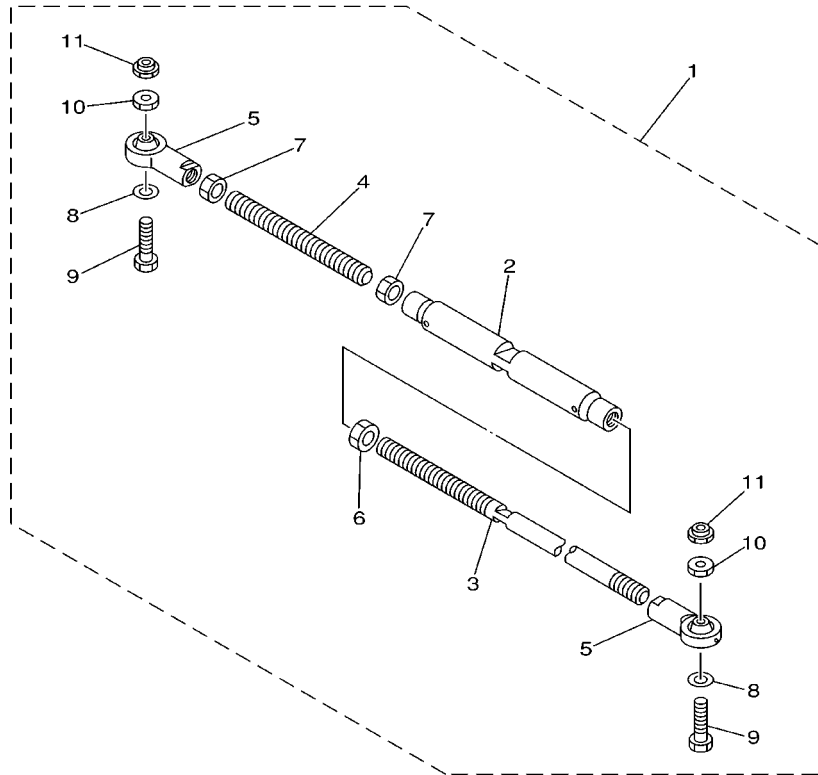
FIG. 25 STEERING GUIDE ATTACHMENT 1 ADITAMENTO GUIA DE GOBIERNO 1

REF. NO.	PART NO. CODIGO NO.	DESCRIPTION DESCRIPTION	150A	175A	200A	L150	L200	REMARKS OBSERVACION
1	6E5-61350-02	STEERING GUIDE ATTACHMENT KIT ESTUCHE ADITAMENTO GUIA DE TIM	1	1	1			AP
2	6E5-61351-01	.ROD, STEERING LINK .VARILLA ESLABON DIRECCION	1	1	1			
3	90387-10M61	.COLLAR .CASQUILLO CON VALONA	1	1	1			
4	90560-12M01	.SPACER .SEPARADOR	1	1	1			
5	6E5-61355-00	.BOLT .TORNILLO	1	1	1			
6	90185-09M01	.NUT, SELF-LOCKING .TUERCA AUTOBLOCANTE	2	2	2			
7	90201-10M20	.WASHER, PLATE .ARANDELA PLANA	2	2	2			
8	6E5-43145-00	.CAP, CLAMP BRACKET .TAPA	1	1	1			
9	93210-16275	.O-RING .ANILLO O	1	1	1			



67H0100-9290

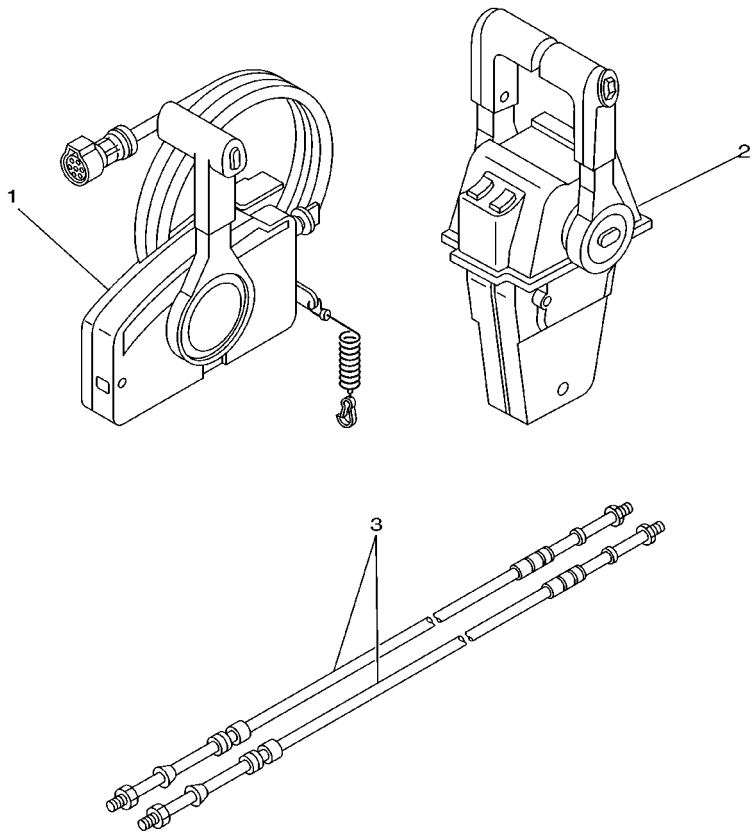
FIG. 26 STEERING GUIDE ATTACHMENT 2 ADITAMENTO GUIA DE GOBIERNO 2



REF. NO.	PART NO. CODIGO NO.	DESCRIPTION DESCRIPTION	150A	175A	200A	L150	L200	REMARKS OBSERVACION
1	6E5-61301-01	TWIN KIT (L:600-800MM) KIT ADITAMENTO (L:600-800MM)				1	1	AP
2	6E5-61313-00	.ADJUSTER .AJUSTADOR				1	1	
3	6E5-61311-11	.TIE BAR .BARRA SEPARADORA				1	1	
4	6E5-61315-00	.TIE BAR .ROTOR DE BOMBA AGUA				1	1	
5	6E5-61303-00	.STEERING EYE COMP. .OJO-DIRECCION COMPL.				2	2	
6	90170-14M06	.NUT .TUERCA				1	1	
7	95380-14700	.NUT .TUERCA				2	2	
8	90201-10M76	.WASHER, PLATE .ARANDELA PLANA				2	2	
9	90101-09M70	.BOLT .TORNILLO				2	2	
10	90170-09M05	.NUT .TUERCA				2	2	
11	90185-09M01	.NUT, SELF-LOCKING .TUERCA AUTOBLOCANTE				2	2	

67H0100-0300

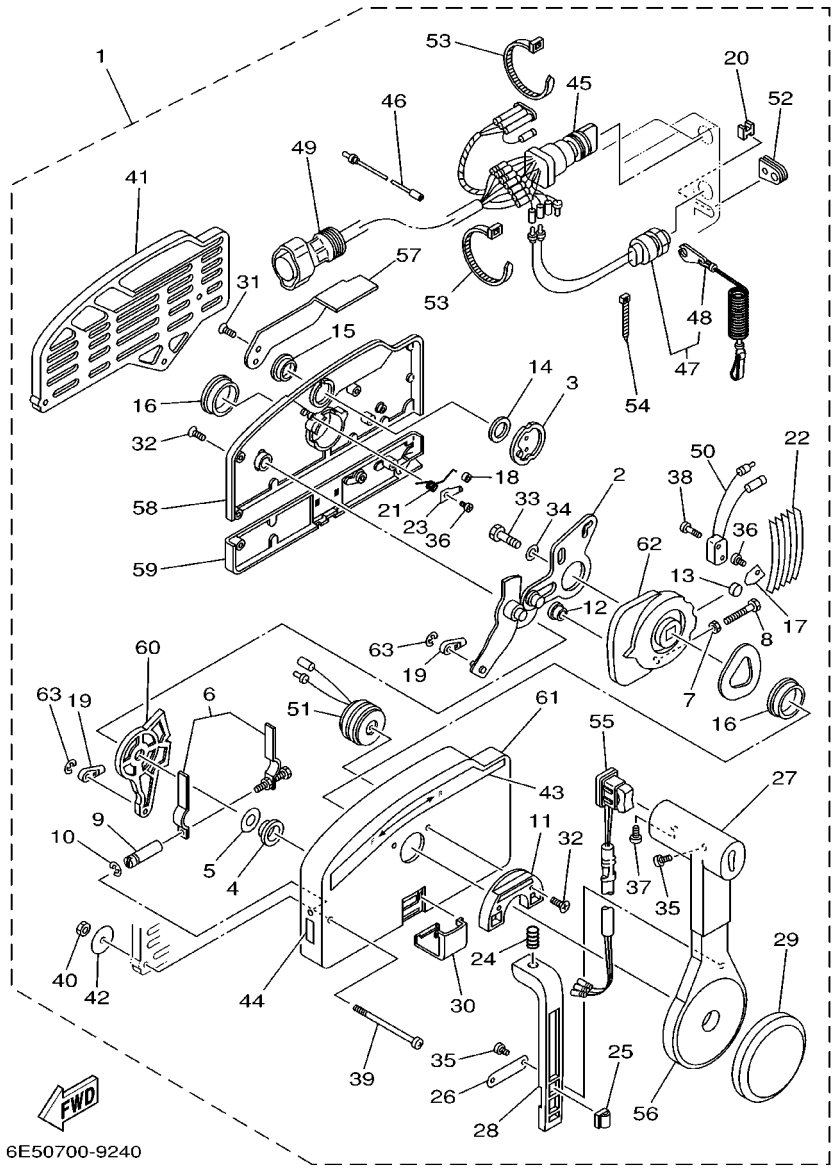
FIG. 27 REMOTE CONTROL BOX CONTROL REMOTO COMPL.



REF. NO.	PART NO. CODIGO NO.	DESCRIPTION DESCRIPTION	150A	175A	200A	L150	L200	REMARKS OBSERVACION
1	703-48205-15	REMOTE CONTROL ASSY (10P) REMOTO CONTROL COMPL.	1	1	1			AP WITH PT/T SW.
2	704-48207-22	REMOTE CONTROL ASSY COMANDO REMOTO				1	1	AP WITH PT/T SW.
3	701-48320-50	CABLE, REMOTE CONTROL L=15F		2				UR
	701-48320-80	CABLE, REMOTE CONTROL L=17F	2	2	2			UR
	701-48320-90	CABLE, REMOTE CONTROL L=18F	2					UR
	701-48320-40	CABLE, REMOTE CONTROL L=19F	2		2			UR
	701-48320-70	CABLE, REMOTE CONTROL L=20F	2		2			UR
	701-48350-20	CABLE, REMOTE CONTROL L=23F	2					UR



67H0100-9310

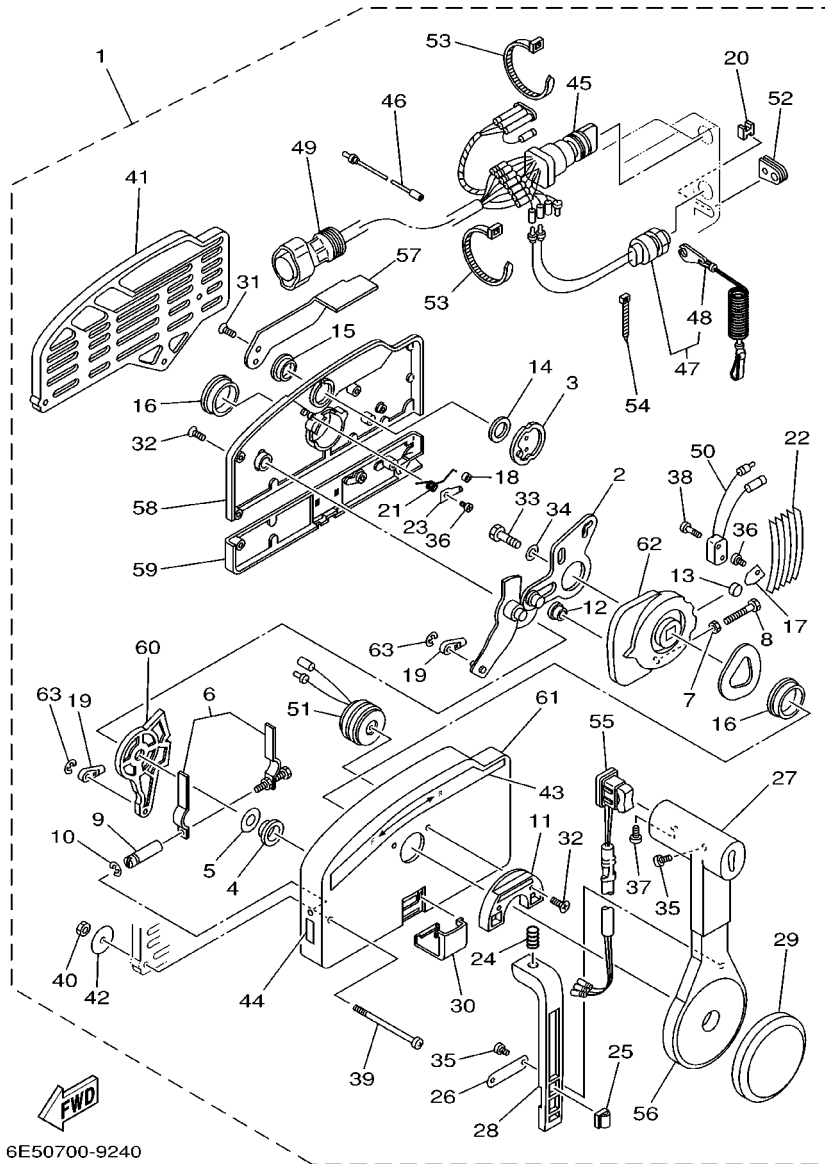


6E50700-9240

FIG. 28 REMOTE CONTROL ASSY 1 CONTROL REMOTO COMPL. 1

REF. NO.	PART NO. CODIGO NO.	DESCRIPTION DESCRIPTION	150A	175A	200A	L150	L200	REMARKS OBSERVACION
1	703-48205-15	REMOTE CONTROL ASSY (10P) REMOTO CONTROL COMPL.	1	1	1			AP WITH PT/T SW.
2	703-48261-01	.ARM, THROTTLE .BRAZO ACELERADOR	1	1	1			
3	703-48153-00	.SHAFT, FREE ACCEL. .EJE	1	1	1			
4	703-48235-00	.BUSHING .BUJE	1	1	1			
5	703-48268-00	.SPACER .ESPACIADOR 3	1	1	1			
6	703-48264-00	.THROTTLE, FRICTION .FRICCION ACELERADOR	1	1	1			
7	95380-05600	.NUT .TUERCA	1	1	1			
8	97380-05025	.BOLT .PERNO	1	1	1			
9	703-48265-00	.SHAFT, FRICTION .EJE FRICCION	1	1	1			
10	93430-06024	.CIRCLIP .BOLA	3	3	3			
11	703-48245-00	.PLATE, LOCK .PLACA CERRADURA	1	1	1			
12	703-48252-00	.ROLLER, CAM .RODILLO LEVA	1	1	1			
13	701-48248-00	.ROLLER, FREE ACCEL. .RODILLO ACELERADOR LIBRE	1	1	1			
14	703-48198-00	.WASHER, WAVE .RONDANA ONDULADA 3	1	1	1			
15	703-48243-00	.BUSHING .BUJE 3	1	1	1			
16	703-48236-00	.BUSHING 1 .BUJE	2	2	2			
17	703-48189-00	.RETAINER .RETENEDOR	1	1	1			
18	703-48236-00	.BUSHING 1 .BUJE	1	1	1			
19	703-48345-01	.CABLE END,REMOTE CONTROL 2 .TERMINAL CABLE DE CONTROL REM	2	2	2			
20	703-48358-00	.ANCHOR, CABLE .ABRAZADERA CABLE	1	1	1			
21	703-48244-00	.SPRING, FREE ACCEL. .RESORTE ACELERADOR LIBRE	1	1	1			
22	703-48238-00	.SPRING, DETENT .RESORTE	5	5	5			
23	703-48246-00	.SPACER .ESPACIADOR	1	1	1			
24	703-48227-00	.SPRING, NEUTRAL LOCK .RESORTE DE SEGURO	1	1	1			
25	703-82594-00	.CLAMP .GRAMPA	1	1	1			
26	703-48226-00	.PLATE, STOPPER .PLACA RETEN	1	1	1			
27	703-48222-00	.GRIP, CONTROL LEVER .MANGO DE PALANCA CONTROL	1	1	1			SINGLE

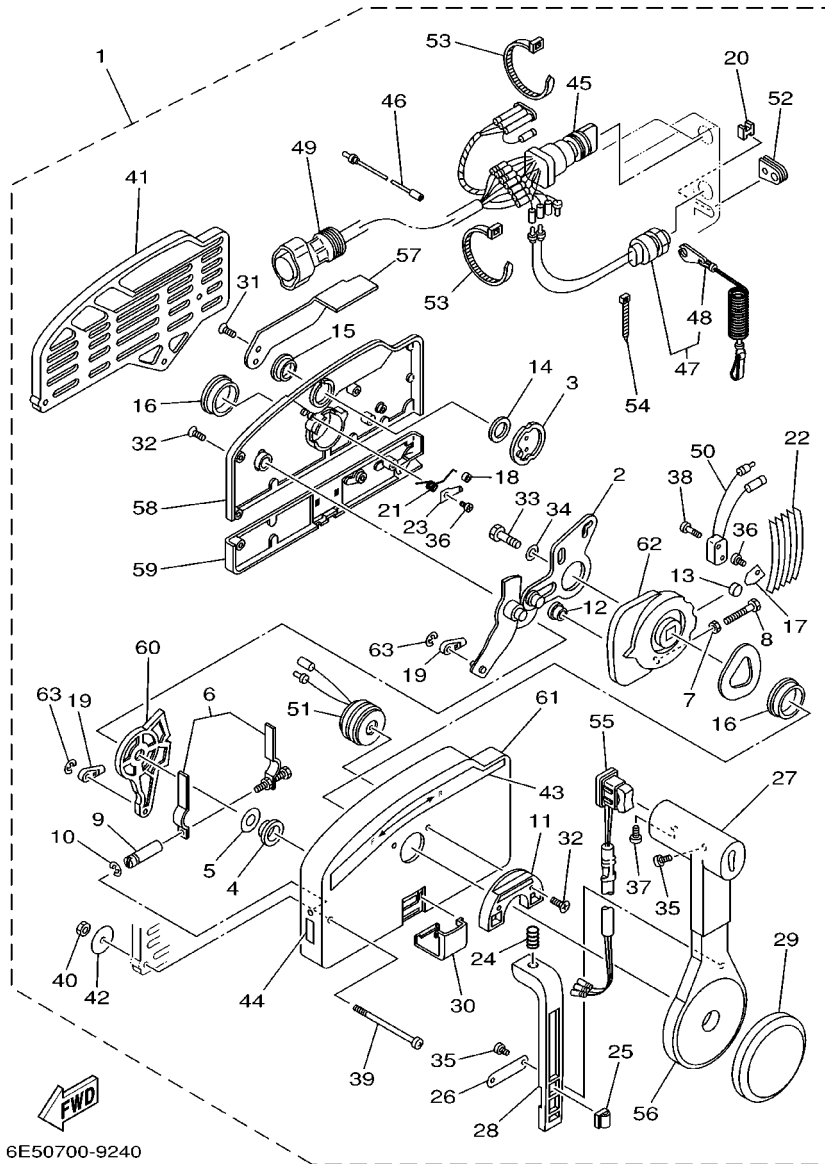
FIG. 28 REMOTE CONTROL ASSY 1 CONTROL REMOTO COMPL. 1



6E50700-9240

REF. NO.	PART NO. CODIGO NO.	DESCRIPTION DESCRIPTION	150A	175A	200A	L150	L200	REMARKS OBSERVACION
28	703-48223-00	.LOCK, NEUTRAL .CERRADURA NEUTRO	1	1	1			
29	703-48225-00	.COVER .CUBIERTA	1	1	1			
30	703-48219-00	.COVER, LEAD .CUBIERTA	1	1	1			
31	703-48281-00	.SCREW .TORNILLO 1	2	2	2			
32	703-48282-00	.SCREW .TORNILLO 2	7	7	7			
33	97095-08030	.BOLT .PERNO	1	1	1			
34	92990-08600	.WASHER, PLATE .ARANDELA	1	1	1			
35	98580-04010	.SCREW, PAN HEAD .TORNILLO DE CABEZA CON PLANA	3	3	3			
36	98580-04006	.SCREW, PAN HEAD .TORNILLO DE CABEZA CON PLANA	2	2	2			
37	98580-05010	.SCREW, PAN HEAD .TORNILLO DE CABEZA CON PLANA	1	1	1			
38	98580-03015	.SCREW, PAN HEAD .TORNILLO DE CABEZA CON PLANA	2	2	2			
39	703-48291-10	.SCREW (M6) .TORNILLO (M6)	3	3	3			
40	95380-06600	.NUT, HEXAGON .TUERCA	3	3	3			
41	703-48293-10	.SPACER, REMOTE CONTROL .ESPACIADOR	1	1	1			SINGLE
42	701-48287-00	.WASHER .ARANDELA	3	3	3			
43	703-48215-00	.GRAPHIC .CALCOMANIA 1	1	1	1			
44	702-48217-00	.MARK .MARCA 1	1	1	1			
45	703-82510-41	.MAIN SWITCH ASSY (10P) .CONJUNTO DE LLAVE IGNICION(10	1	1	1			
46	703-82531-00	.WIRE, LEAD .CABLE CONDUCTOR	1	1	1			
47	688-82575-01	.ENGINE STOP SWITCH ASSY .INTERRUPTOR DE PARADA COMPL	1	1	1			
48	682-82556-00	.STOPPER .RETEN	1	1	1			
49	688-8258A-20	.EXTENSION, WIRE HARNESS .EXTENSION, ARNES DE CABLES	1	1	1			L:5M (10P)
50	703-82540-00	.NEUTRAL SWITCH ASSY .INTERRUPTOR NEUTRAL COMPL	1	1	1			
51	703-83383-02	.BUZZER .ZUMBADOR	1	1	1			
52	703-48284-00	.GROMMET .TAPON 1	1	1	1			
53	703-82591-00	.BAND .BANDA	2	2	2			
54	703-82592-00	.BAND .BANDA	1	1	1			

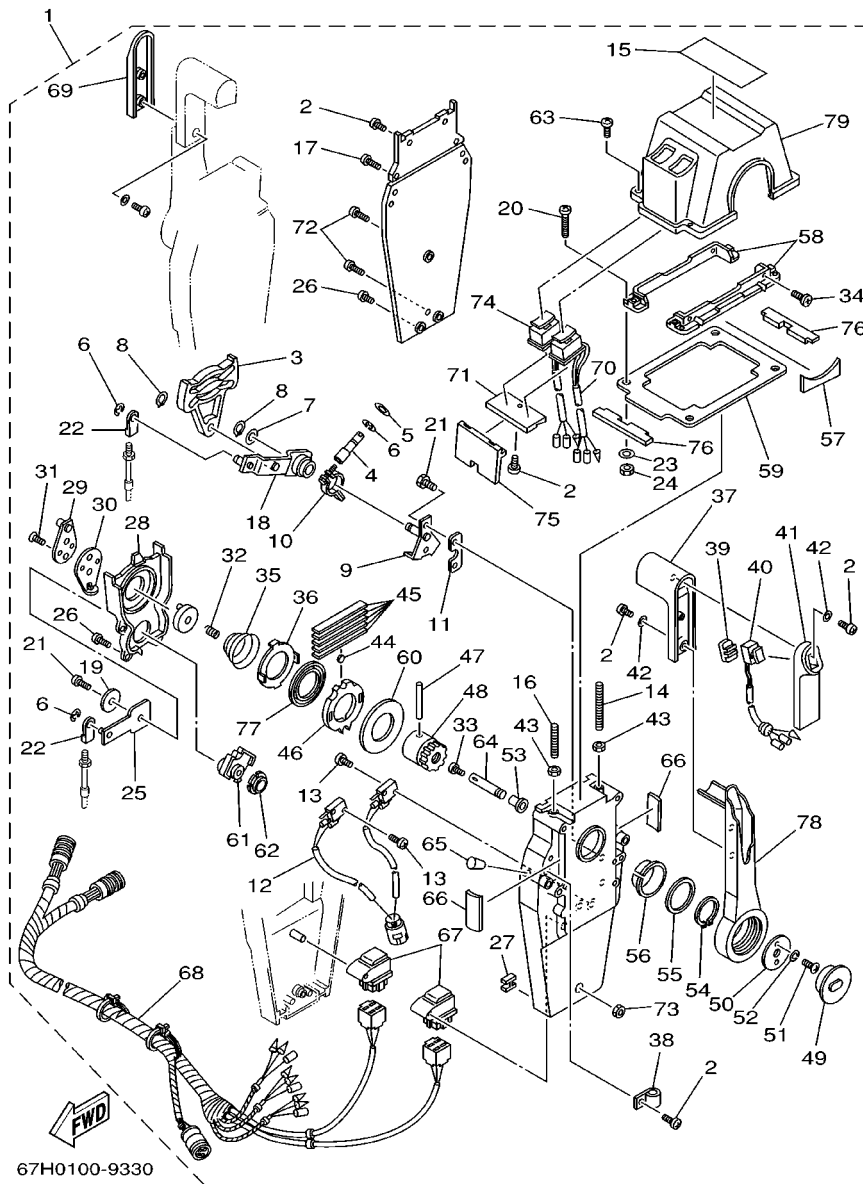
FIG. 28 REMOTE CONTROL ASSY 1 CONTROL REMOTO COMPL. 1



6E50700-9240

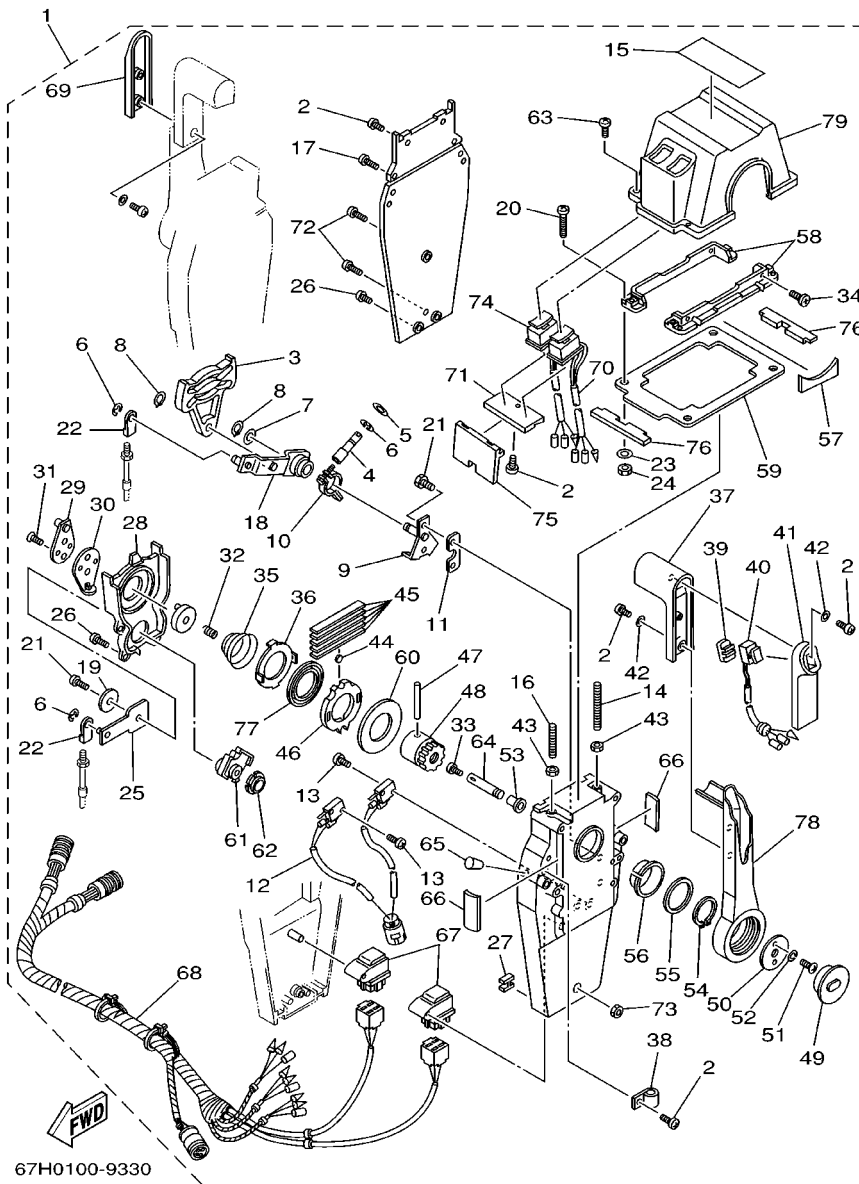
REF. NO.	PART NO. CODIGO NO.	DESCRIPTION DESCRIPTION	150A	175A	200A	L150	L200	REMARKS OBSERVACION
55	703-82563-01	.TRIM & TILT SWITCH ASSY .INTERRUPTOR DE INCLINACION	1	1	1			
56	703-48221-00	.LEVER, CONTROL .PALANCA CONTROL	1	1	1			
57	703-48152-00	.KNOB, FREE ACCEL. .PERILLA	1	1	1			
58	703-48212-00	.BACK PLATE 1 .PLACA TRASERA 1	1	1	1			
59	703-48213-00	.BACK PLATE 2 .PLACA TRASERA 2	1	1	1			
60	703-48271-00	.ARM, SHIFT .BRAZO CAMBIADOR	1	1	1			
61	703-48211-01	.HOUSING,1 .CAJA	1	1	1			
62	703-48232-00	.GEAR .ENGRANAJE 1	1	1	1			
63	93430-06024	.CIRCLIP .BOLA	2	2	2			

FIG. 29 REMOTE CONTROL ASSY 2 CONTROL REMOTO COMPL. 2



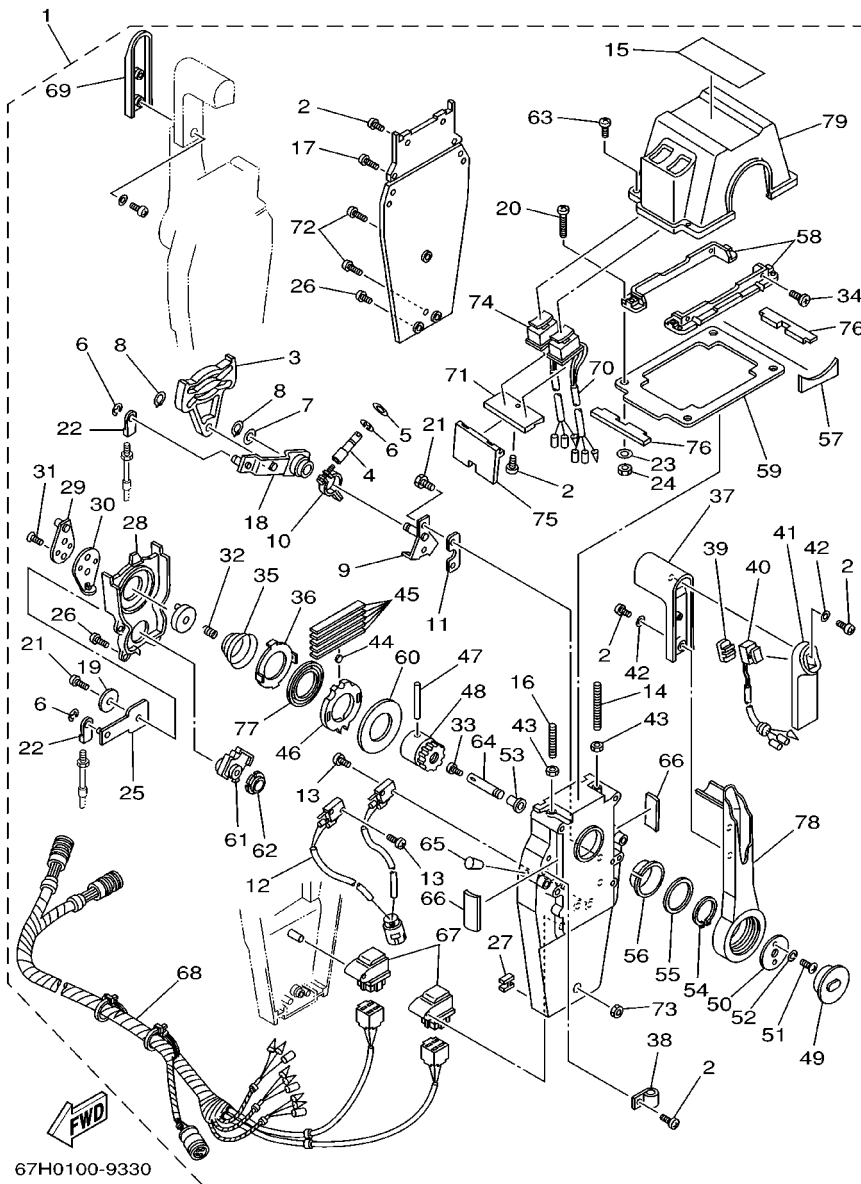
REF. NO.	PART NO. CODIGO NO.	DESCRIPTION DESCRIPTION	150A	175A	200A	L150	L200	REMARKS OBSERVACION
1	704-48207-22	REMOTE CONTROL ASSY COMANDO REMOTO				1	1	AP WITH PT/T SW.
2	97890-05016	.SCREW, PAN HEAD .TORNILLO DE CABEZA CON PLANA				12	12	
3	EL8-48251-00	.PLATE, CAM .PLACA,LEVA				2	2	
4	704-48265-00	.SHAFT, FRICTION .EJE FRICCION				2	2	
5	701-48246-00	.SPACER .ESPACIADOR				2	2	
6	93430-06024	.CIRCLIP .BOLA				8	8	
7	92990-10600	.WASHER, PLATE .ARANDELA				2	2	
8	EL8-48259-00	.CIRCLIP 1 .SEGURO				4	4	
9	704-48262-00	.SHAFT, THROTTLE .EJE DE ACELERADOR				2	2	
10	704-48264-00	.THROTTLE, FRICTION .FRICCION ACELERADOR				2	2	
11	704-48266-00	.SPACER .ESPACIADOR 2				2	2	
12	704-82540-00	.NEUTRAL SWITCH ASSY .INTERRUPTOR NEUTRAL COMPL				1	1	
13	98580-03014	.SCREW, PAN HEAD .TORNILLO DE CABEZA CON PLANA				4	4	
14	EL8-48281-00	.SCREW .TORNILLO 1				2	2	
15	704-48215-10	.GRAPHIC .CALCOMANIA 1				1	1	
16	704-48281-00	.SCREW .TORNILLO 1				2	2	
17	98580-05525	.SCREW, PAN HEAD .TORNILLO DE CABEZA CON PLANA				4	4	
18	704-48261-00	.ARM, THROTTLE .BRAZO ACELERADOR				2	2	
19	EL8-48191-00	.WASHER 1 .ARANDELA				2	2	
20	98580-05540	.SCREW, PAN HEAD .TORNILLO DE CABEZA CON PLANA				4	4	
21	97080-06018	.BOLT .PERNO				6	6	
22	703-48345-01	.CABLE END,REMOTE CONTROL 2 .TERMINAL CABLE DE CONTROL REM				4	4	
23	704-48287-00	.WASHER .ARANDELA				4	4	
24	95380-05600	.NUT .TUERCA				4	4	
25	EL8-48271-00	.ARM, SHIFT .BRAZO CAMBIADOR				2	2	
26	EL8-48127-00	.SCREW 1 .TORNILLO 1				16	16	
27	703-48358-00	.ANCHOR, CABLE .ABRAZADERA CABLE				2	2	

FIG. 29 REMOTE CONTROL ASSY 2 CONTROL REMOTO COMPL. 2

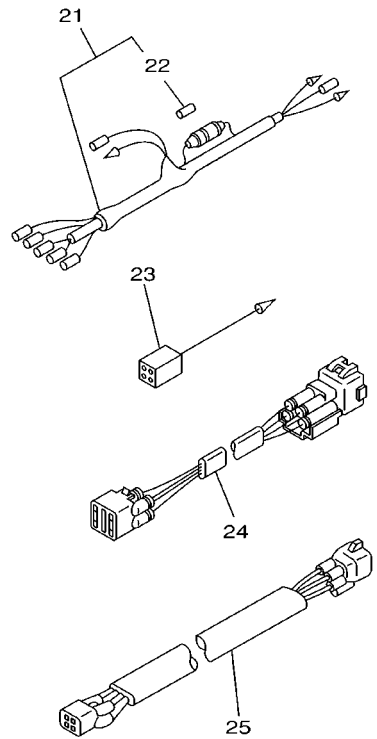
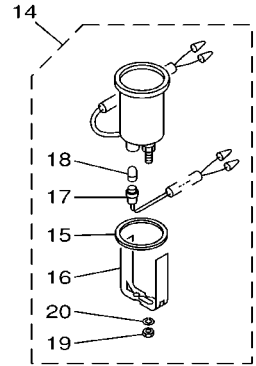
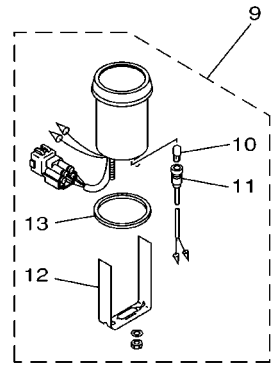
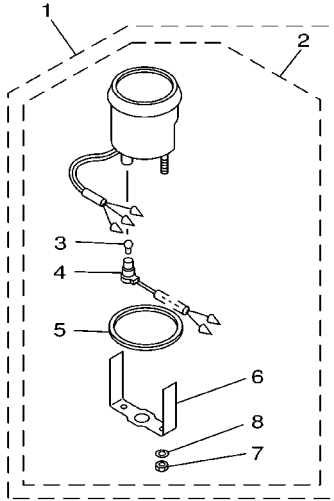


REF. NO.	PART NO. CODIGO NO.	DESCRIPTION DESCRIPTION	150A	175A	200A	L150	L200	REMARKS OBSERVACION
28	EL8-48231-00	.HOUSING, GEAR .CAJA, ENGRANAJE				2	2	
29	EL8-48241-00	.ARM, DRIVE .BRAZO, MANDO				2	2	
30	EL8-48254-00	.STOPPER, THROTTLE ADJUSTING .TAPON				2	2	
31	98780-06020	.SCREW, FLAT HEAD .TORNILLO DE CABEZA PLANA				4	4	
32	EL8-48158-00	.SPRING 1 .RESORTE 1				2	2	
33	98580-04006	.SCREW, PAN HEAD .TORNILLO DE CABEZA CON PLANA				2	2	
34	98780-05018	.SCREW, FLAT HEAD .TORNILLO DE CABEZA PLANA				4	4	
35	EL8-48244-00	.SPRING, FREE ACCEL. .RESORTE ACELERADOR LIBRE				2	2	
36	EL8-48245-00	.PLATE, LOCK .PLACA CERRADURA				2	2	
37	704-48222-00	.GRIP, CONTROL LEVER .MANGO DE PALANCA CONTROL				2	2	
38	704-82594-00	.CLAMP .GRAMPA				1	1	
39	704-48228-00	.HOLDER, SWITCH .MORDAZA				1	1	
40	704-82563-G0	.TRIM & TILT SWITCH ASSY .INTERRUPTOR DE INCLINACION				1	1	
41	704-48229-00	.GRIP, CONTROL LEVER .MANGO DE PALANCA CONTROL 2				1	1	
42	92990-05300	.WASHER, INTERNAL TOOTH .ARANDELA				6	6	
43	95380-06600	.NUT, HEXAGON .TUERCA				4	4	
44	701-48248-00	.ROLLER, FREE ACCEL. .RODILLO ACELERADOR LIBRE				2	2	
45	703-48238-00	.SPRING, DETENT .RESORTE				10	10	
46	EL8-48232-00	.GEAR 1 .ENGRANAJE 1				2	2	
47	EL8-48164-00	.PIN 2 .PASADOR 2				2	2	
48	704-48242-00	.SHAFT, DRIVE .EJE, PROPULSION				2	2	
49	704-48225-00	.COVER .CUBIERTA				2	2	
50	704-48192-00	.WASHER 2 .RONDANA 2				2	2	
51	97890-06018	.SCREW, PAN HEAD .TORNILLO DE CABEZA CON PLANA				4	4	
52	92990-06300	.WASHER, INTERNAL TOOTH .ARANDELA				4	4	
53	702-48263-00	.BUSHING .BUJE 4				2	2	
54	EL8-48279-00	.CIRCLIP 2 .SEGURO2				2	2	

FIG. 29 REMOTE CONTROL ASSY 2 CONTROL REMOTO COMPL. 2



REF. NO.	PART NO. CODIGO NO.	DESCRIPTION DESCRIPTION	150A	175A	200A	L150	L200	REMARKS OBSERVACION
55	704-48193-00	.WASHER 3 .RONDANA 3				2	2	
56	EL8-48234-00	.BUSHING 1 .BUJE				2	2	
57	704-48219-00	.COVER, LEAD .CUBIERTA				2	2	
58	704-48144-00	.PLATE, STOPPER 2 .PLACA, RETEN 2				2	2	
59	704-48176-10	.GROMMET .TOPON				1	1	
60	703-48192-00	.WASHER 2 .RONDANA 2				2	2	
61	EL8-48233-00	.GEAR 2 .ENGRANAJE 2				2	2	
62	703-48235-00	.BUSHING .BUJE				2	2	
63	704-48282-00	.SCREW .TORNILLO 2				4	4	
64	EL8-48153-10	.SHAFT, FREE ACCEL. .EJE				2	2	
65	704-48166-00	.PLUG .TAPON				2	2	
66	704-48284-00	.GROMMET .TAPON 1				4	4	
67	704-81950-00	.RELAY ASSY .RELE COMPLETO				2	2	
68	704-82590-10	.WIRE HARNESS ASSY .CONJUNTO DE CABLES				1	1	
69	704-48229-10	.GRIP, CONTROL LEVER .MANGO DE PALANCA CONTROL 2				1	1	
70	704-82563-E0	.TRIM & TILT SWITCH ASSY .INTERRUPTOR DE INCLINACION				1	1	
71	704-48228-10	.HOLDER, SWITCH .MORDAZA				1	1	
72	98580-05555	.SCREW, PAN HEAD .TORNILLO DE CABEZA CON PLANA				3	3	
73	704-48156-00	.NUT 1 .TUERCA 1				1	1	
74	704-82563-F0	.TRIM & TILT SWITCH ASSY .INTERRUPTOR DE INCLINACION				1	1	
75	704-48285-00	.GROMMET 2 .TAPON 2				1	1	
76	704-48286-00	.GROMMET 3 .TAPON 3				2	2	
77	704-48178-00	.PLATE, SHIFT .PLACA				2	2	
78	704-48221-00	.LEVER, CONTROL .PALANCA CONTROL				2	2	
79	704-48119-20	.COVER .CUBIERTA				1	1	



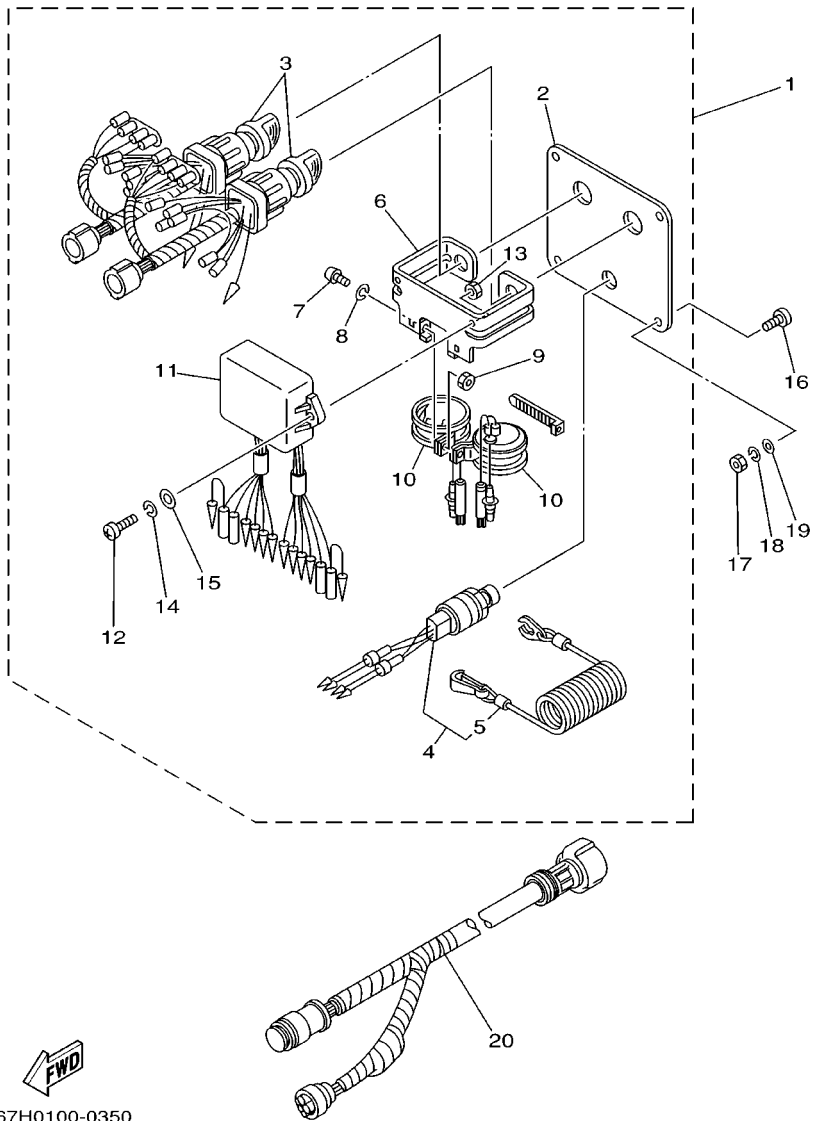
6G50200-0300

FIG. 30 METER 1 MEDIDOR 1

REF. NO.	PART NO. CODIGO NO.	DESCRIPTION DESCRIPTION	150A	175A	200A	L150	L200	REMARKS OBSERVACION
1	6Y5-W0080-12	TACHOMETER KIT JUEGO DE TACOMETRO	1	1	1	1	1	AP
2	6Y5-83540-14	.TACHOMETER ASSY .TACOMETRO COMPLETO	1	1	1	1	1	WITHOUT OIL LAMP
3	6Y5-83517-00	..BULB (12V-1.7W, T10)	1	1	1	1	1	
4	6Y5-83536-10	..SOCKET, METER ..ENCASTRE DE MEDIDOR	1	1	1	1	1	
5	6Y5-83523-00	..DAMPER ..AMORTIGUADOR	1	1	1	1	1	
6	6Y5-83514-00	..PLATE, FITTING ..PLACA ACCESORIA	1	1	1	1	1	
7	95380-05600	..NUT ..TUERCA	2	2	2	2	2	
8	92990-05100	..WASHER, SPRING ..ARANDELA	2	2	2	2	2	
9	6Y5-83670-11	TRIM METER ASSY. MEDIDOR DE INCLINACION	1	1	1	1	1	AP
10	6Y5-83518-00	..BULB (12V-1.7W, T6.5)	1	1	1	1	1	
11	6Y5-83536-00	..SOCKET, METER ..ENCASTRE DE MEDIDOR	1	1	1	1	1	
12	6Y5-83577-00	..PLATE, FITTING ..PLACA ACCESORIA	1	1	1	1	1	
13	688-83664-00	..DAMPER ..AMORTIGUADOR	1	1	1	1	1	
14	6Y5-83504-01	HOUR METER ASSY MEDIDOR DE HORAS COMPLETO	1					AP FOR SOUTH EAST ASIA
15	688-83664-00	..DAMPER ..AMORTIGUADOR	1					
16	6Y5-83577-00	..PLATE, FITTING ..PLACA ACCESORIA	1					
17	6Y5-83536-00	..SOCKET, METER ..ENCASTRE DE MEDIDOR	1					
18	6Y5-83518-00	..BULB (12V-1.7W, T6.5) ..BOMBILLA (12V-1.7W, T6.5)	1					
19	95303-04600	..NUT ..TUERCA	2					
20	92903-04100	..WASHER, SPRING ..ARANDELA	2					
21	6Y5-83553-00	WIRE, LEAD CABLE CONDUCTOR	1	1	1	1	1	AP
22	1E6-82151-00	..FUSE (10A) ..FUSIBLE	1	1	1	1	1	
23	6Y5-82117-00	WIRE, LEAD (BLACK) CABLE, CONDUCTOR (NEGRO)	1	1	1	1	1	AP
	6Y5-82117-00	WIRE, LEAD (BLACK) CABLE, CONDUCTOR (NEGRO)	2					AP FOR SOUTH EAST ASIA
24	6R3-82553-70	EXTENSION, WIRE LEAD CABLE	1	1	1			AP 4P, 7M
	6R3-82553-80	EXTENSION, WIRE LEAD CABLE				1	1	AP 4P, 8M
25	6R3-82553-30	EXTENSION, WIRE LEAD L=3000 CABLE				1	1	AP

FIG. 31 METER 2

MEDIDOR 2



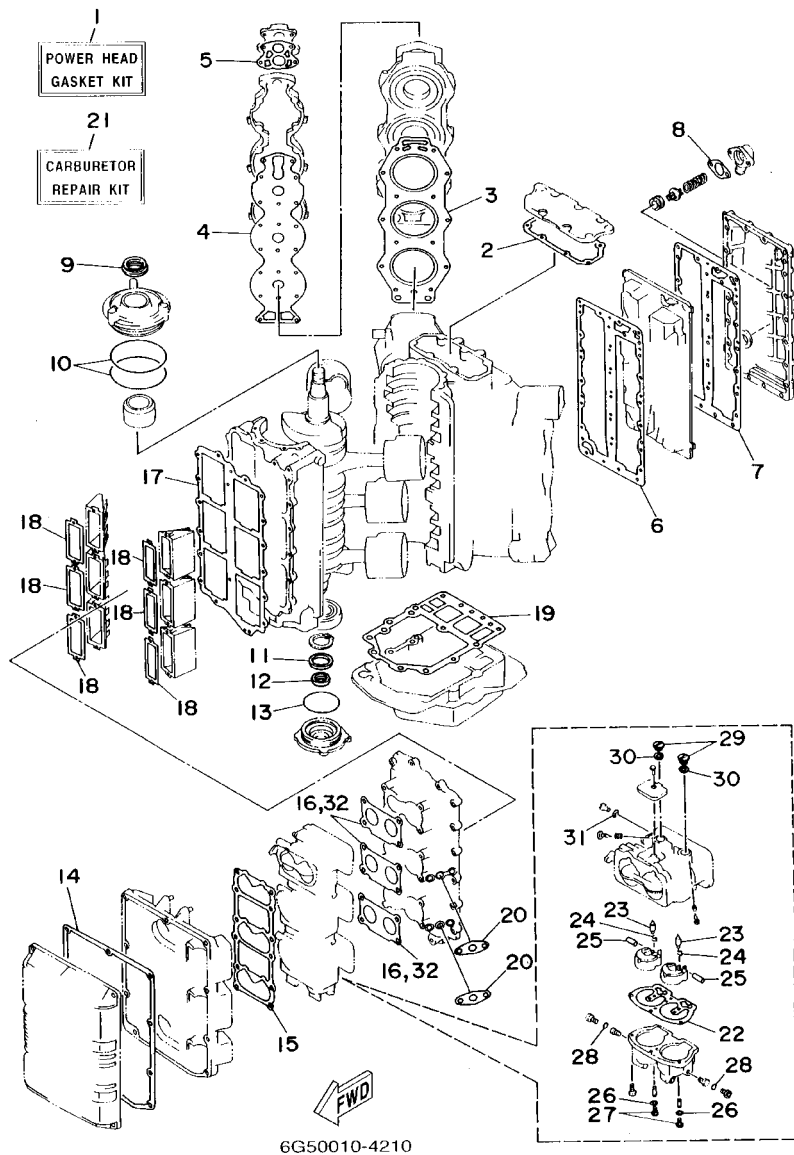
REF. NO.	PART NO. CODIGO NO.	DESCRIPTION DESCRIPTION	150A	175A	200A	L150	L200	REMARKS OBSERVACION
1	6K1-82570-05	PANEL SWITCH ASSY INTERRUPTOR DE PANEL COMPL.				1	1	AP
2	6K1-82571-01	.PANEL, SWITCH .PANEL DE INTERRUPTOR				1	1	
3	6K1-82510-05	.MAIN SWITCH ASSY .CONJUNTO DE LLAVE IGNICION				2	2	
4	6K1-82575-00	.ENGINE STOP SWITCH ASSY .INTERRUPTOR DE PARADA COMPL				1	1	
5	682-82556-00	..STOPPER ..RETEN				1	1	
6	6K1-83614-01	.BRACKET .SOPORTE				1	1	
7	98980-05010	.SCREW, BIND .TORNILLO DE LIGAR				2	2	
8	92990-05100	.WASHER, SPRING .ARANDELA				2	2	
9	95380-05600	.NUT .TUERCA				2	2	
10	688-83383-11	.BUZZER .ZUMBADOR				2	2	
11	6K1-85830-01	.CONTROL UNIT ASSY .UNIDAD CONTROL				1	1	
12	98980-06020	.SCREW, BIND .TORNILLO DE LIGAR				2	2	
13	95380-06600	.NUT, HEXAGON .TUERCA				2	2	
14	92990-06100	.WASHER, SPRING .ARANDELA				2	2	
15	92990-06600	.WASHER, PLATE .ARANDELA				2	2	
16	90149-05M05	.SCREW TORNILLO DE REGLAJE				4	4	AP
17	95380-05600	NUT TUERCA				4	4	AP
18	92990-05100	WASHER, SPRING ARANDELA				4	4	AP
19	92990-05600	WASHER, PLATE ARANDELA				4	4	AP
20	6K1-8258A-40	EXTENSION, WIRE HARNESS EXTENSION, ARNES DE CABLES				2	2	AP



67H0100-0350

FIG. 32 REPAIR KIT 1

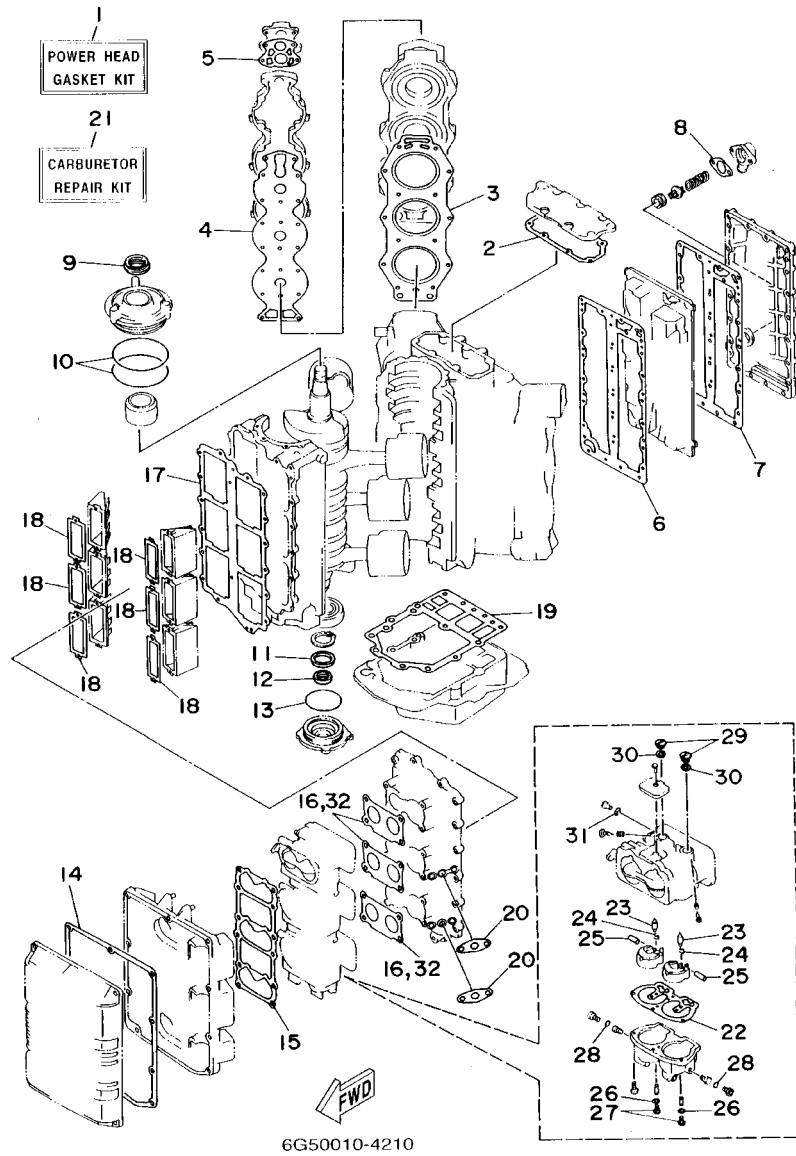
ESTUCHE REPARATION 1



REF. NO.	PART NO. CODIGO NO.	DESCRIPTION DESCRIPTION	150A	175A	200A	L150	L200	REMARKS OBSERVACION
1	6G5-W0001-A3	POWER HEAD GASKET KIT JUEGO DE EMPAQUE	1	1	1	1	1	
2	6E5-11381-A2	.GASKET 1 .EMPAQUE 1	1	1	1	1	1	
3	6G5-11181-A1	.GASKET, CYLINDER HEAD 1 .JUNTA, DE CULATA 1	2	2	2	2	2	
4	6G5-11193-A0	.GASKET, HEAD COVER 1 .EMPAQUE	2	2	2	2	2	
5	688-12414-A1	.GASKET, COVER .EMPAQUE	2	2	2	2	2	
6	6G5-41112-A1	.GASKET, EXHAUST INNER COVER .EMPAQUE	1	1	1	1	1	
7	6G5-41112-A1	.GASKET, EXHAUST INNER COVER .EMPAQUE	1	1	1	1	1	
8	6G5-11382-A1	.GASKET 2 .EMPAQUE 2	1	1	1	1	1	
9	93102-40M14	.OIL SEAL .SELLO ACEITE	1	1	1	1	1	
10	93211-04M36	.O-RING .ANILLO O	2	2	2	2	2	
11	93102-35M13	.OIL SEAL .SELLO ACEITE	1	1	1	1	1	
12	93101-22M15	.OIL SEAL .SELLO ACEITE	1	1	1	1	1	
13	93210-74M35	.O-RING .ANILLO O	1	1	1	1	1	
14	6G5-14416-A1	.GASKET, AIR CLEANER .EMPAQUE	1	1	1	1	1	
15	6G5-14483-A1	.GASKET .EMPAQUE	1	1	1	1	1	
16	6E5-14198-A2	.GASKET .EMPAQUE	3	3	3	3	3	
17	6G5-13645-A1	.GASKET, MANIFOLD 1 .EMPAQUE	1	1	1	1	1	
18	6E5-13621-A1	.GASKET, VALVE SEAT .JUNTA, DE VALV.DE EMPAQUE	6	6	6	6	6	
19	6G5-45113-A1	.GASKET, UPPER CASING .EMPAQUE	1	1	1	1	1	
20	650-24431-A0	.GASKET, FUEL PUMP 1 .EMPAQUE BOMBA COMBUST 1	2	2	2	2	2	
21	64D-W0093-00	CARBURETOR REPAIR KIT KIT REPARACION CARBURADOR	1	1	1	1	1	
22	64D-14384-00	.GASKET, FLOAT CHAMBER .EMPAQUE DE CAMARA DE BOIA	1	1	1	1	1	
23	6E5-14546-00	.VALVE, NEEDLE .VALVULA DE AGUJA	2	2	2	2	2	
24	6E5-14159-00	.CLIP .PRESILLA	2	2	2	2	2	
25	6E5-14386-02	.PIN, FLOAT .PASADOR DE BOIA	2	2	2	2	2	
26	64D-14959-00	.GASKET .EMPAQUE	2	2	2	2	2	
27	64D-14394-00	.VALVE, DRAIN .VALVULA DE DRENAJE	2	2	2	2	2	

FIG. 32 REPAIR KIT 1

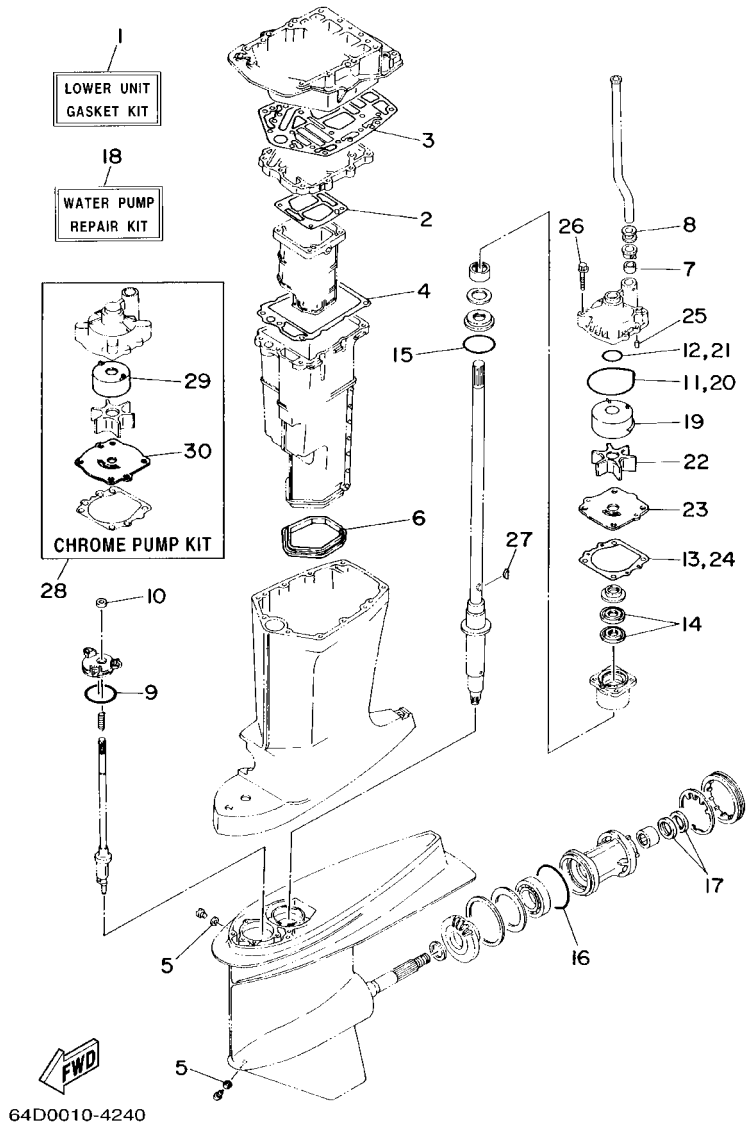
ESTUCHE REPARATION 1



REF. NO.	PART NO. CODIGO NO.	DESCRIPTION DESCRIPTION	150A	175A	200A	L150	L200	REMARKS OBSERVACION
28	6E5-14398-01	.GASKET .EMPAQUE	2	2	2	2	2	
29	6E5-14328-01	.PLUG .TORNILLO TOPE DE PILOTO	2	2	2	2	2	
30	6E5-14979-00	.GASKET .EMPAQUE DE ARRANQUE	2	2	2	2	2	
31	6J8-14995-00	.GASKET .EMPAQUE	1	1	1	1	1	
32	6E5-14198-A2	.GASKET .EMPAQUE	1	1	1	1	1	

FIG. 33 REPAIR KIT 2

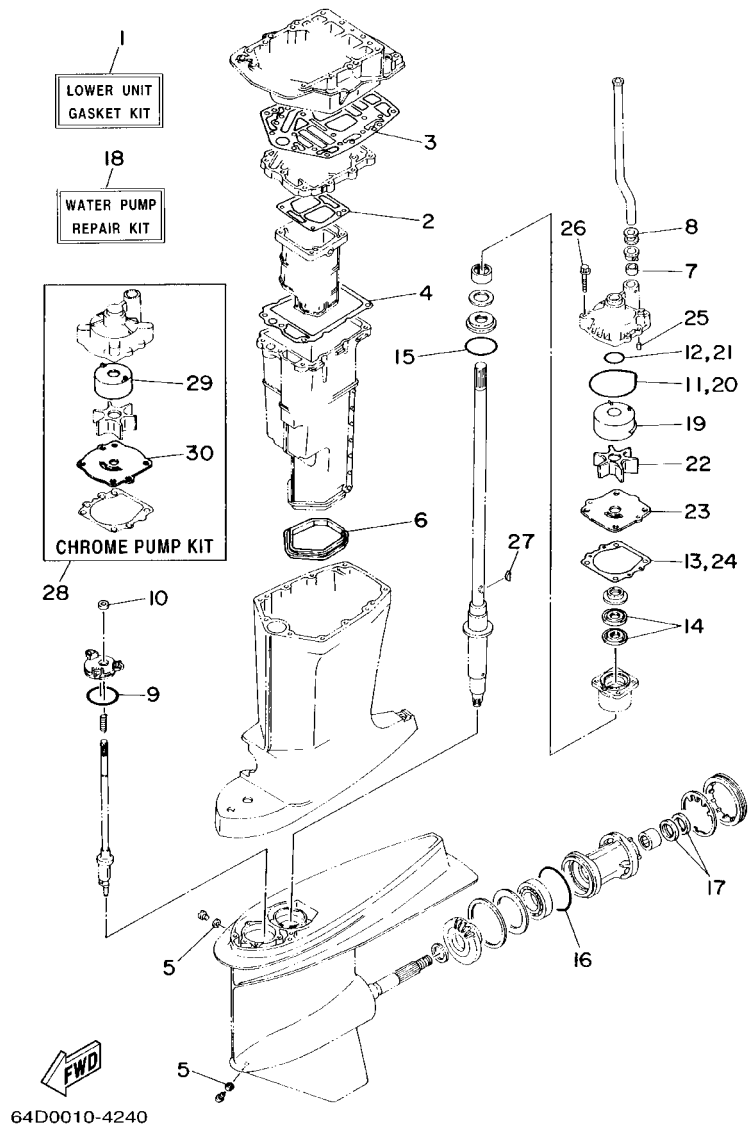
ESTUCHE REPARATION 2



REF. NO.	PART NO. CODIGO NO.	DESCRIPTION DESCRIPTION	150A	175A	200A	L150	L200	REMARKS OBSERVACION
1	6G5-W0001-C1	LOWER UNIT GASKET KIT JUEGO DE EMPAQUE UNIDAD INFER	1	1	1	1	1	
2	6G5-41134-A0	.GASKET, EXHAUST MANIFOLD .EMPAQUE	1	1	1	1	1	
3	6G5-45114-A0	.GASKET, UPPER CASING .EMPAQUE	1	1	1	1	1	
4	6E5-41135-A0	.GASKET, EXHAUST MANIFOLD .EMPAQUE	1	1	1	1	1	
5	90430-08020	.GASKET .JUNTA	2	2	2	2	2	
6	6E5-45123-00	.GASKET, MUFFLER .EMPAQUE SILENCIADOR	1	1	1	1	1	
7	6E5-44365-00	.DAMPER, WATER SEAL .HULE DE SELLO DE AGUA	1	1	1	1	1	
8	6E5-44366-00	.DAMPER, WATER SEAL .GOMA DEL SELLO DE AGUA	1	1	1	1	1	
9	93210-58144	.O-RING .ANILLO O	1	1	1	1	1	
10	93106-09014	.OIL SEAL .SELLO ACEITE	1	1	1	1	1	
11	93210-86M38	.O-RING .ANILLO O	1	1	1	1	1	
12	93210-37160	.O-RING .ANILLO O	1	1	1	1	1	
13	6E5-44315-A0	.GASKET, WATER PUMP .EMPAQUE	1	1	1	1	1	
14	93101-28M16	.OIL SEAL .SELLO ACEITE	2	2	2	2	2	
15	93210-55M14	.O-RING .ANILLO O	1	1	1	1	1	
16	93210-97M55	.O-RING .ANILLO O	1	1	1	1	1	
17	93101-30M17	.OIL SEAL .SELLO ACEITE	2	2	2	2	2	
18	61A-W0078-A2	WATER PUMP REPAIR KIT ESTUCHE REPARACION BOMBA AGUA	1	1	1	1	1	
19	61A-44322-02	.INSERT, CARTRIDGE .CARTUCHO	1	1	1	1	1	
20	93210-86M38	.O-RING .ANILLO O	1	1	1	1	1	
21	93210-37160	.O-RING .ANILLO O	1	1	1	1	1	
22	6E5-44352-01	.IMPELLER .IMPULSOR	1	1	1	1	1	
23	6G5-44323-00	.OUTER PLATE, CARTRIDGE .PLACA EXTERIOR DEL CARTUCHO	1	1	1	1	1	
24	6E5-44315-A0	.GASKET, WATER PUMP .EMPAQUE	1	1	1	1	1	
25	93606-12019	.PIN, DOWEL .PASADOR DE CLAVIJA	2	2	2	2	2	
26	90119-08M14	.BOLT, WITH WASHER .TORNILLO CON ARANDELA	4	4	4	4	4	
27	90280-04M05	.KEY, WOODRUFF .CUNA WOODRUFF	1	1	1	1	1	

FIG. 33 REPAIR KIT 2

ESTUCHE REPARACION 2



REF. NO.	PART NO. CODIGO NO.	DESCRIPTION DESCRIPTION	ESTUCHE REPARACION 2					REMARKS OBSERVACION
			150A	175A	200A	L150	L200	
28	61A-W0078-2A	CHROME PUMP KIT ESTUCHE REPARACION BOMBA AGUA	1	1	1	1	1	
29	6R3-44322-42	.INSERT, CARTRIDGE .CARTUCHO	1	1	1	1	1	
30	6G5-44323-40	.OUTER PLATE, CARTRIDGE .PLACA EXTERIOR DEL CARTUCHO	1	1	1	1	1	

NUMERICAL INDEX
INDICE NUMERICO

PART NO. CODIGO NO.	REF. NO.	PART NO. CODIGO NO.	REF. NO.	PART NO. CODIGO NO.	REF. NO.	PART NO. CODIGO NO.	REF. NO.	PART NO. CODIGO NO.	REF. NO.	PART NO. CODIGO NO.	REF. NO.
6G5-W0001-A3	32 - 1	64D-11645-01	3 - 17	64D-14394-00	6 - 12	6G5-24313-01	7 - 3	6G5-41134-A0	19 - 25	648-42715-00	14 - 49
6G5-W0001-C1	33 - 1	64D-11645-21	3 - 17		32 - 27	6G5-24314-10	7 - 17		33 - 2	6E5-42716-00	13 - 36
6E5-W0004-00	5 - 2	64D-11646-01	3 - 17	647-14395-60	5 - 31	6E5-24315-00	7 - 22	6E5-41135-A0	19 - 32	6E5-42724-00	19 - 11
6G5-W0070-31	1 - 20	64D-11646-21	3 - 17	6E5-14398-01	6 - 17	6G5-24315-00	7 - 21		33 - 4	6E5-42725-00	13 - 15
61A-W0078-A2	33 - 18	6R5-11650-10	3 - 21		32 - 28	6G5-24316-10	7 - 41	6G5-41137-02-94	19 - 10	688-42726-10	13 - 24
61A-W0078-2A	33 - 28	6E5-12411-20	4 - 7	6G5-1441K-00	5 - 36	6G5-24317-01	7 - 46	6G5-41211-01	14 - 29	6E5-42738-01-5B	13 - 16
6Y5-W0080-12	30 - 1	688-12413-00-1S	4 - 8	6G5-14416-A1	5 - 37	6G5-24318-10	7 - 47	6G5-41213-00	14 - 32	6E5-42741-01-4D	13 - 26
64C-W0090-01-1S	2 - 1	688-12414-A1	4 - 9		32 - 14	6G5-24319-10	7 - 48	6G5-41217-01	5 - 22	6H4-42748-00	13 - 2
64D-W0090-01-1S	2 - 1		32 - 5	6G5-14417-10-94	5 - 27	6Y1-24329-00	24 - 5	662-41237-01	14 - 25	6E5-42761-00-1S	2 - 22
64E-W0090-02-1S	2 - 1	6G5-12416-00	4 - 18	6G5-14418-00	5 - 35	6E5-24351-01	8 - 3		14 - 31	6E5-42762-00-1S	2 - 23
64D-W0093-00	32 - 21	6G5-12576-00	4 - 24	6G5-14483-A1	5 - 32	6E5-24351-50	24 - 14	6E5-41256-01	5 - 23	6E5-42769-00	19 - 5
656-W2810-02	7 - 52	6G5-12581-00	19 - 12		32 - 15	6Y2-24360-02	8 - 5	661-41262-02	5 - 24	6E5-42771-01-4D	13 - 27
6E5-W4271-05-4D	13 - 1	6E5-13610-00	5 - 1	6E5-14485-00	5 - 29		24 - 16	6E5-41271-02	5 - 25	6R3-42791-41	19 - 2
6G5-11111-04-1S	4 - 1	6G5-13610-00	5 - 1	624-14485-00	5 - 7	6E5-24367-01	13 - 30	689-41273-00	5 - 26	6R3-42792-41	19 - 3
6E5-11119-01	2 - 17	6E5-13621-A1	5 - 3		5 - 28	6E5-24367-10	13 - 33	688-41611-00	9 - 11	688-42815-01-4D	13 - 3
6G5-11181-A1	4 - 2		32 - 18	6E5-14527-01	6 - 27	6G5-24376-00	7 - 44	688-41612-00	9 - 12	6E5-42816-01	13 - 10
	32 - 3	6G5-13641-00-1S	5 - 6	6E5-14546-00	6 - 7	6G5-24377-00	7 - 45	6G5-41631-01-1S	14 - 9	6G5-42816-00	13 - 9
6G5-11191-00-1S	4 - 4	6G5-13645-A1	5 - 17		32 - 23	6E5-24378-00	7 - 20	61H-41632-02-1S	14 - 6	688-42816-00	13 - 4
6G5-11193-A0	4 - 5		32 - 17	6E5-14711-01-5B	19 - 28	6E5-24410-03	7 - 24	6G5-41636-01	14 - 23	6E5-42817-01-4D	13 - 8
	32 - 4	6E5-14159-00	6 - 8	64D-14721-20-5B	19 - 37	6E5-24411-00	7 - 30	6E5-42510-05-8D	16 - 10	64E-43111-01-8D	15 - 1
6R3-1131M-01	2 - 14		32 - 24	6E5-14737-00	19 - 29	6E5-24412-10	7 - 37	6E5-42510-25-8D	16 - 10	64E-43112-01-8D	15 - 9
6E5-11325-00	2 - 12	6E5-14198-A2	5 - 19	64D-1492E-75	6 - 13	6E5-24413-00	7 - 27	624-42542-00	9 - 20	64E-43126-00	15 - 37
6E5-11370-00	5 - 8		32 - 16	64D-1492E-76	6 - 14	6A0-24421-01	7 - 34	6G4-42610-31-4D	1 - 1	64E-43131-01	15 - 15
646-11370-00	2 - 5		32 - 32	64D-1492E-77	6 - 15	6E5-24423-00	7 - 32	6G5-42610-31-4D	1 - 1	64E-43139-00	16 - 1
6E5-11371-00-1S	2 - 19	6E5-14223-00	6 - 25	64D-1492E-79	6 - 16	648-24424-00	7 - 31	6G6-42610-31-4D	1 - 1	6G5-43144-00	15 - 27
6G5-11372-00-1S	4 - 22	64C-14301-00	6 - 1	64D-1492F-42	6 - 10	650-24431-A0	7 - 38	6K0-42610-31-4D	1 - 1	6E5-43145-00	25 - 8
624-11379-00	2 - 3	64D-14301-00	6 - 1	61A-1492H-12	6 - 18		32 - 20	6K1-42610-31-4D	1 - 1	6G5-43148-00	15 - 32
6E5-11381-A2	2 - 20	64E-14301-00	6 - 1	61U-14959-00	6 - 11	6E5-24434-02	7 - 33	6G5-42613-00-4D	1 - 15	6G5-43181-02	15 - 29
	32 - 2	64C-14302-00	6 - 2		32 - 26	6E5-24435-00	7 - 29	6E5-42615-00	1 - 14	6G5-43185-02	15 - 30
6G5-11382-A1	4 - 21	64D-14302-00	6 - 2	6E5-14979-00	6 - 23	652-24461-00	4 - 15	6E5-42617-00	1 - 11	64E-43311-10-8D	15 - 22
	32 - 8	64E-14302-00	6 - 2		32 - 30	61A-24469-00	7 - 11	6G5-42619-00	1 - 12	64E-43311-20-8D	15 - 22
6R3-11397-A0	2 - 15	64C-14303-00	6 - 3	6J8-14995-00	6 - 30	6E5-24471-00	7 - 28	6G5-42627-00	1 - 13	61A-43376-00	16 - 8
6G5-11411-00	3 - 1	64D-14303-00	6 - 3		32 - 31	61A-24521-00	7 - 6	6E5-42647-00-94	1 - 2	64E-4380F-00	18 - 32
6E5-11447-00	3 - 2	64E-14303-00	6 - 3	64C-15100-21-1S	2 - 2	61A-24531-00	7 - 7	6E5-42649-01-94	1 - 3	64E-4380J-00	18 - 29
663-11518-01	2 - 4	6E5-14321-00	6 - 20	64D-15100-21-1S	2 - 2	61A-24560-02	7 - 5	6E5-42652-00	1 - 7	64E-43800-00-4D	17 - 1
64D-11603-01	3 - 18	6E5-14323-03	6 - 24	64E-15100-21-1S	2 - 2	61A-24563-00	7 - 10	688-42652-00	1 - 8	64E-43802-00	18 - 8
64D-11604-01	3 - 18	6E5-14324-00	6 - 29	6E5-15163-00-1S	3 - 3	61A-24564-00	7 - 8	663-42662-00	1 - 4	64E-43805-00	18 - 36
64D-11605-01	3 - 18	6A0-14325-00	7 - 35	6G5-15359-00-94	3 - 11	61U-24566-00	7 - 12	6G5-4267A-31	1 - 21	64E-4381G-00	17 - 27
64D-11631-01-90	3 - 16	6E5-14328-01	6 - 22	6YJ-24167-00	24 - 7	61A-24577-01	7 - 9	6G4-42677-31	1 - 18	64E-43810-00	17 - 6
64D-11631-21-90	3 - 16		32 - 29	6YJ-24201-10	24 - 1	6YJ-24610-01	24 - 2	6G5-42677-31	1 - 18	6E5-43814-02	17 - 13
6R5-11633-10	3 - 19	6J8-14334-00	6 - 21	6Y1-24260-12	24 - 3	64D-41111-00-1S	4 - 11	6G6-42677-31	1 - 18	64E-43816-00	18 - 18
6R5-11634-10	3 - 20	64D-14381-00	6 - 5	6Y1-24268-00	24 - 6	6G5-41112-A1	4 - 12	6G4-42678-31	1 - 19	64E-43817-00	17 - 5
64D-11635-01	3 - 16	61A-14383-01	6 - 19	6E5-24304-10	7 - 1		4 - 13	6G5-42678-31	1 - 19	64E-43817-10	18 - 20
64D-11635-01	3 - 16	64D-14384-00	6 - 4	6E5-24305-03	8 - 6		32 - 6	6G6-42678-31	1 - 19	64E-43818-01	17 - 32
64D-11636-01	3 - 16		32 - 22		24 - 9		32 - 7	6R1-42678-G0	1 - 23	6E5-4382G-00	17 - 29
64D-11636-21	3 - 16	6E5-14385-02	6 - 6	6Y2-24305-03	24 - 11	6R3-41113-00-1S	4 - 14	64D-42678-30	1 - 22	64E-43820-00	17 - 15
64D-11642-01-90	3 - 17	6E5-14386-02	6 - 9	6Y2-24306-A1	8 - 1	6G5-41131-01-5B	19 - 20	6G5-42681-31	1 - 24	64E-43821-00	17 - 16
64D-11642-21-90	3 - 17		32 - 25	6Y2-24306-06	24 - 8	64D-41132-00-5B	19 - 24	6G5-42682-31	1 - 25	64E-43822-00	17 - 17

NUMERICAL INDEX
INDICE NUMERICO

PART NO. CODIGO NO.	REF. NO.	PART NO. CODIGO NO.	REF. NO.	PART NO. CODIGO NO.	REF. NO.	PART NO. CODIGO NO.	REF. NO.	PART NO. CODIGO NO.	REF. NO.	PART NO. CODIGO NO.	REF. NO.
64E-43825-00	17 - 2	6E5-44118-01-94	14 - 44	6E5-44553-01-8D	16 - 27	6G5-45383-01	20 - 68	6K1-45578-01-15	22 - 62	6G5-45978-03-98	21 - 22
6E5-43826-01	18 - 15	6E5-44120-03	14 - 51	6G5-44555-00-94	16 - 16		22 - 68	6K1-45578-01-18	22 - 62	6K1-45978-02-98	23 - 19
64E-43828-00	17 - 22	6E5-44120-23	14 - 51	6E5-44575-00	16 - 15	6G5-45384-00	20 - 69	6K1-45578-01-30	22 - 62	6E5-45987-01	21 - 17
64E-43829-00	17 - 23	6E5-44121-01	14 - 38	663-44575-00	16 - 37		22 - 69	6K1-45578-01-40	22 - 62		23 - 14
64E-43830-00	18 - 4	6E5-44122-00	14 - 39	6E5-45111-02-8D	19 - 1	6K1-45392-00	23 - 20	6K1-45578-01-50	22 - 62	6E5-45994-10	21 - 25
64E-43831-00	18 - 2	6G5-44150-02	20 - 19	6E5-45111-23-8D	19 - 1	6G5-45501-01	20 - 43	6E5-45587-01-10	20 - 37	688-45997-01	21 - 18
64E-4384J-00	17 - 18	6K1-44150-01	22 - 18	6G5-45113-A1	19 - 14	6G5-45501-21	20 - 43		22 - 36		23 - 15
64E-43841-00	18 - 7	688-44194-00	14 - 14		32 - 19		22 - 42	6E5-45587-01-12	20 - 37	704-48119-20	29 - 79
64E-43843-00	18 - 6		14 - 28	6G5-45114-A0	19 - 21	6G5-45536-01	20 - 9		22 - 36	EL8-48127-00	29 - 26
64E-43843-10	18 - 37	61A-44311-01	20 - 22		33 - 3		22 - 10	6E5-45587-01-15	20 - 37	704-48144-00	29 - 58
64E-43850-00	18 - 16		22 - 21	663-45119-00	15 - 14	6G5-45551-01	20 - 44		22 - 36	703-48152-00	28 - 57
64E-43851-00	18 - 11	6E5-44312-00	20 - 27		15 - 25		22 - 43	6E5-45587-01-18	20 - 37	EL8-48153-10	29 - 64
64E-43855-00	18 - 14		22 - 26	6E5-45123-00	19 - 31	6G5-45560-01	20 - 46		22 - 36	703-48153-00	28 - 3
6E5-43858-00	17 - 28	6E5-44315-A0	20 - 31		33 - 6	6K1-45560-01	22 - 45	6E5-45587-01-30	20 - 37	704-48156-00	29 - 73
64E-43858-00	18 - 12		22 - 30	64D-45123-00	19 - 38	6G5-45567-01-10	20 - 5		22 - 36	EL8-48158-00	29 - 32
	18 - 19		33 - 13	6E5-45155-00	19 - 4		22 - 6	6E5-45587-01-40	20 - 37	EL8-48164-00	29 - 47
72X-43858-00	18 - 5		33 - 24	6J9-45214-00	21 - 8	6G5-45567-01-12	20 - 5		22 - 36	704-48166-00	29 - 65
64E-43859-00	18 - 13	6R3-44322-42	20 - 23		23 - 8		22 - 6	6E5-45587-01-50	20 - 37	704-48176-10	29 - 59
6H1-4386K-10	18 - 28		33 - 29	6J9-45215-00	21 - 9	6G5-45567-01-15	20 - 5		22 - 36	704-48178-00	29 - 77
64E-43860-00	18 - 21	61A-44322-02	20 - 23		23 - 9		22 - 6	6J9-45611-01	20 - 48	703-48189-00	28 - 17
6E5-43862-00	17 - 10		22 - 22	6G5-45251-01	15 - 2	6G5-45567-01-18	20 - 5	6K1-45611-10	22 - 47	EL8-48191-00	29 - 19
	17 - 14		33 - 19	6G5-45300-15-8D	20 - 1		22 - 6	6G5-45631-00	20 - 56	703-48192-00	29 - 60
64E-43862-00	18 - 23	6G5-44323-00	20 - 30	6G5-45300-25-8D	20 - 1	6G5-45567-01-30	20 - 5		22 - 55	704-48192-00	29 - 50
6G5-43863-00	18 - 10		22 - 29	6K1-45300-24-8D	22 - 1		22 - 6	6E5-45633-01	20 - 57	704-48193-00	29 - 55
6E5-43864-00	17 - 20		33 - 23	6J9-45301-04-8D	20 - 2	6G5-45567-01-40	20 - 5		22 - 56	703-48198-00	28 - 14
6G5-43864-00	17 - 19	6G5-44323-40	20 - 30		22 - 2		22 - 6	6E5-45634-01	20 - 50	703-48205-15	27 - 1
6G5-43865-00	18 - 34		33 - 30	6E5-45318-00	19 - 35	6G5-45567-01-50	20 - 5		22 - 49		28 - 1
64E-43865-00	18 - 17	6E5-44352-01	20 - 28	6E5-45321-00	20 - 15		22 - 6	6E5-45641-02	20 - 49	704-48207-22	27 - 2
64E-43866-00	17 - 9		22 - 27		22 - 14	6K1-45570-01	22 - 59	6K1-45641-01	22 - 48		29 - 1
64E-43867-00	17 - 8		33 - 22	6E5-45331-00-94	20 - 34	6G5-45571-02	20 - 60	6G5-45930-00-98	21 - 22	703-48211-01	28 - 61
64E-43868-00	18 - 3	6E5-44361-00	21 - 2		22 - 33	6G5-45576-00	20 - 61	6G5-45932-00-98	21 - 22	703-48212-00	28 - 58
64E-43869-00	17 - 26	6E5-44361-20	21 - 2	6J9-45332-00-94	20 - 58	6K1-45576-00	22 - 60	6G5-45941-01-98	21 - 22	703-48213-00	28 - 59
6E5-43872-00	17 - 12		23 - 2	6K1-45332-01-94	22 - 57	6G5-45577-02-10	20 - 65	6G5-45945-01-98	21 - 22	703-48215-00	28 - 43
6E5-43874-01	17 - 21	6E5-44365-00	20 - 26	688-45341-00	20 - 7		22 - 66	6G5-45947-01-98	21 - 22	704-48215-10	29 - 15
64E-43875-00	18 - 24		21 - 3		22 - 8	6G5-45577-02-12	20 - 65	6G5-45949-00-98	21 - 22	702-48217-00	28 - 44
64E-43879-00	18 - 26		22 - 25	6E5-45344-00	20 - 40		22 - 66	6G5-45952-00-98	21 - 22	703-48219-00	28 - 30
64E-43879-10	18 - 25		23 - 3		22 - 39	6G5-45577-02-15	20 - 65	6E5-45970-10	21 - 23	704-48219-00	29 - 57
64E-4388E-00	17 - 25		33 - 7	6E5-45371-10	21 - 24		22 - 66	6G5-45970-02-98	21 - 22	703-48221-00	28 - 56
	18 - 1	6E5-44366-00	21 - 1	6J9-45371-01	21 - 12	6G5-45577-02-18	20 - 65	6K1-45970-01-98	23 - 19	704-48221-00	29 - 78
64E-4388J-00	17 - 3		23 - 1	6K1-45371-02	23 - 12		22 - 66	6E5-45972-10	21 - 23	703-48222-00	28 - 27
64E-43880-00	18 - 27		33 - 8	64D-45375-00	19 - 39	6G5-45577-02-30	20 - 65	6G5-45972-02-98	21 - 22	704-48222-00	29 - 37
64E-43883-00	17 - 11	6E5-44391-00	13 - 14	688-45375-00	20 - 11		22 - 66	6K1-45972-01-98	23 - 19	703-48223-00	28 - 28
64E-43891-00	18 - 30	6E5-44511-00-5B	16 - 38		22 - 12	6G5-45577-02-40	20 - 65	6E5-45974-10	21 - 23	703-48225-00	28 - 29
64E-43892-00	18 - 33	6G5-44514-00-94	16 - 31	64D-45376-00-94	20 - 10		22 - 66	6G5-45974-03-98	21 - 22	704-48225-00	29 - 49
6E5-43896-00	18 - 9	6G5-44526-00	15 - 3		22 - 11	6G5-45577-02-50	20 - 65	6K1-45974-02-98	23 - 19	703-48226-00	28 - 26
64E-43897-00	17 - 24	663-44533-00	2 - 24	663-45376-00-94	20 - 10		22 - 66	6E5-45976-10	21 - 23	703-48227-00	28 - 24
64E-43898-00	17 - 7	6G5-44551-01-8D	16 - 13	6E5-45378-00	20 - 12	6K1-45578-01-10	22 - 62	6G5-45976-01-98	21 - 22	704-48228-00	29 - 39
6E5-44117-00-1S	14 - 36	6E5-44552-01-94	16 - 24	6J8-45378-00	22 - 13	6K1-45578-01-12	22 - 62	6E5-45978-10	21 - 23	704-48228-10	29 - 71

NUMERICAL INDEX
INDICE NUMERICO

PART NO. CODIGO NO.	REF. NO.	PART NO. CODIGO NO.	REF. NO.	PART NO. CODIGO NO.	REF. NO.	PART NO. CODIGO NO.	REF. NO.	PART NO. CODIGO NO.	REF. NO.	PART NO. CODIGO NO.	REF. NO.
704-48229-00	29 - 41	704-48285-00	29 - 75	6N7-81857-00	12 - 12	688-8258A-20	28 - 49	90105-10M00	23 - 13	90170-16M01	22 - 44
704-48229-10	29 - 69	704-48286-00	29 - 76	61A-81941-00	11 - 24	6E5-82588-00	13 - 37	90105-10M20	2 - 9	90170-20137	9 - 8
EL8-48231-00	29 - 28	701-48287-00	28 - 42	6G5-81948-11	11 - 31	6G6-82590-00	11 - 12	90109-08M71	3 - 22	90171-18M04	21 - 20
EL8-48232-00	29 - 46	704-48287-00	29 - 23	6E5-8195A-00	11 - 27	704-82590-10	29 - 68	90109-12M37	16 - 35		23 - 17
703-48232-00	28 - 62	703-48291-10	28 - 39	6E5-81950-00	11 - 26	703-82591-00	28 - 53	90109-14M34	16 - 20	90179-06066	16 - 30
EL8-48233-00	29 - 61	704-8293-10	28 - 41	704-81950-00	29 - 67	703-82592-00	28 - 54	90116-06M30	5 - 16	90183-05M02	19 - 30
EL8-48234-00	29 - 56	701-48320-40	27 - 3	689-81952-10	11 - 25	6E5-82594-00	13 - 40	90116-08M45	2 - 11	90185-05002	21 - 11
703-48235-00	28 - 4	701-48320-50	27 - 3	6G5-81960-A0	10 - 1	688-82594-00	11 - 14	90119-06MA2	2 - 21		23 - 11
	29 - 62	701-48320-70	27 - 3	688-81961-01	10 - 8	703-82594-00	28 - 25		2 - 25	90185-09M01	25 - 6
703-48236-00	28 - 16	701-48320-80	27 - 3	6G5-82105-02	11 - 36	704-82594-00	29 - 38		3 - 7		26 - 11
	28 - 18	701-48320-90	27 - 3	6E5-82116-00	11 - 30	688-83383-11	31 - 10		3 - 15	90185-12M12	16 - 36
703-48238-00	28 - 22	6E5-48344-00	14 - 7	6E5-82117-00	11 - 37	703-83383-02	28 - 51		4 - 23	90185-22M11	15 - 20
	29 - 45		14 - 42	6Y5-82117-00	30 - 23	6Y5-83504-01	30 - 14		14 - 37	90201-08M13	14 - 21
EL8-48241-00	29 - 29	703-48345-01	28 - 19	6G5-82119-00	11 - 29	6Y5-83514-00	30 - 6	90119-06MA3	5 - 18	90201-08M14	17 - 30
704-48242-00	29 - 48		29 - 22	6E5-82147-00	15 - 26	6Y5-83517-00	30 - 3	90119-06MA4	4 - 6	90201-08M23	14 - 16
703-48243-00	28 - 15	701-48350-20	27 - 3	6E5-82147-20	15 - 26	6Y5-83518-00	30 - 10	90119-06MA5	4 - 16	90201-08M54	13 - 21
EL8-48244-00	29 - 35	703-48358-00	28 - 20	6E5-82148-00	15 - 6		30 - 18	90119-06MA6	4 - 10	90201-10M20	25 - 7
703-48244-00	28 - 21		29 - 27		15 - 10	6Y5-83523-00	30 - 5	90119-06M09	13 - 7	90201-10M76	26 - 8
EL8-48245-00	29 - 36	6E5-48531-00	14 - 1	6E5-82149-00	16 - 19	6Y5-83536-00	30 - 11		13 - 13	90201-12M05	15 - 42
703-48245-00	28 - 11	6E5-48538-00	14 - 2	1E6-82151-00	30 - 22		30 - 17	90119-06M10	20 - 18	90201-13M01	15 - 41
701-48246-00	29 - 5	6E5-61301-01	26 - 1	682-82151-00	11 - 13	6Y5-83536-10	30 - 4		22 - 17	90201-14M56	16 - 34
703-48246-00	28 - 23	6E5-61303-00	26 - 5	6G5-82152-00	11 - 41	6Y5-83540-14	30 - 2	90119-06M59	9 - 21	90201-15M58	16 - 21
701-48248-00	28 - 13	6E5-61311-11	26 - 3	6A0-82317-00	9 - 19	6Y5-83553-00	30 - 21	90119-06M60	10 - 19	90201-16M55	16 - 18
	29 - 44	6E5-61313-00	26 - 2	6G5-82317-00	9 - 18	6E9-83557-70	11 - 34	90119-08MA3	2 - 18	90201-21M18	9 - 7
EL8-48251-00	29 - 3	6E5-61315-00	26 - 4	663-82370-01	11 - 7	6E5-83558-00	21 - 15	90119-08MA8	4 - 3	90201-23M01	3 - 24
703-48252-00	28 - 12	6E5-61350-02	25 - 1	6K1-82510-05	31 - 3	6E5-83558-10	20 - 14	90119-08M14	20 - 33	90201-26M57	16 - 32
EL8-48254-00	29 - 30	6E5-61351-01	25 - 2	703-82510-41	28 - 45	6Y5-83577-00	30 - 12		22 - 32	90201-26M59	15 - 19
EL8-48259-00	29 - 8	6E5-61355-00	25 - 5	6R3-82519-00	10 - 24		30 - 16		33 - 26	90201-30M92	20 - 66
703-48261-01	28 - 2	6E5-81332-00	9 - 14	662-82519-00	10 - 23	6K1-83614-01	31 - 6	90119-08M22	13 - 23	90201-38M60	16 - 11
704-48261-00	29 - 18	6G5-81337-00	9 - 17	6E5-82531-10	11 - 11	688-83664-00	30 - 13	90119-08M57	12 - 22	90202-08M20	14 - 40
704-48262-00	29 - 9	6N7-81800-10	12 - 1	703-82531-00	28 - 46		30 - 15	90119-08M76	12 - 20	90202-12092	14 - 20
702-48263-00	29 - 53	6N7-81801-00	12 - 8	703-82540-00	28 - 50	6Y5-83670-11	30 - 9	90119-08M77	12 - 21	90202-16061	14 - 54
703-48264-00	28 - 6	6N7-81807-00	12 - 11	704-82540-00	29 - 12	64E-83672-00	16 - 3	90119-08M78	19 - 9	90202-26M18	16 - 33
704-48264-00	29 - 10	61A-81809-00	12 - 3	6R3-82553-30	30 - 25	72X-85075-L0	18 - 22	90119-08M79	19 - 15	90202-32M19	16 - 17
703-48265-00	28 - 9	6N7-81810-00	12 - 5	6R3-82553-70	30 - 24	6G6-85510-00	9 - 2	90119-08M94	2 - 10	90202-40M47	16 - 7
704-48265-00	29 - 4	6N7-81813-00	12 - 9	6R3-82553-80	30 - 24	663-85518-00	14 - 10	90119-10M89	21 - 7	90206-10M04	14 - 34
704-48266-00	29 - 11	6E5-8182A-10	12 - 17	682-82556-00	28 - 48	6R3-85537-00	10 - 20		23 - 7	90206-13M10	13 - 6
703-48268-00	28 - 5	6E5-8182E-10	12 - 15		31 - 5	6G6-85540-00	10 - 13	90149-05M05	31 - 16		13 - 12
EL8-48271-00	29 - 25	6E5-8182F-10	12 - 16	688-82560-10	11 - 19	6R3-85542-03-1S	10 - 16	90152-05M08	21 - 10	90249-06M19	15 - 33
703-48271-00	28 - 60	6K7-8182G-10	12 - 6	703-82563-01	28 - 55	6G6-85550-02	9 - 1		23 - 10	90250-08M07	20 - 55
EL8-48279-00	29 - 54	6E5-8182K-10	12 - 18	704-82563-E0	29 - 70	6R3-85570-01	11 - 6	90157-06M00	14 - 26		22 - 54
EL8-48281-00	29 - 14	6N7-81820-10	12 - 10	704-82563-F0	29 - 74	6G6-85580-00	9 - 3	90157-06M01	13 - 31	90266-06M02	1 - 6
703-48281-00	28 - 31	6E5-81822-02-98	12 - 19	704-82563-G0	29 - 40	6K1-85830-01	31 - 11		13 - 34	90266-06009	1 - 5
704-48281-00	29 - 16	61A-81824-00	12 - 4	6K1-82570-05	31 - 1	64D-86110-00	11 - 20		14 - 21	90280-04M05	20 - 29
703-48282-00	28 - 32	6K7-81826-10	12 - 14	6K1-82571-01	31 - 2	6G5-87149-10	11 - 28	90159-06M11	10 - 21		22 - 28
704-48282-00	29 - 63	6N7-81830-00	12 - 13	6K1-82575-00	31 - 4	90101-09M70	26 - 9	90170-09M05	26 - 10		33 - 27
703-48284-00	28 - 52	6N7-81840-00	12 - 7	688-82575-01	28 - 47	90101-12M03	15 - 40	90170-14M06	26 - 6	90280-05015	9 - 6
704-48284-00	29 - 66	6N7-81850-10	12 - 2	6K1-8258A-40	31 - 20	90105-10M00	21 - 13	90170-16M01	20 - 45	90282-04M00	20 - 67

NUMERICAL INDEX
INDICE NUMERICO

PART NO. CODIGO NO.	REF. NO.	PART NO. CODIGO NO.	REF. NO.	PART NO. CODIGO NO.	REF. NO.	PART NO. CODIGO NO.	REF. NO.	PART NO. CODIGO NO.	REF. NO.	PART NO. CODIGO NO.	REF. NO.
90282-04M00	22 - 67	90465-11M10	7 - 4	92990-05100	30 - 8	92995-08600	19 - 34	93210-97M55	20 - 64	93608-12M05	21 - 4
90340-08M04	20 - 6		7 - 18		31 - 8		20 - 42		22 - 65		23 - 4
	22 - 7		7 - 19		31 - 18		22 - 41		33 - 16	93608-12063	2 - 8
90340-14M00	2 - 6		7 - 23	92990-05200	10 - 4	92995-10100	16 - 26	93211-04M36	3 - 6	93700-06M03	14 - 50
90386-06M12	14 - 43		7 - 42	92990-05300	29 - 42		16 - 40		32 - 10		15 - 13
90386-10M16	15 - 31		7 - 43	92990-05600	5 - 5		21 - 6	93306-208U0	3 - 9		15 - 24
90386-12089	14 - 17		7 - 49		31 - 19		23 - 6	93306-209U0	20 - 59	94701-00160	4 - 26
90386-13M38	13 - 5		7 - 50	92990-06100	31 - 14	92995-14600	16 - 23	93310-323V6	3 - 23	94702-00247	4 - 26
	13 - 11		15 - 21	92990-06200	10 - 5	93101-22M15	3 - 13	93310-836V2	3 - 25	95303-04600	30 - 19
90386-16M66	14 - 53		16 - 5	92990-06300	29 - 52		32 - 12	93310-954U1	3 - 8	95303-06600	14 - 13
90386-22M13	14 - 19		21 - 16	92990-06600	1 - 16	93101-28M16	20 - 35	93311-928U5	20 - 3		14 - 27
90386-22M98	15 - 38	90465-12M25	11 - 38		10 - 15		22 - 34		22 - 3	95380-03600	7 - 36
	17 - 33	90465-13M18	4 - 25		13 - 32		33 - 14	93311-940U3	3 - 4	95380-05600	10 - 2
90386-25M31	15 - 18		11 - 35		13 - 35	93101-30M17	20 - 63	93315-425V3	20 - 47		14 - 24
90386-38M32	16 - 12	90468-18008	14 - 8		15 - 12		22 - 64		22 - 46		14 - 30
90387-06M03	10 - 17		14 - 41		31 - 15		33 - 17	93315-430U8	20 - 62		28 - 7
90387-06M29	14 - 33	90480-06M19	8 - 8	92990-08600	12 - 23	93102-08M43	18 - 35		22 - 63		29 - 24
90387-08M16	14 - 18	90480-09M12	10 - 18		28 - 34	93102-35M13	3 - 12	93317-330U2	20 - 36		30 - 7
90387-08M37	13 - 20	90480-10M36	13 - 25	92990-10600	29 - 7		32 - 11		22 - 35		31 - 9
90387-10M05	15 - 34	90480-12M25	10 - 22	92990-18200	21 - 19	93102-40M14	3 - 5	93332-000V3	20 - 4		31 - 17
90387-10M61	25 - 3	90480-20M05	4 - 20		23 - 16		32 - 9	93332-00048	22 - 58	95380-06600	1 - 17
90430-08020	20 - 8	90480-22M15	13 - 19	92995-05600	10 - 10	93106-09014	20 - 17	93341-440U5	22 - 61		5 - 20
	22 - 9	90480-25161	11 - 10	92995-06100	5 - 21		22 - 16	93341-465U4	22 - 5		10 - 3
	33 - 5	90501-11M10	20 - 21		15 - 5		33 - 10	93341-930V2	20 - 38		28 - 40
90430-14115	2 - 7		22 - 20	92995-06600	1 - 10	93210-03261	11 - 23		22 - 37		29 - 43
90445-07ME8	20 - 13	90501-12082	14 - 48		5 - 39	93210-08287	8 - 7	93390-000U2	22 - 4		31 - 13
90445-07ME9	20 - 13	90501-16M11	4 - 19		7 - 14		24 - 10	93410-16006	14 - 55	95380-08700	19 - 18
90445-07MF0	21 - 14	90501-16M12	14 - 12		7 - 16		24 - 12	93410-22M11	15 - 39	95380-12600	15 - 43
90445-07M09	5 - 12	90501-16M28	16 - 28		7 - 40	93210-09165	14 - 52	93410-37M04	16 - 14	95380-14700	26 - 7
90445-07M23	5 - 30	90501-16M37	20 - 51		9 - 16	93210-10M74	17 - 4	93410-40M03	3 - 10	95380-14800	16 - 22
90445-07M28	5 - 9		22 - 50		10 - 26	93210-16275	25 - 9	93420-36M01	19 - 36	95780-10300	16 - 9
90445-07M45	5 - 10	90506-14M24	15 - 36		11 - 9	93210-37MH7	16 - 6	93430-06024	28 - 10	97013-06012	11 - 1
90445-07M46	5 - 11	90508-29M12	14 - 22		11 - 18	93210-37160	20 - 25		28 - 63		11 - 4
90445-07M59	5 - 13	90560-12M01	25 - 4		11 - 22		22 - 24		29 - 6	97013-06016	2 - 16
90445-09097	4 - 17	91490-40030	21 - 21		11 - 33		33 - 12	93430-08006	20 - 20	97013-06020	5 - 33
90445-13M00	8 - 4		23 - 18		11 - 40		33 - 21		22 - 19		10 - 11
	24 - 15	91690-30012	14 - 3		13 - 18	93210-55M14	20 - 39	93501-04M02	14 - 47	97013-06060	9 - 9
90445-13M01	8 - 2	91690-30020	15 - 35		13 - 29		22 - 38	93503-16003	20 - 54	97013-08030	14 - 45
	24 - 13	92903-04100	30 - 20		13 - 39		33 - 15		22 - 53	97013-08045	14 - 15
90446-15M07	7 - 51	92903-05100	10 - 6		15 - 8	93210-58144	20 - 16	93507-32009	20 - 52	97075-08035	13 - 22
90464-07M05	5 - 14	92903-05600	7 - 26		19 - 7		22 - 15		22 - 51	97075-10045	21 - 5
90464-12M00	9 - 5	92903-06100	10 - 7	92995-08100	14 - 5		33 - 9	93511-32017	20 - 53		23 - 5
90465-05M87	11 - 15	92903-06600	5 - 34		15 - 17	93210-74M35	3 - 14		22 - 52	97080-06018	29 - 21
90465-06M86	9 - 4		9 - 10		19 - 17		32 - 13	93606-12019	20 - 32	97080-08016	17 - 31
	11 - 3		10 - 12		19 - 19	93210-86M38	20 - 24		22 - 31	97095-06010	15 - 7
90465-08M63	15 - 23		11 - 2	92995-08600	12 - 25		22 - 23		33 - 25		15 - 28
90465-08M89	11 - 16		11 - 5		19 - 23		33 - 11	93608-12M05	19 - 8		19 - 6
90465-10M91	5 - 15	92903-08600	14 - 46		19 - 27		33 - 20		19 - 13	97095-06012	10 - 25

NUMERICAL INDEX
INDICE NUMERICO

PART NO. CODIGO NO.	REF. NO.	PART NO. CODIGO NO.	REF. NO.	PART NO. CODIGO NO.	REF. NO.	PART NO. CODIGO NO.	REF. NO.	PART NO. CODIGO NO.	REF. NO.
97095-06012	11 - 17	98580-04010	28 - 35						
	11 - 39	98580-05010	28 - 37						
97095-06014	7 - 13	98580-05525	29 - 17						
97095-06016	1 - 9	98580-05540	29 - 20						
	7 - 15	98580-05555	29 - 72						
	11 - 21	98586-05016	24 - 4						
	11 - 32	98780-04015	2 - 13						
	13 - 17	98780-05018	29 - 34						
97095-06020	5 - 38	98780-06020	29 - 31						
	11 - 8	98980-05010	31 - 7						
	13 - 28	98980-06020	31 - 12						
	13 - 38								
97095-06025	14 - 35								
97095-06028	7 - 2								
97095-06030	15 - 4								
97095-06050	7 - 39								
97095-08016	12 - 24								
97095-08020	14 - 4								
	15 - 16								
97095-08025	20 - 41								
	22 - 40								
97095-08030	19 - 22								
	28 - 33								
97095-08045	19 - 16								
	19 - 26								
	19 - 33								
97095-10045	16 - 25								
	16 - 39								
97380-05025	28 - 8								
97780-60525	16 - 2								
97880-05016	5 - 4								
97880-06012	15 - 11								
97880-06018	9 - 13								
97880-06020	10 - 14								
97885-05025	10 - 9								
97885-06010	9 - 15								
97885-06016	16 - 4								
	16 - 29								
97890-05016	29 - 2								
97890-06018	29 - 51								
97980-05108	6 - 28								
97980-05116	6 - 26								
98503-05035	7 - 25								
98507-04010	18 - 31								
98580-03014	29 - 13								
98580-03015	28 - 38								
98580-04006	28 - 36								
	29 - 33								