

PARTS CATALOGUE

150TRC (64C3)

150FETO'04 (64C3)

175DETO'04 (64D3)

L150FETO'04 (64G3)

FOREWORD

This Parts Catalogue is related to the parts for the model(s) on the cover page. When you are ordering replacement parts, please refer to this Parts Catalogue and quote both part numbers and part names correctly.

1. Modifications or additions which have been made after the issue of the Parts Catalogue will be announced in the Yamaha Parts News.
It is advisable that you make the necessary corrections to the Parts Catalogue according to the Yamaha Parts News.

2. Abbreviations

The following abbreviations are used in this Parts Catalogue.

“UR” Use specified parts number.

“UN” Use as many as needed.

“AP” Alternate Parts

“LM” Locally Made (Parts need to be ordered locally)

“F#” Frame No. (Applicable machine No.)

“O/S” Over Size

3. The number of components for assembly

- Parts, which are to be supplied in an assembly, are listed with a dot (.) in front of the part name as shown below.
- The numeral appearing to the right of each component part indicates the quantity of parts for each assembly unit.

PART NO.	DESCRIPTION	Q'TY	REMARKS
2F5-83310-60	FRONT FLASHER LIGHT ASSY	2	
115-83311-60	.BULB (6V-18W)	1	

4. Applicable colours of graphics are represented in the “REMARKS” as shown below.

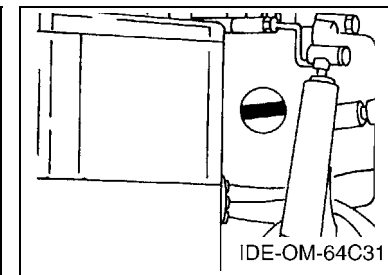
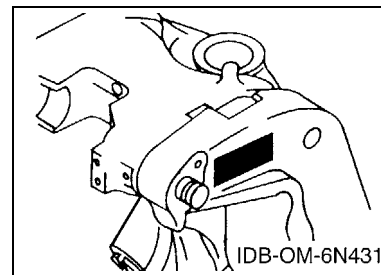
PART NO.	DESCRIPTION	Q'TY	REMARKS
2N4-24110-00-X5	FUEL TANK COMP.	2	MXR
3J1-24240-10	.GRAPHIC, FUEL TANK	1	FOR MXR

5. Note that the illustrations for reference in finding parts numbers are not to be used for assembling. When assembling, please use the applicable service manual.

6. The asterisk (*) before a reference number indicates modified items after the first edition.

7. Applicable Serial No.

Engine Serial No.



8. Applicable Engine Starting Serial No.

Model	Serial No.	Model	Serial No.
150	6G4-1006970	150F	6G4-1006970
175D	6G5-1000348	L150F	6K0-1000468

9. Applicable Colour Code

Abbreviation	Colour Name	Colour Code
DBNM2	DARK BLUISH GRAY METALLIC 2	004D

10. Quantity Column Information

Column No.	Name Of Q'ty Column	Applicable Model
1	150F	150TRC, 150FETO
2	175D	175DETO
3	L150	L150FETO

CONTENTS

SHEET1/2

TOP COWLING	A4
CYLINDER. CRANKCASE 1	A6
CRANKSHAFT. PISTON	A7
CYLINDER. CRANKCASE 2	B2
INTAKE	B4
CARBURETOR	B6
OIL PUMP	C1
OIL TANK	C3
FUEL 1	C5
FUEL 2	C7
GENERATOR	D1
ELECTRICAL 1	D2
ELECTRICAL 2	D4
STARTING MOTOR	D7
BOTTOM COWLING	E1
CONTROL	E3
BRACKET 1	E6
BRACKET 2	F1
POWER TRIM & TILT ASSY 1	F3
POWER TRIM & TILT ASSY 2	F5
UPPER CASING	F7

INDEX

NUMERICAL INDEX	G1
-----------------------	----

SHEET2/2

UPPER CASING	A4*
LOWER CASING. DRIVE 1	A5*
LOWER CASING. DRIVE 2	B2*
LOWER CASING. DRIVE 3	B4*
LOWER CASING. DRIVE 4	C1*
FUEL TANK	C2*
STEERING GUIDE ATTACHMENT 1	C3*
STEERING GUIDE ATTACHMENT 2	C4*
REMOTE CONTROL BOX	C5*
REMOTE CONTROL ASSY 1	C6*
REMOTE CONTROL ASSY 2	D2*
METER	D5*
SWITCH. PANEL	D7*
REPAIR KIT 1	E1*
REPAIR KIT 2	E3*

INDEX

NUMERICAL INDEX	G1*
-----------------------	-----

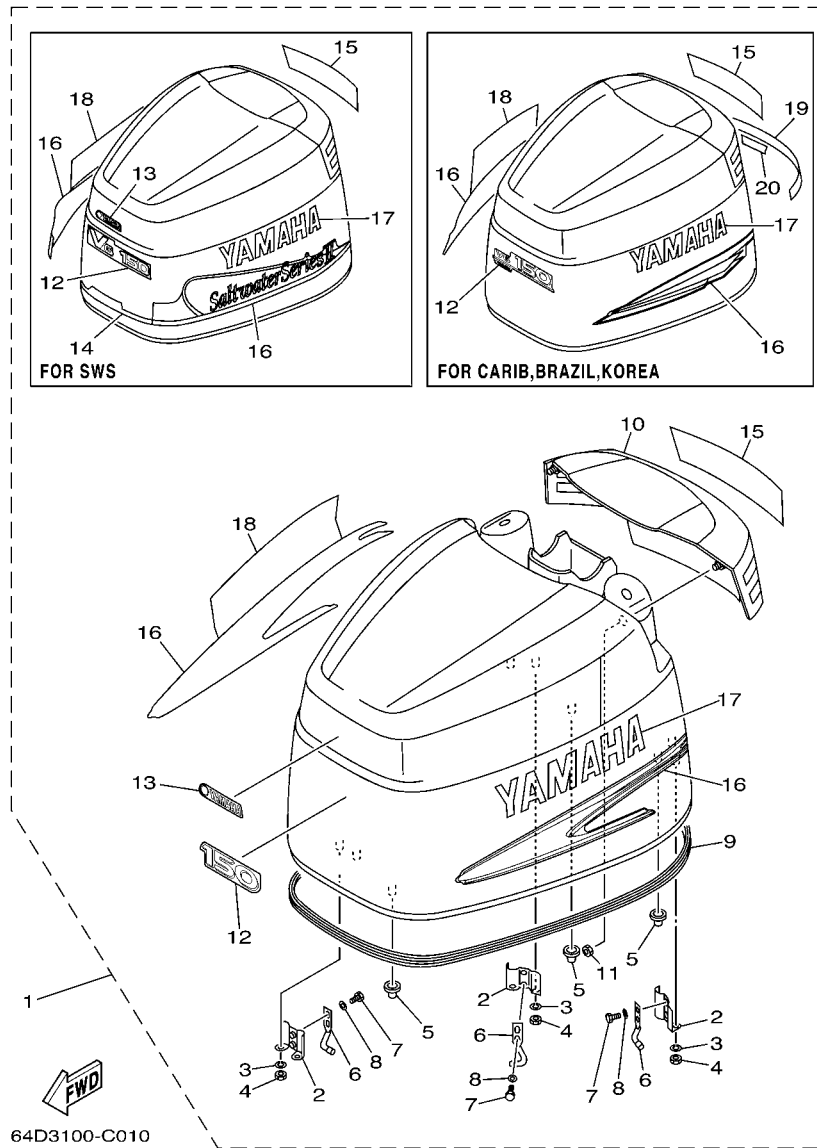


FIG. 1 TOP COWLING

REF. NO.	PART NO.	DESCRIPTION	150F	175D	L150	REMARKS
1	64C-42610-50-4D	TOP COWLING ASSY	1			FOR USA
	64C-42610-60-4D	TOP COWLING ASSY	1			FOR CAR, BRA, KOR
	64C-42610-T0-4D	TOP COWLING ASSY	1	1		FOR SWS
	64D-42610-T0-4D	TOP COWLING ASSY		1		FOR SWS
	64D-42610-50-4D	TOP COWLING ASSY		1		FOR KOR
2	6R3-42647-00	.HOLDER, CLAMP BAND	3	3	3	
3	92990-06100	.WASHER, SPRING	6	6	6	
4	95380-06600	.NUT, HEXAGON	6	6	6	
5	64D-42662-00	.DAMPER	3	3	3	
6	64D-42814-00	.HOOK, CLAMP	3	3	3	
7	97095-06012	.BOLT	6	6	6	
8	92995-06600	.WASHER	6	6	6	
9	64D-42615-00	.SEAL	1	1	1	
10	64D-42613-00-4D	.MOLDING, AIR DUCT	1	1	1	
11	90179-06M24	.NUT	4	4	4	
12	64C-42677-60	.GRAPHIC, FRONT	1			FOR USA
	64C-42677-50	.GRAPHIC, FRONT	1			FOR CAR, BRA, KOR
	64C-42677-40	.GRAPHIC, FRONT	1	1		FOR SWS
	64D-42677-40	.GRAPHIC, FRONT		1		FOR SWS
	64D-42677-50	.GRAPHIC, FRONT		1		FOR KOR
13	64C-42677-80	.GRAPHIC, FRONT	1			FOR USA
	64D-42677-B0	.GRAPHIC, FRONT	1	1	1	FOR SWS
14	64D-42677-S0	.GRAPHIC, FRONT	1	1	1	FOR SWS
15	64C-42687-40	.EMBLEM, REAR	1			FOR USA
	64C-42687-30	.EMBLEM, REAR	1			FOR CAR, BRA, KOR
	64C-42687-00	.EMBLEM, REAR	1	1		FOR SWS
	64D-42687-00	.EMBLEM, REAR		1		FOR SWS

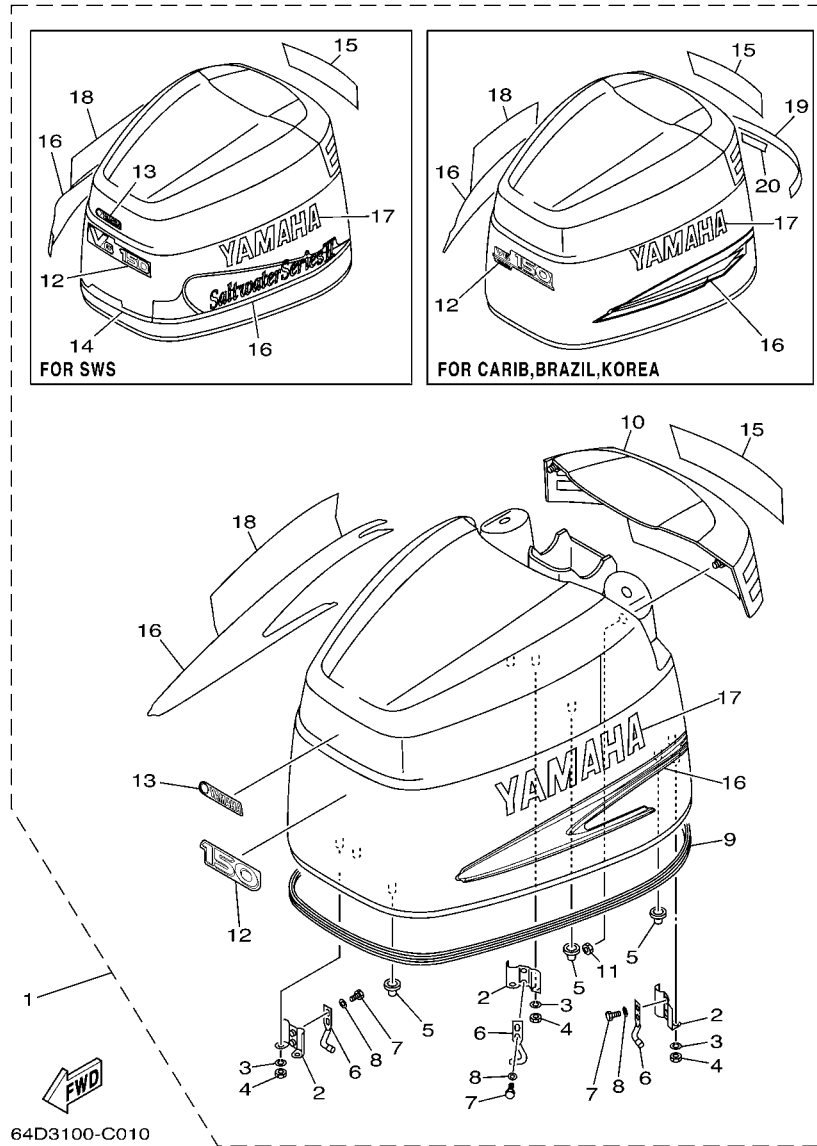
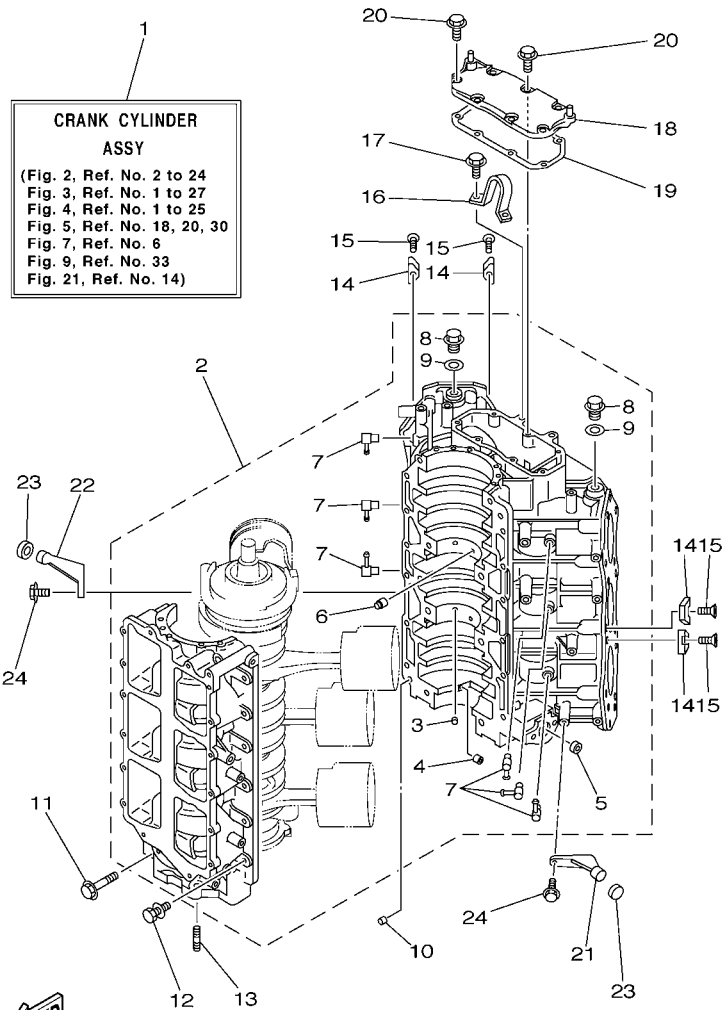


FIG. 1 TOP COWLING

REF. NO.	PART NO.	DESCRIPTION	150F	175D	L150	REMARKS
15	64D-42687-30	.EMBLEM, REAR		1		FOR KOR
16	64C-W0070-50	.GRAPHIC SET	1			FOR USA
	64D-W0070-30	.GRAPHIC SET	1	1		FOR CAR, BRA, KOR
	64D-W0070-S0	.GRAPHIC SET	1	1	1	FOR SWS
17	64C-42681-50	.MARK, COWLING	1			FOR USA
	64C-42681-30	.MARK, COWLING	1	1		FOR CAR, BRA, KOR
	64D-42681-40	.MARK, COWLING	1	1	1	FOR SWS
18	64C-42682-50	.MARK, COWLING	1			FOR USA
	64C-42682-30	.MARK, COWLING	1	1		FOR CAR, BRA, KOR
	64D-42682-40	.MARK, COWLING	1	1	1	FOR SWS
19	64D-4267A-30	.GRAPHIC, REAR 2	1	1		FOR CAR, BRA, KOR
	64D-4267A-S0	.GRAPHIC, REAR 2	1	1	1	FOR SWS
20	64D-42678-30	.GRAPHIC, REAR	1	1		FOR CAR, BRA, KOR

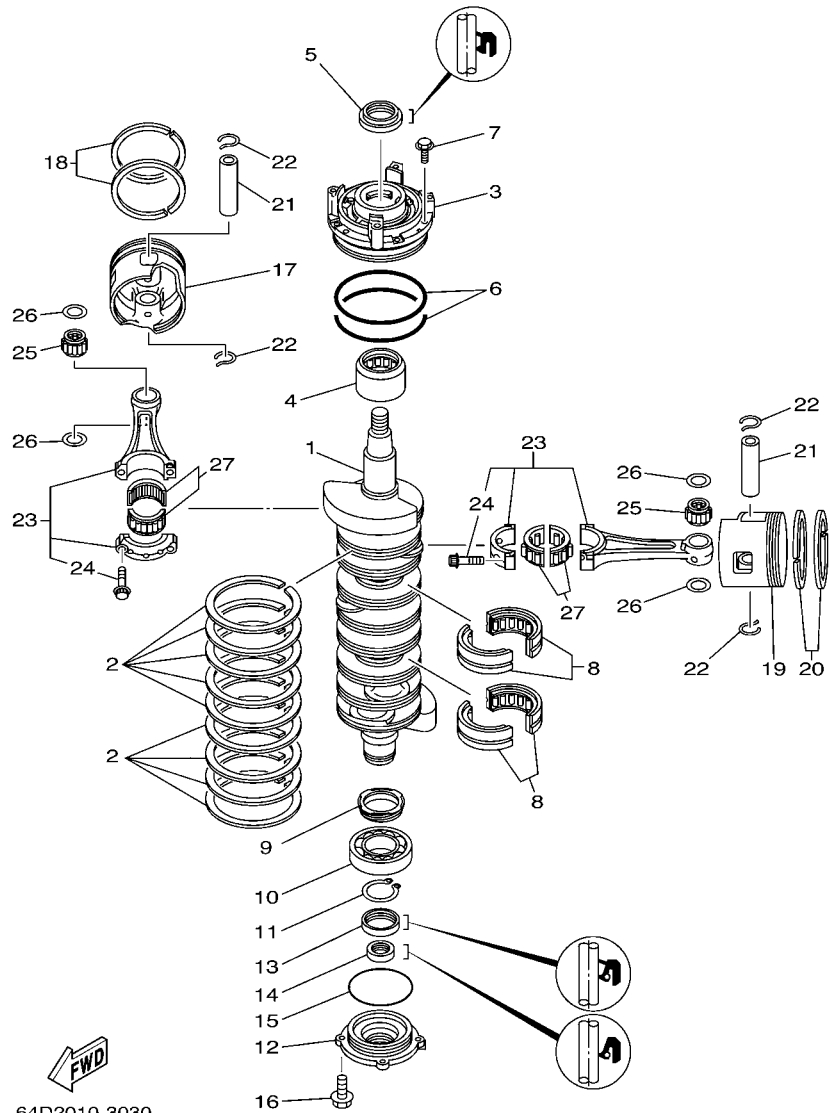


64D2100-3020

FIG. 2 CYLINDER. CRANKCASE 1

REF. NO.	PART NO.	DESCRIPTION	150F	175D	L150	REMARKS
1	64C-W0090-14-1S	CRANK CYLINDER ASSY	1	1	1	
	64D-W0090-14-1S	CRANK CYLINDER ASSY		1		
2	64C-15100-01-1S	CRANKCASE ASSY	1	1		
	64D-15100-01-1S	CRANKCASE ASSY		1		
3	624-11379-00	.VALVE, CHECK	2	2	2	
4	90384-06M07	.BUSH, BIMETAL FORMED	1	1	1	
5	90384-14M09	.BUSH, BIMETAL FORMED	1	1	1	
6	663-11518-01	.LOCK, BEARING	2	2	2	
7	646-11370-01	.CHECK VALVE ASSY	6	6	6	
8	90340-14M00	.PLUG, STRAIGHT SCREW	2	2	2	
9	90430-14115	.GASKET	2	2	2	
10	93608-12063	PIN, DOWEL	2	2	2	
11	90105-10M20	BOLT, FLANGE	8	8	8	
12	90119-08M94	BOLT, WITH WASHER	12	12	12	
13	90116-08M45	BOLT, STUD	2	2	2	
14	6E5-11325-00	ANODE	8	8	8	
15	98780-04015	SCREW, FLAT HEAD	8	8	8	
16	67H-11119-01	HANGER, ENGINE	1	1	1	
17	90119-08MA3	BOLT, WITH WASHER	2	2	2	
18	6K7-11371-01-1S	COVER	1	1	1	
19	6E5-11381-A2	GASKET 1	1	1	1	
20	90119-06MA2	BOLT, WITH WASHER	7	7	7	
21	6E5-42761-00-1S	STOPPER	1	1	1	
22	6E5-42762-00-1S	STOPPER	1	1	1	
23	68F-44533-00	DAMPER, UPPER MOUNT RUBBER	2	2	2	
24	90119-06MA2	BOLT, WITH WASHER	4	4	4	

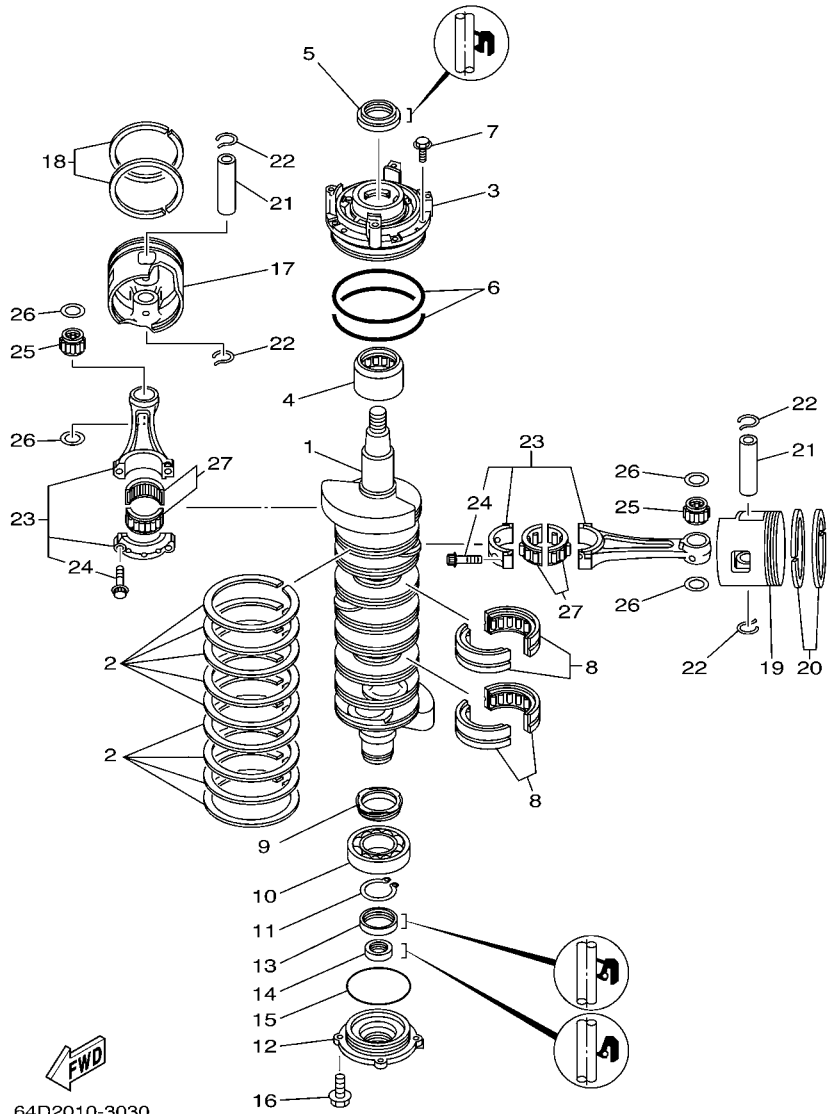
FIG. 3 CRANKSHAFT. PISTON



64D2010-3030

REF. NO.	PART NO.	DESCRIPTION	150F	175D	L150	REMARKS
1	6G5-11411-02	CRANKSHAFT	1	1	1	
2	6E5-11447-00	SEAL, CRANK	9	9	9	
3	6R3-15163-00-1S	HOUSING, BEARING 1	1	1	1	
4	93311-940U3	BEARING	1	1	1	
5	93102-40M14	OIL SEAL	1	1	1	
6	93211-04001	O-RING	2	2	2	
7	90119-06MA2	BOLT, WITH WASHER	3	3	3	
8	93310-954U1	BEARING	2	2	2	
9	6R3-11536-00	GEAR, DRIVE	1	1	1	
10	93306-208U0	BEARING	1	1	1	
11	93410-40M03	CIRCLIP	1	1	1	
12	6G5-15359-00-94	HOUSING, OIL SEAL	1	1	1	
13	93102-35M13	OIL SEAL	1	1	1	
14	93101-22M15	OIL SEAL	1	1	1	
15	93210-74M35	O-RING	1	1	1	
16	90119-06MA2	BOLT, WITH WASHER	4	4	4	
17	64D-11631-02-90	PISTON (STD)	3	3	3	
	64D-11635-02	PISTON (0.25MM O/S)	3	3	3	AP
	64D-11636-02	PISTON (0.50MM O/S)	3	3	3	AP
18	64D-11603-01	PISTON RING SET (STD)	3	3	3	
	64D-11604-01	PISTON RING SET (0.25MM O/S)	3	3	3	AP
	64D-11605-01	PISTON RING SET (0.50MM O/S)	3	3	3	AP
19	64D-11642-02-90	PISTON 2 (STD)	3	3	3	
	64D-11645-02	PISTON 2 (0.25MM O/S)	3	3	3	AP
	64D-11646-02	PISTON 2 (0.50MM O/S)	3	3	3	AP
20	64D-11603-01	PISTON RING SET (STD)	3	3	3	
	64D-11604-01	PISTON RING SET (0.25MM O/S)	3	3	3	AP

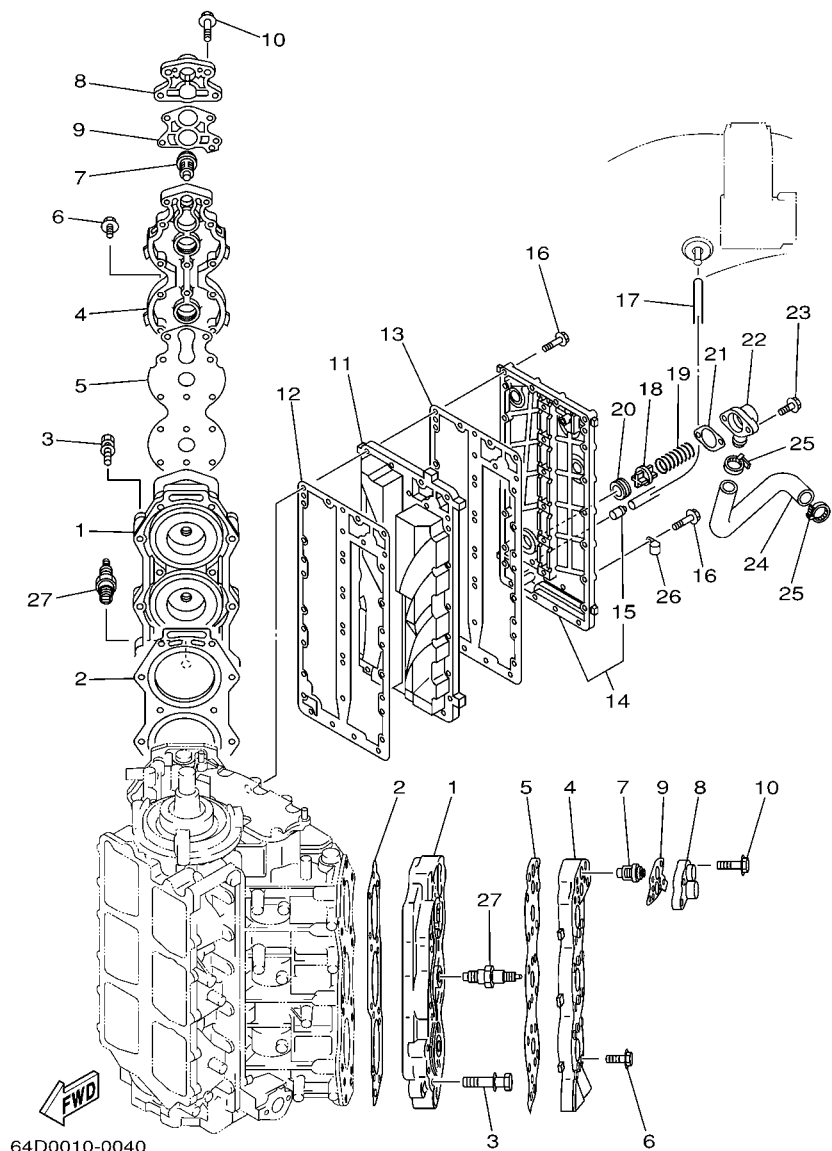
FIG. 3 CRANKSHAFT. PISTON



64D2010-3030

REF. NO.	PART NO.	DESCRIPTION	150F	175D	L150	REMARKS
20	64D-11605-01	PISTON RING SET (0.50MM O/S)	3	3	3	AP
21	6R5-11633-10	PIN, PISTON	6	6	6	
22	6R5-11634-10	CLIP, PISTON PIN	12	12	12	
23	6R5-11650-10	CONNECTING ROD ASSY	6	6	6	
24	90109-08022	.BOLT	2	2	2	
25	93310-32337	BEARING	6	6	6	
26	90201-23M01	WASHER, PLATE	12	12	12	
27	93310-836V2	BEARING	6	6	6	
<hr/>						
<hr/>						
<hr/>						
<hr/>						
<hr/>						
<hr/>						
<hr/>						

FIG. 4 CYLINDER. CRANKCASE 2



64D0010-0040

REF. NO.	PART NO.	DESCRIPTION	150F	175D	L150	REMARKS
1	6G5-11111-04-1S	HEAD, CYLINDER 1	2	2	2	
2	6G5-11181-A2	GASKET, CYLINDER HEAD 1	2	2	2	
3	90119-08MA8	BOLT, WITH WASHER	28	28	28	
4	6G5-11191-00-1S	COVER, CYLINDER HEAD 1	2	2	2	
5	6G5-11193-A0	GASKET, HEAD COVER 1	2	2	2	
6	90119-06MA4	BOLT, WITH WASHER	36	36	36	
7	6E5-12411-30	THERMOSTAT	2	2	2	
8	688-12413-00-1S	COVER, THERMOSTAT	2	2	2	
9	688-12414-A1	GASKET, COVER	2	2	2	
10	90119-06MA6	BOLT, WITH WASHER	8	8	8	
11	64D-41111-00-1S	INNER COVER, EXHAUST	1	1	1	
12	6G5-41112-A1	GASKET, EXHAUST INNER COVER	1	1	1	
13	6G5-41114-A0	GASKET, EXHAUST OUTER COVER	1	1	1	
14	6R3-41113-00-1S	OUTER COVER, EXHAUST	1	1	1	
15	650-24378-00	.PIPE, JOINT 4	1	1	1	
16	90119-06MA5	BOLT, WITH WASHER	29	29	29	
17	90445-09097	HOSE (L250)	1	1	1	
18	6G5-12416-00	VALVE, PRESSURE CONTROL	1	1	1	
19	90501-16M11	SPRING, COMPRESSION	1	1	1	
20	90480-20M05	GROMMET	1	1	1	
21	6G5-11382-A1	GASKET 2	1	1	1	
22	6G5-11372-00-1S	COVER, BYPASS 2	1	1	1	
23	90119-06MA2	BOLT, WITH WASHER	2	2	2	
24	6G5-12576-00	HOSE 1	1	1	1	
25	90465-13M18	CLAMP	2	2	2	
26	90465-06M86	CLAMP	2	2	2	
27	94702-00271	PLUG, SPARK (NGK BR7HS-10)	6	6	6	

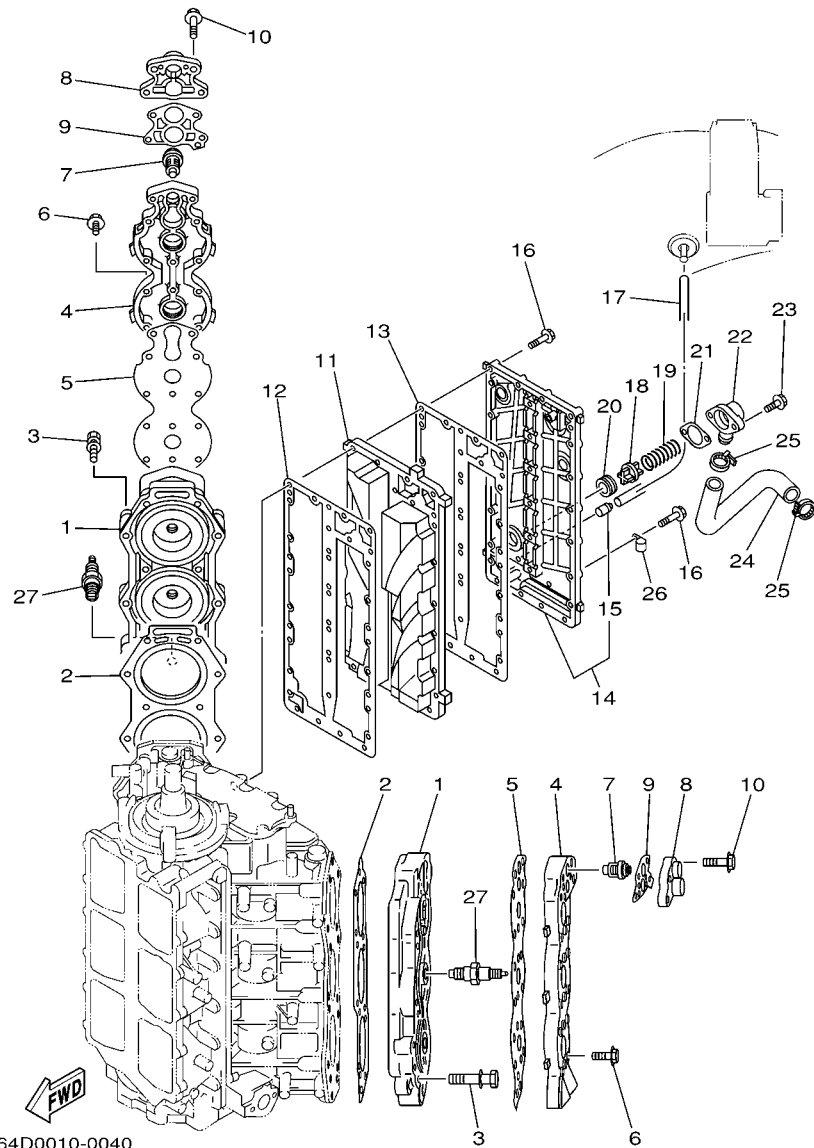
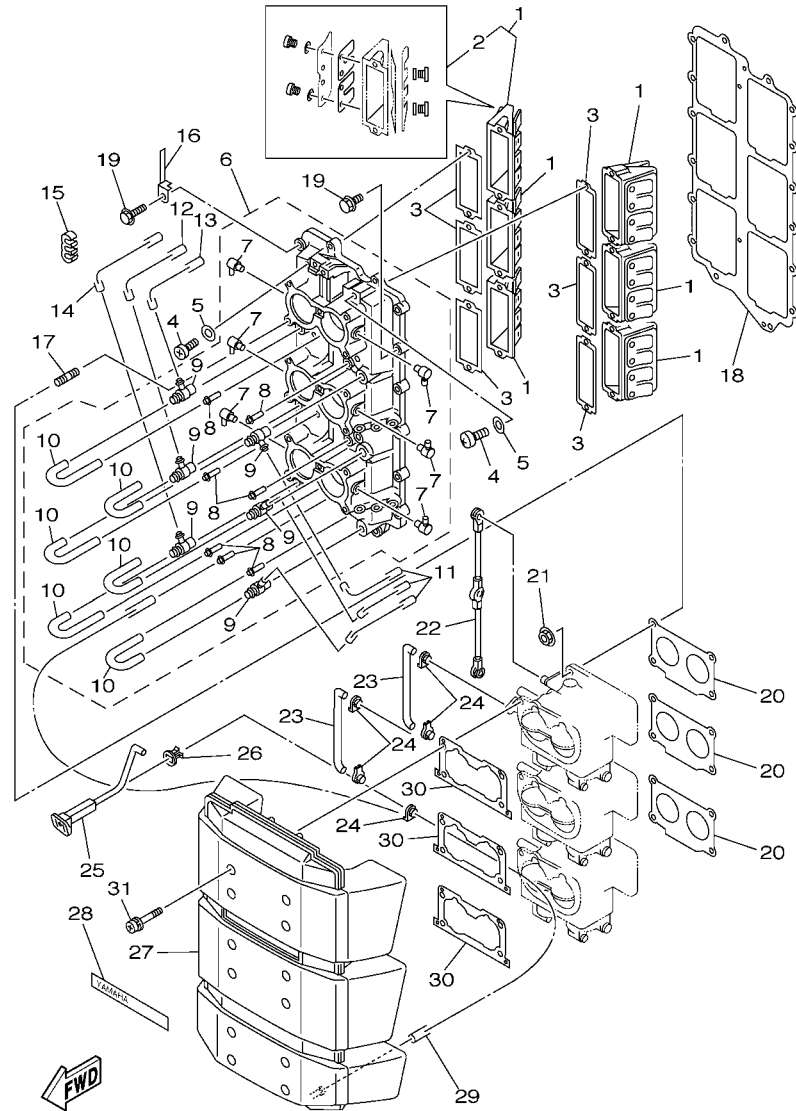


FIG. 4 CYLINDER. CRANKCASE 2

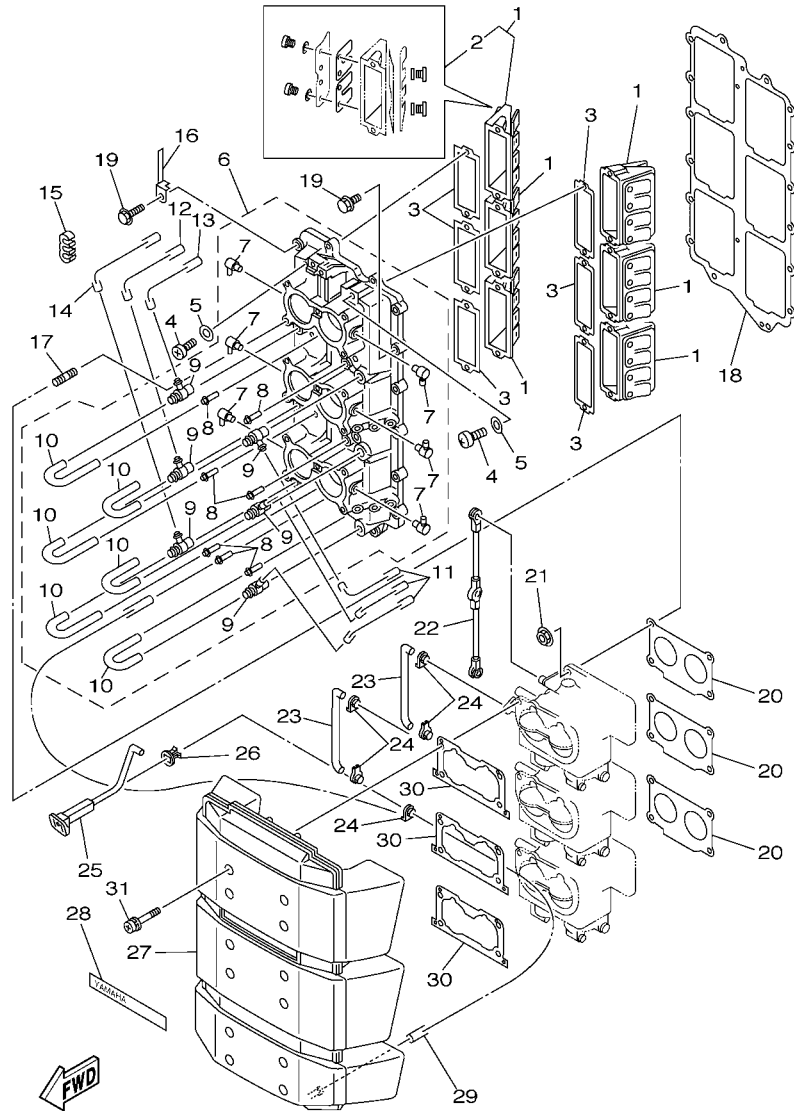
REF. NO.	PART NO.	DESCRIPTION	150F	175D	L150	REMARKS
27	94702-00247	PLUG, SPARK (NGK BR8HS-10)		6		



64D2100-3050

FIG. 5 INTAKE

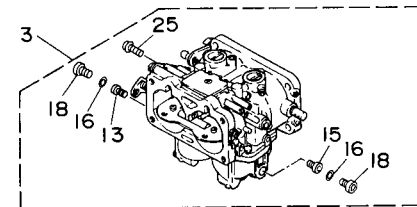
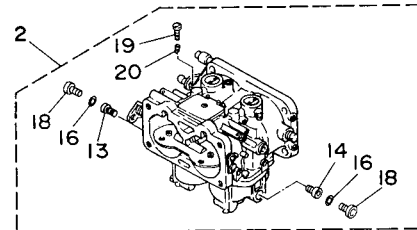
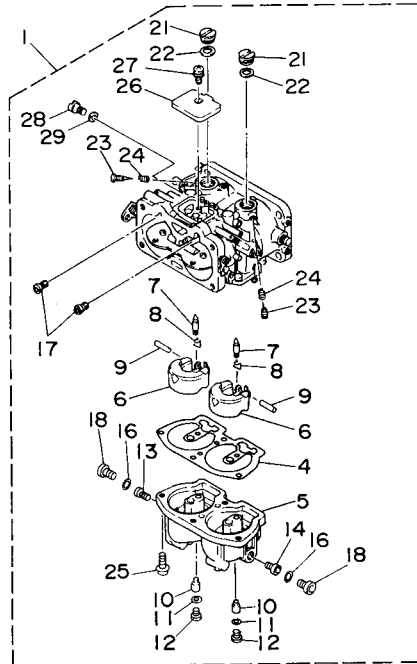
REF. NO.	PART NO.	DESCRIPTION	150F	175D	L150	REMARKS
1	6E5-13610-00	REED VALVE ASSY	6	6	6	
2	6E5-W0004-00	.REED SET	1	1	1	
3	6E5-13621-A1	GASKET, VALVE SEAT	6	6	6	
4	97880-05016	SCREW, PAN HEAD	12	12	12	
5	92990-05600	WASHER, PLATE	12	12	12	
6	6G5-13641-11-1S	MANIFOLD 1	1	1	1	
7	6E5-13552-01	.NOZZLE	6	6	6	
8	624-14485-00	.PIPE, JOINT	7	7	7	
9	6E5-11370-01	.CHECK VALVE ASSY	6	6	6	
10	90445-07M28	.HOSE (L70)	6	6	6	
11	90445-07M45	HOSE (L340)	3	3	3	
12	90445-07M46	HOSE (L360)	1	1	1	
13	90445-07M09	HOSE (L380)	1	1	1	
14	90445-07M59	HOSE (L1160)	1	1	1	
15	90464-07M05	CLAMP	2	2	2	
16	90465-10M91	CLAMP	2	2	2	
17	90116-06M30	BOLT, STUD	12	12	12	
18	6G5-13645-A2	GASKET, MANIFOLD 1	1	1	1	
19	90119-06MA3	BOLT, WITH WASHER	16	16	16	
20	6E5-14198-A2	GASKET	3	3	3	
21	90179-06M28	NUT	12	12	12	
22	6G5-41217-01	ROD, ACCEL. LEVER	1	1	1	
23	6E5-41256-01	ROD, CHOKE 1	2	2	2	
24	661-41262-02	JOINT, CHOKE LEVER	5	5	5	
25	6R3-41271-00	KNOB, CHOKE	1	1	1	
26	689-41273-00	GROMMET	1	1	1	
27	6R3-14440-02	SILENCER ASSY, INTAKE	1	1		FOR STD



64D2100-3050

FIG. 5 INTAKE

REF. NO.	PART NO.	DESCRIPTION	150F	175D	L150	REMARKS
27	64D-14440-00	SILENCER ASSY, INTAKE	1	1	1	FOR SWS
28	6G5-1441K-00	EMBLEM	1	1		FOR STD
29	90445-07MA3	HOSE (L200)	1	1	1	
30	6K7-14483-00	GASKET	3	3	3	
31	90159-06M14	SCREW, WITH WASHER	12	12		FOR STD
	90159-06M08	SCREW, WITH WASHER	12	12	12	FOR SWS

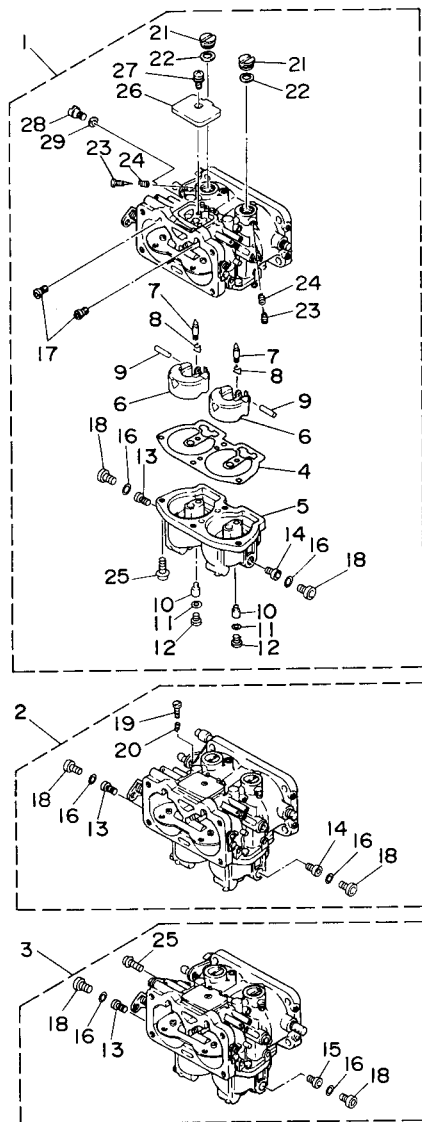


64F0010-6060

FIG. 6 CARBURETOR

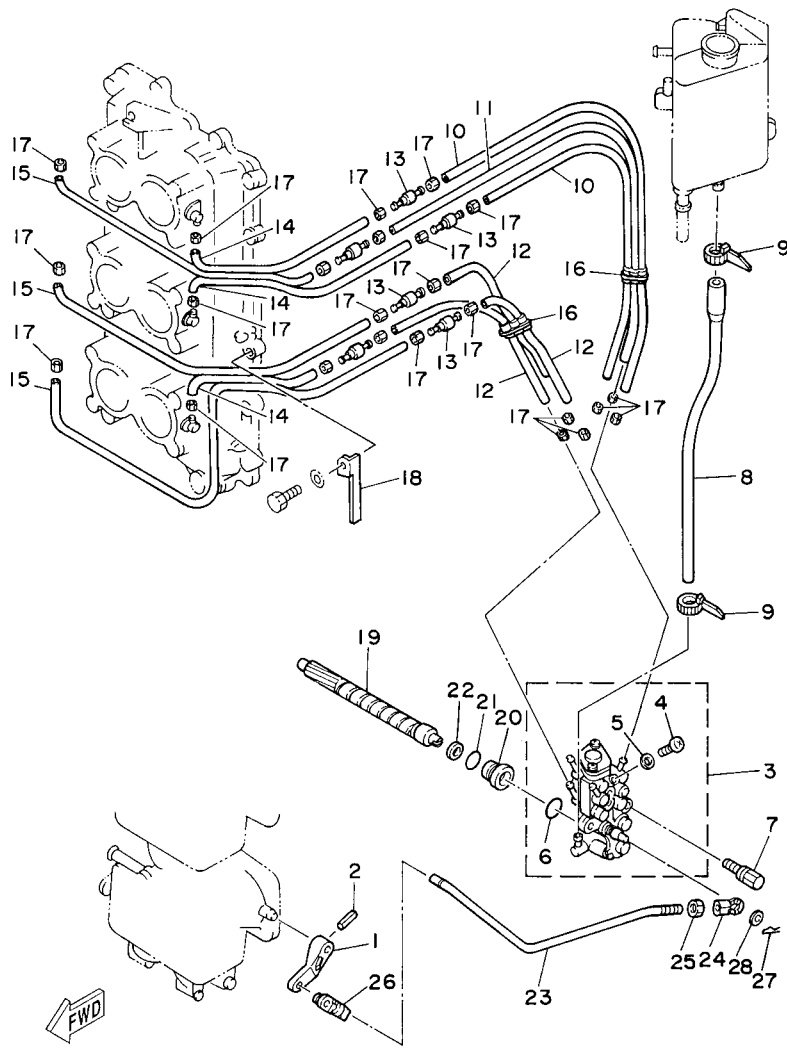
REF. NO.	PART NO.	DESCRIPTION	150F	175D	L150	REMARKS
1	64C-14301-02	CARBURETOR ASSY 1	1			FOR STD-CAR,BRA
	64C-14301-10	CARBURETOR ASSY 1	1	1		FOR USA,CAR
	64C-14301-S2	CARBURETOR ASSY 1	1	1		FOR SWS
	6G4-14301-10	CARBURETOR ASSY 1	1			FOR CAR
	64D-14301-02	CARBURETOR ASSY 1		1		FOR KOR
	64D-14301-S2	CARBURETOR ASSY 1		1		FOR SWS
2	64C-14302-02	CARBURETOR ASSY 2	1			FOR STD-CAR,BRA
	64C-14302-10	CARBURETOR ASSY 2	1	1		FOR USA,CAR
	64C-14302-S2	CARBURETOR ASSY 2	1	1		FOR SWS
	6G4-14302-10	CARBURETOR ASSY 2	1			FOR CAR
	64D-14302-02	CARBURETOR ASSY 2		1		FOR KOR
	64D-14302-S2	CARBURETOR ASSY 2		1		FOR SWS
3	64C-14303-02	CARBURETOR ASSY 3	1			FOR STD-CAR,BRA
	64C-14303-10	CARBURETOR ASSY 3	1	1		FOR USA,CAR
	64C-14303-S2	CARBURETOR ASSY 3	1	1		FOR SWS
	6G4-14303-10	CARBURETOR ASSY 3	1			FOR CAR
	64D-14303-02	CARBURETOR ASSY 3		1		FOR KOR
	64D-14303-S2	CARBURETOR ASSY 3		1		FOR SWS
4	64D-14384-01	.GASKET, FLOAT CHAMBER	3	3	3	
5	64D-14381-00	.BODY, FLOAT CHAMBER	3	3		FOR STD-CAR,BRA
	64D-14381-10	.BODY, FLOAT CHAMBER	3	3	3	FOR SWS,USA,CAR
6	6E5-14385-02	.FLOAT	6	6	6	
7	6E5-14546-00	.VALVE, NEEDLE	6	6	6	
8	6E5-14159-00	.CLIP	6	6	6	
9	6E5-14386-02	.PIN, FLOAT	6	6	6	
10	64D-1492F-42	.JET, AIR SLOW (#84)	6	6	6	
11	61U-14959-00	.GASKET	6	6	6	

FIG. 6 CARBURETOR



64F0010-6060

REF. NO.	PART NO.	DESCRIPTION	150F	175D	L150	REMARKS
12	64D-14394-00	.VALVE, DRAIN	6	6	6	
13	64D-1492E-75	.JET, MAIN (#150)	3	3		FOR STD-CAR,BRA
	64D-1492E-71	.JET, MAIN (#142)	3	3	3	FOR SWS,USA,CAR
14	64D-1492E-77	.JET, MAIN (#154)	2	2		FOR STD-CAR,BRA
	64D-1492E-71	.JET, MAIN (#142)	2	2	2	FOR SWS,USA,CAR
15	64D-1492E-79	.JET, MAIN (#158)	1	1		FOR STD-CAR,BRA
	64D-1492E-71	.JET, MAIN (#142)	1	1	1	FOR SWS,USA,CAR
16	6E5-14398-01	.GASKET	6	6	6	
17	61A-1492H-12	.JET, SLOW AIR BLEED (#60)	6	6	6	
18	61A-14383-01	.SCREW, DRAIN	6	6	6	
19	6E5-14321-00	.SCREW, THROTTLE	1	1	1	#2
20	6J8-14334-00	.SPRING, THROTTLE	1	1	1	#2
21	6E5-14328-01	.PLUG	6	6	6	
22	6E5-14979-00	.GASKET	6	6	6	
23	6E5-14323-03	.SCREW, AIR ADJUSTING	6	6	6	
24	6E5-14223-00	.SPRING, AIR ADJUSTING	6	6	6	
25	97980-05116	.SCREW, WITH WASHER	13	13		FOR STD-CAR,BRA
	97980-05116	.SCREW, WITH WASHER	12	12	12	FOR SWS,USA,CAR
26	6E5-14527-01	.PLATE	3	3	3	
27	97980-05108	.SCREW, WITH WASHER	3	3	3	
28	6E5-14324-00	.SCREW, FLAT HEAD	3	3	3	
29	6J8-14959-00	.GASKET	3	3	3	



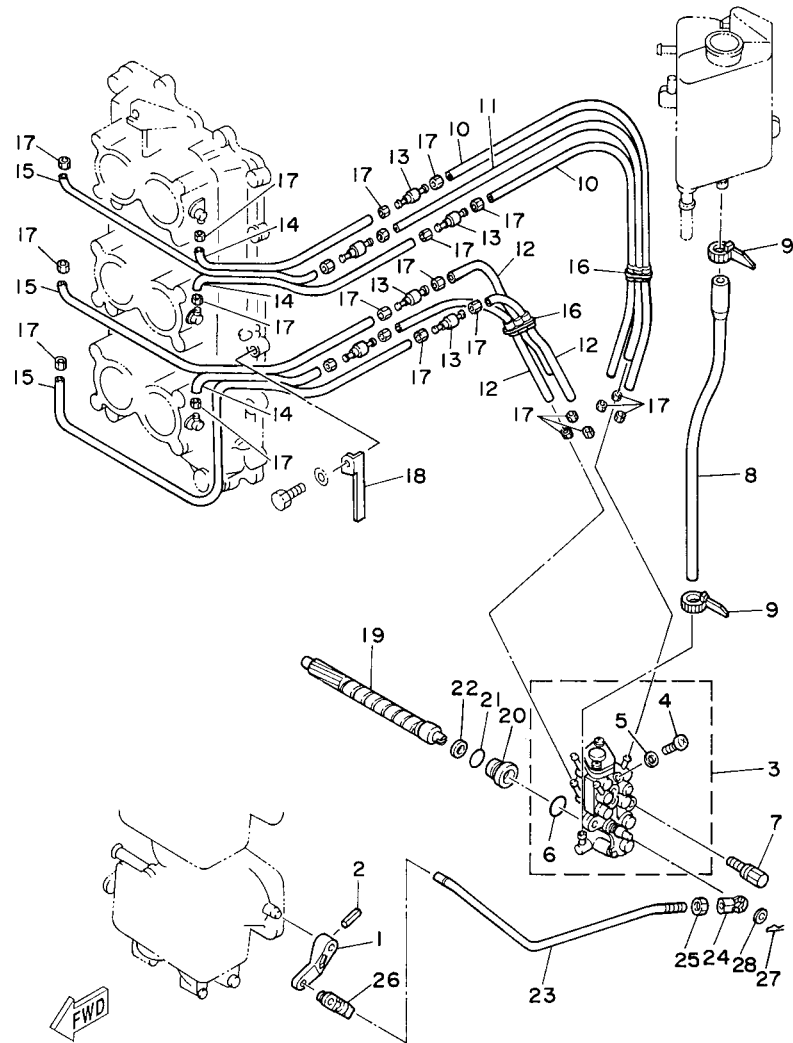
64D0010-6070

FIG. 7 OIL PUMP

REF. NO.	PART NO.	DESCRIPTION	150F	175D	L150	REMARKS
1	6E5-14276-01	LEVER	1	1	1	
2	91690-30016	PIN, SPRING	1	1	1	
3	6R4-13200-00	OIL INJECTION PUMP ASSY	1	1	1	
4	6R3-13471-00	.PLUG, DRAIN	1	1	1	
5	6L2-13475-00	.GASKET	1	1	1	
6	93210-19MA7	.O-RING	1	1	1	
7	90109-06M40	BOLT	2	2	2	
8	6R3-13416-00	PIPE, OIL 1	1	1	1	
9	90465-11M10	CLAMP	2	2	2	
10	90445-07M72	HOSE (L250)	2	2	2	
11	90445-07M89	HOSE (L310)	1	1	1	
12	90445-07M83	HOSE (L150)	3	3	3	
13	6R3-13183-10	VALVE, CHECK	6	6	6	
14	90445-07M87	HOSE (L110)	3	3	3	
15	90445-07M96	HOSE (L310)	3	3	3	
16	90464-07M05	CLAMP	2	2	2	
17	90468-07M02	CLIP	24	24	24	
18	90465-10M91	CLAMP	2	2	2	
19	6R3-11537-00	GEAR, DRIVEN	1	1	1	
20	6R3-13117-00	COLLAR, DISTANCE	1	1	1	
21	93210-13M04	O-RING	1	1	1	
22	90202-08M44	WASHER, PLATE	1	1	1	
23	6R3-41241-00	ROD, LINK	1	1	1	
24	6H1-41237-00	JOINT, LINK	1	1	1	
25	95380-05600	NUT	1	1	1	
26	6R5-41237-00	JOINT, LINK	1	1	1	
27	90468-05M03	CLIP	1	1	1	

C1

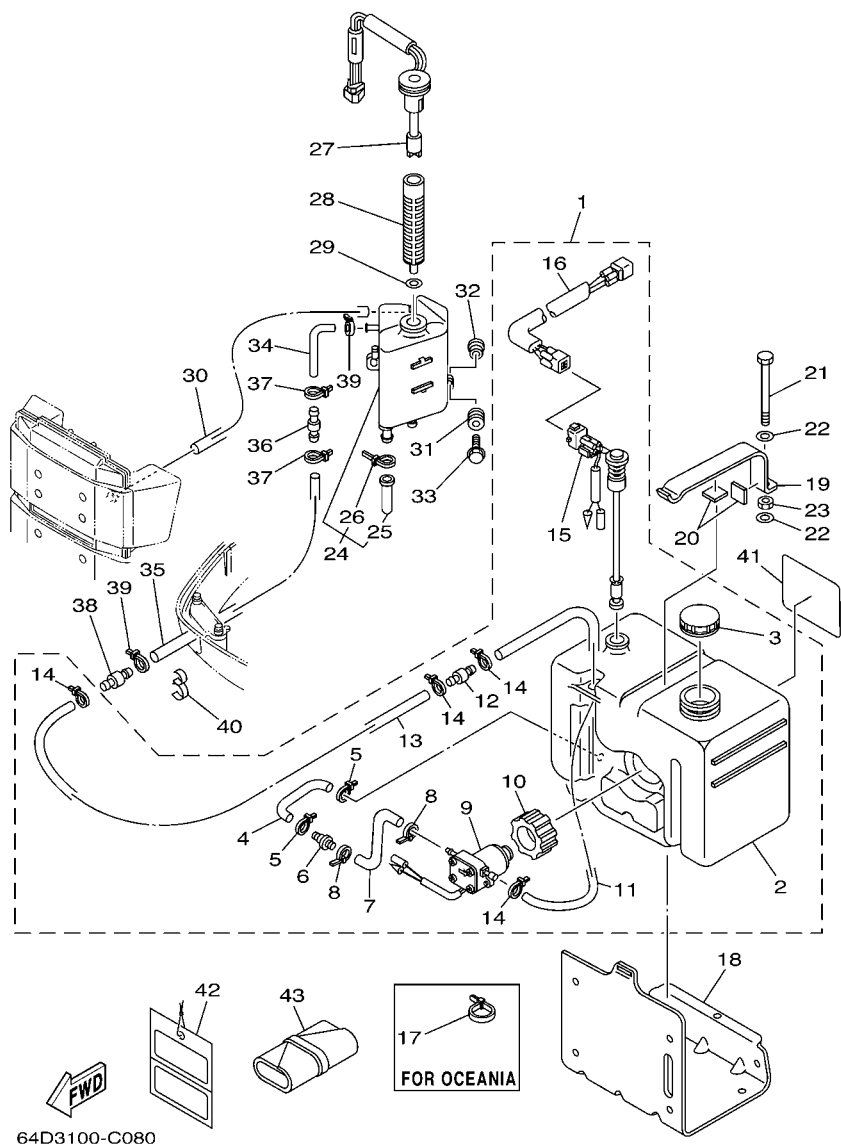
FIG. 7 OIL PUMP



64D0010-6070

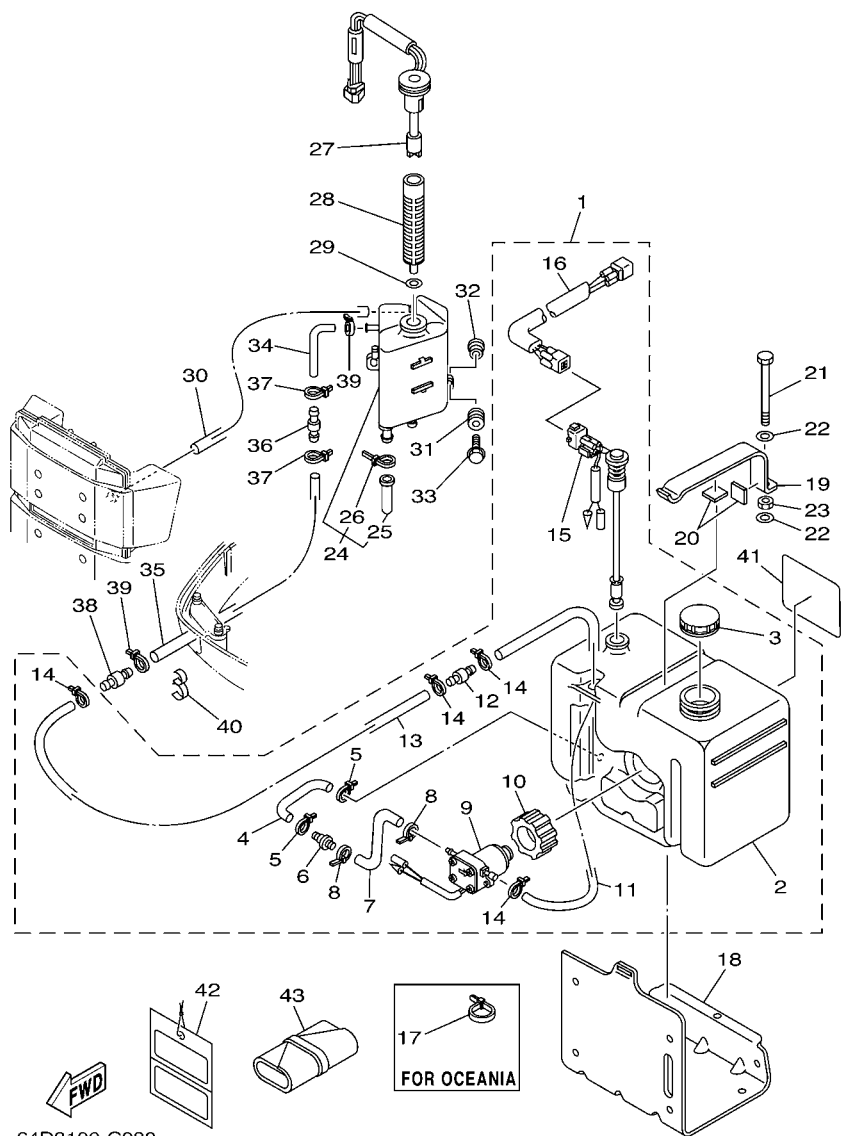
REF. NO.	PART NO.	DESCRIPTION	150F	175D	L150	REMARKS
28	90202-05088	WASHER, PLATE	1	1	1	

FIG. 8 OIL TANK



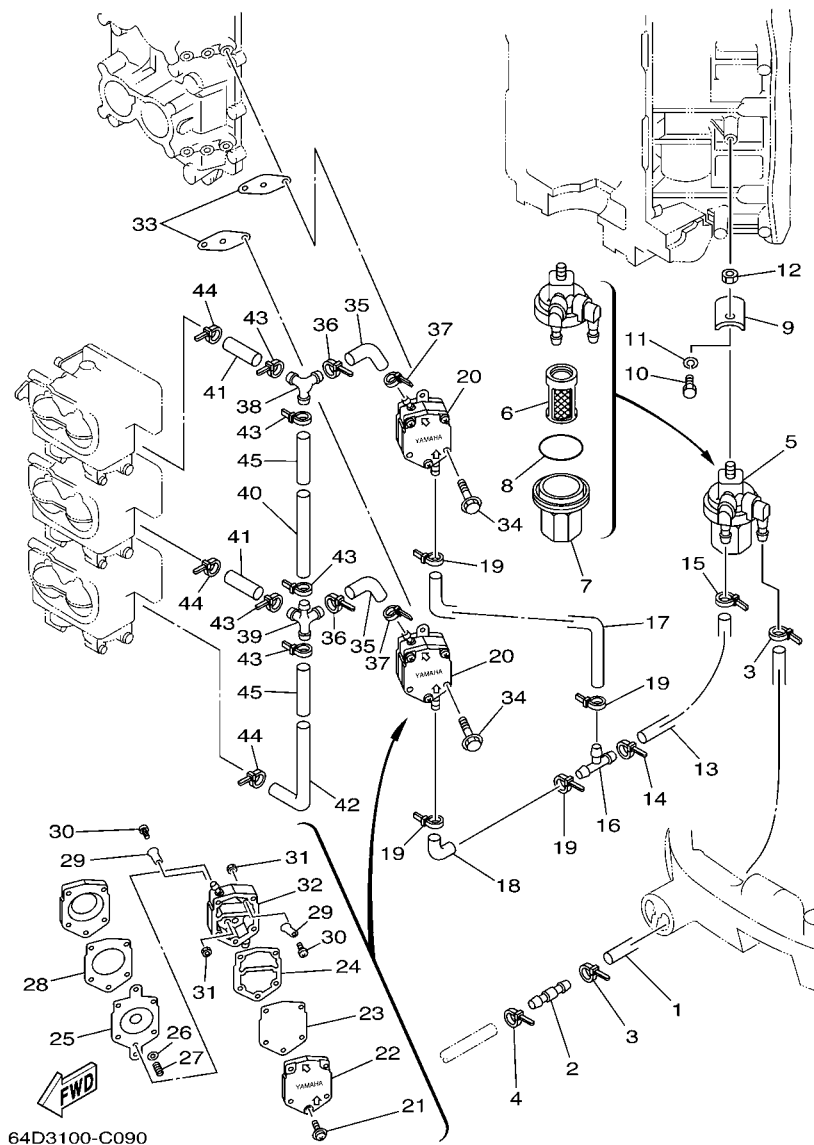
REF. NO.	PART NO.	DESCRIPTION	150F	175D	L150	REMARKS
1	6E5-21708-10	SUB OIL TANK ASSY	1	1		FOR CAR,BRA,KOR
	61A-21708-20	SUB OIL TANK ASSY	1	1	1	FOR OCE
	6K1-21708-10	SUB OIL TANK ASSY			1	FOR CAR
2	6E5-21733-20	.SUB TANK, OIL (10.5L)	1	1	1	
3	6E5-21770-03	.OIL TANK CAP ASSY	1	1	1	
4	6E5-24322-00	.PIPE 11	1	1	1	
5	90465-11M10	.CLAMP	2	2	2	
6	646-24251-02	.STRAINER 1	1	1	1	
7	6E5-24319-01	.PIPE, OIL	1	1	1	
8	90465-11M10	.CLAMP	2	2	2	
9	6E5-81900-01	.OIL FEED PUMP ASSY	1	1	1	
10	6E5-81922-00	.GROMMET	1	1	1	
11	6E5-24321-01	.PIPE 10	1	1	1	
12	6E5-24379-00	.PIPE, JOINT 4	1	1	1	
13	90445-11M81	.HOSE (L3000)	1	1		FOR 6E5-21708-10
	90445-11M26	.HOSE (L6500)	1	1	1	FOR 61A-21708-20
	90445-11M00	.HOSE (L8000)			1	FOR 6K1-21708-10
14	90465-11M10	.CLAMP	4	4	4	
15	6E5-85720-04	.OIL LEVEL GAUGE ASSY	1	1	1	
16	6R3-85721-30	.WIRE, LEAD (3M)	1	1		FOR 6E5-21708-10
	6R3-85721-80	.WIRE, LEAD (8M)			1	1
17	90465-13M11	CLAMP	1	1	1	FOR OCE
18	6E5-21734-01-33	HOLDER, OIL SUB TANK	1	1	1	
19	6E5-21798-01-33	BRACKET, DAMPER	1	1	1	
20	6E5-21746-00	DAMPER	2	2	2	
21	97080-06100	BOLT	1	1	1	
22	92990-06600	WASHER, PLATE	2	2	2	

FIG. 8 OIL TANK



64D3100-C080

REF. NO.	PART NO.	DESCRIPTION	150F	175D	L150	REMARKS
23	95380-06600	NUT, HEXAGON	1	1	1	
24	6E5-21750-05	OIL TANK ASSY	1	1	1	
25	6E5-13448-00	.CAP	1	1	1	
26	90465-13M11	.CLAMP	1	1	1	
27	6R3-85730-03	OIL LEVEL GAUGE ASSY	1	1	1	
28	6E5-13411-00	STRAINER, OIL	1	1	1	
29	6E5-13414-00	GASKET, STRAINER COVER	1	1	1	
30	90445-05M02	HOSE (L380)	1	1	1	
31	6A0-82317-00	DAMPER, IGNITION COIL	3	3	3	
32	624-42542-00	PIPE	3	3	3	
33	90119-06M65	BOLT, WITH WASHER	3	3	3	
34	64E-24323-00	PIPE 12	1	1	1	
35	90445-12207	HOSE (L2400)	1	1	1	FOR USA,OCE
	90445-12M13	HOSE (L880)	1	1	1	FOR CAR,BRA,KOR
36	6E5-24379-00	PIPE, JOINT 4	1	1	1	
37	90465-11M10	CLAMP	2	2	2	
38	6E5-24379-00	PIPE, JOINT 4	1	1	1	
39	90465-11M10	CLAMP	2	2	2	
40	90464-13M34	CLAMP	1	1	1	
41	6E5-13437-43	MARK, CAUTION	1	1	1	FOR USA,OCE,KOR
	6E5-13437-62	MARK, CAUTION	1	1	1	FOR CAR,BRA
42	61H-2819R-31	TAG, WARNING	1	1	1	EXCEPT KOR
43	656-W2810-02	TOOL KIT	1	1	1	AP



64D3100-C090

FIG. 9 FUEL 1

REF. NO.	PART NO.	DESCRIPTION	150F	175D	L150	REMARKS
1	6R3-24313-20	PIPE 3 (L:2820)	1	1	1	FOR USA,OCE
	6R3-24313-01	PIPE 3	1	1	1	FOR CAR,BRA,KOR
2	6R3-24377-10	PIPE, JOINT 3	1			FOR USA
	6R3-24377-00	PIPE, JOINT 3	1	1	1	EXCEPT USA
3	90465-11M10	CLAMP	2	2	2	
4	90465-11M10	CLAMP	1	1	1	
5	6R3-24560-00	FILTER ASSY	1	1	1	
6	6R3-24563-00	.ELEMENT, FILTER	1	1	1	
7	61N-24521-00	.CUP, FILTER	1	1	1	
8	93210-32738	.O-RING	1	1	1	
9	648-24566-02	BRACKET, FILTER	1	1	1	
10	97013-06014	BOLT	1	1	1	
11	92903-06100	WASHER, SPRING	1	1	1	
12	95380-08600	NUT	1	1	1	
13	6G5-24314-00	PIPE 4	1	1	1	
14	90465-11M10	CLAMP	1	1	1	
15	90465-11M10	CLAMP	1	1	1	
16	6E5-24378-00	PIPE, JOINT 3	1	1	1	
17	6G5-24315-00	PIPE 5	1	1	1	
18	6E5-24315-00	PIPE 5	1	1	1	
19	90465-11M10	CLAMP	4	4	4	
20	6E5-24410-03	FUEL PUMP ASSY	2	2	2	
21	6E5-24444-00	.SCREW	3	3	3	
22	6E5-24413-00	.BODY 2	1	1	1	
23	6E5-24471-00	.DIAPHRAGM	1	1	1	
24	6E5-24435-00	.GASKET, BODY 2	1	1	1	
25	6E5-24411-00	.DIAPHRAGM	1	1	1	

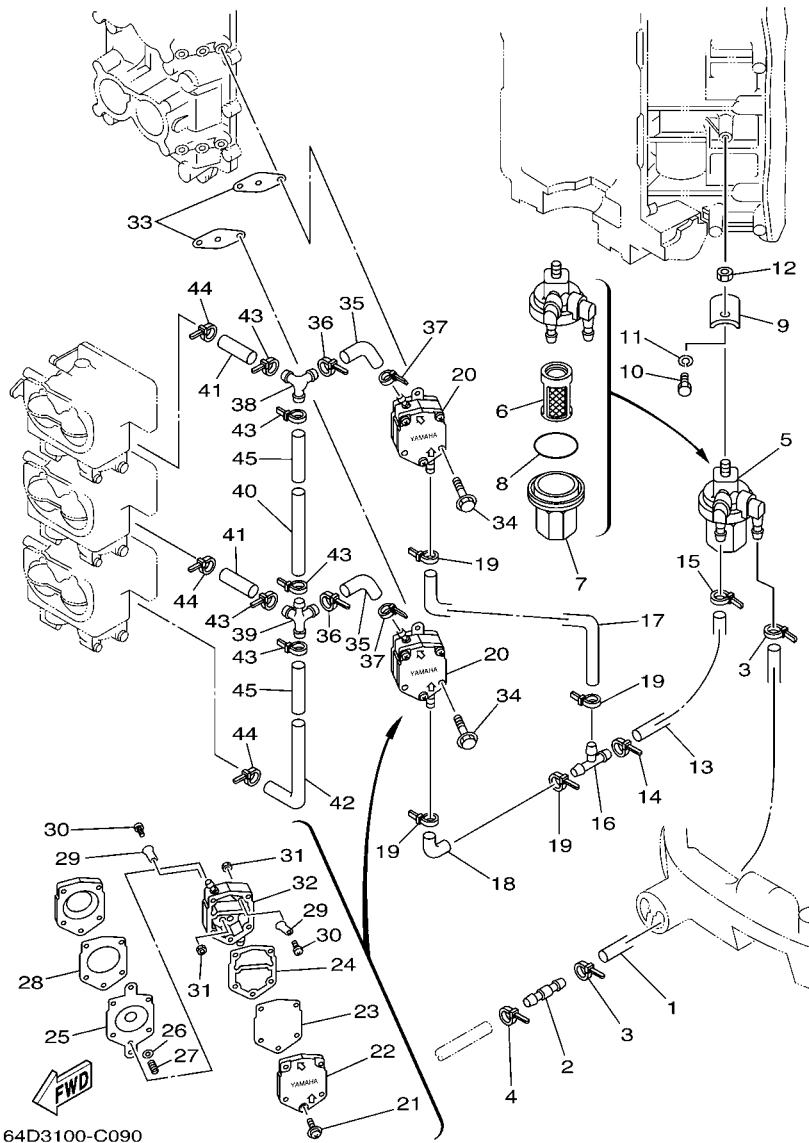
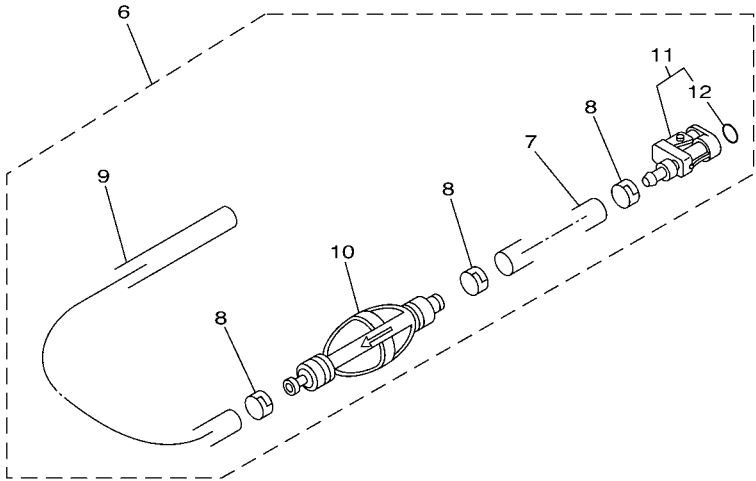
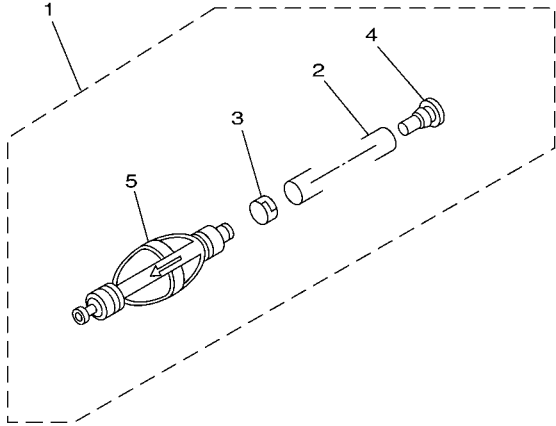


FIG. 9 FUEL 1

REF. NO.	PART NO.	DESCRIPTION	150F	175D	L150	REMARKS
26	648-24424-00	.SEAT, SPRING	1	1	1	
27	6E5-24423-00	.SPRING, DIAPHRAGM	1	1	1	
28	6E5-24434-02	.GASKET, BODY	1	1	1	
29	6A0-24421-01	.VALVE, CHECK	4	4	4	
30	6A0-14325-00	.SCREW, PAN HEAD	4	4	4	
31	95380-03600	.NUT	4	4	4	
32	6E5-24412-10	.BODY 1	1	1	1	
33	650-24431-A0	GASKET, FUEL PUMP 1	2	2	2	
34	97595-06550	BOLT, WITH WASHER	4	4	4	
35	6G5-24316-10	PIPE 6	2	2	2	
36	90465-11M10	CLAMP	2	2	2	
37	90465-11M10	CLAMP	2	2	2	
38	6G5-24376-00	PIPE, JOINT 1	1	1	1	
39	6G5-24377-00	PIPE, JOINT 3	1	1	1	
40	6G5-24317-01	PIPE 7	1	1	1	
41	6G5-24318-10	PIPE, OVERFLOW	2	2	2	
42	6G5-24319-10	PIPE, OIL	1	1	1	
43	90465-11M10	CLAMP	5	5	5	
44	90465-11M10	CLAMP	3	3	3	
45	90446-15M07	HOSE (L60)	2	2	2	

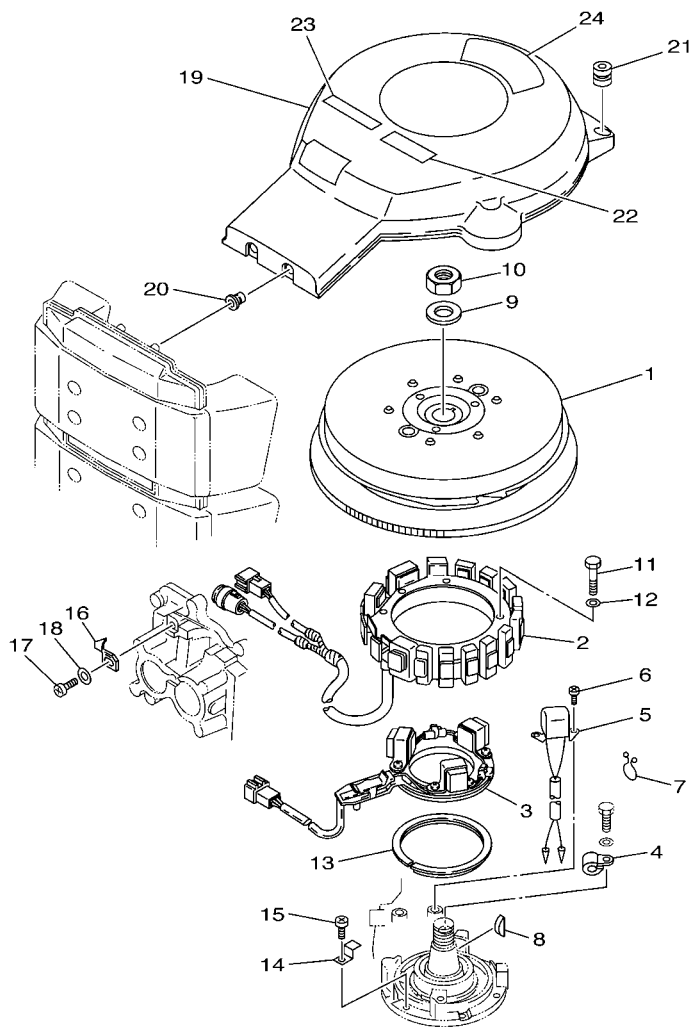


64D3100-C100

FIG. 10 FUEL 2

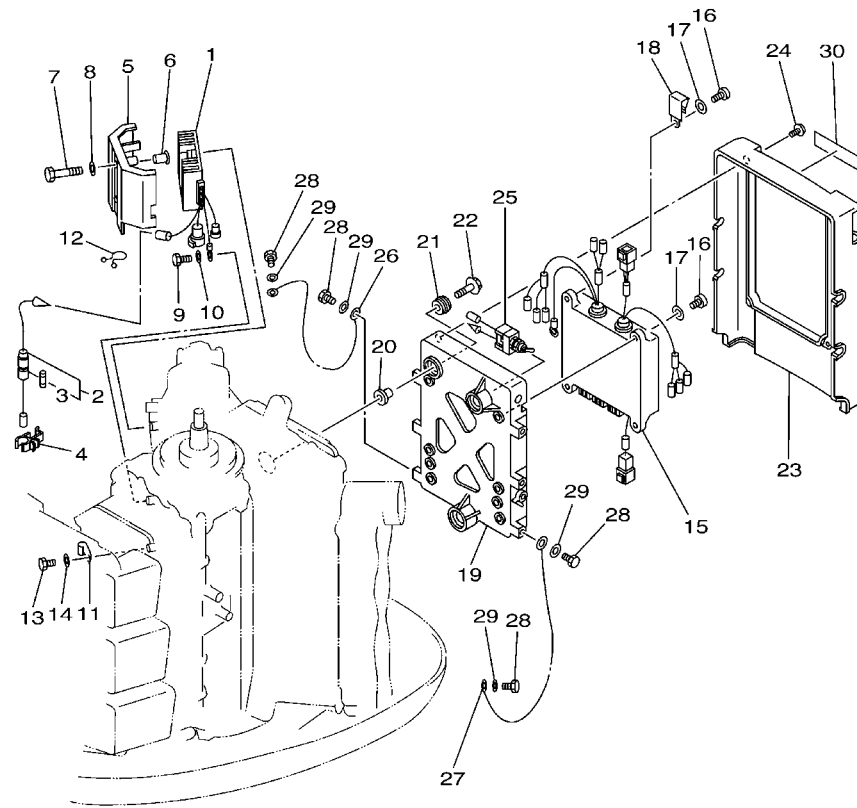
REF. NO.	PART NO.	DESCRIPTION	150F	175D	L150	REMARKS
1	6Y2-24307-50	FUEL PIPE COMP. 2	1	1	1	AP FOR OCE
2	90445-13M01	.HOSE (L2050)	1	1	1	
3	6E5-24351-51	.BAND 1	1	1	1	
4	90480-06M19	.GROMMET	1	1	1	
5	6Y2-24360-60	.PRIMER PUMP ASSY	1	1	1	
6	6Y2-24306-44	FUEL PIPE COMP. 1	1	1	1	AP FOR CAR,KOR
7	90445-13M01	.HOSE (L2050)	1	1	1	
8	6E5-24351-51	.BAND 1	3	3	3	
9	90445-13M35	.HOSE (L250)	1	1	1	
10	6Y2-24360-60	.PRIMER PUMP ASSY	1	1	1	
11	6Y2-24305-05	.FUEL PIPE JOINT COMP. 2	1	1	1	
12	93210-08287	..O-RING	1	1	1	

FIG. 11 GENERATOR



64D1100-2110

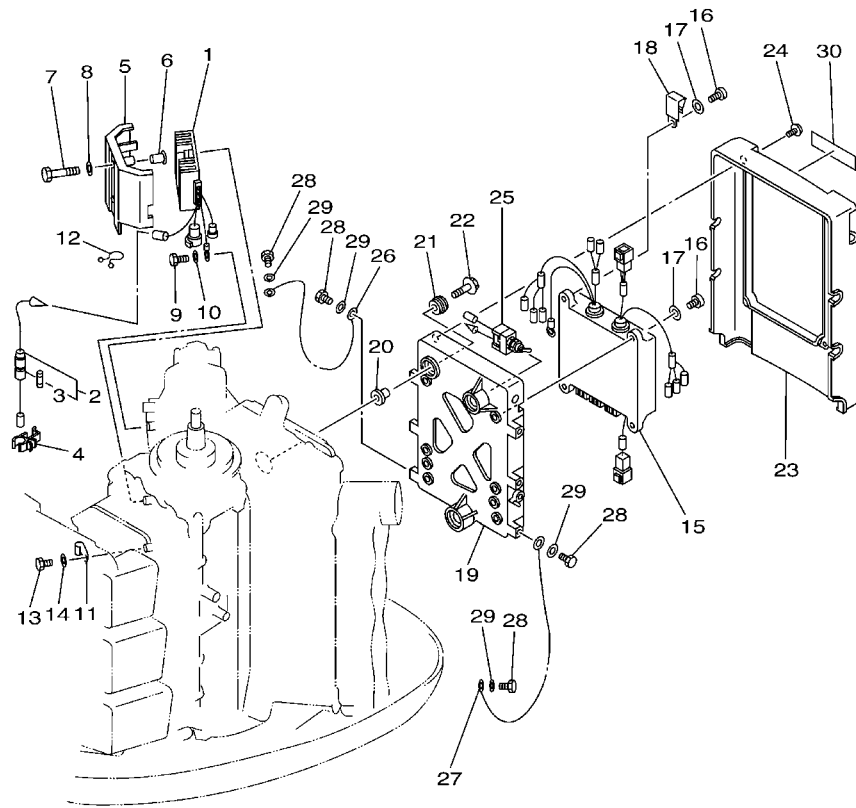
REF. NO.	PART NO.	DESCRIPTION	150F	175D	L150	REMARKS
1	64D-85550-02	ROTOR ASSY	1	1	1	
2	6R3-85510-00	STATOR ASSY	1	1	1	
3	64D-85580-00	COIL, PULSER	1	1	1	
4	90465-06M86	CLAMP	1	1	1	
5	6R5-85895-01	CRANK POSITION SENDER	1	1	1	
6	97885-05012	SCREW, PAN HEAD	2	2	2	
7	90464-15M11	CLAMP	1	1	1	
8	90280-05015	KEY, WOODRUFF	1	1	1	
9	90201-21M18	WASHER, PLATE	1	1	1	
10	90170-20137	NUT	1	1	1	
11	97013-06070	BOLT	4	4	4	
12	92903-06600	WASHER, PLATE	4	4	4	
13	688-41611-00	RETAINER, MAGNETO BASE	1	1	1	
14	688-41612-00	RETAINER, MAGNETO BASE	4	4	4	
15	97880-06018	SCREW, PAN HEAD	4	4	4	
16	6E5-81332-00	PLATE, TIMING	1	1	1	
17	97885-06010	SCREW, PAN HEAD	1	1	1	
18	92995-06600	WASHER	1	1	1	
19	64D-81337-10	COVER, FLYWHEEL	1	1		FOR STD
	64D-81337-01	COVER, FLYWHEEL	1	1	1	FOR SWS
20	6G5-82317-00	DAMPER, IGNITION COIL	2	2		FOR STD
	90480-13M24	GROMMET	1	1	1	FOR SWS
21	663-82317-01	DAMPER, IGNITION COIL	2	2	2	
22	6A1-83625-41	MARK 5	1	1	1	
23	6K1-83623-41	MARK 3			1	
24	6G5-14488-02	LABEL, CAUTION	1	1	1	



64L1100-2120

FIG. 12 ELECTRICAL 1

REF. NO.	PART NO.	DESCRIPTION	150F	175D	L150	REMARKS
1	6R3-81960-10	RECTIFIER & REGULATOR ASSY	1	1	1	
2	6R3-82150-00	FUSE HOLDER ASSY	1	1	1	
3	705-82151-00	.FUSE (30A)	1	1	1	
4	6G5-82152-00	HOLDER, FUSE	1	1	1	
5	64D-81942-00	COVER	1	1	1	
6	90387-06M66	COLLAR	2	2	2	
7	97013-06055	BOLT	2	2	2	
8	92903-06600	WASHER, PLATE	2	2	2	
9	97095-06012	BOLT	1	1	1	
10	92995-06600	WASHER	1	1	1	
11	90465-06M88	CLAMP	1	1	1	
12	90464-15M11	CLAMP	1	1	1	
13	97095-06012	BOLT	1	1	1	
14	92995-06600	WASHER	1	1	1	
15	64D-85540-01	C.D.I. UNIT ASSY	1	1	1	
16	97880-06020	SCREW, PAN HEAD	4	4	4	
17	92990-06600	WASHER, PLATE	4	4	4	
18	90465-05M87	CLAMP	1	1	1	
19	6R3-85542-03-1S	BRACKET	1	1	1	
20	90387-06M03	COLLAR	3	3	3	
21	90480-09M12	GROMMET	3	3	3	
22	90119-06M61	BOLT, WITH WASHER	3	3	3	
23	64D-85537-00	COVER	1	1	1	
24	90159-06M11	SCREW, WITH WASHER	4	4	4	
25	6R3-8259E-00	SWITCH ASSY	1	1	1	
26	662-82519-00	WIRE, EARTH LEAD	1	1	1	
27	6R3-82519-00	WIRE, EARTH LEAD	1	1	1	



64L1100-2120

FIG. 12 ELECTRICAL 1

REF. NO.	PART NO.	DESCRIPTION	150F	175D	L150	REMARKS
28	97095-06012	BOLT	5	5	5	
29	92995-06600	WASHER	5	5	5	
30	6E5-85711-40	MARK, CAUTION	1	1	1	

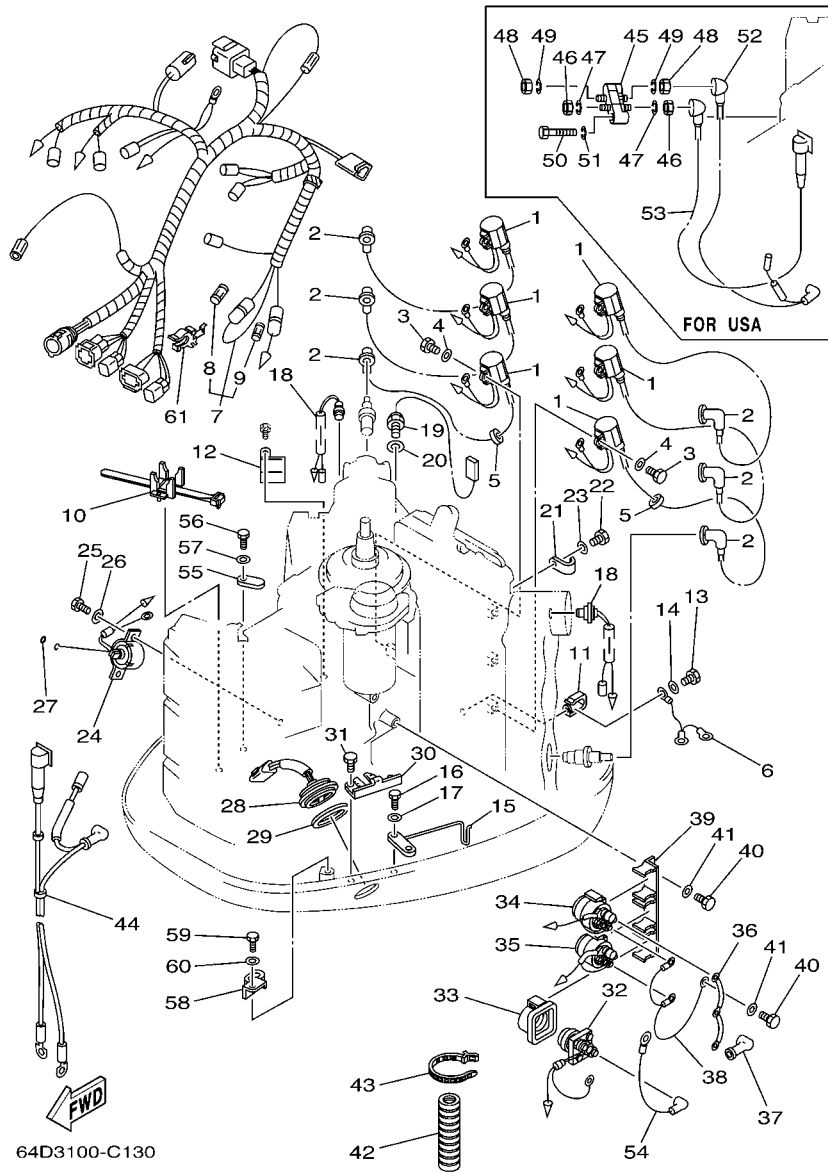


FIG. 13 ELECTRICAL 2

REF. NO.	PART NO.	DESCRIPTION	150F	175D	L150	REMARKS
1	6R3-85570-01	IGNITION COIL ASSY	6	6	6	
2	6E3-82370-21	PLUG CAP ASSY	6	6	6	
3	97095-06020	BOLT	6	6	6	
4	92995-06600	WASHER	6	6	6	
5	90480-25161	GROMMET	2	2	2	
6	6E5-82531-10	WIRE, LEAD	1	1	1	
7	64D-82590-10	WIRE HARNESS ASSY	1			FOR USA
	64D-82590-00	WIRE HARNESS ASSY	1	1	1	EXCEPT USA
8	663-82151-00	.FUSE (12V-20A)	1	1	1	
9	705-82151-00	.FUSE (30A)	1	1	1	
10	688-82594-00	CLAMP	1	1	1	
11	90465-05M87	CLAMP	1	1	1	
12	90465-08M89	CLAMP	1	1	1	
13	97095-06012	BOLT	1	1	1	
14	92995-06600	WASHER	1	1	1	
15	6K7-82588-00	PLATE	1	1	1	
16	97095-06020	BOLT	1	1	1	
17	92995-06600	WASHER	1	1	1	
18	688-82560-10	THERMO SWITCH ASSY	2	2	2	
19	61A-85790-00	THERMOSENSOR ASSY	1	1	1	
20	92990-10600	WASHER, PLATE	1	1	1	
21	90465-06M86	CLAMP	1	1	1	
22	97095-06012	BOLT	1	1	1	
23	92995-06600	WASHER	1	1	1	
24	64D-86110-00	SOLENOID	1	1	1	
25	97095-06016	BOLT	2	2	2	
26	92995-06600	WASHER	2	2	2	

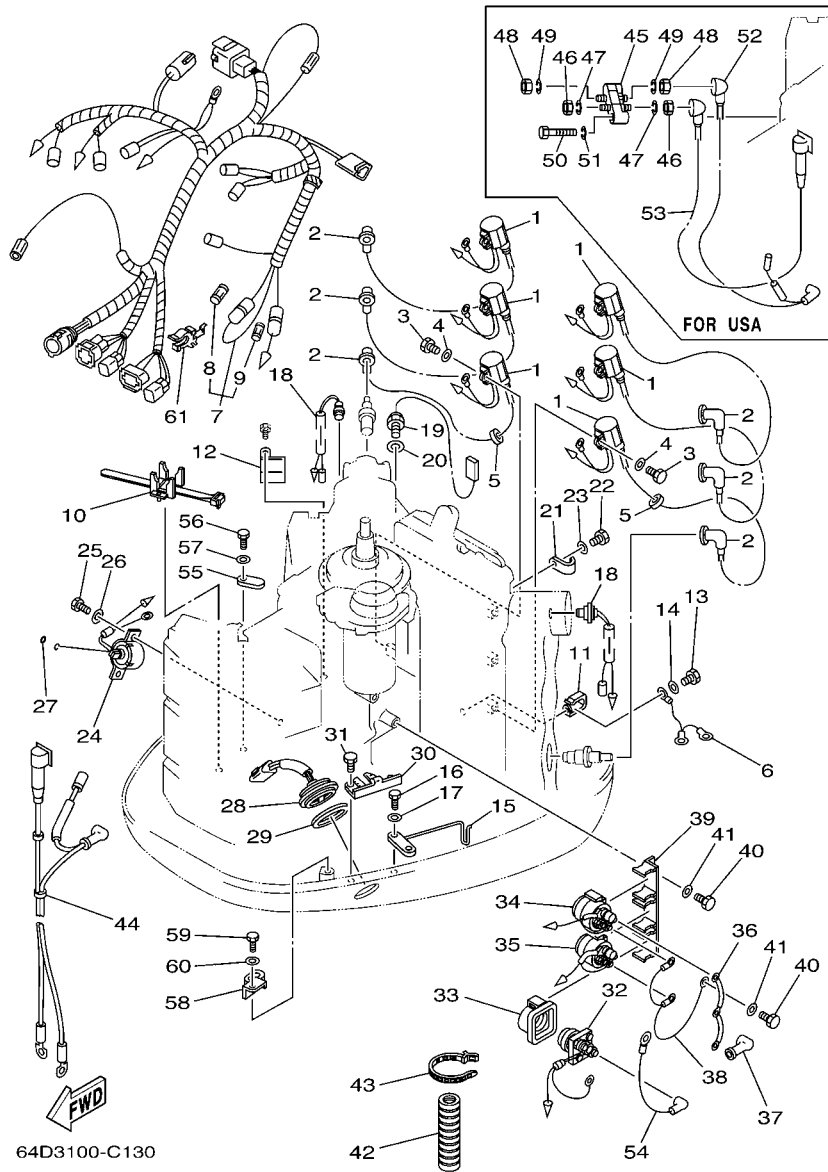


FIG. 13 ELECTRICAL 2

REF. NO.	PART NO.	DESCRIPTION	150F	175D	L150	REMARKS
27	93210-03261	O-RING	1	1	1	
28	6R3-82563-00	TRIM & TILT SWITCH ASSY	1	1	1	
29	6E5-82587-00	GASKET	1	1	1	
30	6R3-83614-00	BRACKET	1	1	1	
31	97095-06012	BOLT	2	2	2	
32	61A-81941-00	STARTER RELAY ASSY	1	1	1	
33	689-81952-10	HOLDER, RELAY	1	1	1	
34	6E5-81950-00	RELAY ASSY	1	1	1	
35	6E5-8195A-00	RELAY ASSY	1	1	1	
36	6G5-87149-10	CONNECTOR	1	1	1	
37	6G5-82119-00	COVER, LEAD WIRE	2	2	2	
38	6E5-82116-00	WIRE, MINUS LEAD	1	1	1	
39	6G5-81948-11	BRACKET	1	1	1	
40	97095-06016	BOLT	2	2	2	
41	92995-06600	WASHER	2	2	2	
42	6E9-83557-70	TUBE	1	1	1	
43	90465-13M18	CLAMP	1	1	1	
44	64D-82105-00	WIRE HARNESS	1			FOR USA
	6R3-82105-02	WIRE HARNESS	1	1	1	EXCEPT USA
45	64D-81920-01	TERMINAL ASSY	1			FOR USA
46	95380-08700	NUT	2			FOR USA
47	92990-08100	WASHER, SPRING	2			FOR USA
48	95380-06700	NUT	2			FOR USA
49	92990-06100	WASHER, SPRING	2			FOR USA
50	97095-06035	BOLT	2			FOR USA
51	92995-06100	WASHER, SPRING	2			FOR USA
52	64D-82117-00	WIRE, LEAD	1			FOR USA

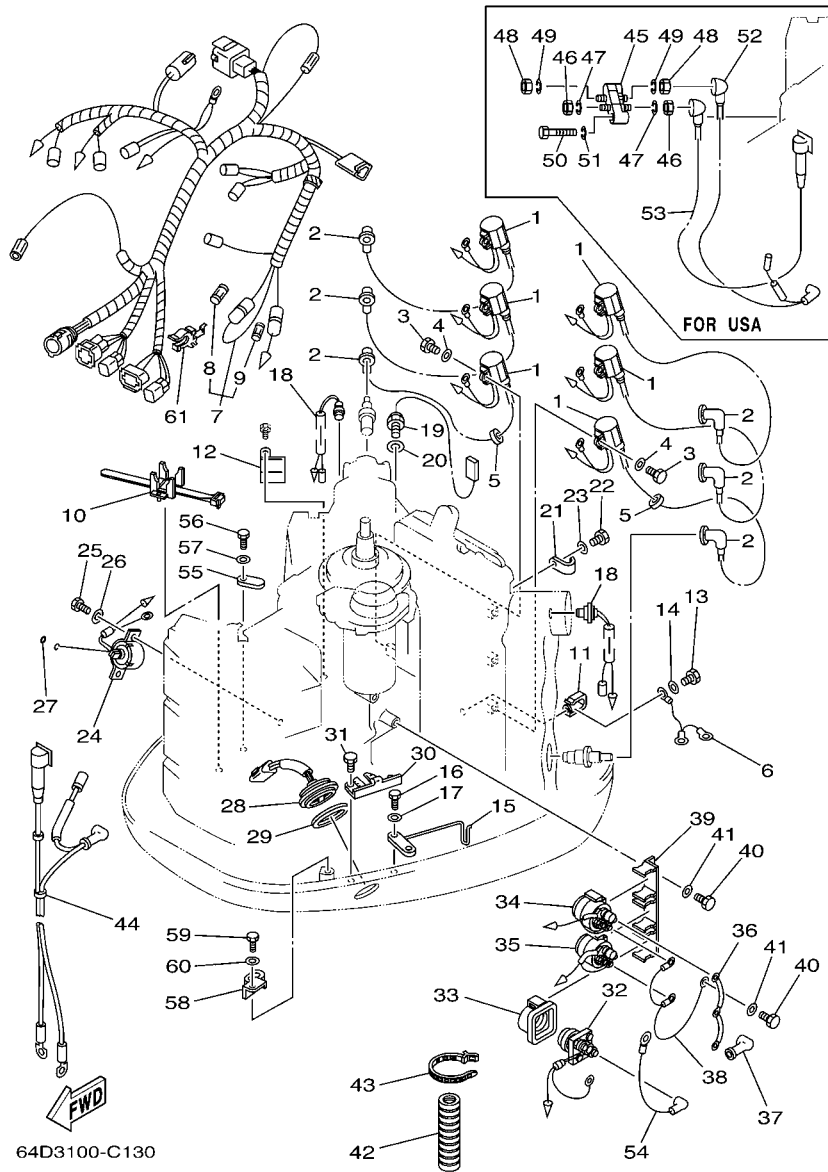
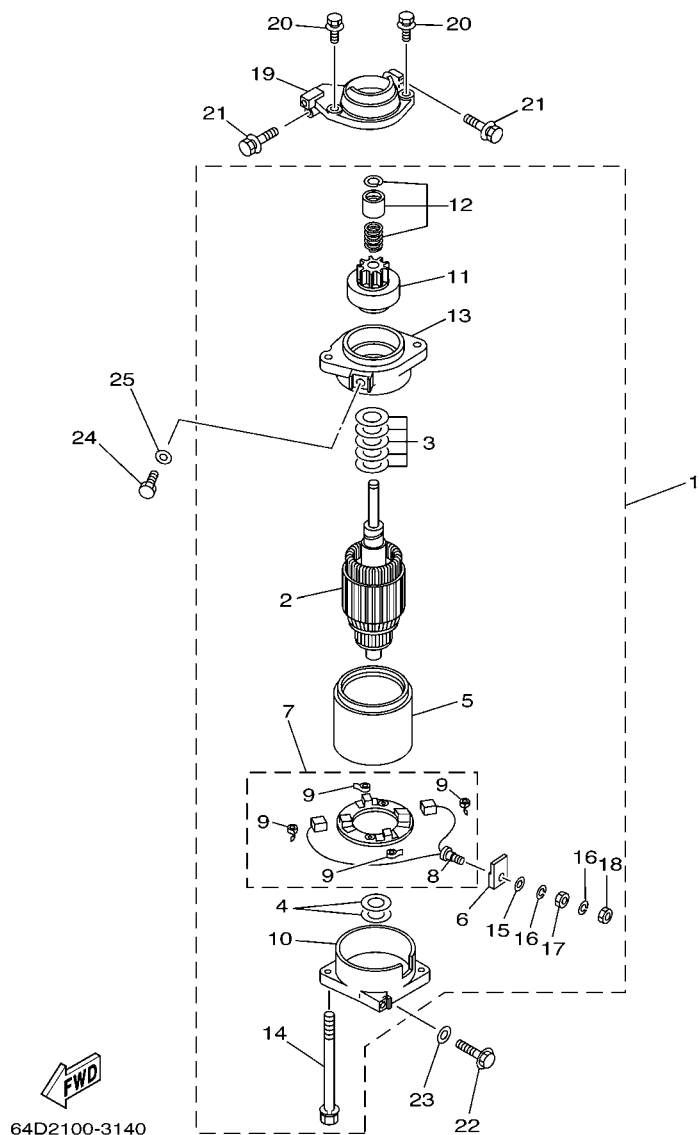


FIG. 13 ELECTRICAL 2

REF. NO.	PART NO.	DESCRIPTION	150F	175D	L150	REMARKS
53	64D-82116-00	WIRE, MINUS LEAD	1			FOR USA
54	6E5-82117-01	WIRE, LEAD	1	1	1	
55	6E5-82588-00	PLATE	1	1	1	
56	97095-06020	BOLT	1	1	1	
57	92995-06600	WASHER	1	1	1	
58	90465-12M25	CLAMP	1	1	1	
59	97095-06012	BOLT	1	1	1	
60	92995-06600	WASHER	1	1	1	
61	6G5-82152-00	HOLDER, FUSE	2	2	2	

FIG. 14 STARTING MOTOR



REF. NO.	PART NO.	DESCRIPTION	150F	175D	L150	REMARKS
1	6N7-81800-10	STARTING MOTOR ASSY	1	1	1	
2	6N7-81850-10	.ARMATURE ASSY	1	1	1	
3	61A-81809-00	.WASHER KIT	1	1	1	
4	61A-81824-00	.WASHER 2	2	2	2	
5	6N7-81810-00	.STATOR ASSY	1	1	1	
6	6K7-8182G-10	.BUSH, TERMINAL	1	1	1	
7	6N7-81840-00	.BRUSH HOLDER ASSY	1	1	1	
8	6N7-81801-00	..BRUSH SET	1	1	1	
9	6N7-81813-00	..SPRING, BRUSH	4	4	4	
10	6N7-81820-10	.REAR BRACKET ASSY	1	1	1	
11	6N7-81807-00	.GEAR ASSY, STARTING MOTOR	1	1	1	
12	6N7-81857-00	.RETAINER	1	1	1	
13	6N7-81830-00	.FRONT BRACKET ASSY	1	1	1	
14	6K7-81826-10	.BOLT	2	2	2	
15	6E5-8182E-10	.WASHER	1	1	1	
16	6E5-8182F-10	.WASHER	2	2	2	
17	6E5-8182A-10	.NUT	1	1	1	
18	6E5-8182K-10	.NUT	1	1	1	
19	6R3-81822-00-94	BRACKET, STARTING MOTOR	1	1	1	
20	90119-08M76	BOLT, WITH WASHER	2	2	2	
21	90119-08M77	BOLT, WITH WASHER	2	2	2	
22	90119-08M57	BOLT, WITH WASHER	1	1	1	
23	92990-08600	WASHER, PLATE	1	1	1	
24	97095-08016	BOLT	1	1	1	
25	92995-08600	WASHER	1	1	1	

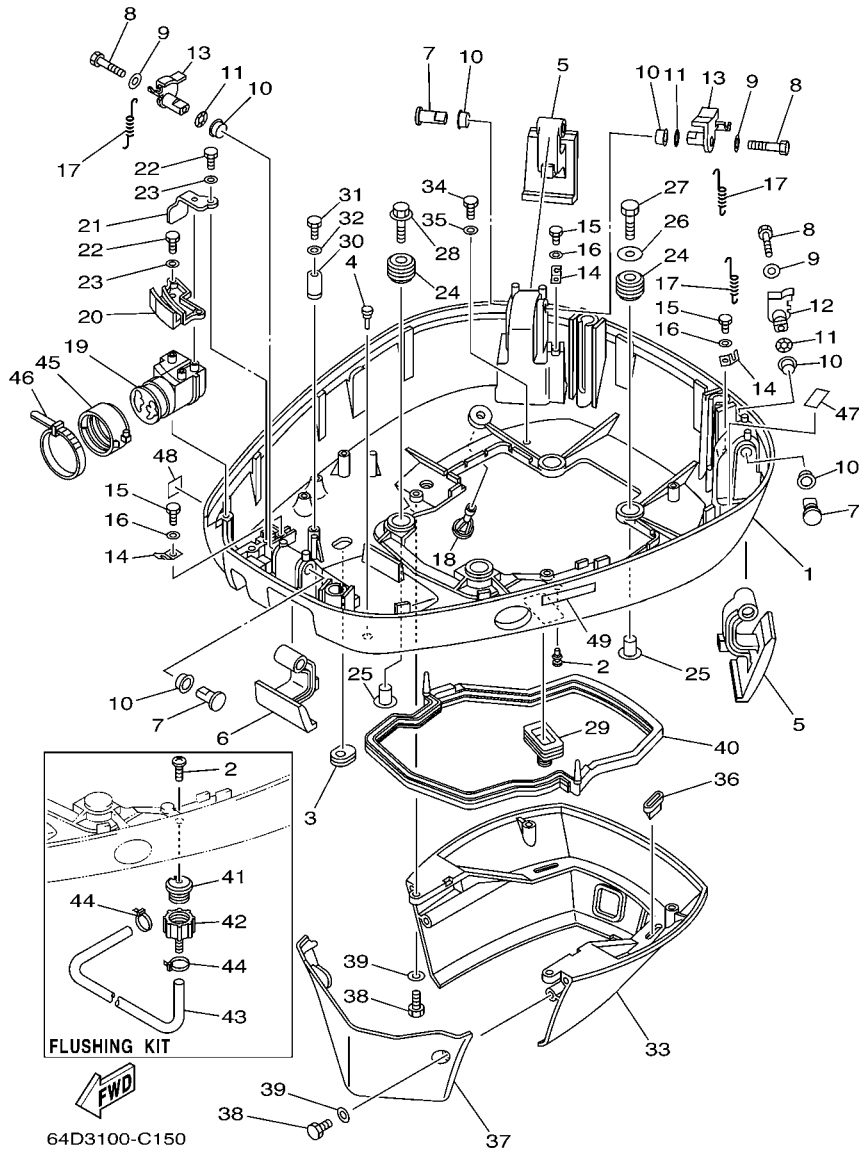


FIG. 15 BOTTOM COWLING

REF. NO.	PART NO.	DESCRIPTION	150F	175D	L150	REMARKS
1	64D-42711-01-8D	COWLING, BOTTOM	1	1	1	
2	90169-05M00	SCREW, TRUSS HEAD TAPPING	1	1	1	FLUSHING KIT FOR CAR,BRA,KOR
	90480-06M19	GROMMET	1	1		
3	61A-42727-00	GROMMET	1	1	1	
	64G-42727-00	GROMMET			1	
4	6H4-42748-00	GROMMET	1	1	1	
5	64D-42815-00-4D	LEVER, CLAMP	2	2	2	
6	64D-42816-00-4D	LEVER, CLAMP	1	1	1	
7	64D-42835-00	PIN, SET 1	3	3	3	
8	97095-06040	BOLT	3	3	3	
9	90201-06068	WASHER, PLATE	3	3	3	
10	90386-15M73	BUSH	6	6	6	
11	90206-15M18	WASHER, WAVE	3	3	3	
12	64D-42818-20	LEVER, CLAMP	1	1	1	
13	64D-42818-30	LEVER, CLAMP	2	2	2	
14	64D-43144-00	HOOK, SPRING	3	3	3	
15	97090-06012	BOLT	3	3	3	
16	92990-06600	WASHER, PLATE	3	3	3	
17	90506-16M34	SPRING, TENSION	3	3	3	
18	6E5-44391-00	NIPPLE, HOSE	1	1	1	
19	64D-42725-30	GROMMET	1	1	1	FOR USA,OCE
	64D-42725-20	GROMMET	1	1	1	FOR CAR,BRA,KOR
20	64D-42738-00-5B	PLATE, FITTING	1	1	1	
21	64D-42738-10-5B	PLATE, FITTING	1	1	1	
22	97095-06016	BOLT	3	3	3	
23	92995-06600	WASHER	3	3	3	
24	90480-22M15	GROMMET	4	4	4	

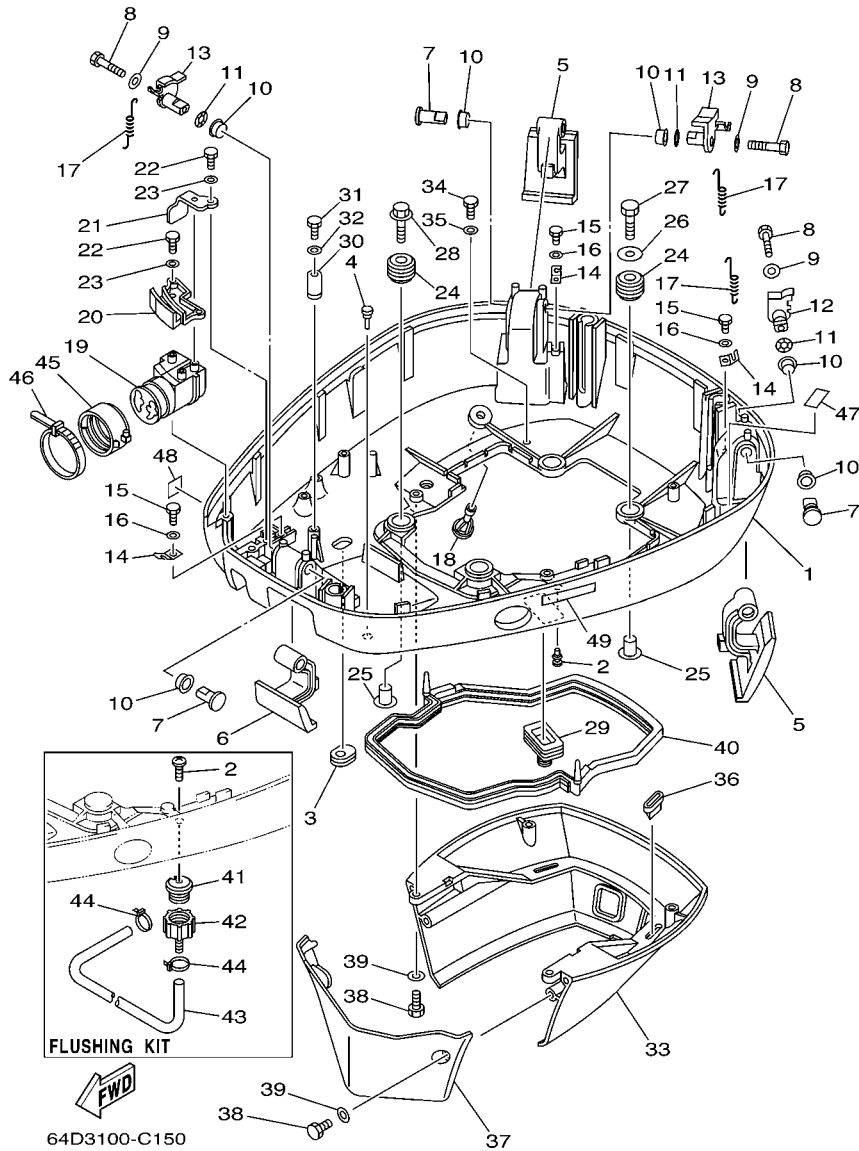
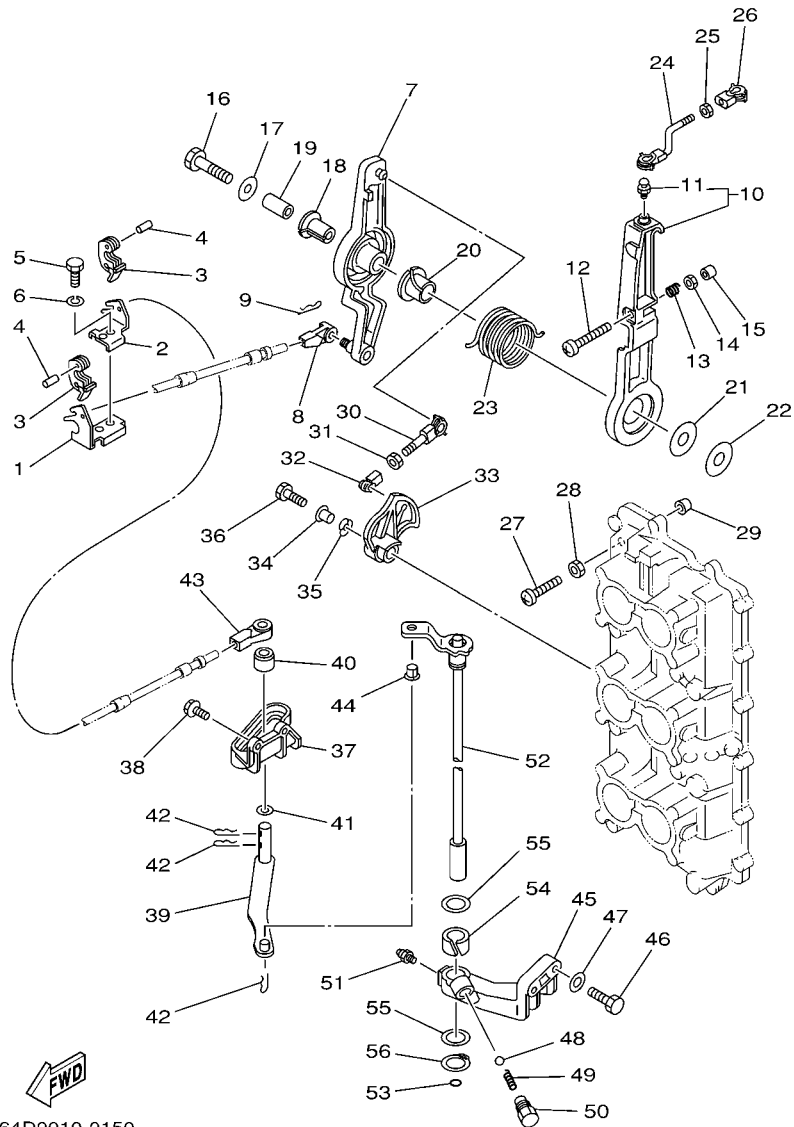


FIG. 15 BOTTOM COWLING

REF. NO.	PART NO.	DESCRIPTION	150F	175D	L150	REMARKS
25	90387-08M37	COLLAR	4	4	4	
26	90201-08M54	WASHER, PLATE	1	1	1	
27	97075-08035	BOLT	1	1	1	
28	90119-08M22	BOLT, WITH WASHER	3	3	3	
29	688-42726-10	GROMMET	1	1	1	
30	6E5-82588-00	PLATE	1	1	1	
31	97095-06020	BOLT	1	1	1	
32	92995-06600	WASHER	1	1	1	
33	6R3-42741-02-8D	APRON	1	1	1	
34	97095-06020	BOLT	2	2	2	
35	92995-06600	WASHER	2	2	2	
36	64D-42717-00	RUBBER, SEAL 2	2	2	2	
37	6R3-42771-01-8D	APRON	1	1	1	
38	97095-06020	BOLT	4	4	4	
39	92995-06600	WASHER	4	4	4	
40	6E5-42716-10	RUBBER, SEAL 1	1	1	1	
41	6R3-12572-00	ADAPTER	1	1	1	FLUSHING KIT
42	6R3-12580-00	JOINT ASSY	1	1	1	FLUSHING KIT
43	90445-11M35	HOSE (L540)	1	1	1	FLUSHING KIT
44	90465-11M10	CLAMP	2	2	2	FLUSHING KIT
45	68F-42753-00	FASTNER	1	1	1	FOR OCE
46	90464-20258	CLAMP	1	1	1	FOR OCE
47	6E7-42791-10	MARK 1	1	1	1	
	6G5-42791-10	MARK 1		1	1	
48	6A1-28176-00	LABEL, CAUTION	1	1	1	FOR CAR
49	6E3-8257H-00	PLATE, MARK	1	1	1	FOR CAR

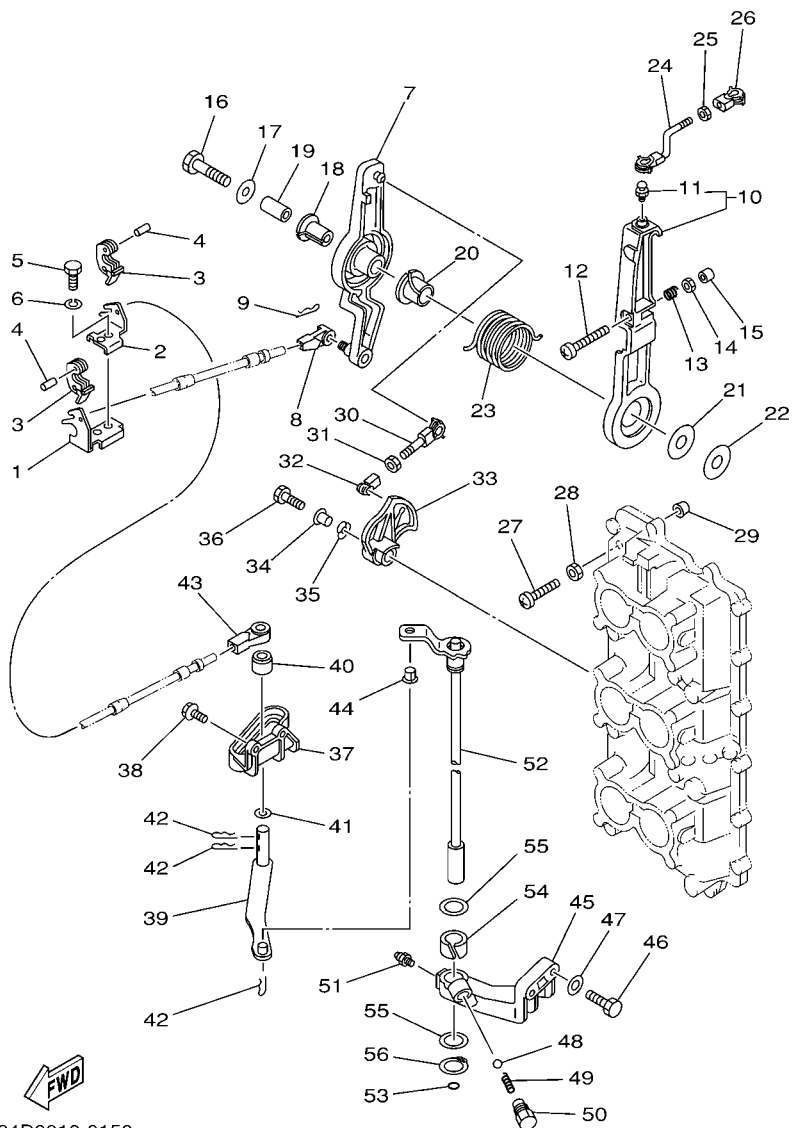


64D0010-0150

FIG. 16 CONTROL

REF. NO.	PART NO.	DESCRIPTION	150F	175D	L150	REMARKS
1	64D-48531-00	BRACKET, REMOTE CONTROL 1	1	1	1	
2	64D-48532-00	BRACKET, REMOTE CONTROL 2	1	1	1	
3	6E5-48538-00	CLAMP, CABLE	2	2	2	
4	91690-30012	PIN, SPRING	2	2	2	
5	97095-08020	BOLT	1	1	1	
6	92995-08100	WASHER	1	1	1	
7	61H-41632-02-1S	LEVER, MAGNETO CONTROL	1	1	1	
8	6E5-48344-00	CABLE END, REMOTE CONTROL	1	1	1	
9	90468-18008	CLIP	1	1	1	
10	6G5-41631-01-1S	LEVER, MAGNETO CONTROL	1	1	1	
11	663-85518-00	JOINT, BALL	1	1	1	
12	90157-06013	SCREW, PAN HEAD	1	1	1	
13	90501-16M12	SPRING, COMPRESSION	1	1	1	
14	95303-06600	NUT	1	1	1	
15	688-44194-00	CAP	1	1	1	
16	97013-08045	BOLT	1	1	1	
17	90201-08M23	WASHER, PLATE	1	1	1	
18	90386-12089	BUSH	1	1	1	
19	90387-08M16	COLLAR	1	1	1	
20	90386-22M13	BUSH	1	1	1	
21	90202-12092	WASHER, PLATE	1	1	1	
22	90201-08M13	WASHER, PLATE	1	1	1	
23	90508-29M12	SPRING, TORSION	1	1	1	
24	6G5-41636-01	ROD, MAGNETO CONTROL	1	1	1	
25	95380-05600	NUT	1	1	1	
26	662-41237-01	JOINT, LINK	1	1	1	
27	90157-06M00	SCREW, PAN HEAD	1	1	1	

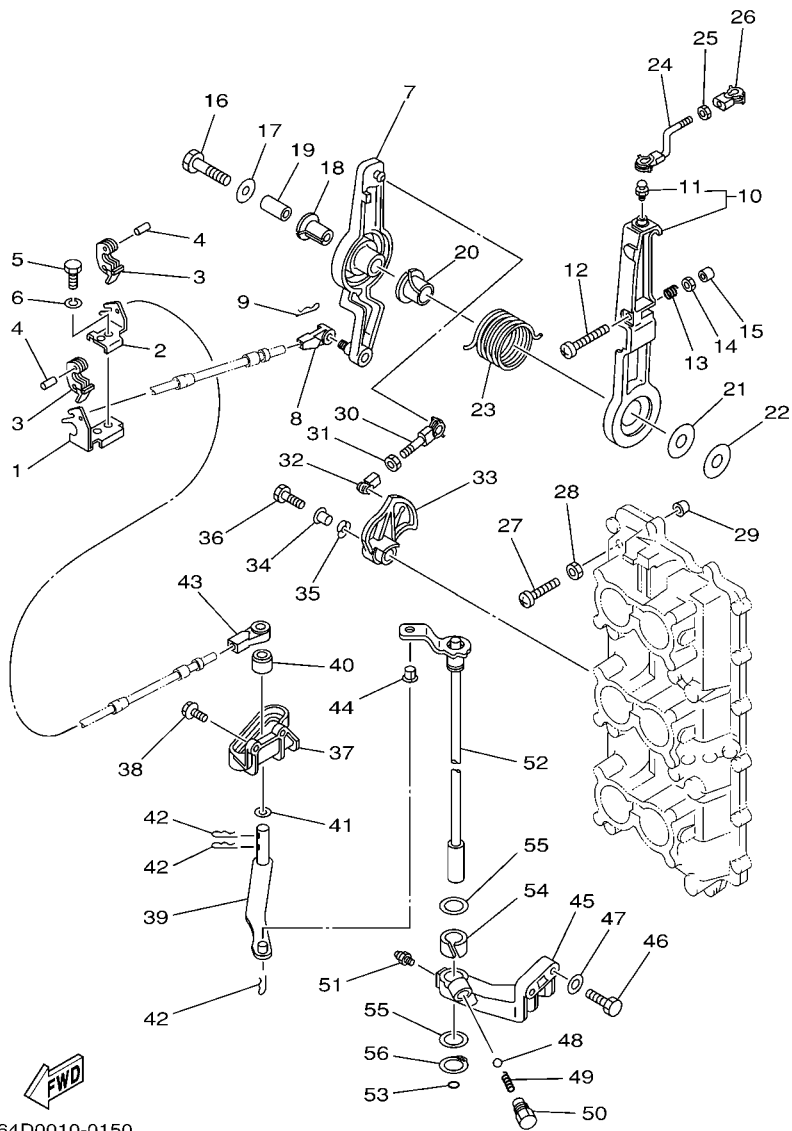
FIG. 16 CONTROL



64D0010-0150

REF. NO.	PART NO.	DESCRIPTION	150F	175D	L150	REMARKS
28	95303-06600	NUT	1	1	1	
29	688-44194-00	CAP	1	1	1	
30	6G5-41211-01	LINK, ACCEL.	1	1	1	
31	95380-05600	NUT	1	1	1	
32	662-41237-01	JOINT, LINK	1	1	1	
33	6G5-41213-00	CAM, ACCEL.	1	1	1	
34	90387-06M29	COLLAR	1	1	1	
35	90206-10M04	WASHER, WAVE	1	1	1	
36	97095-06025	BOLT	1	1	1	
37	6E5-44117-00-1S	BRACKET	1	1	1	
38	90119-06MA2	BOLT, WITH WASHER	2	2	2	
39	68F-44121-00	LEVER, SHIFT ROD	1	1	1	
40	6E5-44122-00	BUSHING, SHIFT ROD LEVER	1	1	1	
41	90202-08M20	WASHER, PLATE	1	1	1	
42	90468-18008	CLIP	3	3	3	
43	6E5-48344-00	CABLE END, REMOTE CONTROL	1	1	1	
44	90386-06M12	BUSH	1	1	1	
45	6E5-44118-01-94	BRACKET	1	1	1	
46	97013-08030	BOLT	2	2	2	
47	92903-08600	WASHER, PLATE	2	2	2	
48	93501-04M02	BALL	1	1	1	
49	90501-12082	SPRING, COMPRESSION	1	1	1	
50	648-42715-00	BUSHING	1	1	1	
51	93700-06M03	NIPPLE, GREASE	1	1	1	
52	6E5-44120-03	HANDLE GEAR SHIFT ASSY	1			L
	6E5-44120-23	HANDLE GEAR SHIFT ASSY	1	1	1	X
53	93210-09165	O-RING	1	1	1	

FIG. 16 CONTROL

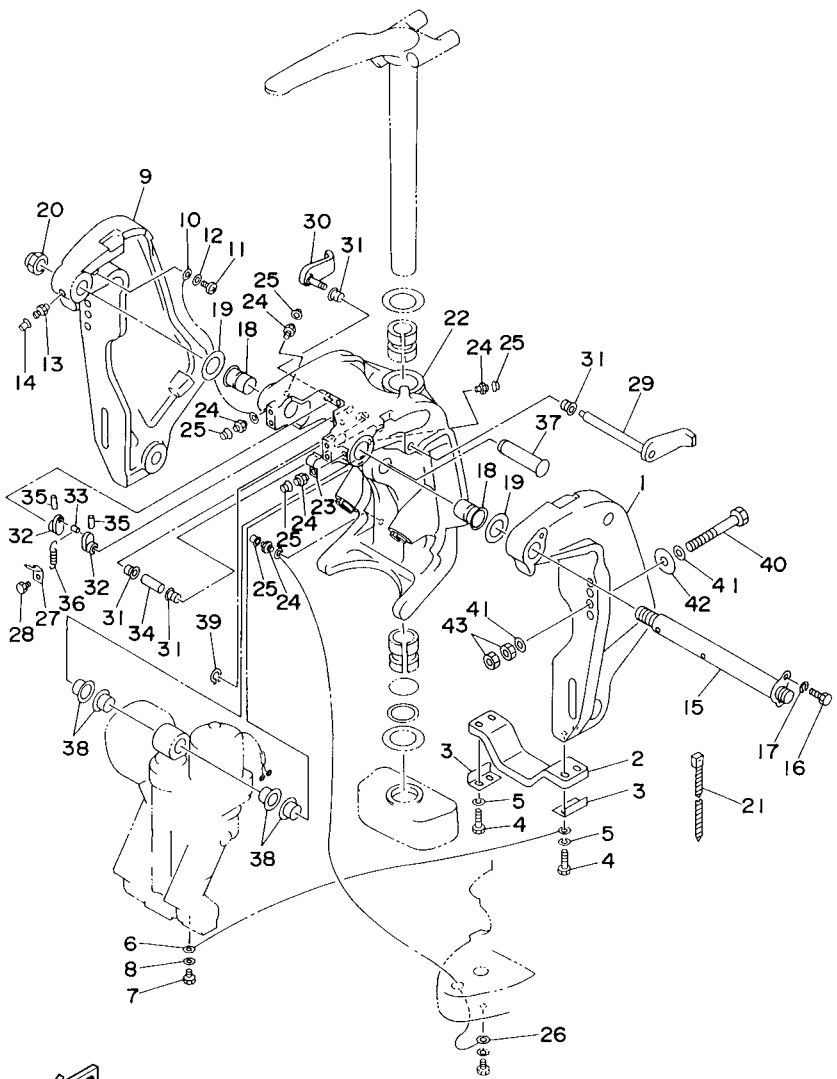


64D0010-0150

REF. NO.	PART NO.	DESCRIPTION	150F	175D	L150	REMARKS
54	90386-16M66	BUSH	1	1	1	
55	90202-16061	WASHER, PLATE	2	2	2	
56	93410-16006	CIRCLIP	1	1	1	

FIG. 17 BRACKET 1

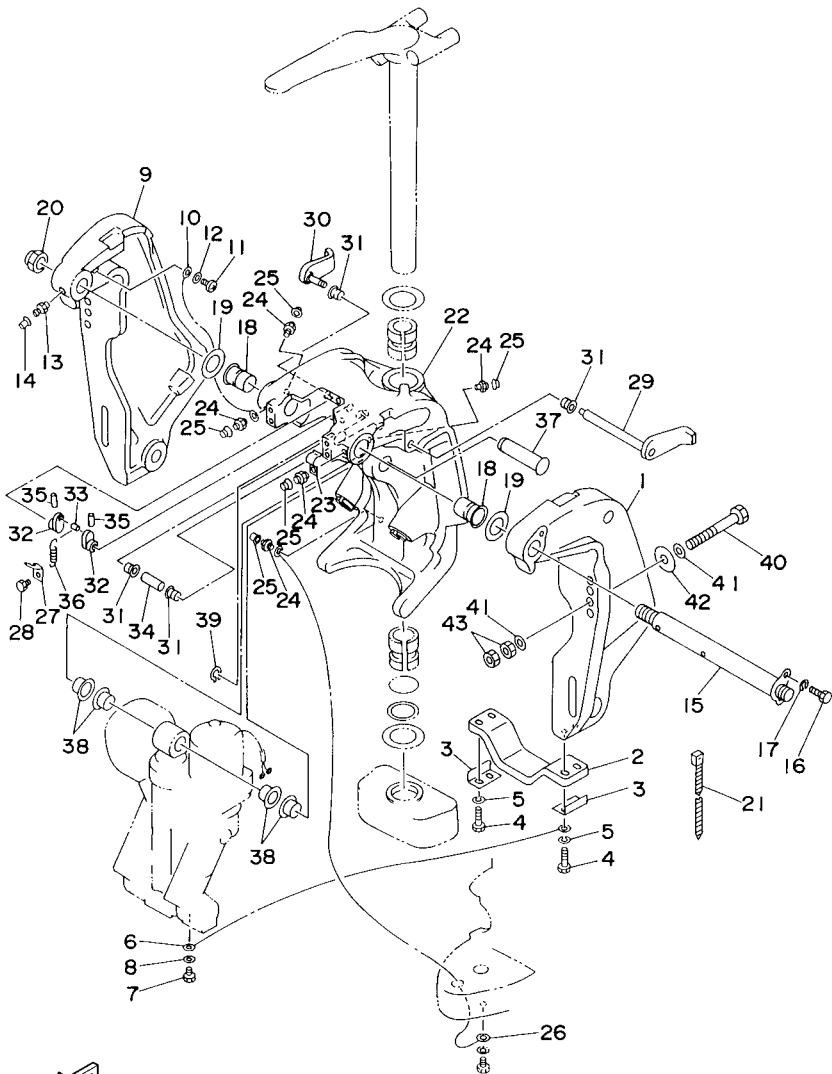
REF. NO.	PART NO.	DESCRIPTION	150F	175D	L150	REMARKS
1	64E-43111-02-8D	BRACKET, CLAMP	1	1	1	
2	6G5-45251-02	ANODE	1	1	1	
3	6G5-44526-00	PLATE	2	2	2	
4	97095-06030	BOLT	4	4	4	
5	92995-06100	WASHER, SPRING	4	4	4	
6	6E5-82148-00	WIRE, LEAD 4	1	1	1	
7	97095-06010	BOLT	1	1	1	
8	92995-06600	WASHER	1	1	1	
9	64E-43112-02-8D	BRACKET, CLAMP	1	1	1	
10	6E5-82148-00	WIRE, LEAD 4	1	1	1	
11	97880-06012	SCREW, PAN HEAD	1	1	1	
12	92990-06600	WASHER, PLATE	1	1	1	
13	93700-06M03	NIPPLE, GREASE	1	1	1	
14	663-45119-00	CAP, GREASE NIPPLE	1	1	1	AP
15	64E-43131-01	BOLT, CLAMP BRACKET	1	1	1	
16	97095-08020	BOLT	1	1	1	
17	92995-08100	WASHER	1	1	1	
18	90386-25M31	BUSH	2	2	2	
19	90201-26M59	WASHER, PLATE	2	2	2	
20	90185-22M11	NUT, SELF-LOCKING	1	1	1	
21	90465-11M10	CLAMP	1	1	1	
22	64E-43311-10-8D	BRACKET, SWIVEL 1	1			L
	64E-43311-20-8D	BRACKET, SWIVEL 1	1	1	1	X
23	90465-08M63	CLAMP	1	1	1	
24	93700-06M03	NIPPLE, GREASE	5	5	5	
25	663-45119-00	CAP, GREASE NIPPLE	5	5	5	AP
26	6E5-82147-00	WIRE, LEAD 4	1			L



6N60010-7160

FIG. 17 BRACKET 1

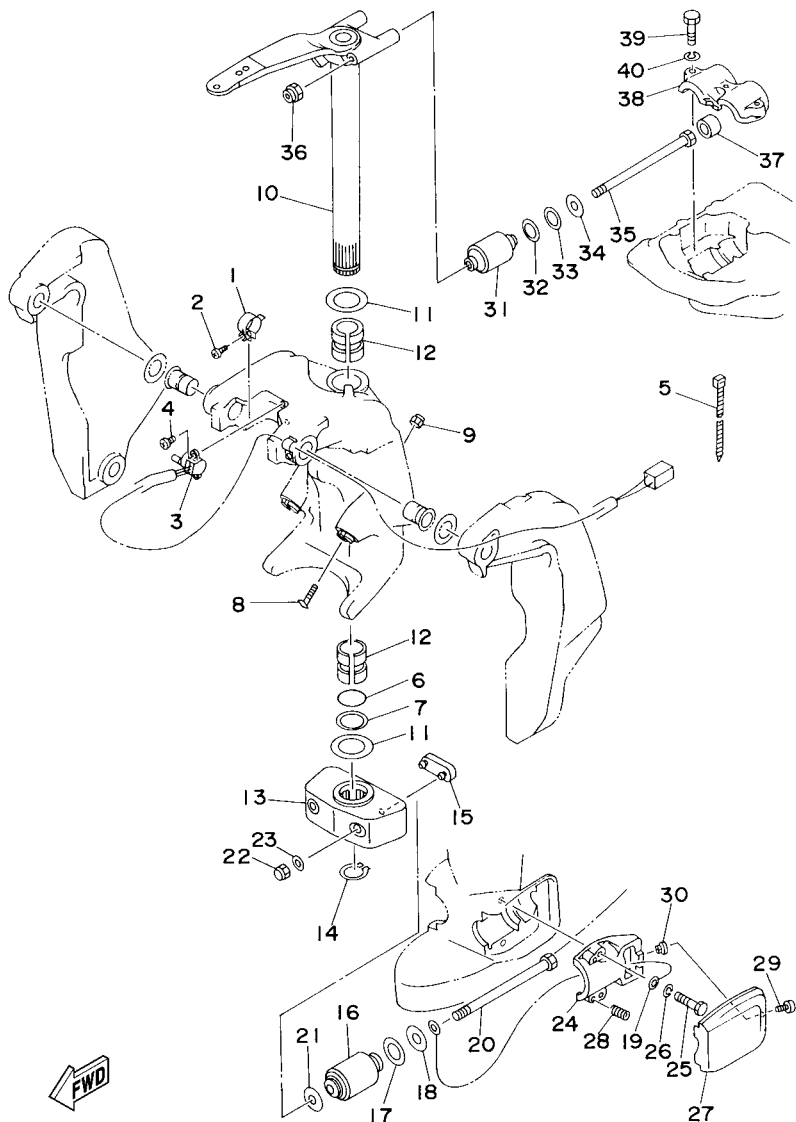
REF. NO.	PART NO.	DESCRIPTION	150F	175D	L150	REMARKS
26	6E5-82147-20	WIRE, LEAD 4	1	1	1	X
27	6G5-43144-00	HOOK, SPRING	1	1	1	
28	97095-06010	BOLT	1	1	1	
29	6G5-43181-02	LEVER, TILT STOP	1	1	1	
30	6G5-43185-02	LEVER, TILT STOP	1	1	1	
31	90386-10M16	BUSH	4	4	4	
32	6G5-43148-00	COLLAR, DISTANCE	2	2	2	
33	90249-06M19	PIN	1	1	1	
34	90387-10M05	COLLAR	1	1	1	
35	91690-30020	PIN, SPRING	2	2	2	
36	90506-14M24	SPRING, TENSION	1	1	1	
37	64E-43126-00	PIN, UPPER SHOCK MOUNT	1	1	1	
38	90386-22M98	BUSH	4	4	4	
39	93410-22M11	CIRCLIP	1	1	1	
40	90101-12M05	BOLT (L:130MM)	4	4	4	FOR USA,OCE
	90101-12M77	BOLT (L:150MM)	2	2	2	FOR USA,OCE
	90101-12M03	BOLT (L:115MM)	4	4	4	FOR CAR,BRA,KOR
41	90201-13M01	WASHER, PLATE	8	8	8	
42	90201-12M05	WASHER, PLATE	4	4	4	
43	95380-12600	NUT	8	8	8	



6N60010-7160

FIG. 18 BRACKET 2

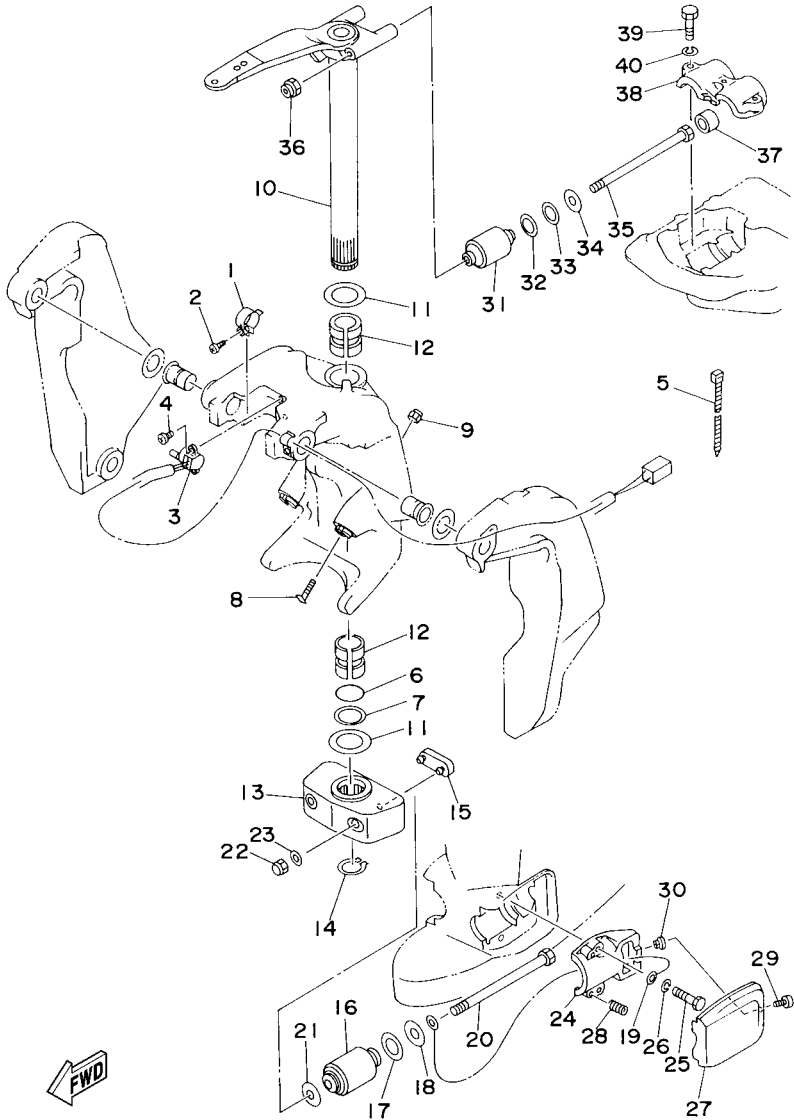
REF. NO.	PART NO.	DESCRIPTION	150F	175D	L150	REMARKS
1	64E-43139-02	CAM, TRIM SENDER	1	1	1	
2	97780-60525	SCREW, TAPPING	1	1	1	
3	67H-83672-00	TRIM SENDER	1			FOR USA
	64E-83672-02	TRIM SENDER	1	1	1	EXCEPT USA
4	97885-06016	SCREW, PAN HEAD	2	2	2	
5	90465-11M10	CLAMP	3	3	3	
6	93210-37MH7	O-RING	1	1	1	
7	90202-40M47	WASHER, PLATE	1	1	1	
8	61A-43376-00	BOLT, THRUST RECEIVER	2	2	2	
9	95780-10300	NUT, FLANGE	2	2	2	
10	6E5-42510-A1-8D	STEERING BRACKET ASSY	1			L
	6E5-42510-B1-8D	STEERING BRACKET ASSY	1	1	1	X
11	90201-38M60	WASHER, PLATE	2	2	2	
12	90386-38M32	BUSH	2	2	2	
13	6G5-44551-01-8D	HOUSING, LOWER MOUNT RUBBER	1	1	1	
14	93410-37M04	CIRCLIP	1	1	1	
15	6E5-44575-00	DAMPER, LOWER MOUNT RUBBER	1	1	1	
16	6G5-44555-00-94	MOUNT DAMPER, LOWER SIDE	2	2	2	
17	90202-32M19	WASHER, PLATE	2	2	2	
18	90201-16M55	WASHER, PLATE	2	2	2	
19	6E5-82149-00	WIRE, LEAD 3	1	1	1	
20	90109-14M34	BOLT	2	2	2	
21	90201-15M58	WASHER, PLATE	2	2	2	
22	95380-14800	NUT	2	2	2	
23	92995-14600	WASHER	2	2	2	
24	6E5-44552-01-94	HOUSING, LOWER MOUNT RUBBER	2	2	2	
25	97095-10045	BOLT	4	4	4	



64D3100-C180

FIG. 18 BRACKET 2

REF. NO.	PART NO.	DESCRIPTION	150F	175D	L150	REMARKS
26	92995-10100	WASHER	4	4	4	
27	6E5-44553-01-8D	COVER, LOWER MOUNT	2	2	2	
28	90501-16M28	SPRING, COMPRESSION	4	4	4	
29	97885-06016	SCREW, PAN HEAD	2	2	2	
30	90179-06066	NUT	2	2	2	
31	6G5-44514-00-94	MOUNT DAMPER, UPPER SIDE	2	2	2	
32	90201-26M57	WASHER, PLATE	2	2	2	
33	90202-26M18	WASHER, PLATE	2	2	2	
34	90201-14M56	WASHER, PLATE	2	2	2	
35	90109-12M37	BOLT	2	2	2	
36	90185-12M12	NUT, SELF-LOCKING	2	2	2	
37	663-44575-00	DAMPER, LOWER MOUNT RUBBER	2	2	2	
38	6E5-44511-00-5B	COVER, UPPER MOUNT	1	1	1	
39	97095-10045	BOLT	3	3	3	
40	92995-10100	WASHER	3	3	3	



64D3100-C180

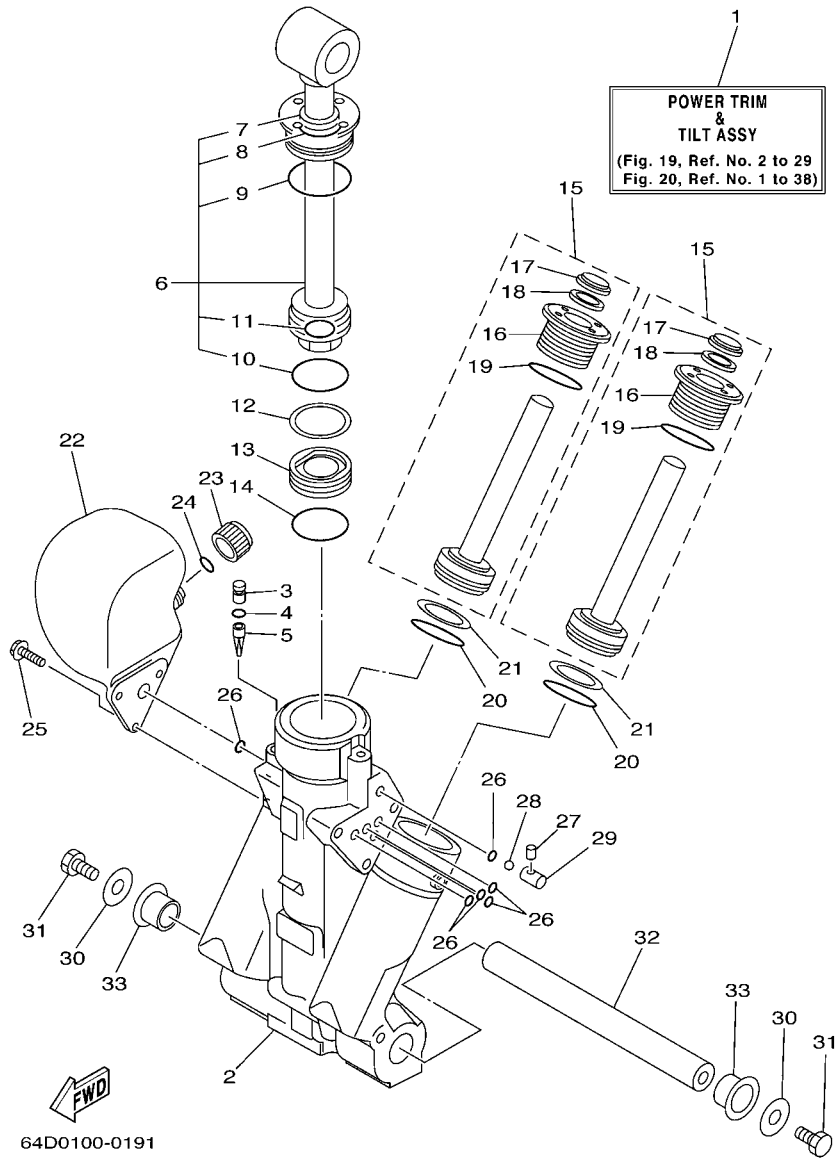


FIG. 19 POWER TRIM & TILT ASSY 1

REF. NO.	PART NO.	DESCRIPTION	150F	175D	L150	REMARKS
1	64E-43800-02-4D	POWER TRIM & TILT ASSY	1	1	1	
2	64E-43825-01	HOUSING, TRIM & TILT	1	1	1	
3	64E-4388J-00	PLUG 2	1	1	1	
4	93210-10M74	O-RING	1	1	1	
5	64E-43817-00	FILTER 2	1	1	1	
6	64E-43810-00	TILT PISTON SUB ASSY	1	1	1	
7	64E-43898-00	.SEAL ,DUST 2	1	1	1	
8	64E-43867-00	.O-RING	1	1	1	
9	64E-43866-00	.O-RING	1	1	1	
10	6E5-43862-00	.O-RING	1	1	1	
11	64E-43883-00	.O-RING	1	1	1	
12	6E5-43872-00	RING, BACK UP	1	1	1	
13	6E5-43814-02	PISTON, FREE	1	1	1	
14	6E5-43862-00	O-RING	1	1	1	
15	64E-43820-00	TRIM PISTON SUB ASSY	2	2	2	
16	64E-43821-00	.SCREW, TRIM CYLINDER END	1	1	1	
17	64E-43822-00	.SEAL, TRIM DUST	1	1	1	
18	64E-4384J-00	.SEAL, TRIM DOWN	1	1	1	
19	6G5-43864-00	.O-RING	1	1	1	
20	6E5-43864-00	O-RING	2	2	2	
21	6E5-43874-01	RING, BACK UP	2	2	2	
22	64E-43828-00	BODY, RESERVOIR	1	1	1	
23	64E-43829-00	PLUG, RESERVOIR	1	1	1	
24	64E-43897-00	O-RING	1	1	1	
25	64E-4388E-00	BOLT ,SCREW (L:14MM)	3	3	3	
26	64E-43869-00	O-RING	6	6	6	
27	64E-4381G-00	PIN	1	1	1	

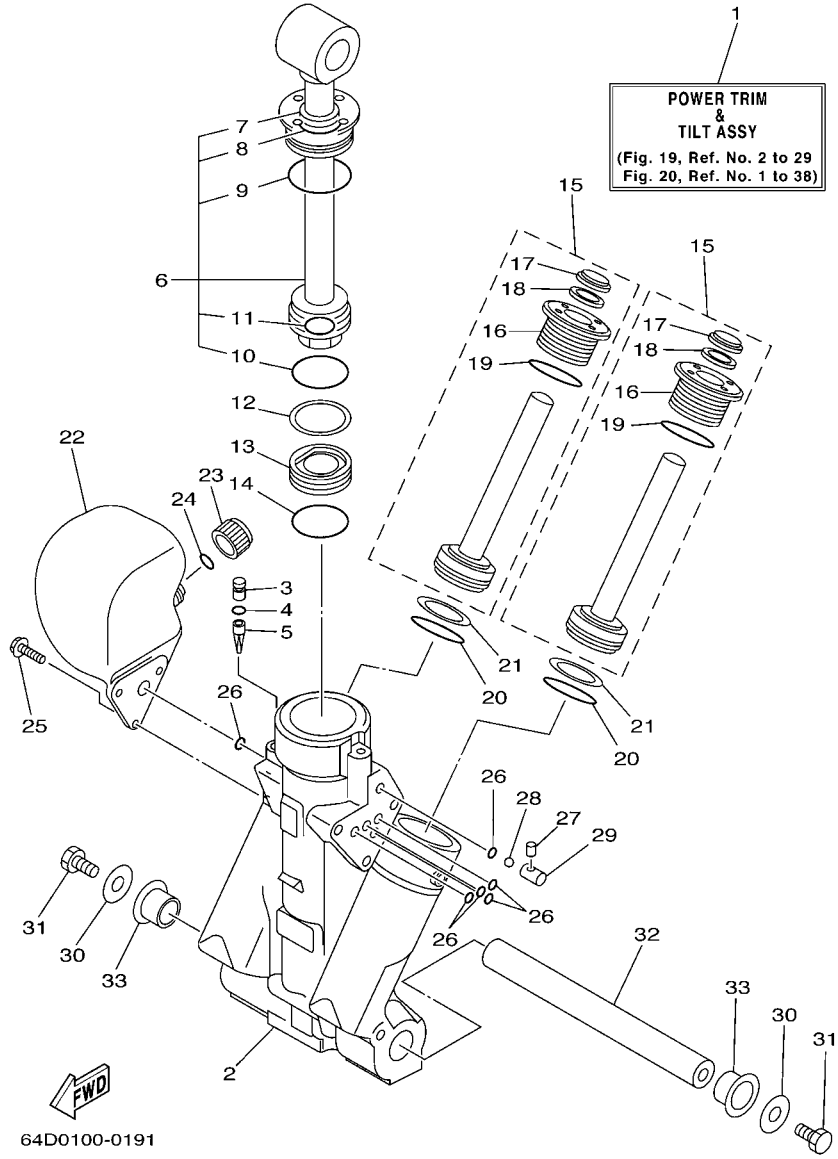
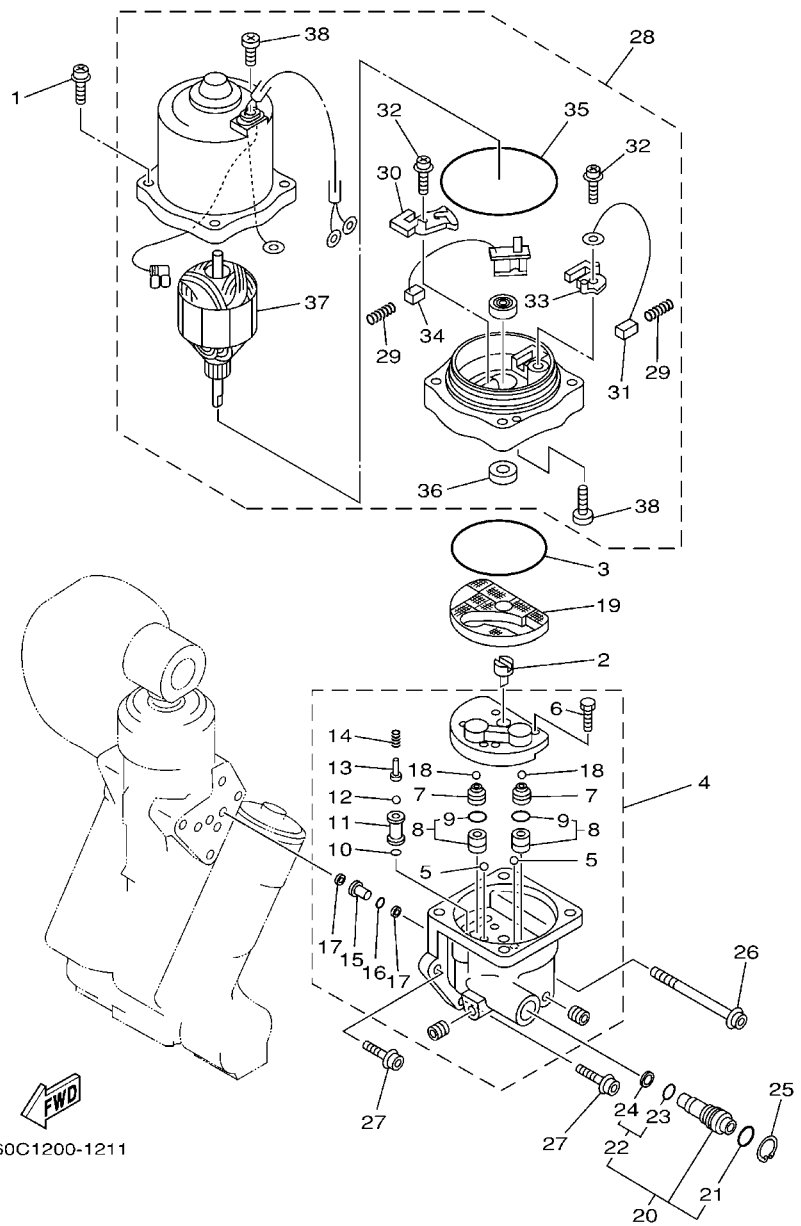


FIG. 19 POWER TRIM & TILT ASSY 1

REF. NO.	PART NO.	DESCRIPTION	150F	175D	L150	REMARKS
28	6E5-43858-00	BALL	1	1	1	
29	64E-4382G-00	VALVE, SEAT	1	1	1	
30	90201-08M14	WASHER, PLATE	2	2	2	
31	97080-08016	BOLT	2	2	2	
32	64E-43818-01	PIN, LOWER SHOCK MOUNT	1	1	1	
33	90386-22M98	BUSH	2	2	2	

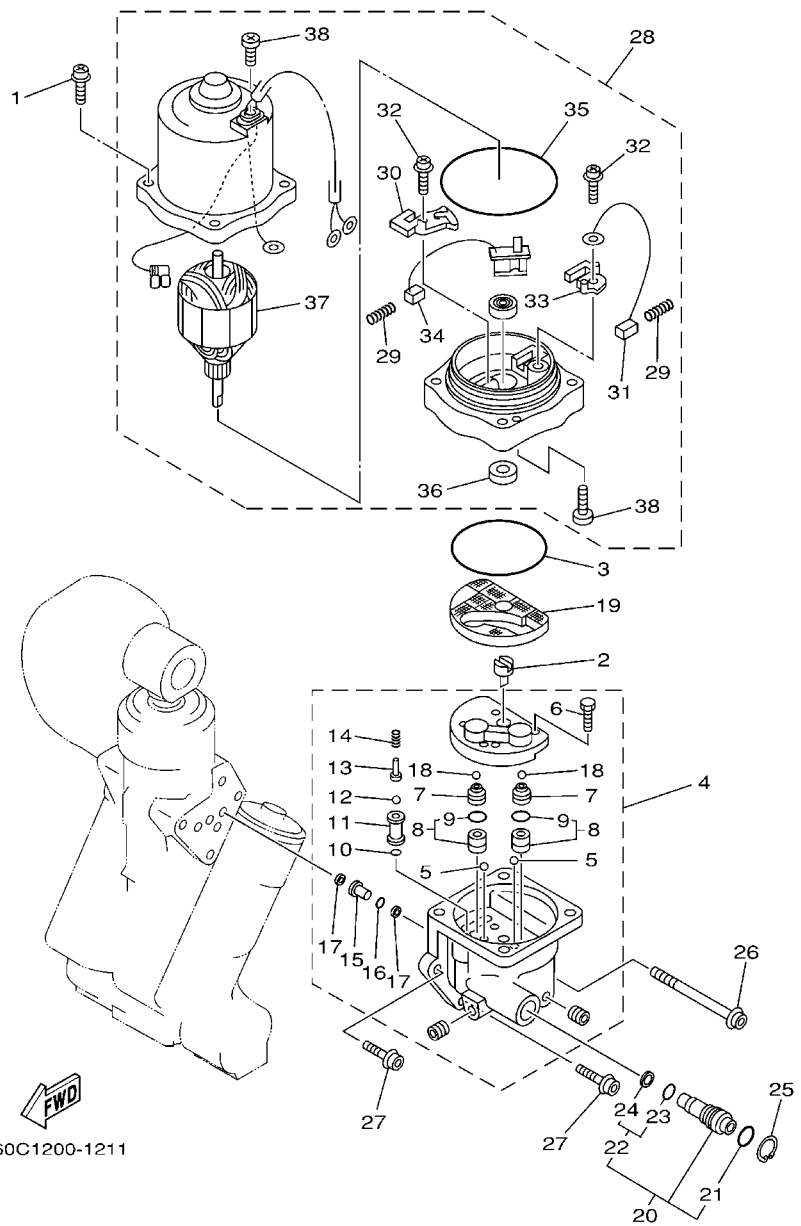
FIG. 20 POWER TRIM & TILT ASSY 2



60C1200-1211

REF. NO.	PART NO.	DESCRIPTION	150F	175D	L150	REMARKS
1	64E-4388E-10	BOLT ,SCREW (L:34.7MM)	4	4	4	
2	64E-43831-00	CONNECTOR, SHAFT	1	1	1	
3	64E-43868-00	O-RING	1	1	1	
4	64E-43830-00	GEAR PUMP ASSY	1	1	1	
5	72X-43858-00	.BALL	2	2	2	
6	64E-43843-00	.SCREW, VALVE LOCK	4	4	4	
7	64E-43841-00	.PISTON, SHUTTLE	2	2	2	
8	64E-43802-00	.VALVE SUB ASSY	2	2	2	
9	6E5-43896-00	..O-RING	1	1	1	
10	6G5-43863-00	.O-RING	1	1	1	
11	64E-43851-00	.SEAT, RELIEF VALVE	1	1	1	
12	64E-43858-00	.BALL	1	1	1	
13	64E-43859-00	.PIN, VALVE SUPPORT	1	1	1	
14	64E-43855-00	.SPRING, UP RELIEF	1	1	1	
15	64E-43850-00	.VALVE SUB ASSY	1	1	1	
16	64E-43865-00	.O-RING	1	1	1	
17	64E-43816-00	.FILTER 1	2	2	2	
18	64E-43858-00	.BALL	2	2	2	
19	64E-43817-10	FILTER 2	1	1	1	
20	64E-43860-00	MANUAL VALVE SUB-ASSY	1	1	1	
21	72X-85075-L0	.O-RING	1	1	1	
22	64E-43827-00	.RING SET	1	1	1	
23	64E-4387A-00	..O-RING	1	1	1	
24	64E-43873-00	..RING, BACK UP	1	1	1	
25	64E-43875-00	RING, SNAP	1	1	1	
26	64E-43879-10	SCREW, WITH WASHER	1	1	1	
27	64E-43879-00	SCREW, WITH WASHER	2	2	2	

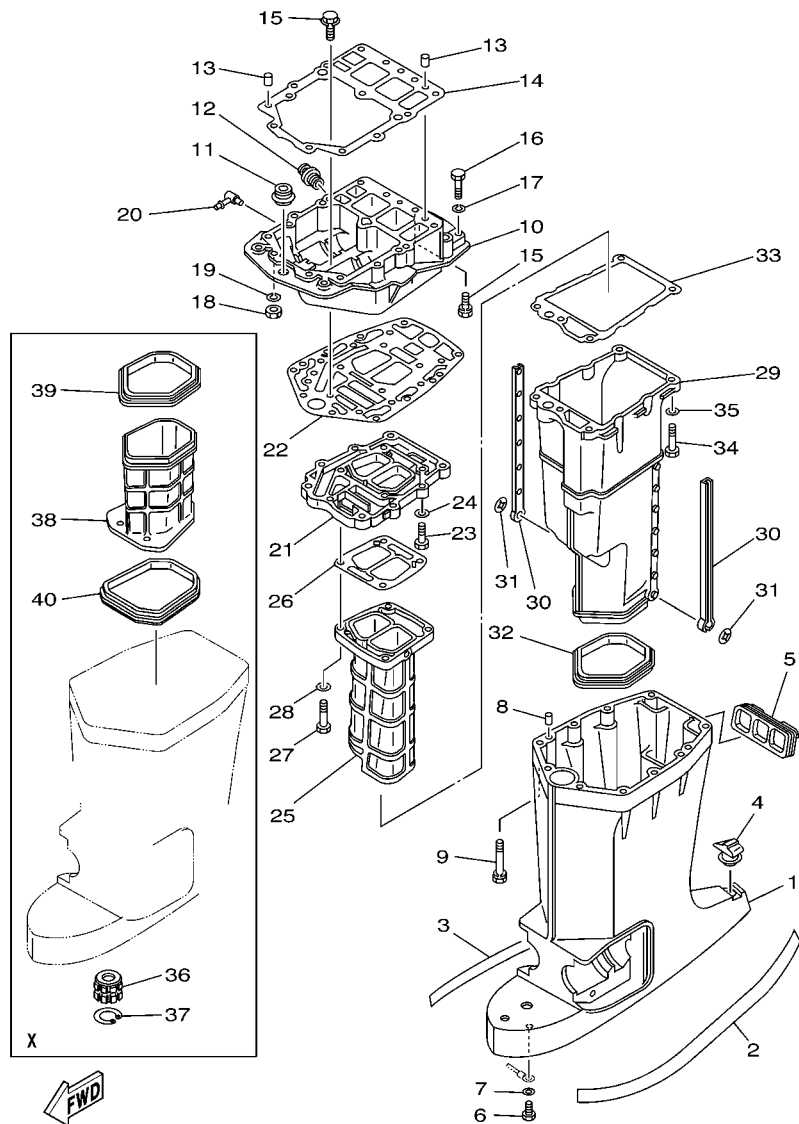
FIG. 20 POWER TRIM & TILT ASSY 2



60C1200-1211

REF. NO.	PART NO.	DESCRIPTION	150F	175D	L150	REMARKS
28	64E-43880-01	MOTOR ASSY	1	1	1	
29	6H1-4386K-10	.SPRING, BRUSH	2	2	2	
30	64E-4380J-00	.HOLDER, BRUSH	1	1	1	
31	64E-43891-00	.BRUSH 1	1	1	1	
32	97607-04310	.SCREW,WITH WASHER	2	2	2	
33	64E-4380F-00	.HOLDER, BRUSH 2	1	1	1	
34	64E-43892-00	.BRUSH 2	1	1	1	
35	6G5-43865-00	.O-RING	1	1	1	
36	93102-08M43	.OIL SEAL	1	1	1	
37	64E-43805-00	.ARMATURE ASSY	1	1	1	
38	64E-43843-10	.SCREW, VALVE LOCK	3	3	3	

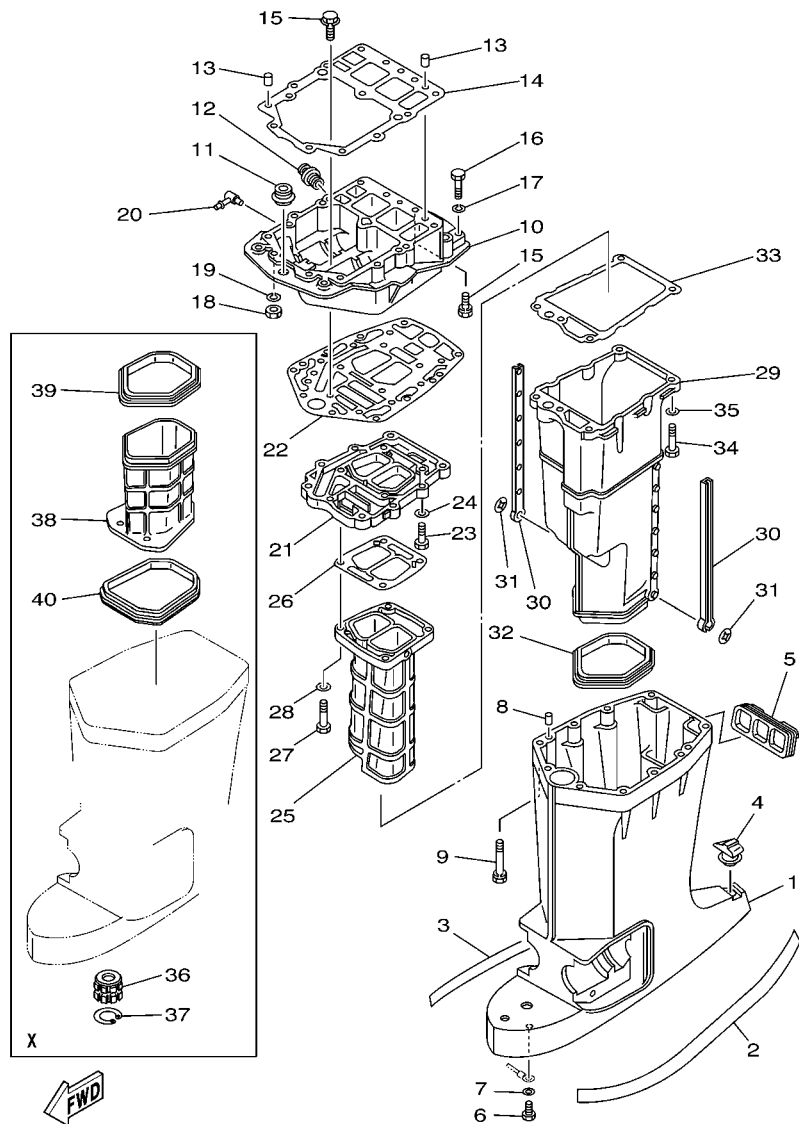
FIG. 21 UPPER CASING



64D3100-C210

REF. NO.	PART NO.	DESCRIPTION	150F	175D	L150	REMARKS
1	6E5-45111-02-8D	CASING, UPPER	1			L
	6E5-45111-23-8D	CASING, UPPER	1	1	1	X
2	6R3-42791-41	MARK 1	1	1	1	
3	6R3-42792-41	MARK	1	1	1	
4	6E5-45155-00	CAP	1	1	1	
5	6E5-42769-00	SEAL, RUBBER	1	1	1	
6	97095-06010	BOLT	1	1	1	
7	92995-06600	WASHER	1	1	1	
8	93608-12M05	PIN, DOWEL	2	2	2	
9	90119-08027	BOLT, WITH WASHER	6	6	6	
10	6G5-41137-11-94	GUIDE, EXHAUST	1	1	1	FLUSHING KIT
	6G5-41137-02-94	GUIDE, EXHAUST	1	1		FOR CAR, BRA, KOR
11	6E5-42724-00	GROMMET	1	1	1	
12	6G5-12581-00	JOINT, HOSE 1	1	1	1	
13	93608-12M05	PIN, DOWEL	2	2	2	
14	68F-45113-00	GASKET, UPPER CASING	1	1	1	
15	90119-08M79	BOLT, WITH WASHER	6	6	6	
16	97095-08045	BOLT	2	2	2	
17	92995-08100	WASHER	2	2	2	
18	95380-08700	NUT	2	2	2	
19	92995-08100	WASHER	2	2	2	
20	6H1-11372-00	NIPPLE, HOSE	1	1	1	FLUSHING KIT
21	6G5-41131-01-5B	MANIFOLD, EXT. 1	1	1	1	
22	6G5-45114-A1	GASKET, UPPER CASING	1	1	1	
23	97095-08030	BOLT	4	4	4	
24	92995-08600	WASHER	4	4	4	
25	64D-41132-00-5B	MANIFOLD, EXHAUST	1	1	1	

FIG. 21 UPPER CASING



64D3100-C210

REF. NO.	PART NO.	DESCRIPTION	150F	175D	L150	REMARKS
26	6G5-41134-A1	GASKET, EXHAUST MANIFOLD	1	1	1	
27	97095-08045	BOLT	4	4	4	
28	92995-08600	WASHER	4	4	4	
29	6E5-14711-01-5B	MUFFLER 1	1	1	1	
30	6E5-14737-00	DAMPER, MUFFLER	2	2	2	
31	90183-05M02	NUT, SPRING	2	2	2	
32	6E5-45123-00	GASKET, MUFFLER	1	1	1	
33	6E5-41135-A0	GASKET, EXHAUST MANIFOLD	1	1	1	
34	97095-08045	BOLT	5	5	5	
35	92995-08600	WASHER	5	5	5	
36	6E5-45318-00	BUSHING, DRIVE SHAFT	1	1	1	X
37	93420-36M01	CIRCLIP	1	1	1	X
38	64D-14721-20-5B	MUFFLER 2	1	1	1	X
39	64D-45123-00	GASKET, MUFFLER	1	1	1	X
40	64D-45375-00	DAMPER, SEAL	1	1	1	X

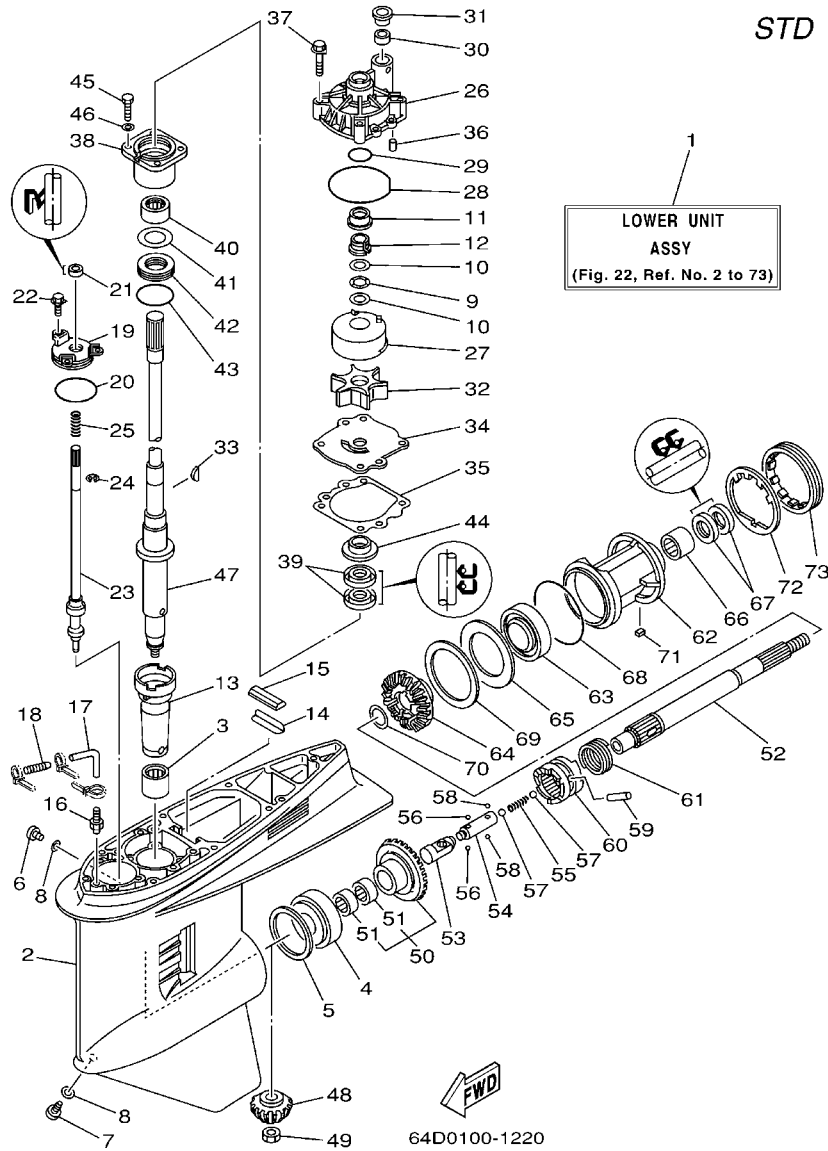


FIG. 22 LOWER CASING. DRIVE 1

REF. NO.	PART NO.	DESCRIPTION	150F	175D	L150	REMARKS
1	64D-45300-02-8D	LOWER UNIT ASSY	1			L
	64D-45300-22-8D	LOWER UNIT ASSY	1	1		X
2	6J9-45301-05-8D	CASING, LOWER	1	1		
3	93311-928U5	BEARING	1	1		
4	93332-000V3	BEARING	1	1		
5	6G5-45567-01-10	SHIM (T:0.10MM)	1	1		UR
	6G5-45567-01-12	SHIM (T:0.12MM)	1	1		UR
	6G5-45567-01-15	SHIM (T:0.15MM)	1	1		UR
	6G5-45567-01-18	SHIM (T:0.18MM)	1	1		UR
	6G5-45567-01-30	SHIM (T:0.30MM)	1	1		UR
	6G5-45567-01-40	SHIM (T:0.40MM)	1	1		UR
	6G5-45567-01-50	SHIM (T:0.50MM)	1	1		UR
6	90340-08002	PLUG, STRAIGHT SCREW	1	1		
7	688-45341-10	PLUG, DRAIN	1	1		
8	90430-08020	GASKET	2	2		
9	90206-22M19	WASHER, WAVE	1	1		
10	90201-22M01	WASHER, PLATE	2	2		
11	61A-45527-00	COLLAR, DRIVE SHAFT	1	1		
12	61A-45538-00	SPACER 1	1	1		
13	6G5-45536-01	SLEEVE, DRIVE SHAFT	1	1		
14	663-45376-00-94	GUIDE, SEAL DAMPER	1			L
	64D-45376-00-94	GUIDE, SEAL DAMPER	1	1		X
15	688-45375-00	DAMPER, SEAL	1	1		
16	6E5-45378-00	NIPPLE, HOSE	1	1		
17	90445-07ME8	HOSE (L80)	1			L
	90445-07ME9	HOSE (L120)	1	1		X
18	6E5-83558-10	END, NIPPLE	1	1		

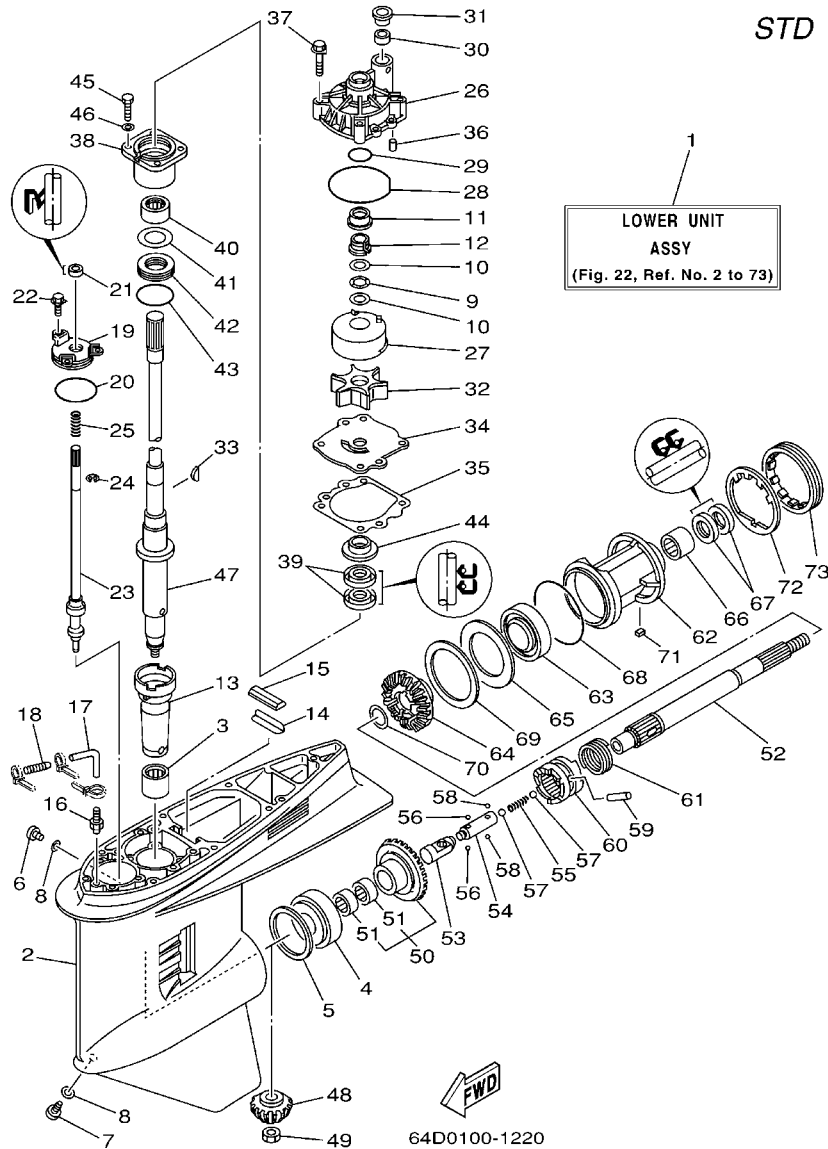


FIG. 22 LOWER CASING. DRIVE 1

REF. NO.	PART NO.	DESCRIPTION	150F	175D	L150	REMARKS
19	6E5-45321-00	PLATE	1	1		
20	93210-58144	O-RING	1	1		
21	93106-09014	OIL SEAL	1	1		
22	90119-06M10	BOLT, WITH WASHER	3	3		
23	6G5-44150-02	SHIFT CAM ASSY	1	1		
24	99001-08600	CIRCLIP	1	1		
25	90501-11M10	SPRING, COMPRESSION	1	1		
26	61A-44311-01	HOUSING, WATER PUMP	1	1		
27	61A-44322-02	INSERT, CARTRIDGE	1	1		
28	93210-86M38	O-RING	1	1		
29	93210-37160	O-RING	1	1		
30	6E5-44365-00	DAMPER, WATER SEAL	1	1		
31	6E5-44312-00	COVER, WATER PUMP HOUSING	1	1		
32	6E5-44352-01	IMPELLER	1	1		
33	90280-04M05	KEY, WOODRUFF	1	1		
34	6G5-44323-00	OUTER PLATE, CARTRIDGE	1	1		
35	6E5-44315-A0	GASKET, WATER PUMP	1	1		
36	93606-12019	PIN, DOWEL	2	2		
37	90119-08M14	BOLT, WITH WASHER	4	4		
38	6E5-45331-00-94	HOUSING, BEARING	1	1		
39	93101-28M16	OIL SEAL	2	2		
40	93317-330U2	BEARING	1	1		
41	6E5-45587-01-10	SHIM (T:0.10MM)	1	1		UR
	6E5-45587-01-12	SHIM (T:0.12MM)	1	1		UR
	6E5-45587-01-15	SHIM (T:0.15MM)	1	1		UR
	6E5-45587-01-18	SHIM (T:0.18MM)	1	1		UR
	6E5-45587-01-30	SHIM (T:0.30MM)	1	1		UR

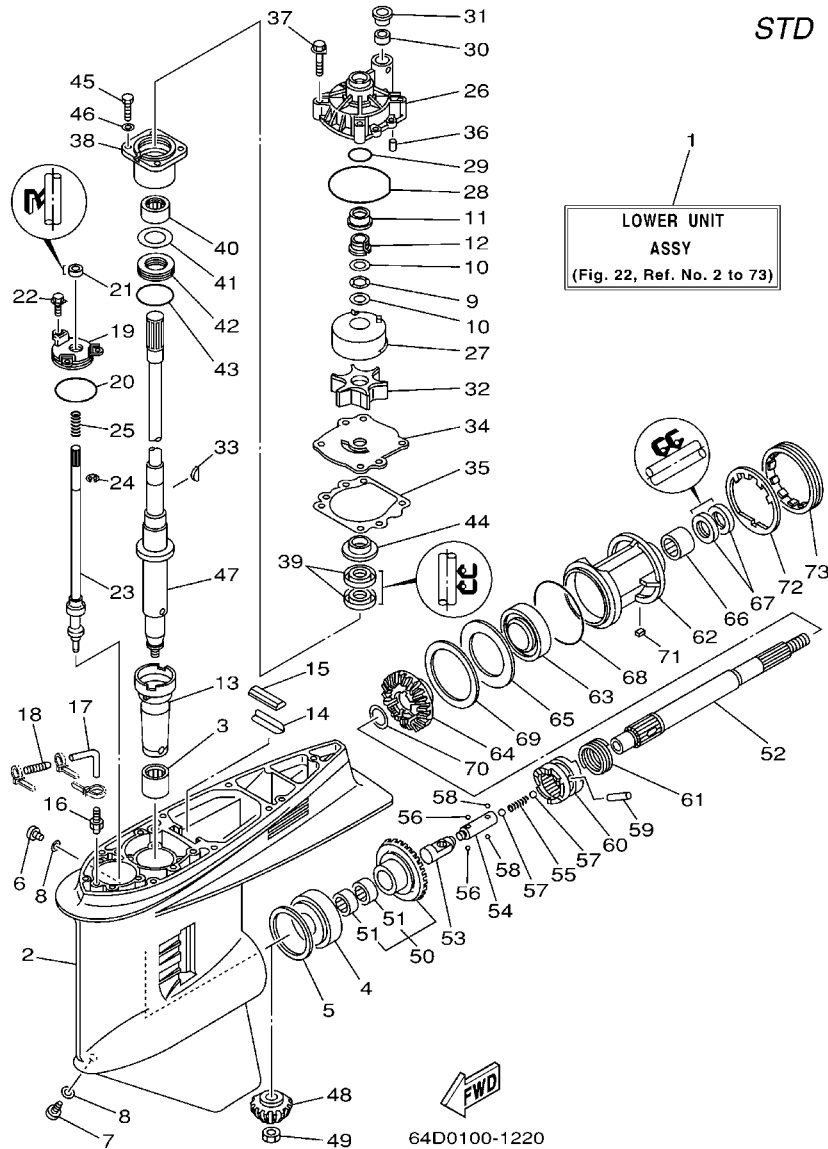


FIG. 22 LOWER CASING. DRIVE 1

REF. NO.	PART NO.	DESCRIPTION	150F	175D	L150	REMARKS
41	6E5-45587-01-40	SHIM (T:0.40MM)	1	1		UR
	6E5-45587-01-50	SHIM (T:0.50MM)	1	1		UR
42	93341-930V2	BEARING	1	1		
43	93210-55M14	O-RING	1	1		
44	6E5-45344-00	COVER, OIL SEAL	1	1		
45	97095-08025	BOLT	4	4		
46	92995-08600	WASHER	4	4		
47	6G5-45501-01	DRIVE SHAFT COMP.	1			L
	6G5-45501-21	DRIVE SHAFT COMP.	1	1		X
48	6G5-45551-01	PINION	1	1		
49	90170-16M01	NUT	1	1		
50	6G5-45560-01	GEAR	1	1		
51	93315-425V3	.BEARING	2	2		
52	6J9-45611-01	SHAFT, PROPELLER	1	1		
53	6E5-45641-03	SHIFTER	1	1		
54	6E5-45634-01	SLIDE, SHIFT	1	1		
55	90501-16M37	SPRING, COMPRESSION	1	1		
56	93507-32009	BALL	2	2		
57	93511-32017	BALL	2	2		
58	93503-16003	BALL	2	2		
59	90250-08M07	PIN, STRAIGHT	1	1		
60	6G5-45631-00	CLUTCH, DOG	1	1		
61	6E5-45633-01	RING, CROSS PIN	1	1		
62	6J9-45332-00-94	HOUSING, BEARING	1	1		
63	93306-209U0	BEARING	1	1		
64	6G5-45571-02	GEAR	1	1		
65	6G5-45576-10	WASHER, THRUST	1	1		

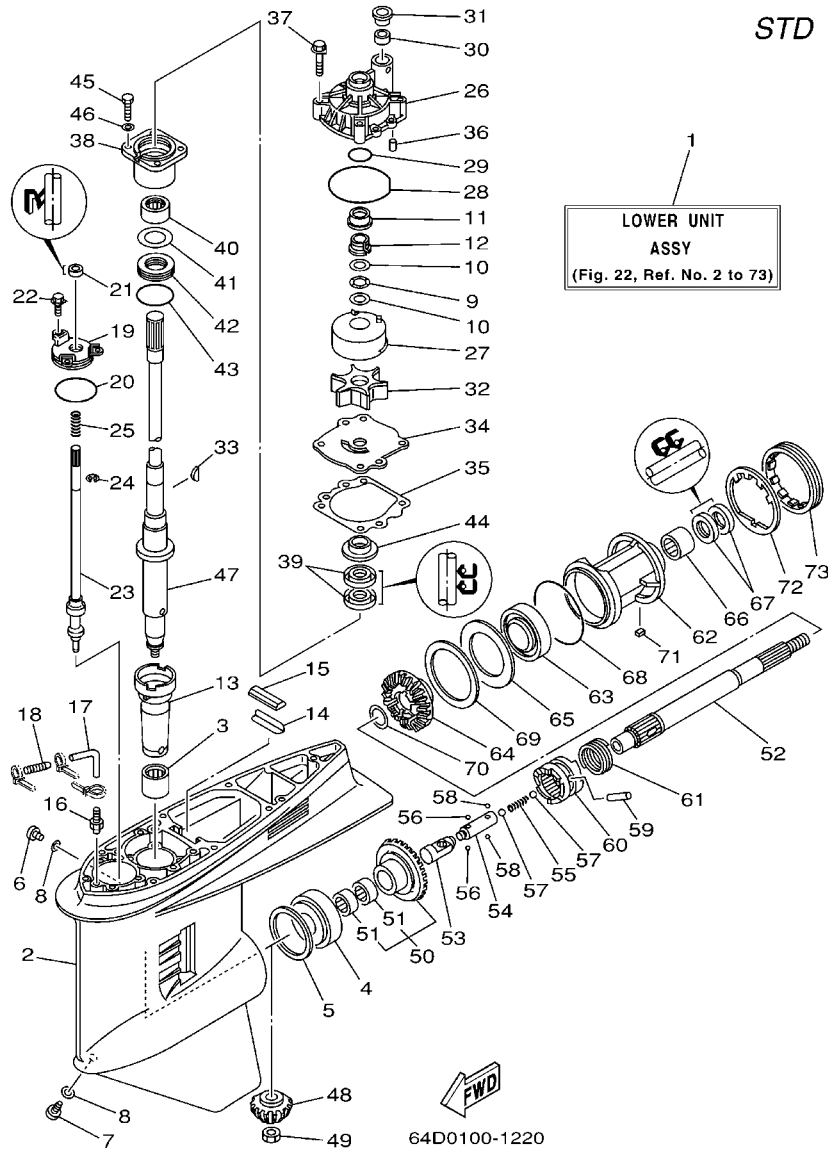
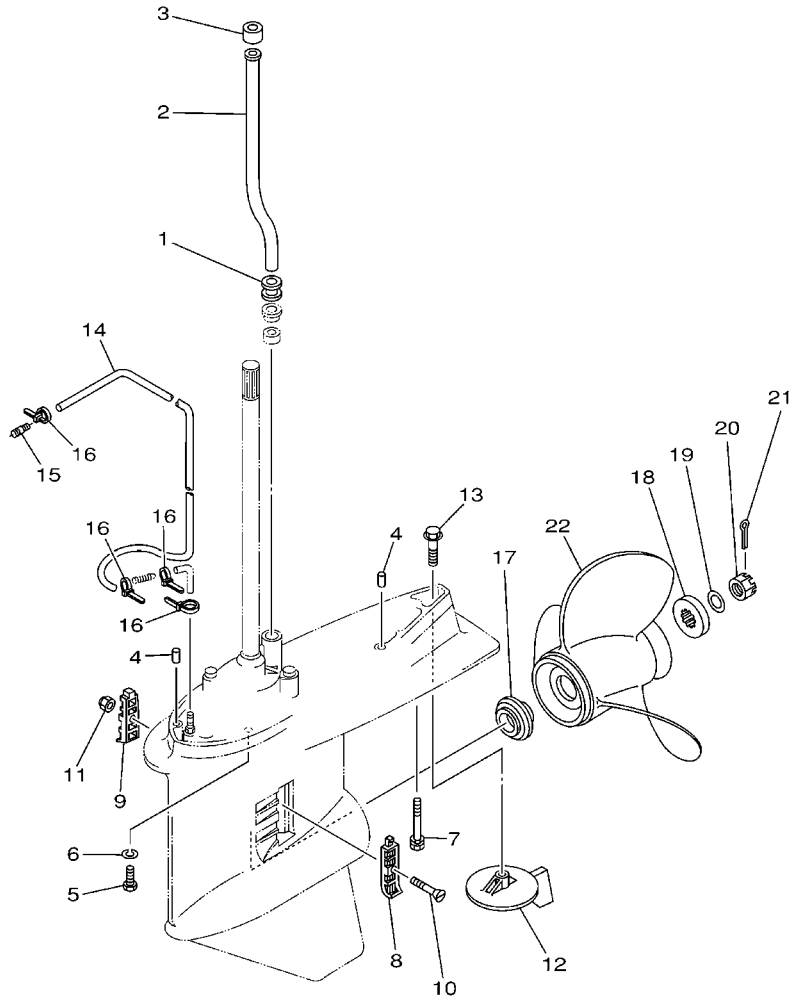


FIG. 22 LOWER CASING. DRIVE 1

REF. NO.	PART NO.	DESCRIPTION	150F	175D	L150	REMARKS
66	93315-43061	BEARING	1	1		
67	93101-30M17	OIL SEAL	2	2		
68	93210-97M55	O-RING	1	1		
69	6G5-45577-02-10	SHIM (T:0.10MM)	1	1		UR
	6G5-45577-02-12	SHIM (T:0.12MM)	1	1		UR
	6G5-45577-02-15	SHIM (T:0.15MM)	1	1		UR
	6G5-45577-02-18	SHIM (T:0.18MM)	1	1		UR
	6G5-45577-02-30	SHIM (T:0.30MM)	1	1		UR
	6G5-45577-02-40	SHIM (T:0.40MM)	1	1		UR
	6G5-45577-02-50	SHIM (T:0.50MM)	1	1		UR
70	90201-30M92	WASHER, PLATE	1	1		
71	90282-04M00	KEY, STRAIGHT	1	1		
72	6G5-45383-01	WASHER, CLAW	1	1		
73	6G5-45384-00	NUT	1	1		

STD



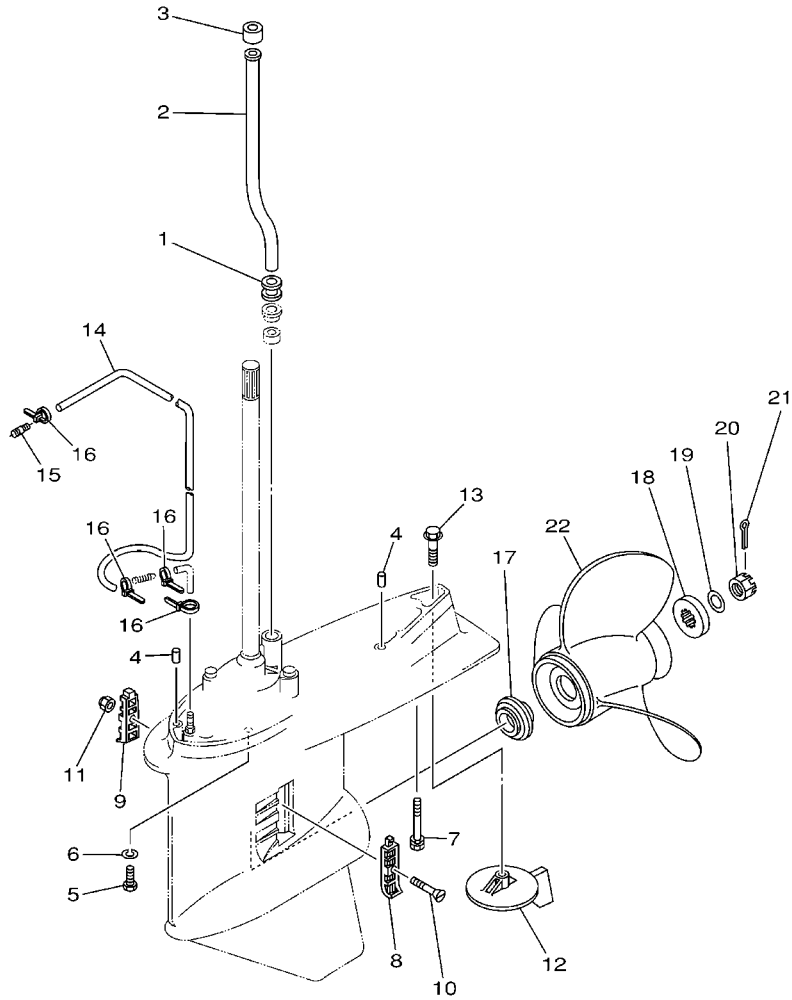
67H0100-1260

FIG. 23 LOWER CASING. DRIVE 2

REF. NO.	PART NO.	DESCRIPTION	150F	175D	L150	REMARKS
1	6E5-44366-00	DAMPER, WATER SEAL	1	1		
2	6E5-44361-00	TUBE, WATER	1			L
	6E5-44361-20	TUBE, WATER	1	1		X
3	6E5-44365-00	DAMPER, WATER SEAL	1	1		
4	93608-12M05	PIN, DOWEL	2	2		
5	97075-10045	BOLT	6	6		
6	92995-10100	WASHER	6	6		
7	90119-10M89	BOLT, WITH WASHER	1	1		
8	6J9-45214-00	COVER, WATER INLET	1	1		
9	6J9-45215-00	COVER, WATER INLET	1	1		
10	90152-05M08	SCREW, COUNTERSUNK	1	1		
11	90185-05002	NUT, SELF-LOCKING	1	1		
12	6J9-45371-01	TAB-TRIM	1	1		
13	90105-10M00	BOLT, FLANGE	1	1		
14	90445-07M33	HOSE (L1080)	1	1		
15	6E5-83558-00	END, NIPPLE	1	1		
16	90465-11M10	CLAMP	4	4		
17	6E5-45987-01	SPACER	1	1		
18	688-45997-01	SPACER	1	1		
19	92990-18200	WASHER	1	1		
20	90171-18M04	NUT, CASTLE	1	1		
21	91490-40030	PIN, COTTER	1	1		
22	6G5-45941-00-98	PROPELLER (3X15-1/4"X15"-M)	1	1		UR
	6G5-45943-01-98	PROPELLER (3X13-3/4"X21"-M)	1	1		UR
	6G5-45945-01-98	PROPELLER (3X14"X19"-M)	1	1		UR
	6G5-45947-01-98	PROPELLER (3X14-1/2"X17"-M)	1	1		UR
	6G5-45949-00-98	PROPELLER (3X13-1/2"X23"-M)	1	1		UR

B2

STD




67H0100-1260

FIG. 23 LOWER CASING. DRIVE 2

REF. NO.	PART NO.	DESCRIPTION	150F	175D	L150	REMARKS
22	6G5-45952-00-98	PROPELLER (3X14-5/8"X16"-M)	1	1		UR
	6G5-45930-00-98	PROPELLER (3X13-3/8"X25"-M)	1	1		UR
	6G5-45932-00-98	PROPELLER (3X15-3/4"X13"-M)	1	1		UR
	6G5-45970-02-98	PROPELLER (3X15-1/4"X15"-M)	1	1		UR
	6G5-45972-02-98	PROPELLER (3X13-3/4"X21"-M)	1	1		UR
	6G5-45974-03-98	PROPELLER (3X13-3/4"X19"-M2)	1	1		UR
	6G5-45976-01-98	PROPELLER (3X13-3/8"X23"-M)	1	1		UR
	6G5-45978-03-98	PROPELLER (3X13-3/4"X17"-M2)	1	1		UR
	6R4-45970-A0	PROPELLER (3X15-1/4"X19"-M)	1	1		UR
	6R4-45972-A0	PROPELLER (3X14-7/8"X21"-M)	1	1		UR
	6R4-45974-A0	PROPELLER (3X14-1/2"X23"-M)	1	1		UR
	6R4-45976-A0	PROPELLER (3X14-1/2"X15"-M)	1	1		UR
	6R4-45978-A0	PROPELLER (3X15-1/4"X17"-M)	1	1		UR

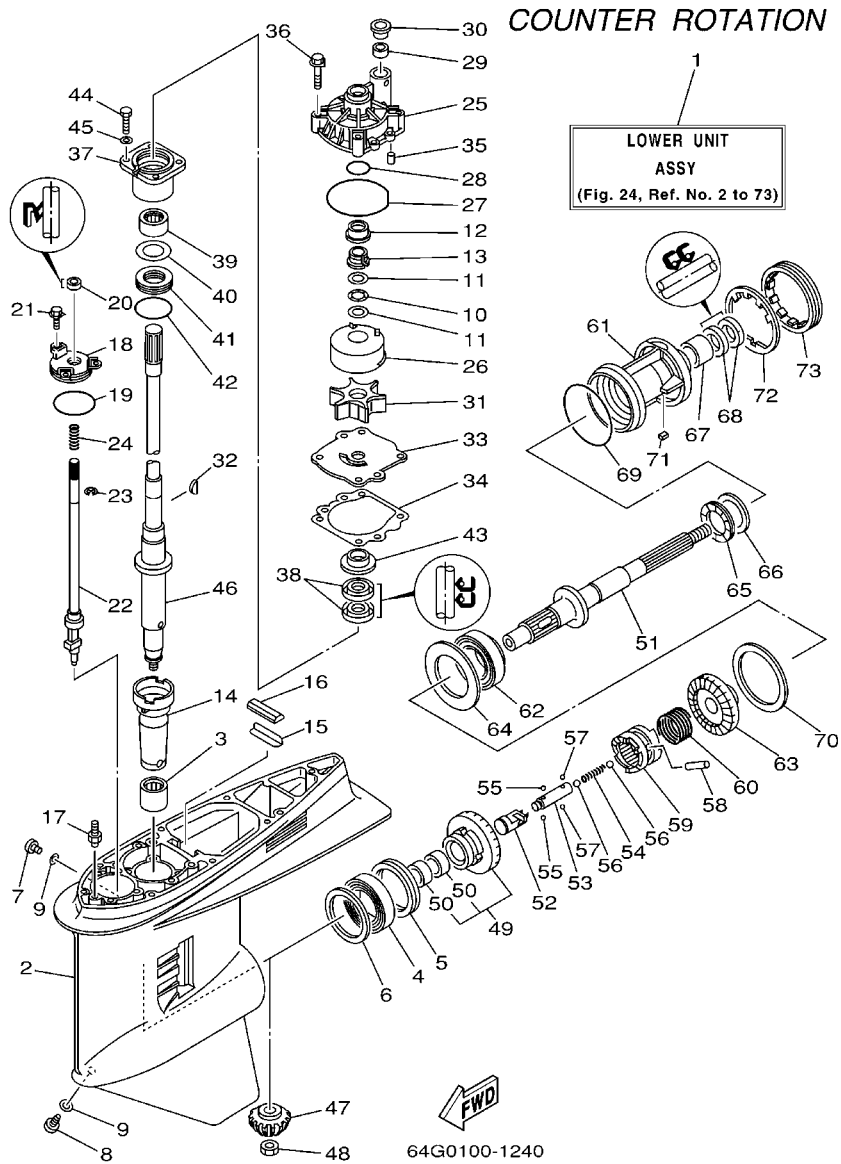


FIG. 24 LOWER CASING. DRIVE 3

REF. NO.	PART NO.	DESCRIPTION	150F	175D	L150	REMARKS
1	64H-45300-22-8D	LOWER UNIT ASSY			1	X
2	6J9-45301-05-8D	CASING, LOWER			1	
3	93311-928U5	BEARING			1	
4	93390-000U2	BEARING			1	
5	93341-465U4	BEARING			1	
6	6G5-45567-01-10	SHIM (T:0.10MM)			1	UR
	6G5-45567-01-12	SHIM (T:0.12MM)			1	UR
	6G5-45567-01-15	SHIM (T:0.15MM)			1	UR
	6G5-45567-01-18	SHIM (T:0.18MM)			1	UR
	6G5-45567-01-30	SHIM (T:0.30MM)			1	UR
	6G5-45567-01-40	SHIM (T:0.40MM)			1	UR
	6G5-45567-01-50	SHIM (T:0.50MM)			1	UR
7	90340-08002	PLUG, STRAIGHT SCREW			1	
8	688-45341-10	PLUG, DRAIN			1	
9	90430-08020	GASKET			2	
10	90206-22M19	WASHER, WAVE			1	
11	90201-22M01	WASHER, PLATE			2	
12	61A-45527-00	COLLAR, DRIVE SHAFT			1	
13	61A-45538-00	SPACER 1			1	
14	6G5-45536-01	SLEEVE, DRIVE SHAFT			1	
15	64D-45376-00-94	GUIDE, SEAL DAMPER			1	X
16	688-45375-00	DAMPER, SEAL			1	
17	6J8-45378-00	NIPPLE, HOSE			1	
18	6E5-45321-00	PLATE			1	
19	93210-58144	O-RING			1	
20	93106-09014	OIL SEAL			1	
21	90119-06M10	BOLT, WITH WASHER			3	

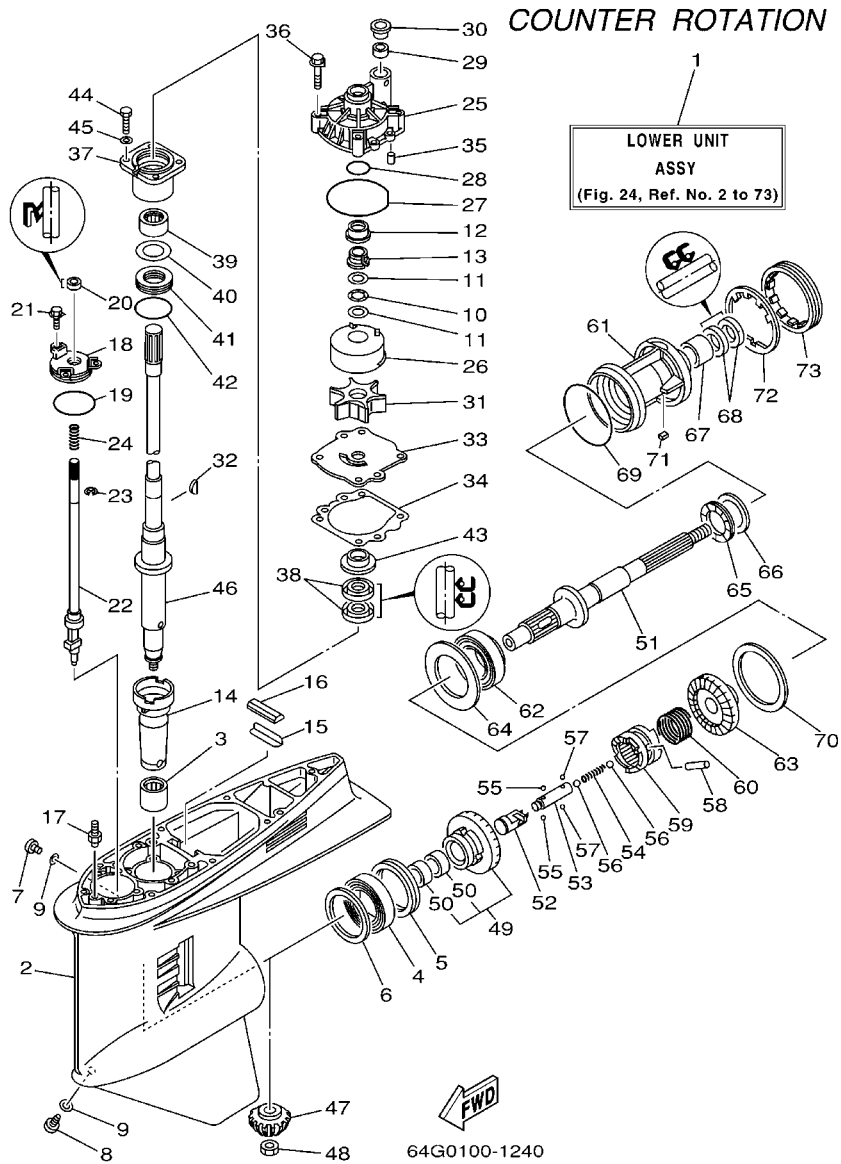


FIG. 24 LOWER CASING. DRIVE 3

REF. NO.	PART NO.	DESCRIPTION	150F	175D	L150	REMARKS
22	6K1-44150-01	SHIFT CAM ASSY			1	
23	99001-08600	CIRCLIP			1	
24	90501-11M10	SPRING, COMPRESSION			1	
25	61A-44311-01	HOUSING, WATER PUMP			1	
26	61A-44322-02	INSERT, CARTRIDGE			1	
27	93210-86M38	O-RING			1	
28	93210-37160	O-RING			1	
29	6E5-44365-00	DAMPER, WATER SEAL			1	
30	6E5-44312-00	COVER, WATER PUMP HOUSING			1	
31	6E5-44352-01	IMPELLER			1	
32	90280-04M05	KEY, WOODRUFF			1	
33	6G5-44323-00	OUTER PLATE, CARTRIDGE			1	
34	6E5-44315-A0	GASKET, WATER PUMP			1	
35	93606-12019	PIN, DOWEL			2	
36	90119-08M14	BOLT, WITH WASHER			4	
37	6E5-45331-00-94	HOUSING, BEARING			1	
38	93101-28M16	OIL SEAL			2	
39	93317-330U2	BEARING			1	
40	6E5-45587-01-10	SHIM (T:0.10MM)			1	UR
	6E5-45587-01-12	SHIM (T:0.12MM)			1	UR
	6E5-45587-01-15	SHIM (T:0.15MM)			1	UR
	6E5-45587-01-18	SHIM (T:0.18MM)			1	UR
	6E5-45587-01-30	SHIM (T:0.30MM)			1	UR
	6E5-45587-01-40	SHIM (T:0.40MM)			1	UR
	6E5-45587-01-50	SHIM (T:0.50MM)			1	UR
41	93341-930V2	BEARING			1	
42	93210-55M14	O-RING			1	

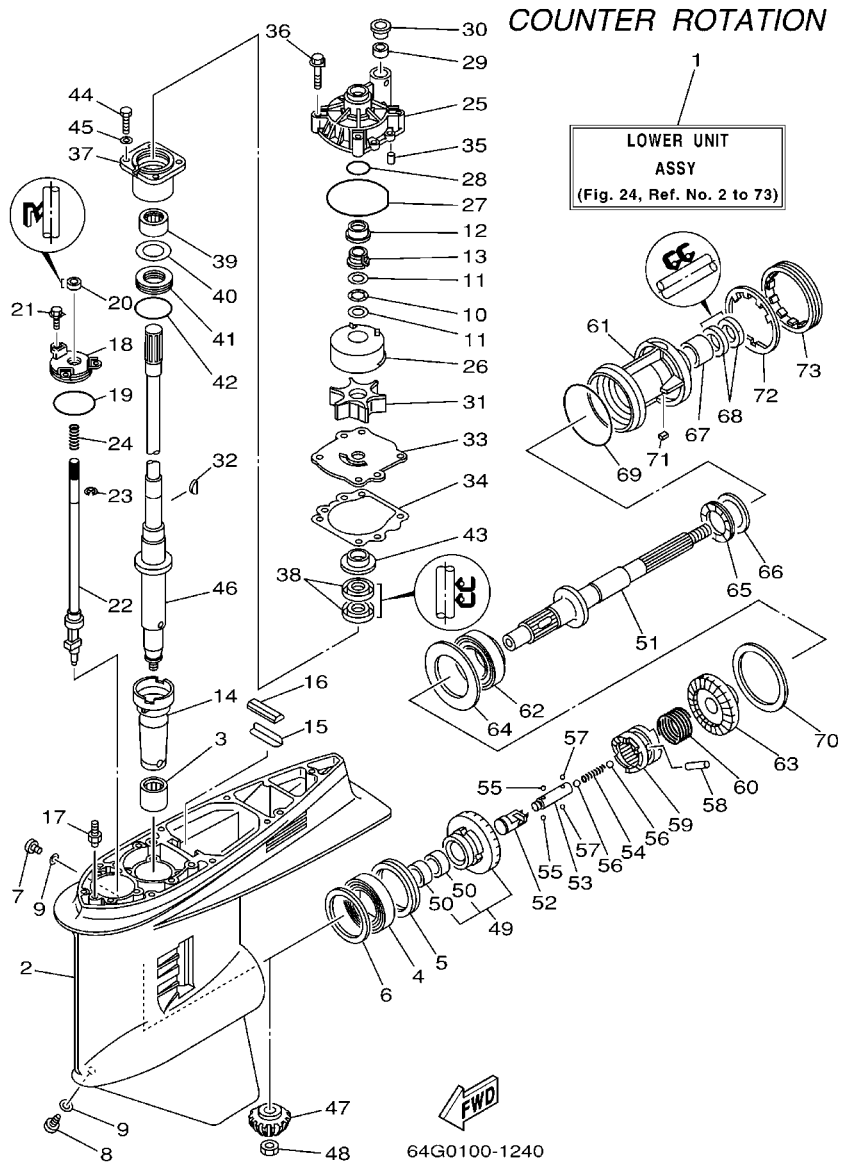
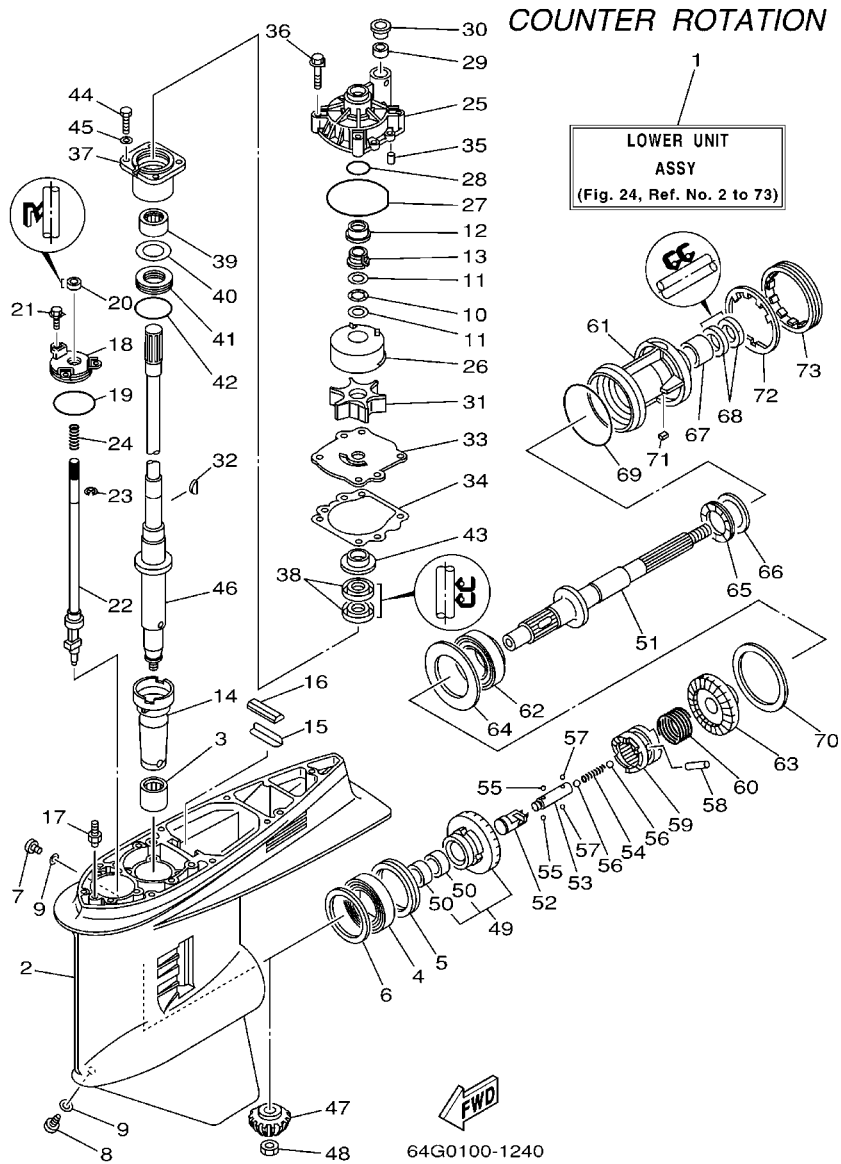


FIG. 24 LOWER CASING. DRIVE 3

REF. NO.	PART NO.	DESCRIPTION	150F	175D	L150	REMARKS
43	6E5-45344-00	COVER, OIL SEAL			1	
44	97095-08025	BOLT			4	
45	92995-08600	WASHER			4	
46	6G5-45501-21	DRIVE SHAFT COMP.			1	X
47	6G5-45551-01	PINION			1	
48	90170-16M01	NUT			1	
49	6K1-45560-01	GEAR			1	
50	93315-425V3	.BEARING			2	
51	6K1-45611-10	SHAFT, PROPELLER			1	
52	6K1-45641-01	SHIFTER			1	
53	6E5-45634-01	SLIDE, SHIFT			1	
54	90501-16M37	SPRING, COMPRESSION			1	
55	93507-32009	BALL			2	
56	93511-32017	BALL			2	
57	93503-16003	BALL			2	
58	90250-08M07	PIN, STRAIGHT			1	
59	6G5-45631-00	CLUTCH, DOG			1	
60	6E5-45633-01	RING, CROSS PIN			1	
61	6K1-45332-01-94	HOUSING, BEARING			1	
62	93332-00048	BEARING			1	
63	6K1-45570-01	GEAR			1	
64	6K1-45576-00	WASHER, THRUST			1	
65	93341-440U5	BEARING			1	
66	6K1-45578-01-10	SHIM (T:0.10MM)			1	UR
	6K1-45578-01-12	SHIM (T:0.12MM)			1	UR
	6K1-45578-01-15	SHIM (T:0.15MM)			1	UR
	6K1-45578-01-18	SHIM (T:0.18MM)			1	UR

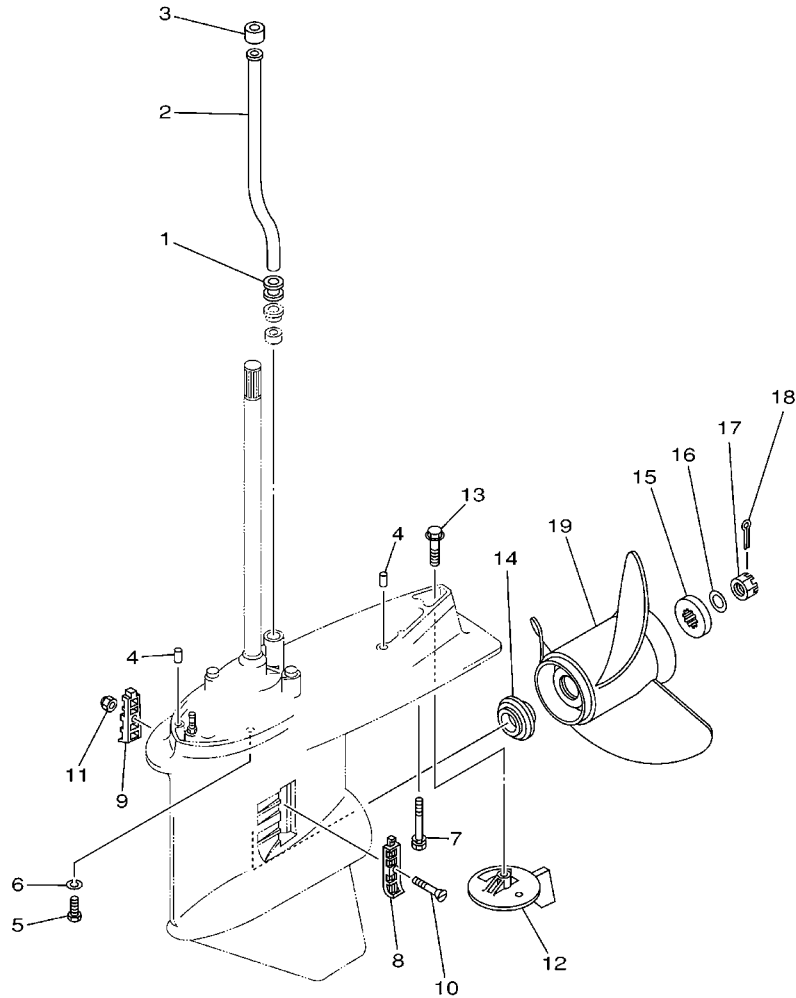


64G0100-1240

FIG. 24 LOWER CASING. DRIVE 3

REF. NO.	PART NO.	DESCRIPTION	150F	175D	L150	REMARKS
66	6K1-45578-01-30	SHIM (T:0.30MM)			1	UR
	6K1-45578-01-40	SHIM (T:0.40MM)			1	UR
	6K1-45578-01-50	SHIM (T:0.50MM)			1	UR
67	93315-43061	BEARING			1	
68	93101-30M17	OIL SEAL			2	
69	93210-97M55	O-RING			1	
70	6G5-45577-02-10	SHIM (T:0.10MM)			1	UR
	6G5-45577-02-12	SHIM (T:0.12MM)			1	UR
	6G5-45577-02-15	SHIM (T:0.15MM)			1	UR
	6G5-45577-02-18	SHIM (T:0.18MM)			1	UR
	6G5-45577-02-30	SHIM (T:0.30MM)			1	UR
	6G5-45577-02-40	SHIM (T:0.40MM)			1	UR
	6G5-45577-02-50	SHIM (T:0.50MM)			1	UR
71	90282-04M00	KEY, STRAIGHT			1	
72	6G5-45383-01	WASHER, CLAW			1	
73	6G5-45384-00	NUT			1	

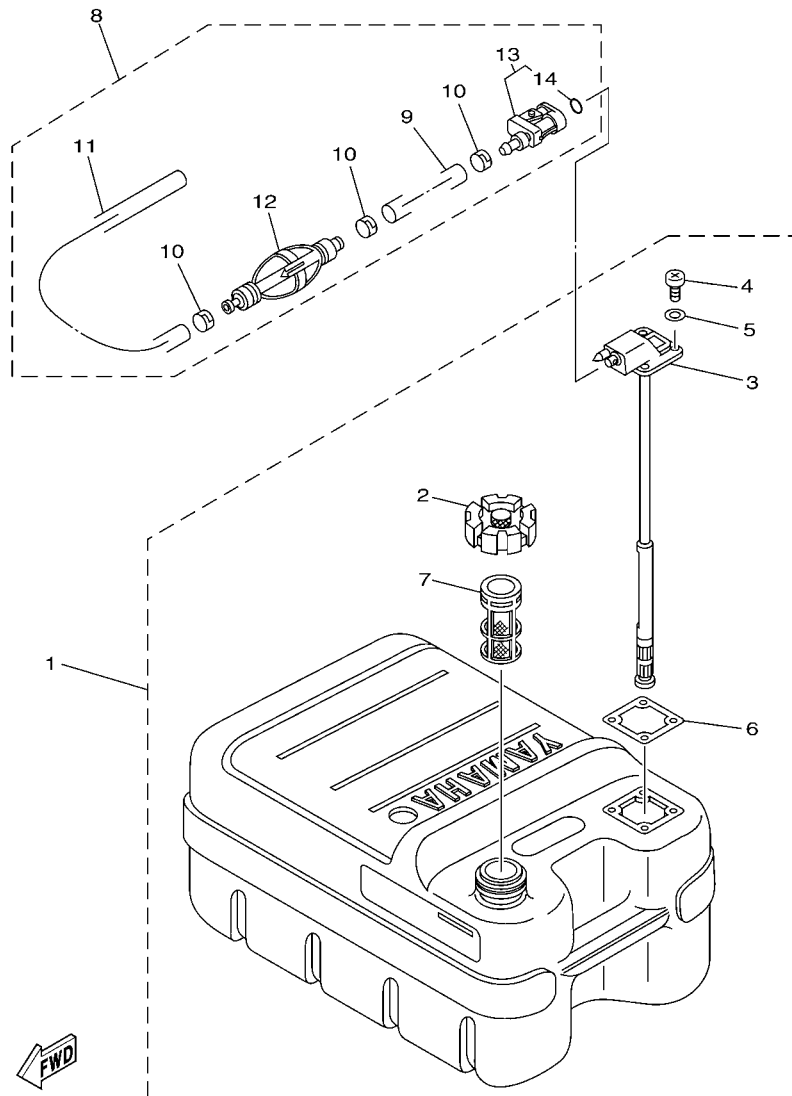
COUNTER ROTATION



64G0100-1250

FIG. 25 LOWER CASING. DRIVE 4

REF. NO.	PART NO.	DESCRIPTION	150F	175D	L150	REMARKS
1	6E5-44366-00	DAMPER, WATER SEAL			1	
2	6E5-44361-20	TUBE, WATER			1	X
3	6E5-44365-00	DAMPER, WATER SEAL			1	
4	93608-12M05	PIN, DOWEL			2	
5	97075-10045	BOLT			6	
6	92995-10100	WASHER			6	
7	90119-10M89	BOLT, WITH WASHER			1	
8	6J9-45214-00	COVER, WATER INLET			1	
9	6J9-45215-00	COVER, WATER INLET			1	
10	90152-05M08	SCREW, COUNTERSUNK			1	
11	90185-05002	NUT, SELF-LOCKING			1	
12	6K1-45371-02	TAB-TRIM			1	
13	90105-10M00	BOLT, FLANGE			1	
14	6E5-45987-01	SPACER			1	
15	688-45997-01	SPACER			1	
16	92990-18200	WASHER			1	
17	90171-18M04	NUT, CASTLE			1	
18	91490-40030	PIN, COTTER			1	
19	6K1-45970-01-98	PROPELLER (3X15-1/4"X15"-ML)			1	UR
	6K1-45972-01-98	PROPELLER (3X13-3/4"X21"-ML)			1	UR
	6K1-45974-02-98	PROPELLER (3X13-3/4"X19"-ML1)			1	UR
	6K1-45978-02-98	PROPELLER (3X13-3/4"X17"-ML1)			1	UR
	6R1-45970-A0	PROPELLER (3X15-1/4"X19"-ML)			1	UR
	6R1-45972-A0	PROPELLER (3X14-7/8"X21"-ML)			1	UR
	6R1-45974-A0	PROPELLER (3X14-1/2"X23"-ML)			1	UR
	6R1-45976-A0	PROPELLER (3X15-1/4"X15"-ML)			1	UR
	6R1-45978-A0	PROPELLER (3X15-1/4"X17"-ML)			1	UR

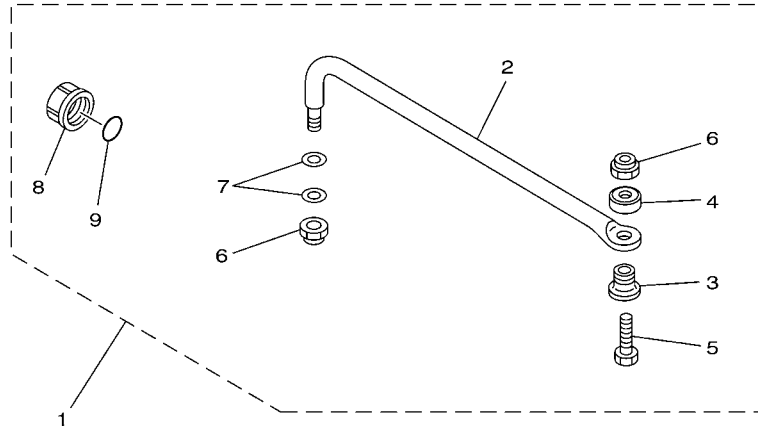


6N43100-C270

FIG. 26 FUEL TANK

REF. NO.	PART NO.	DESCRIPTION	150F	175D	L150	REMARKS
1	6YJ-24201-10	FUEL TANK ASSY (24L)	1	1		AP FOR CAR,BRA
2	6YJ-24610-00	.CAP ASSY	1	1		
3	6Y1-24260-12	.FUEL METER ASSY	1	1		WITH INDICATOR
4	98586-05016	.SCREW, PAN HEAD	4	4		
5	6Y1-24329-00	.SEAL	4	4		
6	6Y1-24268-00	.GASKET, FUEL METER	1	1		
7	6YJ-24167-00	.STRAINER	1	1		
8	6Y2-24306-44	FUEL PIPE COMP. 1	1	1		AP FOR CAR,BRA
9	90445-13M01	.HOSE (L2050)	1	1		
10	6E5-24351-51	.BAND 1	3	3		
11	90445-13M35	.HOSE (L250)	1	1		
12	6Y2-24360-60	.PRIMER PUMP ASSY	1	1		
13	6Y2-24305-05	.FUEL PIPE JOINT COMP. 2	1	1		
14	93210-08287	..O-RING	1	1		

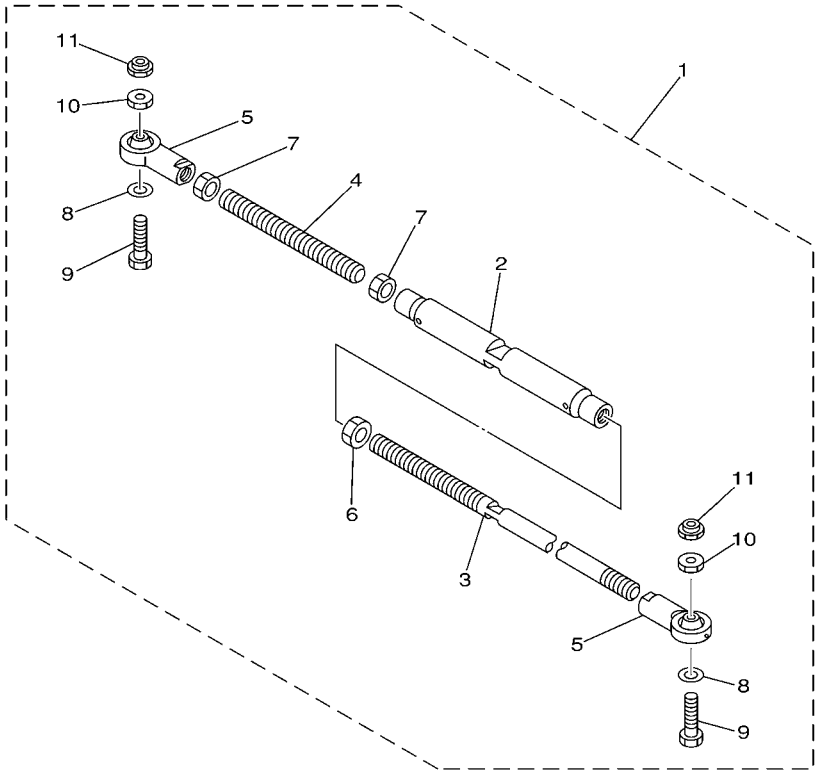
FIG. 27 STEERING GUIDE ATTACHMENT 1



REF. NO.	PART NO.	DESCRIPTION	150F	175D	L150	REMARKS
1	6E5-61350-02	STEERING GUIDE ATTACHMENT KIT	1	1	1	AP L150-FOR OCE
2	6E5-61351-01	.ROD, STEERING LINK	1	1	1	
3	90387-10M61	.COLLAR	1	1	1	
4	90560-12M01	.SPACER	1	1	1	
5	6E5-61355-00	.BOLT	1	1	1	
6	90185-09M01	.NUT, SELF-LOCKING	2	2	2	
7	90201-10M20	.WASHER, PLATE	2	2	2	
8	6E5-43145-01	.CAP, CLAMP BRACKET	1	1	1	
9	93210-16275	.O-RING	1	1	1	

67H0100-9290

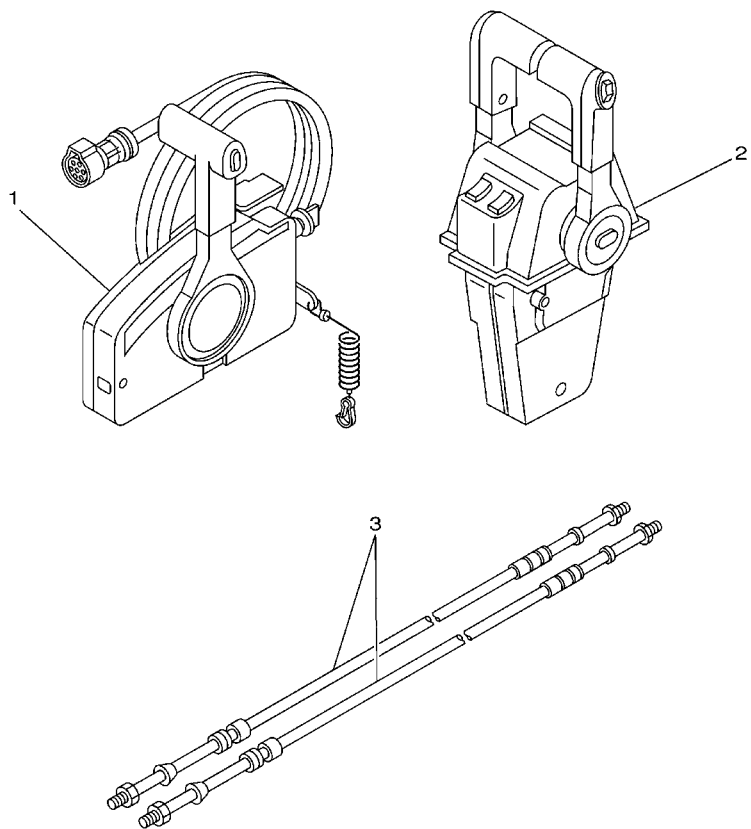
FIG. 28 STEERING GUIDE ATTACHMENT 2



67H0100-0300

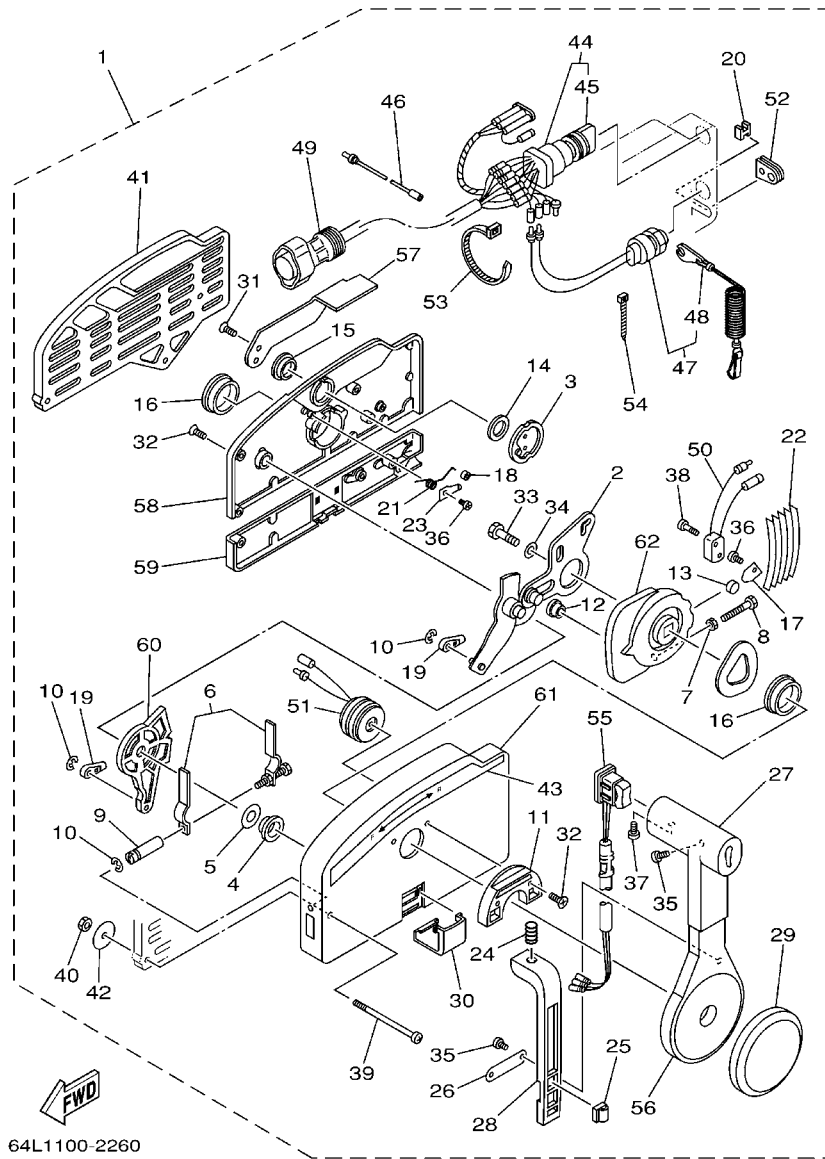
REF. NO.	PART NO.	DESCRIPTION	150F	175D	L150	REMARKS
1	6E5-61301-01	TWIN KIT (L:600-800MM)			1	AP
2	6E5-61313-00	.ADJUSTER			1	
3	6E5-61311-11	.TIE BAR			1	
4	6E5-61315-00	.TIE BAR			1	
5	6E5-61303-00	.STEERING EYE COMP.			2	
6	90170-14M06	.NUT			1	
7	95380-14700	.NUT			2	
8	90201-10M76	.WASHER, PLATE			2	
9	90101-09M70	.BOLT			2	
10	90170-09M05	.NUT			2	
11	90185-09M01	.NUT, SELF-LOCKING			2	

FIG. 29 REMOTE CONTROL BOX



67H0100-9310

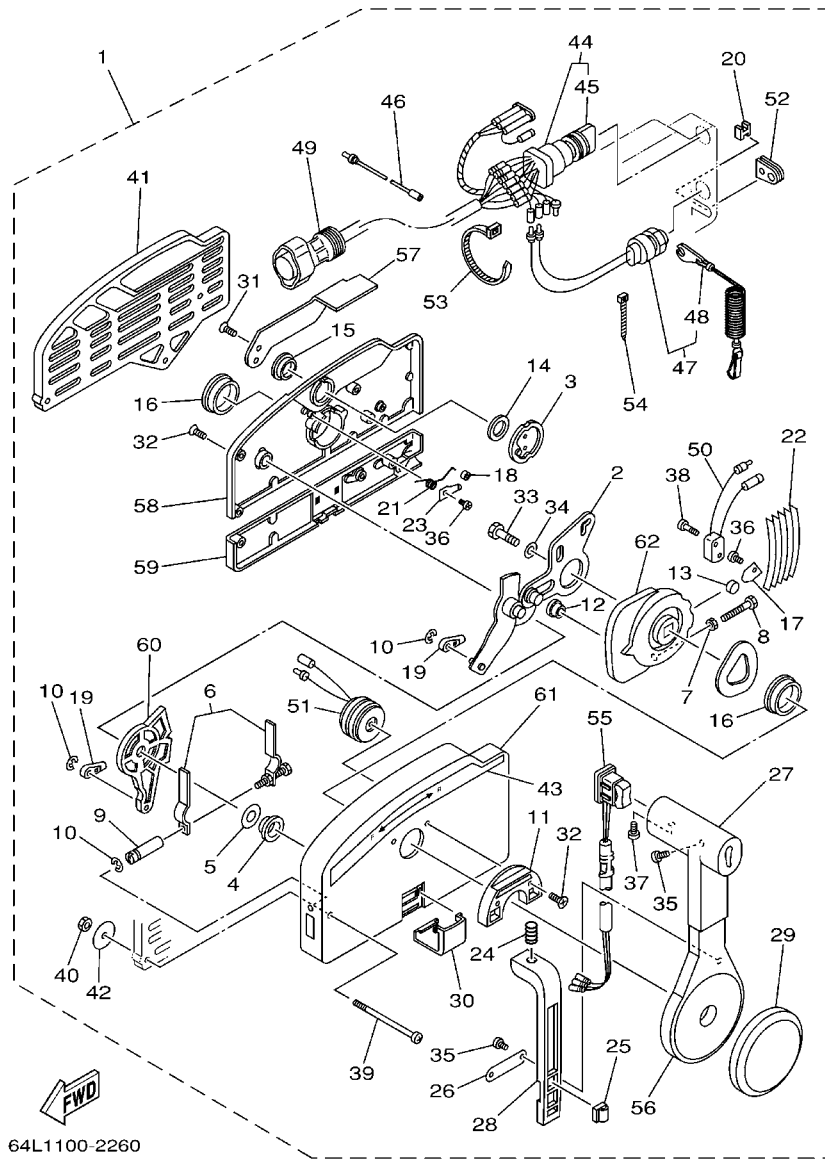
REF. NO.	PART NO.	DESCRIPTION	150F	175D	L150	REMARKS
1	703-48205-17	REMOTE CONTROL ASSY	1	1		AP WITH PT/T SW.
2	704-48207-23	REMOTE CONTROL ASSY			1	AP WITH PT/T SW.
3	701-48320-50	CABLE, REMOTE CONTROL L=15F	2	2	2	UR
	701-48320-60	CABLE, REMOTE CONTROL L=16F	2	2	2	UR
	701-48320-80	CABLE, REMOTE CONTROL L=17F	2	2	2	UR
	701-48350-00	CABLE, REMOTE CONTROL L=21F	2	2	2	UR
	701-48350-20	CABLE, REMOTE CONTROL L=23F	2	2	2	UR



64L1100-2260

FIG. 30 REMOTE CONTROL ASSY 1

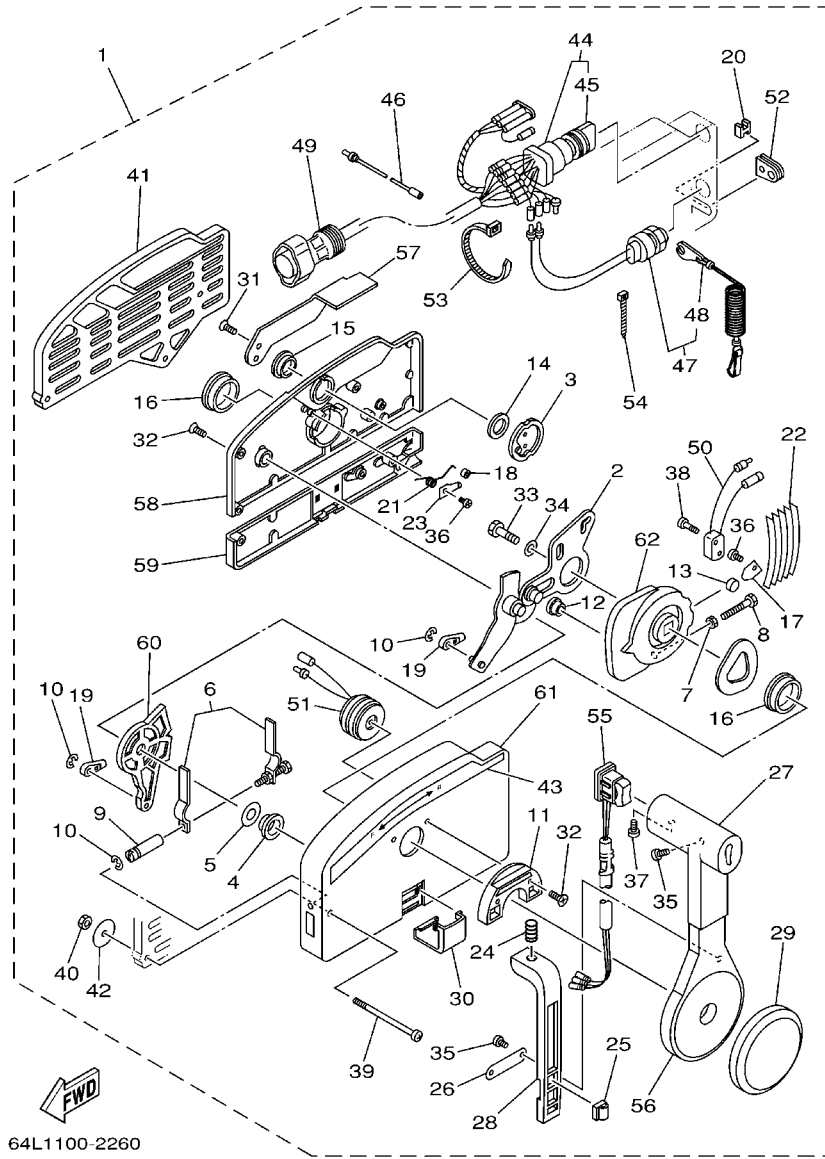
REF. NO.	PART NO.	DESCRIPTION	150F	175D	L150	REMARKS
1	703-48205-17	REMOTE CONTROL ASSY	1	1		AP WITH PT/T SW.
2	703-48261-01	.ARM, THROTTLE	1	1		
3	703-48153-00	.SHAFT, FREE ACCEL.	1	1		
4	703-48235-00	.BUSHING	1	1		
5	703-48268-00	.SPACER	1	1		
6	703-48264-00	.THROTTLE, FRICTION	1	1		
7	95380-05600	.NUT	1	1		
8	97380-05025	.BOLT	1	1		
9	703-48265-00	.SHAFT, FRICTION	1	1		
10	93430-06024	.CIRCLIP	3	3		
11	703-48245-00	.PLATE, LOCK	1	1		
12	703-48252-00	.ROLLER, CAM	1	1		
13	701-48248-00	.ROLLER, FREE ACCEL.	1	1		
14	703-48198-00	.WASHER, WAVE	1	1		
15	703-48243-00	.BUSHING	1	1		
16	703-48236-00	.BUSHING 1	2	2		
17	703-48189-00	.RETAINER	1	1		
18	703-48234-00	.ROLLER, DETENT	1	1		
19	703-48345-01	.CABLE END, REMOTE CONTROL 2	2	2		
20	703-48358-00	.ANCHOR, CABLE	1	1		
21	703-48244-00	.SPRING, FREE ACCEL.	1	1		
22	703-48238-00	.SPRING, DETENT	5	5		
23	703-48246-00	.SPACER	1	1		
24	703-48227-00	.SPRING, NEUTRAL LOCK	1	1		
25	703-82594-00	.CLAMP	1	1		WITH PT/T SW.
26	703-48226-00	.PLATE, STOPPER	1	1		
27	703-48222-00	.GRIP, CONTROL LEVER	1	1		SINGLE



64L1100-2260

FIG. 30 REMOTE CONTROL ASSY 1

REF. NO.	PART NO.	DESCRIPTION	150F	175D	L150	REMARKS
28	703-48223-00	.LOCK, NEUTRAL	1	1		
29	703-48225-00	.COVER	1	1		
30	703-48219-00	.COVER, LEAD	1	1		
31	703-48281-00	.SCREW	2	2		
32	703-48282-00	.SCREW	7	7		
33	97380-08030	.BOLT	1	1		
34	92990-08600	.WASHER, PLATE	1	1		
35	98580-04010	.SCREW, PAN HEAD	3	3		
36	98580-04006	.SCREW, PAN HEAD	2	2		
37	98580-05010	.SCREW, PAN HEAD	1	1		
38	98580-03015	.SCREW, PAN HEAD	2	2		
39	703-48291-10	.SCREW (M6)	3	3		
40	95380-06600	.NUT, HEXAGON	3	3		
41	703-48293-10	.SPACER, REMOTE CONTROL	1	1		SINGLE
42	701-48287-00	.WASHER	3	3		
43	703-48215-00	.GRAPHIC	1	1		
44	703-82510-43	.MAIN SWITCH ASSY	1	1		
45	703-82577-00	..CAP, KEY	1	1		
46	703-82531-00	.WIRE, LEAD	1	1		
47	688-82575-01	.ENGINE STOP SWITCH ASSY	1	1		
48	682-82556-00	..STOPPER	1	1		
49	688-8258A-20	.EXTENSION, WIRE HARNESS	1	1		L:5M (10P)
50	703-82540-00	.NEUTRAL SWITCH ASSY	1	1		
51	703-83383-02	.BUZZER	1	1		
52	703-48284-00	.GROMMET	1	1		
53	703-82591-00	.BAND	1	1		
54	703-82592-00	.BAND	1	1		



64L1100-2260

FIG. 30 REMOTE CONTROL ASSY 1

REF. NO.	PART NO.	DESCRIPTION	150F	175D	L150	REMARKS
55	703-82563-02	.TRIM & TILT SWITCH ASSY	1	1		WITH PT/T SW.
56	703-48221-00	.LEVER, CONTROL	1	1		
57	703-48152-00	.KNOB, FREE ACCEL.	1	1		
58	703-48212-00	.BACK PLATE 1	1	1		
59	703-48213-00	.BACK PLATE 2	1	1		
60	703-48271-00	.ARM, SHIFT	1	1		
61	703-48211-01	.HOUSING,1	1	1		
62	703-48232-00	.GEAR	1	1		

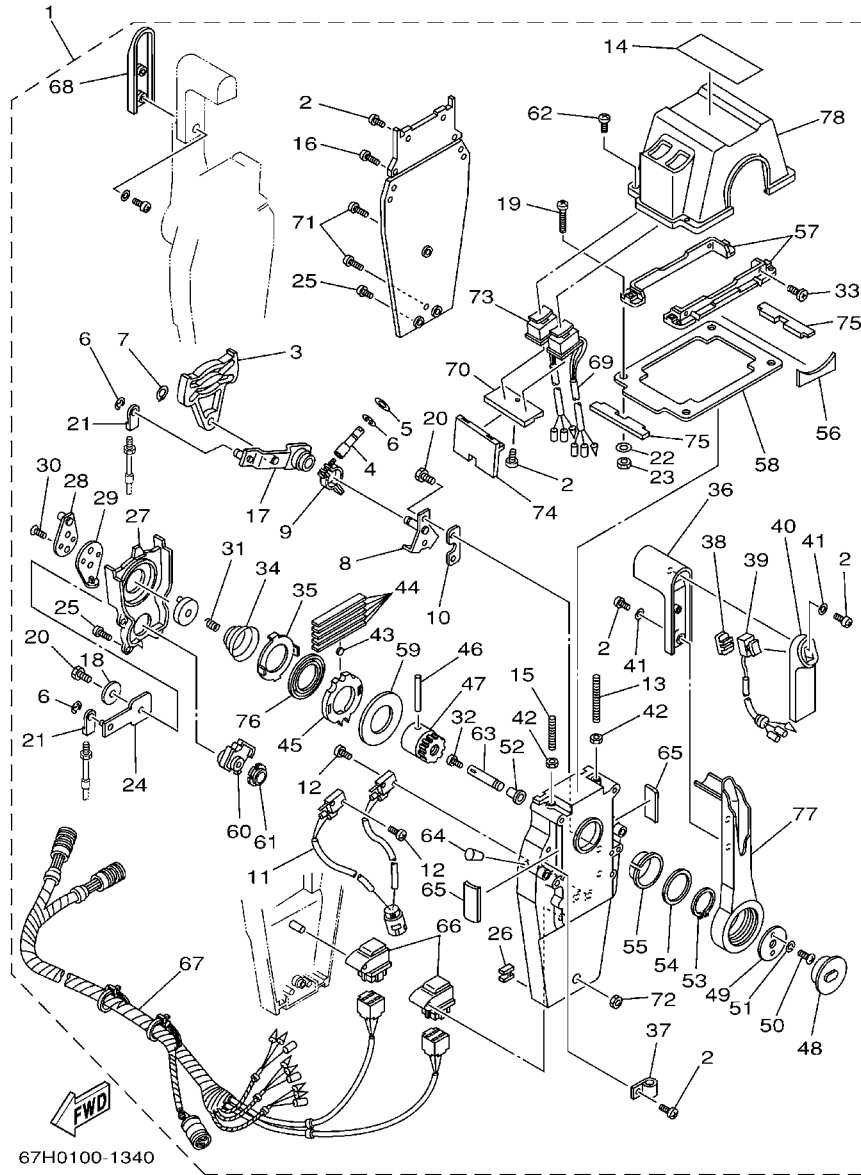


FIG. 31 REMOTE CONTROL ASSY 2

REF. NO.	PART NO.	DESCRIPTION	150F	175D	L150	REMARKS
1	704-48207-23	REMOTE CONTROL ASSY			1	AP WITH PT/T SW.
2	97890-05016	.SCREW, PAN HEAD			12	
3	EL8-48251-00	.PLATE, CAM			2	
4	704-48265-00	.SHAFT, FRICTION			2	
5	701-48246-00	.SPACER			2	
6	93430-06024	.CIRCLIP			8	
7	EL8-48259-00	.CIRCLIP 1			2	
8	704-48262-00	.SHAFT, THROTTLE			2	
9	704-48264-00	.THROTTLE, FRICTION			2	
10	704-48266-00	.SPACER			2	
11	704-82540-10	.NEUTRAL SWITCH ASSY			1	
12	6A5-48129-10	.SCREW 3			4	
13	EL8-48281-00	.SCREW			2	
14	704-48215-10	.GRAPHIC			1	
15	704-48281-00	.SCREW			2	
16	97890-05025	.SCREW, PAN HEAD			4	
17	704-48261-00	.ARM, THROTTLE			2	
18	EL8-48191-00	.WASHER 1			2	
19	704-48283-00	.SCREW			4	
20	97380-06018	.BOLT			6	
21	703-48345-01	.CABLE END, REMOTE CONTROL 2			4	
22	704-48287-00	.WASHER			4	
23	95380-05600	.NUT			4	
24	EL8-48271-00	.ARM, SHIFT			2	
25	EL8-48127-00	.SCREW 1			16	
26	703-48358-00	.ANCHOR, CABLE			2	
27	EL8-48231-00	.HOUSING, GEAR			2	

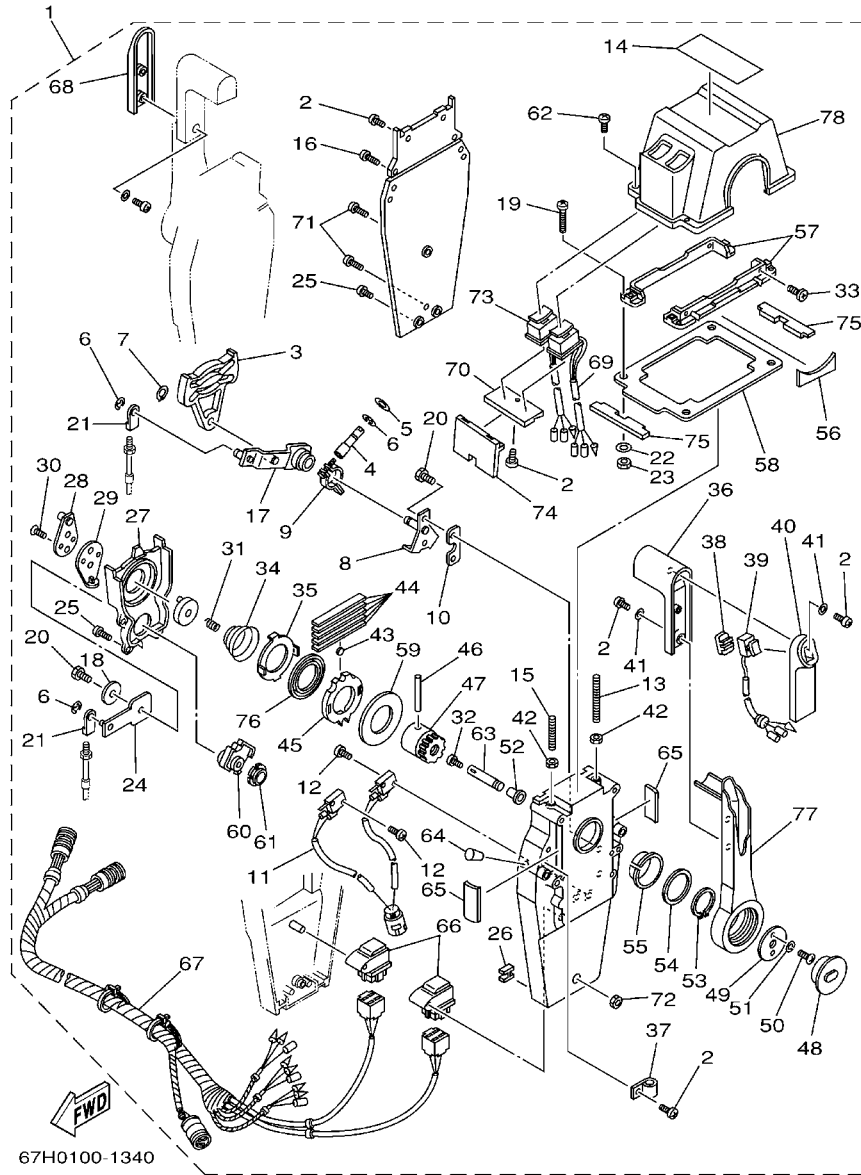


FIG. 31 REMOTE CONTROL ASSY 2

REF. NO.	PART NO.	DESCRIPTION	150F	175D	L150	REMARKS
28	EL8-48241-00	.ARM, DRIVE			2	
29	EL8-48254-00	.STOPPER, THROTTLE ADJUSTING			2	
30	92780-06020	.SCREW, FLAT HEAD			4	
31	EL8-48158-00	.SPRING 1			2	
32	98580-04006	.SCREW, PAN HEAD			2	
33	98780-05018	.SCREW, FLAT HEAD			4	
34	EL8-48244-00	.SPRING, FREE ACCEL.			2	
35	EL8-48245-00	.PLATE, LOCK			2	
36	704-48222-00	.GRIP, CONTROL LEVER			2	
37	704-82594-00	.CLAMP			1	
38	704-48228-00	.HOLDER, SWITCH			1	
39	704-82563-31	.TRIM & TILT SWITCH ASSY			1	
40	704-48229-00	.GRIP, CONTROL LEVER			1	
41	92990-05300	.WASHER, INTERNAL TOOTH			6	
42	95380-06600	.NUT, HEXAGON			4	
43	701-48248-00	.ROLLER, FREE ACCEL.			2	
44	703-48238-00	.SPRING, DETENT			10	
45	EL8-48232-00	.GEAR 1			2	
46	EL8-48164-00	.PIN 2			2	
47	704-48242-00	.SHAFT, DRIVE			2	
48	704-48225-00	.COVER			2	
49	704-48192-00	.WASHER 2			2	
50	97890-06018	.SCREW, PAN HEAD			4	
51	92990-06300	.WASHER, INTERNAL TOOTH			4	
52	702-48263-00	.BUSHING			2	
53	EL8-48279-00	.CIRCLIP 2			2	
54	704-48193-00	.WASHER 3			2	

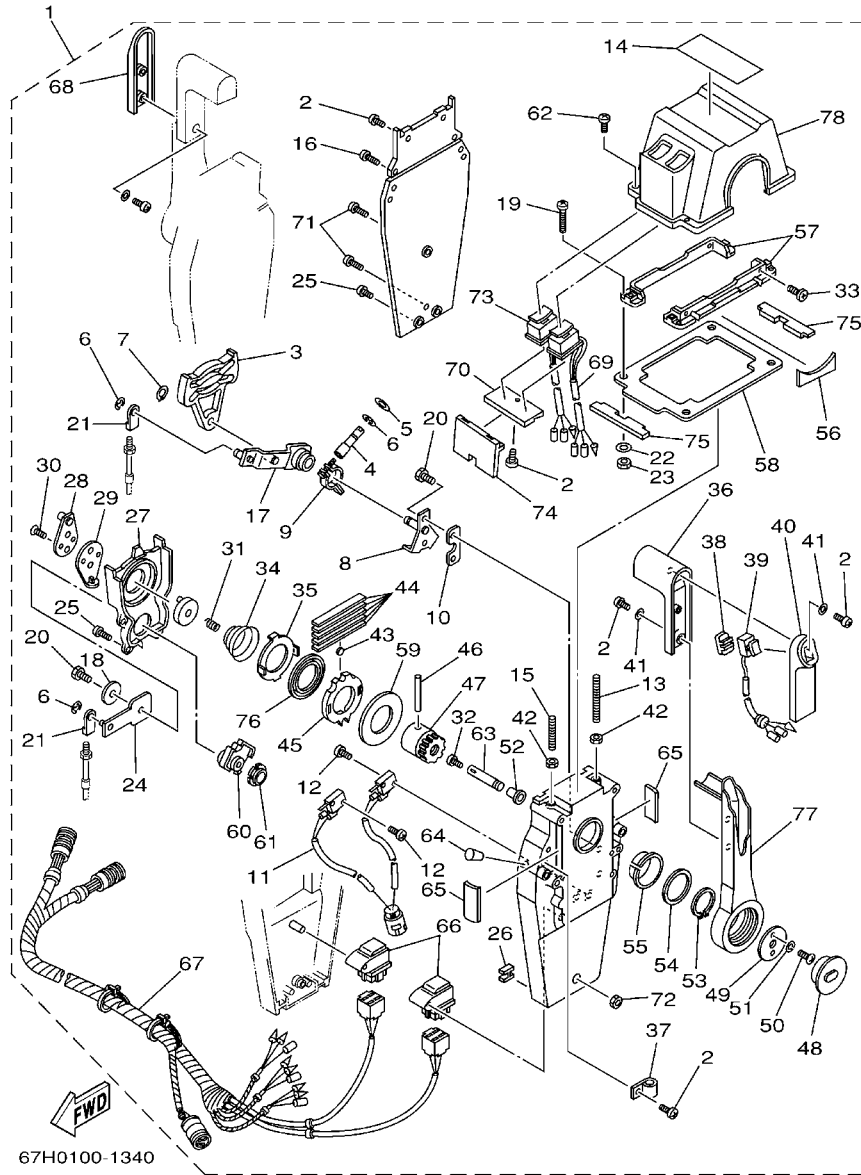
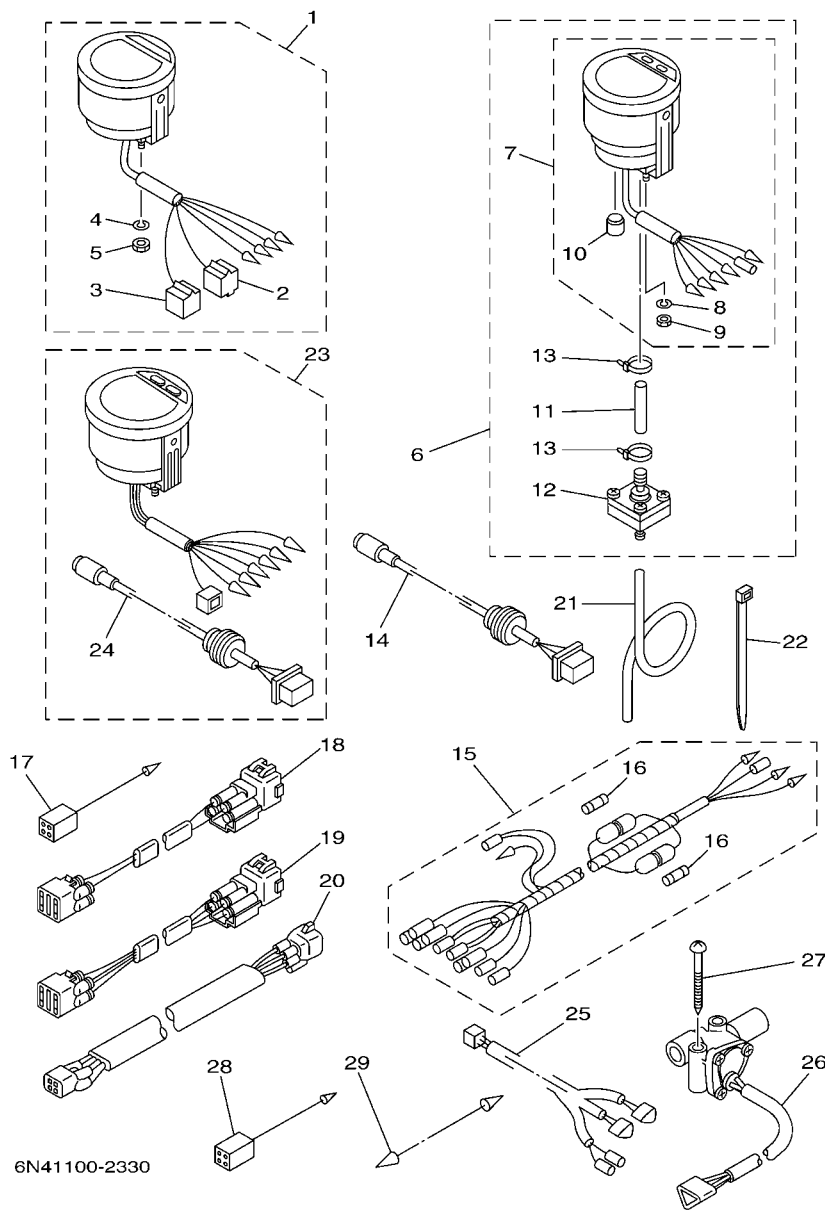


FIG. 31 REMOTE CONTROL ASSY 2

REF. NO.	PART NO.	DESCRIPTION	150F	175D	L150	REMARKS
55	EL8-48234-00	.BUSHING 1			2	
56	704-48219-00	.COVER, LEAD			2	
57	704-48144-00	.PLATE, STOPPER 2			2	
58	704-48176-10	.GROMMET			1	
59	703-48192-00	.WASHER 2			2	
60	EL8-48233-00	.GEAR 2			2	
61	703-48235-00	.BUSHING			2	
62	704-48282-00	.SCREW			4	
63	EL8-48153-10	.SHAFT, FREE ACCEL.			2	
64	704-48166-00	.PLUG			2	
65	704-48284-00	.GROMMET			4	
66	704-81950-00	.RELAY ASSY			2	
67	704-82590-10	.WIRE HARNESS ASSY			1	
68	704-48229-10	.GRIP, CONTROL LEVER			1	
69	704-82563-E0	.TRIM & TILT SWITCH ASSY			1	
70	704-48228-10	.HOLDER, SWITCH			1	
71	704-48128-00	.SCREW 2			3	
72	704-48156-00	.NUT 1			1	
73	704-82563-F0	.TRIM & TILT SWITCH ASSY			1	
74	704-48285-00	.GROMMET 2			1	
75	704-48286-00	.GROMMET 3			2	
76	704-48178-00	.PLATE, SHIFT			2	
77	704-48221-00	.LEVER, CONTROL			2	
78	704-48119-20	.COVER			1	

FIG. 32 METER



6N41100-2330

REF. NO.	PART NO.	DESCRIPTION	150F	175D	L150	REMARKS
1	6Y5-8350T-03	TACHOMETER ASSY	1	1	1	AP
2	9E450-04433	.CONNECTOR	1	1	1	M-4-W
3	9E450-04533	.CONNECTOR	1	1	1	F-4-W
4	92990-04100	.WASHER, SPRING	2	2	2	
5	95380-04600	.NUT	2	2	2	
6	6Y5-83500-S5	DIGITAL SPEEDOMETER ASSY	1	1		AP
7	6Y5-83570-S5	.SPEEDOMETER ASSY	1	1		
8	92990-04100	..WASHER, SPRING	2	2		
9	95380-04600	..NUT	2	2		
10	6Y5-83533-T2	..GROMMET	1	1		
11	6Y5-83557-31	.TUBE	1	1		
12	6Y5-83728-00	.CONNECTOR ASSY	1	1		
13	90465-11M10	.CLAMP	2	2		
14	6Y5-87122-S0	CORD ASSY 1	1	1		AP
15	6Y5-83553-M0	WIRE, LEAD	1	1		AP
	6Y5-83553-00	WIRE, LEAD			1	AP
16	1E6-82151-00	.FUSE (10A)	2	2		FOR 6Y5-83553-M0
	1E6-82151-00	.FUSE (10A)			1	FOR 6Y5-83553-00
17	6Y5-82117-00	WIRE, LEAD (BLACK)	1	1		AP
18	6R3-82521-70	WIRE, LEAD	1	1		AP CAR,BRA,KOR-7M
	6R3-82521-80	WIRE, LEAD			1	AP CAR-8M
19	6R3-82553-70	EXTENSION, WIRE LEAD	1	1		AP CAR,BRA,KOR-4P,7M
	6R3-82553-80	EXTENSION, WIRE LEAD			1	AP CAR-4P,8M
	68F-82553-80	EXTENSION, WIRE LEAD	1	1		AP OCE
	68F-82553-90	EXTENSION, WIRE LEAD			1	AP OCE
20	6R3-82553-30	EXTENSION, WIRE LEAD L=3000			2	AP CAR
21	6Y5-83557-00	TUBE (6M)	1	1		AP CAR,BRA,KOR

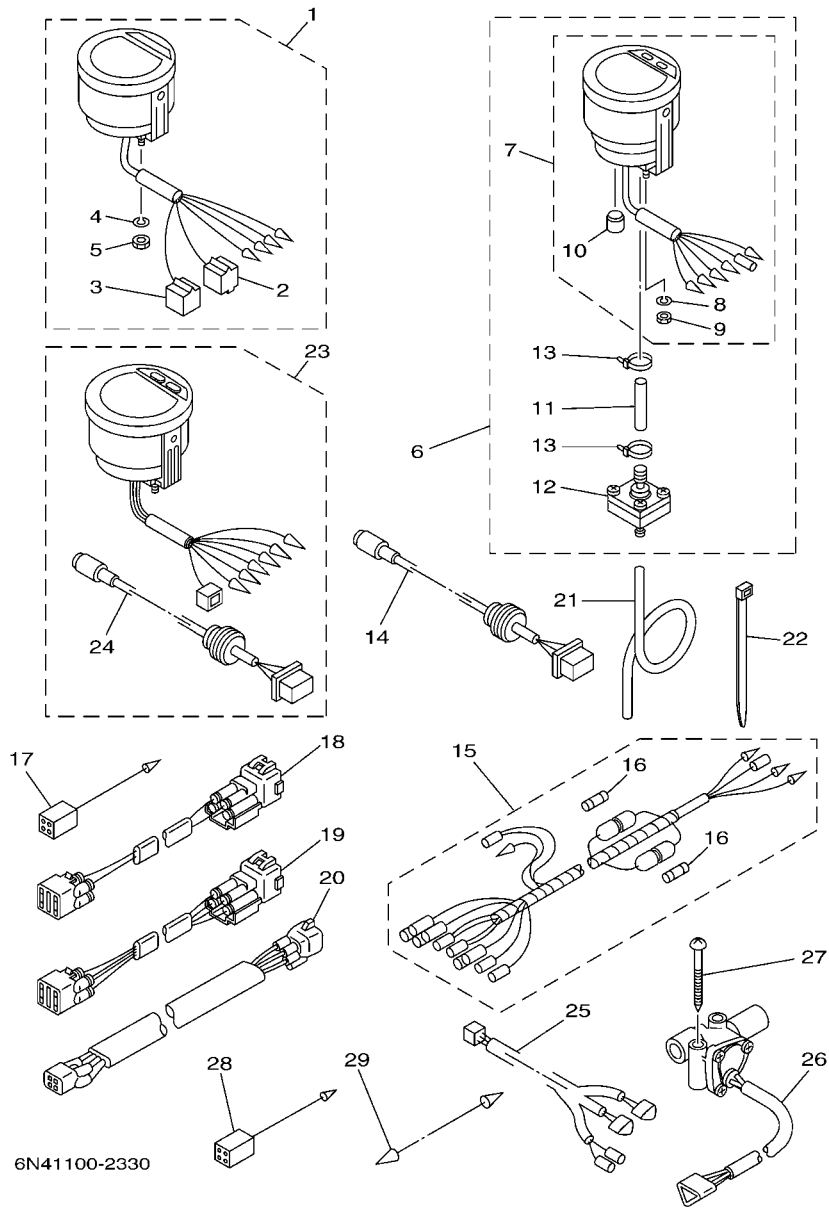


FIG. 32 METER

REF. NO.	PART NO.	DESCRIPTION	150F	175D	L150	REMARKS
21	6Y5-83557-10	TUBE (8M)	1	1		AP OCE
22	90465-11M10	CLAMP	2	2		AP
23	6Y5-8350F-00	FUEL MANAGEMENT METER			1	AP OCE
24	6Y5-87122-S0	.CORD ASSY 1			1	
25	6Y5-83553-F1	WIRE, LEAD			1	AP OCE
26	6Y5-85752-01	SENDER UNIT ASSY, FUEL METER			2	AP OCE
27	90158-06002	SCREW, WOOD			4	AP OCE
28	6Y5-82117-00	WIRE, LEAD (BLACK)			1	AP OCE
29	703-82531-00	WIRE, LEAD			1	AP OCE

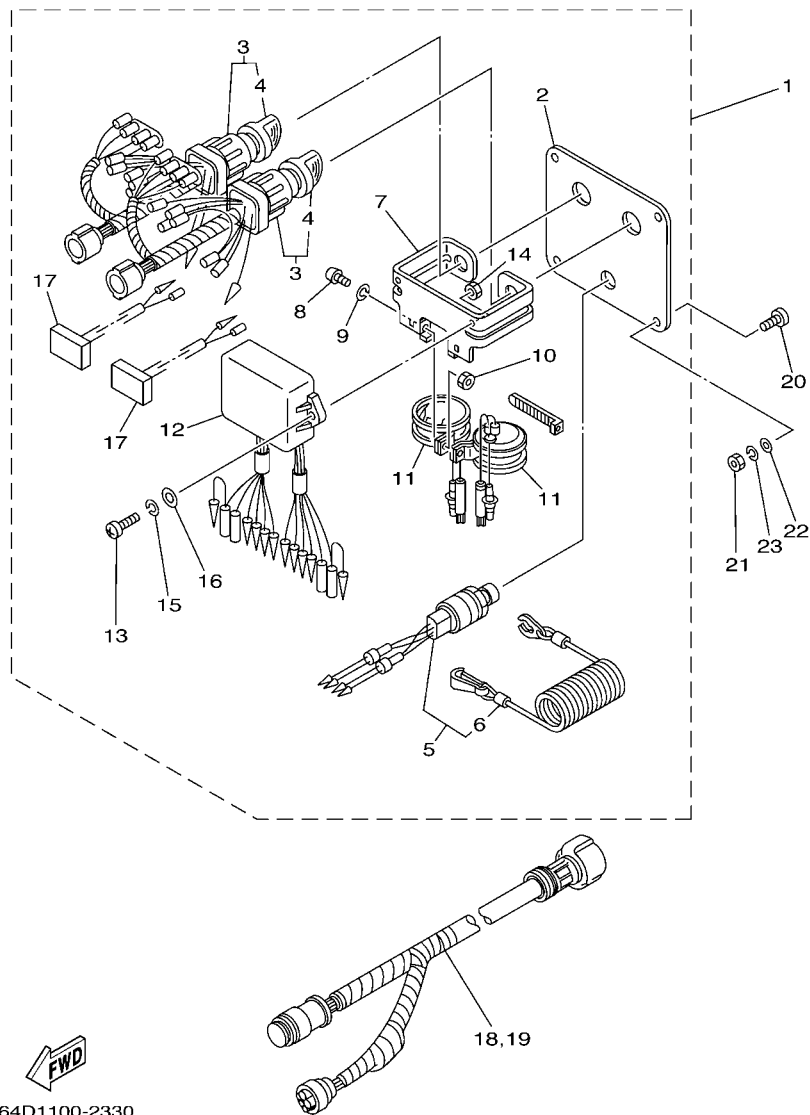
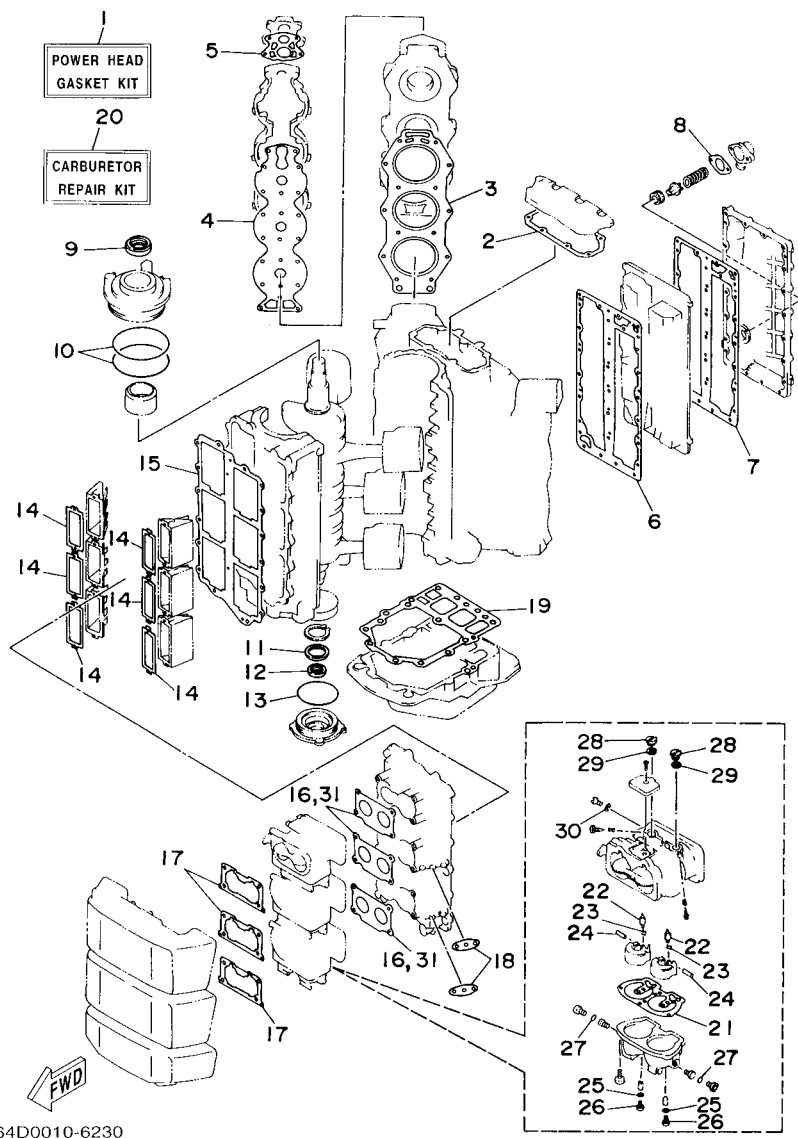


FIG. 33 SWITCH. PANEL

REF. NO.	PART NO.	DESCRIPTION	150F	175D	L150	REMARKS
1	6K1-82570-07	PANEL SWITCH ASSY			1	AP
2	6K1-82571-01	.PANEL, SWITCH			1	
3	6K1-82510-06	.MAIN SWITCH ASSY			2	
4	703-82577-00	..CAP, KEY			1	
5	6K1-82575-00	.ENGINE STOP SWITCH ASSY			1	
6	682-82556-00	..STOPPER			1	
7	6K1-83614-01	.BRACKET			1	
8	98980-05010	.SCREW, BIND			2	
9	92990-05100	.WASHER, SPRING			2	
10	95380-05600	.NUT			2	
11	688-83383-11	.BUZZER			2	
12	6K1-85830-01	.CONTROL UNIT ASSY			1	
13	98980-06020	.SCREW, BIND			2	
14	95380-06600	.NUT, HEXAGON			2	
15	92990-06100	.WASHER, SPRING			2	
16	92990-06600	.WASHER, PLATE			2	
17	6K1-81980-00	.DIODE ASSY			2	
18	6K1-8258A-40	EXTENSION, WIRE HARNESS			1	AP FOR OCE
	6K1-8258A-40	EXTENSION, WIRE HARNESS			2	AP FOR CAR
19	61B-8258A-01	EXTENSION, WIRE HARNESS			1	AP FOR OCE
20	90149-05M05	SCREW			4	AP
21	95380-05600	NUT			4	AP
22	92990-05600	WASHER, PLATE			4	AP
23	92990-05100	WASHER, SPRING			4	AP

FIG. 34 REPAIR KIT 1

REF. NO.	PART NO.	DESCRIPTION	150F	175D	L150	REMARKS
1	64D-W0001-01	POWER HEAD GASKET KIT	1	1	1	
2	6E5-11381-A2	.GASKET 1	1	1	1	
3	6G5-11181-A2	.GASKET, CYLINDER HEAD 1	2	2	2	
4	6G5-11193-A0	.GASKET, HEAD COVER 1	2	2	2	
5	688-12414-A1	.GASKET, COVER	2	2	2	
6	6G5-41112-A1	.GASKET, EXHAUST INNER COVER	1	1	1	
7	6G5-41114-A0	.GASKET, EXHAUST OUTER COVER	1	1	1	
8	6G5-11382-A1	.GASKET 2	1	1	1	
9	93102-40M14	.OIL SEAL	1	1	1	
10	93211-04001	.O-RING	2	2	2	
11	93102-35M13	.OIL SEAL	1	1	1	
12	93101-22M15	.OIL SEAL	1	1	1	
13	93210-74M35	.O-RING	1	1	1	
14	6E5-13621-A1	.GASKET, VALVE SEAT	6	6	6	
15	6G5-13645-A2	.GASKET, MANIFOLD 1	1	1	1	
16	6E5-14198-A2	.GASKET	3	3	3	
17	6K7-14483-00	.GASKET	3	3	3	
18	650-24431-A0	.GASKET, FUEL PUMP 1	2	2	2	
19	68F-45113-00	.GASKET, UPPER CASING	1	1	1	
20	64D-W0093-01	CARBURETOR REPAIR KIT	1	1	1	
21	64D-14384-01	.GASKET, FLOAT CHAMBER	1	1	1	
22	6E5-14546-00	.VALVE, NEEDLE	2	2	2	
23	6E5-14159-00	.CLIP	2	2	2	
24	6E5-14386-02	.PIN, FLOAT	2	2	2	
25	61U-14959-00	.GASKET	2	2	2	
26	64D-14394-00	.VALVE, DRAIN	2	2	2	
27	6E5-14398-01	.GASKET	2	2	2	



64D0010-6230

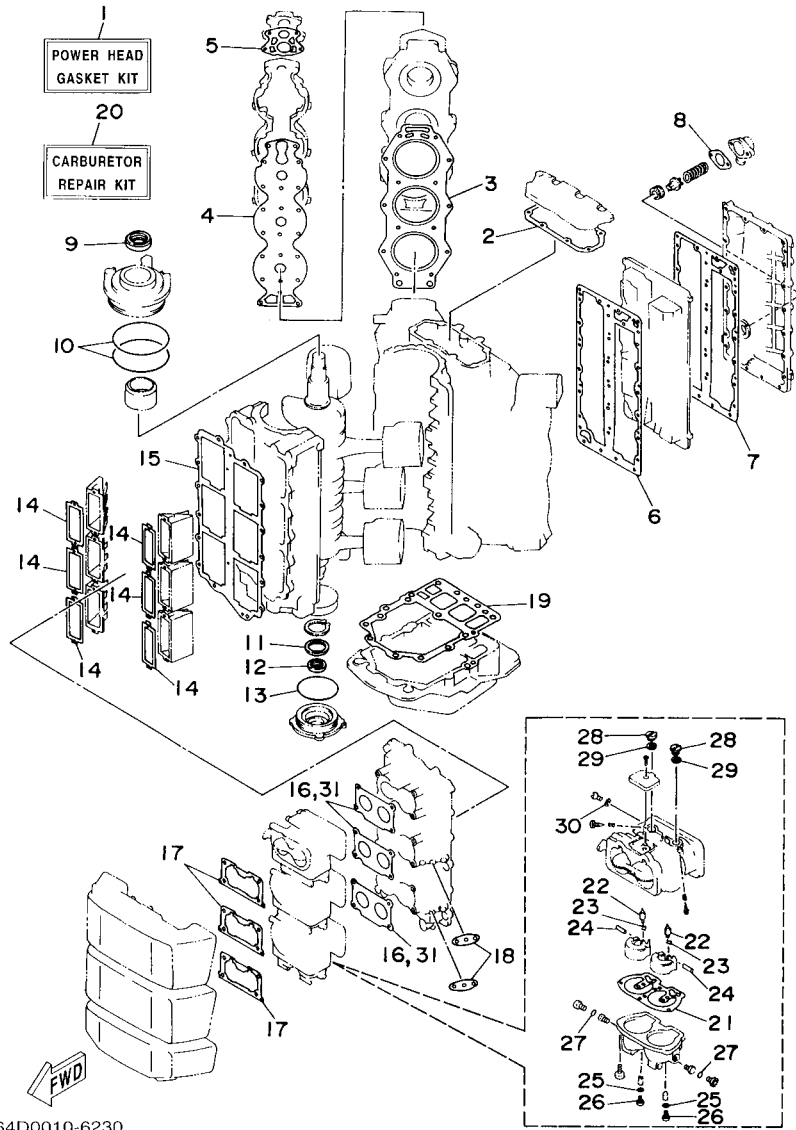


FIG. 34 REPAIR KIT 1

REF. NO.	PART NO.	DESCRIPTION	150F	175D	L150	REMARKS
28	6E5-14328-01	.PLUG	2	2	2	
29	6E5-14979-00	.GASKET	2	2	2	
30	6J8-14959-00	.GASKET	1	1	1	
31	6E5-14198-A2	.GASKET	1	1	1	

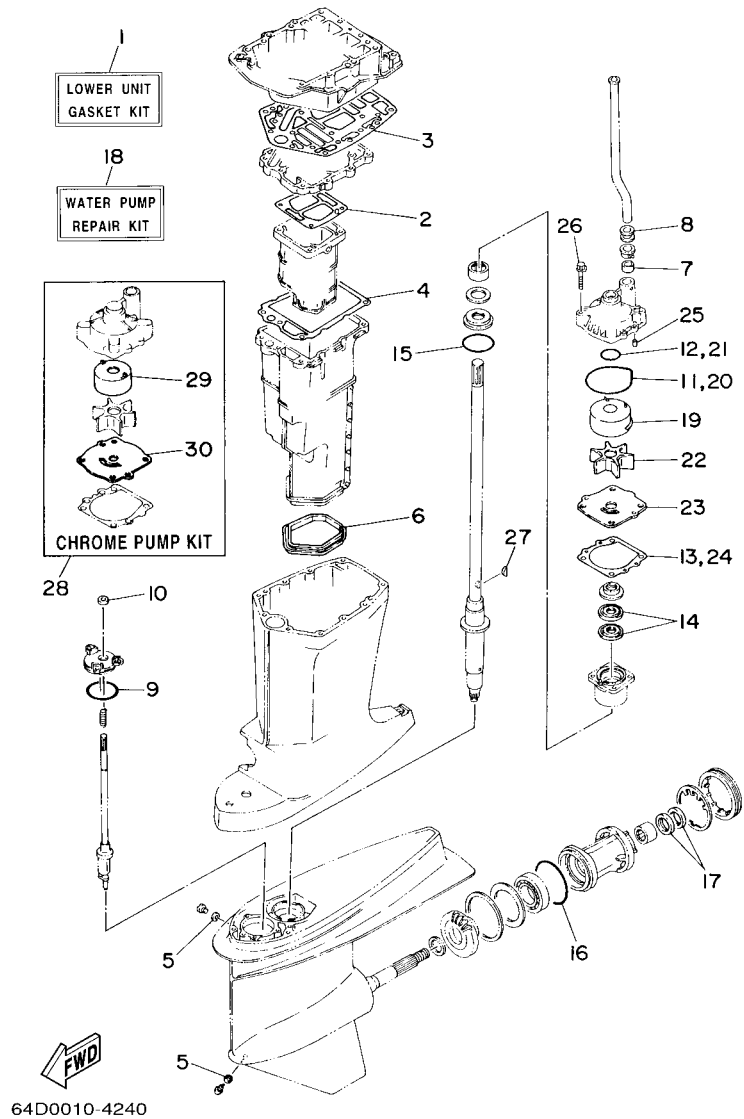


FIG. 35 REPAIR KIT 2

REF. NO.	PART NO.	DESCRIPTION	150F	175D	L150	REMARKS
1	6G5-W0001-C1	LOWER UNIT GASKET KIT	1	1	1	
2	6G5-41134-A1	.GASKET, EXHAUST MANIFOLD	1	1	1	
3	6G5-45114-A1	.GASKET, UPPER CASING	1	1	1	
4	6E5-41135-A0	.GASKET, EXHAUST MANIFOLD	1	1	1	
5	90430-08020	.GASKET	2	2	2	
6	6E5-45123-00	.GASKET, MUFFLER	1	1	1	
7	6E5-44365-00	.DAMPER, WATER SEAL	1	1	1	
8	6E5-44366-00	.DAMPER, WATER SEAL	1	1	1	
9	93210-58144	.O-RING	1	1	1	
10	93106-09014	.OIL SEAL	1	1	1	
11	93210-86M38	.O-RING	1	1	1	
12	93210-37160	.O-RING	1	1	1	
13	6E5-44315-A0	.GASKET, WATER PUMP	1	1	1	
14	93101-28M16	.OIL SEAL	2	2	2	
15	93210-55M14	.O-RING	1	1	1	
16	93210-97M55	.O-RING	1	1	1	
17	93101-30M17	.OIL SEAL	2	2	2	
18	61A-W0078-A3	WATER PUMP REPAIR KIT	1	1	1	
19	61A-44322-02	.INSERT, CARTRIDGE	1	1	1	
20	93210-86M38	.O-RING	1	1	1	
21	93210-37160	.O-RING	1	1	1	
22	6E5-44352-01	.IMPELLER	1	1	1	
23	6G5-44323-00	.OUTER PLATE, CARTRIDGE	1	1	1	
24	6E5-44315-A0	.GASKET, WATER PUMP	1	1	1	
25	93606-12019	.PIN, DOWEL	2	2	2	
26	90119-08M14	.BOLT, WITH WASHER	4	4	4	
27	90280-04M05	.KEY, WOODRUFF	1	1	1	

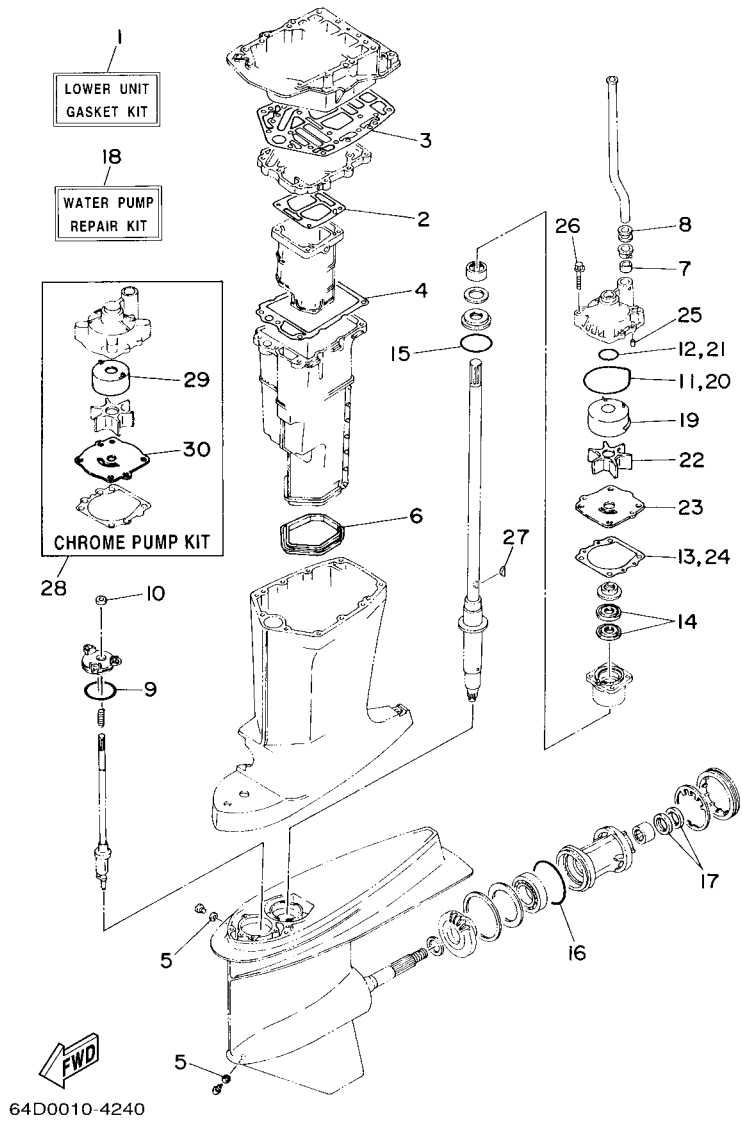


FIG. 35 REPAIR KIT 2

REF. NO.	PART NO.	DESCRIPTION	150F	175D	L150	REMARKS
28	61A-W0078-2A	CHROME PUMP KIT	1	1	1	
29	6R3-44322-42	.INSERT, CARTRIDGE	1	1	1	
30	6G5-44323-40	.OUTER PLATE, CARTRIDGE	1	1	1	

NUMERICAL INDEX

PART NO.	REF. NO.	PART NO.	REF. NO.	PART NO.	REF. NO.	PART NO.	REF. NO.	PART NO.	REF. NO.	PART NO.	REF. NO.
6G5-11111-04-1S	4 - 1	6E5-13414-00	8 - 29	64D-14384-01	6 - 4	6YJ-24201-10	26 - 1	6R3-24560-00	9 - 5	64C-42677-40	1 - 12
67H-11119-01	2 - 16	6R3-13416-00	7 - 8		34 - 21	646-24251-02	8 - 6	6R3-24563-00	9 - 6	64D-42677-40	1 - 12
6G5-11181-A2	4 - 2	6E5-13437-43	8 - 41	6E5-14385-02	6 - 6	6Y1-24260-12	26 - 3	648-24566-02	9 - 9	64C-42677-50	1 - 12
	34 - 3	6E5-13437-62	8 - 41	6E5-14386-02	6 - 9	6Y1-24268-00	26 - 6	6YJ-24610-00	26 - 2	64D-42677-50	1 - 12
6G5-11191-00-1S	4 - 4	6E5-13448-00	8 - 25		34 - 24	6Y2-24305-05	10 - 11	6A1-28176-00	15 - 48	64C-42677-60	1 - 12
6G5-11193-A0	4 - 5	6R3-13471-00	7 - 4	64D-14394-00	6 - 12		26 - 13	61H-2819R-31	8 - 42	64C-42677-80	1 - 13
	34 - 4	6L2-13475-00	7 - 5		34 - 26	6Y2-24306-44	10 - 6	64D-41111-00-1S	4 - 11	64D-42677-B0	1 - 13
6E5-11325-00	2 - 14	6E5-13552-01	5 - 7	6E5-14398-01	6 - 16		26 - 8	6G5-41112-A1	4 - 12	64D-42677-S0	1 - 14
646-11370-01	2 - 7	6E5-13610-00	5 - 1		34 - 27	6Y2-24307-50	10 - 1		34 - 6	64D-42678-30	1 - 20
6E5-11370-01	5 - 9	6E5-13621-A1	5 - 3	6G5-1441K-00	5 - 28	6R3-24313-01	9 - 1	6R3-41113-00-1S	4 - 14	64D-4267A-30	1 - 19
6K7-11371-01-1S	2 - 18		34 - 14	64D-14440-00	5 - 27	6R3-24313-20	9 - 1	6G5-41114-A0	4 - 13	64D-4267A-S0	1 - 19
6H1-11372-00	21 - 20	6G5-13641-11-1S	5 - 6	6R3-14440-02	5 - 27	6G5-24314-00	9 - 13		34 - 7	64C-42681-30	1 - 17
6G5-11372-00-1S	4 - 22	6G5-13645-A2	5 - 18	6K7-14483-00	5 - 30	6E5-24315-00	9 - 18	6G5-41131-01-5B	21 - 21	64D-42681-40	1 - 17
624-11379-00	2 - 3		34 - 15	624-14485-00	5 - 8	6G5-24315-00	9 - 17	64D-41132-00-5B	21 - 25	64C-42681-50	1 - 17
6E5-11381-A2	2 - 19	6E5-14159-00	6 - 8	6G5-14488-02	11 - 24	6G5-24316-10	9 - 35	6G5-41134-A1	21 - 26	64C-42682-30	1 - 18
	34 - 2		34 - 23	6E5-14527-01	6 - 26	6G5-24317-01	9 - 40		35 - 2	64D-42682-40	1 - 18
6G5-11382-A1	4 - 21	6E5-14198-A2	5 - 20	6E5-14546-00	6 - 7	6G5-24318-10	9 - 41	6E5-41135-A0	21 - 33	64C-42682-50	1 - 18
	34 - 8		34 - 16		34 - 22	6E5-24319-01	8 - 7		35 - 4	64C-42687-00	1 - 15
6G5-11411-02	3 - 1	6E5-14223-00	6 - 24	6E5-14711-01-5B	21 - 29	6G5-24319-10	9 - 42	6G5-41137-02-94	21 - 10	64D-42687-00	1 - 15
6E5-11447-00	3 - 2	6E5-14276-01	7 - 1	64D-14721-20-5B	21 - 38	6E5-24321-01	8 - 11	6G5-41137-11-94	21 - 10	64C-42687-30	1 - 15
663-11518-01	2 - 6	64C-14301-02	6 - 1	6E5-14737-00	21 - 30	6E5-24322-00	8 - 4	6G5-41211-01	16 - 30	64D-42687-30	1 - 15
6R3-11536-00	3 - 9	64D-14301-02	6 - 1	64D-1492E-71	6 - 13	64E-24323-00	8 - 34	6G5-41213-00	16 - 33	64C-42687-40	1 - 15
6R3-11537-00	7 - 19	64C-14301-10	6 - 1	64D-1492E-75	6 - 13	6Y1-24329-00	26 - 5	6G5-41217-01	5 - 22	64D-42711-01-8D	15 - 1
64D-11603-01	3 - 18	64C-14301-S2	6 - 1	64D-1492F-42	6 - 10	6E5-24351-51	10 - 3	6H1-41237-00	7 - 24	648-42715-00	16 - 50
64D-11604-01	3 - 18	64D-14301-S2	6 - 1	64D-1492E-77	6 - 14		26 - 10	6R5-41237-00	7 - 26	6E5-42716-10	15 - 40
64D-11605-01	3 - 18	64D-14301-S2	6 - 1	64D-1492E-79	6 - 15	6Y2-24360-60	10 - 5	662-41237-01	16 - 26	64D-42717-00	15 - 36
64D-11631-02-90	3 - 17	64C-14302-02	6 - 2	64D-1492F-42	6 - 10		26 - 12	6R3-41241-00	7 - 23	6E5-42724-00	21 - 11
6R5-11633-10	3 - 21	64D-14302-02	6 - 2	61A-1492H-12	6 - 17	6G5-24376-00	9 - 38	6E5-41256-01	5 - 23	64D-42725-20	15 - 19
6R5-11634-10	3 - 22	64C-14302-10	6 - 2	61U-14959-00	6 - 11	6G5-24377-00	9 - 39	661-41262-02	5 - 24	64D-42725-30	15 - 19
64D-11635-02	3 - 17	6G4-14302-10	6 - 2		34 - 25	6R3-24377-00	9 - 2	6R3-41271-00	5 - 25	688-42726-10	15 - 29
64D-11636-02	3 - 17	64C-14302-S2	6 - 2	6J8-14959-00	6 - 29	6R3-24377-10	9 - 2	689-41273-00	5 - 26	61A-42727-00	15 - 3
64D-11642-02-90	3 - 19	64D-14302-S2	6 - 2		34 - 30	650-24378-00	4 - 15	688-41611-00	11 - 13	64G-42727-00	15 - 3
64D-11645-02	3 - 19	64C-14303-02	6 - 3	6E5-14979-00	6 - 22	6E5-24378-00	9 - 16	688-41612-00	11 - 14	64D-42738-00-5B	15 - 20
64D-11646-02	3 - 19	64D-14303-02	6 - 3		34 - 29	6E5-24379-00	8 - 12	6G5-41631-01-1S	16 - 10	64D-42738-10-5B	15 - 21
6R5-11650-10	3 - 23	64C-14303-10	6 - 3	64C-15100-01-1S	2 - 2	6E5-24410-03	9 - 20	61H-41632-02-1S	16 - 7	6R3-42741-02-8D	15 - 33
6E5-12411-30	4 - 7	6G4-14303-10	6 - 3	64D-15100-01-1S	2 - 2	6E5-24411-00	9 - 25	6G5-41636-01	16 - 24	6H4-42748-00	15 - 4
688-12413-00-1S	4 - 8	64C-14303-S2	6 - 3	6R3-15163-00-1S	3 - 3	6E5-24412-10	9 - 32	6E5-42510-A1-8D	18 - 10	68F-42753-00	15 - 45
688-12414-A1	4 - 9	64D-14303-S2	6 - 3	6G5-15359-00-94	3 - 12	6E5-24413-00	9 - 22	6E5-42510-B1-8D	18 - 10	6E5-42761-00-1S	2 - 21
	34 - 5	6E5-14321-00	6 - 19	6E5-21708-10	8 - 1	6A0-24421-01	9 - 29	624-42542-00	8 - 32	6E5-42762-00-1S	2 - 22
6G5-12416-00	4 - 18	6E5-14323-03	6 - 23	6K1-21708-10	8 - 1	6E5-24423-00	9 - 27	64C-42610-50-4D	1 - 1	6E5-42769-00	21 - 5
6R3-12572-00	15 - 41	6E5-14324-00	6 - 28	61A-21708-20	8 - 1	648-24424-00	9 - 26	64D-42610-50-4D	1 - 1	6R3-42771-01-8D	15 - 37
6G5-12576-00	4 - 24	6A0-14325-00	9 - 30	6E5-21733-20	8 - 2	650-24431-A0	9 - 33	64C-42610-60-4D	1 - 1	6E7-42791-10	15 - 47
6R3-12580-00	15 - 42	6E5-14328-01	6 - 21	6E5-21734-01-33	8 - 18		34 - 18	64C-42610-T0-4D	1 - 1	6G5-42791-10	15 - 47
6G5-12581-00	21 - 12		34 - 28	6E5-21746-00	8 - 20	6E5-24434-02	9 - 28	64D-42610-T0-4D	1 - 1	6R3-42791-41	21 - 2
6R3-13117-00	7 - 20	6J8-14334-00	6 - 20	6E5-21750-05	8 - 24	6E5-24435-00	9 - 24	64D-42613-00-4D	1 - 10	6R3-42792-41	21 - 3
6R3-13183-10	7 - 13	64D-14381-00	6 - 5	6E5-21770-03	8 - 3	6E5-24444-00	9 - 21	64D-42615-00	1 - 9	64D-42814-00	1 - 6
6R4-13200-00	7 - 3	64D-14381-10	6 - 5	6E5-21798-01-33	8 - 19	6E5-24471-00	9 - 23	6R3-42647-00	1 - 2	64D-42815-00-4D	15 - 5
6E5-13411-00	8 - 28	61A-14383-01	6 - 18	6YJ-24167-00	26 - 7	61N-24521-00	9 - 7	64D-42662-00	1 - 5	64D-42816-00-4D	15 - 6

NUMERICAL INDEX

PART NO.	REF. NO.	PART NO.	REF. NO.	PART NO.	REF. NO.	PART NO.	REF. NO.	PART NO.	REF. NO.	PART NO.	REF. NO.
64D-42818-20	15 - 12	72X-43858-00	20 - 5	61A-44322-02	24 - 26	64D-45300-02-8D	22 - 1	6G5-45567-01-15	24 - 6	6J9-45611-01	22 - 52
64D-42818-30	15 - 13	64E-43859-00	20 - 13		35 - 19	64D-45300-22-8D	22 - 1	6G5-45567-01-18	22 - 5	6K1-45611-10	24 - 51
64D-42835-00	15 - 7	64E-43860-00	20 - 20	6R3-44322-42	35 - 29	64H-45300-22-8D	24 - 1		24 - 6	6G5-45631-00	22 - 60
64E-43111-02-8D	17 - 1	6E5-43862-00	19 - 10	6G5-44323-00	22 - 34	6J9-45301-05-8D	22 - 2	6G5-45567-01-30	22 - 5		24 - 59
64E-43112-02-8D	17 - 9	6G5-43863-00	20 - 10		24 - 33		24 - 2		22 - 6	6E5-45633-01	22 - 61
64E-43126-00	17 - 37	6E5-43864-00	19 - 20		35 - 23	6E5-45318-00	21 - 36	6G5-45567-01-40	22 - 5		24 - 60
64E-43131-01	17 - 15	6G5-43864-00	19 - 19	6G5-44323-40	35 - 30	6E5-45321-00	22 - 19		24 - 6	6E5-45634-01	22 - 54
64E-43139-02	18 - 1	64E-43865-00	20 - 16	6E5-44352-01	22 - 32		24 - 18	6G5-45567-01-50	22 - 5		24 - 53
64D-43144-00	15 - 14	6G5-43865-00	20 - 35		24 - 31	6E5-45331-00-94	22 - 38		24 - 6	6K1-45641-01	24 - 52
6G5-43144-00	17 - 27	64E-43866-00	19 - 9		35 - 22		24 - 37	6K1-45570-01	24 - 63	6E5-45641-03	22 - 53
6E5-43145-01	27 - 8	64E-43867-00	19 - 8	6E5-44361-00	23 - 2	6J9-45332-00-94	22 - 62	6G5-45571-02	22 - 64	6G5-45930-00-98	23 - 22
6G5-43148-00	17 - 32	64E-43868-00	20 - 3	6E5-44361-20	23 - 2	6K1-45332-01-94	24 - 61	6K1-45576-00	24 - 64	6G5-45932-00-98	23 - 22
6G5-43181-02	17 - 29	64E-43869-00	19 - 26		25 - 2	688-45341-10	22 - 7	6G5-45576-10	22 - 65	6G5-45941-00-98	23 - 22
6G5-43185-02	17 - 30	6H1-4386K-10	20 - 29	6E5-44365-00	22 - 30		24 - 8	6G5-45577-02-10	22 - 69	6G5-45943-01-98	23 - 22
64E-43311-10-8D	17 - 22	6E5-43872-00	19 - 12		23 - 3	6E5-45344-00	22 - 44		24 - 70	6G5-45945-01-98	23 - 22
64E-43311-20-8D	17 - 22	64E-43873-00	20 - 24		24 - 29		24 - 43	6G5-45577-02-12	22 - 69	6G5-45947-01-98	23 - 22
61A-43376-00	18 - 8	6E5-43874-01	19 - 21		25 - 3	6J9-45371-01	23 - 12		24 - 70	6G5-45949-00-98	23 - 22
64E-43800-02-4D	19 - 1	64E-43875-00	20 - 25		35 - 7	6K1-45371-02	25 - 12	6G5-45577-02-15	22 - 69	6G5-45952-00-98	23 - 22
64E-43802-00	20 - 8	64E-43879-00	20 - 27	6E5-44366-00	23 - 1	64D-45375-00	21 - 40		24 - 70	6K1-45970-01-98	25 - 19
64E-43805-00	20 - 37	64E-43879-10	20 - 26		25 - 1	688-45375-00	22 - 15	6G5-45577-02-18	22 - 69	6G5-45970-02-98	23 - 22
64E-4380F-00	20 - 33	64E-4387A-00	20 - 23		35 - 8		24 - 16		24 - 70	6R1-45970-A0	25 - 19
64E-4380J-00	20 - 30	64E-43880-01	20 - 28	6E5-44391-00	15 - 18	64D-45376-00-94	22 - 14	6G5-45577-02-30	22 - 69	6R4-45970-A0	23 - 22
64E-43810-00	19 - 6	64E-43883-00	19 - 11	6E5-44511-00-5B	18 - 38		24 - 15		24 - 70	6K1-45972-01-98	25 - 19
6E5-43814-02	19 - 13	64E-4388E-00	19 - 25	6G5-44514-00-94	18 - 31	663-45376-00-94	22 - 14	6G5-45577-02-40	22 - 69	6G5-45972-02-98	23 - 22
64E-43816-00	20 - 17	64E-4388E-10	20 - 1	6G5-44526-00	17 - 3	6E5-45378-00	22 - 16		24 - 70	6R1-45972-A0	25 - 19
64E-43817-00	19 - 5	64E-4388J-00	19 - 3	68F-44533-00	2 - 23	6J8-45378-00	24 - 17	6G5-45577-02-50	22 - 69	6R4-45972-A0	23 - 22
64E-43817-10	20 - 19	64E-43891-00	20 - 31	6G5-44551-01-8D	18 - 13	6G5-45383-01	22 - 72		24 - 70	6K1-45974-02-98	25 - 19
64E-43818-01	19 - 32	64E-43892-00	20 - 34	6E5-44552-01-94	18 - 24		24 - 72	6K1-45578-01-10	24 - 66	6G5-45974-03-98	23 - 22
64E-4381G-00	19 - 27	6E5-43896-00	20 - 9	6E5-44553-01-8D	18 - 27	6G5-45384-00	22 - 73	6K1-45578-01-12	24 - 66	6R1-45974-A0	25 - 19
64E-43820-00	19 - 15	64E-43897-00	19 - 24	6G5-44555-00-94	18 - 16		24 - 73	6K1-45578-01-15	24 - 66	6R4-45974-A0	23 - 22
64E-43821-00	19 - 16	64E-43898-00	19 - 7	663-44575-00	18 - 37	6G5-45501-01	22 - 47	6K1-45578-01-18	24 - 66	6G5-45976-01-98	23 - 22
64E-43822-00	19 - 17	6E5-44117-00-1S	16 - 37	6E5-44575-00	18 - 15	6G5-45501-21	22 - 47	6K1-45578-01-30	24 - 66	6R1-45976-A0	25 - 19
64E-43825-01	19 - 2	6E5-44118-01-94	16 - 45	6E5-45111-02-8D	21 - 1		24 - 46	6K1-45578-01-40	24 - 66	6R4-45976-A0	23 - 22
64E-43827-00	20 - 22	6E5-44120-03	16 - 52	6E5-45111-23-8D	21 - 1	61A-45527-00	22 - 11	6K1-45578-01-50	24 - 66	6K1-45978-02-98	25 - 19
64E-43828-00	19 - 22	6E5-44120-23	16 - 52	68F-45113-00	21 - 14		24 - 12	6E5-45587-01-10	22 - 41	6G5-45978-03-98	23 - 22
64E-43829-00	19 - 23	68F-44121-00	16 - 39		34 - 19	6G5-45536-01	22 - 13		24 - 40	6R1-45978-A0	25 - 19
64E-4382G-00	19 - 29	6E5-44122-00	16 - 40	6G5-45114-A1	21 - 22		24 - 14	6E5-45587-01-12	22 - 41	6R4-45978-A0	23 - 22
64E-43830-00	20 - 4	6K1-44150-01	24 - 22		35 - 3	61A-45538-00	22 - 12		24 - 40	6E5-45987-01	23 - 17
64E-43831-00	20 - 2	6G5-44150-02	22 - 23	663-45119-00	17 - 14		24 - 13	6E5-45587-01-15	22 - 41		25 - 14
64E-43841-00	20 - 7	688-44194-00	16 - 15	64D-45123-00	21 - 39	6G5-45551-01	22 - 48		24 - 40	688-45997-01	23 - 18
64E-43843-00	20 - 6	61A-44311-01	22 - 26	6E5-45123-00	21 - 32		24 - 47	6E5-45587-01-18	22 - 41		25 - 15
64E-43843-10	20 - 38		24 - 25		35 - 6	6G5-45560-01	22 - 50		24 - 40	704-48119-20	31 - 78
64E-4384J-00	19 - 18	6E5-44312-00	22 - 31	6E5-45155-00	21 - 4	6K1-45560-01	24 - 49	6E5-45587-01-30	22 - 41	EL8-48127-00	31 - 25
64E-43850-00	20 - 15		24 - 30	6J9-45214-00	23 - 8	6G5-45567-01-10	22 - 5		24 - 40	704-48128-00	31 - 71
64E-43851-00	20 - 11	6E5-44315-A0	22 - 35		25 - 8		24 - 6	6E5-45587-01-40	22 - 41	6A5-48129-10	31 - 12
64E-43855-00	20 - 14		24 - 34	6J9-45215-00	23 - 9	6G5-45567-01-12	22 - 5		24 - 40	704-48144-00	31 - 57
64E-43858-00	20 - 12		35 - 13		25 - 9		24 - 6	6E5-45587-01-50	22 - 41	703-48152-00	30 - 57
6E5-43858-00	19 - 28	61A-44322-02	22 - 27	6G5-45251-02	17 - 2	6G5-45567-01-15	22 - 5		24 - 40	703-48153-00	30 - 3



NUMERICAL INDEX

PART NO.	REF. NO.	PART NO.	REF. NO.	PART NO.	REF. NO.	PART NO.	REF. NO.	PART NO.	REF. NO.	PART NO.	REF. NO.
EL8-48153-10	31 - 63	EL8-48241-00	31 - 28	701-48350-00	29 - 3	6K1-81980-00	33 - 17	6K1-82570-07	33 - 1	663-85518-00	16 - 11
704-48156-00	31 - 72	704-48242-00	31 - 47	701-48350-20	29 - 3	64D-82105-00	13 - 44	6K1-82571-01	33 - 2	64D-85537-00	12 - 23
EL8-48158-00	31 - 31	703-48243-00	30 - 15	703-48358-00	30 - 20	6R3-82105-02	13 - 44	6K1-82575-00	33 - 5	64D-85540-01	12 - 15
EL8-48164-00	31 - 46	703-48244-00	30 - 21			64D-82116-00	13 - 53	688-82575-01	30 - 47	6R3-85542-03-1S	12 - 19
704-48166-00	31 - 64	704-48244-00	31 - 34	64D-48531-00	16 - 1	6E5-82116-00	13 - 38	703-82577-00	30 - 45	64D-85550-02	11 - 1
704-48176-10	31 - 58	703-48245-00	30 - 11	64D-48532-00	16 - 2	64D-82117-00	13 - 52		33 - 4	6R3-85570-01	13 - 1
704-48178-00	31 - 76	EL8-48245-00	31 - 35	6E5-48538-00	16 - 3	6Y5-82117-00	32 - 17	6E3-8257H-00	15 - 49	64D-85580-00	11 - 3
703-48189-00	30 - 17	701-48246-00	31 - 5	6E5-61301-01	28 - 1	6E5-82117-01	13 - 54	6E5-82587-00	13 - 29	6E5-85711-40	12 - 30
EL8-48191-00	31 - 18	703-48246-00	30 - 23	6E5-61303-00	28 - 5	6G5-82119-00	13 - 37	6E5-82588-00	13 - 55	6E5-85720-04	8 - 15
703-48192-00	31 - 59	701-48248-00	30 - 13	6E5-61311-11	28 - 3	6E5-82147-00	17 - 26		15 - 30	6R3-85721-30	8 - 16
704-48192-00	31 - 49		31 - 43	6E5-61313-00	28 - 2	6E5-82147-20	17 - 26	6K7-82588-00	13 - 15	6R3-85721-80	8 - 16
704-48193-00	31 - 54	EL8-48251-00	31 - 3	6E5-61315-00	28 - 4	6E5-82148-00	17 - 6	61B-8258A-01	33 - 19	6R3-85730-03	8 - 27
703-48198-00	30 - 14	703-48252-00	30 - 12	6E5-61350-02	27 - 1	6E5-82149-00	18 - 19	688-8258A-20	30 - 49	6Y5-85752-01	32 - 26
703-48205-17	29 - 1	EL8-48254-00	31 - 29	6E5-61351-01	27 - 2	6R3-82150-00	12 - 2	6K1-8258A-40	33 - 18	61A-85790-00	13 - 19
	30 - 1	EL8-48259-00	31 - 7	6E5-61355-00	27 - 5	1E6-82151-00	32 - 16	64D-82590-00	13 - 7	6K1-85830-01	33 - 12
704-48207-23	29 - 2	704-48261-00	31 - 17	6E5-81332-00	11 - 16	663-82151-00	13 - 8	64D-82590-10	13 - 7	6R5-85895-01	11 - 5
	31 - 1	703-48261-01	30 - 2	64D-81337-01	11 - 19	705-82151-00	12 - 3	704-82590-10	31 - 67	64D-86110-00	13 - 24
703-48211-01	30 - 61	704-48262-00	31 - 8	64D-81337-10	11 - 19			703-82591-00	30 - 53	6Y5-87122-S0	32 - 14
703-48212-00	30 - 58	702-48263-00	31 - 52	6N7-81800-10	14 - 1	6G5-82152-00	12 - 4	703-82592-00	30 - 54	6G5-87149-10	13 - 36
703-48213-00	30 - 59	703-48264-00	30 - 6	6N7-81801-00	14 - 8			688-82594-00	13 - 10	64D-W0001-01	34 - 1
703-48215-00	30 - 43	704-48264-00	31 - 9	6N7-81807-00	14 - 11	6A0-82317-00	8 - 31	703-82594-00	30 - 25	6G5-W0001-C1	35 - 1
704-48215-10	31 - 14	703-48265-00	30 - 9	61A-81809-00	14 - 3	6G5-82317-00	11 - 20	704-82594-00	31 - 37	6E5-W0004-00	5 - 2
703-48219-00	30 - 30	704-48265-00	31 - 4	6N7-81810-00	14 - 5	663-82317-01	11 - 21	6R3-8259E-00	12 - 25	64D-W0070-30	1 - 16
704-48219-00	31 - 56	704-48266-00	31 - 10	6N7-81813-00	14 - 9	6N7-82370-21	13 - 2	703-83383-02	30 - 51	64C-W0070-50	1 - 16
703-48221-00	30 - 56	703-48268-00	30 - 5	6N7-81820-10	14 - 10	6K1-82510-06	33 - 3	688-83383-11	33 - 11	64D-W0070-S0	1 - 16
704-48221-00	31 - 77	703-48271-00	30 - 60	6R3-81822-00-94	14 - 19	703-82510-43	30 - 44	6Y5-83500-S5	32 - 6	61A-W0078-2A	35 - 28
703-48222-00	30 - 27	EL8-48271-00	31 - 24	61A-81824-00	14 - 4	662-82519-00	12 - 26	6Y5-8350F-00	32 - 23	61A-W0078-A3	35 - 18
704-48222-00	31 - 36	EL8-48279-00	31 - 53	6K7-81826-10	14 - 14	6R3-82519-00	12 - 27	6Y5-8350T-03	32 - 1	64C-W0090-14-1S	2 - 1
703-48223-00	30 - 28	703-48281-00	30 - 31	6E5-8182A-10	14 - 17	6R3-82521-70	32 - 18	6Y5-83533-T2	32 - 10	64D-W0090-14-1S	2 - 1
703-48225-00	30 - 29	704-48281-00	31 - 15	6E5-8182E-10	14 - 15	6R3-82521-80	32 - 18	6Y5-83553-00	32 - 15	64D-W0093-01	34 - 20
704-48225-00	31 - 48	EL8-48281-00	31 - 13	6E5-8182F-10	14 - 16	703-82531-00	30 - 46	6Y5-83553-F1	32 - 25	656-W2810-02	8 - 43
703-48226-00	30 - 26	703-48282-00	30 - 32	6K7-8182G-10	14 - 6			6Y5-83553-M0	32 - 15	90101-09M70	28 - 9
703-48227-00	30 - 24	704-48282-00	31 - 62	6E5-8182K-10	14 - 18	6E5-82531-10	13 - 6	6Y5-83557-00	32 - 21	90101-12M03	17 - 40
704-48228-00	31 - 38	704-48283-00	31 - 19	6N7-81830-00	14 - 13	703-82540-00	30 - 50	6Y5-83557-10	32 - 21	90101-12M05	17 - 40
704-48228-10	31 - 70	703-48284-00	30 - 52	6N7-81840-00	14 - 7	704-82540-10	31 - 11	6Y5-83557-31	32 - 11	90101-12M77	17 - 40
704-48229-00	31 - 40	704-48284-00	31 - 65	6N7-81850-10	14 - 2	6R3-82553-30	32 - 20	6E9-83557-70	13 - 42	90105-10M00	23 - 13
704-48229-10	31 - 68	704-48285-00	31 - 74	6N7-81857-00	14 - 12	6R3-82553-70	32 - 19	6E5-83558-00	23 - 15		25 - 13
EL8-48231-00	31 - 27	704-48286-00	31 - 75	6E5-81900-01	8 - 9	68F-82553-80	32 - 19	6E5-83558-10	22 - 18	90105-10M20	2 - 11
703-48232-00	30 - 62	701-48287-00	30 - 42	64D-81920-01	13 - 45	6R3-82553-80	32 - 19	6Y5-83570-S5	32 - 7	90109-06M40	7 - 7
EL8-48232-00	31 - 45	704-48287-00	31 - 22	6E5-81922-00	8 - 10	68F-82553-90	32 - 19	6R3-83614-00	13 - 30	90109-08022	3 - 24
EL8-48233-00	31 - 60	703-48291-10	30 - 39	61A-81941-00	13 - 32	682-82556-00	30 - 48	6K1-83614-01	33 - 7	90109-12M37	18 - 35
703-48234-00	30 - 18	703-48293-10	30 - 41	64D-81942-00	12 - 5			6K1-83623-41	11 - 23	90109-14M34	18 - 20
EL8-48234-00	31 - 55	701-48320-50	29 - 3	6G5-81948-11	13 - 39	688-82560-10	13 - 18	6A1-83625-41	11 - 22	90116-06M30	5 - 17
703-48235-00	30 - 4	701-48320-60	29 - 3	6E5-81950-00	13 - 34	6R3-82563-00	13 - 28	67H-83672-00	18 - 3	90116-08M45	2 - 13
	31 - 61	701-48320-80	29 - 3	704-81950-00	31 - 66	703-82563-02	30 - 55	64E-83672-02	18 - 3	90119-06M10	22 - 22
703-48236-00	30 - 16	6E5-48344-00	16 - 8	689-81952-10	13 - 33	704-82563-31	31 - 39	6Y5-83728-00	32 - 12		24 - 21
703-48238-00	30 - 22	703-48345-01	30 - 19	6E5-8195A-00	13 - 35	704-82563-E0	31 - 69	72X-85075-L0	20 - 21	90119-06M61	12 - 22
	31 - 44		31 - 21	6R3-81960-10	12 - 1	704-82563-F0	31 - 73	6R3-85510-00	11 - 2	90119-06M65	8 - 33

NUMERICAL INDEX

PART NO.	REF. NO.	PART NO.	REF. NO.	PART NO.	REF. NO.	PART NO.	REF. NO.	PART NO.	REF. NO.	PART NO.	REF. NO.
90119-06MA2	2 - 20	90185-22M11	17 - 20	90386-10M16	17 - 31	90464-07M05	7 - 16	90560-12M01	27 - 4	92995-10100	23 - 6
	3 - 7	90201-06068	15 - 9	90386-12089	16 - 18	90464-13M34	8 - 40	91490-40030	23 - 21		25 - 6
	4 - 23	90201-08M13	16 - 22	90386-15M73	15 - 10	90464-15M11	11 - 7		25 - 18	92995-14600	18 - 23
	16 - 38	90201-08M14	19 - 30	90386-16M66	16 - 54		12 - 12	91690-30012	16 - 4	93101-22M15	3 - 14
90119-06MA3	5 - 19	90201-08M23	16 - 17	90386-22M13	16 - 20	90464-20258	15 - 46	91690-30016	7 - 2		34 - 12
90119-06MA4	4 - 6	90201-08M54	15 - 26	90386-22M98	17 - 38	90465-05M87	12 - 18	91690-30020	17 - 35	93101-28M16	22 - 39
90119-06MA5	4 - 16	90201-10M20	27 - 7		19 - 33		13 - 11	92780-06020	31 - 30		24 - 38
90119-06MA6	4 - 10	90201-10M76	28 - 8	90386-25M31	17 - 18	90465-06M86	4 - 26	92903-06100	9 - 11		35 - 14
90119-08027	21 - 9	90201-12M05	17 - 42	90386-38M32	18 - 12		11 - 4	92903-06600	11 - 12	93101-30M17	22 - 67
90119-08M14	22 - 37	90201-13M01	17 - 41	90387-06M03	12 - 20		13 - 21		12 - 8		24 - 68
	24 - 36	90201-14M56	18 - 34	90387-06M29	16 - 34	90465-06M88	12 - 11	92903-08600	16 - 47		35 - 17
	35 - 26	90201-15M58	18 - 21	90387-06M66	12 - 6	90465-08M63	17 - 23	92990-04100	32 - 4	93102-08M43	20 - 36
90119-08M22	15 - 28	90201-16M55	18 - 18	90387-08M16	16 - 19	90465-08M89	13 - 12	92990-05100	33 - 9	93102-35M13	3 - 13
90119-08M57	14 - 22	90201-21M18	11 - 9	90387-08M37	15 - 25	90465-10M91	5 - 16	92990-05300	31 - 41		34 - 11
90119-08M76	14 - 20	90201-22M01	22 - 10	90387-10M05	17 - 34		7 - 18	92990-05600	5 - 5	93102-40M14	3 - 5
90119-08M77	14 - 21		24 - 11	90387-10M61	27 - 3	90465-11M10	7 - 9		33 - 22		34 - 9
90119-08M79	21 - 15	90201-23M01	3 - 26	90430-08020	22 - 8		8 - 5	92990-06100	1 - 3	93106-09014	22 - 21
90119-08M94	2 - 12	90201-26M57	18 - 32		24 - 9		9 - 3		13 - 49		24 - 20
90119-08MA3	2 - 17	90201-26M59	17 - 19		35 - 5		15 - 44		33 - 15		35 - 10
90119-08MA8	4 - 3	90201-30M92	22 - 70	90430-14115	2 - 9		17 - 21	92990-06300	31 - 51	93210-03261	13 - 27
90119-10M89	23 - 7	90201-38M60	18 - 11	90445-05M02	8 - 30		18 - 5	92990-06600	8 - 22	93210-08287	10 - 12
	25 - 7	90202-05088	7 - 28	90445-07M09	5 - 13		23 - 16		12 - 17		26 - 14
90149-05M05	33 - 20	90202-08M20	16 - 41	90445-07M28	5 - 10		32 - 13		15 - 16	93210-09165	16 - 53
90152-05M08	23 - 10	90202-08M44	7 - 22	90445-07M33	23 - 14	90465-12M25	13 - 58		17 - 12	93210-10M74	19 - 4
	25 - 10	90202-12092	16 - 21	90445-07M45	5 - 11	90465-13M11	8 - 17		33 - 16	93210-13M04	7 - 21
90157-06013	16 - 12	90202-16061	16 - 55	90445-07M46	5 - 12	90465-13M18	4 - 25	92990-08100	13 - 47	93210-16275	27 - 9
90157-06M00	16 - 27	90202-26M18	18 - 33	90445-07M59	5 - 14		13 - 43	92990-08600	14 - 23	93210-19MA7	7 - 6
90158-06002	32 - 27	90202-32M19	18 - 17	90445-07M72	7 - 10	90468-05M03	7 - 27		30 - 34	93210-32738	9 - 8
90159-06M08	5 - 31	90202-40M47	18 - 7	90445-07M83	7 - 12	90468-07M02	7 - 17	92990-10600	13 - 20	93210-37160	22 - 29
90159-06M11	12 - 24	90206-10M04	16 - 35	90445-07M87	7 - 14	90468-18008	16 - 9	92990-18200	23 - 19		24 - 28
90159-06M14	5 - 31	90206-15M18	15 - 11	90445-07M89	7 - 11	90480-06M19	10 - 4		25 - 16		35 - 12
90169-05M00	15 - 2	90206-22M19	22 - 9	90445-07M96	7 - 15		15 - 2	92995-06100	13 - 51	93210-37MH7	18 - 6
90170-09M05	28 - 10		24 - 10	90445-07MA3	5 - 29	90480-09M12	12 - 21		17 - 5	93210-55M14	22 - 43
90170-14M06	28 - 6	90249-06M19	17 - 33	90445-07ME8	22 - 17	90480-13M24	11 - 20	92995-06600	1 - 8		24 - 42
90170-16M01	22 - 49	90250-08M07	22 - 59	90445-07ME9	22 - 17	90480-20M05	4 - 20		11 - 18		35 - 15
	24 - 48		24 - 58	90445-09097	4 - 17	90480-22M15	15 - 24		12 - 10	93210-58144	22 - 20
90170-20137	11 - 10	90280-04M05	22 - 33	90445-11M00	8 - 13	90480-25161	13 - 5		13 - 4		24 - 19
90171-18M04	23 - 20		24 - 32	90445-11M26	8 - 13	90501-11M10	22 - 25		15 - 23		35 - 9
	25 - 17		35 - 27	90445-11M35	15 - 43		24 - 24		17 - 8	93210-74M35	3 - 15
90179-06066	18 - 30	90280-05015	11 - 8	90445-11M81	8 - 13	90501-12082	16 - 49		21 - 7		34 - 13
90179-06M24	1 - 11	90282-04M00	22 - 71	90445-12207	8 - 35	90501-16M11	4 - 19	92995-08100	16 - 6	93210-86M38	22 - 28
90179-06M28	5 - 21		24 - 71	90445-12M13	8 - 35	90501-16M12	16 - 13		17 - 17		24 - 27
90183-05M02	21 - 31	90340-08002	22 - 6	90445-13M01	10 - 2	90501-16M28	18 - 28		21 - 17		35 - 11
90185-05002	23 - 11		24 - 7		26 - 9	90501-16M37	22 - 55	92995-08600	14 - 25	93210-97M55	22 - 68
	25 - 11	90340-14M00	2 - 8	90445-13M35	10 - 9		24 - 54		21 - 24		24 - 69
90185-09M01	27 - 6	90384-06M07	2 - 4		26 - 11	90506-14M24	17 - 36		22 - 46		35 - 16
	28 - 11	90384-14M09	2 - 5	90446-15M07	9 - 45	90506-16M34	15 - 17		24 - 45	93211-04001	3 - 6
90185-12M12	18 - 36	90386-06M12	16 - 44	90464-07M05	5 - 15	90508-29M12	16 - 23	92995-10100	18 - 26		34 - 10

NUMERICAL INDEX

PART NO.	REF. NO.	PART NO.	REF. NO.	PART NO.	REF. NO.	PART NO.	REF. NO.	PART NO.	REF. NO.	PART NO.	REF. NO.
93306-208U0	3 - 10	95380-04600	32 - 5	97095-08030	21 - 23						
93306-209U0	22 - 63	95380-05600	7 - 25	97095-08045	21 - 16						
93310-32337	3 - 25		16 - 25	97095-10045	18 - 25						
93310-836V2	3 - 27		30 - 7	97380-05025	30 - 8						
93310-954U1	3 - 8		31 - 23	97380-06018	31 - 20						
93311-928U5	22 - 3		33 - 10	97380-08030	30 - 33						
	24 - 3	95380-06600	1 - 4	97595-06550	9 - 34						
93311-940U3	3 - 4		8 - 23	97607-04310	20 - 32						
93315-425V3	22 - 51		30 - 40	97780-60525	18 - 2						
	24 - 50		31 - 42	97880-05016	5 - 4						
93315-43061	22 - 66		33 - 14	97880-06012	17 - 11						
	24 - 67	95380-06700	13 - 48	97880-06018	11 - 15						
93317-330U2	22 - 40	95380-08600	9 - 12	97880-06020	12 - 16						
	24 - 39	95380-08700	13 - 46	97885-05012	11 - 6						
93332-00048	24 - 62		21 - 18	97885-06010	11 - 17						
93332-000V3	22 - 4	95380-12600	17 - 43	97885-06016	18 - 4						
93341-440U5	24 - 65	95380-14700	28 - 7	97890-05016	31 - 2						
93341-465U4	24 - 5	95380-14800	18 - 22	97890-05025	31 - 16						
93341-930V2	22 - 42	95780-10300	18 - 9	97890-06018	31 - 50						
	24 - 41	97013-06014	9 - 10	97980-05108	6 - 27						
93390-000U2	24 - 4	97013-06055	12 - 7	97980-05116	6 - 25						
93410-16006	16 - 56	97013-06070	11 - 11	98580-03015	30 - 38						
93410-22M11	17 - 39	97013-08030	16 - 46	98580-04006	30 - 36						
93410-37M04	18 - 14	97013-08045	16 - 16		31 - 32						
93410-40M03	3 - 11	97075-08035	15 - 27	98580-04010	30 - 35						
93420-36M01	21 - 37	97075-10045	23 - 5	98580-05010	30 - 37						
93430-06024	30 - 10		25 - 5	98586-05016	26 - 4						
	31 - 6	97080-06100	8 - 21	98780-04015	2 - 15						
93501-04M02	16 - 48	97080-08016	19 - 31	98780-05018	31 - 33						
93503-16003	22 - 58	97090-06012	15 - 15	98980-05010	33 - 8						
	24 - 57	97095-06010	17 - 7	98980-06020	33 - 13						
93507-32009	22 - 56		21 - 6	99001-08600	22 - 24						
	24 - 55	97095-06012	1 - 7		24 - 23						
93511-32017	22 - 57		12 - 9	9E450-04433	32 - 2						
	24 - 56		13 - 13	9E450-04533	32 - 3						
93606-12019	22 - 36	97095-06016	13 - 25								
	24 - 35		15 - 22								
	35 - 25	97095-06020	13 - 3								
93608-12063	2 - 10		15 - 31								
93608-12M05	21 - 8	97095-06025	16 - 36								
	23 - 4	97095-06030	17 - 4								
	25 - 4	97095-06035	13 - 50								
93700-06M03	16 - 51	97095-06040	15 - 8								
	17 - 13	97095-08016	14 - 24								
94702-00247	4 - 27	97095-08020	16 - 5								
94702-00271	4 - 27		17 - 16								
95303-06600	16 - 14	97095-08025	22 - 45								
95380-03600	9 - 31		24 - 44								

150TRC/150FETO
175DETO/L150FETO
PARTS CATALOGUE
©2003 by Yamaha Motor Co., Ltd.
1st edition, March 2003
All rights reserved.
Any reprinting or unauthorized use
without the written permission of
Yamaha Motor Co., Ltd.
is expressly prohibited.
Printed in Japan.