

PARTS CATALOGUE

200GETO'03(64M2)

YAMAHA
GENUINE
Parts & Accessories

1B64M-664E1

FOREWORD

This Parts Catalogue is related to the parts for the model(s) in the below frame. When you are ordering replacement parts, please refer to this Parts Catalogue and quote both part numbers and part names correctly.

200GETO'03(64M2)

1. Modifications or additions which have been made after issue of the Parts Catalogue will be announced in the Yamaha Parts News.
It is advisable that you make necessary corrections to the Parts Catalogue according to the Yamaha Parts News.

2. Abbreviations

The Following abbreviations are used in this Parts Catalogue.

“UR” Use specified parts number.

“UN” Use as many as needed.

“AP” Alternate Parts

“LM” Local Made
(Parts need to be ordered locally)

“O/S” Over Size

3. Parts, which are to be supplied in an assembly, are listed with a dot(.) in front of the part name as shown below.

EXAMPLE

CARBURETOR ASSY

.JET, PILOT

.NOZZLE, MAIN

4. Number of component for assembly

The numeral appearing to the right of each component part indicates the quantity of parts for each assembly unit.

EXAMPLE

PART NO.	DESCRIPTION	u	u	u	u	REMARKS
6E0-85500-70	C.D.I. MAGNETO ASSY	1				
6E0-85550-70	.ROTOR ASSY	1				
6E0-15723-00-94..	PULLY, STARTER	1				

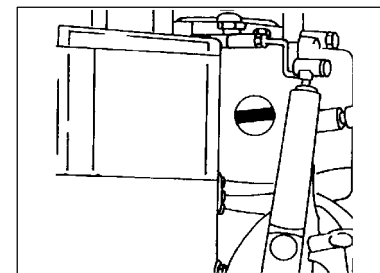
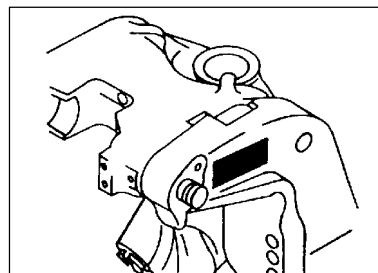
5. Quantity Column Information

NAME for Q'TY COLUMN	APPLICABLE MODEL
200G	200GETO

6. Applicable Starting Serial No. and Color Code

1) Engine Starting Sserial No.

200GETO L 61H : 1000001



2) Color Code

Color Code	Color Name	Abbreviation
00NA	SHINY BLACK	SBL

7. Note that the illustrations for reference in finding parts numbers, not to be used for assembling. When assembling, please use the applicable service manual.
8. The asterisk (*) before a reference number indicates modification items after the first edition.

CONTENTS

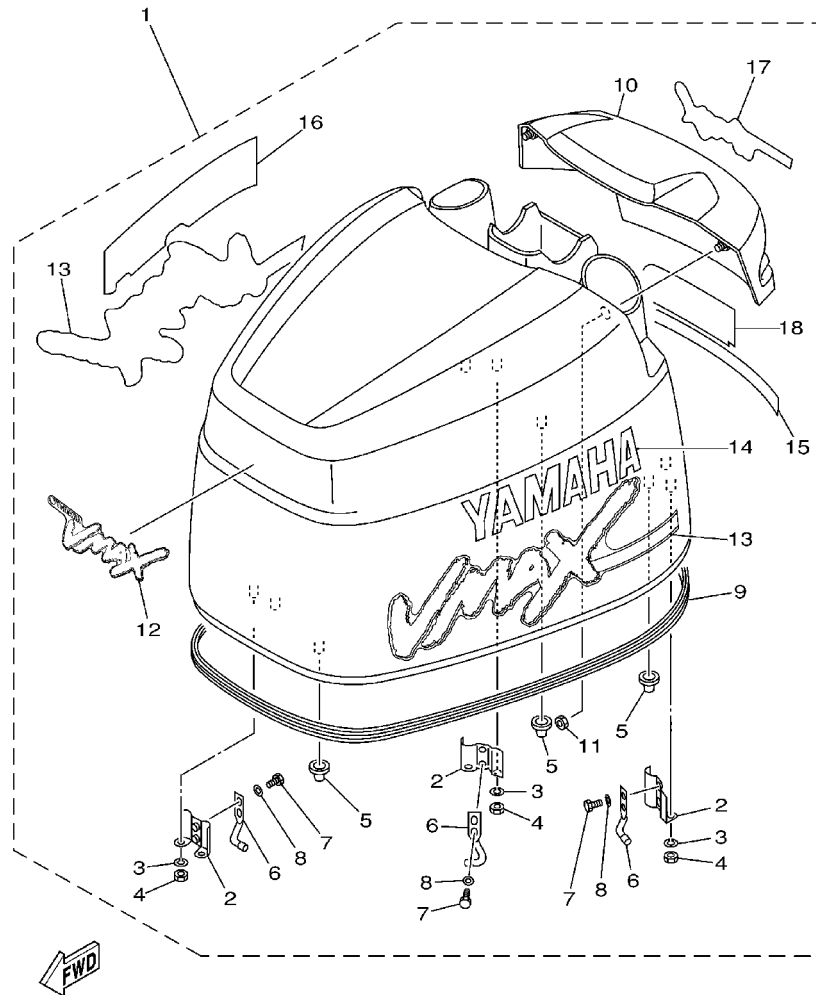
TOP COWLING	1
CYLINDER. CRANKCASE 1	2
CRANKSHAFT. PISTON	4
CYLINDER. CRANKCASE 2	6
INTAKE	7
CARBURETOR	9
OIL PUMP	11
OIL TANK	13
FUEL 1	15
FUEL 2	17
GENERATOR	18
ELECTRICAL 1	19
ELECTRICAL 2	21
STARTING MOTOR	23
BOTTOM COWLING	25
CONTROL	27
BRACKET 1	30
BRACKET 2	32
POWER TRIM & TILT ASSY 1	34
POWER TRIM & TILT ASSY 2	36

UPPER CASING	38
LOWER CASING. DRIVE 1	40
LOWER CASING. DRIVE 2	44
STEERING GUIDE	45
REMOTE CONTROL BOX	46
REMOTE CONTROL ASSY	47
METER	50
SWITCH. PANEL	51
REPAIR KIT 1	52
REPAIR KIT 2	54

INDEX

NUMERICAL INDEX	55
-----------------------	----

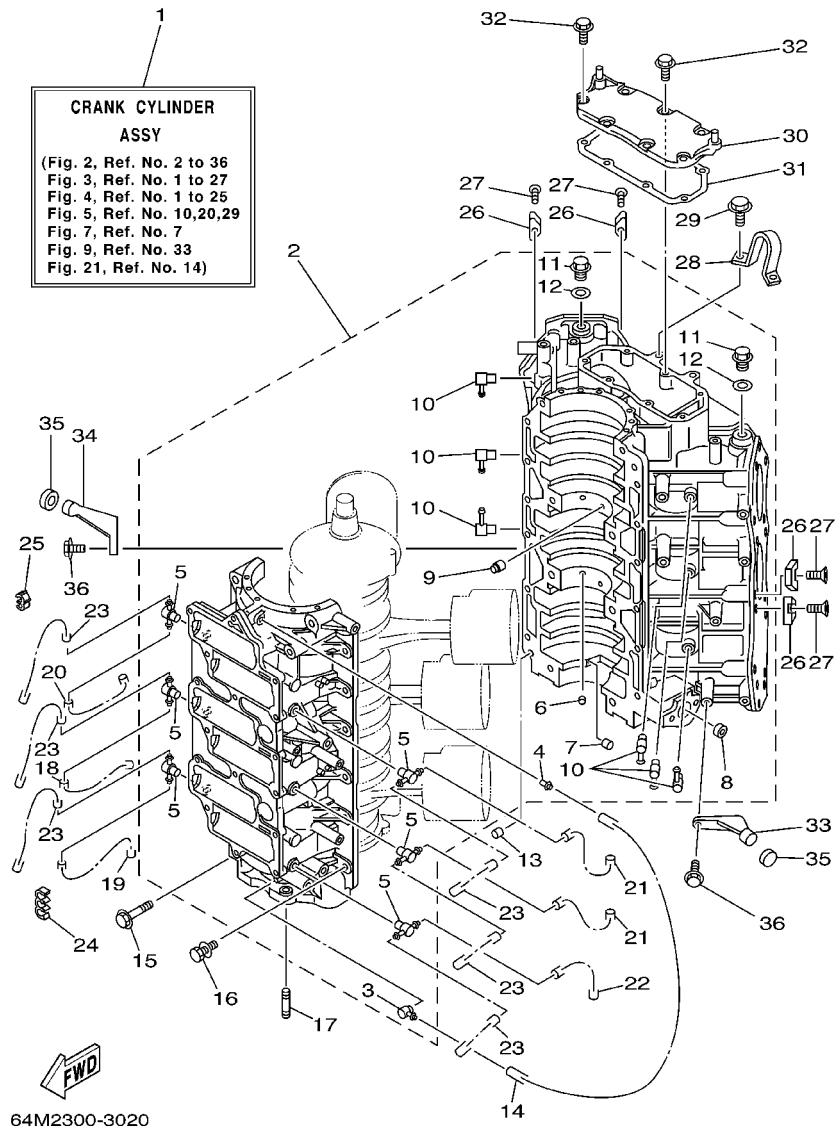
FIG. 1 TOP COWLING



64L1010-2010

REF. NO.	PART NO.	DESCRIPTION	200G				REMARKS
1	64M-42610-P0-NA	TOP COWLING ASSY	1				
2	6R3-42647-00	.HOLDER, CLAMP BAND	3				
3	92990-06100	.WASHER, SPRING	6				
4	95380-06600	.NUT, HEXAGON	6				
5	64D-42662-00	.DAMPER	3				
6	64D-42814-00	.HOOK, CLAMP	3				
7	97095-06012	.BOLT	6				
8	92995-06600	.WASHER	6				
9	64D-42615-00	.SEAL	1				
10	64L-42613-00-NA	.MOLDING, AIR DUCT	1				
11	90179-06M24	.NUT	4				
12	65N-42677-P0	.GRAPHIC, FRONT	1				
13	65N-W0070-N1	.GRAPHIC SET	1				
14	65N-42681-N0	.MARK, COWLING	1				
15	65N-4267A-N0	.GRAPHIC, REAR 2	1				
16	65N-42682-N0	.MARK, COWLING	1				
17	64L-42678-N0	.GRAPHIC, REAR	1				
18	64M-42683-N0	.MARK, COWLING	1				

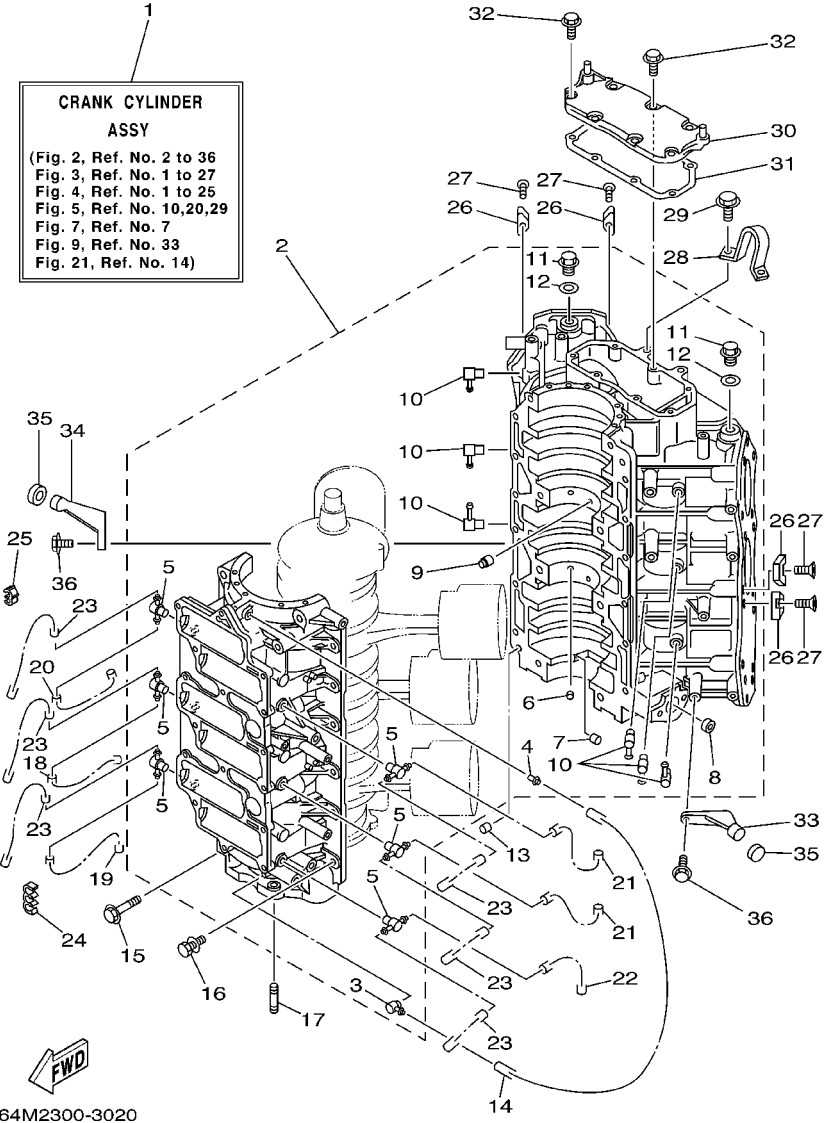
FIG. 2 CYLINDER. CRANKCASE 1



REF. NO.	PART NO.	DESCRIPTION	200G				REMARKS
1	64F-W0090-13-1S	CRANK CYLINDER ASSY	1				
2	64F-15100-00-1S	CRANKCASE ASSY	1				
3	6E5-11372-01	.NIPPLE, HOSE	1				
4	624-14485-00	.PIPE, JOINT	1				
5	6F6-11372-00	.NIPPLE, HOSE	6				
6	624-11379-00	.VALVE, CHECK	2				
7	90384-06M07	.BUSH, BIMETAL FORMED	1				
8	90384-14M09	.BUSH, BIMETAL FORMED	1				
9	663-11518-01	.LOCK, BEARING	2				
10	646-11370-01	.CHECK VALVE ASSY	6				
11	90340-14M00	.PLUG, STRAIGHT SCREW	2				
12	90430-14115	.GASKET	2				
13	93608-12063	PIN, DOWEL	2				
14	90445-07M10	HOSE (L510)	1				
15	90105-10M20	BOLT, FLANGE	8				
16	90119-08M94	BOLT, WITH WASHER	12				
17	90116-08M45	BOLT, STUD	2				
18	90445-07M11	HOSE (L610)	1				
19	90445-07M09	HOSE (L380)	1				
20	90445-07M12	HOSE (L300)	1				
21	90445-07M08	HOSE (L220)	2				
22	90445-07M90	HOSE (L390)	1				
23	90445-07M34	HOSE (L260)	6				
24	90464-07M05	CLAMP	1				
25	90464-07M20	CLAMP	1				
26	6E5-11325-00	.ANODE	8				
27	98780-04015	SCREW, FLAT HEAD	8				

FIG. 2 CYLINDER. CRANKCASE 1

REF. NO.	PART NO.	DESCRIPTION	200G				REMARKS
28	67H-11119-01	HANGER, ENGINE	1				
29	90119-08MA3	BOLT, WITH WASHER	2				
30	6K7-11371-01-1S	COVER	1				
31	6E5-11381-A2	GASKET 1	1				
32	90119-06MA2	BOLT, WITH WASHER	7				
33	6E5-42761-00-1S	STOPPER	1				
34	6E5-42762-00-1S	STOPPER	1				
35	68F-44533-00	DAMPER, UPPER MOUNT RUBBER	2				
36	90119-06MA2	BOLT, WITH WASHER	4				



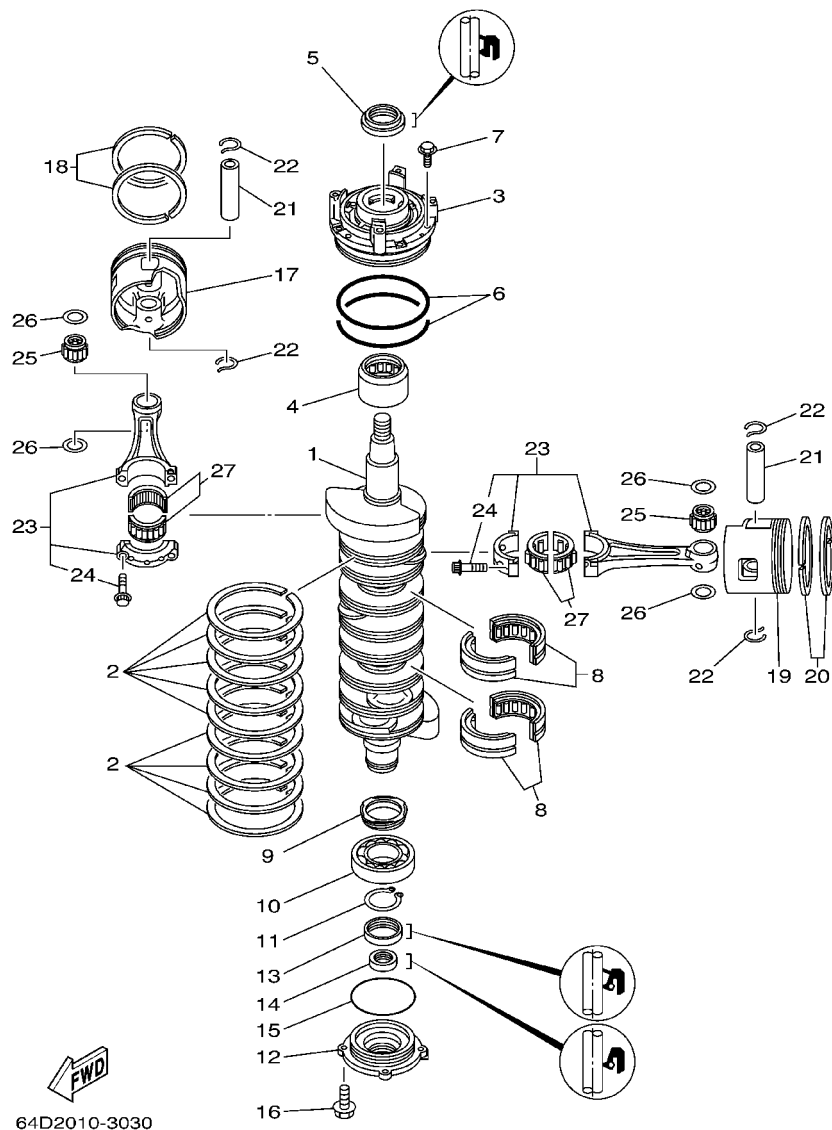


FIG. 3 CRANKSHAFT. PISTON

REF. NO.	PART NO.	DESCRIPTION	200G				REMARKS
1	6G5-11411-02	CRANKSHAFT	1				
2	6E5-11447-00	SEAL, CRANK	9				
3	6R3-15163-00-1S	HOUSING, BEARING 1	1				
4	93311-940U3	BEARING	1				
5	93102-40M14	OIL SEAL	1				
6	93211-04001	O-RING	2				
7	90119-06MA2	BOLT, WITH WASHER	3				
8	93310-954U1	BEARING	2				
9	6R3-11536-00	GEAR, DRIVE	1				
10	93306-208U0	BEARING	1				
11	93410-40M03	CIRCLIP	1				
12	6G5-15359-00-94	HOUSING, OIL SEAL	1				
13	93102-35M13	OIL SEAL	1				
14	93101-22M15	OIL SEAL	1				
15	93210-74M35	O-RING	1				
16	90119-06MA2	BOLT, WITH WASHER	4				
17	64D-11631-02-90	PISTON (STD)	3				
	64D-11635-02	PISTON (0.25MM O/S)	3				AP
	64D-11636-02	PISTON (0.50MM O/S)	3				AP
18	64D-11603-01	PISTON RING SET (STD)	3				
	64D-11604-01	PISTON RING SET (0.25MM O/S)	3				AP
	64D-11605-01	PISTON RING SET (0.50MM O/S)	3				AP
19	64D-11642-02-90	PISTON 2 (STD)	3				
	64D-11645-02	PISTON 2 (0.25MM O/S)	3				AP
	64D-11646-02	PISTON 2 (0.50MM O/S)	3				AP
20	64D-11603-01	PISTON RING SET (STD)	3				
	64D-11604-01	PISTON RING SET (0.25MM O/S)	3				AP

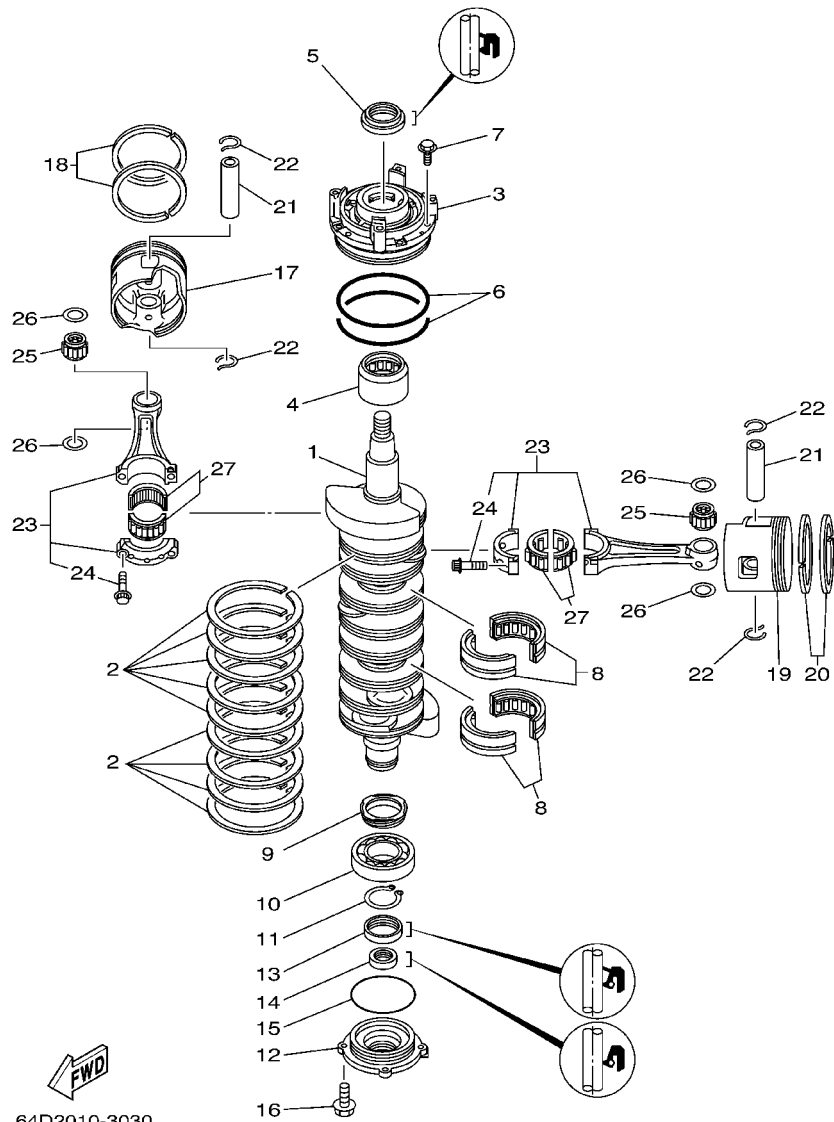
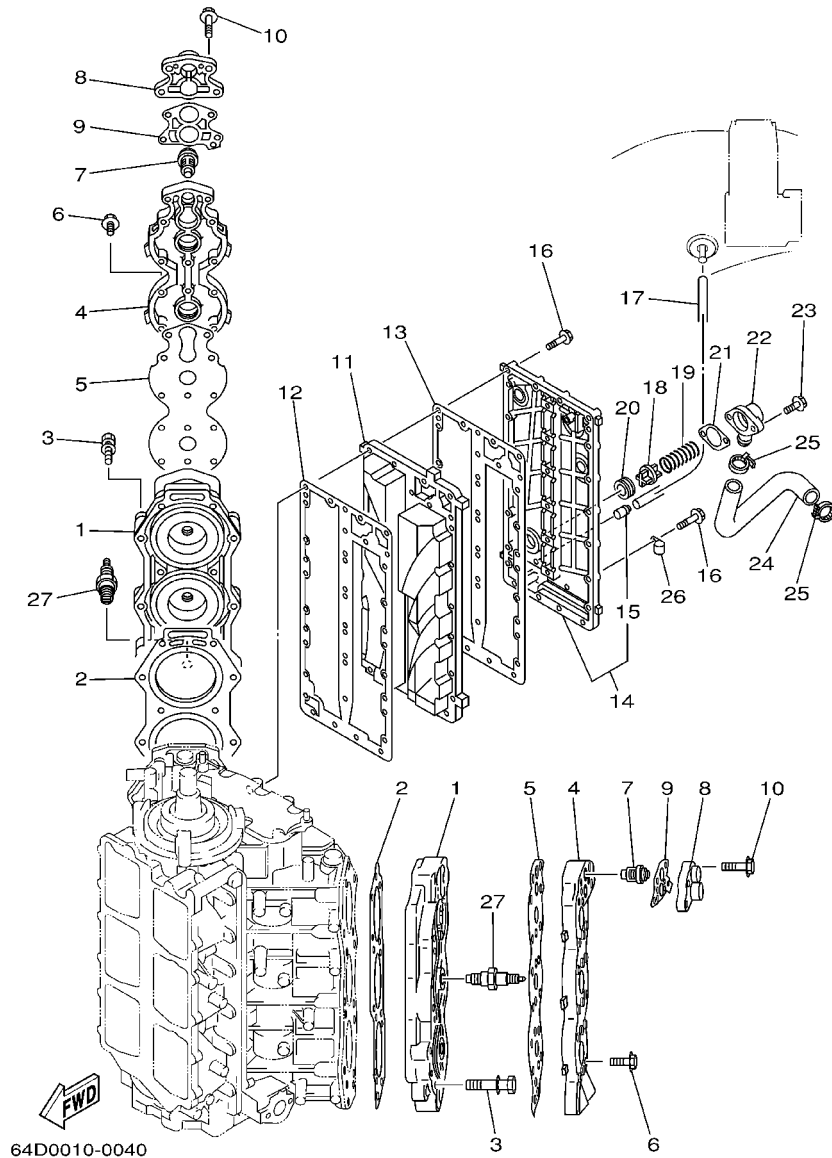


FIG. 3 CRANKSHAFT. PISTON

REF. NO.	PART NO.	DESCRIPTION	200G				REMARKS
20	64D-11605-01	PISTON RING SET (0.50MM O/S)	3				AP
21	6R5-11633-10	PIN, PISTON	6				
22	6R5-11634-10	CLIP, PISTON PIN	12				
23	6R5-11650-10	CONNECTING ROD ASSY	6				
24	90109-08022	.BOLT	2				
25	93310-323V6	BEARING	6				
26	90201-23M01	WASHER, PLATE	12				
27	93310-836V2	BEARING	6				

FIG. 4 CYLINDER. CRANKCASE 2



64D0010-0040

REF. NO.	PART NO.	DESCRIPTION	200G				REMARKS
1	64E-11111-00-1S	HEAD, CYLINDER 1	2				
2	6G5-11181-A2	GASKET, CYLINDER HEAD 1	2				
3	90119-08MA8	BOLT, WITH WASHER	28				
4	6G5-11191-00-1S	COVER, CYLINDER HEAD 1	2				
5	6G5-11193-A0	GASKET, HEAD COVER 1	2				
6	90119-06MA4	BOLT, WITH WASHER	36				
7	6E5-12411-30	THERMOSTAT	2				
8	688-12413-00-1S	COVER, THERMOSTAT	2				
9	688-12414-A1	GASKET, COVER	2				
10	90119-06MA6	BOLT, WITH WASHER	8				
11	64D-41111-00-1S	INNER COVER, EXHAUST	1				
12	6G5-41112-A1	GASKET, EXHAUST INNER COVER	1				
13	6G5-41114-A0	GASKET, EXHAUST OUTER COVER	1				
14	6R3-41113-00-1S	OUTER COVER, EXHAUST	1				
15	650-24378-00	.PIPE, JOINT 4	1				
16	90119-06MA5	BOLT, WITH WASHER	29				
17	90445-09097	HOSE	1				
18	6G5-12416-00	VALVE, PRESSURE CONTROL	1				
19	90501-16M11	SPRING, COMPRESSION	1				
20	90480-20M05	GROMMET	1				
21	6G5-11382-A1	GASKET 2	1				
22	6G5-11372-00-1S	COVER, BYPASS 2	1				
23	90119-06MA2	BOLT, WITH WASHER	2				
24	6G5-12576-00	HOSE 1	1				
25	90465-13M18	CLAMP	2				
26	90465-06M86	CLAMP	2				
27	94702-00247	PLUG, SPARK (NGK BR8HS-10)	6				

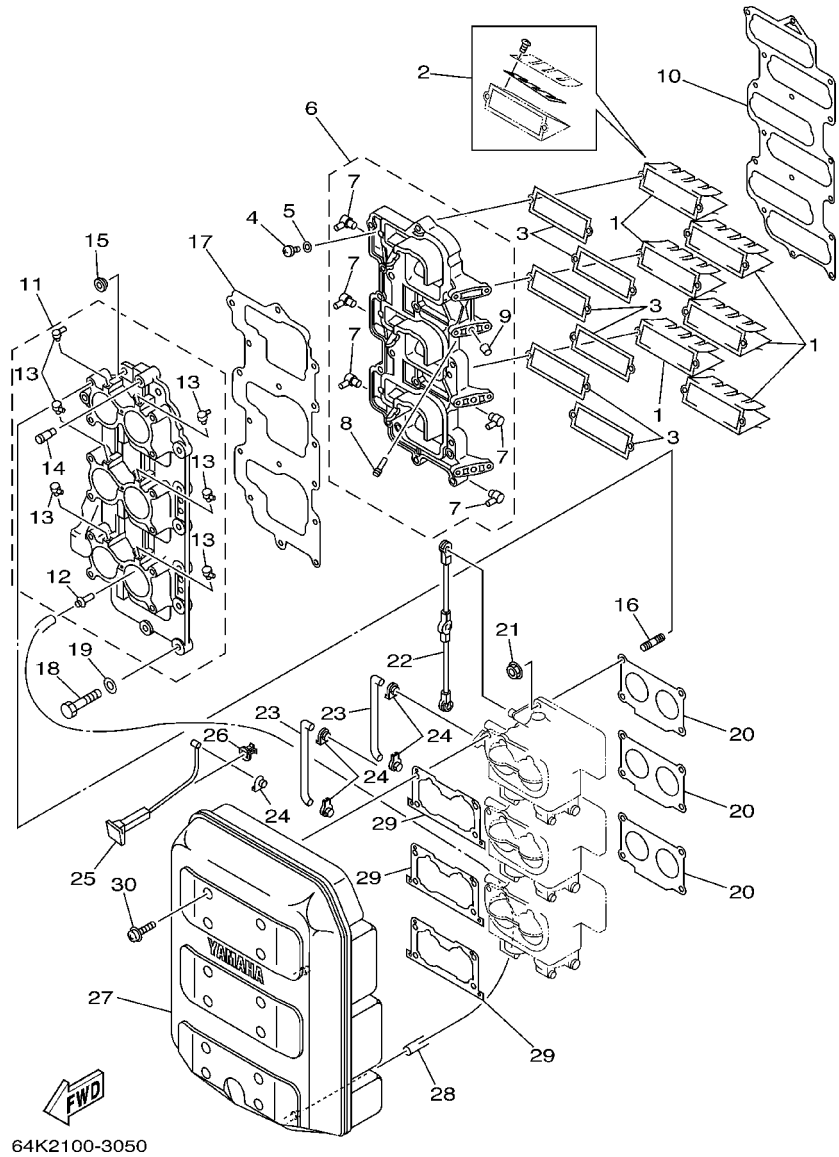


FIG. 5 INTAKE

REF. NO.	PART NO.	DESCRIPTION	200G				REMARKS
1	6K7-13610-00	REED VALVE ASSY	6				
2	6E5-W0004-00	.REED SET	1				
3	6K7-13621-A1	GASKET, VALVE SEAT	6				
4	97880-05016	SCREW, PAN HEAD	12				
5	92990-05600	WASHER, PLATE	12				
6	64E-13624-00-1S	PLATE, REED VALVE	1				
7	688-11372-01	.NIPPLE, HOSE	5				
8	6R5-14485-00	.PIPE, JOINT	1				
9	90336-08M06	.PLUG, TAPER	1				
10	6K7-13646-A2	GASKET, MANIFOLD 2	1				
11	64E-13641-00-1S	MANIFOLD 1	1				
12	624-14485-00	.PIPE, JOINT	1				
13	6E5-13552-01	.NOZZLE	6				
14	6K7-81338-01	.CLAMP, LEAD	1				
15	90480-10M28	GROMMET	6				
16	90116-06M30	BOLT, STUD	12				
17	64E-13645-A0	GASKET, MANIFOLD 1	1				
18	97013-06050	BOLT	16				
19	92903-06600	WASHER, PLATE	16				
20	6E5-14198-A2	GASKET	3				
21	90179-06M28	NUT	12				
22	6G5-41217-01	ROD, ACCEL. LEVER	1				
23	6E5-41256-01	ROD, CHOKE 1	2				
24	661-41262-02	JOINT, CHOKE LEVER	5				
25	61H-41271-10	KNOB, CHOKE	1				
26	689-41273-00	GROMMET	1				
27	64D-14440-00	SILENCER ASSY, INTAKE	1				

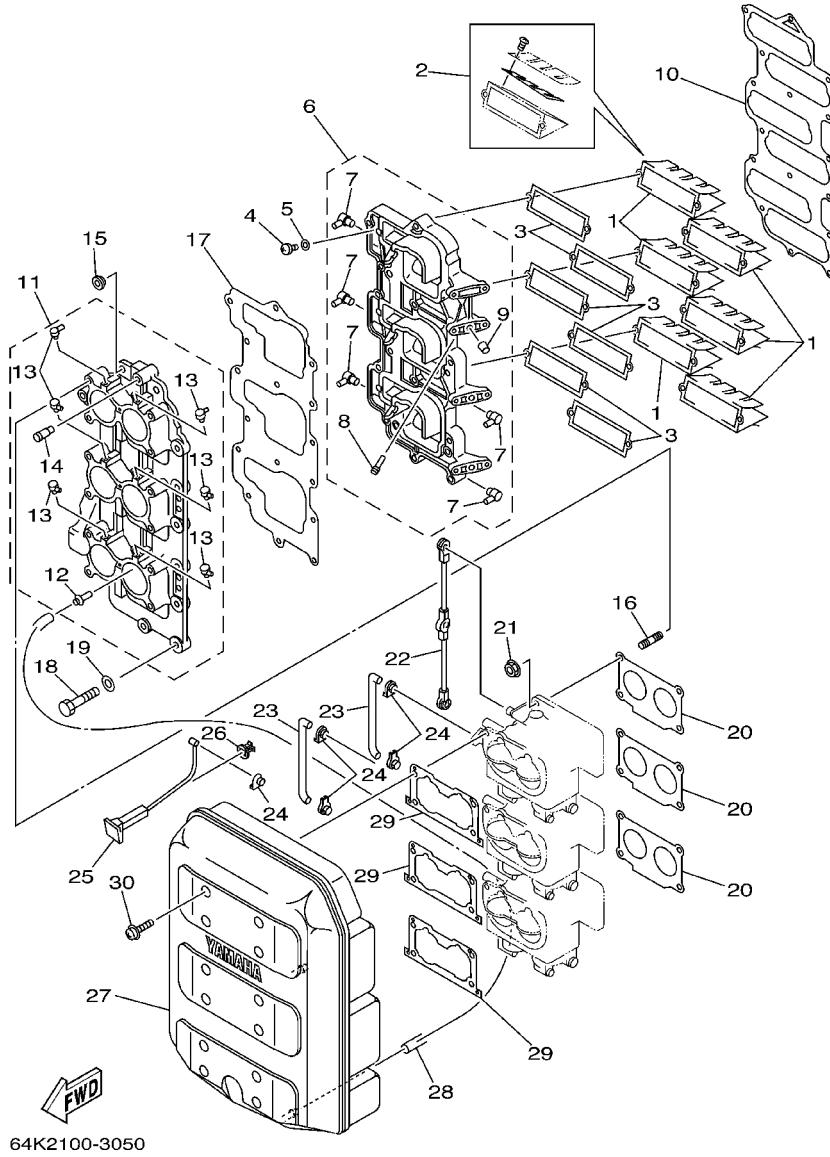
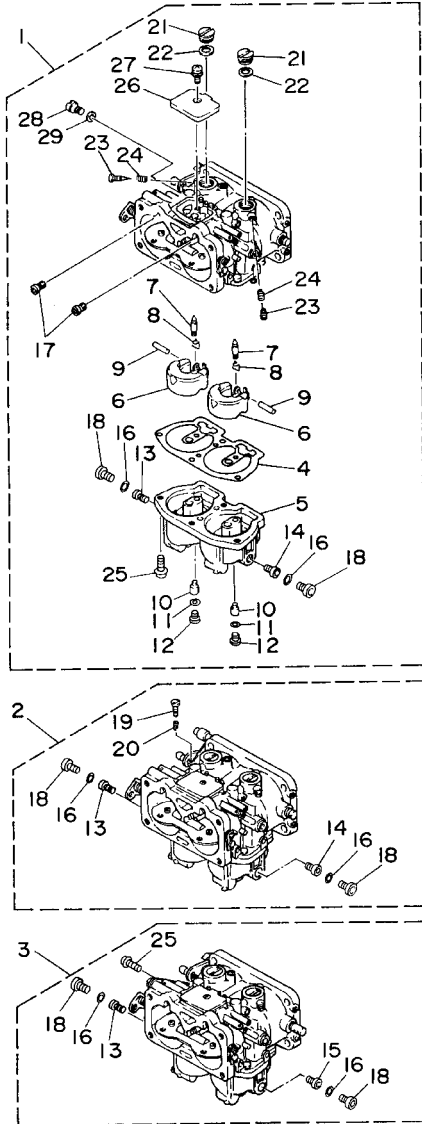


FIG. 5 INTAKE

REF. NO.	PART NO.	DESCRIPTION	200G			REMARKS
28	90445-07MA3	HOSE (L200)	1			
29	6K7-14483-00	GASKET	3			
30	90159-06M08	SCREW, WITH WASHER	12			

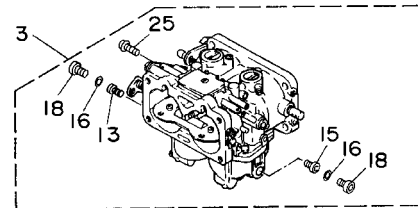
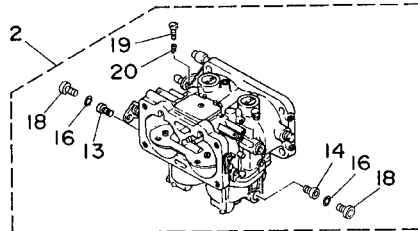
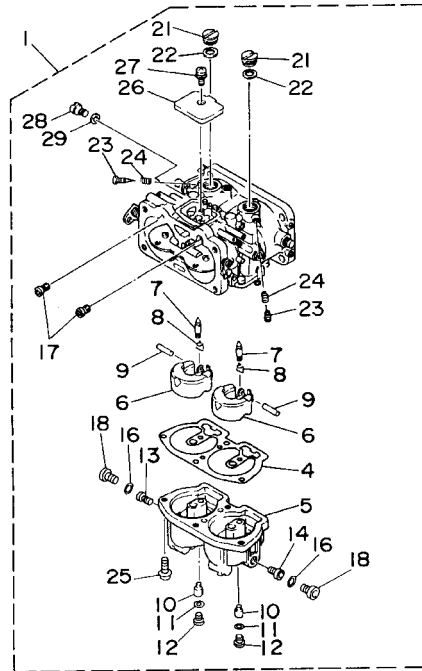


64F0010-6060

FIG. 6 CARBURETOR

REF. NO.	PART NO.	DESCRIPTION	200G				REMARKS
1	64F-14301-01	CARBURETOR ASSY 1	1				
2	64F-14302-01	CARBURETOR ASSY 2	1				
3	64F-14303-01	CARBURETOR ASSY 3	1				
4	64D-14384-01	.GASKET, FLOAT CHAMBER	3				
5	64D-14381-00	.BODY, FLOAT CHAMBER	3				
6	6E5-14385-02	.FLOAT	6				
7	6E5-14546-00	.VALVE, NEEDLE	6				
8	6E5-14159-00	.CLIP	6				
9	6E5-14386-02	.PIN, FLOAT	6				
10	64D-1492F-40	.JET, AIR SLOW (#80)	6				
11	61U-14959-00	.GASKET	6				
12	64D-14394-00	.VALVE, DRAIN	6				
13	64D-1492E-75	.JET, MAIN (#150)	3				
14	64D-1492E-77	.JET, MAIN (#154)	2				
15	64D-1492E-79	.JET, MAIN (#158)	1				
16	6E5-14398-01	.GASKET	6				
17	61A-1492H-12	.JET, SLOW AIR BLEED (#60)	6				
18	61A-14383-01	.SCREW, DRAIN	6				
19	6E5-14321-00	.SCREW, THROTTLE	1				#2
20	6J8-14334-00	.SPRING, THROTTLE	1				#2
21	6E5-14328-01	.PLUG	6				
22	6E5-14979-00	.GASKET	6				
23	6E5-14323-03	.SCREW, AIR ADJUSTING	6				
24	6E5-14223-00	.SPRING, AIR ADJUSTING	6				
25	97980-05116	.SCREW, WITH WASHER	13				
26	6E5-14527-01	.PLATE	3				
27	97980-05108	.SCREW, WITH WASHER	3				

FIG. 6 CARBURETOR

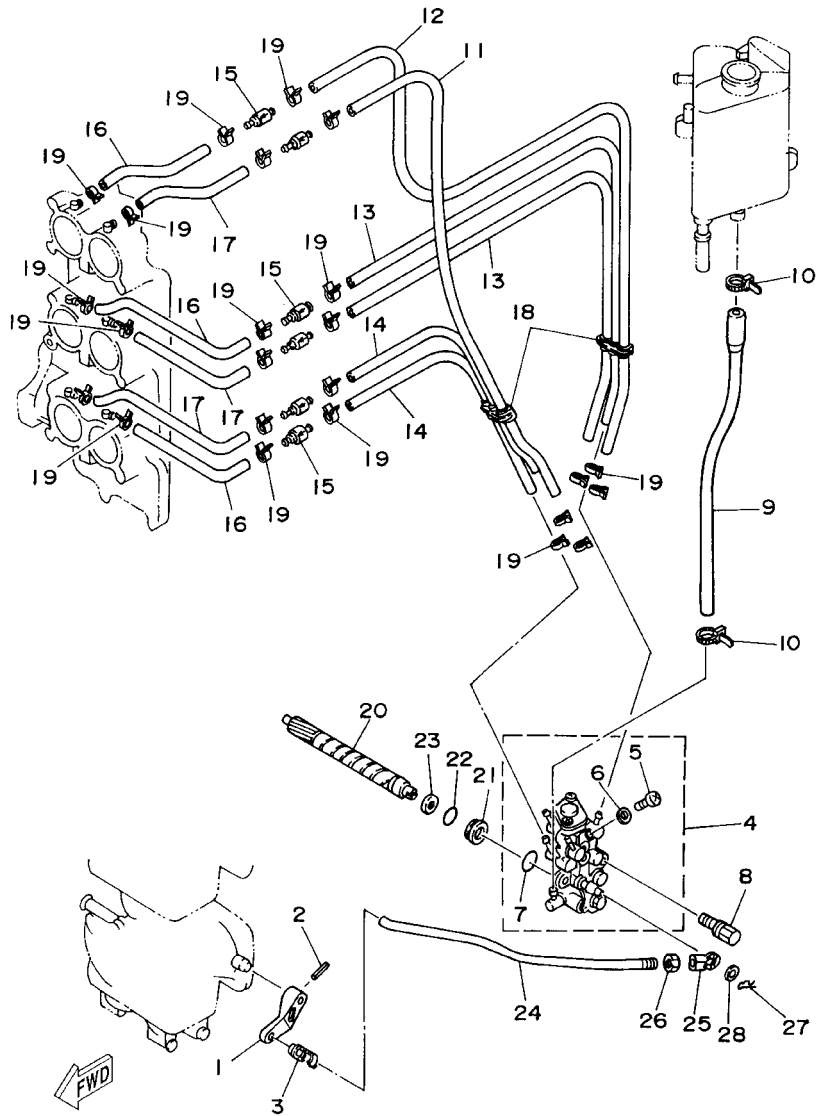


64F0010-6060

REF. NO.	PART NO.	DESCRIPTION	200G			REMARKS
28	6E5-14324-00	.SCREW, FLAT HEAD	3			
29	6J8-14959-00	.GASKET	3			

FIG. 7 OIL PUMP

REF. NO.	PART NO.	DESCRIPTION	200G				REMARKS
1	6E5-14276-01	LEVER	1				
2	91690-30016	PIN, SPRING	1				
3	6R5-41237-00	JOINT, LINK	1				
4	6R5-13200-10	OIL INJECTION PUMP ASSY	1				
5	6R3-13471-00	.PLUG, DRAIN	1				
6	6L2-13475-00	.GASKET	1				
7	93210-19MA7	.O-RING	1				
8	90109-06M40	BOLT	2				
9	6R3-13416-00	PIPE, OIL 1	1				
10	90465-11M10	CLAMP	2				
11	90445-07M77	HOSE (L350)	1				
12	90445-07M85	HOSE (L330)	1				
13	90445-07M72	HOSE (L250)	2				
14	90445-07196	HOSE (L160)	2				
15	6R3-13183-10	VALVE, CHECK	6				
16	90445-07M87	HOSE (L110)	3				
17	90445-07M07	HOSE (L180)	3				
18	90464-07M05	CLAMP	2				
19	90468-07M02	CLIP	24				
20	6R3-11537-00	GEAR, DRIVEN	1				
21	6R3-13117-00	COLLAR, DISTANCE	1				
22	93210-13M04	O-RING	1				
23	90202-08M44	WASHER, PLATE	1				
24	6R5-41241-00	ROD, LINK	1				
25	6H1-41237-00	JOINT, LINK	1				
26	95380-05600	NUT	1				
27	90468-05M03	CLIP	1				



64F0010-6070

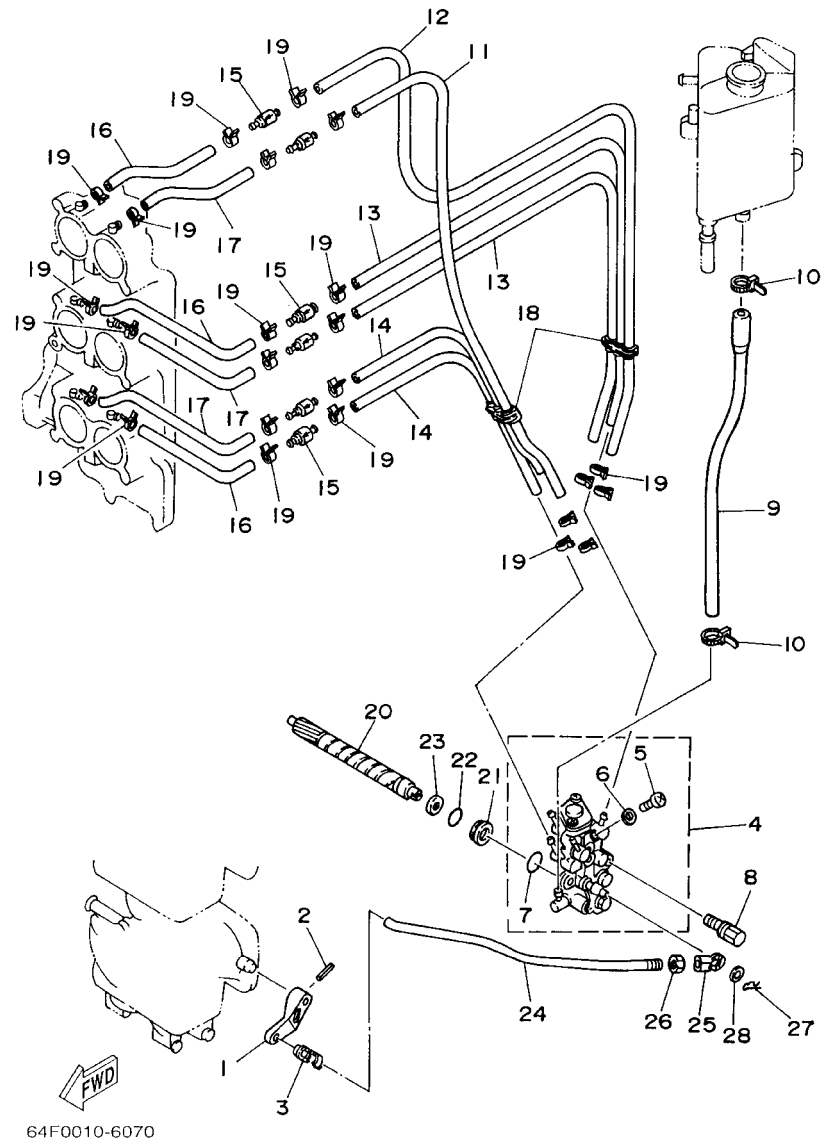
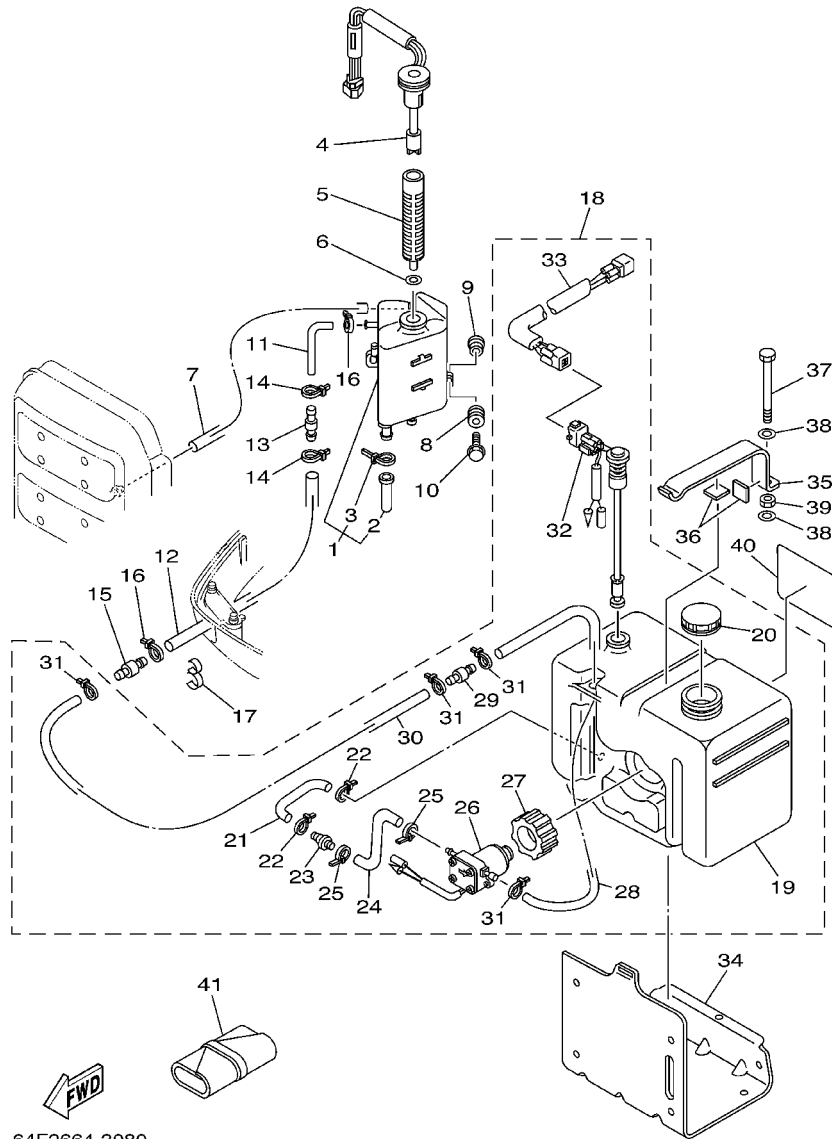


FIG. 7 OIL PUMP

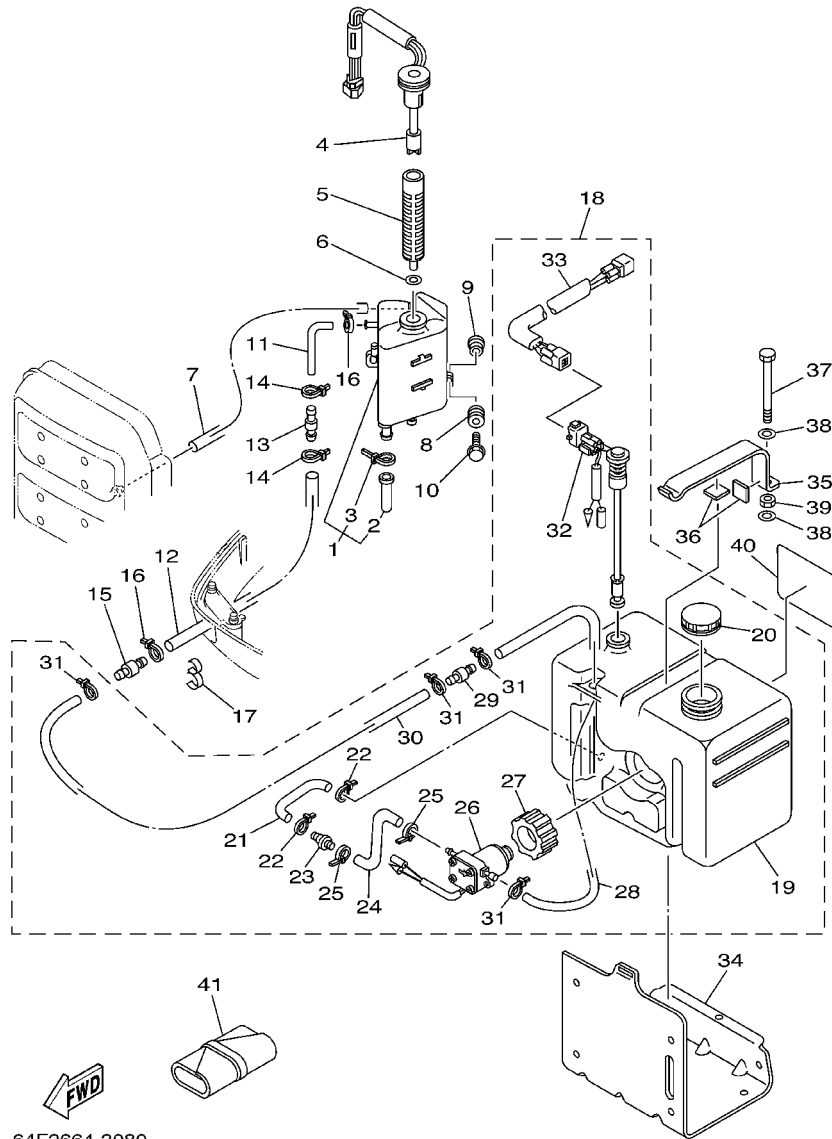
REF. NO.	PART NO.	DESCRIPTION	200G						REMARKS
28	90202-05088	WASHER, PLATE	1						

FIG. 8 OIL TANK

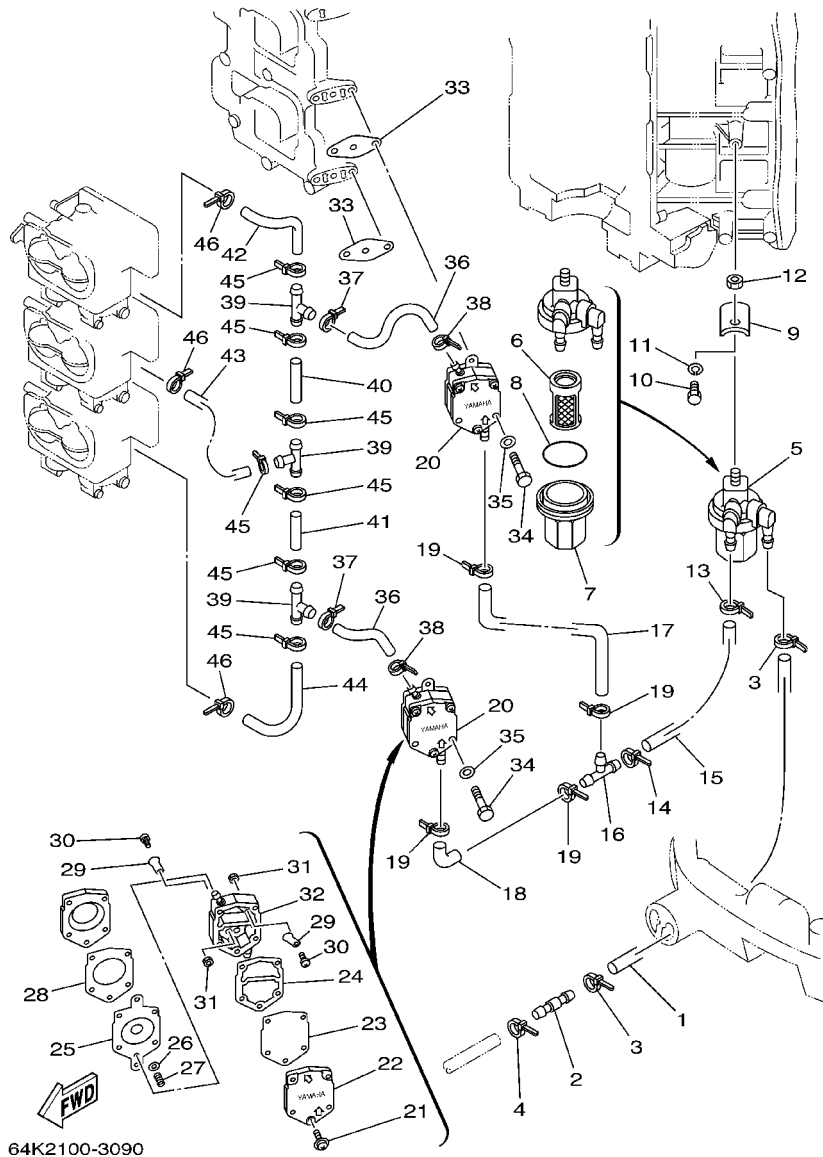


REF. NO.	PART NO.	DESCRIPTION	200G				REMARKS
1	6E5-21750-05	OIL TANK ASSY	1				
2	6E5-13448-00	.CAP	1				
3	90465-13M11	.CLAMP	1				
4	6R3-85730-03	OIL LEVEL GAUGE ASSY	1				
5	6E5-13411-00	STRAINER, OIL	1				
6	6E5-13414-00	GASKET, STRAINER COVER	1				
7	90445-05M02	HOSE (L380)	1				
8	6A0-82317-00	DAMPER, IGNITION COIL	3				
9	624-42542-00	PIPE	3				
10	90119-06M65	BOLT, WITH WASHER	3				
11	64E-24323-00	PIPE 12	1				
12	90445-12M13	HOSE (L880)	1				
13	6E5-24379-00	PIPE, JOINT 4	1				
14	90465-11M10	CLAMP	2				
15	6E5-24379-00	PIPE, JOINT 4	1				
16	90465-11M10	CLAMP	2				
17	90464-13M34	CLAMP	1				
18	6E5-21708-10	SUB OIL TANK ASSY	1				
19	6E5-21733-20	.SUB TANK, OIL (10.5L)	1				
20	6E5-21770-03	.OIL TANK CAP ASSY	1				
21	6E5-24322-00	.PIPE 11	1				
22	90465-11M10	.CLAMP	2				
23	646-24251-02	.STRAINER 1	1				
24	6E5-24319-01	.PIPE, OIL	1				
25	90465-11M10	.CLAMP	2				
26	6E5-81900-01	.OIL FEED PUMP ASSY	1				
27	6E5-81922-00	.GROMMET	1				

FIG. 8 OIL TANK



REF. NO.	PART NO.	DESCRIPTION	200G				REMARKS
28	6E5-24321-01	.PIPE 10	1				
29	6E5-24379-00	.PIPE, JOINT 4	1				
30	90445-11M81	.HOSE (L:3000)	1				
31	90465-11M10	.CLAMP	4				
32	6E5-85720-04	.OIL LEVEL GAUGE ASSY	1				
33	6R3-85721-30	.WIRE, LEAD (3M)	1				
34	6E5-21734-01-33	HOLDER, OIL SUB TANK	1				
35	6E5-21798-01-33	BRACKET, DAMPER	1				
36	6E5-21746-00	DAMPER	2				
37	97080-06100	BOLT	1				
38	92990-06600	WASHER, PLATE	2				
39	95380-06600	NUT, HEXAGON	1				
40	6E5-13437-62	MARK, CAUTION	1				
41	656-W2810-02	TOOL KIT	1				

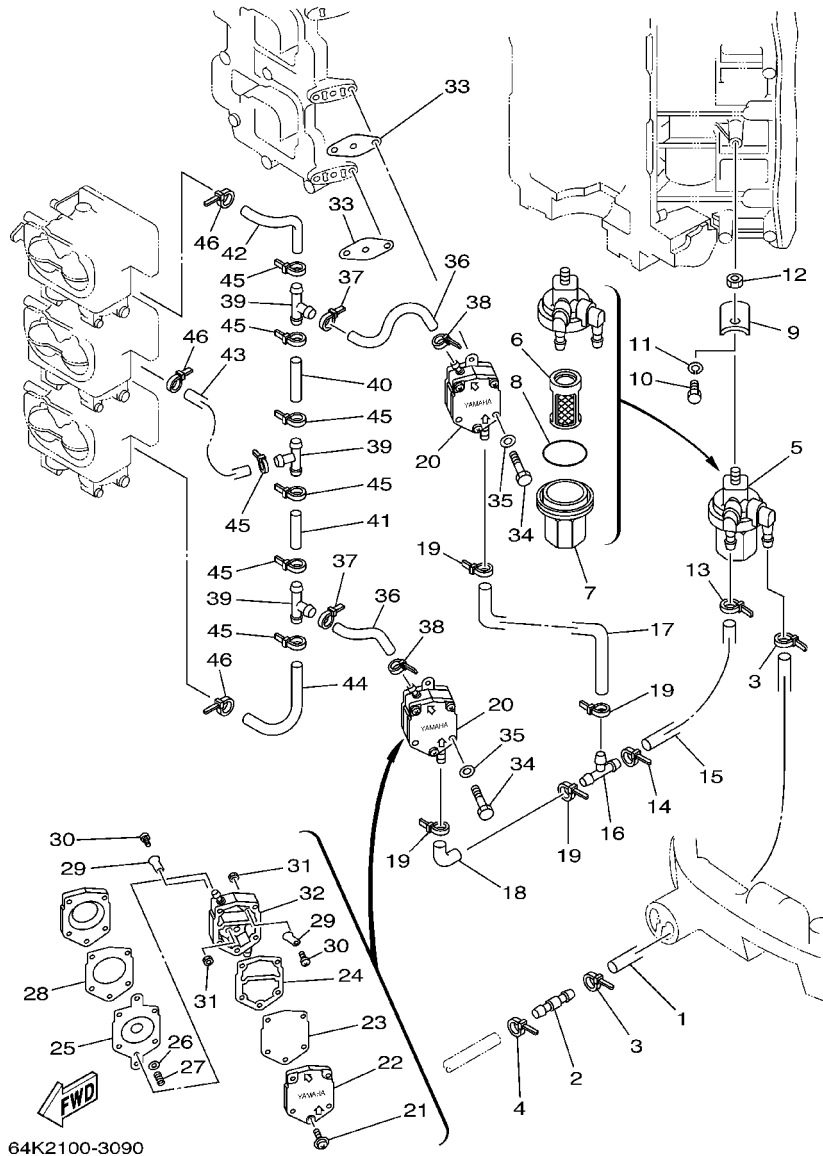


64K2100-3090

FIG. 9 FUEL 1

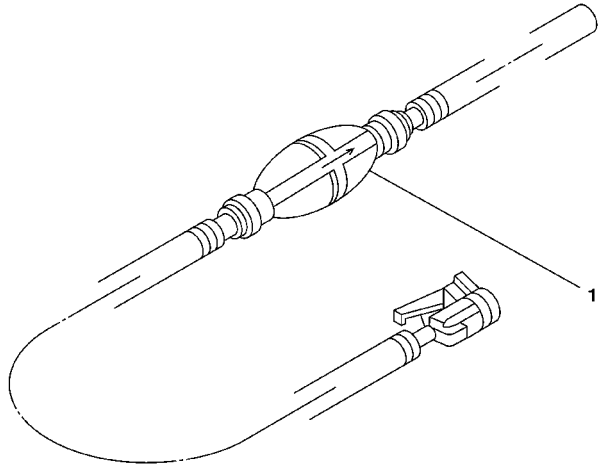
REF. NO.	PART NO.	DESCRIPTION	200G				REMARKS
1	6R3-24313-01	PIPE 3	1				
2	6R3-24377-00	PIPE, JOINT 3	1				
3	90465-11M10	CLAMP	2				
4	90465-11M10	CLAMP	1				
5	6R3-24560-00	FILTER ASSY	1				
6	61N-24563-00	.ELEMENT, FILTER	1				
7	61N-24521-00	.CUP, FILTER	1				
8	93210-32738	.O-RING	1				
9	648-24566-02	BRACKET, FILTER	1				
10	97013-06014	BOLT	1				
11	92903-06100	WASHER, SPRING	1				
12	95380-08600	NUT	1				
13	90465-11M10	CLAMP	1				
14	90465-11M10	CLAMP	1				
15	6G5-24314-00	PIPE 4	1				
16	6E5-24378-00	PIPE, JOINT 3	1				
17	6K7-24315-00	PIPE 5	1				
18	6E5-24315-00	PIPE 5	1				
19	90465-11M10	CLAMP	4				
20	6E5-24410-03	FUEL PUMP ASSY	2				
21	6E5-24444-00	.SCREW	3				
22	6E5-24413-00	.BODY 2	1				
23	6E5-24471-00	.DIAPHRAGM	1				
24	6E5-24435-00	.GASKET, BODY 2	1				
25	6E5-24411-00	.DIAPHRAGM	1				
26	648-24424-00	.SEAT, SPRING	1				
27	6E5-24423-00	.SPRING, DIAPHRAGM	1				

FIG. 9 FUEL 1



REF. NO.	PART NO.	DESCRIPTION	200G				REMARKS
28	6E5-24434-02	.GASKET, BODY	1				
29	6A0-24421-01	.VALVE, CHECK	4				
30	6A0-14325-00	.SCREW, PAN HEAD	4				
31	95380-03600	.NUT	4				
32	6E5-24412-10	.BODY 1	1				
33	650-24431-A0	GASKET, FUEL PUMP 1	2				
34	97095-06050	BOLT	4				
35	92995-06600	WASHER	4				
36	6G5-24316-10	PIPE 6	2				
37	90465-11M10	CLAMP	2				
38	90465-11M10	CLAMP	2				
39	6E5-24378-00	PIPE, JOINT 3	3				
40	90445-13M03	HOSE (L50)	1				
41	90445-13M02	HOSE (L40)	1				
42	6K7-24317-00	PIPE 7	1				
43	6K7-24318-00	PIPE, OVERFLOW	1				
44	6K7-24319-00	PIPE, OIL	1				
45	90465-11M10	CLAMP	7				
46	90465-11M10	CLAMP	3				

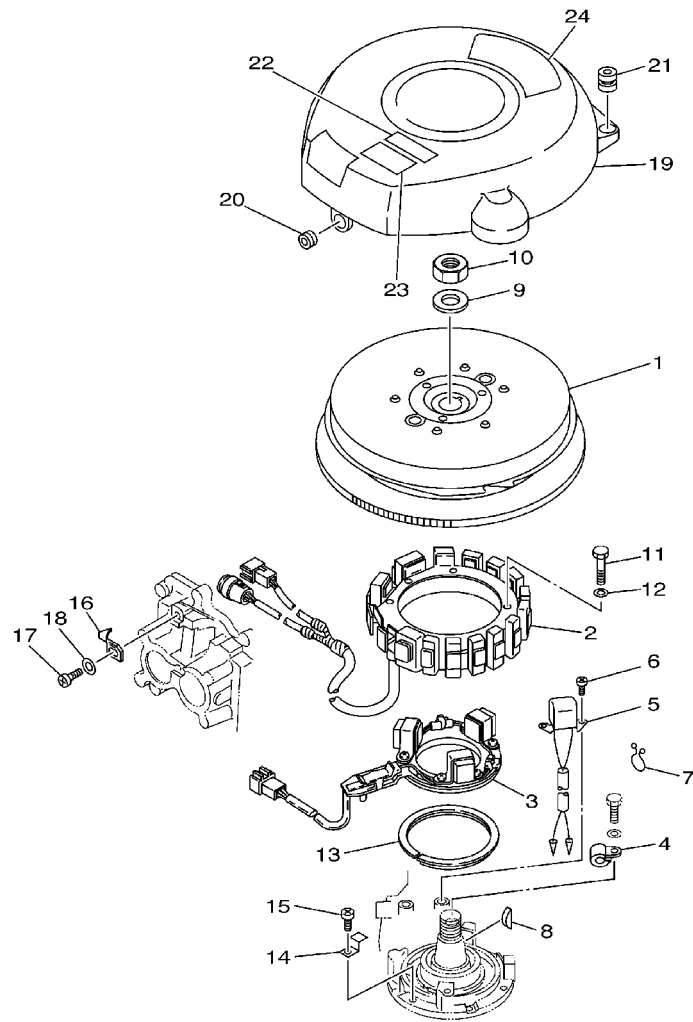
FIG. 10 FUEL 2



68F0300-0140

REF. NO.	PART NO.	DESCRIPTION	200G					REMARKS
1	6YK-24306-42	FUEL PIPE COMP. 1	1					AP

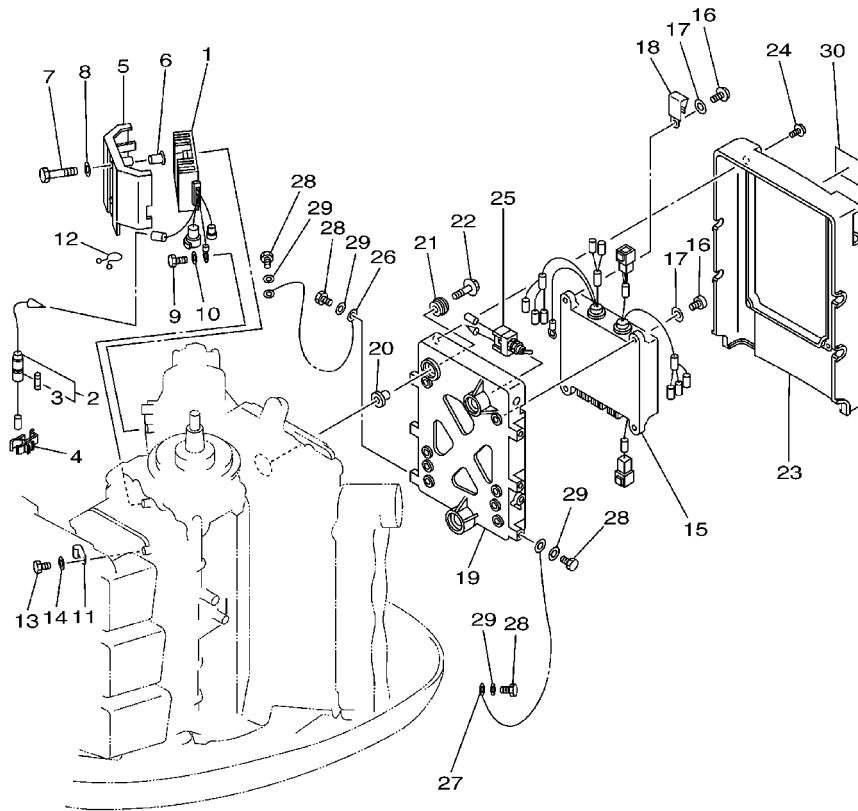
FIG. 11 GENERATOR



FWD
65N1300-2110

REF. NO.	PART NO.	DESCRIPTION	200G				REMARKS
1	64D-85550-02	ROTOR ASSY	1				
2	6R3-85510-00	STATOR ASSY	1				
3	64D-85580-00	COIL, PULSER	1				
4	90465-06M86	CLAMP	1				
5	6R5-85895-01	CRANK POSITION SENDER	1				
6	97885-05012	SCREW, PAN HEAD	2				
7	90464-15M11	CLAMP	1				
8	90280-05015	KEY, WOODRUFF	1				
9	90201-21M18	WASHER, PLATE	1				
10	90170-20137	NUT	1				
11	97013-06070	BOLT	4				
12	92903-06600	WASHER, PLATE	4				
13	688-41611-00	RETAINER, MAGNETO BASE	1				
14	688-41612-00	RETAINER, MAGNETO BASE	4				
15	97880-06018	SCREW, PAN HEAD	4				
16	6E5-81332-00	PLATE, TIMING	1				
17	97885-06010	SCREW, PAN HEAD	1				
18	92995-06600	WASHER	1				
19	64D-81337-01	COVER, FLYWHEEL	1				
20	90480-13M24	GROMMET	1				
21	663-82317-01	DAMPÉR, IGNITION COIL	2				
22	6A1-83625-51	MARK 5	1				
23	6A1-83625-41	MARK 5	1				
24	64E-14488-00	LABEL, CAUTION	1				

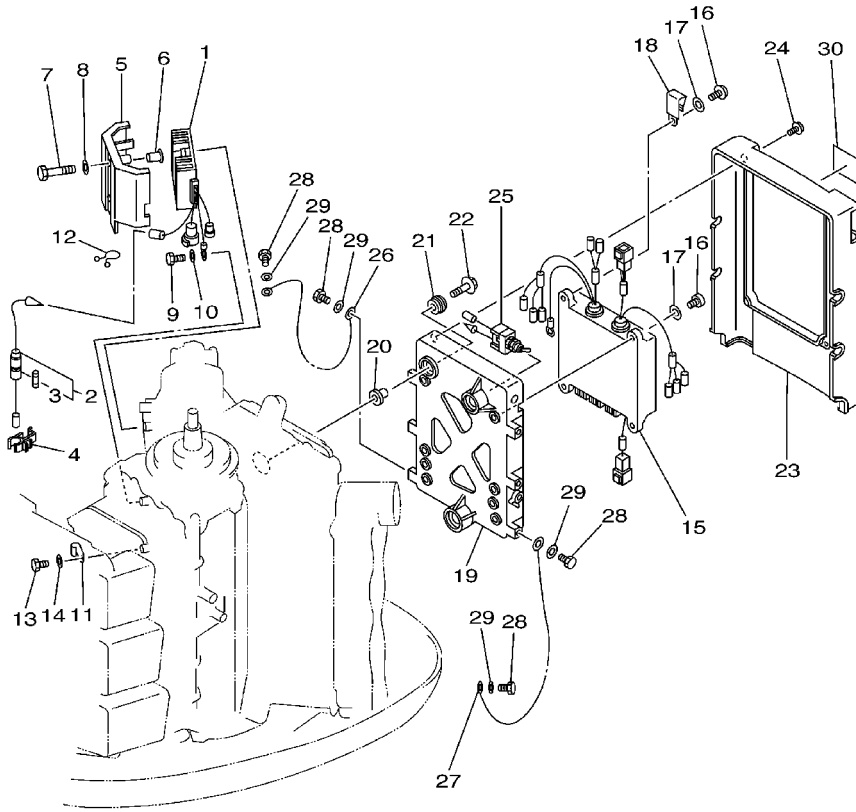
FIG. 12 ELECTRICAL 1



REF. NO.	PART NO.	DESCRIPTION	200G				REMARKS
1	6R3-81960-10	RECTIFIER & REGULATOR ASSY	1				
2	6R3-82150-00	FUSE HOLDER ASSY	1				
3	705-82151-00	.FUSE (30A)	1				
4	6G5-82152-00	HOLDER, FUSE	1				
5	64D-81942-00	COVER	1				
6	90387-06M66	COLLAR	2				
7	97013-06055	BOLT	2				
8	92903-06600	WASHER, PLATE	2				
9	97095-06012	BOLT	1				
10	92995-06600	WASHER	1				
11	90465-06M88	CLAMP	1				
12	90464-15M11	CLAMP	1				
13	97095-06012	BOLT	1				
14	92995-06600	WASHER	1				
15	64E-85540-01	C.D.I. UNIT ASSY	1				
16	97880-06020	SCREW, PAN HEAD	4				
17	92990-06600	WASHER, PLATE	4				
18	90465-05M87	CLAMP	1				
19	6R3-85542-03-1S	BRACKET	1				
20	90387-06M03	COLLAR	3				
21	90480-09M12	GROMMET	3				
22	90119-06M61	BOLT, WITH WASHER	3				
23	64D-85537-00	COVER	1				
24	90159-06M11	SCREW, WITH WASHER	4				
25	6R3-8259E-00	SWITCH ASSY	1				
26	662-82519-00	WIRE, EARTH LEAD	1				
27	6R3-82519-00	WIRE, EARTH LEAD	1				


65N1300-2120

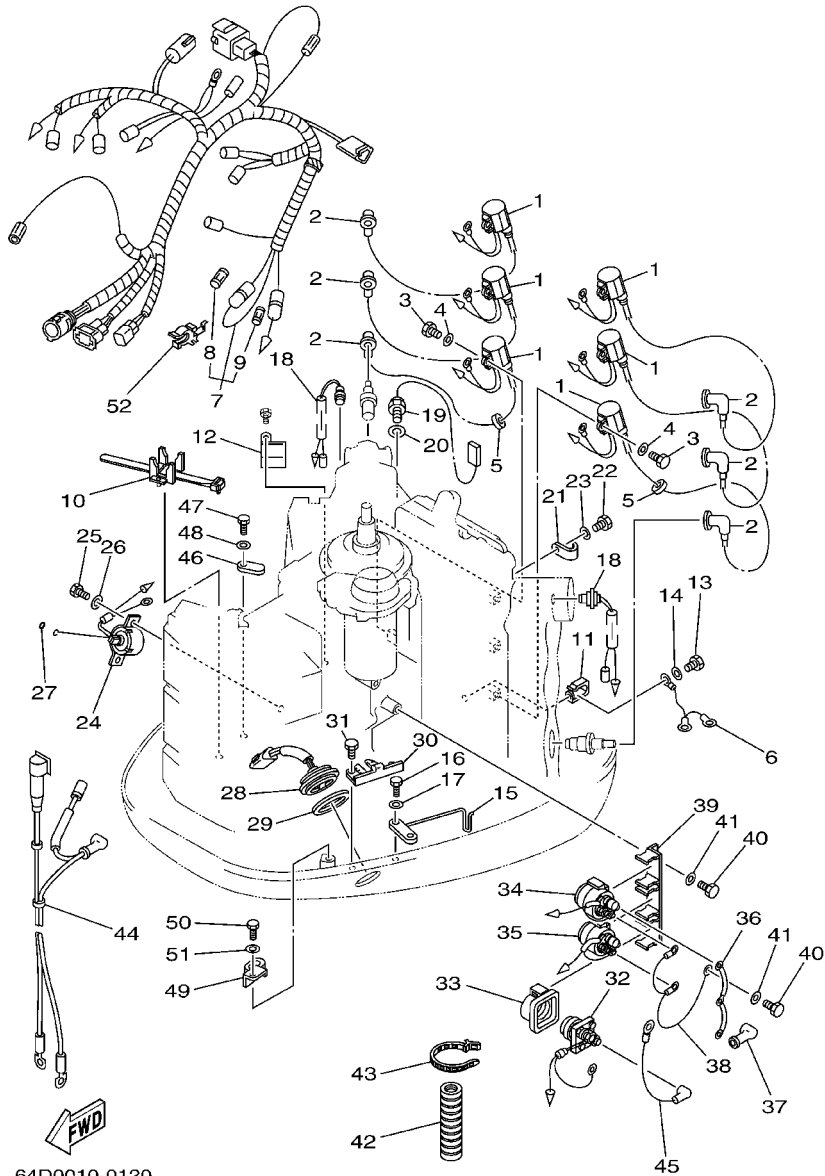
FIG. 12 ELECTRICAL 1



REF. NO.	PART NO.	DESCRIPTION	200G				REMARKS
28	97095-06012	BOLT	5				
29	92995-06600	WASHER	5				
30	6E5-85711-60	MARK, CAUTION	1				


65N1300-2120

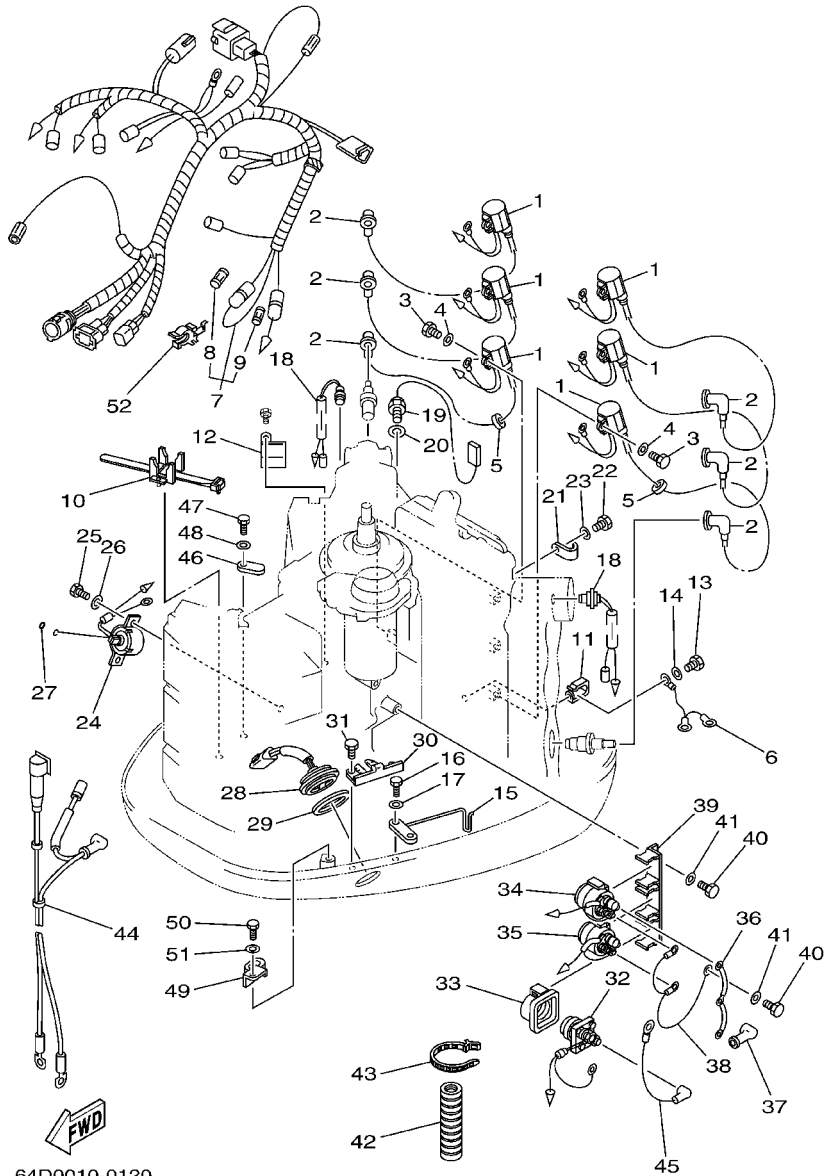
FIG. 13 ELECTRICAL 2



64D0010-0120

REF. NO.	PART NO.	DESCRIPTION	200G				REMARKS
1	6R3-85570-01	IGNITION COIL ASSY	6				
2	6E3-82370-21	PLUG CAP ASSY	6				
3	97095-06020	BOLT	6				
4	92995-06600	WASHER	6				
5	90480-25161	GROMMET	2				
6	6E5-82531-10	WIRE, LEAD	1				
7	64D-82590-00	WIRE HARNESS ASSY	1				
8	663-82151-00	.FUSE (12V-20A)	1				
9	705-82151-00	.FUSE (30A)	1				
10	688-82594-00	CLAMP	1				
11	90465-05M87	CLAMP	1				
12	90465-08M89	CLAMP	1				
13	97095-06012	BOLT	1				
14	92995-06600	WASHER	1				
15	6K7-82588-00	PLATE	1				
16	97095-06020	BOLT	1				
17	92995-06600	WASHER	1				
18	688-82560-10	THERMO SWITCH ASSY	2				
19	61A-85790-00	THERMOSENSOR ASSY	1				
20	92990-10600	WASHER, PLATE	1				
21	90465-06M86	CLAMP	1				
22	97095-06012	BOLT	1				
23	92995-06600	WASHER	1				
24	64E-86110-00	SOLENOID	1				
25	97095-06016	BOLT	2				
26	92995-06600	WASHER	2				
27	93210-03261	O-RING	1				

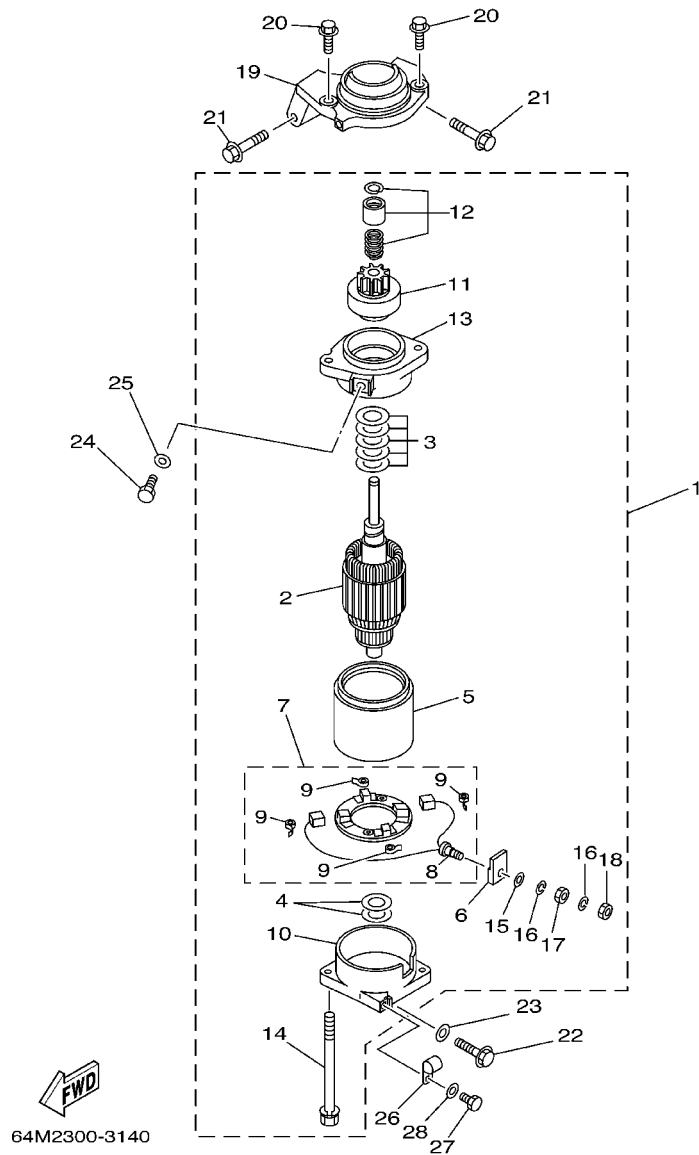
FIG. 13 ELECTRICAL 2



64D0010-0120

REF. NO.	PART NO.	DESCRIPTION	200G				REMARKS
28	6R3-82563-00	TRIM & TILT SWITCH ASSY	1				
29	6E5-82587-00	GASKET	1				
30	6R3-83614-00	BRACKET	1				
31	97095-06012	BOLT	2				
32	61A-81941-00	STARTER RELAY ASSY	1				
33	689-81952-10	HOLDER, RELAY	1				
34	6E5-81950-00	RELAY ASSY	1				
35	6E5-8195A-00	RELAY ASSY	1				
36	6G5-87149-10	CONNECTOR	1				
37	6G5-82119-00	COVER, LEAD WIRE	2				
38	6E5-82116-00	WIRE, MINUS LEAD	1				
39	6G5-81948-11	BRACKET	1				
40	97095-06016	BOLT	2				
41	92995-06600	WASHER	2				
42	6E9-83557-70	TUBE	1				
43	90465-13M18	CLAMP	1				
44	6R3-82105-02	WIRE HARNESS	1				
45	6K7-82117-00	WIRE, LEAD	1				
46	6E5-82588-00	PLATE	1				
47	97095-06020	BOLT	1				
48	92995-06600	WASHER	1				
49	90465-12M25	CLAMP	1				
50	97095-06012	BOLT	1				
51	92995-06600	WASHER	1				
52	6G5-82152-00	HOLDER, FUSE	2				

FIG. 14 STARTING MOTOR



REF. NO.	PART NO.	DESCRIPTION	200G				REMARKS
1	6N7-81800-10	STARTING MOTOR ASSY	1				
2	6N7-81850-10	.ARMATURE ASSY	1				
3	61A-81809-00	.WASHER KIT	1				
4	61A-81824-00	.WASHER 2	2				
5	6N7-81810-00	.STATOR ASSY	1				
6	6K7-8182G-10	.BUSH, TERMINAL	1				
7	6N7-81840-00	.BRUSH HOLDER ASSY	1				
8	6N7-81801-00	..BRUSH SET	1				
9	6N7-81813-00	..SPRING, BRUSH	4				
10	6N7-81820-10	.REAR BRACKET ASSY	1				
11	6N7-81807-00	.GEAR ASSY, STARTING MOTOR	1				
12	6N7-81857-00	.RETAINER	1				
13	6N7-81830-00	.FRONT BRACKET ASSY	1				
14	6K7-81826-10	.BOLT	2				
15	6E5-8182E-10	.WASHER	1				
16	6E5-8182F-10	.WASHER	2				
17	6E5-8182A-10	.NUT	1				
18	6E5-8182K-10	.NUT	1				
19	6K7-81822-00-94	BRACKET, STARTING MOTOR	1				
20	90119-08M76	BOLT, WITH WASHER	2				
21	90119-08M77	BOLT, WITH WASHER	2				
22	90119-08M57	BOLT, WITH WASHER	1				
23	92990-08600	WASHER, PLATE	1				
24	97095-08016	BOLT	1				
25	92995-08600	WASHER	1				
26	90465-06M86	CLAMP	1				
27	97095-06012	BOLT	1				

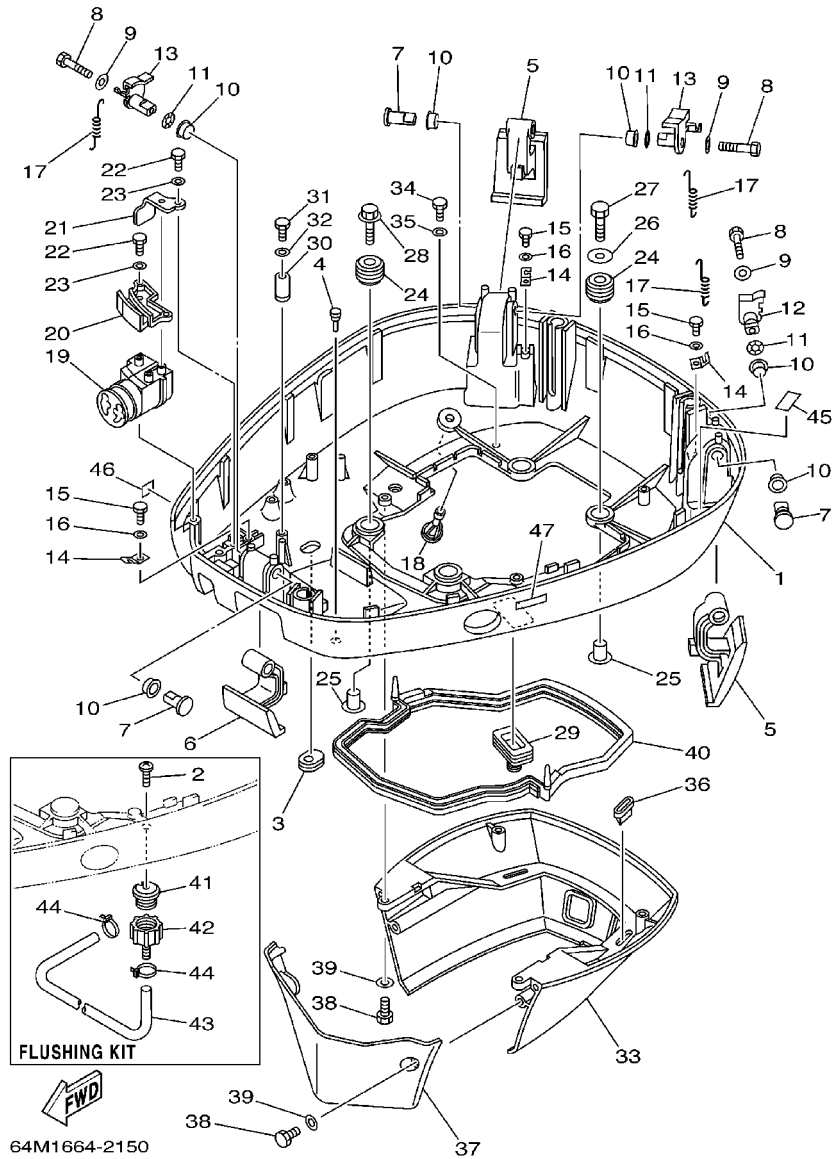


FIG. 15 BOTTOM COWLING

REF. NO.	PART NO.	DESCRIPTION	200G				REMARKS
1	64D-42711-01-8D	COWLING, BOTTOM	1				
2	90169-05M00	SCREW, TRUSS HEAD TAPPING	1				FLUSHING KIT
3	61A-42727-00	GROMMET	1				
4	6H4-42748-00	GROMMET	1				
5	64D-42815-00-4D	LEVER, CLAMP	2				
6	64D-42816-00-4D	LEVER, CLAMP	1				
7	64D-42835-00	PIN, SET 1	3				
8	97095-06040	BOLT	3				
9	90201-06068	WASHER, PLATE	3				
10	90386-15M73	BUSH	6				
11	90206-15M18	WASHER, WAVE	3				
12	64D-42818-20	LEVER, CLAMP	1				
13	64D-42818-30	LEVER, CLAMP	2				
14	64D-43144-00	HOOK, SPRING	3				
15	97090-06012	BOLT	3				
16	92990-06600	WASHER, PLATE	3				
17	90506-16M34	SPRING, TENSION	3				
18	6E5-44391-00	NIPPLE, HOSE	1				
19	64D-42725-20	GROMMET	1				
20	64D-42738-00-5B	PLATE, FITTING	1				
21	64D-42738-10-5B	PLATE, FITTING	1				
22	97095-06016	BOLT	3				
23	92995-06600	WASHER	3				
24	90480-22M15	GROMMET	4				
25	90387-08M37	COLLAR	4				
26	90201-08M54	WASHER, PLATE	1				
27	97075-08035	BOLT	1				

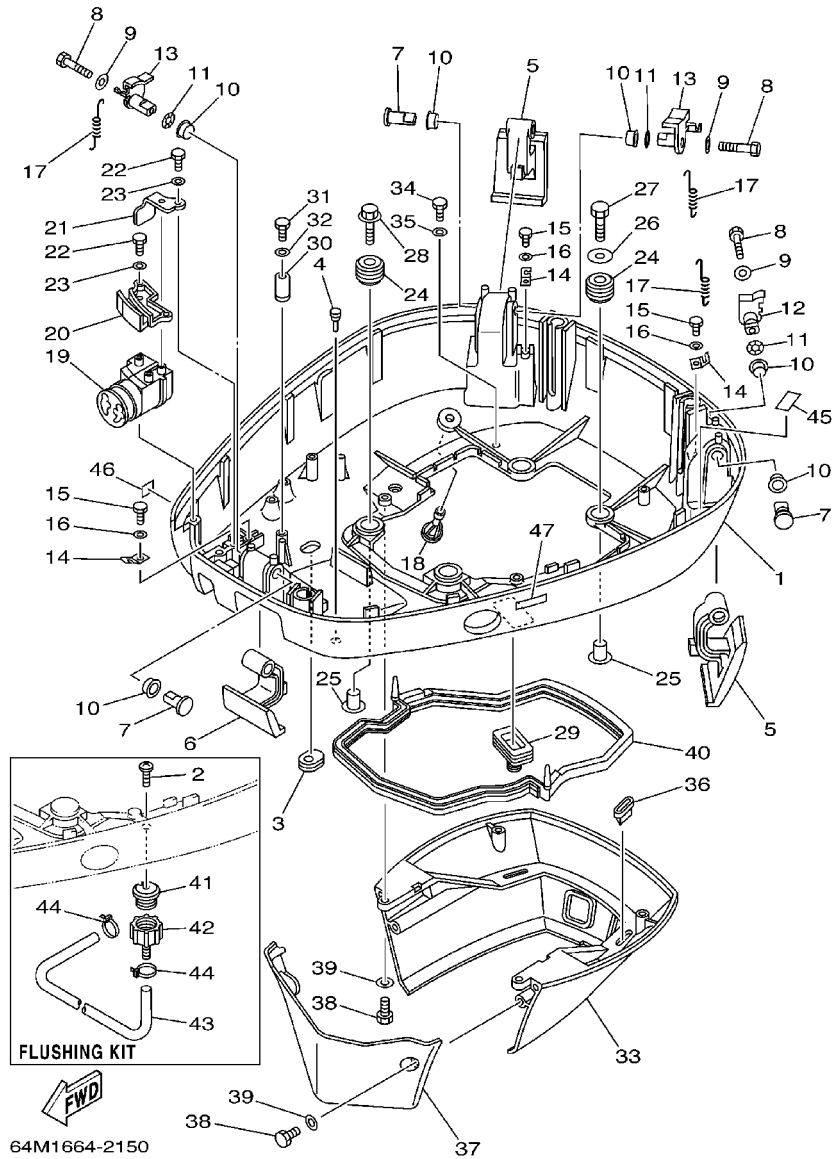
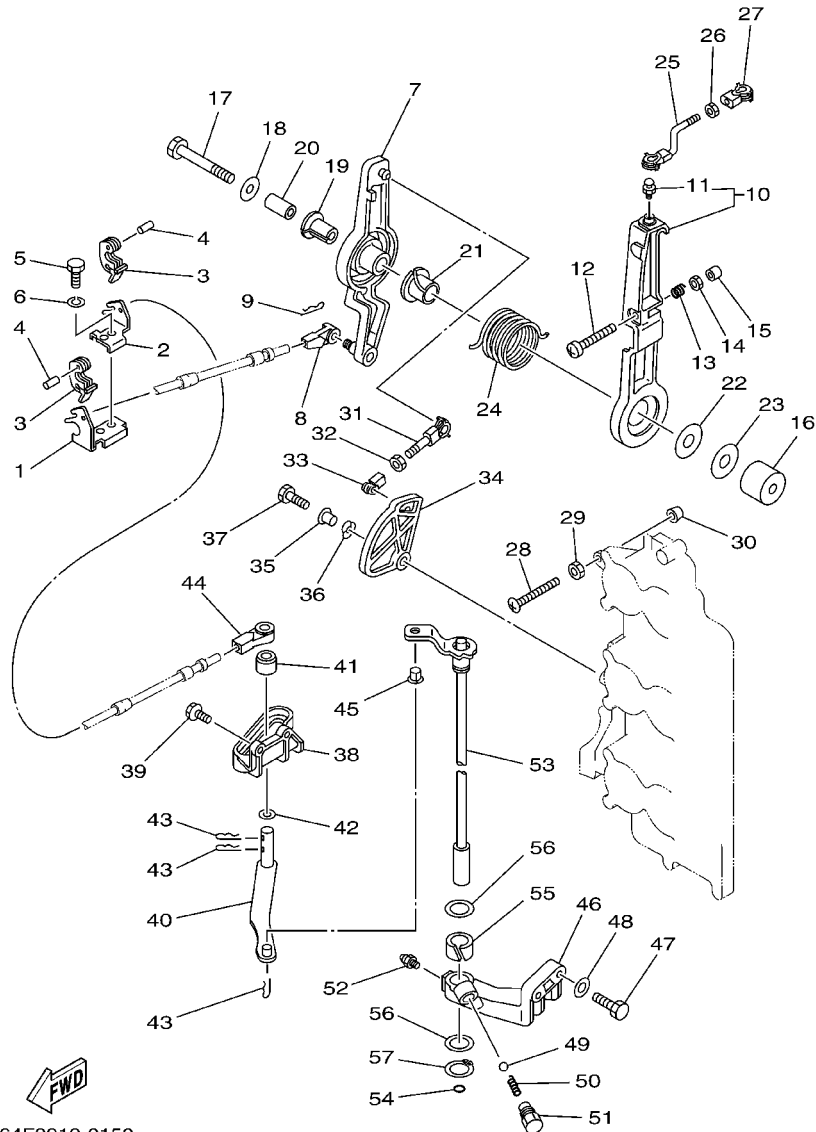


FIG. 15 BOTTOM COWLING

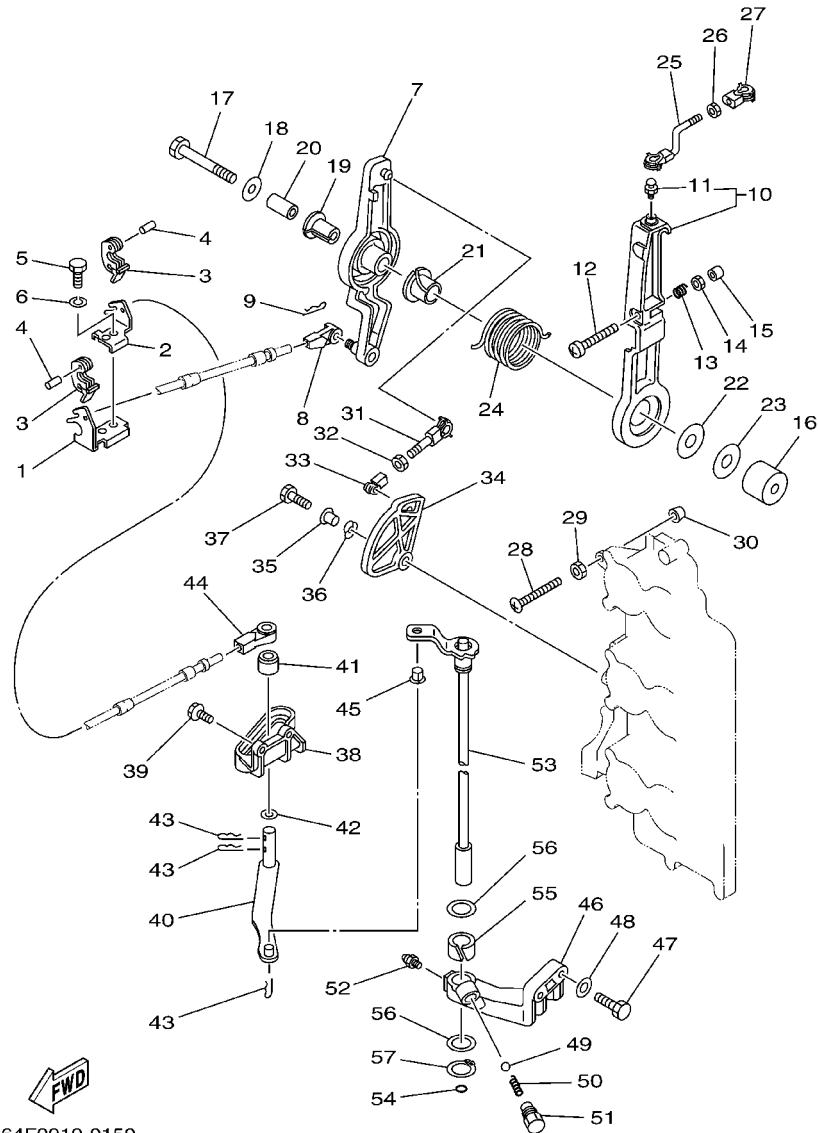
REF. NO.	PART NO.	DESCRIPTION	200G				REMARKS
28	90119-08M22	BOLT, WITH WASHER	3				
29	688-42726-10	GROMMET	1				
30	6E5-82588-00	PLATE	1				
31	97095-06020	BOLT	1				
32	92995-06600	WASHER	1				
33	6R3-42741-02-8D	APRON	1				
34	97095-06020	BOLT	2				
35	92995-06600	WASHER	2				
36	64D-42717-00	RUBBER, SEAL 2	2				
37	6R3-42771-01-8D	APRON	1				
38	97095-06020	BOLT	4				
39	92995-06600	WASHER	4				
40	6E5-42716-10	RUBBER, SEAL 1	1				
41	6R3-12572-00	ADAPTER	1				FLUSHING KIT
42	6R3-12580-00	JOINT ASSY	1				FLUSHING KIT
43	90445-11M35	HOSE (L540)	1				FLUSHING KIT
44	90465-11M10	CLAMP	2				FLUSHING KIT
45	6G5-42791-10	MARK 1	1				
46	6A1-28176-00	LABEL, CAUTION	1				
47	6E3-8257H-00	PLATE, MARK	1				

FIG. 16 CONTROL



64F0010-0150

REF. NO.	PART NO.	DESCRIPTION	200G				REMARKS
1	64D-48531-00	BRACKET, REMOTE CONTROL 1	1				
2	64D-48532-00	BRACKET, REMOTE CONTROL 2	1				
3	6E5-48538-00	CLAMP, CABLE	2				
4	91690-30012	PIN, SPRING	2				
5	97095-08020	BOLT	1				
6	92995-08100	WASHER	1				
7	61H-41632-02-1S	LEVER, MAGNETO CONTROL	1				
8	6E5-48344-00	CABLE END, REMOTE CONTROL	1				
9	90468-18008	CLIP	1				
10	6G5-41631-01-1S	LEVER, MAGNETO CONTROL	1				
11	663-85518-00	JOINT, BALL	1				
12	90157-06013	SCREW, PAN HEAD	1				
13	90501-16M12	SPRING, COMPRESSION	1				
14	95303-06600	NUT	1				
15	688-44194-00	CAP	1				
16	90387-08M17	COLLAR	1				
17	90101-08M14	BOLT	1				
18	90201-08M23	WASHER, PLATE	1				
19	90386-12089	BUSH	1				
20	90387-08M16	COLLAR	1				
21	90386-22M13	BUSH	1				
22	90202-12092	WASHER, PLATE	1				
23	90201-08M13	WASHER, PLATE	1				
24	90508-29M12	SPRING, TORSION	1				
25	6G5-41636-01	ROD, MAGNETO CONTROL	1				
26	95380-05600	NUT	1				
27	662-41237-01	JOINT, LINK	1				

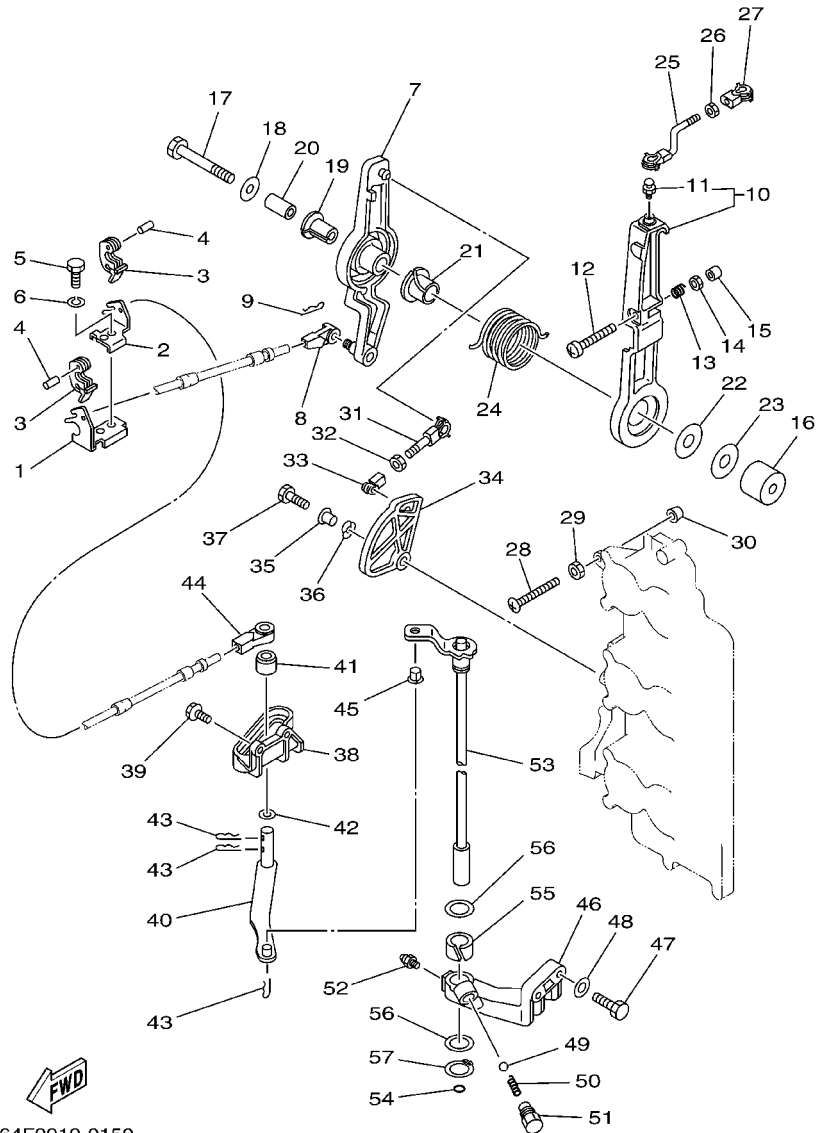


64F0010-0150

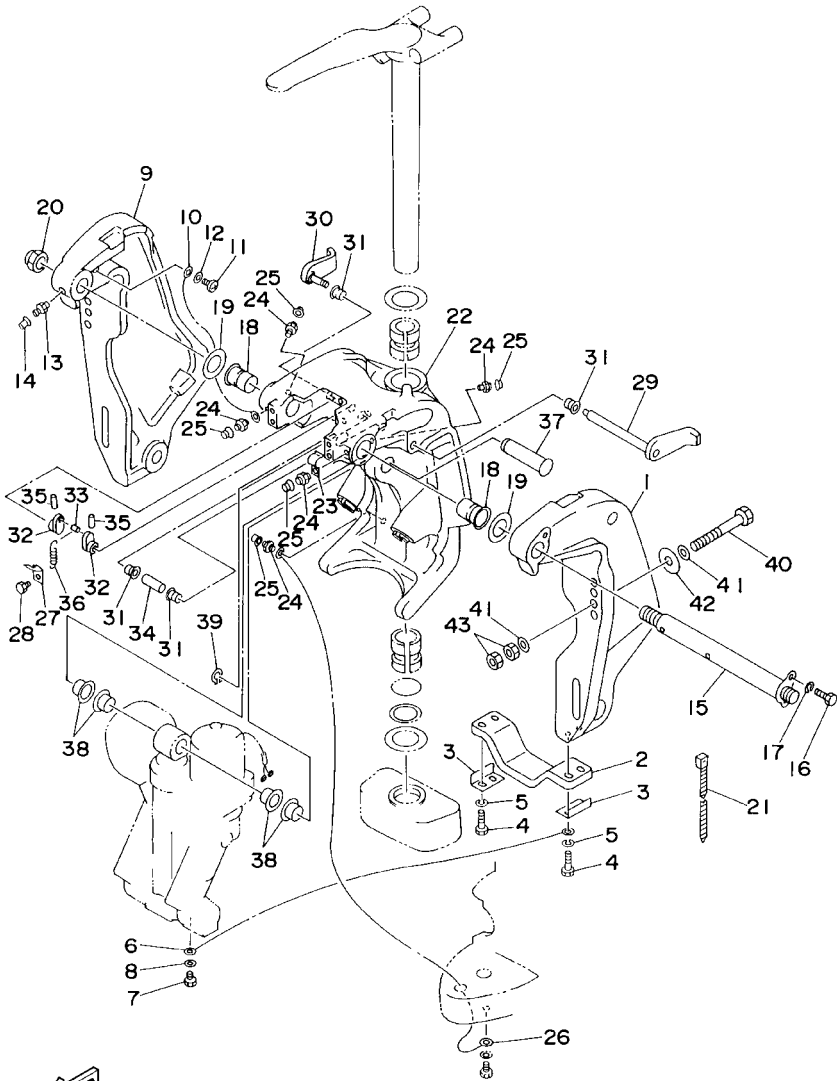
FIG. 16 CONTROL

REF. NO.	PART NO.	DESCRIPTION	200G				REMARKS
28	90157-06M07	SCREW, PAN HEAD	1				
29	95303-06600	NUT	1				
30	688-44194-00	CAP	1				
31	682-41237-50	JOINT, LINK	1				
32	95380-05600	NUT	1				
33	662-41237-01	JOINT, LINK	1				
34	61H-41213-00	CAM, ACCEL.	1				
35	90387-06M29	COLLAR	1				
36	90206-10M04	WASHER, WAVE	1				
37	97095-06025	BOLT	1				
38	6E5-44117-00-1S	BRACKET	1				
39	90119-06MA2	BOLT, WITH WASHER	2				
40	68F-44121-00	LEVER, SHIFT ROD	1				
41	6E5-44122-00	BUSHING, SHIFT ROD LEVER	1				
42	90202-08M20	WASHER, PLATE	1				
43	90468-18008	CLIP	3				
44	6E5-48344-00	CABLE END, REMOTE CONTROL	1				
45	90386-06M12	BUSH	1				
46	6E5-44118-01-94	BRACKET	1				
47	97013-08030	BOLT	2				
48	92903-08600	WASHER, PLATE	2				
49	93501-04M02	BALL	1				
50	90501-12082	SPRING, COMPRESSION	1				
51	648-42715-00	BUSHING	1				
52	93700-06M03	NIPPLE, GREASE	1				
53	6E5-44120-03	HANDLE GEAR SHIFT ASSY	1				L
54	93210-09165	O-RING	1				

FIG. 16 CONTROL



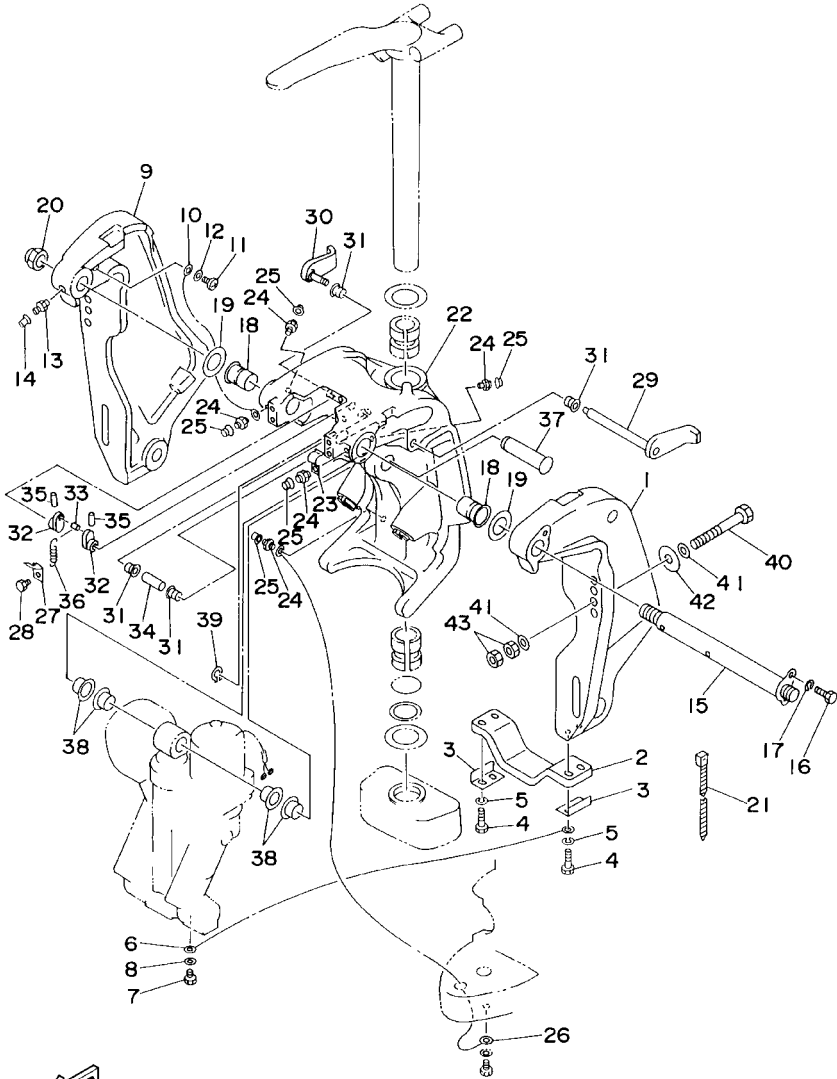
REF. NO.	PART NO.	DESCRIPTION	200G				REMARKS
55	90386-16M66	BUSH	1				
56	90202-16061	WASHER, PLATE	2				
57	93410-16006	CIRCLIP	1				



6N60010-7160

FIG. 17 BRACKET 1

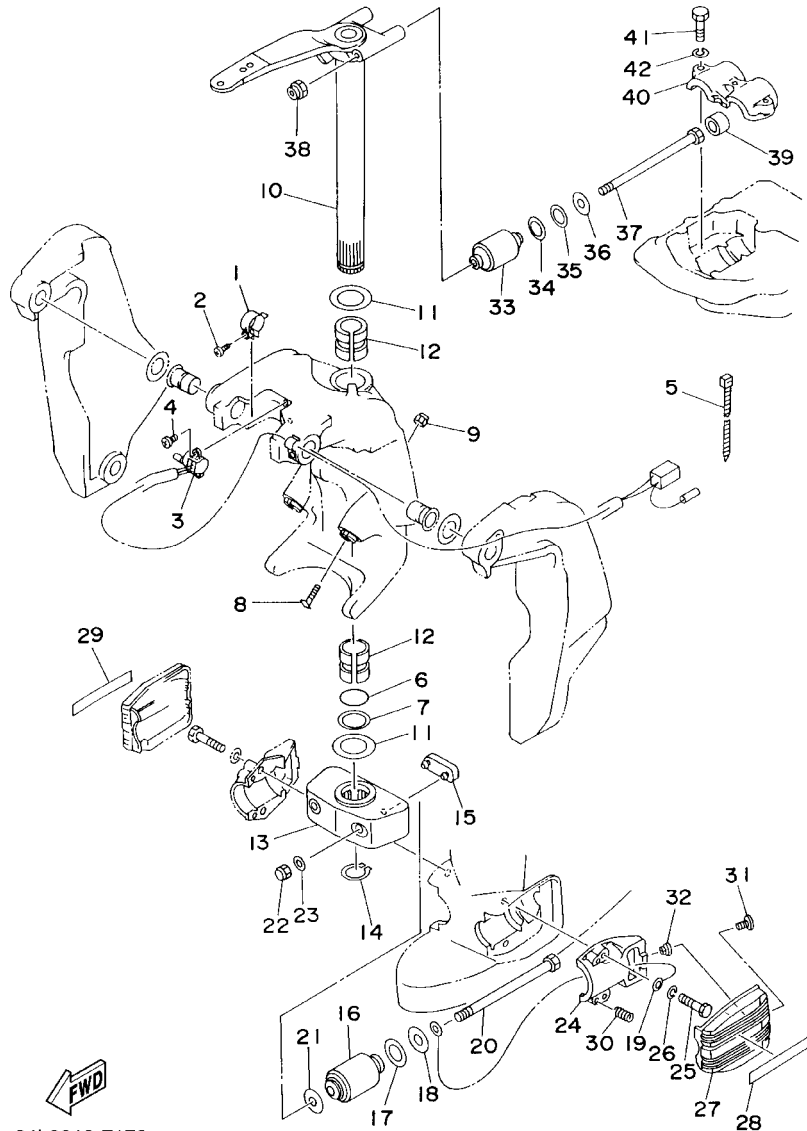
REF. NO.	PART NO.	DESCRIPTION	200G				REMARKS
1	64E-43111-02-8D	BRACKET, CLAMP	1				
2	6G5-45251-02	ANODE	1				
3	6G5-44526-00	PLATE	2				
4	97095-06030	BOLT	4				
5	92995-06100	WASHER, SPRING	4				
6	6E5-82148-00	WIRE, LEAD 4	1				
7	97095-06010	BOLT	1				
8	92995-06600	WASHER	1				
9	64E-43112-02-8D	BRACKET, CLAMP	1				
10	6E5-82148-00	WIRE, LEAD 4	1				
11	97880-06012	SCREW, PAN HEAD	1				
12	92990-06600	WASHER, PLATE	1				
13	93700-06M03	NIPPLE, GREASE	1				
14	663-45119-00	CAP, GREASE NIPPLE	1				AP
15	64E-43131-01	BOLT, CLAMP BRACKET	1				
16	97095-08020	BOLT	1				
17	92995-08100	WASHER	1				
18	90386-25M31	BUSH	2				
19	90201-26M59	WASHER, PLATE	2				
20	90185-22M11	NUT, SELF-LOCKING	1				
21	90465-11M10	CLAMP	1				
22	64E-43311-10-8D	BRACKET, SWIVEL 1	1				L
23	90465-08M63	CLAMP	1				
24	93700-06M03	NIPPLE, GREASE	5				
25	663-45119-00	CAP, GREASE NIPPLE	5				AP
26	6E5-82147-00	WIRE, LEAD 4	1				L
27	6G5-43144-00	HOOK, SPRING	1				



6N60010-7160

FIG. 17 BRACKET 1

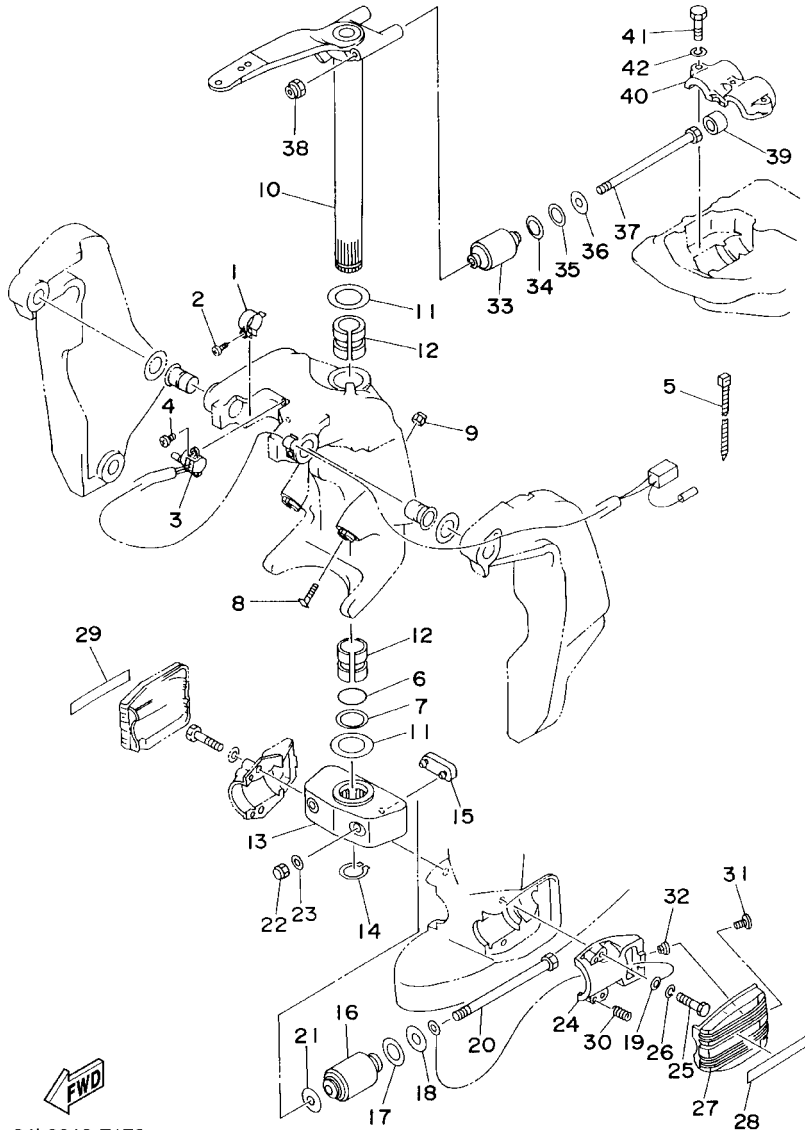
REF. NO.	PART NO.	DESCRIPTION	200G				REMARKS
28	97095-06010	BOLT	1				
29	6G5-43181-02	LEVER, TILT STOP	1				
30	6G5-43185-02	LEVER, TILT STOP	1				
31	90386-10M16	BUSH	4				
32	6G5-43148-00	COLLAR, DISTANCE	2				
33	90249-06M19	PIN	1				
34	90387-10M05	COLLAR	1				
35	91690-30020	PIN, SPRING	2				
36	90506-14M24	SPRING, TENSION	1				
37	64E-43126-00	PIN, UPPER SHOCK MOUNT	1				
38	90386-22M98	BUSH	4				
39	93410-22M11	CIRCLIP	1				
40	90101-12M03	BOLT (L:115MM)	4				
41	90201-13M01	WASHER, PLATE	8				
42	90201-12M05	WASHER, PLATE	4				
43	95380-12600	NUT	8				



64L0010-7170

FIG. 18 BRACKET 2

REF. NO.	PART NO.	DESCRIPTION	200G				REMARKS
1	64E-43139-02	CAM, TRIM SENDER	1				
2	97780-60525	SCREW, TAPPING	1				
3	64E-83672-02	TRIM SENDER	1				
4	97885-06016	SCREW, PAN HEAD	2				
5	90465-11M10	CLAMP	3				
6	93210-37MH7	O-RING	1				
7	90202-40M47	WASHER, PLATE	1				
8	61A-43376-00	BOLT, THRUST RECEIVER	2				
9	95780-10300	NUT, FLANGE	2				
10	6E5-42510-A1-8D	STEERING BRACKET ASSY	1				L
11	90201-38M60	WASHER, PLATE	2				
12	90386-38M32	BUSH	2				
13	6G5-44551-01-8D	HOUSING, LOWER MOUNT RUBBER	1				
14	93410-37M04	CIRCLIP	1				
15	6E5-44575-00	DAMPER, LOWER MOUNT RUBBER	1				
16	6J9-44555-00-94	MOUNT DAMPER, LOWER SIDE	2				
17	90202-32M19	WASHER, PLATE	2				
18	90201-16M55	WASHER, PLATE	2				
19	6E5-82149-00	WIRE, LEAD 3	1				
20	90109-14M34	BOLT	2				
21	90201-15M58	WASHER, PLATE	2				
22	95380-14800	NUT	2				
23	92995-14600	WASHER	2				
24	6E5-44552-01-94	HOUSING, LOWER MOUNT RUBBER	2				
25	97095-10045	BOLT	4				
26	92995-10100	WASHER	4				
27	6J9-44553-01-NA	COVER, LOWER MOUNT	2				



64L0010-7170

FIG. 18 BRACKET 2

REF. NO.	PART NO.	DESCRIPTION	200G				REMARKS
28	65N-43155-N0	MARK 1	1				
29	65N-43156-N0	MARK 2	1				
30	90501-16M28	SPRING, COMPRESSION	4				
31	90157-06M05	SCREW, PAN HEAD	2				
32	90179-06066	NUT	2				
33	6J9-44514-00-94	MOUNT DAMPER, UPPER SIDE	2				
34	90201-26M57	WASHER, PLATE	2				
35	90202-26M18	WASHER, PLATE	2				
36	90201-14M56	WASHER, PLATE	2				
37	90109-12M37	BOLT	2				
38	90185-12M12	NUT, SELF-LOCKING	2				
39	663-44575-00	DAMPER, LOWER MOUNT RUBBER	2				
40	6E5-44511-00-5B	COVER, UPPER MOUNT	1				
41	97095-10045	BOLT	3				
42	92995-10100	WASHER	3				

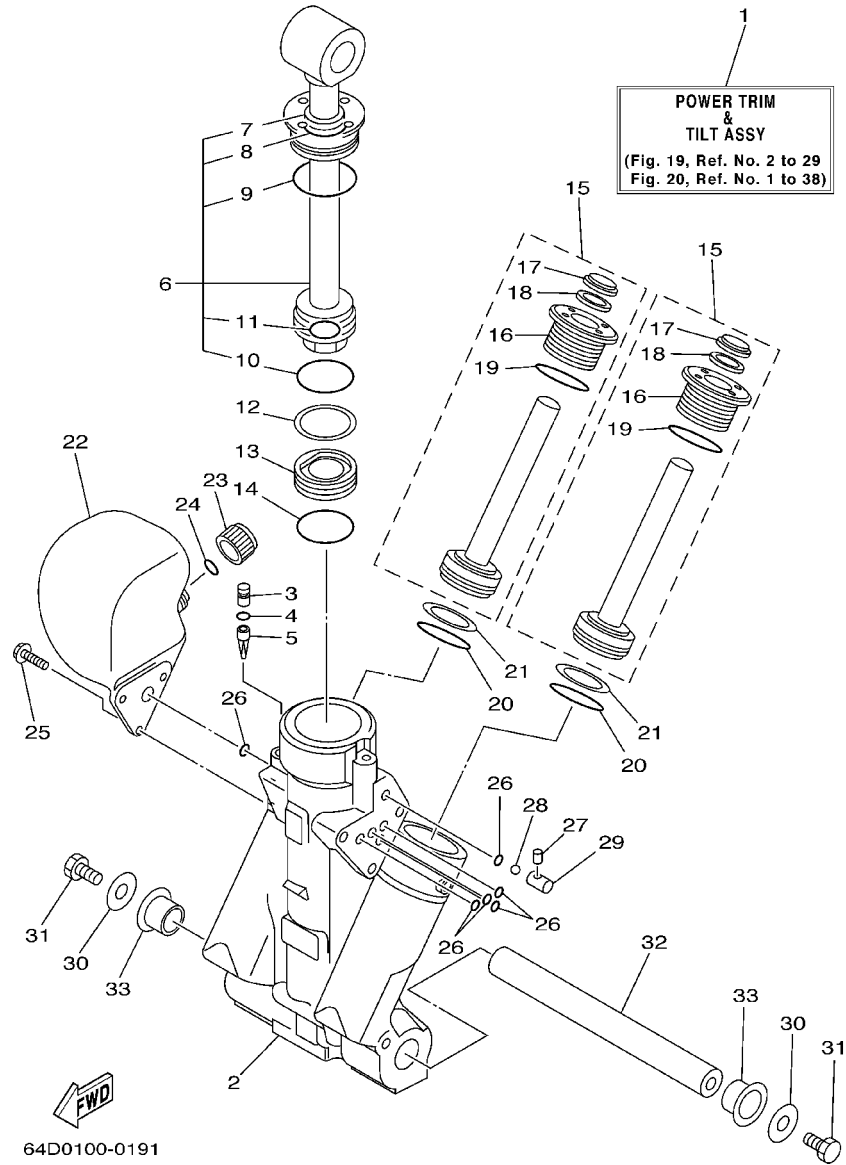


FIG. 19 POWER TRIM & TILT ASSY 1

REF. NO.	PART NO.	DESCRIPTION	200G				REMARKS
1	64E-43800-02-4D	POWER TRIM & TILT ASSY	1				
2	64E-43825-01	HOUSING, TRIM & TILT	1				
3	64E-4388J-00	PLUG 2	1				
4	93210-10M74	O-RING	1				
5	64E-43817-00	FILTER 2	1				
6	64E-43810-00	TILT PISTON SUB ASSY	1				
7	64E-43898-00	.SEAL ,DUST 2	1				
8	64E-43867-00	.O-RING	1				
9	64E-43866-00	.O-RING	1				
10	6E5-43862-00	.O-RING	1				
11	64E-43883-00	.O-RING	1				
12	6E5-43872-00	RING, BACK UP	1				
13	6E5-43814-02	PISTON, FREE	1				
14	6E5-43862-00	O-RING	1				
15	64E-43820-00	TRIM PISTON SUB ASSY	2				
16	64E-43821-00	.SCREW, TRIM CYLINDER END	1				
17	64E-43822-00	.SEAL, TRIM DUST	1				
18	64E-4384J-00	.SEAL, TRIM DOWN	1				
19	6G5-43864-00	.O-RING	1				
20	6E5-43864-00	O-RING	2				
21	6E5-43874-01	RING, BACK UP	2				
22	64E-43828-00	BODY, RESERVOIR	1				
23	64E-43829-00	PLUG, RESERVOIR	1				
24	64E-43897-00	O-RING	1				
25	64E-4388E-00	BOLT ,SCREW (L:14MM)	3				
26	64E-43869-00	O-RING	6				
27	64E-4381G-00	PIN	1				

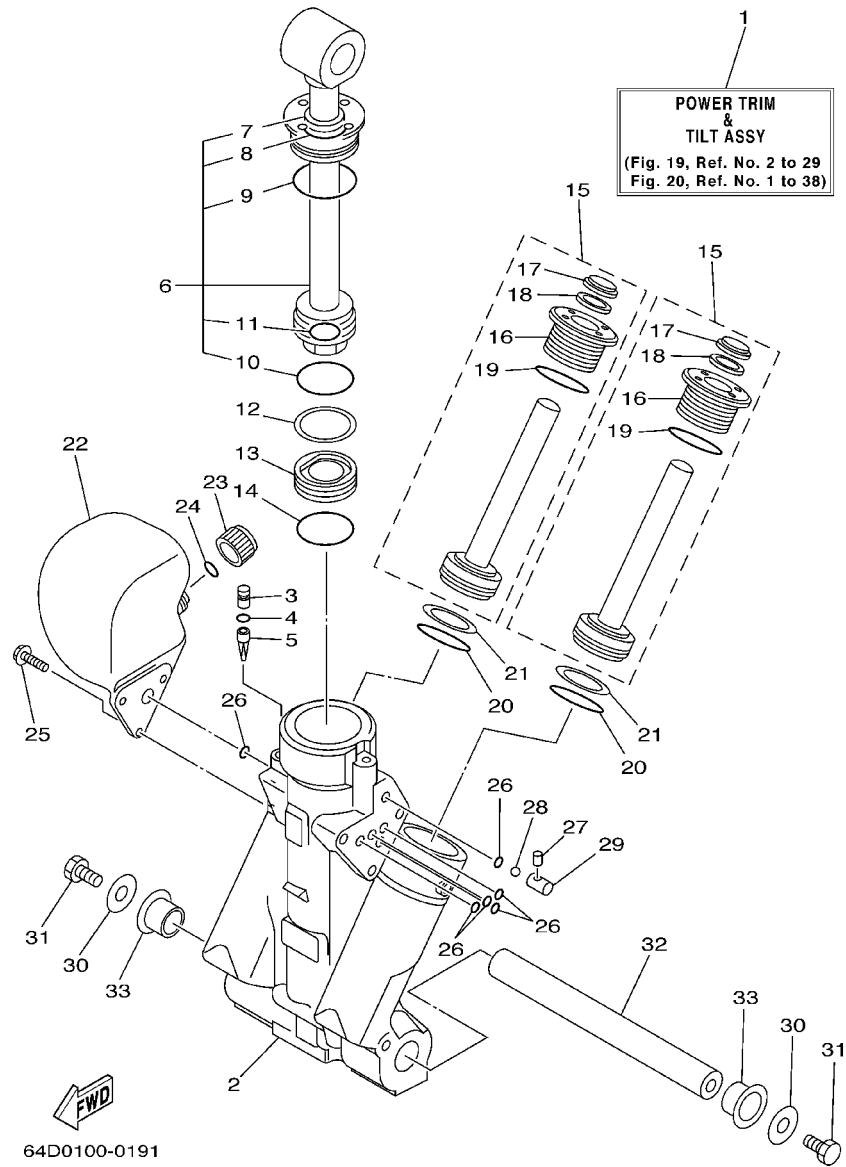
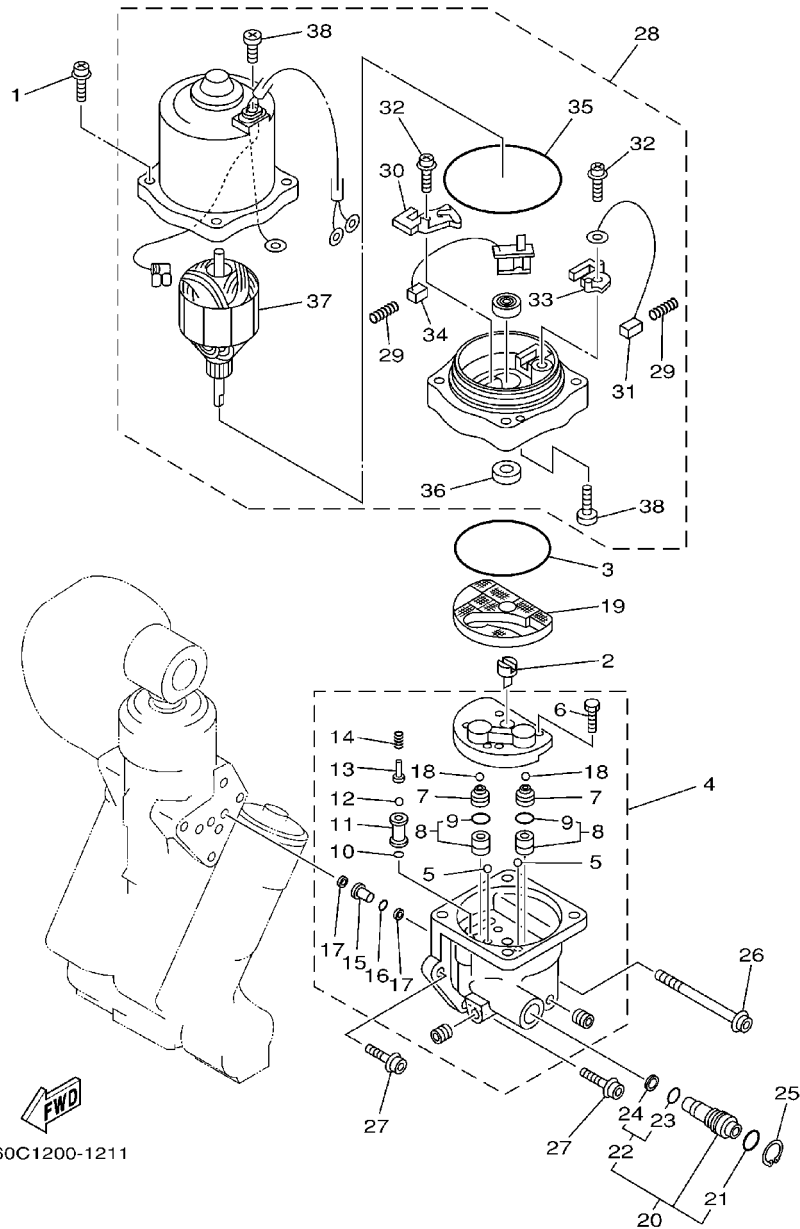


FIG. 19 POWER TRIM & TILT ASSY 1

REF. NO.	PART NO.	DESCRIPTION	200G					REMARKS
28	6E5-43858-00	BALL	1					
29	64E-4382G-00	VALVE, SEAT	1					
30	90201-08M14	WASHER, PLATE	2					
31	97080-08016	BOLT	2					
32	64E-43818-01	PIN, LOWER SHOCK MOUNT	1					
33	90386-22M98	BUSH	2					
<hr/>								
<hr/>								
<hr/>								
<hr/>								
<hr/>								
<hr/>								
<hr/>								
<hr/>								
<hr/>								
<hr/>								
<hr/>								

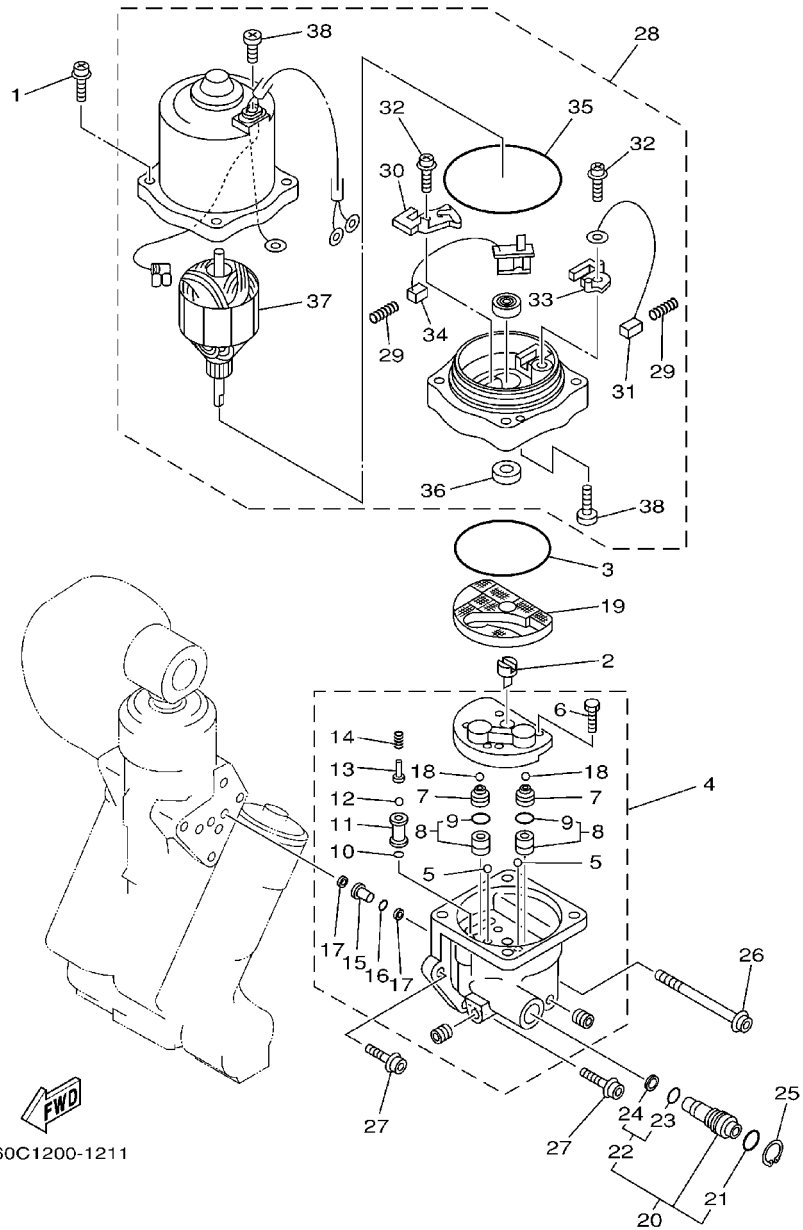
FIG. 20 POWER TRIM & TILT ASSY 2



60C1200-1211

REF. NO.	PART NO.	DESCRIPTION	200G				REMARKS
1	64E-4388E-10	BOLT ,SCREW (L:34.7MM)	4				
2	64E-43831-00	CONNECTOR, SHAFT	1				
3	64E-43868-00	O-RING	1				
4	64E-43830-00	GEAR PUMP ASSY	1				
5	72X-43858-00	.BALL	2				
6	64E-43843-00	.SCREW, VALVE LOCK	4				
7	64E-43841-00	.PISTON, SHUTTLE	2				
8	64E-43802-00	.VALVE SUB ASSY	2				
9	6E5-43896-00	..O-RING	1				
10	6G5-43863-00	.O-RING	1				
11	64E-43851-00	.SEAT, RELIEF VALVE	1				
12	64E-43858-00	.BALL	1				
13	64E-43859-00	.PIN, VALVE SUPPORT	1				
14	64E-43855-00	.SPRING, UP RELIEF	1				
15	64E-43850-00	.VALVE SUB ASSY	1				
16	64E-43865-00	.O-RING	1				
17	64E-43816-00	.FILTER 1	2				
18	64E-43858-00	.BALL	2				
19	64E-43817-10	FILTER 2	1				
20	64E-43860-00	MANUAL VALVE SUB-ASSY	1				
21	72X-85075-L0	.O-RING	1				
22	64E-43827-00	.RING SET	1				
23	64E-4387A-00	..O-RING	1				
24	64E-43873-00	..RING, BACK UP	1				
25	64E-43875-00	RING, SNAP	1				
26	64E-43879-10	SCREW, WITH WASHER	1				
27	64E-43879-00	SCREW, WITH WASHER	2				

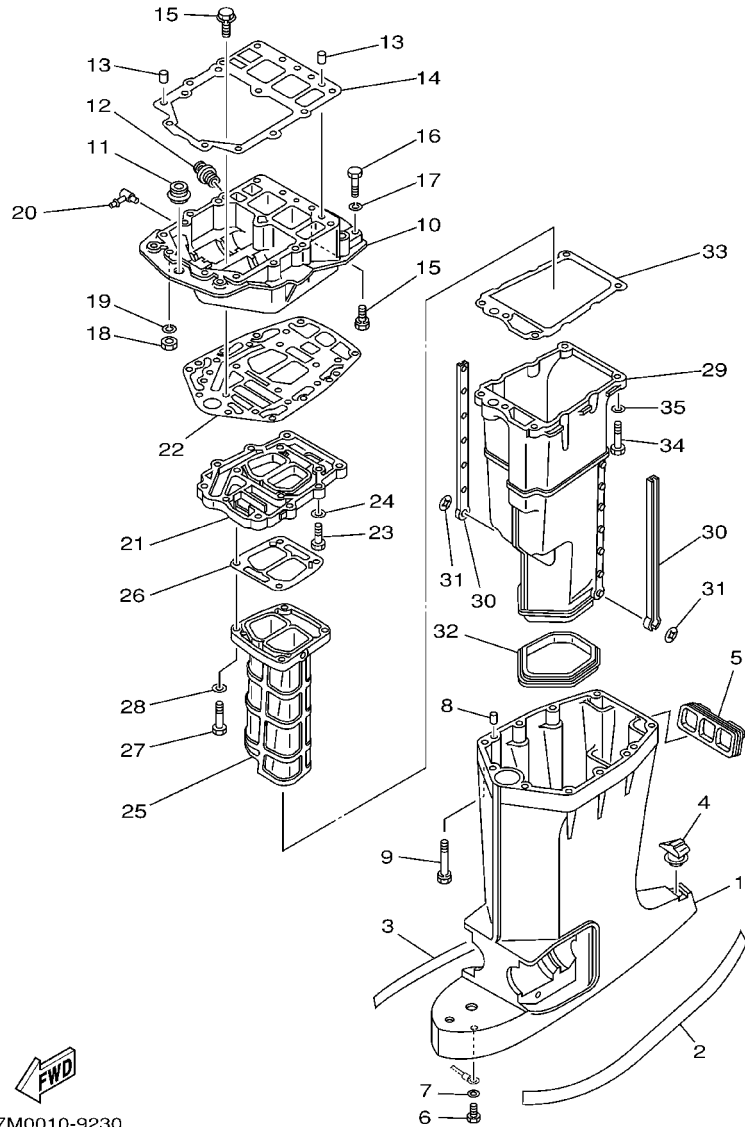
FIG. 20 POWER TRIM & TILT ASSY 2



60C1200-1211

REF. NO.	PART NO.	DESCRIPTION	200G				REMARKS
28	64E-43880-01	MOTOR ASSY	1				
29	6H1-4386K-10	.SPRING, BRUSH	2				
30	64E-4380J-00	.HOLDER, BRUSH	1				
31	64E-43891-00	.BRUSH 1	1				
32	97607-04310	.SCREW, WITH WASHER	2				
33	64E-4380F-00	.HOLDER, BRUSH 2	1				
34	64E-43892-00	.BRUSH 2	1				
35	6G5-43865-00	.O-RING	1				
36	93102-08M43	.OIL SEAL	1				
37	64E-43805-00	.ARMATURE ASSY	1				
38	64E-43843-10	.SCREW, VALVE LOCK	3				

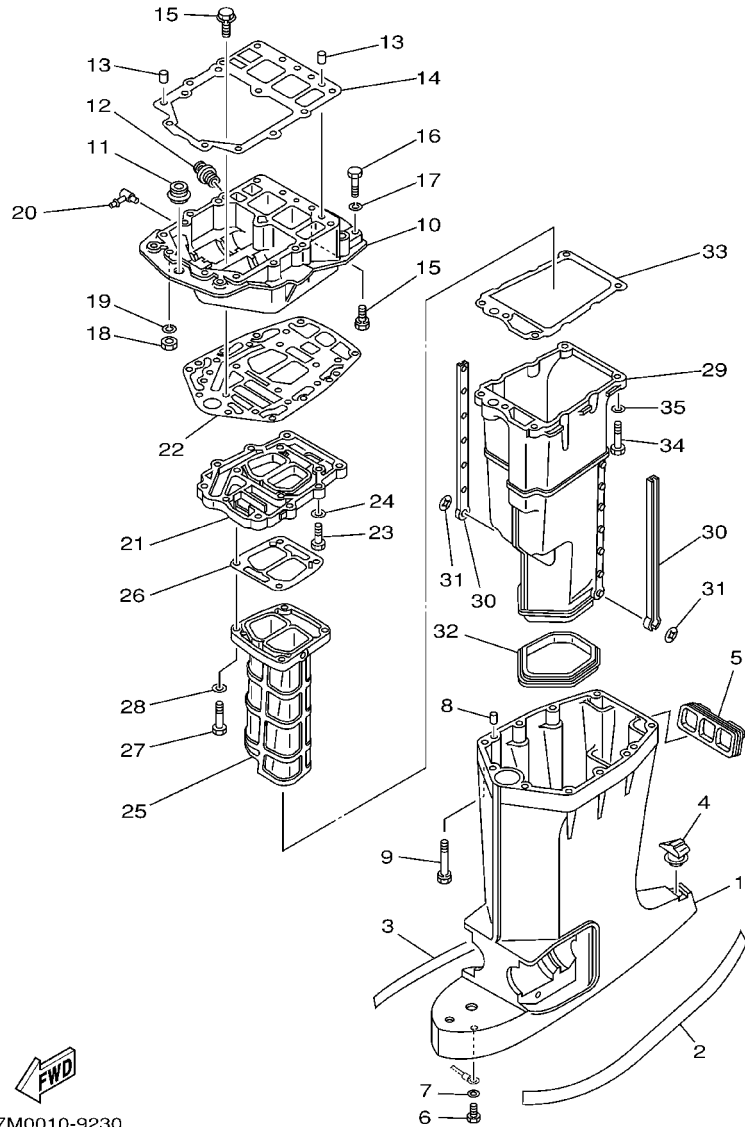
FIG. 21 UPPER CASING



67M0010-9230

REF. NO.	PART NO.	DESCRIPTION	200G				REMARKS
1	6E5-45111-02-8D	CASING, UPPER	1				L
2	6N9-42791-40	MARK 1	1				
3	6N9-42792-40	MARK	1				
4	6E5-45155-00	CAP	1				
5	6E5-42769-00	SEAL, RUBBER	1				
6	97095-06010	BOLT	1				
7	92995-06600	WASHER	1				
8	93608-12M05	PIN, DOWEL	2				
9	90119-08027	BOLT, WITH WASHER	6				
10	6G5-41137-11-94	GUIDE, EXHAUST	1				FLUSHING KIT
11	6E5-42724-00	GROMMET	1				
12	6G5-12581-00	JOINT, HOSE 1	1				
13	93608-12M05	PIN, DOWEL	2				
14	6G5-45113-A1	GASKET, UPPER CASING	1				
15	90119-08M79	BOLT, WITH WASHER	6				
16	97095-08045	BOLT	2				
17	92995-08100	WASHER	2				
18	95380-08700	NUT	2				
19	92995-08100	WASHER	2				
20	6H1-11372-00	NIPPLE, HOSE	1				FLUSHING KIT
21	6G5-41131-01-5B	MANIFOLD, EXT. 1	1				
22	6G5-45114-A1	GASKET, UPPER CASING	1				
23	97095-08030	BOLT	4				
24	92995-08600	WASHER	4				
25	64D-41132-00-5B	MANIFOLD, EXHAUST	1				
26	6G5-41134-A1	GASKET, EXHAUST MANIFOLD	1				
27	97095-08045	BOLT	4				

FIG. 21 UPPER CASING



REF. NO.	PART NO.	DESCRIPTION	200G				REMARKS
28	92995-08600	WASHER	4				
29	6E5-14711-01-5B	MUFFLER 1	1				
30	6E5-14737-00	DAMPER, MUFFLER	2				
31	90183-05M02	NUT, SPRING	2				
32	6E5-45123-00	GASKET, MUFFLER	1				
33	6E5-41135-A0	GASKET, EXHAUST MANIFOLD	1				
34	97095-08045	BOLT	5				
35	92995-08600	WASHER	5				

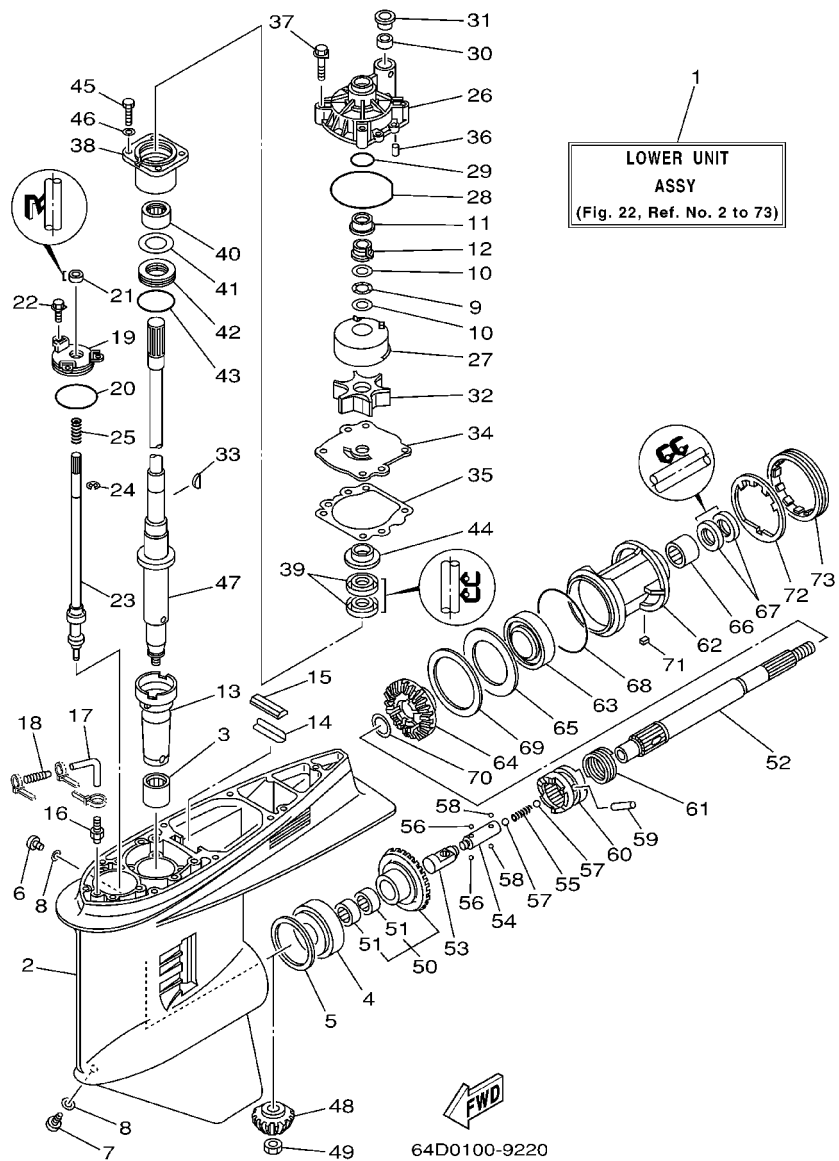


FIG. 22 LOWER CASING. DRIVE 1

REF. NO.	PART NO.	DESCRIPTION	200G				REMARKS
1	64M-45300-02-NA	LOWER UNIT ASSY	1				L
2	6J9-45301-05-NA	CASING, LOWER	1				
3	93311-928U5	BEARING	1				
4	93332-000V3	BEARING	1				
5	6G5-45567-01-10	SHIM (T:0.10MM)	1				UR
6	6G5-45567-01-12	SHIM (T:0.12MM)	1				UR
7	6G5-45567-01-15	SHIM (T:0.15MM)	1				UR
8	6G5-45567-01-18	SHIM (T:0.18MM)	1				UR
9	6G5-45567-01-30	SHIM (T:0.30MM)	1				UR
10	6G5-45567-01-40	SHIM (T:0.40MM)	1				UR
11	6G5-45567-01-50	SHIM (T:0.50MM)	1				UR
12	90340-08002	PLUG, STRAIGHT SCREW	1				
13	688-45341-10	PLUG, DRAIN	1				
14	90430-08020	GASKET	2				
15	90206-22M19	WASHER, WAVE	1				
16	90201-22M01	WASHER, PLATE	2				
17	61A-45527-00	COLLAR, DRIVE SHAFT	1				
18	61A-45538-00	SPACER 1	1				
19	6G5-45536-01	SLEEVE, DRIVE SHAFT	1				
20	663-45376-00-94	GUIDE, SEAL DAMPER	1				L
21	688-45375-00	DAMPER, SEAL	1				
22	6E5-45378-00	NIPPLE, HOSE	1				
23	90445-07ME8	HOSE (L80)	1				L
24	6E5-83558-10	END, NIPPLE	1				
25	6E5-45321-00	PLATE	1				
26	93210-58144	O-RING	1				
27	93106-09014	OIL SEAL	1				

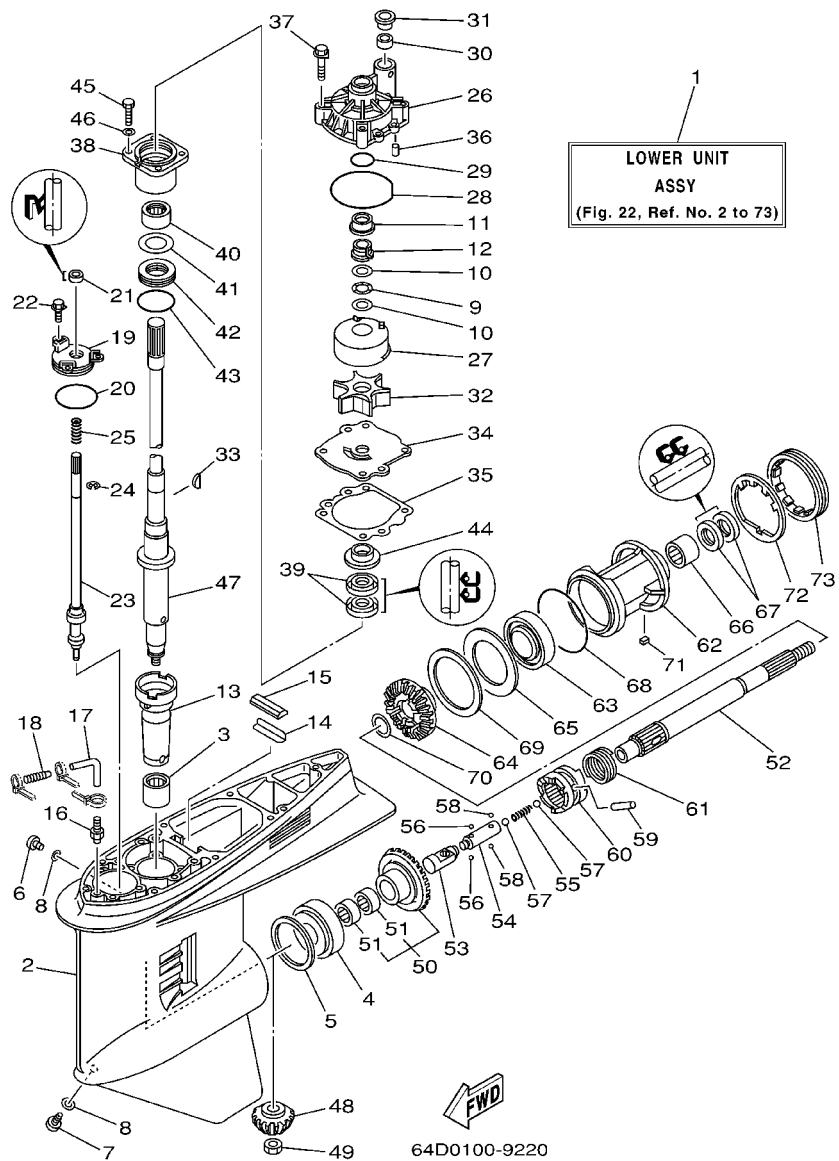
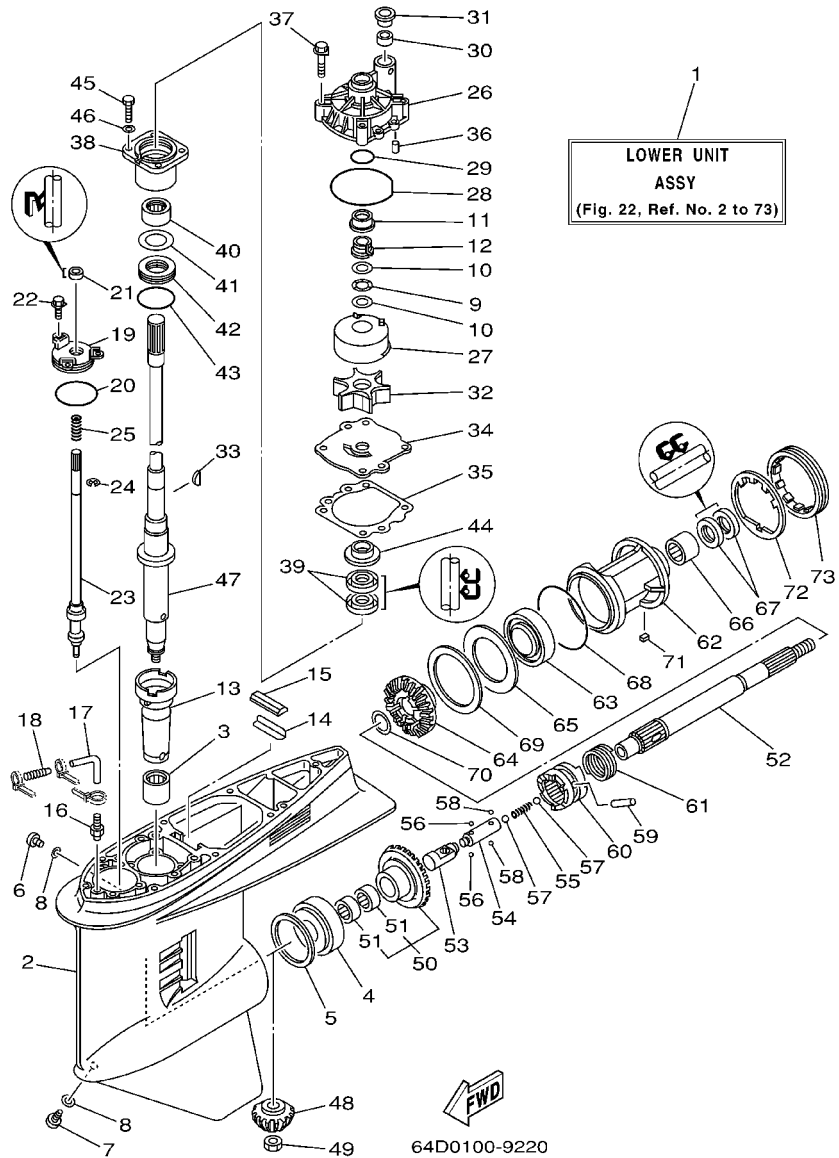


FIG. 22 LOWER CASING. DRIVE 1

REF. NO.	PART NO.	DESCRIPTION	200G				REMARKS
22	90119-06M10	BOLT, WITH WASHER	3				
23	6G5-44150-02	SHIFT CAM ASSY	1				
24	99001-08600	CIRCLIP	1				
25	90501-11M10	SPRING, COMPRESSION	1				
26	61A-44311-01	HOUSING, WATER PUMP	1				
27	61A-44322-02	INSERT, CARTRIDGE	1				
28	93210-86M38	O-RING	1				
29	93210-37160	O-RING	1				
30	6E5-44365-00	DAMPER, WATER SEAL	1				
31	6E5-44312-00	COVER, WATER PUMP HOUSING	1				
32	6E5-44352-01	IMPELLER	1				
33	90280-04M05	KEY, WOODRUFF	1				
34	6G5-44323-00	OUTER PLATE, CARTRIDGE	1				
35	6E5-44315-A0	GASKET, WATER PUMP	1				
36	93606-12019	PIN, DOWEL	2				
37	90119-08M14	BOLT, WITH WASHER	4				
38	6E5-45331-00-94	HOUSING, BEARING	1				
39	93101-28M16	OIL SEAL	2				
40	93317-330U2	BEARING	1				
41	6E5-45587-01-10	SHIM (T:0.10MM)	1				UR
	6E5-45587-01-12	SHIM (T:0.12MM)	1				UR
	6E5-45587-01-15	SHIM (T:0.15MM)	1				UR
	6E5-45587-01-18	SHIM (T:0.18MM)	1				UR
	6E5-45587-01-30	SHIM (T:0.30MM)	1				UR
	6E5-45587-01-40	SHIM (T:0.40MM)	1				UR
	6E5-45587-01-50	SHIM (T:0.50MM)	1				UR
42	93341-930V2	BEARING	1				

FIG. 22 LOWER CASING. DRIVE 1



REF. NO.	PART NO.	DESCRIPTION	200G				REMARKS
43	93210-55M14	O-RING	1				
44	6E5-45344-00	COVER, OIL SEAL	1				
45	97095-08025	BOLT	4				
46	92995-08600	WASHER	4				
47	6G5-45501-01	DRIVE SHAFT COMP.	1				L
48	61H-45551-00	PINION	1				
49	90170-16M01	NUT	1				
50	61H-45560-00	GEAR	1				
51	93315-425V3	.BEARING	2				
52	6J9-45611-01	SHAFT, PROPELLER	1				
53	6E5-45641-02	SHIFTER	1				
54	6E5-45634-01	SLIDE, SHIFT	1				
55	90501-16M37	SPRING, COMPRESSION	1				
56	93507-32009	BALL	2				
57	93511-32017	BALL	2				
58	93503-16003	BALL	2				
59	90250-08M07	PIN, STRAIGHT	1				
60	6G5-45631-10	CLUTCH, DOG	1				
61	6E5-45633-01	RING, CROSS PIN	1				
62	6J9-45332-00-94	HOUSING, BEARING	1				
63	93306-209U0	BEARING	1				
64	61H-45571-01	GEAR	1				
65	6G5-45576-10	WASHER, THRUST	1				
66	93315-430U8	BEARING	1				
67	93101-30M17	OIL SEAL	2				
68	93210-97M55	O-RING	1				
69	6G5-45577-02-10	SHIM (T:0.10MM)	1				UR

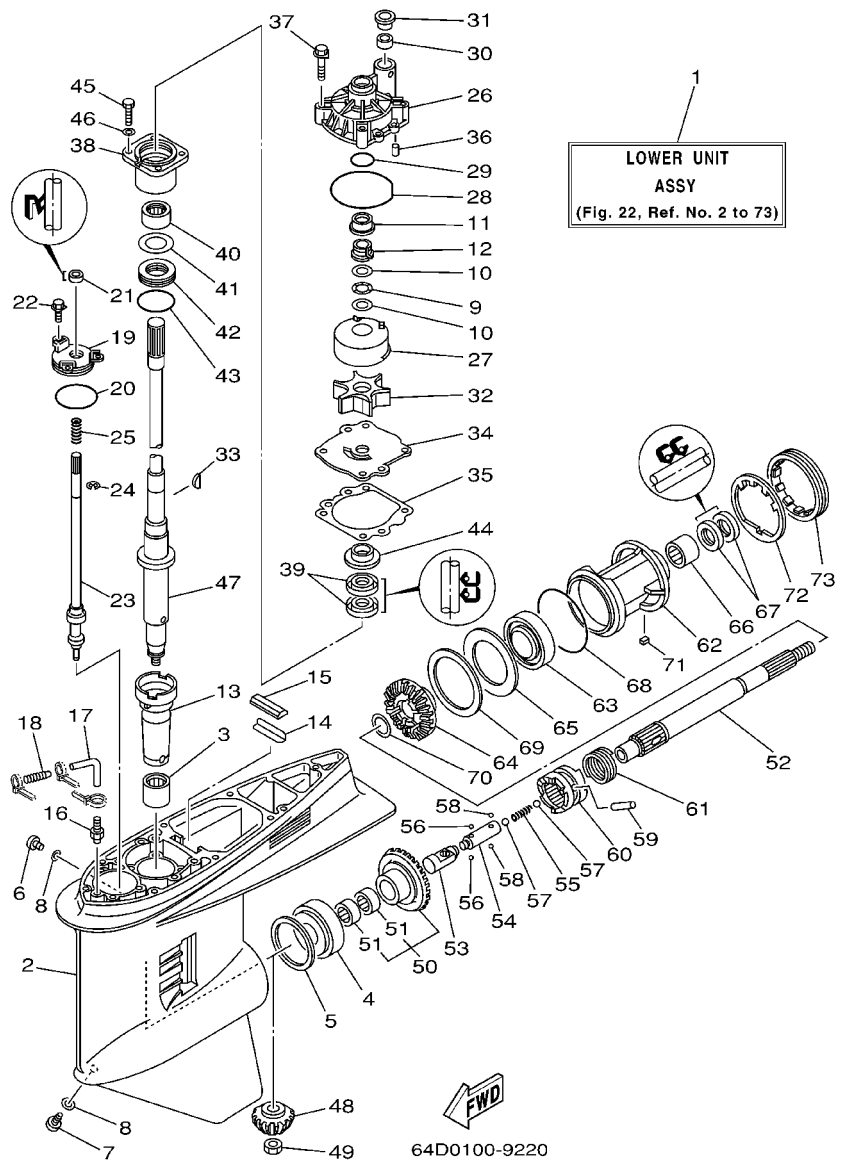
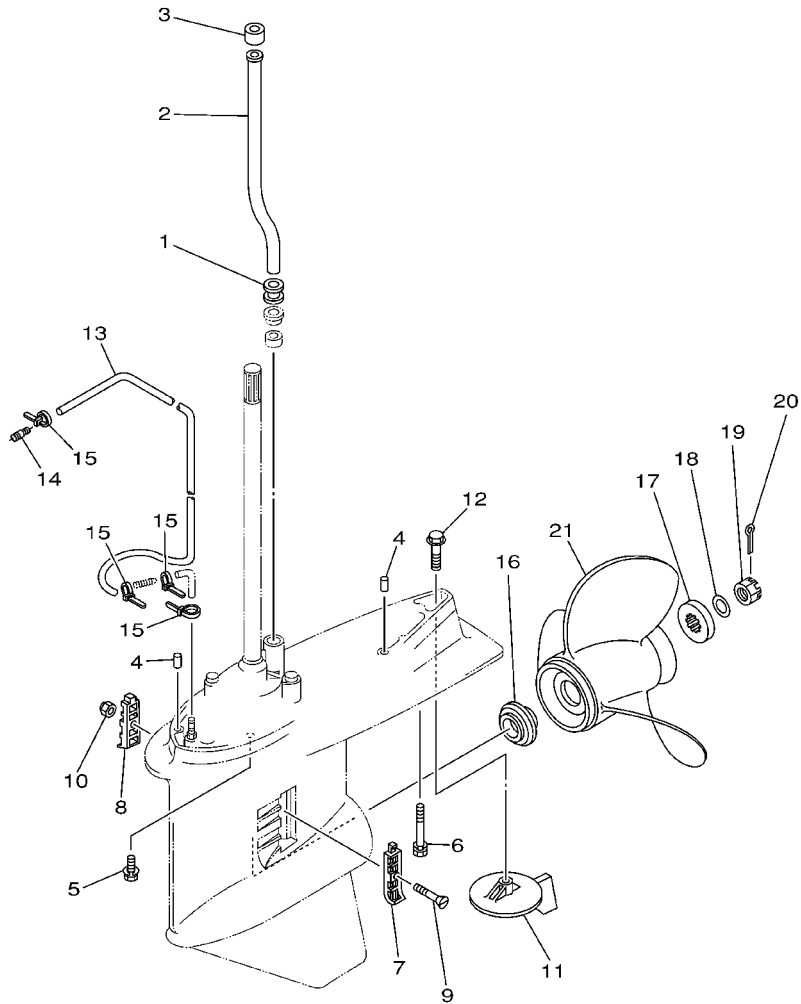


FIG. 22 LOWER CASING. DRIVE 1

REF. NO.	PART NO.	DESCRIPTION	200G				REMARKS
69	6G5-45577-02-12	SHIM (T:0.12MM)	1				UR
	6G5-45577-02-15	SHIM (T:0.15MM)	1				UR
	6G5-45577-02-18	SHIM (T:0.18MM)	1				UR
	6G5-45577-02-30	SHIM (T:0.30MM)	1				UR
	6G5-45577-02-40	SHIM (T:0.40MM)	1				UR
	6G5-45577-02-50	SHIM (T:0.50MM)	1				UR
70	90201-30M92	WASHER, PLATE	1				
71	90282-04M00	KEY, STRAIGHT	1				
72	6G5-45383-01	WASHER, CLAW	1				
73	6G5-45384-00	NUT	1				

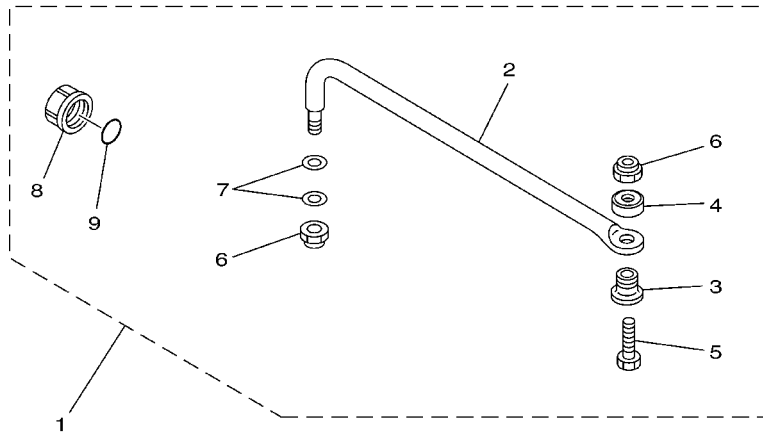
FIG. 23 LOWER CASING. DRIVE 2



67M0010-9250

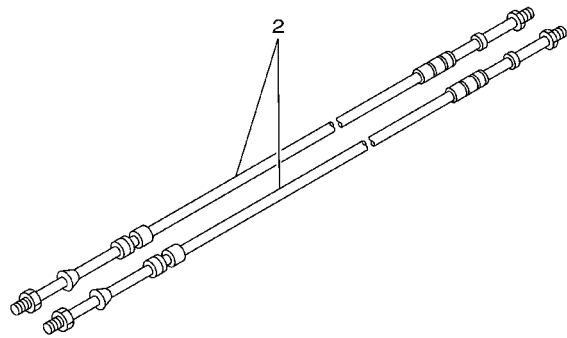
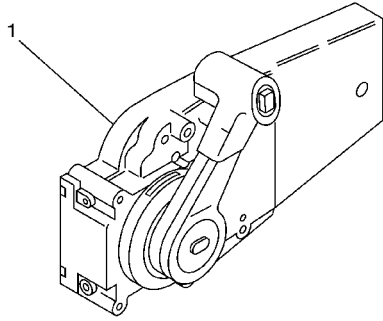
REF. NO.	PART NO.	DESCRIPTION	200G				REMARKS
1	6E5-44366-00	DAMPER, WATER SEAL	1				
2	6E5-44361-00	TUBE, WATER	1				L
3	6E5-44365-00	DAMPER, WATER SEAL	1				
4	93608-12M05	PIN, DOWEL	2				
5	90101-10M70	BOLT	6				
6	90119-10M89	BOLT, WITH WASHER	1				
7	6J9-45214-00	COVER, WATER INLET	1				
8	6J9-45215-00	COVER, WATER INLET	1				
9	90152-05M08	SCREW, COUNTERSUNK	1				
10	90185-05002	NUT, SELF-LOCKING	1				
11	6J9-45371-01	TAB-TRIM	1				
12	90105-10M00	BOLT, FLANGE	1				
13	90445-07M33	HOSE (L1080)	1				
14	6E5-83558-00	END, NIPPLE	1				
15	90465-11M10	CLAMP	4				
16	6E5-45987-01	SPACER	1				
17	688-45997-01	SPACER	1				
18	92990-18200	WASHER	1				
19	90171-18M04	NUT, CASTLE	1				
20	91490-40030	PIN, COTTER	1				
21	6J9-45970-10	PROPELLER (3X14-1/2"X25"-M)	1				UR
	6J9-45972-10	PROPELLER (3X14-1/2"X23"-M)	1				UR
	6J9-45974-10	PROPELLER (3X14-1/2"X27"-M)	1				UR
	6J9-45976-10	PROPELLER (3X14-1/2"X21"-M)	1				UR

FIG. 24 STEERING GUIDE



67H0100-9290

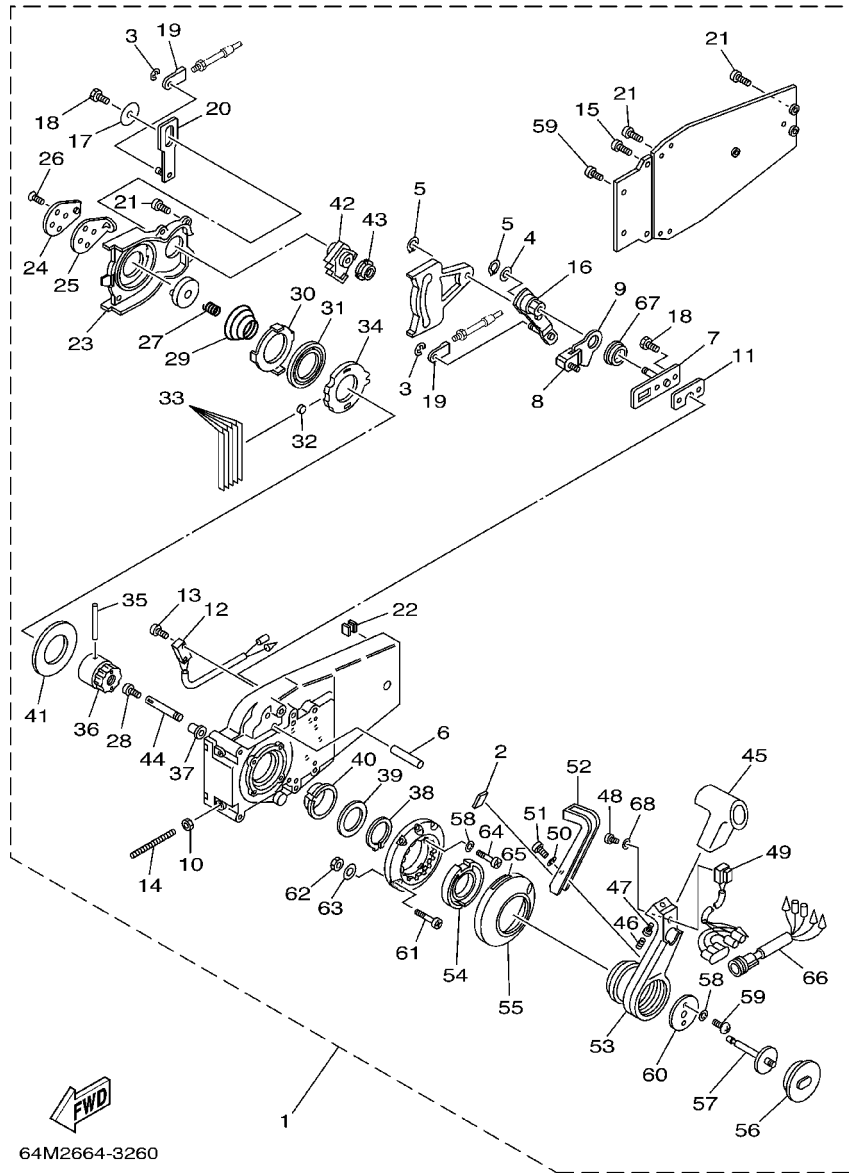
REF. NO.	PART NO.	DESCRIPTION	200G				REMARKS
1	6E5-61350-02	STEERING GUIDE ATTACHMENT KIT	1				AP
2	6E5-61351-01	.ROD, STEERING LINK	1				
3	90387-10M61	.COLLAR	1				
4	90560-12M01	.SPACER	1				
5	6E5-61355-00	.BOLT	1				
6	90185-09M01	.NUT, SELF-LOCKING	2				
7	90201-10M20	.WASHER, PLATE	2				
8	6E5-43145-01	.CAP, CLAMP BRACKET	1				
9	93210-16275	.O-RING	1				



64M0664-9240

FIG. 25 REMOTE CONTROL BOX

REF. NO.	PART NO.	DESCRIPTION	200G				REMARKS
1	6X0-48205-12	REMOTE CONTROL ASSY	1				AP WITH PT/T SW.
2	701-48320-50	CABLE, REMOTE CONTROL L=15F	2				UR
	701-48320-60	CABLE, REMOTE CONTROL L=16F	2				UR
	701-48320-80	CABLE, REMOTE CONTROL L=17F	2				UR
	701-48350-00	CABLE, REMOTE CONTROL L=21F	2				UR
	701-48350-20	CABLE, REMOTE CONTROL L=23F	2				UR
<hr/>							
<hr/>							
<hr/>							
<hr/>							
<hr/>							
<hr/>							
<hr/>							
<hr/>							
<hr/>							
<hr/>							



64M2664-3260

FIG. 26 REMOTE CONTROL ASSY

REF. NO.	PART NO.	DESCRIPTION	200G				REMARKS
1	6X0-48205-12	REMOTE CONTROL ASSY	1				AP WITH PT/T SW.
2	6X0-48138-00	.CAP, LOCK ARM	1				
3	93430-06024	.CIRCLIP	3				
4	92990-10600	.WASHER, PLATE	1				
5	EL8-48259-00	.CIRCLIP 1	2				
6	6X0-48265-00	.SHAFT, FRICTION	1				
7	6X0-48262-00	.SHAFT, THROTTLE	1				
8	6X0-48264-00	.THROTTLE, FRICTION	1				
9	6X0-48187-00	.PLATE, ADJUST	1				
10	95380-06600	.NUT, HEXAGON	1				
11	704-48266-00	.SPACER	1				
12	704-82540-00	.NEUTRAL SWITCH ASSY	1				
13	98580-03015	.SCREW, PAN HEAD	2				
14	EL8-48281-00	.SCREW	1				
15	97890-05025	.SCREW, PAN HEAD	2				
16	6X0-48261-00	.ARM, THROTTLE	1				
17	EL8-48191-00	.WASHER 1	1				
18	97380-06018	.BOLT	3				
19	703-48345-01	.CABLE END, REMOTE CONTROL 2	2				
20	EL8-48271-00	.ARM, SHIFT	1				
21	EL8-48127-00	.SCREW 1	9				
22	703-48358-00	.ANCHOR, CABLE	1				
23	EL8-48231-00	.HOUSING, GEAR	1				
24	6X0-48241-00	.ARM, DRIVE	1				
25	EL8-48254-00	.STOPPER, THROTTLE ADJUSTING	1				
26	92780-06020	.SCREW, FLAT HEAD	2				
27	EL8-48158-00	.SPRING 1	1				

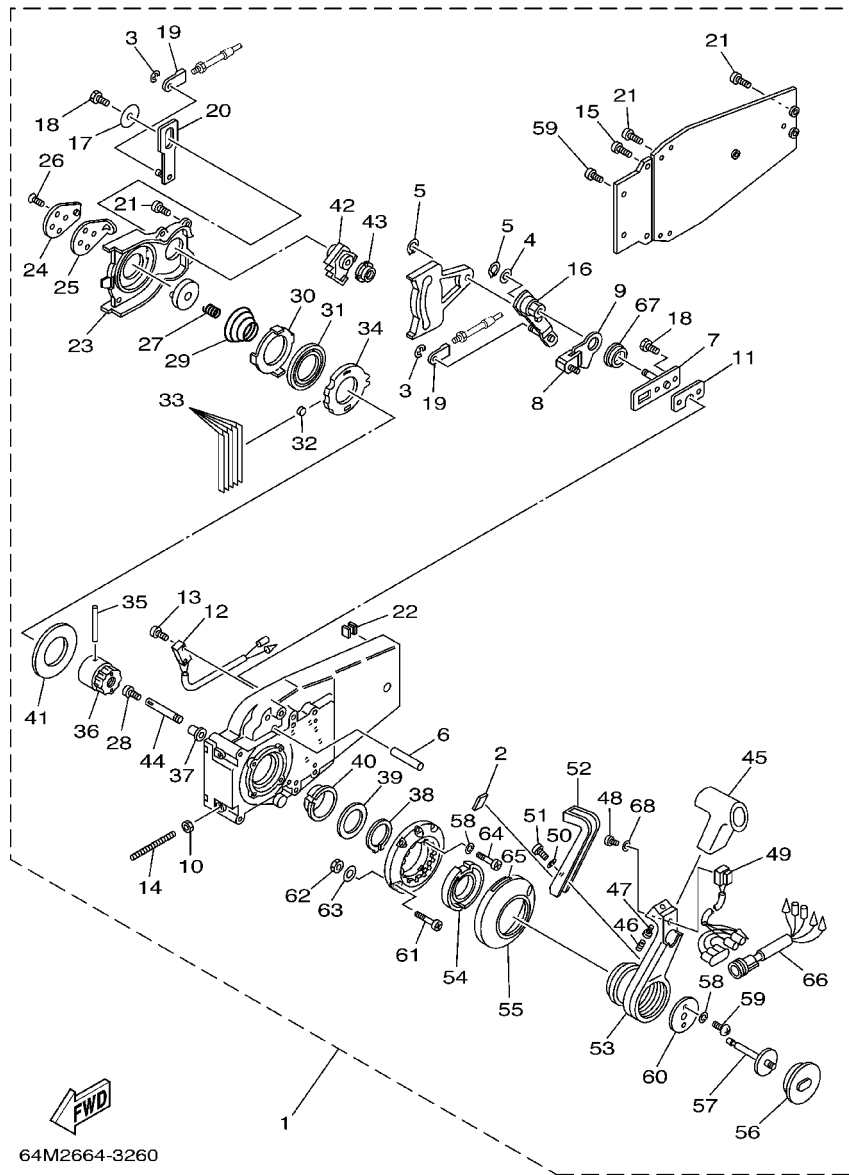


FIG. 26 REMOTE CONTROL ASSY

REF. NO.	PART NO.	DESCRIPTION	200G				REMARKS
28	98580-04006	.SCREW, PAN HEAD	1				
29	EL8-48244-00	.SPRING, FREE ACCEL.	1				
30	EL8-48245-00	.PLATE, LOCK	1				
31	704-48178-00	.PLATE, SHIFT	1				
32	701-48248-00	.ROLLER, FREE ACCEL.	1				
33	704-48238-00	.SPRING, DETENT	5				
34	6X0-48121-00	.GEAR 1	1				
35	EL8-48164-00	.PIN 2	1				
36	EL8-48242-10	.SHAFT, DRIVE	1				
37	702-48263-00	.BUSHING	1				
38	EL8-48279-00	.CIRCLIP 2	1				
39	704-48193-00	.WASHER 3	1				
40	EL8-48234-00	.BUSHING 1	1				
41	703-48192-00	.WASHER 2	1				
42	EL8-48233-00	.GEAR 2	1				
43	702-48235-00	.BUSHING	1				
44	6X0-48153-00	.SHAFT, FREE ACCEL.	1				
45	6X0-48222-00	.GRIP, CONTROL LEVER	1				
46	703-48227-00	.SPRING, NEUTRAL LOCK	1				
47	98580-05008	.SCREW, PAN HEAD	1				
48	98580-04010	.SCREW, PAN HEAD	1				
49	6X0-82563-01	.TRIM & TILT SWITCH ASSY	1				
50	6X0-48288-00	.WASHER, PLAIN	1				
51	6X0-48127-00	.SCREW 1	1				
52	6X0-48223-00	.LOCK, NEUTRAL	1				
53	6X0-48221-00	.LEVÉR, CONTROL	1				
54	6X0-48245-00	.PLATE, LOCK	1				

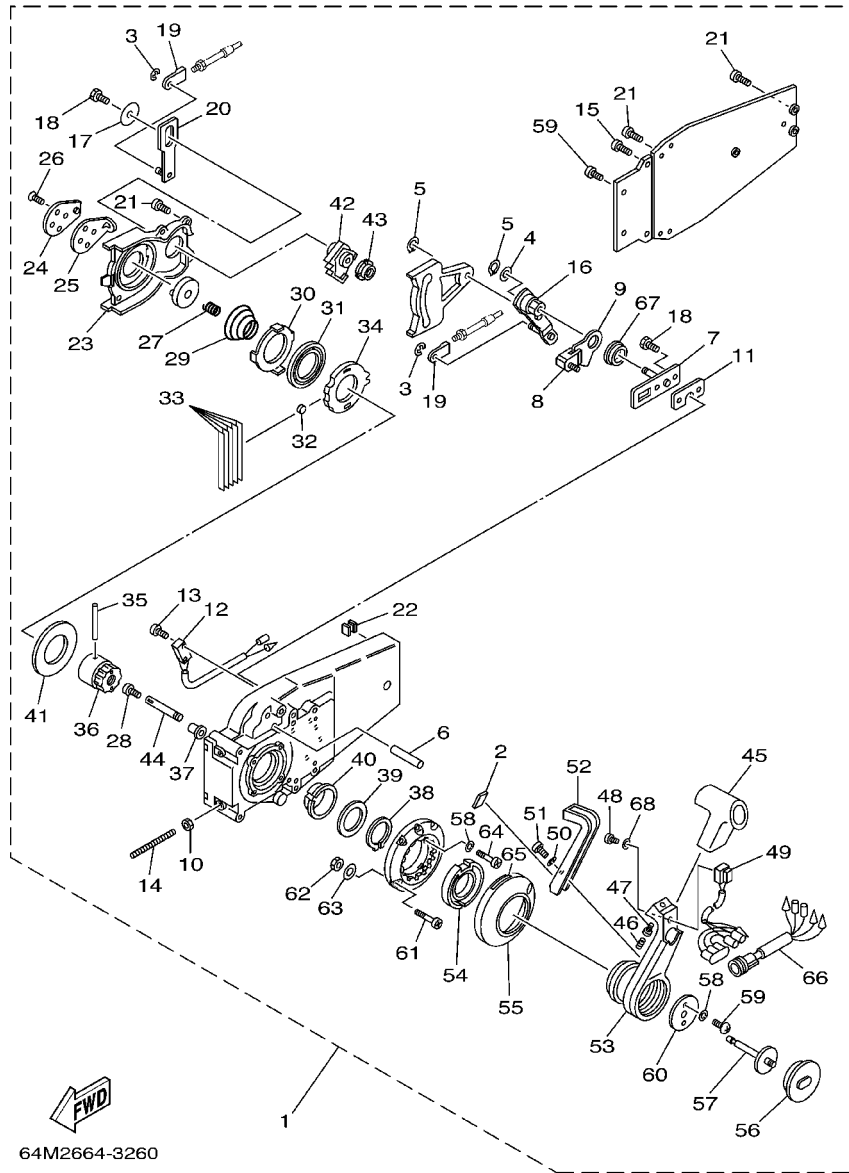


FIG. 26 REMOTE CONTROL ASSY

REF. NO.	PART NO.	DESCRIPTION	200G				REMARKS
55	6X0-48225-00	.COVER	1				
56	704-48225-00	.COVER	1				
57	6X0-48155-00	.PLUNGER	1				
58	92990-05300	.WASHER, INTERNAL TOOTH	6				
59	6X0-48281-00	.SCREW	4				
60	6X0-48193-00	.WASHER 3	1				
61	6X0-48128-00	.SCREW(M6X30)	3				
62	6X0-48156-00	.NUT 1	3				
63	701-48287-00	.WASHER	3				
64	6X0-48129-00	.SCREW 3	4				
65	6E0-44191-11	.INDICATOR, SHIFT	1				
66	704-82541-10	.WIRE, LEAD	1				
67	6X0-48116-00	.BUSHING	1				
68	92990-04300	.WASHER, PLAIN	1				

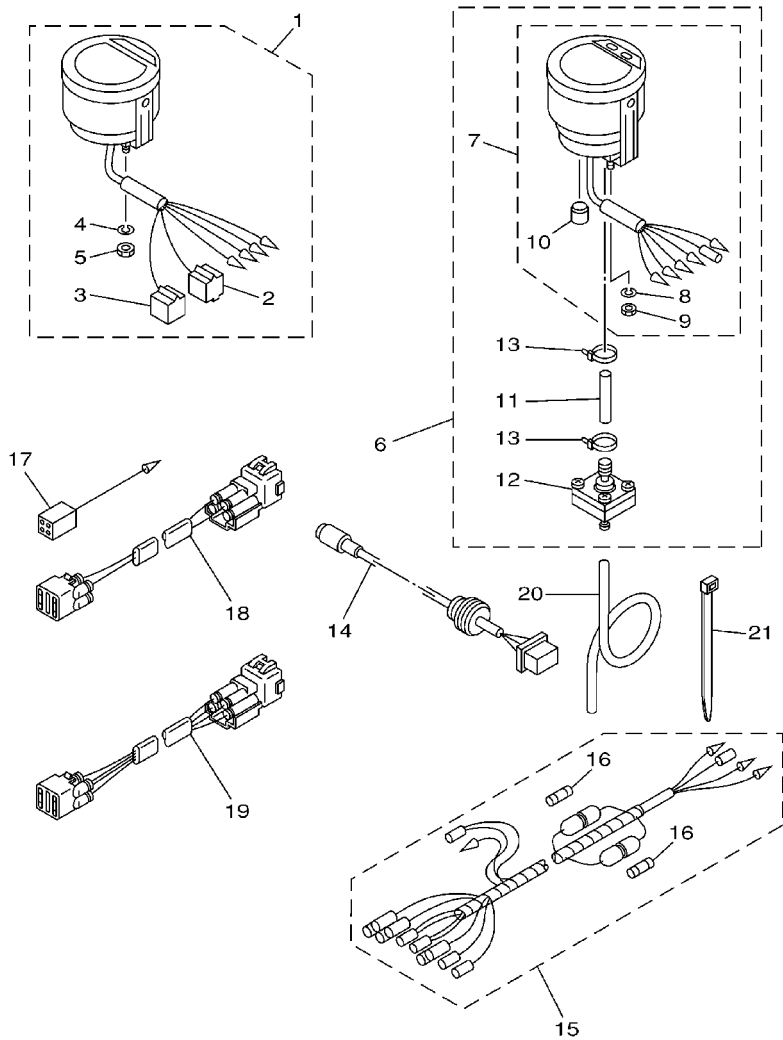
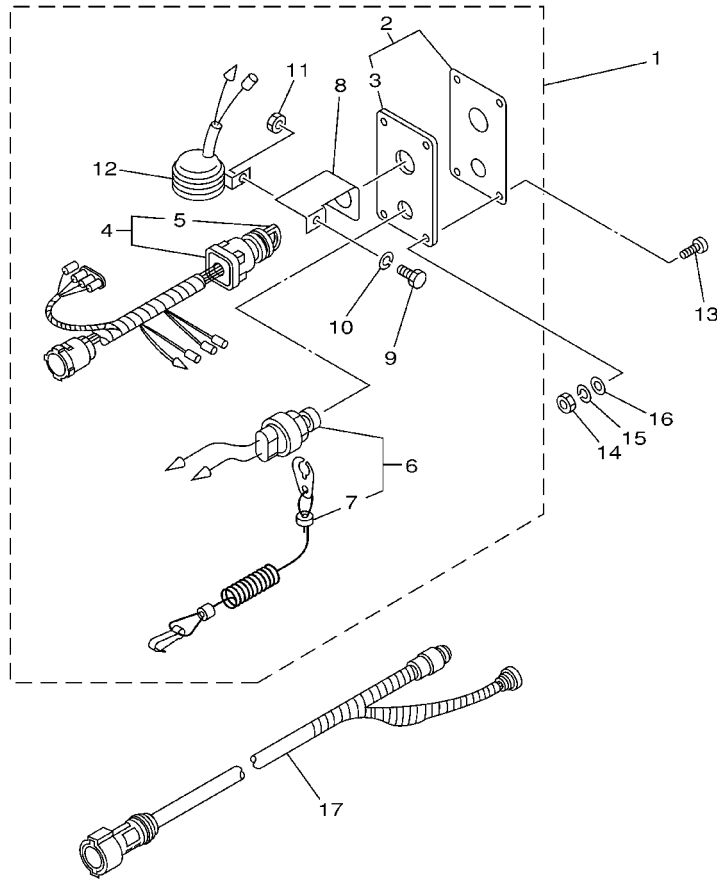


FIG. 27 METER

REF. NO.	PART NO.	DESCRIPTION	200G				REMARKS
1	6Y5-8350T-02	TACHOMETER ASSY	1				AP
2	9E450-04433	.CONNECTOR	1				M-4-W
3	9E450-04533	.CONNECTOR	1				F-4-W
4	92990-04100	.WASHER, SPRING	2				
5	95380-04600	.NUT	2				
6	6Y5-83500-S5	DIGITAL SPEEDOMETER ASSY	1				AP
7	6Y5-83570-S5	.SPEEDOMETER ASSY	1				
8	92990-04100	..WASHER, SPRING	2				
9	95380-04600	..NUT	2				
10	6Y5-83533-T2	..GROMMET	1				
11	6Y5-83557-31	.TUBE	1				
12	6Y5-83728-00	.CONNECTOR ASSY	1				
13	90465-11M10	.CLAMP	2				
14	6Y5-87122-S0	CORD ASSY 1	1				AP
15	6Y5-83553-M0	WIRE, LEAD	1				AP
16	1E6-82151-00	.FUSE (10A)	2				
17	6Y5-82117-00	WIRE, LEAD (BLACK)	1				AP
18	6R3-82521-70	WIRE, LEAD	1				AP 7M
19	6R3-82553-70	EXTENSION, WIRE LEAD	1				AP 4P,7M
20	6Y5-83557-00	TUBE (6M)	1				AP
21	90465-11M10	CLAMP	2				AP

65N0300-1250

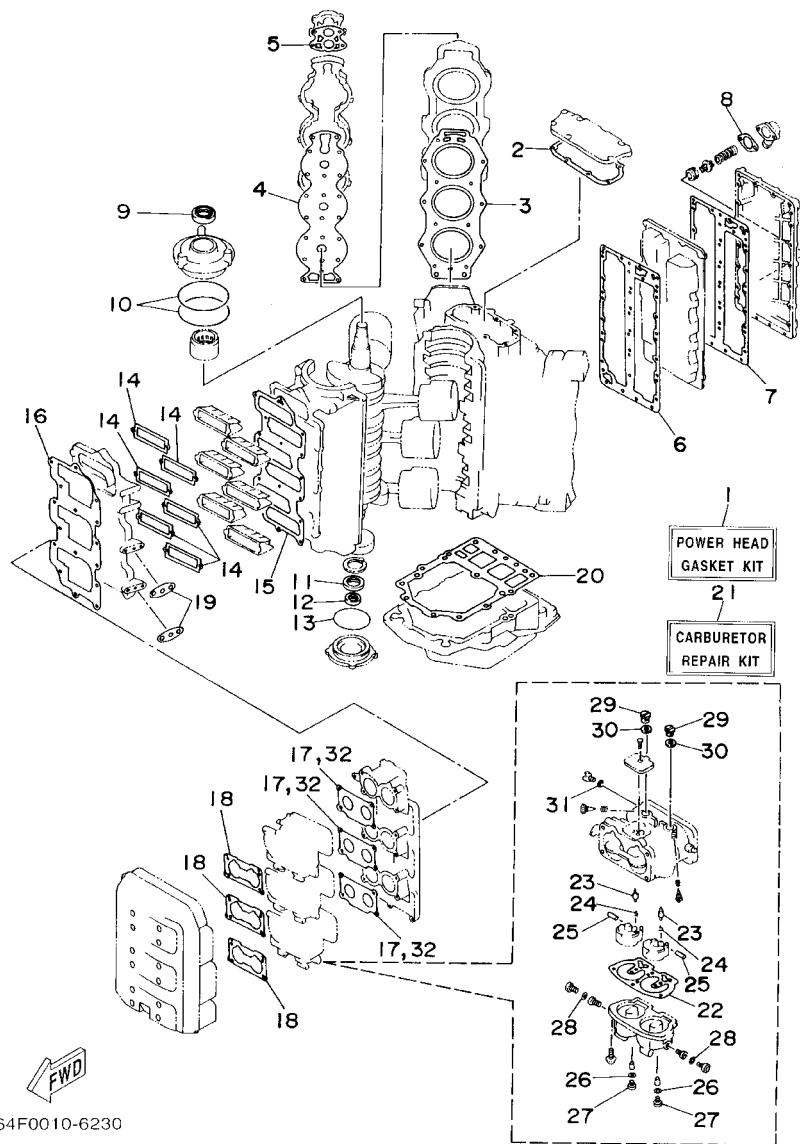
FIG. 28 SWITCH. PANEL



REF. NO.	PART NO.	DESCRIPTION	200G				REMARKS
1	704-82570-07	PANEL SWITCH ASSY	1				AP
2	704-82571-01	.PANEL, SWITCH	1				
3	6R5-82588-01	..PLATE	1				
4	704-82510-07	.MAIN SWITCH ASSY	1				
5	703-82577-00	..CAP, KEY	1				
6	688-82575-01	.ENGINE STOP SWITCH ASSY	1				
7	682-82556-00	..STOPPER	1				
8	64D-82581-00	.STAY, CORD CLAMP	1				
9	97303-05012	.BOLT	1				
10	92903-05100	.WASHER, SPRING	1				
11	95303-05700	.NUT	1				
12	688-83383-11	.BUZZER	1				
13	90149-05M05	SCREW	4				AP
14	95380-05600	NUT	4				AP
15	92990-05100	WASHER, SPRING	4				AP
16	92990-05600	WASHER, PLATE	4				AP
17	688-8258A-50	EXTENSION, WIRE HARNESS	1				AP



64M0664-0270



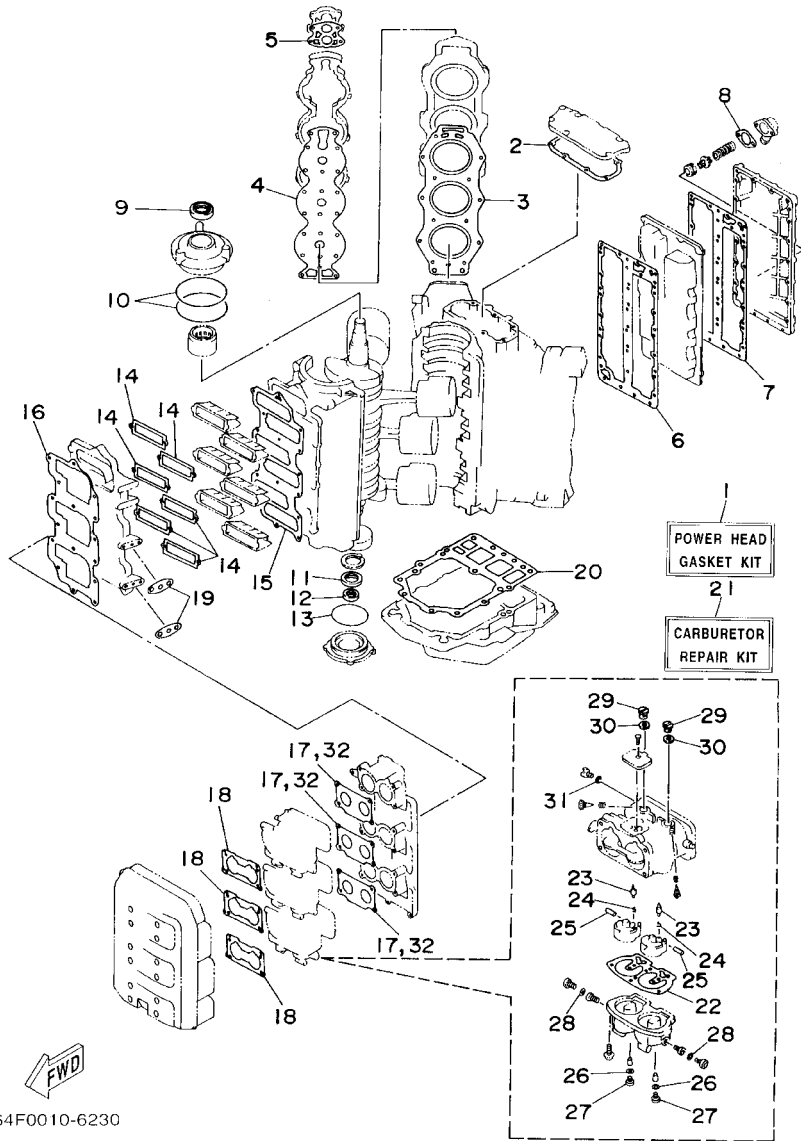
64F0010-6230

FIG. 29 REPAIR KIT 1

REF. NO.	PART NO.	DESCRIPTION	200G				REMARKS
1	64F-W0001-00	POWER HEAD GASKET KIT	1				
2	6E5-11381-A2	.GASKET 1	1				
3	6G5-11181-A2	.GASKET, CYLINDER HEAD 1	2				
4	6G5-11193-A0	.GASKET, HEAD COVER 1	2				
5	688-12414-A1	.GASKET, COVER	2				
6	6G5-41112-A1	.GASKET, EXHAUST INNER COVER	1				
7	6G5-41114-A0	.GASKET, EXHAUST OUTER COVER	1				
8	6G5-11382-A1	.GASKET 2	1				
9	93102-40M14	.OIL SEAL	1				
10	93211-04001	.O-RING	2				
11	93102-35M13	.OIL SEAL	1				
12	93101-22M15	.OIL SEAL	1				
13	93210-74M35	.O-RING	1				
14	6K7-13621-A1	.GASKET, VALVE SEAT	6				
15	6K7-13646-A2	.GASKET, MANIFOLD 2	1				
16	64E-13645-A0	.GASKET, MANIFOLD 1	1				
17	6E5-14198-A2	.GASKET	3				
18	6K7-14483-00	.GASKET	3				
19	650-24431-A0	.GASKET, FUEL PUMP 1	2				
20	6G5-45113-A1	.GASKET, UPPER CASING	1				
21	64D-W0093-01	CARBURETOR REPAIR KIT	1				
22	64D-14384-01	.GASKET, FLOAT CHAMBER	1				
23	6E5-14546-00	.VALVE, NEEDLE	2				
24	6E5-14159-00	.CLIP	2				
25	6E5-14386-02	.PIN, FLOAT	2				
26	61U-14959-00	.GASKET	2				
27	64D-14394-00	.VALVE, DRAIN	2				

FIG. 29 REPAIR KIT 1

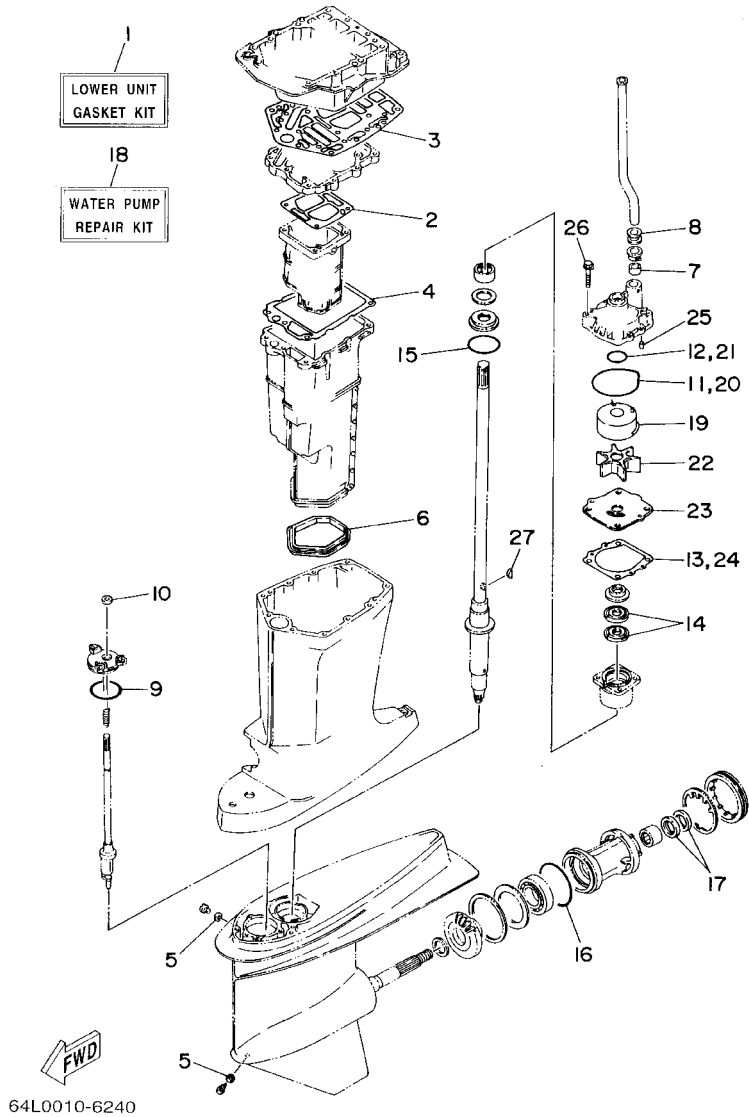
REF. NO.	PART NO.	DESCRIPTION	200G				REMARKS
28	6E5-14398-01	.GASKET	2				
29	6E5-14328-01	.PLUG	2				
30	6E5-14979-00	.GASKET	2				
31	6J8-14959-00	.GASKET	1				
32	6E5-14198-A2	.GASKET	1				



64F0010-6230

FIG. 30 REPAIR KIT 2

REF. NO.	PART NO.	DESCRIPTION	200G				REMARKS
1	6G5-W0001-C1	LOWER UNIT GASKET KIT	1				
2	6G5-41134-A1	.GASKET, EXHAUST MANIFOLD	1				
3	6G5-45114-A1	.GASKET, UPPER CASING	1				
4	6E5-41135-A0	.GASKET, EXHAUST MANIFOLD	1				
5	90430-08020	.GASKET	2				
6	6E5-45123-00	.GASKET, MUFFLER	1				
7	6E5-44365-00	.DAMPER, WATER SEAL	1				
8	6E5-44366-00	.DAMPER, WATER SEAL	1				
9	93210-58144	.O-RING	1				
10	93106-09014	.OIL SEAL	1				
11	93210-86M38	.O-RING	1				
12	93210-37160	.O-RING	1				
13	6E5-44315-A0	.GASKET, WATER PUMP	1				
14	93101-28M16	.OIL SEAL	2				
15	93210-55M14	.O-RING	1				
16	93210-97M55	.O-RING	1				
17	93101-30M17	.OIL SEAL	2				
18	64L-W0078-00	WATER PUMP REPAIR KIT	1				
19	61A-44322-02	.INSERT, CARTRIDGE	1				
20	93210-86M38	.O-RING	1				
21	93210-37160	.O-RING	1				
22	6E5-44352-01	.IMPELLER	1				
23	6G5-44323-00	.OUTER PLATE, CARTRIDGE	1				
24	6E5-44315-A0	.GASKET, WATER PUMP	1				
25	93606-12019	.PIN, DOWEL	2				
26	90119-08M14	.BOLT, WITH WASHER	4				
27	90280-04M05	.KEY, WOODRUFF	1				



NUMERICAL INDEX

PART NO.	REF. NO.	PART NO.	REF. NO.	PART NO.	REF. NO.	PART NO.	REF. NO.	PART NO.	REF. NO.	PART NO.	REF. NO.
6G5-W0001-C1	30 - 1	6E5-12411-30	4 - 7	64D-14384-01	6 - 4	6G5-24316-10	9 - 36	6H1-41237-00	7 - 25	64D-42815-00-4D	15 - 5
64F-W0001-00	29 - 1	688-12413-00-1S	4 - 8		29 - 22	6K7-24317-00	9 - 42	6R5-41237-00	7 - 3	64D-42816-00-4D	15 - 6
6E5-W0004-00	5 - 2	688-12414-A1	4 - 9	6E5-14385-02	6 - 6	6K7-24318-00	9 - 43	662-41237-01	16 - 27	64D-42818-20	15 - 12
65N-W0070-N1	1 - 13		29 - 5	6E5-14386-02	6 - 9	6E5-24319-01	8 - 24		16 - 33	64D-42818-30	15 - 13
64L-W0078-00	30 - 18	6G5-12416-00	4 - 18		29 - 25	6K7-24319-00	9 - 44	682-41237-50	16 - 31	64D-42835-00	15 - 7
64F-W0090-13-1S	2 - 1	6R3-12572-00	15 - 41	64D-14394-00	6 - 12	6E5-24321-01	8 - 28	6R5-41241-00	7 - 24	64E-43111-02-8D	17 - 1
64D-W0093-01	29 - 21	6G5-12576-00	4 - 24		29 - 27	6E5-24322-00	8 - 21	6E5-41256-01	5 - 23	64E-43112-02-8D	17 - 9
656-W2810-02	8 - 41	6R3-12580-00	15 - 42	6E5-14398-01	6 - 16	64E-24323-00	8 - 11	661-41262-02	5 - 24	64E-43126-00	17 - 37
64E-11111-00-1S	4 - 1	6G5-12581-00	21 - 12		29 - 28	6R3-24377-00	9 - 2	61H-41271-10	5 - 25	64E-43131-01	17 - 15
67H-11119-01	2 - 28	6R3-13117-00	7 - 21	64D-14440-00	5 - 27	6E5-24378-00	9 - 16	689-41273-00	5 - 26	64E-43139-02	18 - 1
6G5-11181-A2	4 - 2	6R3-13183-10	7 - 15	6K7-14483-00	5 - 29		9 - 39	688-41611-00	11 - 13	6G5-43144-00	17 - 27
	29 - 3	6R5-13200-10	7 - 4		29 - 18	650-24378-00	4 - 15	688-41612-00	11 - 14	64D-43144-00	15 - 14
6G5-11191-00-1S	4 - 4	6E5-13411-00	8 - 5	6R5-14485-00	5 - 8	6E5-24379-00	8 - 13	6G5-41631-01-1S	16 - 10	6E5-43145-01	24 - 8
6G5-11193-A0	4 - 5	6E5-13414-00	8 - 6	624-14485-00	2 - 4		8 - 15	61H-41632-02-1S	16 - 7	6G5-43148-00	17 - 32
	29 - 4	6R3-13416-00	7 - 9		5 - 12		8 - 29	6G5-41636-01	16 - 25	65N-43155-N0	18 - 28
6E5-11325-00	2 - 26	6E5-13437-62	8 - 40	64E-14488-00	11 - 24	6E5-24410-03	9 - 20	6E5-42510-A1-8D	18 - 10	65N-43156-N0	18 - 29
646-11370-01	2 - 10	6E5-13448-00	8 - 2	6E5-14488-00	11 - 24	6E5-24411-00	9 - 25	624-42542-00	8 - 9	6G5-43181-02	17 - 29
6K7-11371-01-1S	2 - 30	6R3-13471-00	7 - 5	6E5-14527-01	6 - 26	6E5-24412-10	9 - 32	64M-42610-PO-NA	1 - 1	6G5-43185-N0	17 - 30
6E5-11372-01	2 - 3	6L2-13475-00	7 - 6	6E5-14546-00	6 - 7	6E5-24413-00	9 - 22	64L-42613-00-NA	1 - 10	64E-43311-10-8D	17 - 22
6F6-11372-00	2 - 5	6E5-13552-01	5 - 13		29 - 23	6A0-24421-01	9 - 29	64D-42615-00	1 - 9	61A-43376-00	18 - 8
6G5-11372-00-1S	4 - 22	6K7-13610-00	5 - 1	6E5-14711-01-5B	21 - 29	6E5-24423-00	9 - 27	6R3-42647-00	1 - 2	64E-4380F-00	20 - 33
6H1-11372-00	21 - 20	6K7-13621-A1	5 - 3	64D-1492E-75	6 - 13	648-24424-00	9 - 26	64D-42662-00	1 - 5	64E-4380J-00	20 - 30
688-11372-01	5 - 7		29 - 14	64D-1492E-77	6 - 14	650-24431-A0	9 - 33	65N-4267A-N0	1 - 15	64E-43800-02-4D	19 - 1
624-11379-00	2 - 6	64E-13624-00-1S	5 - 6	64D-1492E-79	6 - 15		29 - 19	65N-42677-PO	1 - 12	64E-43802-00	20 - 8
6E5-11381-A2	2 - 31	64E-13641-00-1S	5 - 11	64D-1492F-40	6 - 10	6E5-24434-02	9 - 28	64L-42678-N0	1 - 17	64E-43805-00	20 - 37
	29 - 2	64E-13645-A0	5 - 17	61A-1492H-12	6 - 17	6E5-24435-00	9 - 24	65N-42681-N0	1 - 14	64E-4381G-00	19 - 27
6G5-11382-A1	4 - 21		29 - 16	6J8-14959-00	6 - 29	6E5-24444-00	9 - 21	65N-42682-N0	1 - 16	64E-43810-00	19 - 6
	29 - 8	6K7-13646-A2	5 - 10		29 - 31	6E5-24471-00	9 - 23	64M-42683-N0	1 - 18	6E5-43814-02	19 - 13
6G5-11411-02	3 - 1		29 - 15	61U-14959-00	6 - 11	61N-24521-00	9 - 7	64D-42711-01-8D	15 - 1	64E-43816-00	20 - 17
6E5-11447-00	3 - 2	6E5-14159-00	6 - 8		29 - 26	6R3-24560-00	9 - 5	648-42715-00	16 - 51	64E-43817-00	19 - 5
663-11518-01	2 - 9		29 - 24	6E5-14979-00	6 - 22	61N-24563-00	9 - 6	6E5-42716-10	15 - 40	64E-43817-10	20 - 19
6R3-11536-00	3 - 9	6E5-14198-A2	5 - 20		29 - 30	648-24566-02	9 - 9	64D-42717-00	15 - 36	64E-43818-01	19 - 32
6R3-11537-00	7 - 20		29 - 17	64F-15100-00-1S	2 - 2	6A1-28176-00	15 - 46	6E5-42724-00	21 - 11	64E-4382G-00	19 - 29
64D-11603-01	3 - 18		29 - 32	6R3-15163-00-1S	3 - 3	64D-41111-00-1S	4 - 11	64D-42725-20	15 - 19	64E-43820-00	19 - 15
	3 - 20	6E5-14223-00	6 - 24	6G5-15359-00-94	3 - 12	6G5-41112-A1	4 - 12	688-42726-10	15 - 29	64E-43821-00	19 - 16
64D-11604-01	3 - 18	6E5-14276-01	7 - 1	6E5-21708-10	8 - 18		29 - 6	61A-42727-00	15 - 3	64E-43822-00	19 - 17
	3 - 20	64F-14301-01	6 - 1	6E5-21733-20	8 - 19	6R3-41113-00-1S	4 - 14	64D-42738-00-5B	15 - 20	64E-43825-01	19 - 2
64D-11605-01	3 - 18	64F-14302-01	6 - 2	6E5-21734-01-33	8 - 34	6G5-41114-A0	4 - 13	64D-42738-10-5B	15 - 21	64E-43827-00	20 - 22
	3 - 20	64F-14303-01	6 - 3	6E5-21746-00	8 - 36		29 - 7	6R3-42741-02-8D	15 - 33	64E-43828-00	19 - 22
64D-11631-02-90	3 - 17	6E5-14321-00	6 - 19	6E5-21750-05	8 - 1	6G5-41131-01-5B	21 - 21	6H4-42748-00	15 - 4	64E-43829-00	19 - 23
6R5-11633-10	3 - 21	6E5-14323-03	6 - 23	6E5-21770-03	8 - 20	64D-41132-00-5B	21 - 25	6E5-42761-00-1S	2 - 33	64E-43830-00	20 - 4
6R5-11634-10	3 - 22	6E5-14324-00	6 - 28	6E5-21798-01-33	8 - 35	6G5-41134-A1	21 - 26	6E5-42762-00-1S	2 - 34	64E-43831-00	20 - 2
64D-11635-02	3 - 17	6A0-14325-00	9 - 30	646-24251-02	8 - 23		30 - 2	6E5-42769-00	21 - 5	64E-4384J-00	19 - 18
64D-11636-02	3 - 17	6E5-14328-01	6 - 21	6YK-24306-42	10 - 1	6E5-41135-A0	21 - 33	6R3-42771-01-8D	15 - 37	64E-43841-00	20 - 7
64D-11642-02-90	3 - 19		29 - 29	6R3-24313-01	9 - 1		30 - 4	6G5-42791-10	15 - 45	64E-43843-00	20 - 6
64D-11645-02	3 - 19	6J8-14334-00	6 - 20	6G5-24314-00	9 - 15	6G5-41137-11-94	21 - 10	6N9-42791-40	21 - 2	64E-43843-10	20 - 38
64D-11646-02	3 - 19	64D-14381-00	6 - 5	6E5-24315-00	9 - 18	61H-41213-00	16 - 34	6N9-42792-40	21 - 3	64E-43850-00	20 - 15
6R5-11650-10	3 - 23	61A-14383-01	6 - 18	6K7-24315-00	9 - 17	6G5-41217-01	5 - 22	64D-42814-00	1 - 6	64E-43851-00	20 - 11

NUMERICAL INDEX

PART NO.	REF. NO.	PART NO.	REF. NO.	PART NO.	REF. NO.	PART NO.	REF. NO.	PART NO.	REF. NO.	PART NO.	REF. NO.
64E-43855-00	20 - 14	6E5-44315-A0	30 - 13	6E5-45378-00	22 - 16	6X0-48129-00	26 - 64	701-48320-80	25 - 2	6G5-82119-00	13 - 37
6E5-43858-00	19 - 28		30 - 24	6G5-45383-01	22 - 72	6X0-48138-00	26 - 2	6E5-48344-00	16 - 8	6E5-82147-00	17 - 26
64E-43858-00	20 - 12	61A-44322-02	22 - 27	6G5-45384-00	22 - 73	6X0-48153-00	26 - 44		16 - 44	6E5-82148-00	17 - 6
	20 - 18		30 - 19	6G5-45501-01	22 - 47	6X0-48155-00	26 - 57	703-48345-01	26 - 19		17 - 10
72X-43858-00	20 - 5	6G5-44323-00	22 - 34	61A-45527-00	22 - 11	6X0-48156-00	26 - 62	701-48350-00	25 - 2	6E5-82149-00	18 - 19
64E-43859-00	20 - 13		30 - 23	6G5-45536-01	22 - 13	EL8-48158-00	26 - 27	701-48350-20	25 - 2	6R3-82150-00	12 - 2
6H1-4386K-10	20 - 29	6E5-44352-01	22 - 32	61A-45538-00	22 - 12	EL8-48164-00	26 - 35	703-48358-00	26 - 22	1E6-82151-00	27 - 16
64E-43860-00	20 - 20		30 - 22	61H-45551-00	22 - 48	704-48178-00	26 - 31	64D-48531-00	16 - 1	663-82151-00	13 - 8
6E5-43862-00	19 - 10	6E5-44361-00	23 - 2	61H-45560-00	22 - 50	6X0-48187-00	26 - 9	64D-48532-00	16 - 2	705-82151-00	12 - 3
	19 - 14	6E5-44365-00	22 - 30	6G5-45567-01-10	22 - 5	EL8-48191-00	26 - 17	6E5-48538-00	16 - 3		13 - 9
6G5-43863-00	20 - 10		23 - 3	6G5-45567-01-12	22 - 5	703-48192-00	26 - 41	6E5-61350-02	24 - 1	6G5-82152-00	12 - 4
6E5-43864-00	19 - 20		30 - 7	6G5-45567-01-15	22 - 5	6X0-48193-00	26 - 60	6E5-61351-01	24 - 2		13 - 52
6G5-43864-00	19 - 19	6E5-44366-00	23 - 1	6G5-45567-01-18	22 - 5	704-48193-00	26 - 39	6E5-61355-00	24 - 5	6A0-82317-00	8 - 8
6G5-43865-00	20 - 35		30 - 8	6G5-45567-01-30	22 - 5	6X0-48205-12	25 - 1	6E5-81332-00	11 - 16	663-82317-01	11 - 21
64E-43865-00	20 - 16	6E5-44391-00	15 - 18	6G5-45567-01-40	22 - 5		26 - 1	64D-81337-01	11 - 19	6E3-82370-21	13 - 2
64E-43866-00	19 - 9	6E5-44511-00-5B	18 - 40	6G5-45567-01-50	22 - 5	6X0-48221-00	26 - 53	6K7-81338-01	5 - 14	704-82510-07	28 - 4
64E-43867-00	19 - 8	6J9-44514-00-94	18 - 33	61H-45571-01	22 - 64	6X0-48222-00	26 - 45	6N7-81800-10	14 - 1	6R3-82519-00	12 - 27
64E-43868-00	20 - 3	6G5-44526-00	17 - 3	6G5-45577-10	22 - 65	6X0-48223-00	26 - 52	6N7-81801-00	14 - 8	662-82519-00	12 - 26
64E-43869-00	19 - 26	68F-44533-00	2 - 35	6G5-45577-02-10	22 - 69	6X0-48225-00	26 - 55	6N7-81807-00	14 - 11	6R3-82521-10	27 - 18
64E-4387A-00	20 - 23	6G5-44551-01-8D	18 - 13	6G5-45577-02-12	22 - 69	704-48225-00	26 - 56	61A-81809-00	14 - 3	6E5-82531-10	13 - 6
6E5-43872-00	19 - 12	6E5-44552-01-94	18 - 24	6G5-45577-02-15	22 - 69	703-48227-00	26 - 46	6N7-81810-00	14 - 5	704-82540-00	26 - 12
64E-43873-00	20 - 24	6J9-44553-01-NA	18 - 27	6G5-45577-02-18	22 - 69	EL8-48231-00	26 - 23	6N7-81813-00	14 - 9	704-82541-10	26 - 66
6E5-43874-01	19 - 21	6J9-44555-00-94	18 - 16	6G5-45577-02-30	22 - 69	EL8-48233-00	26 - 42	6E5-8182A-10	14 - 17	6R3-82553-10	27 - 19
64E-43875-00	20 - 25	6E5-44575-00	18 - 15	6G5-45577-02-40	22 - 69	EL8-48234-00	26 - 40	6E5-8182E-10	14 - 15	682-82556-00	28 - 7
64E-43879-00	20 - 27	663-44575-00	18 - 39	6G5-45577-02-50	22 - 69	702-48235-00	26 - 43	6E5-8182F-10	14 - 16	688-82560-10	13 - 18
64E-43879-10	20 - 26	6E5-45111-02-8D	21 - 1	6E5-45587-01-10	22 - 41	704-48238-00	26 - 33	6K7-8182G-10	14 - 6	6R3-82563-00	13 - 28
64E-4388E-00	19 - 25	6G5-45113-A1	21 - 14	6E5-45587-01-12	22 - 41	6X0-48241-00	26 - 24	6E5-8182K-10	14 - 18	6X0-82563-01	26 - 49
64E-4388E-10	20 - 1		29 - 20	6E5-45587-01-15	22 - 41	EL8-48242-10	26 - 36	6N7-81820-10	14 - 10	6E3-8257H-00	15 - 47
64E-4388J-00	19 - 3	6G5-45114-A1	21 - 22	6E5-45587-01-18	22 - 41	EL8-48244-00	26 - 29	6K7-81822-00-94	14 - 19	704-82570-07	28 - 1
64E-43880-01	20 - 28		30 - 3	6E5-45587-01-30	22 - 41	EL8-48245-00	26 - 30	61A-81824-00	14 - 4	704-82571-01	28 - 2
64E-43883-00	19 - 11	663-45119-00	17 - 14	6E5-45587-01-40	22 - 41	6X0-48245-00	26 - 54	6K7-81826-10	14 - 14	688-82575-01	28 - 6
64E-43891-00	20 - 31		17 - 25	6E5-45587-01-50	22 - 41	701-48248-00	26 - 32	6N7-81830-00	14 - 13	703-82577-00	28 - 5
64E-43892-00	20 - 34	6E5-45123-00	21 - 32	6J9-45611-01	22 - 52	EL8-48254-00	26 - 25	6N7-81840-00	14 - 7	688-8258A-50	28 - 17
6E5-43896-00	20 - 9		30 - 6	6G5-45631-10	22 - 60	EL8-48259-00	26 - 5	6N7-81850-10	14 - 2	64D-82581-00	28 - 8
64E-43897-00	19 - 24	6E5-45155-00	21 - 4	6E5-45633-01	22 - 61	6X0-48261-00	26 - 16	6N7-81857-00	14 - 12	6E5-82587-00	13 - 29
64E-43898-00	19 - 7	6J9-45214-00	23 - 7	6E5-45634-01	22 - 54	6X0-48262-00	26 - 7	6E5-81900-01	8 - 26	6E5-82588-00	13 - 46
6E5-44117-00-1S	16 - 38	6J9-45215-00	23 - 8	6E5-45641-02	22 - 53	702-48263-00	26 - 37	6E5-81922-00	8 - 27		15 - 30
6E5-44118-01-94	16 - 46	6G5-45251-02	17 - 2	6J9-45970-10	23 - 21	6X0-48264-00	26 - 8	61A-81941-00	13 - 32	6K7-82588-00	13 - 15
6E5-44120-03	16 - 53	64M-45300-02-NA	22 - 1	6J9-45972-10	23 - 21	6X0-48265-00	26 - 6	64D-81942-00	12 - 5	6R5-82588-01	28 - 3
68F-44121-00	16 - 40	6J9-45301-05-NA	22 - 2	6J9-45974-10	23 - 21	704-48266-00	26 - 11	6G5-81948-11	13 - 39	6R3-8259E-00	12 - 25
6E5-44122-00	16 - 41	6E5-45321-00	22 - 19	6J9-45976-10	23 - 21	EL8-48271-00	26 - 20	6E5-8195A-00	13 - 35	64D-82590-00	13 - 7
6G5-44150-02	22 - 23	6E5-45331-00-94	22 - 38	6E5-45987-01	23 - 16	EL8-48279-00	26 - 38	6E5-81950-00	13 - 34	688-82594-00	13 - 10
6E0-44191-11	26 - 65	6J9-45332-00-94	22 - 62	688-45997-01	23 - 17	EL8-48281-00	26 - 14	689-81952-10	13 - 33	688-83383-11	28 - 12
688-44194-00	16 - 15	688-45341-10	22 - 7	6X0-48116-00	26 - 67	6X0-48281-00	26 - 59	6R3-81960-10	12 - 1	6Y5-8350T-02	27 - 1
	16 - 30	6E5-45344-00	22 - 44	6X0-48121-00	26 - 34	701-48287-00	26 - 63	6R3-82105-02	13 - 44	6Y5-83500-S5	27 - 6
61A-44311-01	22 - 26	6J9-45371-01	23 - 11	EL8-48127-00	26 - 21	6X0-48288-00	26 - 50	6E5-82116-00	13 - 38	6Y5-83533-T2	27 - 10
6E5-44312-00	22 - 31	688-45375-00	22 - 15	6X0-48127-00	26 - 51	701-48320-50	25 - 2	6K7-82117-00	13 - 45	6Y5-83553-M0	27 - 15
6E5-44315-A0	22 - 35	663-45376-00-94	22 - 14	6X0-48128-00	26 - 61	701-48320-60	25 - 2	6Y5-82117-00	27 - 17	6E9-83557-70	13 - 42

NUMERICAL INDEX

PART NO.	REF. NO.	PART NO.	REF. NO.	PART NO.	REF. NO.	PART NO.	REF. NO.	PART NO.	REF. NO.	PART NO.	REF. NO.
6Y5-83557-00	27 - 20	90119-06MA5	4 - 16	90201-22M01	22 - 10	90430-14115	2 - 12	90465-11M10	9 - 14	92990-04100	27 - 8
6Y5-83557-31	27 - 11	90119-06MA6	4 - 10	90201-23M01	3 - 26	90445-05M02	8 - 7		9 - 19	92990-04300	26 - 68
6E5-83558-00	23 - 14	90119-06M10	22 - 22	90201-26M57	18 - 34	90445-07MA3	5 - 28		9 - 37	92990-05100	28 - 15
6E5-83558-10	22 - 18	90119-06M61	12 - 22	90201-26M59	17 - 19	90445-07ME8	22 - 17		9 - 38	92990-05300	26 - 58
6Y5-83570-S5	27 - 7	90119-06M65	8 - 10	90201-30M92	22 - 70	90445-07M07	7 - 17		9 - 45	92990-05600	5 - 5
6R3-83614-00	13 - 30	90119-08MA3	2 - 29	90201-38M60	18 - 11	90445-07M08	2 - 21		9 - 46		28 - 16
6A1-83625-41	11 - 23	90119-08MA8	4 - 3	90202-05088	7 - 28	90445-07M09	2 - 19		15 - 44	92990-06100	1 - 3
6A1-83625-51	11 - 22	90119-08M14	22 - 37	90202-08M20	16 - 42	90445-07M10	2 - 14		17 - 21	92990-06600	8 - 38
64E-83672-02	18 - 3		30 - 26	90202-08M44	7 - 23	90445-07M11	2 - 18		18 - 5		12 - 17
6Y5-83728-00	27 - 12	90119-08M22	15 - 28	90202-12092	16 - 22	90445-07M12	2 - 20		23 - 15		15 - 16
72X-85075-L0	20 - 21	90119-08M57	14 - 22	90202-16061	16 - 56	90445-07M33	23 - 13		27 - 13		17 - 12
6R3-85510-00	11 - 2	90119-08M76	14 - 20	90202-26M18	18 - 35	90445-07M34	2 - 23		27 - 21	92990-08600	14 - 23
663-85518-00	16 - 11	90119-08M77	14 - 21	90202-32M19	18 - 17	90445-07M72	7 - 13		13 - 49	92990-10600	13 - 20
64D-85537-00	12 - 23	90119-08M79	21 - 15	90202-40M47	18 - 7	90445-07M77	7 - 11	90465-12M25	8 - 3		26 - 4
64E-85540-01	12 - 15	90119-08M94	2 - 16	90206-10M04	16 - 36	90445-07M85	7 - 12	90465-13M11	4 - 25	92990-18200	23 - 18
6R3-85542-03-1S	12 - 19	90119-08O27	21 - 9	90206-15M18	15 - 11	90445-07M87	7 - 16	90465-13M18	13 - 43	92995-06100	17 - 5
64D-85550-02	11 - 1	90119-10M89	23 - 6	90206-22M19	22 - 9	90445-07M90	2 - 22	90468-05M03	7 - 27	92995-06600	1 - 8
6R3-85570-01	13 - 1	90149-05M05	28 - 13	90249-06M19	17 - 33	90445-07196	7 - 14	90468-07M02	7 - 19		9 - 35
64D-85580-00	11 - 3	90152-05M08	23 - 9	90250-08M07	22 - 59	90445-09097	4 - 17	90468-18008	16 - 9		11 - 18
6E5-85711-60	12 - 30	90157-06M05	18 - 31	90280-04M05	22 - 33	90445-11M35	15 - 43		16 - 43		12 - 10
6E5-85720-04	8 - 32	90157-06M07	16 - 28		30 - 27	90445-11M81	8 - 30	90480-09M12	12 - 21		12 - 14
6R3-85721-30	8 - 33	90157-06013	16 - 12	90280-05015	11 - 8	90445-12M13	8 - 12	90480-10M28	5 - 15		12 - 29
6R3-85730-03	8 - 4	90159-06M08	5 - 30	90282-04M00	22 - 71	90445-13M02	9 - 41	90480-13M24	11 - 20		13 - 4
61A-85790-00	13 - 19	90159-06M11	12 - 24	90336-08M06	5 - 9	90445-13M03	9 - 40	90480-20M05	4 - 20		13 - 14
6R5-85895-01	11 - 5	90169-05M00	15 - 2	90340-08002	22 - 6	90464-07M05	2 - 24	90480-22M15	15 - 24		13 - 17
64E-86110-00	13 - 24	90170-16M01	22 - 49	90340-14M00	2 - 11		7 - 18	90480-25161	13 - 5		13 - 23
6Y5-87122-S0	27 - 14	90170-20137	11 - 10	90384-06M07	2 - 7	90464-07M20	2 - 25	90501-11M10	22 - 25		13 - 26
6G5-87149-10	13 - 36	90171-18M04	23 - 19	90384-14M09	2 - 8	90464-13M34	8 - 17	90501-12082	16 - 50		13 - 41
9E450-04433	27 - 2	90179-06M24	1 - 11	90386-06M12	16 - 45	90464-15M11	11 - 7	90501-16M11	4 - 19		13 - 48
9E450-04533	27 - 3	90179-06M28	5 - 21	90386-10M16	17 - 31		12 - 12	90501-16M12	16 - 13		13 - 51
90101-08M14	16 - 17	90179-06066	18 - 32	90386-12089	16 - 19	90465-05M87	12 - 18	90501-16M28	18 - 30		14 - 28
90101-10M70	23 - 5	90183-05M02	21 - 31	90386-15M73	15 - 10		13 - 11	90501-16M37	22 - 55		15 - 23
90101-12M03	17 - 40	90185-05002	23 - 10	90386-16M66	16 - 55	90465-06M86	4 - 26	90506-14M24	17 - 36		15 - 32
90105-10M00	23 - 12	90185-09M01	24 - 6	90386-22M13	16 - 21		11 - 4	90506-16M34	15 - 17		15 - 35
90105-10M20	2 - 15	90185-12M12	18 - 38	90386-22M98	17 - 38		13 - 21	90508-29M12	16 - 24		15 - 39
90109-06M40	7 - 8	90185-22M11	17 - 20		19 - 33		14 - 26	90560-12M01	24 - 4		17 - 8
90109-08022	3 - 24	90201-06068	15 - 9	90386-25M31	17 - 18	90465-06M88	12 - 11	91490-40030	23 - 20		21 - 7
90109-12M37	18 - 37	90201-08M13	16 - 23	90386-38M32	18 - 12	90465-08M63	17 - 23	91690-30012	16 - 4	92995-08100	16 - 6
90109-14M34	18 - 20	90201-08M14	19 - 30	90387-06M03	12 - 20	90465-08M89	13 - 12	91690-30016	7 - 2		17 - 17
90116-06M30	5 - 16	90201-08M23	16 - 18	90387-06M29	16 - 35	90465-11M10	7 - 10	91690-30020	17 - 35		21 - 17
90116-08M45	2 - 17	90201-08M54	15 - 26	90387-06M66	12 - 6		8 - 14	92780-06020	26 - 26		21 - 19
90119-06MA2	2 - 32	90201-10M20	24 - 7	90387-08M16	16 - 20		8 - 16	92903-05100	28 - 10	92995-08600	14 - 25
	2 - 36	90201-12M05	17 - 42	90387-08M17	16 - 16		8 - 22	92903-06100	9 - 11		21 - 24
	3 - 7	90201-13M01	17 - 41	90387-08M37	15 - 25		8 - 25	92903-06600	5 - 19		21 - 28
	3 - 16	90201-14M56	18 - 36	90387-10M05	17 - 34		8 - 31		11 - 12		21 - 35
	4 - 23	90201-15M58	18 - 21	90387-10M61	24 - 3		9 - 3		12 - 8		22 - 46
	16 - 39	90201-16M55	18 - 18	90430-08020	22 - 8		9 - 4	92903-08600	16 - 48	92995-10100	18 - 26
90119-06MA4	4 - 6	90201-21M18	11 - 9		30 - 5		9 - 13	92990-04100	27 - 4		18 - 42

NUMERICAL INDEX

PART NO.	REF. NO.	PART NO.	REF. NO.	PART NO.	REF. NO.	PART NO.	REF. NO.	PART NO.	REF. NO.	PART NO.	REF. NO.
92995-14600	18 - 23	93332-000V3	22 - 4	97095-06010	17 - 7	97980-05116	6 - 25				
93101-22M15	3 - 14	93341-930V2	22 - 42			98580-03015	26 - 13				
	29 - 12	93410-16006	16 - 57			98580-04006	26 - 28				
93101-28M16	22 - 39	93410-22M11	17 - 39	97095-06012	1 - 7	98580-04010	26 - 48				
	30 - 14	93410-37M04	18 - 14			98580-05008	26 - 47				
93101-30M17	22 - 67	93410-40M03	3 - 11			98780-04015	2 - 27				
	30 - 17	93430-06024	26 - 3			99001-08600	22 - 24				
93102-08M43	20 - 36	93501-04M02	16 - 49								
93102-35M13	3 - 13	93503-16003	22 - 58								
	29 - 11	93507-32009	22 - 56								
93102-40M14	3 - 5	93511-32017	22 - 57								
	29 - 9	93606-12019	22 - 36								
93106-09014	22 - 21		30 - 25	97095-06016	13 - 25						
	30 - 10	93608-12M05	21 - 8								
93210-03261	13 - 27		21 - 13								
93210-09165	16 - 54		23 - 4	97095-06020	13 - 3						
93210-10M74	19 - 4	93608-12063	2 - 13								
93210-13M04	7 - 22	93700-06M03	16 - 52								
93210-16275	24 - 9		17 - 13								
93210-19MA7	7 - 7		17 - 24								
93210-32738	9 - 8	94702-00247	4 - 27								
93210-37MH7	18 - 6	95303-05700	28 - 11	97095-06025	16 - 37						
93210-37160	22 - 29	95303-06600	16 - 14	97095-06030	17 - 4						
	30 - 12		16 - 29	97095-06040	15 - 8						
	30 - 21	95380-03600	9 - 31	97095-06050	9 - 34						
93210-55M14	22 - 43	95380-04600	27 - 5	97095-08016	14 - 24						
	30 - 15		27 - 9	97095-08020	16 - 5						
93210-58144	22 - 20	95380-05600	7 - 26								
	30 - 9		16 - 26	97095-08025	22 - 45						
93210-74M35	3 - 15		16 - 32	97095-08030	21 - 23						
	29 - 13		28 - 14	97095-08045	21 - 16						
93210-86M38	22 - 28	95380-06600	1 - 4								
	30 - 11		8 - 39								
	30 - 20		26 - 10	97095-10045	18 - 25						
93210-97M55	22 - 68	95380-08600	9 - 12								
	30 - 16	95380-08700	21 - 18	97303-05012	18 - 41						
93211-04001	3 - 6	95380-12600	17 - 43	97380-06018	28 - 9						
	29 - 10	95380-14800	18 - 22	97607-04310	26 - 18						
93306-208U0	3 - 10	95780-10300	18 - 9	97780-60525	20 - 32						
93306-209U0	22 - 63	97013-06014	9 - 10	97880-05016	18 - 2						
93310-323V6	3 - 25	97013-06050	5 - 18	97880-06012	5 - 4						
93310-836V2	3 - 27	97013-06055	12 - 7	97880-06018	17 - 11						
93310-954U1	3 - 8	97013-06070	11 - 11	97880-06018	11 - 15						
93311-928U5	22 - 3	97013-08030	16 - 47	97880-06020	12 - 16						
93311-940U3	3 - 4	97075-08035	15 - 27	97885-05012	11 - 6						
93315-425V3	22 - 51	97080-06100	8 - 37	97885-06010	11 - 17						
93315-430U8	22 - 66	97080-08016	19 - 31	97885-06016	18 - 4						
93317-330U2	22 - 40	97090-06012	15 - 15	97890-05025	26 - 15						
				97980-05108	6 - 27						

200GETO
PARTS CATALOGUE
©2002 by Yamaha Motor Co., Ltd.
1st Edition, Aug. 2002
All rights reserved.
Any reprinting or unauthorized use
without the written permission of
Yamaha Motor Co., Ltd.
is expressly prohibited.
Printed in Japan