

PARTS CATALOGUE

225FETO '00(65J)

L225FETO'00(65K)

FOREWORD

This Parts Catalogue is related to the parts for the model(s) in the below frame. When you are ordering replacement parts, please refer to this Parts Catalogue and quote both part numbers and part names correctly.

225FETO'00(65J), L225FETO'00(65K)

1. Modifications or additions which have been made after issue of the Parts Catalogue will be announced in the Yamaha Parts News.
It is advisable that you make necessary corrections to the Parts Catalogue according to the Yamaha Parts News.

2. Abbreviations

The Following abbreviations are used in this Parts Catalogue.

- "UR" Use specified parts number.
- "UN" Use as many as needed.
- "AP" Alternate Parts
- "LM" Local Made
(Parts need to be ordered locally)
- "O/S" Over Size

3. Parts, which are to be supplied in an assembly, are listed with a dot(.) in front of the part name as shown below.

EXAMPLE
 CARBURETOR ASSY
 .JET, PILOT
 .NOZZLE, MAIN

4. Number of component for assembly

The numeral appearing to the right of each component part indicates the quantity of parts for each assembly unit.

EXAMPLE

PART NO.	DESCRIPTION	U	H	L	T	R	REMARKS
6E0-85500-70	C.D.I. MAGNETO ASSY	1					
6E0-85550-70	.ROTOR ASSY	1					
6E0-15723-00-94.	.PULLY, STARTER	1					

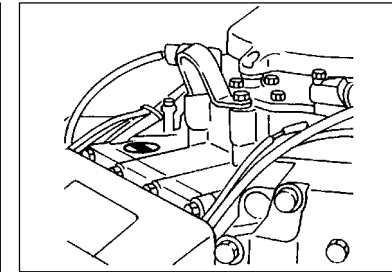
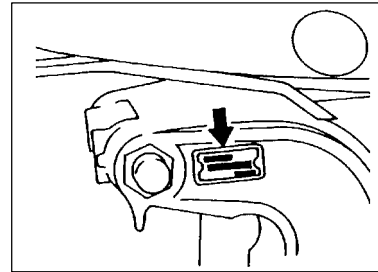
5. Quantity Column Information

NAME for Q'TY COLUMN	APPLICABLE MODEL
225F	225FETO
L225	L225FETO

6. Applicable Starting Serial No. and Color Code

1) Engine Starting Serial No.

225FETO X : 104210	L225FETO X : 101466
--------------------	---------------------



2) Color Code

Color Code	Color Name	Abbreviation
004D	DARK BLUISH GRAY METALLIC 2	DBNM2

7. Note that the illustrations for reference in funding parts numbers, not to be used for assembling. When assembling, pleas use the applicable service manual.

8. The asterisk (*) before a reference number indicates modification items after the first edition.

CONTENTS

SHEET 1/2

TOP COWLING A4
 CYLINDER. CRANKCASE 1 A5
 CRANKSHAFT. PISTON A7
 CYLINDER. CRANKCASE 2 B2
 FUEL INJECTION PUMP B3
 FUEL INJECTION NOZZLE B5
 INTAKE B7
 OIL PUMP C1
 OIL TANK C2
 FUEL 1 C4
 FUEL 2 C7
 GENERATOR D1
 ELECTRICAL 1 D2
 ELECTRICAL 2 D3
 ELECTRICAL 3 D5
 ELECTRICAL 4 D7
 STARTING MOTOR E1
 BOTTOM COWLING E2
 CONTROL E5
 BRACKET 1 F1
 BRACKET 2 F3
 POWER TRIM & TILT ASSY F5

INDEX

NUMERICAL INDEX G1

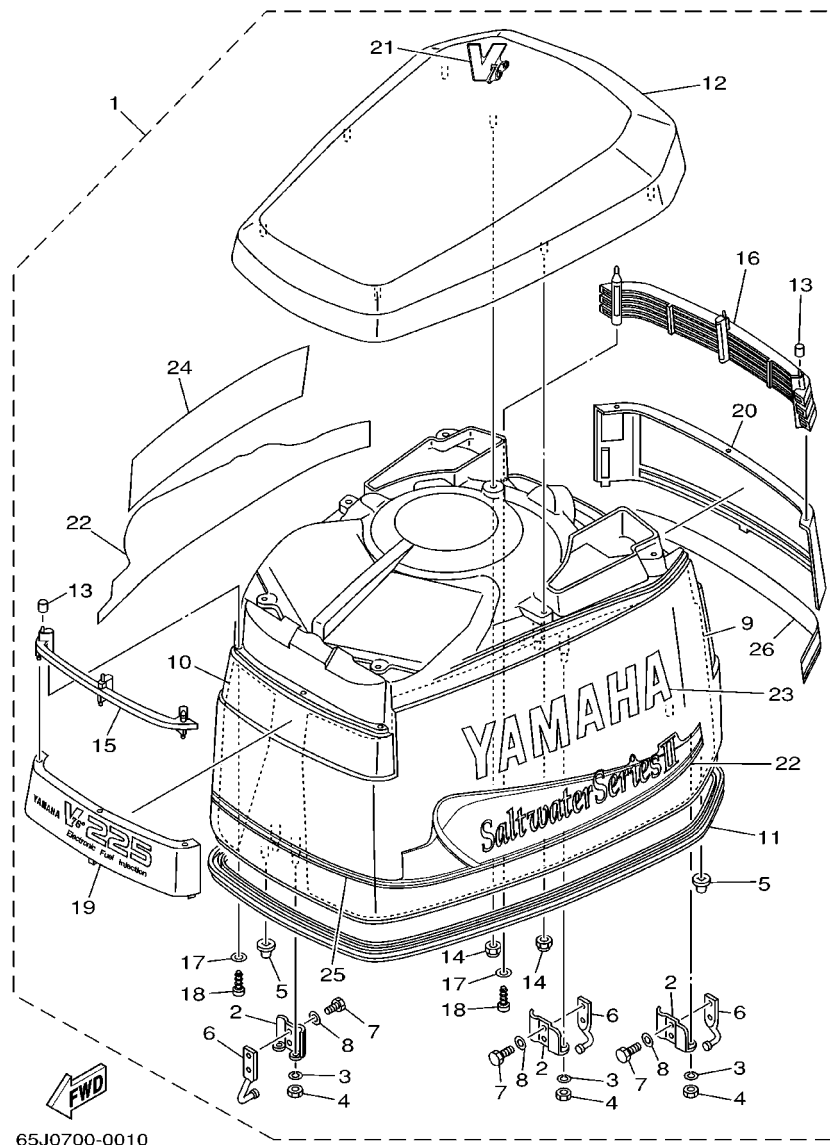
SHEET 2/2

POWER TRIM & TILT ASSY A4*
 UPPER CASING A5*
 LOWER CASING. DRIVE 1 A7*
 LOWER CASING. DRIVE 2 B4*
 LOWER CASING. DRIVE 3 B5*
 LOWER CASING. DRIVE 4 C2*
 STEERING GUIDE ATTACHMENT 1 C3*
 STEERING GUIDE ATTACHMENT 2 C4*
 REMOTE CONTROL BOX C5*
 REMOTE CONTROL ASSY 1 C6*
 REMOTE CONTROL ASSY 2 D2*
 METER 1 D5*
 METER 2 D6*
 REPAIR KIT 1 D7*
 REPAIR KIT 2 E1*

INDEX

NUMERICAL INDEX G1*

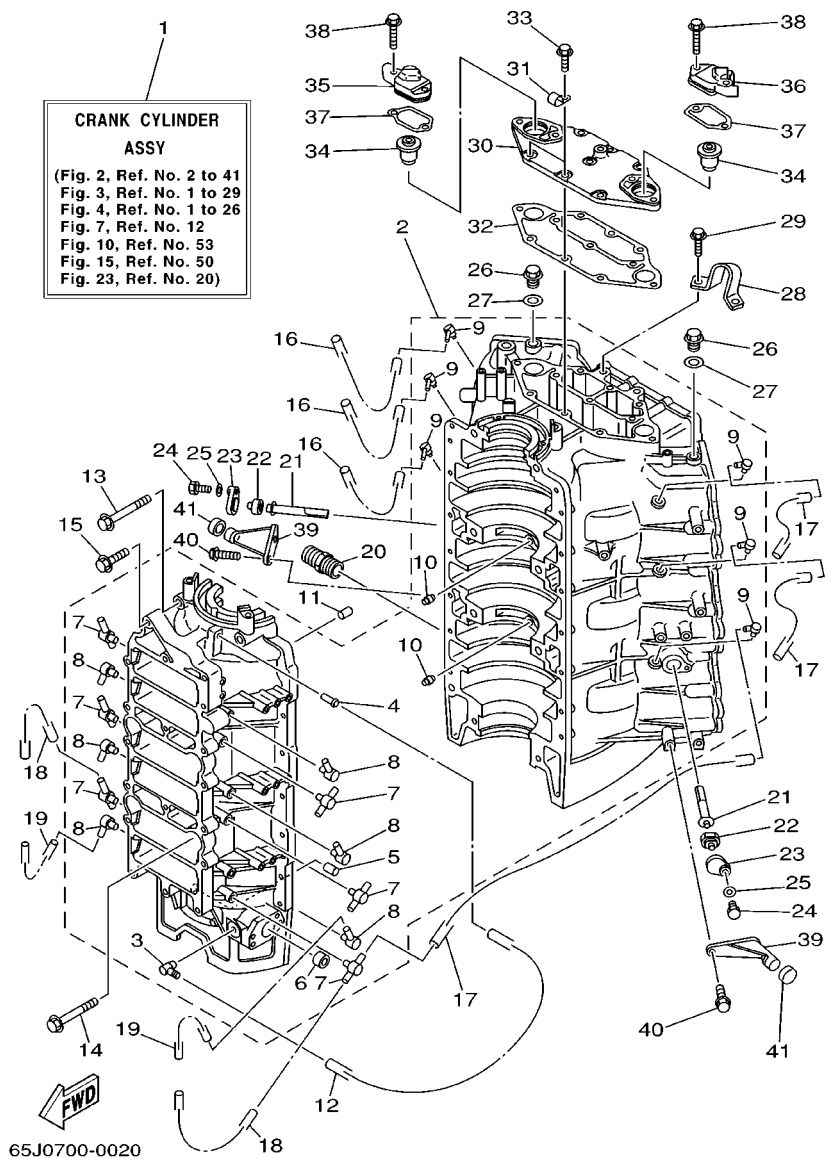
FIG. 1 TOP COWLING



65J0700-0010

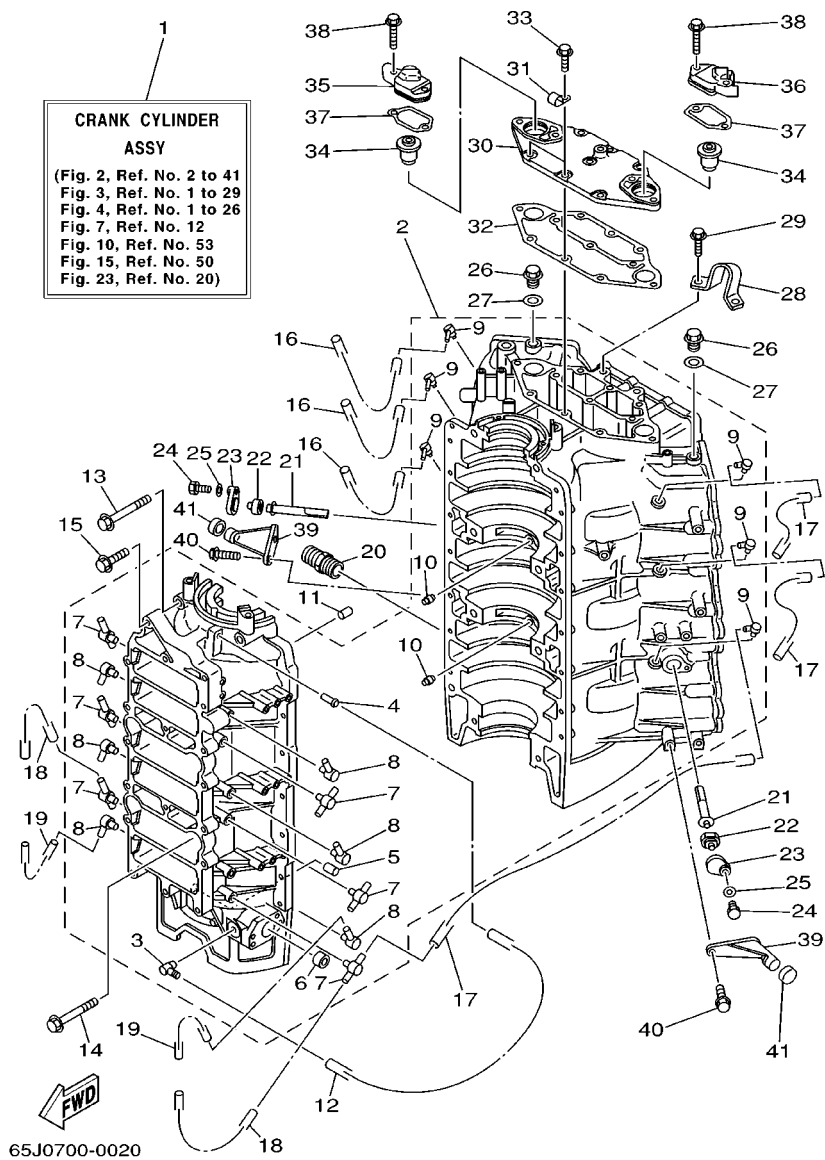
REF. NO.	PART NO.	DESCRIPTION	225F	L225			REMARKS
1	65J-42610-S0-4D	TOP COWLING ASSY	1	1			
2	6R3-42647-00	.HOLDER, CLAMP BAND	3	3			
3	92990-06100	.WASHER, SPRING	6	6			
4	95380-06600	.NUT, HEXAGON	6	6			
5	6R3-42662-00	.DAMPER	3	3			
6	6R3-42814-00	.HOOK, CLAMP	3	3			
7	97095-06012	.BOLT	6	6			
8	92995-06600	.WASHER	6	6			
9	61A-42619-02	.DAMPER, FORM	1	1			
10	61A-42627-02	.DAMPER, FORM	1	1			
11	61A-42615-01	.SEAL	1	1			
12	61A-42613-01-4D	.MOLDING, AIR DUCT	1	1			
13	90385-04M05	.BUSH	6	6			
14	90179-06M24	.NUT	7	7			
15	61A-42626-00	.LOUVER 1	1	1			
16	61A-42636-00	.LOUVER 2	1	1			
17	92990-04600	.WASHER, PLATE	6	6			
18	97780-40520	.SCREW, TAPPING	6	6			
19	65J-42686-S0	.EMBLEM, FRONT	1	1			
20	65J-42687-S0	.EMBLEM, REAR	1	1			
21	65J-42683-S0	.MARK, COWLING	1	1			
22	61A-W0070-S1	.GRAPHIC SET	1	1			
23	62J-42681-S1	.MARK, COWLING	1	1			
24	62J-42682-S1	.MARK, COWLING	1	1			
25	61A-42677-S1	.GRAPHIC, FRONT	1	1			
26	61A-4267A-S1	.GRAPHIC, REAR 2	1	1			

FIG. 2 CYLINDER, CRANKCASE 1



REF. NO.	PART NO.	DESCRIPTION	225F	L225	REMARKS
1	65J-W0090-10-1S	CRANK CYLINDER ASSY	1	1	
2	65J-15100-00-1S	CRANKCASE ASSY	1	1	
3	6E5-11372-00	.NIPPLE, HOSE	1	1	
4	624-14485-00	.PIPE, JOINT	1	1	
5	90384-06M07	.BUSH, BIMETAL FORMED	1	1	
6	90383-16M01	.BUSH, FORMED	1	1	
7	6F6-11372-00	.NIPPLE, HOSE	6	6	
8	650-11372-00	.NIPPLE, HOSE	6	6	
9	6E5-11372-00	.NIPPLE, HOSE	6	6	
10	663-11518-01	.LOCK, BEARING	2	2	
11	93608-12063	PIN, DOWEL	2	2	
12	90445-07M11	HOSE	1	1	
13	90105-10M62	BOLT, WASHER BASED	4	4	
14	90105-10M75	BOLT, WASHER BASED	4	4	
15	90119-06M13	BOLT, WITH WASHER	14	14	
16	90445-07M44	HOSE	3	3	
17	90445-07M40	HOSE	3	3	
18	90445-07MA6	HOSE	6	6	
19	90445-07MA6	HOSE	6	6	
20	6G5-12581-00	JOINT, HOSE 1	1	1	
21	61A-11325-00	ANODE	2	2	
22	6H3-11328-00	GROMMET, ANODE	2	2	
23	6H3-11327-00-1S	COVER, ANODE	2	2	
24	97013-06016	BOLT	2	2	
25	92903-06600	WASHER, PLATE	2	2	
26	90340-14M00	PLUČ, ŠTRÁIĀHT ŠCRĒW	2	2	
27	90430-14115	GASKET	2	2	

FIG. 2 CYLINDER, CRANKCASE 1



REF. NO.	PART NO.	DESCRIPTION	225F	L225		REMARKS
28	6E5-11119-01	HANGER, ENGINE	1	1		
29	90119-08MA3	BOLT, WITH WASHER	2	2		
30	61A-11371-00-1S	COVER	1	1		
31	90465-06M86	CLAMP	2	2		
32	61A-11381-A0	GASKET 1	1	1		
33	90119-06MA2	BOLT, WITH WASHER	7	7		
34	6E5-12411-20	THERMOSTAT	2	2		
35	61A-12413-00-1S	COVER, THERMOSTAT	1	1		
36	61A-12413-10-1S	COVER, THERMOSTAT	1	1		
37	61A-12414-A0	GASKET, COVER	2	2		
38	90119-06MA5	BOLT, WITH WASHER	4	4		
39	6E5-42761-00-1S	STOPPER	2	2		
40	90119-06MA2	BOLT, WITH WASHER	4	4		
41	663-44533-00	DAMPER, UPPER MOUNT RUBBER	2	2		

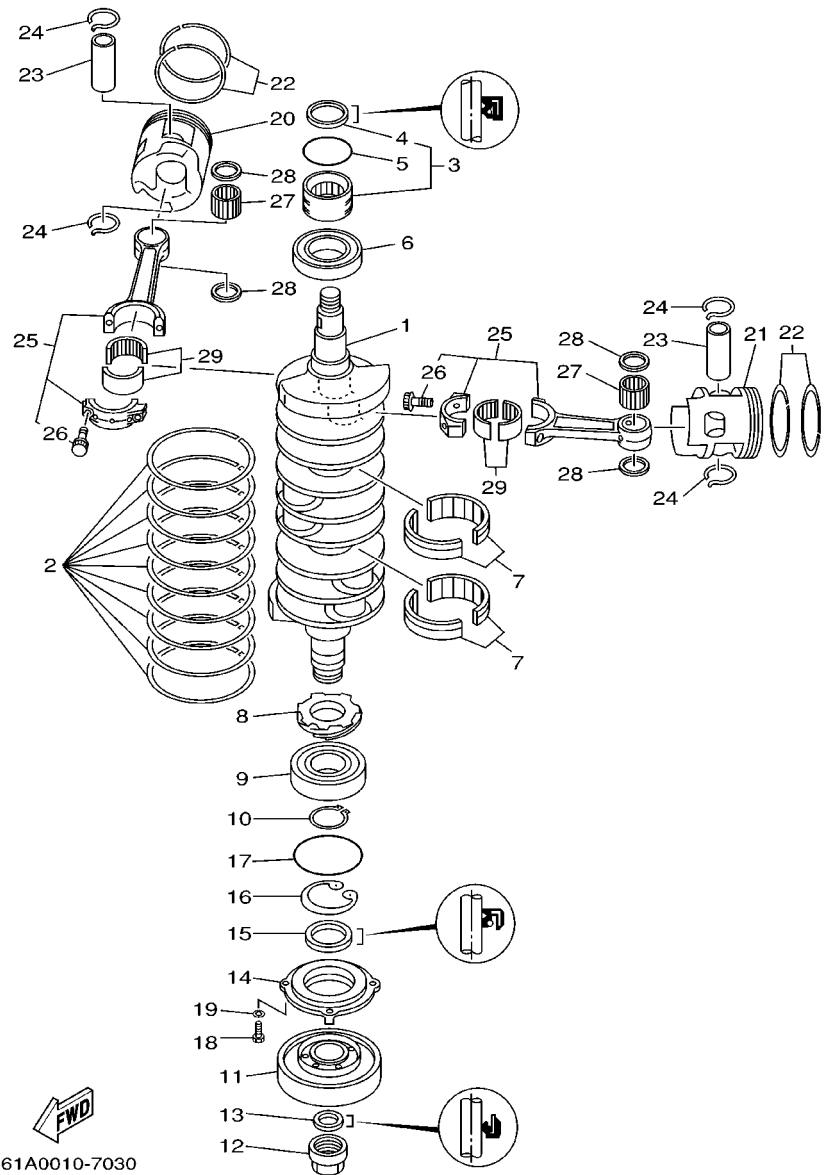


FIG. 3 CRANKSHAFT. PISTON

REF. NO.	PART NO.	DESCRIPTION	225F	L225			REMARKS
1	61A-11411-00	CRANKSHAFT	1	1			
2	61A-11447-00	SEAL, CRANK	9	9			
3	93311-940V0	BEARING	1	1			
4	93102-40M38	OIL SEAL	1	1			
5	93210-54M54	O-RING	1	1			
6	93306-209U1	BEARING	1	1			
7	93310-959U0	BEARING	2	2			
8	61A-11536-00	GEAR, DRIVE	1	1			
9	93306-308U0	BEARING	1	1			
10	93410-40M03	CIRCLIP	1	1			
11	61A-11586-01	PULLEY, CRANKSHAFT BALANCE	1	1			
12	61A-11555-01	NUT, CRANKSHAFT 1	1	1			
13	93104-22M07	OIL SEAL	1	1			
14	61A-15359-00-94	HOUSING, OIL SEAL	1	1			
15	93102-40M36	OIL SEAL	1	1			
16	93420-61M07	CIRCLIP	1	1			
17	93210-81MA6	O-RING	1	1			
18	97095-06020	BOLT	4	4			
19	92995-06100	WASHER, SPRING	4	4			
20	62J-11631-02-86	PISTON (STD)	3	3			
	62J-11635-02	PISTON (0.25MM O/S)	3	3			AP
	62J-11636-02	PISTON (0.50MM O/S)	3	3			AP
21	62J-11642-02-86	PISTON 2 (STD)	3	3			
	62J-11645-02	PISTON 2 (0.25MM O/S)	3	3			AP
	62J-11646-02	PISTON 2 (0.50MM O/S)	3	3			AP
22	64D-11603-01	PISTON RING SET (STD)	6	6			
	64D-11604-01	PISTON RING SET (0.25MM O/S)	6	6			AP

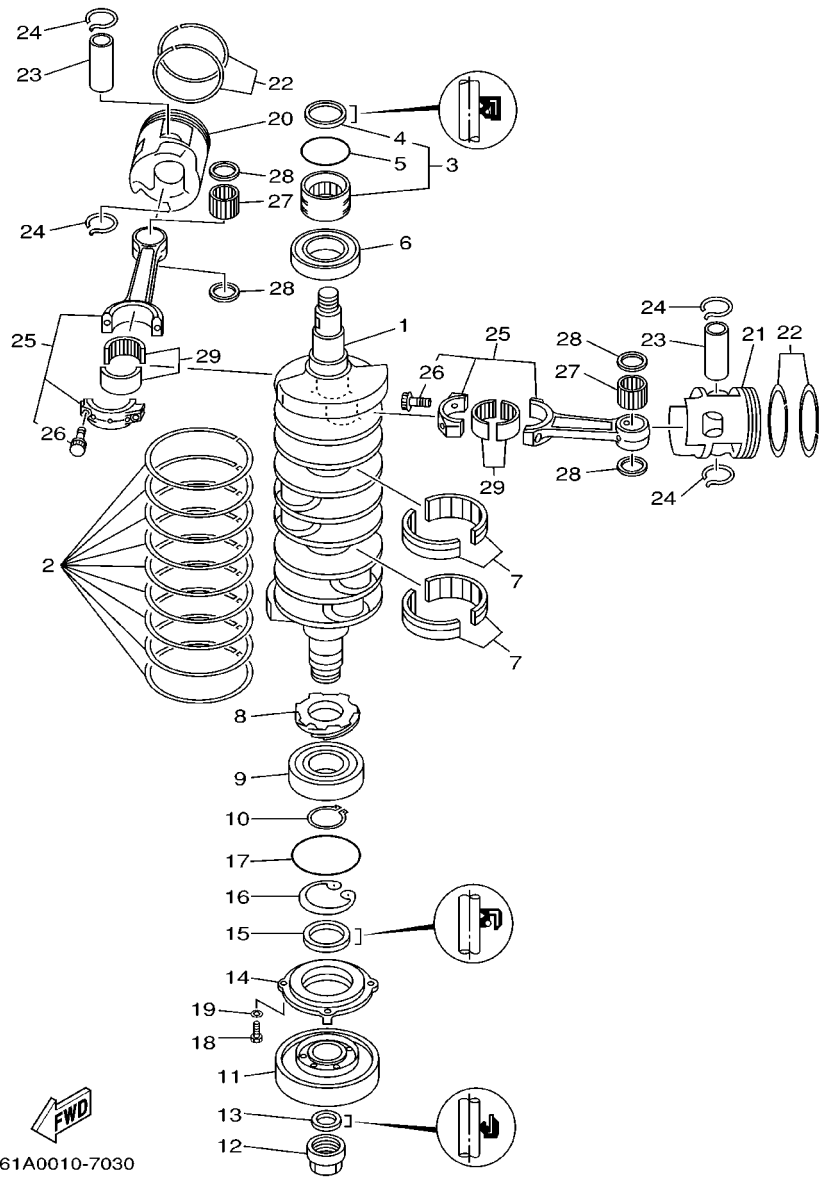
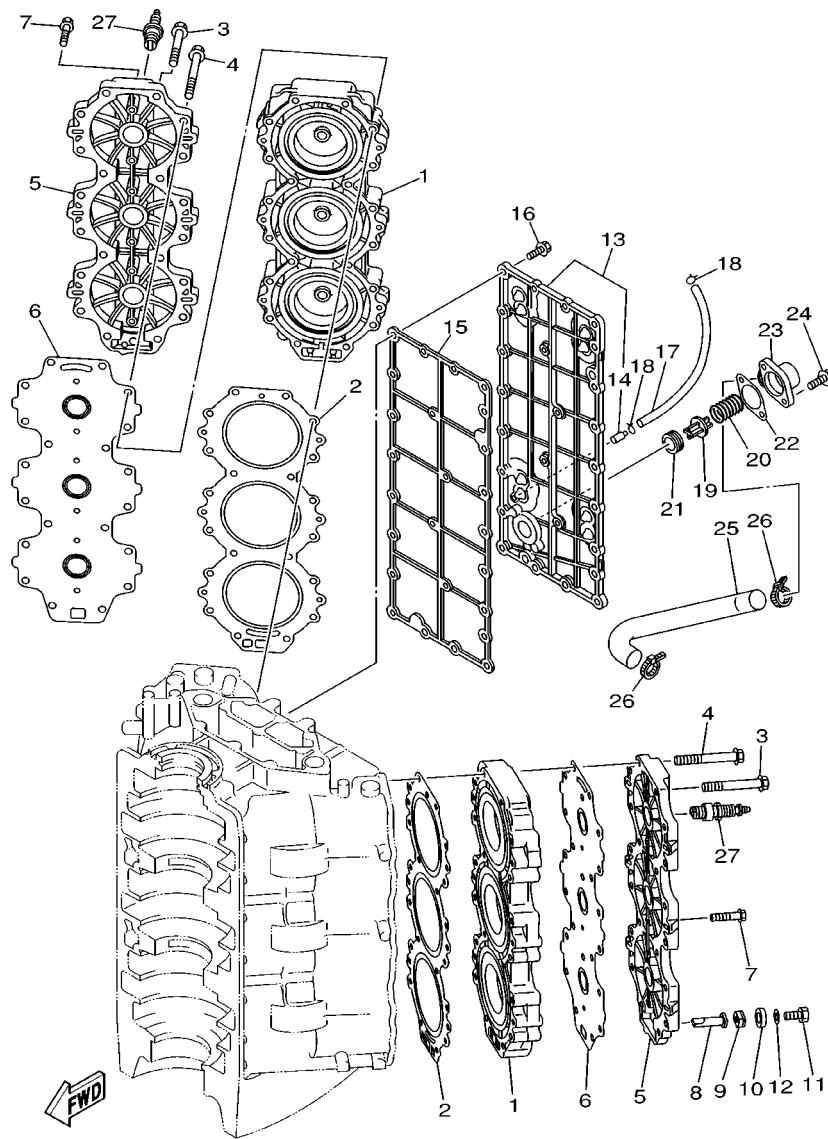


FIG. 3 CRANKSHAFT. PISTON

REF. NO.	PART NO.	DESCRIPTION	225F	L225		REMARKS
22	64D-11605-01	PISTON RING SET (0.50MM O/S)	6	6		AP
23	61A-11633-02	PIN, PISTON	6	6		
24	61A-11634-00	CLIP, PISTON PIN	12	12		
25	61A-11650-00	CONNECTING ROD ASSY	6	6		
26	90109-09M62	.BOLT	2	2		
27	93310-326V4	BEARING	6	6		
28	90201-26M03	WASHER, PLATE	12	12		
29	93310-840V8	BEARING	6	6		

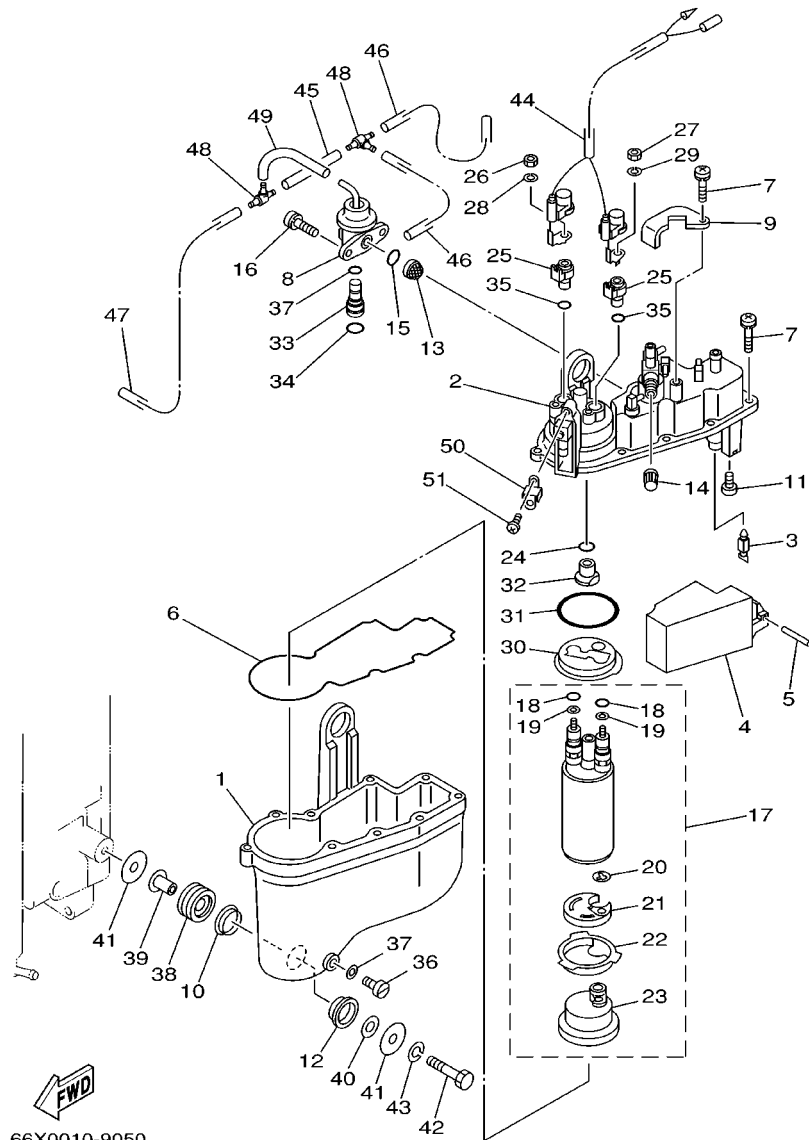
FIG. 4 CYLINDER. CRANKCASE 2



65J0010-0040

REF. NO.	PART NO.	DESCRIPTION	225F	L225				REMARKS
1	62J-11111-01-1S	HEAD, CYLINDER 1	2	2				
2	61A-11181-A1	GASKET, CYLINDER HEAD 1	2	2				
3	90119-08MA5	BOLT, WITH WASHER	3	3				
4	90119-08M99	BOLT, WITH WASHER	37	37				
5	61A-11191-00-1S	COVER, CYLINDER HEAD 1	2	2				
6	61A-11193-A1	GASKET, HEAD COVER 1	2	2				
7	90119-06MA5	BOLT, WITH WASHER	12	12				
8	6J8-11325-00	ANODE	2	2				
9	6H3-11328-00	GROMMET, ANODE	2	2				
10	6H3-11327-00-1S	COVER, ANODE	2	2				
11	97013-06016	BOLT	2	2				
12	92903-06600	WASHER, PLATE	2	2				
13	61A-41113-00-1S	OUTER COVER, EXHAUST	1	1				
14	650-24378-00	.PIPE, JOINT 4	1	1				
15	61A-41112-A0	GASKET, EXHAUST INNER COVER	1	1				
16	90119-06MA3	BOLT, WITH WASHER	25	25				
17	90445-09M25	HOSE	1	1				
18	90467-08004	CLIP	2	2				
19	6G5-12416-00	VALVE, PRESSURE CONTROL	1	1				
20	90501-16M11	SPRING, COMPRESSION	1	1				
21	90480-20M05	GROMMET	1	1				
22	6G5-11382-A1	GASKET 2	1	1				
23	6G5-11372-00-1S	COVER, BYPASS 2	1	1				
24	90119-06MA2	BOLT, WITH WASHER	2	2				
25	61A-12576-00	HOSE 1	1	1				
26	90465-13M18	CLAMP	2	2				
27	94702-00309	PLUG, SPARK (NGK BR9HS-10)	6	6				

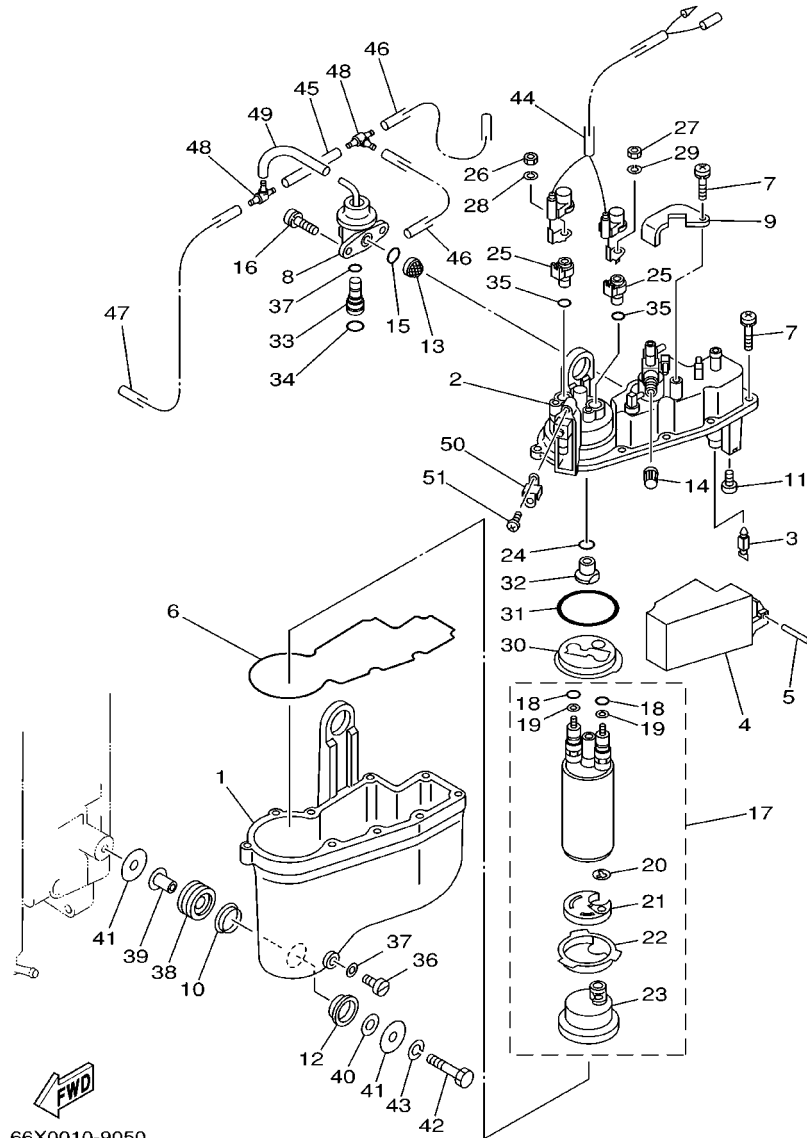
FIG. 5 FUEL INJECTION PUMP



66X0010-9050

REF. NO.	PART NO.	DESCRIPTION	225F	L225				REMARKS
1	66K-14980-00	BODY, FLOAT CHAMBER	1	1				
2	66K-14182-00	COVER, FLOAT CHAMBER	1	1				
3	65L-14546-00	VALVE, NEEDLE	1	1				
4	66K-14985-00	FLOAT	1	1				
5	66K-14548-00	PIN, FLOAT ARM	1	1				
6	66K-14984-00	GASKET, FLOAT CHAMBER	1	1				
7	65L-14125-00	SCREW	10	10				
8	66K-13906-00	REGULATOR, PRESSURE	1	1				
9	66K-14255-00	PLATE	1	1				
10	66K-14239-00	SEAL	3	3				
11	66K-14325-00	SCREW, PAN HEAD	1	1				
12	66K-14163-00	SPACER	3	3				
13	65L-13905-00	FILTER COMP	1	1				
14	65L-14966-00	CAP	1	1				
15	65L-24486-00	O-RING	1	1				
16	66K-14245-00	SCREW, GUIDE	2	2				
17	66K-13907-00	FUEL PUMP COMP.	1	1				
18	65L-14227-00	.O-RING	2	2				
19	65L-14194-00	.RING	2	2				
20	65L-14159-00	.CLIP	1	1				
21	66K-13781-00	.DAMPER, PUMP	1	1				
22	66K-13844-00	.PLATE 2	1	1				
23	66K-13915-00	.FILTER	1	1				
24	65L-1416A-00	O-RING	1	1				
25	66K-14271-00	INSULATOR	2	2				
26	65L-8182A-00	NUT	1	1				
27	65L-8182K-00	NUT	1	1				

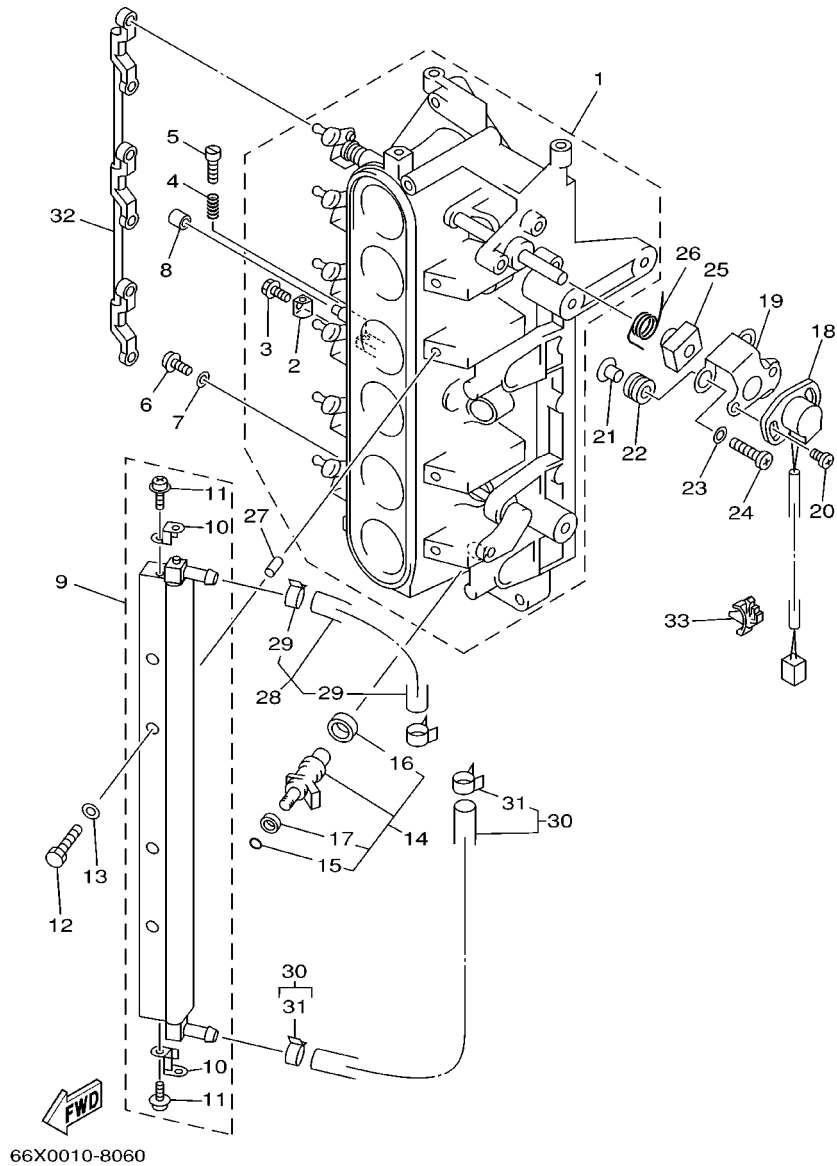
FIG. 5 FUEL INJECTION PUMP



66X0010-9050

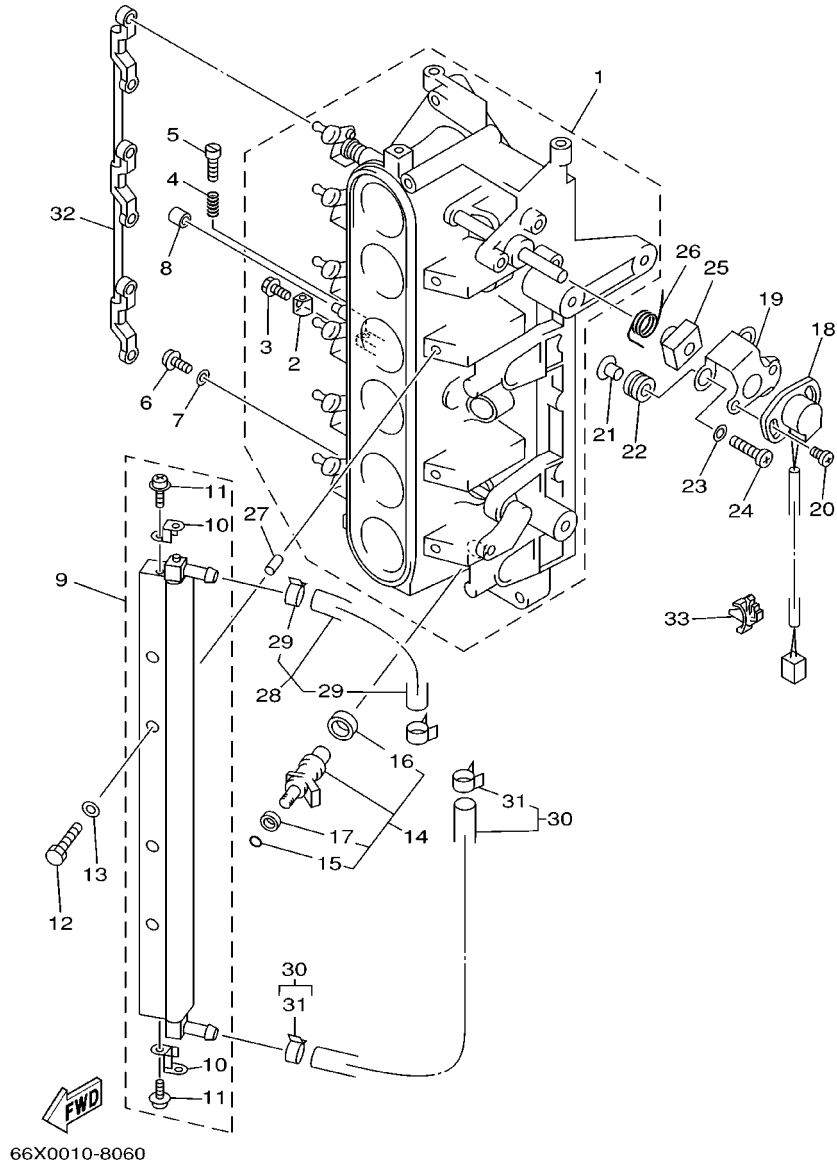
REF. NO.	PART NO.	DESCRIPTION	225F	L225				REMARKS
28	65L-8182E-00	WASHER	1	1				
29	65L-8182F-00	WASHER	1	1				
30	66K-13843-00	PLATE 1	1	1				
31	65L-14147-00	O-RING	1	1				
32	65L-14274-00	CONNECTOR	1	1				
33	66K-24376-00	PIPE, JOINT 1	1	1				
34	66K-24489-00	O-RING	1	1				
35	65L-14397-00	O-RING	3	3				
36	65L-14992-00	ROD	1	1				
37	65L-14997-00	SEAL	2	2				
38	65L-24375-00	GROMMET	3	3				
39	65L-24397-00	COLLAR	3	3				
40	65L-24576-00	WASHER	3	3				
41	66K-24579-00	WASHER 2	6	6				
42	65L-24592-00	BOLT	3	3				
43	65L-24169-00	WASHER, LOCK	3	3				
44	67H-82507-00	WIRE, LEAD	1	1				
45	66K-13542-00	HOSE, VACUUM SENSING 1	1	1				
46	66K-13544-00	HOSE, VACUUM SENSING 2	2	2				
47	66K-13532-00	HOSE, VACUUM SENSING 3	1	1				
48	65L-24461-00	PIPE, JOINT	2	2				
49	66K-13533-00	HOSE, VACUUM SENSING 4	1	1				
50	66K-13898-00	HOLDER	1	1				
51	65L-14565-00	SCREW	1	1				

FIG. 6 FUEL INJECTION NOZZLE



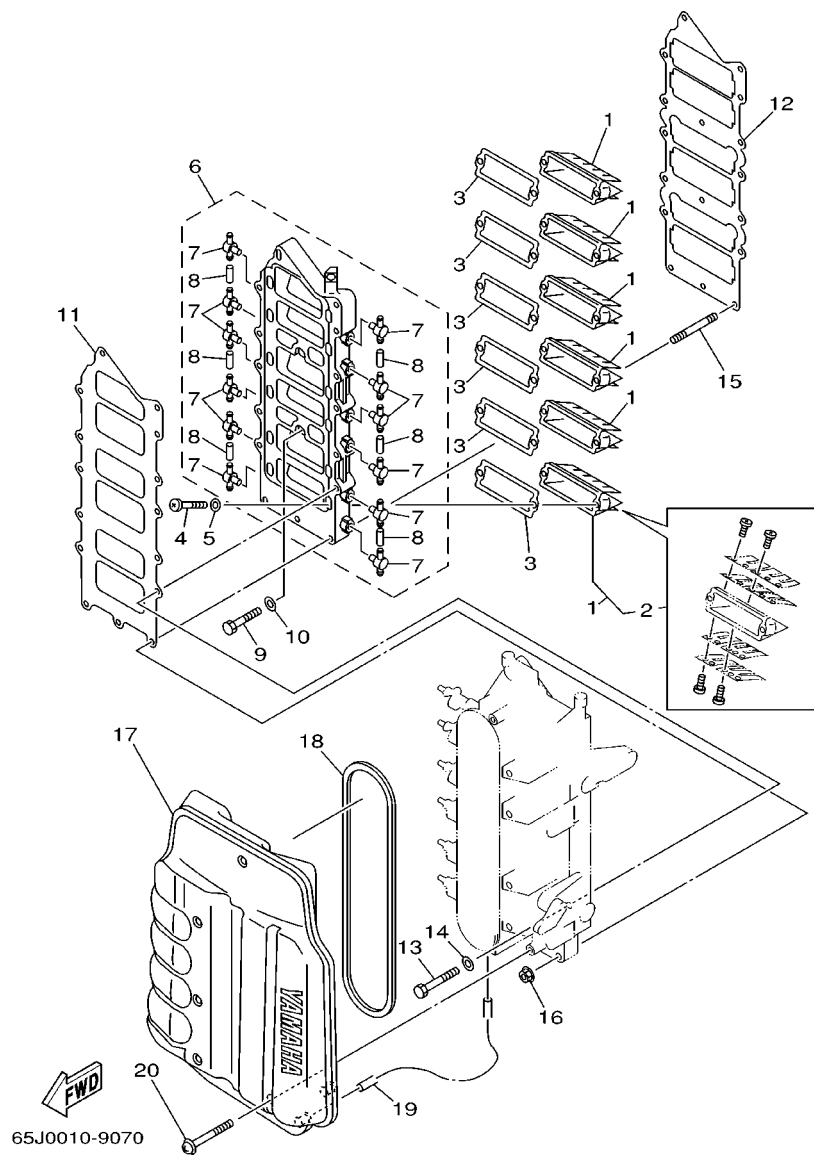
REF. NO.	PART NO.	DESCRIPTION	225F	L225	REMARKS
1	66K-13751-00	BODY, THROTTLE 1	1	1	
2	65L-14527-00	.PLATE	1	1	
3	65L-14565-00	.SCREW	1	1	
4	65L-14334-00	SPRING, AIR ADJUSTING	1	1	
5	65L-14523-00	SCREW, STOP	1	1	
6	6K5-14592-00	SCREW	6	6	
7	90201-05552	WASHER, PLATE	6	6	
8	65L-14578-00	COLLAR	1	1	
9	65L-13938-00	PIPE	1	1	
10	65L-13898-00	.HOLDER	2	2	
11	65L-14565-00	.SCREW	2	2	
12	65L-13573-00	BOLT 1	4	4	
13	65L-13995-00	WASHER	4	4	
14	65L-13761-00	INJECTOR ASSY	6	6	
15	65L-13769-00	.O-RING	1	1	
16	65L-13764-00	.GASKET	1	1	
17	65L-13766-00	.RUBBER, INJECTOR	1	1	
18	61A-85885-00	THROTTLE SENSOR ASSY	1	1	
19	6K7-85886-00	BRACKET	1	1	
20	97985-05212	SCREW, WITH WASHER	2	2	
21	90387-05M00	COLLAR	3	3	
22	90480-10M23	GROMMET	3	3	
23	65L-14596-00	WASHER	3	3	
24	97985-05330	SCREW, WITH WASHER	3	3	
25	65L-14573-00	LEVER	1	1	
26	65L-14579-00	SPRING	1	1	
27	65L-13996-00	INSERT	2	2	

FIG. 6 FUEL INJECTION NOZZLE



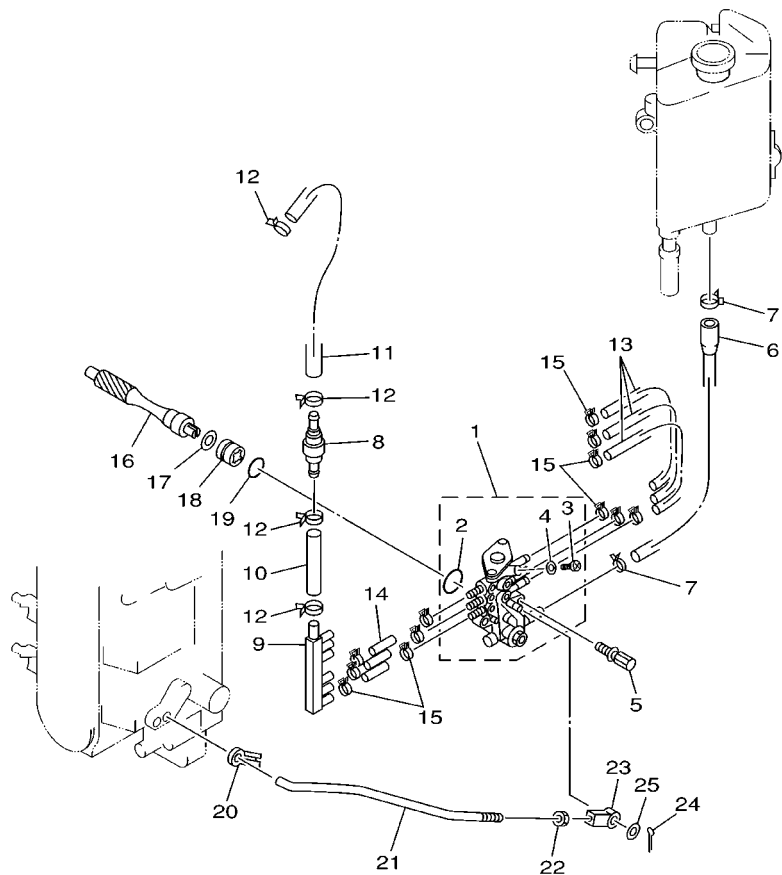
REF. NO.	PART NO.	DESCRIPTION	225F	L225				REMARKS
28	66K-13971-00	PIPE, FUEL 1	1	1				
29	65L-24387-00	.CLIP	2	2				
30	67H-13972-00	PIPE, FUEL 2	1	1				
31	65L-24387-00	.CLIP	2	2				
32	65L-41217-00	ROD, ACCEL. LEVER	1	1				
33	90464-04M12	CLAMP	1	1				

FIG. 7 INTAKE



REF. NO.	PART NO.	DESCRIPTION	225F	L225			REMARKS
1	65J-13610-01	REED VALVE ASSY	6	6			
2	65J-W0004-01	.REED SET	1	1			
3	61A-13621-A0	GASKET, VALVE SEAT	6	6			
4	97880-05016	SCREW, PAN HEAD	12	12			
5	92990-05600	WASHER, PLATE	12	12			
6	65L-13624-01-1S	PLATE, REED VALVE	1	1			
7	6F6-11372-00	.NIPPLE, HOSE	12	12			
8	90445-07M03	.HOSE	6	6			
9	97013-06030	BOLT	2	2			
10	92903-06600	WASHER, PLATE	2	2			
11	65L-13646-00	GASKET, MANIFOLD 2	1	1			
12	65L-13645-00	GASKET, MANIFOLD 1	1	1			
13	97013-06060	BOLT	12	12			
14	92903-06600	WASHER, PLATE	12	12			
15	95670-06655	BOLT, STUD	2	2			
16	90179-06M24	NUT	2	2			
17	65L-14440-00	SILENCER ASSY, INTAKE	1	1			
18	65L-14483-00	GASKET	1	1			
19	90445-07M44	HOSE	1	1			
20	90159-06M16	SCREW, WITH WASHER	6	6			

FIG. 8 OIL PUMP

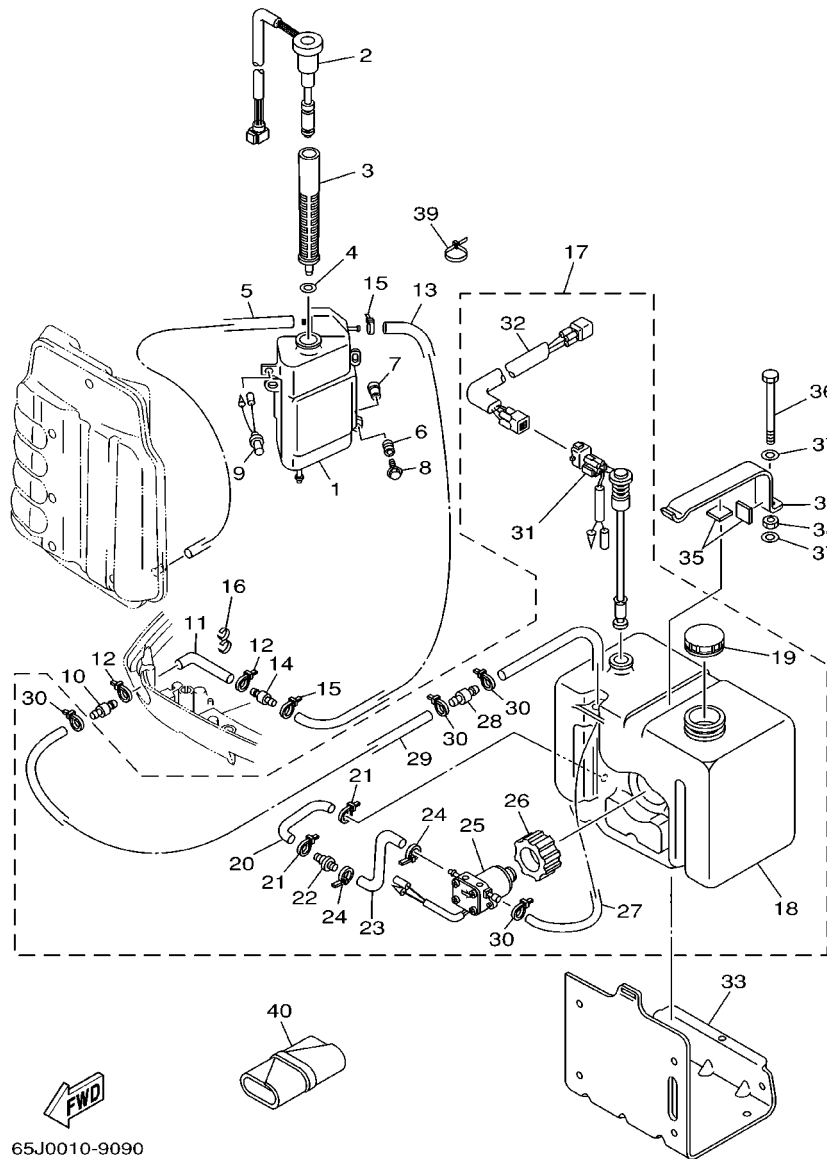


REF. NO.	PART NO.	DESCRIPTION	225F	L225				REMARKS
1	65L-13200-00	OIL INJECTION PUMP ASSY	1	1				
2	93210-19M82	.O-RING	1	1				
3	6R3-13471-00	.PLUG, DRAIN	1	1				
4	6L2-13475-00	.GASKET	1	1				
5	90109-06M40	BOLT	2	2				
6	61A-13416-00	PIPE, OIL 1	1	1				
7	90465-11M10	CLAMP	2	2				
8	65L-13183-00	VALVE, CHECK	1	1				
9	65L-24378-00	PIPE, JOINT 4	1	1				
10	90445-09220	HOSE	1	1				
11	90446-09M69	HOSE	1	1				
12	90465-11M10	CLAMP	4	4				
13	90445-07M02	HOSE	3	3				
14	90445-07M03	HOSE	3	3				
15	90468-07M02	CLIP	12	12				
16	61A-11537-00	GEAR, DRIVEN	1	1				
17	90201-09M01	WASHER, PLATE	1	1				
18	61A-13117-00	COLLAR, DISTANCE	1	1				
19	93210-18MA9	O-RING	1	1				
20	6R5-41237-00	JOINT, LINK	1	1				
21	65L-41241-00	ROD, LINK	1	1				
22	95380-05600	NUT	1	1				
23	6H1-41237-00	JOINT, LINK	1	1				
24	91490-12012	PIN, COTTER	1	1				
25	90202-05088	WASHER, PLATE	1	1				



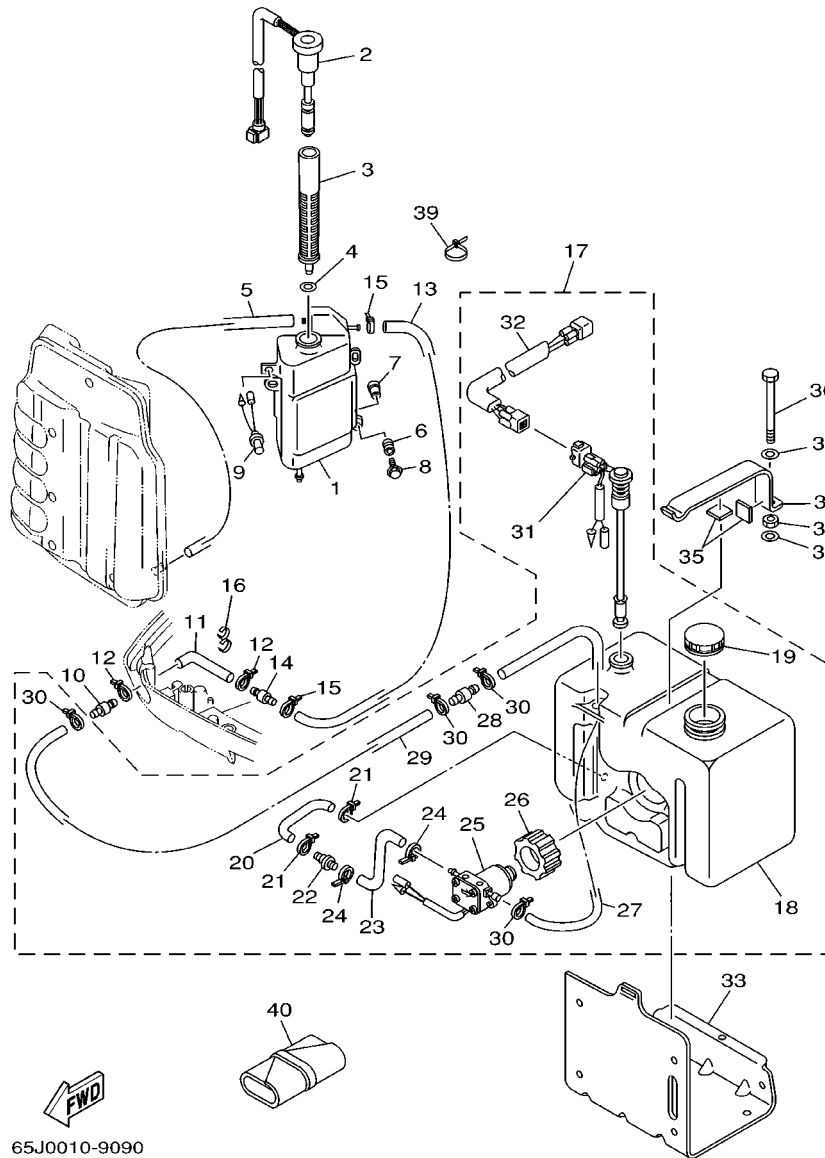
65J0010-7080

FIG. 9 OIL TANK



REF. NO.	PART NO.	DESCRIPTION	225F	L225	REMARKS
1	61A-21750-00	OIL TANK ASSY	1	1	
2	61A-85730-00	OIL LEVEL GAUGE ASSY	1	1	
3	61A-13411-00	STRAINER, OIL	1	1	
4	6E5-13414-00	GASKET, STRAINER COVER	1	1	
5	90445-05M07	HOSE	1	1	
6	6A0-82317-00	DAMPER, IGNITION COIL	3	3	
7	624-42542-00	PIPE	3	3	
8	90119-06M65	BOLT, WITH WASHER	3	3	
9	6R3-8259E-00	SWITCH ASSY	1	1	
10	6E5-24379-00	PIPE, JOINT 4	1	1	
11	90445-12M04	HOSE	1	1	
12	90465-11M10	CLAMP	2	2	
13	6E5-24323-00	PIPE 12	1	1	
14	6E5-24379-00	PIPE, JOINT 4	1	1	
15	90465-11M10	CLAMP	2	2	
16	90464-13M34	CLAMP	1	1	
17	61A-21708-03	OIL TANK SUB-ASSY	1	1	AP
18	6E5-21733-02	.SUB TANK, OIL (10.5L)	1	1	
19	6E5-21770-03	.OIL TANK CAP ASSY	1	1	
20	6E5-24322-00	.PIPE 11	1	1	
21	90465-11M10	.CLAMP	2	2	
22	646-24251-02	.STRAINER 1	1	1	
23	6E5-24319-01	.PIPE, OIL	1	1	
24	90465-11M10	.CLAMP	2	2	
25	6E5-81900-01	.OIL FEED PUMP ASSY	1	1	
26	6E5-81922-00	.GROMMET	1	1	
27	6E5-24321-01	.PIPE 10	1	1	

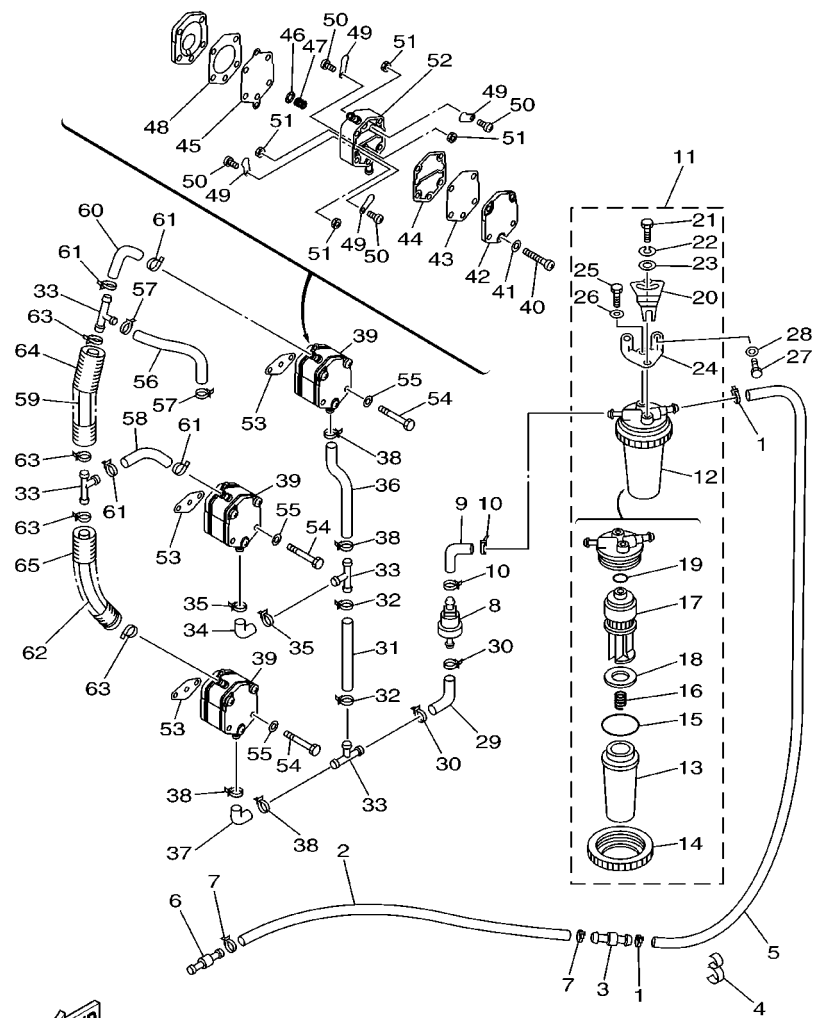
FIG. 9 OIL TANK



REF. NO.	PART NO.	DESCRIPTION	225F	L225		REMARKS
28	6E5-24379-00	.PIPE, JOINT 4	1	1		
29	90445-11M26	.HOSE (L:6500)	1	1		
30	90465-11M10	.CLAMP	4	4		
31	6E5-85720-04	.OIL LEVEL GAUGE ASSY	1	1		
32	6R3-85721-80	.WIRE, LEAD	1	1		
33	6E5-21734-01-33	HOLDER, OIL SUB TANK	1	1		AP
34	6E5-21798-01-33	BRACKET, DAMPER	1	1		AP
35	6E5-21746-00	DAMPER	2	2		AP
36	97080-06100	BOLT	1	1		AP
37	92990-06600	WASHER, PLATE	2	2		AP
38	95380-06600	NUT, HEXAGON	1	1		AP
39	90465-13M11	CLAMP	2	2		AP
40	656-W2810-02	TOOL KIT	1	1		AP

65J0010-9090

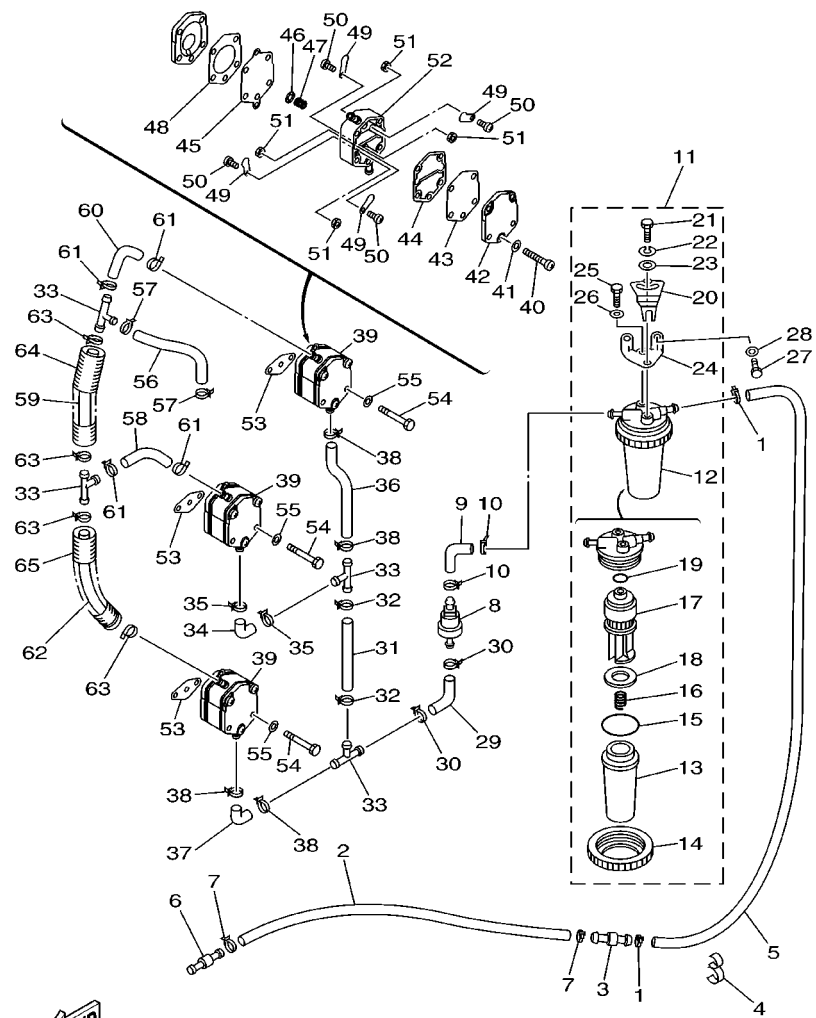
FIG. 10 FUEL 1



65J0010-9101

REF. NO.	PART NO.	DESCRIPTION	225F	L225				REMARKS
1	90465-11M10	CLAMP	2	2				
2	90445-13M17	HOSE	1	1				
3	6R3-24377-00	PIPE, JOINT 3	1	1				
4	90464-13M34	CLAMP	2	2				
5	61A-24313-00	PIPE 3	1	1				
6	6R3-24377-00	PIPE, JOINT 3	1	1				
7	90465-11M10	CLAMP	2	2				
8	6R5-24408-00	FUEL FEED ASSY	1	1				
9	61A-24311-00	PIPE, FUEL 1	1	1				
10	90465-11M10	CLAMP	2	2				
11	65L-24409-00	WATER SEPARATOR ASSY	1	1				
12	65L-24560-00	.FILTER ASSY	1	1				
13	61A-24521-00	..CUP, FILTER	1	1				
14	61A-24531-00	..NUT	1	1				
15	61A-24564-00	..GASKET	1	1				
16	65L-24577-00	..SPRING	1	1				
17	65L-24563-00	..ELEMENT, FILTER	1	1				
18	61A-24469-00	..FLOAT, WATER LEVEL	1	1				
19	65L-24564-00	..O-RING	1	1				
20	65L-24558-00	..HOLDER, FILTER	1	1				
21	97095-06016	..BOLT	1	1				
22	92995-06100	..WASHER, SPRING	1	1				
23	90201-06068	..WASHER, PLATE	1	1				
24	61A-24566-00	..BRACKET, FILTER	1	1				
25	97095-06014	..BOLT	1	1				
26	92995-06600	..WASHER	1	1				
27	97095-06016	BOLT	2	2				

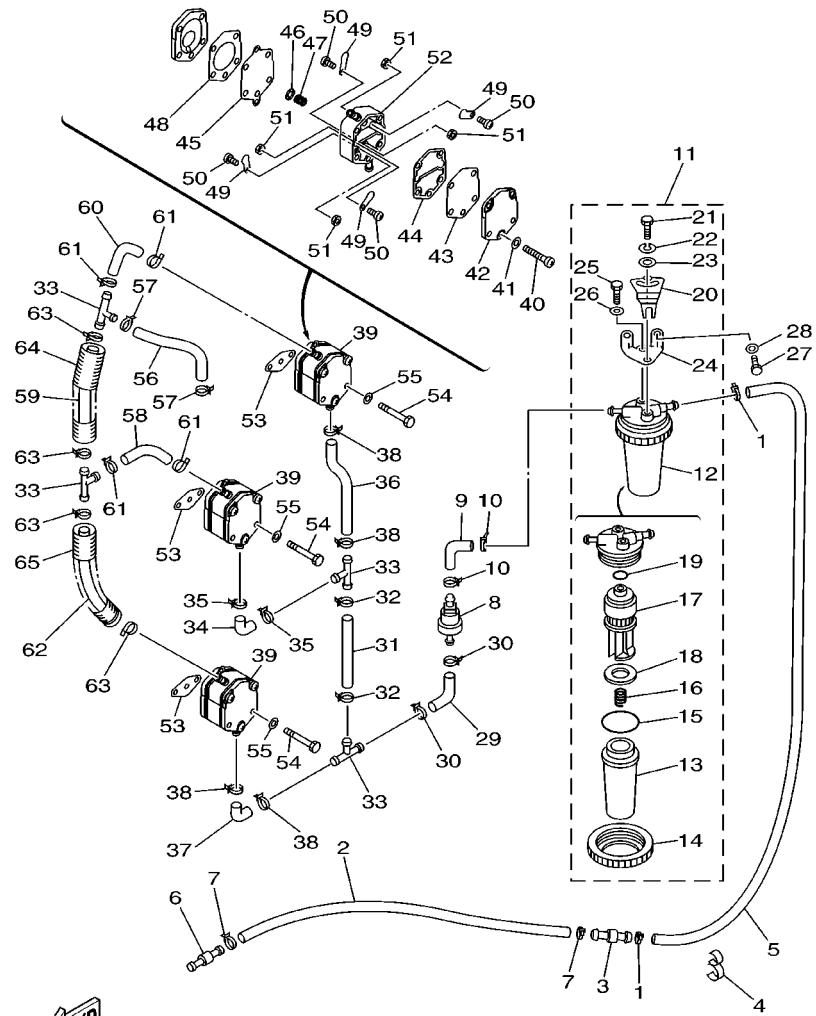
FIG. 10 FUEL 1



65J0010-9101

REF. NO.	PART NO.	DESCRIPTION	225F	L225				REMARKS
28	92995-06600	WASHER	2	2				
29	61A-24311-00	PIPE, FUEL 1	1	1				
30	90465-11M10	CLAMP	2	2				
31	6G5-24317-01	PIPE 7	1	1				
32	90465-11M10	CLAMP	2	2				
33	6E5-24378-00	PIPE, JOINT 4	4	4				
34	6E5-24315-00	PIPE 5	1	1				
35	90465-11M10	CLAMP	2	2				
36	6G5-24315-00	PIPE 5	1	1				
37	6E5-24315-00	PIPE 5	1	1				
38	90465-11M10	CLAMP	4	4				
39	6E5-24410-03	FUEL PUMP ASSY	3	3				
40	98503-05035	.SCREW, PAN HEAD	3	3				
41	92903-05600	.WASHER, PLATE	3	3				
42	6E5-24413-00	.BODY 2	1	1				
43	6E5-24471-00	.DIAPHRAGM	1	1				
44	6E5-24435-00	.GASKET, BODY 2	1	1				
45	6E5-24411-00	.DIAPHRAGM	1	1				
46	648-24424-00	.SEAT, SPRING	1	1				
47	6E5-24423-00	.SPRING, DIAPHRAGM	1	1				
48	6E5-24434-02	.GASKET, BODY	1	1				
49	6A0-24421-01	.VALVE, CHECK	4	4				
50	6A0-14325-00	.SCREW, PAN HEAD	4	4				
51	95380-03600	.NUT	4	4				
52	6E5-24412-10	.BODY 1	1	1				
53	650-24431-A0	.GASKET, FUEL PUMP 1	3	3				
54	97095-06050	BOLT	6	6				

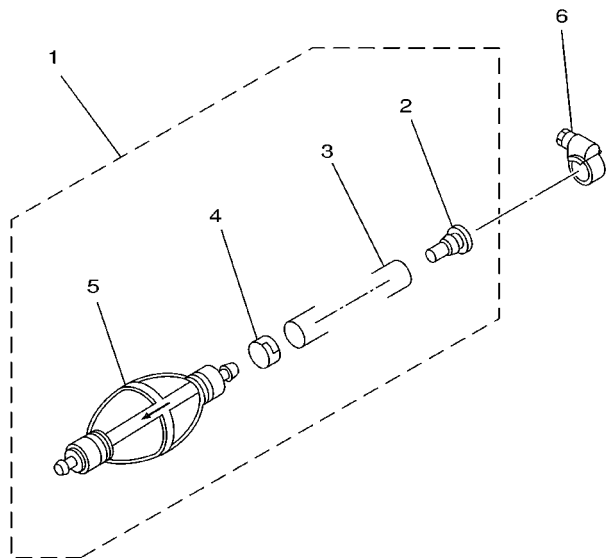
FIG. 10 FUEL 1



65J0010-9101

REF. NO.	PART NO.	DESCRIPTION	225F	L225				REMARKS
55	92995-06600	WASHER	6	6				
56	6G5-24317-01	PIPE 7	1	1				
57	90465-11M10	CLAMP	2	2				
58	6G5-24316-10	PIPE 6	1	1				
59	90445-13M14	HOSE	1	1				
60	61A-24311-00	PIPE, FUEL 1	1	1				
61	90465-11M10	CLAMP	4	4				
62	6E5-24313-00	PIPE 3	1	1				
63	90465-11M10	CLAMP	4	4				
64	6E9-83557-70	TUBE	1	1				
65	65L-83557-00	TUBE	1	1				

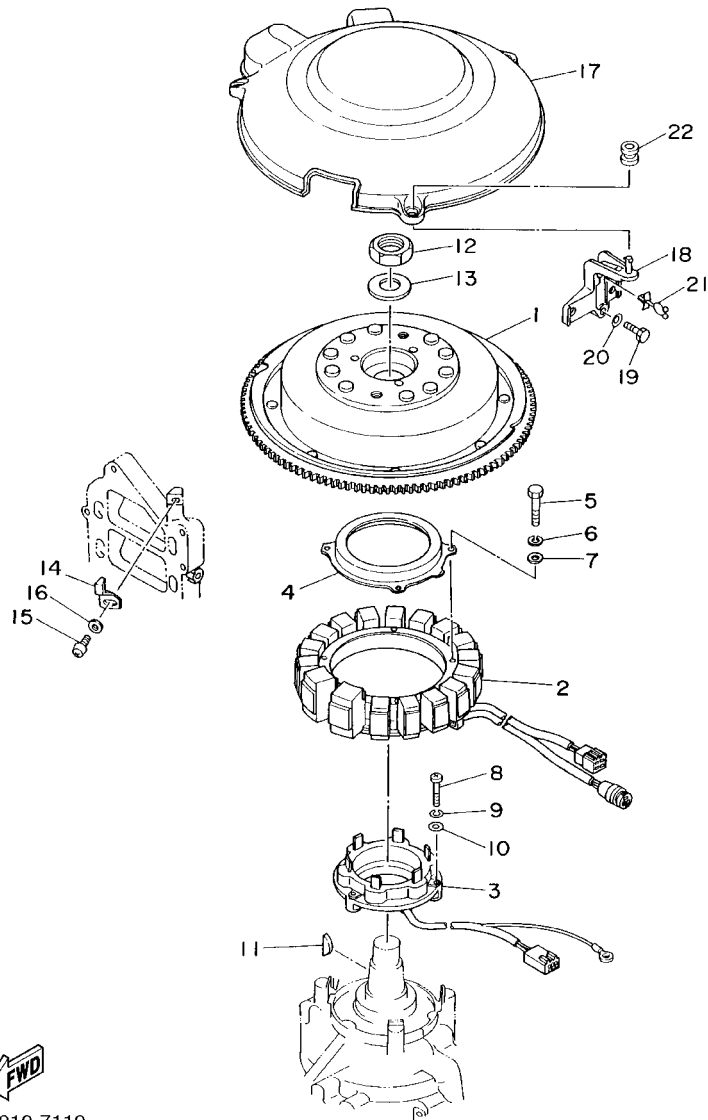
FIG. 11 FUEL 2



REF. NO.	PART NO.	DESCRIPTION	225F	L225				REMARKS
1	6Y2-24307-40	FUEL PIPE COMP. 2	1	1				AP
2	90480-06M19	.GROMMET	1	1				
3	90445-13M01	.HOSE (L:2050)	1	1				
4	6E5-24351-51	.BAND 1	1	1				
5	6Y2-24360-51	.PRIMER PUMP ASSY	1	1				
6	90450-10M07	HOSE CLAMP ASSY	1	1				AP


67H0100-9110

FIG. 12 GENERATOR

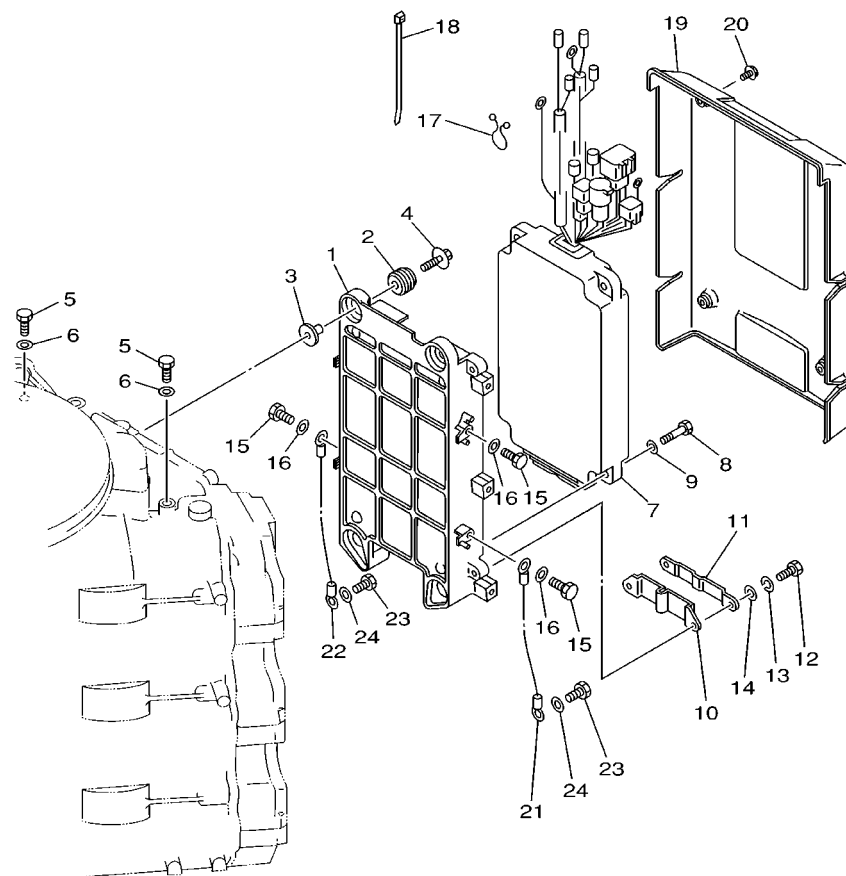


REF. NO.	PART NO.	DESCRIPTION	225F	L225				REMARKS
1	61A-85550-01	ROTOR ASSY	1	1				
2	61A-85510-02	STATOR ASSY	1	1				
3	61A-85580-00	COIL, PULSER	1	1				
4	61A-83721-00	COVER	1	1				
5	97013-06035	BOLT	4	4				
6	92903-06100	WASHER, SPRING	4	4				
7	92903-06600	WASHER, PLATE	4	4				
8	97885-05030	SCREW, PAN HEAD	3	3				
9	92995-05100	WASHER	3	3				
10	92995-05600	WASHER	3	3				
11	90280-05015	KEY, WOODRUFF	1	1				
12	90170-24M22	NUT	1	1				
13	90201-25M02	WASHER, PLATE	1	1				
14	6E5-81332-00	PLATE, TIMING	1	1				
15	97885-06010	SCREW, PAN HEAD	1	1				
16	92995-06600	WASHER	1	1				
17	61A-81337-01	COVER, FLYWHEEL	1	1				
18	65L-81338-00-1S	CLAMP, LEAD	1	1				
19	97013-06025	BOLT	1	1				
20	92903-06600	WASHER, PLATE	1	1				
21	90464-18M46	CLAMP	1	1				
22	663-82317-01	DAMPER, IGNITION COIL	3	3				


65J0010-7110

D1

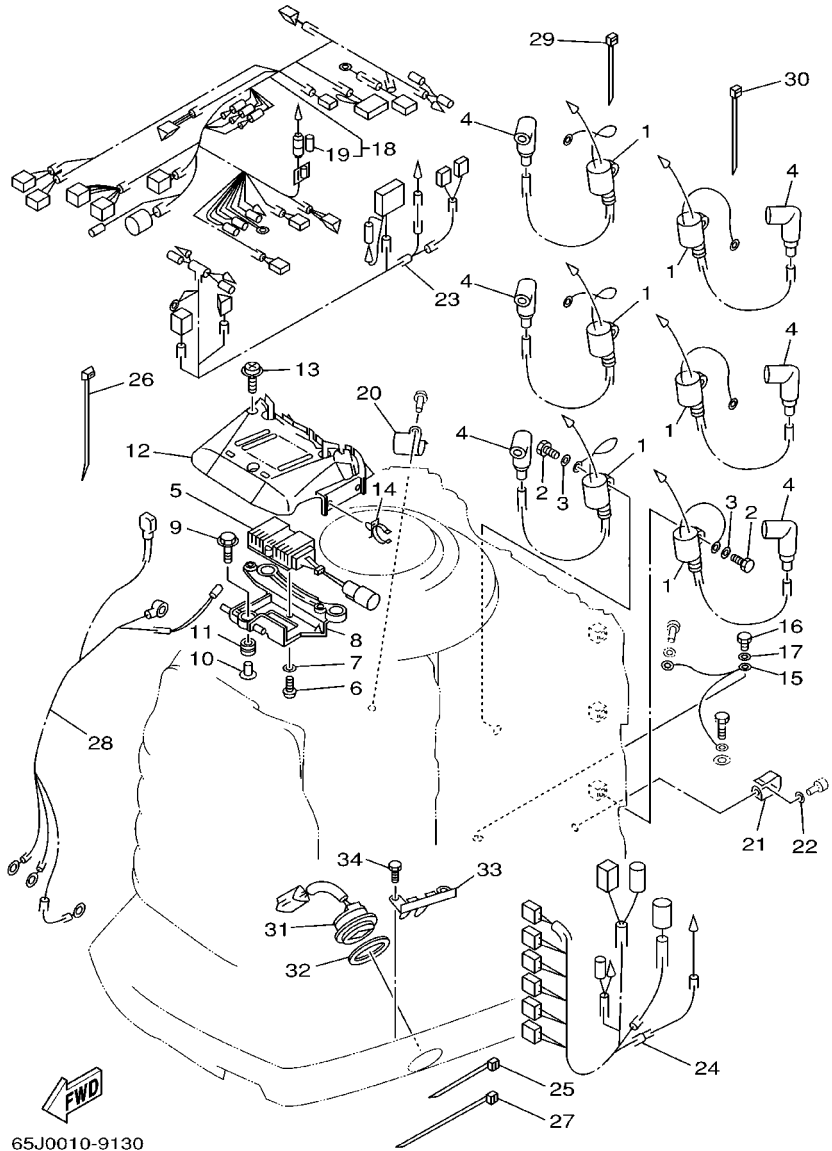
FIG. 13 ELECTRICAL 1



65J0010-9120

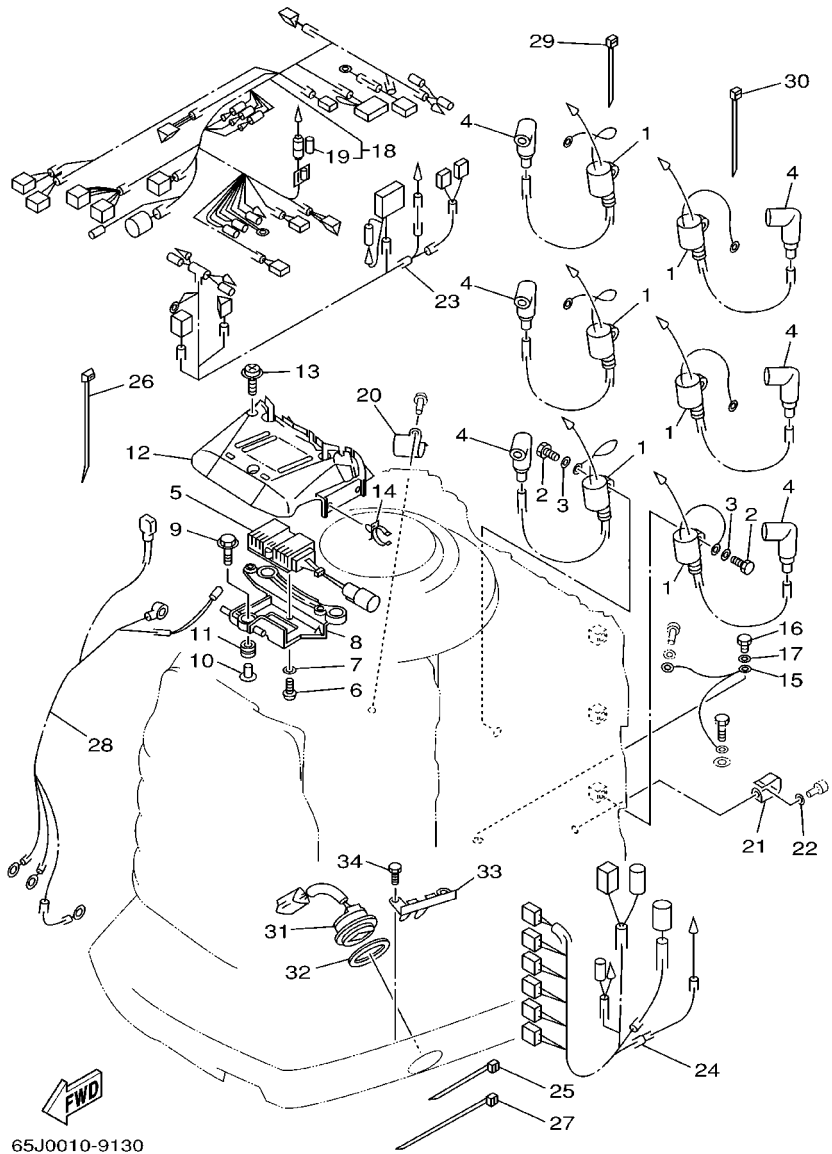
REF. NO.	PART NO.	DESCRIPTION	225F	L225			REMARKS
1	61A-85542-01-94	BRACKET	1	1			
2	90480-09M12	GROMMET	4	4			
3	90387-06M03	COLLAR	4	4			
4	90119-06M28	BOLT, WITH WASHER	4	4			
5	97013-06016	BOLT	2	2			
6	92903-06600	WASHER, PLATE	2	2			
7	65J-85540-01	C.D.I. UNIT ASSY	1	1			
8	97013-06025	BOLT	4	4			
9	92903-06600	WASHER, PLATE	4	4			
10	61A-85548-00	HOLDER	1	1			
11	61A-85525-00	COVER	1	1			
12	97095-06016	BOLT	2	2			
13	92995-06100	WASHER, SPRING	2	2			
14	92995-06600	WASHER	2	2			
15	97013-06014	BOLT	4	4			
16	92903-06600	WASHER, PLATE	4	4			
17	90464-15M11	CLAMP	1	1			
18	90465-11M52	CLAMP	1	1			
19	61A-85537-00	COVER	1	1			
20	90159-06M03	SCREW, WITH WASHER	4	4			
21	61A-82519-00	WIRE, EARTH LEAD	1	1			
22	6G0-82519-00	WIRE, EARTH LEAD	1	1			
23	97095-06012	BOLT	2	2			
24	92995-06600	WASHER	2	2			

FIG. 14 ELECTRICAL 2



65J0010-9130

REF. NO.	PART NO.	DESCRIPTION	225F	L225				REMARKS
1	61A-85570-00	IGNITION COIL ASSY	6	6				
2	97013-06020	BOLT	6	6				
3	92903-06600	WASHER, PLATE	6	6				
4	6E3-82370-20	PLUG CAP ASSY	6	6				
5	65L-85370-00	RESISTOR ASSY	1	1				
6	97885-05010	SCREW, PAN HEAD	2	2				
7	92995-05600	WASHER	2	2				
8	65L-81915-00-94	PLATE, REGULATOR FITTING	1	1				
9	90119-06M65	BOLT, WITH WASHER	3	3				
10	90387-06M60	COLLAR	3	3				
11	90480-10M23	GROMMET	3	3				
12	65L-81916-00	COVER, TERMINAL	1	1				
13	90159-06M03	SCREW, WITH WASHER	2	2				
14	90464-19M45	CLAMP	2	2				
15	61A-82531-00	WIRE, LEAD	1	1				
16	97095-06012	BOLT	1	1				
17	92995-06600	WASHER	1	1				
18	65L-82590-00	WIRE HARNESS ASSY	1	1				
19	65L-82151-00	.FUSE	1	1				
20	90465-08M89	CLAMP	1	1				
21	90465-05M87	CLAMP	1	1				
22	92903-06600	WASHER, PLATE	1	1				
23	65L-8259M-00	WIRE HARNESS ASSY 2	1	1				
24	65L-8259N-00	WIRE HARNESS ASSY 3	1	1				
25	90465-11M10	CLAMP	1	1				
26	90465-11M52	CLAMP	1	1				
27	90465-13M18	CLAMP	1	1				

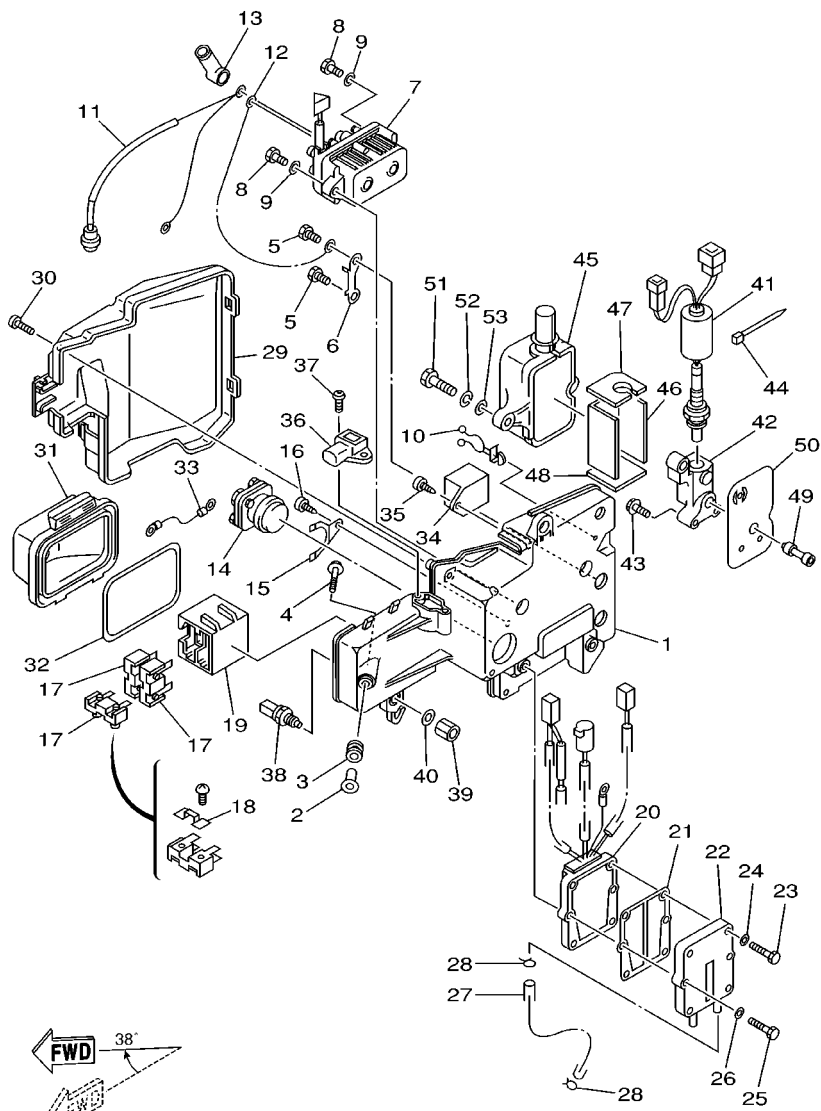


65J0010-9130

FIG. 14 ELECTRICAL 2

REF. NO.	PART NO.	DESCRIPTION	225F	L225				REMARKS
28	61A-82105-00	WIRE HARNESS	1	1				
29	90465-11M10	CLAMP	1	1				
30	90465-13M18	CLAMP	1	1				
31	61A-82563-00	TRIM & TILT SWITCH ASSY	1	1				
32	6E5-82587-00	GASKET	1	1				
33	61A-83614-00	BRACKET	1	1				
34	97095-06012	BOLT	2	2				

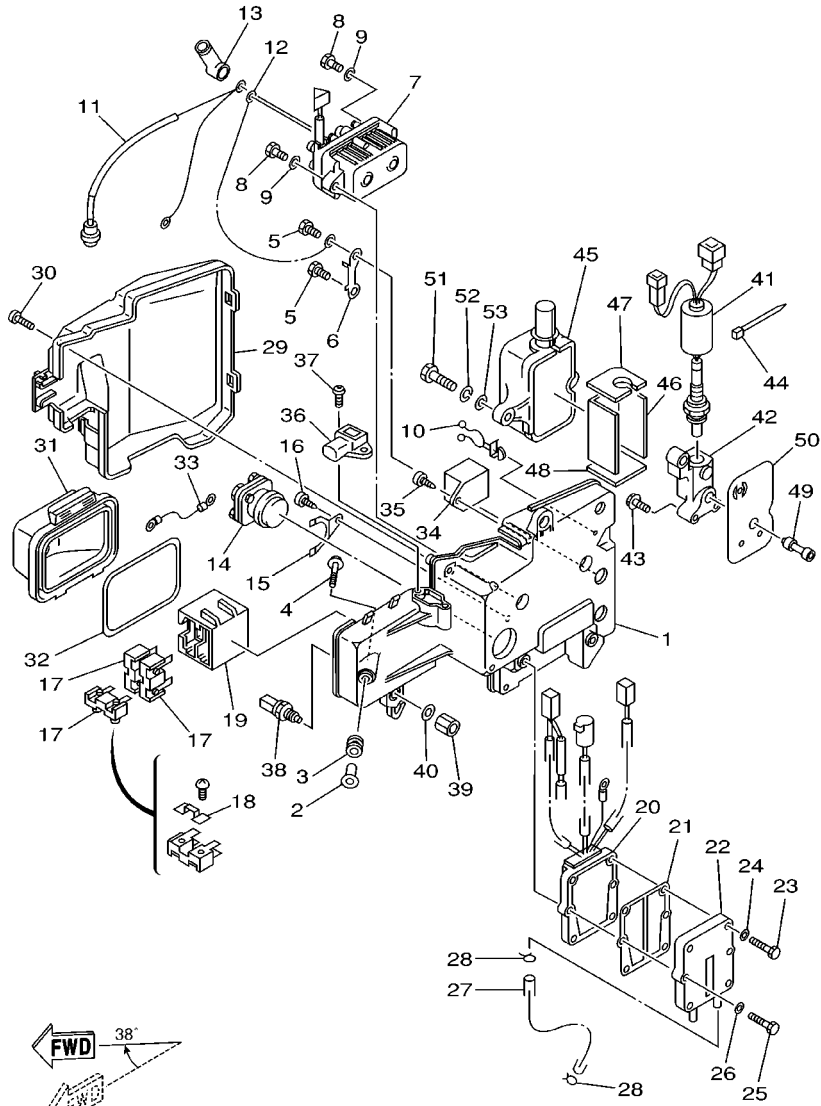
FIG. 15 ELECTRICAL 3



65J0010-0140

REF. NO.	PART NO.	DESCRIPTION	225F	L225				REMARKS
1	65L-81948-00	BRACKET	1	1				
2	624-42542-00	PIPE	5	5				
3	6A0-82317-00	DAMPER, IGNITION COIL	5	5				
4	90119-06M65	BOLT, WITH WASHER	5	5				
5	97013-06014	BOLT	2	2				
6	61A-87149-00	CONNECTOR	1	1				
7	61A-81950-00	RELAY ASSY	1	1				
8	97013-06030	BOLT	2	2				
9	92903-06600	WASHER, PLATE	2	2				
10	90464-18M46	CLAMP	1	1				
11	61A-81949-10	WIRE, LEAD	1	1				
12	61A-81949-00	WIRE, LEAD	1	1				
13	6G5-82119-00	COVER, LEAD WIRE	1	1				
14	61A-81941-00	STARTER RELAY ASSY	1	1				
15	61A-81952-00	HOLDER, RELAY	1	1				
16	97780-50612	SCREW, TAPPING	1	1				
17	61A-82150-00	FUSE HOLDER ASSY	3	3				
18	61A-82151-00	.FUSE (12V-80A)	1	1				
19	61A-82153-00	STAY, FUSE HOLDER	1	1				
20	61A-81960-01	RECTIFIER & REGULATOR ASSY	1	1				
21	61A-81975-A0	PLATE, RECTIFIER FITTING	1	1				
22	61A-81972-00-1S	COVER, RECTIFIER	1	1				
23	97013-06025	BOLT	4	4				
24	92903-06600	WASHER, PLATE	4	4				
25	97013-06030	BOLT	2	2				
26	92903-06600	WASHER, PLATE	2	2				
27	90445-09224	HOSE	1	1				

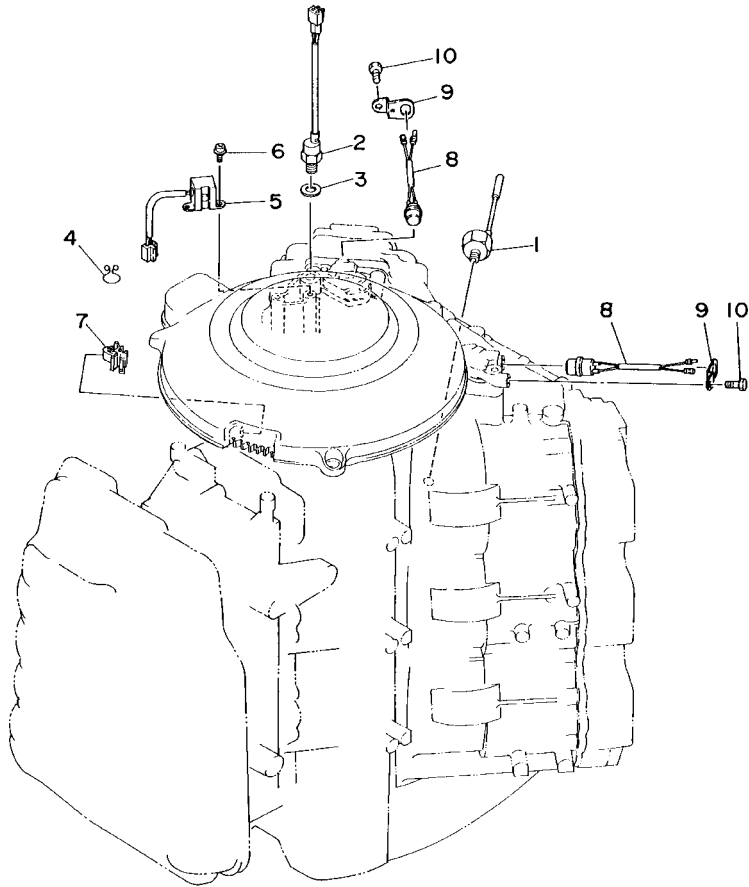
FIG. 15 ELECTRICAL 3



65J0010-0140

REF. NO.	PART NO.	DESCRIPTION	225F	L225				REMARKS
28	90467-08004	CLIP	2	2				
29	65L-81942-00	COVER	1	1				
30	90169-05M00	SCREW, TRUSS HEAD TAPPING	2	2				
31	61A-82154-01	CASE	1	1				
32	61A-82176-00	DAMPER	1	1				
33	61A-82117-00	WIRE, LEAD	1	1				
34	65L-81950-00	RELAY ASSY	1	1				
35	97780-60625	SCREW, TAPPING	1	1				
36	67H-82380-00	SENSOR, PRESSURE	1	1				
37	97780-60625	SCREW, TAPPING	2	2				
38	65L-85886-00	THERMOSENSOR	1	1				
39	90170-12M36	NUT	1	1				
40	90201-12M34	WASHER, PLATE	1	1				
41	65L-8592A-00	SENSOR	1	1				
42	65L-11395-00	HOLDER	1	1				
43	90119-06M74	BOLT, WITH WASHER	3	3				
44	90465-13M18	CLAMP	1	1				
45	65L-85832-00	CASE, UNDER	1	1				
46	65L-11354-00	GASKET	1	1				
47	65L-1131N-00	GASKET, HOLDER	1	1				
48	65L-11396-00	GASKET, HOLDER	1	1				
49	65L-11353-10	JOINT	1	1				
50	65L-11357-00	SEAL, CYLINDER 3	1	1				
51	97095-06030	BOLT	2	2				
52	92995-06100	WASHER, SPRING	2	2				
53	92995-06600	WASHER	2	2				

FIG. 16 ELECTRICAL 4

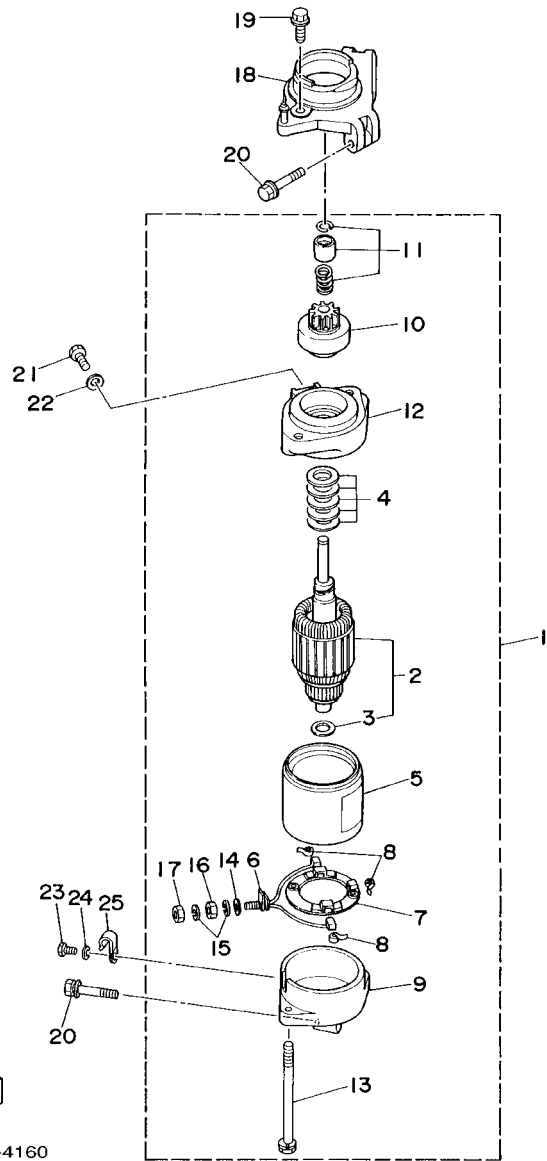


REF. NO.	PART NO.	DESCRIPTION	225F	L225				REMARKS
1	61A-85780-00	SENSOR, KNOCK	1	1				
2	61A-85790-00	THERMOSENSOR ASSY	1	1				
3	92990-10600	WASHER, PLATE	1	1				
4	90464-12M48	CLAMP	1	1				
5	61A-85895-00	CRANK POSITION SENDER	1	1				
6	97885-05012	SCREW, PAN HEAD	2	2				
7	90464-09M47	CLAMP	1	1				
8	61A-82560-00	THERMO SWITCH ASSY	2	2				
9	61A-8252U-00	COVER	2	2				
10	97080-06012	BOLT	2	2				



65J0010-7150

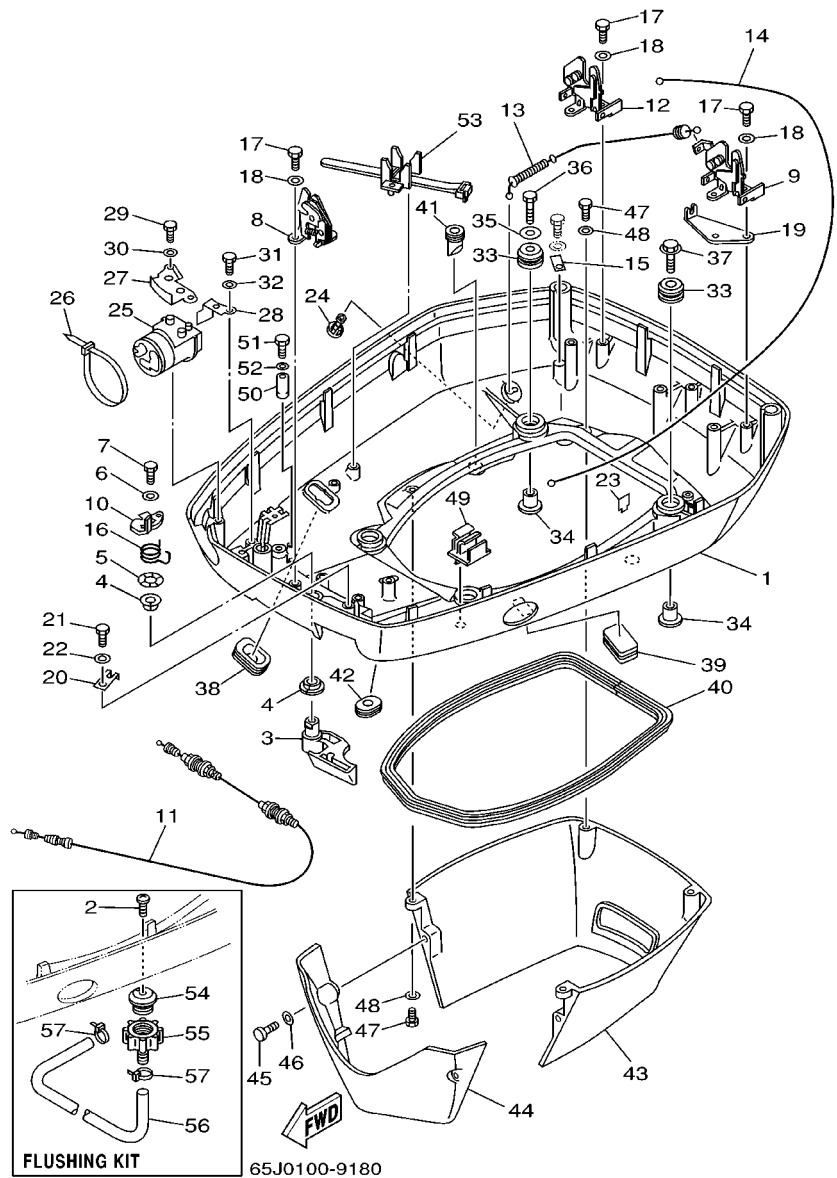
FIG. 17 STARTING MOTOR



61A0010-4160

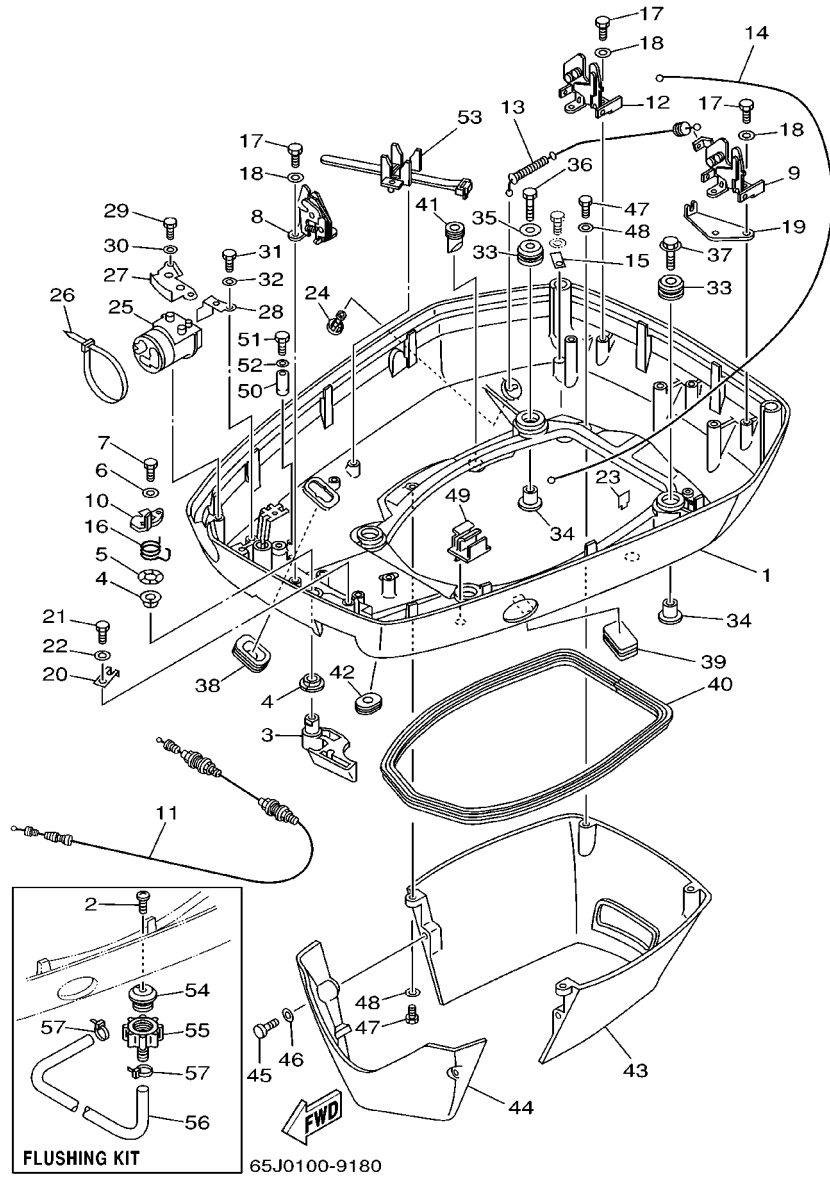
REF. NO.	PART NO.	DESCRIPTION	225F	L225				REMARKS
1	61A-81800-01	STARTING MOTOR ASSY	1	1				
2	61A-81850-01	.ARMATURE ASSY	1	1				
3	61A-81824-00	.WASHER 2	1	1				
4	61A-81809-00	.WASHER KIT	1	1				
5	6K7-81810-10	.STATOR ASSY	1	1				
6	6K7-81801-10	.BRUSH SET	1	1				
7	61A-81840-00	.BRUSH HOLDER ASSY	1	1				
8	6E5-81813-10	.SPRING, BRUSH	3	3				
9	61A-81820-00	.REAR BRACKET ASSY	1	1				
10	61A-81807-00	.GEAR ASSY, STARTING MOTOR	1	1				
11	61H-81857-00	.RETAINER	1	1				
12	61A-81830-00	.FRONT BRACKET ASSY	1	1				
13	6K7-81826-10	.BOLT	2	2				
14	6E5-8182E-10	.WASHER	1	1				
15	6E5-8182F-10	.WASHER	2	2				
16	6E5-8182A-10	.NUT	1	1				
17	6E5-8182K-10	.NUT	1	1				
18	61A-81822-00-94	BRACKET, STARTING MOTOR	1	1				
19	90119-08M76	BOLT, WITH WASHER	2	2				
20	90119-08M77	BOLT, WITH WASHER	3	3				
21	97095-08016	BOLT	1	1				
22	92995-08600	WASHER	1	1				
23	97095-06012	BOLT	1	1				
24	92995-06600	WASHER	1	1				
25	90465-06M86	CLAMP	1	1				

FIG. 18 BOTTOM COWLING



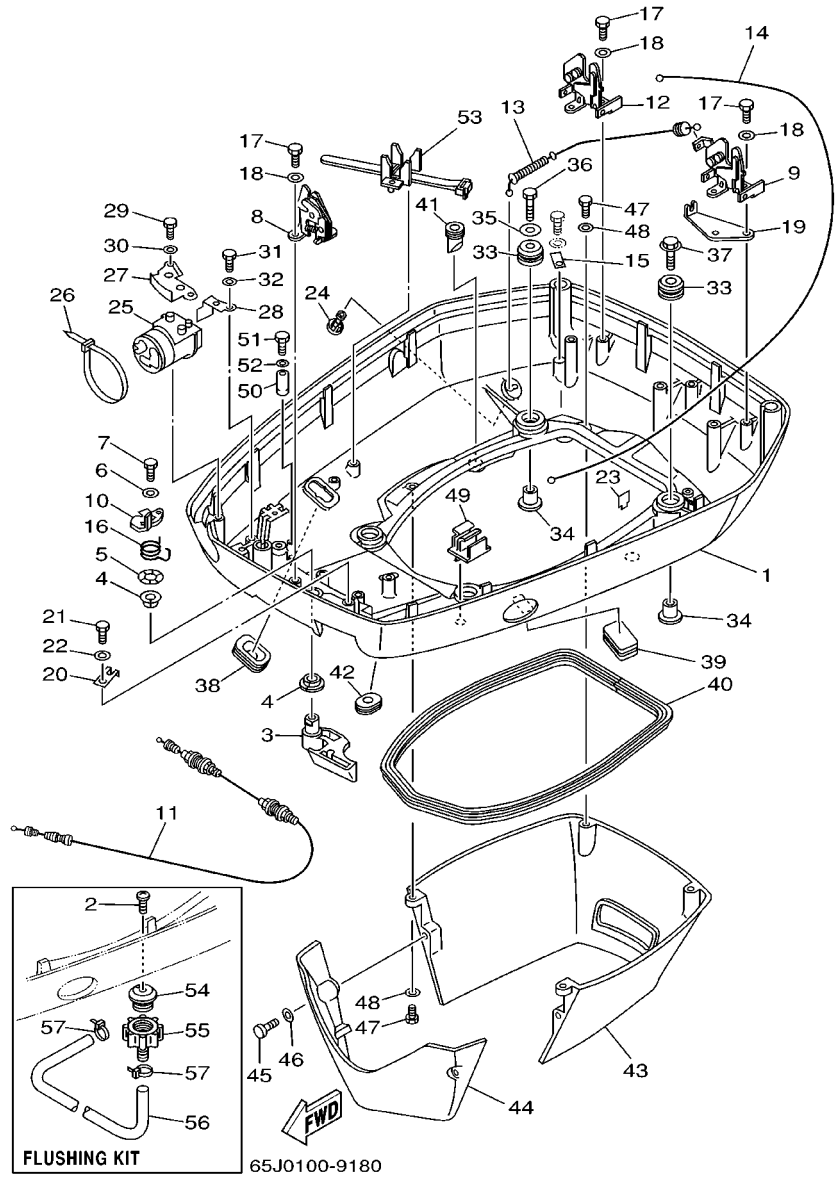
REF. NO.	PART NO.	DESCRIPTION	225F	L225			REMARKS
1	61A-42711-05-8D	COWLING, BOTTOM	1	1			
2	90169-05M00	SCREW, TRUSS HEAD TAPPING	1	1			FLUSHING KIT
3	61A-42815-01-8D	LEVER, CLAMP	1	1			
4	90386-13M88	BUSH	2	2			
5	90206-13M10	WASHER, WAVE	1	1			
6	90201-06M30	WASHER, PLATE	1	1			
7	90109-06M50	BOLT	1	1			
8	6R3-42824-00	BASE, CLAMP LEVER	1	1			
9	6R3-42811-01	STAY	1	1			
10	6R3-42816-00	LEVER, CLAMP	1	1			
11	6R3-42850-10	WIRE COMPLETE	1	1			
12	6R3-42811-10	STAY	1	1			
13	61A-42850-01	WIRE COMPLETE	1	1			
14	61A-42850-20	WIRE COMPLETE	1	1			
15	682-44117-00	BRACKET	1	1			
16	6R3-42813-00	SPRING, CLAMP LEVER	1	1			
17	97095-06016	BOLT	6	6			
18	92995-06600	WASHER	6	6			
19	6N7-42828-00	PLATE, CLAMP	1	1			
20	6R3-42828-00	PLATE, CLAMP	1	1			
21	97095-06010	BOLT	1	1			
22	92995-06600	WASHER	1	1			
23	6N7-42841-00	MARK, CLAMP	1	1			
24	6E5-44391-00	NIPPLE, HOSE	1	1			
25	61A-42725-12	GROMMET	1	1			
26	90465-13M30	CLAMP	1	1			
27	61A-42738-02-5B	PLATE, FITTING	1	1			

FIG. 18 BOTTOM COWLING



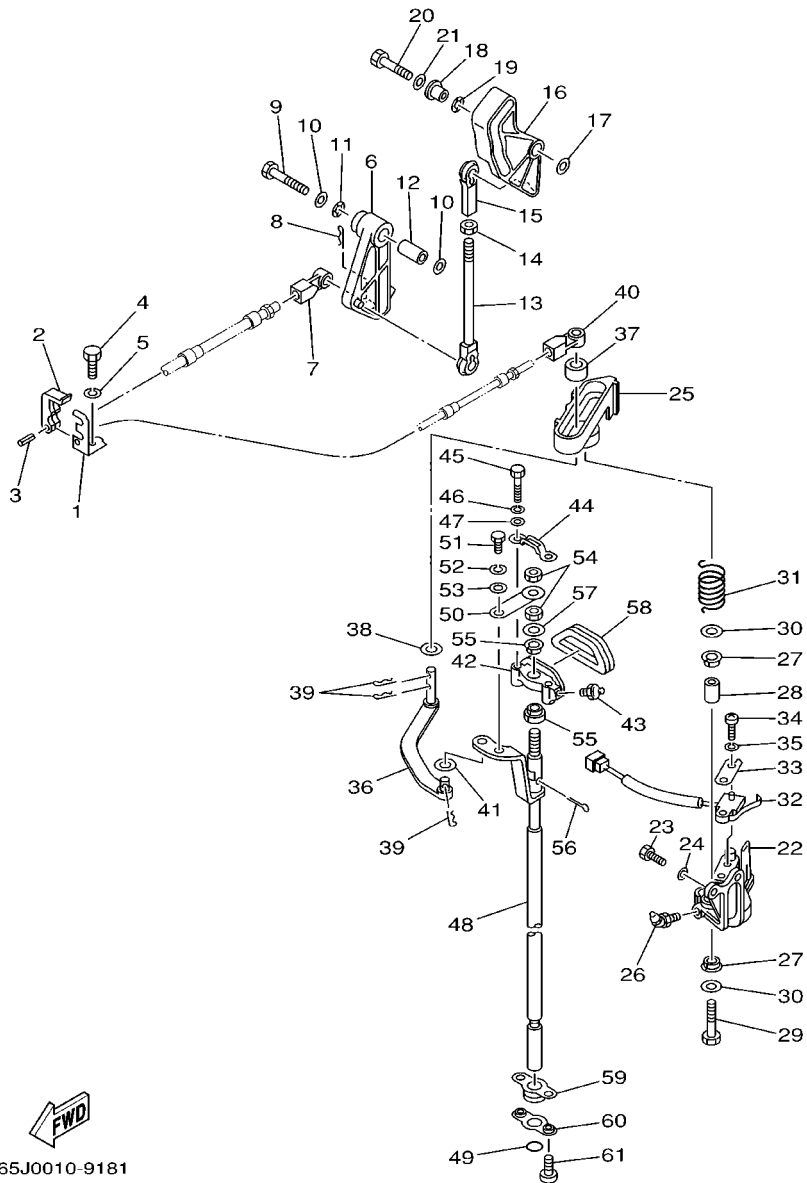
REF. NO.	PART NO.	DESCRIPTION	225F	L225				REMARKS
28	64D-42738-10-5B	PLATE, FITTING	1	1				
29	97095-06016	BOLT	2	2				
30	92995-06600	WASHER	2	2				
31	97095-06012	BOLT	1	1				
32	92995-06600	WASHER	1	1				
33	90480-22M15	GROMMET	4	4				
34	90387-08M37	COLLAR	4	4				
35	90201-08M54	WASHER, PLATE	1	1				
36	97075-08035	BOLT	1	1				
37	90119-08M22	BOLT, WITH WASHER	3	3				
38	688-42726-10	GROMMET	1	1				
39	6H4-42726-00	GROMMET	1	1				
40	61A-42716-00	RUBBER, SEAL 1	1	1				
41	61A-42717-00	RUBBER, SEAL 2	4	4				
42	61A-42727-00	GROMMET	1	1				
43	61A-42741-01-8D	APRON	1	1				
44	61A-42771-01-8D	APRON	1	1				
45	97095-06030	BOLT	2	2				
46	92995-06600	WASHER	2	2				
47	97095-06020	BOLT	4	4				
48	92995-06600	WASHER	4	4				
49	6E5-82594-00	CLAMP	1	1				
50	6E5-82588-00	PLATE	1	1				
51	97095-06020	BOLT	1	1				
52	92995-06600	WASHER	1	1				
53	688-82594-00	CLAMP	1	1				
54	6R3-12572-00	ADAPTER	1	1				FLUSHING KIT

FIG. 18 BOTTOM COWLING



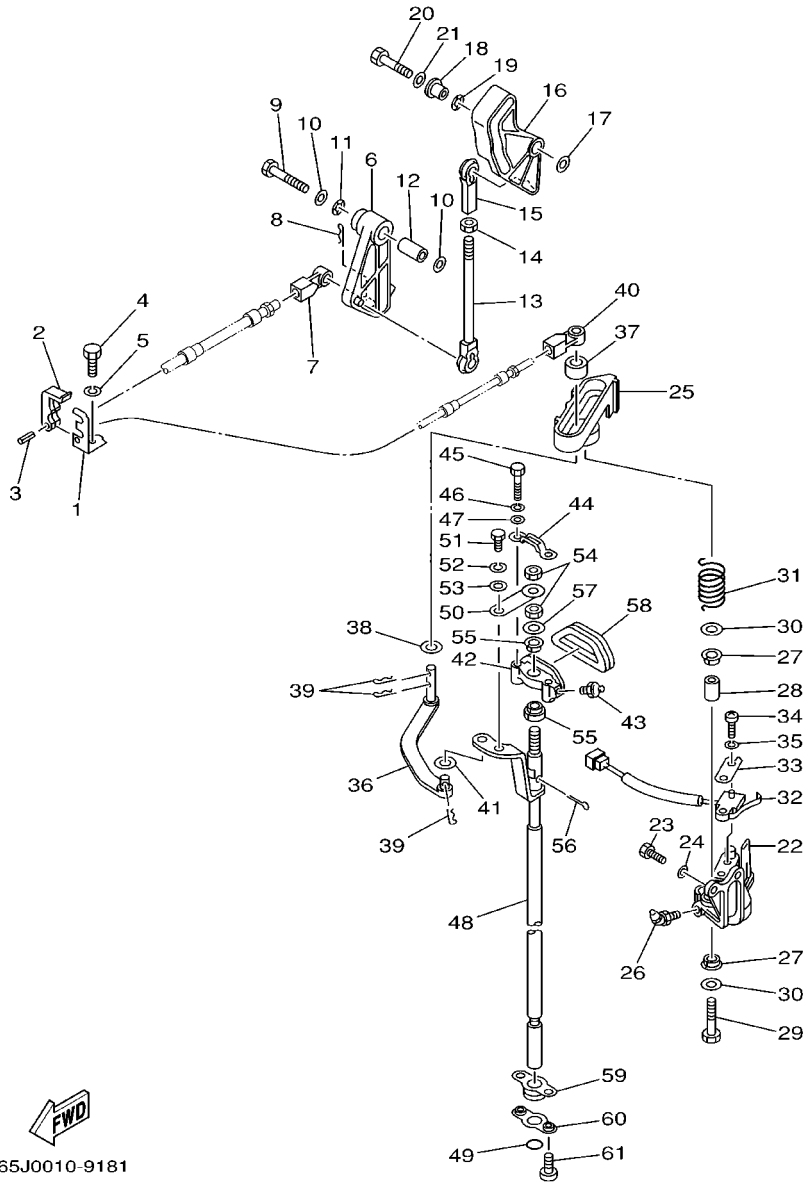
REF. NO.	PART NO.	DESCRIPTION	225F	L225		REMARKS
55	6R3-12580-00	JOINT ASSY	1	1		FLUSHING KIT
56	90445-11M36	HOSE	1	1		FLUSHING KIT
57	90465-11M10	CLAMP	2	2		FLUSHING KIT

FIG. 19 CONTROL



65J0010-9181

REF. NO.	PART NO.	DESCRIPTION	225F	L225				REMARKS
1	65L-48531-00	BRACKET, REMOTE CONTROL 1	1	1				
2	663-48538-00	CLAMP, CABLE 1	1	1				
3	91690-30010	PIN, SPRING	1	1				
4	97095-08020	BOLT	1	1				
5	92995-08100	WASHER	1	1				
6	65L-41632-00	LEVER, MAGNETO CONTROL	1	1				
7	6E5-48344-00	CABLE END, REMOTE CONTROL	1	1				
8	90468-18008	CLIP	1	1				
9	97013-08045	BOLT	1	1				
10	92990-08200	WASHER, PLAIN	2	2				
11	90206-12M00	WASHER, WAVE	1	1				
12	90387-08M16	COLLAR	1	1				
13	61A-41237-00	JOINT, LINK	1	1				
14	95380-05600	NUT	1	1				
15	682-41237-00	JOINT, LINK	1	1				
16	65L-41213-00	CAM, ACCEL.	1	1				
17	90201-06M31	WASHER, PLATE	1	1				
18	90387-06M29	COLLAR	1	1				
19	90206-10M04	WASHER, WAVE	1	1				
20	97013-06030	BOLT	1	1				
21	92903-06600	WASHER, PLATE	1	1				
22	61A-44117-00-1S	BRACKET	1	1				
23	97095-06016	BOLT	2	2				
24	92995-06600	WASHER	2	2				
25	61A-44176-00-1S	BRACKET	1	1				
26	93700-06M01	NIPPLE, GREASE	1	1				
27	90386-12069	BUSH	2	2				

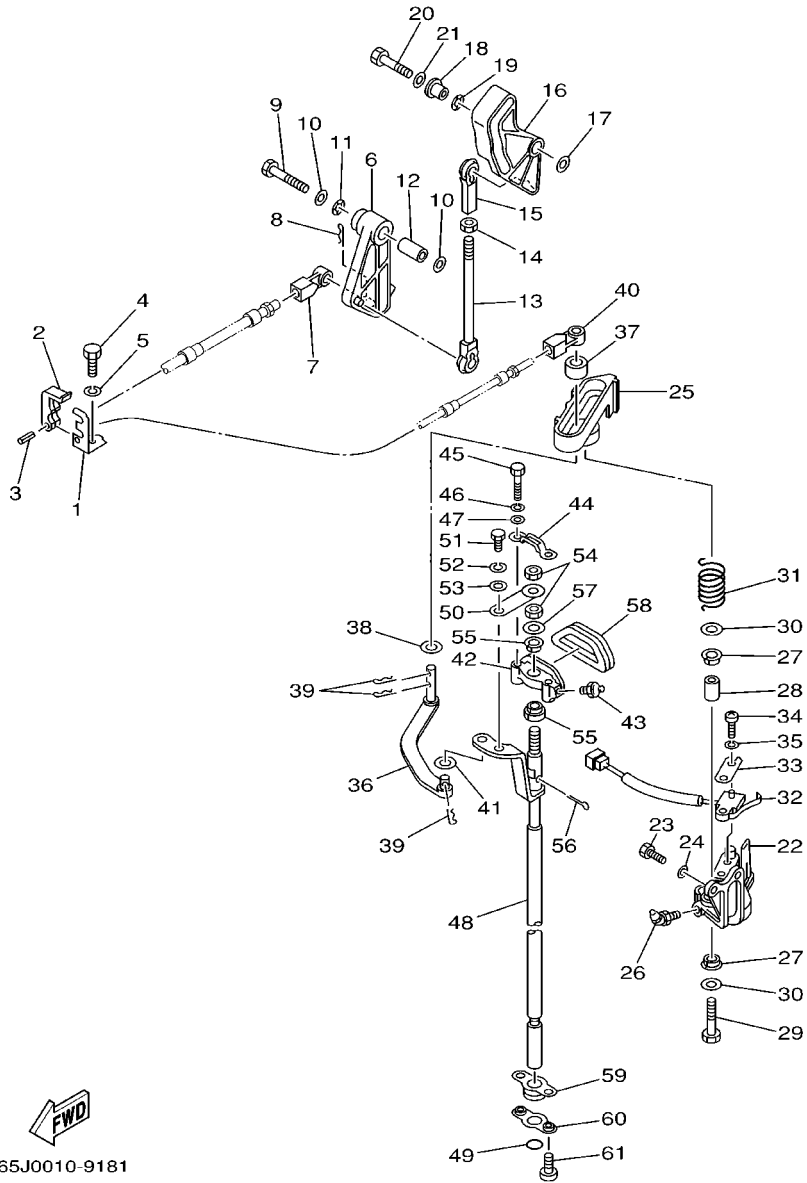


65J0010-9181

FIG. 19 CONTROL

REF. NO.	PART NO.	DESCRIPTION	225F	L225			REMARKS
28	90387-08M09	COLLAR	1	1			
29	97095-08035	BOLT	1	1			
30	92995-08200	WASHER	2	2			
31	90508-20M31	SPRING, TORSION	1	1			
32	61A-8259F-00	SWITCH ASSY	1	1			
33	61A-82588-00	PLATE	1	1			
34	97885-04016	SCREW, PAN HEAD	2	2			
35	92995-04100	WASHER	2	2			
36	61A-44121-00	LEVER, SHIFT ROD	1	1			
37	6E5-44122-00	BUSHING, SHIFT ROD LEVER	1	1			
38	90202-08M20	WASHER, PLATE	1	1			
39	90468-18008	CLIP	3	3			
40	6E5-48344-00	CABLE END, REMOTE CONTROL	1	1			
41	90202-06007	WASHER, PLATE	1	1			
42	61A-44118-00-8D	BRACKET	1	1			
43	93700-06M03	NIPPLE, GREASE	1	1			
44	61A-44116-00	SPRING	1	1			
45	97095-06030	BOLT	2	2			
46	92995-06100	WASHER, SPRING	2	2			
47	92995-06600	WASHER	2	2			
48	61A-44120-22	HANDLE GEAR SHIFT ASSY	1	1			X
49	93210-09165	O-RING	1	1			
50	61A-44112-00	STAY, HANDLE GEAR SHIFT	1	1			
51	97013-06012	BOLT	1	1			
52	92903-06100	WASHER, SPRING	1	1			
53	92903-06600	WASHER, PLATE	1	1			
54	95313-08600	NUT	2	2			

FIG. 19 CONTROL



REF. NO.	PART NO.	DESCRIPTION	225F	L225				REMARKS
55	90386-90M90	BUSH	2	2				
56	91490-20012	PIN, COTTER	1	1				
57	90201-09M02	WASHER, PLATE	1	1				
58	61A-15315-00	SEAL, CRANKCASE	1	1				
59	61A-42724-00	GROMMET	1	1				
60	61A-44138-00	WASHER	1	1				
61	97885-06008	SCREW, PAN HEAD	2	2				

FWD
65J0010-9181

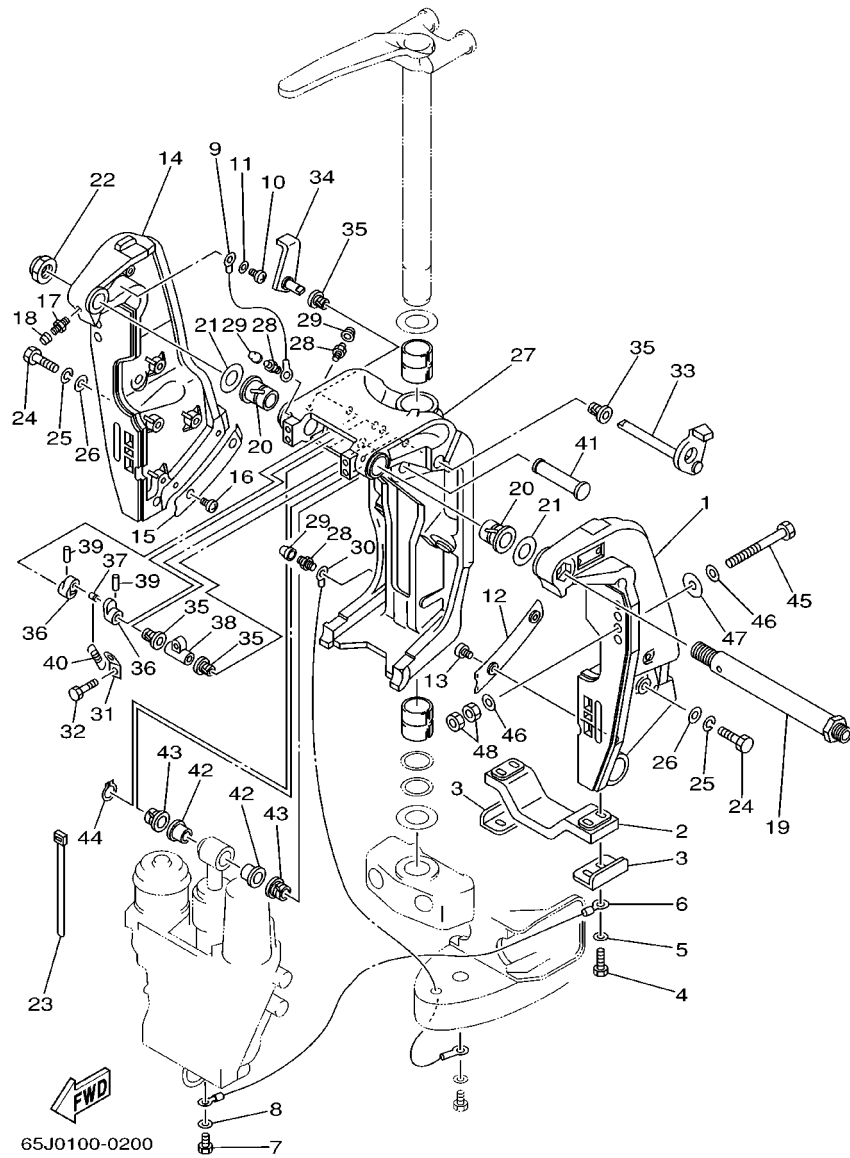
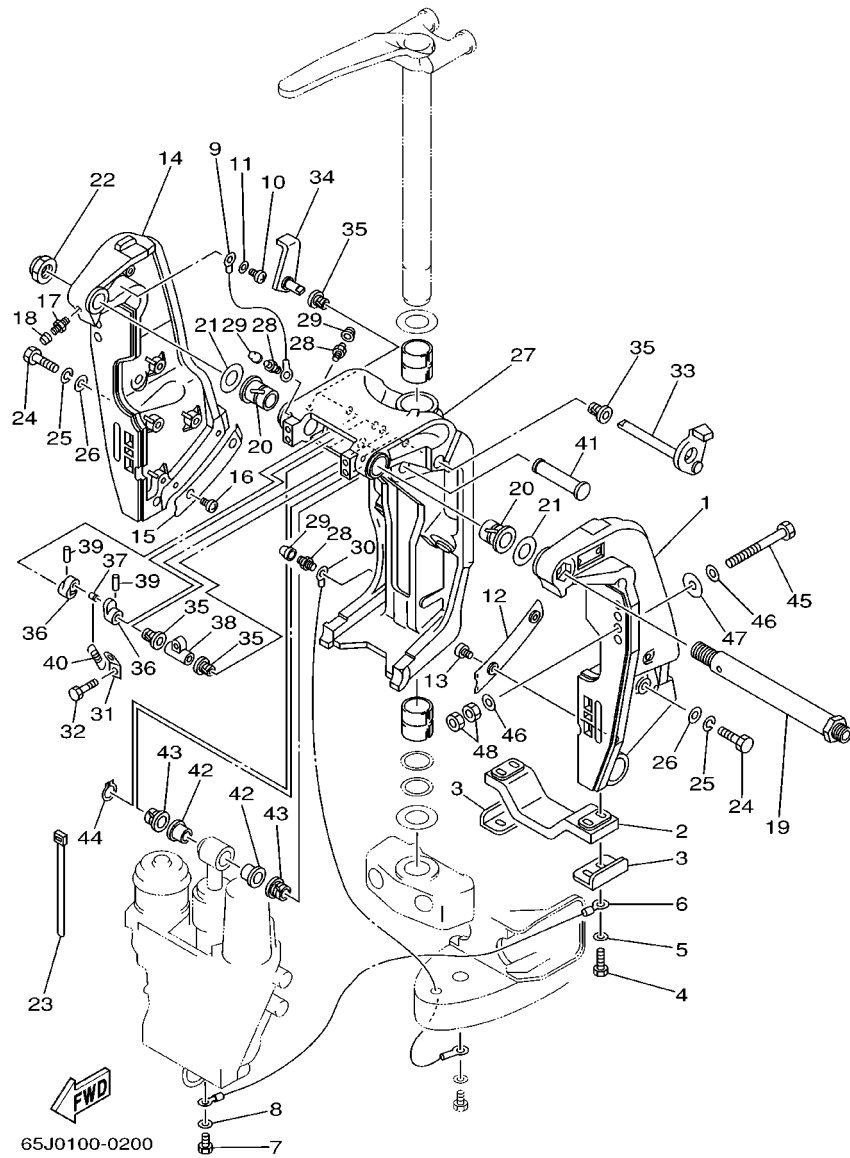


FIG. 20 BRACKET 1

REF. NO.	PART NO.	DESCRIPTION	225F	L225			REMARKS
1	61A-43111-23-8D	BRACKET, CLAMP	1	1			
2	6G5-45251-01	ANODE	1	1			
3	6G5-44526-00	PLATE	2	2			
4	97095-06025	BOLT	4	4			
5	92995-06600	WASHER	4	4			
6	6H1-82148-00	WIRE, LEAD 4	1	1			
7	97095-06010	BOLT	1	1			
8	92995-06600	WASHER	1	1			
9	6E5-82148-00	WIRE, LEAD 4	1	1			
10	97885-06012	SCREW, PAN HEAD	1	1			
11	92995-06600	WASHER	1	1			
12	61A-43132-00	WASHER, FRICTION	1	1			
13	97885-06010	SCREW, PAN HEAD	2	2			
14	61A-43112-23-8D	BRACKET, CLAMP	1	1			
15	61A-43133-00	WASHER, FRICTION	1	1			
16	97885-06010	SCREW, PAN HEAD	2	2			
17	93700-06M03	NIPPLE, GREASE	1	1			
18	663-45119-00	CAP, GREASE NIPPLE	1	1			
19	6R3-43131-00	BOLT, CLAMP BRACKET	1	1			
20	90386-25M31	BUSH	2	2			
21	90201-26M59	WASHER, PLATE	2	2			
22	90185-22M11	NUT, SELF-LOCKING	1	1			
23	90465-11M10	CLAMP	2	2			
24	97095-10045	BOLT	8	8			
25	92995-10100	WASHER	8	8			
26	92995-10600	WASHER	8	8			
27	61A-43311-21-8D	BRACKET, SWIVEL	1	1			X

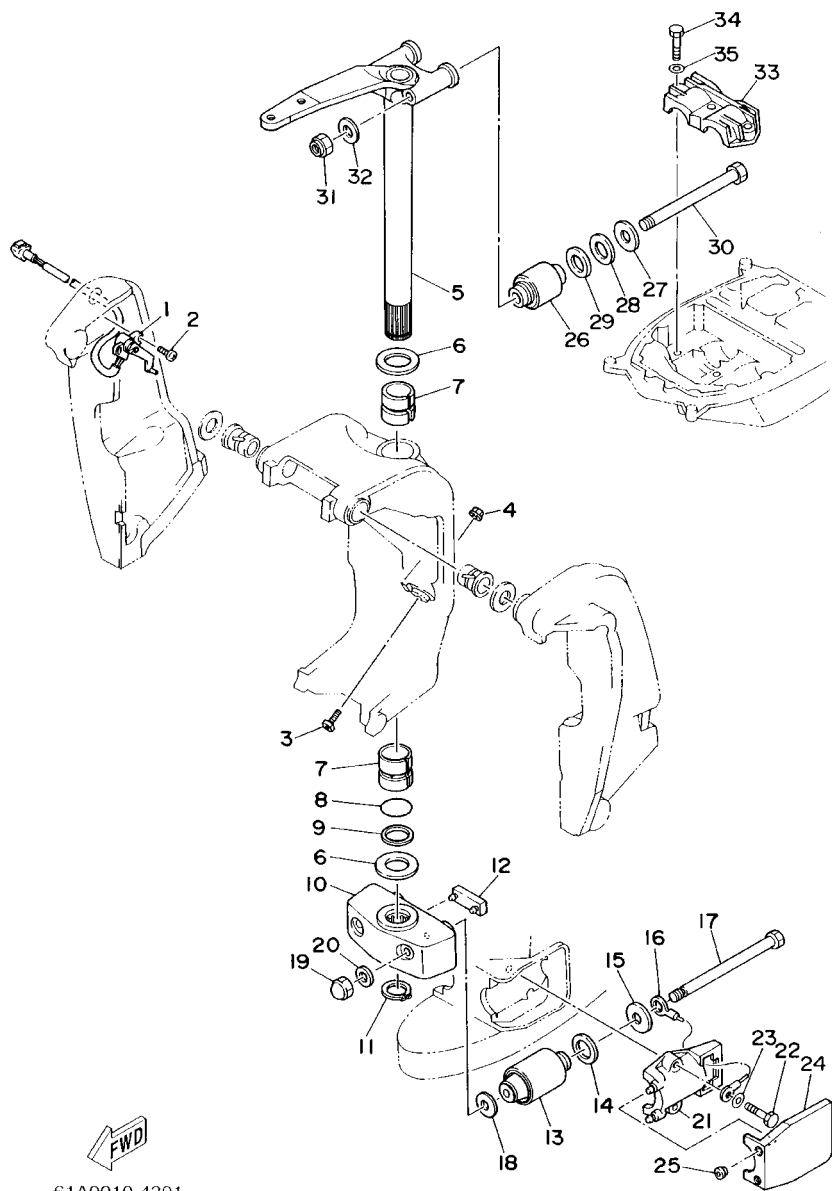
FIG. 20 BRACKET 1



REF. NO.	PART NO.	DESCRIPTION	225F	L225				REMARKS
28	93700-06M03	NIPPLE, GREASE	5	5				
29	663-45119-00	CAP, GREASE NIPPLE	5	5				
30	61A-82147-20	WIRE, LEAD 4	1	1				X
31	6G5-43144-00	HOOK, SPRING	1	1				
32	97095-06010	BOLT	1	1				
33	61A-43181-01	LEVER, TILT STOP	1	1				
34	6G5-43185-02	LEVER, TILT STOP	1	1				
35	90386-10M16	BUSH	4	4				
36	6G5-43148-00	COLLAR, DISTANCE	2	2				
37	90249-06M19	PIN	1	1				
38	90387-10M02	COLLAR	1	1				
39	91690-30020	PIN, SPRING	2	2				
40	90506-14M24	SPRING, TENSION	1	1				
41	6E5-43126-02	PIN, UPPER SHOCK MOUNT	1	1				
42	90386-18M63	BUSH	2	2				
43	90386-18M14	BUSH	2	2				
44	93410-18M02	CIRCLIP	1	1				
45	90101-12M05	BOLT (L:130MM)	4	4				
46	90201-13M01	WASHER, PLATE	8	8				
47	90201-12M05	WASHER, PLATE	4	4				
48	95380-12600	NUT	8	8				

FIG. 21 BRACKET 2

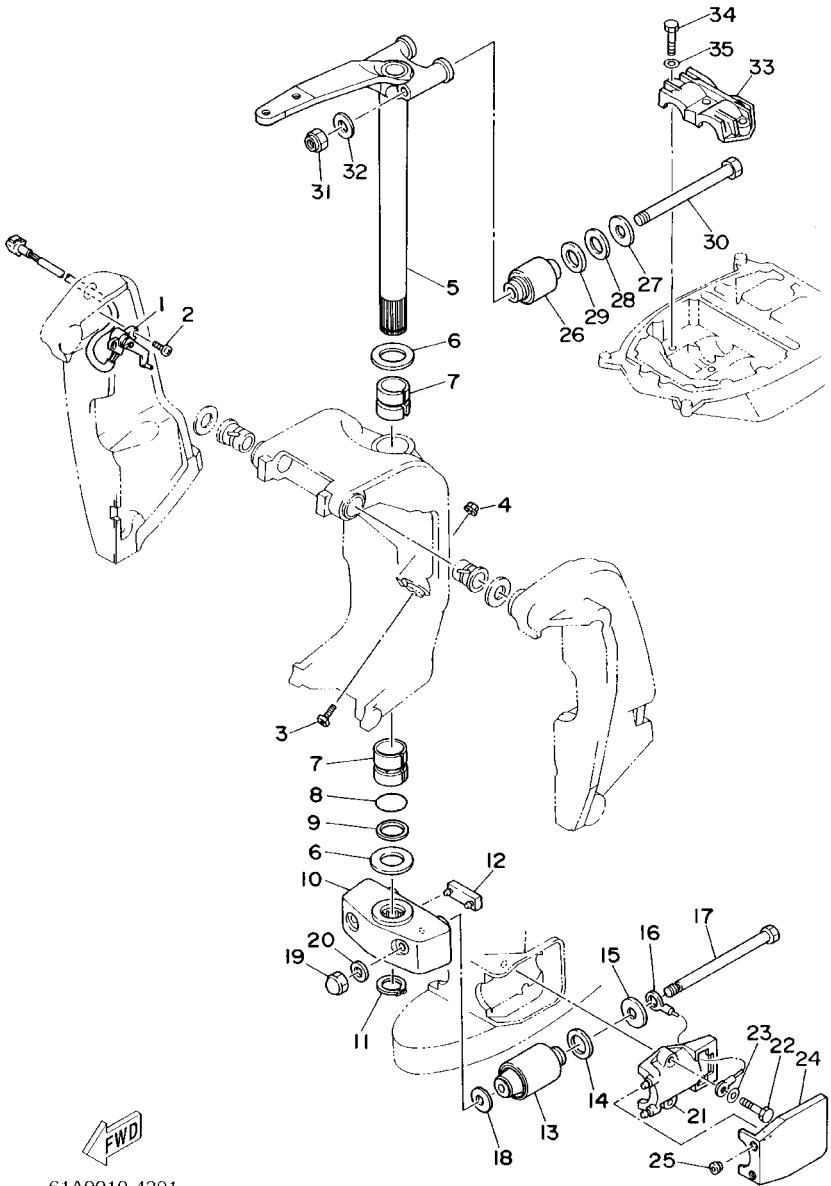
REF. NO.	PART NO.	DESCRIPTION	225F	L225				REMARKS
1	61A-83672-01	TRIM SENDER	1	1				
2	97885-06016	SCREW, PAN HEAD	2	2				
3	61A-43376-00	BOLT, THRUST RECEIVER	2	2				
4	95780-10300	NUT, FLANGE	2	2				
5	61A-42510-21-8D	STEERING BRACKET ASSY	1	1				X
6	90201-40M00	WASHER, PLATE	2	2				
7	90386-39M89	BUSH	2	2				
8	93210-35321	O-RING	1	1				
9	90202-40M47	WASHER, PLATE	1	1				
10	61A-44551-01-8D	HOUSING, LOWER MOUNT RUBBER	1	1				
11	93410-37M04	CIRCLIP	1	1				
12	61A-44575-00	DAMPER, LOWER MOUNT RUBBER	1	1				
13	61A-44555-01-94	MOUNT DAMPER, LOWER SIDE	2	2				
14	90202-32M19	WASHER, PLATE	2	2				
15	90201-16M55	WASHER, PLATE	2	2				
16	6E5-82149-00	WIRE, LEAD 3	1	1				
17	90109-14M48	BOLT	2	2				
18	90201-15M58	WASHER, PLATE	2	2				
19	95380-14800	NUT	2	2				
20	92995-14600	WASHER	2	2				
21	61A-44552-01-94	HOUSING, LOWER MOUNT RUBBER	2	2				
22	97095-10045	BOLT	4	4				
23	92995-10600	WASHER	4	4				
24	61A-44553-00-8D	COVER, LOWER MOUNT	2	2				
25	6A0-15789-00	DAMPER	4	4				
26	61A-44514-00-94	MOUNT DAMPER, UPPER SIDE	2	2				
27	90201-16M01	WASHER, PLATE	2	2				



FWD
61A0010-4201

FIG. 21 BRACKET 2

REF. NO.	PART NO.	DESCRIPTION	225F	L225			REMARKS
28	90202-28M46	WASHER, PLATE	2	2			
29	90201-28M01	WASHER, PLATE	2	2			
30	90109-14M10	BOLT	2	2			
31	90185-14M00	NUT, SELF-LOCKING	2	2			
32	92995-14600	WASHER	2	2			
<hr/>							
33	61A-44511-00-94	COVER, UPPER MOUNT	1	1			
34	97095-10045	BOLT	3	3			
35	92995-10600	WASHER	3	3			
<hr/>							
<hr/>							
<hr/>							
<hr/>							
<hr/>							
<hr/>							
<hr/>							
<hr/>							
<hr/>							
<hr/>							
<hr/>							



FWD
61A0010-4201

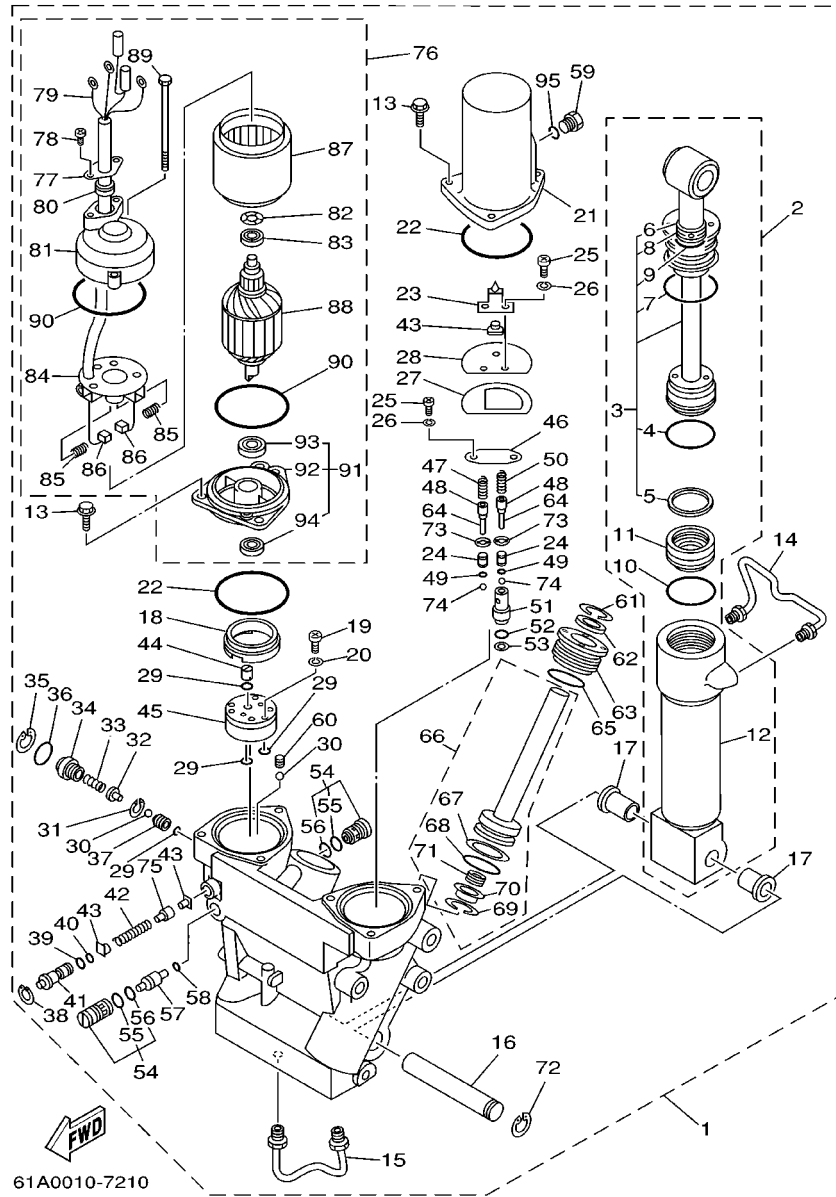


FIG. 22 POWER TRIM & TILT ASSY

REF. NO.	PART NO.	DESCRIPTION	225F	L225	REMARKS
1	61A-43800-25-4D	POWER TRIM & TILT ASSY	1	1	
2	61A-43840-01	.POWER TILT ASSY	1	1	
3	61A-43810-00	..PISTON SUB ASSY	1	1	
4	61A-43861-00	...O-RING	1	1	
5	6H1-43871-10	...RING, BACK UP	1	1	
6	93106-19N50	...OIL SEAL	1	1	
7	6H1-43861-00	...O-RING	1	1	
8	6H1-43872-10	...RING, BACK UP	1	1	
9	61A-4389H-00	...O-RING	1	1	
10	61A-43861-00	..O-RING	1	1	
11	6H1-43814-00	..PISTON, FREE	1	1	
12	61A-43813-01	..CYLINDER, TILT	1	1	
13	97595-06420	.BOLT, WITH WASHER	6	6	
14	61A-43835-01	.PIPE	1	1	
15	61A-43833-01	.PIPE	1	1	
16	61A-43818-00	.PIN, LOWER SHOCK MOUNT	1	1	
17	90386-18M14	.BUSH	2	2	
18	6H1-43817-00	.FILTER 2	1	1	
19	98501-04030	.SCREW, PAN HEAD	3	3	
20	92901-04100	.WASHER, SPRING	3	3	
21	61A-43828-00	.BODY, RESERVOIR	1	1	
22	6H1-43869-00	.O-RING	2	2	
23	61A-4384L-00	.SPRING, TRIM DOWN	1	1	
24	6T4-43851-00	.SEAT, RELIEF VALVE	2	2	
25	98501-05010	.SCREW, PAN HEAD	4	4	
26	92901-05100	.WASHER, SPRING	4	4	
27	61A-4384K-00	.PLATE, TRIM DOWN	1	1	

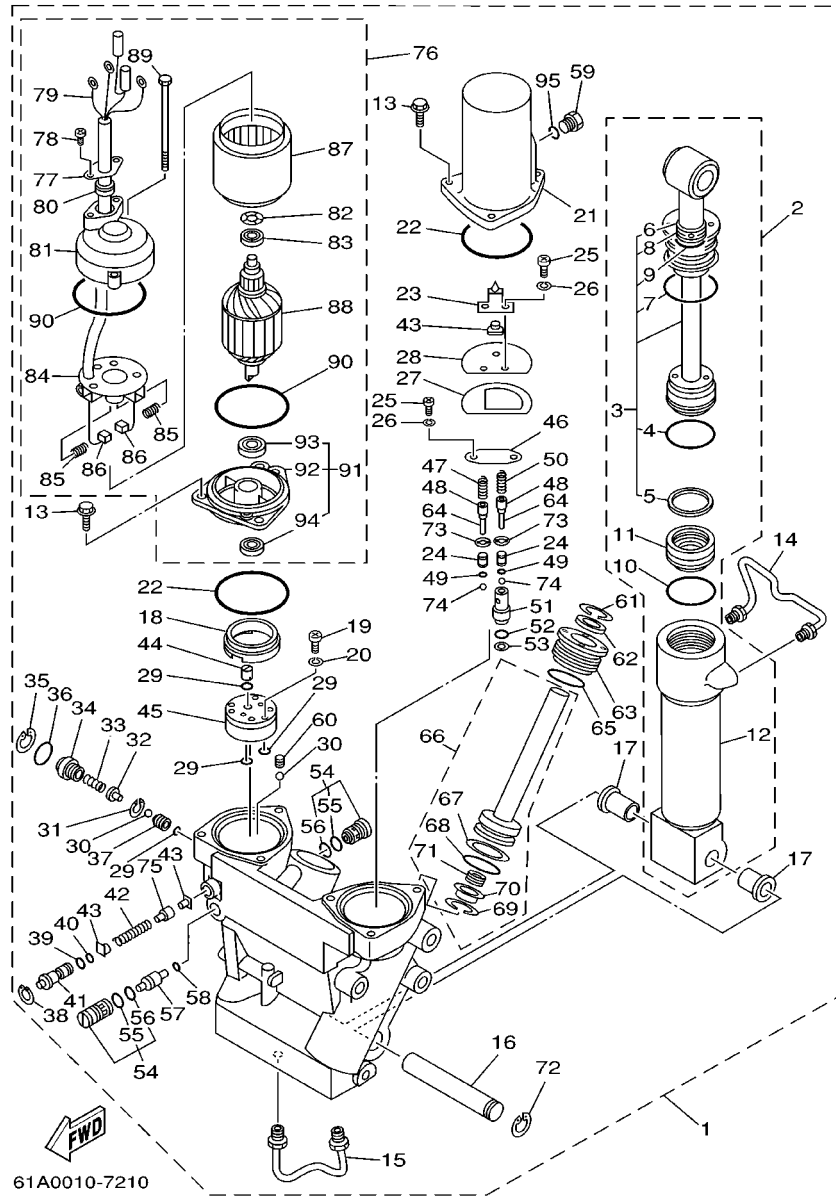


FIG. 22 POWER TRIM & TILT ASSY

REF. NO.	PART NO.	DESCRIPTION	225F	L225	REMARKS
28	61A-4384J-00	.SEAL, TRIM DOWN	1	1	
29	93210-064A5	.O-RING	4	4	
30	93505-32038	.BALL	2	2	
31	61A-43875-00	.RING, SNAP	1	1	
32	61A-43848-00	.ROD, MANUAL RELEASE	1	1	
33	61A-43854-00	.SPRING, MANUAL RELEASE	1	1	
34	61A-43845-00	.SCREW, MANUAL RELEASE	1	1	
35	6H1-43875-00	.RING, SNAP	1	1	
36	93210-18397	.O-RING	1	1	
37	61A-43847-00	.SEAT, MANUAL VALVE	1	1	
38	6T4-43876-00	.RING, SNAP	1	1	
39	93210-07003	.O-RING	1	1	
40	93210-06001	.O-RING	1	1	
41	6T4-43849-00	.PIN, VALVE SUPPORT	1	1	
42	61A-4385H-00	.SPRING, SEAL	1	1	
43	6H1-4384F-10	.SEAL, MAIN VALVE	3	3	
44	6H1-43831-00	.CONNECTOR, SHAFT	1	1	
45	6T4-43830-00	.GEAR PUMP ASSY	1	1	
46	61A-4382K-00	.CAP, RELIEF VALVE	1	1	
47	6H1-43856-10	.SPRING, DOWN RELIEF	1	1	
48	6T4-43844-00	.PIN, VALVE SUPPORT	2	2	
49	6T4-4384G-00	.SEAL, RELIEF VALVE	2	2	
50	6T4-43855-00	.SPRING, UP RELIEF	1	1	
51	6T4-43895-00	.SEAT, RELIEF VALVE	1	1	
52	93210-10M74	.O-RING	1	1	
53	6H1-43816-00	.FILTER 1	1	1	
54	6T4-43802-03	.VALVE SUB ASSY	2	2	

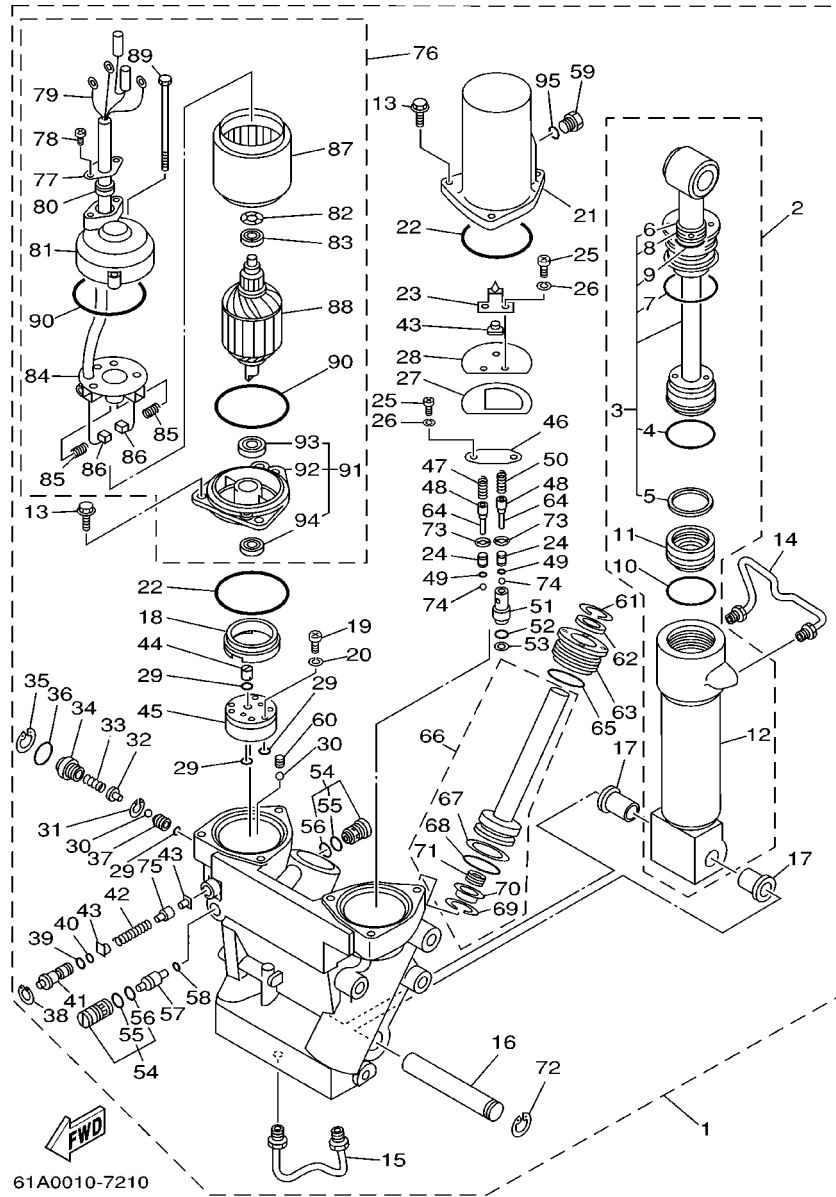
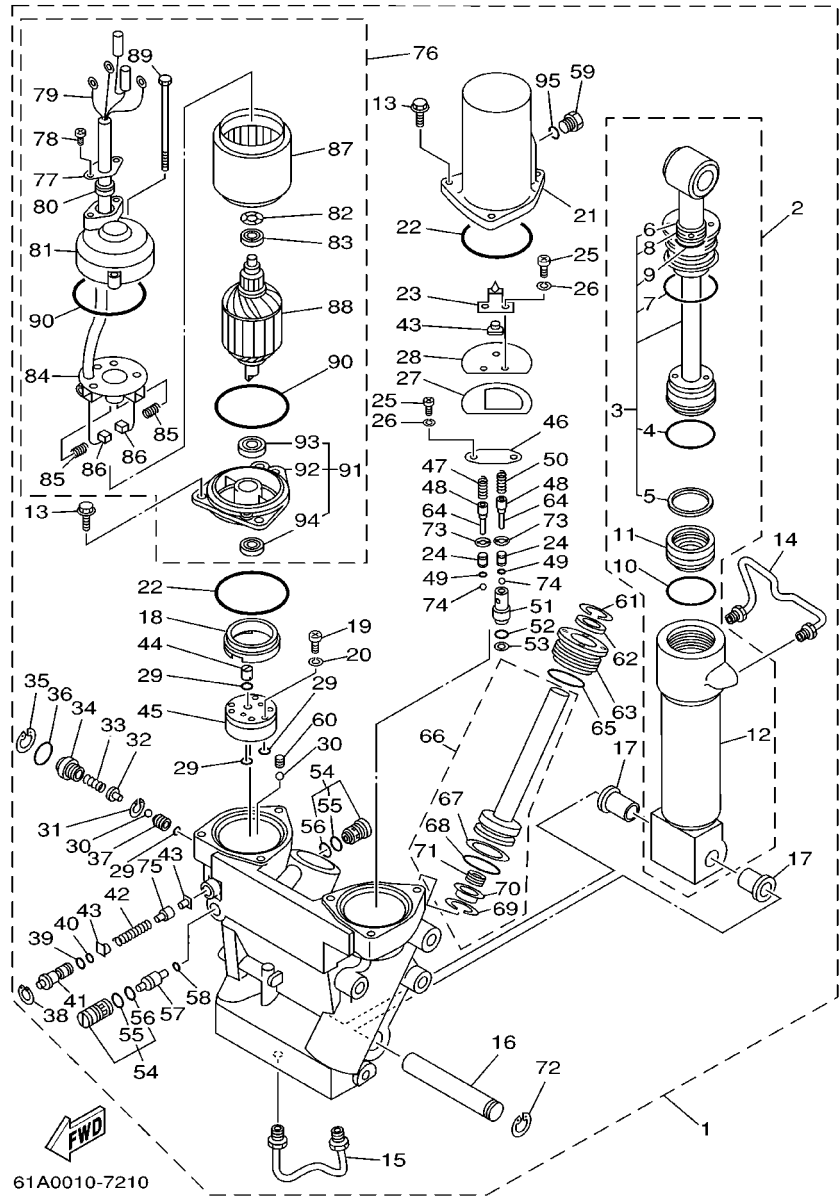


FIG. 22 POWER TRIM & TILT ASSY

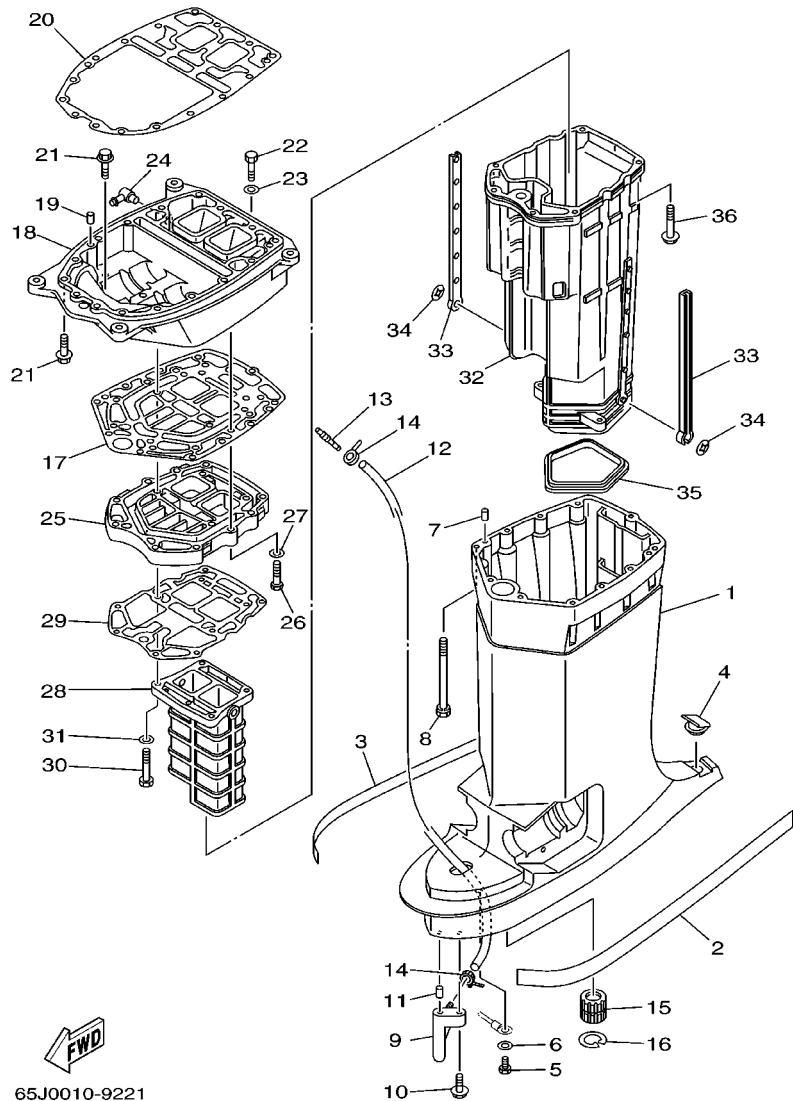
REF. NO.	PART NO.	DESCRIPTION	225F	L225	REMARKS
55	6H1-43866-00	..O-RING	1	1	
56	6H1-43867-00	..O-RING	1	1	
57	6T4-43841-01	..PISTON, SHUTTLE	1	1	
58	93210-09165	..O-RING	1	1	
59	6H1-43829-00	..PLUG, RESERVOIR	1	1	
60	61A-43878-00	..BOLT, SOCKET	1	1	
61	6T4-43875-00	..RING, SNAP	2	2	
62	61A-43822-00	..SEAL, TRIM DUST	2	2	
63	61A-43821-00	..SCREW, TRIM CYLINDER END	2	2	
64	91609-10014	..PIN, SPRING	2	2	
65	6H1-43861-10	..O-RING	2	2	
66	61A-43820-10	..PISTON SUB ASSY	2	2	
67	61A-43874-00	..RING, BACK UP	1	1	
68	61A-43864-00	..O-RING	1	1	
69	61A-43875-10	..RING, SNAP	1	1	
70	61A-4383H-10	..HOSE OIL	1	1	
71	6H1-4384H-10	..SPRING	1	1	
72	61A-43876-00	..RING, SNAP	1	1	
73	6T4-43893-00	..WASHER	2	2	
74	93501-08001	..BALL	2	2	
75	61A-4382A-00	..ADAPTOR 1	1	1	
76	61A-43880-02	..MOTOR ASSY	1	1	
77	6T4-4386J-00	..WASHER, SPECIAL	1	1	
78	90157-05107	..SCREW, PAN HEAD	2	2	
79	61A-43807-00	..WIRE SUB ASSY	1	1	
80	6T4-43885-00	..GRÖMMET	1	1	
81	61A-43884-01	..FRAME, COMMUTATOR END	1	1	

FIG. 22 POWER TRIM & TILT ASSY



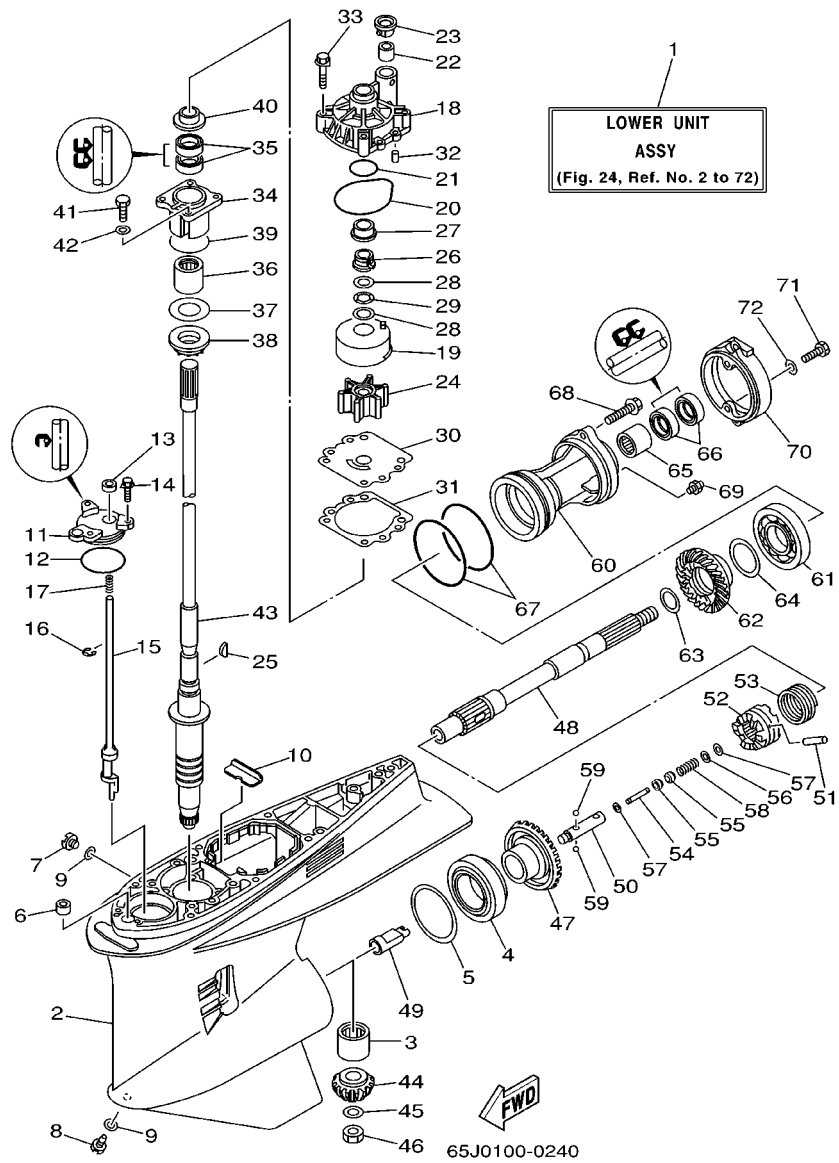
REF. NO.	PART NO.	DESCRIPTION	225F	L225	REMARKS
82	90206-14086	..WASHER, WAVE	3	3	
83	93300-60820	..BEARING	1	1	
84	61A-43806-00	..BRUSH HOLDER ASSY	1	1	
85	61A-4386K-00	..SPRING, BRUSH	4	4	
86	61A-43891-00	..BRUSH 1	2	2	
87	61A-43804-01	..STATOR ASSY	1	1	
88	61A-43805-01	..ARMATURE ASSY	1	1	
89	61A-43887-00	..BOLT, THROUGH	2	2	
90	93210-72789	..O-RING	2	2	
91	61A-43881-01	..FRAME, END	1	1	
92	61A-43881-11	..FRAME, END	1	1	
93	93300-60820	..BEARING	1	1	
94	93102-08414	..OIL SEAL	1	1	
95	6H1-43867-00	..O-RING	1	1	

FIG. 23 UPPER CASING



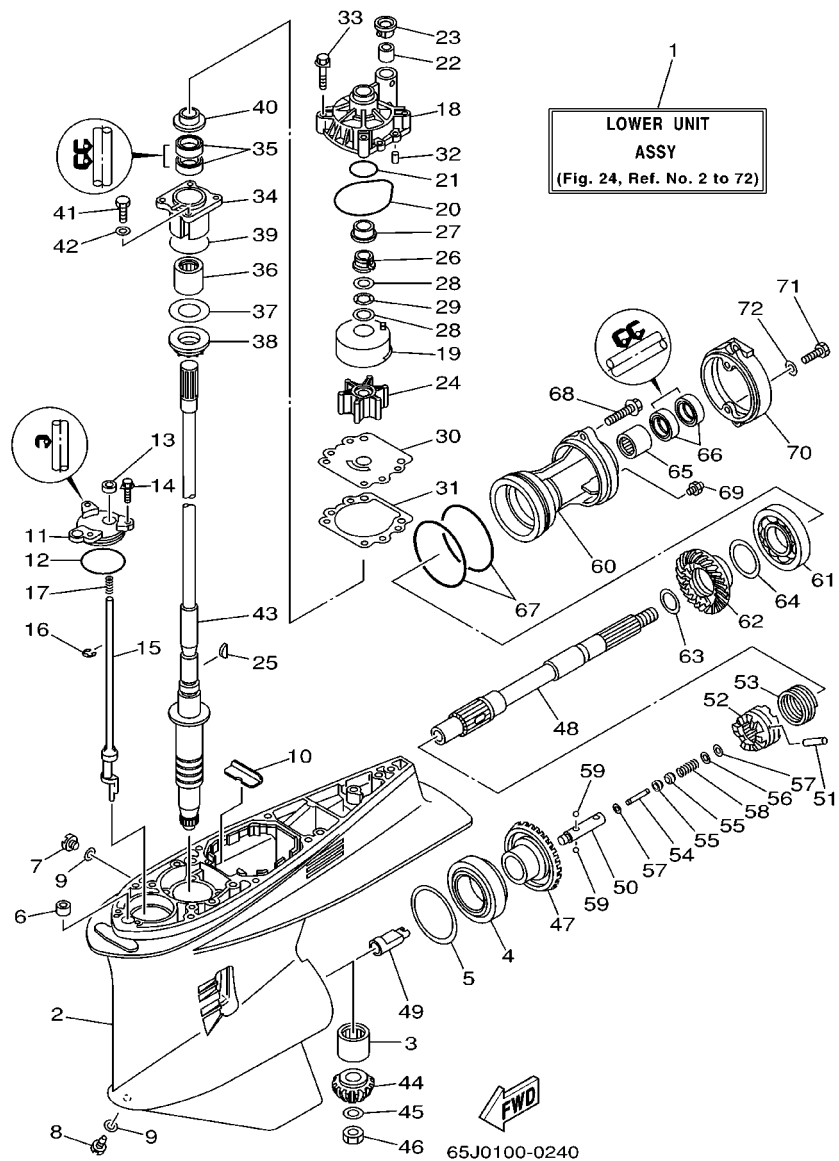
REF. NO.	PART NO.	DESCRIPTION	225F	L225			REMARKS
1	61A-45111-21-8D	CASING, UPPER	1	1			X
2	61A-42791-S0	MARK 1	1	1			
3	61A-42792-S0	MARK	1	1			
4	61A-45155-00	CAP	1	1			
5	97095-06010	BOLT	1	1			
6	92995-06600	WASHER	1	1			
7	93608-12M05	PIN, DOWEL	2	2			
8	90119-08M78	BOLT, WITH WASHER	8	8			
9	61A-45378-00	NIPPLE, HOSE	1	1			
10	90119-06M17	BOLT, WITH WASHER	1	1			
11	93606-12019	PIN, DOWEL	1	1			
12	90445-07MF0	HOSE	1	1			X
13	6E5-83558-00	END, NIPPLE	1	1			
14	90465-11M10	CLAMP	2	2			
15	6E5-45318-00	BUSHING, DRIVE SHAFT	1	1			
16	93420-36M01	CIRCLIP	1	1			
17	61A-45114-A0	GASKET, UPPER CASING	1	1			
18	61A-41137-12-94	GUIDE, EXHAUST	1	1			FLUSHING KIT
19	93608-12M05	PIN, DOWEL	2	2			
20	61A-45113-A0	GASKET, UPPER CASING	1	1			
21	90119-08M79	BOLT, WITH WASHER	8	8			
22	97095-08035	BOLT	1	1			
23	92995-08600	WASHER	1	1			
24	6H1-11372-00	NIPPLE, HOSE	1	1			FLUSHING KIT
25	61A-41131-00-5B	MANIFOLD, EXT. 1	1	1			
26	97095-08035	BOLT	4	4			
27	92995-08600	WASHER	4	4			

FIG. 24 LOWER CASING. DRIVE 1



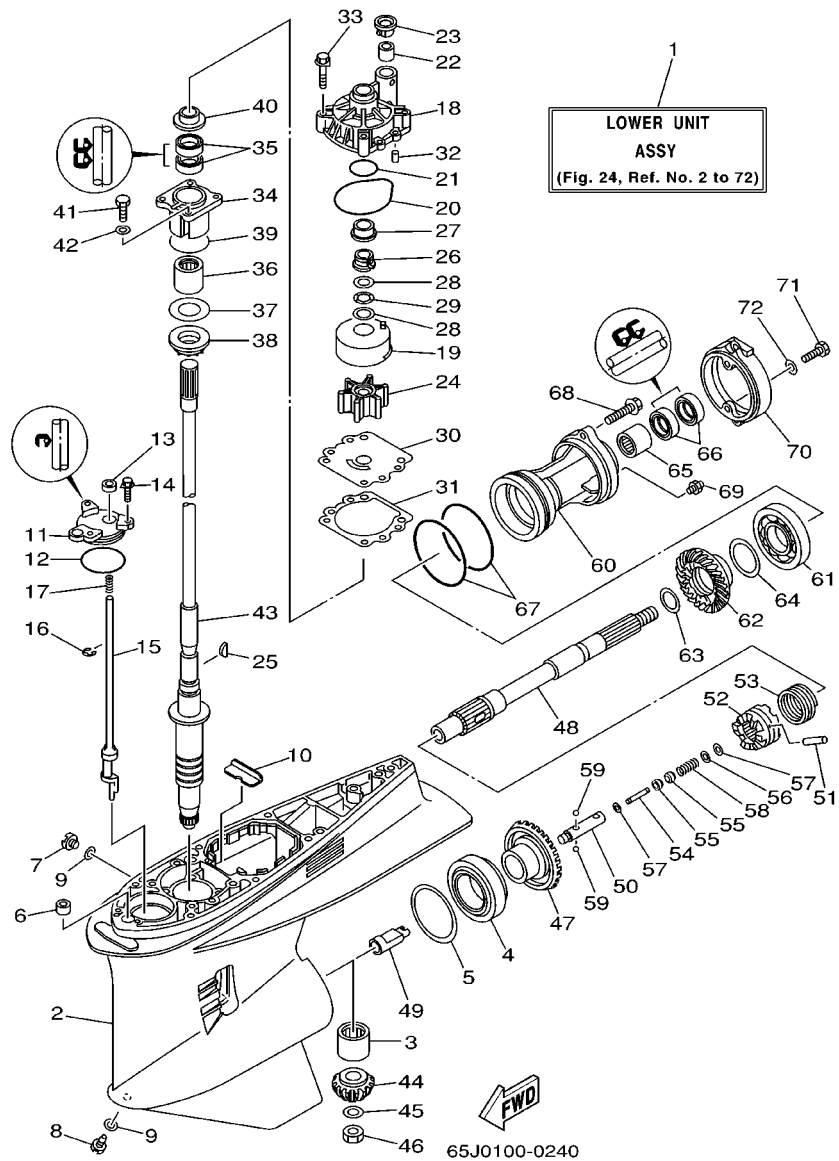
REF. NO.	PART NO.	DESCRIPTION	225F	L225		REMARKS
1	65J-45300-20-8D	LOWER UNIT ASSY	1			X
2	61A-45301-03-8D	CASING, LOWER	1			
3	93311-832V2	BEARING	1			
4	93332-000W1	BEARING	1			
5	61A-45567-00-10	SHIM (T:0.10MM)	1			UR
	61A-45567-00-12	SHIM (T:0.12MM)	1			UR
	61A-45567-00-15	SHIM (T:0.15MM)	1			UR
	61A-45567-00-18	SHIM (T:0.18MM)	1			UR
	61A-45567-00-30	SHIM (T:0.30MM)	1			UR
	61A-45567-00-40	SHIM (T:0.40MM)	1			UR
	61A-45567-00-50	SHIM (T:0.50MM)	1			UR
6	663-44366-00	DAMPER, WATER SEAL	1			
7	90340-08M04	PLUG, STRAIGHT SCREW	1			
8	688-45341-00	PLUG, DRAIN	1			
9	90430-08020	GASKET	2			
10	61A-45376-00-94	GUIDE, SEAL DAMPER	1			
11	61A-45321-01	PLATE	1			
12	93210-64488	O-RING	1			
13	93106-09014	OIL SEAL	1			
14	90119-06M10	BOLT, WITH WASHER	3			
15	61A-44150-01	SHIFT CAM ASSY	1			
16	93430-08006	CIRCLIP	1			
17	90501-11M10	SPRING, COMPRESSION	1			
18	61A-44311-01	HOUSING, WATER PUMP	1			
19	61A-44322-02	INSERT, CARTRIDGE	1			
20	93210-86M38	O-RING	1			
21	93210-37160	O-RING	1			

FIG. 24 LOWER CASING. DRIVE 1



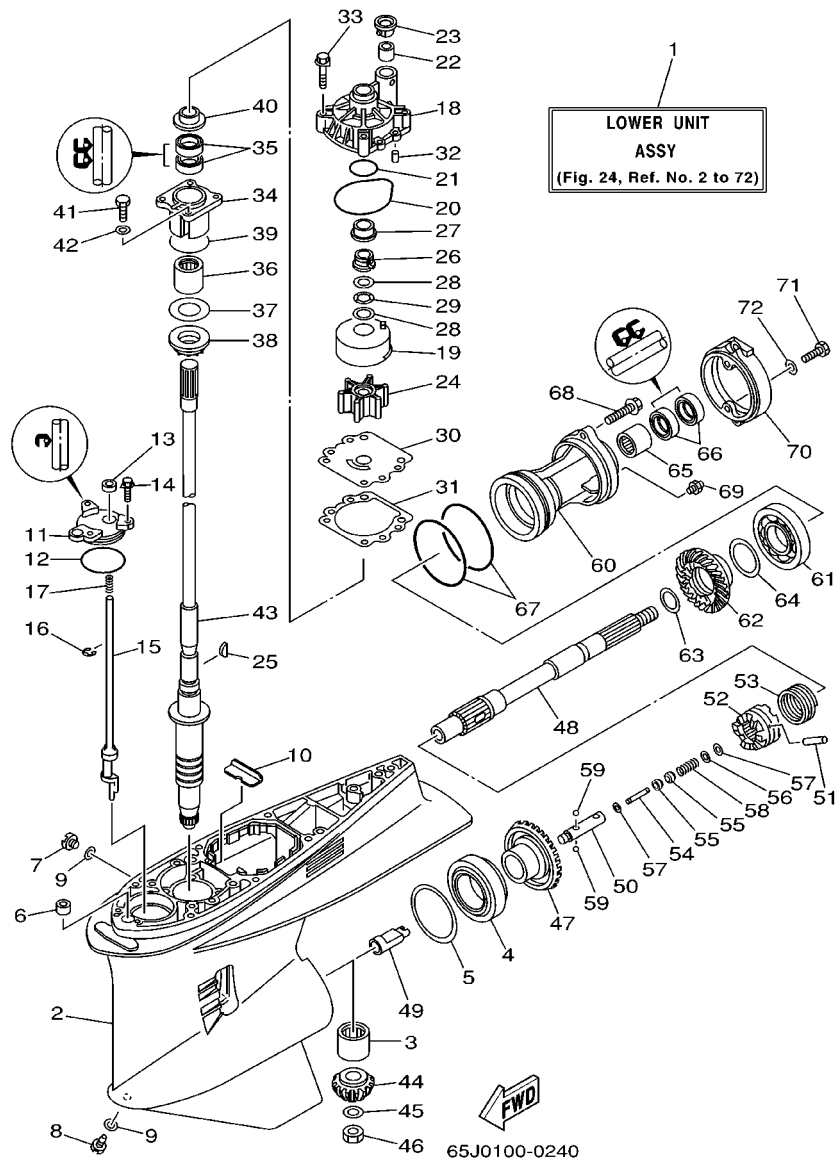
REF. NO.	PART NO.	DESCRIPTION	225F	L225	REMARKS
22	6E5-44365-00	DAMPER, WATER SEAL	1		
23	6E5-44312-00	COVER, WATER PUMP HOUSING	1		
24	6E5-44352-01	IMPELLER	1		
25	90280-04M05	KEY, WOODRUFF	1		
26	61A-45538-00	SPACER 1	1		
27	61A-45527-00	COLLAR, DRIVE SHAFT	1		
28	90201-22M01	WASHER, PLATE	2		
29	90206-22M19	WASHER, WAVE	1		
30	6G5-44323-00	OUTER PLATE, CARTRIDGE	1		
31	6E5-44315-A0	GASKET, WATER PUMP	1		
32	93606-12019	PIN, DOWEL	2		
33	90119-08M14	BOLT, WITH WASHER	4		
34	61A-45331-00-94	HOUSING, BEARING	1		
35	93101-28M16	OIL SEAL	2		
36	93317-330U2	BEARING	1		
37	61A-45587-00-10	SHIM (T:0.10MM)	1		UR
	61A-45587-00-12	SHIM (T:0.12MM)	1		UR
	61A-45587-00-15	SHIM (T:0.15MM)	1		UR
	61A-45587-00-18	SHIM (T:0.18MM)	1		UR
	61A-45587-00-30	SHIM (T:0.30MM)	1		UR
	61A-45587-00-40	SHIM (T:0.40MM)	1		UR
	61A-45587-00-50	SHIM (T:0.50MM)	1		UR
38	93341-930U9	BEARING	1		
39	93210-55M14	O-RING	1		
40	6E5-45344-00	COVER, OIL SEAL	1		
41	97095-08025	BOLT	4		
42	92995-08600	WASHER	4		

FIG. 24 LOWER CASING. DRIVE 1



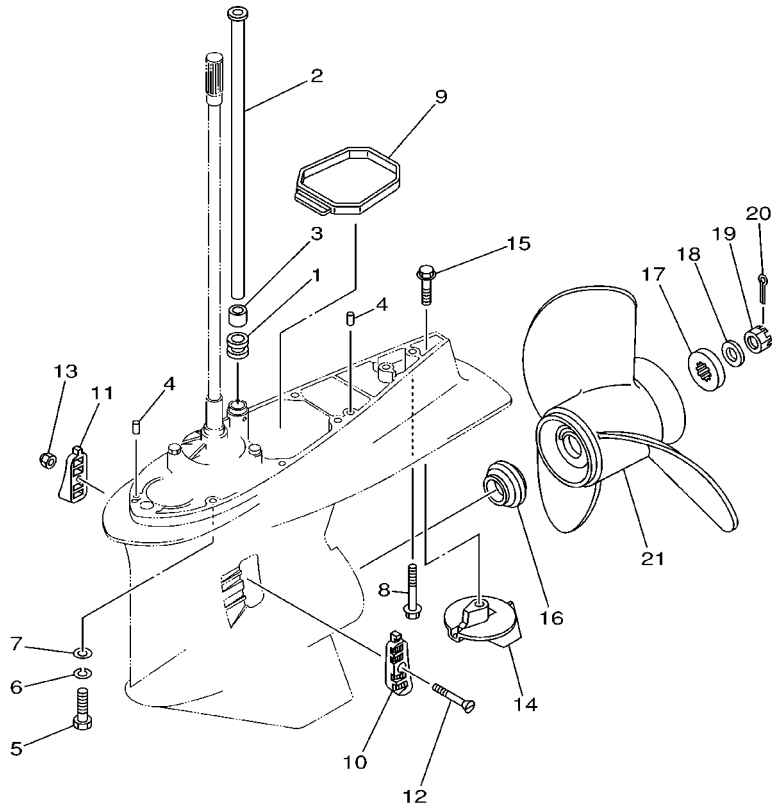
REF. NO.	PART NO.	DESCRIPTION	225F	L225		REMARKS
43	61A-45501-20	DRIVE SHAFT COMP.	1			X
44	61A-45551-03	PINION	1			
45	90201-16M00	WASHER, PLATE	1			
46	90170-16M19	NUT	1			
47	61A-45560-03	GEAR	1			
48	61A-45611-02	SHAFT, PROPELLER	1			
49	61A-45641-01	SHIFTER	1			
50	61A-45634-01	SLIDE, SHIFT	1			
51	61A-45632-00	PIN, CROSS	1			
52	61A-45631-03	CLUTCH, DOG	1			
53	61A-45633-00	RING, CROSS PIN	1			
54	6H1-45668-00	SHAFT, FREE	1			
55	61A-45635-00	PLUNGER, SHIFT	2			
56	90201-02M00	WASHER, PLATE	1			
57	90183-02M03	NUT, SPRING	2			
58	90501-10M77	SPRING, COMPRESSION	1			
59	93501-04011	BALL	2			
60	61A-45332-02-94	HOUSING, BEARING	1			
61	93306-210U0	BEARING	1			
62	61A-45571-00	GEAR	1			
63	90201-31M00	WASHER, PLATE	1			
64	61A-45577-00-10	SHIM (T:0.10MM)	1			UR
	61A-45577-00-12	SHIM (T:0.12MM)	1			UR
	61A-45577-00-15	SHIM (T:0.15MM)	1			UR
	61A-45577-00-18	SHIM (T:0.18MM)	1			UR
	61A-45577-00-30	SHIM (T:0.30MM)	1			UR
	61A-45577-00-40	SHIM (T:0.40MM)	1			UR

FIG. 24 LOWER CASING. DRIVE 1



REF. NO.	PART NO.	DESCRIPTION	225F	L225	REMARKS
64	61A-45577-00-50	SHIM (T:0.50MM)	1		UR
65	93317-330U5	BEARING	1		
66	93101-30M17	OIL SEAL	2		
67	93211-04384	O-RING	2		
68	90105-08M48	BOLT, WASHER BASED	2		
69	93700-09M00	NIPPLE, GREASE	1		
70	61A-45361-01-5B	CAP, LOWER CASING	1		
71	97095-08020	BOLT	2		
72	92995-08600	WASHER	2		

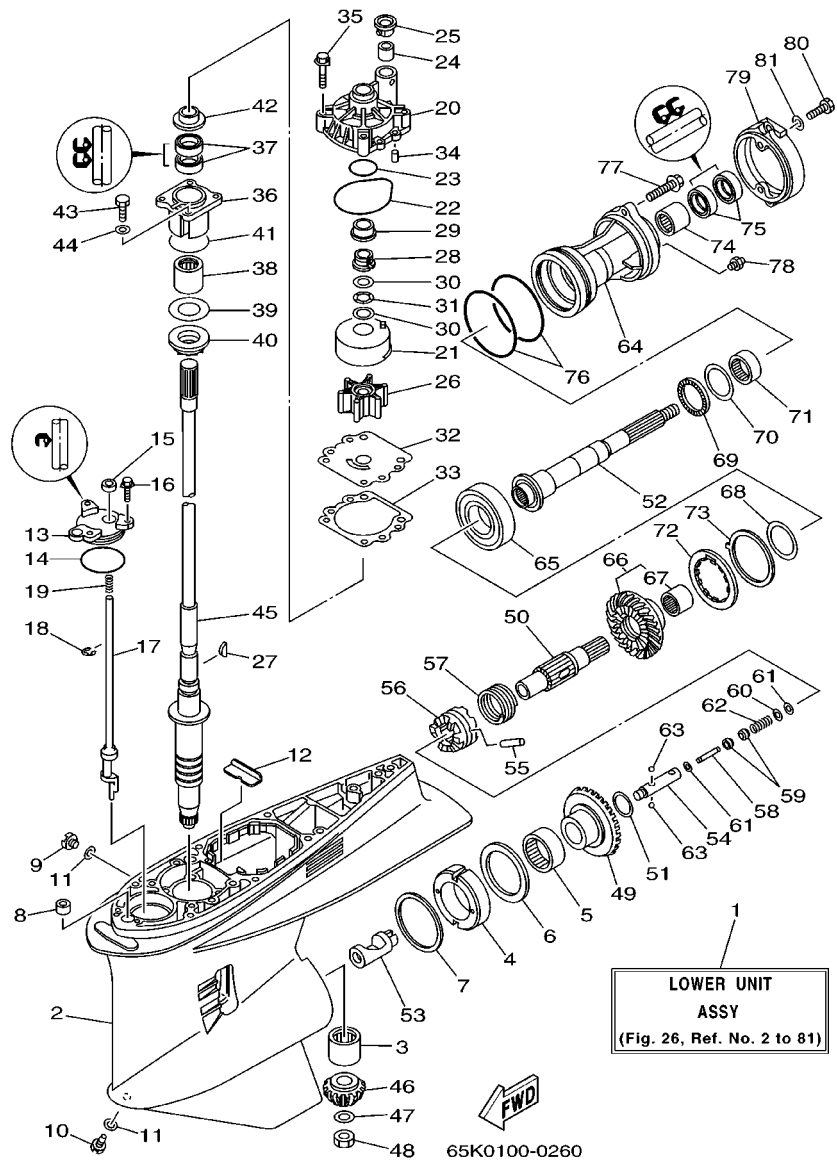
FIG. 25 LOWER CASING. DRIVE 2




61A0010-0240

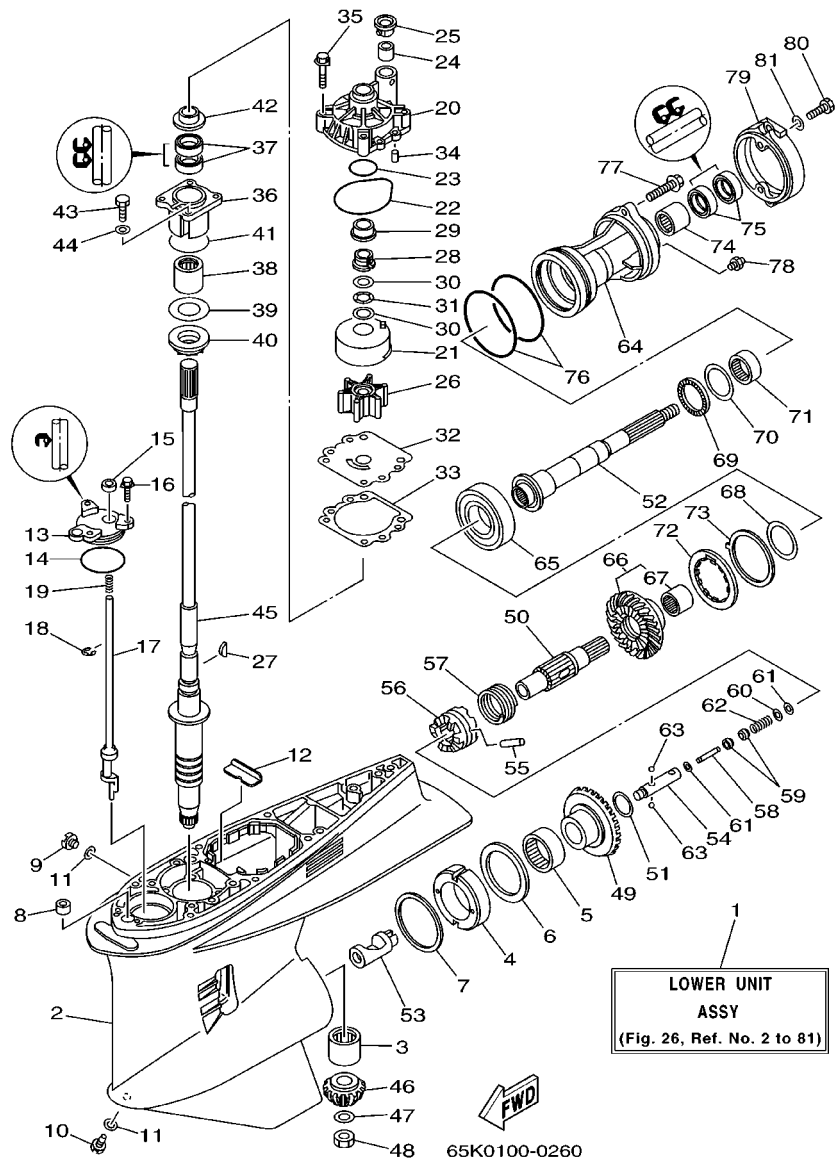
REF. NO.	PART NO.	DESCRIPTION	225F	L225			REMARKS
1	6E5-44366-00	DAMPER, WATER SEAL	1				
2	61A-44361-20	TUBE, WATER	1				X
3	6E5-44365-00	DAMPER, WATER SEAL	1				
4	93608-12M05	PIN, DOWEL	2				
5	97095-10045	BOLT	7				
6	92995-10100	WASHER	7				
7	92995-10600	WASHER	7				
8	90119-10MA2	BOLT, WITH WASHER	1				
9	61A-45375-00	DAMPER, SEAL	1				
10	61A-45214-00	COVER, WATER INLET	1				
11	61A-45215-00	COVER, WATER INLET	1				
12	90152-05M08	SCREW, COUNTERSUNK	1				
13	90185-05002	NUT, SELF-LOCKING	1				
14	61A-45371-00	TAB-TRIM	1				
15	90105-10M00	BOLT, WASHER BASED	1				
16	6E5-45987-01	SPACER	1				
17	688-45997-01	SPACER	1				
18	92990-18200	WASHER	1				
19	90171-18M04	NUT, CASTLE	1				
20	91490-40030	PIN, COTTER	1				
21	6G5-45970-02-98	PROPELLER (3X15-1/4"X15"-M)	1				UR
	6G5-45972-02-98	PROPELLER (3X13-3/4"X21"-M)	1				UR
	6G5-45974-03-98	PROPELLER (3X13-3/4"X19"-M2)	1				UR
	6G5-45978-03-98	PROPELLER (3X13-3/4"X17"-M2)	1				UR
	61A-45972-00-98	PROPELLER (3X14-1/2"X21"-T)	1				UR
	61A-45974-00-98	PROPELLER (3X14-1/2"X19"-T)	1				UR
	61A-45978-00-98	PROPELLER (3X15"X17"-T)	1				UR

FIG. 26 LOWER CASING, DRIVE 3



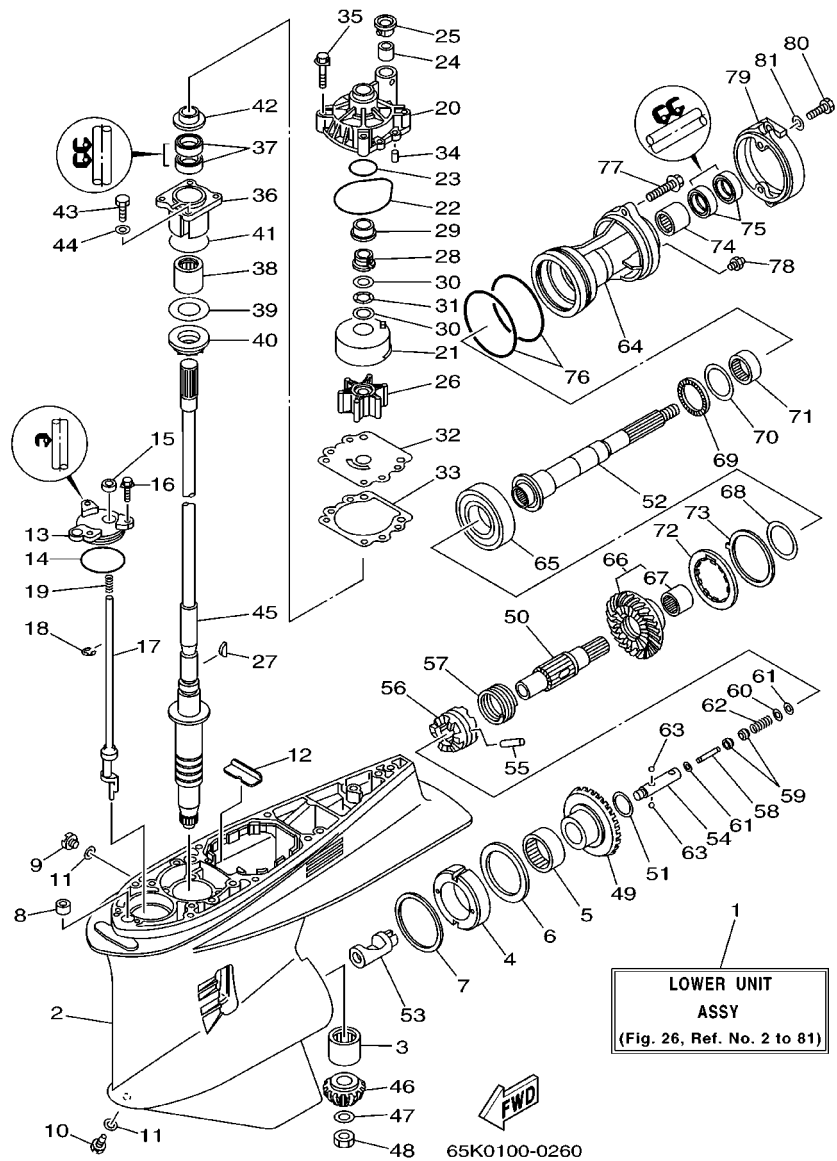
REF. NO.	PART NO.	DESCRIPTION	225F	L225	REMARKS
1	65K-45300-20-8D	LOWER UNIT ASSY		1	X
2	61A-45301-03-8D	CASING, LOWER		1	
3	93311-832V2	BEARING		1	
4	61B-45538-01	SPACER 1		1	
5	93315-660W3	BEARING		1	
6	93341-670V0	BEARING		1	
7	61A-45567-00-10	SHIM (T:0.10MM)		1	UR
	61A-45567-00-12	SHIM (T:0.12MM)		1	UR
	61A-45567-00-15	SHIM (T:0.15MM)		1	UR
	61A-45567-00-18	SHIM (T:0.18MM)		1	UR
	61A-45567-00-30	SHIM (T:0.30MM)		1	UR
	61A-45567-00-40	SHIM (T:0.40MM)		1	UR
	61A-45567-00-50	SHIM (T:0.50MM)		1	UR
8	663-44366-00	DAMPER, WATER SEAL		1	
9	90340-08M04	PLUG, STRAIGHT SCREW		1	
10	688-45341-00	PLUG, DRAIN		1	
11	90430-08020	GASKET		2	
12	61A-45376-00-94	GUIDE, SEAL DAMPER		1	
13	61A-45321-01	PLATE		1	
14	93210-64488	O-RING		1	
15	93106-09014	OIL SEAL		1	
16	90119-06M10	BOLT, WITH WASHER		3	
17	61B-44150-00	SHIFT CAM ASSY		1	
18	93430-08006	CIRCLIP		1	
19	90501-11M10	SPRING, COMPRESSION		1	
20	61A-44311-01	HOUSING, WATER PUMP		1	
21	61A-44322-02	INSERT, CARTRIDGE		1	

FIG. 26 LOWER CASING. DRIVE 3



REF. NO.	PART NO.	DESCRIPTION	225F	L225	REMARKS
22	93210-86M38	O-RING		1	
23	93210-37160	O-RING		1	
24	6E5-44365-00	DAMPER, WATER SEAL		1	
25	6E5-44312-00	COVER, WATER PUMP HOUSING		1	
26	6E5-44352-01	IMPELLER		1	
27	90280-04M05	KEY, WOODRUFF		1	
28	61A-45538-00	SPACER 1		1	
29	61A-45527-00	COLLAR, DRIVE SHAFT		1	
30	90201-22M01	WASHER, PLATE		2	
31	90206-22M19	WASHER, WAVE		1	
32	6G5-44323-00	OUTER PLATE, CARTRIDGE		1	
33	6E5-44315-A0	GASKET, WATER PUMP		1	
34	93606-12019	PIN, DOWEL		2	
35	90119-08M14	BOLT, WITH WASHER		4	
36	61A-45331-00-94	HOUSING, BEARING		1	
37	93101-28M16	OIL SEAL		2	
38	93317-330U2	BEARING		1	
39	61A-45587-00-10	SHIM (T:0.10MM)		1	UR
	61A-45587-00-12	SHIM (T:0.12MM)		1	UR
	61A-45587-00-15	SHIM (T:0.15MM)		1	UR
	61A-45587-00-18	SHIM (T:0.18MM)		1	UR
	61A-45587-00-30	SHIM (T:0.30MM)		1	UR
	61A-45587-00-40	SHIM (T:0.40MM)		1	UR
	61A-45587-00-50	SHIM (T:0.50MM)		1	UR
40	93341-930U9	BEARING		1	
41	93210-55M14	O-RING		1	
42	6E5-45344-00	COVER, OIL SEAL		1	

FIG. 26 LOWER CASING. DRIVE 3



REF. NO.	PART NO.	DESCRIPTION	225F	L225				REMARKS
43	97095-08025	BOLT		4				
44	92995-08600	WASHER		4				
45	61A-45501-20	DRIVE SHAFT COMP.		1				X
46	61A-45551-03	PINION		1				
47	90201-16M00	WASHER, PLATE		1				
48	90170-16M19	NUT		1				
49	61B-45560-01	GEAR		1				
50	61B-45611-01	SHAFT, PROPELLER		1				
51	90201-29M01	WASHER, PLATE		1				
52	61B-45611-20	SHAFT, PROPELLER		1				
53	61B-45641-00	SHIFTER		1				
54	61A-45634-01	SLIDE, SHIFT		1				
55	61A-45632-00	PIN, CROSS		1				
56	61A-45631-03	CLUTCH, DOG		1				
57	61A-45633-00	RING, CROSS PIN		1				
58	6H1-45668-00	SHAFT, FREE		1				
59	61A-45635-00	PLUNGER, SHIFT		2				
60	90201-02M00	WASHER, PLATE		1				
61	90183-02M03	NUT, SPRING		2				
62	90501-10M77	SPRING, COMPRESSION		1				
63	93501-04011	BALL		2				
64	61B-45332-01-94	HOUSING, BEARING		1				
65	93332-000W2	BEARING		1				
66	61B-45570-03	GEAR		1				
67	93315-430U8	BEARING		1				
68	61A-45577-00-10	SHIM (T:0.10MM)		1				UR
	61A-45577-00-12	SHIM (T:0.12MM)		1				UR

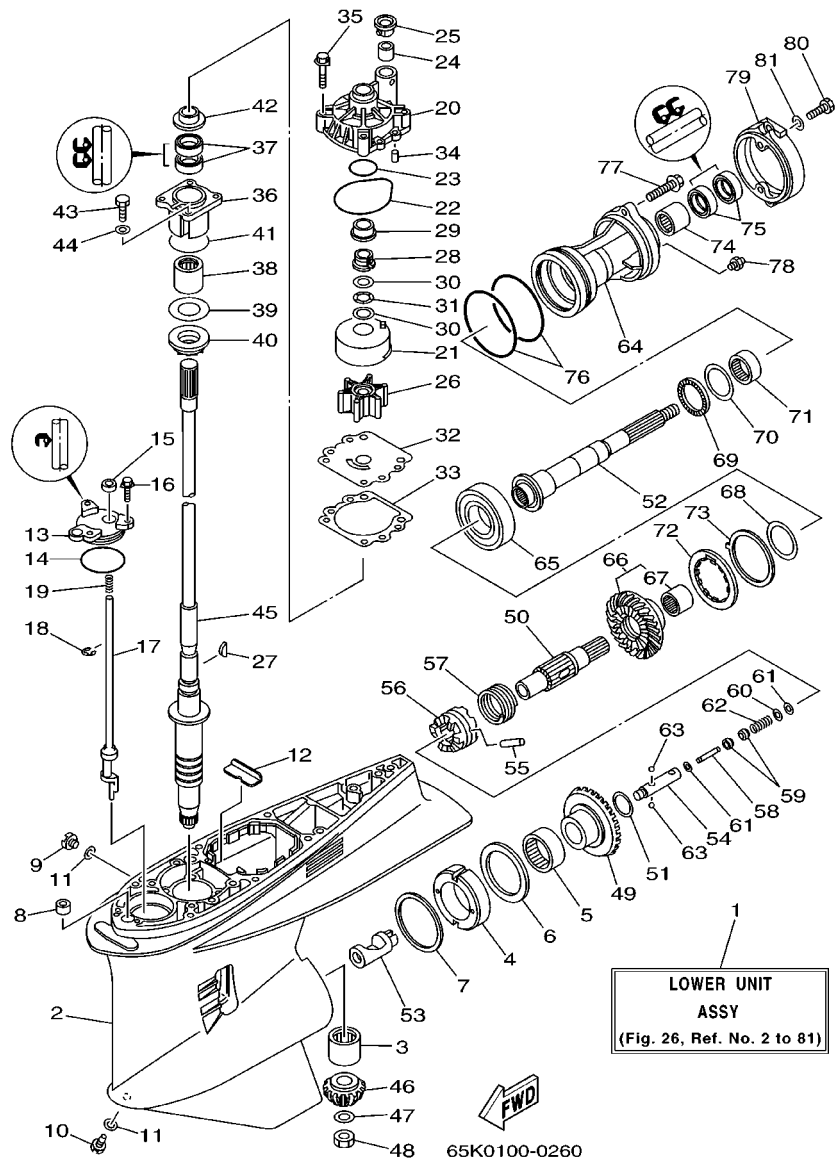
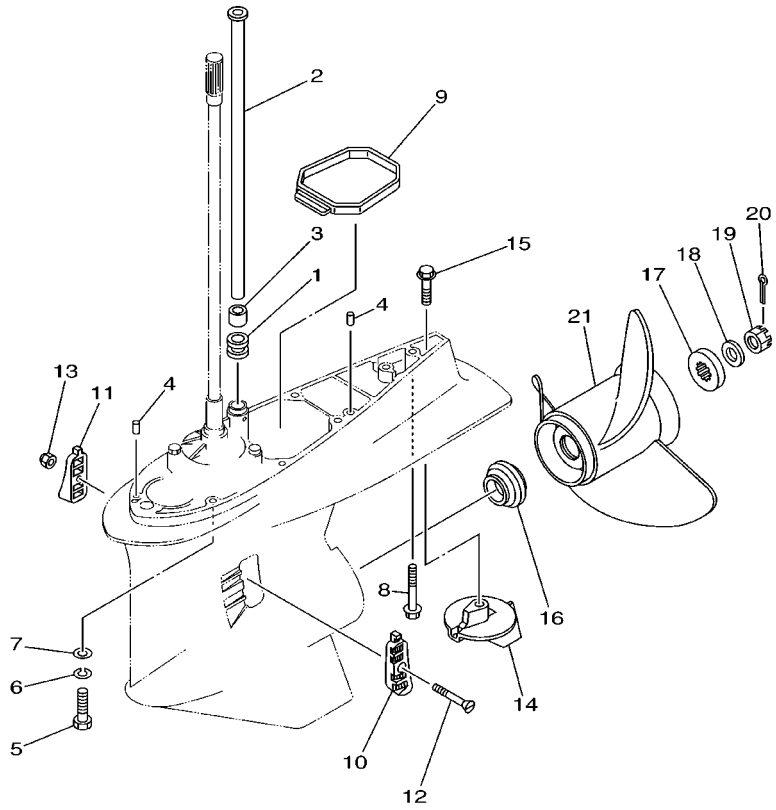


FIG. 26 LOWER CASING, DRIVE 3

REF. NO.	PART NO.	DESCRIPTION	225F	L225	REMARKS
68	61A-45577-00-15	SHIM (T:0.15MM)		1	UR
	61A-45577-00-18	SHIM (T:0.18MM)		1	UR
	61A-45577-00-30	SHIM (T:0.30MM)		1	UR
	61A-45577-00-40	SHIM (T:0.40MM)		1	UR
	61A-45577-00-50	SHIM (T:0.50MM)		1	UR
69	93341-440U5	BEARING		1	
70	6K1-45578-01-10	SHIM (T:0.10MM)		1	UR
	6K1-45578-01-12	SHIM (T:0.12MM)		1	UR
	6K1-45578-01-15	SHIM (T:0.15MM)		1	UR
	6K1-45578-01-18	SHIM (T:0.18MM)		1	UR
	6K1-45578-01-30	SHIM (T:0.30MM)		1	UR
	6K1-45578-01-40	SHIM (T:0.40MM)		1	UR
	6K1-45578-01-50	SHIM (T:0.50MM)		1	UR
71	93315-440V6	BEARING		1	
72	61B-45384-00	NUT		1	
73	61B-45383-00	WASHER, CLAW		1	
74	93317-330U5	BEARING		1	
75	93101-30M17	OIL SEAL		2	
76	93211-04384	O-RING		2	
77	90105-08M48	BOLT, WASHER BASED		2	
78	93700-09M00	NIPPLE, GREASE		1	
79	61A-45361-01-5B	CAP, LOWER CASING		1	
80	97095-08020	BOLT		2	
81	92995-08600	WASHER		2	

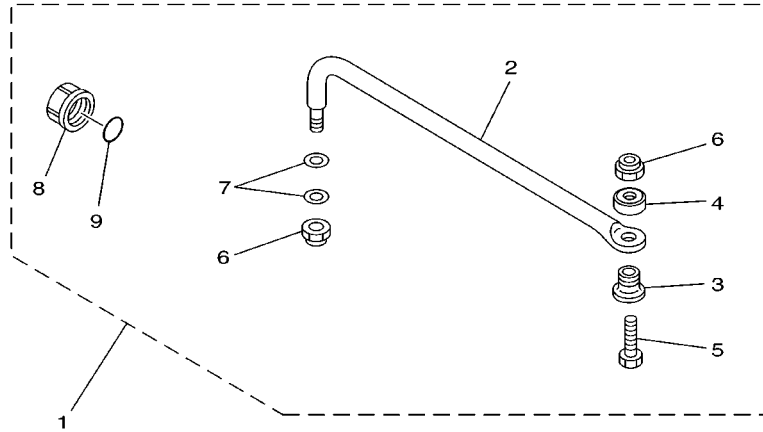
FIG. 27 LOWER CASING. DRIVE 4




65K0100-0270

REF. NO.	PART NO.	DESCRIPTION	225F	L225	REMARKS
1	6E5-44366-00	DAMPER, WATER SEAL		1	
2	61A-44361-20	TUBE, WATER		1	X
3	6E5-44365-00	DAMPER, WATER SEAL		1	
4	93608-12M05	PIN, DOWEL		2	
5	97095-10045	BOLT		7	
6	92995-10100	WASHER		7	
7	92995-10600	WASHER		7	
8	90119-10MA2	BOLT, WITH WASHER		1	
9	61A-45375-00	DAMPER, SEAL		1	
10	61A-45214-00	COVER, WATER INLET		1	
11	61A-45215-00	COVER, WATER INLET		1	
12	90152-05M08	SCREW, COUNTERSUNK		1	
13	90185-05002	NUT, SELF-LOCKING		1	
14	61A-45371-00	TAB-TRIM		1	
15	90105-10M00	BOLT, WASHER BASED		1	
16	6E5-45987-01	SPACER		1	
17	688-45997-01	SPACER		1	
18	92990-18200	WASHER		1	
19	90171-18M04	NUT, CASTLE		1	
20	91490-40030	PIN, COTTER		1	
21	6K1-45970-01-98	PROPELLER (3X15-1/4"X15"-ML)		1	UR
	6K1-45972-01-98	PROPELLER (3X13-3/4"X21"-ML)		1	UR
	6K1-45974-02-98	PROPELLER (3X13-3/4"X19"-ML1)		1	UR
	6K1-45978-02-98	PROPELLER (3X13-3/4"X17"-ML1)		1	UR
	61B-45974-00-98	PROPELLER (3X14-1/2"X19"-TL)		1	UR
	61B-45978-00-98	PROPELLER (3X15"X17"-TL)		1	UR

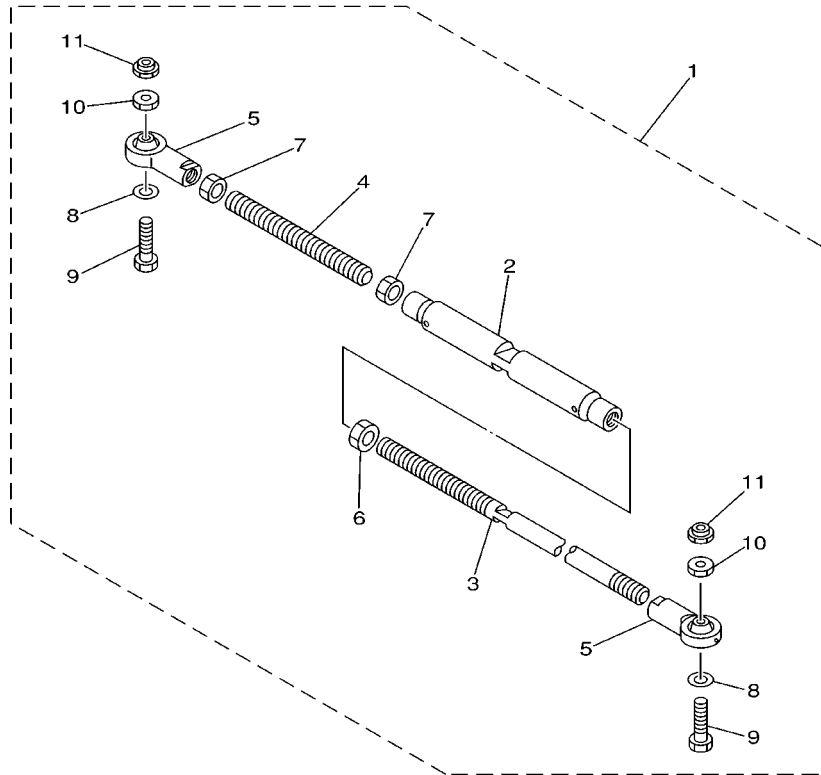
FIG. 28 STEERING GUIDE ATTACHMENT 1



REF. NO.	PART NO.	DESCRIPTION	225F	L225				REMARKS
1	6E5-61350-02	STEERING GUIDE ATTACHMENT KIT	1					AP
2	6E5-61351-01	.ROD, STEERING LINK	1					
3	90387-10M61	.COLLAR	1					
4	90560-12M01	.SPACER	1					
5	6E5-61355-00	.BOLT	1					
6	90185-09M01	.NUT, SELF-LOCKING	2					
7	90201-10M20	.WASHER, PLATE	2					
8	6E5-43145-00	.CAP, CLAMP BRACKET	1					
9	93210-16275	.O-RING	1					

67H0100-9290

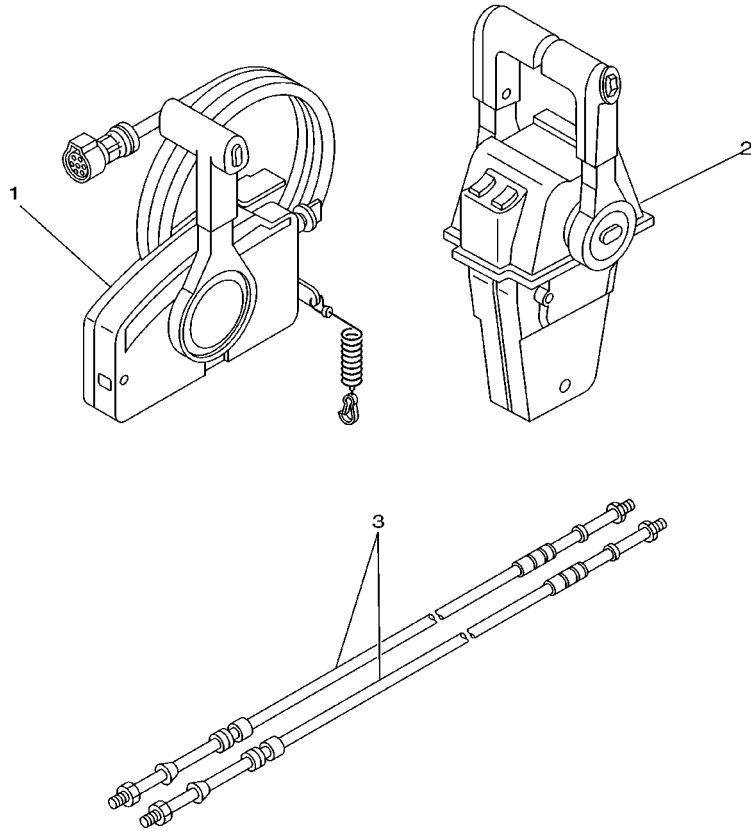
FIG. 29 STEERING GUIDE ATTACHMENT 2



67H0100-0300

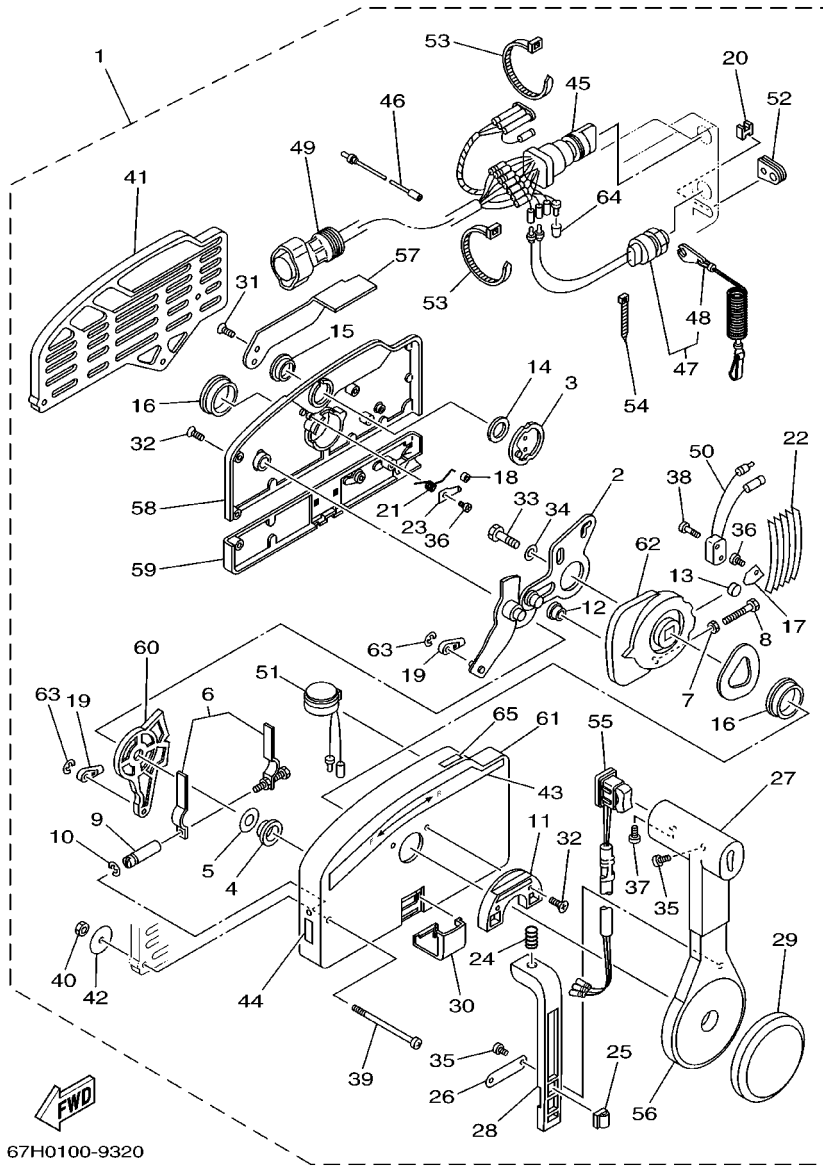
REF. NO.	PART NO.	DESCRIPTION	225F	L225		REMARKS
1	6E5-61301-01	TWIN KIT (L:600-800MM)		1		AP
2	6E5-61313-00	.ADJUSTER		1		
3	6E5-61311-11	.TIE BAR		1		
4	6E5-61315-00	.TIE BAR		1		
5	6E5-61303-00	.STEERING EYE COMP.		2		
6	90170-14M06	.NUT		1		
7	95380-14700	.NUT		2		
8	90201-10M76	.WASHER, PLATE		2		
9	90101-09M70	.BOLT		2		
10	90170-09M05	.NUT		2		
11	90185-09M01	.NUT, SELF-LOCKING		2		

FIG. 30 REMOTE CONTROL BOX



REF. NO.	PART NO.	DESCRIPTION	225F	L225			REMARKS
1	703-48205-A2	REMOTE CONTROL ASSY (10P)	1				AP WITH PT/T SW.
2	704-48207-22	REMOTE CONTROL ASSY		1			AP WITH PT/T SW.
3	701-48320-50	CABLE, REMOTE CONTROL L=15F	2	2			UR
	701-48320-60	CABLE, REMOTE CONTROL L=16F	2	2			UR
	701-48320-80	CABLE, REMOTE CONTROL L=17F	2	2			UR
	701-48350-00	CABLE, REMOTE CONTROL L=21F	2	2			UR
	701-48350-20	CABLE, REMOTE CONTROL L=23F	2	2			UR

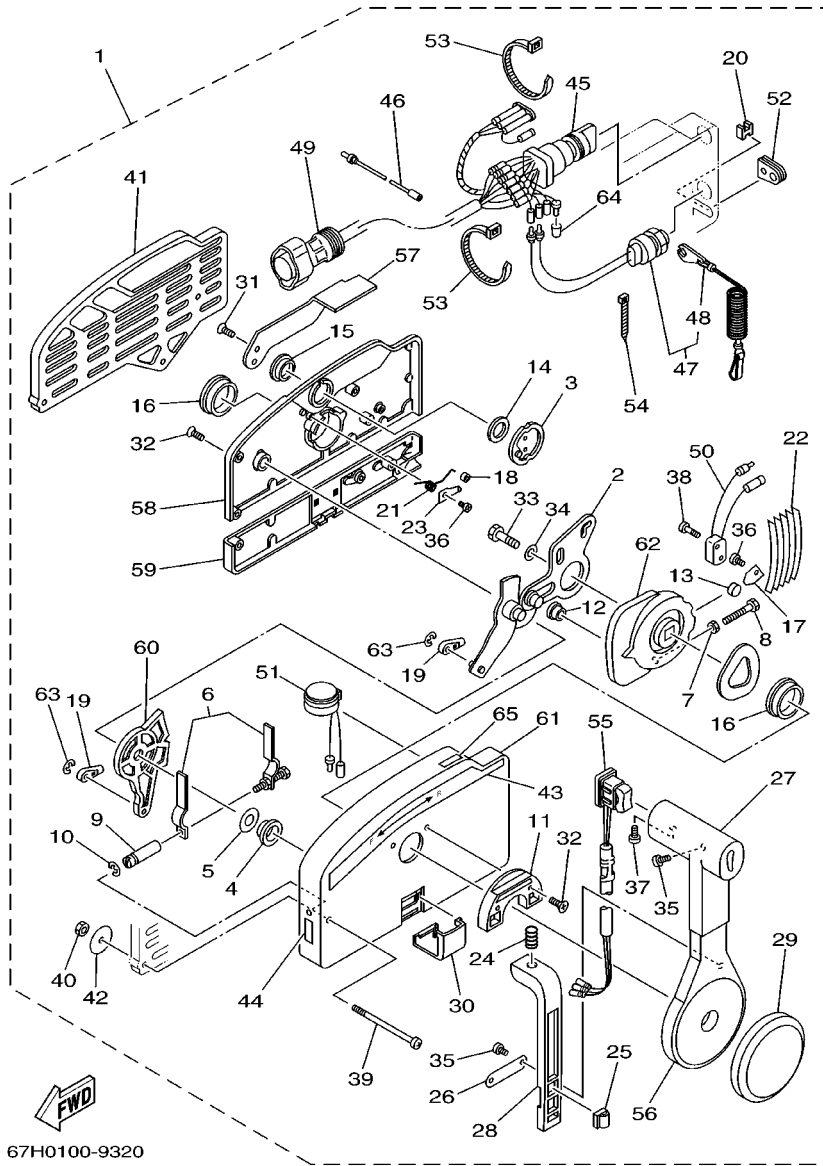

67H0100-9310



67H0100-9320

FIG. 31 REMOTE CONTROL ASSY 1

REF. NO.	PART NO.	DESCRIPTION	225F	L225	REMARKS
1	703-48205-A2	REMOTE CONTROL ASSY (10P)	1		AP WITH PT/T SW.
2	703-48261-01	.ARM, THROTTLE	1		
3	703-48153-00	.SHAFT, FREE ACCEL.	1		
4	703-48235-00	.BUSHING	1		
5	703-48268-00	.SPACER	1		
6	703-48264-00	.THROTTLE, FRICTION	1		
7	95380-05600	.NUT	1		
8	97380-05025	.BOLT	1		
9	703-48265-00	.SHAFT, FRICTION	1		
10	93430-06024	.CIRCLIP	3		
11	703-48245-00	.PLATE, LOCK	1		
12	703-48252-00	.ROLLER, CAM	1		
13	701-48248-00	.ROLLER, FREE ACCEL.	1		
14	703-48198-00	.WASHER, WAVE	1		
15	703-48243-00	.BUSHING	1		
16	703-48236-00	.BUSHING 1	2		
17	703-48189-00	.RETAINER	1		
18	703-48236-00	.BUSHING 1	1		
19	703-48345-01	.CABLE END,REMOTE CONTROL 2	2		
20	703-48358-00	.ANCHOR, CABLE	1		
21	703-48244-00	.SPRING, FREE ACCEL.	1		
22	703-48238-00	.SPRING, DETENT	5		
23	703-48246-00	.SPACER	1		
24	703-48227-00	.SPRING, NEUTRAL LOCK	1		
25	703-82594-00	.CLAMP	1		
26	703-48226-00	.PLATE, STOPPER	1		
27	703-48222-00	.GRIP, CONTROL LEVER	1		SINGLE



67H0100-9320

FIG. 31 REMOTE CONTROL ASSY 1

REF. NO.	PART NO.	DESCRIPTION	225F	L225	REMARKS
28	703-48223-00	.LOCK, NEUTRAL	1		
29	703-48225-00	.COVER	1		
30	703-48219-00	.COVER, LEAD	1		
31	703-48281-00	.SCREW	2		
32	703-48282-00	.SCREW	7		
33	97095-08030	.BOLT	1		
34	92990-08600	.WASHER, PLATE	1		
35	98580-04010	.SCREW, PAN HEAD	3		
36	98580-04006	.SCREW, PAN HEAD	2		
37	98580-05010	.SCREW, PAN HEAD	1		
38	98580-03015	.SCREW, PAN HEAD	2		
39	703-48291-10	.SCREW (M6)	3		
40	95380-06600	.NUT, HEXAGON	3		
41	703-48293-10	.SPACER, REMOTE CONTROL	1		SINGLE
42	701-48287-00	.WASHER	3		
43	703-48215-00	.GRAPHIC	1		
44	702-48217-00	.MARK	1		
45	703-82510-11	.MAIN SWITCH ASSY (10P)	1		FOR PRIME START MODEL
46	703-82531-00	.WIRE, LEAD	1		
47	688-82575-01	.ENGINE STOP SWITCH ASSY	1		
48	682-82556-00	..STOPPER	1		
49	688-8258A-20	.EXTENSION, WIRE HARNESS	1		L:5M (10P)
50	703-82540-00	.NEUTRAL SWITCH ASSY	1		
51	703-83383-A0	.BUZZER	1		
52	703-48284-00	.GROMMET	1		
53	90464-13080	.CLAMP	2		
54	703-82592-00	.BAND	1		

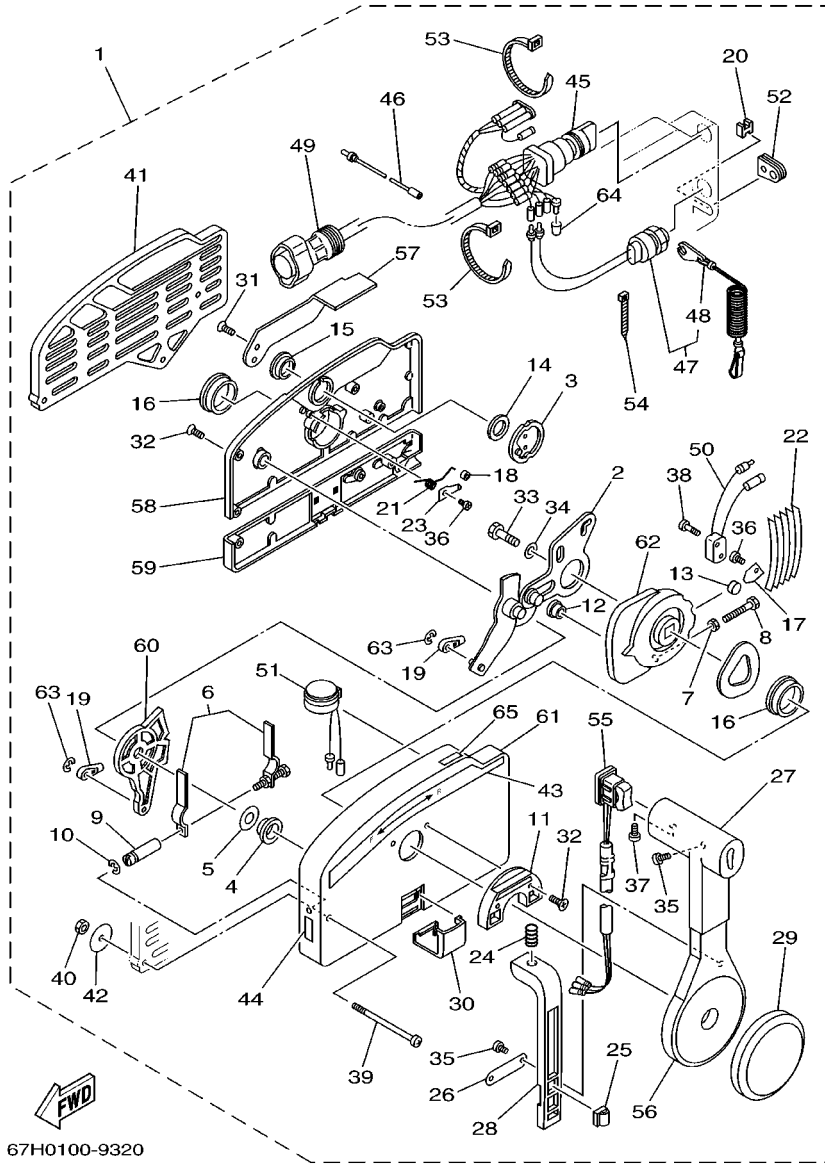
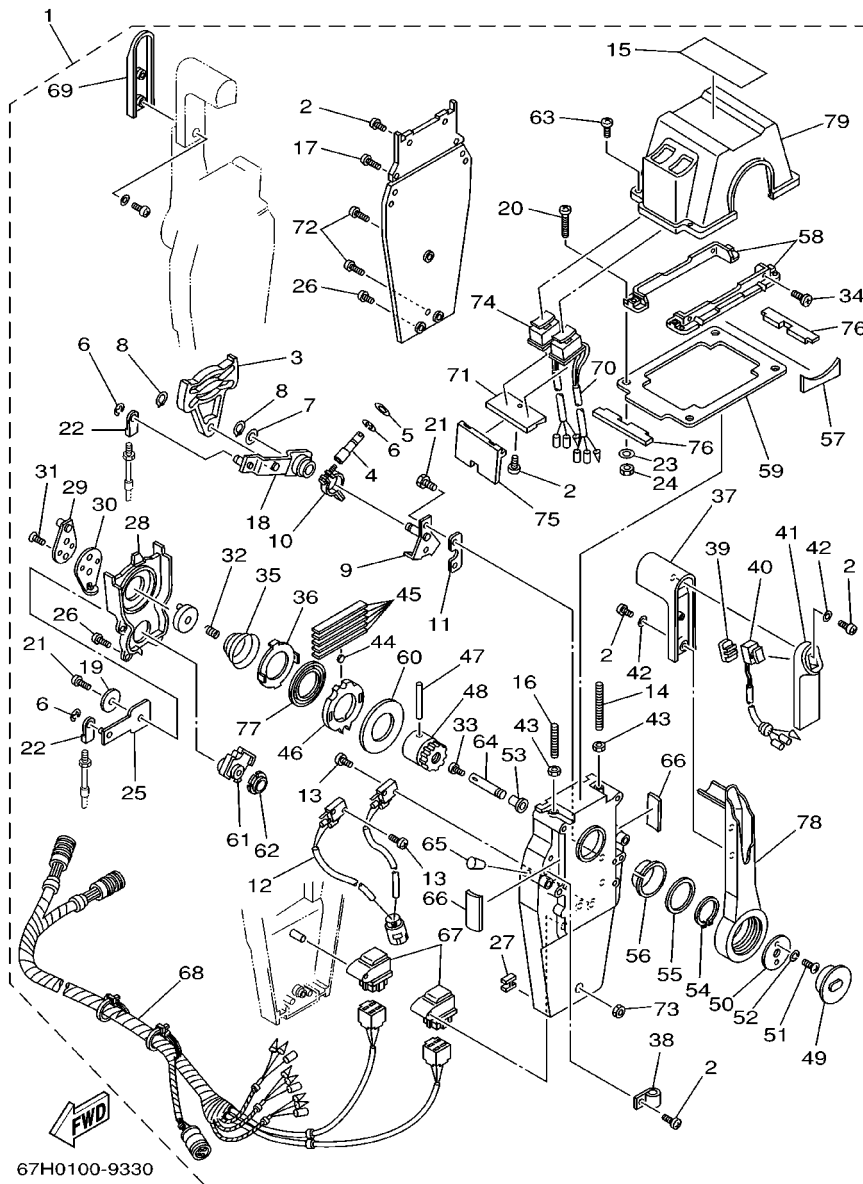


FIG. 31 REMOTE CONTROL ASSY 1

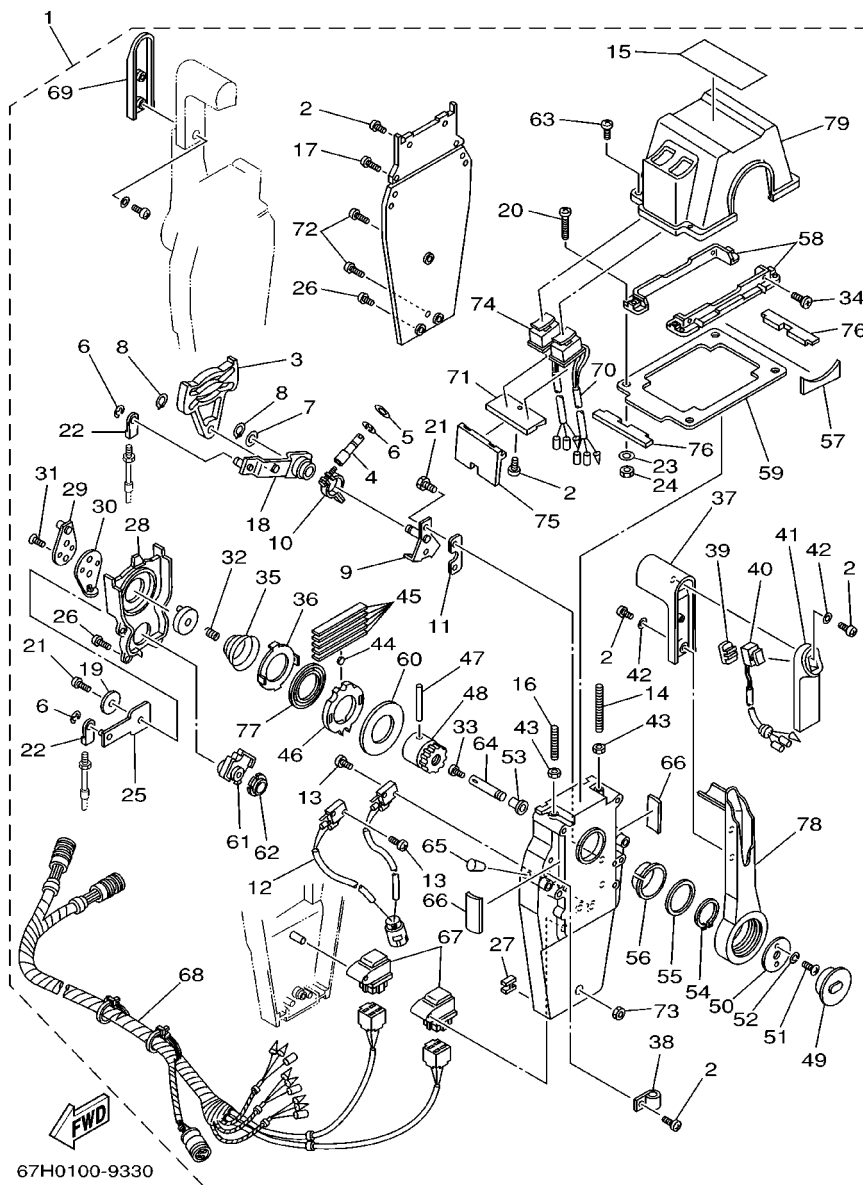
REF. NO.	PART NO.	DESCRIPTION	225F	L225	REMARKS
55	703-82563-01	.TRIM & TILT SWITCH ASSY	1		
56	703-48221-00	.LEVER, CONTROL	1		
57	703-48152-00	.KNOB, FREE ACCEL.	1		
58	703-48212-00	.BACK PLATE 1	1		
59	703-48213-00	.BACK PLATE 2	1		
60	703-48271-00	.ARM, SHIFT	1		
61	703-48211-01	.HOUSING,1	1		
62	703-48232-00	.GEAR	1		
63	93430-06024	.CIRCLIP	2		
64	703-82542-00	.CAP	1		
65	703-48218-00	.GRAPHIC	1		

FIG. 32 REMOTE CONTROL ASSY 2



REF. NO.	PART NO.	DESCRIPTION	225F	L225	REMARKS
1	704-48207-22	REMOTE CONTROL ASSY		1	AP WITH PT/T SW.
2	97890-05016	.SCREW, PAN HEAD		12	
3	EL8-48251-00	.PLATE, CAM		2	
4	704-48265-00	.SHAFT, FRICTION		2	
5	701-48246-00	.SPACER		2	
6	93430-06024	.CIRCLIP		8	
7	92990-10600	.WASHER, PLATE		2	
8	EL8-48259-00	.CIRCLIP 1		4	
9	704-48262-00	.SHAFT, THROTTLE		2	
10	704-48264-00	.THROTTLE, FRICTION		2	
11	704-48266-00	.SPACER		2	
12	704-82540-00	.NEUTRAL SWITCH ASSY		1	
13	98580-03014	.SCREW, PAN HEAD		4	
14	EL8-48281-00	.SCREW		2	
15	704-48215-10	.GRAPHIC		1	
16	704-48281-00	.SCREW		2	
17	98580-05525	.SCREW, PAN HEAD		4	
18	704-48261-00	.ARM, THROTTLE		2	
19	EL8-48191-00	.WASHER 1		2	
20	98580-05540	.SCREW, PAN HEAD		4	
21	97080-06018	.BOLT		6	
22	703-48345-01	.CABLE END,REMOTE CONTROL 2		4	
23	704-48287-00	.WASHER		4	
24	95380-05600	.NUT		4	
25	EL8-48271-00	.ARM, SHIFT		2	
26	EL8-48127-00	.SCREW 1		16	
27	703-48358-00	.ANCHOR, CABLE		2	

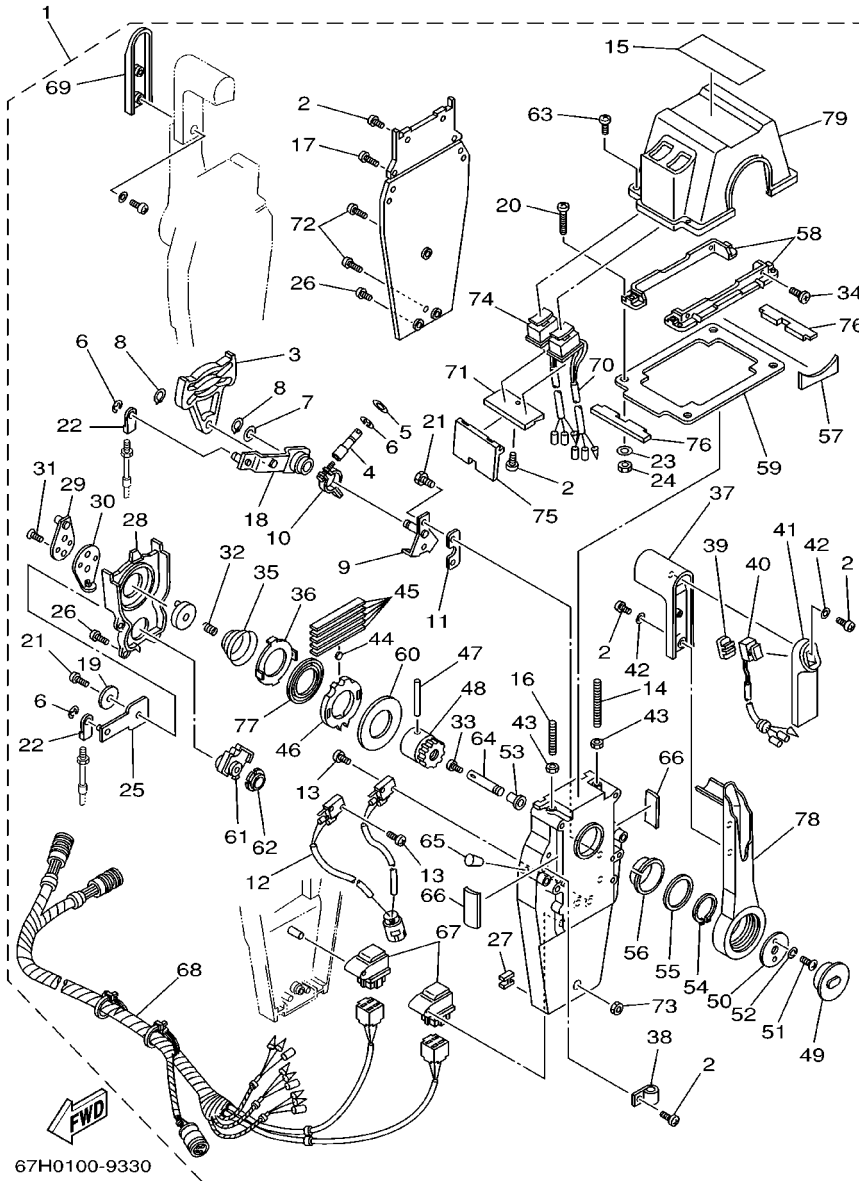
FIG. 32 REMOTE CONTROL ASSY 2



67H0100-9330

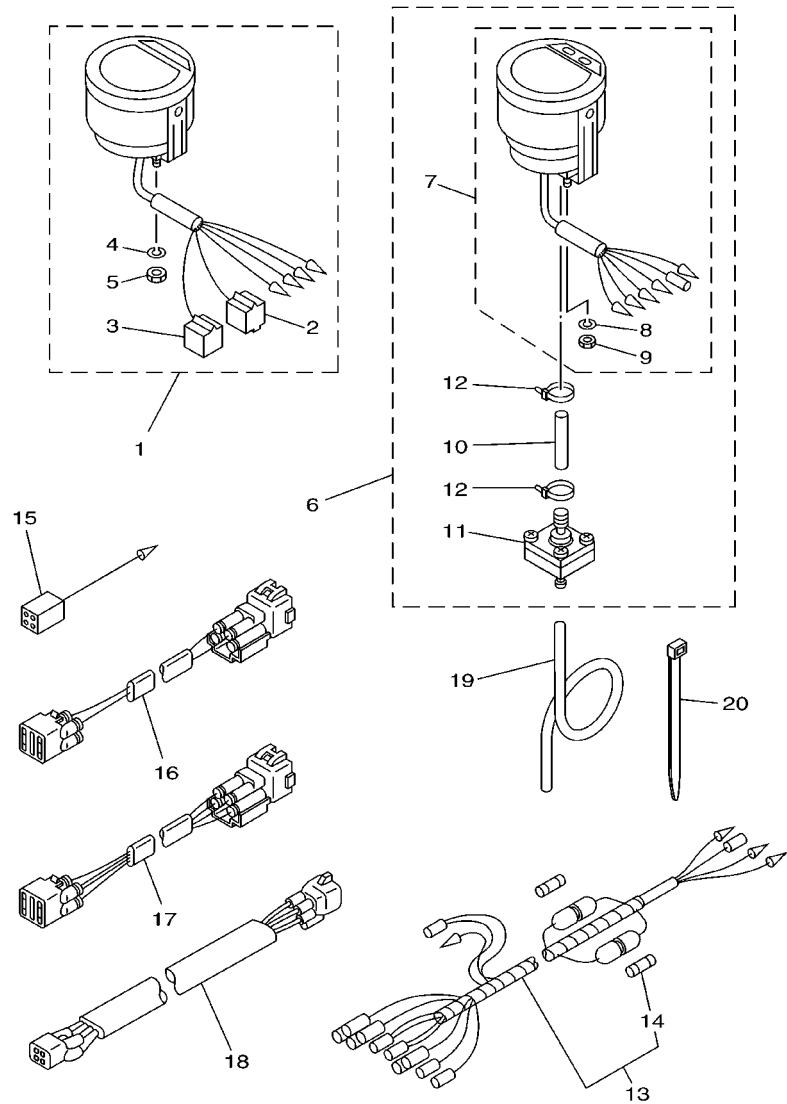
REF. NO.	PART NO.	DESCRIPTION	225F	L225	REMARKS
28	EL8-48231-00	.HOUSING, GEAR		2	
29	EL8-48241-00	.ARM, DRIVE		2	
30	EL8-48254-00	.STOPPER, THROTTLE ADJUSTING		2	
31	98780-06020	.SCREW, FLAT HEAD		4	
32	EL8-48158-00	.SPRING 1		2	
33	98580-04006	.SCREW, PAN HEAD		2	
34	98780-05018	.SCREW, FLAT HEAD		4	
35	EL8-48244-00	.SPRING, FREE ACCEL.		2	
36	EL8-48245-00	.PLATE, LOCK		2	
37	704-48222-00	.GRIP, CONTROL LEVER		2	
38	704-82594-00	.CLAMP		1	
39	704-48228-00	.HOLDER, SWITCH		1	
40	704-82563-G0	.TRIM & TILT SWITCH ASSY		1	
41	704-48229-00	.GRIP, CONTROL LEVER		1	
42	92990-05300	.WASHER, INTERNAL TOOTH		6	
43	95380-06600	.NUT, HEXAGON		4	
44	701-48248-00	.ROLLER, FREE ACCEL.		2	
45	703-48238-00	.SPRING, DETENT		10	
46	EL8-48232-00	.GEAR 1		2	
47	EL8-48164-00	.PIN 2		2	
48	704-48242-00	.SHAFT, DRIVE		2	
49	704-48225-00	.COVER		2	
50	704-48192-00	.WASHER 2		2	
51	97890-06018	.SCREW, PAN HEAD		4	
52	92990-06300	.WASHER, INTERNAL TOOTH		4	
53	702-48263-00	.BUSHING		2	
54	EL8-48279-00	.CIRCLIP 2		2	

FIG. 32 REMOTE CONTROL ASSY 2



REF. NO.	PART NO.	DESCRIPTION	225F	L225	REMARKS
55	704-48193-00	.WASHER 3		2	
56	EL8-48234-00	.BUSHING 1		2	
57	704-48219-00	.COVER, LEAD		2	
58	704-48144-00	.PLATE, STOPPER 2		2	
59	704-48176-10	.GROMMET		1	
60	703-48192-00	.WASHER 2		2	
61	EL8-48233-00	.GEAR 2		2	
62	703-48235-00	.BUSHING		2	
63	704-48282-00	.SCREW		4	
64	EL8-48153-10	.SHAFT, FREE ACCEL.		2	
65	704-48166-00	.PLUG		2	
66	704-48284-00	.GROMMET		4	
67	704-81950-00	.RELAY ASSY		2	
68	704-82590-10	.WIRE HARNESS ASSY		1	
69	704-48229-10	.GRIP, CONTROL LEVER		1	
70	704-82563-E0	.TRIM & TILT SWITCH ASSY		1	
71	704-48228-10	.HOLDER, SWITCH		1	
72	98580-05555	.SCREW, PAN HEAD		3	
73	704-48156-00	.NUT 1		1	
74	704-82563-F0	.TRIM & TILT SWITCH ASSY		1	
75	704-48285-00	.GROMMET 2		1	
76	704-48286-00	.GROMMET 3		2	
77	704-48178-00	.PLATE, SHIFT		2	
78	704-48221-00	.LEVER, CONTROL		2	
79	704-48119-20	.COVER		1	

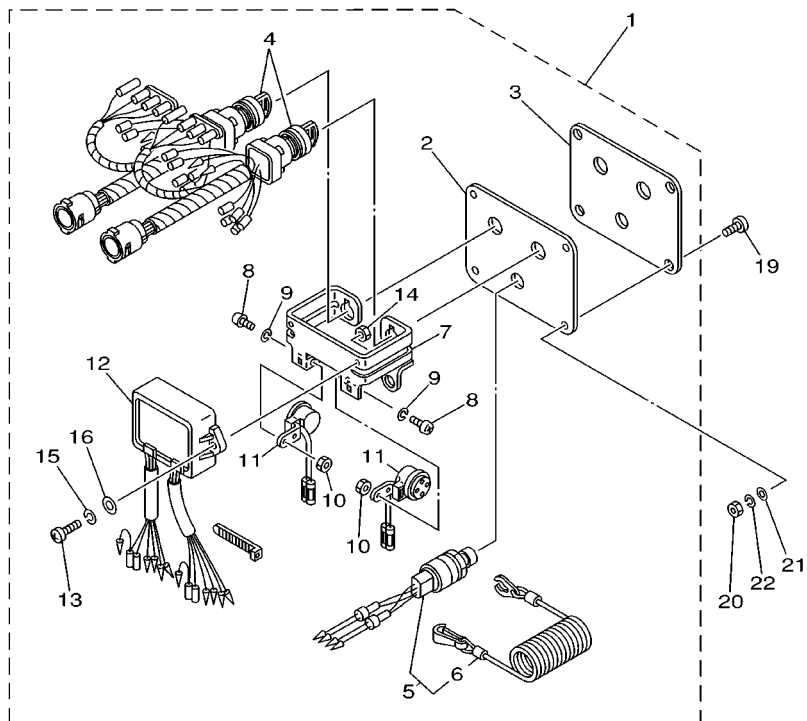
FIG. 33 METER 1



67H0100-0340

REF. NO.	PART NO.	DESCRIPTION	225F	L225		REMARKS
1	6Y5-83500-T2	DIGITAL TACHOMETER ASSY	1	1		AP
2	9E450-04433	.CONNECTOR	1	1		M-4-W
3	9E450-04533	.CONNECTOR	1	1		F-4-W
4	92990-04100	.WASHER, SPRING	2	2		
5	95380-04600	.NUT	2	2		
6	6Y5-83500-S4	DIGITAL SPEEDOMETER ASSY	1			AP
7	6Y5-83570-S4	.DIGITAL SPEEDOMETER	1			
8	92990-04100	..WASHER, SPRING	2			
9	95380-04600	..NUT	2			
10	6Y5-83557-31	.TUBE	1			
11	6Y5-83728-00	.CONNECTOR ASSY	1			
12	90465-11M10	.CLAMP	2			
13	6Y5-83553-M0	WIRE, LEAD	1			AP
	6Y5-83553-00	WIRE, LEAD		1		AP
14	1E6-82151-00	.FUSE (10A)	2			
	1E6-82151-00	.FUSE (10A)		1		
15	6Y5-82117-00	WIRE, LEAD (BLACK)	1			AP
16	6R3-82521-70	WIRE, LEAD	1			AP 7M
	6R3-82521-80	WIRE, LEAD		1		AP 8M
17	6R3-82553-70	EXTENSION, WIRE LEAD	1			AP 4P,7M
	6R3-82553-80	EXTENSION, WIRE LEAD		1		AP 4P,8M
18	6R3-82553-30	EXTENSION, WIRE LEAD L=3000	2			AP
19	6Y5-83557-00	TUBE (6M)	1			AP
20	90465-11M10	CLAMP	2			AP

FIG. 34 METER 2



REF. NO.	PART NO.	DESCRIPTION	225F	L225	REMARKS
1	61B-82570-01	PANEL SWITCH ASSY		1	AP
2	61B-82588-01	.PLATE		1	
3	61B-82551-01	.STOP SWITCH ASSY		1	
4	61B-82510-00	.MAIN SWITCH ASSY		2	
5	6K1-82575-00	.ENGINE STOP SWITCH ASSY		1	
6	682-82556-00	..STOPPER		1	
7	6K1-83614-01	.BRACKET		1	
8	98980-05010	.SCREW, BIND		2	
9	92990-05100	.WASHER, SPRING		2	
10	95380-05600	.NUT		2	
11	6R5-83383-00	.BUZZER		2	
12	61B-85830-00	.CONTROL UNIT ASSY		1	
13	98980-06020	.SCREW, BIND		2	
14	95380-06600	.NUT, HEXAGON		2	
15	92990-06100	.WASHER, SPRING		2	
16	92990-06600	.WASHER, PLATE		2	
17	6K1-8258A-40	EXTENSION, WIRE HARNESS		1	AP
18	61B-8258A-01	EXTENSION, WIRE HARNESS		1	AP
19	90149-05M05	SCREW		4	AP
20	95380-05600	NUT		4	AP
21	92990-05600	WASHER, PLATE		4	AP
22	92990-05100	WASHER, SPRING		4	AP



65J0100-0340

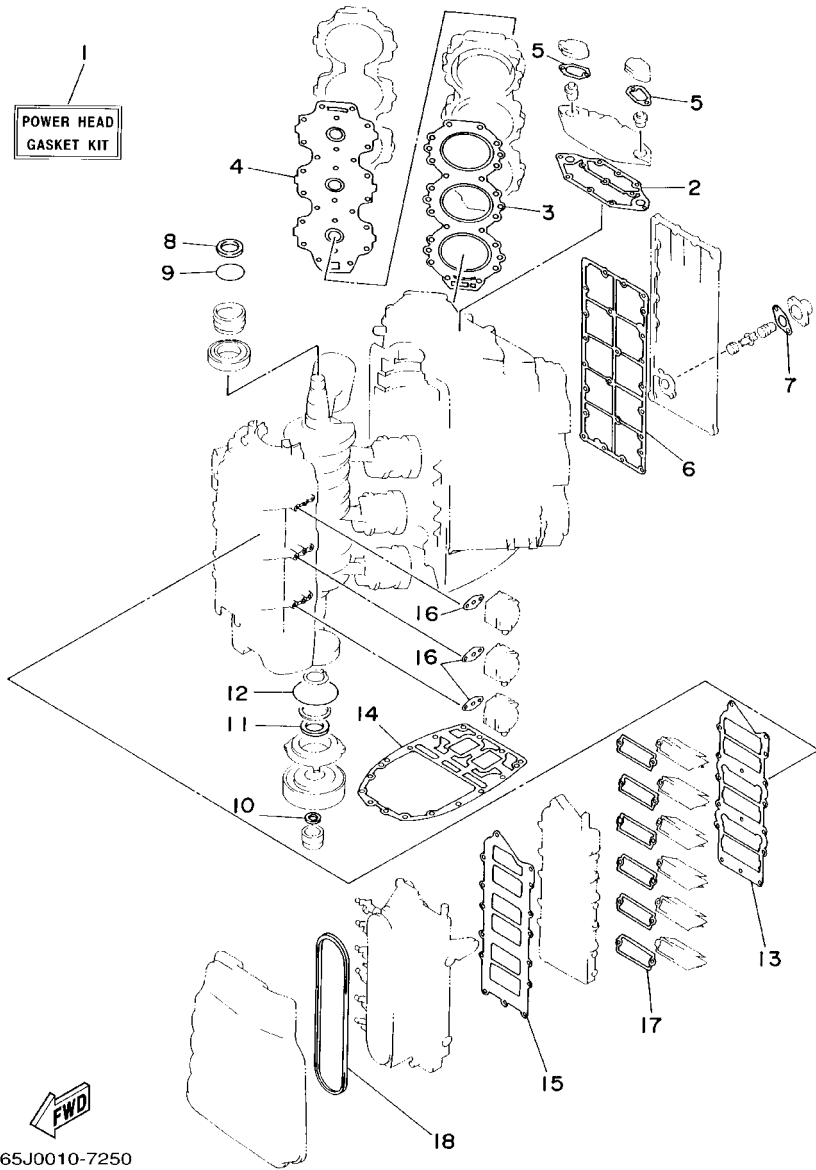
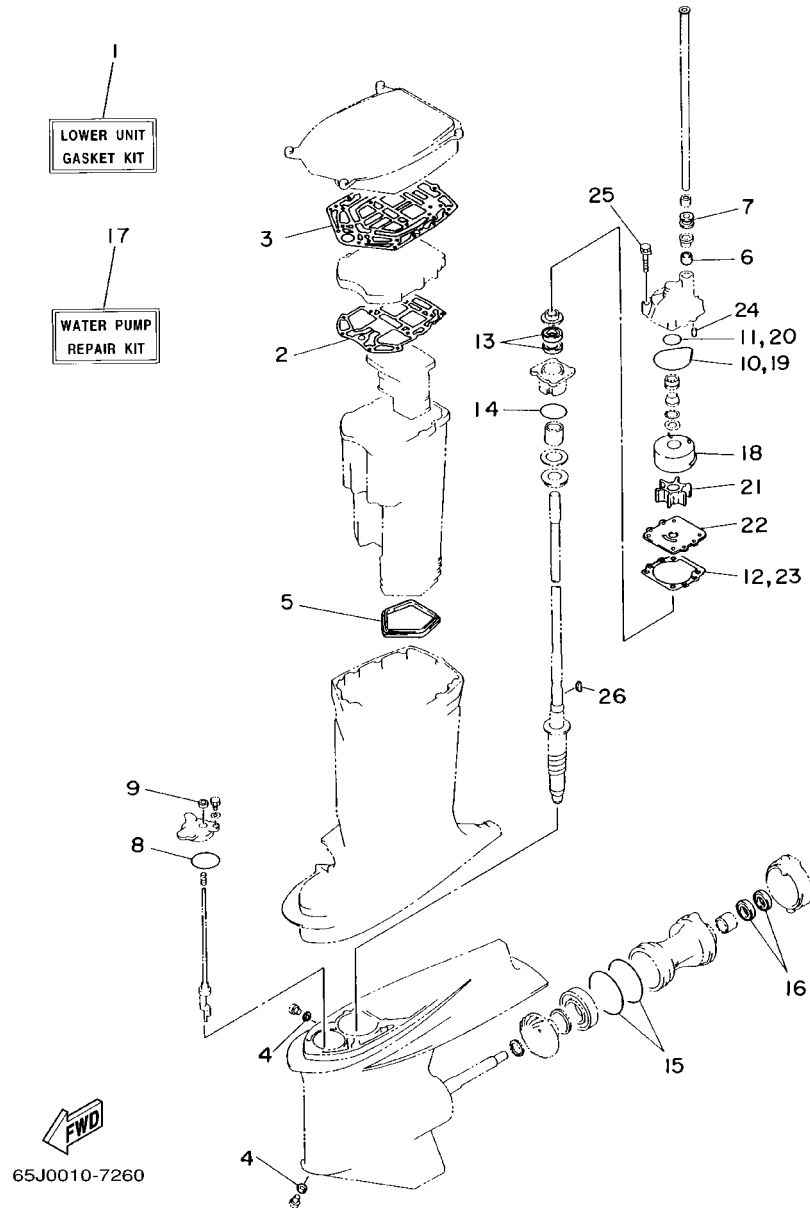


FIG. 35 REPAIR KIT 1

REF. NO.	PART NO.	DESCRIPTION	225F	L225			REMARKS
1	65L-W0001-00	POWER HEAD GASKET KIT	1	1			
2	61A-11381-A0	.GASKET 1	1	1			
3	61A-11181-A1	.GASKET, CYLINDER HEAD 1	2	2			
4	61A-11193-A1	.GASKET, HEAD COVER 1	2	2			
5	61A-12414-A0	.GASKET, COVER	2	2			
6	61A-41112-A0	.GASKET, EXHAUST INNER COVER	1	1			
7	6G5-11382-A1	.GASKET 2	1	1			
8	93102-40M38	.OIL SEAL	1	1			
9	93210-54M54	.O-RING	1	1			
10	93104-22M07	.OIL SEAL	1	1			
11	93102-40M36	.OIL SEAL	1	1			
12	93210-81MA6	.O-RING	1	1			
13	65L-13645-00	.GASKET, MANIFOLD 1	1	1			
14	61A-45113-A0	.GASKET, UPPER CASING	1	1			
15	65L-13646-00	.GASKET, MANIFOLD 2	1	1			
16	650-24431-A0	.GASKET, FUEL PUMP 1	3	3			
17	61A-13621-A0	.GASKET, VALVE SEAT	6	6			
18	65L-14483-00	.GASKET	1	1			

FIG. 36 REPAIR KIT 2



REF. NO.	PART NO.	DESCRIPTION	225F	L225			REMARKS
1	65L-W0001-C0	LOWER UNIT GASKET KIT	1	1			
2	61A-41134-A0	.GASKET, EXHAUST MANIFOLD	1	1			
3	61A-45114-A0	.GASKET, UPPER CASING	1	1			
4	90430-08020	.GASKET	2	2			
5	61A-45123-01	.GASKET, MUFFLER	1	1			
6	6E5-44365-00	.DAMPER, WATER SEAL	1	1			
7	6E5-44366-00	.DAMPER, WATER SEAL	1	1			
8	93210-64488	.O-RING	1	1			
9	93106-09014	.OIL SEAL	1	1			
10	93210-86M38	.O-RING	1	1			
11	93210-37160	.O-RING	1	1			
12	6E5-44315-A0	.GASKET, WATER PUMP	1	1			
13	93101-28M16	.OIL SEAL	2	2			
14	93210-55M14	.O-RING	1	1			
15	93211-04384	.O-RING	2	2			
16	93101-30M17	.OIL SEAL	2	2			
17	65L-W0078-A0	WATER PUMP REPAIR KIT	1	1			
18	61A-44322-02	.INSERT, CARTRIDGE	1	1			
19	93210-86M38	.O-RING	1	1			
20	93210-37160	.O-RING	1	1			
21	6E5-44352-01	.IMPELLER	1	1			
22	6G5-44323-00	.OUTER PLATE, CARTRIDGE	1	1			
23	6E5-44315-A0	.GASKET, WATER PUMP	1	1			
24	93606-12019	.PIN, DOWEL	2	2			
25	90119-08M14	.BOLT, WITH WASHER	4	4			
26	90280-04M05	.KEY, WOODRUFF	1	1			

NUMERICAL INDEX

PART NO.	REF. NO.	PART NO.	REF. NO.	PART NO.	REF. NO.	PART NO.	REF. NO.	PART NO.	REF. NO.	PART NO.	REF. NO.
65L-W0001-C0	36 - 1	62J-11631-02-86	3 - 20	65L-13898-00	6 - 10	66K-14984-00	5 - 6	6R5-24408-00	10 - 8	624-42542-00	15 - 2
65L-W0001-00	35 - 1	61A-11633-02	3 - 23	66K-13898-00	5 - 50	66K-14985-00	5 - 4	65L-24409-00	10 - 11	65J-42610-S0-4D	1 - 1
65J-W0004-01	7 - 2	61A-11634-00	3 - 24	65L-13905-00	5 - 13	65L-14992-00	5 - 36	61A-42613-01-4D	10 - 39	61A-42613-01-4D	1 - 12
61A-W0070-S1	1 - 22	62J-11635-02	3 - 20	66K-13906-00	5 - 8	65L-14997-00	5 - 37	6E5-24411-00	10 - 45	61A-42615-01	1 - 11
65L-W0078-A0	36 - 17	62J-11636-02	3 - 20	66K-13907-00	5 - 17	65J-15100-00-1S	2 - 2	6E5-24412-10	10 - 52	61A-42619-02	1 - 9
65J-W0090-10-1S	2 - 1	62J-11642-02-86	3 - 21	66K-13915-00	5 - 23	61A-15315-00	19 - 58	6E5-24413-00	10 - 42	61A-42626-00	1 - 15
656-W2810-02	9 - 40	62J-11645-02	3 - 21	65L-13938-00	6 - 9	61A-15359-00-94	3 - 14	6A0-24421-01	10 - 49	61A-42627-02	1 - 10
62J-11111-01-1S	4 - 1	62J-11646-02	3 - 21	66K-13971-00	6 - 28	6A0-15789-00	21 - 25	6E5-24423-00	10 - 47	61A-42636-00	1 - 16
6E5-11119-01	2 - 28	61A-11650-00	3 - 25	67H-13972-00	6 - 30	61A-21708-03	9 - 17	648-24424-00	10 - 46	6R3-42647-00	1 - 2
61A-11181-A1	4 - 2	6E5-12411-20	2 - 34	65L-13995-00	6 - 13	6E5-21733-02	9 - 18	650-24431-A0	10 - 53	6R3-42662-00	1 - 5
	35 - 3	61A-12413-00-1S	2 - 35	65L-13996-00	6 - 27	6E5-21734-01-33	9 - 33		35 - 16	61A-4267A-S1	1 - 26
61A-11191-00-1S	4 - 5	61A-12413-10-1S	2 - 36	65L-14125-00	5 - 7	6E5-21746-00	9 - 35	6E5-24434-02	10 - 48	61A-42677-S1	1 - 25
61A-11193-A1	4 - 6	61A-12414-A0	2 - 37	65L-14147-00	5 - 31	61A-21750-00	9 - 1	6E5-24435-00	10 - 44	62J-42681-S1	1 - 23
	35 - 4		35 - 5	65L-14159-00	5 - 20	6E5-21770-03	9 - 19	65L-24461-00	5 - 48	62J-42682-S1	1 - 24
65L-1131N-00	15 - 47	6G5-12416-00	4 - 19	65L-1416A-00	5 - 24	6E5-21798-01-33	9 - 34	61A-24469-00	10 - 18	65J-42683-S0	1 - 21
6J8-11325-00	4 - 8	6R3-12572-00	18 - 54	66K-14163-00	5 - 12	65L-24169-00	5 - 43	6E5-24471-00	10 - 43	65J-42686-S0	1 - 19
61A-11325-00	2 - 21	61A-12576-00	4 - 25	66K-14182-00	5 - 2	646-24251-02	9 - 22	65L-24486-00	5 - 15	65J-42687-S0	1 - 20
6H3-11327-00-1S	2 - 23	6R3-12580-00	18 - 55	65L-14194-00	5 - 19	6Y2-24307-40	11 - 1	66K-24489-00	5 - 34	61A-42711-05-8D	18 - 1
	4 - 10	6G5-12581-00	2 - 20	65L-14227-00	5 - 18	61A-24311-00	10 - 9	61A-24521-00	10 - 13	61A-42716-00	18 - 40
6H3-11328-00	2 - 22	61A-13117-00	8 - 18	66K-14239-00	5 - 10		10 - 29	61A-24531-00	10 - 14	61A-42717-00	18 - 41
	4 - 9	65L-13183-00	8 - 8	66K-14245-00	5 - 16		10 - 60	65L-24558-00	10 - 20	61A-42724-00	19 - 59
65L-11353-10	15 - 49	65L-13200-00	8 - 1	66K-14255-00	5 - 9	6E5-24313-00	10 - 62	65L-24560-00	10 - 12	61A-42725-12	18 - 25
65L-11354-00	15 - 46	61A-13411-00	9 - 3	66K-14271-00	5 - 25	61A-24313-00	10 - 5	65L-24563-00	10 - 17	6H4-42726-00	18 - 39
65L-11357-00	15 - 50	6E5-13414-00	9 - 4	65L-14274-00	5 - 32	6E5-24315-00	10 - 34	61A-24564-00	10 - 15	688-42726-10	18 - 38
61A-11371-00-1S	2 - 30	61A-13416-00	8 - 6	6A0-14325-00	10 - 50		10 - 37	65L-24564-00	10 - 19	61A-42727-00	18 - 42
6E5-11372-00	2 - 3	6R3-13471-00	8 - 3	66K-14325-00	5 - 11	6G5-24315-00	10 - 36	61A-24566-00	10 - 24	61A-42738-02-5B	18 - 27
	2 - 9	6L2-13475-00	8 - 4	65L-14334-00	6 - 4	6G5-24316-10	10 - 58	65L-24576-00	5 - 40	64D-42738-10-5B	18 - 28
6F6-11372-00	2 - 7	66K-13532-00	5 - 47	65L-14397-00	5 - 35	6G5-24317-01	10 - 31	65L-24577-00	10 - 16	61A-42741-01-8D	18 - 43
	7 - 7	66K-13533-00	5 - 49	65L-14440-00	7 - 17		10 - 56	66K-24579-00	5 - 41	6E5-42761-00-1S	2 - 39
6G5-11372-00-1S	4 - 23	66K-13542-00	5 - 45	65L-14483-00	7 - 18	6E5-24319-01	9 - 23	65L-24592-00	5 - 42	61A-42771-01-8D	18 - 44
6H1-11372-00	23 - 24	66K-13544-00	5 - 46		35 - 18	6E5-24321-01	9 - 27	61A-41112-A0	4 - 15	61A-42791-S0	23 - 2
650-11372-00	2 - 8	65L-13573-00	6 - 12	624-14485-00	2 - 4	6E5-24322-00	9 - 20		35 - 6	61A-42792-S0	23 - 3
61A-11381-A0	2 - 32	65J-13610-01	7 - 1	65L-14523-00	6 - 5	6E5-24323-00	9 - 13	61A-41113-00-1S	4 - 13	61A-42792-S0	23 - 3
	35 - 2	61A-13621-A0	7 - 3	65L-14527-00	6 - 2	6E5-24351-51	11 - 4	61A-41131-00-5B	23 - 25	6R3-42811-01	18 - 9
6G5-11382-A1	4 - 22		35 - 17	65L-14546-00	5 - 3	6Y2-24360-51	11 - 5	61A-41132-01-5B	23 - 28	6R3-42813-00	18 - 16
	35 - 7	65L-13624-01-1S	7 - 6	66K-14548-00	5 - 5	65L-24375-00	5 - 38	61A-41134-A0	23 - 29	6R3-42814-00	1 - 6
65L-11395-00	15 - 42	65L-13645-00	7 - 12	65L-14565-00	5 - 51	66K-24376-00	5 - 33		36 - 2	61A-42815-01-8D	18 - 3
65L-11396-00	15 - 48		35 - 13		6 - 3	6R3-24377-00	10 - 3	61A-41137-12-94	23 - 18	6R3-42816-00	18 - 10
61A-11411-00	3 - 1	65L-13646-00	7 - 11		6 - 11		10 - 6	65L-41213-00	19 - 16	6R3-42824-00	18 - 8
61A-11447-00	3 - 2		35 - 15	65L-14573-00	6 - 25	6E5-24378-00	10 - 33	65L-41217-00	6 - 32	6N7-42828-00	18 - 19
663-11518-01	2 - 10	66K-13751-00	6 - 1	65L-14578-00	6 - 8	65L-24378-00	8 - 9	6H1-41237-00	8 - 23	6R3-42828-00	18 - 20
61A-11536-00	3 - 8	65L-13761-00	6 - 14	65L-14579-00	6 - 26	650-24378-00	4 - 14	6R5-41237-00	8 - 20	6N7-42841-00	18 - 23
61A-11537-00	8 - 16	65L-13764-00	6 - 16	6K5-14592-00	6 - 6	6E5-24379-00	9 - 10	61A-41237-00	19 - 13	6R3-42850-10	18 - 11
61A-11555-01	3 - 12	65L-13766-00	6 - 17	65L-14596-00	6 - 23		9 - 14	682-41237-00	19 - 15	61A-42850-01	18 - 13
61A-11586-01	3 - 11	65L-13769-00	6 - 15	61A-14711-22-5B	23 - 32		9 - 28	65L-41241-00	8 - 21	61A-42850-20	18 - 14
64D-11603-01	3 - 22	66K-13781-00	5 - 21	6E5-14737-00	23 - 33	65L-24387-00	6 - 29	65L-41632-00	19 - 6	61A-43111-23-8D	20 - 1
64D-11604-01	3 - 22	66K-13843-00	5 - 30	65L-14966-00	5 - 14		6 - 31	61A-42510-21-8D	21 - 5	61A-43112-23-8D	20 - 14
64D-11605-01	3 - 22	66K-13844-00	5 - 22	66K-14980-00	5 - 1	65L-24397-00	5 - 39	624-42542-00	9 - 7	6E5-43126-02	20 - 41

NUMERICAL INDEX

PART NO.	REF. NO.	PART NO.	REF. NO.	PART NO.	REF. NO.	PART NO.	REF. NO.	PART NO.	REF. NO.	PART NO.	REF. NO.
6R3-43131-00	20 - 19	6T4-43851-00	22 - 24	61A-44311-01	26 - 20	61A-45214-00	25 - 10	61A-45567-00-18	24 - 5	61A-45631-03	24 - 52
61A-43132-00	20 - 12	61A-43854-00	22 - 33	6E5-44312-00	24 - 23		27 - 10		26 - 7		26 - 56
61A-43133-00	20 - 15	6T4-43855-00	22 - 50		26 - 25	61A-45215-00	25 - 11	61A-45567-00-30	24 - 5	61A-45632-00	24 - 51
6G5-43144-00	20 - 31	6H1-43856-10	22 - 47	6E5-44315-A0	24 - 31		27 - 11		26 - 7		26 - 55
6E5-43145-00	28 - 8	6T4-4386J-00	22 - 77		26 - 33	6G5-45251-01	20 - 2	61A-45567-00-40	24 - 5	61A-45633-00	24 - 53
6G5-43148-00	20 - 36	61A-4386K-00	22 - 85		36 - 12	65J-45300-20-8D	24 - 1		26 - 7		26 - 57
61A-43181-01	20 - 33	6H1-43861-00	22 - 7		36 - 23	65K-45300-20-8D	26 - 1	61A-45567-00-50	24 - 5	61A-45634-01	24 - 50
6G5-43185-02	20 - 34	6H1-43861-10	22 - 65	61A-44322-02	24 - 19	61A-45301-03-8D	24 - 2		26 - 7		26 - 54
61A-43311-21-8D	20 - 27	61A-43861-00	22 - 4		26 - 21		26 - 2	61B-45570-03	26 - 66	61A-45635-00	24 - 55
61A-43376-00	21 - 3		22 - 10		36 - 18	6E5-45318-00	23 - 15	61A-45571-00	24 - 62		26 - 59
61A-43800-25-4D	22 - 1	61A-43864-00	22 - 68	6G5-44323-00	24 - 30	61A-45321-01	24 - 11	61A-45577-00-10	24 - 64	61A-45641-01	24 - 49
6T4-43802-03	22 - 54	6H1-43866-00	22 - 55		26 - 32		26 - 13		26 - 68	61B-45641-00	26 - 53
61A-43804-01	22 - 87	6H1-43867-00	22 - 56		36 - 22	61A-45331-00-94	24 - 34	61A-45577-00-12	24 - 64	6H1-45668-00	24 - 54
61A-43805-01	22 - 88		22 - 95	6E5-44352-01	24 - 24		26 - 36		26 - 68		26 - 58
61A-43806-00	22 - 84	6H1-43869-00	22 - 22		26 - 26	61A-45332-02-94	24 - 60	61A-45577-00-15	24 - 64	6G5-45970-02-98	25 - 21
61A-43807-00	22 - 79	6H1-43871-10	22 - 5		36 - 21	61B-45332-01-94	26 - 64		26 - 68	6K1-45970-01-98	27 - 21
61A-43810-00	22 - 3	6H1-43872-10	22 - 8	61A-44361-20	25 - 2	688-45341-00	24 - 8	61A-45577-00-18	24 - 64	6G5-45972-02-98	25 - 21
61A-43813-01	22 - 12	61A-43874-00	22 - 67		27 - 2		26 - 10		26 - 68	6K1-45972-01-98	27 - 21
6H1-43814-00	22 - 11	6H1-43875-00	22 - 35	6E5-44365-00	24 - 22	6E5-45344-00	24 - 40	61A-45577-00-30	24 - 64	61A-45972-00-98	25 - 21
6H1-43816-00	22 - 53	6T4-43875-00	22 - 61		25 - 3		26 - 42		26 - 68	6G5-45974-03-98	25 - 21
6H1-43817-00	22 - 18	61A-43875-00	22 - 31		26 - 24	61A-45361-01-5B	24 - 70	61A-45577-00-40	24 - 64	6K1-45974-02-98	27 - 21
61A-43818-00	22 - 16	61A-43875-10	22 - 69		27 - 3		26 - 79		26 - 68	61A-45974-00-98	25 - 21
61A-4382A-00	22 - 75	6T4-43876-00	22 - 38		36 - 6	61A-45371-00	25 - 14	61A-45577-00-50	24 - 64	61B-45974-00-98	27 - 21
61A-4382K-00	22 - 46	61A-43876-00	22 - 72	6E5-44366-00	25 - 1		27 - 14		26 - 68	6G5-45978-03-98	25 - 21
61A-43820-10	22 - 66	61A-43878-00	22 - 60		27 - 1	61A-45375-00	25 - 9	6K1-45578-01-10	26 - 70	6K1-45978-02-98	27 - 21
61A-43821-00	22 - 63	61A-43880-02	22 - 76		36 - 7		27 - 9	6K1-45578-01-12	26 - 70	61A-45978-00-98	25 - 21
61A-43822-00	22 - 62	61A-43881-01	22 - 91	663-44366-00	24 - 6	61A-45376-00-94	24 - 10	6K1-45578-01-15	26 - 70	61B-45978-00-98	27 - 21
61A-43828-00	22 - 21	61A-43881-11	22 - 92		26 - 8		26 - 12	6K1-45578-01-18	26 - 70	6E5-45987-01	25 - 16
6H1-43829-00	22 - 59	61A-43884-01	22 - 81	6E5-44391-00	18 - 24	61A-45378-00	23 - 9	6K1-45578-01-30	26 - 70		27 - 16
61A-4383H-10	22 - 70	6T4-43885-00	22 - 80	61A-44511-00-94	21 - 33	61B-45383-00	26 - 73	6K1-45578-01-40	26 - 70	688-45997-01	25 - 17
6T4-43830-00	22 - 45	61A-43887-00	22 - 89	61A-44514-00-94	21 - 26	61B-45384-00	26 - 72	6K1-45578-01-50	26 - 70		27 - 17
6H1-43831-00	22 - 44	61A-4389H-00	22 - 9	6G5-44526-00	20 - 3	61A-45501-20	24 - 43	61A-45587-00-10	24 - 37	704-48119-20	32 - 79
61A-43833-01	22 - 15	61A-43891-00	22 - 86	663-44533-00	2 - 41		26 - 45		26 - 39	EL8-48127-00	32 - 26
61A-43835-01	22 - 14	6T4-43893-00	22 - 73	61A-44551-01-8D	21 - 10	61A-45527-00	24 - 27	61A-45587-00-12	24 - 37	704-48144-00	32 - 58
6H1-4384F-10	22 - 43	6T4-43895-00	22 - 51	61A-44552-01-94	21 - 21		26 - 29		26 - 39	703-48152-00	31 - 57
6T4-4384G-00	22 - 49	61A-44112-00	19 - 50	61A-44553-00-8D	21 - 24	61A-45538-00	24 - 26	61A-45587-00-15	24 - 37	EL8-48153-10	32 - 64
6H1-4384H-10	22 - 71	61A-44116-00	19 - 44	61A-44555-01-94	21 - 13		26 - 28		26 - 39	703-48153-00	31 - 3
61A-4384J-00	22 - 28	61A-44117-00-1S	19 - 22	61A-44575-00	21 - 12	61B-45538-01	26 - 4	61A-45587-00-18	24 - 37	704-48156-00	32 - 73
61A-4384K-00	22 - 27	682-44117-00	18 - 15	61A-45111-21-8D	23 - 1	61A-45551-03	24 - 44		26 - 39	EL8-48158-00	32 - 32
61A-4384L-00	22 - 23	61A-44118-00-8D	19 - 42	61A-45113-A0	23 - 20		26 - 46	61A-45587-00-30	24 - 37	EL8-48164-00	32 - 47
61A-43840-01	22 - 2	61A-44120-22	19 - 48		35 - 14	61A-45560-03	24 - 47		26 - 39	704-48166-00	32 - 65
6T4-43841-01	22 - 57	61A-44121-00	19 - 36	61A-45114-A0	23 - 17	61B-45560-01	26 - 49	61A-45587-00-40	24 - 37	704-48176-10	32 - 59
6T4-43844-00	22 - 48	6E5-44122-00	19 - 37		36 - 3	61A-45567-00-10	24 - 5		26 - 39	704-48178-00	32 - 77
61A-43845-00	22 - 34	61A-44138-00	19 - 60	663-45119-00	20 - 18		26 - 7	61A-45587-00-50	24 - 37	703-48189-00	31 - 17
61A-43847-00	22 - 37	61A-44150-01	24 - 15		20 - 29	61A-45567-00-12	24 - 5		26 - 39	EL8-48191-00	32 - 19
61A-43848-00	22 - 32	61B-44150-00	26 - 17	61A-45123-01	23 - 35		26 - 7	61A-45611-02	24 - 48	703-48192-00	32 - 60
6T4-43849-00	22 - 41	61A-44176-00-1S	19 - 25		36 - 5	61A-45567-00-15	24 - 5	61B-45611-01	26 - 50	704-48192-00	32 - 50
61A-4385H-00	22 - 42	61A-44311-01	24 - 18	61A-45155-00	23 - 4		26 - 7	61B-45611-20	26 - 52	704-48193-00	32 - 55

NUMERICAL INDEX

PART NO.	REF. NO.	PART NO.	REF. NO.	PART NO.	REF. NO.	PART NO.	REF. NO.	PART NO.	REF. NO.	PART NO.	REF. NO.
703-48198-00	31 - 14	701-48248-00	32 - 44	6E5-61315-00	29 - 4	6G5-82119-00	15 - 13	6E5-82587-00	14 - 32	65L-85832-00	15 - 45
703-48205-A2	30 - 1	EL8-48251-00	32 - 3	6E5-61350-02	28 - 1	61A-82147-20	20 - 30	6E5-82588-00	18 - 50	61A-85885-00	6 - 18
	31 - 1	703-48252-00	31 - 12	6E5-61351-01	28 - 2	6E5-82148-00	20 - 9	61A-82588-00	19 - 33	6K7-85886-00	6 - 19
704-48207-22	30 - 2	EL8-48254-00	32 - 30	6E5-61355-00	28 - 5	6H1-82148-00	20 - 6	61B-82588-01	34 - 2	65L-85886-00	15 - 38
	32 - 1	EL8-48259-00	32 - 8	6E5-81332-00	12 - 14	6E5-82149-00	21 - 16	6R3-8259E-00	9 - 9	61A-85895-00	16 - 5
703-48211-01	31 - 61	703-48261-01	31 - 2	61A-81337-01	12 - 17	61A-82150-00	15 - 17	61A-8259F-00	19 - 32	65L-8592A-00	15 - 41
703-48212-00	31 - 58	704-48261-00	32 - 18	65L-81338-00-1S	12 - 18	1E6-82151-00	33 - 14	65L-8259M-00	14 - 23	61A-87149-00	15 - 6
703-48213-00	31 - 59	704-48262-00	32 - 9	61A-81800-01	17 - 1	61A-82151-00	15 - 18	65L-8259N-00	14 - 24	9E450-04433	33 - 2
703-48215-00	31 - 43	702-48263-00	32 - 53	6K7-81801-10	17 - 6	65L-82151-00	14 - 19	65L-82590-00	14 - 18	9E450-04533	33 - 3
704-48215-10	32 - 15	703-48264-00	31 - 6	61A-81807-00	17 - 10	61A-82153-00	15 - 19	704-82590-10	32 - 68	90101-09M70	29 - 9
702-48217-00	31 - 44	704-48264-00	32 - 10	61A-81809-00	17 - 4	61A-82154-01	15 - 31	703-82592-00	31 - 54	90101-12M05	20 - 45
703-48218-00	31 - 65	703-48265-00	31 - 9	6K7-81810-10	17 - 5	61A-82167-00	15 - 32	6E5-82594-00	18 - 49	90105-08M48	24 - 68
703-48219-00	31 - 30	704-48265-00	32 - 4	6E5-81813-10	17 - 8	6A0-82317-00	9 - 6	688-82594-00	18 - 53		26 - 77
704-48219-00	32 - 57	704-48266-00	32 - 11	6E5-8182A-10	17 - 16		15 - 3	703-82594-00	31 - 25	90105-10M00	25 - 15
703-48221-00	31 - 56	703-48268-00	31 - 5	65L-8182A-00	5 - 26	663-82317-01	12 - 22	704-82594-00	32 - 38		27 - 15
704-48221-00	32 - 78	EL8-48271-00	32 - 25	6E5-8182E-10	17 - 14	6E3-82370-20	14 - 4	6R5-83383-00	34 - 11	90105-10M62	2 - 13
703-48222-00	31 - 27	703-48271-00	31 - 60	65L-8182E-00	5 - 28	67H-82380-00	15 - 36	703-83383-A0	31 - 51	90105-10M75	2 - 14
704-48222-00	32 - 37	EL8-48279-00	32 - 54	6E5-8182F-10	17 - 15	67H-82507-00	5 - 44	6Y5-83500-S4	33 - 6	90109-06M40	8 - 5
703-48223-00	31 - 28	EL8-48281-00	32 - 14	65L-8182F-00	5 - 29	61B-82510-00	34 - 4	6Y5-83500-T2	33 - 1	90109-06M50	18 - 7
703-48225-00	31 - 29	703-48281-00	31 - 31	6E5-8182K-10	17 - 17	703-82510-11	31 - 45	6Y5-83553-M0	33 - 13	90109-09M62	3 - 26
704-48225-00	32 - 49	704-48281-00	32 - 16	65L-8182K-00	5 - 27	6G0-82519-00	13 - 22	6Y5-83553-00	33 - 13	90109-14M10	21 - 30
703-48226-00	31 - 26	703-48282-00	31 - 32	61A-81820-00	17 - 9	61A-82519-00	13 - 21	6E9-83557-70	10 - 64	90109-14M48	21 - 17
703-48227-00	31 - 24	704-48282-00	32 - 63	61A-81822-00-94	17 - 18	61A-8252U-00	16 - 9	6Y5-83557-00	33 - 19	90119-06MA2	2 - 33
704-48228-00	32 - 39	703-48284-00	31 - 52	61A-81824-00	17 - 3	6R3-82521-70	33 - 16	6Y5-83557-31	33 - 10		2 - 40
704-48228-10	32 - 71	704-48284-00	32 - 66	6K7-81826-10	17 - 13	6R3-82521-80	33 - 16	65L-83557-00	10 - 65		4 - 24
704-48229-00	32 - 41	704-48285-00	32 - 75	61A-81830-00	17 - 12	61A-82531-00	14 - 15	6E5-83558-00	23 - 13	90119-06MA3	4 - 16
704-48229-10	32 - 69	704-48286-00	32 - 76	61A-81840-00	17 - 7	703-82531-00	31 - 46	6Y5-83570-S4	33 - 7	90119-06MA5	2 - 38
EL8-48231-00	32 - 28	701-48287-00	31 - 42	61A-81850-01	17 - 2	703-82540-00	31 - 50	6K1-83614-01	34 - 7		4 - 7
EL8-48232-00	32 - 46	704-48287-00	32 - 23	61H-81857-00	17 - 11	704-82540-00	32 - 12	61A-83614-00	14 - 33	90119-06M10	24 - 14
703-48232-00	31 - 62	703-48291-10	31 - 39	6E5-81900-01	9 - 25	703-82542-00	31 - 64	61A-83672-01	21 - 1		26 - 16
EL8-48233-00	32 - 61	703-48293-10	31 - 41	65L-81915-00-94	14 - 8	61B-82551-01	34 - 3	61A-83721-00	12 - 4	90119-06M13	2 - 15
EL8-48234-00	32 - 56	701-48320-50	30 - 3	65L-81916-00	14 - 12	6R3-82553-30	33 - 18	6Y5-83728-00	33 - 11	90119-06M17	23 - 10
703-48235-00	31 - 4	701-48320-60	30 - 3	6E5-81922-00	9 - 26	6R3-82553-70	33 - 17	65L-85370-00	14 - 5	90119-06M28	13 - 4
	32 - 62	701-48320-80	30 - 3	61A-81941-00	15 - 14	6R3-82553-80	33 - 17	61A-85510-02	12 - 2	90119-06M65	9 - 8
703-48236-00	31 - 16	6E5-48344-00	19 - 7	65L-81942-00	15 - 29	682-82556-00	31 - 48	61A-85525-00	13 - 11		14 - 9
	31 - 18		19 - 40	65L-81948-00	15 - 1		34 - 6	61A-85537-00	13 - 19		15 - 4
703-48238-00	31 - 22	703-48345-01	31 - 19	61A-81949-00	15 - 12	61A-82560-00	16 - 8	65J-85540-01	13 - 7	90119-06M74	15 - 43
	32 - 45		32 - 22	61A-81949-10	15 - 11	61A-82563-00	14 - 31	61A-85542-01-94	13 - 1	90119-08MA3	2 - 29
EL8-48241-00	32 - 29	701-48350-00	30 - 3	61A-81950-00	15 - 7	703-82563-01	31 - 55	61A-85548-00	13 - 10	90119-08MA5	4 - 3
704-48242-00	32 - 48	701-48350-20	30 - 3	65L-81950-00	15 - 34	704-82563-E0	32 - 70	61A-85550-01	12 - 1	90119-08M14	24 - 33
703-48243-00	31 - 15	703-48358-00	31 - 20	704-81950-00	32 - 67	704-82563-F0	32 - 74	61A-85570-00	14 - 1		26 - 35
EL8-48244-00	32 - 35		32 - 27	61A-81952-00	15 - 15	704-82563-G0	32 - 40	61A-85580-00	12 - 3		36 - 25
703-48244-00	31 - 21	65L-48531-00	19 - 1	61A-81960-01	15 - 20	61B-82570-01	34 - 1	6E5-85720-04	9 - 31	90119-08M22	18 - 37
EL8-48245-00	32 - 36	663-48538-00	19 - 2	61A-81972-00-1S	15 - 22	6K1-82575-00	34 - 5	6R3-85721-80	9 - 32	90119-08M74	23 - 36
703-48245-00	31 - 11	6E5-61301-01	29 - 1	61A-81975-A0	15 - 21	688-82575-01	31 - 47	61A-85730-00	9 - 2	90119-08M76	17 - 19
701-48246-00	32 - 5	6E5-61303-00	29 - 5	61A-82105-00	14 - 28	6K1-8258A-40	34 - 17	61A-85780-00	16 - 1	90119-08M77	17 - 20
703-48246-00	31 - 23	6E5-61311-11	29 - 3	6Y5-82117-00	33 - 15	61B-8258A-01	34 - 18	61A-85790-00	16 - 2	90119-08M78	23 - 8
701-48248-00	31 - 13	6E5-61313-00	29 - 2	61A-82117-00	15 - 33	688-8258A-20	31 - 49	61B-85830-00	34 - 12	90119-08M79	23 - 21

NUMERICAL INDEX

PART NO.	REF. NO.	PART NO.	REF. NO.	PART NO.	REF. NO.	PART NO.	REF. NO.	PART NO.	REF. NO.	PART NO.	REF. NO.
90119-08M99	4 - 4	90201-16M01	21 - 27	90387-08M16	19 - 12	90465-11M10	9 - 21	91490-20012	19 - 56	92995-05600	12 - 10
90119-10MA2	25 - 8	90201-16M55	21 - 15	90387-08M37	18 - 34		9 - 24	91490-40030	25 - 20		14 - 7
	27 - 8	90201-22M01	24 - 28	90387-10M02	20 - 38		9 - 30		27 - 20	92995-06100	3 - 19
90149-05M05	34 - 19		26 - 30	90387-10M61	28 - 3		10 - 1	91609-10014	22 - 64		10 - 22
90152-05M08	25 - 12	90201-25M02	12 - 13	90430-08020	24 - 9		10 - 7	91690-30010	19 - 3		13 - 13
	27 - 12	90201-26M03	3 - 28		26 - 11		10 - 10	91690-30020	20 - 39		15 - 52
90157-05107	22 - 78	90201-26M59	20 - 21		36 - 4		10 - 30	92901-04100	22 - 20		19 - 46
90159-06M03	13 - 20	90201-28M01	21 - 29	90430-14115	2 - 27		10 - 32	92901-05100	22 - 26	92995-06600	1 - 8
	14 - 13	90201-29M01	26 - 51	90445-05M07	9 - 5		10 - 35	92903-05600	10 - 41		10 - 26
90159-06M16	7 - 20	90201-31M00	24 - 63	90445-07MA6	2 - 18		10 - 38	92903-06100	12 - 6		10 - 28
90169-05M00	15 - 30	90201-40M00	21 - 6		2 - 19		10 - 57		19 - 52		10 - 55
	18 - 2	90202-05088	8 - 25	90445-07MFO	23 - 12		10 - 61	92903-06600	2 - 25		12 - 16
90170-09M05	29 - 10	90202-06007	19 - 41	90445-07M02	8 - 13		10 - 63		4 - 12		13 - 14
90170-12M36	15 - 39	90202-08M20	19 - 38	90445-07M03	7 - 8		14 - 25		7 - 10		13 - 24
90170-14M06	29 - 6	90202-28M46	21 - 28		8 - 14		14 - 29		7 - 14		14 - 17
90170-16M19	24 - 46	90202-32M19	21 - 14	90445-07M11	2 - 12		18 - 57		12 - 7		15 - 53
	26 - 48	90202-40M47	21 - 9	90445-07M40	2 - 17		20 - 23		12 - 20		17 - 24
90170-24M22	12 - 12	90206-10M04	19 - 19	90445-07M44	2 - 16		23 - 14		13 - 6		18 - 18
90171-18M04	25 - 19	90206-12M00	19 - 11		7 - 19		33 - 12		13 - 9		18 - 22
	27 - 19	90206-13M10	18 - 5	90445-09M25	4 - 17		33 - 20		13 - 16		18 - 30
90179-06M24	1 - 14	90206-14086	22 - 82	90445-09220	8 - 10	90465-11M52	13 - 18		14 - 3		18 - 32
	7 - 16	90206-22M19	24 - 29	90445-09224	15 - 27		14 - 26		14 - 22		18 - 46
90183-02M03	24 - 57		26 - 31	90445-11M26	9 - 29	90465-13M11	9 - 39		15 - 9		18 - 48
	26 - 61	90249-06M19	20 - 37	90445-11M36	18 - 56	90465-13M18	4 - 26		15 - 24		18 - 52
90183-05M02	23 - 34	90280-04M05	24 - 25	90445-12M04	9 - 11		14 - 27		15 - 26		19 - 24
90185-05002	25 - 13		26 - 27	90445-13M01	11 - 3		14 - 30		19 - 21		19 - 47
	27 - 13		36 - 26	90445-13M14	10 - 59		15 - 44		19 - 53		20 - 5
90185-09M01	28 - 6	90280-05015	12 - 11	90445-13M17	10 - 2	90465-13M30	18 - 26	92990-04100	33 - 4		20 - 8
	29 - 11	90340-08M04	24 - 7	90446-09M69	8 - 11	90467-08004	4 - 18		33 - 8		20 - 11
90185-14M00	21 - 31		26 - 9	90450-10M07	11 - 6		15 - 28	92990-04600	1 - 17		23 - 6
90185-22M11	20 - 22	90340-14M00	2 - 26	90464-04M12	6 - 33	90468-07M02	8 - 15	92990-05100	34 - 9	92995-08100	19 - 5
90201-02M00	24 - 56	90383-16M01	2 - 6	90464-09M47	16 - 7	90468-18008	19 - 8		34 - 22	92995-08200	19 - 30
	26 - 60	90384-06M07	2 - 5	90464-12M48	16 - 4		19 - 39	92990-05300	32 - 42	92995-08600	17 - 22
90201-05552	6 - 7	90385-04M05	1 - 13	90464-13M34	9 - 16	90480-06M19	11 - 2	92990-05600	7 - 5		23 - 23
90201-06M30	18 - 6	90386-10M16	20 - 35		10 - 4	90480-09M12	13 - 2		34 - 21		23 - 27
90201-06M31	19 - 17	90386-12069	19 - 27	90464-13080	31 - 53	90480-10M23	6 - 22	92990-06100	1 - 3		23 - 31
90201-06068	10 - 23	90386-13M88	18 - 4	90464-15M11	13 - 17		14 - 11		34 - 15		24 - 42
90201-08M54	18 - 35	90386-18M14	20 - 43	90464-18M46	12 - 21	90480-20M05	4 - 21	92990-06300	32 - 52		24 - 72
90201-09M01	8 - 17		22 - 17		15 - 10	90480-22M15	18 - 33	92990-06600	9 - 37		26 - 44
90201-09M02	19 - 57	90386-18M63	20 - 42	90464-19M45	14 - 14	90501-10M77	24 - 58		34 - 16		26 - 81
90201-10M20	28 - 7	90386-25M31	20 - 20	90465-05M87	14 - 21		26 - 62	92990-08200	19 - 10	92995-10100	20 - 25
90201-10M76	29 - 8	90386-39M89	21 - 7	90465-06M86	2 - 31	90501-11M10	24 - 17	92990-08600	31 - 34		25 - 6
90201-12M05	20 - 47	90386-90M90	19 - 55		17 - 25		26 - 19	92990-10600	16 - 3		27 - 6
90201-12M34	15 - 40	90387-05M00	6 - 21	90465-08M89	14 - 20	90501-16M11	4 - 20		32 - 7	92995-10600	20 - 26
90201-13M01	20 - 46	90387-06M03	13 - 3	90465-11M10	8 - 7	90506-14M24	20 - 40	92990-18200	25 - 18		21 - 23
90201-15M58	21 - 18	90387-06M29	19 - 18		8 - 12	90508-20M31	19 - 31		27 - 18		21 - 35
90201-16M00	24 - 45	90387-06M60	14 - 10		9 - 12	90560-12M01	28 - 4	92995-04100	19 - 35		25 - 7
	26 - 47	90387-08M09	19 - 28		9 - 15	91490-12012	8 - 24	92995-05100	12 - 9		27 - 7

NUMERICAL INDEX

PART NO.	REF. NO.	PART NO.	REF. NO.	PART NO.	REF. NO.	PART NO.	REF. NO.	PART NO.	REF. NO.	PART NO.	REF. NO.
92995-14600	21 - 20	93210-86M38	36 - 19	93608-12M05	25 - 4	97080-06012	16 - 10	97780-60625	15 - 35		
	21 - 32	93211-04384	24 - 67		27 - 4	97080-06018	32 - 21		15 - 37		
93101-28M16	24 - 35		26 - 76	93608-12063	2 - 11	97080-06100	9 - 36	97880-05016	7 - 4		
	26 - 37		36 - 15	93700-06M01	19 - 26	97095-06010	18 - 21	97885-04016	19 - 34		
	36 - 13	93300-60820	22 - 83	93700-06M03	19 - 43		20 - 7	97885-05010	14 - 6		
93101-30M17	24 - 66		22 - 93		20 - 17		20 - 32	97885-05012	16 - 6		
	26 - 75	93306-209U1	3 - 6		20 - 28		23 - 5	97885-05030	12 - 8		
	36 - 16	93306-210U0	24 - 61	93700-09M00	24 - 69	97095-06012	1 - 7	97885-06008	19 - 61		
93102-08414	22 - 94	93306-308U0	3 - 9		26 - 78		13 - 23	97885-06010	12 - 15		
93102-40M36	3 - 15	93310-326V4	3 - 27	94702-00309	4 - 27		14 - 16		20 - 13		
	35 - 11	93310-840V8	3 - 29	95313-08600	19 - 54		14 - 34		20 - 16		
93102-40M38	3 - 4	93310-959U0	3 - 7	95380-03600	10 - 51		17 - 23	97885-06012	20 - 10		
	35 - 8	93311-832V2	24 - 3	95380-04600	33 - 5		18 - 31	97885-06016	21 - 2		
93104-22M07	3 - 13		26 - 3		33 - 9	97095-06014	10 - 25	97890-05016	32 - 2		
	35 - 10	93311-940V0	3 - 3	95380-05600	8 - 22	97095-06016	10 - 21	97890-06018	32 - 51		
93106-09014	24 - 13	93315-430U8	26 - 67		19 - 14		10 - 27	97985-05212	6 - 20		
	26 - 15	93315-440V6	26 - 71		31 - 7		13 - 12	97985-05330	6 - 24		
	36 - 9	93315-660W3	26 - 5		32 - 24		18 - 17	98501-04030	22 - 19		
93106-19N50	22 - 6	93317-330U2	24 - 36		34 - 10		18 - 29	98501-05010	22 - 25		
93210-06001	22 - 40		26 - 38		34 - 20		19 - 23	98503-05035	10 - 40		
93210-064A5	22 - 29	93317-330U5	24 - 65	95380-06600	1 - 4	97095-06020	3 - 18	98580-03014	32 - 13		
93210-07003	22 - 39		26 - 74		9 - 38		18 - 47	98580-03015	31 - 38		
93210-09165	19 - 49	93332-000W1	24 - 4		31 - 40		18 - 51	98580-04006	31 - 36		
	22 - 58	93332-000W2	26 - 65		32 - 43	97095-06025	20 - 4		32 - 33		
93210-10M74	22 - 52	93341-440U5	26 - 69		34 - 14	97095-06030	15 - 51	98580-04010	31 - 35		
93210-16275	28 - 9	93341-670V0	26 - 6	95380-12600	20 - 48		18 - 45	98580-05010	31 - 37		
93210-18MA9	8 - 19	93341-930U9	24 - 38	95380-14700	29 - 7		19 - 45	98580-05525	32 - 17		
93210-18397	22 - 36		26 - 40	95380-14800	21 - 19	97095-06050	10 - 54	98580-05540	32 - 20		
93210-19M82	8 - 2	93410-18M02	20 - 44	95670-06655	7 - 15	97095-08016	17 - 21	98580-05555	32 - 72		
93210-35321	21 - 8	93410-37M04	21 - 11	95780-10300	21 - 4	97095-08020	19 - 4	98780-05018	32 - 34		
93210-37160	24 - 21	93410-40M03	3 - 10	97013-06012	19 - 51		24 - 71	98780-06020	32 - 31		
	26 - 23	93420-36M01	23 - 16	97013-06014	13 - 15		26 - 80	98980-05010	34 - 8		
	36 - 11	93420-61M07	3 - 16		15 - 5	97095-08025	24 - 41	98980-06020	34 - 13		
	36 - 20	93430-06024	31 - 10	97013-06016	2 - 24		26 - 43				
93210-54M54	3 - 5		31 - 63		4 - 11	97095-08030	31 - 33				
	35 - 9		32 - 6		13 - 5	97095-08035	19 - 29				
93210-55M14	24 - 39	93430-08006	24 - 16	97013-06020	14 - 2		23 - 22				
	26 - 41		26 - 18	97013-06025	12 - 19		23 - 26				
	36 - 14	93501-04011	24 - 59		13 - 8	97095-08050	23 - 30				
93210-64488	24 - 12		26 - 63		15 - 23	97095-10045	20 - 24				
	26 - 14	93501-08001	22 - 74	97013-06030	7 - 9		21 - 22				
	36 - 8	93505-32038	22 - 30		15 - 8		21 - 34				
93210-72789	22 - 90	93606-12019	23 - 11		15 - 25		25 - 5				
93210-81MA6	3 - 17		24 - 32		19 - 20		27 - 5				
	35 - 12		26 - 34	97013-06035	12 - 5	97380-05025	31 - 8				
93210-86M38	24 - 20		36 - 24	97013-06060	7 - 13	97595-06420	22 - 13				
	26 - 22	93608-12M05	23 - 7	97013-08045	19 - 9	97780-40520	1 - 18				
	36 - 10		23 - 19	97075-08035	18 - 36	97780-50612	15 - 16				