

**PARTS
CATALOGUE
CATALOGUE
DE PIÈCES DÉTACHÉES**

225GETO'03(66K2)

2B66K-300F1

YAMAHA
GENUINE
Parts & Accessories

A1

FOREWORD

This Parts Catalogue is related to the parts for the model(s) in the below frame. When you are ordering replacement parts, please refer to this Parts Catalogue and quote both part numbers and part names correctly.

225GETO'03(66K2)

1. Modifications or additions which have been made after issue of the Parts Catalogue will be announced in the Yamaha Parts News.
It is advisable that you make necessary corrections to the Parts Catalogue according to the Yamaha Parts News.

2. Abbreviations

The Following abbreviations are used in this Parts Catalogue.

“UR” Use specified parts number.

“UN” Use as many as needed.

“AP” Alternate Parts

“LM” Local Made
(Parts need to be ordered locally)

“O/S” Over Size

3. Parts, which are to be supplied in an assembly, are listed with a dot(.) in front of the part name as shown below.

EXAMPLE

CARBURETOR ASSY

.JET, PILOT

.NOZZLE, MAIN

4. Number of component for assembly

The numeral appearing to the right of each component part indicates the quantity of parts for each assembly unit.

EXAMPLE

PART NO.	DESCRIPTION	u	u	u	u	REMARKS
6E0-85500-70	C.D.I. MAGNETO ASSY	1				
6E0-85550-70	.ROTOR ASSY	1				
6E0-15723-00-94..	PULLY, STARTER	1				

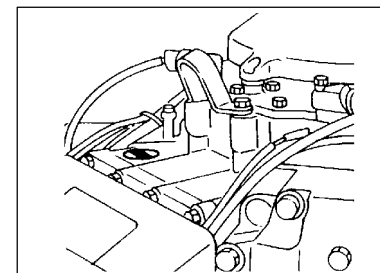
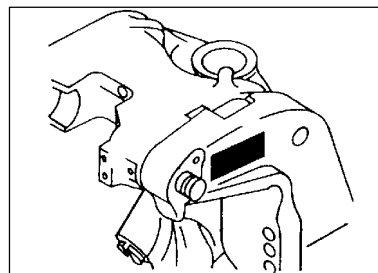
5. Quantity Column Information

NAME for Q'TY COLUMN	APPLICABLE MODEL
225G	225GETO

6. Applicable Starting Serial No. and Color Code

1) Engine Starting Serial No.

225GETO L 66K : 1000001



2) Color Code

Color Code	Color Name	Abbreviation
00NA	SHINY BLACK	SBL

7. Note that the illustrations for reference in finding parts numbers, not to be used for assembling. When assembling, please use the applicable service manual.
8. The asterisk (*) before a reference number indicates modification items after the first edition.

CONTENTS

SHEET 1/2

TOP COWLING	A4
CYLINDER. CRANKCASE 1	A6
CRANKSHAFT. PISTON	B1
CYLINDER. CRANKCASE 2	B3
FUEL INJECTION PUMP	B4
FUEL INJECTION NOZZLE	B7
INTAKE	C2
OIL PUMP	C3
OIL TANK	C4
FUEL 1	C6
FUEL 2	D2
GENERATOR	D3
ELECTRICAL 1	D4
ELECTRICAL 2	D5
ELECTRICAL 3	D7
ELECTRICAL 4	E3
STARTING MOTOR	E4
BOTTOM COWLING	E5
CONTROL	F1
BRACKET 1	F4
BRACKET 2	F6

INDEX

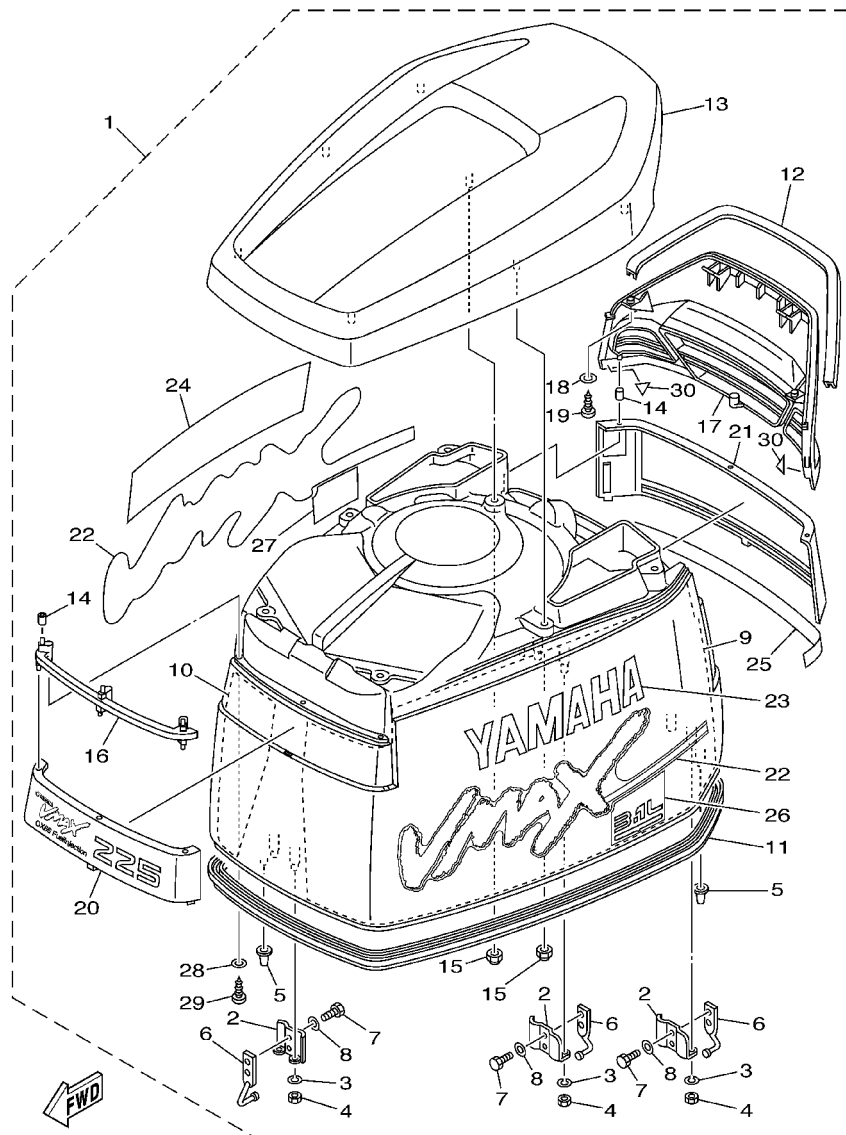
NUMERICAL INDEX	G1
-----------------------	----

SHEET 2/2

POWER TRIM & TILT ASSY 1	A4*
POWER TRIM & TILT ASSY 2	A6*
UPPER CASING	B1*
LOWER CASING. DRIVE 1	B3*
LOWER CASING. DRIVE 2	B7*
STEERING GUIDE	C1*
REMOTE CONTROL BOX	C2*
REMOTE CONTROL ASSY	C3*
METER	C6*
REPAIR KIT 1	C7*
REPAIR KIT 2	D1*

INDEX

NUMERICAL INDEX	G1*
-----------------------	-----



66X1010-2010

FIG. 1 TOP COWLING

CAPOT SUPERIEUR

REF. NO.	PART NO. NO. PIECES	DESCRIPTION DESCRIPTION	225G				REMARKS REMARQUES
1	66K-42610-P0-NA	TOP COWLING ASSY CAPOT (ENS.)	1				
2	6R3-42647-00	.HOLDER, CLAMP BAND .SUPPORT, SANDOW DE SERRAGE	3				
3	92990-06100	.WASHER, SPRING .RONDELLE, GROWER	6				
4	95380-06600	.NUT, HEXAGON ECROU	6				
5	6R3-42662-00	.DAMPER AMORTISSEUR	3				
6	6R3-42814-00	.HOOK, CLAMP .CROCHET DE BRIDE	3				
7	97095-06012	.BOLT BOULON	6				
8	92995-06600	.WASHER .RONDELLE	6				
9	61A-42619-02	.DAMPER, FORM .BOURRELET, CAOUTCHOUC	1				
10	61A-42627-02	.DAMPER, FORM .BOURRELET, CAOUTCHOUC	1				
11	61A-42615-01	.SEAL JOINT	1				
12	66K-42662-00	.DAMPER AMORTISSEUR	1				
13	66K-42613-00-NA	.MOLDING, AIR DUCT .MANCHON A AIR	1				
14	90385-04M05	.BUSH .DOUILLE	6				
15	90179-06M24	.NUT ECROU	7				
16	61A-42626-00	.LOUVER, 1 .PLAQUE INSONOR.	1				
17	66K-42636-00-NA	.LOUVER 2 .VOLET 2	1				
18	92990-05200	.WASHER, PLAIN .RONDELLE, PLATE	4				
19	97780-50616	.SCREW, TAPPING VIS, TETE BOMBEE	4				
20	66K-42686-P0	.EMBLEM, FRONT EMBLEME, AVANT	1				
21	66K-42687-N0	.EMBLEM, REAR EMBLEME, ARRIERE	1				
22	66K-W0070-N0	.GRAPHIC SET JEU DIEMBLEMES	1				
23	66K-42681-N0	.MARK, COWLING .ADHESIF, CAPOT	1				
24	66K-42682-N0	.MARK, COWLING .ADHESIF, CAPOT	1				
25	66K-4267A-N0	.GRAPHIC, REAR 2 .ADHESIF, ARRIERE 2	1				
26	66K-42683-N1	.MARK, COWLING .ADHESIF, CAPOT	1				
27	66K-42684-N1	.MARK, COWLING .ADHESIF, CAPOT	1				

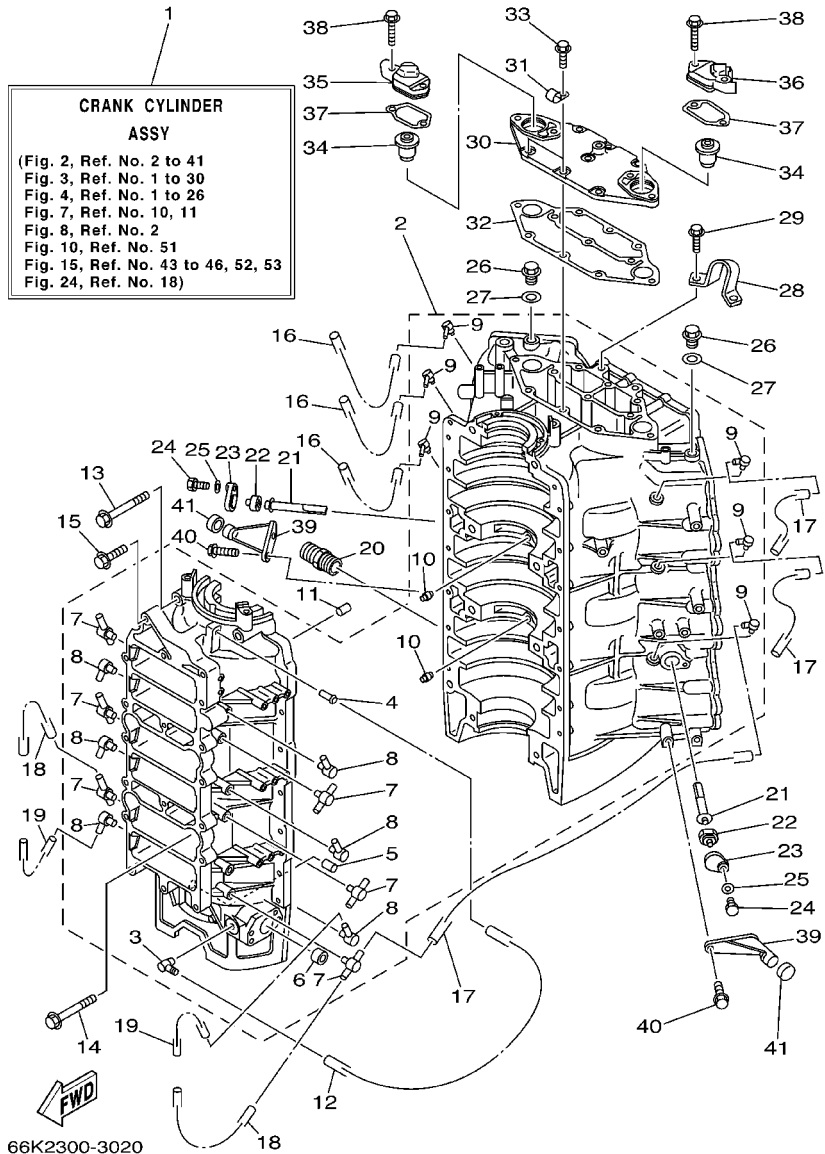
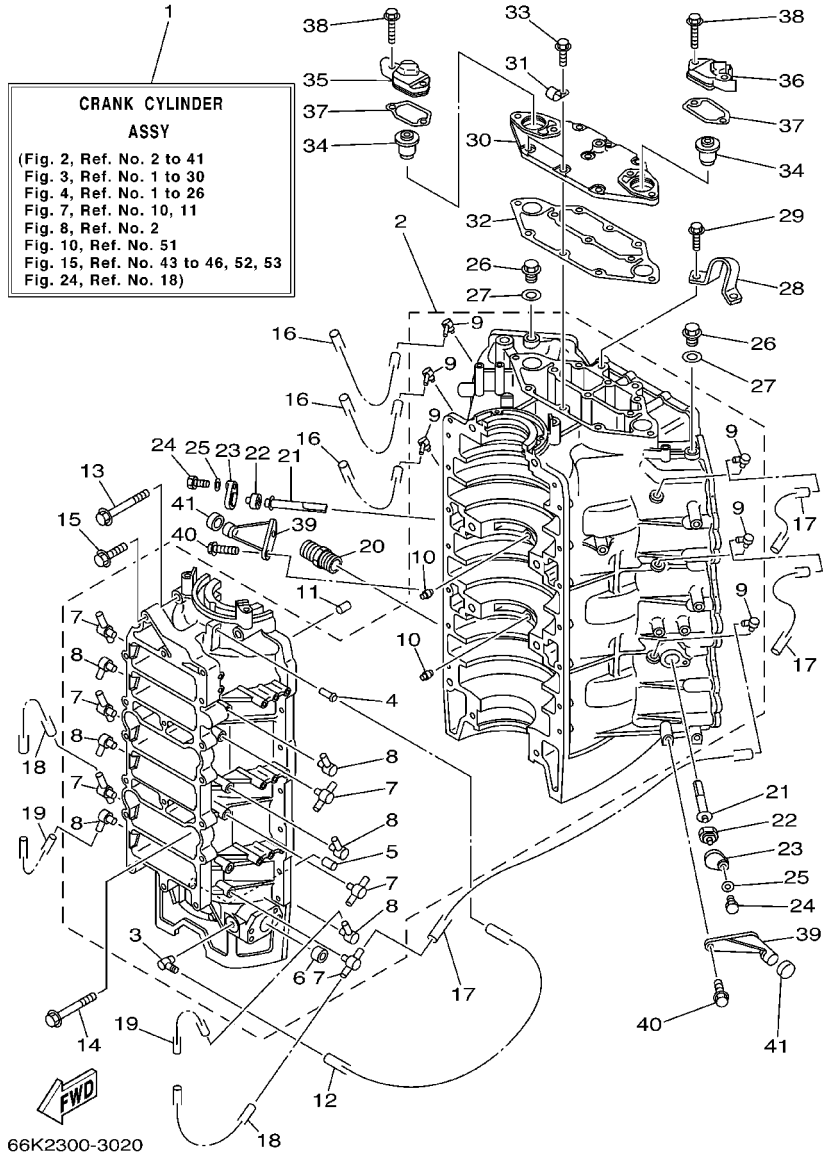


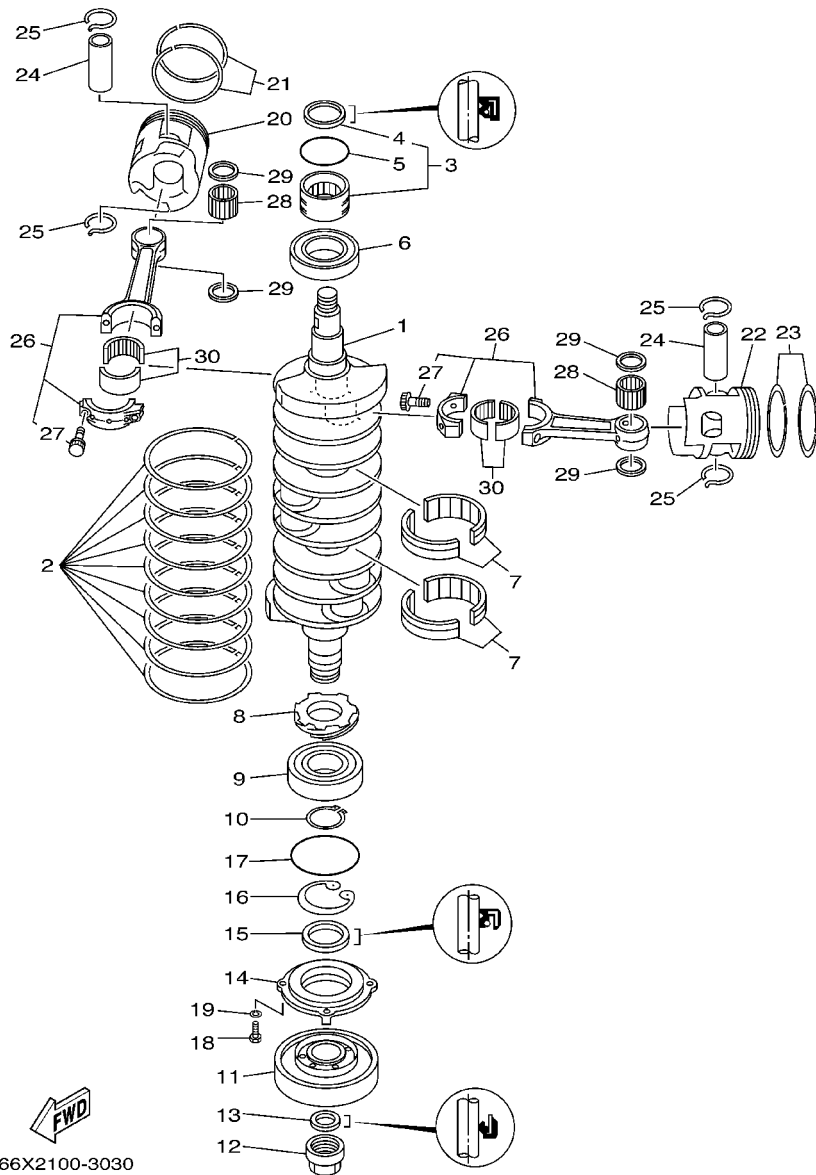
FIG. 2 CYLINDER. CRANKCASE 1 CYLINDRE. CARTER 1

REF. NO.	PART NO. NO. PIECES	DESCRIPTION DESCRIPTION	225G				REMARKS REMARQUES
1	66K-W0090-13-1S	CRANK CYLINDER ASSY EMBIELLAGE CYLINDRE (ENS.)	1				
2	65L-15100-02-1S	CRANKCASE ASSY CARTER DE MOTEUR COMPLET	1				
3	6E5-11372-01	.NIPPLE, HOSE .RACCORD, TUYAU	1				
4	624-14485-00	.PIPE, JOINT .DURITE	1				
5	90384-06M07	.BUSH, BIMETAL FORMED .DOUILLE, BIMETAL MISE EN FORM.	1				
6	90383-16M01	.BUSH, FORMED .DOUILLE, MISE EN FORME	1				
7	6F6-11372-00	.NIPPLE, HOSE .RACCORD, TUYAU	6				
8	650-11372-00	.NIPPLE, HOSE .RACCORD, TUYAU	6				
9	6E5-11372-01	.NIPPLE, HOSE .RACCORD, TUYAU	6				
10	663-11518-01	.LOCK, BEARING .CENTREUR, ROULEMENT	2				
11	93608-12063	PIN, DOWEL AXE	2				
12	90445-07M11	HOSE (L610) DURITE (L610)	1				
13	90105-10M62	BOLT, FLANGE BOULON	4				
14	90105-10M75	BOLT, FLANGE BOULON	4				
15	90119-06M13	BOLT, WITH WASHER BOULON, AVEC RONDELLE	14				
16	90445-07M44	HOSE (L250) DURITE (L250)	3				
17	90445-07M40	HOSE (L225) DURITE (L225)	3				
18	90445-07MA6	HOSE (L90) DURITE (L90)	6				
19	90445-07MA6	HOSE (L90) DURITE (L90)	6				
20	6G5-12581-00	JOINT, HOSE 1 JOINT DE TUYAU	1				
21	61A-11325-00	ANODE ANODE	2				
22	6H3-11328-00	GROMMET, ANODE PASSE-FIL	2				
23	6H3-11327-00-1S	COVER, ANODE COUVERCLE	2				
24	97013-06016	BOLT BOULON	2				
25	92903-06600	WASHER, PLATE RONDELLE, PLATE	2				
26	90340-14M00	PLUG, STRAIGHT SCREW PLOT, FILETE DROIT	2				
27	90430-14115	GASKET JOINT	2				

FIG. 2 CYLINDER. CRANKCASE 1 CYLINDRE. CARTER 1



REF. NO.	PART NO. NO. PIECES	DESCRIPTION DESCRIPTION	225G				REMARKS REMARQUES
28	6E5-11119-01	HANGER, ENGINE ANNEAU, LEVAGE	1				
29	90119-08MA3	BOLT, WITH WASHER BOULON, AVEC RONDELLE	2				
30	61A-11371-00-1S	COVER COUVERCLE	1				
31	90465-06M86	CLAMP BRIDE	2				
32	61A-11381-A0	GASKET 1 JOINT 1	1				
33	90119-06MA2	BOLT, WITH WASHER BOULON, AVEC RONDELLE	7				
34	6E5-12411-30	THERMOSTAT THERMOSTAT	2				
35	61A-12413-00-1S	COVER, THERMOSTAT COUVERCLE, THERMOSTAT	1				
36	61A-12413-10-1S	COVER, THERMOSTAT COUVERCLE, THERMOSTAT	1				
37	61A-12414-A0	GASKET, COVER JOINT, COUVERCLE	2				
38	90119-06MA5	BOLT, WITH WASHER BOULON, AVEC RONDELLE	4				
39	6E5-42761-00-1S	STOPPER PLAQUETTE	2				
40	90119-06MA2	BOLT, WITH WASHER BOULON, AVEC RONDELLE	4				
41	68F-44533-00	DAMPER, UPPER MOUNT RUBBER COUVERCLE, SUSPENSION INFERIEU	2				



66X2100-3030

FIG. 3 CRANKSHAFT. PISTON

VILEBREQUIN. PISTON

REF. NO.	PART NO. NO. PIECES	DESCRIPTION DESCRIPTION	225G				REMARKS REMARQUES
1	61A-11411-00	CRANKSHAFT VILEBREQUIN COMPLET	1				
2	61A-11447-00	SEAL, CRANK JOINT, VILEBREQUIN	9				
3	93311-940V0	BALL BEARING ROULEMENT	1				
4	93102-40M38	.OIL SEAL .JOINT SPY	1				
5	93210-54M54	O-RING JOINT TORIQUE	1				
6	93306-209U1	BEARING ROULEMENT	1				
7	93310-959U0	BEARING ROULEMENT	2				
8	61A-11536-00	GEAR, DRIVE ENGRENAGE, MENANT	1				
9	93306-308U0	BEARING ROULEMENT	1				
10	93410-40M03	CIRCLIP CLIPS	1				
11	61A-11586-01	PULLEY, CRANKSHAFT BALANCE POULIE D'EQUILIB, VILEBREQUIN	1				
12	61A-11555-01	NUT, CRANKSHAFT 1 ECROU, VILEBREQUIN 1	1				
13	93104-22M07	OIL SEAL JOINT SPY	1				
14	61A-15359-00-94	HOUSING, OIL SEAL LOGEMENT, BAGUE D'ETANCHEITE	1				
15	93102-40M36	OIL SEAL JOINT SPY	1				
16	93420-61M07	CIRCLIP CIRCLIP, TYPE S	1				
17	93210-81MA6	O-RING JOINT TORIQUE	1				
18	97095-06020	BOLT BOULON	4				
19	92995-06100	WASHER, SPRING RONDELLE, GROWER	4				
20	69L-11631-00-85	PISTON (STD) PISTON (STD)	3				
21	64D-11603-01	PISTON RING SET (STD) JEU DE SEGMENTS (STD)	3				AP
	64D-11604-01	PISTON RING SET (0.25MM O/S) JUE DE SEGMENTS (0.25MM O/S)	3				AP
	64D-11605-01	PISTON RING SET (0.50MM O/S) JEU DE SEGMENTS (0.50MM O/S)	3				AP
22	69L-11642-00-85	PISTON 2 (STD) PISTON 2 (STD)	3				
	69L-11645-00	PISTON 2 (0.25MM O/S) PISTON 2 (0.25MM O/S)	3				AP

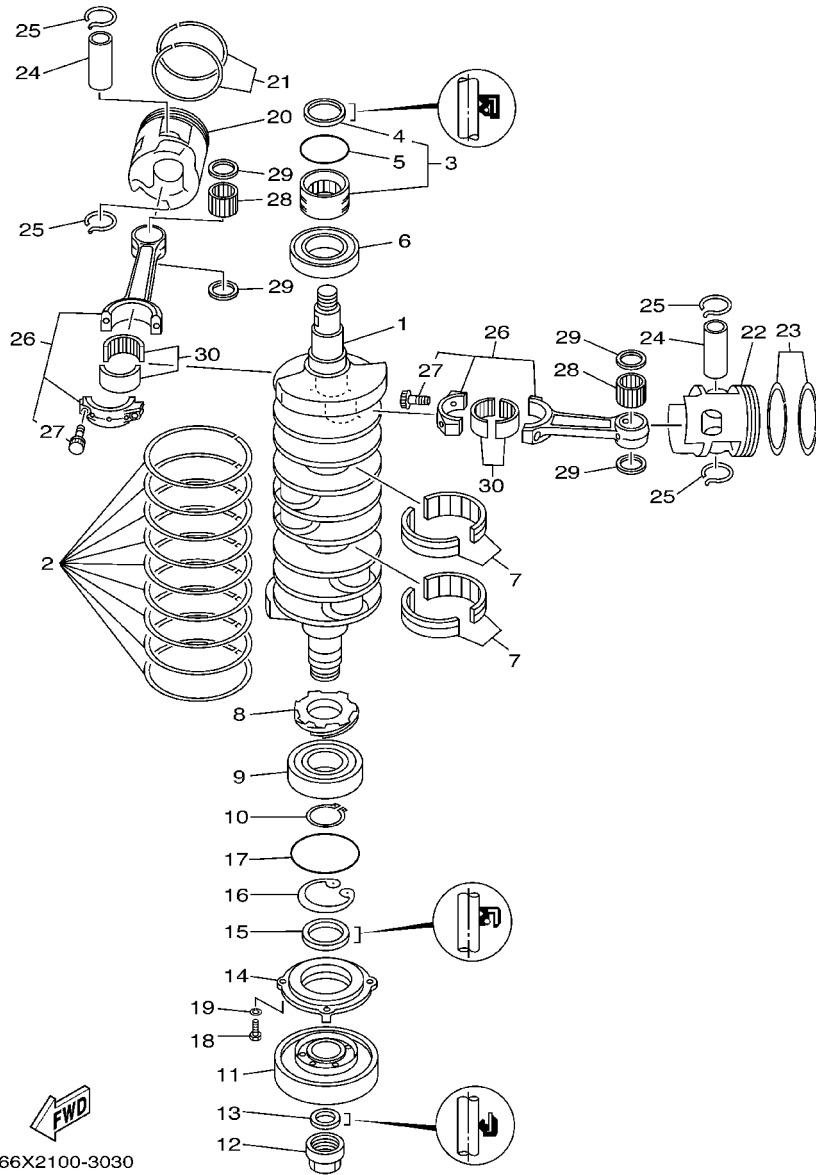
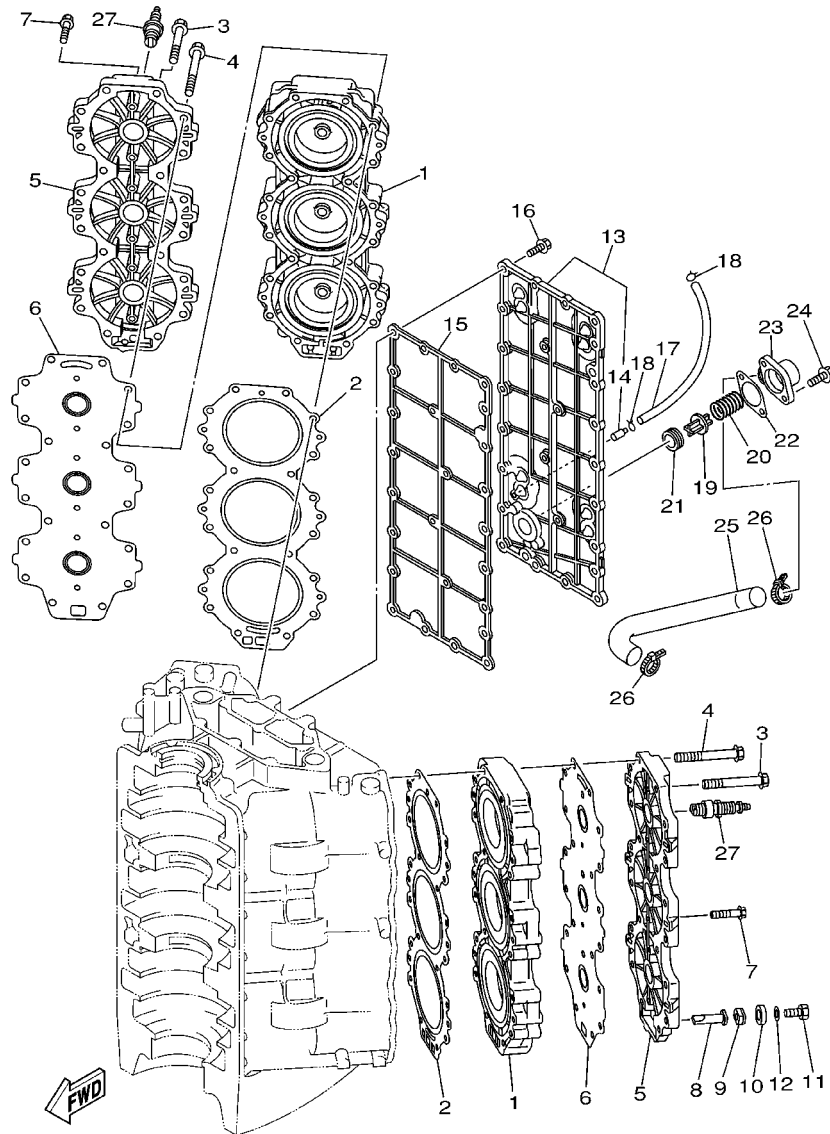


FIG. 3 CRANKSHAFT. PISTON VILEBREQUIN. PISTON

REF. NO.	PART NO. NO. PIECES	DESCRIPTION DESCRIPTION	225G				REMARKS REMARQUES
22	69L-11646-00	PISTON 2 (0.50MM O/S) PISTON 2 (0.50MM O/S)	3				AP
23	64D-11603-01	PISTON RING SET (STD) JEU DE SEGMENTS (STD)	3				
	64D-11604-01	PISTON RING SET (0.25MM O/S) JUE DE SEGMENTS (0.25MM O/S)	3				AP
	64D-11605-01	PISTON RING SET (0.50MM O/S) JEU DE SEGMENTS (0.50MM O/S)	3				AP
24	61A-11633-02	PIN, PISTON AXE_PISTON	6				
25	61A-11634-00	CLIP, PISTON PIN AGRAFE, AXE DE PISTON	12				
26	66K-11650-00	CONNECTING ROD ASSY BIELLE COMPLETE	6				
27	90109-09001	.BOLT .BOULON	2				
28	93310-326V4	BEARING ROULEMENT	6				
29	90201-26M03	WASHER, PLATE RONDELLE, PLATE	12				
30	93310-840U1	BEARING ROULEMENT	6				
<hr/>							
<hr/>							
<hr/>							
<hr/>							
<hr/>							
<hr/>							
<hr/>							

FIG. 4 CYLINDER. CRANKCASE 2 CYLINDRE. CARTER 2

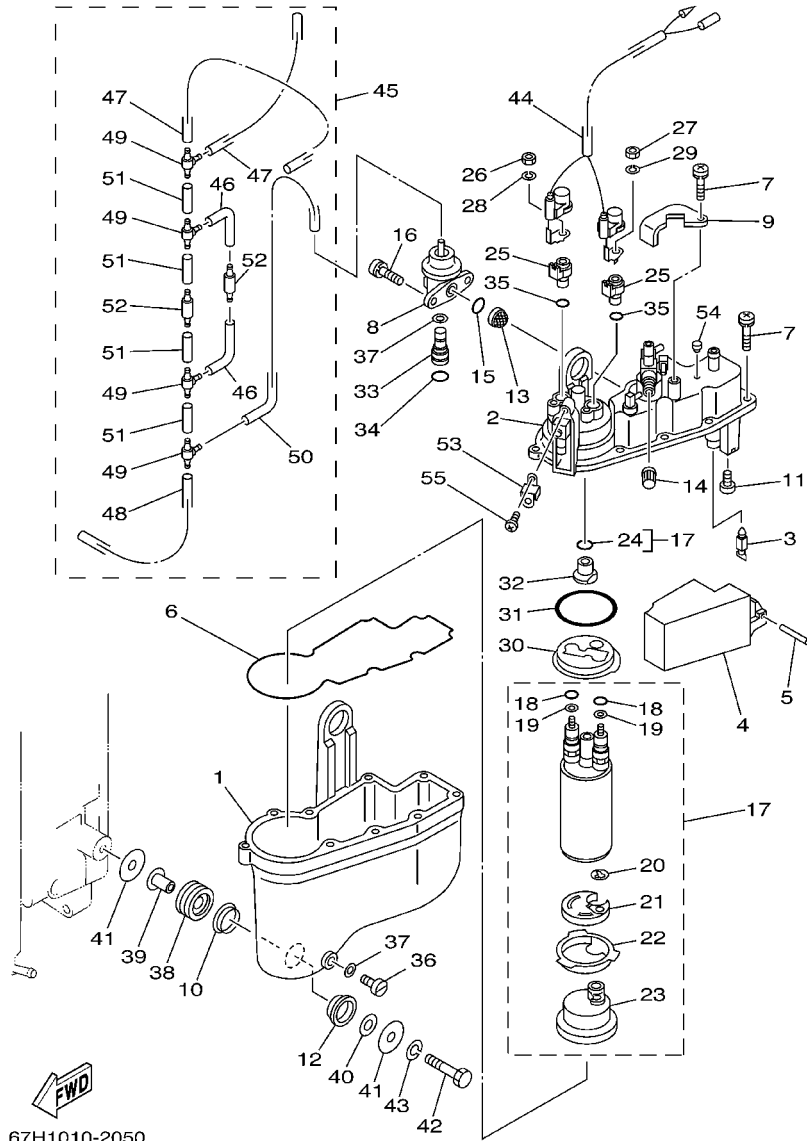


65J0010-0040

REF. NO.	PART NO. NO. PIECES	DESCRIPTION DESCRIPTION	225G				REMARKS REMARQUES
1	62J-11111-01-1S	HEAD, CYLINDER 1 CULASSE	2				
2	69L-11181-00	GASKET, CYLINDER HEAD 1 JOINT, DE CULASSE 1	2				
3	90119-08MA5	BOLT, WITH WASHER BOULON, AVEC RONDELLE	3				
4	90119-08M99	BOLT, WITH WASHER BOULON, AVEC RONDELLE	37				
5	61A-11191-00-1S	COVER, CYLINDER HEAD 1 COUVERCLE, CULASSE 1	2				
6	61A-11193-A1	GASKET, HEAD COVER 1 JOINT, COUVERCLE DE CULASSE 1	2				
7	90119-06MA5	BOLT, WITH WASHER BOULON, AVEC RONDELLE	12				
8	6J8-11325-00	ANODE ANODE	2				
9	6H3-11328-00	GROMMET, ANODE PASSE-FIL	2				
10	6H3-11327-00-1S	COVER, ANODE COUVERCLE	2				
11	97013-06016	BOLT BOULON	2				
12	92903-06600	WASHER, PLATE RONDELLE, PLATE	2				
13	61A-41113-00-1S	OUTER COVER, EXHAUST COUVERCLE, ECHAPPEMENT	1				
14	650-24378-00	.PIPE, JOINT 4 .DURITE RACCORDEMENT 4	1				
15	61A-41112-A0	GASKET, EXHAUST INNER COVER JOINT, PLAQUE D'ECHAPPEMENT	1				
16	90119-06MA3	BOLT, WITH WASHER BOULON, AVEC RONDELLE	25				
17	90445-09M25	HOSE (L600) DURITE (L600)	1				
18	90467-08004	CLIP JONC	2				
19	6G5-12416-00	VALVE, PRESSURE CONTROL SOUPAPE DE CONTROLEUR PRESS	1				
20	90501-16M11	SPRING, COMPRESSION RESSORT, COMPRESSION	1				
21	90480-20M05	GROMMET PASSE-FIL	1				
22	6G5-11382-A1	GASKET 2 JOINT 2	1				
23	6G5-11372-00-1S	COVER, BYPASS 2 CONVERCLE	1				
24	90119-06MA2	BOLT, WITH WASHER BOULON, AVEC RONDELLE	2				
25	61A-12576-00	HOSE 1 TUYAU 1	1				
26	90465-13M18	CLAMP BRIDE	2				
27	94702-00309	PLUG, SPARK (NGK BR9HS-10) BOUGIE D'ALLUMAGE(NGK BR9HS-10)	6				

FIG. 5 FUEL INJECTION PUMP

FUEL INJECTION PUMP

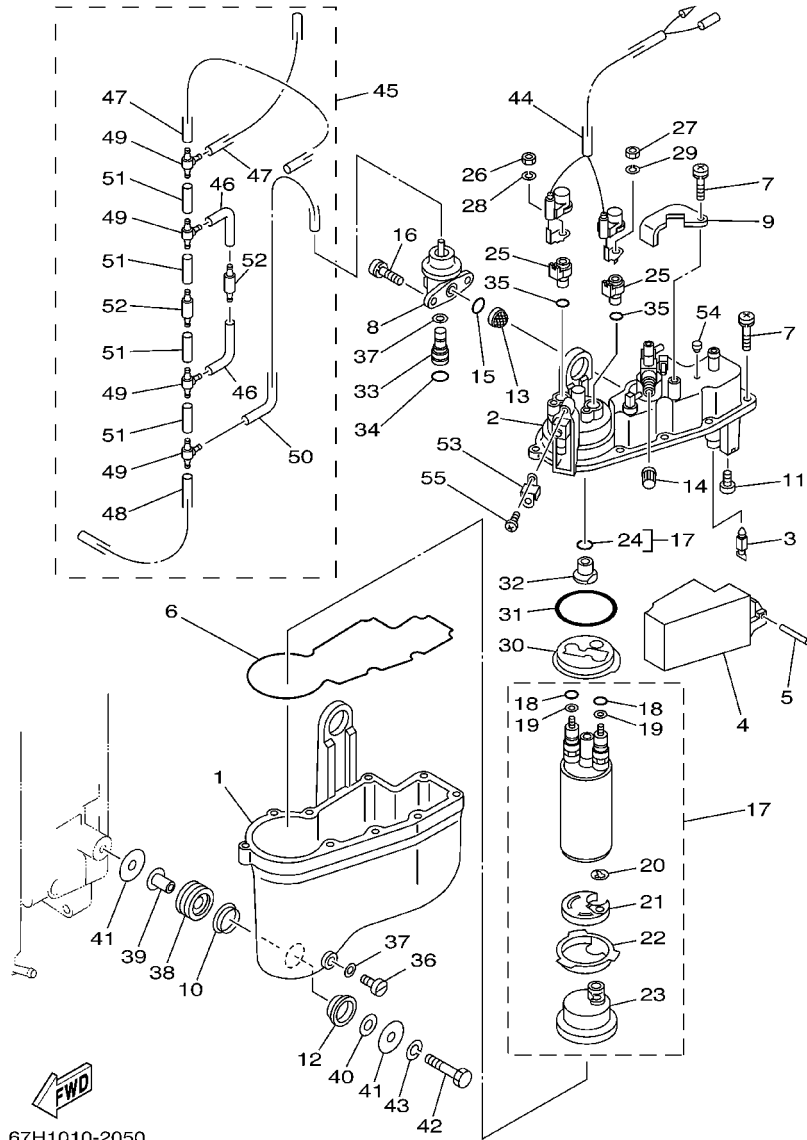


67H1010-2050

REF. NO.	PART NO. NO. PIECES	DESCRIPTION DESCRIPTION	225G				REMARKS REMARQUES
1	66K-14980-00	BODY, FLOAT CHAMBER CORPS, CUVE DE FLOTTEUR	1				
2	67H-14182-00	COVER, FLOAT CHAMBER COUVERCLE, CUVE DE FLOTTEUR	1				
3	65L-14546-00	VALVE, NEEDLE POINTEAU	1				
4	66K-14985-00	FLOAT FLOTTEUR	1				
5	66K-14548-01	PIN, FLOAT ARM AXE, BRAS DE FLOTTEUR	1				
6	66K-14984-00	GASKET, FLOAT CHAMBER JOINT, CUVE DE FLOTTEUR	1				
7	65L-14125-00	SCREW VIS	10				
8	66K-13906-00	REGULATOR, PRESSURE REGULATEUR DE PRESSION	1				
9	66K-14255-00	PLATE PLAQUE	1				
10	66K-14239-00	SEAL JOINT	3				
11	66K-14325-01	SCREW, PAN HEAD VIS TETE CONIQUE	2				
12	66K-14163-00	SPACER ENTRETOISE	3				
13	65L-13905-00	FILTER COMP ENS FILTRE	1				
14	65L-14966-00	CAP CAPUCHON	1				
15	65L-24486-00	O-RING JOINT TORIQUE	1				
16	66K-14245-00	SCREW, GUIDE GUIDE DE VIS	2				
17	67H-13907-00	FUEL PUMP COMP. POMPE A CARBURANT COMP.	1				
18	65L-14227-00	.O-RING .JOINT TORIQUE	2				
19	65L-14194-00	.RING .BAGUE	2				
20	65L-14159-00	.CLIP .JONC	1				
21	66K-13781-00	.DAMPER, PUMP .AMORTISSEUR, POMPE	1				
22	66K-13844-00	.PLATE 2 .PLAQUE 2	1				
23	66K-13915-00	.FILTER .FILTRE	1				
24	65L-1416A-00	.O-RING .JOINT TORIQUE	1				
25	66K-14271-00	INSULATOR ISOLATEUR	2				
26	65L-8182A-00	NUT ECROU	1				
27	65L-8182K-00	NUT ECROU	1				

FIG. 5 FUEL INJECTION PUMP

FUEL INJECTION PUMP

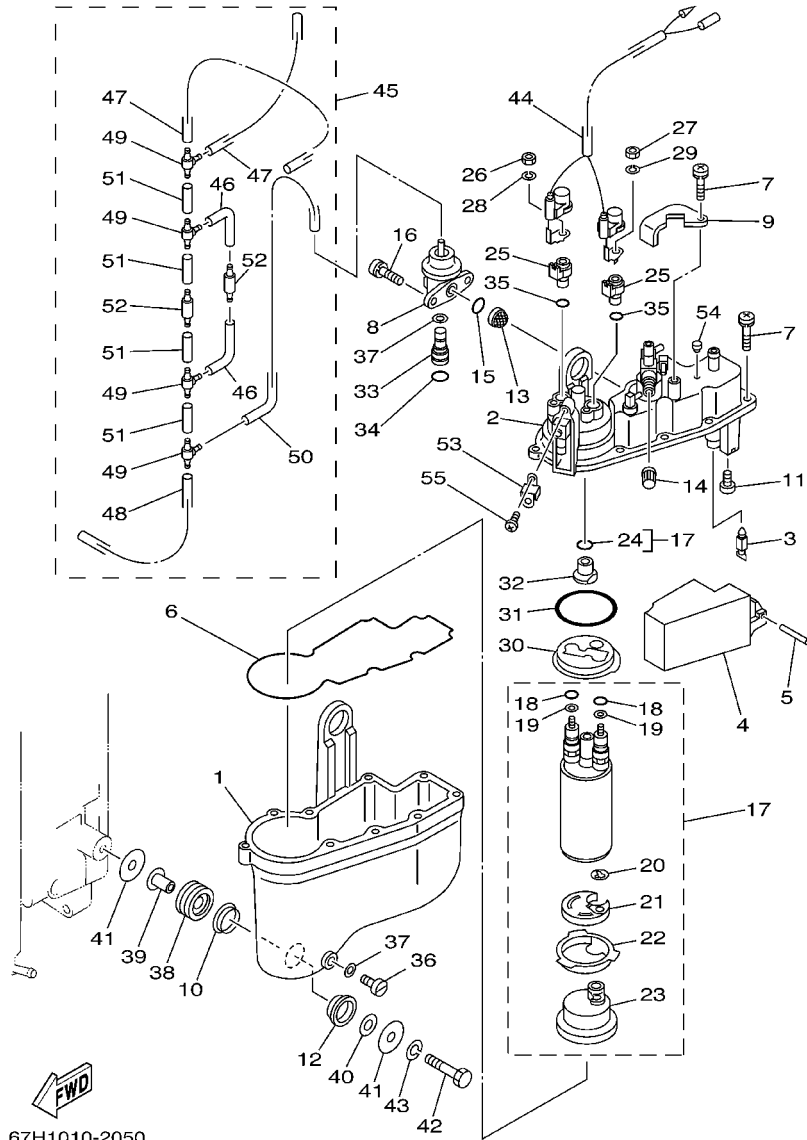


FWD
67H1010-2050

REF. NO.	PART NO. NO. PIECES	DESCRIPTION DESCRIPTION	225G				REMARKS REMARQUES
28	65L-8182E-00	WASHER RONDELLE	1				
29	65L-8182F-00	WASHER RONDELLE	1				
30	66K-13843-00	PLATE 1 PLAQUE 1	1				
31	65L-14147-00	O-RING JOINT TORIQUE	1				
32	65L-14274-00	CONNECTOR CONNEXEUR	1				
33	66K-24376-00	PIPE, JOINT 1 DURITE 1, RACCORDEMENT	1				
34	66K-24489-00	O-RING JOINT TORIQUE	1				
35	65L-14397-00	O-RING JOINT TORIQUE	3				
36	65L-14992-00	ROD TRINGLE	1				
37	65L-14997-00	SEAL DURITE	2				
38	65L-24375-00	GROMMET OEILLET CAOUTCHOUC	3				
39	65L-24397-00	COLLAR COLLIER	3				
40	65L-24576-00	WASHER RONDELLE	3				
41	66K-24579-00	WASHER 2 RONDELLE 2	6				
42	65L-24592-00	BOLT BOLTE	3				
43	65L-24169-00	WASHER, LOCK RONDELLE-FREIN	3				
44	67H-82507-00	WIRE, LEAD FIL	1				
45	67H-13490-00	RELIEF VALVE ASSY SOUPE DE SECURITE COMPLET	1				
46	66K-13542-00	.HOSE, VACUUM SENSING 1 .DURITE 1	2				
47	67H-13544-00	.HOSE, VACUUM SENSING 2 .DURITE 2	2				
48	67H-13532-00	.HOSE, VACUUM SENSING 3 .DURITE 3	1				
49	65L-24461-00	.PIPE, JOINT .DURITE, RACCORDEMENT	4				
50	67H-13533-00	.HOSE, VACUUM SENSING 4 .DURITE 4	1				
51	67H-13534-00	.HOSE, VACUUM SENSING 5 .DURITE 5	4				
52	67H-13183-00	.VALVE, CHECK .SOUPE DE RATANUE	2				
53	66K-13898-00	HOLDER SUPPORT	1				
54	67H-14225-00	CAP COUVERCLE	1				

FIG. 5 FUEL INJECTION PUMP

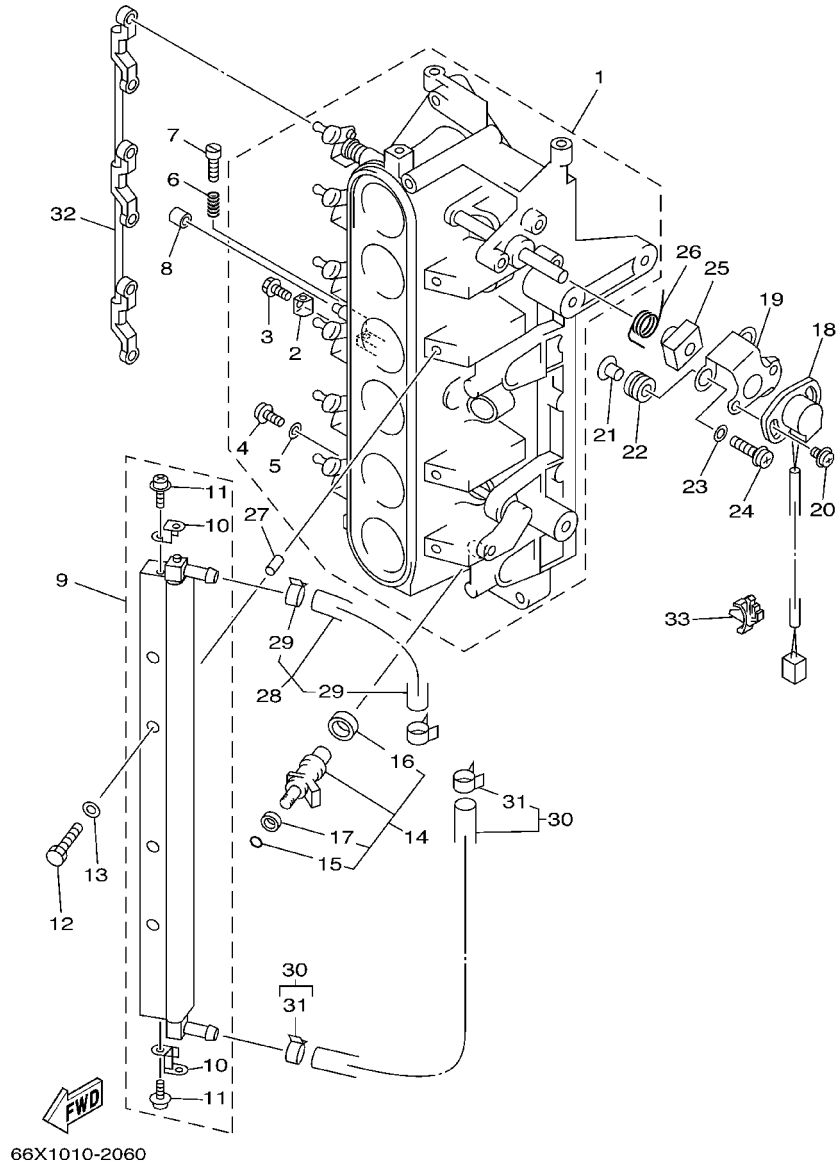
FUEL INJECTION PUMP



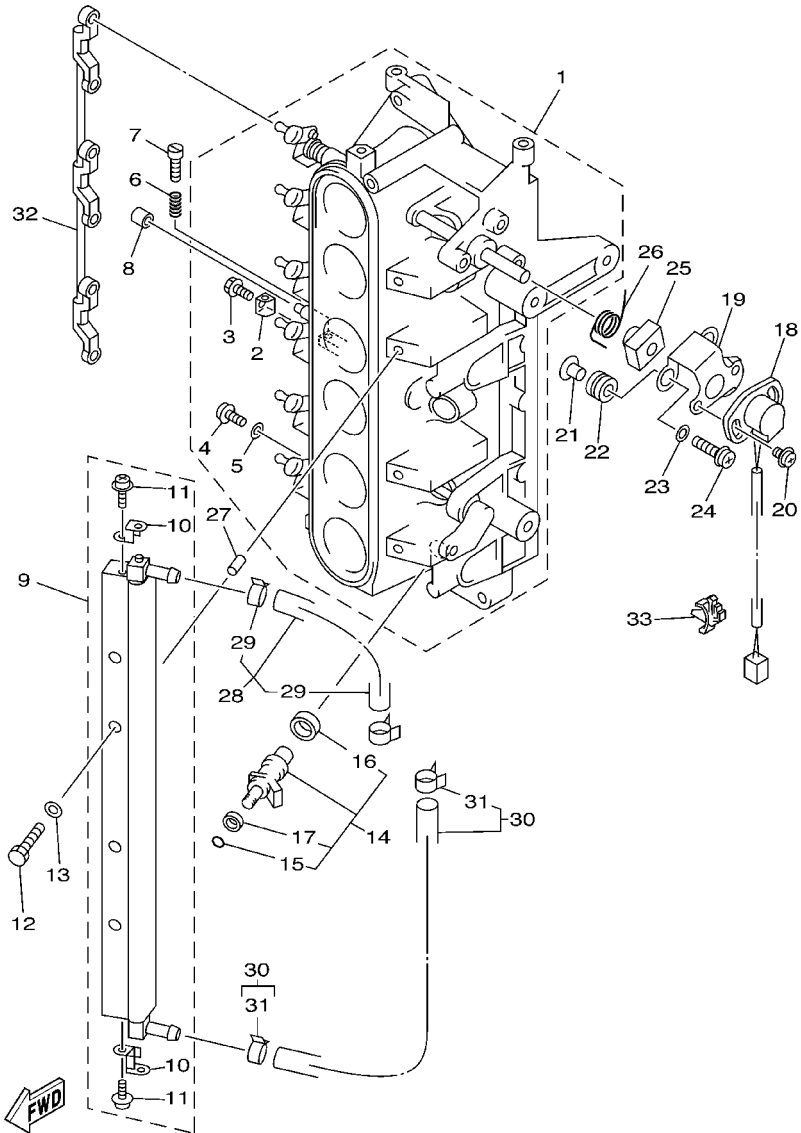
FWD
67H1010-2050

REF. NO.	PART NO. NO. PIECES	DESCRIPTION DESCRIPTION	225G				REMARKS REMARQUES
55	65L-14565-00	SCREW VIS	1				

FIG. 6 FUEL INJECTION NOZZLE FUEL INJECTION NOZZLE



REF. NO.	PART NO. NO. PIECES	DESCRIPTION DESCRIPTION	225G				REMARKS REMARQUES
1	67H-13751-00	BODY, THROTTLE 1 CARTER 1	1				
2	65L-14527-00	.PLATE .PLAQUE	1				
3	65L-14565-00	.SCREW .VIS	1				
4	6K5-14592-00	.SCREW .VIS	6				
5	90201-05552	.WASHER, PLATE .RONDELLE, PLATE	6				
6	65L-14334-00	SPRING, AIR ADJUSTING RESSORT, VIS DE DOSEUR D'AIR	1				
7	65L-14523-00	SCREW, STOP VIS, BUTEE	1				
8	65L-14578-00	COLLAR COLLERETTE	1				
9	67H-13938-00	PIPE DURITE	1				
10	67H-13898-00	.HOLDER .SUPPORT	2				
11	65L-14565-00	.SCREW .VIS	2				
12	65L-13573-00	BOLT 1 BOULON 1	4				
13	65L-13995-00	WASHER RONDELLE	4				
14	65L-13761-00	INJECTOR ASSY INJECTEUR	6				
15	65L-13769-00	.O-RING JOINT TORIQUE	1				
16	65L-13764-00	.GASKET JOINT	1				
17	65L-13766-00	.RUBBER, INJECTOR .RONDELLE CAOUTCHOUC	1				
18	61A-85885-00	THROTTLE SENSOR ASSY SENSITOMETRE (ENS.)	1				
19	6K7-85886-00	BRACKET SUPPORT	1				
20	97985-05212	SCREW, WITH WASHER VIS, AVEC RONDELLE	2				
21	90387-05M00	COLLAR COLLERETTE	3				
22	90480-10M23	GROMMET PASSE-FIL	3				
23	65L-14596-00	WASHER RONDELLE	3				
24	97985-05330	SCREW, WITH WASHER VIS, AVEC RONDELLE	3				
25	65L-14573-00	LEVER LEVIER	1				
26	65L-14579-00	SPRING RESSORT	1				
27	65L-13996-00	INSERT CUVETTE	2				



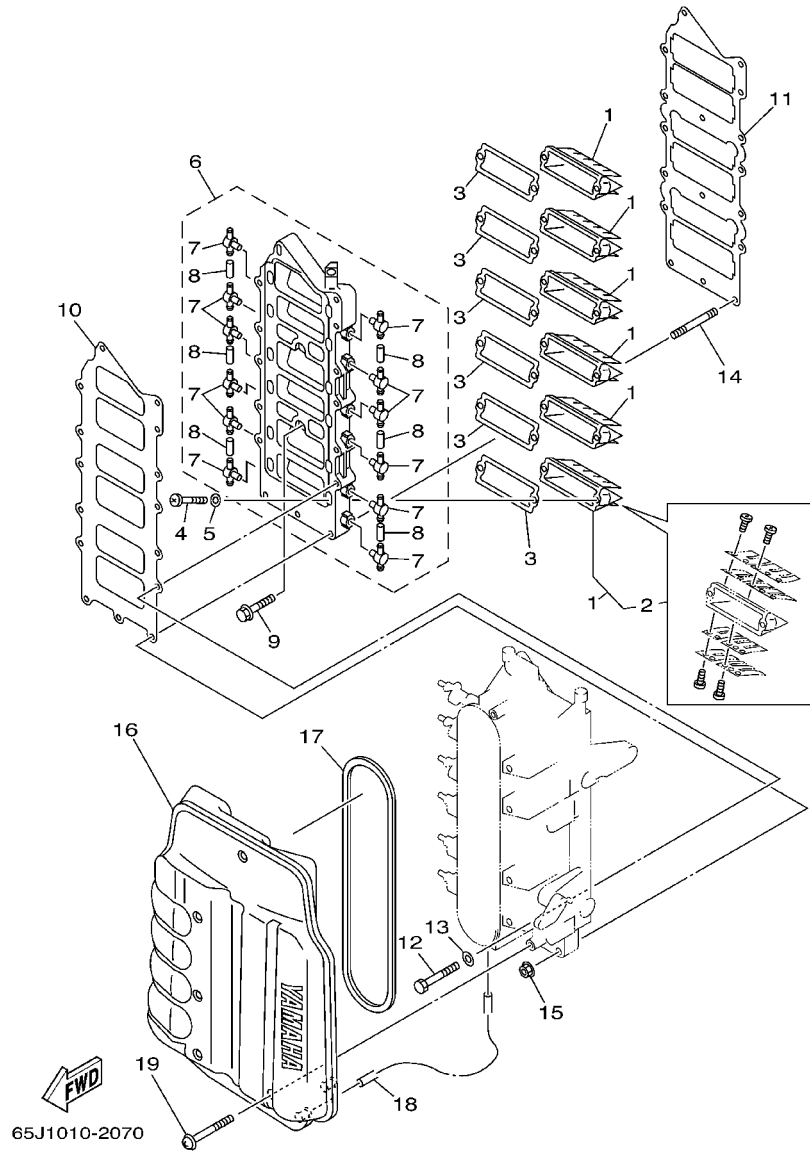
66X1010-2060

FIG. 6 FUEL INJECTION NOZZLE **FUEL INJECTION NOZZLE**

REF. NO.	PART NO. NO. PIECES	DESCRIPTION DESCRIPTION	225G				REMARKS REMARQUES
28	66K-13971-00	PIPE, FUEL 1 TUBE 1, CARBURANT	1				
29	65L-24387-00	.CLIP .SANDOW	2				
30	67H-13972-00	PIPE, FUEL 2 TUBE 2, CARBURANT	1				
31	65L-24387-00	.CLIP .SANDOW	2				
32	65L-41217-00	ROD, ACCEL. LEVER TIGE, LEVIER ACCELERATION	1				
33	90464-04M12	CLAMP BRIDE	1				

FIG. 7 INTAKE

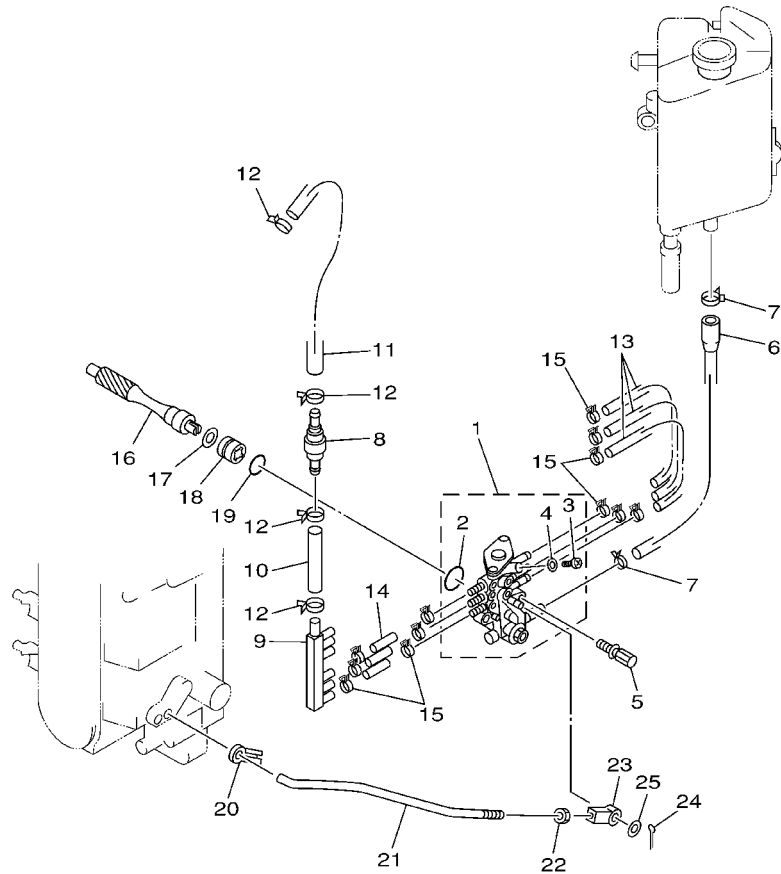
ADMISSION



REF. NO.	PART NO. NO. PIECES	DESCRIPTION DESCRIPTION	225G				REMARKS REMARQUES
1	65L-13610-01	REED VALVE ASSY CLAPET COMPLET	6				
2	65J-W0004-01	.REED SET .JEU DE CLAPETS	1				
3	61A-13621-A0	GASKET, VALVE SEAT JOINT, SIEGE DE CLAPET	6				
4	97880-05016	SCREW, PAN HEAD VIS, TETE TRONCONIQUE	12				
5	92990-05600	WASHER, PLATE RONDELLE, PLATE	12				
6	65L-13624-01-1S	PLATE, REED VALVE PLAQUE DE CLAPET	1				
7	6F6-11372-00	.NIPPLE, HOSE .RACCORD, TUYAU	12				
8	90445-07M03	.HOSE (L34) .DURITE (L34)	6				
9	90105-06028	BOLT, FLANGE BOULON	2				
10	65L-13646-00	GASKET, MANIFOLD 2 JOINT, TUBULURE 2	1				
11	65L-13645-00	GASKET, MANIFOLD 1 JOINT, TUBULURE 1	1				
12	97013-06060	BOLT BOULON	12				
13	92903-06600	WASHER, PLATE RONDELLE, PLATE	12				
14	95670-06655	BOLT, STUD GOUJON	2				
15	90179-06M24	NUT ECROU	2				
16	65L-14440-00	SILENCER ASSY, INTAKE SIENCIEUX D'ADMISSION	1				
17	65L-14483-00	GASKET JOINT	1				
18	90445-07M44	HOSE (L250) DURITE (L250)	1				
19	90159-06M16	SCREW, WITH WASHER VIS, AVEC RONDELLE	6				

FIG. 8 OIL PUMP

POMPE A HUILE



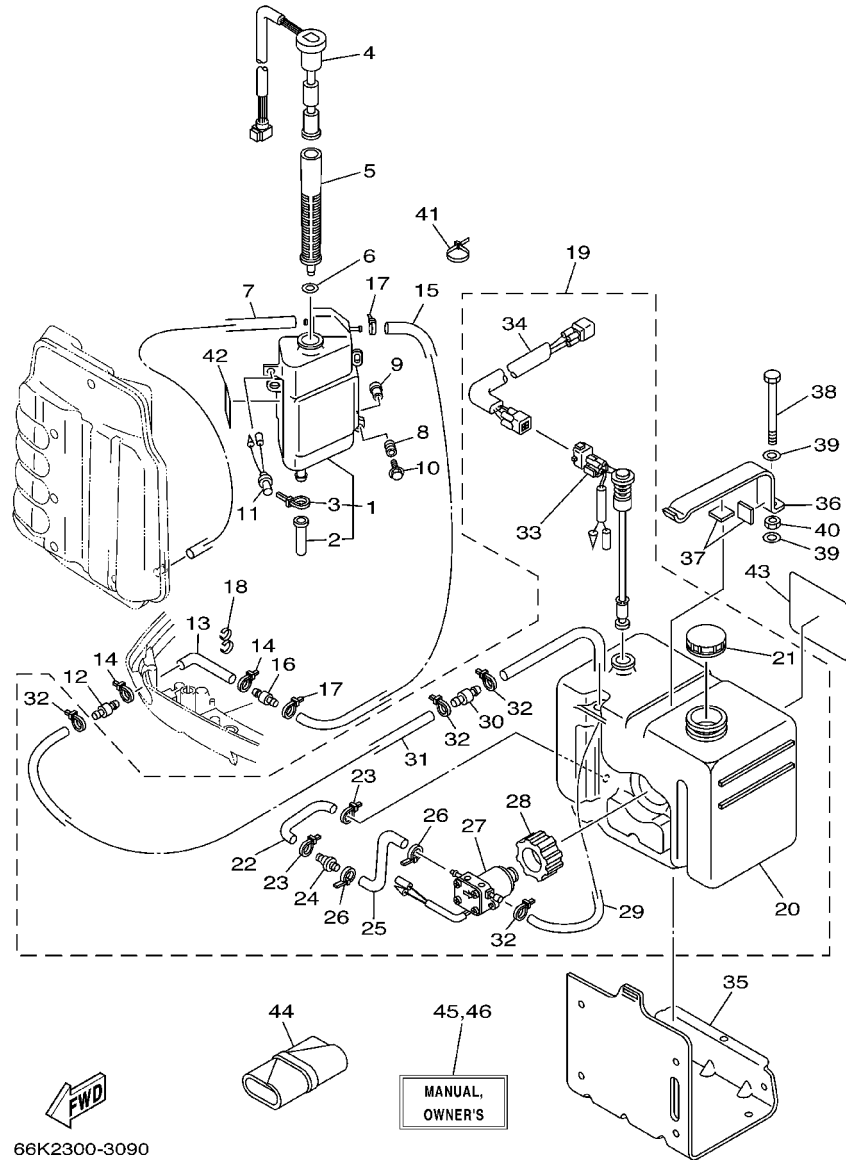
REF. NO.	PART NO. NO. PIECES	DESCRIPTION DESCRIPTION	225G				REMARKS REMARQUES
1	65L-13200-00	OIL INJECTION PUMP ASSY POMPE A HUILE COMPLET	1				
2	93210-19M82	.O-RING .JOINT TORIQUE	1				
3	6R3-13471-00	.PLUG, DRAIN .PLOT, VIDANGE	1				
4	6L2-13475-00	.GASKET .JOINT	1				
5	90109-06M40	BOLT BOULON	2				
6	61A-13416-00	PIPE, OIL 1 DURITE A HUILE	1				
7	90465-11M10	CLAMP BRIDE	2				
8	65L-13183-00	VALVE, CHECK S'OUPAPE DE RATANUE	1				
9	65L-24378-00	PIPE, JOINT 4 DURITE RACCORDEMENT 4	1				
10	90445-09220	HOSE DURITE	1				
11	90446-09M69	HOSE DURITE	1				
12	90465-11M10	CLAMP BRIDE	4				
13	90445-07M02	HOSE (L167) DURITE (L167)	3				
14	90445-07M03	HOSE (L34) DURITE (L34)	3				
15	90468-07M02	CLIP JONC	12				
16	61A-11537-00	GEAR, DRIVEN PIGNON SECONDAIRE	1				
17	90201-09M01	WASHER, PLATE RONDELLE, PLATE	1				
18	61A-13117-00	COLLAR, DISTANCE ENTRETOISE	1				
19	93210-18MA9	O-RING JOINT TORIQUE	1				
20	6R5-41237-00	JOINT, LINK RACCORD	1				
21	65L-41241-00	ROD, LINK BIELLETTTE	1				
22	95380-05600	NUT ECROU	1				
23	6H1-41237-00	JOINT, LINK RACCORD	1				
24	91490-12012	PIN, COTTER GOUPILLE	1				
25	90202-05088	WASHER, PLATE RONDELLE, PLATE	1				



65J0010-7080

FIG. 9 OIL TANK

RESERVOIR A PETROLE

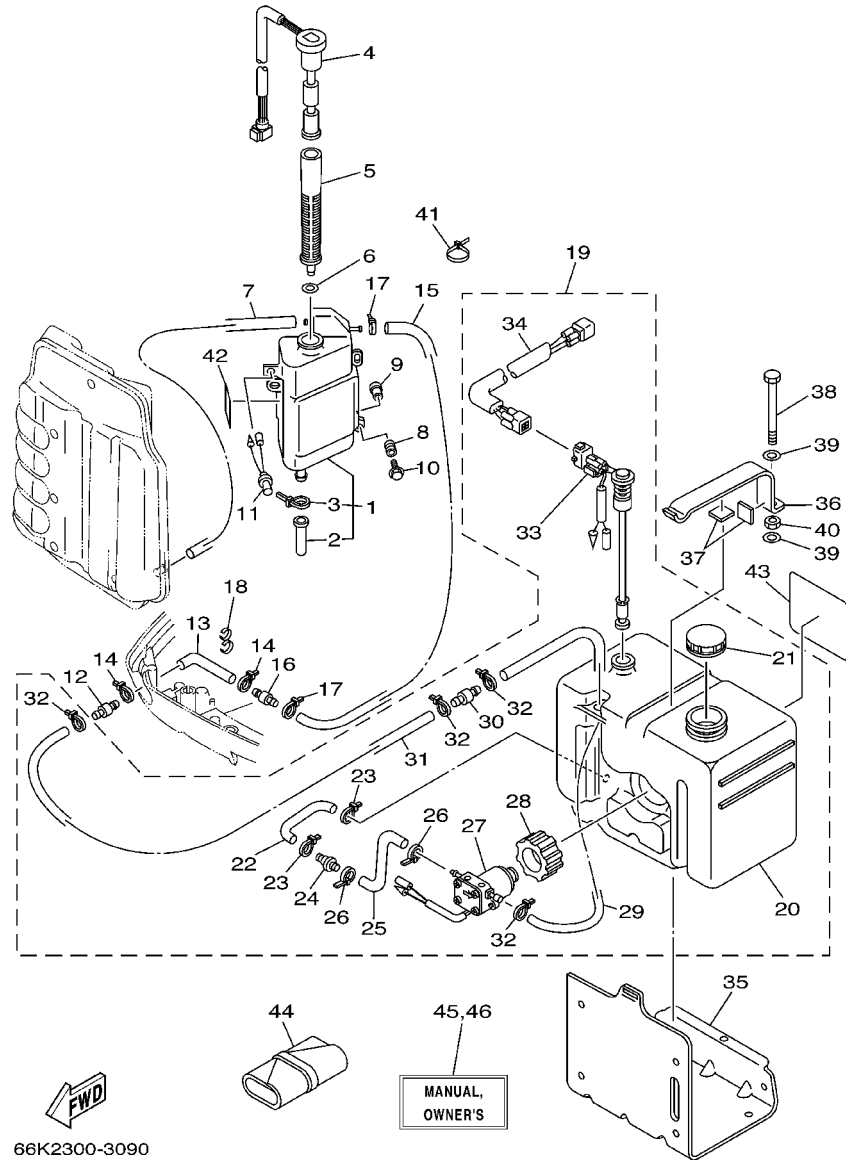


66K2300-3090

REF. NO.	PART NO. NO. PIECES	DESCRIPTION DESCRIPTION	225G				REMARKS REMARQUES
1	61A-21750-00	OIL TANK ASSY RESERVOIR A HUILE	1				
2	6E5-13448-00	.CAP .CAPUCHON	1				
3	90465-13M11	.CLAMP .BRIDE	1				
4	61A-85730-01	OIL LEVEL GAUGE ASSY VIEUX	1				
5	61A-13411-00	STRAINER, OIL FILTRE, HUILE	1				
6	6E5-13414-00	GASKET, STRAINER COVER JOINT, COUVERCLE DE FILTRE	1				
7	90445-05M07	HOSE (L700) DURITE (L700)	1				
8	6A0-82317-00	DAMPER, IGNITION COIL AMORTISSEUR, BOBINE D'ALLUM	3				
9	624-42542-00	PIPE TUYAU	3				
10	90119-06M65	BOLT, WITH WASHER BOULON, AVEC RONDELLE	3				
11	6R3-8259E-00	SWITCH ASSY COMMUTATEUR	1				
12	6E5-24379-00	PIPE, JOINT 4 DURITE RACCORDEMENT 4	1				
13	90445-12M04	HOSE (L1900) DURITE (L1900)	1				
14	90465-11M10	CLAMP BRIDE	2				
15	6E5-24323-00	PIPE 12 DURITE	1				
16	6E5-24379-00	PIPE, JOINT 4 DURITE RACCORDEMENT 4	1				
17	90465-11M10	CLAMP BRIDE	2				
18	90464-13M34	CLAMP BRIDE	1				
19	61A-21708-20	SUB OIL TANK ASSY RESERVOIR A HUILE SECOURS (ENS	1				
20	6E5-21733-20	.SUB TANK, OIL (10.5L) .RESERVOIR A HUILE SECOURS:10.	1				
21	6E5-21770-03	.OIL TANK CAP ASSY .CABOCHON DE RESERVOIR A HUILE	1				
22	6E5-24322-00	.PIPE 11 .DURITE	1				
23	90465-11M10	.CLAMP .BRIDE	2				
24	646-24251-02	.STRAINER 1 .FILTRE 1	1				
25	6E5-24319-01	.PIPE, OIL .DURITE A HUILE	1				
26	90465-11M10	.CLAMP .BRIDE	2				
27	6E5-81900-01	.OIL FEED PUMP ASSY .VIEUX	1				

FIG. 9 OIL TANK

RESERVOIR A PETROLE

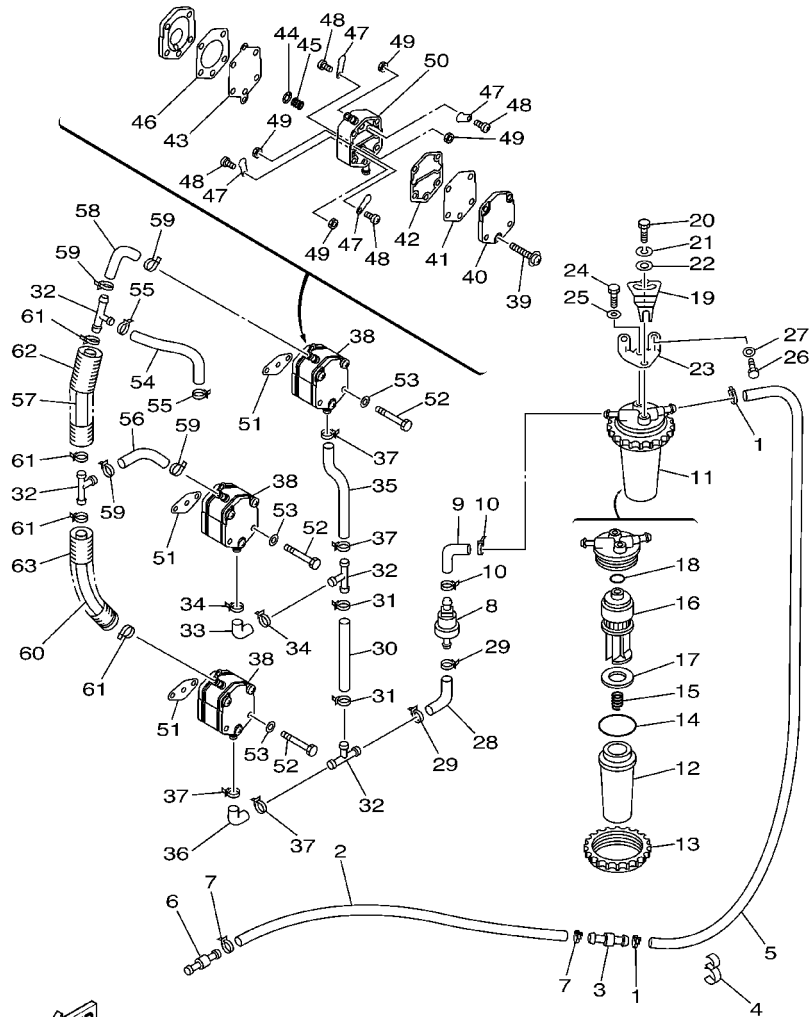


REF. NO.	PART NO. NO. PIECES	DESCRIPTION DESCRIPTION	225G				REMARKS REMARQUES
28	6E5-81922-00	.GROMMET .OEILLET CAOUTCHOUC	1				
29	6E5-24321-01	.PIPE 10 .DURITE	1				
30	6E5-24379-00	.PIPE, JOINT 4 .DURITE RACCORDEMENT 4	1				
31	90445-11M26	.HOSE (L6500) .DURITE (L6500)	1				
32	90465-11M10	.CLAMP .BRIDE	4				
33	6E5-85720-04	.OIL LEVEL GAUGE ASSY .JAUGE A HUILE CPLT	1				
34	6R3-85721-80	.WIRE, LEAD (8M) .FIL, SECONDAIRE (8M)	1				
35	6E5-21734-01-33	HOLDER, OIL SUB TANK SUPPORT, RESERV AUXIL A HUILE	1				
36	6E5-21798-01-33	BRACKET, DAMPER SUPPORT, AMORTISSEUR	1				
37	6E5-21746-00	DAMPER AMORTISSEUR	2				
38	97080-06100	BOLT BOULON	1				
39	92990-06600	WASHER, PLATE RONDELLE, PLATE	2				
40	95380-06600	NUT, HEXAGON ECROU	1				
41	90465-13M11	CLAMP BRIDE	2				
42	6E5-85711-60	MARK, CAUTION MAKER	1				
43	6E5-13437-62	MARK, CAUTION MAKER	1				
44	656-W2810-02	TOOL KIT Trousse A Outils	1				
45	66K-28199-74-A0	MANUAL, OWNER'S MANUEL D'UTILISATION	1				UR (E,F,S)
	66K-28199-74-B0	MANUAL, OWNER'S MANUEL D'UTILISATION	1				UR (D,NL,I)
46	66K-28199-84-A0	MANUAL, OWNER'S MANUEL D'UTILISATION	1				UR (DK,P,GR)
	66K-28199-84-B0	MANUAL, OWNER'S MANUEL D'UTILISATION	1				UR (N,S,SS)

66K2300-3090

FIG. 10 FUEL 1

CARBURANT 1

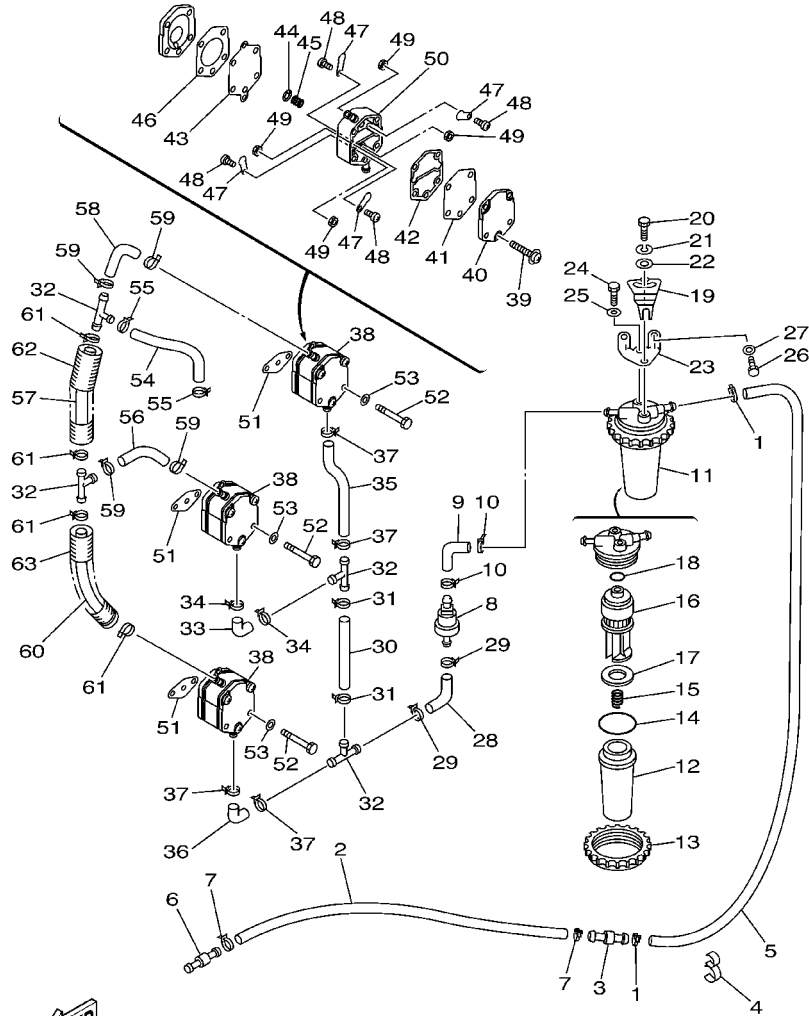


66X2100-3100

REF. NO.	PART NO. NO. PIECES	DESCRIPTION DESCRIPTION	225G				REMARKS REMARQUES
1	90465-11M10	CLAMP BRIDE	2				
2	90445-13M17	HOSE (L2700) DURITE (L2700)	1				
3	6R3-24377-00	PIPE, JOINT 3 DURITE RACCORDEMENT 3	1				
4	90464-13M34	CLAMP BRIDE	2				
5	61A-24313-00	PIPE 3 DURITE 3	1				
6	6R3-24377-00	PIPE, JOINT 3 DURITE RACCORDEMENT 3	1				
7	90465-11M10	CLAMP BRIDE	2				
8	6R5-24408-00	FUEL FEED ASSY ALIMENT D'ESSENCE	1				
9	61A-24311-00	PIPE, FUEL 1 DURITE A ESSENCE	1				
10	90465-11M10	CLAMP BRIDE	2				
11	65L-24560-00	FILTER ASSY ENS FILTRE	1				
12	61A-24521-00	.CUP, FILTER .CUVETTE, FILTRE	1				
13	65L-24531-01	.NUT .ECROU	1				
14	61A-24564-00	.O-RING .JOINT TORIQUE	1				
15	65L-24577-00	.SPRING .RESSORT	1				
16	65L-24563-00	.ELEMENT, FILTER .ELEMENT, FILTRE	1				
17	61A-24469-00	.FLOAT, WATER LEVEL .FLOTTEUR	1				
18	65L-24564-00	.O-RING .JOINT TORIQUE	1				
19	65L-24558-00	HOLDER, FILTER SUPPORT, FILTRE	1				
20	97095-06016	BOLT BOULON	1				
21	92995-06100	WASHER, SPRING RONDELLE, GROWER	1				
22	90201-06068	WASHER, PLATE RONDELLE, PLATE	1				
23	61A-24566-00	BRACKET, FILTER SUPPORT, FILTRE	1				
24	97095-06014	BOLT BOULON	1				
25	92995-06600	WASHER RONDELLE	1				
26	97095-06016	BOLT BOULON	2				
27	92995-06600	WASHER RONDELLE	2				

FIG. 10 FUEL 1

CARBURANT 1

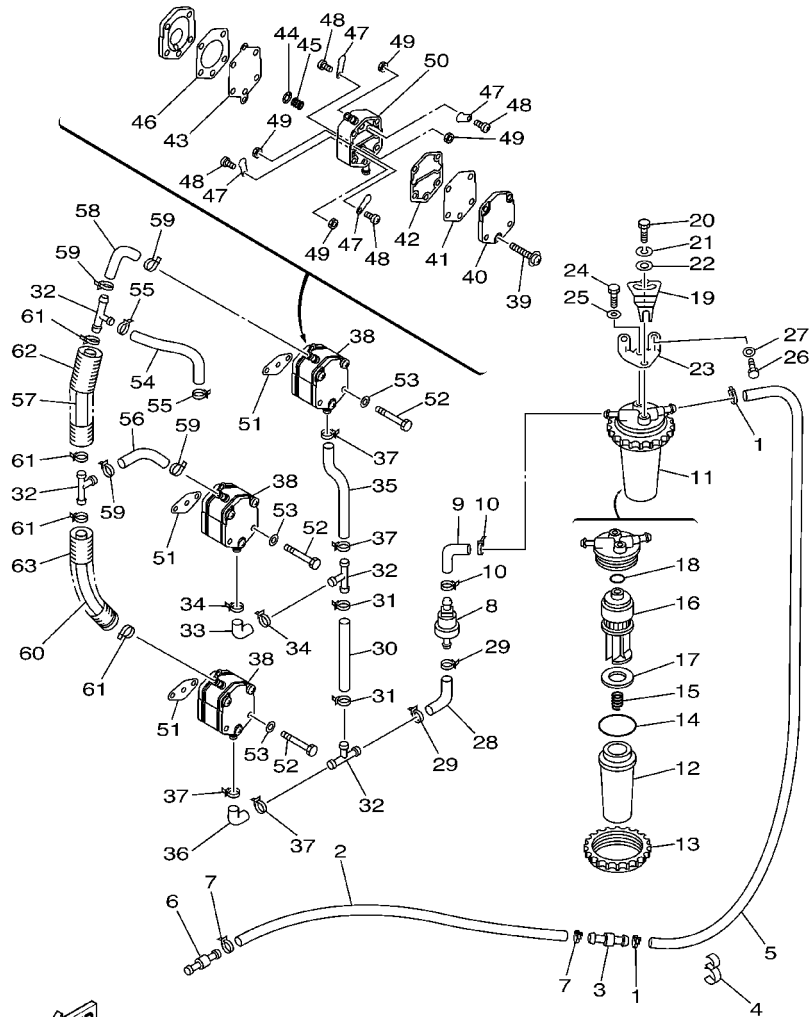


66X2100-3100

REF. NO.	PART NO. NO. PIECES	DESCRIPTION DESCRIPTION	225G				REMARKS REMARQUES
28	61A-24311-00	PIPE, FUEL 1 DURITE A ESSENCE	1				
29	90465-11M10	CLAMP BRIDE	2				
30	6G5-24317-01	PIPE 7 DURITE 7	1				
31	90465-11M10	CLAMP BRIDE	2				
32	6E5-24378-00	PIPE, JOINT 3 DURITE, RACCORDEMENT 3	4				
33	6E5-24315-00	PIPE 5 DURITE 5	1				
34	90465-11M10	CLAMP BRIDE	2				
35	6G5-24315-00	PIPE 5 DURITE 5	1				
36	6E5-24315-00	PIPE 5 DURITE 5	1				
37	90465-11M10	CLAMP BRIDE	4				
38	6E5-24410-03	FUEL PUMP ASSY POMPE A ESSENCE	3				
39	6E5-24444-00	.SCREW .VIS	3				
40	6E5-24413-00	.BODY 2 .CORPS 2	1				
41	6E5-24471-00	.DIAPHRAGM .DIAPHRAGME	1				
42	6E5-24435-00	.GASKET, BODY 2 .JOINT, CORPS 2	1				
43	6E5-24411-00	.DIAPHRAGM .DIAPHRAGME	1				
44	648-24424-00	.SEAT, SPRING .SIEGE, RESSORT	1				
45	6E5-24423-00	.SPRING, DIAPHRAGM .RESSORT, DIAPHRAGME	1				
46	6E5-24434-02	.GASKET, BODY .JOINT, CORPS	1				
47	6A0-24421-01	.VALVE, CHECK .SOUPAPE, RETENUE	4				
48	6A0-14325-00	.SCREW, PAN HEAD .VIS TETE CONIQUE	4				
49	95380-03600	.NUT .ECROU	4				
50	6E5-24412-10	.BODY 1 .CORPS 1	1				
51	650-24431-A0	GASKET, FUEL PUMP 1 JOINT 1 DE POMPE A ESSENCE	3				
52	97095-06050	BOLT BOULON	6				
53	92995-06600	WASHER RONDELLE	6				
54	65L-24311-00	PIPE, FUEL 1 DURITE A ESSENCE	1				

FIG. 10 FUEL 1

CARBURANT 1



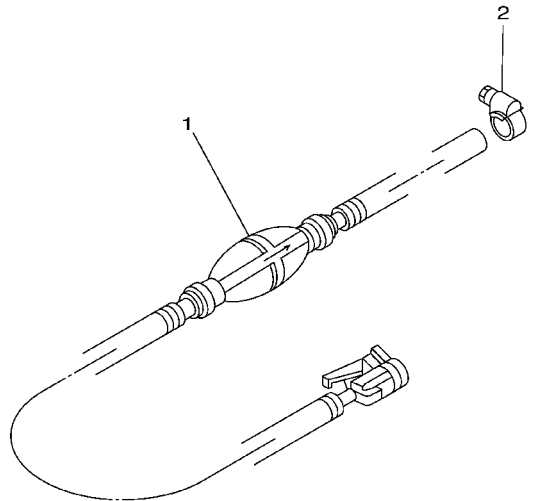
66X2100-3100

REF. NO.	PART NO. NO. PIECES	DESCRIPTION DESCRIPTION	225G				REMARKS REMARQUES
55	90465-11M10	CLAMP BRIDE	2				
56	6G5-24316-10	PIPE 6 DURITE 6	1				
57	90445-13M14	HOSE (L70) DURITE (L70)	1				
58	61A-24311-00	PIPE, FUEL 1 DURITE A ESSENCE	1				
59	90465-11M10	CLAMP BRIDE	4				
60	6E5-24313-00	PIPE 3 DURITE 3	1				
61	90465-11M10	CLAMP BRIDE	4				
62	6E9-83557-70	TUBE TUBE	1				
63	65L-83557-00	TUBE TUBE	1				

FIG. 11 FUEL 2

CARBURANT 2

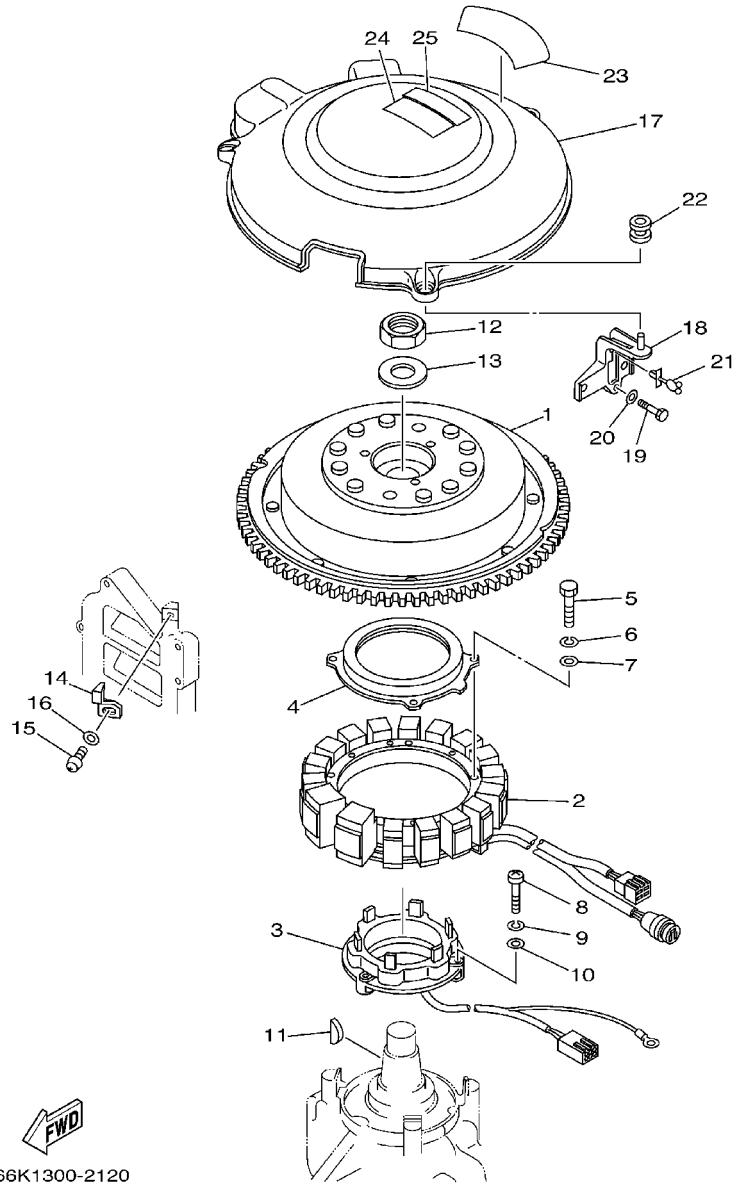
REF. NO.	PART NO. NO. PIECES	DESCRIPTION DESCRIPTION	225G					REMARKS REMARQUES
1	6YK-24307-42	FUEL PIPE COMP. 2 DURITE A ESSENCE 2	1					AP
2	90450-10M07	HOSE CLAMP ASSY BRIDE, DE DURITE	1					AP



68J1100-2140

FIG. 12 GENERATOR

GENERATRICE

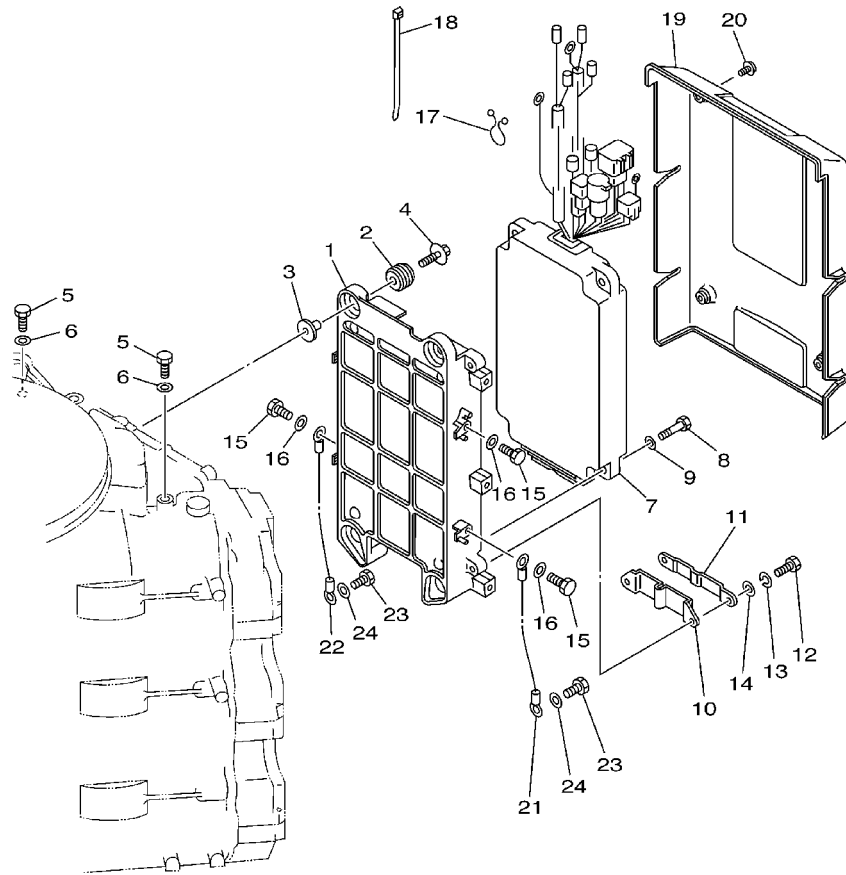


FWD
66K1300-2120

REF. NO.	PART NO. NO. PIECES	DESCRIPTION DESCRIPTION	225G				REMARKS REMARQUES
1	61A-85550-01	ROTOR ASSY ROTOR CPLT	1				
2	65L-85510-10	STATOR ASSY STATOR CPLT	1				
3	61A-85580-01	COIL, PULSER BOBINE, PULSEUR	1				
4	61A-83721-00	COVER COUVERCLE	1				
5	97013-06035	BOLT BOULON	4				
6	92903-06100	WASHER, SPRING RONDELLE, GROWER	4				
7	92903-06600	WASHER, PLATE RONDELLE, PLATE	4				
8	97885-05030	SCREW, PAN HEAD VIS, A ENCOCHE	3				
9	92995-05100	WASHER RONDELLE	3				
10	92995-05600	WASHER RONDELLE	3				
11	90280-05015	KEY, WOODRUFF CLAVETTE, DEMI-LUNE	1				
12	90170-24M22	NUT ECROU	1				
13	90201-25M02	WASHER, PLATE RONDELLE, PLATE	1				
14	6E5-81332-00	PLATE, TIMING PLATEAU, ALLUMAGE	1				
15	97885-06010	SCREW, PAN HEAD VIS, A ENCOCHE	1				
16	92995-06600	WASHER RONDELLE	1				
17	61A-81337-01	COVER, FLYWHEEL COUVERCLE, VOLANT	1				
18	65L-81338-00-1S	CLAMP, LEAD COLLIER, FIL	1				
19	97013-06025	BOLT BOULON	1				
20	92903-06600	WASHER, PLATE RONDELLE, PLATE	1				
21	90464-18M46	CLAMP BRIDE	1				
22	663-82317-01	DAMPER, IGNITION COIL AMORTISSEUR, BOBINE D'ALLUM	3				
23	65L-14488-00	LABEL, CAUTION ETIQUETTE, RECOMMANDATION	1				
24	6A1-83625-51	MARK 5 ETIQUETTE 5	1				
25	6A1-83625-41	MARK 5 ETIQUETTE 5	1				

FIG. 13 ELECTRICAL 1

PARTIE ELECTRIQUE 1



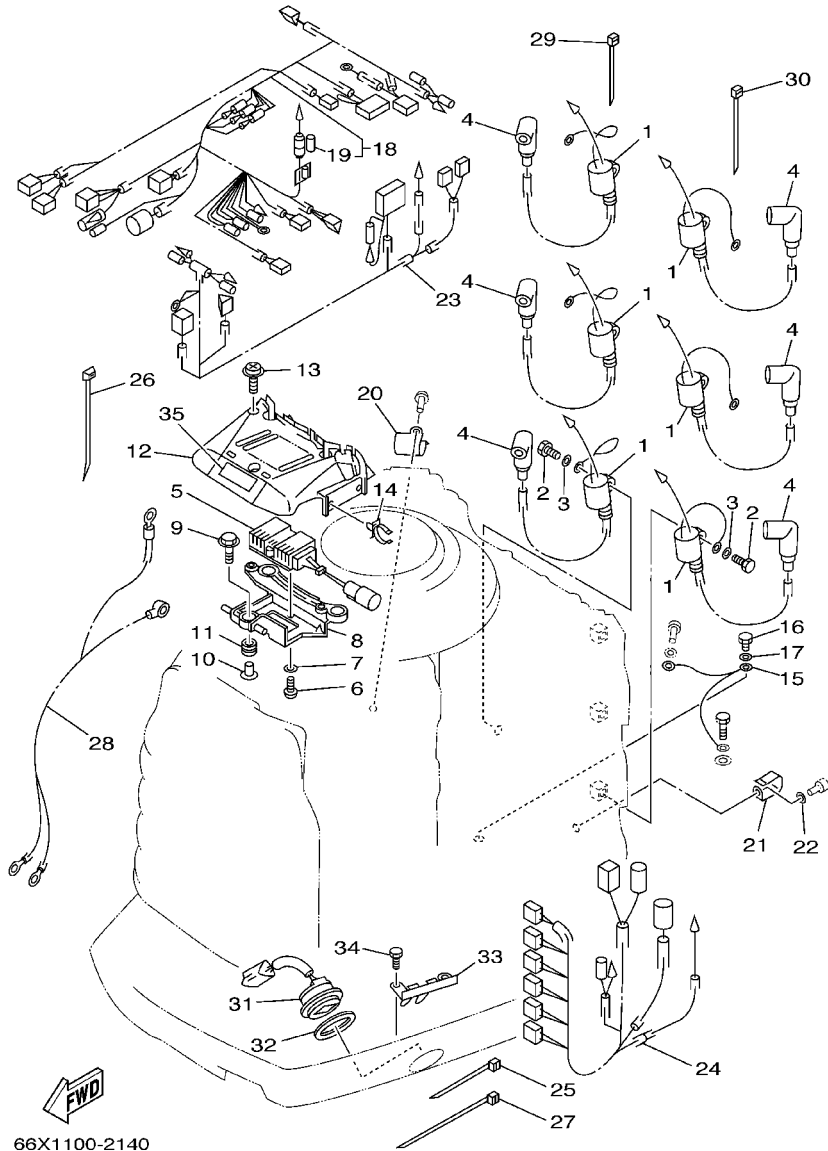
REF. NO.	PART NO. NO. PIECES	DESCRIPTION DESCRIPTION	225G				REMARKS REMARQUES
1	61A-85542-01-94	BRACKET SUPPORT	1				
2	90480-09M12	GROMMET PASSE-FIL	4				
3	90387-06M03	COLLAR COLLERETTE	4				
4	90119-06M28	BOLT, WITH WASHER BOULON, AVEC RONDELLE	4				
5	97013-06016	BOLT BOULON	2				
6	92903-06600	WASHER, PLATE RONDELLE, PLATE	2				
7	66K-85540-01	C.D.I. UNIT ASSY BLOC C.D.I.	1				
8	97013-06025	BOLT BOULON	4				
9	92903-06600	WASHER, PLATE RONDELLE, PLATE	4				
10	61A-85548-00	HOLDER SUPPORT	1				
11	61A-85525-00	COVER CAPUCHON	1				
12	97095-06016	BOLT BOULON	2				
13	92995-06100	WASHER, SPRING RONDELLE, GROWER	2				
14	92995-06600	WASHER RONDELLE	2				
15	97013-06014	BOLT BOULON	4				
16	92903-06600	WASHER, PLATE RONDELLE, PLATE	4				
17	90464-15M11	CLAMP BRIDE	1				
18	90465-11M52	CLAMP BRIDE	1				
19	61A-85537-00	COVER COUVERCLE	1				
20	90159-06M03	SCREW, WITH WASHER VIS, AVEC RONDELLE	4				
21	61A-82519-00	WIRE, EARTH LEAD FIL, MASSE	1				
22	6G0-82519-00	WIRE, EARTH LEAD FIL, MASSE	1				
23	97095-06012	BOLT BOULON	2				
24	92995-06600	WASHER RONDELLE	2				



65J0010-9121

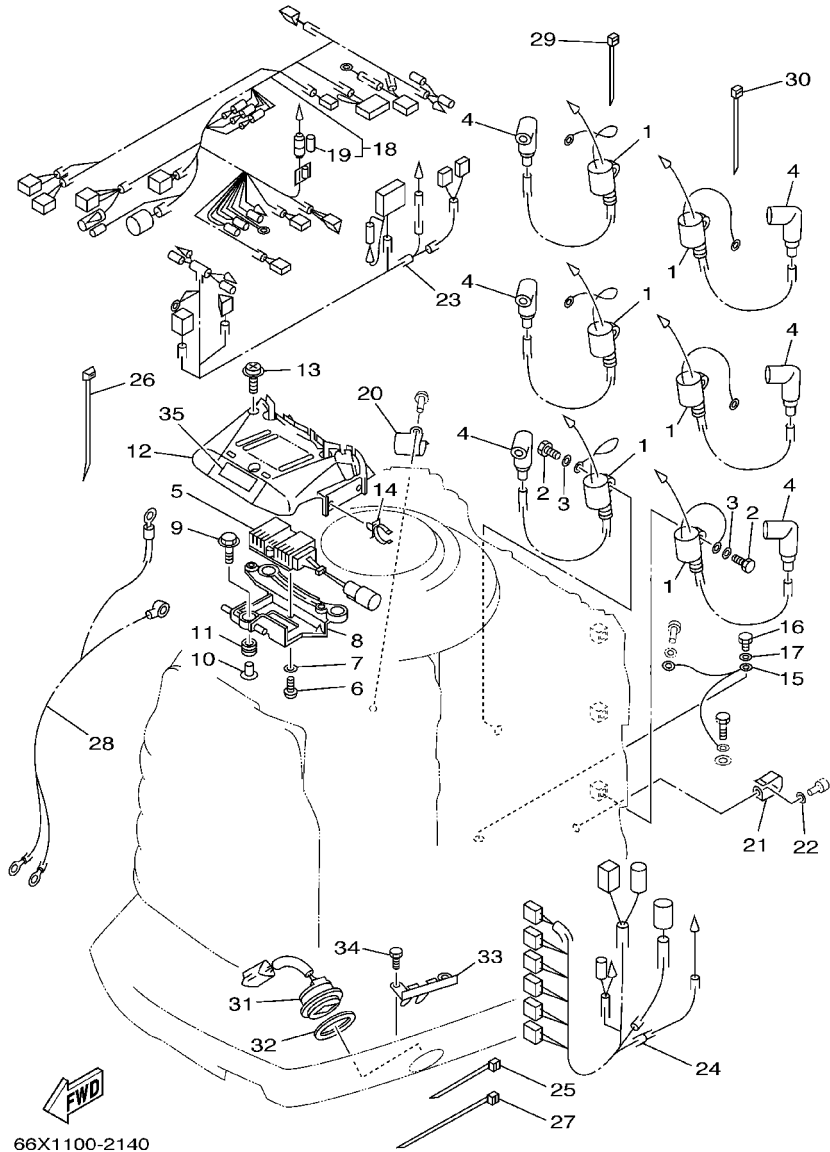
FIG. 14 ELECTRICAL 2

PARTIE ELECTRIQUE 2



66X1100-2140

REF. NO.	PART NO. NO. PIECES	DESCRIPTION DESCRIPTION	225G				REMARKS REMARQUES
1	61A-85570-00	IGNITION COIL ASSY BOBINE D'ALLUMAGE (ENS.)	6				
2	97013-06020	BOLT BOULON	6				
3	92903-06600	WASHER, PLATE RONDELLE, PLATE	6				
4	6E3-82370-21	PLUG CAP ASSY ANTIPARASITE	6				
5	65L-85370-00	RESISTOR ASSY RESISTANCE CPLT	1				
6	97885-05010	SCREW, PAN HEAD VIS, A ENCOCHE	2				
7	92995-05600	WASHER RONDELLE	2				
8	65L-81915-00-94	PLATE, REGULATOR FITTING PLAQUE, FIXATION DE REGULATEUR	1				
9	90119-06M65	BOLT, WITH WASHER BOULON, AVEC RONDELLE	3				
10	90387-06M60	COLLAR COLLERETTE	3				
11	90480-10M23	GROMMET PASSE-FIL	3				
12	65L-81916-00	COVER, TERMINAL COUVERCLE, BORNE	1				
13	90159-06M03	SCREW, WITH WASHER VIS, AVEC RONDELLE	2				
14	90464-19M45	CLAMP BRIDE	2				
15	61A-82531-00	WIRE, LEAD FIL	1				
16	97095-06012	BOLT BOULON	1				
17	92995-06600	WASHER RONDELLE	1				
18	66K-82590-10	WIRE HARNESS ASSY FAISCEAU DE FILS COMPLET	1				
19	705-82151-00	.FUSE (30A) .FUSIBLE (30A)	1				
20	90465-08M89	CLAMP BRIDE	1				
21	90465-05M87	CLAMP BRIDE	1				
22	92903-06600	WASHER, PLATE RONDELLE, PLATE	1				
23	65L-8259M-00	WIRE HARNESS ASSY 2 FAISCEAU DE FILS	1				
24	65L-8259N-01	WIRE HARNESS ASSY 3 FAISCEAU DE FILS	1				
25	90465-11M10	CLAMP BRIDE	1				
26	90465-11M52	CLAMP BRIDE	1				
27	90465-13M18	CLAMP BRIDE	1				



66X1100-2140

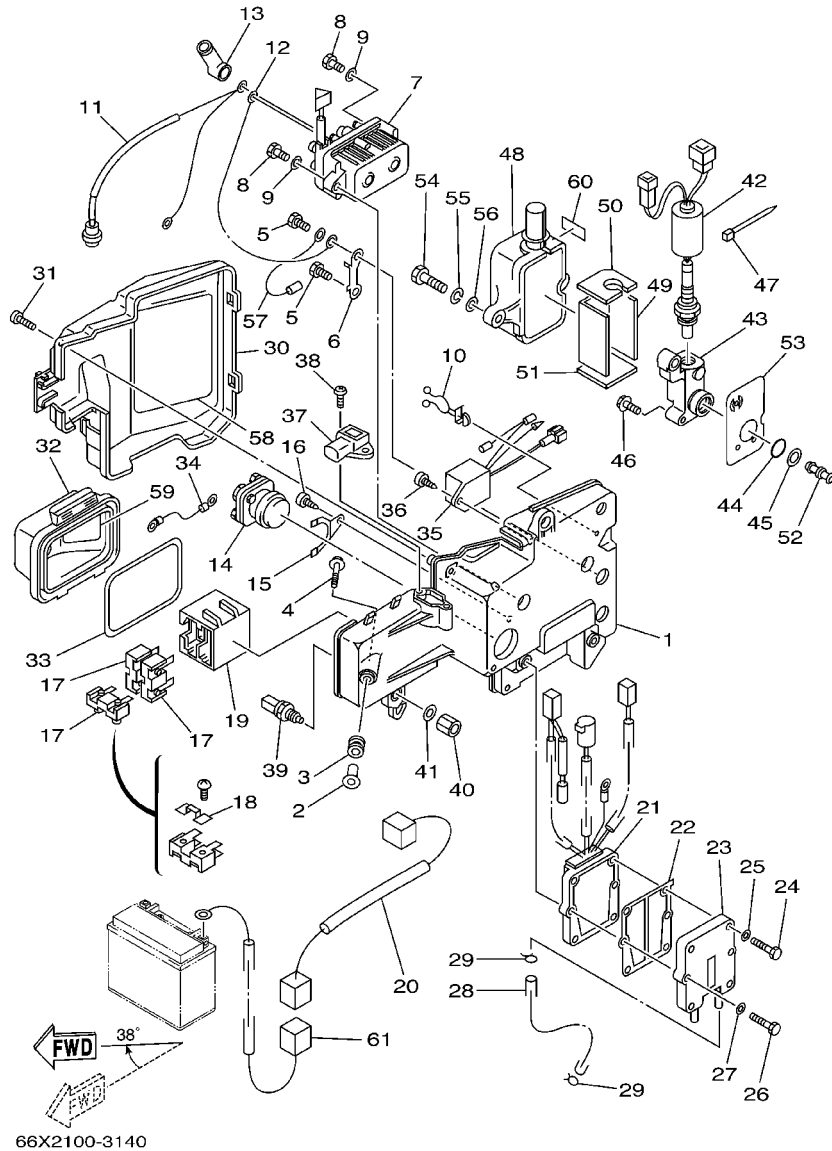
FIG. 14 ELECTRICAL 2

PARTIE ELECTRIQUE 2

REF. NO.	PART NO. NO. PIECES	DESCRIPTION DESCRIPTION	225G				REMARKS REMARQUES
28	66K-82105-00	WIRE HARNESS FAISCEAU DE FILS	1				
29	90465-11M10	CLAMP BRIDE	1				
30	90465-13M18	CLAMP BRIDE	1				
31	61A-82563-00	TRIM & TILT SWITCH ASSY INCLINER ET PARER COMMUTATEUR	1				
32	6E5-82587-00	GASKET JOINT	1				
33	61A-83614-00	BRACKET SUPPORT	1				
34	97095-06012	BOLT BOULON	2				
35	65L-83625-50	MARK 5 ETIQUETTE 5	1				

FIG. 15 ELECTRICAL 3

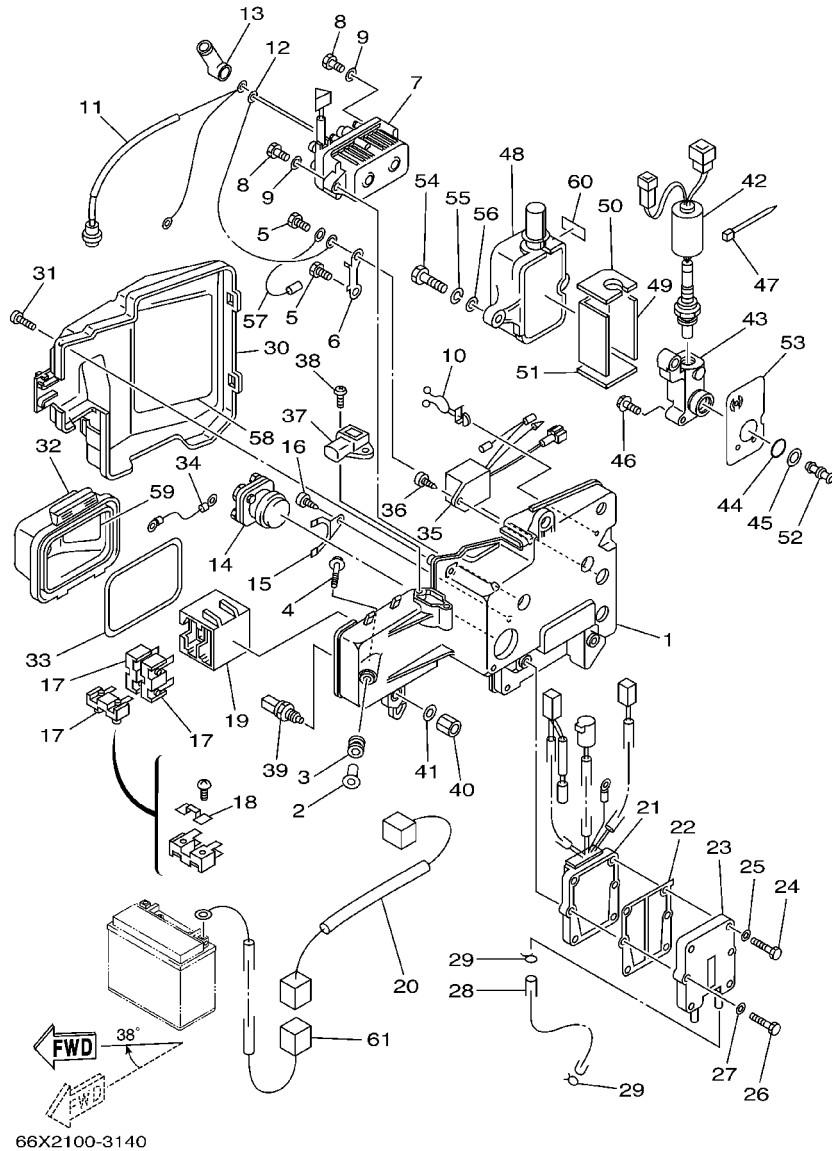
PARTIE ELECTRIQUE 3



REF. NO.	PART NO. NO. PIECES	DESCRIPTION DESCRIPTION	225G				REMARKS REMARQUES
1	65L-81948-00	BRACKET JOINT TORIQUE	1				
2	624-42542-00	PIPE TUYAU	5				
3	6A0-82317-00	DAMPER, IGNITION COIL AMORTISSEUR, BOBINE D'ALLUM	5				
4	90119-06M65	BOLT, WITH WASHER BOULON, AVEC RONDELLE	5				
5	97013-06014	BOLT BOULON	2				
6	61A-87149-00	CONNECTOR RACCORD	1				
7	61A-81950-00	RELAY ASSY RELAIS COMPLET	1				
8	97013-06030	BOLT BOULON	2				
9	92903-06600	WASHER, PLATE RONDELLE, PLATE	2				
10	90464-18M46	CLAMP BRIDE	1				
11	61A-81949-10	WIRE, LEAD FIL	1				
12	61A-81949-00	WIRE, LEAD FIL	1				
13	6G5-82119-00	COVER, LEAD WIRE GARNITURE, FIL	1				
14	61A-81941-00	STARTER RELAY ASSY LANCEUR RELAIS (ENS.)	1				
15	61A-81952-00	HOLDER, RELAY SUPPORT, RELAIS	1				
16	97780-50612	SCREW, TAPPING VIS, TETE BOMBEE	1				
17	61A-82150-00	FUSE HOLDER ASSY SUPPORT DE FUSIBLE	3				
18	61A-82151-00	.FUSE (12V-80A) .FUSIBLE (12V-80A)	1				
19	61A-82153-00	STAY, FUSE HOLDER SUPPORT, PORTE-FUSIBLE	1				
20	66K-81949-10	WIRE, LEAD FIL	1				
21	61A-81960-02	RECTIFIER & REGULATOR ASSY REDRESSEUR REGULATEUR CPLT	1				
22	69J-81975-A0	PLATE, RECTIFIER FITTING PLAQUE, FIXATION DU REDRESSEUR	1				
23	69J-81972-01-1S	COVER, RECTIFIER COUVERCLE, REDRESSEUR	1				
24	97013-06025	BOLT BOULON	4				
25	92903-06600	WASHER, PLATE RONDELLE, PLATE	4				
26	97013-06030	BOLT BOULON	2				
27	92903-06600	WASHER, PLATE RONDELLE, PLATE	2				

FIG. 15 ELECTRICAL 3

PARTIE ELECTRIQUE 3



REF. NO.	PART NO. NO. PIECES	DESCRIPTION DESCRIPTION	225G				REMARKS REMARQUES
28	90445-09224	HOSE DURITE	1				
29	90467-08004	CLIP JONC	2				
30	65L-81942-00	COVER COUVERCLE	1				
31	90169-05M00	SCREW, TRUSS HEAD TAPPING VIS, TETE FRAISEE	2				
32	61A-82154-01	CASE CAISSE	1				
33	61A-82176-00	DAMPER AMORTISSEUR	1				
34	61A-82117-00	WIRE, LEAD FIL	1				
35	65L-81950-01	RELAY ASSY RELAIS COMPLET	1				
36	97780-60625	SCREW, TAPPING VIS, TETE BOMBEE	1				
37	67H-82380-00	SENSOR, PRESSURE SONDE DE PRESSION	1				
38	97780-60625	SCREW, TAPPING VIS, TETE BOMBEE	2				
39	65L-85886-00	THERMOSENSOR SENSITOMETRE	1				
40	90170-12M36	NUT ECROU	1				
41	90201-12M34	WASHER, PLATE RONDELLE, PLATE	1				
42	65L-8592A-01	SENSOR SONDE	1				
43	69L-11395-00	HOLDER SUPPORT	1				
44	93210-17003	O-RING JOINT TORIQUE	1				
45	69L-11397-00	GASKET JOINT	1				
46	90119-06M74	BOLT, WITH WASHER BOULON, AVEC RONDELLE	3				
47	90465-13M18	CLAMP BRIDE	1				
48	65L-85832-00	CASE, UNDER FOURREAU	1				
49	65L-11354-00	GASKET JOINT	1				
50	65L-1131N-00	GASKET, HOLDER JOINT, SUPPORT	1				
51	65L-11396-00	GASKET, HOLDER JOINT, SUPPORT	1				
52	65L-11353-11	JOINT JOINT	1				
53	69L-11357-00	SEAL, CYLINDER 3 JOINT, SPY CYLINDRE	1				
54	97095-06030	BOLT BOULON	2				

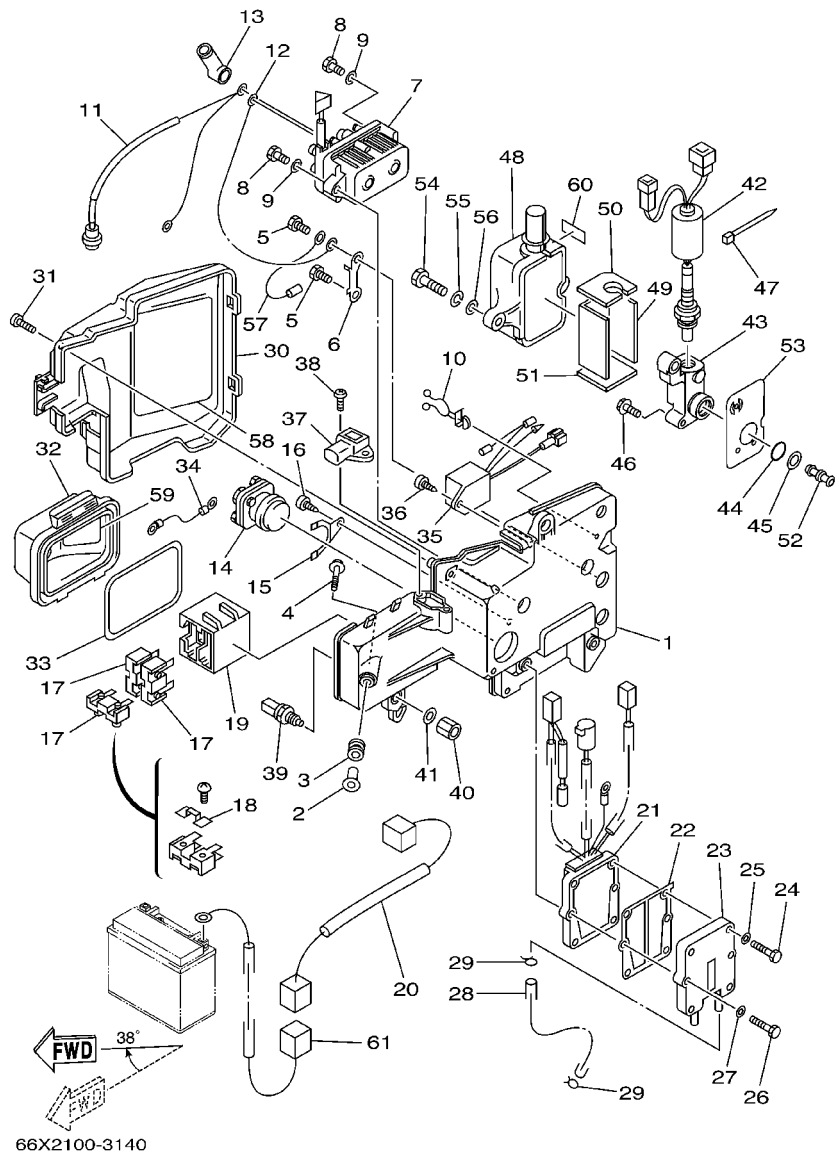


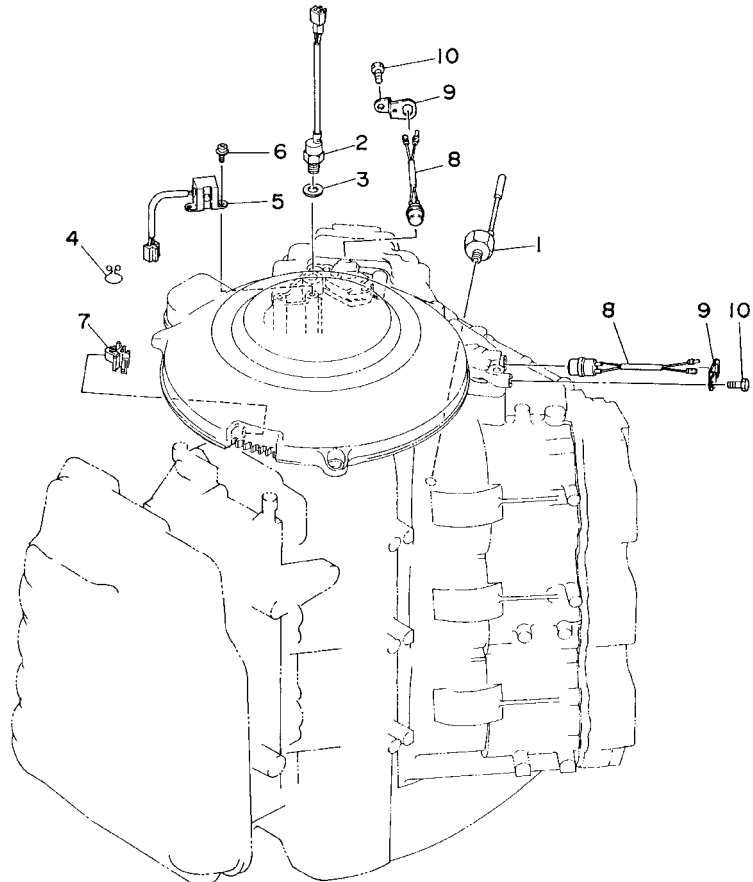
FIG. 15 ELECTRICAL 3

PARTIE ELECTRIQUE 3

REF. NO.	PART NO. NO. PIECES	DESCRIPTION DESCRIPTION	225G				REMARKS REMARQUES
55	92995-06100	WASHER, SPRING RONDELLE, GROWER	2				
56	92995-06600	WASHER RONDELLE	2				
57	66K-82519-00	WIRE, EARTH LEAD FIL, MASSE	1				
58	65L-81919-00	GRAPHIC, REGULATOR ADHESIF, REGULATEUR	1				
59	61A-81919-00	GRAPHIC, REGULATOR ADHESIF, REGULATEUR	1				
60	65L-83625-50	MARK 5 ETIQUETTE 5	1				
61	68F-81949-00	WIRE, LEAD (ISOLATOR CABLE) FIL	1				AP

FIG. 16 ELECTRICAL 4

PARTIE ELECTRIQUE 4



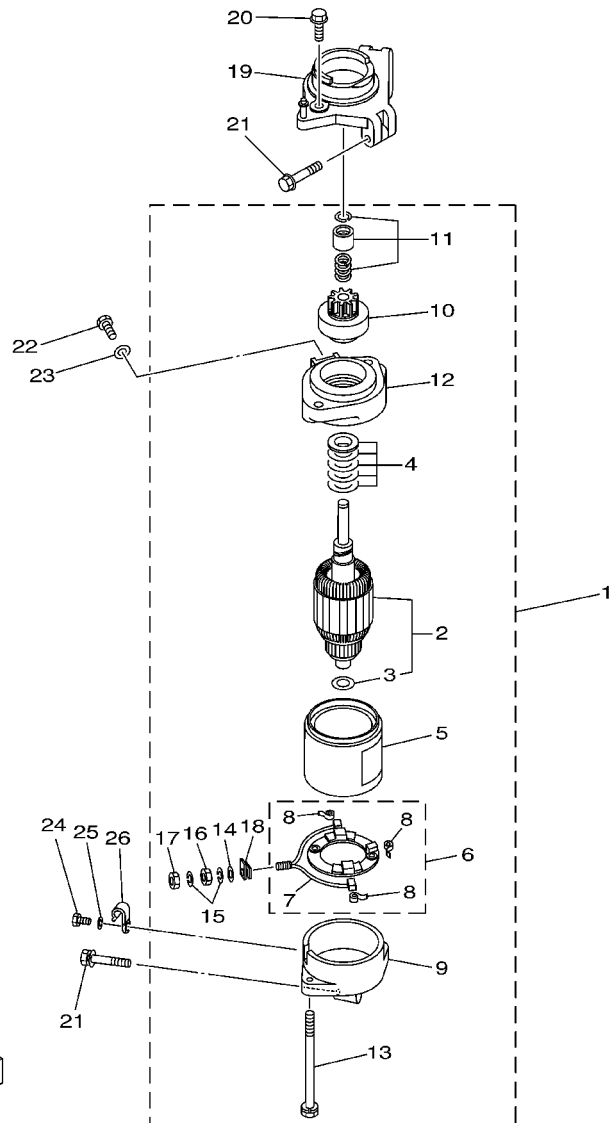
REF. NO.	PART NO. NO. PIECES	DESCRIPTION DESCRIPTION	225G				REMARKS REMARQUES
1	61A-85780-00	SENSOR, KNOCK SONDE DE COGNEMENT	1				
2	61A-85790-00	THERMOSENSOR ASSY SENSITOMETRE	1				
3	92990-10600	WASHER, PLATE RONDELLE, PLATE	1				
4	90464-12M48	CLAMP BRIDE	1				
5	61A-85895-00	CRANK POSITION SENDER SONDE, REGLAGE, DE VILEBREQUIN	1				
6	97885-05012	SCREW, PAN HEAD VIS, A ENCOCHE	2				
7	90464-09M47	CLAMP BRIDE	1				
8	61A-82560-00	THERMO SWITCH ASSY THERMO-CONTACT COMPLET	2				
9	61A-8252U-00	COVER COUVERCLE	2				
10	97080-06012	BOLT BOULON	2				



65J0010-7150

FIG. 17 STARTING MOTOR

DEMARREUR ELECTRIQUE

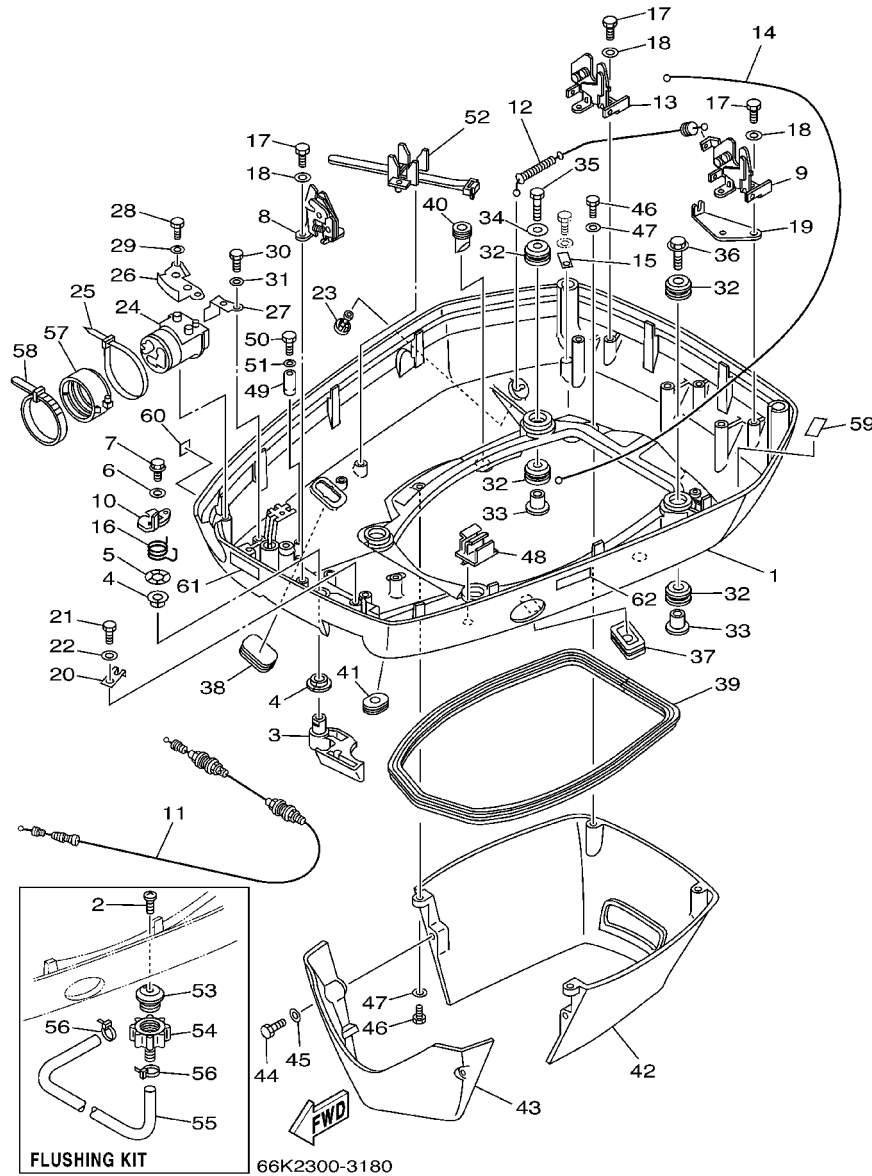


66X2100-3160

REF. NO.	PART NO. NO. PIECES	DESCRIPTION DESCRIPTION	225G				REMARKS REMARQUES
1	69L-81800-00	STARTING MOTOR ASSY DEMARREUR ELECTRIQUE COMPLET	1				
2	61A-81850-01	.ARMATURE ASSY .INDUIT	1				
3	61A-81824-00	..WASHER 2 ..RONDELLE 2	1				
4	61A-81809-00	.WASHER KIT .JEU DE RONDELLES	1				
5	6K7-81810-00	.STATOR ASSY ..STATOR COMPLET	1				
6	61A-81840-00	.BRUSH HOLDER ASSY .SUPPORT DE CHARBON	1				
7	6K7-81801-10	..BRUSH SET ..CHARBON	1				
8	6E5-81813-10	..SPRING, BRUSH ..RESSORT, DE CHARBON	3				
9	61A-81820-00	.REAR BRACKET ASSY .SUPPORT ARRIERE COMPLET	1				
10	61A-81807-00	.GEAR ASSY, STARTING MOTOR .PIGNON, DEMARREUR ELECTRIQUE	1				
11	61H-81857-00	.RETAINER .ARRETOIR	1				
12	61A-81830-00	.FRONT BRACKET ASSY .SUPPORT AVANT	1				
13	6K7-81826-10	.BOLT .BOULON	2				
14	6E5-8182E-10	.WASHER .RONDELLE	1				
15	6E5-8182F-10	.WASHER .RONDELLE	2				
16	6E5-8182A-10	.NUT .ECROU	1				
17	6E5-8182K-10	.NUT .ECROU	1				
18	6K7-8182G-10	.BUSH, TERMINAL .DOUILLE	1				
19	61A-81822-00-94	BRACKET, STARTING MOTOR SUPPORT, DEMARREUR ELECTRIQUE	1				
20	90119-08M76	BOLT, WITH WASHER BOULON, AVEC RONDELLE	2				
21	90119-08M77	BOLT, WITH WASHER BOULON, AVEC RONDELLE	3				
22	97095-08016	BOLT BOULON	1				
23	92995-08600	WASHER RONDELLE	1				
24	97095-06012	BOLT BOULON	1				
25	92995-06600	WASHER RONDELLE	1				
26	90465-06M86	CLAMP BRIDE	1				

FIG. 18 BOTTOM COWLING

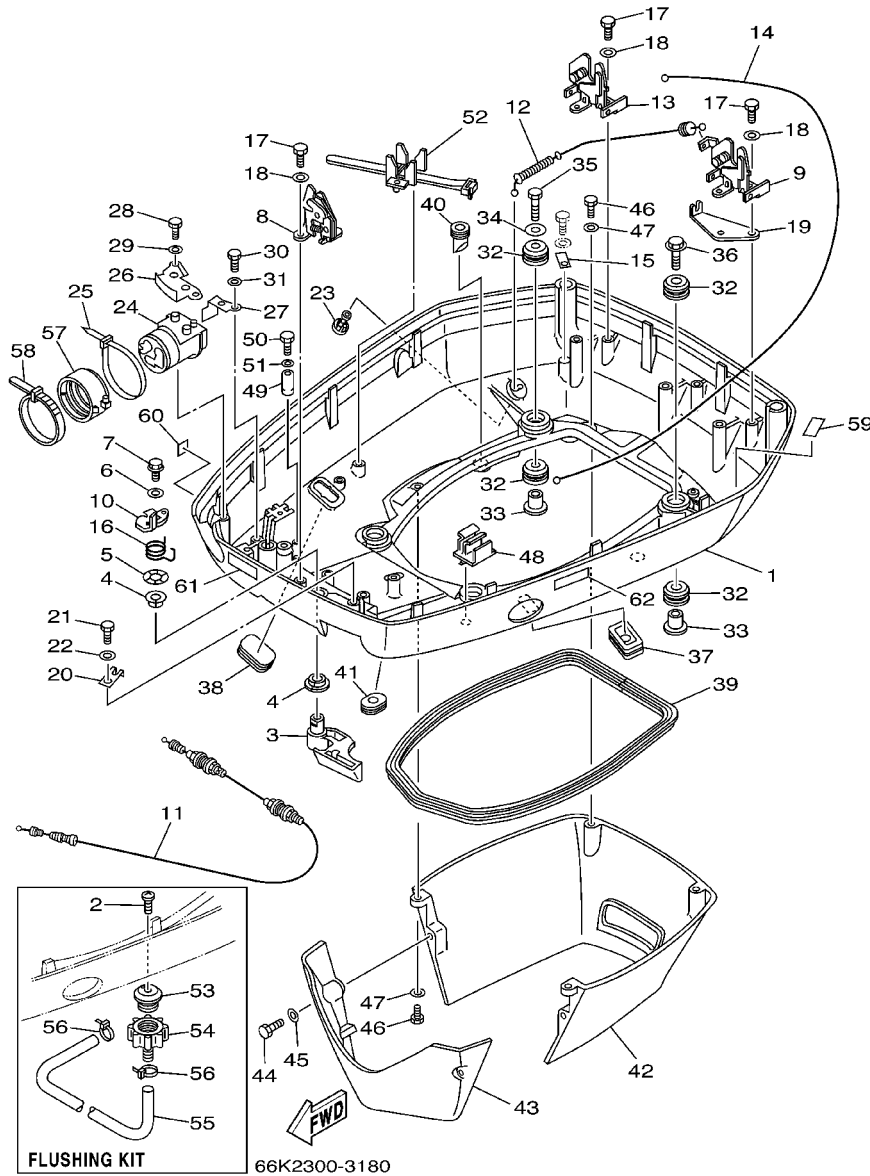
CAPOT INFERIEUR



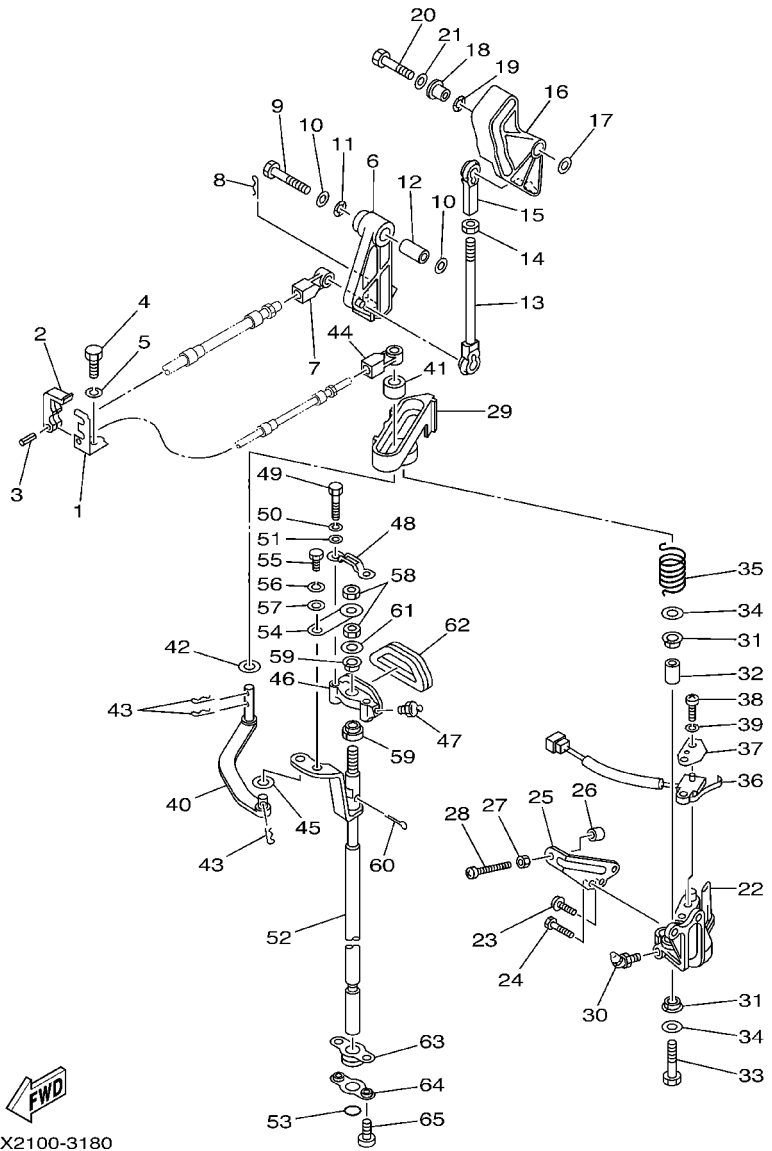
REF. NO.	PART NO. NO. PIECES	DESCRIPTION DESCRIPTION	225G				REMARKS REMARQUES
1	61A-42711-05-8D	COWLING, BOTTOM CUVETTE	1				
2	90169-05M00	SCREW, TRUSS TAPPING VIS, TETE FRAISEE	1				FLUSHING KIT
3	61A-42815-01-8D	LEVER, CLAMP LEVIER, PRESSE	1				
4	90386-13M88	BUSH DOUILLE	2				
5	90206-13M10	WASHER, WAVE RONDELLE, ONDULEE	1				
6	90201-06M30	WASHER, PLATE RONDELLE, PLATE	1				
7	90109-06M50	BOLT BOULON	1				
8	6R3-42824-00	BASE, CLAMP LEVER BASE, BIRDE LEVIER	1				
9	6R3-42811-01	STAY SUPPORT	1				
10	6R3-42816-00	LEVER, CLAMP LEVIER, PRESSE	1				
11	6R3-42850-10	WIRE COMPLETE FIL COMPLET	1				
12	61A-42850-01	WIRE COMPLETE FIL COMPLET	1				
13	6R3-42811-10	STAY SUPPORT	1				
14	61A-42850-20	WIRE COMPLETE FIL COMPLET	1				
15	682-44117-00	BRACKET SUPPORT	1				
16	6R3-42813-00	SPRING, CLAMP LEVER RESSORT	1				
17	97095-06016	BOLT BOULON	6				
18	92995-06600	WASHER RONDELLE	6				
19	6N7-42828-00	PLATE, CLAMP PLAQUE, PRESSE	1				
20	6R3-42828-00	PLATE, CLAMP PLAQUE, PRESSE	1				
21	97095-06010	BOLT BOULON	1				
22	92995-06600	WASHER RONDELLE	1				
23	6E5-44391-00	NIPPLE, HOSE RACCORD D'ESSENCE	1				
24	61A-42725-31	GROMMET PASSE-FIL	1				
25	90465-13M30	CLAMP BRIDE	1				
26	61A-42738-02-5B	PLATE, FITTING ETRIER	1				
27	64D-42738-10-5B	PLATE, FITTING ETRIER	1				

FIG. 18 BOTTOM COWLING

CAPOT INFERIEUR



REF. NO.	PART NO. NO. PIECES	DESCRIPTION DESCRIPTION	225G				REMARKS REMARQUES
28	97095-06016	BOLT BOULON	2				
29	92995-06600	WASHER RONDELLE	2				
30	97095-06012	BOLT BOULON	1				
31	92995-06600	WASHER RONDELLE	1				
32	90480-22M81	GROMMET PASSE-FIL	8				
33	90387-08M37	COLLAR COLLERETTE	4				
34	90201-08M54	WASHER, PLATE RONDELLE, PLATE	1				
35	97075-08035	BOLT BOULON	1				
36	90119-08M22	BOLT, WITH WASHER BOULON, AVEC RONDELLE	3				
37	688-42726-10	GROMMET PASSE-FIL	1				
38	6H4-42726-00	GROMMET PASSE-FIL	1				
39	61A-42716-00	RUBBER, SEAL 1 JOINT EN CAOUTCHOUC 1	1				
40	61A-42717-00	RUBBER, SEAL 2 JOINT EN CAOUTCHOUC 2	4				
41	61A-42727-00	GROMMET PASSE-FIL	1				
42	61A-42741-01-8D	APRON CAPOT LATERAL	1				
43	61A-42771-01-8D	APRON CAPOT LATERAL	1				
44	97095-06030	BOLT BOULON	2				
45	92995-06600	WASHER RONDELLE	2				
46	97095-06020	BOLT BOULON	4				
47	92995-06600	WASHER RONDELLE	4				
48	6E5-82594-00	CLAMP BRIDE	1				
49	6E5-82588-00	PLATE PLAQUE	1				
50	97095-06020	BOLT BOULON	1				
51	92995-06600	WASHER RONDELLE	1				
52	688-82594-00	CLAMP BRIDE	1				
53	6R3-12572-00	ADAPTER ADAPTATEUR	1				FLUSHING KIT
54	6R3-12580-00	JOINT ASSY ARTICULER (ENS.)	1				FLUSHING KIT



66X2100-3180

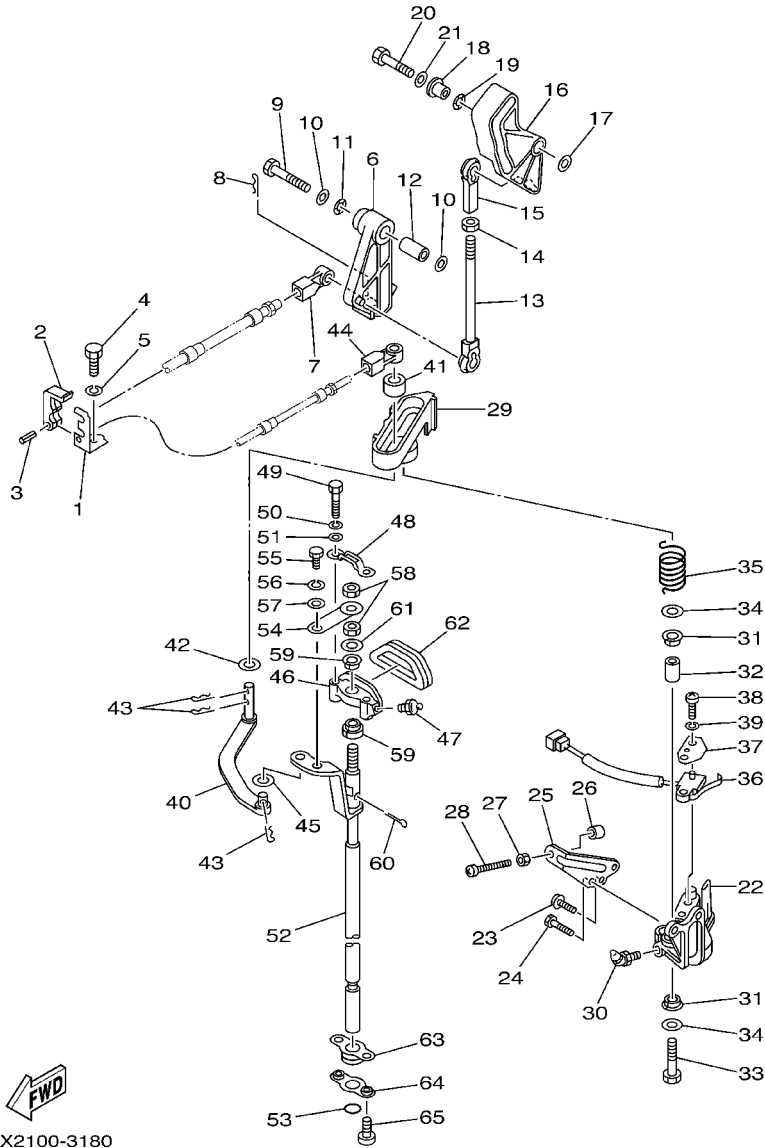
FIG. 19 CONTROL

COMMANDE

REF. NO.	PART NO. NO. PIECES	DESCRIPTION DESCRIPTION	225G				REMARKS REMARQUES
1	65L-48531-00	BRACKET, REMOTE CONTROL 1 ETRIER 1, COMMANDE A DISTANCE	1				
2	663-48538-00	CLAMP, CABLE 1 COLLIER	1				
3	91690-30010	PIN, SPRING AGRAFFE	1				
4	97095-08020	BOLT BOULON	1				
5	92995-08100	WASHER RONDELLE	1				
6	65L-41632-01	LEVER, MAGNETO CONTROL LEVIER, COMMANDE D'AVANCE	1				
7	6E5-48344-00	CABLE END, REMOTE CONTROL CHAPE CABLE	1				
8	90468-18008	CLIP JONC	1				
9	97013-08045	BOLT BOULON	1				
10	92990-08200	WASHER, PLAIN RONDELLE, PLATE	2				
11	90206-12M00	WASHER, WAVE RONDELLE, ONDULEE	1				
12	90387-08M16	COLLAR COLLERETTE	1				
13	61A-41237-00	JOINT, LINK RACCORD	1				
14	95380-05600	NUT ECROU	1				
15	682-41237-00	JOINT, LINK RACCORD	1				
16	66K-41213-00	CAM, ACCEL. CAME, ACCELERATION	1				
17	90201-06M31	WASHER, PLATE RONDELLE, PLATE	1				
18	90387-06M29	COLLAR COLLERETTE	1				
19	90206-10M04	WASHER, WAVE RONDELLE, ONDULEE	1				
20	97013-06030	BOLT BOULON	1				
21	92903-06600	WASHER, PLATE RONDELLE, PLATE	1				
22	61A-44117-01-1S	BRACKET SUPPORT	1				
23	90159-05M25	SCREW, WITH WASHER VIS, AVEC RONDELLE	1				
24	97095-06020	BOLT BOULON	2				
25	69L-42744-00	STAY SUPPORT	1				
26	688-44194-00	CAP CAPUCHON	1				
27	95380-06600	NUT, HEXAGON ECROU	1				

FIG. 19 CONTROL

COMMANDE

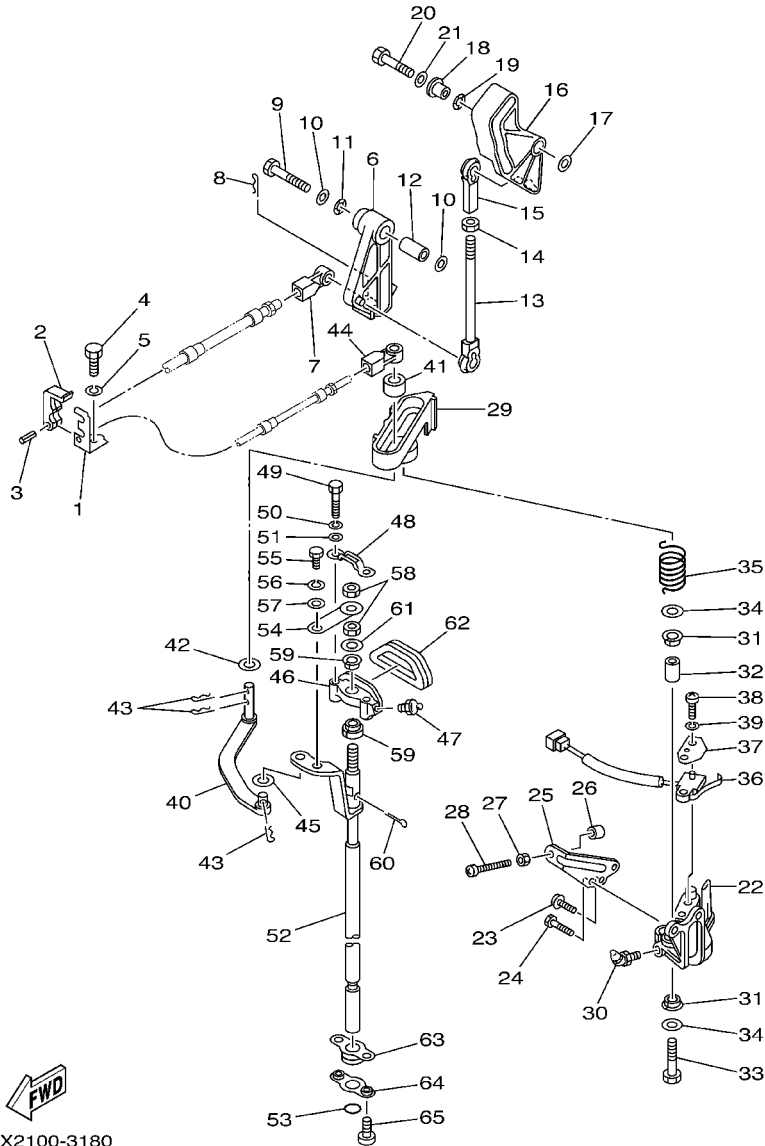


66X2100-3180

REF. NO.	PART NO. NO. PIECES	DESCRIPTION DESCRIPTION	225G				REMARKS REMARQUES
28	90157-06M11	SCREW, PAN HEAD VIS, TETE TRONCONIQUE	1				
29	61A-44176-00-1S	BRACKET SUPPORT	1				
30	93700-06M01	NIPPLE, GREASE PION	1				
31	90386-12069	BUSH DOUILLE	2				
32	90387-08M09	COLLAR COLLERETTE	1				
33	97095-08035	BOLT BOULON	1				
34	92995-08200	WASHER RONDELLE	2				
35	90508-20M31	SPRING, TORSION RESSORT, TORSION	1				
36	61A-8259F-00	SWITCH ASSY COMMUTEUR	1				
37	61A-82588-01	PLATE PLAQUE	1				
38	97885-04016	SCREW, PAN HEAD VIS, A ENCOCHE	2				
39	92995-04100	WASHER RONDELLE	2				
40	61A-44121-00	LEVER, SHIFT ROD LEVIER, TIGE D'INVERSION	1				
41	6E5-44122-00	BUSHING, SHIFT ROD LEVER DOUILLE, LEVIER D'EMBRAYAGE	1				
42	90202-08M20	WASHER, PLATE RONDELLE, PLATE	1				
43	90468-18008	CLIP JONC	3				
44	6E5-48344-00	CABLE END, REMOTE CONTROL CHAPE CABLE	1				
45	90202-06007	WASHER, PLATE RONDELLE, PLATE	1				
46	61A-44118-00-8D	BRACKET SUPPORT	1				
47	93700-06M03	NIPPLE, GREASE PION	1				
48	61A-44116-00	SPRING RESSORT	1				
49	97095-06030	BOLT BOULON	2				
50	92995-06100	WASHER, SPRING RONDELLE, GROWER	2				
51	92995-06600	WASHER RONDELLE	2				
52	66K-44120-00	HANDLE GEAR SHIFT ASSY LEVIER D'EMBRAYAGE	1				
53	93210-09165	O-RING JOINT TORIQUE	1				
54	61A-44112-00	STAY, HANDLE GEAR SHIFT PLAQUE	1				

FIG. 19 CONTROL

COMMANDE

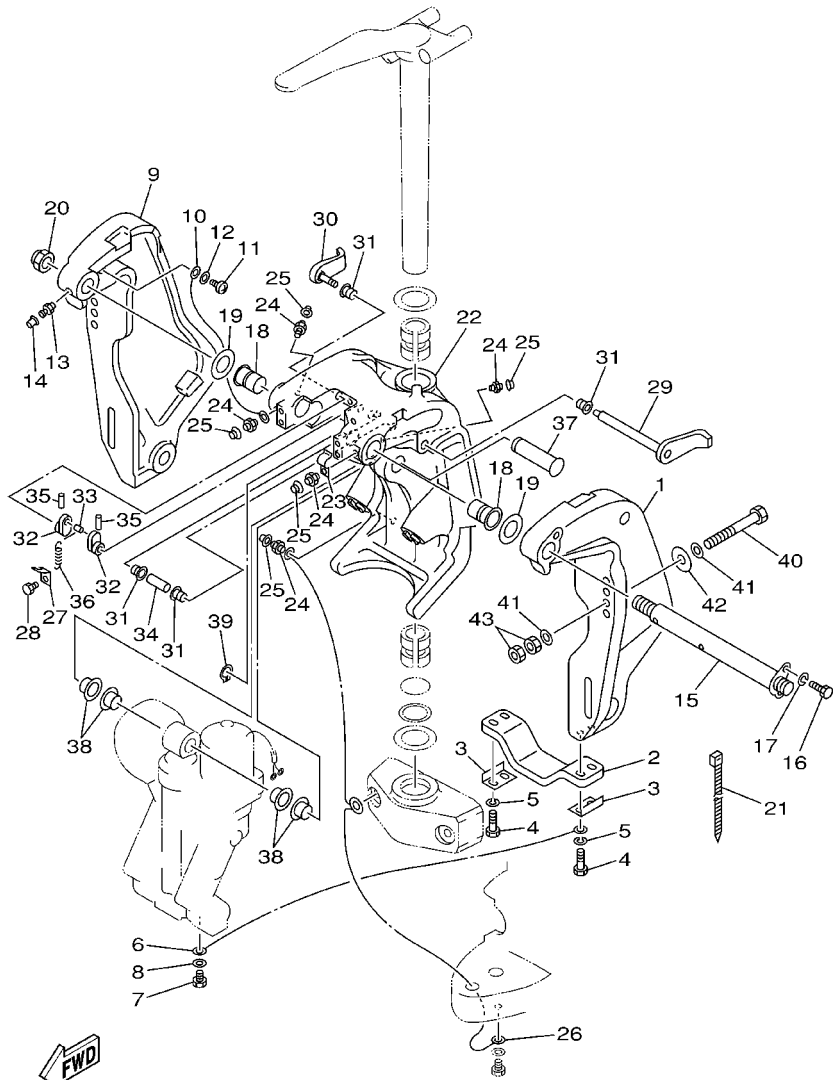


66X2100-3180

REF. NO.	PART NO. NO. PIECES	DESCRIPTION DESCRIPTION	225G				REMARKS REMARQUES
55	97013-06012	BOLT BOULON	1				
56	92903-06100	WASHER, SPRING RONDELLE, GROWER	1				
57	92903-06600	WASHER, PLATE RONDELLE, PLATE	1				
58	95313-08600	NUT ECROU, HEXAGONAL	2				
59	90386-90M90	BUSH DOUILLE	2				
60	91490-20012	PIN, COTTER GOUPILLE	1				
61	90201-09M02	WASHER, PLATE RONDELLE, PLATE	1				
62	61A-15315-00	SEAL, CRANKCASE JOINT SPY CARTER DE MOTEUR	1				
63	61A-42724-00	GROMMET PASSE-FIL	1				
64	61A-44138-00	WASHER RONDELLE	1				
65	97885-06008	SCREW, PAN HEAD VIS, A ENCOCHE	2				

FIG. 20 BRACKET 1

SUPPORT 1

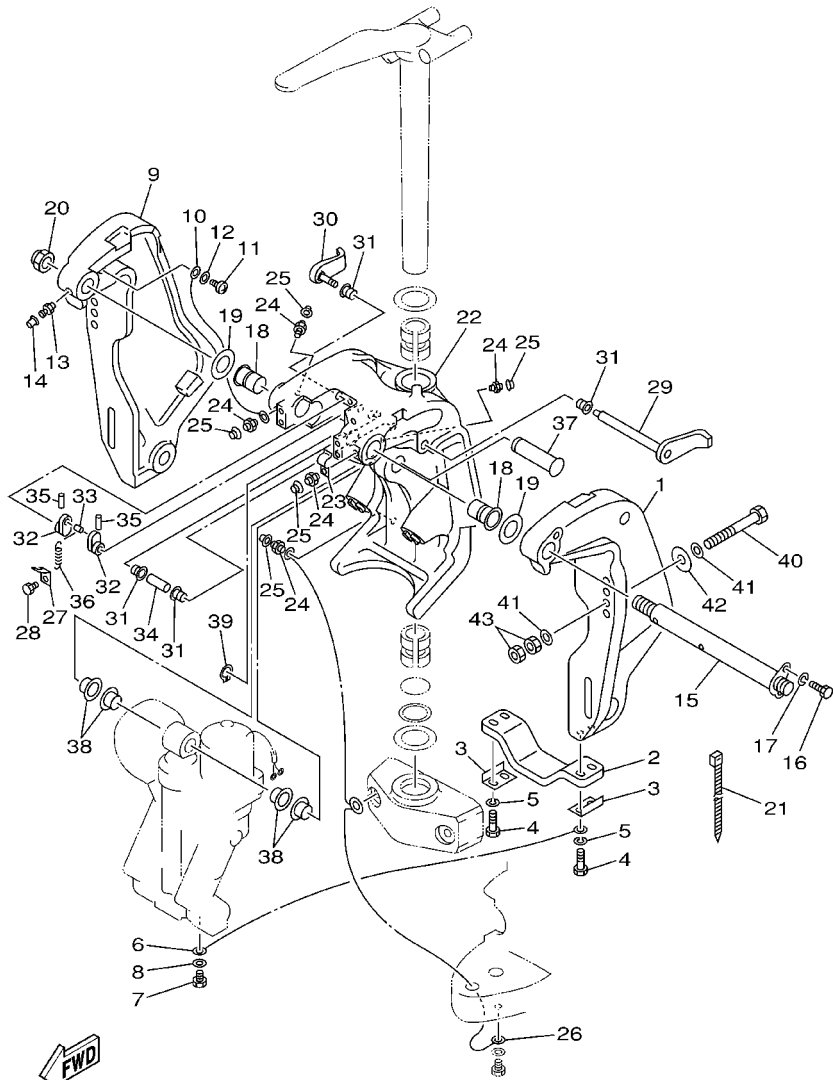


66X0100-8200

REF. NO.	PART NO. NO. PIECES	DESCRIPTION DESCRIPTION	225G				REMARKS REMARQUES
1	64E-43111-02-8D	BRACKET, CLAMP PRESSE	1				
2	6G5-45251-02	ANODE ANODE	1				
3	6G5-44526-00	PLATE PLAQUE	2				
4	97095-06030	BOLT BOULON	4				
5	92995-06100	WASHER, SPRING RONDELLE, GROWER	4				
6	6E5-82148-00	WIRE, LEAD 4 FIL 4	1				
7	97095-06010	BOLT BOULON	1				
8	92995-06600	WASHER RONDELLE	1				
9	64E-43112-02-8D	BRACKET, CLAMP PRESSE	1				
10	6E5-82148-00	WIRE, LEAD 4 FIL 4	1				
11	97880-06012	SCREW, PAN HEAD VIS, TETE TRONCONIQUE	1				
12	92990-06600	WASHER, PLATE RONDELLE, PLATE	1				
13	93700-06M03	NIPPLE, GREASE PION	1				
14	663-45119-00	CAP, GREASE NIPPLE CAPUCHON, GRAISSEUR	1				AP
15	64E-43131-01	BOLT, CLAMP BRACKET BOULON, PRESSE	1				
16	97095-08020	BOLT BOULON	1				
17	92995-08100	WASHER RONDELLE	1				
18	90386-25M31	BUSH DOUILLE	2				
19	90201-26M59	WASHER, PLATE RONDELLE, PLATE	2				
20	90185-22M11	NUT, SELF-LOCKING ECROU, AUTO-BLOCANT	1				
21	90465-11M10	CLAMP BRIDE	1				
22	64E-43311-10-8D	BRACKET, SWIVEL 1 SUPPORT, PIVOT 1	1				
23	90465-08M63	CLAMP BRIDE	1				
24	93700-06M03	NIPPLE, GREASE PION	5				
25	663-45119-00	CAP, GREASE NIPPLE CAPUCHON, GRAISSEUR	5				AP
26	66K-82149-00	WIRE, LEAD 3 FIL 3	1				
27	6G5-43144-00	HOOK, SPRING CROCHET	1				

FIG. 20 BRACKET 1

SUPPORT 1

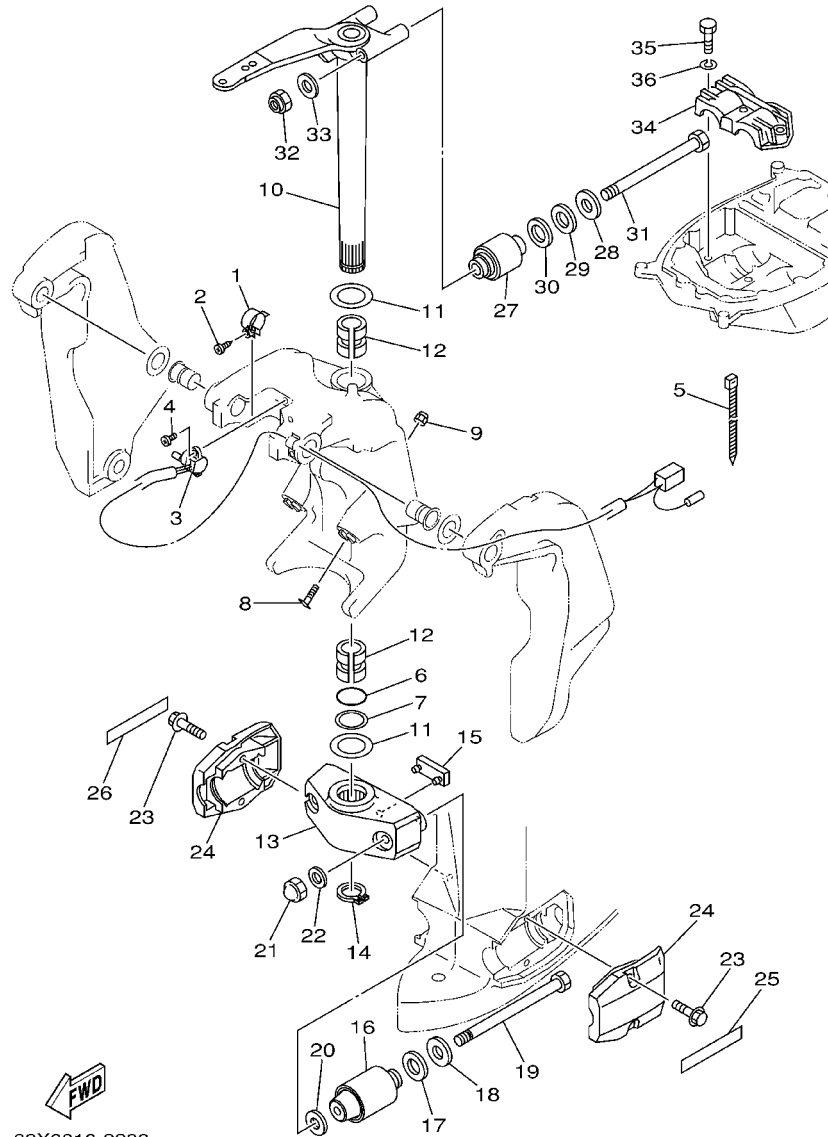


66X0100-8200

REF. NO.	PART NO. NO. PIECES	DESCRIPTION DESCRIPTION	225G				REMARKS REMARQUES
28	97095-06010	BOLT BOULON	1				
29	6G5-43181-02	LEVER, TILT STOP LEVIER, VERROUILLAGE RELEVAGE	1				
30	6G5-43185-02	LEVER, TILT STOP LEVIER, VERROUILLAGE RELEVAGE	1				
31	90386-10M16	BUSH DOUILLE	4				
32	6G5-43148-00	COLLAR, DISTANCE ENTRETOISE	2				
33	90249-06M19	PIN GOUPILLE	1				
34	90387-10M05	COLLAR COLLERETTE	1				
35	91690-30020	PIN, SPRING AGRAFFE	2				
36	90506-14M24	SPRING, TENSION RESSORT, TENSION	1				
37	64E-43126-00	PIN, UPPER SHOCK MOUNT AXE, SUPERIEUR AMORTISSEUR	1				
38	90386-22M98	BUSH DOUILLE	4				
39	93410-22M11	CIRCLIP CLIPS	1				
40	90101-12M05	BOLT (L:130MM) BOULON (L:130MM)	4				
41	90201-13M01	WASHER, PLATE RONDELLE, PLATE	8				
42	90201-12M05	WASHER, PLATE RONDELLE, PLATE	4				
43	95380-12600	NUT ECROU	8				

FIG. 21 BRACKET 2

SUPPORT 2

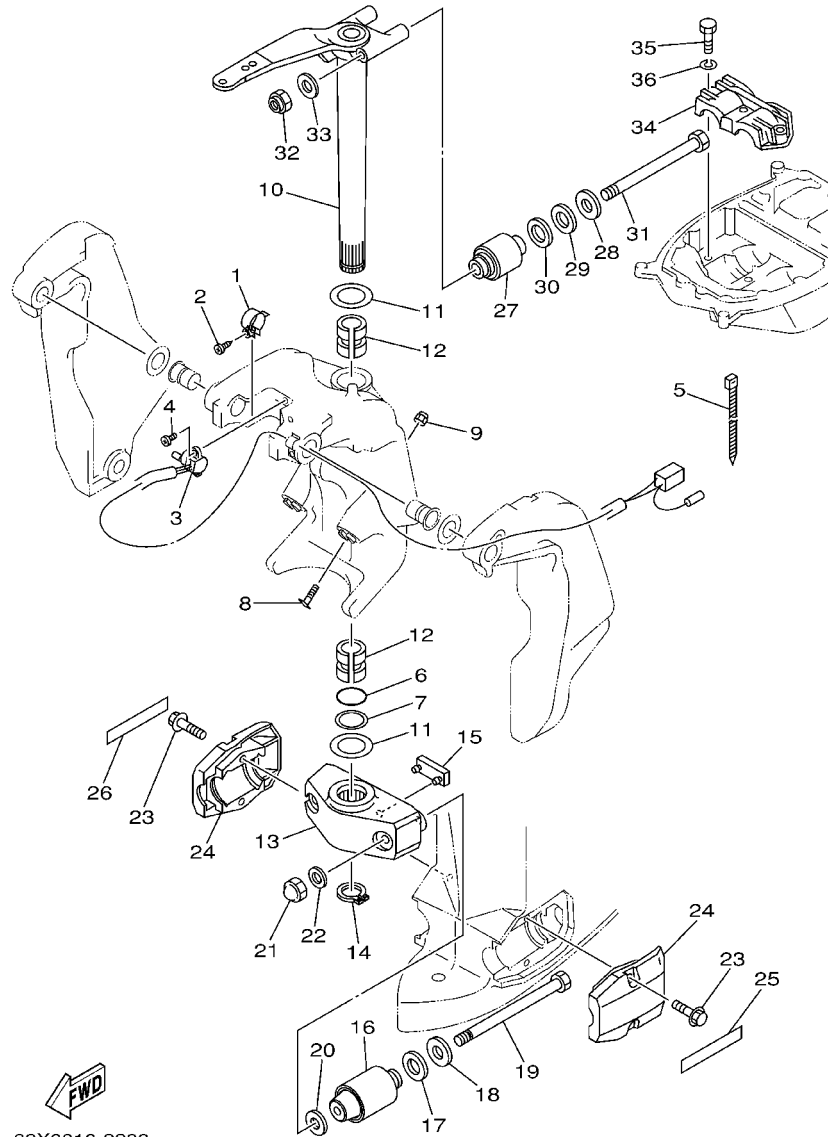


66X0010-8200

REF. NO.	PART NO. NO. PIECES	DESCRIPTION DESCRIPTION	225G				REMARKS REMARQUES
1	64E-43139-02	CAM, TRIM SENDER VILEBREQUIN TRUM	1				
2	97780-60525	SCREW, TAPPING VIS, TETE BOMBEE	1				
3	64E-83672-02	TRIM SENDER INCLINER RACCORD	1				
4	97885-06016	SCREW, PAN HEAD VIS, A ENCOCHE	2				
5	90465-11M10	CLAMP BRIDE	3				
6	93210-37MH7	O-RING JOINT TORIQUE	1				
7	90202-40M47	WASHER, PLATE RONDELLE, PLATE	1				
8	64E-43376-00	BOLT, THRUST RECEIVER BOULON	2				
9	95780-10300	NUT, FLANGE ECROU	2				
10	66K-42510-00-8D	STEERING BRACKET ASSY DIRECTION SUPPORT.(ENS.)	1				
11	90201-38M60	WASHER, PLATE RONDELLE, PLATE	2				
12	90386-38M32	BUSH DOUILLE	2				
13	66K-44551-00-8D	HOUSING, LOWER MOUNT RUBBER BOITIER, SILENT-BLOC INFERIEUR	1				
14	93410-37M04	CIRCLIP CLIPS	1				
15	6E5-44575-00	DAMPER, LOWER MOUNT RUBBER SILENT-BLOC, INFERIEUR	1				
16	66K-44555-00-94	MOUNT DAMPER, LOWER SIDE SILENT-BLOC, INFERIEUR LATERAL	2				
17	90202-32M19	WASHER, PLATE RONDELLE, PLATE	2				
18	90201-16M55	WASHER, PLATE RONDELLE, PLATE	2				
19	90109-14M80	BOLT BOULON	2				
20	90201-15M58	WASHER, PLATE RONDELLE, PLATE	2				
21	95380-14800	NUT ECROU	2				
22	92995-14600	WASHER RONDELLE	2				
23	90101-10M70	BOLT BOULON	4				
24	66K-44553-00-NA	COVER, LOWER MOUNT COUVERCLE, SUSPENSION INFERIEUR	2				
25	65N-43155-N0	MARK 1 ETIQUETTE 1	1				
26	65N-43156-N0	MARK 2 ETIQUETTE 2	1				
27	66K-44514-00-94	MOUNT DAMPER, UPPER SIDE SILENT-BLOC, SUPERIEUR LATERAL	2				

FIG. 21 BRACKET 2

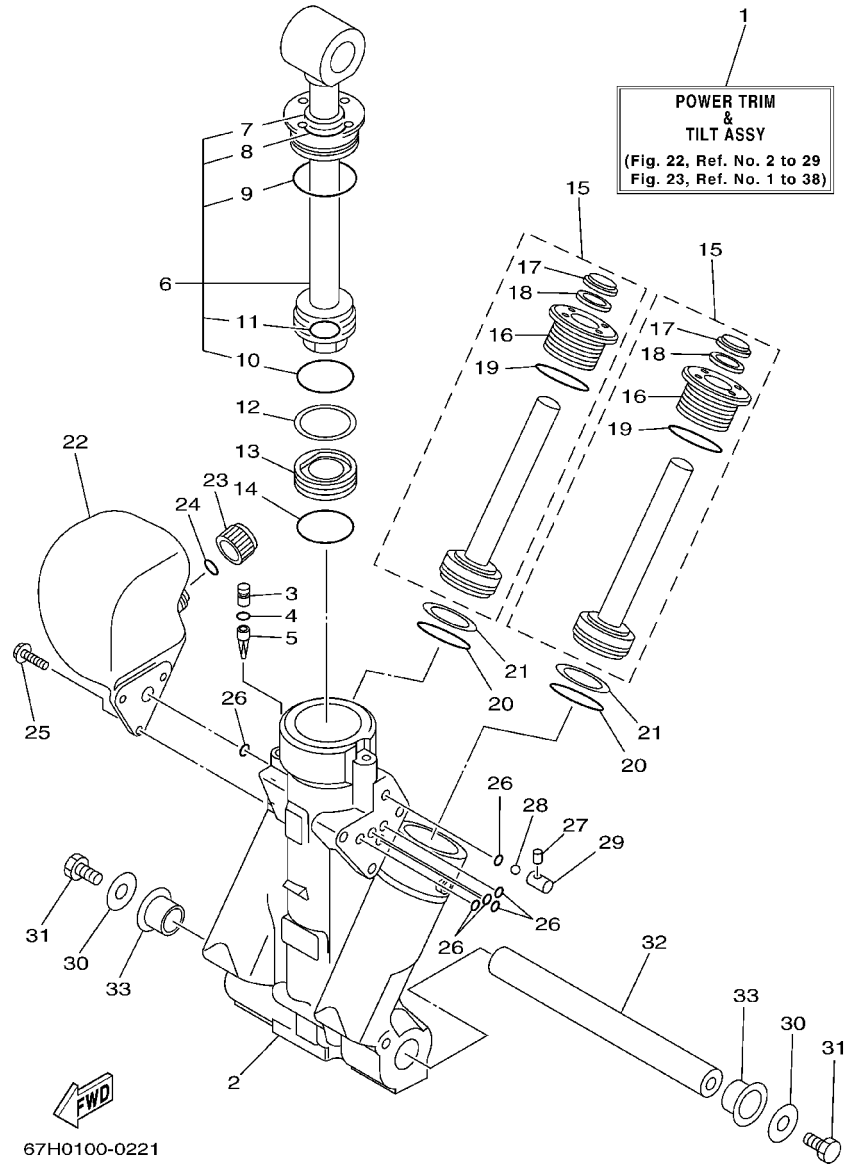
SUPPORT 2



66X0010-8200

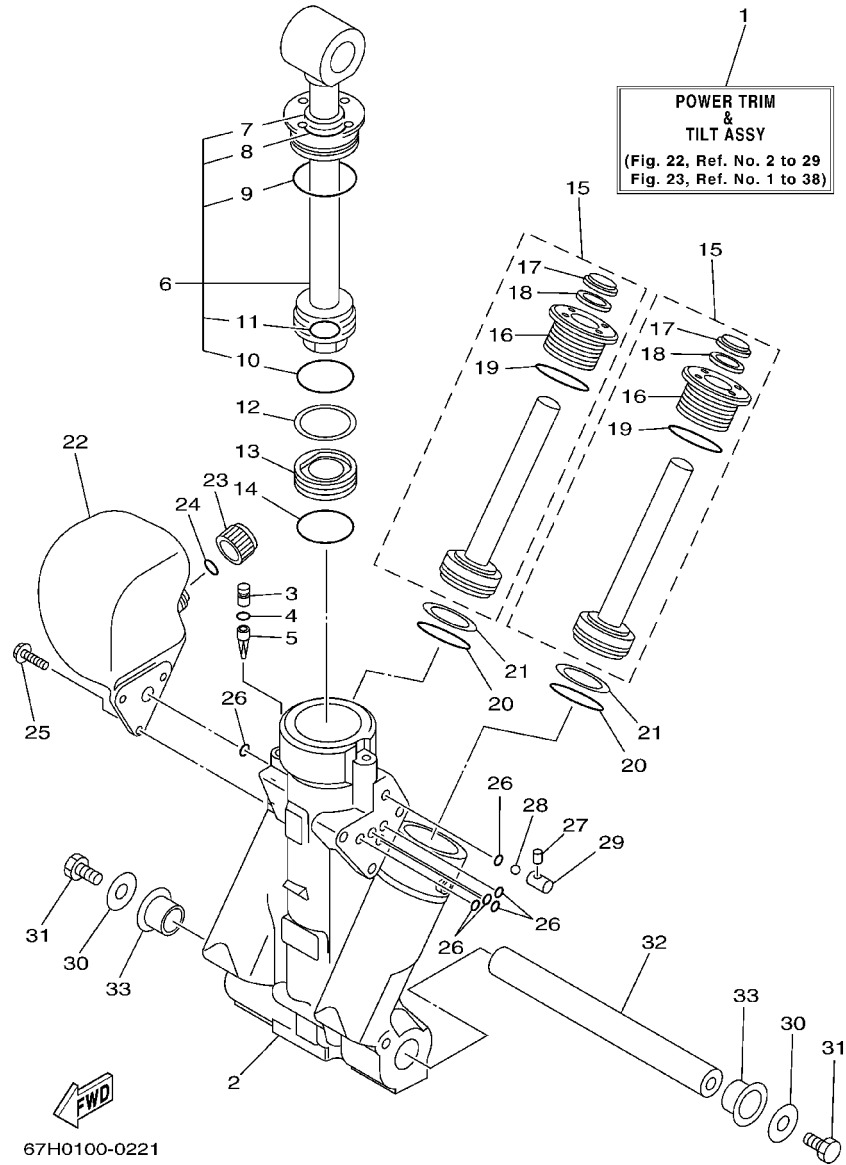
REF. NO.	PART NO. NO. PIECES	DESCRIPTION DESCRIPTION	225G				REMARKS REMARQUES
28	90201-16M01	WASHER, PLATE RONDELLE, PLATE	2				
29	90202-28M46	WASHER, PLATE RONDELLE, PLATE	2				
30	90201-28M01	WASHER, PLATE RONDELLE, PLATE	2				
31	90109-14M10	BOLT BOULON	2				
32	90185-14M00	NUT, SELF-LOCKING ECROU, AUTO-BLOCANT	2				
33	92995-14600	WASHER RONDELLE	2				
34	61A-44511-00-94	COVER, UPPER MOUNT COUVERCLE, SUSPENSION SUPERIEU	1				
35	97095-10045	BOLT BOULON	3				
36	92995-10600	WASHER RONDELLE	3				
<hr/>							
<hr/>							
<hr/>							
<hr/>							
<hr/>							

FIG. 22 POWER TRIM & TILT ASSY 1 PUISSANCE PARER ET INCLINER 1



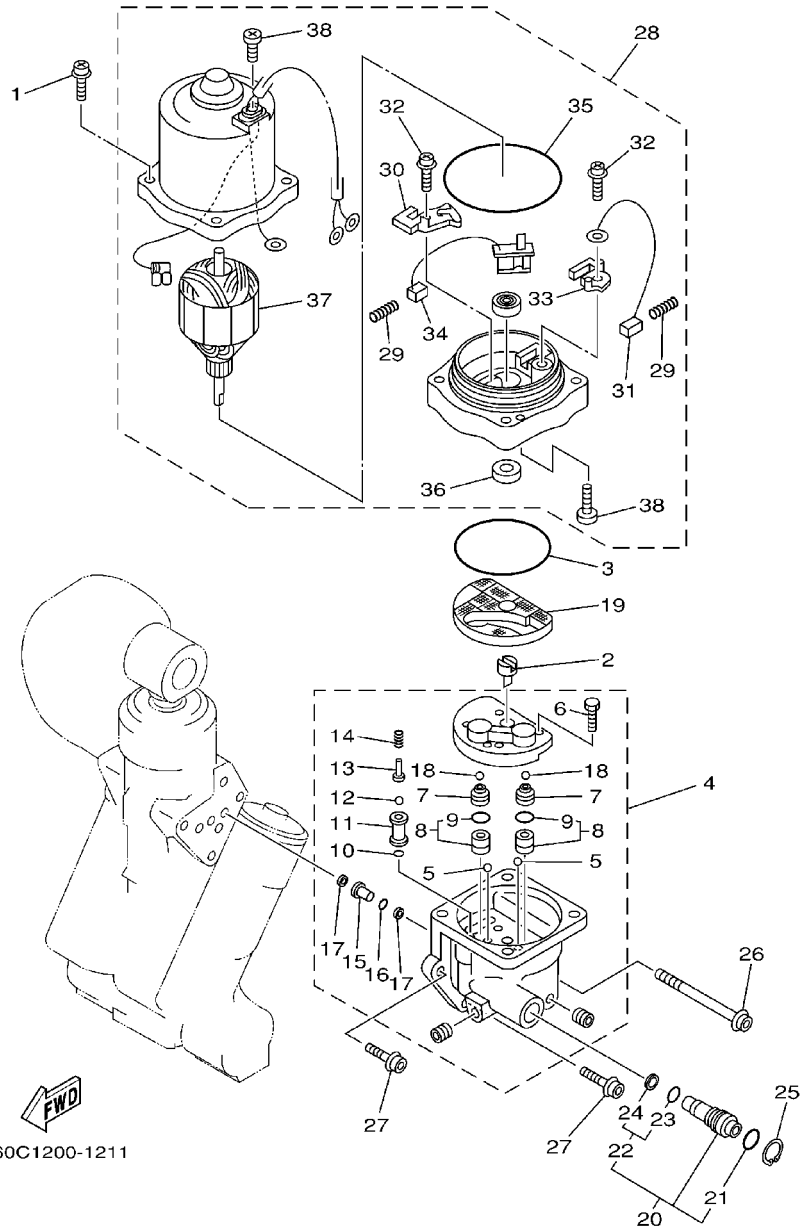
REF. NO.	PART NO. NO. PIECES	DESCRIPTION DESCRIPTION	225G				REMARKS REMARQUES
1	68F-43800-01-4D	POWER TRIM & TILT ASSY PUISSANCE PARER ET INCLINER (E	1				
2	64E-43825-01	HOUSING, TRIM & TILT CARTER	1				
3	64E-4388J-00	PLUG 2 BOUCHON 2	1				
4	93210-10M74	O-RING JOINT TORIQUE	1				
5	64E-43817-00	FILTER 2 FILTRE 2	1				
6	64E-43810-00	TILT PISTON SUB ASSY INCLINER PISTON AUXILIAIRE(ENS	1				
7	64E-43898-00	.SEAL ,DUST 2 .JOINT ANTI-PUSSIERE	1				
8	64E-43867-00	.O-RING .JOINT TORIQUE	1				
9	64E-43866-00	.O-RING .JOINT TORIQUE	1				
10	6E5-43862-00	.O-RING .JOINT TORIQUE	1				
11	64E-43883-00	.O-RING .JOINT TORIQUE	1				
12	6E5-43872-00	RING, BACK UP RESSORT	1				
13	6E5-43814-02	PISTON, FREE PISTON	1				
14	6E5-43862-00	O-RING JOINT TORIQUE	1				
15	64E-43820-00	TRIM PISTON SUB ASSY PARER PISTON AUXILIAIRE (ENS.)	2				
16	64E-43821-00	.SCREW, TRIM CYLINDER END .VIS	1				
17	64E-43822-00	.SEAL, TRIM DUST .JOINT	1				
18	64E-4384J-00	.SEAL, TRIM DOWN .JOINT	1				
19	6G5-43864-00	.O-RING .JOINT TORIQUE	1				
20	6E5-43864-00	O-RING JOINT TORIQUE	2				
21	6E5-43874-01	RING, BACK UP RESSORT	2				
22	64E-43828-00	BODY, RESERVOIR CORPS	1				
23	64E-43829-00	PLUG, RESERVOIR BOUCHON	1				
24	64E-43897-00	O-RING JOINT TORIQUE	1				
25	64E-4388E-00	BOLT ,SCREW (L:14MM) VIS (L:14MM)	3				
26	64E-43869-00	O-RING JOINT TORIQUE	6				
27	64E-4381G-00	PIN COUPILL	1				

FIG. 22 POWER TRIM & TILT ASSY 1 PUISSANCE PARER ET INCLINER 1



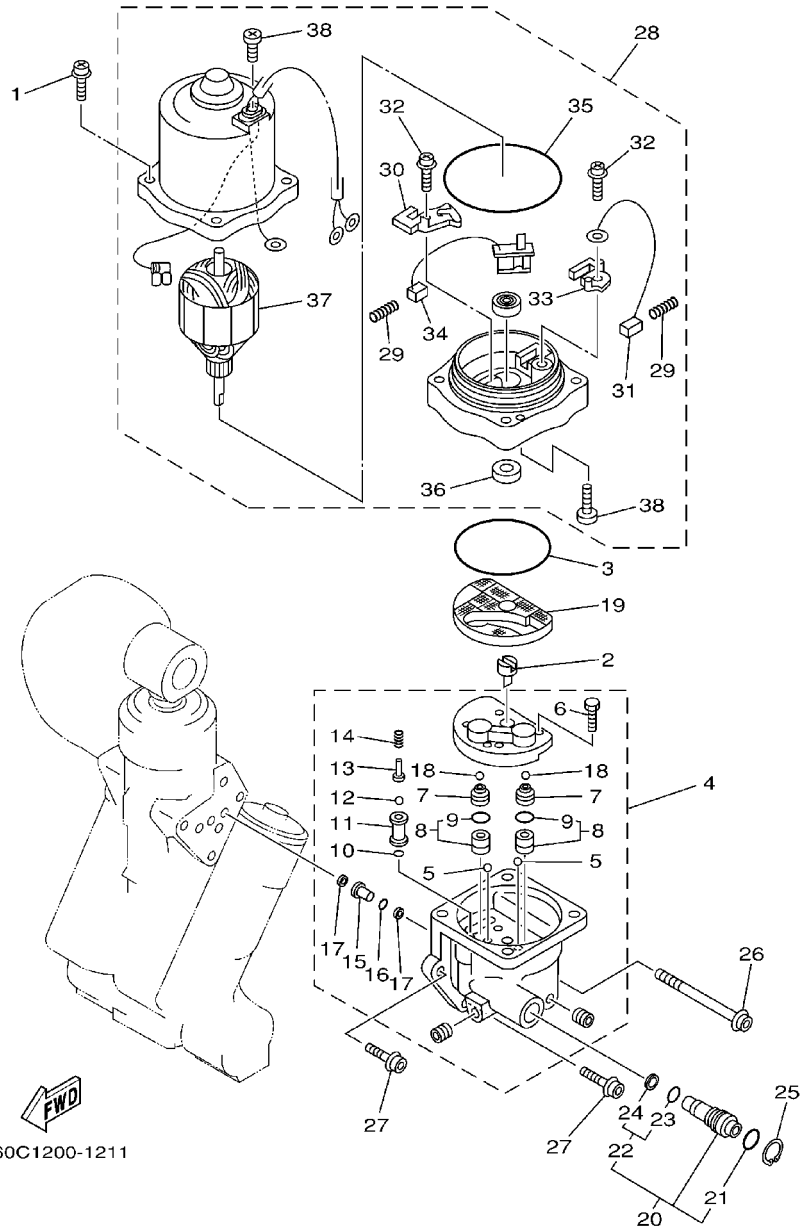
REF. NO.	PART NO. NO. PIECES	DESCRIPTION DESCRIPTION	225G				REMARKS REMARQUES
28	6E5-43858-00	BALL BILLE	1				
29	64E-4382G-00	VALVE, SEAT JEU DE POINTEAUX	1				
30	90201-08M14	WASHER, PLATE RONDELLE, PLATE	2				
31	97080-08016	BOLT BOULON	2				
32	64E-43818-01	PIN, LOWER SHOCK MOUNT AXE, INFERIEUR AMORTISSEUR	1				
33	90386-22M98	BUSH DOUILLE	2				

FIG. 23 POWER TRIM & TILT ASSY 2 PUISSANCE PARER ET INCLINER 2



REF. NO.	PART NO. NO. PIECES	DESCRIPTION DESCRIPTION	225G				REMARKS REMARQUES
1	64E-4388E-10	BOLT ,SCREW (L:34.7MM) VIS (L:34.7MM)	4				
2	64E-43831-00	CONNECTOR, SHAFT RACCORD	1				
3	64E-43868-00	O-RING JOINT TORIQUE	1				
4	64E-43830-00	GEAR PUMP ASSY POMPE A PIGNON (ENS.)	1				
5	72X-43858-00	.BALL .BILLE	2				
6	64E-43843-00	.SCREW, VALVE LOCK .VIS	4				
7	64E-43841-00	.PISTON, SHUTTLE .PISTON	2				
8	64E-43802-00	.VALVE SUB ASSY .CLAPET AUXILIAIRE (ENS.)	2				
9	6E5-43896-00	..O-RING ..JOINT TORIQUE	1				
10	6G5-43863-00	.O-RING JOINT TORIQUE	1				
11	64E-43851-00	.SEAT, RELIEF VALVE .SIEGE	1				
12	64E-43858-00	BALL .BILLE	1				
13	64E-43859-00	.PIN, VALVE SUPPORT .GOUPILLE	1				
14	64E-43855-00	.SPRING, UP RELIEF .RESSORT	1				
15	64E-43850-00	.VALVE SUB ASSY .CLAPET AUXILIAIRE (ENS.)	1				
16	64E-43865-00	.O-RING JOINT TORIQUE	1				
17	64E-43816-00	.FILTER 1 .FILTRE 1	2				
18	64E-43858-00	.BALL .BILLE	2				
19	64E-43817-10	FILTER 2 FILTRE 2	1				
20	64E-43860-00	MANUAL VALVE SUB-ASSY SOUPAPE, MANUEL (ENS.)	1				
21	72X-85075-L0	.O-RING JOINT TORIQUE	1				
22	64E-43827-00	.RING SET .BILLE	1				
23	64E-4387A-00	..O-RING ..JOINT TORIQUE	1				
24	64E-43873-00	..RING, BACK UP ..RESSORT	1				
25	64E-43875-00	RING, SNAP RESSORT	1				
26	64E-43879-10	SCREW, WITH WASHER VIS, AVEC RONDELLE	1				
27	64E-43879-00	SCREW, WITH WASHER VIS, AVEC RONDELLE	2				

FIG. 23 POWER TRIM & TILT ASSY 2 PUISSANCE PARER ET INCLINER 2

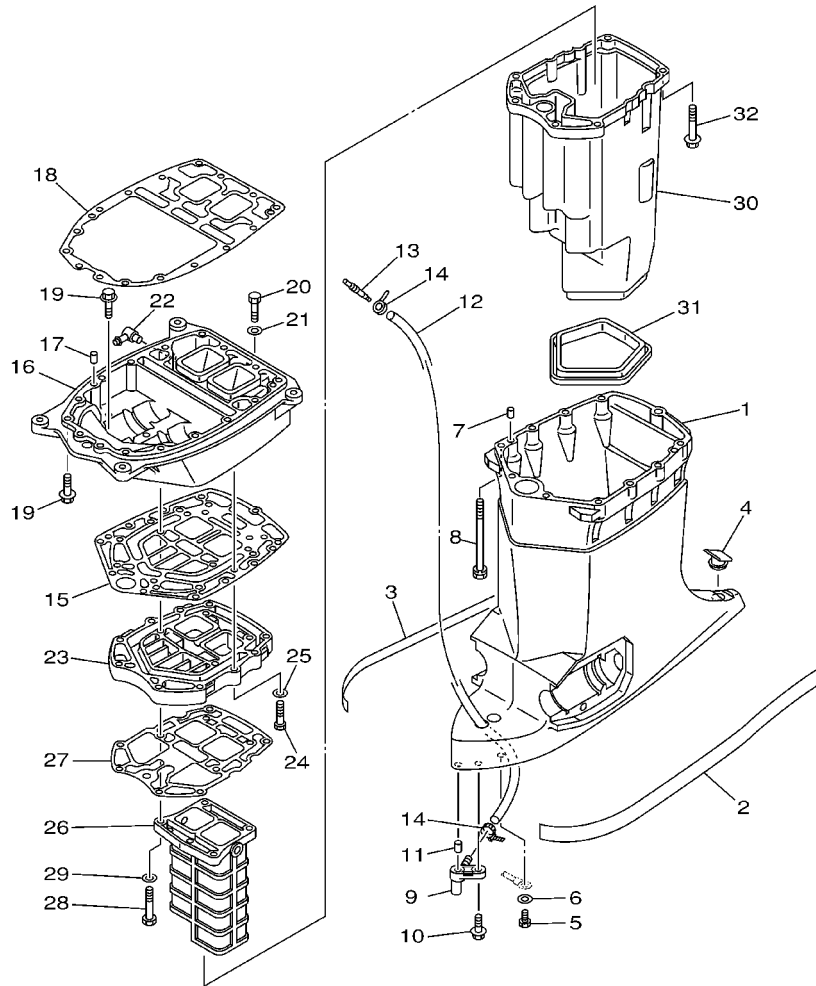


60C1200-1211

REF. NO.	PART NO. NO. PIECES	DESCRIPTION DESCRIPTION	225G				REMARKS REMARQUES
28	67H-43880-01	MOTOR ASSY MOTEUR (ENS.)	1				
29	6H1-4386K-10	.SPRING, BRUSH .RESSORT, BALAI	2				
30	64E-4380J-00	.HOLDER, BRUSH .PORTE-BALAI	1				
31	64E-43891-00	.BRUSH 1 .BALAI 1	1				
32	97607-04310	.SCREW, WITH WASHER .VIS HEXAGONAL	2				
33	64E-4380F-00	.HOLDER, BRUSH 2 .PORTE-BALAI 2	1				
34	64E-43892-00	.BRUSH 2 .BALAI 2	1				
35	6G5-43865-00	.O-RING .JOINT TORIQUE	1				
36	93102-08M43	.OIL SEAL .JOINT SPY	1				
37	64E-43805-00	.ARMATURE ASSY .INDUIT (ENS.)	1				
38	64E-43843-10	.SCREW, VALVE LOCK .VIS	3				

FIG. 24 UPPER CASING

FOURREAU

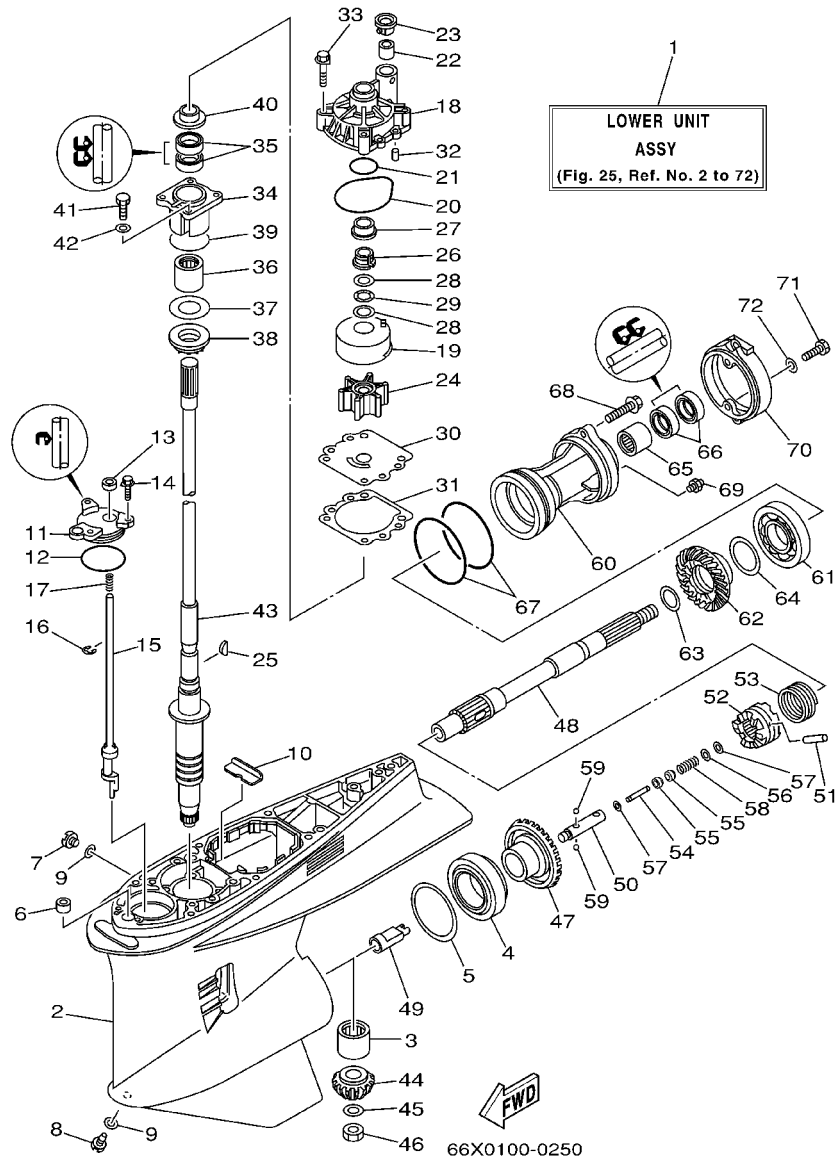


66X0010-9231

REF. NO.	PART NO. NO. PIECES	DESCRIPTION DESCRIPTION	225G				REMARKS REMARQUES
1	66K-45111-00-8D	CASING, UPPER FOURREAU	1				
2	6N9-42791-40	MARK 1 ETIQUETTE 1	1				
3	6N9-42792-40	MARK ETIQUETTE	1				
4	61A-45155-00	CAP CAPUCHON	1				
5	97095-06010	BOLT BOULON	1				
6	92995-06600	WASHER RONDELLE	1				
7	93608-12M05	PIN, DOWEL AXE	2				
8	90119-08M78	BOLT, WITH WASHER BOULON, AVEC RONDELLE	8				
9	66K-45378-00	NIPPLE, HOSE RACCORD, TUYAU	1				
10	90119-06M17	BOLT, WITH WASHER BOULON, AVEC RONDELLE	1				
11	93606-12019	PIN, DOWEL GOUPILLE	1				
12	90445-07MF0	HOSE (L1030) DURITE (L1030)	1				
13	6E5-83558-00	END, NIPPLE RACCORD DE NIPPLE	1				
14	90465-11M10	CLAMP BRIDE	2				
15	61A-45114-A0	GASKET, UPPER CASING JOINT, TUBE D'ARBRE	1				
16	61A-41137-13-94	GUIDE, EXHAUST COLLECTEUR D'ECHAPPEMENT	1				FLUSHING KIT
17	93608-12M05	PIN, DOWEL AXE	2				
18	61A-45113-A0	GASKET, UPPER CASING JOINT, TUBE D'ARBRE	1				
19	90119-08M79	BOLT, WITH WASHER BOULON, AVEC RONDELLE	8				
20	97095-08035	BOLT BOULON	1				
21	92995-08600	WASHER RONDELLE	1				
22	6H1-11372-00	NIPPLE, HOSE RACCORD, TUYAU	1				FLUSHING KIT
23	61A-41131-00-5B	MANIFOLD, EXT. 1 PIPE D'ECHAPPEMENT	1				
24	97095-08035	BOLT BOULON	4				
25	92995-08600	WASHER RONDELLE	4				
26	61A-41132-01-5B	MANIFOLD, EXHAUST PIPE D'ECHAPPEMENT	1				
27	61A-41134-A0	GASKET, EXHAUST MANIFOLD JOINT, PIPE D'ECHAPPEMENT	1				

FIG. 25 LOWER CASING. DRIVE 1

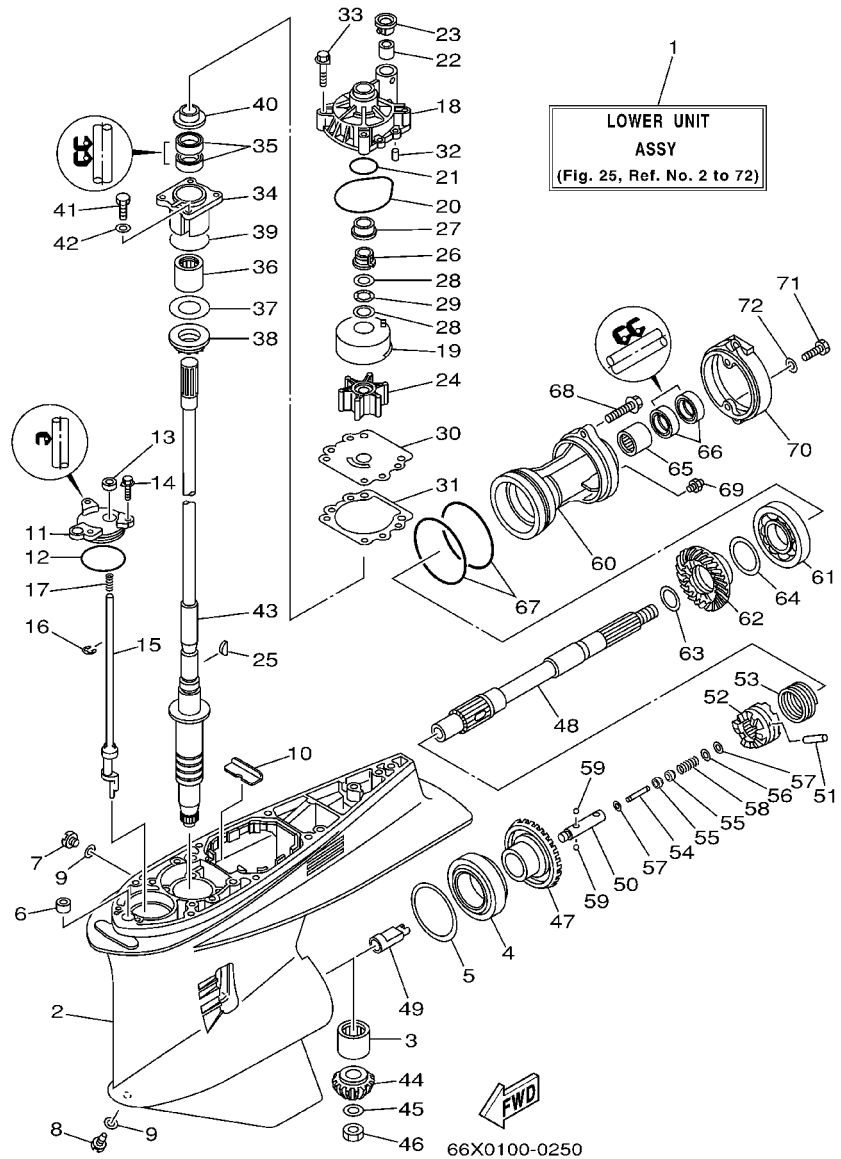
BOITIER D'HELICE, TRANSMISSION 1



REF. NO.	PART NO. NO. PIECES	DESCRIPTION DESCRIPTION	225G				REMARKS REMARQUES
1	66K-45300-11-NA	LOWER UNIT ASSY UNITE INFERIEURE (ENS.)	1				
2	61A-45301-10-NA	CASING, LOWER BEQUILLE	1				
3	93311-83280	BALL BEARING ROULEMENT	1				
4	93332-000W1	BEARING ROULEMENT	1				
5	61A-45567-00-10	SHIM (T:0.10MM) CALE (T:0.10MM)	1				UR
61A-45567-00-12	SHIM (T:0.12MM) CALE (T:0.12MM)	1					UR
61A-45567-00-15	SHIM (T:0.15MM) CALE (T:0.15MM)	1					UR
61A-45567-00-18	SHIM (T:0.18MM) CALE (T:0.18MM)	1					UR
61A-45567-00-30	SHIM (T:0.30MM) CALE (T:0.30MM)	1					UR
61A-45567-00-40	SHIM (T:0.40MM) CALE (T:0.40MM)	1					UR
61A-45567-00-50	SHIM (T:0.50MM) CALE (T:0.50MM)	1					UR
6	663-44366-00	DAMPER, WATER SEAL JOINT, TUBE D'EAU	1				
7	90340-08002	PLUG, STRAIGHT SCREW PLOT, FILETE DROIT	1				
8	688-45341-10	PLUG, DRAIN BOUCHON DE VIDANGE	1				
9	90430-08020	GASKET JOINT	2				
10	61A-45376-00-94	GUIDE, SEAL DAMPER BUTEE, JOINT CAOUTCHOUC	1				
11	61A-45321-01	PLATE PLAQUETTE	1				
12	93210-64488	O-RING JOINT TORIQUE	1				
13	93106-09014	OIL SEAL JOINT SPY	1				
14	90119-06M10	BOLT, WITH WASHER BOULON, AVEC RONDELLE	3				
15	60V-44150-00	SHIFT CAM ASSY CAME D'INVERSION	1				
16	99001-08600	CIRCLIP CIRCLIP	1				
17	90501-11M10	SPRING, COMPRESSION RESSORT, COMPRESSION	1				
18	61A-44311-01	HOUSING, WATER PUMP CORPS, POMPE A EAU	1				
19	61A-44322-02	INSERT, CARTRIDGE CUVETTE	1				
20	93210-86M38	O-RING JOINT TORIQUE	1				
21	93210-37160	O-RING JOINT TORIQUE	1				

FIG. 25 LOWER CASING. DRIVE 1

BOITIER D'HELICE, TRANSMISSION 1



REF. NO.	PART NO. NO. PIECES	DESCRIPTION DESCRIPTION	225G				REMARKS REMARQUES
22	6E5-44365-00	DAMPER, WATER SEAL JOINT, TUBE D'EAU	1				
23	6E5-44312-00	COVER, WATER PUMP HOUSING COUVERCLE	1				
24	6E5-44352-01	IMPELLER TURBINE	1				
25	90280-04M05	KEY, WOODRUFF CLAVETTE, DEMI-LUNE	1				
26	61A-45538-00	SPACER 1 ENTRETOISE	1				
27	61A-45527-00	COLLAR, DRIVE SHAFT ENTRETOISE	1				
28	90201-22M01	WASHER, PLATE RONDELLE, PLATE	2				
29	90206-22M19	WASHER, WAVE RONDELLE, ONDULEE	1				
30	6G5-44323-00	OUTER PLATE, CARTRIDGE PLAQUE EXTERIEURE	1				
31	6E5-44315-A0	GASKET, WATER PUMP JOINT, POMPE A EAU	1				
32	93606-12019	PIN, DOWEL GOUPILLE	2				
33	90119-08M14	BOLT, WITH WASHER BOULON, AVEC RONDELLE	4				
34	61A-45331-00-94	HOUSING, BEARING FLASQUE, ROULEMENT	1				
35	93101-28M16	OIL SEAL JOINT SPY	2				
36	93317-330U2	BEARING PIECE	1				
37	61A-45587-00-10	SHIM (T:0.10MM)	1				UR
	61A-45587-00-12	SHIM (T:0.12MM)	1				UR
	61A-45587-00-15	SHIM (T:0.15MM)	1				UR
	61A-45587-00-18	SHIM (T:0.18MM)	1				UR
	61A-45587-00-30	SHIM (T:0.30MM)	1				UR
	61A-45587-00-40	SHIM (T:0.40MM)	1				UR
	61A-45587-00-50	SHIM (T:0.50MM)	1				UR
38	93341-930U9	BEARING CERVEAUX DE DIRECTION	1				
39	93210-55M14	O-RING JOINT TORIQUE	1				
40	6E5-45344-00	COVER, OIL SEAL FLASQUE, JOINT D'HUILE	1				
41	97095-08025	BOLT BOULON	4				
42	92995-08600	WASHER RONDELLE	4				

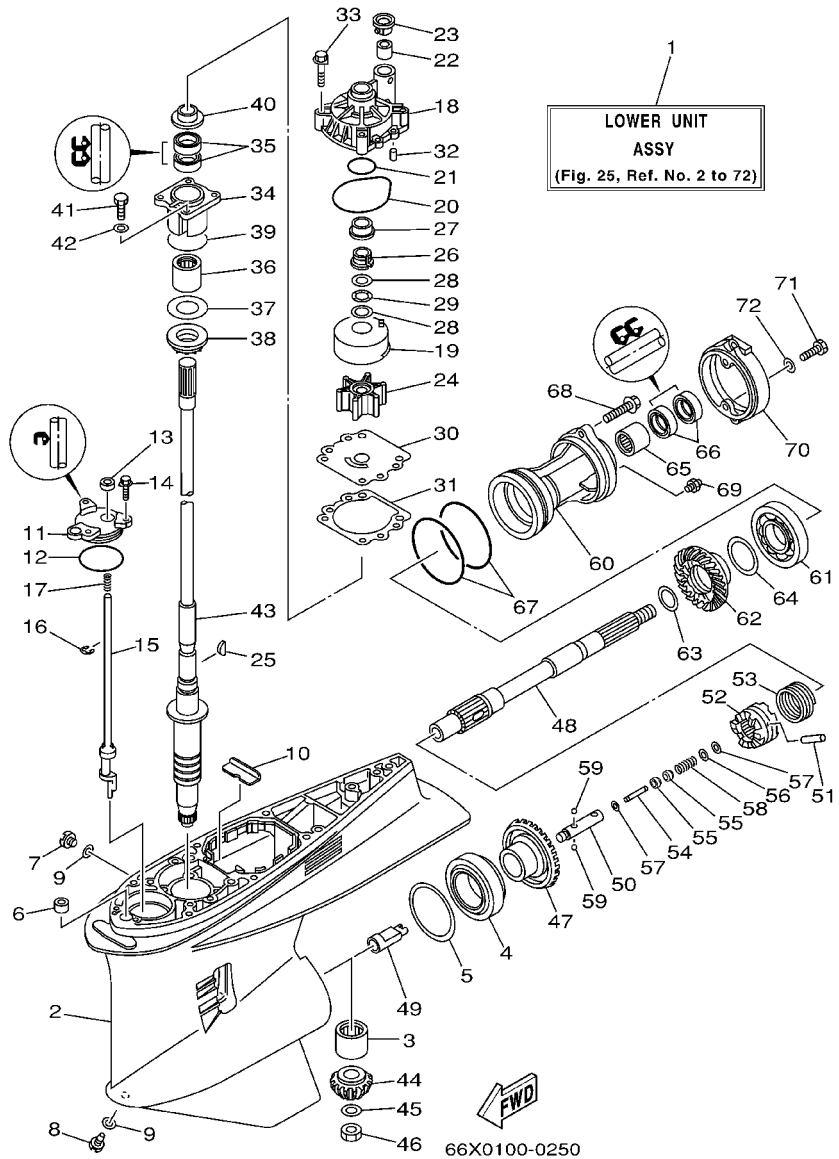


FIG. 25 LOWER CASING. DRIVE 1

BOITIER D'HELICE, TRANSMISSION 1

REF. NO.	PART NO. NO. PIECES	DESCRIPTION DESCRIPTION	225G				REMARKS REMARQUES
43	66K-45501-00	DRIVE SHAFT COMP. ARBRE MOTEUR COMP.	1				
44	61A-45551-03	PINION PIGNON D'ATTAQUE	1				
45	90201-16M00	WASHER, PLATE RONDELLE, PLATE	1				
46	90170-16M19	NUT ECROU	1				
47	61A-45560-03	GEAR PIGNON	1				
48	69J-45611-00	SHAFT, PROPELLER ARBRE, HELICE	1				
49	61A-45641-02	SHIFTER EMBRAYAGE	1				
50	61A-45634-01	SLIDE, SHIFT CONTRE-POUSSOIR	1				
51	61A-45632-00	PIN, CROSS GOUPILLE DE CRABOT	1				
52	61A-45631-03	CLUTCH, DOG CRABOT	1				
53	61A-45633-00	RING, CROSS PIN JONC, GOUPILLE CRABOT	1				
54	6H1-45668-00	SHAFT, FREE AXE	1				
55	61A-45635-00	PLUNGER, SHIFT POUSSOIR D'EMBAYAGE	2				
56	90201-02M00	WASHER, PLATE RONDELLE, PLATE	1				
57	90183-02M03	NUT, SPRING ECROU, RESSORT	2				
58	90501-10M77	SPRING, COMPRESSION RESSORT, COMPRESSION	1				
59	93501-04011	BALL BILLE	2				
60	61A-45332-02-94	HOUSING, BEARING FLASQUE, ROULEMENT	1				
61	93306-210U0	BEARING ROULEMENT	1				
62	61A-45571-00	GEAR PIGNON	1				
63	90201-31M00	WASHER, PLATE RONDELLE, PLATE	1				
64	61A-45577-00-10	SHIM (T:0.10MM) CALE (T:0.10MM)	1				UR
	61A-45577-00-12	SHIM (T:0.12MM) CALE (T:0.12MM)	1				UR
	61A-45577-00-15	SHIM (T:0.15MM) CALE (T:0.15MM)	1				UR
	61A-45577-00-18	SHIM (T:0.18MM) CALE (T:0.18MM)	1				UR
	61A-45577-00-30	SHIM (T:0.30MM) CALE (T:0.30MM)	1				UR
	61A-45577-00-40	SHIM (T:0.40MM) CALE (T:0.40MM)	1				UR

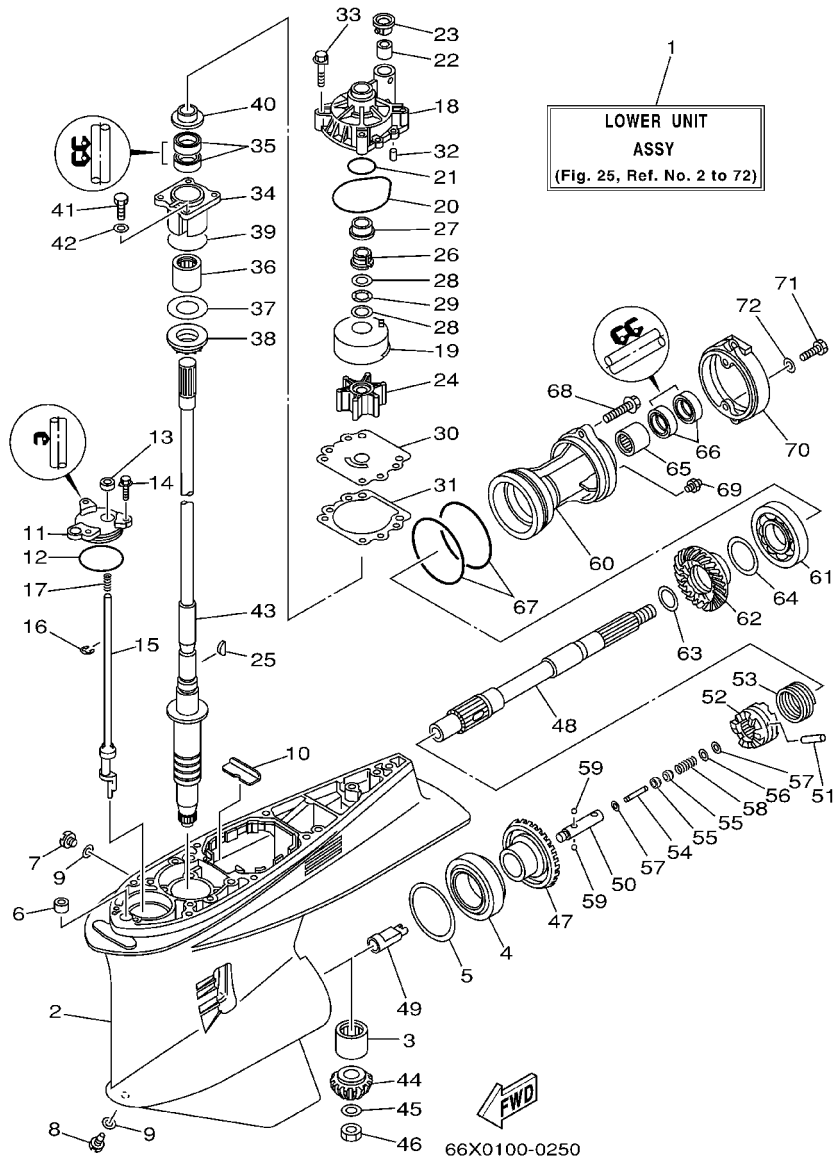


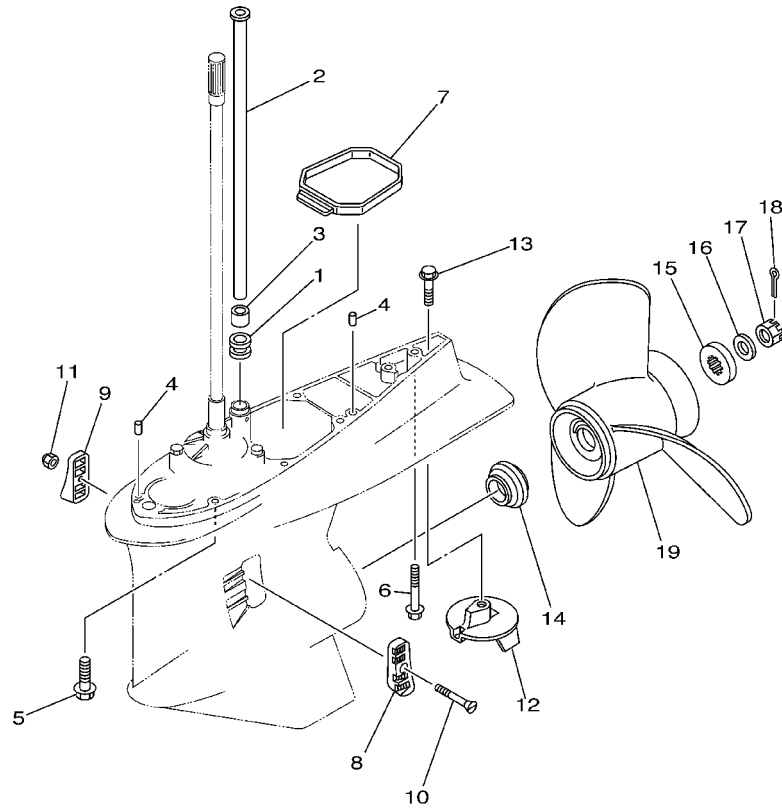
FIG. 25 LOWER CASING. DRIVE 1

BOITIER D'HELICE, TRANSMISSION 1

REF. NO.	PART NO. NO. PIECES	DESCRIPTION DESCRIPTION	225G					REMARKS REMARQUES
64	61A-45577-00-50	SHIM (T:0.50MM) CALE (T:0.50MM)	1					UR
65	93317-330U5	BEARING PIECE	1					
66	93101-30M17	OIL SEAL JOINT SPY	2					
67	93211-04384	O-RING JOINT TORIQUE	2					
68	90105-08M48	BOLT, FLANGE BOULON	2					
69	93700-09M00	NIPPLE, GREASE PION	1					
70	61A-45361-01-5B	CAP, LOWER CASING COUVERCLE, BOITIER D'HELICE	1					
71	97095-08020	BOLT BOULON	2					
72	92995-08600	WASHER RONDELLE	2					

FIG. 26 LOWER CASING. DRIVE 2

BOITIER D'HELICE, TRANSMISSION 2



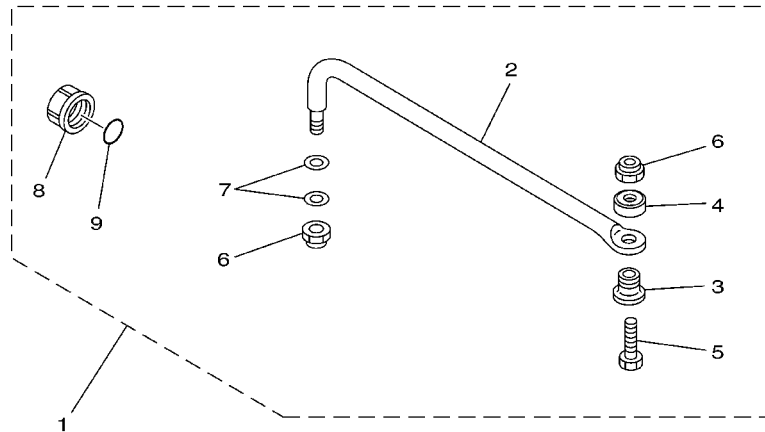
REF. NO.	PART NO. NO. PIECES	DESCRIPTION DESCRIPTION	225G				REMARKS REMARQUES
1	6E5-44366-00	DAMPER, WATER SEAL JOINT, TUBE D'EAU	1				
2	66K-44361-00	TUBE, WATER TUBE D'EAU	1				
3	6E5-44365-00	DAMPER, WATER SEAL JOINT, TUBE D'EAU	1				
4	93608-12M05	PIN, DOWEL AXE	2				
5	90101-10M70	BOLT BOULON	7				
6	90119-10MA2	BOLT, WITH WASHER BOULON, AVEC RONDELLE	1				
7	61A-45375-00	DAMPER, SEAL BOURRELET, CAOUTCHOUC	1				
8	61A-45214-10	COVER, WATER INLET GRILLE, ENTREE D'EAU	1				
9	61A-45215-10	COVER, WATER INLET GRILLE, ENTREE D'EAU	1				
10	90152-05003	SCREW, COUNTERSUNK VIS, TETE NOYEE	1				
11	90185-05002	NUT, SELF-LOCKING ECROU, AUTO-BLOCANT	1				
12	69L-45371-00	TAB-TRIM ANODE DERIVE	1				
13	90105-10M00	BOLT, FLANGE BOULON	1				
14	6E5-45987-01	SPACER ENTRETOISE	1				
15	688-45997-01	SPACER ENTRETOISE	1				
16	92990-18200	WASHER RONDELLE, PLATE	1				
17	90171-18M04	NUT, CASTLE ECROU, CRENELE	1				
18	91490-40030	PIN, COTTER GOUPILLE	1				
19	66K-45970-B0 66K-45972-B0	PROPELLER (3X14-1/2"X27"-M1) HELICE (3X14-1/2"X27"-M1) PROPELLER (3X14-1/2"X25"-M2) HELICE (3X14-1/2"X25"-M2)	1 1				UR UR



66X2100-3250

FIG. 27 STEERING GUIDE

FIXATION DE DIRECTION

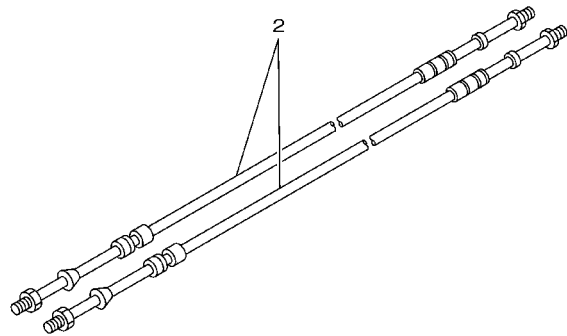
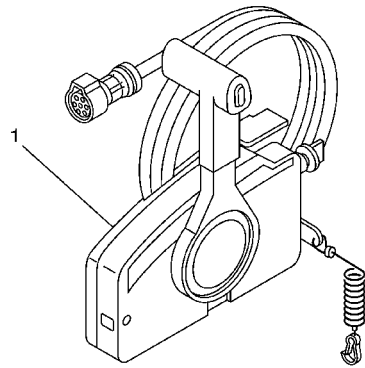


REF. NO.	PART NO. NO. PIECES	DESCRIPTION DESCRIPTION	225G				REMARKS REMARQUES
1	6E5-61350-02	STEERING GUIDE ATTACHMENT KIT FIXATIONS DE DIRECTION	1				AP
2	6E5-61351-01	.ROD, STEERING LINK .RENOI DE DIRECTION	1				
3	90387-10M61	.COLLAR .COLLERETTE	1				
4	90560-12M01	.SPACER .ENTRETOISE	1				
5	6E5-61355-00	.BOLT .BOULON	1				
6	90185-09M01	.NUT, SELF-LOCKING .ECROU, AUTO-BLOCANT	2				
7	90201-10M20	.WASHER, PLATE .RONDELLE, PLATE	2				
8	6E5-43145-01	.CAP, CLAMP BRACKET .CAPUCHON, PRESSE	1				
9	93210-16275	.O-RING .JOINT TORIQUE	1				

67H0100-9290

FIG. 28 REMOTE CONTROL BOX

BOITIER DE COMMANDE A DISTANCE

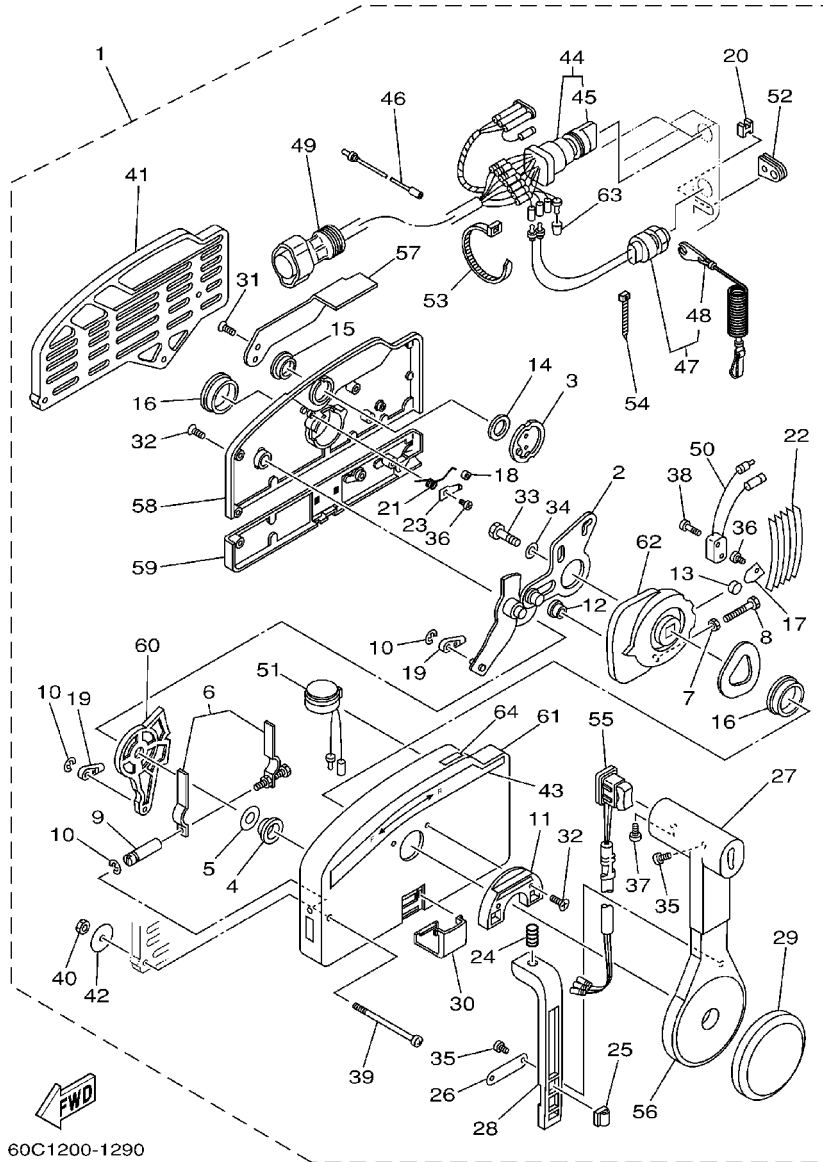


67M0100-8280

REF. NO.	PART NO. NO. PIECES	DESCRIPTION DESCRIPTION	225G				REMARKS REMARQUES
1	703-48205-A4	REMOTE CONTROL ASSY BOITIER DE COMMANDE A DISTANCE	1				AP WITH PT/T SW.
2	701-48320-50	CABLE, REMOTE CONTROL L=15F CABLE, COMMANDE A DISTANCE:15F	2				UR
	701-48320-60	CABLE, REMOTE CONTROL L=16F CABLE, COMMANDE A DISTANCE:16F	2				UR
	701-48320-80	CABLE, REMOTE CONTROL L=17F CABLE, COMMANDE A DISTANCE:17F	2				UR
	701-48350-00	CABLE, REMOTE CONTROL L=21F CABLE, COMMANDE A DISTANCE:21F	2				UR
	701-48350-20	CABLE, REMOTE CONTROL L=23F CABLE, COMMANDE A DISTANCE:23F	2				UR

FIG. 29 REMOTE CONTROL ASSY

BOITIER DE COMMANDE A DISTANCE

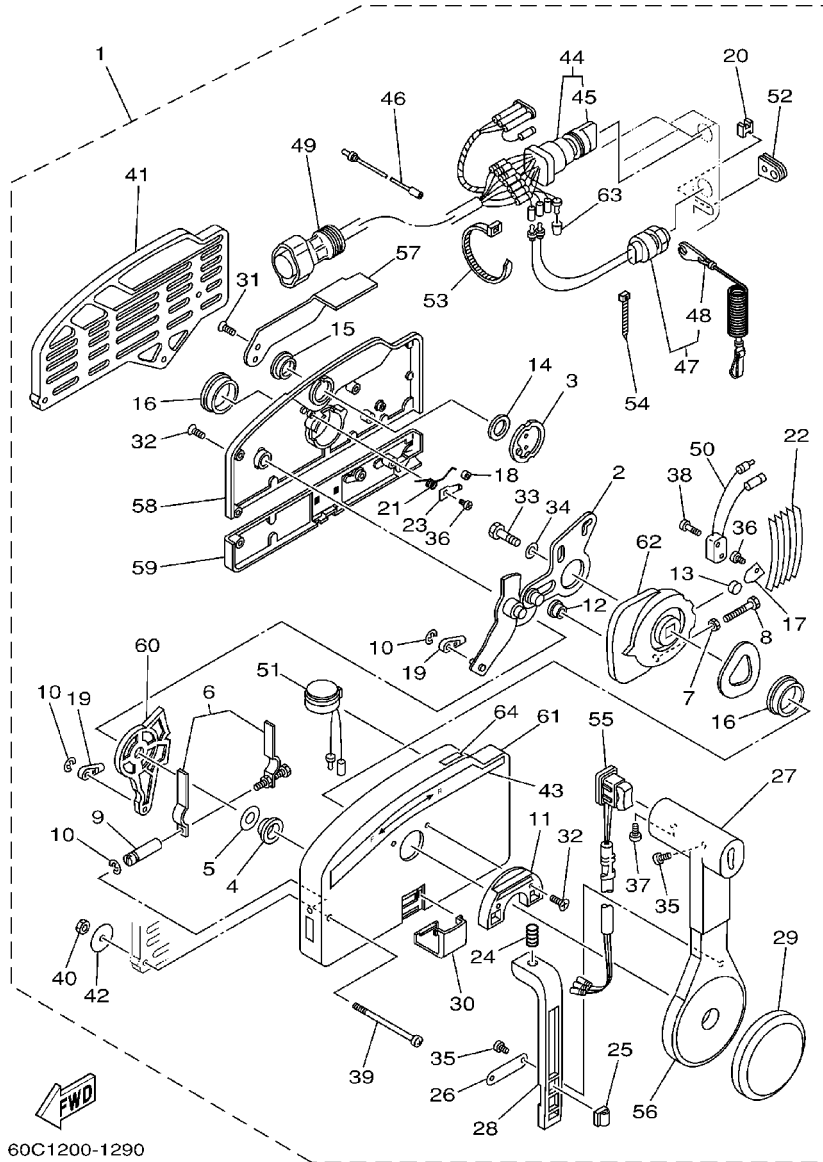


60C1200-1290

REF. NO.	PART NO. NO. PIECES	DESCRIPTION DESCRIPTION	225G				REMARKS REMARQUES
1	703-48205-A4	REMOTE CONTROL ASSY BOITIER DE COMMANDE A DISTANCE	1				AP WITH PT/T SW.
2	703-48261-01	.ARM, THROTTLE .BRAS, ACCELERATION	1				
3	703-48153-00	.SHAFT, FREE ACCEL. .AXE	1				
4	703-48235-00	.BUSHING .COUSSINET	1				
5	703-48268-00	.SPACER .ENTRETOISE	1				
6	703-48264-00	.THROTTLE, FRICTION .ACCELERATION	1				
7	95380-05600	.NUT .ECROU	1				
8	97380-05025	.BOLT .BOULON, HEXAGONAL	1				
9	703-48265-00	.SHAFT, FRICTION .AXE, COPILOTE	1				
10	93430-06024	.CIRCLIP .CLIPS	3				
11	703-48245-00	.PLATE, LOCK .PLAQUE, VERROU	1				
12	703-48252-00	.ROLLER, CAM .POULIE	1				
13	701-48248-00	.ROLLER, FREE ACCEL. .POULIE	1				
14	703-48198-00	.WASHER, WAVE .RONDELLE, ELASTIQUE ONDULEE	1				
15	703-48243-00	.BUSHING .COUSSINET	1				
16	703-48236-00	.BUSHING 1 .POULIE	2				
17	703-48189-00	.RETAINER .FLASQUE	1				
18	703-48234-00	.ROLLER, DETENT .POULIE	1				
19	703-48345-01	.CABLE END, REMOTE CONTROL 2 .CHAPE CABLE	2				
20	703-48358-00	.ANCHOR, CABLE .COLLIER	1				
21	703-48244-00	.SPRING, FREE ACCEL. .RESSORT	1				
22	703-48238-00	.SPRING, DETENT .RESSORT	5				
23	703-48246-00	.SPACER .ENTRETOISE	1				
24	703-48227-00	.SPRING, NEUTRAL LOCK .RESSORT	1				
25	703-82594-00	.CLAMP .BRIDE	1				WITH PT/T SW.
26	703-48226-00	.PLATE, STOPPER .PLAQUETTE	1				
27	703-48222-00	.GRIP, CONTROL LEVER .POIGNEE, COMMANDE LEVIER	1				SINGLE

FIG. 29 REMOTE CONTROL ASSY

BOITIER DE COMMANDE A DISTANCE

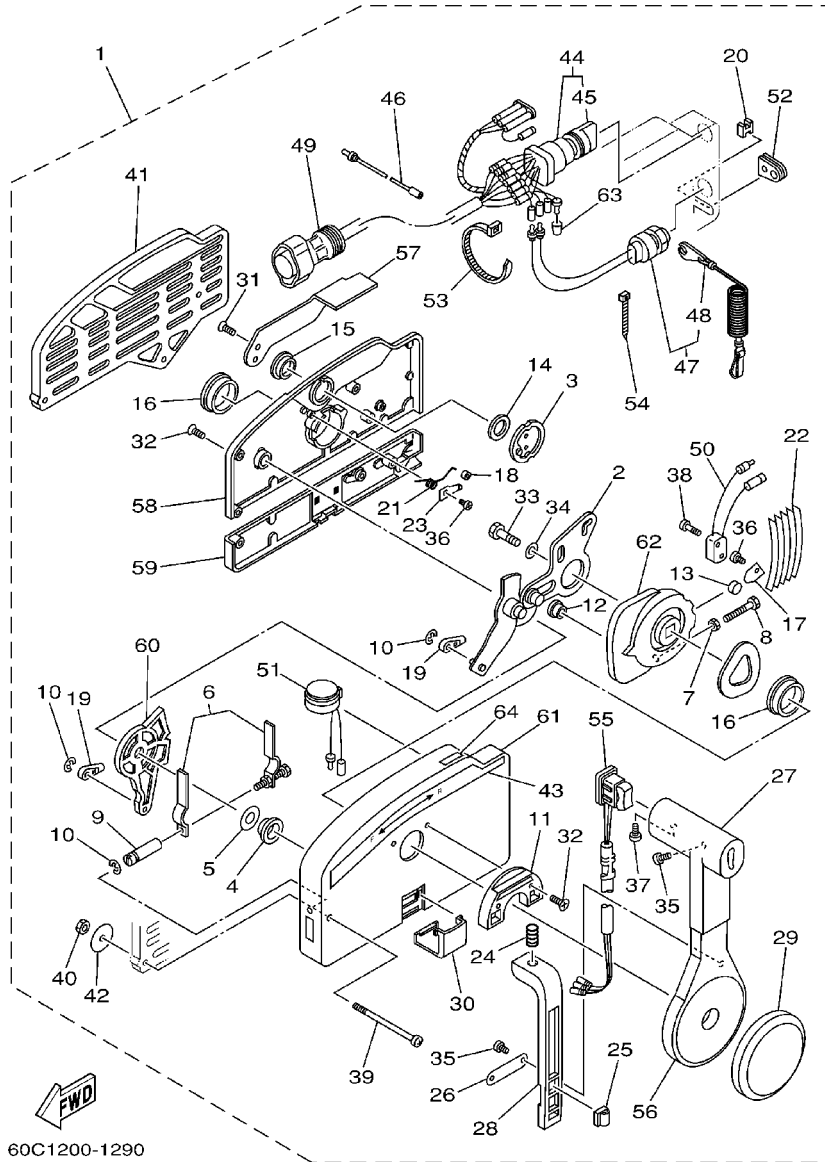


60C1200-1290

REF. NO.	PART NO. NO. PIECES	DESCRIPTION DESCRIPTION	225G				REMARKS REMARQUES
28	703-48223-00	.LOCK, NEUTRAL .VERROU, NEUTRAL	1				
29	703-48225-00	.COVER .COUVERCLE	1				
30	703-48219-00	.COVER, LEAD .COUVERCLE	1				
31	703-48281-00	.SCREW .VIS	2				
32	703-48282-00	.SCREW .VIS	7				
33	97380-08030	.BOLT .BOULON, HEXAGONAL	1				
34	92990-08600	.WASHER, PLATE .RONDELLE, PLATE	1				
35	98580-04010	.SCREW, PAN HEAD .VIS	3				
36	98580-04006	.SCREW, PAN HEAD .VIS	2				
37	98580-05010	.SCREW, PAN HEAD .VIS	1				
38	98580-03015	.SCREW, PAN HEAD .VIS	2				
39	703-48291-10	.SCREW (M6) .VIS (M6)	3				
40	95380-06600	.NUT, HEXAGON .ECROU	3				
41	703-48293-10	.SPACER, REMOTE CONTROL .ENTRETOISE	1				SINGLE
42	701-48287-00	.WASHER .RONDELLE	3				
43	703-48215-00	.GRAPHIC .ADHESIF	1				
44	703-82510-12	.MAIN SWITCH ASSY .CONTACTEUR A CLEF COMPLET	1				FOR PRIME START MODEL
45	676-82577-00	.CAP, KEY .CABOCHON	1				
46	703-82531-00	.WIRE, LEAD .FIL	1				
47	688-82575-01	.ENGINE STOP SWITCH ASSY .COUPE CIRCUIT CPLT	1				
48	682-82556-00	.STOPPER .PLAQUETTE	1				
49	688-8258A-20	.EXTENSION, WIRE HARNESS .EXTENSION, FAISCEAU DE FILS	1				L:5M (10P)
50	703-82540-00	.NEUTRAL SWITCH ASSY .CONTACTEUR DE POINT-MORT	1				
51	703-83383-A0	.BUZZER .RONFLEUR	1				
52	703-48284-00	.GROMMET .PASSE-FIL	1				
53	703-82591-00	.BAND .COLLIER	1				
54	703-82592-00	.BAND .COLLIER	1				

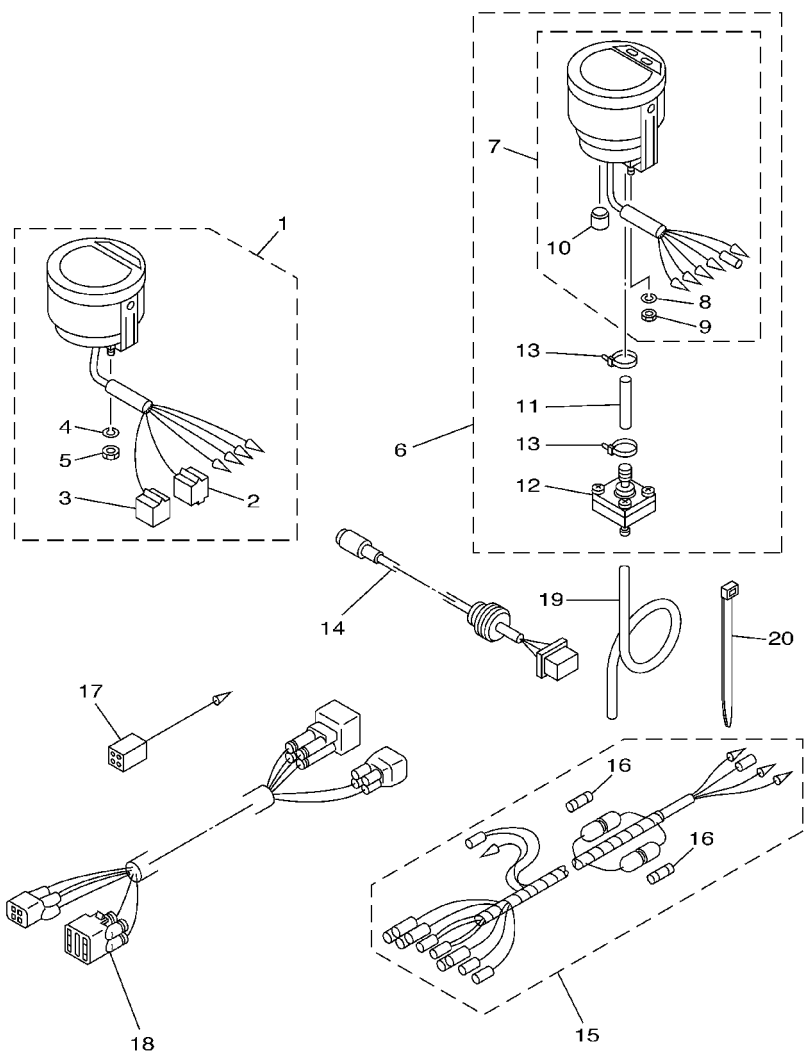
FIG. 29 REMOTE CONTROL ASSY

BOITIER DE COMMANDE A DISTANCE



60C1200-1290

REF. NO.	PART NO. NO. PIECES	DESCRIPTION DESCRIPTION	225G				REMARKS REMARQUES
55	703-82563-02	.TRIM & TILT SWITCH ASSY .INCLINER ET PARER COMMUTATEUR	1				WITH PT/T SW.
56	703-48221-00	.LEVER, CONTROL .LEVIER, COMMANDE	1				
57	703-48152-00	.KNOB, FREE ACCEL. .BOUTON	1				
58	703-48212-00	.BACK PLATE 1 .PLAQUETTE 1	1				
59	703-48213-00	.BACK PLATE 2 .PLAQUETTE 2	1				
60	703-48271-00	.ARM, SHIFT .BRAS	1				
61	703-48211-01	.HOUSING,1 .CORPS	1				
62	703-48232-00	.GEAR .PIGNON	1				
63	703-82542-00	.CAP .COUVERCLE	1				
64	703-48218-00	.GRAPHIC .ADHESIF	1				

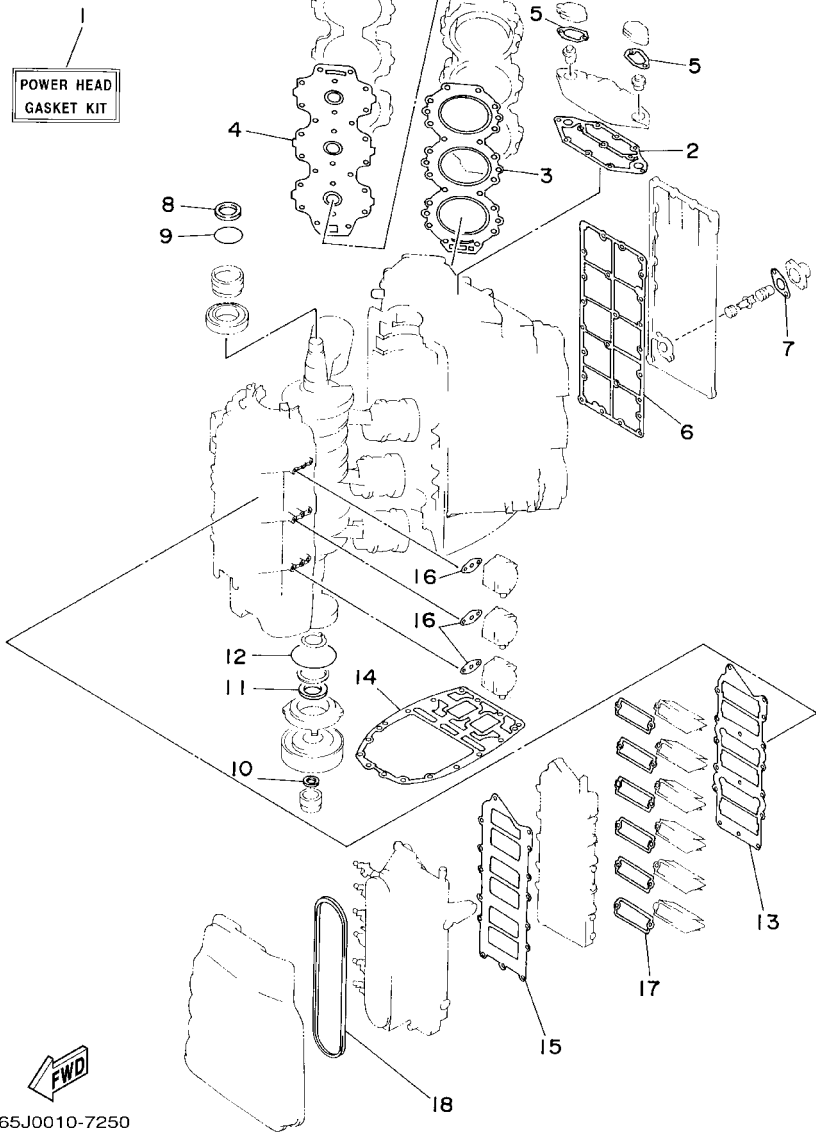


61A1700-2290

FIG. 30 METER

COMPTEUR

REF. NO.	PART NO. NO. PIECES	DESCRIPTION DESCRIPTION	225G				REMARKS REMARQUES
1	6Y5-8350T-02	TACHOMETER ASSY COMPTE-TOURS CPLT	1				AP
2	9E450-04433	.CONNECTOR .CONNECTEUR	1				M-4-W
3	9E450-04533	.CONNECTOR .CONNECTEUR	1				F-4-W
4	92990-04100	.WASHER, SPRING .RONDELLE, GROWER	2				
5	95380-04600	.NUT .ECROU	2				
6	6Y5-83500-S5	DIGITAL SPEEDOMETER ASSY TACHYMETRE NUMERIQUE CPLT.	1				AP
7	6Y5-83570-S5	.SPEEDOMETER ASSY .COMPTEUR DE VITESSE CPLT	1				
8	92990-04100	.WASHER, SPRING .RONDELLE, GROWER	2				
9	95380-04600	.NUT .ECROU	2				
10	6Y5-83533-T2	.GROMMET .RONDELLE CAOUTCHOU	1				
11	6Y5-83557-31	.TUBE .TUBE	1				
12	6Y5-83728-00	.CONNECTOR ASSY .CONNEXION COMPLET	1				
13	90465-11M10	.CLAMP .BRIDE	2				
14	6Y5-87122-S0	CORD ASSY 1 COPDON COMPLET	1				AP
15	6Y5-83553-M0	WIRE, LEAD FIL	1				AP
16	1E6-82151-00	.FUSE (10A) .FUSIBLE (10A)	2				
17	6Y5-82117-00	WIRE, LEAD (BLACK) FIL (NOIR)	1				AP
18	68F-82553-80	EXTENSION, WIRE LEAD EXTENSION, FAISCEAU	1				AP
19	6Y5-83557-10	TUBE (8M) TUBE (8M)	1				AP
20	90465-11M10	CLAMP BRIDE	2				AP



65J0010-7250

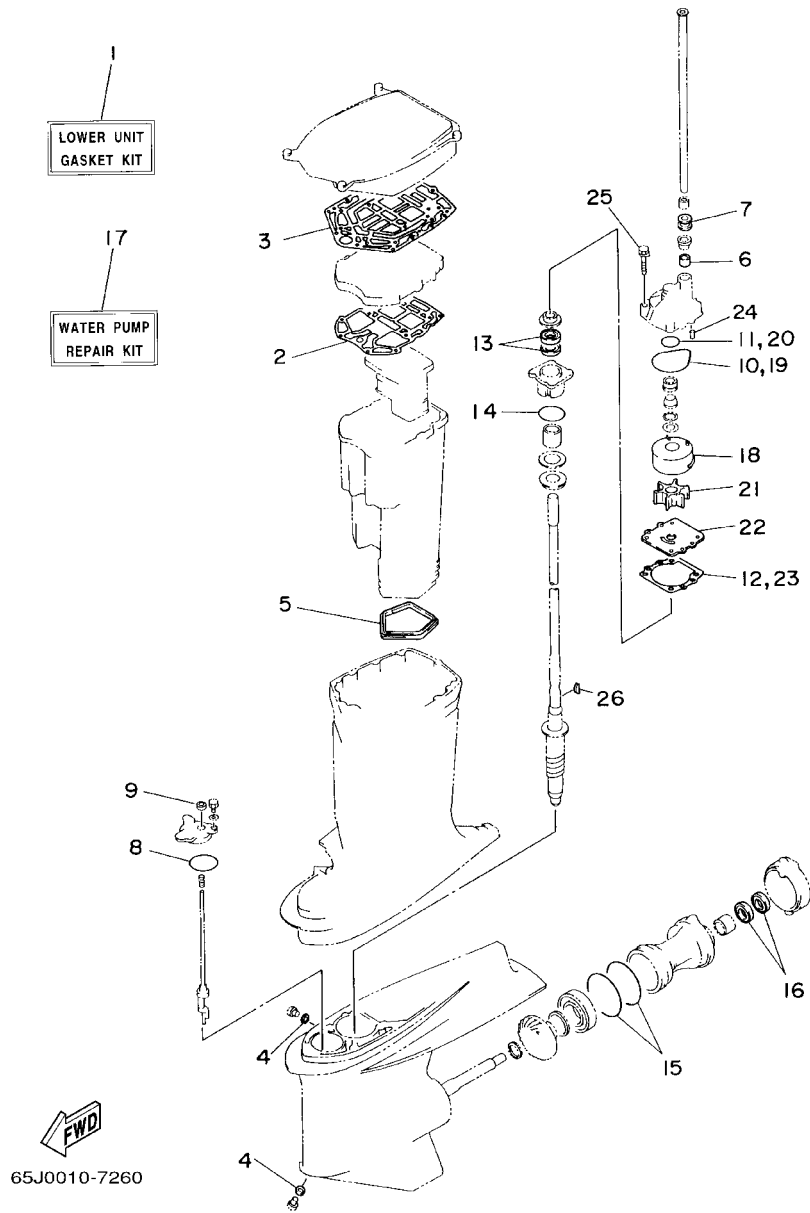
FIG. 31 REPAIR KIT 1

KITS DE REPARATION 1

REF. NO.	PART NO. NO. PIECES	DESCRIPTION DESCRIPTION	225G				REMARKS REMARQUES
1	65L-W0001-02	POWER HEAD GASKET KIT POCHETTE DE JINTS TETE MOTRICE	1				
2	61A-11381-A0	.GASKET 1 .JOINT 1	1				
3	69L-11181-00	.GASKET, CYLINDER HEAD 1 .JOINT, DE CULASSE 1	2				
4	61A-11193-A1	.GASKET, HEAD COVER 1 .JOINT, COUVERCLE DE CULASSE 1	2				
5	61A-12414-A0	.GASKET, COVER .JOINT, COUVERCLE	2				
6	61A-41112-A0	.GASKET, EXHAUST INNER COVER .JOINT, PLAQUE D'ECHAPPEMENT	1				
7	6G5-11382-A1	.GASKET 2 .JOINT 2	1				
8	93102-40M38	.OIL SEAL .JOINT SPY	1				
9	93210-54M54	.O-RING .JOINT TORIQUE	1				
10	93104-22M07	.OIL SEAL .JOINT SPY	1				
11	93102-40M36	.OIL SEAL .JOINT SPY	1				
12	93210-81MA6	.O-RING .JOINT TORIQUE	1				
13	65L-13645-00	.GASKET, MANIFOLD 1 .JOINT, TUBULURE 1	1				
14	61A-45113-A0	.GASKET, UPPER CASING .JOINT, TUBE D'ARBRE	1				
15	65L-13646-00	.GASKET, MANIFOLD 2 .JOINT, TUBULURE 2	1				
16	650-24431-A0	.GASKET, FUEL PUMP 1 .JOINT 1 DE POMPE A ESSENCE	3				
17	61A-13621-A0	.GASKET, VALVE SEAT .JOINT, SIEGE DE CLAPET	6				
18	65L-14483-00	.GASKET .JOINT	1				

FIG. 32 REPAIR KIT 2

KITS DE REPARATION 2



REF. NO.	PART NO. NO. PIECES	DESCRIPTION DESCRIPTION	225G				REMARKS REMARQUES
1	66K-W0001-20	LOWER UNIT GASKET KIT POCHETTE DE JOINTS EMBASE	1				
2	61A-41134-A0	.GASKET, EXHAUST MANIFOLD .JOINT, PIPE D'ECHAPPEMENT	1				
3	61A-45114-A0	.GASKET, UPPER CASING .JOINT, TUBE D'ARBRE	1				
4	90430-08020	.GASKET .JOINT	2				
5	66K-45123-00	.GASKET, MUFFLER .JOINT, POT DE DETENTE	1				
6	6E5-44365-00	.DAMPER, WATER SEAL .JOINT, TUBE D'EAU	1				
7	6E5-44366-00	.DAMPER, WATER SEAL .JOINT, TUBE D'EAU	1				
8	93210-64488	.O-RING .JOINT TORIQUE	1				
9	93106-09014	.OIL SEAL .JOINT SPY	1				
10	93210-86M38	.O-RING .JOINT TORIQUE	1				
11	93210-37160	.O-RING .JOINT TORIQUE	1				
12	6E5-44315-A0	.GASKET, WATER PUMP .JOINT, POMPE A EAU	1				
13	93101-28M16	.OIL SEAL .JOINT SPY	2				
14	93210-55M14	.O-RING .JOINT TORIQUE	1				
15	93211-04384	.O-RING .JOINT TORIQUE	2				
16	93101-30M17	.OIL SEAL .JOINT SPY	2				
17	61A-W0078-A3	WATER PUMP REPAIR KIT KIT DE REPARATION DE LA POMPE	1				
18	61A-44322-02	.INSERT, CARTRIDGE .CUVETTE	1				
19	93210-86M38	.O-RING .JOINT TORIQUE	1				
20	93210-37160	.O-RING .JOINT TORIQUE	1				
21	6E5-44352-01	.IMPELLER .TURBINE	1				
22	6G5-44323-00	.OUTER PLATE, CARTRIDGE .PLAQUE EXTERIEURE	1				
23	6E5-44315-A0	.GASKET, WATER PUMP .JOINT, POMPE A EAU	1				
24	93606-12019	.PIN, DOWEL .GOUILLE	2				
25	90119-08M14	.BOLT, WITH WASHER .BOULON, AVEC RONDELLE	4				
26	90280-04M05	.KEY, WOODRUFF .CLAVETTE, DEMI-LUNE	1				

NUMERICAL INDEX
INDEX NUMERIQUE

PART NO. NO. PIECES	REF. NO.	PART NO. NO. PIECES	REF. NO.	PART NO. NO. PIECES	REF. NO.	PART NO. NO. PIECES	REF. NO.	PART NO. NO. PIECES	REF. NO.	PART NO. NO. PIECES	REF. NO.
65L-W0001-02	31 - 1	64D-11604-01	3 - 21	65L-13646-00	31 - 15	65L-14565-00	6 - 3	65L-24378-00	8 - 9	61A-41134-A0	24 - 27
66K-W0001-20	32 - 1		3 - 23	67H-13751-00	6 - 1		6 - 11	650-24378-00	4 - 14		32 - 2
65J-W0004-01	7 - 2	64D-11605-01	3 - 21	65L-13761-00	6 - 14	65L-14573-00	6 - 25	6E5-24379-00	9 - 12	61A-41137-13-94	24 - 16
66K-W0070-NO	1 - 22		3 - 23	65L-13764-00	6 - 16	65L-14578-00	6 - 8		9 - 16	66K-41213-00	19 - 16
61A-W0078-A3	32 - 17	69L-11631-00-85	3 - 20	65L-13766-00	6 - 17	65L-14579-00	6 - 26		9 - 30	65L-41217-00	6 - 32
66K-W0090-13-1S	2 - 1	61A-11633-02	3 - 24	65L-13769-00	6 - 15	6K5-14592-00	6 - 4	65L-24387-00	6 - 29	6H1-41237-00	8 - 23
656-W2810-02	9 - 44	61A-11634-00	3 - 25	66K-13781-00	5 - 21	65L-14596-00	6 - 23		6 - 31	6R5-41237-00	8 - 20
62J-11111-01-1S	4 - 1	69L-11635-00	3 - 20	66K-13843-00	5 - 30	66K-14711-00-5B	24 - 30	65L-24397-00	5 - 39	61A-41237-00	19 - 13
6E5-11119-01	2 - 28	69L-11636-00	3 - 20	66K-13844-00	5 - 22	65L-14966-00	5 - 14	6R5-24408-00	10 - 8	682-41237-00	19 - 15
69L-11181-00	4 - 2	69L-11642-00-85	3 - 22	66K-13898-00	5 - 53	66K-14980-00	5 - 1	6E5-24410-03	10 - 38	65L-41241-00	8 - 21
	31 - 3	69L-11645-00	3 - 22	67H-13898-00	6 - 10	66K-14984-00	5 - 6	6E5-24411-00	10 - 43	65L-41632-01	19 - 6
61A-11191-00-1S	4 - 5	69L-11646-00	3 - 22	65L-13905-00	5 - 13	66K-14985-00	5 - 4	6E5-24412-10	10 - 50	66K-42510-00-8D	21 - 10
61A-11193-A1	4 - 6	66K-11650-00	3 - 26	66K-13906-00	5 - 8	65L-14992-00	5 - 36	6E5-24413-00	10 - 40	624-42542-00	9 - 9
	31 - 4	6E5-12411-30	2 - 34	67H-13907-00	5 - 17	65L-14997-00	5 - 37	6A0-24421-01	10 - 47		15 - 2
65L-1131N-00	15 - 50	61A-12413-00-1S	2 - 35	66K-13915-00	5 - 23	65L-15100-02-1S	2 - 2	6A0-24423-00	10 - 45	66K-42610-P0-NA	1 - 1
6J8-11325-00	4 - 8	61A-12413-10-1S	2 - 36	67H-13938-00	6 - 9	61A-15315-00	19 - 62	648-24424-00	10 - 44	66K-42613-00-NA	1 - 13
61A-11325-00	2 - 21	61A-12414-A0	2 - 37	66K-13971-00	6 - 28	61A-15359-00-94	3 - 14	650-24431-A0	10 - 51	61A-42615-01	1 - 11
6H3-11327-00-1S	2 - 23		31 - 5	67H-13972-00	6 - 30	61A-21708-20	9 - 19		31 - 16	61A-42619-02	1 - 9
	4 - 10	6G5-12416-00	4 - 19	65L-13995-00	6 - 13	6E5-21733-20	9 - 20	6E5-24434-02	10 - 46	61A-42626-00	1 - 16
6H3-11328-00	2 - 22	6R3-12572-00	18 - 53	65L-13996-00	6 - 27	6E5-21734-01-33	9 - 35	6E5-24435-00	10 - 42	61A-42627-02	1 - 10
	4 - 9	61A-12576-00	4 - 25	65L-14125-00	5 - 7	6E5-21746-00	9 - 37	6E5-24444-00	10 - 39	66K-42628-00	1 - 30
65L-11353-11	15 - 52	6R3-12580-00	18 - 54	65L-14147-00	5 - 31	61A-21750-00	9 - 1	65L-24461-00	5 - 49	66K-42636-00-NA	1 - 17
65L-11354-00	15 - 49	6G5-12581-00	2 - 20	65L-14159-00	5 - 20	6E5-21770-03	9 - 21	61A-24469-00	10 - 17	6R3-42647-00	1 - 2
69L-11357-00	15 - 53	61A-13117-00	8 - 18	65L-1416A-00	5 - 24	6E5-21798-01-33	9 - 36	61A-24471-00	10 - 41	6R3-42662-00	1 - 5
61A-11371-00-1S	2 - 30	65L-13183-00	8 - 8	66K-14163-00	5 - 12	65L-2415E-60	18 - 61	65L-24486-00	5 - 15	66K-42662-00	1 - 12
6E5-11372-01	2 - 3	67H-13183-00	5 - 52	67H-14182-00	5 - 2	65L-24169-00	5 - 43	66K-24489-00	5 - 34	66K-4267A-NO	1 - 25
	2 - 9	65L-13200-00	8 - 1	65L-14194-00	5 - 19	646-24251-02	9 - 24	61A-24521-00	10 - 12	66K-42681-NO	1 - 23
6F6-11372-00	2 - 7	61A-13411-00	9 - 5	67H-14225-00	5 - 54	6YK-24307-42	11 - 1	65L-24531-01	10 - 13	66K-42682-NO	1 - 24
	7 - 7	6E5-13414-00	9 - 6	65L-14227-00	5 - 18	61A-24311-00	10 - 9	65L-24558-00	10 - 19	66K-42683-N1	1 - 26
6G5-11372-00-1S	4 - 23	61A-13416-00	8 - 6	66K-14239-00	5 - 10		10 - 28	65L-24560-00	10 - 11	66K-42684-N1	1 - 27
6H1-11372-00	24 - 22	6E5-13437-62	9 - 43	66K-14245-00	5 - 16		10 - 58	65L-24563-00	10 - 16	66K-42686-P0	1 - 20
650-11372-00	2 - 8	6E5-13448-00	9 - 2	66K-14255-00	5 - 9	65L-24311-00	10 - 54	61A-24564-00	10 - 14	66K-42687-NO	1 - 21
61A-11381-A0	2 - 32	6R3-13471-00	8 - 3	66K-14271-00	5 - 25	6E5-24313-00	10 - 60	65L-24564-00	10 - 18	61A-42711-05-8D	18 - 1
	31 - 2	6L2-13475-00	8 - 4	65L-14274-00	5 - 32	61A-24313-00	10 - 5	61A-24566-00	10 - 23	61A-42716-00	18 - 39
6G5-11382-A1	4 - 22	67H-13490-00	5 - 45	6A0-14325-00	10 - 48	6E5-24315-00	10 - 33	65L-24576-00	5 - 40	61A-42717-00	18 - 40
	31 - 7	67H-13532-00	5 - 48	66K-14325-01	5 - 11		10 - 36	65L-24577-00	10 - 15	61A-42724-00	19 - 63
69L-11395-00	15 - 43	67H-13533-00	5 - 50	65L-14334-00	6 - 6	6G5-24315-00	10 - 35	66K-24579-00	5 - 41	61A-42725-31	18 - 24
65L-11396-00	15 - 51	67H-13534-00	5 - 51	65L-14397-00	5 - 35	6G5-24316-10	10 - 56	65L-24592-00	5 - 42	6H4-42726-00	18 - 38
69L-11397-00	15 - 45	66K-13542-00	5 - 46	65L-14440-00	7 - 16	6G5-24317-01	10 - 30	6A1-28176-00	18 - 60	688-42726-10	18 - 37
61A-11411-00	3 - 1	67H-13544-00	5 - 47	65L-14483-00	7 - 17	6E5-24319-01	9 - 25	66K-28199-74-A0	9 - 45	61A-42727-00	18 - 41
61A-11447-00	3 - 2	65L-13573-00	6 - 12		31 - 18	6E5-24321-01	9 - 29	66K-28199-74-B0	9 - 45	61A-42738-02-5B	18 - 26
663-11518-01	2 - 10	65L-13610-01	7 - 1	624-14485-00	2 - 4	6E5-24322-00	9 - 22	66K-28199-84-A0	9 - 46	64D-42738-10-5B	18 - 27
61A-11536-00	3 - 8	61A-13621-A0	7 - 3	65L-14488-00	12 - 23	6E5-24323-00	9 - 15	66K-28199-84-B0	9 - 46	61A-42741-01-8D	18 - 42
61A-11537-00	8 - 16		31 - 17	65L-14523-00	6 - 7	65L-24375-00	5 - 38	61A-41112-A0	4 - 15	69L-42744-00	19 - 25
61A-11555-01	3 - 12	65L-13624-01-1S	7 - 6	65L-14527-00	6 - 2	66K-24376-00	5 - 33		31 - 6	68F-42753-00	18 - 57
61A-11586-01	3 - 11	65L-13645-00	7 - 11	65L-14546-00	5 - 3	6R3-24377-00	10 - 3	61A-41113-00-1S	4 - 13	6E5-42761-00-1S	2 - 39
64D-11603-01	3 - 21		31 - 13	66K-14548-01	5 - 5		10 - 6	61A-41131-00-5B	24 - 23	61A-42771-01-8D	18 - 43
	3 - 23	65L-13646-00	7 - 10	65L-14565-00	5 - 55	6E5-24378-00	10 - 32	61A-41132-01-5B	24 - 26	6K7-42791-00	18 - 59

NUMERICAL INDEX
INDEX NUMERIQUE

PART NO. NO. PIECES	REF. NO.	PART NO. NO. PIECES	REF. NO.	PART NO. NO. PIECES	REF. NO.	PART NO. NO. PIECES	REF. NO.	PART NO. NO. PIECES	REF. NO.	PART NO. NO. PIECES	REF. NO.
6N9-42791-40	24 - 2	64E-43830-00	23 - 4	61A-44118-00-8D	19 - 46	66K-45300-11-NA	25 - 1	66K-45972-B0	26 - 19	703-48345-01	29 - 19
6N9-42792-40	24 - 3	64E-43831-00	23 - 2	66K-44120-00	19 - 52	61A-45301-10-NA	25 - 2	6E5-45987-01	26 - 14	701-48350-00	28 - 2
6R3-42811-01	18 - 9	64E-4384J-00	22 - 18	61A-44121-00	19 - 40	61A-45321-01	25 - 11	688-45997-01	26 - 15	701-48350-20	28 - 2
6R3-42811-10	18 - 13	64E-43841-00	23 - 7	6E5-44122-00	19 - 41	61A-45331-00-94	25 - 34	703-48152-00	29 - 57	703-48358-00	29 - 20
6R3-42813-00	18 - 16	64E-43843-00	23 - 6	61A-44138-00	19 - 64	61A-45332-02-94	25 - 60	703-48153-00	29 - 3	65L-48531-00	19 - 1
6R3-42814-00	1 - 6	64E-43843-10	23 - 38	60V-44150-00	25 - 15	688-45341-10	25 - 8	703-48189-00	29 - 17	663-48538-00	19 - 2
61A-42815-01-8D	18 - 3	64E-43850-00	23 - 15	61A-44176-00-1S	19 - 29	6E5-45344-00	25 - 40	703-48198-00	29 - 14	6E5-61350-02	27 - 1
6R3-42816-00	18 - 10	64E-43851-00	23 - 11	688-44194-00	19 - 26	61A-45361-01-5B	25 - 70	703-48205-A4	28 - 1	6E5-61351-01	27 - 2
6R3-42824-00	18 - 8	64E-43855-00	23 - 14	61A-44311-01	25 - 18	69L-45371-00	26 - 12		29 - 1	6E5-61355-00	27 - 5
6N7-42828-00	18 - 19	6E5-43858-00	22 - 28	6E5-44312-00	25 - 23	61A-45375-00	26 - 7	703-48211-01	29 - 61	6E5-81332-00	12 - 14
6R3-42828-00	18 - 20	64E-43858-00	23 - 12	6E5-44315-A0	25 - 31	61A-45376-00-94	25 - 10	703-48212-00	29 - 58	61A-81337-01	12 - 17
6R3-42850-10	18 - 11		23 - 18		32 - 12	66K-45378-00	24 - 9	703-48213-00	29 - 59	65L-81338-00-1S	12 - 18
61A-42850-01	18 - 12	72X-43858-00	23 - 5		32 - 23	66K-45501-00	25 - 43	703-48215-00	29 - 43	69L-81800-00	17 - 1
61A-42850-20	18 - 14	64E-43859-00	23 - 13	61A-44322-02	25 - 19	61A-45527-00	25 - 27	703-48218-00	29 - 64	6K7-81801-10	17 - 7
64E-43111-02-8D	20 - 1	6H1-4386K-10	23 - 29		32 - 18	61A-45538-00	25 - 26	703-48219-00	29 - 30	61A-81807-00	17 - 10
64E-43112-02-8D	20 - 9	64E-43860-00	23 - 20	6G5-44323-00	25 - 30	61A-45551-03	25 - 44	703-48221-00	29 - 56	61A-81809-00	17 - 4
64E-43126-00	20 - 37	6E5-43862-00	22 - 10		32 - 22	61A-45560-03	25 - 47	703-48222-00	29 - 27	6K7-81810-00	17 - 5
64E-43131-01	20 - 15		22 - 14	6E5-44352-01	25 - 24	61A-45567-00-10	25 - 5	703-48223-00	29 - 28	6E5-81813-10	17 - 8
64E-43139-02	21 - 1	6G5-43863-00	23 - 10		32 - 21	61A-45567-00-12	25 - 5	703-48225-00	29 - 29	6E5-8182A-10	17 - 16
6G5-43144-00	20 - 27	6E5-43864-00	22 - 20	66K-44361-00	26 - 2	61A-45567-00-15	25 - 5	703-48226-00	29 - 26	65L-8182A-00	5 - 26
6E5-43145-01	27 - 8	6G5-43864-00	22 - 19	6E5-44365-00	25 - 22	61A-45567-00-18	25 - 5	703-48227-00	29 - 24	6E5-8182E-10	17 - 14
6G5-43148-00	20 - 32	6G5-43865-00	23 - 35		26 - 3	61A-45567-00-30	25 - 5	703-48232-00	29 - 62	65L-8182E-00	5 - 28
65N-43155-N0	21 - 25	64E-43865-00	23 - 16		32 - 6	61A-45567-00-40	25 - 5	703-48234-00	29 - 18	6E5-8182F-10	17 - 15
65N-43156-N0	21 - 26	64E-43866-00	22 - 9	6E5-44366-00	26 - 1	61A-45567-00-50	25 - 5	703-48235-00	29 - 4	65L-8182F-00	5 - 29
6G5-43181-02	20 - 29	64E-43867-00	22 - 8		32 - 7	61A-45571-00	25 - 62	703-48236-00	29 - 16	6K7-8182G-10	17 - 18
6G5-43185-02	20 - 30	64E-43868-00	23 - 3	663-44366-00	25 - 6	61A-45577-00-10	25 - 64	703-48238-00	29 - 22	6E5-8182K-10	17 - 17
64E-43311-10-8D	20 - 22	64E-43869-00	22 - 26	6E5-44391-00	18 - 23	61A-45577-00-12	25 - 64	703-48243-00	29 - 15	65L-8182K-00	5 - 27
64E-43376-00	21 - 8	64E-4387A-00	23 - 23	61A-44511-00-94	21 - 34	61A-45577-00-15	25 - 64	703-48244-00	29 - 21	61A-81820-00	17 - 9
64E-4380F-00	23 - 33	6E5-43872-00	22 - 12	66K-44514-00-94	21 - 27	61A-45577-00-18	25 - 64	703-48245-00	29 - 11	61A-81822-00-94	17 - 19
64E-4380J-00	23 - 30	64E-43873-00	23 - 24	6G5-44526-00	20 - 3	61A-45577-00-30	25 - 64	703-48246-00	29 - 23	61A-81824-00	17 - 3
68F-43800-01-4D	22 - 1	6E5-43874-01	22 - 21	68F-44533-00	2 - 41	61A-45577-00-40	25 - 64	701-48248-00	29 - 13	6K7-81826-10	17 - 13
64E-43802-00	23 - 8	64E-43875-00	23 - 25	66K-44551-00-8D	21 - 13	61A-45577-00-50	25 - 64	703-48252-00	29 - 12	61A-81830-00	17 - 12
64E-43805-00	23 - 37	64E-43879-00	23 - 27	66K-44553-00-NA	21 - 24	61A-45587-00-10	25 - 37	703-48261-01	29 - 2	61A-81840-00	17 - 6
64E-4381G-00	22 - 27	64E-43879-10	23 - 26	66K-44555-00-94	21 - 16	61A-45587-00-12	25 - 37	703-48264-00	29 - 6	61A-81850-01	17 - 2
64E-43810-00	22 - 6	64E-4388E-00	22 - 25	6E5-44575-00	21 - 15	61A-45587-00-15	25 - 37	703-48265-00	29 - 9	61H-81857-00	17 - 11
6E5-43814-02	22 - 13	64E-4388E-10	23 - 1	66K-45111-00-8D	24 - 1	61A-45587-00-18	25 - 37	703-48268-00	29 - 5	6E5-81900-01	9 - 27
64E-43816-00	23 - 17	64E-4388J-00	22 - 3	61A-45113-A0	24 - 18	61A-45587-00-30	25 - 37	703-48271-00	29 - 60	65L-81915-00-94	14 - 8
64E-43817-00	22 - 5	67H-43880-01	23 - 28		31 - 14	61A-45587-00-40	25 - 37	703-48281-00	29 - 31	65L-81916-00	14 - 12
64E-43817-10	23 - 19	64E-43883-00	22 - 11	61A-45114-A0	24 - 15	61A-45587-00-50	25 - 37	703-48282-00	29 - 32	61A-81919-00	15 - 59
64E-43818-01	22 - 32	64E-43891-00	23 - 31		32 - 3	69J-45611-00	25 - 48	703-48284-00	29 - 52	65L-81919-00	15 - 58
64E-4382G-00	22 - 29	64E-43892-00	23 - 34	663-45119-00	20 - 14	61A-45631-03	25 - 52	701-48287-00	29 - 42	6E5-81922-00	9 - 28
64E-43820-00	22 - 15	6E5-43896-00	23 - 9		20 - 25	61A-45632-00	25 - 51	703-48291-10	29 - 39	61A-81941-00	15 - 14
64E-43821-00	22 - 16	64E-43897-00	22 - 24	66K-45123-00	24 - 31	61A-45633-00	25 - 53	703-48293-10	29 - 41	65L-81942-00	15 - 30
64E-43822-00	22 - 17	64E-43898-00	22 - 7		32 - 5	61A-45634-01	25 - 50	701-48320-50	28 - 2	65L-81948-00	15 - 1
64E-43825-01	22 - 2	61A-44112-00	19 - 54	61A-45155-00	24 - 4	61A-45635-00	25 - 55	701-48320-60	28 - 2	61A-81949-00	15 - 12
64E-43827-00	23 - 22	61A-44116-00	19 - 48	61A-45214-10	26 - 8	61A-45641-02	25 - 49	701-48320-80	28 - 2	61A-81949-10	15 - 11
64E-43828-00	22 - 22	61A-44117-01-1S	19 - 22	61A-45215-10	26 - 9	6H1-45668-00	25 - 54	6E5-48344-00	19 - 7	66K-81949-10	15 - 20
64E-43829-00	22 - 23	682-44117-00	18 - 15	6G5-45251-02	20 - 2	66K-45970-B0	26 - 19		19 - 44	68F-81949-00	15 - 61

NUMERICAL INDEX
INDEX NUMERIQUE

PART NO. NO. PIECES	REF. NO.	PART NO. NO. PIECES	REF. NO.	PART NO. NO. PIECES	REF. NO.	PART NO. NO. PIECES	REF. NO.	PART NO. NO. PIECES	REF. NO.	PART NO. NO. PIECES	REF. NO.
61A-81950-00	15 - 7	61A-8259F-00	19 - 36	65L-85886-00	15 - 39	90159-05M25	19 - 23	90206-12M00	19 - 11	90445-12M04	9 - 13
65L-81950-01	15 - 35	65L-8259M-00	14 - 23	61A-85895-00	16 - 5	90159-06M03	13 - 20	90206-13M10	18 - 5	90445-13M14	10 - 57
61A-81952-00	15 - 15	65L-8259N-01	14 - 24	65L-8592A-01	15 - 42		14 - 13	90206-22M19	25 - 29	90445-13M17	10 - 2
61A-81960-02	15 - 21	66K-82590-10	14 - 18	6Y5-87122-S0	30 - 14	90159-06M16	7 - 19	90249-06M19	20 - 33	90446-09M69	8 - 11
69J-81972-01-1S	15 - 23	703-82591-00	29 - 53	61A-87149-00	15 - 6	90169-05M00	15 - 31	90280-04M05	25 - 25	90450-10M07	11 - 2
69J-81975-A0	15 - 22	703-82592-00	29 - 54	9E450-04433	30 - 2		18 - 2		32 - 26	90464-04M12	6 - 33
66K-82105-00	14 - 28	6E5-82594-00	18 - 48	9E450-04533	30 - 3	90170-12M36	15 - 40	90280-05015	12 - 11	90464-09M47	16 - 7
6Y5-82117-00	30 - 17	688-82594-00	18 - 52	90101-10M70	21 - 23	90170-16M19	25 - 46	90340-08002	25 - 7	90464-12M48	16 - 4
61A-82117-00	15 - 34	703-82594-00	29 - 25		26 - 5	90170-24M22	12 - 12	90340-14M00	2 - 26	90464-13M34	9 - 18
6G5-82119-00	15 - 13	703-83383-A0	29 - 51	90101-12M05	20 - 40	90171-18M04	26 - 17	90383-16M01	2 - 6		10 - 4
6E5-82148-00	20 - 6	6Y5-8350T-02	30 - 1	90105-06028	7 - 9	90179-06M24	1 - 15	90384-06M07	2 - 5	90464-15M11	13 - 17
	20 - 10	6Y5-83500-S5	30 - 6	90105-08M48	25 - 68		7 - 15	90385-04M05	1 - 14	90464-18M46	12 - 21
66K-82149-00	20 - 26	6Y5-83533-T2	30 - 10	90105-10M00	26 - 13	90183-02M03	25 - 57	90386-10M16	20 - 31		15 - 10
61A-82150-00	15 - 17	6Y5-83553-M0	30 - 15	90105-10M62	2 - 13	90185-05002	26 - 11	90386-12069	19 - 31	90464-19M45	14 - 14
1E6-82151-00	30 - 16	6E9-83557-70	10 - 62	90105-10M75	2 - 14	90185-09M01	27 - 6	90386-13M88	18 - 4	90464-20258	18 - 58
61A-82151-00	15 - 18	6Y5-83557-10	30 - 19	90109-06M40	8 - 5	90185-14M00	21 - 32	90386-22M98	20 - 38	90465-05M87	14 - 21
705-82151-00	14 - 19	6Y5-83557-31	30 - 11	90109-06M50	18 - 7	90185-22M11	20 - 20		22 - 33	90465-06M86	2 - 31
61A-82153-00	15 - 19	65L-83557-00	10 - 63	90109-09001	3 - 27	90201-02M00	25 - 56	90386-25M31	20 - 18		17 - 26
61A-82154-01	15 - 32	6E5-83558-00	24 - 13	90109-14M10	21 - 31	90201-05552	6 - 5	90386-38M32	21 - 12	90465-08M63	20 - 23
61A-82176-00	15 - 33	6Y5-83570-S5	30 - 7	90109-14M80	21 - 19	90201-06M30	18 - 6	90386-90M90	19 - 59	90465-08M89	14 - 20
6A0-82317-00	9 - 8	61A-83614-00	14 - 33	90119-06MA2	2 - 33	90201-06M31	19 - 17	90387-05M00	6 - 21	90465-11M10	8 - 7
	15 - 3	6A1-83625-41	12 - 25		2 - 40	90201-06068	10 - 22	90387-06M03	13 - 3		8 - 12
663-82317-01	12 - 22	6A1-83625-51	12 - 24		4 - 24	90201-08M14	22 - 30	90387-06M29	19 - 18		9 - 14
6E3-82370-21	14 - 4	65L-83625-50	14 - 35	90119-06MA3	4 - 16	90201-08M54	18 - 34	90387-06M60	14 - 10		9 - 17
67H-82380-00	15 - 37		15 - 60	90119-06MA5	2 - 38	90201-09M01	8 - 17	90387-08M09	19 - 32		9 - 23
67H-82507-00	5 - 44	64E-83672-02	21 - 3		4 - 7	90201-09M02	19 - 61	90387-08M16	19 - 12		9 - 26
703-82510-12	29 - 44	61A-83721-00	12 - 4	90119-06M10	25 - 14	90201-10M20	27 - 7	90387-08M37	18 - 33		9 - 32
6G0-82519-00	13 - 22	6Y5-83728-00	30 - 12	90119-06M13	2 - 15	90201-12M05	20 - 42	90387-10M05	20 - 34		10 - 1
61A-82519-00	13 - 21	72X-85075-L0	23 - 21	90119-06M17	24 - 10	90201-12M34	15 - 41	90387-10M61	27 - 3		10 - 7
66K-82519-00	15 - 57	65L-85370-00	14 - 5	90119-06M28	13 - 4	90201-13M01	20 - 41	90430-08020	25 - 9		10 - 10
61A-8252U-00	16 - 9	65L-85510-10	12 - 2	90119-06M65	9 - 10	90201-15M58	21 - 20		32 - 4		10 - 29
61A-82531-00	14 - 15	61A-85525-00	13 - 11		14 - 9	90201-16M00	25 - 45	90430-14115	2 - 27		10 - 31
703-82531-00	29 - 46	61A-85537-00	13 - 19		15 - 4	90201-16M01	21 - 28	90445-05M07	9 - 7		10 - 34
703-82540-00	29 - 50	66K-85540-01	13 - 7	90119-06M74	15 - 46	90201-16M55	21 - 18	90445-07MA6	2 - 18		10 - 37
703-82542-00	29 - 63	61A-85542-01-94	13 - 1	90119-08MA3	2 - 29	90201-22M01	25 - 28		2 - 19		10 - 55
68F-82553-80	30 - 18	61A-85548-00	13 - 10	90119-08MA5	4 - 3	90201-25M02	12 - 13	90445-07MF0	24 - 12		10 - 59
682-82556-00	29 - 48	61A-85550-01	12 - 1	90119-08M14	25 - 33	90201-26M03	3 - 29	90445-07M02	8 - 13		10 - 61
61A-82560-00	16 - 8	61A-85570-00	14 - 1		32 - 25	90201-26M59	20 - 19	90445-07M03	7 - 8		14 - 25
61A-82563-00	14 - 31	61A-85580-01	12 - 3	90119-08M22	18 - 36	90201-28M01	21 - 30		8 - 14		14 - 29
703-82563-02	29 - 55	6E5-85711-60	9 - 42	90119-08M74	24 - 32	90201-31M00	25 - 63	90445-07M11	2 - 12		18 - 56
6E3-8257H-00	18 - 62	6E5-85720-04	9 - 33	90119-08M76	17 - 20	90201-38M60	21 - 11	90445-07M40	2 - 17		20 - 21
688-82575-01	29 - 47	6R3-85721-80	9 - 34	90119-08M77	17 - 21	90202-05088	8 - 25	90445-07M44	2 - 16		21 - 5
676-82577-00	29 - 45	61A-85730-01	9 - 4	90119-08M78	24 - 8	90202-06007	19 - 45		7 - 18		24 - 14
688-8258A-20	29 - 49	61A-85780-00	16 - 1	90119-08M79	24 - 19	90202-08M20	19 - 42	90445-09M25	4 - 17		30 - 13
6E5-82587-00	14 - 32	61A-85790-00	16 - 2	90119-08M99	4 - 4	90202-28M46	21 - 29	90445-09220	8 - 10		30 - 20
6E5-82588-00	18 - 49	65L-85832-00	15 - 48	90119-10MA2	26 - 6	90202-32M19	21 - 17	90445-09224	15 - 28	90465-11M52	13 - 18
61A-82588-01	19 - 37	61A-85885-00	6 - 18	90152-05003	26 - 10	90202-40M47	21 - 7	90445-11M26	9 - 31		14 - 26
6R3-8259E-00	9 - 11	6K7-85886-00	6 - 19	90157-06M11	19 - 28	90206-10M04	19 - 19	90445-11M36	18 - 55	90465-13M11	9 - 3

NUMERICAL INDEX
INDEX NUMERIQUE

PART NO. NO. PIECES	REF. NO.	PART NO. NO. PIECES	REF. NO.	PART NO. NO. PIECES	REF. NO.	PART NO. NO. PIECES	REF. NO.	PART NO. NO. PIECES	REF. NO.	PART NO. NO. PIECES	REF. NO.
90465-13M11	9-41	92990-05600	7-5	92995-14600	21-22	93332-000W1	25-4	97013-06030	19-20	97780-50616	1-19
90465-13M18	4-26	92990-06100	1-3		21-33	93341-930U9	25-38	97013-06035	12-5	97780-60525	21-2
	14-27	92990-06600	9-39	93101-28M16	25-35	93410-22M11	20-39	97013-06060	7-12	97780-60625	15-36
	14-30		20-12		32-13	93410-37M04	21-14	97013-08045	19-9		15-38
	15-47	92990-08200	19-10	93101-30M17	25-66	93410-40M03	3-10	97075-08035	18-35	97880-05016	7-4
90465-13M30	18-25	92990-08600	29-34		32-16	93420-61M07	3-16	97080-06012	16-10	97880-06012	20-11
90467-08004	4-18	92990-10600	16-3	93102-08M43	23-36	93430-06024	29-10	97080-06100	9-38	97885-04016	19-38
	15-29	92990-18200	26-16	93102-40M36	3-15	93501-04011	25-59	97080-08016	22-31	97885-05010	14-6
90468-07M02	8-15	92995-04100	19-39		31-11	93606-12019	24-11	97095-06010	18-21	97885-05012	16-6
90468-18008	19-8	92995-05100	12-9	93102-40M38	3-4		25-32		20-7	97885-05030	12-8
	19-43	92995-05600	12-10		31-8		32-24		20-28	97885-06008	19-65
90480-09M12	13-2		14-7	93104-22M07	3-13	93608-12M05	24-7		24-5	97885-06010	12-15
90480-10M23	6-22	92995-06100	3-19		31-10		24-17	97095-06012	1-7	97885-06016	21-4
	14-11		10-21	93106-09014	25-13		26-4		13-23	97985-05212	6-20
90480-20M05	4-21		13-13		32-9	93608-12063	2-11		14-16	97985-05330	6-24
90480-22M81	18-32		15-55	93210-09165	19-53	93700-06M01	19-30		14-34	98580-03015	29-38
90501-10M77	25-58		19-50	93210-10M74	22-4	93700-06M03	19-47		17-24	98580-04006	29-36
90501-11M10	25-17		20-5	93210-16275	27-9		20-13		18-30	98580-04010	29-35
90501-16M11	4-20	92995-06600	1-8	93210-17003	15-44		20-24	97095-06014	10-24	98580-05010	29-37
90506-14M24	20-36		10-25	93210-18MA9	8-19	93700-09M00	25-69	97095-06016	10-20	99001-08600	25-16
90508-20M31	19-35		10-27	93210-19M82	8-2	94702-00309	4-27		10-26		
90560-12M01	27-4		10-53	93210-37MH7	21-6	95313-08600	19-58		13-12		
91490-12012	8-24		12-16	93210-37160	25-21	95380-03600	10-49		18-17		
91490-20012	19-60		13-14		32-11	95380-04600	30-5		18-28		
91490-40030	26-18		13-24		32-20		30-9	97095-06020	3-18		
91690-30010	19-3		14-17	93210-54M54	3-5	95380-05600	8-22		18-46		
91690-30020	20-35		15-56		31-9		19-14		18-50		
92903-06100	12-6		17-25	93210-55M14	25-39		29-7		19-24		
	19-56		18-18		32-14	95380-06600	1-4	97095-06030	15-54		
92903-06600	2-25		18-22	93210-64488	25-12		9-40		18-44		
	4-12		18-29		32-8		19-27		19-49		
	7-13		18-31	93210-81MA6	3-17		29-40		20-4		
	12-7		18-45		31-12	95380-12600	20-43	97095-06050	10-52		
	12-20		18-47	93210-86M38	25-20	95380-14800	21-21	97095-08016	17-22		
	13-6		18-51		32-10	95670-06655	7-14	97095-08020	19-4		
	13-9		19-51		32-19	95780-10300	21-9		20-16		
	13-16		20-8	93211-04384	25-67	97013-06012	19-55		25-71		
	14-3		24-6		32-15	97013-06014	13-15	97095-08025	25-41		
	14-22	92995-08100	19-5	93306-209U1	3-6		15-5	97095-08035	19-33		
	15-9		20-17	93306-210U0	25-61	97013-06016	2-24		24-20		
	15-25	92995-08200	19-34	93306-308U0	3-9		4-11		24-24		
	15-27	92995-08600	17-23	93310-326V4	3-28		13-5	97095-08050	24-28		
	19-21		24-21	93310-840U1	3-30	97013-06020	14-2	97095-10045	21-35		
	19-57		24-25	93310-959U0	3-7	97013-06025	12-19	97380-05025	29-8		
92990-04100	30-4		24-29	93311-83280	25-3		13-8	97380-08030	29-33		
	30-8		25-42	93311-940V0	3-3		15-24	97607-04310	23-32		
92990-04600	1-28		25-72	93317-330U2	25-36	97013-06030	15-8	97780-40520	1-29		
92990-05200	1-18	92995-10600	21-36	93317-330U5	25-65		15-26	97780-50612	15-16		

225GETO
PARTS CATALOGUE
©2002 by Yamaha Motor Co., Ltd.
1st Edition, Jun. 2002
All rights reserved.
Any reprinting or unauthorized use
without the written permission of
Yamaha Motor Co., Ltd.
is expressly prohibited.

225GETO
CATALOGUE DE PIECES DETACHEES
©2002 Yamaha Motor Co., Ltd.
1ère Edition, Juin. 2002
Tous droits réservés.
Toute réimpression ou utilisation
sans la permission écrite de la
Yamaha Motor Co., Ltd.
est formellement interdite.