

PARTS CATALOGUE

25VMH '01 (61R0)

30GMH '01 (61T0)

FOREWORD

This Parts Catalogue is related to the parts for the model(s) in the below frame. When you are ordering replacement parts, please refer to this Parts Catalogue and quote both part numbers and part names correctly.

25VMH'01(61R0), 30GMH'01(61T0)

1. Modifications or additions which have been made after issue of the Parts Catalogue will be announced in the Yamaha Parts News.
It is advisable that you make necessary corrections to the Parts Catalogue according to the Yamaha Parts News.

2. Abbreviations
The Following abbreviations are used in this Parts Catalogue.

- "UR" Use specified parts number.
- "UN" Use as many as needed.
- "AP" Alternate Parts
- "LM" Local Made
(Parts need to be ordered locally)
- "O/S" Over Size

3. Parts, which are to be supplied in an assembly, are listed with a dot(.) in front of the part name as shown below.

EXAMPLE
 CARBURETOR ASSY
 .JET, PILOT
 .NOZZLE, MAIN

4. Number of component for assembly
The numeral appearing to the right of each component part indicates the quantity of parts for each assembly unit.

EXAMPLE

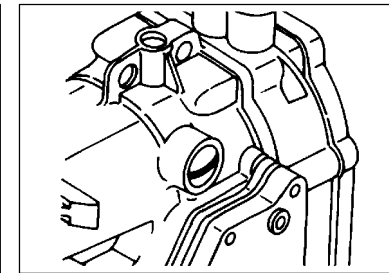
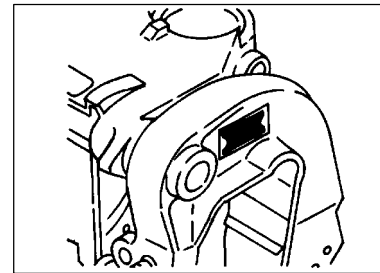
PART NO.	DESCRIPTION						REMARKS
6E0-85500-70	C.D.I. MAGNETO ASSY	1					
6E0-85550-70	.ROTOR ASSY	1					
6E0-15723-00-94.	.PULLY, STARTER	1					

5. Quantity Column Information

NAME for Q'TY COLUMN	APPLICABLE MODEL
25V	25VMH
30G	30GMH

6. Applicable Starting Serial No. and Color Code
1) Engine Starting Serial No.

25VMH S : 011266 L : 317213	30GMH S : 007757
-----------------------------------	---------------------



2) Color Code

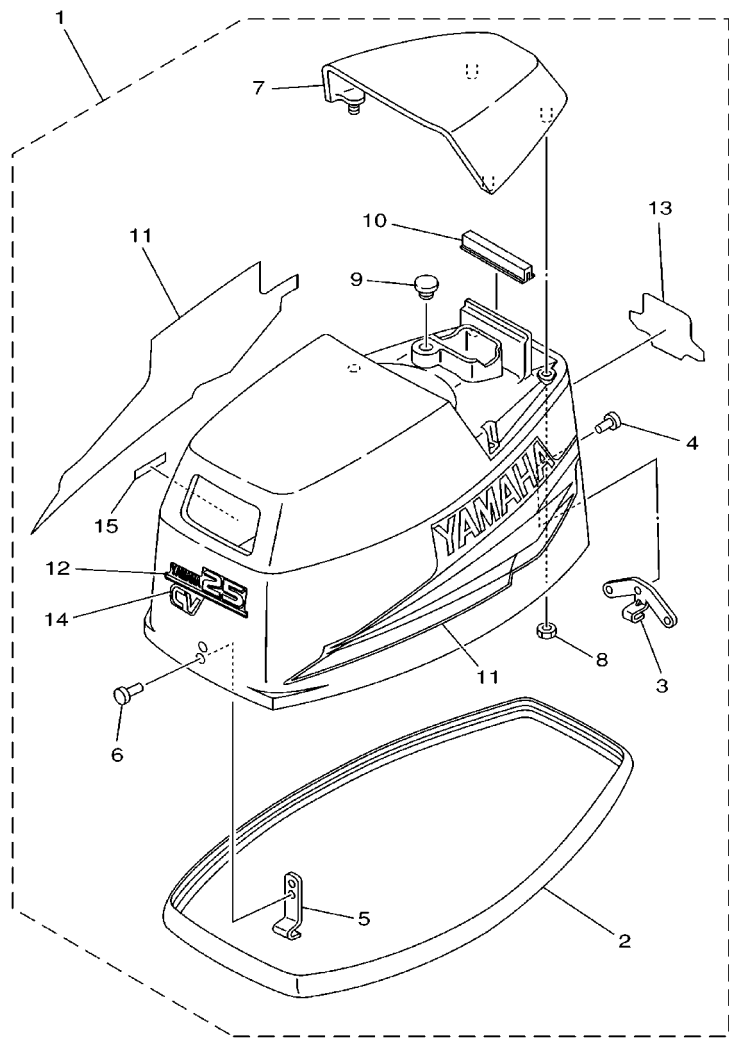
Color Code	Color Name	Abbreviation
004D	DARK BLUISH GRAY METALLIC 2	DBNM2

7. Note that the illustrations for reference in finding parts numbers, not to be used for assembling. When assembling, please use the applicable service manual.
8. The asterisk (*) before a reference number indicates modification items after the first edition.

CONTENTS

TOP COWLING	A4
CYLINDER. CRANKCASE	A5
CRANKSHAFT. PISTON	A7
INTAKE	B1
CARBURETOR	B2
FUEL	B4
STARTER	B6
GENERATOR	C1
ELECTRICAL	C2
BOTTOM COWLING	C4
STEERING	C5
CONTROL	C6
BRACKET 1	D1
BRACKET 2	D3
UPPER CASING	D5
LOWER CASING. DRIVE 1	D6
LOWER CASING. DRIVE 2	E2
FUEL TANK	E3
REPAIR KIT 1	E4
REPAIR KIT 2	E5
INDEX	
NUMERICAL INDEX	E7

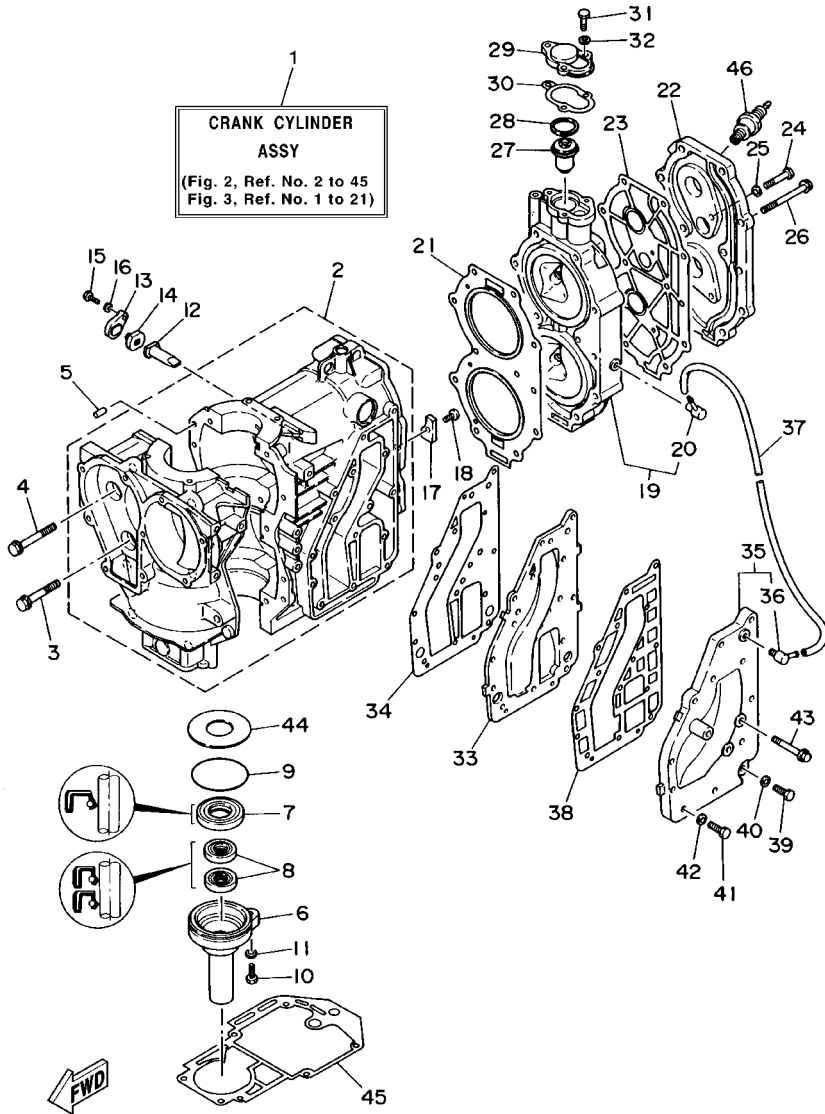
FIG. 1 TOP COWLING



FWD
61R0010-0010

REF. NO.	PART NO.	DESCRIPTION	25V	30G	REMARKS
1	61R-42610-F1-4D	TOP COWLING ASSY	1		
	61T-42610-F1-4D	TOP COWLING ASSY		1	
2	6G0-42615-00	.SEAL	1	1	
3	689-42647-00	.HOLDER, CLAMP BAND	1	1	
4	90266-04M01	.RIVET	3	3	
5	6G0-42651-02	.HOOK	1	1	
6	90266-04M00	.RIVET	2	2	
7	61N-42613-00-4D	.MOLDING, AIR DUCT	1	1	
8	90179-06M24	.NUT	4	4	
9	90480-14M14	.GROMMET	1	1	
10	61N-42628-00	.SEAL	1	1	
11	61R-W0070-10	.GRAPHIC SET	1	1	
12	61R-42677-10	.GRAPHIC, FRONT	1		
	61T-42677-10	.GRAPHIC, FRONT		1	
13	61R-42678-10	.GRAPHIC, REAR	1		
	61T-42678-10	.GRAPHIC, REAR		1	
14	61R-42683-F0	.MARK, COWLING	1	1	CV
15	6E0-44191-11	.INDICATOR, SHIFT	1	1	

FIG. 2 CYLINDER, CRANKCASE



61R0700-4020

REF. NO.	PART NO.	DESCRIPTION	25V	30G			REMARKS
1	61N-W0090-00-4D	CRANK CYLINDER ASSY	1				
	61T-W0090-01-4D	CRANK CYLINDER ASSY		1			
2	61N-15100-00-94	CRANKCASE ASSY	1	1			
3	90119-08M18	BOLT, WITH WASHER	2	2			
4	90119-08M66	BOLT, WITH WASHER	8	8			
5	93606-12019	PIN, DOWEL	2	2			
6	689-15396-01-5B	HOUSING, OIL SEAL	1	1			
7	93102-25M04	OIL SEAL	1	1			
8	93101-16M36	OIL SEAL	2	2			
9	93210-58M21	O-RING	1	1			
10	97095-06022	BOLT	1	1			
11	92995-06600	WASHER	1	1			
12	6J8-11325-00	ANODE	1	1			
13	6H3-11327-00-94	COVER, ANODE	1	1			
14	6H3-11328-00	GROMMET, ANODE	1	1			
15	97013-06016	BOLT	1	1			
16	92903-06600	WASHER, PLATE	1	1			
17	689-11325-00	ANODE	1	1			
18	90151-06M02	SCREW, COUNTERSUNK	1	1			
19	61N-11111-01-94	HEAD, CYLINDER 1	1				
	61T-11111-01-94	HEAD, CYLINDER 1		1			
20	676-11372-00	NIPPLE, HOSE	1	1			
21	61N-11181-A1	GASKET, CYLINDER HEAD 1	1	1			
22	61N-11191-01-9M	COVER, CYLINDER HEAD 1	1	1			
23	61N-11193-02	GASKET, HEAD COVER 1	1	1			
24	97013-06022	BOLT	2	2			
25	92903-06600	WASHER, PLATE	2	2			

FIG. 2 CYLINDER, CRANKCASE

REF. NO.	PART NO.	DESCRIPTION	25V	30G				REMARKS
26	90119-08M29	BOLT, WITH WASHER	11	11				
27	6E5-12411-01	THERMOSTAT	1	1				
28	90201-21567	WASHER, PLATE	1	1				
29	655-12413-01-9M	COVER, THERMOSTAT	1	1				
30	655-12414-A1	GASKET, COVER	1	1				
<hr/>								
31	97013-06020	BOLT	3	3				
32	92903-06600	WASHER, PLATE	3	3				
33	6K8-41121-00-9M	INNER COVER, EXHAUST	1	1				
34	6K8-41122-A1	GASKET, EXHAUST INNER COVER	1	1				
35	61N-41123-00-9M	OUTER COVER, EXHAUST	1	1				
<hr/>								
36	676-11372-00	.NIPPLE, HOSE	1	1				
37	90445-10M41	HOSE (L105)	1	1				
38	6K8-41124-A1	GASKET, EXHAUST OUTER COVER	1	1				
39	97013-06025	BOLT	1	1				
40	92903-06600	WASHER, PLATE	1	1				
<hr/>								
41	97013-06030	BOLT	11	11				
42	92903-06600	WASHER, PLATE	11	11				
43	90119-06MA0	BOLT, WITH WASHER	3	3				
44	90201-50306	WASHER, PLATE	1	1				
45	689-45113-A1	GASKET, UPPER CASING	1	1				
<hr/>								
46	94702-00271	PLUG, SPARK (NGK BR7HS-10)	2					
	94702-00247	PLUG, SPARK (NGK BR8HS-10)		2				
<hr/>								

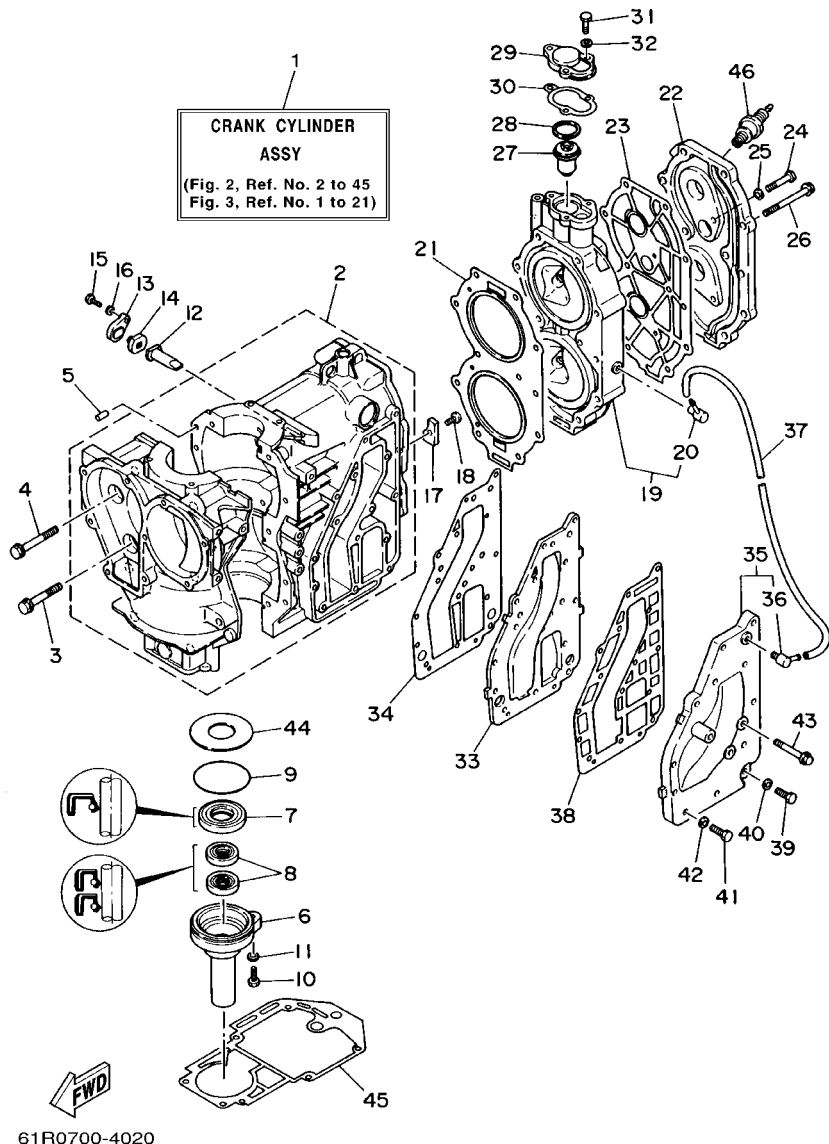
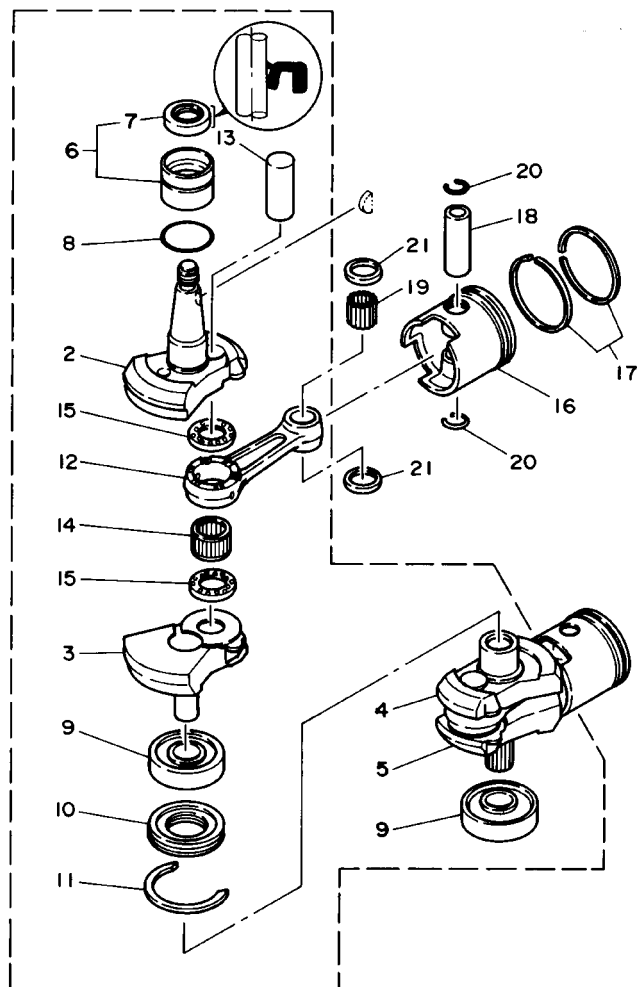


FIG. 3 CRANKSHAFT. PISTON



61R0010-4030

REF. NO.	PART NO.	DESCRIPTION	25V	30G	REMARKS
1	61N-11400-01	CRANKSHAFT ASSY	1	1	
2	61N-11412-01	.CRANK 1	1	1	
3	61N-11422-00	.CRANK 2	1	1	
4	61N-11432-00	.CRANK 3	1	1	
5	61N-11442-00	.CRANK 4	1	1	
6	93311-632V4	.BEARING	1	1	
7	93102-32M07	.OIL SEAL	1	1	
8	93210-42159	.O-RING	1	1	
9	93306-305U3	.BEARING	2	2	
10	61N-11515-00	.SEAL, LABYRINTH 1	1	1	
11	93440-62057	.CIRCLIP	1	1	
12	689-11651-00	.ROD, CONNECTING	2	2	
13	689-11681-01	.PIN, CRANK 1	2	2	
14	93310-624U5	.BEARING	2	2	
15	90209-24M03	.WASHER	4	4	
16	61N-11631-00-95	PISTON (STD)	2	2	
	61N-11635-00	PISTON (0.25MM O/S)	2	2	AP
	61N-11636-00	PISTON (0.50MM O/S)	2	2	AP
17	61N-11603-00	PISTON RING SET (STD)	2	2	
	61N-11604-00	PISTON RING SET (0.25MM O/S)	2	2	AP
	61N-11605-00	PISTON RING SET (0.50MM O/S)	2	2	AP
18	689-11633-00	PIN, PISTON	2	2	
19	93602-20M02	PIN, DOWEL	68	68	
20	688-11634-00	CLIP, PISTON PIN	4	4	
21	90201-20M27	WASHER, PLATE	4	4	

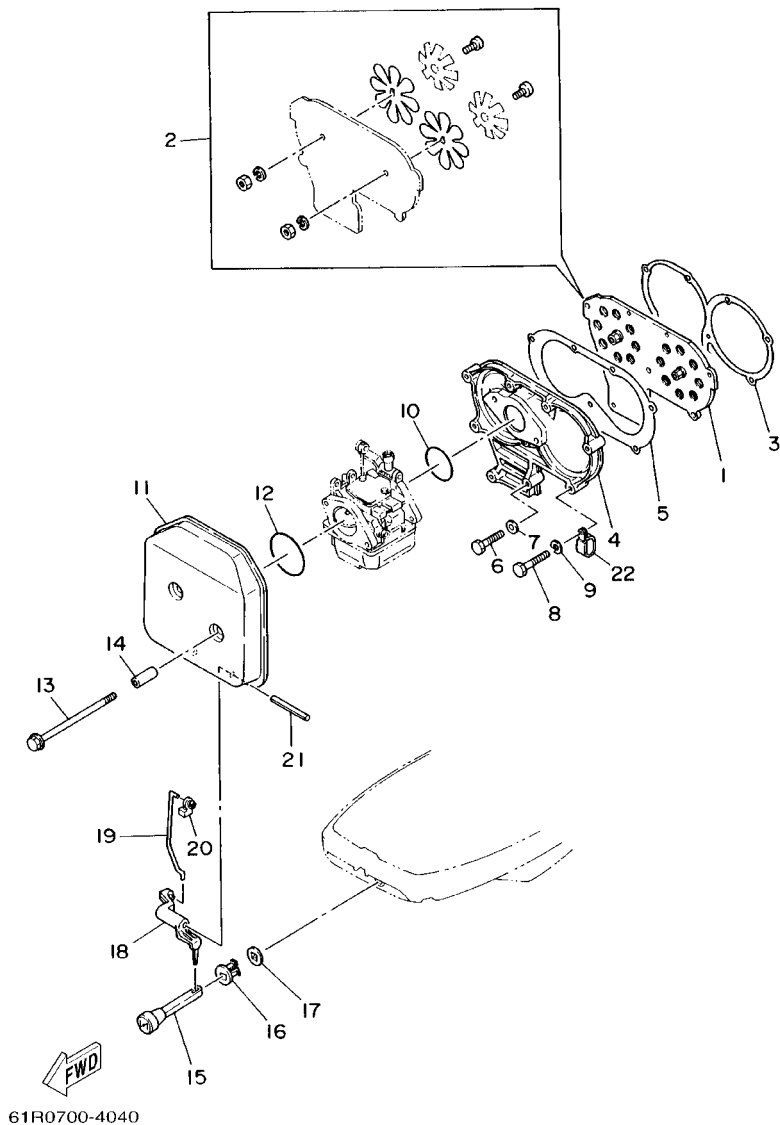
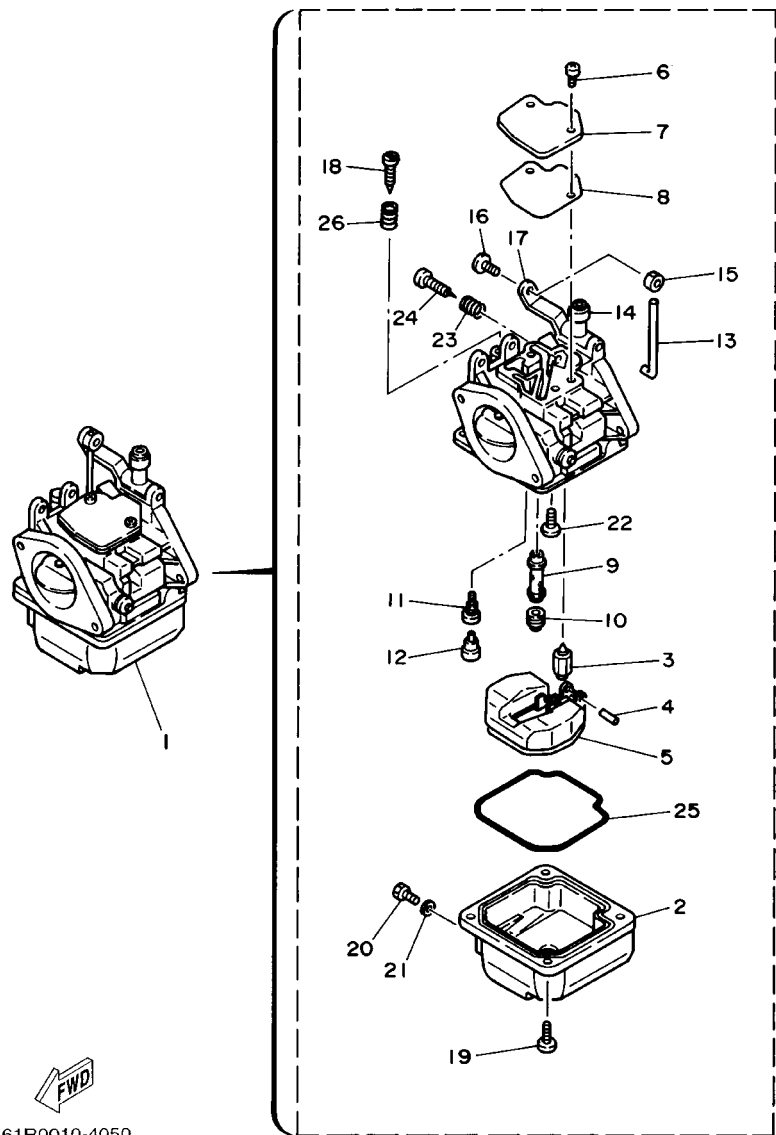


FIG. 4 INTAKE

REF. NO.	PART NO.	DESCRIPTION	25V	30G				REMARKS
1	61N-13610-00	REED VALVE ASSY	1					
	689-13610-01	REED VALVE ASSY		1				
2	689-W0004-00	.REED SET	1	1				
3	648-13621-A1	GASKET, VALVE SEAT	1	1				
4	61N-13641-01-94	MANIFOLD 1	1	1				
5	648-13645-A0	GASKET, MANIFOLD 1	1	1				
6	97013-06025	BOLT	2	2				
7	92903-06600	WASHER, PLATE	2	2				
8	97013-06035	BOLT	7	7				
9	92903-06600	WASHER, PLATE	7	7				
10	61N-14198-00	GASKET	1	1				
11	61N-14440-00	SILENCER ASSY, INTAKE	1	1				
12	93210-40659	O-RING	1	1				
13	90119-06M94	BOLT, WITH WASHER	2	2				
14	90387-06M26	COLLAR	2	2				
15	682-41271-00	KNOB, CHOKE	1	1				
16	689-41273-00	GROMMET	1	1				
17	6J8-41274-00	GROMMET 2	1	1				
18	689-41252-01	LEVER, CHOKE 1	1	1				
19	61N-41256-00	ROD, CHOKE 1	1	1				
20	661-41262-02	JOINT, CHOKE LEVER	1	1				
21	91690-40048	PIN, SPRING	1	1				
22	90465-06M88	CLAMP	1	1				

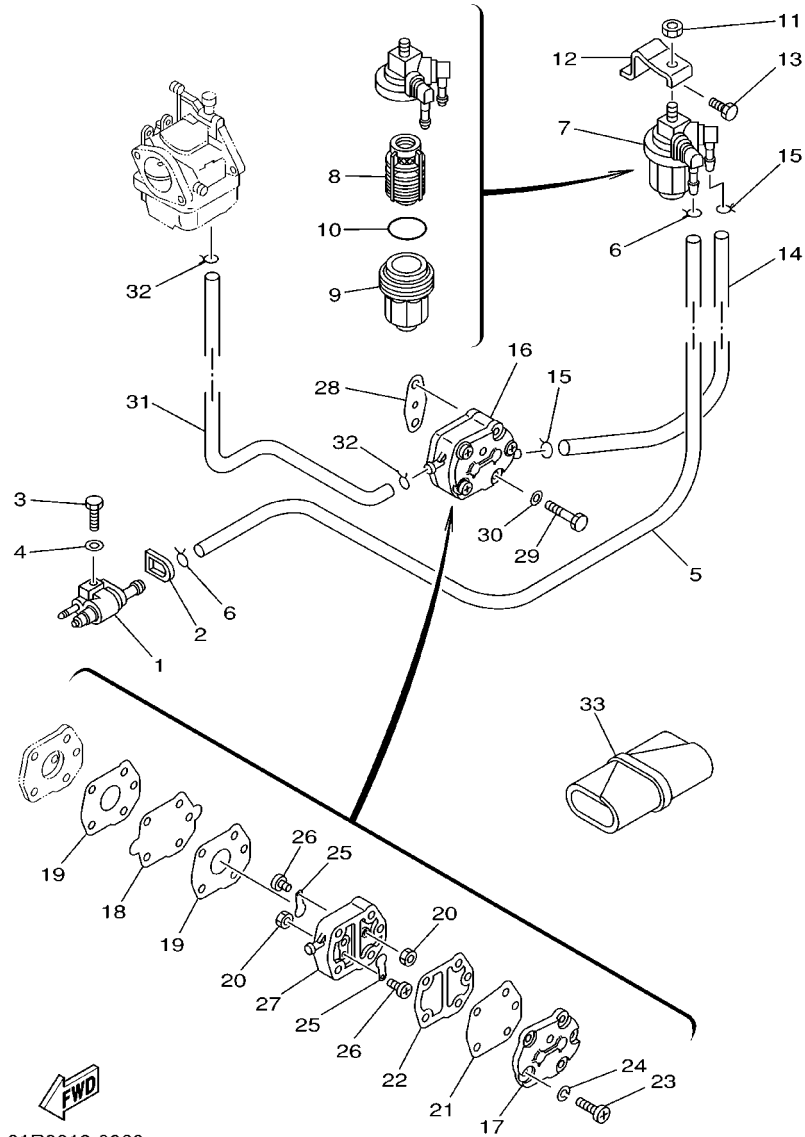
FIG. 5 CARBURETOR



61R0010-4050

REF. NO.	PART NO.	DESCRIPTION	25V	30G	REMARKS
1	61N-14301-04	CARBURETOR ASSY 1	1		
	61T-14301-02	CARBURETOR ASSY 1		1	
2	61N-14381-00	.BODY, FLOAT CHAMBER	1	1	
3	61N-14392-00	.VALVE, NEEDLE	1	1	
4	6E5-14386-01	.PIN, FLOAT	1	1	
5	6L2-14385-00	.FLOAT	1	1	
6	97980-04110	.SCREW, WITH WASHER	2	2	
7	6L2-14157-00	.COVER, MIXING	1	1	
8	6L2-14399-00	.GASKET	1	1	
9	61N-14341-00	.NOZZLE, MAIN	1		
	61T-14341-00	.NOZZLE, MAIN		1	
10	61N-14343-68	.JET, MAIN (#135)	1	1	
11	6L2-14342-34	.JET, PILOT (#68)	1	1	
12	50M-14355-00	.PLUG	1	1	
13	6J0-14379-10	.ROD, STARTER	1	1	
14	626-42658-00	.BUSHING	1	1	
15	677-41226-00	.END, THROTTLE LEVER	1	1	
16	677-14327-01	.SCREW	1	1	
17	61N-41216-00	.SHEAVE SHAFT, ACCEL. LINK	1	1	
18	664-14321-01	.SCREW, THROTTLE	1	1	
19	97980-04112	.SCREW, WITH WASHER	4	4	
20	677-14383-01	.SCREW, DRAIN	1	1	
21	6L2-14398-00	.GASKET	1	1	
22	98980-04006	.SCREW, BIND	2	2	
23	646-14212-01	.SPRING, PILOT ADJUSTING	1	1	
24	61N-14323-00	.SCREW, AIR ADJUSTING	1	1	
25	6L2-14384-00	.GASKET, FLOAT CHAMBER	1	1	

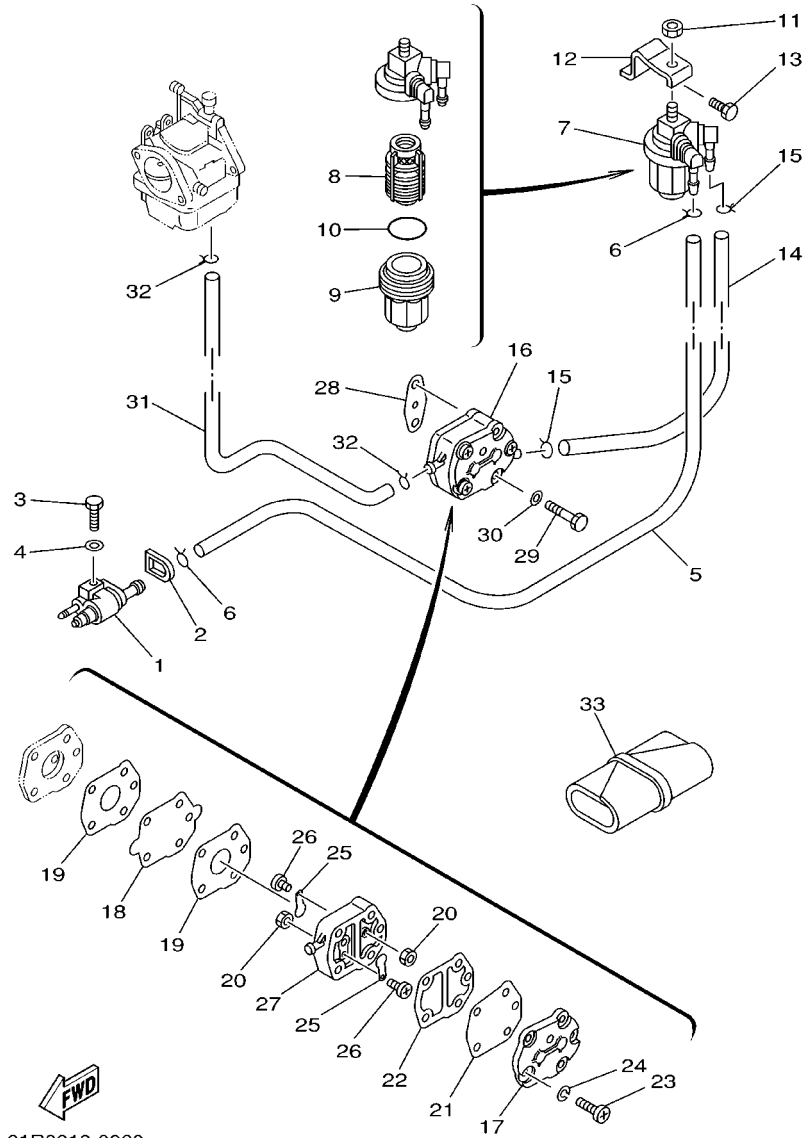
FIG. 6 FUEL



61R0010-0060

REF. NO.	PART NO.	DESCRIPTION	25V	30G	REMARKS
1	6G1-24304-02	FUEL PIPE JOINT COMP. 1	1	1	
2	61N-24329-00	SEAL	1	1	
3	97095-06020	BOLT	1	1	
4	92995-06600	WASHER	1	1	
5	90445-09M75	HOSE (L370)	1	1	
6	90467-08004	CLIP	2	2	
7	61N-24560-00	FILTER ASSY	1	1	
8	61N-24563-00	.ELEMENT, FILTER	1	1	
9	61N-24521-00	.CUP, FILTER	1	1	
10	93210-32738	.O-RING	1	1	
11	95380-08600	NUT	1	1	
12	61N-24566-01	BRACKET, FILTER	1	1	
13	97013-06014	BOLT	1	1	
14	689-24311-00	PIPE, FUEL 1	1	1	
15	90467-08004	CLIP	2	2	
16	692-24410-00	FUEL PUMP ASSY	1	1	
17	6A0-24413-00	.BODY 2	1	1	
18	692-24411-00	.DIAPHRAGM	1	1	
19	648-24434-01	.GASKET, BODY	2	2	
20	95380-03600	.NUT	2	2	
21	663-24411-00	.DIAPHRAGM	1	1	
22	648-24435-02	.GASKET, BODY 2	1	1	
23	98503-05028	.SCREW, PAN HEAD	3	3	
24	92990-05100	.WASHER, SPRING	3	3	
25	6A0-24421-01	.VALVE, CHECK	2	2	
26	6A0-14325-00	.SCREW, PAN HEAD	2	2	
27	6A0-24412-02	.BODY 1	1	1	

FIG. 6 FUEL

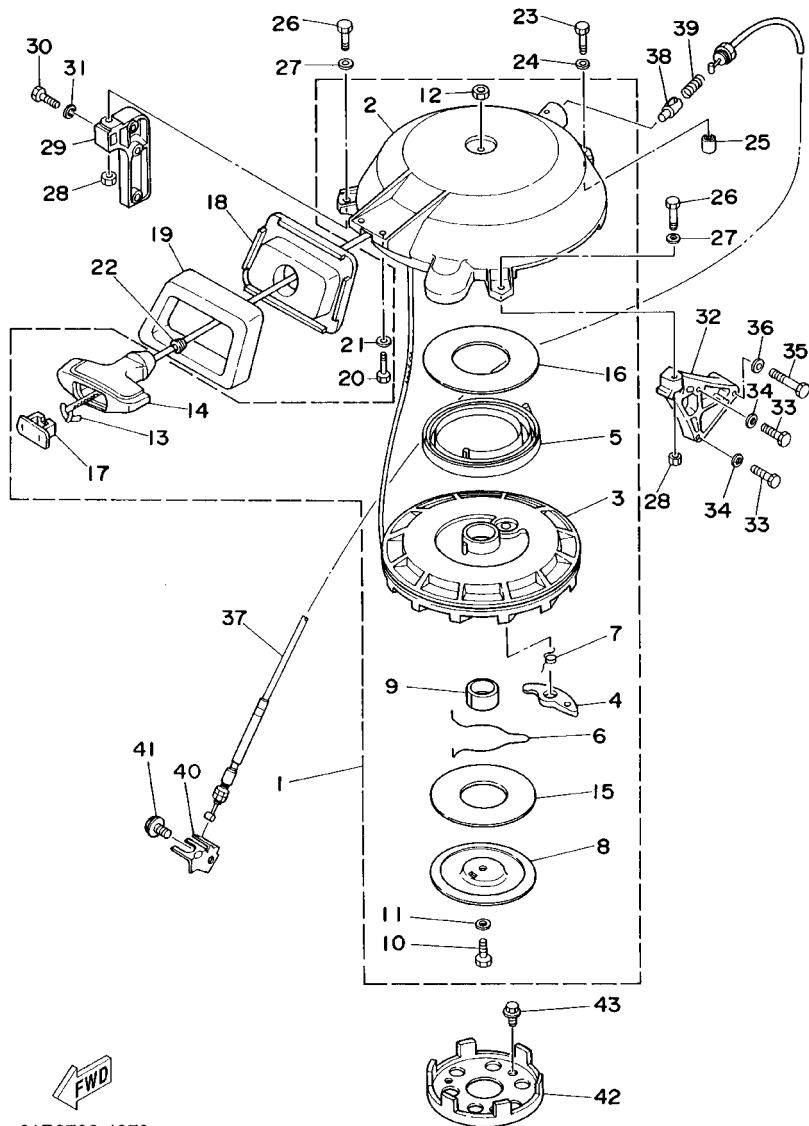


REF. NO.	PART NO.	DESCRIPTION	25V	30G				REMARKS
28	650-24431-A0	GASKET, FUEL PUMP 1	1	1				
29	97095-06040	BOLT	2	2				
30	92995-06600	WASHER	2	2				
31	6A1-24311-00	PIPE, FUEL 1	1	1				
32	90467-08004	CLIP	2	2				
33	656-W2810-02	TOOL KIT	1	1				

FIG. 7 STARTER

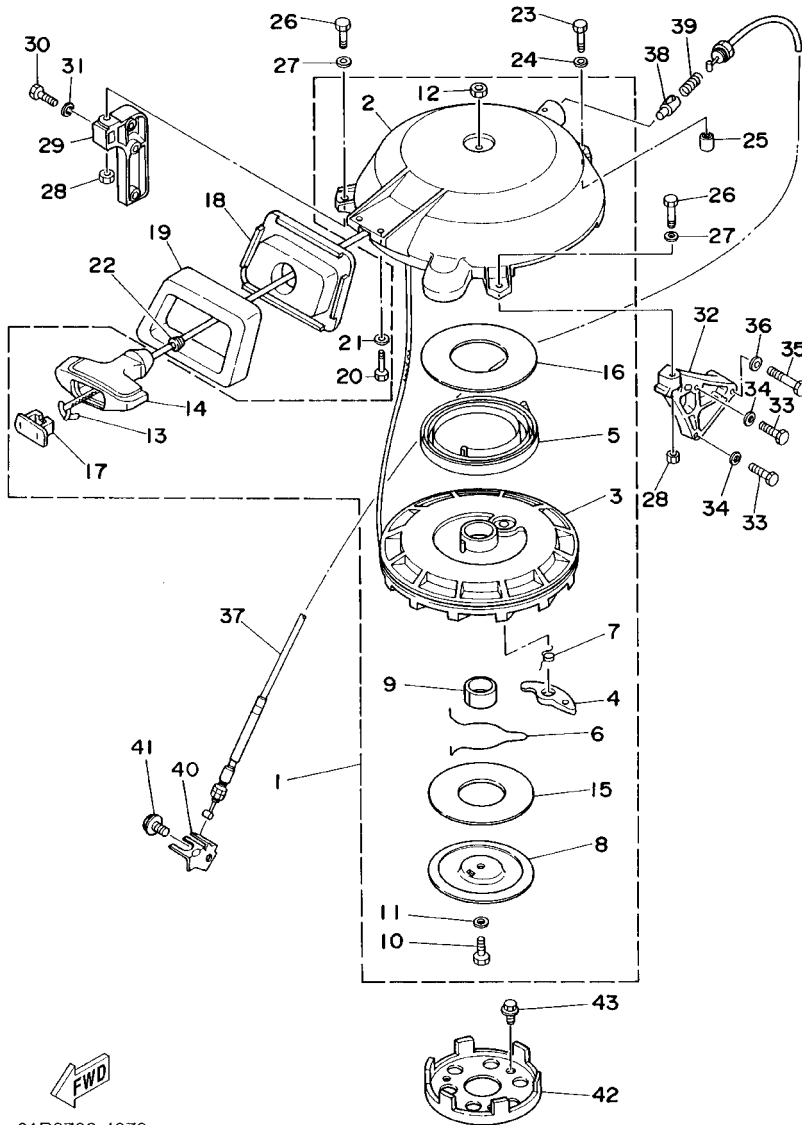
REF. NO.	PART NO.	DESCRIPTION	25V	30G	REMARKS
1	61N-W1571-11	STARTER ASSY	1	1	
2	61N-15711-10	.CASE, STARTER	1	1	
3	6G0-15714-01	.DRUM, SHEAVE	1	1	
4	6F5-15741-01	.PAWL, DRIVE	1	1	
5	6F5-15713-01	.SPRING, STARTER	1	1	
6	61N-15715-00	.SPRING, FRICTION	1	1	
7	61N-15734-00	.SPRING, RETURN	1	1	
8	6F5-15716-01	.PLATE, DRIVE	1	1	
9	6G0-15754-00	.BUSH 2	1	1	
10	97313-08030	.BOLT	1	1	
11	6F5-15726-01	.WASHER, FLAT	1	1	
12	95303-08700	.NUT	1	1	
13	*	.WIRE (L:1900MM)	1	1	
14	689-15755-01	.HANDLE, STARTER	1	1	
15	6F5-15764-00	.COLLAR 1	1	1	
16	6F5-15739-00	.WASHER, THRUST	1	1	
17	6F5-15779-02	.COVER	1	1	
18	61N-15758-01-4D	GUIDE, ROPE	1	1	
19	61N-15762-00	SEAL, RUBBER 2	1	1	
20	97095-06016	BOLT	2	2	
21	92995-06600	WASHER	2	2	
22	6A0-15789-00	DAMPER	1	1	
23	97095-06035	BOLT	1	1	
24	92995-06600	WASHER	1	1	
25	99530-10014	PIN, DOWEL	1	1	

* CUT FROM 50M ROLLS, PART NO. 90890-44373, CUTTING LENGTH 1.9M



61R0700-4070

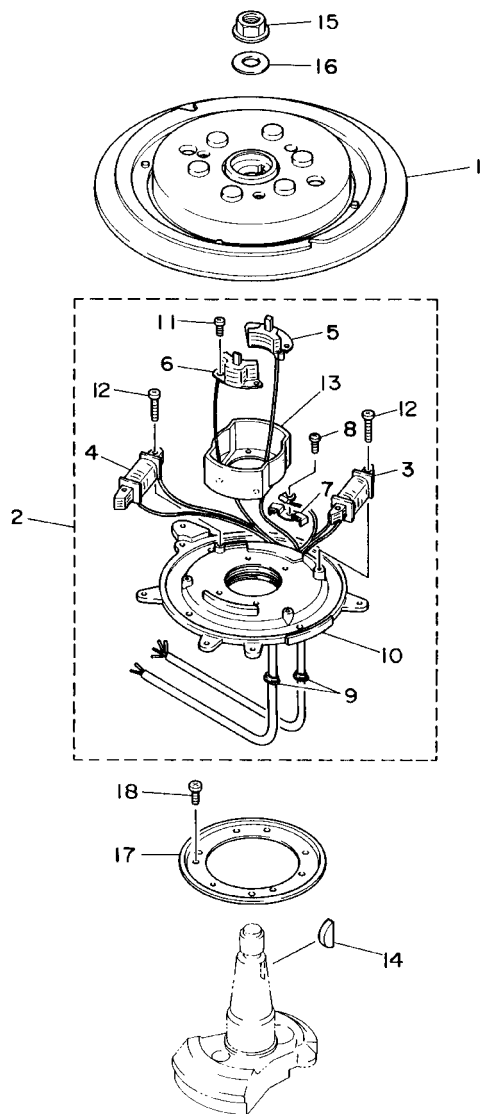
FIG. 7 STARTER



REF. NO.	PART NO.	DESCRIPTION	25V	30G			REMARKS
26	97095-06035	BOLT	2	2			
27	92995-06600	WASHER	2	2			
28	95380-06600	NUT, HEXAGON	2	2			
29	6H7-15771-01-94	STAY 1	1	1			
30	97013-06025	BOLT	2	2			
31	92903-06600	WASHER, PLATE	2	2			
32	656-15772-00-94	STAY 2	1	1			
33	97013-06025	BOLT	2	2			
34	92903-06600	WASHER, PLATE	2	2			
35	97013-06045	BOLT	1	1			
36	92903-06600	WASHER, PLATE	1	1			
37	61T-15770-00	CABLE COMP., STARTER STOP	1	1			
38	656-15748-00	PLUNGER, STARTER STOP	1	1			
39	90501-10227	SPRING, COMPRESSION	1	1			
40	61T-15774-40-94	STAY 4	1	1			
41	97095-06010	BOLT	1	1			
42	6F5-15723-01	PULLEY, STARTER	1	1			
43	90105-08M10	BOLT, WASHER BASED	3	3			

FWD
61R0700-4070

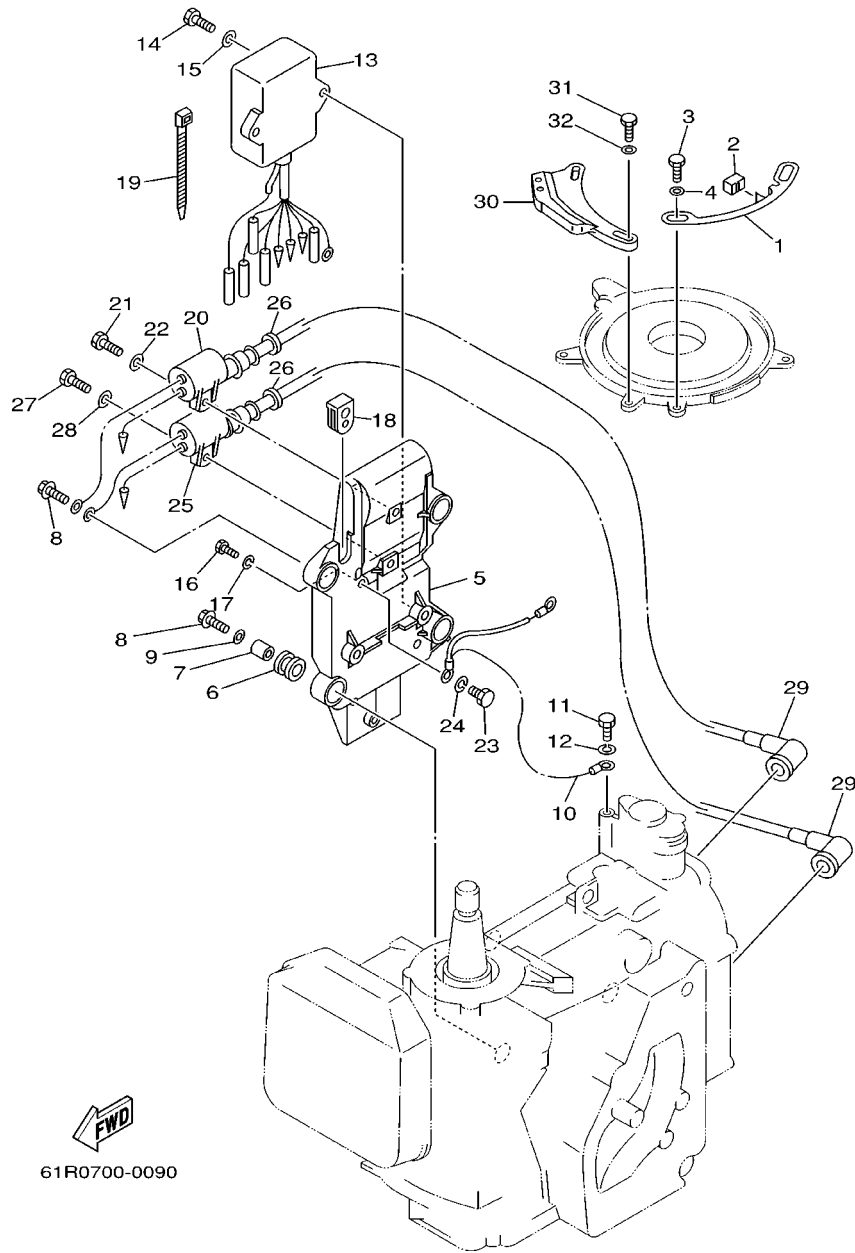
FIG. 8 GENERATOR



REF. NO.	PART NO.	DESCRIPTION	25V	30G			REMARKS
1	61N-85550-10	ROTOR ASSY	1	1			
2	61N-85560-10	BASE ASSY	1	1			
3	61N-85541-19	.COIL, CHARGE	1	1			
4	61N-81313-09	.COIL, LIGHTING 1	1	1			
5	61N-85543-09	.COIL, PULSER	1	1			
6	61N-85543-19	.COIL, PULSER	1	1			
7	6E9-81328-70	.CLAMP	1	1			
8	97802-04006	.SCREW, PAN HEAD	1	1			
9	6E9-85516-70	.GROMMET	2	2			
10	61N-85561-00	.BASE, MAGNETO	1	1			
11	97607-04112	.SCREW, PAN HEAD WITH WASHER	4	4			
12	97607-06125	.SCREW, PAN HEAD WITH WASHER	4	4			
13	61N-85537-00	.COVER	1	1			
14	90280-05015	KEY, WOODRUFF	1	1			
15	90179-16M05	NUT	1	1			
16	90201-16M44	WASHER, PLATE	1	1			
17	689-41612-01	RETAINER, MAGNETO BASE	1	1			
18	97880-06010	SCREW, PAN HEAD	4	4			


61R0700-4080

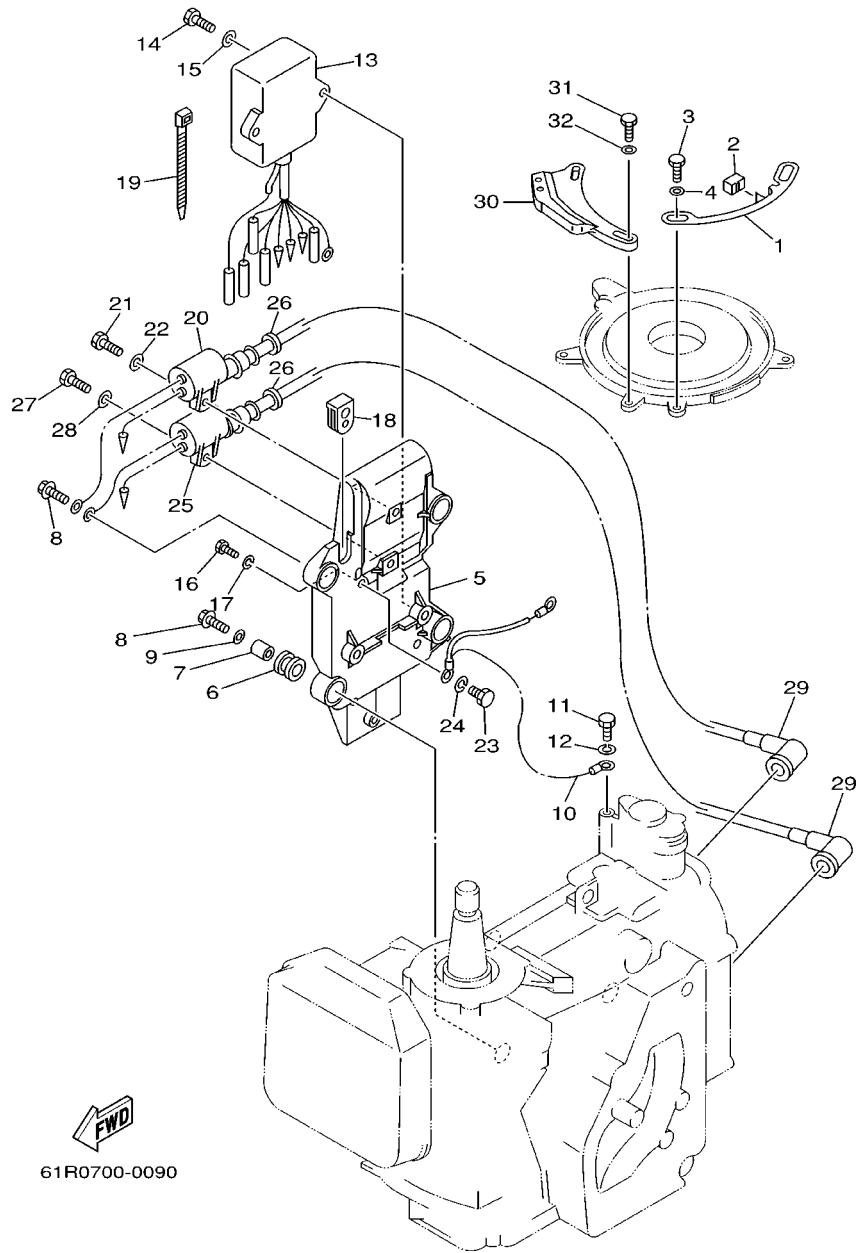
FIG. 9 ELECTRICAL



61R0700-0090

REF. NO.	PART NO.	DESCRIPTION	25V	30G			REMARKS
1	61N-41615-00	STOPPER, MAGNETO BASE	1	1			
2	61N-44194-01	CAP	1				
	61T-44194-01	CAP		1			
3	97095-06010	BOLT	2	2			
4	92995-06600	WASHER	2	2			
5	61N-85542-00-94	BRACKET	1	1			
6	61N-82317-00	DAMPER, IGNITION COIL	4	4			
7	624-42542-00	PIPE	4	4			
8	90119-06M95	BOLT, WITH WASHER	4	4			
9	90201-06M30	WASHER, PLATE	2	2			
10	61N-82519-01	WIRE, EARTH LEAD	1	1			
11	97090-06012	BOLT	1	1			
12	92990-06100	WASHER, SPRING	1	1			
13	61N-85540-11	C.D.I. UNIT ASSY	1	1			
14	97095-06020	BOLT	2	2			
15	92995-06600	WASHER	2	2			
16	97090-06012	BOLT	1	1			
17	92990-06100	WASHER, SPRING	1	1			
18	6H3-81922-00	GROMMET	1	1			
19	90465-13M11	CLAMP	1	1			
20	6H5-85570-00	IGNITION COIL ASSY	1	1			
21	97095-06020	BOLT	1	1			
22	92995-06600	WASHER	1	1			
23	97090-06012	BOLT	1	1			
24	92990-06100	WASHER, SPRING	1	1			
25	61N-85570-00	IGNITION COIL ASSY	1	1			
26	90480-25161	GROMMET	2	2			

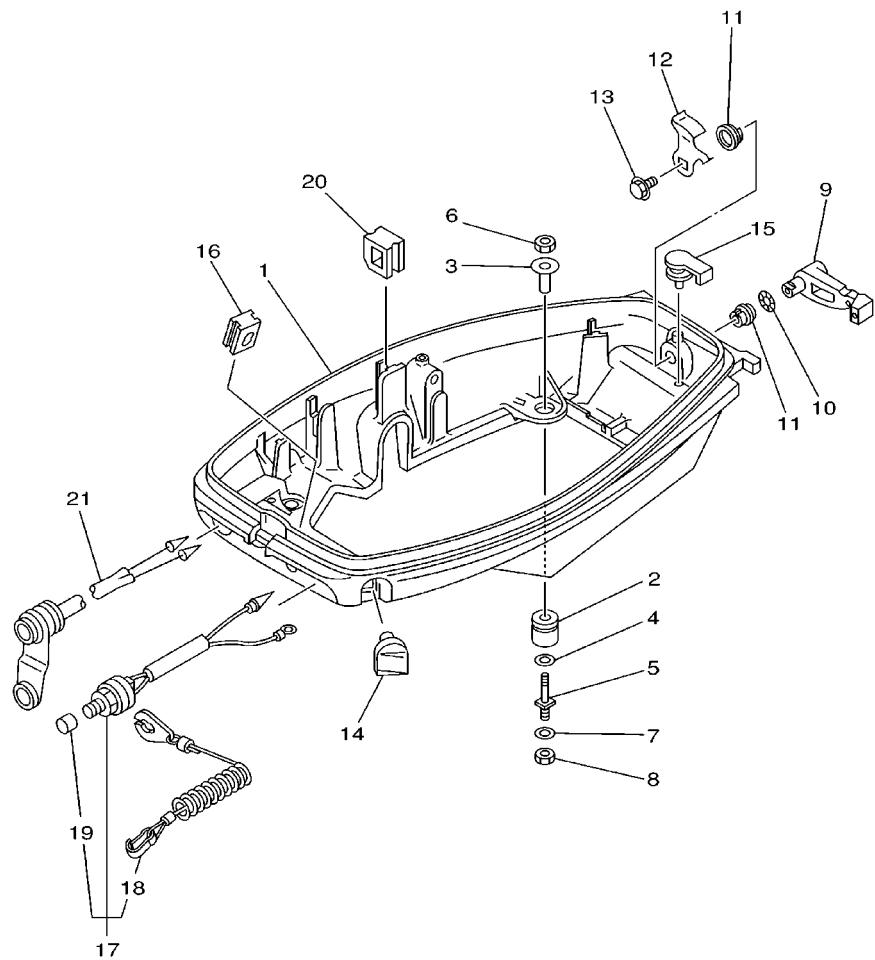
FIG. 9 ELECTRICAL



61R0700-0090

REF. NO.	PART NO.	DESCRIPTION	25V	30G	REMARKS
27	97095-06020	BOLT	1	1	
28	92995-06600	WASHER	1	1	
29	6G1-82370-21	PLUG CAP ASSY	2	2	
30	61N-41213-01-94	CAM, ACCEL.	1	1	
31	97095-05016	BOLT	2	2	
32	92995-05600	WASHER	2	2	

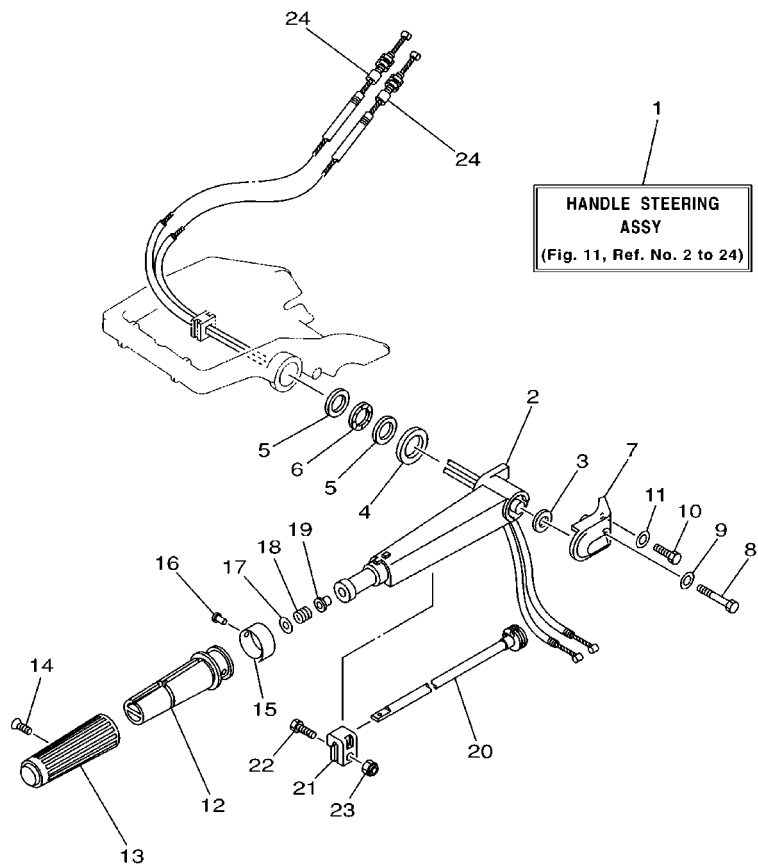
FIG. 10 BOTTOM COWLING



61R0700-1100

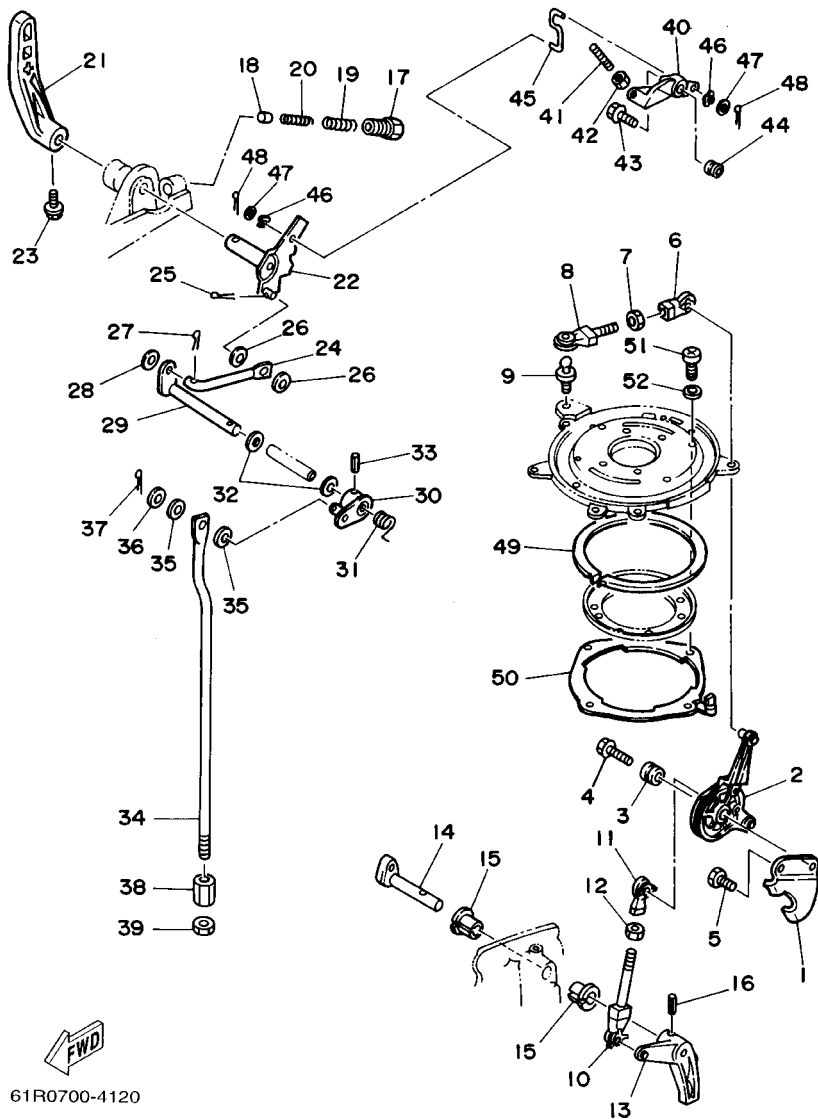
REF. NO.	PART NO.	DESCRIPTION	25V	30G				REMARKS
1	689-42711-04-4D	COWLING, BOTTOM	1	1				
2	90480-15M06	GROMMET	4	4				
3	90387-08M25	COLLAR	4	4				
4	90201-08M87	WASHER, PLATE	4	4				
5	6G0-42796-00	BOLT 1	4	4				
6	95380-08700	NUT	4	4				
7	92995-08600	WASHER	4	4				
8	95380-08700	NUT	4	4				
9	689-42815-00	LEVER, CLAMP	1	1				
10	90206-12052	WASHER, WAVE	1	1				
11	90386-12069	BUSH	2	2				
12	689-42816-00	LEVER, CLAMP	1	1				
13	90119-06M73	BOLT, WITH WASHER	1	1				
14	689-42725-01	GROMMET	1	1				
15	647-42523-00	SPACER, FRICTION	1	1				
16	61N-26326-00	GROMMET	1	1				
17	6E9-82575-02	ENGINE STOP SWITCH ASSY	1	1				
18	682-82556-00	.STOPPER	1	1				
19	689-8257Y-00	.CAP	1	1				
20	90480-17M08	GROMMET	1	1				
21	682-84381-00	2P CONCENT	1	1				

FIG. 11 STEERING



61R0700-1110

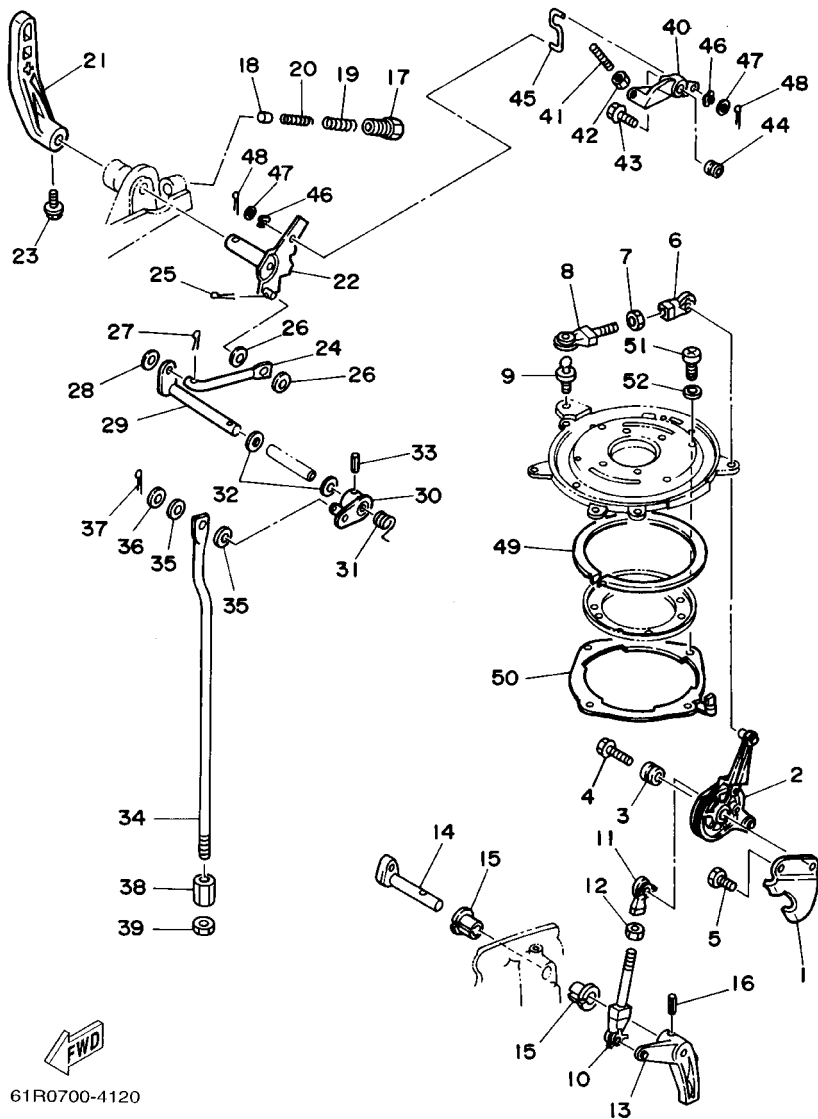
REF. NO.	PART NO.	DESCRIPTION	25V	30G				REMARKS
1	61N-W0084-01-4D	HANDLE STEERING ASSY	1	1				
2	689-42111-01-4D	HANDLE, STEERING	1	1				
3	90560-14076	SPACER	1	1				
4	90202-34043	WASHER, PLATE	1	1				
5	90201-28M00	WASHER, PLATE	2	2				
6	90206-28M07	WASHER, WAVE	1	1				
7	689-42112-01-4D	HANDLE, STEERING	1	1				
8	97095-06050	BOLT	1	1				
9	92995-06600	WASHER	1	1				
10	97095-06020	BOLT	1	1				
11	92995-06600	WASHER	1	1				
12	664-42119-00	GRIP, STEERING HANDLE	1	1				
13	6F6-42177-A0	RUBBER, HANDLE	1	1				
14	90149-05M13	SCREW	1	1				
15	689-42137-30	INDICATOR, THROTTLE	1	1				
16	90269-02M09	RIVET	1	1				
17	92903-10600	WASHER, PLATE	1	1				
18	90501-23215	SPRING, COMPRESSION	1	1				
19	90386-08032	BUSH	1	1				
20	689-42138-00	LEVER, THROTTLE	1	1				
21	656-42126-01	FRICTION, STEERING HANDLE GRIP	1	1				
22	97095-06020	BOLT	1	1				
23	90185-06062	NUT, SELF-LOCKING	1	1				
24	61N-26311-00	CABLE, THROTTLE 1	2	2				



61R0700-4120

FIG. 12 CONTROL

REF. NO.	PART NO.	DESCRIPTION	25V	30G	REMARKS
1	689-14497-00	STAY, THROTTLE WIRE	1	1	
2	61N-41631-00-94	LEVER, MAGNETO CONTROL	1	1	
3	90387-06M02	COLLAR	1	1	
4	90119-06M49	BOLT, WITH WASHER	1	1	
5	97095-06012	BOLT	1	1	
6	662-41237-01	JOINT, LINK	1	1	
7	95380-05700	NUT	1	1	
8	679-41241-01	ROD, LINK	1	1	
9	663-85518-00	JOINT, BALL	1	1	
10	689-42169-01	JOINT	1	1	
11	662-41237-01	JOINT, LINK	1	1	
12	95380-05600	NUT	1	1	
13	689-42154-70-94	LEVER, THROTTLE CONTROL	1	1	
14	656-42153-00-94	SHAFT, THROTTLE CONTROL	1	1	
15	90386-10009	BUSH	2	2	
16	91690-40018	PIN, SPRING	1	1	
17	664-42715-00	BUSHING	1	1	
18	664-44167-00	PLUNGER, SHIFT CAM	1	1	
19	90501-14M07	SPRING, COMPRESSION	1	1	
20	90501-09M08	SPRING, COMPRESSION	1	1	
21	689-44111-01-4D	HANDLE, GEAR SHIFT	1	1	
22	664-44113-01	CAM PLATE, HANDLE	1	1	
23	90105-06M07	BOLT, WASHER BASED	1	1	
24	664-44142-00	JOINT	1	1	
25	91490-16010	PIN, COTTER	1	1	
26	90202-06007	WASHER, PLATE	2	2	
27	91490-12010	PIN, COTTER	1	1	

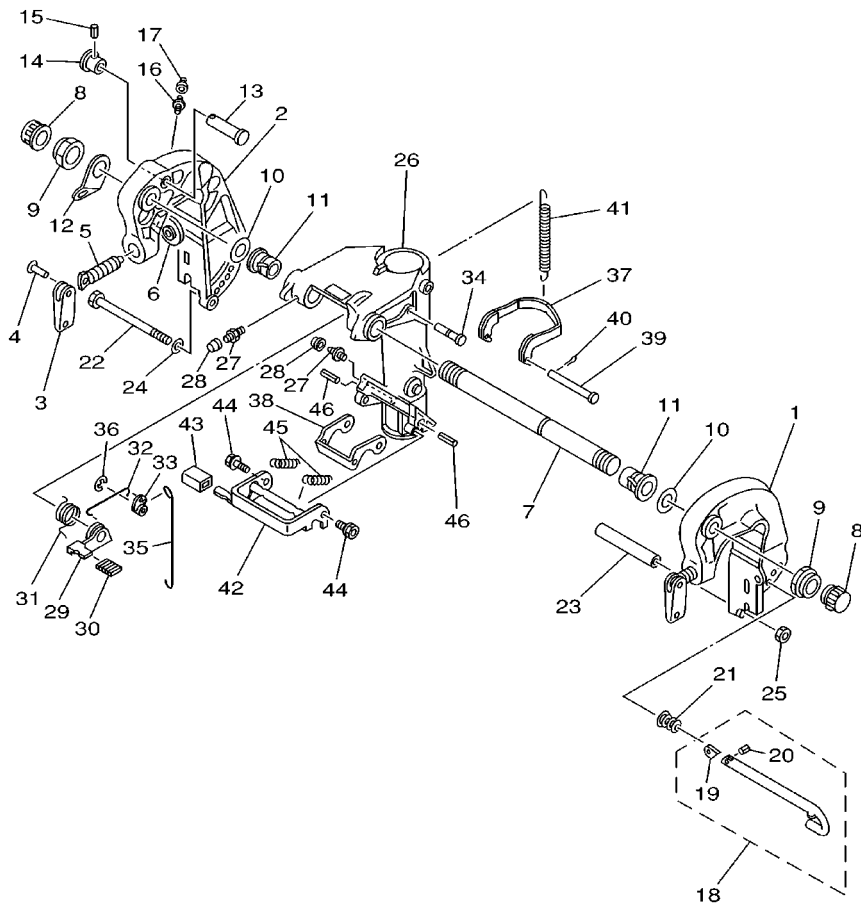


61R0700-4120

FIG. 12 CONTROL

REF. NO.	PART NO.	DESCRIPTION	25V	30G	REMARKS
28	92990-05600	WASHER, PLATE	1	1	
29	689-44121-01	LEVER, SHIFT ROD	1	1	
30	689-44125-00	LEVER, SHIFT ROD	1	1	
31	90508-14M13	SPRING, TORSION	1	1	
32	90202-10024	WASHER, PLATE	2	2	
33	91690-40016	PIN, SPRING	1	1	
34	61N-44143-00	ROD, SHIFT	1	1	
35	90202-06007	WASHER, PLATE	2	2	
36	92990-05600	WASHER, PLATE	1	1	
37	91490-20010	PIN, COTTER	1	1	
38	61N-44146-00	CONNECTOR, SHIFT ROD	1	1	
39	95380-06600	NUT, HEXAGON	1	1	
40	689-15746-70	ARM	1	1	
41	90113-05M00	BOLT, SET	1	1	
42	95380-05600	NUT	1	1	
43	90119-06M50	BOLT, WITH WASHER	1	1	
44	90387-06M02	COLLAR	1	1	
45	689-15747-70	LINK	1	1	
46	90206-05005	WASHER, WAVE	2	2	
47	92903-05600	WASHER, PLATE	3	3	
48	91490-16010	PIN, COTTER	2	2	
49	676-41611-00	RETAINER, MAGNETO BASE	1	1	
50	676-41613-00	PLATE, BASE FRICTION	1	1	
51	97880-05012	SCREW, PAN HEAD	4	4	
52	92990-05600	WASHER, PLATE	4	4	

FIG. 13 BRACKET 1

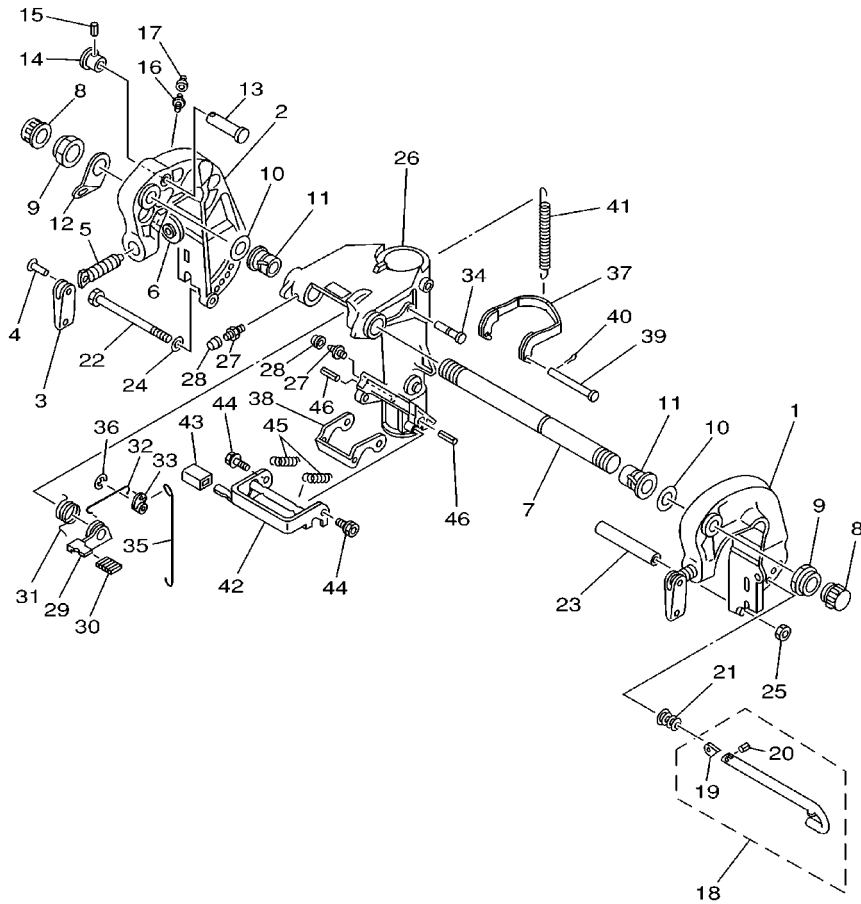


FWD
69R0010-1150

REF. NO.	PART NO.	DESCRIPTION	25V	30G	REMARKS
1	689-43111-03-4D	BRACKET, CLAMP	1	1	
2	689-43112-02-4D	BRACKET, CLAMP	1	1	
3	6E0-43118-01	HANDLE, TRANSOM CLAMP	2	2	
4	90243-04M01	PIN	2	2	
5	90149-14030	SCREW	2	2	
6	648-43114-01	PAD, TRANSOM CLAMP	2	2	
7	6J8-43131-01	BOLT, CLAMP BRACKET	1	1	
8	6G5-43145-01	CAP, CLAMP BRACKET	2	2	
9	90185-22043	NUT, SELF-LOCKING	2	2	
10	90201-22M03	WASHER, PLATE	2	2	
11	90386-22M67	BUSH	2	2	
12	6J8-43113-01	PLATE, CLAMP BRACKET	1	1	
13	689-43191-00	SHAFT, STOPPER	1	1	
14	689-43192-01	KNOB, STOPPER	1	1	
15	91690-30016	PIN, SPRING	1	1	
16	93700-06M03	NIPPLE, GREASE	1	1	
17	663-45119-00	CAP, GREASE NIPPLE	1	1	AP
18	689-43160-00	TILT ROD ASSY	1	1	
19	689-43165-00	.PLATE, TILT LOCK	1	1	
20	91690-30008	.PIN, SPRING	1	1	
21	90502-10M07	SPRING, CONICAL	1	1	
22	90101-08339	BOLT	1	1	
23	90387-08M03	COLLAR	1	1	
24	92995-08600	WASHER	1	1	
25	95380-08600	NUT	1	1	
26	689-43311-03-4D	BRACKET, SWIVEL 1	1	1	
27	93700-06M03	NIPPLE, GREASE	3	3	

D1

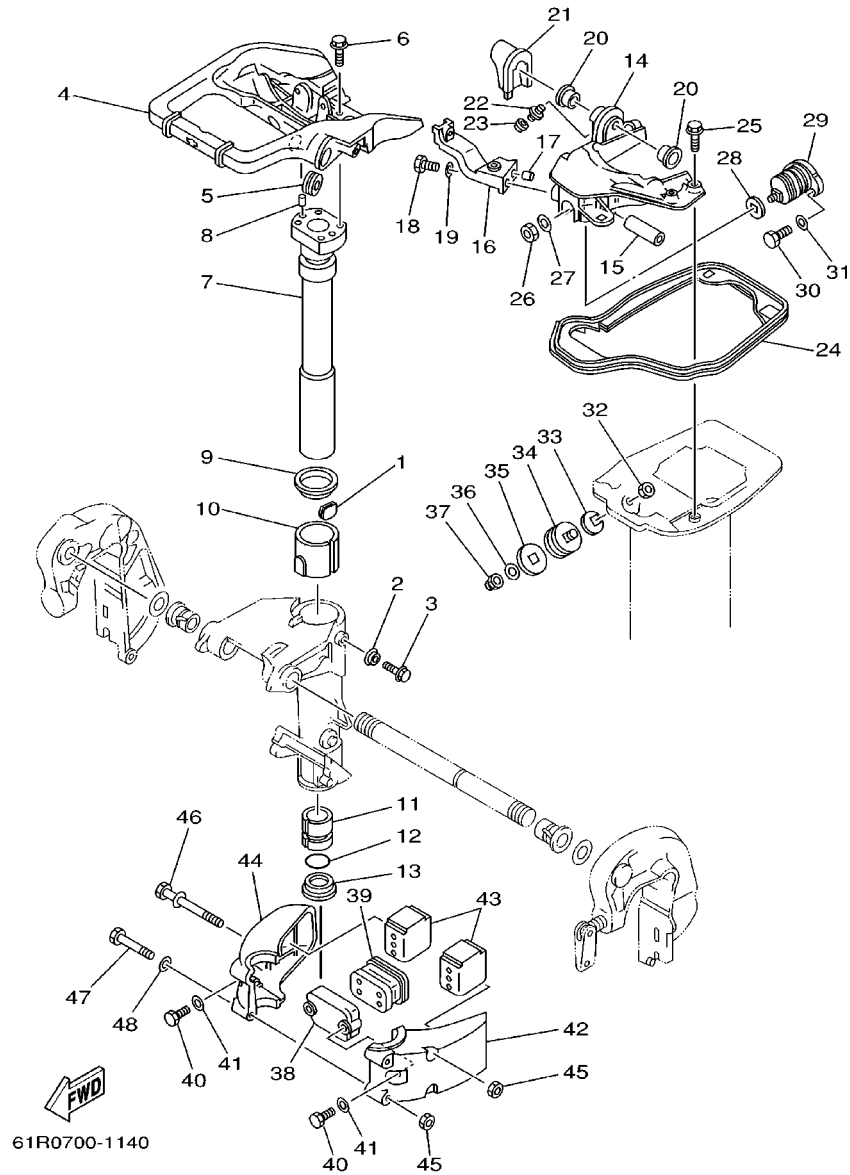
FIG. 13 BRACKET 1



FWD
69R0010-1150

REF. NO.	PART NO.	DESCRIPTION	25V	30G		REMARKS
28	663-45119-00	CAP, GREASE NIPPLE	3	3		AP
29	689-43631-00	LEVER, TILT	1	1		
30	689-43633-00	COVER, TILT LEVER	1	1		
31	689-43643-00	SPRING	1	1		
32	689-43616-00	ROD, TILT LOCK	1	1		
33	648-43642-00	LEVER, TILT 1	1	1		
34	90249-06M22	PIN	1	1		
35	648-43617-00	ROD, TILT LOCK	1	1		
36	99080-05600	CIRCLIP	1	1		
37	689-43614-01	PLATE, TILT LOCK	1	1		
38	648-43615-00	PLATE, TILT LOCK	1	1		
39	90240-05047	PIN, CLEVIS	1	1		
40	91490-16010	PIN, COTTER	1	1		
41	90506-30M27	SPRING, TENSION	1	1		
42	689-43681-01	LEVER, SHALLOW WATER DRIVE 1	1	1		
43	682-43318-01	COVER	1	1		
44	90109-06M18	BOLT	2	2		
45	90506-16M17	SPRING, TENSION	2	2		
46	91690-40035	PIN, SPRING	2	2		

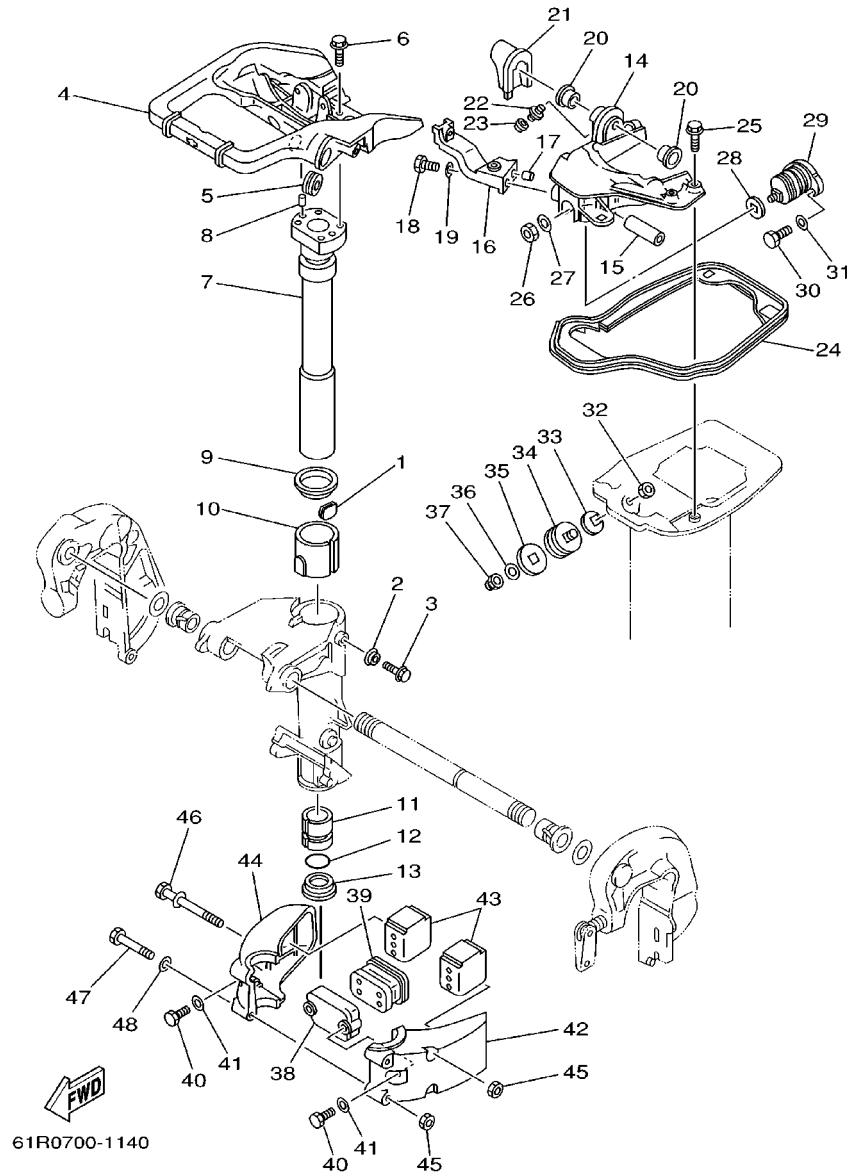
FIG. 14 BRACKET 2



61R0700-1140

REF. NO.	PART NO.	DESCRIPTION	25V	30G	REMARKS
1	648-42528-00	PLATE, FRICTION	1	1	
2	689-43373-01	SEAL, DAMPER	1	1	
3	90105-06M18	BOLT, WASHER BASED	1	1	
4	689-42511-02-4D	BRACKET, STEERING	1	1	
5	90480-29045	GROMMET	1	1	
6	90105-06M07	BOLT, WASHER BASED	4	4	
7	689-42521-00-94	SHAFT, STEERING PIVOT	1	1	
8	93608-12063	PIN, DOWEL	2	2	
9	90209-47016	WASHER	1	1	
10	90386-47M22	BUSH	1	1	
11	90386-38090	BUSH	1	1	
12	93210-37160	O-RING	1	1	
13	90386-38022	BUSH	1	1	
14	648-44518-01-94	BRACKET COMP.	1	1	
15	90387-10M39	COLLAR	1	1	
16	648-44519-00-94	BRACKET	1	1	
17	93606-12019	PIN, DOWEL	1	1	
18	97095-06018	BOLT	1	1	
19	92995-06600	WASHER	1	1	
20	90381-12M01	BUSH, SOLID	2	2	
21	689-42718-00	RUBBER, SEAL 3	1	1	
22	93700-06M03	NIPPLE, GREASE	1	1	
23	663-45119-00	CAP, GREASE NIPPLE	1	1	AP
24	689-42716-00	RUBBER, SEAL 1	1	1	
25	90105-06M08	BOLT, WASHER BASED	4	4	
26	90170-10M42	NUT	1	1	
27	92990-10200	WASHER, PLAIN	1	1	

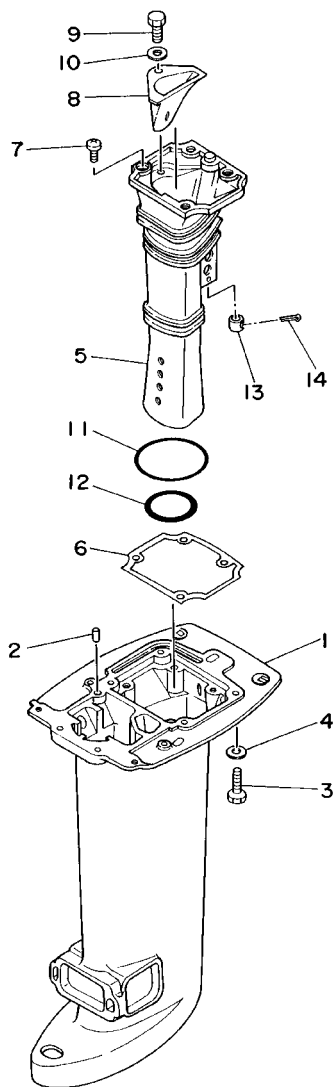
FIG. 14 BRACKET 2



61R0700-1140

REF. NO.	PART NO.	DESCRIPTION	25V	30G	REMARKS
28	648-44591-A0	GASKET	1	1	
29	689-44516-00	MOUNT DAMPER, UPPER FRONT	1	1	
30	97095-06020	BOLT	2	2	
31	92995-06600	WASHER	2	2	
32	90170-10M42	NUT	2	2	
33	648-44591-A0	GASKET	2	2	
34	664-44514-00-94	MOUNT DAMPER, UPPER SIDE	2	2	
35	664-44591-A0	GASKET	2	2	
36	92990-10200	WASHER, PLAIN	2	2	
37	90176-10M01	NUT, CROWN	2	2	
38	689-44553-00-94	COVER, LOWER MOUNT	1	1	
39	689-44557-00	MOUNT DAMPER, LOWER FRONT	1	1	
40	97075-08025	BOLT	2	2	
41	92995-08600	WASHER	2	2	
42	689-44551-01-4D	HOUSING, LOWER MOUNT RUBBER	1	1	
43	689-44555-00	MOUNT DAMPER, LOWER SIDE	2	2	
44	689-44552-01-4D	HOUSING, LOWER MOUNT RUBBER	1	1	
45	95380-08600	NUT	4	4	
46	90119-08M03	BOLT, WITH WASHER	2	2	
47	97095-08065	BOLT	2	2	
48	92995-08600	WASHER	2	2	

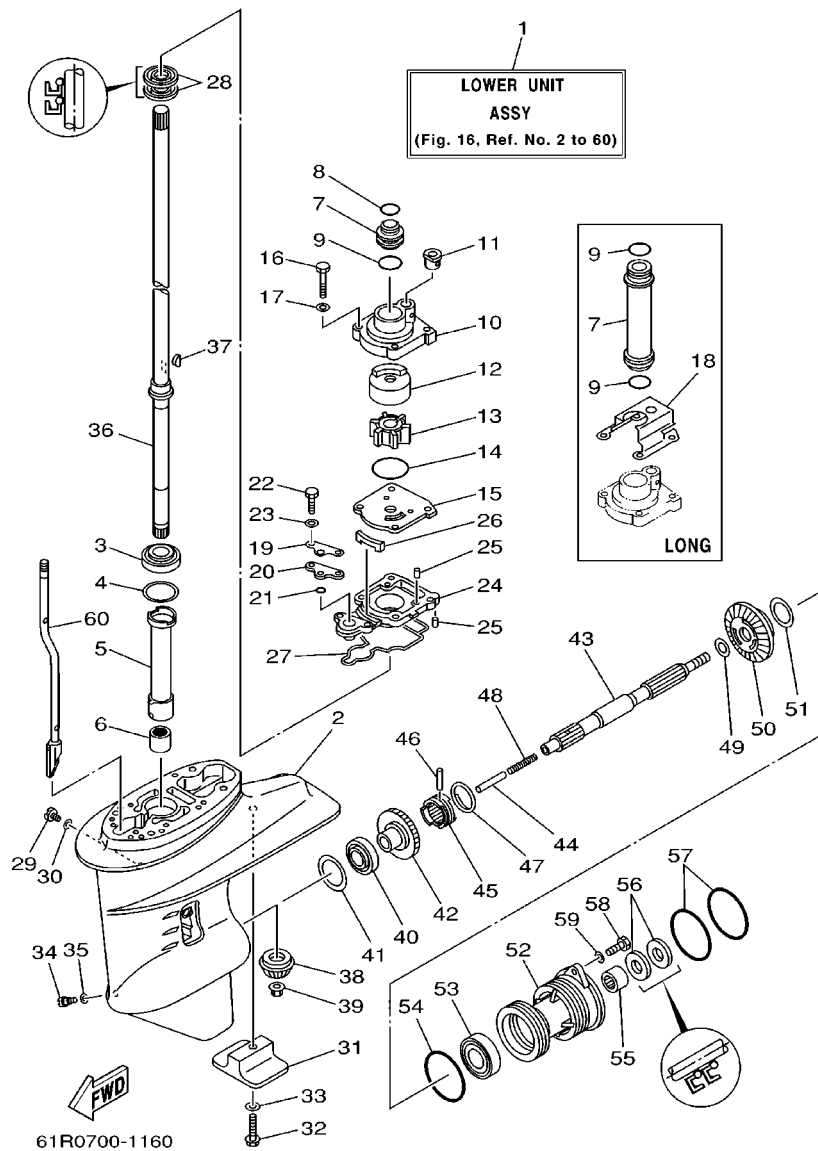
FIG. 15 UPPER CASING



REF. NO.	PART NO.	DESCRIPTION	25V	30G				REMARKS
1	689-45111-04-4D	CASING, UPPER	1	1				S
	689-45111-13-4D	CASING, UPPER	1					L
2	93606-12019	PIN, DOWEL	2	2				
3	97075-08030	BOLT	6	6				
4	92995-08600	WASHER	6	6				
5	689-41131-00-5B	MANIFOLD, EXT. 1	1	1				
6	664-41134-A0	GASKET, EXHAUST MANIFOLD	1	1				
7	97880-06016	SCREW, PAN HEAD	4	4				
8	689-41137-00-94	GUIDE, EXHAUST	1	1				
9	97095-08020	BOLT	1	1				
10	92995-08600	WASHER	1	1				
11	689-41141-00	SEAL 1	1	1				
12	689-41142-00	SEAL	1	1				
13	6A8-41135-00	GASKET, EXHAUST MANIFOLD	1	1				S
	689-41135-00	GASKET, EXHAUST MANIFOLD	1					L
14	91490-30025	PIN, COTTER	1	1				

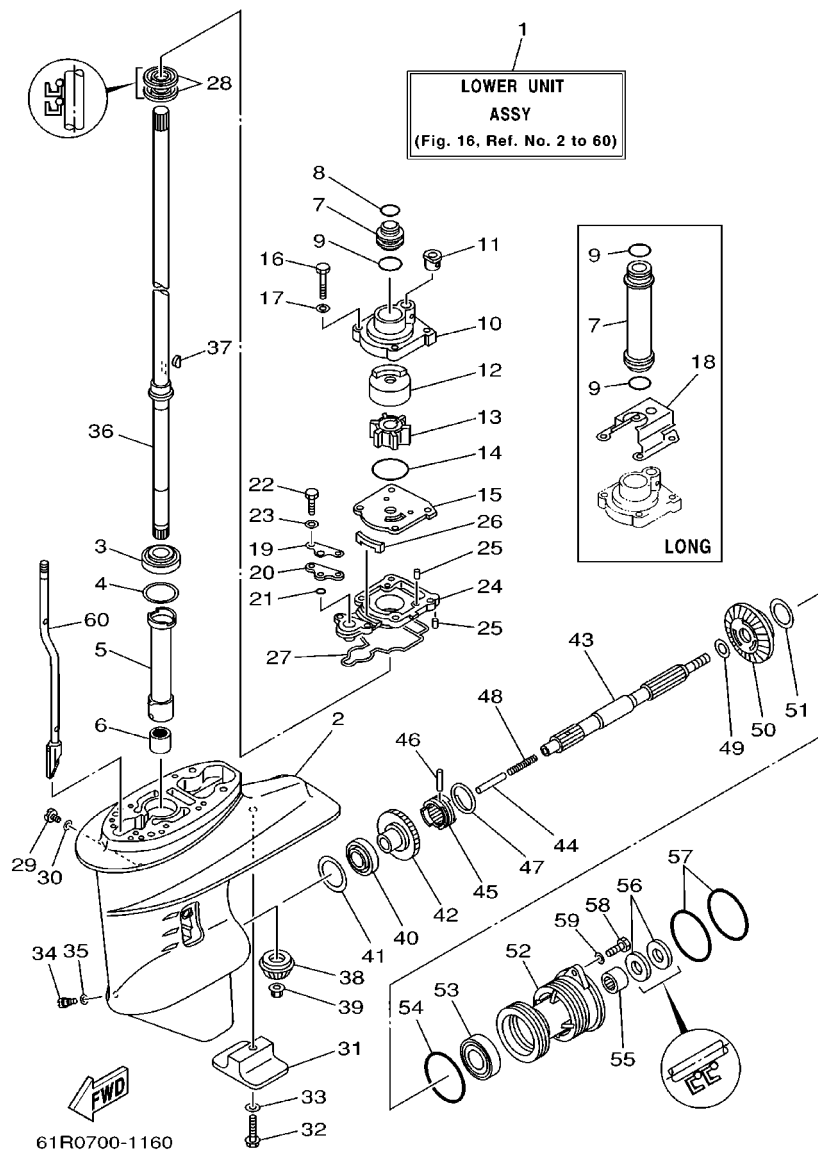
61R0700-4140

FIG. 16 LOWER CASING. DRIVE 1



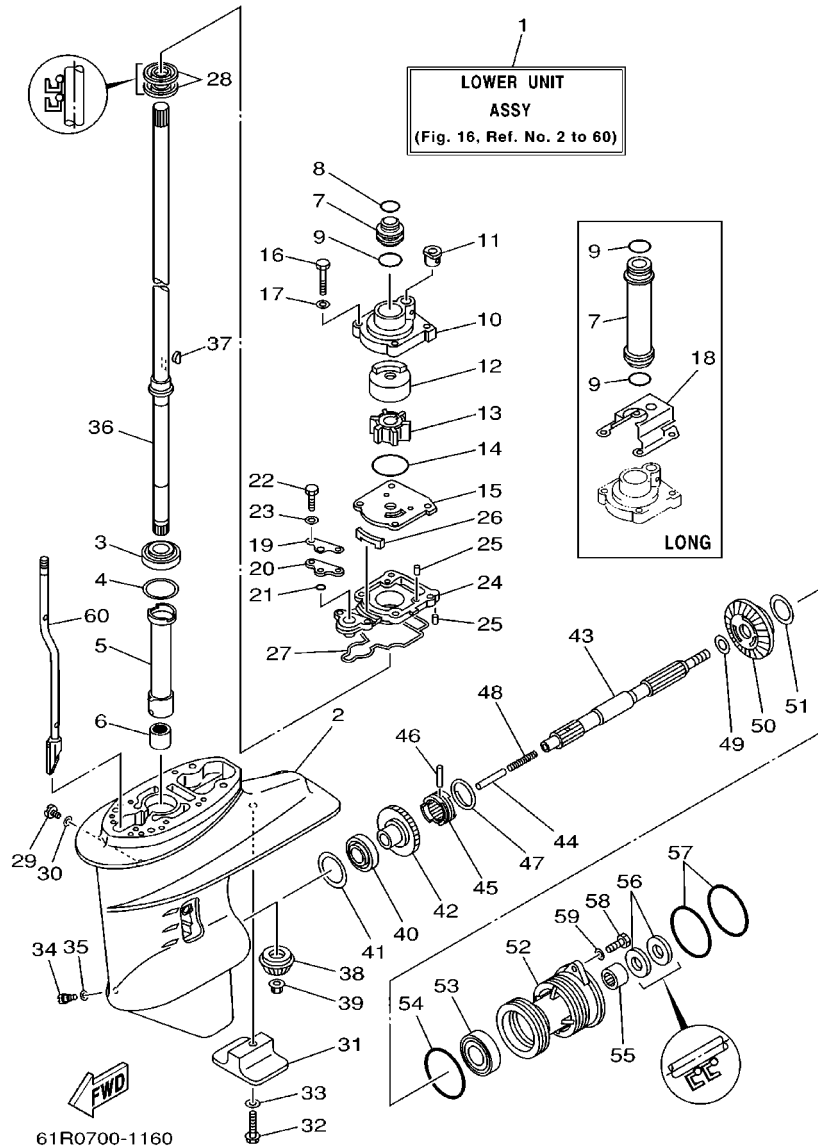
REF. NO.	PART NO.	DESCRIPTION	25V	30G		REMARKS
1	61N-45300-00-4D	LOWER UNIT ASSY	1	1		S
	61N-45300-10-4D	LOWER UNIT ASSY	1			L
2	61N-45311-02-4D	CASING, LOWER	1	1		
3	93332-000W5	BEARING	1	1		
4	61N-45587-00-07	SHIM (T:0.7MM)	1	1		UR
	61N-45587-00-10	SHIM (T:1.0MM)	1	1		UR
	61N-45587-00-11	SHIM (T:1.1MM)	1	1		UR
	61N-45587-00-12	SHIM (T:1.2MM)	1	1		UR
	61N-45587-00-13	SHIM (T:1.3MM)	1	1		UR
	61N-45587-00-14	SHIM (T:1.4MM)	1	1		UR
	61N-45587-00-15	SHIM (T:1.5MM)	1	1		UR
	61N-45587-00-16	SHIM (T:1.6MM)	1	1		UR
5	61N-45536-00	SLEEVE, DRIVE SHAFT	1	1		
6	93315-220V7	BEARING	1	1		
7	61N-44362-00	TUBE, WATER	1	1		S
	61N-44362-10	TUBE, WATER	1			L
8	93210-22164	O-RING	1	1		S
9	93210-26130	O-RING	1	1		S
	93210-26130	O-RING	2			L
10	61N-44311-01	HOUSING, WATER PUMP	1	1		
11	6L2-44367-00	DAMPER, WATER SEAL	1	1		
12	61N-44322-01	INSERT, CARTRIDGE	1	1		
13	6H4-44352-02	IMPELLER	1	1		
14	93210-45161	O-RING	1	1		
15	61N-44323-00	OUTER PLATE, CARTRIDGE	1	1		
16	97095-06040	BOLT	4	4		
17	92995-06600	WASHER	4	4		

FIG. 16 LOWER CASING. DRIVE 1



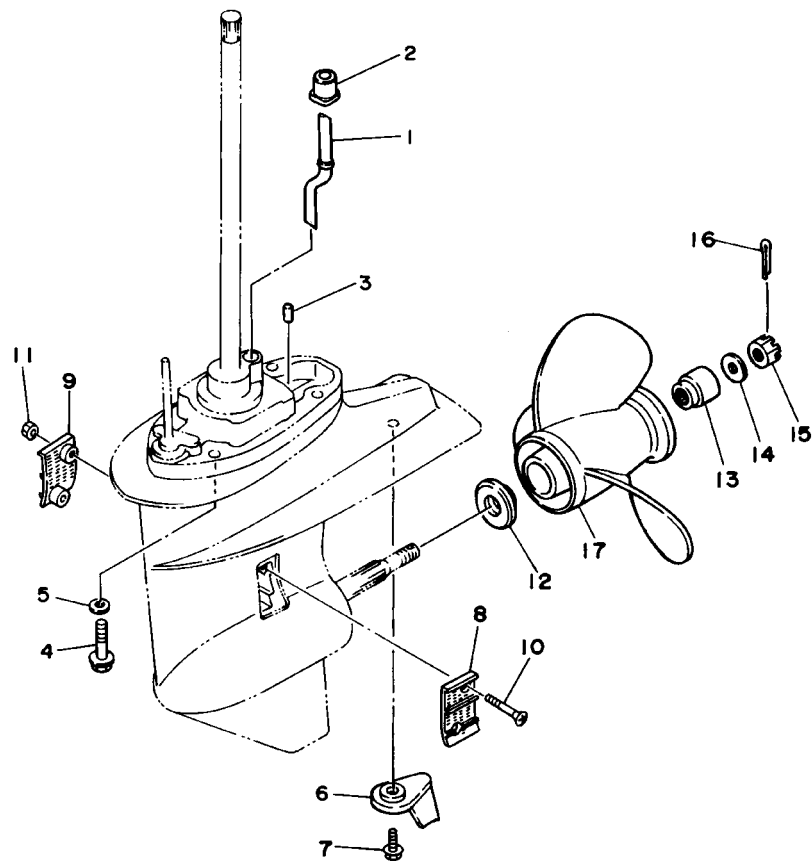
REF. NO.	PART NO.	DESCRIPTION	25V	30G			REMARKS
18	65W-44328-00	PLATE	1				L
19	61N-44176-00	BRACKET	1	1			
20	61N-45321-00	PLATE	1	1			
21	93210-06ME6	O-RING	1	1			
22	97095-06025	BOLT	2	2			
23	92995-06600	WASHER	2	2			
24	61N-45331-00-5B	HOUSING, BEARING	1	1			
25	93604-10M03	PIN, DOWEL	3	3			
26	61N-45127-00	SEAL	1	1			
27	61N-45315-00	PACKING, LOWER CASING	1	1			
28	93101-22067	OIL SEAL	2	2			
29	90340-08M04	PLUG, STRAIGHT SCREW	1	1			
30	90430-08020	GASKET	1	1			
31	61N-45251-00	ANODE	1	1			
32	95895-06035	BOLT, FLANGE	1	1			
33	92990-06300	WASHER, INTERNAL TOOTH	1	1			
34	688-45341-00	PLUG, DRAIN	1	1			
35	90430-08020	GASKET	1	1			
36	61N-45510-00	DRIVE SHAFT ASSY	1	1			S
	61N-45510-10	DRIVE SHAFT ASSY	1				L
37	90280-03024	KEY, WOODRUFF	1	1			
38	61N-45551-00	PINION	1	1			
39	90179-10M14	NUT	1	1			
40	93332-00005	BEARING	1	1			
41	6L2-45567-00-10	SHIM (T:1.0MM)	1	1			UR
	6L2-45567-00-11	SHIM (T:1.1MM)	1	1			UR
	6L2-45567-00-12	SHIM (T:1.2MM)	1	1			UR

FIG. 16 LOWER CASING. DRIVE 1



REF. NO.	PART NO.	DESCRIPTION	25V	30G		REMARKS
41	6L2-45567-00-13	SHIM (T:1.3MM)	1	1		UR
	6L2-45567-00-14	SHIM (T:1.4MM)	1	1		UR
42	61N-45560-00	GEAR	1	1		
43	6L2-45611-00	SHAFT, PROPELLER	1	1		
44	648-45635-00	PLUNGER, SHIFT	1	1		
45	664-45631-02	CLUTCH, DOG	1	1		
46	90250-05010	PIN, STRAIGHT	1	1		
47	648-45633-00	RING, CROSS PIN	1	1		
48	90501-10065	SPRING, COMPRESSION	1	1		
49	90201-20417	WASHER, PLATE	1	1		
50	61N-45571-00	GEAR	1	1		
51	6L2-45577-00-10	SHIM (T:1.0MM)	1	1		UR
	6L2-45577-00-11	SHIM (T:1.1MM)	1	1		UR
	6L2-45577-00-12	SHIM (T:1.2MM)	1	1		UR
	6L2-45577-00-13	SHIM (T:1.3MM)	1	1		UR
52	61N-45361-01-4D	CAP, LOWER CASING	1	1		
53	93306-00612	BEARING	1	1		
54	93210-64ME7	O-RING	1	1		
55	93315-22004	BEARING	1	1		
56	93101-20M07	OIL SEAL	2	2		
57	93210-65M50	O-RING	2	2		
58	97075-06020	BOLT	2	2		
59	92995-06600	WASHER	2	2		
60	61N-44150-00	SHIFT CAM ASSY	1	1		S
	61N-44150-10	SHIFT CAM ASSY	1			L

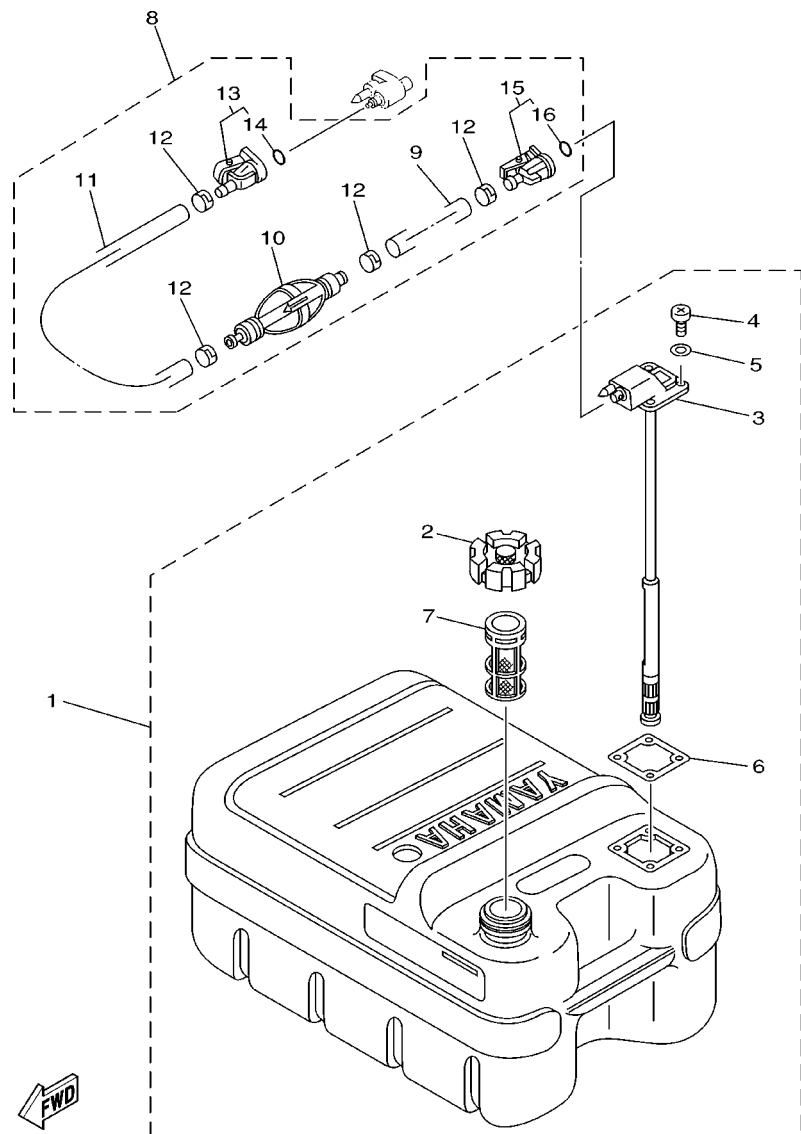
FIG. 17 LOWER CASING. DRIVE 2



61R0010-4180

REF. NO.	PART NO.	DESCRIPTION	25V	30G			REMARKS
1	61N-44361-00	TUBE, WATER	1	1			S
	61N-44361-10	TUBE, WATER	1				L
2	689-44366-00	DAMPER, WATER SEAL	1	1			
3	93606-11M24	PIN, DOWEL	2	2			
4	90105-10M12	BOLT, WASHER BASED	4	4			
5	92995-10600	WASHER	4	4			
6	61N-45371-00	TAB-TRIM	1	1			
7	90119-06M48	BOLT, WITH WASHER	1	1			
8	6L2-45214-00	COVER, WATER INLET	1	1			
9	6L2-45215-00	COVER, WATER INLET	1	1			
10	90151-05M05	SCREW, COUNTERSUNK	2	2			
11	90185-05002	NUT, SELF-LOCKING	2	2			
12	6L2-45987-01	SPACER	1	1			
13	689-45997-00	SPACER	1	1			
14	92990-14200	WASHER, PLAIN	1	1			
15	90171-14013	NUT, CASTLE	1	1			
16	91490-30022	PIN, COTTER	1	1			
17	664-45941-01-EL	PROPELLER (3X9-7/8"X9"-F)	1	1			UR
	664-45943-01-EL	PROPELLER (3X9-7/8"X8"-F)	1	1			UR
	664-45945-00-EL	PROPELLER (3X9-7/8"X10-1/2"-F)	1	1			UR
	664-45947-01-EL	PROPELLER (3X9-7/8"X11-1/4"-F)	1	1			UR
	664-45949-02-EL	PROPELLER (3X9-7/8"X13"-F)	1	1			UR
	664-45952-00-EL	PROPELLER (3X9-7/8"X14"-F)	1	1			UR
	664-45954-01-EL	PROPELLER (3X9-7/8"X12"-F)	1	1			UR
	62C-45941-00-EL	PROPELLER (3X9-7/8"X10"-F)	1	1			UR

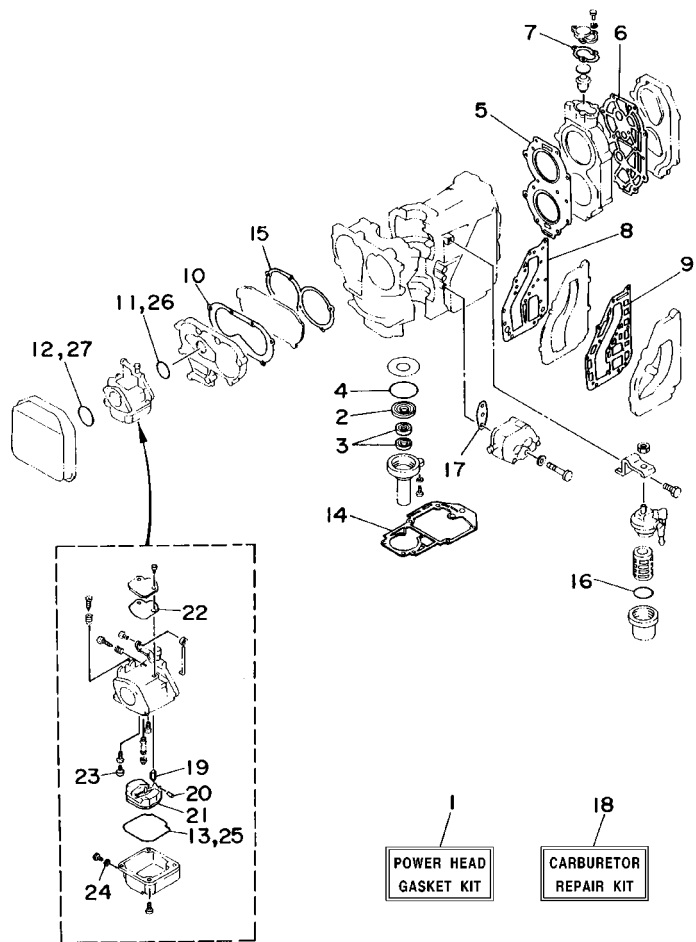
FIG. 18 FUEL TANK



66T0100-9240

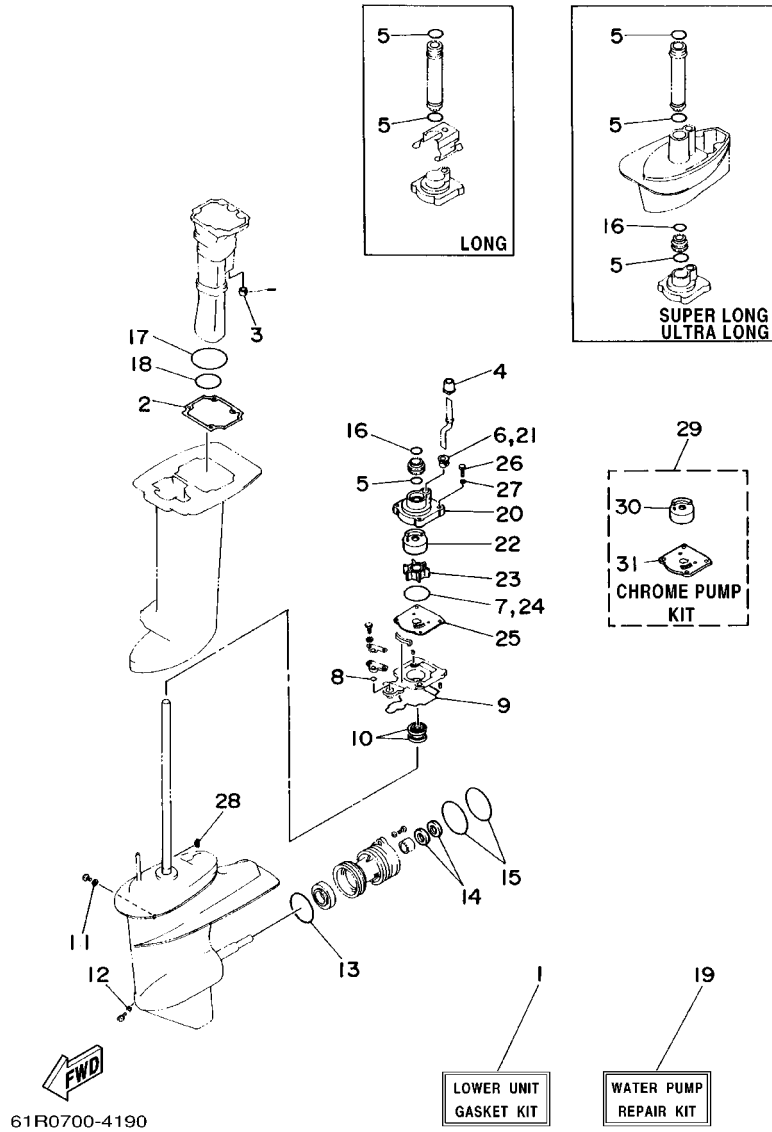
REF. NO.	PART NO.	DESCRIPTION	25V	30G			REMARKS
1	6YJ-24201-10	FUEL TANK ASSY (24L)	1	1			AP WITH INDICATOR
2	6YJ-24610-01	.CAP ASSY	1	1			
3	6Y1-24260-12	.FUEL METER ASSY	1	1			WITH INDICATOR
4	98586-05016	.SCREW, PAN HEAD	4	4			
5	6Y1-24329-00	.SEAL	4	4			
6	6Y1-24268-00	.GASKET, FUEL METER	1	1			
7	6YJ-24167-00	.STRAINER	1	1			
8	61J-24306-02	FUEL PIPE COMP. 1	1	1			AP
9	90445-11M06	.HOSE (L2050)	1	1			
10	61J-24360-00	.PRIMER PUMP ASSY	1	1			
11	90445-11M05	.HOSE (L:850MM)	1	1			
12	650-24351-51	.BAND 1	4	4			
13	6G1-24305-03	.FUEL PIPE JOINT COMP. 2	1	1			
14	93210-08287	..O-RING	1	1			
15	6Y1-24305-04	.FUEL PIPE JOINT COMP. 2	1	1			
16	93210-08287	..O-RING	1	1			

FIG. 19 REPAIR KIT 1



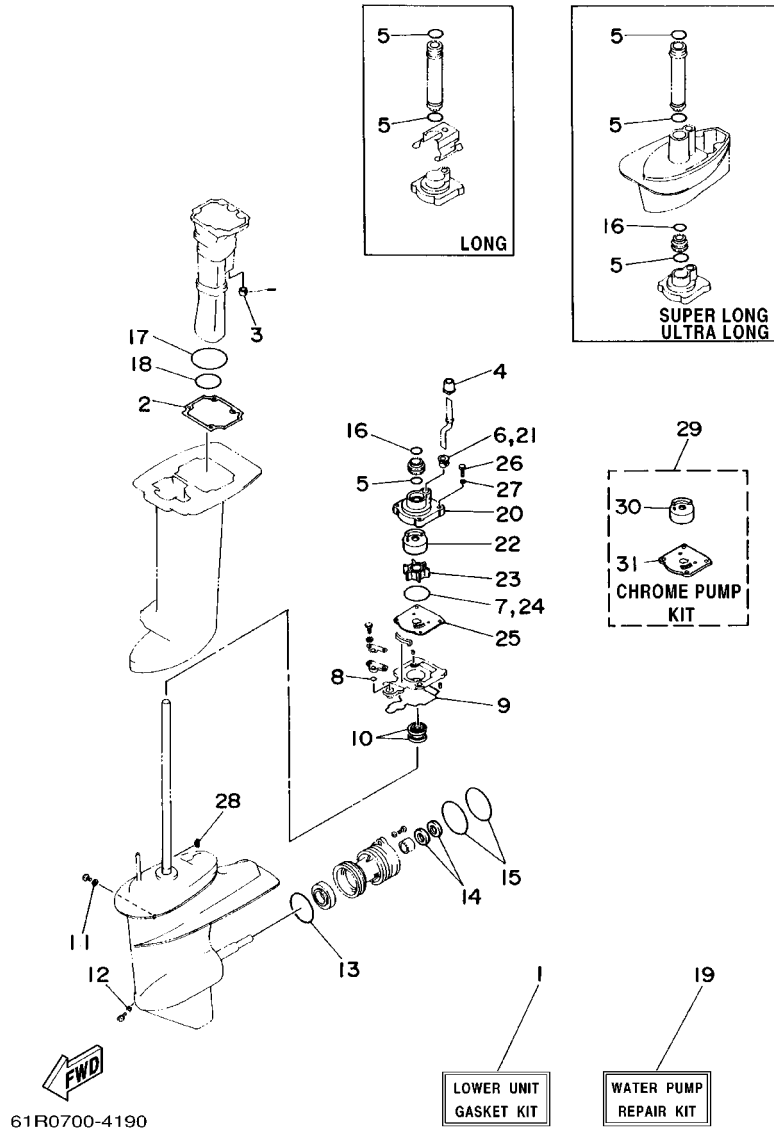
REF. NO.	PART NO.	DESCRIPTION	25V	30G	REMARKS
1	61T-W0001-02	POWER HEAD GASKET KIT	1	1	
2	93102-25M04	.OIL SEAL	1	1	
3	93101-16M36	.OIL SEAL	2	2	
4	93210-58M21	.O-RING	1	1	
5	61N-11181-A1	.GASKET, CYLINDER HEAD 1	1	1	
6	61T-11193-A0	.GASKET, HEAD COVER 1	1	1	
7	655-12414-A1	.GASKET, COVER	1	1	
8	6K8-41122-A1	.GASKET, EXHAUST INNER COVER	1	1	
9	6K8-41124-A1	.GASKET, EXHAUST OUTER COVER	1	1	
10	648-13645-A0	.GASKET, MANIFOLD 1	1	1	
11	61N-14198-00	.GASKET	1	1	
12	93210-40659	.O-RING	1	1	
13	6L2-14384-00	.GASKET, FLOAT CHAMBER	1	1	
14	689-45113-A1	.GASKET, UPPER CASING	1	1	
15	648-13621-A1	.GASKET, VALVE SEAT	1	1	
16	93210-32738	.O-RING	1	1	
17	650-24431-A0	.GASKET, FUEL PUMP 1	1	1	
18	61N-W0093-00	CARBURETOR REPAIR KIT	1	1	
19	61N-14392-00	.VALVE, NEEDLE	1	1	
20	6E5-14386-01	.PIN, FLOAT	1	1	
21	6L2-14385-00	.FLOAT	1	1	
22	6L2-14399-00	.GASKET	1	1	
23	50M-14355-00	.PLUG	1	1	
24	6L2-14398-00	.GASKET	1	1	
25	6L2-14384-00	.GASKET, FLOAT CHAMBER	1	1	
26	61N-14198-00	.GASKET	1	1	
27	93210-40659	.O-RING	1	1	

FIG. 20 REPAIR KIT 2



REF. NO.	PART NO.	DESCRIPTION	25V	30G	REMARKS
1	61N-W0001-E1	LOWER UNIT GASKET KIT	1	1	
2	664-41134-A0	.GASKET, EXHAUST MANIFOLD	1	1	
3	6A8-41135-00	.GASKET, EXHAUST MANIFOLD	1	1	S
	689-41135-00	.GASKET, EXHAUST MANIFOLD	1	1	L/U/X
4	689-44366-00	.DAMPER, WATER SEAL	1	1	
5	93210-26130	.O-RING	3	3	UN
6	6L2-44367-00	.DAMPER, WATER SEAL	1	1	
7	93210-45161	.O-RING	1	1	
8	93210-06ME6	.O-RING	1	1	
9	61N-45315-00	.PACKING, LOWER CASING	1	1	
10	93101-22067	.OIL SEAL	2	2	
11	90430-08020	.GASKET	1	1	
12	90430-08020	.GASKET	1	1	
13	93210-64ME7	.O-RING	1	1	
14	93101-20M07	.OIL SEAL	2	2	
15	93210-65M50	.O-RING	2	2	
16	93210-22164	.O-RING	1	1	S/U/X
17	689-41141-00	.SEAL 1	1	1	
18	689-41142-00	.SEAL	1	1	
19	61N-W0078-01	WATER PUMP REPAIR KIT	1	1	
20	61N-44311-01	.HOUSING, WATER PUMP	1	1	
21	6L2-44367-00	.DAMPER, WATER SEAL	1	1	
22	61N-44322-01	.INSERT, CARTRIDGE	1	1	
23	6H4-44352-02	.IMPELLER	1	1	
24	93210-45161	.O-RING	1	1	
25	61N-44323-00	.OUTER PLATE, CARTRIDGE	1	1	
26	97095-06040	.BOLT	4	4	

FIG. 20 REPAIR KIT 2



REF. NO.	PART NO.	DESCRIPTION	25V	30G	REMARKS
27	92995-06600	.WASHER	4	4	
28	90280-03024	.KEY, WOODRUFF	1	1	
29	61N-W0078-0A	CHROME PUMP KIT	1	1	
30	61N-44322-41	.INSERT, CARTRIDGE	1	1	
31	61N-44323-40	.OUTER PLATE, CARTRIDGE	1	1	

NUMERICAL INDEX

PARTNO.	REF. NO.	PARTNO.	REF. NO.	PARTNO.	REF. NO.	PARTNO.	REF. NO.	PARTNO.	REF. NO.	PARTNO.	REF. NO.
61N-W0001-E1	20 - 1	648-13621-A1	19 - 15	6F5-15726-01	7 - 11	61N-26326-00	10 - 16	647-42523-00	10 - 15	664-44113-01	12 - 22
61T-W0001-02	19 - 1	61N-13641-01-94	4 - 4	61N-15734-00	7 - 7	6K8-41121-00-9M	2 - 33	648-42528-00	14 - 1	689-44121-01	12 - 29
689-W0004-00	4 - 2	648-13645-A0	4 - 5	6F5-15739-00	7 - 16	6K8-41122-A1	2 - 34	624-42542-00	9 - 7	689-44125-00	12 - 30
61R-W0070-10	1 - 11		19 - 10	6F5-15741-01	7 - 4		19 - 8	61R-42610-F1-4D	1 - 1	664-44142-00	12 - 24
61N-W0078-0A	20 - 29	6L2-14157-00	5 - 7	689-15746-70	12 - 40	61N-41123-00-9M	2 - 35	61T-42610-F1-4D	1 - 1	61N-44143-00	12 - 34
61N-W0078-01	20 - 19	61N-14198-00	4 - 10	689-15747-70	12 - 45	6K8-41124-A1	2 - 38	61N-42613-00-4D	1 - 7	61N-44146-00	12 - 38
61N-W0084-01-4D	11 - 1		19 - 11	656-15748-00	7 - 38		19 - 9	6G0-42615-00	1 - 2	61N-44150-00	16 - 60
61N-W0090-00-4D	2 - 1		19 - 26	6G0-15754-00	7 - 9	689-41131-00-5B	15 - 5	61N-42628-00	1 - 10	61N-44150-10	16 - 60
61T-W0090-01-4D	2 - 1	61N-14212-00	5 - 26	689-15755-01	7 - 14	664-41134-A0	15 - 6	689-42647-00	1 - 3	61N-44167-00	12 - 18
61N-W0093-00	19 - 18	646-14212-01	5 - 23	61N-15758-01-4D	7 - 18		20 - 2	6G0-42651-02	1 - 5	61N-44176-00	16 - 19
61N-W1571-11	7 - 1	61N-14301-04	5 - 1	61N-15762-00	7 - 19	6A8-41135-00	15 - 13	626-42658-00	5 - 14	6E0-44191-11	1 - 15
656-W2810-02	6 - 33	61T-14301-02	5 - 1	6F5-15764-00	7 - 15		20 - 3	61R-42677-10	1 - 12	61N-44194-01	9 - 2
61N-11111-01-94	2 - 19	664-14321-01	5 - 18	61T-15770-00	7 - 37	689-41135-00	15 - 13	61T-42677-10	1 - 12	61T-44194-01	9 - 2
61T-11111-01-94	2 - 19	61N-14323-00	5 - 24	6H7-15771-01-94	7 - 29		20 - 3	61R-42678-10	1 - 13	61N-44311-01	16 - 10
61N-11181-A1	2 - 21	6A0-14325-00	6 - 26	656-15772-00-94	7 - 32	689-41137-00-94	15 - 8	61T-42678-10	1 - 13	61N-44311-01	16 - 10
	19 - 5	677-14327-01	5 - 16	61T-15774-40-94	7 - 40	689-41141-00	15 - 11	61R-42683-F0	1 - 14	61N-44322-01	16 - 12
61N-11191-01-9M	2 - 22	61N-14341-00	5 - 9	6F5-15779-02	7 - 17		20 - 17	689-42711-04-4D	10 - 1	61N-44322-01	16 - 12
61N-11193-02	2 - 23	61T-14341-00	5 - 9	6A0-15789-00	7 - 22	689-41142-00	15 - 12	664-42715-00	12 - 17	61N-44322-41	20 - 30
61T-11193-A0	19 - 6	6L2-14342-34	5 - 11	6YJ-24167-00	18 - 7		20 - 18	689-42716-00	14 - 24	61N-44323-00	16 - 15
6J8-11325-00	2 - 12	61N-14343-68	5 - 10	6YJ-24201-10	18 - 1	61N-41213-01-94	9 - 30	689-42718-00	14 - 21	61N-44323-00	16 - 15
689-11325-00	2 - 17	50M-14355-00	5 - 12	6Y1-24260-12	18 - 3	61N-41216-00	5 - 17	689-42725-01	10 - 14	61N-44323-40	20 - 31
6H3-11327-00-94	2 - 13		19 - 23	6Y1-24268-00	18 - 6	677-41226-00	5 - 15	6G0-42796-00	10 - 5	65W-44328-00	16 - 18
6H3-11328-00	2 - 14	6J0-14379-10	5 - 13	6G1-24304-02	6 - 1	662-41237-01	12 - 6	689-42815-00	10 - 9	6H4-44352-02	16 - 13
676-11372-00	2 - 20	61N-14381-00	5 - 2	6G1-24305-03	18 - 13		12 - 11	689-42816-00	10 - 12	61N-44361-00	17 - 1
	2 - 36	677-14383-01	5 - 20	6Y1-24305-04	18 - 15	679-41241-01	12 - 8	689-43111-03-4D	13 - 1	61N-44361-00	17 - 1
61N-11400-01	3 - 1	6L2-14384-00	5 - 25	61J-24306-02	18 - 8	689-41252-01	4 - 18	689-43112-02-4D	13 - 2	61N-44361-10	17 - 1
61N-11412-01	3 - 2		19 - 13	6A1-24311-00	6 - 31	61N-41256-00	4 - 19	6J8-43113-01	13 - 12	61N-44362-00	16 - 7
61N-11422-00	3 - 3		19 - 25	689-24311-00	6 - 14	661-41262-02	4 - 20	648-43114-01	13 - 6	61N-44362-10	16 - 7
61N-11432-00	3 - 4	6L2-14385-00	5 - 5	6Y1-24329-00	18 - 5	682-41271-00	4 - 15	6E0-43118-01	13 - 3	689-44366-00	17 - 2
61N-11442-00	3 - 5		19 - 21	61N-24329-00	6 - 2	689-41273-00	4 - 16	6J8-43131-01	13 - 7	61N-44366-00	17 - 2
61N-11515-00	3 - 10	6E5-14386-01	5 - 4	650-24351-51	18 - 12	6J8-41274-00	4 - 17	6G5-43145-01	13 - 8	6L2-44367-00	16 - 11
61N-11603-00	3 - 17		19 - 20	61J-24360-00	18 - 10	676-41611-00	12 - 49	689-43160-00	13 - 18	61N-44367-00	16 - 11
61N-11604-00	3 - 17	61N-14392-00	5 - 3	692-24410-00	6 - 16	689-41612-01	8 - 17	689-43165-00	13 - 19	61N-44367-00	16 - 11
61N-11605-00	3 - 17		19 - 19	663-24411-00	6 - 21	676-41613-00	12 - 50	689-43191-00	13 - 13	664-44514-00-94	14 - 34
61N-11631-00-95	3 - 16	6L2-14398-00	5 - 21	692-24411-00	6 - 18	61N-41615-00	9 - 1	689-43192-01	13 - 14	689-44516-00	14 - 29
689-11633-00	3 - 18		19 - 24	6A0-24412-02	6 - 27	61N-41631-00-94	12 - 2	689-43318-01	13 - 43	648-44518-01-94	14 - 14
688-11634-00	3 - 20	6L2-14399-00	5 - 8	6A0-24413-00	6 - 17	689-42111-01-4D	11 - 2	682-43318-01	13 - 43	648-44519-00-94	14 - 16
61N-11635-00	3 - 16		19 - 22	6A0-24421-01	6 - 25	689-42112-01-4D	11 - 7	689-43373-01	14 - 2	689-44551-01-4D	14 - 42
61N-11636-00	3 - 16	61N-14440-00	4 - 11	650-24431-A0	6 - 28	664-42119-00	11 - 12	689-43614-01	13 - 37	689-44552-01-4D	14 - 44
689-11651-00	3 - 12	689-14497-00	12 - 1		19 - 17	656-42126-01	11 - 21	648-43615-00	13 - 38	689-44553-00-94	14 - 38
689-11681-01	3 - 13	61N-15100-00-94	2 - 2	648-24434-01	6 - 19	689-42137-30	11 - 15	689-43616-00	13 - 32	689-44555-00	14 - 43
6E5-12411-01	2 - 27	689-15396-01-5B	2 - 6	648-24435-02	6 - 22	689-42138-00	11 - 20	648-43617-00	13 - 35	689-44557-00	14 - 39
655-12413-01-9M	2 - 29	61N-15711-10	7 - 2	61N-24521-00	6 - 9	656-42153-00-94	12 - 14	689-43631-00	13 - 29	648-44591-A0	14 - 28
655-12414-A1	2 - 30	6F5-15713-01	7 - 5	61N-24560-00	6 - 7	689-42154-70-94	12 - 13	689-43633-00	13 - 30	648-44591-A0	14 - 28
	19 - 7	6G0-15714-01	7 - 3	61N-24563-00	6 - 8	689-42169-01	12 - 10	648-43642-00	13 - 33	664-44591-A0	14 - 35
61N-13610-00	4 - 1	61N-15715-00	7 - 6	61N-24566-01	6 - 12	6F6-42177-A0	11 - 13	689-43643-00	13 - 31	689-45111-04-4D	15 - 1
689-13610-01	4 - 1	6F5-15716-01	7 - 8	6YJ-24610-01	18 - 2	689-42511-02-4D	14 - 4	689-43681-01	13 - 42	689-45111-13-4D	15 - 1
648-13621-A1	4 - 3	6F5-15723-01	7 - 42	61N-26311-00	11 - 24	689-42521-00-94	14 - 7	689-44111-01-4D	12 - 21	689-45113-A1	2 - 45

NUMERICAL INDEX

PARTNO.	REF. NO.	PARTNO.	REF. NO.	PARTNO.	REF. NO.	PARTNO.	REF. NO.	PARTNO.	REF. NO.	PARTNO.	REF. NO.
689-45113-A1	19 - 14	664-45945-00-EL	17 - 17	90119-08M29	2 - 26	90386-12069	10 - 11	91690-40016	12 - 33	92995-08600	14 - 41
663-45119-00	13 - 17	664-45947-01-EL	17 - 17	90119-08M66	2 - 4	90386-22M67	13 - 11	91690-40018	12 - 16		14 - 48
	13 - 28	664-45949-02-EL	17 - 17	90149-05M13	11 - 14	90386-38022	14 - 13	91690-40035	13 - 46		15 - 4
	14 - 23	664-45952-00-EL	17 - 17	90149-14030	13 - 5	90386-38090	14 - 11	91690-40048	4 - 21		15 - 10
61N-45127-00	16 - 26	664-45954-01-EL	17 - 17	90151-05M05	17 - 10	90386-47M22	14 - 10	92903-05600	12 - 47	92995-10600	17 - 5
6L2-45214-00	17 - 8	664-45987-01	17 - 12	90151-06M02	2 - 18	90387-06M02	12 - 3	92903-06600	2 - 16	93101-16M36	2 - 8
6L2-45215-00	17 - 9	689-45997-00	17 - 13	90170-10M42	14 - 26		12 - 44		2 - 25		19 - 3
61N-45251-00	16 - 31	61N-81313-09	8 - 4		14 - 32	90387-06M26	4 - 14		2 - 32	93101-20M07	16 - 56
61N-45300-00-4D	16 - 1	6E9-81328-70	8 - 7	90171-14013	17 - 15	90387-08M03	13 - 23		2 - 40		20 - 14
61N-45300-10-4D	16 - 1	6H3-81922-00	9 - 18	90176-10M01	14 - 37	90387-08M25	10 - 3		2 - 42	93101-22067	16 - 28
61N-45311-02-4D	16 - 2	61N-82317-00	9 - 6	90179-06M24	1 - 8	90387-10M39	14 - 15		4 - 7		20 - 10
61N-45315-00	16 - 27	6G1-82370-21	9 - 29	90179-10M14	16 - 39	90430-08020	16 - 30		4 - 9	93102-25M04	2 - 7
	20 - 9	61N-82519-01	9 - 10	90179-16M05	8 - 15		16 - 35		7 - 31		19 - 2
61N-45321-00	16 - 20	682-82556-00	10 - 18	90185-05002	17 - 11		20 - 11		7 - 34	93102-32M07	3 - 7
61N-45331-00-5B	16 - 24	689-8257Y-00	10 - 19	90185-06062	11 - 23		20 - 12		7 - 36	93210-06ME6	16 - 21
688-45341-00	16 - 34	6E9-82575-02	10 - 17	90185-22043	13 - 9	90445-09M75	6 - 5	92903-10600	11 - 17		20 - 8
61N-45361-01-4D	16 - 52	682-84381-00	10 - 21	90201-06M30	9 - 9	90445-10M41	2 - 37	92990-05100	6 - 24	93210-08287	18 - 14
61N-45371-00	17 - 6	6E9-85516-70	8 - 9	90201-08M87	10 - 4	90445-11M05	18 - 11	92990-05600	12 - 28		18 - 16
61N-45510-00	16 - 36	663-85518-00	12 - 9	90201-16M44	8 - 16	90445-11M06	18 - 9		12 - 36	93210-22164	16 - 8
61N-45510-10	16 - 36	61N-85537-00	8 - 13	90201-20M27	3 - 21	90465-06M88	4 - 22		12 - 52		20 - 16
61N-45536-00	16 - 5	61N-85540-11	9 - 13	90201-20417	16 - 49	90465-13M11	9 - 19	92990-06100	9 - 12	93210-26130	16 - 9
61N-45551-00	16 - 38	61N-85541-19	8 - 3	90201-21567	2 - 28	90467-08004	6 - 6		9 - 17		20 - 5
61N-45560-00	16 - 42	61N-85542-00-94	9 - 5	90201-22M03	13 - 10		6 - 15		9 - 24	93210-32738	6 - 10
6L2-45567-00-10	16 - 41	61N-85543-09	8 - 5	90201-28M00	11 - 5		6 - 32	92990-06300	16 - 33		19 - 16
6L2-45567-00-11	16 - 41	61N-85543-19	8 - 6	90201-50306	2 - 44	90480-14M14	1 - 9	92990-10200	14 - 27	93210-37160	14 - 12
6L2-45567-00-12	16 - 41	61N-85550-10	8 - 1	90202-06007	12 - 26	90480-15M06	10 - 2		14 - 36	93210-40659	4 - 12
6L2-45567-00-13	16 - 41	61N-85560-10	8 - 2		12 - 35	90480-17M08	10 - 20	92990-14200	17 - 14		19 - 12
6L2-45567-00-14	16 - 41	61N-85561-00	8 - 10	90202-10024	12 - 32	90480-25161	9 - 26	92995-05600	9 - 32		19 - 27
61N-45571-00	16 - 50	6H5-85570-00	9 - 20	90202-34043	11 - 4	90480-29045	14 - 5	92995-06600	2 - 11	93210-42159	3 - 8
6L2-45577-00-10	16 - 51	61N-85570-00	9 - 25	90206-05005	12 - 46	90501-09M08	12 - 20		6 - 4	93210-45161	16 - 14
6L2-45577-00-11	16 - 51	90101-08339	13 - 22	90206-12052	10 - 10	90501-10065	16 - 48		6 - 30		20 - 7
6L2-45577-00-12	16 - 51	90105-06M07	12 - 23	90206-28M07	11 - 6	90501-10227	7 - 39		7 - 21		20 - 24
6L2-45577-00-13	16 - 51		14 - 6	90209-24M03	3 - 15	90501-14M07	12 - 19		7 - 24	93210-58M21	2 - 9
61N-45587-00-07	16 - 4	90105-06M08	14 - 25	90209-47016	14 - 9	90501-23215	11 - 18		7 - 27		19 - 4
61N-45587-00-10	16 - 4	90105-06M18	14 - 3	90240-05047	13 - 39	90502-10M07	13 - 21		9 - 4	93210-64ME7	16 - 54
61N-45587-00-11	16 - 4	90105-08M10	7 - 43	90243-04M01	13 - 4	90506-16M17	13 - 45		9 - 15		20 - 13
61N-45587-00-12	16 - 4	90105-10M12	17 - 4	90249-06M22	13 - 34	90506-30M27	13 - 41		9 - 22	93210-65M50	16 - 57
61N-45587-00-13	16 - 4	90109-06M18	13 - 44	90250-05010	16 - 46	90508-14M13	12 - 31		9 - 28		20 - 15
61N-45587-00-14	16 - 4	90113-05M00	12 - 41	90266-04M00	1 - 6	90560-14076	11 - 3		11 - 9	93306-00612	16 - 53
61N-45587-00-15	16 - 4	90119-06MA0	2 - 43	90266-04M01	1 - 4	91490-12010	12 - 27		11 - 11	93306-305U3	3 - 9
61N-45587-00-16	16 - 4	90119-06M48	17 - 7	90269-02M09	11 - 16	91490-16010	12 - 25		14 - 19	93310-624U5	3 - 14
6L2-45611-00	16 - 43	90119-06M49	12 - 4	90280-03024	16 - 37		12 - 48		14 - 31	93311-632V4	3 - 6
664-45631-02	16 - 45	90119-06M50	12 - 43		20 - 28		13 - 40		16 - 17	93315-220V7	16 - 6
648-45633-00	16 - 47	90119-06M73	10 - 13	90280-05015	8 - 14	91490-20010	12 - 37		16 - 23	93315-22004	16 - 55
648-45635-00	16 - 44	90119-06M94	4 - 13	90340-08M04	16 - 29	91490-30022	17 - 16		16 - 59	93332-000W5	16 - 3
62C-45941-00-EL	17 - 17	90119-06M95	9 - 8	90381-12M01	14 - 20	91490-30025	15 - 14		20 - 27	93332-60005	16 - 40
664-45941-01-EL	17 - 17	90119-08M03	14 - 46	90386-08032	11 - 19	91690-30008	13 - 20	92995-08600	10 - 7	93440-62057	3 - 11
664-45943-01-EL	17 - 17	90119-08M18	2 - 3	90386-10009	12 - 15	91690-30016	13 - 15		13 - 24	93602-20M02	3 - 19

NUMERICAL INDEX

PARTNO.	REF. NO.	PARTNO.	REF. NO.	PARTNO.	REF. NO.	PARTNO.	REF. NO.	PARTNO.	REF. NO.	PARTNO.	REF. NO.
93604-10M03	16 - 25	97095-06020	9 - 14								
93606-11M24	17 - 3		9 - 21								
93606-12019	2 - 5		9 - 27								
	14 - 17		11 - 10								
	15 - 2		11 - 22								
93608-12063	14 - 8		14 - 30								
93700-06M03	13 - 16	97095-06022	2 - 10								
	13 - 27	97095-06025	16 - 22								
	14 - 22	97095-06035	7 - 23								
	2 - 46		7 - 26								
94702-00247	2 - 46	97095-06040	6 - 29								
94702-00271	2 - 46		16 - 16								
95303-08700	7 - 12		20 - 26								
95380-03600	6 - 20		11 - 8								
95380-05600	12 - 12	97095-06050	15 - 9								
	12 - 42	97095-08020	14 - 47								
95380-05700	12 - 7	97095-08065	7 - 10								
95380-06600	7 - 28	97313-08030	8 - 11								
	12 - 39	97607-04112	8 - 12								
95380-08600	6 - 11	97607-06125	8 - 8								
	13 - 25	97802-04006	12 - 51								
	14 - 45	97880-05012	8 - 18								
95380-08700	10 - 6	97880-06010	15 - 7								
	10 - 8	97880-06016	5 - 6								
95895-06035	16 - 32	97980-04110	5 - 19								
97013-06014	6 - 13	97980-04112	6 - 23								
97013-06016	2 - 15	98503-05028	18 - 4								
97013-06020	2 - 31	98586-05016	5 - 22								
97013-06022	2 - 24	98980-04006	13 - 36								
97013-06025	2 - 39	99080-05600	7 - 25								
	4 - 6	99530-10014									
	7 - 30										
	7 - 33										
97013-06030	2 - 41										
97013-06035	4 - 8										
97013-06045	7 - 35										
97075-06020	16 - 58										
97075-08025	14 - 40										
97075-08030	15 - 3										
97090-06012	9 - 11										
	9 - 16										
	9 - 23										
97095-05016	9 - 31										
97095-06010	7 - 41										
	9 - 3										
97095-06012	12 - 5										
97095-06016	7 - 20										
97095-06018	14 - 18										
97095-06020	6 - 3										

25VMH/30GMH
PARTS CATALOGUE
©2000 by Yamaha Motor Co., Ltd.
1st Edition, NOV. 2000
All rights reserved.
Any reprinting or unauthorized use
without the written permission of
Yamaha Motor Co., Ltd.
is expressly prohibited.

G7