

PARTS CATALOGUE

2MHC (6A13)

2BMH'04 (6A13)

FOREWORD

This Parts Catalogue is related to the parts for the model(s) on the cover page. When you are ordering replacement parts, please refer to this Parts Catalogue and quote both part numbers and part names correctly.

1. Modifications or additions which have been made after the issue of the Parts Catalogue will be announced in the Parts News.
It is advisable that you make the necessary corrections to the Parts Catalogue according to the Parts News.

2. Abbreviations

The following abbreviations are used in this Parts Catalogue.

“UR” Use specified parts number.

“UN” Use as many as needed.

“AP” Alternate Parts

“LM” Locally Made (Parts need to be ordered locally)

“F#” Frame No. (Applicable machine No.)

“O/S” Over Size

3. The number of components for assembly

- Parts, which are to be supplied in an assembly, are listed with a dot (.) in front of the part name as shown below.
- The numeral appearing to the right of each component part indicates the quantity of parts for each assembly unit.

PART NO.	DESCRIPTION	Q'TY	REMARKS
2F5-83310-60	FRONT FLASHER LIGHT ASSY	2	
115-83311-60	.BULB (6V-18W)	1	

4. Applicable colours of graphics are represented in the “REMARKS” as shown below.

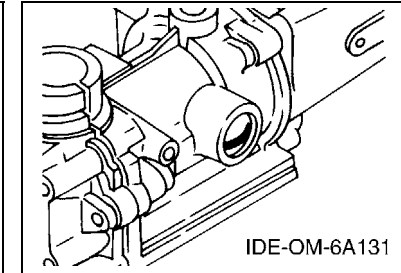
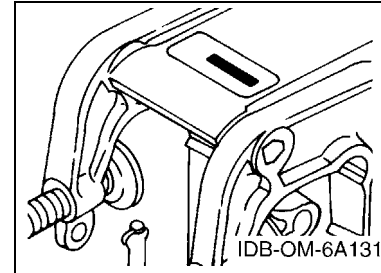
PART NO.	DESCRIPTION	Q'TY	REMARKS
2N4-24110-00-X5	FUEL TANK COMP.	2	MXR
3J1-24240-10	.GRAPHIC, FUEL TANK	1	FOR MXR

5. Note that the illustrations for reference in finding parts numbers are not to be used for assembling. When assembling, please use the applicable service manual.

6. The asterisk (*) before a reference number indicates modified items after the first edition.

7. Applicable Serial No.

Engine Serial No.



8. Applicable Engine Starting Serial No.

Model	Serial No.	Model	Serial No.
2	6A1K-1001143	2B	6A1K-1001143

9. Applicable Colour Code

Abbreviation	Colour Name	Colour Code
DBNM2	DARK BLUISH GRAY METALLIC 2	004D

10. Quantity Column Information

Column No.	Name Of Q'ty Column	Applicable Model
1	2MH	2MHC, 2BMH

CONTENTS

COWLING . FUEL	A4
CYLINDER. CRANKCASE	A7
CARBURETOR	B2
STARTER	B4
GENERATOR	B5
BRACKET	B6
UPPER CASING	C1
LOWER CASING. DRIVE	C3
REPAIR KIT	C5

INDEX

NUMERICAL INDEX	G1
-----------------------	----

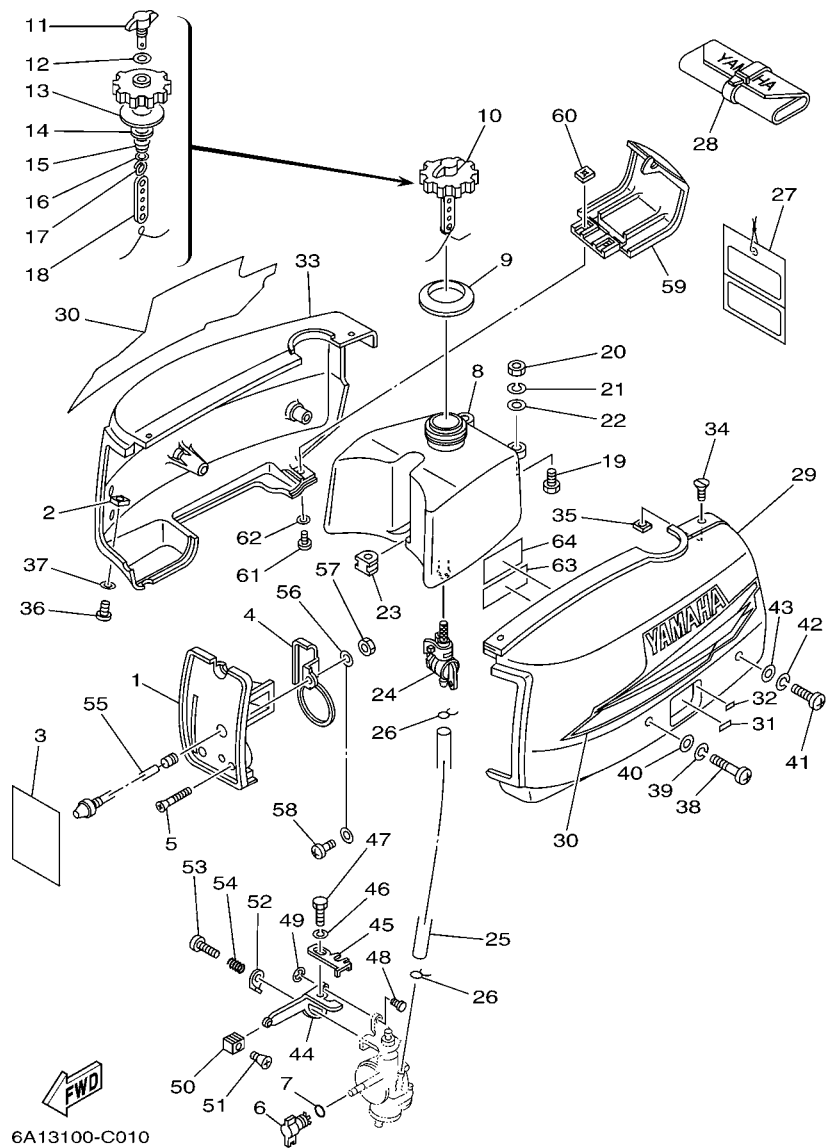


FIG. 1 COWLING . FUEL

REF. NO.	PART NO.	DESCRIPTION	2MH				REMARKS
1	6A1-14441-02	SILENCER, INTAKE 2	1				
2	90173-05M00	NUT, SQUARE	2				
3	6A1-42677-10	GRAPHIC, FRONT	1				
4	6A1-14442-00	SPACER	1				
5	90151-04M04	SCREW, COUNTERSUNK	2				
6	6A1-41271-00	KNOB, CHOKE	1				
7	93210-08M29	O-RING	1				
8	6A1-24110-01	FUEL TANK COMP.	1				
9	6A1-24198-00	SEAT, RUBBER	1				
10	6A1-24610-01	CAP ASSY	1				
11	6A1-24631-00	.SCREW, AIR	1				
12	90430-04005	.GASKET	1				
13	90430-14117	.GASKET	1				
14	646-24615-01	.GASKET, PLATE 1	1				
15	90501-10374	.SPRING, COMPRESSION	1				
16	92907-04200	.WASHER	1				
17	90501-10260	.SPRING, COMPRESSION	1				
18	646-24241-00	.INDICATOR 1	1				
19	97095-06018	BOLT	2				
20	95380-06600	NUT, HEXAGON	2				
21	92995-06100	WASHER, SPRING	2				
22	90201-06M30	WASHER, PLATE	2				
23	6A1-24181-00	DAMPER, LOCATING 1	1				
24	6A1-24500-02	FUEL COCK ASSY 1	1				
25	6A1-24311-00	PIPE, FUEL 1	1				
26	90467-08004	CLIP	2				
27	61H-2819R-31	TAG, WARNING	1				

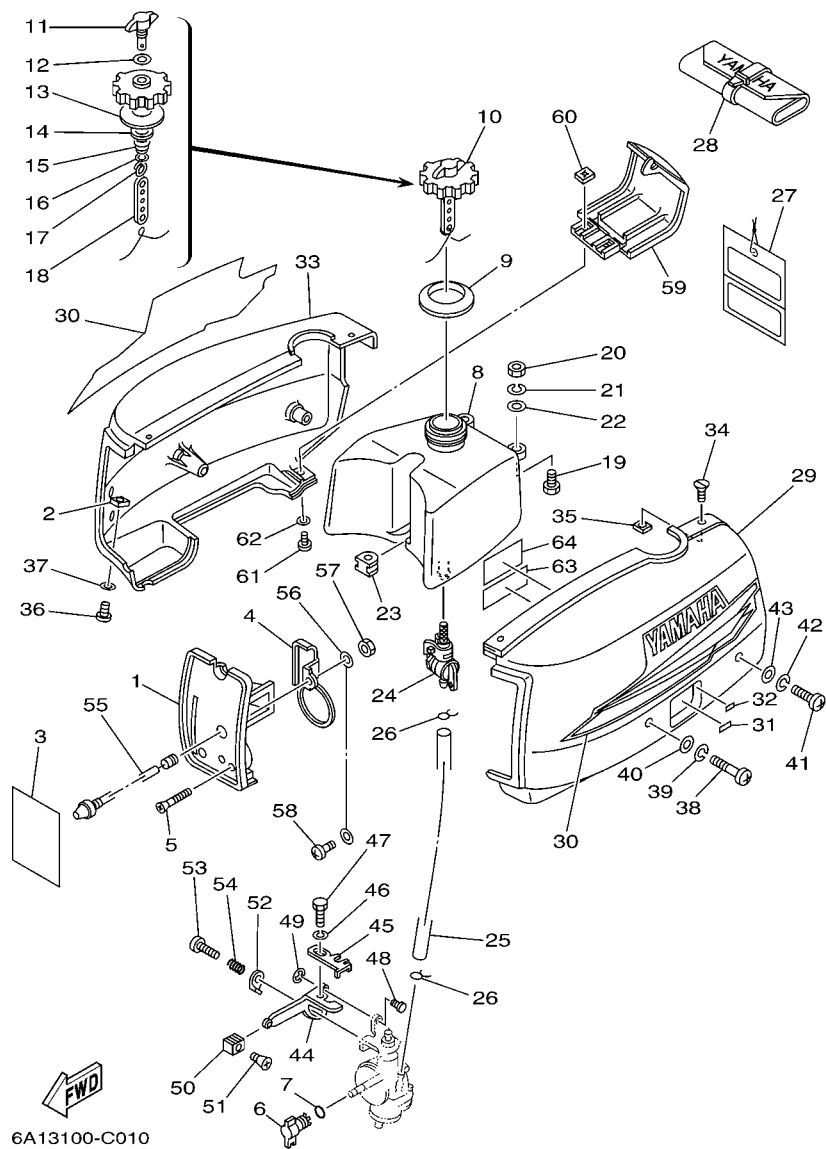


FIG. 1 COWLING . FUEL

REF. NO.	PART NO.	DESCRIPTION	2MH				REMARKS
28	656-W2810-02	TOOL KIT	1				AP
29	6A1-42741-11	APRON	1				
30	6A1-W0070-14	GRAPHIC SET	1				
31	6A1-24153-50	INDICATOR, COCK	1				FOR CAN
32	6A1-24154-50	INDICATOR, SHIFT	1				FOR CAN
33	6A1-42771-11	APRON	1				
34	98780-05012	SCREW, FLAT HEAD	2				
35	90183-05M00	NUT, SPRING	2				
36	97880-05010	SCREW, PAN HEAD	2				
37	92990-05600	WASHER, PLATE	2				
38	97880-06040	SCREW, PAN HEAD	2				
39	92990-06100	WASHER, SPRING	2				
40	92990-06600	WASHER, PLATE	2				
41	97880-06025	SCREW, PAN HEAD	2				
42	92990-06100	WASHER, SPRING	2				
43	92990-06600	WASHER, PLATE	2				
44	6A1-41212-01	ARM, ACCEL.	1				
45	6A1-41211-00	LINK, ACCEL.	1				
46	92990-05100	WASHER, SPRING	1				
47	97095-05010	BOLT	1				
48	6A1-14365-00	PIN, CLEVIS	1				
49	99001-04600	CIRCLIP	1				
50	6A1-41637-00	KNOB, MAGNETO CONTROL	1				
51	98780-03010	SCREW, FLAT HEAD	1				
52	6A1-41223-00	WASHER, LOCK 1	1				
53	97885-05025	SCREW, PAN HEAD	1				
54	90501-12M16	SPRING, COMPRESSION	1				

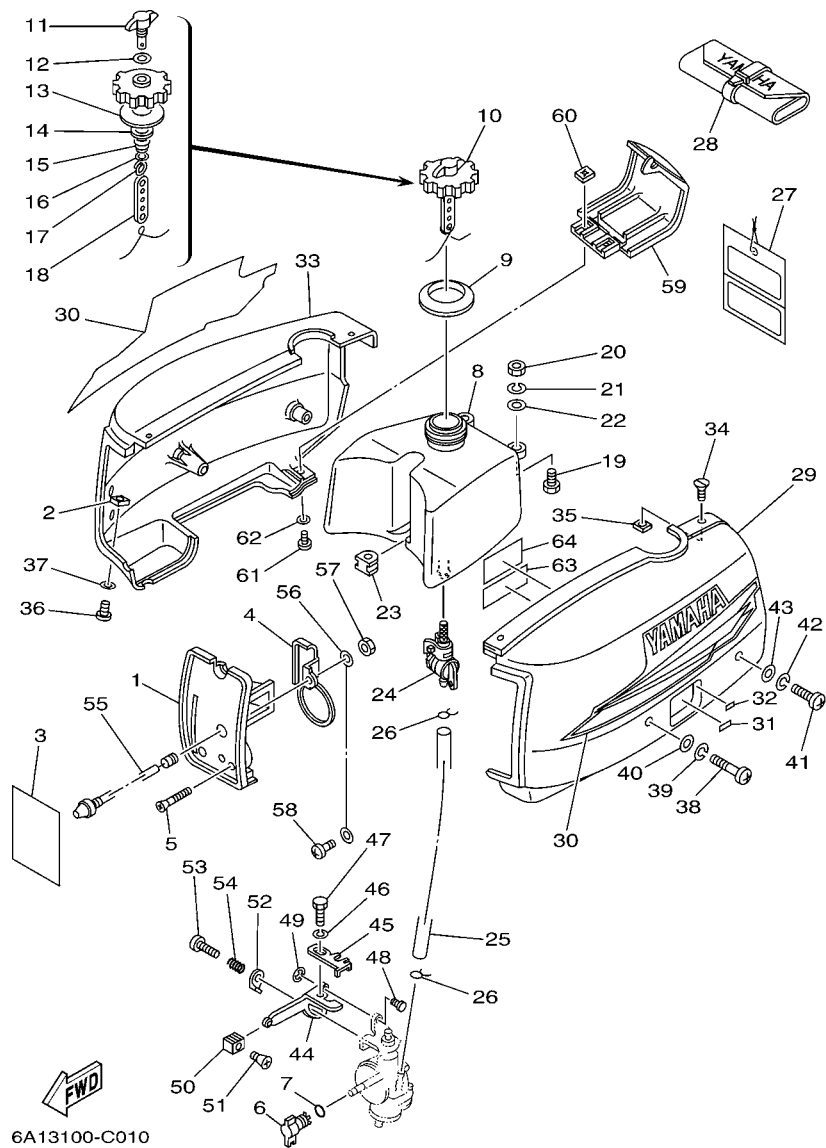
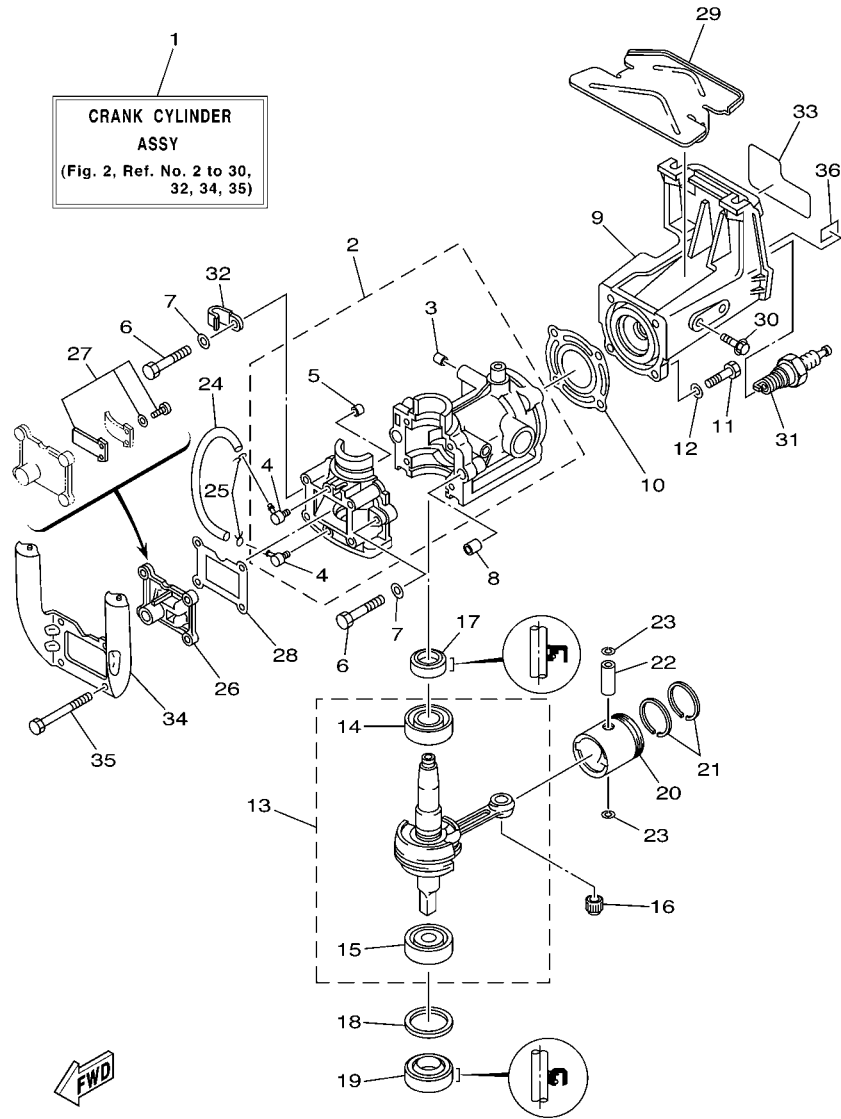


FIG. 1 COWLING . FUEL

REF. NO.	PART NO.	DESCRIPTION	2MH				REMARKS
55	6A1-82550-02	ENGINE STOP SWITCH ASSY	1				
56	6A1-82541-00	WIRE, LEAD	1				
57	95380-08700	NUT	1				
58	97880-05008	SCREW, PAN HEAD	1				
59	6A1-82375-11	COVER, PLUG CAP	1				
60	90183-05M00	NUT, SPRING	2				
61	97880-05012	SCREW, PAN HEAD	2				
62	92990-05600	WASHER, PLATE	2				
63	6A1-83625-41	MARK 5	1				
64	6A1-83625-51	MARK 5	1				FOR CAN

**CRANK CYLINDER
ASSY**
(Fig. 2, Ref. No. 2 to 30,
32, 34, 35)

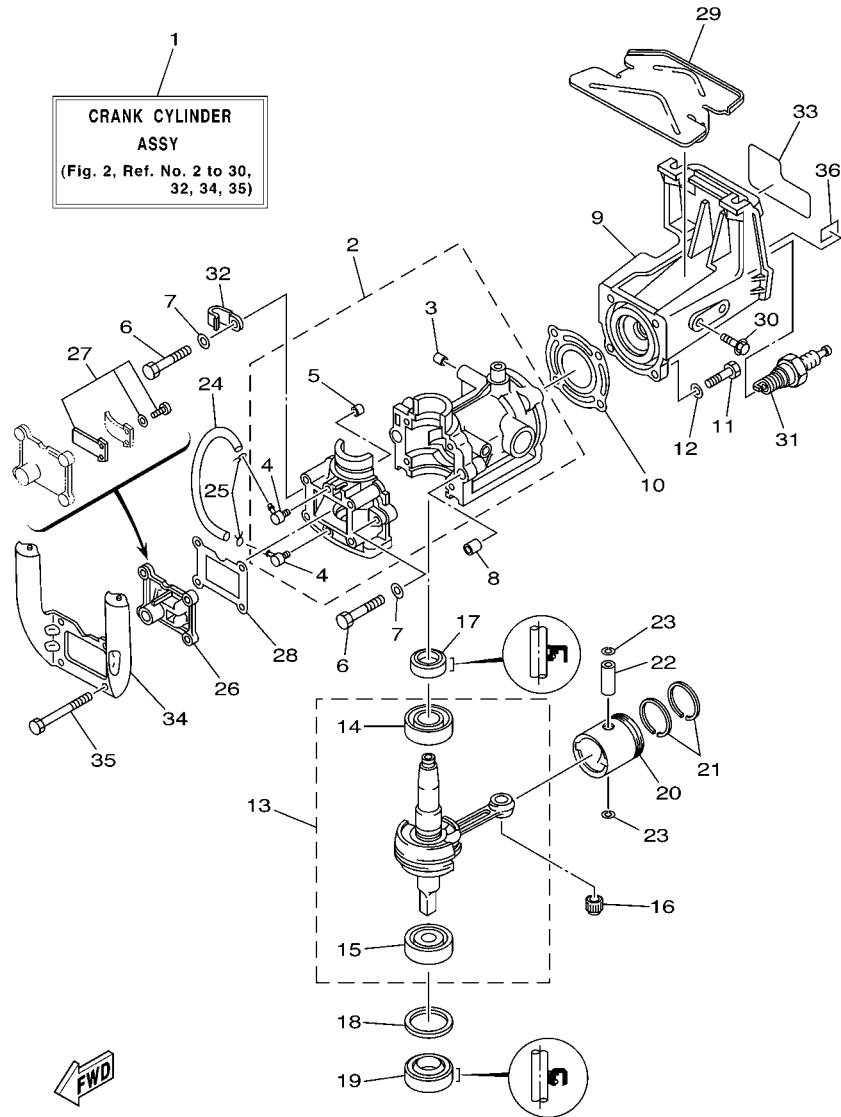


6A12100-3020

FIG. 2 CYLINDER. CRANKCASE

REF. NO.	PART NO.	DESCRIPTION	2MH				REMARKS
1	6A1-W0090-13-1S	CRANK CYLINDER ASSY	1				
2	6A1-15100-61-1S	CRANKCASE ASSY	1				
3	90336-06001	.PLUG, TAPER	1				
4	650-14485-03	.PIPE, JOINT	2				
5	624-11379-00	.VALVE, CHECK	1				
6	97013-06040	BOLT	2				
7	92903-06600	WASHER, PLATE	2				
8	99530-10014	PIN, DOWEL	2				
9	6A1-11111-02-1S	HEAD, CYLINDER 1	1				
10	6A1-11181-A1	GASKET, CYLINDER HEAD 1	1				
11	97095-06025	BOLT	4				
12	92995-06600	WASHER	4				
13	6A1-11400-00	CRANKSHAFT ASSY	1				
14	93306-00409	.BEARING	1				
15	93306-30204	.BEARING	1				
16	93310-210V1	BEARING	1				
17	93102-20070	OIL SEAL	1				
18	90201-35300	WASHER, PLATE	1				
19	93102-15M32	OIL SEAL	1				
20	646-11631-01-98	PISTON (STD)	1				
	646-11635-01	PISTON (0.25MM O/S)	1				AP
	646-11636-01	PISTON (0.50MM O/S)	1				AP
21	646-11601-01	PISTON RING SET (STD)	1				
	646-11601-11	PISTON RING SET (0.25MM O/S)	1				AP
	646-11601-21	PISTON RING SET (0.50MM O/S)	1				AP
22	646-11633-00	PIN, PISTON	1				
23	93450-11021	CIRCLIP	2				

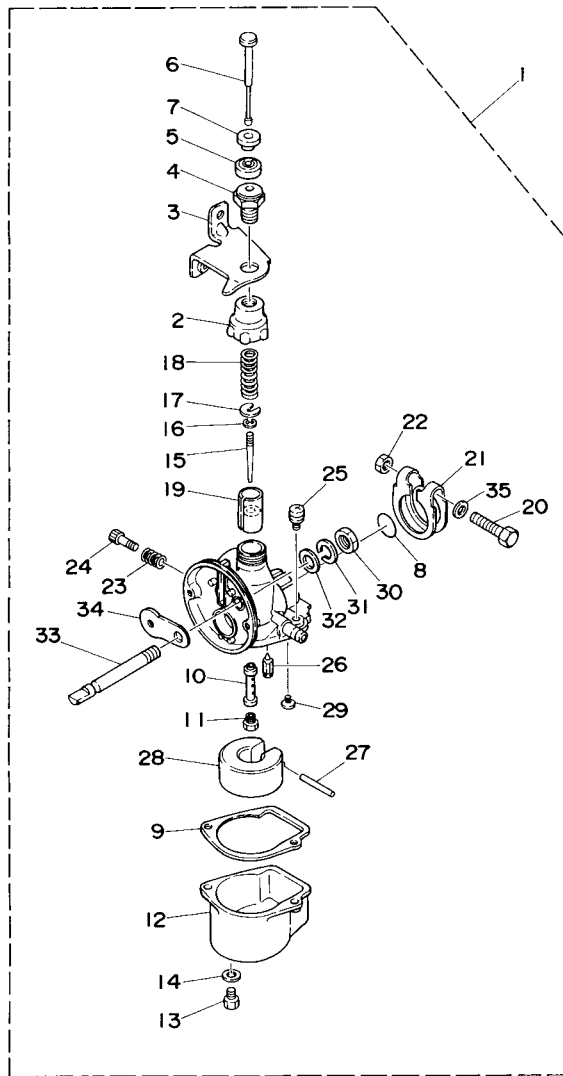
**CRANK CYLINDER
ASSY**
(Fig. 2, Ref. No. 2 to 30,
32, 34, 35)



6A12100-3020

FIG. 2 CYLINDER. CRANKCASE

REF. NO.	PART NO.	DESCRIPTION	2MH				REMARKS
24	90445-07254	HOSE (L118)	1				
25	90467-06016	CLIP	2				
26	6A1-13610-00	REED VALVE ASSY	1				
27	6A1-W0004-00	.REED SET	1				
28	6A1-13621-A0	GASKET, VALVE SEAT	1				
29	6A1-24141-00	PROTECTOR, FUEL TANK	1				
30	95895-06010	BOLT, FLANGE	2				
31	94702-00249	PLUG, SPARK (NGK BR5HS)	1				FOR CAN
	94702-00069	PLUG, SPARK (NGK B5HS)	1				FOR CAR
32	90465-06M86	CLAMP	1				
33	6A1-42678-12	GRAPHIC, REAR	1				
34	6A1-15771-01	STAY 1	1				
35	97013-06060	BOLT	4				
36	678-42791-10	MARK 1	1				FOR CAN
	678-42791-00	MARK 1	1				FOR CAR

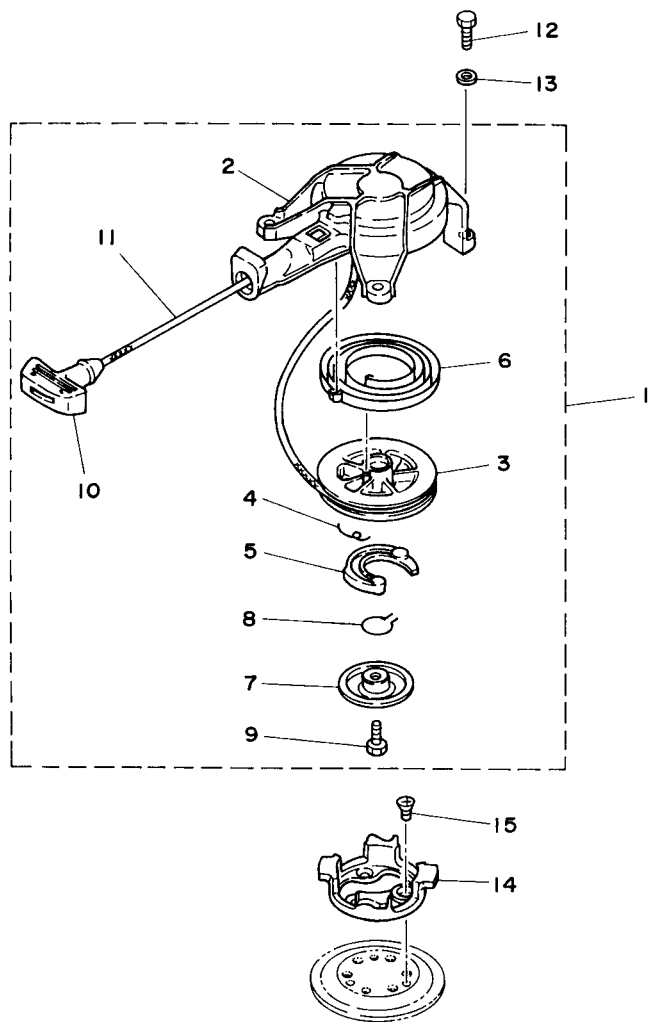


6A10010-4030

FIG. 3 CARBURETOR

REF. NO.	PART NO.	DESCRIPTION	2MH				REMARKS
1	6A1-14301-03	CARBURETOR ASSY 1	1				
2	646-14158-00	.TOP, MIXING CHAMBER	1				
3	6A1-14497-00	.STAY, THROTTLE WIRE	1				
4	646-14321-00	.SCREW, THROTTLE	1				
5	646-14169-00	.CAP	1				
6	6A1-14314-00	.BAR, THROTTLE	1				
7	6A1-14163-00	.SPACER	1				
8	646-14229-01	.O-RING	1				
9	6A1-14384-00	.GASKET, FLOAT CHAMBER	1				
10	6A1-14341-01	.NOZZLE, MAIN	1				
11	6A1-14343-48	.JET, MAIN (# 96)	1				
12	6A1-14381-02	.BODY, FLOAT CHAMBER	1				
13	97890-05006	.SCREW, PAN HEAD	1				
14	646-14198-01	.GASKET	1				
15	6A1-14116-10	.NEEDLE	1				
16	646-14137-00	.CLIP	1				
17	646-14136-00	.SEAT, SPRING	1				
18	646-14331-01	.SPRING, THROTTLE VALVE	1				
19	646-14312-08	.VALVE, THROTTLE 1	1				
20	6A1-14125-01	.SCREW	1				
21	6A1-14127-01	.CLIP	1				
22	6A1-14358-01	.NUT	1				
23	6A1-14212-00	.SPRING, PILOT ADJUSTING	1				
24	646-14211-02	.SCREW, PILOT ADJUSTING	1				
25	97980-04110	.SCREW, WITH WASHER	2				
26	6A1-14392-00	.VALVE, NEEDLE	1				
27	6A1-14386-00	.PIN, FLOAT	1				

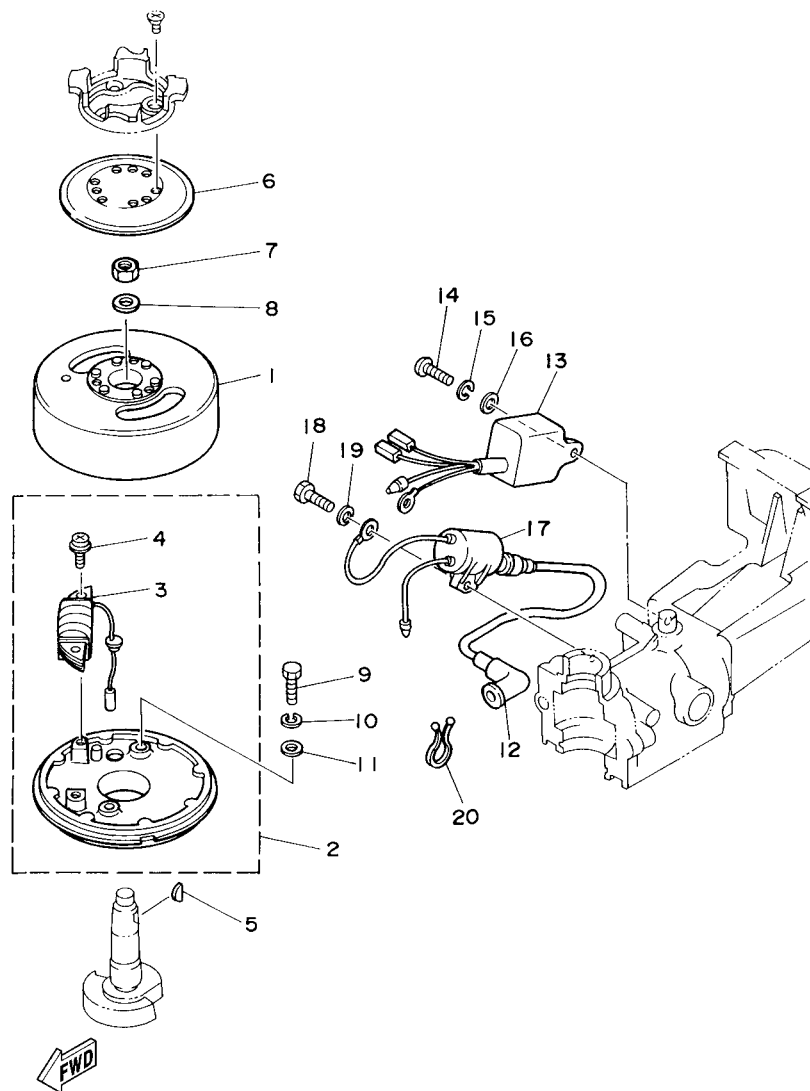
FIG. 4 STARTER




6A13100-C040

*1: CUT FROM 50M ROLLS, PART NO. 90890-44372, CUTTING LENGTH 1.3M

REF. NO.	PART NO.	DESCRIPTION	2MH				REMARKS
1	6A1-15710-00	STARTER ASSY	1				
2	6A1-15711-00	.CASE, STARTER	1				
3	6A1-15714-00	.DRUM, SHEAVE	1				
4	6A1-15767-00	.SPRING	1				
5	6A1-15741-00	.PAWL, DRIVE	1				
6	6A1-15713-00	.SPRING, STARTER	1				
7	6A1-15717-00	.SHAFT, STARTER	1				
8	6A1-15705-00	.SPRING, DRIVE PAWL	1				
9	97322-06012	.BOLT	1				
10	6A1-15755-02	.HANDLE, STARTER	1				
11	*	.WIRE (L1300)	1				*1
12	97095-06016	BOLT	3				
13	92995-06600	WASHER	3				
14	6A1-15723-00-94	PULLEY, STARTER	1				
15	98703-06012	SCREW, FLAT HEAD	3				



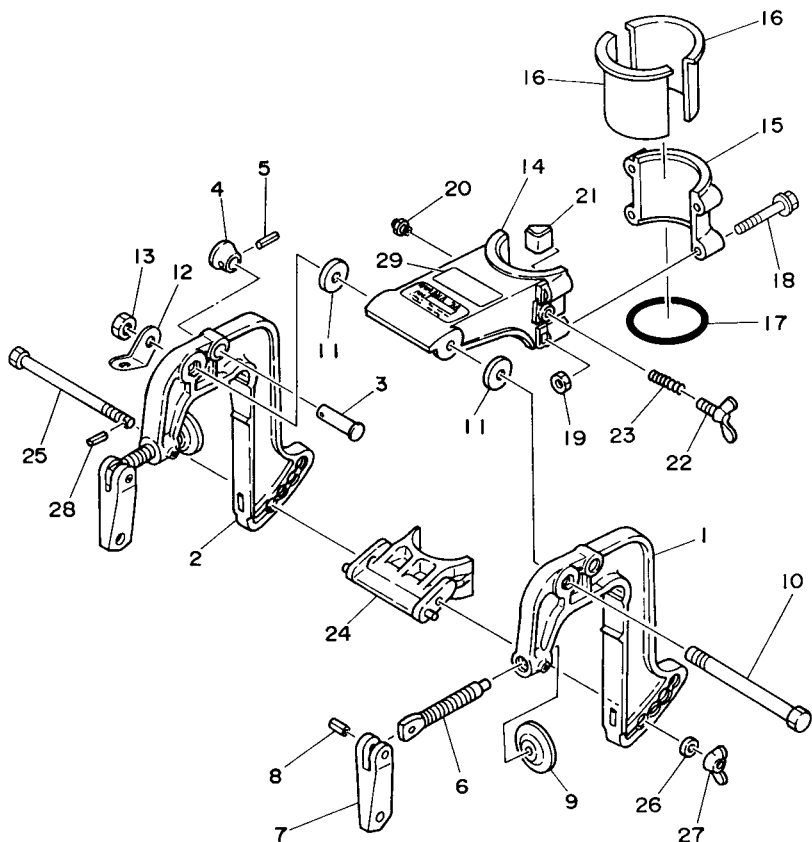
6A10010-5050

FIG. 5 GENERATOR

REF. NO.	PART NO.	DESCRIPTION	2MH				REMARKS
1	6A1-85550-00	ROTOR ASSY	1				
2	6A1-85560-00	BASE ASSY	1				
3	6A1-85520-00	.COIL, CHARGE	1				
4	97885-05020	.SCREW, PAN HEAD	2				
5	90280-04M06	KEY, WOODRUFF	1				
6	6A1-81362-00	COVER, HOLE	1				
7	90170-10M33	NUT	1				
8	92903-10100	WASHER, SPRING	1				
9	97013-06030	BOLT	2				
10	92903-06100	WASHER, SPRING	2				
11	92903-06600	WASHER, PLATE	2				
12	6G1-82370-21	PLUG CAP ASSY	1				FOR CAN
	663-82370-01	PLUG CAP ASSY	1				FOR CAR
13	6A1-85540-01	C.D.I. UNIT ASSY	1				
14	97885-06016	SCREW, PAN HEAD	1				
15	92995-06100	WASHER, SPRING	1				
16	92995-06600	WASHER	1				
17	6A1-85570-00	IGNITION COIL ASSY	1				
18	97095-06020	BOLT	1				
19	92995-06600	WASHER	1				
20	90464-08M07	CLAMP	1				

FIG. 6 BRACKET

REF. NO.	PART NO.	DESCRIPTION	2MH				REMARKS
1	6A1-43111-03-4D	BRACKET, CLAMP	1				
2	6A1-43112-00-4D	BRACKET, CLAMP	1				
3	6A1-43191-00	SHAFT, STOPPER	1				
4	6A1-43192-00	KNOB, STOPPER	1				
5	91690-30014	PIN, SPRING	1				
6	6E0-43116-01	SCREW, TRANSOM CLAMP	2				
7	6E0-43118-01	HANDLE, TRANSOM CLAMP	2				
8	90243-04M01	PIN	2				
9	620-43114-00	PAD, TRANSOM CLAMP	2				
10	90101-08217	BOLT	1				
11	90202-08022	WASHER, PLATE	2				
12	6A1-43113-01	PLATE, CLAMP BRACKET	1				
13	95380-08600	NUT	1				
14	6A1-43311-02-4D	BRACKET, SWIVEL 1	1				
15	6A1-43312-00-4D	BRACKET, SWIVEL 2	1				
16	646-42537-01	BUSHING, PIVOT SHAFT	2				
17	93210-46044	O-RING	1				
18	90119-06M98	BOLT, WITH WASHER	4				
19	95380-06600	NUT, HEXAGON	4				
20	93700-06M03	NIPPLE, GREASE	1				
21	646-42528-00	PLATE, FRICTION	1				
22	90122-06004	BOLT, WING	1				
23	90501-12272	SPRING, COMPRESSION	1				
24	6A1-43351-00	RECEIVER, THRUST	1				
25	6A1-43371-00	BOLT, RECEIVER	1				
26	90201-06040	WASHER, PLATE	1				
27	90175-06008	NUT, WING	1				

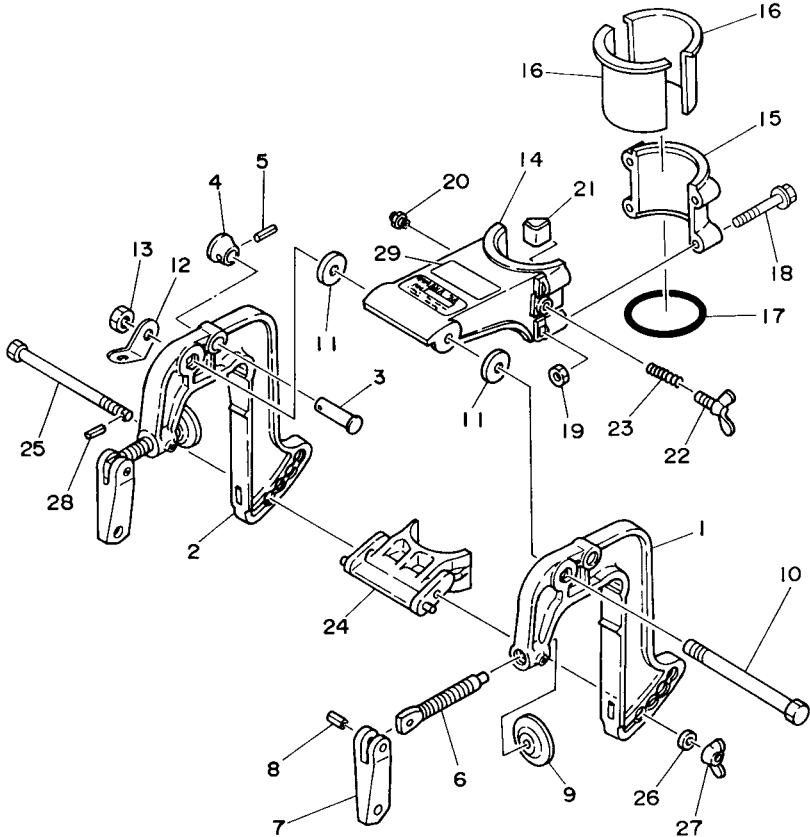


6A11100-2060

B6

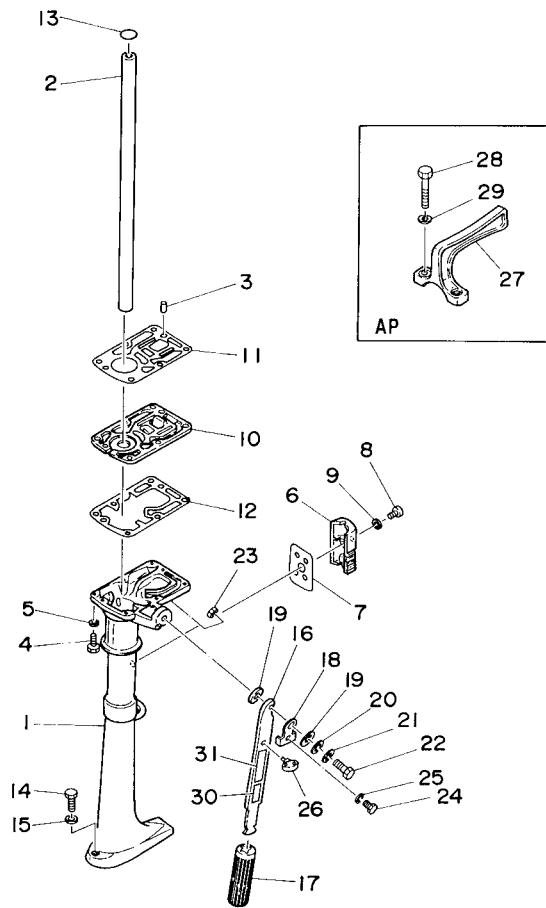
FIG. 6 BRACKET

REF. NO.	PART NO.	DESCRIPTION	2MH				REMARKS
28	91690-20006	PIN, SPRING	1				
29	63V-82377-50	LABEL (SPARK,IGNITION)	1				FOR CAN



6A11100-2060

B7



6A13100-C070

FIG. 7 UPPER CASING

REF. NO.	PART NO.	DESCRIPTION	2MH				REMARKS
1	6A1-45111-03-4D	CASING, UPPER	1				
2	6A1-45113-00	GASKET, UPPER CASING	1				
3	93605-15065	PIN, DOWEL	2				
4	97095-06025	BOLT	6				
5	92995-06600	WASHER	6				
6	6A1-45151-00	COVER, UPPER CASING	1				
7	6A1-45115-00	GASKET, UPPER CASING	1				
8	97880-06016	SCREW, PAN HEAD	1				
9	92990-06600	WASHER, PLATE	1				
10	6A1-41137-00-5B	GUIDE, EXHAUST	1				
11	6A1-14613-A0	GASKET, EXHAUST PIPE	1				
12	646-14623-A1	GASKET, EXHAUST PIPE	1				
13	93210-19123	O-RING	1				
14	97095-06030	BOLT	1				
15	92995-06600	WASHER	1				
16	6A1-42111-01-4D	HANDLE, STEERING	1				
17	646-42119-02	GRIP, STEERING HANDLE	1				
18	6A1-42181-00	WASHER	1				
19	90201-09117	WASHER, PLATE	2				
20	92990-08200	WASHER, PLAIN	1				
21	92990-08100	WASHER, SPRING	1				
22	90101-08M11	BOLT	1				
23	95380-08600	NUT	1				
24	97095-06010	BOLT	1				
25	92995-06100	WASHER, SPRING	1				
26	646-42591-00	HOLDER, SHEAR PIN	1				
27	646-42121-00-94	BRACKET	1				AP

C1

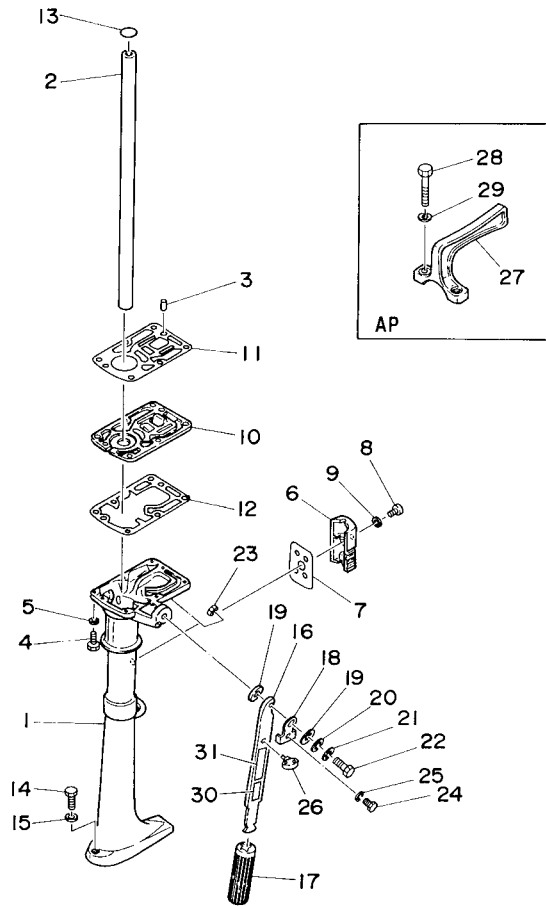


FIG. 7 UPPER CASING

REF. NO.	PART NO.	DESCRIPTION	2MH				REMARKS
28	97095-06055	BOLT	2				AP
29	92990-06100	WASHER, SPRING	2				AP
30	6A1-2415A-41	LABEL, CAUTION	1				
31	6A1-2415A-51	LABEL, CAUTION	1				FOR CAN



6A13100-C070

FIG. 8 LOWER CASING. DRIVE

REF. NO.	PART NO.	DESCRIPTION	2MH				REMARKS
1	6A1-45300-03-4D	LOWER UNIT ASSY	1				
2	6A1-45181-00-4D	PLATE	1				
3	6A1-45311-02-4D	CASING, LOWER	1				
4	6L5-45251-03	ANODE	1				
5	95895-06012	BOLT, FLANGE	1				
6	92990-06300	WASHER, INTERNAL TOOTH	1				
7	93103-11051	OIL SEAL	1				
8	93306-00001	BEARING	1				
9	90430-08020	GASKET	2				
10	90340-08002	PLUG, STRAIGHT SCREW	2				
11	93605-18M04	PIN, DOWEL	2				
12	97095-06030	BOLT	1				
13	92995-06600	WASHER	1				
14	6A1-44325-00	PROTECTOR, OIL SEAL	1				
15	6A1-45361-01-4D	CAP, LOWER CASING	1				
16	93103-10052	OIL SEAL	1				
17	93210-42101	O-RING	1				
18	97090-06014	BOLT	2				
19	92990-06600	WASHER, PLATE	2				
20	6A1-44312-01-94	COVER, WATER PUMP HOUSING	1				
21	93101-11M44	OIL SEAL	2				
22	93210-19123	O-RING	1				
23	93604-09068	PIN, DOWEL	2				
24	646-44366-01	DAMPER, WATER SEAL	1				
25	646-44352-01	IMPELLER	1				
26	93604-09066	PIN, DOWEL	1				
27	646-44323-00	OUTER PLATE, CARTRIDGE	1				

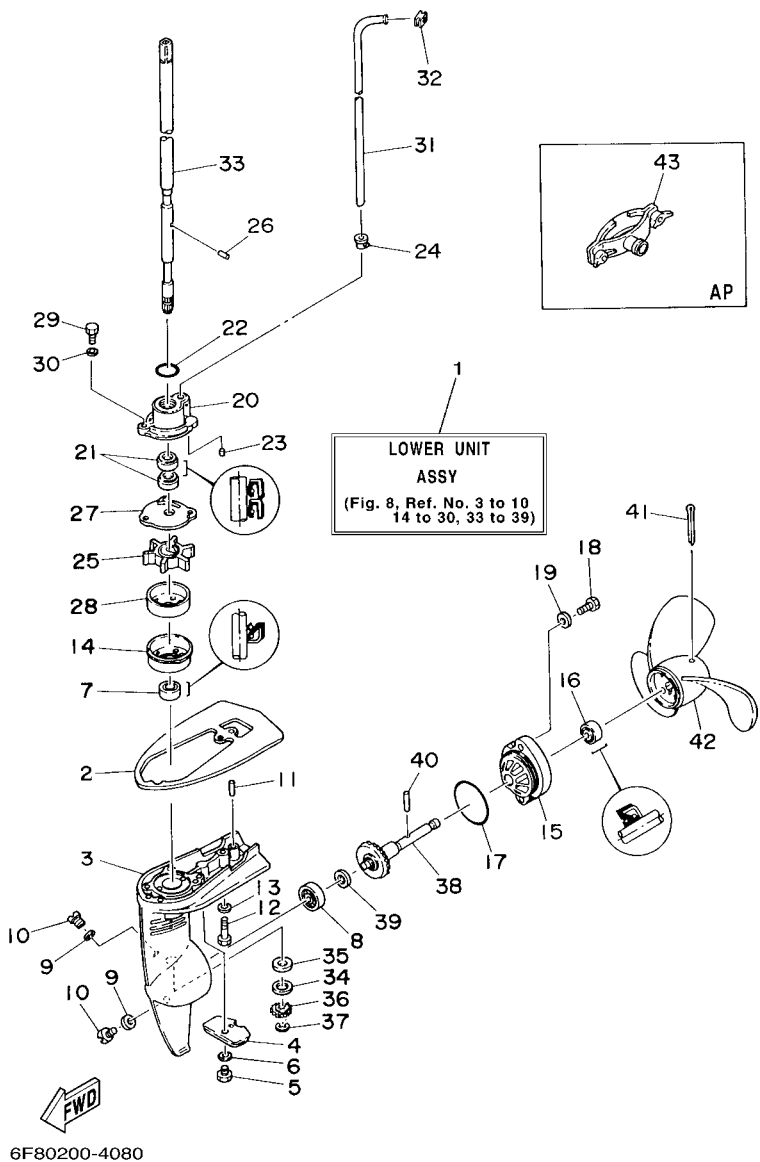
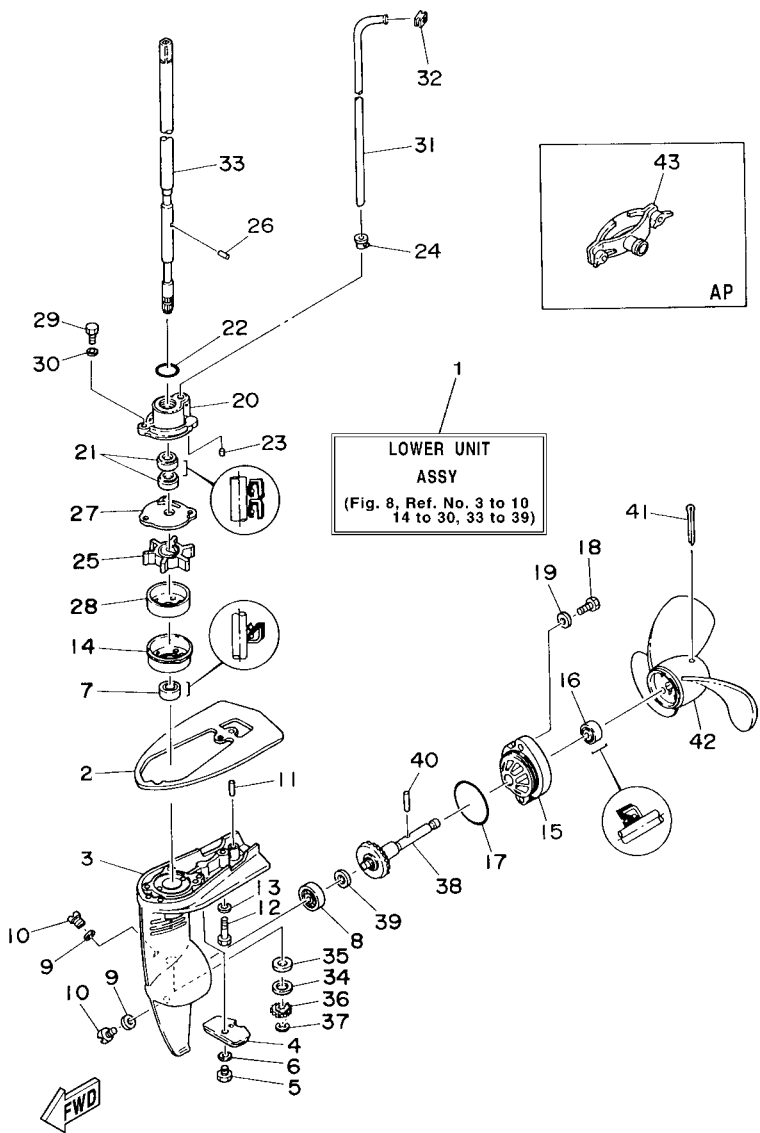
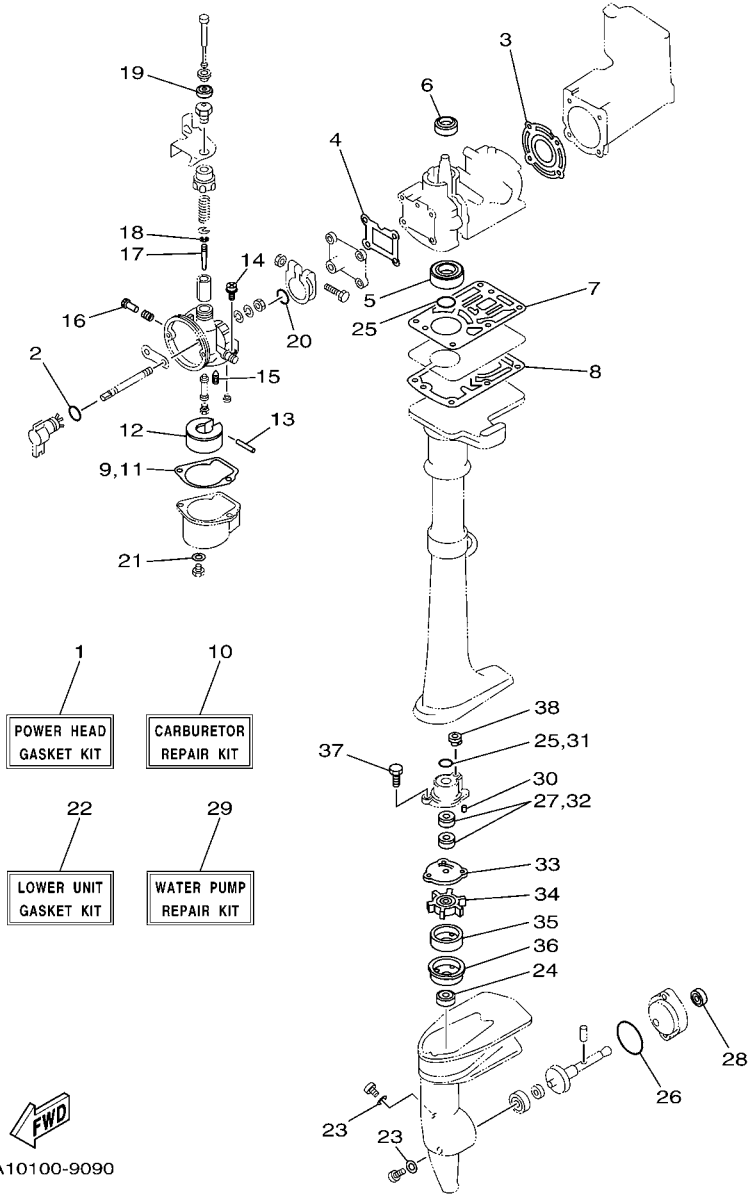


FIG. 8 LOWER CASING. DRIVE

REF. NO.	PART NO.	DESCRIPTION	2MH				REMARKS
28	646-44322-00	INSERT, CARTRIDGE	1				
29	97095-05016	BOLT	2				
30	92995-05600	WASHER	2				
31	6A1-44361-00	TUBE, WATER	1				
32	646-44365-00	DAMPER, WATER SEAL	1				
33	6A1-45510-01	DRIVE SHAFT ASSY	1				
34	90201-11M49	WASHER, PLATE	1				
35	646-45534-00-03	SHIM (T:0.30MM)	1				UR
	646-45534-00-04	SHIM (T:0.40MM)	1				UR
	646-45534-00-05	SHIM (T:0.50MM)	1				UR
36	646-45551-00	PINION	1				
37	99001-06600	CIRCLIP	1				
38	646-45560-00	GEAR	1				
39	646-45567-00-03	SHIM (T:0.30MM)	1				UR
	646-45567-00-04	SHIM (T:0.40MM)	1				UR
	646-45567-00-05	SHIM (T:0.50MM)	1				UR
40	90250-03M10	PIN, STRAIGHT	1				
41	91490-30040	PIN, COTTER	1				
42	6A1-45943-00	PROPELLER (3X7-1/4"X4"-A)	1				UR
	646-45942-01-EL	PROPELLER (3X7-1/4"X5-1/2"-A)	1				UR
	646-45944-01-EL	PROPELLER (3X7-1/4"X4-1/2"-A)	1				UR
43	646-28193-00	PLUG, WATER CHECK	1				AP



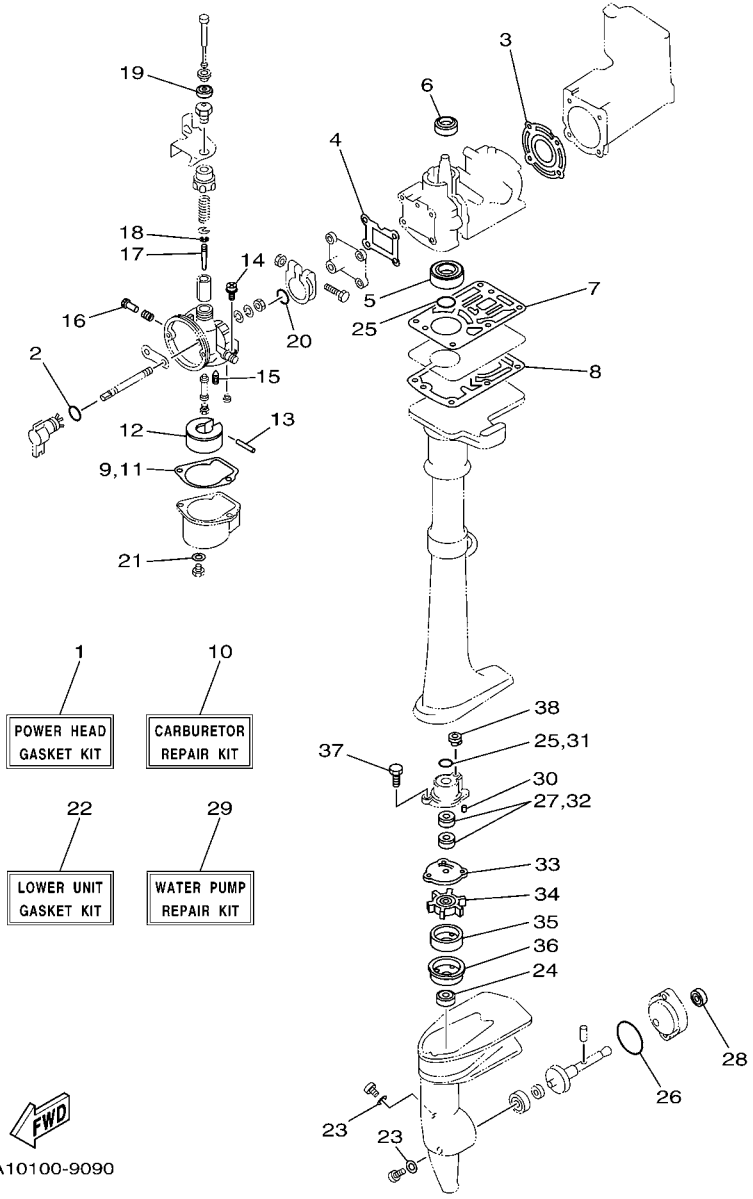
6F80200-4080



6A10100-9090

FIG. 9 REPAIR KIT

REF. NO.	PART NO.	DESCRIPTION	2MH				REMARKS
1	6A1-W0001-A2	POWER HEAD GASKET KIT	1				
2	93210-08M29	.O-RING	1				
3	6A1-11181-A1	.GASKET, CYLINDER HEAD 1	1				
4	6A1-13621-A0	.GASKET, VALVE SEAT	1				
5	93102-15M32	.OIL SEAL	1				
6	93102-20070	.OIL SEAL	1				
7	6A1-14613-A0	.GASKET, EXHAUST PIPE	1				
8	646-14623-A1	.GASKET, EXHAUST PIPE	1				
9	6A1-14384-00	.GASKET, FLOAT CHAMBER	1				
10	6A1-W0093-03	CARBURETOR REPAIR KIT	1				
11	6A1-14384-00	.GASKET, FLOAT CHAMBER	1				
12	6A1-14385-00	.FLOAT	1				
13	6A1-14386-00	.PIN, FLOAT	1				
14	97980-04110	.SCREW, WITH WASHER	2				
15	6A1-14392-00	.VALVE, NEEDLE	1				
16	646-14211-02	.SCREW, PILOT ADJUSTING	1				
17	6A1-14116-10	.NEEDLE	1				
18	646-14137-00	.CLIP	1				
19	646-14169-00	.CAP	1				
20	646-14229-01	.O-RING	1				
21	646-14198-01	.GASKET	1				
22	6A1-W0001-23	LOWER UNIT GASKET KIT	1				
23	90430-08020	.GASKET	2				
24	93103-11051	.OIL SEAL	1				
25	93210-19123	.O-RING	1				
26	93210-42101	.O-RING	1				
27	93101-11M44	.OIL SEAL	2				



6A10100-9090

FIG. 9 REPAIR KIT

REF. NO.	PART NO.	DESCRIPTION	2MH				REMARKS
28	93103-10052	.OIL SEAL	1				
29	6A1-W0078-02	WATER PUMP REPAIR KIT	1				
30	93604-09068	.PIN, DOWEL	2				
31	93210-19123	.O-RING	1				
32	93101-11M44	.OIL SEAL	2				
33	646-44323-00	.OUTER PLATE, CARTRIDGE	1				
34	646-44352-01	.IMPELLER	1				
35	646-44322-00	.INSERT, CARTRIDGE	1				
36	6A1-44325-00	.PROTECTOR, OIL SEAL	1				
37	97095-05016	.BOLT	2				
38	646-44366-01	.DAMPER, WATER SEAL	1				

NUMERICAL INDEX

PART NO.	REF. NO.	PART NO.	REF. NO.	PART NO.	REF. NO.	PART NO.	REF. NO.	PART NO.	REF. NO.	PART NO.	REF. NO.
6A1-11111-02-1S	2 - 9	6A1-14384-00	9 - 9	6A1-41271-00	1 - 6	6A1-45361-01-4D	8 - 15	90201-35300	2 - 18	93101-11M44	8 - 21
6A1-11181-A1	2 - 10	6A1-14385-00	3 - 28	6A1-41637-00	1 - 50	6A1-45510-01	8 - 33	90202-08022	6 - 11		9 - 27
	9 - 3		9 - 12	6A1-42111-01-4D	7 - 16	646-45534-00-03	8 - 35	90243-04M01	6 - 8	93102-15M32	2 - 19
624-11379-00	2 - 5	6A1-14386-00	3 - 27	646-42119-02	7 - 17	646-45534-00-04	8 - 35	90250-03M10	8 - 40		9 - 5
6A1-11400-00	2 - 13		9 - 13	646-42121-00-94	7 - 27	646-45534-00-05	8 - 35	90280-04M06	5 - 5	93102-20070	2 - 17
646-11601-01	2 - 21	6A1-14392-00	3 - 26	6A1-42181-00	7 - 18	646-45551-00	8 - 36	90336-06001	2 - 3		9 - 6
646-11601-11	2 - 21		9 - 15	646-42528-00	6 - 21	646-45560-00	8 - 38	90340-08002	8 - 10	93103-10052	8 - 16
646-11601-21	2 - 21	6A1-14441-02	1 - 1	646-42537-01	6 - 16	646-45567-00-03	8 - 39	90430-04005	1 - 12		9 - 28
646-11631-01-98	2 - 20	6A1-14442-00	1 - 4	646-42591-00	7 - 26	646-45567-00-04	8 - 39	90430-08020	8 - 9	93103-11051	8 - 7
646-11633-00	2 - 22	6A1-14448-00	3 - 33	6A1-42677-10	1 - 3	646-45567-00-05	8 - 39		9 - 23		9 - 24
646-11635-01	2 - 20	650-14485-03	2 - 4	6A1-42678-12	2 - 33	646-45942-01-EL	8 - 42	90430-14117	1 - 13	93210-08M29	1 - 7
646-11636-01	2 - 20	6A1-14497-00	3 - 3	6A1-42741-11	1 - 29	6A1-45943-00	8 - 42	90445-07254	2 - 24		9 - 2
6A1-13610-00	2 - 26	6A1-14613-A0	7 - 11	6A1-42771-11	1 - 33	646-45944-01-EL	8 - 42	90464-08M07	5 - 20	93210-19123	7 - 13
6A1-13621-A0	2 - 28		9 - 7	678-42791-00	2 - 36	6A1-81362-00	5 - 6	90465-06M86	2 - 32		8 - 22
	9 - 4	646-14623-A1	7 - 12	678-42791-10	2 - 36	663-82370-01	5 - 12	90467-06016	2 - 25		9 - 25
6A1-14116-10	3 - 15		9 - 8	6A1-43111-03-4D	6 - 1	6G1-82370-21	5 - 12	90467-08004	1 - 26	93210-42101	8 - 17
	9 - 17	6A1-15100-61-1S	2 - 2	6A1-43112-00-4D	6 - 2	6A1-82375-11	1 - 59	90501-10260	1 - 17		9 - 26
6A1-14125-01	3 - 20	6A1-15705-00	4 - 8	6A1-43113-01	6 - 12	63V-82377-50	6 - 29	90501-10374	1 - 15	93210-46044	6 - 17
6A1-14127-01	3 - 21	6A1-15710-00	4 - 1	620-43114-00	6 - 9	6A1-82541-00	1 - 56	90501-12272	6 - 23	93306-00001	8 - 8
646-14136-00	3 - 17	6A1-15711-00	4 - 2	6E0-43116-01	6 - 6	6A1-82550-02	1 - 55	90501-12M16	1 - 54	93306-00409	2 - 14
646-14137-00	3 - 16	6A1-15713-00	4 - 6	6E0-43118-01	6 - 7	6A1-83625-41	1 - 63	91490-30040	8 - 41	93306-30204	2 - 15
	9 - 18	6A1-15714-00	4 - 3	6A1-43191-00	6 - 3	6A1-83625-51	1 - 64	91690-20006	6 - 28	93310-210V1	2 - 16
646-14158-00	3 - 2	6A1-15717-00	4 - 7	6A1-43192-00	6 - 4	6A1-85520-00	5 - 3	91690-30014	6 - 5	93450-11021	2 - 23
6A1-14163-00	3 - 7	6A1-15723-00-94	4 - 14	6A1-43311-02-4D	6 - 14	6A1-85540-01	5 - 13	92903-06100	5 - 10	93604-09066	8 - 26
646-14169-00	3 - 5	6A1-15741-00	4 - 5	6A1-43312-00-4D	6 - 15	6A1-85550-00	5 - 1	92903-06600	2 - 7	93604-09068	8 - 23
	9 - 19	6A1-15755-02	4 - 10	6A1-43351-00	6 - 24	6A1-85560-00	5 - 2		5 - 11		9 - 30
646-14198-01	3 - 14	6A1-15767-00	4 - 4	6A1-43371-00	6 - 25	6A1-85570-00	5 - 17	92903-10100	5 - 8	93605-15065	7 - 3
	9 - 21	6A1-15771-01	2 - 34	6A1-44312-01-94	8 - 20	6A1-W0001-23	9 - 22	92907-04200	1 - 16	93605-18M04	8 - 11
646-14211-02	3 - 24	6A1-24110-01	1 - 8	646-44322-00	8 - 28	6A1-W0001-A2	9 - 1	92990-05100	1 - 46	93700-06M03	6 - 20
	9 - 16	6A1-24141-00	2 - 29		9 - 35	6A1-W0004-00	2 - 27	92990-05600	1 - 37	94702-00069	2 - 31
6A1-14212-00	3 - 23	6A1-24153-50	1 - 31	646-44323-00	8 - 27	6A1-W0070-14	1 - 30		3 - 35	94702-00249	2 - 31
6A1-14217-01	3 - 34	6A1-24154-50	1 - 32		9 - 33	6A1-W0078-02	9 - 29	92990-06100	1 - 39	95380-06600	1 - 20
646-14229-01	3 - 8	6A1-2415A-41	7 - 30	6A1-44325-00	8 - 14	6A1-W0090-13-1S	2 - 1		7 - 29		6 - 19
	9 - 20	6A1-2415A-51	7 - 31		9 - 36	6A1-W0093-03	9 - 10	92990-06300	8 - 6	95380-08600	6 - 13
6A1-14301-03	3 - 1	6A1-24181-00	1 - 23	646-44352-01	8 - 25	656-W2810-02	1 - 28	92990-06600	1 - 40		7 - 23
646-14312-08	3 - 19	6A1-24198-00	1 - 9		9 - 34	90101-08217	6 - 10		7 - 9	95380-08700	1 - 57
6A1-14314-00	3 - 6	646-24241-00	1 - 18	6A1-44361-00	8 - 31	90101-08M11	7 - 22		8 - 19	95895-06010	2 - 30
646-14321-00	3 - 4	6A1-24311-00	1 - 25	646-44365-00	8 - 32	90119-06M98	6 - 18	92990-08100	7 - 21	95895-06012	8 - 5
646-14331-01	3 - 18	6A1-24500-02	1 - 24	646-44366-01	8 - 24	90122-06004	6 - 22	92990-08200	7 - 20	97013-06030	5 - 9
6A1-14341-01	3 - 10	6A1-24610-01	1 - 10		9 - 38	90151-04M04	1 - 5	92995-05600	8 - 30	97013-06040	2 - 6
6A1-14343-48	3 - 11	646-24615-01	1 - 14	6A1-45111-03-4D	7 - 1	90170-10M33	5 - 7	92995-06100	1 - 21	97013-06060	2 - 35
6A1-14356-00	3 - 31	6A1-24631-00	1 - 11	6A1-45113-00	7 - 2	90173-05M00	1 - 2		5 - 15	97090-06014	8 - 18
646-14357-00	3 - 32	646-28193-00	8 - 43	6A1-45115-00	7 - 7	90175-06008	6 - 27		7 - 25	97095-05010	1 - 47
646-14358-00	3 - 30	61H-2819R-31	1 - 27	6A1-45151-00	7 - 6	90183-05M00	1 - 35	92995-06600	2 - 12	97095-05016	8 - 29
6A1-14358-01	3 - 22	6A1-41137-00-5B	7 - 10	6A1-45181-00-4D	8 - 2	90201-06040	6 - 26		4 - 13		9 - 37
6A1-14365-00	1 - 48	6A1-41211-00	1 - 45	6L5-45251-03	8 - 4	90201-06M30	1 - 22		5 - 16	97095-06010	7 - 24
6A1-14381-02	3 - 12	6A1-41212-01	1 - 44	6A1-45300-03-4D	8 - 1	90201-09117	7 - 19		7 - 5	97095-06016	4 - 12
6A1-14384-00	3 - 9	6A1-41223-00	1 - 52	6A1-45311-02-4D	8 - 3	90201-11M49	8 - 34		8 - 13	97095-06018	1 - 19

NUMERICAL INDEX

PART NO.	REF. NO.	PART NO.	REF. NO.	PART NO.	REF. NO.	PART NO.	REF. NO.	PART NO.	REF. NO.	PART NO.	REF. NO.
97095-06020	5 - 18										
97095-06025	2 - 11										
	7 - 4										
97095-06030	7 - 14										
	8 - 12										
97095-06055	7 - 28										
97322-06012	4 - 9										
97880-05008	1 - 58										
97880-05010	1 - 36										
97880-05012	1 - 61										
97880-06016	7 - 8										
97880-06025	1 - 41										
97880-06040	1 - 38										
97885-05020	5 - 4										
97885-05025	1 - 53										
97885-06016	5 - 14										
97890-05006	3 - 13										
97980-04110	3 - 25										
	9 - 14										
98580-03005	3 - 29										
98703-06012	4 - 15										
98780-03010	1 - 51										
98780-05012	1 - 34										
99001-04600	1 - 49										
99001-06600	8 - 37										
99530-10014	2 - 8										

2MHC/2BMH
PARTS CATALOGUE
©2003 by Yamaha Motor Co., Ltd.
1st edition, April 2003
All rights reserved.
Any reprinting or unauthorized use
without the written permission of
Yamaha Motor Co., Ltd.
is expressly prohibited.
Printed in Japan.