

PARTS CATALOGUE

30DE '02(6J83)

30DMH'02(6J84)

FOREWORD

This Parts Catalogue is related to the parts for the model(s) in the below frame. When you are ordering replacement parts, please refer to this Parts Catalogue and quote both part numbers and part names correctly.

30DE'02(6J83), 30DMH'02(6J84)

1. Modifications or additions which have been made after issue of the Parts Catalogue will be announced in the Yamaha Parts News.
It is advisable that you make necessary corrections to the Parts Catalogue according to the Yamaha Parts News.

2. Abbreviations

The Following abbreviations are used in this Parts Catalogue.

“UR” Use specified parts number. “N.O/I” Non Oil Injection

“UN” Use as many as needed.

“AP” Alternate Parts

“LM” Local Made
(Parts need to be ordered locally)

“O/S” Over Size

3. Parts, which are to be supplied in an assembly, are listed with a dot(.) in front of the part name as shown below.

EXAMPLE

CARBURETOR ASSY

.JET, PILOT

.NOZZLE, MAIN

4. Number of component for assembly

The numeral appearing to the right of each component part indicates the quantity of parts for each assembly unit.

EXAMPLE

PART NO.	DESCRIPTION	□	□	□	□	REMARKS
6E0-85500-70	C.D.I. MAGNETO ASSY	1				
6E0-85550-70	.ROTOR ASSY	1				
6E0-15723-00-94.	.PULLY, STARTER	1				

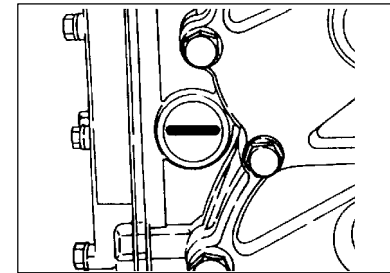
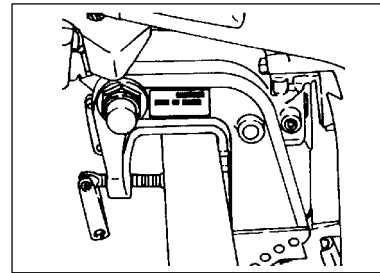
5. Quantity Column Information

NAME for Q'TY COLUMN	APPLICABLE MODEL
MH	30DMH
E	30DE

6. Applicable Starting Serial No. and Color Code

1) Engine Starting Serial No.

30DMH	6J8	S : 004949	30DE	6J8	L : 355525
-------	-----	------------	------	-----	------------



2) Color Code

Color Code	Color Name	Abbreviation
004D	DARK BLUISH GRAY METALLIC 2	DBNM2

7. Note that the illustrations for reference in finding parts numbers, not to be used for assembling. When assembling, please use the applicable service manual.

8. The asterisk (*) before a reference number indicates modification items after the first edition.

CONTENTS

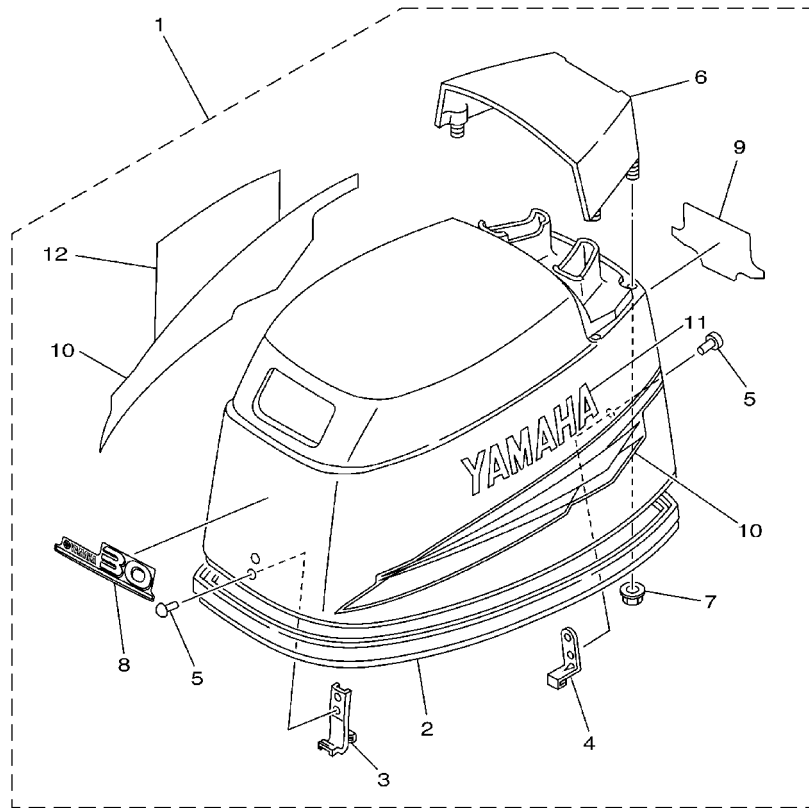
TOP COWLING	1
CYLINDER, CRANKCASE	2
CRANKSHAFT, PISTON	4
INTAKE	5
CARBURETOR	6
FUEL	8
STARTER	9
GENERATOR	11
ELECTRICAL 1	12
ELECTRICAL 2	13
STARTING MOTOR	15
BOTTOM COWLING	17
STEERING	19
CONTROL 1	21
CONTROL 2	23
BRACKET 1	24
BRACKET 2	27
UPPER CASING	29
LOWER CASING, DRIVE 1	30
LOWER CASING, DRIVE 2	33

FUEL TANK	35
REMOTE CONTROL BOX	36
REMOTE CONTROL ASSY	37
REPAIR KIT 1	40
REPAIR KIT 2	41

INDEX

NUMERICAL INDEX	42
-----------------------	----

FIG. 1 TOP COWLING

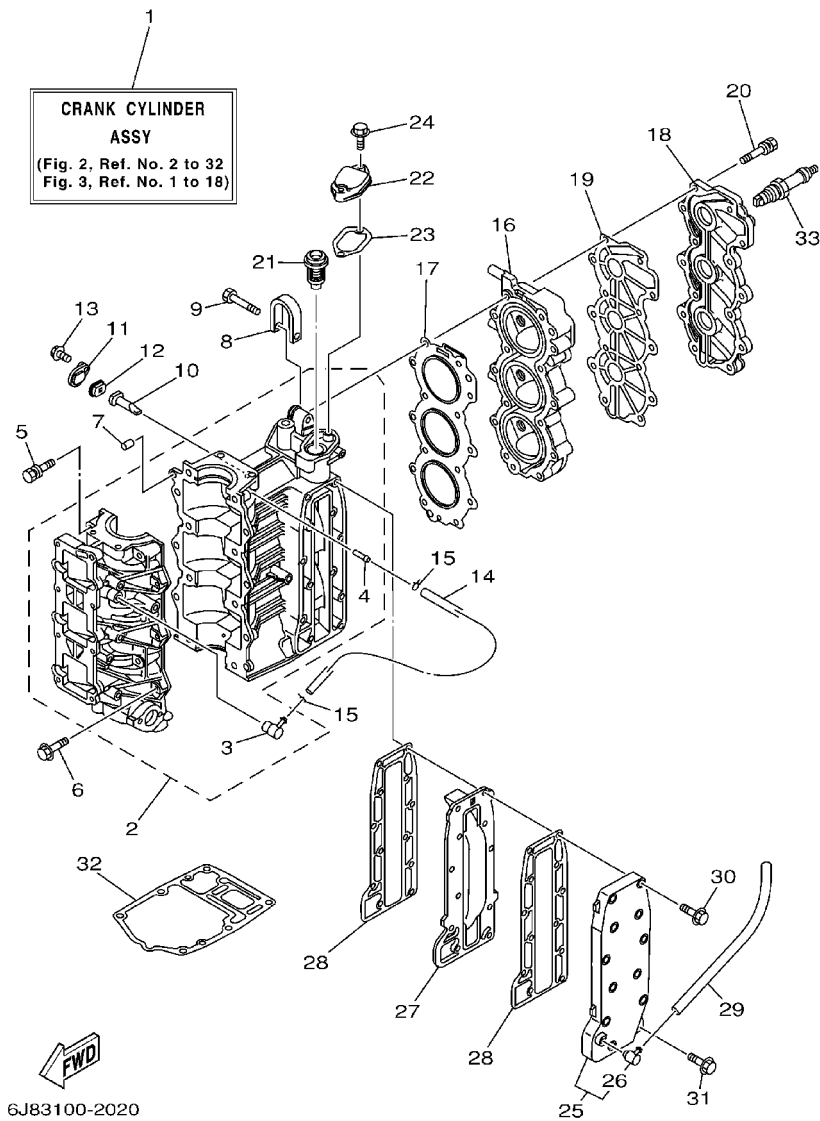


REF. NO.	PART NO.	DESCRIPTION	MH	E				REMARKS
1	6J8-42610-D0-4D	TOP COWLING ASSY	1					
	6J8-42610-80-4D	TOP COWLING ASSY		1				
2	6J8-42615-00	.SEAL	1	1				
3	6J8-42651-03	.HOOK	1	1				
4	6J8-42652-00	.HOOK	1	1				
5	90266-04M00	.RIVET	4	4				
6	6J8-42613-00-4D	.MOLDING, AIR DUCT	1					
	6J8-42613-10-4D	.MOLDING, AIR DUCT		1				
7	90179-06M24	.NUT	4	4				
8	6J8-42677-40	.GRAPHIC, FRONT	1	1				
9	6J8-42678-10	.GRAPHIC, REAR	1	1				
10	6J8-W0070-14	.GRAPHIC SET	1	1				
11	6J8-42681-11	.MARK, COWLING	1	1				
12	6J8-42682-12	.MARK, COWLING	1	1				



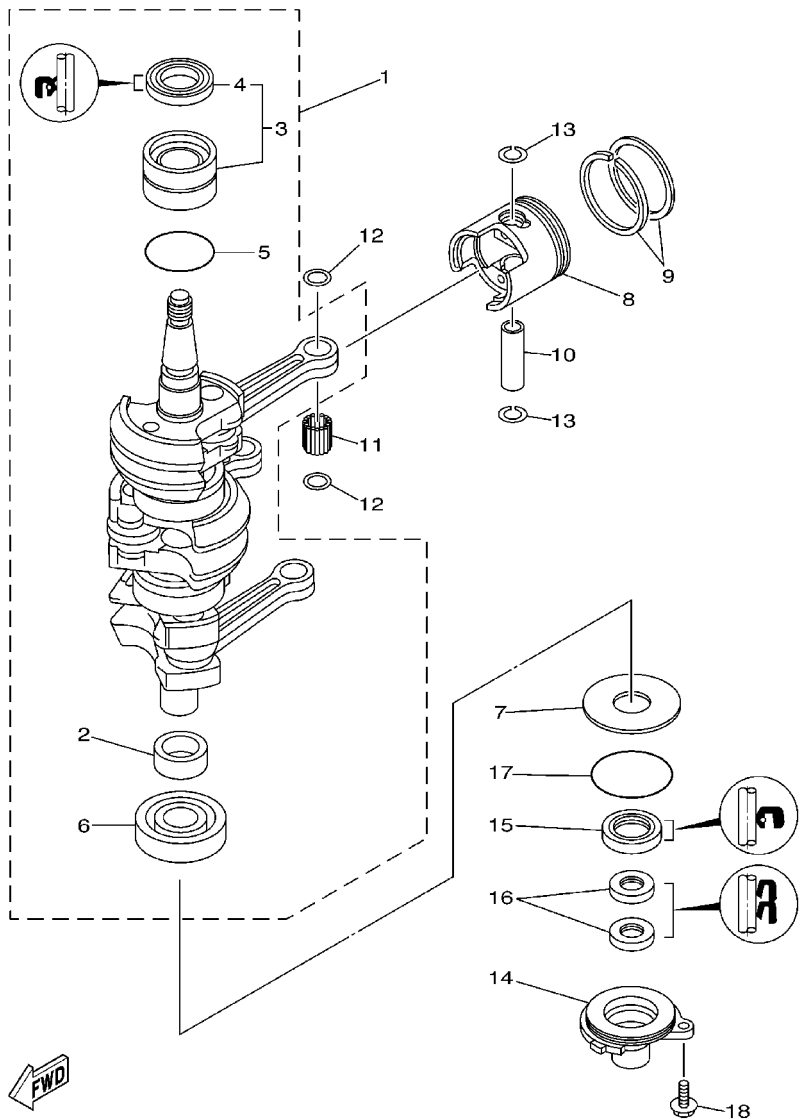
6J83664-2010

FIG. 2 CYLINDER. CRANKCASE



6J83100-2020

REF. NO.	PART NO.	DESCRIPTION	MH	E			REMARKS
1	6J8-W0090-05-1S	CRANK CYLINDER ASSY	1	1			N.O/I
2	6J8-15100-01-1S	CRANKCASE ASSY	1	1			N.O/I
3	650-11370-00	.CHECK VALVE ASSY	1	1			
4	624-14485-00	.PIPE, JOINT	1	1			
5	90119-08019	BOLT, WITH WASHER	8	8			
6	90119-06MA4	BOLT, WITH WASHER	6	6			
7	93606-12019	PIN, DOWEL	2	2			
8	6F5-11119-00	HANGER, ENGINE	1	1			
9	90101-08001	BOLT	1	1			
10	6J8-11325-00	ANODE	2	2			
11	6H3-11327-00-1S	COVER, ANODE	2	2			
12	6H3-11328-00	GROMMET, ANODE	2	2			
13	90119-06023	BOLT, WITH WASHER	2	2			
14	90445-07M29	HOSE (L135)	1	1			
15	90467-06016	CLIP	2	2			
16	6J8-11111-00-1S	HEAD, CYLINDER 1	1	1			
17	6J8-11181-A1	GASKET, CYLINDER HEAD 1	1	1			
18	6J8-11191-00-1S	COVER, CYLINDER HEAD 1	1	1			
19	6J8-11193-A1	GASKET, HEAD COVER 1	1	1			
20	90119-08MA8	BOLT, WITH WASHER	14	14			
21	688-12411-10	THERMOSTAT	1	1			
22	6H4-12413-00-1S	COVER, THERMOSTAT	1	1			
23	6J8-12414-A0	GASKET, COVER	1	1			
24	90119-06MA3	BOLT, WITH WASHER	2	2			
25	6J8-41113-00-1S	OUTER COVER, EXHAUST	1	1			
26	676-11372-00	.NIPPLE, HOSE	1	1			
27	6J8-41111-00-1S	INNER COVER, EXHAUST	1	1			



6J83664-2030

FIG. 3 CRANKSHAFT. PISTON

REF. NO.	PART NO.	DESCRIPTION	MH	E				REMARKS
1	6J8-11400-01	CRANKSHAFT ASSY	1	1				N.O/I
2	6J8-11445-00	.SPACER	1	1				N.O/I
3	93311-632U7	.BEARING	1	1				
4	93102-26M27	.OIL SEAL	1	1				
5	93210-42159	.O-RING	1	1				
6	93306-305U3	.BEARING	1	1				
7	90201-50306	WASHER, PLATE	1	1				
8	6J8-11631-02-97	PISTON (STD)	3	3				
	6J8-11635-02	PISTON (0.25MM O/S)	3	3				AP
	6J8-11636-02	PISTON (0.50MM O/S)	3	3				AP
9	6J8-11601-01	PISTON RING SET (STD)	3	3				
	6J8-11601-11	PISTON RING SET (0.25MM O/S)	3	3				AP
	6J8-11601-21	PISTON RING SET (0.50MM O/S)	3	3				AP
10	6J8-11633-00	PIN, PISTON	3	3				
11	93602-16M10	PIN, DOWEL	84	84				
12	90201-16379	WASHER, PLATE	6	6				
13	93450-17129	CIRCLIP	6	6				
14	6J8-15396-00-5B	HOUSING, OIL SEAL	1	1				
15	93101-25M28	OIL SEAL	1	1				
16	93104-16M04	OIL SEAL	2	2				
17	93210-56M80	O-RING	1	1				
18	90119-06023	BOLT, WITH WASHER	2	2				

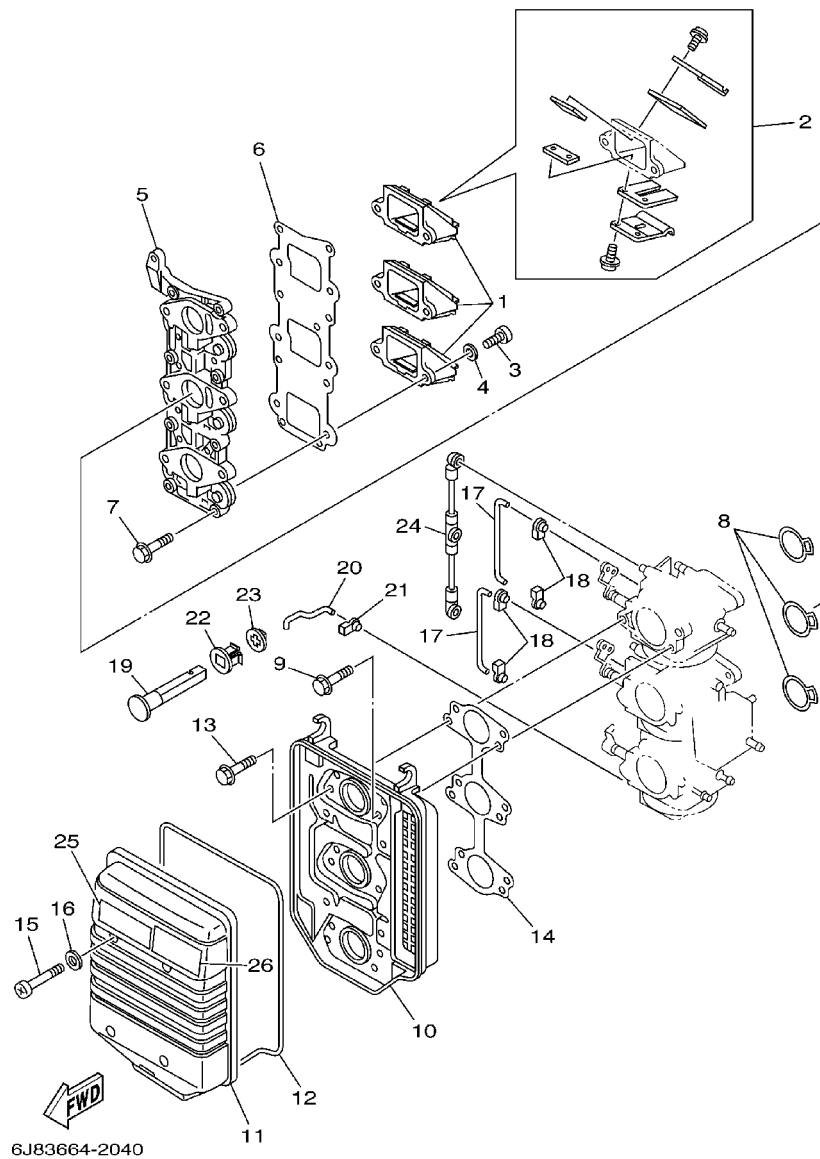
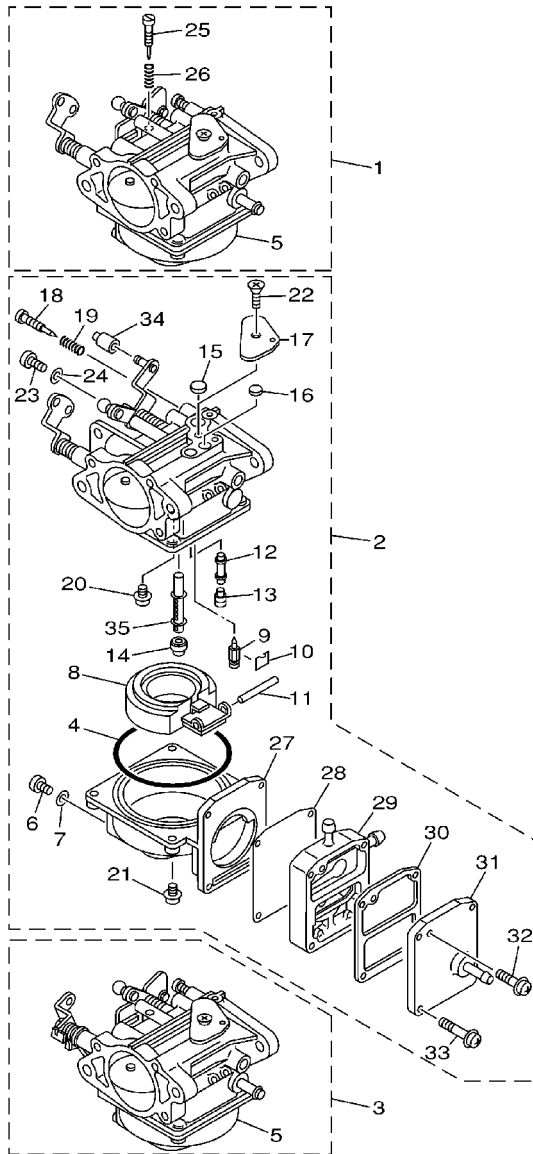


FIG. 4 INTAKE

REF. NO.	PART NO.	DESCRIPTION	MH	E				REMARKS
1	6J8-13610-00	REED VALVE ASSY	3	3				
2	6J8-W0004-00	.REED SET	1	1				
3	97880-05016	SCREW, PAN HEAD	6	6				
4	92990-05600	WASHER, PLATE	6	6				
5	6J8-13641-00-94	MANIFOLD 1	1	1				N.O/I
6	6J8-13621-00	GASKET, VALVE SEAT	1	1				
7	90119-06MA3	BOLT, WITH WASHER	8	8				
8	6J8-14198-00	GASKET	3	3				
9	90119-06M32	BOLT, WITH WASHER	6	6				
10	6J8-14417-00	COVER 1	1	1				
11	6J8-14418-00	COVER 2	1	1				
12	6J8-14476-00	SEAL	1	1				
13	90119-05M31	BOLT, WITH WASHER	6	6				
14	6J8-14483-A1	GASKET	1	1				
15	97880-05040	SCREW, PAN HEAD	4	4				
16	92990-05600	WASHER, PLATE	4	4				
17	6J8-41259-00	ROD, CHOKE 3	2	2				
18	661-41262-02	JOINT, CHOKE LEVER	4	4				
19	6J8-41271-01	KNOB, CHOKE	1	1				
20	6J8-41257-00	ROD, CHOKE 2	1	1				
21	6J8-41262-00	JOINT, CHOKE LEVER	1	1				
22	689-41273-00	GROMMET	1	1				
23	6J8-41274-00	GROMMET 2	1	1				
24	6J8-41217-00	ROD, ACCEL. LEVER	1	1				
25	6A1-83625-41	MARK 5	1	1				
26	6A1-83625-51	MARK 5	1	1				

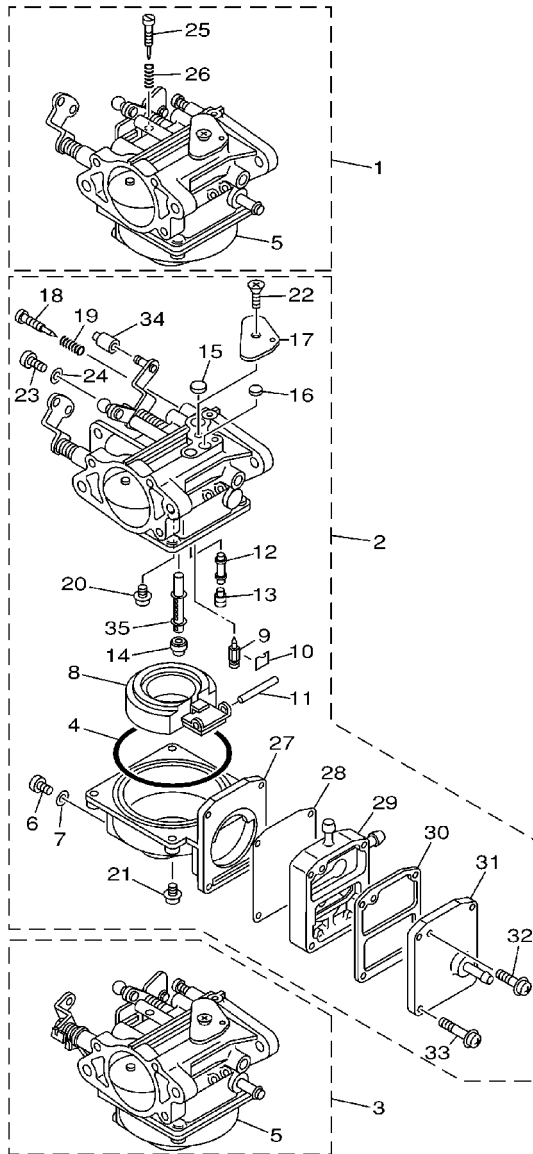
FIG. 5 CARBURETOR



REF. NO.	PART NO.	DESCRIPTION	MH	E				REMARKS
1	6J8-14301-01	CARBURETOR ASSY 1	1	1				
2	6J8-14302-01	CARBURETOR ASSY 2	1	1				
3	6J8-14303-01	CARBURETOR ASSY 3	1	1				
4	6J8-14984-00	.GASKET, FLOAT CHAMBER	3	3				
5	6J8-14980-00	.BODY, FLOAT CHAMBER	2	2				#1,3
6	6J8-14991-00	.SCREW	3	3				
7	6J8-14995-00	.GASKET	3	3				
8	6J8-14985-00	.FLOAT	3	3				
9	6J8-14546-00	.VALVE, NEEDLE	3	3				
10	6J8-14159-00	.CLIP	3	3				
11	6J8-14548-00	.PIN, FLOAT ARM	3	3				
12	6J8-1492F-25	.JET, AIR SLOW (#50)	3	3				
13	6J8-14966-00	.PLUG	3	3				
14	6J8-1492E-51	.JET, MAIN (#102)	3	3				
15	6J8-14126-00	.PLUG	3	3				
16	6J8-14118-00	.PLUG	3	3				
17	6J8-14527-01	.PLATE	3	3				
18	6J8-14923-00	.SCREW, PILOT	3	3				
19	6J8-14555-00	.SPRING	3	3				
20	97980-04110	.SCREW, WITH WASHER	3	3				
21	97980-04112	.SCREW, WITH WASHER	12	12				
22	98780-05008	.SCREW, FLAT HEAD	3	3				
23	6J8-14592-01	.SCREW	3	3				
24	92990-05600	.WASHER, PLATE	3	3				
25	6J8-14523-00	.SCREW, STOP	1	1				#1
26	6J8-14334-00	.SPRING, THROTTLE	1	1				#1
27	6J8-14981-00	.BODY, FLOAT CHAMBER	1	1				#2

6J80010-9050

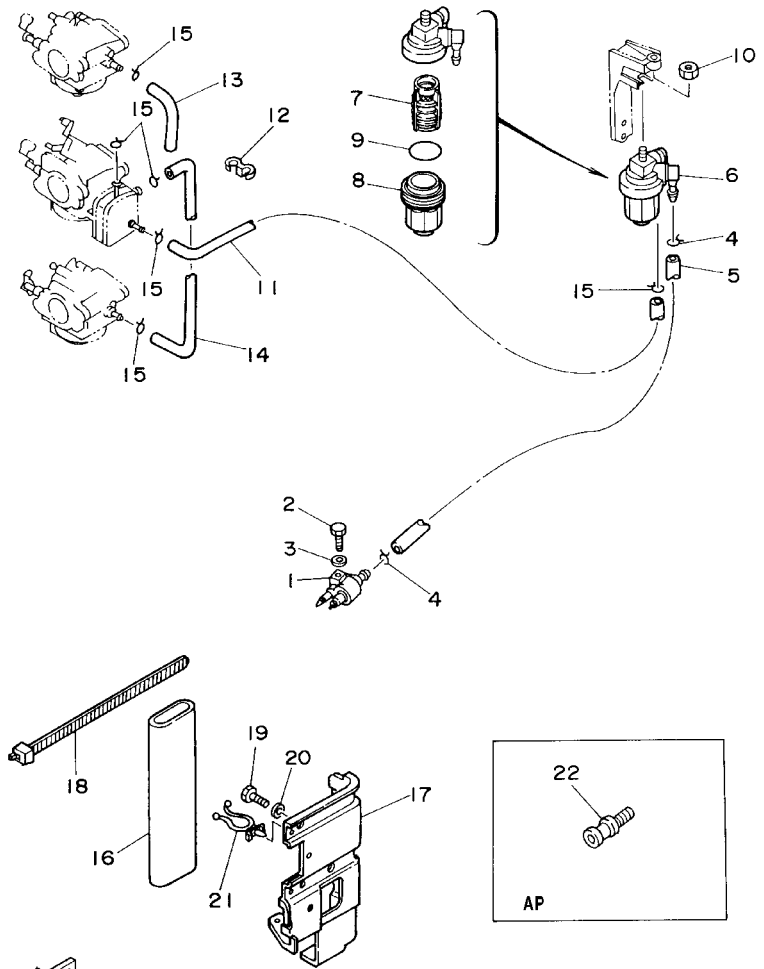
FIG. 5 CARBURETOR



REF. NO.	PART NO.	DESCRIPTION	MH	E	REMARKS
28	6J8-24471-00	.DIAPHRAGM	1	1	#2
29	6J8-24415-00	.BODY 4	1	1	#2
30	6J8-24432-00	.GASKET, FUEL PUMP 2	1	1	#2
31	6J8-24452-00	.COVER	1	1	#2
32	97980-03122	.SCREW, WITH WASHER	1	1	#2
33	97980-04124	.SCREW, WITH WASHER	4	4	#2
34	6J8-14578-00	.COLLAR	1	1	#2
35	6J8-1492A-00	.NOZZLE, MAIN	3	3	



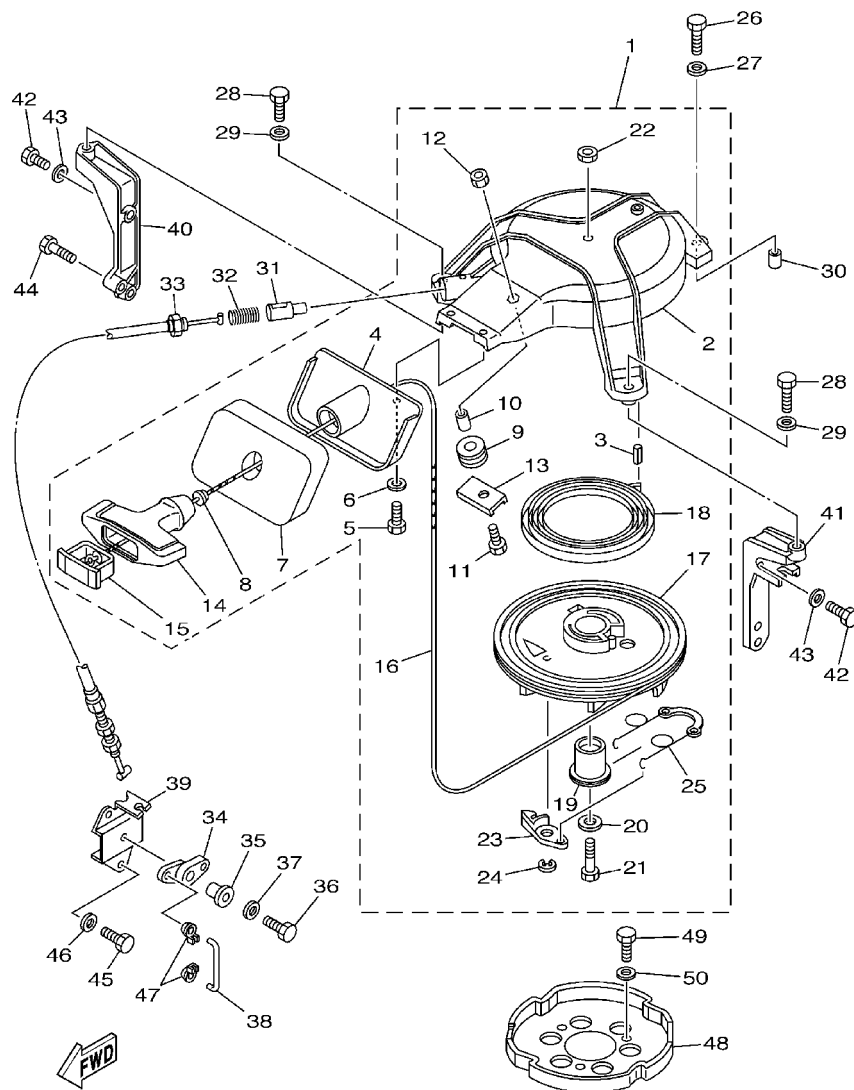
6J80010-9050



6J80010-4070

FIG. 6 FUEL

REF. NO.	PART NO.	DESCRIPTION	MH	E	REMARKS
1	6G1-24304-02	FUEL PIPE JOINT COMP. 1	1	1	
2	97095-06025	BOLT	1	1	
3	92995-06600	WASHER	1	1	
4	90467-08004	CLIP	2	2	
5	90445-09M00	HOSE (L180)	1	1	
6	61N-24560-00	FILTER ASSY	1	1	
7	61N-24563-00	.ELEMENT, FILTER	1	1	
8	61N-24521-00	.CUP, FILTER	1	1	
9	93210-32738	.O-RING	1	1	
10	90179-08M15	NUT	1	1	
11	6E5-24312-00	PIPE 2	1	1	
12	90464-09M21	CLAMP	1	1	
13	688-24313-00	PIPE 3	1	1	
14	6J8-24311-00	PIPE, FUEL 1	1	1	
15	90467-08004	CLIP	6	6	
16	656-W2810-02	TOOL KIT	1	1	
17	6J8-28170-00	TOOL, HOLDER	1		
18	6G1-2811G-00	BAND	1		
19	97095-08016	BOLT	2		
20	92995-08600	WASHER	2		
21	90464-12M17	CLAMP	6		
22	6E0-28193-00-94	PLUG, WATER CHECK	1	1	D:12.5MM

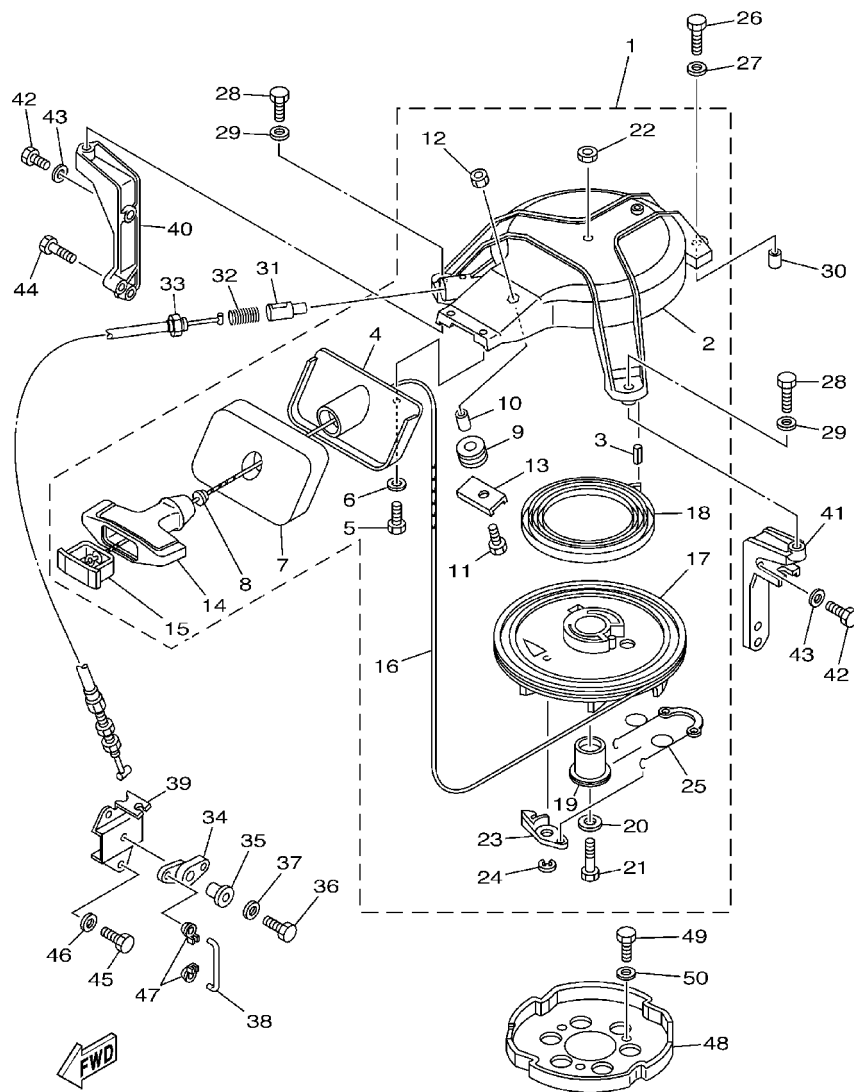


6J83664-2070

FIG. 7 STARTER

REF. NO.	PART NO.	DESCRIPTION	MH	E	REMARKS
1	6J8-15710-02-4D	STARTER ASSY	1		
2	6J8-15711-00-94	.CASE, STARTER	1		
3	91690-40014	.PIN, SPRING	1		
4	6J8-15758-01-94	.GUIDE, ROPE	1		
5	97095-06016	.BOLT	2		
6	92995-06600	.WASHER	2		
7	6J8-15762-00	.SEAL, RUBBER 2	1		
8	6A0-15789-00	.DAMPER	1		
9	6F5-15752-00	.ROLLER, WIRE	1		
10	6F5-15753-00	.BUSH	1		
11	97095-06025	.BOLT	1		
12	95380-06600	.NUT, HEXAGON	1		
13	6J8-15787-00	.ADAPTOR	1		
14	689-15755-01	.HANDLE, STARTER	1		
15	6F5-15779-02	.COVER	1		
16	*	.WIRE (L:1,950MM)	1		
17	6J8-15714-00	.DRUM, SHEAVE	1		
18	90510-08M04	.SPRING, SPIRAL	1		
19	677-15717-01	.SHAFT, STARTER	1		
20	90201-06060	.WASHER, PLATE	1		
21	97095-06025	.BOLT	1		
22	95380-06700	.NUT	1		
23	676-15741-03	.PAWL, DRIVE	1		
24	93430-06M02	.CIRCLIP	1		
25	6J8-15705-00	.SPRING, DRIVE PAWL	1		

* CUT FROM 50M ROLLS, PART NO. 90890-44373, CUTTING LENGTH 1.95M

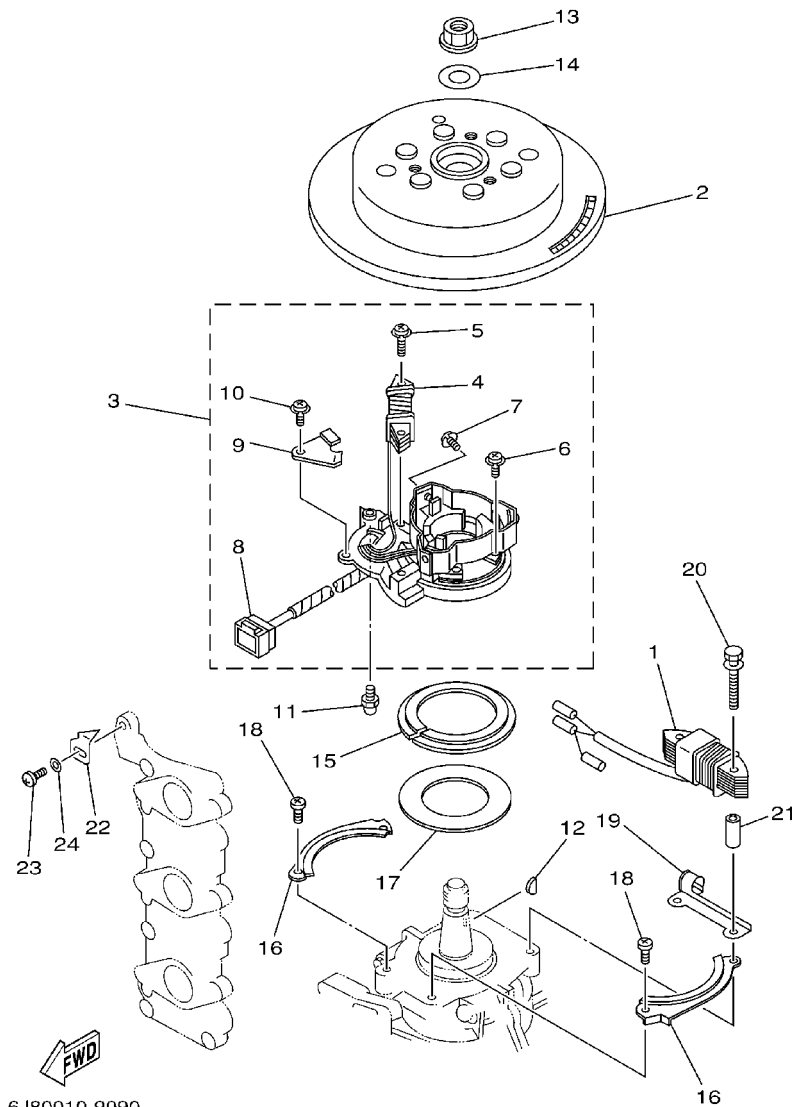


6J83664-2070

FIG. 7 STARTER

REF. NO.	PART NO.	DESCRIPTION	MH	E	REMARKS
26	97095-06035	BOLT	1		
27	92995-06600	WASHER	1		
28	97095-06025	BOLT	2		
29	92995-06600	WASHER	2		
30	99530-10014	PIN, DOWEL	1		
31	656-15748-00	PLUNGER, STARTER STOP	1		
32	90501-10227	SPRING, COMPRESSION	1		
33	6J8-15770-00	CABLE COMP., STARTER STOP	1		
34	6J8-15746-01	ARM	1		
35	90387-06M29	COLLAR	1		
36	97095-06025	BOLT	1		
37	92995-06600	WASHER	1		
38	6J8-15747-00	LINK	1		
39	6J8-15774-01	STAY 4	1		
40	6J8-15771-00-94	STAY 1	1	1	
41	6J8-15772-00-94	STAY 2	1	1	
42	97013-06020	BOLT	3	3	
43	92903-06600	WASHER, PLATE	3	3	
44	90101-06024	BOLT	1	1	
45	97095-06016	BOLT	2		
46	92995-06600	WASHER	2		
47	661-41262-02	JOINT, CHOKE LEVER	2		
48	6J8-15723-00	PULLEY, STARTER	1		
49	97013-08014	BOLT	3		
50	92903-08600	WASHER, PLATE	3		

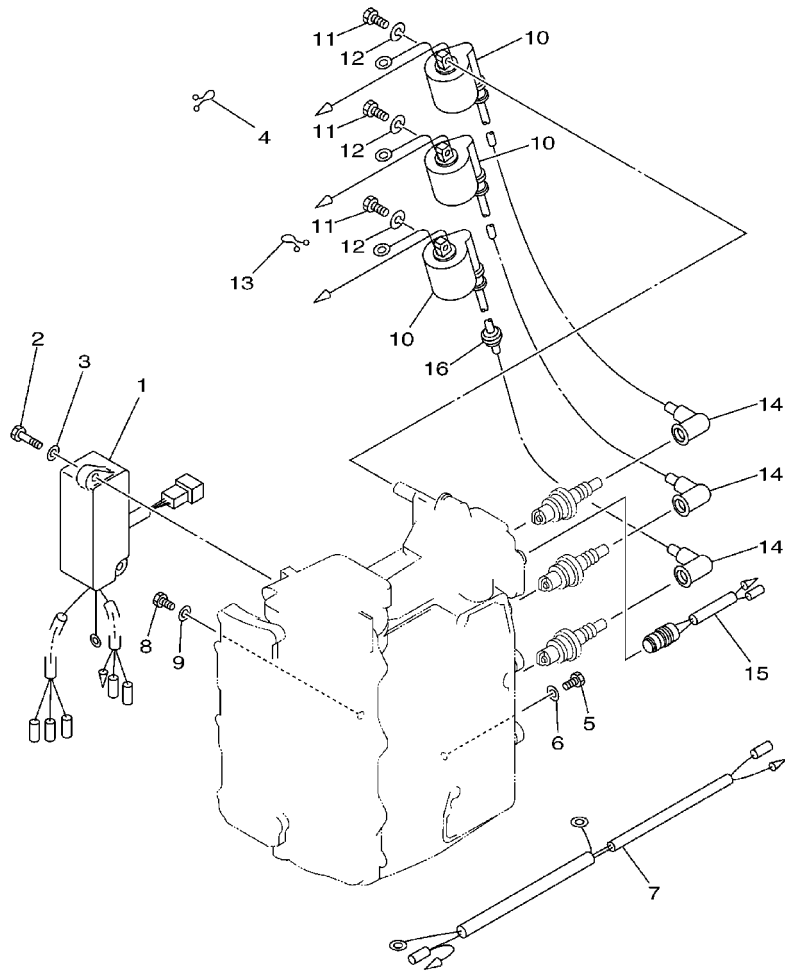
FIG. 8 GENERATOR



6J80010-9090

REF. NO.	PART NO.	DESCRIPTION	MH	E				REMARKS
1	6H4-85533-A1	COIL, LIGHTING	1	1				
2	6J8-85550-F1	ROTOR ASSY	1					
	6J8-85550-A1	ROTOR ASSY		1				
3	6H4-85510-F1	STATOR ASSY	1					
	6J8-85510-A1	STATOR ASSY		1				
4	6H4-85520-01	.COIL, CHARGE	1					
	6J8-85520-01	.COIL, CHARGE		1				
5	97902-06120	.SCREW, WITH WASHER	2	2				
6	97902-04112	.SCREW, WITH WASHER	6	6				
7	97902-04106	.SCREW, WITH WASHER	3	3				
8	9E471-09205	.CONNECTOR (6P,M)	1	1				
9	6H4-85548-00	.HOLDER	1	1				
10	97902-05408	.SCREW, WITH WASHER	1	1				
11	663-85518-00	JOINT, BALL	1	1				
12	90280-05013	KEY, WOODRUFF	1	1				
13	90179-16M05	NUT	1	1				
14	90201-16M44	WASHER, PLATE	1	1				
15	6H4-41611-10	RETAINER, MAGNETO BASE	1	1				
16	6J8-41615-00	STOPPER, MAGNETO BASE	2	2				
17	6J8-41618-00	WASHER, MAGNETO	1	1				
18	97880-06012	SCREW, PAN HEAD	2	2				
19	6J8-85548-00	HOLDER	1	1				
20	90101-06M00	BOLT	2	2				
21	90387-06M81	COLLAR	2	2				
22	6J8-81332-00	PLATE, TIMING	1	1				
23	97885-05010	SCREW, PAN HEAD	1	1				
24	92995-05600	WASHER	1	1				

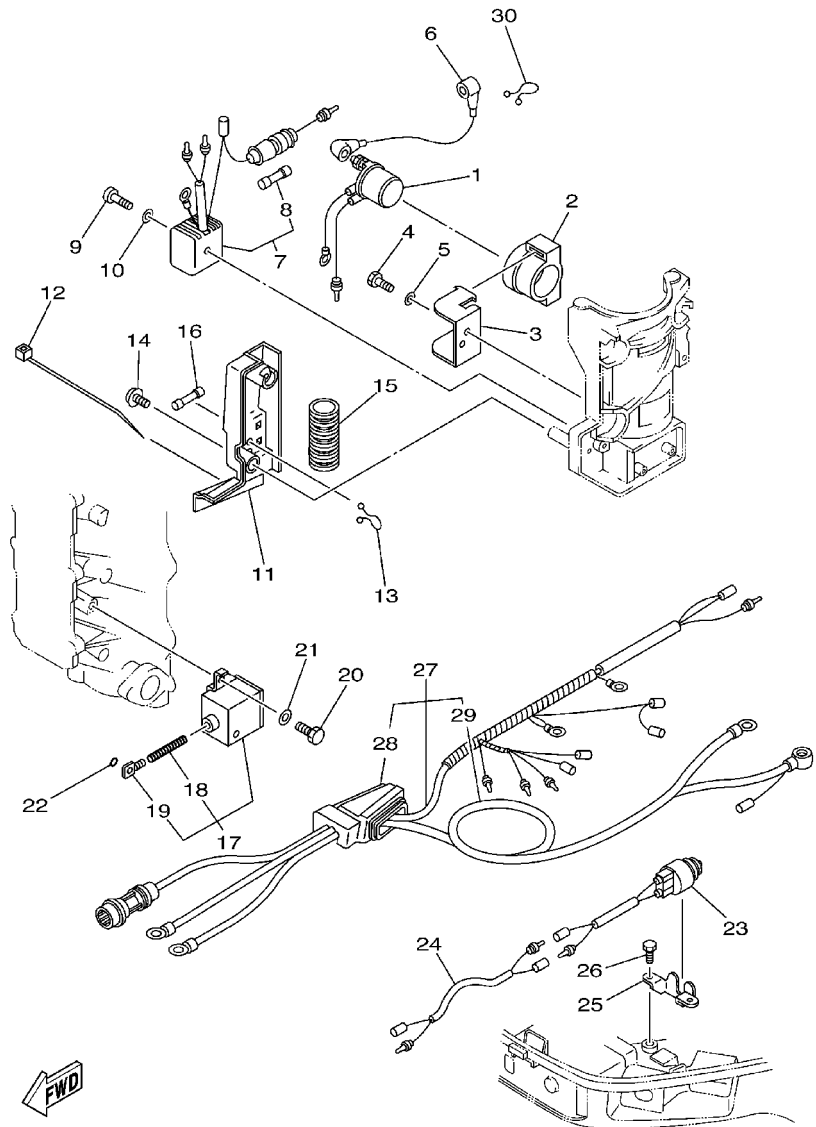
FIG. 9 ELECTRICAL 1



6J80664-9091

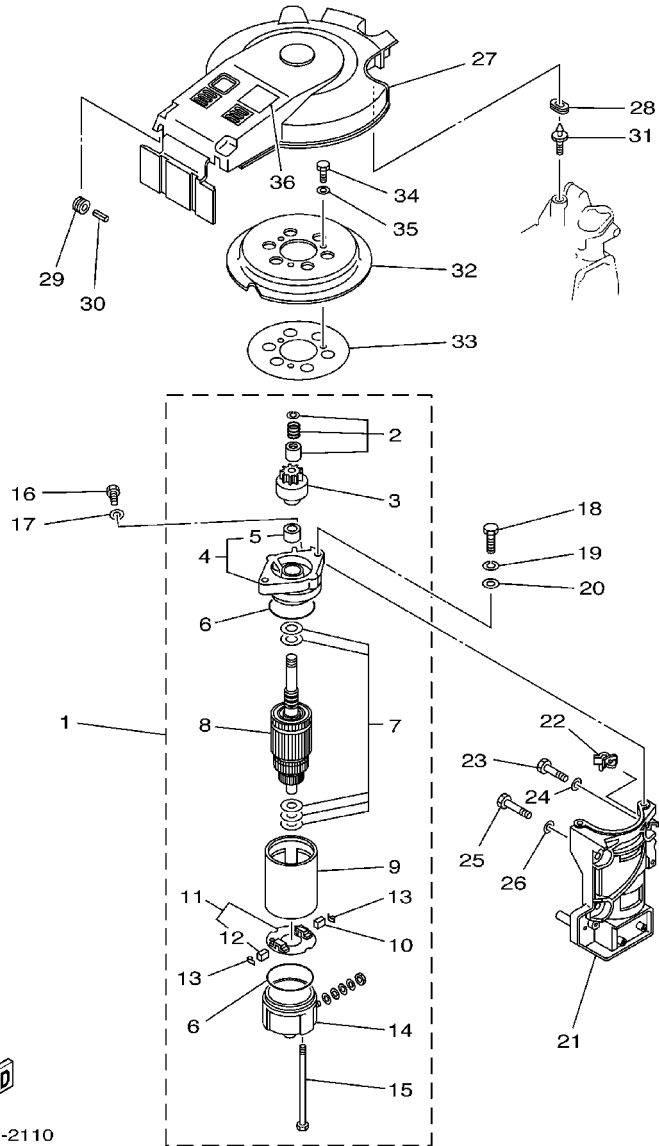
REF. NO.	PART NO.	DESCRIPTION	MH	E				REMARKS
1	6J8-85540-H2	C.D.I. UNIT ASSY	1	1				
2	97095-06025	BOLT	2	2				
3	92995-06600	WASHER	2	2				
4	90464-15M11	CLAMP	1					
5	97095-06012	BOLT	1	1				
6	92995-06600	WASHER	1	1				
7	6J8-82531-00	WIRE, LEAD	1					
8	97095-06012	BOLT	1	1				
9	92995-06600	WASHER	1	1				
10	6J8-85570-21	IGNITION COIL ASSY	3	3				
11	97095-06020	BOLT	6	6				
12	92995-06100	WASHER, SPRING	6	6				
13	90464-05M16	CLAMP		1				
14	6G1-82370-21	PLUG CAP ASSY	3	3				
15	689-82560-00	THERMO SWITCH ASSY	1	1				
16	90480-25161	GROMMET	1	1				

FIG. 10 ELECTRICAL 2



FWD
6J80664-9101

REF. NO.	PART NO.	DESCRIPTION	MH	E	REMARKS
1	6G1-81941-10	STARTER RELAY ASSY		1	
2	6G1-81952-00	HOLDER, RELAY		1	
3	6J8-81945-00	PLATE, SWITCH FITTING		1	
4	97013-06016	BOLT		1	
5	92903-06600	WASHER, PLATE		1	
6	6F5-82117-00	WIRE, LEAD		1	
7	6G1-81970-61	RECTIFIER ASSY		1	
8	6G1-82151-00	.FUSE		1	
9	97880-05025	SCREW, PAN HEAD		1	
10	92990-05600	WASHER, PLATE		1	
11	6J8-81916-10	COVER, TERMINAL		1	
12	90465-13M18	CLAMP		1	
13	90465-18147	CLAMP		1	
14	90159-05M26	SCREW, WITH WASHER		2	
15	6E9-83557-70	TUBE		1	
16	6H3-82151-00	FUSE		1	
17	6J8-86110-00	SOLENOID		1	
18	6J8-86116-00	.WIRE, PULL		1	
19	682-86117-00	.HOOK, WIRE PULL		1	
20	97013-06016	BOLT		2	
21	92903-06600	WASHER, PLATE		2	
22	93210-03261	O-RING		1	
23	6H3-82540-00	NEUTRAL SWITCH ASSY		1	
24	6H4-82553-00	EXTENSION, WIRE LEAD		1	
25	6J8-82554-00	STAY, NEUTRAL SWITCH		1	
26	97013-06012	BOLT		2	
27	6J8-82580-00	WIRE HARNESS ASSY 2		1	

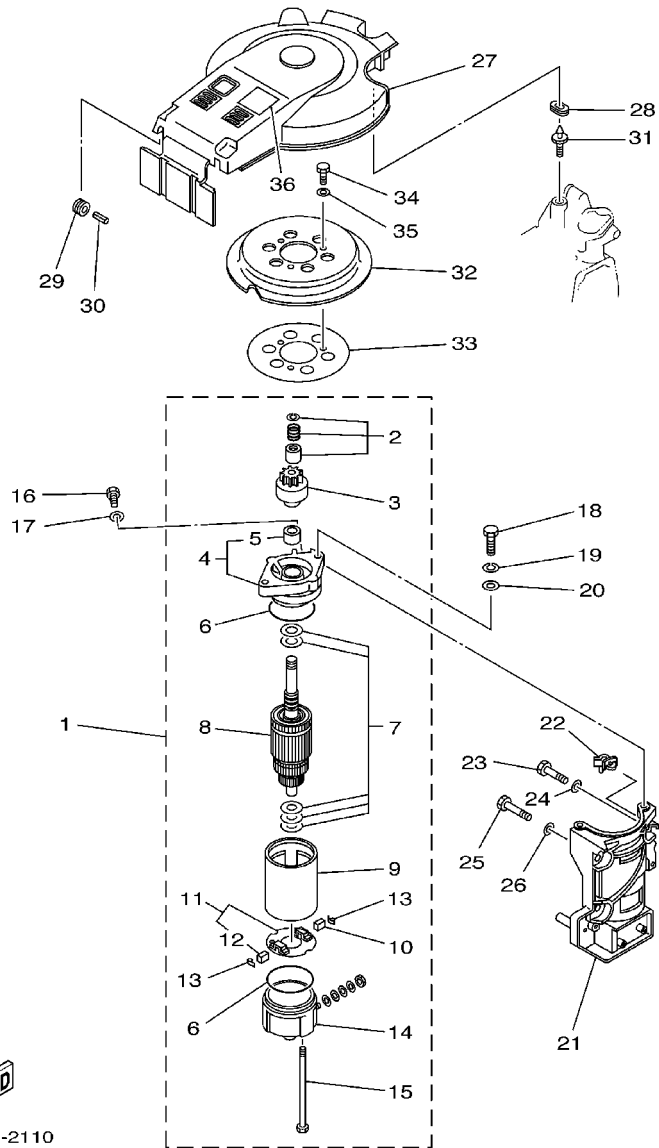


6J83664-2110

FIG. 11 STARTING MOTOR

REF. NO.	PART NO.	DESCRIPTION	MH	E	REMARKS
1	6F5-81800-11	STARTING MOTOR ASSY		1	
2	689-81857-11	.PINION STOPPER SET		1	
3	689-81807-12	.GEAR ASSY, STARTING MOTOR		1	
4	6F5-81830-11	.FRONT BRACKET ASSY		1	
5	689-81831-00	..METAL, FRONT		1	
6	689-81847-11	.O-RING		2	
7	689-81809-11	.WASHER KIT		1	
8	689-81850-12	.ARMATURE ASSY		1	
9	689-81810-11	.STATOR ASSY		1	
10	689-81811-11	.BRUSH 1		1	
11	689-81840-11	.BRUSH HOLDER ASSY		1	
12	689-81812-11	..BRUSH 2		1	
13	689-81813-10	.SPRING, BRUSH		2	
14	689-81820-11	.REAR BRACKET ASSY		1	
15	689-81826-10	.BOLT		2	
16	97013-08016	BOLT		1	
17	92903-08600	WASHER, PLATE		1	
18	97013-08030	BOLT		2	
19	92903-08100	WASHER, SPRING		2	
20	92903-08600	WASHER, PLATE		2	
21	6J8-81822-01-94	BRACKET, STARTING MOTOR		1	
22	90464-03M15	CLAMP		1	
23	97013-08035	BOLT		2	
24	92903-08600	WASHER, PLATE		2	
25	97013-08055	BOLT		1	
26	92903-08600	WASHER, PLATE		1	
27	6J8-81337-00	COVER, FLYWHEEL		1	

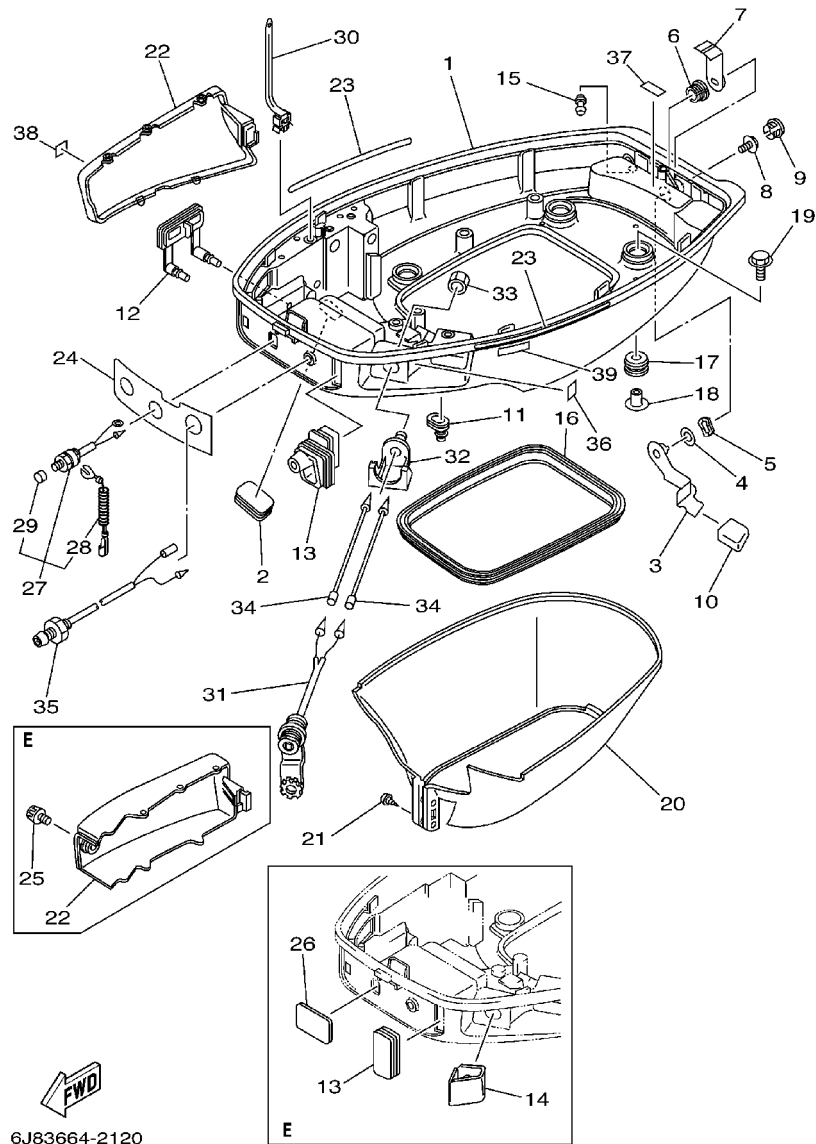
FIG. 11 STARTING MOTOR



6J83664-2110

REF. NO.	PART NO.	DESCRIPTION	MH	E	REMARKS
28	90480-14M17	GROMMET		1	
29	90480-10M16	GROMMET		2	
30	91690-50022	PIN, SPRING		2	
31	6J8-81338-00	STAY		1	
32	6J8-15723-E1	PULLEY, STARTER		1	
33	6J8-81365-A0	GASKET, HOLE COVER		1	
34	97013-08014	BOLT		3	
35	92903-08600	WASHER, PLATE		3	
36	6J8-14427-00	LABEL, INSTRUCTION		1	

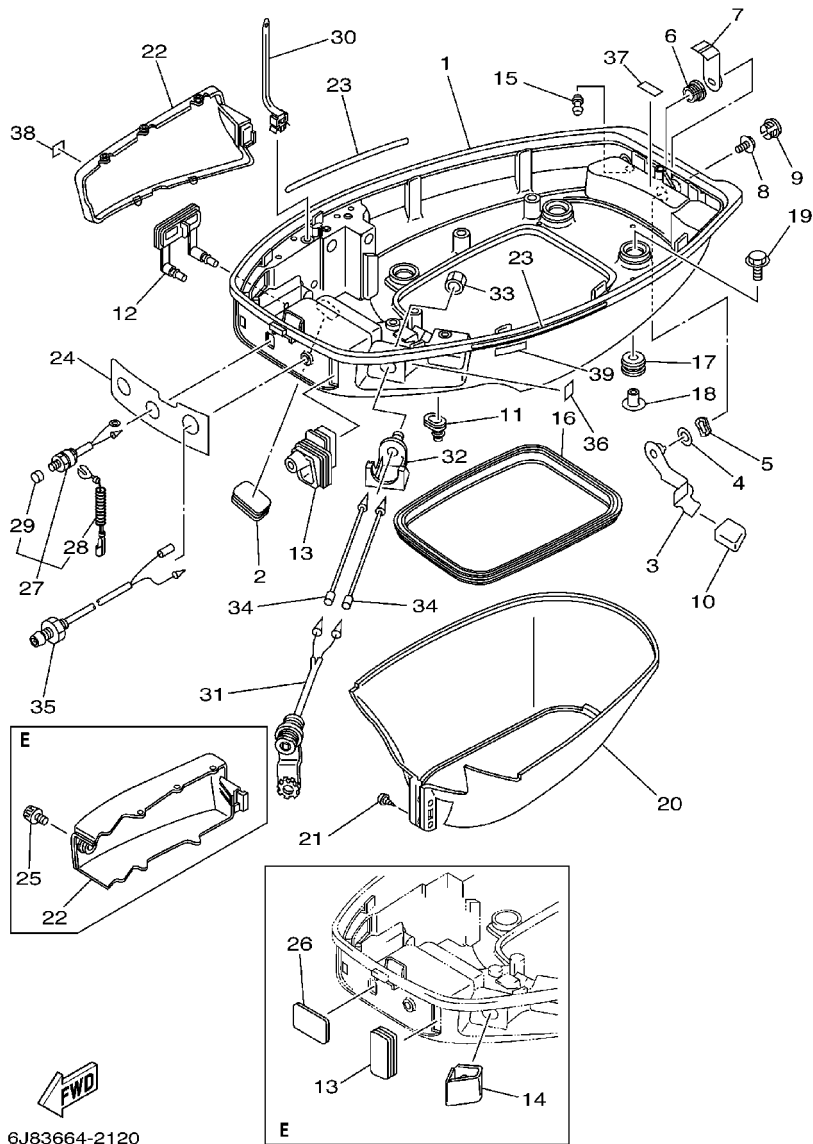
FIG. 12 BOTTOM COWLING



6J83664-2120

REF. NO.	PART NO.	DESCRIPTION	MH	E				REMARKS
1	6J8-42711-03-4D	COWLING, BOTTOM	1	1				
2	6H4-42726-00	GROMMET	1	1				
3	6J8-42815-00-4D	LEVER, CLAMP	1	1				
4	90202-12M25	WASHER, PLATE	1	1				
5	90206-12052	WASHER, WAVE	1	1				
6	90386-12M61	BUSH	1	1				
7	6J8-42816-00	LEVER, CLAMP	1	1				
8	95895-06012	BOLT, FLANGE	1	1				
9	6J8-42831-00	BUSHING	1	1				
10	6J8-42728-01	CAP	1	1				
11	6G1-42727-00	GROMMET	1	1				
12	6J8-42724-00	GROMMET	1					
13	6J8-42726-00	GROMMET	1					
	6J8-42726-10	GROMMET		1				
14	6J8-42725-01	GROMMET		1				
15	6H3-44391-01	NIPPLE, HOSE	1	1				
16	6J8-42716-00	RUBBER, SEAL 1	1	1				
17	90480-09M21	GROMMET	4	4				
18	90387-06M41	COLLAR	4	4				
19	90119-06M61	BOLT, WITH WASHER	4	4				
20	6J8-42741-01	APRON	1	1				
21	90164-06M01	SCREW, TAPPING	2	2				
22	6J8-42723-01	COVER, BOTTOM	1					
	6J8-42723-51	COVER, BOTTOM		1				
23	6J8-42735-00	PROTECTOR	2	2				
24	6J8-42719-10	PANEL, FRONT LOWER	1	1				N.O/I
25	6J8-42846-00	SCREW		1				

FIG. 12 BOTTOM COWLING



6J83664-2120

REF. NO.	PART NO.	DESCRIPTION	MH	E	REMARKS
26	6J8-42726-20	GROMMET		1	
27	689-82575-04	ENGINE STOP SWITCH ASSY	1		
28	682-82556-00	.STOPPER	1		
29	689-8257Y-00	.CAP	1		
30	90465-13M76	CLAMP		1	
31	682-84381-00	2P CONCENT	1		
32	6J8-84387-00	HOLDER	1		
33	663-82557-00	NUT	1		
34	6J8-82553-00	EXTENSION, WIRE LEAD	2		
35	6J8-85410-00	EMERGENCY SIGNAL LIGHT ASSY	1	1	
36	6A1-42792-01	MARK (100:1)	1	1	
37	6E7-42791-10	MARK 1	1	1	
38	6A1-28176-00	LABEL, CAUTION	1	1	
39	6E3-8257H-00	PLATE, MARK	1		

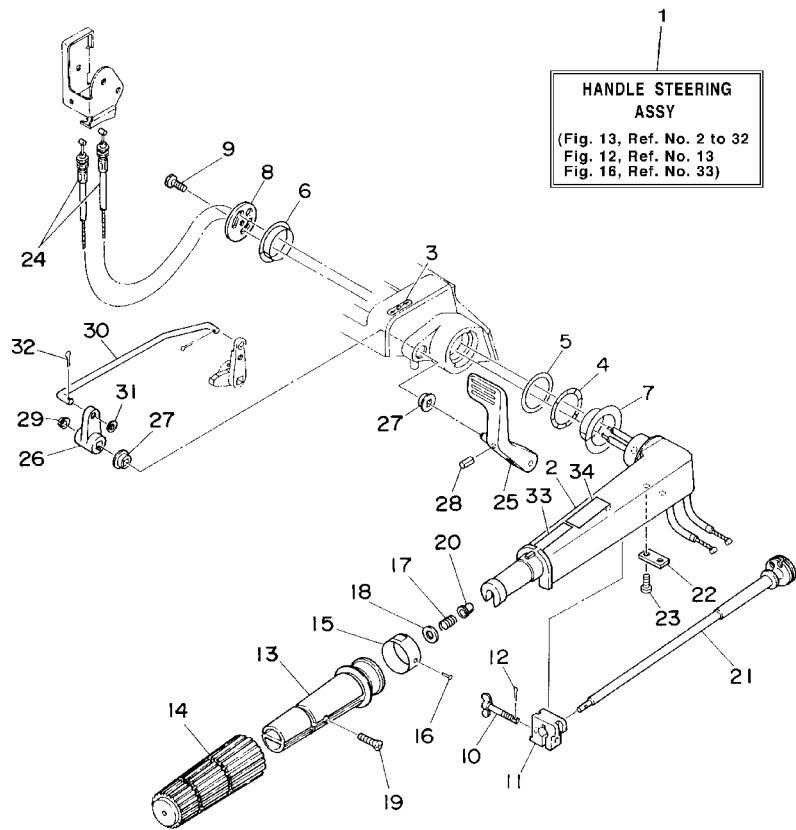


FIG. 13 STEERING

REF. NO.	PART NO.	DESCRIPTION	MH	E	REMARKS
1	6J8-W0084-10-4D	HANDLE STEERING ASSY	1		
2	6G1-42111-11-4D	HANDLE, STEERING	1		
3	6E0-44191-11	INDICATOR, SHIFT	1		
4	90206-36M21	WASHER, WAVE	1		
5	90202-36M55	WASHER, PLATE	1		
6	90386-33M96	BUSH	1		
7	90386-34M97	BUSH	1		
8	6G1-42131-01	COVER, HANDLE STEERING	1		
9	97095-06020	BOLT	1		
10	6G1-42125-01	BOLT, FRICTION ADJUSTING	1		
11	6G1-42126-00	FRICTION, STEERING HANDLE GRIP	1		
12	91490-16010	PIN, COTTER	1		
13	664-42119-00	GRIP, STEERING HANDLE	1		
14	6F6-42177-A0	RUBBER, HANDLE	1		
15	6J8-42137-00	INDICATOR, THROTTLE	1		
16	90269-02M09	RIVET	1		
17	90501-23215	SPRING, COMPRESSION	1		
18	92903-10600	WASHER, PLATE	1		
19	90149-05M13	SCREW	1		
20	90386-08032	BUSH	1		
21	6G1-42138-01	LEVER, THROTTLE	1		
22	6E0-42159-02	STAY	1		
23	97885-05012	SCREW, PAN HEAD	2		
24	6J8-26301-00	THROTTLE CABLE ASSY	2		
25	6J8-44111-01-4D	HANDLE, GEAR SHIFT	1		
26	6J8-44125-00	LEVER, SHIFT ROD	1		
27	682-44132-00	BUSHING	2		



6J83664-2130

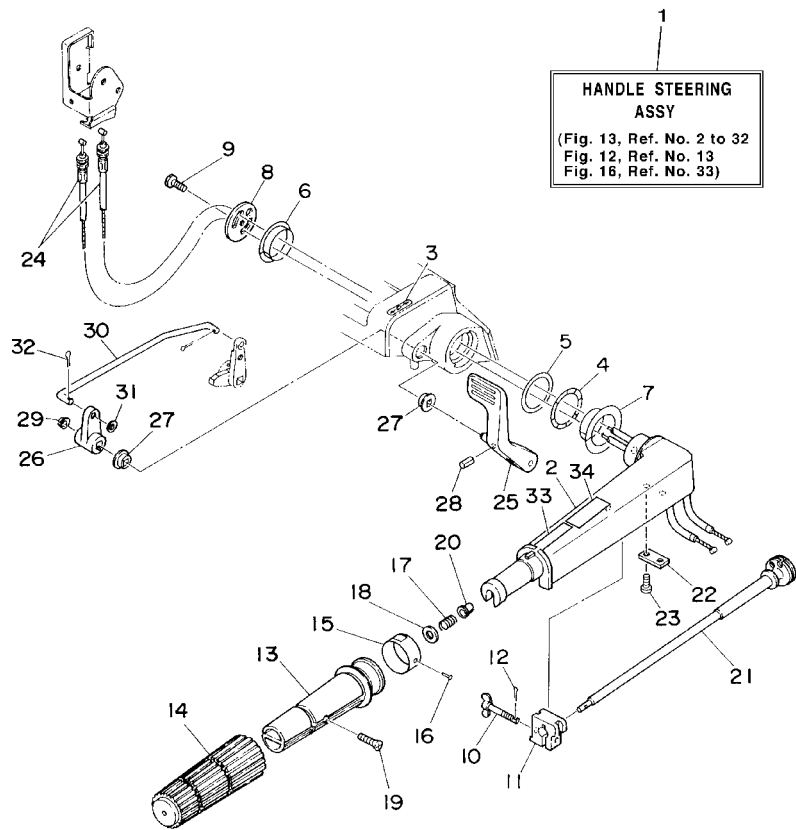


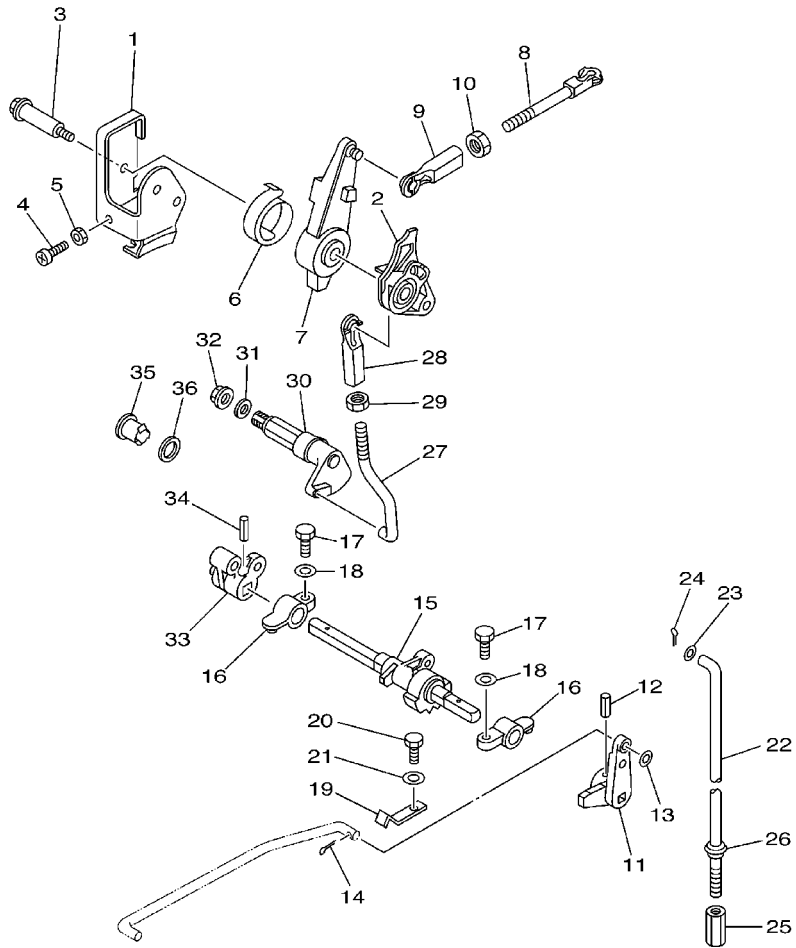
FIG. 13 STEERING

REF. NO.	PART NO.	DESCRIPTION	MH	E				REMARKS
28	90254-03M04	PIN, SPRING	1					
29	90386-06M12	BUSH	1					
30	6J8-44124-00	LINK, SHIFT ROD	1					
31	92990-06200	WASHER, PLAIN	1					
32	91490-20012	PIN, COTTER	1					
33	6E0-83627-41	LABEL, CAUTION 7	1					
34	6E0-83627-51	LABEL, CAUTION 7	1					



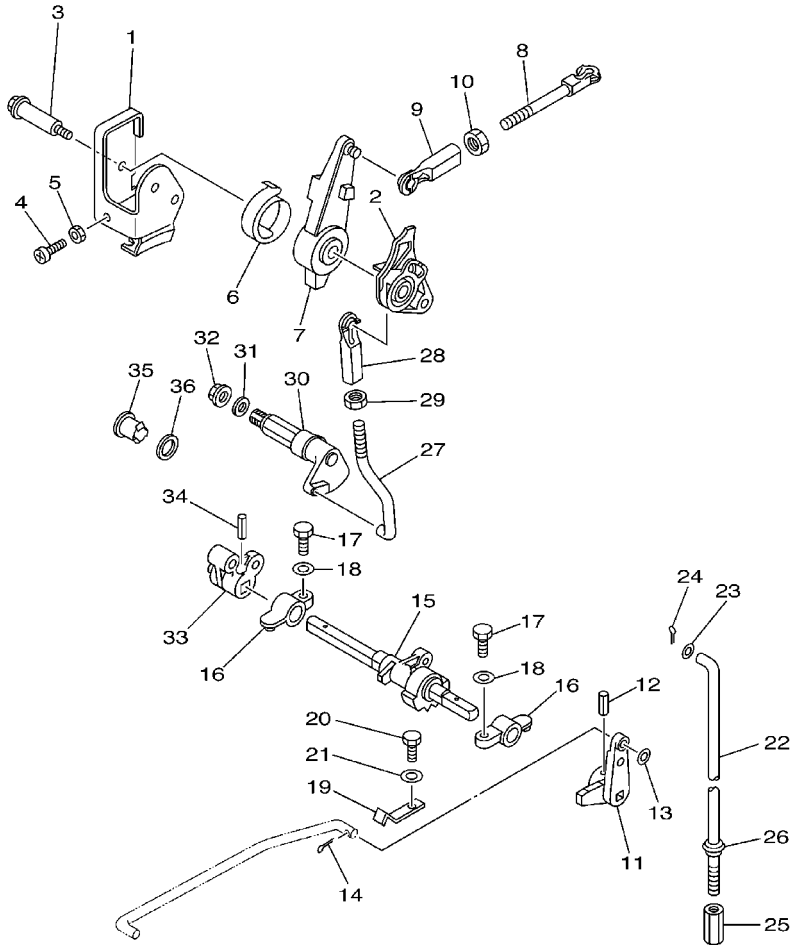
6J83664-2130

FIG. 14 CONTROL 1




6J83300-2160

REF. NO.	PART NO.	DESCRIPTION	MH	E				REMARKS
1	6J8-14497-00	STAY, THROTTLE WIRE	1	1				
2	6J8-41213-00	CAM, ACCEL.	1	1				
3	90109-06M28	BOLT	1	1				
4	97880-06025	SCREW, PAN HEAD	1	1				
5	95303-06600	NUT	1	1				
6	6J8-42167-00	SPRING 1	1	1				
7	6J8-41631-02	LEVER, MAGNETO CONTROL	1	1				
8	689-42169-01	JOINT	1	1				
9	682-41237-00	JOINT, LINK	1	1				
10	95380-05600	NUT	1	1				
11	6J8-44123-00	ARM, SHIFT ROD	1	1				
12	90254-03M04	PIN, SPRING	1	1				
13	92990-06200	WASHER, PLAIN	1	1				
14	91490-20012	PIN, COTTER	1	1				
15	6J8-44121-00	LEVER, SHIFT ROD	1	1				
16	6G1-41662-01-94	BRACKET	2	2				
17	97013-06020	BOLT	2	2				
18	92903-06600	WASHER, PLATE	2	2				
19	6J8-44116-00	SPRING	1	1				
20	97095-06012	BOLT	1	1				
21	92995-06600	WASHER	1	1				
22	6J8-44143-00	ROD, SHIFT	1	1				
23	92990-05600	WASHER, PLATE	1	1				
24	91490-16010	PIN, COTTER	1	1				
25	90170-06015	NUT	1	1				
26	689-43373-01	SEAL, DÄMPFER	1	1				
27	6J8-42192-00	ROD 2	1	1				

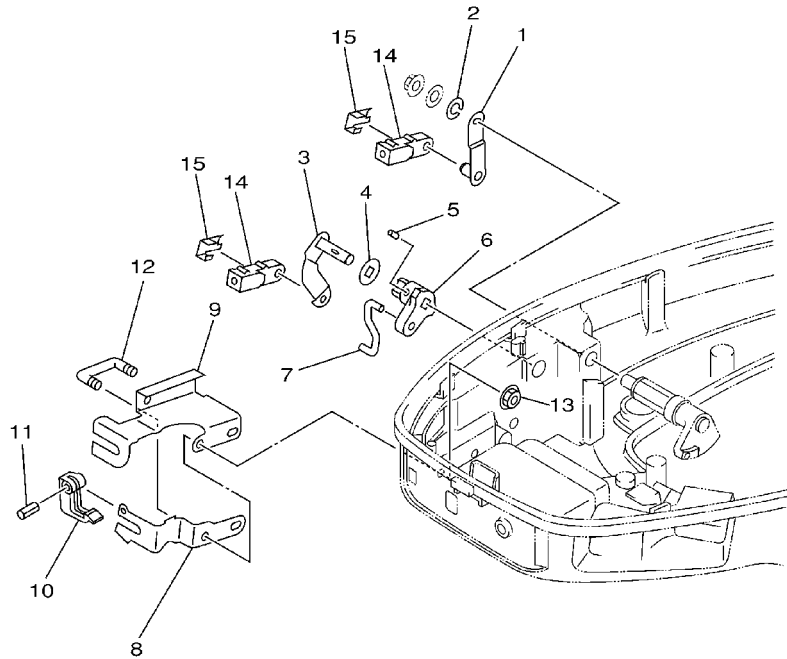


6J83300-2160

FIG. 14 CONTROL 1

REF. NO.	PART NO.	DESCRIPTION	MH	E					REMARKS
28	682-41237-00	JOINT, LINK	1	1					
29	95380-05600	NUT	1	1					
30	6J8-42154-01	LEVER, THROTTLE CONTROL	1	1					
31	90202-10024	WASHER, PLATE	1	1					
32	95780-08300	NUT, FLANGE	1	1					
33	6J8-44142-00	JOINT	1	1					
34	90254-03M04	PIN, SPRING	1	1					
35	682-42726-00	GROMMET	1						
36	90202-12M17	WASHER, PLATE	1						

FIG. 15 CONTROL 2

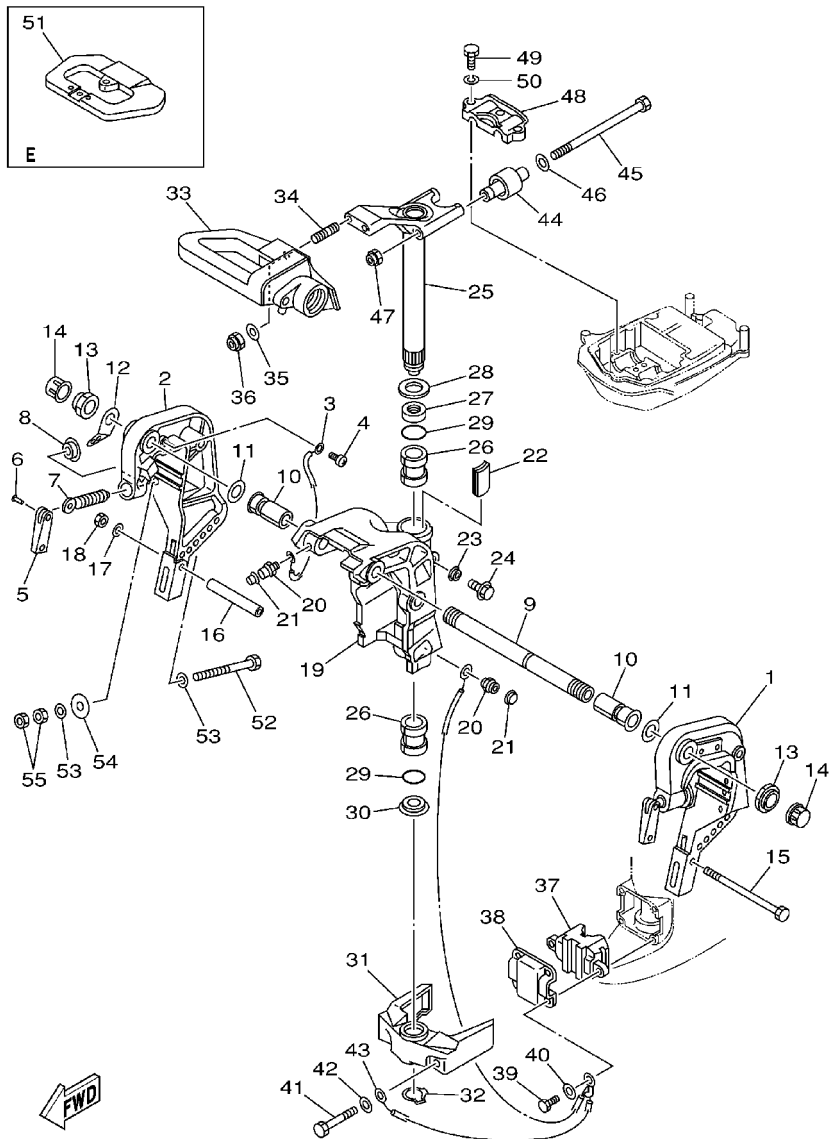


REF. NO.	PART NO.	DESCRIPTION	MH	E	REMARKS
1	6J8-48534-00	THROTTLE LEVER, CONTROL		1	
2	92990-08100	WASHER, SPRING		1	
3	6J8-48544-01	LEVER, SHIFTCONTROL		1	
4	6J8-44177-00	WASHER		1	
5	90254-03M03	PIN, SPRING		1	
6	6J8-44173-02	LEVER, SHIFT CONTROL		1	
7	6J8-42169-01	JOINT		1	
8	6J8-48531-00	BRACKET, REMOTE CONTROL 1		1	
9	6J8-48532-00	BRACKET, REMOTE CONTROL 2		1	
10	682-48538-50	CLAMP, CABLE 1		1	
11	91690-30012	PIN, SPRING		1	
12	90109-06M29	BOLT		1	
13	90179-06M24	NUT		2	
14	6G8-26363-00	END, CABLE		2	
15	6G8-26364-00	END, CABLE 2		2	



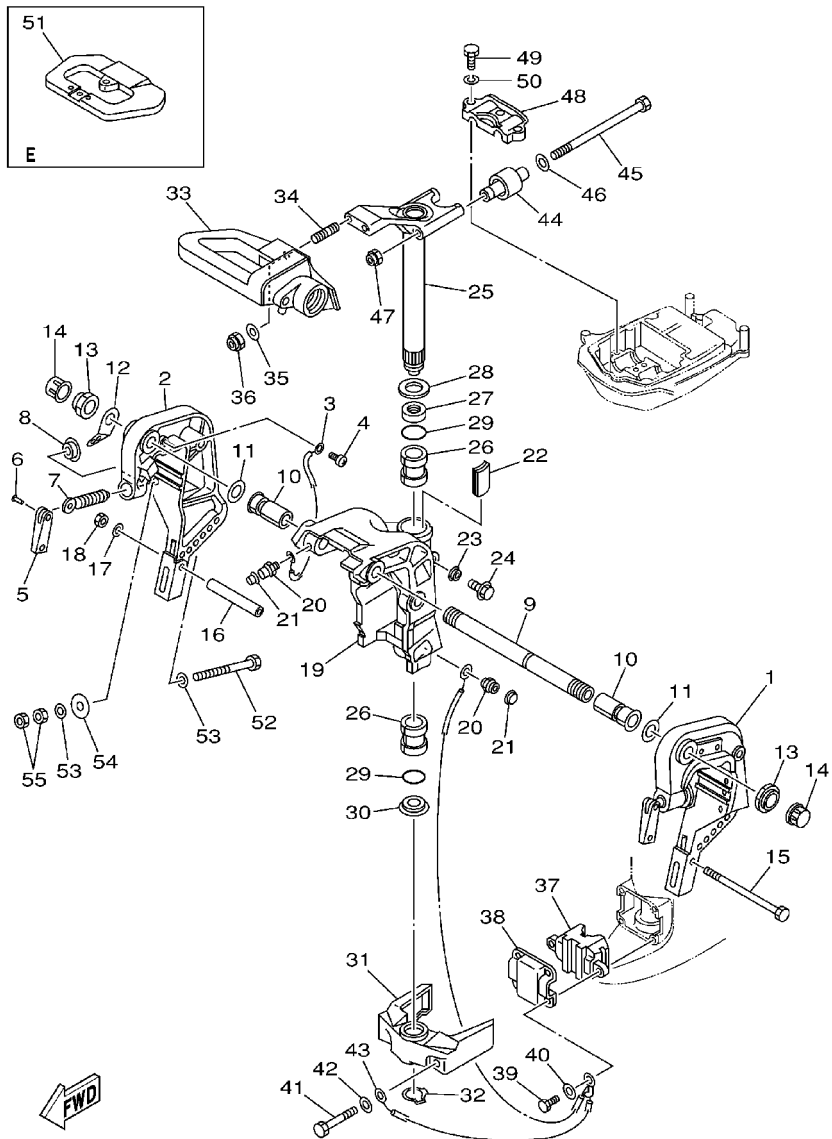
6J80010-9180

FIG. 16 BRACKET 1



6J80664-1170

REF. NO.	PART NO.	DESCRIPTION	MH	E	REMARKS
1	6H4-43111-05-4D	BRACKET, CLAMP	1	1	
2	6H4-43112-04-4D	BRACKET, CLAMP	1	1	
3	6E5-82148-00	WIRE, LEAD 4	1	1	
4	97885-06008	SCREW, PAN HEAD	1	1	
5	6E0-43118-01	HANDLE, TRANSOM CLAMP	2	2	
6	90243-04M01	PIN	2	2	
7	90149-14M12	SCREW	2	2	
8	648-43114-01	PAD, TRANSOM CLAMP	2	2	
9	6J8-43131-01	BOLT, CLAMP BRACKET	1	1	
10	90386-22M69	BUSH	2	2	
11	90201-22M03	WASHER, PLATE	2	2	
12	6J8-43113-01	PLATE, CLAMP BRACKET	1	1	
13	90185-22043	NUT, SELF-LOCKING	2	2	
14	6G5-43145-01	CAP, CLAMP BRACKET	2	2	
15	90101-08339	BOLT	1	1	
16	90387-08M03	COLLAR	1	1	
17	92995-08600	WASHER	1	1	
18	95380-08600	NUT	1	1	
19	6J8-43311-04-4D	BRACKET, SWIVEL 1	1	1	
20	93700-06M03	NIPPLE, GREASE	3	3	
21	663-45119-00	CAP, GREASE NIPPLE	3	3	AP
22	6J8-42528-00	PLATE, FRICTION	1	1	
23	689-43373-01	SEAL, DAMPER	1	1	
24	90105-06M18	BOLT, FLANGE	1	1	
25	6J8-42510-02-4D	STEERING BRACKET ASSY	1	1	
26	90386-30M77	BUSH	2	2	
27	90386-30M78	BUSH	1	1	

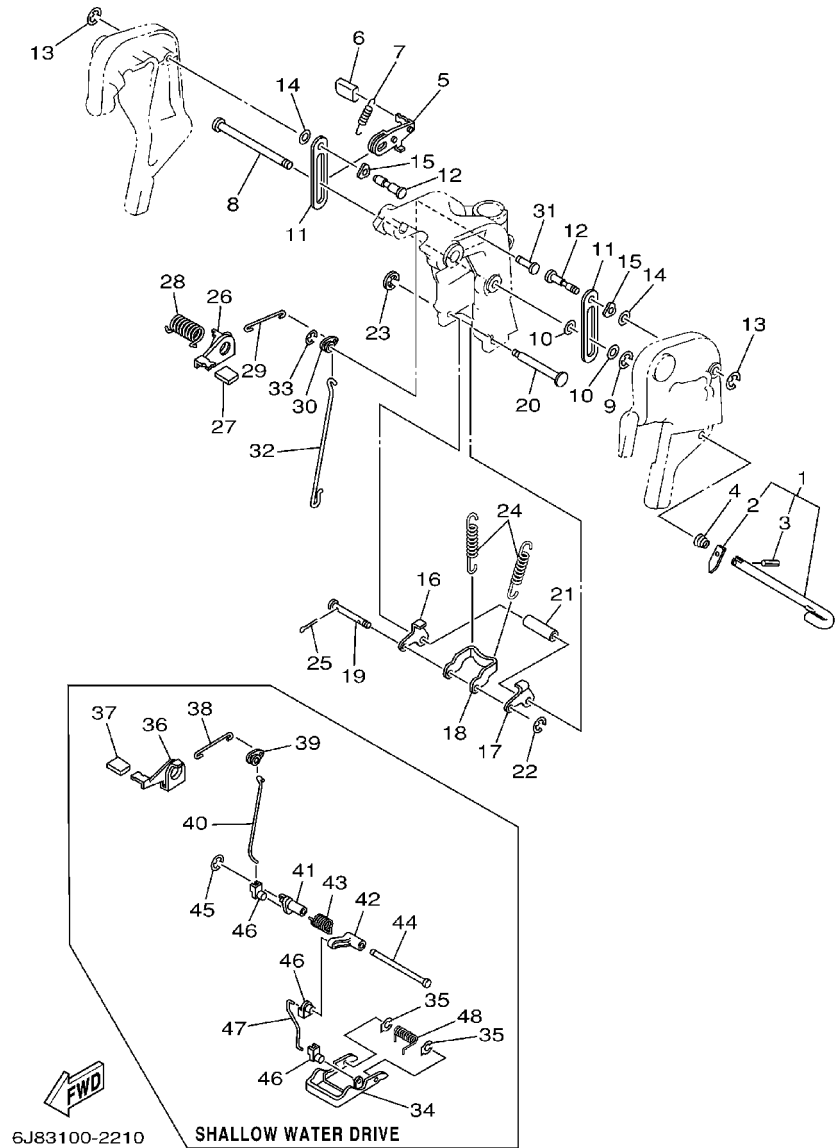


6J80664-1170

FIG. 16 BRACKET 1

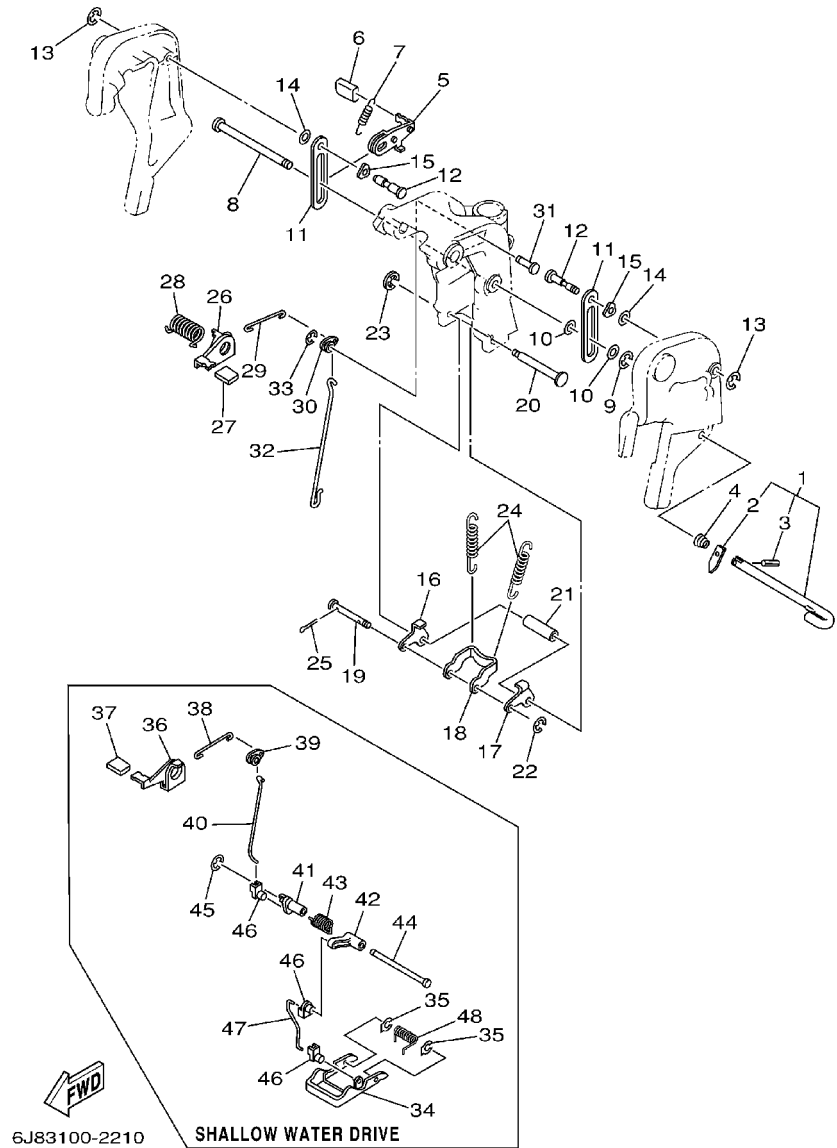
REF. NO.	PART NO.	DESCRIPTION	MH	E	REMARKS
28	90201-30M00	WASHER, PLATE	1	1	
29	93210-29M94	O-RING	2	2	
30	90386-30M60	BUSH	1	1	
31	6H4-44551-02-4D	HOUSING, LOWER MOUNT RUBBER	1	1	
32	93410-28M06	CIRCLIP	1	1	
<hr/>					
33	6J8-42121-02-4D	BRACKET	1		
34	90116-10M28	BOLT, STUD	2	2	
35	92995-10600	WASHER	2	2	
36	90185-10051	NUT, SELF-LOCKING	2	2	
37	6H4-44557-00	MOUNT DAMPER, LOWER FRONT	1		S
	6H4-44557-10	MOUNT DAMPER, LOWER FRONT	1		L
38	6H4-44553-01	COVER, LOWER MOUNT	1	1	
39	97095-08025	BOLT	4	4	
40	92995-08600	WASHER	4	4	
41	97095-10060	BOLT	2	2	
42	92995-10600	WASHER	2	2	
43	6H4-82127-00	WIRE, LEAD 2	1	1	
44	6H4-44514-00	MOUNT DAMPER, UPPER SIDE	2	2	
45	90109-08M26	BOLT	2	2	
46	90201-09425	WASHER, PLATE	2	2	
47	90185-08045	NUT, SELF-LOCKING	2	2	
48	6J8-44511-00-4D	COVER, UPPER MOUNT	1	1	
49	97075-08035	BOLT	3	3	
50	92995-08100	WASHER	3	3	
51	6J8-48511-01-4D	HOOK, STEERING	1		BALL POST/STEERING GUIDE TYPE
52	90101-10M58	BOLT	4		
53	92995-10600	WASHER	8		

FIG. 17 BRACKET 2



REF. NO.	PART NO.	DESCRIPTION	MH	E	REMARKS
1	6H4-43160-01	TILT ROD ASSY	1	1	
2	676-43165-00	.PLATE, TILT LOCK	1	1	
3	91690-30010	.PIN, SPRING	1	1	
4	90502-10M04	SPRING, CONICAL	1	1	
5	6J8-43181-01	LEVER, TILT STOP	1	1	
6	682-43318-01	COVER	1	1	
7	90506-12M25	SPRING, TENSION	1	1	
8	90249-12M28	PIN	1	1	
9	93430-10M00	CIRCLIP	1	1	
10	90202-12031	WASHER, PLATE	2	2	
11	6J8-43627-00	STOPPER	2	2	
12	90249-12M27	PIN	2	2	
13	93430-10M00	CIRCLIP	2	2	
14	90202-12031	WASHER, PLATE	2	2	
15	90206-12M16	WASHER, WAVE	2	2	
16	6J8-43614-00	PLATE, TILT LOCK	1	1	
17	6J8-43615-00	PLATE, TILT LOCK	1	1	
18	6J8-43613-01	ARM, TILT LOCK	1	1	
19	6H4-43659-00	SHAFT, REVERSE LOCK	1	1	
20	6J8-43611-01	SHAFT, TILT LOCK	1	1	
21	90387-07M64	COLLAR	1	1	
22	93430-06M02	CIRCLIP	1	1	
23	99080-05600	CIRCLIP	1	1	
24	90506-32M22	SPRING, TENSION	2	2	
25	91490-20010	PIN, COTTER	2	2	
26	6J8-43631-00	LEVER, TILT	1	1	
27	6J8-43633-00	COVER, TILT LEVER	1	1	

FIG. 17 BRACKET 2



REF. NO.	PART NO.	DESCRIPTION	MH	E	REMARKS
28	90508-18M23	SPRING, TORSION	1	1	FOR SHALLOW WATER DRIVE
29	6H4-43616-00	ROD, TILT LOCK	1	1	
30	6J8-43641-00	LEVER, TILT	1	1	FOR SHALLOW WATER DRIVE
31	90249-06M24	PIN	1	1	
32	6J8-43617-00	ROD, TILT LOCK	1	1	
33	99080-05600	CIRCLIP	1	1	
34	6J8-43681-01	LEVER, SHALLOW WATER DRIVE 1	1	1	
35	6J8-43673-00	WASHER 1	2	2	
36	6J8-43631-10	LEVER, TILT	1	1	
37	6J8-43633-00	COVER, TILT LEVER	1	1	
38	6H4-43616-00	ROD, TILT LOCK	1	1	
39	6J8-43641-00	LEVER, TILT	1	1	
40	6J8-43617-10	ROD, TILT LOCK	1	1	
41	6J8-43186-00	LEVER	1	1	
42	6J8-43187-00	LEVER 2	1	1	
43	90508-25M21	SPRING, TORSION	1	1	
44	90249-07M25	PIN	1	1	
45	99080-05600	CIRCLIP	1	1	
46	6J8-41262-00	JOINT, CHOKE LEVER	3	3	
47	6J8-43616-10	ROD, TILT LOCK	1	1	
48	90508-20M22	SPRING, TORSION	1	1	

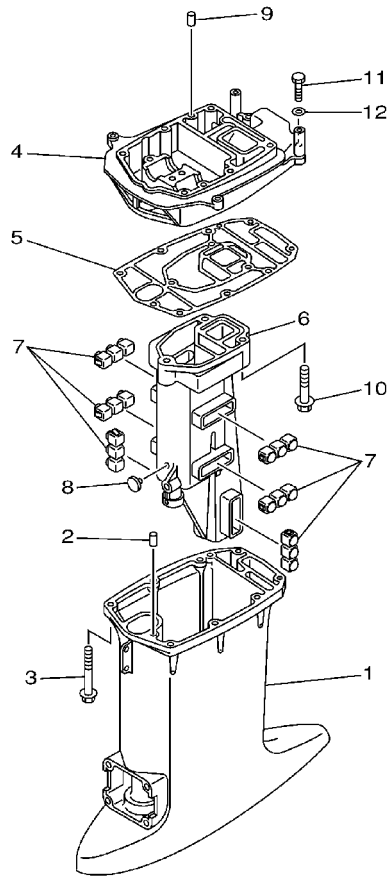
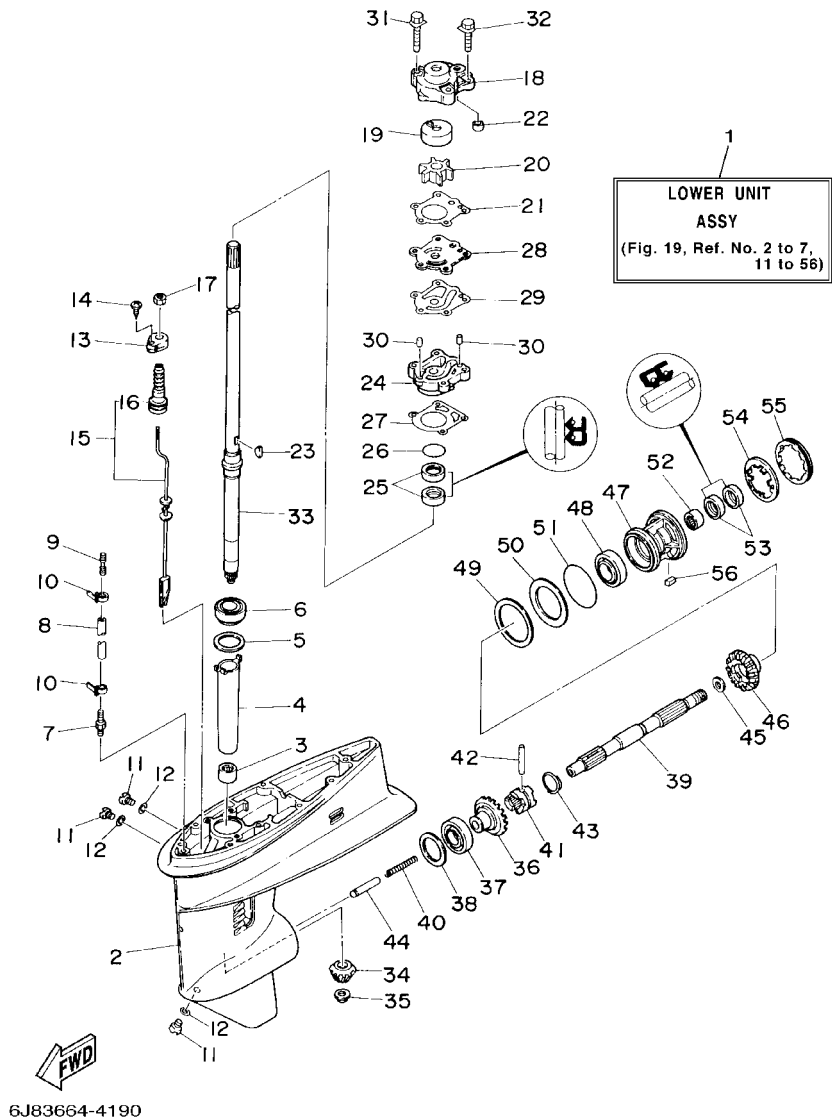


FIG. 18 UPPER CASING

REF. NO.	PART NO.	DESCRIPTION	MH	E			REMARKS
1	6J8-45111-01-4D	CASING, UPPER	1				S
	6J8-45111-11-4D	CASING, UPPER		1			L
2	93606-12019	PIN, DOWEL	2	2			
3	90119-08M31	BOLT, WITH WASHER	6	6			
4	6J8-41137-01-94	GUIDE, EXHAUST	1	1			
5	6J8-45114-A1	GASKET, UPPER CASING	1	1			
6	6J8-41131-00-5B	MANIFOLD, EXT. 1	1	1			
7	6J8-14737-00	DAMPER, MUFFLER	6	6			
8	90338-07M00	PLUG	1	1			
9	93606-12019	PIN, DOWEL	2	2			
10	97575-08550	BOLT, WITH WASHER	3	3			
11	97075-08030	BOLT	2	2			
12	92995-08600	WASHER	2	2			


6J80100-9250



6J83664-4190

FIG. 19 LOWER CASING. DRIVE 1

REF. NO.	PART NO.	DESCRIPTION	MH	E			REMARKS
1	6J8-45300-04-4D	LOWER UNIT ASSY	1				S
	6J8-45300-14-4D	LOWER UNIT ASSY		1			L
2	6J8-45301-02-4D	CASING, LOWER	1	1			
3	93315-220V7	BEARING	1	1			
4	6J8-45536-00	SLEEVE, DRIVE SHAFT	1	1			
5	663-45587-01-10	SHIM (T:0.10MM)	1	1			UR
	663-45587-01-12	SHIM (T:0.12MM)	1	1			UR
	663-45587-01-15	SHIM (T:0.15MM)	1	1			UR
	663-45587-01-18	SHIM (T:0.18MM)	1	1			UR
	663-45587-01-30	SHIM (T:0.30MM)	1	1			UR
	663-45587-01-40	SHIM (T:0.40MM)	1	1			UR
	663-45587-01-50	SHIM (T:0.50MM)	1	1			UR
6	93332-00001	BEARING	1	1			
7	6E5-45378-00	NIPPLE, HOSE	1	1			
8	90445-07ME9	HOSE (L120)	1				S
	90445-07M31	HOSE (L200)		1			L
9	6E5-83558-00	END, NIPPLE	1	1			
10	90465-11M10	CLAMP	2	2			
11	90340-08002	PLUG, STRAIGHT SCREW	3	3			
12	90430-08020	GASKET	3	3			
13	682-44176-00	BRACKET	1	1			
14	97780-50510	SCREW, TAPPING	1	1			
15	6J8-44150-00	SHIFT CAM ASSY	1				S
	6J8-44150-10	SHIFT CAM ASSY		1			L
16	682-44147-00	.BOOT, SHIFT ROD	1	1			
17	95380-06700	NUT	1	1			
18	6J8-44311-00	HOUSING, WATER PUMP	1	1			

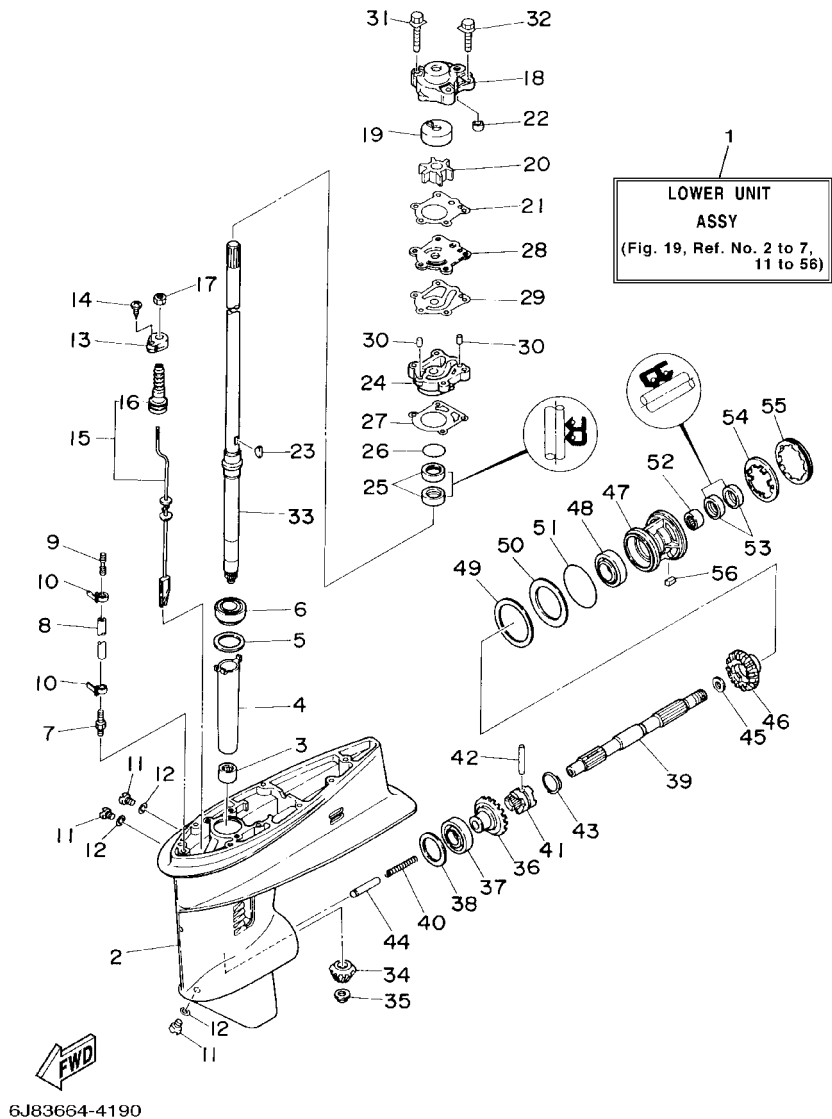


FIG. 19 LOWER CASING. DRIVE 1

REF. NO.	PART NO.	DESCRIPTION	MH	E			REMARKS
19	663-44322-00	INSERT, CARTRIDGE	1	1			
20	6H4-44352-02	IMPELLER	1	1			
21	663-44315-A0	GASKET, WATER PUMP	1	1			
22	663-44366-00	DAMPER, WATER SEAL	1	1			
23	90280-03024	KEY, WOODRUFF	1	1			
24	663-44341-00-94	HOUSING, WATER PUMP	1	1			
25	93101-23070	OIL SEAL	2	2			
26	93210-41042	O-RING	1	1			
27	663-44316-A0	GASKET, WATER PUMP	1	1			
28	663-44323-00	OUTER PLATE, CARTRIDGE	1	1			
29	663-44324-A0	GASKET, CARTRIDGE	1	1			
30	93604-08062	PIN, DOWEL	2	2			
31	90119-08M13	BOLT, WITH WASHER	2	2			
32	90119-08M34	BOLT, WITH WASHER	2	2			
33	6J8-45501-00	DRIVE SHAFT COMP.	1				S
	6J8-45501-10	DRIVE SHAFT COMP.		1			L
34	6J8-45551-00	PINION	1	1			
35	90179-10M14	NUT	1	1			
36	6J8-45560-00	GEAR	1	1			
37	93332-000V6	BEARING	1	1			
38	6J8-45567-01-10	SHIM (T:0.10MM)	1	1			UR
	6J8-45567-01-12	SHIM (T:0.12MM)	1	1			UR
	6J8-45567-01-15	SHIM (T:0.15MM)	1	1			UR
	6J8-45567-01-18	SHIM (T:0.18MM)	1	1			UR
	6J8-45567-01-30	SHIM (T:0.30MM)	1	1			UR
	6J8-45567-01-40	SHIM (T:0.40MM)	1	1			UR
	6J8-45567-01-50	SHIM (T:0.50MM)	1	1			UR

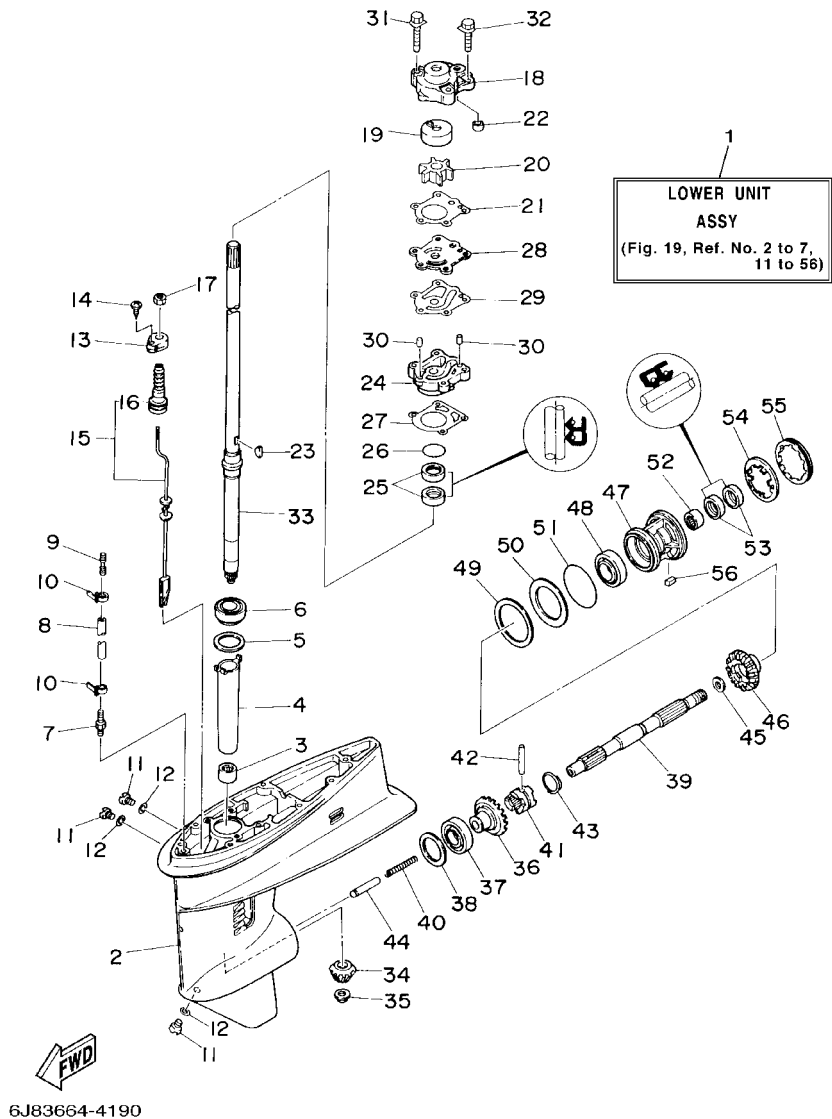
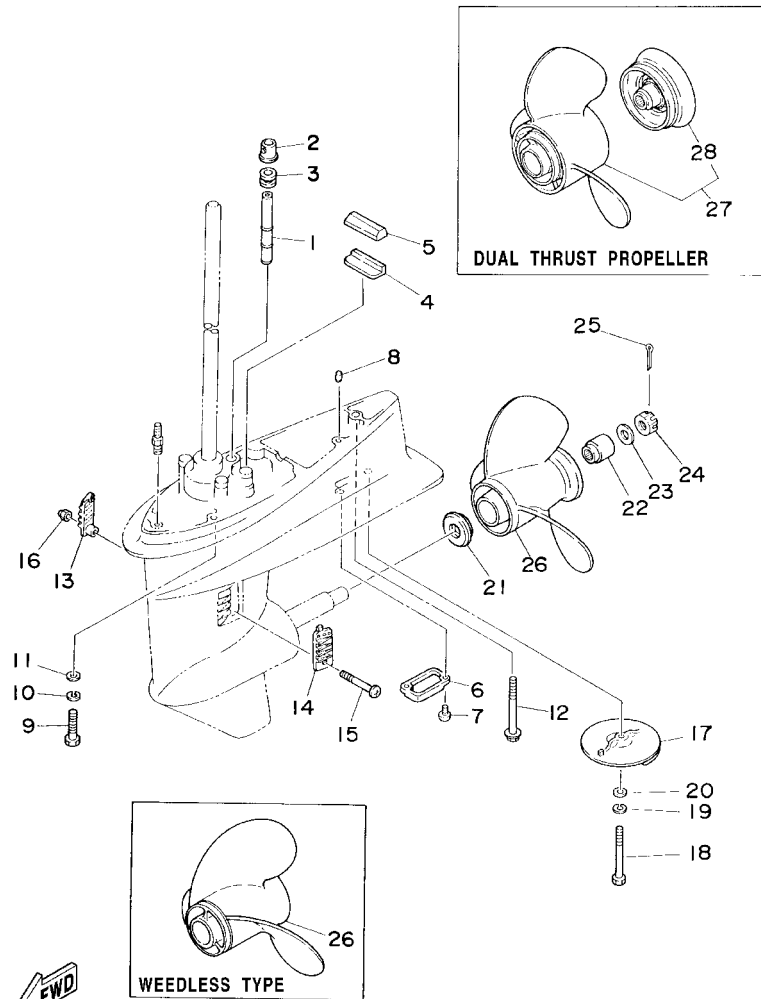


FIG. 19 LOWER CASING. DRIVE 1

REF. NO.	PART NO.	DESCRIPTION	MH	E				REMARKS
39	6J8-45611-00	SHAFT, PROPELLER	1	1				
40	90501-10065	SPRING, COMPRESSION	1	1				
41	6J8-45631-00	CLUTCH, DOG	1	1				
42	90250-05010	PIN, STRAIGHT	1	1				
43	648-45633-00	RING, CROSS PIN	1	1				
44	6J8-45635-00	PLUNGER, SHIFT	1	1				
45	90201-20417	WASHER, PLATE	1	1				
46	6J8-45571-00	GEAR	1	1				
47	689-45331-01-94	HOUSING, BEARING	1	1				
48	93306-00612	BEARING	1	1				
49	664-45577-01-10	SHIM (T:0.10MM)	1	1				UR
	664-45577-01-12	SHIM (T:0.12MM)	1	1				UR
	664-45577-01-15	SHIM (T:0.15MM)	1	1				UR
	664-45577-01-18	SHIM (T:0.18MM)	1	1				UR
	664-45577-01-30	SHIM (T:0.30MM)	1	1				UR
	664-45577-01-40	SHIM (T:0.40MM)	1	1				UR
	664-45577-01-50	SHIM (T:0.50MM)	1	1				UR
50	664-45576-00	WASHER, THRUST	1	1				
51	93210-60MA3	O-RING	1	1				
52	93315-22004	BEARING	1	1				
53	93101-20M07	OIL SEAL	2	2				
54	90214-45M02	WASHER, CLAW	1	1				
55	664-45384-00	NUT	1	1				
56	90282-04010	KEY, STRAIGHT	1	1				

FIG. 20 LOWER CASING. DRIVE 2

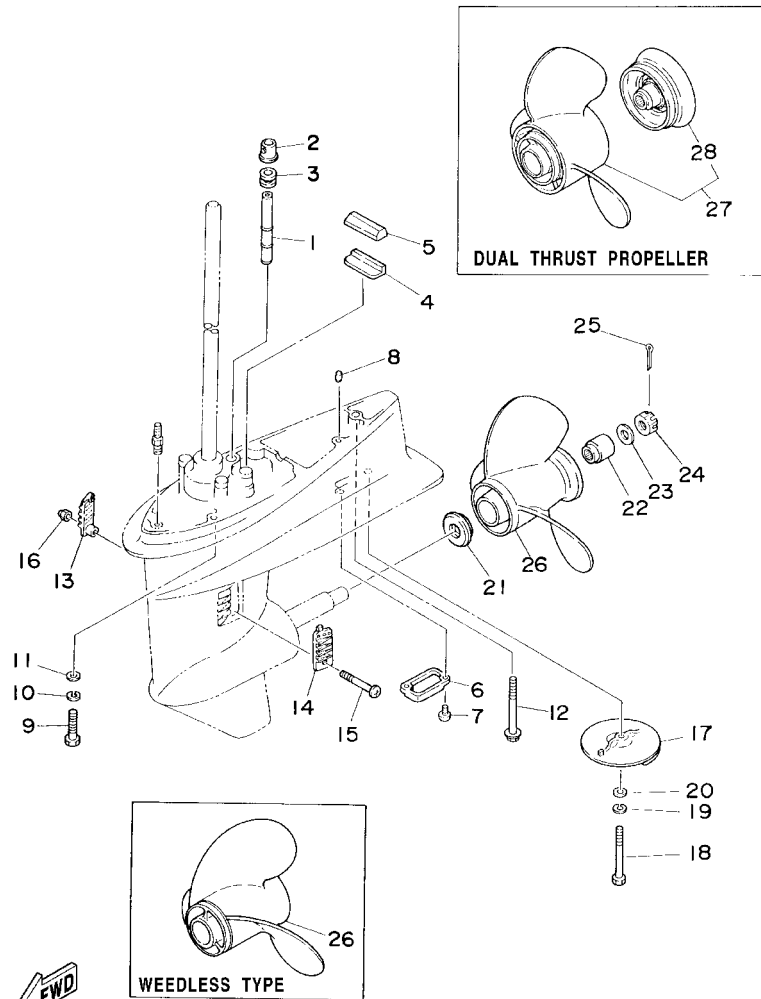
REF. NO.	PART NO.	DESCRIPTION	MH	E				REMARKS
1	6J8-44361-00	TUBE, WATER	1					S
	6J8-44361-10	TUBE, WATER		1				L
2	6J8-44366-00	DAMPER, WATER SEAL	1	1				
3	663-44367-00	DAMPER, WATER SEAL	1	1				
4	663-45376-00-94	GUIDE, SEAL DAMPER	1	1				
5	688-45375-00	DAMPER, SEAL	1	1				
6	6J8-45224-10	COVER, WATER INLET 3	1	1				
7	97880-06012	SCREW, PAN HEAD	2	2				
8	93606-12019	PIN, DOWEL	2	2				
9	97075-10040	BOLT	4	4				
10	92995-10100	WASHER	4	4				
11	92995-10600	WASHER	4	4				
12	90119-08M92	BOLT, WITH WASHER	1	1				
13	689-45214-01	COVER, WATER INLET	1	1				
14	6J8-45215-00	COVER, WATER INLET	1	1				
15	90152-05M04	SCREW, COUNTERSUNK	1	1				
16	90185-05002	NUT, SELF-LOCKING	1	1				
17	664-45371-01	TAB-TRIM	1	1				
18	97075-08020	BOLT	1	1				
19	92995-08100	WASHER	1	1				
20	92995-08600	WASHER	1	1				
21	6L2-45987-01	SPACER	1	1				
22	689-45997-00	SPACER	1	1				
23	92990-14200	WASHER, PLAIN	1	1				
24	90171-14013	NUT, CASTLE	1	1				
25	91490-30022	PIN, COTTER	1	1				
26	664-45941-01-EL	PROPELLER (3X9-7/8"X9"-F)	1	1				UR



6J80100-4270

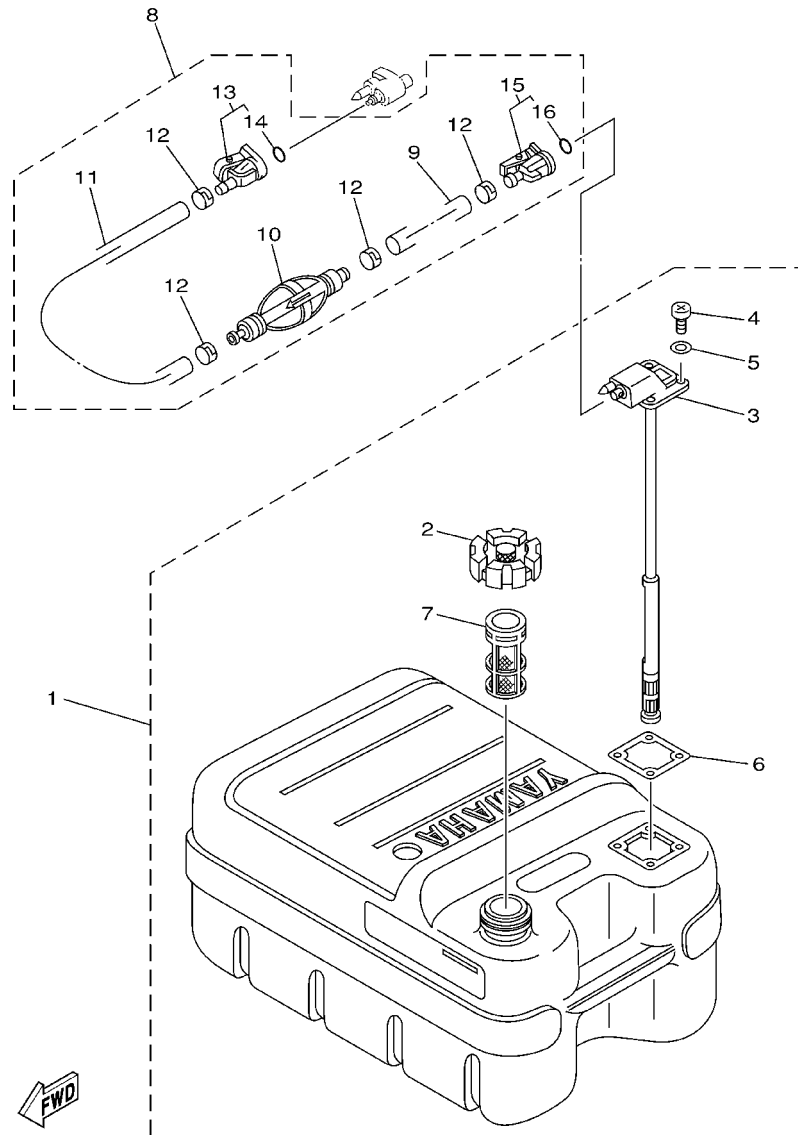
FIG. 20 LOWER CASING. DRIVE 2

REF. NO.	PART NO.	DESCRIPTION	MH	E	REMARKS
26	664-45943-01-EL	PROPELLER (3X9-7/8"X8"-F)	1	1	UR
	664-45945-00-EL	PROPELLER (3X9-7/8"X10-1/2"-F)	1	1	UR
	664-45947-01-EL	PROPELLER (3X9-7/8"X11-1/4"-F)	1	1	UR
	664-45949-02-EL	PROPELLER (3X9-7/8"X13"-F)	1	1	UR
	664-45952-00-EL	PROPELLER (3X9-7/8"X14"-F)	1	1	UR
	664-45954-01-EL	PROPELLER (3X9-7/8"X12"-F)	1	1	UR
	664-45970-00-98	PROPELLER (3X9-1/8"X13"-F)	1	1	UR STAINLESS STEEL, WEEDLESS DUAL THRUST PROPELLER
27	6J8-W4591-00-EL	PROPELLER (3X10-5/8"X8-1/4"-F)	1	1	
28	6J8-45986-10-98	.RING, DEFLECTOR	1	1	



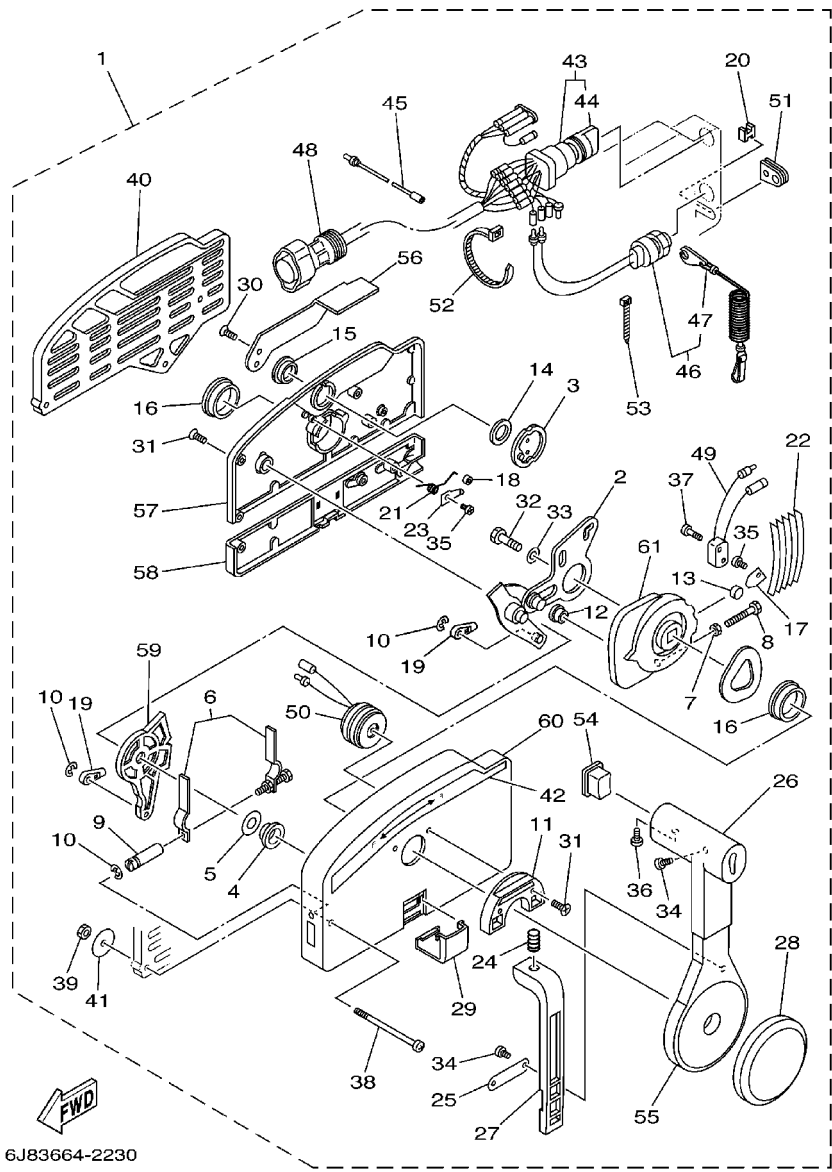
6J80100-4270

FIG. 21 FUEL TANK



67C0100-9300

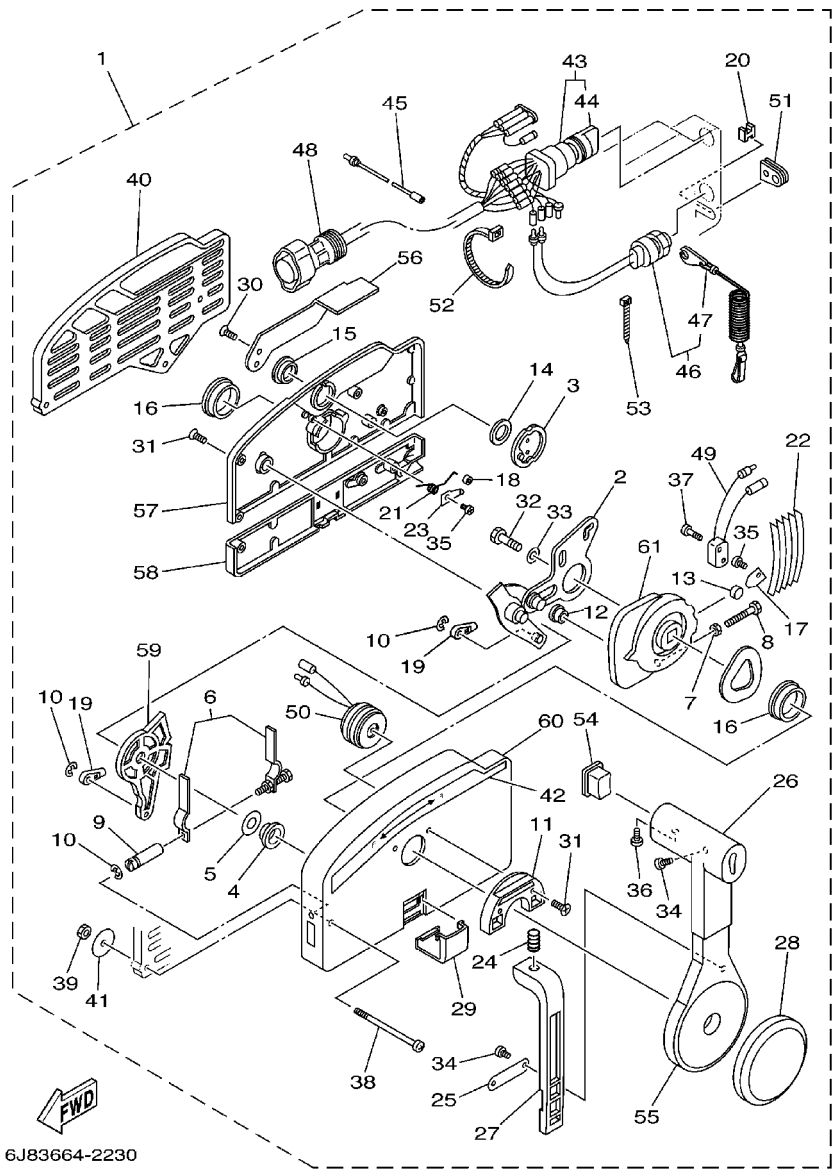
REF. NO.	PART NO.	DESCRIPTION	MH	E	REMARKS
1	6YJ-24201-10	FUEL TANK ASSY (24L)	1	1	AP WITH INDICATOR
2	6YJ-24610-01	.CAP ASSY	1	1	
3	6Y1-24260-12	.FUEL METER ASSY	1	1	WITH INDICATOR
4	98586-05016	.SCREW, PAN HEAD	4	4	
5	6Y1-24329-00	.SEAL	4	4	
6	6Y1-24268-00	.GASKET, FUEL METER	1	1	
7	6YJ-24167-00	.STRAINER	1	1	
8	61J-24306-02	FUEL PIPE COMP. 1	1	1	AP
9	90445-11M06	.HOSE (L2050)	1	1	
10	61J-24360-00	.PRIMER PUMP ASSY	1	1	
11	90445-11M05	.HOSE (L:850MM)	1	1	
12	650-24351-51	.BAND 1	4	4	
13	6G1-24305-03	.FUEL PIPE JOINT COMP. 2	1	1	
14	93210-08287	..O-RING	1	1	
15	6Y1-24305-04	.FUEL PIPE JOINT COMP. 2	1	1	
16	93210-08287	..O-RING	1	1	



6J83664-2230

FIG. 23 REMOTE CONTROL ASSY

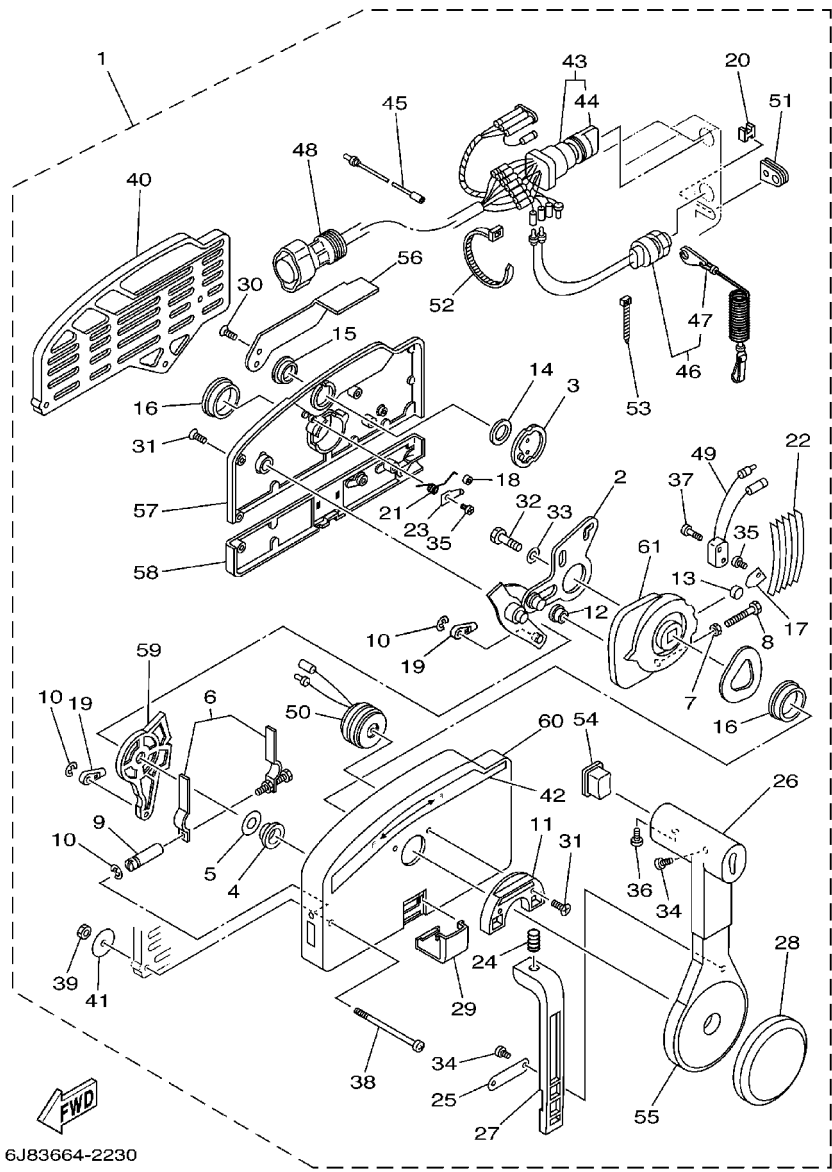
REF. NO.	PART NO.	DESCRIPTION	MH	E	REMARKS
1	703-48230-15	REMOTE CONTROL ASSY		1	AP
2	703-48261-11	.ARM, THROTTLE		1	
3	703-48153-00	.SHAFT, FREE ACCEL.		1	
4	703-48235-00	.BUSHING		1	
5	703-48268-00	.SPACER		1	
6	703-48264-00	.THROTTLE, FRICTION		1	
7	95380-05600	.NUT		1	
8	97380-05025	.BOLT		1	
9	703-48265-00	.SHAFT, FRICTION		1	
10	93430-06024	.CIRCLIP		3	
11	703-48245-00	.PLATE, LOCK		1	
12	703-48252-00	.ROLLER, CAM		1	
13	701-48248-00	.ROLLER, FREE ACCEL.		1	
14	703-48198-00	.WASHER, WAVE		1	
15	703-48243-00	.BUSHING		1	
16	703-48236-00	.BUSHING 1		2	
17	703-48189-00	.RETAINER		1	
18	703-48234-00	.ROLLER, DETENT		1	
19	703-48345-01	.CABLE END,REMOTE CONTROL 2		2	
20	703-48358-00	.ANCHOR, CABLE		1	
21	703-48244-00	.SPRING, FREE ACCEL.		1	
22	703-48238-00	.SPRING, DETENT		5	
23	703-48246-00	.SPACER		1	
24	703-48227-00	.SPRING, NEUTRAL LOCK		1	
25	703-48226-00	.PLATE, STOPPER		1	
26	703-48222-00	.GRIP, CONTROL LEVER		1	SINGLE
27	703-48223-00	.LOCK, NEUTRAL		1	



6J83664-2230

FIG. 23 REMOTE CONTROL ASSY

REF. NO.	PART NO.	DESCRIPTION	MH	E	REMARKS
28	703-48225-00	.COVER		1	
29	703-48219-00	.COVER, LEAD		1	
30	703-48281-00	.SCREW		2	
31	703-48282-00	.SCREW		7	
32	97380-08030	.BOLT		1	
33	92990-08600	.WASHER, PLATE		1	
34	98580-04010	.SCREW, PAN HEAD		3	
35	98580-04006	.SCREW, PAN HEAD		2	
36	98580-05010	.SCREW, PAN HEAD		1	
37	98580-03015	.SCREW, PAN HEAD		2	
38	703-48291-10	.SCREW (M6)		3	
39	95380-06600	.NUT, HEXAGON		3	
40	703-48293-10	.SPACER, REMOTE CONTROL		1	SINGLE
41	701-48287-00	.WASHER		3	
42	703-48215-00	.GRAPHIC		1	
43	703-82510-33	.MAIN SWITCH ASSY		1	
44	703-82577-00	..CAP, KEY		1	
45	703-82531-00	.WIRE, LEAD		1	
46	688-82575-01	.ENGINE STOP SWITCH ASSY		1	
47	682-82556-00	..STOPPER		1	
48	688-82586-21	.EXTENSION, WIRE HARNESS		1	L:5M (7P)
49	703-82540-00	.NEUTRAL SWITCH ASSY		1	
50	703-83383-02	.BUZZER		1	
51	703-48284-00	.GROMMET		1	
52	703-82591-00	.BAND		1	
53	703-82592-00	.BAND		1	
54	703-48224-00	.COVER, CONTROL LEVER		1	WITHOUT PT/T SW.

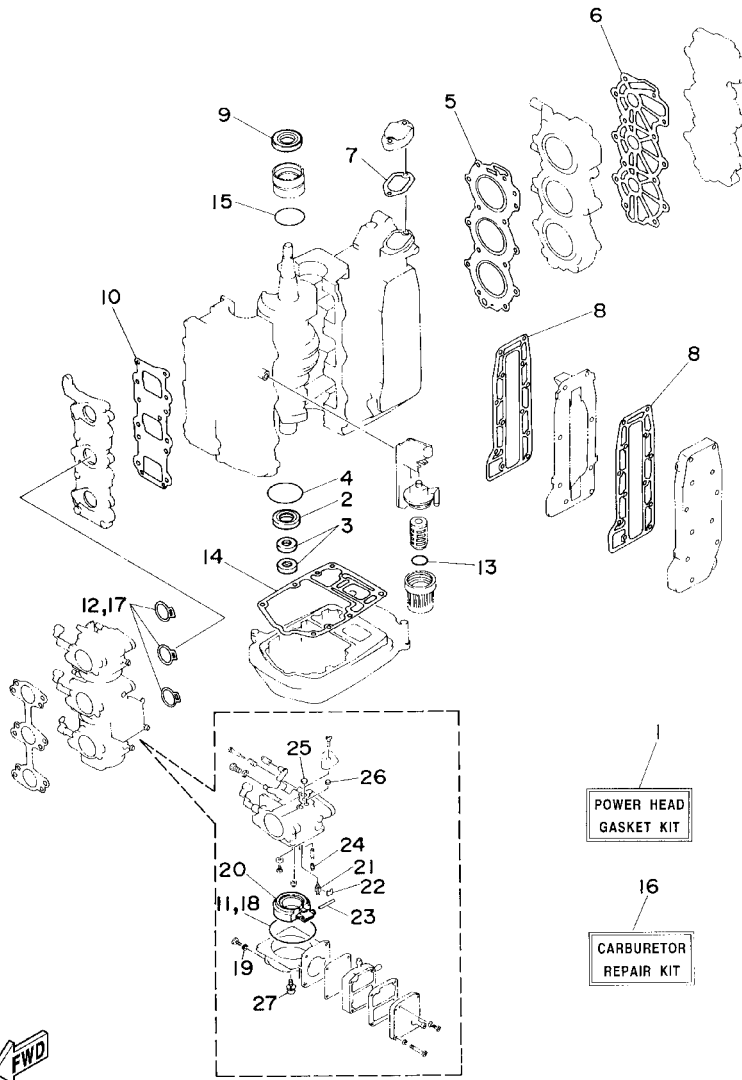


6J83664-2230

FIG. 23 REMOTE CONTROL ASSY

REF. NO.	PART NO.	DESCRIPTION	MH	E	REMARKS
55	703-48221-00	.LEVER, CONTROL		1	
56	703-48152-00	.KNOB, FREE ACCEL.		1	
57	703-48212-00	.BACK PLATE 1		1	
58	703-48213-00	.BACK PLATE 2		1	
59	703-48271-00	.ARM, SHIFT		1	
60	703-48211-01	.HOUSING,1		1	
61	703-48232-00	.GEAR		1	

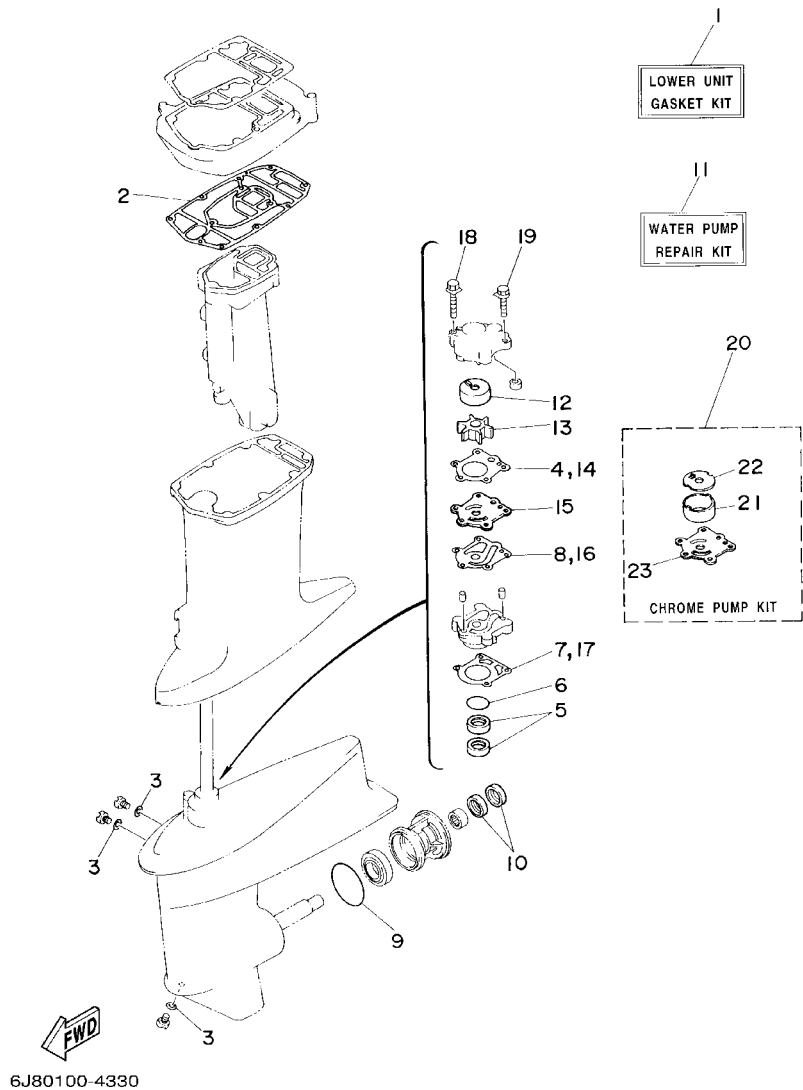
FIG. 24 REPAIR KIT 1



6J80100-4320

REF. NO.	PART NO.	DESCRIPTION	MH	E				REMARKS
1	6J8-W0001-03	POWER HEAD GASKET KIT	1	1				
2	93101-25M28	.OIL SEAL	1	1				
3	93104-16M04	.OIL SEAL	2	2				
4	93210-56M80	.O-RING	1	1				
5	6J8-11181-A1	.GASKET, CYLINDER HEAD 1	1	1				
6	6J8-11193-A1	.GASKET, HEAD COVER 1	1	1				
7	6J8-12414-A0	.GASKET, COVER	1	1				
8	6J8-41114-A0	.GASKET, EXHAUST OUTER COVER	2	2				
9	93102-26M27	.OIL SEAL	1	1				
10	6J8-13621-00	.GASKET, VALVE SEAT	1	1				
11	6J8-14984-00	.GASKET, FLOAT CHAMBER	3	3				
12	6J8-14198-00	.GASKET	3	3				
13	93210-32738	.O-RING	1	1				
14	6J8-45113-A0	.GASKET, UPPER CASING	1	1				
15	93210-42159	.O-RING	1	1				
16	6J8-W0093-00	CARBURETOR REPAIR KIT	1	1				
17	6J8-14198-00	.GASKET	3	3				
18	6J8-14984-00	.GASKET, FLOAT CHAMBER	3	3				
19	6J8-14995-00	.GASKET	3	3				
20	6J8-14985-00	.FLOAT	3	3				
21	6J8-14546-00	.VALVE, NEEDLE	3	3				
22	6J8-14159-00	.CLIP	3	3				
23	6J8-14548-00	.PIN, FLOAT ARM	3	3				
24	6J8-14966-00	.PLUG	3	3				
25	6J8-14126-00	.PLUG	3	3				
26	6J8-14118-00	.PLUG	3	3				
27	97980-04112	.SCREW, WITH WASHER	3	3				

FIG. 25 REPAIR KIT 2



REF. NO.	PART NO.	DESCRIPTION	MH	E				REMARKS
1	6J8-W0001-C2	LOWER UNIT GASKET KIT	1	1				
2	6J8-45114-A1	.GASKET, UPPER CASING	1	1				
3	90430-08020	.GASKET	2	2				
4	663-44315-A0	.GASKET, WATER PUMP	1	1				
5	93101-23070	.OIL SEAL	2	2				
6	93210-41042	.O-RING	1	1				
7	663-44316-A0	.GASKET, WATER PUMP	1	1				
8	663-44324-A0	.GASKET, CARTRIDGE	1	1				
9	93210-60MA3	.O-RING	1	1				
10	93101-20M07	.OIL SEAL	2	2				
11	6J8-W0078-A2	WATER PUMP REPAIR KIT	1	1				
12	663-44322-00	.INSERT, CARTRIDGE	1	1				
13	6H4-44352-02	.IMPELLER	1	1				
14	663-44315-A0	.GASKET, WATER PUMP	1	1				
15	663-44323-00	.OUTER PLATE, CARTRIDGE	1	1				
16	663-44324-A0	.GASKET, CARTRIDGE	1	1				
17	663-44316-A0	.GASKET, WATER PUMP	1	1				
18	90119-08M13	.BOLT, WITH WASHER	2	2				
19	90119-08M34	.BOLT, WITH WASHER	2	2				
20	6H4-W0078-0A	CHROME PUMP KIT	1	1				
21	670-44322-01	.INSERT, CARTRIDGE	1	1				
22	670-44321-00	.INNER PLATE, CARTRIDGE	1	1				
23	670-44323-00	.OUTER PLATE, CARTRIDGE	1	1				

NUMERICAL INDEX

PART NO.	REF. NO.	PART NO.	REF. NO.	PART NO.	REF. NO.	PART NO.	REF. NO.	PART NO.	REF. NO.	PART NO.	REF. NO.
6J8-W0001-C2	25 - 1	6J8-14198-00	24 - 12	676-15741-03	7 - 23	6J8-41114-A0	24 - 8	6J8-42682-12	1 - 12	6J8-43617-10	17 - 40
6J8-W0001-03	24 - 1		24 - 17	6J8-15746-01	7 - 34	6J8-41131-00-5B	18 - 6	6J8-42711-03-4D	12 - 1	6J8-43627-00	17 - 11
6J8-W0004-00	4 - 2	6J8-14301-01	5 - 1	6J8-15747-00	7 - 38	6J8-41137-01-94	18 - 4	6J8-42716-00	12 - 16	6J8-43631-00	17 - 26
6J8-W0070-14	1 - 10	6J8-14302-01	5 - 2	656-15748-00	7 - 31	6J8-41213-00	14 - 2	6J8-42719-10	12 - 24	6J8-43631-10	17 - 36
6H4-W0078-0A	25 - 20	6J8-14303-01	5 - 3	6F5-15752-00	7 - 9	6J8-41217-00	4 - 24	6J8-42723-01	12 - 22	6J8-43633-00	17 - 27
6J8-W0078-A2	25 - 11	6J8-14334-00	5 - 26	6F5-15753-00	7 - 10	682-41237-00	14 - 9	6J8-42723-51	12 - 22		17 - 37
6J8-W0084-10-4D	13 - 1	6J8-14417-00	4 - 10	689-15755-01	7 - 14		14 - 28	6J8-42724-00	12 - 12	6J8-43641-00	17 - 30
6J8-W0090-05-1S	2 - 1	6J8-14418-00	4 - 11	6J8-15758-01-94	7 - 4	6J8-41257-00	4 - 20	6J8-42724-50	10 - 28		17 - 39
6J8-W0093-00	24 - 16	6J8-14427-00	11 - 36	6J8-15762-00	7 - 7	6J8-41259-00	4 - 17	6J8-42725-01	12 - 14	6H4-43659-00	17 - 19
656-W2810-02	6 - 16	6J8-14476-00	4 - 12	6J8-15770-00	7 - 33	6J8-41262-00	4 - 21	6H4-42726-00	12 - 2	6J8-43673-00	17 - 35
6J8-W4591-00-EL	20 - 27	6J8-14483-A1	4 - 14	6J8-15771-00-94	7 - 40		17 - 46	6J8-42726-00	12 - 13	6J8-43681-01	17 - 34
6J8-1111J-00	2 - 29	6J8-14485-00	2 - 4	6J8-15772-00-94	7 - 41	661-41262-02	4 - 18	6J8-42726-10	12 - 13	6J8-44111-01-4D	13 - 25
6J8-11111-00-1S	2 - 16	6J8-14497-00	14 - 1	6J8-15774-01	7 - 39		7 - 47	6J8-42726-20	12 - 26	6J8-44116-00	14 - 19
6F5-11119-00	2 - 8	6J8-14523-00	5 - 25	6F5-15779-02	7 - 15	6J8-41271-01	4 - 19	682-42726-00	14 - 35	6J8-44121-00	14 - 15
6J8-11181-A1	2 - 17	6J8-14527-01	5 - 17	6J8-15787-00	7 - 13	689-41273-00	4 - 22	6G1-42727-00	12 - 11	6J8-44123-00	14 - 11
	24 - 5	6J8-14546-00	5 - 9	6A0-15789-00	7 - 8	6J8-41274-00	4 - 23	6J8-42728-01	12 - 10	6J8-44124-00	13 - 30
6J8-11191-00-1S	2 - 18		24 - 21	6YJ-24167-00	21 - 7	6H4-41611-10	8 - 15	6J8-42735-00	12 - 20	6J8-44125-00	13 - 26
6J8-11193-A1	2 - 19	6J8-14548-00	5 - 11	6YJ-24201-10	21 - 1	6J8-41615-00	8 - 16	6J8-42741-01	12 - 23	682-44132-00	13 - 27
	24 - 6		24 - 23	6Y1-24260-12	21 - 3	6J8-41618-00	8 - 17	6E7-42791-10	12 - 37	6J8-44142-00	14 - 33
6J8-11325-00	2 - 10	6J8-14555-00	5 - 19	6Y1-24268-00	21 - 6	6J8-41631-02	14 - 7	6A1-42792-01	12 - 36	6J8-44143-00	14 - 22
6H3-11327-00-1S	2 - 11	6J8-14578-00	5 - 34	6G1-24304-02	6 - 1	6G1-41662-01-94	14 - 16	6J8-42815-00-4D	12 - 3	682-44147-00	19 - 16
6H3-11328-00	2 - 12	6J8-14592-01	5 - 23	6G1-24305-03	21 - 13	6G1-42111-11-4D	13 - 2	6J8-42816-00	12 - 7	6J8-44150-00	19 - 15
650-11370-00	2 - 3	6J8-14737-00	18 - 7	6Y1-24305-04	21 - 15	664-42119-00	13 - 13	6J8-42831-00	12 - 9	6J8-44150-10	19 - 15
676-11372-00	2 - 26	6J8-1492A-00	5 - 35	61J-24306-02	21 - 8	6J8-42121-02-4D	16 - 33	6J8-42846-00	12 - 25	6J8-44173-02	15 - 6
6J8-11400-01	3 - 1	6J8-1492E-51	5 - 14	6J8-24311-00	6 - 14	6G1-42125-01	13 - 10	6H4-43111-05-4D	16 - 1	682-44176-00	19 - 13
6J8-11445-00	3 - 2	6J8-1492F-25	5 - 12	6E5-24312-00	6 - 11	6G1-42126-00	13 - 11	6H4-43112-04-4D	16 - 2	6J8-44177-00	15 - 4
6J8-11601-01	3 - 9	6J8-14923-00	5 - 18	688-24313-00	6 - 13	6G1-42131-01	13 - 8	6J8-43113-01	16 - 12	6E0-44191-11	13 - 3
6J8-11601-11	3 - 9	6J8-14966-00	5 - 13	6Y1-24329-00	21 - 5	6J8-42137-00	13 - 15	648-43114-01	16 - 8	6J8-44311-00	19 - 18
6J8-11601-21	3 - 9		24 - 24	650-24351-51	21 - 12	6G1-42138-01	13 - 21	6E0-43118-01	16 - 5	663-44315-A0	19 - 21
6J8-11631-02-97	3 - 8	6J8-14980-00	5 - 5	61J-24360-00	21 - 10	6J8-42154-01	14 - 30	6J8-43131-01	16 - 9		25 - 4
6J8-11633-00	3 - 10	6J8-14981-00	5 - 27	6J8-24415-00	5 - 29	6E0-42159-02	13 - 22	6G5-43145-01	16 - 14		25 - 14
6J8-11635-02	3 - 8	6J8-14984-00	5 - 4	6J8-24432-00	5 - 30	6J8-42167-00	14 - 6	6H4-43160-01	17 - 1	663-44316-A0	19 - 27
6J8-11636-02	3 - 8		24 - 11	6J8-24452-00	5 - 31	6J8-42169-01	15 - 7	676-43165-00	17 - 2		25 - 7
688-12411-10	2 - 21		24 - 18	6J8-24471-00	5 - 28	689-42169-01	14 - 8	6J8-43181-01	17 - 5		25 - 17
6H4-12413-00-1S	2 - 22	6J8-14985-00	5 - 8	61N-24521-00	6 - 8	6F6-42177-A0	13 - 14	6J8-43186-00	17 - 41	670-44321-00	25 - 22
6J8-12414-A0	2 - 23		24 - 20	61N-24560-00	6 - 6	6J8-42192-00	14 - 27	6J8-43187-00	17 - 42	663-44322-00	19 - 19
	24 - 7	6J8-14991-00	5 - 6	61N-24563-00	6 - 7	6J8-42510-02-4D	16 - 25	6J8-43311-04-4D	16 - 19		25 - 12
6J8-13610-00	4 - 1	6J8-14995-00	5 - 7	6YJ-24610-01	21 - 2	6J8-42528-00	16 - 22	682-43318-01	17 - 6	670-44322-01	25 - 21
6J8-13621-00	4 - 6		24 - 19	6J8-26301-00	13 - 24	6J8-42610-D0-4D	1 - 1	689-43373-01	14 - 26	663-44323-00	19 - 28
	24 - 10	6J8-15100-01-1S	2 - 2	6G8-26363-00	15 - 14	6J8-42610-80-4D	1 - 1		16 - 23		25 - 15
6J8-13641-00-94	4 - 5	6J8-15396-00-5B	3 - 14	6G8-26364-00	15 - 15	6J8-42613-00-4D	1 - 6	6J8-43611-01	17 - 20	670-44323-00	25 - 23
6J8-14118-00	5 - 16	6J8-15705-00	7 - 25	6G1-2811G-00	6 - 18	6J8-42613-10-4D	1 - 6	6J8-43613-01	17 - 18	663-44324-A0	19 - 29
	24 - 26	6J8-15710-02-4D	7 - 1	6J8-28170-00	6 - 17		1 - 2	6J8-43614-00	17 - 16		25 - 8
6J8-14126-00	5 - 15	6J8-15711-00-94	7 - 2	6A1-28176-00	12 - 38	6J8-42651-03	1 - 3	6J8-43615-00	17 - 17		25 - 16
	24 - 25	6J8-15714-00	7 - 17	6E0-28193-00-94	6 - 22	6J8-42652-00	1 - 4	6H4-43616-00	17 - 29	663-44341-00-94	19 - 24
6J8-14159-00	5 - 10	677-15717-01	7 - 19	6J8-41111-00-1S	2 - 27	6J8-42677-40	1 - 8		17 - 38	6H4-44352-02	19 - 20
	24 - 22	6J8-15723-E1	11 - 32	6J8-41113-00-1S	2 - 25	6J8-42678-10	1 - 9	6J8-43616-10	17 - 47		25 - 13
6J8-14198-00	4 - 8	6J8-15723-00	7 - 48	6J8-41114-A0	2 - 28	6J8-42681-11	1 - 11	6J8-43617-00	17 - 32	6J8-44361-00	20 - 1

NUMERICAL INDEX

PART NO.	REF. NO.	PART NO.	REF. NO.	PART NO.	REF. NO.	PART NO.	REF. NO.	PART NO.	REF. NO.	PART NO.	REF. NO.
6J8-44361-10	20 - 1	664-45577-01-30	19 - 49	703-48243-00	23 - 15	6J8-81916-10	10 - 11	6H4-85533-A1	8 - 1	90179-08M15	6 - 10
6J8-44366-00	20 - 2	664-45577-01-40	19 - 49	703-48244-00	23 - 21	6G1-81941-10	10 - 1	6J8-85540-H2	9 - 1	90179-10M14	19 - 35
663-44366-00	19 - 22	664-45577-01-50	19 - 49	703-48245-00	23 - 11	6J8-81945-00	10 - 3	6H4-85548-00	8 - 9	90179-16M05	8 - 13
663-44367-00	20 - 3	663-45587-01-10	19 - 5	703-48246-00	23 - 23	6G1-81952-00	10 - 2	6J8-85548-00	8 - 19	90185-05002	20 - 16
6H3-44391-01	12 - 15	663-45587-01-12	19 - 5	701-48248-00	23 - 13	6G1-81970-61	10 - 7	6J8-85550-A1	8 - 2	90185-08045	16 - 47
6J8-44511-00-4D	16 - 48	663-45587-01-15	19 - 5	703-48252-00	23 - 12	689-82105-13	10 - 29	6J8-85550-F1	8 - 2	90185-10051	16 - 36
6H4-44514-00	16 - 44	663-45587-01-18	19 - 5	703-48261-11	23 - 2	6F5-82117-00	10 - 6	6J8-85570-21	9 - 10	90185-22043	16 - 13
6H4-44551-02-4D	16 - 31	663-45587-01-30	19 - 5	703-48264-00	23 - 6	6H4-82127-00	16 - 43	6J8-86110-00	10 - 17	90201-06060	7 - 20
6H4-44553-01	16 - 38	663-45587-01-40	19 - 5	703-48265-00	23 - 9	6E5-82148-00	16 - 3	6J8-86116-00	10 - 18	90201-09425	16 - 46
6H4-44557-00	16 - 37	663-45587-01-50	19 - 5	703-48268-00	23 - 5	6G1-82151-00	10 - 8	682-86117-00	10 - 19	90201-12426	16 - 54
6H4-44557-10	16 - 37	6J8-45611-00	19 - 39	703-48271-00	23 - 59	6H3-82151-00	10 - 16	9E471-09205	8 - 8	90201-16M44	8 - 14
6J8-45111-01-4D	18 - 1	6J8-45631-00	19 - 41	703-48271-00	23 - 30	6G1-82370-21	9 - 14	90101-06M00	8 - 20	90201-16379	3 - 12
6J8-45111-11-4D	18 - 1	648-45633-00	19 - 43	703-48282-00	23 - 31	703-82510-33	23 - 43	90101-06024	7 - 44	90201-20417	19 - 45
6J8-45113-A0	2 - 32	6J8-45635-00	19 - 44	703-48284-00	23 - 51	6J8-82531-00	9 - 7	90101-08001	2 - 9	90201-22M03	16 - 11
		664-45941-01-EL	20 - 26	701-48287-00	23 - 41	703-82531-00	23 - 45	90101-08339	16 - 15	90201-30M00	16 - 28
6J8-45114-A1	18 - 5	664-45943-01-EL	20 - 26	703-48291-10	23 - 38	6H3-82540-00	10 - 23	90101-10M58	16 - 52	90201-50306	3 - 7
		664-45945-00-EL	20 - 26	703-48293-10	23 - 40	703-82540-00	23 - 49	90105-06M18	16 - 24	90202-10024	14 - 31
663-45119-00	16 - 21	664-45947-01-EL	20 - 26	701-48310-80	22 - 2	6H4-82553-00	10 - 24	90109-06M28	14 - 3	90202-12M17	14 - 36
689-45214-01	20 - 13	664-45949-02-EL	20 - 26	701-48310-90	22 - 2	6J8-82553-00	12 - 34	90109-06M29	15 - 12	90202-12M25	12 - 4
6J8-45215-00	20 - 14	664-45952-00-EL	20 - 26	701-48320-00	22 - 2	6J8-82554-00	10 - 25	90109-08M26	16 - 45	90202-12031	17 - 10
6J8-45224-10	20 - 6	664-45954-01-EL	20 - 26	703-48345-01	23 - 19	682-82556-00	12 - 28	90116-10M28	16 - 34		17 - 14
6J8-45300-04-4D	19 - 1	664-45970-00-98	20 - 26	703-48358-00	23 - 20		23 - 47	90119-05M31	4 - 13	90202-36M55	13 - 5
6J8-45300-14-4D	19 - 1	6J8-45986-10-98	20 - 28	6J8-48511-01-4D	16 - 51	663-82557-00	12 - 33	90119-06MA3	2 - 24	90206-12M16	17 - 15
6J8-45301-02-4D	19 - 2	6L2-45987-01	20 - 21	6J8-48531-00	15 - 8	689-82560-00	9 - 15		2 - 31	90206-12052	12 - 5
689-45331-01-94	19 - 47	689-45997-00	20 - 22	6J8-48532-00	15 - 9	6E3-8257H-00	12 - 39		4 - 7	90206-36M21	13 - 4
664-45371-01	20 - 17	703-48152-00	23 - 56	6J8-48534-00	15 - 1	689-8257Y-00	12 - 29	90119-06MA4	2 - 6	90214-45M02	19 - 54
688-45375-00	20 - 5	703-48153-00	23 - 3	682-48538-50	15 - 10	688-82575-01	23 - 46	90119-06MA5	2 - 30	90243-04M01	16 - 6
663-45376-00-94	20 - 4	703-48189-00	23 - 17	6J8-48544-01	15 - 3	689-82575-04	12 - 27	90119-06M32	4 - 9	90249-06M24	17 - 31
6E5-45378-00	19 - 7	703-48198-00	23 - 14	6J8-81332-00	8 - 22	703-82577-00	23 - 44	90119-06M61	12 - 19	90249-07M25	17 - 44
664-45384-00	19 - 55	703-48211-01	23 - 60	6J8-81337-00	11 - 27	6J8-82580-00	10 - 27	90119-06023	2 - 13	90249-12M27	17 - 12
6J8-45501-00	19 - 33	703-48212-00	23 - 57	6J8-81338-00	11 - 31	688-82586-21	23 - 48		3 - 18	90249-12M28	17 - 8
6J8-45501-10	19 - 33	703-48213-00	23 - 58	6J8-81365-A0	11 - 33	703-82591-00	23 - 52	90119-08MA8	2 - 20	90250-05010	19 - 42
6J8-45536-00	19 - 4	703-48215-00	23 - 42	6F5-81800-11	11 - 1	703-82592-00	23 - 53	90119-08M13	19 - 31	90254-03M03	15 - 5
6J8-45551-00	19 - 34	703-48219-00	23 - 29	689-81807-12	11 - 3	703-83383-02	23 - 50		25 - 18	90254-03M04	13 - 28
6J8-45560-00	19 - 36	703-48221-00	23 - 55	689-81809-11	11 - 7	6E9-83557-70	10 - 15	90119-08M31	18 - 3		14 - 12
6J8-45567-01-10	19 - 38	703-48222-00	23 - 26	689-81810-11	11 - 9	6E5-83558-00	19 - 9	90119-08M34	19 - 32		14 - 34
6J8-45567-01-12	19 - 38	703-48223-00	23 - 27	689-81811-11	11 - 10	6A1-83625-41	4 - 25		25 - 19	90266-04M00	1 - 5
6J8-45567-01-15	19 - 38	703-48224-00	23 - 54	689-81812-11	11 - 12	6A1-83625-51	4 - 26	90119-08M92	20 - 12	90269-02M09	13 - 16
6J8-45567-01-18	19 - 38	703-48225-00	23 - 28	689-81813-10	11 - 13	6E0-83627-41	13 - 33	90119-08019	2 - 5	90280-03024	19 - 23
6J8-45567-01-30	19 - 38	703-48226-00	23 - 25	689-81820-11	11 - 14	6E0-83627-51	13 - 34	90149-05M13	13 - 19	90280-05013	8 - 12
6J8-45567-01-40	19 - 38	703-48227-00	23 - 24	6J8-81822-01-94	11 - 21	682-84381-00	12 - 31	90149-14M12	16 - 7	90282-04010	19 - 56
6J8-45567-01-50	19 - 38	703-48230-15	22 - 1	689-81826-10	11 - 15	6J8-84387-00	12 - 32	90152-05M04	20 - 15	90338-07M00	18 - 8
6J8-45571-00	19 - 46		23 - 1	6F5-81830-11	11 - 4	6J8-85410-00	12 - 35	90159-05M26	10 - 14	90340-08002	19 - 11
664-45576-00	19 - 50	703-48232-00	23 - 61	689-81831-00	11 - 5	6H4-85510-F1	8 - 3	90164-06M01	12 - 21	90386-06M12	13 - 29
664-45577-01-10	19 - 49	703-48234-00	23 - 18	689-81840-11	11 - 11	6J8-85510-A1	8 - 3	90170-06015	14 - 25	90386-08032	13 - 20
664-45577-01-12	19 - 49	703-48235-00	23 - 4	689-81847-11	11 - 6	663-85518-00	8 - 11	90171-14013	20 - 24	90386-12M61	12 - 6
664-45577-01-15	19 - 49	703-48236-00	23 - 16	689-81850-12	11 - 8	6H4-85520-01	8 - 4	90179-06M24	1 - 7	90386-22M69	16 - 10
664-45577-01-18	19 - 49	703-48238-00	23 - 22	689-81857-11	11 - 2	6J8-85520-01	8 - 4		15 - 13	90386-30M60	16 - 30

NUMERICAL INDEX

PART NO.	REF. NO.	PART NO.	REF. NO.	PART NO.	REF. NO.	PART NO.	REF. NO.	PART NO.	REF. NO.	PART NO.	REF. NO.
90386-30M77	16 - 26	91490-20012	14 - 14	92995-10600	16 - 35	93700-06M03	16 - 20	97575-08550	18 - 10		
90386-30M78	16 - 27	91490-30022	20 - 25		16 - 42	94702-00271	2 - 33	97780-50510	19 - 14		
90386-33M96	13 - 6	91690-30010	17 - 3		16 - 53	95303-06600	14 - 5	97880-05016	4 - 3		
90386-34M97	13 - 7	91690-30012	15 - 11		20 - 11	95380-05600	14 - 10	97880-05025	10 - 9		
90387-06M29	7 - 35	91690-40014	7 - 3	93101-20M07	19 - 53		14 - 29	97880-05040	4 - 15		
90387-06M41	12 - 18	91690-50022	11 - 30		25 - 10		23 - 7	97880-06012	8 - 18		
90387-06M81	8 - 21	92903-06600	7 - 43	93101-23070	19 - 25	95380-06600	7 - 12		20 - 7		
90387-07M64	17 - 21		10 - 5		25 - 5		23 - 39	97880-06025	14 - 4		
90387-08M03	16 - 16		10 - 21	93101-25M28	3 - 15	95380-06700	7 - 22	97885-05010	8 - 23		
90430-08020	19 - 12		14 - 18		24 - 2		19 - 17	97885-05012	13 - 23		
	25 - 3	92903-08100	11 - 19	93102-26M27	3 - 4	95380-08600	16 - 18	97885-06008	16 - 4		
90445-07ME9	19 - 8	92903-08600	7 - 50		24 - 9	95380-10600	16 - 55	97902-04106	8 - 7		
90445-07M29	2 - 14		11 - 17	93104-16M04	3 - 16	95780-08300	14 - 32	97902-04112	8 - 6		
90445-07M31	19 - 8		11 - 20		24 - 3	95895-06012	12 - 8	97902-05408	8 - 10		
90445-09M00	6 - 5		11 - 24	93210-03261	10 - 22	97013-06012	10 - 26	97902-06120	8 - 5		
90445-11M05	21 - 11		11 - 26	93210-08287	21 - 14	97013-06016	10 - 4	97980-03122	5 - 32		
90445-11M06	21 - 9		11 - 35		21 - 16		10 - 20	97980-04110	5 - 20		
90464-03M15	11 - 22	92903-10600	13 - 18	93210-29M94	16 - 29	97013-06020	7 - 42	97980-04112	5 - 21		
90464-05M16	9 - 13	92990-05600	4 - 4	93210-32738	6 - 9		14 - 17		24 - 27		
90464-09M21	6 - 12		4 - 16		24 - 13	97013-08014	7 - 49	97980-04124	5 - 33		
90464-12M17	6 - 21		5 - 24	93210-41042	19 - 26		11 - 34	98580-03015	23 - 37		
90464-15M11	9 - 4		10 - 10		25 - 6	97013-08016	11 - 16	98580-04006	23 - 35		
	10 - 30		14 - 23	93210-42159	3 - 5	97013-08030	11 - 18	98580-04010	23 - 34		
90465-11M10	19 - 10	92990-06200	13 - 31		24 - 15	97013-08035	11 - 23	98580-05010	23 - 36		
90465-13M18	10 - 12		14 - 13	93210-56M80	3 - 17	97013-08055	11 - 25	98586-05016	21 - 4		
90465-13M76	12 - 30	92990-08100	15 - 2		24 - 4	97075-08020	20 - 18	98780-05008	5 - 22		
90465-18147	10 - 13	92990-08600	23 - 33	93210-60MA3	19 - 51	97075-08030	18 - 11	99080-05600	17 - 23		
90467-06016	2 - 15	92990-14200	20 - 23		25 - 9	97075-08035	16 - 49		17 - 33		
90467-08004	6 - 4	92995-05600	8 - 24	93306-00612	19 - 48	97075-10040	20 - 9		17 - 45		
	6 - 15	92995-06100	9 - 12	93306-305U3	3 - 6	97095-06012	9 - 5	99530-10014	7 - 30		
90480-09M21	12 - 17	92995-06600	6 - 3	93311-632U7	3 - 3		9 - 8				
90480-10M16	11 - 29		7 - 6	93315-220V7	19 - 3		14 - 20				
90480-14M17	11 - 28		7 - 27	93315-22004	19 - 52	97095-06016	7 - 5				
90480-25161	9 - 16		7 - 29	93332-000V6	19 - 37		7 - 45				
90501-10065	19 - 40		7 - 37	93332-00001	19 - 6	97095-06020	9 - 11				
90501-10227	7 - 32		7 - 46	93410-28M06	16 - 32		13 - 9				
90501-23215	13 - 17		9 - 3	93430-06M02	7 - 24	97095-06025	6 - 2				
90502-10M04	17 - 4		9 - 6		17 - 22		7 - 11				
90506-12M25	17 - 7		9 - 9	93430-06024	23 - 10		7 - 21				
90506-32M22	17 - 24		14 - 21	93430-10M00	17 - 9		7 - 28				
90508-18M23	17 - 28	92995-08100	16 - 50		17 - 13		7 - 36				
90508-20M22	17 - 48		20 - 19	93450-17129	3 - 13		9 - 2				
90508-25M21	17 - 43	92995-08600	6 - 20	93602-16M10	3 - 11	97095-06035	7 - 26				
90510-08M04	7 - 18		16 - 17	93604-08062	19 - 30	97095-08016	6 - 19				
91490-16010	13 - 12		16 - 40	93606-12019	2 - 7	97095-08025	16 - 39				
	14 - 24		18 - 12		18 - 2	97095-10060	16 - 41				
91490-20010	17 - 25		20 - 20		18 - 9	97380-05025	23 - 8				
91490-20012	13 - 32	92995-10100	20 - 10		20 - 8	97380-08030	23 - 32				

30DE/30DMH
PARTS CATALOGUE
E2001 by Yamaha Motor Co., Ltd.
1st Edition, Oct. 2001
All rights reserved.
Any reprinting or unauthorized use
without the written permission of
Yamaha Motor Co., Ltd.
is expressly prohibited.
Printed in Japan