



PARTS CATALOGUE

30DE'04 (6J89)

30DMH'04 (6J8A)

FOREWORD

This Parts Catalogue is related to the parts for the model(s) on the cover page. When you are ordering replacement parts, please refer to this Parts Catalogue and quote both part numbers and part names correctly.

1. Modifications or additions which have been made after the issue of the Parts Catalogue will be announced in the Parts News.
It is advisable that you make the necessary corrections to the Parts Catalogue according to the Parts News.

2. Abbreviations
The following abbreviations are used in this Parts Catalogue.

“UR” Use specified parts number.
 “UN” Use as many as needed.
 “AP” Alternate Parts
 “LM” Locally Made (Parts need to be ordered locally)
 “F#” Frame No. (Applicable machine No.)
 “O/S” Over Size

3. The number of components for assembly
 - Parts, which are to be supplied in an assembly, are listed with a dot (.) in front of the part name as shown below.
 - The numeral appearing to the right of each component part indicates the quantity of parts for each assembly unit.

PART NO.	DESCRIPTION	Q'TY	REMARKS
2F5-83310-60	FRONT FLASHER LIGHT ASSY	2	
115-83311-60	.BULB (6V-18W)	1	

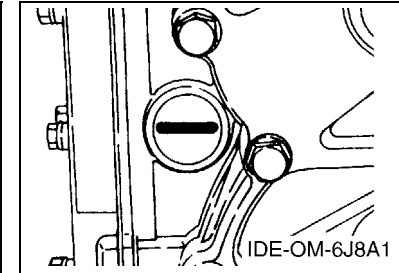
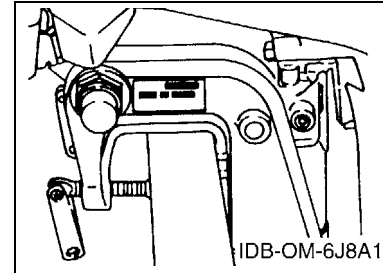
4. Applicable colours of graphics are represented in the “REMARKS” as shown below.

PART NO.	DESCRIPTION	Q'TY	REMARKS
2N4-24110-00-X5	FUEL TANK COMP.	2	MXR
3J1-24240-10	.GRAPHIC, FUEL TANK	1	FOR MXR

5. Note that the illustrations for reference in finding parts numbers are not to be used for assembling. When assembling, please use the applicable service manual.

6. The asterisk (*) before a reference number indicates modified items after the first edition.
7. Applicable Serial No.

Engine Serial No.



8. Applicable Engine Starting Serial No.

Model	Serial No.	Model	Serial No.
30D	6J8K-1002376		

9. Applicable Colour Code

Abbreviation	Colour Name	Colour Code
DBNM2	DARK BLUISH GRAY METALLIC 2	004D

10. Quantity Column Information

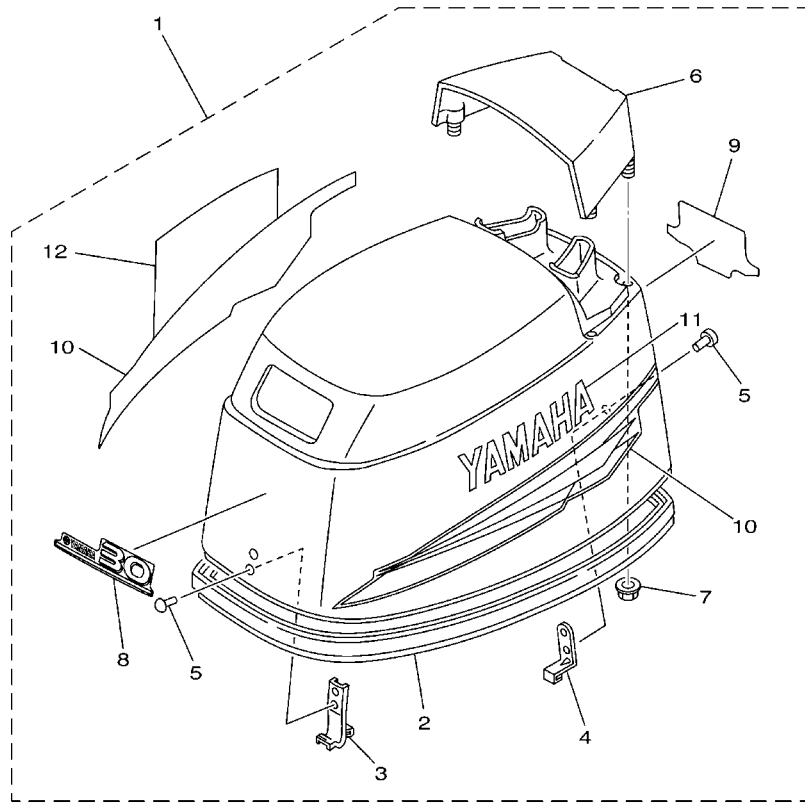
Column No.	Name Of Q'ty Column	Applicable Model
1	MH	30DMH
2	E	30DE

CONTENTS

TOP COWLING	1
CYLINDER & CRANKCASE	2
CRANKSHAFT & PISTON	4
INTAKE	5
CARBURETOR	6
FUEL	8
STARTER	9
GENERATOR	11
ELECTRICAL 1	12
ELECTRICAL 2	13
STARTING MOTOR	15
BOTTOM COWLING	17
STEERING	19
CONTROL 1	21
CONTROL 2	23
REMO CON ATTACHMENT	24
BRACKET 1	25
BRACKET 2	28
UPPER CASING	30
LOWER CASING & DRIVE 1	31
LOWER CASING & DRIVE 2	34
FUEL TANK	36
REMOTE CONTROL BOX	37
REMOTE CONTROL ASSY	38
REPAIR KIT 1	41
REPAIR KIT 2	42

INDEX

NUMERICAL INDEX	43
-----------------------	----



6J83664-2010

FIG. 1 TOP COWLING

REF. NO.	PART NO.	DESCRIPTION	MH	E			REMARKS
1	6J8-42610-D0-4D	TOP COWLING ASSY	1				
	6J8-42610-80-4D	TOP COWLING ASSY		1			
2	6J8-42615-00	.SEAL	1	1			
3	6J8-42651-03	.HOOK	1	1			
4	6J8-42652-00	.HOOK	1	1			
5	90266-04M00	.RIVET	4	4			
6	6J8-42613-00-4D	.MOLDING, AIR DUCT	1				
	6J8-42613-10-4D	.MOLDING, AIR DUCT		1			
7	90179-06M24	.NUT	4	4			
8	6J8-42677-40	.GRAPHIC, FRONT	1	1			
9	6J8-42678-10	.GRAPHIC, REAR	1	1			
10	6J8-W0070-14	.GRAPHIC SET	1	1			
11	6J8-42681-11	.MARK, COWLING	1	1			
12	6J8-42682-12	.MARK, COWLING	1	1			

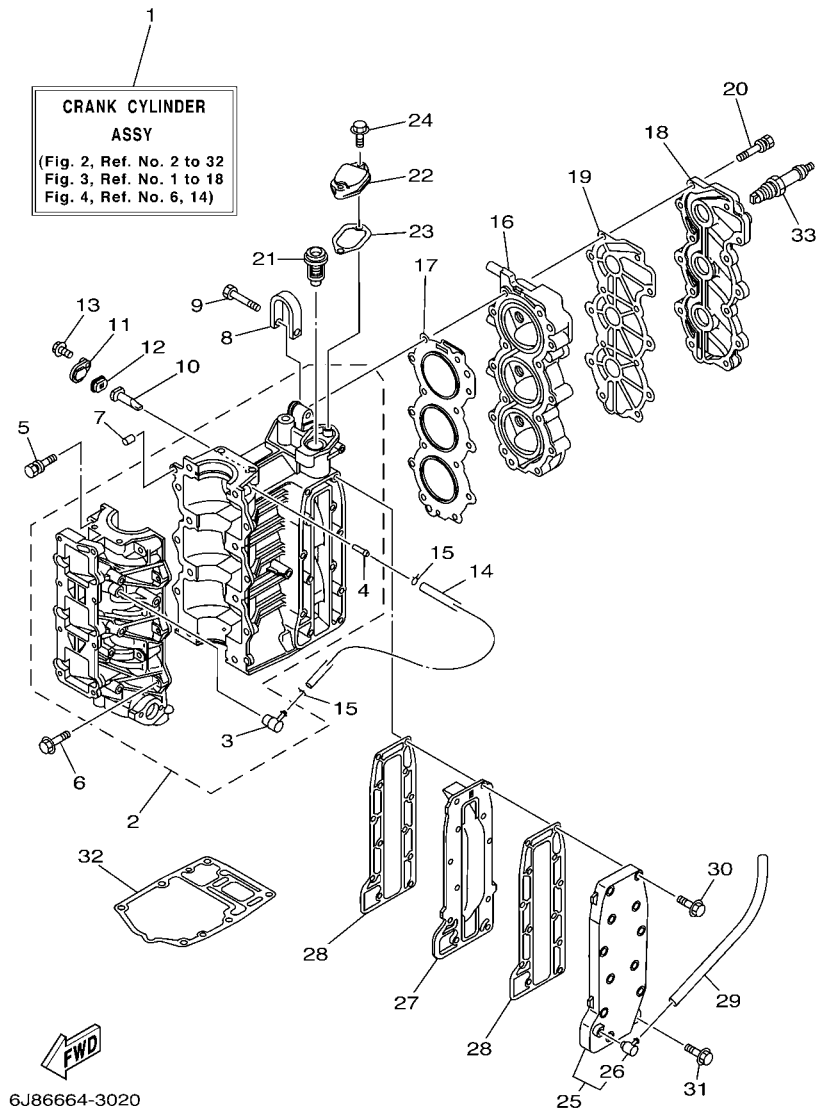


FIG. 2 CYLINDER & CRANKCASE

REF. NO.	PART NO.	DESCRIPTION	MH	E	REMARKS
1	6J8-W0090-06-1S	CRANK CYLINDER ASSY	1	1	N.O/I
2	6J8-15100-01-1S	CRANKCASE ASSY	1	1	N.O/I
3	650-11370-01	.CHECK VALVE ASSY	1	1	
4	624-14485-00	.PIPE, JOINT	1	1	
5	90119-08019	BOLT, WITH WASHER	8	8	
6	90119-06MA4	BOLT, WITH WASHER	6	6	
7	93606-12019	PIN, DOWEL	2	2	
8	6F5-11119-00	HANGER, ENGINE	1	1	
9	90101-08001	BOLT	1	1	
10	6J8-11325-00	ANODE	2	2	
11	6H3-11327-00-1S	COVER, ANODE	2	2	
12	6H3-11328-00	GROMMET, ANODE	2	2	
13	90119-06023	BOLT, WITH WASHER	2	2	
14	90445-07M29	HOSE (L135)	1	1	
15	90467-06016	CLIP	2	2	
16	6J8-11111-00-1S	HEAD, CYLINDER 1	1	1	
17	6J8-11181-A1	GASKET, CYLINDER HEAD 1	1	1	
18	6J8-11191-00-1S	COVER, CYLINDER HEAD 1	1	1	
19	6J8-11193-A1	GASKET, HEAD COVER 1	1	1	
20	90119-08MA8	BOLT, WITH WASHER	14	14	
21	688-12411-10	THERMOSTAT	1	1	
22	6H4-12413-00-1S	COVER, THERMOSTAT	1	1	
23	6J8-12414-A0	GASKET, COVER	1	1	
24	90119-06MA3	BOLT, WITH WASHER	2	2	
25	6J8-41113-00-1S	OUTER COVER, EXHAUST	1	1	
26	676-11372-00	.NIPPLE, HOSE	1	1	
27	6J8-41111-00-1S	INNER COVER, EXHAUST	1	1	

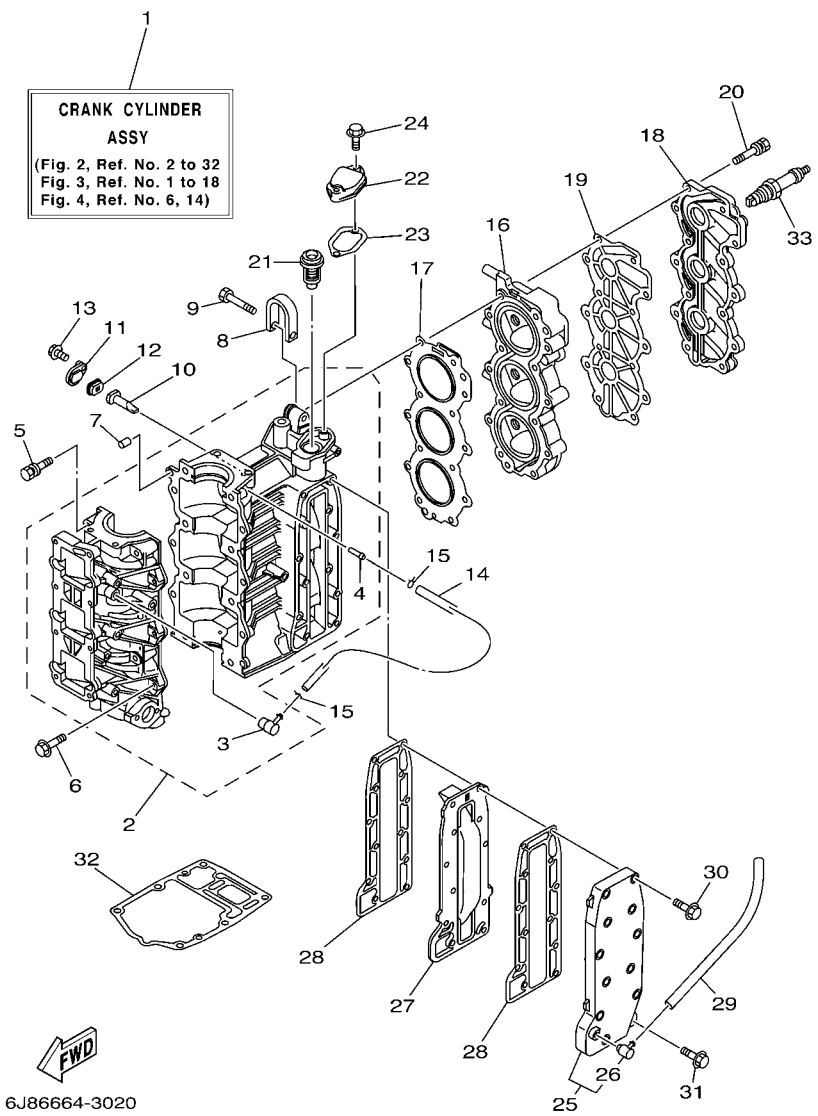
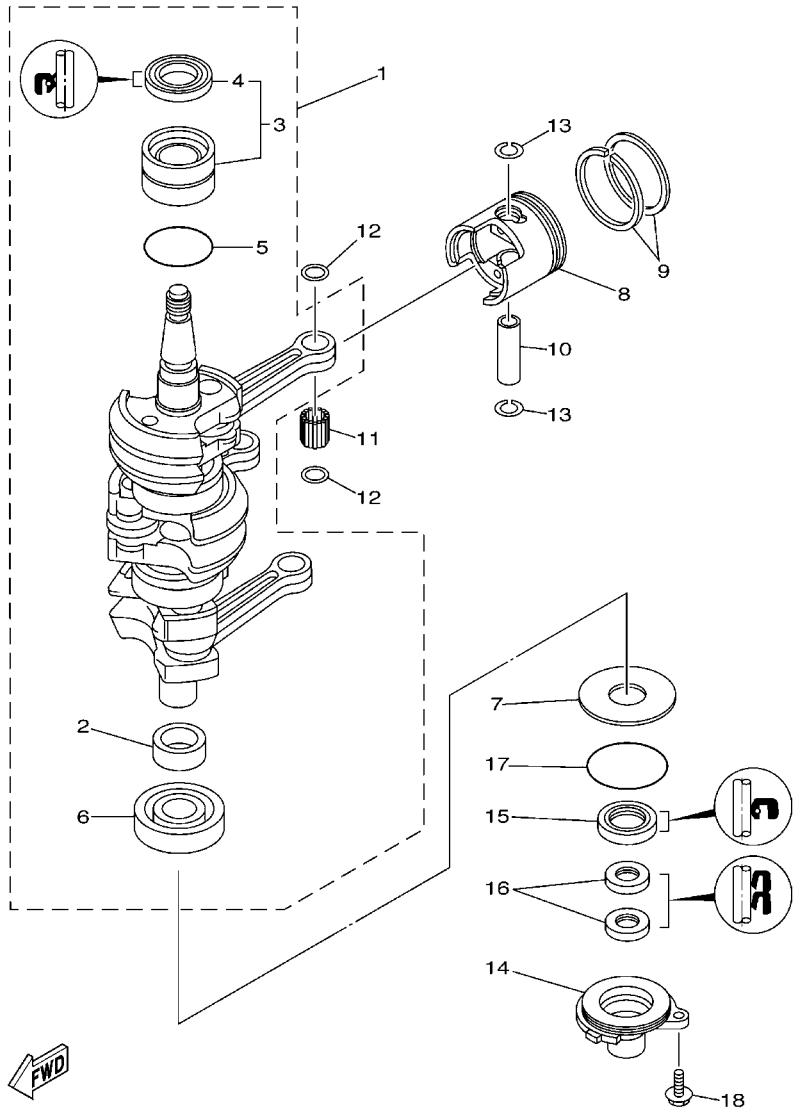


FIG. 2 CYLINDER & CRANKCASE

REF. NO.	PART NO.	DESCRIPTION	MH	E	REMARKS
28	6J8-41114-A0	GASKET, EXHAUST OUTER COVER	2	2	
29	6J8-1111J-00	PIPE 1	1	1	
30	90119-06MA5	BOLT, WITH WASHER	11	11	
31	90119-06MA3	BOLT, WITH WASHER	1	1	
32	6J8-45113-A0	GASKET, UPPER CASING	1	1	
33	94702-00271	PLUG, SPARK (NGK BR7HS-10)	3	3	



6J83664-2030

FIG. 3 CRANKSHAFT & PISTON

REF. NO.	PART NO.	DESCRIPTION	MH	E		REMARKS
1	6J8-11400-01	CRANKSHAFT ASSY	1	1		N.O/I
2	6J8-11445-00	.SPACER	1	1		N.O/I
3	93311-632U7	.BEARING	1	1		
4	93102-26M27	..OIL SEAL	1	1		
5	93210-42159	.O-RING	1	1		
6	93306-305U3	.BEARING	1	1		
7	90201-50306	WASHER, PLATE	1	1		
8	6J8-11631-02-97	PISTON (STD)	3	3		
	6J8-11635-02	PISTON (0.25MM O/S)	3	3		AP
	6J8-11636-02	PISTON (0.50MM O/S)	3	3		AP
9	6J8-11601-01	PISTON RING SET (STD)	3	3		
	6J8-11601-11	PISTON RING SET (0.25MM O/S)	3	3		AP
	6J8-11601-21	PISTON RING SET (0.50MM O/S)	3	3		AP
10	6J8-11633-00	PIN, PISTON	3	3		
11	93602-16M10	PIN, DOWEL	84	84		
12	90201-16379	WASHER, PLATE	6	6		
13	93450-17129	CIRCLIP	6	6		
14	6J8-15396-00-5B	HOUSING, OIL SEAL	1	1		
15	93101-25M28	OIL SEAL	1	1		
16	93104-16M04	OIL SEAL	2	2		
17	93210-56M80	O-RING	1	1		
18	90119-06023	BOLT, WITH WASHER	2	2		

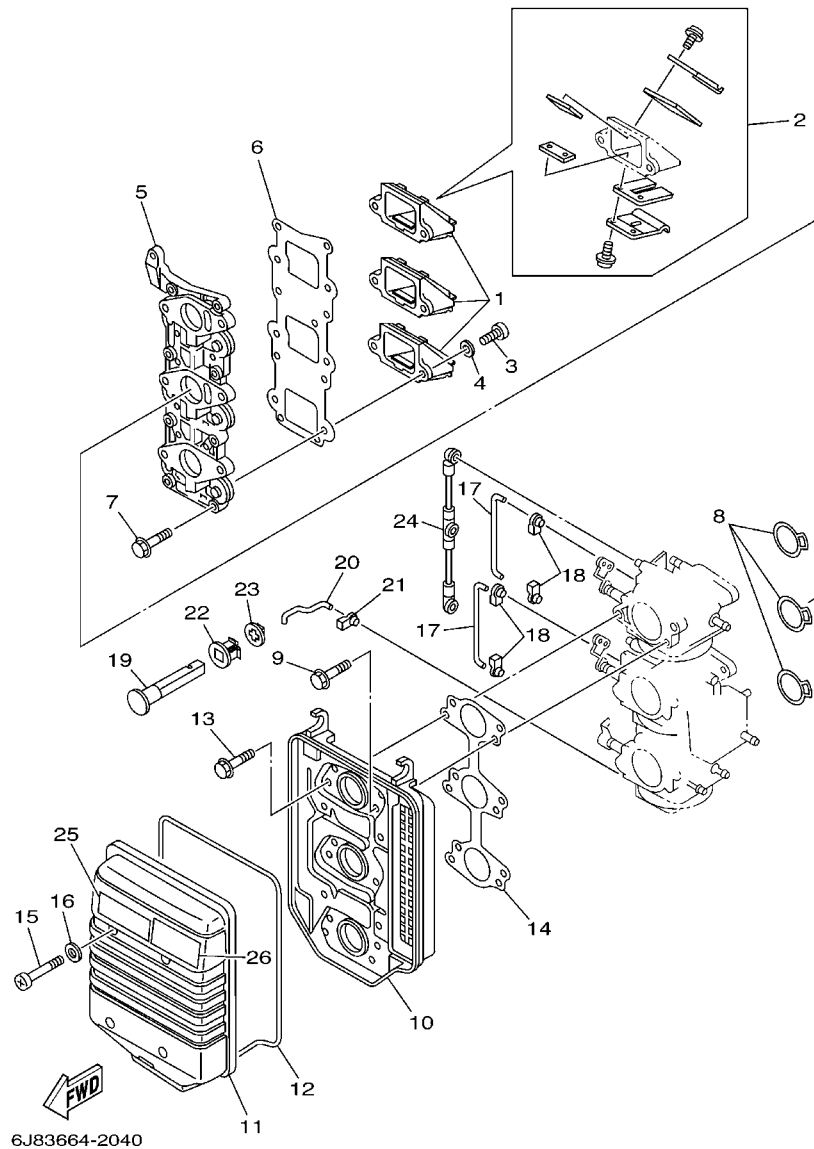
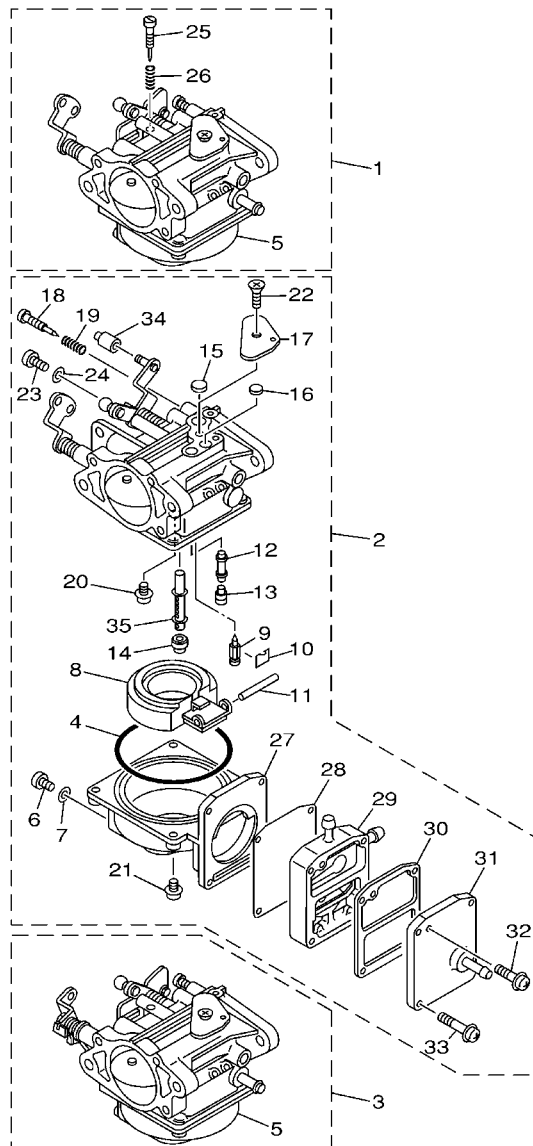


FIG. 4 INTAKE

REF. NO.	PART NO.	DESCRIPTION	MH	E	REMARKS
1	6J8-13610-00	REED VALVE ASSY	3	3	
2	6J8-W0004-00	.REED SET	1	1	
3	97880-05016	SCREW, PAN HEAD	6	6	
4	92990-05600	WASHER, PLATE	6	6	
5	6J8-13641-00-94	MANIFOLD 1	1	1	N.O/I
6	6J8-13621-00	GASKET, VALVE SEAT	1	1	
7	90119-06MA3	BOLT, WITH WASHER	8	8	
8	6J8-14198-00	GASKET	3	3	
9	90119-06M32	BOLT, WITH WASHER	6	6	
10	6J8-14417-00	COVER 1	1	1	
11	6J8-14418-00	COVER 2	1	1	
12	6J8-14476-00	SEAL	1	1	
13	90119-05M31	BOLT, WITH WASHER	6	6	
14	6J8-14483-A1	GASKET	1	1	
15	97880-05040	SCREW, PAN HEAD	4	4	
16	92990-05600	WASHER, PLATE	4	4	
17	6J8-41259-00	ROD, CHOKE 3	2	2	
18	661-41262-02	JOINT, CHOKE LEVER	4	4	
19	6J8-41271-01	KNOB, CHOKE	1	1	
20	6J8-41257-00	ROD, CHOKE 2	1	1	
21	6J8-41262-00	JOINT, CHOKE LEVER	1	1	
22	689-41273-00	GROMMET	1	1	
23	6J8-41274-00	GROMMET 2	1	1	
24	6J8-41217-00	ROD, ACCEL. LEVER	1	1	
25	6A1-83625-41	MARK 5	1	1	
26	6A1-83625-51	MARK 5	1	1	

FIG. 5 CARBURETOR




6J80010-9050

REF. NO.	PART NO.	DESCRIPTION	MH	E	REMARKS
1	6J8-14301-01	CARBURETOR ASSY 1	1	1	
2	6J8-14302-01	CARBURETOR ASSY 2	1	1	
3	6J8-14303-01	CARBURETOR ASSY 3	1	1	
4	6J8-14984-00	.GASKET, FLOAT CHAMBER	3	3	
5	6J8-14980-00	.BODY, FLOAT CHAMBER	2	2	#1,3
6	6J8-14991-00	.SCREW	3	3	
7	6J8-14995-00	.GASKET	3	3	
8	6J8-14985-00	.FLOAT	3	3	
9	6J8-14546-00	.VALVE, NEEDLE	3	3	
10	6J8-14159-00	.CLIP	3	3	
11	6J8-14548-00	.PIN, FLOAT ARM	3	3	
12	6J8-1492F-26	.JET, AIR SLOW (#50)	3	3	
13	6J8-14966-00	.PLUG	3	3	
14	6J8-1492E-51	.JET, MAIN (#102)	3	3	
15	6J8-14126-00	.PLUG	3	3	
16	6J8-14118-00	.PLUG	3	3	
17	6J8-14527-01	.PLATE	3	3	
18	6J8-14923-00	.SCREW, PILOT	3	3	
19	6J8-14555-00	.SPRING	3	3	
20	97980-04110	.SCREW, WITH WASHER	3	3	
21	97980-04112	.SCREW, WITH WASHER	12	12	
22	98780-05008	.SCREW, FLAT HEAD	3	3	
23	6J8-14592-01	.SCREW	3	3	
24	92990-05600	.WASHER, PLATE	3	3	
25	6J8-14523-00	.SCREW, STOP	1	1	#1
26	6J8-14334-00	.SPRING, THROTTLE	1	1	#1
27	6J8-14981-00	.BODY, FLOAT CHAMBER	1	1	#2

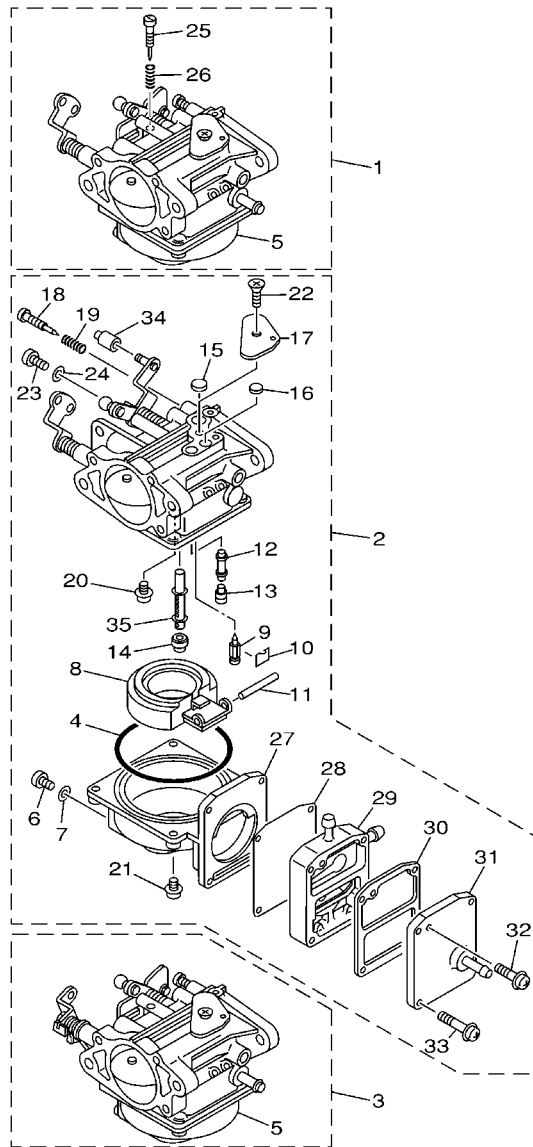
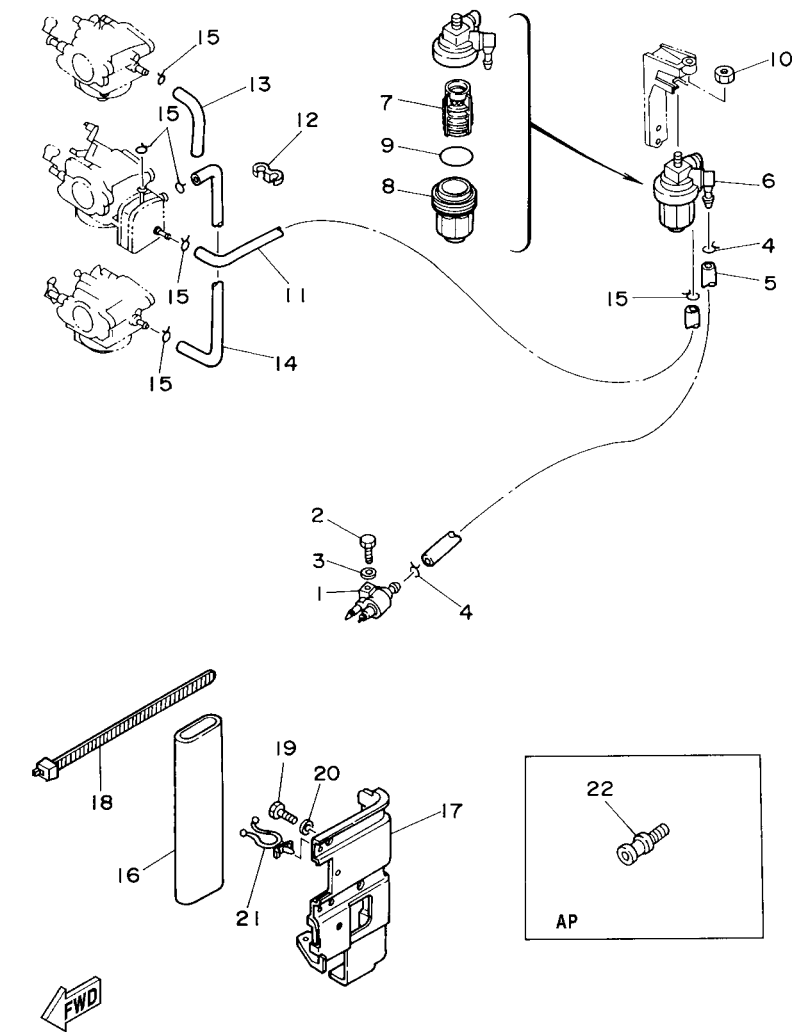


FIG. 5 CARBURETOR

REF. NO.	PART NO.	DESCRIPTION	MH	E	REMARKS
28	6J8-24471-00	.DIAPHRAGM	1	1	#2
29	6J8-24415-00	.BODY 4	1	1	#2
30	6J8-24432-00	.GASKET, FUEL PUMP 2	1	1	#2
31	6J8-24452-00	.COVER	1	1	#2
32	97980-03122	.SCREW, WITH WASHER	1	1	#2
33	97980-04124	.SCREW, WITH WASHER	4	4	#2
34	6J8-14578-00	.COLLAR	1	1	#2
35	6J8-1492A-00	.NOZZLE, MAIN	3	3	

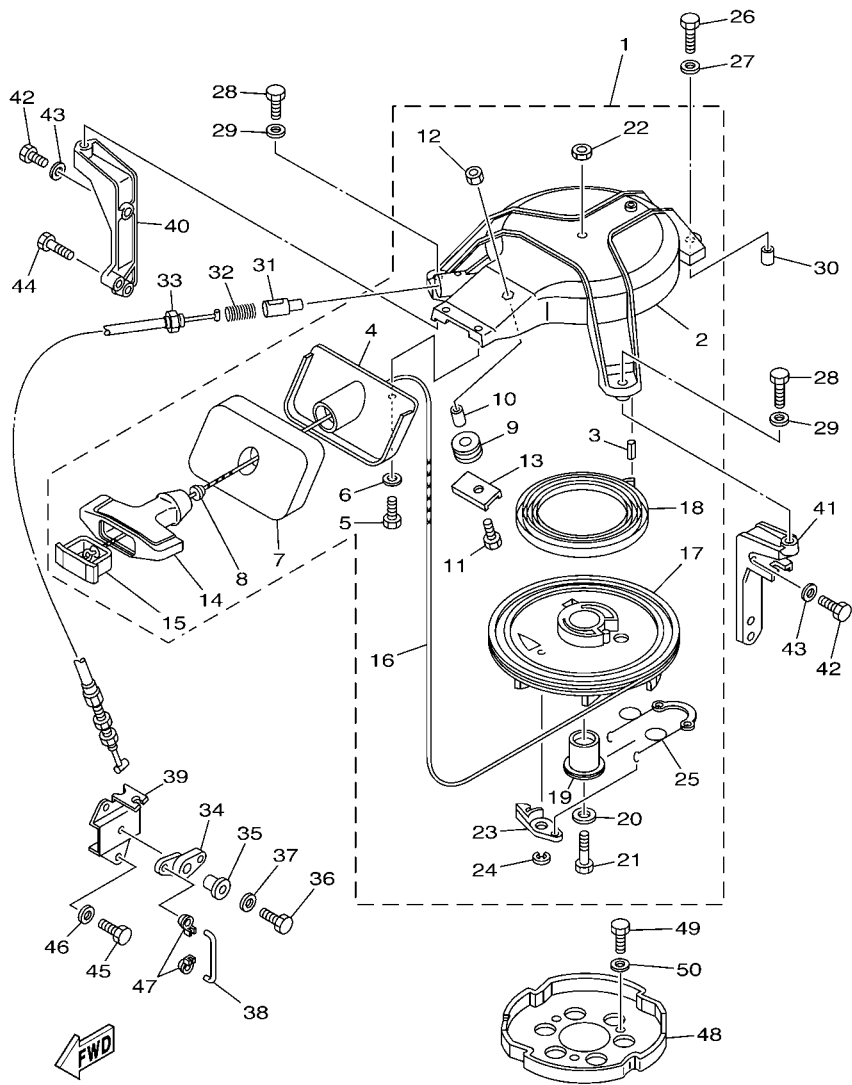

6J80010-9050



6J80010-4070

FIG. 6 FUEL

REF. NO.	PART NO.	DESCRIPTION	MH	E				REMARKS
1	6G1-24304-02	FUEL PIPE JOINT COMP. 1	1	1				
2	97095-06025	BOLT	1	1				
3	92995-06600	WASHER	1	1				
4	90467-08004	CLIP	2	2				
5	90445-09M00	HOSE (L180)	1	1				
6	61N-24560-00	FILTER ASSY	1	1				
7	61N-24563-00	.ELEMENT, FILTER	1	1				
8	61N-24521-00	.CUP, FILTER	1	1				
9	93210-32738	.O-RING	1	1				
10	90179-08M15	NUT	1	1				
11	6E5-24312-00	PIPE 2	1	1				
12	90464-09M21	CLAMP	1	1				
13	688-24313-00	PIPE 3	1	1				
14	6J8-24311-00	PIPE, FUEL 1	1	1				
15	90467-08004	CLIP	6	6				
16	656-W2810-02	TOOL KIT	1	1				
17	6J8-28170-00	TOOL, HOLDER	1					
18	6G1-2811G-00	BAND	1					
19	97095-08016	BOLT	2					
20	92995-08600	WASHER	2					
21	90464-12M17	CLAMP	6					
22	6E0-28193-00-94	PLUG, WATER CHECK	1	1				AP D:12.5MM

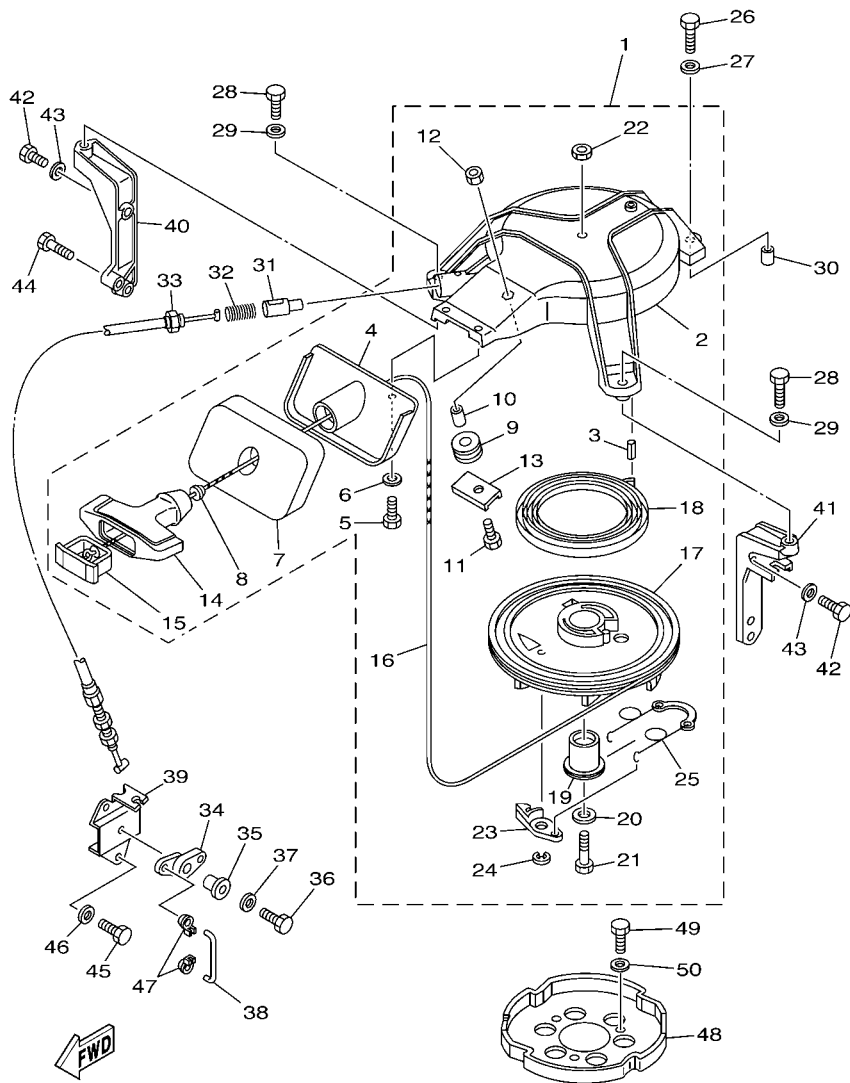


6J8A664-C070

*1: CUT FROM 50M ROLLS, PART NO.90890-44373, CUTTING LENGTH 1.95M

FIG. 7 STARTER

REF. NO.	PART NO.	DESCRIPTION	MH	E		REMARKS
1	6J8-15710-02-4D	STARTER ASSY	1			
2	6J8-15711-00-94	.CASE, STARTER	1			
3	91690-40014	.PIN, SPRING	1			
4	6J8-15758-01-94	.GUIDE, ROPE	1			
5	97095-06016	.BOLT	2			
6	92995-06600	.WASHER	2			
7	6J8-15762-00	.SEAL, RUBBER 2	1			
8	6A0-15789-00	.DAMPER	1			
9	6F5-15752-00	.ROLLER, WIRE	1			
10	6F5-15753-00	.BUSH	1			
11	97095-06025	.BOLT	1			
12	95380-06600	.NUT, HEXAGON	1			
13	6J8-15787-00	.ADAPTOR	1			
14	689-15755-01	.HANDLE, STARTER	1			
15	6F5-15779-02	.COVER	1			
16	*	.WIRE (L:1,950MM)	1			*1
17	6J8-15714-00	.DRUM, SHEAVE	1			
18	90510-08M04	.SPRING, SPIRAL	1			
19	677-15717-01	.SHAFT, STARTER	1			
20	90201-06060	.WASHER, PLATE	1			
21	97095-06025	.BOLT	1			
22	95380-06700	.NUT	1			
23	676-15741-03	.PAWL, DRIVE	1			
24	93430-06M02	.CIRCLIP	1			
25	6J8-15705-00	.SPRING, DRIVE PAWL	1			
26	97095-06035	BOLT	1			
27	92995-06600	WASHER	1			

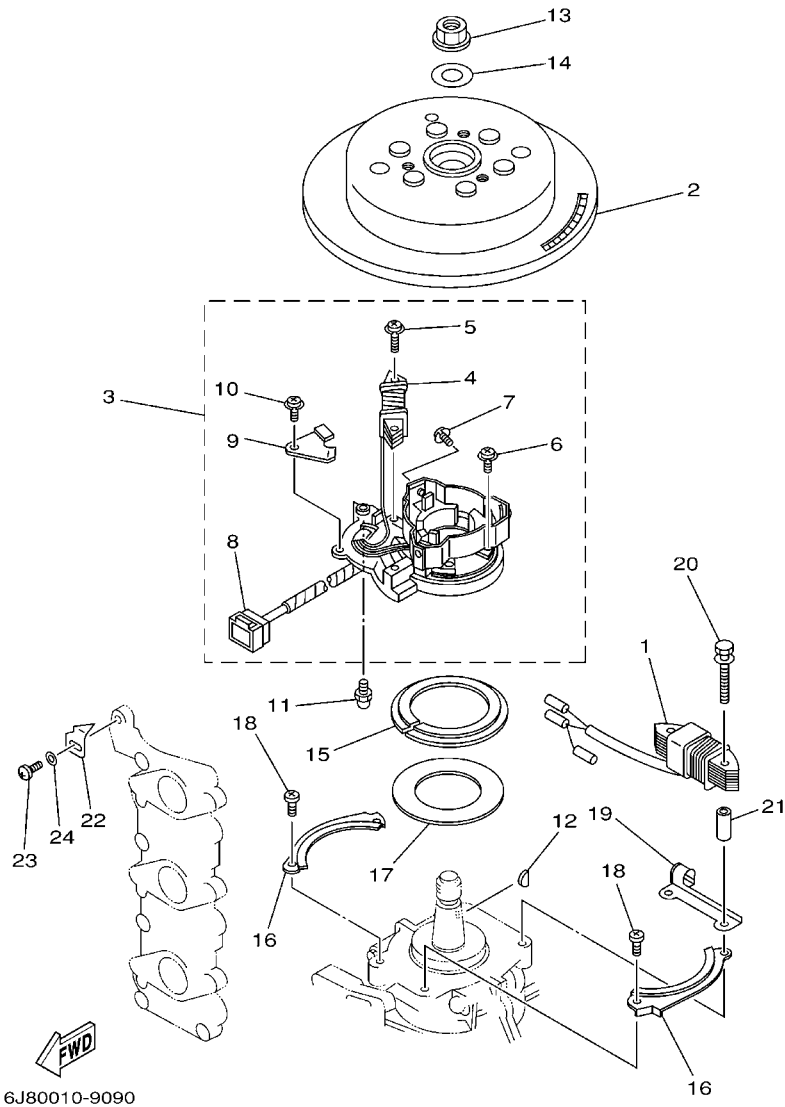


6J8A664-C070

*1: CUT FROM 50M ROLLS, PART NO.90890-44373, CUTTING LENGTH 1.95M

FIG. 7 STARTER

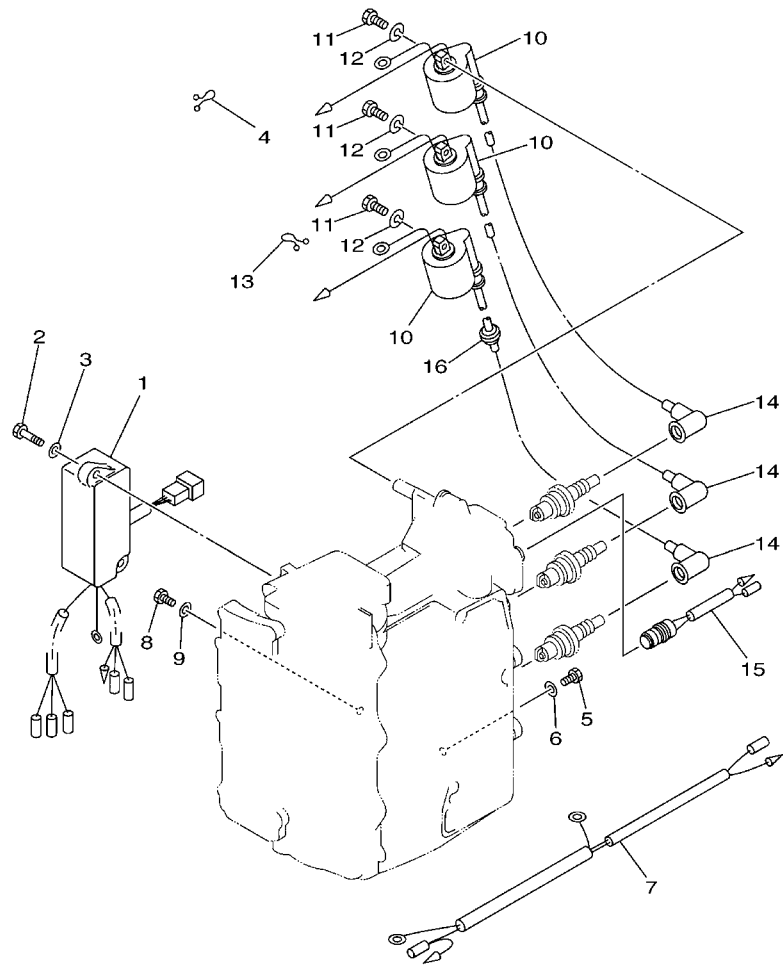
REF. NO.	PART NO.	DESCRIPTION	MH	E			REMARKS
28	97095-06025	BOLT	2				
29	92995-06600	WASHER	2				
30	99530-10014	PIN, DOWEL	1				
31	656-15748-00	PLUNGER, STARTER STOP	1				
32	90501-10227	SPRING, COMPRESSION	1				
33	6J8-15770-00	CABLE COMP., STARTER STOP	1				
34	6J8-15746-01	ARM	1				
35	90387-06M29	COLLAR	1				
36	97095-06025	BOLT	1				
37	92995-06600	WASHER	1				
38	6J8-15747-00	LINK	1				
39	6J8-15774-01	STAY 4	1				
40	6J8-15771-00-94	STAY 1	1	1			
41	6J8-15772-00-94	STAY 2	1	1			
42	97013-06020	BOLT	3	3			
43	92903-06600	WASHER, PLATE	3	3			
44	90101-06024	BOLT	1	1			
45	97095-06016	BOLT	2				
46	92995-06600	WASHER	2				
47	661-41262-02	JOINT, CHOKE LEVER	2				
48	6J8-15723-00	PULLEY, STARTER	1				
49	97013-08014	BOLT	3				
50	92903-08600	WASHER, PLATE	3				



6J80010-9090

FIG. 8 GENERATOR

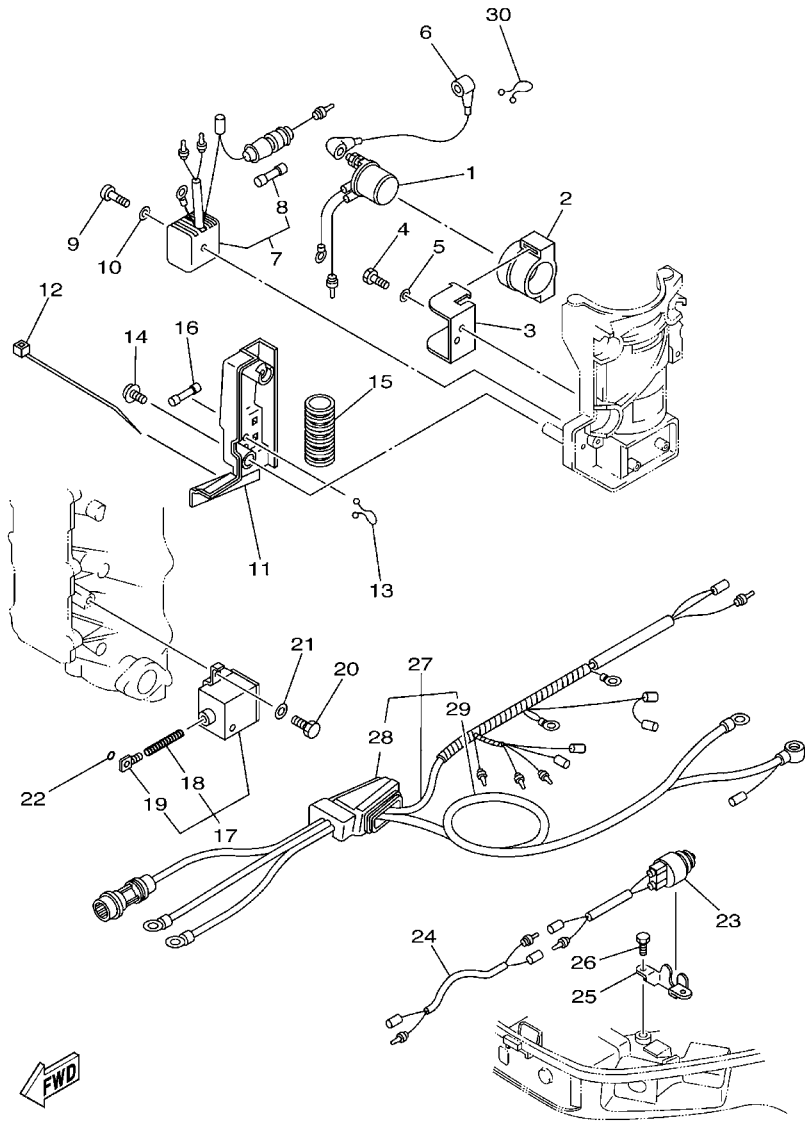
REF. NO.	PART NO.	DESCRIPTION	MH	E	REMARKS
1	6H4-85533-A1	COIL, LIGHTING	1	1	
2	6J8-85550-F1	ROTOR ASSY	1		
	6J8-85550-A1	ROTOR ASSY		1	
3	6H4-85510-F1	STATOR ASSY	1		
	6J8-85510-A1	STATOR ASSY		1	
4	6H4-85520-01	.COIL, CHARGE	1		
	6J8-85520-01	.COIL, CHARGE		1	
5	97902-06120	.SCREW, WITH WASHER	2	2	
6	97902-04112	.SCREW, WITH WASHER	6	6	
7	97902-04106	.SCREW, WITH WASHER	3	3	
8	9E471-09205	.CONNECTOR (6P,M)	1	1	
9	6H4-85548-00	.HOLDER	1	1	
10	97902-05408	.SCREW, WITH WASHER	1	1	
11	663-85518-00	JOINT, BALL	1	1	
12	90280-05013	KEY, WOODRUFF	1	1	
13	90179-16M05	NUT	1	1	
14	90201-16M44	WASHER, PLATE	1	1	
15	6H4-41611-10	RETAINER, MAGNETO BASE	1	1	
16	6J8-41615-00	STOPPER, MAGNETO BASE	2	2	
17	6J8-41618-00	WASHER, MAGNETO	1	1	
18	97880-06012	SCREW, PAN HEAD	2	2	
19	6J8-85548-00	HOLDER	1	1	
20	90101-06M00	BOLT	2	2	
21	90387-06M81	COLLAR	2	2	
22	6J8-81332-00	PLATE, TIMING	1	1	
23	97885-05010	SCREW, PAN HEAD	1	1	
24	92995-05600	WASHER	1	1	



6J80664-9091

FIG. 9 ELECTRICAL 1

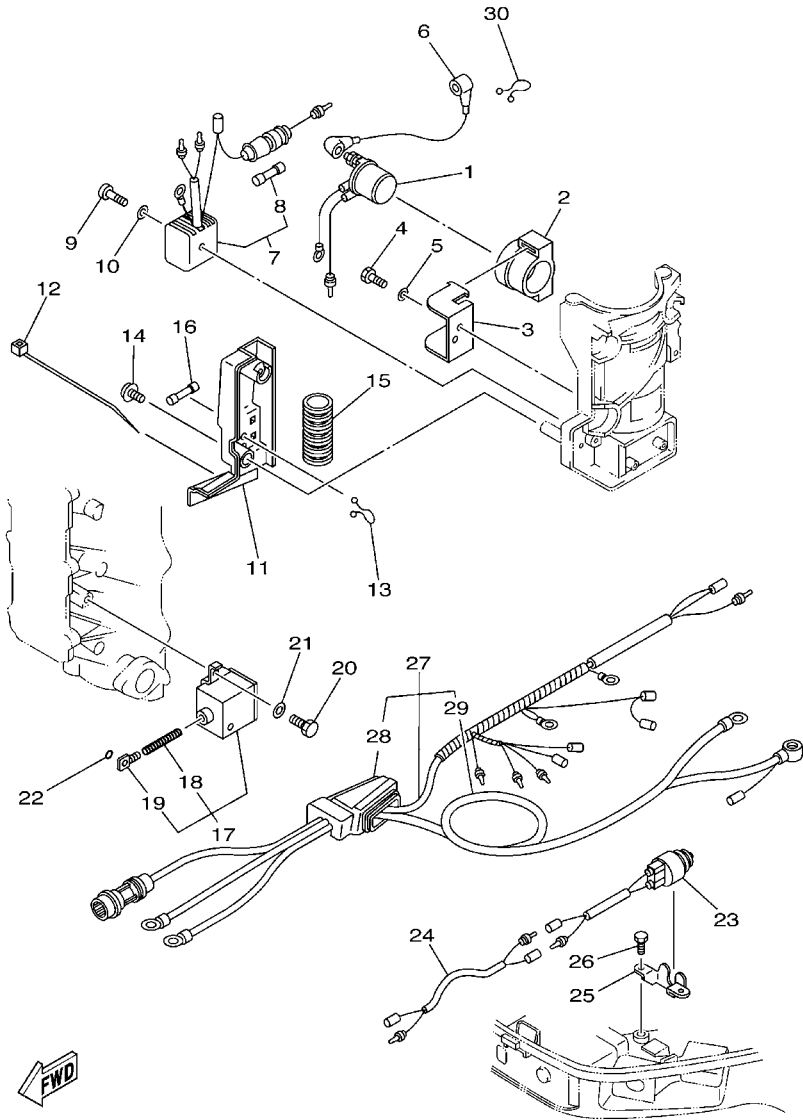
REF. NO.	PART NO.	DESCRIPTION	MH	E			REMARKS
1	6J8-85540-H2	C.D.I. UNIT ASSY	1	1			
2	97095-06025	BOLT	2	2			
3	92995-06600	WASHER	2	2			
4	90464-15M11	CLAMP	1				
5	97095-06012	BOLT	1	1			
6	92995-06600	WASHER	1	1			
7	6J8-82531-00	WIRE, LEAD	1				
8	97095-06012	BOLT	1	1			
9	92995-06600	WASHER	1	1			
10	6J8-85570-21	IGNITION COIL ASSY	3	3			
11	97095-06020	BOLT	6	6			
12	92995-06100	WASHER, SPRING	6	6			
13	90464-05M16	CLAMP		1			
14	6G1-82370-21	PLUG CAP ASSY	3	3			
15	689-82560-00	THERMO SWITCH ASSY	1	1			
16	90480-25161	GROMMET	1	1			



6J80664-9101

FIG. 10 ELECTRICAL 2

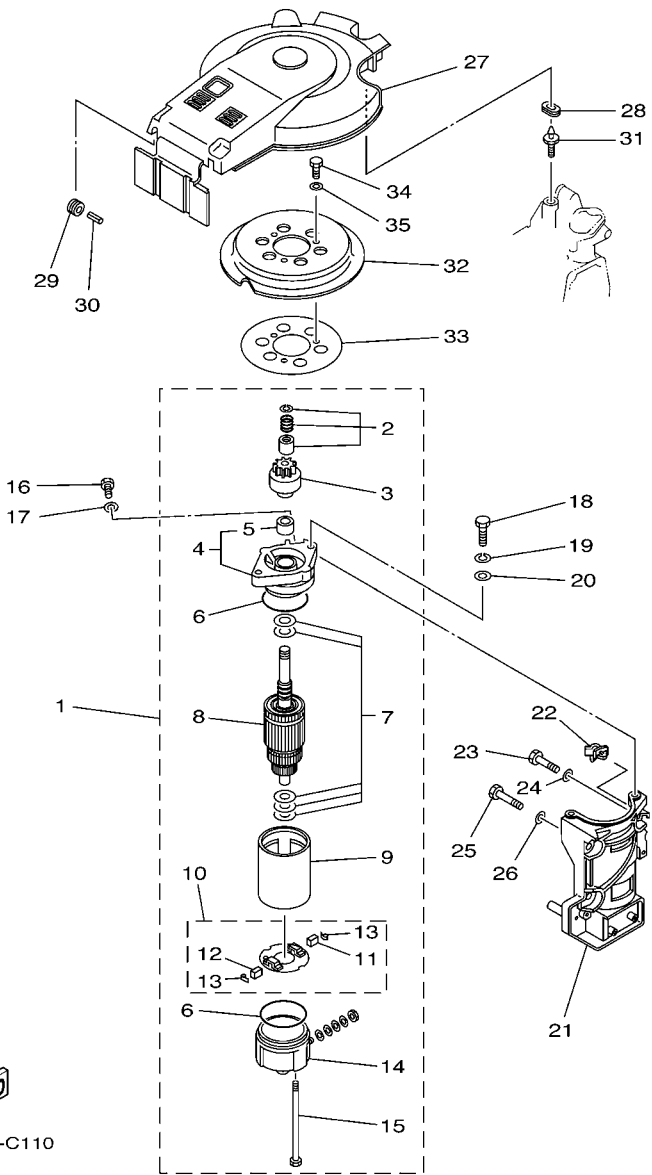
REF. NO.	PART NO.	DESCRIPTION	MH	E	REMARKS
1	6G1-81941-10	STARTER RELAY ASSY		1	
2	6G1-81952-00	HOLDER, RELAY		1	
3	6J8-81945-00	PLATE, SWITCH FITTING		1	
4	97013-06016	BOLT		1	
5	92903-06600	WASHER, PLATE		1	
6	6F5-82117-00	WIRE, LEAD		1	
7	6G1-81970-61	RECTIFIER ASSY		1	
8	6G1-82151-00	.FUSE (10A)		1	
9	97880-05025	SCREW, PAN HEAD		1	
10	92990-05600	WASHER, PLATE		1	
11	6J8-81916-10	COVER, TERMINAL		1	
12	90465-13M18	CLAMP		1	
13	90465-18147	CLAMP		1	
14	90159-05M26	SCREW, WITH WASHER		2	
15	6E9-83557-70	TUBE		1	
16	6H3-82151-00	FUSE		1	
17	6J8-86110-00	SOLENOID		1	
18	6J8-86116-00	.WIRE, PULL		1	
19	682-86117-00	.HOOK, WIRE PULL		1	
20	97013-06016	BOLT		2	
21	92903-06600	WASHER, PLATE		2	
22	93210-03261	O-RING		1	
23	6H3-82540-00	NEUTRAL SWITCH ASSY		1	
24	6H4-82553-00	EXTENSION, WIRE LEAD		1	
25	6J8-82554-00	STAY, NEUTRAL SWITCH		1	
26	97013-06012	BOLT		2	
27	6J8-82580-00	WIRE HARNESS ASSY 2		1	



6J80664-9101

FIG. 10 ELECTRICAL 2

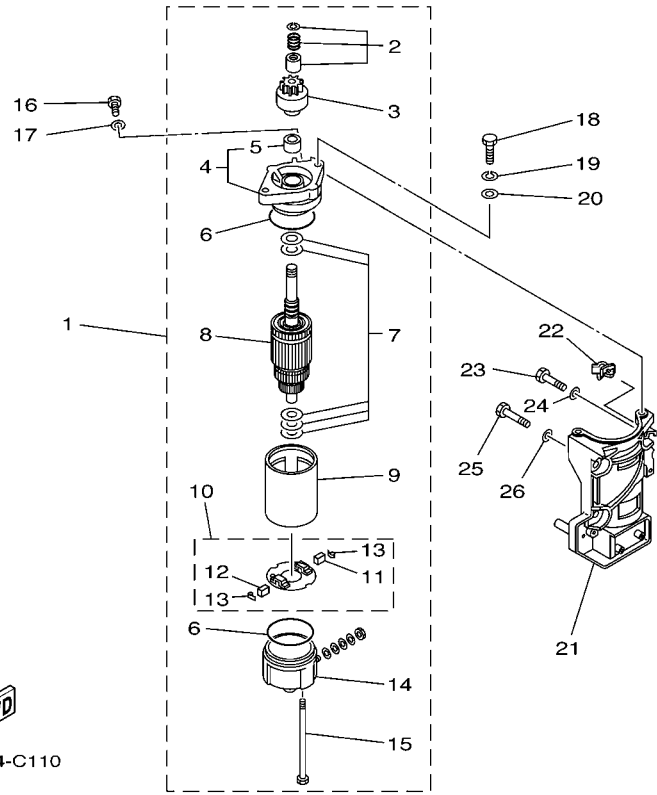
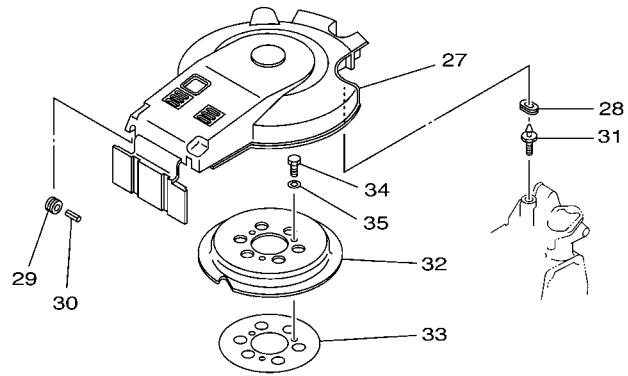
REF. NO.	PART NO.	DESCRIPTION	MH	E	REMARKS
28	6J8-42724-50	.GROMMET		1	
29	689-82105-13	.WIRE HARNESS		1	
30	90464-15M11	CLAMP		1	



FWD
6J8A664-C110

FIG. 11 STARTING MOTOR

REF. NO.	PART NO.	DESCRIPTION	MH	E	REMARKS
1	6F5-81800-11	STARTING MOTOR ASSY		1	
2	689-81857-11	.PINION STOPPER SET		1	
3	689-81807-12	.GEAR ASSY, STARTING MOTOR		1	
4	6F5-81830-11	.FRONT BRACKET ASSY		1	
5	689-81831-00	..METAL, FRONT		1	
6	689-81847-11	.O-RING		2	
7	689-81809-11	.WASHER KIT		1	
8	689-81850-12	.ARMATURE ASSY		1	
9	689-81810-11	.STATOR ASSY		1	
10	689-81840-11	.BRUSH HOLDER ASSY		1	
11	689-81811-11	..BRUSH 1		1	
12	689-81812-11	..BRUSH 2		1	
13	689-81813-10	..SPRING, BRUSH		2	
14	689-81820-11	.REAR BRACKET ASSY		1	
15	689-81826-10	.BOLT		2	
16	97013-08016	BOLT		1	
17	92903-08600	WASHER, PLATE		1	
18	97013-08030	BOLT		2	
19	92903-08100	WASHER, SPRING		2	
20	92903-08600	WASHER, PLATE		2	
21	6J8-81822-01-94	BRACKET, STARTING MOTOR		1	
22	90464-03M15	CLAMP		1	
23	97013-08035	BOLT		2	
24	92903-08600	WASHER, PLATE		2	
25	97013-08055	BOLT		1	
26	92903-08600	WASHER, PLATE		1	
27	6J8-81337-00	COVER, FLYWHEEL		1	



 6J8A664-C110

FIG. 11 STARTING MOTOR

REF. NO.	PART NO.	DESCRIPTION	MH	E	REMARKS
28	90480-14M17	GROMMET		1	
29	90480-10M16	GROMMET		2	
30	91690-50022	PIN, SPRING		2	
31	6J8-81338-00	STAY		1	
32	6J8-15723-E1	PULLEY, STARTER		1	
33	6J8-81365-A0	GASKET, HOLE COVER		1	
34	97013-08014	BOLT		3	
35	92903-08600	WASHER, PLATE		3	

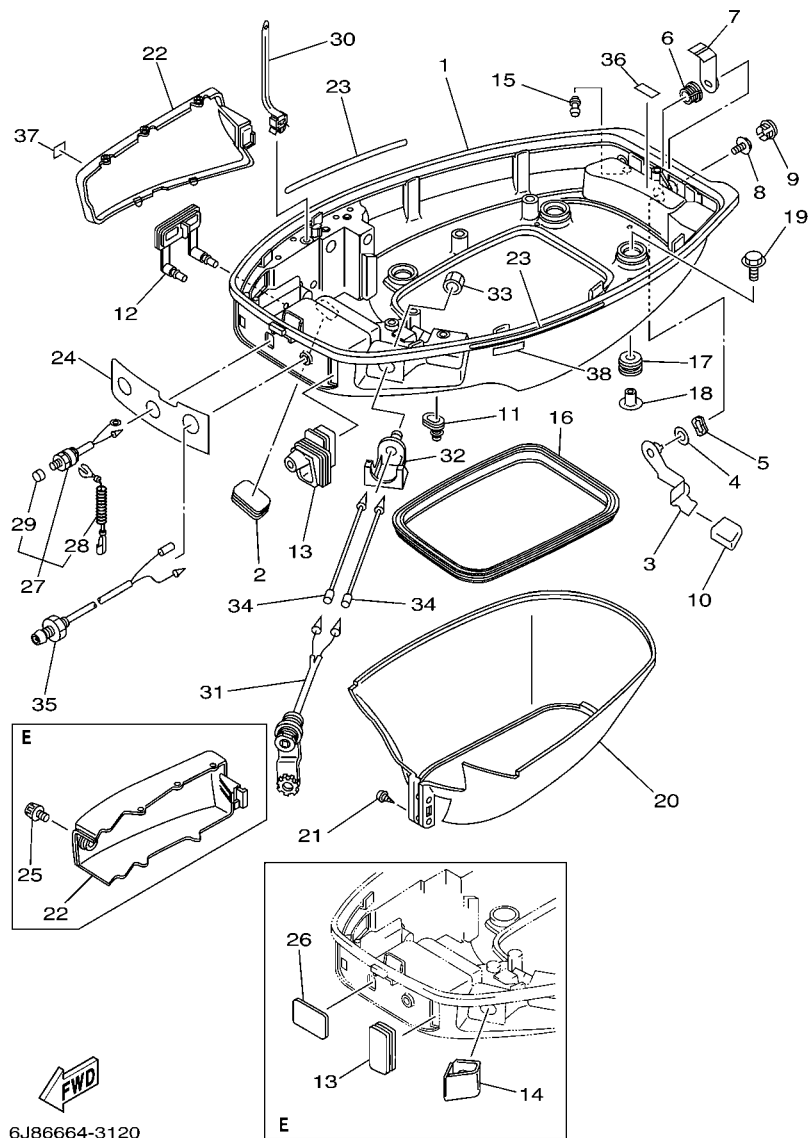
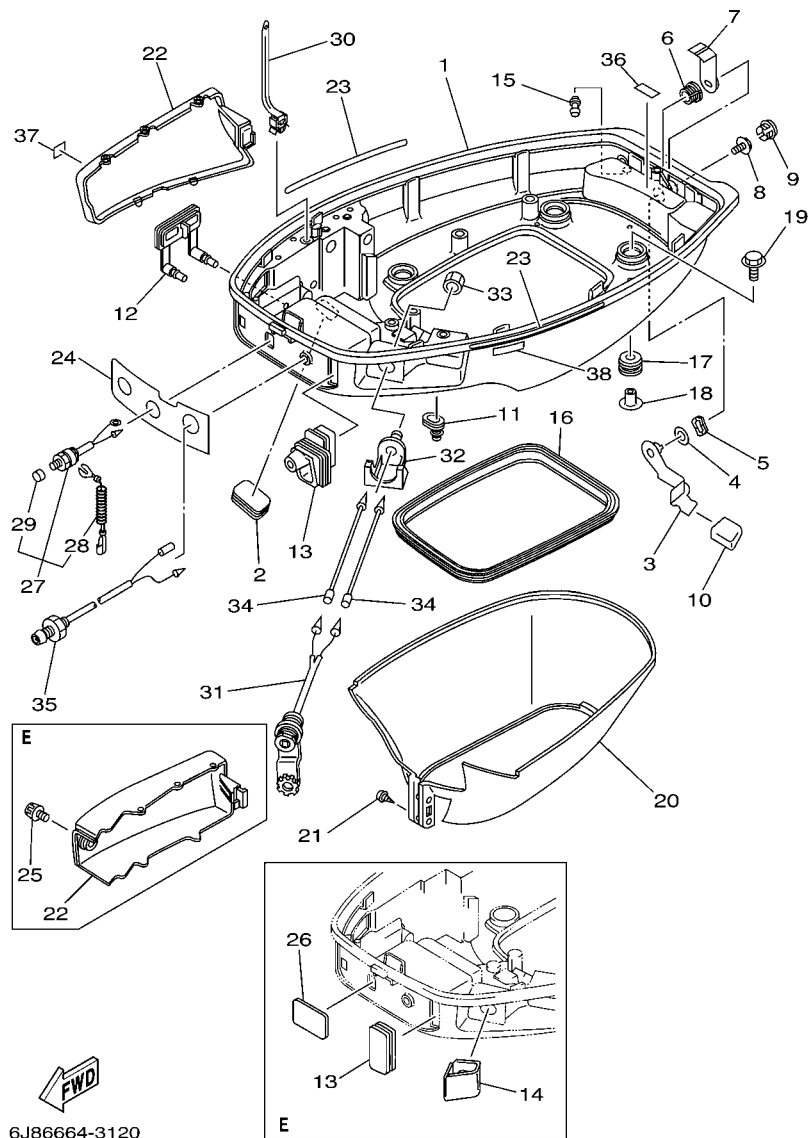


FIG. 12 BOTTOM COWLING

REF. NO.	PART NO.	DESCRIPTION	MH	E	REMARKS
1	6J8-42711-03-4D	COWLING, BOTTOM	1	1	
2	6H4-42726-00	GROMMET	1	1	
3	6J8-42815-00-4D	LEVER, CLAMP	1	1	
4	90202-12M25	WASHER, PLATE	1	1	
5	90206-12052	WASHER, WAVE	1	1	
6	90386-12M61	BUSH	1	1	
7	6J8-42816-00	LEVER, CLAMP	1	1	
8	95895-06012	BOLT, FLANGE	1	1	
9	6J8-42831-00	BUSHING	1	1	
10	6J8-42728-01	CAP	1	1	
11	6G1-42727-00	GROMMET	1	1	
12	6J8-42724-00	GROMMET	1		
13	6J8-42726-00	GROMMET	1		
	6J8-42726-10	GROMMET		1	
14	6J8-42725-01	GROMMET		1	
15	6H3-44391-01	NIPPLE, HOSE	1	1	
16	6J8-42716-00	RUBBER, SEAL 1	1	1	
17	90480-09M21	GROMMET	4	4	
18	90387-06M41	COLLAR	4	4	
19	90119-06M61	BOLT, WITH WASHER	4	4	
20	6J8-42741-01	APRON	1	1	
21	90164-06M01	SCREW, TAPPING	2	2	
22	6J8-42723-01	COVER, BOTTOM	1		
	6J8-42723-51	COVER, BOTTOM		1	
23	6J8-42735-00	PROTECTOR	2	2	
24	6J8-42719-10	PANEL, FRONT LOWER	1	1	N.O/I
25	6J8-42846-00	SCREW		1	

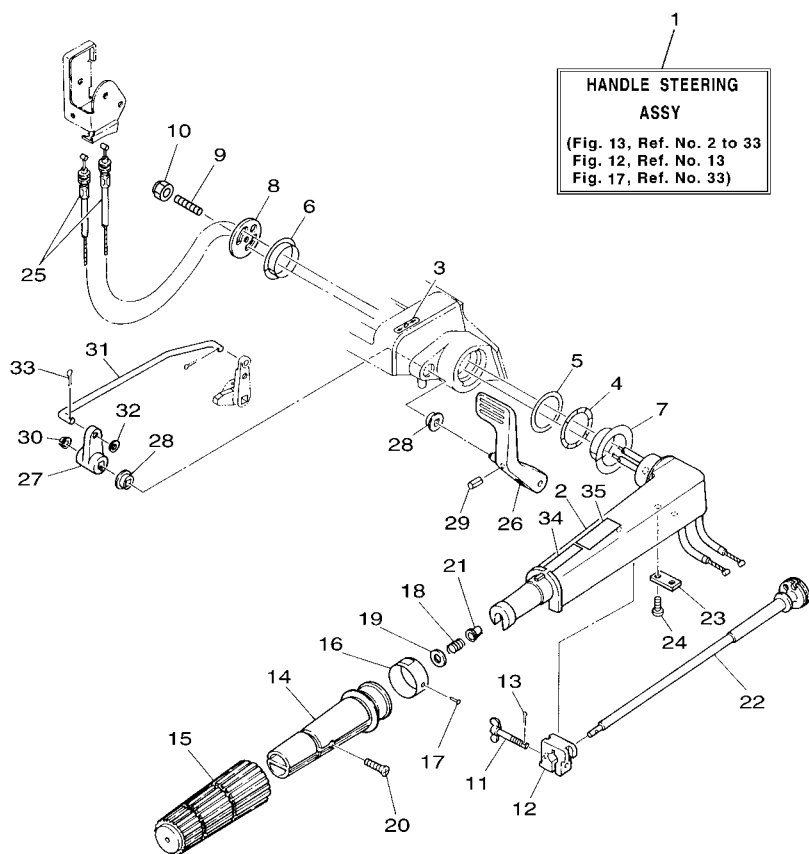
FIG. 12 BOTTOM COWLING



REF. NO.	PART NO.	DESCRIPTION	MH	E	REMARKS
26	6J8-42726-20	GROMMET		1	
27	689-82575-04	ENGINE STOP SWITCH ASSY	1		
28	682-82556-00	.STOPPER	1		
29	689-8257Y-00	.CAP	1		
30	90465-13M76	CLAMP		1	
31	682-84381-00	2P CONCENT	1		
32	6J8-84387-00	HOLDER	1		
33	663-82557-00	NUT	1		
34	6J8-82553-00	EXTENSION, WIRE LEAD	2		
35	6J8-85410-00	EMERGENCY SIGNAL LIGHT ASSY	1	1	
36	6E7-42791-10	MARK 1	1	1	
37	6A1-28176-00	LABEL, CAUTION	1	1	
38	6E3-8257H-00	PLATE, MARK	1		

FIG. 13 STEERING

REF. NO.	PART NO.	DESCRIPTION	MH	E			REMARKS
1	6J8-W0084-11-4D	HANDLE STEERING ASSY	1				
2	6G1-42111-12-4D	HANDLE, STEERING	1				
3	6E0-44191-11	INDICATOR, SHIFT	1				
4	90206-36M21	WASHER, WAVE	1				
5	90202-36M55	WASHER, PLATE	1				
6	90386-33M96	BUSH	1				
7	90386-34M97	BUSH	1				
8	6G1-42131-02	COVER, HANDLE STEERING	1				
9	90116-08016	BOLT, STUD	1				
10	90185-08057	NUT, SELF-LOCKING	1				
11	6G1-42125-01	BOLT, FRICTION ADJUSTING	1				
12	6G1-42126-00	FRICTION, STEERING HANDLE GRIP	1				
13	91490-16010	PIN, COTTER	1				
14	664-42119-00	GRIP, STEERING HANDLE	1				
15	6F6-42177-A0	RUBBER, HANDLE	1				
16	6J8-42137-00	INDICATOR, THROTTLE	1				
17	90269-02M09	RIVET	1				
18	90501-23215	SPRING, COMPRESSION	1				
19	92903-10600	WASHER, PLATE	1				
20	90149-05M13	SCREW	1				
21	90386-08032	BUSH	1				
22	6G1-42138-01	LEVER, THROTTLE	1				
23	6E0-42159-02	STAY	1				
24	97885-05012	SCREW, PAN HEAD	2				
25	6J8-26301-00	THROTTLE CABLE ASSY	2				
26	6J8-44111-01-4D	HANDLE, GEAR SHIFT	1				
27	6J8-44125-00	LEVER, SHIFT ROD	1				



6J8A664-C130

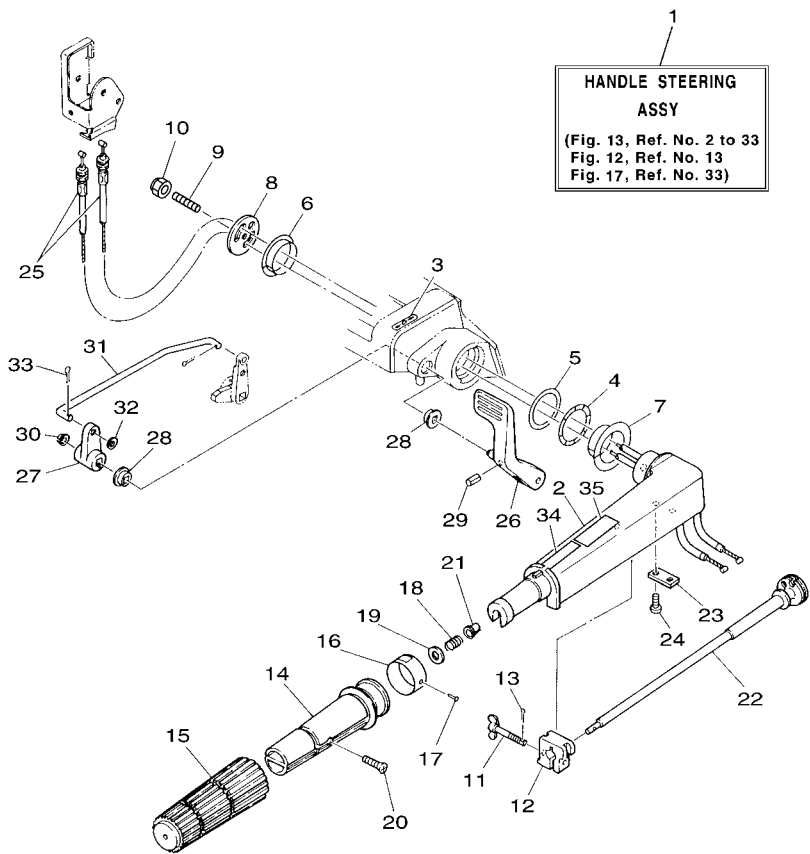
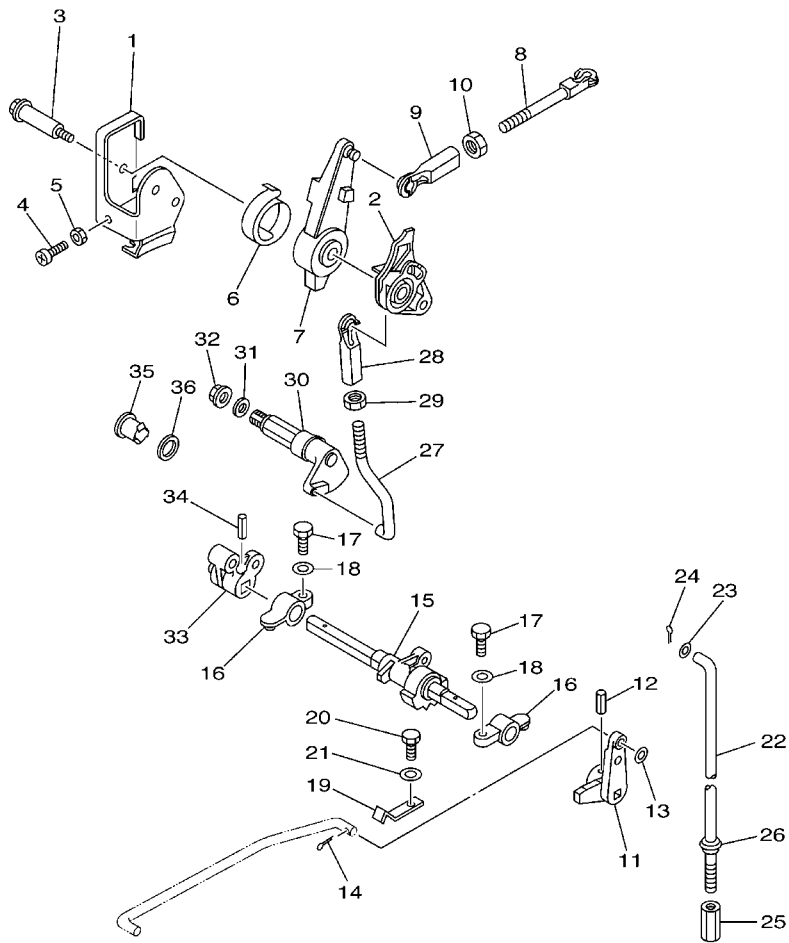


FIG. 13 STEERING

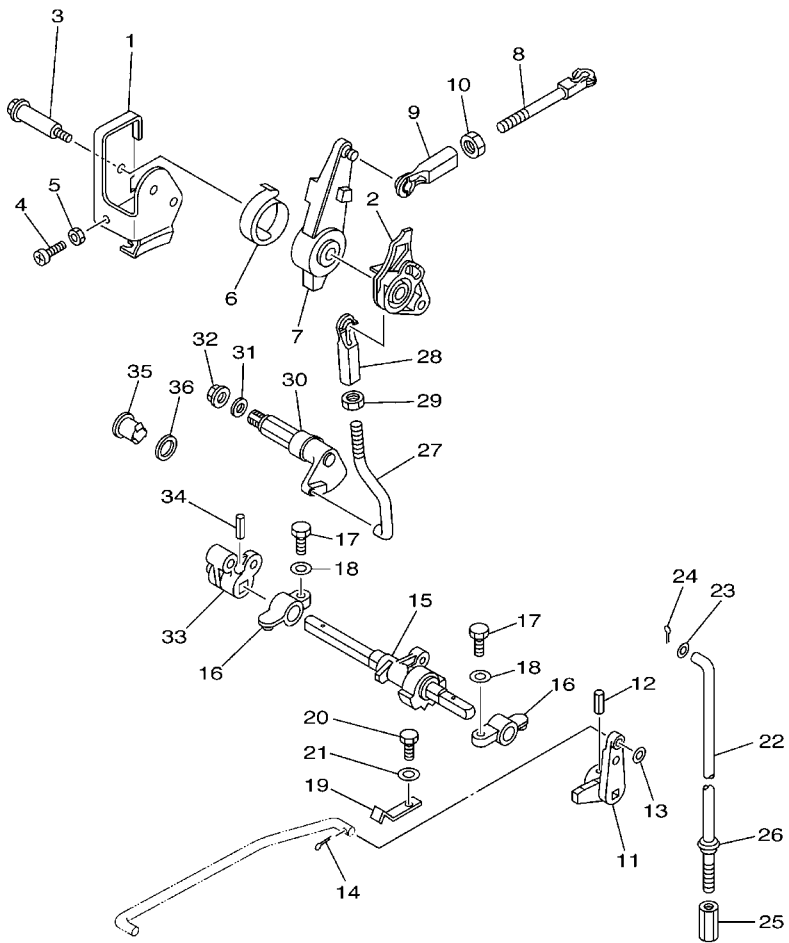
REF. NO.	PART NO.	DESCRIPTION	MH	E			REMARKS
28	682-44132-00	BUSHING	2				
29	90254-03M04	PIN, SPRING	1				
30	90386-06M12	BUSH	1				
31	6J8-44124-00	LINK, SHIFT ROD	1				
32	92990-06200	WASHER, PLAIN	1				
33	91490-20012	PIN, COTTER	1				
34	6E0-83627-41	LABEL, CAUTION 7	1				
35	6E0-83627-51	LABEL, CAUTION 7	1				
<hr/>							
<hr/>							
<hr/>							
<hr/>							
<hr/>							
<hr/>							
<hr/>							
<hr/>							
<hr/>							
<hr/>							



FWD
6J83300-2160

FIG. 14 CONTROL 1

REF. NO.	PART NO.	DESCRIPTION	MH	E				REMARKS
1	6J8-14497-00	STAY, THROTTLE WIRE	1	1				
2	6J8-41213-00	CAM, ACCEL.	1	1				
3	90109-06M28	BOLT	1	1				
4	97880-06025	SCREW, PAN HEAD	1	1				
5	95303-06600	NUT	1	1				
6	6J8-42167-00	SPRING 1	1	1				
7	6J8-41631-02	LEVER, MAGNETO CONTROL	1	1				
8	689-42169-01	JOINT	1	1				
9	682-41237-00	JOINT, LINK	1	1				
10	95380-05600	NUT	1	1				
11	6J8-44123-00	ARM, SHIFT ROD	1	1				
12	90254-03M04	PIN, SPRING	1	1				
13	92990-06200	WASHER, PLAIN	1	1				
14	91490-20012	PIN, COTTER	1	1				
15	6J8-44121-00	LEVER, SHIFT ROD	1	1				
16	6G1-41662-01-94	BRACKET	2	2				
17	97013-06020	BOLT	2	2				
18	92903-06600	WASHER, PLATE	2	2				
19	6J8-44116-00	SPRING	1	1				
20	97095-06012	BOLT	1	1				
21	92995-06600	WASHER	1	1				
22	6J8-44143-00	ROD, SHIFT	1	1				
23	92990-05600	WASHER, PLATE	1	1				
24	91490-16010	PIN, COTTER	1	1				
25	90170-06015	NUT	1	1				
26	689-43373-01	SEAL, DAMPER	1	1				
27	6J8-42192-00	ROD 2	1	1				

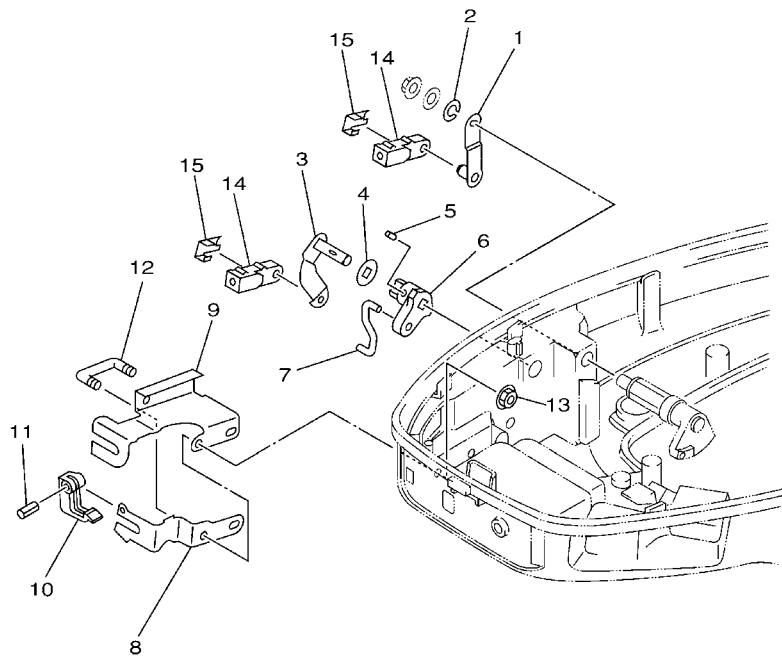


6J83300-2160

FIG. 14 CONTROL 1

REF. NO.	PART NO.	DESCRIPTION	MH	E		REMARKS
28	682-41237-00	JOINT, LINK	1	1		
29	95380-05600	NUT	1	1		
30	6J8-42154-01	LEVER, THROTTLE CONTROL	1	1		
31	90202-10024	WASHER, PLATE	1	1		
32	95780-08300	NUT, FLANGE	1	1		
33	6J8-44142-00	JOINT	1	1		
34	90254-03M04	PIN, SPRING	1	1		
35	682-42726-00	GROMMET	1			
36	90202-12M17	WASHER, PLATE	1			

FIG. 15 CONTROL 2



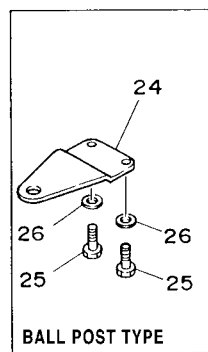
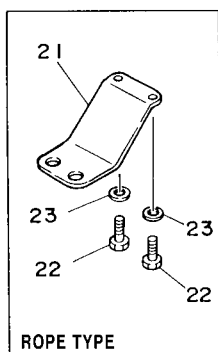
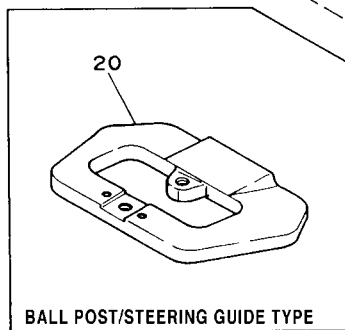
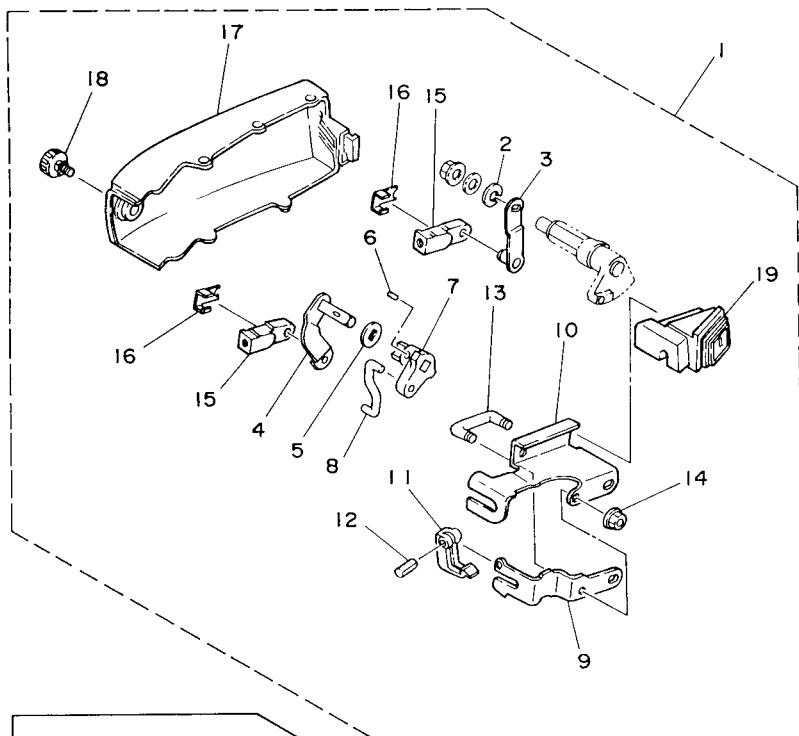
REF. NO.	PART NO.	DESCRIPTION	MH	E		REMARKS
1	6J8-48534-00	THROTTLE LEVER, CONTROL		1		
2	92990-08100	WASHER, SPRING		1		
3	6J8-48544-01	LEVER, SHIFTCONTROL		1		
4	6J8-44177-00	WASHER		1		
5	90254-03M03	PIN, SPRING		1		
6	6J8-44173-02	LEVER, SHIFT CONTROL		1		
7	6J8-42169-01	JOINT		1		
8	6J8-48531-00	BRACKET, REMOTE CONTROL 1		1		
9	6J8-48532-00	BRACKET, REMOTE CONTROL 2		1		
10	682-48538-50	CLAMP, CABLE 1		1		
11	91690-30012	PIN, SPRING		1		
12	90109-06M29	BOLT		1		
13	90179-06M24	NUT		2		
14	6G8-26363-00	END, WIRE 1		2		
15	6G8-26364-00	END, CABLE		2		



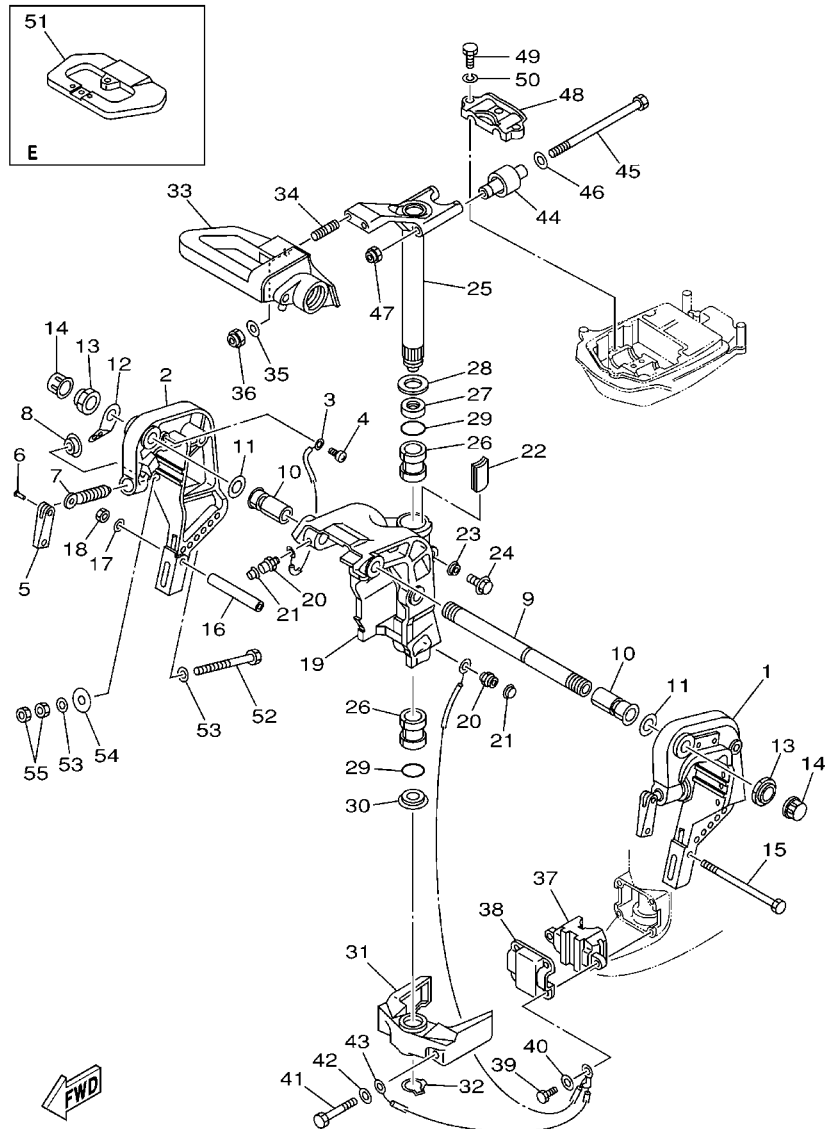
6J80010-9180

FIG. 16 REMO CON ATTACHMENT

REF. NO.	PART NO.	DESCRIPTION	MH	E	REMARKS
1	6J8-48501-03-4D	REMOTE CONT. ATTACHMENT ASSY.	1	1	AP
	6J8-48501-11	REMOTE CONT. ATTACHMENT ASSY.	1	1	AP
2	92990-08100	.WASHER, SPRING	1	1	
3	6J8-48534-00	.THROTTLE LEVER, CONTROL	1	1	
4	6J8-48544-01	.LEVER, SHIFTCONTROL	1	1	
5	6J8-44177-00	.WASHER	1	1	
6	90254-03M03	.PIN, SPRING	1	1	
7	6J8-44173-02	.LEVER, SHIFT CONTROL	1	1	
8	6J8-42169-01	.JOINT	1	1	
9	6J8-48531-00	.BRACKET, REMOTE CONTROL 1	1	1	
10	6J8-48532-00	.BRACKET, REMOTE CONTROL 2	1	1	
11	682-48538-50	.CLAMP, CABLE 1	1	1	
12	91690-30012	.PIN, SPRING	1	1	
13	90109-06M29	.BOLT	1	1	
14	90179-06M24	.NUT	2	2	
15	6G8-26363-00	.END, WIRE 1	2	2	
16	6G8-26364-00	.END, CABLE	2	2	
17	6J8-42723-51	.COVER, BOTTOM	1	1	
18	6J8-42846-00	.SCREW	1	1	
19	6J8-42724-10	.GROMMET	1	1	
20	6J8-48511-01-4D	HOOK, STEERING	1	1	AP
21	6G8-48511-00	HOOK, STEERING	1	1	AP ROPE TYPE
22	97095-06016	BOLT	2	2	AP
23	92995-06600	WASHER	2	2	AP
24	6G8-48511-10	HOOK, STEERING	1	1	AP BALL POST TYPE
25	97095-06016	BOLT	2	2	AP
26	92995-06600	WASHER	2	2	AP



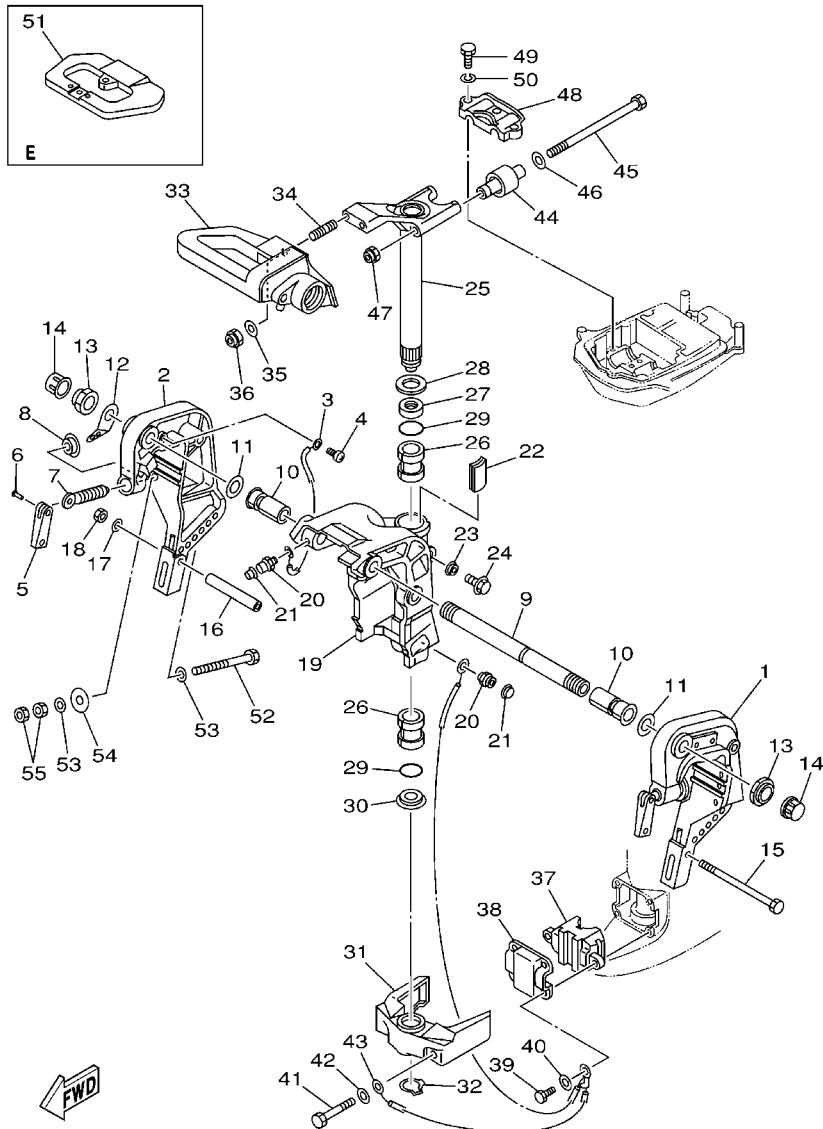
6J86100-9200



6J80664-1170

FIG. 17 BRACKET 1

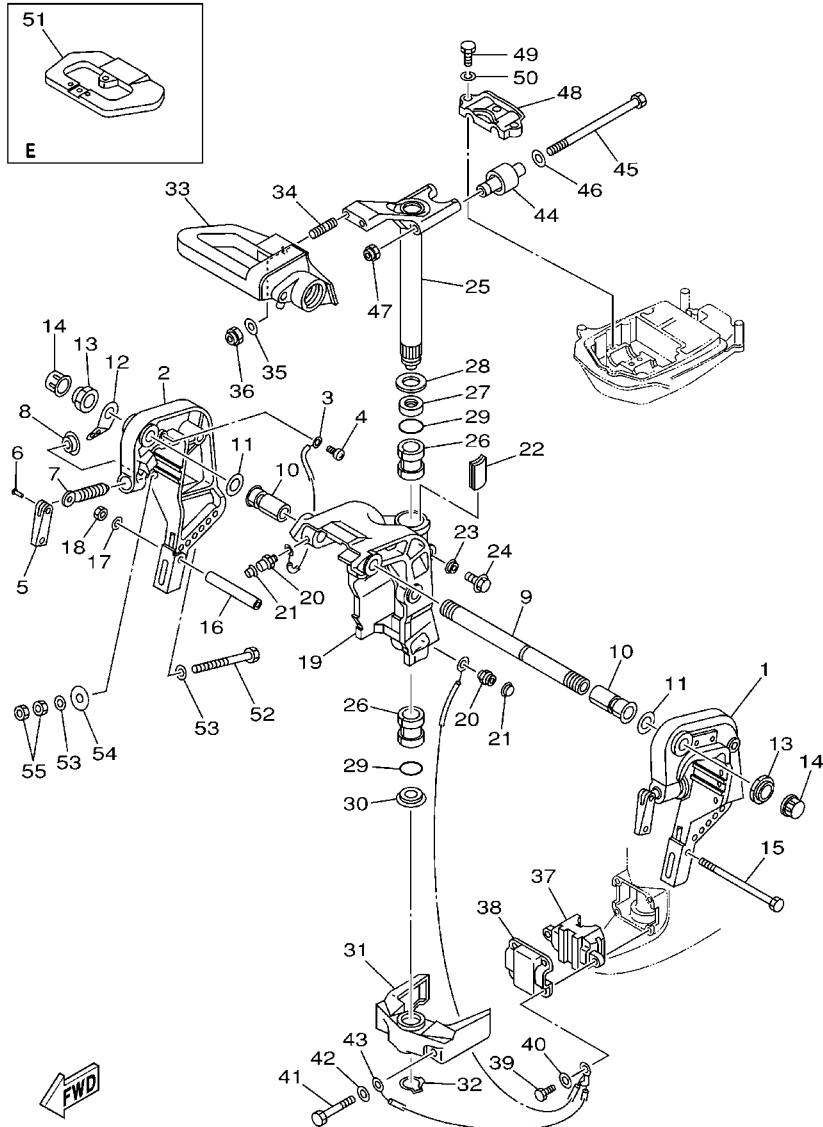
REF. NO.	PART NO.	DESCRIPTION	MH	E	REMARKS
1	6H4-43111-05-4D	BRACKET, CLAMP	1	1	
2	6H4-43112-04-4D	BRACKET, CLAMP	1	1	
3	6E5-82148-00	WIRE, LEAD 4	1	1	
4	97885-06008	SCREW, PAN HEAD	1	1	
5	6E0-43118-01	HANDLE, TRANSOM CLAMP	2	2	
6	90243-04M01	PIN	2	2	
7	90149-14M12	SCREW	2	2	
8	648-43114-01	PAD, TRANSOM CLAMP	2	2	
9	6J8-43131-01	BOLT, CLAMP BRACKET	1	1	
10	90386-22M69	BUSH	2	2	
11	90201-22M03	WASHER, PLATE	2	2	
12	6J8-43113-01	PLATE, CLAMP BRACKET	1	1	
13	90185-22043	NUT, SELF-LOCKING	2	2	
14	6G5-43145-01	CAP, CLAMP BRACKET	2	2	
15	90101-08339	BOLT	1	1	
16	90387-08M03	COLLAR	1	1	
17	92990-08600	WASHER, PLATE	1	1	
18	95380-08600	NUT	1	1	
19	6J8-43311-04-4D	BRACKET, SWIVEL 1	1	1	
20	93700-06M03	NIPPLE, GREASE	3	3	
21	663-45119-00	CAP, GREASE NIPPLE	3	3	AP
22	6J8-42528-00	PLATE, FRICTION	1	1	
23	689-43373-01	SEAL, DAMPER	1	1	
24	90105-06M18	BOLT, FLANGE	1	1	
25	6J8-42510-03-4D	STEERING BRACKET ASSY	1	1	
26	90386-30M77	BUSH	2	2	
27	90386-30M78	BUSH	1	1	



6J80664-1170

FIG. 17 BRACKET 1

REF. NO.	PART NO.	DESCRIPTION	MH	E	REMARKS
28	90201-30M00	WASHER, PLATE	1	1	
29	93210-29M94	O-RING	2	2	
30	90386-30M60	BUSH	1	1	
31	6H4-44551-02-4D	HOUSING, LOWER MOUNT RUBBER	1	1	
32	93410-28M06	CIRCLIP	1	1	
33	6J8-42121-03-4D	BRACKET	1		
34	90116-10M28	BOLT, STUD	2	2	
35	92995-10600	WASHER	2	2	
36	90185-10051	NUT, SELF-LOCKING	2	2	
37	6H4-44557-00	MOUNT DAMPER, LOWER FRONT	1		S
	6H4-44557-10	MOUNT DAMPER, LOWER FRONT	1		L
38	6H4-44553-01	COVER, LOWER MOUNT	1	1	
39	97095-08025	BOLT	4	4	
40	92995-08600	WASHER	4	4	
41	97095-10060	BOLT	2	2	
42	92995-10600	WASHER	2	2	
43	6H4-82127-00	WIRE, LEAD 2	1	1	
44	6H4-44514-00	MOUNT DAMPER, UPPER SIDE	2	2	
45	90109-08M26	BOLT	2	2	
46	90201-09425	WASHER, PLATE	2	2	
47	90185-08045	NUT, SELF-LOCKING	2	2	
48	6J8-44511-00-4D	COVER, UPPER MOUNT	1	1	
49	97075-08035	BOLT	3	3	
50	92995-08100	WASHER	3	3	
51	6J8-48511-01-4D	HOOK, STEERING		1	
52	90101-10M58	BOLT		4	
53	92995-10600	WASHER		8	



6J80664-1170

FIG. 17 BRACKET 1

REF. NO.	PART NO.	DESCRIPTION	MH	E			REMARKS
54	90201-12426	WASHER, PLATE		4			
55	95380-10600	NUT		8			

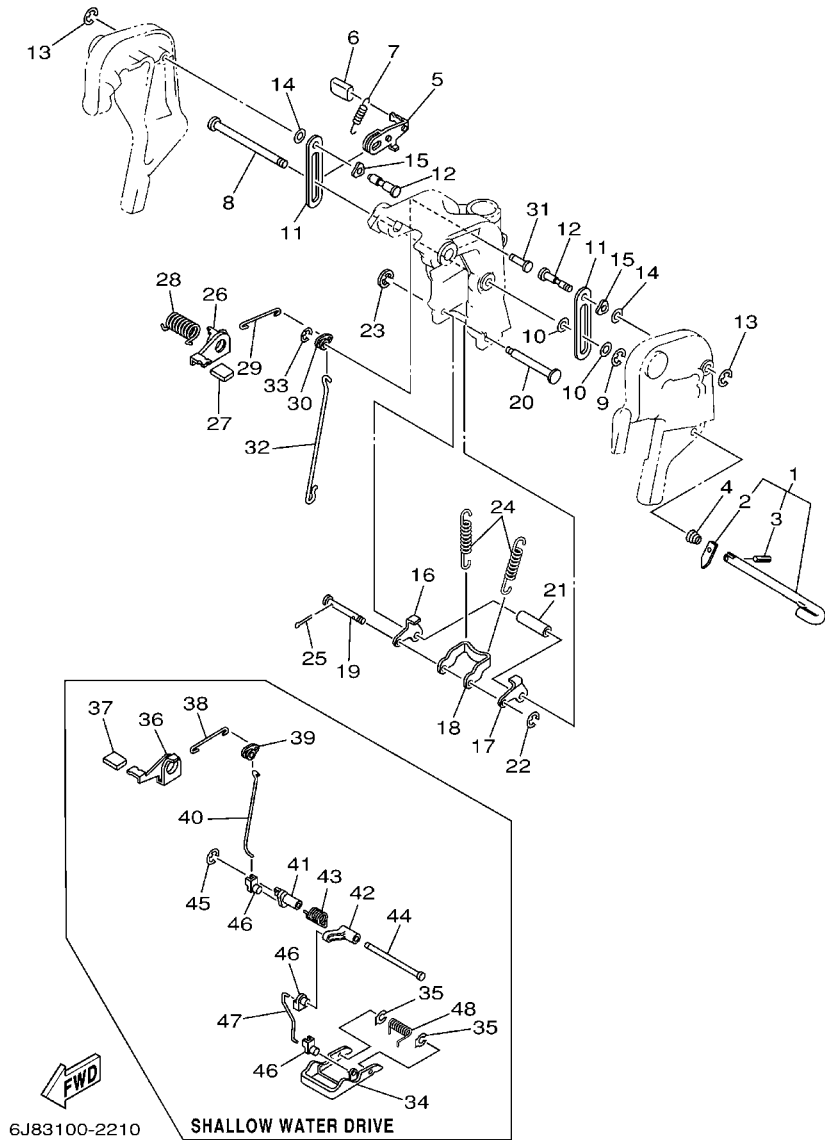


FIG. 18 BRACKET 2

REF. NO.	PART NO.	DESCRIPTION	MH	E	REMARKS
1	6H4-43160-01	TILT ROD ASSY	1	1	
2	676-43165-00	.PLATE, TILT LOCK	1	1	
3	91690-30010	.PIN, SPRING	1	1	
4	90502-10M04	SPRING, CONICAL	1	1	
5	6J8-43181-01	LEVER, TILT STOP	1	1	
6	682-43318-01	COVER	1	1	
7	90506-12M25	SPRING, TENSION	1	1	
8	90249-12M28	PIN	1	1	
9	93430-10M00	CIRCLIP	1	1	
10	90202-12031	WASHER, PLATE	2	2	
11	6J8-43627-00	STOPPER	2	2	
12	90249-12M27	PIN	2	2	
13	93430-10M00	CIRCLIP	2	2	
14	90202-12031	WASHER, PLATE	2	2	
15	90206-12M16	WASHER, WAVE	2	2	
16	6J8-43614-00	PLATE, TILT LOCK	1	1	
17	6J8-43615-00	PLATE, TILT LOCK	1	1	
18	6J8-43613-01	ARM, TILT LOCK	1	1	
19	6H4-43659-00	SHAFT, REVERSE LOCK	1	1	
20	6J8-43611-01	SHAFT, TILT LOCK	1	1	
21	90387-07M64	COLLAR	1	1	
22	93430-06M02	CIRCLIP	1	1	
23	99080-05600	CIRCLIP	1	1	
24	90506-32M22	SPRING, TENSION	2	2	
25	91490-20010	PIN, COTTER	2	2	
26	6J8-43631-00	LEVER, TILT	1	1	
27	6J8-43633-00	COVER, TILT LEVER	1	1	

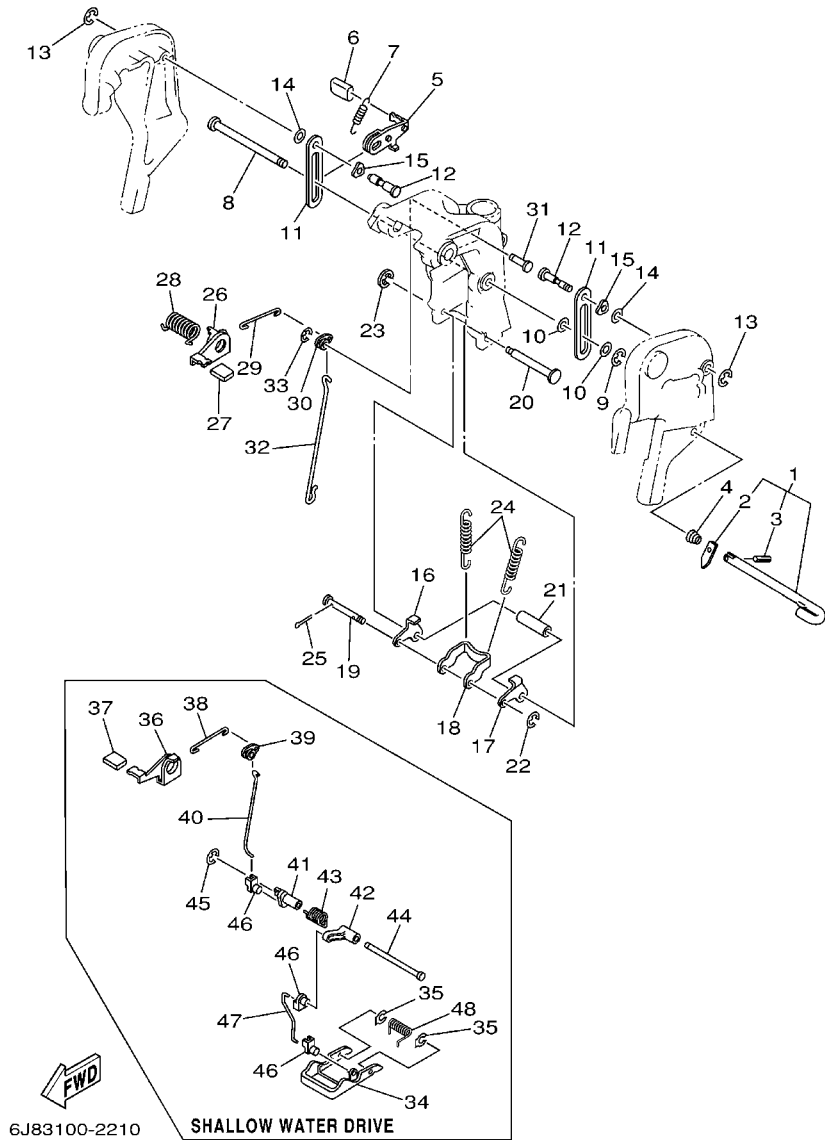
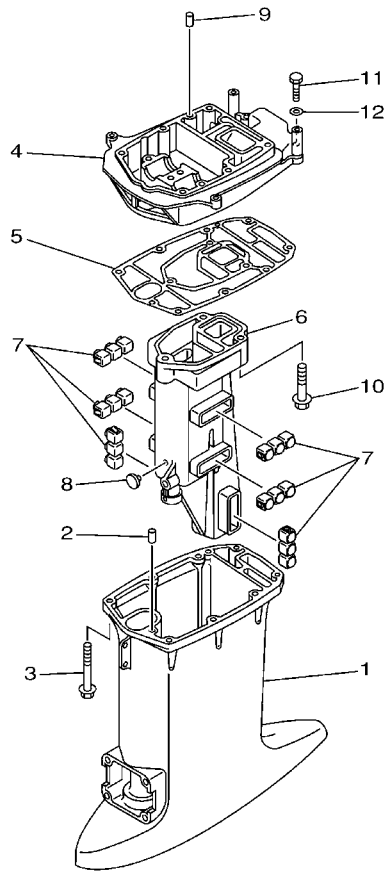


FIG. 18 BRACKET 2

REF. NO.	PART NO.	DESCRIPTION	MH	E				REMARKS
28	90508-18M23	SPRING, TORSION	1	1				
29	6H4-43616-00	ROD, TILT LOCK	1	1				
30	6J8-43641-00	LEVER, TILT	1	1				
31	90249-06M24	PIN	1	1				
32	6J8-43617-00	ROD, TILT LOCK	1	1				
33	99080-05600	CIRCLIP	1	1				
34	6J8-43681-01	LEVER, SHALLOW WATER DRIVE 1	1	1				
35	6J8-43673-00	WASHER 1	2	2				
36	6J8-43631-10	LEVER, TILT	1	1				
37	6J8-43633-00	COVER, TILT LEVER	1	1				
38	6H4-43616-00	ROD, TILT LOCK	1	1				
39	6J8-43641-00	LEVER, TILT	1	1				
40	6J8-43617-10	ROD, TILT LOCK	1	1				
41	6J8-43186-00	LEVER	1	1				
42	6J8-43187-00	LEVER 2	1	1				
43	90508-25M21	SPRING, TORSION	1	1				
44	90249-07M25	PIN	1	1				
45	99080-05600	CIRCLIP	1	1				
46	6J8-41262-00	JOINT, CHOKE LEVER	3	3				
47	6J8-43616-10	ROD, TILT LOCK	1	1				
48	90508-20M22	SPRING, TORSION	1	1				




6J80100-9250

FIG. 19 UPPER CASING

REF. NO.	PART NO.	DESCRIPTION	MH	E		REMARKS
1	6J8-45111-01-4D	CASING, UPPER	1			S
	6J8-45111-11-4D	CASING, UPPER		1		L
2	93606-12019	PIN, DOWEL	2	2		
3	90119-08M31	BOLT, WITH WASHER	6	6		
4	6J8-41137-01-94	GUIDE, EXHAUST	1	1		
5	6J8-45114-A1	GASKET, UPPER CASING	1	1		
6	6J8-41131-00-5B	MANIFOLD, EXT. 1	1	1		
7	6J8-14737-00	DAMPER, MUFFLER	6	6		
8	90338-07M00	PLUG	1	1		
9	93606-12019	PIN, DOWEL	2	2		
10	97575-08550	BOLT, WITH WASHER	3	3		
11	97075-08030	BOLT	2	2		
12	92995-08600	WASHER	2	2		



6J86664-4200

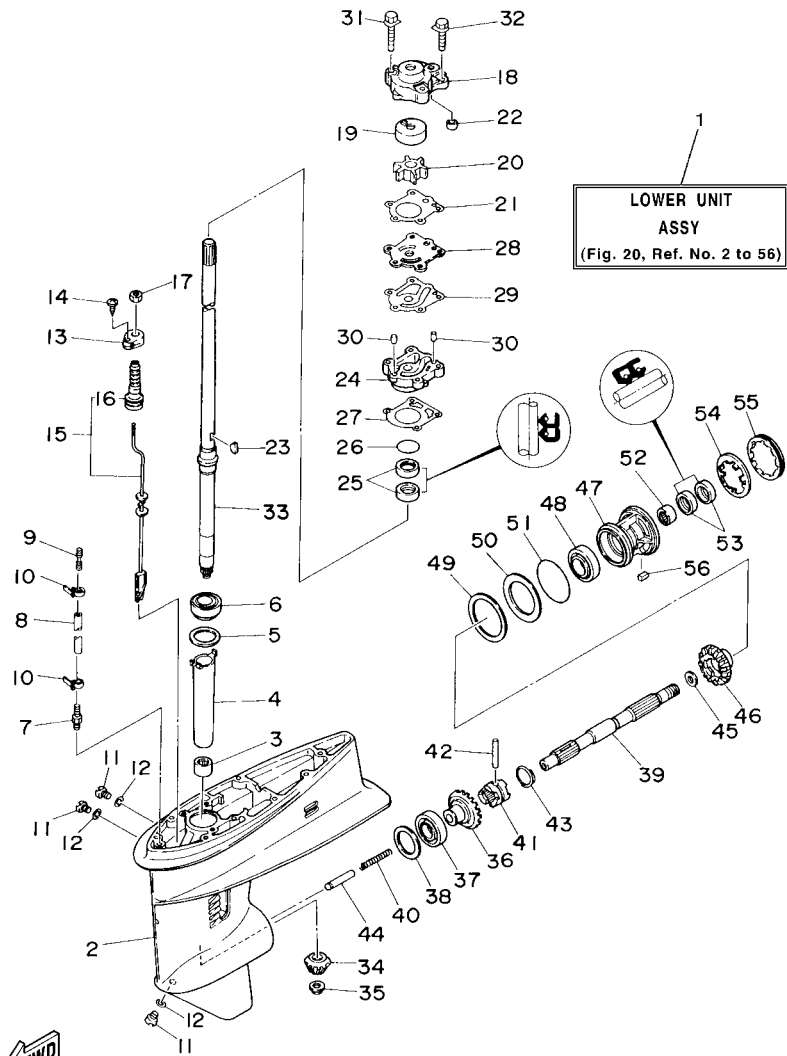
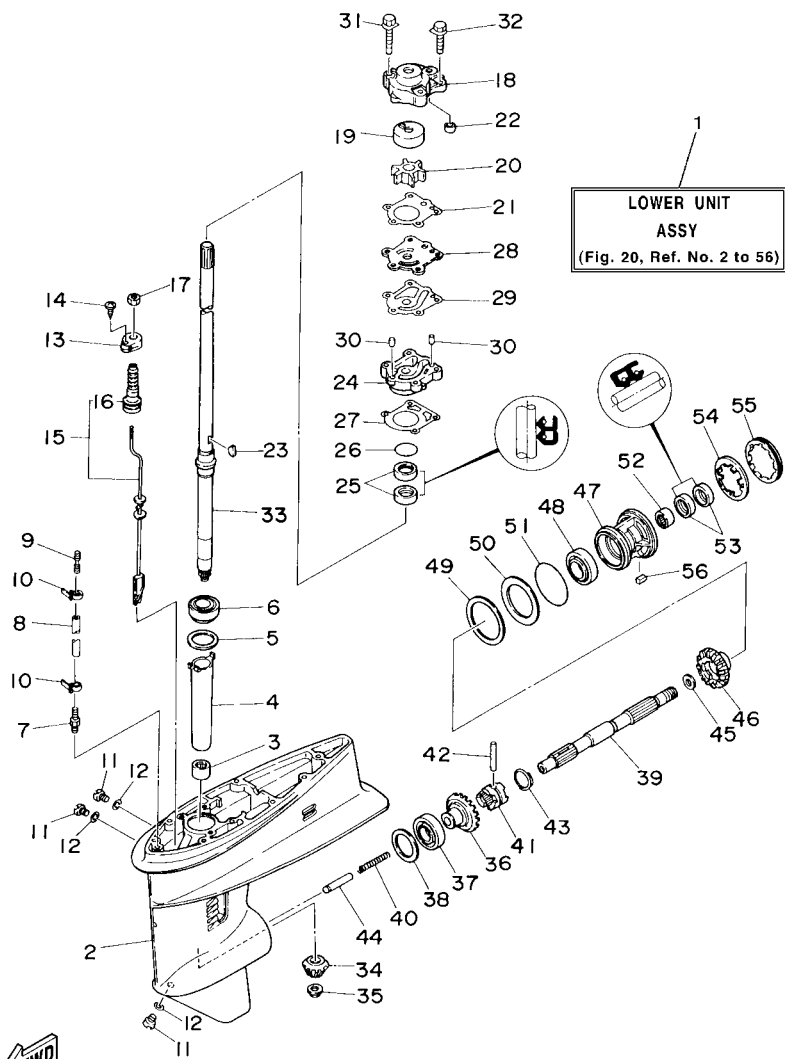


FIG. 20 LOWER CASING & DRIVE 1

REF. NO.	PART NO.	DESCRIPTION	MH	E		REMARKS
1	6J8-45300-04-4D	LOWER UNIT ASSY	1			S
	6J8-45300-14-4D	LOWER UNIT ASSY		1		L
2	6J8-45301-02-4D	CASING, LOWER	1	1		
3	93315-220V7	BEARING	1	1		
4	6J8-45536-00	SLEEVE, DRIVE SHAFT	1	1		
5	663-45587-01-10	SHIM (T:0.10MM)	1	1		UR
	663-45587-01-12	SHIM (T:0.12MM)	1	1		UR
	663-45587-01-15	SHIM (T:0.15MM)	1	1		UR
	663-45587-01-18	SHIM (T:0.18MM)	1	1		UR
	663-45587-01-30	SHIM (T:0.30MM)	1	1		UR
	663-45587-01-40	SHIM (T:0.40MM)	1	1		UR
	663-45587-01-50	SHIM (T:0.50MM)	1	1		UR
6	93332-00001	BEARING	1	1		
7	6E5-45378-00	NIPPLE, HOSE	1	1		
8	90445-07ME9	HOSE (L120)	1			S
	90445-07M31	HOSE (L200)		1		L
9	6E5-83558-00	END, NIPPLE	1	1		
10	90465-11M10	CLAMP	2	2		
11	90340-08002	PLUG, STRAIGHT SCREW	3	3		
12	90430-08020	GASKET	3	3		
13	682-44176-00	BRACKET	1	1		
14	97780-50510	SCREW, TAPPING	1	1		
15	6J8-44150-00	SHIFT CAM ASSY	1			S
	6J8-44150-10	SHIFT CAM ASSY		1		L
16	682-44147-00	.BOOT, SHIFT ROD	1	1		
17	95380-06700	NUT	1	1		
18	6J8-44311-00	HOUSING, WATER PUMP	1	1		

FIG. 20 LOWER CASING & DRIVE 1

REF. NO.	PART NO.	DESCRIPTION	MH	E				REMARKS
19	663-44322-00	INSERT, CARTRIDGE	1	1				
20	6H4-44352-02	IMPELLER	1	1				
21	663-44315-A0	GASKET, WATER PUMP	1	1				
22	663-44366-00	DAMPER, WATER SEAL	1	1				
23	90280-03024	KEY, WOODRUFF	1	1				
24	663-44341-00-94	HOUSING, WATER PUMP	1	1				
25	93101-23070	OIL SEAL	2	2				
26	93210-41042	O-RING	1	1				
27	663-44316-A0	GASKET, WATER PUMP	1	1				
28	663-44323-00	OUTER PLATE, CARTRIDGE	1	1				
29	663-44324-A0	GASKET, CARTRIDGE	1	1				
30	93604-08062	PIN, DOWEL	2	2				
31	90119-08M13	BOLT, WITH WASHER	2	2				
32	90119-08M34	BOLT, WITH WASHER	2	2				
33	6J8-45501-00	DRIVE SHAFT COMP.	1					S
	6J8-45501-10	DRIVE SHAFT COMP.		1				L
34	6J8-45551-00	PINION	1	1				
35	90179-10M14	NUT	1	1				
36	6J8-45560-00	GEAR	1	1				
37	93332-000V6	BEARING	1	1				
38	6J8-45567-01-10	SHIM (T:0.10MM)	1	1				UR
	6J8-45567-01-12	SHIM (T:0.12MM)	1	1				UR
	6J8-45567-01-15	SHIM (T:0.15MM)	1	1				UR
	6J8-45567-01-18	SHIM (T:0.18MM)	1	1				UR
	6J8-45567-01-30	SHIM (T:0.30MM)	1	1				UR
	6J8-45567-01-40	SHIM (T:0.40MM)	1	1				UR
	6J8-45567-01-50	SHIM (T:0.50MM)	1	1				UR



6J86664-4200



6J86664-4200

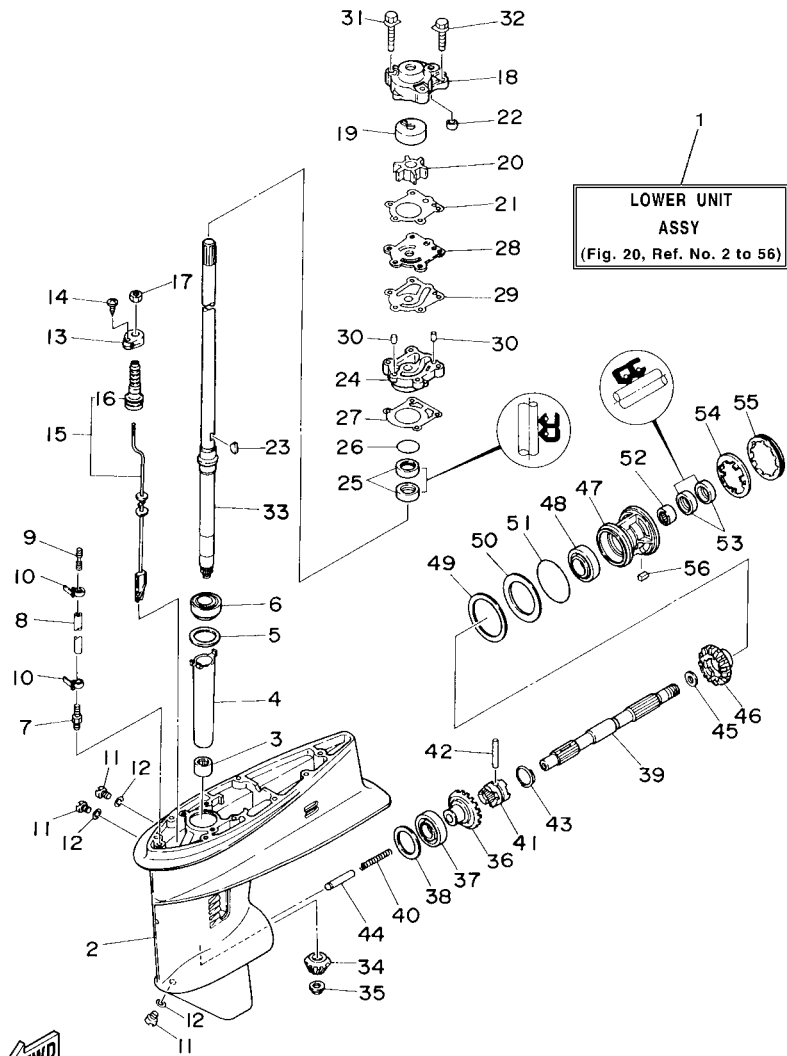
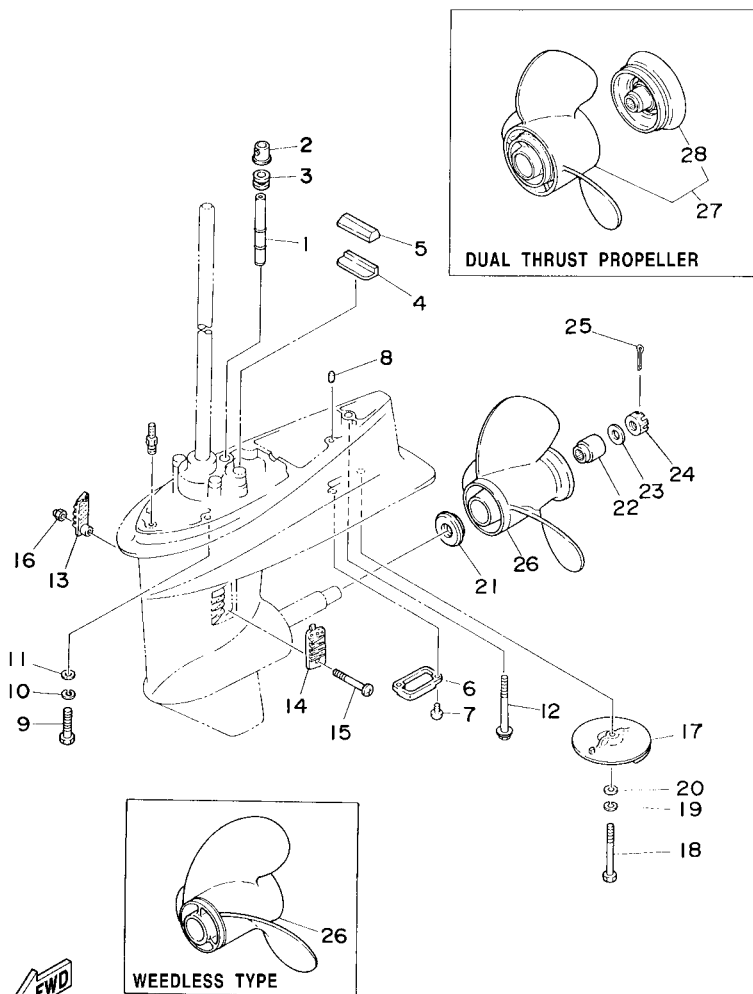


FIG. 20 LOWER CASING & DRIVE 1

REF. NO.	PART NO.	DESCRIPTION	MH	E	REMARKS
39	6J8-45611-00	SHAFT, PROPELLER	1	1	
40	90501-10065	SPRING, COMPRESSION	1	1	
41	6J8-45631-00	CLUTCH, DOG	1	1	
42	90250-05010	PIN, STRAIGHT	1	1	
43	648-45633-00	RING, CROSS PIN	1	1	
44	6J8-45635-00	PLUNGER, SHIFT	1	1	
45	90201-20417	WASHER, PLATE	1	1	
46	6J8-45571-00	GEAR	1	1	
47	689-45331-01-94	HOUSING, BEARING	1	1	
48	93306-00612	BEARING	1	1	
49	664-45577-01-10	SHIM (T:0.10MM)	1	1	UR
	664-45577-01-12	SHIM (T:0.12MM)	1	1	UR
	664-45577-01-15	SHIM (T:0.15MM)	1	1	UR
	664-45577-01-18	SHIM (T:0.18MM)	1	1	UR
	664-45577-01-30	SHIM (T:0.30MM)	1	1	UR
	664-45577-01-40	SHIM (T:0.40MM)	1	1	UR
	664-45577-01-50	SHIM (T:0.50MM)	1	1	UR
50	664-45576-00	WASHER, THRUST	1	1	
51	93210-60MA3	O-RING	1	1	
52	93315-22004	BEARING	1	1	
53	93101-20M07	OIL SEAL	2	2	
54	90214-45M02	WASHER, CLAW	1	1	
55	664-45384-00	NUT	1	1	
56	90282-04010	KEY, STRAIGHT	1	1	

FIG. 21 LOWER CASING & DRIVE 2

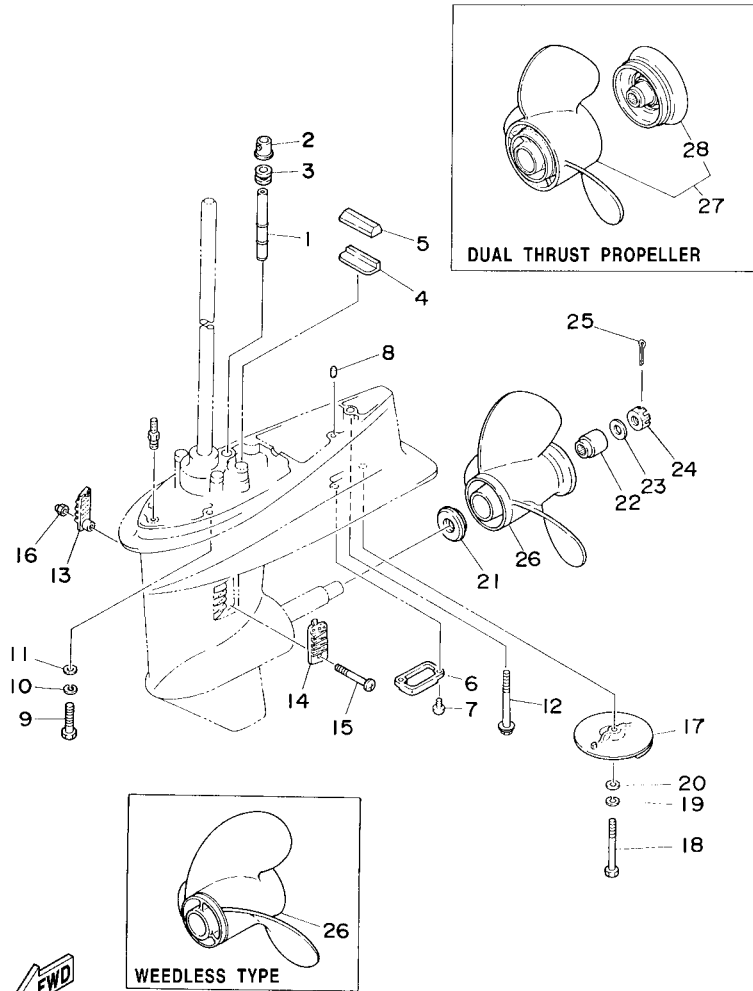
REF. NO.	PART NO.	DESCRIPTION	MH	E			REMARKS
1	6J8-44361-00	TUBE, WATER	1				S
	6J8-44361-10	TUBE, WATER		1			L
2	6J8-44366-00	DAMPER, WATER SEAL	1	1			
3	663-44367-00	DAMPER, WATER SEAL	1	1			
4	663-45376-00-94	GUIDE, SEAL DAMPER	1	1			
5	688-45375-00	DAMPER, SEAL	1	1			
6	6J8-45224-10	COVER, WATER INLET 3	1	1			
7	97880-06012	SCREW, PAN HEAD	2	2			
8	93606-12019	PIN, DOWEL	2	2			
9	97075-10040	BOLT	4	4			
10	92995-10100	WASHER	4	4			
11	92995-10600	WASHER	4	4			
12	90119-08M92	BOLT, WITH WASHER	1	1			
13	689-45214-01	COVER, WATER INLET	1	1			
14	6J8-45215-00	COVER, WATER INLET	1	1			
15	90152-05M04	SCREW, COUNTERSUNK	1	1			
16	90185-05002	NUT, SELF-LOCKING	1	1			
17	664-45371-01	TAB-TRIM	1	1			
18	97075-08020	BOLT	1	1			
19	92995-08100	WASHER	1	1			
20	92995-08600	WASHER	1	1			
21	6L2-45987-01	SPACER	1	1			
22	689-45997-00	SPACER	1	1			
23	92990-14200	WASHER, PLAIN	1	1			
24	90171-14013	NUT, CASTLE	1	1			
25	91490-30022	PIN, COTTER	1	1			
26	664-45941-01-EL	PROPELLER (3X9-7/8"X9"-F)	1	1			UR



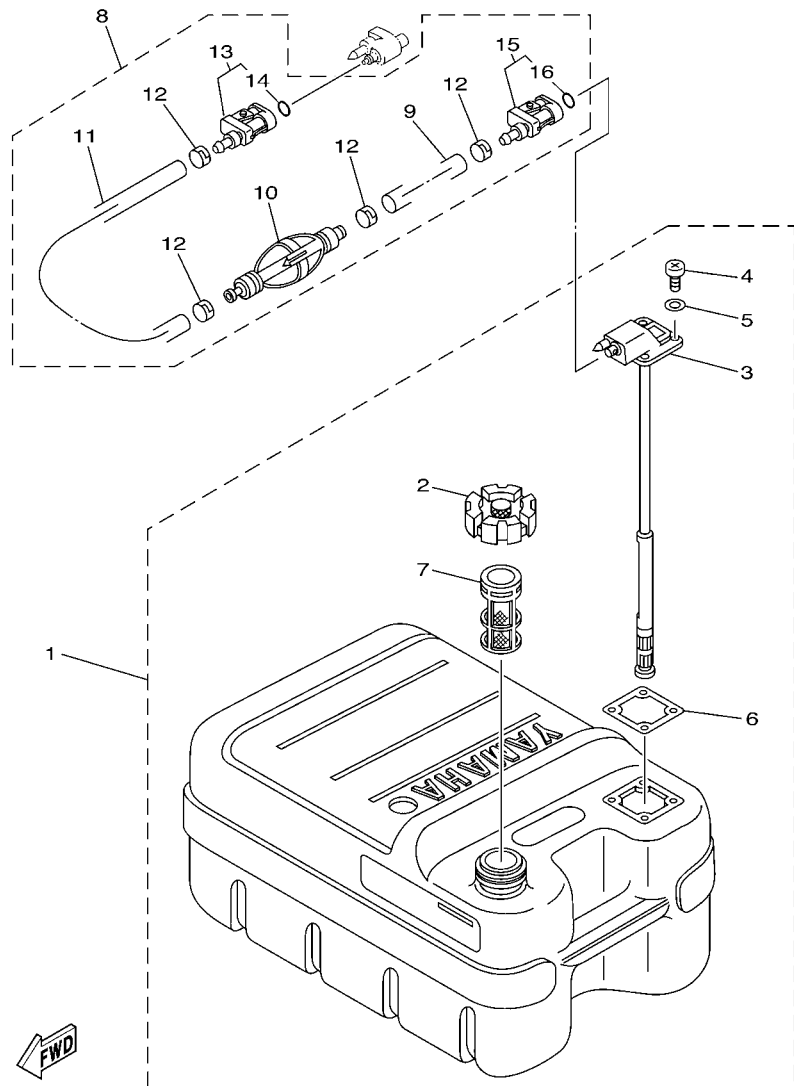
6J80100-4270

FIG. 21 LOWER CASING & DRIVE 2

REF. NO.	PART NO.	DESCRIPTION	MH	E	REMARKS
26	664-45943-01-EL	PROPELLER (3X9-7/8"X8"-F)	1	1	UR
	664-45945-00-EL	PROPELLER (3X9-7/8"X10-1/2"-F)	1	1	UR
	664-45947-01-EL	PROPELLER (3X9-7/8"X11-1/4"-F)	1	1	UR
	664-45949-02-EL	PROPELLER (3X9-7/8"X13"-F)	1	1	UR
	664-45952-00-EL	PROPELLER (3X9-7/8"X14"-F)	1	1	UR
	664-45954-01-EL	PROPELLER (3X9-7/8"X12"-F)	1	1	UR
	664-45970-00-98	PROPELLER (3X9-1/8"X13"-F)	1	1	UR WEEDLESS
27	6J8-W4591-00-EL	PROPELLER (3X10-5/8"X8-1/4"-F)	1	1	
28	6J8-45986-10-98	.RING, DEFLECTOR	1	1	



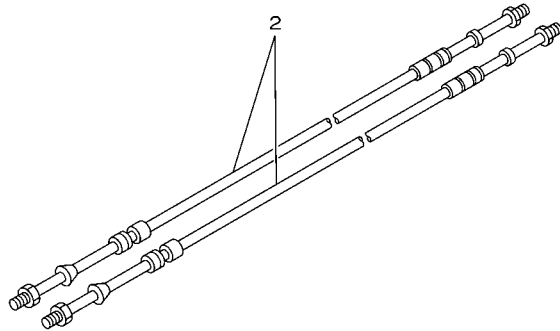
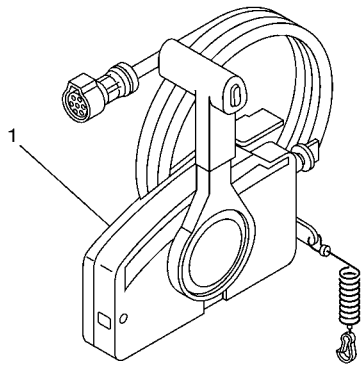
6J80100-4270



68U3100-C240

FIG. 22 FUEL TANK

REF. NO.	PART NO.	DESCRIPTION	MH	E		REMARKS
1	6YJ-24201-10	FUEL TANK ASSY (24L)	1	1		AP
2	6YJ-24610-01	.CAP ASSY	1	1		
3	6Y1-24260-12	.FUEL METER ASSY	1	1		WITH INDICATOR
4	98586-05016	.SCREW, PAN HEAD	4	4		
5	6Y1-24329-00	.SEAL	4	4		
6	6Y1-24268-00	.GASKET, FUEL METER	1	1		
7	6YJ-24167-00	.STRAINER	1	1		
8	61J-24306-03	FUEL PIPE COMP. 1	1	1		AP
9	90445-11M06	.HOSE (L2050)	1	1		
10	61J-24360-00	.PRIMER PUMP ASSY	1	1		
11	90445-11M05	.HOSE (L850)	1	1		
12	650-24351-01	.BAND 1	4	4		
13	6G1-24305-04	.FUEL PIPE JOINT COMP. 2	1	1		
14	93210-08287	..O-RING	1	1		
15	6Y1-24305-05	.FUEL PIPE JOINT COMP. 2	1	1		
16	93210-08287	..O-RING	1	1		



67M0100-8280

FIG. 23 REMOTE CONTROL BOX

REF. NO.	PART NO.	DESCRIPTION	MH	E		REMARKS
1	703-48230-15	REMOTE CONTROL ASSY		1		AP
2	701-48310-80	CABLE, REMOTE CONTROL L=10F		2		UR
	701-48310-90	CABLE, REMOTE CONTROL L=11F		2		UR
	701-48320-00	CABLE, REMOTE CONTROL L=12F		2		UR

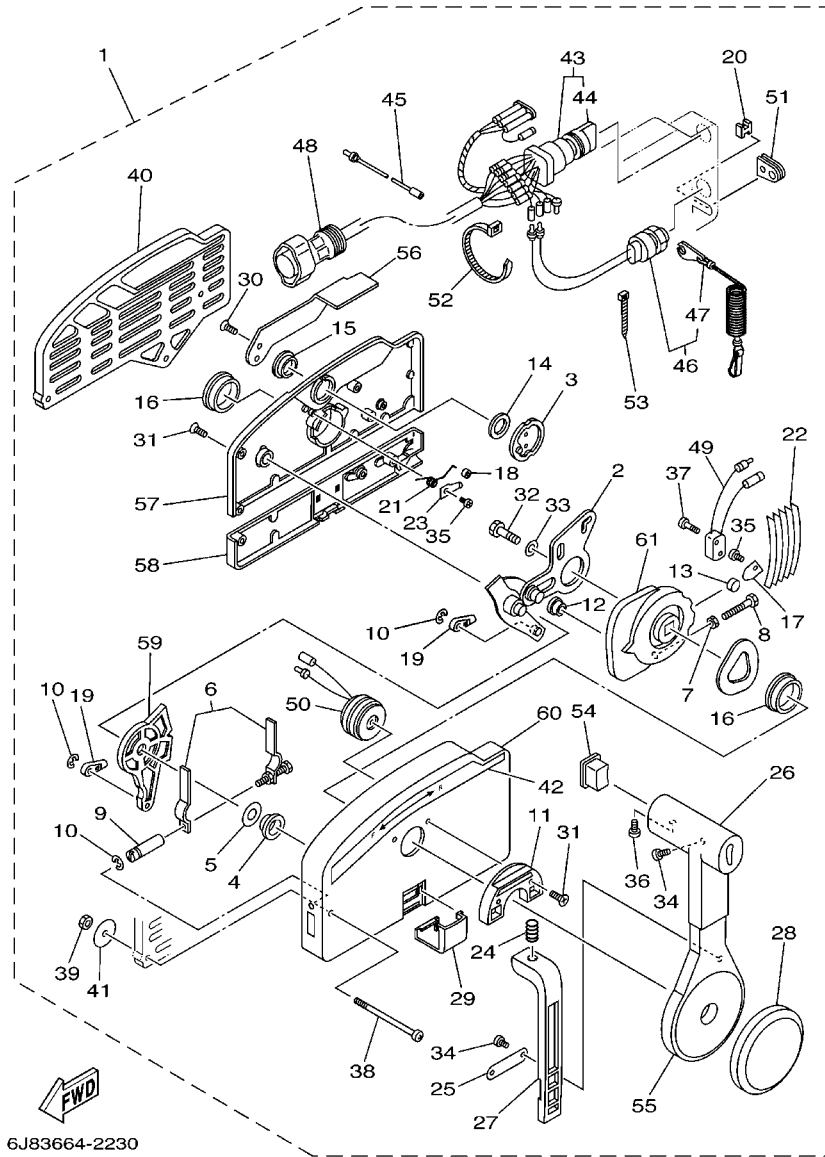
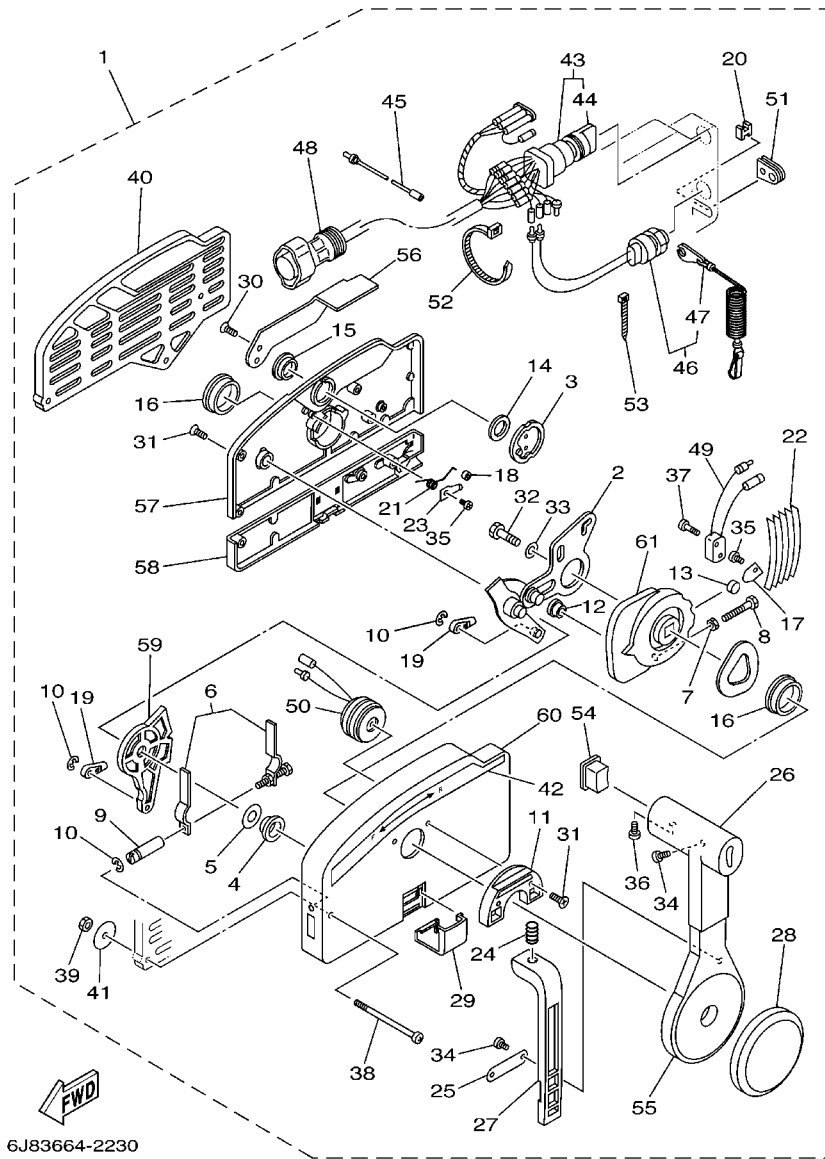


FIG. 24 REMOTE CONTROL ASSY

REF. NO.	PART NO.	DESCRIPTION	MH	E	REMARKS
1	703-48230-15	REMOTE CONTROL ASSY		1	AP
2	703-48261-11	.ARM, THROTTLE		1	
3	703-48153-00	.SHAFT, FREE ACCEL.		1	
4	703-48235-00	.BUSHING		1	
5	703-48268-00	.SPACER		1	
6	703-48264-00	.THROTTLE, FRICTION		1	
7	95380-05600	.NUT		1	
8	97380-05025	.BOLT		1	
9	703-48265-00	.SHAFT, FRICTION		1	
10	93430-06024	.CIRCLIP		3	
11	703-48245-00	.PLATE, LOCK		1	
12	703-48252-00	.ROLLER, CAM		1	
13	701-48248-00	.ROLLER, FREE ACCEL.		1	
14	703-48198-00	.WASHER, WAVE		1	
15	703-48243-00	.BUSHING		1	
16	703-48236-00	.BUSHING 1		2	
17	703-48189-00	.RETAINER		1	
18	703-48234-00	.ROLLER, DETENT		1	
19	703-48345-01	.CABLE END, REMOTE CONTROL 2		2	
20	703-48358-00	.ANCHOR, CABLE		1	
21	703-48244-00	.SPRING, FREE ACCEL.		1	
22	703-48238-00	.SPRING, DETENT		5	
23	703-48246-00	.SPACER		1	
24	703-48227-00	.SPRING, NEUTRAL LOCK		1	
25	703-48226-00	.PLATE, STOPPER		1	
26	703-48222-00	.GRIP, CONTROL LEVER		1	SINGLE
27	703-48223-00	.LOCK, NEUTRAL		1	



6J83664-2230

FIG. 24 REMOTE CONTROL ASSY

REF. NO.	PART NO.	DESCRIPTION	MH	E	REMARKS
28	703-48225-00	.COVER		1	
29	703-48219-00	.COVER, LEAD		1	
30	703-48281-00	.SCREW		2	
31	703-48282-00	.SCREW		7	
32	97380-08030	.BOLT		1	
33	92990-08600	.WASHER, PLATE		1	
34	98580-04010	.SCREW, PAN HEAD		3	
35	98580-04006	.SCREW, PAN HEAD		2	
36	98580-05010	.SCREW, PAN HEAD		1	
37	98580-03015	.SCREW, PAN HEAD		2	
38	703-48291-10	.SCREW (M6)		3	
39	95380-06600	.NUT, HEXAGON		3	
40	703-48293-10	.SPACER, REMOTE CONTROL		1	SINGLE
41	701-48287-00	.WASHER		3	
42	703-48215-00	.GRAPHIC		1	
43	703-82510-33	.MAIN SWITCH ASSY		1	
44	703-82577-00	..CAP, KEY		1	
45	703-82531-00	.WIRE, LEAD		1	
46	688-82575-01	.ENGINE STOP SWITCH ASSY		1	
47	682-82556-00	..STOPPER		1	
48	688-82586-21	.EXTENSION, WIRE HARNESS		1	L:5M (7P)
49	703-82540-00	.NEUTRAL SWITCH ASSY		1	
50	703-83383-02	.BUZZER		1	
51	703-48284-00	.GROMMET		1	
52	703-82591-00	.BAND		1	
53	703-82592-00	.BAND		1	
54	703-48224-00	.COVER, CONTROL LEVER		1	WITHOUT PT/T SW.

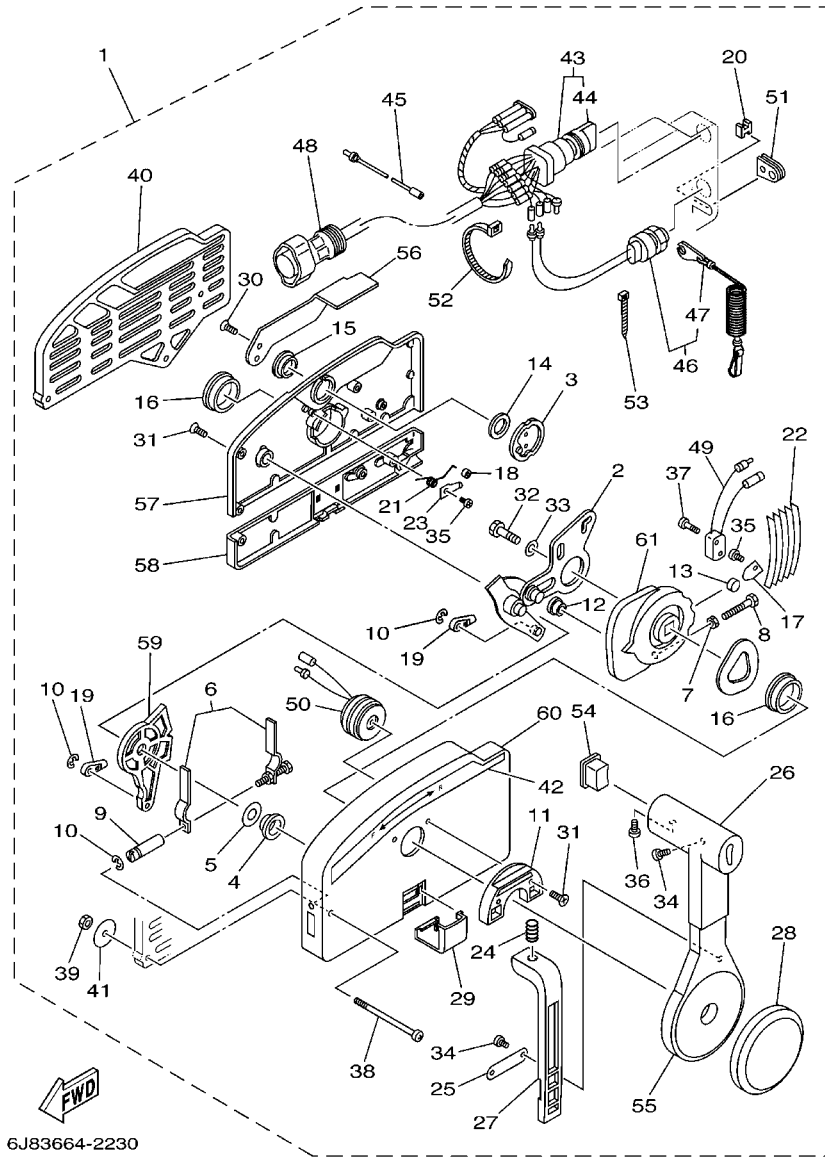
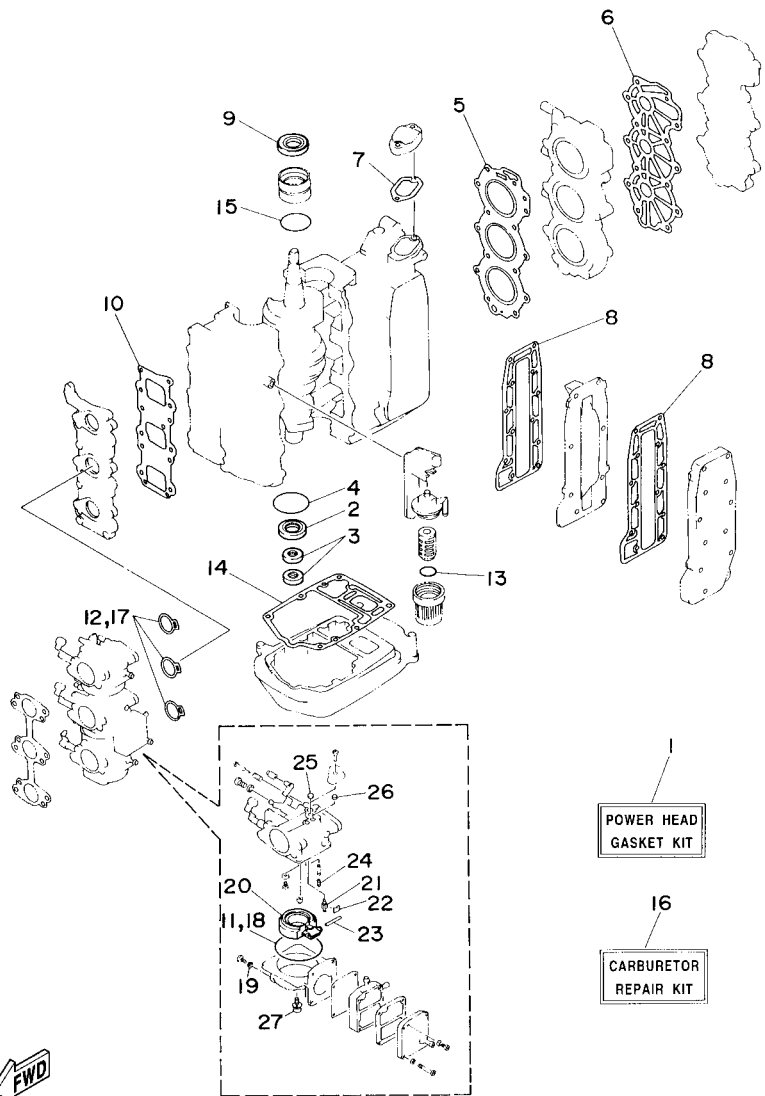


FIG. 24 REMOTE CONTROL ASSY

REF. NO.	PART NO.	DESCRIPTION	MH	E	REMARKS
55	703-48221-00	.LEVER, CONTROL		1	
56	703-48152-00	.KNOB, FREE ACCEL.		1	
57	703-48212-00	.BACK PLATE 1		1	
58	703-48213-00	.BACK PLATE 2		1	
59	703-48271-00	.ARM, SHIFT		1	
60	703-48211-01	.HOUSING,1		1	
61	703-48232-00	.GEAR		1	



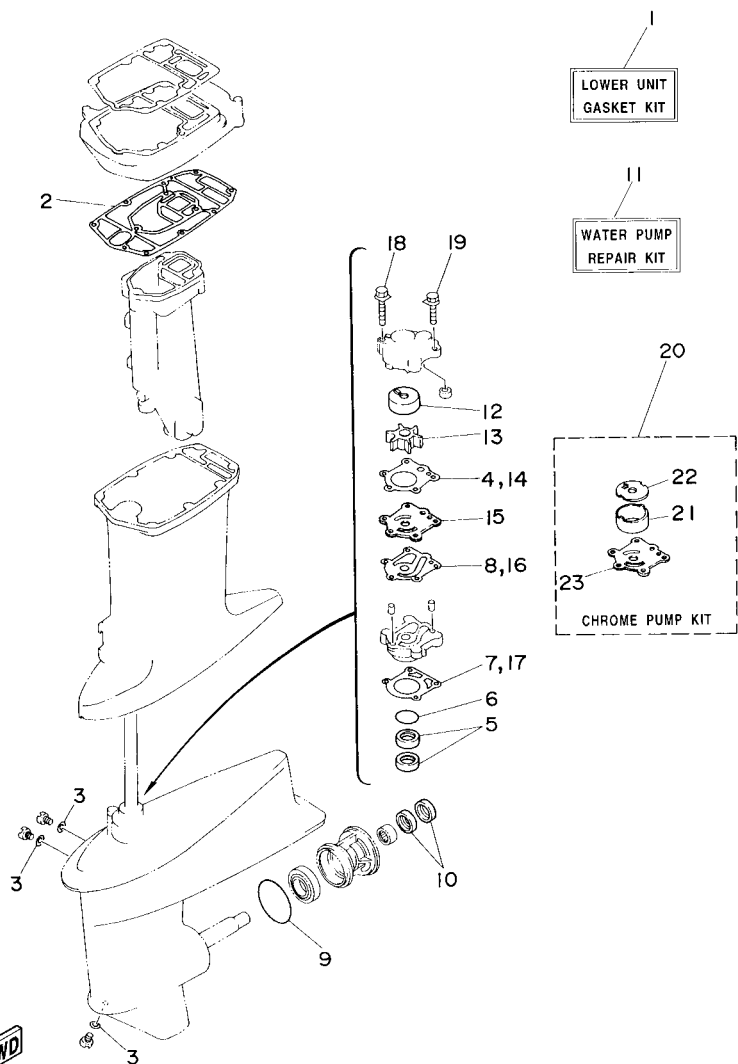
FWD
6J80100-4320

FIG. 25 REPAIR KIT 1

REF. NO.	PART NO.	DESCRIPTION	MH	E	REMARKS
1	6J8-W0001-03	POWER HEAD GASKET KIT	1	1	
2	93101-25M28	.OIL SEAL	1	1	
3	93104-16M04	.OIL SEAL	2	2	
4	93210-56M80	.O-RING	1	1	
5	6J8-11181-A1	.GASKET, CYLINDER HEAD 1	1	1	
6	6J8-11193-A1	.GASKET, HEAD COVER 1	1	1	
7	6J8-12414-A0	.GASKET, COVER	1	1	
8	6J8-41114-A0	.GASKET, EXHAUST OUTER COVER	2	2	
9	93102-26M27	.OIL SEAL	1	1	
10	6J8-13621-00	.GASKET, VALVE SEAT	1	1	
11	6J8-14984-00	.GASKET, FLOAT CHAMBER	3	3	
12	6J8-14198-00	.GASKET	3	3	
13	93210-32738	.O-RING	1	1	
14	6J8-45113-A0	.GASKET, UPPER CASING	1	1	
15	93210-42159	.O-RING	1	1	
16	6J8-W0093-00	CARBURETOR REPAIR KIT	1	1	
17	6J8-14198-00	.GASKET	3	3	
18	6J8-14984-00	.GASKET, FLOAT CHAMBER	3	3	
19	6J8-14995-00	.GASKET	3	3	
20	6J8-14985-00	.FLOAT	3	3	
21	6J8-14546-00	.VALVE, NEEDLE	3	3	
22	6J8-14159-00	.CLIP	3	3	
23	6J8-14548-00	.PIN, FLOAT ARM	3	3	
24	6J8-14966-00	.PLUG	3	3	
25	6J8-14126-00	.PLUG	3	3	
26	6J8-14118-00	.PLUG	3	3	
27	97980-04112	.SCREW, WITH WASHER	3	3	

FIG. 26 REPAIR KIT 2

REF. NO.	PART NO.	DESCRIPTION	MH	E	REMARKS
1	6J8-W0001-C2	LOWER UNIT GASKET KIT	1	1	
2	6J8-45114-A1	.GASKET, UPPER CASING	1	1	
3	90430-08020	.GASKET	3	3	
4	663-44315-A0	.GASKET, WATER PUMP	1	1	
5	93101-23070	.OIL SEAL	2	2	
6	93210-41042	.O-RING	1	1	
7	663-44316-A0	.GASKET, WATER PUMP	1	1	
8	663-44324-A0	.GASKET, CARTRIDGE	1	1	
9	93210-60MA3	.O-RING	1	1	
10	93101-20M07	.OIL SEAL	2	2	
11	6J8-W0078-A2	WATER PUMP REPAIR KIT	1	1	
12	663-44322-00	.INSERT, CARTRIDGE	1	1	
13	6H4-44352-02	.IMPELLER	1	1	
14	663-44315-A0	.GASKET, WATER PUMP	1	1	
15	663-44323-00	.OUTER PLATE, CARTRIDGE	1	1	
16	663-44324-A0	.GASKET, CARTRIDGE	1	1	
17	663-44316-A0	.GASKET, WATER PUMP	1	1	
18	90119-08M13	.BOLT, WITH WASHER	2	2	
19	90119-08M34	.BOLT, WITH WASHER	2	2	
20	6H4-W0078-0A	CHROME PUMP KIT	1	1	
21	670-44322-01	.INSERT, CARTRIDGE	1	1	
22	670-44321-00	.INNER PLATE, CARTRIDGE	1	1	
23	670-44323-00	.OUTER PLATE, CARTRIDGE	1	1	



6J80100-4330

NUMERICAL INDEX

PART NO.	REF. NO.	PART NO.	REF. NO.	PART NO.	REF. NO.	PART NO.	REF. NO.	PART NO.	REF. NO.	PART NO.	REF. NO.
6J8-11111-00-1S	2 - 16	6J8-14497-00	14 - 1	6J8-15774-01	7 - 39	6J8-41262-00	18 - 46	6J8-42724-50	10 - 28	6J8-43641-00	18 - 39
6F5-11119-00	2 - 8	6J8-14523-00	5 - 25	6F5-15779-02	7 - 15	661-41262-02	4 - 18	6J8-42725-01	12 - 14	6H4-43659-00	18 - 19
6J8-1111J-00	2 - 29	6J8-14527-01	5 - 17	6J8-15787-00	7 - 13		7 - 47	682-42726-00	14 - 35	6J8-43673-00	18 - 35
6J8-11181-A1	2 - 17	6J8-14546-00	5 - 9	6A0-15789-00	7 - 8	6J8-41271-01	4 - 19	6H4-42726-00	12 - 2	6J8-43681-01	18 - 34
	25 - 5		25 - 21	689-41273-00	22 - 7	689-41273-00	4 - 22	6J8-42726-00	12 - 13	6J8-44111-01-4D	13 - 26
6J8-11191-00-1S	2 - 18	6J8-14548-00	5 - 11	6YJ-24201-10	22 - 1	6J8-41274-00	4 - 23	6J8-42726-10	12 - 13	6J8-44116-00	14 - 19
6J8-11193-A1	2 - 19		25 - 23	6Y1-24260-12	22 - 3	6H4-41611-10	8 - 15	6J8-42726-20	12 - 26	6J8-44121-00	14 - 15
	25 - 6	6J8-14555-00	5 - 19	6Y1-24268-00	22 - 6	6J8-41615-00	8 - 16	6G1-42727-00	12 - 11	6J8-44123-00	14 - 11
6J8-11325-00	2 - 10	6J8-14578-00	5 - 34	6G1-24304-02	6 - 1	6J8-41618-00	8 - 17	6J8-42728-01	12 - 10	6J8-44124-00	13 - 31
6H3-11327-00-1S	2 - 11	6J8-14592-01	5 - 23	6G1-24305-04	22 - 13	6J8-41631-02	14 - 7	6J8-42735-00	12 - 23	6J8-44125-00	13 - 27
6H3-11328-00	2 - 12	6J8-14737-00	19 - 7	6Y1-24305-05	22 - 15	6G1-41662-01-94	14 - 16	6J8-42741-01	12 - 20	682-44132-00	13 - 28
650-11370-01	2 - 3	6J8-14923-00	5 - 18	61J-24306-03	22 - 8	6G1-42111-12-4D	13 - 2	6E7-42791-10	12 - 36	6J8-44142-00	14 - 33
676-11372-00	2 - 26	6J8-1492A-00	5 - 35	6J8-24311-00	6 - 14	664-42119-00	13 - 14	6J8-42815-00-4D	12 - 3	6J8-44143-00	14 - 22
6J8-11400-01	3 - 1	6J8-1492E-51	5 - 14	6E5-24312-00	6 - 11	6J8-42121-03-4D	17 - 33	6J8-42816-00	12 - 7	682-44147-00	20 - 16
6J8-11445-00	3 - 2	6J8-1492F-26	5 - 12	688-24313-00	6 - 13	6G1-42125-01	13 - 11	6J8-42831-00	12 - 9	6J8-44150-00	20 - 15
6J8-11601-01	3 - 9	6J8-14966-00	5 - 13	61N-24329-00	22 - 5	6G1-42126-00	13 - 12	6J8-42846-00	12 - 25	6J8-44150-10	20 - 15
6J8-11601-11	3 - 9		25 - 24	650-24351-01	22 - 12	6G1-42131-02	13 - 8		16 - 18	6J8-44173-02	15 - 6
6J8-11601-21	3 - 9	6J8-14980-00	5 - 5	61J-24360-00	22 - 10	6J8-42137-00	13 - 16	6H4-43111-05-4D	17 - 1		16 - 7
6J8-11631-02-97	3 - 8	6J8-14981-00	5 - 27	6J8-24415-00	5 - 29	6G1-42138-01	13 - 22	6H4-43112-04-4D	17 - 2	682-44176-00	20 - 13
6J8-11633-00	3 - 10	6J8-14984-00	5 - 4	6J8-24432-00	5 - 30	6J8-42154-01	14 - 30	6J8-43113-01	17 - 12	6J8-44177-00	15 - 4
6J8-11635-02	3 - 8		25 - 11	6J8-24452-00	5 - 31	6E0-42159-02	13 - 23	648-43114-01	17 - 8		16 - 5
6J8-11636-02	3 - 8		25 - 18	6J8-24471-00	5 - 28	6J8-42167-00	14 - 6	6E0-43118-01	17 - 5	6E0-44191-11	13 - 3
688-12411-10	2 - 21	6J8-14985-00	5 - 8	61N-24521-00	6 - 8	689-42169-01	14 - 8	6J8-43131-01	17 - 9	6J8-44311-00	20 - 18
6H4-12413-00-1S	2 - 22		25 - 20	61N-24560-00	6 - 6	6J8-42169-01	15 - 7	6G5-43145-01	17 - 14	663-44315-A0	20 - 21
6J8-12414-A0	2 - 23	6J8-14991-00	5 - 6	61N-24563-00	6 - 7		16 - 8	6H4-43160-01	18 - 1		26 - 4
	25 - 7	6J8-14995-00	5 - 7	6YJ-24610-01	22 - 2	6F6-42177-A0	13 - 15	676-43165-00	18 - 2		26 - 14
6J8-13610-00	4 - 1		25 - 19	6J8-26301-00	13 - 25	6J8-42192-00	14 - 27	6J8-43181-01	18 - 5	663-44316-A0	20 - 27
6J8-13621-00	4 - 6	6J8-15100-01-1S	2 - 2	6G8-26363-00	15 - 14	6J8-42510-03-4D	17 - 25	6J8-43186-00	18 - 41		26 - 7
	25 - 10	6J8-15396-00-5B	3 - 14		16 - 15	6J8-42528-00	17 - 22	6J8-43187-00	18 - 42		26 - 17
6J8-13641-00-94	4 - 5	6J8-15705-00	7 - 25	6G8-26364-00	15 - 15	6J8-42610-80-4D	1 - 1	6J8-43311-04-4D	17 - 19	670-44321-00	26 - 22
6J8-14118-00	5 - 16	6J8-15710-02-4D	7 - 1		16 - 16	6J8-42610-D0-4D	1 - 1	682-43318-01	18 - 6	663-44322-00	20 - 19
	25 - 26	6J8-15711-00-94	7 - 2	6G1-2811G-00	6 - 18	6J8-42613-00-4D	1 - 6	689-43373-01	14 - 26		26 - 12
6J8-14126-00	5 - 15	6J8-15714-00	7 - 17	6J8-28170-00	6 - 17	6J8-42613-10-4D	1 - 6		17 - 23	670-44322-01	26 - 21
	25 - 25	677-15717-01	7 - 19	6A1-28176-00	12 - 37	6J8-42615-00	1 - 2	6J8-43611-01	18 - 20	663-44323-00	20 - 28
6J8-14159-00	5 - 10	6J8-15723-00	7 - 48	6E0-28193-00-94	6 - 22	6J8-42651-03	1 - 3	6J8-43613-01	18 - 18		26 - 15
	25 - 22	6J8-15723-E1	11 - 32	6J8-41111-00-1S	2 - 27	6J8-42652-00	1 - 4	6J8-43614-00	18 - 16	670-44323-00	26 - 23
6J8-14198-00	4 - 8	676-15741-03	7 - 23	6J8-41113-00-1S	2 - 25	6J8-42677-40	1 - 8	6J8-43615-00	18 - 17	663-44324-A0	20 - 29
	25 - 12	6J8-15746-01	7 - 34	6J8-41114-A0	2 - 28	6J8-42678-10	1 - 9	6H4-43616-00	18 - 29		26 - 8
	25 - 17	6J8-15747-00	7 - 38		25 - 8	6J8-42681-11	1 - 11		18 - 38		26 - 16
6J8-14301-01	5 - 1	656-15748-00	7 - 31	6J8-41131-00-5B	19 - 6	6J8-42682-12	1 - 12	6J8-43616-10	18 - 47	663-44341-00-94	20 - 24
6J8-14302-01	5 - 2	6F5-15752-00	7 - 9	6J8-41137-01-94	19 - 4	6J8-42711-03-4D	12 - 1	6J8-43617-00	18 - 32	6H4-44352-02	20 - 20
6J8-14303-01	5 - 3	6J8-15753-00	7 - 10	6J8-41213-00	14 - 2	6J8-42716-00	12 - 16	6J8-43617-10	18 - 40		26 - 13
6J8-14334-00	5 - 26	689-15755-01	7 - 14	6J8-41217-00	4 - 24	6J8-42719-10	12 - 24	6J8-43627-00	18 - 11	6J8-44361-00	21 - 1
6J8-14417-00	4 - 10	6J8-15758-01-94	7 - 4	682-41237-00	14 - 9	6J8-42723-01	12 - 22	6J8-43631-00	18 - 26	6J8-44361-10	21 - 1
6J8-14418-00	4 - 11	6J8-15762-00	7 - 7		14 - 28	6J8-42723-51	12 - 22	6J8-43631-10	18 - 36	663-44366-00	20 - 22
6J8-14476-00	4 - 12	6J8-15770-00	7 - 33	6J8-41257-00	4 - 20		16 - 17	6J8-43633-00	18 - 27	6J8-44366-00	21 - 2
6J8-14483-A1	4 - 14	6J8-15771-00-94	7 - 40	6J8-41259-00	4 - 17	6J8-42724-00	12 - 12		18 - 37	663-44367-00	21 - 3
624-14485-00	2 - 4	6J8-15772-00-94	7 - 41	6J8-41262-00	4 - 21	6J8-42724-10	16 - 19	6J8-43641-00	18 - 30	6H3-44391-01	12 - 15

NUMERICAL INDEX

PART NO.	REF. NO.	PART NO.	REF. NO.	PART NO.	REF. NO.	PART NO.	REF. NO.	PART NO.	REF. NO.	PART NO.	REF. NO.
6J8-44511-00-4D	17 - 48	663-45587-01-15	20 - 5	703-48252-00	24 - 12	689-81831-00	11 - 5	6J8-85510-A1	8 - 3	90119-08019	2 - 5
6H4-44514-00	17 - 44	663-45587-01-18	20 - 5	703-48261-11	24 - 2	689-81840-11	11 - 10	6H4-85510-F1	8 - 3	90119-08M13	20 - 31
6H4-44551-02-4D	17 - 31	663-45587-01-30	20 - 5	703-48264-00	24 - 6	689-81847-11	11 - 6	663-85518-00	8 - 11		26 - 18
6H4-44553-01	17 - 38	663-45587-01-40	20 - 5	703-48265-00	24 - 9	689-81850-12	11 - 8	6H4-85520-01	8 - 4	90119-08M31	19 - 3
6H4-44557-00	17 - 37	663-45587-01-50	20 - 5	703-48268-00	24 - 5	689-81857-11	11 - 2	6J8-85520-01	8 - 4	90119-08M34	20 - 32
6H4-44557-10	17 - 37	6J8-45611-00	20 - 39	703-48271-00	24 - 59	6J8-81916-10	10 - 11	6H4-85533-A1	8 - 1		26 - 19
6J8-45111-01-4D	19 - 1	6J8-45631-00	20 - 41	703-48281-00	24 - 30	6G1-81941-10	10 - 1	6J8-85540-H2	9 - 1	90119-08M92	21 - 12
6J8-45111-11-4D	19 - 1	648-45633-00	20 - 43	703-48282-00	24 - 31	6J8-81945-00	10 - 3	6H4-85548-00	8 - 9	90119-08MA8	2 - 20
6J8-45113-A0	2 - 32	6J8-45635-00	20 - 44	703-48284-00	24 - 51	6G1-81952-00	10 - 2	6J8-85548-00	8 - 19	90149-05M13	13 - 20
	25 - 14	664-45941-01-EL	21 - 26	701-48287-00	24 - 41	6G1-81970-61	10 - 7	6J8-85550-A1	8 - 2	90149-14M12	17 - 7
6J8-45114-A1	19 - 5	664-45943-01-EL	21 - 26	703-48291-10	24 - 38	689-82105-13	10 - 29	6J8-85550-F1	8 - 2	90152-05M04	21 - 15
	26 - 2	664-45945-00-EL	21 - 26	703-48293-10	24 - 40	6F5-82117-00	10 - 6	6J8-85570-21	9 - 10	90159-05M26	10 - 14
663-45119-00	17 - 21	664-45947-01-EL	21 - 26	701-48310-80	23 - 2	6H4-82127-00	17 - 43	6J8-86110-00	10 - 17	90164-06M01	12 - 21
689-45214-01	21 - 13	664-45949-02-EL	21 - 26	701-48310-90	23 - 2	6E5-82148-00	17 - 3	6J8-86116-00	10 - 18	90170-06015	14 - 25
6J8-45215-00	21 - 14	664-45952-00-EL	21 - 26	701-48320-00	23 - 2	6G1-82151-00	10 - 8	682-86117-00	10 - 19	90171-14013	21 - 24
6J8-45224-10	21 - 6	664-45954-01-EL	21 - 26	703-48345-01	24 - 19	6H3-82151-00	10 - 16	6J8-W0001-03	25 - 1	90179-06M24	1 - 7
6J8-45300-04-4D	20 - 1	664-45970-00-98	21 - 26	703-48358-00	24 - 20	6G1-82370-21	9 - 14	6J8-W0001-C2	26 - 1		15 - 13
6J8-45300-14-4D	20 - 1	6J8-45986-10-98	21 - 28	6J8-48501-03-4D	16 - 1	703-82510-33	24 - 43	6J8-W0004-00	4 - 2		16 - 14
6J8-45301-02-4D	20 - 2	6L2-45987-01	21 - 21	6J8-48501-11	16 - 1	6J8-82531-00	9 - 7	6J8-W0070-14	1 - 10	90179-08M15	6 - 10
689-45331-01-94	20 - 47	689-45997-00	21 - 22	703-82511-00	16 - 21	703-82531-00	24 - 45	6H4-W0078-0A	26 - 20	90179-10M14	20 - 35
664-45371-01	21 - 17	703-48152-00	24 - 56	6J8-48511-01-4D	16 - 20	6H3-82540-00	10 - 23	6J8-W0078-A2	26 - 11	90179-16M05	8 - 13
688-45375-00	21 - 5	703-48153-00	24 - 3		17 - 51	703-82540-00	24 - 49	6J8-W0084-11-4D	13 - 1	90185-05002	21 - 16
663-45376-00-94	21 - 4	703-48189-00	24 - 17	6G8-48511-10	16 - 24	6H4-82553-00	10 - 24	6J8-W0090-06-1S	2 - 1	90185-08045	17 - 47
6E5-45378-00	20 - 7	703-48198-00	24 - 14	6J8-48531-00	15 - 8	6J8-W0093-00	12 - 34	6J8-W0093-00	25 - 16	90185-08057	13 - 10
664-45384-00	20 - 55	703-48211-01	24 - 60		16 - 9	6J8-82554-00	10 - 25	656-W2810-02	6 - 16	90185-10051	17 - 36
6J8-45501-00	20 - 33	703-48212-00	24 - 57	6J8-48532-00	15 - 9	682-82556-00	12 - 28	6J8-W4591-00-EL	21 - 27	90185-22043	17 - 13
6J8-45501-10	20 - 33	703-48213-00	24 - 58		16 - 10		24 - 47	90101-06024	7 - 44	90201-06060	7 - 20
6J8-45536-00	20 - 4	703-48215-00	24 - 42	6J8-48534-00	15 - 1	663-82557-00	12 - 33	90101-06M00	8 - 20	90201-09425	17 - 46
6J8-45551-00	20 - 34	703-48219-00	24 - 29		16 - 3	689-82560-00	9 - 15	90101-08001	2 - 9	90201-12426	17 - 54
6J8-45560-00	20 - 36	703-48221-00	24 - 55	682-48538-50	15 - 10	688-82575-01	24 - 46	90101-08339	17 - 15	90201-16379	3 - 12
6J8-45567-01-10	20 - 38	703-48222-00	24 - 26		16 - 11	689-82575-04	12 - 27	90101-10M58	17 - 52	90201-16M44	8 - 14
6J8-45567-01-12	20 - 38	703-48223-00	24 - 27	6J8-48544-01	15 - 3	703-82577-00	24 - 44	90105-06M18	17 - 24	90201-20417	20 - 45
6J8-45567-01-15	20 - 38	703-48224-00	24 - 54		16 - 4	6E3-8257H-00	12 - 38	90109-06M28	14 - 3	90201-22M03	17 - 11
6J8-45567-01-18	20 - 38	703-48225-00	24 - 28	6J8-81332-00	8 - 22	689-8257Y-00	12 - 29	90109-06M29	15 - 12	90201-30M00	17 - 28
6J8-45567-01-30	20 - 38	703-48226-00	24 - 25	6J8-81337-00	11 - 27	6J8-82580-00	10 - 27		16 - 13	90201-50306	3 - 7
6J8-45567-01-40	20 - 38	703-48227-00	24 - 24	6J8-81338-00	11 - 31	688-82586-21	24 - 48	90109-08M26	17 - 45	90202-10024	14 - 31
6J8-45567-01-50	20 - 38	703-48230-15	23 - 1	6J8-81365-A0	11 - 33	703-82591-00	24 - 52	90116-08016	13 - 9	90202-12031	18 - 10
6J8-45571-00	20 - 46		24 - 1	6F5-81800-11	11 - 1	703-82592-00	24 - 53	90116-10M28	17 - 34		18 - 14
664-45576-00	20 - 50	703-48232-00	24 - 61	689-81807-12	11 - 3	703-83383-02	24 - 50	90119-05M31	4 - 13	90202-12M17	14 - 36
664-45577-01-10	20 - 49	703-48234-00	24 - 18	689-81809-11	11 - 7	6E9-83557-70	10 - 15	90119-06023	2 - 13	90202-12M25	12 - 4
664-45577-01-12	20 - 49	703-48235-00	24 - 4	689-81810-11	11 - 9	6E5-83558-00	20 - 9		3 - 18	90202-36M55	13 - 5
664-45577-01-15	20 - 49	703-48236-00	24 - 16	689-81811-11	11 - 11	6A1-83625-41	4 - 25	90119-06M32	4 - 9	90206-12052	12 - 5
664-45577-01-18	20 - 49	703-48238-00	24 - 22	689-81812-11	11 - 12	6A1-83625-51	4 - 26	90119-06M61	12 - 19	90206-12M16	18 - 15
664-45577-01-30	20 - 49	703-48243-00	24 - 15	689-81813-10	11 - 13	6E0-83627-41	13 - 34	90119-06MA3	2 - 24	90206-36M21	13 - 4
664-45577-01-40	20 - 49	703-48244-00	24 - 21	689-81820-11	11 - 14	6E0-83627-51	13 - 35		2 - 31	90214-45M02	20 - 54
664-45577-01-50	20 - 49	703-48245-00	24 - 11	6J8-81822-01-94	11 - 21	682-84381-00	12 - 31		4 - 7	90243-04M01	17 - 6
663-45587-01-10	20 - 5	703-48246-00	24 - 23	689-81826-10	11 - 15	6J8-84387-00	12 - 32	90119-06MA4	2 - 6	90249-06M24	18 - 31
663-45587-01-12	20 - 5	701-48248-00	24 - 13	6F5-81830-11	11 - 4	6J8-85410-00	12 - 35	90119-06MA5	2 - 30	90249-07M25	18 - 44

NUMERICAL INDEX

PART NO.	REF. NO.	PART NO.	REF. NO.	PART NO.	REF. NO.	PART NO.	REF. NO.	PART NO.	REF. NO.	PART NO.	REF. NO.
90249-12M27	18 - 12	90467-08004	6 - 4	92990-08600	17 - 17	93210-56M80	3 - 17	97013-08055	11 - 25	98580-05010	24 - 36
90249-12M28	18 - 8		6 - 15		24 - 33		25 - 4	97075-08020	21 - 18	98586-05016	22 - 4
90250-05010	20 - 42	90480-09M21	12 - 17	92990-14200	21 - 23	93210-60MA3	20 - 51	97075-08030	19 - 11	98780-05008	5 - 22
90254-03M03	15 - 5	90480-10M16	11 - 29	92995-05600	8 - 24		26 - 9	97075-08035	17 - 49	99080-05600	18 - 23
	16 - 6	90480-14M17	11 - 28	92995-06100	9 - 12	93306-00612	20 - 48	97075-10040	21 - 9		18 - 33
90254-03M04	13 - 29	90480-25161	9 - 16	92995-06600	6 - 3	93306-305U3	3 - 6	97095-06012	9 - 5		18 - 45
	14 - 12	90501-10065	20 - 40		7 - 6	93311-632U7	3 - 3		9 - 8	99530-10014	7 - 30
	14 - 34	90501-10227	7 - 32		7 - 27	93315-22004	20 - 52		14 - 20	9E471-09205	8 - 8
90266-04M00	1 - 5	90501-23215	13 - 18		7 - 29	93315-220V7	20 - 3	97095-06016	7 - 5		
90269-02M09	13 - 17	90502-10M04	18 - 4		7 - 37	93332-00001	20 - 6		7 - 45		
90280-03024	20 - 23	90506-12M25	18 - 7		7 - 46	93332-000V6	20 - 37		16 - 22		
90280-05013	8 - 12	90506-32M22	18 - 24		9 - 3	93410-28M06	17 - 32		16 - 25		
90282-04010	20 - 56	90508-18M23	18 - 28		9 - 6	93430-06024	24 - 10	97095-06020	9 - 11		
90338-07M00	19 - 8	90508-20M22	18 - 48		9 - 9	93430-06M02	7 - 24	97095-06025	6 - 2		
90340-08002	20 - 11	90508-25M21	18 - 43		14 - 21		18 - 22		7 - 11		
90386-06M12	13 - 30	90510-08M04	7 - 18		16 - 23	93430-10M00	18 - 9		7 - 21		
90386-08032	13 - 21	91490-16010	13 - 13		16 - 26		18 - 13		7 - 28		
90386-12M61	12 - 6		14 - 24	92995-08100	17 - 50	93450-17129	3 - 13		7 - 36		
90386-22M69	17 - 10	91490-20010	18 - 25		21 - 19	93602-16M10	3 - 11		9 - 2		
90386-30M60	17 - 30	91490-20012	13 - 33	92995-08600	6 - 20	93604-08062	20 - 30	97095-06035	7 - 26		
90386-30M77	17 - 26		14 - 14		17 - 40	93606-12019	2 - 7	97095-08016	6 - 19		
90386-30M78	17 - 27	91490-30022	21 - 25		19 - 12		19 - 2	97095-08025	17 - 39		
90386-33M96	13 - 6	91690-30010	18 - 3		21 - 20		19 - 9	97095-10060	17 - 41		
90386-34M97	13 - 7	91690-30012	15 - 11	92995-10100	21 - 10		21 - 8	97380-05025	24 - 8		
90387-06M29	7 - 35		16 - 12	92995-10600	17 - 35	93700-06M03	17 - 20	97380-08030	24 - 32		
90387-06M41	12 - 18	91690-40014	7 - 3		17 - 42	94702-00271	2 - 33	97575-08550	19 - 10		
90387-06M81	8 - 21	91690-50022	11 - 30		17 - 53	95303-06600	14 - 5	97780-50510	20 - 14		
90387-07M64	18 - 21	92903-06600	7 - 43		21 - 11	95380-05600	14 - 10	97880-05016	4 - 3		
90387-08M03	17 - 16		10 - 5	93101-20M07	20 - 53		14 - 29	97880-05025	10 - 9		
90430-08020	20 - 12		10 - 21		26 - 10		24 - 7	97880-05040	4 - 15		
	26 - 3		14 - 18	93101-23070	20 - 25	95380-06600	7 - 12	97880-06012	8 - 18		
90445-07M29	2 - 14	92903-08100	11 - 19		26 - 5		24 - 39		21 - 7		
90445-07M31	20 - 8	92903-08600	7 - 50	93101-25M28	3 - 15	95380-06700	7 - 22	97880-06025	14 - 4		
90445-07ME9	20 - 8		11 - 17		25 - 2		20 - 17	97885-05010	8 - 23		
90445-09M00	6 - 5		11 - 20	93102-26M27	3 - 4	95380-08600	17 - 18	97885-05012	13 - 24		
90445-11M05	22 - 11		11 - 24		25 - 9	95380-10600	17 - 55	97885-06008	17 - 4		
90445-11M06	22 - 9		11 - 26	93104-16M04	3 - 16	95780-08300	14 - 32	97902-04106	8 - 7		
90464-03M15	11 - 22		11 - 35		25 - 3	95895-06012	12 - 8	97902-04112	8 - 6		
90464-05M16	9 - 13	92903-10600	13 - 19	93210-03261	10 - 22	97013-06012	10 - 26	97902-05408	8 - 10		
90464-09M21	6 - 12	92990-05600	4 - 4	93210-08287	22 - 14	97013-06016	10 - 4	97902-06120	8 - 5		
90464-12M17	6 - 21		4 - 16		22 - 16		10 - 20	97980-03122	5 - 32		
90464-15M11	9 - 4		5 - 24	93210-29M94	17 - 29	97013-06020	7 - 42	97980-04110	5 - 20		
	10 - 30		10 - 10	93210-32738	6 - 9		14 - 17	97980-04112	5 - 21		
90465-11M10	20 - 10		14 - 23		25 - 13	97013-08014	7 - 49		25 - 27		
90465-13M18	10 - 12	92990-06200	13 - 32	93210-41042	20 - 26		11 - 34	97980-04124	5 - 33		
90465-13M76	12 - 30		14 - 13		26 - 6	97013-08016	11 - 16	98580-03015	24 - 37		
90465-18147	10 - 13	92990-08100	15 - 2	93210-42159	3 - 5	97013-08030	11 - 18	98580-04006	24 - 35		
90467-06016	2 - 15		16 - 2		25 - 15	97013-08035	11 - 23	98580-04010	24 - 34		

30DE/30DMH
PARTS CATALOGUE
©2003 by Yamaha Motor Co., Ltd.
1st edition, September 2003
All rights reserved.
Any reprinting or unauthorized use
without the written permission of
Yamaha Motor Co., Ltd.
is expressly prohibited.
Printed in Japan.