



# **PARTS CATALOGUE**

**30MHC** (6J8A)

**30DMH'04** (6J8A)

**30DETO'04** (6J8B)

# FOREWORD

This Parts Catalogue is related to the parts for the model(s) on the cover page. When you are ordering replacement parts, please refer to this Parts Catalogue and quote both part numbers and part names correctly.

1. Modifications or additions which have been made after the issue of the Parts Catalogue will be announced in the Parts News.  
It is advisable that you make the necessary corrections to the Parts Catalogue according to the Parts News.

2. Abbreviations  
The following abbreviations are used in this Parts Catalogue.

“UR” Use specified parts number.  
 “UN” Use as many as needed.  
 “AP” Alternate Parts  
 “LM” Locally Made (Parts need to be ordered locally)  
 “F#” Frame No. (Applicable machine No.)  
 “O/S” Over Size

3. The number of components for assembly
  - Parts, which are to be supplied in an assembly, are listed with a dot (.) in front of the part name as shown below.
  - The numeral appearing to the right of each component part indicates the quantity of parts for each assembly unit.

| PART NO.     | DESCRIPTION              | Q'TY | REMARKS |
|--------------|--------------------------|------|---------|
| 2F5-83310-60 | FRONT FLASHER LIGHT ASSY | 2    |         |
| 115-83311-60 | .BULB (6V-18W)           | 1    |         |

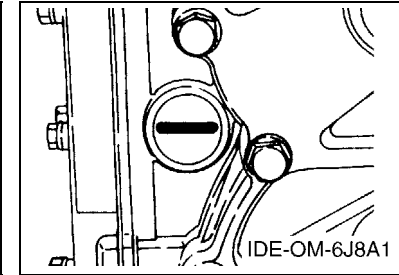
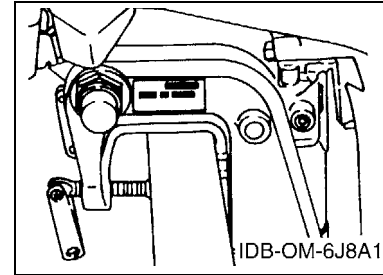
4. Applicable colours of graphics are represented in the “REMARKS” as shown below.

| PART NO.        | DESCRIPTION         | Q'TY | REMARKS |
|-----------------|---------------------|------|---------|
| 2N4-24110-00-X5 | FUEL TANK COMP.     | 2    | MXR     |
| 3J1-24240-10    | .GRAPHIC, FUEL TANK | 1    | FOR MXR |

5. Note that the illustrations for reference in finding parts numbers are not to be used for assembling. When assembling, please use the applicable service manual.

6. The asterisk (\*) before a reference number indicates modified items after the first edition.
7. Applicable Serial No.

Engine Serial No.



8. Applicable Engine Starting Serial No.

| Model | Serial No.   | Model | Serial No.   |
|-------|--------------|-------|--------------|
| 30    | 6J8K-1002376 | 30D   | 6J8K-1002376 |
|       |              |       |              |
|       |              |       |              |
|       |              |       |              |

9. Applicable Colour Code

| Abbreviation | Colour Name                 | Colour Code |
|--------------|-----------------------------|-------------|
| DBNM2        | DARK BLUISH GRAY METALLIC 2 | 004D        |

10. Quantity Column Information

| Column No. | Name Of Q'ty Column | Applicable Model |
|------------|---------------------|------------------|
| 1          | MH                  | 30DMH            |
| 2          | MHO                 | 30MHC            |
| 3          | ETO                 | 30DETO           |
|            |                     |                  |
|            |                     |                  |

# CONTENTS

## SHEET1/2

|                              |    |
|------------------------------|----|
| TOP COWLING .....            | A4 |
| CYLINDER & CRANKCASE .....   | A5 |
| CRANKSHAFT & PISTON .....    | A7 |
| INTAKE .....                 | B1 |
| CARBURETOR .....             | B3 |
| OIL PUMP .....               | B5 |
| FUEL .....                   | B7 |
| STARTER .....                | C1 |
| GENERATOR .....              | C3 |
| ELECTRICAL 1 .....           | C4 |
| ELECTRICAL 2 .....           | C5 |
| STARTING MOTOR .....         | C7 |
| BOTTOM COWLING .....         | D2 |
| STEERING .....               | D4 |
| CONTROL 1 .....              | D6 |
| CONTROL 2 .....              | E1 |
| REMO CON ATTACHMENT .....    | E2 |
| BRACKET 1 .....              | E3 |
| BRACKET 2 .....              | E5 |
| BRACKET 3 .....              | E7 |
| BRACKET 4 .....              | F2 |
| POWER TRIM & TILT ASSY ..... | F4 |
| UPPER CASING .....           | F7 |

## INDEX

|                       |    |
|-----------------------|----|
| NUMERICAL INDEX ..... | G1 |
|-----------------------|----|

## SHEET2/2

|                              |     |
|------------------------------|-----|
| LOWER CASING & DRIVE 1 ..... | A4* |
| LOWER CASING & DRIVE 2 ..... | A7* |
| FUEL TANK .....              | B2* |
| STEERING GUIDE .....         | B3* |
| REMOTE CONTROL BOX .....     | B4* |
| REMOTE CONTROL ASSY .....    | B5* |
| REPAIR KIT 1 .....           | C1* |
| REPAIR KIT 2 .....           | C2* |

## INDEX

|                       |     |
|-----------------------|-----|
| NUMERICAL INDEX ..... | G1* |
|-----------------------|-----|

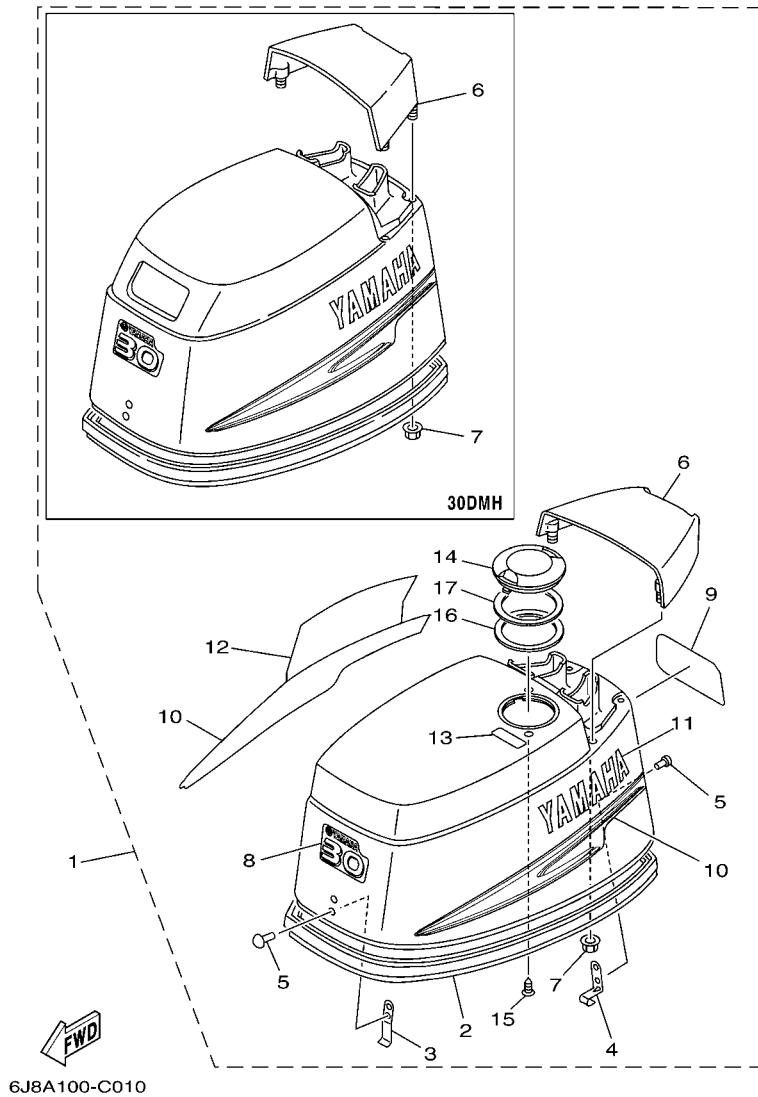
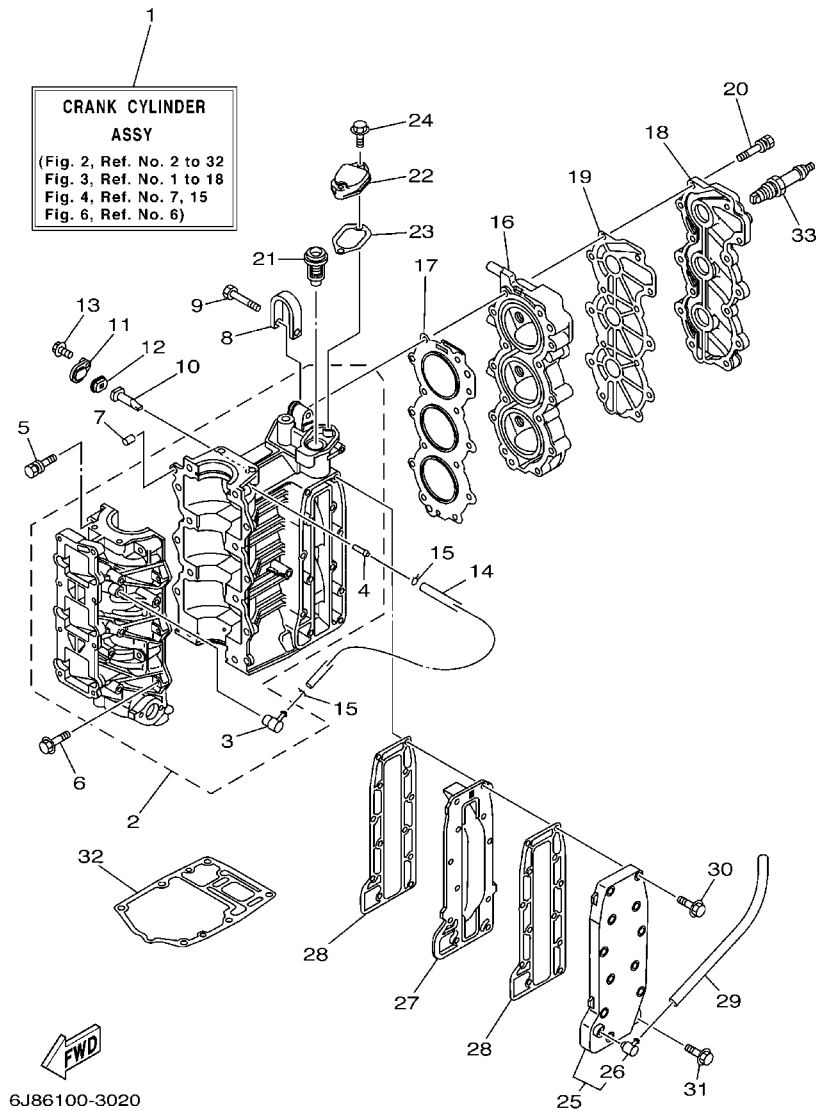


FIG. 1 TOP COWLING

| REF. NO. | PART NO.        | DESCRIPTION        | MH | MHO | ETO | REMARKS |
|----------|-----------------|--------------------|----|-----|-----|---------|
| 1        | 6J8-42610-C0-4D | TOP COWLING ASSY   | 1  | 1   |     |         |
|          | 6J8-42610-F0-4D | TOP COWLING ASSY   |    |     | 1   |         |
| 2        | 6J8-42615-00    | .SEAL              | 1  | 1   | 1   |         |
| 3        | 6J8-42651-03    | .HOOK              | 1  | 1   | 1   |         |
| 4        | 6J8-42652-00    | .HOOK              | 1  | 1   | 1   |         |
| 5        | 90266-04M00     | .RIVET             | 4  | 4   | 4   |         |
| 6        | 6J8-42613-00-4D | .MOLDING, AIR DUCT | 1  | 1   |     |         |
|          | 6J8-42613-10-4D | .MOLDING, AIR DUCT |    |     | 1   |         |
| 7        | 90179-06M24     | .NUT               | 4  | 4   | 4   |         |
| 8        | 6J8-42677-30    | .GRAPHIC, FRONT    | 1  | 1   | 1   |         |
| 9        | 6J8-42678-30    | .GRAPHIC, REAR     | 1  | 1   | 1   |         |
| 10       | 6J8-W0070-30    | .GRAPHIC SET       | 1  | 1   | 1   |         |
| 11       | 6J8-42681-30    | .MARK, COWLING     | 1  | 1   | 1   |         |
| 12       | 6J8-42682-30    | .MARK, COWLING     | 1  | 1   | 1   |         |
| 13       | 6J8-13436-40    | .MARK              |    |     | 1   |         |
| 14       | 6J8-2177H-00    | .DISK CAP 2        |    |     | 1   |         |
| 15       | 90161-03M01     | .SCREW, TAPPING    |    |     | 2   |         |
| 16       | 6J8-21732-00    | .SEAL 1            |    |     | 1   |         |
| 17       | 6J8-21735-00    | .SEAL 2            |    |     | 1   |         |

**FIG. 2 CYLINDER & CRANKCASE**



| REF. NO. | PART NO.        | DESCRIPTION             | MH | MHO | ETO | REMARKS |
|----------|-----------------|-------------------------|----|-----|-----|---------|
| 1        | 6J8-W0090-06-1S | CRANK CYLINDER ASSY     | 1  |     |     | N.O/I   |
|          | 6J8-W0090-43-1S | CRANK CYLINDER ASSY     |    | 1   | 1   | O/I     |
| 2        | 6J8-15100-01-1S | CRANKCASE ASSY          | 1  |     |     | N.O/I   |
|          | 6J8-15100-11-1S | CRANKCASE ASSY          |    | 1   | 1   | O/I     |
| 3        | 650-11370-01    | .CHECK VALVE ASSY       | 1  | 1   | 1   |         |
| 4        | 624-14485-00    | .PIPE, JOINT            | 1  | 1   | 1   |         |
| 5        | 90119-08019     | BOLT, WITH WASHER       | 8  | 8   | 8   |         |
| 6        | 90119-06MA4     | BOLT, WITH WASHER       | 6  | 6   | 6   |         |
| 7        | 93606-12019     | PIN, DOWEL              | 2  | 2   | 2   |         |
| 8        | 6F5-11119-00    | HANGER, ENGINE          | 1  | 1   | 1   |         |
| 9        | 90101-08001     | BOLT                    | 1  | 1   | 1   |         |
| 10       | 6J8-11325-00    | ANODE                   | 2  | 2   | 2   |         |
| 11       | 6H3-11327-00-1S | COVER, ANODE            | 2  | 2   | 2   |         |
| 12       | 6H3-11328-00    | GROMMET, ANODE          | 2  | 2   | 2   |         |
| 13       | 90119-06023     | BOLT, WITH WASHER       | 2  | 2   | 2   |         |
| 14       | 90445-07M29     | HOSE (L135)             | 1  | 1   | 1   |         |
| 15       | 90467-06016     | CLIP                    | 2  | 2   | 2   |         |
| 16       | 6J8-11111-00-1S | HEAD, CYLINDER 1        | 1  | 1   | 1   |         |
| 17       | 6J8-11181-A1    | GASKET, CYLINDER HEAD 1 | 1  | 1   | 1   |         |
| 18       | 6J8-11191-00-1S | COVER, CYLINDER HEAD 1  | 1  | 1   | 1   |         |
| 19       | 6J8-11193-A1    | GASKET, HEAD COVER 1    | 1  | 1   | 1   |         |
| 20       | 90119-08MA8     | BOLT, WITH WASHER       | 14 | 14  | 14  |         |
| 21       | 688-12411-10    | THERMOSTAT              | 1  | 1   | 1   |         |
| 22       | 6H4-12413-00-1S | COVER, THERMOSTAT       | 1  | 1   | 1   |         |
| 23       | 6J8-12414-A0    | GASKET, COVER           | 1  | 1   | 1   |         |
| 24       | 90119-06MA3     | BOLT, WITH WASHER       | 2  | 2   | 2   |         |
| 25       | 6J8-41113-00-1S | OUTER COVER, EXHAUST    | 1  | 1   | 1   |         |

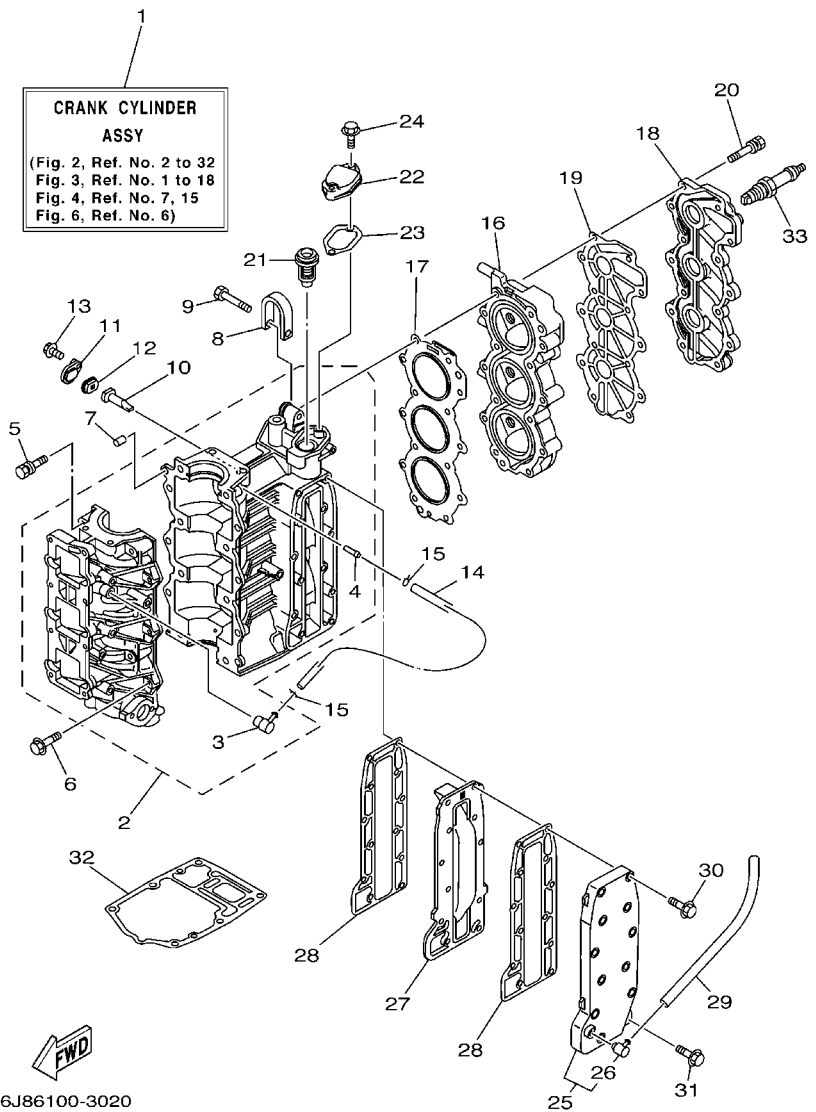
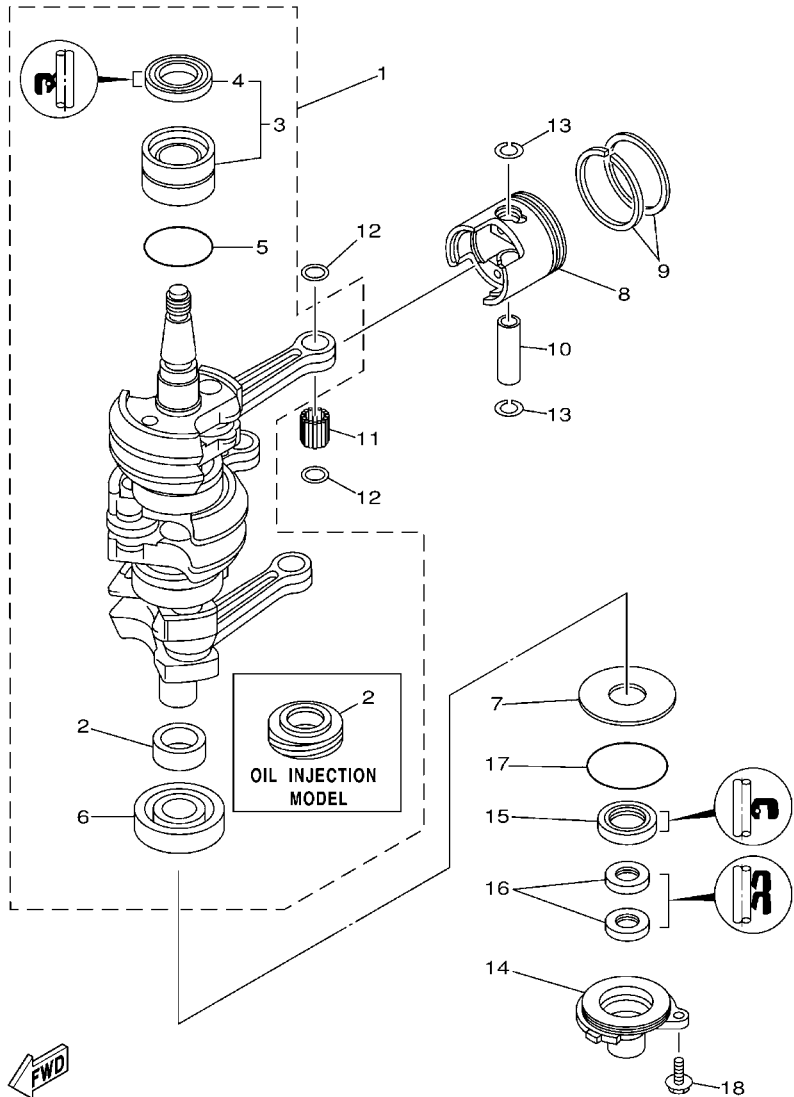


FIG. 2 CYLINDER & CRANKCASE

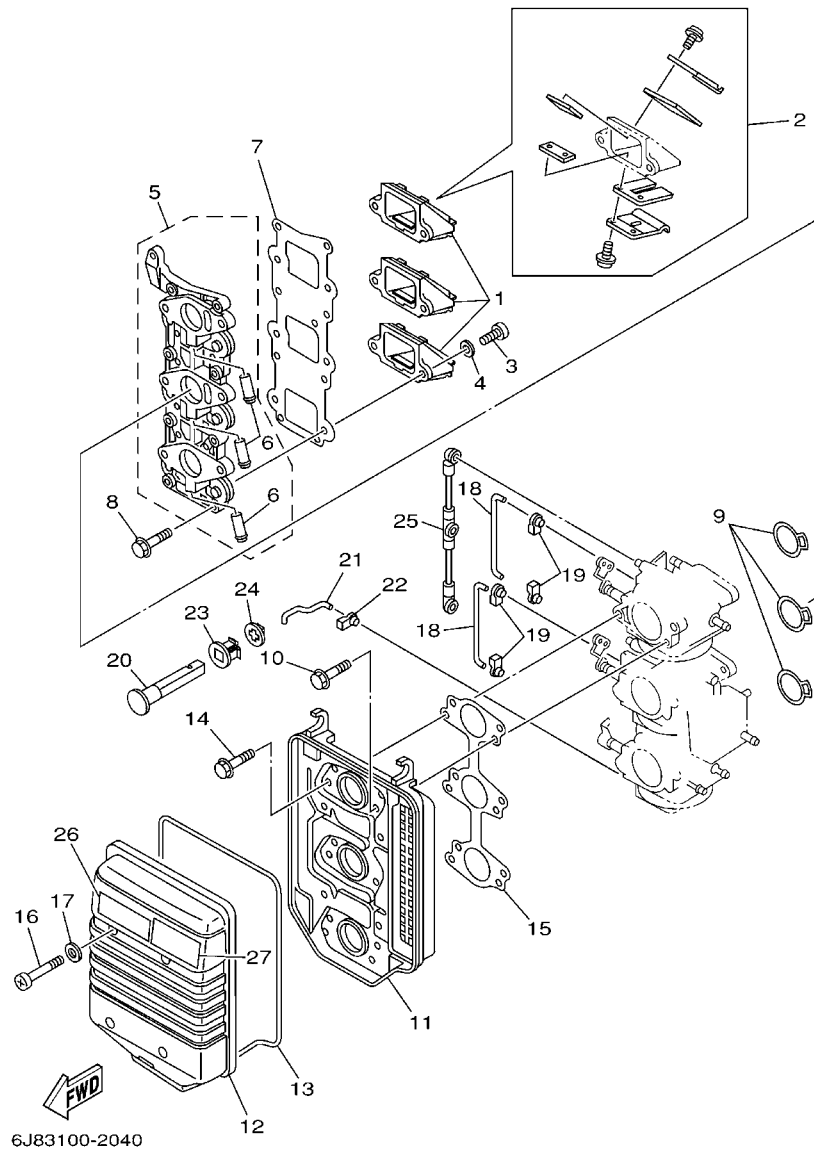
| REF. NO. | PART NO.        | DESCRIPTION                 | MH | MHO | ETO | REMARKS |
|----------|-----------------|-----------------------------|----|-----|-----|---------|
| 26       | 676-11372-00    | .NIPPLE, HOSE               | 1  | 1   | 1   |         |
| 27       | 6J8-41111-00-1S | INNER COVER, EXHAUST        | 1  | 1   | 1   |         |
| 28       | 6J8-41114-A0    | GASKET, EXHAUST OUTER COVER | 2  | 2   | 2   |         |
| 29       | 6J8-1111J-00    | PIPE 1                      | 1  | 1   | 1   |         |
| 30       | 90119-06MA5     | BOLT, WITH WASHER           | 11 | 11  | 11  |         |
| 31       | 90119-06MA3     | BOLT, WITH WASHER           | 1  | 1   | 1   |         |
| 32       | 6J8-45113-A0    | GASKET, UPPER CASING        | 1  | 1   | 1   |         |
| 33       | 94702-00271     | PLUG, SPARK (NGK BR7HS-10)  | 3  | 3   | 3   |         |
|          |                 |                             |    |     |     |         |
|          |                 |                             |    |     |     |         |
|          |                 |                             |    |     |     |         |
|          |                 |                             |    |     |     |         |
|          |                 |                             |    |     |     |         |
|          |                 |                             |    |     |     |         |
|          |                 |                             |    |     |     |         |
|          |                 |                             |    |     |     |         |
|          |                 |                             |    |     |     |         |



6J83100-2030

FIG. 3 CRANKSHAFT & PISTON

| REF. NO. | PART NO.        | DESCRIPTION                  | MH | MHO | ETO | REMARKS |
|----------|-----------------|------------------------------|----|-----|-----|---------|
| 1        | 6J8-11400-01    | CRANKSHAFT ASSY              | 1  |     |     | N.O/I   |
|          | 6J8-11400-11    | CRANKSHAFT ASSY              |    | 1   | 1   | O/I     |
| 2        | 6J8-11445-00    | .SPACER                      | 1  |     |     | N.O/I   |
|          | 6J8-11536-00    | .GEAR, DRIVE                 |    | 1   | 1   | O/I     |
| 3        | 93311-632U7     | .BEARING                     | 1  | 1   | 1   |         |
| 4        | 93102-26M27     | ..OIL SEAL                   | 1  | 1   | 1   |         |
| 5        | 93210-42159     | .O-RING                      | 1  | 1   | 1   |         |
| 6        | 93306-305U3     | .BEARING                     | 1  | 1   | 1   |         |
| 7        | 90201-50306     | WASHER, PLATE                | 1  | 1   | 1   |         |
| 8        | 6J8-11631-02-97 | PISTON (STD)                 | 3  | 3   | 3   |         |
|          | 6J8-11635-02    | PISTON (0.25MM O/S)          | 3  | 3   | 3   | AP      |
|          | 6J8-11636-02    | PISTON (0.50MM O/S)          | 3  | 3   | 3   | AP      |
| 9        | 6J8-11601-01    | PISTON RING SET (STD)        | 3  | 3   | 3   |         |
|          | 6J8-11601-11    | PISTON RING SET (0.25MM O/S) | 3  | 3   | 3   | AP      |
|          | 6J8-11601-21    | PISTON RING SET (0.50MM O/S) | 3  | 3   | 3   | AP      |
| 10       | 6J8-11633-00    | PIN, PISTON                  | 3  | 3   | 3   |         |
| 11       | 93602-16M10     | PIN, DOWEL                   | 84 | 84  | 84  |         |
| 12       | 90201-16379     | WASHER, PLATE                | 6  | 6   | 6   |         |
| 13       | 93450-17129     | CIRCLIP                      | 6  | 6   | 6   |         |
| 14       | 6J8-15396-00-5B | HOUSING, OIL SEAL            | 1  | 1   | 1   |         |
| 15       | 93101-25M28     | OIL SEAL                     | 1  | 1   | 1   |         |
| 16       | 93104-16M04     | OIL SEAL                     | 2  | 2   | 2   |         |
| 17       | 93210-56M80     | O-RING                       | 1  | 1   | 1   |         |
| 18       | 90119-06023     | BOLT, WITH WASHER            | 2  | 2   | 2   |         |



**FIG. 4 INTAKE**

| REF. NO. | PART NO.        | DESCRIPTION        | MH | MHO | ETO | REMARKS |
|----------|-----------------|--------------------|----|-----|-----|---------|
| 1        | 6J8-13610-00    | REED VALVE ASSY    | 3  | 3   | 3   |         |
| 2        | 6J8-W0004-00    | .REED SET          | 1  | 1   | 1   |         |
| 3        | 97880-05016     | SCREW, PAN HEAD    | 6  | 6   | 6   |         |
| 4        | 92990-05600     | WASHER, PLATE      | 6  | 6   | 6   |         |
| 5        | 6J8-13641-00-94 | MANIFOLD 1         | 1  |     |     | N.O/I   |
| 6        | 6J8-13641-10-94 | MANIFOLD 1         |    | 1   | 1   | O/I     |
| 6        | 676-14485-00    | .PIPE, JOINT       |    | 3   | 3   | FOR O/I |
| 7        | 6J8-13621-00    | GASKET, VALVE SEAT | 1  | 1   | 1   |         |
| 8        | 90119-06MA3     | BOLT, WITH WASHER  | 8  | 8   | 8   |         |
| 9        | 6J8-14198-00    | GASKET             | 3  | 3   | 3   |         |
| 10       | 90119-06M32     | BOLT, WITH WASHER  | 6  | 6   | 6   |         |
| 11       | 6J8-14417-00    | COVER 1            | 1  | 1   | 1   |         |
| 12       | 6J8-14418-00    | COVER 2            | 1  | 1   | 1   |         |
| 13       | 6J8-14476-00    | SEAL               | 1  | 1   | 1   |         |
| 14       | 90119-05M31     | BOLT, WITH WASHER  | 6  | 6   | 6   |         |
| 15       | 6J8-14483-A1    | GASKET             | 1  | 1   | 1   |         |
| 16       | 97880-05040     | SCREW, PAN HEAD    | 4  | 4   | 4   |         |
| 17       | 92990-05600     | WASHER, PLATE      | 4  | 4   | 4   |         |
| 18       | 6J8-41259-00    | ROD, CHOKE 3       | 2  | 2   | 2   |         |
| 19       | 661-41262-02    | JOINT, CHOKE LEVER | 4  | 4   | 4   |         |
| 20       | 6J8-41271-01    | KNOB, CHOKE        | 1  | 1   | 1   |         |
| 21       | 6J8-41257-00    | ROD, CHOKE 2       | 1  | 1   | 1   |         |
| 22       | 6J8-41262-00    | JOINT, CHOKE LEVER | 1  | 1   | 1   |         |
| 23       | 689-41273-00    | GROMMET            | 1  | 1   | 1   |         |
| 24       | 6J8-41274-00    | GROMMET 2          | 1  | 1   | 1   |         |
| 25       | 6J8-41217-00    | ROD, ACCEL. LEVER  | 1  | 1   | 1   |         |
| 26       | 6A1-83625-41    | MARK 5             | 1  | 1   | 1   |         |



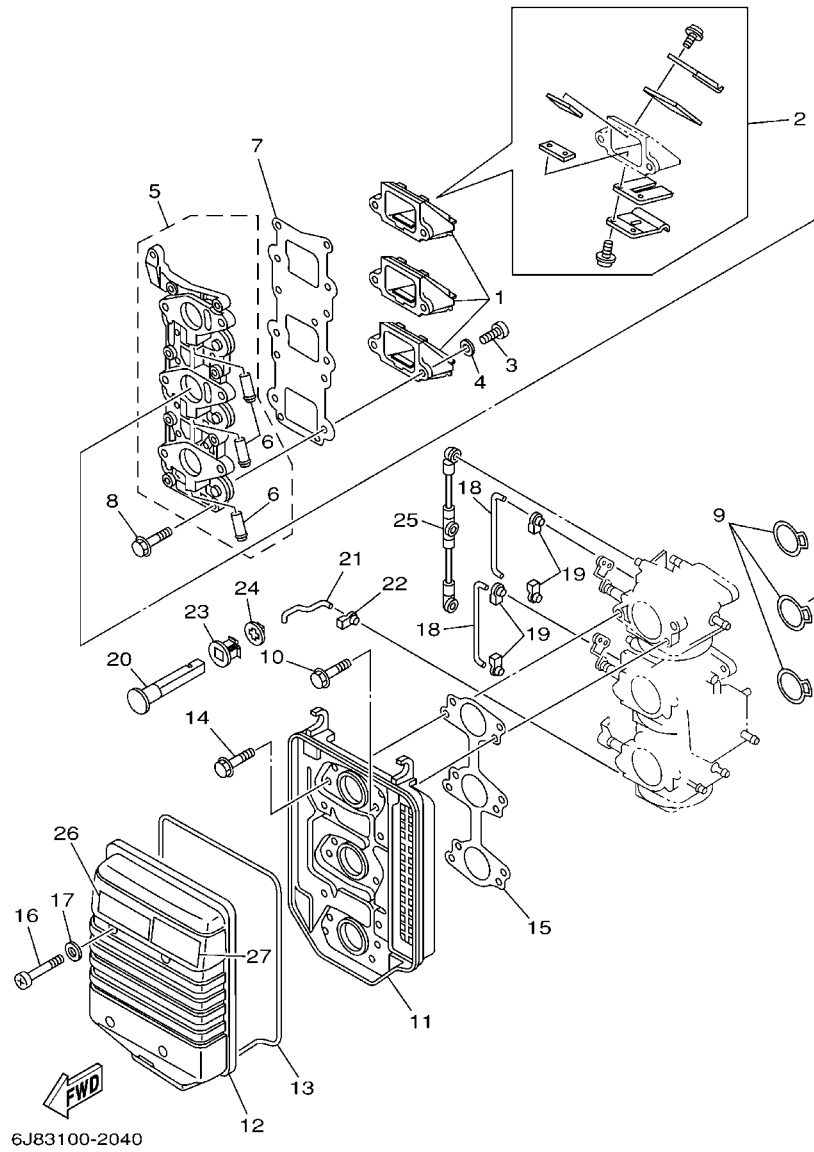
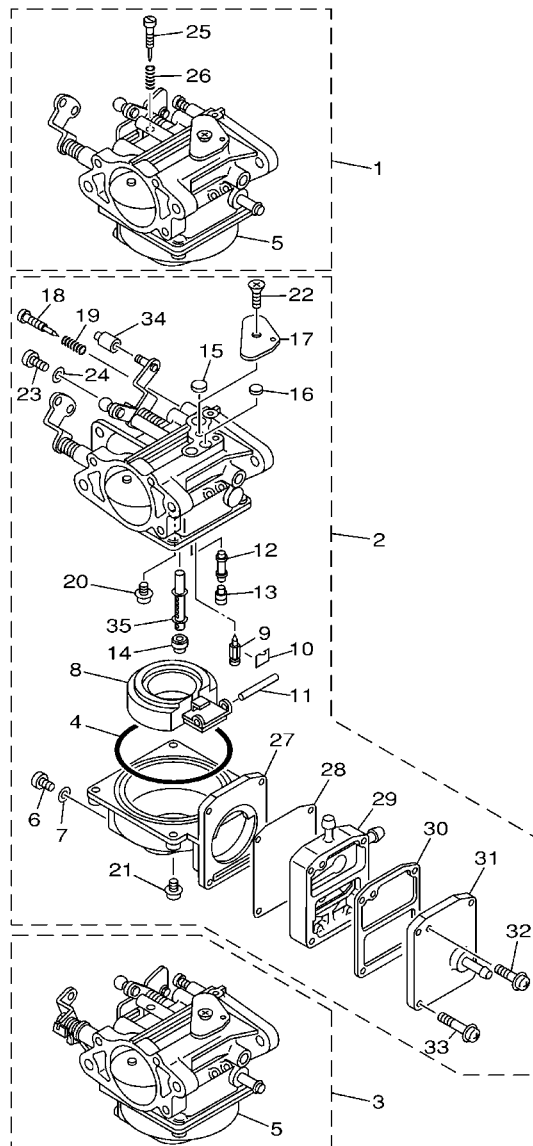


FIG. 4 INTAKE

| REF. NO. | PART NO.     | DESCRIPTION | MH | MHO | ETO | REMARKS |
|----------|--------------|-------------|----|-----|-----|---------|
| 27       | 6A1-83625-51 | MARK 5      |    | 1   |     | FOR CAN |
|          |              |             |    |     |     |         |
|          |              |             |    |     |     |         |
|          |              |             |    |     |     |         |
|          |              |             |    |     |     |         |
|          |              |             |    |     |     |         |
|          |              |             |    |     |     |         |
|          |              |             |    |     |     |         |
|          |              |             |    |     |     |         |
|          |              |             |    |     |     |         |

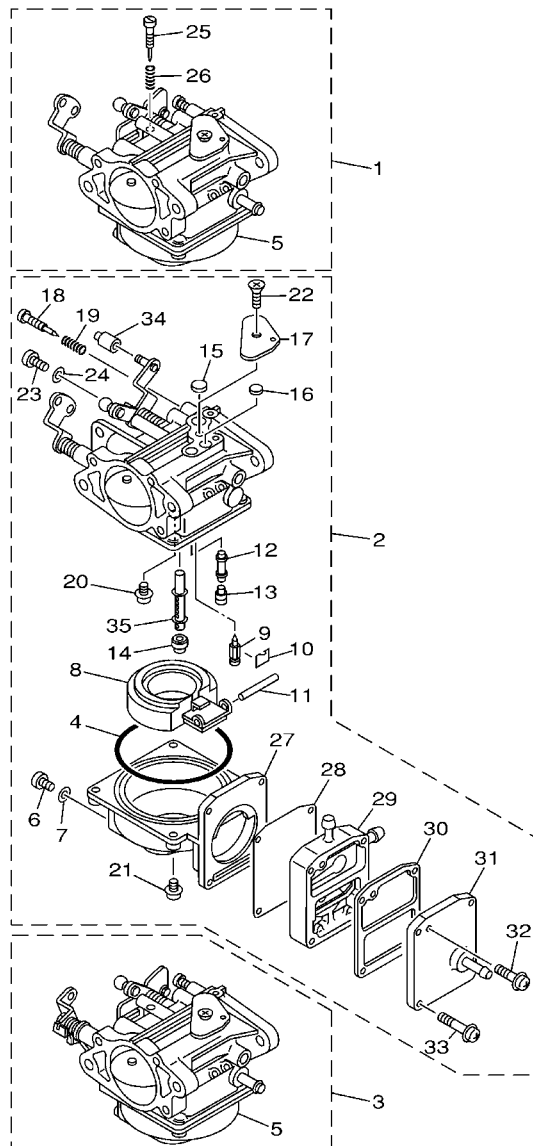
FIG. 5 CARBURETOR



  
6J80010-9050

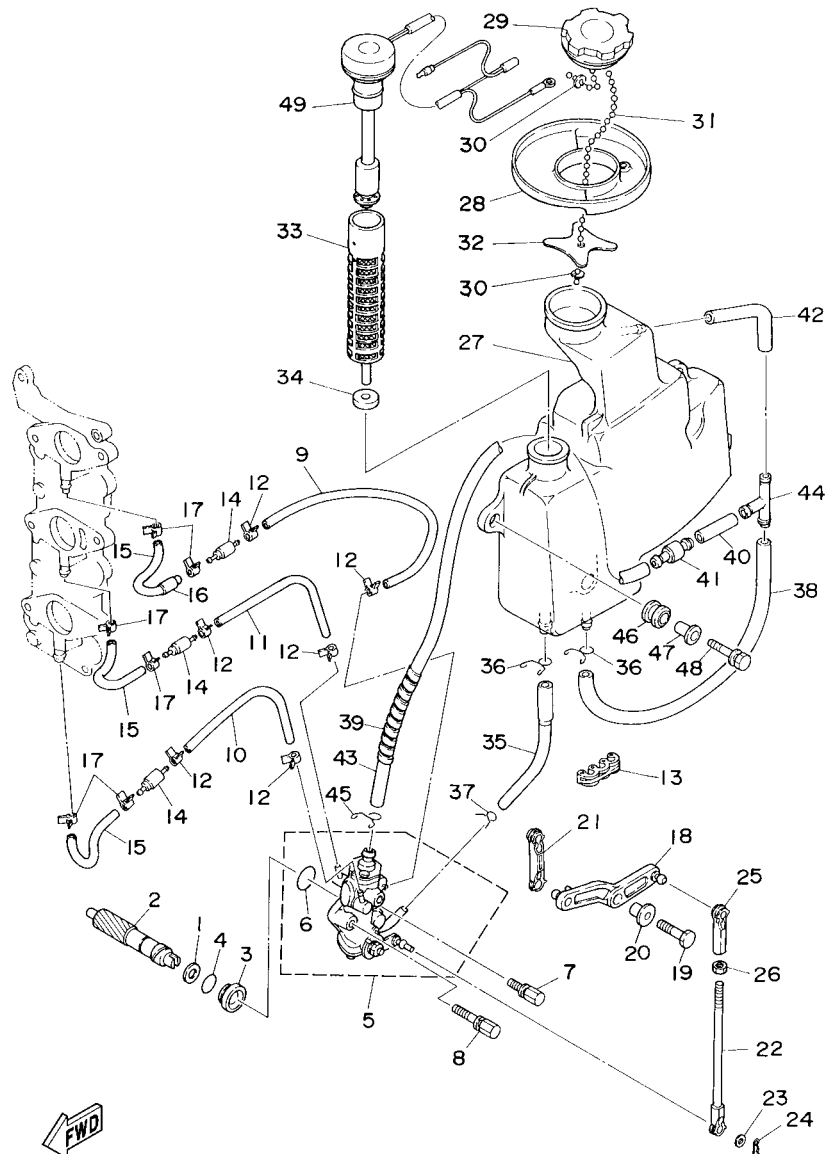
| REF. NO. | PART NO.     | DESCRIPTION            | MH | MHO | ETO | REMARKS |
|----------|--------------|------------------------|----|-----|-----|---------|
| 1        | 6J8-14301-01 | CARBURETOR ASSY 1      | 1  |     |     | N.O/I   |
|          | 6J8-14301-11 | CARBURETOR ASSY 1      |    | 1   | 1   | O/I     |
| 2        | 6J8-14302-01 | CARBURETOR ASSY 2      | 1  | 1   | 1   |         |
| 3        | 6J8-14303-01 | CARBURETOR ASSY 3      | 1  | 1   | 1   |         |
| 4        | 6J8-14984-00 | .GASKET, FLOAT CHAMBER | 3  | 3   | 3   |         |
| 5        | 6J8-14980-00 | .BODY, FLOAT CHAMBER   | 2  | 2   | 2   | #1,3    |
| 6        | 6J8-14991-00 | .SCREW                 | 3  | 3   | 3   |         |
| 7        | 6J8-14995-00 | .GASKET                | 3  | 3   | 3   |         |
| 8        | 6J8-14985-00 | .FLOAT                 | 3  | 3   | 3   |         |
| 9        | 6J8-14546-00 | .VALVE, NEEDLE         | 3  | 3   | 3   |         |
| 10       | 6J8-14159-00 | .CLIP                  | 3  | 3   | 3   |         |
| 11       | 6J8-14548-00 | .PIN, FLOAT ARM        | 3  | 3   | 3   |         |
| 12       | 6J8-1492F-26 | .JET, AIR SLOW (#50)   | 3  | 3   | 3   |         |
| 13       | 6J8-14966-00 | .PLUG                  | 3  | 3   | 3   |         |
| 14       | 6J8-1492E-51 | .JET, MAIN (#102)      | 3  | 3   | 3   |         |
| 15       | 6J8-14126-00 | .PLUG                  | 3  | 3   | 3   |         |
| 16       | 6J8-14118-00 | .PLUG                  | 3  | 3   | 3   |         |
| 17       | 6J8-14527-01 | .PLATE                 | 3  | 3   | 3   |         |
| 18       | 6J8-14923-00 | .SCREW, PILOT          | 3  | 3   | 3   |         |
| 19       | 6J8-14555-00 | .SPRING                | 3  | 3   | 3   |         |
| 20       | 97980-04110  | .SCREW, WITH WASHER    | 3  | 3   | 3   |         |
| 21       | 97980-04112  | .SCREW, WITH WASHER    | 12 | 12  | 12  |         |
| 22       | 98780-05008  | .SCREW, FLAT HEAD      | 3  | 3   | 3   |         |
| 23       | 6J8-14592-01 | .SCREW                 | 3  | 3   | 3   |         |
| 24       | 92990-05600  | .WASHER, PLATE         | 3  | 3   | 3   |         |
| 25       | 6J8-14523-00 | .SCREW, STOP           | 1  | 1   | 1   | #1      |
| 26       | 6J8-14334-00 | .SPRING, THROTTLE      | 1  | 1   | 1   | #1      |

FIG. 5 CARBURETOR



| REF. NO. | PART NO.     | DESCRIPTION          | MH | MHO | ETO | REMARKS |
|----------|--------------|----------------------|----|-----|-----|---------|
| 27       | 6J8-14981-00 | .BODY, FLOAT CHAMBER | 1  | 1   | 1   | #2      |
| 28       | 6J8-24471-00 | .DIAPHRAGM           | 1  | 1   | 1   | #2      |
| 29       | 6J8-24415-00 | .BODY 4              | 1  | 1   | 1   | #2      |
| 30       | 6J8-24432-00 | .GASKET, FUEL PUMP 2 | 1  | 1   | 1   | #2      |
| 31       | 6J8-24452-00 | .COVER               | 1  | 1   | 1   | #2      |
| 32       | 97980-03122  | .SCREW, WITH WASHER  | 1  | 1   | 1   | #2      |
| 33       | 97980-04124  | .SCREW, WITH WASHER  | 4  | 4   | 4   | #2      |
| 34       | 6J8-14578-00 | .COLLAR              | 1  | 1   | 1   | #2      |
| 35       | 6J8-1492A-00 | .NOZZLE, MAIN        | 3  | 3   | 3   |         |

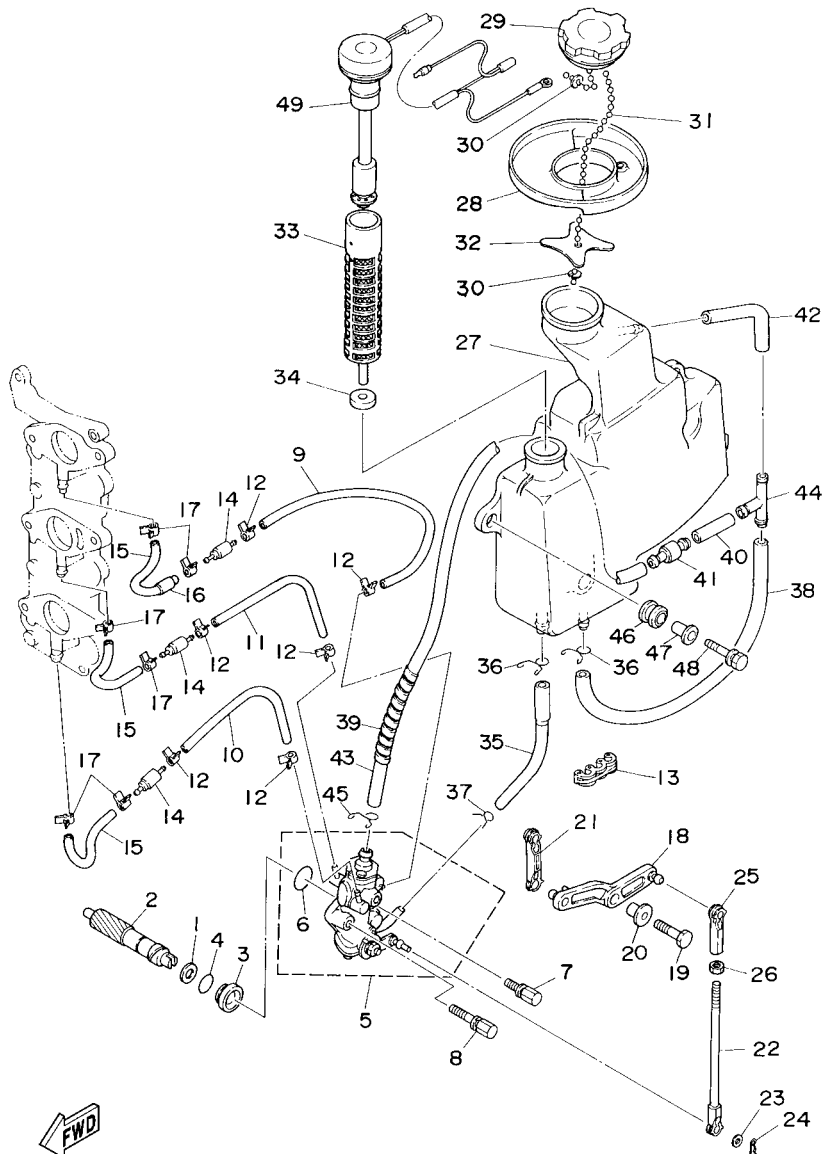
FWD  
6J80010-9050



6J80010-4060

FIG. 6 OIL PUMP

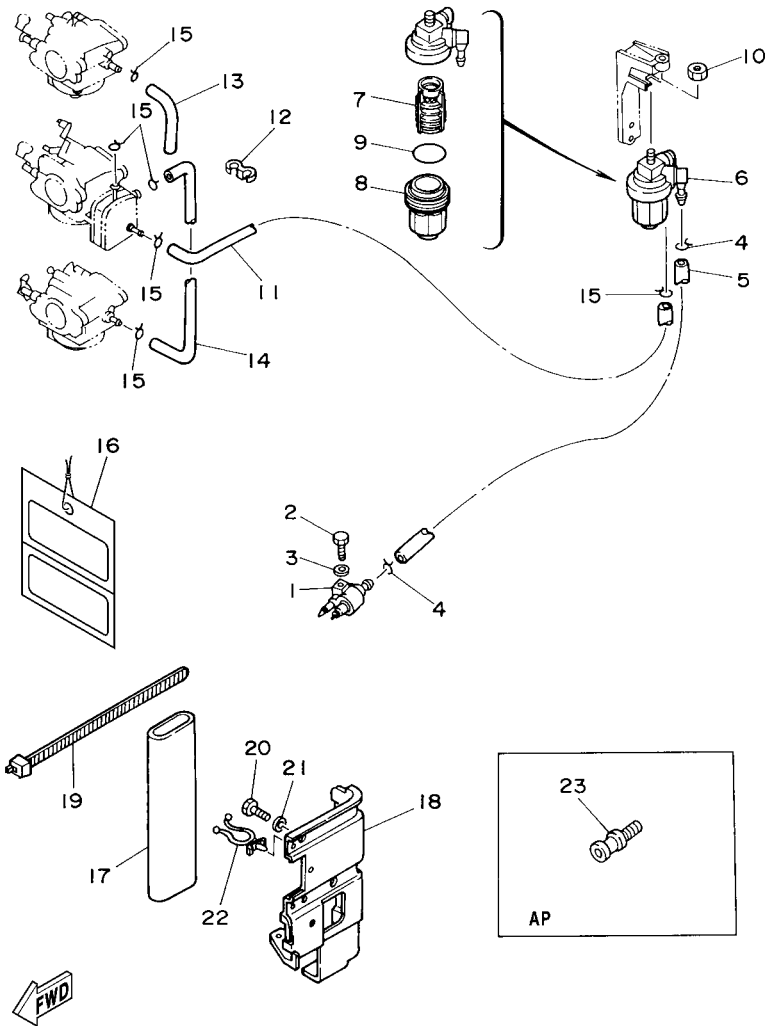
| REF. NO. | PART NO.     | DESCRIPTION             | MH | MHO | ETO | REMARKS |
|----------|--------------|-------------------------|----|-----|-----|---------|
| 1        | 90201-08M93  | WASHER, PLATE           |    | 1   | 1   |         |
| 2        | 6J8-11537-00 | GEAR, DRIVEN            |    | 1   | 1   |         |
| 3        | 6J8-13117-00 | COLLAR, DISTANCE        |    | 1   | 1   |         |
| 4        | 93210-13M04  | O-RING                  |    | 1   | 1   |         |
| 5        | 6J8-13200-01 | OIL INJECTION PUMP ASSY |    | 1   | 1   |         |
| 6        | 93210-19MA7  | O-RING                  |    | 1   | 1   |         |
| 7        | 90109-05M32  | BOLT                    |    | 1   | 1   |         |
| 8        | 90109-05M33  | BOLT                    |    | 1   | 1   |         |
| 9        | 90445-07M08  | HOSE (L220)             |    | 1   | 1   |         |
| 10       | 90445-07M32  | HOSE (L120)             |    | 1   | 1   |         |
| 11       | 90445-07M32  | HOSE (L120)             |    | 1   | 1   |         |
| 12       | 90468-07M02  | CLIP                    |    | 6   | 6   |         |
| 13       | 90464-07M05  | CLAMP                   |    | 1   | 1   |         |
| 14       | 6E9-13183-70 | VALVE, CHECK            |    | 3   | 3   |         |
| 15       | 90445-07M04  | HOSE (L50)              |    | 3   | 3   |         |
| 16       | 90445-11M08  | HOSE (L10)              |    | 1   | 1   |         |
| 17       | 90468-07M02  | CLIP                    |    | 6   | 6   |         |
| 18       | 6J8-13155-00 | LEVER, CONTROL          |    | 1   | 1   |         |
| 19       | 97095-06025  | BOLT                    |    | 1   | 1   |         |
| 20       | 90387-06M60  | COLLAR                  |    | 1   | 1   |         |
| 21       | 6J8-41238-00 | JOINT, LINK             |    | 1   | 1   |         |
| 22       | 6J8-41237-00 | JOINT, LINK             |    | 1   | 1   |         |
| 23       | 90202-05088  | WASHER, PLATE           |    | 1   | 1   |         |
| 24       | 90468-05M03  | CLIP                    |    | 1   | 1   |         |
| 25       | 682-41237-00 | JOINT, LINK             |    | 1   | 1   |         |
| 26       | 95380-05700  | NUT                     |    | 1   | 1   |         |
| 27       | 6J8-21707-01 | OIL TANK COMP.          |    |     | 1   |         |



6J80010-4060

FIG. 6 OIL PUMP

| REF. NO. | PART NO.     | DESCRIPTION            | MH | MHO | ETO | REMARKS |
|----------|--------------|------------------------|----|-----|-----|---------|
| 27       | 6J8-21707-11 | OIL TANK COMP.         |    | 1   |     |         |
| 28       | 6J8-2173M-00 | SEAL 3                 |    |     | 1   |         |
| 29       | 6H4-21770-00 | OIL TANK CAP ASSY      |    | 1   | 1   |         |
| 30       | 6H1-21757-00 | WASHER, SPECIAL 1      |    | 2   | 2   |         |
| 31       | 6H1-24633-00 | CHAIN, BALL            |    | 1   | 1   |         |
| 32       | 6J8-21758-00 | WASHER, SPECIAL 2      |    | 1   | 1   |         |
| 33       | 6J8-13411-00 | STRAINER, OIL          |    | 1   | 1   |         |
| 34       | 6J8-13414-00 | GASKET, STRAINER COVER |    | 1   | 1   |         |
| 35       | 6J8-13416-00 | PIPE, OIL 1            |    | 1   | 1   |         |
| 36       | 90467-11M08  | CLIP                   |    | 2   | 2   |         |
| 37       | 90467-08004  | CLIP                   |    | 1   | 1   |         |
| 38       | 90445-11M03  | HOSE (L330)            |    | 1   | 1   |         |
| 39       | 90446-10M01  | HOSE (L60)             |    | 1   | 1   |         |
| 40       | 90445-11M07  | HOSE (L30)             |    | 1   | 1   |         |
| 41       | 6J8-21744-00 | BREATHER               |    | 1   | 1   |         |
| 42       | 90445-11M02  | HOSE (L100)            |    | 1   | 1   |         |
| 43       | 90445-11M04  | HOSE (L400)            |    | 1   | 1   |         |
| 44       | 6E5-24378-00 | PIPE, JOINT 3          |    | 1   | 1   |         |
| 45       | 90467-10M04  | CLIP                   |    | 1   | 1   |         |
| 46       | 6A0-82317-00 | DAMPER, IGNITION COIL  |    | 3   | 3   |         |
| 47       | 624-42542-00 | PIPE                   |    | 3   | 3   |         |
| 48       | 90119-06M65  | BOLT, WITH WASHER      |    | 3   | 3   |         |
| 49       | 6J8-85720-01 | OIL LEVEL GAUGE ASSY   |    | 1   | 1   |         |

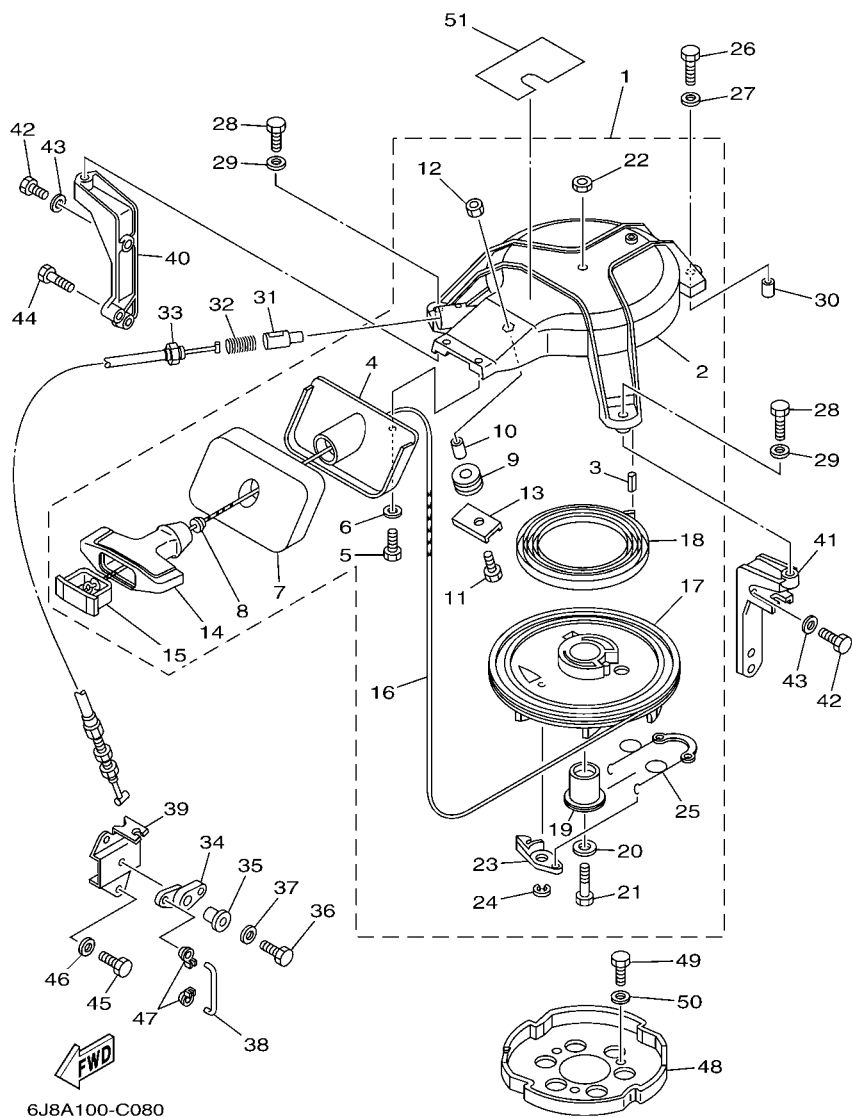


6J8A100-C070

FIG. 7 FUEL

| REF. NO. | PART NO.        | DESCRIPTION             | MH | MHO | ETO | REMARKS     |
|----------|-----------------|-------------------------|----|-----|-----|-------------|
| 1        | 6G1-24304-02    | FUEL PIPE JOINT COMP. 1 | 1  | 1   | 1   |             |
| 2        | 97095-06025     | BOLT                    | 1  | 1   | 1   |             |
| 3        | 92995-06600     | WASHER                  | 1  | 1   | 1   |             |
| 4        | 90467-08004     | CLIP                    | 2  | 2   | 2   |             |
| 5        | 90445-09M00     | HOSE (L180)             | 1  | 1   | 1   |             |
| 6        | 61N-24560-00    | FILTER ASSY             | 1  | 1   | 1   |             |
| 7        | 61N-24563-00    | .ELEMENT, FILTER        | 1  | 1   | 1   |             |
| 8        | 61N-24521-00    | .CUP, FILTER            | 1  | 1   | 1   |             |
| 9        | 93210-32738     | .O-RING                 | 1  | 1   | 1   |             |
| 10       | 90179-08M15     | NUT                     | 1  | 1   | 1   |             |
| 11       | 6E5-24312-00    | PIPE 2                  | 1  | 1   | 1   |             |
| 12       | 90464-09M21     | CLAMP                   | 1  | 1   | 1   |             |
| 13       | 688-24313-00    | PIPE 3                  | 1  | 1   | 1   |             |
| 14       | 6J8-24311-00    | PIPE, FUEL 1            | 1  | 1   | 1   |             |
| 15       | 90467-08004     | CLIP                    | 6  | 6   | 6   |             |
| 16       | 61H-2819R-31    | TAG, WARNING            | 1  | 1   | 1   |             |
| 17       | 656-W2810-02    | TOOL KIT                | 1  | 1   | 1   | AP          |
| 18       | 6J8-28170-00    | TOOL, HOLDER            | 1  | 1   |     |             |
| 19       | 6G1-2811G-00    | BAND                    | 1  | 1   |     | AP          |
| 20       | 97095-08016     | BOLT                    | 2  | 2   |     |             |
| 21       | 92995-08600     | WASHER                  | 2  | 2   |     |             |
| 22       | 90464-12M17     | CLAMP                   | 6  | 6   |     |             |
| 23       | 6E0-28193-00-94 | PLUG, WATER CHECK       | 1  | 1   | 1   | AP D:12.5MM |

FIG. 8 STARTER

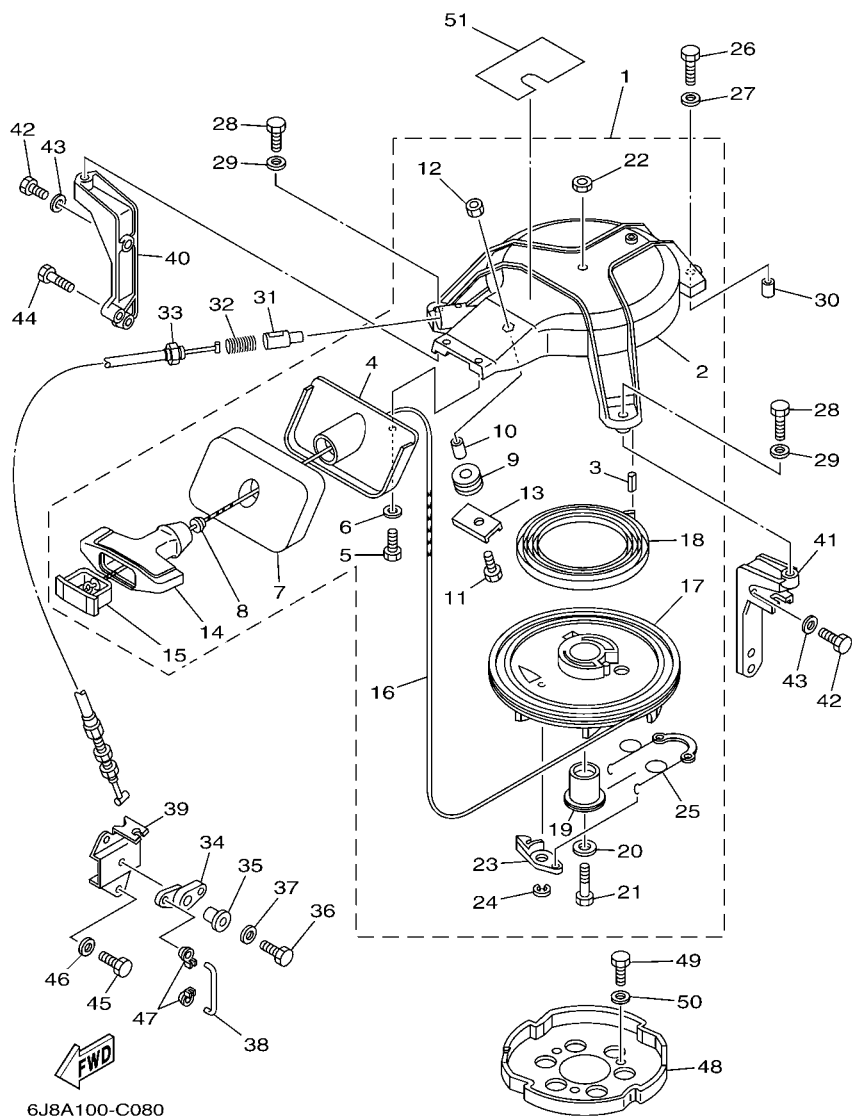


6J8A100-C080

\*1: CUT FROM 50M ROLLS, PART NO. 90890-44373, CUTTING LENGTH 1.95M

| REF. NO. | PART NO.        | DESCRIPTION         | MH | MHO | ETO | REMARKS |
|----------|-----------------|---------------------|----|-----|-----|---------|
| 1        | 6J8-15710-02-4D | STARTER ASSY        | 1  | 1   |     |         |
| 2        | 6J8-15711-00-94 | .CASE, STARTER      | 1  | 1   |     |         |
| 3        | 91690-40014     | .PIN, SPRING        | 1  | 1   |     |         |
| 4        | 6J8-15758-01-94 | .GUIDE, ROPE        | 1  | 1   |     |         |
| 5        | 97095-06016     | .BOLT               | 2  | 2   |     |         |
| 6        | 92995-06600     | .WASHER             | 2  | 2   |     |         |
| 7        | 6J8-15762-00    | .SEAL, RUBBER 2     | 1  | 1   |     |         |
| 8        | 6A0-15789-00    | .DAMPER             | 1  | 1   |     |         |
| 9        | 6F5-15752-00    | .ROLLER, WIRE       | 1  | 1   |     |         |
| 10       | 6F5-15753-00    | .BUSH               | 1  | 1   |     |         |
| 11       | 97095-06025     | .BOLT               | 1  | 1   |     |         |
| 12       | 95380-06600     | .NUT, HEXAGON       | 1  | 1   |     |         |
| 13       | 6J8-15787-00    | .ADAPTOR            | 1  | 1   |     |         |
| 14       | 689-15755-01    | .HANDLE, STARTER    | 1  | 1   |     |         |
| 15       | 6F5-15779-02    | .COVER              | 1  | 1   |     |         |
| 16       | *               | .WIRE (L:1,950MM)   | 1  | 1   |     | *1      |
| 17       | 6J8-15714-00    | .DRUM, SHEAVE       | 1  | 1   |     |         |
| 18       | 90510-08M04     | .SPRING, SPIRAL     | 1  | 1   |     |         |
| 19       | 677-15717-01    | .SHAFT, STARTER     | 1  | 1   |     |         |
| 20       | 90201-06060     | .WASHER, PLATE      | 1  | 1   |     |         |
| 21       | 97095-06025     | .BOLT               | 1  | 1   |     |         |
| 22       | 95380-06700     | .NUT                | 1  | 1   |     |         |
| 23       | 676-15741-03    | .PAWL, DRIVE        | 1  | 1   |     |         |
| 24       | 93430-06M02     | .CIRCLIP            | 1  | 1   |     |         |
| 25       | 6J8-15705-00    | .SPRING, DRIVE PAWL | 1  | 1   |     |         |
| 26       | 97095-06035     | BOLT                | 1  | 1   |     |         |
| 27       | 92995-06600     | WASHER              | 1  | 1   |     |         |

FIG. 8 STARTER



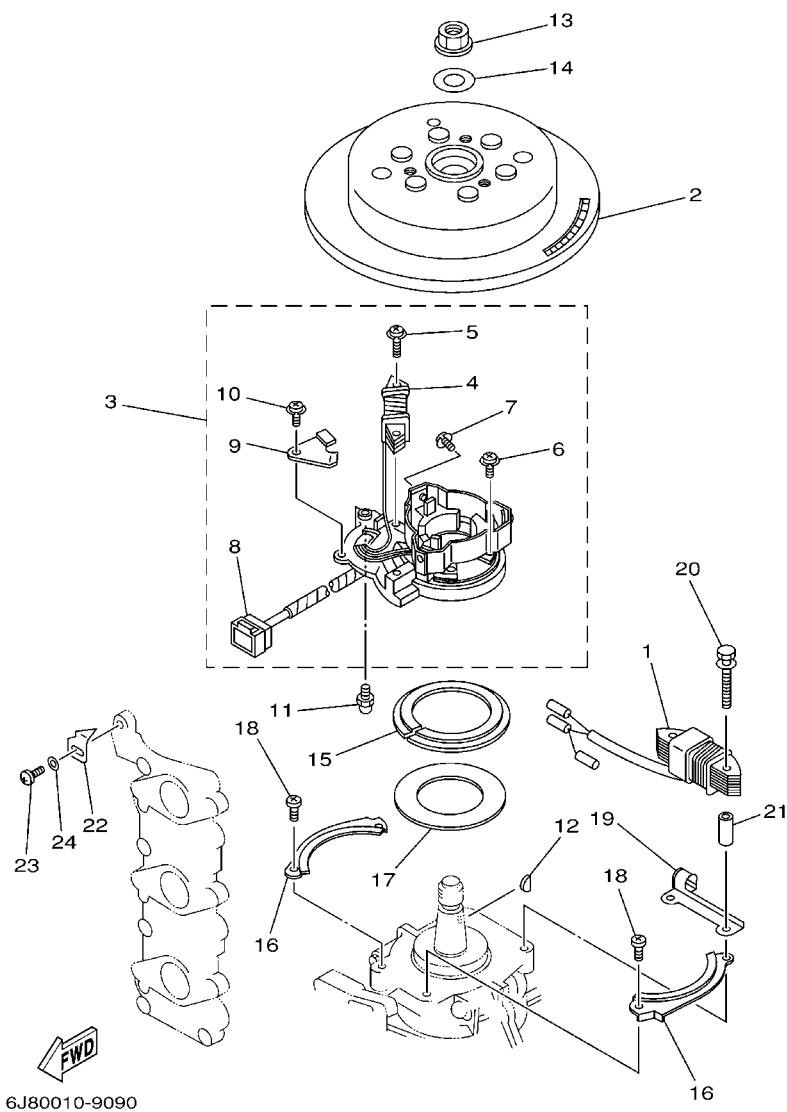
6J8A100-C080

\*1: CUT FROM 50M ROLLS, PART NO. 90890-44373, CUTTING LENGTH 1.95M

| REF. NO. | PART NO.        | DESCRIPTION               | MH | MHO | ETO | REMARKS |
|----------|-----------------|---------------------------|----|-----|-----|---------|
| 28       | 97095-06025     | BOLT                      | 2  | 2   |     |         |
| 29       | 92995-06600     | WASHER                    | 2  | 2   |     |         |
| 30       | 99530-10014     | PIN, DOWEL                | 1  | 1   |     |         |
| 31       | 656-15748-00    | PLUNGER, STARTER STOP     | 1  | 1   |     |         |
| 32       | 90501-10227     | SPRING, COMPRESSION       | 1  | 1   |     |         |
| 33       | 6J8-15770-00    | CABLE COMP., STARTER STOP | 1  | 1   |     |         |
| 34       | 6J8-15746-01    | ARM                       | 1  | 1   |     |         |
| 35       | 90387-06M29     | COLLAR                    | 1  | 1   |     |         |
| 36       | 97095-06025     | BOLT                      | 1  | 1   |     |         |
| 37       | 92995-06600     | WASHER                    | 1  | 1   |     |         |
| 38       | 6J8-15747-00    | LINK                      | 1  | 1   |     |         |
| 39       | 6J8-15774-01    | STAY 4                    | 1  | 1   |     |         |
| 40       | 6J8-15771-00-94 | STAY 1                    | 1  | 1   | 1   |         |
| 41       | 6J8-15772-00-94 | STAY 2                    | 1  | 1   | 1   |         |
| 42       | 97013-06020     | BOLT                      | 3  | 3   | 3   |         |
| 43       | 92903-06600     | WASHER, PLATE             | 3  | 3   | 3   |         |
| 44       | 90101-06024     | BOLT                      | 1  | 1   | 1   |         |
| 45       | 97095-06016     | BOLT                      | 2  | 2   |     |         |
| 46       | 92995-06600     | WASHER                    | 2  | 2   |     |         |
| 47       | 661-41262-02    | JOINT, CHOKE LEVER        | 2  | 2   |     |         |
| 48       | 6J8-15723-00    | PULLEY, STARTER           | 1  | 1   |     |         |
| 49       | 97013-08014     | BOLT                      | 3  | 3   |     |         |
| 50       | 92903-08600     | WASHER, PLATE             | 3  | 3   |     |         |
| 51       | 6J8-13437-91    | MARK, CAUTION             |    | 1   |     | FOR CAN |



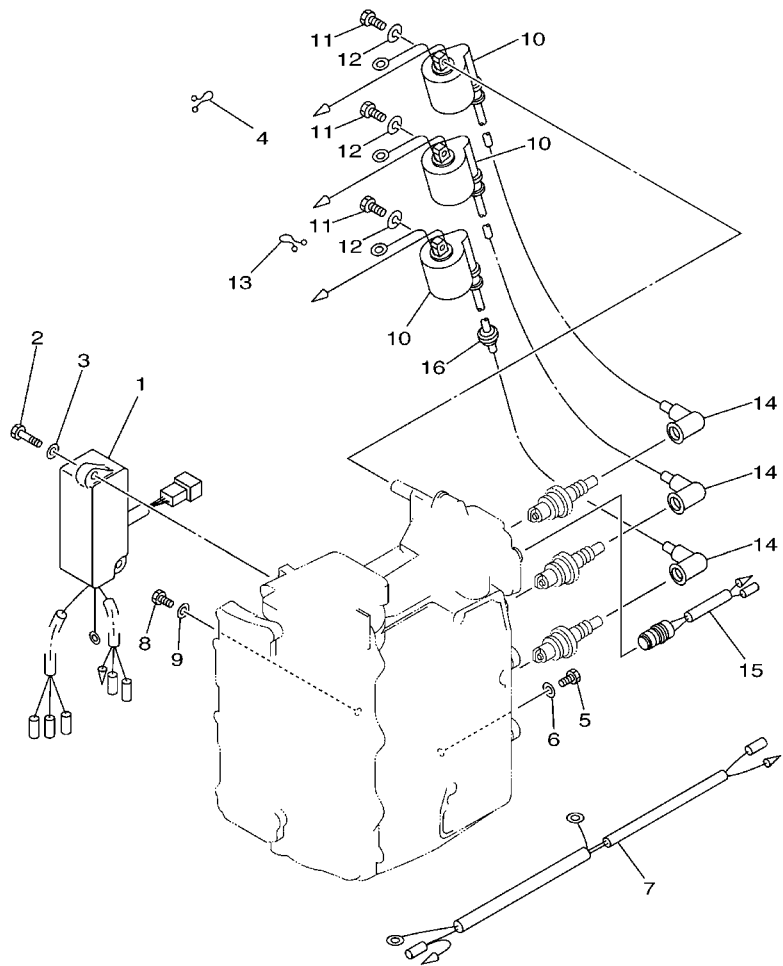
FIG. 9 GENERATOR



6J80010-9090

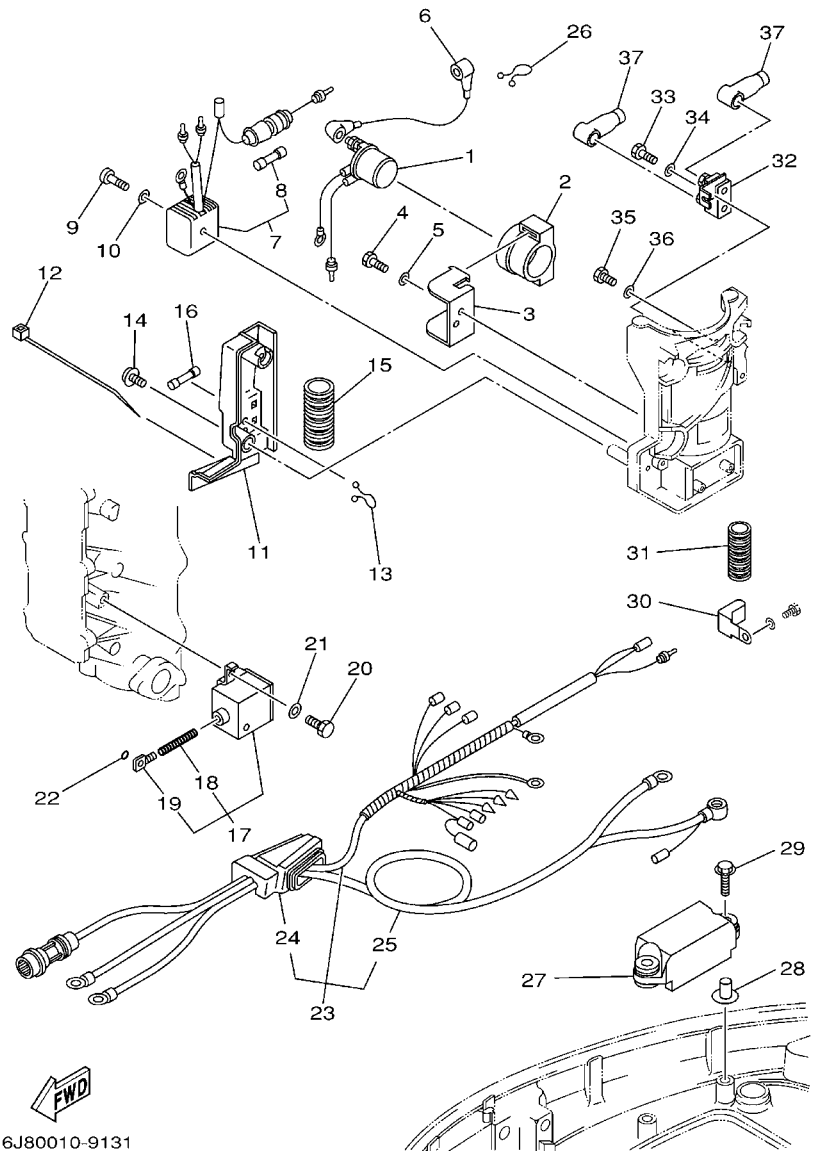
| REF. NO. | PART NO.     | DESCRIPTION            | MH | MHO | ETO | REMARKS |
|----------|--------------|------------------------|----|-----|-----|---------|
| 1        | 6H4-85533-A1 | COIL, LIGHTING         | 1  | 1   | 1   |         |
| 2        | 6J8-85550-F1 | ROTOR ASSY             | 1  |     |     |         |
|          | 6J8-85550-A1 | ROTOR ASSY             |    | 1   | 1   |         |
| 3        | 6H4-85510-F1 | STATOR ASSY            | 1  | 1   |     |         |
|          | 6J8-85510-A1 | STATOR ASSY            |    |     | 1   |         |
| 4        | 6H4-85520-01 | .COIL, CHARGE          | 1  | 1   |     |         |
|          | 6J8-85520-01 | .COIL, CHARGE          |    |     | 1   |         |
| 5        | 97902-06120  | .SCREW, WITH WASHER    | 2  | 2   | 2   |         |
| 6        | 97902-04112  | .SCREW, WITH WASHER    | 6  | 6   | 6   |         |
| 7        | 97902-04106  | .SCREW, WITH WASHER    | 3  | 3   | 3   |         |
| 8        | 9E471-09205  | .CONNECTOR (6P,M)      | 1  | 1   | 1   |         |
| 9        | 6H4-85548-00 | .HOLDER                | 1  | 1   | 1   |         |
| 10       | 97902-05408  | .SCREW, WITH WASHER    | 1  | 1   | 1   |         |
| 11       | 663-85518-00 | JOINT, BALL            | 1  | 1   | 1   |         |
| 12       | 90280-05013  | KEY, WOODRUFF          | 1  | 1   | 1   |         |
| 13       | 90179-16M05  | NUT                    | 1  | 1   | 1   |         |
| 14       | 90201-16M44  | WASHER, PLATE          | 1  | 1   | 1   |         |
| 15       | 6H4-41611-10 | RETAINER, MAGNETO BASE | 1  | 1   | 1   |         |
| 16       | 6J8-41615-00 | STOPPER, MAGNETO BASE  | 2  | 2   | 2   |         |
| 17       | 6J8-41618-00 | WASHER, MAGNETO        | 1  | 1   | 1   |         |
| 18       | 97880-06012  | SCREW, PAN HEAD        | 2  | 2   | 2   |         |
| 19       | 6J8-85548-00 | HOLDER                 | 1  | 1   | 1   |         |
| 20       | 90101-06M00  | BOLT                   | 2  | 2   | 2   |         |
| 21       | 90387-06M81  | COLLAR                 | 2  | 2   | 2   |         |
| 22       | 6J8-81332-00 | PLATE, TIMING          | 1  | 1   | 1   |         |
| 23       | 97885-05010  | SCREW, PAN HEAD        | 1  | 1   | 1   |         |
| 24       | 92995-05600  | WASHER                 | 1  | 1   | 1   |         |

FIG. 10 ELECTRICAL 1



  
6J80664-9091

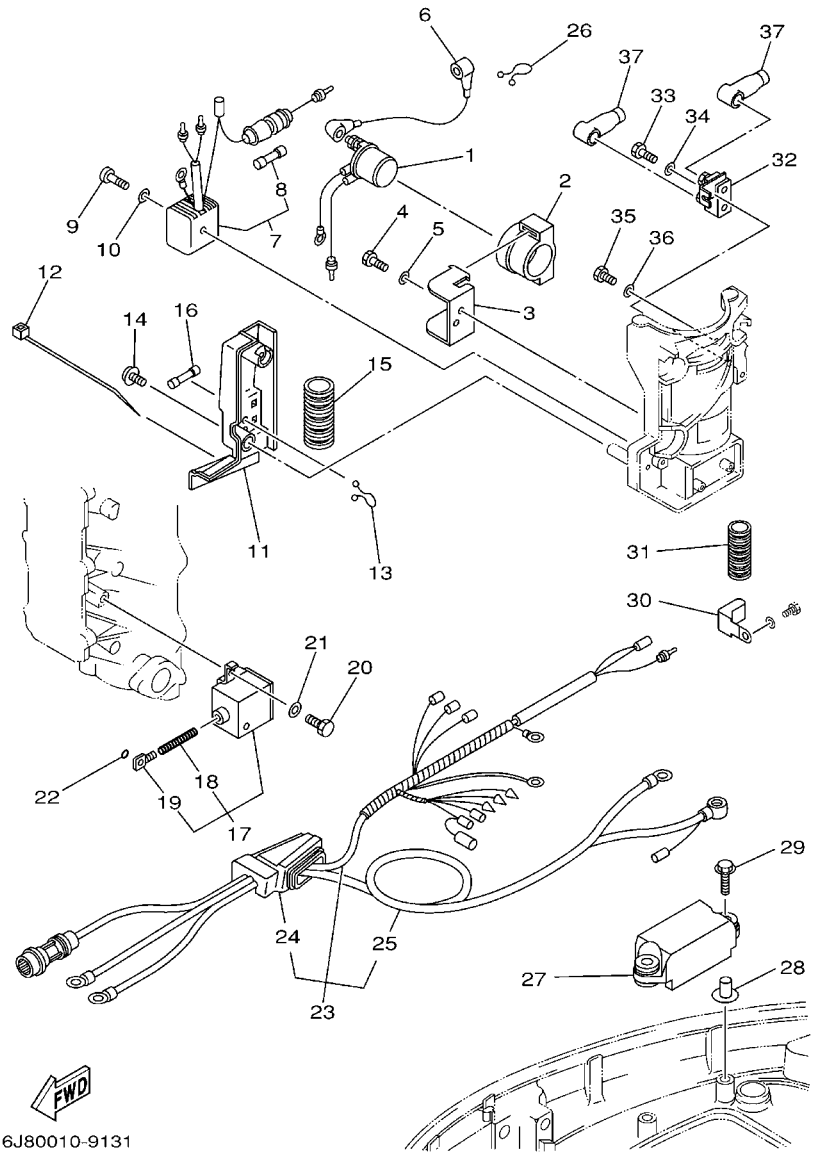
| REF. NO. | PART NO.     | DESCRIPTION        | MH | MHO | ETO | REMARKS |
|----------|--------------|--------------------|----|-----|-----|---------|
| 1        | 6J8-85540-H2 | C.D.I. UNIT ASSY   | 1  | 1   | 1   |         |
| 2        | 97095-06025  | BOLT               | 2  | 2   | 2   |         |
| 3        | 92995-06600  | WASHER             | 2  | 2   | 2   |         |
| 4        | 90464-15M11  | CLAMP              | 1  | 1   |     |         |
| 5        | 97095-06012  | BOLT               | 1  | 1   | 1   |         |
| 6        | 92995-06600  | WASHER             | 1  | 1   | 1   |         |
| 7        | 6J8-82531-00 | WIRE, LEAD         | 1  | 1   |     |         |
| 8        | 97095-06012  | BOLT               | 1  | 1   | 1   |         |
| 9        | 92995-06600  | WASHER             | 1  | 1   | 1   |         |
| 10       | 6J8-85570-21 | IGNITION COIL ASSY | 3  | 3   | 3   |         |
| 11       | 97095-06020  | BOLT               | 6  | 6   | 6   |         |
| 12       | 92995-06100  | WASHER, SPRING     | 6  | 6   | 6   |         |
| 13       | 90464-05M16  | CLAMP              |    |     | 1   |         |
| 14       | 6G1-82370-21 | PLUG CAP ASSY      | 3  | 3   | 3   |         |
| 15       | 689-82560-00 | THERMO SWITCH ASSY | 1  | 1   | 1   |         |
| 16       | 90480-25161  | GROMMET            | 1  | 1   | 1   |         |
|          |              |                    |    |     |     |         |
|          |              |                    |    |     |     |         |
|          |              |                    |    |     |     |         |



6J80010-9131

FIG. 11 ELECTRICAL 2

| REF. NO. | PART NO.     | DESCRIPTION           | MH | MHO | ETO | REMARKS |
|----------|--------------|-----------------------|----|-----|-----|---------|
| 1        | 6G1-81941-10 | STARTER RELAY ASSY    |    |     | 1   |         |
| 2        | 6G1-81952-00 | HOLDER, RELAY         |    |     | 1   |         |
| 3        | 6J8-81945-00 | PLATE, SWITCH FITTING |    |     | 1   |         |
| 4        | 97013-06016  | BOLT                  |    |     | 1   |         |
| 5        | 92903-06600  | WASHER, PLATE         |    |     | 1   |         |
| 6        | 6F5-82117-00 | WIRE, LEAD            |    |     | 1   |         |
| 7        | 6G1-81970-61 | RECTIFIER ASSY        |    |     | 1   |         |
| 8        | 6G1-82151-00 | .FUSE (10A)           |    |     | 1   |         |
| 9        | 97880-05025  | SCREW, PAN HEAD       |    |     | 1   |         |
| 10       | 92990-05600  | WASHER, PLATE         |    |     | 1   |         |
| 11       | 6J8-81916-10 | COVER, TERMINAL       |    |     | 1   |         |
| 12       | 90465-13M18  | CLAMP                 |    |     | 1   |         |
| 13       | 90465-18147  | CLAMP                 |    |     | 1   |         |
| 14       | 90159-05M26  | SCREW, WITH WASHER    |    |     | 2   |         |
| 15       | 6E9-83557-70 | TUBE                  |    |     | 1   |         |
| 16       | 6H3-82151-00 | FUSE                  |    |     | 1   |         |
| 17       | 6J8-86110-00 | SOLENOID              |    |     | 1   |         |
| 18       | 6J8-86116-00 | .WIRE, PULL           |    |     | 1   |         |
| 19       | 682-86117-00 | .HOOK, WIRE PULL      |    |     | 1   |         |
| 20       | 97013-06016  | BOLT                  |    |     | 2   |         |
| 21       | 92903-06600  | WASHER, PLATE         |    |     | 2   |         |
| 22       | 93210-03261  | O-RING                |    |     | 1   |         |
| 23       | 6J8-82580-10 | WIRE HARNESS ASSY 2   |    |     | 1   |         |
| 24       | 6J8-42724-60 | .GROMMET              |    |     | 1   |         |
| 25       | 689-82105-13 | .WIRE HARNESS         |    |     | 1   |         |
| 26       | 90464-15M11  | CLAMP                 |    |     | 1   |         |
| 27       | 6J8-81950-00 | RELAY ASSY            |    |     | 1   |         |

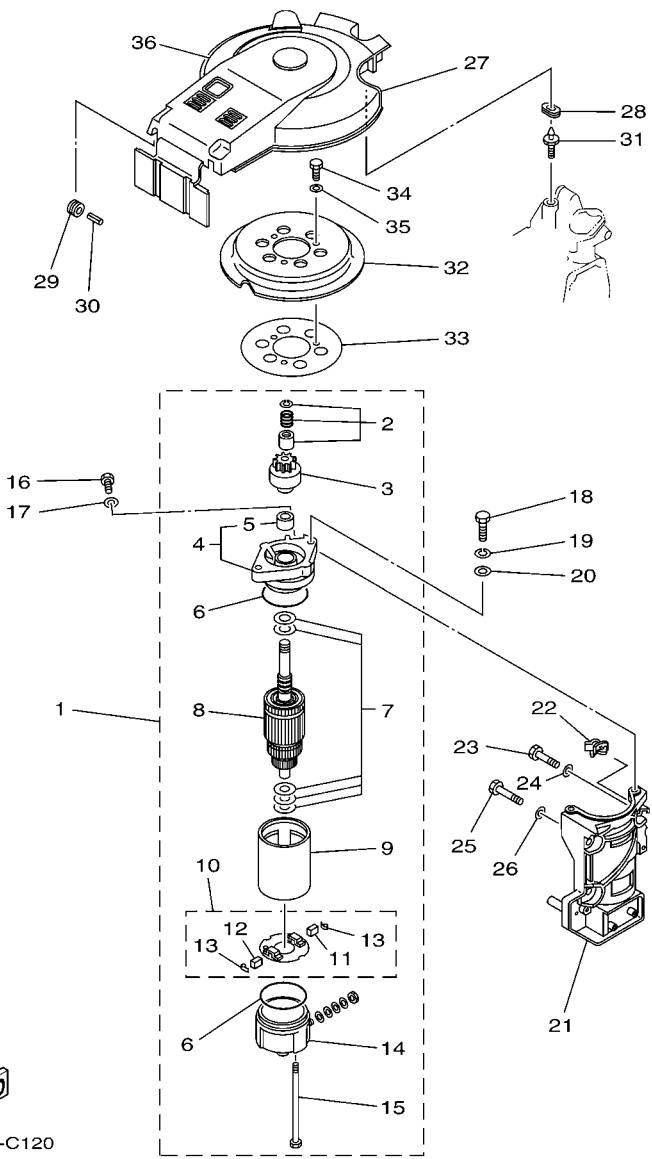


6J80010-9131

FIG. 11 ELECTRICAL 2

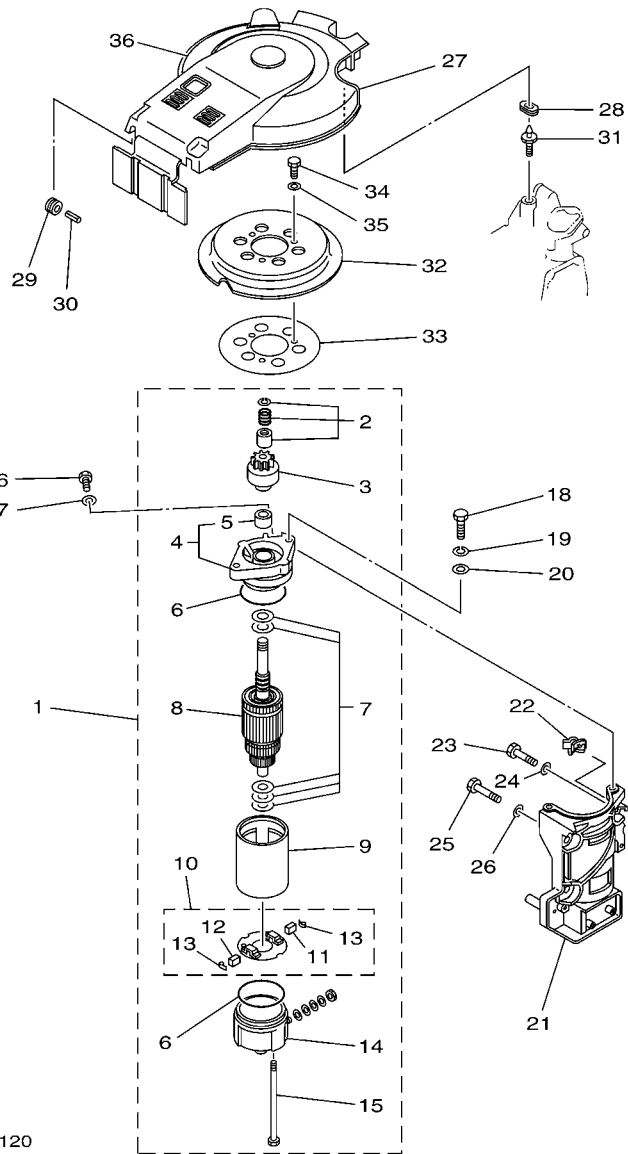
| REF. NO. | PART NO.     | DESCRIPTION       | MH | MHO | ETO | REMARKS |
|----------|--------------|-------------------|----|-----|-----|---------|
| 28       | 90387-06M03  | COLLAR            |    |     | 2   |         |
| 29       | 90119-06M17  | BOLT, WITH WASHER |    |     | 2   |         |
| 30       | 90465-08M12  | CLAMP             |    |     | 1   |         |
| 31       | 90446-14M88  | HOSE              |    |     | 1   |         |
| 32       | 6H5-81920-00 | TERMINAL ASSY     |    |     | 1   |         |
| 33       | 97095-06014  | BOLT              |    |     | 1   |         |
| 34       | 92995-06600  | WASHER            |    |     | 1   |         |
| 35       | 97095-06012  | BOLT              |    |     | 1   |         |
| 36       | 92995-06600  | WASHER            |    |     | 1   |         |
| 37       | 682-82119-01 | COVER, LEAD WIRE  |    |     | 2   |         |
|          |              |                   |    |     |     |         |
|          |              |                   |    |     |     |         |
|          |              |                   |    |     |     |         |
|          |              |                   |    |     |     |         |
|          |              |                   |    |     |     |         |
|          |              |                   |    |     |     |         |
|          |              |                   |    |     |     |         |

FIG. 12 STARTING MOTOR



**FWD**  
6J8A100-C120

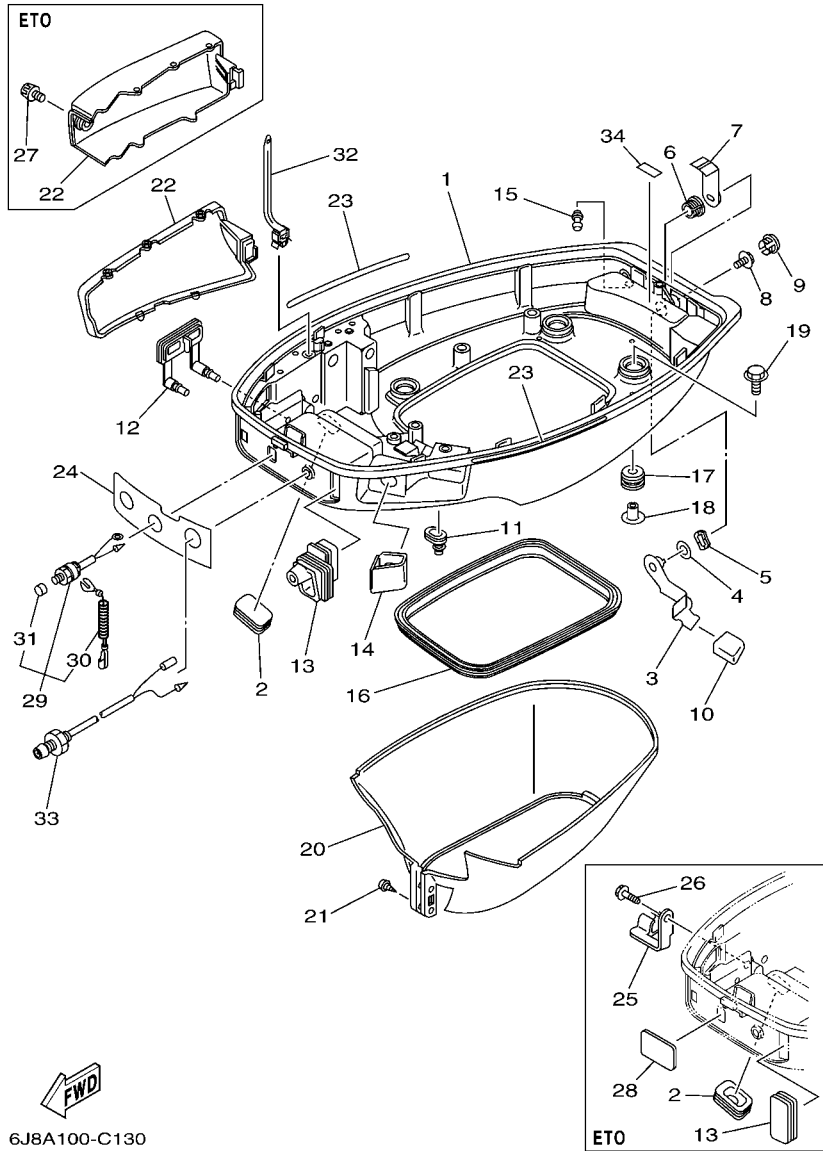
| REF. NO. | PART NO.        | DESCRIPTION                | MH | MHO | ETO | REMARKS |
|----------|-----------------|----------------------------|----|-----|-----|---------|
| 1        | 6F5-81800-11    | STARTING MOTOR ASSY        |    |     | 1   |         |
| 2        | 689-81857-11    | .PINION STOPPER SET        |    |     | 1   |         |
| 3        | 689-81807-12    | .GEAR ASSY, STARTING MOTOR |    |     | 1   |         |
| 4        | 6F5-81830-11    | .FRONT BRACKET ASSY        |    |     | 1   |         |
| 5        | 689-81831-00    | ..METAL, FRONT             |    |     | 1   |         |
| 6        | 689-81847-11    | .O-RING                    |    |     | 2   |         |
| 7        | 689-81809-11    | .WASHER KIT                |    |     | 1   |         |
| 8        | 689-81850-12    | .ARMATURE ASSY             |    |     | 1   |         |
| 9        | 689-81810-11    | .STATOR ASSY               |    |     | 1   |         |
| 10       | 689-81840-11    | .BRUSH HOLDER ASSY         |    |     | 1   |         |
| 11       | 689-81811-11    | ..BRUSH 1                  |    |     | 1   |         |
| 12       | 689-81812-11    | ..BRUSH 2                  |    |     | 1   |         |
| 13       | 689-81813-10    | ..SPRING, BRUSH            |    |     | 2   |         |
| 14       | 689-81820-11    | .REAR BRACKET ASSY         |    |     | 1   |         |
| 15       | 689-81826-10    | .BOLT                      |    |     | 2   |         |
| 16       | 97013-08016     | BOLT                       |    |     | 1   |         |
| 17       | 92903-08600     | WASHER, PLATE              |    |     | 1   |         |
| 18       | 97013-08030     | BOLT                       |    |     | 2   |         |
| 19       | 92903-08100     | WASHER, SPRING             |    |     | 2   |         |
| 20       | 92903-08600     | WASHER, PLATE              |    |     | 2   |         |
| 21       | 6J8-81822-01-94 | BRACKET, STARTING MOTOR    |    |     | 1   |         |
| 22       | 90464-03M15     | CLAMP                      |    |     | 1   |         |
| 23       | 97013-08035     | BOLT                       |    |     | 2   |         |
| 24       | 92903-08600     | WASHER, PLATE              |    |     | 2   |         |
| 25       | 97013-08055     | BOLT                       |    |     | 1   |         |
| 26       | 92903-08600     | WASHER, PLATE              |    |     | 1   |         |
| 27       | 6J8-81337-10    | COVER, FLYWHEEL            |    |     | 1   |         |



**FWD**  
6J8A100-C120

**FIG. 12 STARTING MOTOR**

| REF. NO. | PART NO.     | DESCRIPTION        | MH | MHO | ETO | REMARKS |
|----------|--------------|--------------------|----|-----|-----|---------|
| 28       | 90480-14M17  | GROMMET            |    |     | 1   |         |
| 29       | 90480-10M16  | GROMMET            |    |     | 2   |         |
| 30       | 91690-50022  | PIN, SPRING        |    |     | 2   |         |
| 31       | 6J8-81338-00 | STAY               |    |     | 1   |         |
| 32       | 6J8-15723-E1 | PULLEY, STARTER    |    |     | 1   |         |
| 33       | 6J8-81365-A0 | GASKET, HOLE COVER |    |     | 1   |         |
| 34       | 97013-08014  | BOLT               |    |     | 3   |         |
| 35       | 92903-08600  | WASHER, PLATE      |    |     | 3   |         |
| 36       | 6J8-13437-81 | MARK, CAUTION      |    |     | 1   |         |
| -----    |              |                    |    |     |     |         |
| -----    |              |                    |    |     |     |         |
| -----    |              |                    |    |     |     |         |
| -----    |              |                    |    |     |     |         |
| -----    |              |                    |    |     |     |         |
| -----    |              |                    |    |     |     |         |
| -----    |              |                    |    |     |     |         |
| -----    |              |                    |    |     |     |         |
| -----    |              |                    |    |     |     |         |



**FIG. 13 BOTTOM COWLING**

| REF. NO. | PART NO.        | DESCRIPTION        | MH | MHO | ETO | REMARKS |
|----------|-----------------|--------------------|----|-----|-----|---------|
| 1        | 6J8-42711-03-4D | COWLING, BOTTOM    | 1  | 1   | 1   |         |
| 2        | 6H4-42726-00    | GROMMET            | 1  | 1   |     |         |
|          | 688-42726-10    | GROMMET            |    |     | 1   |         |
| 3        | 6J8-42815-00-4D | LEVER, CLAMP       | 1  | 1   | 1   |         |
| 4        | 90202-12M25     | WASHER, PLATE      | 1  | 1   | 1   |         |
| 5        | 90206-12052     | WASHER, WAVE       | 1  | 1   | 1   |         |
| 6        | 90386-12M61     | BUSH               | 1  | 1   | 1   |         |
| 7        | 6J8-42816-00    | LEVER, CLAMP       | 1  | 1   | 1   |         |
| 8        | 95895-06012     | BOLT, FLANGE       | 1  | 1   | 1   |         |
| 9        | 6J8-42831-00    | BUSHING            | 1  | 1   | 1   |         |
| 10       | 6J8-42728-01    | CAP                | 1  | 1   | 1   |         |
| 11       | 6G1-42727-00    | GROMMET            | 1  | 1   | 1   |         |
| 12       | 6J8-42724-00    | GROMMET            | 1  | 1   |     |         |
| 13       | 6J8-42726-00    | GROMMET            | 1  | 1   |     |         |
|          | 6J8-42726-10    | GROMMET            |    |     | 1   |         |
| 14       | 6J8-42725-01    | GROMMET            | 1  | 1   | 1   |         |
| 15       | 6H3-44391-01    | NIPPLE, HOSE       | 1  | 1   | 1   |         |
| 16       | 6J8-42716-00    | RUBBER, SEAL 1     | 1  | 1   | 1   |         |
| 17       | 90480-09M21     | GROMMET            | 4  | 4   | 4   |         |
| 18       | 90387-06M41     | COLLAR             | 4  | 4   | 4   |         |
| 19       | 90119-06M61     | BOLT, WITH WASHER  | 4  | 4   | 4   |         |
| 20       | 6J8-42741-01    | APRON              | 1  | 1   | 1   |         |
| 21       | 90164-06M01     | SCREW, TAPPING     | 2  | 2   | 2   |         |
| 22       | 6J8-42723-01    | COVER, BOTTOM      | 1  | 1   |     |         |
|          | 6J8-42723-51    | COVER, BOTTOM      |    |     | 1   |         |
| 23       | 6J8-42735-00    | PROTECTOR          | 2  | 2   | 2   |         |
| 24       | 6J8-42719-10    | PANEL, FRONT LOWER | 1  |     |     | N.O/I   |

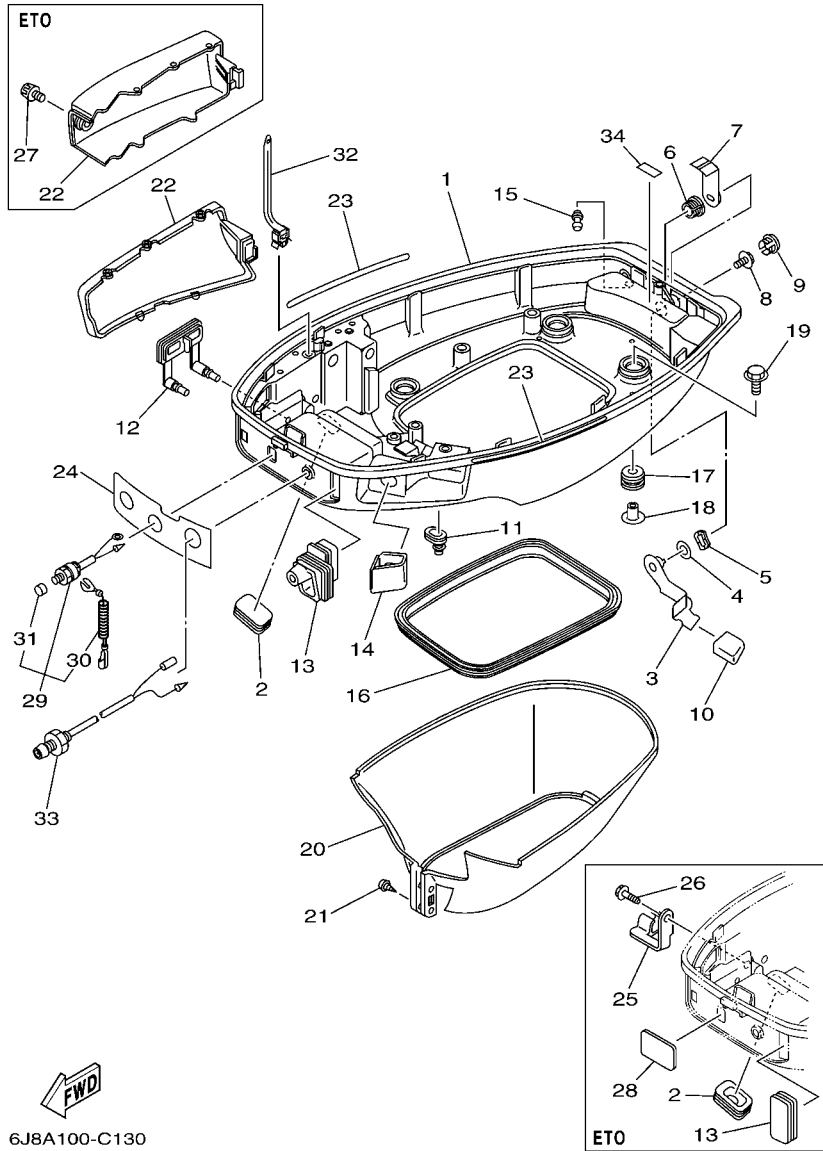
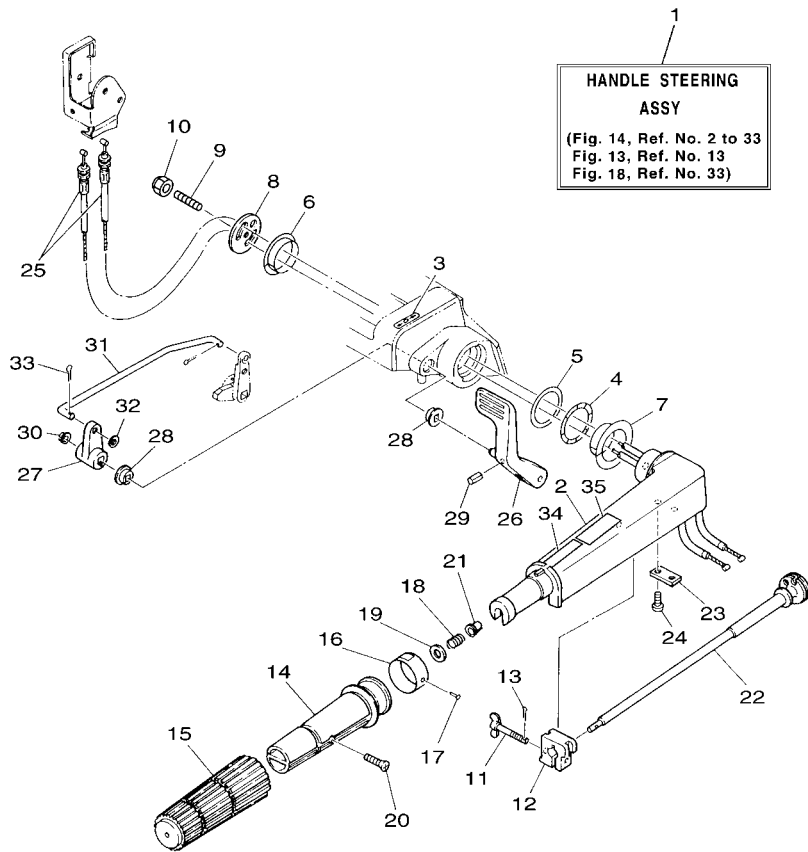


FIG. 13 BOTTOM COWLING

| REF. NO. | PART NO.     | DESCRIPTION                 | MH | MHO | ETO | REMARKS |
|----------|--------------|-----------------------------|----|-----|-----|---------|
| 24       | 6J8-42719-20 | PANEL, FRONT LOWER          |    | 1   | 1   | O/I     |
| 25       | 90464-09M51  | CLAMP                       |    |     | 1   |         |
| 26       | 90109-06M86  | BOLT                        |    |     | 1   |         |
| 27       | 6J8-42846-00 | SCREW                       |    |     | 1   |         |
| 28       | 6J8-42726-20 | GROMMET                     |    |     | 1   |         |
| 29       | 689-82575-04 | ENGINE STOP SWITCH ASSY     | 1  | 1   |     |         |
| 30       | 682-82556-00 | .STOPPER                    | 1  | 1   |     |         |
| 31       | 689-8257Y-00 | .CAP                        | 1  | 1   |     |         |
| 32       | 90465-13M76  | CLAMP                       |    |     | 1   |         |
| 33       | 6J8-85410-00 | EMERGENCY SIGNAL LIGHT ASSY | 1  | 1   | 1   |         |
| 34       | 6E7-42791-10 | MARK 1                      | 1  | 1   | 1   |         |

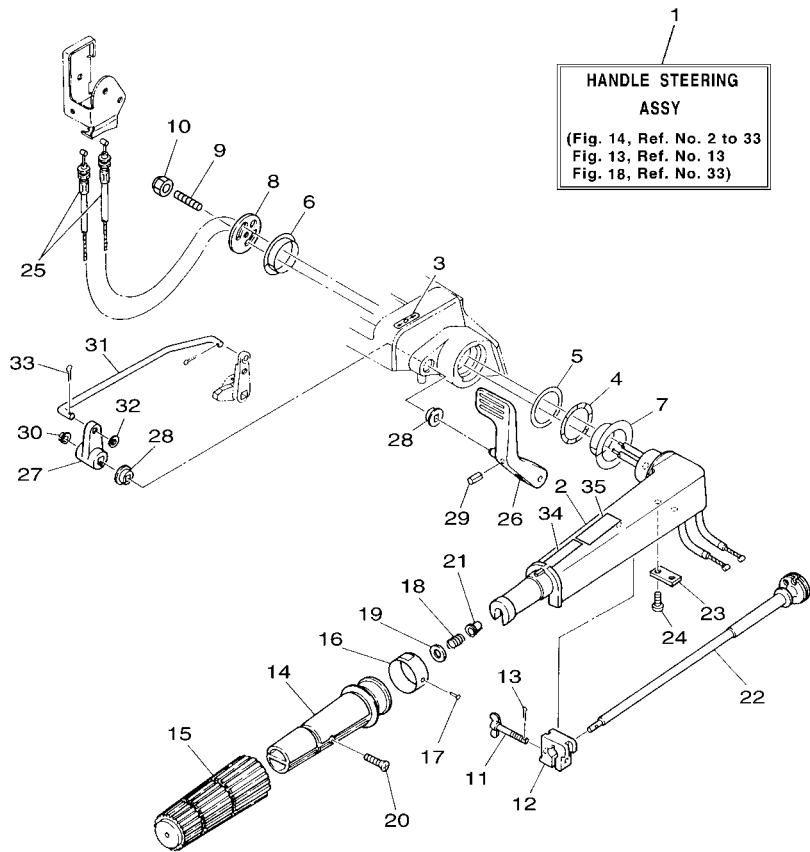




**FWD**  
6J8A100-C140

**FIG. 14 STEERING**

| REF. NO. | PART NO.        | DESCRIPTION                    | MH | MHO | ETO | REMARKS |
|----------|-----------------|--------------------------------|----|-----|-----|---------|
| 1        | 6J8-W0084-11-4D | HANDLE STEERING ASSY           | 1  | 1   |     |         |
| 2        | 6G1-42111-12-4D | HANDLE, STEERING               | 1  | 1   |     |         |
| 3        | 6E0-44191-11    | INDICATOR, SHIFT               | 1  | 1   |     |         |
| 4        | 90206-36M21     | WASHER, WAVE                   | 1  | 1   |     |         |
| 5        | 90202-36M55     | WASHER, PLATE                  | 1  | 1   |     |         |
| 6        | 90386-33M96     | BUSH                           | 1  | 1   |     |         |
| 7        | 90386-34M97     | BUSH                           | 1  | 1   |     |         |
| 8        | 6G1-42131-02    | COVER, HANDLE STEERING         | 1  | 1   |     |         |
| 9        | 90116-08016     | BOLT, STUD                     | 1  | 1   |     |         |
| 10       | 90185-08057     | NUT, SELF-LOCKING              | 1  | 1   |     |         |
| 11       | 6G1-42125-01    | BOLT, FRICTION ADJUSTING       | 1  | 1   |     |         |
| 12       | 6G1-42126-00    | FRICTION, STEERING HANDLE GRIP | 1  | 1   |     |         |
| 13       | 91490-16010     | PIN, COTTER                    | 1  | 1   |     |         |
| 14       | 664-42119-00    | GRIP, STEERING HANDLE          | 1  | 1   |     |         |
| 15       | 6F6-42177-A0    | RUBBER, HANDLE                 | 1  | 1   |     |         |
| 16       | 6J8-42137-00    | INDICATOR, THROTTLE            | 1  | 1   |     |         |
| 17       | 90269-02M09     | RIVET                          | 1  | 1   |     |         |
| 18       | 90501-23215     | SPRING, COMPRESSION            | 1  | 1   |     |         |
| 19       | 92903-10600     | WASHER, PLATE                  | 1  | 1   |     |         |
| 20       | 90149-05M13     | SCREW                          | 1  | 1   |     |         |
| 21       | 90386-08032     | BUSH                           | 1  | 1   |     |         |
| 22       | 6G1-42138-01    | LEVER, THROTTLE                | 1  | 1   |     |         |
| 23       | 6E0-42159-02    | STAY                           | 1  | 1   |     |         |
| 24       | 97885-05012     | SCREW, PAN HEAD                | 2  | 2   |     |         |
| 25       | 6J8-26301-00    | THROTTLE CABLE ASSY            | 2  | 2   |     |         |
| 26       | 6J8-44111-01-4D | HANDLE, GEAR SHIFT             | 1  | 1   |     |         |
| 27       | 6J8-44125-00    | LEVER, SHIFT ROD               | 1  | 1   |     |         |

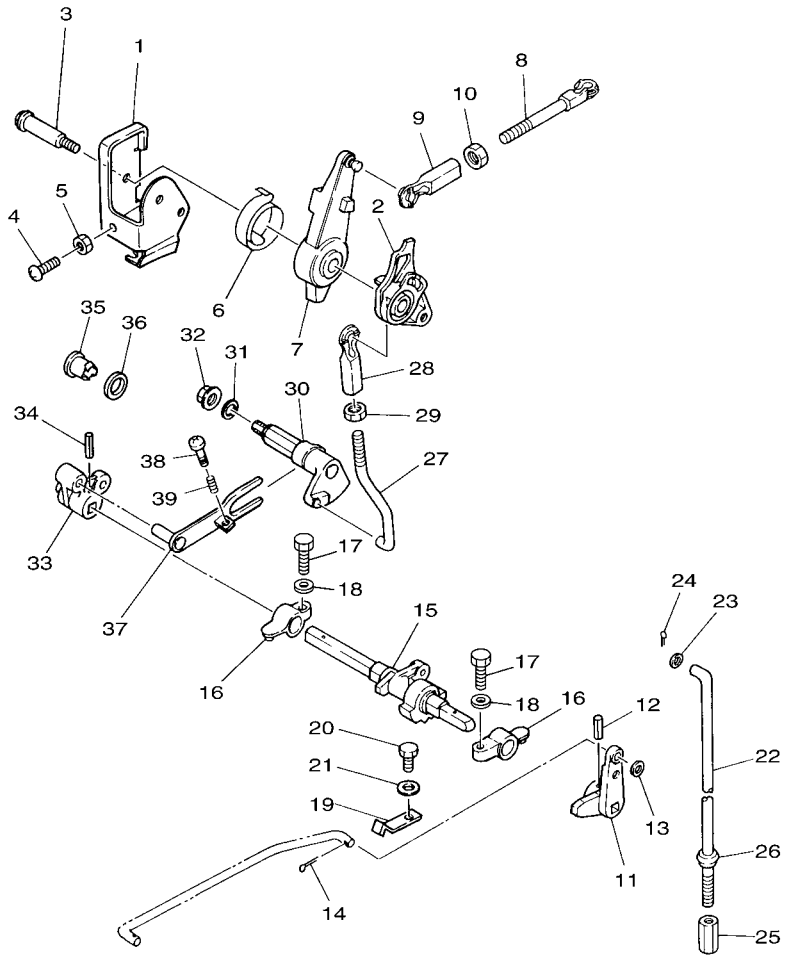


**FIG. 14 STEERING**

| REF. NO. | PART NO.     | DESCRIPTION      | MH | MHO | ETO | REMARKS |
|----------|--------------|------------------|----|-----|-----|---------|
| 28       | 682-44132-00 | BUSHING          | 2  | 2   |     |         |
| 29       | 90254-03M04  | PIN, SPRING      | 1  | 1   |     |         |
| 30       | 90386-06M12  | BUSH             | 1  | 1   |     |         |
| 31       | 6J8-44124-00 | LINK, SHIFT ROD  | 1  | 1   |     |         |
| 32       | 92990-06200  | WASHER, PLAIN    | 1  | 1   |     |         |
| 33       | 91490-20012  | PIN, COTTER      | 1  | 1   |     |         |
| 34       | 6E0-83627-41 | LABEL, CAUTION 7 | 1  | 1   |     |         |
| 35       | 6E0-83627-51 | LABEL, CAUTION 7 |    | 1   |     | FOR CAN |



6J8A100-C140

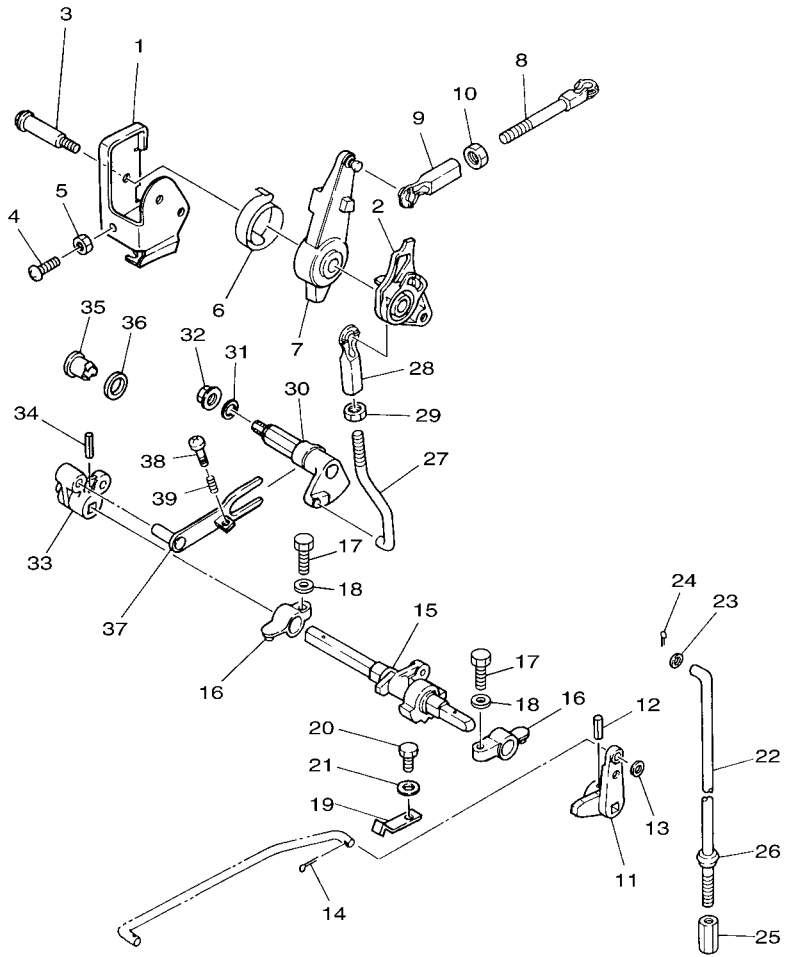


6J8A100-C150

FIG. 15 CONTROL 1

| REF. NO. | PART NO.        | DESCRIPTION            | MH | MHO | ETO | REMARKS |
|----------|-----------------|------------------------|----|-----|-----|---------|
| 1        | 6J8-14497-00    | STAY, THROTTLE WIRE    | 1  | 1   | 1   |         |
| 2        | 6J8-41213-00    | CAM, ACCEL.            | 1  | 1   | 1   |         |
| 3        | 90109-06M28     | BOLT                   | 1  | 1   | 1   |         |
| 4        | 97880-06025     | SCREW, PAN HEAD        | 1  | 1   | 1   |         |
| 5        | 95303-06600     | NUT                    | 1  | 1   | 1   |         |
| 6        | 6J8-42167-00    | SPRING 1               | 1  | 1   | 1   |         |
| 7        | 6J8-41631-02    | LEVER, MAGNETO CONTROL | 1  | 1   | 1   |         |
| 8        | 689-42169-01    | JOINT                  | 1  | 1   | 1   |         |
| 9        | 682-41237-00    | JOINT, LINK            | 1  | 1   | 1   |         |
| 10       | 95380-05600     | NUT                    | 1  | 1   | 1   |         |
| 11       | 6J8-44123-00    | ARM, SHIFT ROD         | 1  | 1   | 1   |         |
| 12       | 90254-03M04     | PIN, SPRING            | 1  | 1   | 1   |         |
| 13       | 92990-06200     | WASHER, PLAIN          | 1  | 1   |     |         |
| 14       | 91490-20012     | PIN, COTTER            | 1  | 1   |     |         |
| 15       | 6J8-44121-00    | LEVER, SHIFT ROD       | 1  | 1   | 1   |         |
| 16       | 6G1-41662-01-94 | BRACKET                | 2  | 2   | 2   |         |
| 17       | 97013-06020     | BOLT                   | 2  | 2   | 2   |         |
| 18       | 92903-06600     | WASHER, PLATE          | 2  | 2   | 2   |         |
| 19       | 6J8-44116-00    | SPRING                 | 1  | 1   | 1   |         |
| 20       | 97095-06012     | BOLT                   | 1  | 1   | 1   |         |
| 21       | 92995-06600     | WASHER                 | 1  | 1   | 1   |         |
| 22       | 6J8-44143-00    | ROD, SHIFT             | 1  | 1   | 1   |         |
| 23       | 92990-05600     | WASHER, PLATE          | 1  | 1   | 1   |         |
| 24       | 91490-16010     | PIN, COTTER            | 1  | 1   | 1   |         |
| 25       | 90170-06015     | NUT                    | 1  | 1   | 1   |         |
| 26       | 689-43373-01    | SEAL, DAMPER           | 1  | 1   | 1   |         |
| 27       | 6J8-42192-00    | ROD 2                  | 1  | 1   | 1   |         |

D6

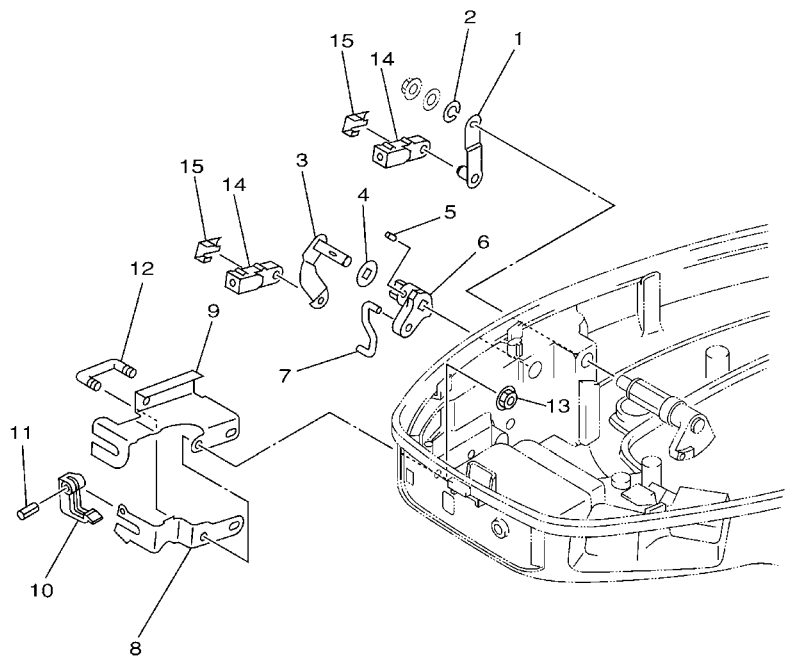


6J8A100-C150

**FIG. 15 CONTROL 1**

| REF. NO. | PART NO.     | DESCRIPTION             | MH | MHO | ETO | REMARKS |
|----------|--------------|-------------------------|----|-----|-----|---------|
| 28       | 682-41237-00 | JOINT, LINK             | 1  | 1   | 1   |         |
| 29       | 95380-05600  | NUT                     | 1  | 1   | 1   |         |
| 30       | 6J8-42154-01 | LEVER, THROTTLE CONTROL | 1  | 1   | 1   |         |
| 31       | 90202-10024  | WASHER, PLATE           | 1  | 1   | 1   |         |
| 32       | 95780-08300  | NUT, FLANGE             | 1  | 1   | 1   |         |
| 33       | 6J8-44142-00 | JOINT                   | 1  | 1   | 1   |         |
| 34       | 90254-03M04  | PIN, SPRING             | 1  | 1   | 1   |         |
| 35       | 682-42726-00 | GROMMET                 | 1  | 1   |     |         |
| 36       | 90202-12M17  | WASHER, PLATE           | 1  | 1   |     |         |
| 37       | 6J8-41211-00 | LINK, ACCEL.            | 1  | 1   |     |         |
| 38       | 97880-04020  | SCREW, PAN HEAD         | 1  | 1   |     |         |
| 39       | 90501-08M66  | SPRING, COMPRESSION     | 1  | 1   |     |         |
|          |              |                         |    |     |     |         |
|          |              |                         |    |     |     |         |
|          |              |                         |    |     |     |         |
|          |              |                         |    |     |     |         |
|          |              |                         |    |     |     |         |

FIG. 16 CONTROL 2



| REF. NO. | PART NO.     | DESCRIPTION               | MH | MHO | ETO | REMARKS |
|----------|--------------|---------------------------|----|-----|-----|---------|
| 1        | 6J8-48534-00 | THROTTLE LEVER, CONTROL   |    |     | 1   |         |
| 2        | 92990-08100  | WASHER, SPRING            |    |     | 1   |         |
| 3        | 6J8-48544-01 | LEVER, SHIFTCONTROL       |    |     | 1   |         |
| 4        | 6J8-44177-00 | WASHER                    |    |     | 1   |         |
| 5        | 90254-03M03  | PIN, SPRING               |    |     | 1   |         |
| 6        | 6J8-44173-02 | LEVER, SHIFT CONTROL      |    |     | 1   |         |
| 7        | 6J8-42169-01 | JOINT                     |    |     | 1   |         |
| 8        | 6J8-48531-00 | BRACKET, REMOTE CONTROL 1 |    |     | 1   |         |
| 9        | 6J8-48532-00 | BRACKET, REMOTE CONTROL 2 |    |     | 1   |         |
| 10       | 682-48538-50 | CLAMP, CABLE 1            |    |     | 1   |         |
| 11       | 91690-30012  | PIN, SPRING               |    |     | 1   |         |
| 12       | 90109-06M29  | BOLT                      |    |     | 1   |         |
| 13       | 90179-06M24  | NUT                       |    |     | 2   |         |
| 14       | 6G8-26363-00 | END, WIRE 1               |    |     | 2   |         |
| 15       | 6G8-26364-00 | END, CABLE                |    |     | 2   |         |

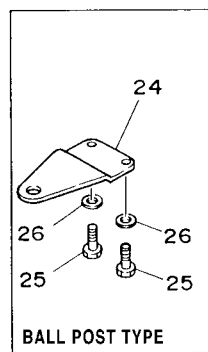
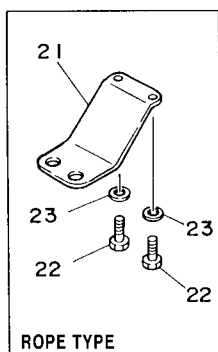
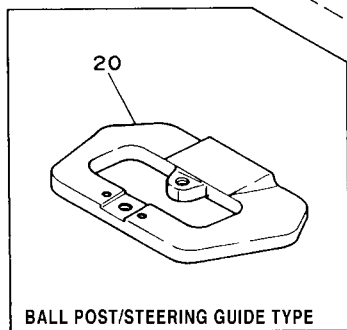
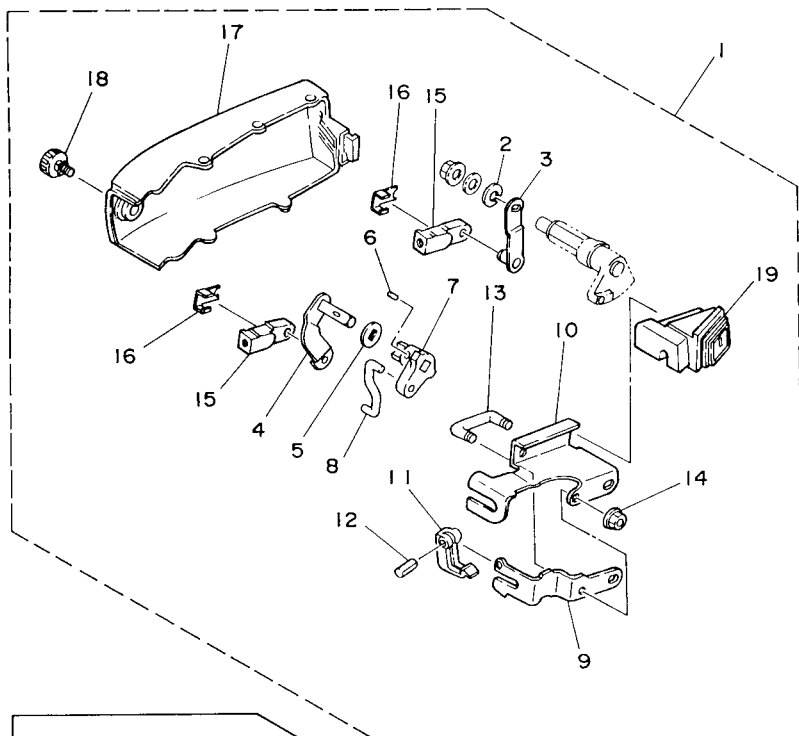


6J80010-9180

**E1**

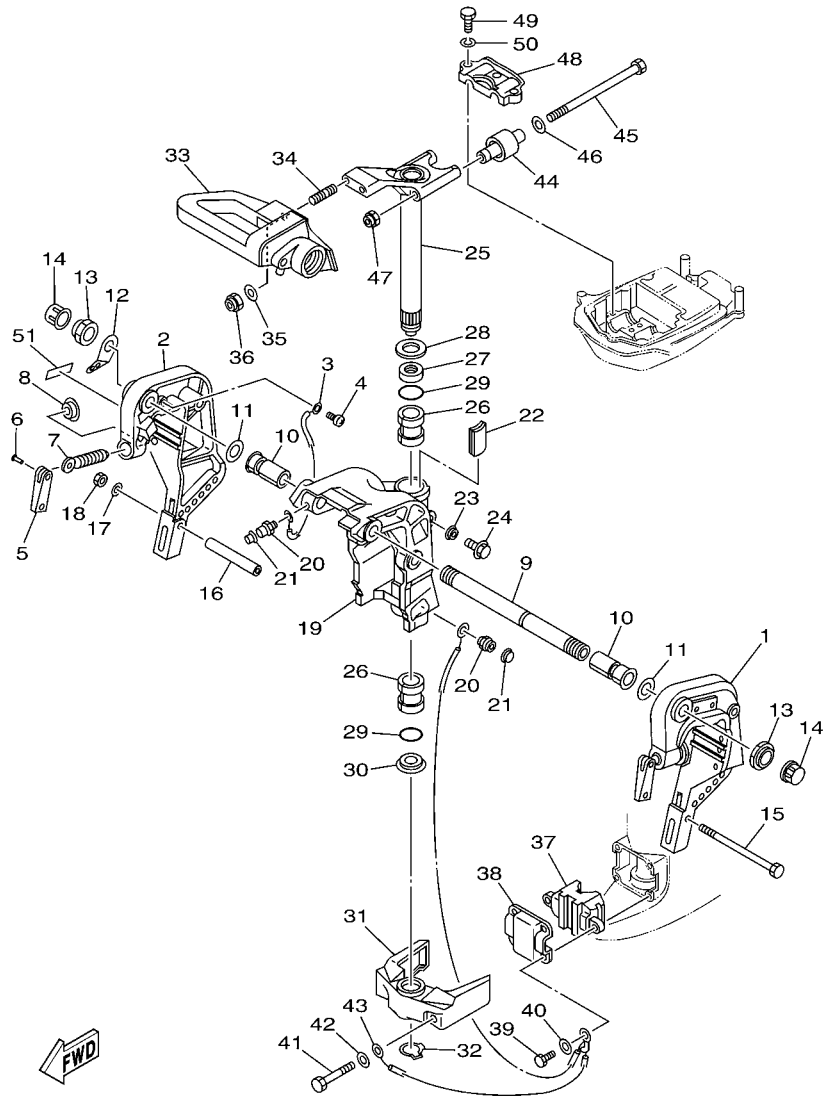
FIG. 17 REMO CON ATTACHMENT

| REF. NO. | PART NO.        | DESCRIPTION                   | MH | MHO | ETO | REMARKS           |
|----------|-----------------|-------------------------------|----|-----|-----|-------------------|
| 1        | 6J8-48501-03-4D | REMOTE CONT. ATTACHMENT ASSY. | 1  | 1   |     | AP                |
|          | 6J8-48501-11    | REMOTE CONT. ATTACHMENT ASSY. |    |     | 1   | AP                |
| 2        | 92990-08100     | .WASHER, SPRING               | 1  | 1   | 1   |                   |
| 3        | 6J8-48534-00    | .THROTTLE LEVER, CONTROL      | 1  | 1   | 1   |                   |
| 4        | 6J8-48544-01    | .LEVER, SHIFTCONTROL          | 1  | 1   | 1   |                   |
| 5        | 6J8-44177-00    | .WASHER                       | 1  | 1   | 1   |                   |
| 6        | 90254-03M03     | .PIN, SPRING                  | 1  | 1   | 1   |                   |
| 7        | 6J8-44173-02    | .LEVER, SHIFT CONTROL         | 1  | 1   | 1   |                   |
| 8        | 6J8-42169-01    | .JOINT                        | 1  | 1   | 1   |                   |
| 9        | 6J8-48531-00    | .BRACKET, REMOTE CONTROL 1    | 1  | 1   | 1   |                   |
| 10       | 6J8-48532-00    | .BRACKET, REMOTE CONTROL 2    | 1  | 1   |     |                   |
| 11       | 682-48538-50    | .CLAMP, CABLE 1               | 1  | 1   | 1   |                   |
| 12       | 91690-30012     | .PIN, SPRING                  | 1  | 1   | 1   |                   |
| 13       | 90109-06M29     | .BOLT                         | 1  | 1   |     |                   |
| 14       | 90179-06M24     | .NUT                          | 2  | 2   |     |                   |
| 15       | 6G8-26363-00    | .END, WIRE 1                  | 2  | 2   | 2   |                   |
| 16       | 6G8-26364-00    | .END, CABLE                   | 2  | 2   | 2   |                   |
| 17       | 6J8-42723-51    | .COVER, BOTTOM                | 1  | 1   |     |                   |
| 18       | 6J8-42846-00    | .SCREW                        | 1  | 1   |     |                   |
| 19       | 6J8-42724-10    | .GROMMET                      | 1  | 1   |     |                   |
| 20       | 6J8-48511-01-4D | HOOK, STEERING                | 1  | 1   | 1   | AP                |
| 21       | 6G8-48511-00    | HOOK, STEERING                | 1  | 1   | 1   | AP ROPE TYPE      |
| 22       | 97095-06016     | BOLT                          | 2  | 2   | 2   | AP                |
| 23       | 92995-06600     | WASHER                        | 2  | 2   | 2   | AP                |
| 24       | 6G8-48511-10    | HOOK, STEERING                | 1  | 1   | 1   | AP BALL POST TYPE |
| 25       | 97095-06016     | BOLT                          | 2  | 2   | 2   | AP                |
| 26       | 92995-06600     | WASHER                        | 2  | 2   | 2   | AP                |



6J86100-9200

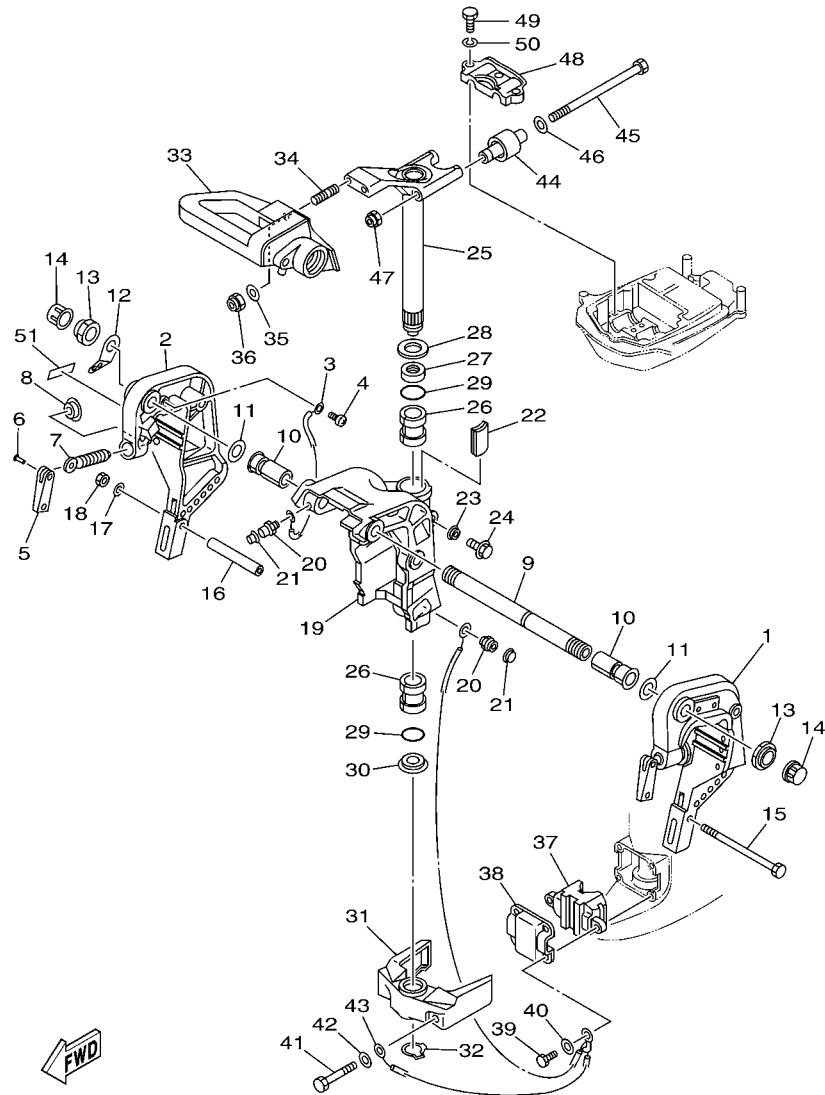
FIG. 18 BRACKET 1



6J8A100-C180

| REF. NO. | PART NO.        | DESCRIPTION           | MH | MHO | ETO | REMARKS |
|----------|-----------------|-----------------------|----|-----|-----|---------|
| 1        | 6H4-43111-05-4D | BRACKET, CLAMP        | 1  | 1   |     |         |
| 2        | 6H4-43112-04-4D | BRACKET, CLAMP        | 1  | 1   |     |         |
| 3        | 6E5-82148-00    | WIRE, LEAD 4          | 1  | 1   |     |         |
| 4        | 97885-06008     | SCREW, PAN HEAD       | 1  | 1   |     |         |
| 5        | 6E0-43118-01    | HANDLE, TRANSOM CLAMP | 2  | 2   |     |         |
| 6        | 90243-04M01     | PIN                   | 2  | 2   |     |         |
| 7        | 90149-14M12     | SCREW                 | 2  | 2   |     |         |
| 8        | 648-43114-01    | PAD, TRANSOM CLAMP    | 2  | 2   |     |         |
| 9        | 6J8-43131-01    | BOLT, CLAMP BRACKET   | 1  | 1   |     |         |
| 10       | 90386-22M69     | BUSH                  | 2  | 2   |     |         |
| 11       | 90201-22M03     | WASHER, PLATE         | 2  | 2   |     |         |
| 12       | 6J8-43113-01    | PLATE, CLAMP BRACKET  | 1  | 1   |     |         |
| 13       | 90185-22043     | NUT, SELF-LOCKING     | 2  | 2   |     |         |
| 14       | 6G5-43145-01    | CAP, CLAMP BRACKET    | 2  | 2   |     |         |
| 15       | 90101-08339     | BOLT                  | 1  | 1   |     |         |
| 16       | 90387-08M03     | COLLAR                | 1  | 1   |     |         |
| 17       | 92995-08600     | WASHER                | 1  | 1   |     |         |
| 18       | 95380-08600     | NUT                   | 1  | 1   |     |         |
| 19       | 6J8-43311-04-4D | BRACKET, SWIVEL 1     | 1  | 1   |     |         |
| 20       | 93700-06M03     | NIPPLE, GREASE        | 3  | 3   |     |         |
| 21       | 663-45119-00    | CAP, GREASE NIPPLE    | 3  | 3   |     | AP      |
| 22       | 6J8-42528-00    | PLATE, FRICTION       | 1  | 1   |     |         |
| 23       | 689-43373-01    | SEAL, DAMPER          | 1  | 1   |     |         |
| 24       | 90105-06M18     | BOLT, FLANGE          | 1  | 1   |     |         |
| 25       | 6J8-42510-03-4D | STEERING BRACKET ASSY | 1  | 1   |     |         |
| 26       | 90386-30M77     | BUSH                  | 2  | 2   |     |         |
| 27       | 90386-30M78     | BUSH                  | 1  | 1   |     |         |

**FWD**  
6J8A100-C180



**FIG. 18 BRACKET 1**

| REF. NO. | PART NO.        | DESCRIPTION                 | MH | MHO | ETO | REMARKS |
|----------|-----------------|-----------------------------|----|-----|-----|---------|
| 28       | 90201-30M00     | WASHER, PLATE               | 1  | 1   |     |         |
| 29       | 93210-29M94     | O-RING                      | 2  | 2   |     |         |
| 30       | 90386-30M60     | BUSH                        | 1  | 1   |     |         |
| 31       | 6H4-44551-02-4D | HOUSING, LOWER MOUNT RUBBER | 1  | 1   |     |         |
| 32       | 93410-28M06     | CIRCLIP                     | 1  | 1   |     |         |
| 33       | 6J8-42121-03-4D | BRACKET                     | 1  | 1   |     |         |
| 34       | 90116-10M28     | BOLT, STUD                  | 2  | 2   |     |         |
| 35       | 92995-10600     | WASHER                      | 2  | 2   |     |         |
| 36       | 90185-10051     | NUT, SELF-LOCKING           | 2  | 2   |     |         |
| 37       | 6H4-44557-00    | MOUNT DAMPER, LOWER FRONT   | 1  | 1   |     | S       |
|          | 6H4-44557-10    | MOUNT DAMPER, LOWER FRONT   | 1  | 1   |     | L       |
| 38       | 6H4-44553-01    | COVER, LOWER MOUNT          | 1  | 1   |     |         |
| 39       | 97095-08025     | BOLT                        | 4  | 4   |     |         |
| 40       | 92995-08600     | WASHER                      | 4  | 4   |     |         |
| 41       | 97095-10060     | BOLT                        | 2  | 2   |     |         |
| 42       | 92995-10600     | WASHER                      | 2  | 2   |     |         |
| 43       | 6H4-82127-00    | WIRE, LEAD 2                | 1  | 1   |     |         |
| 44       | 6H4-44514-00    | MOUNT DAMPER, UPPER SIDE    | 2  | 2   |     |         |
| 45       | 90109-08M26     | BOLT                        | 2  | 2   |     |         |
| 46       | 90201-09425     | WASHER, PLATE               | 2  | 2   |     |         |
| 47       | 90185-08045     | NUT, SELF-LOCKING           | 2  | 2   |     |         |
| 48       | 6J8-44511-00-4D | COVER, UPPER MOUNT          | 1  | 1   |     |         |
| 49       | 97075-08035     | BOLT                        | 3  | 3   |     |         |
| 50       | 92995-08100     | WASHER                      | 3  | 3   |     |         |
| 51       | 63V-82377-50    | LABEL (SPARK,IGNITION)      |    | 1   |     | FOR CAN |



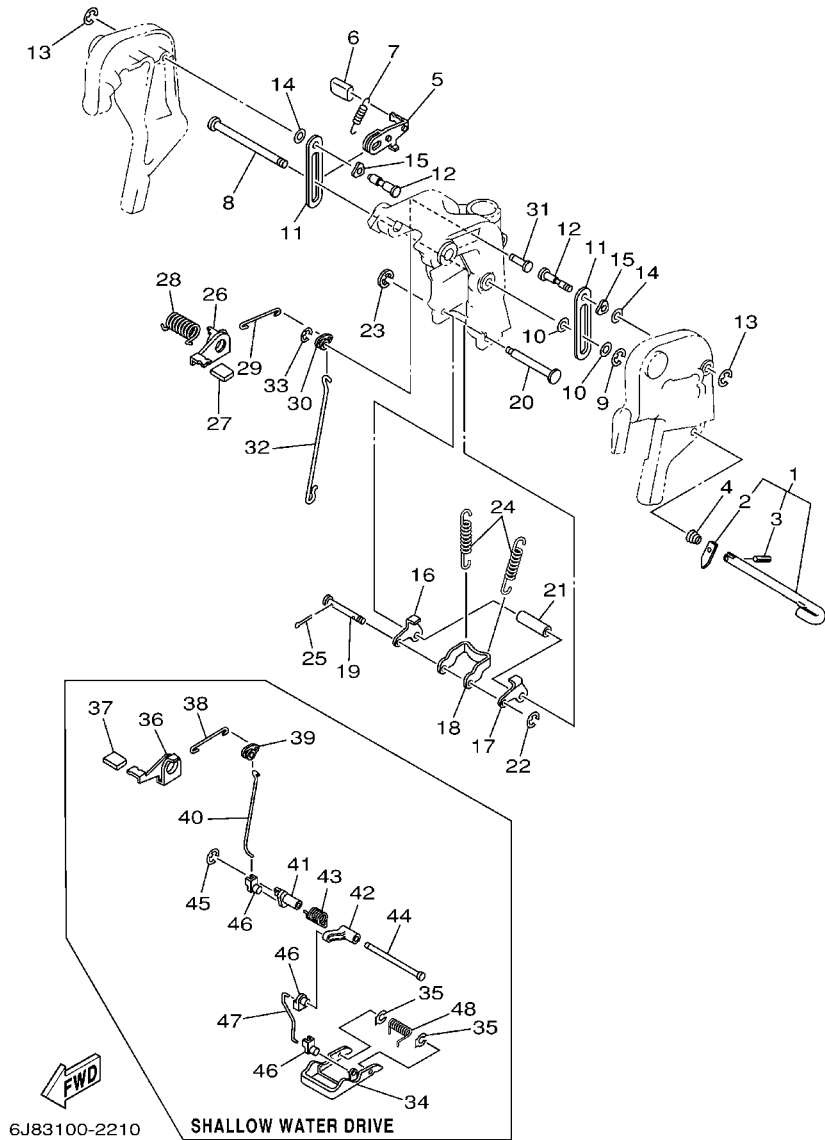


FIG. 19 BRACKET 2

| REF. NO. | PART NO.     | DESCRIPTION         | MH | MHO | ETO | REMARKS |
|----------|--------------|---------------------|----|-----|-----|---------|
| 1        | 6H4-43160-01 | TILT ROD ASSY       | 1  | 1   |     |         |
| 2        | 676-43165-00 | .PLATE, TILT LOCK   | 1  | 1   |     |         |
| 3        | 91690-30010  | .PIN, SPRING        | 1  | 1   |     |         |
| 4        | 90502-10M04  | SPRING, CONICAL     | 1  | 1   |     |         |
| 5        | 6J8-43181-01 | LEVER, TILT STOP    | 1  | 1   |     |         |
| 6        | 682-43318-01 | COVER               | 1  | 1   |     |         |
| 7        | 90506-12M25  | SPRING, TENSION     | 1  | 1   |     |         |
| 8        | 90249-12M28  | PIN                 | 1  | 1   |     |         |
| 9        | 93430-10M00  | CIRCLIP             | 1  | 1   |     |         |
| 10       | 90202-12031  | WASHER, PLATE       | 2  | 2   |     |         |
| 11       | 6J8-43627-00 | STOPPER             | 2  | 2   |     |         |
| 12       | 90249-12M27  | PIN                 | 2  | 2   |     |         |
| 13       | 93430-10M00  | CIRCLIP             | 2  | 2   |     |         |
| 14       | 90202-12031  | WASHER, PLATE       | 2  | 2   |     |         |
| 15       | 90206-12M16  | WASHER, WAVE        | 2  | 2   |     |         |
| 16       | 6J8-43614-00 | PLATE, TILT LOCK    | 1  | 1   |     |         |
| 17       | 6J8-43615-00 | PLATE, TILT LOCK    | 1  | 1   |     |         |
| 18       | 6J8-43613-01 | ARM, TILT LOCK      | 1  | 1   |     |         |
| 19       | 6H4-43659-00 | SHAFT, REVERSE LOCK | 1  | 1   |     |         |
| 20       | 6J8-43611-01 | SHAFT, TILT LOCK    | 1  | 1   |     |         |
| 21       | 90387-07M64  | COLLAR              | 1  | 1   |     |         |
| 22       | 93430-06M02  | CIRCLIP             | 1  | 1   |     |         |
| 23       | 99080-05600  | CIRCLIP             | 1  | 1   |     |         |
| 24       | 90506-32M22  | SPRING, TENSION     | 2  | 2   |     |         |
| 25       | 91490-20010  | PIN, COTTER         | 2  | 2   |     |         |
| 26       | 6J8-43631-00 | LEVER, TILT         | 1  | 1   |     |         |
| 27       | 6J8-43633-00 | COVER, TILT LEVER   | 1  | 1   |     |         |

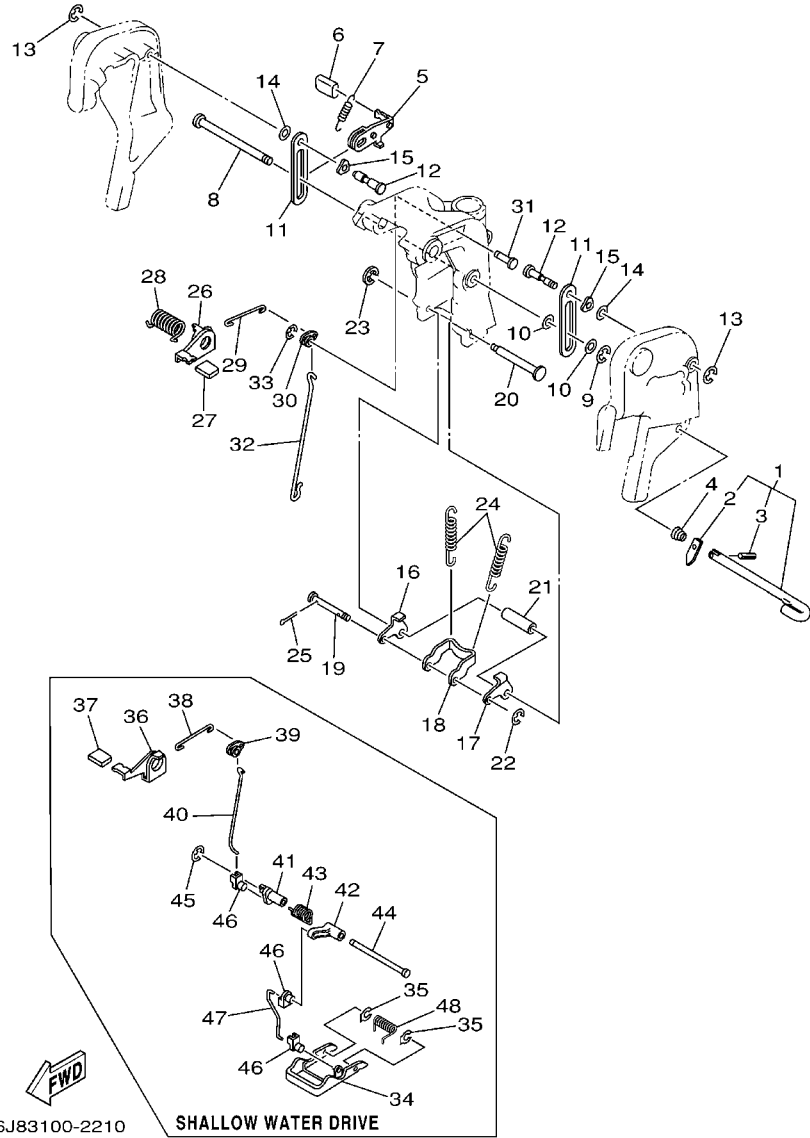
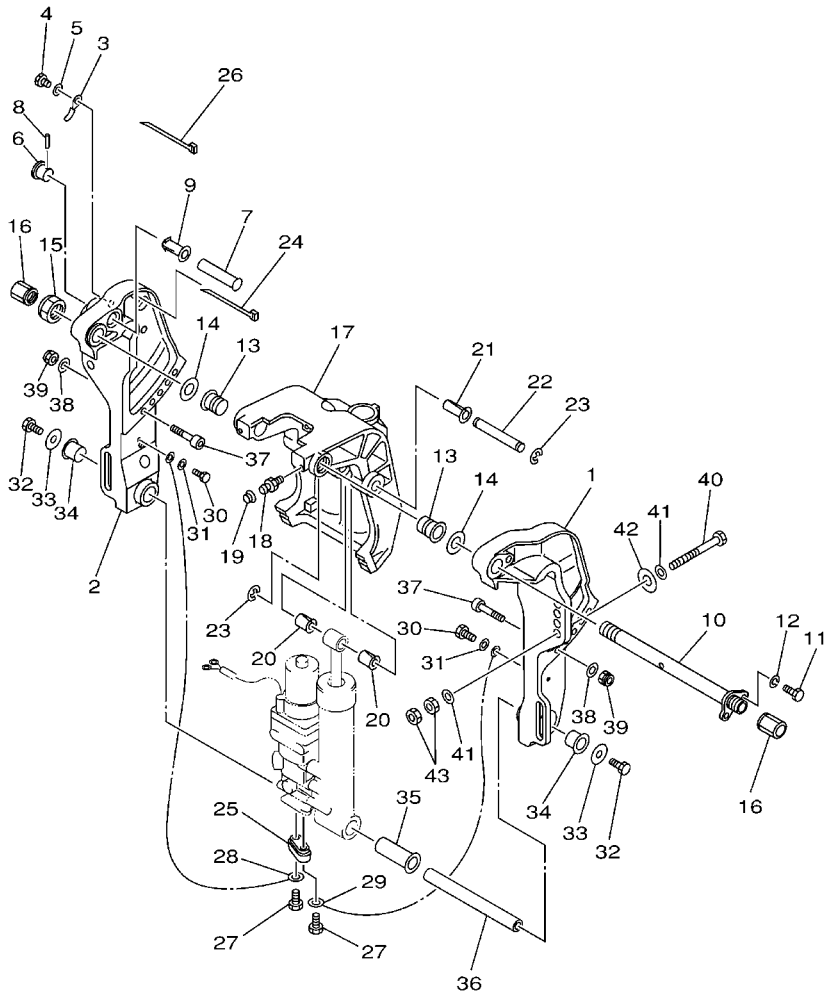


FIG. 19 BRACKET 2

| REF. NO. | PART NO.     | DESCRIPTION                  | MH | MHO | ETO | REMARKS |
|----------|--------------|------------------------------|----|-----|-----|---------|
| 28       | 90508-18M23  | SPRING, TORSION              | 1  | 1   |     |         |
| 29       | 6H4-43616-00 | ROD, TILT LOCK               | 1  | 1   |     |         |
| 30       | 6J8-43641-00 | LEVER, TILT                  | 1  | 1   |     |         |
| 31       | 90249-06M24  | PIN                          | 1  | 1   |     |         |
| 32       | 6J8-43617-00 | ROD, TILT LOCK               | 1  | 1   |     |         |
| 33       | 99080-05600  | CIRCLIP                      | 1  | 1   |     |         |
| 34       | 6J8-43681-01 | LEVER, SHALLOW WATER DRIVE 1 | 1  | 1   |     |         |
| 35       | 6J8-43673-00 | WASHER 1                     | 2  | 2   |     |         |
| 36       | 6J8-43631-10 | LEVER, TILT                  | 1  | 1   |     |         |
| 37       | 6J8-43633-00 | COVER, TILT LEVER            | 1  | 1   |     |         |
| 38       | 6H4-43616-00 | ROD, TILT LOCK               | 1  | 1   |     |         |
| 39       | 6J8-43641-00 | LEVER, TILT                  | 1  | 1   |     |         |
| 40       | 6J8-43617-10 | ROD, TILT LOCK               | 1  | 1   |     |         |
| 41       | 6J8-43186-00 | LEVER                        | 1  | 1   |     |         |
| 42       | 6J8-43187-00 | LEVER 2                      | 1  | 1   |     |         |
| 43       | 90508-25M21  | SPRING, TORSION              | 1  | 1   |     |         |
| 44       | 90249-07M25  | PIN                          | 1  | 1   |     |         |
| 45       | 99080-05600  | CIRCLIP                      | 1  | 1   |     |         |
| 46       | 6J8-41262-00 | JOINT, CHOKE LEVER           | 3  | 3   |     |         |
| 47       | 6J8-43616-10 | ROD, TILT LOCK               | 1  | 1   |     |         |
| 48       | 90508-20M22  | SPRING, TORSION              | 1  | 1   |     |         |

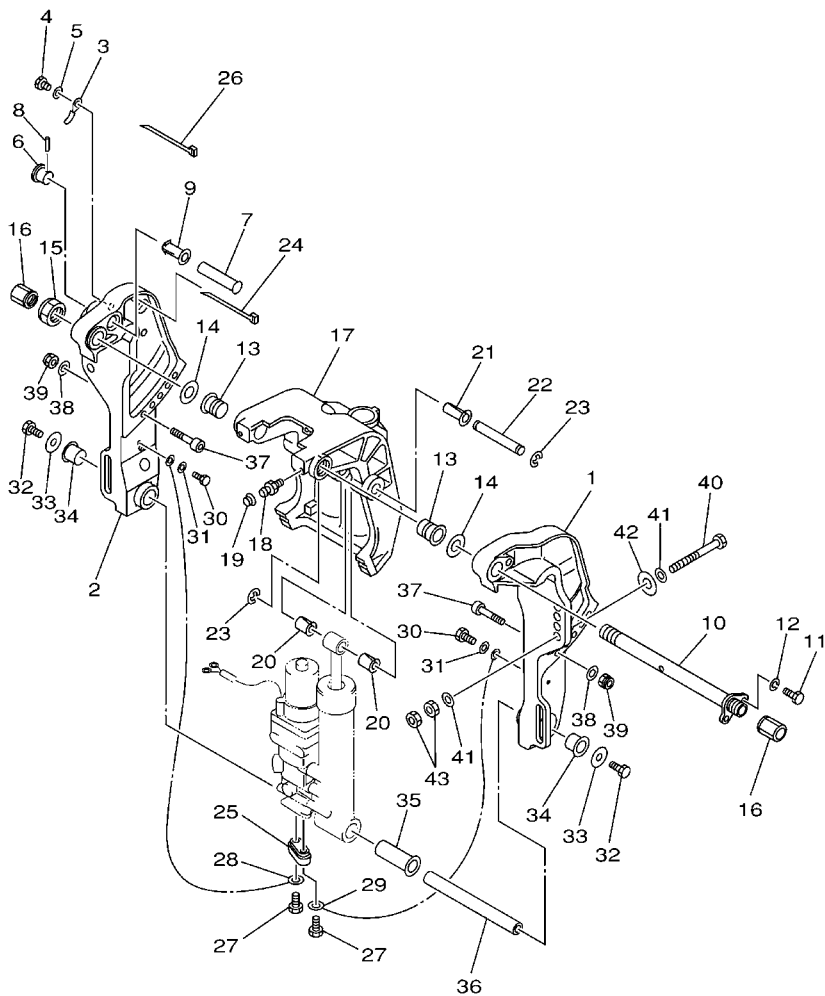
FIG. 20 BRACKET 3



6J80100-9220

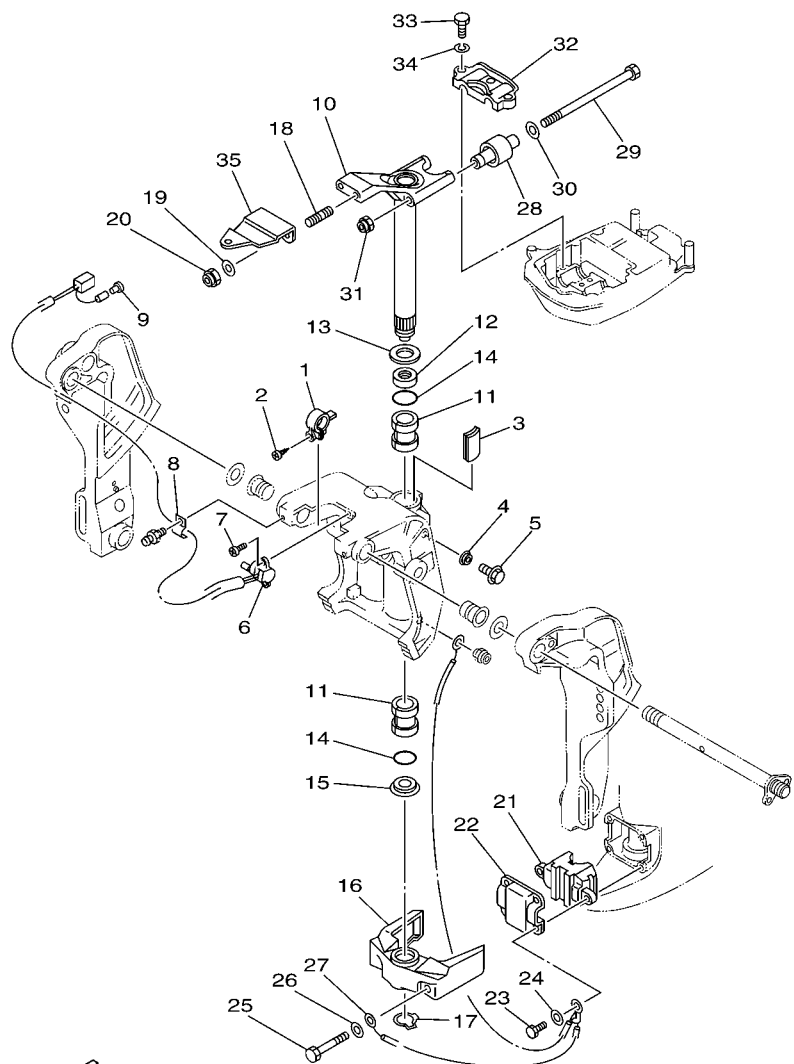
| REF. NO. | PART NO.        | DESCRIPTION         | MH | MHO | ETO | REMARKS |
|----------|-----------------|---------------------|----|-----|-----|---------|
| 1        | 6K9-43111-10-4D | BRACKET, CLAMP      |    |     | 1   |         |
| 2        | 6K9-43112-10-4D | BRACKET, CLAMP      |    |     | 1   |         |
| 3        | 90465-10M77     | CLAMP               |    |     | 1   |         |
| 4        | 97095-06010     | BOLT                |    |     | 1   |         |
| 5        | 92995-06600     | WASHER              |    |     | 1   |         |
| 6        | 65W-43192-00    | KNOB, STOPPER       |    |     | 1   |         |
| 7        | 65W-43191-00    | SHAFT, STOPPER      |    |     | 1   |         |
| 8        | 91690-30018     | PIN, SPRING         |    |     | 1   |         |
| 9        | 90386-14MA1     | BUSH                |    |     | 1   |         |
| 10       | 6K9-43131-01    | BOLT, CLAMP BRACKET |    |     | 1   |         |
| 11       | 97095-08020     | BOLT                |    |     | 1   |         |
| 12       | 92995-08100     | WASHER              |    |     | 1   |         |
| 13       | 90386-22M15     | BUSH                |    |     | 2   |         |
| 14       | 90201-22M03     | WASHER, PLATE       |    |     | 2   |         |
| 15       | 90185-22M11     | NUT, SELF-LOCKING   |    |     | 1   |         |
| 16       | 6G5-43145-01    | CAP, CLAMP BRACKET  |    |     | 2   |         |
| 17       | 6K9-43311-01-4D | BRACKET, SWIVEL 1   |    |     | 1   |         |
| 18       | 93700-06M03     | NIPPLE, GREASE      |    |     | 3   |         |
| 19       | 663-45119-00    | CAP, GREASE NIPPLE  |    |     | 3   | AP      |
| 20       | 90386-12MA0     | BUSH                |    |     | 2   |         |
| 21       | 90386-12M98     | BUSH                |    |     | 1   |         |
| 22       | 90249-12M38     | PIN                 |    |     | 1   |         |
| 23       | 93430-10M00     | CIRCLIP             |    |     | 2   |         |
| 24       | 90465-13M11     | CLAMP               |    |     | 2   |         |
| 25       | 65W-45251-00    | ANODE               |    |     | 1   |         |
| 26       | 90465-11M10     | CLAMP               |    |     | 4   |         |
| 27       | 90101-06020     | BOLT                |    |     | 2   |         |

FIG. 20 BRACKET 3



6J80100-9220

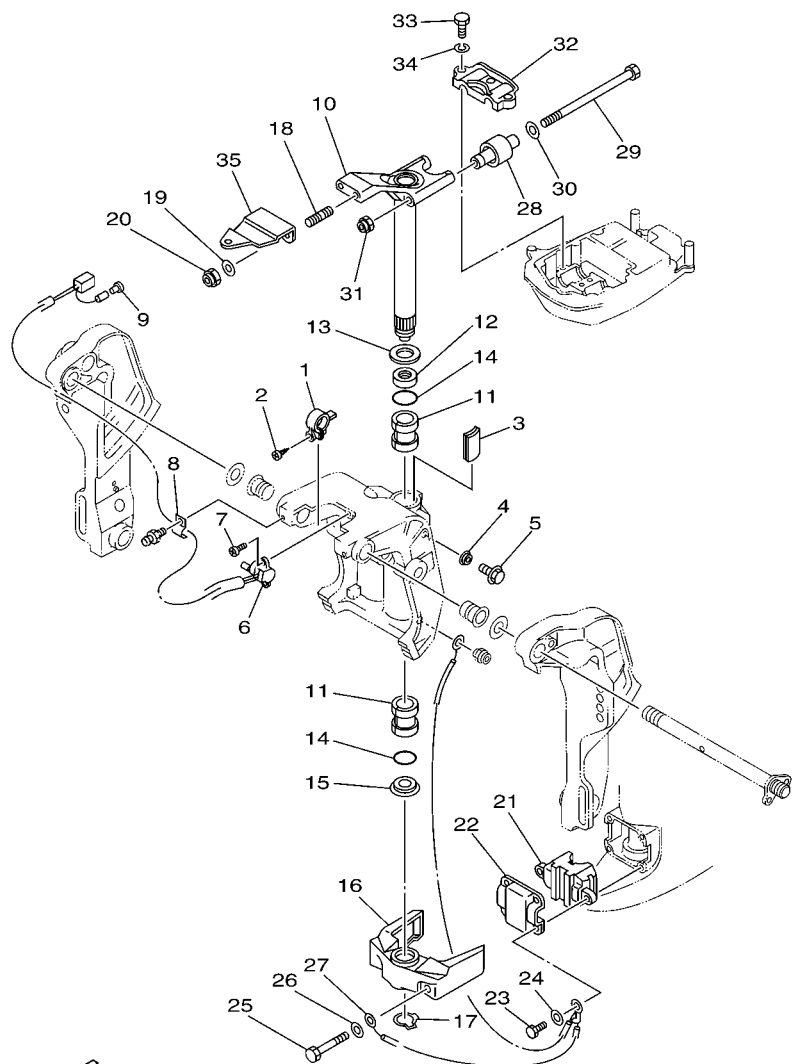
| REF. NO. | PART NO.     | DESCRIPTION               | MH | MHO | ETO | REMARKS |
|----------|--------------|---------------------------|----|-----|-----|---------|
| 28       | 6H1-82148-00 | WIRE, LEAD 4              |    |     | 1   |         |
| 29       | 6U0-82127-00 | WIRE, LEAD 2              |    |     | 1   |         |
| 30       | 97095-06014  | BOLT                      |    |     | 2   |         |
| 31       | 92995-06600  | WASHER                    |    |     | 2   |         |
| 32       | 97080-08016  | BOLT                      |    |     | 2   |         |
| 33       | 90201-08M00  | WASHER, PLATE             |    |     | 2   |         |
| 34       | 90386-18M44  | BUSH                      |    |     | 2   |         |
| 35       | 90386-18MA0  | BUSH                      |    |     | 1   |         |
| 36       | 90249-18M35  | PIN                       |    |     | 1   |         |
| 37       | 90110-10M02  | BOLT, HEXAGON SOCKET HEAD |    |     | 2   |         |
| 38       | 92995-10600  | WASHER                    |    |     | 2   |         |
| 39       | 90185-10M13  | NUT, SELF-LOCKING         |    |     | 2   |         |
| 40       | 90101-12M65  | BOLT                      |    |     | 4   |         |
| 41       | 92995-12200  | WASHER                    |    |     | 8   |         |
| 42       | 90201-12426  | WASHER, PLATE             |    |     | 4   |         |
| 43       | 95380-12600  | NUT                       |    |     | 8   |         |



**FWD**  
6J8A100-C210

**FIG. 21 BRACKET 4**

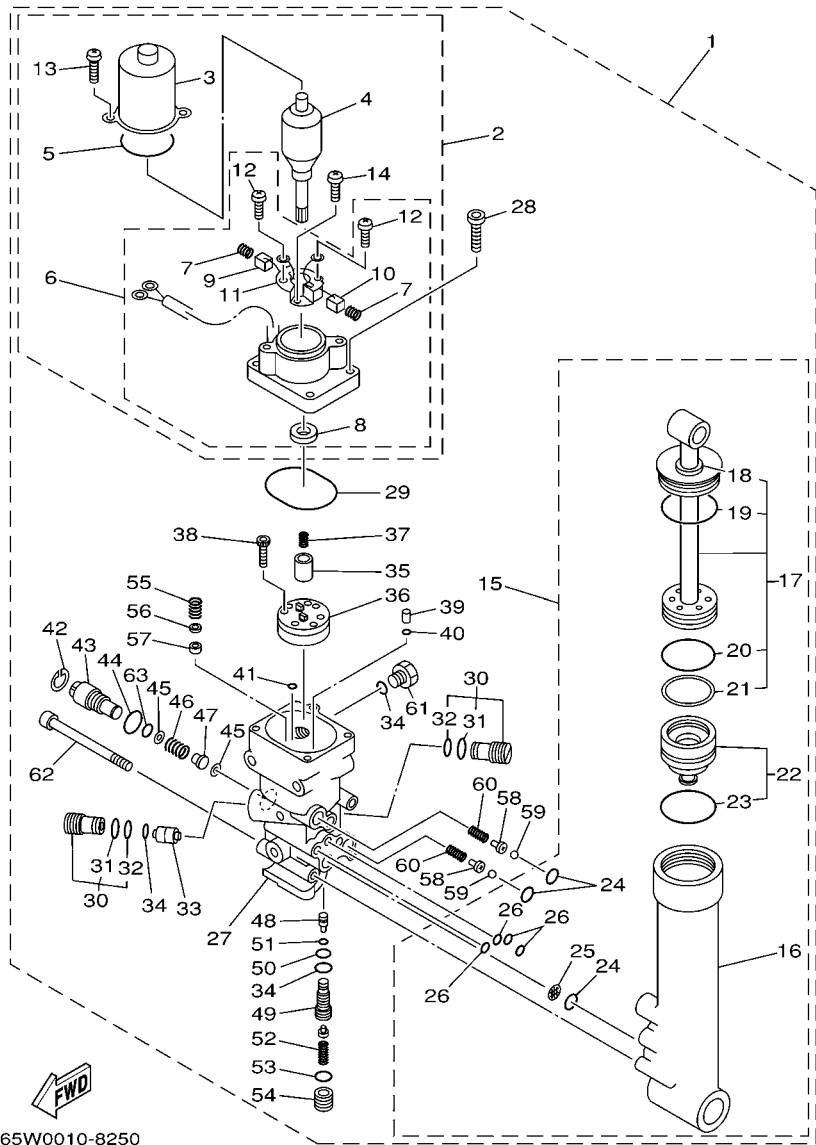
| REF. NO. | PART NO.        | DESCRIPTION                 | MH | MHO | ETO | REMARKS |
|----------|-----------------|-----------------------------|----|-----|-----|---------|
| 1        | 6K9-43139-01    | CAM, TRIM SENDER            |    |     | 1   |         |
| 2        | 97780-60525     | SCREW, TAPPING              |    |     | 1   |         |
| 3        | 6J8-42528-00    | PLATE, FRICTION             |    |     | 1   |         |
| 4        | 689-43373-01    | SEAL, DAMPER                |    |     | 1   |         |
| 5        | 90105-06M18     | BOLT, FLANGE                |    |     | 1   |         |
| 6        | 64E-83672-02    | TRIM SENDER                 |    |     | 1   |         |
| 7        | 97885-06016     | SCREW, PAN HEAD             |    |     | 2   |         |
| 8        | 90465-08M63     | CLAMP                       |    |     | 1   |         |
| 9        | 703-82119-00    | COVER, LEAD WIRE            |    |     | 1   |         |
| 10       | 6J8-42510-03-4D | STEERING BRACKET ASSY       |    |     | 1   |         |
| 11       | 90386-30M77     | BUSH                        |    |     | 2   |         |
| 12       | 90386-30M78     | BUSH                        |    |     | 1   |         |
| 13       | 90201-30M00     | WASHER, PLATE               |    |     | 1   |         |
| 14       | 93210-29M94     | O-RING                      |    |     | 2   |         |
| 15       | 90386-30M60     | BUSH                        |    |     | 1   |         |
| 16       | 6H4-44551-02-4D | HOUSING, LOWER MOUNT RUBBER |    |     | 1   |         |
| 17       | 93410-28M06     | CIRCLIP                     |    |     | 1   |         |
| 18       | 90116-10M28     | BOLT, STUD                  |    |     | 2   |         |
| 19       | 92995-10600     | WASHER                      |    |     | 2   |         |
| 20       | 90185-10051     | NUT, SELF-LOCKING           |    |     | 2   |         |
| 21       | 6H4-44557-10    | MOUNT DAMPER, LOWER FRONT   |    |     | 1   | L       |
| 22       | 6H4-44553-01    | COVER, LOWER MOUNT          |    |     | 1   |         |
| 23       | 97095-08025     | BOLT                        |    |     | 4   |         |
| 24       | 92995-08600     | WASHER                      |    |     | 4   |         |
| 25       | 97095-10060     | BOLT                        |    |     | 2   |         |
| 26       | 92995-10600     | WASHER                      |    |     | 2   |         |
| 27       | 6H4-82127-00    | WIRE, LEAD 2                |    |     | 1   |         |



6J8A100-C210

FIG. 21 BRACKET 4

| REF. NO. | PART NO.        | DESCRIPTION              | MH | MHO | ETO | REMARKS |
|----------|-----------------|--------------------------|----|-----|-----|---------|
| 28       | 6H4-44514-00    | MOUNT DAMPER, UPPER SIDE |    |     | 2   |         |
| 29       | 90109-08M26     | BOLT                     |    |     | 2   |         |
| 30       | 90201-09425     | WASHER, PLATE            |    |     | 2   |         |
| 31       | 90185-08045     | NUT, SELF-LOCKING        |    |     | 2   |         |
| 32       | 6J8-44511-00-4D | COVER, UPPER MOUNT       |    |     | 1   |         |
| 33       | 97075-08035     | BOLT                     |    |     | 3   |         |
| 34       | 92995-08100     | WASHER                   |    |     | 3   |         |
| 35       | 6J8-48511-51-4D | HOOK, STEERING           |    |     | 1   |         |
|          |                 |                          |    |     |     |         |
|          |                 |                          |    |     |     |         |
|          |                 |                          |    |     |     |         |
|          |                 |                          |    |     |     |         |
|          |                 |                          |    |     |     |         |
|          |                 |                          |    |     |     |         |



65W0010-8250

FIG. 22 POWER TRIM & TILT ASSY

| REF. NO. | PART NO.        | DESCRIPTION                     | MH | MHO | ETO | REMARKS |
|----------|-----------------|---------------------------------|----|-----|-----|---------|
| 1        | 65W-43800-02-4D | POWER TRIM & TILT ASSY          |    |     | 1   |         |
| 2        | 65W-43880-00    | ..MOTOR ASSY                    |    |     | 1   |         |
| 3        | 65W-43804-00    | ..STATOR ASSY                   |    |     | 1   |         |
| 4        | 65W-43805-00    | ..ARMATURE ASSY                 |    |     | 1   |         |
| 5        | 65W-43869-00    | ..O-RING                        |    |     | 1   |         |
| 6        | 65W-43881-00    | ..FRAME, END                    |    |     | 1   |         |
| 7        | 65W-4386K-00    | ...SPRING, BRUSH                |    |     | 2   |         |
| 8        | 65W-43882-00    | ...OIL SEAL                     |    |     | 1   |         |
| 9        | 65W-43892-00    | ...BRUSH 2                      |    |     | 1   |         |
| 10       | 65W-43891-00    | ...BRUSH 1                      |    |     | 1   |         |
| 11       | 65W-4380F-00    | ...PLATE, BRUSH HOLDER          |    |     | 1   |         |
| 12       | 65W-43879-00    | ...SCREW, WITH WASHER           |    |     | 2   |         |
| 13       | 65W-43887-00    | ..BOLT, THROUGH                 |    |     | 2   |         |
| 14       | 65W-4388E-00    | ..BOLT                          |    |     | 1   |         |
| 15       | 65W-43840-00    | ..POWER TILT ASSY               |    |     | 1   |         |
| 16       | 65W-4380K-00    | ..CYLINDER, TILT SUB ASSY       |    |     | 1   |         |
| 17       | 65W-43810-00    | ..TILT PISTON SUB ASSY          |    |     | 1   |         |
| 18       | 65W-43812-00    | ...SEAL, DUST                   |    |     | 1   |         |
| 19       | 65W-43865-00    | ...O-RING                       |    |     | 1   |         |
| 20       | 6H1-43861-10    | ...O-RING                       |    |     | 1   |         |
| 21       | 65W-43871-00    | ...RING, BACK UP                |    |     | 1   |         |
| 22       | 65W-4381B-00    | ..FREE PISTON SUB ASSY          |    |     | 1   |         |
| 23       | 6H1-43861-10    | ...O-RING                       |    |     | 1   |         |
| 24       | 93210-11368     | ..O-RING                        |    |     | 3   |         |
| 25       | 6H1-43816-00    | ..FILTER 1                      |    |     | 1   |         |
| 26       | 93210-064A5     | ..O-RING                        |    |     | 4   |         |
| 27       | 65W-4380L-00    | ..HOUSING, TRIM & TILT SUB ASSY |    |     | 1   |         |

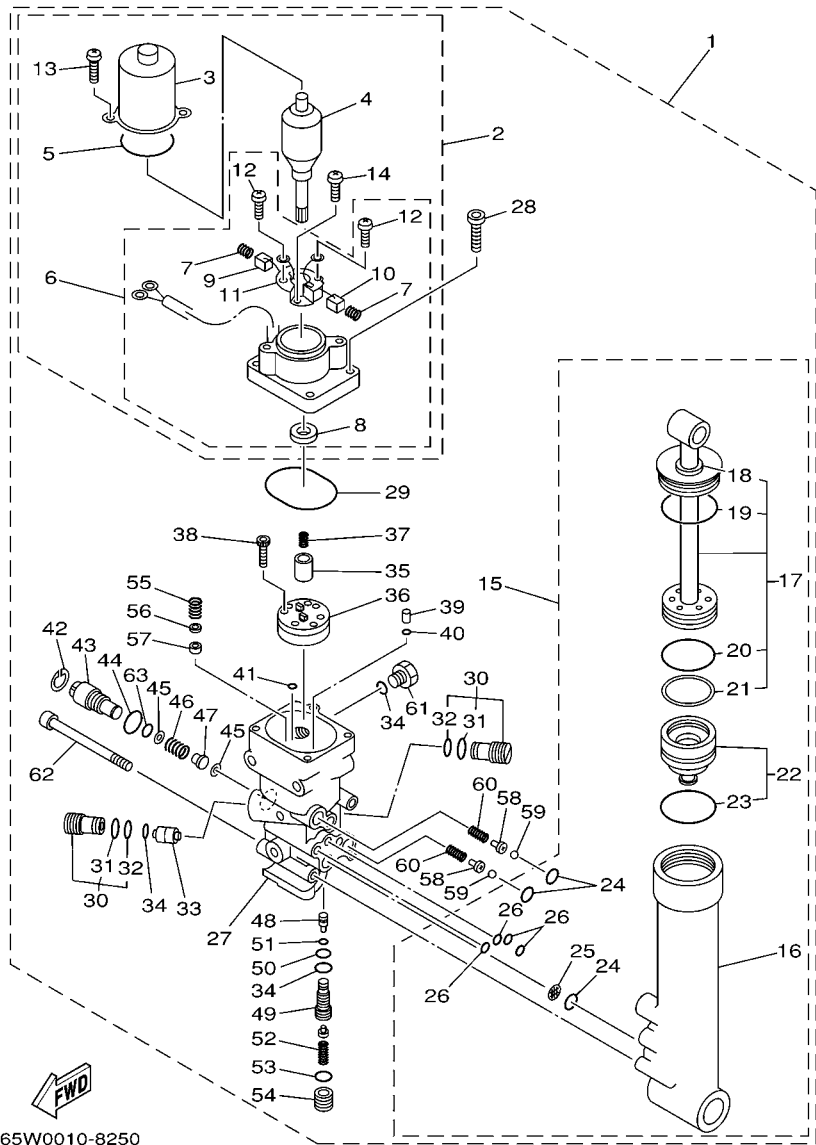


FIG. 22 POWER TRIM & TILT ASSY

| REF. NO. | PART NO.     | DESCRIPTION             | MH | MHO | ETO | REMARKS |
|----------|--------------|-------------------------|----|-----|-----|---------|
| 28       | 65W-43888-00 | .BOLT, SOCKET           |    |     | 4   |         |
| 29       | 93210-50768  | .O-RING                 |    |     | 1   |         |
| 30       | 6T4-43802-03 | .VALVE SUB ASSY         |    |     | 2   |         |
| 31       | 6H1-43866-00 | ..O-RING                |    |     | 1   |         |
| 32       | 6H1-43867-00 | ..O-RING                |    |     | 1   |         |
| 33       | 62X-43841-00 | .PISTON, SHUTTLE        |    |     | 1   |         |
| 34       | 93210-09165  | .O-RING                 |    |     | 3   |         |
| 35       | 65W-43831-00 | .CONNECTOR, SHAFT       |    |     | 1   |         |
| 36       | 65W-43830-00 | .GEAR PUMP ASSY         |    |     | 1   |         |
| 37       | 6T4-43853-00 | .SPRING, MAIN VALVE     |    |     | 1   |         |
| 38       | 91318-04025  | .BOLT                   |    |     | 4   |         |
| 39       | 65W-43817-00 | .FILTER 2               |    |     | 2   |         |
| 40       | 65W-43861-00 | .O-RING                 |    |     | 2   |         |
| 41       | 65W-43862-00 | .O-RING                 |    |     | 2   |         |
| 42       | 6H1-43875-00 | .RING, SNAP             |    |     | 1   |         |
| 43       | 6H1-43845-00 | .SCREW, MANUAL RELEASE  |    |     | 1   |         |
| 44       | 93210-18397  | .O-RING                 |    |     | 1   |         |
| 45       | 6H1-43847-00 | .SEAT, MANUAL VALVE     |    |     | 2   |         |
| 46       | 65W-43854-00 | .SPRING, MANUAL RELEASE |    |     | 1   |         |
| 47       | 65W-4382A-00 | .ADAPTOR 1              |    |     | 1   |         |
| 48       | 65W-43844-00 | .PIN, VALVE SUPPORT     |    |     | 1   |         |
| 49       | 65W-43851-00 | .SEAT, RELIEF VALVE     |    |     | 1   |         |
| 50       | 93210-08006  | .O-RING                 |    |     | 1   |         |
| 51       | 93210-03478  | .O-RING                 |    |     | 1   |         |
| 52       | 65W-43855-00 | .SPRING, UP RELIEF      |    |     | 1   |         |
| 53       | 93210-11073  | .O-RING                 |    |     | 1   |         |
| 54       | 65W-43843-00 | .SCREW, VALVE LOCK      |    |     | 1   |         |







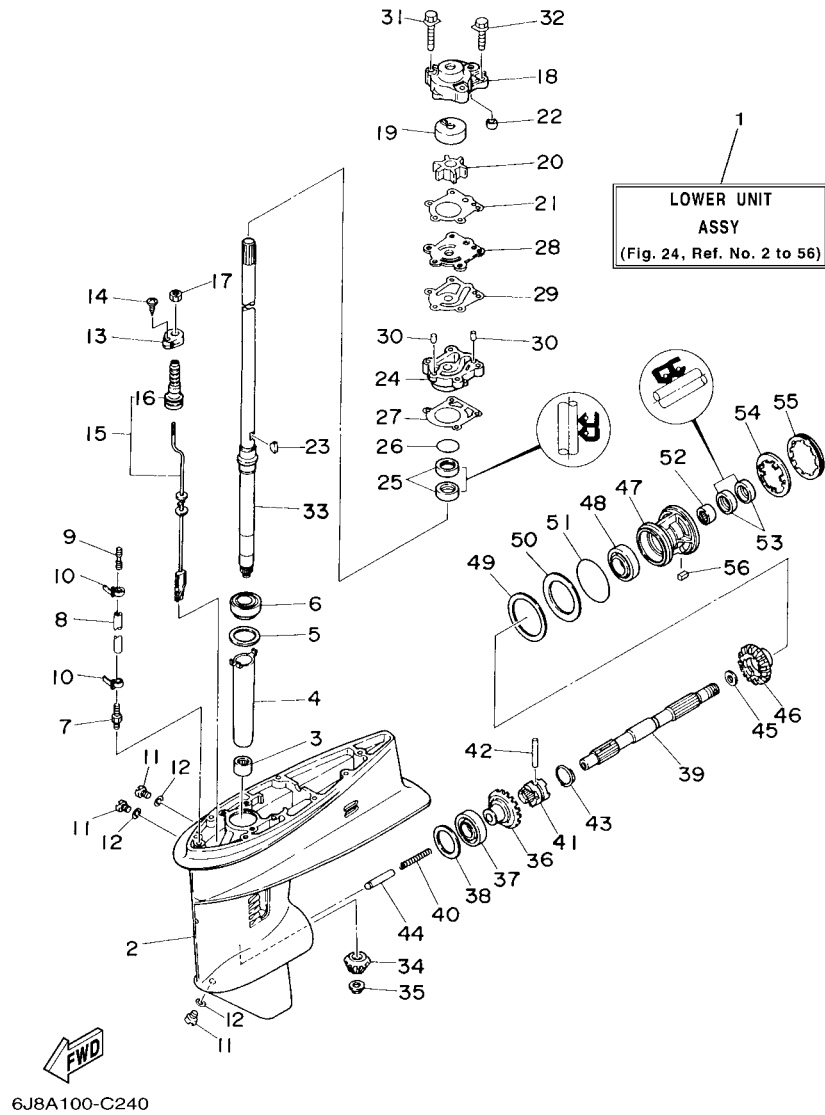
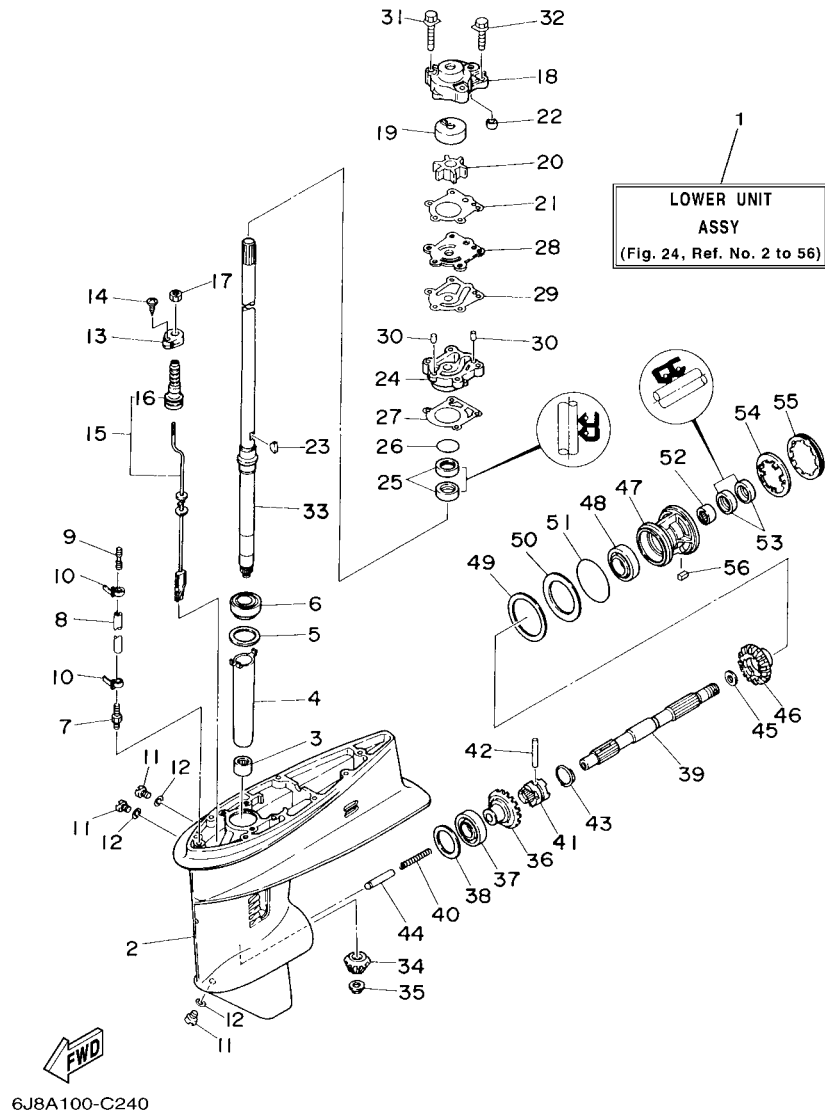


FIG. 24 LOWER CASING & DRIVE 1

| REF. NO. | PART NO.        | DESCRIPTION          | MH | MHO | ETO | REMARKS |
|----------|-----------------|----------------------|----|-----|-----|---------|
| 1        | 6J8-45300-04-4D | LOWER UNIT ASSY      | 1  | 1   |     | S       |
|          | 6J8-45300-14-4D | LOWER UNIT ASSY      | 1  | 1   | 1   | L       |
| 2        | 6J8-45301-02-4D | CASING, LOWER        | 1  | 1   | 1   |         |
| 3        | 93315-220V7     | BEARING              | 1  | 1   | 1   |         |
| 4        | 6J8-45536-00    | SLEEVE, DRIVE SHAFT  | 1  | 1   | 1   |         |
| 5        | 663-45587-01-10 | SHIM (T:0.10MM)      | 1  | 1   | 1   | UR      |
|          | 663-45587-01-12 | SHIM (T:0.12MM)      | 1  | 1   | 1   | UR      |
|          | 663-45587-01-15 | SHIM (T:0.15MM)      | 1  | 1   | 1   | UR      |
|          | 663-45587-01-18 | SHIM (T:0.18MM)      | 1  | 1   | 1   | UR      |
|          | 663-45587-01-30 | SHIM (T:0.30MM)      | 1  | 1   | 1   | UR      |
|          | 663-45587-01-40 | SHIM (T:0.40MM)      | 1  | 1   | 1   | UR      |
|          | 663-45587-01-50 | SHIM (T:0.50MM)      | 1  | 1   | 1   | UR      |
| 6        | 93332-00001     | BEARING              | 1  | 1   | 1   |         |
| 7        | 6E5-45378-00    | NIPPLE, HOSE         | 1  | 1   | 1   |         |
| 8        | 90445-07ME9     | HOSE (L120)          | 1  | 1   |     | S       |
|          | 90445-07M31     | HOSE (L200)          | 1  | 1   | 1   | L       |
| 9        | 6E5-83558-00    | END, NIPPLE          | 1  | 1   | 1   |         |
| 10       | 90465-11M10     | CLAMP                | 2  | 2   | 2   |         |
| 11       | 90340-08002     | PLUG, STRAIGHT SCREW | 3  | 3   | 3   |         |
| 12       | 90430-08020     | GASKET               | 3  | 3   | 3   |         |
| 13       | 682-44176-00    | BRACKET              | 1  | 1   | 1   |         |
| 14       | 97780-50510     | SCREW, TAPPING       | 1  | 1   | 1   |         |
| 15       | 6J8-44150-00    | SHIFT CAM ASSY       | 1  | 1   |     | S       |
|          | 6J8-44150-10    | SHIFT CAM ASSY       | 1  | 1   | 1   | L       |
| 16       | 682-44147-00    | .BOOT, SHIFT ROD     | 1  | 1   | 1   |         |
| 17       | 95380-06700     | NUT                  | 1  | 1   | 1   |         |
| 18       | 6J8-44311-00    | HOUSING, WATER PUMP  | 1  | 1   | 1   |         |

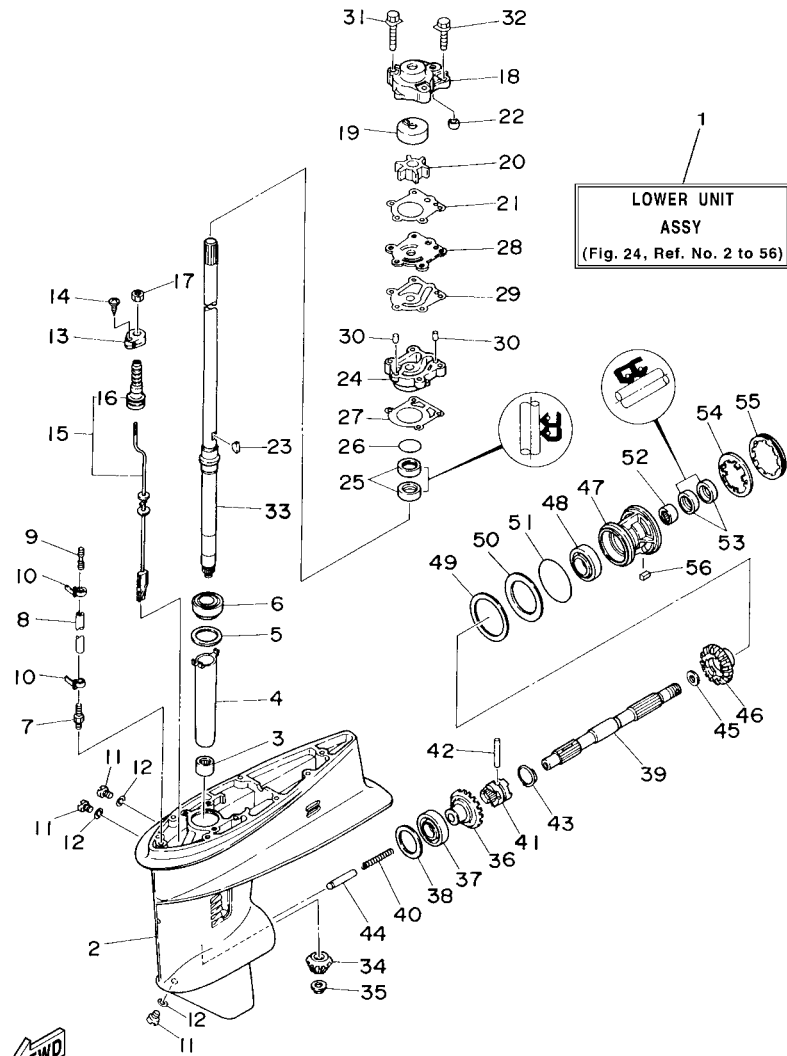
FIG. 24 LOWER CASING & DRIVE 1



| REF. NO. | PART NO.        | DESCRIPTION            | MH | MHO | ETO | REMARKS |
|----------|-----------------|------------------------|----|-----|-----|---------|
| 19       | 663-44322-00    | INSERT, CARTRIDGE      | 1  | 1   | 1   |         |
| 20       | 6H4-44352-02    | IMPELLER               | 1  | 1   | 1   |         |
| 21       | 663-44315-A0    | GASKET, WATER PUMP     | 1  | 1   | 1   |         |
| 22       | 663-44366-00    | DAMPER, WATER SEAL     | 1  | 1   | 1   |         |
| 23       | 90280-03024     | KEY, WOODRUFF          | 1  | 1   | 1   |         |
| 24       | 663-44341-00-94 | HOUSING, WATER PUMP    | 1  | 1   | 1   |         |
| 25       | 93101-23070     | OIL SEAL               | 2  | 2   | 2   |         |
| 26       | 93210-41042     | O-RING                 | 1  | 1   | 1   |         |
| 27       | 663-44316-A0    | GASKET, WATER PUMP     | 1  | 1   | 1   |         |
| 28       | 663-44323-00    | OUTER PLATE, CARTRIDGE | 1  | 1   | 1   |         |
| 29       | 663-44324-A0    | GASKET, CARTRIDGE      | 1  | 1   | 1   |         |
| 30       | 93604-08062     | PIN, DOWEL             | 2  | 2   | 2   |         |
| 31       | 90119-08M13     | BOLT, WITH WASHER      | 2  | 2   | 2   |         |
| 32       | 90119-08M34     | BOLT, WITH WASHER      | 2  | 2   | 2   |         |
| 33       | 6J8-45501-00    | DRIVE SHAFT COMP.      | 1  | 1   |     | S       |
|          | 6J8-45501-10    | DRIVE SHAFT COMP.      | 1  | 1   | 1   | L       |
| 34       | 6J8-45551-00    | PINION                 | 1  | 1   | 1   |         |
| 35       | 90179-10M14     | NUT                    | 1  | 1   | 1   |         |
| 36       | 6J8-45560-00    | GEAR                   | 1  | 1   | 1   |         |
| 37       | 93332-000V6     | BEARING                | 1  | 1   | 1   |         |
| 38       | 6J8-45567-01-10 | SHIM (T:0.10MM)        | 1  | 1   | 1   | UR      |
|          | 6J8-45567-01-12 | SHIM (T:0.12MM)        | 1  | 1   | 1   | UR      |
|          | 6J8-45567-01-15 | SHIM (T:0.15MM)        | 1  | 1   | 1   | UR      |
|          | 6J8-45567-01-18 | SHIM (T:0.18MM)        | 1  | 1   | 1   | UR      |
|          | 6J8-45567-01-30 | SHIM (T:0.30MM)        | 1  | 1   | 1   | UR      |
|          | 6J8-45567-01-40 | SHIM (T:0.40MM)        | 1  | 1   | 1   | UR      |
|          | 6J8-45567-01-50 | SHIM (T:0.50MM)        | 1  | 1   | 1   | UR      |



6J8A100-C240

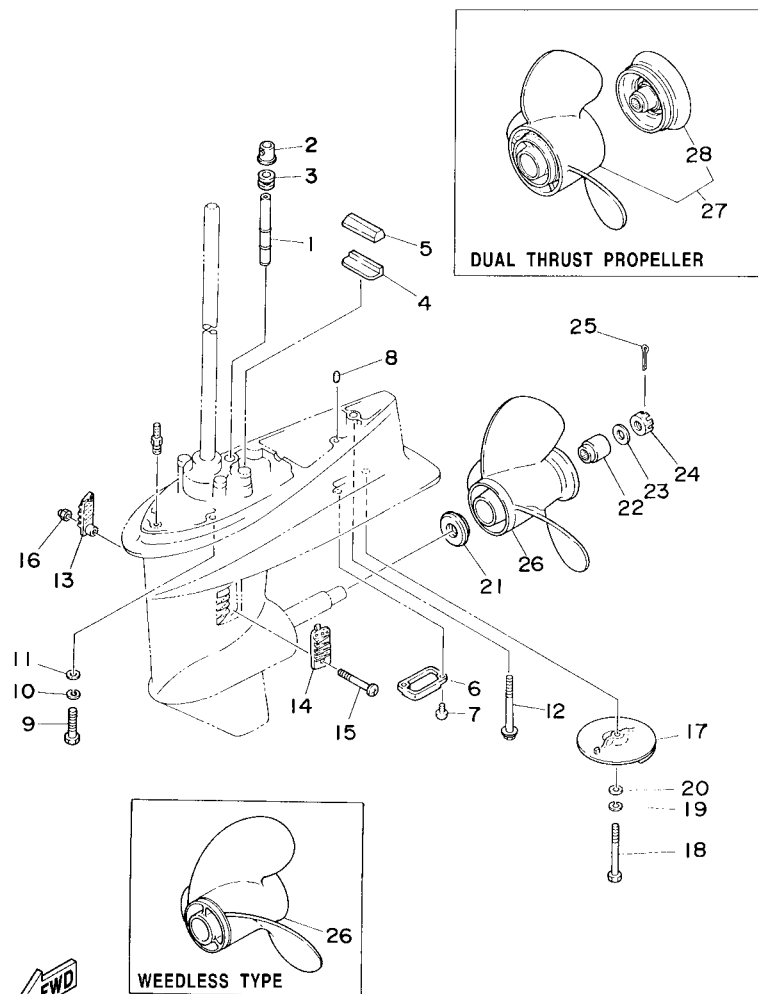


1  
**LOWER UNIT  
 ASSY**  
 (Fig. 24, Ref. No. 2 to 56)

**FIG. 24 LOWER CASING & DRIVE 1**

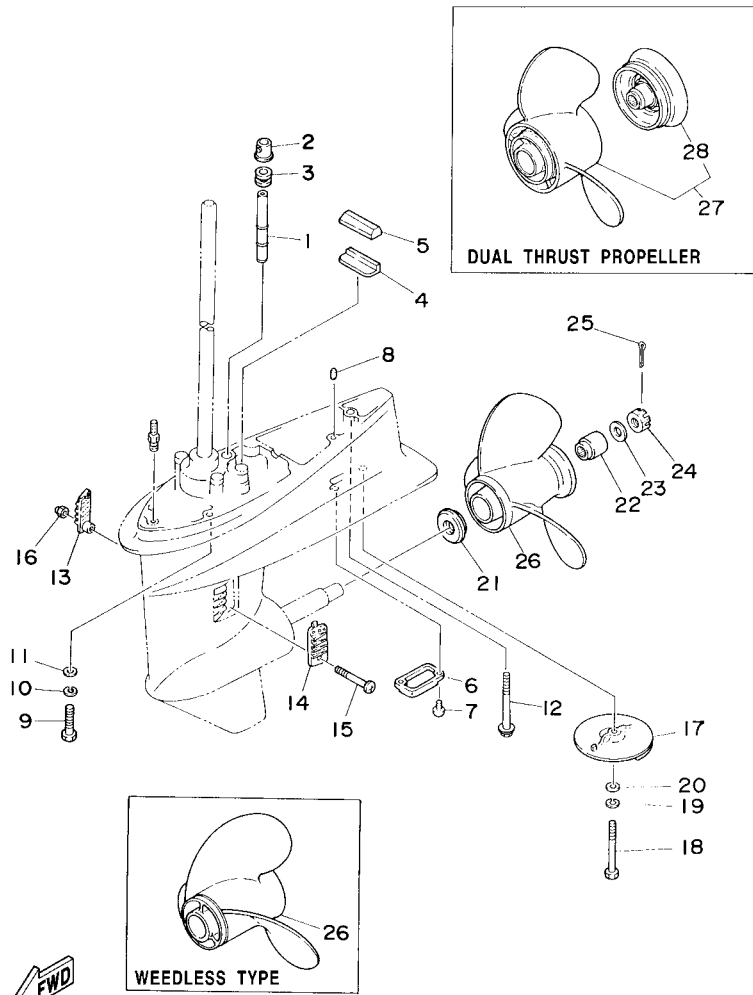
| REF. NO. | PART NO.        | DESCRIPTION         | MH | MHO | ETO | REMARKS |
|----------|-----------------|---------------------|----|-----|-----|---------|
| 39       | 6J8-45611-00    | SHAFT, PROPELLER    | 1  | 1   | 1   |         |
| 40       | 90501-10065     | SPRING, COMPRESSION | 1  | 1   | 1   |         |
| 41       | 6J8-45631-00    | CLUTCH, DOG         | 1  | 1   | 1   |         |
| 42       | 90250-05010     | PIN, STRAIGHT       | 1  | 1   | 1   |         |
| 43       | 648-45633-00    | RING, CROSS PIN     | 1  | 1   | 1   |         |
| 44       | 6J8-45635-00    | PLUNGER, SHIFT      | 1  | 1   | 1   |         |
| 45       | 90201-20417     | WASHER, PLATE       | 1  | 1   | 1   |         |
| 46       | 6J8-45571-00    | GEAR                | 1  | 1   | 1   |         |
| 47       | 689-45331-01-94 | HOUSING, BEARING    | 1  | 1   | 1   |         |
| 48       | 93306-00612     | BEARING             | 1  | 1   | 1   |         |
| 49       | 664-45577-01-10 | SHIM (T:0.10MM)     | 1  | 1   | 1   | UR      |
|          | 664-45577-01-12 | SHIM (T:0.12MM)     | 1  | 1   | 1   | UR      |
|          | 664-45577-01-15 | SHIM (T:0.15MM)     | 1  | 1   | 1   | UR      |
|          | 664-45577-01-18 | SHIM (T:0.18MM)     | 1  | 1   | 1   | UR      |
|          | 664-45577-01-30 | SHIM (T:0.30MM)     | 1  | 1   | 1   | UR      |
|          | 664-45577-01-40 | SHIM (T:0.40MM)     | 1  | 1   | 1   | UR      |
|          | 664-45577-01-50 | SHIM (T:0.50MM)     | 1  | 1   | 1   | UR      |
| 50       | 664-45576-00    | WASHER, THRUST      | 1  | 1   | 1   |         |
| 51       | 93210-60MA3     | O-RING              | 1  | 1   | 1   |         |
| 52       | 93315-22004     | BEARING             | 1  | 1   | 1   |         |
| 53       | 93101-20M07     | OIL SEAL            | 2  | 2   | 2   |         |
| 54       | 90214-45M02     | WASHER, CLAW        | 1  | 1   | 1   |         |
| 55       | 664-45384-00    | NUT                 | 1  | 1   | 1   |         |
| 56       | 90282-04010     | KEY, STRAIGHT       | 1  | 1   | 1   |         |

**FIG. 25 LOWER CASING & DRIVE 2**



| REF. NO. | PART NO.        | DESCRIPTION               | MH | MHO | ETO | REMARKS |
|----------|-----------------|---------------------------|----|-----|-----|---------|
| 1        | 6J8-44361-00    | TUBE, WATER               | 1  | 1   |     | S       |
|          | 6J8-44361-10    | TUBE, WATER               | 1  | 1   | 1   | L       |
| 2        | 6J8-44366-00    | DAMPER, WATER SEAL        | 1  | 1   | 1   |         |
| 3        | 663-44367-00    | DAMPER, WATER SEAL        | 1  | 1   | 1   |         |
| 4        | 663-45376-00-94 | GUIDE, SEAL DAMPER        | 1  | 1   | 1   |         |
| 5        | 688-45375-00    | DAMPER, SEAL              | 1  | 1   | 1   |         |
| 6        | 6J8-45224-10    | COVER, WATER INLET 3      | 1  | 1   | 1   |         |
| 7        | 97880-06012     | SCREW, PAN HEAD           | 2  | 2   | 2   |         |
| 8        | 93606-12019     | PIN, DOWEL                | 2  | 2   | 2   |         |
| 9        | 97075-10040     | BOLT                      | 4  | 4   | 4   |         |
| 10       | 92995-10100     | WASHER                    | 4  | 4   | 4   |         |
| 11       | 92995-10600     | WASHER                    | 4  | 4   | 4   |         |
| 12       | 90119-08M92     | BOLT, WITH WASHER         | 1  | 1   | 1   |         |
| 13       | 689-45214-01    | COVER, WATER INLET        | 1  | 1   | 1   |         |
| 14       | 6J8-45215-00    | COVER, WATER INLET        | 1  | 1   | 1   |         |
| 15       | 90152-05M04     | SCREW, COUNTERSUNK        | 1  | 1   | 1   |         |
| 16       | 90185-05002     | NUT, SELF-LOCKING         | 1  | 1   | 1   |         |
| 17       | 664-45371-01    | TAB-TRIM                  | 1  | 1   | 1   |         |
| 18       | 97075-08020     | BOLT                      | 1  | 1   | 1   |         |
| 19       | 92995-08100     | WASHER                    | 1  | 1   | 1   |         |
| 20       | 92995-08600     | WASHER                    | 1  | 1   | 1   |         |
| 21       | 6L2-45987-01    | SPACER                    | 1  | 1   | 1   |         |
| 22       | 689-45997-00    | SPACER                    | 1  | 1   | 1   |         |
| 23       | 92990-14200     | WASHER, PLAIN             | 1  | 1   | 1   |         |
| 24       | 90171-14013     | NUT, CASTLE               | 1  | 1   | 1   |         |
| 25       | 91490-30022     | PIN, COTTER               | 1  | 1   | 1   |         |
| 26       | 664-45941-01-EL | PROPELLER (3X9-7/8"X9"-F) | 1  | 1   | 1   | UR      |

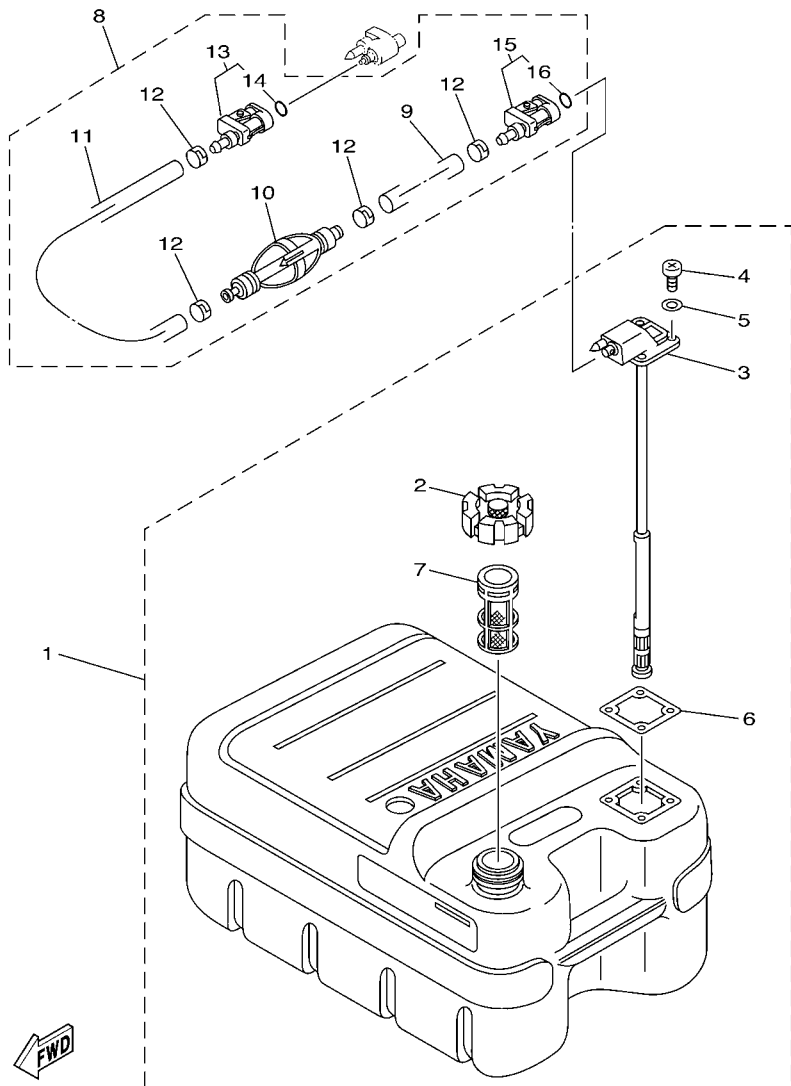
6J80100-4270



6J80100-4270

**FIG. 25 LOWER CASING & DRIVE 2**

| REF. NO. | PART NO.        | DESCRIPTION                    | MH | MHO | ETO | REMARKS     |
|----------|-----------------|--------------------------------|----|-----|-----|-------------|
| 26       | 664-45943-01-EL | PROPELLER (3X9-7/8"X8"-F)      | 1  | 1   | 1   | UR          |
|          | 664-45945-00-EL | PROPELLER (3X9-7/8"X10-1/2"-F) | 1  | 1   | 1   | UR          |
|          | 664-45947-01-EL | PROPELLER (3X9-7/8"X11-1/4"-F) | 1  | 1   | 1   | UR          |
|          | 664-45949-02-EL | PROPELLER (3X9-7/8"X13"-F)     | 1  | 1   | 1   | UR          |
|          | 664-45952-00-EL | PROPELLER (3X9-7/8"X14"-F)     | 1  | 1   | 1   | UR          |
|          | 664-45954-01-EL | PROPELLER (3X9-7/8"X12"-F)     | 1  | 1   | 1   | UR          |
|          | 664-45970-00-98 | PROPELLER (3X9-1/8"X13"-F)     | 1  | 1   | 1   | UR WEEDLESS |
| 27       | 6J8-W4591-00-EL | PROPELLER (3X10-5/8"X8-1/4"-F) | 1  | 1   | 1   |             |
| 28       | 6J8-45986-10-98 | .RING, DEFLECTOR               | 1  | 1   | 1   |             |
| <hr/>    |                 |                                |    |     |     |             |
| <hr/>    |                 |                                |    |     |     |             |
| <hr/>    |                 |                                |    |     |     |             |
| <hr/>    |                 |                                |    |     |     |             |
| <hr/>    |                 |                                |    |     |     |             |
| <hr/>    |                 |                                |    |     |     |             |
| <hr/>    |                 |                                |    |     |     |             |
| <hr/>    |                 |                                |    |     |     |             |



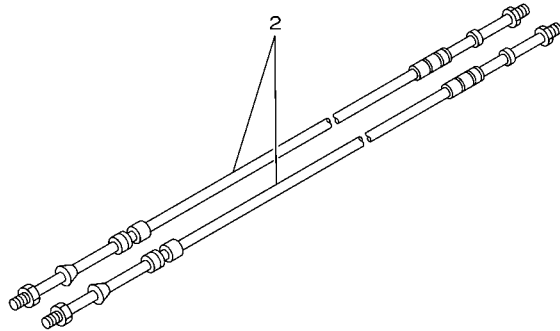
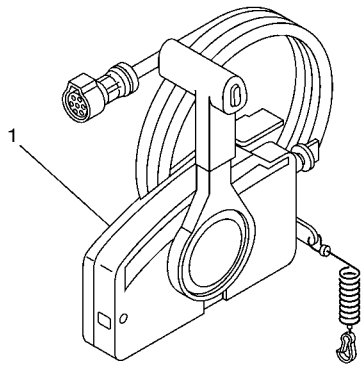
68U3100-C240

FIG. 26 FUEL TANK

| REF. NO. | PART NO.     | DESCRIPTION              | MH | MHO | ETO | REMARKS          |
|----------|--------------|--------------------------|----|-----|-----|------------------|
| 1        | 6YJ-24201-50 | FUEL TANK ASSY           |    | 1   |     | AP FOR CAN       |
|          | 6YJ-24201-10 | FUEL TANK ASSY (24L)     | 1  | 1   |     | AP FOR OCE       |
| 2        | 6YJ-24610-00 | .CAP ASSY                | 1  | 1   | 1   |                  |
| 3        | 6Y1-24260-12 | .FUEL METER ASSY         | 1  | 1   | 1   | WITH INDICATOR   |
| 4        | 98586-05016  | .SCREW, PAN HEAD         | 4  | 4   | 4   |                  |
| 5        | 6Y1-24329-00 | .SEAL                    | 4  | 4   | 4   |                  |
| 6        | 6Y1-24268-00 | .GASKET, FUEL METER      | 1  | 1   | 1   |                  |
| 7        | 6YJ-24167-00 | .STRAINER                | 1  | 1   | 1   |                  |
| 8        | 6Y1-24306-54 | FUEL PIPE COMP. 1        |    | 1   |     | AP FOR CAN       |
|          | 61J-24306-03 | FUEL PIPE COMP. 1        | 1  | 1   |     | AP FOR OCE       |
| 9        | 90445-11M06  | .HOSE (L2050)            | 1  | 1   | 1   |                  |
| 10       | 6Y1-24360-52 | .PRIMER PUMP ASSY        |    | 1   |     | FOR 6Y1-24306-54 |
|          | 61J-24360-00 | .PRIMER PUMP ASSY        | 1  | 1   |     | FOR 61J-24306-03 |
| 11       | 90445-11M05  | .HOSE (L850)             | 1  | 1   | 1   |                  |
| 12       | 650-24351-51 | .BAND 1                  |    | 4   |     | FOR 6Y1-24306-54 |
|          | 650-24351-01 | .BAND 1                  | 4  | 4   |     | FOR 61J-24306-03 |
| 13       | 6G1-24305-04 | .FUEL PIPE JOINT COMP. 2 | 1  | 1   | 1   |                  |
| 14       | 93210-08287  | ..O-RING                 | 1  | 1   | 1   |                  |
| 15       | 6Y1-24305-05 | .FUEL PIPE JOINT COMP. 2 | 1  | 1   | 1   |                  |
| 16       | 93210-08287  | ..O-RING                 | 1  | 1   | 1   |                  |



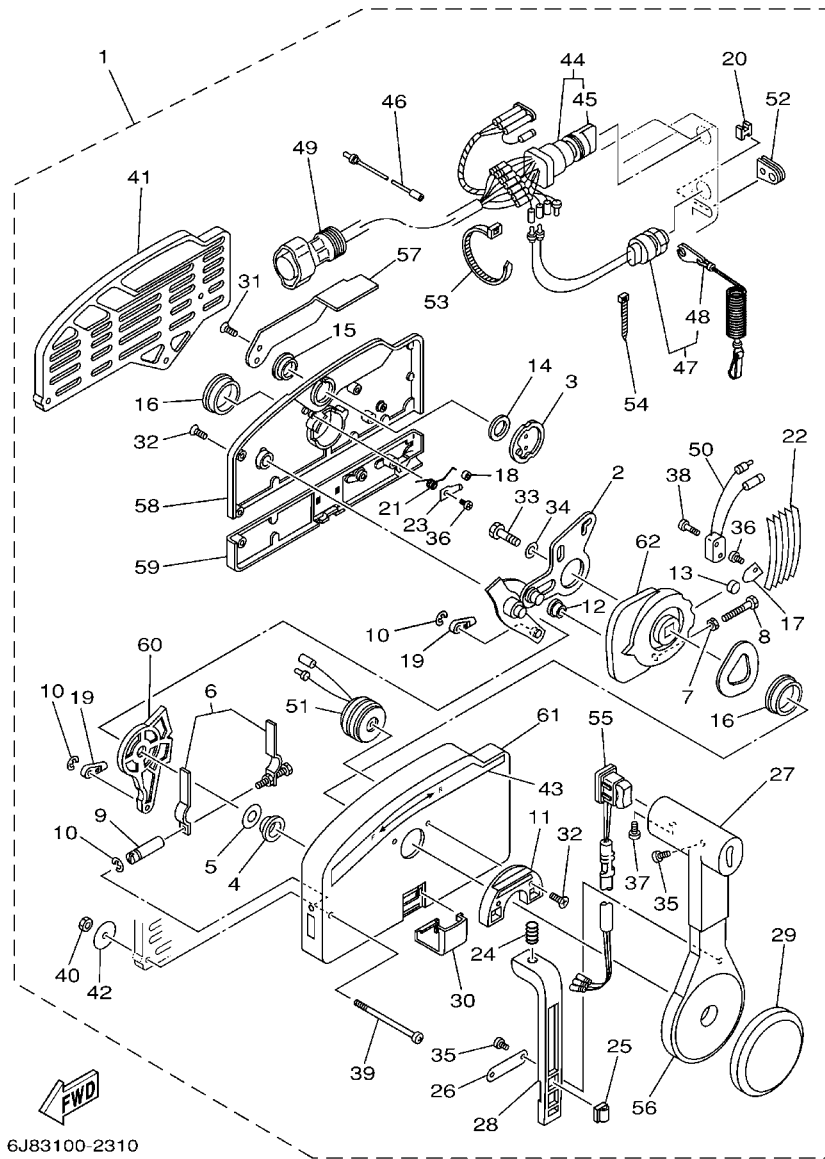




67M0100-8280

**FIG. 28 REMOTE CONTROL BOX**

| REF. NO. | PART NO.     | DESCRIPTION                 | MH | MHO | ETO | REMARKS          |
|----------|--------------|-----------------------------|----|-----|-----|------------------|
| 1        | 703-48250-17 | REMOTE CONTROL ASSY         |    |     | 1   | AP WITH PT/T SW. |
| 2        | 701-48310-80 | CABLE, REMOTE CONTROL L=10F |    |     | 2   | UR               |
|          | 701-48310-90 | CABLE, REMOTE CONTROL L=11F |    |     | 2   | UR               |
|          | 701-48320-00 | CABLE, REMOTE CONTROL L=12F |    |     | 2   | UR               |
|          |              |                             |    |     |     |                  |
|          |              |                             |    |     |     |                  |
|          |              |                             |    |     |     |                  |
|          |              |                             |    |     |     |                  |
|          |              |                             |    |     |     |                  |
|          |              |                             |    |     |     |                  |
|          |              |                             |    |     |     |                  |
|          |              |                             |    |     |     |                  |
|          |              |                             |    |     |     |                  |



6J83100-2310

FIG. 29 REMOTE CONTROL ASSY

| REF. NO. | PART NO.     | DESCRIPTION                  | MH | MHO | ETO | REMARKS          |
|----------|--------------|------------------------------|----|-----|-----|------------------|
| 1        | 703-48250-17 | REMOTE CONTROL ASSY          |    |     | 1   | AP WITH PT/T SW. |
| 2        | 703-48261-11 | .ARM, THROTTLE               |    |     | 1   |                  |
| 3        | 703-48153-00 | .SHAFT, FREE ACCEL.          |    |     | 1   |                  |
| 4        | 703-48235-00 | .BUSHING                     |    |     | 1   |                  |
| 5        | 703-48268-00 | .SPACER                      |    |     | 1   |                  |
| 6        | 703-48264-00 | .THROTTLE, FRICTION          |    |     | 1   |                  |
| 7        | 95380-05600  | .NUT                         |    |     | 1   |                  |
| 8        | 97380-05025  | .BOLT                        |    |     | 1   |                  |
| 9        | 703-48265-00 | .SHAFT, FRICTION             |    |     | 1   |                  |
| 10       | 93430-06024  | .CIRCLIP                     |    |     | 3   |                  |
| 11       | 703-48245-00 | .PLATE, LOCK                 |    |     | 1   |                  |
| 12       | 703-48252-00 | .ROLLER, CAM                 |    |     | 1   |                  |
| 13       | 701-48248-00 | .ROLLER, FREE ACCEL.         |    |     | 1   |                  |
| 14       | 703-48198-00 | .WASHER, WAVE                |    |     | 1   |                  |
| 15       | 703-48243-00 | .BUSHING                     |    |     | 1   |                  |
| 16       | 703-48236-00 | .BUSHING 1                   |    |     | 2   |                  |
| 17       | 703-48189-00 | .RETAINER                    |    |     | 1   |                  |
| 18       | 703-48234-00 | .ROLLER, DETENT              |    |     | 1   |                  |
| 19       | 703-48345-01 | .CABLE END, REMOTE CONTROL 2 |    |     | 2   |                  |
| 20       | 703-48358-00 | .ANCHOR, CABLE               |    |     | 1   |                  |
| 21       | 703-48244-00 | .SPRING, FREE ACCEL.         |    |     | 1   |                  |
| 22       | 703-48238-00 | .SPRING, DETENT              |    |     | 5   |                  |
| 23       | 703-48246-00 | .SPACER                      |    |     | 1   |                  |
| 24       | 703-48227-00 | .SPRING, NEUTRAL LOCK        |    |     | 1   |                  |
| 25       | 703-82594-00 | .CLAMP                       |    |     | 1   | WITH PT/T SW.    |
| 26       | 703-48226-00 | .PLATE, STOPPER              |    |     | 1   |                  |
| 27       | 703-48222-00 | .GRIP, CONTROL LEVER         |    |     | 1   | SINGLE           |

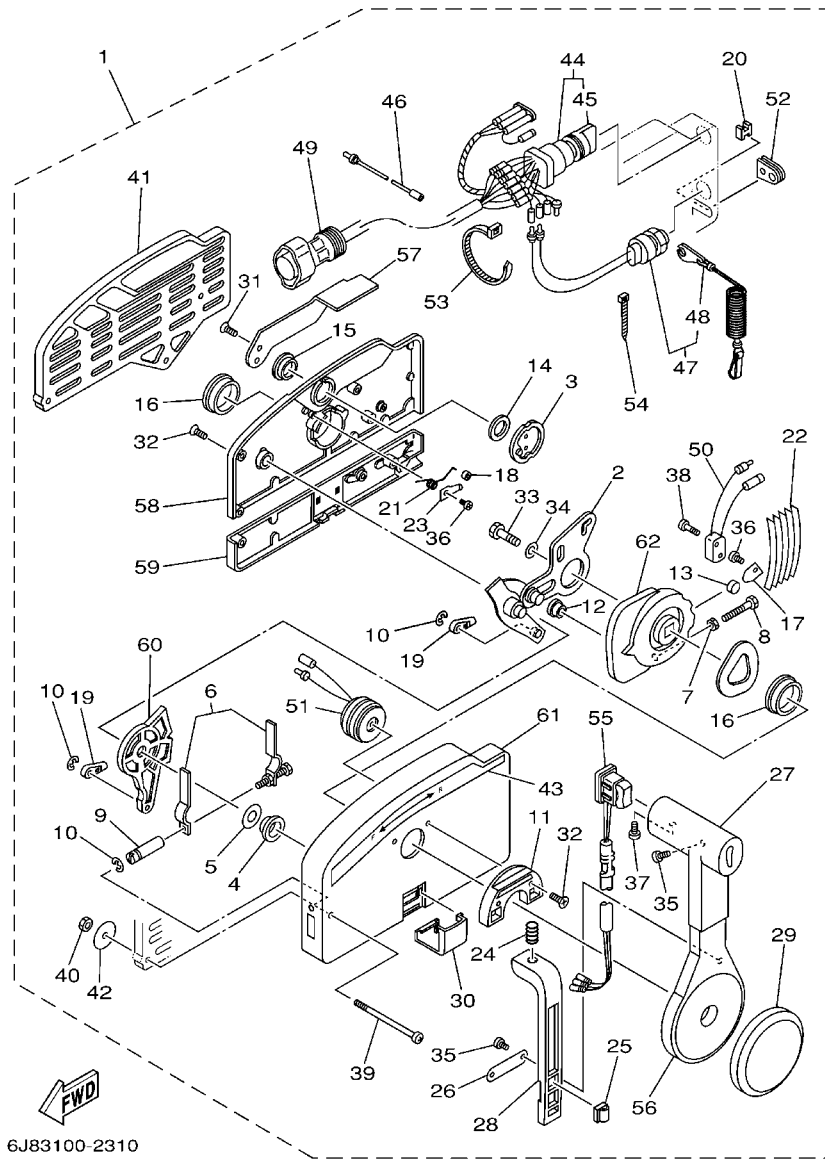
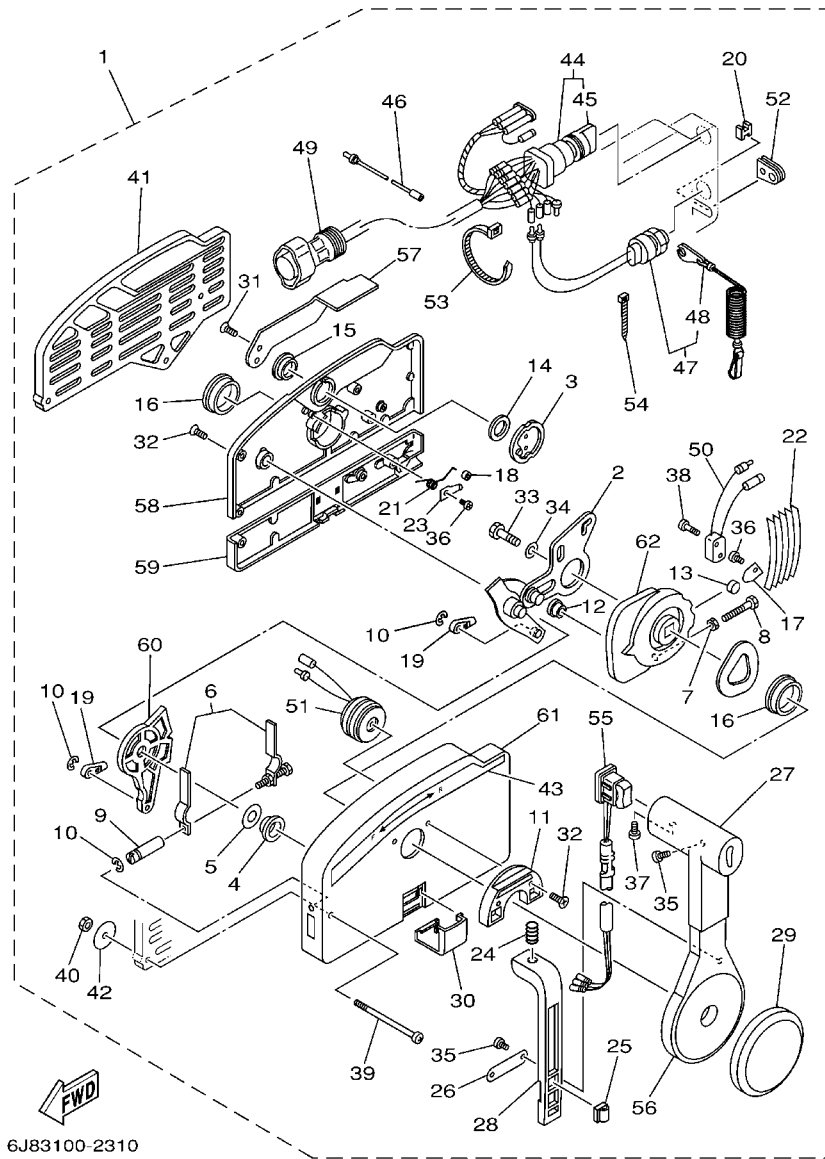


FIG. 29 REMOTE CONTROL ASSY

| REF. NO. | PART NO.     | DESCRIPTION              | MH | MHO | ETO | REMARKS    |
|----------|--------------|--------------------------|----|-----|-----|------------|
| 28       | 703-48223-00 | .LOCK, NEUTRAL           |    |     | 1   |            |
| 29       | 703-48225-00 | .COVER                   |    |     | 1   |            |
| 30       | 703-48219-00 | .COVER, LEAD             |    |     | 1   |            |
| 31       | 703-48281-00 | .SCREW                   |    |     | 2   |            |
| 32       | 703-48282-00 | .SCREW                   |    |     | 7   |            |
| 33       | 97380-08030  | .BOLT                    |    |     | 1   |            |
| 34       | 92990-08600  | .WASHER, PLATE           |    |     | 1   |            |
| 35       | 98580-04010  | .SCREW, PAN HEAD         |    |     | 3   |            |
| 36       | 98580-04006  | .SCREW, PAN HEAD         |    |     | 2   |            |
| 37       | 98580-05010  | .SCREW, PAN HEAD         |    |     | 1   |            |
| 38       | 98580-03015  | .SCREW, PAN HEAD         |    |     | 2   |            |
| 39       | 703-48291-10 | .SCREW (M6)              |    |     | 3   |            |
| 40       | 95380-06600  | .NUT, HEXAGON            |    |     | 3   |            |
| 41       | 703-48293-10 | .SPACER, REMOTE CONTROL  |    |     | 1   | SINGLE     |
| 42       | 701-48287-00 | .WASHER                  |    |     | 3   |            |
| 43       | 703-48215-00 | .GRAPHIC                 |    |     | 1   |            |
| 44       | 703-82510-43 | .MAIN SWITCH ASSY        |    |     | 1   |            |
| 45       | 703-82577-00 | ..CAP, KEY               |    |     | 1   |            |
| 46       | 703-82531-00 | .WIRE, LEAD              |    |     | 1   |            |
| 47       | 688-82575-01 | .ENGINE STOP SWITCH ASSY |    |     | 1   |            |
| 48       | 682-82556-00 | ..STOPPER                |    |     | 1   |            |
| 49       | 688-8258A-20 | .EXTENSION, WIRE HARNESS |    |     | 1   | L:5M (10P) |
| 50       | 703-82540-00 | .NEUTRAL SWITCH ASSY     |    |     | 1   |            |
| 51       | 703-83383-02 | .BUZZER                  |    |     | 1   |            |
| 52       | 703-48284-00 | .GROMMET                 |    |     | 1   |            |
| 53       | 703-82591-00 | .BAND                    |    |     | 1   |            |
| 54       | 703-82592-00 | .BAND                    |    |     | 1   |            |



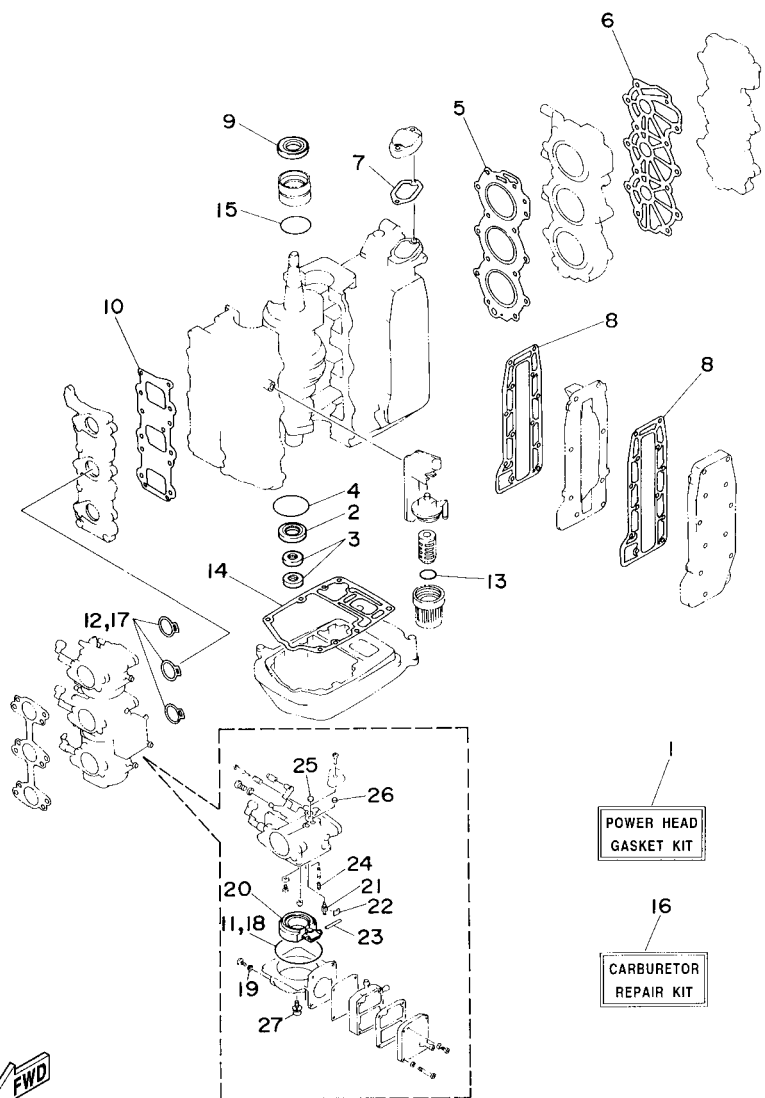
6J83100-2310

FIG. 29 REMOTE CONTROL ASSY

| REF. NO. | PART NO.     | DESCRIPTION              | MH | MHO | ETO | REMARKS       |
|----------|--------------|--------------------------|----|-----|-----|---------------|
| 55       | 703-82563-02 | .TRIM & TILT SWITCH ASSY |    |     | 1   | WITH PT/T SW. |
| 56       | 703-48221-00 | .LEVER, CONTROL          |    |     | 1   |               |
| 57       | 703-48152-00 | .KNOB, FREE ACCEL.       |    |     | 1   |               |
| 58       | 703-48212-00 | .BACK PLATE 1            |    |     | 1   |               |
| 59       | 703-48213-00 | .BACK PLATE 2            |    |     | 1   |               |
| 60       | 703-48271-00 | .ARM, SHIFT              |    |     | 1   |               |
| 61       | 703-48211-01 | .HOUSING,1               |    |     | 1   |               |
| 62       | 703-48232-00 | .GEAR                    |    |     | 1   |               |

**B7**

FIG. 30 REPAIR KIT 1

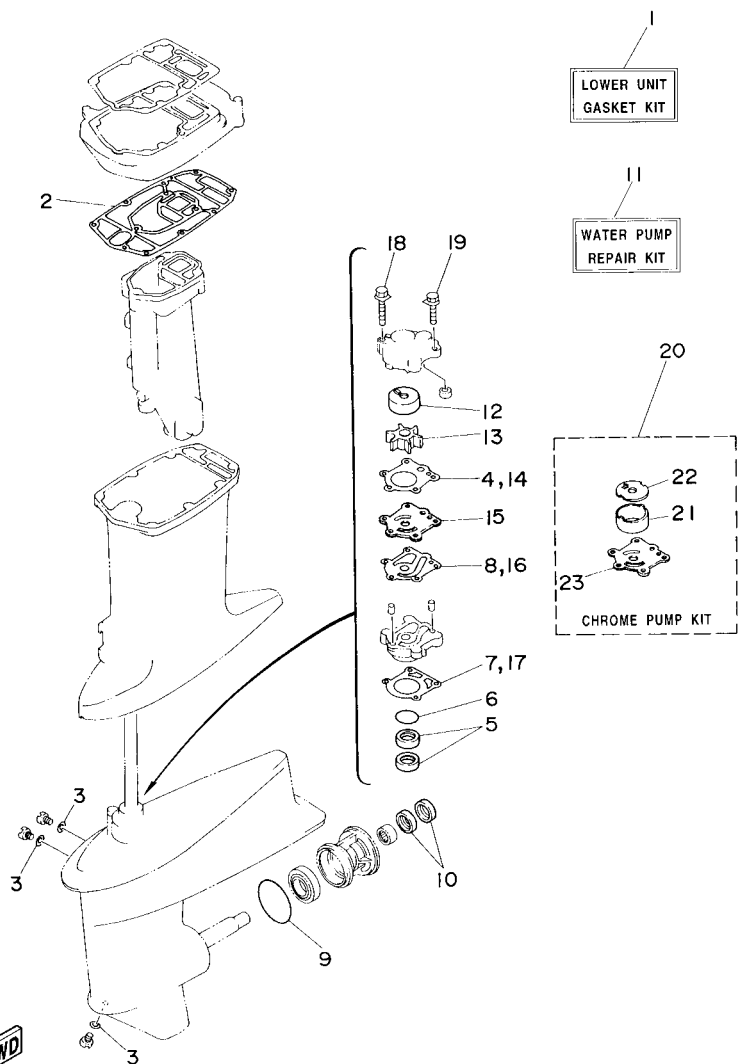


6J80100-4320

| REF. NO. | PART NO.     | DESCRIPTION                  | MH | MHO | ETO | REMARKS |
|----------|--------------|------------------------------|----|-----|-----|---------|
| 1        | 6J8-W0001-03 | POWER HEAD GASKET KIT        | 1  | 1   | 1   |         |
| 2        | 93101-25M28  | .OIL SEAL                    | 1  | 1   | 1   |         |
| 3        | 93104-16M04  | .OIL SEAL                    | 2  | 2   | 2   |         |
| 4        | 93210-56M80  | .O-RING                      | 1  | 1   | 1   |         |
| 5        | 6J8-11181-A1 | .GASKET, CYLINDER HEAD 1     | 1  | 1   | 1   |         |
| 6        | 6J8-11193-A1 | .GASKET, HEAD COVER 1        | 1  | 1   | 1   |         |
| 7        | 6J8-12414-A0 | .GASKET, COVER               | 1  | 1   | 1   |         |
| 8        | 6J8-41114-A0 | .GASKET, EXHAUST OUTER COVER | 2  | 2   | 2   |         |
| 9        | 93102-26M27  | .OIL SEAL                    | 1  | 1   | 1   |         |
| 10       | 6J8-13621-00 | .GASKET, VALVE SEAT          | 1  | 1   | 1   |         |
| 11       | 6J8-14984-00 | .GASKET, FLOAT CHAMBER       | 3  | 3   | 3   |         |
| 12       | 6J8-14198-00 | .GASKET                      | 3  | 3   | 3   |         |
| 13       | 93210-32738  | .O-RING                      | 1  | 1   | 1   |         |
| 14       | 6J8-45113-A0 | .GASKET, UPPER CASING        | 1  | 1   | 1   |         |
| 15       | 93210-42159  | .O-RING                      | 1  | 1   | 1   |         |
| 16       | 6J8-W0093-00 | CARBURETOR REPAIR KIT        | 1  | 1   | 1   |         |
| 17       | 6J8-14198-00 | .GASKET                      | 3  | 3   | 3   |         |
| 18       | 6J8-14984-00 | .GASKET, FLOAT CHAMBER       | 3  | 3   | 3   |         |
| 19       | 6J8-14995-00 | .GASKET                      | 3  | 3   | 3   |         |
| 20       | 6J8-14985-00 | .FLOAT                       | 3  | 3   | 3   |         |
| 21       | 6J8-14546-00 | .VALVE, NEEDLE               | 3  | 3   | 3   |         |
| 22       | 6J8-14159-00 | .CLIP                        | 3  | 3   | 3   |         |
| 23       | 6J8-14548-00 | .PIN, FLOAT ARM              | 3  | 3   | 3   |         |
| 24       | 6J8-14966-00 | .PLUG                        | 3  | 3   | 3   |         |
| 25       | 6J8-14126-00 | .PLUG                        | 3  | 3   | 3   |         |
| 26       | 6J8-14118-00 | .PLUG                        | 3  | 3   | 3   |         |
| 27       | 97980-04112  | .SCREW, WITH WASHER          | 3  | 3   | 3   |         |

FIG. 31 REPAIR KIT 2

| REF. NO. | PART NO.     | DESCRIPTION             | MH | MHO | ETO | REMARKS |
|----------|--------------|-------------------------|----|-----|-----|---------|
| 1        | 6J8-W0001-C2 | LOWER UNIT GASKET KIT   | 1  | 1   | 1   |         |
| 2        | 6J8-45114-A1 | .GASKET, UPPER CASING   | 1  | 1   | 1   |         |
| 3        | 90430-08020  | .GASKET                 | 3  | 3   | 3   |         |
| 4        | 663-44315-A0 | .GASKET, WATER PUMP     | 1  | 1   | 1   |         |
| 5        | 93101-23070  | .OIL SEAL               | 2  | 2   | 2   |         |
| 6        | 93210-41042  | .O-RING                 | 1  | 1   | 1   |         |
| 7        | 663-44316-A0 | .GASKET, WATER PUMP     | 1  | 1   | 1   |         |
| 8        | 663-44324-A0 | .GASKET, CARTRIDGE      | 1  | 1   | 1   |         |
| 9        | 93210-60MA3  | .O-RING                 | 1  | 1   | 1   |         |
| 10       | 93101-20M07  | .OIL SEAL               | 2  | 2   | 2   |         |
| 11       | 6J8-W0078-A2 | WATER PUMP REPAIR KIT   | 1  | 1   | 1   |         |
| 12       | 663-44322-00 | .INSERT, CARTRIDGE      | 1  | 1   | 1   |         |
| 13       | 6H4-44352-02 | .IMPELLER               | 1  | 1   | 1   |         |
| 14       | 663-44315-A0 | .GASKET, WATER PUMP     | 1  | 1   | 1   |         |
| 15       | 663-44323-00 | .OUTER PLATE, CARTRIDGE | 1  | 1   | 1   |         |
| 16       | 663-44324-A0 | .GASKET, CARTRIDGE      | 1  | 1   | 1   |         |
| 17       | 663-44316-A0 | .GASKET, WATER PUMP     | 1  | 1   | 1   |         |
| 18       | 90119-08M13  | .BOLT, WITH WASHER      | 2  | 2   | 2   |         |
| 19       | 90119-08M34  | .BOLT, WITH WASHER      | 2  | 2   | 2   |         |
| 20       | 6H4-W0078-0A | CHROME PUMP KIT         | 1  | 1   | 1   |         |
| 21       | 670-44322-01 | .INSERT, CARTRIDGE      | 1  | 1   | 1   |         |
| 22       | 670-44321-00 | .INNER PLATE, CARTRIDGE | 1  | 1   | 1   |         |
| 23       | 670-44323-00 | .OUTER PLATE, CARTRIDGE | 1  | 1   | 1   |         |



6J80100-4330

NUMERICAL INDEX

| PART NO.        | REF. NO. | PART NO.        | REF. NO. | PART NO.        | REF. NO. | PART NO.        | REF. NO. | PART NO.        | REF. NO. | PART NO.        | REF. NO. |
|-----------------|----------|-----------------|----------|-----------------|----------|-----------------|----------|-----------------|----------|-----------------|----------|
| 6J8-11111-00-1S | 2 - 16   | 6J8-14159-00    | 5 - 10   | 677-15717-01    | 8 - 19   | 6J8-24415-00    | 5 - 29   | 6G1-42125-01    | 14 - 11  | 6J8-42735-00    | 13 - 23  |
| 6F5-11119-00    | 2 - 8    |                 | 30 - 22  | 6J8-15723-00    | 8 - 48   | 6J8-24432-00    | 5 - 30   | 6G1-42126-00    | 14 - 12  | 6J8-42741-01    | 13 - 20  |
| 6J8-1111J-00    | 2 - 29   | 6J8-14198-00    | 4 - 9    | 6J8-15723-E1    | 12 - 32  | 6J8-24452-00    | 5 - 31   | 6G1-42131-02    | 14 - 8   | 6E7-42791-10    | 13 - 34  |
| 6J8-11181-A1    | 2 - 17   |                 | 30 - 12  | 676-15741-03    | 8 - 23   | 6J8-24471-00    | 5 - 28   | 6J8-42137-00    | 14 - 16  | 6J8-42815-00-4D | 13 - 3   |
|                 | 30 - 5   | 6J8-14301-01    | 5 - 1    | 6J8-15746-01    | 8 - 34   | 61N-24521-00    | 7 - 8    | 6G1-42138-01    | 14 - 22  | 6J8-42816-00    | 13 - 7   |
| 6J8-11191-00-1S | 2 - 18   | 6J8-14301-11    | 5 - 1    | 6J8-15747-00    | 8 - 38   | 61N-24560-00    | 7 - 6    | 6J8-42154-01    | 15 - 30  | 6J8-42831-00    | 13 - 9   |
| 6J8-11193-A1    | 2 - 19   | 6J8-14302-01    | 5 - 2    | 656-15748-00    | 8 - 31   | 61N-24563-00    | 7 - 7    | 6E0-42159-02    | 14 - 23  | 6J8-42846-00    | 13 - 27  |
|                 | 30 - 6   | 6J8-14303-01    | 5 - 3    | 6F5-15752-00    | 8 - 9    | 6YJ-24610-00    | 26 - 2   | 6J8-42167-00    | 15 - 6   |                 | 17 - 18  |
| 6J8-11325-00    | 2 - 10   | 6J8-14334-00    | 5 - 26   | 6F5-15753-00    | 8 - 10   | 6H1-24633-00    | 6 - 31   | 689-42169-01    | 15 - 8   | 6H4-43111-05-4D | 18 - 1   |
| 6H3-11327-00-1S | 2 - 11   | 6J8-14417-00    | 4 - 11   | 689-15755-01    | 8 - 14   | 6J8-26301-00    | 14 - 25  | 6J8-42169-01    | 16 - 7   | 6K9-43111-10-4D | 20 - 1   |
| 6J8-11328-00    | 2 - 12   | 6J8-14418-00    | 4 - 12   | 6J8-15758-01-94 | 8 - 4    | 6G8-26363-00    | 16 - 14  |                 | 17 - 8   | 6H4-43112-04-4D | 18 - 2   |
| 650-11370-01    | 2 - 3    | 6J8-14476-00    | 4 - 13   | 6J8-15762-00    | 8 - 7    |                 | 17 - 15  | 6F6-42177-A0    | 14 - 15  | 6K9-43112-10-4D | 20 - 2   |
| 676-11372-00    | 2 - 26   | 6J8-14483-A1    | 4 - 15   | 6J8-15770-00    | 8 - 33   | 6G8-26364-00    | 16 - 15  | 6J8-42192-00    | 15 - 27  | 6J8-43113-01    | 18 - 12  |
| 6J8-11400-01    | 3 - 1    | 624-14485-00    | 2 - 4    | 6J8-15771-00-94 | 8 - 40   |                 | 17 - 16  | 6J8-42510-03-4D | 18 - 25  | 648-43114-01    | 18 - 8   |
| 6J8-11400-11    | 3 - 1    | 676-14485-00    | 4 - 6    | 6J8-15772-00-94 | 8 - 41   | 6G1-2811G-00    | 7 - 19   |                 | 21 - 10  | 6E0-43118-01    | 18 - 5   |
| 6J8-11445-00    | 3 - 2    | 6J8-14497-00    | 15 - 1   | 6J8-15774-01    | 8 - 39   | 6J8-28170-00    | 7 - 18   | 6J8-42528-00    | 18 - 22  | 6J8-43131-01    | 18 - 9   |
| 6J8-11536-00    | 3 - 2    | 6J8-14523-00    | 5 - 25   | 6F5-15779-02    | 8 - 15   | 6E0-28193-00-94 | 7 - 23   |                 | 21 - 3   | 6K9-43131-01    | 20 - 10  |
| 6J8-11537-00    | 6 - 2    | 6J8-14527-01    | 5 - 17   | 6J8-15787-00    | 8 - 13   | 61H-2819R-31    | 7 - 16   | 624-42542-00    | 6 - 47   | 6K9-43139-01    | 21 - 1   |
| 6J8-11601-01    | 3 - 9    | 6J8-14546-00    | 5 - 9    | 6A0-15789-00    | 8 - 8    | 6J8-41111-00-1S | 2 - 27   | 6J8-42610-C0-4D | 1 - 1    | 6E5-43145-01    | 27 - 9   |
| 6J8-11601-11    | 3 - 9    |                 | 30 - 21  | 6J8-21707-01    | 6 - 27   | 6J8-41113-00-1S | 2 - 25   | 6J8-42610-F0-4D | 1 - 1    | 6G5-43145-01    | 18 - 14  |
| 6J8-11601-21    | 3 - 9    | 6J8-14548-00    | 5 - 11   | 6J8-21707-11    | 6 - 27   | 6J8-41114-A0    | 2 - 28   | 6J8-42613-00-4D | 1 - 6    |                 | 20 - 16  |
| 6J8-11631-02-97 | 3 - 8    |                 | 30 - 23  | 6J8-21732-00    | 1 - 16   |                 | 30 - 8   | 6J8-42613-10-4D | 1 - 6    | 6H4-43160-01    | 19 - 1   |
| 6J8-11633-00    | 3 - 10   | 6J8-14555-00    | 5 - 19   | 6J8-21735-00    | 1 - 17   | 6J8-41131-00-5B | 23 - 6   | 6J8-42615-00    | 1 - 2    | 676-43165-00    | 19 - 2   |
| 6J8-11635-02    | 3 - 8    | 6J8-14578-00    | 5 - 34   | 6J8-2173M-00    | 6 - 28   | 6J8-41137-01-94 | 23 - 4   | 6J8-42651-03    | 1 - 3    | 6J8-43181-01    | 19 - 5   |
| 6J8-11636-02    | 3 - 8    | 6J8-14592-01    | 5 - 23   | 6J8-21744-00    | 6 - 41   | 6J8-41211-00    | 15 - 37  | 6J8-42652-00    | 1 - 4    | 6J8-43186-00    | 19 - 41  |
| 688-12411-10    | 2 - 21   | 6J8-14737-00    | 23 - 7   | 6H1-21757-00    | 6 - 30   | 6J8-41213-00    | 15 - 2   | 6J8-42677-30    | 1 - 8    | 6J8-43187-00    | 19 - 42  |
| 6H4-12413-00-1S | 2 - 22   | 6J8-14923-00    | 5 - 18   | 6J8-21758-00    | 6 - 32   | 6J8-41217-00    | 4 - 25   | 6J8-42678-30    | 1 - 9    | 65W-43191-00    | 20 - 7   |
| 6J8-12414-A0    | 2 - 23   | 6J8-1492A-00    | 5 - 35   | 6H4-21770-00    | 6 - 29   | 682-41237-00    | 6 - 25   | 6J8-42681-30    | 1 - 11   | 65W-43192-00    | 20 - 6   |
|                 | 30 - 7   | 6J8-1492E-51    | 5 - 14   | 6J8-2177H-00    | 1 - 14   |                 | 15 - 9   | 6J8-42682-30    | 1 - 12   | 6K9-43311-01-4D | 20 - 17  |
| 6J8-13117-00    | 6 - 3    | 6J8-1492F-26    | 5 - 12   | 6YJ-24167-00    | 26 - 7   | 6J8-41237-00    | 6 - 22   | 6J8-42711-03-4D | 13 - 1   | 6J8-43311-04-4D | 18 - 19  |
| 6J8-13155-00    | 6 - 18   | 6J8-14966-00    | 5 - 13   | 6YJ-24201-10    | 26 - 1   | 6J8-41238-00    | 6 - 21   | 6J8-42716-00    | 13 - 16  | 682-43318-01    | 19 - 6   |
| 6E9-13183-70    | 6 - 14   |                 | 30 - 24  | 6YJ-24201-50    | 26 - 1   | 6J8-41257-00    | 4 - 21   | 6J8-42719-10    | 13 - 24  | 689-43373-01    | 15 - 26  |
| 6J8-13200-01    | 6 - 5    | 6J8-14980-00    | 5 - 5    | 6Y1-24260-12    | 26 - 3   | 6J8-41259-00    | 4 - 18   | 6J8-42719-20    | 13 - 24  |                 | 18 - 23  |
| 6J8-13411-00    | 6 - 33   | 6J8-14981-00    | 5 - 27   | 6Y1-24268-00    | 26 - 6   | 6J8-41262-00    | 4 - 22   | 6J8-42723-01    | 13 - 22  |                 | 21 - 4   |
| 6J8-13414-00    | 6 - 34   | 6J8-14984-00    | 5 - 4    | 6G1-24304-02    | 7 - 1    |                 | 19 - 46  | 6J8-42723-51    | 13 - 22  | 6J8-43611-01    | 19 - 20  |
| 6J8-13416-00    | 6 - 35   |                 | 30 - 11  | 6G1-24305-04    | 26 - 13  | 661-41262-02    | 4 - 19   |                 | 17 - 17  | 6J8-43613-01    | 19 - 18  |
| 6J8-13436-40    | 1 - 13   | 6J8-14985-00    | 5 - 8    | 6Y1-24305-05    | 26 - 15  |                 | 8 - 47   | 6J8-42724-00    | 13 - 12  | 6J8-43614-00    | 19 - 16  |
| 6J8-13437-81    | 12 - 36  |                 | 30 - 20  | 61J-24306-03    | 26 - 8   | 6J8-41271-01    | 4 - 20   | 6J8-42724-10    | 17 - 19  | 6J8-43615-00    | 19 - 17  |
| 6J8-13437-91    | 8 - 51   | 6J8-14991-00    | 5 - 6    | 6Y1-24306-54    | 26 - 8   | 689-41273-00    | 4 - 23   | 6J8-42724-60    | 11 - 24  | 6H4-43616-00    | 19 - 29  |
| 6J8-13610-00    | 4 - 1    | 6J8-14995-00    | 5 - 7    | 6J8-24311-00    | 7 - 14   | 6J8-41274-00    | 4 - 24   | 6J8-42725-01    | 13 - 14  | 6J8-43616-10    | 19 - 47  |
| 6J8-13621-00    | 4 - 7    |                 | 30 - 19  | 6E5-24312-00    | 7 - 11   | 6H4-41611-10    | 9 - 15   | 682-42726-00    | 15 - 35  | 6J8-43617-00    | 19 - 32  |
|                 | 30 - 10  | 6J8-15100-01-1S | 2 - 2    | 688-24313-00    | 7 - 13   | 6J8-41615-00    | 9 - 16   | 6H4-42726-00    | 13 - 2   | 6J8-43617-10    | 19 - 40  |
| 6J8-13641-00-94 | 4 - 5    | 6J8-15100-11-1S | 2 - 2    | 6Y1-24329-00    | 26 - 5   | 6J8-41618-00    | 9 - 17   | 6J8-42726-00    | 13 - 13  | 6J8-43627-00    | 19 - 11  |
| 6J8-13641-10-94 | 4 - 5    | 6J8-15396-00-5B | 3 - 14   | 650-24351-01    | 26 - 12  | 6J8-41631-02    | 15 - 7   | 688-42726-10    | 13 - 2   | 6J8-43631-00    | 19 - 26  |
| 6J8-14118-00    | 5 - 16   | 6J8-15705-00    | 8 - 25   | 650-24351-51    | 26 - 12  | 6G1-41662-01-94 | 15 - 16  | 6J8-42726-10    | 13 - 13  | 6J8-43631-10    | 19 - 36  |
|                 | 30 - 26  | 6J8-15710-02-4D | 8 - 1    | 61J-24360-00    | 26 - 10  | 6G1-42111-12-4D | 14 - 2   | 6J8-42726-20    | 13 - 28  | 6J8-43633-00    | 19 - 27  |
| 6J8-14126-00    | 5 - 15   | 6J8-15711-00-94 | 8 - 2    | 6Y1-24360-52    | 26 - 10  | 664-42119-00    | 14 - 14  | 6G1-42727-00    | 13 - 11  | 6J8-43641-00    | 19 - 30  |
|                 | 30 - 25  | 6J8-15714-00    | 8 - 17   | 6E5-24378-00    | 6 - 44   | 6J8-42121-03-4D | 18 - 33  | 6J8-42728-01    | 13 - 10  | 6H4-43659-00    | 19 - 19  |



NUMERICAL INDEX

| PART NO.        | REF. NO. | PART NO.        | REF. NO. | PART NO.        | REF. NO. | PART NO.        | REF. NO. | PART NO.        | REF. NO. | PART NO.        | REF. NO. |
|-----------------|----------|-----------------|----------|-----------------|----------|-----------------|----------|-----------------|----------|-----------------|----------|
| 6J8-43673-00    | 19 - 35  | 65W-43887-00    | 22 - 13  | 6H4-44514-00    | 18 - 44  | 664-45577-01-30 | 24 - 49  | 703-48246-00    | 29 - 23  | 689-81811-11    | 12 - 11  |
| 6J8-43681-01    | 19 - 34  | 65W-43888-00    | 22 - 28  |                 | 21 - 28  | 664-45577-01-40 | 24 - 49  | 701-48248-00    | 29 - 13  | 689-81812-11    | 12 - 12  |
| 65W-43800-02-4D | 22 - 1   | 65W-4388E-00    | 22 - 14  | 6H4-44551-02-4D | 18 - 31  | 664-45577-01-50 | 24 - 49  | 703-48250-17    | 28 - 1   | 689-81813-10    | 12 - 13  |
| 6T4-43802-03    | 22 - 30  | 65W-43891-00    | 22 - 10  |                 | 21 - 16  | 663-45587-01-10 | 24 - 5   |                 | 29 - 1   | 689-81820-11    | 12 - 14  |
| 65W-43804-00    | 22 - 3   | 65W-43892-00    | 22 - 9   | 6H4-44553-01    | 18 - 38  | 663-45587-01-12 | 24 - 5   | 703-48252-00    | 29 - 12  | 6J8-81822-01-94 | 12 - 21  |
| 65W-43805-00    | 22 - 4   | 6J8-44111-01-4D | 14 - 26  |                 | 21 - 22  | 663-45587-01-15 | 24 - 5   | 703-48261-11    | 29 - 2   | 689-81826-10    | 12 - 15  |
| 65W-4380F-00    | 22 - 11  | 6J8-44116-00    | 15 - 19  | 6H4-44557-00    | 18 - 37  | 663-45587-01-18 | 24 - 5   | 703-48264-00    | 29 - 6   | 6F5-81830-11    | 12 - 4   |
| 65W-4380K-00    | 22 - 16  | 6J8-44121-00    | 15 - 15  | 6H4-44557-10    | 18 - 37  | 663-45587-01-30 | 24 - 5   | 703-48265-00    | 29 - 9   | 689-81831-00    | 12 - 5   |
| 65W-4380L-00    | 22 - 27  | 6J8-44123-00    | 15 - 11  |                 | 21 - 21  | 663-45587-01-40 | 24 - 5   | 703-48268-00    | 29 - 5   | 689-81840-11    | 12 - 10  |
| 65W-43810-00    | 22 - 17  | 6J8-44124-00    | 14 - 31  | 6J8-45111-01-4D | 23 - 1   | 663-45587-01-50 | 24 - 5   | 703-48271-00    | 29 - 60  | 689-81847-11    | 12 - 6   |
| 65W-43812-00    | 22 - 18  | 6J8-44125-00    | 14 - 27  | 6J8-45111-11-4D | 23 - 1   | 6J8-45611-00    | 24 - 39  | 703-48281-00    | 29 - 31  | 689-81850-12    | 12 - 8   |
| 6H1-43816-00    | 22 - 25  | 682-44132-00    | 14 - 28  | 6J8-45113-A0    | 2 - 32   | 6J8-45631-00    | 24 - 41  | 703-48282-00    | 29 - 32  | 689-81857-11    | 12 - 2   |
| 65W-43817-00    | 22 - 39  | 6J8-44142-00    | 15 - 33  |                 | 30 - 14  | 648-45633-00    | 24 - 43  | 703-48284-00    | 29 - 52  | 6J8-81916-10    | 11 - 11  |
| 65W-4381B-00    | 22 - 22  | 6J8-44143-00    | 15 - 22  | 6J8-45114-A1    | 23 - 5   | 6J8-45635-00    | 24 - 44  | 701-48287-00    | 29 - 42  | 6H5-81920-00    | 11 - 32  |
| 6H1-43829-00    | 22 - 61  | 682-44147-00    | 24 - 16  |                 | 31 - 2   | 664-45941-01-EL | 25 - 26  | 703-48291-10    | 29 - 39  | 6G1-81941-10    | 11 - 1   |
| 65W-4382A-00    | 22 - 47  | 6J8-44150-00    | 24 - 15  | 663-45119-00    | 18 - 21  | 664-45943-01-EL | 25 - 26  | 703-48293-10    | 29 - 41  | 6J8-81945-00    | 11 - 3   |
| 65W-43830-00    | 22 - 36  | 6J8-44150-10    | 24 - 15  |                 | 20 - 19  | 664-45945-00-EL | 25 - 26  | 701-48310-80    | 28 - 2   | 6J8-81950-00    | 11 - 27  |
| 65W-43831-00    | 22 - 35  | 6J8-44173-02    | 16 - 6   | 689-45214-01    | 25 - 13  | 664-45947-01-EL | 25 - 26  | 701-48310-90    | 28 - 2   | 6G1-81952-00    | 11 - 2   |
| 65W-43840-00    | 22 - 15  |                 | 17 - 7   | 6J8-45215-00    | 25 - 14  | 664-45949-02-EL | 25 - 26  | 701-48320-00    | 28 - 2   | 6G1-81970-61    | 11 - 7   |
| 62X-43841-00    | 22 - 33  | 682-44176-00    | 24 - 13  | 6J8-45224-10    | 25 - 6   | 664-45952-00-EL | 25 - 26  | 703-48345-01    | 29 - 19  | 689-82105-13    | 11 - 25  |
| 65W-43843-00    | 22 - 54  | 6J8-44177-00    | 16 - 4   | 65W-45251-00    | 20 - 25  | 664-45954-01-EL | 25 - 26  | 703-48358-00    | 29 - 20  | 6F5-82117-00    | 11 - 6   |
| 65W-43844-00    | 22 - 48  |                 | 17 - 5   | 6J8-45300-04-4D | 24 - 1   | 664-45970-00-98 | 25 - 26  | 6J8-48501-03-4D | 17 - 1   | 703-82119-00    | 21 - 9   |
| 6H1-43844-10    | 22 - 56  | 6E0-44191-11    | 14 - 3   | 6J8-45300-14-4D | 24 - 1   | 6J8-45986-10-98 | 25 - 28  | 6J8-48501-11    | 17 - 1   | 682-82119-01    | 11 - 37  |
| 6H1-43845-00    | 22 - 43  | 6J8-44311-00    | 24 - 18  | 6J8-45301-02-4D | 24 - 2   | 6L2-45987-01    | 25 - 21  | 6G8-48511-00    | 17 - 21  | 6H4-82127-00    | 18 - 43  |
| 6H1-43847-00    | 22 - 45  | 663-44315-A0    | 24 - 21  | 689-45331-01-94 | 24 - 47  | 689-45997-00    | 25 - 22  | 6J8-48511-01-4D | 17 - 20  |                 | 21 - 27  |
| 6H1-4384F-10    | 22 - 57  |                 | 31 - 4   | 664-45371-01    | 25 - 17  | 703-48152-00    | 29 - 57  | 6G8-48511-10    | 17 - 24  | 6U0-82127-00    | 20 - 29  |
| 65W-43851-00    | 22 - 49  | 663-44316-A0    | 24 - 27  | 688-45375-00    | 25 - 5   | 703-48153-00    | 29 - 3   | 6J8-48511-51-4D | 21 - 35  | 6E5-82148-00    | 18 - 3   |
| 65W-43853-00    | 22 - 60  |                 | 31 - 7   | 663-45376-00-94 | 25 - 4   | 703-48189-00    | 29 - 17  | 6J8-48531-00    | 16 - 8   | 6H1-82148-00    | 20 - 28  |
| 6T4-43853-00    | 22 - 37  | 670-44321-00    | 31 - 22  | 6E5-45378-00    | 24 - 7   | 703-48198-00    | 29 - 14  |                 | 17 - 9   | 6G1-82151-00    | 11 - 8   |
| 65W-43854-00    | 22 - 46  | 663-44322-00    | 24 - 19  | 664-45384-00    | 24 - 55  | 703-48211-01    | 29 - 61  | 6J8-48532-00    | 16 - 9   | 6H3-82151-00    | 11 - 16  |
| 65W-43855-00    | 22 - 52  |                 | 31 - 12  | 6J8-45501-00    | 24 - 33  | 703-48212-00    | 29 - 58  |                 | 17 - 10  | 6A0-82317-00    | 6 - 46   |
| 6H1-43856-10    | 22 - 55  | 670-44322-01    | 31 - 21  | 6J8-45501-10    | 24 - 33  | 703-48213-00    | 29 - 59  | 6J8-48534-00    | 16 - 1   | 6G1-82370-21    | 10 - 14  |
| 65W-43861-00    | 22 - 40  | 663-44323-00    | 24 - 28  | 6J8-45536-00    | 24 - 4   | 703-48215-00    | 29 - 43  |                 | 17 - 3   | 63V-82377-50    | 18 - 51  |
| 6H1-43861-10    | 22 - 20  |                 | 31 - 15  | 6J8-45551-00    | 24 - 34  | 703-48219-00    | 29 - 30  | 682-48538-50    | 16 - 10  | 703-82510-43    | 29 - 44  |
| 65W-43862-00    | 22 - 41  | 670-44323-00    | 31 - 23  | 6J8-45560-00    | 24 - 36  | 703-48221-00    | 29 - 56  |                 | 17 - 11  | 6J8-82531-00    | 10 - 7   |
| 65W-43865-00    | 22 - 19  | 663-44324-A0    | 24 - 29  | 6J8-45567-01-10 | 24 - 38  | 703-48222-00    | 29 - 27  | 6J8-48544-01    | 16 - 3   | 703-82531-00    | 29 - 46  |
| 6H1-43866-00    | 22 - 31  |                 | 31 - 8   | 6J8-45567-01-12 | 24 - 38  | 703-48223-00    | 29 - 28  |                 | 17 - 4   | 703-82540-00    | 29 - 50  |
| 6H1-43867-00    | 22 - 32  | 663-44341-00-94 | 24 - 24  | 6J8-45567-01-15 | 24 - 38  | 703-48225-00    | 29 - 29  | 689-61350-02    | 27 - 1   | 682-82556-00    | 13 - 30  |
| 65W-43869-00    | 22 - 5   | 6H4-44352-02    | 24 - 20  | 6J8-45567-01-18 | 24 - 38  | 703-48226-00    | 29 - 26  | 689-61351-01    | 27 - 2   |                 | 29 - 48  |
| 65W-4386A-00    | 22 - 58  |                 | 31 - 13  | 6J8-45567-01-30 | 24 - 38  | 703-48227-00    | 29 - 24  | 6E5-61355-00    | 27 - 7   | 689-82560-00    | 10 - 15  |
| 65W-4386K-00    | 22 - 7   | 6J8-44361-00    | 25 - 1   | 6J8-45567-01-40 | 24 - 38  | 703-48232-00    | 29 - 62  | 6J8-81332-00    | 9 - 22   | 703-82563-02    | 29 - 55  |
| 65W-43871-00    | 22 - 21  | 6J8-44361-10    | 25 - 1   | 6J8-45567-01-50 | 24 - 38  | 703-48234-00    | 29 - 18  | 6J8-81337-10    | 12 - 27  | 688-82575-01    | 29 - 47  |
| 6H1-43875-00    | 22 - 42  | 663-44366-00    | 24 - 22  | 6J8-45571-00    | 24 - 46  | 703-48235-00    | 29 - 4   | 6J8-81338-00    | 12 - 31  | 689-82575-04    | 13 - 29  |
| 62X-43878-00    | 22 - 62  | 6J8-44366-00    | 25 - 2   | 664-45576-00    | 24 - 50  | 703-48236-00    | 29 - 16  | 6J8-81365-A0    | 12 - 33  | 703-82577-00    | 29 - 45  |
| 65W-43879-00    | 22 - 12  | 663-44367-00    | 25 - 3   | 664-45577-01-10 | 24 - 49  | 703-48238-00    | 29 - 22  | 6F5-81800-11    | 12 - 1   | 689-8257Y-00    | 13 - 31  |
| 65W-43880-00    | 22 - 2   | 6H3-44391-01    | 13 - 15  | 664-45577-01-12 | 24 - 49  | 703-48243-00    | 29 - 15  | 689-81807-12    | 12 - 3   | 6J8-82580-10    | 11 - 23  |
| 65W-43881-00    | 22 - 6   | 6J8-44511-00-4D | 18 - 48  | 664-45577-01-15 | 24 - 49  | 703-48244-00    | 29 - 21  | 689-81809-11    | 12 - 7   | 688-8258A-20    | 29 - 49  |
| 65W-43882-00    | 22 - 8   |                 | 21 - 32  | 664-45577-01-18 | 24 - 49  | 703-48245-00    | 29 - 11  | 689-81810-11    | 12 - 9   | 703-82591-00    | 29 - 53  |

NUMERICAL INDEX

| PART NO.        | REF. NO. | PART NO.    | REF. NO. | PART NO.    | REF. NO. | PART NO.    | REF. NO. | PART NO.    | REF. NO. | PART NO.    | REF. NO. |
|-----------------|----------|-------------|----------|-------------|----------|-------------|----------|-------------|----------|-------------|----------|
| 703-82592-00    | 29 - 54  | 90109-05M33 | 6 - 8    | 90185-08057 | 14 - 10  | 90280-05013 | 9 - 12   | 90464-03M15 | 12 - 22  | 91690-30012 | 17 - 12  |
| 703-82594-00    | 29 - 25  | 90109-06M28 | 15 - 3   | 90185-09M01 | 27 - 4   | 90282-04010 | 24 - 56  | 90464-05M16 | 10 - 13  | 91690-30018 | 20 - 8   |
| 703-83383-02    | 29 - 51  | 90109-06M29 | 16 - 12  | 90185-10051 | 18 - 36  | 90338-07M00 | 23 - 8   | 90464-07M05 | 6 - 13   | 91690-40014 | 8 - 3    |
| 6E9-83557-70    | 11 - 15  |             | 17 - 13  |             | 21 - 20  | 90340-08002 | 24 - 11  | 90464-09M21 | 7 - 12   | 91690-50022 | 12 - 30  |
| 6E5-83558-00    | 24 - 9   | 90109-06M86 | 13 - 26  | 90185-10M13 | 20 - 39  | 90386-06M12 | 14 - 30  | 90464-09M51 | 13 - 25  | 92903-06600 | 8 - 43   |
| 6A1-83625-41    | 4 - 26   | 90109-08M26 | 18 - 45  | 90185-22043 | 18 - 13  | 90386-08032 | 14 - 21  | 90464-12M17 | 7 - 22   |             | 11 - 5   |
| 6A1-83625-51    | 4 - 27   |             | 21 - 29  | 90185-22M11 | 20 - 15  | 90386-12M61 | 13 - 6   | 90464-15M11 | 10 - 4   |             | 15 - 18  |
| 6E0-83627-41    | 14 - 34  | 90110-10M02 | 20 - 37  | 90201-06060 | 8 - 20   | 90386-12M98 | 20 - 21  |             | 11 - 26  | 92903-08100 | 12 - 19  |
| 6E0-83627-51    | 14 - 35  | 90116-08016 | 14 - 9   | 90201-08M00 | 20 - 33  | 90386-12MA0 | 20 - 20  | 90465-08M12 | 11 - 30  | 92903-08600 | 8 - 50   |
| 64E-83672-02    | 21 - 6   | 90116-10M28 | 18 - 34  | 90201-08M93 | 6 - 1    | 90386-14MA1 | 20 - 9   | 90465-08M63 | 21 - 8   |             | 12 - 17  |
| 6J8-85410-00    | 13 - 33  |             | 21 - 18  | 90201-09425 | 18 - 46  | 90386-18M44 | 20 - 34  | 90465-10M77 | 20 - 3   | 92903-10600 | 14 - 19  |
| 6J8-85510-A1    | 9 - 3    | 90119-05M31 | 4 - 14   |             | 21 - 30  | 90386-18MA0 | 20 - 35  | 90465-11M10 | 20 - 26  | 92990-05600 | 4 - 4    |
| 6H4-85510-F1    | 9 - 3    | 90119-06023 | 2 - 13   | 90201-10M20 | 27 - 3   | 90386-22M15 | 20 - 13  |             | 24 - 10  |             | 5 - 24   |
| 663-85518-00    | 9 - 11   |             | 3 - 18   | 90201-10M63 | 27 - 8   | 90386-22M69 | 18 - 10  | 90465-13M11 | 20 - 24  |             | 11 - 10  |
| 6H4-85520-01    | 9 - 4    | 90119-06M17 | 11 - 29  | 90201-12426 | 20 - 42  | 90386-30M60 | 18 - 30  | 90465-13M18 | 11 - 12  |             | 15 - 23  |
| 6J8-85520-01    | 9 - 4    | 90119-06M32 | 4 - 10   | 90201-16379 | 3 - 12   |             | 21 - 15  | 90465-13M76 | 13 - 32  | 92990-06200 | 14 - 32  |
| 6H4-85533-A1    | 9 - 1    | 90119-06M61 | 13 - 19  | 90201-16M44 | 9 - 14   | 90386-30M77 | 18 - 26  | 90465-18147 | 11 - 13  |             | 15 - 13  |
| 6J8-85540-H2    | 10 - 1   | 90119-06M65 | 6 - 48   | 90201-20417 | 24 - 45  |             | 21 - 11  | 90467-06016 | 2 - 15   | 92990-08100 | 16 - 2   |
| 6H4-85548-00    | 9 - 9    | 90119-06MA3 | 2 - 24   | 90201-22M03 | 18 - 11  | 90386-30M78 | 18 - 27  | 90467-08004 | 6 - 37   |             | 17 - 2   |
| 6J8-85548-00    | 9 - 19   |             | 4 - 8    |             | 20 - 14  |             | 21 - 12  |             | 7 - 4    | 92990-08600 | 29 - 34  |
| 6J8-85550-A1    | 9 - 2    | 90119-06MA4 | 2 - 6    | 90201-30M00 | 18 - 28  | 90386-33M96 | 14 - 6   | 90467-10M04 | 6 - 45   | 92990-14200 | 25 - 23  |
| 6J8-85550-F1    | 9 - 2    | 90119-06MA5 | 2 - 30   |             | 21 - 13  | 90386-34M97 | 14 - 7   | 90467-11M08 | 6 - 36   | 92995-05600 | 9 - 24   |
| 6J8-85570-21    | 10 - 10  | 90119-08019 | 2 - 5    | 90201-50306 | 3 - 7    | 90387-06M03 | 11 - 28  | 90468-05M03 | 6 - 24   | 92995-06100 | 10 - 12  |
| 6J8-85720-01    | 6 - 49   | 90119-08M13 | 24 - 31  | 90202-05088 | 6 - 23   | 90387-06M29 | 8 - 35   | 90468-07M02 | 6 - 12   | 92995-06600 | 7 - 3    |
| 6J8-86110-00    | 11 - 17  |             | 31 - 18  | 90202-10024 | 15 - 31  | 90387-06M41 | 13 - 18  | 90480-09M21 | 13 - 17  |             | 8 - 6    |
| 6J8-86116-00    | 11 - 18  | 90119-08M31 | 23 - 3   | 90202-12031 | 19 - 10  | 90387-06M60 | 6 - 20   | 90480-10M16 | 12 - 29  |             | 10 - 3   |
| 682-86117-00    | 11 - 19  | 90119-08M34 | 24 - 32  | 90202-12M17 | 15 - 36  | 90387-06M81 | 9 - 21   | 90480-14M17 | 12 - 28  |             | 11 - 34  |
| 6J8-W0001-03    | 30 - 1   |             | 31 - 19  | 90202-12M25 | 13 - 4   | 90387-07M64 | 19 - 21  | 90480-25161 | 10 - 16  |             | 15 - 21  |
| 6J8-W0001-C2    | 31 - 1   | 90119-08M92 | 25 - 12  | 90202-36M55 | 14 - 5   | 90387-08M03 | 18 - 16  | 90501-08M66 | 15 - 39  |             | 17 - 23  |
| 6J8-W0004-00    | 4 - 2    | 90119-08MA8 | 2 - 20   | 90206-12052 | 13 - 5   | 90387-10M42 | 27 - 6   | 90501-10065 | 24 - 40  |             | 20 - 5   |
| 6J8-W0070-30    | 1 - 10   | 90149-05M13 | 14 - 20  | 90206-12M16 | 19 - 15  | 90430-08020 | 24 - 12  | 90501-10227 | 8 - 32   | 92995-08100 | 18 - 50  |
| 6H4-W0078-0A    | 31 - 20  | 90149-14M12 | 18 - 7   | 90206-36M21 | 14 - 4   |             | 31 - 3   | 90501-23215 | 14 - 18  |             | 20 - 12  |
| 6J8-W0078-A2    | 31 - 11  | 90152-05M04 | 25 - 15  | 90214-45M02 | 24 - 54  | 90445-07M04 | 6 - 15   | 90502-10M04 | 19 - 4   |             | 21 - 34  |
| 6J8-W0084-11-4D | 14 - 1   | 90159-05M26 | 11 - 14  | 90243-04M01 | 18 - 6   | 90445-07M08 | 6 - 9    | 90506-12M25 | 19 - 7   |             | 25 - 19  |
| 6J8-W0090-06-1S | 2 - 1    | 90161-03M01 | 1 - 15   | 90249-06M24 | 19 - 31  | 90445-07M29 | 2 - 14   | 90506-32M22 | 19 - 24  | 92995-08600 | 7 - 21   |
| 6J8-W0090-43-1S | 2 - 1    | 90164-06M01 | 13 - 21  | 90249-07M25 | 19 - 44  | 90445-07M31 | 24 - 8   | 90508-18M23 | 19 - 28  |             | 18 - 17  |
| 6J8-W0093-00    | 30 - 16  | 90170-06015 | 15 - 25  | 90249-12M27 | 19 - 12  | 90445-07M32 | 6 - 10   | 90508-20M22 | 19 - 48  |             | 21 - 24  |
| 656-W2810-02    | 7 - 17   | 90170-09M03 | 27 - 5   | 90249-12M28 | 19 - 8   | 90445-07ME9 | 24 - 8   | 90508-25M21 | 19 - 43  |             | 23 - 12  |
| 6J8-W4591-00-EL | 25 - 27  | 90171-14013 | 25 - 24  | 90249-12M38 | 20 - 22  | 90445-09M00 | 7 - 5    | 90510-08M04 | 8 - 18   |             | 25 - 20  |
| 90101-06020     | 20 - 27  | 90179-06M24 | 1 - 7    | 90249-18M35 | 20 - 36  | 90445-11M02 | 6 - 42   | 91318-04025 | 22 - 38  | 92995-10100 | 25 - 10  |
| 90101-06024     | 8 - 44   |             | 16 - 13  | 90250-05010 | 24 - 42  | 90445-11M03 | 6 - 38   | 91490-16010 | 14 - 13  | 92995-10600 | 18 - 35  |
| 90101-06M00     | 9 - 20   |             | 17 - 14  | 90254-03M03 | 16 - 5   | 90445-11M04 | 6 - 43   |             | 15 - 24  |             | 20 - 38  |
| 90101-08001     | 2 - 9    | 90179-08M15 | 7 - 10   |             | 17 - 6   | 90445-11M05 | 26 - 11  | 91490-20010 | 19 - 25  |             | 21 - 19  |
| 90101-08339     | 18 - 15  | 90179-10M14 | 24 - 35  | 90254-03M04 | 14 - 29  | 90445-11M06 | 26 - 9   | 91490-20012 | 14 - 33  |             | 25 - 11  |
| 90101-12M65     | 20 - 40  | 90179-16M05 | 9 - 13   |             | 15 - 12  | 90445-11M07 | 6 - 40   |             | 15 - 14  | 92995-12200 | 20 - 41  |
| 90105-06M18     | 18 - 24  | 90185-05002 | 25 - 16  | 90266-04M00 | 1 - 5    | 90445-11M08 | 6 - 16   | 91490-30022 | 25 - 25  | 93101-20M07 | 24 - 53  |
|                 | 21 - 5   | 90185-08045 | 18 - 47  | 90269-02M09 | 14 - 17  | 90446-10M01 | 6 - 39   | 91690-30010 | 19 - 3   |             | 31 - 10  |
| 90109-05M32     | 6 - 7    |             | 21 - 31  | 90280-03024 | 24 - 23  | 90446-14M88 | 11 - 31  | 91690-30012 | 16 - 11  | 93101-23070 | 24 - 25  |

NUMERICAL INDEX

| PART NO.    | REF. NO. | PART NO.    | REF. NO. | PART NO.    | REF. NO. | PART NO. | REF. NO. | PART NO. | REF. NO. | PART NO. | REF. NO. |
|-------------|----------|-------------|----------|-------------|----------|----------|----------|----------|----------|----------|----------|
| 93101-23070 | 31 - 5   | 93501-08001 | 22 - 59  | 97095-06025 | 10 - 2   |          |          |          |          |          |          |
| 93101-25M28 | 3 - 15   | 93602-16M10 | 3 - 11   | 97095-06035 | 8 - 26   |          |          |          |          |          |          |
|             | 30 - 2   | 93604-08062 | 24 - 30  | 97095-08016 | 7 - 20   |          |          |          |          |          |          |
| 93102-26M27 | 3 - 4    | 93606-12019 | 2 - 7    | 97095-08020 | 20 - 11  |          |          |          |          |          |          |
|             | 30 - 9   |             | 23 - 2   | 97095-08025 | 18 - 39  |          |          |          |          |          |          |
| 93104-16M04 | 3 - 16   |             | 25 - 8   |             | 21 - 23  |          |          |          |          |          |          |
|             | 30 - 3   | 93700-06M03 | 18 - 20  | 97095-10060 | 18 - 41  |          |          |          |          |          |          |
| 93210-03261 | 11 - 22  |             | 20 - 18  |             | 21 - 25  |          |          |          |          |          |          |
| 93210-03478 | 22 - 51  | 94702-00271 | 2 - 33   | 97380-05025 | 29 - 8   |          |          |          |          |          |          |
| 93210-064A5 | 22 - 26  | 95303-06600 | 15 - 5   | 97380-08030 | 29 - 33  |          |          |          |          |          |          |
| 93210-08006 | 22 - 50  | 95380-05600 | 15 - 10  | 97575-08550 | 23 - 10  |          |          |          |          |          |          |
| 93210-08287 | 26 - 14  |             | 29 - 7   | 97780-50510 | 24 - 14  |          |          |          |          |          |          |
| 93210-09165 | 22 - 34  | 95380-05700 | 6 - 26   | 97780-60525 | 21 - 2   |          |          |          |          |          |          |
| 93210-10M74 | 22 - 63  | 95380-06600 | 8 - 12   | 97880-04020 | 15 - 38  |          |          |          |          |          |          |
| 93210-11073 | 22 - 53  |             | 29 - 40  | 97880-05016 | 4 - 3    |          |          |          |          |          |          |
| 93210-11368 | 22 - 24  | 95380-06700 | 8 - 22   | 97880-05025 | 11 - 9   |          |          |          |          |          |          |
| 93210-13M04 | 6 - 4    |             | 24 - 17  | 97880-05040 | 4 - 16   |          |          |          |          |          |          |
| 93210-16275 | 27 - 10  | 95380-08600 | 18 - 18  | 97880-06012 | 9 - 18   |          |          |          |          |          |          |
| 93210-18397 | 22 - 44  | 95380-12600 | 20 - 43  |             | 25 - 7   |          |          |          |          |          |          |
| 93210-19MA7 | 6 - 6    | 95780-08300 | 15 - 32  | 97880-06025 | 15 - 4   |          |          |          |          |          |          |
| 93210-29M94 | 18 - 29  | 95895-06012 | 13 - 8   | 97885-05010 | 9 - 23   |          |          |          |          |          |          |
|             | 21 - 14  | 97013-06016 | 11 - 4   | 97885-05012 | 14 - 24  |          |          |          |          |          |          |
| 93210-32738 | 7 - 9    | 97013-06020 | 8 - 42   | 97885-06008 | 18 - 4   |          |          |          |          |          |          |
|             | 30 - 13  |             | 15 - 17  | 97885-06016 | 21 - 7   |          |          |          |          |          |          |
| 93210-41042 | 24 - 26  | 97013-08014 | 8 - 49   | 97902-04106 | 9 - 7    |          |          |          |          |          |          |
|             | 31 - 6   |             | 12 - 34  | 97902-04112 | 9 - 6    |          |          |          |          |          |          |
| 93210-42159 | 3 - 5    | 97013-08016 | 12 - 16  | 97902-05408 | 9 - 10   |          |          |          |          |          |          |
|             | 30 - 15  | 97013-08030 | 12 - 18  | 97902-06120 | 9 - 5    |          |          |          |          |          |          |
| 93210-50768 | 22 - 29  | 97013-08035 | 12 - 23  | 97980-03122 | 5 - 32   |          |          |          |          |          |          |
| 93210-56M80 | 3 - 17   | 97013-08055 | 12 - 25  | 97980-04110 | 5 - 20   |          |          |          |          |          |          |
|             | 30 - 4   | 97075-08020 | 25 - 18  | 97980-04112 | 5 - 21   |          |          |          |          |          |          |
| 93210-60MA3 | 24 - 51  | 97075-08030 | 23 - 11  |             | 30 - 27  |          |          |          |          |          |          |
|             | 31 - 9   | 97075-08035 | 18 - 49  | 97980-04124 | 5 - 33   |          |          |          |          |          |          |
| 93306-00612 | 24 - 48  |             | 21 - 33  | 98580-03015 | 29 - 38  |          |          |          |          |          |          |
| 93306-305U3 | 3 - 6    | 97075-10040 | 25 - 9   | 98580-04006 | 29 - 36  |          |          |          |          |          |          |
| 93311-632U7 | 3 - 3    | 97080-08016 | 20 - 32  | 98580-04010 | 29 - 35  |          |          |          |          |          |          |
| 93315-22004 | 24 - 52  | 97095-06010 | 20 - 4   | 98580-05010 | 29 - 37  |          |          |          |          |          |          |
| 93315-220V7 | 24 - 3   | 97095-06012 | 10 - 5   | 98586-05016 | 26 - 4   |          |          |          |          |          |          |
| 93332-00001 | 24 - 6   |             | 11 - 35  | 98780-05008 | 5 - 22   |          |          |          |          |          |          |
| 93332-000V6 | 24 - 37  |             | 15 - 20  | 99080-05600 | 19 - 23  |          |          |          |          |          |          |
| 93410-28M06 | 18 - 32  | 97095-06014 | 11 - 33  | 99530-10014 | 8 - 30   |          |          |          |          |          |          |
|             | 21 - 17  |             | 20 - 30  | 9E471-09205 | 9 - 8    |          |          |          |          |          |          |
| 93430-06024 | 29 - 10  | 97095-06016 | 8 - 5    |             |          |          |          |          |          |          |          |
| 93430-06M02 | 8 - 24   |             | 17 - 22  |             |          |          |          |          |          |          |          |
|             | 19 - 22  | 97095-06020 | 10 - 11  |             |          |          |          |          |          |          |          |
| 93430-10M00 | 19 - 9   | 97095-06025 | 6 - 19   |             |          |          |          |          |          |          |          |
|             | 20 - 23  |             | 7 - 2    |             |          |          |          |          |          |          |          |
| 93450-17129 | 3 - 13   |             | 8 - 11   |             |          |          |          |          |          |          |          |

30MHC  
30DMH/30DETO  
PARTS CATALOGUE  
©2003 by Yamaha Motor Co., Ltd.  
1st edition, April 2003  
All rights reserved.  
Any reprinting or unauthorized use  
without the written permission of  
Yamaha Motor Co., Ltd.  
is expressly prohibited.  
Printed in Japan.