

PARTS CATALOGUE

25V'01 (61R0)

30G'01 (61T0)

FOREWORD

This Parts Catalogue is related to the parts for the model(s) in the below frame. When you are ordering replacement parts, please refer to this Parts Catalogue and quote both part numbers and part names correctly.

25V'01(61R0), 30G'01(61T0)

1. Modifications or additions which have been made after issue of the Parts Catalogue will be announced in the Yamaha Parts News.
It is advisable that you make necessary corrections to the Parts Catalogue according to the Yamaha Parts News.

2. Abbreviations

The Following abbreviations are used in this Parts Catalogue.

- "UR" Use specified parts number.
- "UN" Use as many as needed.
- "AP" Alternate Parts
- "LM" Local Made
(Parts need to be ordered locally)
- "O/S" Over Size

3. Parts, which are to be supplied in an assembly, are listed with a dot(.) in front of the part name as shown below.

EXAMPLE
 CARBURETOR ASSY
 .JET, PILOT
 .NOZZLE, MAIN

4. Number of component for assembly

The numeral appearing to the right of each component part indicates the quantity of parts for each assembly unit.

EXAMPLE

PART NO.	DESCRIPTION	U	H	L	T	R	REMARKS
6E0-85500-70	C.D.I. MAGNETO ASSY	1					
6E0-85550-70	.ROTOR ASSY	1					
6E0-15723-00-94	.PULLY, STARTER	1					

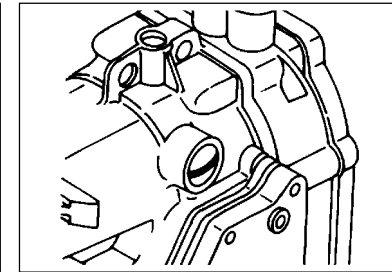
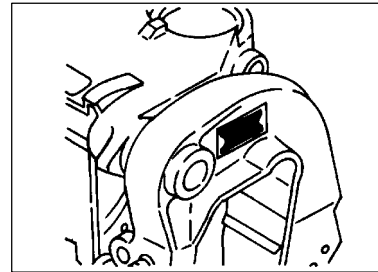
5. Quantity Column Information

NAME for Q'TY COLUMN	APPLICABLE MODEL
25MH	25VMH
30MH	30GMH
30W	30GW

6. Applicable Starting Serial No. and Color Code

1) Engine Starting Serial No.

25VMH S : 011266 L : 317213 30GMH S : 007757 L : 317247	30GW L: 403673
--	---------------------



2) Color Code

Color Code	Color Name	Abbreviation
004D	DARK BLUISH GRAY METALLIC 2	DBNM2

7. Note that the illustrations for reference in finding parts numbers, not to be used for assembling. When assembling, please use the applicable service manual.
8. The asterisk (*) before a reference number indicates modification items after the first edition.

CONTENTS

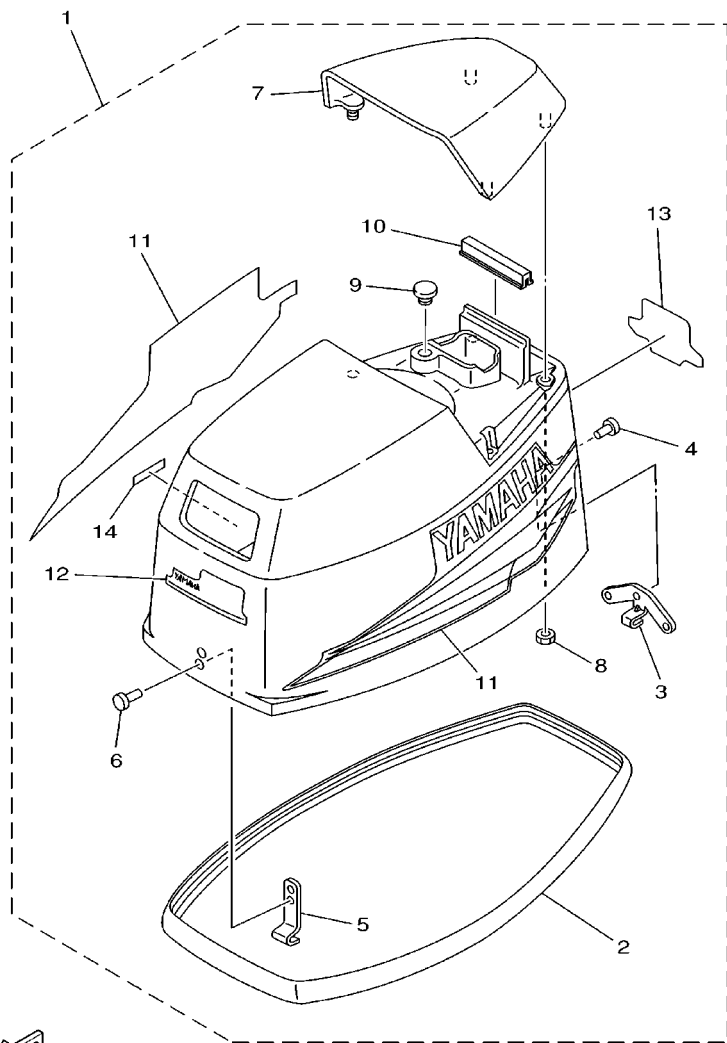
TOP COWLING	1
CYLINDER, CRANKCASE	2
CRANKSHAFT, PISTON	4
INTAKE	5
CARBURETOR	6
FUEL	8
STARTER	10
GENERATOR	13
ELECTRICAL 1	14
ELECTRICAL 2	16
STARTING MOTOR	18
BOTTOM COWLING	19
STEERING	20
CONTROL 1	21
CONTROL 2	23
BRACKET 1	24
BRACKET 2	26
UPPER CASING	28
LOWER CASING, DRIVE 1	29
LOWER CASING, DRIVE 2	32

FUEL TANK	33
REMOTE CONTROL BOX	34
REMOTE CONTROL ASSY	35
REPAIR KIT 1	38
REPAIR KIT 2	39

INDEX

NUMERICAL INDEX	41
-----------------------	----

FIG. 1 TOP COWLING



61R0664-8010

REF. NO.	PART NO.	DESCRIPTION	25MH	30MH	30W	REMARKS
1	61R-42610-11-4D	TOP COWLING ASSY	1			
	61T-42610-11-4D	TOP COWLING ASSY		1	1	
2	6G0-42615-00	.SEAL	1	1	1	
3	689-42647-00	.HOLDER, CLAMP BAND	1	1	1	
4	90266-04M01	.RIVET	3	3	3	
5	6G0-42651-02	.HOOK	1	1	1	
6	90266-04M00	.RIVET	2	2	2	
7	61N-42613-00-4D	.MOLDING, AIR DUCT	1	1	1	
8	90179-06M24	.NUT	4	4	4	
9	90480-14M14	.GROMMET	1	1	1	
10	61N-42628-00	.SEAL	1	1	1	
11	61R-W0070-10	.GRAPHIC SET	1	1	1	
12	61R-42677-10	.GRAPHIC, FRONT	1			
	61T-42677-10	.GRAPHIC, FRONT		1	1	
13	61R-42678-10	.GRAPHIC, REAR	1			
	61T-42678-10	.GRAPHIC, REAR		1	1	
14	6E0-44191-11	.INDICATOR, SHIFT	1	1	1	

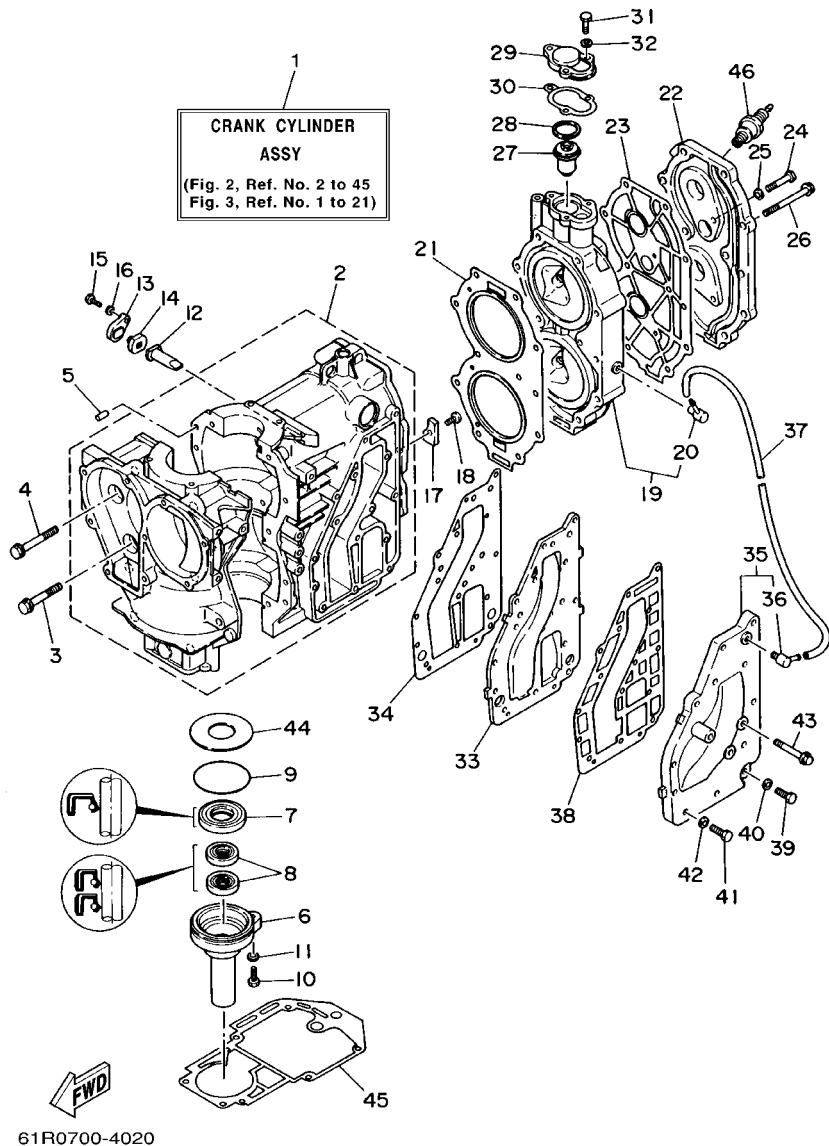


FIG. 2 CYLINDER, CRANKCASE

REF. NO.	PART NO.	DESCRIPTION	25MH	30MH	30W	REMARKS
1	61N-W0090-00-4D	CRANK CYLINDER ASSY	1			
	61T-W0090-01-4D	CRANK CYLINDER ASSY		1	1	
2	61N-15100-00-94	CRANKCASE ASSY	1	1	1	
3	90119-08M18	BOLT, WITH WASHER	2	2	2	
4	90119-08M66	BOLT, WITH WASHER	8	8	8	
5	93606-12019	PIN, DOWEL	2	2	2	
6	689-15396-01-5B	HOUSING, OIL SEAL	1	1	1	
7	93102-25M04	OIL SEAL	1	1	1	
8	93101-16M36	OIL SEAL	2	2	2	
9	93210-58M21	O-RING	1	1	1	
10	97095-06022	BOLT	1	1	1	
11	92995-06600	WASHER	1	1	1	
12	6J8-11325-00	ANODE	1	1	1	
13	6H3-11327-00-94	COVER, ANODE	1	1	1	
14	6H3-11328-00	GROMMET, ANODE	1	1	1	
15	97013-06016	BOLT	1	1	1	
16	92903-06600	WASHER, PLATE	1	1	1	
17	689-11325-00	ANODE	1	1	1	
18	90151-06M02	SCREW, COUNTERSUNK	1	1	1	
19	61N-11111-01-94	HEAD, CYLINDER 1	1			
	61T-11111-01-94	HEAD, CYLINDER 1		1	1	
20	676-11372-00	.NIPPLE, HOSE	1	1	1	
21	61N-11181-A1	GASKET, CYLINDER HEAD 1	1	1	1	
22	61N-11191-01-9M	COVER, CYLINDER HEAD 1	1	1	1	
23	61T-11193-A1	GASKET, HEAD COVER 1	1	1	1	
24	97013-06022	BOLT	2	2	2	
25	92903-06600	WASHER, PLATE	2	2	2	

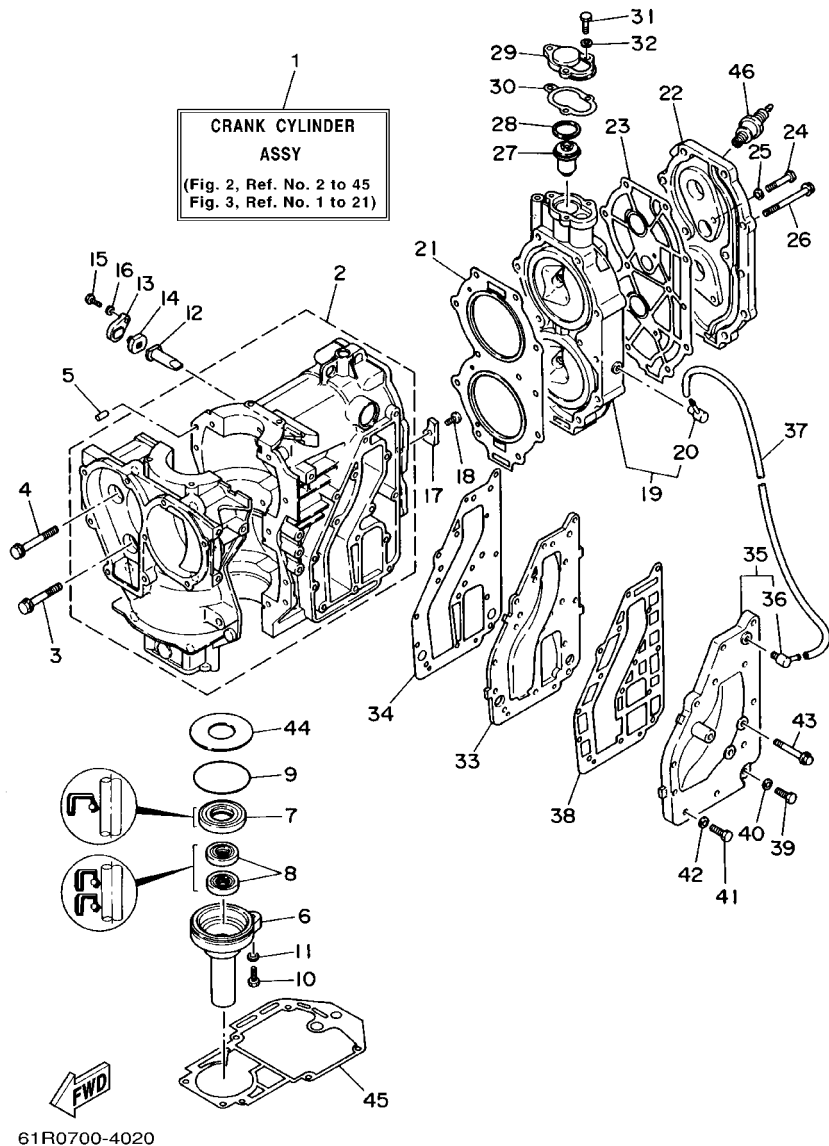
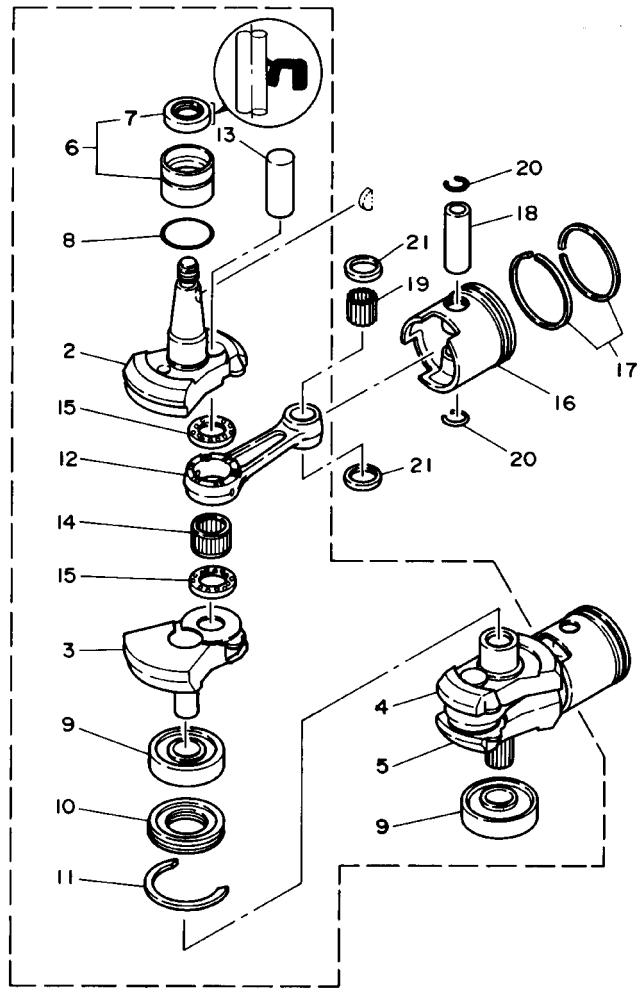


FIG. 2 CYLINDER, CRANKCASE

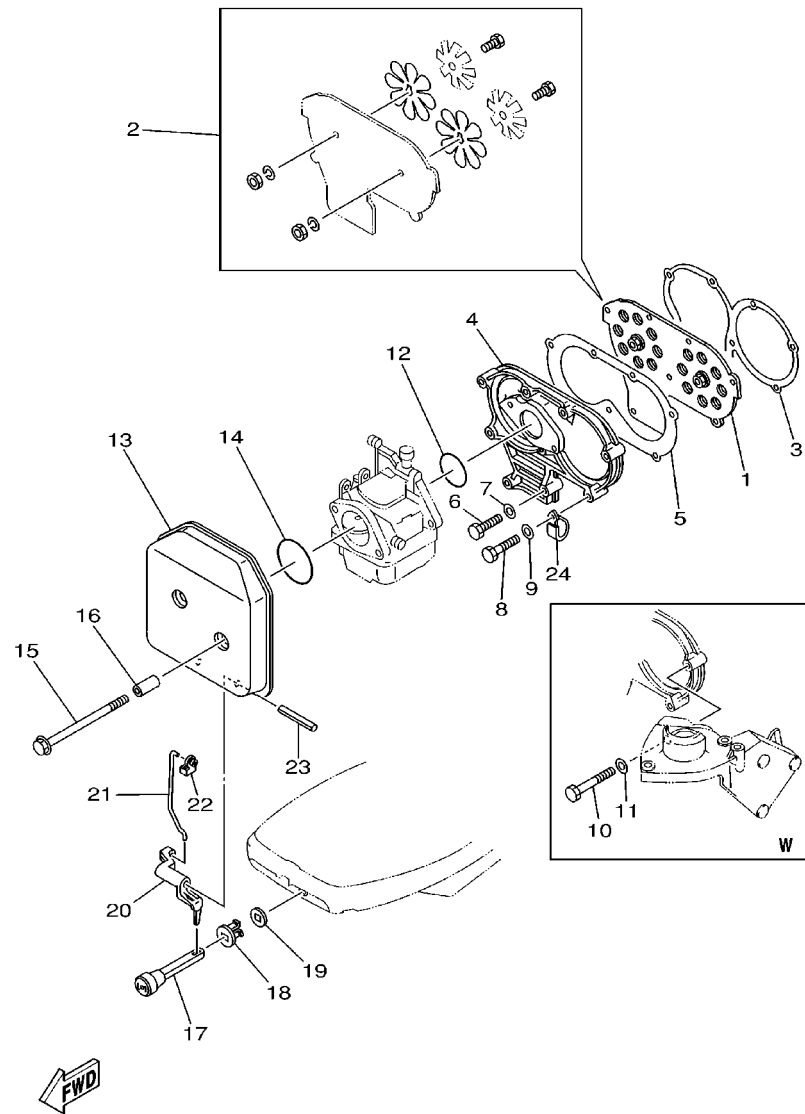
REF. NO.	PART NO.	DESCRIPTION	25MH	30MH	30W	REMARKS
26	90119-08M29	BOLT, WITH WASHER	11	11	11	
27	6E5-12411-01	THERMOSTAT	1	1	1	
28	90201-21567	WASHER, PLATE	1	1	1	
29	655-12413-01-9M	COVER, THERMOSTAT	1	1	1	
30	655-12414-A1	GASKET, COVER	1	1	1	
31	97013-06020	BOLT	3	3	3	
32	92903-06600	WASHER, PLATE	3	3	3	
33	6K8-41121-00-9M	INNER COVER, EXHAUST	1	1	1	
34	6K8-41122-A1	GASKET, EXHAUST INNER COVER	1	1	1	
35	61N-41123-00-9M	OUTER COVER, EXHAUST	1	1	1	
36	676-11372-00	.NIPPLE, HOSE	1	1	1	
37	90445-10M41	HOSE (L105)	1	1	1	
38	6K8-41124-A1	GASKET, EXHAUST OUTER COVER	1	1	1	
39	97013-06025	BOLT	1	1	1	
40	92903-06600	WASHER, PLATE	1	1	1	
41	97013-06030	BOLT	11	11	11	
42	92903-06600	WASHER, PLATE	11	11	11	
43	90119-06MA0	BOLT, WITH WASHER	3	3	3	
44	90201-50306	WASHER, PLATE	1	1	1	
45	689-45113-A1	GASKET, UPPER CASING	1	1	1	
46	94702-00271	PLUG, SPARK (NGK BR7HS-10)	2			
	94702-00247	PLUG, SPARK (NGK BR8HS-10)		2	2	



61R0010-4030

FIG. 3 CRANKSHAFT, PISTON

REF. NO.	PART NO.	DESCRIPTION	25MH	30MH	30W	REMARKS
1	61N-11400-01	CRANKSHAFT ASSY	1	1	1	
2	61N-11412-01	.CRANK 1	1	1	1	
3	61N-11422-00	.CRANK 2	1	1	1	
4	61N-11432-00	.CRANK 3	1	1	1	
5	61N-11442-00	.CRANK 4	1	1	1	
6	93311-632V4	.BEARING	1	1	1	
7	93102-32M07	.OIL SEAL	1	1	1	
8	93210-42159	.O-RING	1	1	1	
9	93306-305U3	.BEARING	2	2	2	
10	61N-11515-00	.SEAL, LABYRINTH 1	1	1	1	
11	93440-62057	.CIRCLIP	1	1	1	
12	689-11651-00	.ROD, CONNECTING	2	2	2	
13	689-11681-01	.PIN, CRANK 1	2	2	2	
14	93310-624U5	.BEARING	2	2	2	
15	90209-24M03	.WASHER	4	4	4	
16	61N-11631-00-95	PISTON (STD)	2	2	2	
	61N-11635-00	PISTON (0.25MM O/S)	2	2	2	AP
	61N-11636-00	PISTON (0.50MM O/S)	2	2	2	AP
17	61N-11603-00	PISTON RING SET (STD)	2	2	2	
	61N-11604-00	PISTON RING SET (0.25MM O/S)	2	2	2	AP
	61N-11605-00	PISTON RING SET (0.50MM O/S)	2	2	2	AP
18	689-11633-00	PIN, PISTON	2	2	2	
19	93602-20M02	PIN, DOWEL	68	68	68	
20	688-11634-00	CLIP, PISTON PIN	4	4	4	
21	90201-20M27	WASHER, PLATE	4	4	4	

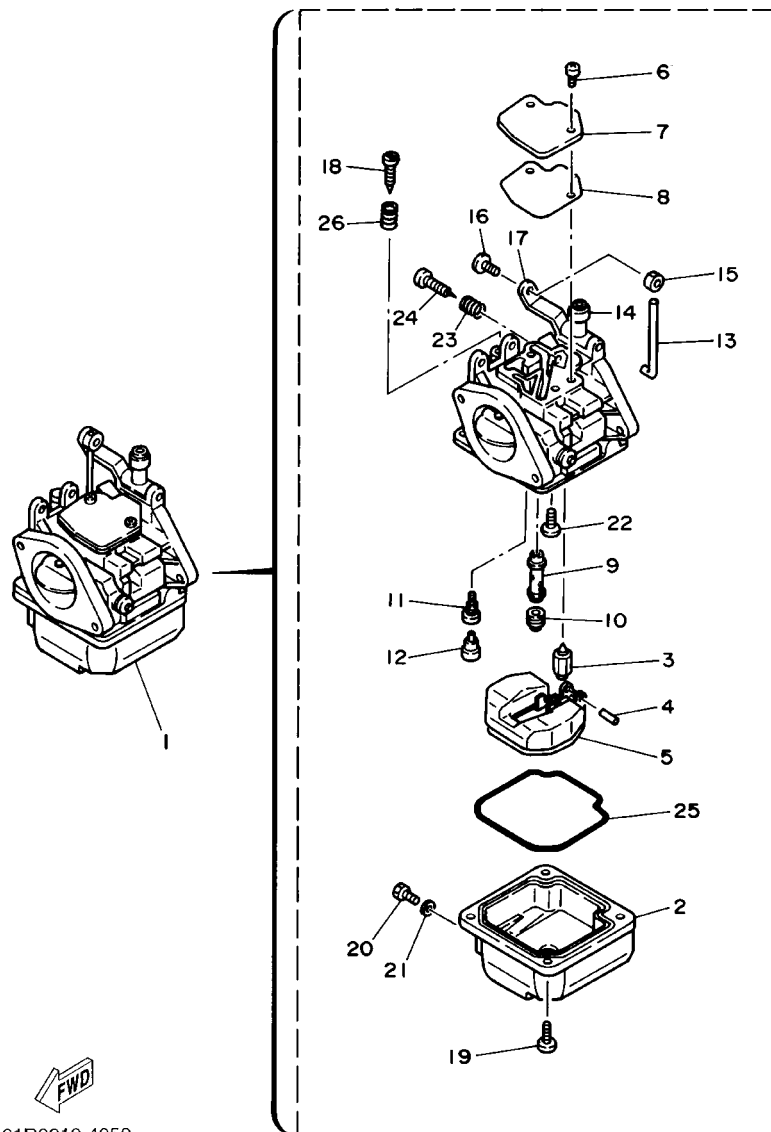


61R0664-1040

FIG. 4 INTAKE

REF. NO.	PART NO.	DESCRIPTION	25MH	30MH	30W	REMARKS
1	61N-13610-00	REED VALVE ASSY	1			
	689-13610-01	REED VALVE ASSY		1	1	
2	689-W0004-00	.REED SET	1	1	1	
3	648-13621-A1	GASKET, VALVE SEAT	1	1	1	
4	61N-13641-01-94	MANIFOLD 1	1	1	1	
5	648-13645-A0	GASKET, MANIFOLD 1	1	1	1	
6	97013-06025	BOLT	2	2	2	
7	92903-06600	WASHER, PLATE	2	2	2	
8	97013-06035	BOLT		7		
	97013-06035	BOLT	6		6	
9	92903-06600	WASHER, PLATE		7		
	92903-06600	WASHER, PLATE	6		6	
10	97013-06050	BOLT			1	
11	92903-06600	WASHER, PLATE			1	
12	61N-14198-00	GASKET	1	1	1	
13	61N-14440-00	SILENCER ASSY, INTAKE	1	1	1	
14	93210-40659	O-RING	1	1	1	
15	90119-06M94	BOLT, WITH WASHER	2	2	2	
16	90387-06M26	COLLAR	2	2	2	
17	682-41271-00	KNOB, CHOKE	1	1	1	
18	689-41273-00	GROMMET	1	1	1	
19	6J8-41274-00	GROMMET 2	1	1	1	
20	689-41252-01	LEVER, CHOKE 1	1	1	1	
21	61N-41256-00	ROD, CHOKE 1	1	1	1	
22	661-41262-02	JOINT, CHOKE LEVER	1	1	1	
23	91690-40048	PIN, SPRING	1	1	1	
24	90465-06M88	CLAMP	1	1	1	

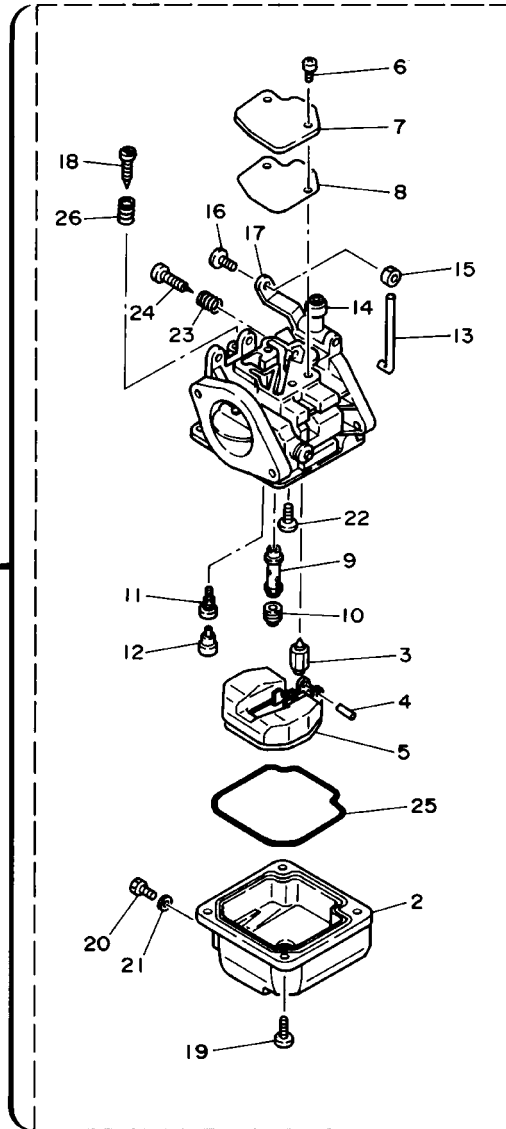
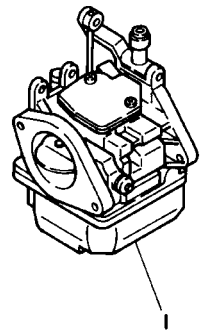
FIG. 5 CARBURETOR



61R0010-4050

REF. NO.	PART NO.	DESCRIPTION	25MH	30MH	30W	REMARKS
1	61N-14301-04	CARBURETOR ASSY 1	1			
	61T-14301-02	CARBURETOR ASSY 1		1	1	
2	61N-14381-00	.BODY, FLOAT CHAMBER	1	1	1	
3	61N-14392-00	.VALVE, NEEDLE	1	1	1	
4	6E5-14386-01	.PIN, FLOAT	1	1	1	
5	6L2-14385-00	.FLOAT	1	1	1	
6	97980-04110	.SCREW, WITH WASHER	2	2	2	
7	6L2-14157-00	.COVER, MIXING	1	1	1	
8	6L2-14399-00	.GASKET	1	1	1	
9	61N-14341-00	.NOZZLE, MAIN	1			
	61T-14341-00	.NOZZLE, MAIN		1	1	
10	61N-14343-68	.JET, MAIN (#135)	1	1	1	
11	6L2-14342-34	.JET, PILOT (#68)	1	1	1	
12	50M-14355-00	.PLUG	1	1	1	
13	6J0-14379-10	.ROD, STARTER	1	1	1	
14	626-42658-00	.BUSHING	1	1	1	
15	677-41226-00	.END, THROTTLE LEVER	1	1	1	
16	677-14327-01	.SCREW	1	1	1	
17	61N-41216-00	.SHEAVE SHAFT, ACCEL. LINK	1	1	1	
18	664-14321-01	.SCREW, THROTTLE	1	1	1	
19	97980-04112	.SCREW, WITH WASHER	4	4	4	
20	677-14383-01	.SCREW, DRAIN	1	1	1	
21	6L2-14398-00	.GASKET	1	1	1	
22	98980-04006	.SCREW, BIND	2	2	2	
23	646-14212-01	.SPRING, PILOT ADJUSTING	1	1	1	
24	61N-14323-00	.SCREW, AIR ADJUSTING	1	1	1	
25	6L2-14384-00	.GASKET, FLOAT CHAMBER	1	1	1	

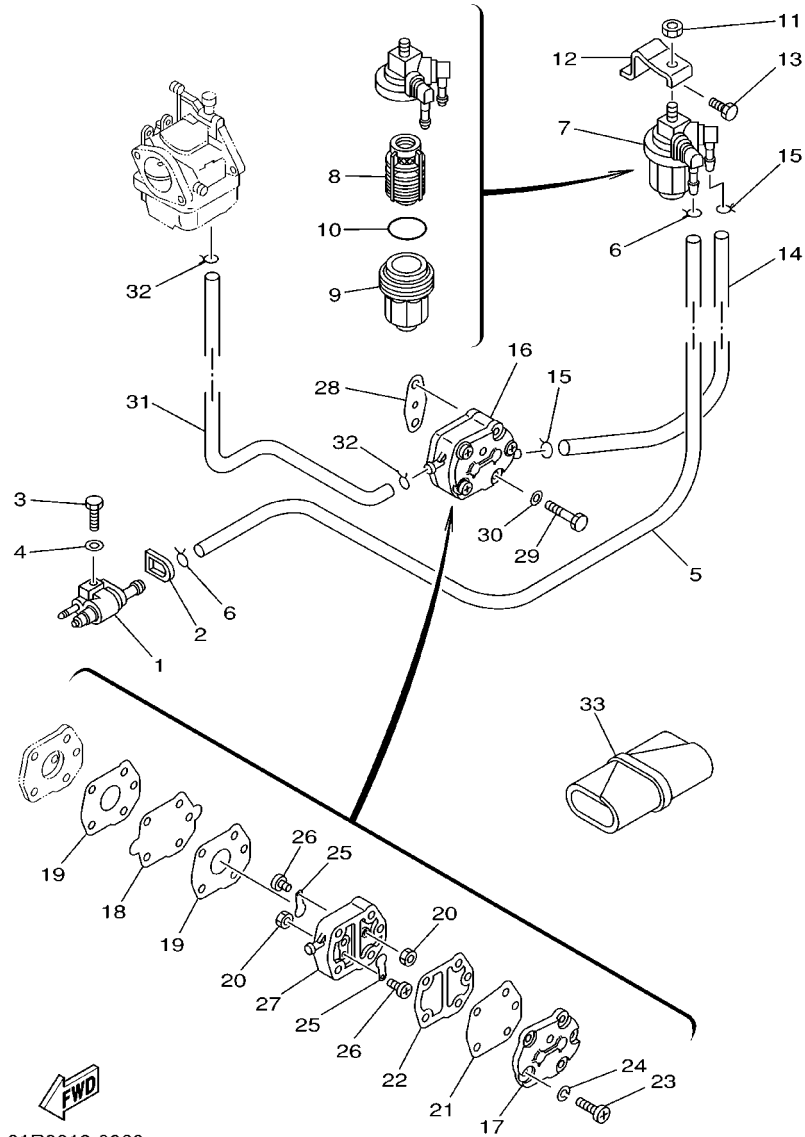
FIG. 5 CARBURETOR




61R0010-4050

REF. NO.	PART NO.	DESCRIPTION	25MH	30MH	30W	REMARKS
			1	1	1	
26	61N-14212-00	.SPRING, PILOT ADJUSTING	1	1	1	

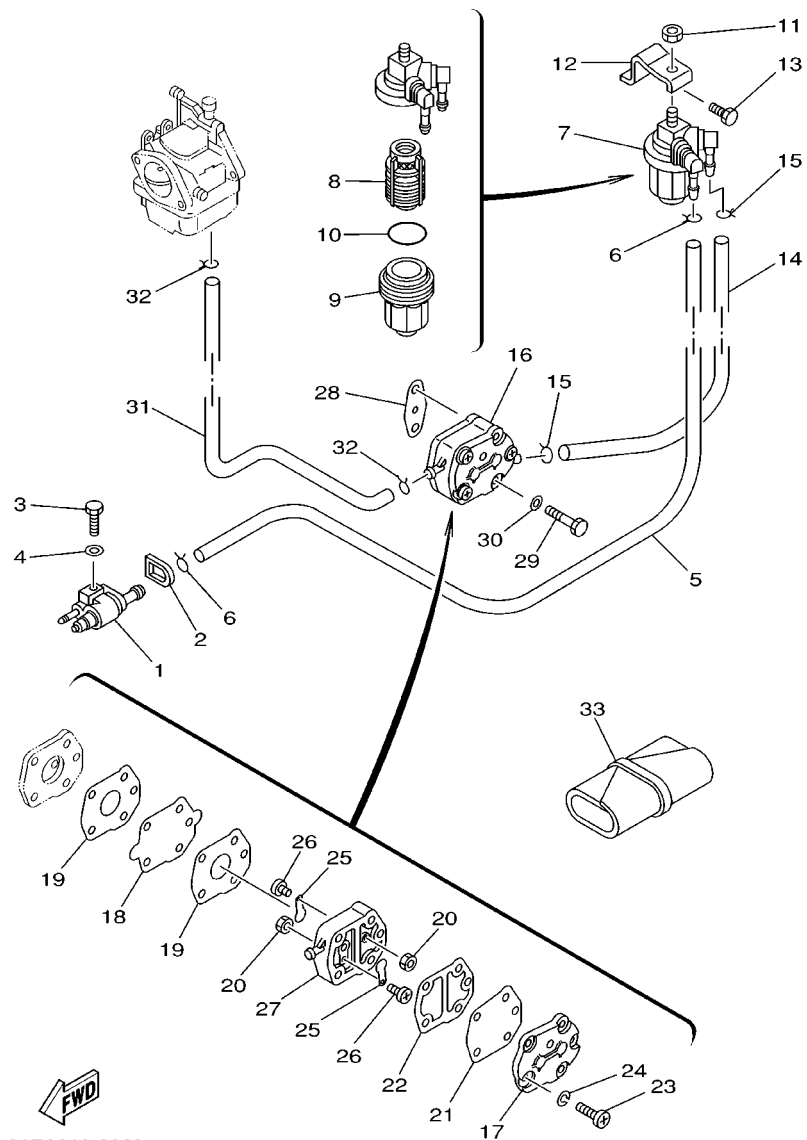
FIG. 6 FUEL



61R0010-0060

REF. NO.	PART NO.	DESCRIPTION	25MH	30MH	30W	REMARKS
1	6G1-24304-02	FUEL PIPE JOINT COMP. 1	1	1	1	
2	61N-24329-00	SEAL	1	1	1	
3	97095-06020	BOLT	1	1	1	
4	92995-06600	WASHER	1	1	1	
5	90445-09M75	HOSE (L370)	1	1	1	
6	90467-08004	CLIP	2	2	2	
7	61N-24560-00	FILTER ASSY	1	1	1	
8	61N-24563-00	.ELEMENT, FILTER	1	1	1	
9	61N-24521-00	.CUP, FILTER	1	1	1	
10	93210-32738	.O-RING	1	1	1	
11	95380-08600	NUT	1	1	1	
12	61N-24566-01	BRACKET, FILTER	1	1	1	
13	97013-06014	BOLT	1	1	1	
14	689-24311-00	PIPE, FUEL 1	1	1	1	
15	90467-08004	CLIP	2	2	2	
16	692-24410-00	FUEL PUMP ASSY	1	1	1	
17	6A0-24413-00	.BODY 2	1	1	1	
18	692-24411-00	.DIAPHRAGM	1	1	1	
19	648-24434-01	.GASKET, BODY	2	2	2	
20	95380-03600	.NUT	2	2	2	
21	663-24411-00	.DIAPHRAGM	1	1	1	
22	648-24435-02	.GASKET, BODY 2	1	1	1	
23	98503-05028	.SCREW, PAN HEAD	3	3	3	
24	92990-05100	.WASHER, SPRING	3	3	3	
25	6A0-24421-01	.VALVE, CHECK	2	2	2	
26	6A0-14325-00	.SCREW, PAN HEAD	2	2	2	
27	6A0-24412-02	.BODY 1	1	1	1	

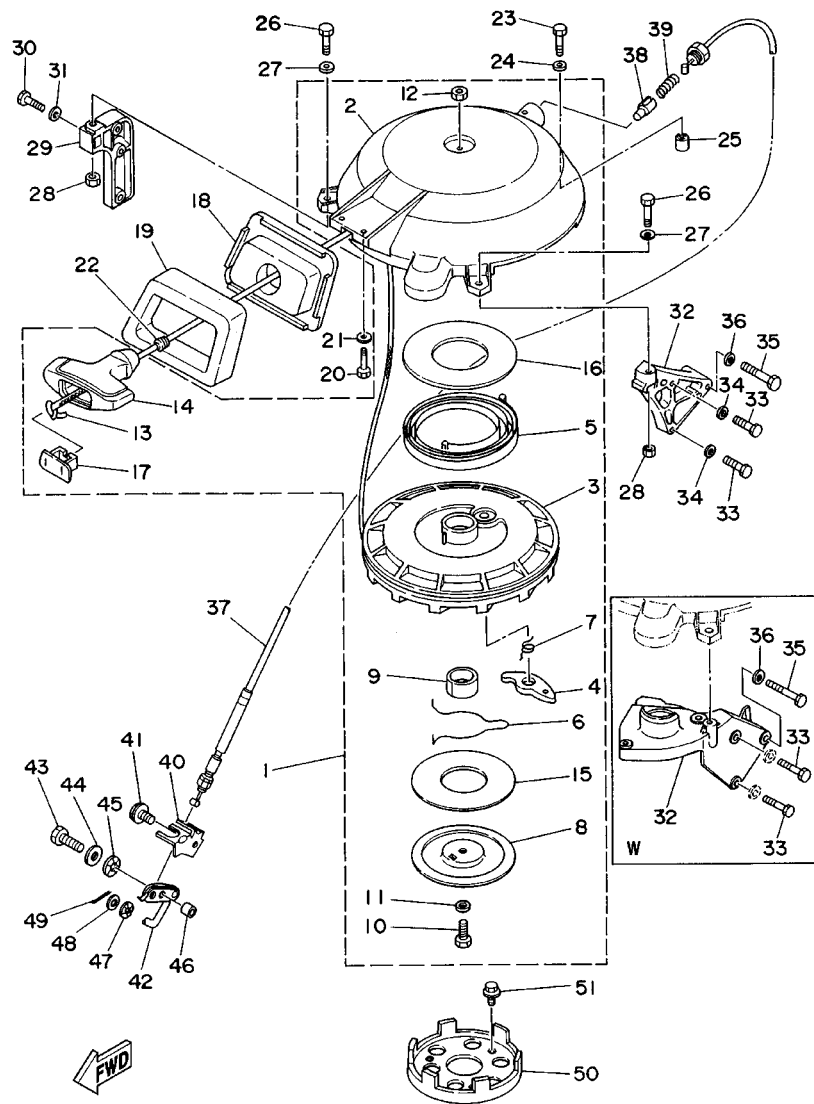
FIG. 6 FUEL



61R0010-0060

REF. NO.	PART NO.	DESCRIPTION	25MH	30MH	30W	REMARKS
28	650-24431-A0	GASKET, FUEL PUMP 1	1	1	1	
29	97095-06040	BOLT	2	2	2	
30	92995-06600	WASHER	2	2	2	
31	6A1-24311-00	PIPE, FUEL 1	1	1	1	
32	90467-08004	CLIP	2	2	2	
33	656-W2810-02	TOOL KIT	1	1	1	

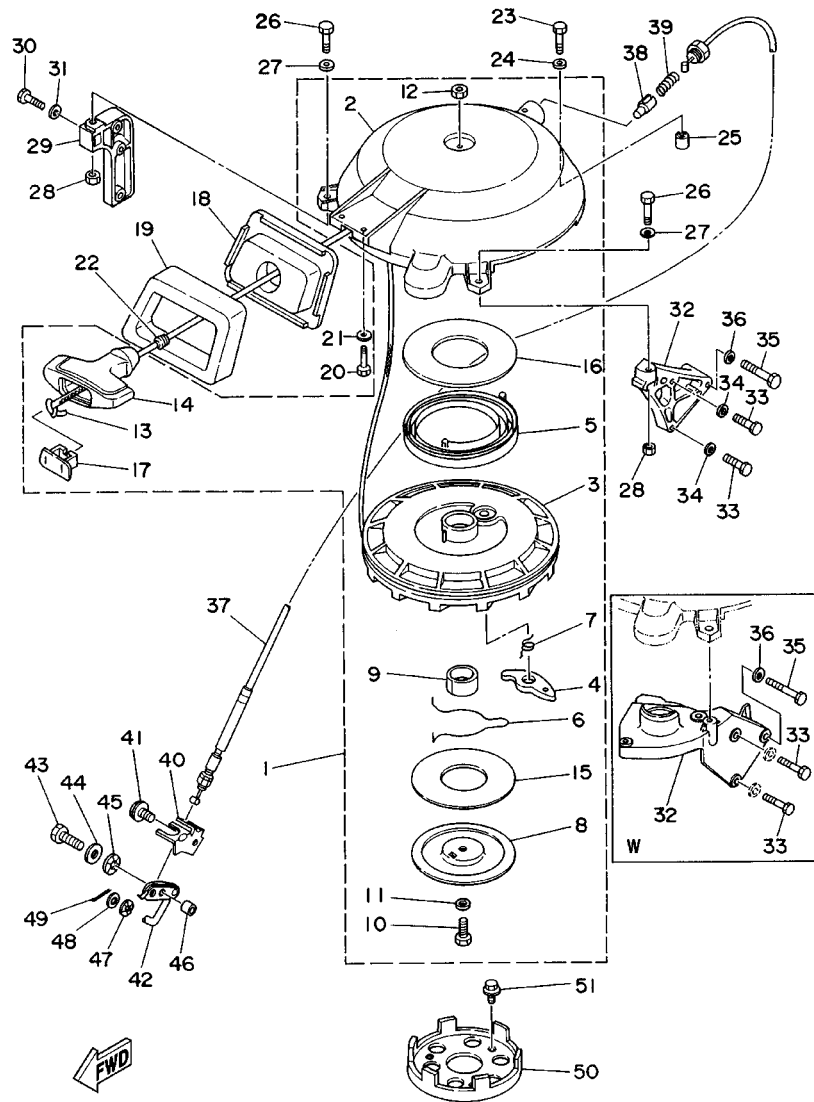
FIG. 7 STARTER



61R0664-4070

REF. NO.	PART NO.	DESCRIPTION	25MH	30MH	30W	REMARKS
1	61N-W1571-11	STARTER ASSY	1	1	1	
2	61N-15711-10	.CASE, STARTER	1	1	1	
3	6G0-15714-01	.DRUM, SHEAVE	1	1	1	
4	6F5-15741-01	.PAWL, DRIVE	1	1	1	
5	6F5-15713-01	.SPRING, STARTER	1	1	1	
6	61N-15715-00	.SPRING, FRICTION	1	1	1	
7	61N-15734-00	.SPRING, RETURN	1	1	1	
8	6F5-15716-01	.PLATE, DRIVE	1	1	1	
9	6G0-15754-00	.BUSH 2	1	1	1	
10	97313-08030	.BOLT	1	1	1	
11	6F5-15726-01	.WASHER, FLAT	1	1	1	
12	95303-08700	.NUT	1	1	1	
13	*	.WIRE (L:1900MM)	1	1	1	
14	689-15755-01	.HANDLE, STARTER	1	1	1	
15	6F5-15764-00	.COLLAR 1	1	1	1	
16	6F5-15739-00	.WASHER, THRUST	1	1	1	
17	6F5-15779-02	.COVER	1	1	1	
18	61N-15758-01-4D	GUIDE, ROPE	1	1	1	
19	61N-15762-00	SEAL, RUBBER 2	1	1	1	
20	97095-06016	BOLT	2	2	2	
21	92995-06600	WASHER	2	2	2	
22	6A0-15789-00	DAMPER	1	1	1	
23	97095-06035	BOLT	1	1	1	
24	92995-06600	WASHER	1	1	1	
25	99530-10014	PIN, DOWEL	1	1	1	

* CUT FROM 50M ROLLS, PART NO. 90890-44373,
CUTTING LENGTH 1.9M



61R0664-4070

FIG. 7 STARTER

REF. NO.	PART NO.	DESCRIPTION	25MH	30MH	30W	REMARKS
26	97095-06035	BOLT	2	2	2	
27	92995-06600	WASHER	2	2	2	
28	95380-06600	NUT, HEXAGON	2	2		
	95380-06600	NUT, HEXAGON			1	
29	6H7-15771-01-94	STAY 1	1	1	1	
30	97013-06025	BOLT	2	2	2	
31	92903-06600	WASHER, PLATE	2	2	2	
32	656-15772-00-94	STAY 2	1	1		
	61T-15772-01-94	STAY 2			1	
33	97013-06025	BOLT	2	2		
	97013-06030	BOLT			2	
34	92903-06600	WASHER, PLATE	2	2	2	
35	97013-06045	BOLT	1	1	1	
36	92903-06600	WASHER, PLATE	1	1	1	
37	61T-15770-00	CABLE COMP., STARTER STOP	1	1	1	
38	656-15748-00	PLUNGER, STARTER STOP	1	1	1	
39	90501-10227	SPRING, COMPRESSION	1	1	1	
40	61T-15774-40-94	STAY 4	1	1	1	
41	97095-06010	BOLT	1	1	1	
42	656-15749-00	LINK, STARTER STOP	1	1	1	
43	97095-06020	BOLT	1	1	1	
44	92903-06600	WASHER, PLATE	1	1	1	
45	90206-08010	WASHER, WAVE	1	1	1	
46	90387-06568	COLLAR	1	1	1	
47	90206-05005	WASHER, WAVE	1	1	1	
48	92903-05600	WASHER, PLATE	1	1	1	
49	91490-16010	PIN, COTTER	1	1	1	

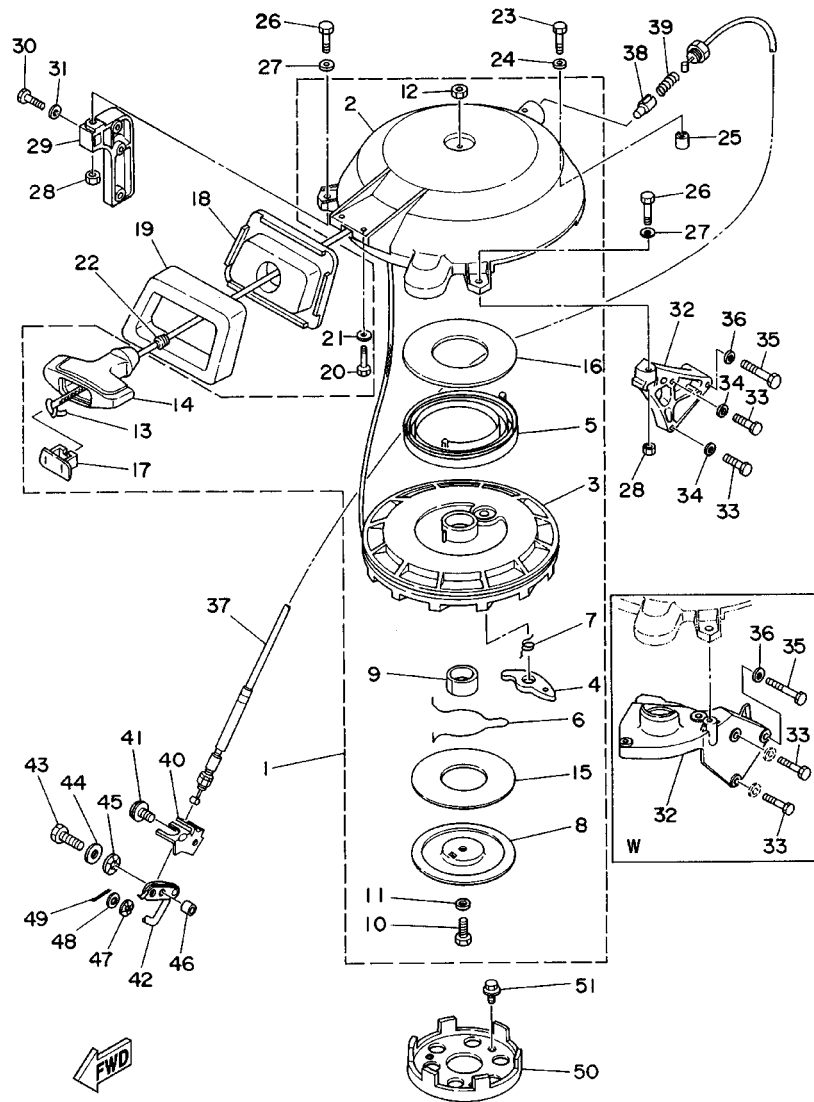
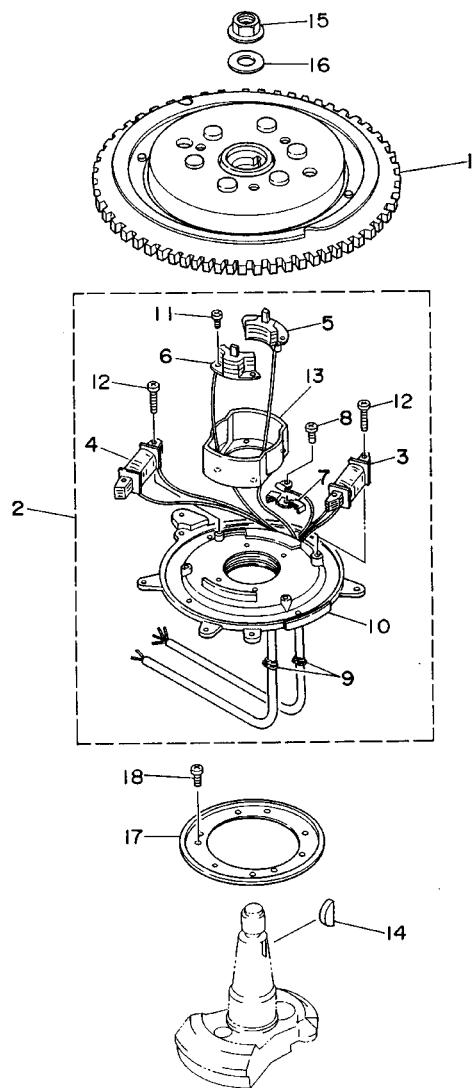


FIG. 7 STARTER

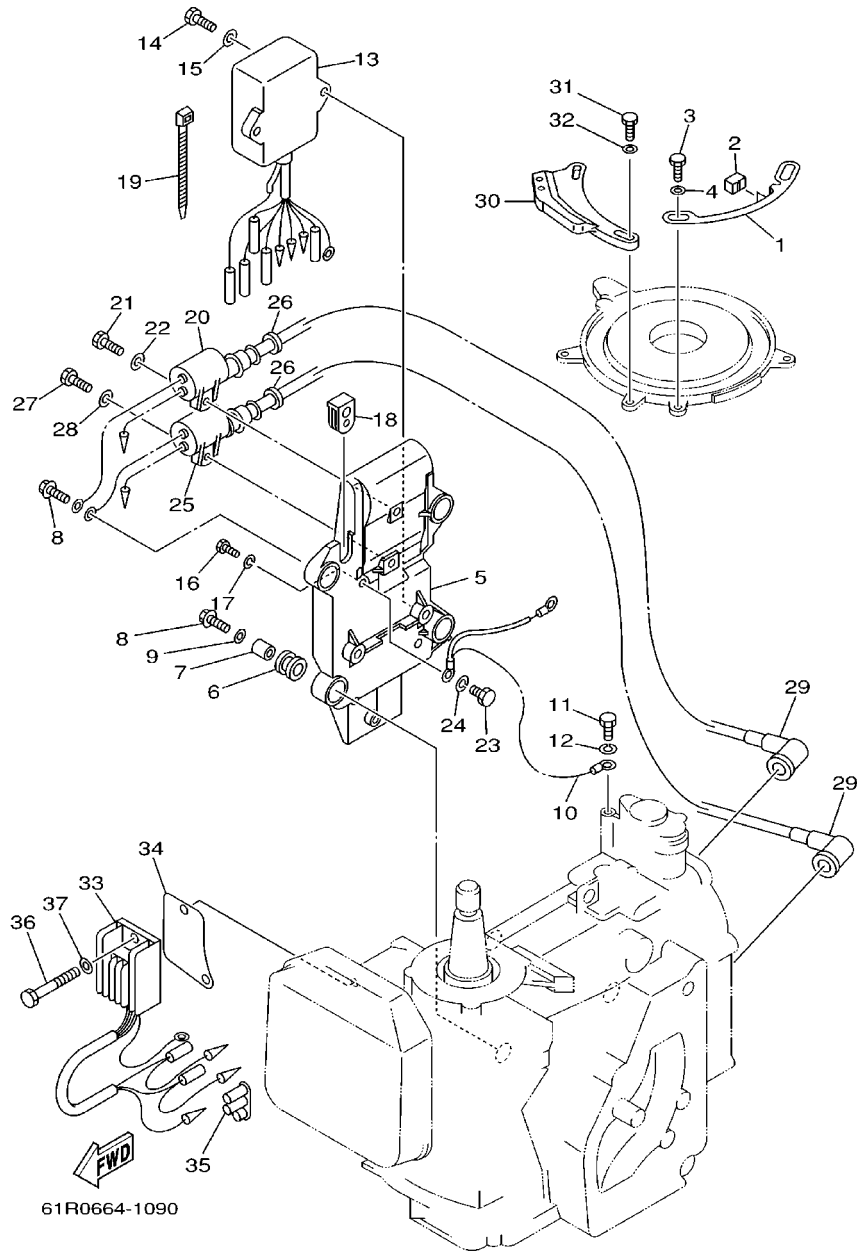
REF. NO.	PART NO.	DESCRIPTION	25MH	30MH	30W	REMARKS
50	6F5-15723-01	PULLEY, STARTER	1	1	1	
51	90105-08M10	BOLT, WASHER BASED	3	3	3	

FIG. 8 GENERATOR



REF. NO.	PART NO.	DESCRIPTION	25MH	30MH	30W	REMARKS
1	61T-85550-10	ROTOR ASSY	1	1	1	
2	61N-85560-10	BASE ASSY	1	1	1	
3	61N-85541-19	.COIL, CHARGE	1	1	1	
4	61N-81313-09	.COIL, LIGHTING 1	1	1	1	
5	61N-85543-09	.COIL, PULSER	1	1	1	
6	61N-85543-19	.COIL, PULSER	1	1	1	
7	6E9-81328-70	.CLAMP	1	1	1	
8	97802-04006	.SCREW, PAN HEAD	1	1	1	
9	6E9-85516-70	.GROMMET	2	2	2	
10	61N-85561-00	.BASE, MAGNETO	1	1	1	
11	97607-04112	.SCREW, PAN HEAD WITH WASHER	4	4	4	
12	97607-06125	.SCREW, PAN HEAD WITH WASHER	4	4	4	
13	61N-85537-00	.COVER	1	1	1	
14	90280-05015	KEY, WOODRUFF	1	1	1	
15	90179-16M05	NUT	1	1	1	
16	90201-16M44	WASHER, PLATE	1	1	1	
17	689-41612-01	RETAINER, MAGNETO BASE	1	1	1	
18	97880-06010	SCREW, PAN HEAD	4	4	4	

 61R0010-4080



61R0664-1090

FIG. 9 ELECTRICAL 1

REF. NO.	PART NO.	DESCRIPTION	25MH	30MH	30W			REMARKS
1	61N-41615-00	STOPPER, MAGNETO BASE	1	1	1			
2	61N-44194-01	CAP	1					
	61T-44194-01	CAP		1	1			
3	97095-06010	BOLT	2	2	2			
4	92995-06600	WASHER	2	2	2			
5	61N-85542-00-94	BRACKET	1	1	1			
6	61N-82317-00	DAMPER, IGNITION COIL	4	4	4			
7	624-42542-00	PIPE	4	4	4			
8	90119-06M95	BOLT, WITH WASHER	4	4	4			
9	90201-06M30	WASHER, PLATE	2	2	2			
10	61N-82519-01	WIRE, EARTH LEAD	1	1	1			
11	97090-06012	BOLT	1	1	1			
12	92990-06100	WASHER, SPRING	1	1	1			
13	61N-85540-11	C.D.I. UNIT ASSY	1	1	1			
14	97095-06020	BOLT	2	2	2			
15	92995-06600	WASHER	2	2	2			
16	97090-06012	BOLT	1	1	1			
17	92990-06100	WASHER, SPRING	1	1	1			
18	6H3-81922-00	GROMMET	1	1	1			
19	90465-13M11	CLAMP	1	1	1			
20	6H5-85570-00	IGNITION COIL ASSY	1	1	1			
21	97095-06020	BOLT	1	1	1			
22	92995-06600	WASHER	1	1	1			
23	97090-06012	BOLT	1	1	1			
24	92990-06100	WASHER, SPRING	1	1	1			
25	61N-85570-00	IGNITION COIL ASSY	1	1	1			
26	90480-25161	GROMMET	2	2	2			

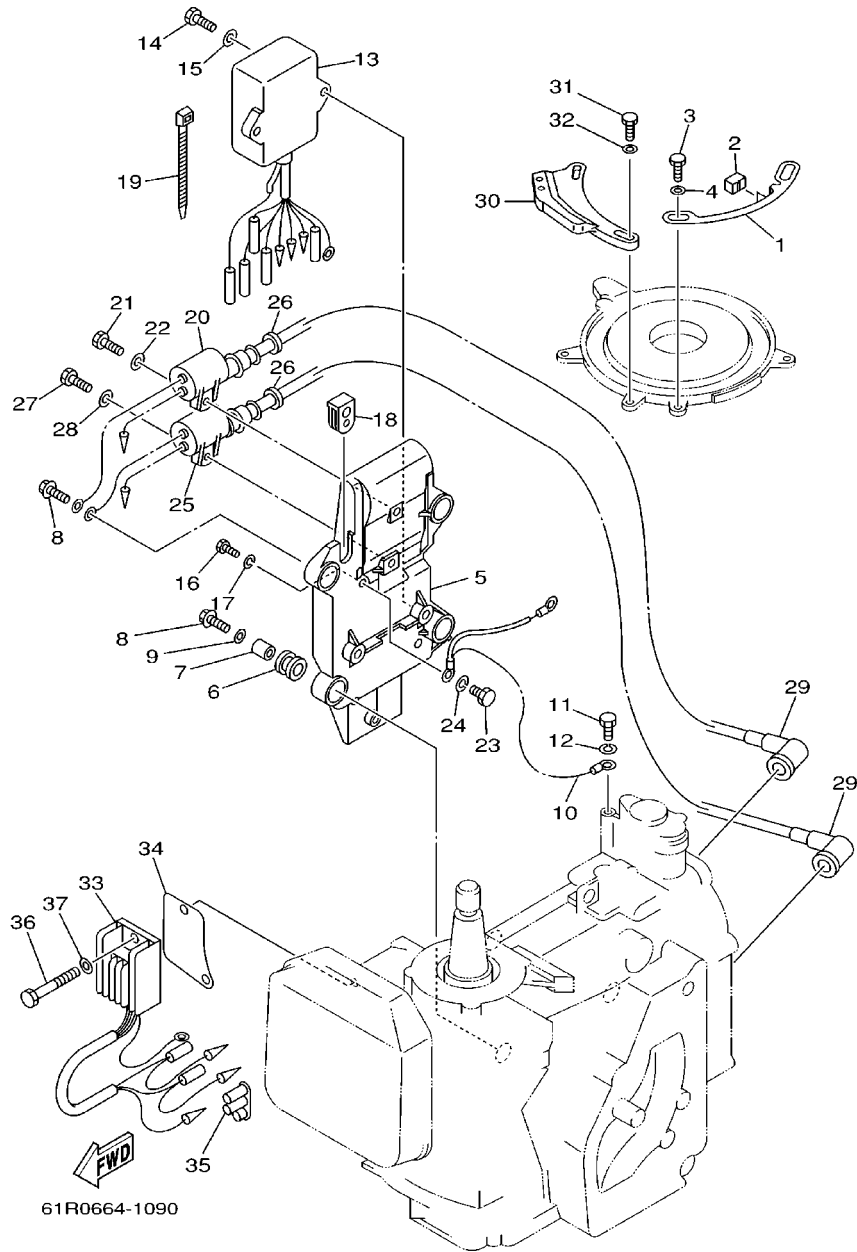
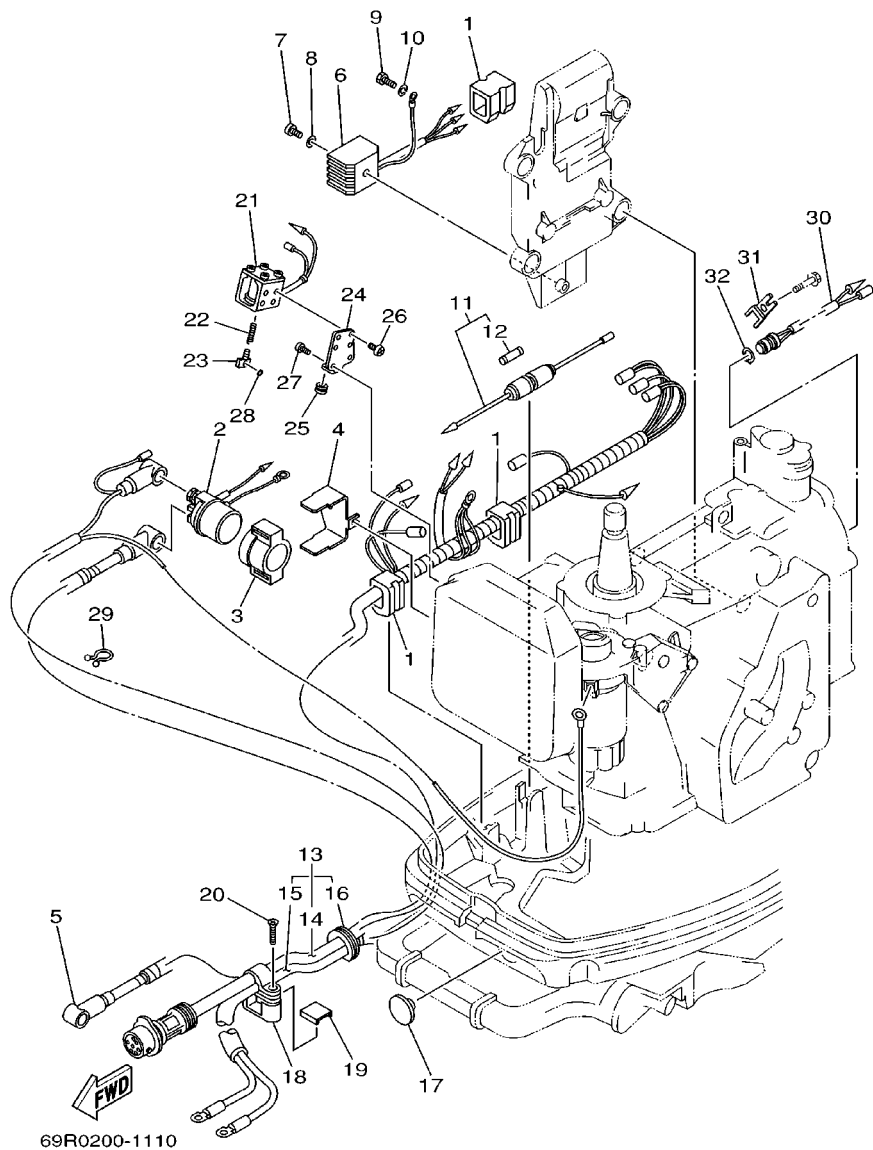


FIG. 9 ELECTRICAL 1

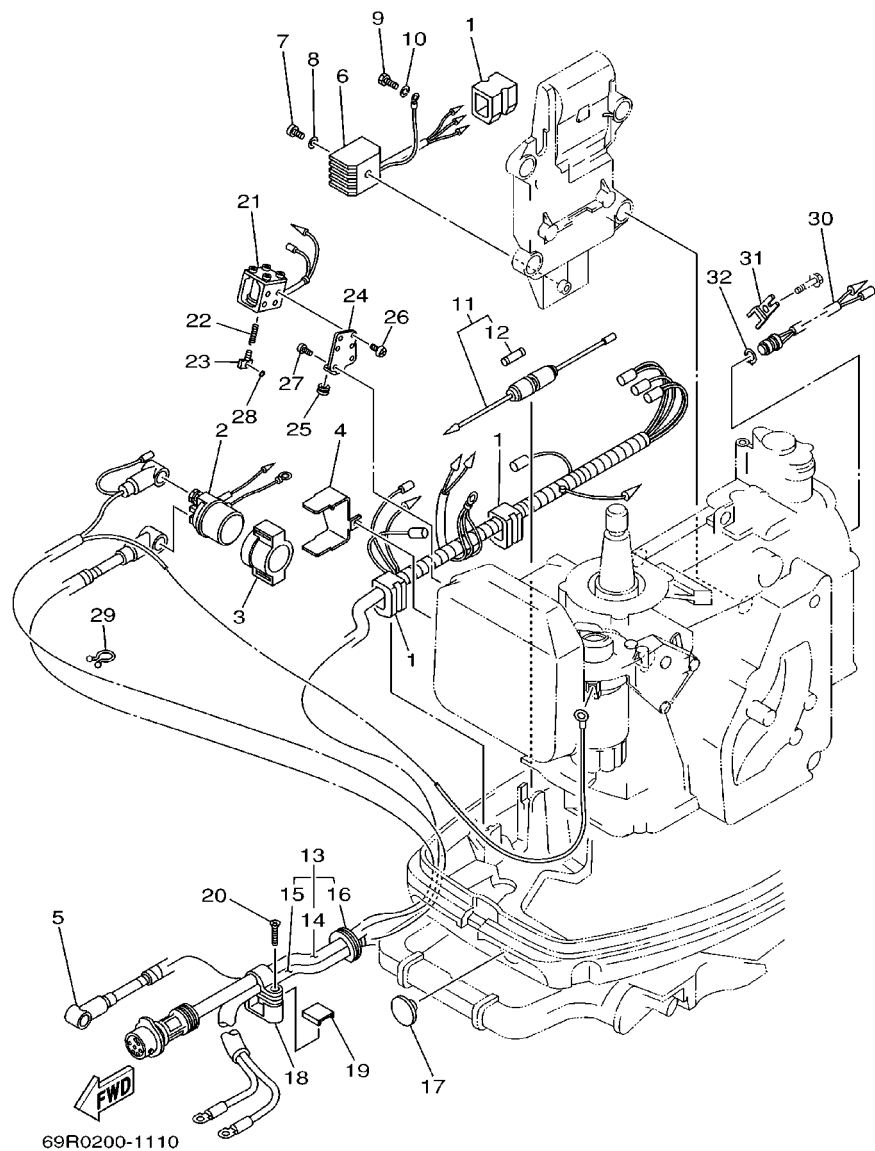
REF. NO.	PART NO.	DESCRIPTION	25MH	30MH	30W	REMARKS
27	97095-06020	BOLT	1	1	1	
28	92995-06600	WASHER	1	1	1	
29	6G1-82370-21	PLUG CAP ASSY	2	2	2	
30	61N-41213-01-94	CAM, ACCEL.	1	1	1	
31	97095-05016	BOLT	2	2	2	
32	92995-05600	WASHER	2	2	2	
33	6J8-81960-00	RECTIFIER & REGULATOR ASSY	1			
34	61T-81915-00	PLATE, REGULATOR FITTING	1			
35	6E5-82582-00	COVER, WIRE HARNESS	1			
36	97013-06045	BOLT	1			
37	92903-06600	WASHER, PLATE	1			

FIG. 10 ELECTRICAL 2



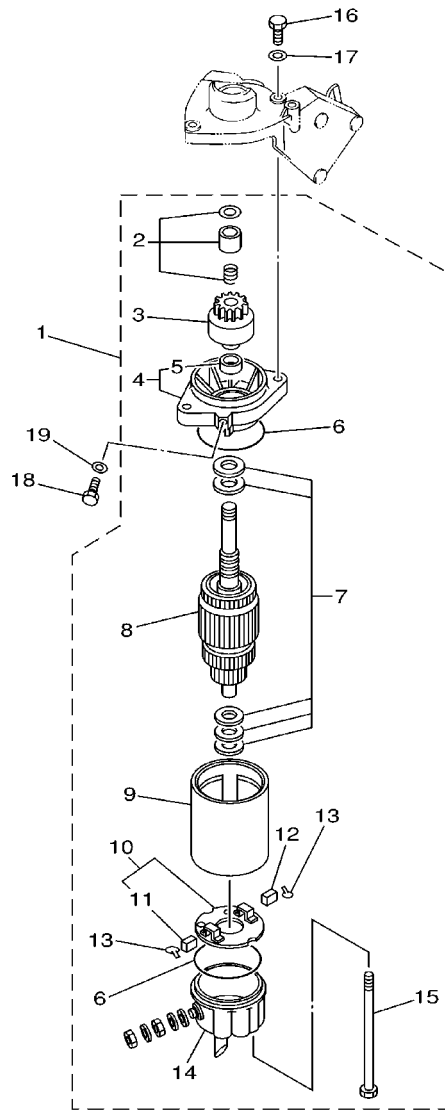
REF. NO.	PART NO.	DESCRIPTION	25MH	30MH	30W	REMARKS
1	90480-17M08	GROMMET			3	
2	6G1-81941-10	STARTER RELAY ASSY			1	
3	6G1-81952-00	HOLDER, RELAY			1	
4	61T-81945-01	PLATE, SWITCH FITTING			1	
5	689-82531-02	WIRE, LEAD			1	
6	664-81970-61	RECTIFIER ASSY			1	
7	97880-05025	SCREW, PAN HEAD			1	
8	92990-05600	WASHER, PLATE			1	
9	97090-06012	BOLT			1	
10	92990-06100	WASHER, SPRING			1	
11	682-82150-10	FUSE HOLDER ASSY			1	
12	682-82151-00	.FUSE (20A)			1	
13	61T-82580-00	WIRE HARNESS ASSY 2			1	
14	61T-82590-00	.WIRE HARNESS ASSY			1	
15	689-82105-13	.WIRE HARNESS			1	
16	689-42724-50	.GROMMET			1	
17	90480-17165	GROMMET			1	
18	689-82594-10	CLAMP			1	
19	682-42525-00	PLATE, FRICTION			1	
20	90161-06M00	SCREW, TAPPING			1	
21	61T-86111-00	COIL, SOLENOID			1	
22	682-86116-00	WIRE, PULL			1	
23	682-86117-00	HOOK, WIRE PULL			1	
24	61T-86112-00	STAY, SOLENOID			1	
25	90480-10155	GROMMET			1	
26	98503-04006	SCREW, PAN HEAD			4	
27	97880-05012	SCREW, PAN HEAD			2	

FIG. 10 ELECTRICAL 2



REF. NO.	PART NO.	DESCRIPTION	25MH	30MH	30W	REMARKS
28	93210-03261	O-RING			1	
29	90465-18147	CLAMP			1	
30	61T-82560-00	THERMO SWITCH ASSY			1	
31	61T-82588-00	PLATE			1	
32	99009-17500	CIRCLIP			1	

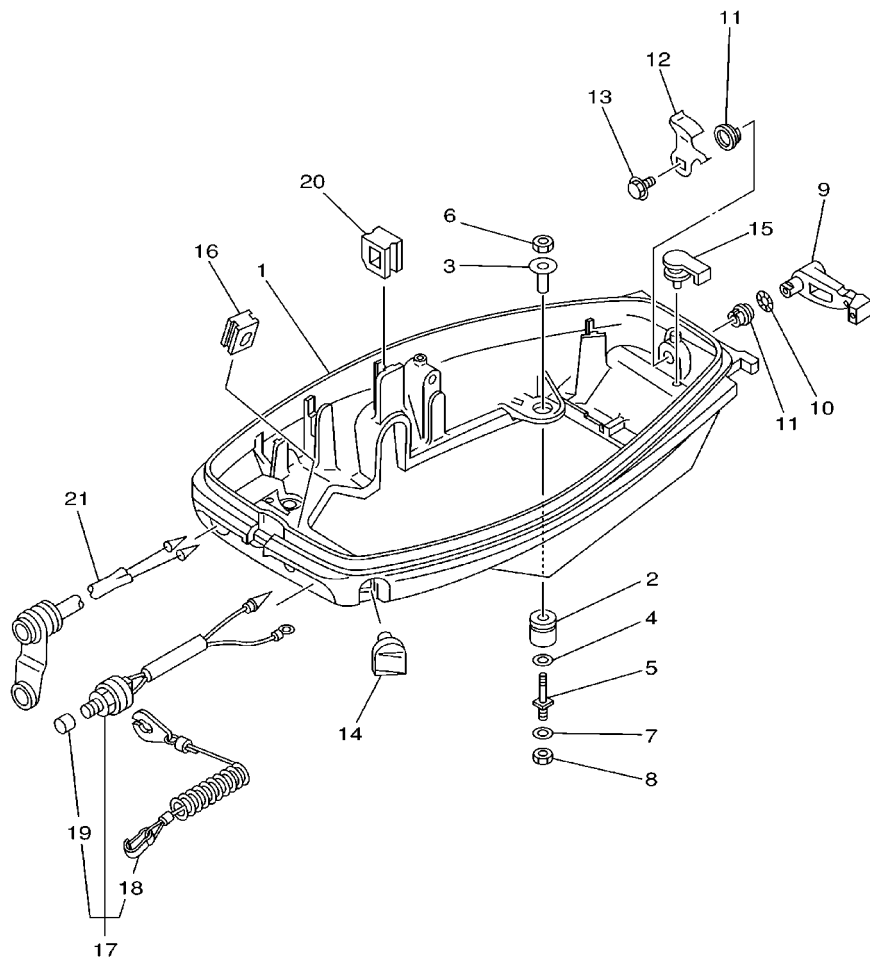
FIG. 11 STARTING MOTOR



61R0010-4110

REF. NO.	PART NO.	DESCRIPTION	25MH	30MH	30W	REMARKS
1	689-81800-13	STARTING MOTOR ASSY			1	
2	689-81857-11	.PINION STOPPER SET			1	
3	689-81807-12	.GEAR ASSY, STARTING MOTOR			1	
4	689-81830-11	.FRONT BRACKET ASSY			1	
5	689-81831-00	..METAL, FRONT			1	
6	689-81847-11	.O-RING			2	
7	689-81809-11	.WASHER KIT			1	
8	689-81850-12	.ARMATURE ASSY			1	
9	689-81810-11	.STATOR ASSY			1	
10	689-81840-11	.BRUSH HOLDER ASSY			1	
11	689-81812-11	..BRUSH 2			1	
12	689-81811-11	.BRUSH 1			1	
13	689-81813-10	.SPRING, BRUSH			2	
14	689-81820-11	.REAR BRACKET ASSY			1	
15	689-81826-10	.BOLT			2	
16	97013-08030	BOLT			2	
17	92903-08600	WASHER, PLATE			2	
18	97013-08012	BOLT			1	
19	92903-08600	WASHER, PLATE			1	

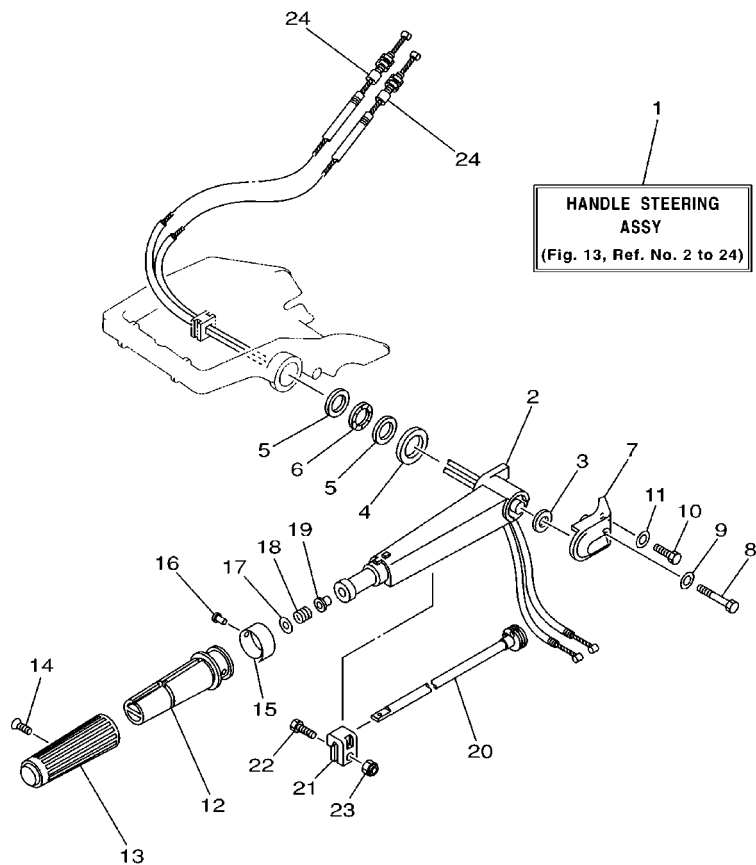
FIG. 12 BOTTOM COWLING



61R0700-1100

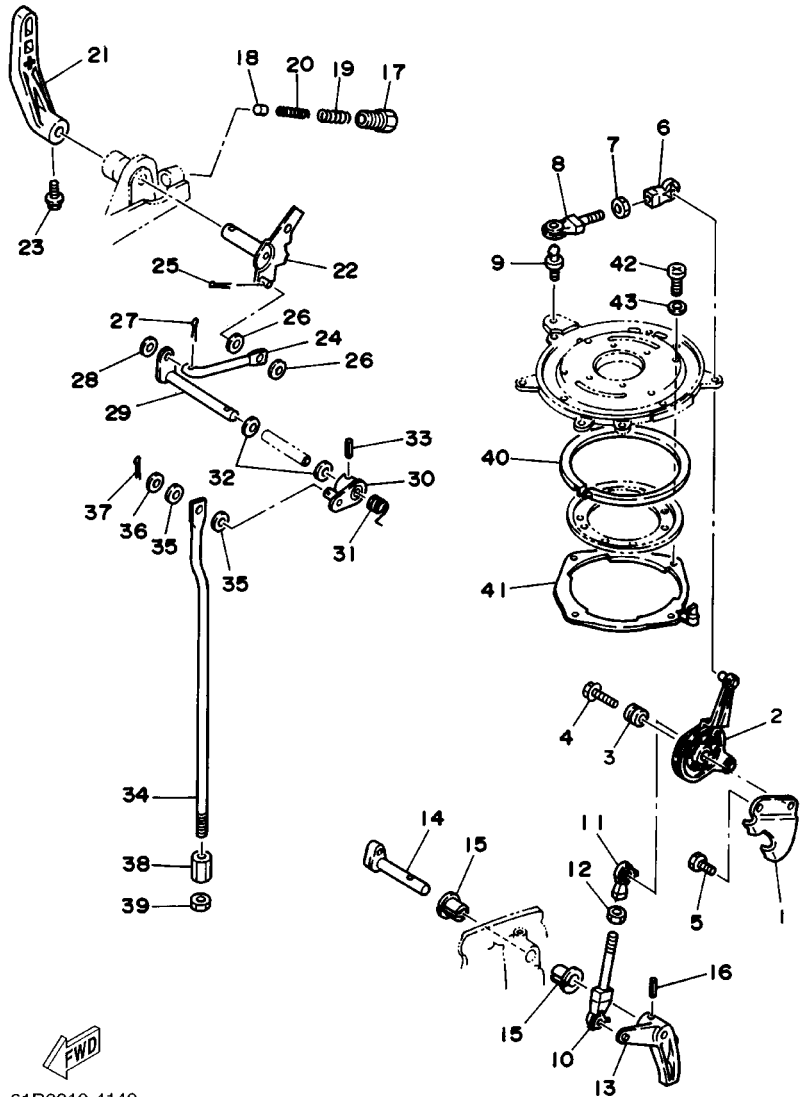
REF. NO.	PART NO.	DESCRIPTION	25MH	30MH	30W	REMARKS
1	689-42711-04-4D	COWLING, BOTTOM	1	1	1	
2	90480-15M06	GROMMET	4	4	4	
3	90387-08M25	COLLAR	4	4	4	
4	90201-08M87	WASHER, PLATE	4	4	4	
5	6G0-42796-00	BOLT 1	4	4	4	
6	95380-08700	NUT	4	4	4	
7	92995-08600	WASHER	4	4	4	
8	95380-08700	NUT	4	4	4	
9	689-42815-00	LEVER, CLAMP	1	1	1	
10	90206-12052	WASHER, WAVE	1	1	1	
11	90386-12069	BUSH	2	2	2	
12	689-42816-00	LEVER, CLAMP	1	1	1	
13	90119-06M73	BOLT, WITH WASHER	1	1	1	
14	689-42725-01	GROMMET	1	1	1	
15	647-42523-00	SPACER, FRICTION	1	1	1	
16	61N-26326-00	GROMMET	1	1		
	676-42724-40	GROMMET			1	
17	6E9-82575-02	ENGINE STOP SWITCH ASSY	1	1		
18	682-82556-00	.STOPPER	1	1		
19	689-8257Y-00	.CAP	1	1		
20	90480-17M08	GROMMET		1		
	90480-17M08	GROMMET	2			
21	682-84381-00	2P CONCENT	1	1		

FIG. 13 STEERING



FWD
61R0664-1130

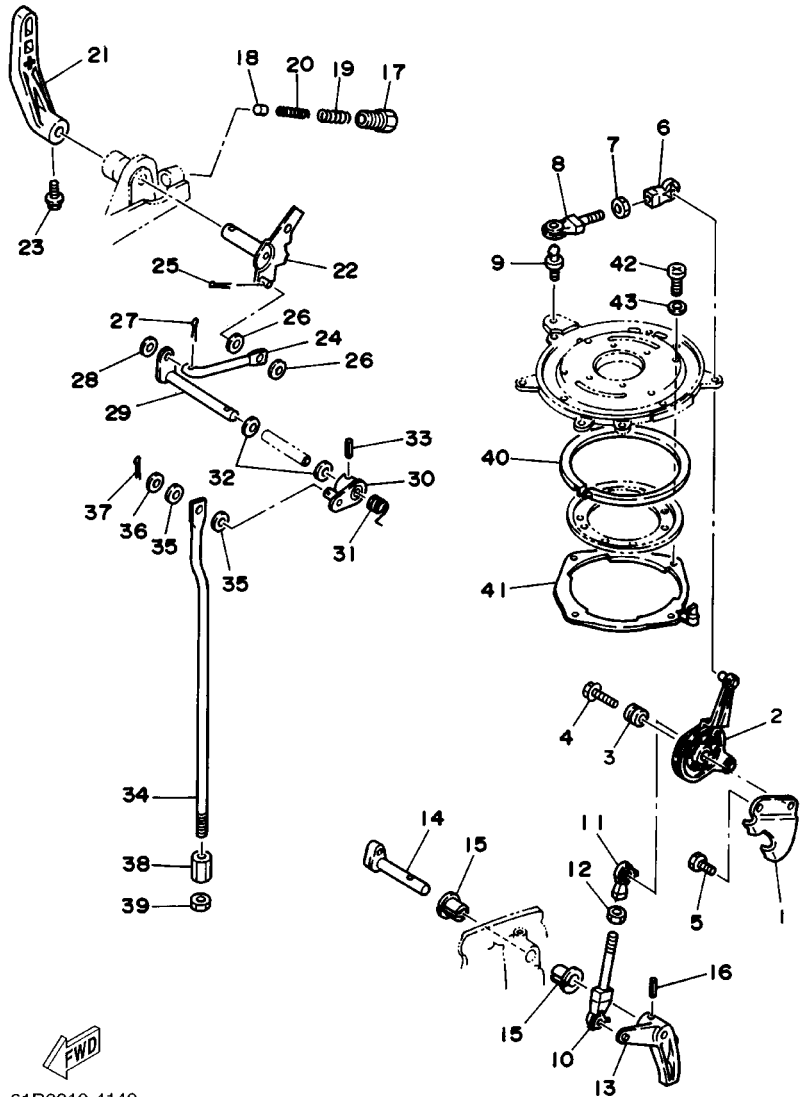
REF. NO.	PART NO.	DESCRIPTION	25MH	30MH	30W	REMARKS
1	61N-W0084-01-4D	HANDLE STEERING ASSY	1	1		
2	689-42111-01-4D	HANDLE, STEERING	1	1		
3	90560-14076	SPACER	1	1		
4	90202-34043	WASHER, PLATE	1	1		
5	90201-28M00	WASHER, PLATE	2	2		
6	90206-28M07	WASHER, WAVE	1	1		
7	689-42112-01-4D	HANDLE, STEERING	1	1		
8	97095-06050	BOLT	1	1		
9	92995-06600	WASHER	1	1		
10	97095-06020	BOLT	1	1		
11	92995-06600	WASHER	1	1		
12	664-42119-00	GRIP, STEERING HANDLE	1	1		
13	6F6-42177-A0	RUBBER, HANDLE	1	1		
14	90149-05M13	SCREW	1	1		
15	689-42137-30	INDICATOR, THROTTLE	1	1		
16	90269-02M09	RIVET	1	1		
17	92903-10600	WASHER, PLATE	1	1		
18	90501-23215	SPRING, COMPRESSION	1	1		
19	90386-08032	BUSH	1	1		
20	689-42138-00	LEVER, THROTTLE	1	1		
21	656-42126-01	FRICTION, STEERING HANDLE GRIP	1	1		
22	97095-06020	BOLT	1	1		
23	90185-06062	NUT, SELF-LOCKING	1	1		
24	61N-26311-00	CABLE, THROTTLE 1	2	2		



61R0010-4140

FIG. 14 CONTROL 1

REF. NO.	PART NO.	DESCRIPTION	25MH	30MH	30W	REMARKS
1	689-14497-00	STAY, THROTTLE WIRE	1	1	1	
2	61N-41631-00-94	LEVER, MAGNETO CONTROL	1	1	1	
3	90387-06M02	COLLAR	1	1	1	
4	90119-06M49	BOLT, WITH WASHER	1	1	1	
5	97095-06012	BOLT	1	1	1	
6	662-41237-01	JOINT, LINK	1	1	1	
7	95380-05700	NUT	1	1	1	
8	679-41241-01	ROD, LINK	1	1	1	
9	663-85518-00	JOINT, BALL	1	1	1	
10	689-42169-01	JOINT	1	1	1	
11	662-41237-01	JOINT, LINK	1	1	1	
12	95380-05600	NUT	1	1	1	
13	689-42154-80-94	LEVER, THROTTLE CONTROL	1	1	1	
14	656-42153-00-94	SHAFT, THROTTLE CONTROL	1	1	1	
15	90386-10009	BUSH	2	2	2	
16	91690-40018	PIN, SPRING	1	1	1	
17	664-42715-00	BUSHING	1	1	1	
18	664-44167-00	PLUNGER, SHIFT CAM	1	1	1	
19	90501-14M07	SPRING, COMPRESSION	1	1	1	
20	90501-09M08	SPRING, COMPRESSION	1	1	1	
21	689-44111-01-4D	HANDLE, GEAR SHIFT	1	1	1	
22	664-44113-01	CAM PLATE, HANDLE	1	1	1	
23	90105-06M07	BOLT, WASHER BASED	1	1	1	
24	664-44142-00	JOINT	1	1	1	
25	91490-16010	PIN, COTTER	1	1	1	
26	90202-06007	WASHER, PLATE	2	2	2	
27	91490-12010	PIN, COTTER	1	1	1	

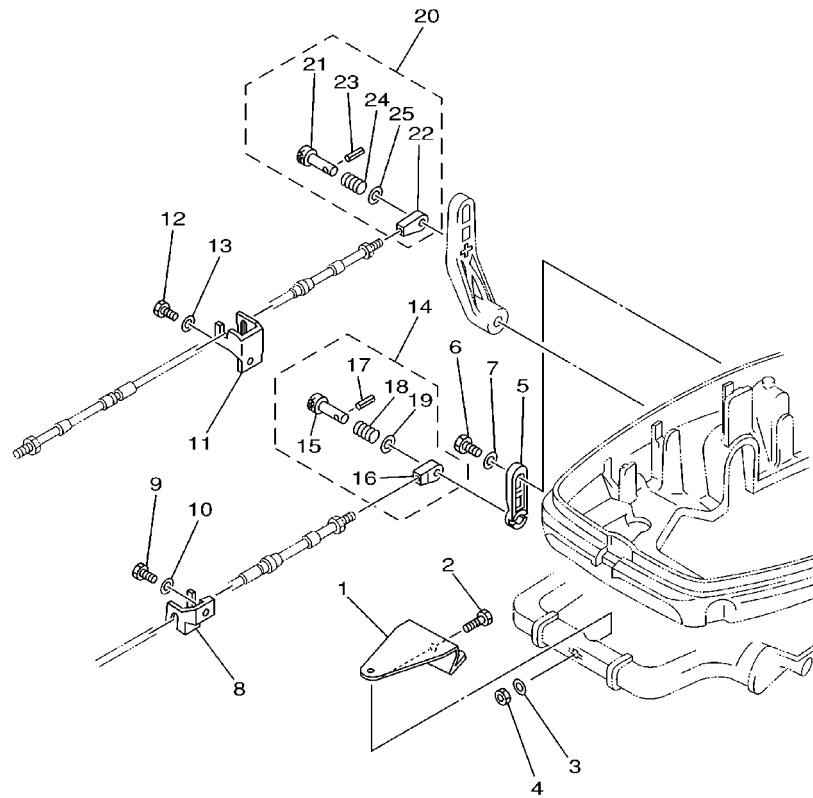


61R0010-4140

FIG. 14 CONTROL 1

REF. NO.	PART NO.	DESCRIPTION	25MH	30MH	30W	REMARKS
28	92990-05600	WASHER, PLATE	1	1	1	
29	689-44121-01	LEVER, SHIFT ROD	1	1	1	
30	689-44125-00	LEVER, SHIFT ROD	1	1	1	
31	90508-14M13	SPRING, TORSION	1	1	1	
32	90202-10024	WASHER, PLATE	2	2	2	
33	91690-40016	PIN, SPRING	1	1	1	
34	61N-44143-00	ROD, SHIFT	1	1	1	
35	90202-06007	WASHER, PLATE	2	2	2	
36	92990-05600	WASHER, PLATE	1	1	1	
37	91490-20010	PIN, COTTER	1	1	1	
38	61N-44146-00	CONNECTOR, SHIFT ROD	1	1	1	
39	95380-06600	NUT, HEXAGON	1	1	1	
40	676-41611-00	RETAINER, MAGNETO BASE	1	1	1	
41	676-41613-00	PLATE, BASE FRICTION	1	1	1	
42	97880-05012	SCREW, PAN HEAD	4	4	4	
43	92990-05600	WASHER, PLATE	4	4	4	

FIG. 15 CONTROL 2

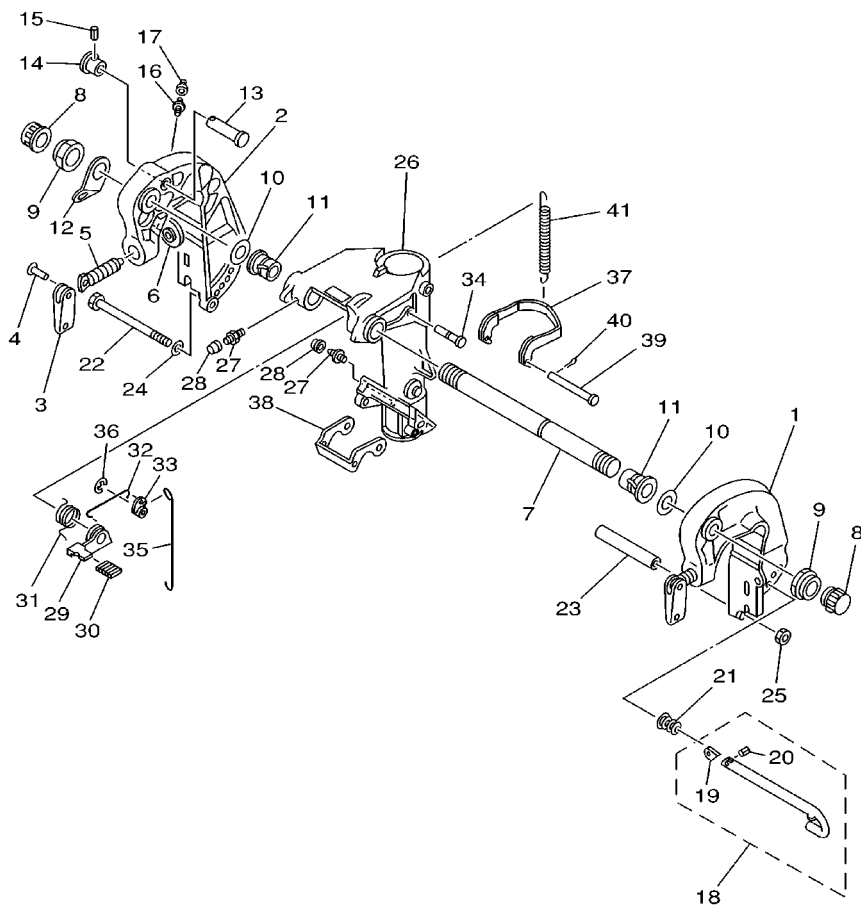


69R0200-1160

REF. NO.	PART NO.	DESCRIPTION	25MH	30MH	30W	REMARKS
1	689-48511-01	HOOK, STEERING			1	
2	97075-10040	BOLT			1	
3	92990-10600	WASHER, PLATE			1	
4	90185-10051	NUT, SELF-LOCKING			1	
5	648-48534-50-4D	THROTTLE LEVER, CONTROL			1	
6	97095-06012	BOLT			1	
7	92995-06600	WASHER			1	
8	689-48532-50	BRACKET, REMOTE CONTROL 2			1	
9	97095-06016	BOLT			1	
10	92995-06600	WASHER			1	
11	689-48531-50	BRACKET, REMOTE CONTROL 1			1	
12	97095-06016	BOLT			1	
13	92995-06600	WASHER			1	
14	648-48340-50	CABLE END ASSY			1	
15	617-48361-91	.HOOK, CABLE			1	
16	617-48346-90	.CABLE END, REMOTE CONTROL			1	
17	91690-30012	.PIN, SPRING			1	
18	90501-10264	.SPRING, COMPRESSION			1	
19	92990-08600	.WASHER, PLATE			1	
20	648-48330-50	CABLE END ASSY			1	
21	617-48331-91	.HOOK, CABLE			1	
22	648-48346-50	.CABLE END, REMOTE CONTROL			1	
23	91690-30012	.PIN, SPRING			1	
24	90501-10071	.SPRING, COMPRESSION			1	
25	92990-08600	.WASHER, PLATE			1	

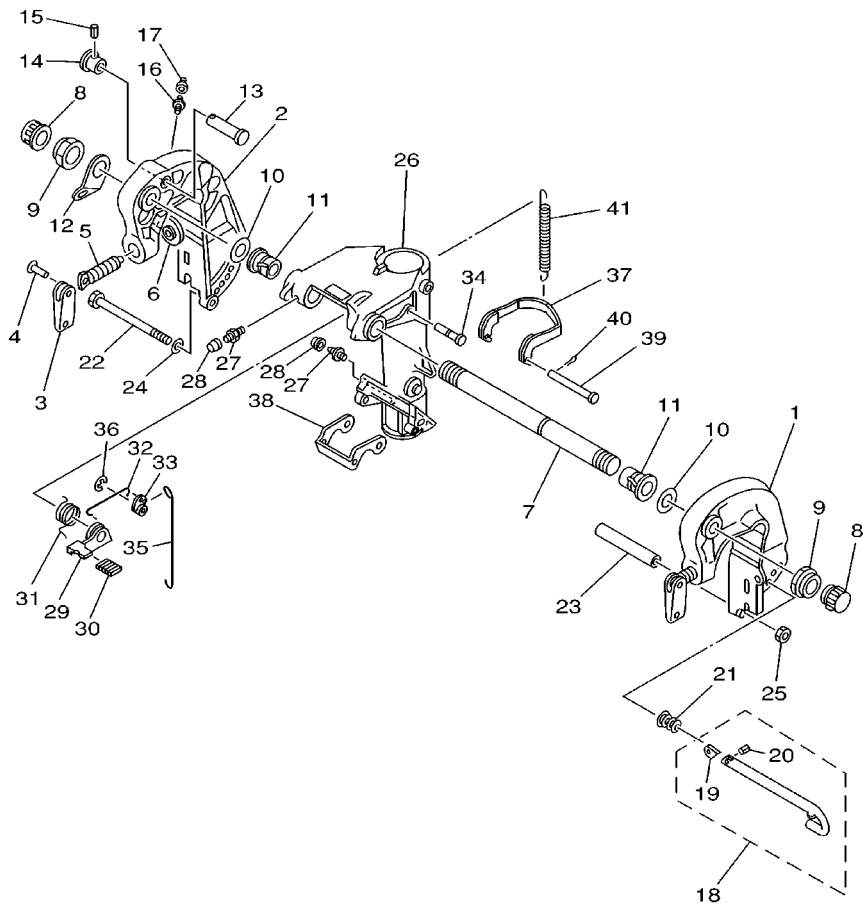
FIG. 16 BRACKET 1

REF. NO.	PART NO.	DESCRIPTION	25MH	30MH	30W	REMARKS
1	689-43111-03-4D	BRACKET, CLAMP	1	1	1	
2	689-43112-02-4D	BRACKET, CLAMP	1	1	1	
3	6E0-43118-01	HANDLE, TRANSOM CLAMP	2	2	2	
4	90243-04M01	PIN	2	2	2	
5	90149-14030	SCREW	2	2	2	
6	648-43114-01	PAD, TRANSOM CLAMP	2	2	2	
7	6J8-43131-01	BOLT, CLAMP BRACKET	1	1	1	
8	6G5-43145-01	CAP, CLAMP BRACKET	2	2	2	
9	90185-22043	NUT, SELF-LOCKING	2	2	2	
10	90201-22M03	WASHER, PLATE	2	2	2	
11	90386-22M67	BUSH	2	2	2	
12	6J8-43113-01	PLATE, CLAMP BRACKET	1	1	1	
13	689-43191-00	SHAFT, STOPPER	1	1	1	
14	689-43192-01	KNOB, STOPPER	1	1	1	
15	91690-30016	PIN, SPRING	1	1	1	
16	93700-06M03	NIPPLE, GREASE	1	1	1	
17	663-45119-00	CAP, GREASE NIPPLE	1	1	1	AP
18	689-43160-00	TILT ROD ASSY	1	1	1	
19	689-43165-00	.PLATE, TILT LOCK	1	1	1	
20	91690-30008	.PIN, SPRING	1	1	1	
21	90502-10M07	SPRING, CONICAL	1	1	1	
22	90101-08339	BOLT	1	1	1	
23	90387-08M03	COLLAR	1	1	1	
24	92995-08600	WASHER	1	1	1	
25	95380-08600	NUT	1	1	1	
26	689-43311-03-4D	BRACKET, SWIVEL 1	1	1	1	
27	93700-06M03	NIPPLE, GREASE	3	3	3	



FWD
69R0664-1170

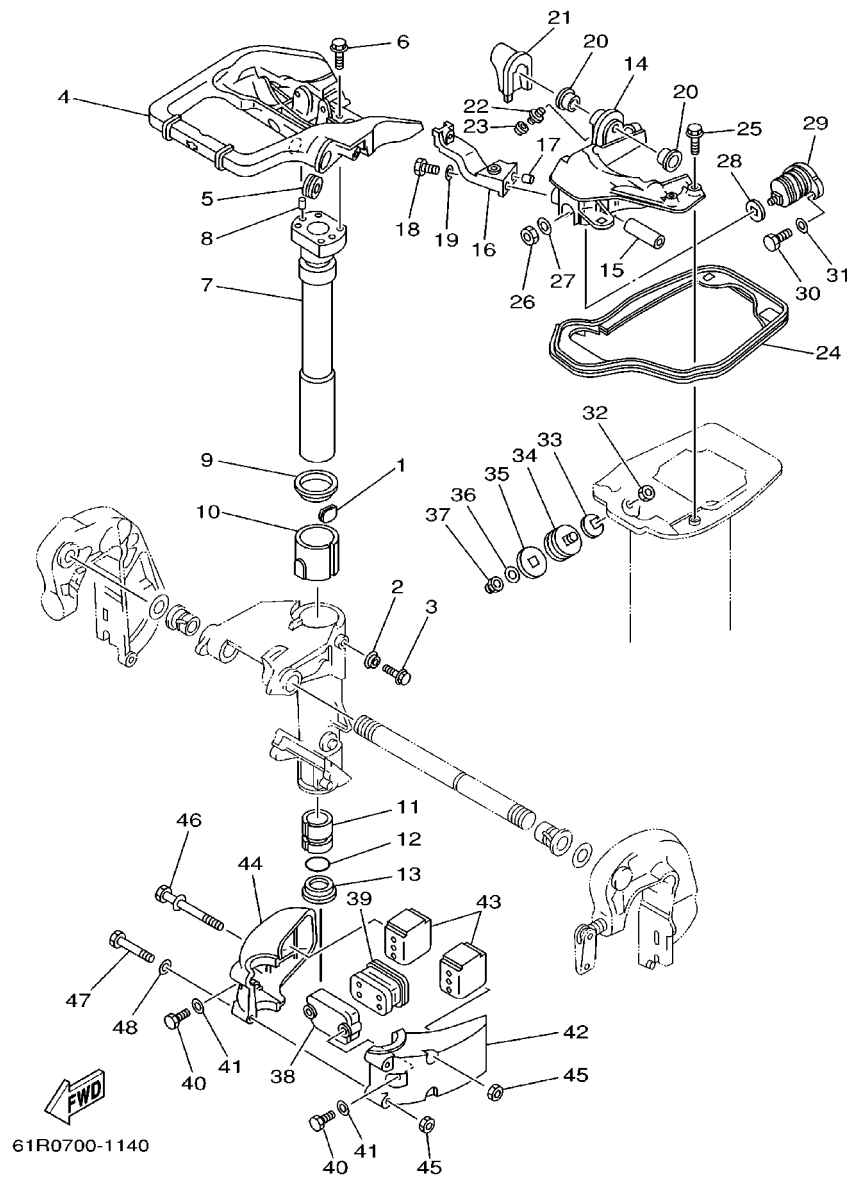
FIG. 16 BRACKET 1



69R0664-1170

REF. NO.	PART NO.	DESCRIPTION	25MH	30MH	30W	REMARKS
28	663-45119-00	CAP, GREASE NIPPLE	3	3	3	AP
29	689-43631-00	LEVER, TILT	1	1	1	
30	689-43633-00	COVER, TILT LEVER	1	1	1	
31	689-43643-00	SPRING	1	1	1	
32	689-43616-00	ROD, TILT LOCK	1	1	1	
33	648-43642-00	LEVER, TILT 1	1	1	1	
34	90249-06M22	PIN	1	1	1	
35	648-43617-00	ROD, TILT LOCK	1	1	1	
36	99080-05600	CIRCLIP	1	1	1	
37	689-43614-01	PLATE, TILT LOCK	1	1	1	
38	648-43615-00	PLATE, TILT LOCK	1	1	1	
39	90240-05047	PIN, CLEVIS	1	1	1	
40	91490-16010	PIN, COTTER	1	1	1	
41	90506-30M27	SPRING, TENSION	1	1	1	

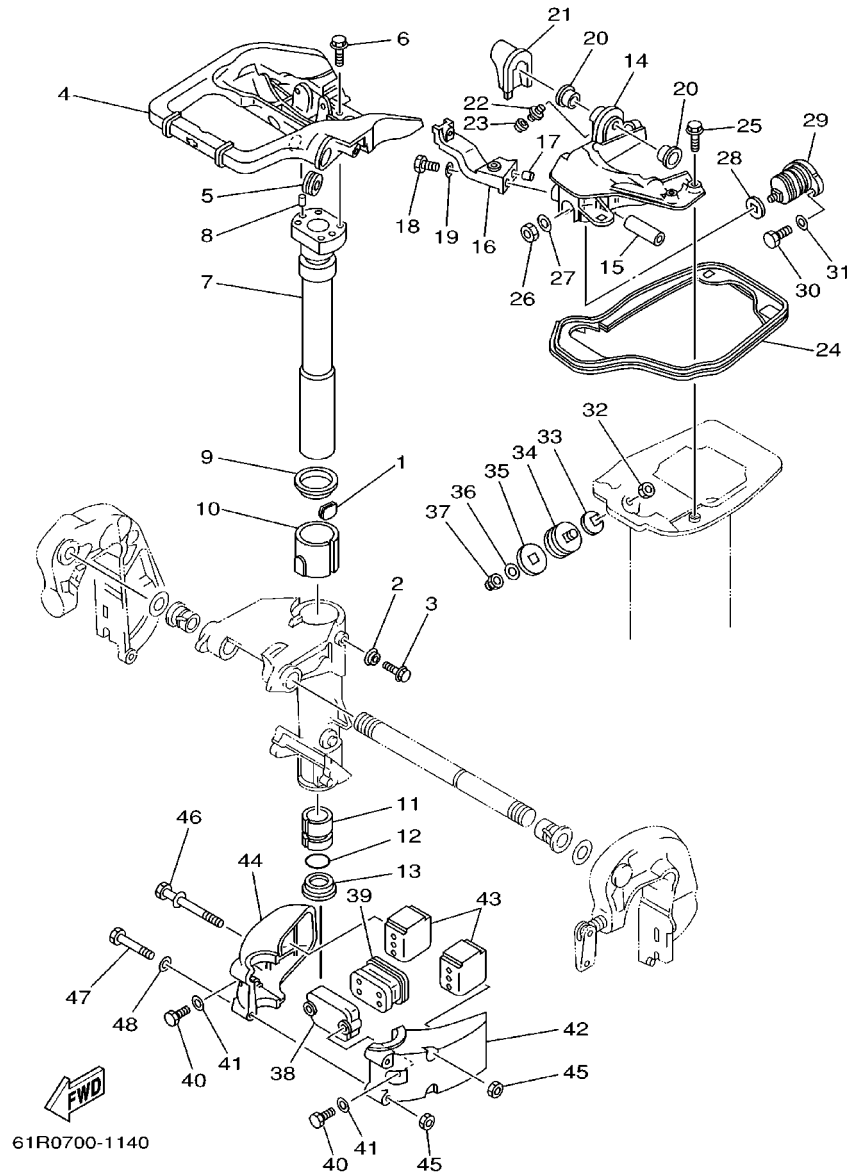
FIG. 17 BRACKET 2



61R0700-1140

REF. NO.	PART NO.	DESCRIPTION	25MH	30MH	30W	REMARKS
1	648-42528-00	PLATE, FRICTION	1	1	1	
2	689-43373-01	SEAL, DAMPER	1	1	1	
3	90105-06M18	BOLT, WASHER BASED	1	1	1	
4	689-42511-02-4D	BRACKET, STEERING	1	1	1	
5	90480-29045	GROMMET	1	1		
6	90105-06M07	BOLT, WASHER BASED	4	4	4	
7	689-42521-00-94	SHAFT, STEERING PIVOT	1	1	1	
8	93608-12063	PIN, DOWEL	2	2	2	
9	90209-47016	WASHER	1	1	1	
10	90386-47M22	BUSH	1	1	1	
11	90386-38090	BUSH	1	1	1	
12	93210-37160	O-RING	1	1	1	
13	90386-38022	BUSH	1	1	1	
14	648-44518-01-94	BRACKET COMP.	1	1	1	
15	90387-10M39	COLLAR	1	1	1	
16	648-44519-00-94	BRACKET	1	1	1	
17	93606-12019	PIN, DOWEL	1	1	1	
18	97095-06018	BOLT	1	1	1	
19	92995-06600	WASHER	1	1	1	
20	90381-12M01	BUSH, SOLID	2	2	2	
21	689-42718-00	RUBBER, SEAL 3	1	1	1	
22	93700-06M03	NIPPLE, GREASE	1	1	1	
23	663-45119-00	CAP, GREASE NIPPLE	1	1	1	AP
24	689-42716-00	RUBBER, SEAL 1	1	1	1	
25	90105-06M08	BOLT, WASHER BASED	4	4	4	
26	90170-10M42	NUT	1	1	1	
27	92990-10200	WASHER, PLAIN	1	1	1	

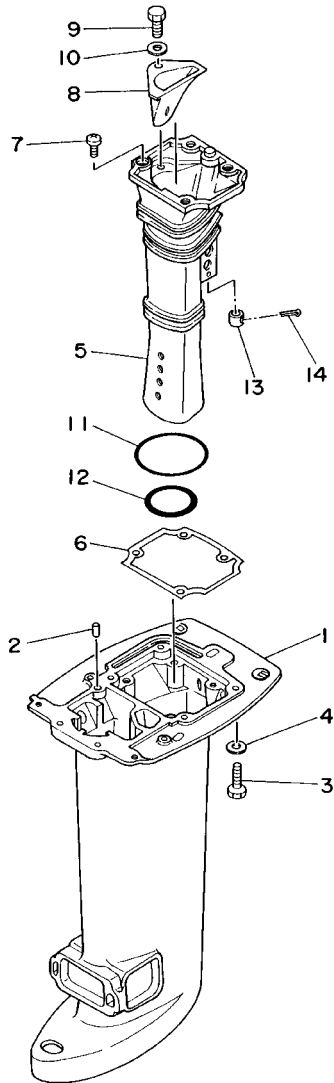
FIG. 17 BRACKET 2



61R0700-1140

REF. NO.	PART NO.	DESCRIPTION	25MH	30MH	30W	REMARKS
28	648-44591-A0	GASKET	1	1	1	
29	689-44516-00	MOUNT DAMPER, UPPER FRONT	1	1	1	
30	97095-06020	BOLT	2	2	2	
31	92995-06600	WASHER	2	2	2	
32	90170-10M42	NUT	2	2	2	
33	648-44591-A0	GASKET	2	2	2	
34	664-44514-00-94	MOUNT DAMPER, UPPER SIDE	2	2	2	
35	664-44591-A0	GASKET	2	2	2	
36	92990-10200	WASHER, PLAIN	2	2	2	
37	90176-10M01	NUT, CROWN	2	2	2	
38	689-44553-00-94	COVER, LOWER MOUNT	1	1	1	
39	689-44557-00	MOUNT DAMPER, LOWER FRONT	1	1	1	
40	97075-08025	BOLT	2	2	2	
41	92995-08600	WASHER	2	2	2	
42	689-44551-01-4D	HOUSING, LOWER MOUNT RUBBER	1	1	1	
43	689-44555-00	MOUNT DAMPER, LOWER SIDE	2	2	2	
44	689-44552-01-4D	HOUSING, LOWER MOUNT RUBBER	1	1	1	
45	95380-08600	NUT	4	4	4	
46	90119-08M03	BOLT, WITH WASHER	2	2	2	
47	97095-08065	BOLT	2	2	2	
48	92995-08600	WASHER	2	2	2	

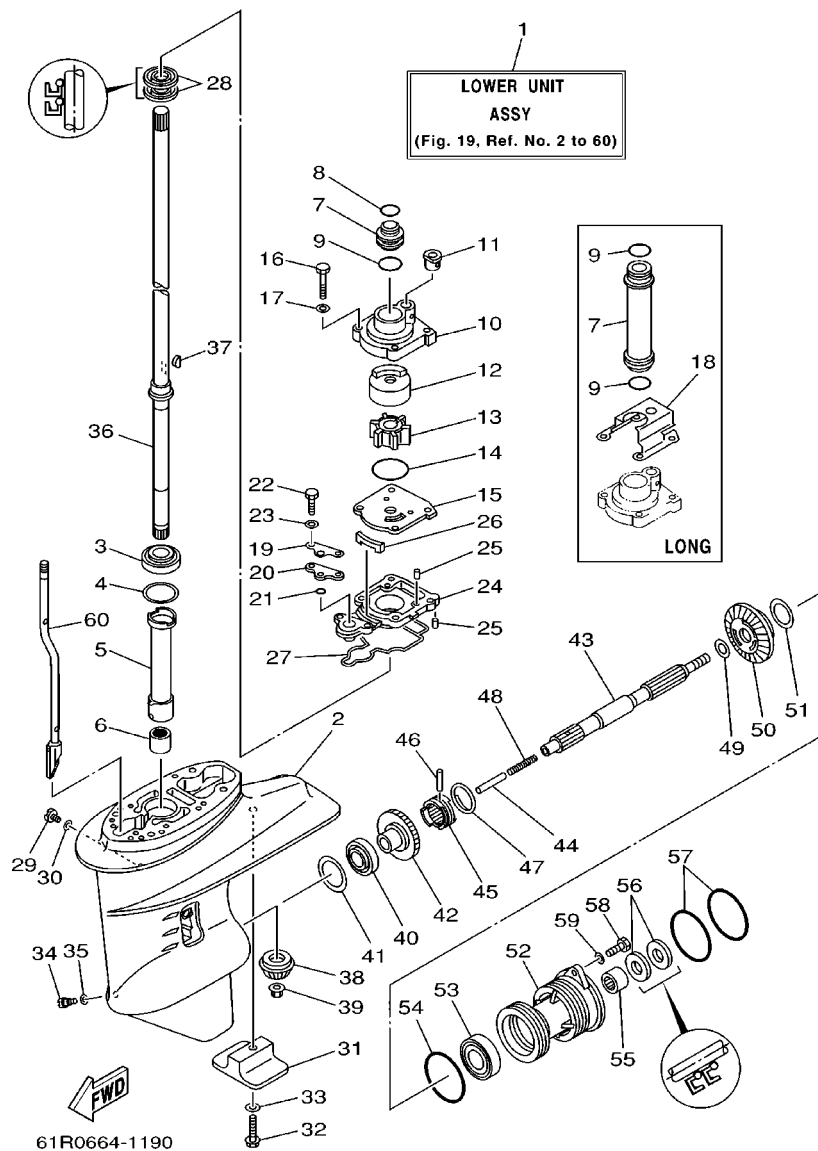
FIG. 18 UPPER CASING



REF. NO.	PART NO.	DESCRIPTION	25MH	30MH	30W		REMARKS
1	689-45111-04-4D	CASING, UPPER	1	1			S
	689-45111-13-4D	CASING, UPPER	1	1	1		L
2	93606-12019	PIN, DOWEL	2	2	2		
3	97075-08030	BOLT	6	6	6		
4	92995-08600	WASHER	6	6	6		
5	689-41131-00-5B	MANIFOLD, EXT. 1	1	1	1		
6	664-41134-A0	GASKET, EXHAUST MANIFOLD	1	1	1		
7	97880-06016	SCREW, PAN HEAD	4	4	4		
8	689-41137-00-94	GUIDE, EXHAUST	1	1	1		
9	97095-08020	BOLT	1	1	1		
10	92995-08600	WASHER	1	1	1		
11	689-41141-00	SEAL 1	1	1	1		
12	689-41142-00	SEAL	1	1	1		
13	6A8-41135-00	GASKET, EXHAUST MANIFOLD	1	1			S
	689-41135-00	GASKET, EXHAUST MANIFOLD	1	1	1		L
14	91490-30025	PIN, COTTER	1	1	1		

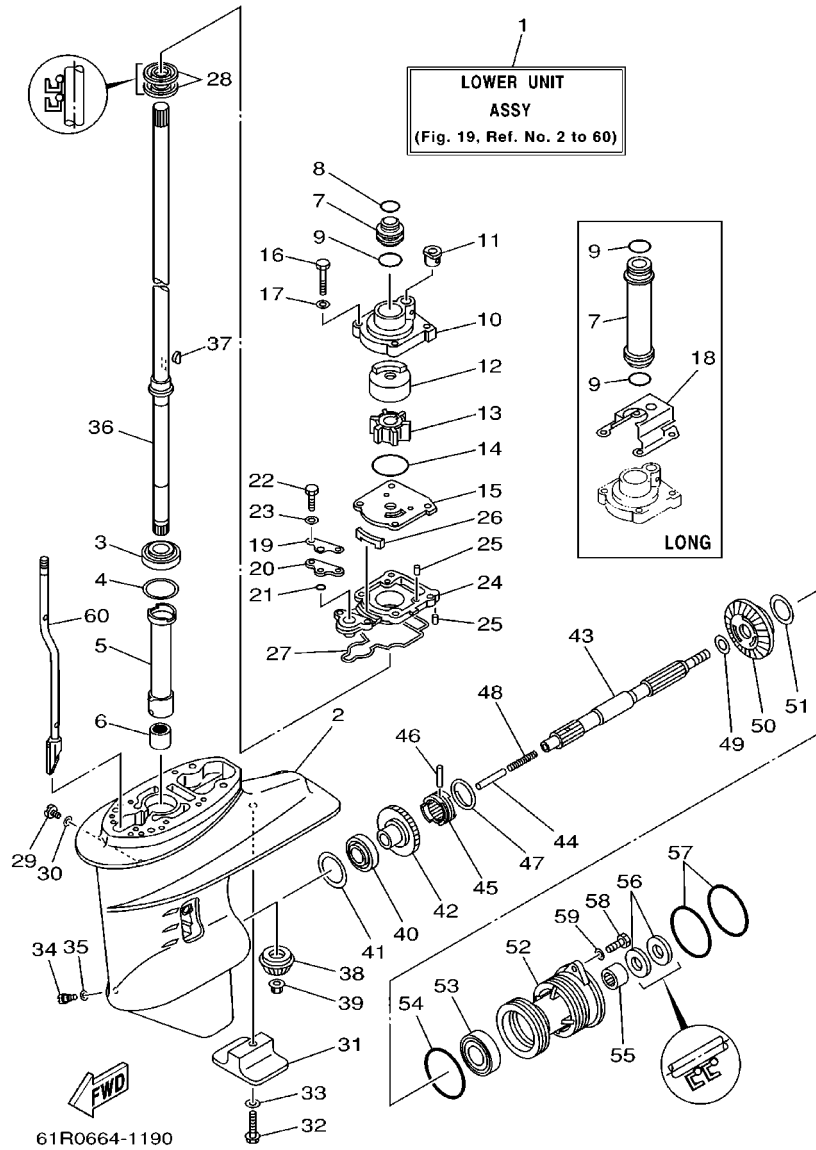
61R0700-4140

FIG. 19 LOWER CASING. DRIVE 1



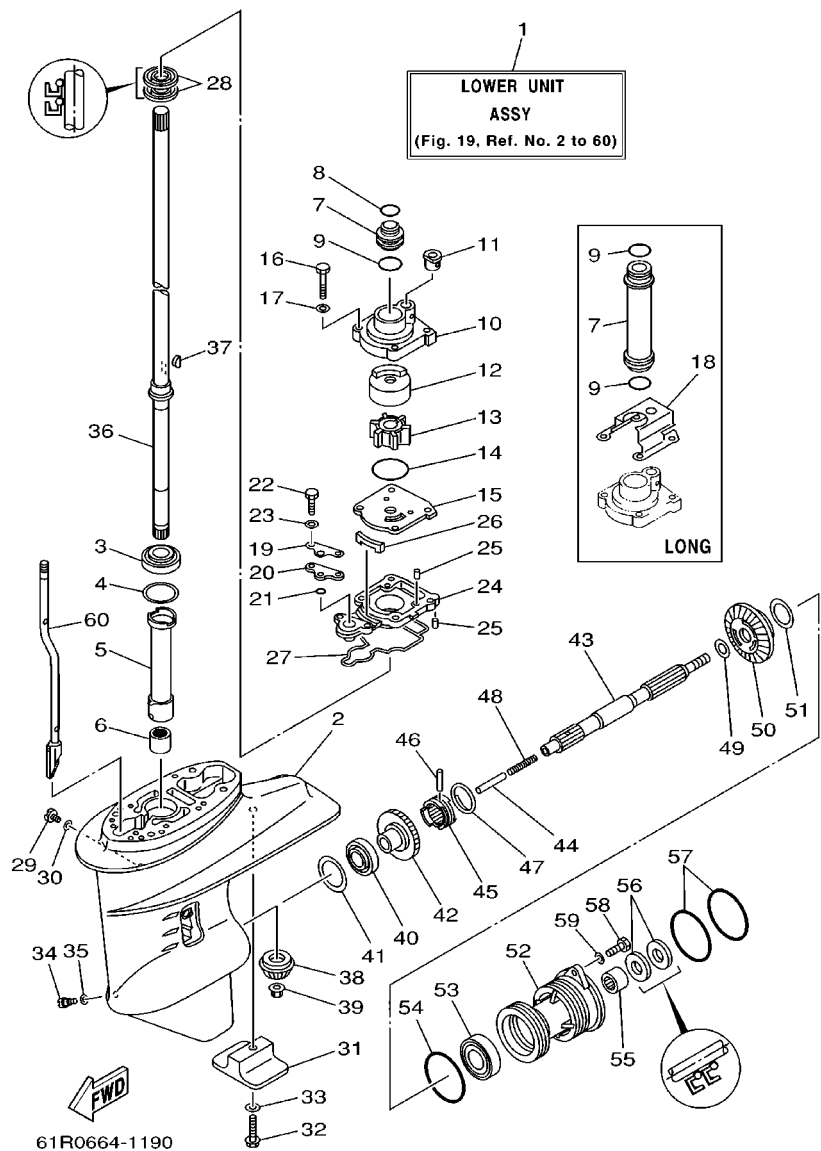
REF. NO.	PART NO.	DESCRIPTION	25MH	30MH	30W		REMARKS
1	61N-45300-00-4D	LOWER UNIT ASSY	1	1			S
	61N-45300-10-4D	LOWER UNIT ASSY	1	1	1		L
2	61N-45311-02-4D	CASING, LOWER	1	1	1		
3	93332-000W5	BEARING	1	1	1		
4	61N-45587-00-07	SHIM (T:0.7MM)	1	1	1		UR
	61N-45587-00-10	SHIM (T:1.0MM)	1	1	1		UR
	61N-45587-00-11	SHIM (T:1.1MM)	1	1	1		UR
	61N-45587-00-12	SHIM (T:1.2MM)	1	1	1		UR
	61N-45587-00-13	SHIM (T:1.3MM)	1	1	1		UR
	61N-45587-00-14	SHIM (T:1.4MM)	1	1	1		UR
	61N-45587-00-15	SHIM (T:1.5MM)	1	1	1		UR
	61N-45587-00-16	SHIM (T:1.6MM)	1	1	1		UR
5	61N-45536-00	SLEEVE, DRIVE SHAFT	1	1	1		
6	93315-220V7	BEARING	1	1	1		
7	61N-44362-00	TUBE, WATER	1	1			S
	61N-44362-10	TUBE, WATER	1	1	1		L
8	93210-22164	O-RING	1	1			S
9	93210-26130	O-RING	1	1			S
	93210-26130	O-RING	2	2	2		L
10	61N-44311-01	HOUSING, WATER PUMP	1	1	1		
11	6L2-44367-00	DAMPER, WATER SEAL	1	1	1		
12	61N-44322-01	INSERT, CARTRIDGE	1	1	1		
13	6H4-44352-02	IMPELLER	1	1	1		
14	93210-45161	O-RING	1	1	1		
15	61N-44323-00	OUTER PLATE, CARTRIDGE	1	1	1		
16	97095-06040	BOLT	4	4	4		
17	92995-06600	WASHER	4	4	4		

FIG. 19 LOWER CASING. DRIVE 1



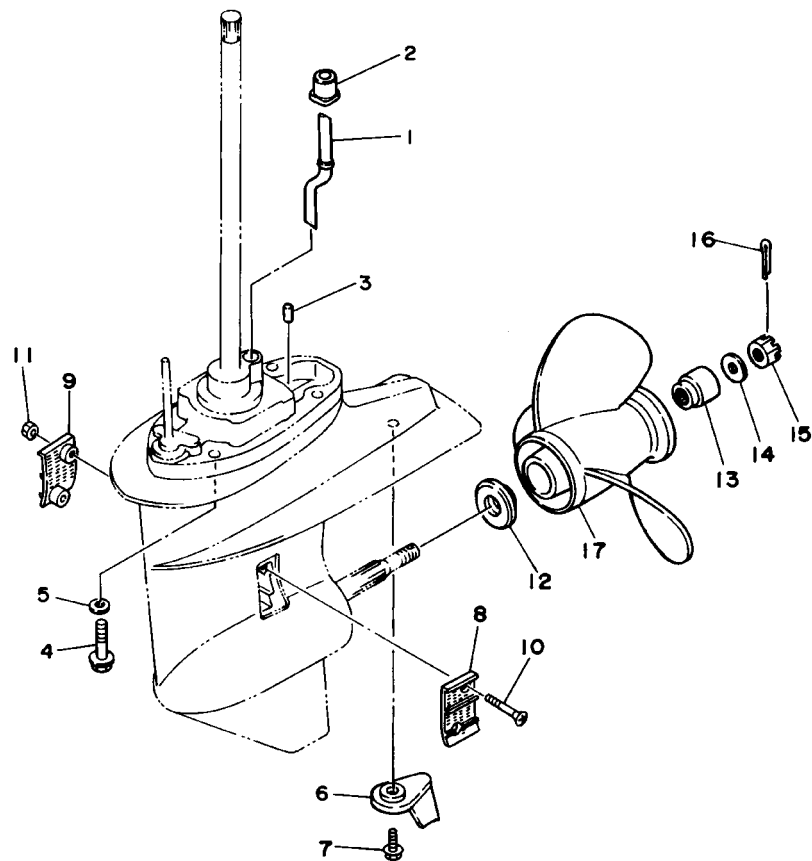
REF. NO.	PART NO.	DESCRIPTION	25MH	30MH	30W		REMARKS
18	65W-44328-00	PLATE	1	1	1		L
19	61N-44176-00	BRACKET	1	1	1		
20	61N-45321-00	PLATE	1	1	1		
21	93210-06ME6	O-RING	1	1	1		
22	97095-06025	BOLT	2	2	2		
23	92995-06600	WASHER	2	2	2		
24	61N-45331-00-5B	HOUSING, BEARING	1	1	1		
25	93604-10M03	PIN, DOWEL	3	3	3		
26	61N-45127-00	SEAL	1	1	1		
27	61N-45315-00	PACKING, LOWER CASING	1	1	1		
28	93101-22067	OIL SEAL	2	2	2		
29	90340-08M04	PLUG, STRAIGHT SCREW	1	1	1		
30	90430-08020	GASKET	1	1	1		
31	61N-45251-00	ANODE	1	1	1		
32	95895-06035	BOLT, FLANGE	1	1	1		
33	92990-06300	WASHER, INTERNAL TOOTH	1	1	1		
34	688-45341-00	PLUG, DRAIN	1	1	1		
35	90430-08020	GASKET	1	1	1		
36	61N-45510-00	DRIVE SHAFT ASSY	1	1			S
	61N-45510-10	DRIVE SHAFT ASSY	1	1	1		L
37	90280-03024	KEY, WOODRUFF	1	1	1		
38	61N-45551-00	PINION	1	1	1		
39	90179-10M14	NUT	1	1	1		
40	93332-00005	BEARING	1	1	1		
41	6L2-45567-00-10	SHIM (T:1.0MM)	1	1	1		UR
	6L2-45567-00-11	SHIM (T:1.1MM)	1	1	1		UR
	6L2-45567-00-12	SHIM (T:1.2MM)	1	1	1		UR

FIG. 19 LOWER CASING. DRIVE 1



REF. NO.	PART NO.	DESCRIPTION	25MH	30MH	30W			REMARKS
41	6L2-45567-00-13	SHIM (T:1.3MM)	1	1	1			UR
	6L2-45567-00-14	SHIM (T:1.4MM)	1	1	1			UR
42	61N-45560-00	GEAR	1	1	1			
43	6L2-45611-00	SHAFT, PROPELLER	1	1	1			
44	648-45635-00	PLUNGER, SHIFT	1	1	1			
45	664-45631-02	CLUTCH, DOG	1	1	1			
46	90250-05010	PIN, STRAIGHT	1	1	1			
47	648-45633-00	RING, CROSS PIN	1	1	1			
48	90501-10065	SPRING, COMPRESSION	1	1	1			
49	90201-20417	WASHER, PLATE	1	1	1			
50	61N-45571-00	GEAR	1	1	1			
51	6L2-45577-00-10	SHIM (T:1.0MM)	1	1	1			UR
	6L2-45577-00-11	SHIM (T:1.1MM)	1	1	1			UR
	6L2-45577-00-12	SHIM (T:1.2MM)	1	1	1			UR
	6L2-45577-00-13	SHIM (T:1.3MM)	1	1	1			UR
52	61N-45361-01-4D	CAP, LOWER CASING	1	1	1			
53	93306-00612	BEARING	1	1	1			
54	93210-64ME7	O-RING	1	1	1			
55	93315-22004	BEARING	1	1	1			
56	93101-20M07	OIL SEAL	2	2	2			
57	93210-65M50	O-RING	2	2	2			
58	97075-06020	BOLT	2	2	2			
59	92995-06600	WASHER	2	2	2			
60	61N-44150-00	SHIFT CAM ASSY	1	1				S
	61N-44150-10	SHIFT CAM ASSY	1	1	1			L

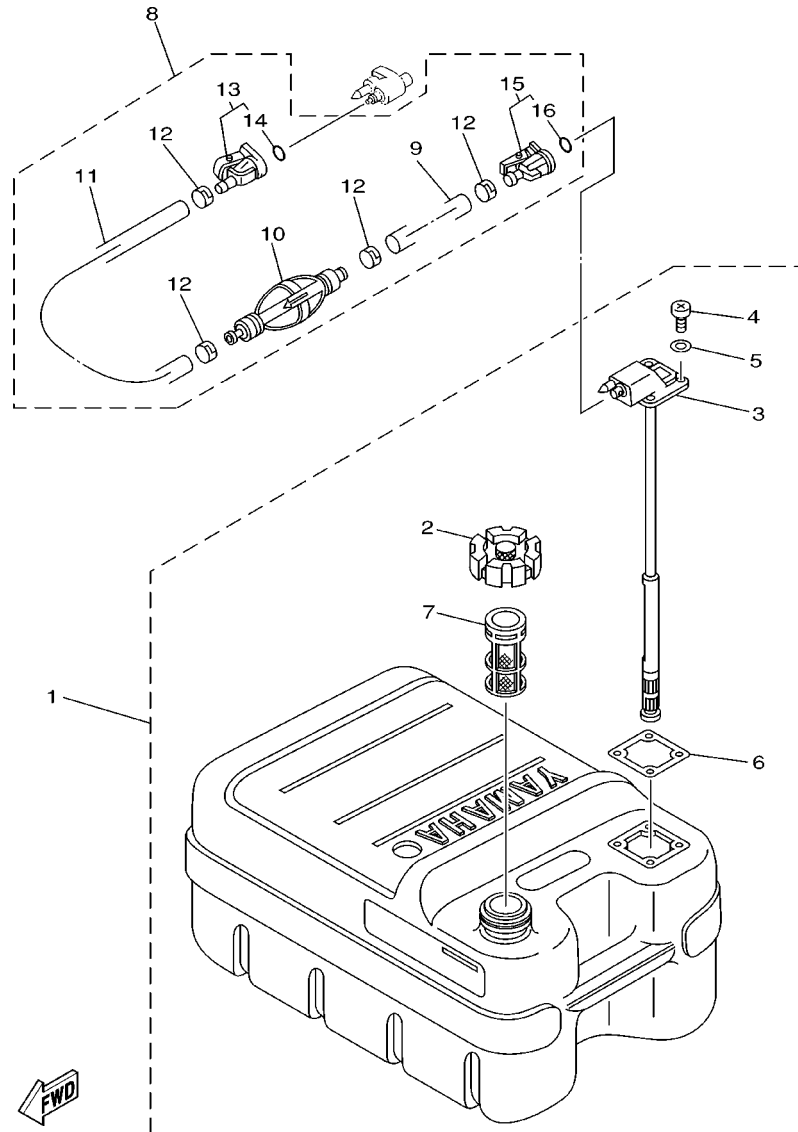
FIG. 20 LOWER CASING. DRIVE 2




61R0010-4180

REF. NO.	PART NO.	DESCRIPTION	25MH	30MH	30W			REMARKS
1	61N-44361-00	TUBE, WATER	1	1				S
	61N-44361-10	TUBE, WATER	1	1	1			L
2	689-44366-00	DAMPER, WATER SEAL	1	1	1			
3	93606-11M24	PIN, DOWEL	2	2	2			
4	90105-10M12	BOLT, WASHER BASED	4	4	4			
5	92995-10600	WASHER	4	4	4			
6	61N-45371-00	TAB-TRIM	1	1	1			
7	90119-06M48	BOLT, WITH WASHER	1	1	1			
8	6L2-45214-00	COVER, WATER INLET	1	1	1			
9	6L2-45215-00	COVER, WATER INLET	1	1	1			
10	90151-05M05	SCREW, COUNTERSUNK	2	2	2			
11	90185-05002	NUT, SELF-LOCKING	2	2	2			
12	6L2-45987-01	SPACER	1	1	1			
13	689-45997-00	SPACER	1	1	1			
14	92990-14200	WASHER, PLAIN	1	1	1			
15	90171-14013	NUT, CASTLE	1	1	1			
16	91490-30022	PIN, COTTER	1	1	1			
17	664-45941-01-EL	PROPELLER (3X9-7/8"X9"-F)	1	1	1			UR
	664-45943-01-EL	PROPELLER (3X9-7/8"X8"-F)	1	1	1			UR
	664-45945-00-EL	PROPELLER (3X9-7/8"X10-1/2"-F)	1	1	1			UR
	664-45947-01-EL	PROPELLER (3X9-7/8"X11-1/4"-F)	1	1	1			UR
	664-45949-02-EL	PROPELLER (3X9-7/8"X13"-F)	1	1	1			UR
	664-45952-00-EL	PROPELLER (3X9-7/8"X14"-F)	1	1	1			UR
	664-45954-01-EL	PROPELLER (3X9-7/8"X12"-F)	1	1	1			UR
	62C-45941-00-EL	PROPELLER (3X9-7/8"X10"-F)	1	1	1			UR

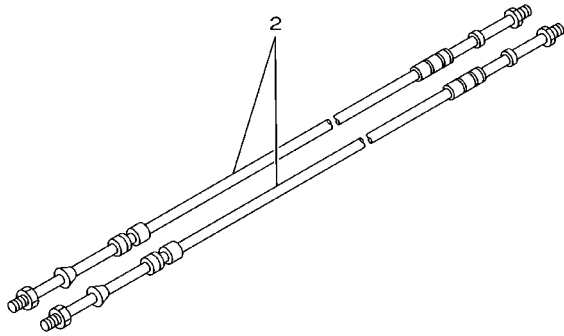
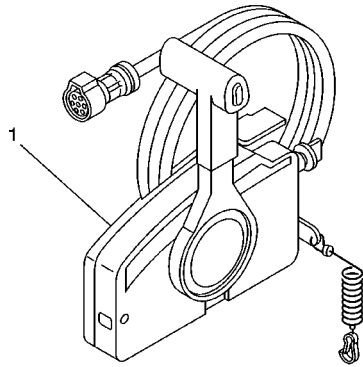
FIG. 21 FUEL TANK



66T0100-9240

REF. NO.	PART NO.	DESCRIPTION	25MH	30MH	30W	REMARKS
1	6YJ-24201-10	FUEL TANK ASSY (24L)	1	1	1	AP WITH INDICATOR
2	6YJ-24610-01	.CAP ASSY	1	1	1	
3	6Y1-24260-12	.FUEL METER ASSY	1	1	1	WITH INDICATOR
4	98586-05016	.SCREW, PAN HEAD	4	4	4	
5	6Y1-24329-00	.SEAL	4	4	4	
6	6Y1-24268-00	.GASKET, FUEL METER	1	1	1	
7	6YJ-24167-00	.STRAINER	1	1	1	
8	61J-24306-02	FUEL PIPE COMP. 1	1	1	1	AP
9	90445-11M06	.HOSE (L2050)	1	1	1	
10	61J-24360-00	.PRIMER PUMP ASSY	1	1	1	
11	90445-11M05	.HOSE (L:850MM)	1	1	1	
12	650-24351-51	.BAND 1	4	4	4	
13	6G1-24305-03	.FUEL PIPE JOINT COMP. 2	1	1	1	
14	93210-08287	..O-RING	1	1	1	
15	6Y1-24305-04	.FUEL PIPE JOINT COMP. 2	1	1	1	
16	93210-08287	..O-RING	1	1	1	

FIG. 22 REMOTE CONTROL BOX



67M0100-8280

REF. NO.	PART NO.	DESCRIPTION	25MH	30MH	30W		REMARKS
1	703-48230-14	REMOTE CONTROL ASSY (7P)			1		AP
2	701-48320-20	CABLE, REMOTE CONTROL L=13F			2		UR
	701-48320-50	CABLE, REMOTE CONTROL L=15F			2		UR

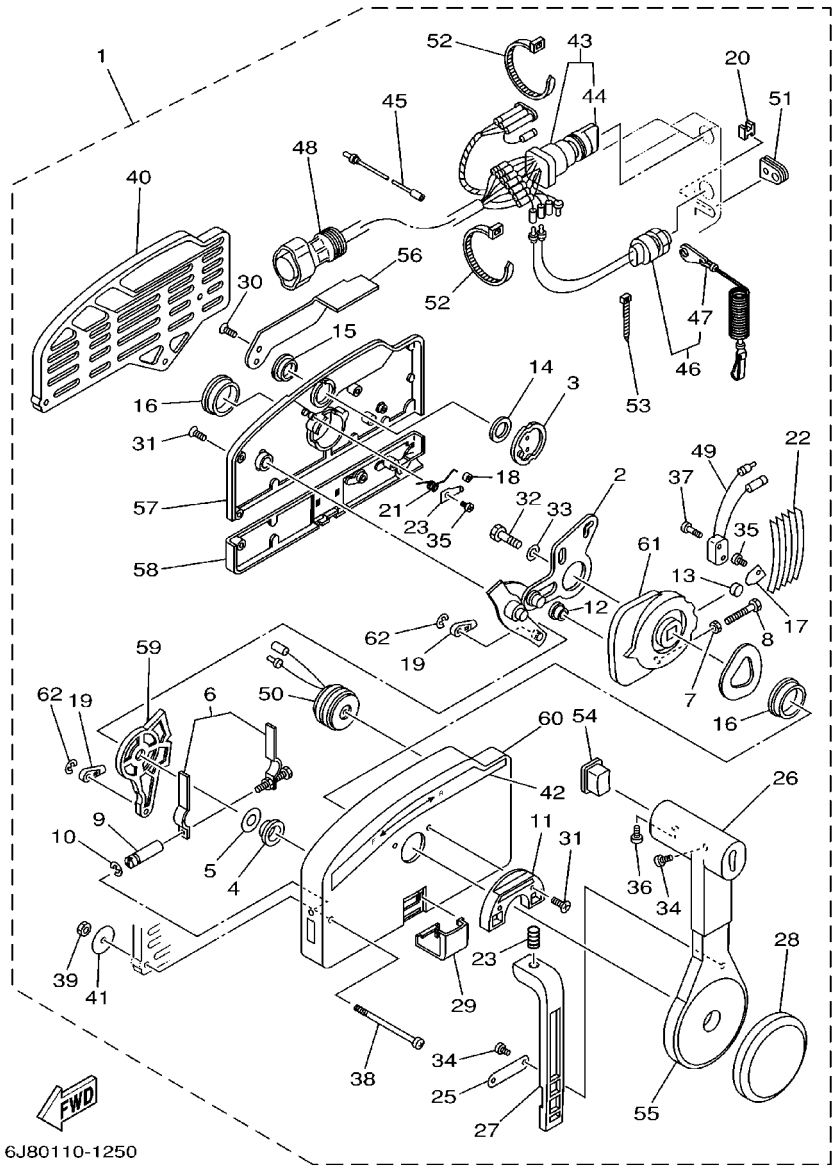
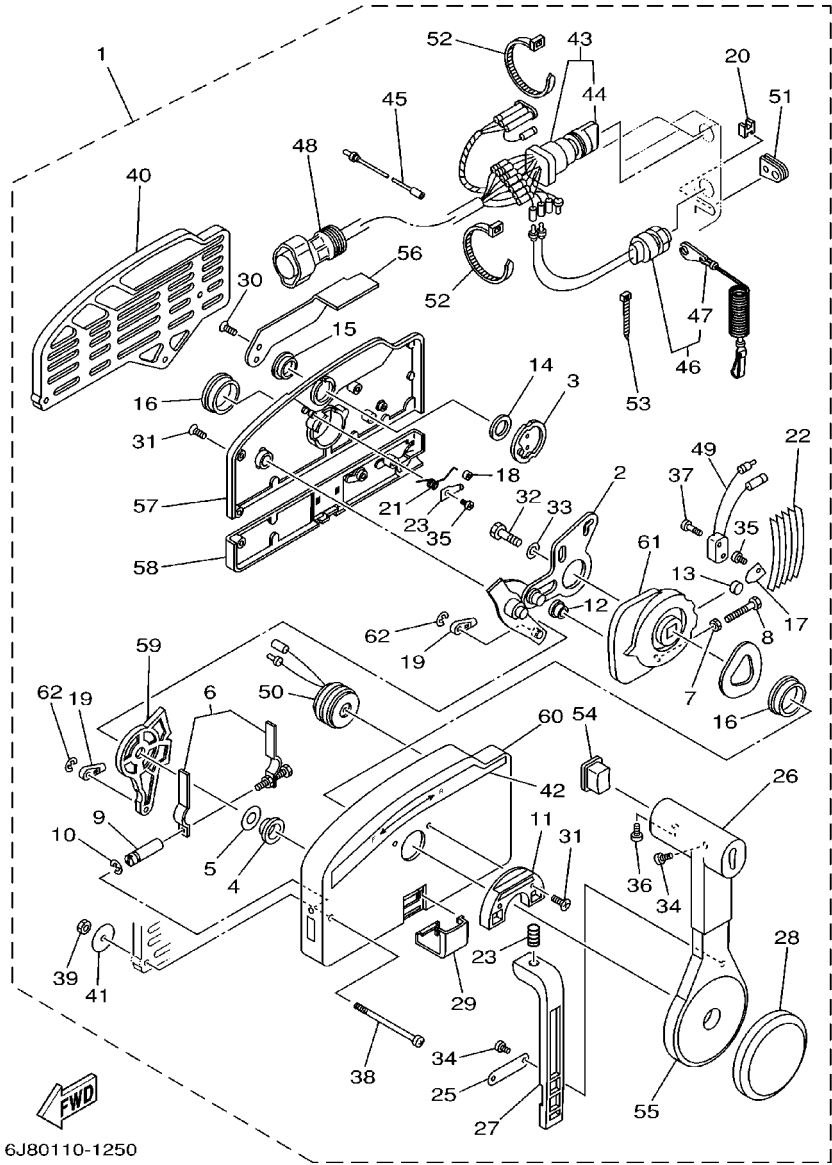


FIG. 23 REMOTE CONTROL ASSY

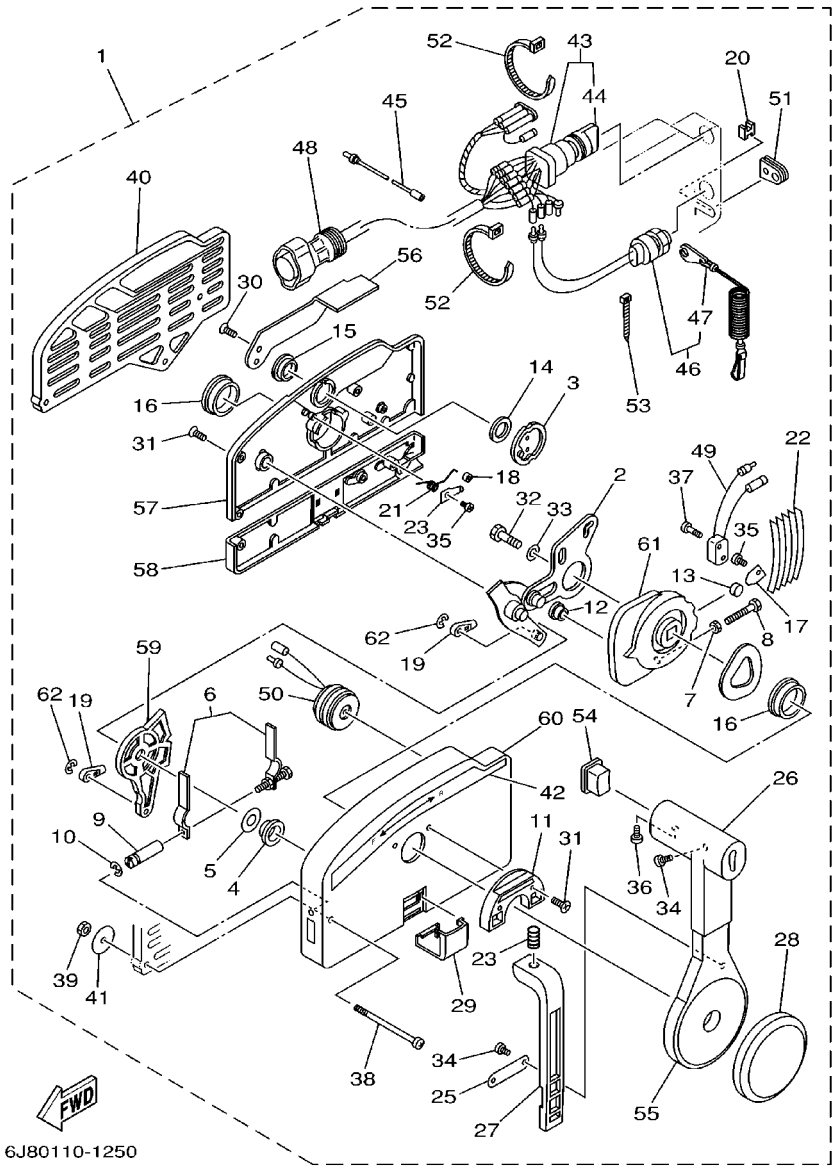
REF. NO.	PART NO.	DESCRIPTION	25MH	30MH	30W	REMARKS
1	703-48230-14	REMOTE CONTROL ASSY (7P)			1	AP
2	703-48261-11	.ARM, THROTTLE			1	
3	703-48153-00	.SHAFT, FREE ACCEL.			1	
4	703-48235-00	.BUSHING			1	
5	703-48268-00	.SPACER			1	
6	703-48264-00	.THROTTLE, FRICTION			1	
7	95380-05600	.NUT			1	
8	97380-05025	.BOLT			1	
9	703-48265-00	.SHAFT, FRICTION			1	
10	93430-06024	.CIRCLIP			3	
11	703-48245-00	.PLATE, LOCK			1	
12	703-48252-00	.ROLLER, CAM			1	
13	701-48248-00	.ROLLER, FREE ACCEL.			1	
14	703-48198-00	.WASHER, WAVE			1	
15	703-48243-00	.BUSHING			1	
16	703-48236-00	.BUSHING 1			2	
17	703-48189-00	.RETAINER			1	
18	703-48234-00	.ROLLER, DETENT			1	
19	703-48345-01	.CABLE END,REMOTE CONTROL 2			2	
20	703-48358-00	.ANCHOR, CABLE			1	
21	703-48244-00	.SPRING, FREE ACCEL.			1	
22	703-48238-00	.SPRING, DETENT			5	
23	703-48246-00	.SPACER			1	
24	703-48227-00	.SPRING, NEUTRAL LOCK			1	
25	703-48226-00	.PLATE, STOPPER			1	
26	703-48222-00	.GRIP, CONTROL LEVER			1	SINGLE
27	703-48223-00	.LOCK, NEUTRAL			1	



6J80110-1250

FIG. 23 REMOTE CONTROL ASSY

REF. NO.	PART NO.	DESCRIPTION	25MH	30MH	30W	REMARKS
28	703-48225-00	.COVER			1	
29	703-48219-00	.COVER, LEAD			1	
30	703-48281-00	.SCREW			2	
31	703-48282-00	.SCREW			7	
32	97095-08030	.BOLT			1	
33	92990-08600	.WASHER, PLATE			1	
34	98580-04010	.SCREW, PAN HEAD			3	
35	98580-04006	.SCREW, PAN HEAD			2	
36	98580-05010	.SCREW, PAN HEAD			1	
37	98580-03015	.SCREW, PAN HEAD			2	
38	703-48291-10	.SCREW (M6)			3	
39	95380-06600	.NUT, HEXAGON			3	
40	703-48293-10	.SPACER, REMOTE CONTROL			1	SINGLE
41	701-48287-00	.WASHER			3	
42	703-48215-00	.GRAPHIC			1	
43	703-82510-31	.MAIN SWITCH ASSY (7P)			1	
44	676-82577-00	..CAP, KEY			1	
45	703-82531-00	.WIRE, LEAD			1	
46	688-82575-01	.ENGINE STOP SWITCH ASSY			1	
47	682-82556-00	..STOPPER			1	
48	688-82586-21	.EXTENSION, WIRE HARNESS			1	L:5M (7P)
49	703-82540-00	.NEUTRAL SWITCH ASSY			1	
50	703-83383-02	.BUZZER			1	
51	703-48284-00	.GROMMET			1	
52	703-82591-00	.BAND			2	
53	703-82592-00	.BAND			1	
54	703-48224-00	.COVER, CONTROL LEVER			1	WITHOUT PT/T SW.

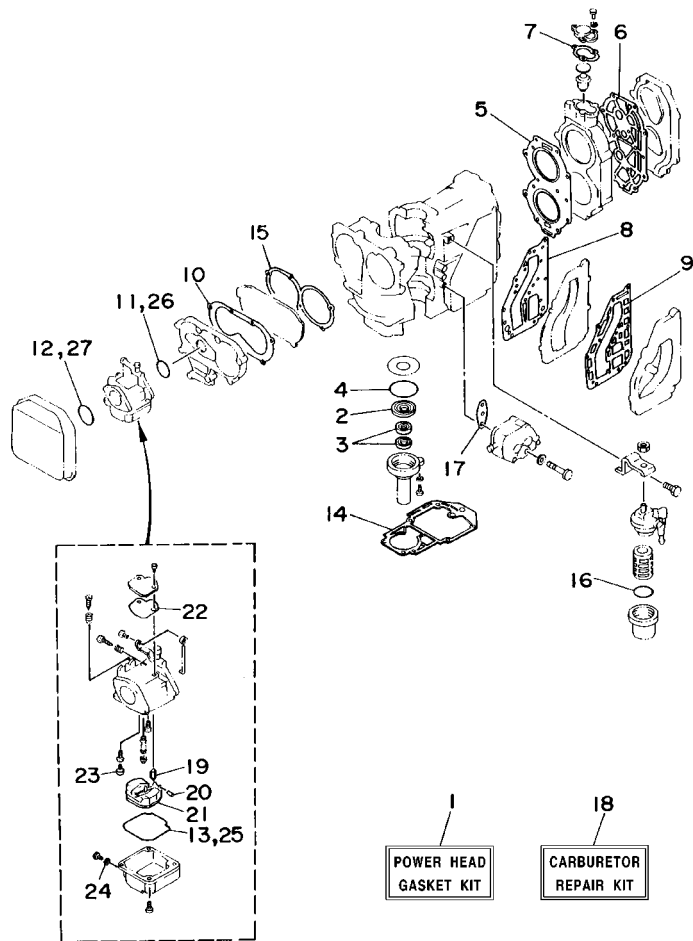


6J80110-1250

FIG. 23 REMOTE CONTROL ASSY

REF. NO.	PART NO.	DESCRIPTION	25MH	30MH	30W	REMARKS
55	703-48221-00	.LEVER, CONTROL			1	
56	703-48152-00	.KNOB, FREE ACCEL.			1	
57	703-48212-00	.BACK PLATE 1			1	
58	703-48213-00	.BACK PLATE 2			1	
59	703-48271-00	.ARM, SHIFT			1	
60	703-48211-01	.HOUSING,1			1	
61	703-48232-00	.GEAR			1	
62	93430-06024	.CIRCLIP			2	

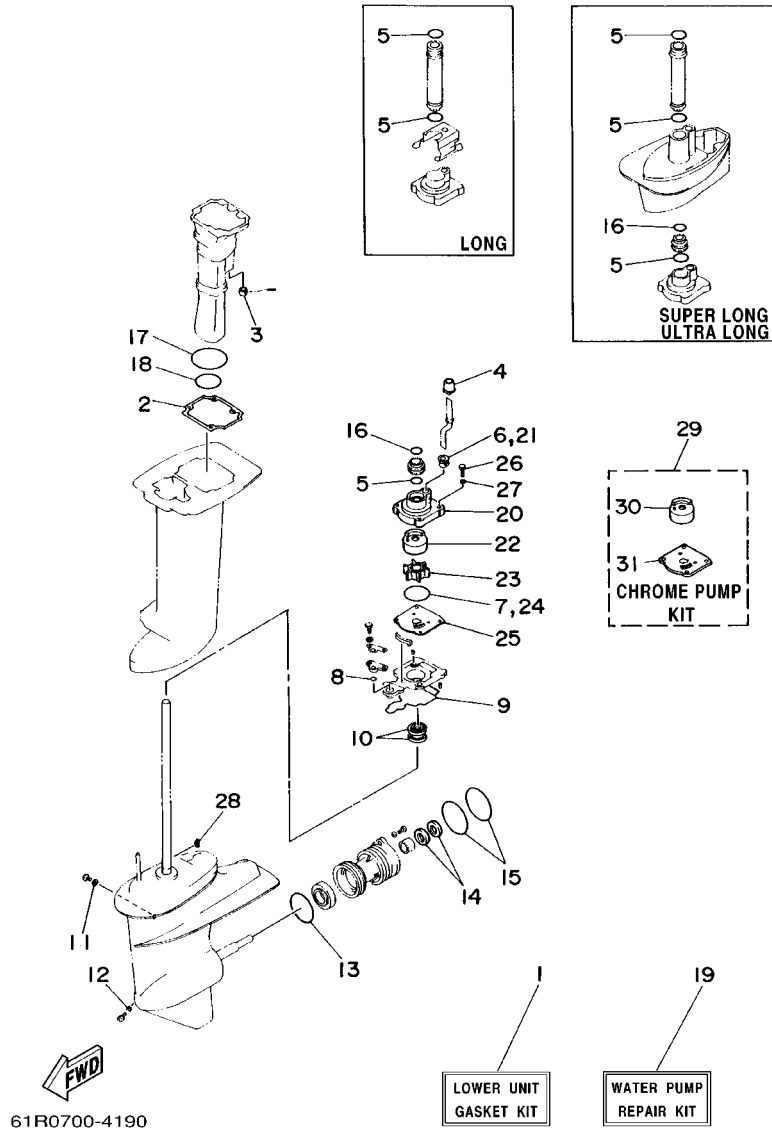
FIG. 24 REPAIR KIT 1



61R0700-4180

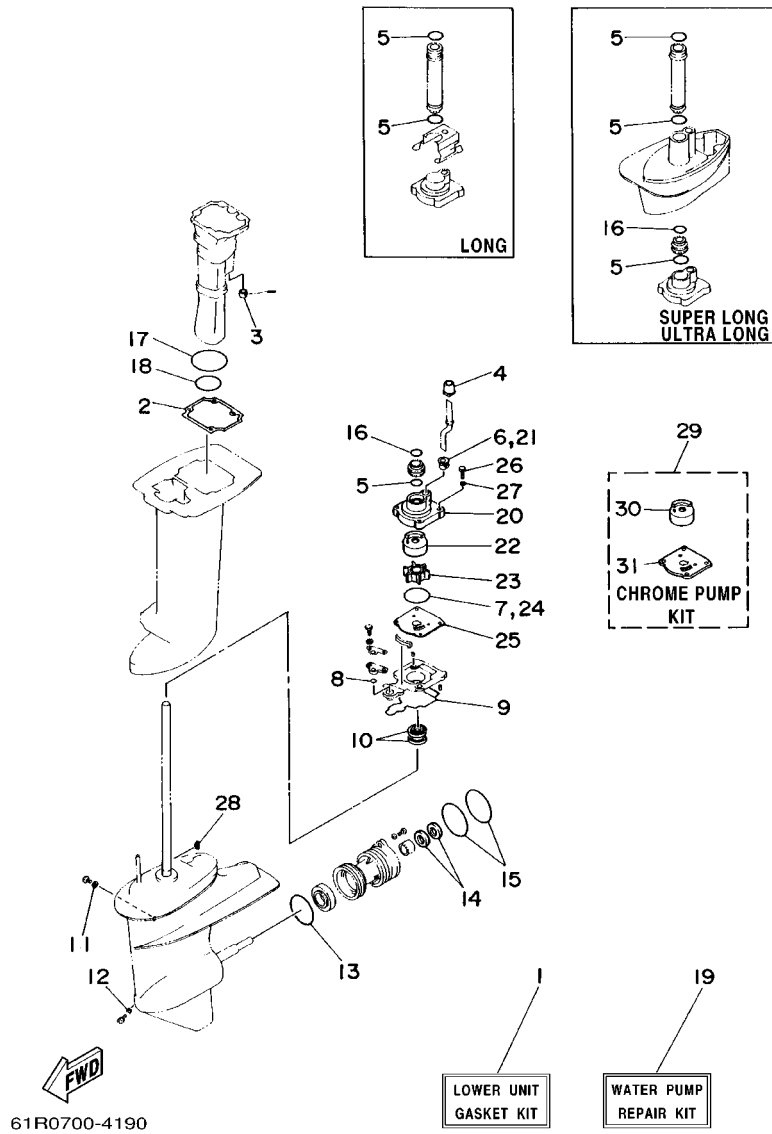
REF. NO.	PART NO.	DESCRIPTION	25MH	30MH	30W	REMARKS
1	61T-W0001-02	POWER HEAD GASKET KIT	1	1	1	
2	93102-25M04	.OIL SEAL	1	1	1	
3	93101-16M36	.OIL SEAL	2	2	2	
4	93210-58M21	.O-RING	1	1	1	
5	61N-11181-A1	.GASKET, CYLINDER HEAD 1	1	1	1	
6	61T-11193-A0	.GASKET, HEAD COVER 1	1	1	1	
7	655-12414-A1	.GASKET, COVER	1	1	1	
8	6K8-41122-A1	.GASKET, EXHAUST INNER COVER	1	1	1	
9	6K8-41124-A1	.GASKET, EXHAUST OUTER COVER	1	1	1	
10	648-13645-A0	.GASKET, MANIFOLD 1	1	1	1	
11	61N-14198-00	.GASKET	1	1	1	
12	93210-40659	.O-RING	1	1	1	
13	6L2-14384-00	.GASKET, FLOAT CHAMBER	1	1	1	
14	689-45113-A1	.GASKET, UPPER CASING	1	1	1	
15	648-13621-A1	.GASKET, VALVE SEAT	1	1	1	
16	93210-32738	.O-RING	1	1	1	
17	650-24431-A0	.GASKET, FUEL PUMP 1	1	1	1	
18	61N-W0093-00	CARBURETOR REPAIR KIT	1	1	1	
19	61N-14392-00	.VALVE, NEEDLE	1	1	1	
20	6E5-14386-01	.PIN, FLOAT	1	1	1	
21	6L2-14385-00	.FLOAT	1	1	1	
22	6L2-14399-00	.GASKET	1	1	1	
23	50M-14355-00	.PLUG	1	1	1	
24	6L2-14398-00	.GASKET	1	1	1	
25	6L2-14384-00	.GASKET, FLOAT CHAMBER	1	1	1	
26	61N-14198-00	.GASKET	1	1	1	
27	93210-40659	.O-RING	1	1	1	

FIG. 25 REPAIR KIT 2



REF. NO.	PART NO.	DESCRIPTION	25MH	30MH	30W	REMARKS
1	61N-W0001-E1	LOWER UNIT GASKET KIT	1	1	1	
2	664-41134-A0	.GASKET, EXHAUST MANIFOLD	1	1	1	
3	6A8-41135-00	.GASKET, EXHAUST MANIFOLD	1	1	1	S
	689-41135-00	.GASKET, EXHAUST MANIFOLD	1	1	1	L/U/X
4	689-44366-00	.DAMPER, WATER SEAL	1	1	1	
5	93210-26130	.O-RING	3	3	3	UN
6	6L2-44367-00	.DAMPER, WATER SEAL	1	1	1	
7	93210-45161	.O-RING	1	1	1	
8	93210-06ME6	.O-RING	1	1	1	
9	61N-45315-00	.PACKING, LOWER CASING	1	1	1	
10	93101-22067	.OIL SEAL	2	2	2	
11	90430-08020	.GASKET	1	1	1	
12	90430-08020	.GASKET	1	1	1	
13	93210-64ME7	.O-RING	1	1	1	
14	93101-20M07	.OIL SEAL	2	2	2	
15	93210-65M50	.O-RING	2	2	2	
16	93210-22164	.O-RING	1	1	1	S/U/X
17	689-41141-00	.SEAL 1	1	1	1	
18	689-41142-00	.SEAL	1	1	1	
19	61N-W0078-01	WATER PUMP REPAIR KIT	1	1	1	
20	61N-44311-01	.HOUSING, WATER PUMP	1	1	1	
21	6L2-44367-00	.DAMPER, WATER SEAL	1	1	1	
22	61N-44322-01	.INSERT, CARTRIDGE	1	1	1	
23	6H4-44352-02	.IMPELLER	1	1	1	
24	93210-45161	.O-RING	1	1	1	
25	61N-44323-00	.OUTER PLATE, CARTRIDGE	1	1	1	
26	97095-06040	.BOLT	4	4	4	

FIG. 25 REPAIR KIT 2



REF. NO.	PART NO.	DESCRIPTION	25MH	30MH	30W	REMARKS
27	92995-06600	.WASHER	4	4	4	
28	90280-03024	.KEY, WOODRUFF	1	1	1	
29	61N-W0078-0A	CHROME PUMP KIT	1	1	1	
30	61N-44322-41	.INSERT, CARTRIDGE	1	1	1	
31	61N-44323-40	.OUTER PLATE, CARTRIDGE	1	1	1	
<hr style="border-top: 1px dashed black;"/>						
<hr style="border-top: 1px dashed black;"/>						
<hr style="border-top: 1px dashed black;"/>						
<hr style="border-top: 1px dashed black;"/>						
<hr style="border-top: 1px dashed black;"/>						
<hr style="border-top: 1px dashed black;"/>						
<hr style="border-top: 1px dashed black;"/>						
<hr style="border-top: 1px dashed black;"/>						
<hr style="border-top: 1px dashed black;"/>						
<hr style="border-top: 1px dashed black;"/>						

NUMERICAL INDEX

PARTNO.	REF. NO.	PARTNO.	REF. NO.	PARTNO.	REF. NO.	PARTNO.	REF. NO.	PARTNO.	REF. NO.	PARTNO.	REF. NO.
61N-W0001-E1	25 - 1	648-13621-A1	24 - 15	6F5-15726-01	7 - 11	61N-26326-00	12 - 16	647-42523-00	12 - 15	664-44113-01	14 - 22
61T-W0001-02	24 - 1	61N-13641-01-94	4 - 4	61N-15734-00	7 - 7	6K8-41121-00-9M	2 - 33	682-42525-00	10 - 19	689-44121-01	14 - 29
689-W0004-00	4 - 2	648-13645-A0	4 - 5	6F5-15739-00	7 - 16	6K8-41122-A1	2 - 34	648-42528-00	17 - 1	689-44125-00	14 - 30
61R-W0070-10	1 - 11		24 - 10	6F5-15741-01	7 - 4		24 - 8	624-42542-00	9 - 7	664-44142-00	14 - 24
61N-W0078-0A	25 - 29	6L2-14157-00	5 - 7	656-15748-00	7 - 38	61N-41123-00-9M	2 - 35	61R-42610-11-4D	1 - 1	61N-44143-00	14 - 34
61N-W0078-01	25 - 19	61N-14198-00	4 - 12	656-15749-00	7 - 42	6K8-41124-A1	2 - 38	61T-42610-11-4D	1 - 1	61N-44146-00	14 - 38
61N-W0084-01-4D	13 - 1		24 - 11	6G0-15754-00	7 - 9		24 - 9	61N-42613-00-4D	1 - 7	61N-44150-00	19 - 60
61N-W0090-00-4D	2 - 1		24 - 26	689-15755-01	7 - 14	689-41131-00-5B	18 - 5	6G0-42615-00	1 - 2	61N-44150-10	19 - 60
61T-W0090-01-4D	2 - 1	61N-14212-00	5 - 26	61N-15758-01-4D	7 - 18	664-41134-A0	18 - 6	61N-42628-00	1 - 10	664-44167-00	14 - 18
61N-W0093-00	24 - 18	646-14212-01	5 - 23	61N-15762-00	7 - 19		25 - 2	689-42647-00	1 - 3	61N-44176-00	19 - 19
61N-W1571-11	7 - 1	61N-14301-04	5 - 1	6F5-15764-00	7 - 15	6A8-41135-00	18 - 13	6G0-42651-02	1 - 5	6E0-44191-11	1 - 14
656-W2810-02	6 - 33	61T-14301-02	5 - 1	61T-15770-00	7 - 37		25 - 3	626-42658-00	5 - 14	61N-44194-01	9 - 2
61N-11111-01-94	2 - 19	664-14321-01	5 - 18	6H7-15771-01-94	7 - 29	689-41135-00	18 - 13	61R-42677-10	1 - 12	61T-44194-01	9 - 2
61T-11111-01-94	2 - 19	61N-14323-00	5 - 24	61T-15772-01-94	7 - 32		25 - 3	61T-42677-10	1 - 12	61N-44311-01	19 - 10
61N-11181-A1	2 - 21	6A0-14325-00	6 - 26	656-15772-00-94	7 - 32	689-41137-00-94	18 - 8	61R-42678-10	1 - 13		25 - 20
	24 - 5	677-14327-01	5 - 16	61T-15774-40-94	7 - 40	689-41141-00	18 - 11	61T-42678-10	1 - 13	61N-44322-01	19 - 12
61N-11191-01-9M	2 - 22	61N-14341-00	5 - 9	6F5-15779-02	7 - 17		25 - 17	689-42711-04-4D	12 - 1		25 - 22
61T-11193-A0	24 - 6	61T-14341-00	5 - 9	6A0-15789-00	7 - 22	689-41142-00	18 - 12	664-42715-00	14 - 17	61N-44322-41	25 - 30
61T-11193-A1	2 - 23	6L2-14342-34	5 - 11	6YJ-24167-00	21 - 7		25 - 18	689-42716-00	17 - 24	61N-44323-00	19 - 15
6J8-11325-00	2 - 12	61N-14343-68	5 - 10	6YJ-24201-10	21 - 1	61N-41213-01-94	9 - 30	689-42718-00	17 - 21		25 - 25
689-11325-00	2 - 17	50M-14355-00	5 - 12	6Y1-24260-12	21 - 3	61N-41216-00	5 - 17	676-42724-40	12 - 16	61N-44323-40	25 - 31
6H3-11327-00-94	2 - 13		24 - 23	6Y1-24268-00	21 - 6	677-41226-00	5 - 15	689-42724-50	10 - 16	65W-44328-00	19 - 18
6H3-11328-00	2 - 14	6J0-14379-10	5 - 13	6G1-24304-02	6 - 1	662-41237-01	14 - 6	689-42725-01	12 - 14	6H4-44352-02	19 - 13
676-11372-00	2 - 20	61N-14381-00	5 - 2	6G1-24305-03	21 - 13		14 - 11	6G0-42796-00	12 - 5		25 - 23
	2 - 36	677-14383-01	5 - 20	6Y1-24305-04	21 - 15	679-41241-01	14 - 8	689-42815-00	12 - 9	61N-44361-00	20 - 1
61N-11400-01	3 - 1	6L2-14384-00	5 - 25	61J-24306-02	21 - 8	689-41252-01	4 - 20	689-42816-00	12 - 12	61N-44361-10	20 - 1
61N-11412-01	3 - 2		24 - 13	6A1-24311-00	6 - 31	61N-41256-00	4 - 21	689-43111-03-4D	16 - 1	61N-44362-00	19 - 7
61N-11422-00	3 - 3		24 - 25	689-24311-00	6 - 14	661-41262-02	4 - 22	689-43112-02-4D	16 - 2	61N-44362-10	19 - 7
61N-11432-00	3 - 4	6L2-14385-00	5 - 5	6Y1-24329-00	21 - 5	682-41271-00	4 - 17	6J8-43113-01	16 - 12	689-44366-00	20 - 2
61N-11442-00	3 - 5		24 - 21	61N-24329-00	6 - 2	689-41273-00	4 - 18	648-43114-01	16 - 6		25 - 4
61N-11515-00	3 - 10	6E5-14386-01	5 - 4	650-24351-51	21 - 12	6J8-41274-00	4 - 19	6E0-43118-01	16 - 3	6L2-44367-00	19 - 11
61N-11603-00	3 - 17		24 - 20	61J-24360-00	21 - 10	676-41611-00	14 - 40	6J8-43131-01	16 - 7		25 - 6
61N-11604-00	3 - 17	61N-14392-00	5 - 3	692-24410-00	6 - 16	689-41612-01	8 - 17	6G5-43145-01	16 - 8		25 - 21
61N-11605-00	3 - 17		24 - 19	663-24411-00	6 - 21	676-41613-00	14 - 41	689-43160-00	16 - 18	664-44514-00-94	17 - 34
61N-11631-00-95	3 - 16	6L2-14398-00	5 - 21	692-24411-00	6 - 18	61N-41615-00	9 - 1	689-43165-00	16 - 19	689-44516-00	17 - 29
689-11633-00	3 - 18		24 - 24	6A0-24412-02	6 - 27	61N-41631-00-94	14 - 2	689-43191-00	16 - 13	648-44518-01-94	17 - 14
688-11634-00	3 - 20	6L2-14399-00	5 - 8	6A0-24413-00	6 - 17	689-42111-01-4D	13 - 2	689-43192-01	16 - 14	648-44519-00-94	17 - 16
61N-11635-00	3 - 16		24 - 22	6A0-24421-01	6 - 25	689-42112-01-4D	13 - 7	689-43311-03-4D	16 - 26	689-44551-01-4D	17 - 42
61N-11636-00	3 - 16	61N-14440-00	4 - 13	650-24431-A0	6 - 28	664-42119-00	13 - 12	689-43373-01	17 - 2	689-44552-01-4D	17 - 44
689-11651-00	3 - 12	689-14497-00	14 - 1		24 - 17	656-42126-01	13 - 21	689-43614-01	16 - 37	689-44553-00-94	17 - 38
689-11681-01	3 - 13	61N-15100-00-94	2 - 2	648-24434-01	6 - 19	689-42137-30	13 - 15	648-43615-00	16 - 38	689-44555-00	17 - 43
6E5-12411-01	2 - 27	689-15396-01-5B	2 - 6	648-24435-02	6 - 22	689-42138-00	13 - 20	689-43616-00	16 - 32	689-44557-00	17 - 39
655-12413-01-9M	2 - 29	61N-15711-10	7 - 2	61N-24521-00	6 - 9	656-42153-00-94	14 - 14	648-43617-00	16 - 35	648-44591-A0	17 - 28
655-12414-A1	2 - 30	6F5-15713-01	7 - 5	61N-24560-00	6 - 7	689-42154-80-94	14 - 13	689-43631-00	16 - 29		17 - 33
	24 - 7	6G0-15714-01	7 - 3	61N-24563-00	6 - 8	689-42169-01	14 - 10	689-43633-00	16 - 30	664-44591-A0	17 - 35
61N-13610-00	4 - 1	61N-15715-00	7 - 6	61N-24566-01	6 - 12	6F6-42177-A0	13 - 13	648-43642-00	16 - 33	689-45111-04-4D	18 - 1
689-13610-01	4 - 1	6F5-15716-01	7 - 8	6YJ-24610-01	21 - 2	689-42511-02-4D	17 - 4	689-43643-00	16 - 31	689-45111-13-4D	18 - 1
648-13621-A1	4 - 3	6F5-15723-01	7 - 50	61N-26311-00	13 - 24	689-42521-00-94	17 - 7	689-44111-01-4D	14 - 21	689-45113-A1	2 - 45

NUMERICAL INDEX

PARTNO.	REF. NO.	PARTNO.	REF. NO.	PARTNO.	REF. NO.	PARTNO.	REF. NO.	PARTNO.	REF. NO.	PARTNO.	REF. NO.
689-45113-A1	24 - 14	664-45945-00-EL	20 - 17	701-48320-50	22 - 2	682-82556-00	23 - 47	90119-08M29	2 - 26	90381-12M01	17 - 20
663-45119-00	16 - 17	664-45947-01-EL	20 - 17	648-48330-50	15 - 20	61T-82560-00	10 - 30	90119-08M66	2 - 4	90386-08032	13 - 19
	16 - 28	664-45949-02-EL	20 - 17	617-48331-91	15 - 21	689-8257Y-00	12 - 19	90149-05M13	13 - 14	90386-10009	14 - 15
	17 - 23	664-45952-00-EL	20 - 17	648-48340-50	15 - 14	6E9-82575-02	12 - 17	90149-14030	16 - 5	90386-12069	12 - 11
61N-45127-00	19 - 26	664-45954-01-EL	20 - 17	703-48345-01	23 - 19	688-82575-01	23 - 46	90151-05M05	20 - 10	90386-22M67	16 - 11
6L2-45214-00	20 - 8	6L2-45987-01	20 - 12	617-48346-90	15 - 16	676-82577-00	23 - 44	90151-06M02	2 - 18	90386-38022	17 - 13
6L2-45215-00	20 - 9	689-45997-00	20 - 13	648-48346-50	15 - 22	61T-82580-00	10 - 13	90161-06M00	10 - 20	90386-38090	17 - 11
61N-45251-00	19 - 31	703-48152-00	23 - 56	703-48358-00	23 - 20	6E5-82582-00	9 - 35	90170-10M42	17 - 26	90386-47M22	17 - 10
61N-45300-00-4D	19 - 1	703-48153-00	23 - 3	617-48361-91	15 - 15	688-82586-21	23 - 48		17 - 32	90387-06M02	14 - 3
61N-45300-10-4D	19 - 1	703-48189-00	23 - 17	689-48511-01	15 - 1	61T-82588-00	10 - 31	90171-14013	20 - 15	90387-06M26	4 - 16
61N-45311-02-4D	19 - 2	703-48198-00	23 - 14	689-48531-50	15 - 11	61T-82590-00	10 - 14	90176-10M01	17 - 37	90387-06S68	7 - 46
61N-45315-00	19 - 27	703-48211-01	23 - 60	689-48532-50	15 - 8	703-82591-00	23 - 52	90179-06M24	1 - 8	90387-08M03	16 - 23
	25 - 9	703-48212-00	23 - 57	648-48534-50-4D	15 - 5	703-82592-00	23 - 53	90179-10M14	19 - 39	90387-08M25	12 - 3
61N-45321-00	19 - 20	703-48213-00	23 - 58	61N-81313-09	8 - 4	689-82594-10	10 - 18	90179-16M05	8 - 15	90387-10M39	17 - 15
61N-45331-00-5B	19 - 24	703-48215-00	23 - 42	6E9-81328-70	8 - 7	703-83383-02	23 - 50	90185-05002	20 - 11	90430-08020	19 - 30
688-45341-00	19 - 34	703-48219-00	23 - 29	689-81800-13	11 - 1	682-84381-00	12 - 21	90185-06062	13 - 23		19 - 35
61N-45361-01-4D	19 - 52	703-48221-00	23 - 55	689-81807-12	11 - 3	6E9-85516-70	8 - 9	90185-10051	15 - 4		25 - 11
61N-45371-00	20 - 6	703-48222-00	23 - 26	689-81809-11	11 - 7	663-85518-00	14 - 9	90185-22043	16 - 9		25 - 12
61N-45510-00	19 - 36	703-48223-00	23 - 27	689-81810-11	11 - 9	61N-85537-00	8 - 13	90201-06M30	9 - 9	90445-09M75	6 - 5
61N-45510-10	19 - 36	703-48224-00	23 - 54	689-81811-11	11 - 12	61N-85540-11	9 - 13	90201-08M87	12 - 4	90445-10M41	2 - 37
61N-45536-00	19 - 5	703-48225-00	23 - 28	689-81812-11	11 - 11	61N-85541-19	8 - 3	90201-16M44	8 - 16	90445-11M05	21 - 11
61N-45551-00	19 - 38	703-48226-00	23 - 25	689-81813-10	11 - 13	61N-85542-00-94	9 - 5	90201-20M27	3 - 21	90445-11M06	21 - 9
61N-45560-00	19 - 42	703-48227-00	23 - 24	689-81820-11	11 - 14	61N-85543-09	8 - 5	90201-20417	19 - 49	90465-06M88	4 - 24
6L2-45567-00-10	19 - 41	703-48230-14	22 - 1	689-81826-10	11 - 15	61N-85543-19	8 - 6	90201-21567	2 - 28	90465-13M11	9 - 19
6L2-45567-00-11	19 - 41		23 - 1	689-81830-11	11 - 4	61T-85550-10	8 - 1	90201-22M03	16 - 10	90465-18147	10 - 29
6L2-45567-00-12	19 - 41	703-48232-00	23 - 61	689-81831-00	11 - 5	61N-85560-10	8 - 2	90201-28M00	13 - 5	90467-08004	6 - 6
6L2-45567-00-13	19 - 41	703-48234-00	23 - 18	689-81840-11	11 - 10	61N-85561-00	8 - 10	90201-50306	2 - 44		6 - 15
6L2-45567-00-14	19 - 41	703-48235-00	23 - 4	689-81847-11	11 - 6	6H5-85570-00	9 - 20	90202-06007	14 - 26		6 - 32
61N-45571-00	19 - 50	703-48236-00	23 - 16	689-81850-12	11 - 8	61N-85570-00	9 - 25		14 - 35	90480-10155	10 - 25
6L2-45577-00-10	19 - 51	703-48238-00	23 - 22	689-81857-11	11 - 2	61T-86111-00	10 - 21	90202-10024	14 - 32	90480-14M14	1 - 9
6L2-45577-00-11	19 - 51	703-48243-00	23 - 15	61T-81915-00	9 - 34	61T-86112-00	10 - 24	90202-34043	13 - 4	90480-15M06	12 - 2
6L2-45577-00-12	19 - 51	703-48244-00	23 - 21	6H3-81922-00	9 - 18	682-86116-00	10 - 22	90206-05005	7 - 47	90480-17M08	10 - 1
6L2-45577-00-13	19 - 51	703-48245-00	23 - 11	6G1-81941-10	10 - 2	682-86117-00	10 - 23	90206-08010	7 - 45		12 - 20
61N-45587-00-07	19 - 4	703-48246-00	23 - 23	61T-81945-01	10 - 4	90101-08339	16 - 22	90206-12052	12 - 10	90480-17165	10 - 17
61N-45587-00-10	19 - 4	701-48248-00	23 - 13	6G1-81952-00	10 - 3	90105-06M07	14 - 23	90206-28M07	13 - 6	90480-25161	9 - 26
61N-45587-00-11	19 - 4	703-48252-00	23 - 12	6J8-81960-00	9 - 33		17 - 6	90209-24M03	3 - 15	90480-29045	17 - 5
61N-45587-00-12	19 - 4	703-48261-11	23 - 2	664-81970-61	10 - 6	90105-06M08	17 - 25	90209-47016	17 - 9	90501-09M08	14 - 20
61N-45587-00-13	19 - 4	703-48264-00	23 - 6	689-82105-13	10 - 15	90105-06M18	17 - 3	90240-05047	16 - 39	90501-10065	19 - 48
61N-45587-00-14	19 - 4	703-48265-00	23 - 9	682-82150-10	10 - 11	90105-08M10	7 - 51	90243-04M01	16 - 4	90501-10071	15 - 24
61N-45587-00-15	19 - 4	703-48268-00	23 - 5	682-82151-00	10 - 12	90105-10M12	20 - 4	90249-06M22	16 - 34	90501-10227	7 - 39
61N-45587-00-16	19 - 4	703-48271-00	23 - 59	61N-82317-00	9 - 6	90119-06MA0	2 - 43	90250-05010	19 - 46	90501-10264	15 - 18
6L2-45611-00	19 - 43	703-48281-00	23 - 30	6G1-82370-21	9 - 29	90119-06M48	20 - 7	90266-04M00	1 - 6	90501-14M07	14 - 19
664-45631-02	19 - 45	703-48282-00	23 - 31	703-82510-31	23 - 43	90119-06M49	14 - 4	90266-04M01	1 - 4	90501-23215	13 - 18
648-45633-00	19 - 47	703-48284-00	23 - 51	61N-82519-01	9 - 10	90119-06M73	12 - 13	90269-02M09	13 - 16	90502-10M07	16 - 21
648-45635-00	19 - 44	701-48287-00	23 - 41	689-82531-02	10 - 5	90119-06M94	4 - 15	90280-03024	19 - 37	90506-30M27	16 - 41
62C-45941-00-EL	20 - 17	703-48291-10	23 - 38	703-82531-00	23 - 45	90119-06M95	9 - 8		25 - 28	90508-14M13	14 - 31
664-45941-01-EL	20 - 17	703-48293-10	23 - 40	703-82540-00	23 - 49	90119-08M03	17 - 46	90280-05015	8 - 14	90560-14076	13 - 3
664-45943-01-EL	20 - 17	701-48320-20	22 - 2	682-82556-00	12 - 18	90119-08M18	2 - 3	90340-08M04	19 - 29	91490-12010	14 - 27

NUMERICAL INDEX

PARTNO.	REF. NO.	PARTNO.	REF. NO.	PARTNO.	REF. NO.	PARTNO.	REF. NO.	PARTNO.	REF. NO.	PARTNO.	REF. NO.
91490-16010	7 - 49	92995-06600	2 - 11	93210-37160	17 - 12	95380-08700	12 - 6	97095-06040	6 - 29		
	14 - 25		6 - 4	93210-40659	4 - 14		12 - 8		19 - 16		
	16 - 40		6 - 30		24 - 12	95895-06035	19 - 32		25 - 26		
91490-20010	14 - 37		7 - 21		24 - 27	97013-06014	6 - 13	97095-06050	13 - 8		
91490-30022	20 - 16		7 - 24	93210-42159	3 - 8	97013-06016	2 - 15	97095-08020	18 - 9		
91490-30025	18 - 14		7 - 27	93210-45161	19 - 14	97013-06020	2 - 31	97095-08030	23 - 32		
91690-30008	16 - 20		9 - 4		25 - 7	97013-06022	2 - 24	97095-08065	17 - 47		
91690-30012	15 - 17		9 - 15		25 - 24	97013-06025	2 - 39	97313-08030	7 - 10		
	15 - 23		9 - 22	93210-58M21	2 - 9		4 - 6	97380-05025	23 - 8		
91690-30016	16 - 15		9 - 28		24 - 4		7 - 30	97607-04112	8 - 11		
91690-40016	14 - 33		13 - 9	93210-64ME7	19 - 54		7 - 33	97607-06125	8 - 12		
91690-40018	14 - 16		13 - 11		25 - 13	97013-06030	2 - 41	97802-04006	8 - 8		
91690-40048	4 - 23		15 - 7	93210-65M50	19 - 57		7 - 33	97880-05012	10 - 27		
92903-05600	7 - 48		15 - 10		25 - 15	97013-06035	4 - 8		14 - 42		
92903-06600	2 - 16		15 - 13	93306-00612	19 - 53	97013-06045	7 - 35	97880-05025	10 - 7		
	2 - 25		17 - 19	93306-305U3	3 - 9		9 - 36	97880-06010	8 - 18		
	2 - 32		17 - 31	93310-624U5	3 - 14	97013-06050	4 - 10	97880-06016	18 - 7		
	2 - 40		19 - 17	93311-632V4	3 - 6	97013-08012	11 - 18	97980-04110	5 - 6		
	2 - 42		19 - 23	93315-220V7	19 - 6	97013-08030	11 - 16	97980-04112	5 - 19		
	4 - 7		19 - 59	93315-22004	19 - 55	97075-06020	19 - 58	98503-04006	10 - 26		
	4 - 9		25 - 27	93332-000W5	19 - 3	97075-08025	17 - 40	98503-05028	6 - 23		
	4 - 11	92995-08600	12 - 7	93332-00005	19 - 40	97075-08030	18 - 3	98580-03015	23 - 37		
	7 - 31		16 - 24	93430-06024	23 - 10	97075-10040	15 - 2	98580-04006	23 - 35		
	7 - 34		17 - 41		23 - 62	97090-06012	9 - 11	98580-04010	23 - 34		
	7 - 36		17 - 48	93440-62057	3 - 11		9 - 16	98580-05010	23 - 36		
	7 - 44		18 - 4	93602-20M02	3 - 19		9 - 23	98586-05016	21 - 4		
	9 - 37		18 - 10	93604-10M03	19 - 25		10 - 9	98980-04006	5 - 22		
92903-08600	11 - 17	92995-10600	20 - 5	93606-11M24	20 - 3	97095-05016	9 - 31	99009-17500	10 - 32		
	11 - 19	93101-16M36	2 - 8	93606-12019	2 - 5	97095-06010	7 - 41	99080-05600	16 - 36		
92903-10600	13 - 17		24 - 3		17 - 17		9 - 3	99530-10014	7 - 25		
92990-05100	6 - 24	93101-20M07	19 - 56		18 - 2	97095-06012	14 - 5				
92990-05600	10 - 8		25 - 14	93608-12063	17 - 8		15 - 6				
	14 - 28	93101-22067	19 - 28	93700-06M03	16 - 16	97095-06016	7 - 20				
	14 - 36		25 - 10		16 - 27		15 - 9				
	14 - 43	93102-25M04	2 - 7		17 - 22		15 - 12				
92990-06100	9 - 12		24 - 2	94702-00247	2 - 46	97095-06018	17 - 18				
	9 - 17	93102-32M07	3 - 7	94702-00271	2 - 46	97095-06020	6 - 3				
	9 - 24	93210-03261	10 - 28	95303-08700	7 - 12		7 - 43				
	10 - 10	93210-06ME6	19 - 21	95380-03600	6 - 20		9 - 14				
92990-06300	19 - 33		25 - 8	95380-05600	14 - 12		9 - 21				
92990-08600	15 - 19	93210-08287	21 - 14		23 - 7		9 - 27				
	15 - 25		21 - 16	95380-05700	14 - 7		13 - 10				
	23 - 33	93210-22164	19 - 8	95380-06600	7 - 28		13 - 22				
	17 - 27		25 - 16		14 - 39		17 - 30				
92990-10200	17 - 36	93210-26130	19 - 9		23 - 39	97095-06022	2 - 10				
	15 - 3		25 - 5	95380-08600	6 - 11	97095-06025	19 - 22				
92990-14200	20 - 14	93210-32738	6 - 10		16 - 25	97095-06035	7 - 23				
92995-05600	9 - 32		24 - 16		17 - 45		7 - 26				