



**PARTS
CATALOGUE
CATALOGUE
DE PIÈCES DÉTACHÉES**

40VMHO'04 (63B3)

40VEO'04 (63C3)

40YETO'04 (68P7)

40YMHO'04 (68P8)

FOREWORD

This Parts Catalogue is related to the parts for the model(s) on the cover page. When you are ordering replacement parts, please refer to this Parts Catalogue and quote both part numbers and part names correctly.

1. Modifications or additions which have been made after the issue of the Parts Catalogue will be announced in the Parts News.
It is advisable that you make the necessary corrections to the Parts Catalogue according to the Parts News.

2. Abbreviations
The following abbreviations are used in this Parts Catalogue.

“UR” Use specified parts number.
 “UN” Use as many as needed.
 “AP” Alternate Parts
 “LM” Locally Made (Parts need to be ordered locally)
 “F#” Frame No. (Applicable machine No.)
 “O/S” Over Size

3. The number of components for assembly
 - Parts, which are to be supplied in an assembly, are listed with a dot (.) in front of the part name as shown below.
 - The numeral appearing to the right of each component part indicates the quantity of parts for each assembly unit.

| PART NO. | DESCRIPTION | Q'TY | REMARKS |
|--------------|--------------------------|------|---------|
| 2F5-83310-60 | FRONT FLASHER LIGHT ASSY | 2 | |
| 115-83311-60 | .BULB (6V-18W) | 1 | |

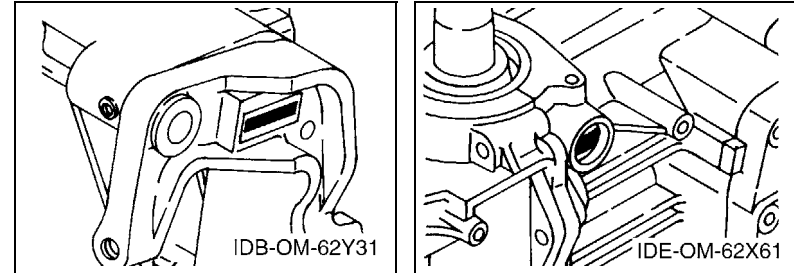
4. Applicable colours of graphics are represented in the “REMARKS” as shown below.

| PART NO. | DESCRIPTION | Q'TY | REMARKS |
|-----------------|---------------------|------|---------|
| 2N4-24110-00-X5 | FUEL TANK COMP. | 2 | MXR |
| 3J1-24240-10 | .GRAPHIC, FUEL TANK | 1 | FOR MXR |

5. Note that the illustrations for reference in finding parts numbers are not to be used for assembling. When assembling, please use the applicable service manual.

6. The asterisk (*) before a reference number indicates modified items after the first edition.
7. Applicable Serial No.

Engine Serial No.



8. Applicable Engine Starting Serial No.

| Model | Serial No. | Model | Serial No. |
|-------|--------------|-------|--------------|
| 40V | 6H4K-1005165 | 40Y | 68PK-1000183 |
| | | | |
| | | | |
| | | | |

9. Applicable Colour Code

| Abbreviation | Colour Name | Colour Code |
|--------------|-----------------------------|-------------|
| DBNM2 | DARK BLUISH GRAY METALLIC 2 | 004D |

10. Quantity Column Information

| Column No. | Name Of Q'ty Column | Applicable Model |
|------------|---------------------|------------------|
| 1 | ETO | 40YETO |
| 2 | EO | 40VEO |
| 3 | MHO | 40VMHO,40YMHO |
| | | |
| | | |

AVANT-PROPOS

Ce catalogue de pièces détachées concerne les pièces pour le(s) modèle(s) indiqué(s) sur la page de couverture. Lorsque vous commandez des pièces de rechange, veuillez vous référer à ce catalogue de pièces détachées et indiquer clairement les numéros et les noms des pièces détachées.

1. Les modifications ou ajouts ayant été effectués après la parution du catalogue de pièces détachées seront décrits dans les Bulletins d'information concernant les pièces détachées.
Il est recommandé que vous apportiez les corrections nécessaires au catalogue des pièces détachées en vous référant aux Bulletins d'information.

2. Abréviations

Dans ce catalogue, les abréviations suivantes sont utilisées:

- “UR” Utiliser le numéro de pièces spécifié.
- “UN” Utiliser autant que nécessaire.
- “AP” Pièces de substitution
- “LM” Fabrication locale (les pièces doivent être commandées localement.)
- “F#” N° de cadre (applicable au N° de série)
- “O/S” Surdimensionné

3. Nombre de pièces d'un assemblage

- Les pièces fournies comme composants d'un assemblage sont précédées d'un point (.) de la manière indiquée ci-dessous.
- Le chiffre apparaissant à la droite de chaque composant indique la quantité de pièces pour chaque unité d'assemblage.

| N° PIÈCES | DESCRIPTION | QTE | REMARQUES |
|--------------|-----------------------|-----|-----------|
| 2F5-83310-60 | ENS. CLIGNOTANT AVANT | 2 | |
| 115-83311-60 | .AMPOULE (6V-18W) | 1 | |

4. Les couleurs concernant les graphiques sont indiquées dans la colonne “REMARQUES”, comme indiqué ci-dessous.

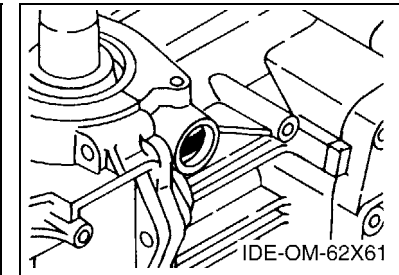
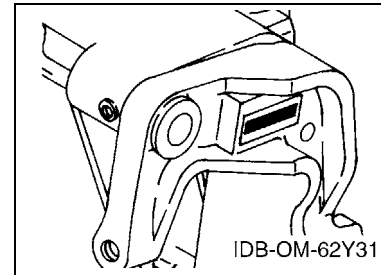
| N° PIÈCES | DESCRIPTION | QTE | REMARQUES |
|-----------------|----------------------|-----|-----------|
| 2N4-24110-00-X5 | RESERVOIR A ESSENCE. | 2 | MXR |
| 3J1-24240-10 | .GRAPHIQUE | 1 | POUR MXR |

5. Veuillez noter que les illustrations sont indiquées à titre de référence pour trouver les numéros de pièces, non pour être utilisées lors de l'assemblage. Lors de l'assemblage, veuillez utiliser le manuel d'entretien adéquat.

6. L'astérisque (*) placé devant un numéro de référence indique des éléments qui ont été modifiés après la première édition.

7. N° de série applicable

N° de Série du moteur



8. N° de série initial du moteur applicable

| Modèle | N° de série | Modèle | N° de série |
|--------|--------------|--------|--------------|
| 40V | 6H4K-1005165 | 40Y | 68PK-1000183 |
| | | | |
| | | | |
| | | | |

9. Code couleur applicable

| Abréviation | Nom de la couleur | Code couleur |
|-------------|-----------------------------|--------------|
| DBNM2 | DARK BLUISH GRAY METALLIC 2 | 004D |

10. Informations relatives à la colonne Quantité

| N° de la colonne | Nom de la colonne Qté | Modèle applicable |
|------------------|-----------------------|-------------------|
| 1 | ETO | 40YETO |
| 2 | EO | 40VEO |
| 3 | MHO | 40VMHO,40YMHO |
| | | |
| | | |

CONTENTS

SHEET1/2

| | |
|----------------------------|----|
| TOP COWLING | A4 |
| CYLINDER & CRANKCASE | A5 |
| CRANKSHAFT & PISTON | A7 |
| INTAKE | B1 |
| CARBURETOR | B3 |
| OIL PUMP 1 | B6 |
| OIL PUMP 2 | C1 |
| FUEL | C3 |
| STARTER | C5 |
| GENERATOR | C7 |
| ELECTRICAL 1 | D1 |
| ELECTRICAL 2 | D3 |
| ELECTRICAL 3 | D5 |
| ELECTRICAL 4 | D6 |
| STARTING MOTOR | D7 |
| BOTTOM COWLING | E2 |
| STEERING | E4 |
| CONTROL | E7 |
| BRACKET 1 | F2 |
| BRACKET 2 | F4 |
| BRACKET 3 | F6 |

INDEX

| | |
|-----------------------|----|
| NUMERICAL INDEX | G1 |
|-----------------------|----|

SHEET2/2

| | |
|--------------------------------|-----|
| BRACKET 4 | A4* |
| POWER TRIM & TILT ASSY 1 | A6* |
| POWER TRIM & TILT ASSY 2 | B2* |
| UPPER CASING | B3* |
| LOWER CASING & DRIVE 1 | B4* |
| LOWER CASING & DRIVE 2 | C1* |
| FUEL TANK | C3* |
| STEERING GUIDE | C4* |
| REMOTE CONTROL BOX | C5* |
| REMOTE CONTROL ASSY | C6* |
| METER | D2* |
| REPAIR KIT 1 | D3* |
| REPAIR KIT 2 | D5* |

INDEX

| | |
|-----------------------|-----|
| NUMERICAL INDEX | G1* |
|-----------------------|-----|

TABLE DES MATIERES

Feuille1/2

| | |
|----------------------------|----|
| CAPOT SUPERIEUR | A4 |
| CYLINDRE & CARTER | A5 |
| VILEBREQUIN & PISTON | A7 |
| ADMISSION | B1 |
| CARBURATEUR | B3 |
| POMPE A HUILE 1 | B6 |
| POMPE A HUILE 2 | C1 |
| CARBURANT | C3 |
| DEMARREUR | C5 |
| GENERATRICE | C7 |
| PARTIE ELECTRIQUE 1 | D1 |
| PARTIE ELECTRIQUE 2 | D3 |
| PARTIE ELECTRIQUE 3 | D5 |
| PARTIE ELECTRIQUE 4 | D6 |
| DEMARREUR ELECTRIQUE | D7 |
| CAPOT INFERIEUR | E2 |
| DIRECTION | E4 |
| COMMANDE | E7 |
| SUPPORT 1 | F2 |
| SUPPORT 2 | F4 |
| SUPPORT 3 | F6 |

INDEX

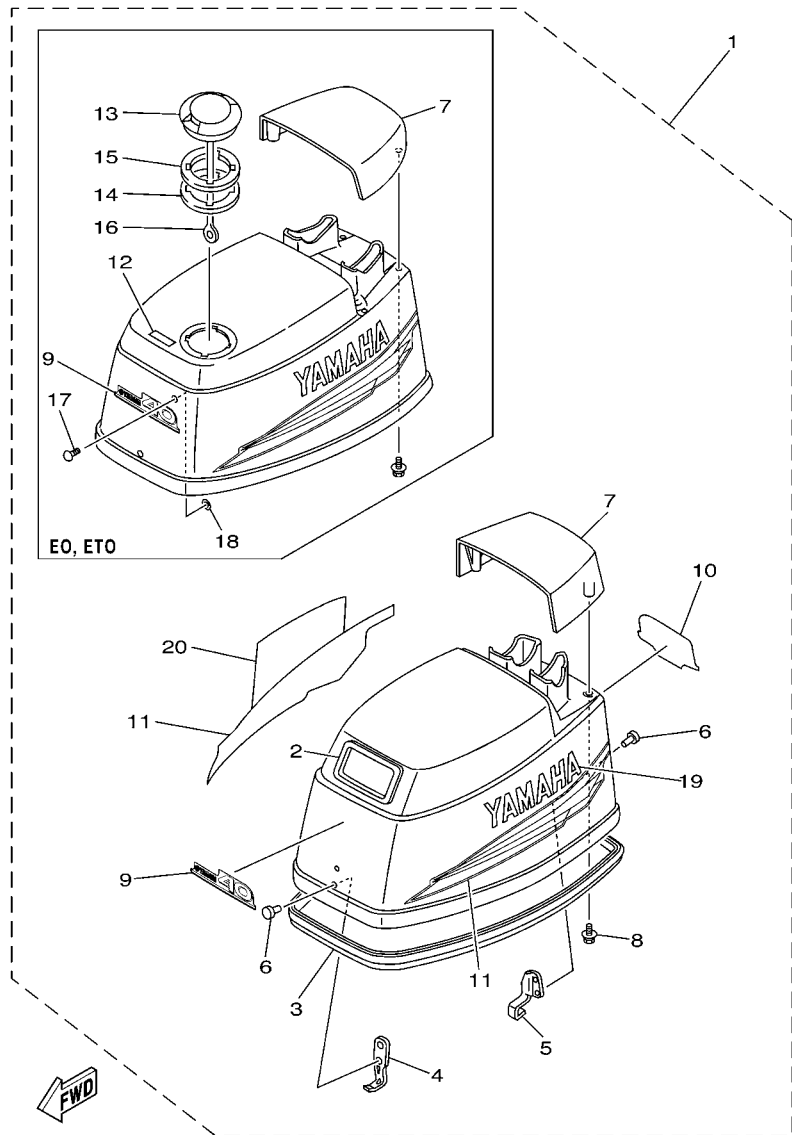
| | |
|-----------------------|----|
| INDEX NUMERIQUE | G1 |
|-----------------------|----|

Feuille2/2

| | |
|---------------------------------------|-----|
| SUPPORT 4 | A4* |
| PUISSANCE PARER ET INCLINER 1 | A6* |
| PUISSANCE PARER ET INCLINER 2 | B2* |
| FOURREAU | B3* |
| BOITIER D'HELICE TRANSMISSION 1 | B4* |
| BOITIER D'HELICE TRANSMISSION 2 | C1* |
| RESERVOIR A CARBURANT | C3* |
| FIXATION DE DIRECTION | C4* |
| BOITIER DE COMMANDE A DISTANCE | C5* |
| BOITIER DE COMMANDE A DISTANCE | C6* |
| COMPTEUR | D2* |
| KITS DE REPARATION 1 | D3* |
| KITS DE REPARATION 2 | D5* |

INDEX

| | |
|-----------------------|-----|
| INDEX NUMERIQUE | G1* |
|-----------------------|-----|

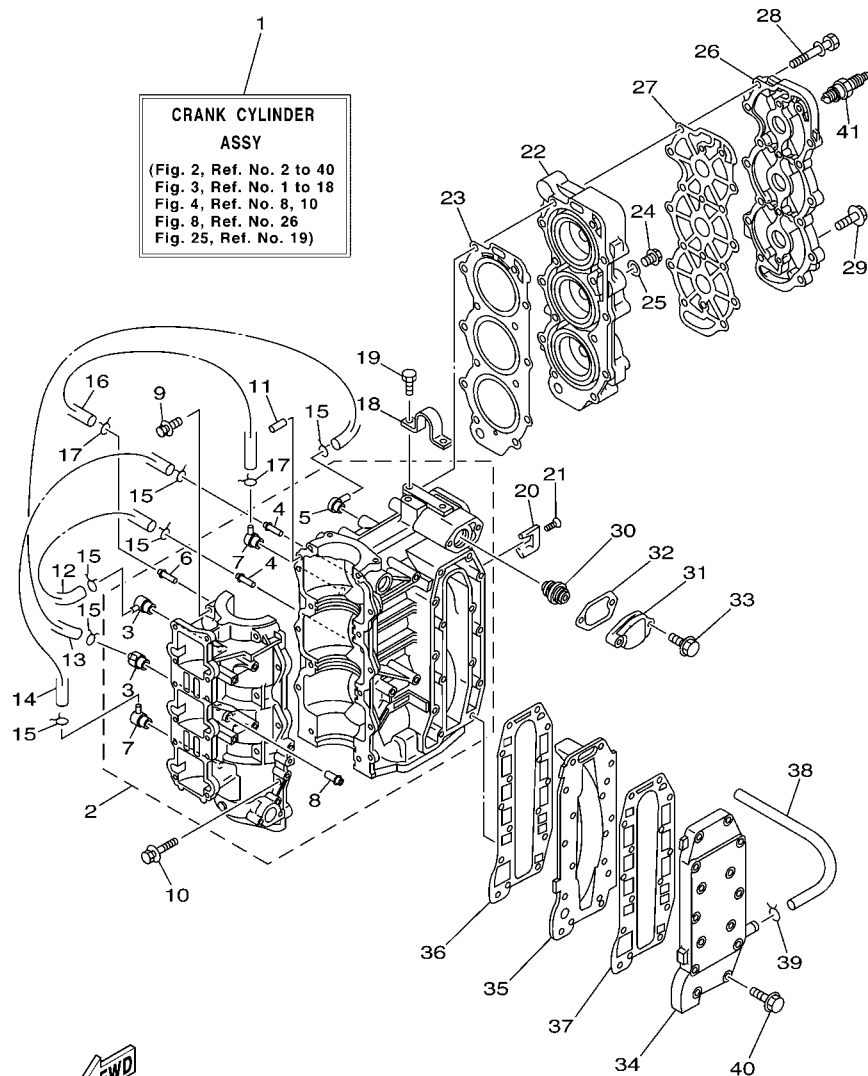


63B2300-3010

FIG. 1 TOP COWLING

CAPOT SUPERIEUR

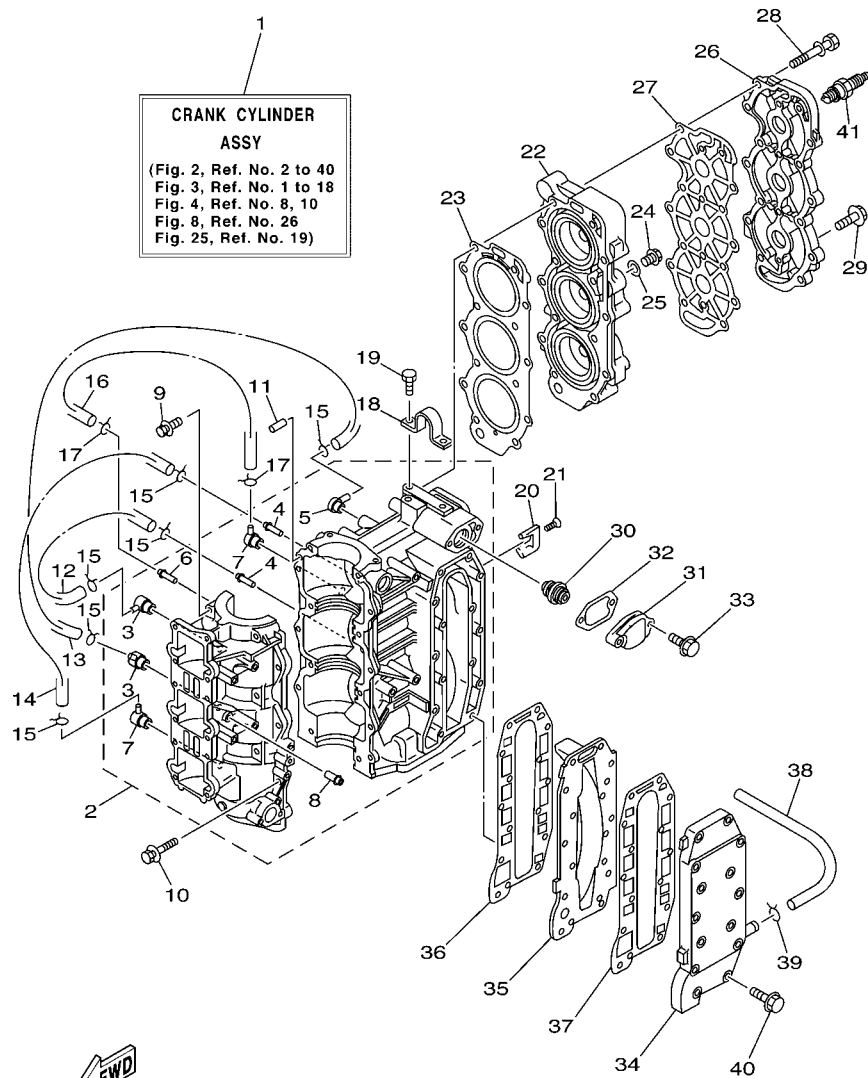
| REF. NO. | PART NO. N° PIECES | DESCRIPTION DESCRIPTION | ETO | EO | MHO | REMARKS REMARQUES |
|----------|--------------------|--|-----|----|-----|-------------------|
| 1 | 63D-42610-50-4D | TOP COWLING ASSY CAPOT (ENS.) | 1 | 1 | | |
| | 63D-42610-20-4D | TOP COWLING ASSY CAPOT (ENS.) | | | 1 | |
| 2 | 6H4-15761-00 | .SEAL, RUBBER 1 .JOINT CAOUTCHOUC 1 | | | 1 | |
| 3 | 6H4-42615-00 | .SEAL .JOINT | 1 | 1 | 1 | |
| 4 | 6H4-42651-00 | .HOOK .CROCHET | 1 | 1 | 1 | |
| 5 | 6H4-42652-00 | .HOOK .CROCHET | 1 | 1 | 1 | |
| 6 | 90266-04M01 | .RIVET .RIVET | 4 | 4 | 4 | |
| 7 | 6H4-42613-11-4D | .MOLDING, AIR DUCT .MANCHON A AIR | 1 | 1 | | |
| | 6H4-42613-01-4D | .MOLDING, AIR DUCT .MANCHON A AIR | | | 1 | |
| 8 | 90119-06M99 | .BOLT, WITH WASHER .BOULON, AVEC RONDELLE | 4 | 4 | 4 | |
| 9 | 63D-42677-20 | .GRAPHIC, FRONT .ADHESIF, AVANT | 1 | 1 | 1 | |
| 10 | 63D-42678-11 | .GRAPHIC, REAR .ADHESIF, ARRIERE | 1 | 1 | 1 | |
| 11 | 63D-W0070-10 | .GRAPHIC SET .JEU DIEMBLEMES | 1 | 1 | 1 | |
| 12 | 63D-13436-40 | .MARK .ADHESIF | 1 | 1 | | |
| 13 | 63D-2177H-00 | .DISK CAP 2 .BOUCHON DE DISQUE 2 | 1 | 1 | | |
| 14 | 6H3-21732-00 | .SEAL 1 .JOINT 1 | 1 | 1 | | |
| 15 | 6H3-21735-00 | .SEAL 2 .JOINT 2 | 1 | 1 | | |
| 16 | 6H1-42694-00 | .BAND .COLLIER | 1 | 1 | | |
| 17 | 90338-05M03 | .PLUG .PLOT | 1 | 1 | | |
| 18 | 90183-05M06 | .NUT, SPRING .ECROU, RESSORT | 1 | 1 | | |
| 19 | 63D-42681-10 | .MARK, COWLING .ADHESIF, CAPOT | 1 | 1 | 1 | |
| 20 | 63D-42682-10 | .MARK, COWLING .ADHESIF, CAPOT | 1 | 1 | 1 | |



63B2300-3020

FIG. 2 CYLINDER & CRANKCASE **CYLINDRE & CARTER**

| REF. NO. | PART NO. N° PIECES | DESCRIPTION DESCRIPTION | ETO | EO | MHO | REMARKS REMARQUES |
|----------|--------------------|---|-----|----|-----|--------------------|
| 1 | 63D-W0090-11-1S | CRANK CYLINDER ASSY EMBIELLAGE CYLINDRE (ENS.) | 1 | 1 | | EO SPEC EO SPEC |
| | 63D-W0090-31-1S | CRANK CYLINDER ASSY EMBIELLAGE CYLINDRE (ENS.) | | | 1 | MO SPEC MO SPEC |
| 2 | 6H4-15100-13-1S | CRANKCASE ASSY CARTER DE MOTEUR COMPLET | 1 | 1 | | EO SPEC EO SPEC |
| | 6H4-15100-30-1S | CRANKCASE ASSY CARTER DE MOTEUR COMPLET | | | 1 | MO SPEC MO SPEC |
| 3 | 650-11370-01 | .CHECK VALVE ASSY .CLAPET (ENS.) | 2 | 2 | 2 | |
| 4 | 624-14485-00 | .PIPE, JOINT .DURITE | 2 | 2 | 2 | |
| 5 | 6H4-11372-01 | .NIPPLE, HOSE .RACCORD, TUYAU | 1 | 1 | 1 | |
| 6 | 624-14485-00 | .PIPE, JOINT .DURITE | 1 | 1 | 1 | |
| 7 | 688-11370-01 | .CHECK VALVE ASSY .CLAPET (ENS.) | 2 | 2 | 2 | |
| 8 | 650-24378-00 | .PIPE, JOINT 4 .DURITE RACCORDEMENT 4 | 1 | 1 | | EO SPEC EO SPEC |
| 9 | 90119-08019 | BOLT, WITH WASHER BOULON, AVEC RONDELLE | 8 | 8 | 8 | |
| 10 | 90119-06M13 | BOLT, WITH WASHER BOULON, AVEC RONDELLE | 6 | 6 | 6 | |
| 11 | 93606-12019 | PIN, DOWEL GOUPILLE | 2 | 2 | 2 | |
| 12 | 90445-07M46 | HOSE (L360) DURITE (L360) | 1 | 1 | 1 | |
| 13 | 90445-07M27 | HOSE (L310) DURITE (L310) | 1 | 1 | 1 | |
| 14 | 90445-07M24 | HOSE (L240) DURITE (L240) | 1 | 1 | 1 | |
| 15 | 90467-06016 | CLIP JONC | 6 | 6 | 6 | |
| 16 | 90445-07MA3 | HOSE (L200) DURITE (L200) | 1 | 1 | 1 | |
| 17 | 90467-06016 | CLIP JONC | 2 | 2 | 2 | |
| 18 | 6H4-11119-01 | HANGER, ENGINE ANNEAU, LEVAGE | 1 | 1 | 1 | |
| 19 | 90101-06021 | BOLT BOULON | 2 | 2 | 2 | |
| 20 | 688-11325-00 | ANODE ANODE | 2 | 2 | 2 | |
| 21 | 98780-04016 | SCREW, FLAT HEAD VIS A TETE FRAISEE | 2 | 2 | 2 | |
| 22 | 63D-11111-00-1S | HEAD, CYLINDER 1 CULASSE | 1 | 1 | 1 | |
| 23 | 63D-11181-A1 | GASKET, CYLINDER HEAD 1 JOINT, DE CULASSE 1 | 1 | 1 | 1 | |
| 24 | 90340-14M00 | PLUG, STRAIGHT SCREW PLOT, FILETE DROIT | 1 | 1 | 1 | |
| 25 | 90430-14115 | GASKET JOINT | 1 | 1 | 1 | |



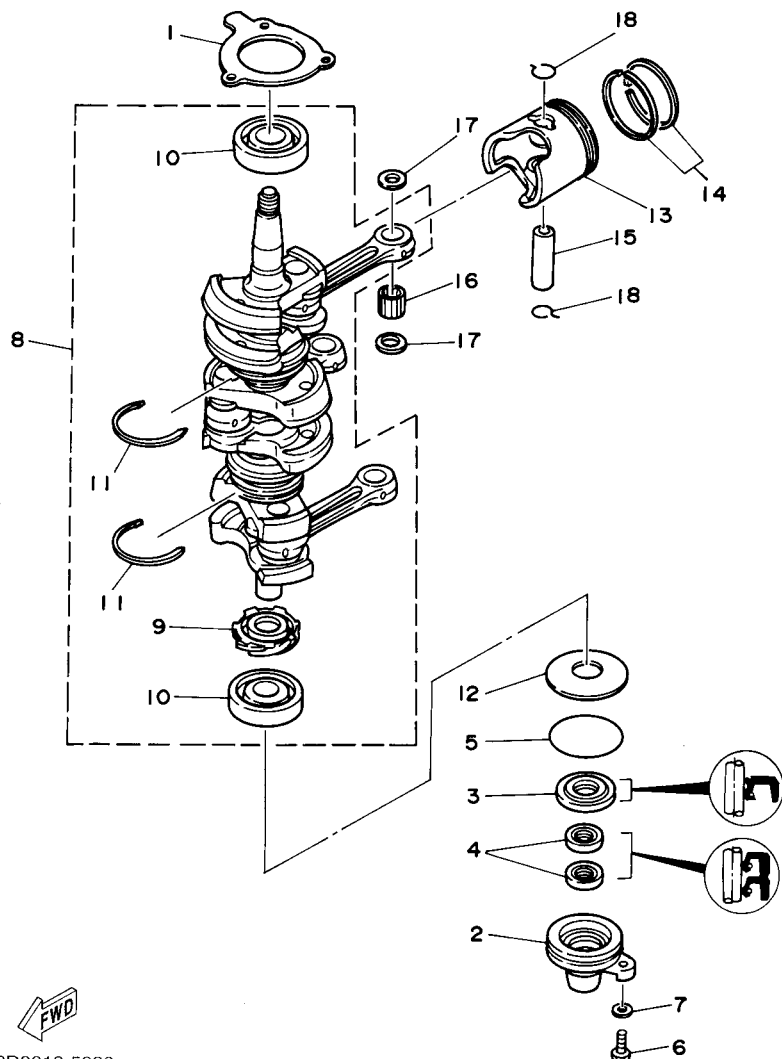
63B2300-3020

FIG. 2 CYLINDER & CRANKCASE CYLINDRE & CARTER

| REF. NO. | PART NO. N° PIECES | DESCRIPTION DESCRIPTION | ETO | EO | MHO | REMARKS REMARQUES |
|----------|--------------------|---|-----|----|-----|-------------------|
| 26 | 63D-11191-00-1S | COVER, CYLINDER HEAD 1 COUVERCLE, CULASSE 1 | 1 | 1 | 1 | |
| 27 | 63D-11193-A0 | GASKET, HEAD COVER 1 JOINT, COUVERCLE DE CULASSE 1 | 1 | 1 | 1 | |
| 28 | 90119-08015 | BOLT, WITH WASHER BOULON, AVEC RONDELLE | 14 | 14 | 14 | |
| 29 | 90119-06MA3 | BOLT, WITH WASHER BOULON, AVEC RONDELLE | 4 | 4 | 4 | |
| 30 | 6E5-12411-30 | THERMOSTAT THERMOSTAT | 1 | 1 | 1 | |
| 31 | 6H4-12413-00-1S | COVER, THERMOSTAT COUVERCLE, THERMOSTAT | 1 | 1 | 1 | |
| 32 | 6J8-12414-A0 | GASKET, COVER JOINT, COUVERCLE | 1 | 1 | 1 | |
| 33 | 90119-06MA3 | BOLT, WITH WASHER BOULON, AVEC RONDELLE | 2 | 2 | 2 | |
| 34 | 6H4-41113-00-1S | OUTER COVER, EXHAUST COUVERCLE, ECHAPPEMENT | 1 | 1 | 1 | |
| 35 | 6H4-41111-00-1S | INNER COVER, EXHAUST PLAQUE, ECHAPPEMENT | 1 | 1 | 1 | |
| 36 | 6H4-41112-A0 | GASKET, EXHAUST INNER COVER JOINT, PLAQUE D'ECHAPPEMENT | 1 | 1 | 1 | |
| 37 | 6H4-41114-A0 | GASKET, EXHAUST OUTER COVER JOINT, COUVERCLE D'ECHAPPEMENT | 1 | 1 | 1 | |
| 38 | 90445-09M37 | HOSE (L240) DURITE (L240) | 1 | 1 | 1 | |
| 39 | 90467-08004 | CLIP JONC | 1 | 1 | 1 | |
| 40 | 90119-06MA5 | BOLT, WITH WASHER BOULON, AVEC RONDELLE | 13 | 13 | 13 | |
| 41 | 94702-00271 | PLUG, SPARK (NGK BR7HS-10) BOUGIE D'ALLUMAGE(NGK BR7HS-10) | 3 | 3 | 3 | 40V 40V |
| | 94702-00247 | PLUG, SPARK (NGK BR8HS-10) BOUGIE D'ALLUMAGE(NGK BR8HS-10) | 3 | 3 | 3 | 40Y 40Y |

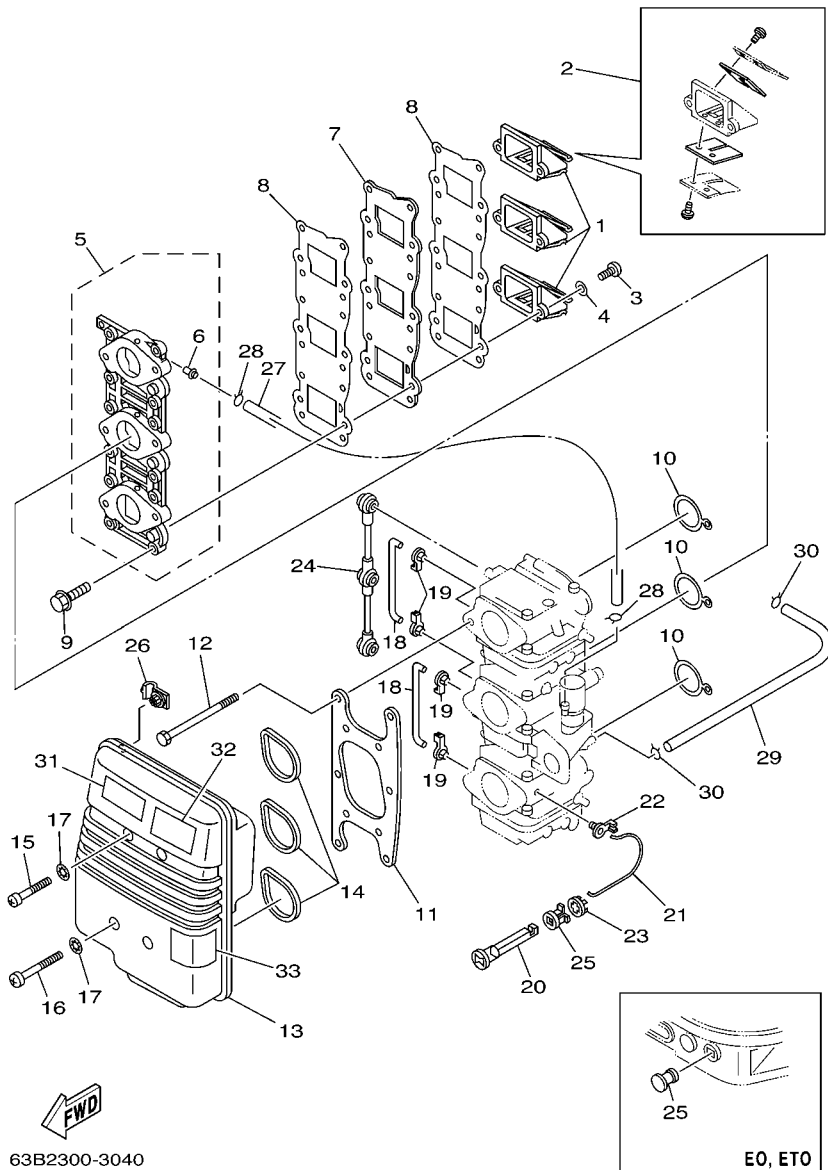
FIG. 3 CRANKSHAFT & PISTON

VILEBREQUIN & PISTON



| REF. NO. | PART NO. N° PIECES | DESCRIPTION DESCRIPTION | ETO | EO | MHO | REMARKS REMARQUES |
|----------|--------------------|--|-----|----|-----|-------------------|
| 1 | 6H4-15369-A1 | GASKET, OIL SEAL HOUSING JOINT SPY DE LOGEMENT | 1 | 1 | 1 | |
| 2 | 6H4-15396-03-5B | HOUSING, OIL SEAL LOGEMENT DE JOINT SPY | 1 | 1 | 1 | |
| 3 | 93102-25M28 | OIL SEAL JOINT SPY | 1 | 1 | 1 | |
| 4 | 93104-16M01 | OIL SEAL JOINT SPY | 2 | 2 | 2 | |
| 5 | 93210-58M21 | O-RING JOINT TORIQUE | 1 | 1 | 1 | |
| 6 | 97095-06020 | BOLT BOULON | 1 | 1 | 1 | |
| 7 | 92995-06600 | WASHER RONDELLE | 1 | 1 | 1 | |
| 8 | 6H4-11400-14 | CRANKSHAFT ASSY VILEBREQUIN COMPLET | 1 | 1 | 1 | |
| 9 | 6H4-11536-00 | .GEAR, DRIVE .ENGRENAGE, MENANT | 1 | 1 | 1 | |
| 10 | 93306-305U8 | .BEARING .ROULEMENT | 2 | 2 | 2 | |
| 11 | 93440-62057 | .CIRCLIP .CIRCLIP | 2 | 2 | 2 | |
| 12 | 90201-50306 | WASHER, PLATE RONDELLE, PLATE | 1 | 1 | 1 | |
| 13 | 6H4-11631-01-95 | PISTON (STD) PISTON (STD) | 3 | 3 | 3 | |
| | 6H4-11635-01 | PISTON (0.25MM O/S) PISTON (0.25MM O/S) | 3 | 3 | 3 | AP AP |
| | 6H4-11636-01 | PISTON (0.50MM O/S) PISTON (0.50MM O/S) | 3 | 3 | 3 | AP AP |
| 14 | 63D-11603-00 | PISTON RING SET (STD) JEU DE SEGMENTS (STD) | 3 | 3 | 3 | |
| | 63D-11604-00 | PISTON RING SET (0.25MM O/S) JUE DE SEGMENTS (0.25MM O/S) | 3 | 3 | 3 | AP AP |
| | 63D-11605-00 | PISTON RING SET (0.50MM O/S) JEU DE SEGMENTS (0.50MM O/S) | 3 | 3 | 3 | AP AP |
| 15 | 648-11633-00 | PIN, PISTON AXE, PISTON | 3 | 3 | 3 | |
| 16 | 93602-20M02 | PIN, DOWEL GOUJON | 93 | 93 | 93 | |
| 17 | 6H4-11641-00 | WASHER, PISTON PIN RONDELLE, AXE DE PISTON | 6 | 6 | 6 | |
| 18 | 6H4-11634-01 | CLIP, PISTON PIN AGRAFE, AXE DE PISTON | 6 | 6 | 6 | |

FWD
63D0010-5030



63B2300-3040

FIG. 4 INTAKE

ADMISSION

| REF. NO. | PART NO. N° PIECES | DESCRIPTION DESCRIPTION | ETO | EO | MHO | REMARKS REMARQUES |
|----------|--------------------|--|-----|----|-----|-------------------|
| 1 | 6H5-13610-00 | REED VALVE ASSY CLAPET COMPLET | 3 | 3 | 3 | |
| 2 | 6H4-W0004-00 | .REED SET .JEU DE CLAPETS | 1 | 1 | 1 | |
| 3 | 97880-05014 | SCREW, PAN HEAD VIS, TETE TRONCONIQUE | 6 | 6 | 6 | |
| 4 | 92990-05600 | WASHER, PLATE RONDELLE, PLATE | 6 | 6 | 6 | |
| 5 | 6H4-13641-12-94 | MANIFOLD 1 TUBULURE 1 | 1 | 1 | | |
| 6 | 6H4-13641-30-94 | MANIFOLD 1 TUBULURE 1 | | | 1 | |
| 6 | 6H1-14485-00 | .PIPE, JOINT .DURITE | 4 | 4 | | |
| 6 | 6H1-14485-00 | .PIPE, JOINT .DURITE | | | 3 | |
| 7 | 6H4-13624-01-94 | PLATE, REED VALVE PLAQUE DE CLAPET | 1 | 1 | 1 | |
| 8 | 6H4-13621-A1 | GASKET, VALVE SEAT JOINT, SIEGE DE CLAPET | 2 | 2 | 2 | |
| 9 | 90119-06MA2 | BOLT, WITH WASHER BOULON, AVEC RONDELLE | 12 | 12 | 12 | |
| 10 | 6H4-14198-01 | GASKET JOINT | 3 | 3 | 3 | |
| 11 | 6H4-14406-00 | HINGE PENTURE | 1 | 1 | 1 | |
| 12 | 97095-06095 | BOLT BOULON | 6 | 6 | 6 | |
| 13 | 6H4-14431-02 | SILENCER, INTAKE 1 SILENCIEUX, ADMISSION | 1 | 1 | | |
| 13 | 6H4-14431-13 | SILENCER, INTAKE 1 SILENCIEUX, ADMISSION | | | 1 | |
| 14 | 6H3-14457-01 | SEAL JOINT | 3 | 3 | 3 | |
| 15 | 97885-06040 | SCREW, PAN HEAD VIS, A ENCOCHE | 2 | 2 | 2 | |
| 16 | 97885-06055 | SCREW, PAN HEAD VIS, A ENCOCHE | 2 | 2 | 2 | |
| 17 | 90209-06M05 | WASHER RONDELLE | 4 | 4 | 4 | |
| 18 | 6H4-41257-00 | ROD, CHOKE 2 TRINGLE 2, STARTER | | | 2 | |
| 19 | 661-41262-02 | JOINT, CHOKE LEVER RACCORD, LEVIER DE STARTER | | | 4 | |
| 20 | 6H4-41271-01 | KNOB, CHOKE BOUTON DE STARTER | | | 1 | |
| 21 | 6H4-41259-01 | ROD, CHOKE 3 TRINGLE 3, STARTER | | | 1 | |
| 22 | 6J8-41262-00 | JOINT, CHOKE LEVER RACCORD, LEVIER DE STARTER | | | 1 | |
| 23 | 6J8-41274-00 | GROMMET 2 PASSE-FIL 2 | | | 1 | |
| 24 | 6H4-41217-01 | ROD, ACCEL. LEVER TIGE, LEVIER ACCELERATION | 1 | 1 | 1 | |

B1

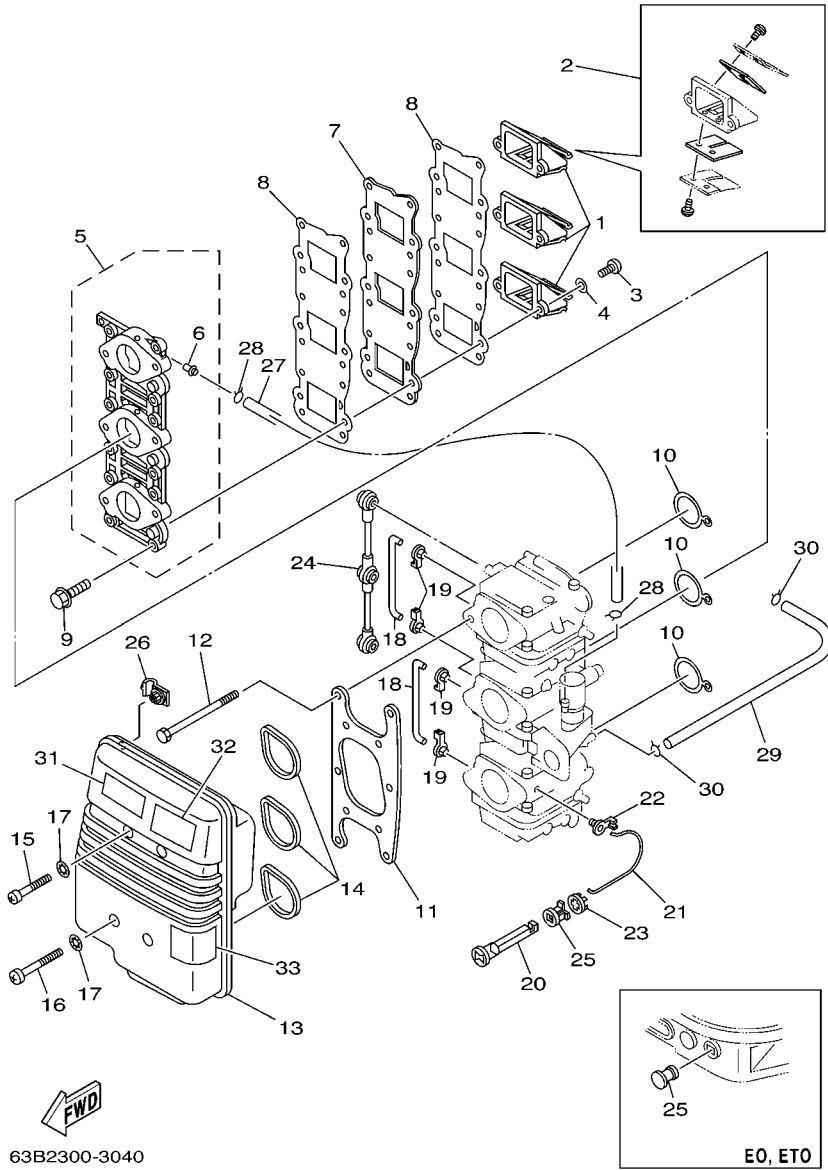


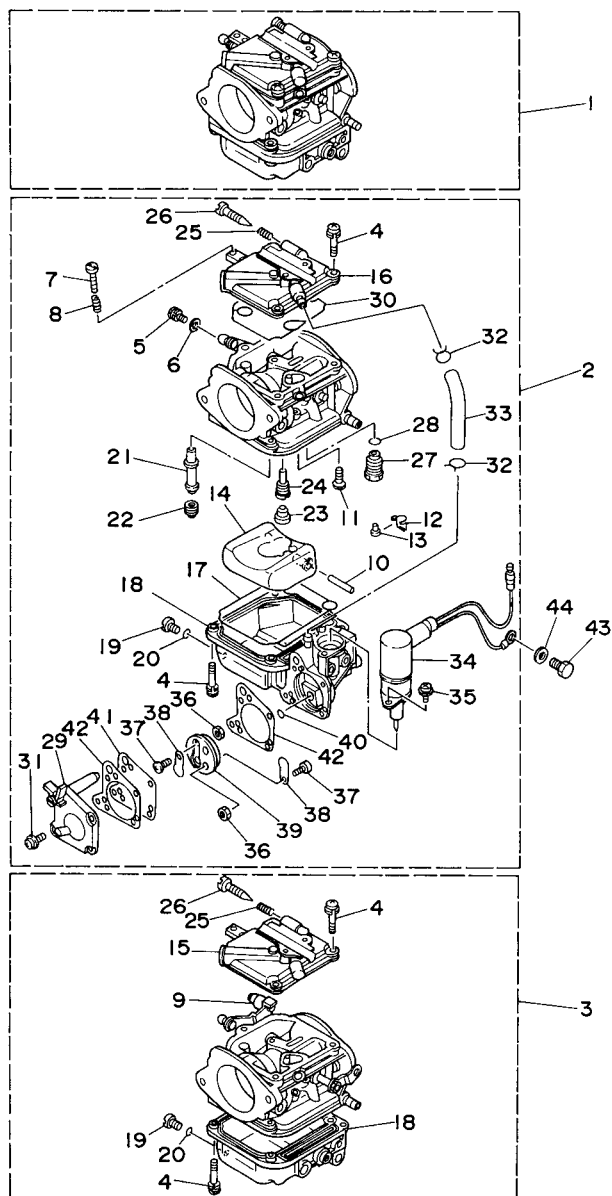
FIG. 4 INTAKE

ADMISSION

| REF. NO. | PART NO. N° PIECES | DESCRIPTION DESCRIPTION | ETO | EO | MHO | REMARKS REMARQUES |
|----------|--------------------|---------------------------|-----|----|-----|-------------------|
| 25 | 6G1-42748-00 | GROMMET PASSE-FIL | 1 | 1 | | |
| | 689-41273-00 | GROMMET PASSE-FIL | | | 1 | |
| 26 | 90464-06M19 | CLAMP BRIDE | | | 1 | |
| 27 | 90445-07MA5 | HOSE (L150) DURITE (L150) | 1 | 1 | | |
| 28 | 90467-06016 | CLIP JONC | 2 | 2 | | |
| 29 | 6H3-14349-00 | PIPE DURITE | 1 | 1 | | |
| 30 | 90467-08004 | CLIP JONC | 2 | 2 | | |
| 31 | 6A1-83625-41 | MARK 5 ETIQUETTE 5 | 1 | 1 | 1 | |
| 32 | 6A1-83625-51 | MARK 5 ETIQUETTE 5 | 1 | 1 | 1 | |
| 33 | 6H1-85711-60 | MARK, CAUTION MAKER | 1 | 1 | | |
| ----- | | | | | | |
| ----- | | | | | | |
| ----- | | | | | | |
| ----- | | | | | | |
| ----- | | | | | | |
| ----- | | | | | | |
| ----- | | | | | | |
| ----- | | | | | | |
| ----- | | | | | | |
| ----- | | | | | | |
| ----- | | | | | | |

FIG. 5 CARBURETOR

CARBURATEUR

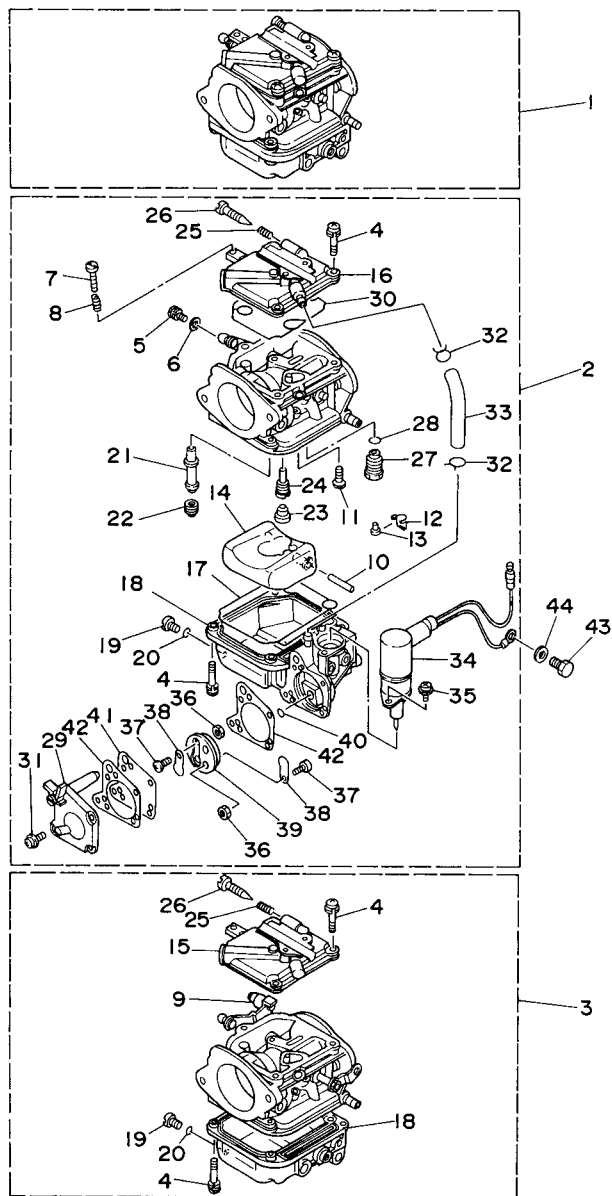


63D0010-5050

| REF. NO. | PART NO. N° PIECES | DESCRIPTION DESCRIPTION | ETO | EO | MHO | REMARKS REMARQUES |
|----------|--------------------|--|-----|----|-----|-------------------|
| 1 | 63D-14301-00 | CARBURETOR ASSY 1 CARBURATEUR COMPLET 1 | | 1 | | 40V 40V |
| | 63B-14301-00 | CARBURETOR ASSY 1 CARBURATEUR COMPLET 1 | | | 1 | 40V 40V |
| | 62X-14301-00 | CARBURETOR ASSY 1 CARBURATEUR COMPLET 1 | 1 | | | 40Y 40Y |
| | 62W-14301-00 | CARBURETOR ASSY 1 CARBURATEUR COMPLET 1 | | | 1 | 40Y 40Y |
| 2 | 63D-14302-00 | CARBURETOR ASSY 2 CARBURATEUR COMPLET 2 | | 1 | | 40V 40V |
| | 63B-14302-00 | CARBURETOR ASSY 2 CARBURATEUR COMPLET 2 | | | 1 | 40V 40V |
| | 62X-14302-00 | CARBURETOR ASSY 2 CARBURATEUR COMPLET 2 | 1 | | | 40Y 40Y |
| | 62W-14302-00 | CARBURETOR ASSY 2 CARBURATEUR COMPLET 2 | | | 1 | 40Y 40Y |
| 3 | 63D-14303-00 | CARBURETOR ASSY 3 CARBURATEUR COMPLET 3 | | 1 | | 40V 40V |
| | 63B-14303-00 | CARBURETOR ASSY 3 CARBURATEUR COMPLET 3 | | | 1 | 40V 40V |
| | 62X-14303-00 | CARBURETOR ASSY 3 CARBURATEUR COMPLET 3 | 1 | | | 40Y 40Y |
| | 62W-14303-00 | CARBURETOR ASSY 3 CARBURATEUR COMPLET 3 | | | 1 | 40Y 40Y |
| 4 | 97980-04114 | .SCREW, WITH WASHER .VIS, AVEC RONDELLE | 21 | 21 | 21 | |
| 5 | 6K5-14592-00 | .SCREW .VIS | 3 | 3 | 3 | |
| 6 | 90201-05652 | .WASHER, PLATE .RONDELLE, PLATE | 3 | 3 | 3 | |
| 7 | 63V-14523-00 | .SCREW, STOP .VIS, BUTEE | 1 | 1 | 1 | #2 #2 |
| 8 | 90501-10326 | .SPRING, COMPRESSION .RESSORT, COMPRESSION | 1 | 1 | 1 | #2 #2 |
| 9 | 6H2-14578-00 | .COLLAR .COLLERETTE | 1 | 1 | 1 | #3 #3 |
| 10 | 6H4-14548-00 | .PIN, FLOAT ARM .AXE, BRAS DE FLOTTEUR | 3 | 3 | 3 | |
| 11 | 98580-04008 | .SCREW, PAN HEAD .VIS | 3 | 3 | 3 | |
| 12 | 663-14159-00 | .CLIP .JONC | 3 | 3 | 3 | |
| 13 | 676-14186-00 | .PIN, FLOAT .AXE, FLOTTEUR | 3 | 3 | 3 | |
| 14 | 6H4-14985-01 | .FLOAT .FLOTTEUR | 3 | 3 | 3 | |
| 15 | 6H4-14146-10 | .PLATE .PLAQUE | 2 | 2 | 2 | #1,3 #1,3 |
| 16 | 6H3-14146-10 | .PLATE .PLAQUE | 1 | 1 | | #2 #2 |
| | 6H4-14146-00 | .PLATE .PLAQUE | | | 1 | #2 #2 |
| 17 | 6H4-14984-00 | .GASKET, FLOAT CHAMBER .JOINT, CUVE DE FLOTTEUR | 3 | 3 | 3 | |

FIG. 5 CARBURETOR

CARBURATEUR

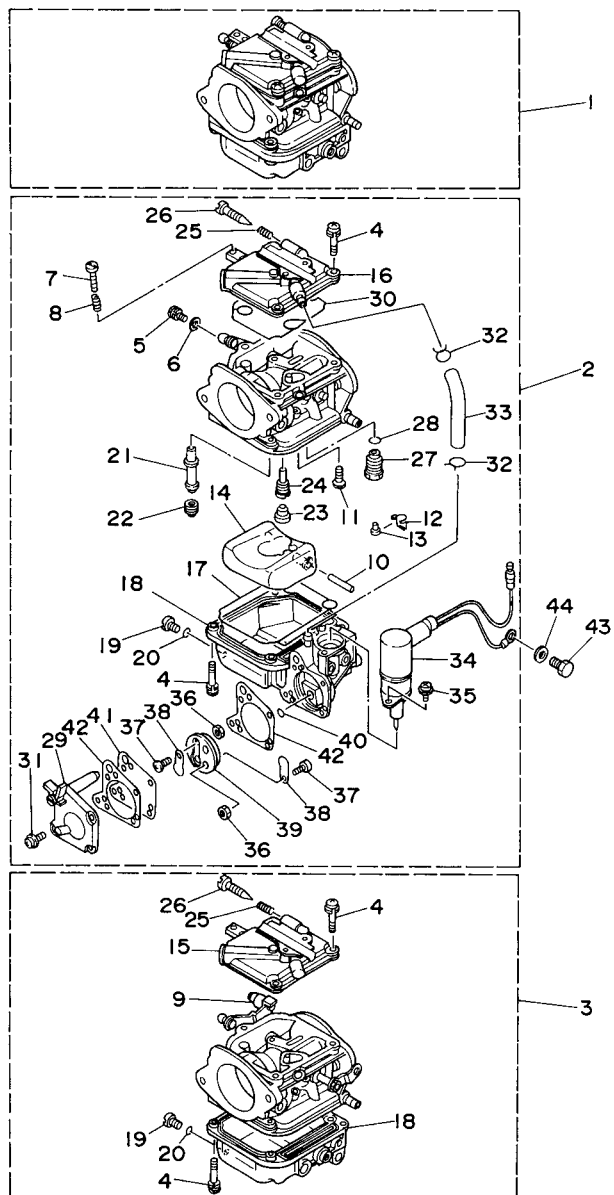


63D0010-5050

| REF. NO. | PART NO. N° PIECES | DESCRIPTION DESCRIPTION | ETO | EO | MHO | REMARKS REMARQUES |
|----------|--------------------|---|-----|----|-----|----------------------|
| 18 | 6H4-14980-00 | .BODY, FLOAT CHAMBER .CORPS, CUVE DE FLOTTEUR | 2 | 2 | | #1,3 #1,3 |
| | 6H3-14980-10 | .BODY, FLOAT CHAMBER .CORPS, CUVE DE FLOTTEUR | 1 | 1 | | #2 #2 |
| | 6H4-14980-00 | .BODY, FLOAT CHAMBER .CORPS, CUVE DE FLOTTEUR | | | 3 | |
| 19 | 6H3-14992-00 | .SCREW, DRAIN .BOUCHON, PURGE | 3 | 3 | 3 | |
| 20 | 93210-04230 | .O-RING .JOINT TORIQUE | 3 | 3 | 3 | |
| 21 | 63D-14947-00 | .JET, NEEDLE .GICLEUR DE STARTER | | 3 | 3 | 40V 40V |
| | 62X-14947-00 | .JET, NEEDLE .GICLEUR DE STARTER | 3 | | | 40Y 40Y |
| | 62W-14947-00 | .JET, NEEDLE .GICLEUR DE STARTER | | | 3 | 40Y 40Y |
| 22 | 676-14943-30 | .JET, MAIN (#115) .GICLEUR, PRINCIPAL (#115) | 2 | 2 | | 40V-#1,3 40V-#1,3 |
| | 63D-14943-81 | .JET, MAIN (#118) .GICLEUR, PRINCIPAL (#118) | 1 | 1 | | 40V-#2 40V-#2 |
| | 676-14943-33 | .JET, MAIN (#130) .GICLEUR, PRINCIPAL (#130) | 3 | | | 40Y 40Y |
| | 676-14943-32 | .JET, MAIN (#125) .GICLEUR, PRINCIPAL (#125) | | | 3 | 40Y 40Y |
| 23 | 676-14966-00 | .CAP .CAPUCHON | 3 | 3 | 3 | |
| 24 | 6H4-14948-11 | .JET (#60) .GICLEUR (#60) | | 3 | 3 | 40V 40V |
| | 6H4-14948-12 | .JET (#62) .GICLEUR (#62) | 3 | | | 40Y 40Y |
| | 62X-14948-12 | .JET (#62) .GICLEUR (#62) | | | 3 | 40Y 40Y |
| 25 | 679-14555-00 | .SPRING .RESSORT | 3 | 3 | 3 | |
| 26 | 692-14923-00 | .SCREW, PILOT .VIS, RALENTI | 3 | 3 | 3 | |
| 27 | 6H4-14590-01 | .NEEDLE VALVE ASSY .POINTEAU | 3 | 3 | 3 | |
| 28 | 93210-04228 | .O-RING .JOINT TORIQUE | 3 | 3 | 3 | |
| 29 | 6H3-24452-10 | .COVER .COUVERCLE | 1 | 1 | | #2 #2 |
| 30 | 6H4-14147-00 | .O-RING .JOINT TORIQUE | 3 | 3 | 3 | |
| 31 | 6H4-14567-00 | .SCREW .VIS | 4 | 4 | | #2 #2 |
| 32 | 6H3-14137-00 | .CLIP .JONC | 2 | 2 | | #2 #2 |
| 33 | 6H3-14349-00 | .PIPE .DURITE | 1 | 1 | | #2 #2 |
| 34 | 63D-14380-00 | .PRIME STARTER ASSY .DEMARREUR D'AMARCAGE ENS. | 1 | 1 | | #2 #2 |
| 35 | 97803-04010 | .SCREW, PAN HEAD .VIS, CRUCIFORME | 2 | 2 | | #2 #2 |

FIG. 5 CARBURETOR

CARBURATEUR

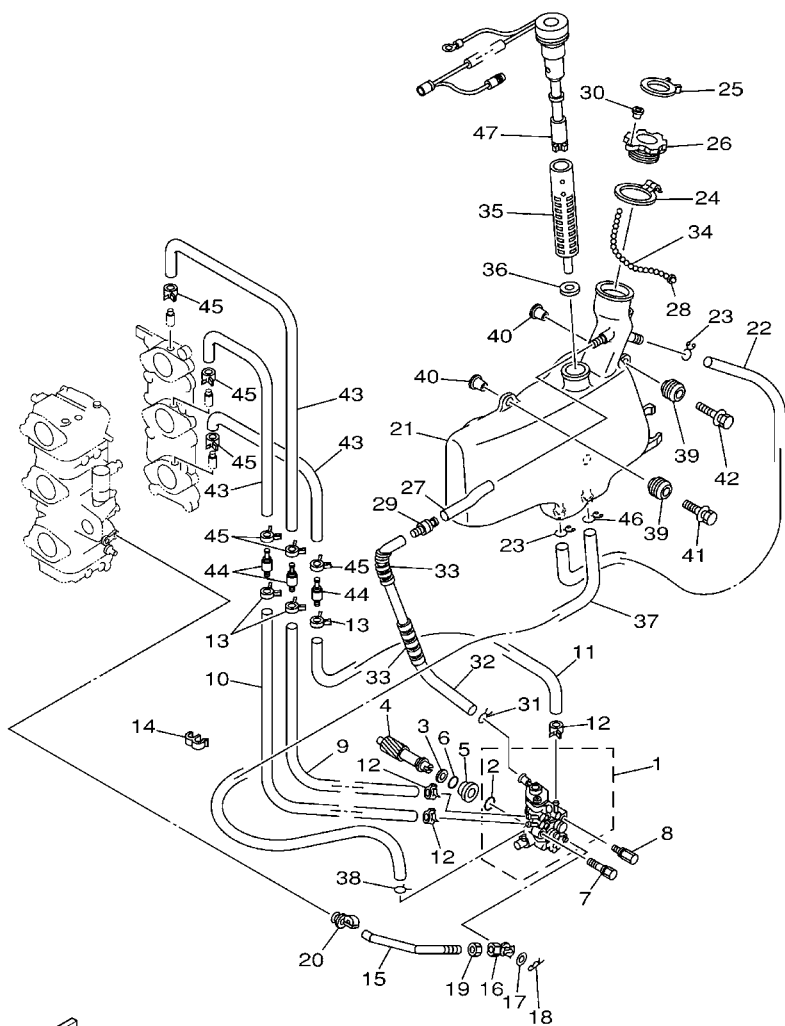


| REF. NO. | PART NO. N° PIECES | DESCRIPTION DESCRIPTION | ETO | EO | MHO | REMARKS REMARQUES |
|----------|--------------------|------------------------------------|-----|----|-----|-------------------|
| 36 | 95380-03600 | .NUT .ECROU | 2 | 2 | | #2 #2 |
| 37 | 98980-03006 | .SCREW, BIND .VIS, DE PRESSION | 2 | 2 | | #2 #2 |
| 38 | 6L5-24421-00 | .VALVE, CHECK .SOUPAPE, RETENUE | 2 | 2 | | #2 #2 |
| 39 | 6H4-24413-00 | .BODY 2 .CORPS 2 | 1 | 1 | | #2 #2 |
| 40 | 6H4-24486-00 | .O-RING .JOINT TORIQUE | 1 | 1 | | #2 #2 |
| 41 | 6H3-24411-10 | .DIAPHRAGM .DIAPHRAGME | 1 | 1 | | #2 #2 |
| 42 | 6H3-24434-10 | .GASKET, BODY .JOINT, CORPS | 2 | 2 | | #2 #2 |
| 43 | 97013-06012 | BOLT BOULON | 1 | 1 | | |
| 44 | 92903-06600 | WASHER, PLATE RONDELLE, PLATE | 1 | 1 | | |

 63D0010-5050

FIG. 6 OIL PUMP 1

POMPE A HUILE 1



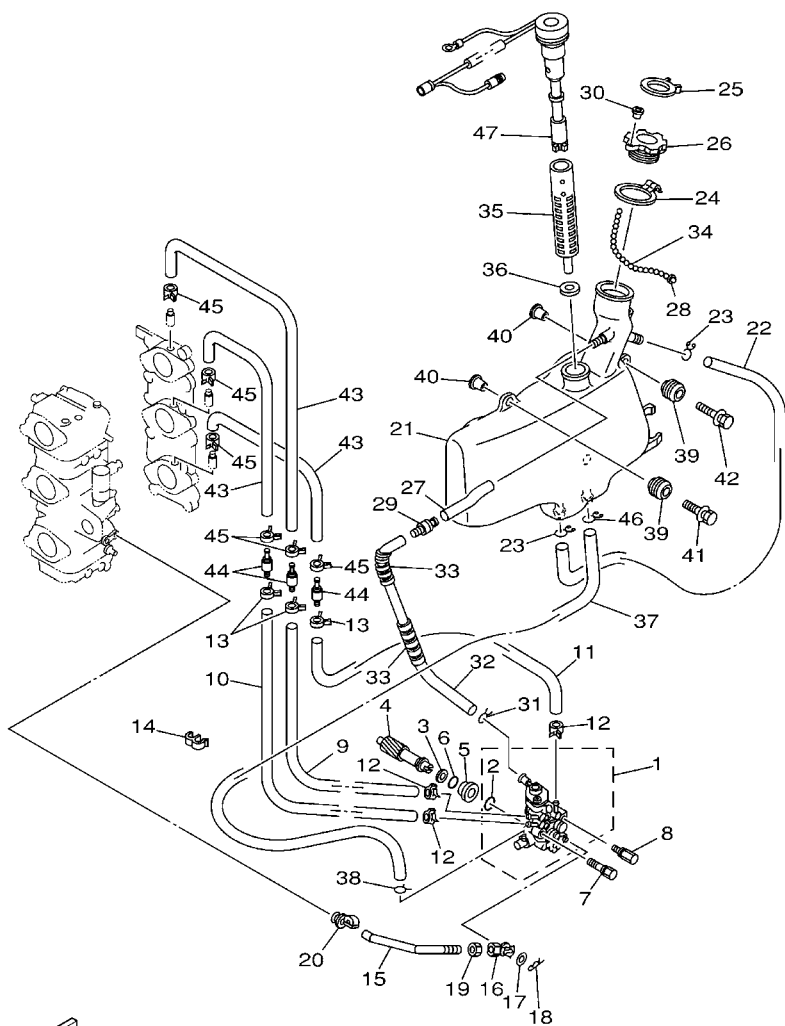
63B0100-1060

| REF. NO. | PART NO. N° PIECES | DESCRIPTION DESCRIPTION | ETO | EO | MHO | REMARKS REMARQUES |
|----------|--------------------|--|-----|----|-----|-------------------|
| 1 | 63D-13200-00 | OIL INJECTION PUMP ASSY POMPE A HUILE COMPLET | | | 1 | |
| 2 | 93210-19MA7 | .O-RING .JOINT TORIQUE | | | 1 | |
| 3 | 90201-08M93 | WASHER, PLATE RONDELLE, PLATE | | | 1 | |
| 4 | 6H4-11537-01 | GEAR, DRIVEN PIGNON SECONDAIRE | | | 1 | |
| 5 | 6H1-13117-01 | COLLAR, DISTANCE ENTRETOISE | | | 1 | |
| 6 | 93210-13M04 | O-RING JOINT TORIQUE | | | 1 | |
| 7 | 90109-06M39 | BOLT BOULON | | | 1 | |
| 8 | 90109-06M40 | BOLT BOULON | | | 1 | |
| 9 | 90445-07M44 | HOSE (L250) DURITE (L250) | | | 1 | |
| 10 | 90445-07M23 | HOSE (L408) DURITE (L408) | | | 1 | |
| 11 | 90445-07MA6 | HOSE (L90) DURITE (L90) | | | 1 | |
| 12 | 90468-07M02 | CLIP JONC | | | 3 | |
| 13 | 90468-07M02 | CLIP JONC | | | 3 | |
| 14 | 90464-07M20 | CLAMP BRIDE | | | 1 | |
| 15 | 6H4-41241-01 | ROD, LINK BIELLETTTE | | | 1 | |
| 16 | 6H1-41237-00 | JOINT, LINK RACCORD | | | 1 | |
| 17 | 90202-05088 | WASHER, PLATE RONDELLE, PLATE | | | 1 | |
| 18 | 90468-05M03 | CLIP JONC | | | 1 | |
| 19 | 95380-05600 | NUT ECROU | | | 1 | |
| 20 | 6E9-41237-00 | JOINT, LINK RACCORD | | | 1 | |
| 21 | 63D-21707-10 | OIL TANK COMP. RESERVOIR A PETROLE COMP. | | | 1 | |
| 22 | 90445-11M15 | HOSE (L360) DURITE (L360) | | | 1 | |
| 23 | 90467-11M08 | CLIP JONC | | | 2 | |
| 24 | 63D-2175R-00 | HOOK, BAND CROCHET, BANDE | | | 1 | |
| 25 | 63D-2176M-00 | HOOK CROCHET | | | 1 | |
| 26 | 6H4-21770-00 | OIL TANK CAP ASSY CABOCHON DE RESERVOIR A HUILE | | | 1 | |
| 27 | 90445-11M23 | HOSE (L85) DURITE (L85) | | | 1 | |

B6

FIG. 6 OIL PUMP 1

POMPE A HUILE 1



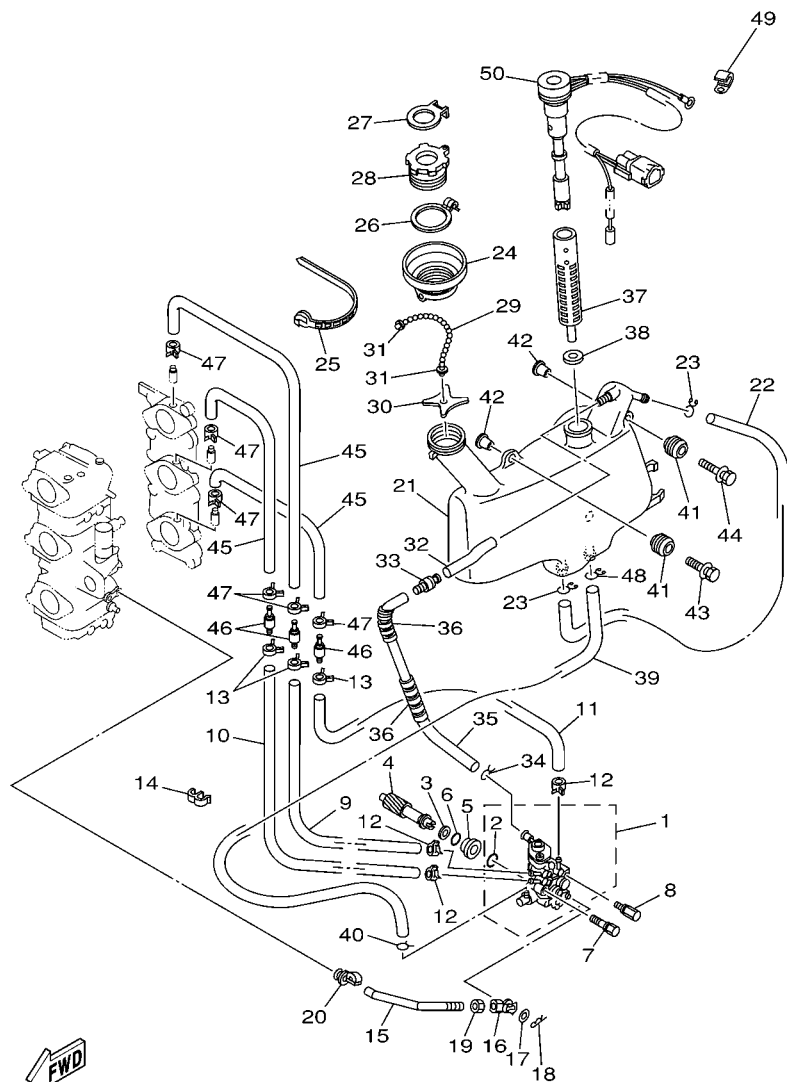
| REF. NO. | PART NO. N° PIECES | DESCRIPTION DESCRIPTION | ETO | EO | MHO | REMARKS REMARQUES |
|----------|--------------------|--|-----|----|-----|-------------------|
| 28 | 6H4-21757-00 | WASHER, SPECIAL 1 RONDELLE, SPECIALE 1 | | | 1 | |
| 29 | 63D-21744-00 | BREATHER RENIFLARD | | | 1 | |
| 30 | 6H4-24634-00 | HOOK, CHAIN BALL ATTACHE | | | 1 | |
| 31 | 90467-10M04 | CLIP JONC | | | 1 | |
| 32 | 90445-11M17 | HOSE (L300) DURITE (L300) | | | 1 | |
| 33 | 90446-10M01 | HOSE (L60) DURITE (L60) | | | 2 | |
| 34 | 6H4-24633-00 | CHAIN, BALL CHANE DE BALLE | | | 1 | |
| 35 | 6J8-13411-00 | STRAINER, OIL FILTRE, HUILE | | | 1 | |
| 36 | 6J8-13414-00 | GASKET, STRAINER COVER JOINT, COUVERCLE DE FILTRE | | | 1 | |
| 37 | 6L2-13416-00 | PIPE, OIL 1 DURITE A HUILE | | | 1 | |
| 38 | 90467-08004 | CLIP JONC | | | 1 | |
| 39 | 6A0-82317-00 | DAMPER, IGNITION COIL AMORTISSEUR, BOBINE D'ALLUM | | | 3 | |
| 40 | 624-42542-00 | PIPE TUYAU | | | 3 | |
| 41 | 90119-06M65 | BOLT, WITH WASHER BOULON, AVEC RONDELLE | | | 2 | |
| 42 | 90119-06M67 | BOLT, WITH WASHER BOULON, AVEC RONDELLE | | | 1 | |
| 43 | 90445-07M87 | HOSE (L110) DURITE (L110) | | | 3 | |
| 44 | 6E9-13183-70 | VALVE, CHECK CLAPET ANTI RETOUR | | | 3 | |
| 45 | 90468-07M02 | CLIP JONC | | | 6 | |
| 46 | 90467-11M08 | CLIP JONC | | | 1 | |
| 47 | 63D-85720-10 | OIL LEVEL GAUGE ASSY JAUGE A HUILE CPLT | | | 1 | |



63B0100-1060

FIG. 7 OIL PUMP 2

POMPE A HUILE 2

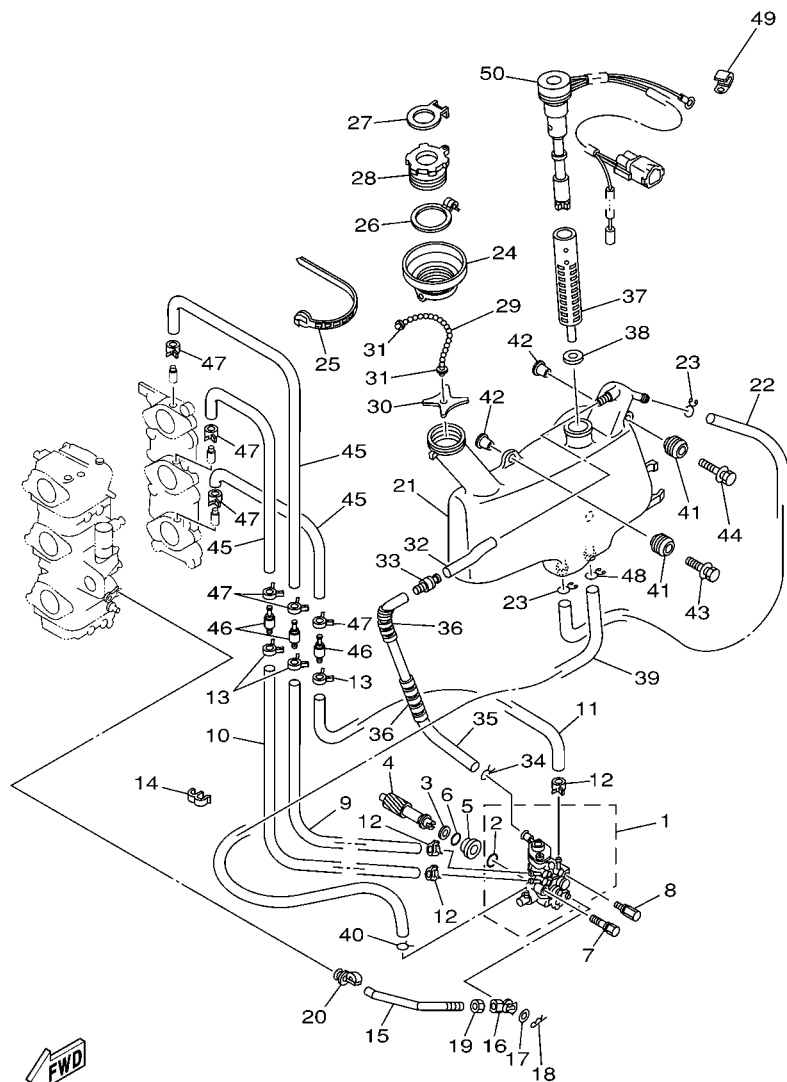


FWD
63B0100-0070

| REF. NO. | PART NO. N° PIECES | DESCRIPTION DESCRIPTION | ETO | EO | MHO | REMARKS REMARQUES |
|----------|--------------------|--|-----|----|-----|-------------------|
| 1 | 63D-13200-00 | OIL INJECTION PUMP ASSY POMPE A HUILE COMPLET | 1 | 1 | | |
| 2 | 93210-19MA7 | .O-RING .JOINT TORIQUE | 1 | 1 | | |
| 3 | 90201-08M93 | WASHER, PLATE RONDELLE, PLATE | 1 | 1 | | |
| 4 | 6H4-11537-01 | GEAR, DRIVEN PIGNON SECONDAIRE | 1 | 1 | | |
| 5 | 6H1-13117-01 | COLLAR, DISTANCE ENTRETOISE | 1 | 1 | | |
| 6 | 93210-13M04 | O-RING JOINT TORIQUE | 1 | 1 | | |
| 7 | 90109-06M39 | BOLT BOULON | 1 | 1 | | |
| 8 | 90109-06M40 | BOLT BOULON | 1 | 1 | | |
| 9 | 90445-07M44 | HOSE (L250) DURITE (L250) | 1 | 1 | | |
| 10 | 90445-07M23 | HOSE (L408) DURITE (L408) | 1 | 1 | | |
| 11 | 90445-07MA6 | HOSE (L90) DURITE (L90) | 1 | 1 | | |
| 12 | 90468-07M02 | CLIP JONC | 3 | 3 | | |
| 13 | 90468-07M02 | CLIP JONC | 3 | 3 | | |
| 14 | 90464-07M20 | CLAMP BRIDE | 1 | 1 | | |
| 15 | 6H4-41241-01 | ROD, LINK BIELLETTTE | 1 | 1 | | |
| 16 | 6H1-41237-00 | JOINT, LINK RACCORD | 1 | 1 | | |
| 17 | 90202-05088 | WASHER, PLATE RONDELLE, PLATE | 1 | 1 | | |
| 18 | 90468-05M03 | CLIP JONC | 1 | 1 | | |
| 19 | 95380-05600 | NUT ECROU | 1 | 1 | | |
| 20 | 6E9-41237-00 | JOINT, LINK RACCORD | 1 | 1 | | |
| 21 | 63D-21707-00 | OIL TANK COMP. RESERVOIR A PETROLE COMP. | 1 | 1 | | |
| 22 | 90445-11M15 | HOSE (L360) DURITE (L360) | 1 | 1 | | |
| 23 | 90467-11M08 | CLIP JONC | 2 | 2 | | |
| 24 | 6H4-21752-00 | TUBE, FILLER 1 DURITE | 1 | 1 | | |
| 25 | 90465-13M30 | CLAMP BRIDE | 1 | 1 | | |
| 26 | 63D-2175R-00 | HOOK, BAND CROCHET, BANDE | 1 | 1 | | |
| 27 | 63D-2176M-00 | HOOK CROCHET | 1 | 1 | | |

FIG. 7 OIL PUMP 2

POMPE A HUILE 2



FWD
63B0100-0070

| REF. NO. | PART NO. N° PIECES | DESCRIPTION DESCRIPTION | ETO | EO | MHO | REMARKS REMARQUES |
|----------|--------------------|--|-----|----|-----|-------------------|
| 28 | 6H4-21770-00 | OIL TANK CAP ASSY CABOCHON DE RESERVOIR A HUILE | 1 | 1 | | |
| 29 | 6H5-24633-00 | CHAIN, BALL CHANE DE BALLE | 1 | 1 | | |
| 30 | 6J8-21758-00 | WASHER, SPECIAL 2 RONDELLE, SPECIALE 2 | 1 | 1 | | |
| 31 | 6H1-21757-00 | WASHER, SPECIAL 1 RONDELLE, SPECIALE 1 | 2 | 2 | | |
| 32 | 90445-11M23 | HOSE (L85) DURITE (L85) | 1 | 1 | | |
| 33 | 63D-21744-00 | BREATHER RENIFLARD | 1 | 1 | | |
| 34 | 90467-10M04 | CLIP JONC | 1 | 1 | | |
| 35 | 90445-11M17 | HOSE (L300) DURITE (L300) | 1 | 1 | | |
| 36 | 90446-10M01 | HOSE (L60) DURITE (L60) | 2 | 2 | | |
| 37 | 6J8-13411-00 | STRAINER, OIL FILTRE, HUILE | 1 | 1 | | |
| 38 | 6J8-13414-00 | GASKET, STRAINER COVER JOINT, COUVERCLE DE FILTRE | 1 | 1 | | |
| 39 | 6L2-13416-00 | PIPE, OIL 1 DURITE A HUILE | 1 | 1 | | |
| 40 | 90467-08004 | CLIP JONC | 1 | 1 | | |
| 41 | 6A0-82317-00 | DAMPER, IGNITION COIL AMORTISSEUR, BOBINE D'ALLUM | 3 | 3 | | |
| 42 | 624-42542-00 | PIPE TUYAU | 3 | 3 | | |
| 43 | 90119-06M65 | BOLT, WITH WASHER BOULON, AVEC RONDELLE | 2 | 2 | | |
| 44 | 90119-06M67 | BOLT, WITH WASHER BOULON, AVEC RONDELLE | 1 | 1 | | |
| 45 | 90445-07M87 | HOSE (L110) DURITE (L110) | 3 | 3 | | |
| 46 | 6E9-13183-70 | VALVE, CHECK CLAPET ANTI RETOUR | 3 | 3 | | |
| 47 | 90468-07M02 | CLIP JONC | 6 | 6 | | |
| 48 | 90467-11M08 | CLIP JONC | 1 | 1 | | |
| 49 | 90465-06M86 | CLAMP BRIDE | 1 | 1 | | |
| 50 | 63D-85720-00 | OIL LEVEL GAUGE ASSY JAUGE A HUILE CPLT | 1 | 1 | | |

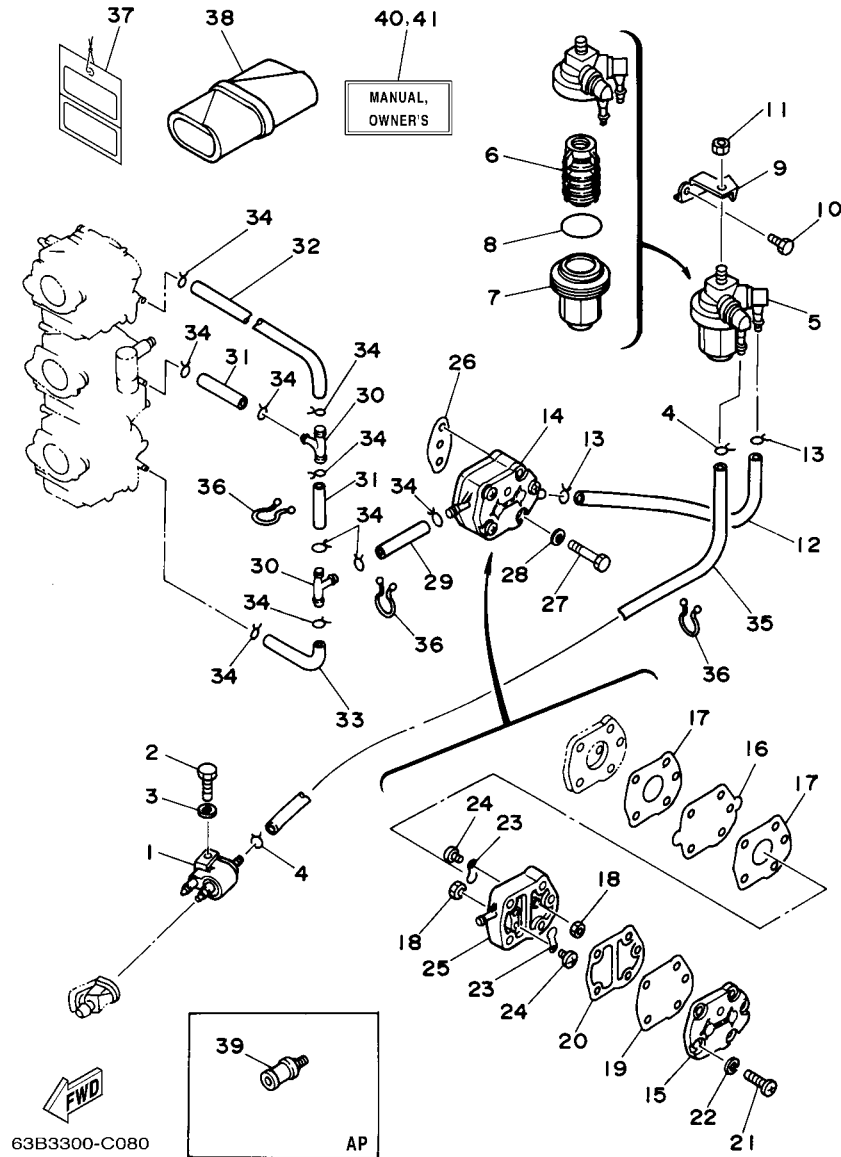


FIG. 8 FUEL

CARBURANT

| REF. NO. | PART NO. N° PIECES | DESCRIPTION DESCRIPTION | ETO | EO | MHO | REMARKS REMARQUES |
|----------|--------------------|---|-----|----|-----|-------------------|
| 1 | 6G1-24304-02 | FUEL PIPE JOINT COMP. 1 DURITE RACCORDEMT. A ESSENCE | 1 | 1 | 1 | |
| 2 | 97095-06025 | BOLT BOULON | 1 | 1 | 1 | |
| 3 | 92995-06600 | WASHER RONDELLE | 1 | 1 | 1 | |
| 4 | 90467-08004 | CLIP JONC | 2 | 2 | 2 | |
| 5 | 61N-24560-00 | FILTER ASSY ENS FILTRE | 1 | 1 | 1 | |
| 6 | 61N-24563-00 | .ELEMENT, FILTER .ELEMENT, FILTRE | 1 | 1 | 1 | |
| 7 | 61N-24521-00 | .CUP, FILTER .CUVETTE, FILTRE | 1 | 1 | 1 | |
| 8 | 93210-32738 | .O-RING .JOINT TORIQUE | 1 | 1 | 1 | |
| 9 | 6H4-24566-02 | BRACKET, FILTER SUPPORT, FILTRE | 1 | 1 | 1 | |
| 10 | 97013-06014 | BOLT BOULON | 1 | 1 | 1 | |
| 11 | 95380-08600 | NUT ECROU | 1 | 1 | 1 | |
| 12 | 6H4-24314-00 | PIPE 4 DURITE 4 | 1 | 1 | 1 | |
| 13 | 90467-08004 | CLIP JONC | 2 | 2 | 2 | |
| 14 | 692-24410-00 | FUEL PUMP ASSY POMPE A ESSENCE | 1 | 1 | 1 | |
| 15 | 6A0-24413-00 | .BODY 2 .CORPS 2 | 1 | 1 | 1 | |
| 16 | 692-24411-00 | .DIAPHRAGM .DIAPHRAGME | 1 | 1 | 1 | |
| 17 | 648-24434-01 | .GASKET, BODY JOINT, CORPS | 2 | 2 | 2 | |
| 18 | 95380-03600 | .NUT .ECROU | 2 | 2 | 2 | |
| 19 | 663-24411-00 | .DIAPHRAGM .DIAPHRAGME | 1 | 1 | 1 | |
| 20 | 648-24435-02 | .GASKET, BODY 2 JOINT, CORPS 2 | 1 | 1 | 1 | |
| 21 | 98503-05028 | .SCREW, PAN HEAD .VIS | 3 | 3 | 3 | |
| 22 | 92990-05100 | .WASHER, SPRING .RONDELLE, GROWER | 3 | 3 | 3 | |
| 23 | 6A0-24421-01 | .VALVE, CHECK .SOUPAPE, RETENUE | 2 | 2 | 2 | |
| 24 | 6A0-14325-00 | .SCREW, PAN HEAD .VIS TETE CONIQUE | 2 | 2 | 2 | |
| 25 | 6A0-24412-02 | .BODY 1 .CORPS 1 | 1 | 1 | 1 | |
| 26 | 650-24431-A0 | GASKET, FUEL PUMP 1 JOINT 1 DE POMPE A ESSENCE | 1 | 1 | 1 | |
| 27 | 97095-06040 | BOLT BOULON | 2 | 2 | 2 | |

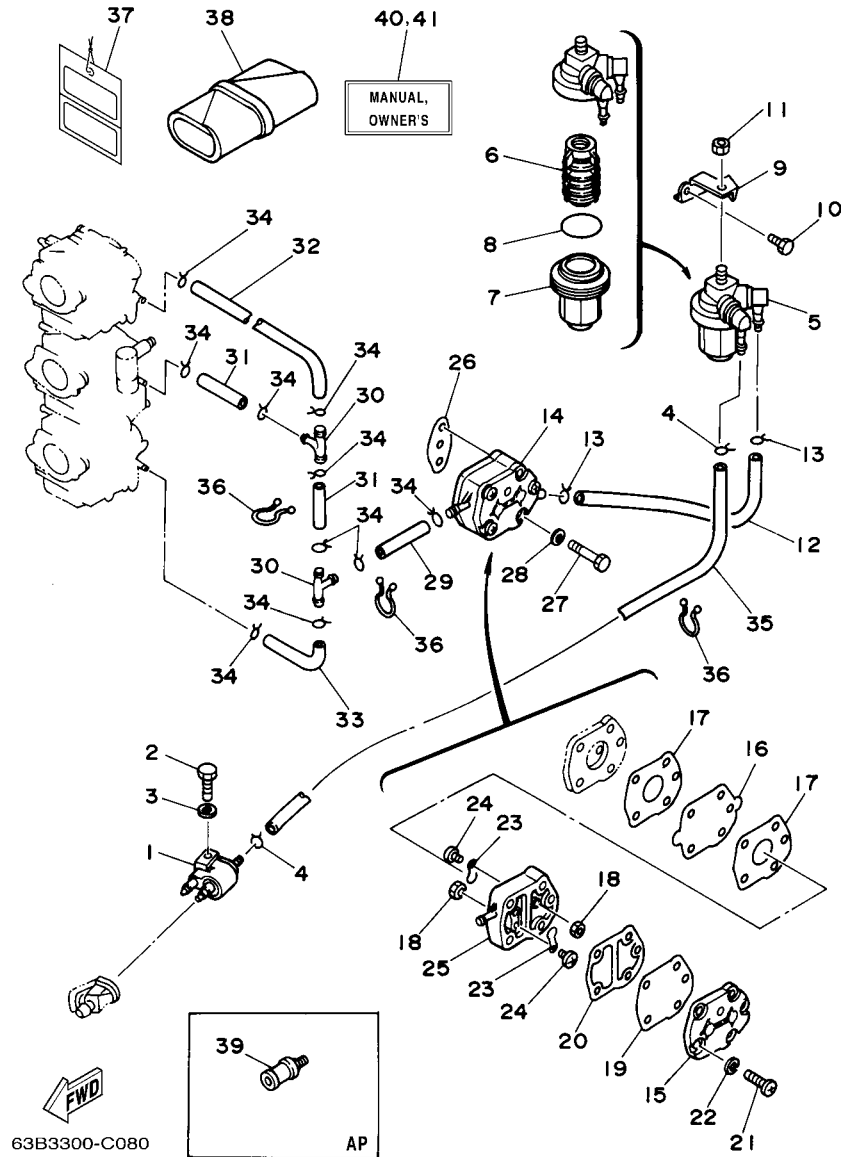


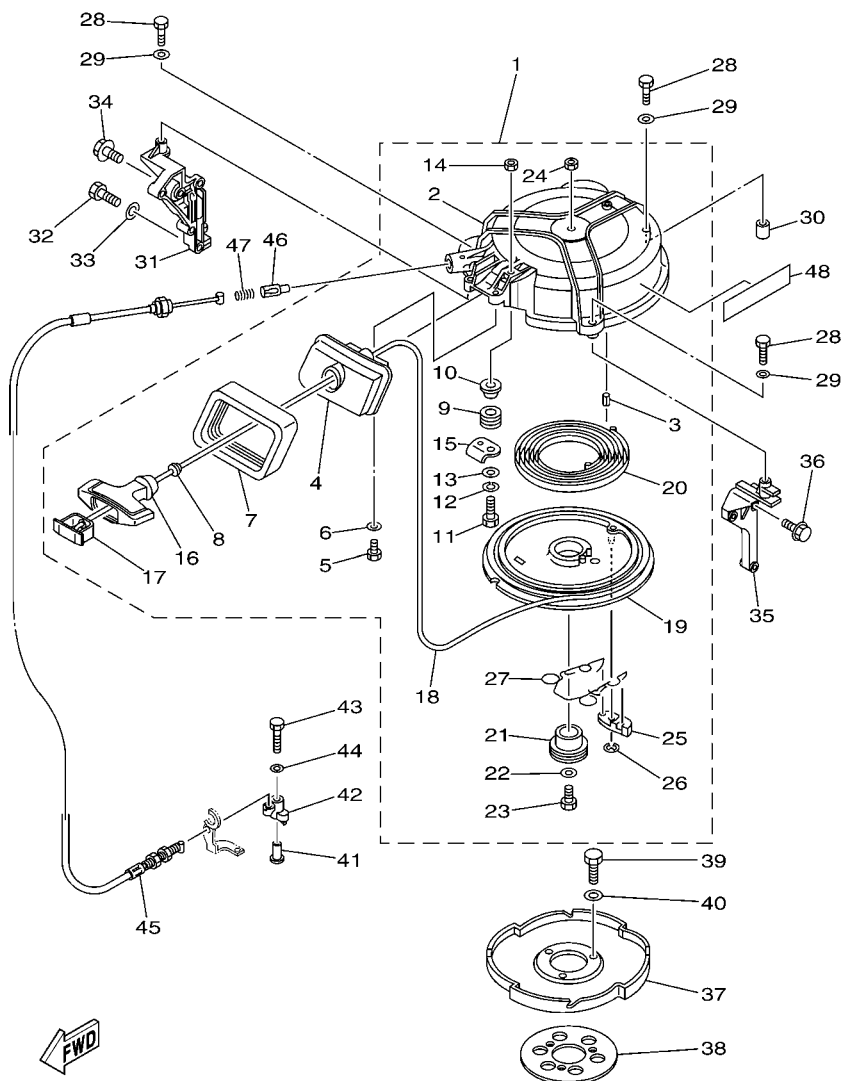
FIG. 8 FUEL

CARBURANT

| REF. NO. | PART NO. N° PIECES | DESCRIPTION DESCRIPTION | ETO | EO | MHO | REMARKS REMARQUES |
|----------|--------------------|---|-----|----|-----|------------------------------|
| 28 | 92995-06600 | WASHER RONDELLE | 2 | 2 | 2 | |
| 29 | 90445-09063 | HOSE DURITE | 1 | 1 | 1 | |
| 30 | 688-24378-00 | PIPE, JOINT 4 DURITE RACCORDEMENT 4 | 2 | 2 | 2 | |
| 31 | 90445-09057 | HOSE (L45) DURITE (L45) | 2 | 2 | 2 | |
| 32 | 6H4-24313-00 | PIPE 3 DURITE 3 | 1 | 1 | 1 | |
| 33 | 6H4-24312-00 | PIPE 2 DURITE 2 | 1 | 1 | 1 | |
| 34 | 90467-08004 | CLIP JONC | 10 | 10 | 10 | |
| 35 | 6H4-24311-00 | PIPE, FUEL 1 DURITE A ESSENCE | 1 | 1 | 1 | |
| 36 | 90464-15M11 | CLAMP BRIDE | 3 | 3 | 3 | |
| 37 | 61H-2819R-31 | TAG, WARNING ETIQUETTE, AVERTISSEMENT | 1 | 1 | 1 | |
| 38 | 656-W2810-02 | TOOL KIT TROUSSE A OUTILS | 1 | 1 | 1 | |
| 39 | 6E0-28193-00-94 | PLUG, WATER CHECK BOUCHON, CONTROLE D'EAU | 1 | 1 | 1 | AP D:12.5MM AP D:12.5MM |
| 40 | 63B-28199-78-A0 | MANUAL, OWNER'S MANUEL D'UTILISATION | 1 | 1 | 1 | UR (E,F,S) |
| | 63B-28199-78-B0 | MANUAL, OWNER'S MANUEL D'UTILISATION | 1 | 1 | 1 | UR (D,NL,I) UR (D,NL,I) |
| 41 | 63B-28199-88-A0 | MANUAL, OWNER'S MANUEL D'UTILISATION | 1 | 1 | 1 | UR (DK,P,GR) UR (DK,P,GR) |
| | 63B-28199-88-B0 | MANUAL, OWNER'S MANUEL D'UTILISATION | 1 | 1 | 1 | UR (N,S,SS) UR (N,S,SS) |

FIG. 9 STARTER

DEMARREUR

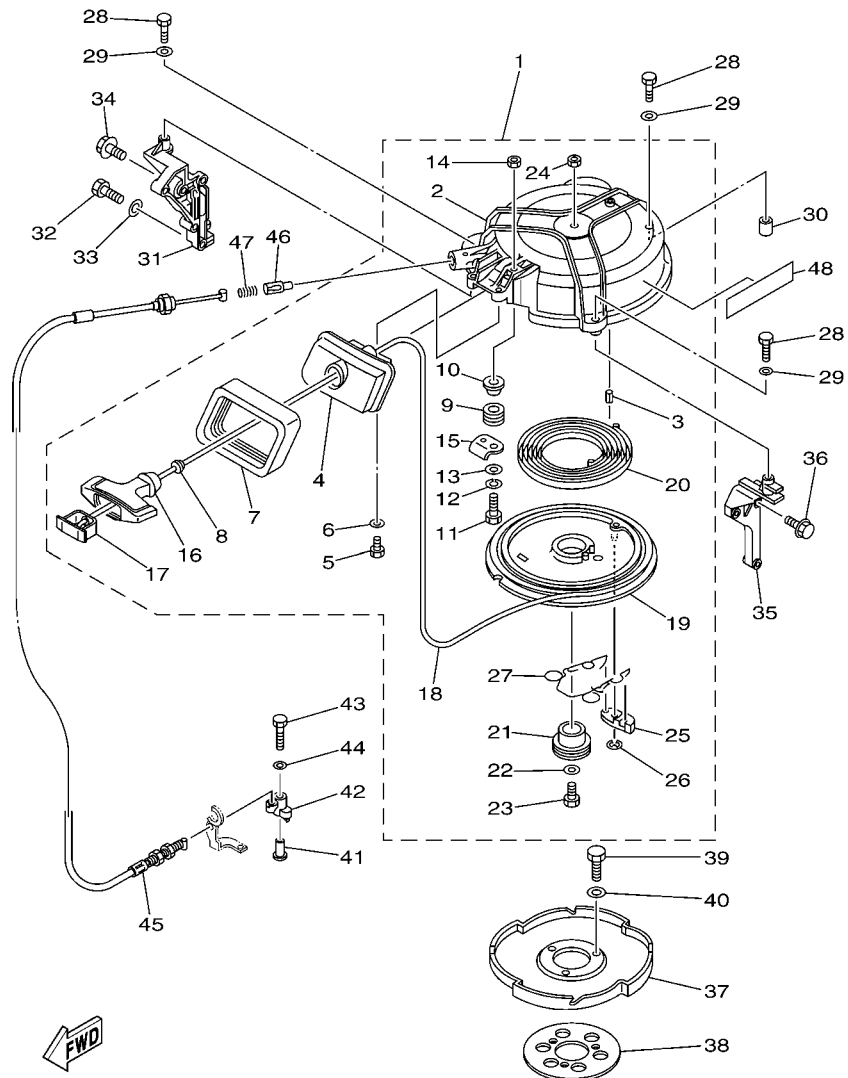


63B3300-C090

*1: CUT FROM 50M ROLLS, PART NO. 90890-44373, CUTTING LENGTH 2.095M

*1: A PRELEVER SUR BOBINE 50M ,REFERENCE 90890-44373, LONGUEUR DE COUPE 2.095M

| REF. NO. | PART NO. N° PIECES | DESCRIPTION DESCRIPTION | ETO | EO | MHO | REMARKS REMARQUES |
|----------|--------------------|--|-----|----|-----|-------------------|
| 1 | 6H4-15710-04-4D | STARTER ASSY DEMARREUR COMPLET | | | 1 | |
| 2 | 6H4-15711-02-94 | .CASE, STARTER .CARTER DE DEMARREUR | | | 1 | |
| 3 | 91690-40018 | .PIN, SPRING .AGRAFFE | | | 1 | |
| 4 | 6H4-15758-01-4D | .GUIDE, ROPE .GUIDE DE CABLE | | | 1 | |
| 5 | 97095-06016 | .BOLT .BOULON | | | 2 | |
| 6 | 92995-06600 | .WASHER .RONDELLE | | | 2 | |
| 7 | 6H4-15762-00 | .SEAL, RUBBER 2 .JOINT CAOUTCHOUC 2 | | | 1 | |
| 8 | 6A0-15789-00 | .DAMPER .AMORTISSEUR | | | 1 | |
| 9 | 6F5-15752-00 | .ROLLER, WIRE .GALET, CABLE | | | 1 | |
| 10 | 90387-06M69 | .COLLAR .COLLERETTE | | | 1 | |
| 11 | 97013-06030 | .BOLT .BOULON | | | 1 | |
| 12 | 92903-06100 | .WASHER, SPRING .RONDELLE, GROWER | | | 1 | |
| 13 | 92903-06600 | .WASHER, PLATE .RONDELLE, PLATE | | | 1 | |
| 14 | 95380-06600 | .NUT, HEXAGON .ECROU | | | 1 | |
| 15 | 6H4-15787-01 | .STAY .SUPPORT | | | 1 | |
| 16 | 689-15755-01 | .HANDLE, STARTER .POIGNEE, DE DEMARREUR | | | 1 | |
| 17 | 6F5-15779-02 | .COVER .COUVERCLE | | | 1 | |
| 18 | * | .WIRE (L:2095MM) .FIL (L:2095MM) | | | 1 | *1 *1 |
| 19 | 6H4-15714-00 | .DRUM, SHEAVE .TAMBOUR, POULIE | | | 1 | |
| 20 | 90510-08002 | .SPRING, SPIRAL .RESSORT, HELICOIDAL | | | 1 | |
| 21 | 6H4-15717-01 | .SHAFT, STARTER .AXE DE DEMARREUR | | | 1 | |
| 22 | 90201-06060 | .WASHER, PLATE .RONDELLE, PLATE | | | 1 | |
| 23 | 97095-06020 | .BOLT .BOULON | | | 1 | |
| 24 | 95380-06600 | .NUT, HEXAGON .ECROU | | | 1 | |
| 25 | 676-15741-03 | .PAWL, DRIVE .CLIQUET, ENTRAINEMENT | | | 1 | |
| 26 | 93430-06M02 | .CIRCLIP .CLIPS | | | 1 | |
| 27 | 6H4-15705-00 | .SPRING, DRIVE PAWL .RESSORT DE CLIQUET | | | 1 | |



63B3300-C090

*1: CUT FROM 50M ROLLS, PART NO. 90890-44373, CUTTING LENGTH 2.095M

*1:A PRELEVER SUR BOBINE 50M ,REFERENCE 90890-44373, LONGUEUR DE COUPE 2.095M

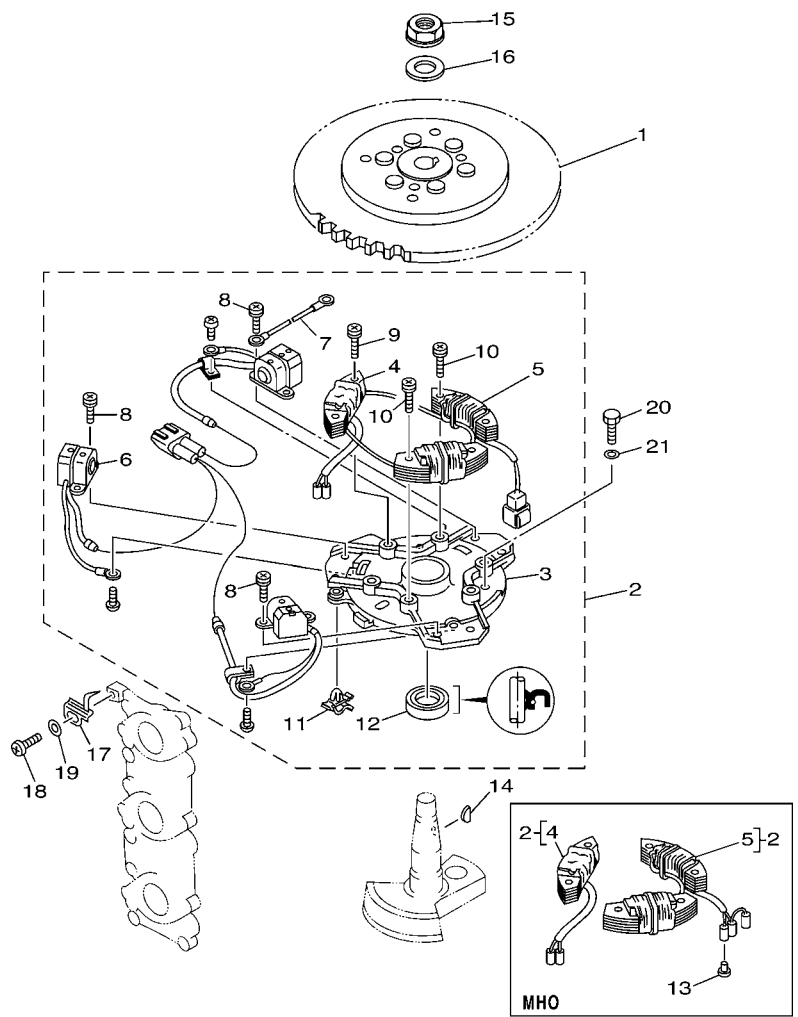
FIG. 9 STARTER

DEMARREUR

| REF. NO. | PART NO. N° PIECES | DESCRIPTION DESCRIPTION | ETO | EO | MHO | REMARKS REMARQUES |
|----------|--------------------|---|-----|----|-----|-------------------|
| 28 | 97095-06035 | BOLT BOULON | | | 3 | |
| 29 | 92995-06600 | WASHER RONDELLE | | | 3 | |
| 30 | 99530-10014 | PIN, DOWEL GOUJON, D'ASSEMBLAGE | | | 1 | |
| 31 | 63D-15771-00-4D | STAY 1 SUPPORT 1 | | | 1 | |
| 32 | 97013-08025 | BOLT BOULON | | | 2 | |
| 33 | 92903-08600 | WASHER, PLATE RONDELLE, PLATE | | | 2 | |
| 34 | 90119-06MA2 | BOLT, WITH WASHER BOULON, AVEC RONDELLE | | | 1 | |
| 35 | 6H4-15772-02-94 | STAY 2 SUPPORT 2 | | | 1 | |
| 36 | 90119-06MA3 | BOLT, WITH WASHER BOULON, AVEC RONDELLE | | | 3 | |
| 37 | 6H4-15723-01-94 | PULLEY, STARTER POULIE DE DEMARREUR | | | 1 | |
| 38 | 6J8-81365-A0 | GASKET, HOLE COVER JOINT, COUVERCLE DE TROU | | | 1 | |
| 39 | 97013-08020 | BOLT BOULON | | | 3 | |
| 40 | 92903-08600 | WASHER, PLATE RONDELLE, PLATE | | | 3 | |
| 41 | 90387-06M66 | COLLAR COLLERETTE | | | 1 | |
| 42 | 63D-15746-00 | ARM BRAS | | | 1 | |
| 43 | 97095-06040 | BOLT BOULON | | | 1 | |
| 44 | 92995-06600 | WASHER RONDELLE | | | 1 | |
| 45 | 63D-15770-00 | CABLE COMP., STARTER STOP CABLE, BUTEE DE DEMAR | | | 1 | |
| 46 | 656-15748-00 | PLUNGER, STARTER STOP PLONGEUR, BOUTE DE DEMAR | | | 1 | |
| 47 | 90501-10227 | SPRING, COMPRESSION RESSORT, COMPRESSION | | | 1 | |
| 48 | 63D-13437-N0 | MARK, CAUTION MAKER | | | 1 | |

FIG. 10 GENERATOR

GENERATRICE

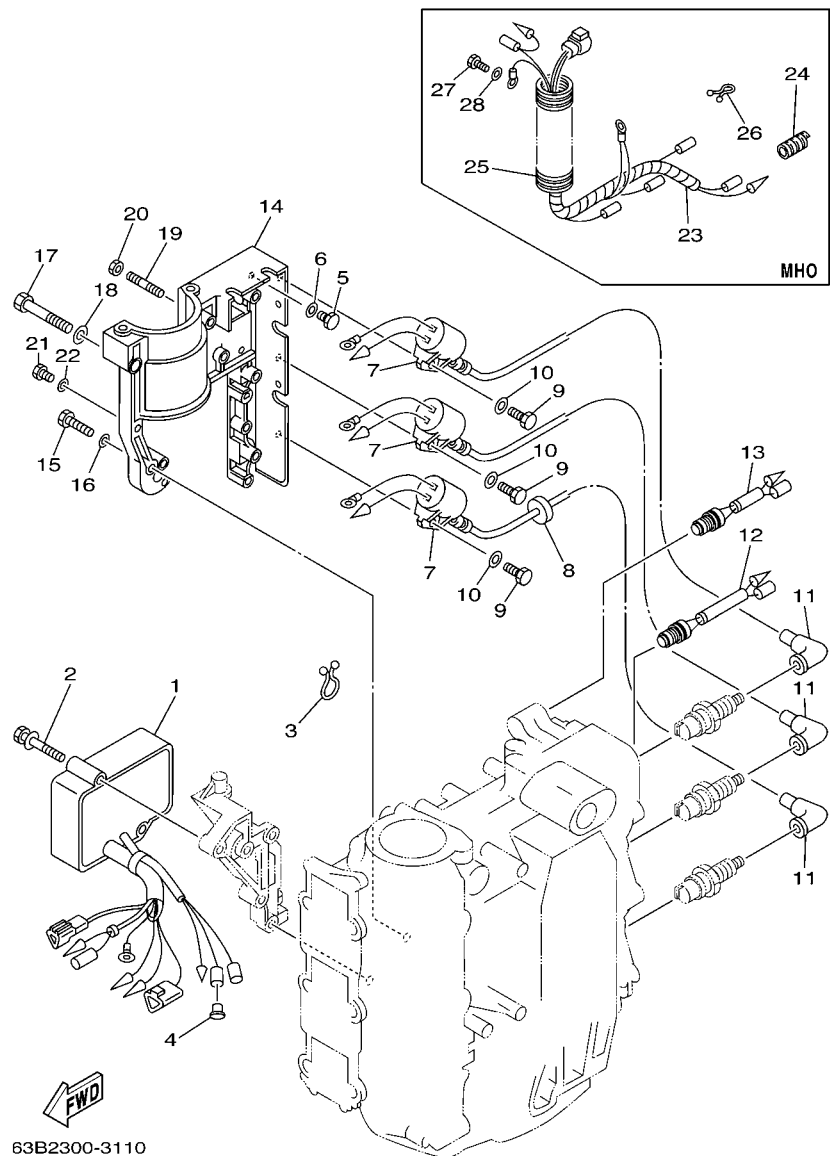


63B2300-3100

| REF. NO. | PART NO. N° PIECES | DESCRIPTION DESCRIPTION | ETO | EO | MHO | REMARKS REMARQUES |
|----------|--------------------|--|-----|----|-----|-------------------|
| 1 | 63D-85550-00 | ROTOR ASSY ROTOR CPLT | 1 | 1 | | |
| | 63D-85550-10 | ROTOR ASSY ROTOR CPLT | | | 1 | |
| 2 | 63D-85560-10 | BASE ASSY ENS. FLASQUE | 1 | 1 | | |
| | 63D-85560-00 | BASE ASSY ENS. FLASQUE | | | 1 | |
| 3 | 6H4-15359-04-94 | .HOUSING, OIL SEAL .LOGEMENT, BAGUE D'ETANCHEITE | 1 | 1 | 1 | |
| 4 | 63D-85520-00 | .COIL, CHARGE .BOBINE, CHARGE | 1 | 1 | 1 | |
| 5 | 63D-85533-10 | .COIL, LIGHTING .BOBINE, ECLAIRAGE | 1 | 1 | | |
| | 63D-85533-00 | .COIL, LIGHTING .BOBINE, ECLAIRAGE | | | 1 | |
| 6 | 63D-85580-00 | .COIL, PULSER .BOBINE, PULSEUR | 1 | 1 | 1 | |
| 7 | 6H4-83354-00 | .WIRE, EARTH LEAD 1 .FIL 1, MASSE | 1 | 1 | 1 | |
| 8 | 63D-81345-00 | .SCREW, WITH WASHER (M5X12) .VIS, AVEC RONDELLE (M5X12) | 6 | 6 | 6 | |
| 9 | 63D-81345-10 | .SCREW, WITH WASHER (M6X25) .VIS, AVEC RONDELLE (M6X25) | 2 | 2 | 2 | |
| 10 | 63D-81345-20 | .SCREW, WITH WASHER (M6X30) .VIS, AVEC RONDELLE (M6X30) | 4 | 4 | 4 | |
| 11 | 90464-03M15 | .CLAMP .BRIDE | 1 | 1 | 1 | |
| 12 | 93102-23096 | .OIL SEAL .JOINT SPY | 1 | 1 | 1 | |
| 13 | 703-82119-00 | COVER, LEAD WIRE GARNITURE, FIL | | | 1 | 40V |
| | 703-82119-00 | COVER, LEAD WIRE GARNITURE, FIL | | | 3 | 40V 40Y |
| 14 | 6H4-11545-00 | KEY, WOODRUFF CLAVETTE, DEMI-LUNE | 1 | 1 | 1 | |
| 15 | 90179-16M05 | NUT ECROU | 1 | 1 | 1 | |
| 16 | 90201-16M44 | WASHER, PLATE RONDELLE, PLATE | 1 | 1 | 1 | |
| 17 | 6H4-81332-00 | PLATE, TIMING PLATEAU, ALLUMAGE | 1 | 1 | 1 | |
| 18 | 97885-05010 | SCREW, PAN HEAD VIS, A ENCOCHE | 1 | 1 | 1 | |
| 19 | 92995-05600 | WASHER RONDELLE | 1 | 1 | 1 | |
| 20 | 97013-06018 | BOLT BOULON | 3 | 3 | 3 | |
| 21 | 92903-06600 | WASHER, PLATE RONDELLE, PLATE | 3 | 3 | 3 | |

FIG. 11 ELECTRICAL 1

PARTIE ELECTRIQUE 1



| REF. NO. | PART NO. N° PIECES | DESCRIPTION DESCRIPTION | ETO | EO | MHO | REMARKS REMARQUES |
|----------|--------------------|--|-----|----|-----|-------------------|
| 1 | 63D-85540-03 | C.D.I. UNIT ASSY BLOC C.D.I. | 1 | 1 | 1 | |
| 2 | 90119-06M51 | BOLT, WITH WASHER BOULON, AVEC RONDELLE | 2 | 2 | 2 | |
| 3 | 90464-15M11 | CLAMP BRIDE | 1 | 1 | 1 | |
| 4 | 703-82119-00 | COVER, LEAD WIRE GARNITURE, FIL | 1 | | | |
| 5 | 97095-06014 | BOLT BOULON | 1 | 1 | 1 | |
| 6 | 92995-06600 | WASHER RONDELLE | 1 | 1 | 1 | |
| 7 | 6H5-85570-00 | IGNITION COIL ASSY BOBINE D'ALLUMAGE (ENS.) | 3 | 3 | 3 | |
| 8 | 90480-25161 | GROMMET PASSE-FIL | 1 | 1 | 1 | |
| 9 | 97095-06020 | BOLT BOULON | 3 | 3 | 3 | |
| 10 | 92995-06600 | WASHER RONDELLE | 3 | 3 | 3 | |
| 11 | 6G1-82370-21 | PLUG CAP ASSY ANTIPARASITE | 3 | 3 | 3 | |
| 12 | 689-82560-00 | THERMO SWITCH ASSY THERMO-CONTACT COMPLET | 1 | 1 | 1 | |
| 13 | 6H4-82560-00 | THERMO SWITCH ASSY THERMO-CONTACT COMPLET | 1 | 1 | 1 | |
| 14 | 6H4-81822-02-98 | BRACKET, STARTING MOTOR SUPPORT, DEMARREUR ELECTRIQUE | 1 | 1 | | |
| 15 | 97095-06030 | BOLT BOULON | 4 | 4 | | |
| 16 | 92995-06600 | WASHER RONDELLE | 4 | 4 | | |
| 17 | 97013-08050 | BOLT BOULON | 1 | 1 | | |
| 18 | 92903-08600 | WASHER, PLATE RONDELLE, PLATE | 1 | 1 | | |
| 19 | 95670-06640 | BOLT, STUD GOIJON | 1 | 1 | | |
| 20 | 90179-06M24 | NUT ECROU | 1 | 1 | | |
| 21 | 97095-06014 | BOLT BOULON | 2 | 2 | | |
| 22 | 92995-06600 | WASHER RONDELLE | 2 | 2 | | |
| 23 | 63D-82531-00 | WIRE, LEAD FIL | | | 1 | |
| 24 | 90446-10M02 | HOSE DURITE | | | 1 | |
| 25 | 6G1-83557-00 | TUBE TUBE | | | 1 | |
| 26 | 90464-05M16 | CLAMP BRIDE | | | 1 | |
| 27 | 97095-06014 | BOLT BOULON | | | 1 | |

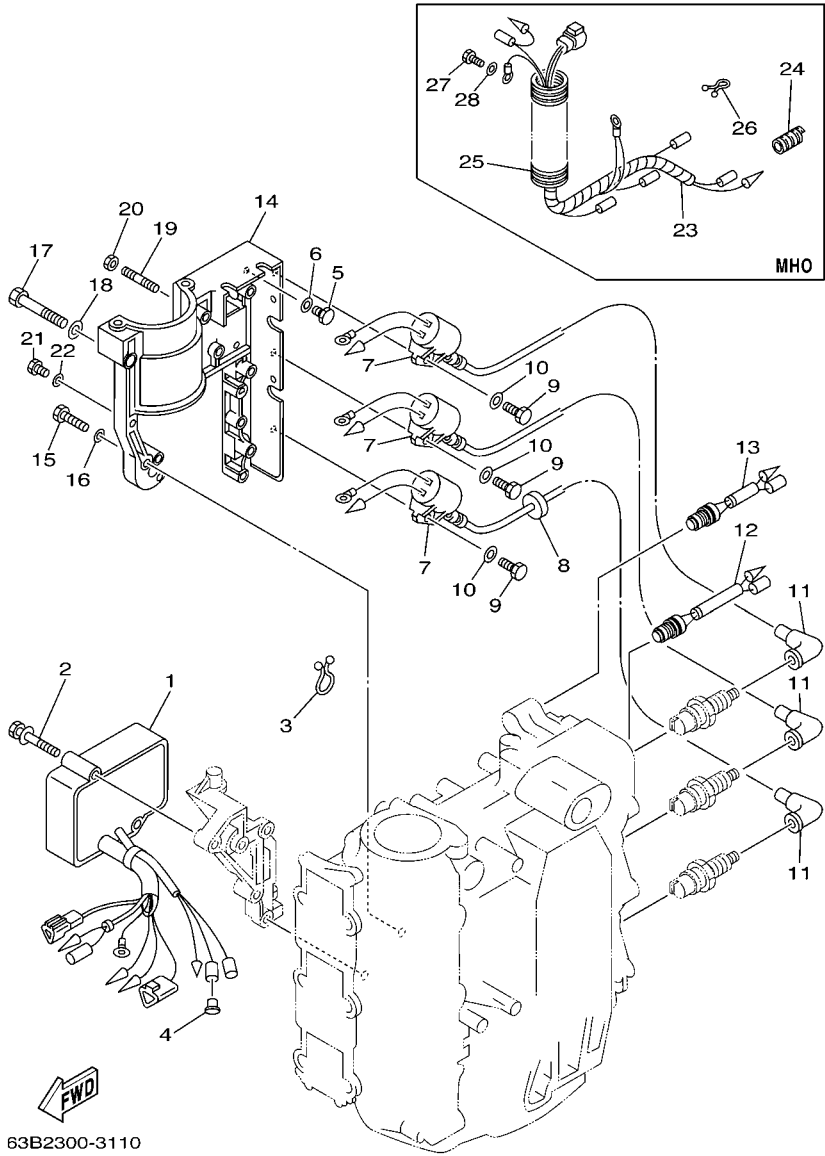


FIG. 11 ELECTRICAL 1

PARTIE ELECTRIQUE 1

| REF. NO. | PART NO. N° PIECES | DESCRIPTION DESCRIPTION | ETO | EO | MHO | REMARKS REMARQUES |
|----------|--------------------|-------------------------|-----|----|-----|-------------------|
| 28 | 92995-06600 | WASHER RONDELLE | | | 1 | |
| ----- | | | | | | |
| ----- | | | | | | |
| ----- | | | | | | |
| ----- | | | | | | |
| ----- | | | | | | |
| ----- | | | | | | |
| ----- | | | | | | |
| ----- | | | | | | |
| ----- | | | | | | |
| ----- | | | | | | |

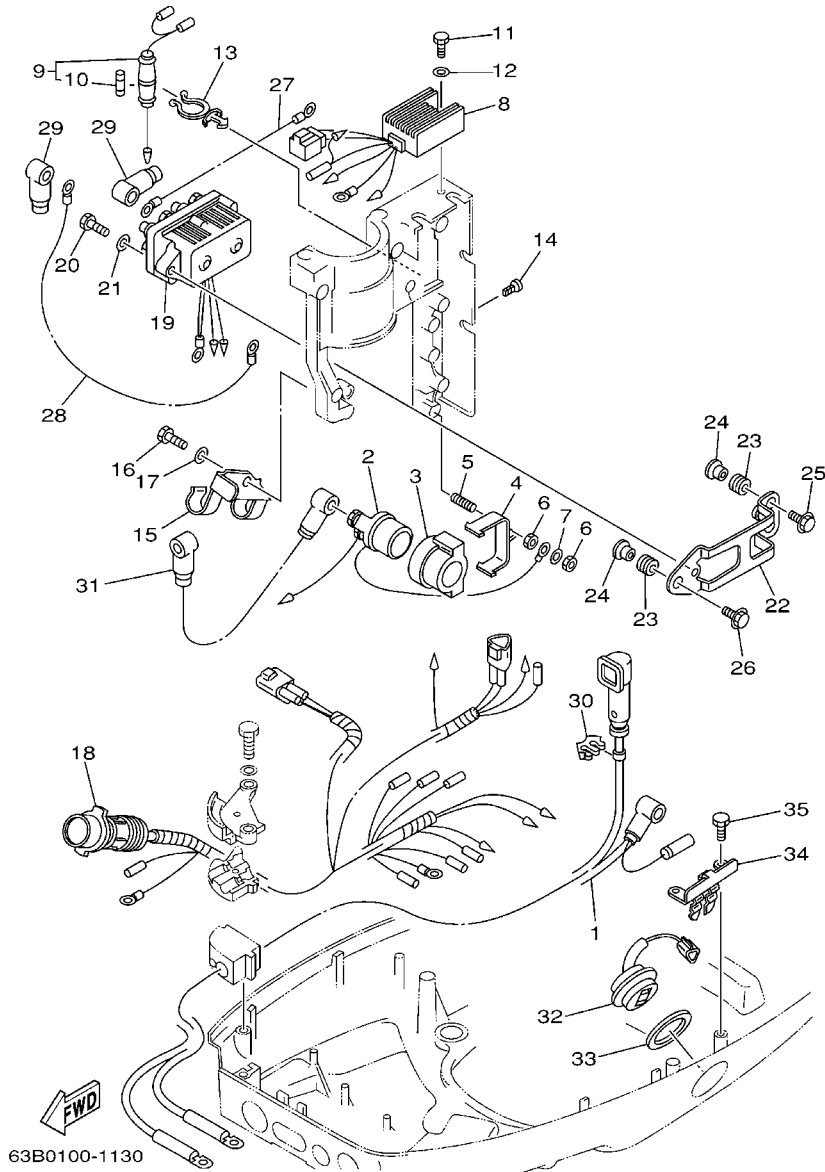


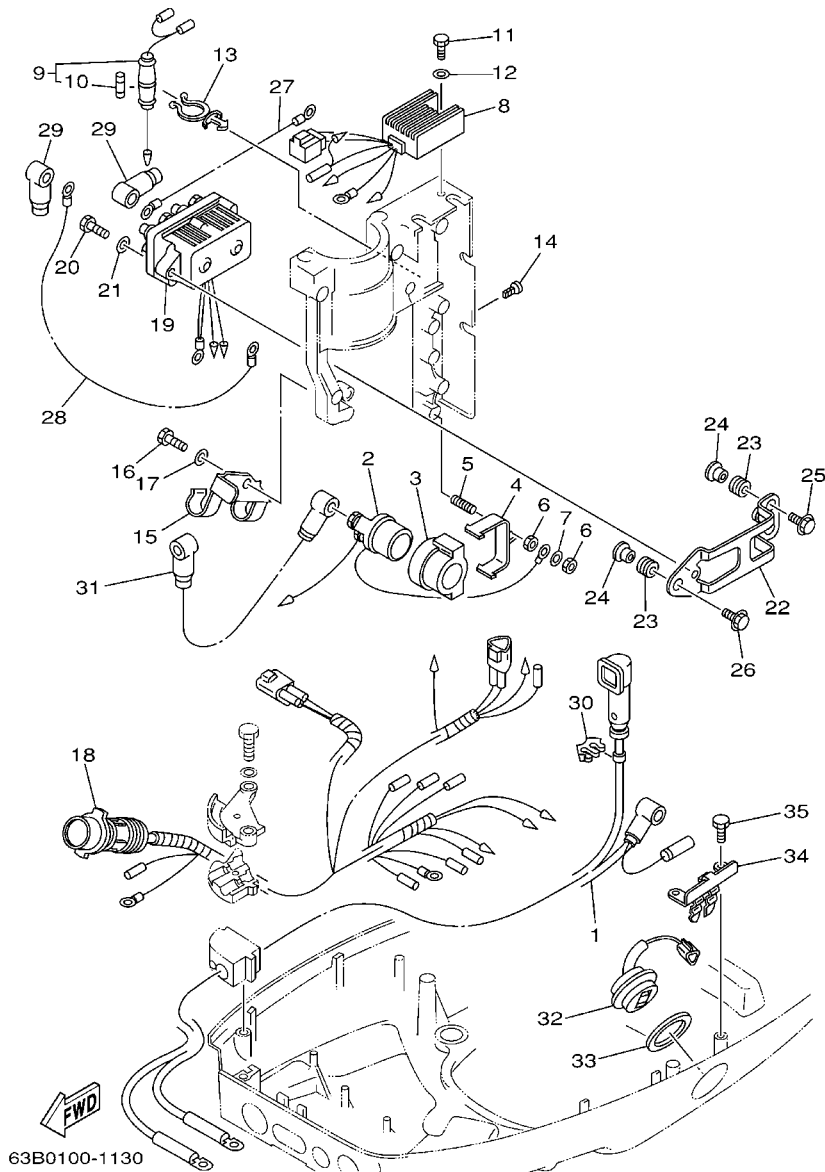
FIG. 12 ELECTRICAL 2

PARTIE ELECTRIQUE 2

| REF. NO. | PART NO. N° PIECES | DESCRIPTION DESCRIPTION | ETO | EO | MHO | REMARKS REMARQUES |
|----------|--------------------|--|-----|----|-----|-------------------|
| 1 | 63D-82105-U0 | WIRE HARNESS FAISCEAU DE FILS | 1 | | | 40Y |
| | 6H4-82105-02 | WIRE HARNESS FAISCEAU DE FILS | | 1 | | 40Y |
| 2 | 6G1-81941-10 | STARTER RELAY ASSY LANCEUR RELAIS (ENS.) | 1 | 1 | | 40V |
| 3 | 6H4-81952-00 | HOLDER, RELAY SUPPORT, RELAIS | 1 | 1 | | |
| 4 | 6H4-81945-00 | PLATE, SWITCH FITTING PLAQUE, FIXATION DU RELAIS | 1 | 1 | | |
| 5 | 90116-06M22 | BOLT, STUD GOUJON | 1 | 1 | | |
| 6 | 95380-06600 | NUT, HEXAGON ECROU | 2 | 2 | | |
| 7 | 92990-06600 | WASHER, PLATE RONDELLE, PLATE | 1 | 1 | | |
| 8 | 6H2-81960-10 | RECTIFIER & REGULATOR ASSY REDRESSEUR REGULATEUR CPLT | 1 | 1 | | |
| 9 | 6H4-82150-00 | FUSE HOLDER ASSY SUPPORT DE FUSIBLE | 1 | 1 | | |
| 10 | 663-82151-00 | .FUSE (12V-20A) .FUSIBLE (12V-20A) | 1 | 1 | | |
| 11 | 97095-06014 | BOLT BOULON | 1 | 1 | | |
| 12 | 92995-06600 | WASHER RONDELLE | 1 | 1 | | |
| 13 | 90464-15M27 | CLAMP BRIDE | 1 | 1 | | |
| 14 | 90338-05M11 | PLUG PLOT | 2 | 2 | | |
| 15 | 63D-82594-00 | CLAMP BRIDE | 1 | 1 | | |
| 16 | 97095-06012 | BOLT BOULON | 1 | 1 | | |
| 17 | 92995-06600 | WASHER RONDELLE | 1 | 1 | | |
| 18 | 63D-82590-20 | WIRE HARNESS ASSY FAISCEAU DE FILS COMPLET | 1 | | | |
| | 63D-82590-10 | WIRE HARNESS ASSY FAISCEAU DE FILS COMPLET | | 1 | | |
| 19 | 6H1-81950-00 | RELAY ASSY RELAIS COMPLET | 1 | | | |
| 20 | 97095-06025 | BOLT BOULON | 2 | | | |
| 21 | 92995-06600 | WASHER RONDELLE | 2 | | | |
| 22 | 6H4-81945-20 | PLATE, SWITCH FITTING PLAQUE, FIXATION DU RELAIS | 1 | | | |
| 23 | 90480-13M24 | GROMMET PASSE-FIL | 3 | | | |
| 24 | 90387-06M05 | COLLAR COLLERETTE | 3 | | | |
| 25 | 90105-06M15 | BOLT, FLANGE BOULON | 2 | | | |

FIG. 12 ELECTRICAL 2

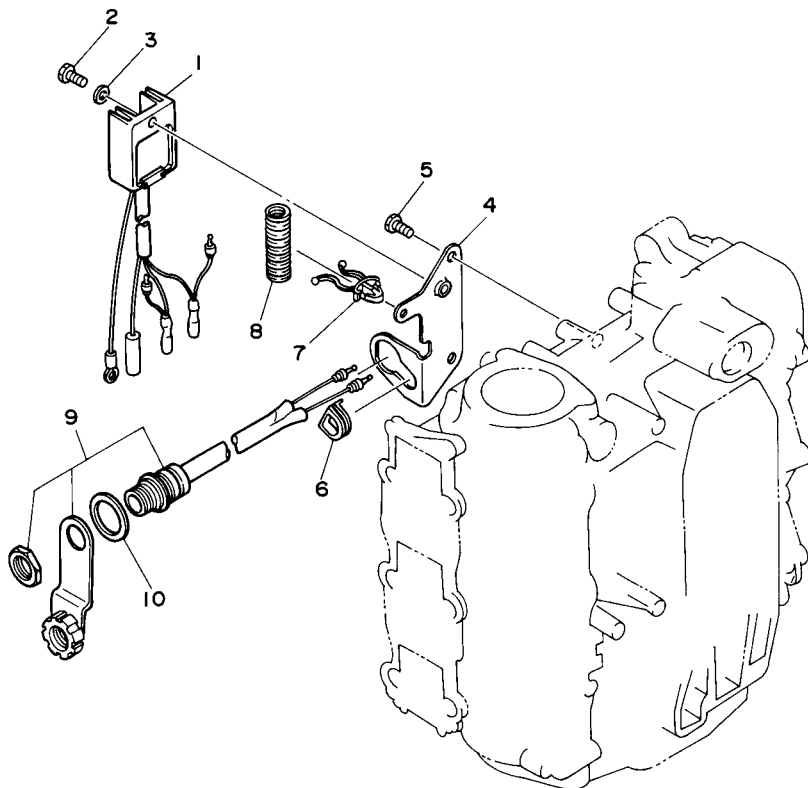
PARTIE ELECTRIQUE 2



| REF. NO. | PART NO. N° PIECES | DESCRIPTION DESCRIPTION | ETO | EO | MHO | REMARKS REMARQUES |
|----------|--------------------|--|-----|----|-----|-------------------|
| 26 | 90105-06M16 | BOLT, FLANGE BOULON | 1 | | | |
| 27 | 6H5-81949-00 | WIRE, LEAD FIL | 1 | | | |
| 28 | 61A-81949-00 | WIRE, LEAD FIL | 1 | | | |
| 29 | 682-82119-01 | COVER, LEAD WIRE GARNITURE, FIL | 4 | | | |
| 30 | 90464-07M20 | CLAMP BRIDE | 1 | 1 | | |
| 31 | 6H4-82117-00 | WIRE, LEAD FIL | 1 | 1 | | |
| 32 | 63D-82563-10 | TRIM & TILT SWITCH ASSY INCLINER ET PARER COMMUTEUR | 1 | | | |
| 33 | 6E5-82587-00 | GASKET JOINT | 1 | | | |
| 34 | 6R3-83614-00 | BRACKET SUPPORT | 1 | | | |
| 35 | 97095-06016 | BOLT BOULON | 2 | | | |
| ----- | | | | | | |
| ----- | | | | | | |
| ----- | | | | | | |
| ----- | | | | | | |
| ----- | | | | | | |
| ----- | | | | | | |

FIG. 13 ELECTRICAL 3

PARTIE ELECTRIQUE 3

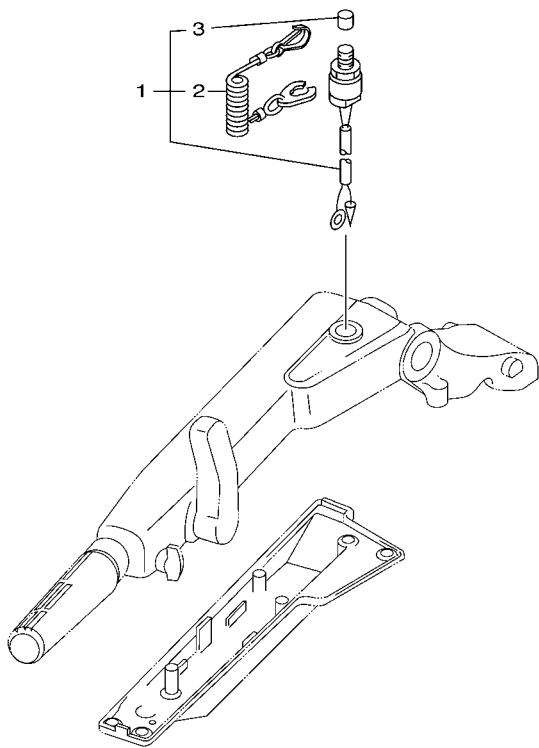


| REF. NO. | PART NO. N° PIECES | DESCRIPTION DESCRIPTION | ETO | EO | MHO | REMARKS REMARQUES |
|----------|--------------------|--|-----|----|-----|-------------------|
| 1 | 6J8-81960-00 | RECTIFIER & REGULATOR ASSY REDRESSEUR REGULATEUR CPLT | | | 1 | 40V 40V |
| 2 | 97095-06012 | BOULT BOULON | | | 1 | 40V 40V |
| 3 | 92995-06600 | WASHER RONDELLE | | | 1 | 40V 40V |
| 4 | 6H4-81975-02 | PLATE, RECTIFIER FITTING PLAQUE, FIXATION DU REDRESSEUR | | | 1 | 40V 40V |
| 5 | 97013-06012 | BOULT BOULON | | | 2 | 40V 40V |
| 6 | 6F5-81922-00 | GROMMET OEILLET CAOUTCHOUC | | | 1 | 40V 40V |
| 7 | 90464-12M35 | CLAMP BRIDE | | | 1 | 40V 40V |
| 8 | 90440-14M00 | PIPE DURITE | | | 1 | 40V 40V |
| 9 | 682-84381-00 | 2P CONCENT RALLONGE 2 FILS | | | 1 | 40V 40V |
| 10 | 90202-26M45 | WASHER, PLATE RONDELLE, PLATE | | | 1 | 40V 40V |
| ----- | | | | | | |
| ----- | | | | | | |
| ----- | | | | | | |
| ----- | | | | | | |
| ----- | | | | | | |
| ----- | | | | | | |
| ----- | | | | | | |
| ----- | | | | | | |
| ----- | | | | | | |
| ----- | | | | | | |
| ----- | | | | | | |
| ----- | | | | | | |
| ----- | | | | | | |
| ----- | | | | | | |
| ----- | | | | | | |
| ----- | | | | | | |

FWD
63B0300-5130

FIG. 14 ELECTRICAL 4

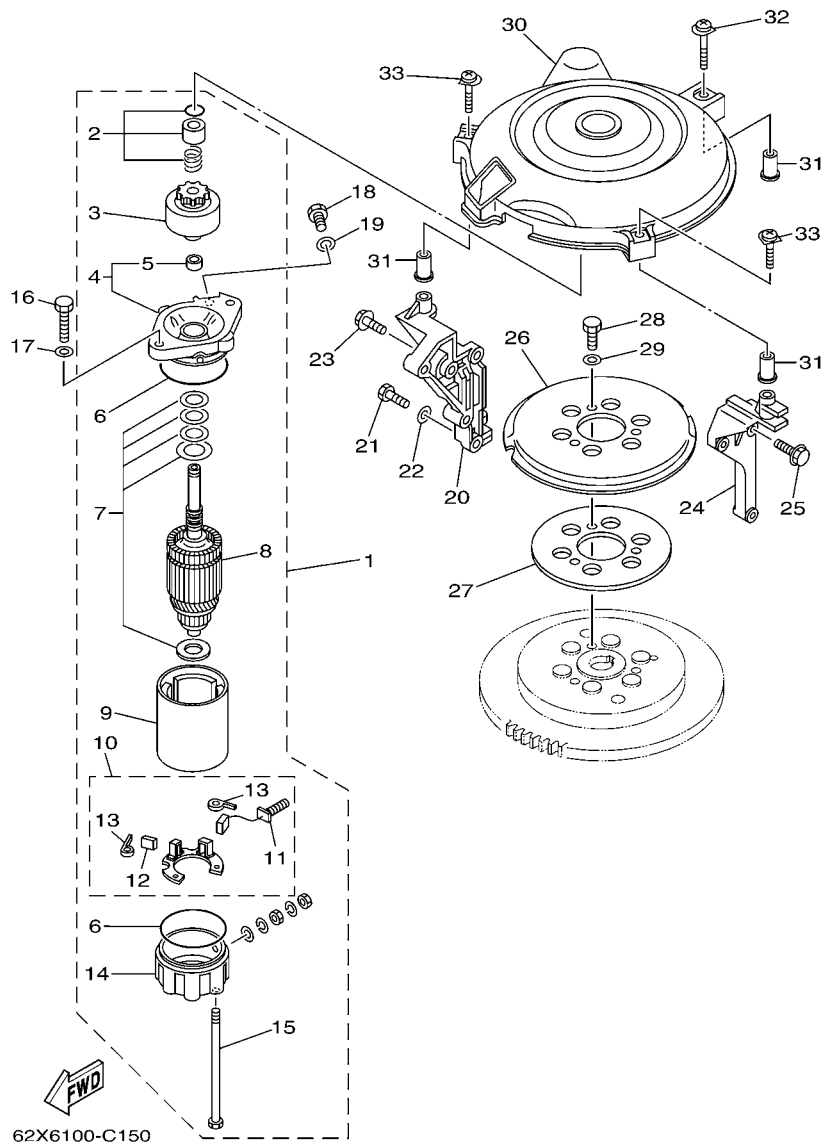
PARTIE ELECTRIQUE 4



| REF. NO. | PART NO. N° PIECES | DESCRIPTION DESCRIPTION | ETO | EO | MHO | REMARKS REMARQUES |
|----------|--------------------|---|-----|----|-----|-------------------|
| 1 | 6K5-82575-03 | ENGINE STOP SWITCH ASSY COUPE CIRCUIT CPLT | | | 1 | |
| 2 | 682-82556-00 | .STOPPER .PLAQUETTE | | | 1 | |
| 3 | 689-8257Y-00 | .CAP .CHAPEAU | | | 1 | |
| ----- | | | | | | |
| ----- | | | | | | |
| ----- | | | | | | |
| ----- | | | | | | |
| ----- | | | | | | |
| ----- | | | | | | |
| ----- | | | | | | |
| ----- | | | | | | |
| ----- | | | | | | |
| ----- | | | | | | |



63B0100-0140



62X6100-C150

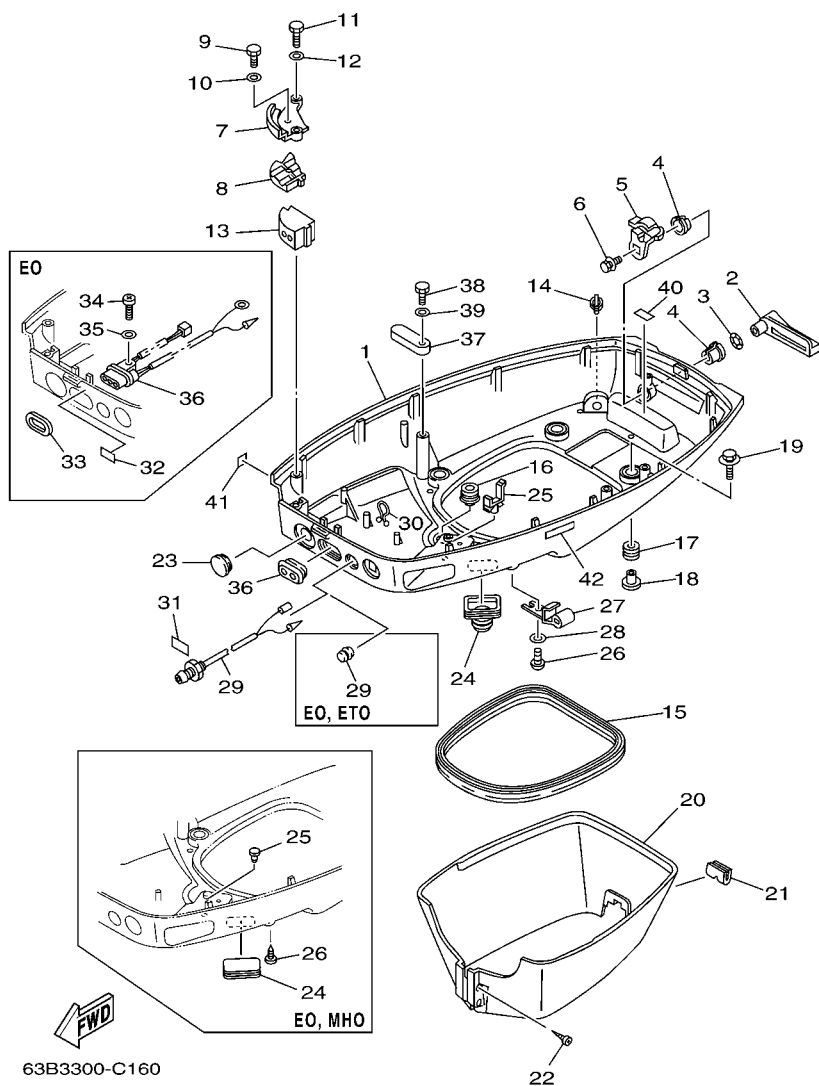
FIG. 15 STARTING MOTOR

DEMARREUR ELECTRIQUE

| REF. NO. | PART NO. N° PIECES | DESCRIPTION DESCRIPTION | ETO | EO | MHO | REMARKS REMARQUES |
|----------|--------------------|---|-----|----|-----|-------------------|
| 1 | 6F5-81800-11 | STARTING MOTOR ASSY DEMARREUR ELECTRIQUE COMPLET | 1 | 1 | | |
| 2 | 689-81857-11 | .PINION STOPPER SET .BUTEE PIGNON | 1 | 1 | | |
| 3 | 689-81807-12 | .GEAR ASSY, STARTING MOTOR .PIGNON, DEMARREUR ELECTRIQUE | 1 | 1 | | |
| 4 | 6F5-81830-11 | .FRONT BRACKET ASSY .SUPPORT AVANT | 1 | 1 | | |
| 5 | 689-81831-00 | ..METAL, FRONT ..METAL, AVANT | 1 | 1 | | |
| 6 | 689-81847-11 | .O-RING .JOINT TORIQUE | 2 | 2 | | |
| 7 | 689-81809-11 | .WASHER KIT .JEU DE RONDELLES | 1 | 1 | | |
| 8 | 689-81850-12 | .ARMATURE ASSY .INDUIT | 1 | 1 | | |
| 9 | 689-81810-11 | .STATOR ASSY .STATOR COMPLET | 1 | 1 | | |
| 10 | 689-81840-11 | .BRUSH HOLDER ASSY .SUPPORT DE CHARBON | 1 | 1 | | |
| 11 | 689-81811-11 | ..BRUSH 1 ..CHARBON 1 | 1 | 1 | | |
| 12 | 689-81812-11 | ..BRUSH 2 ..CHARBON 2 | 1 | 1 | | |
| 13 | 689-81813-10 | ..SPRING, BRUSH ..RESSORT, DE CHARBON | 2 | 2 | | |
| 14 | 689-81820-11 | .REAR BRACKET ASSY .SUPPORT ARRIERE COMPLET | 1 | 1 | | |
| 15 | 689-81826-10 | .BOLT .BOULON | 2 | 2 | | |
| 16 | 97013-08030 | BOLT BOULON | 2 | 2 | | |
| 17 | 92903-08600 | WASHER, PLATE RONDELLE, PLATE | 2 | 2 | | |
| 18 | 97013-08016 | BOLT BOULON | 1 | 1 | | |
| 19 | 92903-08600 | WASHER, PLATE RONDELLE, PLATE | 1 | 1 | | |
| 20 | 63D-15771-00-4D | STAY 1 SUPPORT 1 | 1 | 1 | | |
| 21 | 97013-08025 | BOLT BOULON | 2 | 2 | | |
| 22 | 92903-08600 | WASHER, PLATE RONDELLE, PLATE | 2 | 2 | | |
| 23 | 90119-06MA2 | BOLT, WITH WASHER BOULON, AVEC RONDELLE | 1 | 1 | | |
| 24 | 6H4-15772-02-94 | STAY 2 SUPPORT 2 | 1 | 1 | | |
| 25 | 90119-06MA3 | BOLT, WITH WASHER BOULON, AVEC RONDELLE | 3 | 3 | | |
| 26 | 6J8-15723-E1 | PULLEY, STARTER POULIE DE DEMARREUR | 1 | 1 | | |
| 27 | 6J8-81365-A0 | GASKET, HOLE COVER JOINT, COUVERCLE DE TROU | 1 | 1 | | |

FIG. 16 BOTTOM COWLING

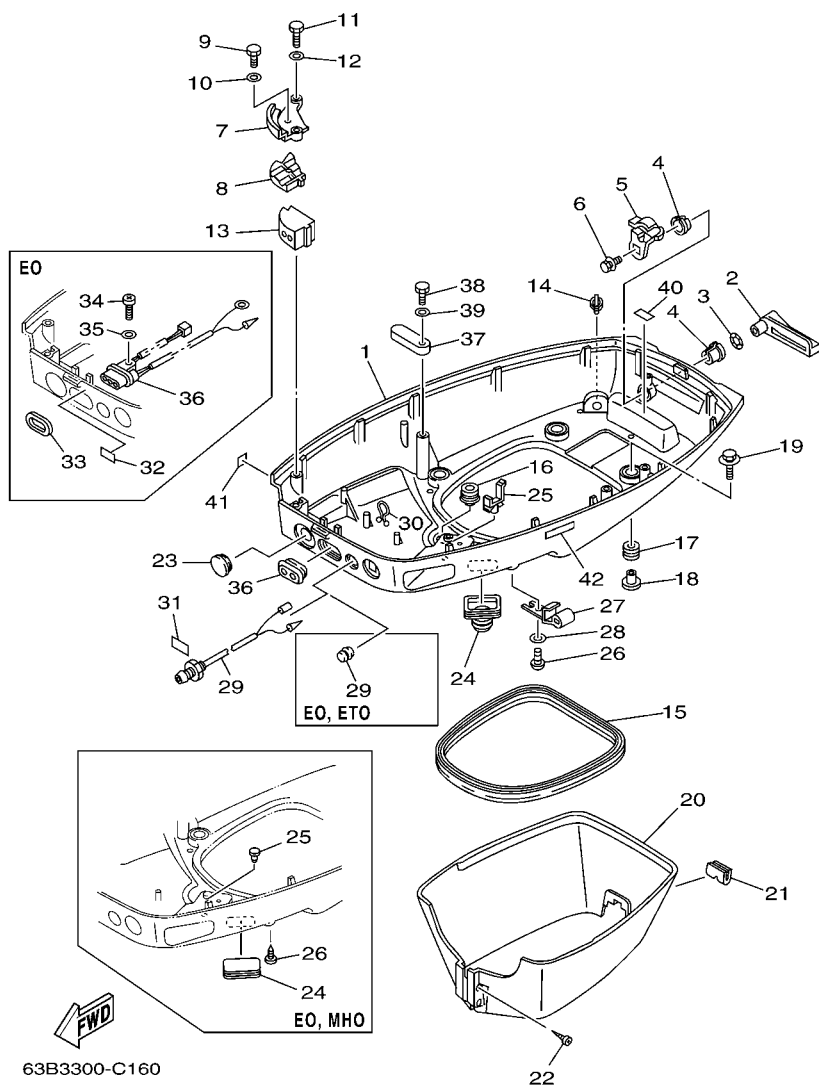
CAPOT INFERIEUR



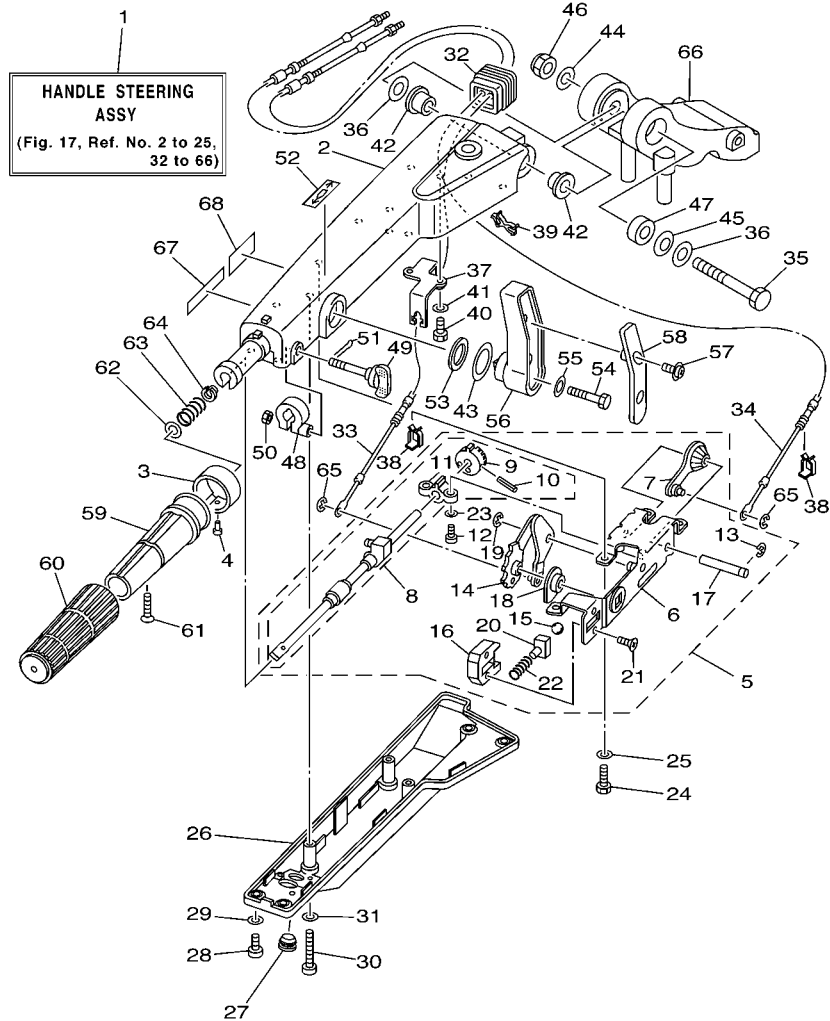
| REF. NO. | PART NO. N° PIECES | DESCRIPTION DESCRIPTION | ETO | EO | MHO | REMARKS REMARQUES |
|----------|--------------------|---|-----|----|-----|-------------------|
| 1 | 6H4-42711-25-4D | COWLING, BOTTOM CUVETTE | 1 | | | |
| | 6H4-42711-07-4D | COWLING, BOTTOM CUVETTE | | 1 | 1 | |
| 2 | 6H4-42815-00 | LEVER, CLAMP LEVIER, PRESSE | 1 | 1 | 1 | |
| 3 | 90206-12052 | WASHER, WAVE RONDELLE, ONDULEE | 1 | 1 | 1 | |
| 4 | 90386-12069 | BUSH DOUILLE | 2 | 2 | 2 | |
| 5 | 6H4-42816-00 | LEVER, CLAMP LEVIER, PRESSE | 1 | 1 | 1 | |
| 6 | 90119-06M73 | BOLT, WITH WASHER BOULON, AVEC RONDELLE | 1 | 1 | 1 | |
| 7 | 6H4-48531-11-94 | BRACKET, REMOTE CONTROL 1 ETRIER 1, COMMANDE A DISTANCE | 1 | 1 | 1 | |
| 8 | 6H4-48532-11-94 | BRACKET, REMOTE CONTROL 2 ETRIER 2, COMMANDE A DISTANCE | 1 | 1 | 1 | |
| 9 | 97095-05016 | BOLT BOULON | 1 | 1 | 1 | |
| 10 | 92995-05600 | WASHER RONDELLE | 1 | 1 | 1 | |
| 11 | 97095-06020 | BOLT BOULON | 2 | 2 | 2 | |
| 12 | 92995-06600 | WASHER RONDELLE | 2 | 2 | 2 | |
| 13 | 6H4-42724-20 | GROMMET PASSE-FIL | 1 | 1 | | |
| | 6H4-42724-00 | GROMMET PASSE-FIL | | | 1 | |
| 14 | 6E5-44391-00 | NIPPLE, HOSE RACCORD D'ESSENCE | 1 | 1 | 1 | |
| 15 | 6H4-42716-00 | RUBBER, SEAL 1 JOINT EN CAOUTCHOUC 1 | 1 | 1 | 1 | |
| 16 | 6E5-42724-00 | GROMMET PASSE-FIL | 1 | 1 | 1 | |
| 17 | 90480-09M21 | GROMMET PASSE-FIL | 4 | 4 | 4 | |
| 18 | 90387-06M41 | COLLAR COLLERETTE | 4 | 4 | 4 | |
| 19 | 90119-06M61 | BOLT, WITH WASHER BOULON, AVEC RONDELLE | 4 | 4 | 4 | |
| 20 | 63D-42741-00-4D | APRON CAPOT LATERAL | 1 | 1 | 1 | |
| 21 | 63D-42717-00 | RUBBER, SEAL 2 JOINT EN CAOUTCHOUC 2 | 1 | 1 | 1 | |
| 22 | 97780-60525 | SCREW, TAPPING VIS, TETE BOMBEE | 2 | 2 | 2 | |
| 23 | 676-42726-00 | GROMMET PASSE-FIL | 1 | 1 | | |
| | 6H4-42726-40 | GROMMET PASSE-FIL | | | 1 | |
| 24 | 688-42726-10 | GROMMET PASSE-FIL | 1 | | | |

FIG. 16 BOTTOM COWLING

CAPOT INFERIEUR



| REF. NO. | PART NO. N° PIECES | DESCRIPTION DESCRIPTION | ETO | EO | MHO | REMARKS REMARQUES |
|----------|--------------------|--|-----|----|-----|--------------------------|
| 24 | 6H4-42726-00 | GROMMET PASSE-FIL | | 1 | 1 | |
| 25 | 90464-09M13 | CLAMP BRIDE | 1 | | | |
| | 703-82119-00 | COVER, LEAD WIRE GARNITURE, FIL | | 1 | 1 | |
| 26 | 90157-06M01 | SCREW, PAN HEAD VIS, TETE TRONCONIQUE | 1 | | | |
| | 90338-05M03 | PLUG PLOT | | 1 | 1 | |
| 27 | 6E5-24367-01 | CLAMP, FUEL PIPE 2 COLLIER DE DURITE A ESSENCE | 1 | | | |
| 28 | 92990-06600 | WASHER, PLATE RONDELLE, PLATE | 1 | | | |
| 29 | 6H4-42725-00 | GROMMET PASSE-FIL | 1 | 1 | | |
| | 6J8-85410-00 | EMERGENCY SIGNAL LIGHT ASSY FEU DE DETRESSE | | | 1 | |
| 30 | 90464-08M07 | CLAMP BRIDE | | | 1 | |
| 31 | 6H4-85415-10 | MARK, SIGNAL LAMP ETIQUETTE | | | 1 | |
| 32 | 63D-84342-00 | SEAT, EMBLEM SIEGE, EMBLEME | | 1 | | |
| 33 | 6H4-83589-00 | GASKET GARNITURE | | 1 | | |
| 34 | 97880-06014 | SCREW, PAN HEAD VIS, TETE TRONCONIQUE | | 1 | | |
| 35 | 92990-06600 | WASHER, PLATE RONDELLE, PLATE | | 1 | | |
| 36 | 63D-84301-00 | PILOT LIGHT ASSY 1 LAMPE-TEMOIN 1 | | 1 | | |
| | 6H3-42727-00 | GROMMET PASSE-FIL | 1 | | 1 | |
| 37 | 6E5-82588-00 | PLATE PLAQUE | 1 | 1 | 1 | |
| 38 | 97095-06020 | BOLT BOULON | 1 | 1 | 1 | |
| 39 | 92995-06600 | WASHER RONDELLE | 1 | 1 | 1 | |
| 40 | 6E7-42791-10 | MARK 1 ETIQUETTE 1 | | 1 | 1 | 40V 40V 40Y 40Y |
| | 6G5-42791-10 | MARK 1 ETIQUETTE 1 | | 1 | 1 | |
| 41 | 6A1-28176-00 | LABEL, CAUTION ETIQUETTE, RECOMMANDATION | 1 | 1 | 1 | |
| 42 | 6E3-8257H-00 | PLATE, MARK PLAQUE, ADHESIF | 1 | 1 | 1 | |

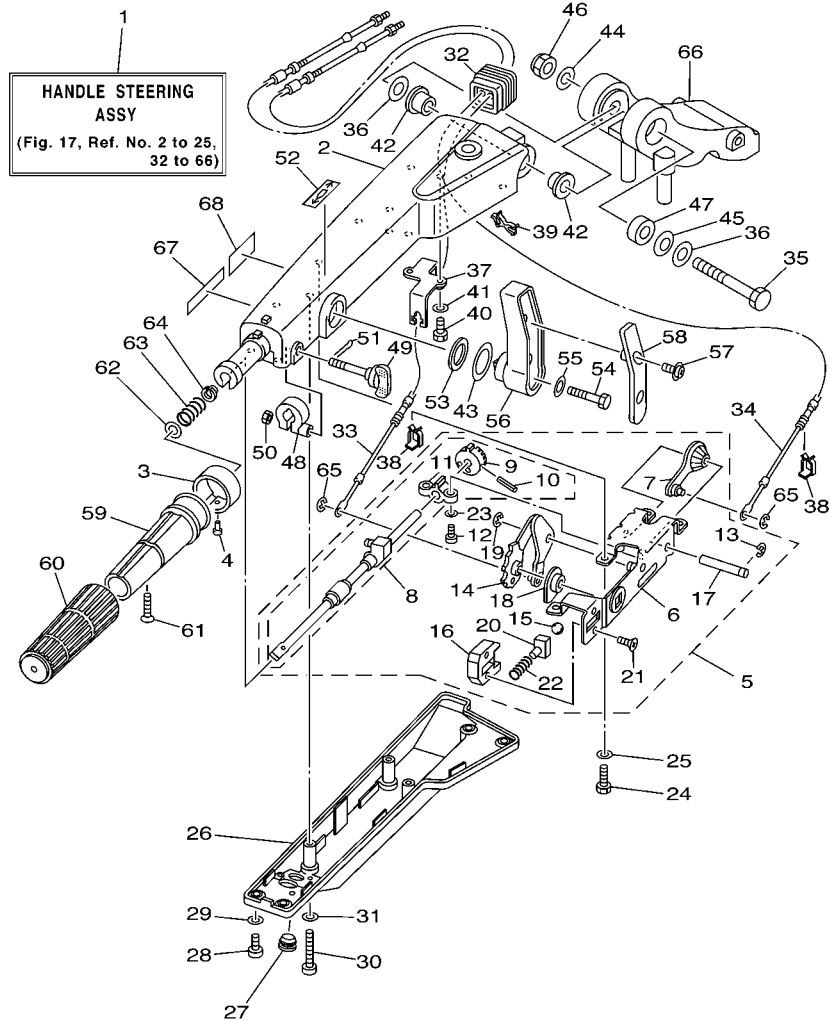


63B2300-3170

FIG. 17 STEERING

DIRECTION

| REF. NO. | PART NO. N° PIECES | DESCRIPTION DESCRIPTION | ETO | EO | MHO | REMARKS REMARQUES |
|----------|--------------------|---|-----|----|-----|-------------------|
| 1 | 63D-W0084-01-4D | HANDLE STEERING ASSY BARRE FRANCHE (ENS.) | | | 1 | |
| 2 | 63D-42111-01-4D | HANDLE, STEERING POIGNEE | | | 1 | |
| 3 | 6K5-42137-00 | INDICATOR, THROTTLE INDICATEUR, ACCELERATION | | | 1 | |
| 4 | 90269-02M09 | RIVET RIVET | | | 1 | |
| 5 | 63D-44100-11 | SHIFT LINK ASSY MAILLON DE SELECTEUR | | | 1 | |
| 6 | 63D-44104-00 | .PLATE COMP. .PLAQUE COMPLET | | | 1 | |
| 7 | 63D-48261-00 | .ARM, THROTTLE .BRAS, ACCELERATION | | | 1 | |
| 8 | 63D-42115-00 | .SHAFT, STEERING HANDLE .AXE, BARRE FRANCHE | | | 1 | |
| 9 | 650-42152-00-94 | ..GEAR ..PIGNON | | | 1 | |
| 10 | 91690-30025 | ..PIN, SPRING ..AGRAFFE | | | 1 | |
| 11 | 63D-42159-00 | ..STAY ..SUPPORT | | | 1 | |
| 12 | 98580-06016 | .SCREW, PAN HEAD .VIS | | | 2 | |
| 13 | 93430-08006 | .CIRCLIP .CLIPS | | | 1 | |
| 14 | 63D-44113-01 | .CAM PLATE, HANDLE .CAME, VERROUILLAGE | | | 1 | |
| 15 | 63D-48236-00 | .ROLLER, DETENT .POULIE | | | 1 | |
| 16 | 63D-48119-00 | .COVER .COUILLE | | | 1 | |
| 17 | 63D-42153-00 | .SHAFT, THROTTLE CONTROL .AXE, COMMANDE D'ACCELERATION | | | 1 | |
| 18 | 63D-44132-00 | .BUSHING .COUSSINET | | | 1 | |
| 19 | 63D-48118-00 | .CLIP, SHIFT LEVER .ATTACHE, LEVIER DE CHANGER | | | 1 | |
| 20 | 63D-48237-00 | .ADAPTOR .ADAPTEUR | | | 1 | |
| 21 | 98785-05014 | .SCREW, FLAT HEAD .VIS, TETE PLATE | | | 2 | |
| 22 | 63D-48238-00 | .SPRING, DETENT .RESSORT | | | 1 | |
| 23 | 63D-42181-00 | .WASHER .RONDELLE | | | 2 | |
| 24 | 97095-06016 | BOLT BOULON | | | 4 | |
| 25 | 92995-06600 | WASHER RONDELLE | | | 4 | |
| 26 | 63D-42131-00 | COVER, HANDLE STEERING COUVERCLE | | | 1 | |
| 27 | 90480-14M14 | GROMMET PASSE-FIL | | | 1 | |

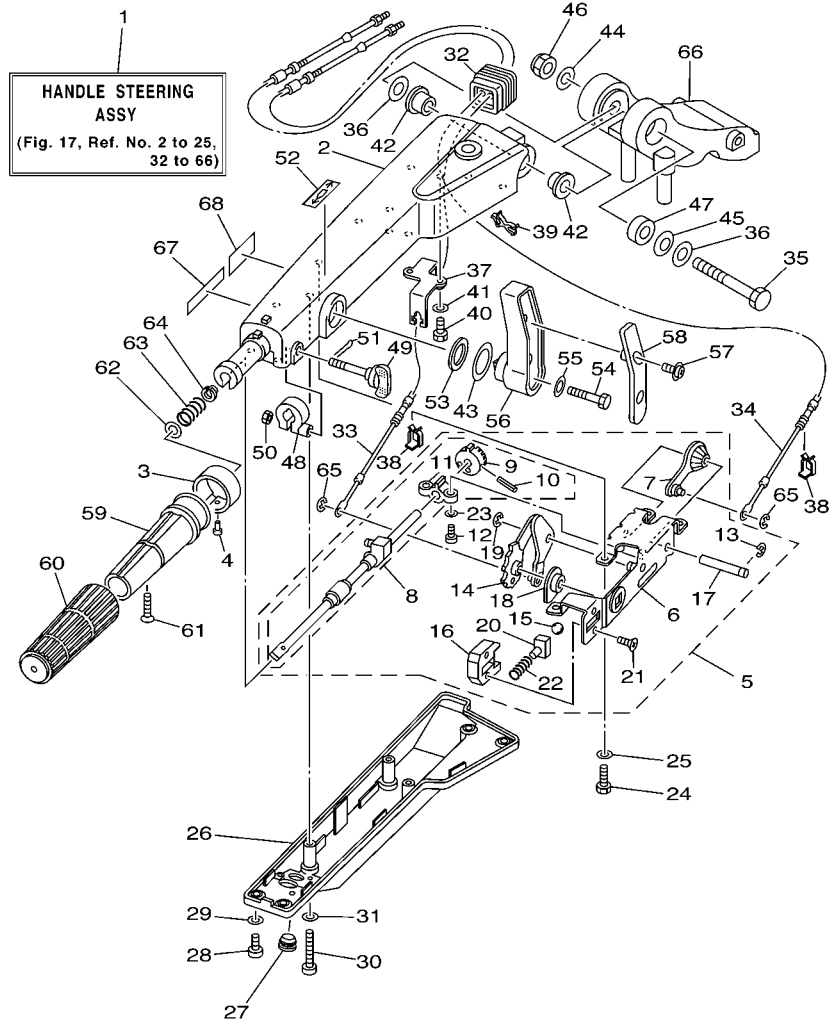


63B2300-3170

FIG. 17 STEERING

DIRECTION

| REF. NO. | PART NO. N° PIECES | DESCRIPTION DESCRIPTION | ETO | EO | MHO | REMARKS REMARQUES |
|----------|--------------------|---|-----|----|-----|-------------------|
| 28 | 97885-06016 | SCREW, PAN HEAD VIS, A ENCOCHE | | | 4 | |
| 29 | 92995-06600 | WASHER RONDELLE | | | 4 | |
| 30 | 97885-06040 | SCREW, PAN HEAD VIS, A ENCOCHE | | | 3 | |
| 31 | 92995-06600 | WASHER RONDELLE | | | 3 | |
| 32 | 63D-42725-00 | GROMMET PASSE-FIL | | | 1 | |
| 33 | 63D-48321-01 | CABLE CABLE | | | 1 | |
| 34 | 63D-26301-01 | THROTTLE CABLE ASSY CABLE D'ACCELERATEUR | | | 1 | |
| 35 | 90101-12M09 | BOLT BOULON | | | 1 | |
| 36 | 92990-12200 | WASHER, PLAIN RONDELLE, PLATE | | | 2 | |
| 37 | 63D-48531-00 | BRACKET, REMOTE CONTROL 1 ETRIER 1, COMMANDE A DISTANCE | | | 1 | |
| 38 | 63D-48538-00 | CLAMP, CABLE 1 COLLIER | | | 2 | |
| 39 | 90464-09M42 | CLAMP BRIDE | | | 1 | |
| 40 | 97095-06016 | BOLT BOULON | | | 2 | |
| 41 | 92995-06600 | WASHER RONDELLE | | | 2 | |
| 42 | 90386-12M93 | BUSH DOUILLE | | | 2 | |
| 43 | 90386-29M95 | BUSH DOUILLE | | | 1 | |
| 44 | 92990-12600 | WASHER, PLATE RONDELLE, PLATE | | | 1 | |
| 45 | 90206-12M22 | WASHER, WAVE RONDELLE, ONDULEE | | | 1 | |
| 46 | 90185-12M12 | NUT, SELF-LOCKING ECROU, AUTO-BLOCANT | | | 1 | |
| 47 | 90387-12M02 | COLLAR COLLERETTE | | | 1 | |
| 48 | 63D-42126-00 | FRICTION, STEERING HANDLE GRIP CUVETTE, POIGNEE DE DIRECTION | | | 1 | |
| 49 | 63D-48154-00 | KNOB, THROTTLE BOUTON, ACCELERATEUR | | | 1 | |
| 50 | 95380-06600 | NUT, HEXAGON ECROU | | | 1 | |
| 51 | 91490-20010 | PIN, COTTER GOUILLE | | | 1 | |
| 52 | 6G8-44191-00 | INDICATOR, SHIFT ETIQUETTE, EMBRAYAGE | | | 1 | |
| 53 | 90202-24M53 | WASHER, PLATE RONDELLE, PLATE | | | 1 | |
| 54 | 97095-08040 | BOLT BOULON | | | 1 | |

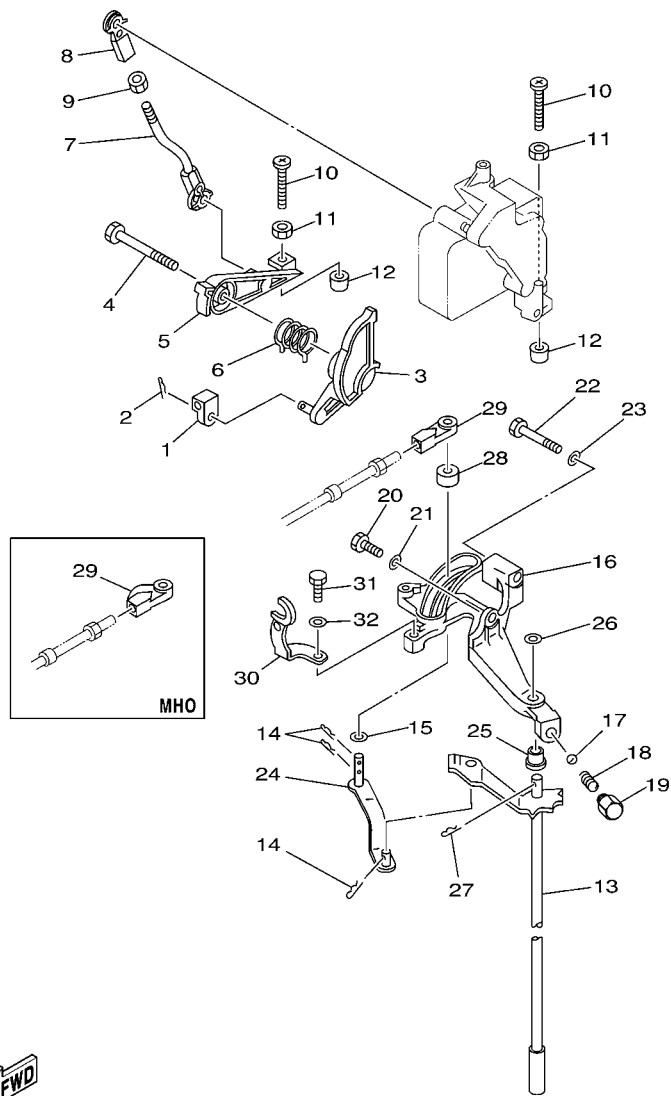


63B2300-3170

FIG. 17 STEERING

DIRECTION

| REF. NO. | PART NO. N° PIECES | DESCRIPTION DESCRIPTION | ETO | EO | MHO | REMARKS REMARQUES |
|----------|--------------------|--|-----|----|-----|-------------------|
| 55 | 92995-08600 | WASHER RONDELLE | | | 1 | |
| 56 | 63D-44159-01 | HANDLE, GEAR SHIFT POIGNEE, LEVIER D'EMBRAYAGE | | | 1 | |
| 57 | 90159-06M18 | SCREW, WITH WASHER VIS, AVEC RONDELLE | | | 2 | |
| 58 | 63D-44173-00 | LEVER, SHIFT CONTROL POIGNEE, INVERSION | | | 1 | |
| 59 | 664-42119-00 | GRIP, STEERING HANDLE POIGNEE, BARRE FRANCHE | | | 1 | |
| 60 | 6G1-42177-00 | RUBBER, HANDLE CAOUTCHOUC, POIGNEE | | | 1 | |
| 61 | 90149-05M13 | SCREW VIS | | | 1 | |
| 62 | 92903-10600 | WASHER, PLATE RONDELLE, PLATE | | | 1 | |
| 63 | 90501-23215 | SPRING, COMPRESSION RESSORT, COMPRESSION | | | 1 | |
| 64 | 90386-08032 | BUSH DOUILLE | | | 1 | |
| 65 | 93430-04M03 | CIRCLIP CLIPS | | | 2 | |
| 66 | 63D-42121-20-4D | BRACKET SUPPORT | | | 1 | |
| 67 | 6E0-83627-41 | LABEL, CAUTION 7 ETIQUETTE, RECOMMANDATION 7 | | | 1 | |
| 68 | 6E0-83627-51 | LABEL, CAUTION 7 ETIQUETTE, RECOMMANDATION 7 | | | 1 | |



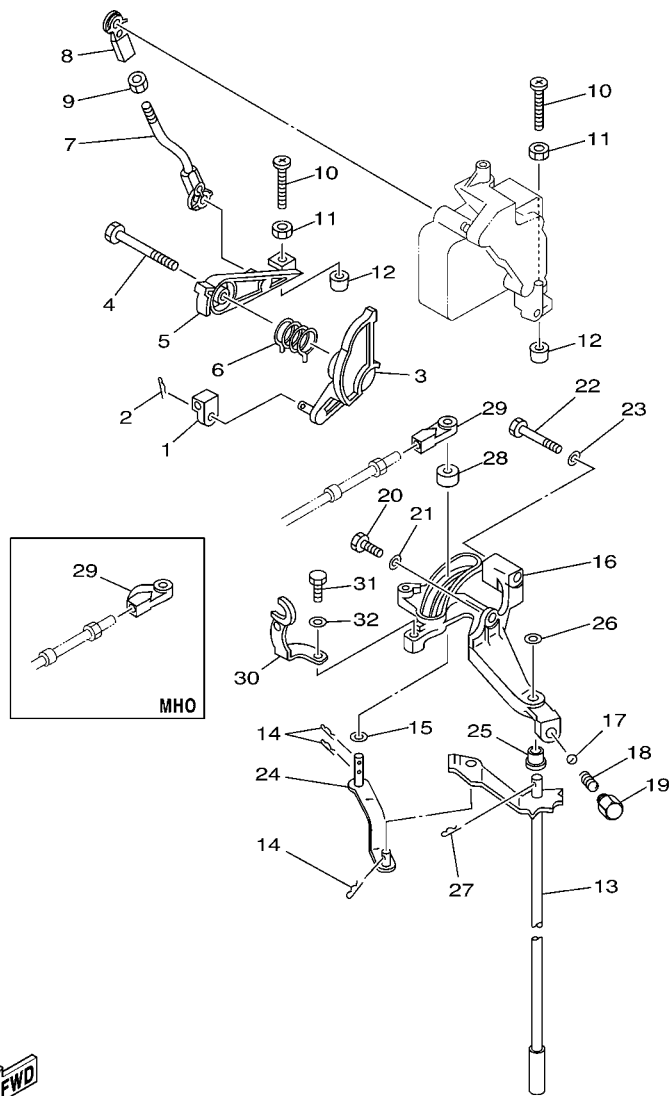
63B2300-3180

FIG. 18 CONTROL

COMMANDE

| REF. NO. | PART NO. N° PIECES | DESCRIPTION DESCRIPTION | ETO | EO | MHO | REMARKS REMARQUES |
|----------|--------------------|---|-----|----|-----|--------------------------|
| 1 | 6H4-48344-00 | CABLE END, REMOTE CONTROL CHAPE CABLE | 1 | 1 | 1 | |
| 2 | 90468-18008 | CLIP JONC | 1 | 1 | 1 | |
| 3 | 63D-41213-00 | CAM, ACCEL. CAME, ACCELERATION | | | 1 | 40V 40V 40Y 40Y |
| | 68P-41213-A0 | CAM, ACCEL. CAME, ACCELERATION | 1 | | 1 | |
| 4 | 90109-06M43 | BOLT BOULON | 1 | 1 | 1 | |
| 5 | 63D-41632-00 | LEVER, MAGNETO CONTROL LEVIER, COMMANDE D'AVANCE | 1 | 1 | 1 | |
| 6 | 90508-26M35 | SPRING, TORSION RESSORT, TORSION | 1 | 1 | 1 | |
| 7 | 63D-41636-00 | ROD, MAGNETO CONTROL BIELLETTTE, COMMANDE D'AVANCE | 1 | 1 | 1 | |
| 8 | 6H4-41237-00 | JOINT, LINK RACCORD | 1 | 1 | 1 | |
| 9 | 95380-05600 | NUT ECROU | 1 | 1 | 1 | |
| 10 | 90157-06M13 | SCREW, PAN HEAD VIS, TETE TRONCONIQUE | 2 | 2 | 2 | |
| 11 | 95303-06600 | NUT ECROU | 2 | 2 | 2 | |
| 12 | 688-44194-00 | CAP CAPUCHON | 2 | 2 | 2 | |
| 13 | 63D-44120-00 | HANDLE GEAR SHIFT ASSY LEVIER D'EMBRAYAGE | | | 1 | S S L L |
| | 63D-44120-10 | HANDLE GEAR SHIFT ASSY LEVIER D'EMBRAYAGE | 1 | 1 | 1 | |
| 14 | 90468-18008 | CLIP JONC | 3 | 3 | 3 | |
| 15 | 90202-07M07 | WASHER, PLATE RONDELLE, PLATE | 1 | 1 | 1 | |
| 16 | 63D-44117-00 | BRACKET SUPPORT | 1 | 1 | 1 | |
| 17 | 93501-04M02 | BALL BILLE | 1 | 1 | 1 | |
| 18 | 90501-12082 | SPRING, COMPRESSION RESSORT, COMPRESSION | 1 | 1 | 1 | |
| 19 | 648-42715-00 | BUSHING COUSSINET | 1 | 1 | 1 | |
| 20 | 97013-06020 | BOLT BOULON | 1 | 1 | 1 | |
| 21 | 92903-06600 | WASHER, PLATE RONDELLE, PLATE | 1 | 1 | 1 | |
| 22 | 97013-06045 | BOLT BOULON | 1 | 1 | 1 | |
| 23 | 92903-06600 | WASHER, PLATE RONDELLE, PLATE | 1 | 1 | 1 | |
| 24 | 63D-44121-00 | LEVER, SHIFT ROD LEVIER, TIGE D'INVERSION | 1 | 1 | 1 | |
| 25 | 90386-07M58 | BUSH DOUILLE | 1 | 1 | 1 | |

E7



63B2300-3180

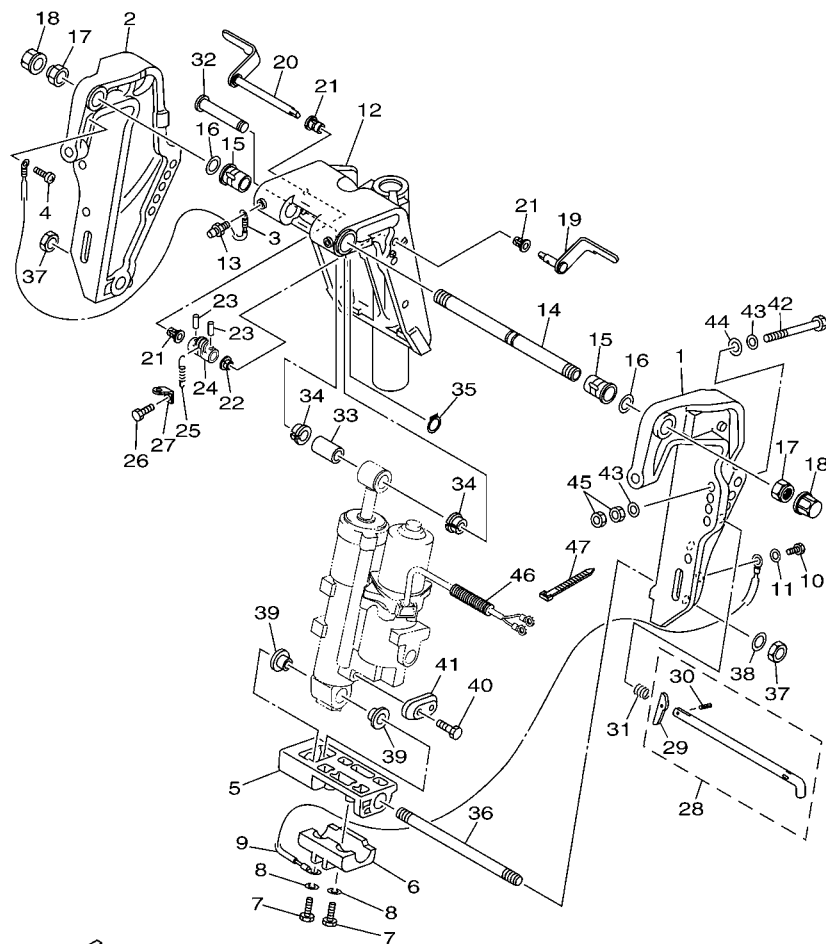
FIG. 18 CONTROL

COMMANDE

| REF. NO. | PART NO. N° PIECES | DESCRIPTION DESCRIPTION | ETO | EO | MHO | REMARKS REMARQUES |
|----------|--------------------|---|-----|----|-----|-------------------|
| 26 | 92990-08200 | WASHER, PLAIN RONDELLE, PLATE | 1 | 1 | 1 | |
| 27 | 91490-20012 | PIN, COTTER GOUPILLE | 1 | 1 | 1 | |
| 28 | 688-44122-00 | BUSHING, SHIFT ROD LEVER DOUILLE, LEVIER D'EMBRAYAGE | 1 | 1 | 1 | |
| 29 | 663-48344-00 | CABLE END, REMOTE CONTROL CHAPE CABLE | 1 | 1 | | |
| | 63D-48344-00 | CABLE END, REMOTE CONTROL CHAPE CABLE | | | 1 | |
| 30 | 63D-15774-00 | STAY 4 SUPPORT 4 | 1 | 1 | 1 | |
| 31 | 97095-06016 | BOLT BOULON | 1 | 1 | 1 | |
| 32 | 92995-06600 | WASHER RONDELLE | 1 | 1 | 1 | |
| ----- | | | | | | |
| ----- | | | | | | |
| ----- | | | | | | |
| ----- | | | | | | |
| ----- | | | | | | |
| ----- | | | | | | |
| ----- | | | | | | |
| ----- | | | | | | |
| ----- | | | | | | |
| ----- | | | | | | |
| ----- | | | | | | |

FIG. 19 BRACKET 1

SUPPORT 1

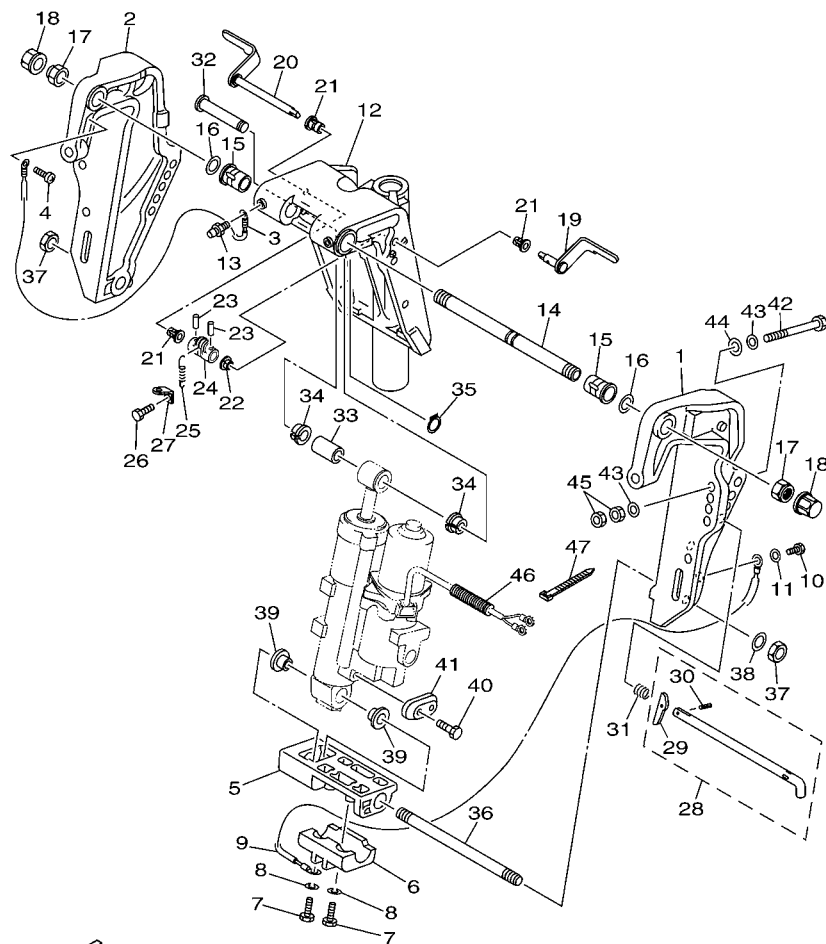


FWD
63B3300-C190

| REF. NO. | PART NO. N° PIECES | DESCRIPTION DESCRIPTION | ETO | EO | MHO | REMARKS REMARQUES |
|----------|--------------------|--|-----|----|-----|-------------------|
| 1 | 63D-43111-01-4D | BRACKET, CLAMP PRESSE | 1 | | | |
| 2 | 63D-43112-01-4D | BRACKET, CLAMP PRESSE | 1 | | | |
| 3 | 63D-82148-00 | WIRE, LEAD 4 FIL 4 | 1 | | | |
| 4 | 97885-06008 | SCREW, PAN HEAD VIS, A ENCOCHE | 1 | | | |
| 5 | 63D-43128-01-4D | SPACER, CLAMP BRACKET ENTRETOISE | 1 | | | |
| 6 | 63D-45251-00 | ANODE ANODE | 1 | | | |
| 7 | 97095-06025 | BOLT BOULON | 2 | | | |
| 8 | 92995-06100 | WASHER, SPRING RONDELLE, GROWER | 2 | | | |
| 9 | 6H1-82148-00 | WIRE, LEAD 4 FIL 4 | 1 | | | |
| 10 | 97095-06010 | BOLT BOULON | 1 | | | |
| 11 | 92995-06600 | WASHER RONDELLE | 1 | | | |
| 12 | 63D-43311-13-4D | BRACKET, SWIVEL 1 SUPPORT, PIVOT 1 | 1 | | | L L |
| 13 | 93700-06M03 | NIPPLE, GREASE PION | 3 | | | |
| 14 | 63D-43131-01 | BOLT, CLAMP BRACKET BOULON, PRESSE | 1 | | | |
| 15 | 90386-22M15 | BUSH DOUILLE | 2 | | | |
| 16 | 90201-22M03 | WASHER, PLATE RONDELLE, PLATE | 2 | | | |
| 17 | 90185-22M11 | NUT, SELF-LOCKING ECROU, AUTO-BLOCANT | 2 | | | |
| 18 | 6G5-43145-01 | CAP, CLAMP BRACKET CAPUCHON, PRESSE | 2 | | | |
| 19 | 6H5-43181-03 | LEVER, TILT STOP LEVIER, VERROUILLAGE RELEVAGE | 1 | | | |
| 20 | 6H5-43185-03 | LEVER, TILT STOP LEVIER, VERROUILLAGE RELEVAGE | 1 | | | |
| 21 | 90386-10M16 | BUSH DOUILLE | 3 | | | |
| 22 | 90386-10025 | BUSH DOUILLE | 1 | | | |
| 23 | 91690-30020 | PIN, SPRING AGRAFFE | 2 | | | |
| 24 | 6G5-43148-10 | COLLAR, DISTANCE ENTRETOISE | 1 | | | |
| 25 | 90506-20011 | SPRING, TENSION RESSORT, TENSION | 1 | | | |
| 26 | 97095-06010 | BOLT BOULON | 1 | | | |
| 27 | 6G5-43144-00 | HOOK, SPRING CROCHET | 1 | | | |

FIG. 19 BRACKET 1

SUPPORT 1

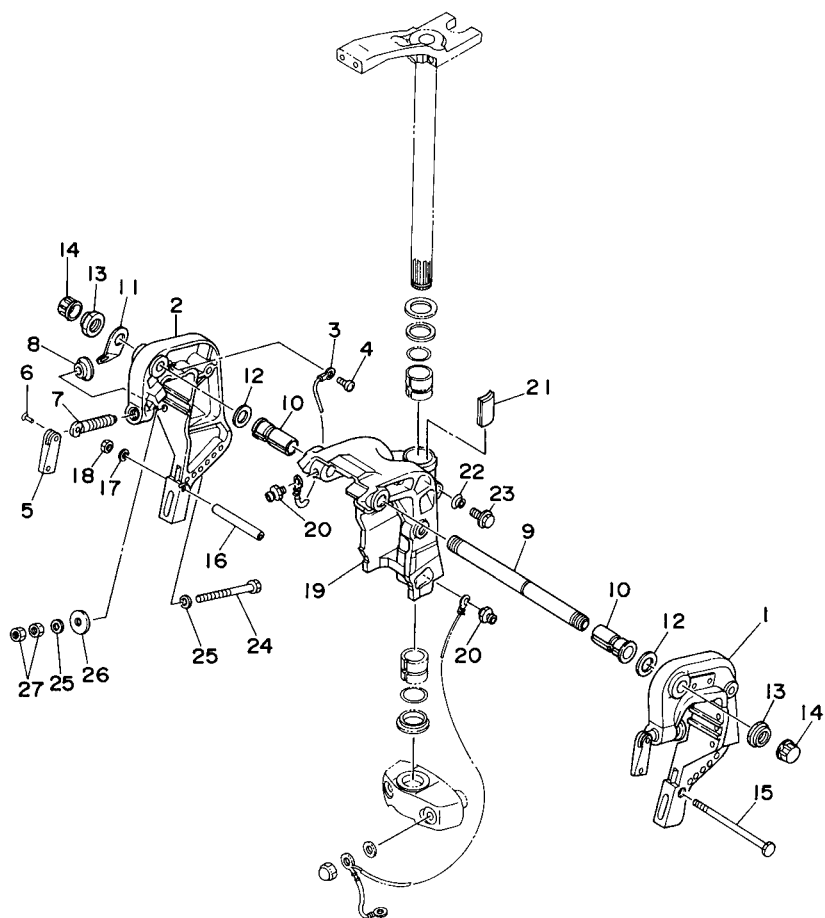


63B3300-C190

| REF. NO. | PART NO. N° PIECES | DESCRIPTION DESCRIPTION | ETO | EO | MHO | REMARKS REMARQUES |
|----------|--------------------|--|-----|----|-----|-------------------|
| 28 | 688-43160-01 | TILT ROD ASSY BROCHE D'INCLINAISON (ENS.) | 1 | | | |
| 29 | 688-43165-00 | .PLATE, TILT LOCK .TAQUET, BROCHE INCLINAISON | 1 | | | |
| 30 | 91690-30012 | .PIN, SPRING .AGRAFFE | 1 | | | |
| 31 | 90502-16M02 | SPRING, CONICAL RESSORT, CONIQUE | 1 | | | |
| 32 | 6E5-43126-02 | PIN, UPPER SHOCK MOUNT AXE, SUPERIEUR AMORTISSEUR | 1 | | | |
| 33 | 90386-18M92 | BUSH DOUILLE | 1 | | | |
| 34 | 90386-18M35 | BUSH DOUILLE | 2 | | | |
| 35 | 93410-18M02 | CIRCLIP CLIPS | 1 | | | |
| 36 | 90116-18M52 | BOLT, STUD GOUJON | 1 | | | |
| 37 | 90170-18M10 | NUT ECROU | 2 | | | |
| 38 | 92995-18600 | WASHER RONDELLE | 1 | | | |
| 39 | 90386-18M44 | BUSH DOUILLE | 2 | | | |
| 40 | 90101-06020 | BOLT BOULON | 2 | | | |
| 41 | 65W-45251-00 | ANODE ANODE | 1 | | | |
| 42 | 90101-12M65 | BOLT BOULON | 4 | | | |
| 43 | 92995-12200 | WASHER RONDELLE | 8 | | | |
| 44 | 90201-12426 | WASHER, PLATE RONDELLE, PLATE | 4 | | | |
| 45 | 95380-12600 | NUT ECROU | 8 | | | |
| 46 | 90440-14M00 | PIPE DURITE | 1 | | | |
| 47 | 90465-11M10 | CLAMP BRIDE | 3 | | | |

FIG. 20 BRACKET 2

SUPPORT 2

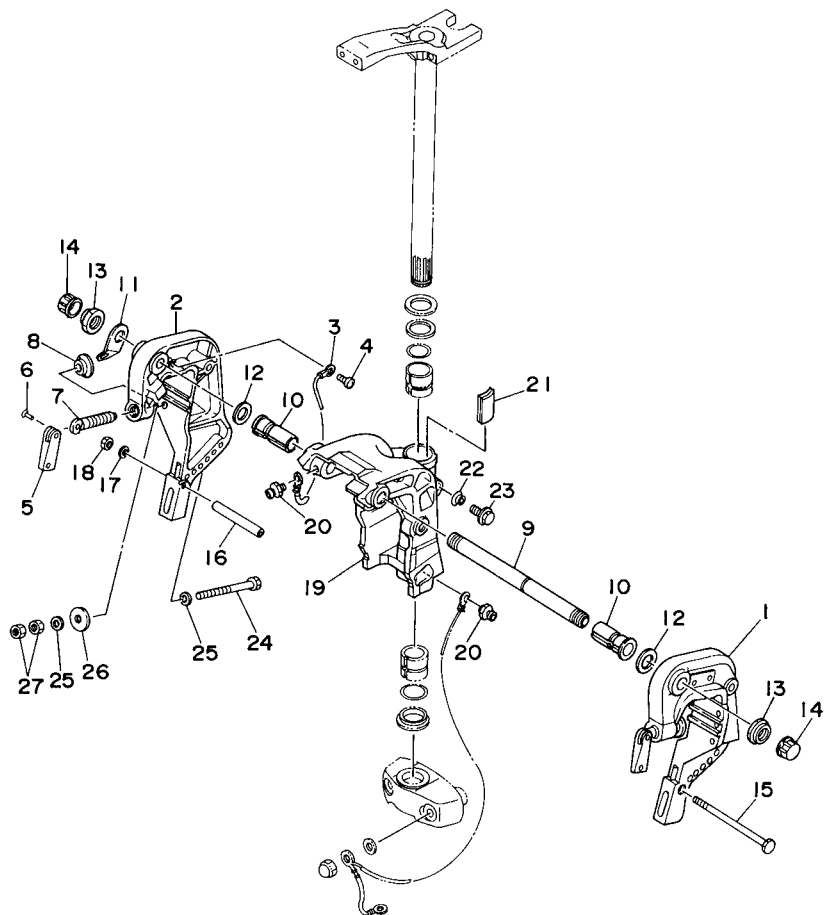



63D0010-5200

| REF. NO. | PART NO. N° PIECES | DESCRIPTION DESCRIPTION | ETO | EO | MHO | REMARKS REMARQUES |
|----------|--------------------|--|-----|----|-----|-------------------|
| 1 | 6H4-43111-05-4D | BRACKET, CLAMP PRESSE | | 1 | 1 | |
| 2 | 6H4-43112-04-4D | BRACKET, CLAMP PRESSE | | 1 | 1 | |
| 3 | 6E5-82148-00 | WIRE, LEAD 4 FIL 4 | | 1 | 1 | |
| 4 | 97885-06008 | SCREW, PAN HEAD VIS, A ENCOCHE | | 1 | 1 | |
| 5 | 6E0-43118-01 | HANDLE, TRANSOM CLAMP POIGNEE DE VIS DE PRESSE | | 2 | 2 | |
| 6 | 90243-04M01 | PIN GOUPILLE | | 2 | 2 | |
| 7 | 90149-14M12 | SCREW VIS | | 2 | 2 | |
| 8 | 648-43114-01 | PAD, TRANSOM CLAMP RONDELLE D'APPUI | | 2 | 2 | |
| 9 | 63D-43131-01 | BOLT, CLAMP BRACKET BOULON, PRESSE | | 1 | 1 | |
| 10 | 90386-22M69 | BUSH DOUILLE | | 2 | 2 | |
| 11 | 6J8-43113-01 | PLATE, CLAMP BRACKET PLAQUETTE, PRESSE | | 1 | 1 | |
| 12 | 90201-22M03 | WASHER, PLATE RONDELLE, PLATE | | 2 | 2 | |
| 13 | 90185-22M11 | NUT, SELF-LOCKING ECROU, AUTO-BLOCANT | | 2 | 2 | |
| 14 | 6G5-43145-01 | CAP, CLAMP BRACKET CAPUCHON, PRESSE | | 2 | 2 | |
| 15 | 90101-08339 | BOLT BOULON | | 1 | 1 | |
| 16 | 90387-08M03 | COLLAR COLLERETTE | | 1 | 1 | |
| 17 | 92990-08600 | WASHER, PLATE RONDELLE, PLATE | | 1 | 1 | |
| 18 | 95380-08600 | NUT ECROU | | 1 | 1 | |
| 19 | 6J8-43311-04-4D | BRACKET, SWIVEL 1 SUPPORT, PIVOT 1 | | 1 | 1 | S S L L |
| | 6J8-43311-10-4D | BRACKET, SWIVEL 1 SUPPORT, PIVOT 1 | | 1 | 1 | |
| 20 | 93700-06M03 | NIPPLE, GREASE PION | | 3 | 3 | |
| 21 | 6J8-42528-00 | PLATE, FRICTION PLAQUE, FRICTION | | 1 | 1 | |
| 22 | 689-43373-01 | SEAL, DAMPER JOINT | | 1 | 1 | |
| 23 | 90105-06M18 | BOLT, FLANGE BOULON | | 1 | 1 | |
| 24 | 90101-10M58 | BOLT BOULON | | 4 | 4 | |
| 25 | 92995-10600 | WASHER RONDELLE | | 8 | 8 | |
| 26 | 90201-12426 | WASHER, PLATE RONDELLE, PLATE | | 4 | 4 | |

FIG. 20 BRACKET 2

SUPPORT 2

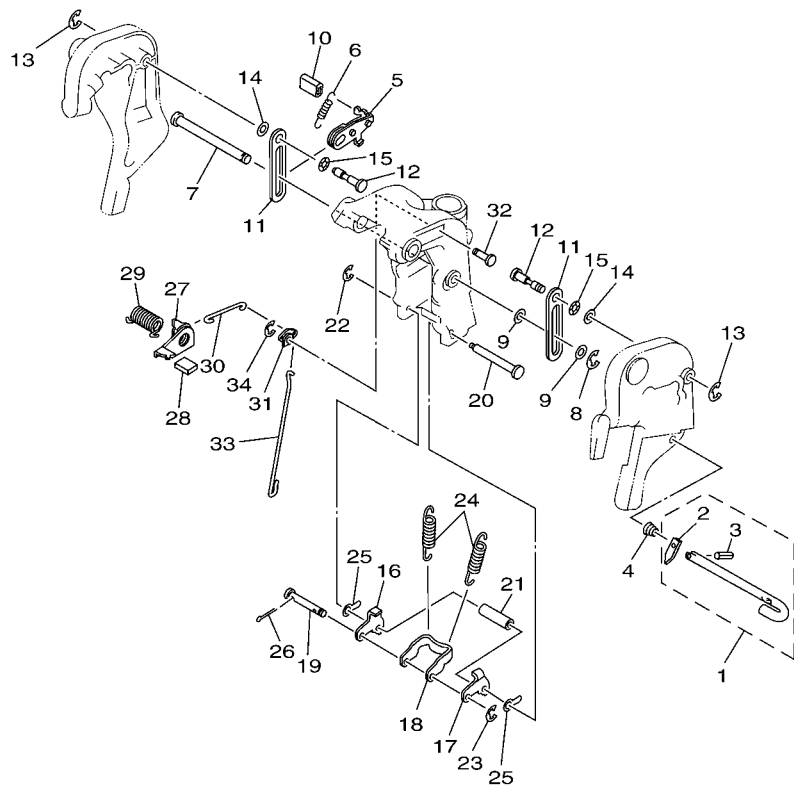


FWD
63D0010-5200

| REF. NO. | PART NO. N° PIECES | DESCRIPTION DESCRIPTION | ETO | EO | MHO | REMARKS REMARQUES |
|----------|--------------------|-------------------------|-----|----|-----|-------------------|
| 27 | 95380-10600 | NUT ECROU | | 8 | 8 | |
| ----- | | | | | | |
| ----- | | | | | | |
| ----- | | | | | | |
| ----- | | | | | | |
| ----- | | | | | | |
| ----- | | | | | | |
| ----- | | | | | | |
| ----- | | | | | | |
| ----- | | | | | | |
| ----- | | | | | | |

FIG. 21 BRACKET 3

SUPPORT 3



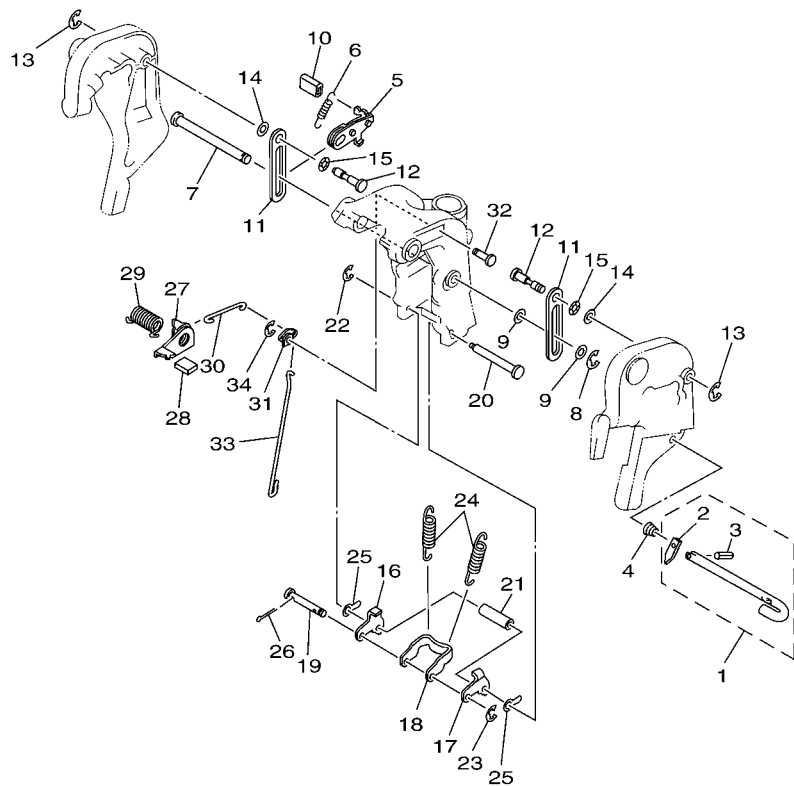
63B3300-C210

| REF. NO. | PART NO. N° PIECES | DESCRIPTION DESCRIPTION | ETO | EO | MHO | REMARKS REMARQUES |
|----------|--------------------|--|-----|----|-----|-------------------|
| 1 | 6H4-43160-01 | TILT ROD ASSY BROCHE D'INCLINAISON (ENS.) | | 1 | 1 | |
| 2 | 676-43165-00 | .PLATE, TILT LOCK .TAQUET, BROCHE INCLINAISON | | 1 | 1 | |
| 3 | 91690-30010 | .PIN, SPRING .AGRAFFE | | 1 | 1 | |
| 4 | 90502-10M04 | SPRING, CONICAL RESSORT, CONIQUE | | 1 | 1 | |
| 5 | 6J8-43181-01 | LEVER, TILT STOP LEVIER, VERROUILLAGE RELEVAGE | | 1 | 1 | |
| 6 | 90506-12M25 | SPRING, TENSION RESSORT, TENSION | | 1 | 1 | |
| 7 | 90249-12M28 | PIN GOUPILLE | | 1 | 1 | |
| 8 | 93430-10M00 | CIRCLIP CLIPS | | 1 | 1 | |
| 9 | 90202-12031 | WASHER, PLATE RONDELLE, PLATE | | 2 | 2 | |
| 10 | 682-43318-01 | COVER CAPUCHON | | 1 | 1 | |
| 11 | 6J8-43627-00 | STOPPER PLAQUETTE | | 2 | 2 | |
| 12 | 90249-12M27 | PIN GOUPILLE | | 2 | 2 | |
| 13 | 93430-10M00 | CIRCLIP CLIPS | | 2 | 2 | |
| 14 | 90202-12031 | WASHER, PLATE RONDELLE, PLATE | | 2 | 2 | |
| 15 | 90206-12M16 | WASHER, WAVE RONDELLE, ONDULEE | | 2 | 2 | |
| 16 | 6J8-43614-00 | PLATE, TILT LOCK ETRIER, VERROUILLAGE MARCHE AR | | 1 | 1 | |
| 17 | 6J8-43615-00 | PLATE, TILT LOCK ETRIER, VERROUILLAGE MARCHE AR | | 1 | 1 | |
| 18 | 6J8-43613-01 | ARM, TILT LOCK GUIDE | | 1 | 1 | |
| 19 | 6H4-43659-00 | SHAFT, REVERSE LOCK AXE, VERROUILLAGE MARCHE AR | | 1 | 1 | |
| 20 | 6J8-43611-01 | SHAFT, TILT LOCK AXE, VERROUILLAGE MARCHE AR | | 1 | 1 | |
| 21 | 90387-07M64 | COLLAR COLLERETTE | | 1 | 1 | |
| 22 | 93430-06M02 | CIRCLIP CLIPS | | 1 | 1 | |
| 23 | 99080-05600 | CIRCLIP CIRCLIP | | 1 | 1 | |
| 24 | 90506-32M22 | SPRING, TENSION RESSORT, TENSION | | 2 | 2 | |
| 25 | 6H4-43674-00 | WASHER RONDELLE | | 2 | 2 | |
| 26 | 91490-20010 | PIN, COTTER GOUPILLE | | 2 | 2 | |
| 27 | 6J8-43631-00 | LEVER, TILT LEVIER, INCLINAISON | | 1 | 1 | |

F6

FIG. 21 BRACKET 3

SUPPORT 3



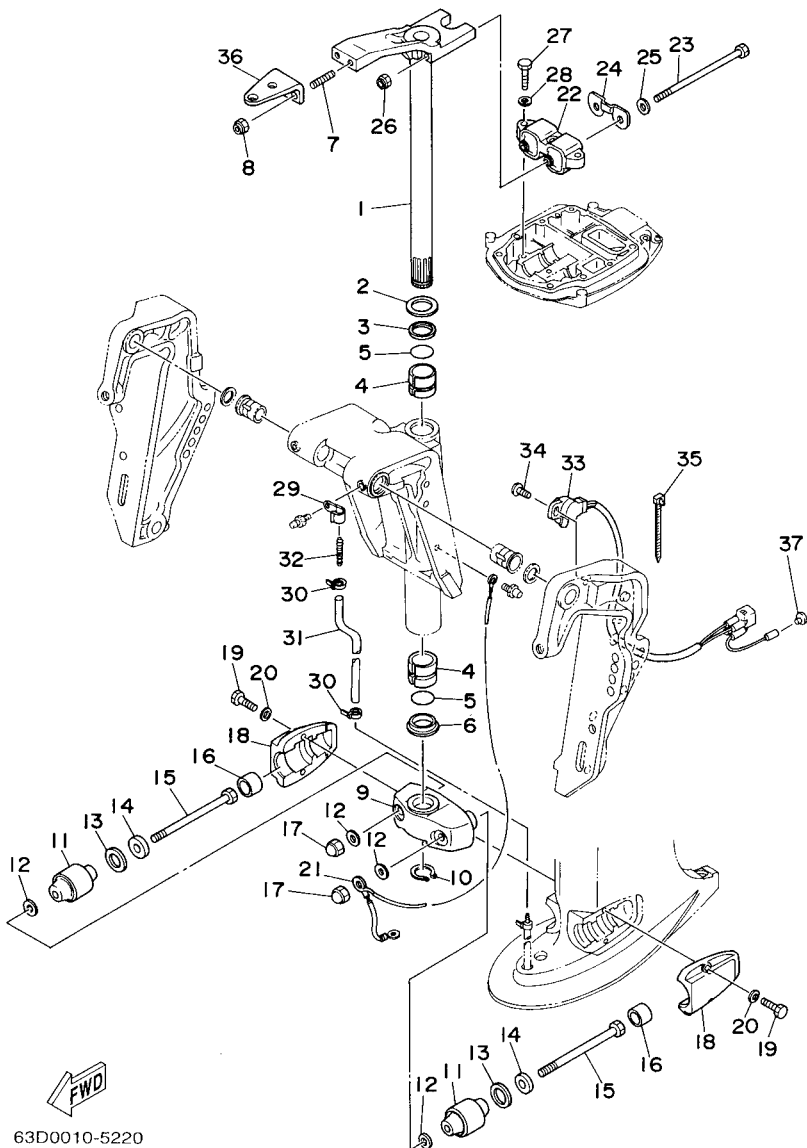
| REF. NO. | PART NO. N° PIECES | DESCRIPTION DESCRIPTION | ETO | EO | MHO | REMARKS REMARQUES |
|----------|--------------------|-------------------------------------|-----|----|-----|-------------------|
| 28 | 6J8-43633-00 | COVER, TILT LEVER COUVERCLE | | 1 | 1 | |
| 29 | 90508-18M24 | SPRING, TORSION RESSORT, TORSION | | 1 | 1 | |
| 30 | 6H4-43616-00 | ROD, TILT LOCK TIGE | | 1 | 1 | |
| 31 | 6J8-43641-00 | LEVER, TILT LEVIER, INCLINAISON | | 1 | 1 | |
| 32 | 90249-06M23 | PIN GOUPILLE | | 1 | 1 | |
| 33 | 6J8-43617-00 | ROD, TILT LOCK TIGE | | 1 | 1 | |
| 34 | 99080-05600 | CIRCLIP CIRCLIP | | 1 | 1 | |
| | | | | | | |
| | | | | | | |
| | | | | | | |
| | | | | | | |
| | | | | | | |
| | | | | | | |
| | | | | | | |
| | | | | | | |



63B3300-C210

FIG. 22 BRACKET 4

SUPPORT 4



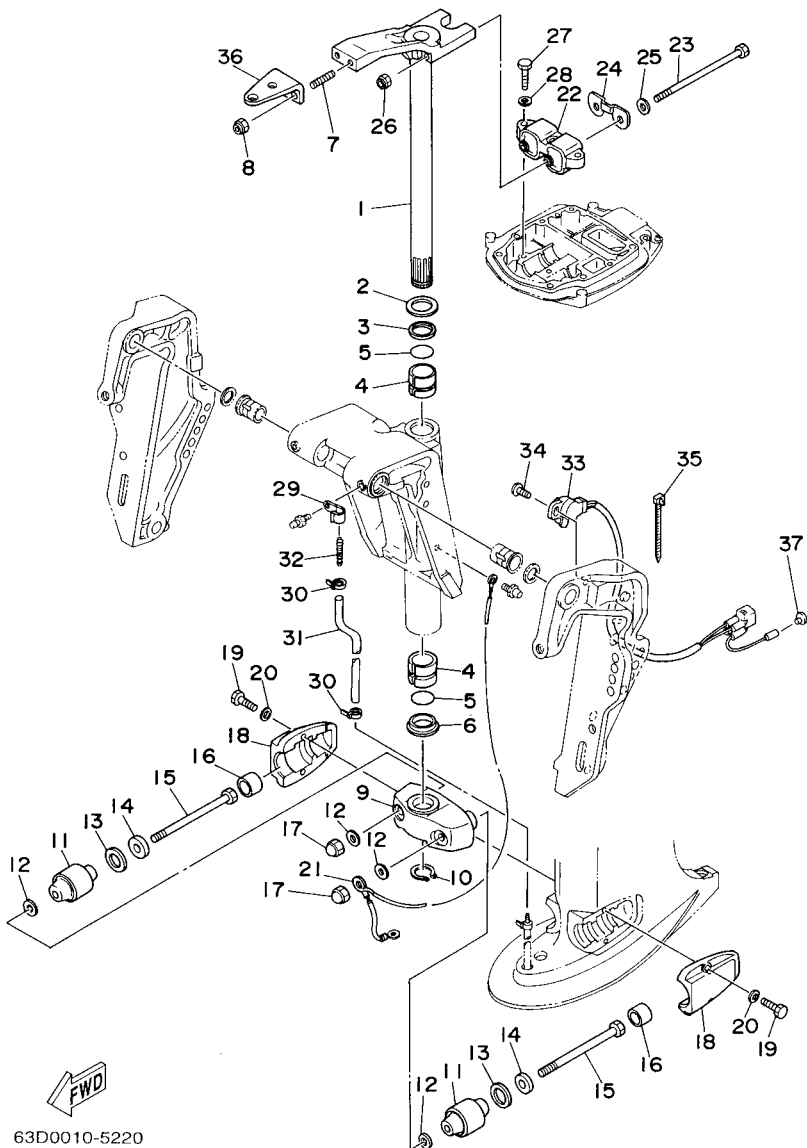
63D0010-5220

| REF. NO. | PART NO. N° PIECES | DESCRIPTION DESCRIPTION | ETO | EO | MHO | REMARKS REMARQUES |
|----------|--------------------|--|-----|----|-----|-------------------|
| 1 | 63B-42510-01-4D | STEERING BRACKET ASSY DIRECTION SUPPORT (ENS.) | | 1 | 1 | S |
| | 63B-42510-11-4D | STEERING BRACKET ASSY DIRECTION SUPPORT (ENS.) | | 1 | 1 | S |
| | 63D-42510-12-4D | STEERING BRACKET ASSY DIRECTION SUPPORT (ENS.) | 1 | | | L |
| 2 | 90201-30M00 | WASHER, PLATE RONDELLE, PLATE | 1 | 1 | 1 | L |
| 3 | 90386-30M78 | BUSH DOUILLE | 1 | 1 | 1 | L |
| 4 | 90386-30M77 | BUSH DOUILLE | 2 | 2 | 2 | L |
| 5 | 93210-29M94 | O-RING JOINT TORIQUE | 2 | 2 | 2 | |
| 6 | 90386-30M60 | BUSH DOUILLE | 1 | 1 | 1 | |
| 7 | 90116-10175 | BOLT, STUD GOUJON | 2 | 2 | 2 | |
| 8 | 90185-10051 | NUT, SELF-LOCKING ECROU, AUTO-BLOCANT | 2 | 2 | 2 | |
| 9 | 63D-44551-01-4D | HOUSING, LOWER MOUNT RUBBER BOITIER, SILENT-BLOC INFÉRIEUR | 1 | 1 | 1 | |
| 10 | 93410-28M06 | CIRCLIP CLIPS | 1 | 1 | 1 | |
| 11 | 687-44555-00-94 | MOUNT DAMPER, LOWER SIDE SILENT-BLOC, INFÉRIEUR LATERAL | | 2 | 2 | S |
| | 63D-44555-00-94 | MOUNT DAMPER, LOWER SIDE SILENT-BLOC, INFÉRIEUR LATERAL | 2 | 2 | 2 | S |
| 12 | 90201-12M16 | WASHER, PLATE RONDELLE, PLATE | 4 | 4 | 4 | L |
| 13 | 90202-25M04 | WASHER, PLATE RONDELLE, PLATE | 2 | 2 | 2 | |
| 14 | 90201-13M19 | WASHER, PLATE RONDELLE, PLATE | 2 | 2 | 2 | |
| 15 | 90109-12M21 | BOLT BOULON | 2 | 2 | 2 | |
| 16 | 663-44575-00 | DAMPER, LOWER MOUNT RUBBER SILENT-BLOC, INFÉRIEUR | 2 | 2 | 2 | |
| 17 | 95380-12800 | NUT, CROWN ECROU, BORGNE | 2 | 2 | 2 | |
| 18 | 63D-44552-01-4D | HOUSING, LOWER MOUNT RUBBER BOITIER, SILENT-BLOC INFÉRIEUR | 2 | 2 | 2 | |
| 19 | 97075-08030 | BOLT BOULON | 4 | 4 | 4 | |
| 20 | 92995-08100 | WASHER RONDELLE | 4 | 4 | 4 | |
| 21 | 63D-82127-00 | WIRE, LEAD 2 FIL 2 | | 1 | 1 | S |
| | 63D-82127-10 | WIRE, LEAD 2 FIL 2 | 1 | 1 | 1 | S |
| 22 | 63D-44514-01-94 | MOUNT DAMPER, UPPER SIDE SILENT-BLOC, SUPÉRIEUR LATERAL | 1 | 1 | 1 | L |
| 23 | 90101-08M15 | BOLT BOULON | 2 | 2 | 2 | |

FIG. 22 BRACKET 4

SUPPORT 4

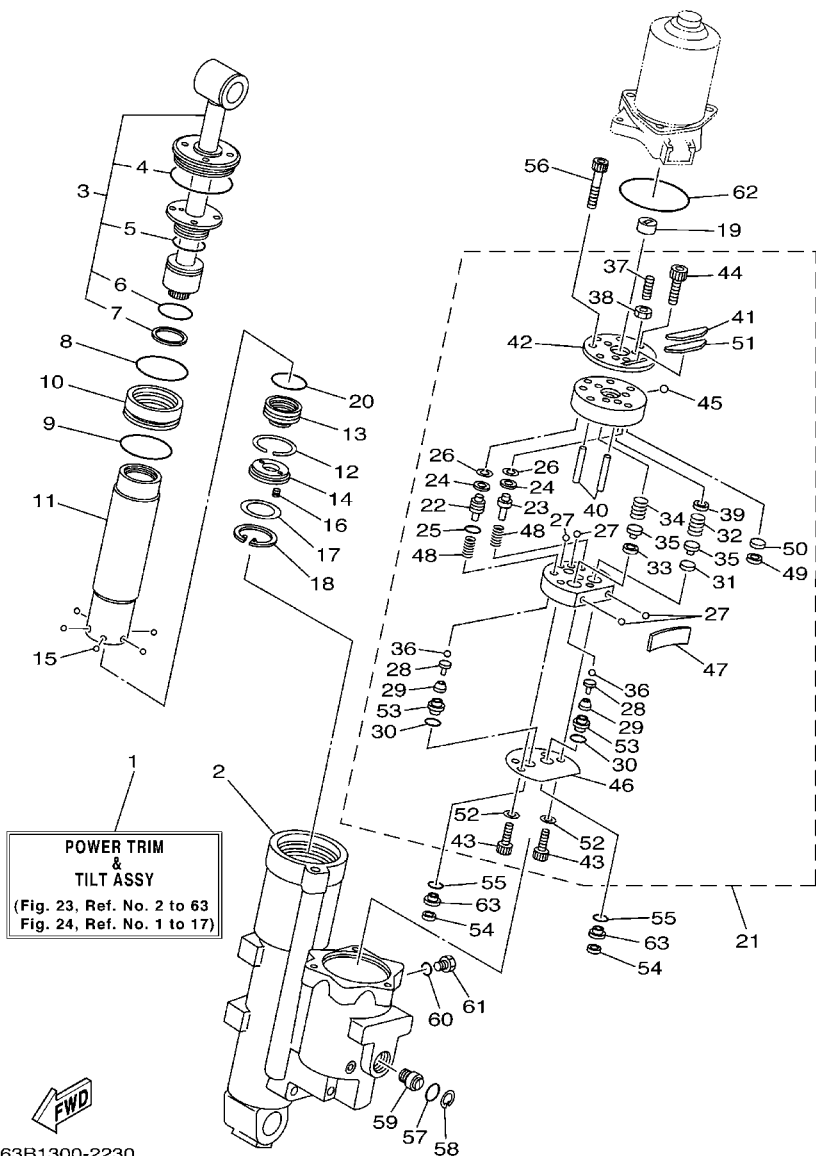
| REF. NO. | PART NO. N° PIECES | DESCRIPTION DESCRIPTION | ETO | EO | MHO | REMARKS REMARQUES |
|----------|--------------------|---------------------------------------|-----|----|-----|-------------------|
| 24 | 63D-44526-00 | PLATE PLAQUE | 1 | 1 | 1 | |
| 25 | 90201-09425 | WASHER, PLATE RONDELLE, PLATE | 2 | 2 | 2 | |
| 26 | 90185-08045 | NUT, SELF-LOCKING ECROU, AUTO-BLOCANT | 2 | 2 | 2 | |
| 27 | 97075-08030 | BOLT BOULON | 3 | 3 | 3 | |
| 28 | 92995-08100 | WASHER RONDELLE | 3 | 3 | 3 | |
| 29 | 90465-06M86 | CLAMP BRIDE | 1 | | | |
| 30 | 90465-11M10 | CLAMP BRIDE | 2 | | | |
| 31 | 90445-07MF1 | HOSE (L570) DURITE (L570) | 1 | | | |
| 32 | 6E5-83558-00 | END, NIPPLE RACCORD DE NIPPLE | 1 | | | |
| 33 | 63D-83672-01 | TRIM SENDER INCLINER RACCORD | 1 | | | |
| 34 | 97885-06016 | SCREW, PAN HEAD VIS, A ENCOCHE | 2 | | | |
| 35 | 90465-13M11 | CLAMP BRIDE | 1 | | | |
| 36 | 63D-48511-00-4D | HOOK, STEERING ATTACHE, DIRECTION | 1 | 1 | | STEERING GUIDE |
| 37 | 703-82119-00 | COVER, LEAD WIRE GARNITURE, FIL | 1 | | | AP AP |



63D0010-5220

FIG. 23 POWER TRIM & TILT ASSY 1

PUISSANCE PARER ET INCLINER 1



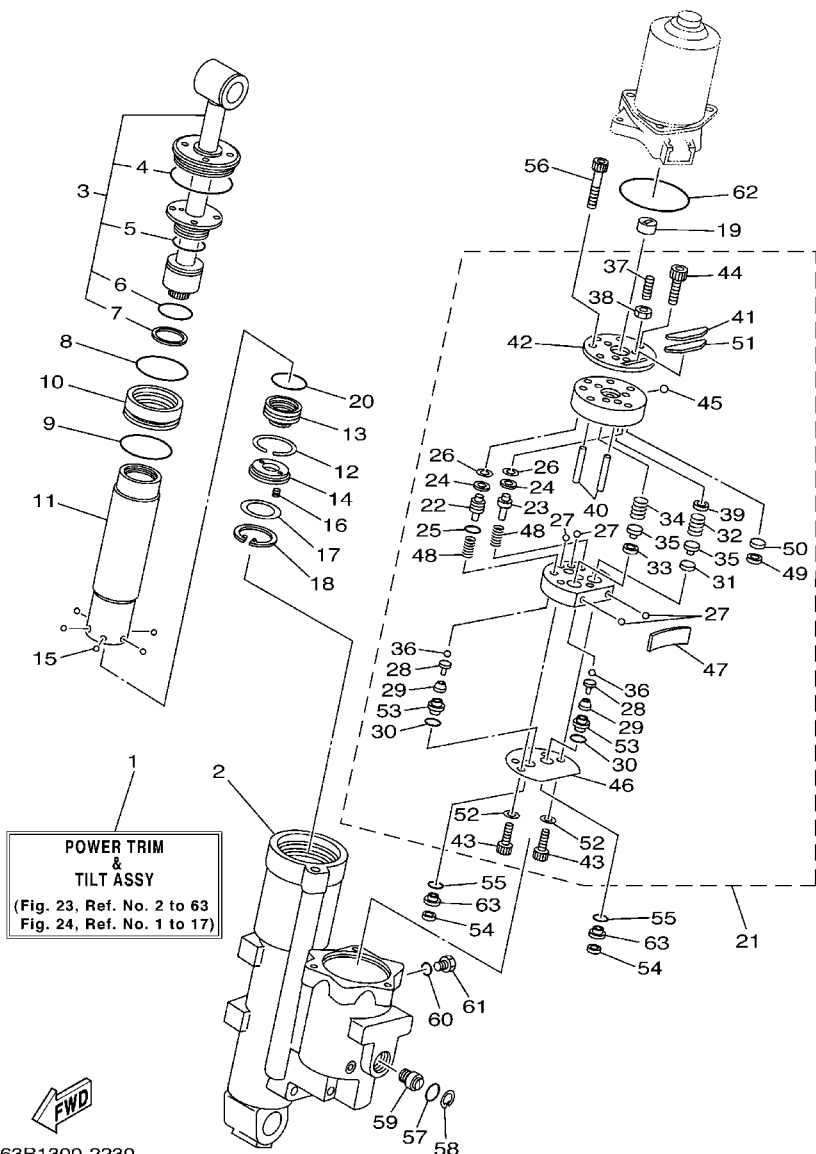
63B1300-2230

A6

| REF. NO. | PART NO. N° PIECES | DESCRIPTION DESCRIPTION | ETO | EO | MHO | REMARKS REMARQUES |
|----------|--------------------|--|-----|----|-----|-------------------|
| 1 | 62Y-43800-01-4D | POWER TRIM & TILT ASSY PUISSANCE PARER ET INCLINER (ENS.) | 1 | | | |
| 2 | 62Y-4380K-01 | CYLINDER, TILT SUB ASSY CYLINDRE | 1 | | | |
| 3 | 62X-43810-01 | TILT PISTON SUB ASSY INCLINER PISTON AUXILIAIRE(ENS.) | 1 | | | |
| 4 | 62X-43861-00 | .O-RING .JOINT TORIQUE | 1 | | | |
| 5 | 62X-43862-00 | .O-RING .JOINT TORIQUE | 1 | | | |
| 6 | 93210-29375 | .O-RING .JOINT TORIQUE | 1 | | | |
| 7 | 62X-43871-00 | .RING, BACK UP .SEGMENT | 1 | | | |
| 8 | 93210-44383 | O-RING JOINT TORIQUE | 1 | | | |
| 9 | 93210-48214 | O-RING JOINT TORIQUE | 1 | | | |
| 10 | 62X-4388A-00 | PISTON, TRIM PISTON | 1 | | | |
| 11 | 62Y-22471-00 | CYLINDER, SHOCK ABSORBER CYLINDRE, AMORTISSEUR | 1 | | | |
| 12 | 67F-43875-00 | RING, SNAP RESSORT | 1 | | | |
| 13 | 69W-4381B-00 | FREE PISTON SUB ASSY PISTON AUXILIAIRE (ENS.) | 1 | | | |
| 14 | 62X-43899-00 | PLATE STOPPER PLAQUETTE | 1 | | | |
| 15 | 93503-16003 | BALL BILLES | 6 | | | |
| 16 | 62X-4384H-00 | SPRING RESSORT | 2 | | | |
| 17 | 1UF-22434-00 | PLATE, VALVE 1 PLATEAU, SOUPAPE 1 | 1 | | | |
| 18 | 62X-43875-00 | RING, SNAP RESSORT | 1 | | | |
| 19 | 6H1-43831-10 | CONNECTOR, SHAFT RACCORD | 1 | | | |
| 20 | 93210-29375 | O-RING JOINT TORIQUE | 1 | | | |
| 21 | 62Y-43830-01 | GEAR PUMP ASSY POMPE A PIGNON (ENS.) | 1 | | | |
| 22 | 69J-43841-00 | .PISTON, SHUTTLE .PISTON | 1 | | | |
| 23 | 69J-4384M-00 | .PISTON, SHUTTLE 2 .PISTON 2 | 1 | | | |
| 24 | 69A-4384F-00 | .SEAL, MAIN VALVE .JOINT | 2 | | | |
| 25 | 6H1-43883-00 | .O-RING .JOINT TORIQUE | 1 | | | |
| 26 | 99001-03600 | .CIRCLIP .CIRCLIP | 2 | | | |
| 27 | 93505-32038 | .BALL .BILLE | 4 | | | |

FIG. 23 POWER TRIM & TILT ASSY 1

PUISSANCE PARER ET INCLINER 1

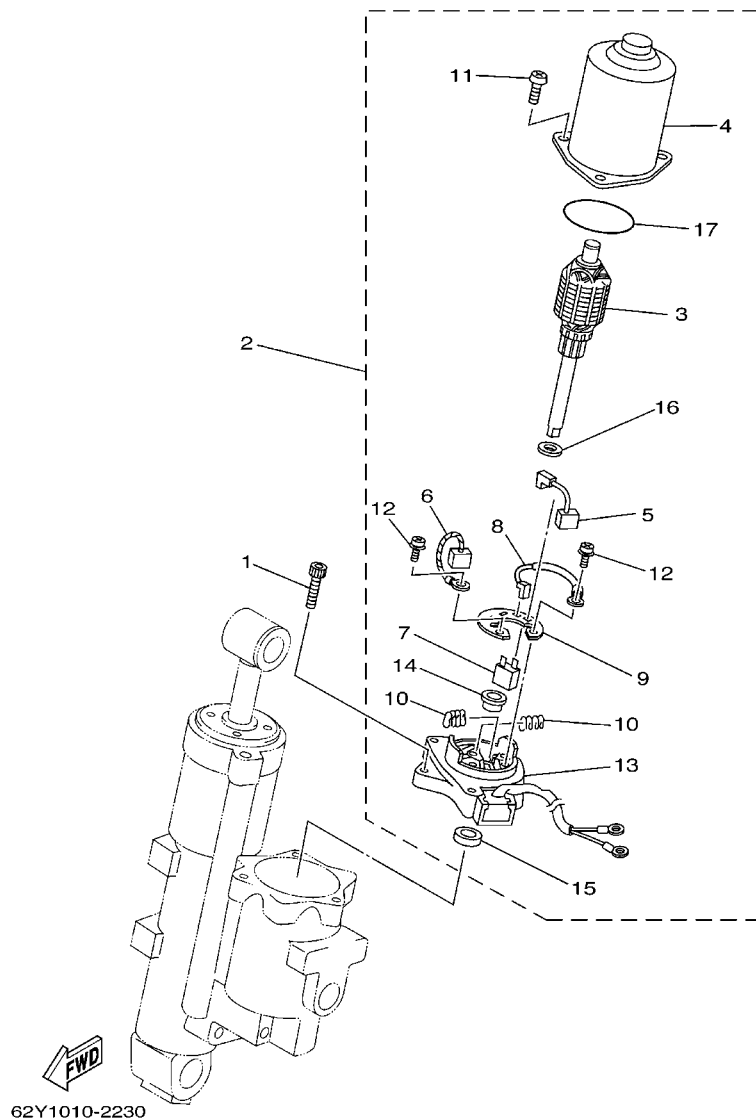


63B1300-2230

| REF. NO. | PART NO. N° PIECES | DESCRIPTION DESCRIPTION | ETO | EO | MHO | REMARKS REMARQUES |
|----------|--------------------|--|-----|----|-----|-------------------|
| 28 | 65W-4386A-00 | .PIN, ABSORBER VALVE .GOUPILLE, SOUPAPE | 2 | | | |
| 29 | 69J-43853-00 | .SPRING, MAIN VALVE .RESSORT | 2 | | | |
| 30 | 69J-4389J-00 | .O-RING .JOINT TORIQUE | 2 | | | |
| 31 | 6H1-4384G-11 | .SEAL, RELIEF VALVE .JOINT | 1 | | | |
| 32 | 62Y-43855-00 | .SPRING, UP RELIEF .RESSORT | 1 | | | |
| 33 | 6H1-4384F-10 | .SEAL, MAIN VALVE .JOINT | 1 | | | |
| 34 | 6H1-43856-10 | .SPRING, DOWN RELIEF .RESSORT | 1 | | | |
| 35 | 6H1-43844-10 | .PIN, VALVE SUPPORT .GOUPILLE | 2 | | | |
| 36 | 93505-32038 | .BALL .BILLE | 2 | | | |
| 37 | 92A08-03110 | .SCREW SET .VIS | 1 | | | |
| 38 | 95307-03600 | .NUT .ECROU | 1 | | | |
| 39 | 62Y-4382A-00 | .ADAPTOR 1 .ADAPTEUR 1 | 1 | | | |
| 40 | 93604-26256 | .PIN, DOWEL .CLAVETTE | 2 | | | |
| 41 | 62Y-43816-00 | .FILTER 1 .FILTRE 1 | 1 | | | |
| 42 | 62Y-4382L-00 | .CAP, RELIEF VALVE .CAPUCHON | 1 | | | |
| 43 | 91318-05020 | .BOLT .BOULON | 2 | | | |
| 44 | 91318-05008 | .BOLT .BOULON | 2 | | | |
| 45 | 93501-08001 | .BALL .BILLE | 1 | | | |
| 46 | 69W-4384G-00 | .SEAL, RELIEF VALVE .JOINT | 1 | | | |
| 47 | 62Y-43854-00 | .SPRING, MANUAL RELEASE .RESSORT | 1 | | | |
| 48 | 69J-43894-00 | .SPRING, SHUTTLE RETURN .RESSORT | 2 | | | |
| 49 | 62Y-4387J-00 | .WASHER, SPECIAL 2 .RONDELLE | 1 | | | |
| 50 | 62Y-22434-00 | .PLATE, VALVE 1 .PLATEAU, SOUPAPE 1 | 1 | | | |
| 51 | 62Y-43871-00 | .RING, BACK UP .SEGMENT | 1 | | | |
| 52 | 62Y-4387G-00 | .WASHER .RONDELLE | 2 | | | |
| 53 | 69J-43893-00 | .WASHER .RONDELLE | 2 | | | |
| 54 | 6H1-43816-00 | FILTER 1 FILTRE 1 | 2 | | | |

FIG. 24 POWER TRIM & TILT ASSY 2

PUISSANCE PARER ET INCLINER 2

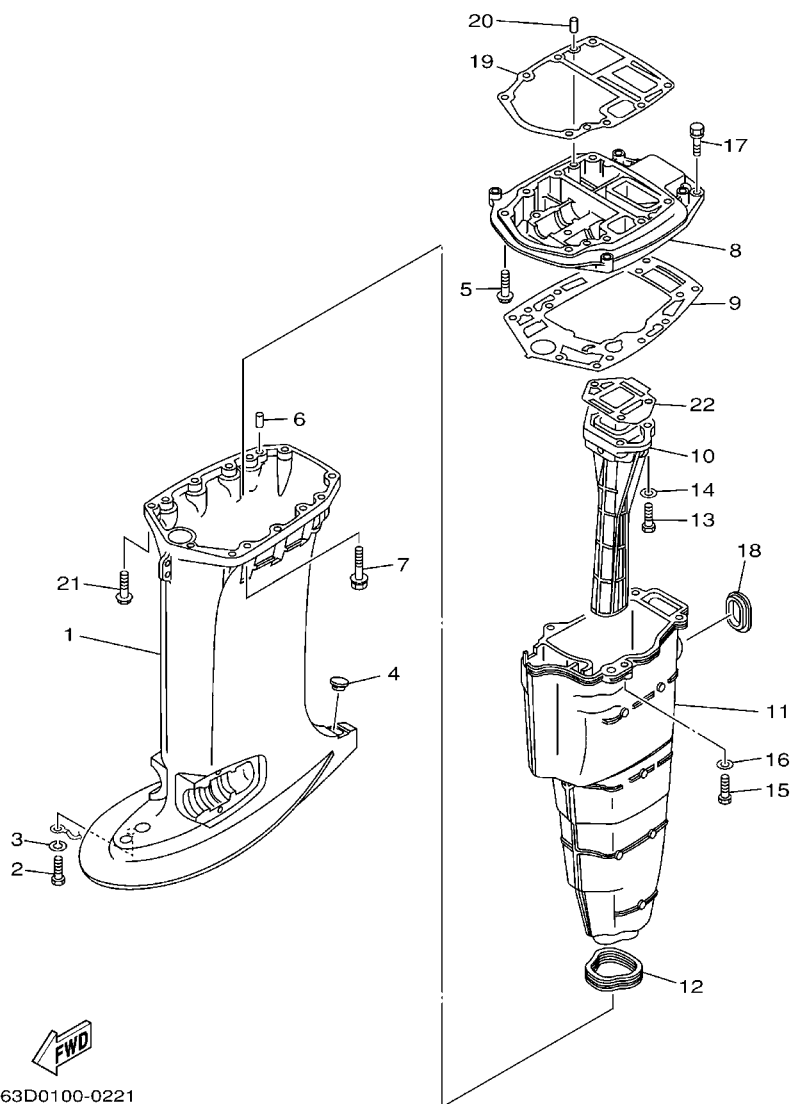


62Y1010-2230

| REF. NO. | PART NO. N° PIECES | DESCRIPTION DESCRIPTION | ETO | EO | MHO | REMARKS REMARQUES |
|----------|--------------------|---|-----|----|-----|-------------------|
| 1 | 62X-43888-00 | BOLT, SOCKET BOULON | 3 | | | |
| 2 | 62Y-43880-01 | MOTOR ASSY MOTEUR (ENS.) | 1 | | | |
| 3 | 62Y-43805-00 | .ARMATURE ASSY .INDUIT (ENS.) | 1 | | | |
| 4 | 62X-43804-01 | .STATOR ASSY .STATOR (ENS.) | 1 | | | |
| 5 | 62Y-43892-00 | .BRUSH 2 .BALAI 2 | 1 | | | |
| 6 | 62Y-43891-00 | .BRUSH 1 .BALAI 1 | 1 | | | |
| 7 | 62Y-82181-01 | .CIRCUIT BREAKER COMP. .RUPTEUR COMPLET | 1 | | | |
| 8 | 62X-43807-00 | .WIRE SUB ASSY .AUXILIAIRE CABLE (ENS.) | 1 | | | |
| 9 | 69W-4380F-00 | .PLATE, BRUSH HOLDER .PLAQUE | 1 | | | |
| 10 | 62X-4386K-00 | .SPRING, BRUSH .RESSORT, BALAI | 2 | | | |
| 11 | 97880-05020 | .SCREW, PAN HEAD .VIS, TETE TRONCONIQUE | 3 | | | |
| 12 | 97607-04212 | .SCREW, WITH WASHER .VIS HEXAGONAL | 2 | | | |
| 13 | 62Y-43881-00 | .FRAME, END .BATI | 1 | | | |
| 14 | 62X-4380H-00 | .METAL .METAL | 1 | | | |
| 15 | 93102-08414 | .OIL SEAL .JOINT SPY | 1 | | | |
| 16 | 90201-083J8 | .WASHER, PLATE .RONDELLE, PLATE | 1 | | | |
| 17 | 93210-52449 | .O-RING .JOINT TORIQUE | 1 | | | |

FIG. 25 UPPER CASING

FOURREAU

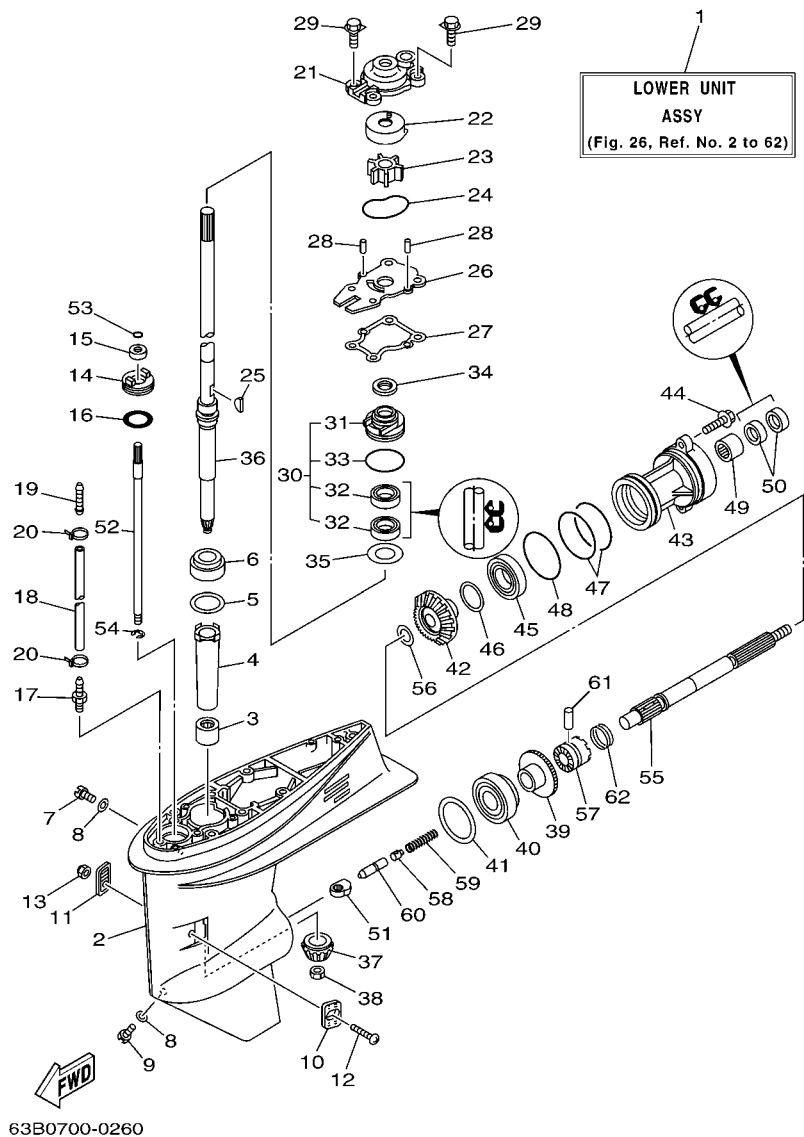


63D0100-0221

| REF. NO. | PART NO. N° PIECES | DESCRIPTION DESCRIPTION | ETO | EO | MHO | REMARKS REMARQUES |
|----------|--------------------|--|-----|----|-----|-------------------|
| 1 | 63D-45111-01-4D | CASING, UPPER FOURREAU | | 1 | 1 | S |
| | 63D-45111-11-4D | CASING, UPPER FOURREAU | 1 | 1 | 1 | S |
| 2 | 97095-06012 | BOLT BOULON | 1 | 1 | 1 | L |
| 3 | 92995-06100 | WASHER, SPRING RONDELLE, GROWER | 1 | 1 | 1 | |
| 4 | 63D-45155-00 | CAP CAPUCHON | 1 | 1 | 1 | |
| 5 | 97575-08445 | BOLT, WITH WASHER VIS HEXAGONAL AVC RONDELLE | 2 | 2 | 2 | |
| 6 | 93606-12019 | PIN, DOWEL GOUPILLE | 2 | 2 | 2 | |
| 7 | 90119-08M83 | BOLT, WITH WASHER BOULON, AVEC RONDELLE | 6 | 6 | 6 | |
| 8 | 63D-41137-01-5B | GUIDE, EXHAUST COLLECTEUR D'ECHAPPEMENT | 1 | 1 | 1 | |
| 9 | 63D-45114-A0 | GASKET, UPPER CASING JOINT, TUBE D'ARBRE | 1 | 1 | 1 | |
| 10 | 6H4-41131-01-5B | MANIFOLD, EXT. 1 PIPE D'ECHAPPEMENT | | 1 | 1 | 40V |
| | 6H5-41131-00-5B | MANIFOLD, EXT. 1 PIPE D'ECHAPPEMENT | 1 | | 1 | 40Y |
| 11 | 63D-14711-00-5B | MUFFLER 1 POT D'ECHAPPEMENT 1 | | 1 | 1 | S |
| | 63D-14711-11-5B | MUFFLER 1 POT D'ECHAPPEMENT 1 | 1 | 1 | 1 | S |
| 12 | 63D-45123-00 | GASKET, MUFFLER JOINT, POT DE DETENTE | 1 | 1 | 1 | L |
| 13 | 97075-08030 | BOLT BOULON | 3 | 3 | 3 | |
| 14 | 92995-08600 | WASHER RONDELLE | 3 | 3 | 3 | |
| 15 | 97075-08030 | BOLT BOULON | 4 | 4 | 4 | |
| 16 | 92995-08600 | WASHER RONDELLE | 4 | 4 | 4 | |
| 17 | 90119-08M79 | BOLT, WITH WASHER BOULON, AVEC RONDELLE | 2 | 2 | 2 | |
| 18 | 6H3-45127-00 | SEAL JOINT | 1 | 1 | 1 | |
| 19 | 6H4-45113-A0 | GASKET, UPPER CASING JOINT, TUBE D'ARBRE | 1 | 1 | 1 | |
| 20 | 93606-12019 | PIN, DOWEL GOUPILLE | 2 | 2 | 2 | |
| 21 | 97575-08445 | BOLT, WITH WASHER VIS HEXAGONAL AVC RONDELLE | 2 | 2 | 2 | |
| 22 | 6H4-41134-A0 | GASKET, EXHAUST MANIFOLD JOINT, PIPE D'ECHAPPEMENT | 1 | 1 | 1 | |

FIG. 26 LOWER CASING & DRIVE 1

BOITIER D'HELICE TRANSMISSION 1



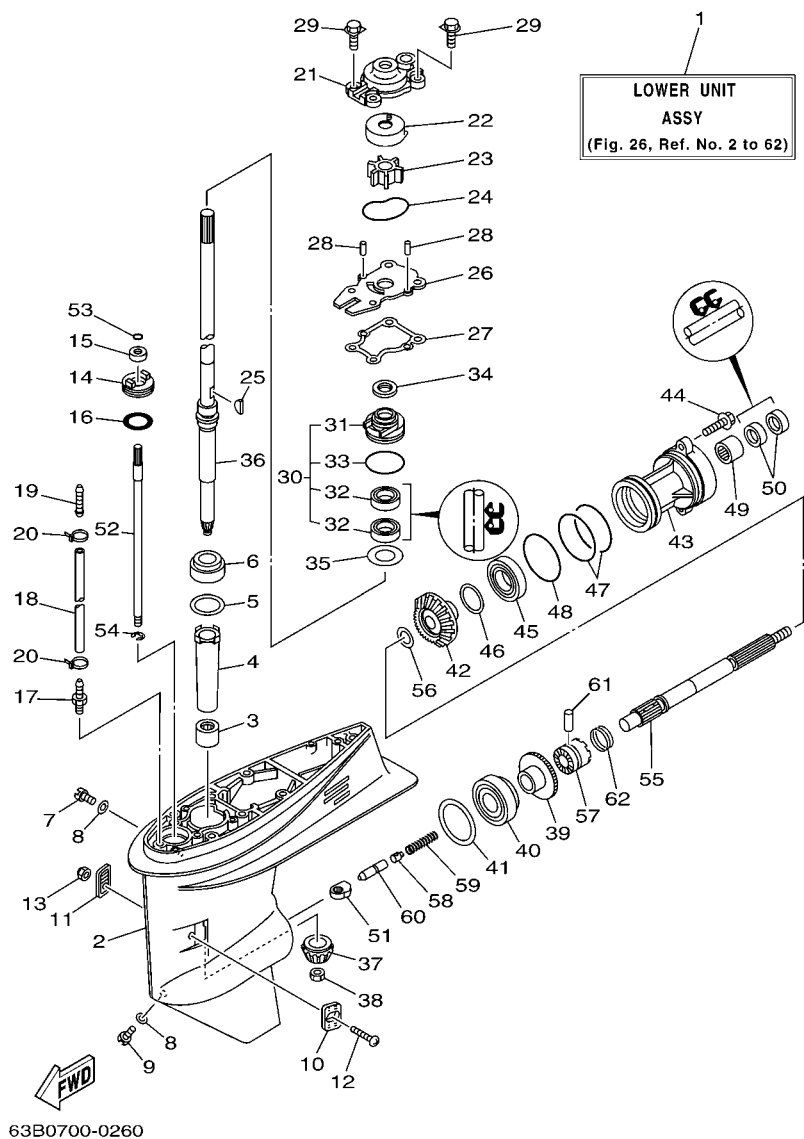
63B0700-0260

B4

| REF. NO. | PART NO. N° PIECES | DESCRIPTION DESCRIPTION | ETO | EO | MHO | REMARKS REMARQUES |
|----------|--------------------|--|-----|----|-----|-------------------|
| 1 | 63D-45300-02-4D | LOWER UNIT ASSY UNITE INFÉRIEURE (ENS.) | | 1 | 1 | S |
| | 63D-45300-12-4D | LOWER UNIT ASSY UNITE INFÉRIEURE (ENS.) | 1 | 1 | 1 | L |
| 2 | 63D-45301-03-4D | CASING, LOWER BEQUILLE | 1 | 1 | 1 | |
| 3 | 93315-32224 | BEARING ROULEMENT | 1 | 1 | 1 | |
| 4 | 6H4-45536-00 | SLEEVE, DRIVE SHAFT MANCHON, ARBRE MOTEUR | 1 | 1 | 1 | |
| 5 | 663-45587-01-10 | SHIM (T:0.10MM) CALE (T:0.10MM) | 1 | 1 | 1 | UR |
| | 663-45587-01-12 | SHIM (T:0.12MM) CALE (T:0.12MM) | 1 | 1 | 1 | UR |
| | 663-45587-01-15 | SHIM (T:0.15MM) CALE (T:0.15MM) | 1 | 1 | 1 | UR |
| | 663-45587-01-18 | SHIM (T:0.18MM) CALE (T:0.18MM) | 1 | 1 | 1 | UR |
| | 663-45587-01-30 | SHIM (T:0.30MM) CALE (T:0.30MM) | 1 | 1 | 1 | UR |
| | 663-45587-01-40 | SHIM (T:0.40MM) CALE (T:0.40MM) | 1 | 1 | 1 | UR |
| | 663-45587-01-50 | SHIM (T:0.50MM) CALE (T:0.50MM) | 1 | 1 | 1 | UR |
| 6 | 93332-00001 | BEARING ROULEMENT | 1 | 1 | 1 | |
| 7 | 90340-08002 | PLUG, STRAIGHT SCREW PLOT, FILETE DROIT | 1 | 1 | 1 | |
| 8 | 90430-08020 | GASKET JOINT | 2 | 2 | 2 | |
| 9 | 688-45341-10 | PLUG, DRAIN BOUCHON DE VIDANGE | 1 | 1 | 1 | |
| 10 | 63D-45214-00 | COVER, WATER INLET GRILLE, ENTREE D'EAU | 1 | 1 | 1 | |
| 11 | 63D-45215-00 | COVER, WATER INLET GRILLE, ENTREE D'EAU | 1 | 1 | 1 | |
| 12 | 90142-05M06 | SCREW, COUNTERSUNK VIS, TETE NOYEE | 1 | 1 | 1 | |
| 13 | 95380-05600 | NUT ECROU | 1 | 1 | 1 | |
| 14 | 63D-45321-00 | PLATE PLAQUETTE | 1 | 1 | 1 | |
| 15 | 93106-09014 | OIL SEAL JOINT SPY | 1 | 1 | 1 | |
| 16 | 93210-33MG4 | O-RING JOINT TORIQUE | 1 | 1 | 1 | |
| 17 | 6E5-45378-00 | NIPPLE, HOSE RACCORD, TUYAU | 1 | 1 | 1 | |
| 18 | 90445-07ME9 | HOSE (L120) DURITE (L120) | | 1 | 1 | S |
| | 90445-07M31 | HOSE (L200) DURITE (L200) | 1 | 1 | 1 | L |
| 19 | 6E5-83558-10 | END, NIPPLE RACCORD DE NIPPLE | 1 | | | |

FIG. 26 LOWER CASING & DRIVE 1

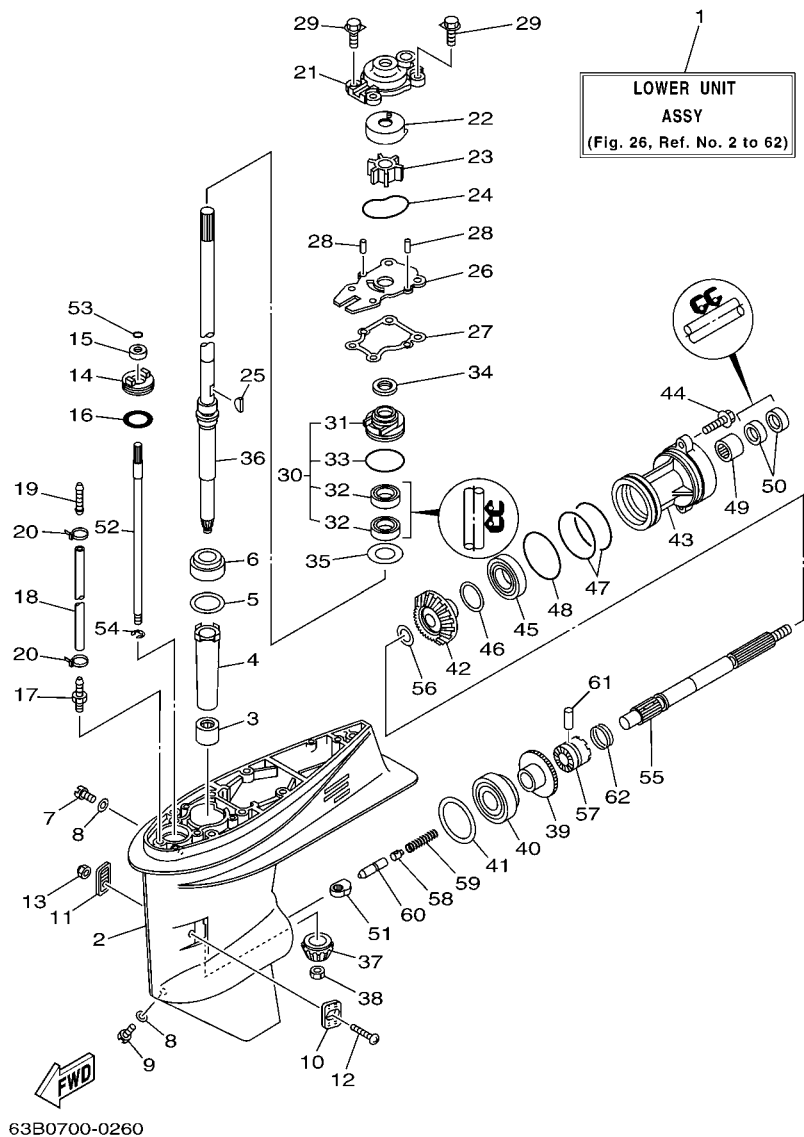
BOITIER D'HELICE TRANSMISSION 1



| REF. NO. | PART NO. N° PIECES | DESCRIPTION DESCRIPTION | ETO | EO | MHO | REMARKS REMARQUES |
|----------|--------------------|--|-----|----|-----|-------------------|
| 19 | 6E5-83558-00 | END, NIPPLE RACCORD DE NIPPLE | | 1 | 1 | |
| 20 | 90465-11M10 | CLAMP BRIDE | 2 | 2 | 2 | |
| 21 | 63D-44311-00 | HOUSING, WATER PUMP CORPS, POMPE A EAU | 1 | 1 | 1 | |
| 22 | 63D-44322-00 | INSERT, CARTRIDGE CUVETTE | 1 | 1 | 1 | |
| 23 | 6H3-44352-00 | IMPELLER TURBINE | 1 | 1 | 1 | |
| 24 | 93210-59MG7 | O-RING JOINT TORIQUE | 1 | 1 | 1 | |
| 25 | 90280-03024 | KEY, WOODRUFF CLAVETTE, DEMI-LUNE | 1 | 1 | 1 | |
| 26 | 63D-44323-00 | OUTER PLATE, CARTRIDGE PLAQUE EXTERIEURE | 1 | 1 | 1 | |
| 27 | 63D-44316-00 | GASKET, WATER PUMP JOINT, POMPE A EAU | 1 | 1 | 1 | |
| 28 | 93604-08062 | PIN, DOWEL CLAVETTE | 2 | 2 | 2 | |
| 29 | 90119-08M15 | BOLT, WITH WASHER BOULON, AVEC RONDELLE | 4 | 4 | 4 | |
| 30 | 63D-W4434-00 | WATER PUMP HOUSING ASSY CORPS ENS., POMPE A EAU | 1 | 1 | 1 | |
| 31 | 63D-44341-00 | .HOUSING, WATER PUMP .CORPS, POMPE A EAU | 1 | 1 | 1 | |
| 32 | 93101-25M57 | .OIL SEAL .JOINT SPY | 2 | 2 | 2 | |
| 33 | 93210-48MG8 | .O-RING .JOINT TORIQUE | 1 | 1 | 1 | |
| 34 | 63D-45344-00 | COVER, OIL SEAL FLASQE, JOINT D'HUILE | 1 | 1 | 1 | |
| 35 | 90201-27M00 | WASHER, PLATE RONDELLE, PLATE | 1 | 1 | 1 | |
| 36 | 63D-45501-00 | DRIVE SHAFT COMP. ARBRE MOTEUR COMP. | | 1 | 1 | S S L L |
| | 63D-45501-10 | DRIVE SHAFT COMP. ARBRE MOTEUR COMP. | 1 | 1 | 1 | |
| 37 | 6H4-45551-01 | PINION PIGNON D'ATTAQUE | 1 | 1 | 1 | |
| 38 | 90170-12138 | NUT ECROU | 1 | 1 | 1 | |
| 39 | 6H4-45560-01 | GEAR PIGNON | 1 | 1 | 1 | |
| 40 | 93332-00003 | BEARING ROULEMENT | 1 | 1 | 1 | |
| 41 | 663-45567-01-10 | SHIM (T:0.10MM) CALE (T:0.10MM) | 1 | 1 | 1 | UR UR |
| | 663-45567-01-12 | SHIM (T:0.12MM) CALE (T:0.12MM) | 1 | 1 | 1 | UR UR |
| | 663-45567-01-15 | SHIM (T:0.15MM) CALE (T:0.15MM) | 1 | 1 | 1 | UR UR |
| | 663-45567-01-18 | SHIM (T:0.18MM) CALE (T:0.18MM) | 1 | 1 | 1 | UR UR |

FIG. 26 LOWER CASING & DRIVE 1

BOITIER D'HELICE TRANSMISSION 1

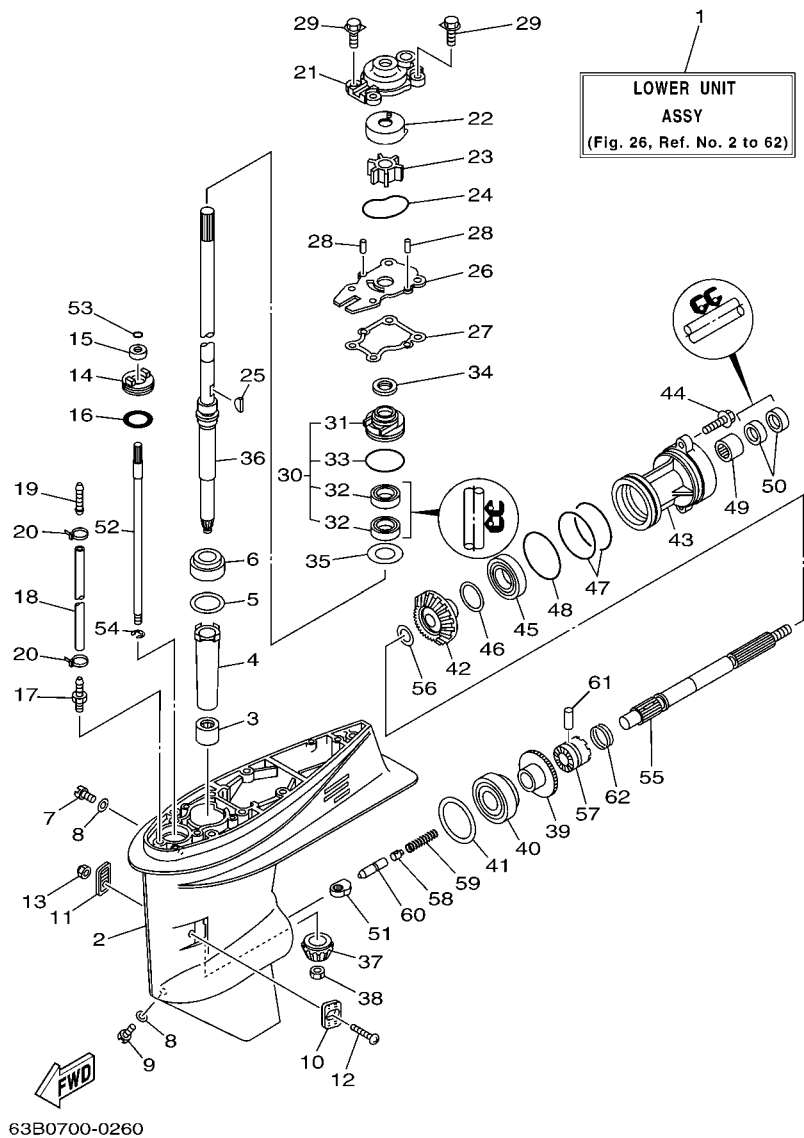


63B0700-0260

| REF. NO. | PART NO. N° PIECES | DESCRIPTION DESCRIPTION | ETO | EO | MHO | REMARKS REMARQUES |
|----------|--------------------|--|-----|----|-----|-------------------|
| 41 | 663-45567-01-30 | SHIM (T:0.30MM) CALE (T:0.30MM) | 1 | 1 | 1 | UR UR |
| | 663-45567-01-40 | SHIM (T:0.40MM) CALE (T:0.40MM) | 1 | 1 | 1 | UR UR |
| | 663-45567-01-50 | SHIM (T:0.50MM) CALE (T:0.50MM) | 1 | 1 | 1 | UR UR |
| 42 | 6H4-45571-01 | GEAR PIGNON | 1 | 1 | 1 | |
| 43 | 63D-45361-02-4D | CAP, LOWER CASING COUVERCLE, BOITIER D'HELICE | 1 | 1 | 1 | |
| 44 | 90105-08M61 | BOLT, FLANGE BOULON | 2 | 2 | 2 | |
| 45 | 93306-001U1 | BEARING ROULEMENT | 1 | 1 | 1 | |
| 46 | 63D-45577-00-10 | SHIM (T:0.10MM) CALE (T:0.10MM) | 1 | 1 | 1 | UR UR |
| | 63D-45577-00-12 | SHIM (T:0.12MM) CALE (T:0.12MM) | 1 | 1 | 1 | UR UR |
| | 63D-45577-00-15 | SHIM (T:0.15MM) CALE (T:0.15MM) | 1 | 1 | 1 | UR UR |
| 47 | 63D-45577-00-18 | SHIM (T:0.18MM) CALE (T:0.18MM) | 1 | 1 | 1 | UR UR |
| | 63D-45577-00-30 | SHIM (T:0.30MM) CALE (T:0.30MM) | 1 | 1 | 1 | UR UR |
| | 63D-45577-00-40 | SHIM (T:0.40MM) CALE (T:0.40MM) | 1 | 1 | 1 | UR UR |
| | 63D-45577-00-50 | SHIM (T:0.50MM) CALE (T:0.50MM) | 1 | 1 | 1 | UR UR |
| 48 | 93210-74MG5 | O-RING JOINT TORIQUE | 2 | 2 | 2 | |
| 49 | 93210-69MG6 | O-RING JOINT TORIQUE | 1 | 1 | 1 | |
| 50 | 93317-22204 | BEARING ROULEMENT | 1 | 1 | 1 | |
| 51 | 93101-22M00 | OIL SEAL JOINT SPY | 2 | 2 | 2 | |
| 52 | 663-44151-00 | CAM, SHIFT CAME, INVERSION | 1 | 1 | 1 | |
| 53 | 63D-44144-00 | ROD, SHIFT TIGE D'EMBAYAGE | 1 | 1 | 1 | |
| 54 | 93210-07003 | O-RING JOINT TORIQUE | 1 | 1 | 1 | |
| 55 | 99001-08600 | CIRCLIP CIRCLIP | 1 | 1 | 1 | |
| 56 | 63D-45611-00 | SHAFT, PROPELLER ARBRE, HELICE | 1 | 1 | 1 | |
| 57 | 90201-22429 | WASHER, PLATE RONDELLE, PLATE | 1 | 1 | 1 | |
| 58 | 63D-45631-01 | CLUTCH, DOG CRABOT | 1 | 1 | 1 | |
| 59 | 663-45634-00 | SLIDE, SHIFT CONTRE-POUSSOIR | 1 | 1 | 1 | |
| | 90501-16M01 | SPRING, COMPRESSION RESSORT, COMPRESSION | 1 | 1 | 1 | |

FIG. 26 LOWER CASING & DRIVE 1

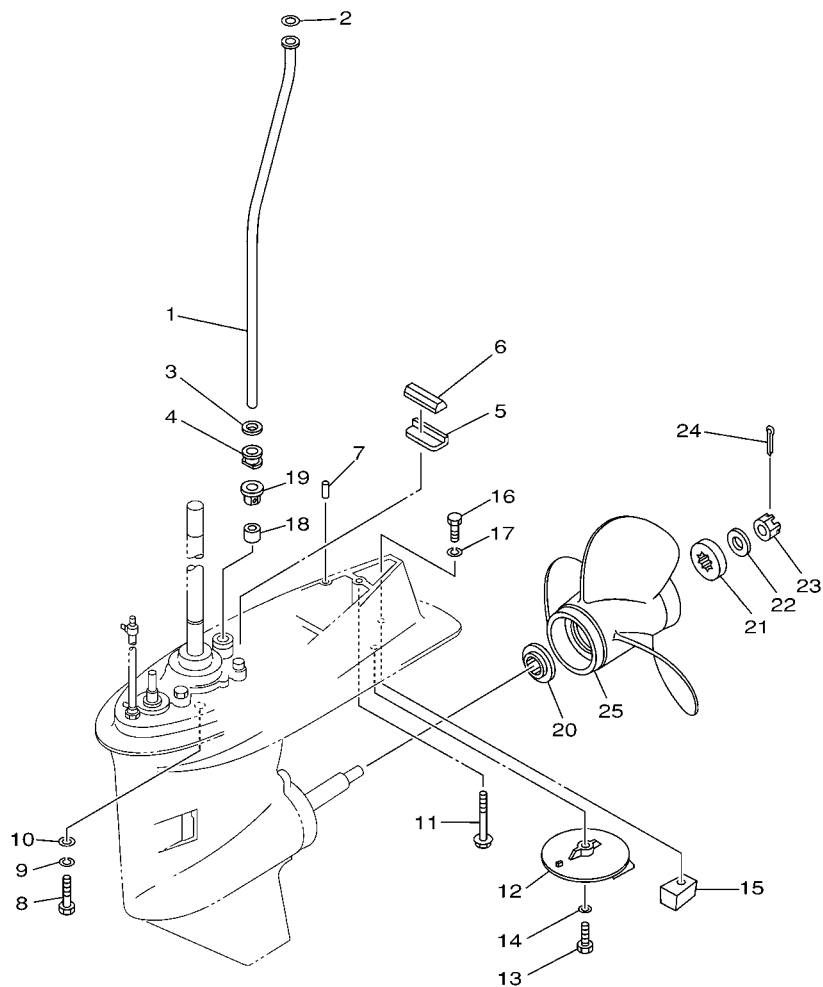
BOITIER D'HELICE TRANSMISSION 1



| REF. NO. | PART NO. N° PIECES | DESCRIPTION DESCRIPTION | ETO | EO | MHO | REMARKS REMARQUES |
|----------|--------------------|---|-----|----|-----|-------------------|
| 60 | 63D-45635-00 | PLUNGER, SHIFT POUSSOIR D'EMBAYAGE | 1 | 1 | 1 | |
| 61 | 90250-06023 | PIN, STRAIGHT GOUILLE, DROITE | 1 | 1 | 1 | |
| 62 | 663-45633-00 | RING, CROSS PIN JONC, GOUILLE CRABOT | 1 | 1 | 1 | |
| ----- | | | | | | |
| ----- | | | | | | |
| ----- | | | | | | |
| ----- | | | | | | |
| ----- | | | | | | |
| ----- | | | | | | |
| ----- | | | | | | |
| ----- | | | | | | |
| ----- | | | | | | |

FIG. 27 LOWER CASING & DRIVE 2

BOITIER D'HELICE TRANSMISSION 2



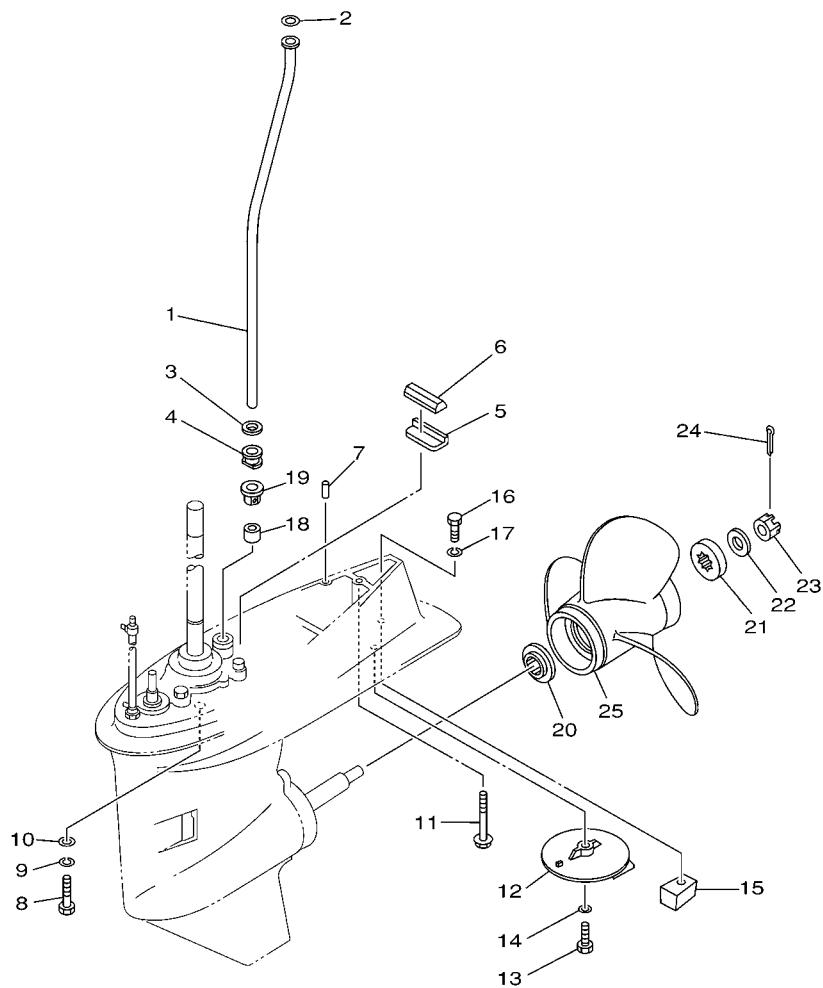
FWD
63D0100-0241

| REF. NO. | PART NO. N° PIECES | DESCRIPTION DESCRIPTION | ETO | EO | MHO | REMARKS REMARQUES |
|----------|--------------------|---|-----|----|-----|----------------------|
| 1 | 63D-44361-00 | TUBE, WATER TUBE D'EAU | | 1 | 1 | S S L L |
| | 63D-44361-10 | TUBE, WATER TUBE D'EAU | 1 | 1 | 1 | |
| 2 | 90202-12060 | WASHER, PLATE RONDELLE, PLATE | 1 | 1 | 1 | |
| 3 | 90430-12072 | GASKET JOINT | 1 | 1 | 1 | |
| 4 | 63D-44367-00 | DAMPER, WATER SEAL JOINT TUBE D'EAU | 1 | 1 | 1 | |
| 5 | 663-45376-00-94 | GUIDE, SEAL DAMPER BUTEE, JOINT CAOUTCHOUC | 1 | 1 | 1 | |
| 6 | 63D-45375-00 | DAMPER, SEAL BOURRELET, CAOUTCHOUC | 1 | 1 | 1 | |
| 7 | 93606-12019 | PIN, DOWEL GOUPILLE | 2 | 2 | 2 | |
| 8 | 97075-10040 | BOLT BOULON | 4 | 4 | 4 | |
| 9 | 92995-10100 | WASHER RONDELLE | 4 | 4 | 4 | |
| 10 | 92995-10600 | WASHER RONDELLE | 4 | 4 | 4 | |
| 11 | 90119-08M84 | BOLT, WITH WASHER BOULON, AVEC RONDELLE | 1 | 1 | 1 | |
| 12 | 664-45371-01 | TAB-TRIM ANODE DERIVE | 1 | 1 | 1 | |
| 13 | 97095-08025 | BOLT BOULON | 1 | 1 | 1 | |
| 14 | 92995-08100 | WASHER RONDELLE | 1 | 1 | 1 | |
| 15 | 67C-45251-00 | ANODE ANODE | 1 | 1 | 1 | |
| 16 | 97095-08035 | BOLT BOULON | 1 | 1 | 1 | |
| 17 | 92995-08100 | WASHER RONDELLE | 1 | 1 | 1 | |
| 18 | 663-44366-00 | DAMPER, WATER SEAL JOINT, TUBE D'EAU | 1 | 1 | 1 | |
| 19 | 63D-44312-00 | COVER, WATER PUMP HOUSING COUVERCLE | 1 | 1 | 1 | |
| 20 | 663-45987-02 | SPACER ENTRETOISE | 1 | 1 | 1 | |
| 21 | 670-45997-02 | SPACER ENTRETOISE | 1 | 1 | 1 | |
| 22 | 92990-16200 | WASHER, PLAIN RONDELLE, PLATE | 1 | 1 | 1 | |
| 23 | 90171-16011 | NUT, CASTLE ECROU, CRENELE | 1 | 1 | 1 | |
| 24 | 91490-30025 | PIN, COTTER GOUPILLE | 1 | 1 | 1 | |
| 25 | 663-45941-01-EL | PROPELLER (3X10-3/4"X17"-G) HELICE (3X10-3/4"X17"-G) | 1 | 1 | 1 | UR UR UR UR |
| | 663-45949-01-EL | PROPELLER (3X10-3/4"X16"-G) HELICE (3X10-3/4"X16"-G) | 1 | 1 | 1 | |

C1

FIG. 27 LOWER CASING & DRIVE 2

BOITIER D'HELICE TRANSMISSION 2

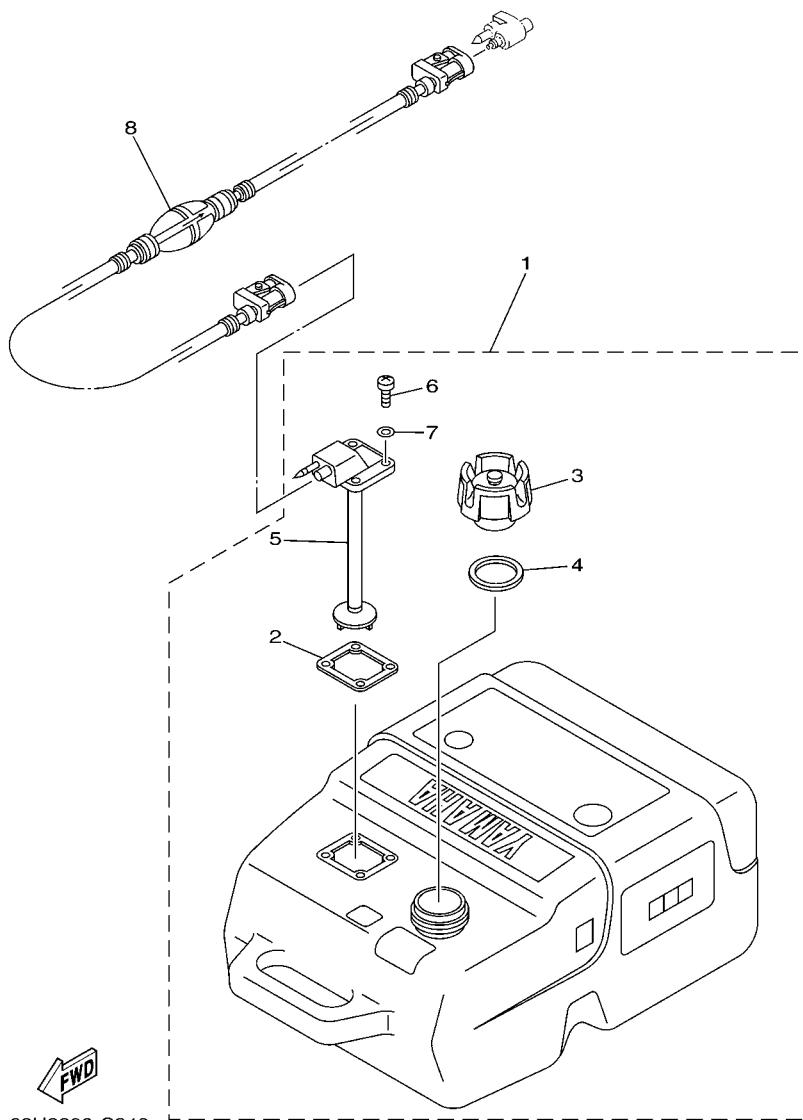



63D0100-0241

| REF. NO. | PART NO. N° PIECES | DESCRIPTION DESCRIPTION | ETO | EO | MHO | REMARKS REMARQUES |
|----------|--------------------|---|-----|----|-----|------------------------------------|
| 25 | 663-45952-02-EL | PROPELLER (3X11-3/8"X12"-G) HELICE (3X11-3/8"X12"-G) | 1 | 1 | 1 | UR UR |
| | 663-45954-01-EL | PROPELLER (3X11-3/4"X10"-G) HELICE (3X11-3/4"X10"-G) | 1 | 1 | 1 | UR UR |
| | 663-45956-01-EL | PROPELLER (3X12-1/4"X9"-G) HELICE (3X12-1/4"X9"-G) | 1 | 1 | 1 | UR UR |
| | 663-45958-01-EL | PROPELLER (3X11-1/4"X14"-G) HELICE (3X11-1/4"X14"-G) | 1 | 1 | 1 | UR UR |
| | 69W-45943-00-EL | PROPELLER (3X11"X15"-G) HELICE (3X11"X15"-G) | 1 | 1 | 1 | UR UR |
| | 69W-45945-00-EL | PROPELLER (3X11-1/8"X13"-G) HELICE (3X11-1/8"X13"-G) | 1 | 1 | 1 | UR UR |
| | 69W-45947-00-EL | PROPELLER (3X11-5/8"X11"-G) HELICE (3X11-5/8"X11"-G) | 1 | 1 | 1 | UR UR |
| | 6H5-45943-00-EL | PROPELLER (3X10"X15"-G) HELICE (3X10"X15"-G) | 1 | 1 | 1 | UR WITH LIP CUP UR WITH LIP CUP |
| | 6H5-45945-00-EL | PROPELLER (3X10-3/8"X13"-G) HELICE (3X10-3/8"X13"-G) | 1 | 1 | 1 | UR WITH LIP CUP UR WITH LIP CUP |
| | 6H5-45952-00-EL | PROPELLER (3X10-5/8"X12"-G) HELICE (3X10-5/8"X12"-G) | 1 | 1 | 1 | UR WITH LIP CUP UR WITH LIP CUP |
| | 6H5-45958-00-EL | PROPELLER (3X10-1/4"X14"-G) HELICE (3X10-1/4"X14"-G) | 1 | 1 | 1 | UR WITH LIP CUP UR WITH LIP CUP |
| | 663-45930-00-98 | PROPELLER (3X10-1/4"X14"-G) HELICE (3X10-1/4"X14"-G) | 1 | 1 | 1 | UR UR |
| | 663-45974-02-98 | PROPELLER (3X10-5/8"X13"-G) HELICE (3X10-5/8"X13"-G) | 1 | 1 | 1 | UR UR |
| | 663-45976-00-98 | PROPELLER (3X10-1/4"X15"-G) HELICE (3X10-1/4"X15"-G) | 1 | 1 | 1 | UR UR |
| | 663-45978-00-98 | PROPELLER (3X10-1/4"X16"-G) HELICE (3X10-1/4"X16"-G) | 1 | 1 | 1 | UR UR |
| | 663-45970-60-98 | PROPELLER (3X11-3/4"X12"-G) HELICE (3X11-3/4"X12"-G) | 1 | 1 | 1 | UR UR |
| | 663-45972-60-98 | PROPELLER (3X12"X11"-G) HELICE (3X12"X11"-G) | 1 | 1 | 1 | UR UR |
| | 663-45974-60-98 | PROPELLER (3X11-1/2"X13"-G) HELICE (3X11-1/2"X13"-G) | 1 | 1 | 1 | UR UR |
| | 697-45970-00-98 | PROPELLER (3X11-1/4"X14"-G) HELICE (3X11-1/4"X14"-G) | 1 | 1 | 1 | UR UR |

FIG. 28 FUEL TANK

RESERVOIR A CARBURANT

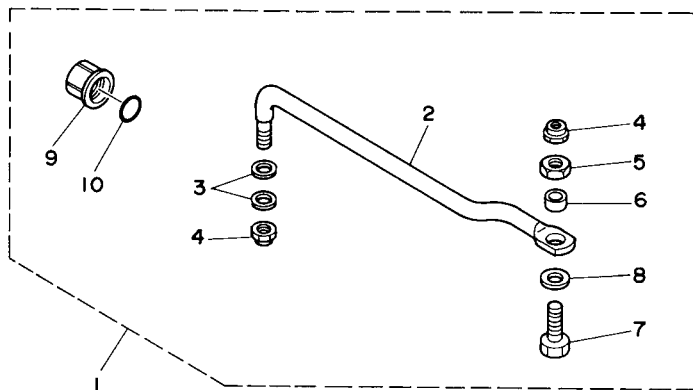


68U3300-C240

| REF. NO. | PART NO. N° PIECES | DESCRIPTION DESCRIPTION | ETO | EO | MHO | REMARKS REMARQUES |
|----------|--------------------|--|-----|----|-----|----------------------------------|
| 1 | 6YK-24201-01 | FUEL TANK ASSY (25L) RESERVOIR A ESSENCE (ENS.) 25L | 1 | 1 | 1 | AP AP |
| 2 | 6YL-24268-01 | .GASKET, FUEL METER .JOINT, JAUGE A CARBURANT | 1 | 1 | 1 | |
| 3 | 6YK-24610-00 | .CAP ASSY .BOUCHON | 1 | 1 | 1 | WITH INDICATOR WITH INDICATOR |
| 4 | 6YL-24641-00 | .GASKET, CAP 1 .JOINT 1, BOUCHON | 1 | 1 | 1 | |
| 5 | 6YK-24260-01 | .FUEL METER ASSY .INDICATEUR DE CARBURANT | 1 | 1 | 1 | |
| 6 | 90157-05M16 | .SCREW, PAN HEAD .VIS, TETE TRONCONIQUE | 4 | 4 | 4 | |
| 7 | 6YL-24329-00 | .SEAL .JOINT | 4 | 4 | 4 | |
| 8 | 6YL-24306-53 | FUEL PIPE COMP. 1 DURITE A ESSENCE 1 | 1 | 1 | 1 | AP AP |
| | | | | | | |
| | | | | | | |
| | | | | | | |
| | | | | | | |
| | | | | | | |
| | | | | | | |
| | | | | | | |
| | | | | | | |

FIG. 29 STEERING GUIDE

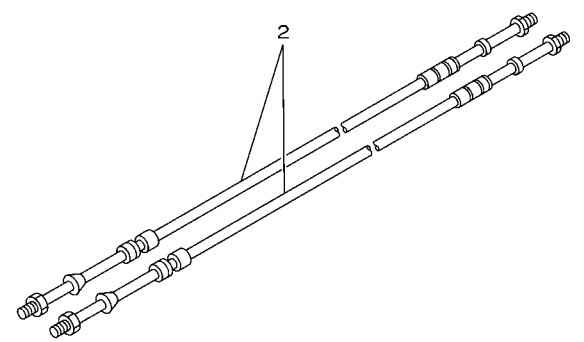
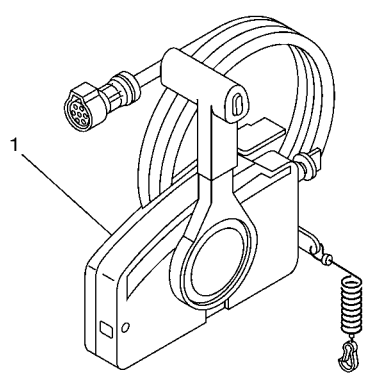
FIXATION DE DIRECTION



| REF. NO. | PART NO. N° PIECES | DESCRIPTION DESCRIPTION | ETO | EO | MHO | REMARKS REMARQUES |
|----------|--------------------|---|-----|----|-----|-------------------|
| 1 | 63D-61350-00 | STEERING GUIDE ATTACHMENT KIT FIXATIONS DE DIRECTION | 1 | 1 | | AP AP |
| 2 | 63D-61351-00 | .ROD, STEERING LINK .RENOI DE DIRECTION | 1 | 1 | | |
| 3 | 90201-10M20 | .WASHER, PLATE .RONDELLE, PLATE | 2 | 2 | | |
| 4 | 90185-09M01 | .NUT, SELF-LOCKING .ECROU, AUTO-BLOCANT | 2 | 2 | | |
| 5 | 90170-09M03 | .NUT .ECROU | 1 | 1 | | |
| 6 | 90387-10M42 | .COLLAR .COLLERETTE | 1 | 1 | | |
| 7 | 90101-09M01 | .BOLT .BOULON | 1 | 1 | | |
| 8 | 90201-10M63 | .WASHER, PLATE .RONDELLE, PLATE | 1 | 1 | | |
| 9 | 6E5-43145-01 | .CAP, CLAMP BRACKET .CAPUCHON, PRESSE | 1 | 1 | | |
| 10 | 93210-16275 | .O-RING .JOINT TORIQUE | 1 | 1 | | |

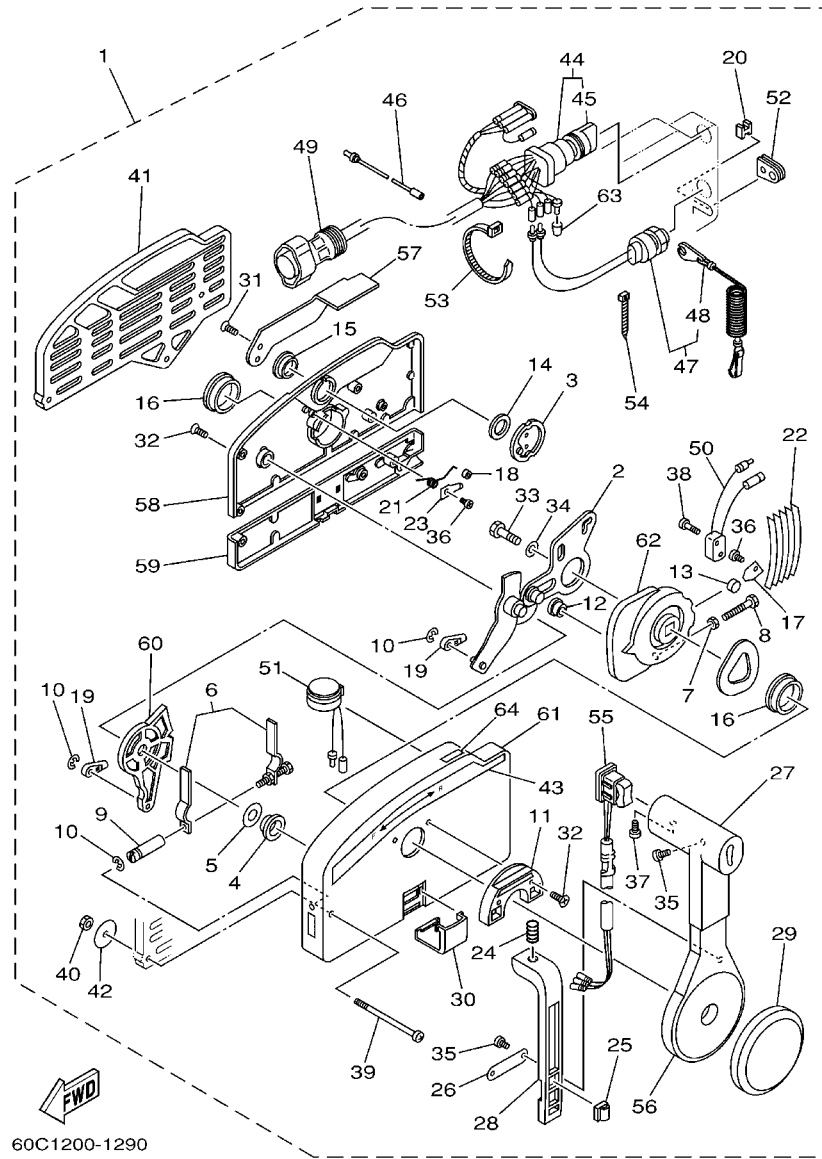
62Y0010-5200

FIG. 30 REMOTE CONTROL BOX BOITIER DE COMMANDE A DISTANCE



| REF. NO. | PART NO. N° PIECES | DESCRIPTION DESCRIPTION | ETO | EO | MHO | REMARKS REMARQUES |
|----------|--------------------|---|-----|----|-----|--------------------------------------|
| 1 | 703-48205-A4 | REMOTE CONTROL ASSY (10P) BOITIER DE COMMANDE A DISTANCE | 1 | | | AP WITH PT/T SW. AP WITH PT/T SW. |
| | 703-48201-A2 | REMOTE CONTROL ASSY (10P) BOITIER DE COMMANDE A DISTANCE | | 1 | | AP AP |
| 2 | 701-48320-00 | CABLE, REMOTE CONTROL L=12F CABLE, COMMANDE A DISTANCE:12F | 2 | 2 | | UR UR |
| | 701-48320-20 | CABLE, REMOTE CONTROL L=13F CABLE, COMMANDE A DISTANCE:13F | 2 | 2 | | UR UR |
| | 701-48320-30 | CABLE, REMOTE CONTROL L=14F CABLE, COMMANDE A DISTANCE:14F | 2 | 2 | | UR UR |
| | 701-48320-50 | CABLE, REMOTE CONTROL L=15F CABLE, COMMANDE A DISTANCE:15F | 2 | 2 | | UR UR |
| | 701-48320-60 | CABLE, REMOTE CONTROL L=16F CABLE, COMMANDE A DISTANCE:16F | 2 | 2 | | UR UR |
| | 701-48320-80 | CABLE, REMOTE CONTROL L=17F CABLE, COMMANDE A DISTANCE:17F | 2 | 2 | | UR UR |

 67M0100-8280

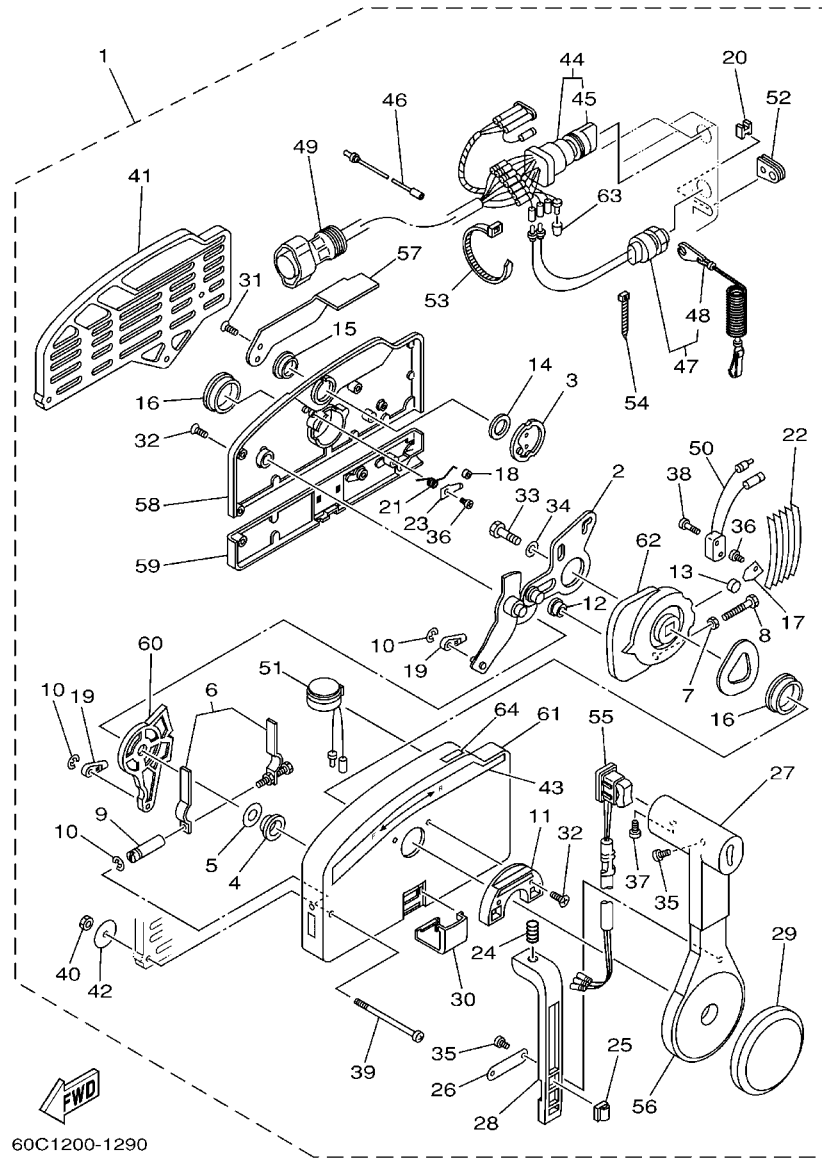


60C1200-1290

FIG. 31 REMOTE CONTROL ASSY

BOITIER DE COMMANDE A DISTANCE

| REF. NO. | PART NO. N° PIECES | DESCRIPTION DESCRIPTION | ETO | EO | MHO | REMARKS REMARQUES |
|----------|--------------------|---|-----|----|-----|--------------------------------------|
| 1 | 703-48205-A4 | REMOTE CONTROL ASSY (10P) BOITIER DE COMMANDE A DISTANCE | 1 | | | AP WITH PT/T SW. AP WITH PT/T SW. |
| | 703-48201-A2 | REMOTE CONTROL ASSY (10P) BOITIER DE COMMANDE A DISTANCE | | 1 | | AP AP |
| 2 | 703-48261-01 | .ARM, THROTTLE .BRAS, ACCELERATION | 1 | 1 | | |
| 3 | 703-48153-00 | .SHAFT, FREE ACCEL. .AXE | 1 | 1 | | |
| 4 | 703-48235-00 | .BUSHING .COUSSINET | 1 | 1 | | |
| 5 | 703-48268-00 | .SPACER .ENTRETOISE | 1 | 1 | | |
| 6 | 703-48264-00 | .THROTTLE, FRICTION .ACCELERATION | 1 | 1 | | |
| 7 | 95380-05600 | .NUT .ECROU | 1 | 1 | | |
| 8 | 97380-05025 | .BOLT .BOULON, HEXAGONAL | 1 | 1 | | |
| 9 | 703-48265-00 | .SHAFT, FRICTION .AXE, COPILOTE | 1 | 1 | | |
| 10 | 93430-06024 | .CIRCLIP .CLIPS | 3 | 3 | | |
| 11 | 703-48245-00 | .PLATE, LOCK .PLAQUE, VERROU | 1 | 1 | | |
| 12 | 703-48252-00 | .ROLLER, CAM .POULIE | 1 | 1 | | |
| 13 | 701-48248-00 | .ROLLER, FREE ACCEL. .POULIE | 1 | 1 | | |
| 14 | 703-48198-00 | .WASHER, WAVE .RONDELLE, ELASTIQUE ONDULEE | 1 | 1 | | |
| 15 | 703-48243-00 | .BUSHING .COUSSINET | 1 | 1 | | |
| 16 | 703-48236-00 | .BUSHING 1 .POULIE | 2 | 2 | | |
| 17 | 703-48189-00 | .RETAINER .FLASQUE | 1 | 1 | | |
| 18 | 703-48234-00 | .ROLLER, DETENT .POULIE | 1 | 1 | | |
| 19 | 703-48345-01 | .CABLE END, REMOTE CONTROL 2 .CHAPE CABLE | 2 | 2 | | |
| 20 | 703-48358-00 | .ANCHOR, CABLE .COLLIER | 1 | 1 | | |
| 21 | 703-48244-00 | .SPRING, FREE ACCEL. .RESSORT | 1 | 1 | | |
| 22 | 703-48238-00 | .SPRING, DETENT .RESSORT | 5 | 5 | | |
| 23 | 703-48246-00 | .SPACER .ENTRETOISE | 1 | 1 | | |
| 24 | 703-48227-00 | .SPRING, NEUTRAL LOCK .RESSORT | 1 | 1 | | |
| 25 | 703-82594-00 | .CLAMP .BRIDE | 1 | | | WITH PT/T SW. WITH PT/T SW. |
| 26 | 703-48226-00 | .PLATE, STOPPER .PLAQUETTE | 1 | 1 | | |



60C1200-1290

FIG. 31 REMOTE CONTROL ASSY

BOITIER DE COMMANDE A DISTANCE

| REF. NO. | PART NO. N° PIECES | DESCRIPTION DESCRIPTION | ETO | EO | MHO | REMARKS REMARQUES |
|----------|--------------------|--|-----|----|-----|--|
| 27 | 703-48222-00 | .GRIP, CONTROL LEVER .POIGNEE, COMMANDE LEVIER | 1 | 1 | | SINGLE SINGLE |
| 28 | 703-48223-00 | .LOCK, NEUTRAL .VERROU, NEUTRAL | 1 | 1 | | |
| 29 | 703-48225-00 | .COVER .COUVERCLE | 1 | 1 | | |
| 30 | 703-48219-00 | .COVER, LEAD .COUVERCLE | 1 | 1 | | |
| 31 | 703-48281-00 | .SCREW .VIS | 2 | 2 | | |
| 32 | 703-48282-00 | .SCREW .VIS | 7 | 7 | | |
| 33 | 97380-08030 | .BOLT .BOULON, HEXAGONAL | 1 | 1 | | |
| 34 | 92990-08600 | .WASHER, PLATE .RONDELLE, PLATE | 1 | 1 | | |
| 35 | 98580-04010 | .SCREW, PAN HEAD .VIS | 3 | 3 | | |
| 36 | 98580-04006 | .SCREW, PAN HEAD .VIS | 2 | 2 | | |
| 37 | 98580-05010 | .SCREW, PAN HEAD .VIS | 1 | 1 | | |
| 38 | 98580-03015 | .SCREW, PAN HEAD .VIS | 2 | 2 | | |
| 39 | 703-48291-10 | .SCREW (M6) .VIS (M6) | 3 | 3 | | |
| 40 | 95380-06600 | .NUT, HEXAGON .ECROU | 3 | 3 | | |
| 41 | 703-48293-10 | .SPACER, REMOTE CONTROL .ENTRETOISE | 1 | 1 | | SINGLE SINGLE |
| 42 | 701-48287-00 | .WASHER .RONDELLE | 3 | 3 | | |
| 43 | 703-48215-00 | .GRAPHIC .ADHESIF | 1 | 1 | | |
| 44 | 703-82510-12 | .MAIN SWITCH ASSY .CONTACTEUR A CLEF COMPLET | 1 | 1 | | PRIME START MODEL PRIME START MODEL |
| 45 | 676-82577-00 | ..CAP, KEY ..CABOCHON | 1 | 1 | | |
| 46 | 703-82531-00 | .WIRE, LEAD .FIL | 1 | 1 | | |
| 47 | 688-82575-01 | .ENGINE STOP SWITCH ASSY .COUPE CIRCUIT CPLT | 1 | 1 | | |
| 48 | 682-82556-00 | ..STOPPER ..PLAQUETTE | 1 | 1 | | |
| 49 | 688-8258A-20 | .EXTENSION, WIRE HARNESS .EXTENSION, FAISCEAU DE FILS | 1 | 1 | | L:5M (10P) L:5M (10P) |
| 50 | 703-82540-00 | .NEUTRAL SWITCH ASSY .CONTACTEUR DE POINT-MORT | 1 | 1 | | |
| 51 | 703-83383-A0 | .BUZZER .RONFLEUR | 1 | 1 | | |
| 52 | 703-48284-00 | .GRÖMMET .PASSE-FIL | 1 | 1 | | |
| 53 | 703-82591-00 | .BAND .COLLIER | 1 | 1 | | |

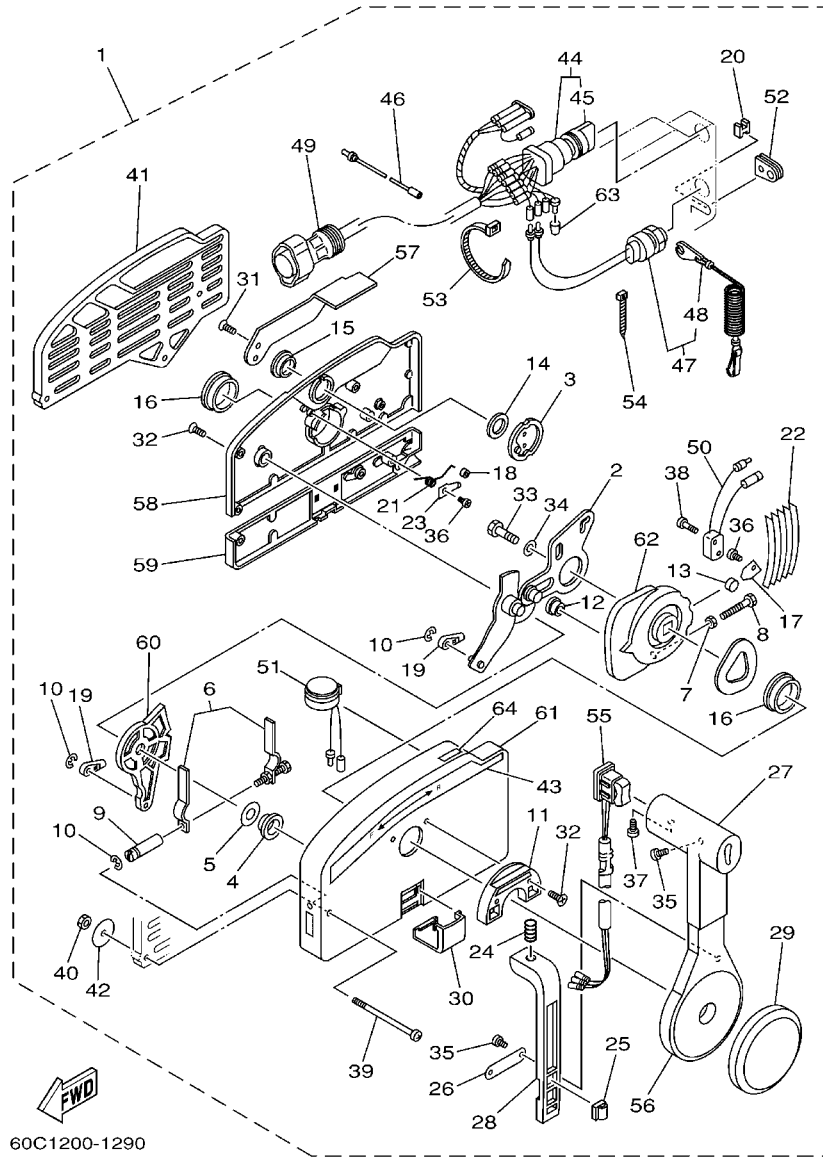


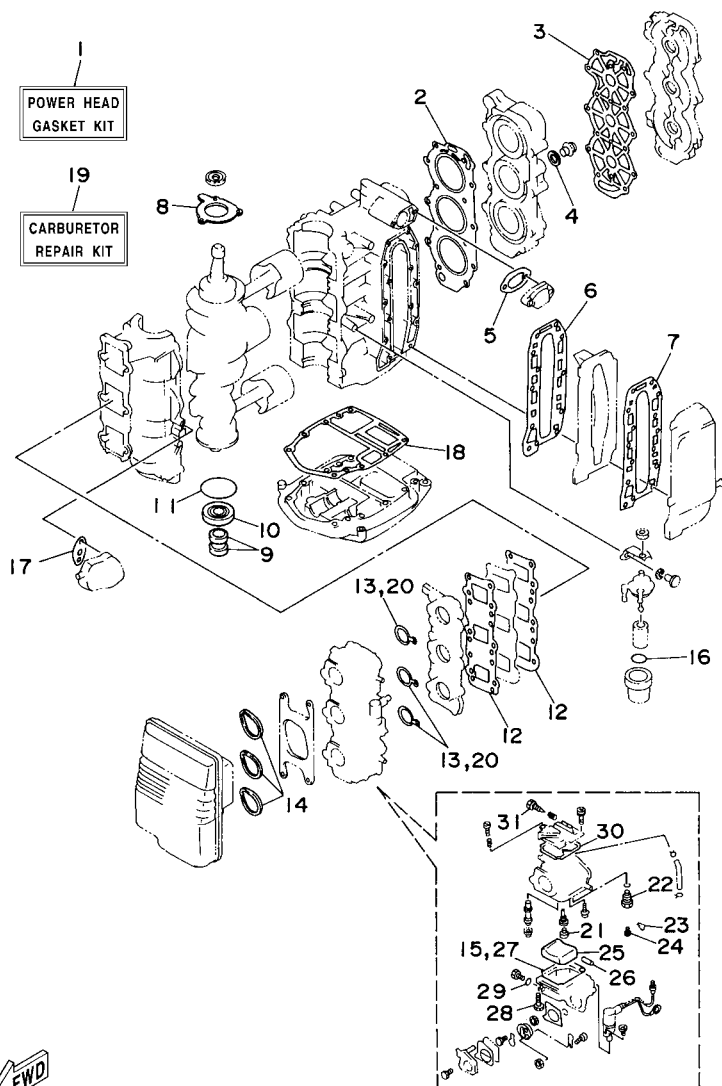
FIG. 31 REMOTE CONTROL ASSY

BOITIER DE COMMANDE A DISTANCE

| REF. NO. | PART NO. N° PIECES | DESCRIPTION DESCRIPTION | ETO | EO | MHO | REMARKS REMARQUES |
|----------|--------------------|--|-----|----|-----|--------------------------------------|
| 54 | 703-82592-00 | .BAND .COLLIER | 1 | 1 | | |
| 55 | 703-82563-02 | .TRIM & TILT SWITCH ASSY .INCLINER ET PARER COMMUTATEUR | 1 | | | WITH PT/T SW. WITH PT/T SW. |
| | 703-48224-00 | .COVER, CONTROL LEVER .COUVERCLE | | 1 | | WITHOUT PT/T SW. WITHOUT PT/T SW. |
| 56 | 703-48221-00 | .LEVER, CONTROL .LEVIER, COMMANDE | 1 | 1 | | |
| 57 | 703-48152-00 | .KNOB, FREE ACCEL. .BOUTON | 1 | 1 | | |
| 58 | 703-48212-00 | .BACK PLATE 1 .PLAQUETTE 1 | 1 | 1 | | |
| 59 | 703-48213-00 | .BACK PLATE 2 .PLAQUETTE 2 | 1 | 1 | | |
| 60 | 703-48271-00 | .ARM, SHIFT .BRAS | 1 | 1 | | |
| 61 | 703-48211-01 | .HOUSING,1 .CORPS | 1 | 1 | | |
| 62 | 703-48232-00 | .GEAR .PIGNON | 1 | 1 | | |
| 63 | 703-82542-00 | .CAP .COUVERCLE | 1 | | | |
| | 703-82542-00 | .CAP .COUVERCLE | | 3 | | |
| 64 | 703-48218-00 | .GRAPHIC .ADHESIF | 1 | 1 | | |

FIG. 33 REPAIR KIT 1

KITS DE REPARATION 1



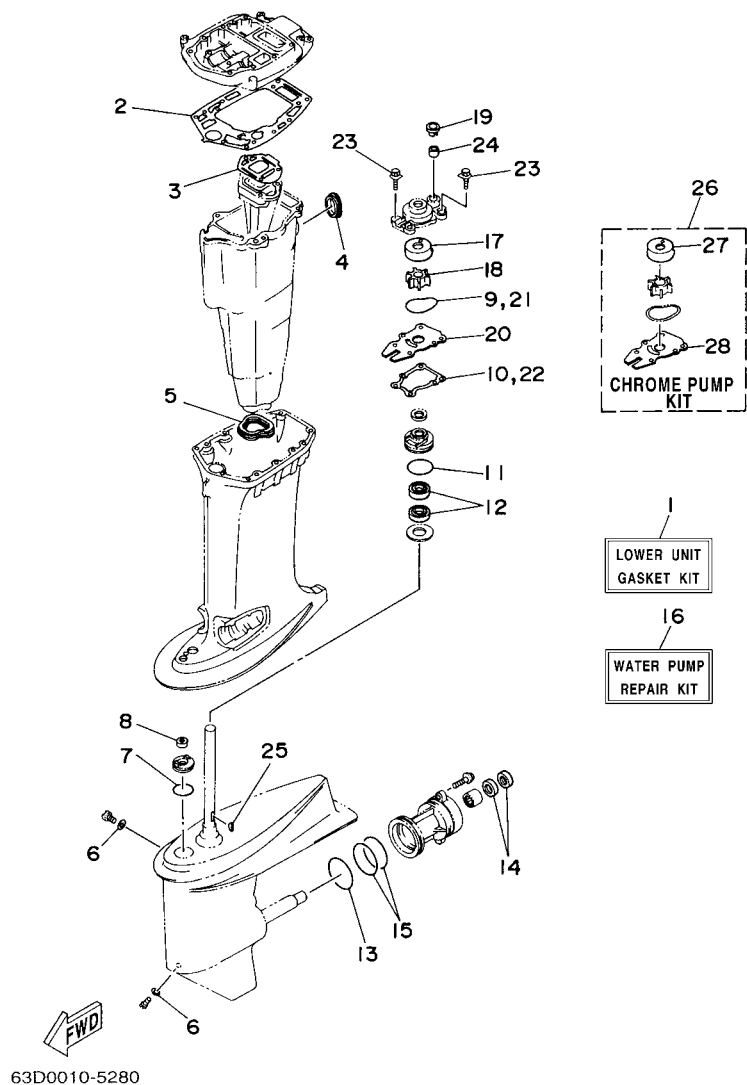
63D0010-5270

| REF. NO. | PART NO. N° PIECES | DESCRIPTION DESCRIPTION | ETO | EO | MHO | REMARKS REMARQUES |
|----------|--------------------|--|-----|----|-----|-------------------|
| 1 | 63D-W0001-00 | POWER HEAD GASKET KIT POCHETTE DE JINTS TETE MOTRICE | 1 | 1 | 1 | |
| 2 | 63D-11181-A1 | .GASKET, CYLINDER HEAD 1 .JOINT, DE CULASSE 1 | 1 | 1 | 1 | |
| 3 | 63D-11193-A0 | .GASKET, HEAD COVER 1 .JOINT, COUVERCLE DE CULASSE 1 | 1 | 1 | 1 | |
| 4 | 90430-14115 | .GASKET .JOINT | 1 | 1 | 1 | |
| 5 | 6J8-12414-A0 | .GASKET, COVER .JOINT, COUVERCLE | 1 | 1 | 1 | |
| 6 | 6H4-41112-A0 | .GASKET, EXHAUST INNER COVER .JOINT, PLAQUE D'ECHAPPEMENT | 1 | 1 | 1 | |
| 7 | 6H4-41114-A0 | .GASKET, EXHAUST OUTER COVER .JOINT, COUVERCLE D'ECHAPPEMEN | 1 | 1 | 1 | |
| 8 | 6H4-15369-A1 | .GASKET, OIL SEAL HOUSING .JOINT SPY DE LOGEMENT | 1 | 1 | 1 | |
| 9 | 93104-16M01 | .OIL SEAL .JOINT SPY | 2 | 2 | 2 | |
| 10 | 93102-25M28 | .OIL SEAL .JOINT SPY | 1 | 1 | 1 | |
| 11 | 93210-58M21 | .O-RING .JOINT TORIQUE | 1 | 1 | 1 | |
| 12 | 6H4-13621-A1 | .GASKET, VALVE SEAT .JOINT, SIEGE DE CLAPET | 2 | 2 | 2 | |
| 13 | 6H4-14198-01 | .GASKET .JOINT | 3 | 3 | 3 | |
| 14 | 6H3-14457-01 | .SEAL .JOINT | 3 | 3 | 3 | |
| 15 | 6H4-14984-00 | .GASKET, FLOAT CHAMBER .JOINT, CUVE DE FLOTTEUR | 3 | 3 | 3 | |
| 16 | 93210-32738 | .O-RING .JOINT TORIQUE | 1 | 1 | 1 | |
| 17 | 650-24431-A0 | .GASKET, FUEL PUMP 1 .JOINT 1 DE POMPE A ESSENCE | 1 | 1 | 1 | |
| 18 | 6H4-45113-A0 | .GASKET, UPPER CASING .JOINT, TUBE D'ARBRE | 1 | 1 | 1 | |
| 19 | 6H4-W0093-03 | CARBURETOR REPAIR KIT KIT DE REPARATION CARBURATEUR | 1 | 1 | 1 | |
| 20 | 6H4-14198-01 | .GASKET .JOINT | 3 | 3 | 3 | |
| 21 | 676-14966-00 | .CAP .CAPUCHON | 3 | 3 | 3 | |
| 22 | 6H4-14590-01 | .NEEDLE VALVE ASSY .POINTEAU | 3 | 3 | 3 | |
| 23 | 663-14159-00 | .CLIP .JONC | 3 | 3 | 3 | |
| 24 | 676-14186-00 | .PIN, FLOAT .AXE, FLOTTEUR | 3 | 3 | 3 | |
| 25 | 6H4-14985-01 | .FLOAT .FLOTTEUR | 3 | 3 | 3 | |
| 26 | 6H4-14548-00 | .PIN, FLOAT ARM .AXE, BRAS DE FLOTTEUR | 3 | 3 | 3 | |
| 27 | 6H4-14984-00 | .GASKET, FLOAT CHAMBER .JOINT, CUVE DE FLOTTEUR | 3 | 3 | 3 | |

D3

FIG. 34 REPAIR KIT 2

KITS DE REPARATION 2



| REF. NO. | PART NO. N° PIECES | DESCRIPTION DESCRIPTION | ETO | EO | MHO | REMARKS REMARQUES |
|----------|--------------------|---|-----|----|-----|-------------------|
| 1 | 63D-W0001-20 | LOWER UNIT GASKET KIT POCHETTE DE JOINTS EMBASE | 1 | 1 | 1 | |
| 2 | 63D-45114-A0 | .GASKET, UPPER CASING .JOINT, TUBE D'ARBRE | 1 | 1 | 1 | |
| 3 | 6H4-41134-A0 | .GASKET, EXHAUST MANIFOLD .JOINT, PIPE D'ECHAPPEMENT | 1 | 1 | 1 | |
| 4 | 6H3-45127-00 | .SEAL .JOINT | 1 | 1 | 1 | |
| 5 | 63D-45123-00 | .GASKET, MUFFLER .JOINT, POT DE DETENTE | 1 | 1 | 1 | |
| 6 | 90430-08020 | .GASKET .JOINT | 2 | 2 | 2 | |
| 7 | 93210-33MG4 | .O-RING .JOINT TORIQUE | 1 | 1 | 1 | |
| 8 | 93106-09014 | .OIL SEAL .JOINT SPY | 1 | 1 | 1 | |
| 9 | 93210-59MG7 | .O-RING .JOINT TORIQUE | 1 | 1 | 1 | |
| 10 | 63D-44316-00 | .GASKET, WATER PUMP .JOINT, POMPE A EAU | 1 | 1 | 1 | |
| 11 | 93210-48MG8 | .O-RING .JOINT TORIQUE | 1 | 1 | 1 | |
| 12 | 93101-25M57 | .OIL SEAL .JOINT SPY | 2 | 2 | 2 | |
| 13 | 93210-69MG6 | .O-RING .JOINT TORIQUE | 1 | 1 | 1 | |
| 14 | 93101-22M00 | .OIL SEAL .JOINT SPY | 2 | 2 | 2 | |
| 15 | 93210-74MG5 | .O-RING .JOINT TORIQUE | 2 | 2 | 2 | |
| 16 | 63D-W0078-01 | WATER PUMP REPAIR KIT KIT DE REPARATION DE LA POMPE | 1 | 1 | 1 | |
| 17 | 63D-44322-00 | .INSERT, CARTRIDGE .CUVETTE | 1 | 1 | 1 | |
| 18 | 6H3-44352-00 | .IMPELLER .TURBINE | 1 | 1 | 1 | |
| 19 | 63D-44312-00 | .COVER, WATER PUMP HOUSING .COUVERCLE | 1 | 1 | 1 | |
| 20 | 63D-44323-00 | .OUTER PLATE, CARTRIDGE .PLAQUE EXTERIEURE | 1 | 1 | 1 | |
| 21 | 93210-59MG7 | .O-RING .JOINT TORIQUE | 1 | 1 | 1 | |
| 22 | 63D-44316-00 | .GASKET, WATER PUMP .JOINT, POMPE A EAU | 1 | 1 | 1 | |
| 23 | 90119-08M15 | .BOLT, WITH WASHER .BOULON, AVEC RONDELLE | 4 | 4 | 4 | |
| 24 | 663-44366-00 | .DAMPER, WATER SEAL .JOINT, TUBE D'EAU | 1 | 1 | 1 | |
| 25 | 90280-03024 | .KEY, WOODRUFF .CLAVETTE, DEMI-LUNE | 1 | 1 | 1 | |
| 26 | 63D-W0078-0A | CHROME PUMP KIT KIT DE POMPE A EAU CHROMEE | 1 | 1 | 1 | |
| 27 | 63D-44322-40 | .INSERT, CARTRIDGE .CUVETTE | 1 | 1 | 1 | |

NUMERICAL INDEX
INDEX NUMERIQUE

| PART NO. N° PIECES | REF. NO. | PART NO. N° PIECES | REF. NO. | PART NO. N° PIECES | REF. NO. | PART NO. N° PIECES | REF. NO. | PART NO. N° PIECES | REF. NO. | PART NO. N° PIECES | REF. NO. |
|-----------------------|-------------|-----------------------|-------------|-----------------------|-------------|-----------------------|-------------|-----------------------|-------------|-----------------------|-------------|
| 63D-11111-00-1S | 2 - 22 | 6H4-13641-30-94 | 4 - 5 | 692-14923-00 | 33 - 31 | 6H4-15787-01 | 9 - 15 | 648-24435-02 | 8 - 20 | 63D-41632-00 | 18 - 5 |
| 6H4-11119-01 | 2 - 18 | 6H3-14137-00 | 5 - 32 | 676-14943-30 | 5 - 22 | 6A0-15789-00 | 9 - 8 | 6H3-24452-10 | 5 - 29 | 63D-41636-00 | 18 - 7 |
| 63D-11181-A1 | 2 - 23 | 6H4-14146-00 | 5 - 16 | 676-14943-32 | 5 - 22 | 63D-21707-00 | 7 - 21 | 6H4-24486-00 | 5 - 40 | 63D-42111-01-4D | 17 - 2 |
| | 33 - 2 | 6H3-14146-10 | 5 - 16 | 676-14943-33 | 5 - 22 | 63D-21707-10 | 6 - 21 | 61N-24521-00 | 8 - 7 | 63D-42115-00 | 17 - 8 |
| 63D-11191-00-1S | 2 - 26 | 6H4-14146-10 | 5 - 15 | 63D-14943-81 | 5 - 22 | 6H3-21732-00 | 1 - 14 | 61N-24560-00 | 8 - 5 | 664-42119-00 | 17 - 59 |
| 63D-11193-A0 | 2 - 27 | 6H4-14147-00 | 5 - 30 | 62W-14947-00 | 5 - 21 | 6H3-21735-00 | 1 - 15 | 61N-24563-00 | 8 - 6 | 63D-42121-20-4D | 17 - 66 |
| | 33 - 3 | | 33 - 30 | 62X-14947-00 | 5 - 21 | 63D-21744-00 | 6 - 29 | 6H4-24566-02 | 8 - 9 | 63D-42126-00 | 17 - 48 |
| 688-11325-00 | 2 - 20 | 663-14159-00 | 5 - 12 | 63D-14947-00 | 5 - 21 | | 7 - 33 | 6YK-24610-00 | 28 - 3 | 63D-42131-00 | 17 - 26 |
| 650-11370-01 | 2 - 3 | | 33 - 23 | 6H4-14948-11 | 5 - 24 | 6H4-21752-00 | 7 - 24 | 6H4-24633-00 | 6 - 34 | 6K5-42137-00 | 17 - 3 |
| 688-11370-01 | 2 - 7 | 676-14186-00 | 5 - 13 | 62X-14948-12 | 5 - 24 | 6H1-21757-00 | 7 - 31 | 6H5-24633-00 | 7 - 29 | 650-42152-00-94 | 17 - 9 |
| 6H4-11372-01 | 2 - 5 | | 33 - 24 | 6H4-14948-12 | 5 - 24 | 6H4-21757-00 | 6 - 28 | 6H4-24634-00 | 6 - 30 | 63D-42153-00 | 17 - 17 |
| 6H4-11400-14 | 3 - 8 | 6H4-14198-01 | 4 - 10 | 676-14966-00 | 5 - 23 | 6J8-21758-00 | 7 - 30 | 6YL-24641-00 | 28 - 4 | 63D-42159-00 | 17 - 11 |
| 6H4-11536-00 | 3 - 9 | | 33 - 13 | | 33 - 21 | 63D-2175R-00 | 6 - 24 | 63D-26301-01 | 17 - 34 | 6G1-42177-00 | 17 - 60 |
| 6H4-11537-01 | 6 - 4 | 62W-14301-00 | 5 - 1 | 6H4-14980-00 | 5 - 18 | | 7 - 26 | 6A1-28176-00 | 16 - 41 | 63D-42181-00 | 17 - 23 |
| | 7 - 4 | 62X-14301-00 | 5 - 1 | 6H3-14980-10 | 5 - 18 | 63D-2176M-00 | 6 - 25 | 6E0-28193-00-94 | 8 - 39 | 63B-42510-01-4D | 22 - 1 |
| 6H4-11545-00 | 10 - 14 | 63B-14301-00 | 5 - 1 | 6H4-14984-00 | 5 - 17 | | 7 - 27 | 63B-28199-78-A0 | 8 - 40 | 63B-42510-11-4D | 22 - 1 |
| 63D-11603-00 | 3 - 14 | 63D-14301-00 | 5 - 1 | | 33 - 15 | 6H4-21770-00 | 6 - 26 | 63B-28199-78-B0 | 8 - 40 | 63D-42510-12-4D | 22 - 1 |
| 63D-11604-00 | 3 - 14 | 62W-14302-00 | 5 - 2 | 6H4-14985-01 | 5 - 14 | | 7 - 28 | 63B-28199-88-A0 | 8 - 41 | 6J8-42528-00 | 20 - 21 |
| 63D-11605-00 | 3 - 14 | 62X-14302-00 | 5 - 2 | | 33 - 25 | 63D-2177H-00 | 1 - 13 | 63B-28199-88-B0 | 8 - 41 | 624-42542-00 | 6 - 40 |
| 6H4-11631-01-95 | 3 - 13 | 63B-14302-00 | 5 - 2 | 6H3-14992-00 | 5 - 19 | 1UF-22434-00 | 23 - 17 | 61H-2819R-31 | 8 - 37 | | 7 - 42 |
| 648-11633-00 | 3 - 15 | 63D-14302-00 | 5 - 2 | 6H4-15100-13-1S | 2 - 2 | 62Y-22434-00 | 23 - 50 | 6H4-41111-00-1S | 2 - 35 | 63D-42610-20-4D | 1 - 1 |
| 6H4-11634-01 | 3 - 18 | 62W-14303-00 | 5 - 3 | 6H4-15100-30-1S | 2 - 2 | 62Y-22471-00 | 23 - 11 | 6H4-41112-A0 | 2 - 36 | 63D-42610-50-4D | 1 - 1 |
| 6H4-11635-01 | 3 - 13 | 62X-14303-00 | 5 - 3 | 6H4-15359-04-94 | 10 - 3 | 6YK-24201-01 | 28 - 1 | | 33 - 6 | 6H4-42613-01-4D | 1 - 7 |
| 6H4-11636-01 | 3 - 13 | 63B-14303-00 | 5 - 3 | 6H4-15369-A1 | 3 - 1 | 6YK-24260-01 | 28 - 5 | 6H4-41113-00-1S | 2 - 34 | 6H4-42613-11-4D | 1 - 7 |
| 6H4-11641-00 | 3 - 17 | 63D-14303-00 | 5 - 3 | | 33 - 8 | 6YL-24268-01 | 28 - 2 | 6H4-41114-A0 | 2 - 37 | 6H4-42615-00 | 1 - 3 |
| 6E5-12411-30 | 2 - 30 | 6A0-14325-00 | 8 - 24 | 6H4-15396-03-5B | 3 - 2 | 6G1-24304-02 | 8 - 1 | | 33 - 7 | 6H4-42651-00 | 1 - 4 |
| 6H4-12413-00-1S | 2 - 31 | 6H3-14349-00 | 4 - 29 | 6H4-15705-00 | 9 - 27 | 6YL-24306-53 | 28 - 8 | 6H5-41131-00-5B | 25 - 10 | 6H4-42652-00 | 1 - 5 |
| 6J8-12414-A0 | 2 - 32 | | 5 - 33 | 6H4-15710-04-4D | 9 - 1 | 6H4-24311-00 | 8 - 35 | 6H4-41131-01-5B | 25 - 10 | 63D-42677-20 | 1 - 9 |
| | 33 - 5 | 63D-14380-00 | 5 - 34 | 6H4-15711-02-94 | 9 - 2 | 6H4-24312-00 | 8 - 33 | 6H4-41134-A0 | 25 - 22 | 63D-42678-11 | 1 - 10 |
| 6H1-13117-01 | 6 - 5 | 6H4-14406-00 | 4 - 11 | 6H4-15714-00 | 9 - 19 | 6H4-24313-00 | 8 - 32 | | 34 - 3 | 63D-42681-10 | 1 - 19 |
| | 7 - 5 | 6H4-14431-02 | 4 - 13 | 6H4-15717-01 | 9 - 21 | 6H4-24314-00 | 8 - 12 | 63D-41137-01-5B | 25 - 8 | 63D-42682-10 | 1 - 20 |
| 6E9-13183-70 | 6 - 44 | 6H4-14431-13 | 4 - 13 | 6H4-15723-01-94 | 9 - 37 | 6YL-24329-00 | 28 - 7 | 63D-41213-00 | 18 - 3 | 6H1-42694-00 | 1 - 16 |
| | 7 - 46 | 6H3-14457-01 | 4 - 14 | 6J8-15723-E1 | 15 - 26 | 6E5-24367-01 | 16 - 27 | 68P-41213-A0 | 18 - 3 | 6H4-42711-07-4D | 16 - 1 |
| 63D-13200-00 | 6 - 1 | | 33 - 14 | 676-15741-03 | 9 - 25 | 650-24378-00 | 2 - 8 | 6H4-41217-01 | 4 - 24 | 6H4-42711-25-4D | 16 - 1 |
| | 7 - 1 | 624-14485-00 | 2 - 4 | 63D-15746-00 | 9 - 42 | 688-24378-00 | 8 - 30 | 6E9-41237-00 | 6 - 20 | 648-42715-00 | 18 - 19 |
| 6J8-13411-00 | 6 - 35 | 6H1-14485-00 | 4 - 6 | 656-15748-00 | 9 - 46 | 692-24410-00 | 8 - 14 | | 7 - 20 | 6H4-42716-00 | 16 - 15 |
| | 7 - 37 | 63V-14523-00 | 5 - 7 | 6F5-15752-00 | 9 - 9 | 663-24411-00 | 8 - 19 | 6H1-41237-00 | 6 - 16 | 63D-42717-00 | 16 - 21 |
| 6J8-13414-00 | 6 - 36 | 6H4-14548-00 | 5 - 10 | 689-15755-01 | 9 - 16 | 692-24411-00 | 8 - 16 | | 7 - 16 | 6E5-42724-00 | 16 - 16 |
| | 7 - 38 | | 33 - 26 | 6H4-15758-01-4D | 9 - 4 | 6H3-24411-10 | 5 - 41 | 6H4-41237-00 | 18 - 8 | 6H4-42724-00 | 16 - 13 |
| 6L2-13416-00 | 6 - 37 | 679-14555-00 | 5 - 25 | 6H4-15761-00 | 1 - 2 | 6A0-24412-02 | 8 - 25 | 6H4-41241-01 | 6 - 15 | 6H4-42724-20 | 16 - 13 |
| | 7 - 39 | 6H4-14567-00 | 5 - 31 | 6H4-15762-00 | 9 - 7 | 6A0-24413-00 | 8 - 15 | | 7 - 15 | 63D-42725-00 | 17 - 32 |
| 63D-13436-40 | 1 - 12 | 6H2-14578-00 | 5 - 9 | 63D-15770-00 | 9 - 45 | 6H4-24413-00 | 5 - 39 | 6H4-41257-00 | 4 - 18 | 6H4-42725-00 | 16 - 29 |
| 63D-13437-N0 | 9 - 48 | 6H4-14590-01 | 5 - 27 | 63D-15771-00-4D | 9 - 31 | 6L5-24421-00 | 5 - 38 | 6H4-41259-01 | 4 - 21 | 676-42726-00 | 16 - 23 |
| 6H5-13610-00 | 4 - 1 | | 33 - 22 | | 15 - 20 | 6A0-24421-01 | 8 - 23 | 6J8-41262-00 | 4 - 22 | 6H4-42726-00 | 16 - 24 |
| 6H4-13621-A1 | 4 - 8 | 6K5-14592-00 | 5 - 5 | 6H4-15772-02-94 | 9 - 35 | 650-24431-A0 | 8 - 26 | 661-41262-02 | 4 - 19 | 688-42726-10 | 16 - 24 |
| | 33 - 12 | 63D-14711-00-5B | 25 - 11 | | 15 - 24 | | 33 - 17 | 6H4-41271-01 | 4 - 20 | 6H4-42726-40 | 16 - 23 |
| 6H4-13624-01-94 | 4 - 7 | 63D-14711-11-5B | 25 - 11 | 63D-15774-00 | 18 - 30 | 648-24434-01 | 8 - 17 | 689-41273-00 | 4 - 25 | 6H3-42727-00 | 16 - 36 |
| 6H4-13641-12-94 | 4 - 5 | 692-14923-00 | 5 - 26 | 6F5-15779-02 | 9 - 17 | 6H3-24434-10 | 5 - 42 | 6J8-41274-00 | 4 - 23 | 63D-42741-00-4D | 16 - 20 |

NUMERICAL INDEX
INDEX NUMERIQUE

| PART NO. N° PIECES | REF. NO. | PART NO. N° PIECES | REF. NO. | PART NO. N° PIECES | REF. NO. | PART NO. N° PIECES | REF. NO. | PART NO. N° PIECES | REF. NO. | PART NO. N° PIECES | REF. NO. |
|-----------------------|-------------|-----------------------|-------------|-----------------------|-------------|-----------------------|-------------|-----------------------|-------------|-----------------------|-------------|
| 6G1-42748-00 | 4 - 25 | 62X-43807-00 | 24 - 8 | 69W-43899-01 | 23 - 63 | 63D-45114-A0 | 25 - 9 | 663-45587-01-40 | 26 - 5 | 703-48222-00 | 31 - 27 |
| 6E7-42791-10 | 16 - 40 | 69W-4380F-00 | 24 - 9 | 69J-4389J-00 | 23 - 30 | | 34 - 2 | 663-45587-01-50 | 26 - 5 | 703-48223-00 | 31 - 28 |
| 6G5-42791-10 | 16 - 40 | 62X-4380H-00 | 24 - 14 | 63D-44100-11 | 17 - 5 | 63D-45123-00 | 25 - 12 | 63D-45611-00 | 26 - 55 | 703-48224-00 | 31 - 55 |
| 6H4-42815-00 | 16 - 2 | 62Y-4380K-01 | 23 - 2 | 63D-44104-00 | 17 - 6 | | 34 - 5 | 63D-45631-01 | 26 - 57 | 703-48225-00 | 31 - 29 |
| 6H4-42816-00 | 16 - 5 | 62X-43810-01 | 23 - 3 | 62X-43810-01 | 17 - 14 | 6H3-45127-00 | 25 - 18 | 663-45633-00 | 26 - 62 | 703-48226-00 | 31 - 26 |
| 63D-43111-01-4D | 19 - 1 | 62Y-43816-00 | 23 - 41 | 63D-44117-00 | 18 - 16 | | 34 - 4 | 663-45634-00 | 26 - 58 | 703-48227-00 | 31 - 24 |
| 6H4-43111-05-4D | 20 - 1 | 6H1-43816-00 | 23 - 54 | 63D-44120-00 | 18 - 13 | 63D-45155-00 | 25 - 4 | 63D-45635-00 | 26 - 60 | 703-48232-00 | 31 - 62 |
| 63D-43112-01-4D | 19 - 2 | 69W-4381B-00 | 23 - 13 | 63D-44120-10 | 18 - 13 | 63D-45214-00 | 26 - 10 | 663-45930-00-98 | 27 - 25 | 703-48234-00 | 31 - 18 |
| 6H4-43112-04-4D | 20 - 2 | 6H1-43829-00 | 23 - 61 | 63D-44121-00 | 18 - 24 | 63D-45215-00 | 26 - 11 | 663-45941-01-EL | 27 - 25 | 703-48235-00 | 31 - 4 |
| 6J8-43113-01 | 20 - 11 | 62Y-4382A-00 | 23 - 39 | 688-44122-00 | 18 - 28 | 63D-45251-00 | 19 - 6 | 69W-45943-00-EL | 27 - 25 | 63D-48236-00 | 17 - 15 |
| 648-43114-01 | 20 - 8 | 62Y-4382L-00 | 23 - 42 | 63D-44132-00 | 17 - 18 | 65W-45251-00 | 19 - 41 | 6H5-45943-00-EL | 27 - 25 | 703-48236-00 | 31 - 16 |
| 6E0-43118-01 | 20 - 5 | 62Y-43830-01 | 23 - 21 | 63D-44144-00 | 26 - 52 | 67C-45251-00 | 27 - 15 | 69W-45945-00-EL | 27 - 25 | 63D-48237-00 | 17 - 20 |
| 6E5-43126-02 | 19 - 32 | 6H1-43831-10 | 23 - 19 | 663-44151-00 | 26 - 51 | 63D-45300-02-4D | 26 - 1 | 6H5-45945-00-EL | 27 - 25 | 63D-48238-00 | 17 - 22 |
| 63D-43128-01-4D | 19 - 5 | 69J-43841-00 | 23 - 22 | 63D-44159-01 | 17 - 56 | 63D-45300-12-4D | 26 - 1 | 69W-45947-00-EL | 27 - 25 | 703-48238-00 | 31 - 22 |
| 63D-43131-01 | 19 - 14 | 6H1-43844-10 | 23 - 35 | 63D-44173-00 | 17 - 58 | 63D-45301-03-4D | 26 - 2 | 663-45949-01-EL | 27 - 25 | 703-48243-00 | 31 - 15 |
| | 20 - 9 | 62Y-43845-00 | 23 - 59 | 6G8-44191-00 | 17 - 52 | 63D-45321-00 | 26 - 14 | 6H5-45952-00-EL | 27 - 25 | 703-48244-00 | 31 - 21 |
| 6G5-43144-00 | 19 - 27 | 69A-4384F-00 | 23 - 24 | 688-44194-00 | 18 - 12 | 688-45341-10 | 26 - 9 | 663-45952-02-EL | 27 - 25 | 703-48245-00 | 31 - 11 |
| 6E5-43145-01 | 29 - 9 | 6H1-4384F-10 | 23 - 33 | 63D-44311-00 | 26 - 21 | 63D-45344-00 | 26 - 34 | 663-45954-01-EL | 27 - 25 | 703-48246-00 | 31 - 23 |
| 6G5-43145-01 | 19 - 18 | 69W-4384G-00 | 23 - 46 | 63D-44312-00 | 27 - 19 | 63D-45361-02-4D | 26 - 43 | 663-45956-01-EL | 27 - 25 | 701-48248-00 | 31 - 13 |
| | 20 - 14 | 6H1-4384G-11 | 23 - 31 | | 34 - 19 | 664-45371-01 | 27 - 12 | 6H5-45958-00-EL | 27 - 25 | 703-48252-00 | 31 - 12 |
| 6G5-43148-10 | 19 - 24 | 62X-4384H-00 | 23 - 16 | 63D-44316-00 | 26 - 27 | 63D-45375-00 | 27 - 6 | 663-45958-01-EL | 27 - 25 | 63D-48261-00 | 17 - 7 |
| 688-43160-01 | 19 - 28 | 69J-4384M-00 | 23 - 23 | | 34 - 10 | 663-45376-00-94 | 27 - 5 | 697-45970-00-98 | 27 - 25 | 703-48261-01 | 31 - 2 |
| 6H4-43160-01 | 21 - 1 | 69J-43853-00 | 23 - 29 | 63D-44322-00 | 26 - 22 | 6E5-45378-00 | 26 - 17 | 663-45970-60-98 | 27 - 25 | 703-48264-00 | 31 - 6 |
| 676-43165-00 | 21 - 2 | 62Y-43854-00 | 23 - 47 | | 34 - 17 | 63D-45501-00 | 26 - 36 | 663-45972-60-98 | 27 - 25 | 703-48265-00 | 31 - 9 |
| 688-43165-00 | 19 - 29 | 62Y-43855-00 | 23 - 32 | 63D-44322-40 | 34 - 27 | 63D-45501-10 | 26 - 36 | 663-45974-02-98 | 27 - 25 | 703-48268-00 | 31 - 5 |
| 6J8-43181-01 | 21 - 5 | 6H1-43856-10 | 23 - 34 | 63D-44323-00 | 26 - 26 | 6H4-45536-00 | 26 - 4 | 663-45974-60-98 | 27 - 25 | 703-48271-00 | 31 - 60 |
| 6H5-43181-03 | 19 - 19 | 62X-43861-00 | 23 - 4 | | 34 - 20 | 6H4-45551-01 | 26 - 37 | 663-45976-00-98 | 27 - 25 | 703-48281-00 | 31 - 31 |
| 6H5-43185-03 | 19 - 20 | 62X-43862-00 | 23 - 5 | 63D-44323-40 | 34 - 28 | 6H4-45560-01 | 26 - 39 | 663-45978-00-98 | 27 - 25 | 703-48282-00 | 31 - 32 |
| 6J8-43311-04-4D | 20 - 19 | 62X-43865-00 | 23 - 62 | 63D-44341-00 | 26 - 31 | 663-45567-01-10 | 26 - 41 | 663-45987-02 | 27 - 20 | 703-48284-00 | 31 - 52 |
| 6J8-43311-10-4D | 20 - 19 | 65W-4386A-00 | 23 - 28 | 63D-44352-00 | 26 - 23 | 663-45567-01-12 | 26 - 41 | 670-45997-02 | 27 - 21 | 701-48287-00 | 31 - 42 |
| 63D-43311-13-4D | 19 - 12 | 62X-4386K-00 | 24 - 10 | | 34 - 18 | 663-45567-01-15 | 26 - 41 | 63D-48118-00 | 17 - 19 | 703-48291-10 | 31 - 39 |
| 682-43318-01 | 21 - 10 | 62X-43871-00 | 23 - 7 | 63D-44361-00 | 27 - 1 | 663-45567-01-18 | 26 - 41 | 63D-48119-00 | 17 - 16 | 703-48293-10 | 31 - 41 |
| 689-43373-01 | 20 - 22 | 62Y-43871-00 | 23 - 51 | 63D-44361-10 | 27 - 1 | 663-45567-01-30 | 26 - 41 | 703-48152-00 | 31 - 57 | 701-48320-00 | 30 - 2 |
| 6J8-43611-01 | 21 - 20 | 62X-43875-00 | 23 - 18 | 663-44366-00 | 27 - 18 | 663-45567-01-40 | 26 - 41 | 703-48153-00 | 31 - 3 | 701-48320-20 | 30 - 2 |
| 6J8-43613-01 | 21 - 18 | 67F-43875-00 | 23 - 12 | | 34 - 24 | 663-45567-01-50 | 26 - 41 | 63D-48154-00 | 17 - 49 | 701-48320-30 | 30 - 2 |
| 6J8-43614-00 | 21 - 16 | 6H1-43875-00 | 23 - 58 | 63D-44367-00 | 27 - 4 | 6H4-45571-01 | 26 - 42 | 703-48189-00 | 31 - 17 | 701-48320-50 | 30 - 2 |
| 6J8-43615-00 | 21 - 17 | 62Y-4387G-00 | 23 - 52 | 6E5-44391-00 | 16 - 14 | 63D-45577-00-10 | 26 - 46 | 703-48198-00 | 31 - 14 | 701-48320-60 | 30 - 2 |
| 6H4-43616-00 | 21 - 30 | 62Y-4387J-00 | 23 - 49 | 63D-44514-01-94 | 22 - 22 | 63D-45577-00-12 | 26 - 46 | 703-48201-A2 | 30 - 1 | 701-48320-80 | 30 - 2 |
| 6J8-43617-00 | 21 - 33 | 62Y-43880-01 | 24 - 2 | 63D-44526-00 | 22 - 24 | 63D-45577-00-15 | 26 - 46 | | 31 - 1 | 63D-48321-01 | 17 - 33 |
| 6J8-43627-00 | 21 - 11 | 62Y-43881-00 | 24 - 13 | 63D-44551-01-4D | 22 - 9 | 63D-45577-00-18 | 26 - 46 | 703-48205-A4 | 30 - 1 | 63D-48344-00 | 18 - 29 |
| 6J8-43631-00 | 21 - 27 | 6H1-43883-00 | 23 - 25 | 63D-44552-01-4D | 22 - 18 | 63D-45577-00-30 | 26 - 46 | | 31 - 1 | 663-48344-00 | 18 - 29 |
| 6J8-43633-00 | 21 - 28 | 62X-43888-00 | 24 - 1 | 63D-44555-00-94 | 22 - 11 | 63D-45577-00-40 | 26 - 46 | 703-48211-01 | 31 - 61 | 6H4-48344-00 | 18 - 1 |
| 6J8-43641-00 | 21 - 31 | 62X-4388A-00 | 23 - 10 | 687-44555-00-94 | 22 - 11 | 63D-45577-00-50 | 26 - 46 | 703-48212-00 | 31 - 58 | 703-48345-01 | 31 - 19 |
| 6H4-43659-00 | 21 - 19 | 62Y-43891-00 | 24 - 6 | 663-44575-00 | 22 - 16 | 663-45587-01-10 | 26 - 5 | 703-48213-00 | 31 - 59 | 703-48358-00 | 31 - 20 |
| 6H4-43674-00 | 21 - 25 | 62Y-43892-00 | 24 - 5 | 63D-45111-01-4D | 25 - 1 | 663-45587-01-12 | 26 - 5 | 703-48215-00 | 31 - 43 | 63D-48511-00-4D | 22 - 36 |
| 62Y-43800-01-4D | 23 - 1 | 69J-43893-00 | 23 - 53 | 63D-45111-11-4D | 25 - 1 | 663-45587-01-15 | 26 - 5 | 703-48218-00 | 31 - 64 | 63D-48531-00 | 17 - 37 |
| 62X-43804-01 | 24 - 4 | 69J-43894-00 | 23 - 48 | 6H4-45113-A0 | 25 - 19 | 663-45587-01-18 | 26 - 5 | 703-48219-00 | 31 - 30 | 6H4-48531-11-94 | 16 - 7 |
| 62Y-43805-00 | 24 - 3 | 62X-43899-00 | 23 - 14 | | 33 - 18 | 663-45587-01-30 | 26 - 5 | 703-48221-00 | 31 - 56 | 6H4-48532-11-94 | 16 - 8 |

NUMERICAL INDEX
INDEX NUMERIQUE

| PART NO. N° PIECES | REF. NO. | PART NO. N° PIECES | REF. NO. | PART NO. N° PIECES | REF. NO. | PART NO. N° PIECES | REF. NO. | PART NO. N° PIECES | REF. NO. | PART NO. N° PIECES | REF. NO. |
|-----------------------|-------------|-----------------------|-------------|-----------------------|-------------|-----------------------|-------------|-----------------------|-------------|-----------------------|-------------|
| 63D-48538-00 | 17 - 38 | 63D-82148-00 | 19 - 3 | 6A1-83625-51 | 4 - 32 | 90109-06M40 | 6 - 8 | 90185-10051 | 22 - 8 | 90340-14M00 | 2 - 24 |
| 63D-61350-00 | 29 - 1 | 6E5-82148-00 | 20 - 3 | 6E0-83627-41 | 17 - 67 | | 7 - 8 | 90185-12M12 | 17 - 46 | 90386-07M58 | 18 - 25 |
| 63D-61351-00 | 29 - 2 | 6H1-82148-00 | 19 - 9 | 6E0-83627-51 | 17 - 68 | 90109-06M43 | 18 - 4 | 90185-22M11 | 19 - 17 | 90386-08O32 | 17 - 64 |
| 6H4-81315-11 | 32 - 10 | 6H4-82150-00 | 12 - 9 | 63D-83672-01 | 22 - 33 | 90109-12M21 | 22 - 15 | | 20 - 13 | 90386-10025 | 19 - 22 |
| 6H4-81332-00 | 10 - 17 | 1E6-82151-00 | 32 - 7 | 63D-84301-00 | 16 - 36 | 90116-06M22 | 12 - 5 | 90201-05652 | 5 - 6 | 90386-10M16 | 19 - 21 |
| 6H4-81337-01 | 15 - 30 | 663-82151-00 | 12 - 10 | 63D-84342-00 | 16 - 32 | 90116-10175 | 22 - 7 | 90201-06060 | 9 - 22 | 90386-12O69 | 16 - 4 |
| 63D-81345-00 | 10 - 8 | 62Y-82181-01 | 24 - 7 | 682-84381-00 | 13 - 9 | 90116-18M52 | 19 - 36 | 90201-083J8 | 24 - 16 | 90386-12M93 | 17 - 42 |
| 63D-81345-10 | 10 - 9 | 6A0-82317-00 | 6 - 39 | 6J8-85410-00 | 16 - 29 | 90119-06M13 | 2 - 10 | 90201-08M93 | 6 - 3 | 90386-18M35 | 19 - 34 |
| 63D-81345-20 | 10 - 10 | | 7 - 41 | 6H4-85415-10 | 16 - 31 | 90119-06M51 | 11 - 2 | | 7 - 3 | 90386-18M44 | 19 - 39 |
| 6J8-81365-A0 | 9 - 38 | | 11 - 11 | 63D-85520-00 | 10 - 4 | 90119-06M61 | 16 - 19 | 90201-09425 | 22 - 25 | 90386-18M92 | 19 - 33 |
| | 15 - 27 | 703-82510-12 | 31 - 44 | 63D-85533-00 | 10 - 5 | 90119-06M65 | 6 - 41 | 90201-10M20 | 29 - 3 | 90386-22M15 | 19 - 15 |
| 6F5-81800-11 | 15 - 1 | 6R3-82521-70 | 32 - 8 | 63D-85533-10 | 10 - 5 | | 7 - 43 | 90201-10M63 | 29 - 8 | 90386-22M69 | 20 - 10 |
| 689-81807-12 | 15 - 3 | 63D-82531-00 | 11 - 23 | 63D-85540-03 | 11 - 1 | 90119-06M67 | 6 - 42 | 90201-12426 | 19 - 44 | 90386-29M95 | 17 - 43 |
| 689-81809-11 | 15 - 7 | 703-82531-00 | 31 - 46 | 63D-85550-00 | 10 - 1 | | 7 - 44 | | 20 - 26 | 90386-30M60 | 22 - 6 |
| 689-81810-11 | 15 - 9 | 703-82540-00 | 31 - 50 | 63D-85550-10 | 10 - 1 | 90119-06M73 | 16 - 6 | 90201-12M16 | 22 - 12 | 90386-30M77 | 22 - 4 |
| 689-81811-11 | 15 - 11 | 703-82542-00 | 31 - 63 | 63D-85560-00 | 10 - 2 | 90119-06M99 | 1 - 8 | 90201-13M19 | 22 - 14 | 90386-30M78 | 22 - 3 |
| 689-81812-11 | 15 - 12 | 6R3-82553-70 | 32 - 9 | 63D-85560-10 | 10 - 2 | 90119-06MA2 | 4 - 9 | 90201-16M44 | 10 - 16 | 90387-06M05 | 12 - 24 |
| 689-81813-10 | 15 - 13 | 682-82556-00 | 14 - 2 | 6H5-85570-00 | 11 - 7 | | 9 - 34 | 90201-22429 | 26 - 56 | 90387-06M41 | 16 - 18 |
| 689-81820-11 | 15 - 14 | | 31 - 48 | 63D-85580-00 | 10 - 6 | | 15 - 23 | 90201-22M03 | 19 - 16 | 90387-06M65 | 15 - 31 |
| 6H4-81822-02-98 | 11 - 14 | 689-82560-00 | 11 - 12 | 6H1-85711-60 | 4 - 33 | 90119-06MA3 | 2 - 29 | | 20 - 12 | 90387-06M66 | 9 - 41 |
| 689-81826-10 | 15 - 15 | 6H4-82560-00 | 11 - 13 | 63D-85720-00 | 7 - 50 | | 9 - 36 | 90201-27M00 | 26 - 35 | 90387-06M69 | 9 - 10 |
| 6F5-81830-11 | 15 - 4 | 703-82563-02 | 31 - 55 | 63D-85720-10 | 6 - 47 | | 15 - 25 | 90201-30M00 | 22 - 2 | 90387-07M64 | 21 - 21 |
| 689-81831-00 | 15 - 5 | 63D-82563-10 | 12 - 32 | 63D-W0001-00 | 33 - 1 | 90119-06MA5 | 2 - 40 | 90201-50306 | 3 - 12 | 90387-08M03 | 20 - 16 |
| 689-81840-11 | 15 - 10 | 688-82575-01 | 31 - 47 | 63D-W0001-20 | 34 - 1 | 90119-08O15 | 2 - 28 | 90202-05088 | 6 - 17 | 90387-10M42 | 29 - 6 |
| 689-81847-11 | 15 - 6 | 6K5-82575-03 | 14 - 1 | 6H4-W0004-00 | 4 - 2 | 90119-08O19 | 2 - 9 | | 7 - 17 | 90387-12M02 | 17 - 47 |
| 689-81850-12 | 15 - 8 | 676-82577-00 | 31 - 45 | 63D-W0070-10 | 1 - 11 | 90119-08M15 | 26 - 29 | 90202-07M07 | 18 - 15 | 90430-08O20 | 26 - 8 |
| 689-81857-11 | 15 - 2 | 6E3-8257H-00 | 16 - 42 | 63D-W0078-01 | 34 - 16 | | 34 - 23 | 90202-12O31 | 21 - 9 | | 34 - 6 |
| 6F5-81922-00 | 13 - 6 | 689-8257Y-00 | 14 - 3 | 63D-W0078-0A | 34 - 26 | 90119-08M79 | 25 - 17 | 90202-12O60 | 27 - 2 | 90430-12O72 | 27 - 3 |
| 6G1-81941-10 | 12 - 2 | 6E5-82587-00 | 12 - 33 | 63D-W0084-01-4D | 17 - 1 | 90119-08M83 | 25 - 7 | 90202-24M53 | 17 - 53 | 90430-14115 | 2 - 25 |
| 6H4-81945-00 | 12 - 4 | 6E5-82588-00 | 16 - 37 | 63D-W0090-11-1S | 2 - 1 | 90119-08M84 | 27 - 11 | 90202-25M04 | 22 - 13 | | 33 - 4 |
| 6H4-81945-20 | 12 - 22 | 688-8258A-20 | 31 - 49 | 63D-W0090-31-1S | 2 - 1 | 90142-05M06 | 26 - 12 | 90202-26M45 | 13 - 10 | 90440-14M00 | 13 - 8 |
| 61A-81949-00 | 12 - 28 | 63D-82590-10 | 12 - 18 | 6H4-W0093-03 | 33 - 19 | 90149-05M13 | 17 - 61 | 90206-12O52 | 16 - 3 | | 19 - 46 |
| 6H5-81949-00 | 12 - 27 | 63D-82590-20 | 12 - 18 | 656-W2810-02 | 8 - 38 | 90149-14M12 | 20 - 7 | 90206-12M16 | 21 - 15 | 90445-07M23 | 6 - 10 |
| 6H1-81950-00 | 12 - 19 | 703-82591-00 | 31 - 53 | 63D-W4434-00 | 26 - 30 | 90157-05M16 | 28 - 6 | 90206-12M22 | 17 - 45 | | 7 - 10 |
| 6H4-81952-00 | 12 - 3 | 703-82592-00 | 31 - 54 | 90101-06020 | 19 - 40 | 90157-06M01 | 16 - 26 | 90209-06M05 | 4 - 17 | 90445-07M24 | 2 - 14 |
| 6J8-81960-00 | 13 - 1 | 63D-82594-00 | 12 - 15 | 90101-06021 | 2 - 19 | 90157-06M13 | 18 - 10 | 90243-04M01 | 20 - 6 | 90445-07M27 | 2 - 13 |
| 6H2-81960-10 | 12 - 8 | 703-82594-00 | 31 - 25 | 90101-08339 | 20 - 15 | 90159-06M18 | 17 - 57 | 90249-06M23 | 21 - 32 | 90445-07M31 | 26 - 18 |
| 6H4-81975-02 | 13 - 4 | 6H4-83354-01 | 10 - 7 | 90101-08M15 | 22 - 23 | 90159-06M21 | 15 - 32 | 90249-12M27 | 21 - 12 | 90445-07M44 | 6 - 9 |
| 6H4-82105-02 | 12 - 1 | 703-83383-A0 | 31 - 51 | 90101-09M01 | 29 - 7 | 90159-06M22 | 15 - 33 | 90249-12M28 | 21 - 7 | | 7 - 9 |
| 63D-82105-U0 | 12 - 1 | 6Y5-8350T-03 | 32 - 1 | 90101-10M58 | 20 - 24 | 90170-09M03 | 29 - 5 | 90250-06023 | 26 - 61 | 90445-07M46 | 2 - 12 |
| 6H4-82117-00 | 12 - 31 | 6Y5-83553-00 | 32 - 6 | 90101-12M09 | 17 - 35 | 90170-12138 | 26 - 38 | 90266-04M01 | 1 - 6 | 90445-07M87 | 6 - 43 |
| 703-82119-00 | 10 - 13 | 6G1-83557-00 | 11 - 25 | 90101-12M65 | 19 - 42 | 90170-18M10 | 19 - 37 | 90269-02M09 | 17 - 4 | | 7 - 45 |
| | 11 - 4 | 6E5-83558-00 | 22 - 32 | 90105-06M15 | 12 - 25 | 90171-16011 | 27 - 23 | 90280-03O24 | 26 - 25 | 90445-07MA3 | 2 - 16 |
| | 16 - 25 | | 26 - 19 | 90105-06M16 | 12 - 26 | 90179-06M24 | 11 - 20 | | 34 - 25 | 90445-07MA5 | 4 - 27 |
| | 22 - 37 | 6E5-83558-10 | 26 - 19 | 90105-06M18 | 20 - 23 | 90179-16M05 | 10 - 15 | 90338-05M03 | 1 - 17 | 90445-07MA6 | 6 - 11 |
| 682-82119-01 | 22 - 29 | 6H4-83589-00 | 16 - 33 | 90105-08M61 | 26 - 44 | 90183-05M06 | 1 - 18 | | 16 - 26 | | 7 - 11 |
| 63D-82127-00 | 22 - 21 | 6R3-83614-00 | 12 - 34 | 90109-06M39 | 6 - 7 | 90185-08O45 | 22 - 26 | 90338-05M11 | 12 - 14 | 90445-07ME9 | 26 - 18 |
| 63D-82127-10 | 22 - 21 | 6A1-83625-41 | 4 - 31 | | 7 - 7 | 90185-09M01 | 29 - 4 | 90340-08O02 | 26 - 7 | 90445-07MF1 | 22 - 31 |

NUMERICAL INDEX
INDEX NUMERIQUE

| PART NO. N° PIECES | REF. NO. | PART NO. N° PIECES | REF. NO. | PART NO. N° PIECES | REF. NO. | PART NO. N° PIECES | REF. NO. | PART NO. N° PIECES | REF. NO. | PART NO. N° PIECES | REF. NO. |
|-----------------------|-------------|-----------------------|-------------|-----------------------|-------------|-----------------------|-------------|-----------------------|-------------|-----------------------|-------------|
| 90445-09057 | 8 - 31 | 90480-09M21 | 16 - 17 | 92990-16200 | 27 - 22 | 93210-29375 | 23 - 6 | 95303-06600 | 18 - 11 | 97095-06020 | 3 - 6 |
| 90445-09063 | 8 - 29 | 90480-13M24 | 12 - 23 | 92995-05600 | 10 - 19 | 93210-29M94 | 22 - 5 | 95307-03600 | 23 - 38 | | 9 - 23 |
| 90445-09M37 | 2 - 38 | 90480-14M14 | 17 - 27 | | 16 - 10 | 93210-32738 | 8 - 8 | 95380-03600 | 5 - 36 | | 11 - 9 |
| 90445-11M15 | 6 - 22 | 90480-25161 | 11 - 8 | 92995-06100 | 19 - 8 | | 33 - 16 | | 8 - 18 | | 16 - 11 |
| | 7 - 22 | 90501-10227 | 9 - 47 | | 25 - 3 | 93210-33MG4 | 26 - 16 | 95380-04600 | 32 - 5 | 97095-06025 | 8 - 2 |
| 90445-11M17 | 6 - 32 | 90501-10326 | 5 - 8 | 92995-06600 | 3 - 7 | | 34 - 7 | 95380-05600 | 6 - 19 | | 12 - 20 |
| | 7 - 35 | 90501-12082 | 18 - 18 | | 8 - 3 | 93210-44383 | 23 - 8 | | 7 - 19 | | 19 - 7 |
| 90445-11M23 | 6 - 27 | 90501-16M01 | 26 - 59 | | 9 - 6 | 93210-48214 | 23 - 9 | | 18 - 9 | 97095-06030 | 11 - 15 |
| | 7 - 32 | 90501-23215 | 17 - 63 | | 11 - 6 | 93210-48MG8 | 26 - 33 | | 26 - 13 | 97095-06035 | 9 - 28 |
| 90446-10M01 | 6 - 33 | 90502-10M04 | 21 - 4 | | 12 - 12 | | 34 - 11 | | 31 - 7 | 97095-06040 | 8 - 27 |
| | 7 - 36 | 90502-16M02 | 19 - 31 | | 13 - 3 | 93210-52449 | 24 - 17 | 95380-06600 | 9 - 14 | | 9 - 43 |
| 90446-10M02 | 11 - 24 | 90506-12M25 | 21 - 6 | | 16 - 12 | 93210-58M21 | 3 - 5 | | 12 - 6 | 97095-06095 | 4 - 12 |
| 90464-03M15 | 10 - 11 | 90506-20011 | 19 - 25 | | 17 - 25 | | 33 - 11 | | 17 - 50 | 97095-08025 | 27 - 13 |
| 90464-05M16 | 11 - 26 | 90506-32M22 | 21 - 24 | | 18 - 32 | 93210-59MG7 | 26 - 24 | | 31 - 40 | 97095-08035 | 27 - 16 |
| 90464-06M19 | 4 - 26 | 90508-18M24 | 21 - 29 | | 19 - 11 | | 34 - 9 | 95380-08600 | 8 - 11 | 97095-08040 | 17 - 54 |
| 90464-07M20 | 6 - 14 | 90508-26M35 | 18 - 6 | 92995-08100 | 22 - 20 | 93210-69MG6 | 26 - 48 | | 20 - 18 | 97380-05025 | 31 - 8 |
| | 7 - 14 | 90510-08002 | 9 - 20 | | 27 - 14 | | 34 - 13 | 95380-10600 | 20 - 27 | 97380-08030 | 31 - 33 |
| | 12 - 30 | 91318-05008 | 23 - 44 | 92995-08600 | 17 - 55 | 93210-74MG5 | 26 - 47 | 95380-12600 | 19 - 45 | 97575-08445 | 25 - 5 |
| 90464-08M07 | 16 - 30 | 91318-05020 | 23 - 43 | | 25 - 14 | | 34 - 15 | 95380-12800 | 22 - 17 | 97607-04212 | 24 - 12 |
| 90464-09M13 | 16 - 25 | 91318-06040 | 23 - 56 | 92995-10100 | 27 - 9 | 93306-001U1 | 26 - 45 | 95670-06640 | 11 - 19 | 97780-60525 | 16 - 22 |
| 90464-09M42 | 17 - 39 | 91490-20010 | 17 - 51 | 92995-10600 | 20 - 25 | 93306-305U8 | 3 - 10 | 97013-06012 | 5 - 43 | 97803-04010 | 5 - 35 |
| 90464-12M35 | 13 - 7 | | 21 - 26 | | 27 - 10 | 93315-32224 | 26 - 3 | | 13 - 5 | 97880-05014 | 4 - 3 |
| 90464-15M11 | 8 - 36 | 91490-20012 | 18 - 27 | 92995-12200 | 19 - 43 | 93317-22204 | 26 - 49 | 97013-06014 | 8 - 10 | 97880-05020 | 24 - 11 |
| | 11 - 3 | 91490-30025 | 27 - 24 | 92995-18600 | 19 - 38 | 93332-00001 | 26 - 6 | 97013-06018 | 10 - 20 | 97880-06014 | 16 - 34 |
| 90464-15M27 | 12 - 13 | 91690-30010 | 21 - 3 | 92A08-03110 | 23 - 37 | 93332-00003 | 26 - 40 | 97013-06020 | 18 - 20 | 97885-05010 | 10 - 18 |
| 90465-06M86 | 7 - 49 | 91690-30012 | 19 - 30 | 93101-22M00 | 26 - 50 | 93410-18M02 | 19 - 35 | 97013-06030 | 9 - 11 | 97885-06008 | 19 - 4 |
| | 22 - 29 | 91690-30020 | 19 - 23 | | 34 - 14 | 93410-28M06 | 22 - 10 | 97013-06045 | 18 - 22 | | 20 - 4 |
| 90465-11M10 | 19 - 47 | 91690-30025 | 17 - 10 | 93101-25M57 | 26 - 32 | 93430-04M03 | 17 - 65 | 97013-08014 | 15 - 28 | 97885-06016 | 17 - 28 |
| | 22 - 30 | 91690-40018 | 9 - 3 | | 34 - 12 | 93430-06024 | 31 - 10 | 97013-08016 | 15 - 18 | | 22 - 34 |
| | 26 - 20 | 92903-06100 | 9 - 12 | 93102-08414 | 24 - 15 | 93430-06M02 | 9 - 26 | 97013-08020 | 9 - 39 | 97885-06040 | 4 - 15 |
| 90465-13M11 | 22 - 35 | 92903-06600 | 5 - 44 | 93102-23096 | 10 - 12 | | 21 - 22 | 97013-08025 | 9 - 32 | | 17 - 30 |
| 90465-13M30 | 7 - 25 | | 9 - 13 | 93102-25M28 | 3 - 3 | 93430-08006 | 17 - 13 | | 15 - 21 | 97885-06055 | 4 - 16 |
| 90467-06016 | 2 - 15 | | 10 - 21 | | 33 - 10 | 93430-10M00 | 21 - 8 | 97013-08030 | 15 - 16 | 97980-04114 | 5 - 4 |
| | 4 - 28 | | 18 - 21 | 93104-16M01 | 3 - 4 | 93440-62057 | 3 - 11 | 97013-08050 | 11 - 17 | | 33 - 28 |
| 90467-08004 | 2 - 39 | 92903-08600 | 9 - 33 | | 33 - 9 | 93501-04M02 | 18 - 17 | 97075-08030 | 22 - 19 | 98503-05028 | 8 - 21 |
| | 4 - 30 | | 11 - 18 | 93106-09014 | 26 - 15 | 93501-08001 | 23 - 45 | | 25 - 13 | 98580-03015 | 31 - 38 |
| | 6 - 38 | | 15 - 17 | | 34 - 8 | 93503-16003 | 23 - 15 | 97075-10040 | 27 - 8 | 98580-04006 | 31 - 36 |
| | 7 - 40 | 92903-10600 | 17 - 62 | 93210-04228 | 5 - 28 | 93505-32038 | 23 - 27 | 97095-05016 | 16 - 9 | 98580-04008 | 5 - 11 |
| | 8 - 4 | 92990-04100 | 32 - 4 | 93210-04230 | 5 - 20 | 93602-20M02 | 3 - 16 | 97095-06010 | 19 - 10 | 98580-04010 | 31 - 35 |
| 90467-10M04 | 6 - 31 | 92990-05100 | 8 - 22 | | 33 - 29 | 93604-08062 | 26 - 28 | 97095-06012 | 12 - 16 | 98580-05010 | 31 - 37 |
| | 7 - 34 | 92990-05600 | 4 - 4 | 93210-07003 | 26 - 53 | 93604-26256 | 23 - 40 | | 13 - 2 | 98580-06016 | 17 - 12 |
| 90467-11M08 | 6 - 23 | 92990-06600 | 12 - 7 | 93210-09165 | 23 - 60 | 93606-12019 | 2 - 11 | | 25 - 2 | 98780-04016 | 2 - 21 |
| | 7 - 23 | | 16 - 28 | 93210-13M04 | 6 - 6 | | 25 - 6 | 97095-06014 | 11 - 5 | 98785-05014 | 17 - 21 |
| 90468-05M03 | 6 - 18 | 92990-08200 | 18 - 26 | | 7 - 6 | | 27 - 7 | | 12 - 11 | 98980-03006 | 5 - 37 |
| | 7 - 18 | 92990-08600 | 20 - 17 | 93210-16275 | 29 - 10 | 93700-06M03 | 19 - 13 | 97095-06016 | 9 - 5 | 99001-03600 | 23 - 26 |
| 90468-07M02 | 6 - 12 | | 31 - 34 | 93210-18397 | 23 - 57 | | 20 - 20 | | 12 - 35 | 99001-08600 | 26 - 54 |
| | 7 - 12 | 92990-12200 | 17 - 36 | 93210-19MA7 | 6 - 2 | 94702-00247 | 2 - 41 | | 17 - 24 | 99080-05600 | 21 - 23 |
| 90468-18008 | 18 - 2 | 92990-12600 | 17 - 44 | | 7 - 2 | 94702-00271 | 2 - 41 | | 18 - 31 | 99530-10014 | 9 - 30 |

NUMERICAL INDEX
INDEX NUMERIQUE

| PART NO. N° PIECES | REF. NO. | PART NO. N° PIECES | REF. NO. | PART NO. N° PIECES | REF. NO. | PART NO. N° PIECES | REF. NO. | PART NO. N° PIECES | REF. NO. | PART NO. N° PIECES | REF. NO. |
|-----------------------|-------------|-----------------------|-------------|-----------------------|-------------|-----------------------|-------------|-----------------------|-------------|-----------------------|-------------|
| 9E450-04433 | 32 - 2 | | | | | | | | | | |
| 9E450-04533 | 32 - 3 | | | | | | | | | | |

40VMHO/40VEO
40YETO/40YMHO
PARTS CATALOGUE
©2003 by Yamaha Motor Co., Ltd.
1st edition, June 2003
All rights reserved.
Any reprinting or unauthorized use
without the written permission of
Yamaha Motor Co., Ltd.
is expressly prohibited.
Printed in Japan.

40VMHO/40VEO
40YETO/40YMHO
CATALOGUE DE PIÈCES DÉTACHÉES
©2003 par Yamaha Motor Co., Ltd.
1^{re} édition, juin 2003
Tous droits réservés
Toute réimpression ou utilisation
non autorisée sans la permission écrite
de la Yamaha Motor Co., Ltd.
est formellement interdite.
Imprimé au Japon