

PARTS CATALOGUE

E40MHZ (66T0)

E40X '01 (66T0)

40X '01 (66T1)

FOREWORD

This Parts Catalogue is related to the parts for the model(s) in the below frame. When you are ordering replacement parts, please refer to this Parts Catalogue and quote both part numbers and part names correctly.

E40MHZ(66T0), E40X'01(66T0), 40X'01(66T1)

1. Modifications or additions which have been made after issue of the Parts Catalogue will be announced in the Yamaha Parts News.
It is advisable that you make necessary corrections to the Parts Catalogue according to the Yamaha Parts News.

2. Abbreviations
The Following abbreviations are used in this Parts Catalogue.

- "UR" Use specified parts number.
- "UN" Use as many as needed.
- "AP" Alternate Parts
- "LM" Local Made
(Parts need to be ordered locally)
- "O/S" Over Size

3. Parts, which are to be supplied in an assembly, are listed with a dot(.) in front of the part name as shown below.

EXAMPLE
CARBURETOR ASSY
.JET, PILOT
.NOZZLE, MAIN

4. Number of component for assembly
The numeral appearing to the right of each component part indicates the quantity of parts for each assembly unit.

EXAMPLE

PART NO.	DESCRIPTION							REMARKS
6E0-85500-70	C.D.I. MAGNETO ASSY	1						
6E0-85550-70	.ROTOR ASSY	1						
6E0-15723-00-94.	.PULLY, STARTER	1						

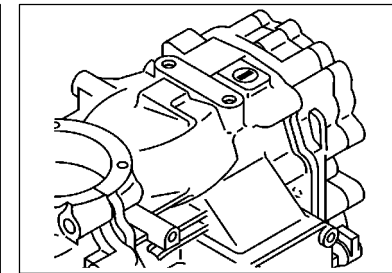
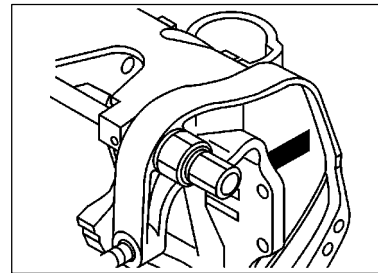
5. Quantity Column Information

NAME for Q'TY COLUMN	APPLICABLE MODEL
MH	E40MHZ, E40XMH
WT	40XWT

6. Applicable Starting Serial No. and Color Code

1) Engine Starting Sserial No.

E40MHZ L : 217613	E40XMH L : 217613 40XWT L : 452288
----------------------	---



2) Color Code

Color Code	Color Name	Abbreviation
004D	DARK BLUISH GRAY METALLIC 2	DBNM2

7. Note that the illustrations for reference in finding parts numbers, not to be used for assembling. When assembling, please use the applicable service manual.

8. The asterisk (*) before a reference number indicates modification items after the first edition.

CONTENTS

SHEET 1/2

TOP COWLING	A4
CYLINDER, CRANKCASE	A5
CRANKSHAFT, PISTON	A7
INTAKE	B1
CARBURETOR	B2
FUEL	B3
STARTER	B5
GENERATOR	B7
ELECTRICAL 1	C2
ELECTRICAL 2	C3
STARTING MOTOR	C5
BOTTOM COWLING	C6
STEERING	D1
STEERING FRICTION	D3
CONTROL	D4
REMOTE CONTROL ATTACHMENT	D6
BRACKET 1	D7
BRACKET 2	E3
BRACKET 3	E5
POWER TRIM & TILT ASSY	E7
UPPER CASING	F3
LOWER CASING, DRIVE 1	F4
LOWER CASING, DRIVE 2	F7

INDEX

NUMERICAL INDEX	G1
-----------------------	----

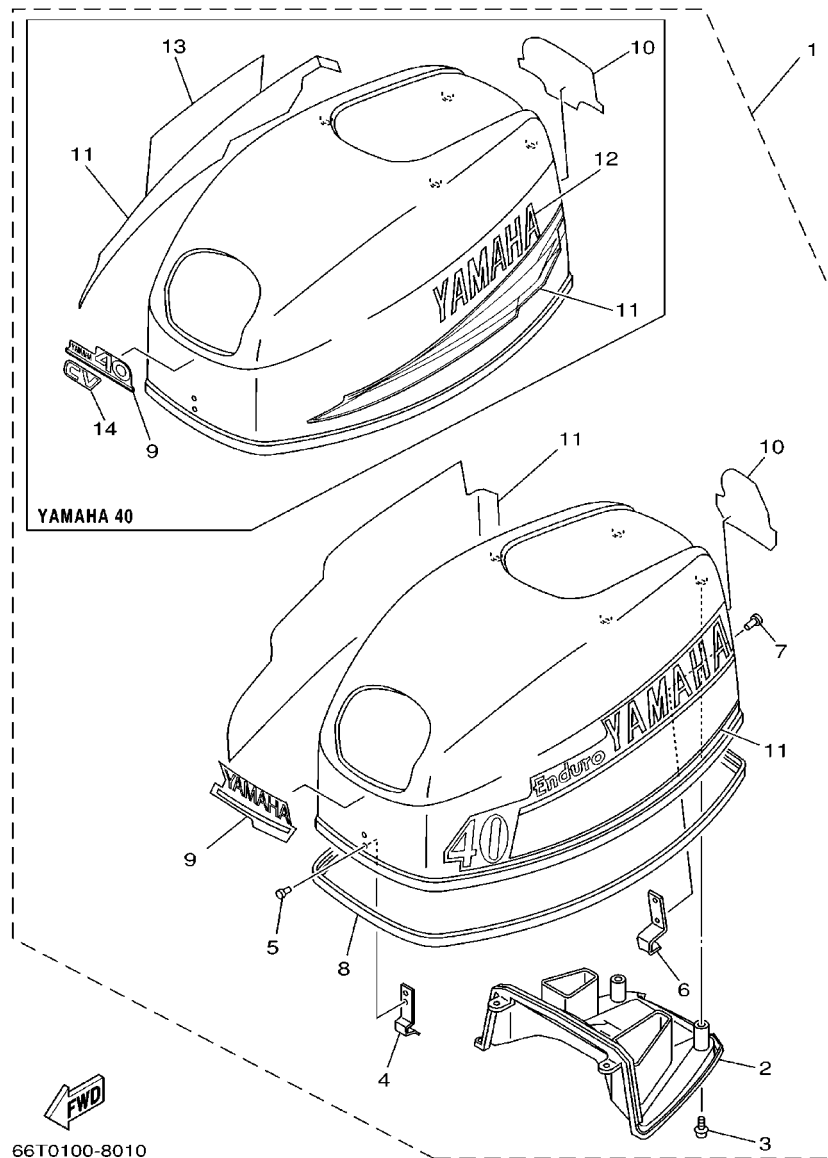
SHEET 2/2

LOWER CASING, DRIVE 2	A4*
FUEL TANK	A5*
STEERING GUIDE	A6*
REMOTE CONTROL BOX	A7*
REMOTE CONTROL ASSY	B1*
REPAIR KIT 1	B4*
REPAIR KIT 2	B6*
REPAIR KIT 3	B7*

INDEX

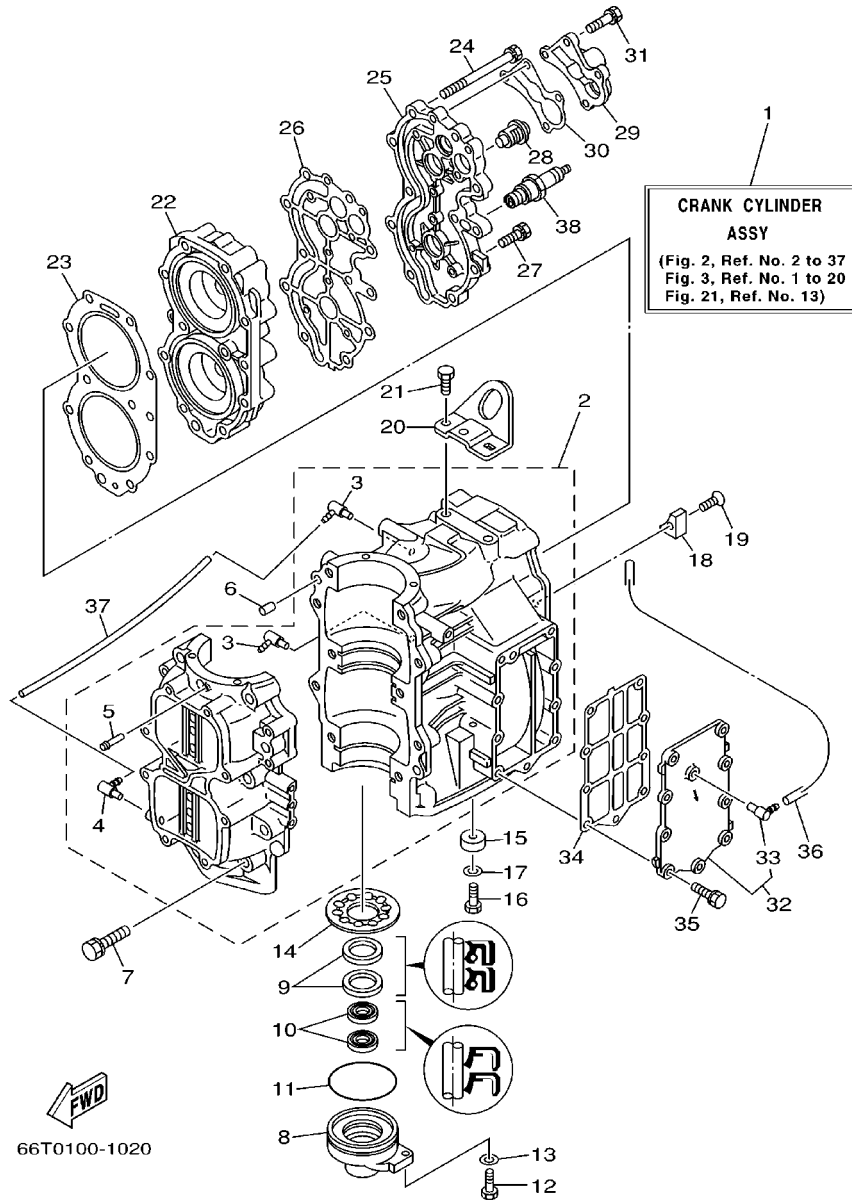
NUMERICAL INDEX	G1*
-----------------------	-----

FIG. 1 TOP COWLING



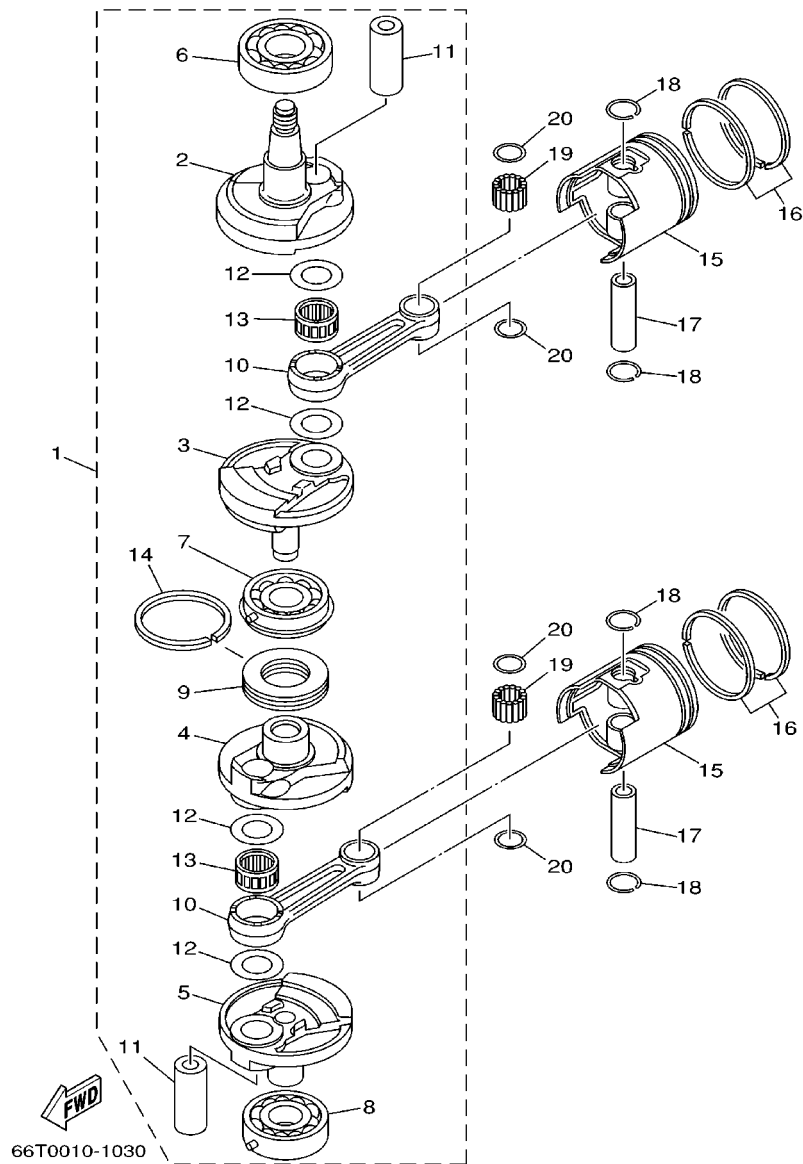
REF. NO.	PART NO.	DESCRIPTION	MH	WT				REMARKS
1	66T-42610-H1-4D	TOP COWLING ASSY	1					ENDURO
	66T-42610-F1-4D	TOP COWLING ASSY		1				YAMAHA 40
2	66T-42613-01	.MOLDING, AIR DUCT	1	1				
3	97780-50616	.SCREW, TAPPING	4	4				
4	6E0-42651-02	.HOOK	1	1				
5	90266-04M04	.RIVET	2	2				
6	6F5-42652-01	.HOOK	1	1				
7	90266-04M01	.RIVET	2	2				
8	66T-42615-02	.SEAL	1	1				
9	61N-42677-H0	.GRAPHIC, FRONT	1					ENDURO
	63D-42677-11	.GRAPHIC, FRONT		1				YAMAHA 40
10	6J4-42678-H0	.GRAPHIC, REAR	1					ENDURO
	63D-42678-11	.GRAPHIC, REAR		1				YAMAHA 40
11	66T-W0070-H0	.GRAPHIC SET	1					ENDURO
	63D-W0070-10	.GRAPHIC SET		1				YAMAHA 40
12	63D-42681-10	.MARK, COWLING	1					YAMAHA 40
13	63D-42682-10	.MARK, COWLING	1					YAMAHA 40
14	61R-42683-F0	.MARK, COWLING	1					CV

FIG. 2 CYLINDER, CRANKCASE



REF. NO.	PART NO.	DESCRIPTION	MH	WT				REMARKS
1	66T-W0090-02-4D	CRANK CYLINDER ASSY	1	1				
2	66T-15100-02-94	CRANKCASE ASSY	1	1				
3	6E5-13552-00	.NOZZLE	2	2				
4	6E5-13552-00	.NOZZLE	1	1				
5	624-14485-00	.PIPE, JOINT	1	1				
6	93608-12063	PIN, DOWEL	2	2				
7	90119-10005	BOLT, WITH WASHER	10	10				
8	66T-15396-01-94	HOUSING, OIL SEAL	1	1				
9	93102-30M56	OIL SEAL	2	2				
10	93101-16001	OIL SEAL	2	2				
11	93210-65M50	O-RING	1	1				
12	97095-06020	BOLT	1	1				
13	92995-06600	WASHER	1	1				
14	66T-11565-00	WASHER, BEARING COVER	1	1				
15	676-45251-00	ANODE	1	1				
16	97095-06020	BOLT	1	1				
17	92995-06600	WASHER	1	1				
18	676-11325-00	ANODE	1	1				
19	90141-06M00	SCREW, COUNTERSUNK	1	1				
20	66T-11119-00	HANGER, ENGINE	1	1				
21	90101-08002	BOLT	2	2				
22	66T-11111-01-94	HEAD, CYLINDER 1	1	1				
23	66T-11181-A2	GASKET, CYLINDER HEAD 1	1	1				
24	90119-08MA5	BOLT, WITH WASHER	11	11				
25	66T-11191-00-9M	COVER, CYLINDER HEAD 1	1	1				
26	66T-11193-A2	GASKET, HEAD COVER 1	1	1				
27	90119-06MA3	BOLT, WITH WASHER	4	4				

FIG. 3 CRANKSHAFT. PISTON



REF. NO.	PART NO.	DESCRIPTION	MH	WT				REMARKS
1	66T-11400-01	CRANKSHAFT ASSY	1	1				
2	66T-11412-00	.CRANK 1	1	1				
3	66T-11422-00	.CRANK 2	1	1				
4	66T-11432-00	.CRANK 3	1	1				
5	66T-11442-00	.CRANK 4	1	1				
6	93306-307U0	.BEARING	1	1				
7	93332-000UE	.BEARING	1	1				
8	93306-306V5	.BEARING	1	1				
9	6F5-11515-00	.SEAL, LABYRINTH 1	1	1				
10	6F5-11651-00	.ROD, CONNECTING	2	2				
11	66T-11681-00	.PIN, CRANK 1	2	2				
12	90209-27M07	.WASHER	4	4				
13	93310-727U0	.BEARING	2	2				
14	93440-68M03	.CIRCLIP	1	1				
15	66T-11631-00-93	PISTON (STD)	2	2				
	66T-11635-00	PISTON (0.25MM O/S)	2	2				AP
	66T-11636-00	PISTON (0.50MM O/S)	2	2				AP
16	66T-11603-00	PISTON RING SET (STD)	2	2				
	66T-11604-00	PISTON RING SET (0.25MM O/S)	2	2				AP
	66T-11605-00	PISTON RING SET (0.50MM O/S)	2	2				AP
17	6F5-11633-00	PIN, PISTON	2	2				
18	663-11634-00	CLIP, PISTON PIN	4	4				
19	93603-21111	PIN, DOWEL	56	56				
20	90201-20417	WASHER, PLATE	4	4				

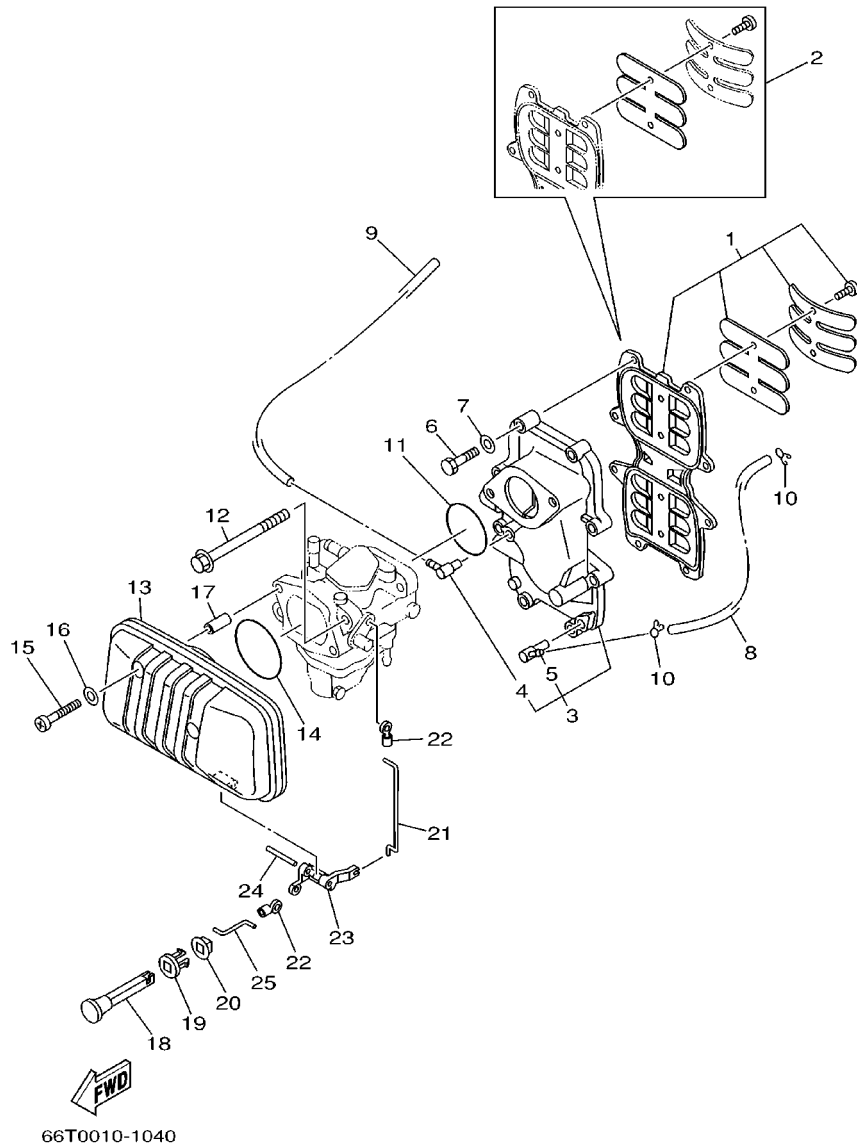
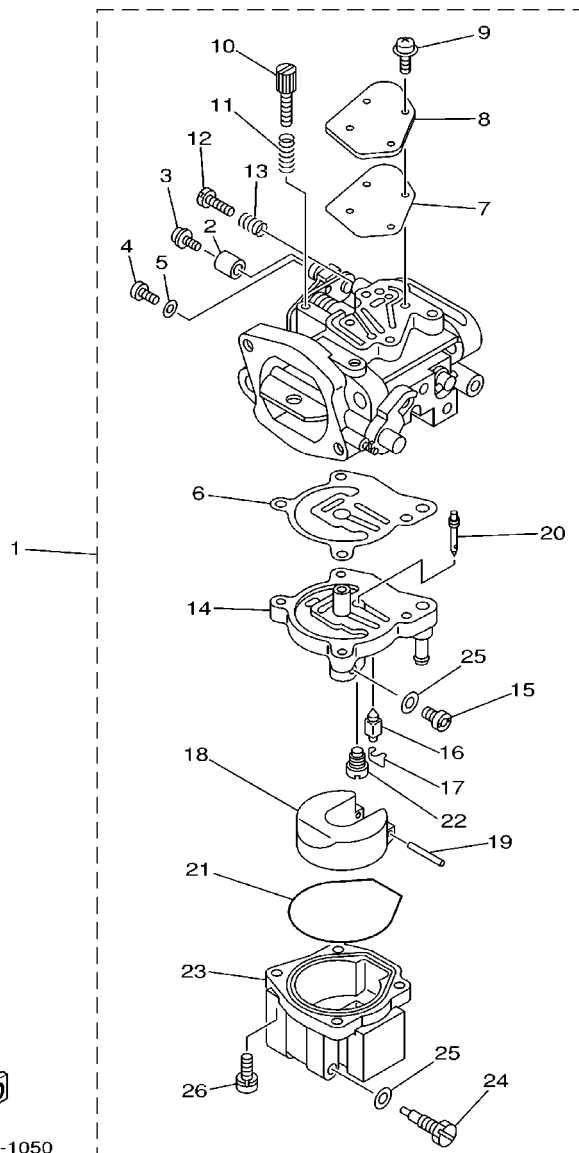


FIG. 4 INTAKE

REF. NO.	PART NO.	DESCRIPTION	MH	WT				REMARKS
1	66T-13610-00	REED VALVE ASSY	1	1				
2	66T-W0004-00	.REED SET	1	1				
3	66T-13641-02-94	MANIFOLD 1	1	1				
4	6E5-13552-00	.NOZZLE	1	1				
5	650-11372-00	.NIPPLE, HOSE	1	1				
<hr/>								
6	97013-06035	BOLT	8	8				
7	92903-06600	WASHER, PLATE	8	8				
8	90445-07M24	HOSE (L240)	1	1				
9	90445-07MA4	HOSE (L280)	1	1				
10	90467-06016	CLIP	2	2				
<hr/>								
11	93210-46M16	O-RING	1	1				
12	90119-08M03	BOLT, WITH WASHER	2	2				
13	66T-14440-00	SILENCER ASSY, INTAKE	1	1				
14	93210-54M54	O-RING	1	1				
15	97885-06040	SCREW, PAN HEAD	2	2				
<hr/>								
16	92995-06600	WASHER	2	2				
17	90387-06M80	COLLAR	2	2				
18	6H4-41271-01	KNOB, CHOKE	1	1				
19	689-41273-00	GROMMET	1	1				
20	6J8-41274-00	GROMMET 2	1	1				
<hr/>								
21	66T-41256-00	ROD, CHOKE 1	1	1				
22	661-41262-02	JOINT, CHOKE LEVER	2	2				
23	66T-41252-00	LEVER, CHOKE 1	1	1				
24	91690-40032	PIN, SPRING	1	1				
25	66T-41257-00	ROD, CHOKE 2	1	1				
<hr/>								

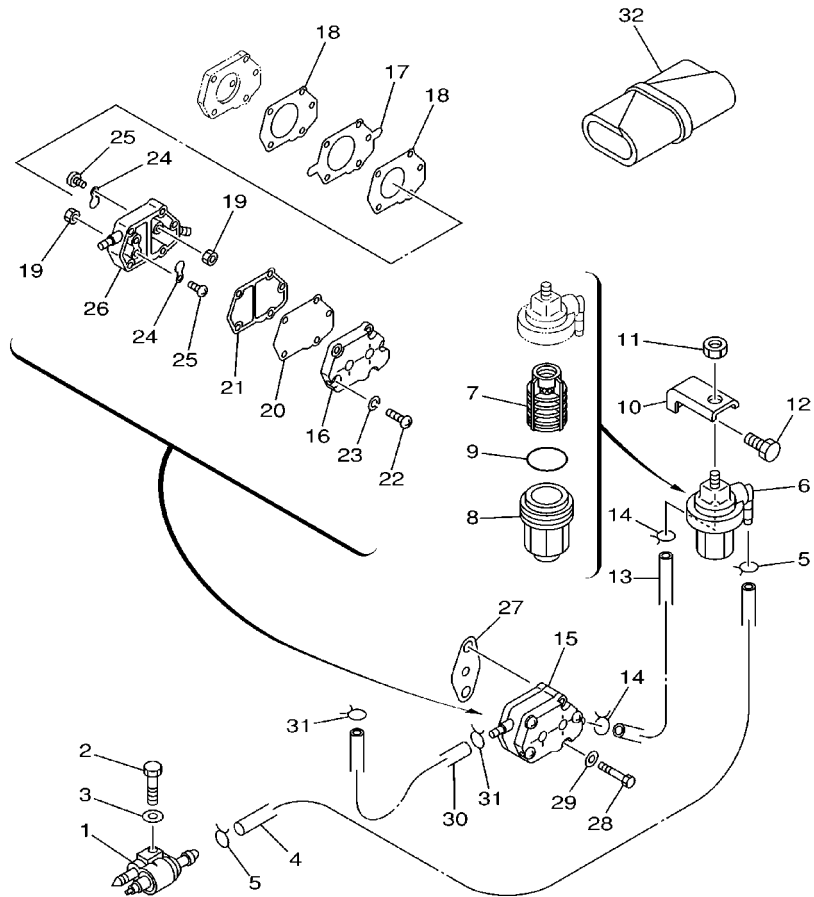
FIG. 5 CARBURETOR



66T0010-1050

REF. NO.	PART NO.	DESCRIPTION	MH	WT				REMARKS
1	66T-14301-02	CARBURETOR ASSY 1	1					
	66T-14301-12	CARBURETOR ASSY 1		1				
2	66T-14578-00	.COLLAR	1	1				
3	66T-14584-00	.STOPPER	1	1				
4	6J8-14592-01	.SCREW	1	1				
5	92990-05600	.WASHER, PLATE	1	1				
6	66T-14384-01	.GASKET, FLOAT CHAMBER	1	1				
7	66T-14536-00	.GASKET	1	1				
8	66T-14527-00	.PLATE	1	1				
9	97980-04112	.SCREW, WITH WASHER	4	4				
10	66T-14523-00	.SCREW, STOP	1	1				
11	6J8-14334-00	.SPRING, THROTTLE	1	1				
12	6E5-14323-03	.SCREW, AIR ADJUSTING	1	1				
13	6E5-14223-00	.SPRING, AIR ADJUSTING	1	1				
14	66T-14945-02	.SPACER ASSY (#38)	1	1				
15	61A-1492E-85	.JET, MAIN (#170)	1	1				
16	6E5-14546-00	.VALVE, NEEDLE	1	1				
17	6E5-14159-00	.CLIP	1	1				
18	6E5-14385-02	.FLOAT	1	1				
19	6E5-14386-02	.PIN, FLOAT	1	1				
20	66T-1492F-35	.JET, AIR SLOW (#70)	1	1				
21	66T-14984-00	.GASKET, FLOAT CHAMBER	1	1				
22	66T-14992-00	.PLUG	1	1				
23	66T-14981-00	.BODY, FLOAT CHAMBER	1	1				
24	66T-14991-00	.PLUG, DRAIN	1	1				
25	66T-14959-00	.GASKET	2	2				
26	97980-05125	.SCREW, WITH WASHER	4	4				

FIG. 6 FUEL

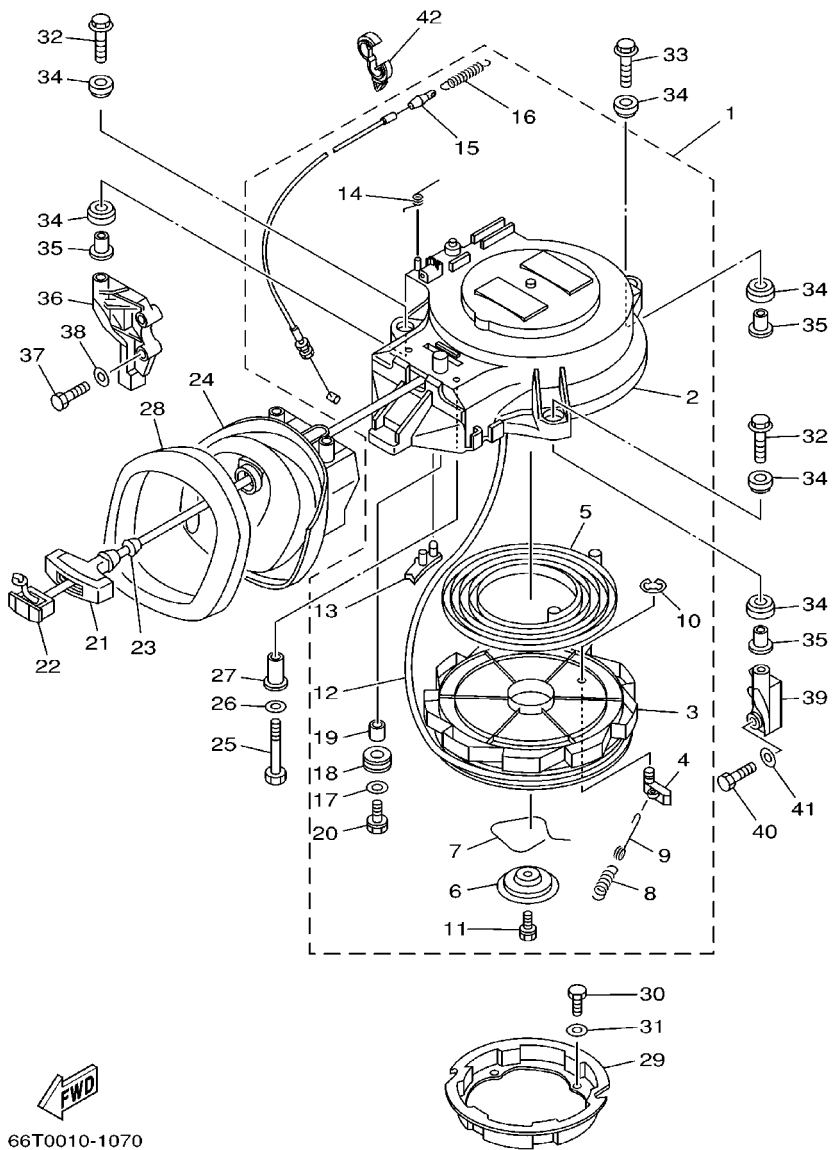


REF. NO.	PART NO.	DESCRIPTION	MH	WT				REMARKS
1	6G1-24304-02	FUEL PIPE JOINT COMP. 1	1	1				
2	97095-06030	BOLT	1	1				
3	92995-06600	WASHER	1	1				
4	90445-09M08	HOSE (L550)	1	1				
5	90467-08004	CLIP	2	2				
6	61N-24560-00	FILTER ASSY	1	1				
7	61N-24563-00	.ELEMENT, FILTER	1	1				
8	61N-24521-00	.CUP, FILTER	1	1				
9	93210-32738	.O-RING	1	1				
10	648-24566-02	BRACKET, FILTER	1	1				
11	95380-08600	NUT	1	1				
12	97013-06014	BOLT	1	1				
13	90445-09086	HOSE (L170)	1	1				
14	90467-08004	CLIP	2	2				
15	692-24410-00	FUEL PUMP ASSY	1	1				
16	6A0-24413-00	.BODY 2	1	1				
17	692-24411-00	.DIAPHRAGM	1	1				
18	648-24434-01	.GASKET, BODY	2	2				
19	95380-03600	.NUT	2	2				
20	663-24411-00	.DIAPHRAGM	1	1				
21	648-24435-02	.GASKET, BODY 2	1	1				
22	98503-05028	.SCREW, PAN HEAD	3	3				
23	92990-05100	.WASHER, SPRING	3	3				
24	6A0-24421-01	.VALVE, CHECK	2	2				
25	6A0-14325-00	.SCREW, PAN HEAD	2	2				
26	6A0-24412-02	.BODY 1	1	1				
27	650-24431-A0	GASKET, FUEL PUMP 1	1	1				



66T0010-1060

FIG. 7 STARTER

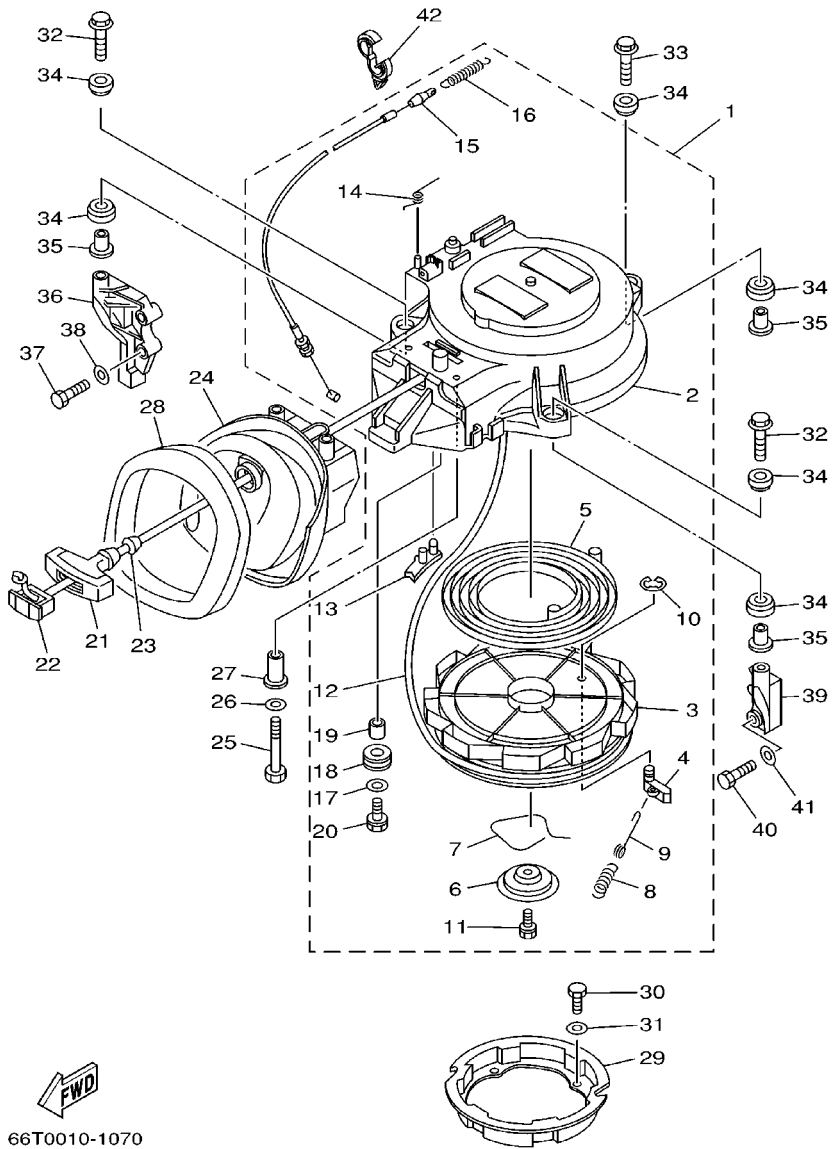


REF. NO.	PART NO.	DESCRIPTION	MH	WT				REMARKS
1	66T-15710-00	STARTER ASSY	1	1				
2	66T-15711-00	.CASE, STARTER	1	1				
3	66T-15714-00	.DRUM, SHEAVE	1	1				
4	63V-15741-00	.PAWL, DRIVE	1	1				
5	66T-15713-00	.SPRING, STARTER	1	1				
6	66T-15716-00	.PLATE, DRIVE	1	1				
7	66T-15705-00	.SPRING, DRIVE PAWL	1	1				
8	66T-15767-00	.SPRING	1	1				
9	66T-15784-00	.SPRING, RETURN	1	1				
10	63V-15744-00	.CIRCLIP	1	1				
11	63V-15768-00	.BOLT	1	1				
12	*	.WIRE, STARTER (1.8M)	1	1				
13	66T-15794-00	.STOPPER	1	1				
14	66T-15734-00	.SPRING, RETURN	1	1				
15	66T-15770-00	.CABLE COMP., STARTER STOP	1	1				
16	66T-15731-00	.SPRING, RETURN	1	1				
17	6F5-15791-00	.WASHER, LOCK	1	1				
18	6F5-15752-00	.ROLLER, WIRE	1	1				
19	6F5-15753-00	.BUSH	1	1				
20	6F5-15768-00	.BOLT	1	1				
21	689-15755-01	HANDLE, STARTER	1	1				
22	6F5-15779-02	COVER	1	1				
23	697-15789-00	DAMPER	1	1				
24	66T-15758-01	GUIDE, ROPE	1	1				
25	97095-06035	BOLT	2	2				

* CUT FROM 50M ROLLS, PART NO. 90890-44374, CUTTING LENGTH 1.8M


66T0010-1070

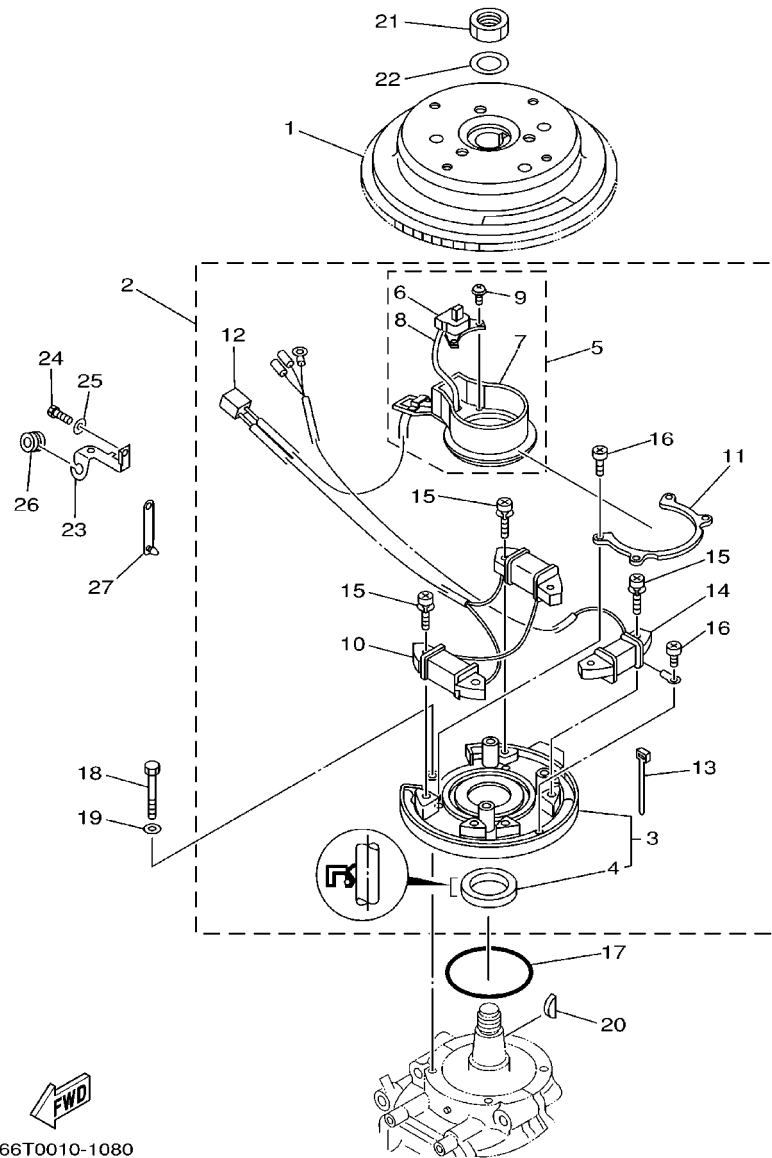
FIG. 7 STARTER



REF. NO.	PART NO.	DESCRIPTION	MH	WT				REMARKS
26	92995-06600	WASHER	2	2				
27	90387-06M66	COLLAR	2	2				
28	66T-15762-01	SEAL, RUBBER 2	1	1				
29	66T-15723-00	PULLEY, STARTER	1	1				
30	97095-06010	BOLT	4	4				
31	92995-06600	WASHER	4	4				
32	90119-08M10	BOLT, WITH WASHER	2	2				
33	90119-08M51	BOLT, WITH WASHER	1	1				
34	90385-12M04	BUSH	6	6				
35	90387-08M05	COLLAR	3	3				
36	66T-15771-00-94	STAY 1	1	1				
37	97013-06030	BOLT	2	2				
38	92903-06600	WASHER, PLATE	2	2				
39	66T-15772-00-94	STAY 2	1	1				
40	97013-06030	BOLT	2	2				
41	92903-06600	WASHER, PLATE	2	2				
42	90464-13249	CLAMP		1				


66T0010-1070

FIG. 8 GENERATOR

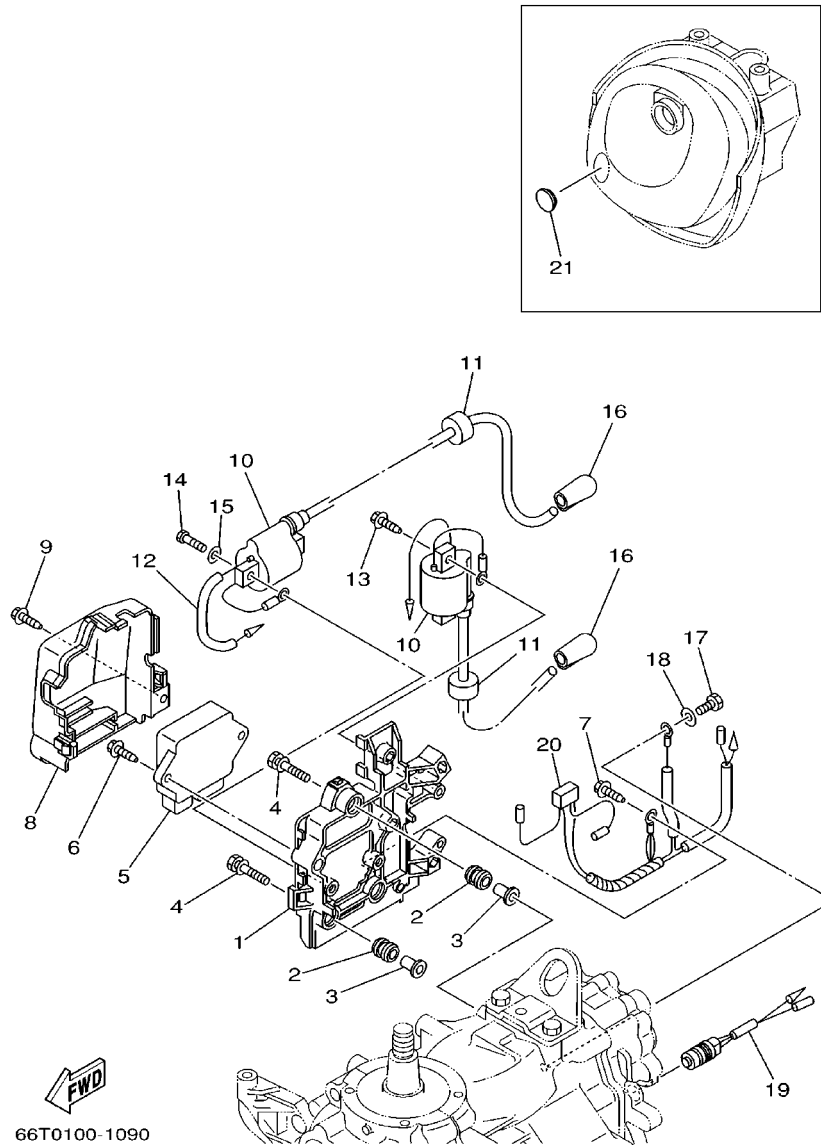



66T0010-1080

REF. NO.	PART NO.	DESCRIPTION	MH	WT				REMARKS
1	66T-85550-00	ROTOR ASSY		1				
	66T-85550-10	ROTOR ASSY	1					
2	66T-85560-01	BASE ASSY	1	1				
3	66T-85561-00	..BASE, MAGNETO	1	1				
4	93102-35008	..OIL SEAL	1	1				
5	66T-85580-00	..PULSER COIL ASSY	1	1				
6	66T-85596-00	..COIL, PULSER 1	1	1				
7	66T-85582-00	..ATTACHMENT, PULSER	1	1				
8	66T-85515-00	..LEAD WIRE ASSY	1	1				
9	97902-04108	..SCREW, WITH WASHER	2	2				
10	66T-85520-00	..COIL, CHARGE	1	1				
11	66T-41611-00	..RETAINER, MAGNETO BASE	1	1				
12	9E471-04305	..CONNECTOR	1	1				
13	66T-81328-00	..CLAMP	1	1				
14	66T-85533-00	..COIL, LIGHTING	1	1				
15	97902-06125	..SCREW, WITH WASHER	6	6				
16	97802-04006	..SCREW, PAN HEAD	5	5				
17	93210-75M51	O-RING	1	1				
18	97095-06040	BOLT	4	4				
19	92995-06600	WASHER	4	4				
20	90280-05015	KEY, WOODRUFF	1	1				
21	90170-20137	NUT	1	1				
22	90201-21M18	WASHER, PLATE	1	1				
23	90465-15M74	CLAMP	1	1				
24	97095-06016	BOLT	1	1				
25	92995-06600	WASHER	1	1				
26	90480-10M71	GROMMET	1	1				

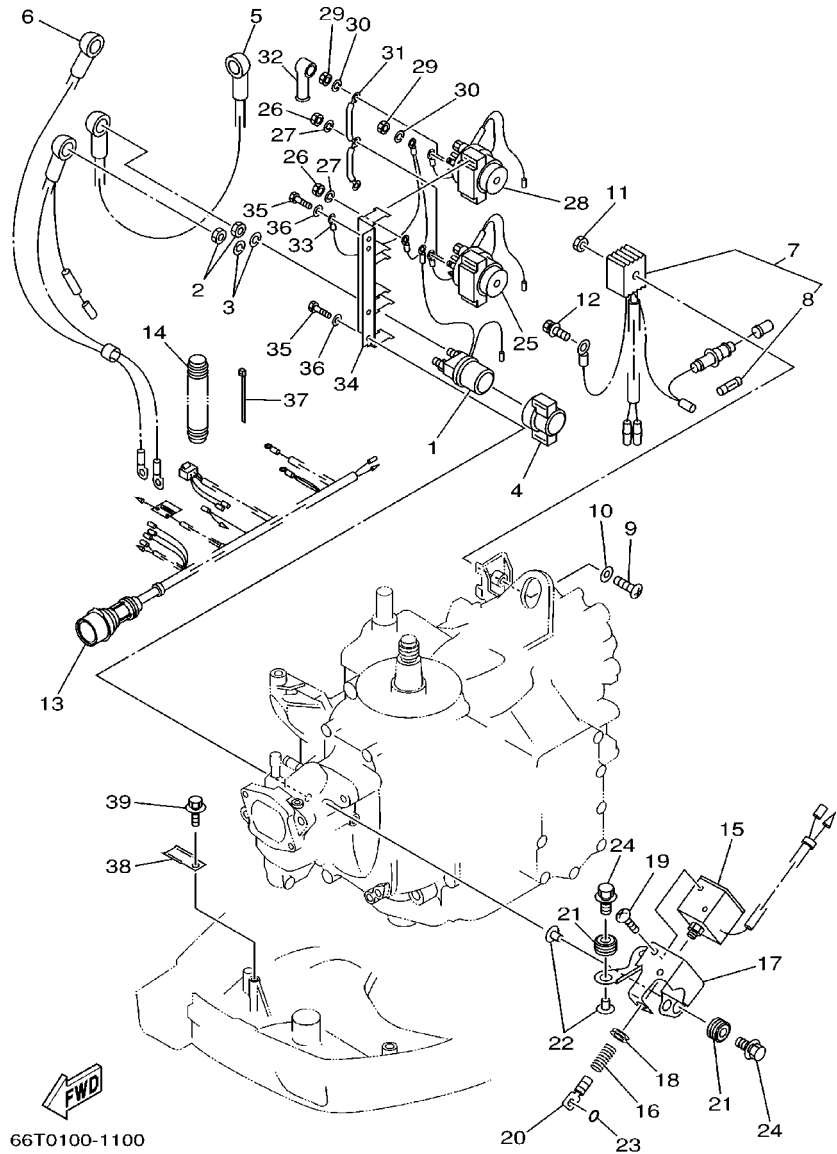
B7

FIG. 9 ELECTRICAL 1



REF. NO.	PART NO.	DESCRIPTION	MH	WT				REMARKS
1	66T-8554B-01-94	BRACKET (REF.NO. 6, 7, 9, 13, FIG.10, REF.NO. 12)	1	1				
2	6A0-82317-00	DAMPER, IGNITION COIL	3	3				
3	624-42542-00	PIPE	3	3				
4	90119-06M65	BOLT, WITH WASHER	3	3				
5	66T-85540-00	C.D.I. UNIT ASSY	1	1				
6	90109-06M81	BOLT	2	2				
7	90109-06M80	BOLT	1	1				
8	66T-81916-01	COVER, TERMINAL	1	1				
9	90109-06M81	BOLT	1	1				
10	66T-85570-00	IGNITION COIL ASSY	2	2				
11	90480-25161	GROMMET	2	2				
12	90446-03MA3	HOSE	1	1				
13	90109-06M81	BOLT	2	2				
14	97095-06025	BOLT	2	2				
15	92995-06600	WASHER	2	2				
16	6E3-82370-21	PLUG CAP ASSY	2	2				
17	97095-06012	BOLT	1	1				
18	92995-06600	WASHER	1	1				
19	688-82560-10	THERMO SWITCH ASSY	1	1				
20	66T-82519-00	WIRE, EARTH LEAD	1					
21	6G1-42725-00	GROMMET	1	1				

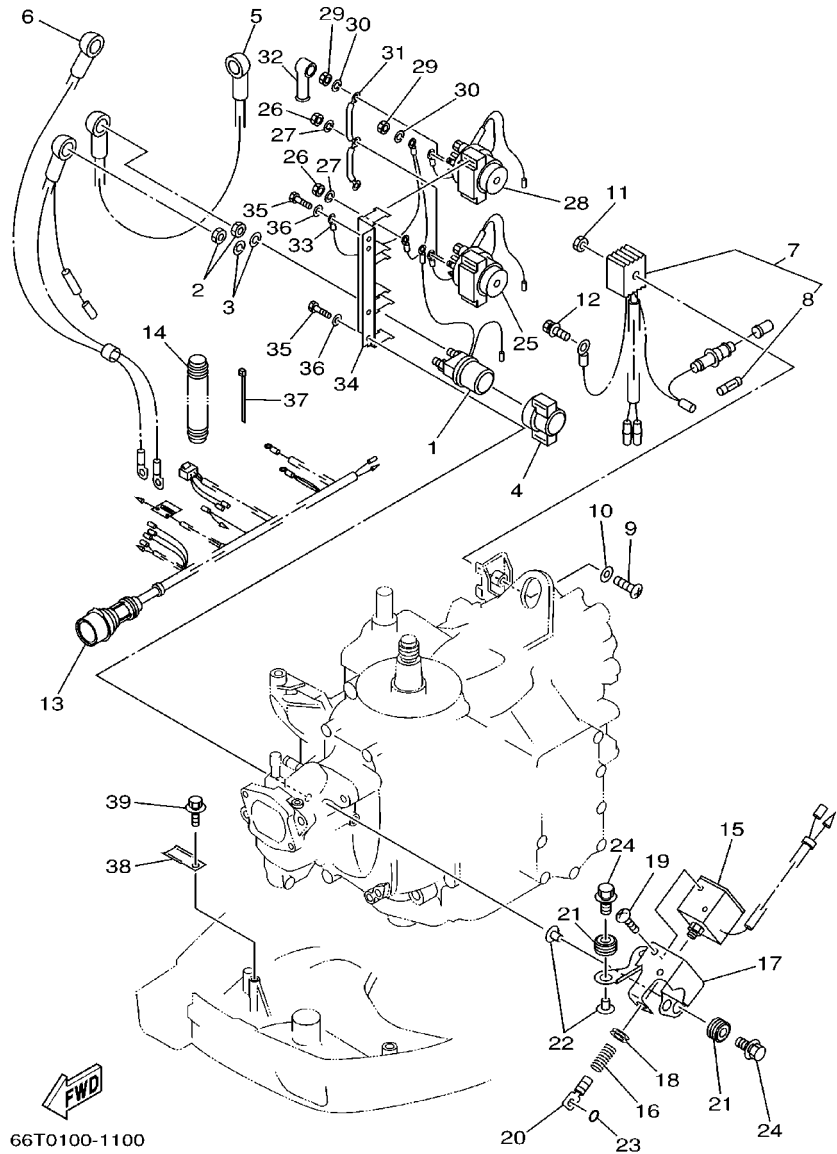
FIG. 10 ELECTRICAL 2



66T0100-1100

REF. NO.	PART NO.	DESCRIPTION	MH	WT	REMARKS
1	6G1-8194A-10	RELAY		1	
2	90170-06M30	NUT		2	
3	90204-06M00	WASHER, SPRING		2	
4	6G1-81952-00	HOLDER, RELAY		1	
5	6E5-82117-01	WIRE, LEAD		1	
6	66T-82105-00	WIRE HARNESS		1	
7	6G1-81970-61	RECTIFIER ASSY		1	
8	6G1-82151-00	.FUSE		1	
9	97880-05030	SCREW, PAN HEAD		1	
10	92990-05600	WASHER, PLATE		1	
11	95380-05600	NUT		1	
12	90109-06M80	BOLT		1	
13	66T-82590-20	WIRE HARNESS ASSY		1	
14	6N7-83557-00	TUBE		1	I.DIA.: 22MM
15	6J4-86111-00	COIL, SOLENOID		1	
16	6J4-86116-00	WIRE, PULL		1	
17	66T-86112-00	STAY, SOLENOID		1	
18	90480-10155	GROMMET		1	
19	97880-05008	SCREW, PAN HEAD		4	
20	682-86117-00	HOOK, WIRE PULL		1	
21	90480-10M23	GROMMET		3	
22	90387-06M60	COLLAR		3	
23	93210-03261	O-RING		1	
24	90119-06M88	BOLT, WITH WASHER		3	
25	6E5-8195B-01	RELAY ASSY		1	
26	90170-06M30	NUT		3	
27	90204-06M00	WASHER, SPRING		3	

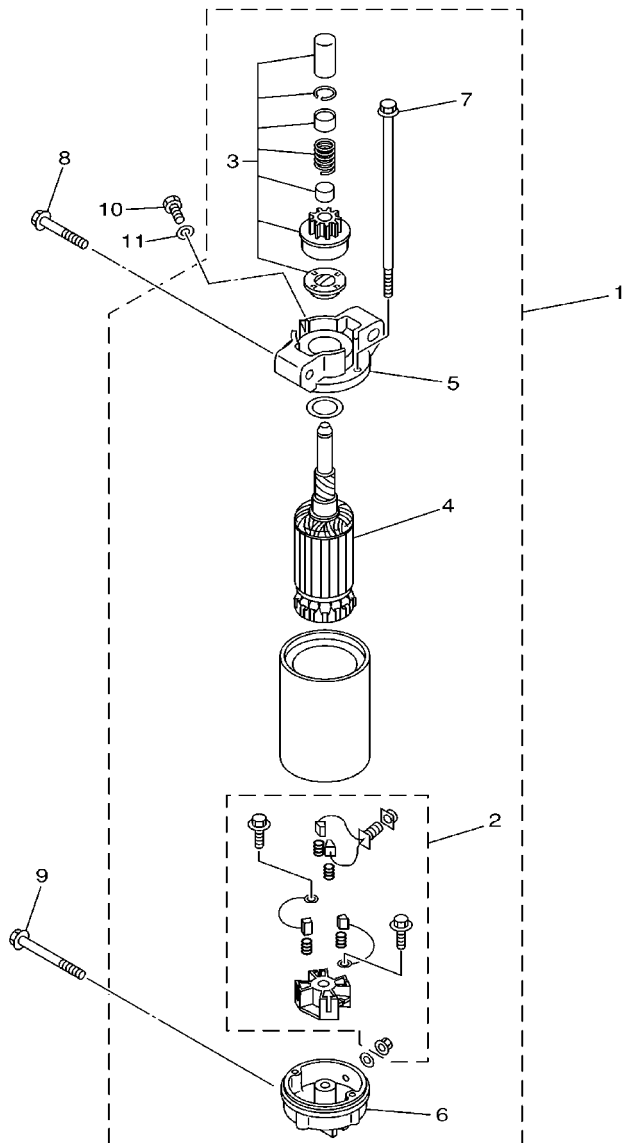
FIG. 10 ELECTRICAL 2



66T0100-1100

REF. NO.	PART NO.	DESCRIPTION	MH	WT				REMARKS
28	6E5-8195C-01	RELAY ASSY		1				
29	90170-06M30	NUT		3				
30	90204-06M00	WASHER, SPRING		3				
31	66T-87149-00	CONNECTOR		1				
32	6G5-82119-00	COVER, LEAD WIRE		4				
33	6E5-82116-00	WIRE, MINUS LEAD		1				
34	66T-81948-00	BRACKET		1				
35	97095-06016	BOLT		1				
36	92995-06600	WASHER		1				
37	90465-11M10	CLAMP		1				
38	90465-20M31	CLAMP		1				
39	90109-06M86	BOLT		1				

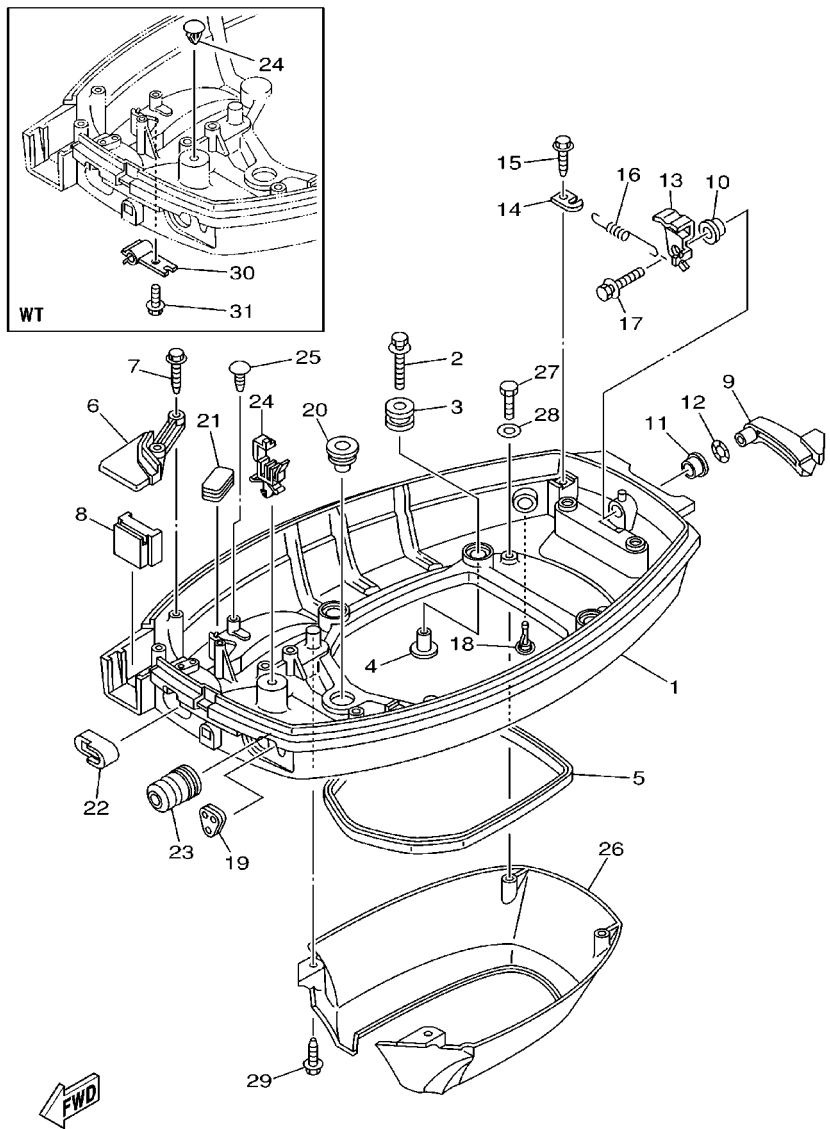
FIG. 11 STARTING MOTOR



66T0010-1120

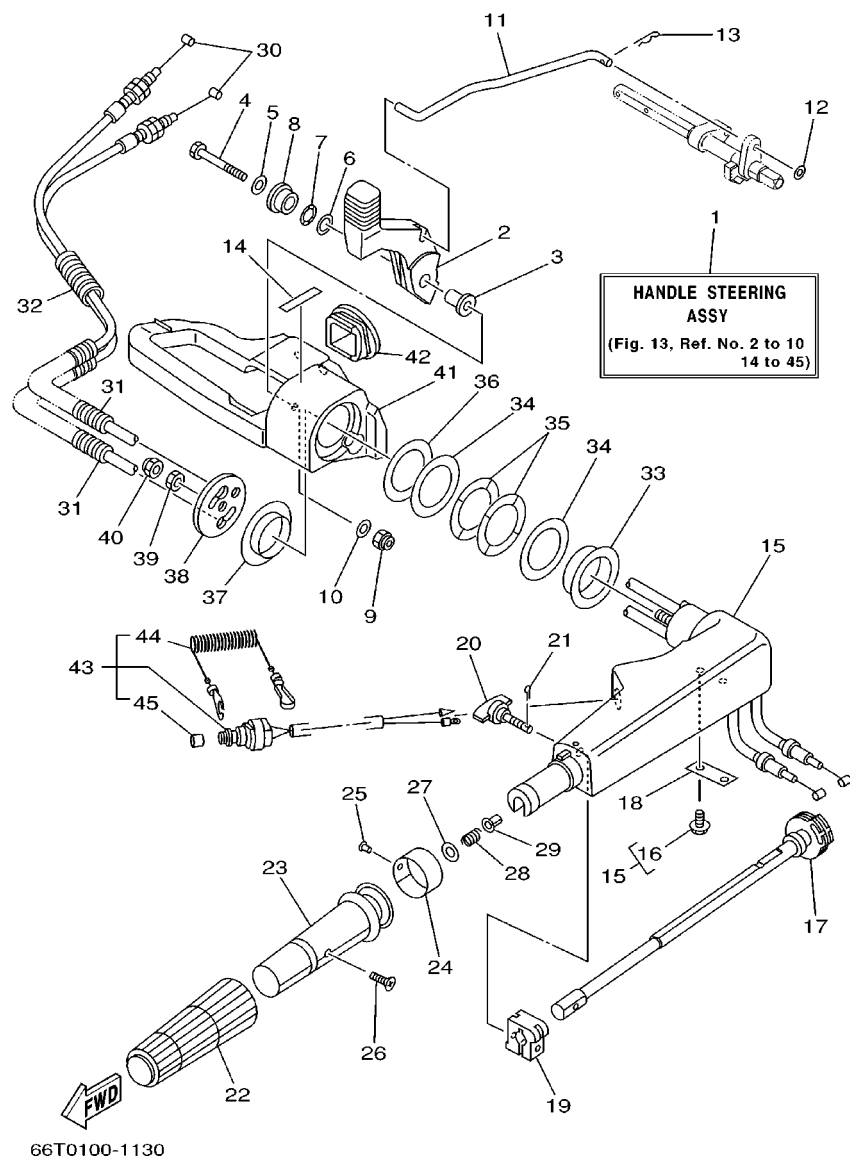
REF. NO.	PART NO.	DESCRIPTION	MH	WT	REMARKS
1	66T-81800-00	STARTING MOTOR ASSY		1	
2	66T-81840-00	.BRUSH HOLDER ASSY		1	
3	66T-81857-00	.PINION STOPPER SET		1	
4	66T-81850-00	.ARMATURE ASSY		1	
5	66T-81830-00	.FRONT BRACKET ASSY		1	
6	66T-81820-00	.REAR BRACKET ASSY		1	
7	66T-81826-00	.BOLT		1	
8	90119-08M39	BOLT, WITH WASHER		2	
9	90119-08M52	BOLT, WITH WASHER		1	
10	97095-08016	BOLT		1	
11	92995-08600	WASHER		1	

FIG. 12 BOTTOM COWLING



66T0100-1120

REF. NO.	PART NO.	DESCRIPTION	MH	WT				REMARKS
1	66T-42710-01-4D	BOTTOM COWLING ASSY (REF.NO. 7, 15, 29, 31 , FIG.10, REF.NO. 39 FIG.15, REF.NO. 20, 22)	1	1				
2	90119-06M61	BOLT, WITH WASHER	4	4				
3	90480-09M21	GROMMET	4	4				
4	90387-06035	COLLAR	4	4				
5	66T-42716-00	RUBBER, SEAL 1	1	1				
6	66T-42738-00-5B	PLATE, FITTING	1	1				
7	90109-06M81	BOLT	2	2				
8	66T-42725-00	GROMMET	1					
	66T-42725-20	GROMMET		1				
9	66T-42815-01-4D	LEVER, CLAMP	1	1				
10	90386-12M37	BUSH	1	1				
11	90386-12MA2	BUSH	1	1				
12	90206-12052	WASHER, WAVE	1	1				
13	66T-42816-00	LEVER, CLAMP	1	1				
14	66T-43144-00	HOOK, SPRING	1	1				
15	90109-06M86	BOLT	1	1				
16	90506-16M34	SPRING, TENSION	1	1				
17	90119-06M73	BOLT, WITH WASHER	1	1				
18	6E5-44391-00	NIPPLE, HOSE	1	1				
19	65W-26326-00	GROMMET	1					
	65W-26326-10	GROMMET		1				
20	676-42727-00	GROMMET	1	1				
21	6H4-42726-00	GROMMET	1					
	6H1-42726-10	GROMMET		1				
22	66T-24329-00	SEAL	1	1				

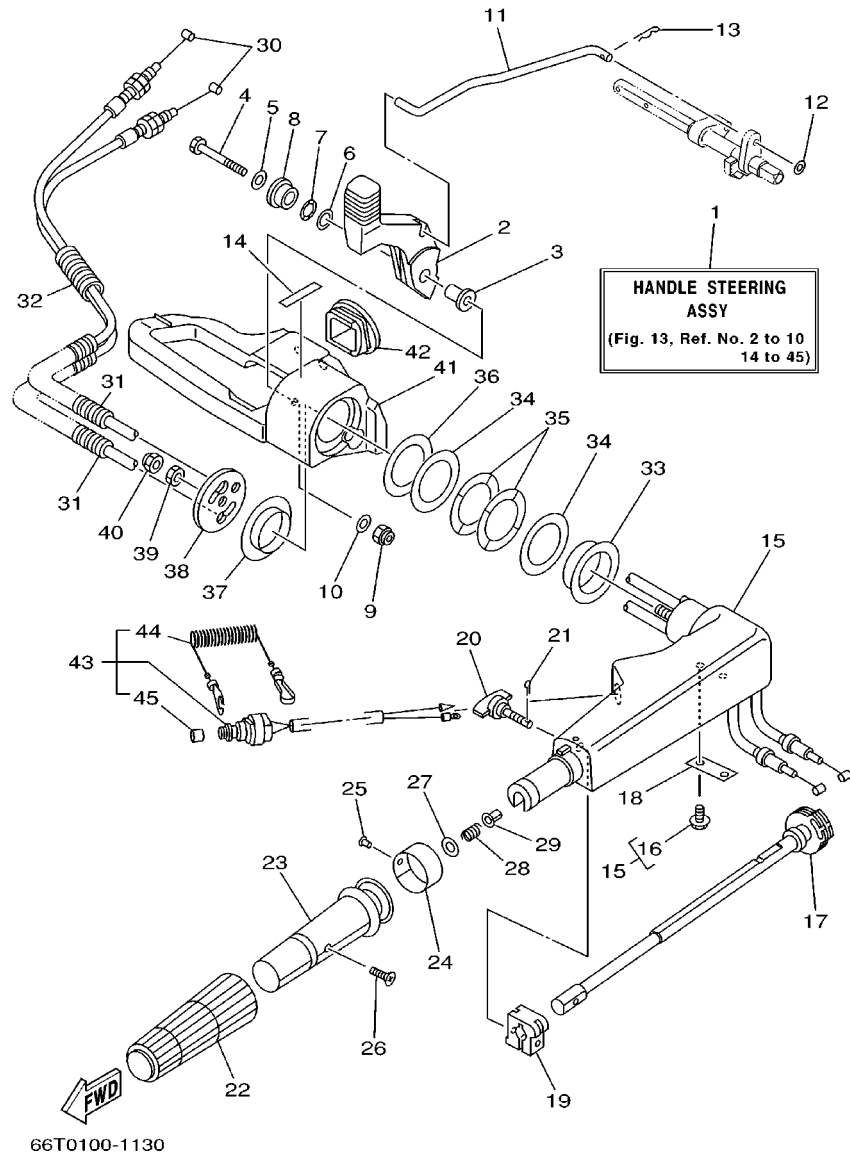


66T0100-1130

FIG. 13 STEERING

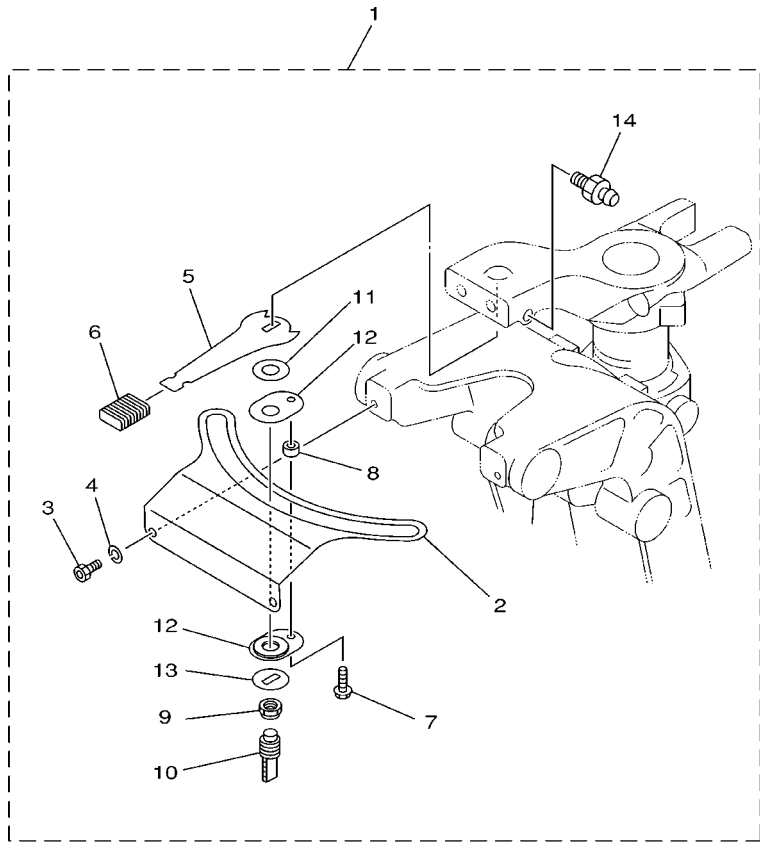
REF. NO.	PART NO.	DESCRIPTION	MH	WT		REMARKS
1	66T-W0084-02-4D	HANDLE STEERING ASSY	1			
2	66T-44111-02	HANDLE, GEAR SHIFT	1			
3	90387-06M86	COLLAR	1			
4	97095-06050	BOLT	1			
5	92995-06600	WASHER	1			
6	90201-12M07	WASHER, PLATE	1			
7	90206-12052	WASHER, WAVE	1			
8	66T-42123-00	BOLT, HANDLE JOINT	1			
9	95780-06300	NUT, FLANGE	1			
10	92995-06200	WASHER	1			
11	66T-44124-00	LINK, SHIFT ROD	1			
12	92990-06200	WASHER, PLAIN	1			
13	90468-18008	CLIP	1			
14	6E0-44191-11	INDICATOR, SHIFT	1			
15	65W-42101-01-4D	HANDLE, STEERING	1			
16	90109-06M86	BOLT	2			
17	65W-42138-00	LEVER, THROTTLE	1			
18	65W-42159-00	STAY	1			
19	6G1-42126-00	FRICTION, STEERING HANDLE GRIP	1			
20	65W-42125-00	BOLT, FRICTION ADJUSTING	1			
21	91490-20010	PIN, COTTER	1			
22	6F6-42177-A0	RUBBER, HANDLE	1			
23	664-42119-00	GRIP, STEERING HANDLE	1			
24	6G1-42137-10	INDICATOR, THROTTLE	1			
25	90269-02M09	RIVET	1			
26	90149-05M13	SCREW	1			
27	92903-10600	WASHER, PLATE	1			

FIG. 13 STEERING



REF. NO.	PART NO.	DESCRIPTION	MH	WT				REMARKS
28	90501-23215	SPRING, COMPRESSION	1					
29	90386-08032	BUSH	1					
30	66T-26301-00	THROTTLE CABLE ASSY	2					
31	90446-10M87	HOSE	2					
32	90446-10M86	HOSE	2					
33	90386-40MA0	BUSH	1					
34	90201-43M00	WASHER, PLATE	2					
35	90206-43M22	WASHER, WAVE	2					
36	90202-43M57	WASHER, PLATE	1					
37	90386-40M99	BUSH	1					
38	65W-42131-01	COVER, HANDLE STEERING	1					
39	95380-10700	NUT	1					
40	95780-10300	NUT, FLANGE	1					
41	65W-42121-01-4D	BRACKET	1					
42	66T-41273-00	GROMMET	1					
43	66T-82575-01	ENGINE STOP SWITCH ASSY	1					
44	682-82556-00	.STOPPER	1					
45	689-8257Y-00	.CAP	1					

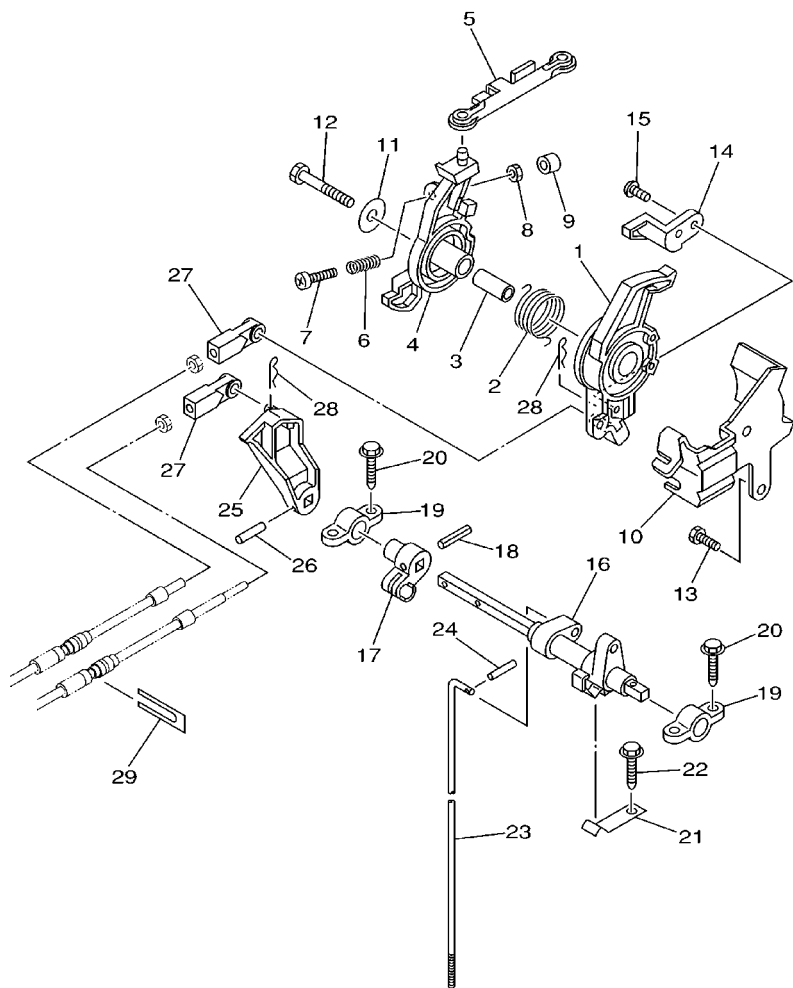
FIG. 14 STEERING FRICTION



REF. NO.	PART NO.	DESCRIPTION	MH	WT				REMARKS
1	65W-42508-00	STEERING FRICTION ASSY	1					
2	65W-42527-00	.PLATE, FRICTION	1					
3	90109-06M50	.BOLT	2					
4	92990-06100	.WASHER, SPRING	2					
5	65W-42561-00	.KNOB, STEERING LOCK	1					
6	689-43633-00	.COVER, TILT LEVER	1					
7	97595-05516	.BOLT, WITH WASHER	1					
8	90387-05M11	.COLLAR	1					
9	90185-10M14	.NUT, SELF-LOCKING	1					
10	65W-42562-00	.SHAFT, STEERING LOCK	1					
11	90202-10M56	.WASHER, PLATE	1					
12	65W-42528-00	.PLATE, FRICTION	2					
13	90209-10M26	.WASHER	1					
14	93700-06M03	.NIPPLE, GREASE	1					


65W0010-8180

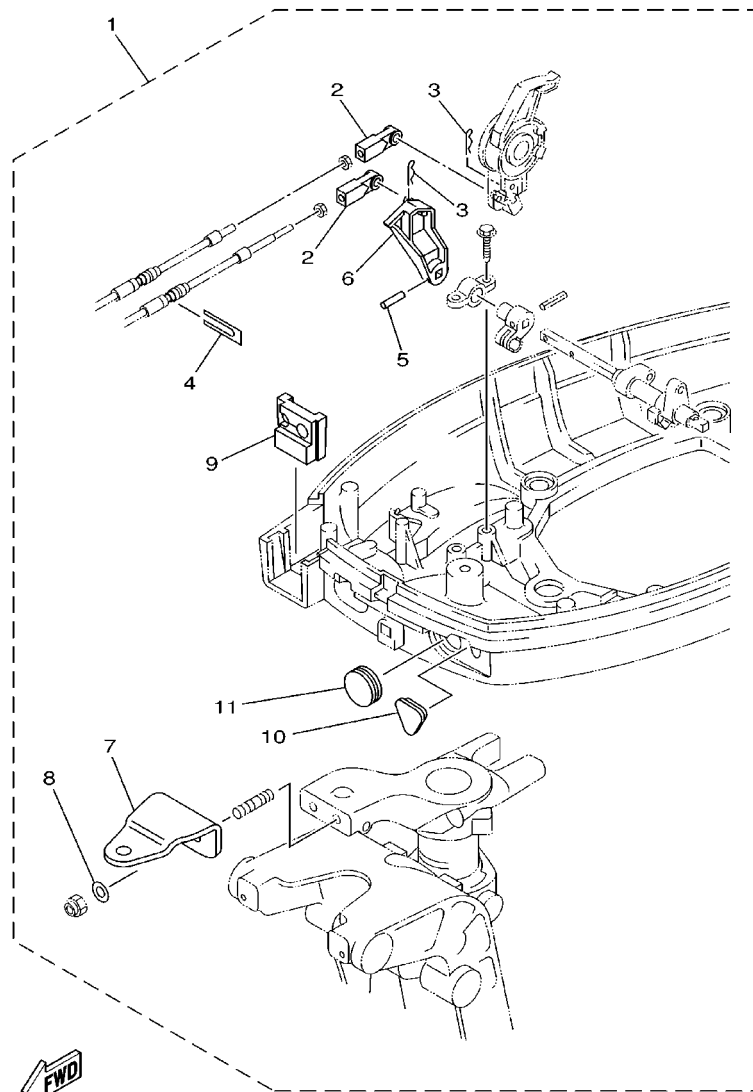
FIG. 15 CONTROL




66T0100-1150

REF. NO.	PART NO.	DESCRIPTION	MH	WT				REMARKS
1	66T-41638-00	PULLEY	1	1				
2	66T-42167-00	SPRING 1	1	1				
3	90387-08M16	COLLAR	1	1				
4	66T-41631-01	LEVER, MAGNETO CONTROL	1	1				
5	66T-41237-00	JOINT, LINK	1	1				
6	90501-10M84	SPRING, COMPRESSION	1	1				
7	97880-06035	SCREW, PAN HEAD	1	1				
8	95380-06700	NUT	1	1				
9	688-44194-00	CAP	1	1				
10	66T-14497-00	STAY, THROTTLE WIRE	1	1				
11	90201-08M54	WASHER, PLATE	1	1				
12	97095-08045	BOLT	1	1				
13	97095-06014	BOLT	1	1				
14	66T-42335-01	LEVER, ACCEL. CONTROL	1					FOR CANADA
15	97780-60516	SCREW, TAPPING	2					FOR CANADA
16	66T-44121-00	LEVER, SHIFT ROD	1	1				
17	66M-44122-00	BUSHING, SHIFT ROD LEVER	1	1				
18	90254-03M05	PIN, SPRING	1	1				
19	6F5-41662-00	BRACKET	2	2				
20	90109-06M81	BOLT	4	4				
21	682-44116-01	SPRING	1	1				
22	90109-06M86	BOLT	1	1				
23	66T-44143-10	ROD, SHIFT	1	1				
24	91490-16012	PIN, COTTER	1	1				
25	66T-44125-01	LEVER, SHIFT ROD	1	1				
26	90254-03M04	PIN, SPRING	1	1				
27	663-48344-00	CABLE END, REMOTE CONTROL		2				

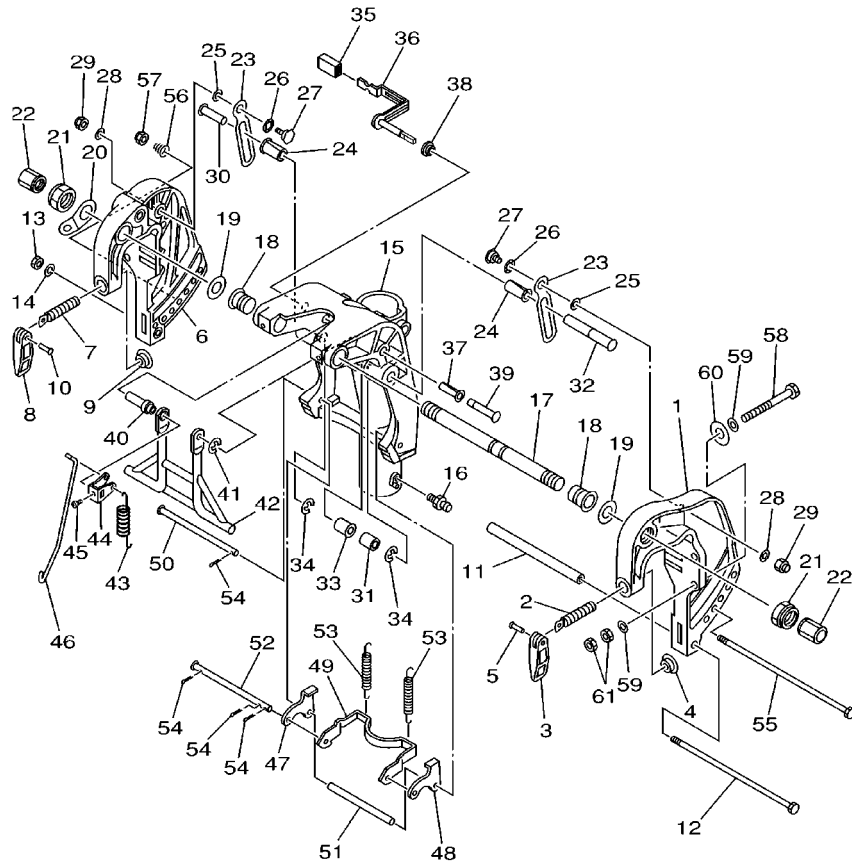
FIG. 16 REMOTE CONTROL ATTACHMENT



66T0010-1170

REF. NO.	PART NO.	DESCRIPTION	MH	WT				REMARKS
1	66T-48501-01	REMOTE CONT. ATTACHMENT ASSY.	1	1				AP
2	663-48344-00	.CABLE END, REMOTE CONTROL	2	2				
3	90468-18008	.CLIP	2	2				
4	6H3-48538-00	.CLAMP, CABLE 1	1	1				
5	90254-03M04	.PIN, SPRING	1	1				
6	66T-44125-01	.LEVER, SHIFT ROD	1	1				
7	65W-48511-00	.HOOK, STEERING	1	1				
8	90201-10120	.WASHER, PLATE	2	2				
9	66T-42725-30	.GROMMET	1	1				
10	65W-26326-10	.GROMMET	1	1				
11	65W-42726-10	.GROMMET	1	1				

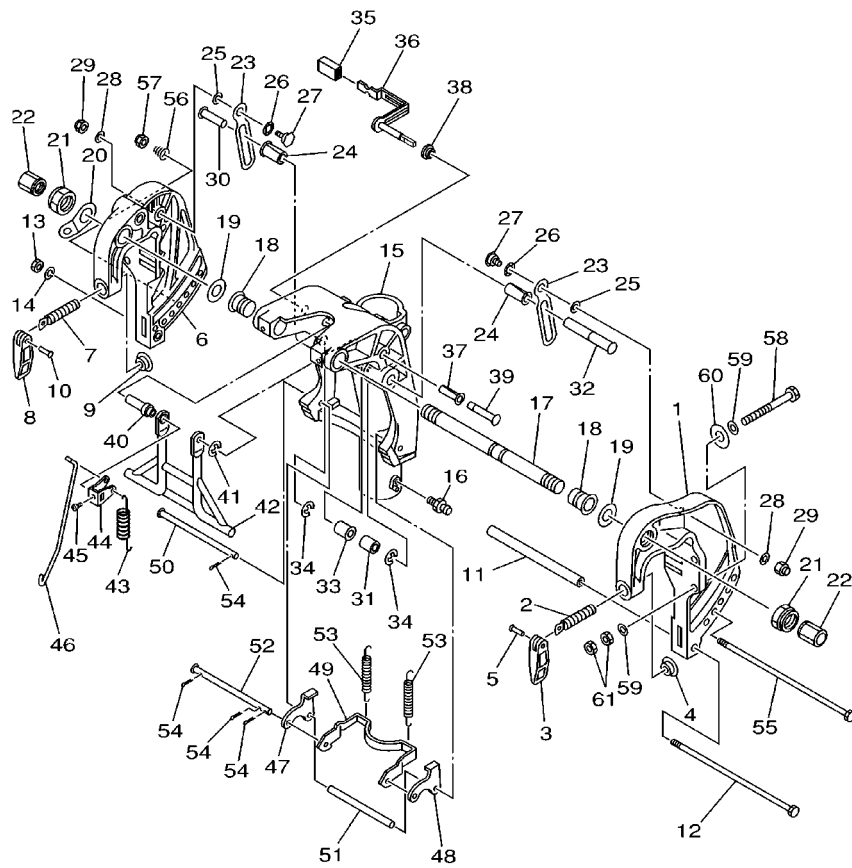
FIG. 17 BRACKET 1



66T0010-1180

REF. NO.	PART NO.	DESCRIPTION	MH	WT				REMARKS
1	66T-43111-01-4D	BRACKET, CLAMP	1					
2	90149-14M12	SCREW	1					
3	663-43118-01-4D	HANDLE, TRANSOM CLAMP	1					
4	648-43114-01	PAD, TRANSOM CLAMP	1					
5	90243-04007	PIN	1					
6	66T-43112-01-4D	BRACKET, CLAMP	1					
7	90149-14M12	SCREW	1					
8	663-43118-01-4D	HANDLE, TRANSOM CLAMP	1					
9	648-43114-01	PAD, TRANSOM CLAMP	1					
10	90243-04007	PIN	1					
11	90387-08M29	COLLAR	1					
12	90101-08M76	BOLT	1					
13	95380-08600	NUT	1					
14	92990-08100	WASHER, SPRING	1					
15	65W-43311-10-4D	BRACKET, SWIVEL 1	1					
16	93700-06M03	NIPPLE, GREASE	1					
17	63D-43131-01	BOLT, CLAMP BRACKET	1					
18	90386-22M15	BUSH	2					
19	90201-22M03	WASHER, PLATE	2					
20	6J8-43113-01	PLATE, CLAMP BRACKET	1					
21	90185-22043	NUT, SELF-LOCKING	2					
22	6G5-43145-01	CAP, CLAMP BRACKET	2					
23	66T-43627-00	STOPPER	2					
24	90386-12M98	BUSH	2					
25	90202-12031	WASHER, PLATE	2					
26	90206-12M00	WASHER, WAVE	2					
27	90109-08M90	BOLT	2					

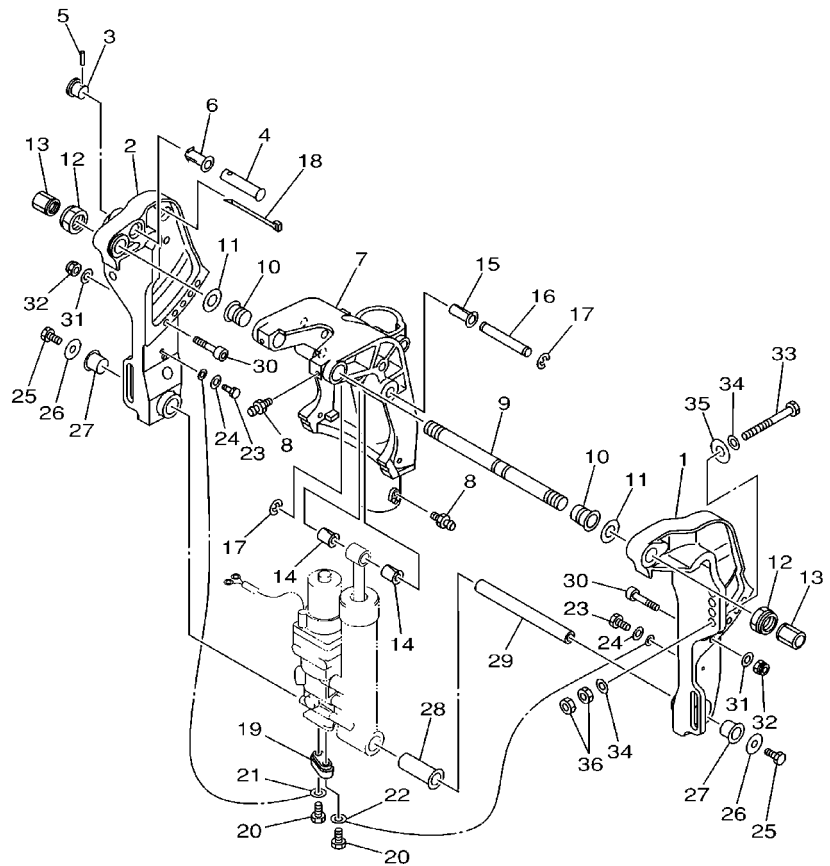
FIG. 17 BRACKET 1



66T0010-1180

REF. NO.	PART NO.	DESCRIPTION	MH	WT				REMARKS
28	90201-08M07	WASHER, PLATE	2					
29	90185-08057	NUT, SELF-LOCKING	2					
30	90249-12M34	PIN	1					
31	90387-12M04	COLLAR	1					
32	90249-12M39	PIN	1					
33	90386-12MA0	BUSH	1					
34	93430-10M00	CIRCLIP	2					
35	682-43318-01	COVER	1					
36	65W-43630-11	TILT LEVER ASSY	1					
37	90386-10M99	BUSH	1					
38	90386-07MA2	BUSH	1					
39	90249-10M31	PIN	1					
40	90387-07M05	COLLAR	1					
41	99080-08600	CIRCLIP	1					
42	66T-43350-02	RECEIVER ASSY	1					
43	90506-20M37	SPRING, TENSION	1					
44	66T-43631-11	LEVER, TILT	1					
45	90149-05M17	SCREW	1					
46	65W-43616-00	ROD, TILT LOCK	1					
47	65W-43614-01	PLATE, TILT LOCK	1					
48	65W-43615-01	PLATE, TILT LOCK	1					
49	65W-43613-00	ARM, TILT LOCK	1					
50	90249-07M32	PIN	1					
51	90387-07M29	COLLAR	1					
52	90249-07M33	PIN	1					
53	90506-30M00	SPRING, TENSION	2					
54	91490-20015	PIN, COTTER	4					

FIG. 18 BRACKET 2

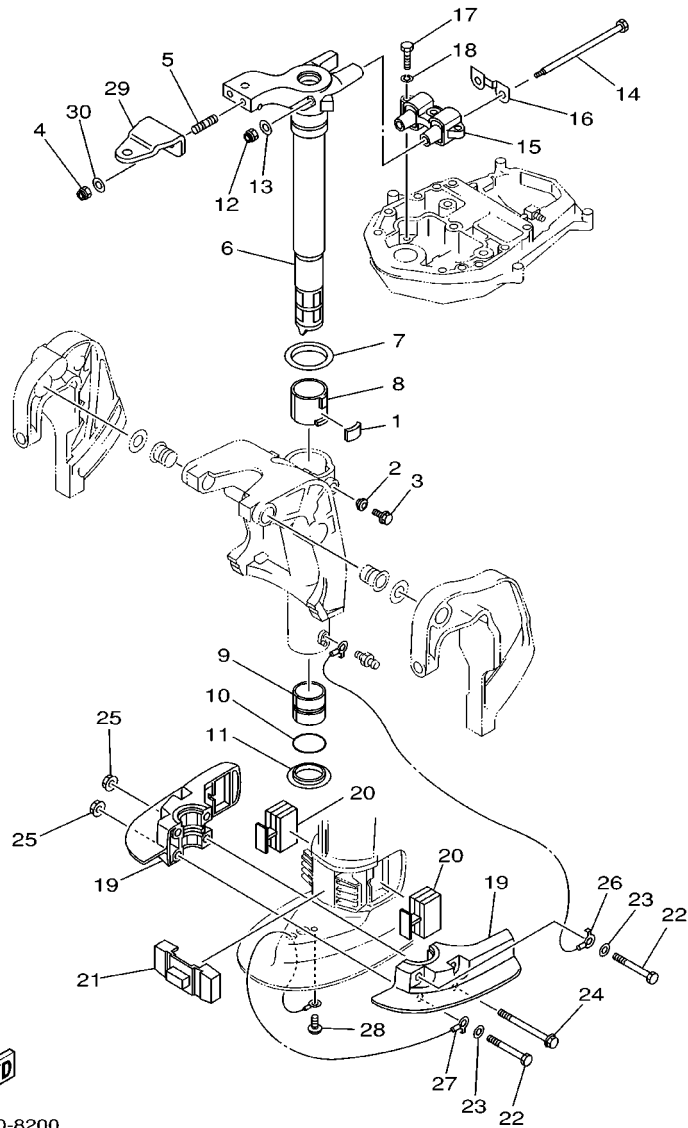


REF. NO.	PART NO.	DESCRIPTION	MH	WT				REMARKS
1	65W-43111-10-4D	BRACKET, CLAMP		1				
2	65W-43112-10-4D	BRACKET, CLAMP		1				
3	65W-43192-00	KNOB, STOPPER		1				
4	65W-43191-00	SHAFT, STOPPER		1				
5	91690-30018	PIN, SPRING		1				
6	90386-14MA1	BUSH		1				
7	65W-43311-10-4D	BRACKET, SWIVEL 1		1				
8	93700-06M03	NIPPLE, GREASE		3				
9	63D-43131-01	BOLT, CLAMP BRACKET		1				
10	90386-22M15	BUSH		2				
11	90201-22M03	WASHER, PLATE		2				
12	90185-22M11	NUT, SELF-LOCKING		2				
13	6G5-43145-01	CAP, CLAMP BRACKET		2				
14	90386-12MA0	BUSH		2				
15	90386-12M98	BUSH		1				
16	90249-12M38	PIN		1				
17	93430-10M00	CIRCLIP		2				
18	90465-13M11	CLAMP		2				
19	65W-45251-00	ANODE		1				
20	90101-06020	BOLT		2				
21	6H1-82148-00	WIRE, LEAD 4		1				
22	6U0-82127-00	WIRE, LEAD 2		1				
23	97095-06014	BOLT		2				
24	92995-06600	WASHER		2				
25	97080-08016	BOLT		2				
26	90201-08M00	WASHER, PLATE		2				
27	90386-18M44	BUSH		2				



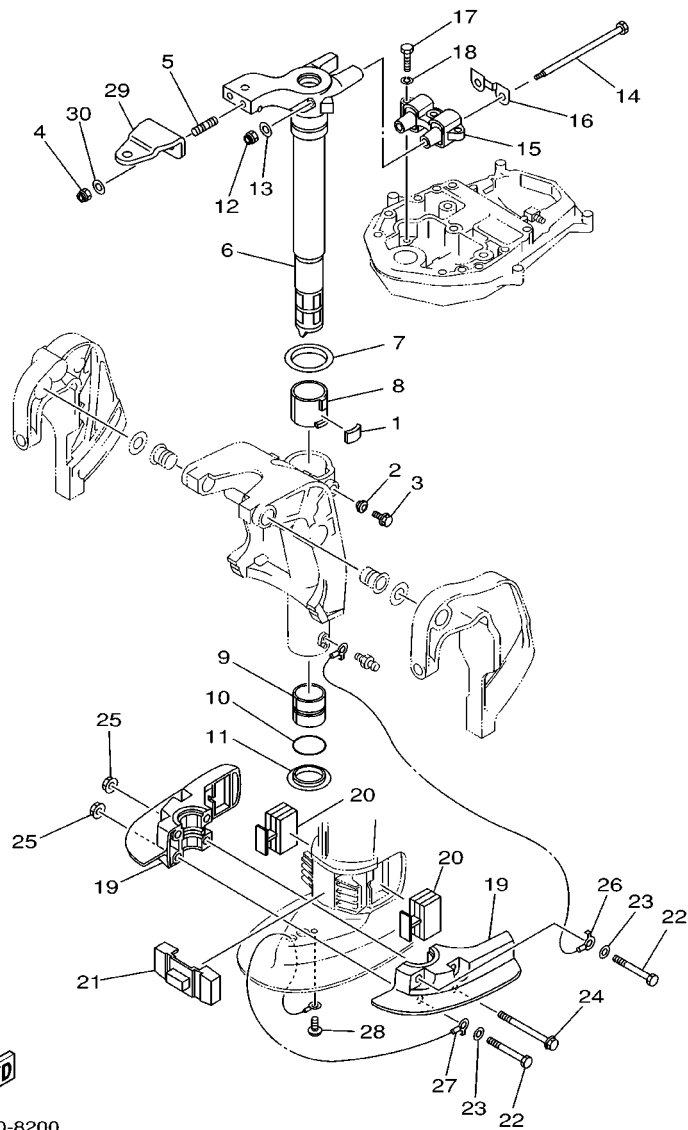
65W0010-1230

FIG. 19 BRACKET 3



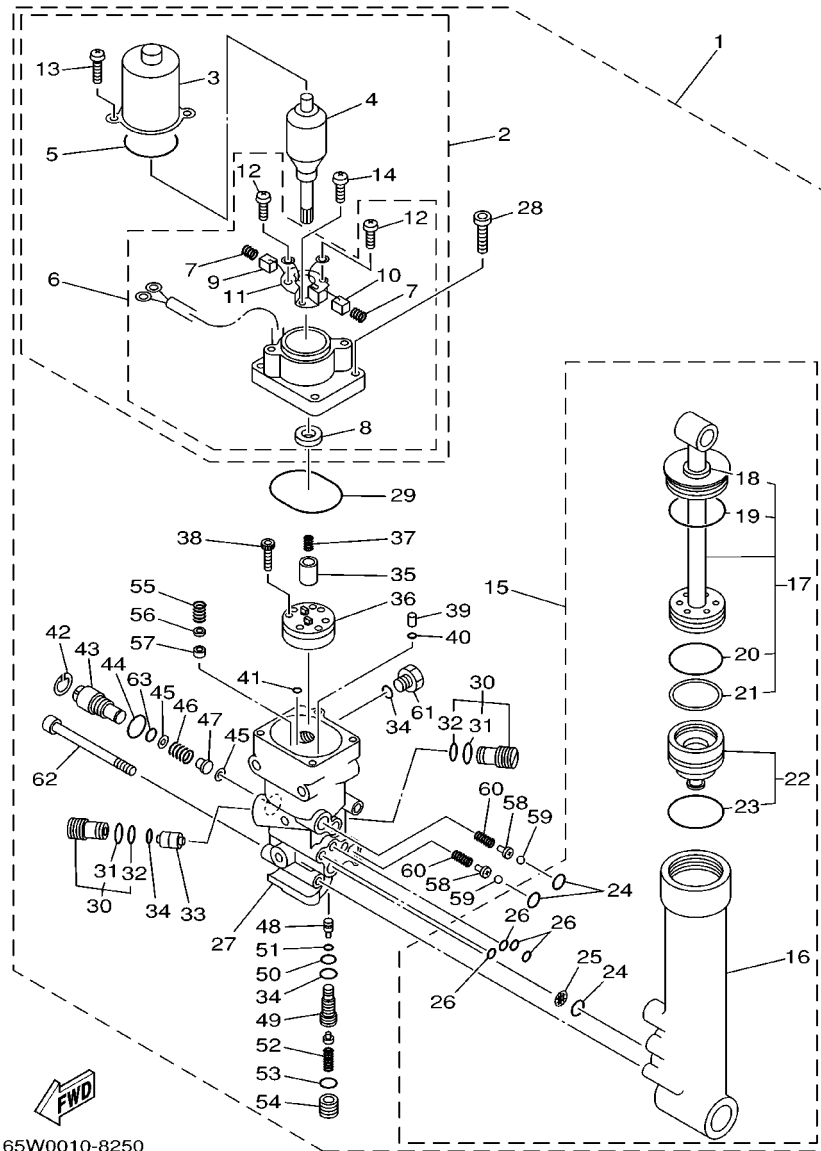
REF. NO.	PART NO.	DESCRIPTION	MH	WT				REMARKS
1	648-42528-00	PLATE, FRICTION	1	1				
2	65W-43373-00	SEAL, DAMPER	1	1				
3	90105-08M76	BOLT, WASHER BASED	1	1				
4	90185-10051	NUT, SELF-LOCKING	2	2				
5	90116-10M28	BOLT, STUD	2	2				
6	65W-42511-10-4D	BRACKET, STEERING	1	1				
7	90209-52M00	WASHER	1	1				
8	90386-52M02	BUSH	1	1				
9	90386-44M03	BUSH	1	1				
10	93210-43MJ0	O-RING	1	1				
11	90386-44M99	BUSH	1	1				
12	90185-08045	NUT, SELF-LOCKING	2	2				
13	92995-08200	WASHER	2	2				
14	90101-08M86	BOLT	2	2				
15	66T-44514-00-4D	MOUNT DAMPER, UPPER SIDE	1	1				
16	66T-44526-00	PLATE	1	1				
17	97075-08030	BOLT	3	3				
18	92995-08100	WASHER	3	3				
19	65W-44551-00-4D	HOUSING, LOWER MOUNT RUBBER	2	2				
20	65W-44555-10	MOUNT DAMPER, LOWER SIDE	2	2				
21	66T-44575-00	DAMPER, LOWER MOUNT RUBBER	1	1				
22	97075-10070	BOLT	2	2				
23	92995-10600	WASHER	2	2				
24	90119-10M04	BOLT, WITH WASHER	2	2				
25	90179-10M33	NUT	4	4				
26	66T-82127-00	WIRE, LEAD 2	1					
27	66T-82127-10	WIRE, LEAD 2	1					

FIG. 19 BRACKET 3



REF. NO.	PART NO.	DESCRIPTION	MH	WT				REMARKS
28	97885-06008	SCREW, PAN HEAD		1				
29	65W-48511-00	HOOK, STEERING		1				
30	90201-10120	WASHER, PLATE		2				

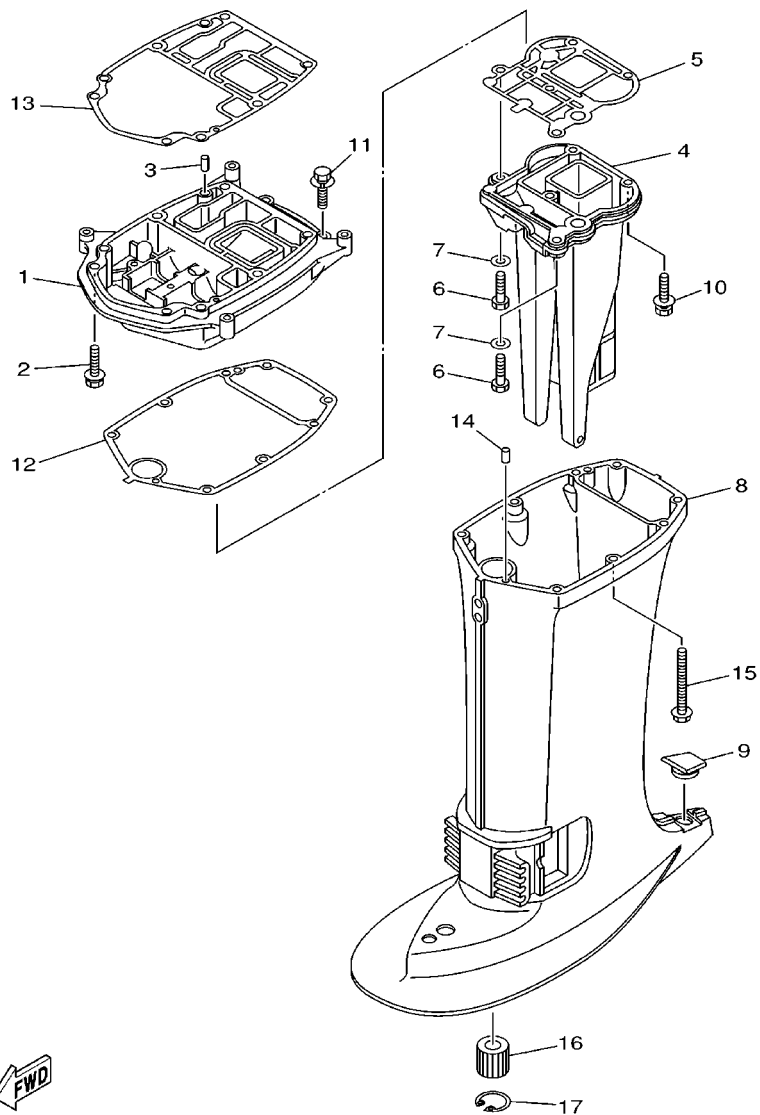
FIG. 20 POWER TRIM & TILT ASSY



65W0010-8250

REF. NO.	PART NO.	DESCRIPTION	MH	WT				REMARKS
28	65W-43888-00	.BOLT, SOCKET		4				
29	93210-50768	.O-RING		1				
30	6T4-43802-03	.VALVE SUB ASSY		2				
31	6H1-43866-00	.O-RING		1				
32	6H1-43867-00	.O-RING		1				
33	62X-43841-00	.PISTON, SHUTTLE		1				
34	93210-09165	.O-RING		3				
35	65W-43831-00	.CONNECTOR, SHAFT		1				
36	65W-43830-00	.GEAR PUMP ASSY		1				
37	6T4-43853-00	.SPRING, MAIN VALVE		1				
38	91318-04025	.BOLT		4				
39	65W-43817-00	.FILTER 2		2				
40	65W-43861-00	.O-RING		2				
41	65W-43862-00	.O-RING		2				
42	6H1-43875-00	.RING, SNAP		1				
43	6H1-43845-00	.SCREW, MANUAL RELEASE		1				
44	93210-18397	.O-RING		1				
45	6H1-43847-00	.SEAT, MANUAL VALVE		2				
46	65W-43854-00	.SPRING, MANUAL RELEASE		1				
47	65W-4382A-00	.ADAPTOR 1		1				
48	65W-43844-00	.PIN, VALVE SUPPORT		1				
49	65W-43851-00	.SEAT, RELIEF VALVE		1				
50	93210-08006	.O-RING		1				
51	93210-03478	.O-RING		1				
52	65W-43855-00	.SPRING, UP RELIEF		1				
53	93210-11073	.O-RING		1				
54	65W-43843-00	.SCREW, VALVE LOCK		1				

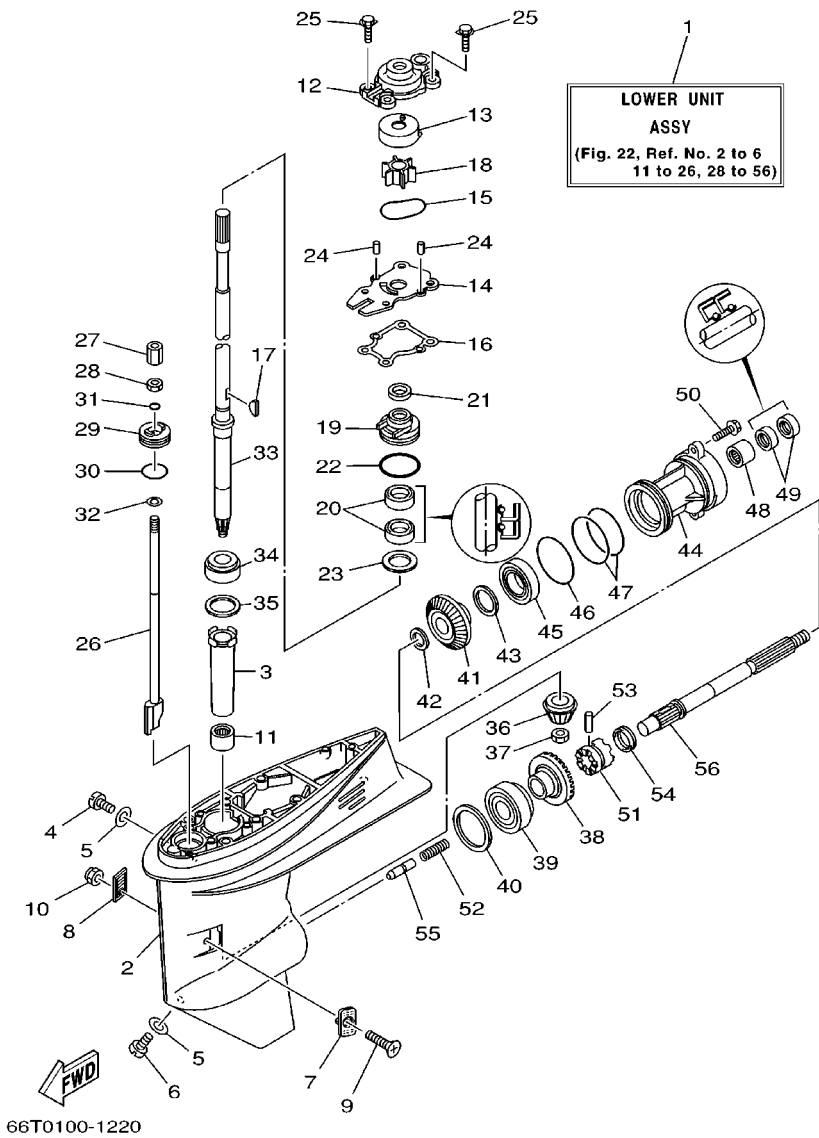
FIG. 21 UPPER CASING



REF. NO.	PART NO.	DESCRIPTION	MH	WT				REMARKS
1	66T-41137-00-94	GUIDE, EXHAUST	1	1				
2	90119-08M79	BOLT, WITH WASHER	2	2				
3	93606-12019	PIN, DOWEL	2	2				
4	66T-41131-10-5B	MANIFOLD, EXT. 1	1	1				
5	66T-41133-A0	GASKET, EXHAUST MANIFOLD 1	1	1				
6	97075-08030	BOLT	2	2				
7	92995-08600	WASHER	2	2				
8	66T-45111-10-4D	CASING, UPPER	1	1				
9	63D-45155-00	CAP	1	1				
10	97575-08545	BOLT, WITH WASHER	3	3				
11	90119-08M79	BOLT, WITH WASHER	2	2				
12	66T-45114-A0	GASKET, UPPER CASING	1	1				
13	66T-45113-A0	GASKET, UPPER CASING	1	1				
14	93606-12019	PIN, DOWEL	2	2				
15	90119-08M42	BOLT, WITH WASHER	6	6				
16	679-45318-00	BUSHING, DRIVE SHAFT	1	1				
17	93420-30042	CIRCLIP	1	1				

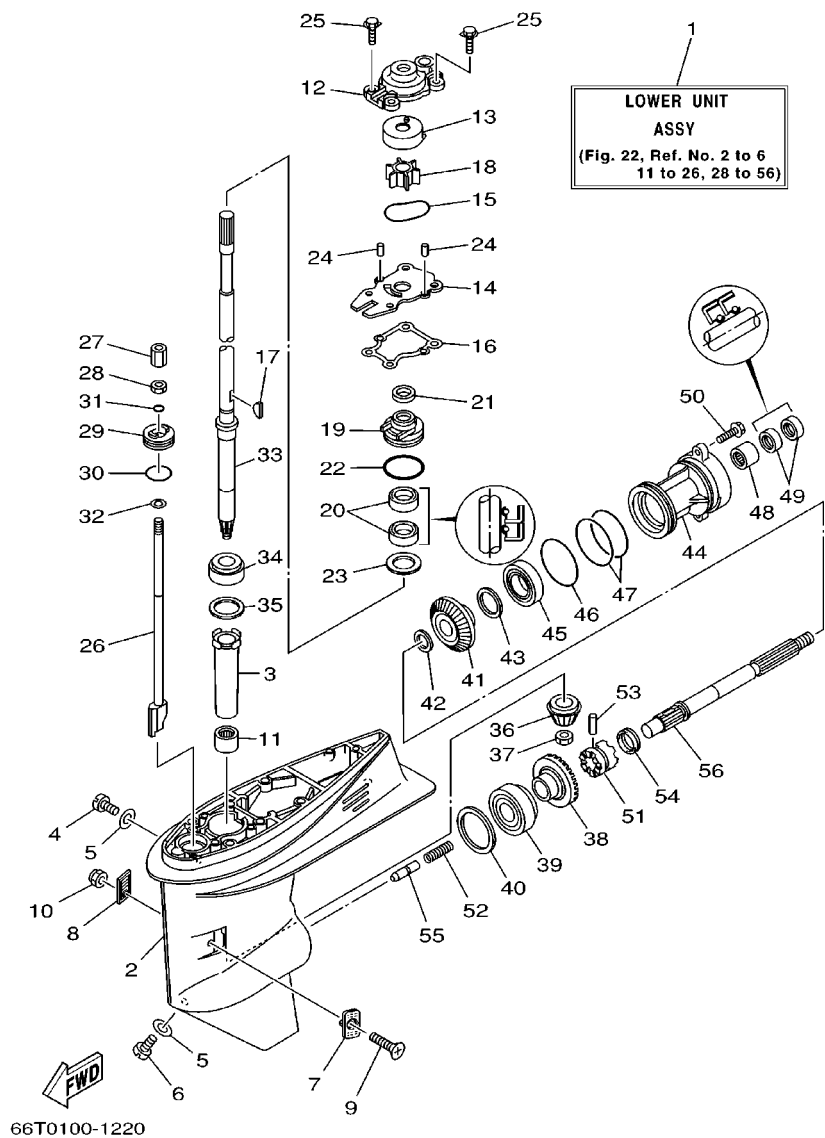

 66T0100-1210

FIG. 22 LOWER CASING. DRIVE 1



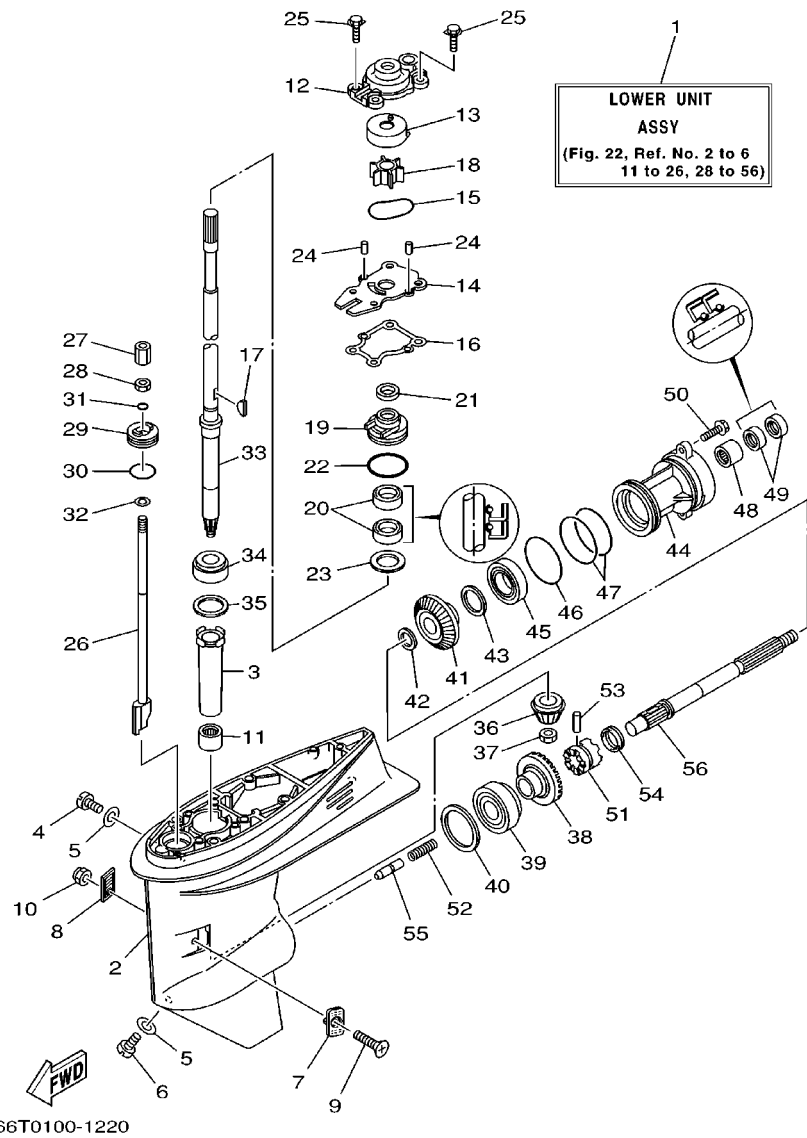
REF. NO.	PART NO.	DESCRIPTION	MH	WT				REMARKS
1	66T-45300-11-4D	LOWER UNIT ASSY	1	1				
2	66T-45311-01-4D	CASING, LOWER	1	1				
3	6H4-45536-00	SLEEVE, DRIVE SHAFT	1	1				
4	90340-08M04	PLUG, STRAIGHT SCREW	1	1				
5	90430-08020	GASKET	2	2				
6	688-45341-00	PLUG, DRAIN	1	1				
7	63D-45214-00	COVER, WATER INLET	1	1				
8	63D-45215-00	COVER, WATER INLET	1	1				
9	90142-05M06	SCREW, COUNTERSUNK	1	1				
10	95380-05600	NUT	1	1				
11	93315-32224	BEARING	1	1				
12	66T-44311-00	HOUSING, WATER PUMP	1	1				
13	63D-44322-00	INSERT, CARTRIDGE	1	1				
14	66T-44323-00	OUTER PLATE, CARTRIDGE	1	1				
15	93210-59MG7	O-RING	1	1				
16	63D-44316-00	GASKET, WATER PUMP	1	1				
17	90280-03M03	KEY, WOODRUFF	1	1				
18	6H4-44352-02	IMPELLER	1	1				
19	63D-44341-00	HOUSING, WATER PUMP	1	1				
20	93101-22M60	OIL SEAL	2	2				
21	66T-45344-01	COVER, OIL SEAL	1	1				
22	93210-48MG8	O-RING	1	1				
23	90201-27M00	WASHER, PLATE	1	1				
24	93604-08062	PIN, DOWEL	2	2				
25	90119-08M15	BOLT, WITH WASHER	4	4				
26	66T-44150-11	SHIFT CAM ASSY	1	1				
27	61N-44146-00	CONNECTOR, SHIFT ROD	1	1				

FIG. 22 LOWER CASING. DRIVE 1



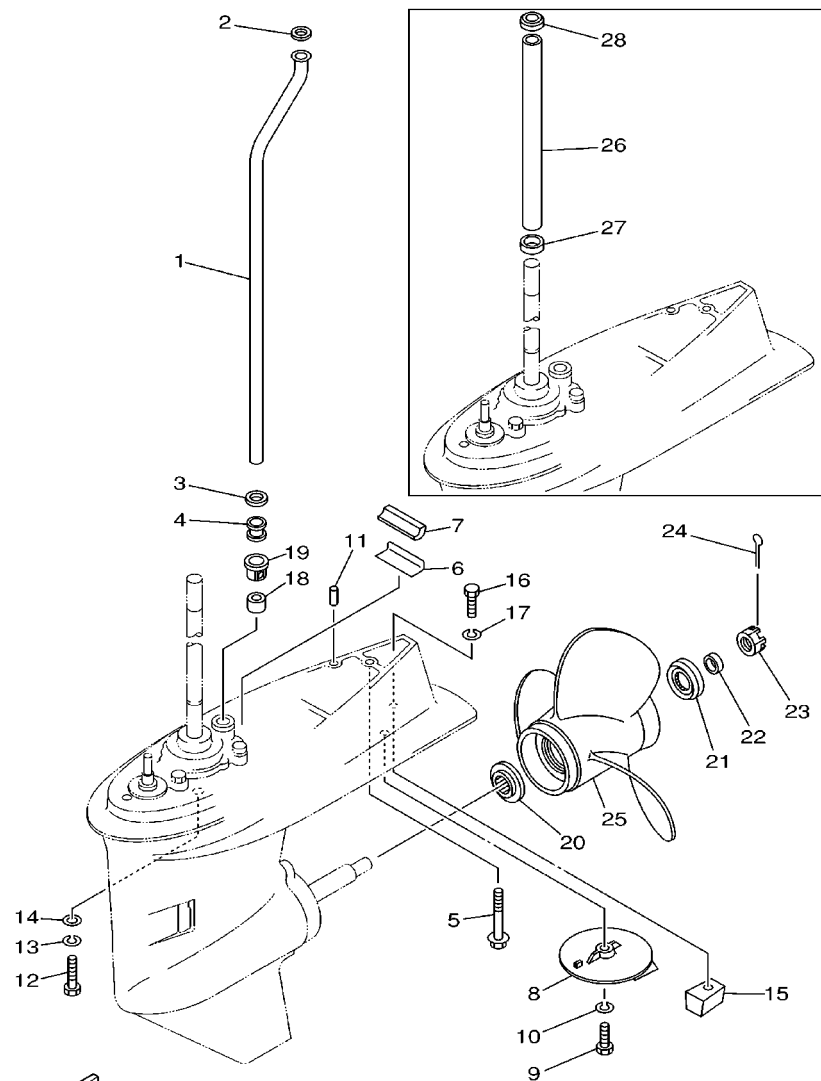
REF. NO.	PART NO.	DESCRIPTION	MH	WT				REMARKS
28	95380-06700	NUT	1	1				
29	66T-45321-00	PLATE	1	1				
30	93210-33MG4	O-RING	1	1				
31	93210-06ME6	O-RING	1	1				
32	92990-06600	WASHER, PLATE	1	1				
33	66T-45501-11	DRIVE SHAFT COMP.	1	1				
34	93332-00001	BEARING	1	1				
35	663-45587-01-10	SHIM (T:0.10MM)	1	1				UR
	663-45587-01-12	SHIM (T:0.12MM)	1	1				UR
	663-45587-01-15	SHIM (T:0.15MM)	1	1				UR
	663-45587-01-18	SHIM (T:0.18MM)	1	1				UR
	663-45587-01-30	SHIM (T:0.30MM)	1	1				UR
	663-45587-01-40	SHIM (T:0.40MM)	1	1				UR
	663-45587-01-50	SHIM (T:0.50MM)	1	1				UR
36	66T-45551-00	PINION	1	1				
37	90170-12138	NUT	1	1				
38	66T-45560-01	GEAR	1	1				
39	93332-00003	BEARING	1	1				
40	663-45567-01-10	SHIM (T:0.10MM)	1	1				UR
	663-45567-01-12	SHIM (T:0.12MM)	1	1				UR
	663-45567-01-15	SHIM (T:0.15MM)	1	1				UR
	663-45567-01-18	SHIM (T:0.18MM)	1	1				UR
	663-45567-01-30	SHIM (T:0.30MM)	1	1				UR
	663-45567-01-40	SHIM (T:0.40MM)	1	1				UR
	663-45567-01-50	SHIM (T:0.50MM)	1	1				UR
41	66T-45571-00	GEAR	1	1				
42	90201-22429	WASHER, PLATE	1	1				

FIG. 22 LOWER CASING. DRIVE 1



REF. NO.	PART NO.	DESCRIPTION	MH	WT				REMARKS
43	63D-45577-00-10	SHIM (T:0.10MM)	1	1				UR
	63D-45577-00-12	SHIM (T:0.12MM)	1	1				UR
	63D-45577-00-15	SHIM (T:0.15MM)	1	1				UR
	63D-45577-00-18	SHIM (T:0.18MM)	1	1				UR
	63D-45577-00-30	SHIM (T:0.30MM)	1	1				UR
	63D-45577-00-40	SHIM (T:0.40MM)	1	1				UR
	63D-45577-00-50	SHIM (T:0.50MM)	1	1				UR
44	63D-45361-02-4D	CAP, LOWER CASING	1	1				
45	93306-001U1	BEARING	1	1				
46	93210-69MG6	O-RING	1	1				
47	93210-74MG5	O-RING	2	2				
48	93317-22204	BEARING	1	1				
49	93101-22M00	OIL SEAL	2	2				
50	90105-08M61	BOLT, WASHER BASED	2	2				
51	66T-45631-00	CLUTCH, DOG	1	1				
52	90501-15M01	SPRING, COMPRESSION	1	1				
53	90250-06023	PIN, STRAIGHT	1	1				
54	663-45633-00	RING, CROSS PIN	1	1				
55	66T-45635-00	PLUNGER, SHIFT	1	1				
56	66T-45611-00	SHAFT, PROPELLER	1	1				

FIG. 23 LOWER CASING. DRIVE 2

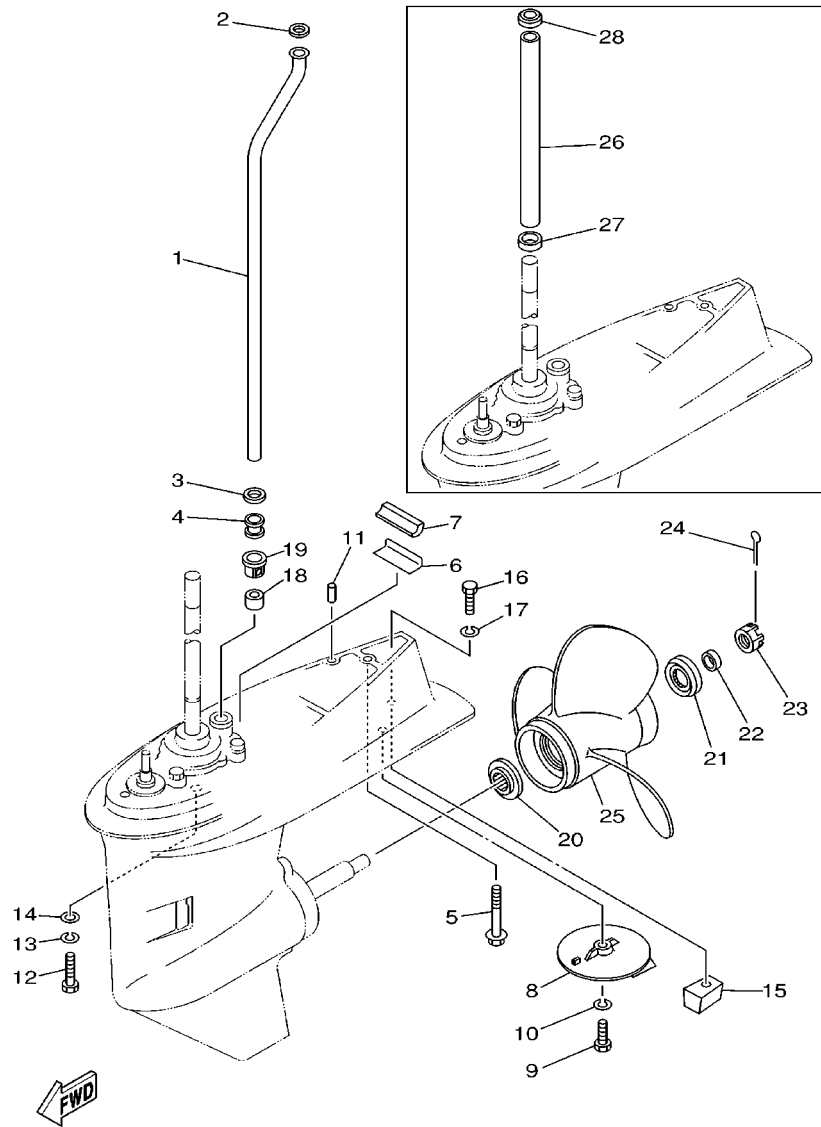


66T0010-1240

REF. NO.	PART NO.	DESCRIPTION	MH	WT				REMARKS
1	66T-44361-10	TUBE, WATER	1	1				
2	90202-12060	WASHER, PLATE	1	1				
3	90430-12072	GASKET	1	1				
4	663-44367-00	DAMPER, WATER SEAL	1	1				
5	90119-08M44	BOLT, WITH WASHER	1	1				
6	663-45376-00	GUIDE, SEAL DAMPER	1	1				
7	63D-45375-00	DAMPER, SEAL	1	1				
8	664-45371-01	TAB-TRIM	1	1				
9	97095-08025	BOLT	1	1				
10	92995-08100	WASHER	1	1				
11	93606-12019	PIN, DOWEL	2	2				
12	97075-10040	BOLT	4	4				
13	92995-10100	WASHER	4	4				
14	92995-10600	WASHER	4	4				
15	67C-45251-00	ANODE	1	1				
16	97095-08035	BOLT	1	1				
17	92995-08100	WASHER	1	1				
18	663-44366-00	DAMPER, WATER SEAL	1	1				
19	63D-44312-00	COVER, WATER PUMP HOUSING	1	1				
20	663-45987-02	SPACER	1	1				
21	66T-45997-00	SPACER	1	1				
22	90389-22M01	BUSH	1	1				
23	90171-16011	NUT, CASTLE	1	1				
24	91490-30025	PIN, COTTER	1	1				
25	63D-45941-00-EL	PROPELLER (3X12-1/4"X8"-G)	1	1				UR
	663-45930-00-98	PROPELLER (3X10-1/4"X14"-G)	1	1				UR
	663-45941-01-EL	PROPELLER (3X10-3/4"X17"-G)	1	1				UR

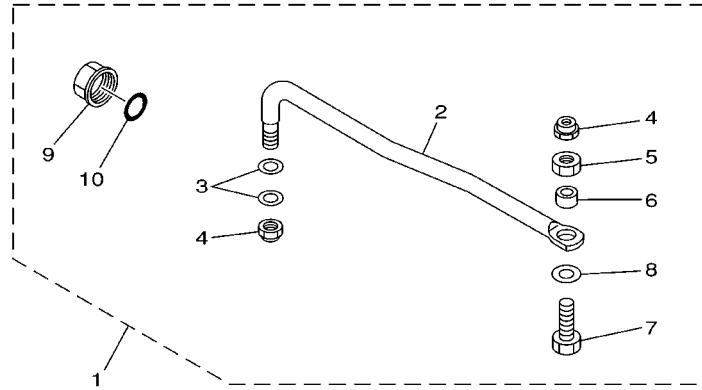
FIG. 23 LOWER CASING, DRIVE 2

REF. NO.	PART NO.	DESCRIPTION	MH	WT				REMARKS
25	663-45943-02-EL	PROPELLER (3X11"X15"-G)	1	1				UR
	663-45945-02-EL	PROPELLER (3X11-1/8"X13"-G)	1	1				UR
	663-45947-02-EL	PROPELLER (3X11-5/8"X11"-G)	1	1				UR
	663-45949-01-EL	PROPELLER (3X10-3/4"X16"-G)	1	1				UR
	663-45952-02-EL	PROPELLER (3X11-3/8"X12"-G)	1	1				UR
	663-45954-01-EL	PROPELLER (3X11-3/4"X10"-G)	1	1				UR
	663-45956-01-EL	PROPELLER (3X12-1/4"X9"-G)	1	1				UR
	663-45958-01-EL	PROPELLER (3X11-1/4"X14"-G)	1	1				UR
	663-45976-00-98	PROPELLER (3X10-1/4"X15"-G)	1	1				UR
	663-45978-00-98	PROPELLER (3X10-1/4"X16"-G)	1	1				UR
	663-45970-60-98	PROPELLER (3X11-3/4"X12"-G)	1	1				UR
	663-45972-60-98	PROPELLER (3X12"X11"-G)	1	1				UR
	663-45974-60-98	PROPELLER (3X11-1/2"X13"-G)	1	1				UR
26	66T-44362-10	TUBE, WATER	1	1				
27	90480-25M70	GROMMET	1	1				
28	90480-30M71	GROMMET	1	1				



66T0010-1240

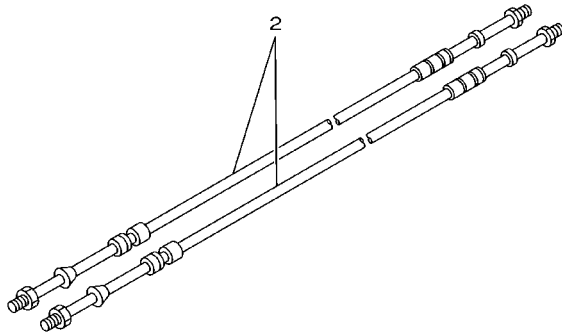
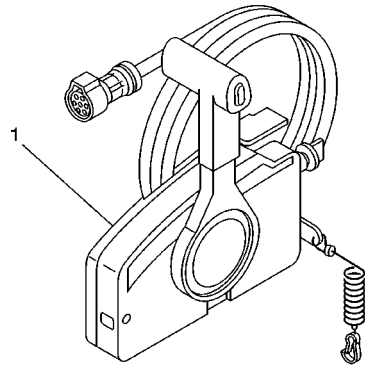
FIG. 25 STEERING GUIDE



REF. NO.	PART NO.	DESCRIPTION	MH	WT				REMARKS
1	65W-61350-00	STEERING GUIDE ATTACHMENT KIT		1				AP
2	65W-61351-00	.ROD, STEERING LINK		1				
3	90201-10M20	.WASHER, PLATE		2				
4	90185-09M01	.NUT, SELF-LOCKING		2				
5	90170-09M03	.NUT		1				
6	90387-10M42	.COLLAR		1				
7	90101-09M01	.BOLT		1				
8	90201-10M63	.WASHER, PLATE		1				
9	6E5-43145-01	.CAP, CLAMP BRACKET		1				
10	93210-16275	.O-RING		1				

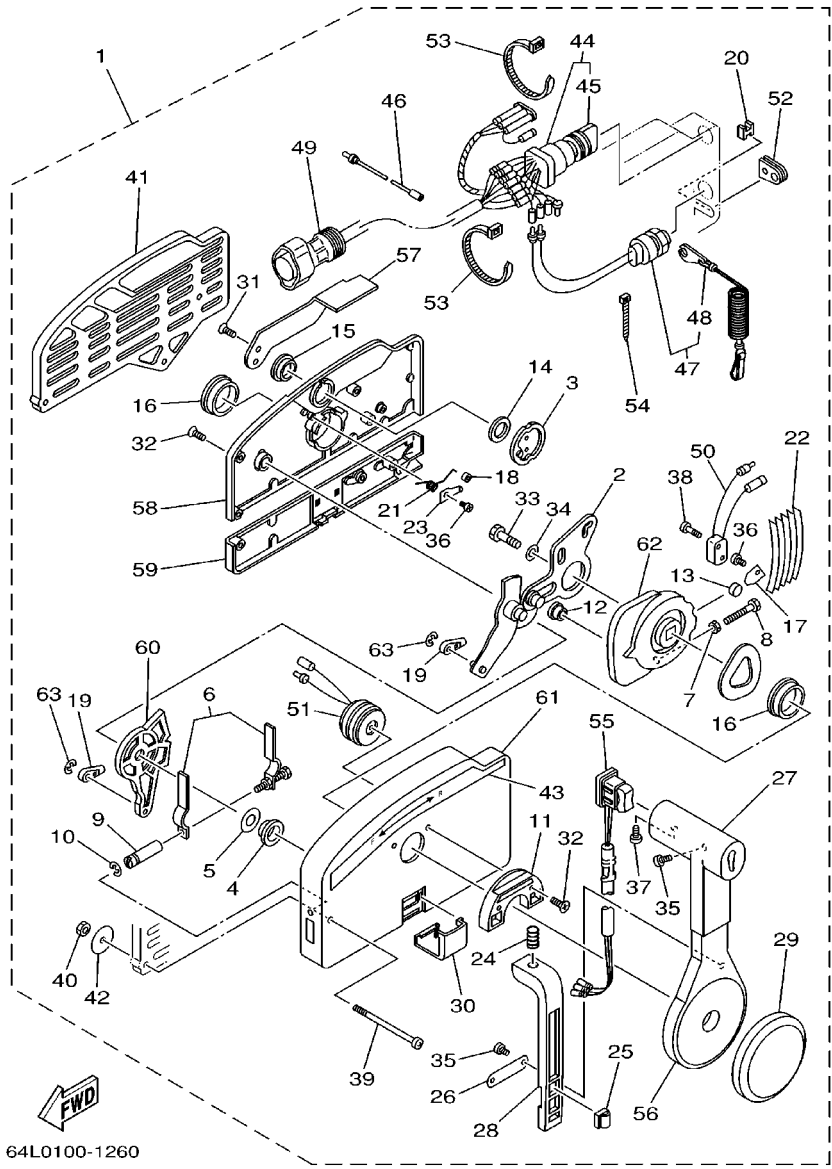
65W0010-8210

FIG. 26 REMOTE CONTROL BOX



67M0100-8280

REF. NO.	PART NO.	DESCRIPTION	MH	WT			REMARKS
1	703-48205-16	REMOTE CONTROL ASSY		1			AP WITH PT/T SW.
2	701-48310-90	CABLE, REMOTE CONTROL L=11F		2			UR
	701-48320-00	CABLE, REMOTE CONTROL L=12F		2			UR
	701-48320-20	CABLE, REMOTE CONTROL L=13F		2			UR
	701-48320-30	CABLE, REMOTE CONTROL L=14F		2			UR
	701-48320-50	CABLE, REMOTE CONTROL L=15F		2			UR
	701-48320-60	CABLE, REMOTE CONTROL L=16F		2			UR
	701-48320-80	CABLE, REMOTE CONTROL L=17F		2			UR

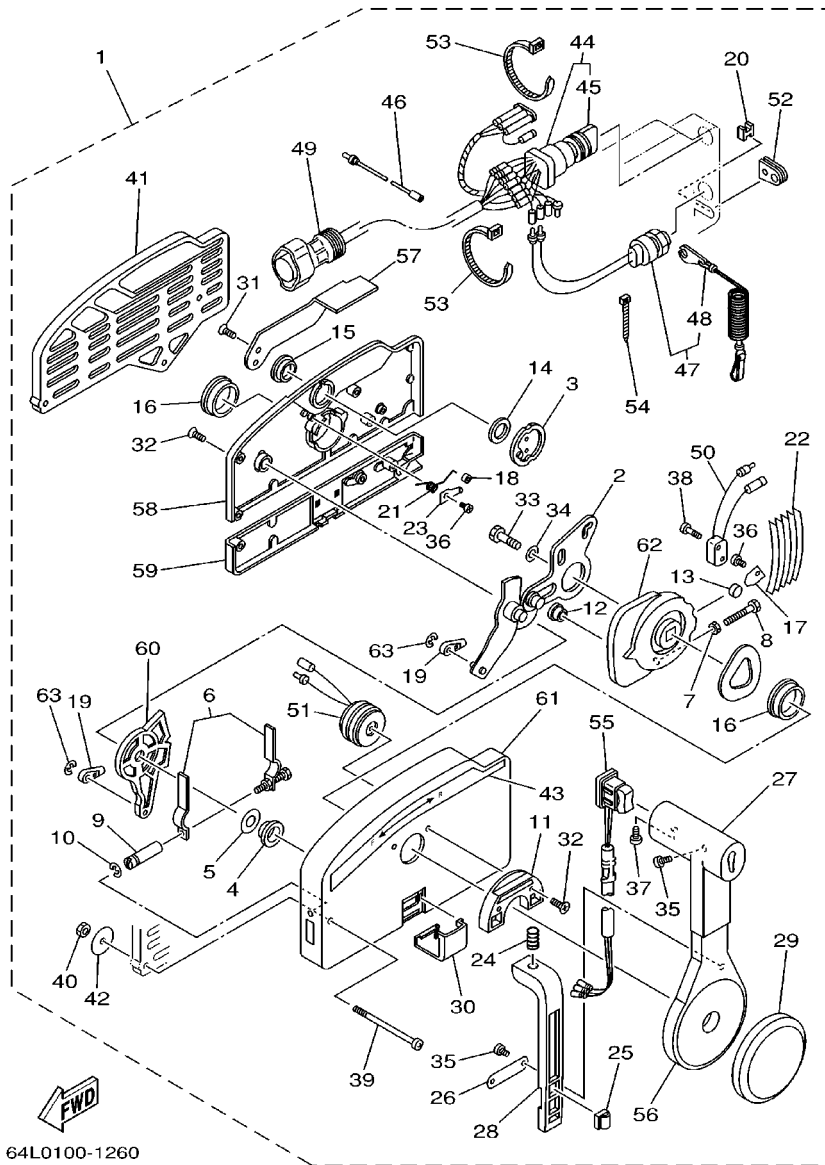


64L0100-1260

FIG. 27 REMOTE CONTROL ASSY

REF. NO.	PART NO.	DESCRIPTION	MH	WT		REMARKS
1	703-48205-16	REMOTE CONTROL ASSY		1		AP WITH PT/T SW.
2	703-48261-01	.ARM, THROTTLE		1		
3	703-48153-00	.SHAFT, FREE ACCEL.		1		
4	703-48235-00	.BUSHING		1		
5	703-48268-00	.SPACER		1		
6	703-48264-00	.THROTTLE, FRICTION		1		
7	95380-05600	.NUT		1		
8	97380-05025	.BOLT		1		
9	703-48265-00	.SHAFT, FRICTION		1		
10	93430-06024	.CIRCLIP		3		
11	703-48245-00	.PLATE, LOCK		1		
12	703-48252-00	.ROLLER, CAM		1		
13	701-48248-00	.ROLLER, FREE ACCEL.		1		
14	703-48198-00	.WASHER, WAVE		1		
15	703-48243-00	.BUSHING		1		
16	703-48236-00	.BUSHING 1		2		
17	703-48189-00	.RETAINER		1		
18	703-48234-00	.ROLLER, DETENT		1		
19	703-48345-01	.CABLE END,REMOTE CONTROL 2		2		
20	703-48358-00	.ANCHOR, CABLE		1		
21	703-48244-00	.SPRING, FREE ACCEL.		1		
22	703-48238-00	.SPRING, DETENT		5		
23	703-48246-00	.SPACER		1		
24	703-48227-00	.SPRING, NEUTRAL LOCK		1		
25	703-82594-00	.CLAMP		1		WITH PT/T SW.
26	703-48226-00	.PLATE, STOPPER		1		
27	703-48222-00	.GRIP, CONTROL LEVER		1		SINGLE

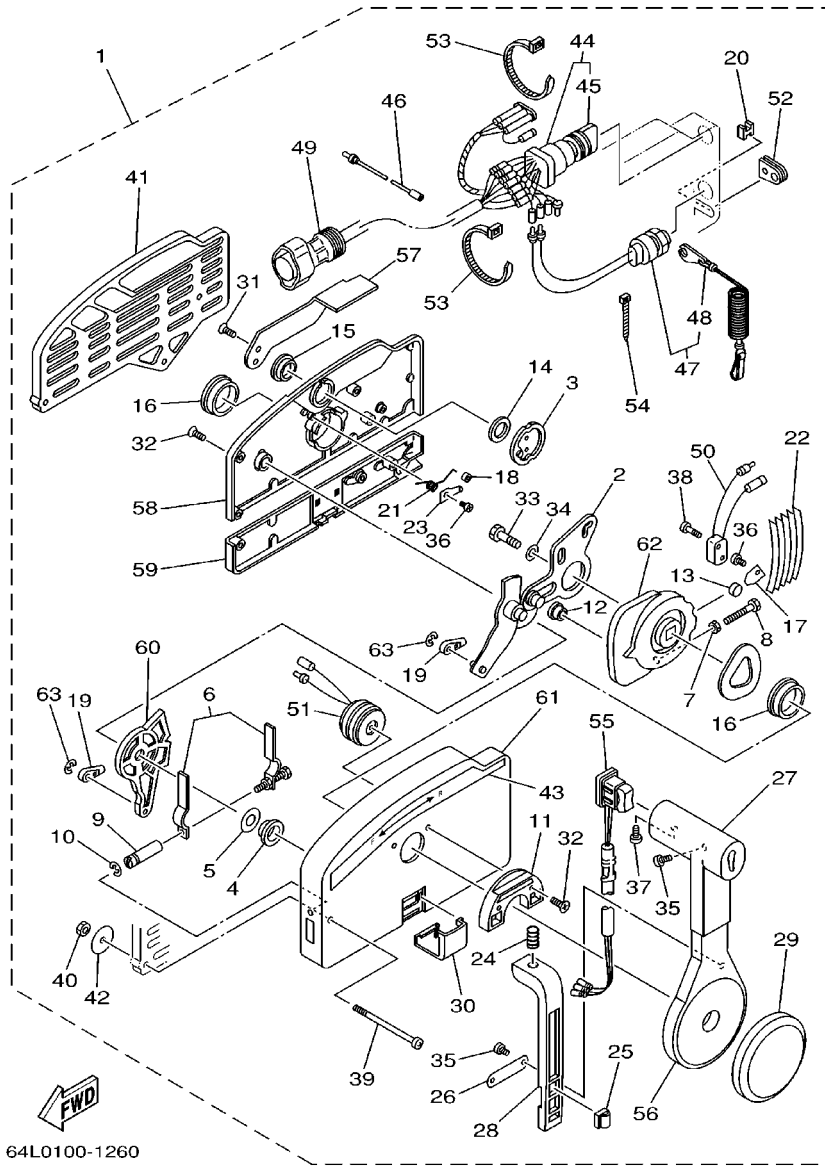
FIG. 27 REMOTE CONTROL ASSY



64L0100-1260

REF. NO.	PART NO.	DESCRIPTION	MH	WT	REMARKS
28	703-48223-00	.LOCK, NEUTRAL		1	
29	703-48225-00	.COVER		1	
30	703-48219-00	.COVER, LEAD		1	
31	703-48281-00	.SCREW		2	
32	703-48282-00	.SCREW		7	
33	97095-08030	.BOLT		1	
34	92990-08600	.WASHER, PLATE		1	
35	98580-04010	.SCREW, PAN HEAD		3	
36	98580-04006	.SCREW, PAN HEAD		2	
37	98580-05010	.SCREW, PAN HEAD		1	
38	98580-03015	.SCREW, PAN HEAD		2	
39	703-48291-10	.SCREW (M6)		3	
40	95380-06600	.NUT, HEXAGON		3	
41	703-48293-10	.SPACER, REMOTE CONTROL		1	SINGLE
42	701-48287-00	.WASHER		3	
43	703-48215-00	.GRAPHIC		1	
44	703-82510-42	.MAIN SWITCH ASSY		1	
45	676-82577-00	..CAP, KEY		1	
46	703-82531-00	.WIRE, LEAD		1	
47	688-82575-01	.ENGINE STOP SWITCH ASSY		1	
48	682-82556-00	..STOPPER		1	
49	688-8258A-20	.EXTENSION, WIRE HARNESS		1	L:5M (10P)
50	703-82540-00	.NEUTRAL SWITCH ASSY		1	
51	703-83383-02	.BUZZER		1	
52	703-48284-00	.GROMMET		1	
53	703-82591-00	.BAND		2	
54	703-82592-00	.BAND		1	

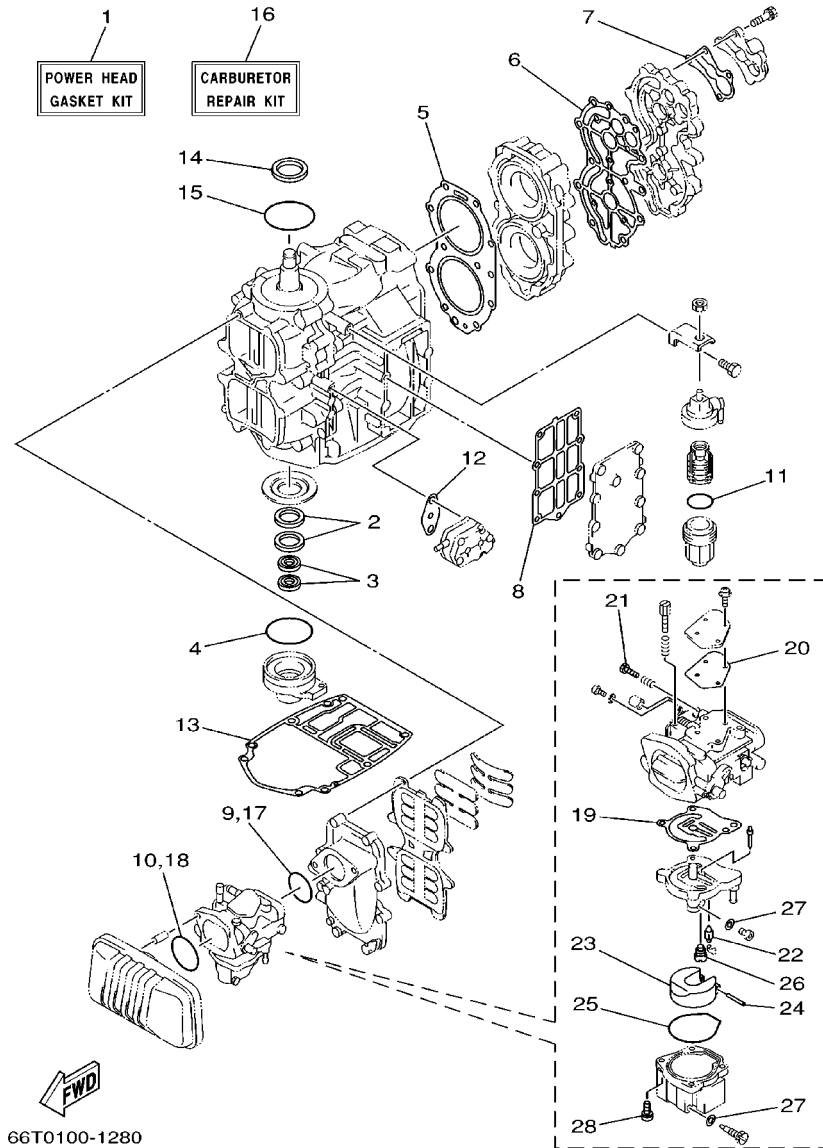
FIG. 27 REMOTE CONTROL ASSY



64L0100-1260

REF. NO.	PART NO.	DESCRIPTION	MH	WT	REMARKS
55	703-82563-02	.TRIM & TILT SWITCH ASSY		1	
56	703-48221-00	.LEVER, CONTROL		1	
57	703-48152-00	.KNOB, FREE ACCEL.		1	
58	703-48212-00	.BACK PLATE 1		1	
59	703-48213-00	.BACK PLATE 2		1	
60	703-48271-00	.ARM, SHIFT		1	
61	703-48211-01	.HOUSING,1		1	
62	703-48232-00	.GEAR		1	
63	93430-06024	.CIRCLIP		2	

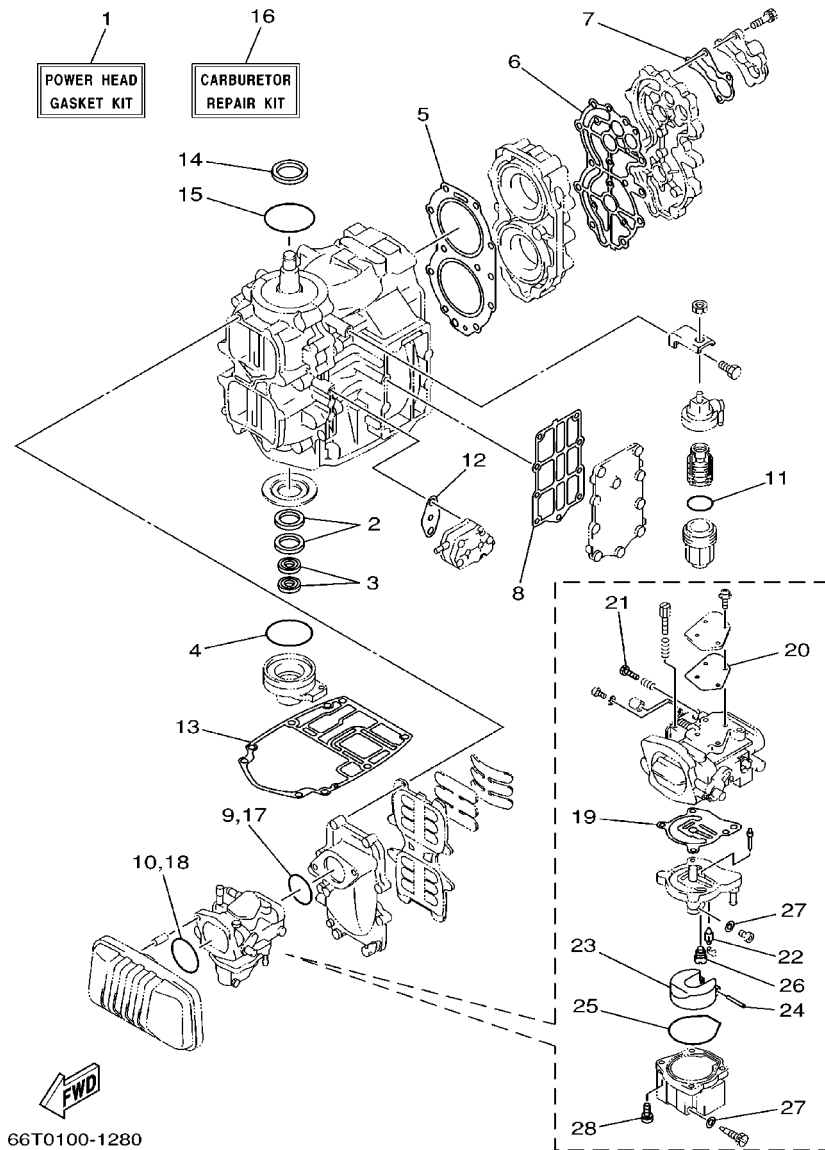
FIG. 28 REPAIR KIT 1



66T0100-1280

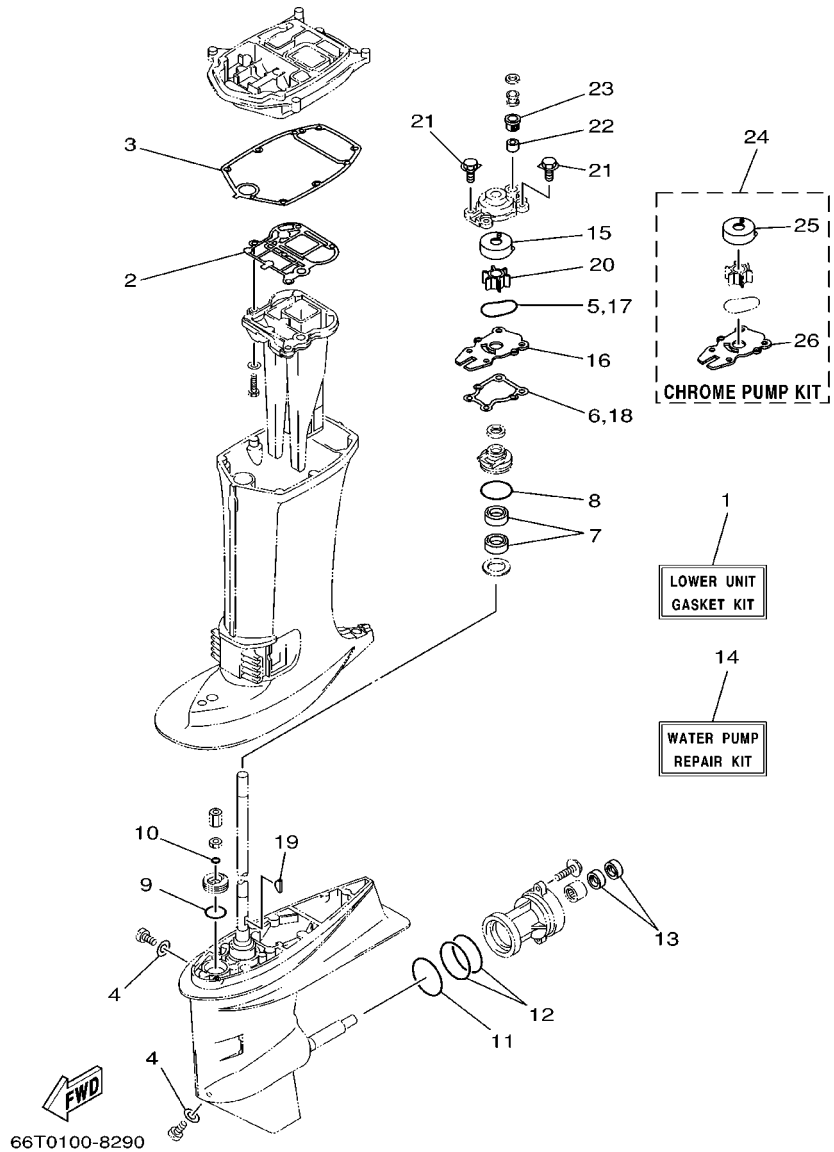
REF. NO.	PART NO.	DESCRIPTION	MH	WT				REMARKS
1	66T-W0001-01	POWER HEAD GASKET KIT	1	1				
2	93102-30M56	.OIL SEAL	2	2				
3	93101-16001	.OIL SEAL	2	2				
4	93210-65M50	.O-RING	1	1				
5	66T-11181-A2	.GASKET, CYLINDER HEAD 1	1	1				
6	66T-11193-A2	.GASKET, HEAD COVER 1	1	1				
7	676-12414-A0	.GASKET, COVER	1	1				
8	66T-41114-A0	.GASKET, EXHAUST OUTER COVER	1	1				
9	93210-46M16	.O-RING	1	1				
10	93210-54M54	.O-RING	1	1				
11	93210-32738	.O-RING	1	1				
12	650-24431-A0	.GASKET, FUEL PUMP 1	1	1				
13	66T-45113-A0	.GASKET, UPPER CASING	1	1				
14	93102-35008	.OIL SEAL	1	1				
15	93210-75M51	.O-RING	1	1				
16	66T-W0093-01	CARBURETOR REPAIR KIT	1	1				
17	93210-46M16	.O-RING	1	1				
18	93210-54M54	.O-RING	1	1				
19	66T-14384-01	.GASKET, FLOAT CHAMBER	1	1				
20	66T-14536-00	.GASKET	1	1				
21	6E5-14323-03	.SCREW, AIR ADJUSTING	1	1				
22	6E5-14546-00	.VALVE, NEEDLE	1	1				
23	6E5-14385-02	.FLOAT	1	1				
24	6E5-14386-02	.PIN, FLOAT	1	1				
25	66T-14984-00	.GASKET, FLOAT CHAMBER	1	1				
26	66T-14992-00	.PLUG	1	1				
27	66T-14959-00	.GASKET	2	2				

FIG. 28 REPAIR KIT 1



REF. NO.	PART NO.	DESCRIPTION	MH	WT				REMARKS
28	97980-05125	.SCREW, WITH WASHER	4	4				

FIG. 29 REPAIR KIT 2



REF. NO.	PART NO.	DESCRIPTION	MH	WT				REMARKS
1	66T-W0001-20	LOWER UNIT GASKET KIT	1	1				
2	66T-41133-A0	.GASKET, EXHAUST MANIFOLD 1	1	1				
3	66T-45114-A0	.GASKET, UPPER CASING	1	1				
4	90430-08020	.GASKET	2	2				
5	93210-59MG7	.O-RING	1	1				
6	63D-44316-00	.GASKET, WATER PUMP	1	1				
7	93101-22M60	.OIL SEAL	2	2				
8	93210-48MG8	.O-RING	1	1				
9	93210-33MG4	.O-RING	1	1				
10	93210-06ME6	.O-RING	1	1				
11	93210-69MG6	.O-RING	1	1				
12	93210-74MG5	.O-RING	2	2				
13	93101-22M00	.OIL SEAL	2	2				
14	66T-W0078-00	WATER PUMP REPAIR KIT	1	1				
15	63D-44322-00	.INSERT, CARTRIDGE	1	1				
16	66T-44323-00	.OUTER PLATE, CARTRIDGE	1	1				
17	93210-59MG7	.O-RING	1	1				
18	63D-44316-00	.GASKET, WATER PUMP	1	1				
19	90280-03M03	.KEY, WOODRUFF	1	1				
20	6H4-44352-02	.IMPELLER	1	1				
21	90119-08M15	.BOLT, WITH WASHER	4	4				
22	663-44366-00	.DAMPER, WATER SEAL	1	1				
23	63D-44312-00	.COVER, WATER PUMP HOUSING	1	1				
24	66T-W0078-0A	CHROME PUMP KIT	1	1				
25	63D-44322-40	.INSERT, CARTRIDGE	1	1				
26	66T-44323-40	.OUTER PLATE, CARTRIDGE	1	1				

NUMERICAL INDEX

PARTNO.	REF. NO.	PARTNO.	REF. NO.	PARTNO.	REF. NO.	PARTNO.	REF. NO.	PARTNO.	REF. NO.	PARTNO.	REF. NO.
66T-W0001-01	28 - 1	6E5-14223-00	5 - 13	63V-15744-00	7 - 10	65W-26326-00	12 - 19	6E0-42651-02	1 - 4	65W-43614-01	17 - 47
66T-W0001-20	29 - 1	66T-14301-02	5 - 1	6F5-15752-00	7 - 18	65W-26326-10	12 - 19	6F5-42652-01	1 - 6	65W-43615-01	17 - 48
66T-W0004-00	4 - 2	66T-14301-12	5 - 1	6F5-15753-00	7 - 19		16 - 10	61N-42677-H0	1 - 9	65W-43616-00	17 - 46
63D-W0070-10	1 - 11	6E5-14323-03	5 - 12	689-15755-01	7 - 21	66T-41113-00-9M	2 - 32	63D-42677-11	1 - 9	66T-43627-00	17 - 23
66T-W0070-H0	1 - 11		28 - 21	66T-15758-01	7 - 24	66T-41114-A0	2 - 34	6J4-42678-H0	1 - 10	65W-43630-11	17 - 36
66T-W0078-0A	29 - 24	6A0-14325-00	6 - 25	66T-15762-01	7 - 28		28 - 8	63D-42678-11	1 - 10	66T-43631-11	17 - 44
66T-W0078-00	29 - 14	6J8-14334-00	5 - 11	66T-15767-00	7 - 8	66T-41131-10-5B	21 - 4	63D-42681-10	1 - 12	689-43633-00	14 - 6
66T-W0084-02-4D	13 - 1	66T-14384-01	5 - 6	6F5-15768-00	7 - 20	66T-41133-A0	21 - 5	63D-42682-10	1 - 13	65W-4380F-00	20 - 11
66T-W0090-02-4D	2 - 1		28 - 19	63V-15768-00	7 - 11		29 - 2	61R-42683-F0	1 - 14	65W-4380K-00	20 - 16
66T-W0093-01	28 - 16	6E5-14385-02	5 - 18	66T-15770-00	7 - 15	66T-41137-00-94	21 - 1	66T-42710-01-4D	12 - 1	65W-4380L-00	20 - 27
676-W2810-01	6 - 32		28 - 23	66T-15771-00-94	7 - 36	66T-41237-00	15 - 5	66T-42716-00	12 - 5	65W-43800-02-4D	20 - 1
66T-11111-01-94	2 - 22	6E5-14386-02	5 - 19	66T-15772-00-94	7 - 39	66T-41252-00	4 - 23	6G1-42725-00	9 - 21	674-43802-03	20 - 30
66T-11119-00	2 - 20		28 - 24	6F5-15779-02	7 - 22	66T-41256-00	4 - 21	66T-42725-00	12 - 8	65W-43804-00	20 - 3
66T-11181-A2	2 - 23	66T-14440-00	4 - 13	66T-15784-00	7 - 9	66T-41257-00	4 - 25	66T-42725-20	12 - 8	65W-43805-00	20 - 4
	28 - 5	624-14485-00	2 - 5	697-15789-00	7 - 23	661-41262-02	4 - 22	66T-42725-30	16 - 9	65W-4381B-00	20 - 22
66T-11191-00-9M	2 - 25	66T-14497-00	15 - 10	6F5-15791-00	7 - 17	6H4-41271-01	4 - 18	6H1-42726-10	12 - 21	65W-43810-00	20 - 17
66T-11193-A2	2 - 26	66T-14523-00	5 - 10	66T-15794-00	7 - 13	66T-41273-00	13 - 42	6H4-42726-00	12 - 21	65W-43812-00	20 - 18
	28 - 6	66T-14527-00	5 - 8	6YJ-24167-00	24 - 7	689-41273-00	4 - 19	65W-42726-00	12 - 23	6H1-43816-00	20 - 25
676-11325-00	2 - 18	66T-14536-00	5 - 7	6YJ-24201-10	24 - 1	6J8-41274-00	4 - 20	65W-42726-10	12 - 23	65W-43817-00	20 - 39
650-11372-00	4 - 5		28 - 20	6YJ-24201-50	24 - 1	66T-41611-00	8 - 11		16 - 11	65W-43818-00	20 - 47
676-11372-00	2 - 33	6E5-14546-00	5 - 16	6Y1-24260-12	24 - 3	66T-41631-01	15 - 4	676-42727-00	12 - 20	6H1-43829-00	20 - 61
66T-11400-01	3 - 1		28 - 22	6Y1-24268-00	24 - 6	66T-41638-00	15 - 1	66T-42738-00-5B	12 - 6	65W-43830-00	20 - 36
66T-11412-00	3 - 2	66T-14578-00	5 - 2	6G1-24304-02	6 - 1	6F5-41662-00	15 - 19	66T-42741-00	12 - 26	65W-43831-00	20 - 35
66T-11422-00	3 - 2	66T-14584-00	5 - 3	6G1-24305-03	24 - 13	65W-42101-01-4D	13 - 15	66T-42815-01-4D	12 - 9	6H1-4384F-10	20 - 57
66T-11432-00	3 - 4	6J8-14592-01	5 - 4	6Y1-24305-04	24 - 15	664-42119-00	13 - 23	66T-42816-00	12 - 13	65W-43840-00	20 - 15
66T-11442-00	3 - 5	61A-1492E-85	5 - 15	6Y1-24306-53	24 - 8	65W-42121-01-4D	13 - 41	65W-43111-10-4D	18 - 1	62X-43841-00	20 - 33
6F5-11515-00	3 - 9	66T-1492F-35	5 - 20	61J-24306-02	24 - 8	66T-42123-00	13 - 8	66T-43111-01-4D	17 - 1	65W-43843-00	20 - 54
66T-11565-00	2 - 14	66T-14945-02	5 - 14	6Y1-24329-00	24 - 5	65W-42125-00	13 - 20	65W-43112-10-4D	18 - 2	6H1-43844-10	20 - 56
66T-11603-00	3 - 16	66T-14959-00	5 - 25	66T-24329-00	12 - 22	6G1-42126-00	13 - 19	66T-43112-01-4D	17 - 6	65W-43844-00	20 - 48
66T-11604-00	3 - 16		28 - 27	650-24351-51	24 - 12	65W-42131-01	13 - 38	6J8-43113-01	17 - 20	6H1-43845-00	20 - 43
66T-11605-00	3 - 16	66T-14981-00	5 - 23	6Y1-24360-52	24 - 10	6G1-42137-10	13 - 24	648-43114-01	17 - 4	6H1-43847-00	20 - 45
66T-11631-00-93	3 - 15	66T-14984-00	5 - 21	61J-24360-00	24 - 10	65W-42138-00	13 - 17		17 - 9	65W-43851-00	20 - 49
6F5-11633-00	3 - 17		28 - 25	692-24410-00	6 - 15	65W-42159-00	13 - 18	663-43118-01-4D	17 - 3	674-43853-00	20 - 37
663-11634-00	3 - 18	66T-14991-00	5 - 24	663-24411-00	6 - 20	66T-42167-00	15 - 2		17 - 8	65W-43853-00	20 - 60
66T-11635-00	3 - 15	66T-14992-00	5 - 22	692-24411-00	6 - 17	6F6-42177-A0	13 - 22	63D-43131-01	17 - 17	65W-43854-00	20 - 46
66T-11636-00	3 - 15		28 - 26	6A0-24412-02	6 - 26	66T-42335-01	15 - 14		18 - 9	65W-43855-00	20 - 52
6F5-11651-00	3 - 10	66T-15100-02-94	2 - 2	6A0-24413-00	6 - 16	65W-42508-00	14 - 1	66T-43144-00	12 - 14	6H1-43856-10	20 - 55
66T-11681-00	3 - 11	66T-15396-01-94	2 - 8	6A0-24421-01	6 - 24	65W-42511-10-4D	19 - 6	6E5-43145-01	25 - 9	65W-4386A-00	20 - 58
6E5-12411-01	2 - 28	66T-15705-00	7 - 7	650-24431-A0	6 - 27	65W-42527-00	14 - 2	6G5-43145-01	17 - 22	65W-4386K-00	20 - 7
676-12413-00-9M	2 - 29	66T-15710-00	7 - 1		28 - 12	648-42528-00	19 - 1		18 - 13	6H1-43861-10	20 - 20
676-12414-A0	2 - 30	66T-15711-00	7 - 2	648-24434-01	6 - 18	65W-42528-00	14 - 12	65W-43191-00	18 - 4		20 - 23
	28 - 7	66T-15713-00	7 - 5	648-24435-02	6 - 21	624-42542-00	9 - 3	65W-43192-00	18 - 3	65W-43861-00	20 - 40
6E5-13552-00	2 - 3	66T-15714-00	7 - 3	61N-24521-00	6 - 8	65W-42561-00	14 - 5	65W-43311-10-4D	17 - 15	65W-43862-00	20 - 41
	2 - 4	66T-15716-00	7 - 6	61N-24560-00	6 - 6	65W-42562-00	14 - 10		18 - 7	65W-43865-00	20 - 19
	4 - 4	66T-15723-00	7 - 29	61N-24563-00	6 - 7	66T-42610-F1-4D	1 - 1	682-43318-01	17 - 35	6H1-43866-00	20 - 31
66T-13610-00	4 - 1	66T-15731-00	7 - 16	648-24566-02	6 - 10	66T-42610-H1-4D	1 - 1	66T-43350-02	17 - 42	6H1-43867-00	20 - 32
66T-13641-02-94	4 - 3	66T-15734-00	7 - 14	6YJ-24610-01	24 - 2	66T-42613-01	1 - 2	65W-43373-00	19 - 2	65W-43869-00	20 - 5
6E5-14159-00	5 - 17	63V-15741-00	7 - 4	66T-26301-00	13 - 30	66T-42615-02	1 - 8	65W-43613-00	17 - 49	65W-43871-00	20 - 21

NUMERICAL INDEX

PARTNO.	REF. NO.	PARTNO.	REF. NO.	PARTNO.	REF. NO.	PARTNO.	REF. NO.	PARTNO.	REF. NO.	PARTNO.	REF. NO.
6H1-43875-00	20 - 42	66T-44575-00	19 - 21	66T-45611-00	22 - 56	701-48248-00	27 - 13	6E5-82116-00	10 - 33	9E471-04305	8 - 12
62X-43878-00	20 - 62	66T-45111-10-4D	21 - 8	66T-45631-00	22 - 51	703-48252-00	27 - 12	6E5-82117-01	10 - 5	90101-06020	18 - 20
65W-43879-00	20 - 12	66T-45113-A0	21 - 13	663-45633-00	22 - 54	703-48261-01	27 - 2	6G5-82119-00	10 - 32	90101-08M28	17 - 55
65W-4388E-00	20 - 14		28 - 13	66T-45635-00	22 - 55	703-48264-00	27 - 6	6U0-82127-00	18 - 22	90101-08M76	17 - 12
65W-43880-00	20 - 2	66T-45114-A0	21 - 12	663-45930-00-98	23 - 25	703-48265-00	27 - 9	66T-82127-00	19 - 26	90101-08M86	19 - 14
65W-43881-00	20 - 6		29 - 3	63D-45941-00-EL	23 - 25	703-48268-00	27 - 5	66T-82127-10	19 - 27	90101-08002	2 - 21
65W-43882-00	20 - 8	63D-45155-00	21 - 9	663-45941-01-EL	23 - 25	703-48271-00	27 - 60	6H1-82148-00	18 - 21	90101-09M01	25 - 7
65W-43887-00	20 - 13	63D-45214-00	22 - 7	663-45943-02-EL	23 - 25	703-48281-00	27 - 31	6G1-82151-00	10 - 8	90101-10M58	17 - 58
65W-43888-00	20 - 28	63D-45215-00	22 - 8	663-45945-02-EL	23 - 25	703-48282-00	27 - 32	6A0-82317-00	9 - 2	90101-12M65	18 - 33
65W-43891-00	20 - 10	65W-45251-00	18 - 19	663-45947-02-EL	23 - 25	703-48284-00	27 - 52	6E3-82370-21	9 - 16	90105-08M61	22 - 50
65W-43892-00	20 - 9	67C-45251-00	23 - 15	663-45949-01-EL	23 - 25	701-48287-00	27 - 42	703-82510-42	27 - 44	90105-08M76	19 - 3
66T-44111-02	13 - 2	676-45251-00	2 - 15	663-45952-02-EL	23 - 25	703-48291-10	27 - 39	66T-82519-00	9 - 20	90109-06M50	14 - 3
682-44116-01	15 - 21	66T-45300-11-4D	22 - 1	663-45954-01-EL	23 - 25	703-48293-10	27 - 41	703-82531-00	27 - 46	90109-06M80	9 - 7
66T-44121-00	15 - 16	66T-45311-01-4D	22 - 2	663-45956-01-EL	23 - 25	701-48310-90	26 - 2	703-82540-00	27 - 50		10 - 12
66M-44122-00	15 - 17	679-45318-00	21 - 16	663-45958-01-EL	23 - 25	701-48320-00	26 - 2	682-82556-00	13 - 44		12 - 29
66T-44124-00	13 - 11	66T-45321-00	22 - 29	663-45970-60-98	23 - 25	701-48320-20	26 - 2		27 - 48		12 - 31
66T-44125-01	15 - 25	688-45341-00	22 - 6	663-45972-60-98	23 - 25	701-48320-30	26 - 2	688-82560-10	9 - 19	90109-06M81	9 - 6
	16 - 6	66T-45344-01	22 - 21	663-45974-60-98	23 - 25	701-48320-50	26 - 2	703-82563-02	27 - 55		9 - 9
66T-44143-10	15 - 23	63D-45361-02-4D	22 - 44	663-45976-00-98	23 - 25	701-48320-60	26 - 2	689-8257Y-00	13 - 45		9 - 13
61N-44146-00	22 - 27	664-45371-01	23 - 8	663-45978-00-98	23 - 25	701-48320-80	26 - 2	66T-82575-01	13 - 43		12 - 7
66T-44150-11	22 - 26	63D-45375-00	23 - 7	663-45987-02	23 - 20	663-48344-00	15 - 27	688-82575-01	27 - 47		15 - 20
6E0-44191-11	13 - 14	663-45376-00	23 - 6	66T-45997-00	23 - 21		16 - 2	676-82577-00	27 - 45	90109-06M86	10 - 39
688-44194-00	15 - 9	66T-45501-11	22 - 33	703-48152-00	27 - 57	703-48345-01	27 - 19	688-8258A-20	27 - 49		12 - 15
66T-44311-00	22 - 12	6H4-45536-00	22 - 3	703-48153-00	27 - 3	703-48358-00	27 - 20	66T-82590-20	10 - 13		13 - 16
63D-44312-00	23 - 19	66T-45551-00	22 - 36	703-48189-00	27 - 17	66T-48501-01	16 - 1	703-82591-00	27 - 53		15 - 22
	29 - 23	66T-45560-01	22 - 38	703-48198-00	27 - 14	65W-48511-00	16 - 7	703-82592-00	27 - 54	90109-08M90	17 - 27
63D-44316-00	22 - 16	663-45567-01-10	22 - 40	703-48205-16	26 - 1		19 - 29	703-82594-00	27 - 25	90110-10M02	18 - 30
	29 - 6	663-45567-01-12	22 - 40		27 - 1	6H3-48538-00	15 - 29	703-83383-02	27 - 51	90116-10M28	19 - 5
	29 - 18	663-45567-01-15	22 - 40	703-48211-01	27 - 61		16 - 4	6N7-83557-00	10 - 14	90119-06MA3	2 - 27
63D-44322-00	22 - 13	663-45567-01-18	22 - 40	703-48212-00	27 - 58	65W-61350-00	25 - 1	66T-85515-00	8 - 8		2 - 35
	29 - 15	663-45567-01-30	22 - 40	703-48213-00	27 - 59	65W-61351-00	25 - 2	66T-85520-00	8 - 10	90119-06MA5	2 - 31
63D-44322-40	29 - 25	663-45567-01-40	22 - 40	703-48215-00	27 - 43	66T-81303-00	30 - 1	66T-85533-00	8 - 14	90119-06M61	12 - 2
66T-44323-00	22 - 14	663-45567-01-50	22 - 40	703-48219-00	27 - 30	66T-81328-00	8 - 13		30 - 2	90119-06M65	9 - 4
	29 - 16	66T-45571-00	22 - 41	703-48221-00	27 - 56	66T-81800-00	11 - 1	66T-8554B-01-94	9 - 1	90119-06M73	12 - 17
66T-44323-40	29 - 26	63D-45577-00-10	22 - 43	703-48222-00	27 - 27	66T-81820-00	11 - 6	66T-85540-00	9 - 5	90119-06M88	10 - 24
63D-44341-00	22 - 19	63D-45577-00-12	22 - 43	703-48223-00	27 - 28	66T-81826-00	11 - 7	66T-85550-00	8 - 1	90119-08MA5	2 - 24
6H4-44352-02	22 - 18	63D-45577-00-15	22 - 43	703-48225-00	27 - 29	66T-81830-00	11 - 5	66T-85550-10	8 - 1	90119-08M03	4 - 12
	29 - 20	63D-45577-00-18	22 - 43	703-48226-00	27 - 26	66T-81840-00	11 - 2	66T-85560-01	8 - 2	90119-08M10	7 - 32
66T-44361-10	23 - 1	63D-45577-00-30	22 - 43	703-48227-00	27 - 24	66T-81850-00	11 - 4	66T-85561-00	8 - 3	90119-08M15	22 - 25
66T-44362-10	23 - 26	63D-45577-00-40	22 - 43	703-48232-00	27 - 62	66T-81857-00	11 - 3	66T-85570-00	9 - 10		29 - 21
663-44366-00	23 - 18	63D-45577-00-50	22 - 43	703-48234-00	27 - 18	66T-81916-01	9 - 8	66T-85580-00	8 - 5	90119-08M39	11 - 8
	29 - 22	663-45587-01-10	22 - 35	703-48235-00	27 - 4	6G1-8194A-10	10 - 1	66T-85582-00	8 - 7	90119-08M42	21 - 15
663-44367-00	23 - 4	663-45587-01-12	22 - 35	703-48236-00	27 - 16	66T-81948-00	10 - 34	66T-85596-00	8 - 6	90119-08M44	23 - 5
6E5-44391-00	12 - 18	663-45587-01-15	22 - 35	703-48238-00	27 - 22	6E5-8195B-01	10 - 25	6J4-86111-00	10 - 15	90119-08M51	7 - 33
66T-44514-00-4D	19 - 15	663-45587-01-18	22 - 35	703-48243-00	27 - 15	6E5-8195C-01	10 - 28	66T-86112-00	10 - 17	90119-08M52	11 - 9
66T-44526-00	19 - 16	663-45587-01-30	22 - 35	703-48244-00	27 - 21	6G1-81952-00	10 - 4	6J4-86116-00	10 - 16	90119-08M79	21 - 2
65W-44551-00-4D	19 - 19	663-45587-01-40	22 - 35	703-48245-00	27 - 11	6G1-81970-61	10 - 7	682-86117-00	10 - 20		21 - 11
65W-44555-10	19 - 20	663-45587-01-50	22 - 35	703-48246-00	27 - 23	66T-82105-00	10 - 6	66T-87149-00	10 - 31	90119-10M04	19 - 24

NUMERICAL INDEX

PARTNO.	REF. NO.	PARTNO.	REF. NO.	PARTNO.	REF. NO.	PARTNO.	REF. NO.	PARTNO.	REF. NO.	PARTNO.	REF. NO.
90119-10005	2 - 7	90206-12M00	17 - 26	90386-52M02	19 - 8	90480-10155	10 - 18	92995-08100	23 - 17	93210-59MG7	22 - 15
90141-06M00	2 - 19	90206-12052	12 - 12	90387-05M11	14 - 8	90480-25M70	23 - 27	92995-08200	19 - 13		29 - 5
90142-05M06	22 - 9		13 - 7	90387-06M60	10 - 22	90480-25161	9 - 11	92995-08600	11 - 11		29 - 17
90149-05M13	13 - 26	90206-43M22	13 - 35	90387-06M66	7 - 27	90480-30M71	23 - 28		21 - 7	93210-65M50	2 - 11
90149-05M17	17 - 45	90209-10M26	14 - 13	90387-06M80	4 - 17	90501-10M84	15 - 6	92995-10100	23 - 13		28 - 4
90149-14M12	17 - 2	90209-27M07	3 - 12	90387-06M86	13 - 3	90501-15M01	22 - 52	92995-10600	17 - 59	93210-69MG6	22 - 46
	17 - 7	90209-52M00	19 - 7	90387-06035	12 - 4	90501-23215	13 - 28		18 - 31		29 - 11
90170-06M30	10 - 2	90243-04007	17 - 5	90387-07M05	17 - 40	90502-10M06	17 - 56		19 - 23	93210-74MG5	22 - 47
	10 - 26		17 - 10	90387-07M29	17 - 51	90506-16M34	12 - 16		23 - 14		29 - 12
	10 - 29	90249-07M32	17 - 50	90387-08M05	7 - 35	90506-20M37	17 - 43	92995-12200	18 - 34	93210-75M51	8 - 17
90170-09M03	25 - 5	90249-07M33	17 - 52	90387-08M16	15 - 3	90506-30M00	17 - 53	93101-16001	2 - 10		28 - 15
90170-12138	22 - 37	90249-10M31	17 - 39	90387-08M29	17 - 11	91318-04025	20 - 38		28 - 3	93306-001U1	22 - 45
90170-20137	8 - 21	90249-12M34	17 - 30	90387-10M42	25 - 6	91490-16012	15 - 24	93101-22M00	22 - 49	93306-306V5	3 - 8
90171-16011	23 - 23	90249-12M38	18 - 16	90387-10M44	17 - 31	91490-20010	13 - 21		29 - 13	93306-307U0	3 - 6
90179-10M33	19 - 25	90249-12M39	17 - 32	90387-12M04	23 - 22	91490-20015	17 - 54	93101-22M60	22 - 20	93310-727U0	3 - 13
90185-08045	19 - 12	90249-18M35	18 - 29	90389-22M01	22 - 5	91490-30025	23 - 24		29 - 7	93315-32224	22 - 11
90185-08057	17 - 29	90250-06023	22 - 53	90430-08020	29 - 4	91690-30018	18 - 5	93102-30M56	2 - 9	93317-22204	22 - 48
	17 - 57	90254-03M04	15 - 26		23 - 3	91690-40032	4 - 24		28 - 2	93332-000UE	3 - 7
90185-09M01	25 - 4		16 - 5	90430-12072	4 - 9	92903-06600	4 - 7	93102-35008	8 - 4	93332-00001	22 - 34
90185-10M13	18 - 32	90254-03M05	15 - 18	90445-07MA4	2 - 37		7 - 38		28 - 14	93332-00003	22 - 39
90185-10M14	14 - 9	90266-04M01	1 - 7	90445-07M08	4 - 8		7 - 41	93210-03261	10 - 23	93420-30042	21 - 17
90185-10051	19 - 4	90266-04M04	1 - 5	90445-09M08	6 - 4	92903-10600	13 - 27	93210-03478	20 - 51	93430-06024	27 - 10
90185-22M11	18 - 12	90269-02M09	13 - 25	90445-09M75	2 - 36	92990-05100	6 - 23	93210-06ME6	22 - 31		27 - 63
90185-22043	17 - 21	90280-03M03	22 - 17	90445-09086	6 - 13	92990-05600	5 - 5		29 - 10	93430-10M00	17 - 34
90201-08M00	18 - 26		29 - 19		6 - 30		10 - 10	93210-064A5	20 - 26		18 - 17
90201-08M07	17 - 28	90280-05015	8 - 20	90445-11M05	24 - 11	92990-06100	14 - 4	93210-08006	20 - 50	93440-68M03	3 - 14
90201-08M54	15 - 11	90338-05M03	12 - 25	90445-11M06	24 - 9	92990-06200	13 - 12	93210-08287	24 - 14	93501-08001	20 - 59
90201-10M20	25 - 3	90338-07M00	12 - 24	90446-03MA3	9 - 12	92990-06600	22 - 32		24 - 16	93603-21111	3 - 19
90201-10M63	25 - 8	90340-08M04	22 - 4	90446-10M86	13 - 32	92990-08100	17 - 14	93210-09165	20 - 34	93604-08062	22 - 24
90201-10120	16 - 8	90385-12M04	7 - 34	90446-10M87	13 - 31	92990-08600	27 - 34	93210-10M74	20 - 63	93606-12019	21 - 3
	19 - 30	90386-07MA2	17 - 38	90464-09M49	12 - 30	92995-06200	13 - 10	93210-11073	20 - 53		21 - 14
90201-12M07	13 - 6	90386-08032	13 - 29	90464-12M00	8 - 27	92995-06600	2 - 13	93210-11368	20 - 24		23 - 11
90201-12426	17 - 60	90386-10M99	17 - 37	90464-13249	7 - 42		2 - 17	93210-16275	25 - 10	93608-12063	2 - 6
	18 - 35	90386-12MA0	17 - 33	90465-11M10	10 - 37		4 - 16	93210-18397	20 - 44	93700-06M03	14 - 14
90201-20417	3 - 20		18 - 14	90465-13M11	18 - 18		6 - 3	93210-32738	6 - 9		17 - 16
90201-21M18	8 - 22	90386-12MA2	12 - 11	90465-15M74	8 - 23		6 - 29		28 - 11		18 - 8
90201-22M03	17 - 19	90386-12M37	12 - 10	90465-20M31	10 - 38		7 - 26	93210-33MG4	22 - 30	94702-00272	2 - 38
	18 - 11	90386-12M98	17 - 24	90465-25M57	12 - 24		7 - 31		29 - 9	95380-03600	6 - 19
90201-22429	22 - 42		18 - 15	90467-06016	4 - 10		8 - 19	93210-43MJ0	19 - 10	95380-05600	10 - 11
90201-27M00	22 - 23	90386-14MA1	18 - 6	90467-08004	6 - 5		8 - 25	93210-46M16	4 - 11		22 - 10
90201-43M00	13 - 34	90386-18MA0	18 - 28		6 - 14		9 - 15		28 - 9		27 - 7
90202-10M56	14 - 11	90386-18M44	18 - 27		6 - 31		9 - 18		28 - 17	95380-06600	27 - 40
90202-12031	17 - 25	90386-22M15	17 - 18	90468-18008	13 - 13		10 - 36	93210-48MG8	22 - 22	95380-06700	15 - 8
90202-12060	23 - 2		18 - 10		15 - 28		12 - 28		29 - 8		22 - 28
90202-43M57	13 - 36	90386-40MA0	13 - 33		16 - 3		13 - 5	93210-50768	20 - 29	95380-08600	6 - 11
90204-06M00	10 - 3	90386-40M99	13 - 37	90480-09M21	12 - 3		18 - 24	93210-54M54	4 - 14		17 - 13
	10 - 27	90386-44M03	19 - 9	90480-10M23	10 - 21	92995-08100	19 - 18		28 - 10	95380-10600	17 - 61
	10 - 30	90386-44M99	19 - 11	90480-10M71	8 - 26		23 - 10		28 - 18	95380-10700	13 - 39

NUMERICAL INDEX

PARTNO.	REF. NO.	PARTNO.	REF. NO.	PARTNO.	REF. NO.	PARTNO.	REF. NO.	PARTNO.	REF. NO.	PARTNO.	REF. NO.
95380-12600	18 - 36	97980-05125	5 - 26								
95780-06300	13 - 9		28 - 28								
95780-10300	13 - 40	98503-05028	6 - 22								
97013-06014	6 - 12	98580-03015	27 - 38								
97013-06030	7 - 37	98580-04006	27 - 36								
	7 - 40	98580-04010	27 - 35								
97013-06035	4 - 6	98580-05010	27 - 37								
97075-08030	19 - 17	98586-05016	24 - 4								
	21 - 6	99080-08600	17 - 41								
97075-10040	23 - 12										
97075-10070	19 - 22										
97080-08016	18 - 25										
97095-06010	7 - 30										
97095-06012	9 - 17										
97095-06014	15 - 13										
	18 - 23										
97095-06016	8 - 24										
	10 - 35										
	12 - 27										
97095-06020	2 - 12										
	2 - 16										
97095-06025	9 - 14										
97095-06030	6 - 2										
97095-06035	7 - 25										
97095-06040	6 - 28										
	8 - 18										
97095-06050	13 - 4										
97095-08016	11 - 10										
97095-08025	23 - 9										
97095-08030	27 - 33										
97095-08035	23 - 16										
97095-08045	15 - 12										
97380-05025	27 - 8										
97575-08545	21 - 10										
97595-05516	14 - 7										
97780-50616	1 - 3										
97780-60516	15 - 15										
97802-04006	8 - 16										
	30 - 4										
97880-05008	10 - 19										
97880-05030	10 - 9										
97880-06035	15 - 7										
97885-06008	19 - 28										
97885-06040	4 - 15										
97902-04108	8 - 9										
97902-06125	8 - 15										
	30 - 3										
97980-04112	5 - 9										

E40MHZ/E40X/40X
PARTS CATALOGUE
©2000 by Yamaha Motor Co., Ltd.
1st Edition, NOV. 2000
All rights reserved.
Any reprinting or unauthorized use
without the written permission of
Yamaha Motor Co., Ltd.
is expressly prohibited.

G7