



PARTS CATALOGUE

40XMH'04 (66T6)

40XW'04 (66T7)

FOREWORD

This Parts Catalogue is related to the parts for the model(s) on the cover page. When you are ordering replacement parts, please refer to this Parts Catalogue and quote both part numbers and part names correctly.

1. Modifications or additions which have been made after the issue of the Parts Catalogue will be announced in the Parts News.
It is advisable that you make the necessary corrections to the Parts Catalogue according to the Parts News.

2. Abbreviations

The following abbreviations are used in this Parts Catalogue.

“UR” Use specified parts number.

“UN” Use as many as needed.

“AP” Alternate Parts

“LM” Locally Made (Parts need to be ordered locally)

“F#” Frame No. (Applicable machine No.)

“O/S” Over Size

3. The number of components for assembly

- Parts, which are to be supplied in an assembly, are listed with a dot (.) in front of the part name as shown below.
- The numeral appearing to the right of each component part indicates the quantity of parts for each assembly unit.

PART NO.	DESCRIPTION	Q'TY	REMARKS
2F5-83310-60	FRONT FLASHER LIGHT ASSY	2	
115-83311-60	.BULB (6V-18W)	1	

4. Applicable colours of graphics are represented in the “REMARKS” as shown below.

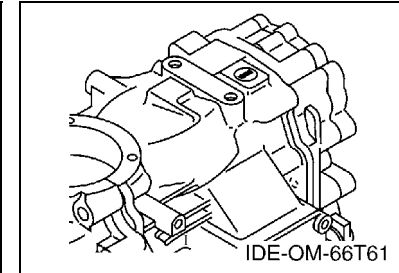
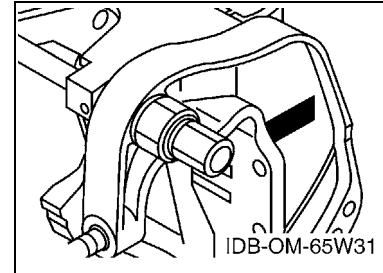
PART NO.	DESCRIPTION	Q'TY	REMARKS
2N4-24110-00-X5	FUEL TANK COMP.	2	MXR
3J1-24240-10	.GRAPHIC, FUEL TANK	1	FOR MXR

5. Note that the illustrations for reference in finding parts numbers are not to be used for assembling. When assembling, please use the applicable service manual.

6. The asterisk (*) before a reference number indicates modified items after the first edition.

7. Applicable Serial No.

Engine Serial No.



8. Applicable Engine Starting Serial No.

Model	Serial No.	Model	Serial No.
40X	66TK-1008141		

9. Applicable Colour Code

Abbreviation	Colour Name	Colour Code
DBNM2	DARK BLUISH GRAY METALLIC 2	004D

10. Quantity Column Information

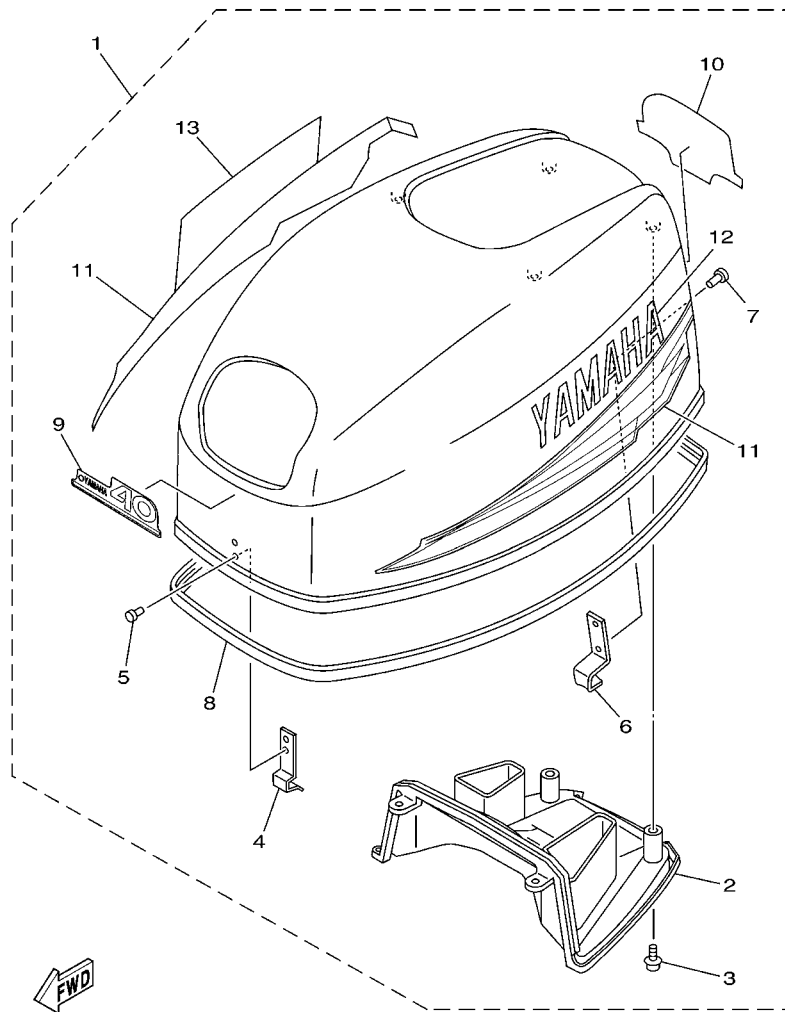
Column No.	Name Of Q'ty Column	Applicable Model
1	MH	40XMH
2	W	40XW

CONTENTS

TOP COWLING	1
CYLINDER & CRANKCASE	2
CRANKSHAFT & PISTON	4
INTAKE	5
CARBURETOR	6
FUEL	7
STARTER	9
GENERATOR	11
ELECTRICAL 1	13
ELECTRICAL 2	14
STARTING MOTOR	15
BOTTOM COWLING	16
STEERING	18
CONTROL	20
REMO CON ATTACHMENT	22
BRACKET 1	23
BRACKET 2	26
UPPER CASING	28
LOWER CASING & DRIVE 1	29
LOWER CASING & DRIVE 2	32
FUEL TANK	34
REMOTE CONTROL BOX	35
REMOTE CONTROL ASSY	36
REPAIR KIT 1	39
REPAIR KIT 2	41
REPAIR KIT 3	42

INDEX

NUMERICAL INDEX	43
-----------------------	----



66T2664-2010

FIG. 1 TOP COWLING

REF. NO.	PART NO.	DESCRIPTION	MH	W		REMARKS
1	66T-42610-20-4D	TOP COWLING ASSY	1	1		PRESURE
2	66T-42613-01	.MOLDING, AIR DUCT	1	1		
3	97780-50616	.SCREW, TAPPING	4	4		
4	6E0-42651-02	.HOOK	1	1		
5	90266-04M04	.RIVET	2	2		
6	6F5-42652-01	.HOOK	1	1		
7	90266-04M01	.RIVET	2	2		
8	66T-42615-02	.SEAL	1	1		
9	63D-42677-20	.GRAPHIC, FRONT	1	1		PRESURE
10	63D-42678-11	.GRAPHIC, REAR	1	1		PRESURE
11	63D-W0070-10	.GRAPHIC SET	1	1		PRESURE
12	63D-42681-10	.MARK, COWLING	1	1		PRESURE
13	63D-42682-10	.MARK, COWLING	1	1		PRESURE

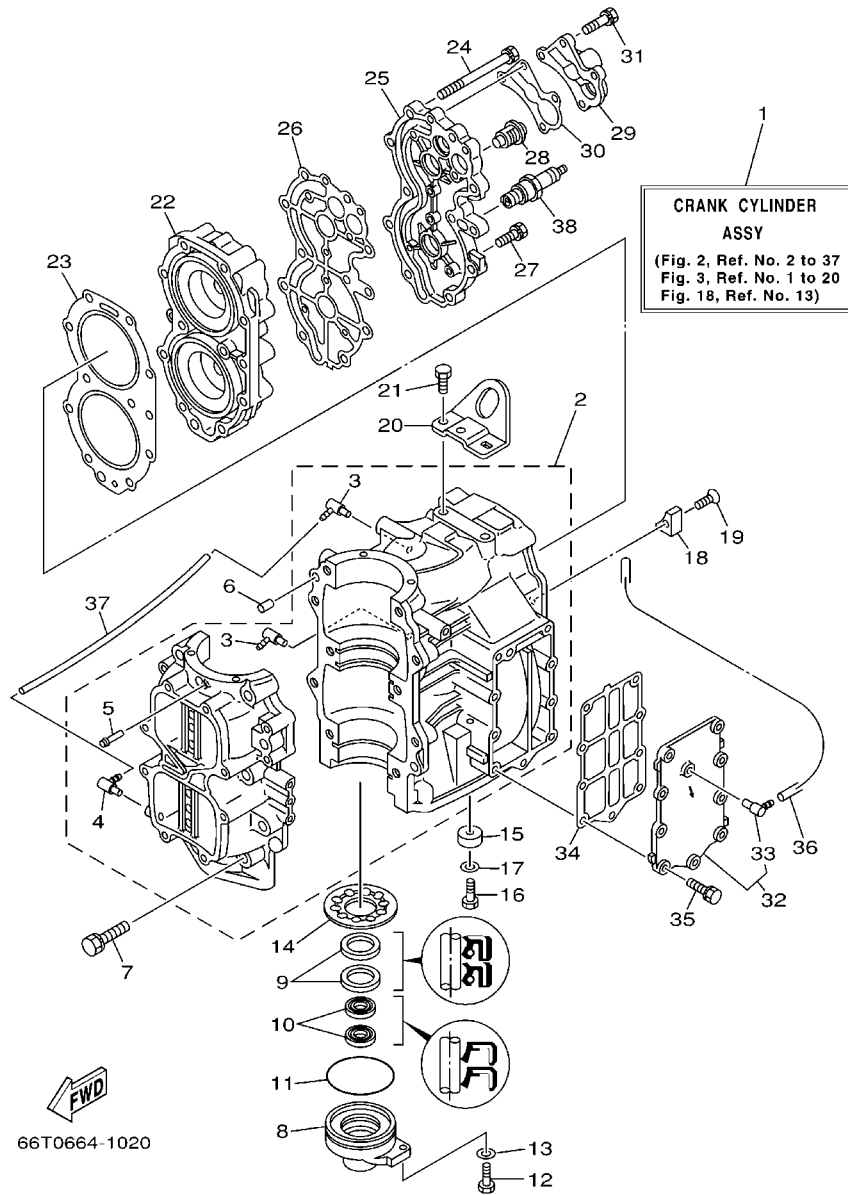
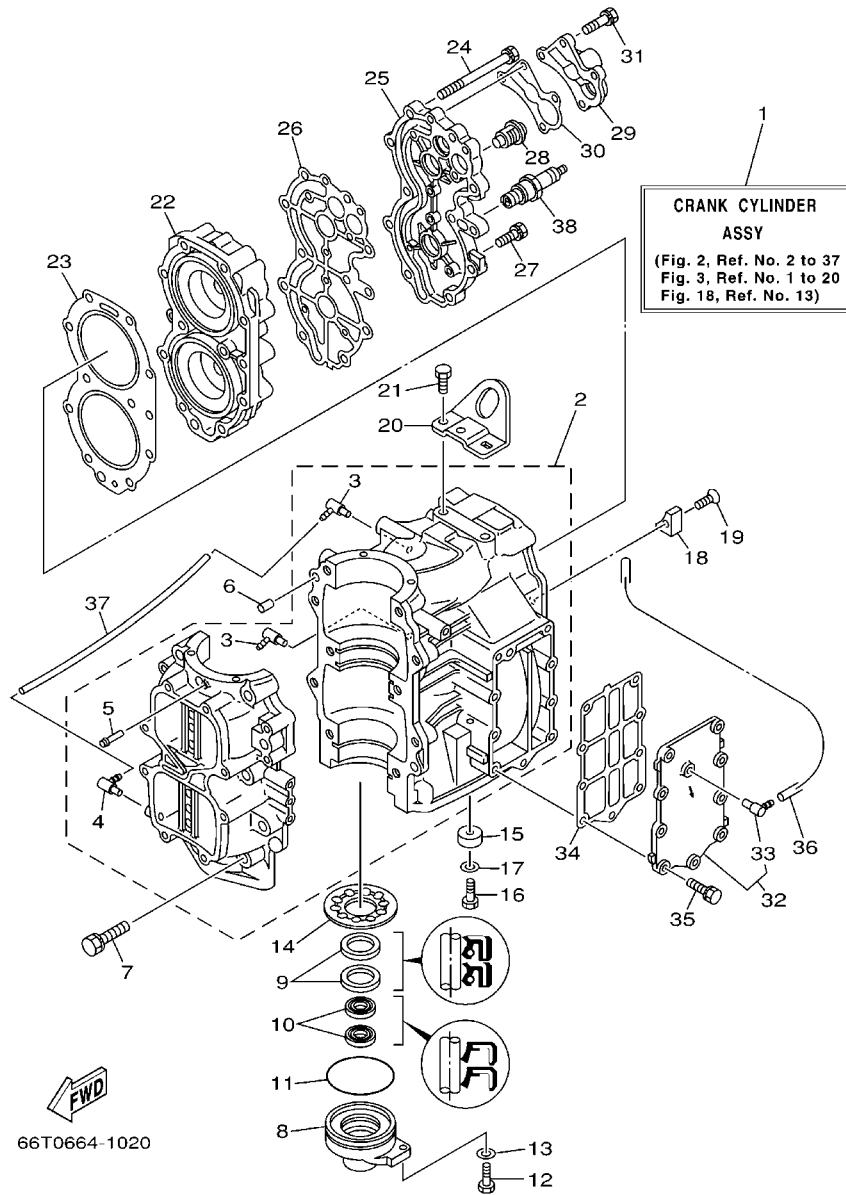


FIG. 2 CYLINDER & CRANKCASE

REF. NO.	PART NO.	DESCRIPTION	MH	W				REMARKS
1	66T-W0090-02-1S	CRANK CYLINDER ASSY	1	1				
2	66T-15100-02-1S	CRANKCASE ASSY	1	1				
3	6E5-13552-01	.NOZZLE	2	2				
4	6E5-13552-01	.NOZZLE	1	1				
5	624-14485-00	.PIPE, JOINT	1	1				
6	93608-12063	PIN, DOWEL	2	2				
7	90119-10005	BOLT, WITH WASHER	10	10				
8	66T-15396-01-94	HOUSING, OIL SEAL	1	1				
9	93102-30M56	OIL SEAL	2	2				
10	93101-16001	OIL SEAL	2	2				
11	93210-65M50	O-RING	1	1				
12	97095-06020	BOLT	1	1				
13	92995-06600	WASHER	1	1				
14	66T-11565-00	WASHER, BEARING COVER	1	1				
15	676-45251-00	ANODE	1	1				
16	97095-06020	BOLT	1	1				
17	92995-06600	WASHER	1	1				
18	676-11325-00	ANODE	1	1				
19	90141-06M00	SCREW, COUNTERSUNK	1	1				
20	66T-11119-00	HANGER, ENGINE	1	1				
21	90101-08002	BOLT	2	2				
22	66T-11111-01-1S	HEAD, CYLINDER 1	1	1				
23	66T-11181-A2	GASKET, CYLINDER HEAD 1	1	1				
24	90119-08MA5	BOLT, WITH WASHER	11	11				
25	66T-11191-00-1S	COVER, CYLINDER HEAD 1	1	1				
26	66T-11193-A2	GASKET, HEAD COVER 1	1	1				
27	90119-06MA3	BOLT, WITH WASHER	4	4				



66T0664-1020

FIG. 2 CYLINDER & CRANKCASE

REF. NO.	PART NO.	DESCRIPTION	MH	W	REMARKS
28	6E5-12411-01	THERMOSTAT	1	1	
29	676-12413-00-1S	COVER, THERMOSTAT	1	1	
30	676-12414-A1	GASKET, COVER	1	1	
31	90119-06MA5	BOLT, WITH WASHER	4	4	
32	66T-41113-00-1S	OUTER COVER, EXHAUST	1	1	
33	676-11372-00	.NIPPLE, HOSE	1	1	
34	66T-41114-A0	GASKET, EXHAUST OUTER COVER	1	1	
35	90119-06MA3	BOLT, WITH WASHER	9	9	
36	90445-09M75	HOSE (L370)	1	1	
37	90445-07M08	HOSE (L220)	1	1	
38	94702-00272	PLUG, SPARK (NGK BR7HS)	2	2	

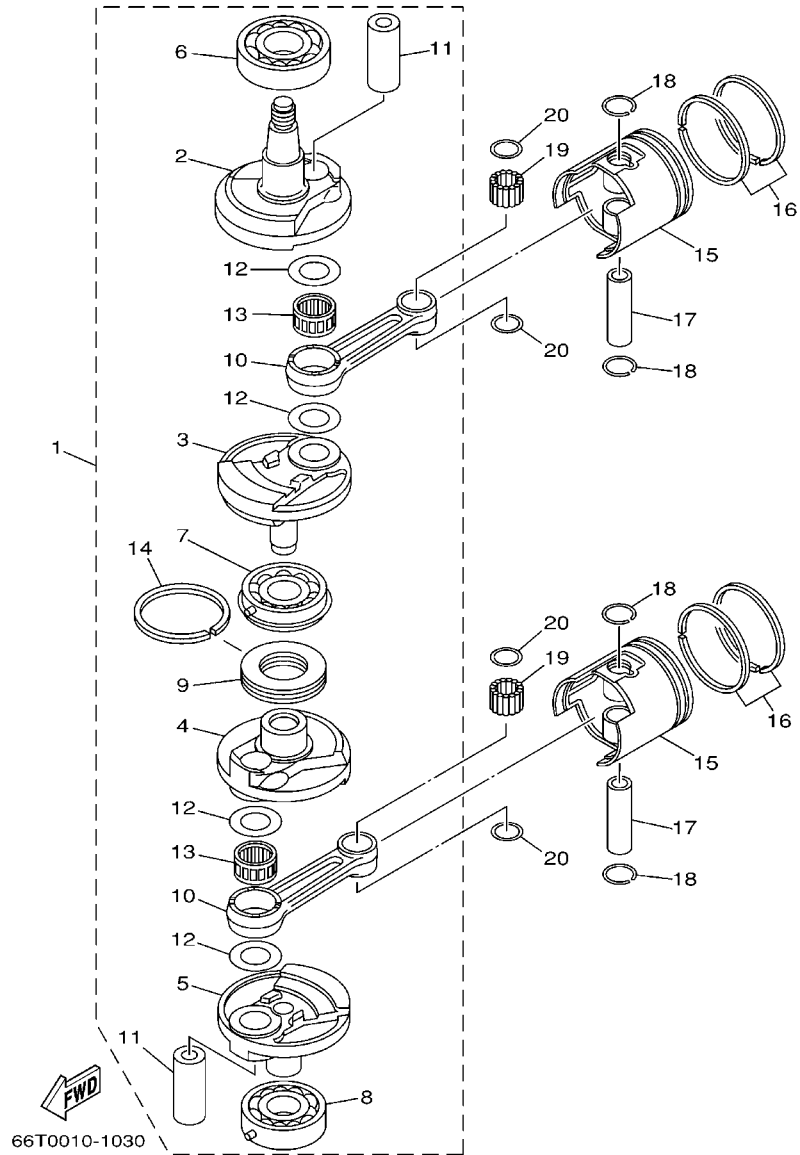


FIG. 3 CRANKSHAFT & PISTON

REF. NO.	PART NO.	DESCRIPTION	MH	W		REMARKS
1	66T-11400-01	CRANKSHAFT ASSY	1	1		
2	66T-11412-00	.CRANK 1	1	1		
3	66T-11422-00	.CRANK 2	1	1		
4	66T-11432-00	.CRANK 3	1	1		
5	66T-11442-00	.CRANK 4	1	1		
6	93306-307U0	.BEARING	1	1		
7	93332-000UE	.BEARING	1	1		
8	93306-306V5	.BEARING	1	1		
9	6F5-11515-00	.SEAL, LABYRINTH 1	1	1		
10	6F5-11651-00	.ROD, CONNECTING	2	2		
11	66T-11681-00	.PIN, CRANK 1	2	2		
12	90209-27M07	.WASHER	4	4		
13	93310-727U0	.BEARING	2	2		
14	93440-68M03	.CIRCLIP	1	1		
15	66T-11631-01-93	PISTON (STD)	2	2		
	66T-11635-01	PISTON (0.25MM O/S)	2	2		AP
	66T-11636-01	PISTON (0.50MM O/S)	2	2		AP
16	66T-11603-00	PISTON RING SET (STD)	2	2		
	66T-11604-00	PISTON RING SET (0.25MM O/S)	2	2		AP
	66T-11605-00	PISTON RING SET (0.50MM O/S)	2	2		AP
17	6F5-11633-00	PIN, PISTON	2	2		
18	663-11634-00	CLIP, PISTON PIN	4	4		
19	93603-21111	PIN, DOWEL	56	56		
20	90201-20417	WASHER, PLATE	4	4		

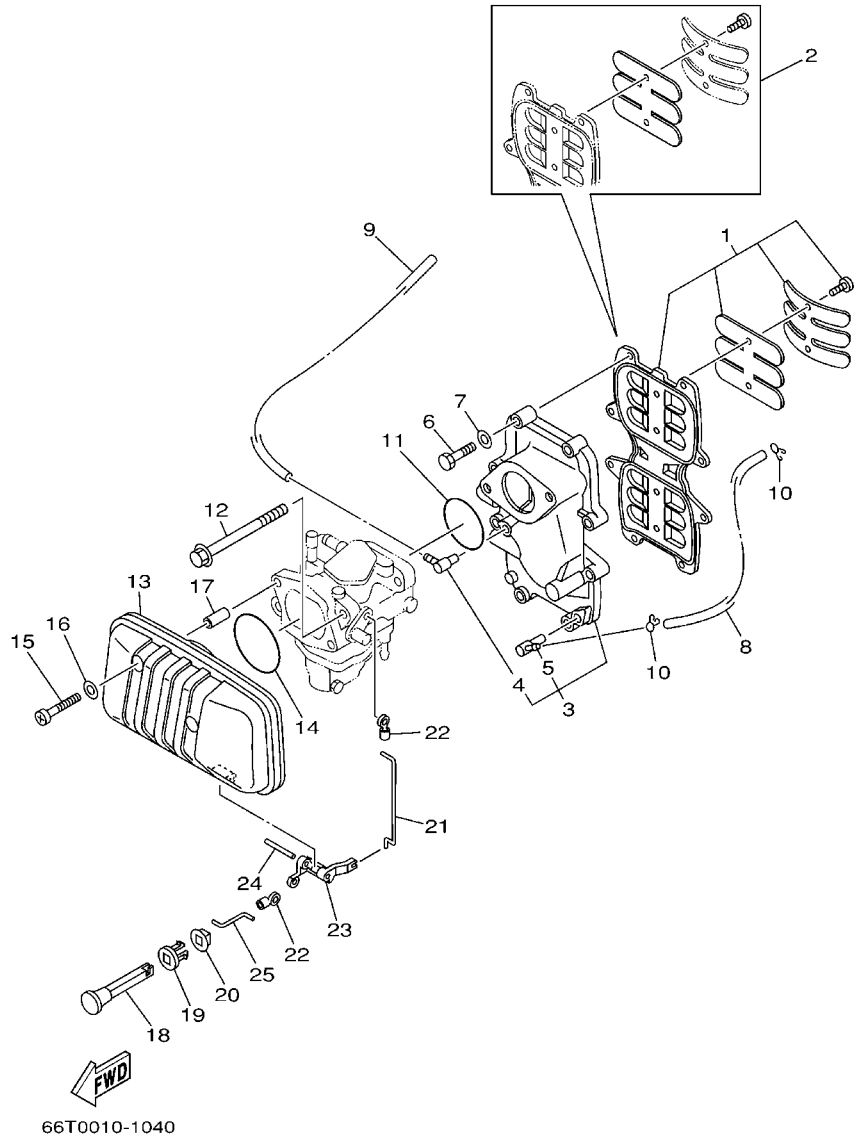
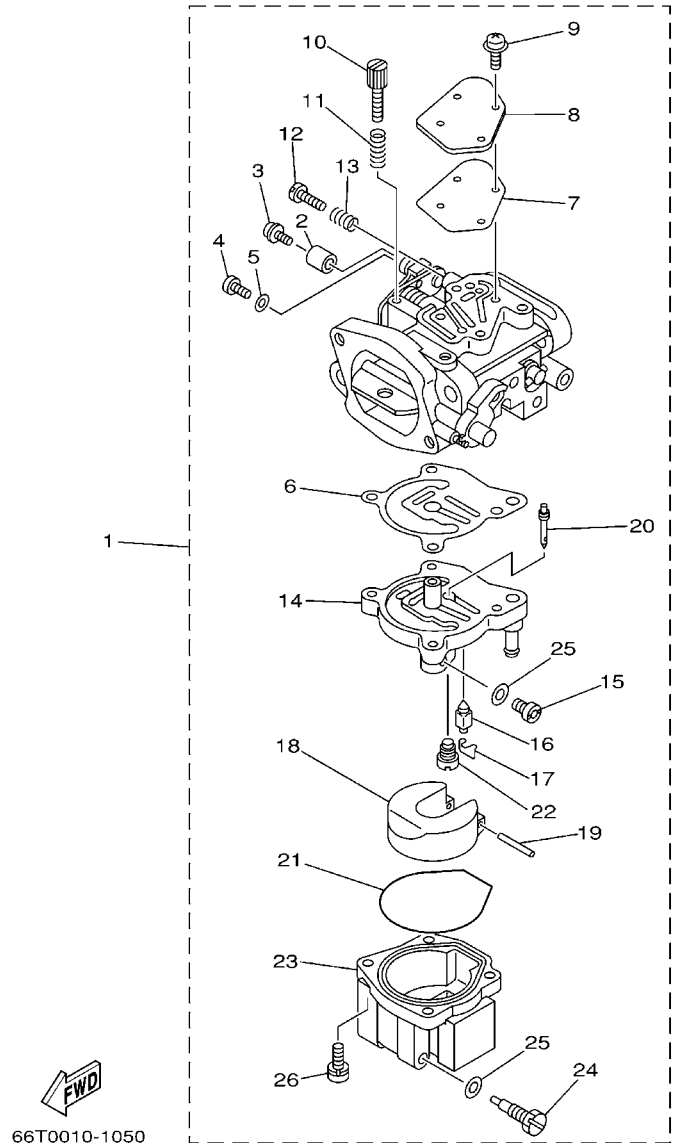


FIG. 4 INTAKE

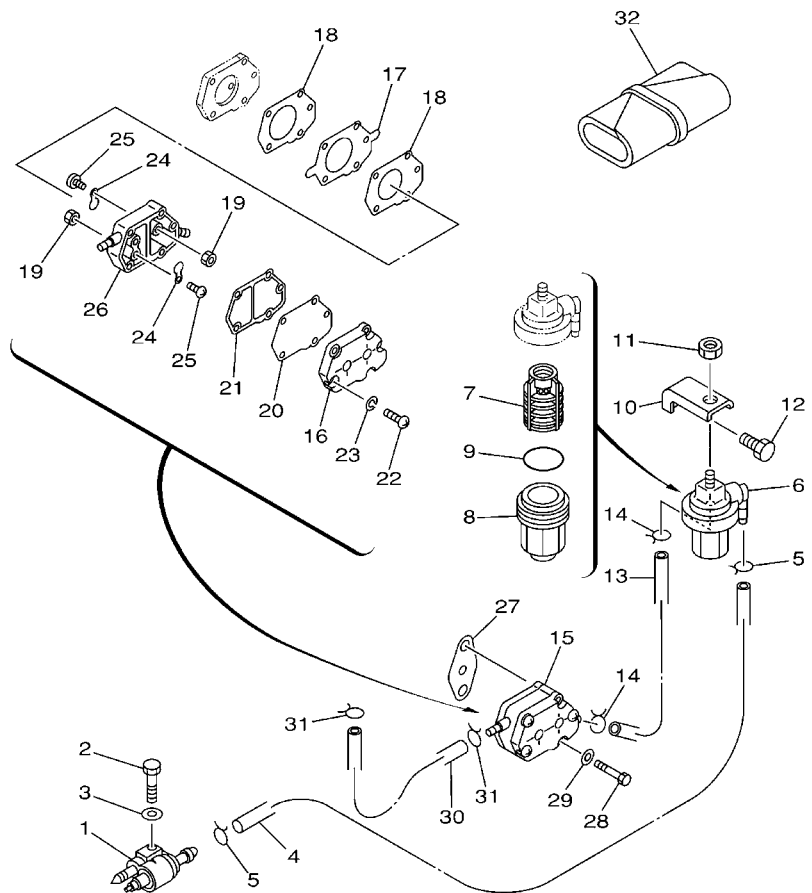
REF. NO.	PART NO.	DESCRIPTION	MH	W			REMARKS
1	66T-13610-00	REED VALVE ASSY	1	1			
2	66T-W0004-00	.REED SET	1	1			
3	66T-13641-02-1S	MANIFOLD 1	1	1			
4	6E5-13552-01	.NOZZLE	1	1			
5	650-11372-01	.NIPPLE, HOSE	1	1			
6	97013-06035	BOLT	8	8			
7	92903-06600	WASHER, PLATE	8	8			
8	90445-07M24	HOSE (L240)	1	1			
9	90445-07MA4	HOSE (L280)	1	1			
10	90467-06016	CLIP	2	2			
11	93210-46M16	O-RING	1	1			
12	90119-08M03	BOLT, WITH WASHER	2	2			
13	66T-14440-00	SILENCER ASSY, INTAKE	1	1			
14	93210-54M54	O-RING	1	1			
15	97885-06040	SCREW, PAN HEAD	2	2			
16	92995-06600	WASHER	2	2			
17	90387-06M80	COLLAR	2	2			
18	6H4-41271-01	KNOB, CHOKE	1	1			
19	689-41273-00	GROMMET	1	1			
20	6J8-41274-00	GROMMET 2	1	1			
21	66T-41256-00	ROD, CHOKE 1	1	1			
22	661-41262-02	JOINT, CHOKE LEVER	2	2			
23	66T-41252-00	LEVER, CHOKE 1	1	1			
24	91690-40032	PIN, SPRING	1	1			
25	66T-41257-00	ROD, CHOKE 2	1	1			



66T0010-1050

FIG. 5 CARBURETOR

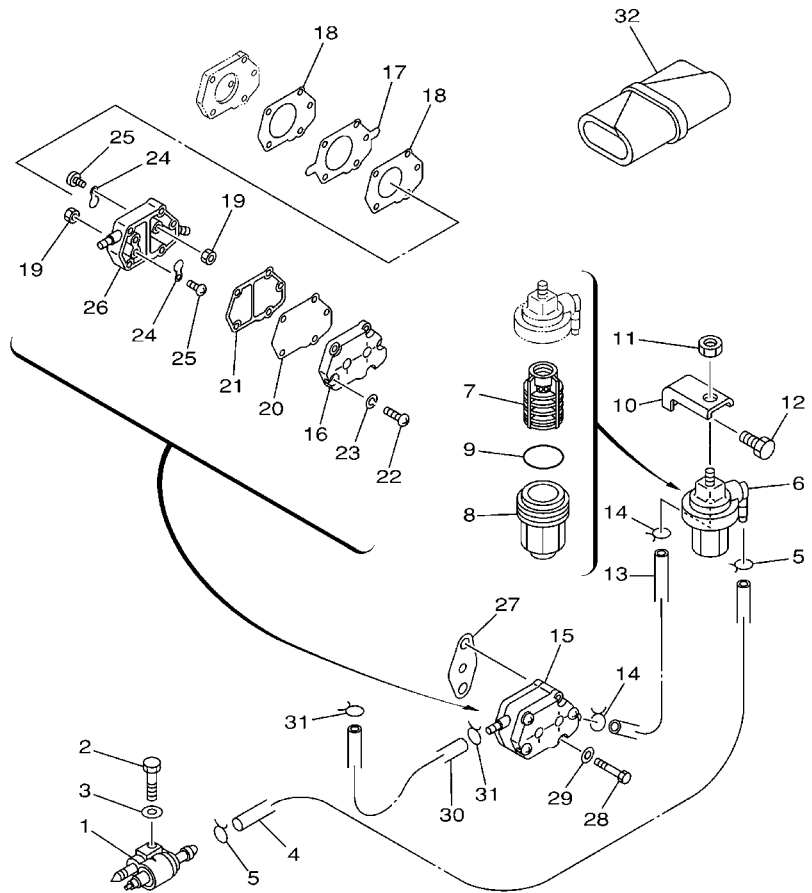
REF. NO.	PART NO.	DESCRIPTION	MH	W	REMARKS
1	66T-14301-02	CARBURETOR ASSY 1	1		
	66T-14301-12	CARBURETOR ASSY 1		1	
2	66T-14578-00	.COLLAR	1	1	
3	66T-14584-00	.STOPPER	1	1	
4	6J8-14592-01	.SCREW	1	1	
5	92990-05600	.WASHER, PLATE	1	1	
6	66T-14384-01	.GASKET, FLOAT CHAMBER	1	1	
7	66T-14536-00	.GASKET	1	1	
8	66T-14527-00	.PLATE	1	1	
9	97980-04112	.SCREW, WITH WASHER	4	4	
10	66T-14523-00	.SCREW, STOP	1	1	
11	6J8-14334-00	.SPRING, THROTTLE	1	1	
12	6E5-14323-03	.SCREW, AIR ADJUSTING	1	1	
13	6E5-14223-00	.SPRING, AIR ADJUSTING	1	1	
14	66T-14945-02	.SPACER ASSY (#38)	1	1	
15	61A-1492E-85	.JET, MAIN (#170)	1	1	
16	6E5-14546-00	.VALVE, NEEDLE	1	1	
17	6E5-14159-00	.CLIP	1	1	
18	6E5-14385-02	.FLOAT	1	1	
19	6E5-14386-02	.PIN, FLOAT	1	1	
20	66T-1492F-35	.JET, AIR SLOW (#70)	1	1	
21	66T-14984-00	.GASKET, FLOAT CHAMBER	1	1	
22	66T-14992-00	.PLUG	1	1	
23	66T-14981-00	.BODY, FLOAT CHAMBER	1	1	
24	66T-14991-00	.PLUG, DRAIN	1	1	
25	66T-14959-00	.GASKET	2	2	
26	97980-05125	.SCREW, WITH WASHER	4	4	



66T0010-1060

FIG. 6 FUEL

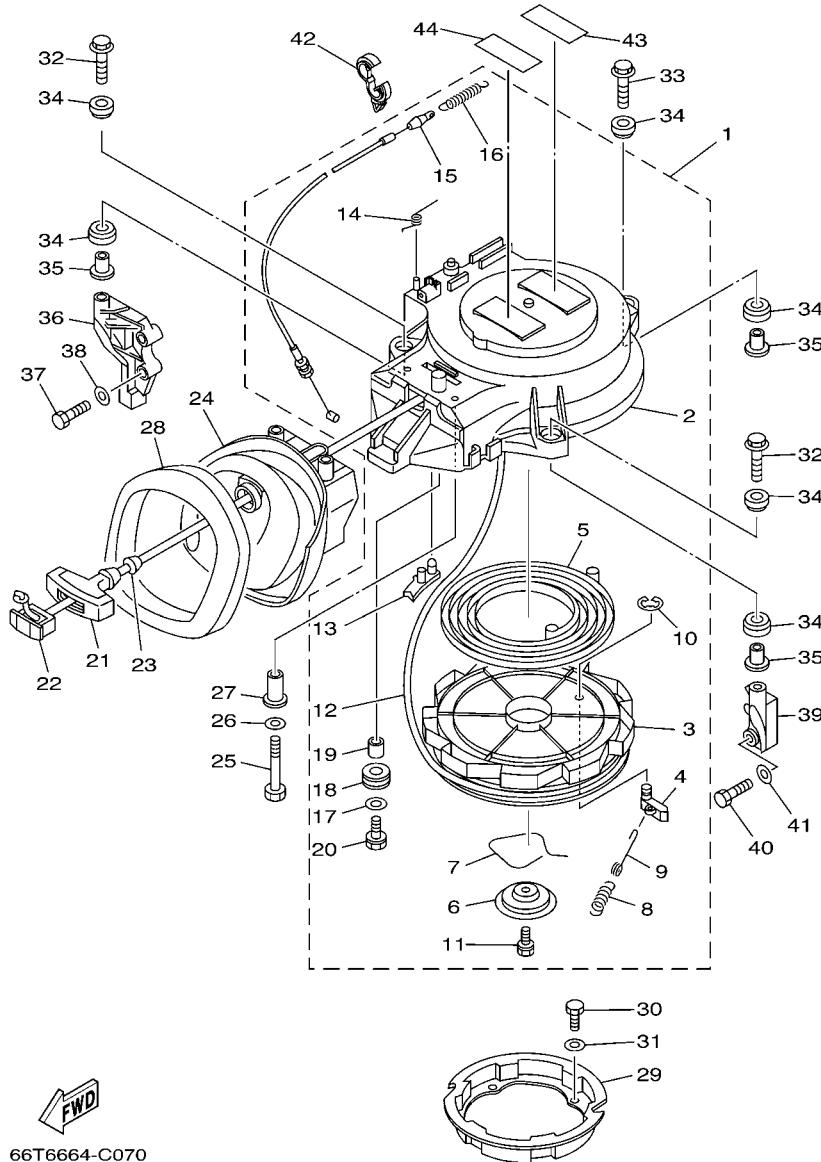
REF. NO.	PART NO.	DESCRIPTION	MH	W			REMARKS
1	6G1-24304-02	FUEL PIPE JOINT COMP. 1	1	1			
2	97095-06030	BOLT	1	1			
3	92995-06600	WASHER	1	1			
4	90445-09M08	HOSE (L550)	1	1			
5	90467-08004	CLIP	2	2			
6	61N-24560-00	FILTER ASSY	1	1			
7	61N-24563-00	.ELEMENT, FILTER	1	1			
8	61N-24521-00	.CUP, FILTER	1	1			
9	93210-32738	.O-RING	1	1			
10	648-24566-02	BRACKET, FILTER	1	1			
11	95380-08600	NUT	1	1			
12	97013-06014	BOLT	1	1			
13	90445-09086	HOSE (L170)	1	1			
14	90467-08004	CLIP	2	2			
15	692-24410-00	FUEL PUMP ASSY	1	1			
16	6A0-24413-00	.BODY 2	1	1			
17	692-24411-00	.DIAPHRAGM	1	1			
18	648-24434-01	.GASKET, BODY	2	2			
19	95380-03600	.NUT	2	2			
20	663-24411-00	.DIAPHRAGM	1	1			
21	648-24435-02	.GASKET, BODY 2	1	1			
22	98503-05028	.SCREW, PAN HEAD	3	3			
23	92990-05100	.WASHER, SPRING	3	3			
24	6A0-24421-01	.VALVE, CHECK	2	2			
25	6A0-14325-00	.SCREW, PAN HEAD	2	2			
26	6A0-24412-02	.BODY 1	1	1			
27	650-24431-A0	GASKET, FUEL PUMP 1	1	1			



66T0010-1060

FIG. 6 FUEL

REF. NO.	PART NO.	DESCRIPTION	MH	W		REMARKS
28	97095-06040	BOLT	2	2		
29	92995-06600	WASHER	2	2		
30	90445-09086	HOSE (L170)	1	1		
31	90467-08004	CLIP	2	2		
32	676-W2810-01	TOOL KIT	1	1		

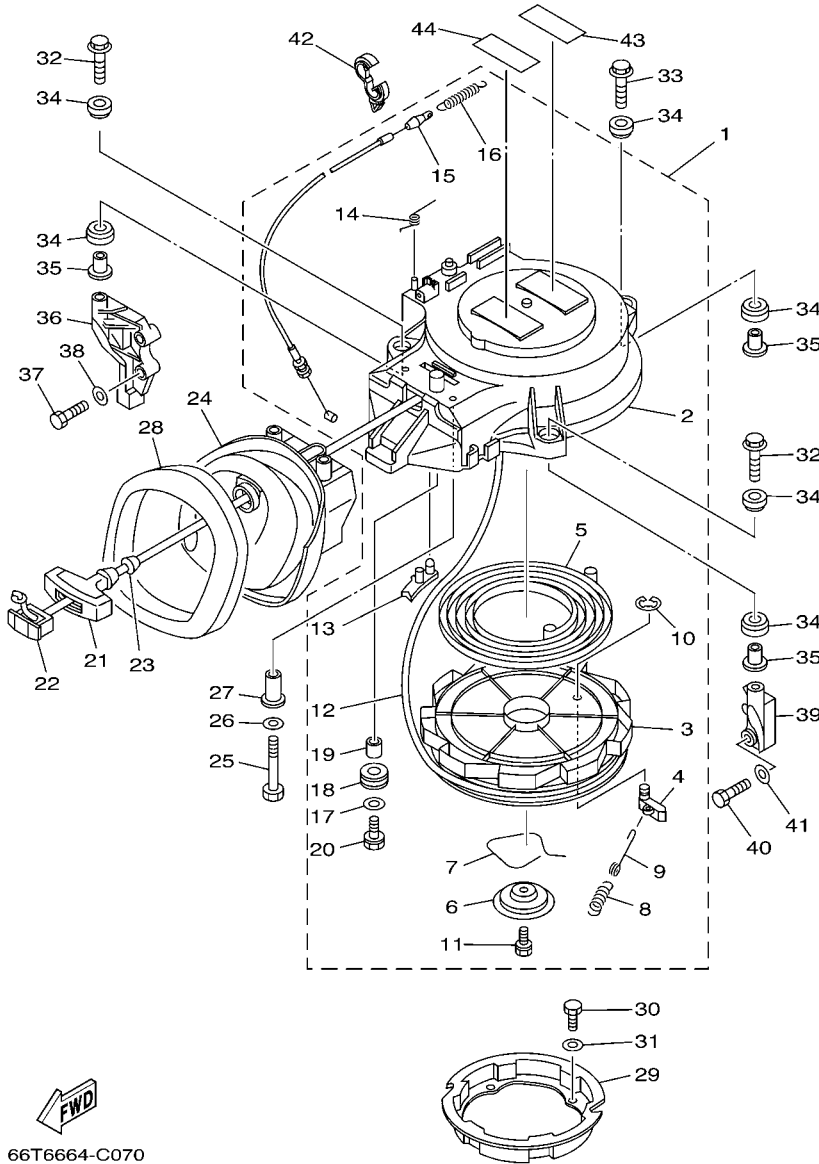


66T6664-C070

*1: CUT FROM 50M ROLLS, PART NO. 90890-44374, CUTTING LENGTH 1.8M

FIG. 7 STARTER

REF. NO.	PART NO.	DESCRIPTION	MH	W	REMARKS
1	66T-15710-00	STARTER ASSY	1	1	
2	66T-15711-00	.CASE, STARTER	1	1	
3	66T-15714-00	.DRUM, SHEAVE	1	1	
4	63V-15741-00	.PAWL, DRIVE	1	1	
5	66T-15713-00	.SPRING, STARTER	1	1	
6	66T-15716-00	.PLATE, DRIVE	1	1	
7	66T-15705-00	.SPRING, DRIVE PAWL	1	1	
8	66T-15767-00	.SPRING	1	1	
9	66T-15784-00	.SPRING, RETURN	1	1	
10	63V-15744-00	.CIRCLIP	1	1	
11	63V-15768-00	.BOLT	1	1	
12	*	.WIRE, STARTER (L:1800MM)	1	1	*1
13	66T-15794-00	.STOPPER	1	1	
14	66T-15734-00	.SPRING, RETURN	1	1	
15	66T-15770-00	.CABLE COMP., STARTER STOP	1	1	
16	66T-15731-00	.SPRING, RETURN	1	1	
17	6F5-15791-00	.WASHER, LOCK	1	1	
18	6F5-15752-00	.ROLLER, WIRE	1	1	
19	6F5-15753-00	.BUSH	1	1	
20	6F5-15768-00	.BOLT	1	1	
21	689-15755-01	HANDLE, STARTER	1	1	
22	6F5-15779-02	COVER	1	1	
23	697-15789-00	DAMPER	1	1	
24	66T-15758-01	GUIDE, ROPE	1	1	
25	97095-06035	BOLT	2	2	
26	92995-06600	WASHER	2	2	
27	90387-06M66	COLLAR	2	2	



66T6664-C070

*1: CUT FROM 50M ROLLS, PART NO. 90890-44374, CUTTING LENGTH 1.8M

FIG. 7 STARTER

REF. NO.	PART NO.	DESCRIPTION	MH	W			REMARKS
28	66T-15762-01	SEAL, RUBBER 2	1	1			
29	66T-15723-00	PULLEY, STARTER	1	1			
30	97095-06010	BOLT	4	4			
31	92995-06600	WASHER	4	4			
32	90119-08M10	BOLT, WITH WASHER	2	2			
33	90119-08M51	BOLT, WITH WASHER	1	1			
34	90385-12M04	BUSH	6	6			
35	90387-08M05	COLLAR	3	3			
36	66T-15771-00-94	STAY 1	1	1			
37	97013-06030	BOLT	2	2			
38	92903-06600	WASHER, PLATE	2	2			
39	66T-15772-00-94	STAY 2	1	1			
40	97013-06030	BOLT	2	2			
41	92903-06600	WASHER, PLATE	2	2			
42	90464-13249	CLAMP		1			
43	6A1-83625-41	MARK 5	1	1			
44	6A1-83625-51	MARK 5	1	1			



66T0010-1080

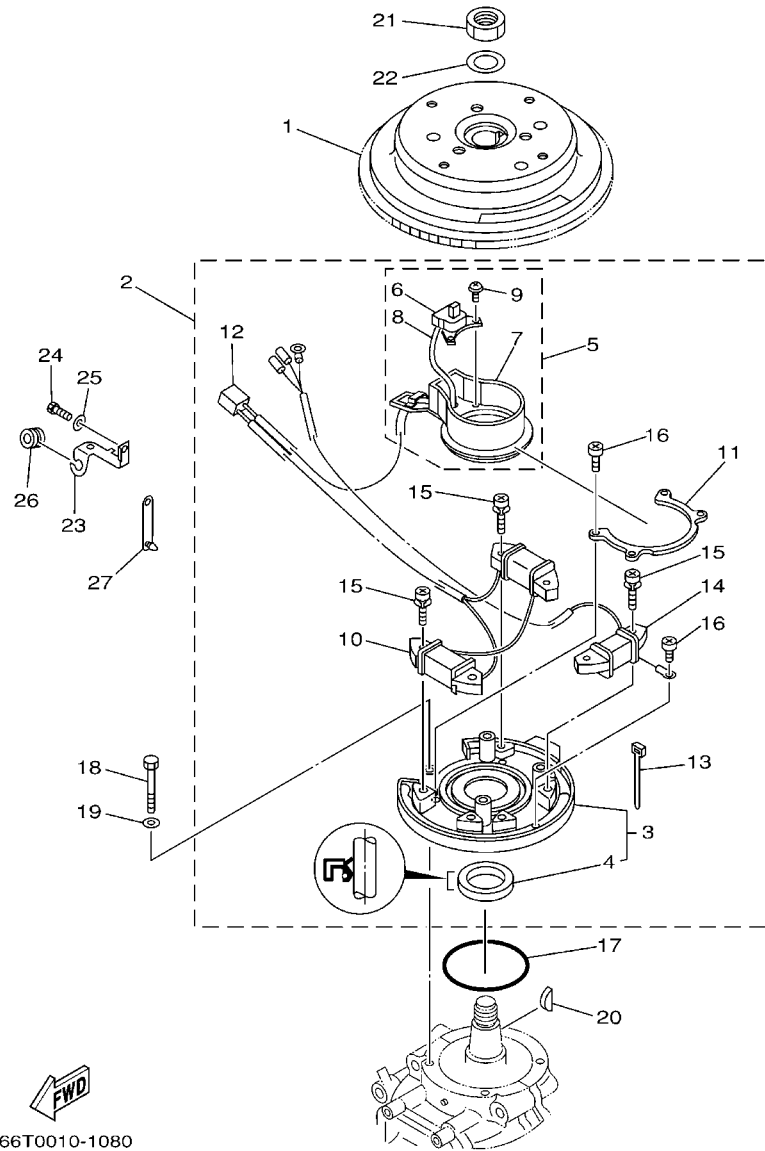
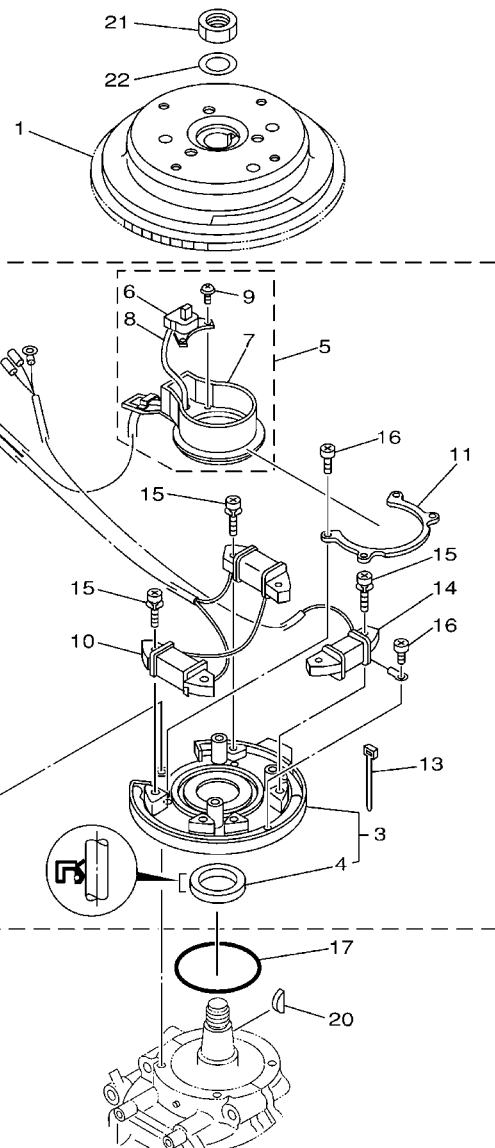


FIG. 8 GENERATOR

REF. NO.	PART NO.	DESCRIPTION	MH	W			REMARKS
1	66T-85550-10	ROTOR ASSY	1				
	66T-85550-00	ROTOR ASSY		1			
2	66T-85560-01	BASE ASSY	1	1			
3	66T-85561-00	.BASE, MAGNETO	1	1			
4	93102-35008	..OIL SEAL	1	1			
5	66T-85580-00	..PULSER COIL ASSY	1	1			
6	66T-85596-00	..COIL, PULSER 1	1	1			
7	66T-85582-00	..ATTACHMENT, PULSER	1	1			
8	66T-85515-00	..LEAD WIRE ASSY	1	1			
9	97902-04108	..SCREW, WITH WASHER	2	2			
10	66T-85520-00	..COIL, CHARGE	1	1			
11	66T-41611-00	..RETAINER, MAGNETO BASE	1	1			
12	9E471-04305	..CONNECTOR	1	1			
13	66T-81328-00	..CLAMP	1	1			
14	66T-85533-00	..COIL, LIGHTING	1	1			
15	97902-06125	..SCREW, WITH WASHER	6	6			
16	97802-04006	..SCREW, PAN HEAD	5	5			
17	93210-75M51	O-RING	1	1			
18	97095-06040	BOLT	4	4			
19	92995-06600	WASHER	4	4			
20	90280-05015	KEY, WOODRUFF	1	1			
21	90170-20137	NUT	1	1			
22	90201-21M18	WASHER, PLATE	1	1			
23	90465-15M74	CLAMP	1	1			
24	97095-06016	BOLT	1	1			
25	92995-06600	WASHER	1	1			
26	90480-10M71	GROMMET	1	1			

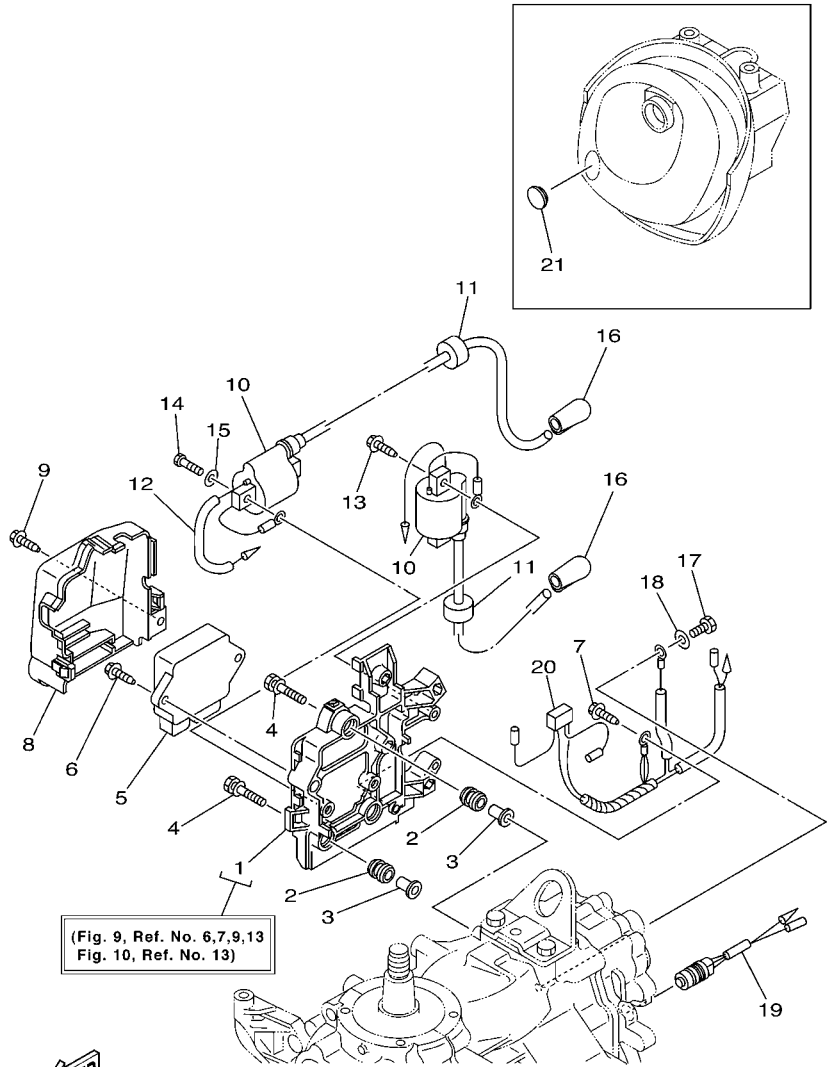


66T0010-1080

FIG. 8 GENERATOR

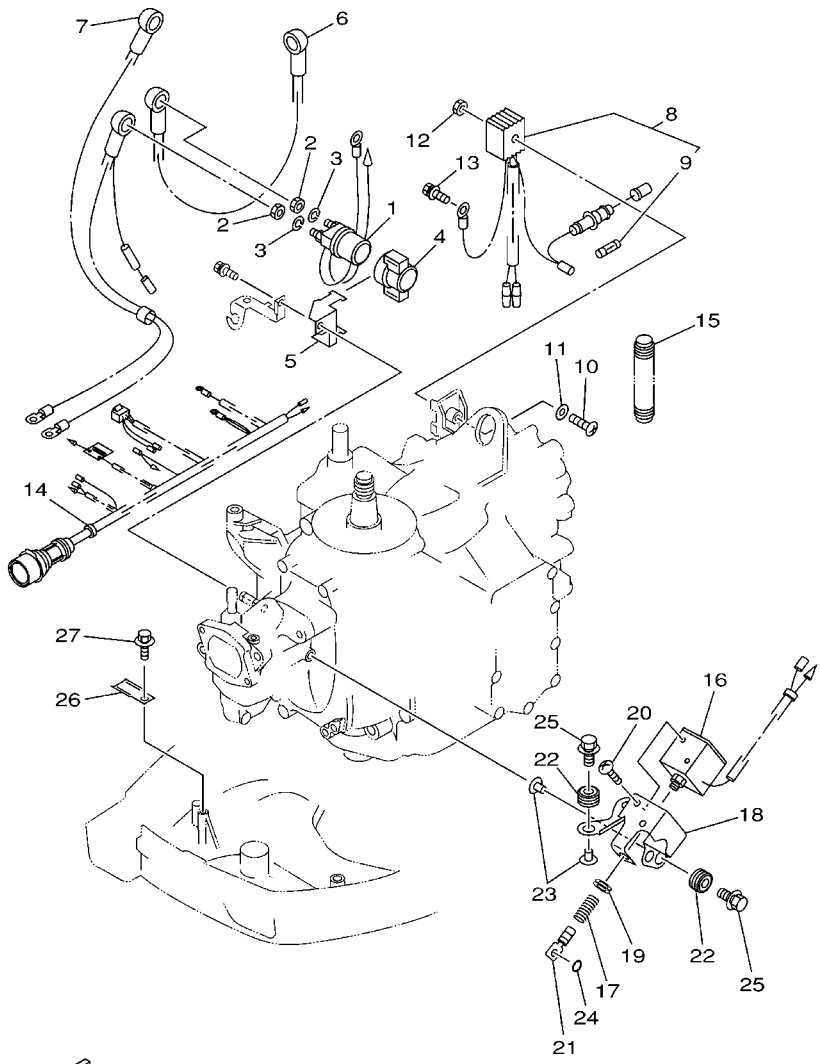
REF. NO.	PART NO.	DESCRIPTION	MH	W	REMARKS
27	90464-12M00	CLAMP	1	1	

FIG. 9 ELECTRICAL 1



REF. NO.	PART NO.	DESCRIPTION	MH	W	REMARKS
1	66T-8554B-01-94	BRACKET	1	1	
2	6A0-82317-00	DAMPER, IGNITION COIL	3	3	
3	624-42542-00	PIPE	3	3	
4	90119-06M65	BOLT, WITH WASHER	3	3	
5	66T-85540-00	C.D.I. UNIT ASSY	1	1	
6	90109-06M81	BOLT	2	2	
7	90109-06M80	BOLT	1	1	
8	66T-81916-01	COVER, TERMINAL	1	1	
9	90109-06M81	BOLT	1	1	
10	66T-85570-00	IGNITION COIL ASSY	2	2	
11	90480-25161	GROMMET	2	2	
12	90446-03MA3	HOSE	1	1	
13	90109-06M81	BOLT	2	2	
14	97095-06025	BOLT	2	2	
15	92995-06600	WASHER	2	2	
16	6E3-82370-21	PLUG CAP ASSY	2	2	
17	97095-06012	BOLT	1	1	
18	92995-06600	WASHER	1	1	
19	688-82560-10	THERMO SWITCH ASSY	1	1	
20	66T-82519-00	WIRE, EARTH LEAD	1		
21	6G1-42725-00	GROMMET	1	1	

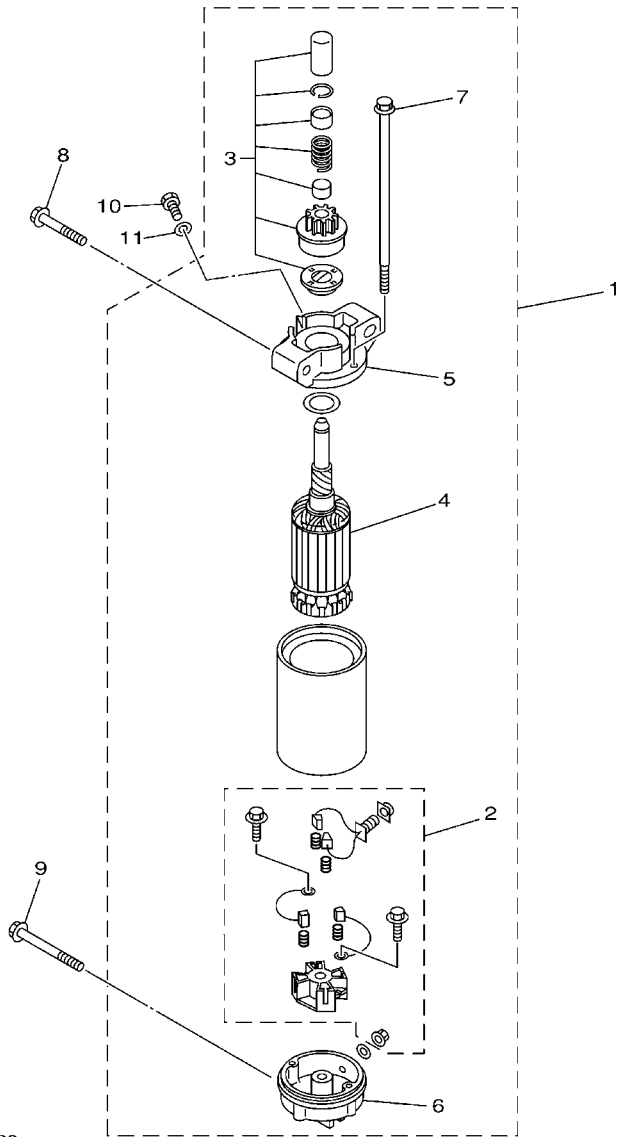
66T2664-2090



66T0664-1100

FIG. 10 ELECTRICAL 2

REF. NO.	PART NO.	DESCRIPTION	MH	W		REMARKS
1	6G1-8194A-10	RELAY		1		
2	90170-06M30	NUT		2		
3	90204-06M00	WASHER, SPRING		2		
4	6G1-81952-00	HOLDER, RELAY		1		
5	6L2-81945-00	PLATE, SWITCH FITTING		1		
6	6E5-82117-01	WIRE, LEAD		1		
7	66T-82105-00	WIRE HARNESS		1		
8	6G1-81970-61	RECTIFIER ASSY		1		
9	6G1-82151-00	.FUSE (10A)		1		
10	97880-05030	SCREW, PAN HEAD		1		
11	92990-05600	WASHER, PLATE		1		
12	95380-05600	NUT		1		
13	90109-06M80	BOLT		1		
14	66T-82590-00	WIRE HARNESS ASSY		1		
15	66T-83557-00	TUBE (I.DIA:13MM)		1		
16	6J4-86111-00	COIL, SOLENOID		1		
17	6J4-86116-00	WIRE, PULL		1		
18	66T-86112-00	STAY, SOLENOID		1		
19	90480-10155	GROMMET		1		
20	97880-05008	SCREW, PAN HEAD		4		
21	682-86117-00	HOOK, WIRE PULL		1		
22	90480-10M23	GROMMET		3		
23	90387-06M60	COLLAR		3		
24	93210-03261	O-RING		1		
25	90119-06M88	BOLT, WITH WASHER		3		
26	90465-20M31	CLAMP		1		
27	90109-06M86	BOLT		1		



66T0010-1120

FIG. 11 STARTING MOTOR

REF. NO.	PART NO.	DESCRIPTION	MH	W	REMARKS
1	66T-81800-01	STARTING MOTOR ASSY		1	
2	66T-81840-00	.BRUSH HOLDER ASSY		1	
3	66T-81857-00	.PINION STOPPER SET		1	
4	66T-81850-01	.ARMATURE ASSY		1	
5	66T-81830-00	.FRONT BRACKET ASSY		1	
6	66T-81820-00	.REAR BRACKET ASSY		1	
7	66T-81826-00	.BOLT		2	
8	90119-08M39	BOLT, WITH WASHER		2	
9	90119-08M52	BOLT, WITH WASHER		1	
10	97095-08016	BOLT		1	
11	92995-08600	WASHER		1	

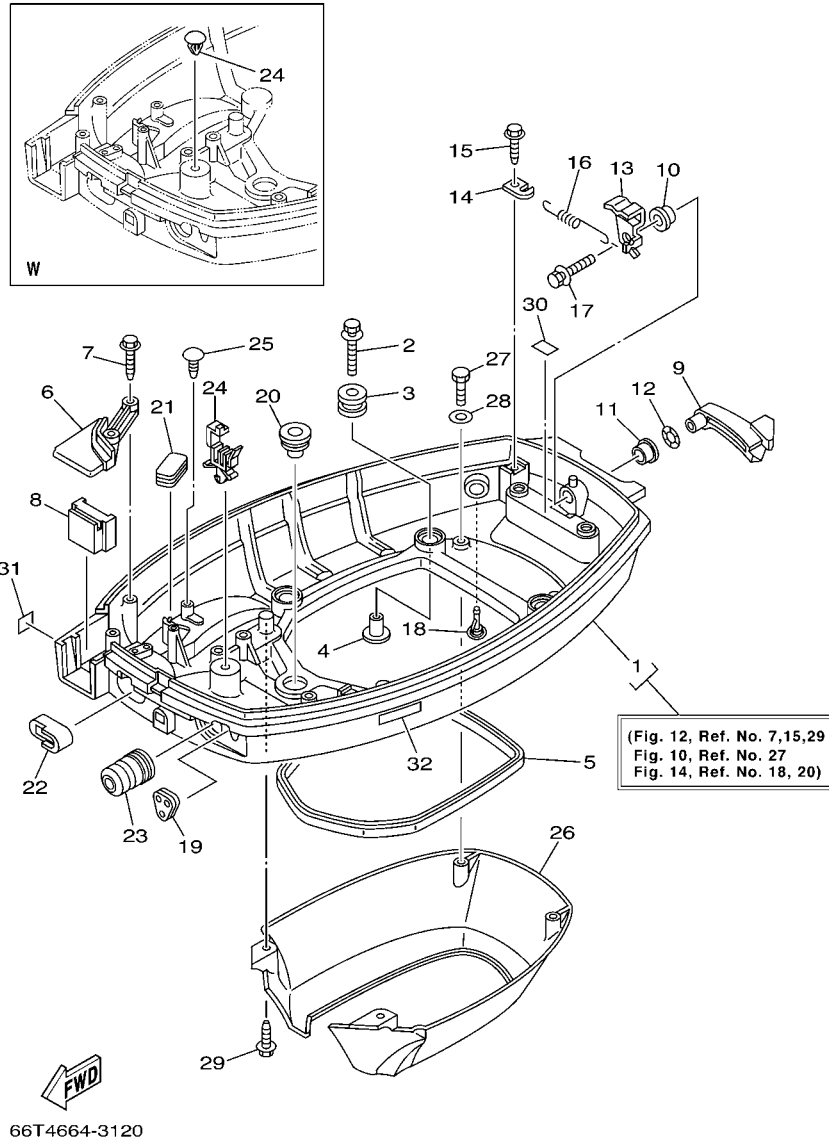


FIG. 12 BOTTOM COWLING

REF. NO.	PART NO.	DESCRIPTION	MH	W			REMARKS
1	66T-42710-01-4D	BOTTOM COWLING ASSY	1	1			
2	90119-06M61	BOLT, WITH WASHER	4	4			
3	90480-09M21	GROMMET	4	4			
4	90387-06035	COLLAR	4	4			
5	66T-42716-00	RUBBER, SEAL 1	1	1			
6	66T-42738-00-5B	PLATE, FITTING	1	1			
7	90109-06M81	BOLT	2	2			
8	66T-42725-00	GROMMET	1				
	66T-42725-20	GROMMET		1			
9	66T-42815-01-4D	LEVER, CLAMP	1	1			
10	90386-12M37	BUSH	1	1			
11	90386-12MA2	BUSH	1	1			
12	90206-12052	WASHER, WAVE	1	1			
13	66T-42816-00	LEVER, CLAMP	1	1			
14	66T-43144-00	HOOK, SPRING	1	1			
15	90109-06M86	BOLT	1	1			
16	90506-16M34	SPRING, TENSION	1	1			
17	90119-06M73	BOLT, WITH WASHER	1	1			
18	6E5-44391-00	NIPPLE, HOSE	1	1			
19	65W-26326-00	GROMMET	1				
	65W-26326-10	GROMMET		1			
20	676-42727-00	GROMMET	1	1			
21	6H4-42726-00	GROMMET	1	1			
22	66T-24329-00	SEAL	1	1			
23	65W-42726-00	GROMMET	1				
	65W-42726-10	GROMMET		1			
24	90465-25M57	CLAMP	1				

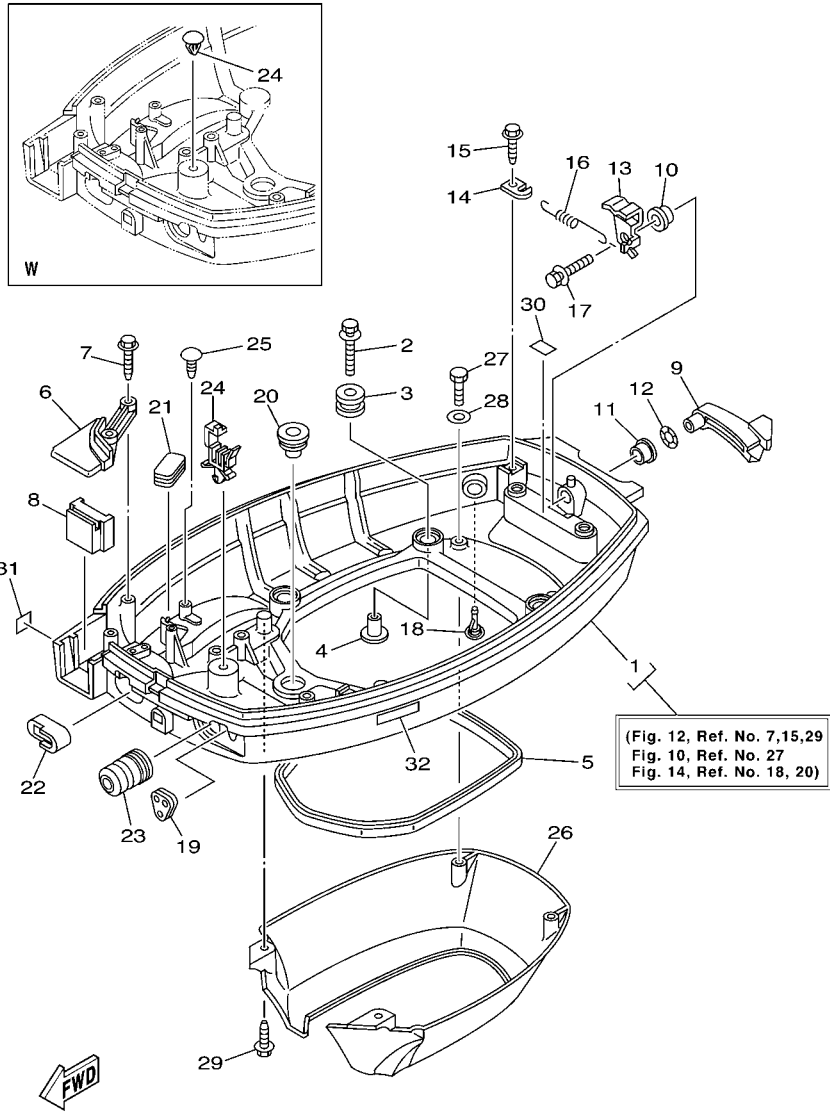
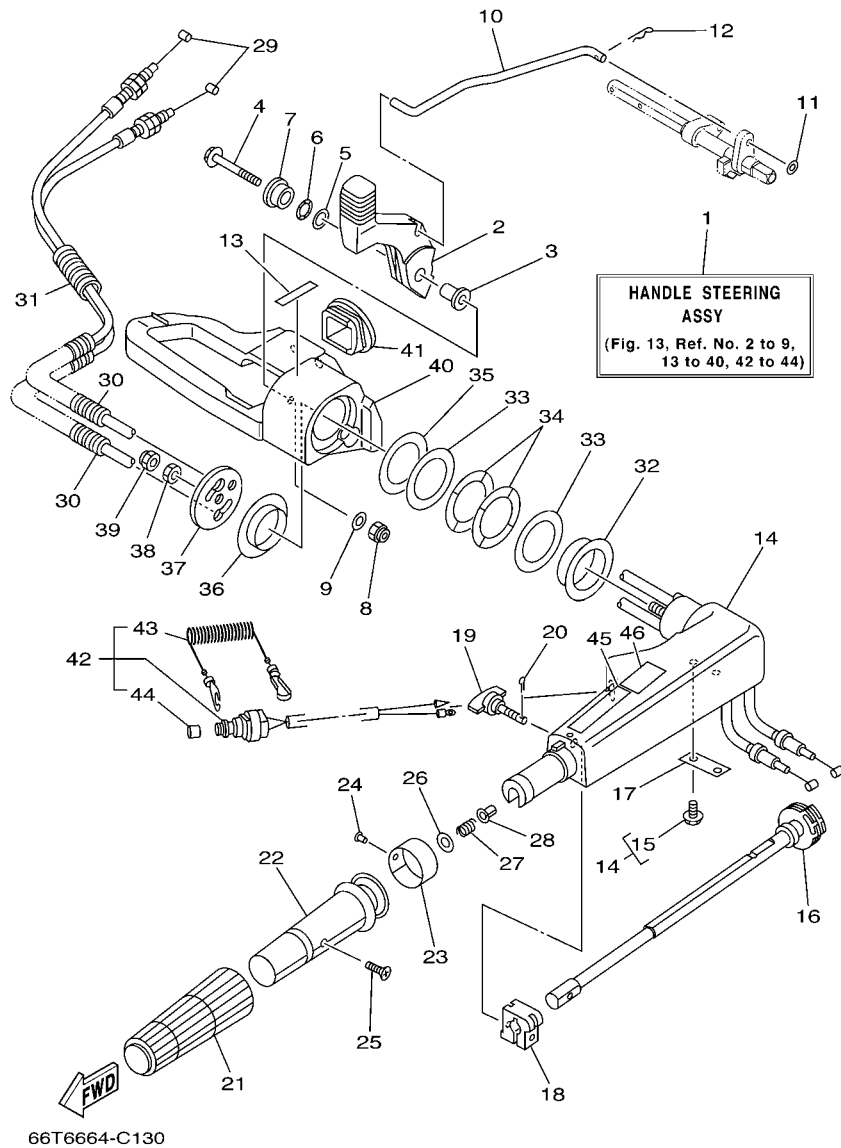


FIG. 12 BOTTOM COWLING

REF. NO.	PART NO.	DESCRIPTION	MH	W	REMARKS
24	90338-07M00	PLUG		1	
25	90338-05M03	PLUG	1	1	
26	66T-42741-00	APRON	1	1	
27	97095-06016	BOLT	2	2	
28	92995-06600	WASHER	2	2	
29	90109-06M80	BOLT	2	2	
30	664-42791-10	MARK 1	1	1	
31	6A1-28176-00	LABEL, CAUTION	1	1	
32	6E3-8257H-00	PLATE, MARK	1	1	



66T6664-C130

FIG. 13 STEERING

REF. NO.	PART NO.	DESCRIPTION	MH	W	REMARKS
1	66T-W0084-02-4D	HANDLE STEERING ASSY	1		
2	66T-44111-02	HANDLE, GEAR SHIFT	1		
3	90387-06M86	COLLAR	1		
4	97595-06550	BOLT, WITH WASHER	1		
5	90201-12M07	WASHER, PLATE	1		
6	90206-12052	WASHER, WAVE	1		
7	66T-42123-00	BOLT, HANDLE JOINT	1		
8	95780-06300	NUT, FLANGE	1		
9	92995-06200	WASHER	1		
10	66T-44124-00	LINK, SHIFT ROD	1		
11	92990-06200	WASHER, PLAIN	1		
12	90468-18008	CLIP	1		
13	6E0-44191-11	INDICATOR, SHIFT	1		
14	65W-42101-01-4D	HANDLE, STEERING	1		
15	90109-06M86	.BOLT	2		
16	65W-42138-00	LEVER, THROTTLE	1		
17	65W-42159-00	STAY	1		
18	6G1-42126-00	FRICTION, STEERING HANDLE GRIP	1		
19	65W-42125-00	BOLT, FRICTION ADJUSTING	1		
20	91490-20010	PIN, COTTER	1		
21	6F6-42177-A0	RUBBER, HANDLE	1		
22	664-42119-00	GRIP, STEERING HANDLE	1		
23	6G1-42137-10	INDICATOR, THROTTLE	1		
24	90269-02M09	RIVET	1		
25	90149-05M13	SCREW	1		
26	92903-10600	WASHER, PLATE	1		
27	90501-23215	SPRING, COMPRESSION	1		

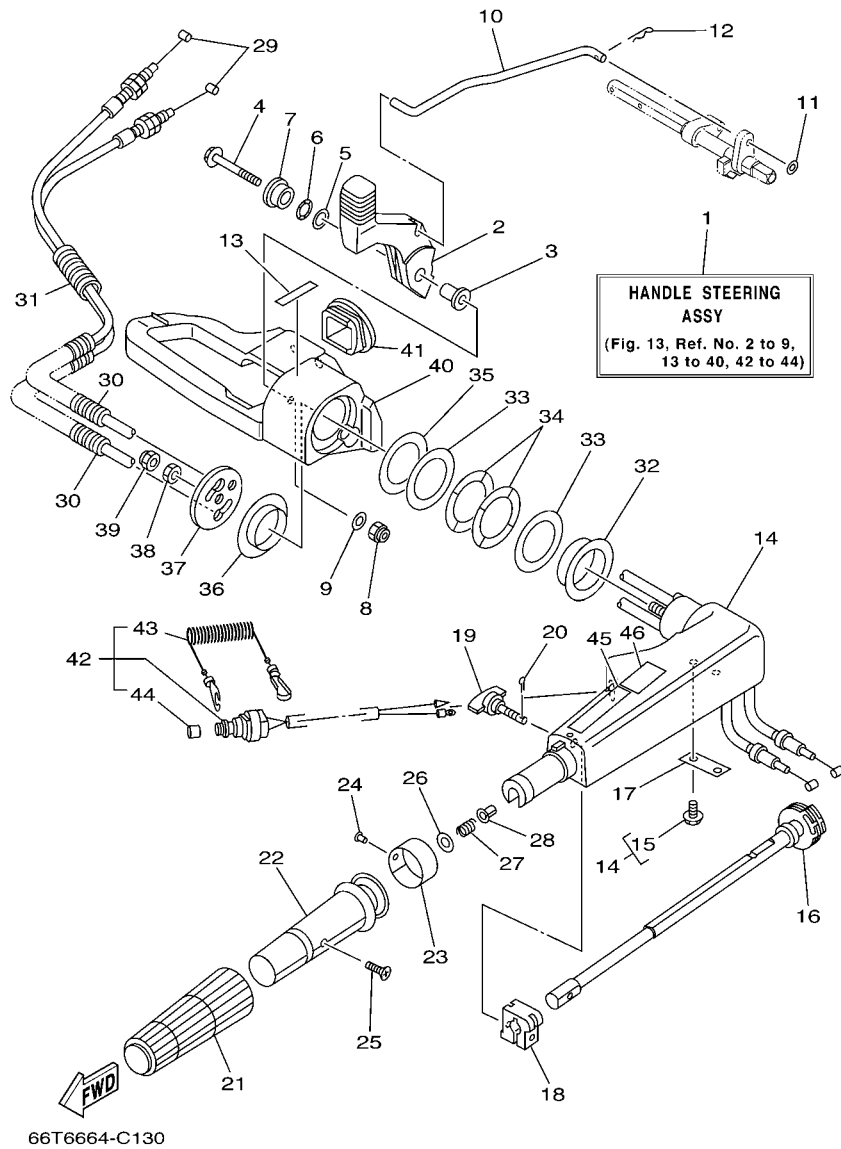
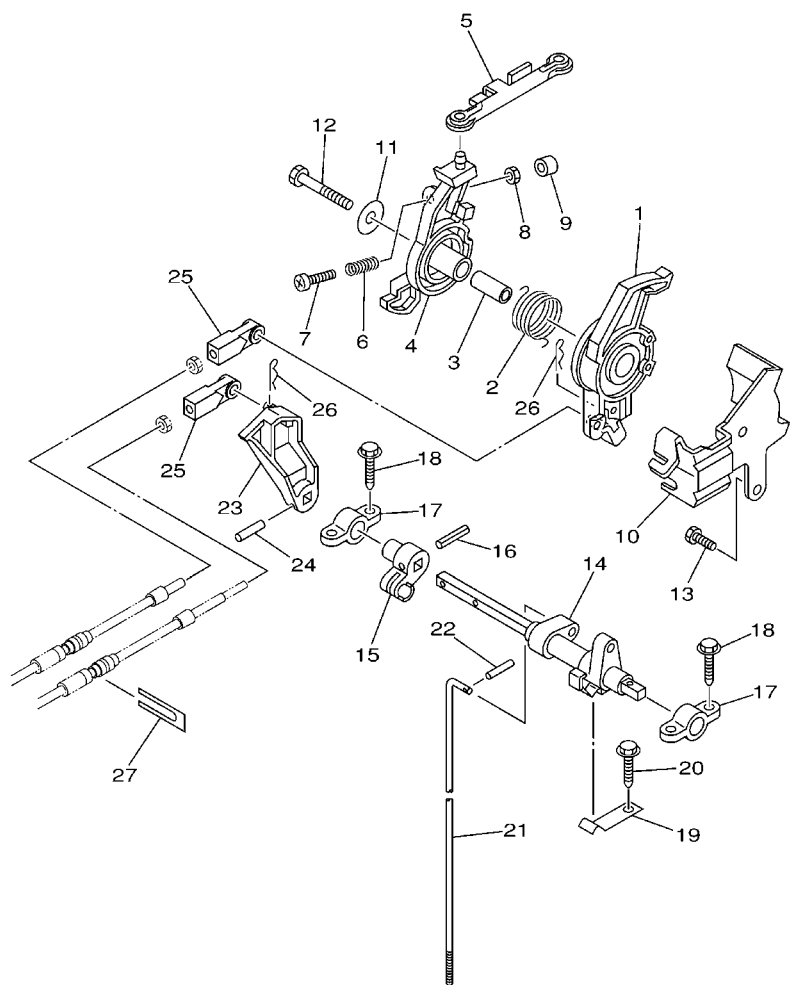


FIG. 13 STEERING

REF. NO.	PART NO.	DESCRIPTION	MH	W	REMARKS
28	90386-08032	BUSH	1		
29	66T-26301-00	THROTTLE CABLE ASSY	2		
30	90446-10M87	HOSE (L75)	2		
31	90446-10M86	HOSE	2		
32	90386-40MA0	BUSH	1		
33	90201-43M00	WASHER, PLATE	2		
34	90206-43M22	WASHER, WAVE	2		
35	90202-43M57	WASHER, PLATE	1		
36	90386-40M99	BUSH	1		
37	65W-42131-01	COVER, HANDLE STEERING	1		
38	95380-10700	NUT	1		
39	95780-10300	NUT, FLANGE	1		
40	65W-42121-01-4D	BRACKET	1		
41	66T-41273-00	GROMMET	1		
42	66T-82575-01	ENGINE STOP SWITCH ASSY	1		
43	682-82556-00	.STOPPER	1		
44	689-8257Y-00	.CAP	1		
45	6E0-83627-41	LABEL, CAUTION 7	1		
46	6E0-83627-51	LABEL, CAUTION 7	1		

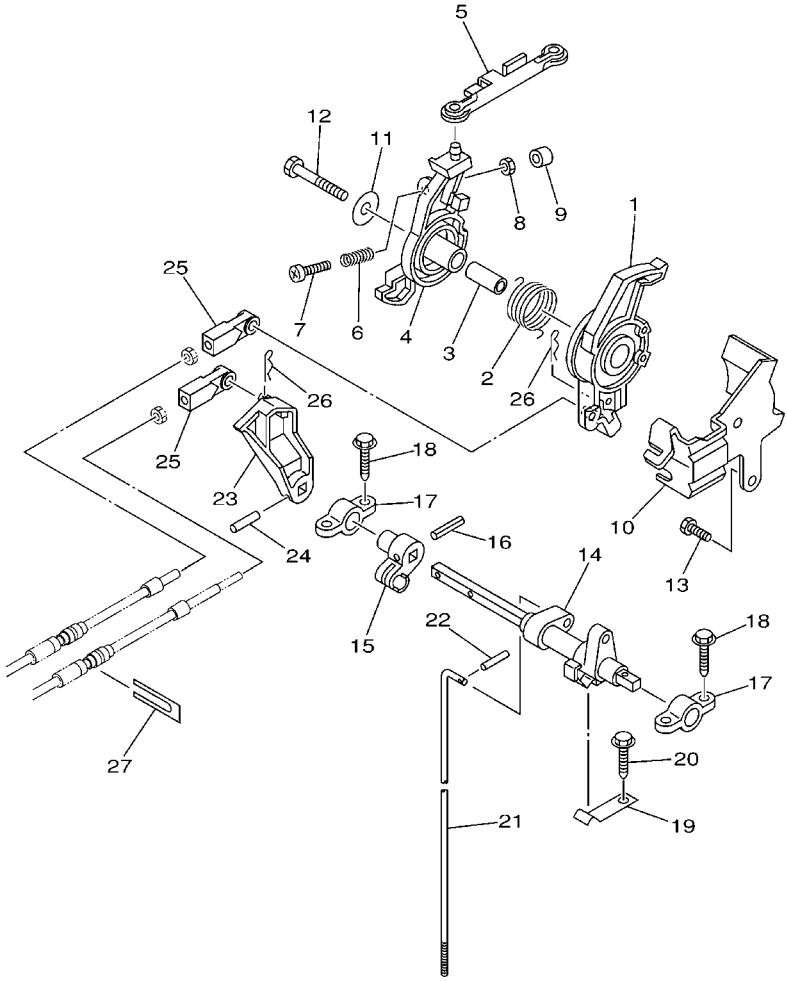
FIG. 14 CONTROL




66T0664-1140

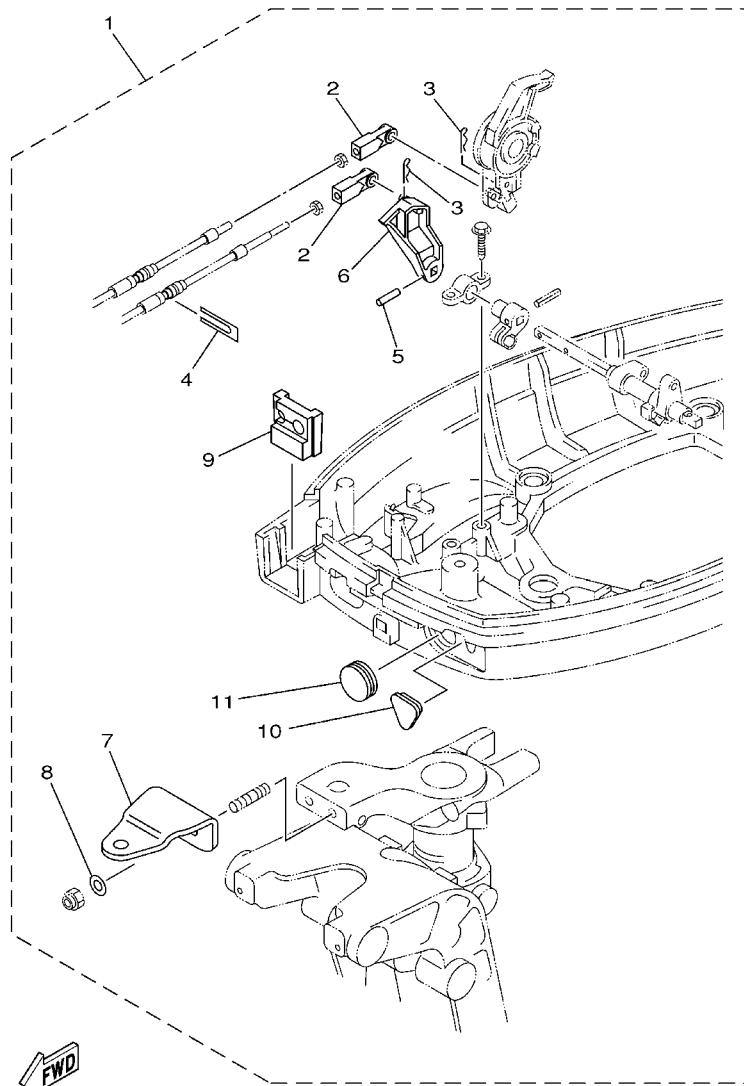
REF. NO.	PART NO.	DESCRIPTION	MH	W		REMARKS
1	66T-41638-00	PULLEY	1	1		
2	66T-42167-00	SPRING 1	1	1		
3	90387-08M16	COLLAR	1	1		
4	66T-41631-01	LEVER, MAGNETO CONTROL	1	1		
5	66T-41237-00	JOINT, LINK	1	1		
6	90501-10M84	SPRING, COMPRESSION	1	1		
7	97880-06035	SCREW, PAN HEAD	1	1		
8	95380-06700	NUT	1	1		
9	688-44194-00	CAP	1	1		
10	66T-14497-00	STAY, THROTTLE WIRE	1	1		
11	90201-08M54	WASHER, PLATE	1	1		
12	97095-08045	BOLT	1	1		
13	97095-06014	BOLT	1	1		
14	66T-44121-00	LEVER, SHIFT ROD	1	1		
15	66M-44122-00	BUSHING, SHIFT ROD LEVER	1	1		
16	90254-03M05	PIN, SPRING	1	1		
17	6F5-41662-00	BRACKET	2	2		
18	90109-06M81	BOLT	4	4		
19	682-44116-01	SPRING	1	1		
20	90109-06M86	BOLT	1	1		
21	66T-44143-00	ROD, SHIFT	1			S
	66T-44143-10	ROD, SHIFT	1	1		L
22	91490-16012	PIN, COTTER	1	1		
23	66T-44125-01	LEVER, SHIFT ROD	1	1		
24	90254-03M04	PIN, SPRING	1	1		
25	663-48344-00	CABLE END, REMOTE CONTROL		2		
26	90468-18008	CLIP		2		

FIG. 14 CONTROL



REF. NO.	PART NO.	DESCRIPTION	MH	W			REMARKS
27	6H3-48538-00	CLAMP, CABLE 1		1			

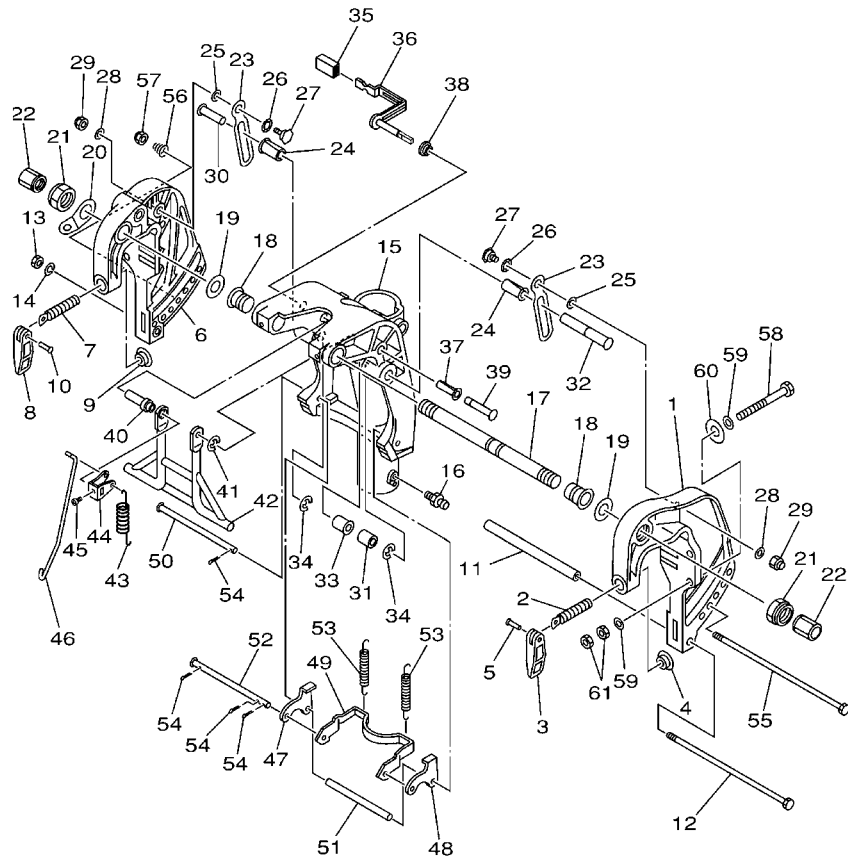

66T0664-1140



66T0010-1170

FIG. 15 REMO CON ATTACHMENT

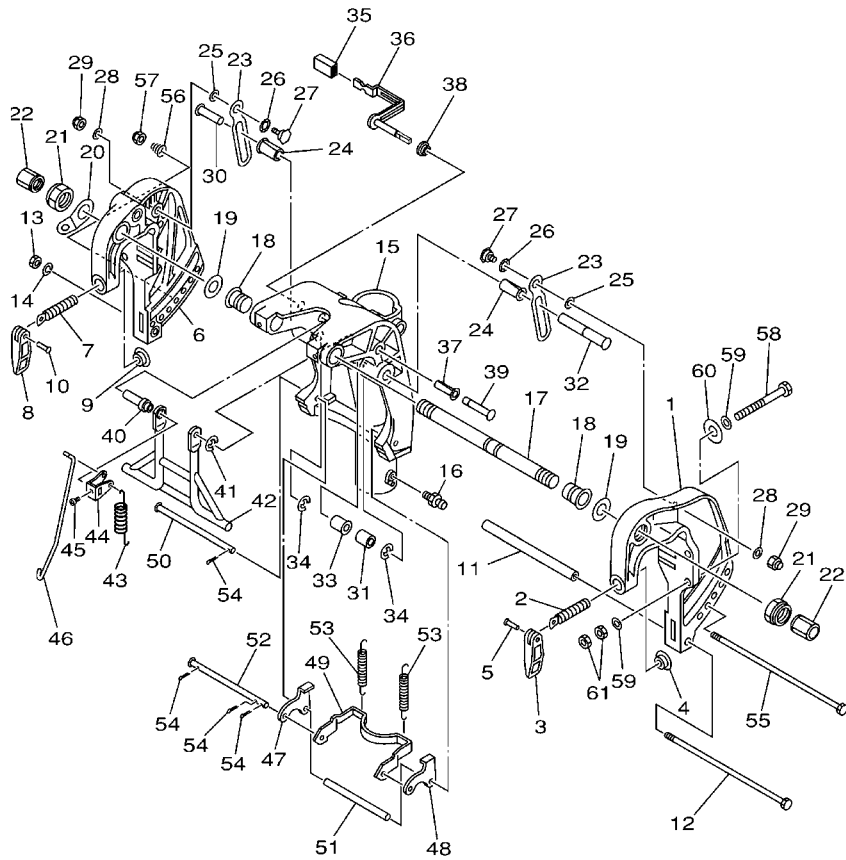
REF. NO.	PART NO.	DESCRIPTION	MH	W		REMARKS
1	66T-48501-01	REMOTE CONT. ATTACHMENT ASSY.	1	1		AP
2	663-48344-00	.CABLE END, REMOTE CONTROL	2	2		
3	90468-18008	.CLIP	2	2		
4	6H3-48538-00	.CLAMP, CABLE 1	1	1		
5	90254-03M04	.PIN, SPRING	1	1		
6	66T-44125-01	.LEVER, SHIFT ROD	1	1		
7	65W-48511-00	.HOOK, STEERING	1	1		
8	90201-10120	.WASHER, PLATE	2	2		
9	66T-42725-30	.GROMMET	1	1		
10	65W-26326-10	.GROMMET	1	1		
11	65W-42726-10	.GROMMET	1	1		



66T0010-1180

FIG. 16 BRACKET 1

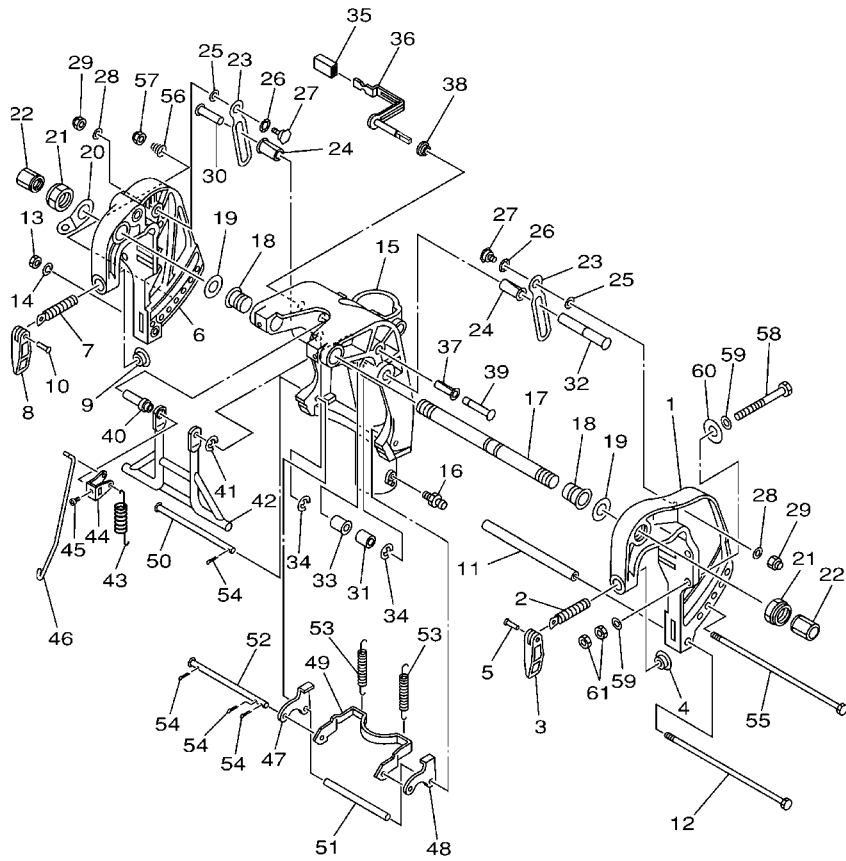
REF. NO.	PART NO.	DESCRIPTION	MH	W	REMARKS
1	66T-43111-01-4D	BRACKET, CLAMP	1	1	
2	90149-14M12	SCREW	1	1	
3	663-43118-01-4D	HANDLE, TRANSOM CLAMP	1	1	
4	648-43114-01	PAD, TRANSOM CLAMP	1	1	
5	90243-04007	PIN	1	1	
6	66T-43112-01-4D	BRACKET, CLAMP	1	1	
7	90149-14M12	SCREW	1	1	
8	663-43118-01-4D	HANDLE, TRANSOM CLAMP	1	1	
9	648-43114-01	PAD, TRANSOM CLAMP	1	1	
10	90243-04007	PIN	1	1	
11	90387-08M29	COLLAR	1	1	
12	90101-08M76	BOLT	1	1	
13	95380-08600	NUT	1	1	
14	92990-08100	WASHER, SPRING	1	1	
15	65W-43311-00-4D	BRACKET, SWIVEL 1	1		S
16	65W-43311-10-4D	BRACKET, SWIVEL 1	1	1	L
17	93700-06M03	NIPPLE, GREASE	3	3	
18	63D-43131-01	BOLT, CLAMP BRACKET	1	1	
19	90386-22M15	BUSH	2	2	
20	90201-22M03	WASHER, PLATE	2	2	
21	6J8-43113-01	PLATE, CLAMP BRACKET	1	1	
22	90185-22043	NUT, SELF-LOCKING	2	2	
23	6G5-43145-01	CAP, CLAMP BRACKET	2	2	
24	66T-43627-00	STOPPER	2	2	
25	90386-12M98	BUSH	2	2	
26	90202-12031	WASHER, PLATE	2	2	
27	90206-12M00	WASHER, WAVE	2	2	



66T0010-1180

FIG. 16 BRACKET 1

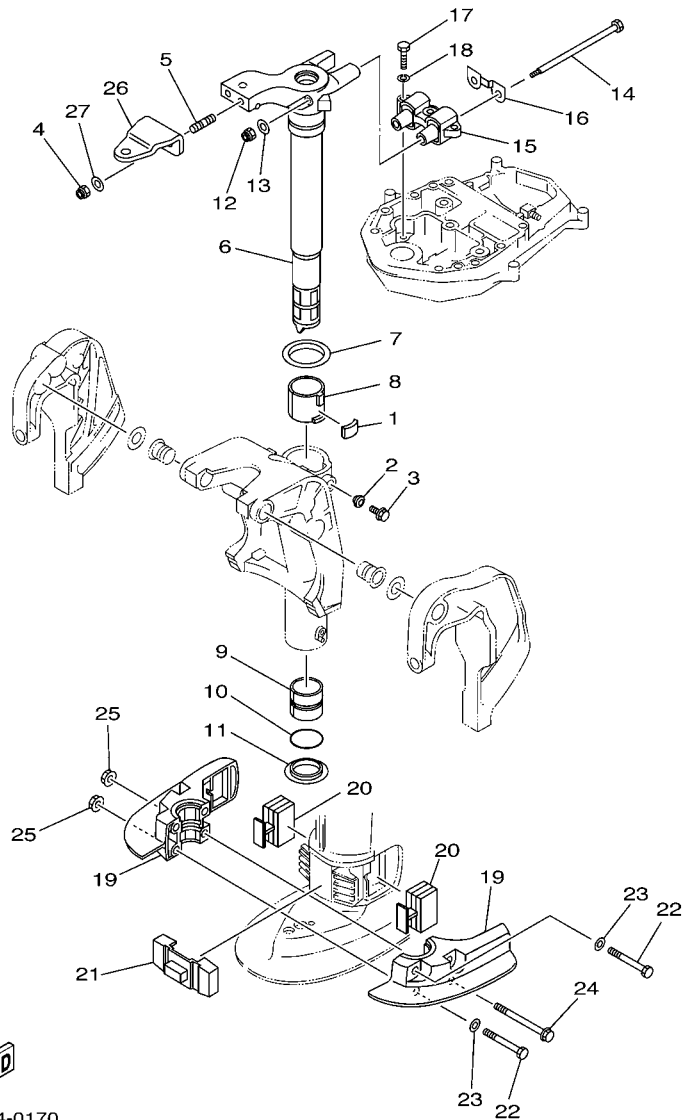
REF. NO.	PART NO.	DESCRIPTION	MH	W		REMARKS
27	90109-08M90	BOLT	2	2		
28	90201-08M07	WASHER, PLATE	2	2		
29	90185-08057	NUT, SELF-LOCKING	2	2		
30	90249-12M34	PIN	1	1		
31	90387-12M04	COLLAR	1	1		
32	90249-12M39	PIN	1	1		
33	90386-12MA0	BUSH	1	1		
34	93430-10M00	CIRCLIP	2	2		
35	682-43318-01	COVER	1	1		
36	65W-43630-11	TILT LEVER ASSY	1	1		
37	90386-10M99	BUSH	1	1		
38	90386-07MA2	BUSH	1	1		
39	90249-10M31	PIN	1	1		
40	90387-07M05	COLLAR	1	1		
41	99080-08600	CIRCLIP	1	1		
42	66T-43350-02	RECEIVER ASSY	1	1		
43	90506-20M37	SPRING, TENSION	1	1		
44	66T-43631-11	LEVER, TILT	1	1		
45	90157-05014	SCREW, PAN HEAD	1	1		
46	65W-43616-00	ROD, TILT LOCK	1	1		
47	65W-43614-01	PLATE, TILT LOCK	1	1		
48	65W-43615-01	PLATE, TILT LOCK	1	1		
49	65W-43613-00	ARM, TILT LOCK	1	1		
50	90249-07M32	PIN	1	1		
51	90387-07M29	COLLAR	1	1		
52	90249-07M33	PIN	1	1		
53	90506-30M00	SPRING, TENSION	2	2		



66T0010-1180

FIG. 16 BRACKET 1

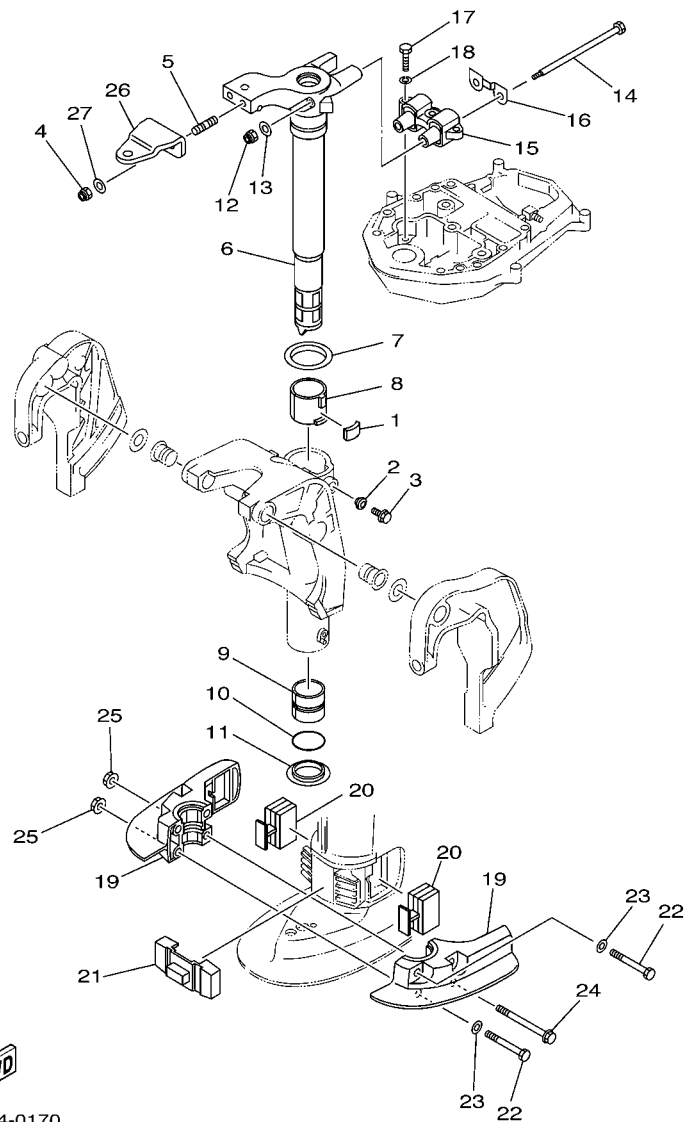
REF. NO.	PART NO.	DESCRIPTION	MH	W	REMARKS
54	91490-20012	PIN, COTTER	4	4	
55	90101-08M28	BOLT	1	1	
56	90502-10M06	SPRING, CONICAL	1	1	
57	90185-08057	NUT, SELF-LOCKING	1	1	
58	90101-10M58	BOLT	4	4	
59	92995-10600	WASHER	8	8	
60	90201-12426	WASHER, PLATE	4	4	
61	95380-10600	NUT	8	8	



66T0664-0170

FIG. 17 BRACKET 2

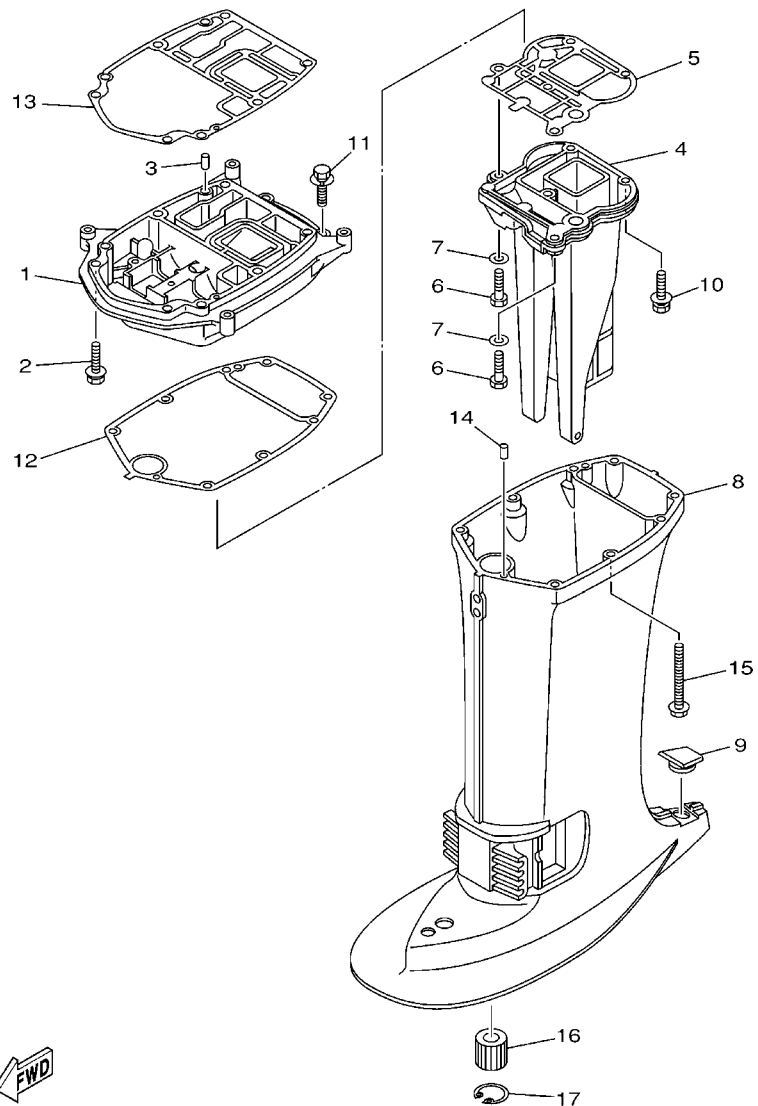
REF. NO.	PART NO.	DESCRIPTION	MH	W		REMARKS
1	648-42528-00	PLATE, FRICTION	1	1		
2	65W-43373-00	SEAL, DAMPER	1	1		
3	90105-08M76	BOLT, FLANGE	1	1		
4	90185-10051	NUT, SELF-LOCKING	2	2		
5	90116-10M28	BOLT, STUD	2	2		
6	65W-42511-00-4D	BRACKET, STEERING	1			S
	65W-42511-10-4D	BRACKET, STEERING	1	1		L
7	90209-52M00	WASHER	1	1		
8	90386-52M02	BUSH	1	1		
9	90386-44M03	BUSH	1	1		
10	93210-43MJ0	O-RING	1	1		
11	90386-44M99	BUSH	1	1		
12	90185-08045	NUT, SELF-LOCKING	2	2		
13	92995-08200	WASHER	2	2		
14	90101-08M86	BOLT	2	2		
15	66T-44514-00-4D	MOUNT DAMPER, UPPER SIDE	1	1		
16	66T-44526-00	PLATE	1	1		
17	97075-08030	BOLT	3	3		
18	92995-08100	WASHER	3	3		
19	65W-44551-00-4D	HOUSING, LOWER MOUNT RUBBER	2	2		
20	65W-44555-10	MOUNT DAMPER, LOWER SIDE	2	2		
21	66T-44575-00	DAMPER, LOWER MOUNT RUBBER	1	1		
22	97075-10070	BOLT	2	2		
23	92995-10600	WASHER	2	2		
24	90119-10M04	BOLT, WITH WASHER	2	2		
25	90179-10M33	NUT	4	4		
26	65W-48511-00	HOOK, STEERING		1		



66T0664-0170

FIG. 17 BRACKET 2

REF. NO.	PART NO.	DESCRIPTION	MH	W		REMARKS
27	90201-10120	WASHER, PLATE		2		



66T0100-1210

FIG. 18 UPPER CASING

REF. NO.	PART NO.	DESCRIPTION	MH	W			REMARKS
1	66T-41137-00-94	GUIDE, EXHAUST	1	1			
2	90119-08M79	BOLT, WITH WASHER	2	2			
3	93606-12019	PIN, DOWEL	2	2			
4	66T-41131-00-5B	MANIFOLD, EXT. 1	1				S
	66T-41131-10-5B	MANIFOLD, EXT. 1	1	1			L
5	66T-41133-A0	GASKET, EXHAUST MANIFOLD 1	1	1			
6	97075-08030	BOLT	2	2			
7	92995-08600	WASHER	2	2			
8	66T-45111-00-4D	CASING, UPPER	1				S
	66T-45111-10-4D	CASING, UPPER	1	1			L
9	63D-45155-00	CAP	1	1			
10	97575-08545	BOLT, WITH WASHER	3	3			
11	90119-08M79	BOLT, WITH WASHER	2	2			
12	66T-45114-A0	GASKET, UPPER CASING	1	1			
13	66T-45113-A0	GASKET, UPPER CASING	1	1			
14	93606-12019	PIN, DOWEL	2	2			
15	90119-08M42	BOLT, WITH WASHER	6	6			
16	679-45318-00	BUSHING, DRIVE SHAFT	1	1			L
17	93420-30042	CIRCLIP	1	1			L

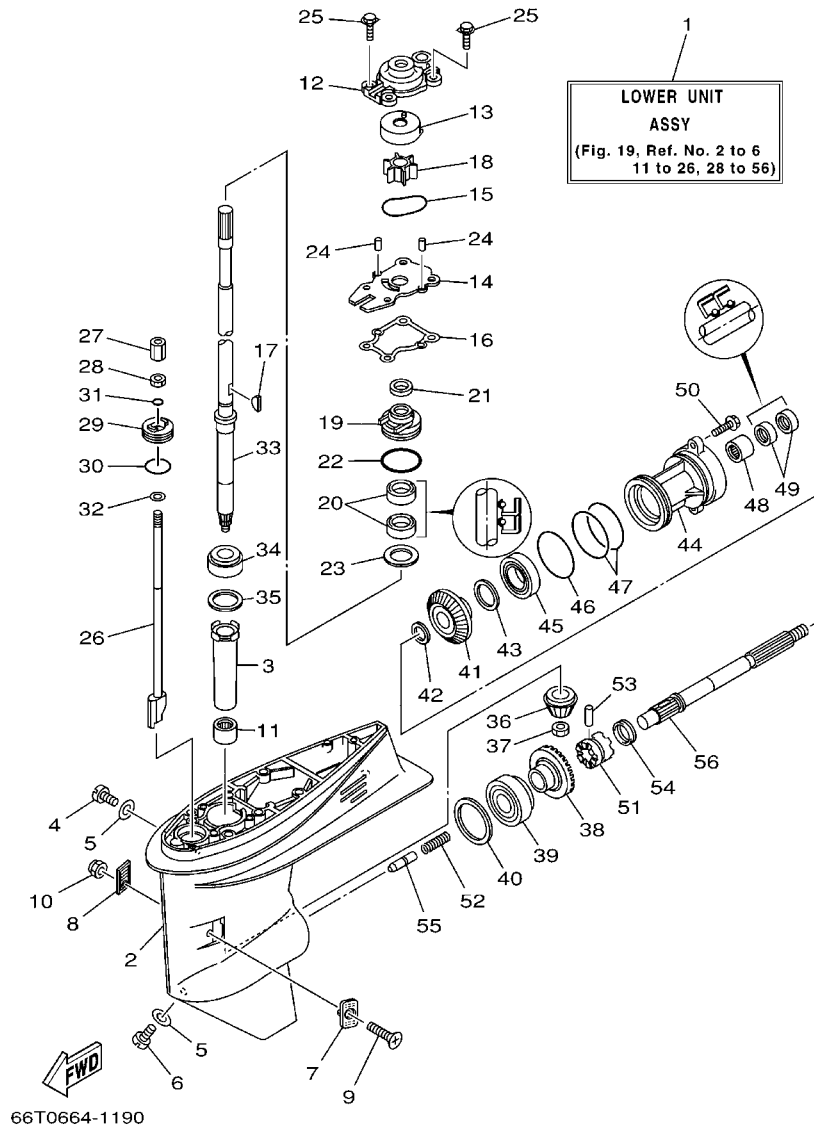


FIG. 19 LOWER CASING & DRIVE 1

REF. NO.	PART NO.	DESCRIPTION	MH	W	REMARKS
1	66T-45300-01-4D	LOWER UNIT ASSY	1		S
	66T-45300-11-4D	LOWER UNIT ASSY	1	1	L
2	66T-45311-01-4D	CASING, LOWER	1	1	
3	6H4-45536-00	SLEEVE, DRIVE SHAFT	1	1	
4	90340-08002	PLUG, STRAIGHT SCREW	1	1	
5	90430-08020	GASKET	2	2	
6	688-45341-10	PLUG, DRAIN	1	1	
7	63D-45214-00	COVER, WATER INLET	1	1	
8	63D-45215-00	COVER, WATER INLET	1	1	
9	90142-05M06	SCREW, COUNTERSUNK	1	1	
10	95380-05600	NUT	1	1	
11	93315-32224	BEARING	1	1	
12	66T-44311-00	HOUSING, WATER PUMP	1	1	
13	63D-44322-00	INSERT, CARTRIDGE	1	1	
14	66T-44323-00	OUTER PLATE, CARTRIDGE	1	1	
15	93210-59MG7	O-RING	1	1	
16	63D-44316-00	GASKET, WATER PUMP	1	1	
17	90280-03M03	KEY, WOODRUFF	1	1	
18	6H4-44352-02	IMPELLER	1	1	
19	63D-44341-00	HOUSING, WATER PUMP	1	1	
20	93101-22M60	OIL SEAL	2	2	
21	66T-45344-01	COVER, OIL SEAL	1	1	
22	93210-48MG8	O-RING	1	1	
23	90201-27M00	WASHER, PLATE	1	1	
24	93604-08062	PIN, DOWEL	2	2	
25	90119-08M15	BOLT, WITH WASHER	4	4	
26	66T-44150-01	SHIFT CAM ASSY	1		S

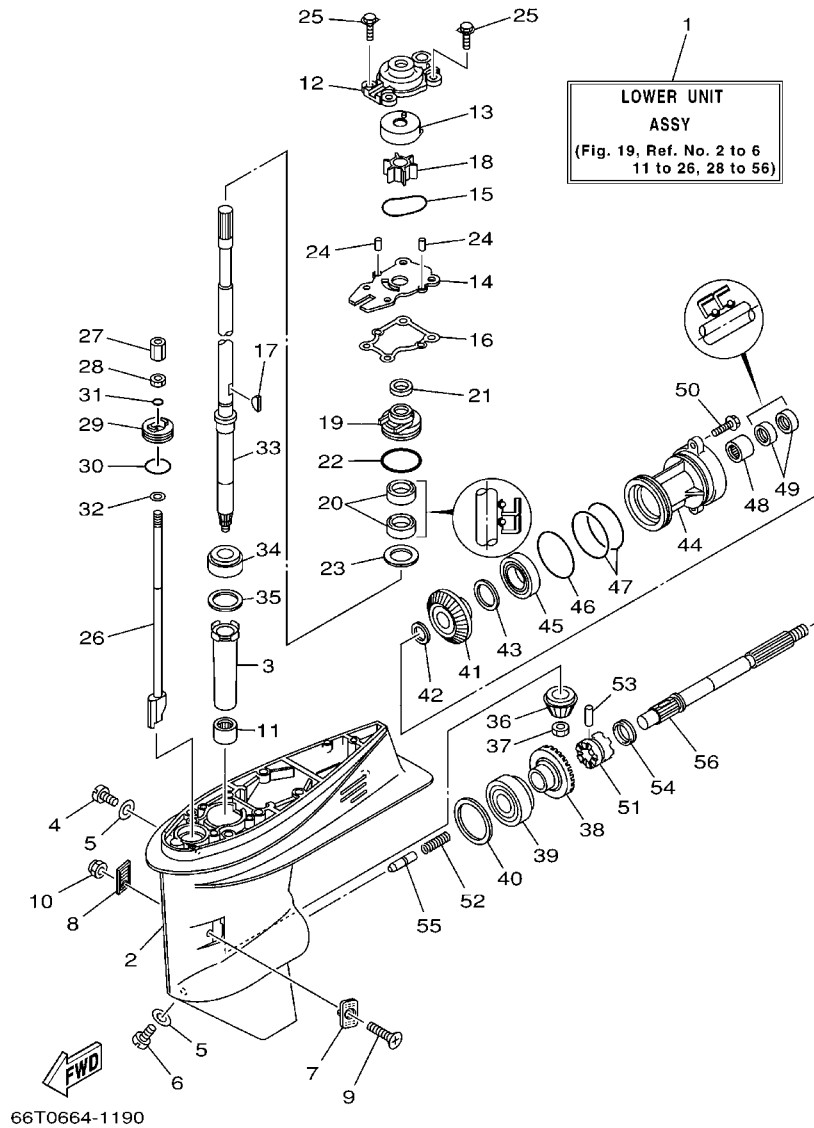


FIG. 19 LOWER CASING & DRIVE 1

REF. NO.	PART NO.	DESCRIPTION	MH	W		REMARKS
26	66T-44150-11	SHIFT CAM ASSY	1	1		L
27	61N-44146-00	CONNECTOR, SHIFT ROD	1	1		
28	95380-06700	NUT	1	1		
29	66T-45321-00	PLATE	1	1		
30	93210-33MG4	O-RING	1	1		
31	93210-06ME6	O-RING	1	1		
32	92990-06600	WASHER, PLATE	1	1		
33	66T-45501-01	DRIVE SHAFT COMP.	1			S
	66T-45501-11	DRIVE SHAFT COMP.	1	1		L
34	93332-00001	BEARING	1	1		
35	663-45587-01-10	SHIM (T:0.10MM)	1	1		UR
	663-45587-01-12	SHIM (T:0.12MM)	1	1		UR
	663-45587-01-15	SHIM (T:0.15MM)	1	1		UR
	663-45587-01-18	SHIM (T:0.18MM)	1	1		UR
	663-45587-01-30	SHIM (T:0.30MM)	1	1		UR
	663-45587-01-40	SHIM (T:0.40MM)	1	1		UR
	663-45587-01-50	SHIM (T:0.50MM)	1	1		UR
36	66T-45551-00	PINION	1	1		
37	90170-12138	NUT	1	1		
38	66T-45560-01	GEAR	1	1		
39	93332-00003	BEARING	1	1		
40	663-45567-01-10	SHIM (T:0.10MM)	1	1		UR
	663-45567-01-12	SHIM (T:0.12MM)	1	1		UR
	663-45567-01-15	SHIM (T:0.15MM)	1	1		UR
	663-45567-01-18	SHIM (T:0.18MM)	1	1		UR
	663-45567-01-30	SHIM (T:0.30MM)	1	1		UR
	663-45567-01-40	SHIM (T:0.40MM)	1	1		UR

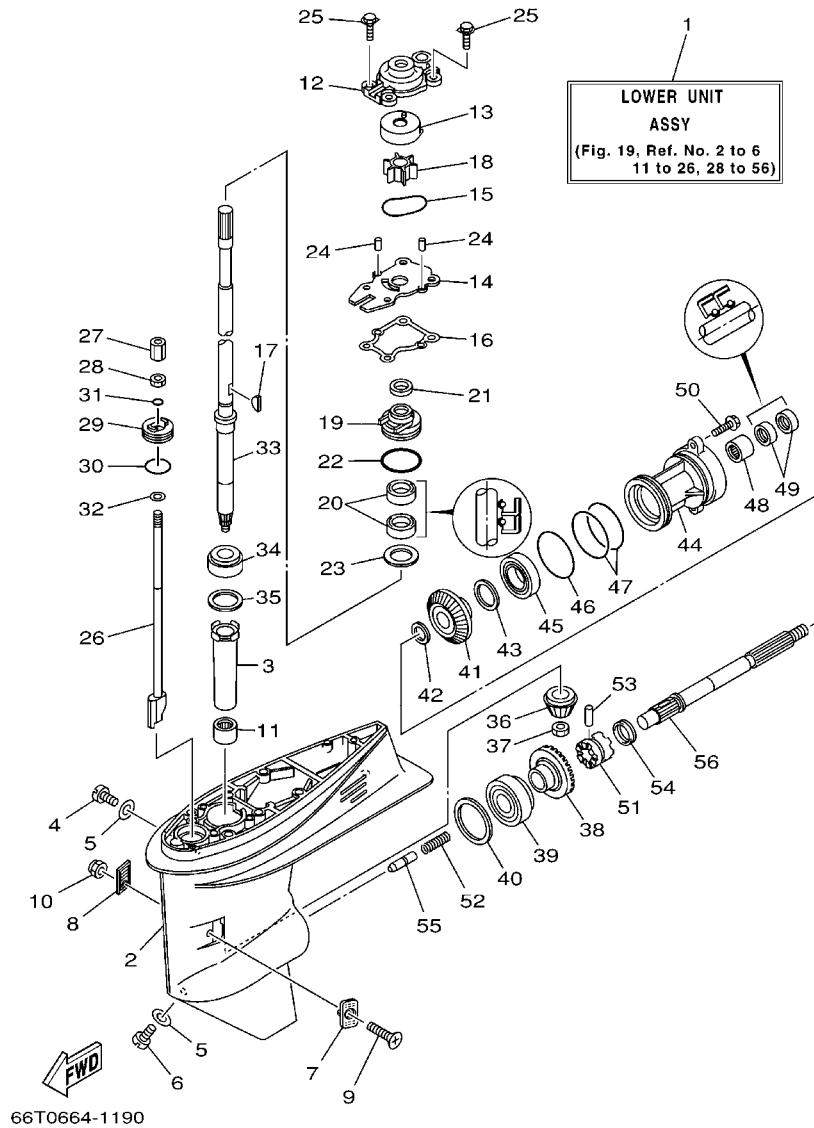
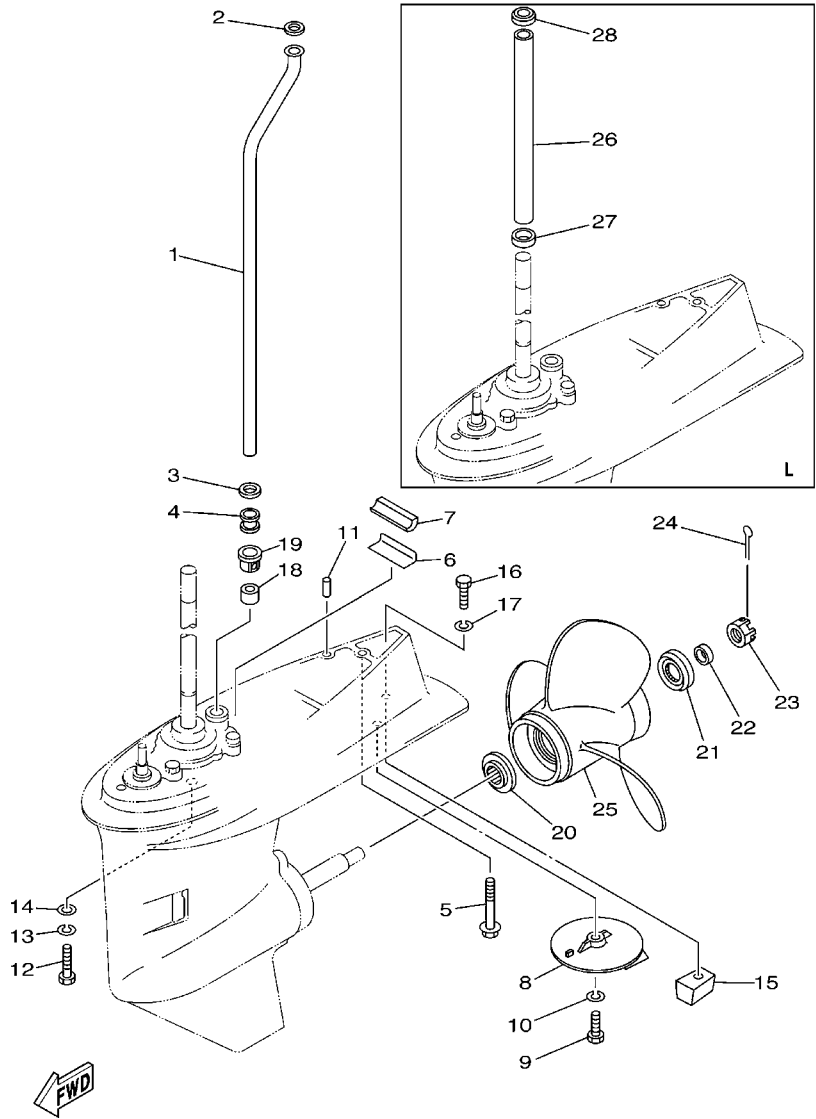


FIG. 19 LOWER CASING & DRIVE 1

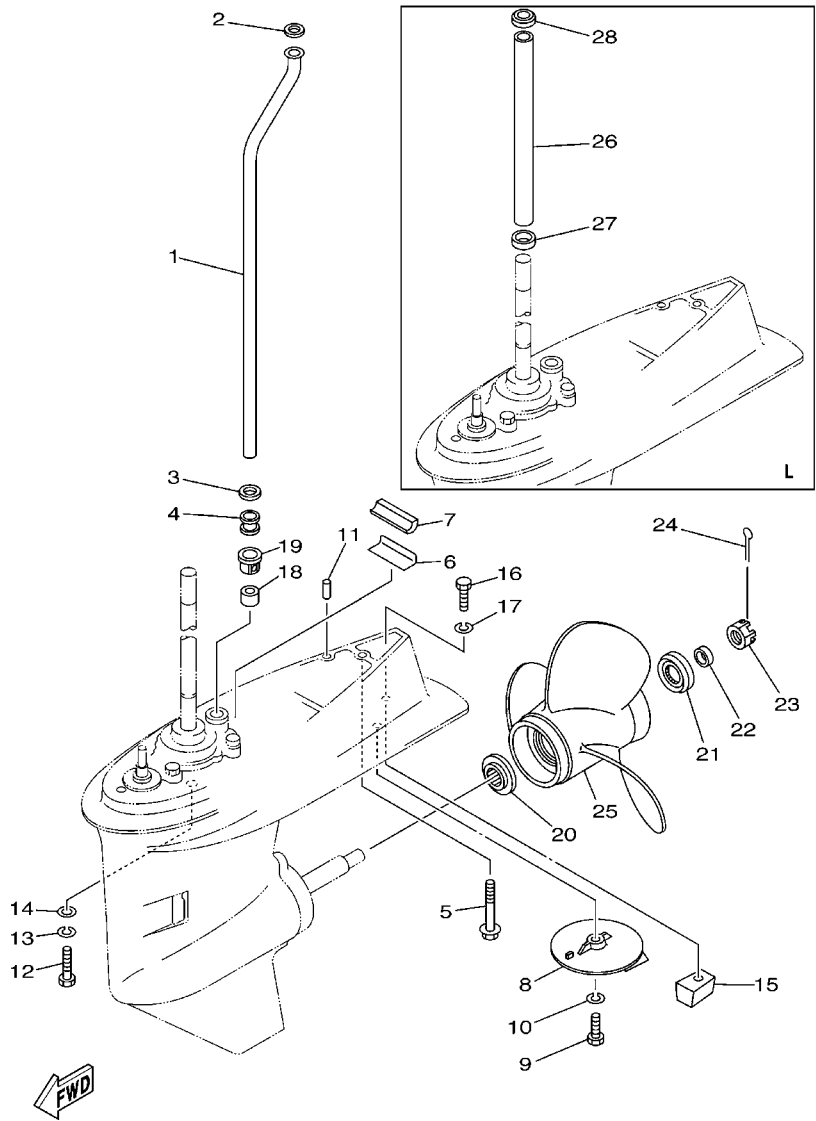
REF. NO.	PART NO.	DESCRIPTION	MH	W	REMARKS
40	663-45567-01-50	SHIM (T:0.50MM)	1	1	UR
41	66T-45571-00	GEAR	1	1	
42	90201-22429	WASHER, PLATE	1	1	
43	63D-45577-00-10	SHIM (T:0.10MM)	1	1	UR
	63D-45577-00-12	SHIM (T:0.12MM)	1	1	UR
	63D-45577-00-15	SHIM (T:0.15MM)	1	1	UR
	63D-45577-00-18	SHIM (T:0.18MM)	1	1	UR
	63D-45577-00-30	SHIM (T:0.30MM)	1	1	UR
	63D-45577-00-40	SHIM (T:0.40MM)	1	1	UR
	63D-45577-00-50	SHIM (T:0.50MM)	1	1	UR
44	63D-45361-02-4D	CAP, LOWER CASING	1	1	
45	93306-001U1	BEARING	1	1	
46	93210-69MG6	O-RING	1	1	
47	93210-74MG5	O-RING	2	2	
48	93317-22204	BEARING	1	1	
49	93101-22M00	OIL SEAL	2	2	
50	90105-08M61	BOLT, FLANGE	2	2	
51	66T-45631-00	CLUTCH, DOG	1	1	
52	90501-15M01	SPRING, COMPRESSION	1	1	
53	90250-06023	PIN, STRAIGHT	1	1	
54	663-45633-00	RING, CROSS PIN	1	1	
55	66T-45635-00	PLUNGER, SHIFT	1	1	
56	66T-45611-00	SHAFT, PROPELLER	1	1	



66T0664-1201

FIG. 20 LOWER CASING & DRIVE 2

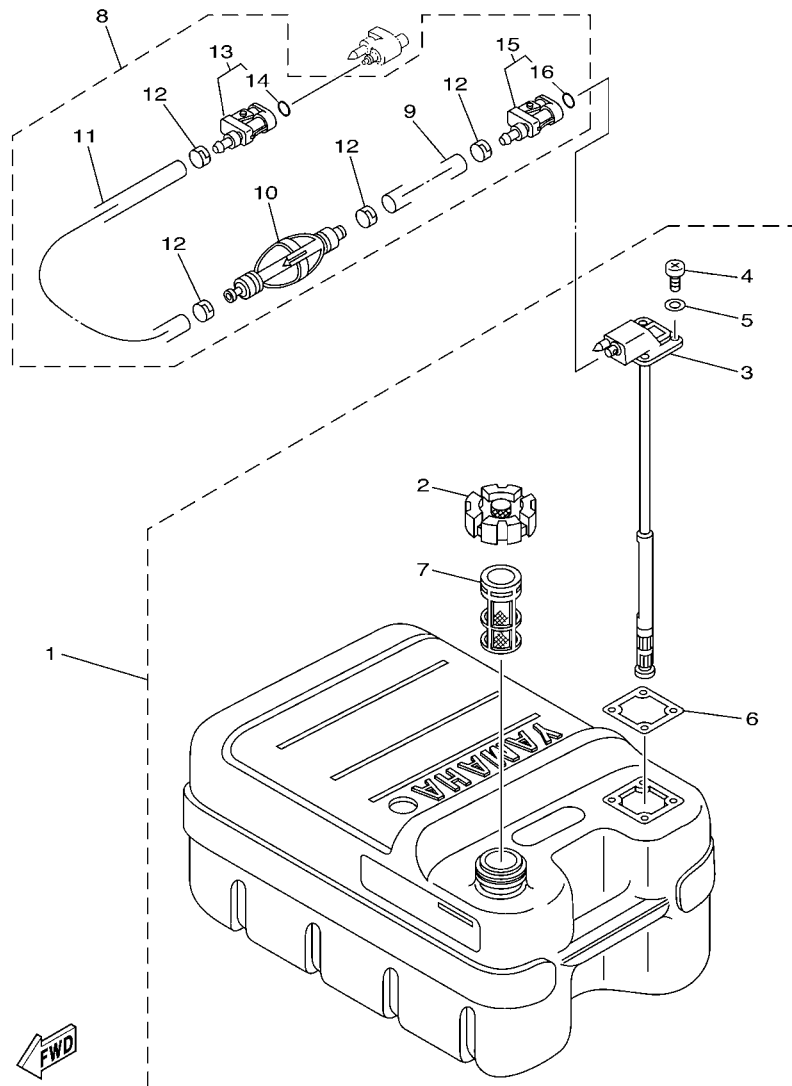
REF. NO.	PART NO.	DESCRIPTION	MH	W		REMARKS
1	66T-44361-00	TUBE, WATER	1			S
	66T-44361-10	TUBE, WATER	1	1		L
2	90202-12060	WASHER, PLATE	1	1		
3	90430-12072	GASKET	1	1		
4	663-44367-00	DAMPER, WATER SEAL	1	1		
5	90119-08M44	BOLT, WITH WASHER	1	1		
6	663-45376-00-94	GUIDE, SEAL DAMPER	1	1		
7	63D-45375-00	DAMPER, SEAL	1	1		
8	664-45371-01	TAB-TRIM	1	1		
9	97095-08025	BOLT	1	1		
10	92995-08100	WASHER	1	1		
11	93606-12019	PIN, DOWEL	2	2		
12	97075-10040	BOLT	4	4		
13	92995-10100	WASHER	4	4		
14	92995-10600	WASHER	4	4		
15	67C-45251-00	ANODE	1	1		
16	97095-08035	BOLT	1	1		
17	92995-08100	WASHER	1	1		
18	663-44366-00	DAMPER, WATER SEAL	1	1		
19	63D-44312-00	COVER, WATER PUMP HOUSING	1	1		
20	663-45987-02	SPACER	1	1		
21	66T-45997-00	SPACER	1	1		
22	90389-22M01	BUSH	1	1		
23	90171-16011	NUT, CASTLE	1	1		
24	91490-30025	PIN, COTTER	1	1		
25	69W-45943-00-EL	PROPELLER (3X11"X15"-G)	1	1		UR
	69W-45945-00-EL	PROPELLER (3X11-1/8"X13"-G)	1	1		UR



66T0664-1201

FIG. 20 LOWER CASING & DRIVE 2

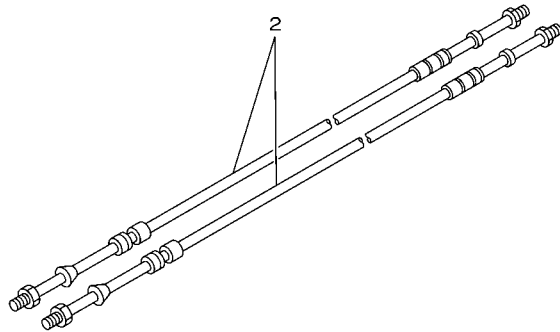
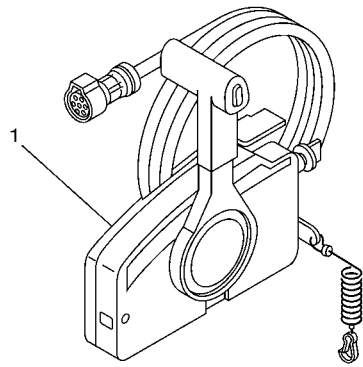
REF. NO.	PART NO.	DESCRIPTION	MH	W		REMARKS
25	69W-45947-00-EL	PROPELLER (3X11-5/8"X11"-G)	1	1		UR
	69W-45952-00-EL	PROPELLER (3X11-3/8"X12"-G)	1	1		UR
	63D-45941-00-EL	PROPELLER (3X12-1/4"X8"-G)	1	1		UR
	663-45941-01-EL	PROPELLER (3X10-3/4"X17"-G)	1	1		UR
	663-45949-01-EL	PROPELLER (3X10-3/4"X16"-G)	1	1		UR
	663-45952-02-EL	PROPELLER (3X11-3/8"X12"-G)	1	1		UR
	663-45954-01-EL	PROPELLER (3X11-3/4"X10"-G)	1	1		UR
	663-45956-01-EL	PROPELLER (3X12-1/4"X9"-G)	1	1		UR
	663-45958-01-EL	PROPELLER (3X11-1/4"X14"-G)	1	1		UR
	663-45930-00-98	PROPELLER (3X10-1/4"X14"-G)	1	1		UR
	663-45976-00-98	PROPELLER (3X10-1/4"X15"-G)	1	1		UR
	663-45978-00-98	PROPELLER (3X10-1/4"X16"-G)	1	1		UR
	663-45970-60-98	PROPELLER (3X11-3/4"X12"-G)	1	1		UR
	663-45972-60-98	PROPELLER (3X12"X11"-G)	1	1		UR
	663-45974-60-98	PROPELLER (3X11-1/2"X13"-G)	1	1		UR
26	66T-44362-10	TUBE, WATER	1	1		L
27	90480-25M70	GROMMET	1	1		L
28	90480-30M71	GROMMET	1	1		L



68U3100-C240

FIG. 21 FUEL TANK

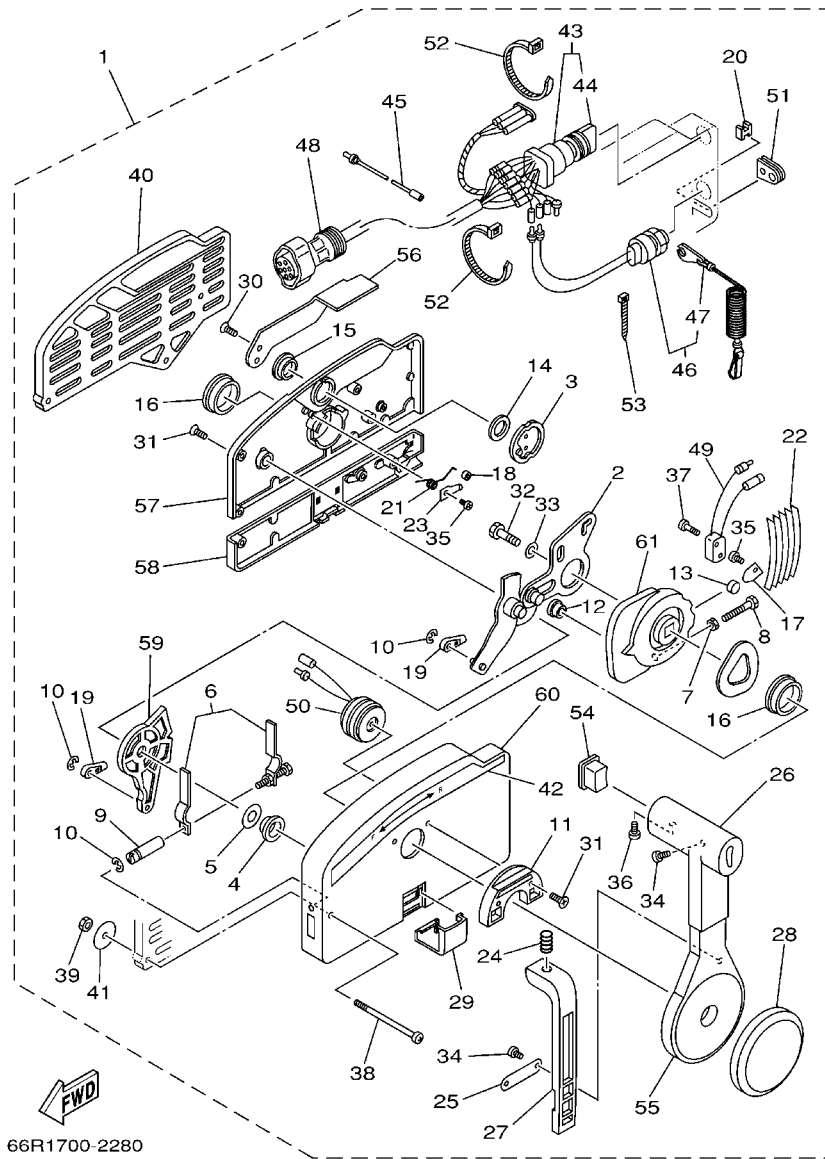
REF. NO.	PART NO.	DESCRIPTION	MH	W	REMARKS
1	6YJ-24201-10	FUEL TANK ASSY (24L)	1	1	AP
2	6YJ-24610-01	.CAP ASSY	1	1	
3	6Y1-24260-12	.FUEL METER ASSY	1	1	WITH INDICATOR
4	98586-05016	.SCREW, PAN HEAD	4	4	
5	6Y1-24329-00	.SEAL	4	4	
6	6Y1-24268-00	.GASKET, FUEL METER	1	1	
7	6YJ-24167-00	.STRAINER	1	1	
8	61J-24306-03	FUEL PIPE COMP. 1	1	1	AP
9	90445-11M06	.HOSE (L2050)	1	1	
10	61J-24360-00	.PRIMER PUMP ASSY	1	1	
11	90445-11M05	.HOSE (L850)	1	1	
12	650-24351-01	.BAND 1	4	4	
13	6G1-24305-04	.FUEL PIPE JOINT COMP. 2	1	1	
14	93210-08287	..O-RING	1	1	
15	6Y1-24305-05	.FUEL PIPE JOINT COMP. 2	1	1	
16	93210-08287	..O-RING	1	1	



67M0100-8280

FIG. 22 REMOTE CONTROL BOX

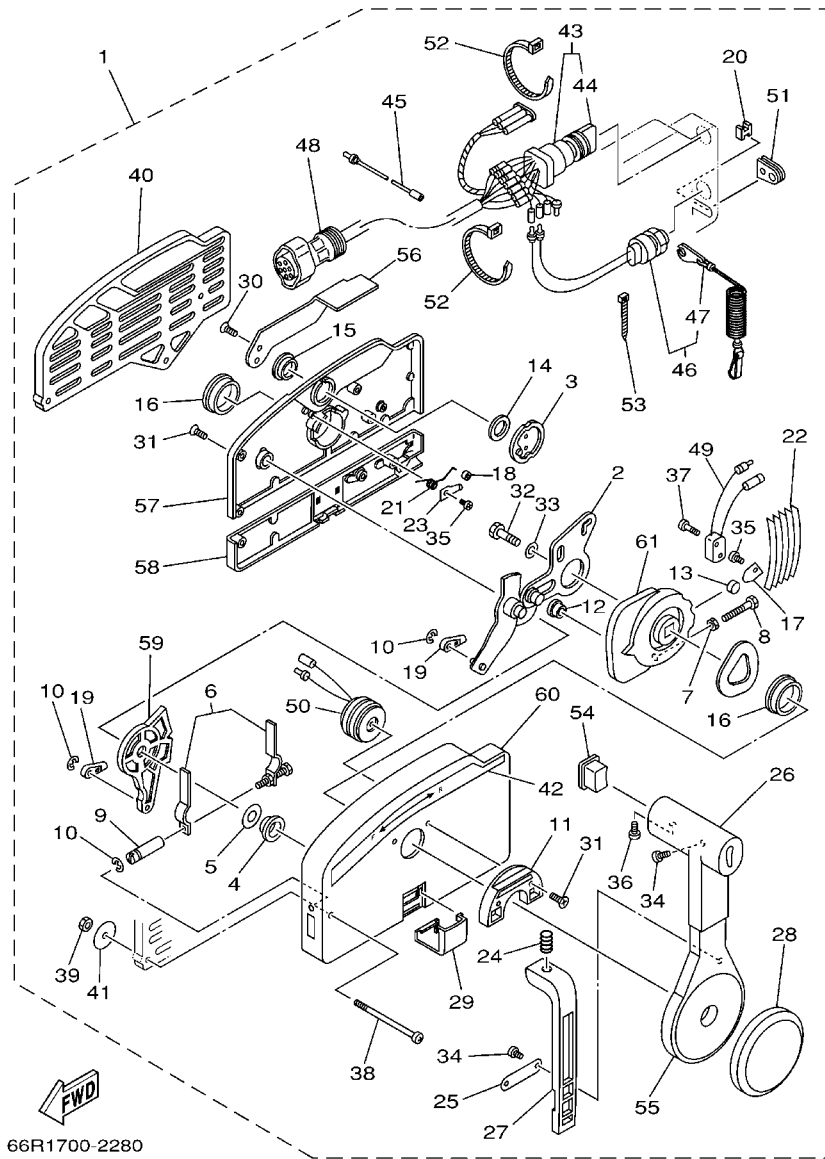
REF. NO.	PART NO.	DESCRIPTION	MH	W		REMARKS
1	703-48203-15	REMOTE CONTROL ASSY (7P)		1		AP
2	701-48310-90	CABLE, REMOTE CONTROL L=11F		2		UR
	701-48320-00	CABLE, REMOTE CONTROL L=12F		2		UR
	701-48320-20	CABLE, REMOTE CONTROL L=13F		2		UR
	701-48320-30	CABLE, REMOTE CONTROL L=14F		2		UR
	701-48320-50	CABLE, REMOTE CONTROL L=15F		2		UR
	701-48320-60	CABLE, REMOTE CONTROL L=16F		2		UR
	701-48320-80	CABLE, REMOTE CONTROL L=17F		2		UR



66R1700-2280

FIG. 23 REMOTE CONTROL ASSY

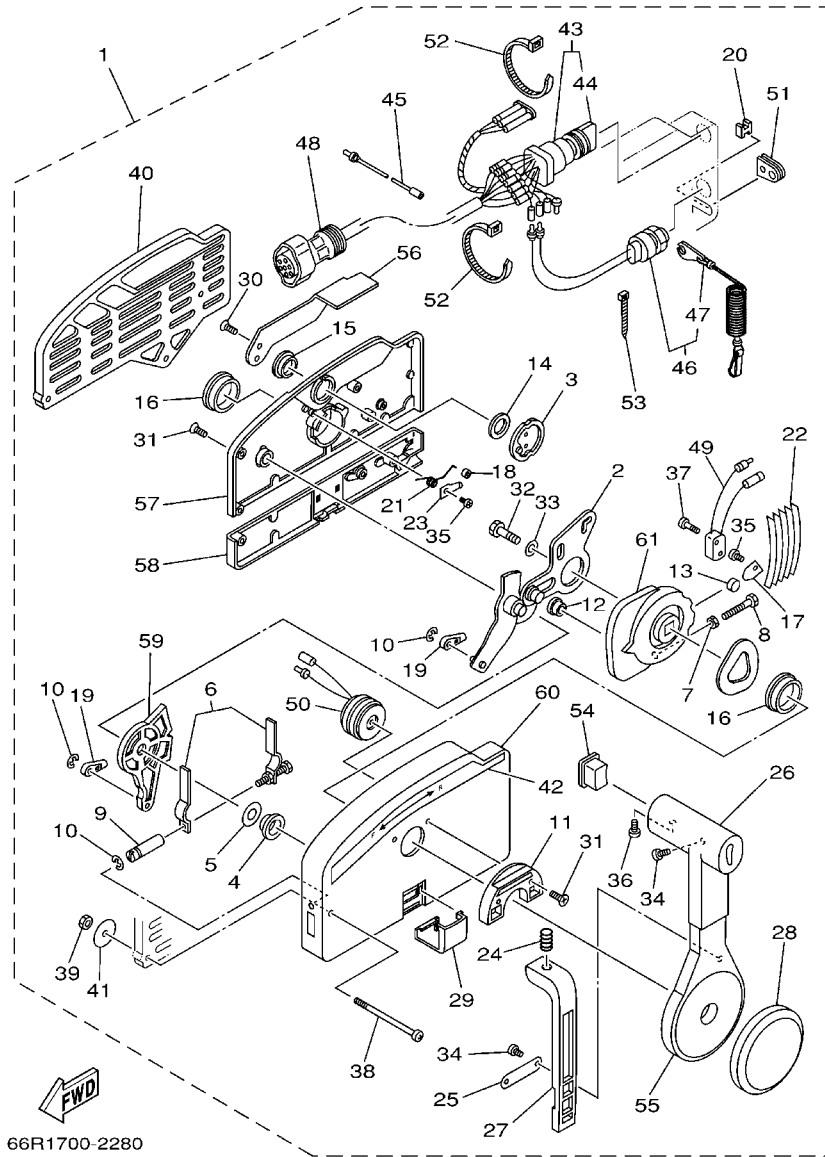
REF. NO.	PART NO.	DESCRIPTION	MH	W	REMARKS
1	703-48203-15	REMOTE CONTROL ASSY (7P)		1	AP
2	703-48261-01	.ARM, THROTTLE		1	
3	703-48153-00	.SHAFT, FREE ACCEL.		1	
4	703-48235-00	.BUSHING		1	
5	703-48268-00	.SPACER		1	
6	703-48264-00	.THROTTLE, FRICTION		1	
7	95380-05600	.NUT		1	
8	97380-05025	.BOLT		1	
9	703-48265-00	.SHAFT, FRICTION		1	
10	93430-06024	.CIRCLIP		3	
11	703-48245-00	.PLATE, LOCK		1	
12	703-48252-00	.ROLLER, CAM		1	
13	701-48248-00	.ROLLER, FREE ACCEL.		1	
14	703-48198-00	.WASHER, WAVE		1	
15	703-48243-00	.BUSHING		1	
16	703-48236-00	.BUSHING 1		2	
17	703-48189-00	.RETAINER		1	
18	703-48234-00	.ROLLER, DETENT		1	
19	703-48345-01	.CABLE END, REMOTE CONTROL 2		2	
20	703-48358-00	.ANCHOR, CABLE		1	
21	703-48244-00	.SPRING, FREE ACCEL.		1	
22	703-48238-00	.SPRING, DETENT		5	
23	703-48246-00	.SPACER		1	
24	703-48227-00	.SPRING, NEUTRAL LOCK		1	
25	703-48226-00	.PLATE, STOPPER		1	
26	703-48222-00	.GRIP, CONTROL LEVER		1	SINGLE
27	703-48223-00	.LOCK, NEUTRAL		1	



66R1700-2280

FIG. 23 REMOTE CONTROL ASSY

REF. NO.	PART NO.	DESCRIPTION	MH	W	REMARKS
28	703-48225-00	.COVER		1	
29	703-48219-00	.COVER, LEAD		1	
30	703-48281-00	.SCREW		2	
31	703-48282-00	.SCREW		7	
32	97380-08030	.BOLT		1	
33	92990-08600	.WASHER, PLATE		1	
34	98580-04010	.SCREW, PAN HEAD		3	
35	98580-04006	.SCREW, PAN HEAD		2	
36	98580-05010	.SCREW, PAN HEAD		1	
37	98580-03015	.SCREW, PAN HEAD		2	
38	703-48291-10	.SCREW (M6)		3	
39	95380-06600	.NUT, HEXAGON		3	
40	703-48293-10	.SPACER, REMOTE CONTROL		1	SINGLE
41	701-48287-00	.WASHER		3	
42	703-48215-00	.GRAPHIC		1	
43	703-82510-33	.MAIN SWITCH ASSY		1	
44	703-82577-00	..CAP, KEY		1	
45	703-82531-00	.WIRE, LEAD		1	
46	688-82575-01	.ENGINE STOP SWITCH ASSY		1	
47	682-82556-00	..STOPPER		1	
48	688-82586-21	.EXTENSION, WIRE HARNESS		1	L:5M (7P)
49	703-82540-00	.NEUTRAL SWITCH ASSY		1	
50	703-83383-02	.BUZZER		1	
51	703-48284-00	.GROMMET		1	
52	703-82591-00	.BAND		1	
53	703-82592-00	.BAND		1	
54	703-48224-00	.COVER, CONTROL LEVER		1	WITHOUT PT/T SW.



66R1700-2280

FIG. 23 REMOTE CONTROL ASSY

REF. NO.	PART NO.	DESCRIPTION	MH	W	REMARKS
55	703-48221-00	.LEVER, CONTROL		1	
56	703-48152-00	.KNOB, FREE ACCEL.		1	
57	703-48212-00	.BACK PLATE 1		1	
58	703-48213-00	.BACK PLATE 2		1	
59	703-48271-00	.ARM, SHIFT		1	
60	703-48211-01	.HOUSING,1		1	
61	703-48232-00	.GEAR		1	

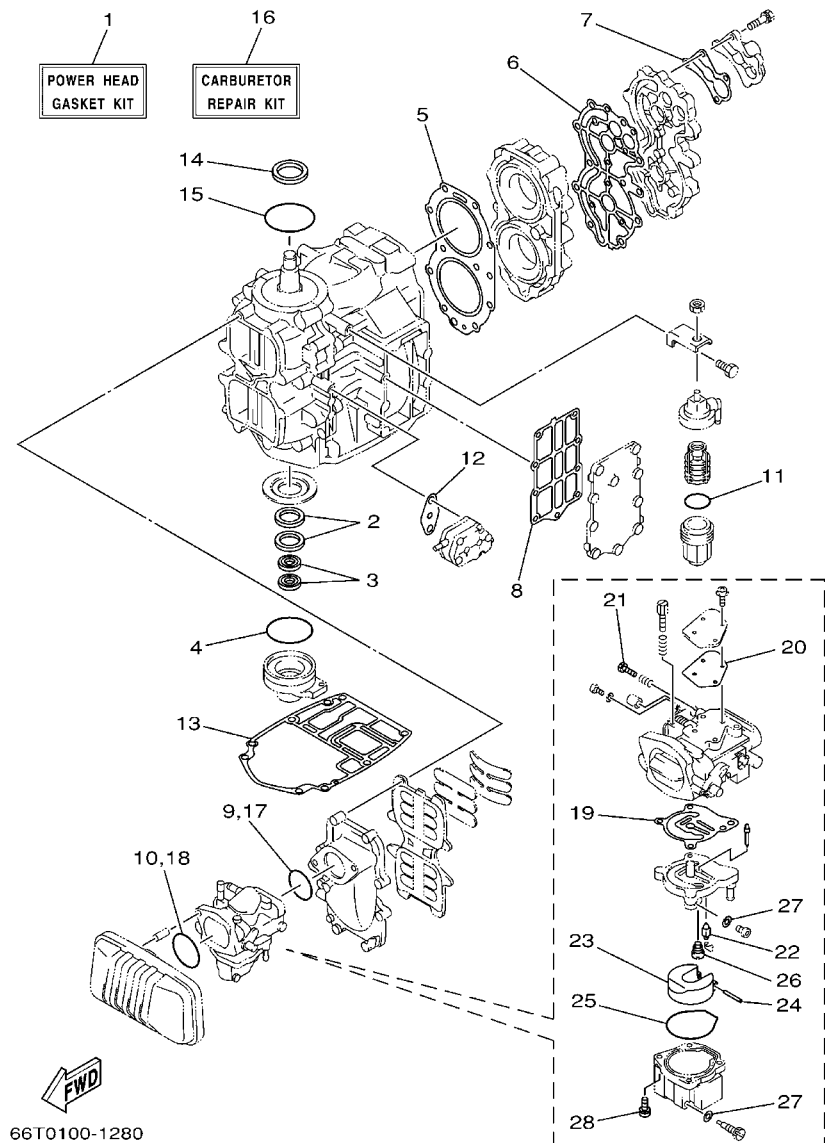


FIG. 24 REPAIR KIT 1

REF. NO.	PART NO.	DESCRIPTION	MH	W			REMARKS
1	66T-W0001-01	POWER HEAD GASKET KIT	1	1			
2	93102-30M56	.OIL SEAL	2	2			
3	93101-16001	.OIL SEAL	2	2			
4	93210-65M50	.O-RING	1	1			
5	66T-11181-A2	.GASKET, CYLINDER HEAD 1	1	1			
6	66T-11193-A2	.GASKET, HEAD COVER 1	1	1			
7	676-12414-A1	.GASKET, COVER	1	1			
8	66T-41114-A0	.GASKET, EXHAUST OUTER COVER	1	1			
9	93210-46M16	.O-RING	1	1			
10	93210-54M54	.O-RING	1	1			
11	93210-32738	.O-RING	1	1			
12	650-24431-A0	.GASKET, FUEL PUMP 1	1	1			
13	66T-45113-A0	.GASKET, UPPER CASING	1	1			
14	93102-35008	.OIL SEAL	1	1			
15	93210-75M51	.O-RING	1	1			
16	66T-W0093-01	CARBURETOR REPAIR KIT	1	1			
17	93210-46M16	.O-RING	1	1			
18	93210-54M54	.O-RING	1	1			
19	66T-14384-01	.GASKET, FLOAT CHAMBER	1	1			
20	66T-14536-00	.GASKET	1	1			
21	6E5-14323-03	.SCREW, AIR ADJUSTING	1	1			
22	6E5-14546-00	.VALVE, NEEDLE	1	1			
23	6E5-14385-02	.FLOAT	1	1			
24	6E5-14386-02	.PIN, FLOAT	1	1			
25	66T-14984-00	.GASKET, FLOAT CHAMBER	1	1			
26	66T-14992-00	.PLUG	1	1			
27	66T-14959-00	.GASKET	2	2			

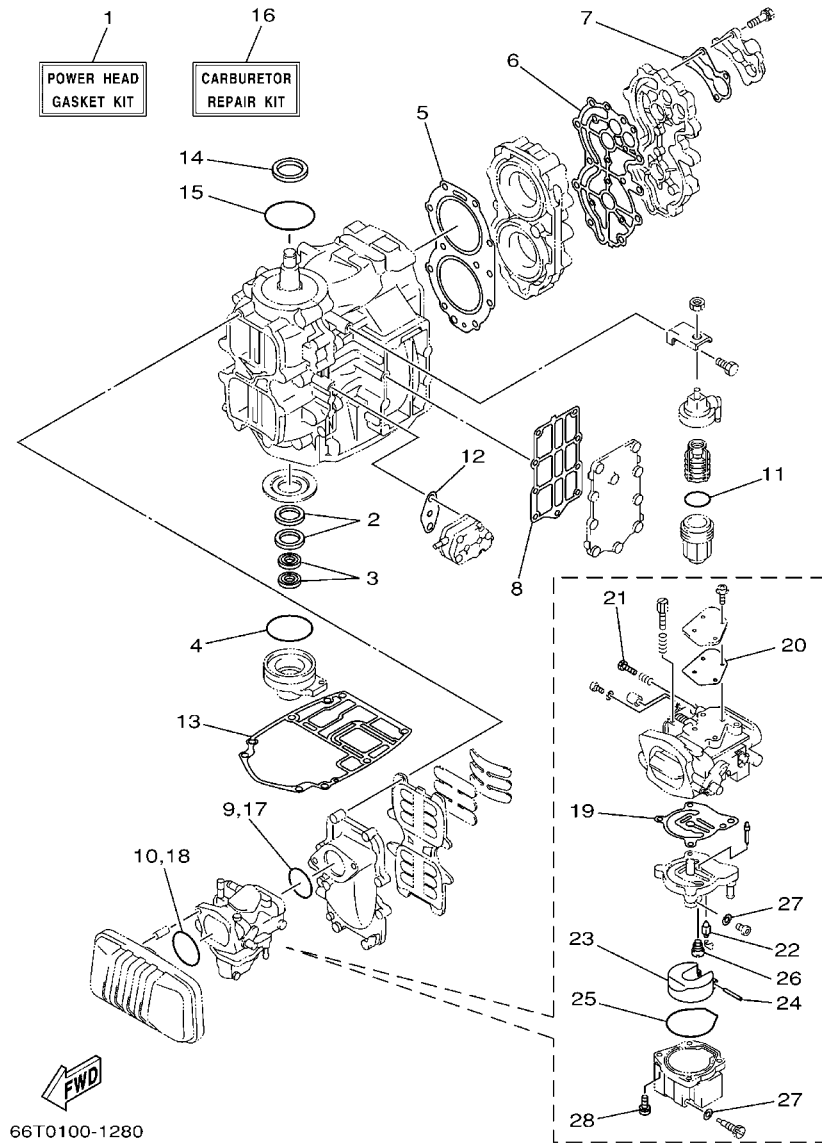


FIG. 24 REPAIR KIT 1

REF. NO.	PART NO.	DESCRIPTION	MH	W			REMARKS
28	97980-05125	.SCREW, WITH WASHER	4	4			

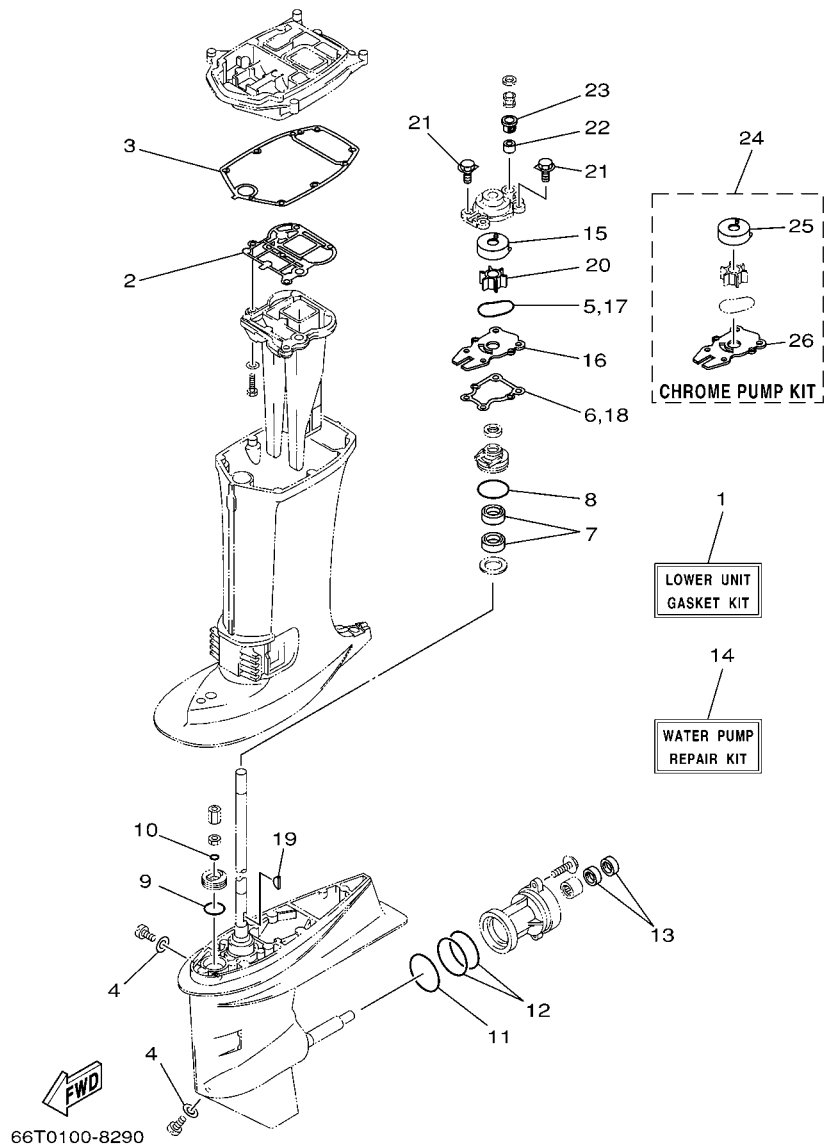
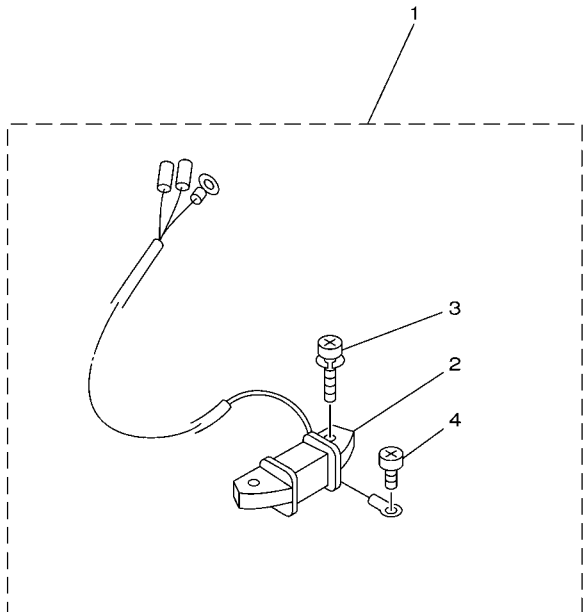


FIG. 25 REPAIR KIT 2

REF. NO.	PART NO.	DESCRIPTION	MH	W			REMARKS
1	66T-W0001-20	LOWER UNIT GASKET KIT	1	1			
2	66T-41133-A0	.GASKET, EXHAUST MANIFOLD 1	1	1			
3	66T-45114-A0	.GASKET, UPPER CASING	1	1			
4	90430-08020	.GASKET	2	2			
5	93210-59MG7	.O-RING	1	1			
6	63D-44316-00	.GASKET, WATER PUMP	1	1			
7	93101-22M60	.OIL SEAL	2	2			
8	93210-48MG8	.O-RING	1	1			
9	93210-33MG4	.O-RING	1	1			
10	93210-06ME6	.O-RING	1	1			
11	93210-69MG6	.O-RING	1	1			
12	93210-74MG5	.O-RING	2	2			
13	93101-22M00	.OIL SEAL	2	2			
14	66T-W0078-00	WATER PUMP REPAIR KIT	1	1			
15	63D-44322-00	.INSERT, CARTRIDGE	1	1			
16	66T-44323-00	.OUTER PLATE, CARTRIDGE	1	1			
17	93210-59MG7	.O-RING	1	1			
18	63D-44316-00	.GASKET, WATER PUMP	1	1			
19	90280-03M03	.KEY, WOODRUFF	1	1			
20	6H4-44352-02	.IMPELLER	1	1			
21	90119-08M15	.BOLT, WITH WASHER	4	4			
22	663-44366-00	.DAMPER, WATER SEAL	1	1			
23	63D-44312-00	.COVER, WATER PUMP HOUSING	1	1			
24	66T-W0078-0A	CHROME PUMP KIT	1	1			
25	63D-44322-40	.INSERT, CARTRIDGE	1	1			
26	66T-44323-40	.OUTER PLATE, CARTRIDGE	1	1			

FIG. 26 REPAIR KIT 3

REF. NO.	PART NO.	DESCRIPTION	MH	W		REMARKS
1	66T-81303-00	LIGHTING COIL ASSY	1	1		AP
2	66T-85533-00	.COIL, LIGHTING	1	1		
3	97902-06125	.SCREW, WITH WASHER	2	2		
4	97802-04006	.SCREW, PAN HEAD	1	1		



66T0010-9270

NUMERICAL INDEX

PART NO.	REF. NO.	PART NO.	REF. NO.	PART NO.	REF. NO.	PART NO.	REF. NO.	PART NO.	REF. NO.	PART NO.	REF. NO.
66T-11111-01-1S	2 - 22	6E5-14386-02	5 - 19	66T-15772-00-94	7 - 39	66T-41256-00	4 - 21	66T-42741-00	12 - 26	63D-44322-40	25 - 25
66T-11119-00	2 - 20		24 - 24	6F5-15779-02	7 - 22	66T-41257-00	4 - 25	664-42791-10	12 - 30	66T-44323-00	19 - 14
66T-11181-A2	2 - 23	66T-14440-00	4 - 13	66T-15784-00	7 - 9	661-41262-02	4 - 22	66T-42815-01-4D	12 - 9		25 - 16
	24 - 5	624-14485-00	2 - 5	697-15789-00	7 - 23	6H4-41271-01	4 - 18	66T-42816-00	12 - 13	66T-44323-40	25 - 26
66T-11191-00-1S	2 - 25	66T-14497-00	14 - 10	66T-41273-00	7 - 17	66T-41273-00	13 - 41	66T-43111-01-4D	16 - 1	63D-44341-00	19 - 19
66T-11193-A2	2 - 26	66T-14523-00	5 - 10	66T-15794-00	7 - 13	689-41273-00	4 - 19	66T-43112-01-4D	16 - 6	6H4-44352-02	19 - 18
	24 - 6	66T-14527-00	5 - 8	6YJ-24167-00	21 - 7	6J8-41274-00	4 - 20	6J8-43113-01	16 - 20		25 - 20
676-11325-00	2 - 18	66T-14536-00	5 - 7	6YJ-24201-10	21 - 1	66T-41611-00	8 - 11	648-43114-01	16 - 4	66T-44361-00	20 - 1
676-11372-00	2 - 33		24 - 20	6Y1-24260-12	21 - 3	66T-41631-01	14 - 4		16 - 9	66T-44361-10	20 - 1
650-11372-01	4 - 5	6E5-14546-00	5 - 16	6Y1-24268-00	21 - 6	66T-41638-00	14 - 1	663-43118-01-4D	16 - 3	66T-44362-10	20 - 26
66T-11400-01	3 - 1		24 - 22	6G1-24304-02	6 - 1	6F5-41662-00	14 - 17		16 - 8	663-44366-00	20 - 18
66T-11412-00	3 - 2	66T-14578-00	5 - 2	6G1-24305-04	21 - 13	65W-42101-01-4D	13 - 14	63D-43131-01	16 - 17		25 - 22
66T-11422-00	3 - 3	66T-14584-00	5 - 3	6Y1-24305-05	21 - 15	664-42119-00	13 - 22	66T-43144-00	12 - 14	663-44367-00	20 - 4
66T-11432-00	3 - 4	6J8-14592-01	5 - 4	61J-24306-03	21 - 8	65W-42121-01-4D	13 - 40	6G5-43145-01	16 - 22	6E5-44391-00	12 - 18
66T-11442-00	3 - 5	61A-1492E-85	5 - 15	66T-24329-00	12 - 22	66T-42123-00	13 - 7	65W-43311-00-4D	16 - 15	66T-44514-00-4D	17 - 15
6F5-11515-00	3 - 9	66T-1492F-35	5 - 20	6Y1-24329-00	21 - 5	65W-42125-00	13 - 19	65W-43311-10-4D	16 - 15	66T-44526-00	17 - 16
66T-11565-00	2 - 14	66T-14945-02	5 - 14	650-24351-01	21 - 12	6G1-42126-00	13 - 18	682-43318-01	16 - 35	65W-44551-00-4D	17 - 19
66T-11603-00	3 - 16	66T-14959-00	5 - 25	61J-24360-00	21 - 10	65W-42131-01	13 - 37	66T-43350-02	16 - 42	65W-44555-10	17 - 20
66T-11604-00	3 - 16		24 - 27	692-24410-00	6 - 15	6G1-42137-10	13 - 23	65W-43373-00	17 - 2	66T-44575-00	17 - 21
66T-11605-00	3 - 16	66T-14981-00	5 - 23	663-24411-00	6 - 20	65W-42138-00	13 - 16	65W-43613-00	16 - 49	66T-45111-00-4D	18 - 8
66T-11631-01-93	3 - 15	66T-14984-00	5 - 21	692-24411-00	6 - 17	65W-43614-01	13 - 17	65W-43614-01	16 - 47	66T-45111-10-4D	18 - 8
6F5-11633-00	3 - 17		24 - 25	6A0-24412-02	6 - 26	66T-42167-00	14 - 2	65W-43615-01	16 - 48	66T-45113-A0	18 - 13
663-11634-00	3 - 18	66T-14991-00	5 - 24	6A0-24413-00	6 - 16	6F6-42177-A0	13 - 21	65W-43616-00	16 - 46		24 - 13
66T-11635-01	3 - 15	66T-14992-00	5 - 22	6A0-24421-01	6 - 24	65W-42511-00-4D	17 - 6	66T-43627-00	16 - 23	66T-45114-A0	18 - 12
66T-11636-01	3 - 15		24 - 26	650-24431-A0	6 - 27	65W-42511-10-4D	17 - 6	65W-43630-11	16 - 36		25 - 3
6F5-11651-00	3 - 10	66T-15100-02-1S	2 - 2		24 - 12	648-42528-00	17 - 1	66T-43631-11	16 - 44	63D-45155-00	18 - 9
66T-11681-00	3 - 11	66T-15396-01-94	2 - 8	648-24434-01	6 - 18	624-42542-00	9 - 3	66T-44111-02	13 - 2	63D-45214-00	19 - 7
6E5-12411-01	2 - 28	66T-15705-00	7 - 7	648-24435-02	6 - 21	66T-42610-20-4D	1 - 1	682-44116-01	14 - 19	63D-45215-00	19 - 8
676-12413-00-1S	2 - 29	66T-15710-00	7 - 1	61N-24521-00	6 - 8	66T-42613-01	1 - 2	66T-44121-00	14 - 14	676-45251-00	2 - 15
676-12414-A1	2 - 30	66T-15711-00	7 - 2	61N-24560-00	6 - 6	66T-42615-02	1 - 8	66T-44122-00	14 - 15	67C-45251-00	20 - 15
	24 - 7	66T-15713-00	7 - 5	61N-24563-00	6 - 7	6E0-42651-02	1 - 4	66T-44124-00	13 - 10	66T-45300-01-4D	19 - 1
6E5-13552-01	2 - 3	66T-15714-00	7 - 3	648-24566-02	6 - 10	6F5-42652-01	1 - 6	66T-44125-01	14 - 23	66T-45300-11-4D	19 - 1
	2 - 4	66T-15716-00	7 - 6	6YJ-24610-01	21 - 2	63D-42677-20	1 - 9		15 - 6	66T-45311-01-4D	19 - 2
	4 - 4	66T-15723-00	7 - 29	66T-26301-00	13 - 29	63D-42678-11	1 - 10	66T-44143-00	14 - 21	679-45318-00	18 - 16
66T-13610-00	4 - 1	66T-15731-00	7 - 16	65W-26326-00	12 - 19	63D-42681-10	1 - 12	66T-44143-10	14 - 21	66T-45321-00	19 - 29
66T-13641-02-1S	4 - 3	66T-15734-00	7 - 14	65W-26326-10	12 - 19	63D-42682-10	1 - 13	61N-44146-00	19 - 27	688-45341-10	19 - 6
6E5-14159-00	5 - 17	63V-15741-00	7 - 4		15 - 10	66T-42710-01-4D	12 - 1	66T-44150-01	19 - 26	66T-45344-01	19 - 21
6E5-14223-00	5 - 13	63V-15744-00	7 - 10	6A1-28176-00	12 - 31	66T-42716-00	12 - 5	66T-44150-11	19 - 26	63D-45361-02-4D	19 - 44
66T-14301-02	5 - 1	6F5-15752-00	7 - 18	66T-41113-00-1S	2 - 32	66T-42725-00	12 - 8	6E0-44191-11	13 - 13	664-45371-01	20 - 8
66T-14301-12	5 - 1	6F5-15753-00	7 - 19	66T-41114-A0	2 - 34	6G1-42725-00	9 - 21	688-44194-00	14 - 9	63D-45375-00	20 - 7
6E5-14323-03	5 - 12	689-15755-01	7 - 21		24 - 8	66T-42725-20	12 - 8	66T-44311-00	19 - 12	663-45376-00-94	20 - 6
	24 - 21	66T-15758-01	7 - 24	66T-41131-00-5B	18 - 4	66T-42725-30	15 - 9	63D-44312-00	20 - 19	66T-45501-01	19 - 33
6A0-14325-00	6 - 25	66T-15762-01	7 - 28	66T-41131-10-5B	18 - 4	65W-42726-00	12 - 23		25 - 23	66T-45501-11	19 - 33
6J8-14334-00	5 - 11	66T-15767-00	7 - 8	66T-41133-A0	18 - 5	6H4-42726-00	12 - 21	63D-44316-00	19 - 16	6H4-45536-00	19 - 3
66T-14384-01	5 - 6	63V-15768-00	7 - 11		25 - 2	65W-42726-10	12 - 23		25 - 6	66T-45551-00	19 - 36
	24 - 19	6F5-15768-00	7 - 20	66T-41137-00-94	18 - 1		15 - 11		25 - 18	66T-45560-01	19 - 38
6E5-14385-02	5 - 18	66T-15770-00	7 - 15	66T-41237-00	14 - 5	676-42727-00	12 - 20	63D-44322-00	19 - 13	663-45567-01-10	19 - 40
	24 - 23	66T-15771-00-94	7 - 36	66T-41252-00	4 - 23	66T-42738-00-5B	12 - 6		25 - 15	663-45567-01-12	19 - 40

NUMERICAL INDEX

PART NO.	REF. NO.	PART NO.	REF. NO.	PART NO.	REF. NO.	PART NO.	REF. NO.	PART NO.	REF. NO.	PART NO.	REF. NO.
663-45567-01-15	19 - 40	703-48203-15	23 - 1	65W-48511-00	17 - 26	66T-85540-00	9 - 5	90119-06M88	10 - 25	90202-43M57	13 - 35
663-45567-01-18	19 - 40	703-48211-01	23 - 60	6H3-48538-00	14 - 27	66T-8554B-01-94	9 - 1	90119-06MA3	2 - 27	90204-06M00	10 - 3
663-45567-01-30	19 - 40	703-48212-00	23 - 57		15 - 4	66T-85550-00	8 - 1		2 - 35	90206-12052	12 - 12
663-45567-01-40	19 - 40	703-48213-00	23 - 58	66T-81303-00	26 - 1	66T-85550-10	8 - 1	90119-06MA5	2 - 31		13 - 6
663-45567-01-50	19 - 40	703-48215-00	23 - 42	66T-81328-00	8 - 13	66T-85560-01	8 - 2	90119-08M03	4 - 12	90206-12M00	16 - 26
66T-45571-00	19 - 41	703-48219-00	23 - 29	66T-81800-01	11 - 1	66T-85561-00	8 - 3	90119-08M10	7 - 32	90206-43M22	13 - 34
63D-45577-00-10	19 - 43	703-48221-00	23 - 55	66T-81820-00	11 - 6	66T-85570-00	9 - 10	90119-08M15	19 - 25	90209-27M07	3 - 12
63D-45577-00-12	19 - 43	703-48222-00	23 - 26	66T-81826-00	11 - 7	66T-85580-00	8 - 5		25 - 21	90209-52M00	17 - 7
63D-45577-00-15	19 - 43	703-48223-00	23 - 27	66T-81830-00	11 - 5	66T-85582-00	8 - 7	90119-08M39	11 - 8	90243-04007	16 - 5
63D-45577-00-18	19 - 43	703-48224-00	23 - 54	66T-81840-00	11 - 2	66T-85596-00	8 - 6	90119-08M42	18 - 15		16 - 10
63D-45577-00-30	19 - 43	703-48225-00	23 - 28	66T-81850-01	11 - 4	6J4-86111-00	10 - 16	90119-08M44	20 - 5	90249-07M32	16 - 50
63D-45577-00-40	19 - 43	703-48226-00	23 - 25	66T-81857-00	11 - 3	66T-86112-00	10 - 18	90119-08M51	7 - 33	90249-07M33	16 - 52
63D-45577-00-50	19 - 43	703-48227-00	23 - 24	66T-81916-01	9 - 8	6J4-86116-00	10 - 17	90119-08M52	11 - 9	90249-10M31	16 - 39
663-45587-01-10	19 - 35	703-48232-00	23 - 61	6L2-81945-00	10 - 5	682-86117-00	10 - 21	90119-08M79	18 - 2	90249-12M34	16 - 30
663-45587-01-12	19 - 35	703-48234-00	23 - 18	6G1-8194A-10	10 - 1	66T-W0001-01	24 - 1		18 - 11	90249-12M39	16 - 32
663-45587-01-15	19 - 35	703-48235-00	23 - 4	6G1-81952-00	10 - 4	66T-W0001-20	25 - 1	90119-08MA5	2 - 24	90250-06023	19 - 53
663-45587-01-18	19 - 35	703-48236-00	23 - 16	6G1-81970-61	10 - 8	66T-W0004-00	4 - 2		2 - 7	90254-03M04	14 - 24
663-45587-01-30	19 - 35	703-48238-00	23 - 22	66T-82105-00	10 - 7	63D-W0070-10	1 - 11	90119-10M04	17 - 24		15 - 5
663-45587-01-40	19 - 35	703-48243-00	23 - 15	6E5-82117-01	10 - 6	66T-W0078-00	25 - 14	90141-06M00	2 - 19	90254-03M05	14 - 16
663-45587-01-50	19 - 35	703-48244-00	23 - 21	6G1-82151-00	10 - 9	66T-W0078-0A	25 - 24	90142-05M06	19 - 9	90266-04M01	1 - 7
66T-45611-00	19 - 56	703-48245-00	23 - 11	6A0-82317-00	9 - 2	66T-W0084-02-4D	13 - 1	90149-05M13	13 - 25	90266-04M04	1 - 5
66T-45631-00	19 - 51	703-48246-00	23 - 23	6E3-82370-21	9 - 16	66T-W0090-02-1S	2 - 1	90149-14M12	16 - 2	90269-02M09	13 - 24
663-45633-00	19 - 54	701-48248-00	23 - 13	703-82510-33	23 - 43	66T-W0093-01	24 - 16		16 - 7	90280-03M03	19 - 17
66T-45635-00	19 - 55	703-48252-00	23 - 12	66T-82519-00	9 - 20	676-W2810-01	6 - 32	90157-05014	16 - 45		25 - 19
663-45930-00-98	20 - 25	703-48261-01	23 - 2	703-82531-00	23 - 45	90101-08002	2 - 21	90170-06M30	10 - 2	90280-05015	8 - 20
63D-45941-00-EL	20 - 25	703-48264-00	23 - 6	703-82540-00	23 - 49	90101-08M28	16 - 55	90170-12138	19 - 37	90338-05M03	12 - 25
663-45941-01-EL	20 - 25	703-48265-00	23 - 9	682-82556-00	13 - 43	90101-08M76	16 - 12	90170-20137	8 - 21	90338-07M00	12 - 24
69W-45943-00-EL	20 - 25	703-48268-00	23 - 5		23 - 47	90101-08M86	17 - 14	90171-16011	20 - 23	90340-08002	19 - 4
69W-45945-00-EL	20 - 25	703-48271-00	23 - 59	688-82560-10	9 - 19	90101-10M58	16 - 58	90179-10M33	17 - 25	90385-12M04	7 - 34
69W-45947-00-EL	20 - 25	703-48281-00	23 - 30	66T-82575-01	13 - 42	90105-08M61	19 - 50	90185-08045	17 - 12	90386-07MA2	16 - 38
663-45949-01-EL	20 - 25	703-48282-00	23 - 31	688-82575-01	23 - 46	90105-08M76	17 - 3	90185-08057	16 - 29	90386-08032	13 - 28
69W-45952-00-EL	20 - 25	703-48284-00	23 - 51	703-82577-00	23 - 44	90109-06M80	9 - 7		16 - 57	90386-10M99	16 - 37
663-45952-02-EL	20 - 25	701-48287-00	23 - 41	6E3-8257H-00	12 - 32		10 - 13	90185-10051	17 - 4	90386-12M37	12 - 10
663-45954-01-EL	20 - 25	703-48291-10	23 - 38	689-8257Y-00	13 - 44		12 - 29	90185-22043	16 - 21	90386-12M98	16 - 24
663-45956-01-EL	20 - 25	703-48293-10	23 - 40	688-82586-21	23 - 48	90109-06M81	9 - 6	90201-08M07	16 - 28	90386-12MA0	16 - 33
663-45958-01-EL	20 - 25	701-48310-90	22 - 2	66T-82590-00	10 - 14		9 - 9	90201-08M54	14 - 11	90386-12MA2	12 - 11
663-45970-60-98	20 - 25	701-48320-00	22 - 2	703-82591-00	23 - 52		9 - 13	90201-10120	15 - 8	90386-22M15	16 - 18
663-45972-60-98	20 - 25	701-48320-20	22 - 2	703-82592-00	23 - 53		12 - 7		17 - 27	90386-40M99	13 - 36
663-45974-60-98	20 - 25	701-48320-30	22 - 2	703-83383-02	23 - 50		14 - 18	90201-12426	16 - 60	90386-40MA0	13 - 32
663-45976-00-98	20 - 25	701-48320-50	22 - 2	66T-83557-00	10 - 15	90109-06M86	10 - 27	90201-12M07	13 - 5	90386-44M03	17 - 9
663-45978-00-98	20 - 25	701-48320-60	22 - 2	6A1-83625-41	7 - 43		12 - 15	90201-20417	3 - 20	90386-44M99	17 - 11
663-45987-02	20 - 20	701-48320-80	22 - 2	6A1-83625-51	7 - 44		13 - 15	90201-21M18	8 - 22	90386-52M02	17 - 8
66T-45997-00	20 - 21	663-48344-00	14 - 25	6E0-83627-41	13 - 45		14 - 20	90201-22429	19 - 42	90387-06035	12 - 4
703-48152-00	23 - 56		15 - 2	6E0-83627-51	13 - 46	90109-08M90	16 - 27	90201-22M03	16 - 19	90387-06M60	10 - 23
703-48153-00	23 - 3	703-48345-01	23 - 19	66T-85515-00	8 - 8	90116-10M28	17 - 5	90201-27M00	19 - 23	90387-06M66	7 - 27
703-48189-00	23 - 17	703-48358-00	23 - 20	66T-85520-00	8 - 10	90119-06M61	12 - 2	90201-43M00	13 - 33	90387-06M80	4 - 17
703-48198-00	23 - 14	66T-48501-01	15 - 1	66T-85533-00	8 - 14	90119-06M65	9 - 4	90202-12031	16 - 25	90387-06M86	13 - 3
703-48203-15	22 - 1	65W-48511-00	15 - 7		26 - 2	90119-06M73	12 - 17	90202-12060	20 - 2	90387-07M05	16 - 40

NUMERICAL INDEX

PART NO.	REF. NO.	PART NO.	REF. NO.	PART NO.	REF. NO.	PART NO.	REF. NO.	PART NO.	REF. NO.	PART NO.	REF. NO.
90387-07M29	16 - 51	91490-20010	13 - 20	93210-03261	10 - 24	93700-06M03	16 - 16	97880-06035	14 - 7		
90387-08M05	7 - 35	91490-20012	16 - 54	93210-06ME6	19 - 31	94702-00272	2 - 38	97885-06040	4 - 15		
90387-08M16	14 - 3	91490-30025	20 - 24		25 - 10	95380-03600	6 - 19	97902-04108	8 - 9		
90387-08M29	16 - 11	91690-40032	4 - 24	93210-08287	21 - 14	95380-05600	10 - 12	97902-06125	8 - 15		
90387-12M04	16 - 31	92903-06600	4 - 7		21 - 16		19 - 10		26 - 3		
90389-22M01	20 - 22		7 - 38	93210-32738	6 - 9		23 - 7	97980-04112	5 - 9		
90430-08020	19 - 5		7 - 41		24 - 11	95380-06600	23 - 39	97980-05125	5 - 26		
	25 - 4	92903-10600	13 - 26	93210-33MG4	19 - 30	95380-06700	14 - 8		24 - 28		
90430-12072	20 - 3	92990-05100	6 - 23		25 - 9		19 - 28	98503-05028	6 - 22		
90445-07M08	2 - 37	92990-05600	5 - 5	93210-43MJ0	17 - 10	95380-08600	6 - 11	98580-03015	23 - 37		
90445-07M24	4 - 8		10 - 11	93210-46M16	4 - 11		16 - 13	98580-04006	23 - 35		
90445-07MA4	4 - 9	92990-06200	13 - 11		24 - 9	95380-10600	16 - 61	98580-04010	23 - 34		
90445-09086	6 - 13	92990-06600	19 - 32		24 - 17	95380-10700	13 - 38	98580-05010	23 - 36		
	6 - 30	92990-08100	16 - 14	93210-48MG8	19 - 22	95780-06300	13 - 8	98586-05016	21 - 4		
90445-09M08	6 - 4	92990-08600	23 - 33		25 - 8	95780-10300	13 - 39	99080-08600	16 - 41		
90445-09M75	2 - 36	92995-06200	13 - 9	93210-54M54	4 - 14	97013-06014	6 - 12	9E471-04305	8 - 12		
90445-11M05	21 - 11	92995-06600	2 - 13		24 - 10	97013-06030	7 - 37				
90445-11M06	21 - 9		2 - 17		24 - 18		7 - 40				
90446-03MA3	9 - 12		4 - 16	93210-59MG7	19 - 15	97013-06035	4 - 6				
90446-10M86	13 - 31		6 - 3		25 - 5	97075-08030	17 - 17				
90446-10M87	13 - 30		6 - 29		25 - 17		18 - 6				
90464-12M00	8 - 27		7 - 26	93210-65M50	2 - 11	97075-10040	20 - 12				
90464-13249	7 - 42		7 - 31		24 - 4	97075-10070	17 - 22				
90465-15M74	8 - 23		8 - 19	93210-69MG6	19 - 46	97095-06010	7 - 30				
90465-20M31	10 - 26		8 - 25		25 - 11	97095-06012	9 - 17				
90465-25M57	12 - 24		9 - 15	93210-74MG5	19 - 47	97095-06014	14 - 13				
90467-06016	4 - 10		9 - 18		25 - 12	97095-06016	8 - 24				
90467-08004	6 - 5		12 - 28	93210-75M51	8 - 17		12 - 27				
	6 - 14	92995-08100	17 - 18		24 - 15	97095-06020	2 - 12				
	6 - 31		20 - 10	93306-001U1	19 - 45		2 - 16				
90468-18008	13 - 12		20 - 17	93306-306V5	3 - 8	97095-06025	9 - 14				
	14 - 26	92995-08200	17 - 13	93306-307U0	3 - 6	97095-06030	6 - 2				
	15 - 3	92995-08600	11 - 11	93310-727U0	3 - 13	97095-06035	7 - 25				
90480-09M21	12 - 3		18 - 7	93315-32224	19 - 11	97095-06040	6 - 28				
90480-10155	10 - 19	92995-10100	20 - 13	93317-22204	19 - 48		8 - 18				
90480-10M23	10 - 22	92995-10600	16 - 59	93332-00001	19 - 34	97095-08016	11 - 10				
90480-10M71	8 - 26		17 - 23	93332-00003	19 - 39	97095-08025	20 - 9				
90480-25161	9 - 11		20 - 14	93332-000UE	3 - 7	97095-08035	20 - 16				
90480-25M70	20 - 27	93101-16001	2 - 10	93420-30042	18 - 17	97095-08045	14 - 12				
90480-30M71	20 - 28		24 - 3	93430-06024	23 - 10	97380-05025	23 - 8				
90501-10M84	14 - 6	93101-22M00	19 - 49	93430-10M00	16 - 34	97380-08030	23 - 32				
90501-15M01	19 - 52		25 - 13	93440-68M03	3 - 14	97575-68545	18 - 10				
90501-23215	13 - 27	93101-22M60	19 - 20	93603-21111	3 - 19	97595-06550	13 - 4				
90502-10M06	16 - 56		25 - 7	93604-08062	19 - 24	97780-50616	1 - 3				
90506-16M34	12 - 16	93102-30M56	2 - 9	93606-12019	18 - 3	97802-04006	8 - 16				
90506-20M37	16 - 43		24 - 2		18 - 14		26 - 4				
90506-30M00	16 - 53	93102-35008	8 - 4		20 - 11	97880-05008	10 - 20				
91490-16012	14 - 22		24 - 14	93608-12063	2 - 6	97880-05030	10 - 10				

40XMH/40XW
PARTS CATALOGUE
©2003 by Yamaha Motor Co., Ltd.
1st edition, September 2003
All rights reserved.
Any reprinting or unauthorized use
without the written permission of
Yamaha Motor Co., Ltd.
is expressly prohibited.
Printed in Japan.