

PARTS CATALOGUE

E40XMH'04 (66T6)
40XWT'04 (66T7)

FOREWORD

This Parts Catalogue is related to the parts for the model(s) on the cover page. When you are ordering replacement parts, please refer to this Parts Catalogue and quote both part numbers and part names correctly.

1. Modifications or additions which have been made after the issue of the Parts Catalogue will be announced in the Parts News.
It is advisable that you make the necessary corrections to the Parts Catalogue according to the Parts News.

2. Abbreviations

The following abbreviations are used in this Parts Catalogue.

“UR” Use specified parts number.

“UN” Use as many as needed.

“AP” Alternate Parts

“LM” Locally Made (Parts need to be ordered locally)

“F#” Frame No. (Applicable machine No.)

“O/S” Over Size

3. The number of components for assembly

- Parts, which are to be supplied in an assembly, are listed with a dot (.) in front of the part name as shown below.
- The numeral appearing to the right of each component part indicates the quantity of parts for each assembly unit.

PART NO.	DESCRIPTION	Q'TY	REMARKS
2F5-83310-60	FRONT FLASHER LIGHT ASSY	2	
115-83311-60	.BULB (6V-18W)	1	

4. Applicable colours of graphics are represented in the “REMARKS” as shown below.

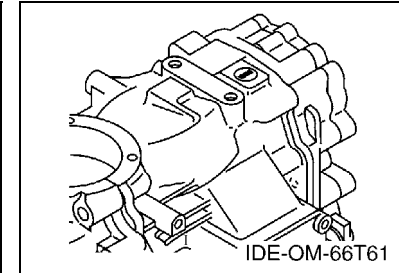
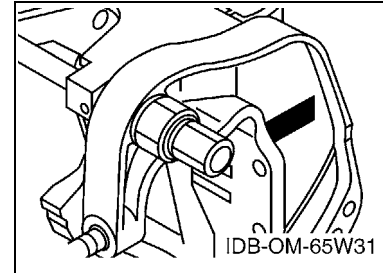
PART NO.	DESCRIPTION	Q'TY	REMARKS
2N4-24110-00-X5	FUEL TANK COMP.	2	MXR
3J1-24240-10	.GRAPHIC, FUEL TANK	1	FOR MXR

5. Note that the illustrations for reference in finding parts numbers are not to be used for assembling. When assembling, please use the applicable service manual.

6. The asterisk (*) before a reference number indicates modified items after the first edition.

7. Applicable Serial No.

Engine Serial No.



8. Applicable Engine Starting Serial No.

Model	Serial No.	Model	Serial No.
E40X	66TK-1008141	40X	66TK-1008141

9. Applicable Colour Code

Abbreviation	Colour Name	Colour Code
DBNM2	DARK BLUISH GRAY METALLIC 2	004D

10. Quantity Column Information

Column No.	Name Of Q'ty Column	Applicable Model
1	MH	E40XMH
2	WT	40XWT

CONTENTS

SHEET1/2

TOP COWLING	A4
CYLINDER & CRANKCASE	A5
CRANKSHAFT & PISTON	A7
INTAKE	B1
CARBURETOR	B2
FUEL	B3
STARTER	B5
GENERATOR	B7
ELECTRICAL 1	C2
ELECTRICAL 2	C3
STARTING MOTOR	C5
BOTTOM COWLING	C6
STEERING	D1
STEERING FRICTION	D3
CONTROL	D4
REMO CON ATTACHMENT	D5
BRACKET 1	D6
BRACKET 2	E2
BRACKET 3	E4
POWER TRIM & TILT ASSY	E6
UPPER CASING	F2
LOWER CASING & DRIVE 1	F3
LOWER CASING & DRIVE 2	F6

INDEX

NUMERICAL INDEX	G1
-----------------------	----

SHEET2/2

FUEL TANK	A4*
STEERING GUIDE	A5*
REMOTE CONTROL BOX	A6*
REMOTE CONTROL ASSY	A7*
REPAIR KIT 1	B3*
REPAIR KIT 2	B5*
REPAIR KIT 3	B6*

INDEX

NUMERICAL INDEX	G1*
-----------------------	-----

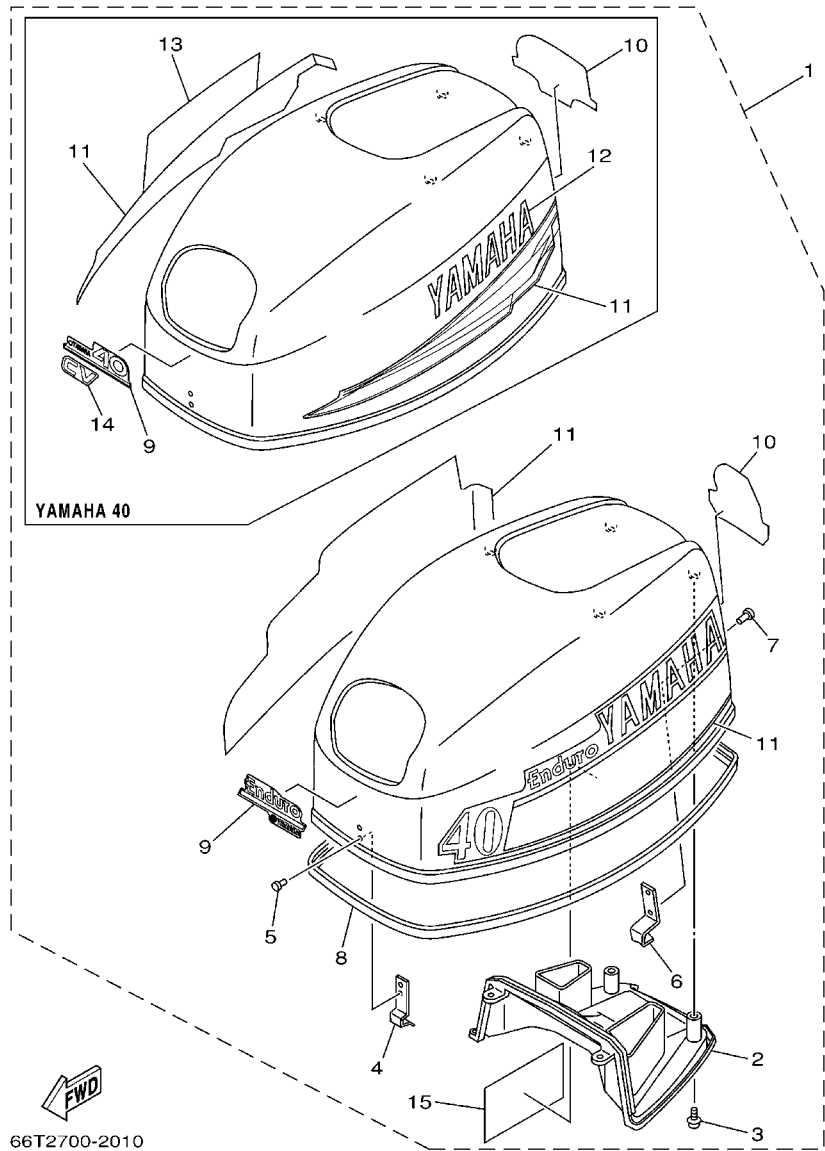


FIG. 1 TOP COWLING

REF. NO.	PART NO.	DESCRIPTION	MH	WT		REMARKS
1	66T-42610-K0-4D	TOP COWLING ASSY	1			ENDURO
	66T-42610-G0-4D	TOP COWLING ASSY		1		YAMAHA 40
2	66T-42613-01	.MOLDING, AIR DUCT	1	1		
3	97780-50616	.SCREW, TAPPING	4	4		
4	6E0-42651-02	.HOOK	1	1		
5	90266-04M04	.RIVET	2	2		
6	6F5-42652-01	.HOOK	1	1		
7	90266-04M01	.RIVET	2	2		
8	66T-42615-02	.SEAL	1	1		
9	69P-42677-H0	.GRAPHIC, FRONT	1			ENDURO
	63D-42677-20	.GRAPHIC, FRONT		1		YAMAHA 40
10	6J4-42678-H0	.GRAPHIC, REAR	1			ENDURO
	63D-42678-11	.GRAPHIC, REAR		1		YAMAHA 40
11	66T-W0070-H0	.GRAPHIC SET	1			ENDURO
	63D-W0070-10	.GRAPHIC SET		1		YAMAHA 40
12	63D-42681-10	.MARK, COWLING	1			YAMAHA 40
13	63D-42682-10	.MARK, COWLING	1			YAMAHA 40
14	61R-42683-F0	.MARK, COWLING	1			YAMAHA 40- CV
15	677-13437-0B	.MARK, CAUTION	1			ENDURO

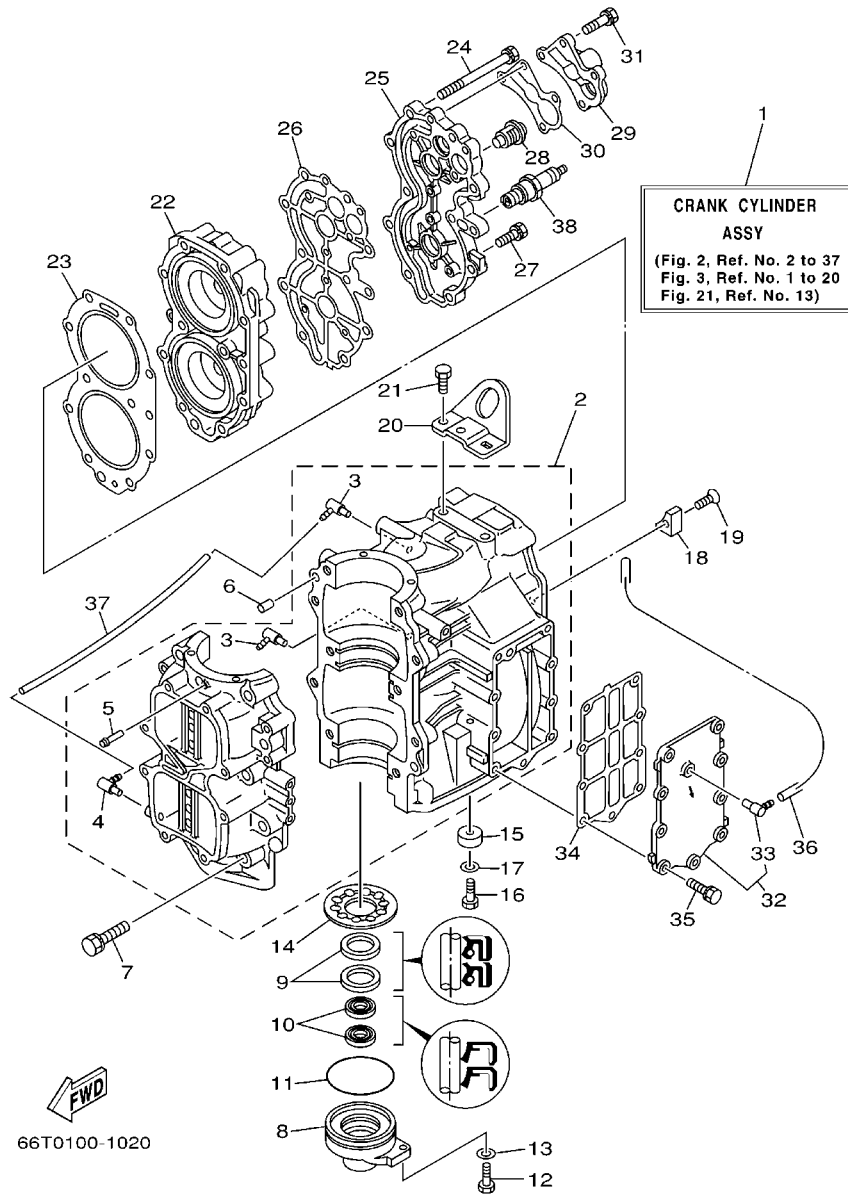
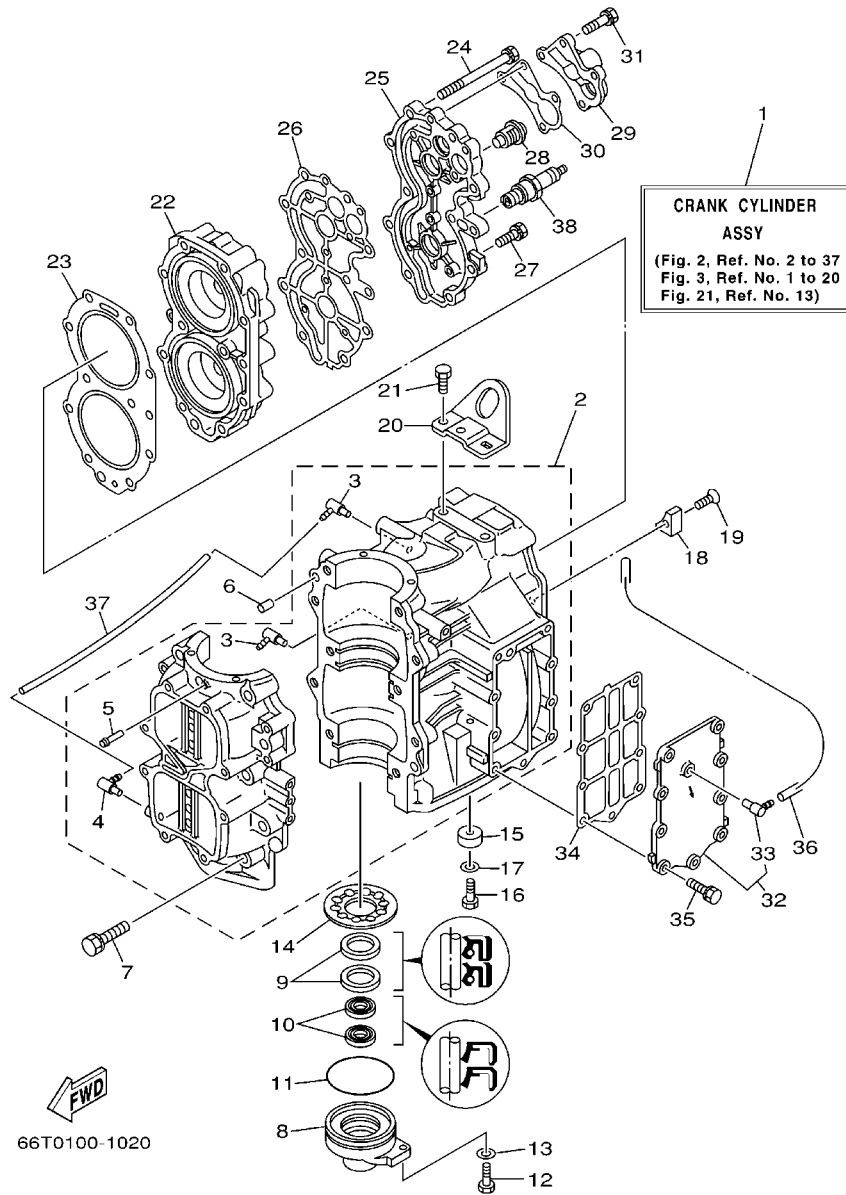


FIG. 2 CYLINDER & CRANKCASE

REF. NO.	PART NO.	DESCRIPTION	MH	WT				REMARKS
1	66T-W0090-02-1S	CRANK CYLINDER ASSY	1	1				
2	66T-15100-02-1S	CRANKCASE ASSY	1	1				
3	6E5-13552-01	.NOZZLE	2	2				
4	6E5-13552-01	.NOZZLE	1	1				
5	624-14485-00	.PIPE, JOINT	1	1				
6	93608-12063	PIN, DOWEL	2	2				
7	90119-10005	BOLT, WITH WASHER	10	10				
8	66T-15396-01-94	HOUSING, OIL SEAL	1	1				
9	93102-30M56	OIL SEAL	2	2				
10	93101-16001	OIL SEAL	2	2				
11	93210-65M50	O-RING	1	1				
12	97095-06020	BOLT	1	1				
13	92995-06600	WASHER	1	1				
14	66T-11565-00	WASHER, BEARING COVER	1	1				
15	676-45251-00	ANODE	1	1				
16	97095-06020	BOLT	1	1				
17	92995-06600	WASHER	1	1				
18	676-11325-00	ANODE	1	1				
19	90141-06M00	SCREW, COUNTERSUNK	1	1				
20	66T-11119-00	HANGER, ENGINE	1	1				
21	90101-08002	BOLT	2	2				
22	66T-11111-01-1S	HEAD, CYLINDER 1	1	1				
23	66T-11181-A2	GASKET, CYLINDER HEAD 1	1	1				
24	90119-08MA5	BOLT, WITH WASHER	11	11				
25	66T-11191-00-1S	COVER, CYLINDER HEAD 1	1	1				
26	66T-11193-A2	GASKET, HEAD COVER 1	1	1				
27	90119-06MA3	BOLT, WITH WASHER	4	4				



66T0100-1020

FIG. 2 CYLINDER & CRANKCASE

REF. NO.	PART NO.	DESCRIPTION	MH	WT			REMARKS
28	6E5-12411-01	THERMOSTAT	1	1			
29	676-12413-00-1S	COVER, THERMOSTAT	1	1			
30	676-12414-A1	GASKET, COVER	1	1			
31	90119-06MA5	BOLT, WITH WASHER	4	4			
32	66T-41113-00-1S	OUTER COVER, EXHAUST	1	1			
33	676-11372-00	.NIPPLE, HOSE	1	1			
34	66T-41114-A0	GASKET, EXHAUST OUTER COVER	1	1			
35	90119-06MA3	BOLT, WITH WASHER	9	9			
36	90445-09M75	HOSE (L370)	1	1			
37	90445-07M08	HOSE (L220)	1	1			
38	94702-00272	PLUG, SPARK (NGK BR7HS)	2	2			

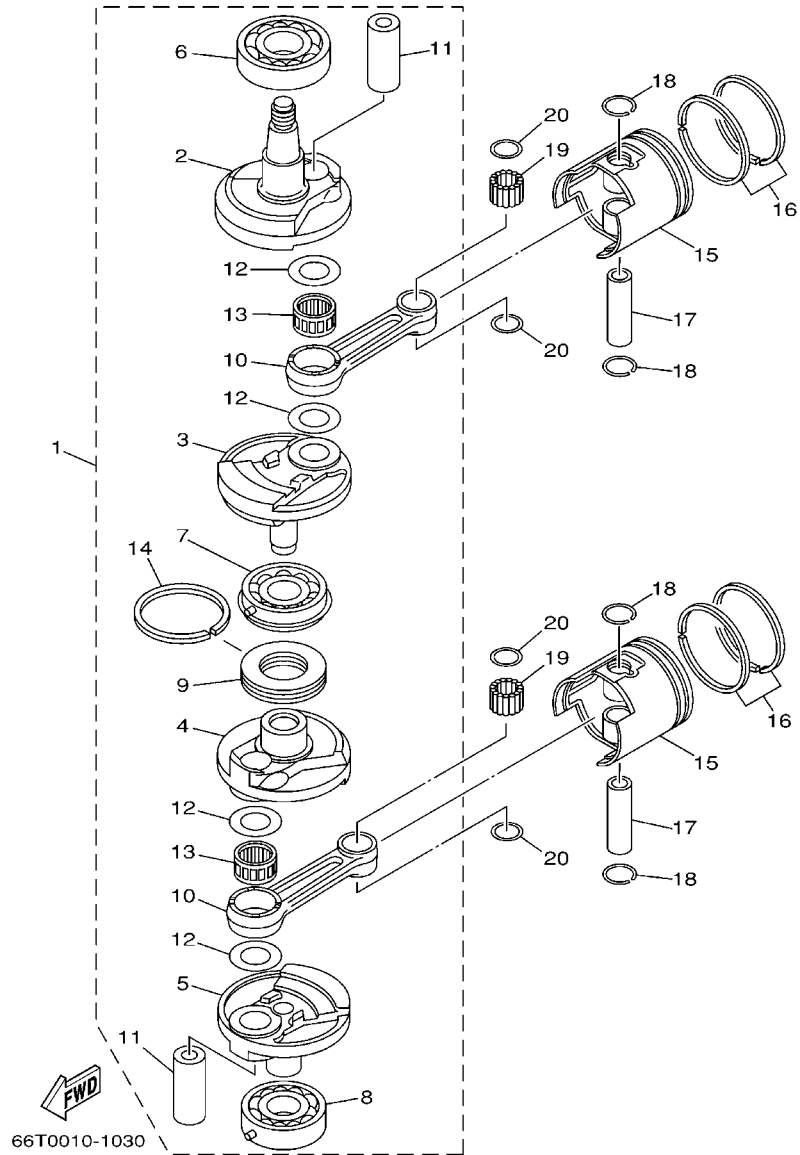


FIG. 3 CRANKSHAFT & PISTON

REF. NO.	PART NO.	DESCRIPTION	MH	WT		REMARKS
1	66T-11400-01	CRANKSHAFT ASSY	1	1		
2	66T-11412-00	.CRANK 1	1	1		
3	66T-11422-00	.CRANK 2	1	1		
4	66T-11432-00	.CRANK 3	1	1		
5	66T-11442-00	.CRANK 4	1	1		
6	93306-307U0	.BEARING	1	1		
7	93332-000UE	.BEARING	1	1		
8	93306-306V5	.BEARING	1	1		
9	6F5-11515-00	.SEAL, LABYRINTH 1	1	1		
10	6F5-11651-00	.ROD, CONNECTING	2	2		
11	66T-11681-00	.PIN, CRANK 1	2	2		
12	90209-27M07	.WASHER	4	4		
13	93310-727U0	.BEARING	2	2		
14	93440-68M03	.CIRCLIP	1	1		
15	66T-11631-01-93	PISTON (STD)	2	2		
	66T-11635-01	PISTON (0.25MM O/S)	2	2		AP
	66T-11636-01	PISTON (0.50MM O/S)	2	2		AP
16	66T-11603-00	PISTON RING SET (STD)	2	2		
	66T-11604-00	PISTON RING SET (0.25MM O/S)	2	2		AP
	66T-11605-00	PISTON RING SET (0.50MM O/S)	2	2		AP
17	6F5-11633-00	PIN, PISTON	2	2		
18	663-11634-00	CLIP, PISTON PIN	4	4		
19	93603-21111	PIN, DOWEL	56	56		
20	90201-20417	WASHER, PLATE	4	4		

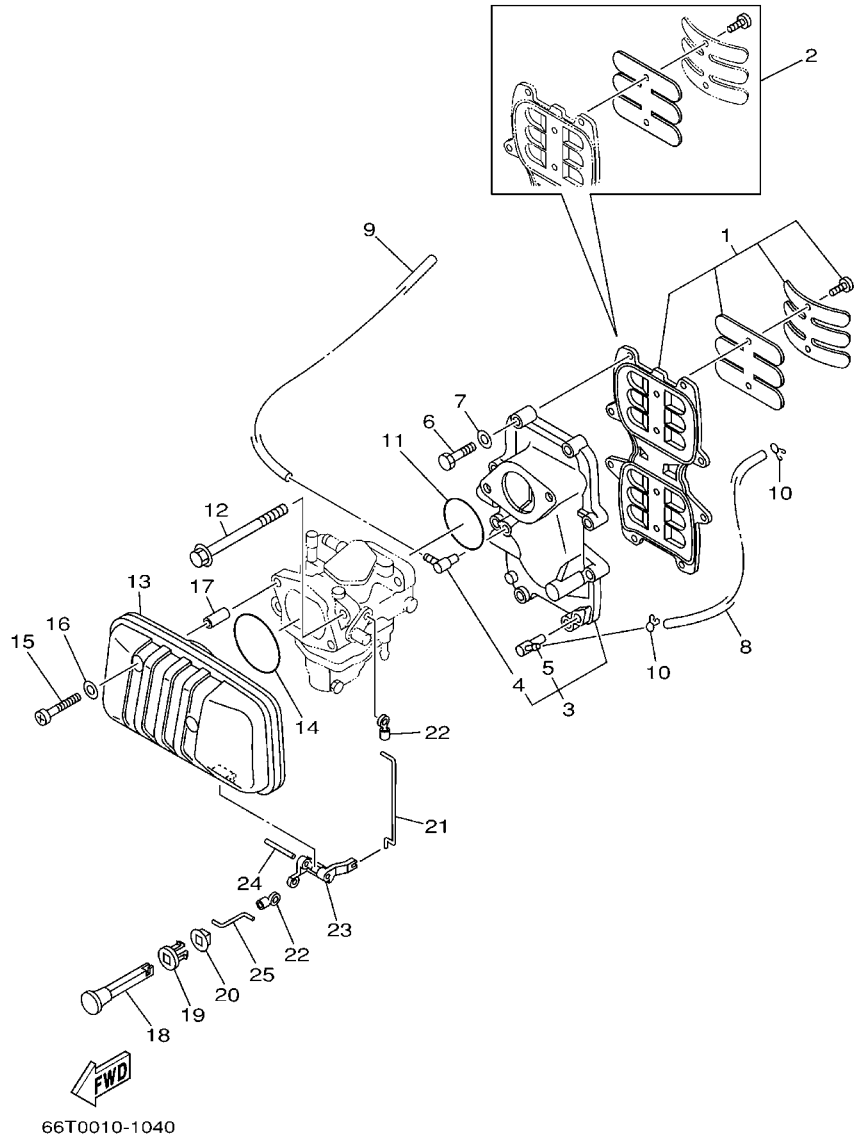
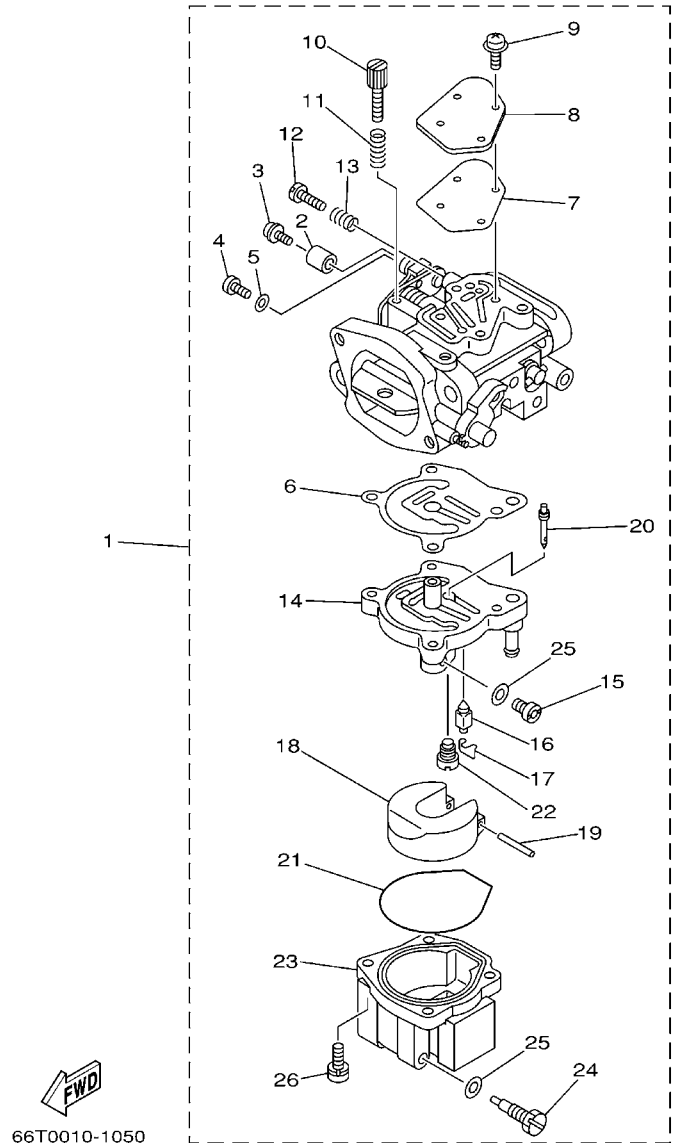


FIG. 4 INTAKE

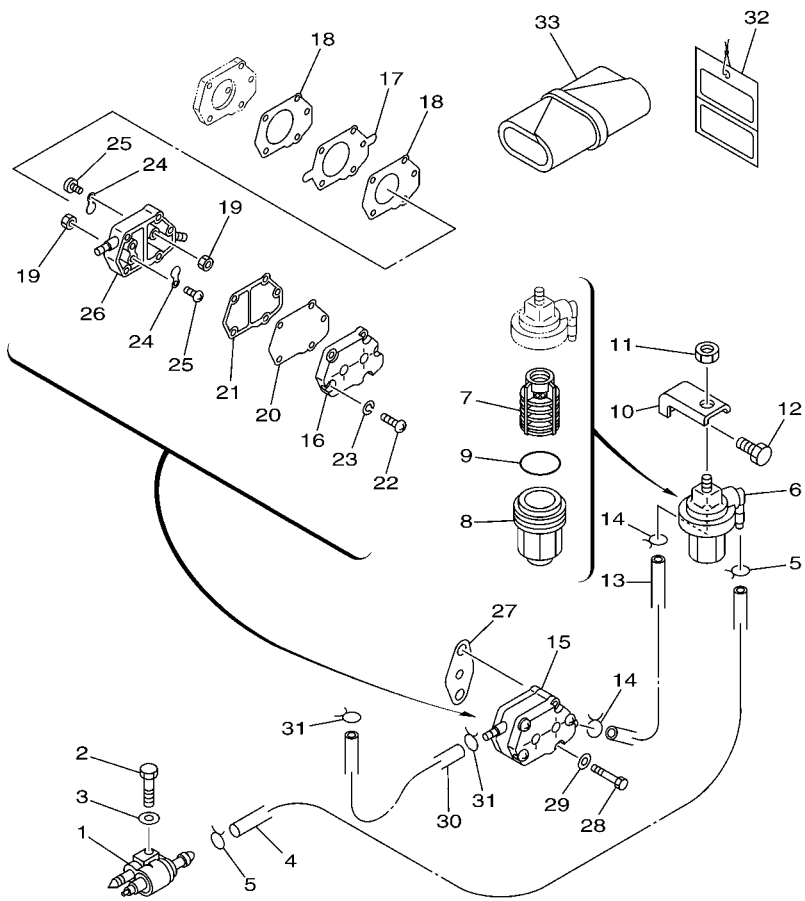
REF. NO.	PART NO.	DESCRIPTION	MH	WT				REMARKS
1	66T-13610-00	REED VALVE ASSY	1	1				
2	66T-W0004-00	.REED SET	1	1				
3	66T-13641-02-1S	MANIFOLD 1	1	1				
4	6E5-13552-01	.NOZZLE	1	1				
5	650-11372-01	.NIPPLE, HOSE	1	1				
6	97013-06035	BOLT	8	8				
7	92903-06600	WASHER, PLATE	8	8				
8	90445-07M24	HOSE (L240)	1	1				
9	90445-07MA4	HOSE (L280)	1	1				
10	90467-06016	CLIP	2	2				
11	93210-46M16	O-RING	1	1				
12	90119-08M03	BOLT, WITH WASHER	2	2				
13	66T-14440-00	SILENCER ASSY, INTAKE	1	1				
14	93210-54M54	O-RING	1	1				
15	97885-06040	SCREW, PAN HEAD	2	2				
16	92995-06600	WASHER	2	2				
17	90387-06M80	COLLAR	2	2				
18	6H4-41271-01	KNOB, CHOKE	1	1				
19	689-41273-00	GROMMET	1	1				
20	6J8-41274-00	GROMMET 2	1	1				
21	66T-41256-00	ROD, CHOKE 1	1	1				
22	661-41262-02	JOINT, CHOKE LEVER	2	2				
23	66T-41252-00	LEVER, CHOKE 1	1	1				
24	91690-40032	PIN, SPRING	1	1				
25	66T-41257-00	ROD, CHOKE 2	1	1				



66T0010-1050

FIG. 5 CARBURETOR

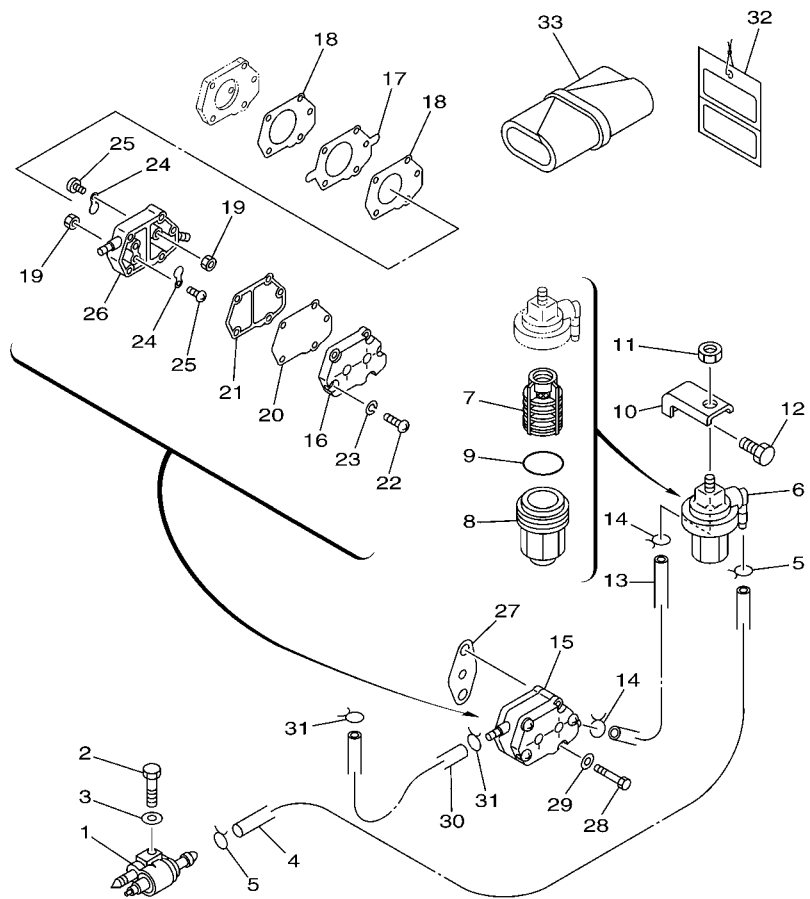
REF. NO.	PART NO.	DESCRIPTION	MH	WT	REMARKS
1	66T-14301-02	CARBURETOR ASSY 1	1		
	66T-14301-12	CARBURETOR ASSY 1		1	
2	66T-14578-00	.COLLAR	1	1	
3	66T-14584-00	.STOPPER	1	1	
4	6J8-14592-01	.SCREW	1	1	
5	92990-05600	.WASHER, PLATE	1	1	
6	66T-14384-01	.GASKET, FLOAT CHAMBER	1	1	
7	66T-14536-00	.GASKET	1	1	
8	66T-14527-00	.PLATE	1	1	
9	97980-04112	.SCREW, WITH WASHER	4	4	
10	66T-14523-00	.SCREW, STOP	1	1	
11	6J8-14334-00	.SPRING, THROTTLE	1	1	
12	6E5-14323-03	.SCREW, AIR ADJUSTING	1	1	
13	6E5-14223-00	.SPRING, AIR ADJUSTING	1	1	
14	66T-14945-02	.SPACER ASSY (#38)	1	1	
15	61A-1492E-85	.JET, MAIN (#170)	1	1	
16	6E5-14546-00	.VALVE, NEEDLE	1	1	
17	6E5-14159-00	.CLIP	1	1	
18	6E5-14385-02	.FLOAT	1	1	
19	6E5-14386-02	.PIN, FLOAT	1	1	
20	66T-1492F-35	.JET, AIR SLOW (#70)	1	1	
21	66T-14984-00	.GASKET, FLOAT CHAMBER	1	1	
22	66T-14992-00	.PLUG	1	1	
23	66T-14981-00	.BODY, FLOAT CHAMBER	1	1	
24	66T-14991-00	.PLUG, DRAIN	1	1	
25	66T-14959-00	.GASKET	2	2	
26	97980-05125	.SCREW, WITH WASHER	4	4	



66T6700-C060

FIG. 6 FUEL

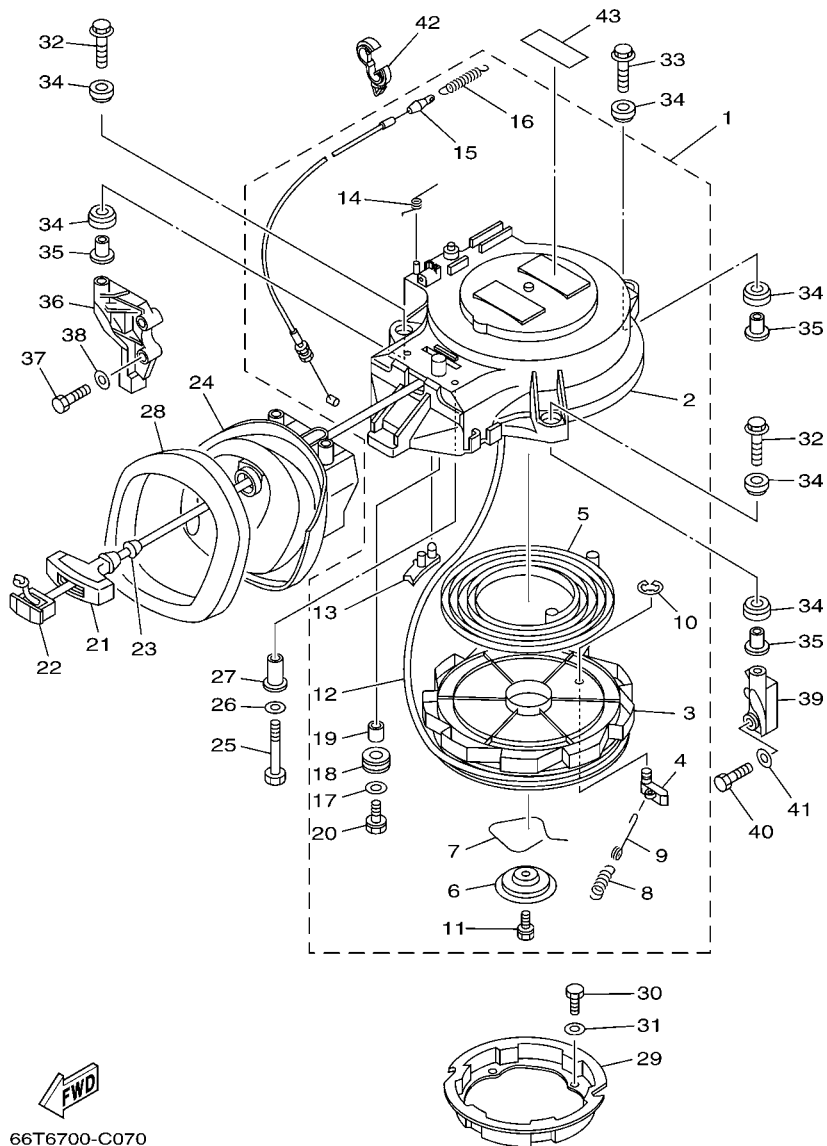
REF. NO.	PART NO.	DESCRIPTION	MH	WT				REMARKS
1	6G1-24304-02	FUEL PIPE JOINT COMP. 1	1	1				
2	97095-06030	BOLT	1	1				
3	92995-06600	WASHER	1	1				
4	90445-09M08	HOSE (L550)	1	1				
5	90467-08004	CLIP	2	2				
6	61N-24560-00	FILTER ASSY	1	1				
7	61N-24563-00	.ELEMENT, FILTER	1	1				
8	61N-24521-00	.CUP, FILTER	1	1				
9	93210-32738	.O-RING	1	1				
10	648-24566-02	BRACKET, FILTER	1	1				
11	95380-08600	NUT	1	1				
12	97013-06014	BOLT	1	1				
13	90445-09086	HOSE (L170)	1	1				
14	90467-08004	CLIP	2	2				
15	692-24410-00	FUEL PUMP ASSY	1	1				
16	6A0-24413-00	.BODY 2	1	1				
17	692-24411-00	.DIAPHRAGM	1	1				
18	648-24434-01	.GASKET, BODY	2	2				
19	95380-03600	.NUT	2	2				
20	663-24411-00	.DIAPHRAGM	1	1				
21	648-24435-02	.GASKET, BODY 2	1	1				
22	98503-05028	.SCREW, PAN HEAD	3	3				
23	92990-05100	.WASHER, SPRING	3	3				
24	6A0-24421-01	.VALVE, CHECK	2	2				
25	6A0-14325-00	.SCREW, PAN HEAD	2	2				
26	6A0-24412-02	.BODY 1	1	1				
27	650-24431-A0	GASKET, FUEL PUMP 1	1	1				



 66T6700-C060

FIG. 6 FUEL

REF. NO.	PART NO.	DESCRIPTION	MH	WT			REMARKS
28	97095-06040	BOLT	2	2			
29	92995-06600	WASHER	2	2			
30	90445-09086	HOSE (L170)	1	1			
31	90467-08004	CLIP	2	2			
32	61H-2819R-31	TAG, WARNING	1	1			
33	676-W2810-01	TOOL KIT	1	1			AP



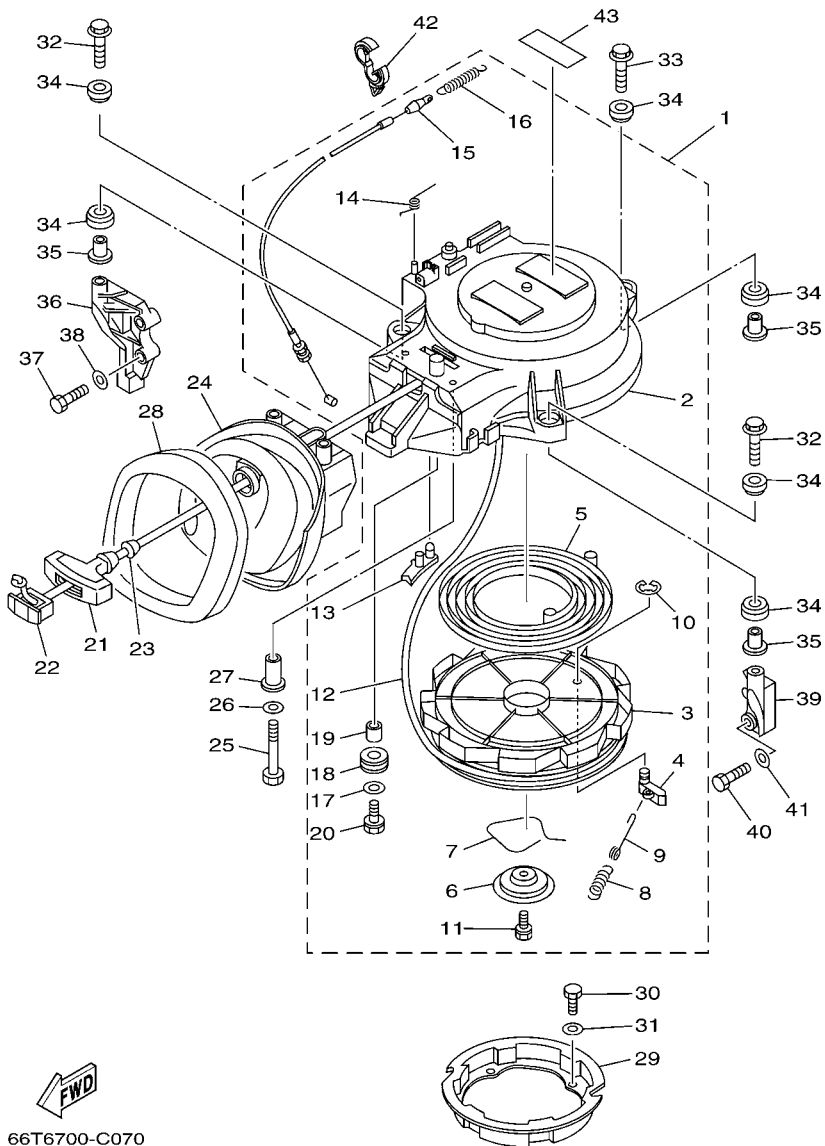
66T6700-C070

*1: CUT FROM 50M ROLLS, PART NO. 90890-44374, CUTTING LENGTH 1.8M

FIG. 7 STARTER

REF. NO.	PART NO.	DESCRIPTION	MH	WT	REMARKS
1	66T-15710-00	STARTER ASSY	1	1	
2	66T-15711-00	.CASE, STARTER	1	1	
3	66T-15714-00	.DRUM, SHEAVE	1	1	
4	63V-15741-00	.PAWL, DRIVE	1	1	
5	66T-15713-00	.SPRING, STARTER	1	1	
6	66T-15716-00	.PLATE, DRIVE	1	1	
7	66T-15705-00	.SPRING, DRIVE PAWL	1	1	
8	66T-15767-00	.SPRING	1	1	
9	66T-15784-00	.SPRING, RETURN	1	1	
10	63V-15744-00	.CIRCLIP	1	1	
11	63V-15768-00	.BOLT	1	1	
12	*	.WIRE, STARTER (L:1800MM)	1	1	*1
13	66T-15794-00	.STOPPER	1	1	
14	66T-15734-00	.SPRING, RETURN	1	1	
15	66T-15770-00	.CABLE COMP., STARTER STOP	1	1	
16	66T-15731-00	.SPRING, RETURN	1	1	
17	6F5-15791-00	.WASHER, LOCK	1	1	
18	6F5-15752-00	.ROLLER, WIRE	1	1	
19	6F5-15753-00	.BUSH	1	1	
20	6F5-15768-00	.BOLT	1	1	
21	689-15755-01	HANDLE, STARTER	1	1	
22	6F5-15779-02	COVER	1	1	
23	697-15789-00	DAMPER	1	1	
24	66T-15758-01	GUIDE, ROPE	1	1	
25	97095-06035	BOLT	2	2	
26	92995-06600	WASHER	2	2	
27	90387-06M66	COLLAR	2	2	

FIG. 7 STARTER



66T6700-C070

*1: CUT FROM 50M ROLLS, PART NO.90890-44374, CUTTING LENGTH 1.8M

REF. NO.	PART NO.	DESCRIPTION	MH	WT	REMARKS
28	66T-15762-01	SEAL, RUBBER 2	1	1	
29	66T-15723-00	PULLEY, STARTER	1	1	
30	97095-06010	BOLT	4	4	
31	92995-06600	WASHER	4	4	
32	90119-08M10	BOLT, WITH WASHER	2	2	
33	90119-08M51	BOLT, WITH WASHER	1	1	
34	90385-12M04	BUSH	6	6	
35	90387-08M05	COLLAR	3	3	
36	66T-15771-00-94	STAY 1	1	1	
37	97013-06030	BOLT	2	2	
38	92903-06600	WASHER, PLATE	2	2	
39	66T-15772-00-94	STAY 2	1	1	
40	97013-06030	BOLT	2	2	
41	92903-06600	WASHER, PLATE	2	2	
42	90464-13249	CLAMP	1	1	
43	6A1-83625-41	MARK 5	1	1	



66T0010-1080

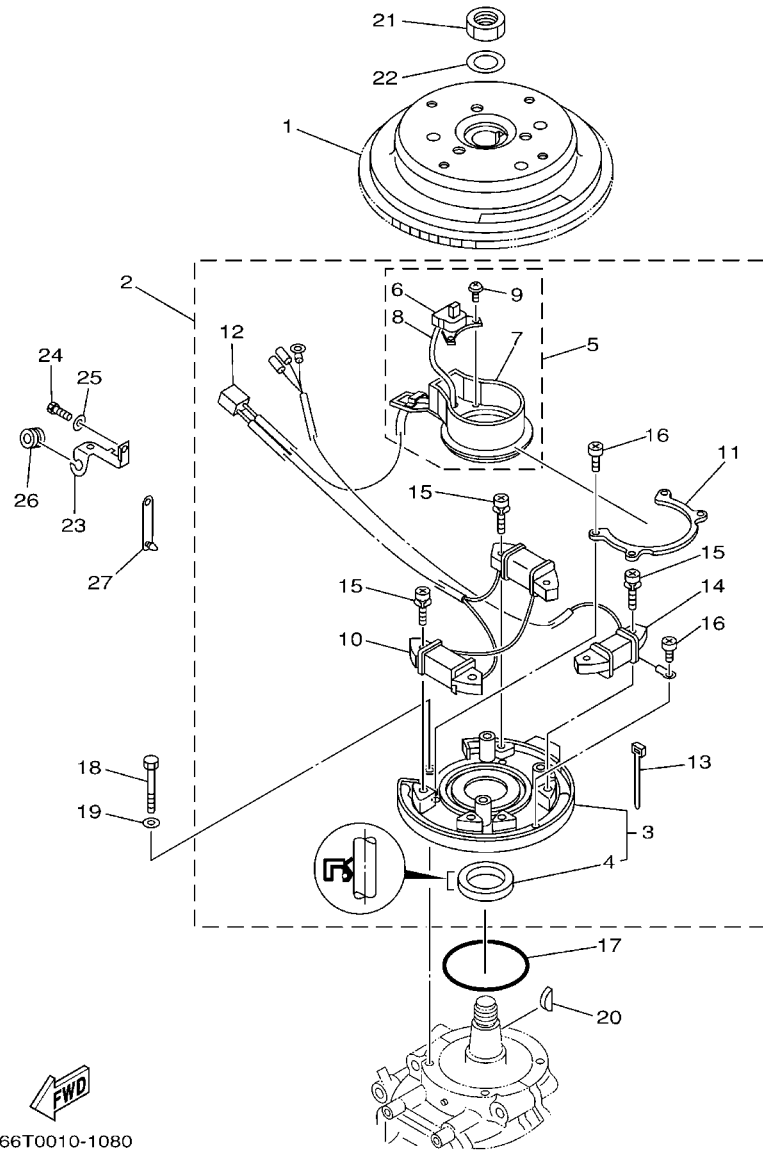
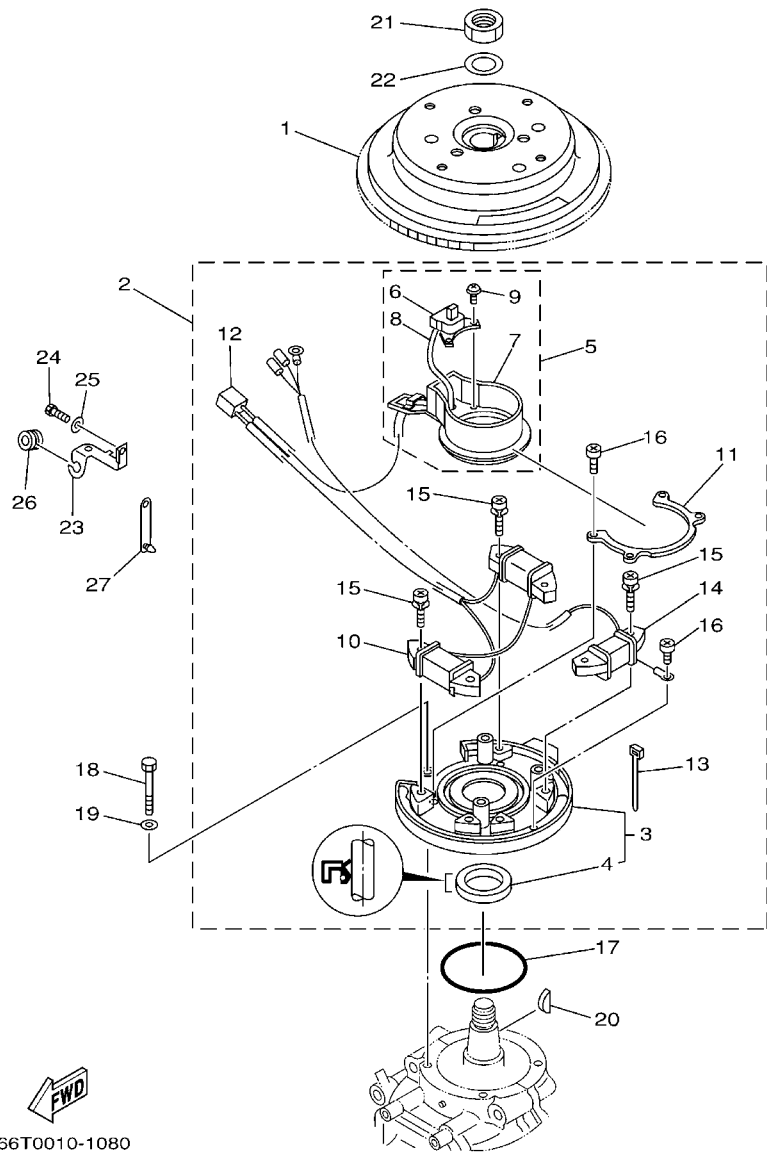


FIG. 8 GENERATOR

REF. NO.	PART NO.	DESCRIPTION	MH	WT	REMARKS
1	66T-85550-10	ROTOR ASSY	1		
	66T-85550-00	ROTOR ASSY		1	
2	66T-85560-01	BASE ASSY	1	1	
3	66T-85561-00	.BASE, MAGNETO	1	1	
4	93102-35008	..OIL SEAL	1	1	
5	66T-85580-00	..PULSER COIL ASSY	1	1	
6	66T-85596-00	..COIL, PULSER 1	1	1	
7	66T-85582-00	..ATTACHMENT, PULSER	1	1	
8	66T-85515-00	..LEAD WIRE ASSY	1	1	
9	97902-04108	..SCREW, WITH WASHER	2	2	
10	66T-85520-00	..COIL, CHARGE	1	1	
11	66T-41611-00	..RETAINER, MAGNETO BASE	1	1	
12	9E471-04305	..CONNECTOR	1	1	
13	66T-81328-00	..CLAMP	1	1	
14	66T-85533-00	..COIL, LIGHTING	1	1	
15	97902-06125	..SCREW, WITH WASHER	6	6	
16	97802-04006	..SCREW, PAN HEAD	5	5	
17	93210-75M51	O-RING	1	1	
18	97095-06040	BOLT	4	4	
19	92995-06600	WASHER	4	4	
20	90280-05015	KEY, WOODRUFF	1	1	
21	90170-20137	NUT	1	1	
22	90201-21M18	WASHER, PLATE	1	1	
23	90465-15M74	CLAMP	1	1	
24	97095-06016	BOLT	1	1	
25	92995-06600	WASHER	1	1	
26	90480-10M71	GROMMET	1	1	

B7

FIG. 8 GENERATOR

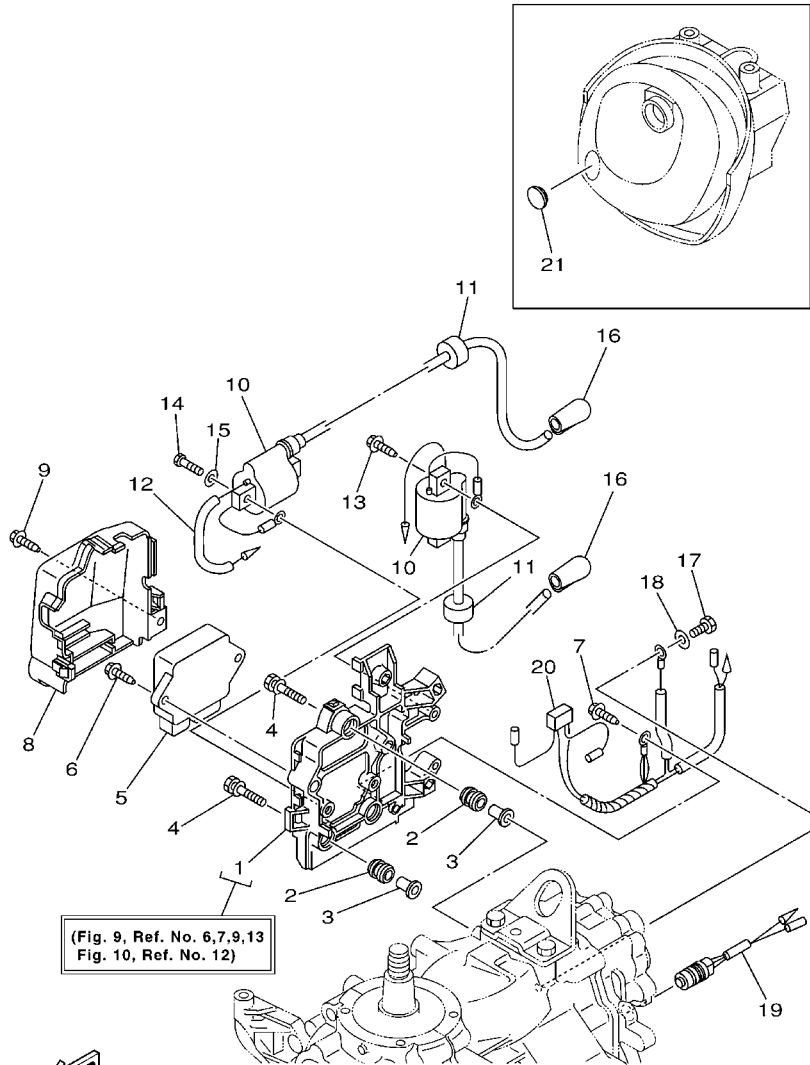


FWD
66T0010-1080

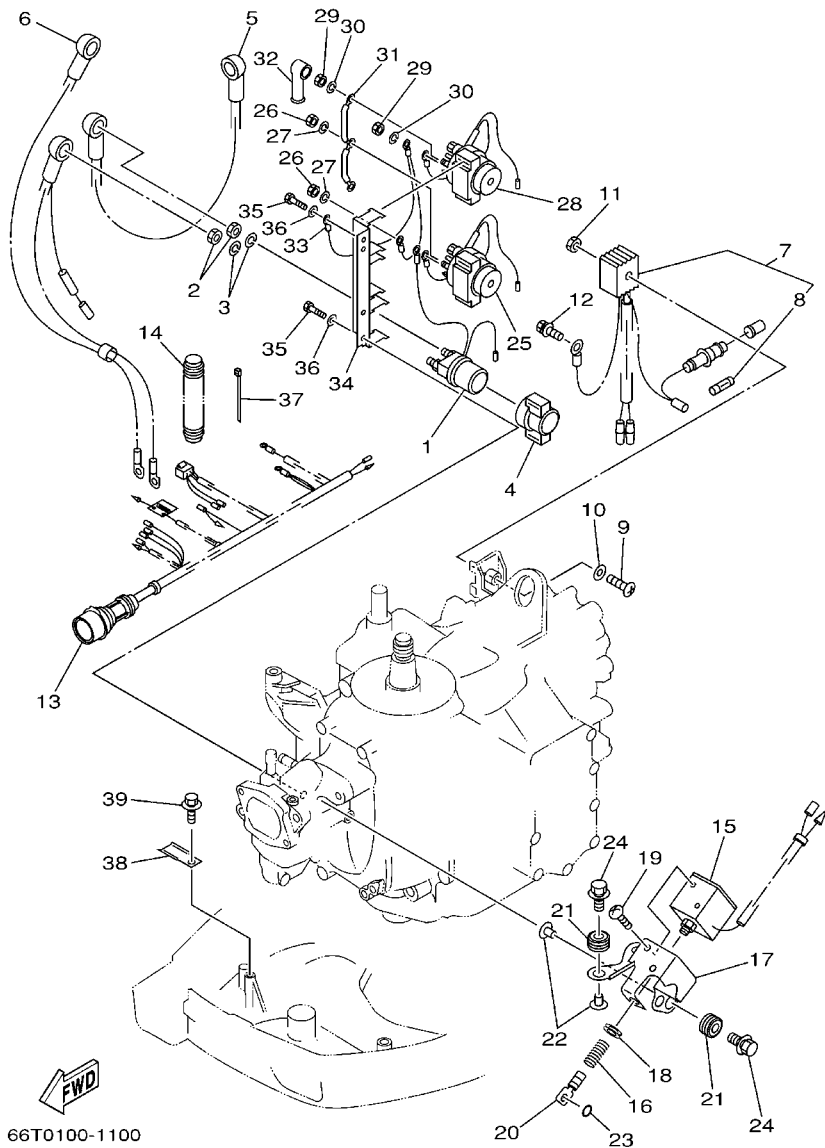
REF. NO.	PART NO.	DESCRIPTION	MH	WT				REMARKS
27	90464-12M00	CLAMP	1	1				

FIG. 9 ELECTRICAL 1

REF. NO.	PART NO.	DESCRIPTION	MH	WT	REMARKS
1	66T-8554B-01-94	BRACKET	1	1	
2	6A0-82317-00	DAMPER, IGNITION COIL	3	3	
3	624-42542-00	PIPE	3	3	
4	90119-06M65	BOLT, WITH WASHER	3	3	
5	66T-85540-00	C.D.I. UNIT ASSY	1	1	
6	90109-06M81	BOLT	2	2	
7	90109-06M80	BOLT	1	1	
8	66T-81916-01	COVER, TERMINAL	1	1	
9	90109-06M81	BOLT	1	1	
10	66T-85570-00	IGNITION COIL ASSY	2	2	
11	90480-25161	GROMMET	2	2	
12	90446-03MA3	HOSE	1	1	
13	90109-06M81	BOLT	2	2	
14	97095-06025	BOLT	2	2	
15	92995-06600	WASHER	2	2	
16	6E3-82370-21	PLUG CAP ASSY	2	2	
17	97095-06012	BOLT	1	1	
18	92995-06600	WASHER	1	1	
19	688-82560-10	THERMO SWITCH ASSY	1	1	
20	66T-82519-00	WIRE, EARTH LEAD	1		
21	6G1-42725-00	GROMMET	1	1	



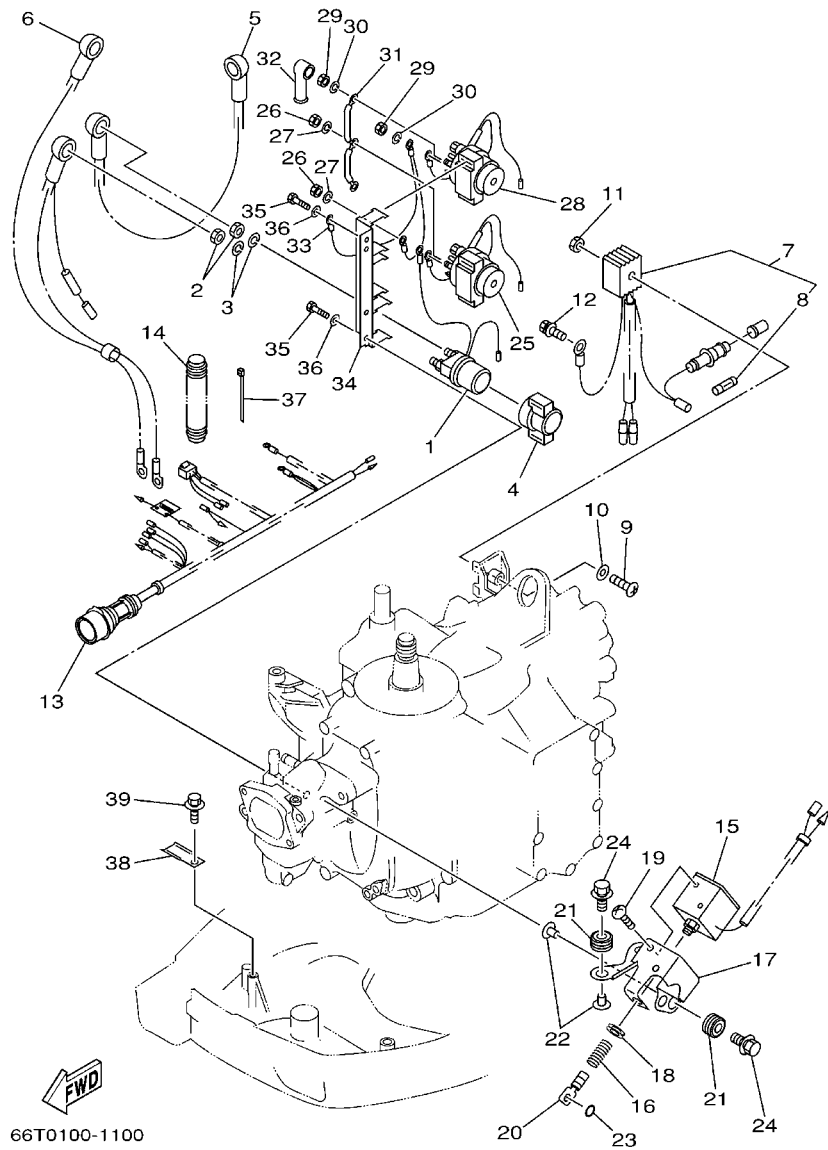
66T2700-2090



66T0100-1100

FIG. 10 ELECTRICAL 2

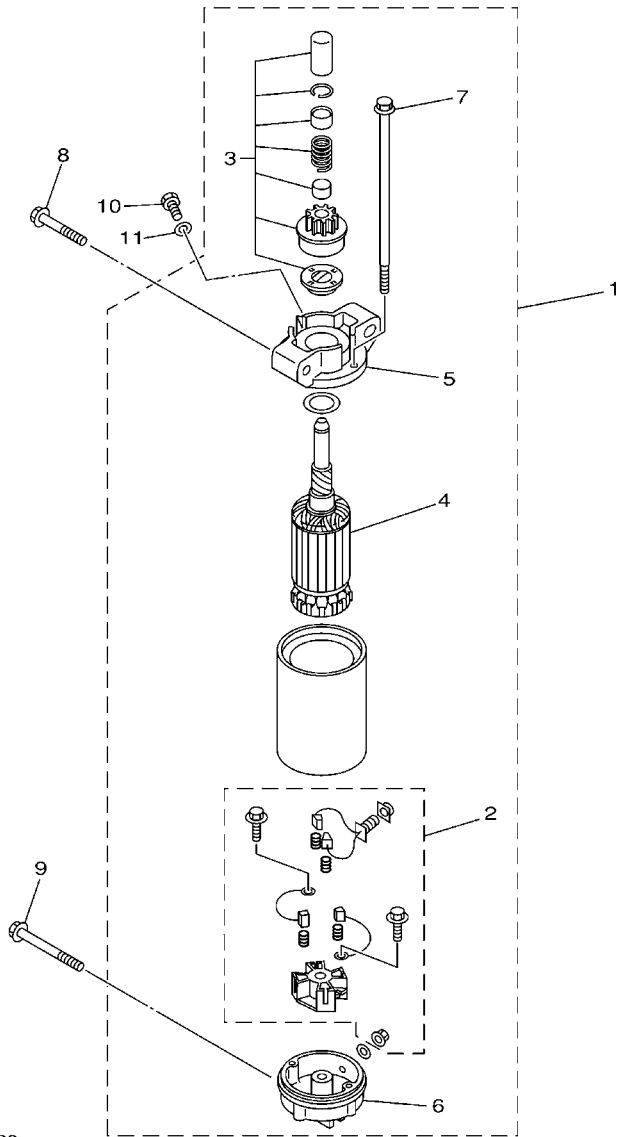
REF. NO.	PART NO.	DESCRIPTION	MH	WT			REMARKS
1	6G1-8194A-10	RELAY		1			
2	90170-06M30	NUT		2			
3	90204-06M00	WASHER, SPRING		2			
4	6G1-81952-00	HOLDER, RELAY		1			
5	6E5-82117-01	WIRE, LEAD		1			
6	66T-82105-00	WIRE HARNESS		1			
7	6G1-81970-61	RECTIFIER ASSY		1			
8	6G1-82151-00	.FUSE (10A)		1			
9	97880-05030	SCREW, PAN HEAD		1			
10	92990-05600	WASHER, PLATE		1			
11	95380-05600	NUT		1			
12	90109-06M80	BOLT		1			
13	66T-82590-20	WIRE HARNESS ASSY		1			
14	6N7-83557-00	TUBE (I.DIA:22MM)		1			
15	6J4-86111-00	COIL, SOLENOID		1			
16	6J4-86116-00	WIRE, PULL		1			
17	66T-86112-00	STAY, SOLENOID		1			
18	90480-10155	GROMMET		1			
19	97880-05008	SCREW, PAN HEAD		4			
20	682-86117-00	HOOK, WIRE PULL		1			
21	90480-10M23	GROMMET		3			
22	90387-06M60	COLLAR		3			
23	93210-03261	O-RING		1			
24	90119-06M88	BOLT, WITH WASHER		3			
25	6E5-8195B-01	RELAY ASSY		1			
26	90170-06M30	NUT		3			
27	90204-06M00	WASHER, SPRING		3			



66T0100-1100

FIG. 10 ELECTRICAL 2

REF. NO.	PART NO.	DESCRIPTION	MH	WT	REMARKS
28	6E5-8195C-01	RELAY ASSY		1	
29	90170-06M30	NUT		3	
30	90204-06M00	WASHER, SPRING		3	
31	66T-87149-00	CONNECTOR		1	
32	6G5-82119-00	COVER, LEAD WIRE		4	
33	6E5-82116-00	WIRE, MINUS LEAD		1	
34	66T-81948-00	BRACKET		1	
35	97095-06016	BOLT		2	
36	92995-06600	WASHER		2	
37	90465-11M10	CLAMP		1	
38	90465-20M31	CLAMP		1	
39	90109-06M86	BOLT		1	

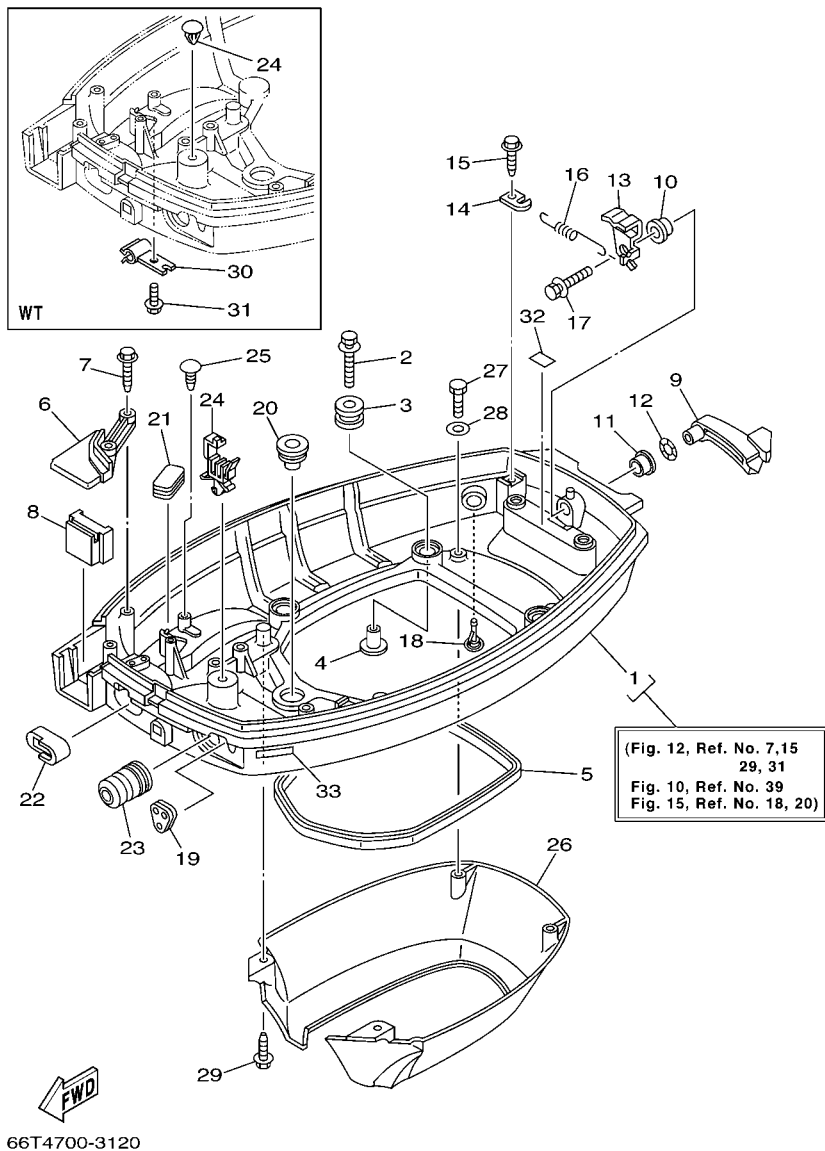


66T0010-1120

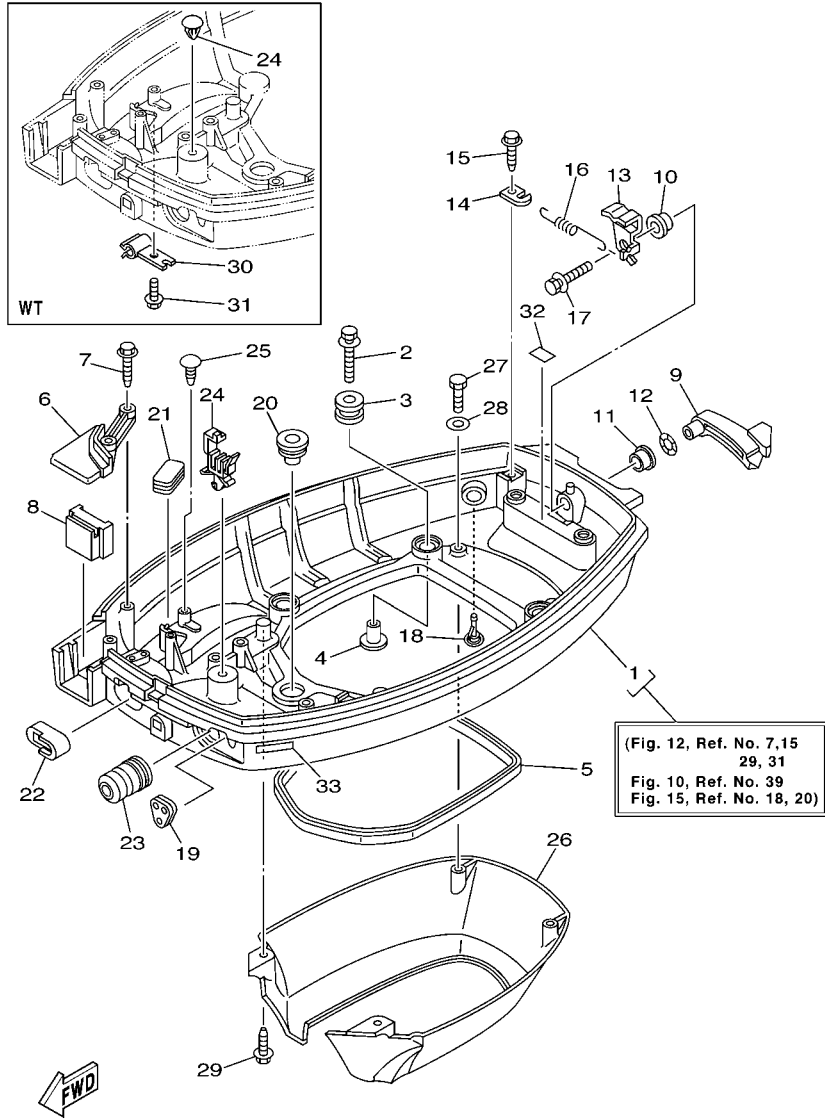
FIG. 11 STARTING MOTOR

REF. NO.	PART NO.	DESCRIPTION	MH	WT	REMARKS
1	66T-81800-01	STARTING MOTOR ASSY		1	
2	66T-81840-00	.BRUSH HOLDER ASSY		1	
3	66T-81857-00	.PINION STOPPER SET		1	
4	66T-81850-01	.ARMATURE ASSY		1	
5	66T-81830-00	.FRONT BRACKET ASSY		1	
6	66T-81820-00	.REAR BRACKET ASSY		1	
7	66T-81826-00	.BOLT		2	
8	90119-08M39	BOLT, WITH WASHER		2	
9	90119-08M52	BOLT, WITH WASHER		1	
10	97095-08016	BOLT		1	
11	92995-08600	WASHER		1	

FIG. 12 BOTTOM COWLING



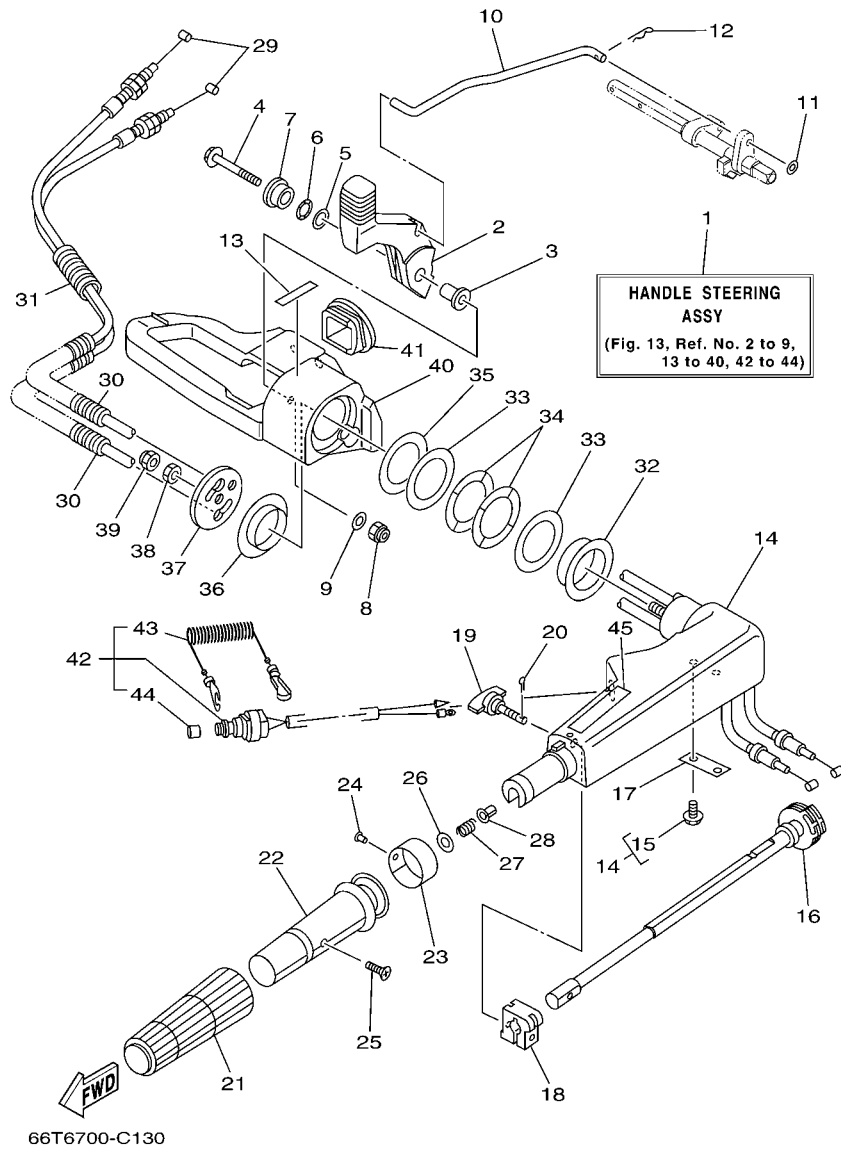
REF. NO.	PART NO.	DESCRIPTION	MH	WT				REMARKS
1	66T-42710-01-4D	BOTTOM COWLING ASSY	1	1				
2	90119-06M61	BOLT, WITH WASHER	4	4				
3	90480-09M21	GROMMET	4	4				
4	90387-06035	COLLAR	4	4				
5	66T-42716-00	RUBBER, SEAL 1	1	1				
6	66T-42738-00-5B	PLATE, FITTING	1	1				
7	90109-06M81	BOLT	2	2				
8	66T-42725-00	GROMMET	1					
	66T-42725-20	GROMMET		1				
9	66T-42815-01-4D	LEVER, CLAMP	1	1				
10	90386-12M37	BUSH	1	1				
11	90386-12MA2	BUSH	1	1				
12	90206-12052	WASHER, WAVE	1	1				
13	66T-42816-00	LEVER, CLAMP	1	1				
14	66T-43144-00	HOOK, SPRING	1	1				
15	90109-06M86	BOLT	1	1				
16	90506-16M34	SPRING, TENSION	1	1				
17	90119-06M73	BOLT, WITH WASHER	1	1				
18	6E5-44391-00	NIPPLE, HOSE	1	1				
19	65W-26326-00	GROMMET	1					
	65W-26326-10	GROMMET		1				
20	676-42727-00	GROMMET	1	1				
21	6H4-42726-00	GROMMET	1					
	6H1-42726-10	GROMMET		1				
22	66T-24329-00	SEAL	1	1				
23	65W-42726-00	GROMMET	1					
	65W-42726-10	GROMMET		1				



66T4700-3120

FIG. 12 BOTTOM COWLING

REF. NO.	PART NO.	DESCRIPTION	MH	WT				REMARKS
24	90465-25M57	CLAMP	1					
	90338-07M00	PLUG		1				
25	90338-05M03	PLUG	1					
26	66T-42741-00	APRON	1	1				
27	97095-06016	BOLT	2	2				
28	92995-06600	WASHER	2	2				
29	90109-06M80	BOLT	2	2				
30	90464-09M49	CLAMP		1				
31	90109-06M80	BOLT		1				
32	664-42791-10	MARK 1	1	1				
33	6R6-42791-40	MARK 1		1				



66T6700-C130

FIG. 13 STEERING

REF. NO.	PART NO.	DESCRIPTION	MH	WT	REMARKS
1	66T-W0084-02-4D	HANDLE STEERING ASSY	1		
2	66T-44111-02	HANDLE, GEAR SHIFT	1		
3	90387-06M86	COLLAR	1		
4	97595-06550	BOLT, WITH WASHER	1		
5	90201-12M07	WASHER, PLATE	1		
6	90206-12052	WASHER, WAVE	1		
7	66T-42123-00	BOLT, HANDLE JOINT	1		
8	95780-06300	NUT, FLANGE	1		
9	92995-06200	WASHER	1		
10	66T-44124-00	LINK, SHIFT ROD	1		
11	92990-06200	WASHER, PLAIN	1		
12	90468-18008	CLIP	1		
13	6E0-44191-11	INDICATOR, SHIFT	1		
14	65W-42101-01-4D	HANDLE, STEERING	1		
15	90109-06M86	.BOLT	2		
16	65W-42138-00	LEVER, THROTTLE	1		
17	65W-42159-00	STAY	1		
18	6G1-42126-00	FRICTION, STEERING HANDLE GRIP	1		
19	65W-42125-00	BOLT, FRICTION ADJUSTING	1		
20	91490-20010	PIN, COTTER	1		
21	6F6-42177-A0	RUBBER, HANDLE	1		
22	664-42119-00	GRIP, STEERING HANDLE	1		
23	6G1-42137-10	INDICATOR, THROTTLE	1		
24	90269-02M09	RIVET	1		
25	90149-05M13	SCREW	1		
26	92903-10600	WASHER, PLATE	1		
27	90501-23215	SPRING, COMPRESSION	1		

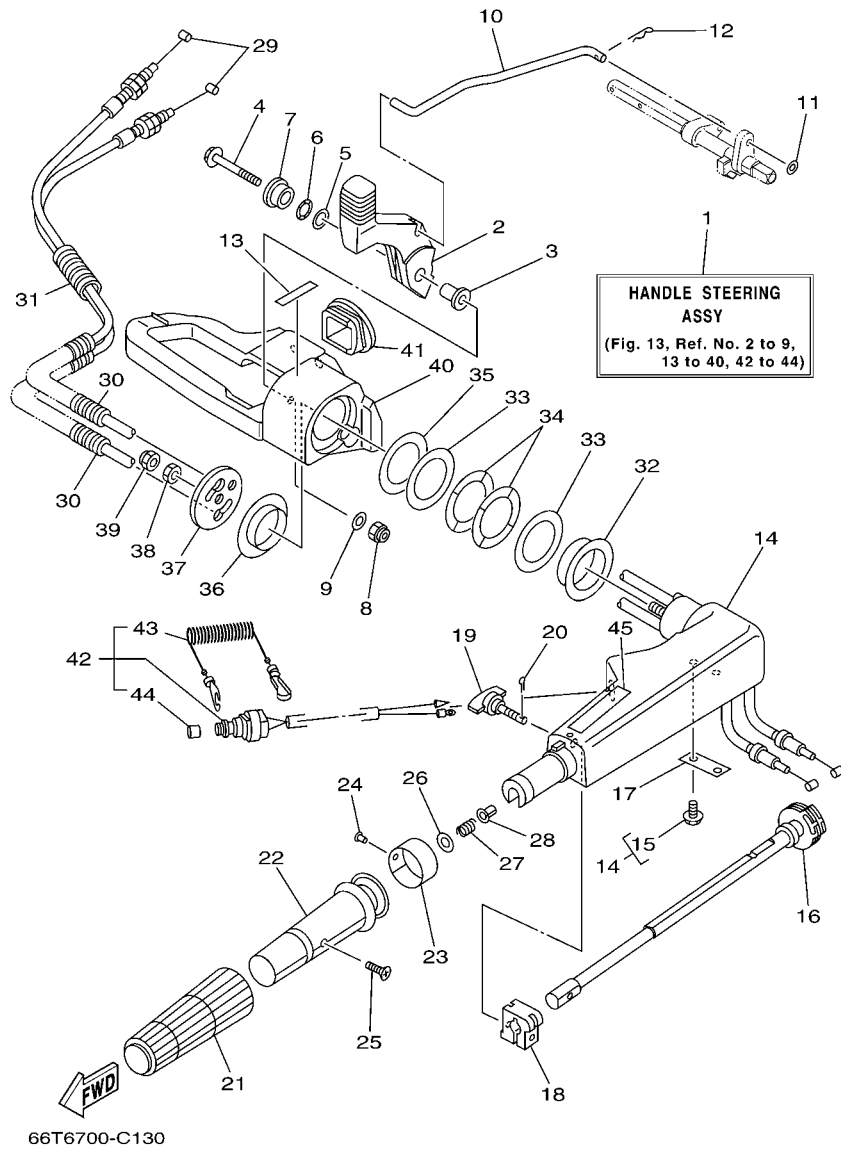


FIG. 13 STEERING

REF. NO.	PART NO.	DESCRIPTION	MH	WT	REMARKS
28	90386-08032	BUSH	1		
29	66T-26301-00	THROTTLE CABLE ASSY	2		
30	90446-10M87	HOSE (L75)	2		
31	90446-10M86	HOSE	2		
32	90386-40MA0	BUSH	1		
33	90201-43M00	WASHER, PLATE	2		
34	90206-43M22	WASHER, WAVE	2		
35	90202-43M57	WASHER, PLATE	1		
36	90386-40M99	BUSH	1		
37	65W-42131-01	COVER, HANDLE STEERING	1		
38	95380-10700	NUT	1		
39	95780-10300	NUT, FLANGE	1		
40	65W-42121-01-4D	BRACKET	1		
41	66T-41273-00	GROMMET	1		
42	66T-82575-01	ENGINE STOP SWITCH ASSY	1		
43	682-82556-00	.STOPPER	1		
44	689-8257Y-00	.CAP	1		
45	6E0-83627-41	LABEL, CAUTION 7	1		

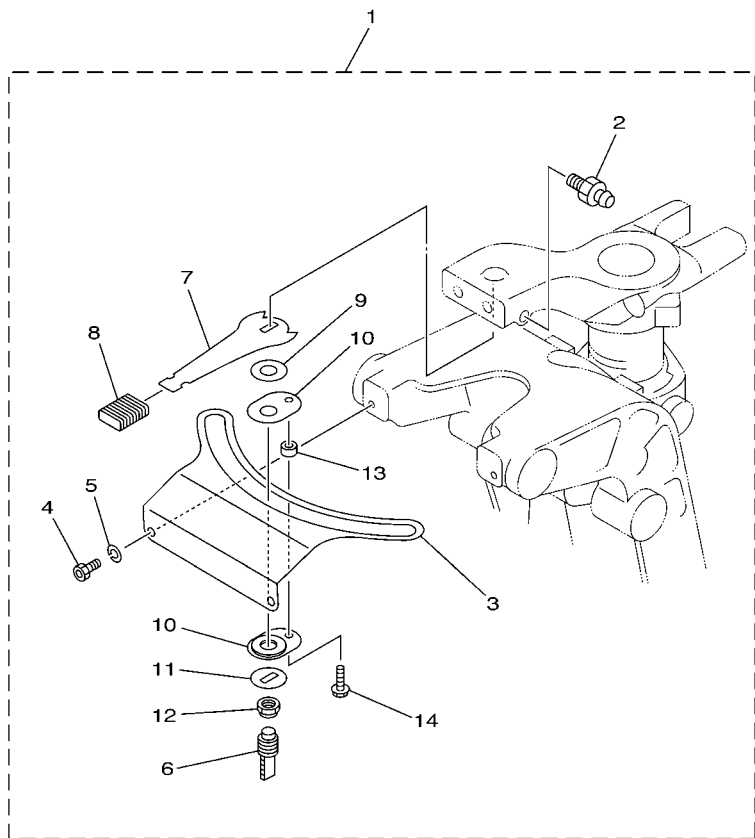


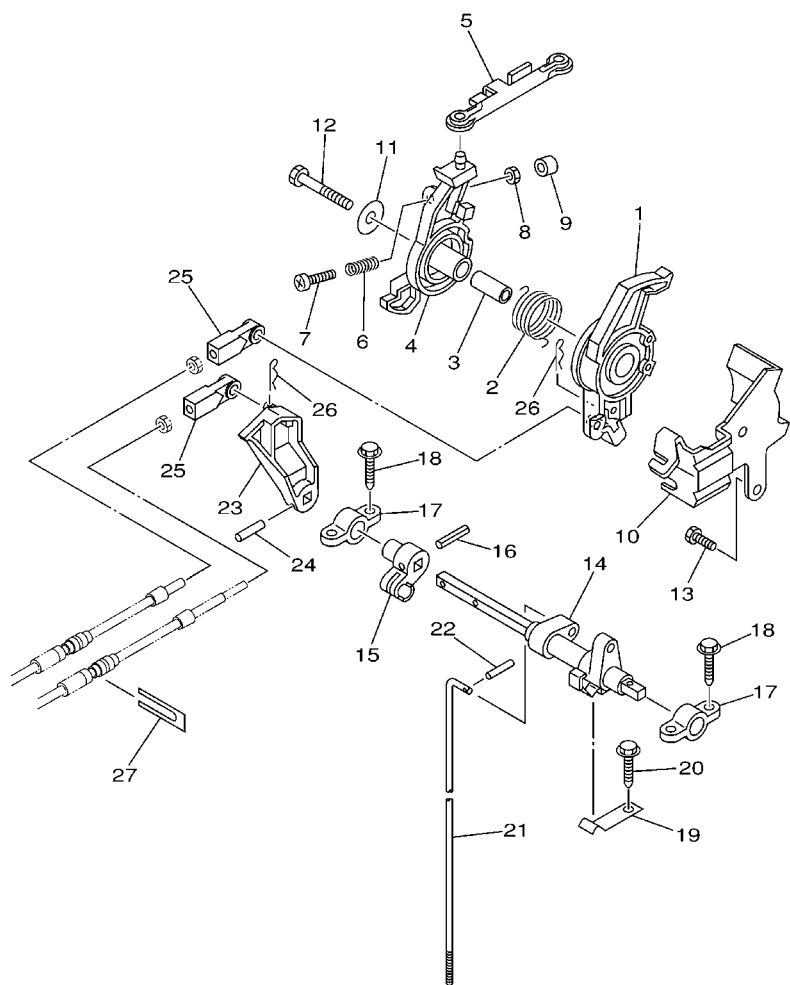
FIG. 14 STEERING FRICTION

REF. NO.	PART NO.	DESCRIPTION	MH	WT				REMARKS
1	65W-42508-00	STEERING FRICTION ASSY	1					
2	93700-06M03	.NIPPLE, GREASE	1					
3	65W-42527-00	.PLATE, FRICTION	1					
4	90109-06M88	.BOLT	2					
5	92990-06100	.WASHER, SPRING	2					
6	65W-42562-00	.SHAFT, STEERING LOCK	1					
7	65W-42561-00	.KNOB, STEERING LOCK	1					
8	689-43633-00	.COVER, TILT LEVER	1					
9	90202-10M56	.WASHER, PLATE	1					
10	65W-42528-00	.PLATE, FRICTION	2					
11	90209-10M26	.WASHER	1					
12	90185-10M14	.NUT, SELF-LOCKING	1					
13	90387-05M11	.COLLAR	1					
14	90109-05M89	.BOLT	1					



65W1010-2180

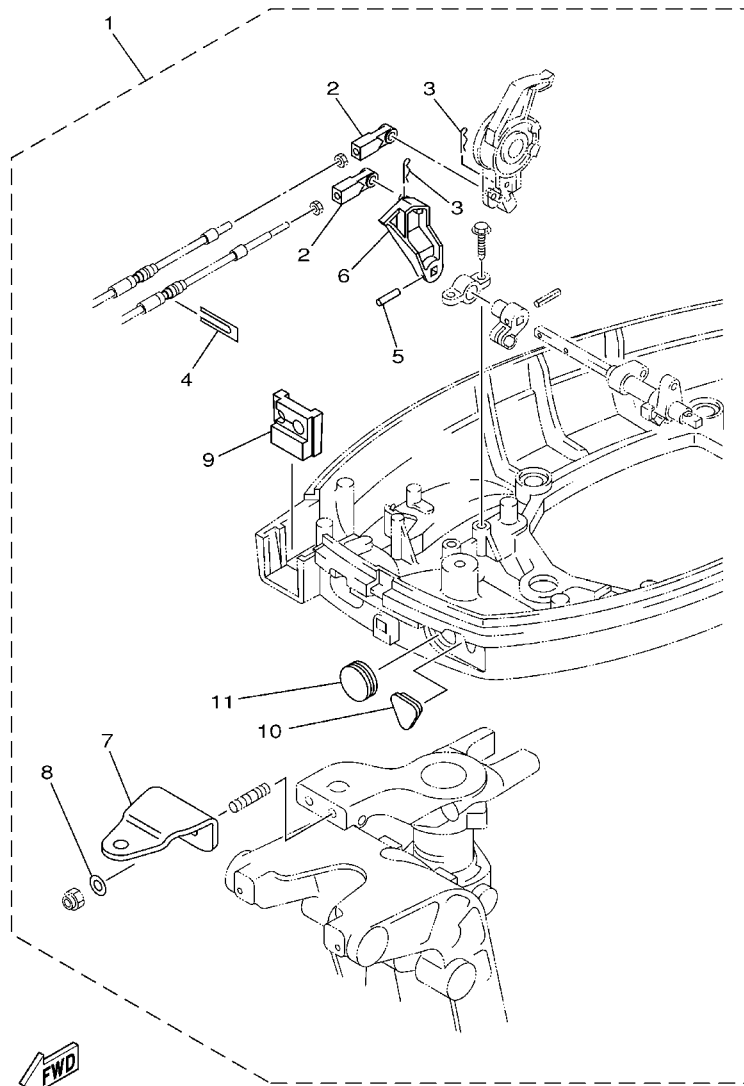
FIG. 15 CONTROL



66T0664-1140

REF. NO.	PART NO.	DESCRIPTION	MH	WT	REMARKS
1	66T-41638-00	PULLEY	1	1	
2	66T-42167-00	SPRING 1	1	1	
3	90387-08M16	COLLAR	1	1	
4	66T-41631-01	LEVER, MAGNETO CONTROL	1	1	
5	66T-41237-00	JOINT, LINK	1	1	
6	90501-10M84	SPRING, COMPRESSION	1	1	
7	97880-06035	SCREW, PAN HEAD	1	1	
8	95380-06700	NUT	1	1	
9	688-44194-00	CAP	1	1	
10	66T-14497-00	STAY, THROTTLE WIRE	1	1	
11	90201-08M54	WASHER, PLATE	1	1	
12	97095-08045	BOLT	1	1	
13	97095-06014	BOLT	1	1	
14	66T-44121-00	LEVER, SHIFT ROD	1	1	
15	66M-44122-00	BUSHING, SHIFT ROD LEVER	1	1	
16	90254-03M05	PIN, SPRING	1	1	
17	6F5-41662-00	BRACKET	2	2	
18	90109-06M81	BOLT	4	4	
19	682-44116-01	SPRING	1	1	
20	90109-06M86	BOLT	1	1	
21	66T-44143-10	ROD, SHIFT	1	1	L
22	91490-16012	PIN, COTTER	1	1	
23	66T-44125-01	LEVER, SHIFT ROD	1	1	
24	90254-03M04	PIN, SPRING	1	1	
25	663-48344-00	CABLE END, REMOTE CONTROL		2	
26	90468-18008	CLIP		2	
27	6H3-48538-00	CLAMP, CABLE 1		1	

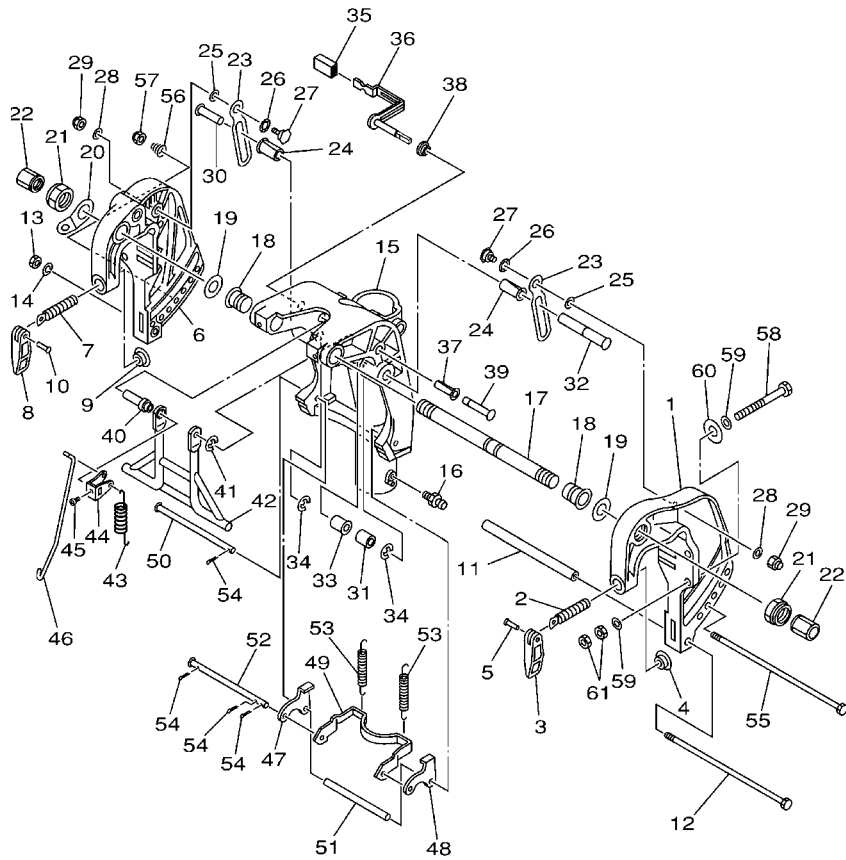
D4



66T0010-1170

FIG. 16 REMO CON ATTACHMENT

REF. NO.	PART NO.	DESCRIPTION	MH	WT			REMARKS
1	66T-48501-01	REMOTE CONT. ATTACHMENT ASSY.	1	1			AP
2	663-48344-00	.CABLE END, REMOTE CONTROL	2	2			
3	90468-18008	.CLIP	2	2			
4	6H3-48538-00	.CLAMP, CABLE 1	1	1			
5	90254-03M04	.PIN, SPRING	1	1			
6	66T-44125-01	.LEVER, SHIFT ROD	1	1			
7	65W-48511-00	.HOOK, STEERING	1	1			
8	90201-10120	.WASHER, PLATE	2	2			
9	66T-42725-30	.GROMMET	1	1			
10	65W-26326-10	.GROMMET	1	1			
11	65W-42726-10	.GROMMET	1	1			

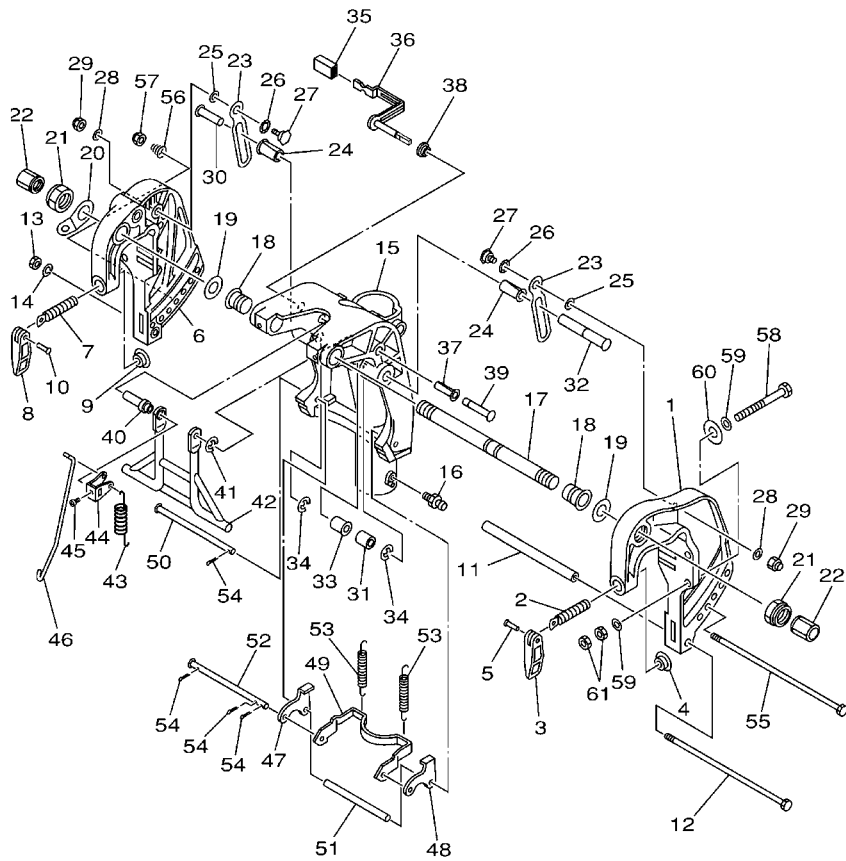


66T0010-1180

FIG. 17 BRACKET 1

REF. NO.	PART NO.	DESCRIPTION	MH	WT				REMARKS
1	66T-43111-01-4D	BRACKET, CLAMP	1					
2	90149-14M12	SCREW	1					
3	663-43118-01-4D	HANDLE, TRANSOM CLAMP	1					
4	648-43114-01	PAD, TRANSOM CLAMP	1					
5	90243-04007	PIN	1					
6	66T-43112-01-4D	BRACKET, CLAMP	1					
7	90149-14M12	SCREW	1					
8	663-43118-01-4D	HANDLE, TRANSOM CLAMP	1					
9	648-43114-01	PAD, TRANSOM CLAMP	1					
10	90243-04007	PIN	1					
11	90387-08M29	COLLAR	1					
12	90101-08M76	BOLT	1					
13	95380-08600	NUT	1					
14	92990-08100	WASHER, SPRING	1					
15	65W-43311-10-4D	BRACKET, SWIVEL 1	1					L
16	93700-06M03	NIPPLE, GREASE	1					
17	63D-43131-01	BOLT, CLAMP BRACKET	1					
18	90386-22M15	BUSH	2					
19	90201-22M03	WASHER, PLATE	2					
20	6J8-43113-01	PLATE, CLAMP BRACKET	1					
21	90185-22043	NUT, SELF-LOCKING	2					
22	6G5-43145-01	CAP, CLAMP BRACKET	2					
23	66T-43627-00	STOPPER	2					
24	90386-12M98	BUSH	2					
25	90202-12031	WASHER, PLATE	2					
26	90206-12M00	WASHER, WAVE	2					
27	90109-08M90	BOLT	2					

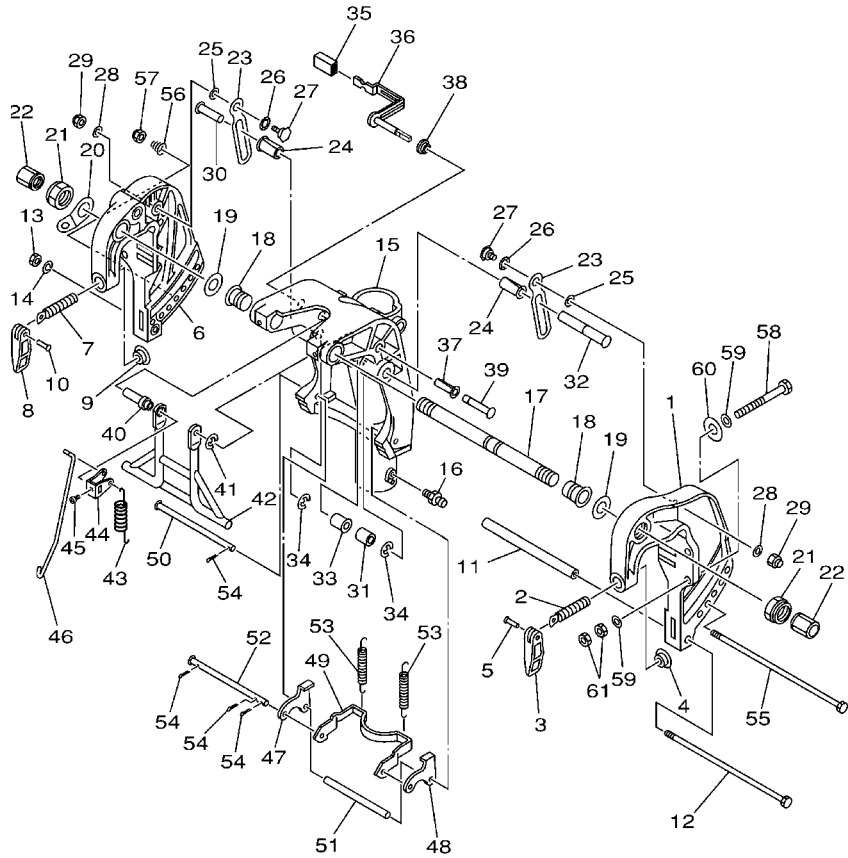
D6



66T0010-1180

FIG. 17 BRACKET 1

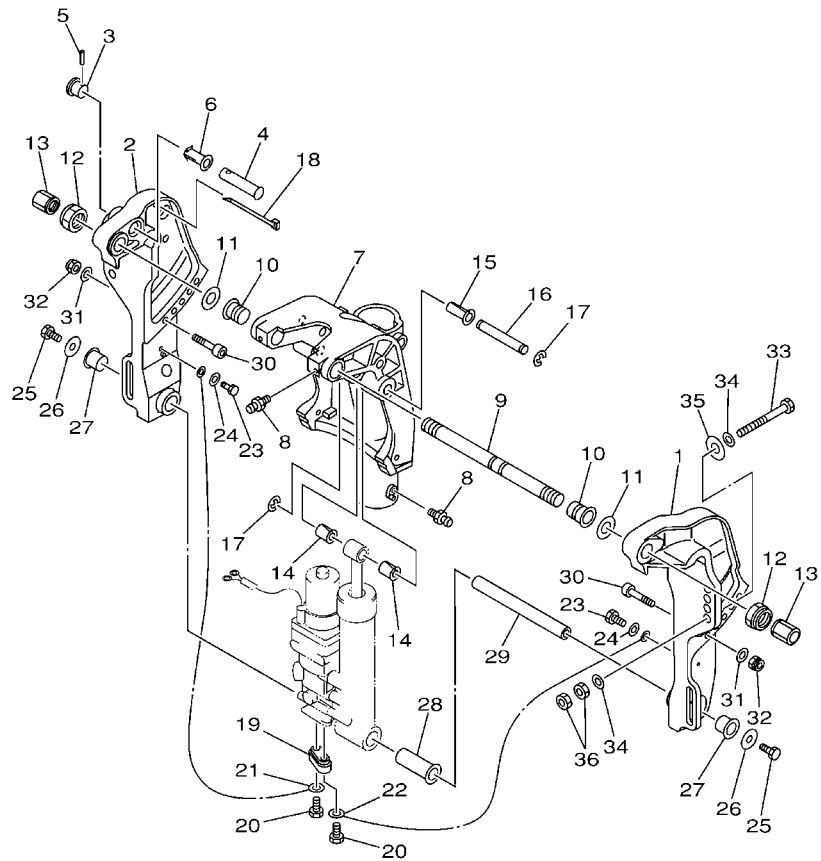
REF. NO.	PART NO.	DESCRIPTION	MH	WT	REMARKS
28	90201-08M07	WASHER, PLATE	2		
29	90185-08057	NUT, SELF-LOCKING	2		
30	90249-12M34	PIN	1		
31	90387-12M04	COLLAR	1		
32	90249-12M39	PIN	1		
33	90386-12MA0	BUSH	1		
34	93430-10M00	CIRCLIP	2		
35	682-43318-01	COVER	1		
36	65W-43630-11	TILT LEVER ASSY	1		
37	90386-10M99	BUSH	1		
38	90386-07MA2	BUSH	1		
39	90249-10M31	PIN	1		
40	90387-07M05	COLLAR	1		
41	99080-08600	CIRCLIP	1		
42	66T-43350-02	RECEIVER ASSY	1		
43	90506-20M37	SPRING, TENSION	1		
44	66T-43631-11	LEVER, TILT	1		
45	90157-05014	SCREW, PAN HEAD	1		
46	65W-43616-00	ROD, TILT LOCK	1		
47	65W-43614-01	PLATE, TILT LOCK	1		
48	65W-43615-01	PLATE, TILT LOCK	1		
49	65W-43613-00	ARM, TILT LOCK	1		
50	90249-07M32	PIN	1		
51	90387-07M29	COLLAR	1		
52	90249-07M33	PIN	1		
53	90506-30M00	SPRING, TENSION	2		
54	91490-20012	PIN, COTTER	4		



66T0010-1180

FIG. 17 BRACKET 1

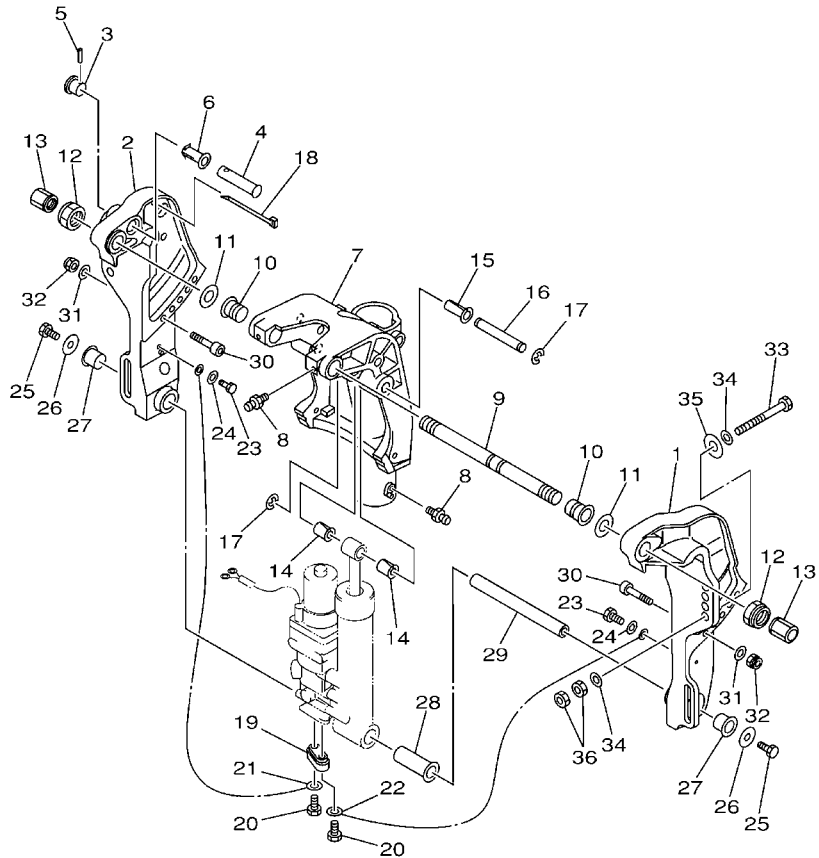
REF. NO.	PART NO.	DESCRIPTION	MH	WT			REMARKS
55	90101-08M28	BOLT	1				
56	90502-10M06	SPRING, CONICAL	1				
57	90185-08057	NUT, SELF-LOCKING	1				
58	90101-10M58	BOLT	4				
59	92995-10600	WASHER	8				
60	90201-12426	WASHER, PLATE	4				
61	95380-10600	NUT	8				



65W0010-1230

FIG. 18 BRACKET 2

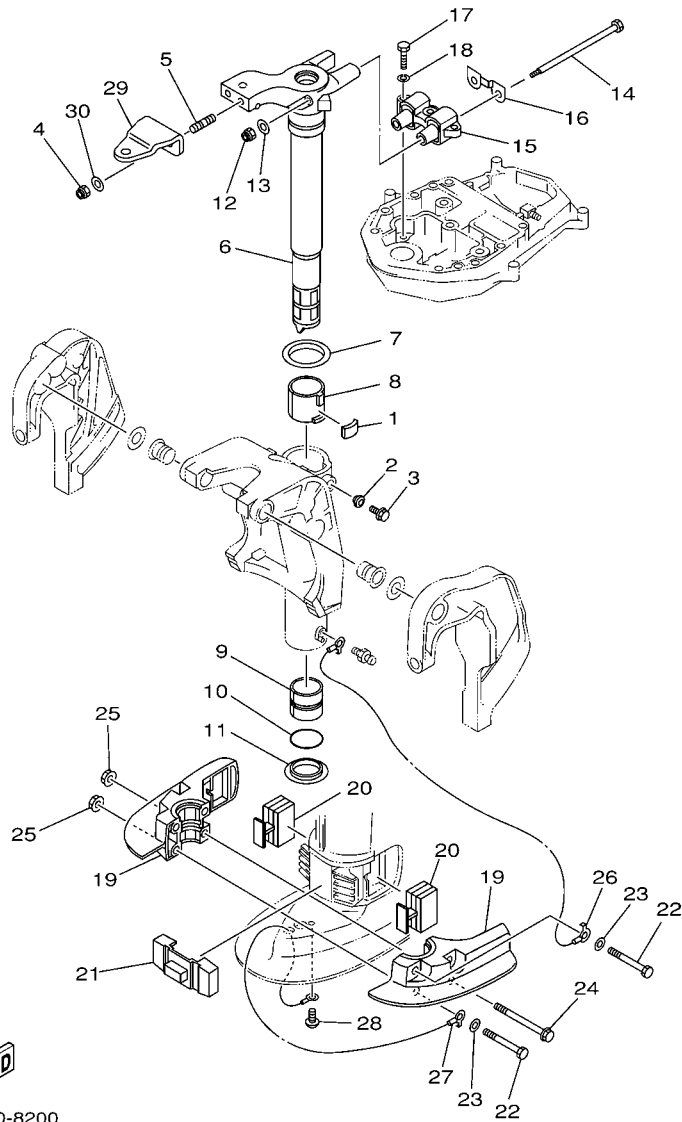
REF. NO.	PART NO.	DESCRIPTION	MH	WT		REMARKS
1	65W-43111-10-4D	BRACKET, CLAMP		1		
2	65W-43112-10-4D	BRACKET, CLAMP		1		
3	65W-43192-00	KNOB, STOPPER		1		
4	65W-43191-00	SHAFT, STOPPER		1		
5	91690-30018	PIN, SPRING		1		
6	90386-14MA1	BUSH		1		
7	65W-43311-10-4D	BRACKET, SWIVEL 1		1		L
8	93700-06M03	NIPPLE, GREASE		3		
9	63D-43131-01	BOLT, CLAMP BRACKET		1		
10	90386-22M15	BUSH		2		
11	90201-22M03	WASHER, PLATE		2		
12	90185-22M11	NUT, SELF-LOCKING		2		
13	6G5-43145-01	CAP, CLAMP BRACKET		2		
14	90386-12MA0	BUSH		2		
15	90386-12M98	BUSH		1		
16	90249-12M38	PIN		1		
17	93430-10M00	CIRCLIP		2		
18	90465-13M11	CLAMP		2		
19	65W-45251-00	ANODE		1		
20	90101-06020	BOLT		2		
21	6H1-82148-00	WIRE, LEAD 4		1		
22	6U0-82127-00	WIRE, LEAD 2		1		
23	97095-06014	BOLT		2		
24	92995-06600	WASHER		2		
25	97080-08016	BOLT		2		
26	90201-08M00	WASHER, PLATE		2		
27	90386-18M44	BUSH		2		



65W0010-1230

FIG. 18 BRACKET 2

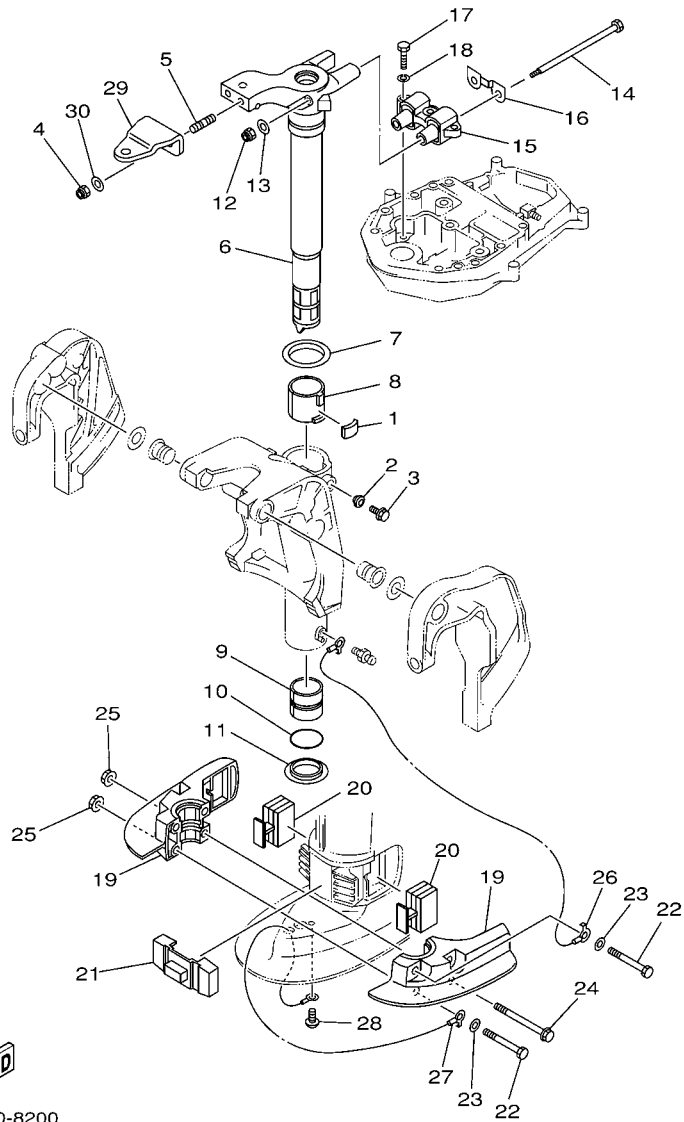
REF. NO.	PART NO.	DESCRIPTION	MH	WT	REMARKS
28	90386-18MA0	BUSH		1	
29	90249-18M35	PIN		1	
30	90110-10M02	BOLT, HEXAGON SOCKET HEAD		2	
31	92995-10600	WASHER		2	
32	90185-10M13	NUT, SELF-LOCKING		2	
33	90101-12M65	BOLT		4	
34	92995-12200	WASHER		8	
35	90201-12426	WASHER, PLATE		4	
36	95380-12600	NUT		8	



66T0010-8200

FIG. 19 BRACKET 3

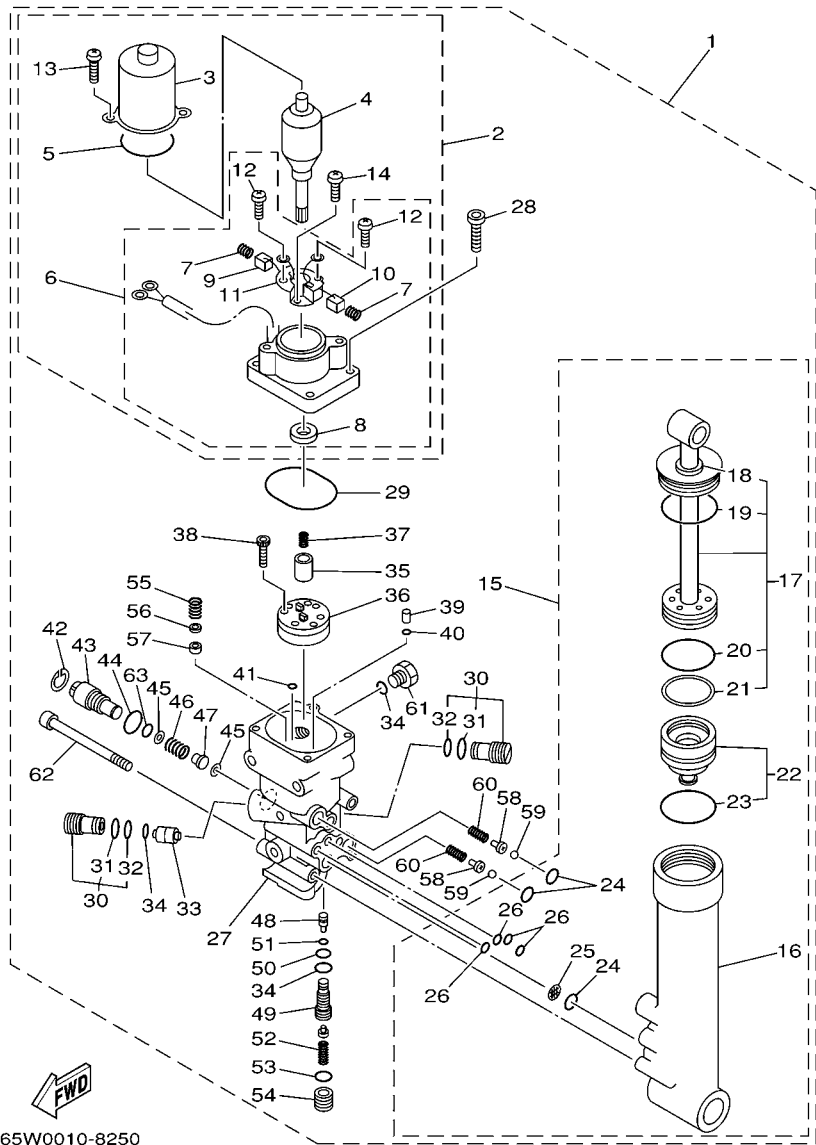
REF. NO.	PART NO.	DESCRIPTION	MH	WT	REMARKS
1	648-42528-00	PLATE, FRICTION	1	1	
2	65W-43373-00	SEAL, DAMPER	1	1	
3	90105-08M76	BOLT, FLANGE	1	1	
4	90185-10051	NUT, SELF-LOCKING	2	2	
5	90116-10M28	BOLT, STUD	2	2	
6	65W-42511-10-4D	BRACKET, STEERING	1	1	L
7	90209-52M00	WASHER	1	1	
8	90386-52M02	BUSH	1	1	
9	90386-44M03	BUSH	1	1	
10	93210-43MJ0	O-RING	1	1	
11	90386-44M99	BUSH	1	1	
12	90185-08045	NUT, SELF-LOCKING	2	2	
13	92995-08200	WASHER	2	2	
14	90101-08M86	BOLT	2	2	
15	66T-44514-00-4D	MOUNT DAMPER, UPPER SIDE	1	1	
16	66T-44526-00	PLATE	1	1	
17	97075-08030	BOLT	3	3	
18	92995-08100	WASHER	3	3	
19	65W-44551-00-4D	HOUSING, LOWER MOUNT RUBBER	2	2	
20	65W-44555-10	MOUNT DAMPER, LOWER SIDE	2	2	
21	66T-44575-00	DAMPER, LOWER MOUNT RUBBER	1	1	
22	97075-10070	BOLT	2	2	
23	92995-10600	WASHER	2	2	
24	90119-10M04	BOLT, WITH WASHER	2	2	
25	90179-10M33	NUT	4	4	
26	66T-82127-00	WIRE, LEAD 2	1	1	
27	66T-82127-10	WIRE, LEAD 2	1	1	



66T0010-8200

FIG. 19 BRACKET 3

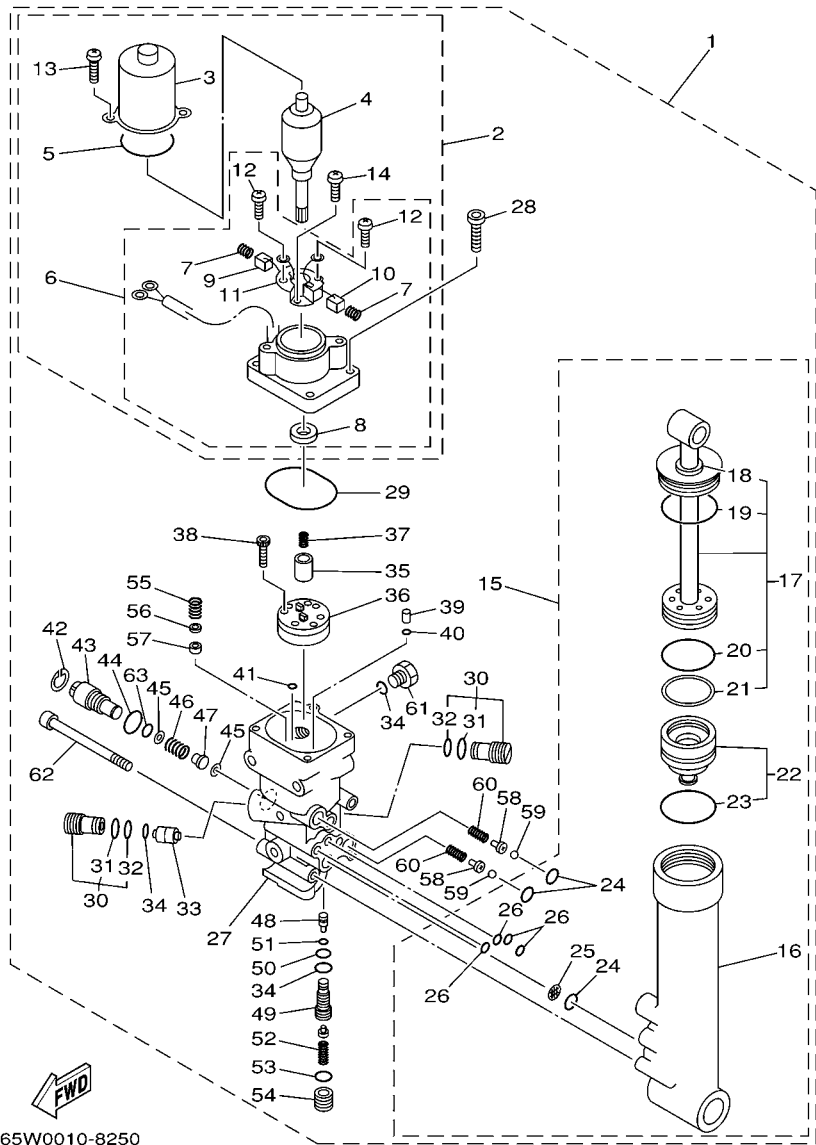
REF. NO.	PART NO.	DESCRIPTION	MH	WT	REMARKS
28	97885-06008	SCREW, PAN HEAD		1	
29	65W-48511-00	HOOK, STEERING		1	
30	90201-10120	WASHER, PLATE		2	



65W0010-8250

FIG. 20 POWER TRIM & TILT ASSY

REF. NO.	PART NO.	DESCRIPTION	MH	WT	REMARKS
1	65W-43800-02-4D	POWER TRIM & TILT ASSY		1	
2	65W-43880-00	..MOTOR ASSY		1	
3	65W-43804-00	..STATOR ASSY		1	
4	65W-43805-00	..ARMATURE ASSY		1	
5	65W-43869-00	..O-RING		1	
6	65W-43881-00	..FRAME, END		1	
7	65W-4386K-00	...SPRING, BRUSH		2	
8	65W-43882-00	...OIL SEAL		1	
9	65W-43892-00	...BRUSH 2		1	
10	65W-43891-00	...BRUSH 1		1	
11	65W-4380F-00	...PLATE, BRUSH HOLDER		1	
12	65W-43879-00	...SCREW, WITH WASHER		2	
13	65W-43887-00	..BOLT, THROUGH		2	
14	65W-4388E-00	..BOLT		1	
15	65W-43840-00	..POWER TILT ASSY		1	
16	65W-4380K-00	..CYLINDER, TILT SUB ASSY		1	
17	65W-43810-00	..TILT PISTON SUB ASSY		1	
18	65W-43812-00	...SEAL, DUST		1	
19	65W-43865-00	...O-RING		1	
20	6H1-43861-10	...O-RING		1	
21	65W-43871-00	...RING, BACK UP		1	
22	65W-4381B-00	..FREE PISTON SUB ASSY		1	
23	6H1-43861-10	...O-RING		1	
24	93210-11368	..O-RING		3	
25	6H1-43816-00	..FILTER 1		1	
26	93210-064A5	..O-RING		4	
27	65W-4380L-00	..HOUSING, TRIM & TILT SUB ASSY		1	

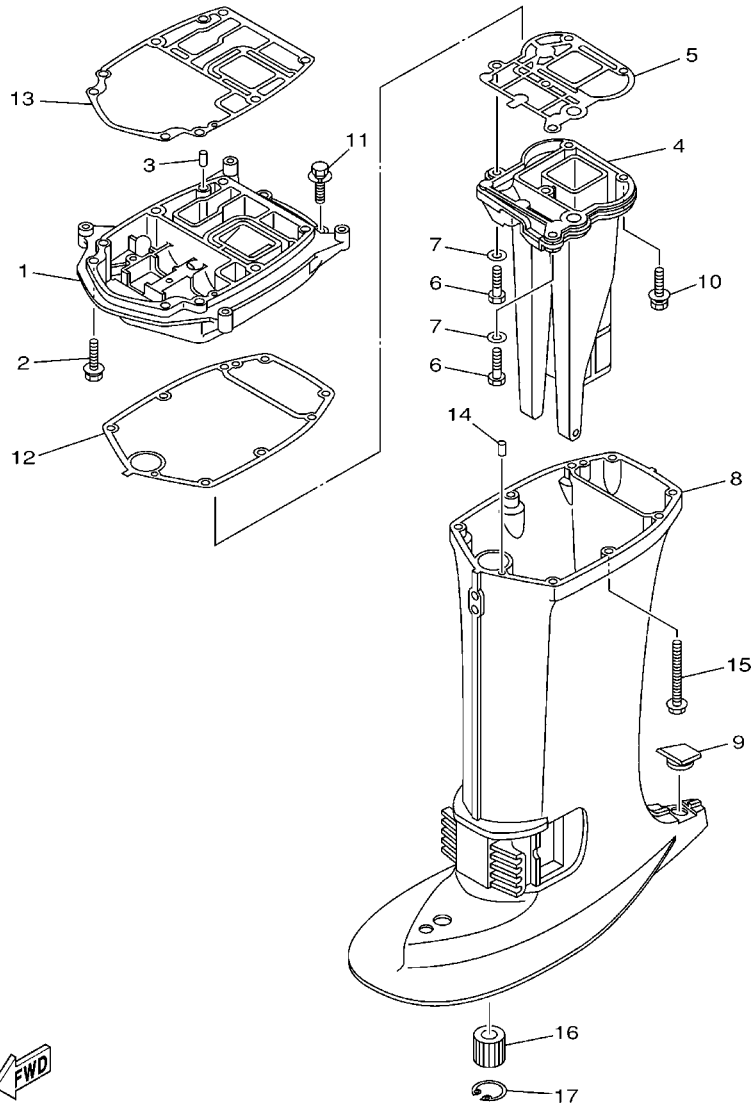


65W0010-8250

FIG. 20 POWER TRIM & TILT ASSY

REF. NO.	PART NO.	DESCRIPTION	MH	WT	REMARKS
28	65W-43888-00	.BOLT, SOCKET		4	
29	93210-50768	.O-RING		1	
30	6T4-43802-03	.VALVE SUB ASSY		2	
31	6H1-43866-00	.O-RING		1	
32	6H1-43867-00	.O-RING		1	
33	62X-43841-00	.PISTON, SHUTTLE		1	
34	93210-09165	.O-RING		3	
35	65W-43831-00	.CONNECTOR, SHAFT		1	
36	65W-43830-00	.GEAR PUMP ASSY		1	
37	6T4-43853-00	.SPRING, MAIN VALVE		1	
38	91318-04025	.BOLT		4	
39	65W-43817-00	.FILTER 2		2	
40	65W-43861-00	.O-RING		2	
41	65W-43862-00	.O-RING		2	
42	6H1-43875-00	.RING, SNAP		1	
43	6H1-43845-00	.SCREW, MANUAL RELEASE		1	
44	93210-18397	.O-RING		1	
45	6H1-43847-00	.SEAT, MANUAL VALVE		2	
46	65W-43854-00	.SPRING, MANUAL RELEASE		1	
47	65W-4382A-00	.ADAPTOR 1		1	
48	65W-43844-00	.PIN, VALVE SUPPORT		1	
49	65W-43851-00	.SEAT, RELIEF VALVE		1	
50	93210-08006	.O-RING		1	
51	93210-03478	.O-RING		1	
52	65W-43855-00	.SPRING, UP RELIEF		1	
53	93210-11073	.O-RING		1	
54	65W-43843-00	.SCREW, VALVE LOCK		1	

FIG. 21 UPPER CASING



REF. NO.	PART NO.	DESCRIPTION	MH	WT				REMARKS
1	66T-41137-00-94	GUIDE, EXHAUST	1	1				
2	90119-08M79	BOLT, WITH WASHER	2	2				
3	93606-12019	PIN, DOWEL	2	2				
4	66T-41131-10-5B	MANIFOLD, EXT. 1	1	1				L
5	66T-41133-A0	GASKET, EXHAUST MANIFOLD 1	1	1				
6	97075-08030	BOLT	2	2				
7	92995-08600	WASHER	2	2				
8	66T-45111-10-4D	CASING, UPPER	1	1				L
9	63D-45155-00	CAP	1	1				
10	97575-08545	BOLT, WITH WASHER	3	3				
11	90119-08M79	BOLT, WITH WASHER	2	2				
12	66T-45114-A0	GASKET, UPPER CASING	1	1				
13	66T-45113-A0	GASKET, UPPER CASING	1	1				
14	93606-12019	PIN, DOWEL	2	2				
15	90119-08M42	BOLT, WITH WASHER	6	6				
16	679-45318-00	BUSHING, DRIVE SHAFT	1	1				L
17	93420-30042	CIRCLIP	1	1				L


66T0100-1210

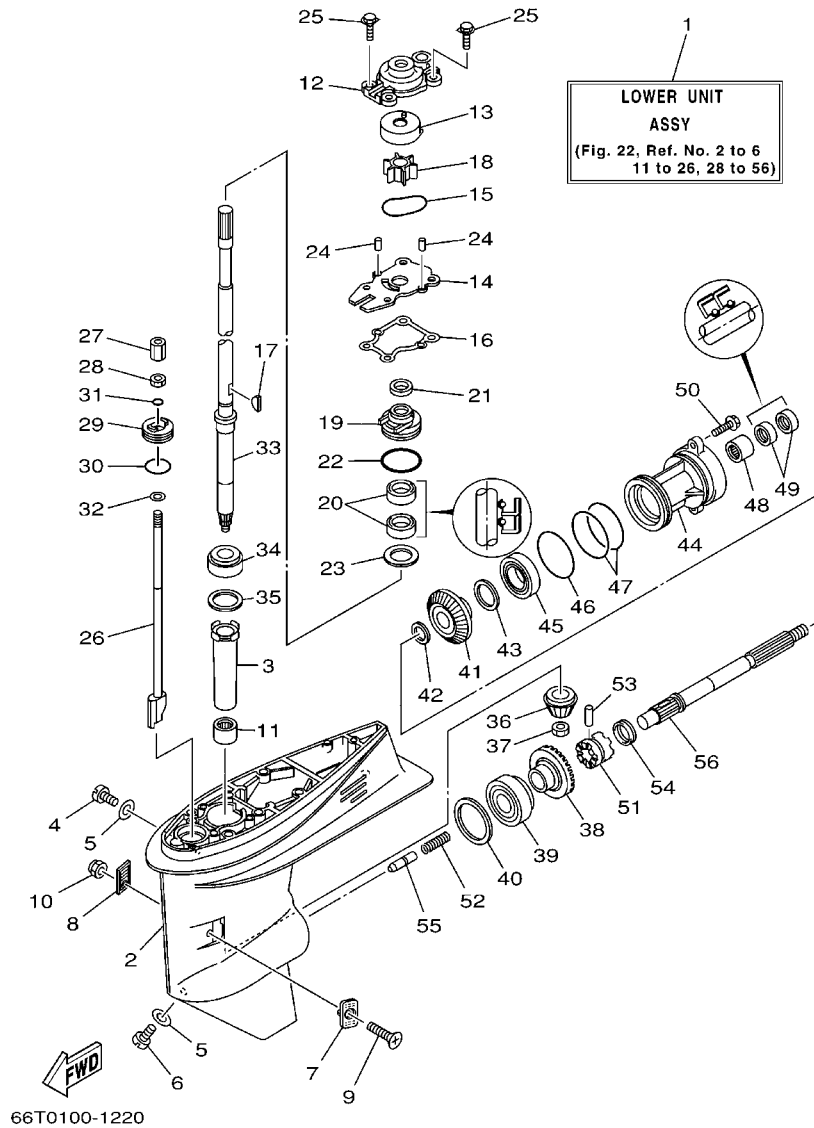


FIG. 22 LOWER CASING & DRIVE 1

REF. NO.	PART NO.	DESCRIPTION	MH	WT		REMARKS
1	66T-45300-11-4D	LOWER UNIT ASSY	1	1		L
2	66T-45311-01-4D	CASING, LOWER	1	1		
3	6H4-45536-00	SLEEVE, DRIVE SHAFT	1	1		
4	90340-08002	PLUG, STRAIGHT SCREW	1	1		
5	90430-08020	GASKET	2	2		
6	688-45341-10	PLUG, DRAIN	1	1		
7	63D-45214-00	COVER, WATER INLET	1	1		
8	63D-45215-00	COVER, WATER INLET	1	1		
9	90142-05M06	SCREW, COUNTERSUNK	1	1		
10	95380-05600	NUT	1	1		
11	93315-32224	BEARING	1	1		
12	66T-44311-00	HOUSING, WATER PUMP	1	1		
13	63D-44322-00	INSERT, CARTRIDGE	1	1		
14	66T-44323-00	OUTER PLATE, CARTRIDGE	1	1		
15	93210-59MG7	O-RING	1	1		
16	63D-44316-00	GASKET, WATER PUMP	1	1		
17	90280-03M03	KEY, WOODRUFF	1	1		
18	6H4-44352-02	IMPELLER	1	1		
19	63D-44341-00	HOUSING, WATER PUMP	1	1		
20	93101-22M60	OIL SEAL	2	2		
21	66T-45344-01	COVER, OIL SEAL	1	1		
22	93210-48MG8	O-RING	1	1		
23	90201-27M00	WASHER, PLATE	1	1		
24	93604-08062	PIN, DOWEL	2	2		
25	90119-08M15	BOLT, WITH WASHER	4	4		
26	66T-44150-11	SHIFT CAM ASSY	1	1		L
27	61N-44146-00	CONNECTOR, SHIFT ROD	1	1		

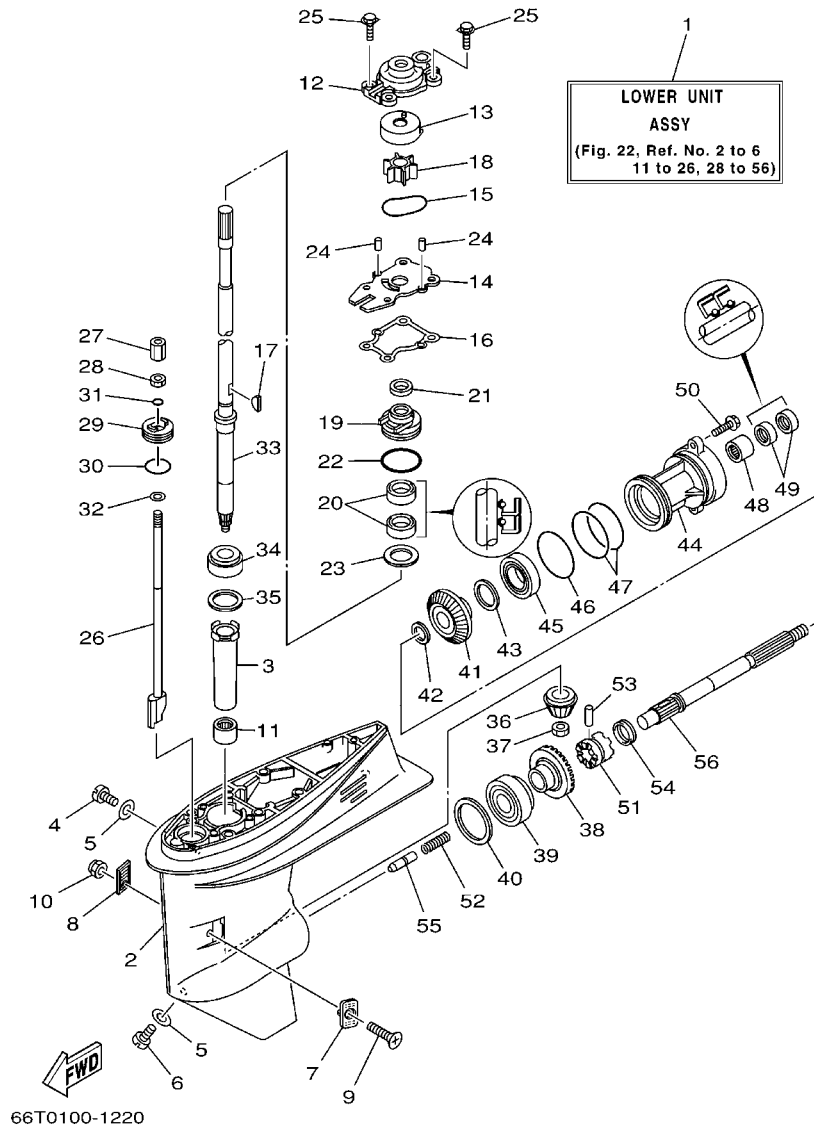


FIG. 22 LOWER CASING & DRIVE 1

REF. NO.	PART NO.	DESCRIPTION	MH	WT	REMARKS
28	95380-06700	NUT	1	1	
29	66T-45321-00	PLATE	1	1	
30	93210-33MG4	O-RING	1	1	
31	93210-06ME6	O-RING	1	1	
32	92990-06600	WASHER, PLATE	1	1	
33	66T-45501-11	DRIVE SHAFT COMP.	1	1	L
34	93332-00001	BEARING	1	1	
35	663-45587-01-10	SHIM (T:0.10MM)	1	1	UR
	663-45587-01-12	SHIM (T:0.12MM)	1	1	UR
	663-45587-01-15	SHIM (T:0.15MM)	1	1	UR
	663-45587-01-18	SHIM (T:0.18MM)	1	1	UR
	663-45587-01-30	SHIM (T:0.30MM)	1	1	UR
	663-45587-01-40	SHIM (T:0.40MM)	1	1	UR
	663-45587-01-50	SHIM (T:0.50MM)	1	1	UR
36	66T-45551-00	PINION	1	1	
37	90170-12138	NUT	1	1	
38	66T-45560-01	GEAR	1	1	
39	93332-00003	BEARING	1	1	
40	663-45567-01-10	SHIM (T:0.10MM)	1	1	UR
	663-45567-01-12	SHIM (T:0.12MM)	1	1	UR
	663-45567-01-15	SHIM (T:0.15MM)	1	1	UR
	663-45567-01-18	SHIM (T:0.18MM)	1	1	UR
	663-45567-01-30	SHIM (T:0.30MM)	1	1	UR
	663-45567-01-40	SHIM (T:0.40MM)	1	1	UR
	663-45567-01-50	SHIM (T:0.50MM)	1	1	UR
41	66T-45571-00	GEAR	1	1	
42	90201-22429	WASHER, PLATE	1	1	

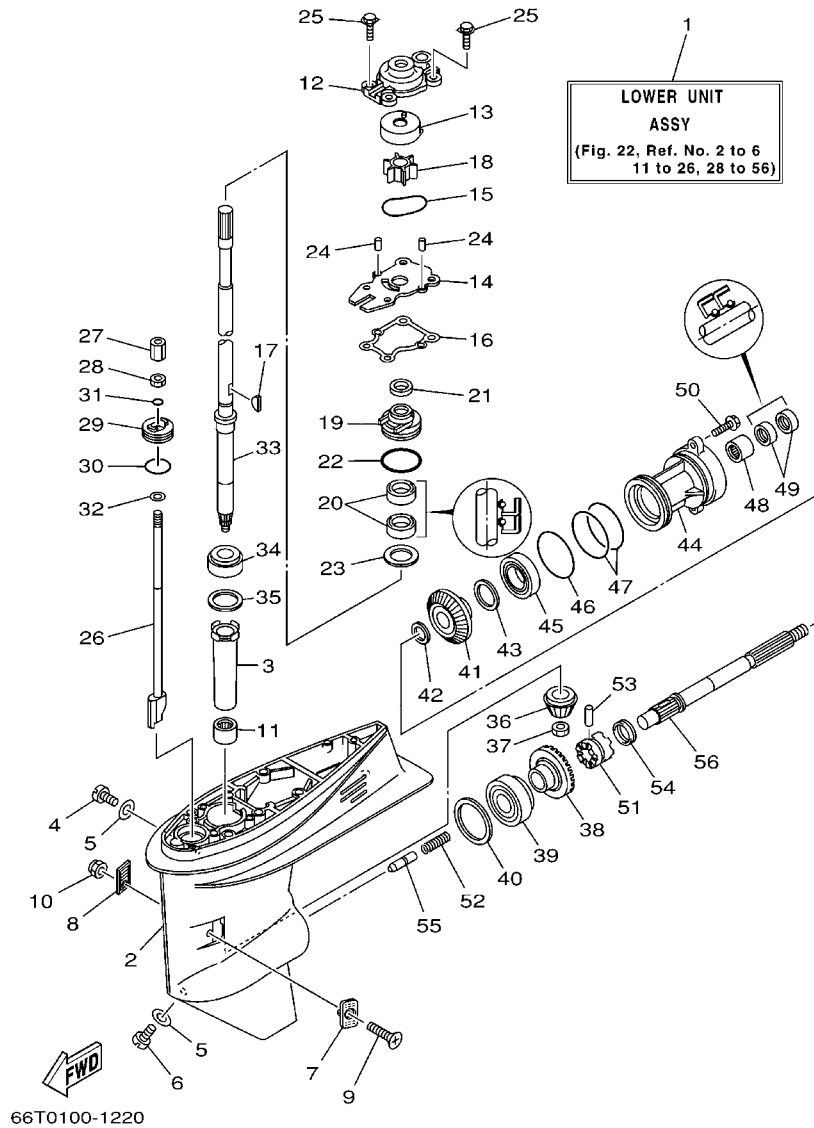
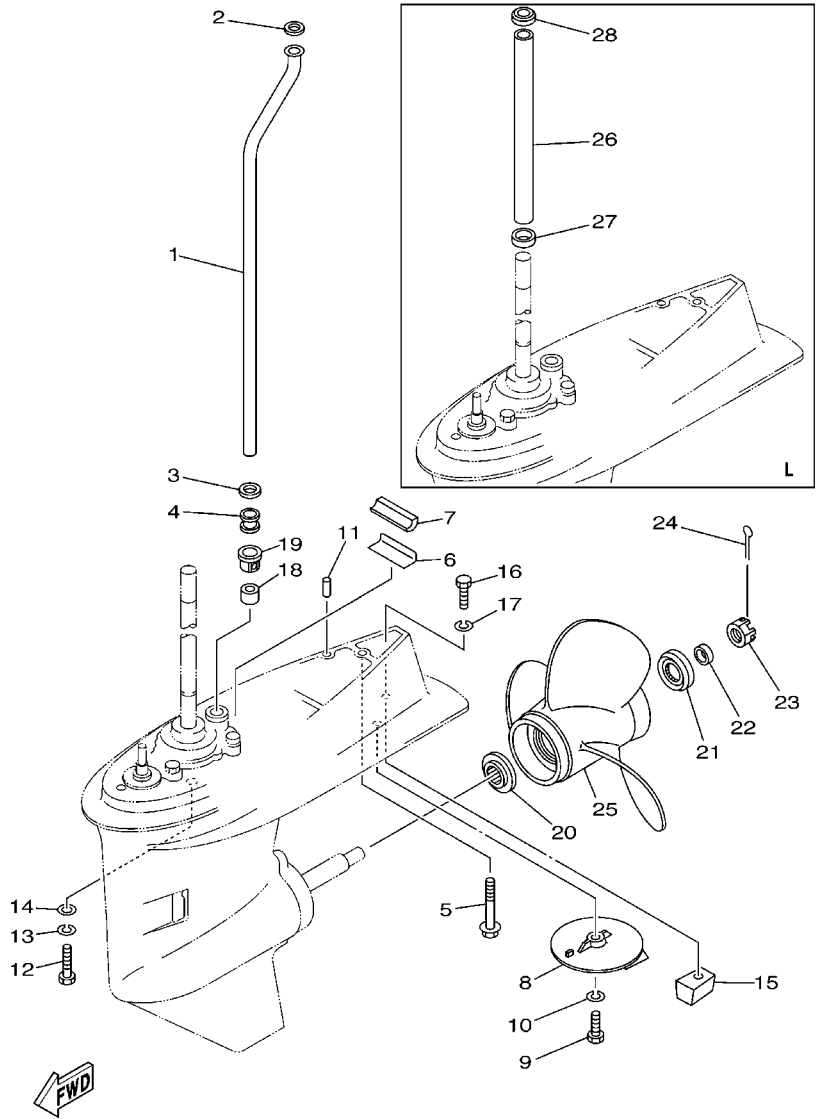


FIG. 22 LOWER CASING & DRIVE 1

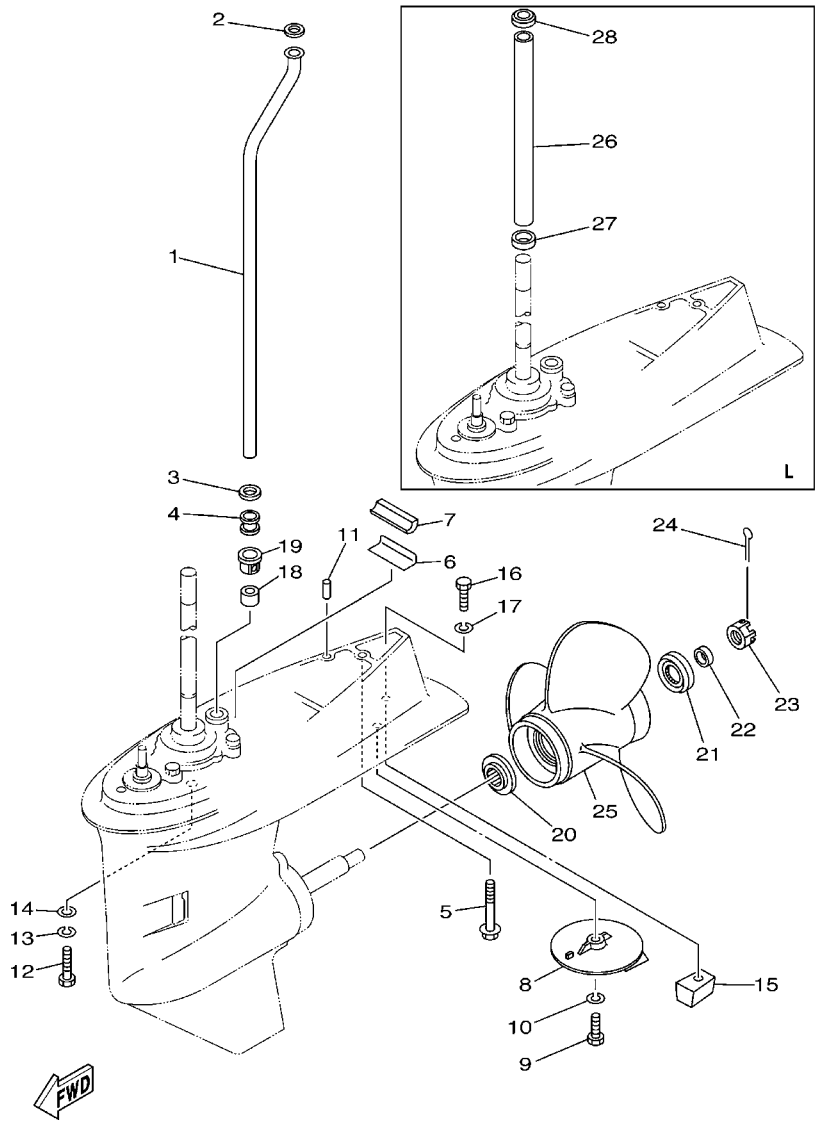
REF. NO.	PART NO.	DESCRIPTION	MH	WT		REMARKS
43	63D-45577-00-10	SHIM (T:0.10MM)	1	1		UR
	63D-45577-00-12	SHIM (T:0.12MM)	1	1		UR
	63D-45577-00-15	SHIM (T:0.15MM)	1	1		UR
	63D-45577-00-18	SHIM (T:0.18MM)	1	1		UR
	63D-45577-00-30	SHIM (T:0.30MM)	1	1		UR
	63D-45577-00-40	SHIM (T:0.40MM)	1	1		UR
	63D-45577-00-50	SHIM (T:0.50MM)	1	1		UR
44	63D-45361-02-4D	CAP, LOWER CASING	1	1		
45	93306-001U1	BEARING	1	1		
46	93210-69MG6	O-RING	1	1		
47	93210-74MG5	O-RING	2	2		
48	93317-22204	BEARING	1	1		
49	93101-22M00	OIL SEAL	2	2		
50	90105-08M61	BOLT, FLANGE	2	2		
51	66T-45631-00	CLUTCH, DOG	1	1		
52	90501-15M01	SPRING, COMPRESSION	1	1		
53	90250-06023	PIN, STRAIGHT	1	1		
54	663-45633-00	RING, CROSS PIN	1	1		
55	66T-45635-00	PLUNGER, SHIFT	1	1		
56	66T-45611-00	SHAFT, PROPELLER	1	1		



66T0664-1201

FIG. 23 LOWER CASING & DRIVE 2

REF. NO.	PART NO.	DESCRIPTION	MH	WT		REMARKS
1	66T-44361-10	TUBE, WATER	1	1		L
2	90202-12060	WASHER, PLATE	1	1		
3	90430-12072	GASKET	1	1		
4	663-44367-00	DAMPER, WATER SEAL	1	1		
5	90119-08M44	BOLT, WITH WASHER	1	1		
6	663-45376-00-94	GUIDE, SEAL DAMPER	1	1		
7	63D-45375-00	DAMPER, SEAL	1	1		
8	664-45371-01	TAB-TRIM	1	1		
9	97095-08025	BOLT	1	1		
10	92995-08100	WASHER	1	1		
11	93606-12019	PIN, DOWEL	2	2		
12	97075-10040	BOLT	4	4		
13	92995-10100	WASHER	4	4		
14	92995-10600	WASHER	4	4		
15	67C-45251-00	ANODE	1	1		
16	97095-08035	BOLT	1	1		
17	92995-08100	WASHER	1	1		
18	663-44366-00	DAMPER, WATER SEAL	1	1		
19	63D-44312-00	COVER, WATER PUMP HOUSING	1	1		
20	663-45987-02	SPACER	1	1		
21	66T-45997-00	SPACER	1	1		
22	90389-22M01	BUSH	1	1		
23	90171-16011	NUT, CASTLE	1	1		
24	91490-30025	PIN, COTTER	1	1		
25	69W-45943-00-EL	PROPELLER (3X11"X15"-G)	1	1		UR
	69W-45945-00-EL	PROPELLER (3X11-1/8"X13"-G)	1	1		UR
	69W-45947-00-EL	PROPELLER (3X11-5/8"X11"-G)	1	1		UR



66T0664-1201

FIG. 23 LOWER CASING & DRIVE 2

REF. NO.	PART NO.	DESCRIPTION	MH	WT		REMARKS
25	69W-45952-00-EL	PROPELLER (3X11-3/8"X12"-G)	1	1		UR
	63D-45941-00-EL	PROPELLER (3X12-1/4"X8"-G)	1	1		UR
	663-45941-01-EL	PROPELLER (3X10-3/4"X17"-G)	1	1		UR
	663-45949-01-EL	PROPELLER (3X10-3/4"X16"-G)	1	1		UR
	663-45952-02-EL	PROPELLER (3X11-3/8"X12"-G)	1	1		UR
	663-45954-01-EL	PROPELLER (3X11-3/4"X10"-G)	1	1		UR
	663-45956-01-EL	PROPELLER (3X12-1/4"X9"-G)	1	1		UR
	663-45958-01-EL	PROPELLER (3X11-1/4"X14"-G)	1	1		UR
	663-45930-00-98	PROPELLER (3X10-1/4"X14"-G)	1	1		UR
	663-45976-00-98	PROPELLER (3X10-1/4"X15"-G)	1	1		UR
	663-45978-00-98	PROPELLER (3X10-1/4"X16"-G)	1	1		UR
	663-45970-60-98	PROPELLER (3X11-3/4"X12"-G)	1	1		UR
	663-45972-60-98	PROPELLER (3X12"X11"-G)	1	1		UR
	663-45974-60-98	PROPELLER (3X11-1/2"X13"-G)	1	1		UR
26	66T-44362-10	TUBE, WATER	1	1		L
27	90480-25M70	GROMMET	1	1		L
28	90480-30M71	GROMMET	1	1		L

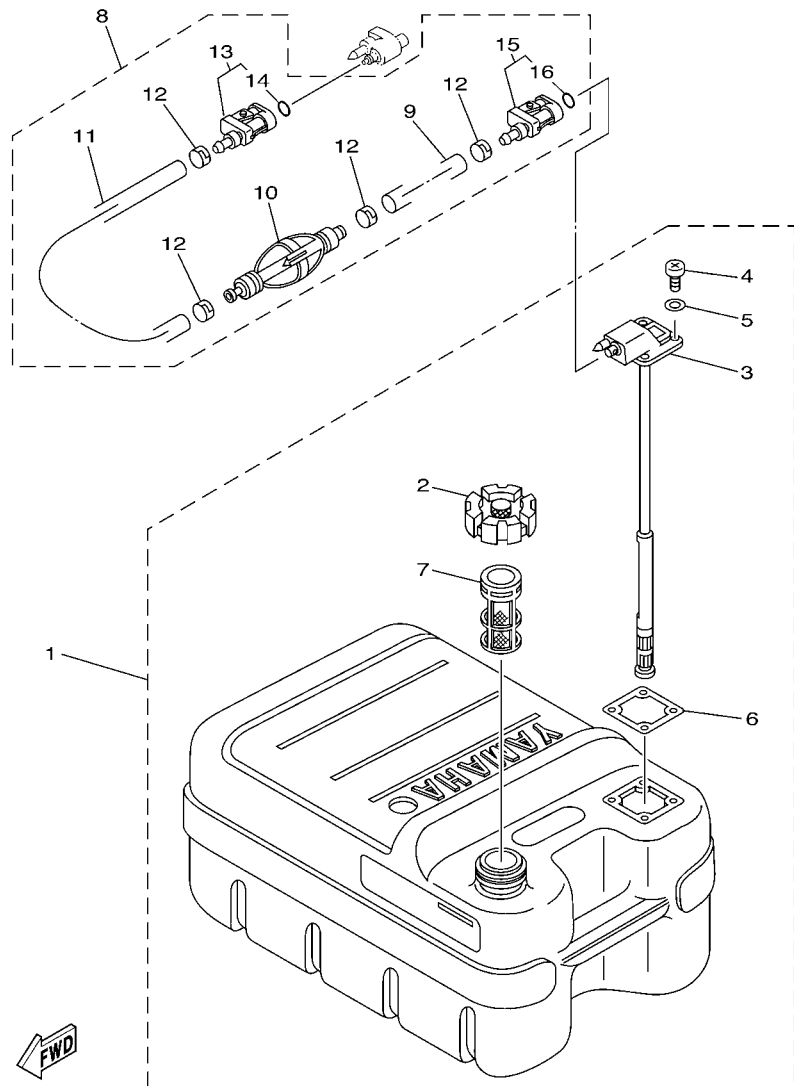
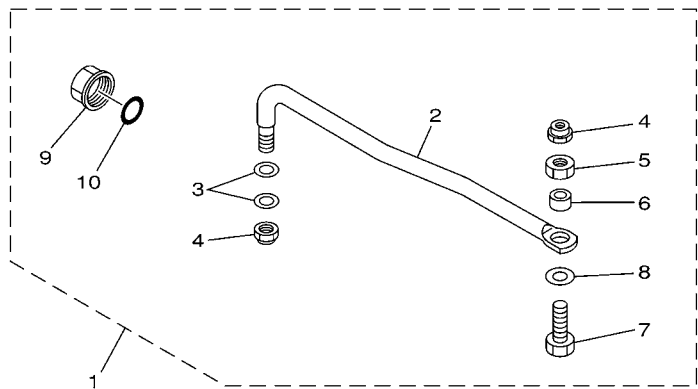


FIG. 24 FUEL TANK

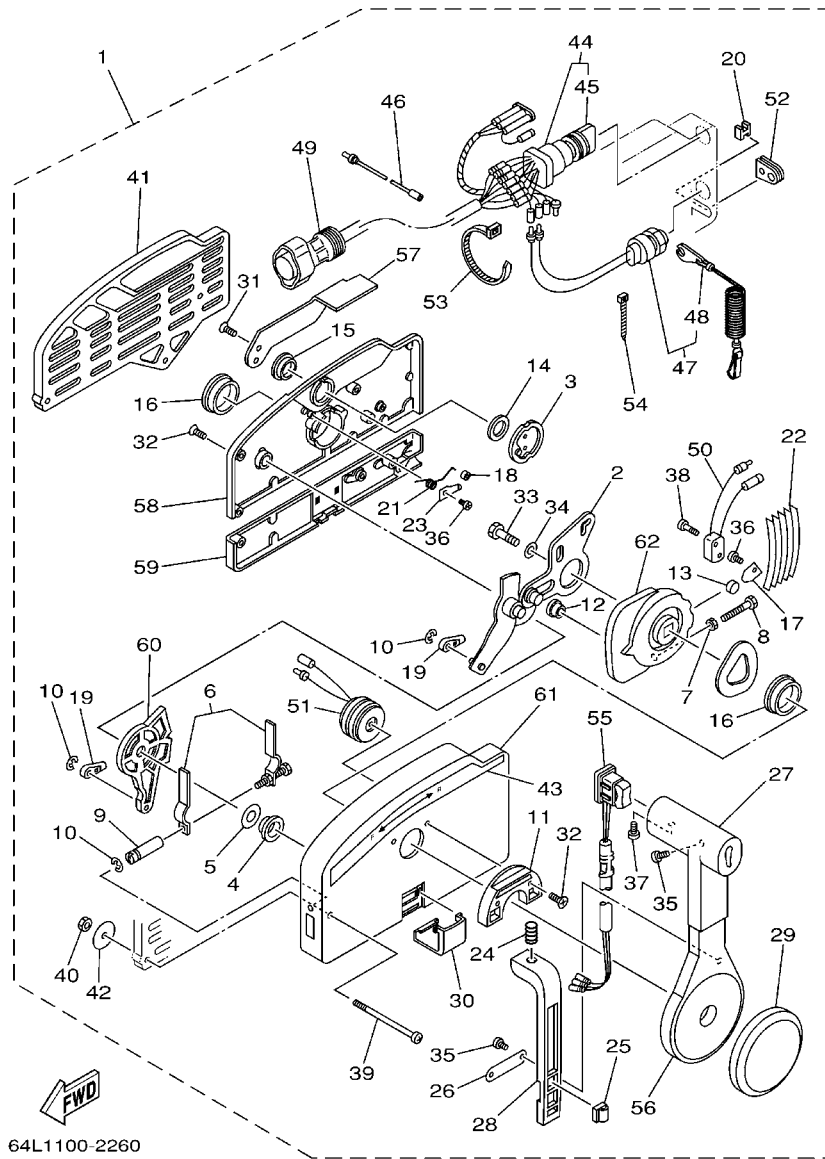
REF. NO.	PART NO.	DESCRIPTION	MH	WT	REMARKS
1	6YJ-24201-10	FUEL TANK ASSY (24L)	1	1	AP
2	6YJ-24610-00	.CAP ASSY	1	1	
3	6Y1-24260-12	.FUEL METER ASSY	1	1	WITH INDICATOR
4	98586-05016	.SCREW, PAN HEAD	4	4	
5	6Y1-24329-00	.SEAL	4	4	
6	6Y1-24268-00	.GASKET, FUEL METER	1	1	
7	6YJ-24167-00	.STRAINER	1	1	
8	61J-24306-03	FUEL PIPE COMP. 1	1	1	AP
9	90445-11M06	.HOSE (L2050)	1	1	
10	61J-24360-00	.PRIMER PUMP ASSY	1	1	
11	90445-11M05	.HOSE (L850)	1	1	
12	650-24351-01	.BAND 1	4	4	
13	6G1-24305-04	.FUEL PIPE JOINT COMP. 2	1	1	
14	93210-08287	..O-RING	1	1	
15	6Y1-24305-05	.FUEL PIPE JOINT COMP. 2	1	1	
16	93210-08287	..O-RING	1	1	

FIG. 25 STEERING GUIDE



65W0010-8210

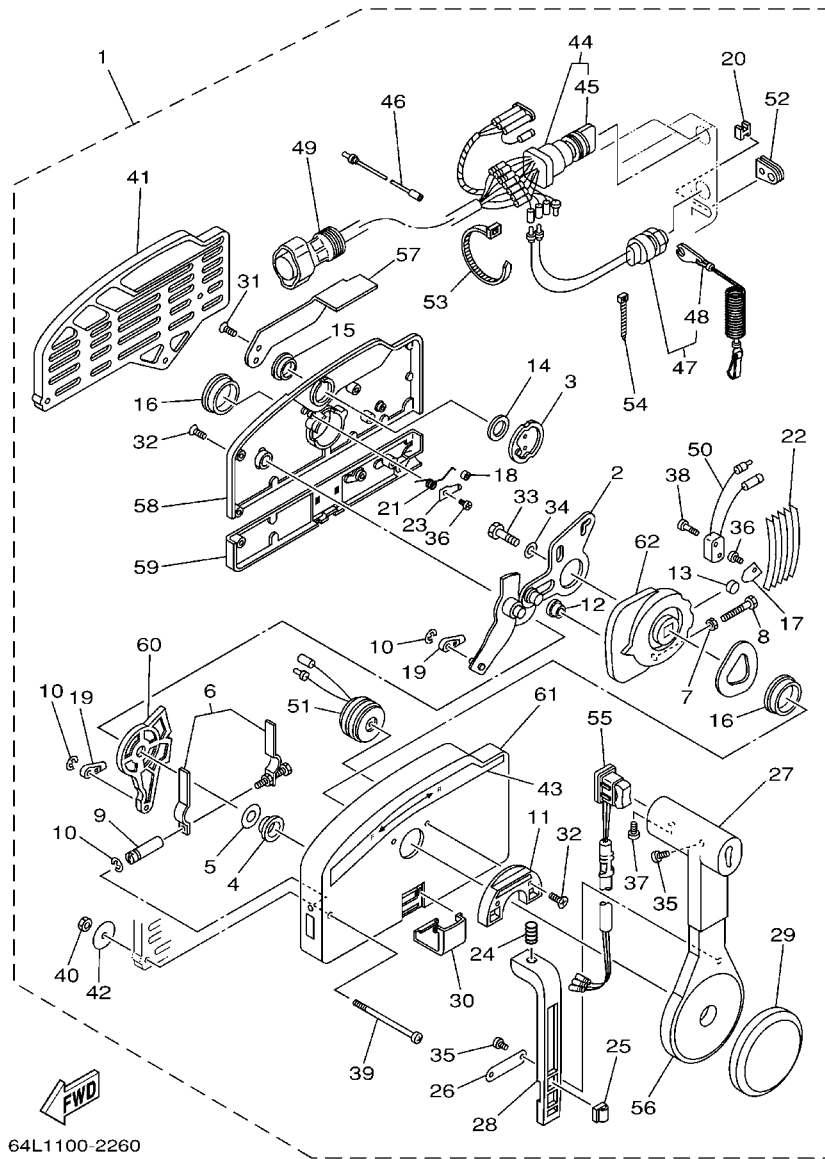
REF. NO.	PART NO.	DESCRIPTION	MH	WT	REMARKS
1	65W-61350-00	STEERING GUIDE ATTACHMENT KIT		1	AP
2	65W-61351-00	.ROD, STEERING LINK		1	
3	90201-10M20	.WASHER, PLATE		2	
4	90185-09M01	.NUT, SELF-LOCKING		2	
5	90170-09M03	.NUT		1	
6	90387-10M42	.COLLAR		1	
7	90101-09M01	.BOLT		1	
8	90201-10M63	.WASHER, PLATE		1	
9	6E5-43145-01	.CAP, CLAMP BRACKET		1	
10	93210-16275	.O-RING		1	



64L1100-2260

FIG. 27 REMOTE CONTROL ASSY

REF. NO.	PART NO.	DESCRIPTION	MH	WT	REMARKS
1	703-48205-17	REMOTE CONTROL ASSY		1	AP WITH PT/T SW.
2	703-48261-01	.ARM, THROTTLE		1	
3	703-48153-00	.SHAFT, FREE ACCEL.		1	
4	703-48235-00	.BUSHING		1	
5	703-48268-00	.SPACER		1	
6	703-48264-00	.THROTTLE, FRICTION		1	
7	95380-05600	.NUT		1	
8	97380-05025	.BOLT		1	
9	703-48265-00	.SHAFT, FRICTION		1	
10	93430-06024	.CIRCLIP		3	
11	703-48245-00	.PLATE, LOCK		1	
12	703-48252-00	.ROLLER, CAM		1	
13	701-48248-00	.ROLLER, FREE ACCEL.		1	
14	703-48198-00	.WASHER, WAVE		1	
15	703-48243-00	.BUSHING		1	
16	703-48236-00	.BUSHING 1		2	
17	703-48189-00	.RETAINER		1	
18	703-48234-00	.ROLLER, DETENT		1	
19	703-48345-01	.CABLE END, REMOTE CONTROL 2		2	
20	703-48358-00	.ANCHOR, CABLE		1	
21	703-48244-00	.SPRING, FREE ACCEL.		1	
22	703-48238-00	.SPRING, DETENT		5	
23	703-48246-00	.SPACER		1	
24	703-48227-00	.SPRING, NEUTRAL LOCK		1	
25	703-82594-00	.CLAMP		1	WITH PT/T SW.
26	703-48226-00	.PLATE, STOPPER		1	
27	703-48222-00	.GRIP, CONTROL LEVER		1	SINGLE



64L1100-2260

FIG. 27 REMOTE CONTROL ASSY

REF. NO.	PART NO.	DESCRIPTION	MH	WT	REMARKS
28	703-48223-00	.LOCK, NEUTRAL		1	
29	703-48225-00	.COVER		1	
30	703-48219-00	.COVER, LEAD		1	
31	703-48281-00	.SCREW		2	
32	703-48282-00	.SCREW		7	
33	97380-08030	.BOLT		1	
34	92990-08600	.WASHER, PLATE		1	
35	98580-04010	.SCREW, PAN HEAD		3	
36	98580-04006	.SCREW, PAN HEAD		2	
37	98580-05010	.SCREW, PAN HEAD		1	
38	98580-03015	.SCREW, PAN HEAD		2	
39	703-48291-10	.SCREW (M6)		3	
40	95380-06600	.NUT, HEXAGON		3	
41	703-48293-10	.SPACER, REMOTE CONTROL		1	SINGLE
42	701-48287-00	.WASHER		3	
43	703-48215-00	.GRAPHIC		1	
44	703-82510-43	.MAIN SWITCH ASSY		1	
45	703-82577-00	..CAP, KEY		1	
46	703-82531-00	.WIRE, LEAD		1	
47	688-82575-01	.ENGINE STOP SWITCH ASSY		1	
48	682-82556-00	..STOPPER		1	
49	688-8258A-20	.EXTENSION, WIRE HARNESS		1	L:5M (10P)
50	703-82540-00	.NEUTRAL SWITCH ASSY		1	
51	703-83383-02	.BUZZER		1	
52	703-48284-00	.GROMMET		1	
53	703-82591-00	.BAND		1	
54	703-82592-00	.BAND		1	

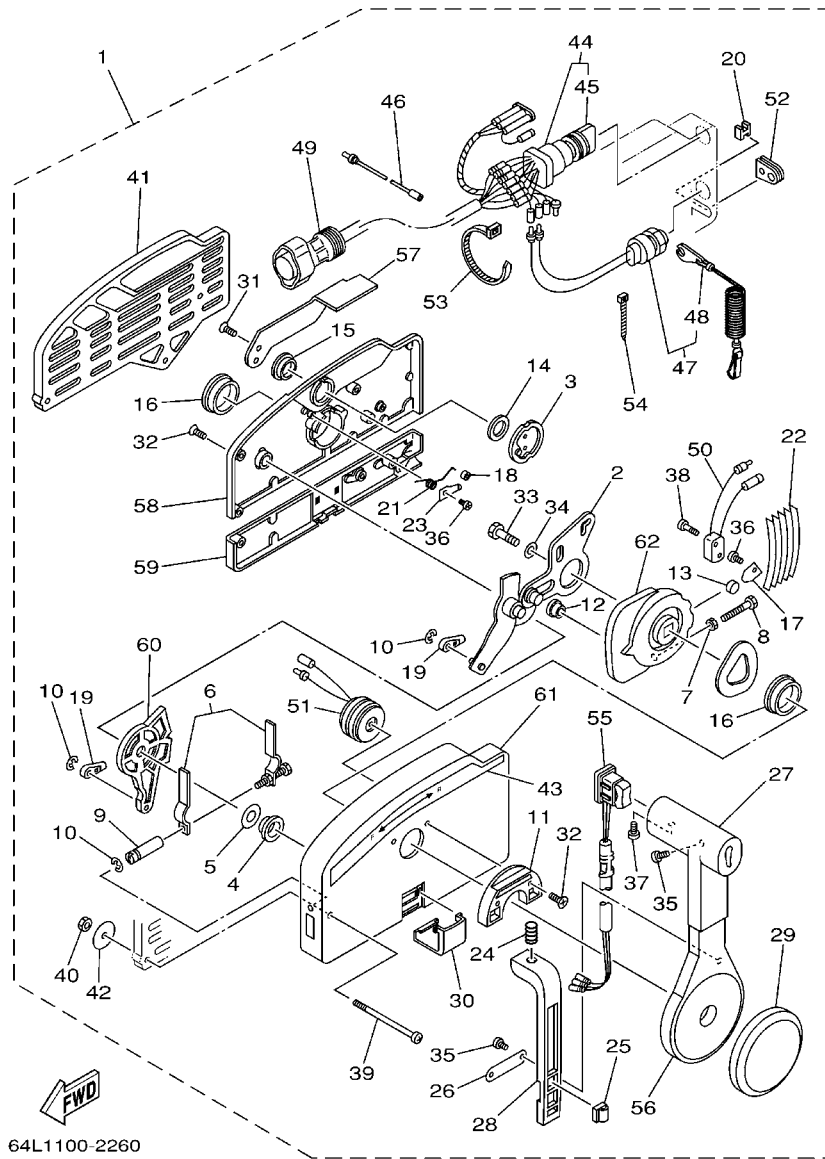


FIG. 27 REMOTE CONTROL ASSY

REF. NO.	PART NO.	DESCRIPTION	MH	WT	REMARKS
55	703-82563-02	.TRIM & TILT SWITCH ASSY		1	WITH PT/T SW.
56	703-48221-00	.LEVER, CONTROL		1	
57	703-48152-00	.KNOB, FREE ACCEL.		1	
58	703-48212-00	.BACK PLATE 1		1	
59	703-48213-00	.BACK PLATE 2		1	
60	703-48271-00	.ARM, SHIFT		1	
61	703-48211-01	.HOUSING,1		1	
62	703-48232-00	.GEAR		1	

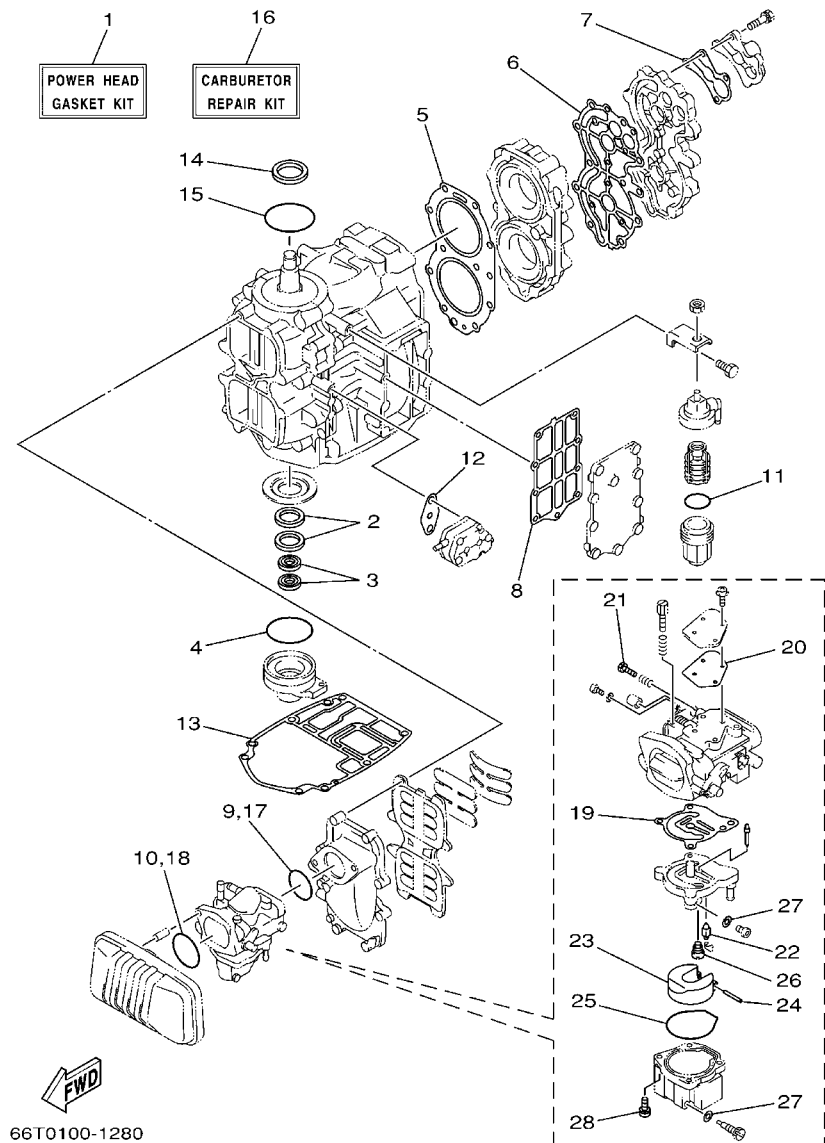


FIG. 28 REPAIR KIT 1

REF. NO.	PART NO.	DESCRIPTION	MH	WT	REMARKS
1	66T-W0001-01	POWER HEAD GASKET KIT	1	1	
2	93102-30M56	.OIL SEAL	2	2	
3	93101-16001	.OIL SEAL	2	2	
4	93210-65M50	.O-RING	1	1	
5	66T-11181-A2	.GASKET, CYLINDER HEAD 1	1	1	
6	66T-11193-A2	.GASKET, HEAD COVER 1	1	1	
7	676-12414-A1	.GASKET, COVER	1	1	
8	66T-41114-A0	.GASKET, EXHAUST OUTER COVER	1	1	
9	93210-46M16	.O-RING	1	1	
10	93210-54M54	.O-RING	1	1	
11	93210-32738	.O-RING	1	1	
12	650-24431-A0	.GASKET, FUEL PUMP 1	1	1	
13	66T-45113-A0	.GASKET, UPPER CASING	1	1	
14	93102-35008	.OIL SEAL	1	1	
15	93210-75M51	.O-RING	1	1	
16	66T-W0093-01	CARBURETOR REPAIR KIT	1	1	
17	93210-46M16	.O-RING	1	1	
18	93210-54M54	.O-RING	1	1	
19	66T-14384-01	.GASKET, FLOAT CHAMBER	1	1	
20	66T-14536-00	.GASKET	1	1	
21	6E5-14323-03	.SCREW, AIR ADJUSTING	1	1	
22	6E5-14546-00	.VALVE, NEEDLE	1	1	
23	6E5-14385-02	.FLOAT	1	1	
24	6E5-14386-02	.PIN, FLOAT	1	1	
25	66T-14984-00	.GASKET, FLOAT CHAMBER	1	1	
26	66T-14992-00	.PLUG	1	1	
27	66T-14959-00	.GASKET	2	2	

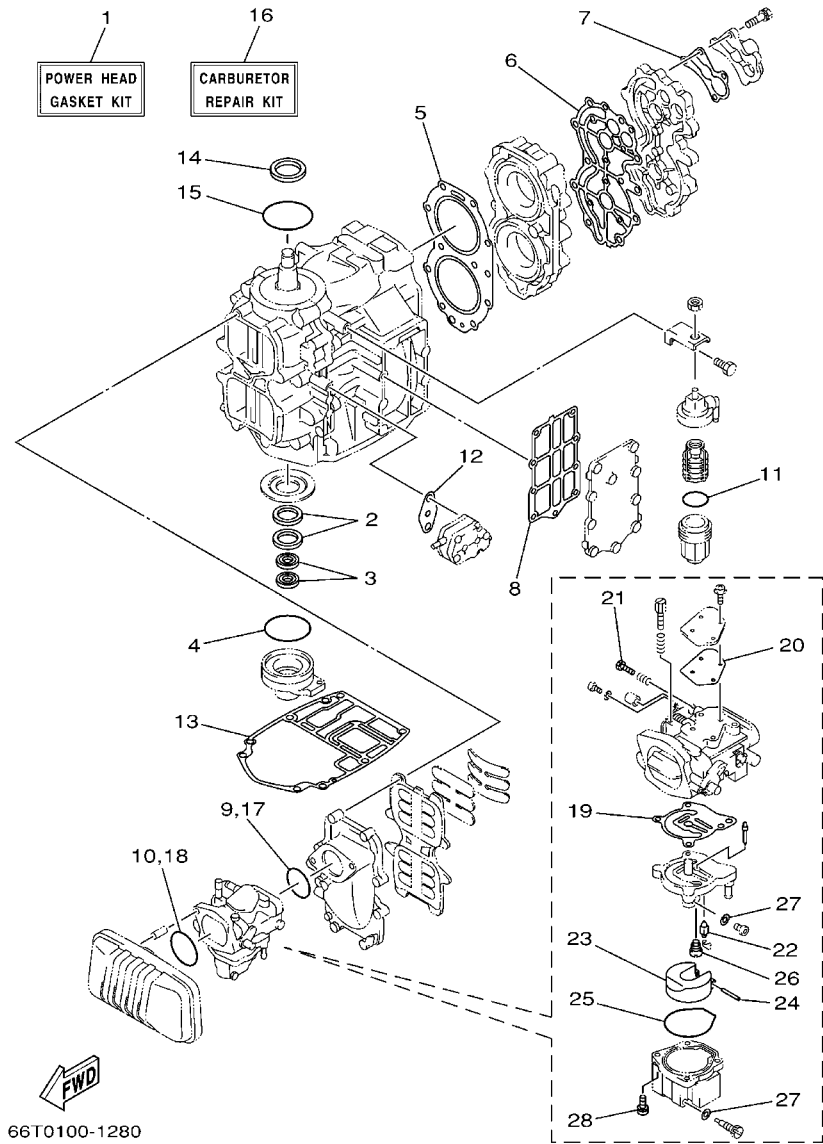
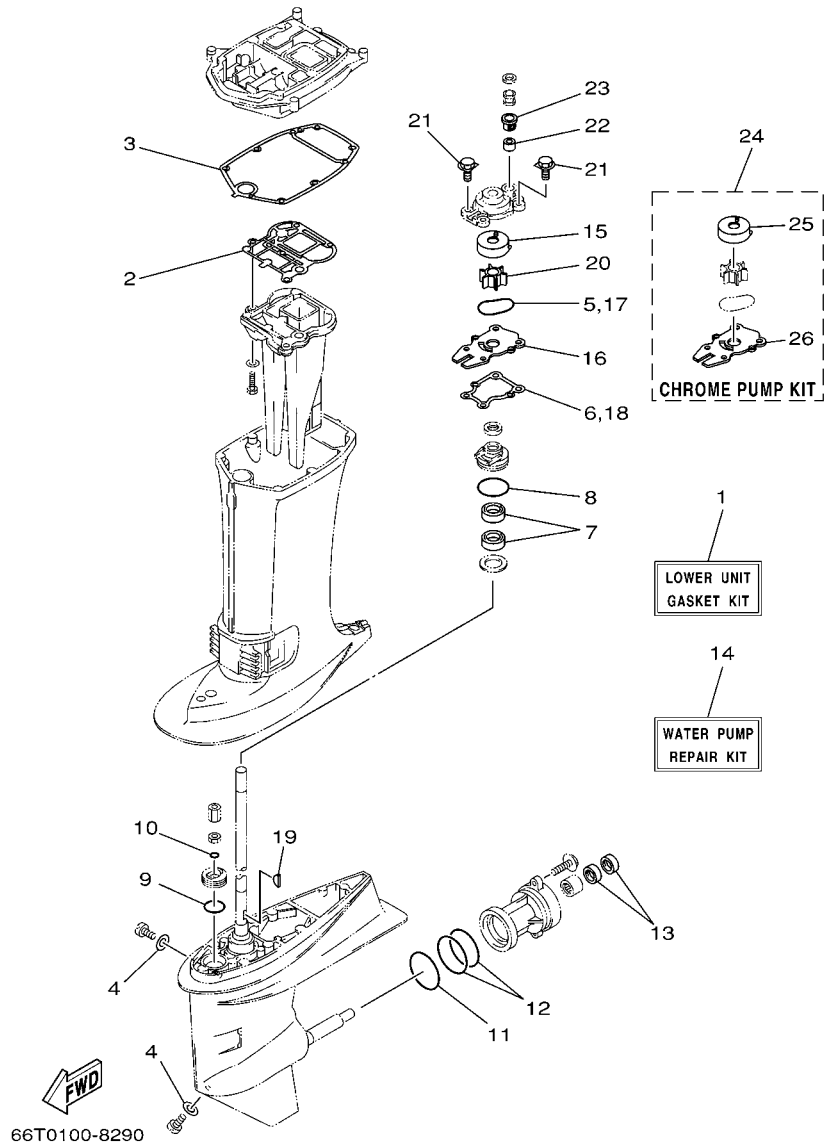


FIG. 28 REPAIR KIT 1

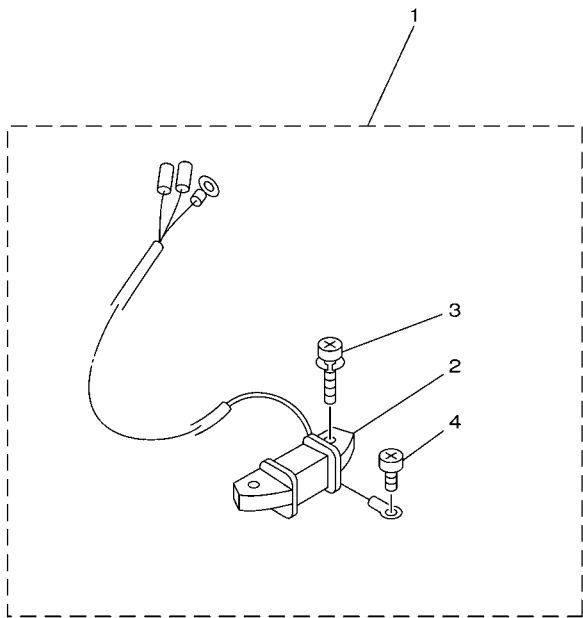
REF. NO.	PART NO.	DESCRIPTION	MH	WT		REMARKS
28	97980-05125	.SCREW, WITH WASHER	4	4		

FIG. 29 REPAIR KIT 2



REF. NO.	PART NO.	DESCRIPTION	MH	WT			REMARKS
1	66T-W0001-20	LOWER UNIT GASKET KIT	1	1			
2	66T-41133-A0	.GASKET, EXHAUST MANIFOLD 1	1	1			
3	66T-45114-A0	.GASKET, UPPER CASING	1	1			
4	90430-08020	.GASKET	2	2			
5	93210-59MG7	.O-RING	1	1			
6	63D-44316-00	.GASKET, WATER PUMP	1	1			
7	93101-22M60	.OIL SEAL	2	2			
8	93210-48MG8	.O-RING	1	1			
9	93210-33MG4	.O-RING	1	1			
10	93210-06ME6	.O-RING	1	1			
11	93210-69MG6	.O-RING	1	1			
12	93210-74MG5	.O-RING	2	2			
13	93101-22M00	.OIL SEAL	2	2			
14	66T-W0078-00	WATER PUMP REPAIR KIT	1	1			
15	63D-44322-00	.INSERT, CARTRIDGE	1	1			
16	66T-44323-00	.OUTER PLATE, CARTRIDGE	1	1			
17	93210-59MG7	.O-RING	1	1			
18	63D-44316-00	.GASKET, WATER PUMP	1	1			
19	90280-03M03	.KEY, WOODRUFF	1	1			
20	6H4-44352-02	.IMPELLER	1	1			
21	90119-08M15	.BOLT, WITH WASHER	4	4			
22	663-44366-00	.DAMPER, WATER SEAL	1	1			
23	63D-44312-00	.COVER, WATER PUMP HOUSING	1	1			
24	66T-W0078-0A	CHROME PUMP KIT	1	1			
25	63D-44322-40	.INSERT, CARTRIDGE	1	1			
26	66T-44323-40	.OUTER PLATE, CARTRIDGE	1	1			

FIG. 30 REPAIR KIT 3



REF. NO.	PART NO.	DESCRIPTION	MH	WT				REMARKS
1	66T-81303-00	LIGHTING COIL ASSY	1	1				AP
2	66T-85533-00	.COIL, LIGHTING	1	1				
3	97902-06125	.SCREW, WITH WASHER	2	2				
4	97802-04006	.SCREW, PAN HEAD	1	1				



66T0010-9270

NUMERICAL INDEX

PART NO.	REF. NO.	PART NO.	REF. NO.	PART NO.	REF. NO.	PART NO.	REF. NO.	PART NO.	REF. NO.	PART NO.	REF. NO.
66T-11111-01-1S	2 - 22	6E5-14386-02	5 - 19	66T-15772-00-94	7 - 39	66T-41257-00	4 - 25	66T-42725-30	16 - 9	65W-43810-00	20 - 17
66T-11119-00	2 - 20		28 - 24	6F5-15779-02	7 - 22	661-41262-02	4 - 22	65W-42726-00	12 - 23	65W-43812-00	20 - 18
66T-11181-A2	2 - 23	66T-14440-00	4 - 13	66T-15784-00	7 - 9	6H4-41271-01	4 - 18	6H4-42726-00	12 - 21	6H1-43816-00	20 - 25
	28 - 5	624-14485-00	2 - 5	697-15789-00	7 - 23	66T-41273-00	13 - 41	65W-42726-10	12 - 23	65W-43817-00	20 - 39
66T-11191-00-1S	2 - 25	66T-14497-00	15 - 10	6F5-15791-00	7 - 17	689-41273-00	4 - 19		16 - 11	65W-4381B-00	20 - 22
66T-11193-A2	2 - 26	66T-14523-00	5 - 10	66T-15794-00	7 - 13	6J8-41274-00	4 - 20	6H1-42726-10	12 - 21	6H1-43829-00	20 - 61
	28 - 6	66T-14527-00	5 - 8	6YJ-24167-00	24 - 7	66T-41611-00	8 - 11	676-42727-00	12 - 20	65W-4382A-00	20 - 47
676-11325-00	2 - 18	66T-14536-00	5 - 7	6YJ-24201-10	24 - 1	66T-41631-01	15 - 4	66T-42738-00-5B	12 - 6	65W-43830-00	20 - 36
676-11372-00	2 - 33		28 - 20	6Y1-24260-12	24 - 3	66T-41638-00	15 - 1	66T-42741-00	12 - 26	65W-43831-00	20 - 35
650-11372-01	4 - 5	6E5-14546-00	5 - 16	6Y1-24268-00	24 - 6	6F5-41662-00	15 - 17	664-42791-10	12 - 32	65W-43840-00	20 - 15
66T-11400-01	3 - 1		28 - 22	6G1-24304-02	6 - 1	65W-42101-01-4D	13 - 14	6R6-42791-40	12 - 33	62X-43841-00	20 - 33
66T-11412-00	3 - 2	66T-14578-00	5 - 2	6G1-24305-04	24 - 13	664-42119-00	13 - 22	66T-42815-01-4D	12 - 9	65W-43843-00	20 - 54
66T-11422-00	3 - 3	66T-14584-00	5 - 3	6Y1-24305-05	24 - 15	65W-42121-01-4D	13 - 40	66T-42816-00	12 - 13	65W-43844-00	20 - 48
66T-11432-00	3 - 4	6J8-14592-01	5 - 4	61J-24306-03	24 - 8	66T-42123-00	13 - 7	66T-43111-01-4D	17 - 1	6H1-43844-10	20 - 56
66T-11442-00	3 - 5	61A-1492E-85	5 - 15	66T-24329-00	12 - 22	65W-42125-00	13 - 19	65W-43111-10-4D	18 - 1	6H1-43845-00	20 - 43
6F5-11515-00	3 - 9	66T-1492F-35	5 - 20	6Y1-24329-00	24 - 5	6G1-42126-00	13 - 18	66T-43112-01-4D	17 - 6	6H1-43847-00	20 - 45
66T-11565-00	2 - 14	66T-14945-02	5 - 14	650-24351-01	24 - 12	65W-42131-01	13 - 37	65W-43112-10-4D	18 - 2	6H1-4384F-10	20 - 57
66T-11603-00	3 - 16	66T-14959-00	5 - 25	61J-24360-00	24 - 10	6G1-42137-10	13 - 23	6J8-43113-01	17 - 20	65W-43851-00	20 - 49
66T-11604-00	3 - 16		28 - 27	692-24410-00	6 - 15	65W-42138-00	13 - 16	648-43114-01	17 - 4	65W-43853-00	20 - 60
66T-11605-00	3 - 16	66T-14981-00	5 - 23	663-24411-00	6 - 20	65W-42159-00	13 - 17	663-43118-01-4D	17 - 3	6T4-43853-00	20 - 37
66T-11631-01-93	3 - 15	66T-14984-00	5 - 21	692-24411-00	6 - 17	66T-42167-00	15 - 2	63D-43131-01	17 - 17	65W-43854-00	20 - 46
6F5-11633-00	3 - 17		28 - 25	6A0-24412-02	6 - 26	6F6-42177-A0	13 - 21		18 - 9	65W-43855-00	20 - 52
663-11634-00	3 - 18	66T-14991-00	5 - 24	6A0-24413-00	6 - 16	65W-42508-00	14 - 1	66T-43144-00	12 - 14	6H1-43856-10	20 - 55
66T-11635-01	3 - 15	66T-14992-00	5 - 22	6A0-24421-01	6 - 24	65W-42511-10-4D	19 - 6	6E5-43145-01	25 - 9	65W-43861-00	20 - 40
66T-11636-01	3 - 15		28 - 26	650-24431-A0	6 - 27	65W-42527-00	14 - 3	6G5-43145-01	17 - 22	6H1-43861-10	20 - 20
6F5-11651-00	3 - 10	66T-15100-02-1S	2 - 2		28 - 12	648-42528-00	19 - 1		18 - 13	65W-43862-00	20 - 41
66T-11681-00	3 - 11	66T-15396-01-94	2 - 8	648-24434-01	6 - 18	65W-42528-00	14 - 10	65W-43191-00	18 - 4	65W-43865-00	20 - 19
6E5-12411-01	2 - 28	66T-15705-00	7 - 7	648-24435-02	6 - 21	624-42542-00	9 - 3	65W-43192-00	18 - 3	6H1-43866-00	20 - 31
676-12413-00-1S	2 - 29	66T-15710-00	7 - 1	61N-24521-00	6 - 8	65W-42561-00	14 - 7	65W-43311-10-4D	17 - 15	6H1-43867-00	20 - 32
676-12414-A1	2 - 30	66T-15711-00	7 - 2	61N-24560-00	6 - 6	65W-42562-00	14 - 6		18 - 7	65W-43869-00	20 - 5
	28 - 7	66T-15713-00	7 - 5	61N-24563-00	6 - 7	66T-42610-G0-4D	1 - 1	682-43318-01	17 - 35	65W-4386A-00	20 - 58
677-13437-0B	1 - 15	66T-15714-00	7 - 3	648-24566-02	6 - 10	66T-42610-K0-4D	1 - 1	66T-43350-02	17 - 42	65W-4386K-00	20 - 7
6E5-13552-01	2 - 3	66T-15716-00	7 - 6	6YJ-24610-00	24 - 2	66T-42613-01	1 - 2	65W-43373-00	19 - 2	65W-43871-00	20 - 21
	4 - 4	66T-15723-00	7 - 29	66T-26301-00	13 - 29	66T-42615-02	1 - 8	65W-43613-00	17 - 49	6H1-43875-00	20 - 42
66T-13610-00	4 - 1	66T-15731-00	7 - 16	65W-26326-00	12 - 19	6E0-42651-02	1 - 4	65W-43614-01	17 - 47	62X-43878-00	20 - 62
66T-13641-02-1S	4 - 3	66T-15734-00	7 - 14	65W-26326-10	12 - 19	6F5-42652-01	1 - 6	65W-43615-01	17 - 48	65W-43879-00	20 - 12
6E5-14159-00	5 - 17	63V-15741-00	7 - 4		16 - 10	63D-42677-20	1 - 9	65W-43616-00	17 - 46	65W-43880-00	20 - 2
6E5-14223-00	5 - 13	63V-15744-00	7 - 10	61H-2819R-31	6 - 32	69P-42677-H0	1 - 9	66T-43627-00	17 - 23	65W-43881-00	20 - 6
66T-14301-02	5 - 1	6F5-15752-00	7 - 18	66T-41113-00-1S	2 - 32	63D-42678-11	1 - 10	65W-43630-11	17 - 36	65W-43882-00	20 - 8
66T-14301-12	5 - 1	6F5-15753-00	7 - 19	66T-41114-A0	2 - 34	6J4-42678-H0	1 - 10	66T-43631-11	17 - 44	65W-43887-00	20 - 13
6E5-14323-03	5 - 12	689-15755-01	7 - 21		28 - 8	63D-42681-10	1 - 12	689-43633-00	14 - 8	65W-43888-00	20 - 28
	28 - 21	66T-15758-01	7 - 24	66T-41131-10-5B	21 - 4	63D-42682-10	1 - 13	65W-43800-02-4D	20 - 1	65W-4388E-00	20 - 14
6A0-14325-00	6 - 25	66T-15762-01	7 - 28	66T-41133-A0	21 - 5	61R-42683-F0	1 - 14	6T4-43802-03	20 - 30	65W-43891-00	20 - 10
6J8-14334-00	5 - 11	66T-15767-00	7 - 8		29 - 2	66T-42710-01-4D	12 - 1	65W-43804-00	20 - 3	65W-43892-00	20 - 9
66T-14384-01	5 - 6	63V-15768-00	7 - 11	66T-41137-00-94	21 - 1	66T-42716-00	12 - 5	65W-43805-00	20 - 4	66T-44111-02	13 - 2
	28 - 19	6F5-15768-00	7 - 20	66T-41237-00	15 - 5	66T-42725-00	12 - 8	65W-4380F-00	20 - 11	682-44116-01	15 - 19
6E5-14385-02	5 - 18	66T-15770-00	7 - 15	66T-41252-00	4 - 23	6G1-42725-00	9 - 21	65W-4380K-00	20 - 16	66T-44121-00	15 - 14
	28 - 23	66T-15771-00-94	7 - 36	66T-41256-00	4 - 21	66T-42725-20	12 - 8	65W-4380L-00	20 - 27	66M-44122-00	15 - 15

NUMERICAL INDEX

PART NO.	REF. NO.	PART NO.	REF. NO.	PART NO.	REF. NO.	PART NO.	REF. NO.	PART NO.	REF. NO.	PART NO.	REF. NO.
66T-44124-00	13 - 10	688-45341-10	22 - 6	663-45970-60-98	23 - 25	701-48320-20	26 - 2	682-82556-00	27 - 48	90101-08M28	17 - 55
66T-44125-01	15 - 23	66T-45344-01	22 - 21	663-45972-60-98	23 - 25	701-48320-30	26 - 2	688-82560-10	9 - 19	90101-08M76	17 - 12
	16 - 6	63D-45361-02-4D	22 - 44	663-45974-60-98	23 - 25	701-48320-50	26 - 2	703-82563-02	27 - 55	90101-08M86	19 - 14
66T-44143-10	15 - 21	664-45371-01	23 - 8	663-45976-00-98	23 - 25	701-48320-60	26 - 2	66T-82575-01	13 - 42	90101-09M01	25 - 7
61N-44146-00	22 - 27	63D-45375-00	23 - 7	663-45978-00-98	23 - 25	701-48320-80	26 - 2	688-82575-01	27 - 47	90101-10M58	17 - 58
66T-44150-11	22 - 26	663-45376-00-94	23 - 6	663-45987-02	23 - 20	663-48344-00	15 - 25	703-82577-00	27 - 45	90101-12M65	18 - 33
6E0-44191-11	13 - 13	66T-45501-11	22 - 33	66T-45997-00	23 - 21		16 - 2	689-8257Y-00	13 - 44	90105-08M61	22 - 50
688-44194-00	15 - 9	6H4-45536-00	22 - 3	703-48152-00	27 - 57	703-48345-01	27 - 19	688-8258A-20	27 - 49	90105-08M76	19 - 3
66T-44311-00	22 - 12	66T-45551-00	22 - 36	703-48153-00	27 - 3	703-48358-00	27 - 20	66T-82590-20	10 - 13	90109-05M89	14 - 14
63D-44312-00	23 - 19	66T-45560-01	22 - 38	703-48189-00	27 - 17	66T-48501-01	16 - 1	703-82591-00	27 - 53	90109-06M80	9 - 7
	29 - 23	663-45567-01-10	22 - 40	703-48198-00	27 - 14	65W-48511-00	16 - 7	703-82592-00	27 - 54		10 - 12
63D-44316-00	22 - 16	663-45567-01-12	22 - 40	703-48205-17	26 - 1		19 - 29	703-82594-00	27 - 25		12 - 29
	29 - 6	663-45567-01-15	22 - 40		27 - 1	6H3-48538-00	15 - 27	703-83383-02	27 - 51	90109-06M81	9 - 6
63D-44322-00	22 - 13	663-45567-01-18	22 - 40	703-48211-01	27 - 61		16 - 4	6N7-83557-00	10 - 14		12 - 7
	29 - 15	663-45567-01-30	22 - 40	703-48212-00	27 - 58	65W-61350-00	25 - 1	6A1-83625-41	7 - 43		15 - 18
63D-44322-40	29 - 25	663-45567-01-40	22 - 40	703-48213-00	27 - 59	65W-61351-00	25 - 2	6E0-83627-41	13 - 45	90109-06M86	10 - 39
66T-44323-00	22 - 14	663-45567-01-50	22 - 40	703-48215-00	27 - 43	66T-81303-00	30 - 1	66T-85515-00	8 - 8		12 - 15
	29 - 16	66T-45571-00	22 - 41	703-48219-00	27 - 30	66T-81328-00	8 - 13	66T-85520-00	8 - 10		13 - 15
66T-44323-40	29 - 26	63D-45577-00-10	22 - 43	703-48221-00	27 - 56	66T-81800-01	11 - 1	66T-85533-00	8 - 14		15 - 20
63D-44341-00	22 - 19	63D-45577-00-12	22 - 43	703-48222-00	27 - 27	66T-81820-00	11 - 6		30 - 2	90109-06M88	14 - 4
6H4-44352-02	22 - 18	63D-45577-00-15	22 - 43	703-48223-00	27 - 28	66T-81826-00	11 - 7	66T-85540-00	9 - 5	90109-08M90	17 - 27
	29 - 20	63D-45577-00-18	22 - 43	703-48225-00	27 - 29	66T-81830-00	11 - 5	66T-8554B-01-94	9 - 1	90110-10M02	18 - 30
66T-44361-10	23 - 1	63D-45577-00-30	22 - 43	703-48226-00	27 - 26	66T-81840-00	11 - 2	66T-85550-00	8 - 1	90116-10M28	19 - 5
66T-44362-10	23 - 26	63D-45577-00-40	22 - 43	703-48227-00	27 - 24	66T-81850-01	11 - 4	66T-85550-10	8 - 1	90119-06M61	12 - 2
663-44366-00	23 - 18	63D-45577-00-50	22 - 43	703-48232-00	27 - 62	66T-81857-00	11 - 3	66T-85560-01	8 - 2	90119-06M65	9 - 4
	29 - 22	663-45587-01-10	22 - 35	703-48234-00	27 - 18	66T-81916-01	9 - 8	66T-85561-00	8 - 3	90119-06M73	12 - 17
663-44367-00	23 - 4	663-45587-01-12	22 - 35	703-48235-00	27 - 4	66T-81948-00	10 - 34	66T-85570-00	9 - 10	90119-06M88	10 - 24
6E5-44391-00	12 - 18	663-45587-01-15	22 - 35	703-48236-00	27 - 16	6G1-8194A-10	10 - 1	66T-85580-00	8 - 5	90119-06MA3	2 - 27
66T-44514-00-4D	19 - 15	663-45587-01-18	22 - 35	703-48238-00	27 - 22	6G1-81952-00	10 - 4	66T-85582-00	8 - 7	90119-06MA5	2 - 31
66T-44526-00	19 - 16	663-45587-01-30	22 - 35	703-48243-00	27 - 15	6E5-8195B-01	10 - 25	66T-85596-00	8 - 6	90119-08M03	4 - 12
65W-44551-00-4D	19 - 19	663-45587-01-40	22 - 35	703-48244-00	27 - 21	6E5-8195C-01	10 - 28	6J4-86111-00	10 - 15	90119-08M10	7 - 32
65W-44555-10	19 - 20	663-45587-01-50	22 - 35	703-48245-00	27 - 11	6G1-81970-61	10 - 7	66T-86112-00	10 - 17	90119-08M15	22 - 25
66T-44575-00	19 - 21	66T-45611-00	22 - 56	703-48246-00	27 - 23	66T-82105-00	10 - 6	6J4-86116-00	10 - 16		29 - 21
66T-45111-10-4D	21 - 8	66T-45631-00	22 - 51	701-48248-00	27 - 13	6E5-82116-00	10 - 33	682-86117-00	10 - 20	90119-08M39	11 - 8
66T-45113-A0	21 - 13	663-45633-00	22 - 54	703-48252-00	27 - 12	6E5-82117-01	10 - 5	66T-87149-00	10 - 31	90119-08M42	21 - 15
	28 - 13	66T-45635-00	22 - 55	703-48261-01	27 - 2	6G5-82119-00	10 - 32	66T-W0001-01	28 - 1	90119-08M44	23 - 5
66T-45114-A0	21 - 12	663-45930-00-98	23 - 25	703-48264-00	27 - 6	66T-82127-00	19 - 26	66T-W0001-20	29 - 1	90119-08M51	7 - 33
	29 - 3	63D-45941-00-EL	23 - 25	703-48265-00	27 - 9	6U0-82127-00	18 - 22	66T-W0004-00	4 - 2	90119-08M52	11 - 9
63D-45155-00	21 - 9	663-45941-01-EL	23 - 25	703-48268-00	27 - 5	66T-82127-10	19 - 27	63D-W0070-10	1 - 11	90119-08M79	21 - 2
63D-45214-00	22 - 7	69W-45943-00-EL	23 - 25	703-48271-00	27 - 60	6H1-82148-00	18 - 21	66T-W0070-H0	1 - 11	90119-08MA5	2 - 24
63D-45215-00	22 - 8	69W-45945-00-EL	23 - 25	703-48281-00	27 - 31	6G1-82151-00	10 - 8	66T-W0078-00	29 - 14	90119-10005	2 - 7
65W-45251-00	18 - 19	69W-45947-00-EL	23 - 25	703-48282-00	27 - 32	6A0-82317-00	9 - 2	66T-W0078-0A	29 - 24	90119-10M04	19 - 24
676-45251-00	2 - 15	663-45949-01-EL	23 - 25	703-48284-00	27 - 52	6E3-82370-21	9 - 16	66T-W0084-02-4D	13 - 1	90141-06M00	2 - 19
67C-45251-00	23 - 15	69W-45952-00-EL	23 - 25	701-48287-00	27 - 42	703-82510-43	27 - 44	66T-W0090-02-1S	2 - 1	90142-05M06	22 - 9
66T-45300-11-4D	22 - 1	663-45952-02-EL	23 - 25	703-48291-10	27 - 39	66T-82519-00	9 - 20	66T-W0093-01	28 - 16	90149-05M13	13 - 25
66T-45311-01-4D	22 - 2	663-45954-01-EL	23 - 25	703-48293-10	27 - 41	703-82531-00	27 - 46	676-W2810-01	6 - 33	90149-14M12	17 - 2
679-45318-00	21 - 16	663-45956-01-EL	23 - 25	701-48310-90	26 - 2	703-82540-00	27 - 50	90101-06020	18 - 20	90157-05014	17 - 45
66T-45321-00	22 - 29	663-45958-01-EL	23 - 25	701-48320-00	26 - 2	682-82556-00	13 - 43	90101-08002	2 - 21	90170-06M30	10 - 2

NUMERICAL INDEX

PART NO.	REF. NO.	PART NO.	REF. NO.	PART NO.	REF. NO.	PART NO.	REF. NO.	PART NO.	REF. NO.	PART NO.	REF. NO.
90170-09M03	25 - 5	90249-12M39	17 - 32	90389-22M01	23 - 22	91690-40032	4 - 24	93210-08006	20 - 50	93606-12019	23 - 11
90170-12138	22 - 37	90249-18M35	18 - 29	90430-08020	22 - 5	92903-06600	4 - 7	93210-08287	24 - 14	93608-12063	2 - 6
90170-20137	8 - 21	90250-06023	22 - 53		29 - 4		7 - 38	93210-09165	20 - 34	93700-06M03	14 - 2
90171-16011	23 - 23	90254-03M04	15 - 24	90430-12072	23 - 3	92903-10600	13 - 26	93210-10M74	20 - 63		17 - 16
90179-10M33	19 - 25		16 - 5	90445-07M08	2 - 37	92990-05100	6 - 23	93210-11073	20 - 53		18 - 8
90185-08045	19 - 12	90254-03M05	15 - 16	90445-07M24	4 - 8	92990-05600	5 - 5	93210-11368	20 - 24	94702-00272	2 - 38
90185-08057	17 - 29	90266-04M01	1 - 7	90445-07MA4	4 - 9		10 - 10	93210-16275	25 - 10	95380-03600	6 - 19
90185-09M01	25 - 4	90266-04M04	1 - 5	90445-09086	6 - 13	92990-06100	14 - 5	93210-18397	20 - 44	95380-05600	10 - 11
90185-10051	19 - 4	90269-02M09	13 - 24	90445-09M08	6 - 4	92990-06200	13 - 11	93210-32738	6 - 9		22 - 10
90185-10M13	18 - 32	90280-03M03	22 - 17	90445-09M75	2 - 36	92990-06600	22 - 32		28 - 11		27 - 7
90185-10M14	14 - 12		29 - 19	90445-11M05	24 - 11	92990-08100	17 - 14	93210-33MG4	22 - 30	95380-06600	27 - 40
90185-22043	17 - 21	90280-05015	8 - 20	90445-11M06	24 - 9	92990-08600	27 - 34		29 - 9	95380-06700	15 - 8
90185-22M11	18 - 12	90338-05M03	12 - 25	90446-03MA3	9 - 12	92995-06200	13 - 9	93210-43MJ0	19 - 10		22 - 28
90201-08M00	18 - 26	90338-07M00	12 - 24	90446-10M86	13 - 31	92995-06600	2 - 13	93210-46M16	4 - 11	95380-08600	6 - 11
90201-08M07	17 - 28	90340-08002	22 - 4	90446-10M87	13 - 30		4 - 16		28 - 9		17 - 13
90201-08M54	15 - 11	90385-12M04	7 - 34	90464-09M49	12 - 30		6 - 3	93210-48MG8	22 - 22	95380-10600	17 - 61
90201-10120	16 - 8	90386-07MA2	17 - 38	90464-12M00	8 - 27		7 - 26		29 - 8	95380-10700	13 - 38
	19 - 30	90386-08032	13 - 28	90464-13249	7 - 42		8 - 19	93210-50768	20 - 29	95380-12600	18 - 36
90201-10M20	25 - 3	90386-10M99	17 - 37	90465-11M10	10 - 37		9 - 15	93210-54M54	4 - 14	95780-06300	13 - 8
90201-10M63	25 - 8	90386-12M37	12 - 10	90465-13M11	18 - 18		10 - 36		28 - 10	95780-10300	13 - 39
90201-12426	17 - 60	90386-12M98	17 - 24	90465-15M74	8 - 23		12 - 28	93210-59MG7	22 - 15	97013-06014	6 - 12
	18 - 35		18 - 15	90465-20M31	10 - 38		18 - 24		29 - 5	97013-06030	7 - 37
90201-12M07	13 - 5	90386-12MA0	17 - 33	90465-25M57	12 - 24	92995-08100	19 - 18	93210-65M50	2 - 11	97013-06035	4 - 6
90201-20417	3 - 20		18 - 14	90467-06016	4 - 10		23 - 10		28 - 4	97075-08030	19 - 17
90201-21M18	8 - 22	90386-12MA2	12 - 11	90467-08004	6 - 5	92995-08200	19 - 13	93210-69MG6	22 - 46		21 - 6
90201-22429	22 - 42	90386-14MA1	18 - 6	90468-18008	13 - 12	92995-08600	11 - 11		29 - 11	97075-10040	23 - 12
90201-22M03	17 - 19	90386-18M44	18 - 27		15 - 26		21 - 7	93210-74MG5	22 - 47	97075-10070	19 - 22
	18 - 11	90386-18MA0	18 - 28		16 - 3	92995-10100	23 - 13		29 - 12	97080-08016	18 - 25
90201-27M00	22 - 23	90386-22M15	17 - 18	90480-09M21	12 - 3	92995-10600	17 - 59	93210-75M51	8 - 17	97095-06010	7 - 30
90201-43M00	13 - 33		18 - 10	90480-10155	10 - 18		18 - 31		28 - 15	97095-06012	9 - 17
90202-10M56	14 - 9	90386-40M99	13 - 36	90480-10M23	10 - 21		19 - 23	93306-001U1	22 - 45	97095-06014	15 - 13
90202-12031	17 - 25	90386-40MA0	13 - 32	90480-10M71	8 - 26		23 - 14	93306-306V5	3 - 8		18 - 23
90202-12060	23 - 2	90386-44M03	19 - 9	90480-25161	9 - 11	92995-12200	18 - 34	93306-307U0	3 - 6	97095-06016	8 - 24
90202-43M57	13 - 35	90386-44M99	19 - 11	90480-25M70	23 - 27	93101-16001	2 - 10	93310-727U0	3 - 13		10 - 35
90204-06M00	10 - 3	90386-52M02	19 - 8	90480-30M71	23 - 28		28 - 3	93315-32224	22 - 11		12 - 27
90206-12052	12 - 12	90387-05M11	14 - 13	90501-10M84	15 - 6	93101-22M00	22 - 49	93317-22204	22 - 48	97095-06020	2 - 12
	13 - 6	90387-06035	12 - 4	90501-15M01	22 - 52		29 - 13	93332-00001	22 - 34	97095-06025	9 - 14
90206-12M00	17 - 26	90387-06M60	10 - 22	90501-23215	13 - 27	93101-22M60	22 - 20	93332-00003	22 - 39	97095-06030	6 - 2
90206-43M22	13 - 34	90387-06M66	7 - 27	90502-10M06	17 - 56		29 - 7	93332-000UE	3 - 7	97095-06035	7 - 25
90209-10M26	14 - 11	90387-06M80	4 - 17	90506-16M34	12 - 16	93102-30M56	2 - 9	93420-30042	21 - 17	97095-06040	6 - 28
90209-27M07	3 - 12	90387-06M86	13 - 3	90506-20M37	17 - 43		28 - 2	93430-06024	27 - 10		8 - 18
90209-52M00	19 - 7	90387-07M05	17 - 40	90506-30M00	17 - 53	93102-35008	8 - 4	93430-10M00	17 - 34	97095-08016	11 - 10
90243-04007	17 - 5	90387-07M29	17 - 51	91318-04025	20 - 38		28 - 14		18 - 17	97095-08025	23 - 9
90249-07M32	17 - 50	90387-08M05	7 - 35	91490-16012	15 - 22		10 - 23	93440-68M03	3 - 14	97095-08035	23 - 16
90249-07M33	17 - 52	90387-08M16	15 - 3	91490-20010	13 - 20	93210-03261	20 - 51	93501-08001	20 - 59	97095-08045	15 - 12
90249-10M31	17 - 39	90387-08M29	17 - 11	91490-20012	17 - 54	93210-03478	20 - 26	93603-21111	3 - 19	97380-05025	27 - 8
90249-12M34	17 - 30	90387-10M42	25 - 6	91490-30025	23 - 24	93210-064A5	22 - 31	93604-08062	22 - 24	97380-08030	27 - 33
90249-12M38	18 - 16	90387-12M04	17 - 31	91690-30018	18 - 5	93210-06ME6	22 - 31	93606-12019	21 - 3	97575-08545	21 - 10

NUMERICAL INDEX

PART NO.	REF. NO.	PART NO.	REF. NO.	PART NO.	REF. NO.	PART NO.	REF. NO.	PART NO.	REF. NO.	PART NO.	REF. NO.
97595-06550	13 - 4										
97780-50616	1 - 3										
97802-04006	8 - 16										
	30 - 4										
97880-05008	10 - 19										
97880-05030	10 - 9										
97880-06035	15 - 7										
97885-06008	19 - 28										
97885-06040	4 - 15										
97902-04108	8 - 9										
97902-06125	8 - 15										
	30 - 3										
97980-04112	5 - 9										
97980-05125	5 - 26										
	28 - 28										
98503-05028	6 - 22										
98580-03015	27 - 38										
98580-04006	27 - 36										
98580-04010	27 - 35										
98580-05010	27 - 37										
98586-05016	24 - 4										
99080-08600	17 - 41										
9E471-04305	8 - 12										

E40XMH/40XWT
PARTS CATALOGUE
©2003 by Yamaha Motor Co., Ltd.
1st edition, May 2003
All rights reserved.
Any reprinting or unauthorized use
without the written permission of
Yamaha Motor Co., Ltd.
is expressly prohibited.
Printed in Japan.