



PARTS CATALOGUE

40TRC (63D9)

50TRC (62X6)

40V'04 (63D9)

50H'04 (62X6)

FOREWORD

This Parts Catalogue is related to the parts for the model(s) on the cover page. When you are ordering replacement parts, please refer to this Parts Catalogue and quote both part numbers and part names correctly.

1. Modifications or additions which have been made after the issue of the Parts Catalogue will be announced in the Parts News.
It is advisable that you make the necessary corrections to the Parts Catalogue according to the Parts News.

2. Abbreviations
The following abbreviations are used in this Parts Catalogue.

“UR” Use specified parts number.
 “UN” Use as many as needed.
 “AP” Alternate Parts
 “LM” Locally Made (Parts need to be ordered locally)
 “F#” Frame No. (Applicable machine No.)
 “O/S” Over Size

3. The number of components for assembly
 - Parts, which are to be supplied in an assembly, are listed with a dot (.) in front of the part name as shown below.
 - The numeral appearing to the right of each component part indicates the quantity of parts for each assembly unit.

PART NO.	DESCRIPTION	Q'TY	REMARKS
2F5-83310-60	FRONT FLASHER LIGHT ASSY	2	
115-83311-60	.BULB (6V-18W)	1	

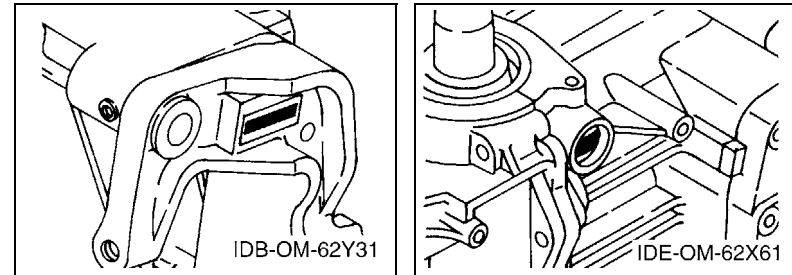
4. Applicable colours of graphics are represented in the “REMARKS” as shown below.

PART NO.	DESCRIPTION	Q'TY	REMARKS
2N4-24110-00-X5	FUEL TANK COMP.	2	MXR
3J1-24240-10	.GRAPHIC, FUEL TANK	1	FOR MXR

5. Note that the illustrations for reference in finding parts numbers are not to be used for assembling. When assembling, please use the applicable service manual.

6. The asterisk (*) before a reference number indicates modified items after the first edition.
7. Applicable Serial No.

Engine Serial No.



8. Applicable Engine Starting Serial No.

Model	Serial No.	Model	Serial No.
40	6H4K-1005165	40V	6H4K-1005165
50	6H5K-1004305	50H	6H5K-1004305

9. Applicable Colour Code

Abbreviation	Colour Name	Colour Code
DBNM2	DARK BLUISH GRAY METALLIC 2	004D

10. Quantity Column Information

Column No.	Name Of Q'ty Column	Applicable Model
1	ETO	40TRC,50TRC,40VETO,50HETO
2	WHTO	40VWHTO,50HWHTO

CONTENTS

SHEET1/2

TOP COWLING	A4
CYLINDER & CRANKCASE	A5
CRANKSHAFT & PISTON	A7
INTAKE	B1
CARBURETOR	B2
OIL PUMP 1	B5
OIL PUMP 2	B7
FUEL 1	C2
FUEL 2	C4
STARTER	C5
GENERATOR	C7
ELECTRICAL 1	D1
ELECTRICAL 2	D2
ELECTRICAL 3	D4
STARTING MOTOR	D5
BOTTOM COWLING	D7
STEERING	E2
STEERING FRICTION	E5
CONTROL	E6
BRACKET 1	F1
BRACKET 2	F3
POWER TRIM & TILT ASSY 1	F5

INDEX

NUMERICAL INDEX	G1
-----------------------	----

SHEET2/2

POWER TRIM & TILT ASSY 2	A4*
UPPER CASING	A5*
LOWER CASING & DRIVE 1	A6*
LOWER CASING & DRIVE 2	B2*
FUEL TANK	B4*
STEERING GUIDE	B5*
REMOTE CONTROL BOX	B6*
REMOTE CONTROL ASSY	B7*
METER	C3*
REPAIR KIT 1	C4*
REPAIR KIT 2	C6*

INDEX

NUMERICAL INDEX	G1*
-----------------------	-----

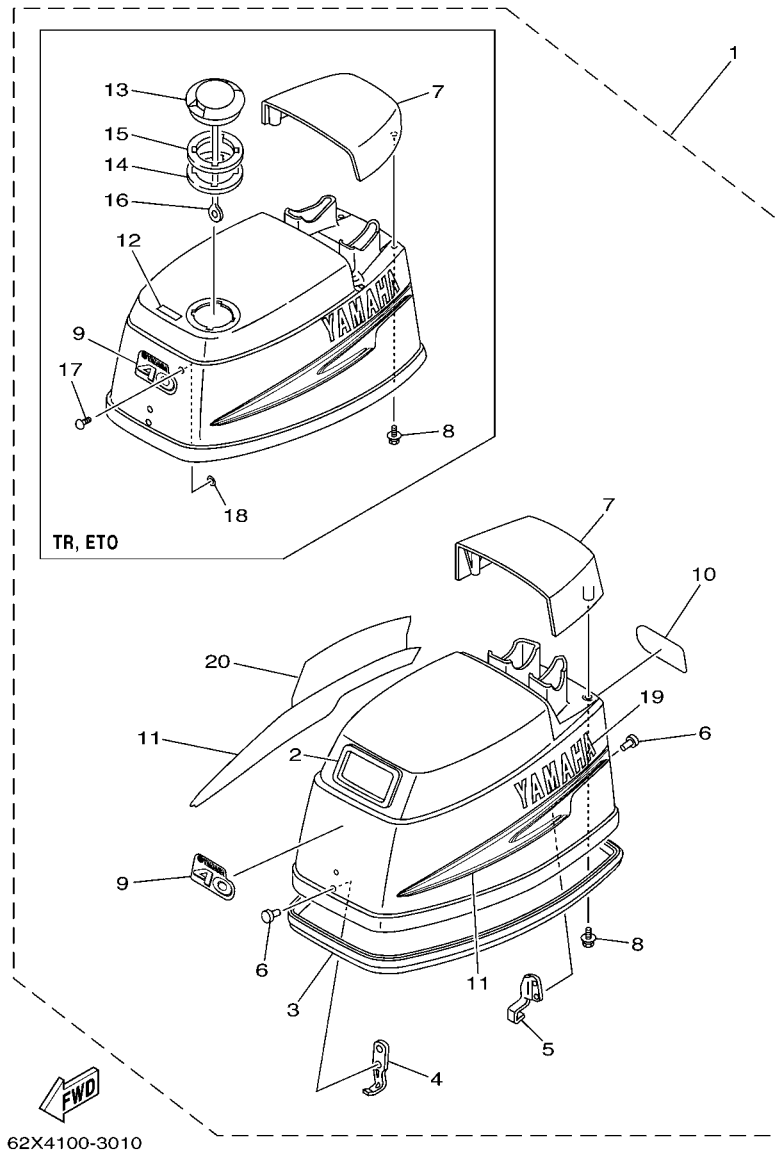
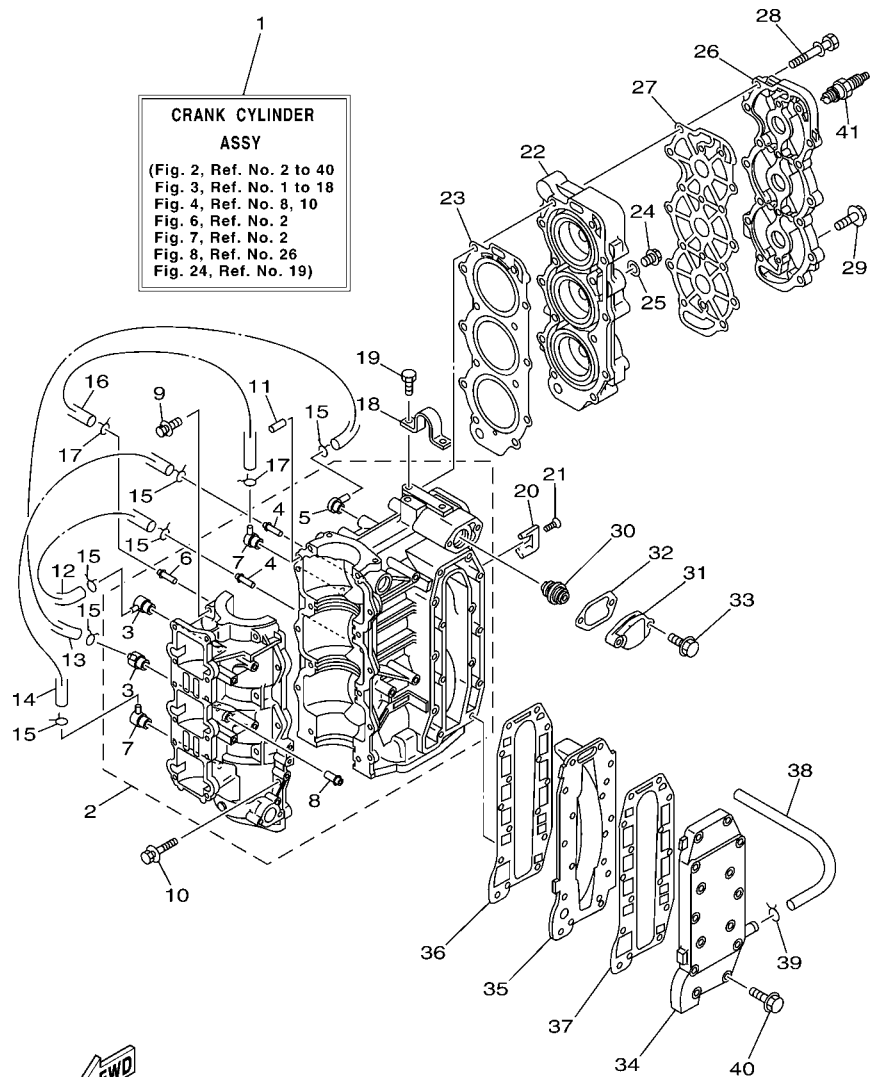


FIG. 1 TOP COWLING

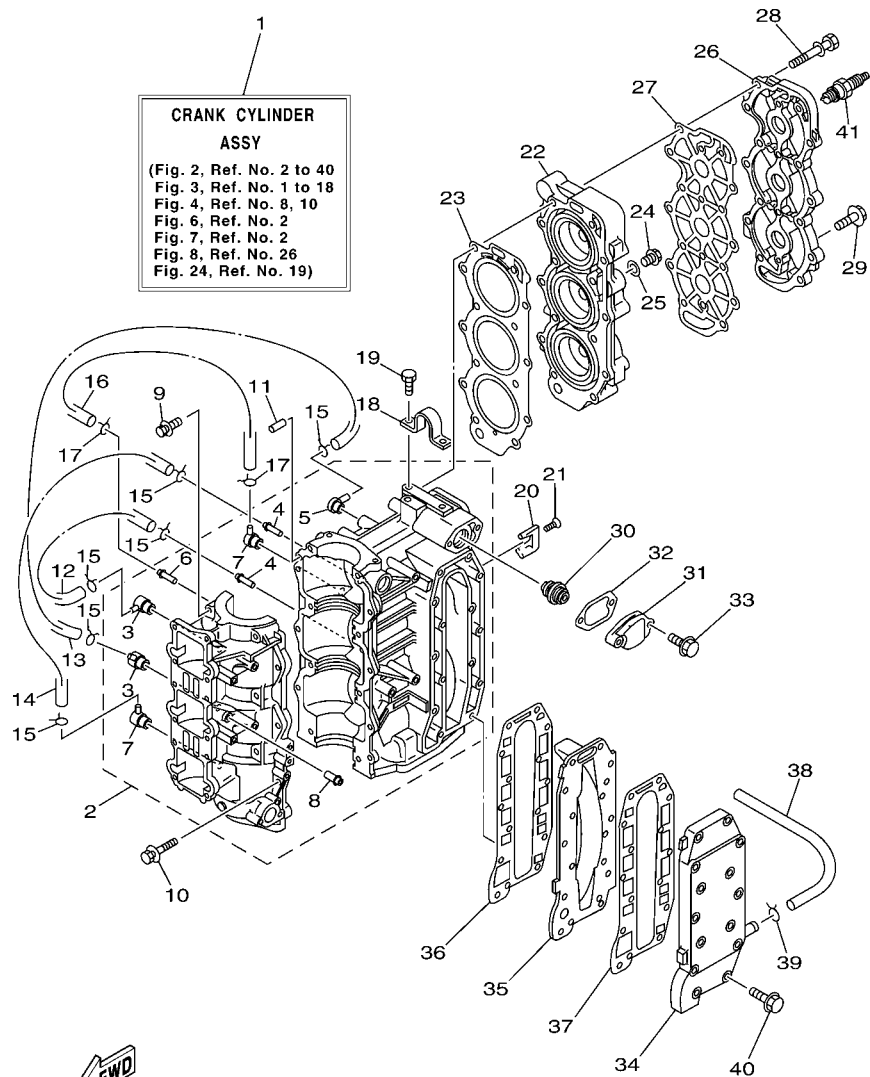
REF. NO.	PART NO.	DESCRIPTION	ETO	WHTO	REMARKS
1	63B-42610-30-4D	TOP COWLING ASSY	1	1	40VWHTO
	62X-42610-80-4D	TOP COWLING ASSY		1	50HWHTO
	63D-42610-60-4D	TOP COWLING ASSY	1		40TR,40VETO
	62X-42610-60-4D	TOP COWLING ASSY	1		50TR,50HETO
2	6H4-15761-00	.SEAL, RUBBER 1		1	
3	6H4-42615-00	.SEAL	1	1	
4	6H4-42651-00	.HOOK	1	1	
5	6H4-42652-00	.HOOK	1	1	
6	90266-04M01	.RIVET	4	4	
7	6H4-42613-01-4D	.MOLDING, AIR DUCT		1	
	6H4-42613-11-4D	.MOLDING, AIR DUCT	1		
8	90119-06M99	.BOLT, WITH WASHER	4	4	
9	63D-42677-30	.GRAPHIC, FRONT	1	1	40,40V
	62X-42677-30	.GRAPHIC, FRONT	1	1	50,50H
10	63D-42678-20	.GRAPHIC, REAR	1	1	40,40V
	62X-42678-20	.GRAPHIC, REAR	1	1	50,50H
11	63D-W0070-20	.GRAPHIC SET	1	1	
12	63D-13436-40	.MARK	1		
13	63D-2177H-00	.DISK CAP 2	1		
14	6H3-21732-00	.SEAL 1	1		
15	6H3-21735-00	.SEAL 2	1		
16	6H1-42694-00	.BAND	1		
17	90338-05M03	.PLUG	1		
18	90183-05M06	.NUT, SPRING	1		
19	63D-42681-20	.MARK, COWLING	1	1	
20	63D-42682-20	.MARK, COWLING	1	1	



62X6100-C020

FIG. 2 CYLINDER & CRANKCASE

REF. NO.	PART NO.	DESCRIPTION	ETO	WHTO	REMARKS
1	63D-W0090-11-1S	CRANK CYLINDER ASSY	1	1	
2	6H4-15100-13-1S	CRANKCASE ASSY	1	1	
3	650-11370-01	.CHECK VALVE ASSY	2	2	
4	624-14485-00	.PIPE, JOINT	2	2	
5	6H4-11372-01	.NIPPLE, HOSE	1	1	
6	624-14485-00	.PIPE, JOINT	1	1	
7	688-11370-01	.CHECK VALVE ASSY	2	2	
8	650-24378-00	.PIPE, JOINT 4	1	1	
9	90119-08019	BOLT, WITH WASHER	8	8	
10	90119-06M13	BOLT, WITH WASHER	6	6	
11	93606-12019	PIN, DOWEL	2	2	
12	90445-07M46	HOSE (L360)	1	1	
13	90445-07M27	HOSE (L310)	1	1	
14	90445-07M24	HOSE (L240)	1	1	
15	90467-06016	CLIP	6	6	
16	90445-07MA3	HOSE (L200)	1	1	
17	90467-06016	CLIP	2	2	
18	6H4-11119-01	HANGER, ENGINE	1	1	
19	90101-06021	BOLT	2	2	
20	688-11325-00	ANODE	2	2	
21	98780-04016	SCREW, FLAT HEAD	2	2	
22	63D-11111-00-1S	HEAD, CYLINDER 1	1	1	
23	63D-11181-A1	GASKET, CYLINDER HEAD 1	1	1	
24	90340-14M00	PLUG, STRAIGHT SCREW	1	1	
25	90430-14115	GASKET	1	1	
26	63D-11191-00-1S	COVER, CYLINDER HEAD 1	1	1	
27	63D-11193-A0	GASKET, HEAD COVER 1	1	1	



62X6100-C020

FIG. 2 CYLINDER & CRANKCASE

REF. NO.	PART NO.	DESCRIPTION	ETO	WHTO	REMARKS
28	90119-08015	BOLT, WITH WASHER	14	14	
29	90119-06MA3	BOLT, WITH WASHER	4	4	
30	6E5-12411-30	THERMOSTAT	1	1	
31	6H4-12413-00-1S	COVER, THERMOSTAT	1	1	
32	6J8-12414-A0	GASKET, COVER	1	1	
33	90119-06MA3	BOLT, WITH WASHER	2	2	
34	6H4-41113-00-1S	OUTER COVER, EXHAUST	1	1	
35	6H4-41111-00-1S	INNER COVER, EXHAUST	1	1	
36	6H4-41112-A0	GASKET, EXHAUST INNER COVER	1	1	
37	6H4-41114-A0	GASKET, EXHAUST OUTER COVER	1	1	
38	90445-09M37	HOSE (L240)	1	1	
39	90467-08004	CLIP	1	1	
40	90119-06MA5	BOLT, WITH WASHER	13	13	
41	94702-00217	PLUG, SPARK (NGK B7HS-10)	3		40-FOR USA
	94702-00271	PLUG, SPARK (NGK BR7HS-10)	3	3	40V-FOR OCE
	94702-00160	PLUG, SPARK (NGK B8HS-10)	3		50-FOR USA
	94702-00247	PLUG, SPARK (NGK BR8HS-10)	3	3	50H-FOR OCE

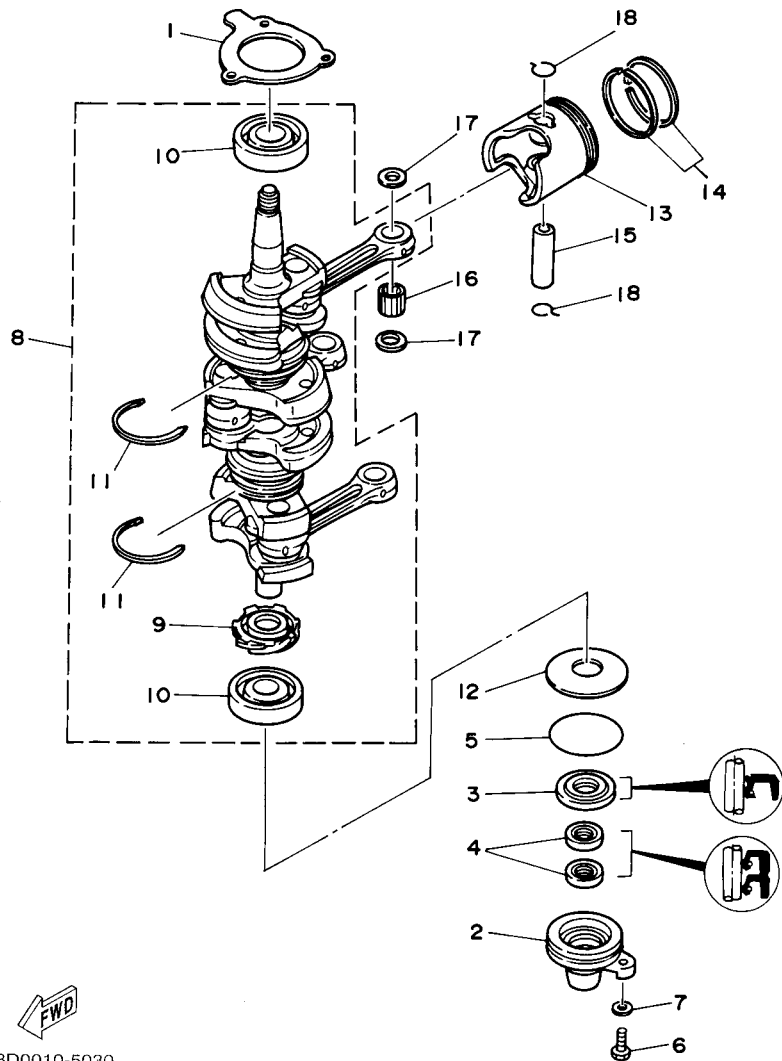
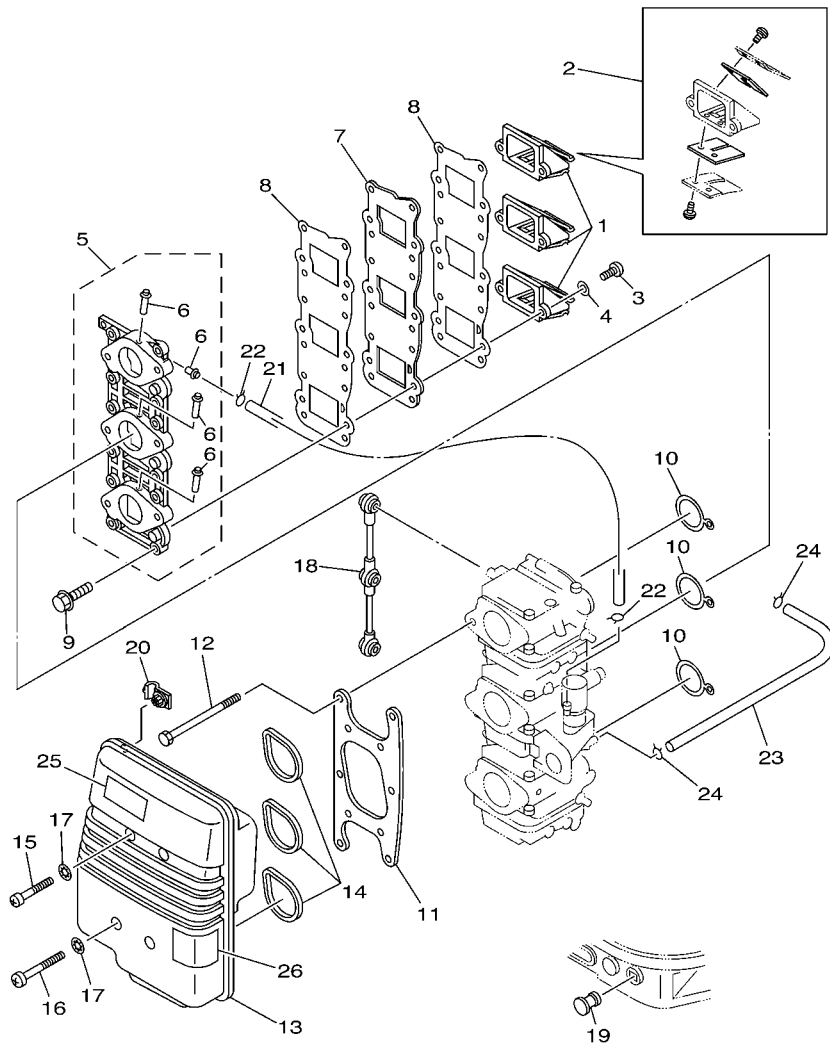


FIG. 3 CRANKSHAFT & PISTON

REF. NO.	PART NO.	DESCRIPTION	ETO	WHTO	REMARKS
1	6H4-15369-A1	GASKET, OIL SEAL HOUSING	1	1	
2	6H4-15396-03-5B	HOUSING, OIL SEAL	1	1	
3	93102-25M28	OIL SEAL	1	1	
4	93104-16M01	OIL SEAL	2	2	
5	93210-58M21	O-RING	1	1	
6	97095-06020	BOLT	1	1	
7	92995-06600	WASHER	1	1	
8	6H4-11400-14	CRANKSHAFT ASSY	1	1	
9	6H4-11536-00	.GEAR, DRIVE	1	1	
10	93306-305U8	.BEARING	2	2	
11	93440-62057	.CIRCLIP	2	2	
12	90201-50306	WASHER, PLATE	1	1	
13	6H4-11631-01-95	PISTON (STD)	3	3	
	6H4-11635-01	PISTON (0.25MM O/S)	3	3	AP
	6H4-11636-01	PISTON (0.50MM O/S)	3	3	AP
14	63D-11603-00	PISTON RING SET (STD)	3	3	
	63D-11604-00	PISTON RING SET (0.25MM O/S)	3	3	AP
	63D-11605-00	PISTON RING SET (0.50MM O/S)	3	3	AP
15	648-11633-00	PIN, PISTON	3	3	
16	93602-20M02	PIN, DOWEL	93	93	
17	6H4-11641-00	WASHER, PISTON PIN	6	6	
18	6H4-11634-01	CLIP, PISTON PIN	6	6	

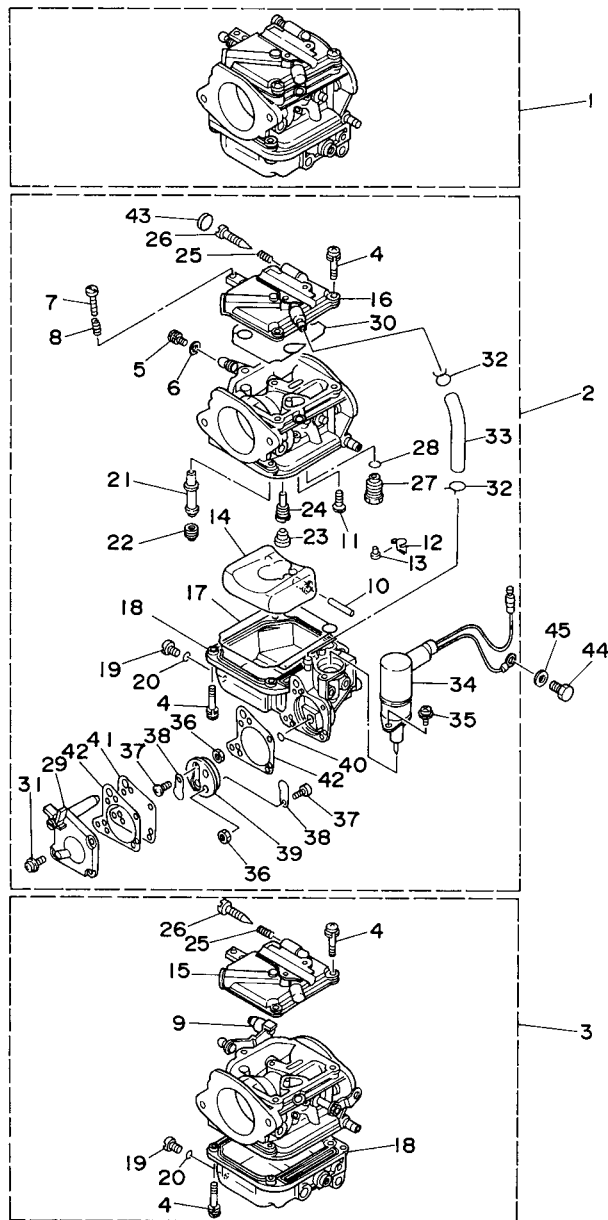
FWD
63D0010-5030



63D3010-2040

FIG. 4 INTAKE

REF. NO.	PART NO.	DESCRIPTION	ETO	WHTO	REMARKS
1	6H5-13610-00	REED VALVE ASSY	3	3	
2	6H4-W0004-00	.REED SET	1	1	
3	97880-05014	SCREW, PAN HEAD	6	6	
4	92990-05600	WASHER, PLATE	6	6	
5	6H4-13641-12-94	MANIFOLD 1	1	1	
6	6H1-14485-00	.PIPE, JOINT	4	4	
7	6H4-13624-01-94	PLATE, REED VALVE	1	1	
8	6H4-13621-A1	GASKET, VALVE SEAT	2	2	
9	90119-06MA2	BOLT, WITH WASHER	12	12	
10	6H4-14198-01	GASKET	3	3	
11	6H4-14406-00	HINGE	1	1	
12	97095-06095	BOLT	6	6	
13	6H4-14431-02	SILENCER, INTAKE 1	1		
	6H4-14431-13	SILENCER, INTAKE 1		1	
14	6H3-14457-01	SEAL	3	3	
15	97885-06040	SCREW, PAN HEAD	2	2	
16	97885-06055	SCREW, PAN HEAD	2	2	
17	90209-06M05	WASHER	4	4	
18	6H4-41217-01	ROD, ACCEL. LEVER	1	1	
19	6G1-42748-00	GROMMET	1	1	
20	90464-06M19	CLAMP		1	
21	90445-07MA5	HOSE (L150)	1	1	
22	90467-06016	CLIP	2	2	
23	6H3-14349-00	PIPE	1	1	
24	90467-08004	CLIP	2	2	
25	6A1-83625-41	MARK 5	1	1	
26	6H1-85711-60	MARK, CAUTION	1	1	




 62X6100-C050

FIG. 5 CARBURETOR

REF. NO.	PART NO.	DESCRIPTION	ETO	WHTO	REMARKS
1	63D-14301-20	CARBURETOR ASSY 1	1		40-FOR USA
	63D-14301-00	CARBURETOR ASSY 1	1	1	40V-FOR OCE
	62X-14301-10	CARBURETOR ASSY 1	1		50-FOR USA
	62X-14301-00	CARBURETOR ASSY 1	1	1	50H-FOR OCE
2	63D-14302-20	CARBURETOR ASSY 2	1		40-FOR USA
	63D-14302-00	CARBURETOR ASSY 2	1	1	40V-FOR OCE
	62X-14302-10	CARBURETOR ASSY 2	1		50-FOR USA
3	63D-14303-20	CARBURETOR ASSY 3	1		40-FOR USA
	63D-14303-00	CARBURETOR ASSY 3	1	1	40V-FOR OCE
	62X-14303-10	CARBURETOR ASSY 3	1		50-FOR USA
4	97980-04114	.SCREW, WITH WASHER	21	21	
	6K5-14592-00	.SCREW	3	3	
6	90201-05652	.WASHER, PLATE	3	3	
7	63V-14523-00	.SCREW, STOP	1	1	#2
8	90501-10326	.SPRING, COMPRESSION	1	1	#2
9	6H2-14578-00	.COLLAR	1	1	#3
10	6H4-14548-00	.PIN, FLOAT ARM	3	3	
11	98580-04008	.SCREW, PAN HEAD	3	3	
12	663-14159-00	.CLIP	3	3	
13	676-14186-00	.PIN, FLOAT	3	3	
14	6H4-14985-01	.FLOAT	3	3	
15	6H4-14146-30	.PLATE	2		FOR USA-#1,3
	6H4-14146-10	.PLATE	2	2	FOR OCE-#1,3
16	6H3-14146-20	.PLATE	1		FOR USA-#2
	6H3-14146-10	.PLATE	1	1	FOR OCE-#2

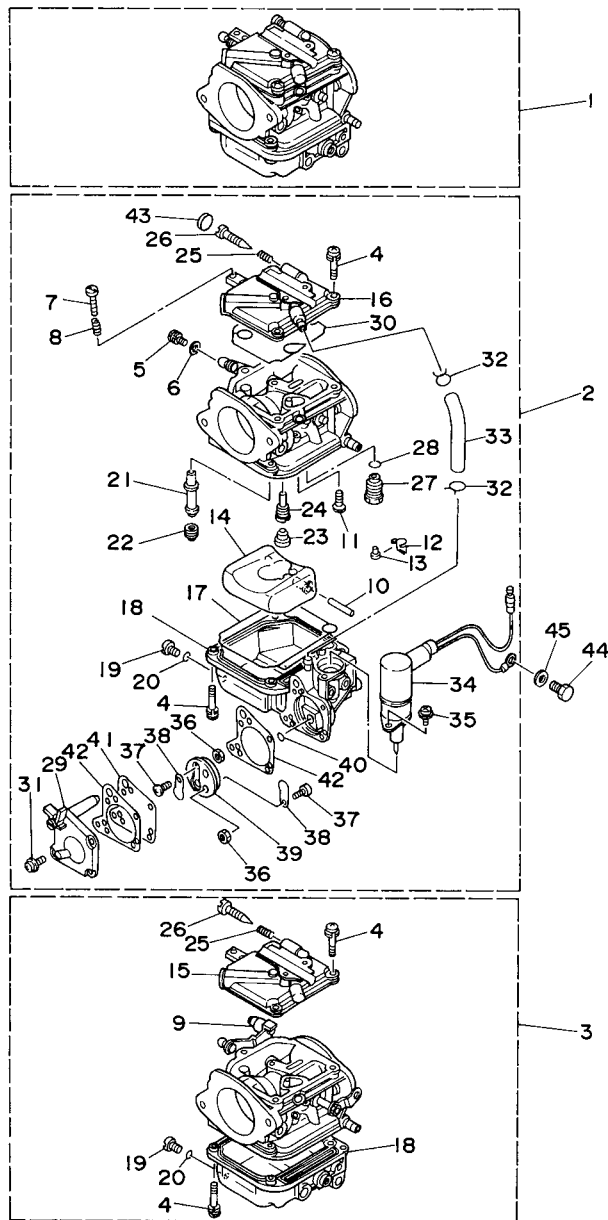
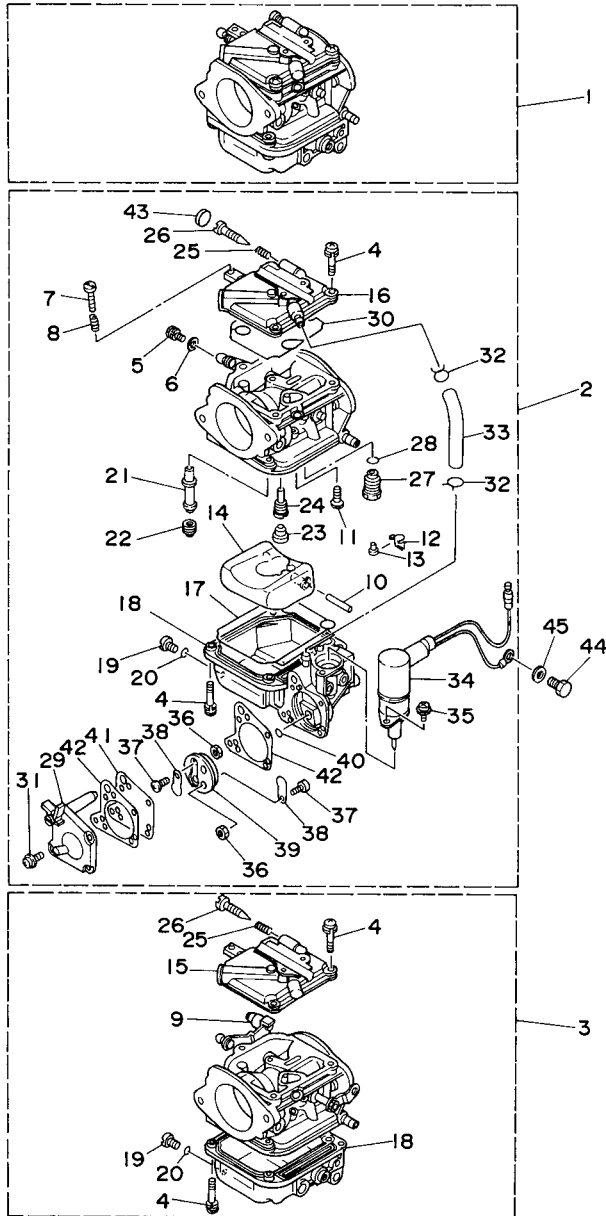


FIG. 5 CARBURETOR

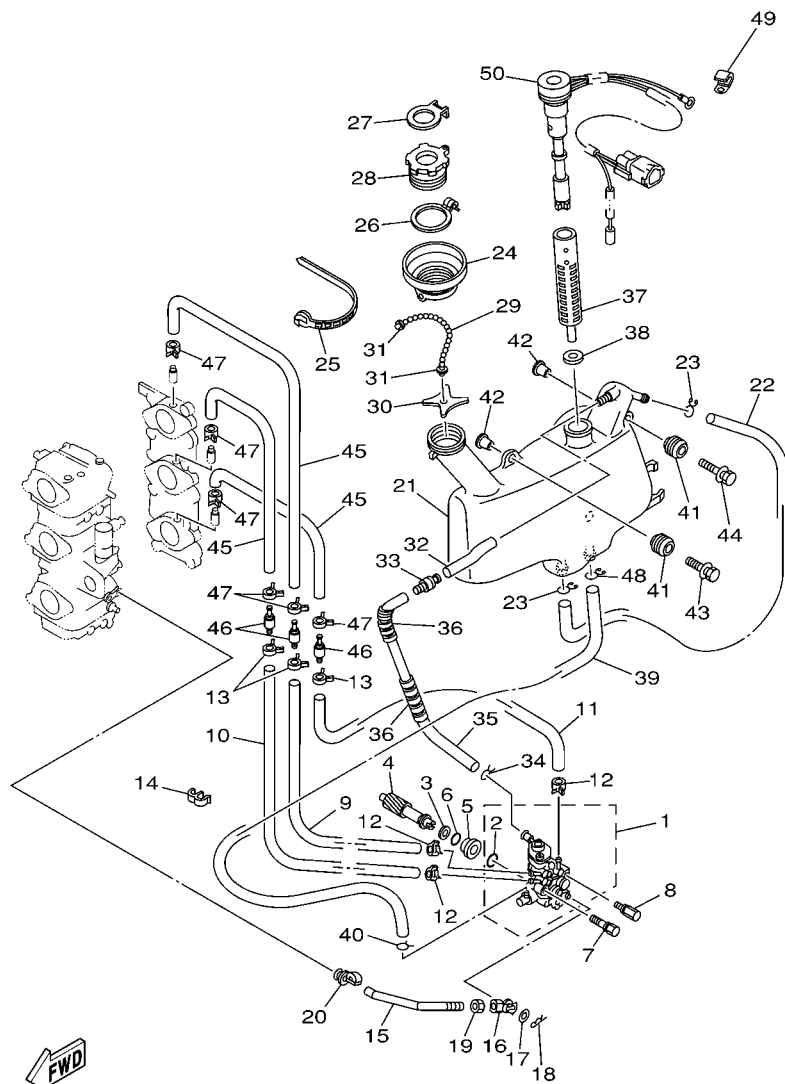
REF. NO.	PART NO.	DESCRIPTION	ETO	WHTO	REMARKS
17	6H4-14984-00	.GASKET, FLOAT CHAMBER	3	3	
18	6H4-14980-00	.BODY, FLOAT CHAMBER	2	2	#1,3
	6H3-14980-10	.BODY, FLOAT CHAMBER	1	1	#2
19	6H3-14992-00	.SCREW, DRAIN	3	3	
20	93210-04230	.O-RING	3	3	
21	63D-14947-00	.JET, NEEDLE	3	3	40,40V
	62X-14947-00	.JET, NEEDLE	3	3	50,50H
22	676-14943-30	.JET, MAIN (#115)	2	2	40,40V-#1,3
	63D-14943-81	.JET, MAIN (#118)	1	1	40,40V-#2
	676-14943-33	.JET, MAIN (#130)	3	3	50,50H
23	676-14966-00	.CAP	3	3	
24	6H4-14948-11	.JET (#60)	3	3	40,40V
	6H4-14948-12	.JET (#62)	3	3	50,50H
25	679-14555-00	.SPRING	3	3	
26	692-14923-00	.SCREW, PILOT	3	3	
27	6H4-14590-01	.NEEDLE VALVE ASSY	3	3	
28	93210-04228	.O-RING	3	3	
29	6H3-24452-10	.COVER	1	1	#2
30	6H4-14147-00	.O-RING	3	3	
31	6H4-14567-00	.SCREW	4	4	#2
32	6H3-14137-00	.CLIP	2	2	#2
33	6H3-14349-00	.PIPE	1	1	#2
34	63D-14380-00	.PRIME STARTER ASSY	1	1	#2
35	97803-04010	.SCREW, PAN HEAD	2	2	#2
36	95380-03600	.NUT	2	2	#2
37	98980-03006	.SCREW, BIND	2	2	#2
38	6L5-24421-00	.VALVE, CHECK	2	2	#2



FWD
62X6100-C050

FIG. 5 CARBURETOR

REF. NO.	PART NO.	DESCRIPTION	ETO	WHTO	REMARKS
39	6H4-24413-00	.BODY 2	1	1	#2
40	6H4-24486-00	.O-RING	1	1	#2
41	6H3-24411-10	.DIAPHRAGM	1	1	#2
42	6H3-24434-10	.GASKET, BODY	2	2	#2
43	67C-1432A-00	.PLUG	3		FOR USA
44	97013-06012	BOLT	1	1	
45	92903-06600	WASHER, PLATE	1	1	

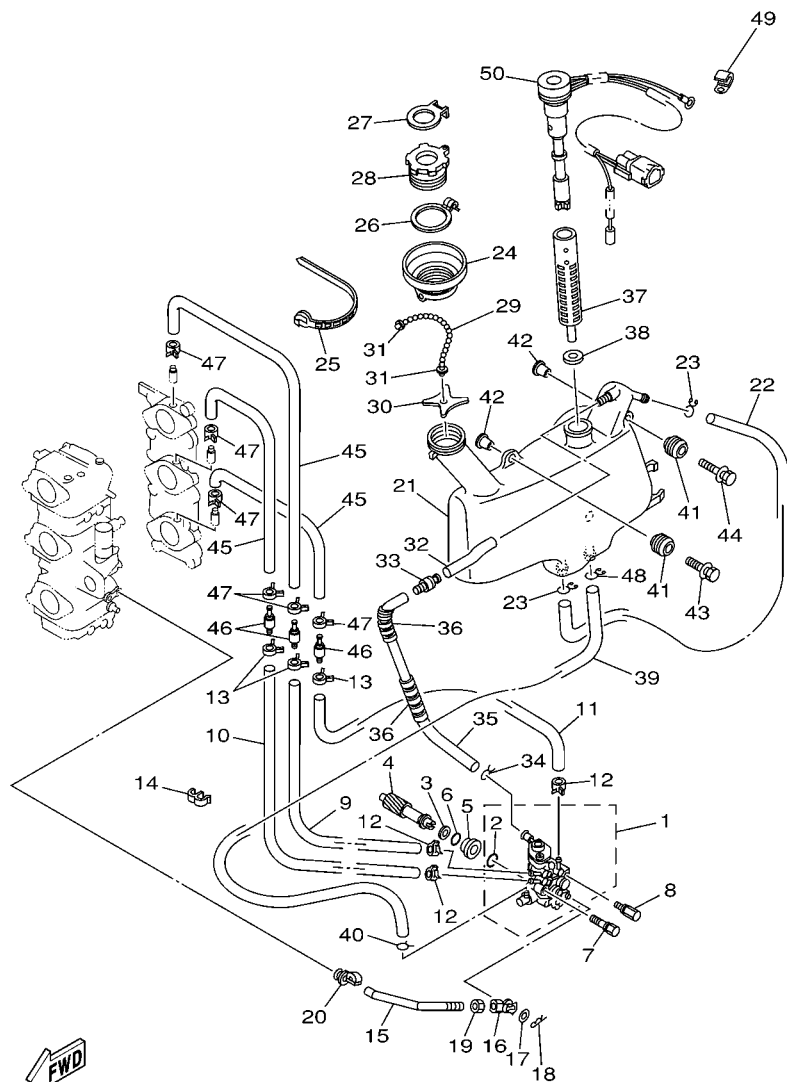


63B0100-0070

FIG. 6 OIL PUMP 1

REF. NO.	PART NO.	DESCRIPTION	ETO	WHTO		REMARKS
1	63D-13200-00	OIL INJECTION PUMP ASSY	1			
2	93210-19MA7	.O-RING	1			
3	90201-08M93	WASHER, PLATE	1			
4	6H4-11537-01	GEAR, DRIVEN	1			
5	6H1-13117-01	COLLAR, DISTANCE	1			
6	93210-13M04	O-RING	1			
7	90109-06M39	BOLT	1			
8	90109-06M40	BOLT	1			
9	90445-07M44	HOSE (L250)	1			
10	90445-07M23	HOSE (L408)	1			
11	90445-07MA6	HOSE (L90)	1			
12	90468-07M02	CLIP	3			
13	90468-07M02	CLIP	3			
14	90464-07M20	CLAMP	1			
15	6H4-41241-01	ROD, LINK	1			
16	6H1-41237-00	JOINT, LINK	1			
17	90202-05088	WASHER, PLATE	1			
18	90468-05M03	CLIP	1			
19	95380-05600	NUT	1			
20	6E9-41237-00	JOINT, LINK	1			
21	63D-21707-00	OIL TANK COMP.	1			
22	90445-11M15	HOSE (L360)	1			
23	90467-11M08	CLIP	2			
24	6H4-21752-00	TUBE, FILLER 1	1			
25	90465-13M30	CLAMP	1			
26	63D-2175R-00	HOOK, BAND	1			
27	63D-2176M-00	HOOK	1			

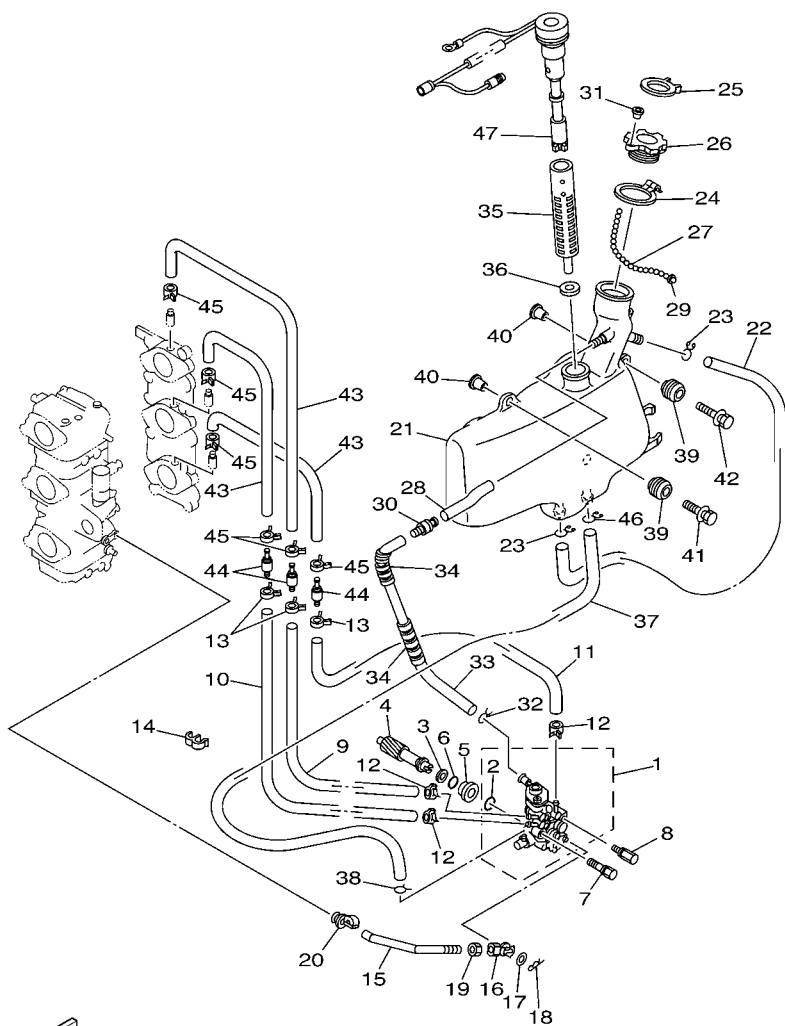
FIG. 6 OIL PUMP 1




63B0100-0070

REF. NO.	PART NO.	DESCRIPTION	ETO	WHTO	REMARKS
28	6H4-21770-00	OIL TANK CAP ASSY	1		
29	6H5-24633-00	CHAIN, BALL	1		
30	6J8-21758-00	WASHER, SPECIAL 2	1		
31	6H1-21757-00	WASHER, SPECIAL 1	2		
32	90445-11M23	HOSE (L85)	1		
33	63D-21744-00	BREATHER	1		
34	90467-10M04	CLIP	1		
35	90445-11M17	HOSE (L300)	1		
36	90446-10M01	HOSE (L60)	2		
37	6J8-13411-00	STRAINER, OIL	1		
38	6J8-13414-00	GASKET, STRAINER COVER	1		
39	6L2-13416-00	PIPE, OIL 1	1		
40	90467-08004	CLIP	1		
41	6A0-82317-00	DAMPER, IGNITION COIL	3		
42	624-42542-00	PIPE	3		
43	90119-06M65	BOLT, WITH WASHER	2		
44	90119-06M67	BOLT, WITH WASHER	1		
45	90445-07M87	HOSE (L110)	3		
46	6E9-13183-70	VALVE, CHECK	3		
47	90468-07M02	CLIP	6		
48	90467-11M08	CLIP	1		
49	90465-06M86	CLAMP	1		
50	63D-85720-00	OIL LEVEL GAUGE ASSY	1		

FIG. 7 OIL PUMP 2

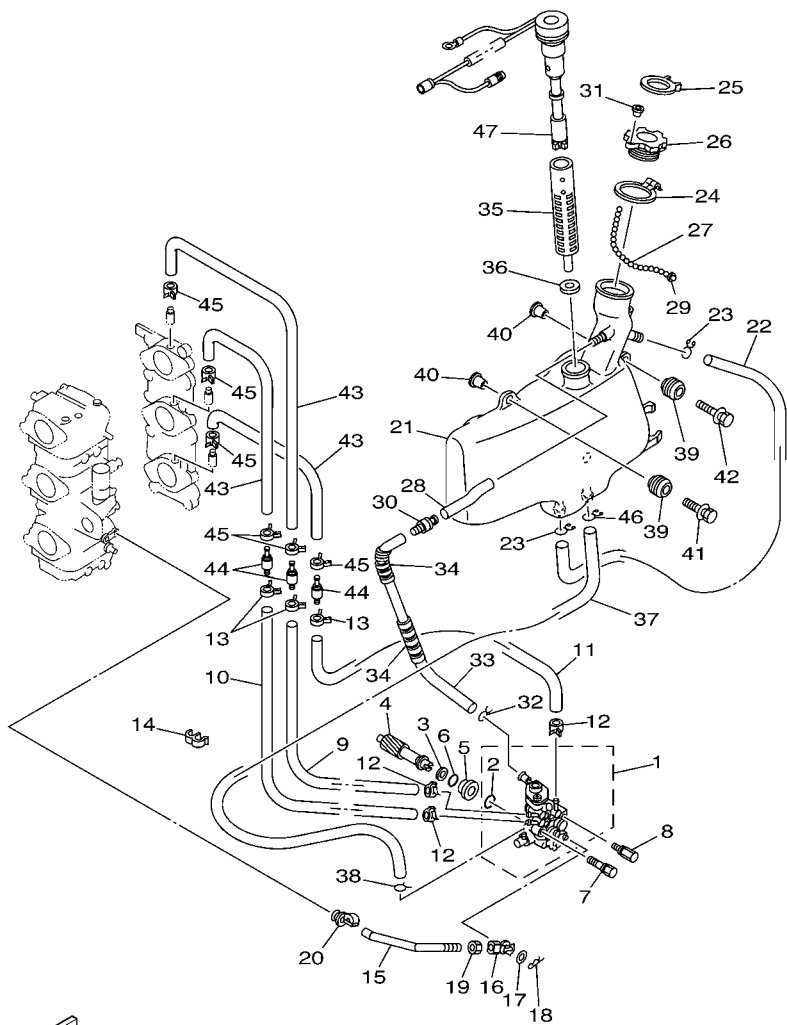


REF. NO.	PART NO.	DESCRIPTION	ETO	WHTO	REMARKS
1	63D-13200-00	OIL INJECTION PUMP ASSY		1	
2	93210-19MA7	.O-RING		1	
3	90201-08M93	WASHER, PLATE		1	
4	6H4-11537-01	GEAR, DRIVEN		1	
5	6H1-13117-01	COLLAR, DISTANCE		1	
6	93210-13M04	O-RING		1	
7	90109-06M39	BOLT		1	
8	90109-06M40	BOLT		1	
9	90445-07M44	HOSE (L250)		1	
10	90445-07M23	HOSE (L408)		1	
11	90445-07MA6	HOSE (L90)		1	
12	90468-07M02	CLIP		3	
13	90468-07M02	CLIP		3	
14	90464-07M20	CLAMP		1	
15	6H4-41241-01	ROD, LINK		1	
16	6H1-41237-00	JOINT, LINK		1	
17	90202-05088	WASHER, PLATE		1	
18	90468-05M03	CLIP		1	
19	95380-05600	NUT		1	
20	6E9-41237-00	JOINT, LINK		1	
21	63D-21707-10	OIL TANK COMP.		1	
22	90445-11M15	HOSE (L360)		1	
23	90467-11M08	CLIP		2	
24	63D-2175R-00	HOOK, BAND		1	
25	63D-2176M-00	HOOK		1	
26	6H4-21770-00	OIL TANK CAP ASSY		1	
27	6H4-24633-00	CHAIN, BALL		1	



63B0100-0060

FIG. 7 OIL PUMP 2



REF. NO.	PART NO.	DESCRIPTION	ETO	WHTO	REMARKS
28	90445-11M23	HOSE (L85)		1	
29	6H4-21757-00	WASHER, SPECIAL 1		1	
30	63D-21744-00	BREATHER		1	
31	6H4-24634-00	HOOK, CHAIN BALL		1	
32	90467-10M04	CLIP		1	
33	90445-11M17	HOSE (L300)		1	
34	90446-10M01	HOSE (L60)		2	
35	6J8-13411-00	STRAINER, OIL		1	
36	6J8-13414-00	GASKET, STRAINER COVER		1	
37	6L2-13416-00	PIPE, OIL 1		1	
38	90467-08004	CLIP		1	
39	6A0-82317-00	DAMPER, IGNITION COIL		3	
40	624-42542-00	PIPE		3	
41	90119-06M65	BOLT, WITH WASHER		2	
42	90119-06M67	BOLT, WITH WASHER		1	
43	90445-07M87	HOSE (L110)		3	
44	6E9-13183-70	VALVE, CHECK		3	
45	90468-07M02	CLIP		6	
46	90467-11M08	CLIP		1	
47	63D-85720-10	OIL LEVEL GAUGE ASSY		1	


63B0100-0060

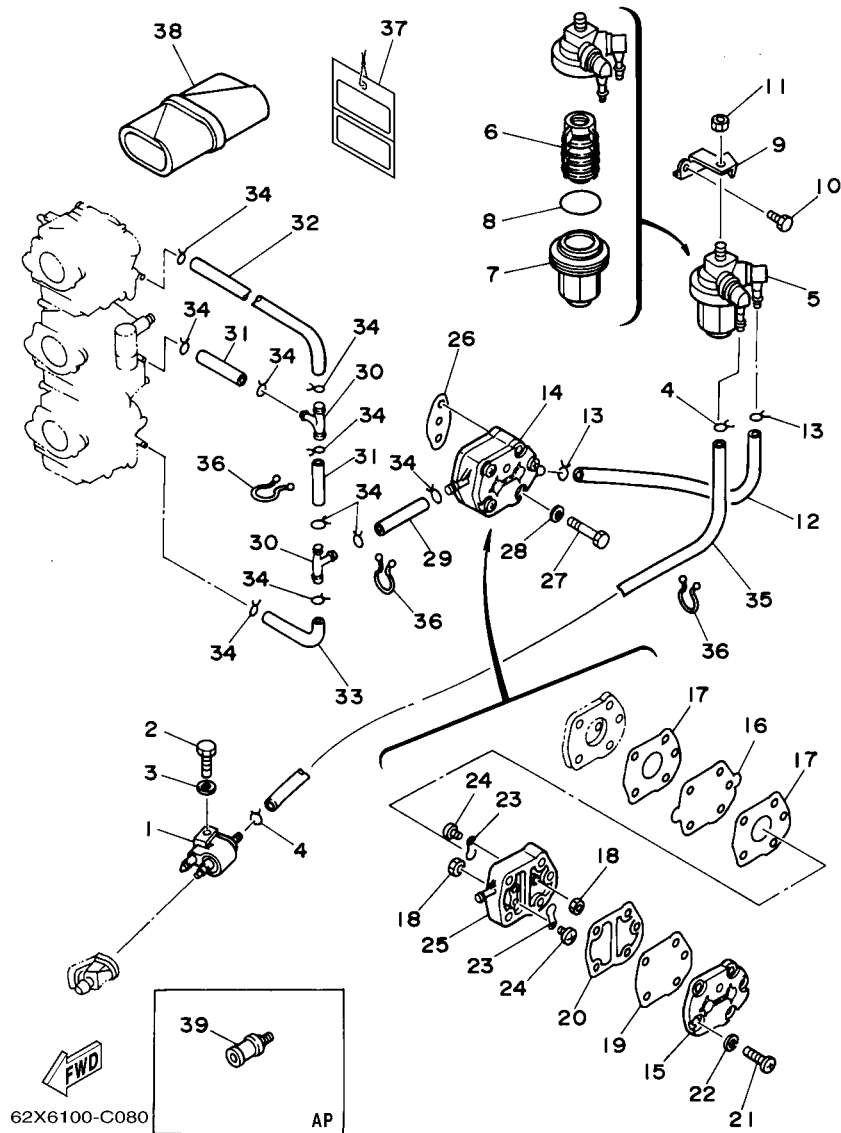


FIG. 8 FUEL 1

REF. NO.	PART NO.	DESCRIPTION	ETO	WHTO	REMARKS
1	6G1-24304-02	FUEL PIPE JOINT COMP. 1	1	1	
2	97095-06025	BOLT	1	1	
3	92995-06600	WASHER	1	1	
4	90467-08004	CLIP	2	2	
5	61N-24560-00	FILTER ASSY	1	1	
6	61N-24563-00	.ELEMENT, FILTER	1	1	
7	61N-24521-00	.CUP, FILTER	1	1	
8	93210-32738	.O-RING	1	1	
9	6H4-24566-02	BRACKET, FILTER	1	1	
10	97013-06014	BOLT	1	1	
11	95380-08600	NUT	1	1	
12	6H4-24314-00	PIPE 4	1	1	
13	90467-08004	CLIP	2	2	
14	692-24410-00	FUEL PUMP ASSY	1	1	
15	6A0-24413-00	.BODY 2	1	1	
16	692-24411-00	.DIAPHRAGM	1	1	
17	648-24434-01	.GASKET, BODY	2	2	
18	95380-03600	.NUT	2	2	
19	663-24411-00	.DIAPHRAGM	1	1	
20	648-24435-02	.GASKET, BODY 2	1	1	
21	98503-05028	.SCREW, PAN HEAD	3	3	
22	92990-05100	.WASHER, SPRING	3	3	
23	6A0-24421-01	.VALVE, CHECK	2	2	
24	6A0-14325-00	.SCREW, PAN HEAD	2	2	
25	6A0-24412-02	.BODY 1	1	1	
26	650-24431-A0	GASKET, FUEL PUMP 1	1	1	
27	97095-06040	BOLT	2	2	

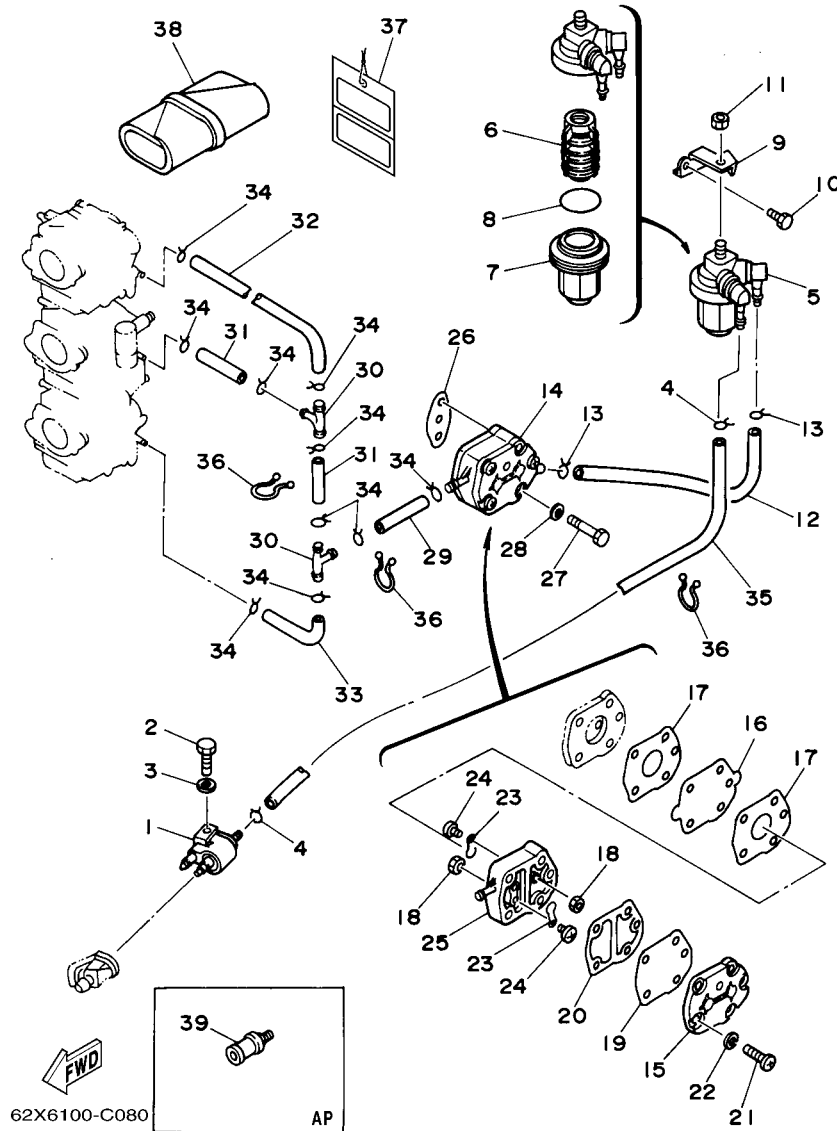
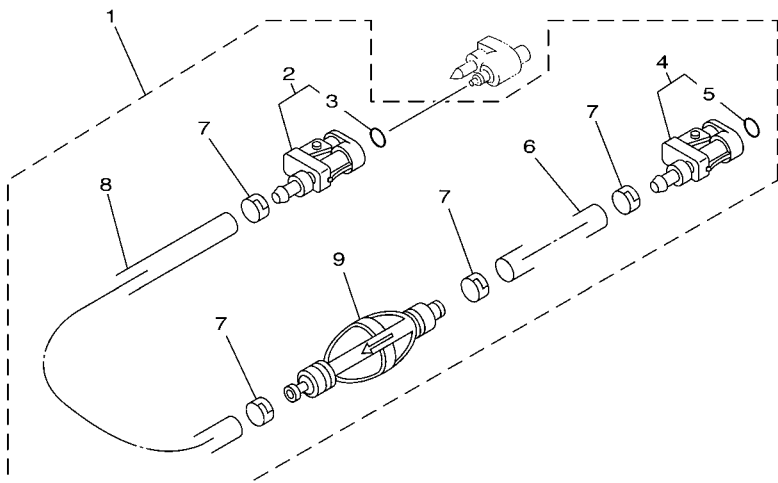


FIG. 8 FUEL 1

REF. NO.	PART NO.	DESCRIPTION	ETO	WHTO	REMARKS
28	92995-06600	WASHER	2	2	
29	90445-09063	HOSE	1	1	
30	688-24378-00	PIPE, JOINT 4	2	2	
31	90445-09057	HOSE (L45)	2	2	
32	6H4-24313-00	PIPE 3	1	1	
33	6H4-24312-00	PIPE 2	1	1	
34	90467-08004	CLIP	10	10	
35	6H4-24311-00	PIPE, FUEL 1	1	1	
36	90464-15M11	CLAMP	3	3	
37	61H-2819R-31	TAG, WARNING	1	1	
38	656-W2810-02	TOOL KIT	1	1	AP
39	6E0-28193-00-94	PLUG, WATER CHECK	1	1	AP D:12.5MM

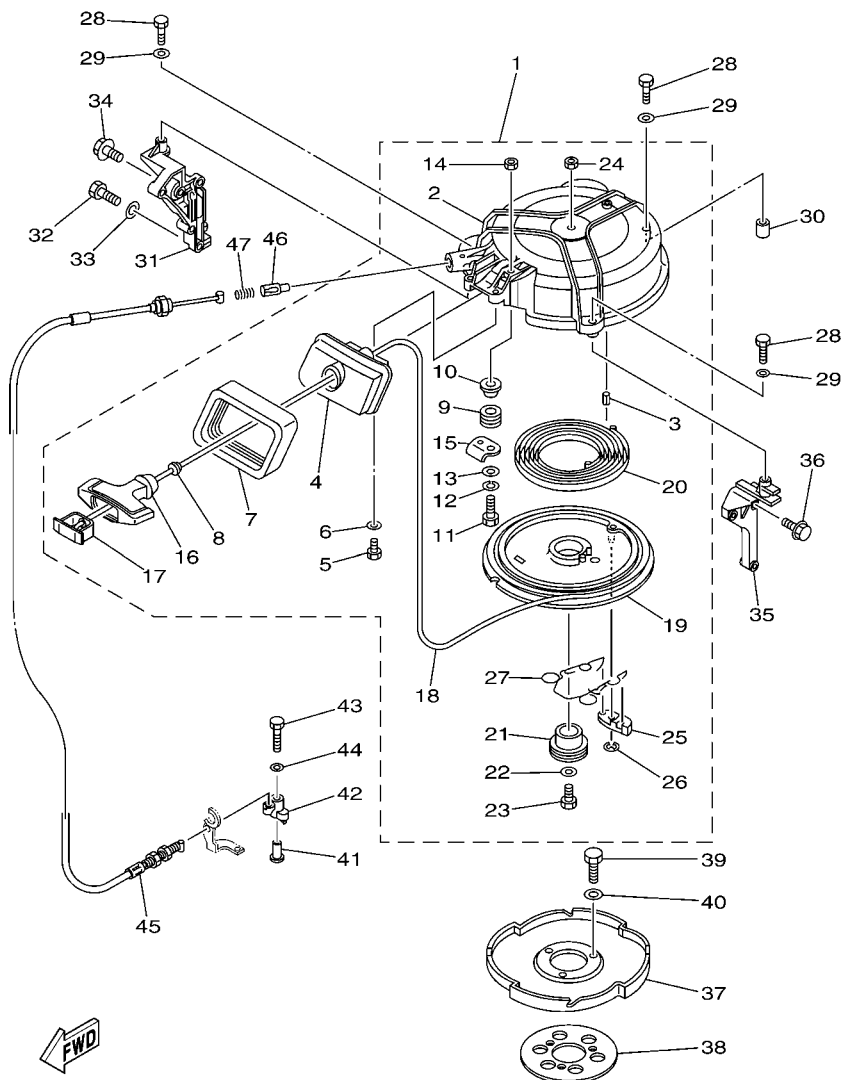
FIG. 9 FUEL 2

REF. NO.	PART NO.	DESCRIPTION	ETO	WHTO			REMARKS
1	6Y2-24306-55	FUEL PIPE COMP. 1	1				AP FOR USA
2	6E5-24305-05	.FUEL PIPE JOINT COMP. 2	1				
3	93210-08287	..O-RING	1				
4	6Y2-24305-05	.FUEL PIPE JOINT COMP. 2	1				
5	93210-08287	..O-RING	1				
6	90445-13M01	.HOSE (L2050)	1				
7	6E5-24351-51	.BAND 1	4				
8	90445-13M00	.HOSE (L850)	1				
9	6Y2-24360-60	.PRIMER PUMP ASSY	1				



68R3100-C100

FIG. 10 STARTER

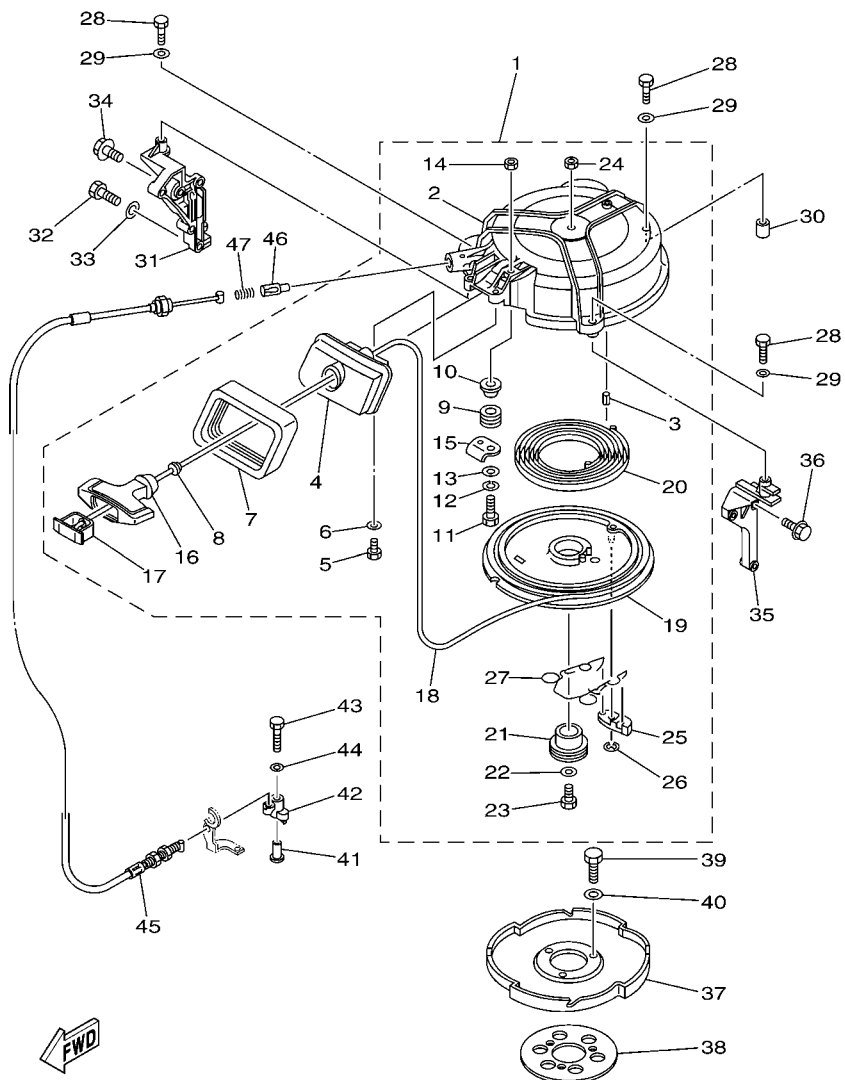


62X6100-C100

*1: CUT FROM 50M ROLLS, PART NO.90890-44373, CUTTING LENGTH 2.095M

REF. NO.	PART NO.	DESCRIPTION	ETO	WHTO	REMARKS
1	6H4-15710-04-4D	STARTER ASSY		1	
2	6H4-15711-02-94	.CASE, STARTER		1	
3	91690-40018	.PIN, SPRING		1	
4	6H4-15758-01-4D	.GUIDE, ROPE		1	
5	97095-06016	.BOLT		2	
6	92995-06600	.WASHER		2	
7	6H4-15762-00	.SEAL, RUBBER 2		1	
8	6A0-15789-00	.DAMPER		1	
9	6F5-15752-00	.ROLLER, WIRE		1	
10	90387-06M69	.COLLAR		1	
11	97013-06030	.BOLT		1	
12	92903-06100	.WASHER, SPRING		1	
13	92903-06600	.WASHER, PLATE		1	
14	95380-06600	.NUT, HEXAGON		1	
15	6H4-15787-01	.STAY		1	
16	689-15755-01	.HANDLE, STARTER		1	
17	6F5-15779-02	.COVER		1	
18	*	.WIRE (L:2095MM)		1	*1
19	6H4-15714-00	.DRUM, SHEAVE		1	
20	90510-08002	.SPRING, SPIRAL		1	
21	6H4-15717-01	.SHAFT, STARTER		1	
22	90201-06060	.WASHER, PLATE		1	
23	97095-06020	.BOLT		1	
24	95380-06600	.NUT, HEXAGON		1	
25	676-15741-03	.PAWL, DRIVE		1	
26	93430-06M02	.CIRCLIP		1	
27	6H4-15705-00	.SPRING, DRIVE PAWL		1	

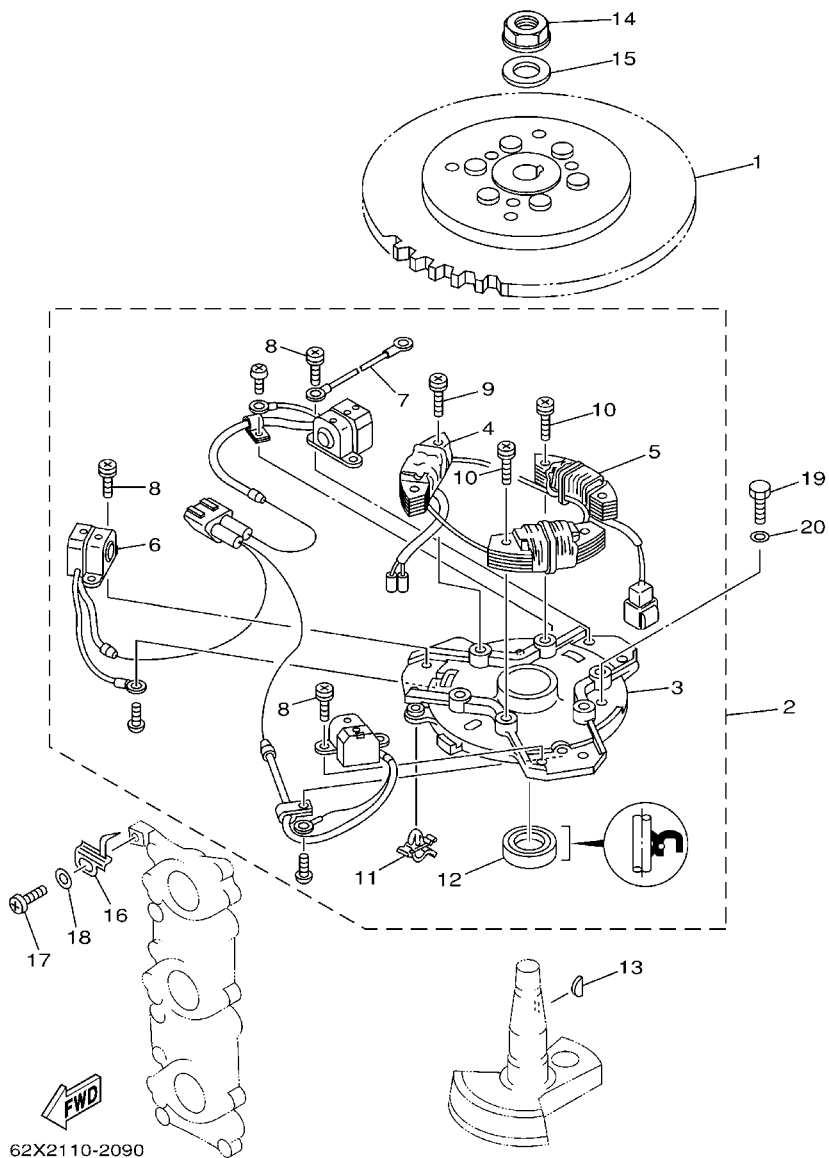
FIG. 10 STARTER



*1: CUT FROM 50M ROLLS, PART NO.90890-44373, CUTTING LENGTH 2.095M

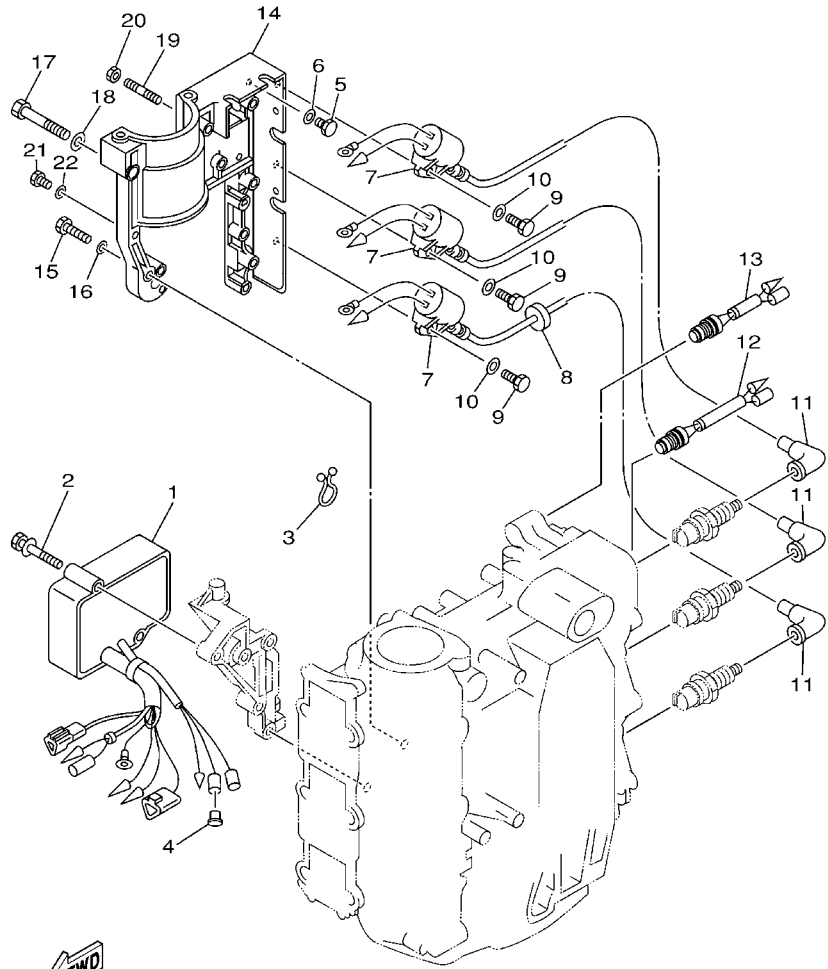
REF. NO.	PART NO.	DESCRIPTION	ETO	WHTO	REMARKS
28	97095-06035	BOLT		3	
29	92995-06600	WASHER		3	
30	99530-10014	PIN, DOWEL		1	
31	63D-15771-00-4D	STAY 1		1	
32	97013-08025	BOLT		2	
33	92903-08600	WASHER, PLATE		2	
34	90119-06MA2	BOLT, WITH WASHER		1	
35	6H4-15772-02-94	STAY 2		1	
36	90119-06MA3	BOLT, WITH WASHER		3	
37	6H4-15723-01-94	PULLEY, STARTER		1	
38	6J8-81365-A0	GASKET, HOLE COVER		1	
39	97013-08020	BOLT		3	
40	92903-08600	WASHER, PLATE		3	
41	90387-06M66	COLLAR		1	
42	63D-15746-00	ARM		1	
43	97095-06040	BOLT		1	
44	92995-06600	WASHER		1	
45	63D-15770-00	CABLE COMP., STARTER STOP		1	
46	656-15748-00	PLUNGER, STARTER STOP		1	
47	90501-10227	SPRING, COMPRESSION		1	

FIG. 11 GENERATOR



REF. NO.	PART NO.	DESCRIPTION	ETO	WHTO	REMARKS
1	63D-85550-00	ROTOR ASSY	1	1	
2	63D-85560-10	BASE ASSY	1	1	
3	6H4-15359-04-94	.HOUSING, OIL SEAL	1	1	
4	63D-85520-00	.COIL, CHARGE	1	1	
5	63D-85533-10	.COIL, LIGHTING	1	1	
6	63D-85580-00	.COIL, PULSER	1	1	
7	6H4-83354-00	.WIRE, EARTH LEAD 1	1	1	
8	63D-81345-00	.SCREW, WITH WASHER (M5X12)	6	6	
9	63D-81345-10	.SCREW, WITH WASHER (M6X25)	2	2	
10	63D-81345-20	.SCREW, WITH WASHER (M6X30)	4	4	
11	90464-03M15	.CLAMP	1	1	
12	93102-23096	.OIL SEAL	1	1	
13	6H4-11545-00	KEY, WOODRUFF	1	1	
14	90179-16M05	NUT	1	1	
15	90201-16M44	WASHER, PLATE	1	1	
16	6H4-81332-00	PLATE, TIMING	1	1	
17	97885-05010	SCREW, PAN HEAD	1	1	
18	92995-05600	WASHER	1	1	
19	97013-06018	BOLT	3	3	
20	92903-06600	WASHER, PLATE	3	3	

FIG. 12 ELECTRICAL 1



62X2110-2100

REF. NO.	PART NO.	DESCRIPTION	ETO	WHTO	REMARKS
1	63D-85540-03	C.D.I. UNIT ASSY	1	1	
2	90119-06M51	BOLT, WITH WASHER	2	2	
3	90464-15M11	CLAMP	1	1	
4	703-82119-00	COVER, LEAD WIRE	1		50,50H
5	97095-06014	BOLT	1	1	
6	92995-06600	WASHER	1	1	
7	6H5-85570-00	IGNITION COIL ASSY	3	3	
8	90480-25161	GROMMET	1	1	
9	97095-06020	BOLT	3	3	
10	92995-06600	WASHER	3	3	
11	663-82370-01	PLUG CAP ASSY	3		FOR USA
	6G1-82370-21	PLUG CAP ASSY	3	3	FOR OCE
12	689-82560-00	THERMO SWITCH ASSY	1	1	
13	6H4-82560-00	THERMO SWITCH ASSY	1	1	
14	6H4-81822-02-98	BRACKET, STARTING MOTOR	1	1	
15	97095-06030	BOLT	4	4	
16	92995-06600	WASHER	4	4	
17	97013-08050	BOLT	1	1	
18	92903-08600	WASHER, PLATE	1	1	
19	95670-06640	BOLT, STUD	1	1	
20	90179-06M24	NUT	1	1	
21	97095-06014	BOLT	2	2	
22	92995-06600	WASHER	2	2	

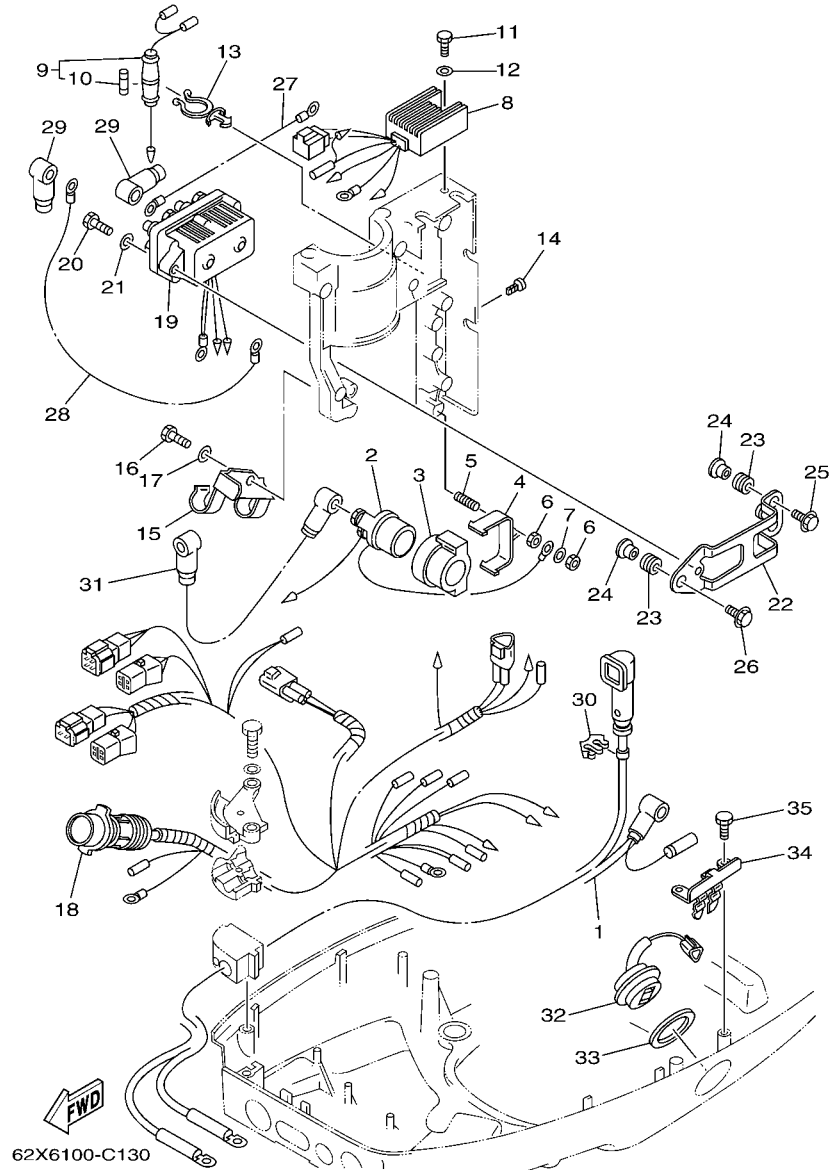


FIG. 13 ELECTRICAL 2

REF. NO.	PART NO.	DESCRIPTION	ETO	WHTO	REMARKS
1	63D-82105-U0	WIRE HARNESS	1	1	
2	6G1-81941-10	STARTER RELAY ASSY	1	1	
3	6H4-81952-00	HOLDER, RELAY	1	1	
4	6H4-81945-00	PLATE, SWITCH FITTING	1	1	
5	90116-06M22	BOLT, STUD	1	1	
6	95380-06600	NUT, HEXAGON	2	2	
7	92990-06600	WASHER, PLATE	1	1	
8	6H2-81960-10	RECTIFIER & REGULATOR ASSY	1	1	
9	6H4-82150-00	FUSE HOLDER ASSY	1	1	
10	663-82151-00	.FUSE (12V-20A)	1	1	
11	97095-06014	BOLT	1	1	
12	92995-06600	WASHER	1	1	
13	90464-15M27	CLAMP	1	1	
14	90338-05M11	PLUG	2	2	
15	63D-82594-00	CLAMP	1	1	
16	97095-06012	BOLT	1	1	
17	92995-06600	WASHER	1	1	
18	63D-82590-30	WIRE HARNESS ASSY	1		FOR USA
	63D-82590-20	WIRE HARNESS ASSY	1	1	FOR OCE
19	6H1-81950-00	RELAY ASSY	1	1	
20	97095-06025	BOLT	2	2	
21	92995-06600	WASHER	2	2	
22	6H4-81945-20	PLATE, SWITCH FITTING	1	1	
23	90480-13M24	GROMMET	3	3	
24	90387-06M05	COLLAR	3	3	
25	90105-06M15	BOLT, FLANGE	2	2	
26	90105-06M16	BOLT, FLANGE	1	1	

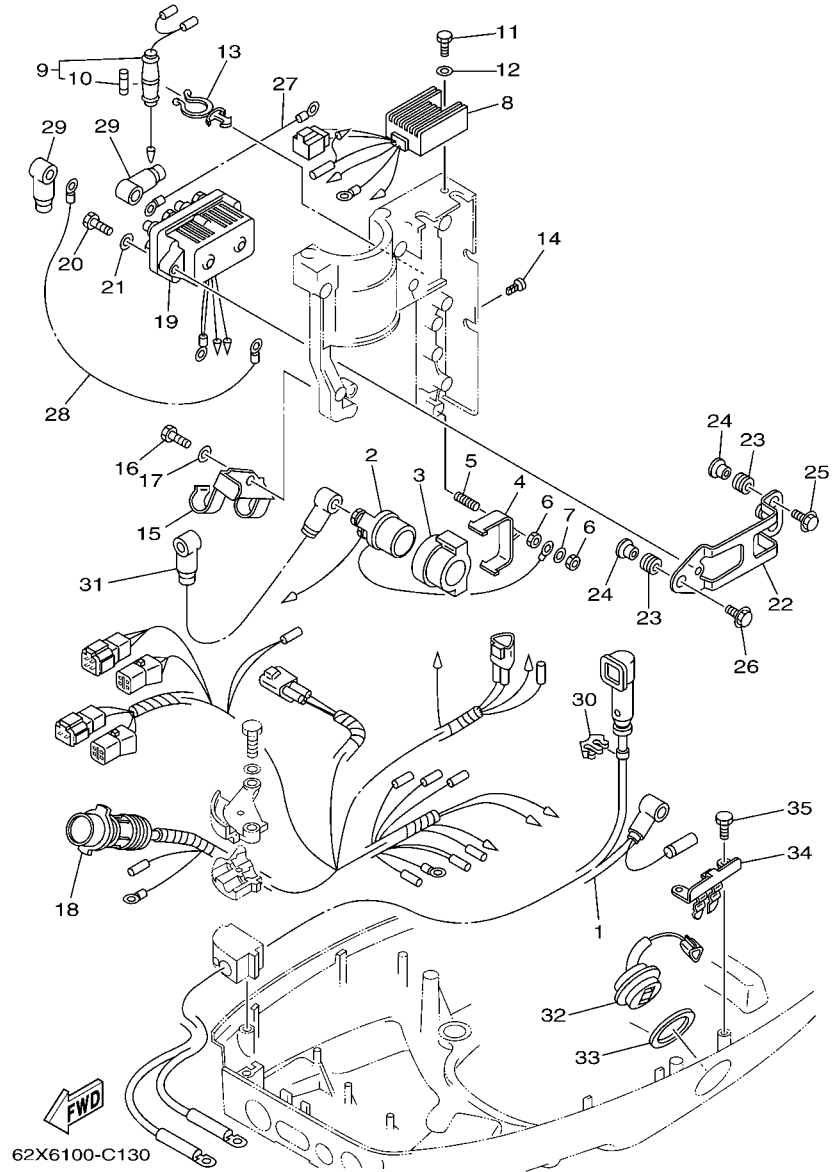


FIG. 13 ELECTRICAL 2

REF. NO.	PART NO.	DESCRIPTION	ETO	WHTO	REMARKS
27	6H5-81949-00	WIRE, LEAD	1	1	
28	61A-81949-00	WIRE, LEAD	1	1	
29	682-82119-01	COVER, LEAD WIRE	4	4	
30	90464-07M20	CLAMP	1	1	
31	6H4-82117-00	WIRE, LEAD	1	1	
32	63D-82563-10	TRIM & TILT SWITCH ASSY	1	1	
33	6E5-82587-00	GASKET	1	1	
34	6R3-83614-00	BRACKET	1	1	
35	97095-06016	BOLT	2	2	

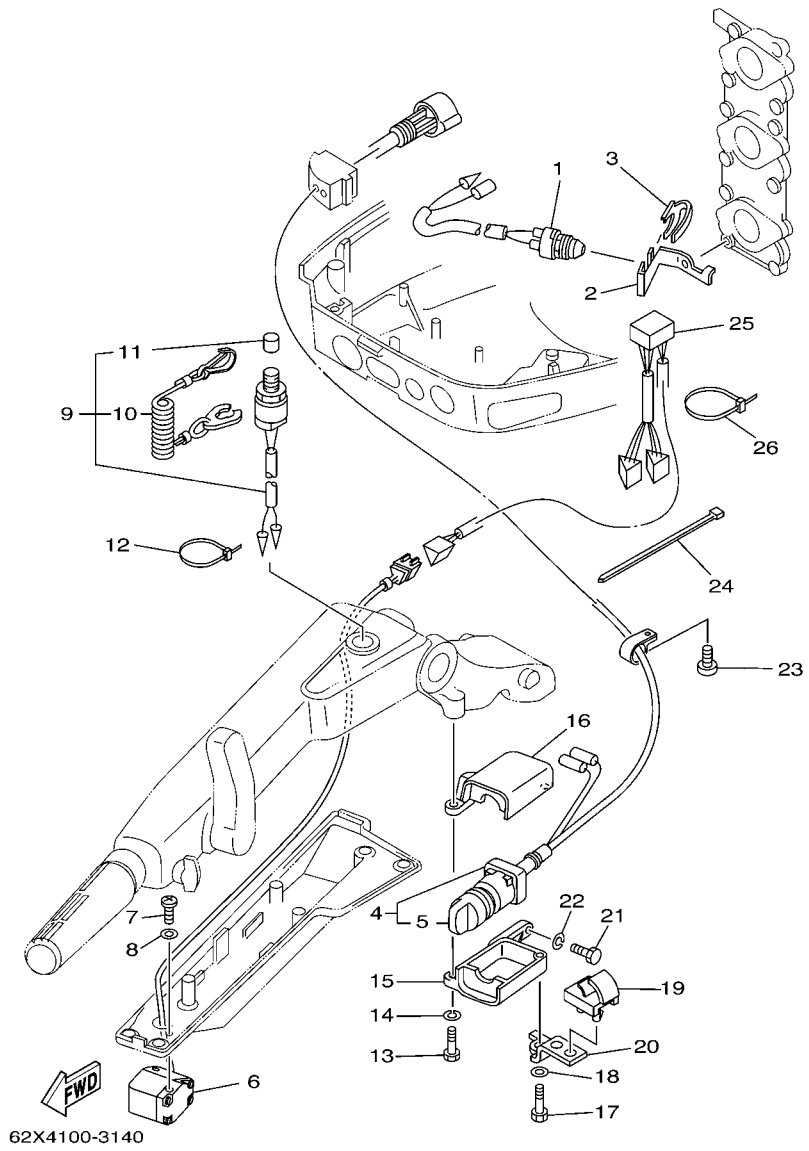


FIG. 14 ELECTRICAL 3

REF. NO.	PART NO.	DESCRIPTION	ETO	WHTO	REMARKS
1	688-82540-11	NEUTRAL SWITCH ASSY		1	
2	63D-82554-00	STAY, NEUTRAL SWITCH		1	
3	663-82555-01	DAMPER, MAIN SWITCH 1		1	
4	63D-82510-10	MAIN SWITCH ASSY		1	
5	676-82577-00	.CAP, KEY		1	
6	63D-82563-00	TRIM & TILT SWITCH ASSY		1	
7	97885-06016	SCREW, PAN HEAD		2	
8	92995-06600	WASHER		2	
9	69W-82575-00	ENGINE STOP SWITCH ASSY		1	
10	682-82556-00	.STOPPER		1	
11	689-8257Y-00	.CAP		1	
12	90465-13M11	CLAMP		1	
13	97095-06025	BOLT		1	
14	92995-06100	WASHER, SPRING		1	
15	63D-8252F-01-4D	COVER, MAIN SWITCH 2		1	
16	63D-8252E-01-4D	COVER, MAIN SWITCH		1	
17	97095-06030	BOLT		1	
18	92995-06600	WASHER		1	
19	63D-24367-00	CLAMP, FUEL PIPE 2		1	
20	63D-24364-00	STAY		1	
21	97095-06020	BOLT		1	
22	92995-06100	WASHER, SPRING		1	
23	97885-06012	SCREW, PAN HEAD		1	
24	90465-13M36	CLAMP		2	
25	63D-83728-00	CONNECTOR ASSY		1	
26	90464-15M11	CLAMP		3	

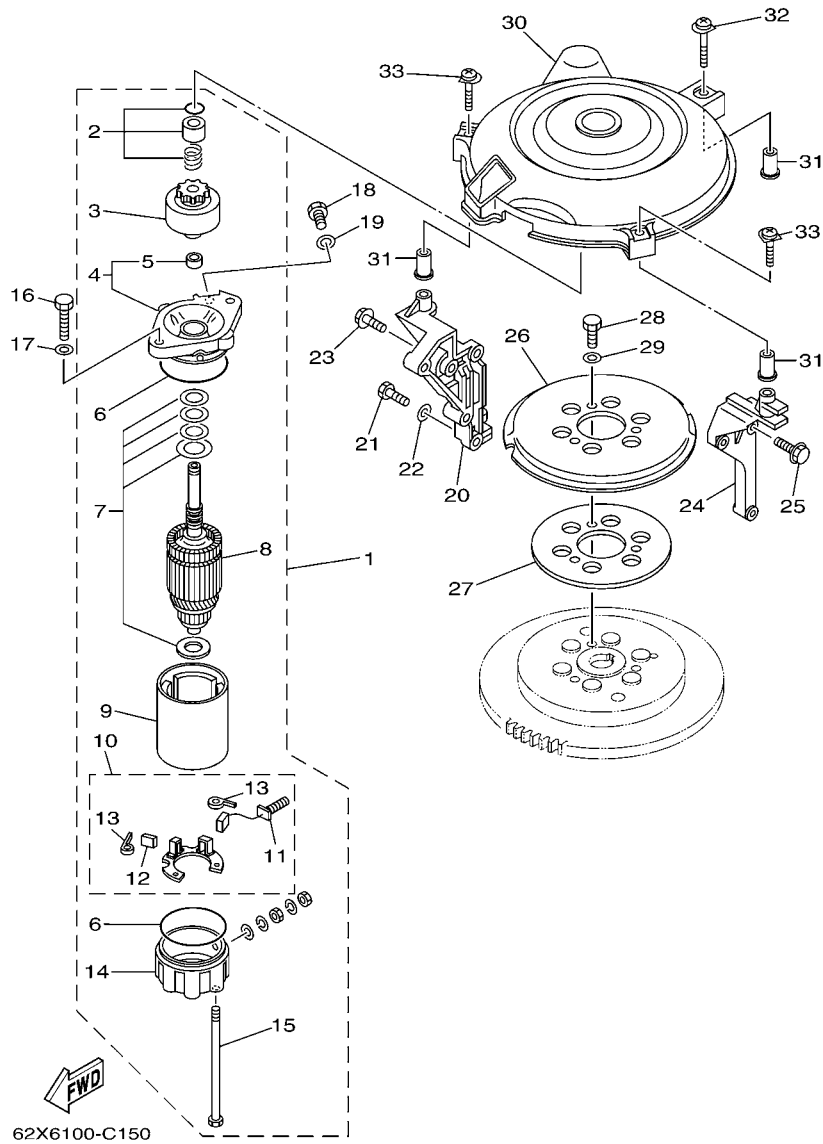


FIG. 15 STARTING MOTOR

REF. NO.	PART NO.	DESCRIPTION	ETO	WHTO	REMARKS
1	6F5-81800-11	STARTING MOTOR ASSY	1	1	
2	689-81857-11	.PINION STOPPER SET	1	1	
3	689-81807-12	.GEAR ASSY, STARTING MOTOR	1	1	
4	6F5-81830-11	.FRONT BRACKET ASSY	1	1	
5	689-81831-00	..METAL, FRONT	1	1	
6	689-81847-11	.O-RING	2	2	
7	689-81809-11	.WASHER KIT	1	1	
8	689-81850-12	.ARMATURE ASSY	1	1	
9	689-81810-11	.STATOR ASSY	1	1	
10	689-81840-11	.BRUSH HOLDER ASSY	1	1	
11	689-81811-11	..BRUSH 1	1	1	
12	689-81812-11	..BRUSH 2	1	1	
13	689-81813-10	..SPRING, BRUSH	2	2	
14	689-81820-11	.REAR BRACKET ASSY	1	1	
15	689-81826-10	.BOLT	2	2	
16	97013-08030	BOLT	2	2	
17	92903-08600	WASHER, PLATE	2	2	
18	97013-08016	BOLT	1	1	
19	92903-08600	WASHER, PLATE	1	1	
20	63D-15771-00-4D	STAY 1	1		
21	97013-08025	BOLT	2		
22	92903-08600	WASHER, PLATE	2		
23	90119-06MA2	BOLT, WITH WASHER	1		
24	6H4-15772-02-94	STAY 2	1		
25	90119-06MA3	BOLT, WITH WASHER	3		
26	6J8-15723-E1	PULLEY, STARTER	1		
27	6J8-81365-A0	GASKET, HOLE COVER	1		

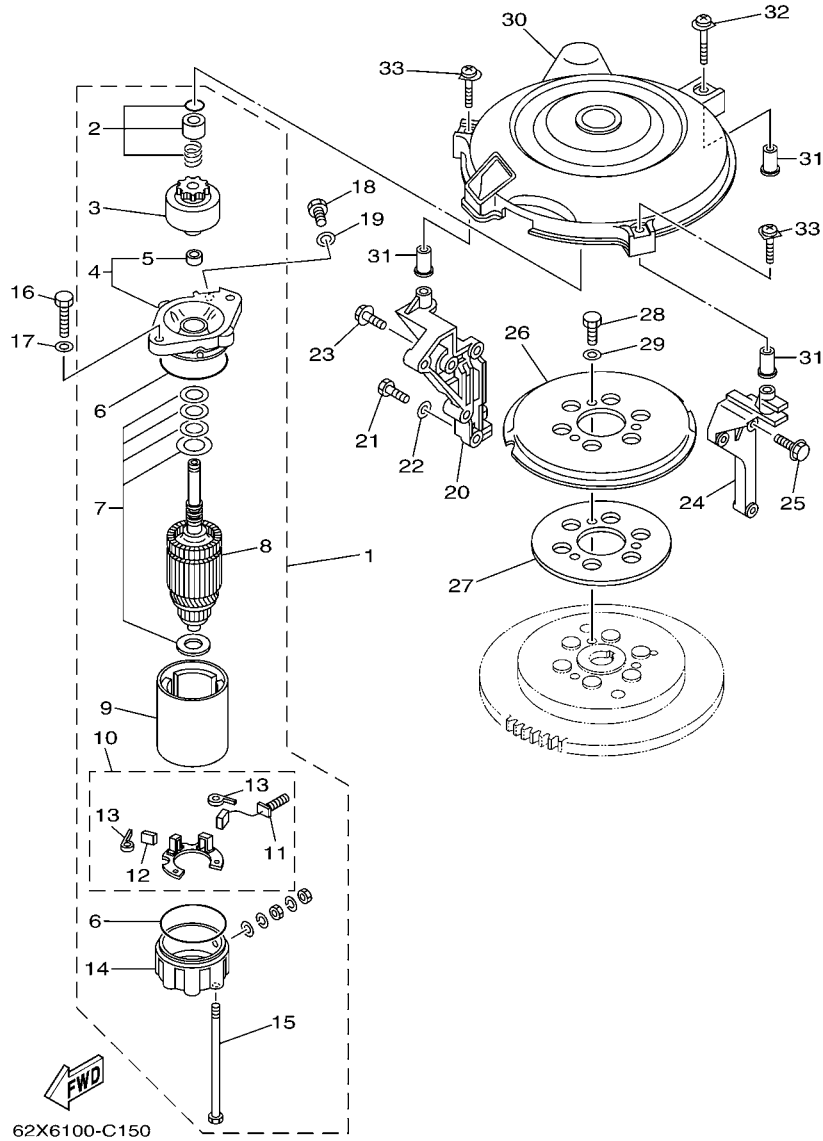
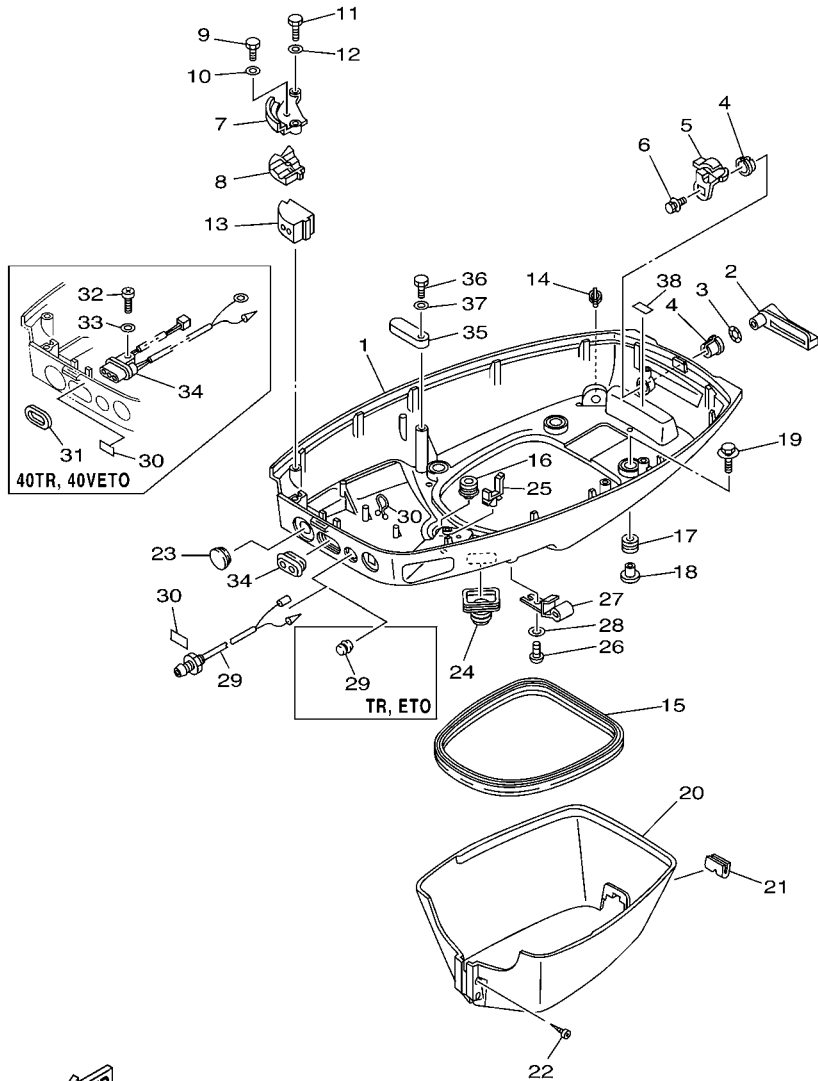


FIG. 15 STARTING MOTOR

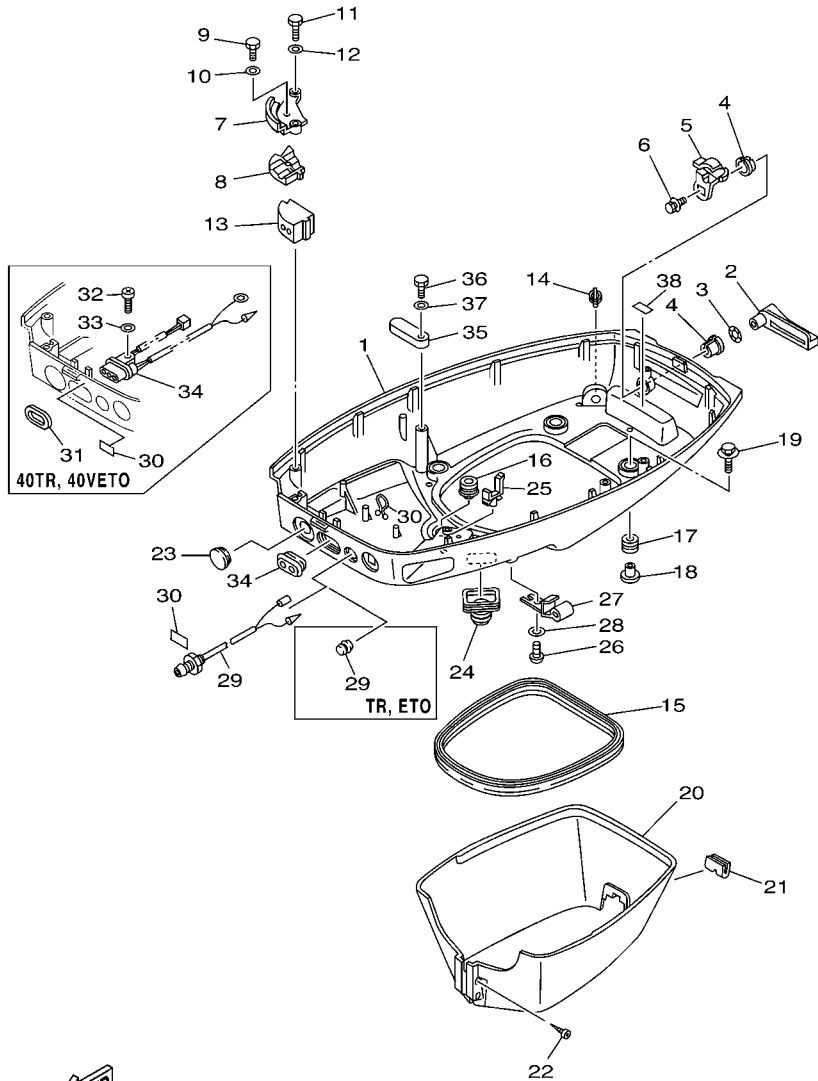
REF. NO.	PART NO.	DESCRIPTION	ETO	WHTO	REMARKS
28	97013-08014	BOLT	3		
29	92903-08600	WASHER, PLATE	3		
30	6H4-81337-01	COVER, FLYWHEEL	1		
31	90387-06M65	COLLAR	3		
32	90159-06M21	SCREW, WITH WASHER	1		
33	90159-06M22	SCREW, WITH WASHER	2		



62X4100-3160

FIG. 16 BOTTOM COWLING

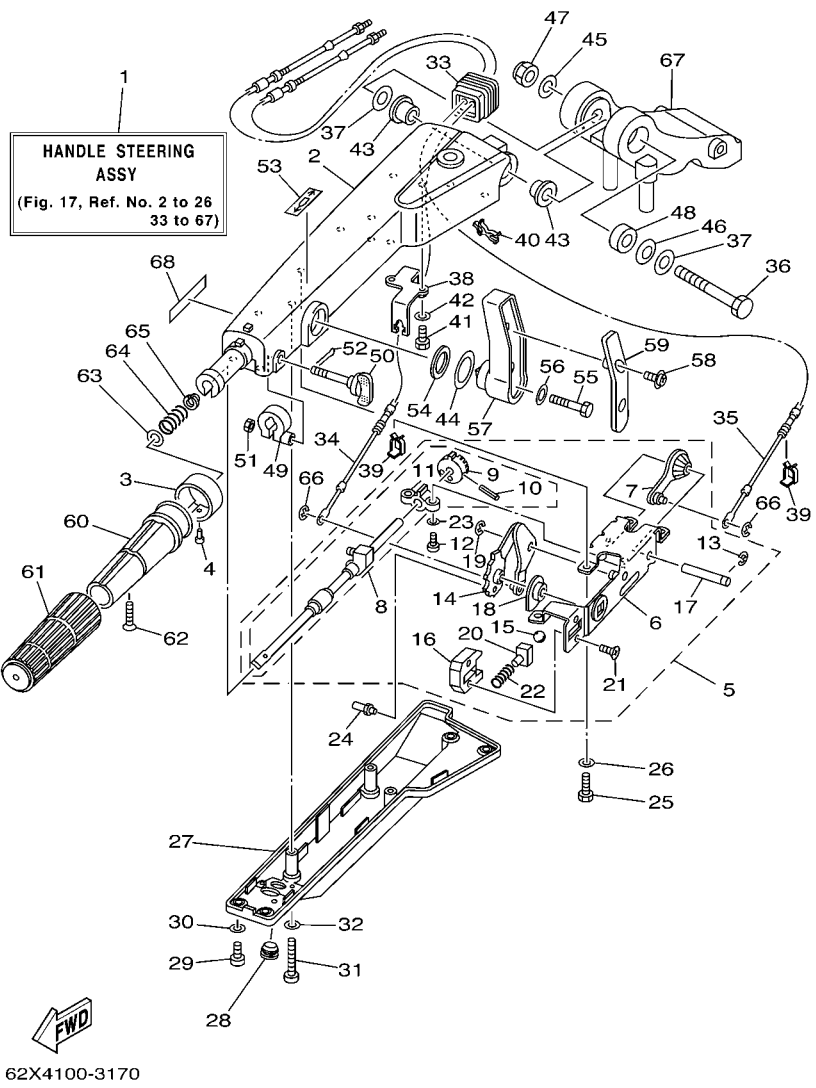
REF. NO.	PART NO.	DESCRIPTION	ETO	WHTO	REMARKS
1	6H4-42711-25-4D	COWLING, BOTTOM	1	1	
2	6H4-42815-00	LEVER, CLAMP	1	1	
3	90206-12052	WASHER, WAVE	1	1	
4	90386-12069	BUSH	2	2	
5	6H4-42816-00	LEVER, CLAMP	1	1	
6	90119-06M73	BOLT, WITH WASHER	1	1	
7	6H4-48531-11-94	BRACKET, REMOTE CONTROL 1	1	1	
8	6H4-48532-11-94	BRACKET, REMOTE CONTROL 2	1	1	
9	97095-05016	BOLT	1	1	
10	92995-05600	WASHER	1	1	
11	97095-06020	BOLT	2	2	
12	92995-06600	WASHER	2	2	
13	6H4-42724-30	GROMMET	1		
	6H4-42724-20	GROMMET		1	
14	6E5-44391-00	NIPPLE, HOSE	1	1	
15	6H4-42716-00	RUBBER, SEAL 1	1	1	
16	6E5-42724-00	GROMMET	1	1	
17	90480-09M21	GROMMET	4	4	
18	90387-06M41	COLLAR	4	4	
19	90119-06M61	BOLT, WITH WASHER	4	4	
20	63D-42741-00-4D	APRON	1	1	
21	63D-42717-00	RUBBER, SEAL 2	1	1	
22	97780-60525	SCREW, TAPPING	2	2	
23	676-42726-00	GROMMET	1	1	
24	688-42726-10	GROMMET	1	1	
25	90464-09M13	CLAMP	1	1	
26	90157-06M01	SCREW, PAN HEAD	1	1	



62X4100-3160

FIG. 16 BOTTOM COWLING

REF. NO.	PART NO.	DESCRIPTION	ETO	WHTO	REMARKS
27	6E5-24367-01	CLAMP, FUEL PIPE 2	1	1	
28	92990-06600	WASHER, PLATE	1	1	
29	6H4-42725-00	GROMMET	1		
	6J8-85410-00	EMERGENCY SIGNAL LIGHT ASSY		1	
30	63D-84342-00	SEAT, EMBLEM	1		40,40V
	6H4-85415-10	MARK, SIGNAL LAMP		1	
31	6H4-83589-00	GASKET	1		40,40V
32	97880-06014	SCREW, PAN HEAD	1		40,40V
33	92990-06600	WASHER, PLATE	1		40,40V
34	63D-84301-00	PILOT LIGHT ASSY 1	1		40,40V
	6H3-42727-00	GROMMET	1	1	ETO-50,50H
35	6E5-82588-00	PLATE	1	1	
36	97095-06020	BOLT	1	1	
37	92995-06600	WASHER	1	1	
38	6E7-42791-00	MARK 1	1		40-FOR USA
	6E7-42791-10	MARK 1	1	1	40V-FOR OCE
	6G5-42791-00	MARK 1	1		50-FOR USA
	6G5-42791-10	MARK 1	1	1	50H-FOR OCE



62X4100-3170

FIG. 17 STEERING

REF. NO.	PART NO.	DESCRIPTION	ETO	WHTO	REMARKS
1	63D-W0084-01-4D	HANDLE STEERING ASSY		1	
2	63D-42111-01-4D	HANDLE, STEERING		1	
3	6H2-42137-00	INDICATOR, THROTTLE		1	
4	90269-02M09	RIVET		1	
5	63D-44100-11	SHIFT LINK ASSY		1	
6	63D-44104-00	.PLATE COMP.		1	
7	63D-48261-00	.ARM, THROTTLE		1	
8	63D-42115-00	.SHAFT, STEERING HANDLE		1	
9	650-42152-00-94	..GEAR		1	
10	91690-30025	..PIN, SPRING		1	
11	63D-42159-00	..STAY		1	
12	98580-06016	.SCREW, PAN HEAD		2	
13	93430-08006	.CIRCLIP		1	
14	63D-44113-01	.CAM PLATE, HANDLE		1	
15	63D-48236-00	.ROLLER, DETENT		1	
16	63D-48119-00	.COVER		1	
17	63D-42153-00	.SHAFT, THROTTLE CONTROL		1	
18	63D-44132-00	.BUSHING		1	
19	63D-48118-00	.CLIP, SHIFT LEVER		1	
20	63D-48237-00	.ADAPTOR		1	
21	98785-05014	.SCREW, FLAT HEAD		2	
22	63D-48238-00	.SPRING, DETENT		1	
23	63D-42181-00	.WASHER		2	
24	63D-44114-01	STOPPER		1	
25	97095-06016	BOLT		4	
26	92995-06600	WASHER		4	
27	63D-42131-10	COVER, HANDLE STEERING		1	

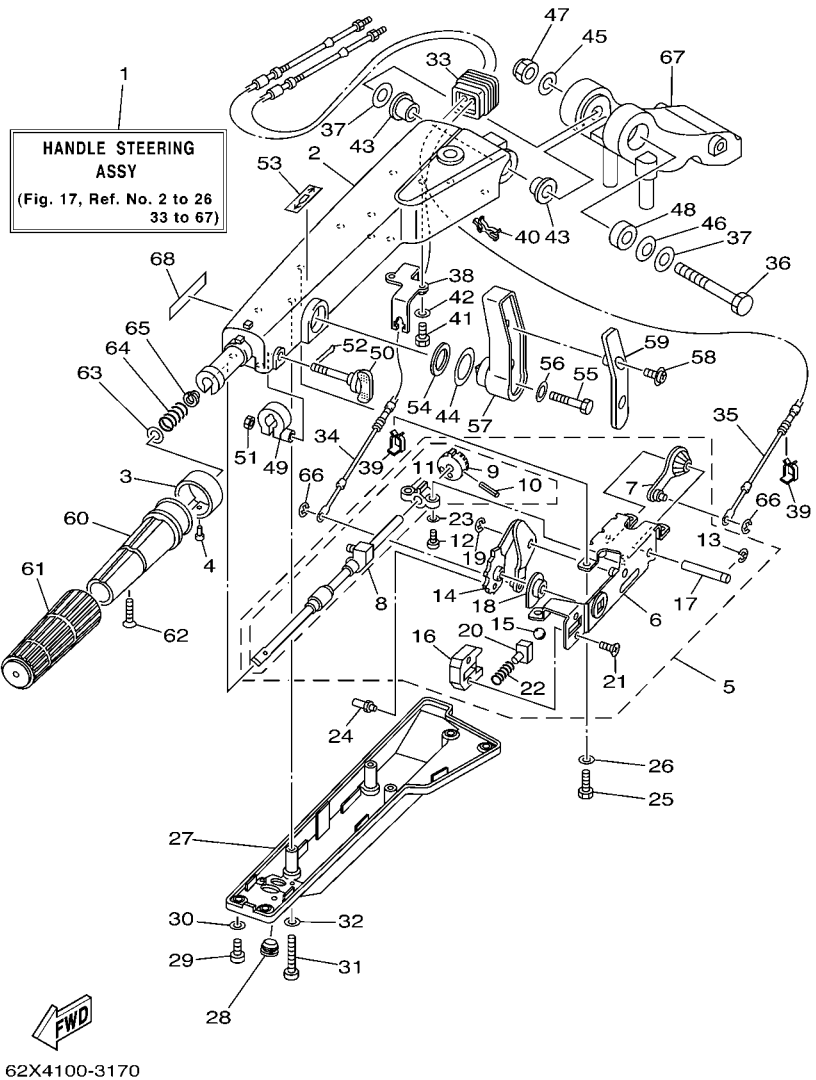
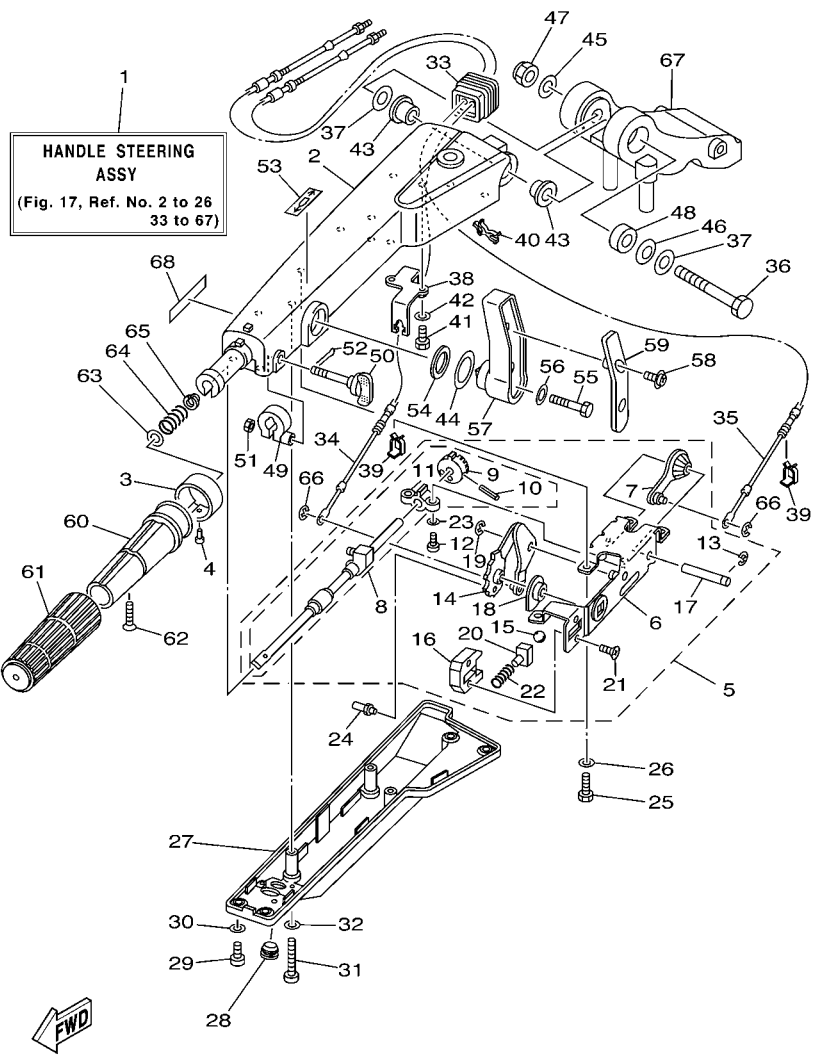


FIG. 17 STEERING

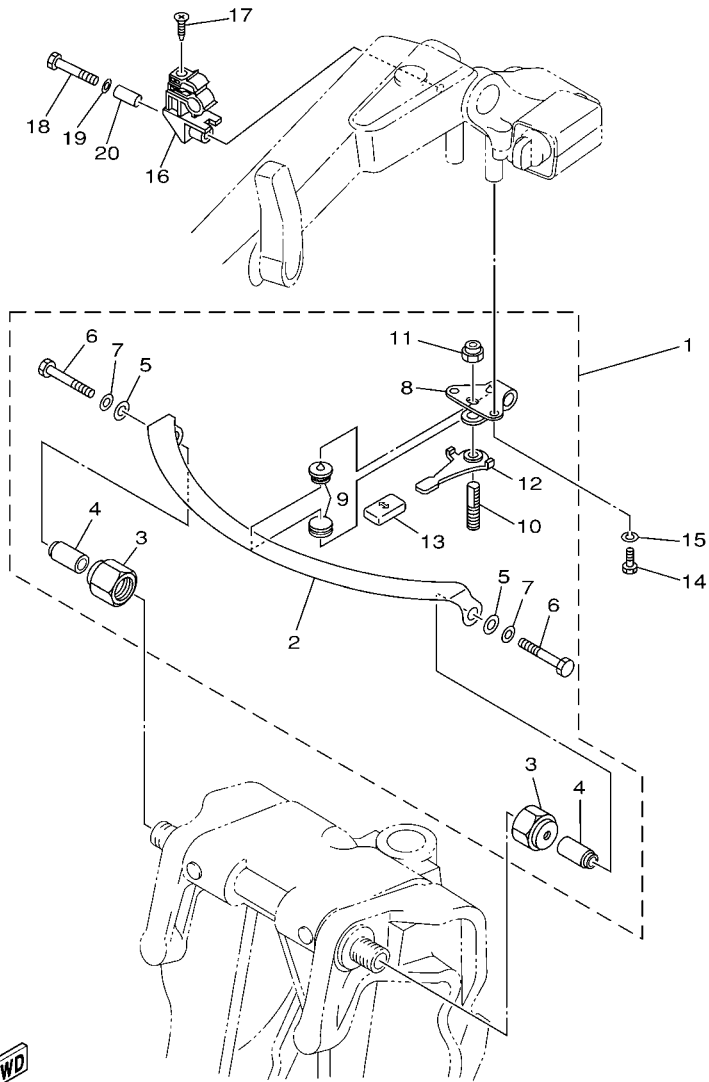
REF. NO.	PART NO.	DESCRIPTION	ETO	WHTO	REMARKS
28	90480-14M14	GROMMET		1	
29	97885-06016	SCREW, PAN HEAD		4	
30	92995-06600	WASHER		4	
31	97885-06040	SCREW, PAN HEAD		3	
32	92995-06600	WASHER		3	
33	63D-42725-00	GROMMET		1	
34	63D-48321-01	CABLE		1	
35	63D-26301-01	THROTTLE CABLE ASSY		1	
36	90101-12M09	BOLT		1	
37	92990-12200	WASHER, PLAIN		2	
38	63D-48531-00	BRACKET, REMOTE CONTROL 1		1	
39	63D-48538-00	CLAMP, CABLE 1		2	
40	90464-09M42	CLAMP		1	
41	97095-06016	BOLT		2	
42	92995-06600	WASHER		2	
43	90386-12M93	BUSH		2	
44	90386-29M95	BUSH		1	
45	92990-12600	WASHER, PLATE		1	
46	90206-12M22	WASHER, WAVE		1	
47	90185-12M12	NUT, SELF-LOCKING		1	
48	90387-12M02	COLLAR		1	
49	63D-42126-00	FRICTION, STEERING HANDLE GRIP		1	
50	63D-48154-00	KNOB, THROTTLE		1	
51	95380-06600	NUT, HEXAGON		1	
52	91490-20010	PIN, COTTER		1	
53	6G8-44191-00	INDICATOR, SHIFT		1	
54	90202-24M53	WASHER, PLATE		1	



62X4100-3170

FIG. 17 STEERING

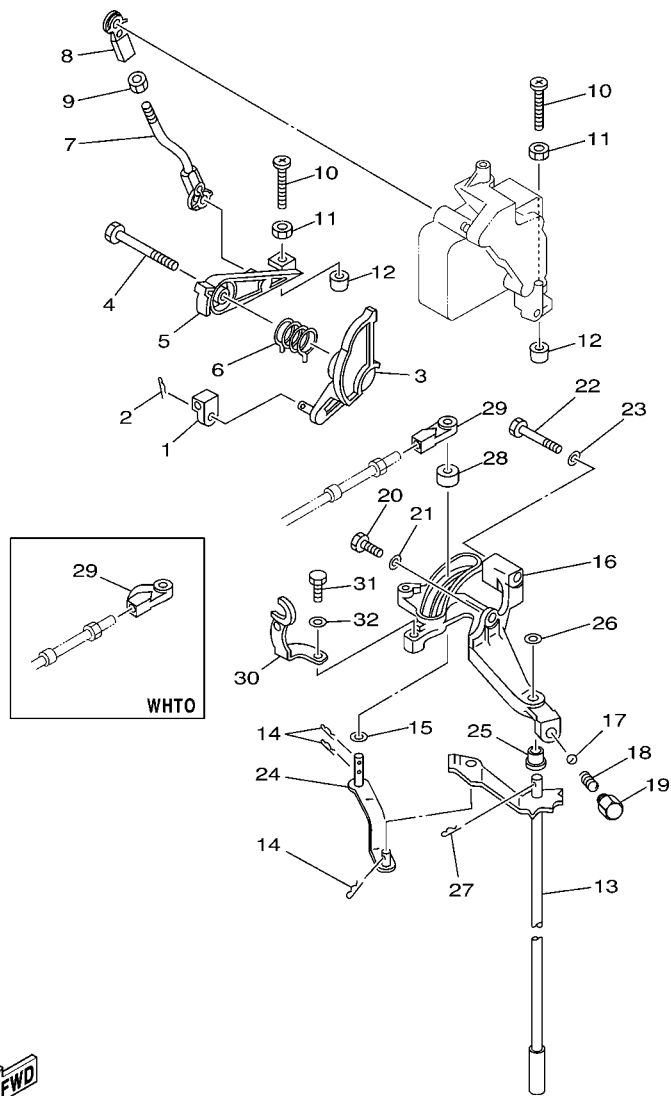
REF. NO.	PART NO.	DESCRIPTION	ETO	WHTO	REMARKS
55	97095-08040	BOLT		1	
56	92995-08600	WASHER		1	
57	63D-44159-01	HANDLE, GEAR SHIFT		1	
58	90159-06M18	SCREW, WITH WASHER		2	
59	63D-44173-00	LEVER, SHIFT CONTROL		1	
60	664-42119-00	GRIP, STEERING HANDLE		1	
61	6G1-42177-00	RUBBER, HANDLE		1	
62	90149-05M13	SCREW		1	
63	92903-10600	WASHER, PLATE		1	
64	90501-23215	SPRING, COMPRESSION		1	
65	90386-08032	BUSH		1	
66	93430-04M03	CIRCLIP		2	
67	63D-42121-20-4D	BRACKET		1	
68	6E0-83627-41	LABEL, CAUTION 7		1	



63B0700-0180

FIG. 18 STEERING FRICTION

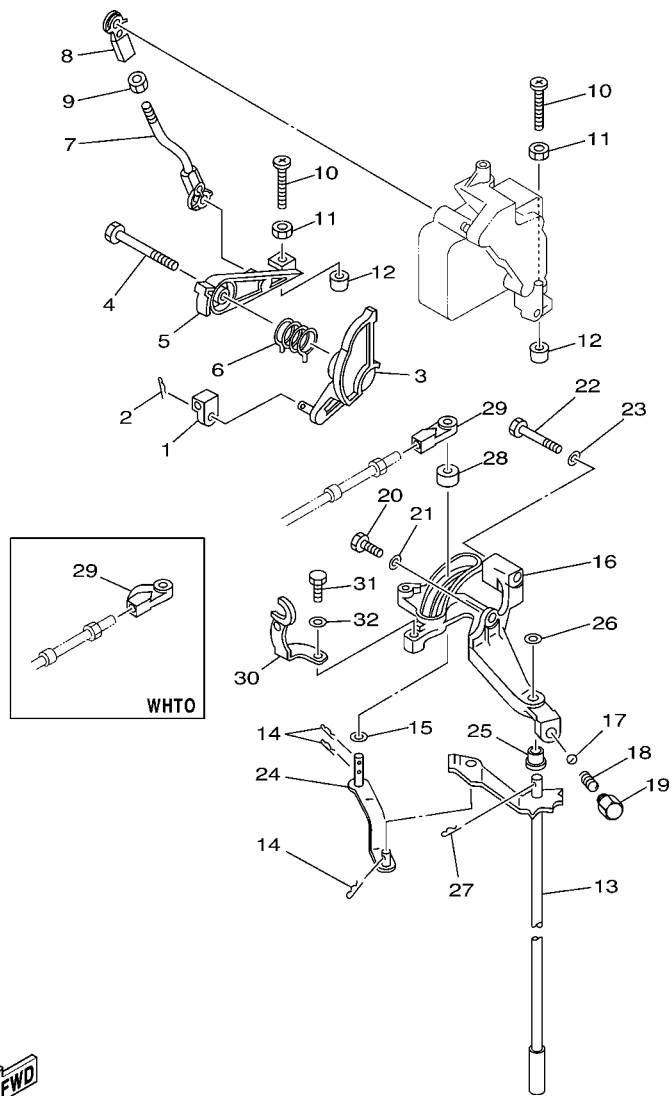
REF. NO.	PART NO.	DESCRIPTION	ETO	WHTO	REMARKS
1	63D-42508-00	STEERING FRICTION ASSY		1	
2	63D-42527-00	.PLATE, FRICTION		1	
3	63D-42546-00	.NUT		2	
4	63D-42541-00	.DAMPER		2	
5	90201-08M01	.WASHER, PLATE		2	
6	97095-08050	.BOLT		2	
7	92995-08600	.WASHER		2	
8	63D-42526-00	.PLATE, FRICTION		1	
9	63D-42528-00	.PLATE, FRICTION		2	
10	63D-42562-00	.SHAFT, STEERING LOCK		1	
11	90185-10M01	.NUT, SELF-LOCKING		1	
12	63D-42561-00	.KNOB, STEERING LOCK		1	
13	682-43318-01	.COVER		1	
14	97095-06016	BOLT		2	
15	92995-06100	WASHER, SPRING		2	
16	63D-82361-00	CLAMP, CORD		1	
17	90161-06M00	SCREW, TAPPING		1	
18	97095-06035	BOLT		1	
19	92995-06600	WASHER		1	
20	90387-06M26	COLLAR		1	



62X4100-3190

FIG. 19 CONTROL

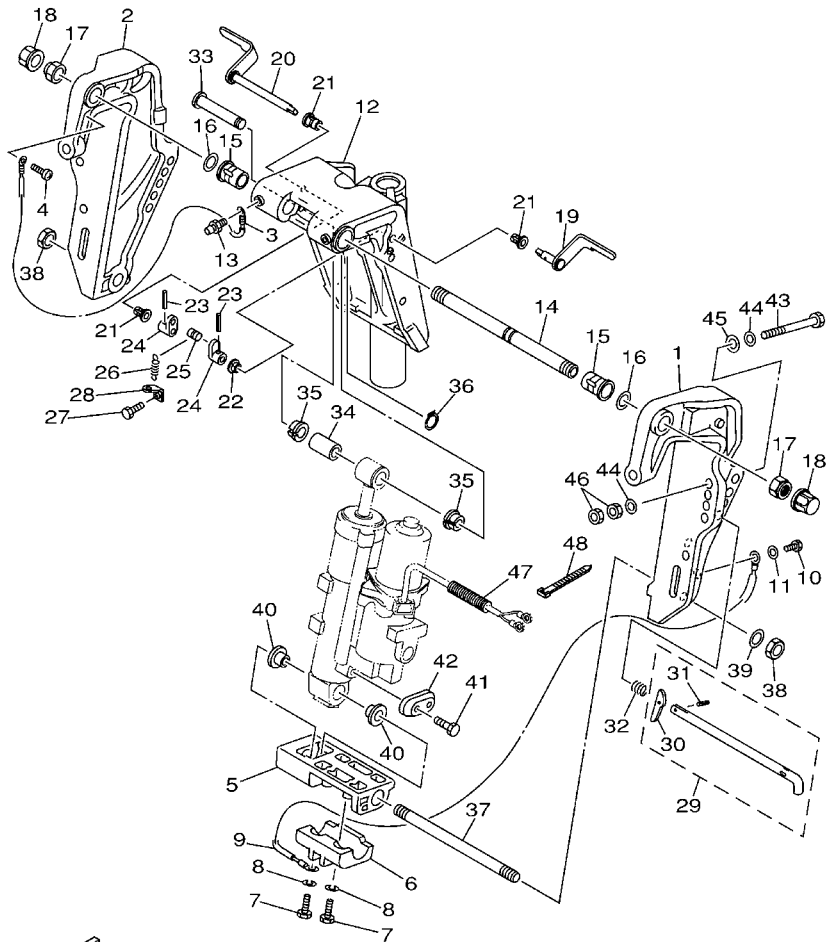
REF. NO.	PART NO.	DESCRIPTION	ETO	WHTO	REMARKS
1	6H4-48344-00	CABLE END, REMOTE CONTROL	1	1	
2	90468-18008	CLIP	1	1	
3	63D-41213-00	CAM, ACCEL.	1	1	
4	90109-06M43	BOLT	1	1	
5	63D-41632-00	LEVER, MAGNETO CONTROL	1	1	
6	90508-26M35	SPRING, TORSION	1	1	
7	63D-41636-00	ROD, MAGNETO CONTROL	1	1	
8	6H4-41237-00	JOINT, LINK	1	1	
9	95380-05600	NUT	1	1	
10	90157-06M13	SCREW, PAN HEAD	2	2	
11	95303-06600	NUT	2	2	
12	688-44194-00	CAP	2	2	
13	63D-44120-10	HANDLE GEAR SHIFT ASSY	1	1	L
14	90468-18008	CLIP	3	3	
15	90202-07M07	WASHER, PLATE	1	1	
16	63D-44117-00	BRACKET	1	1	
17	93501-04M02	BALL	1	1	
18	90501-12082	SPRING, COMPRESSION	1	1	
19	648-42715-00	BUSHING	1	1	
20	97013-06020	BOLT	1	1	
21	92903-06600	WASHER, PLATE	1	1	
22	97013-06045	BOLT	1	1	
23	92903-06600	WASHER, PLATE	1	1	
24	63D-44121-00	LEVER, SHIFT ROD	1	1	
25	90386-07M58	BUSH	1	1	
26	92990-08200	WASHER, PLAIN	1	1	
27	91490-20012	PIN, COTTER	1	1	



FWD
62X4100-3190

FIG. 19 CONTROL

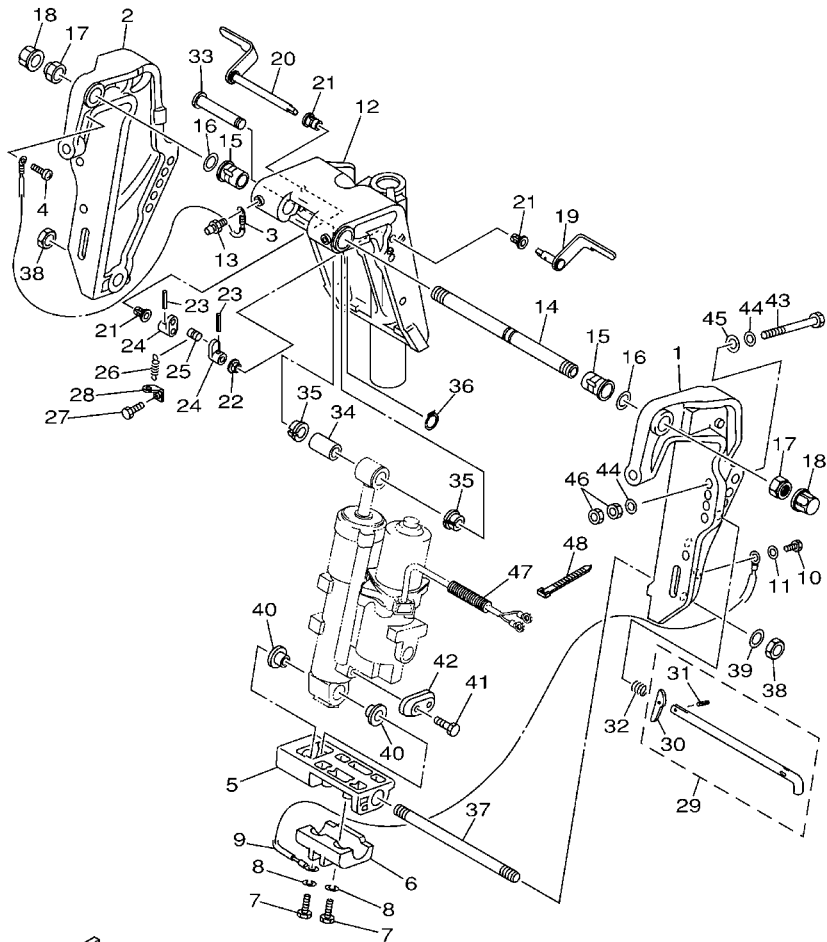
REF. NO.	PART NO.	DESCRIPTION	ETO	WHTO			REMARKS
28	688-44122-00	BUSHING, SHIFT ROD LEVER	1	1			
29	663-48344-00	CABLE END, REMOTE CONTROL	1				
	63D-48344-00	CABLE END, REMOTE CONTROL		1			
30	63D-15774-00	STAY 4	1	1			
31	97095-06016	BOLT	1	1			
32	92995-06600	WASHER	1	1			
<hr/>							
<hr/>							
<hr/>							
<hr/>							
<hr/>							
<hr/>							
<hr/>							



63D0100-1171

FIG. 20 BRACKET 1

REF. NO.	PART NO.	DESCRIPTION	ETO	WHTO	REMARKS
1	63D-43111-01-4D	BRACKET, CLAMP	1	1	
2	63D-43112-01-4D	BRACKET, CLAMP	1	1	
3	63D-82148-00	WIRE, LEAD 4	1	1	
4	97885-06008	SCREW, PAN HEAD	1	1	
5	63D-43128-01-4D	SPACER, CLAMP BRACKET	1	1	
6	63D-45251-00	ANODE	1	1	
7	97095-06025	BOLT	2	2	
8	92995-06100	WASHER, SPRING	2	2	
9	6H1-82148-00	WIRE, LEAD 4	1	1	
10	97095-06010	BOLT	1	1	
11	92995-06600	WASHER	1	1	
12	63D-43311-13-4D	BRACKET, SWIVEL 1	1	1	
13	93700-06M03	NIPPLE, GREASE	3	3	
14	63D-43131-01	BOLT, CLAMP BRACKET	1	1	
15	90386-22M15	BUSH	2	2	
16	90201-22M03	WASHER, PLATE	2	2	
17	90185-22M11	NUT, SELF-LOCKING	2	2	
18	6G5-43145-01	CAP, CLAMP BRACKET	2	2	
19	6H5-43181-03	LEVER, TILT STOP	1	1	
20	6H5-43185-03	LEVER, TILT STOP	1	1	
21	90386-10M16	BUSH	3	3	
22	90386-10025	BUSH	1	1	
23	91690-30020	PIN, SPRING	2	2	
24	6G5-43148-00	COLLAR, DISTANCE	2	2	
25	90249-06M19	PIN	1	1	
26	90506-14M24	SPRING, TENSION	1	1	
27	97095-06010	BOLT	1	1	



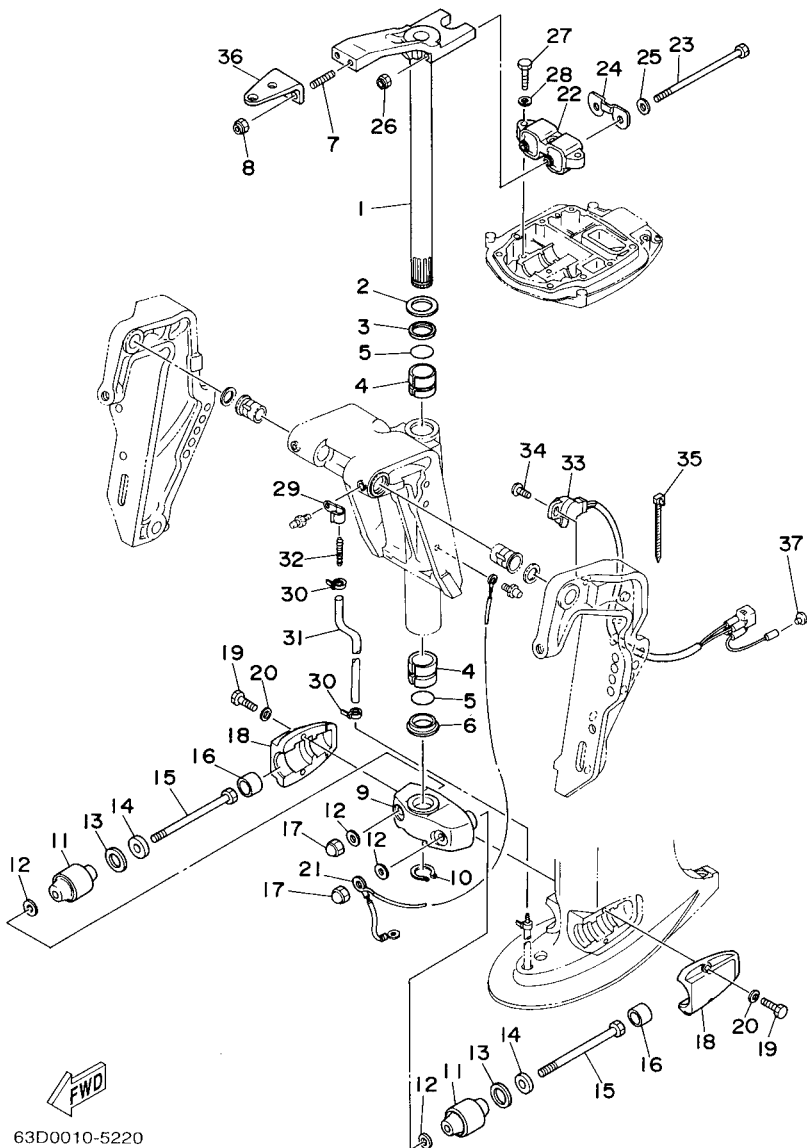
63D0100-1171

FIG. 20 BRACKET 1

REF. NO.	PART NO.	DESCRIPTION	ETO	WHTO	REMARKS
28	6G5-43144-00	HOOK, SPRING	1	1	
29	688-43160-01	TILT ROD ASSY	1	1	
30	688-43165-00	.PLATE, TILT LOCK	1	1	
31	91690-30012	.PIN, SPRING	1	1	
32	90502-16M02	SPRING, CONICAL	1	1	
33	6E5-43126-02	PIN, UPPER SHOCK MOUNT	1	1	
34	90386-18M92	BUSH	1	1	
35	90386-18M35	BUSH	2	2	
36	93410-18M02	CIRCLIP	1	1	
37	90116-18M52	BOLT, STUD	1	1	
38	90170-18M10	NUT	2	2	
39	92995-18600	WASHER	1	1	
40	90386-18M44	BUSH	2	2	
41	90101-06020	BOLT	2	2	
42	65W-45251-00	ANODE	1	1	
43	90101-12M65	BOLT	4	4	
44	92995-12200	WASHER	8	8	
45	90201-12426	WASHER, PLATE	4	4	
46	95380-12600	NUT	8	8	
47	90440-14M00	PIPE	1	1	
48	90465-11M10	CLAMP	3	3	

FIG. 21 BRACKET 2

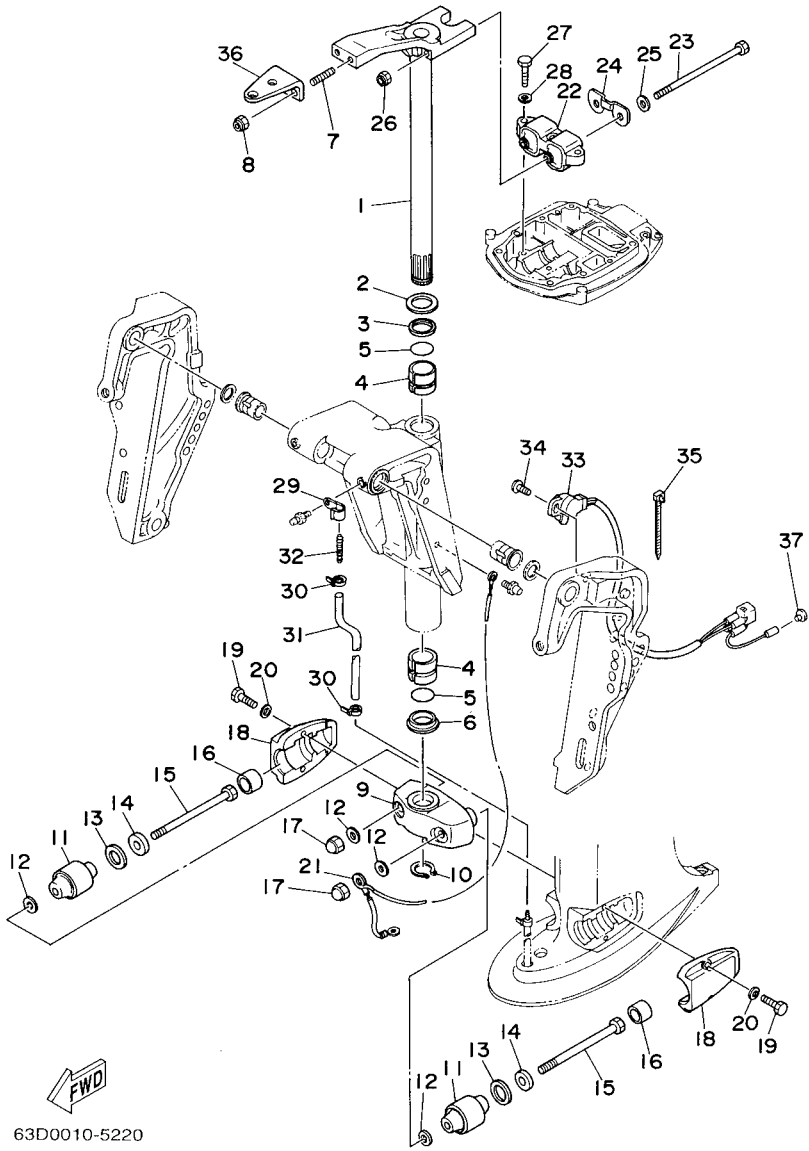
REF. NO.	PART NO.	DESCRIPTION	ETO	WHTO		REMARKS
1	63D-42510-12-4D	STEERING BRACKET ASSY	1	1		L
2	90201-30M00	WASHER, PLATE	1	1		
3	90386-30M78	BUSH	1	1		
4	90386-30M77	BUSH	2	2		
5	93210-29M94	O-RING	2	2		
6	90386-30M60	BUSH	1	1		
7	90116-10175	BOLT, STUD	2	2		
8	90185-10051	NUT, SELF-LOCKING	2	2		
9	63D-44551-01-4D	HOUSING, LOWER MOUNT RUBBER	1	1		
10	93410-28M06	CIRCLIP	1	1		
11	63D-44555-00-94	MOUNT DAMPER, LOWER SIDE	2	2		L
12	90201-12M16	WASHER, PLATE	4	4		
13	90202-25M04	WASHER, PLATE	2	2		
14	90201-13M19	WASHER, PLATE	2	2		
15	90109-12M21	BOLT	2	2		
16	663-44575-00	DAMPER, LOWER MOUNT RUBBER	2	2		
17	95380-12800	NUT, CROWN	2	2		
18	63D-44552-01-4D	HOUSING, LOWER MOUNT RUBBER	2	2		
19	97075-08030	BOLT	4	4		
20	92995-08100	WASHER	4	4		
21	63D-82127-10	WIRE, LEAD 2	1	1		L
22	63D-44514-01-94	MOUNT DAMPER, UPPER SIDE	1	1		
23	90101-08M15	BOLT	2	2		
24	63D-44526-00	PLATE	1	1		
25	90201-09425	WASHER, PLATE	2	2		
26	90185-08045	NUT, SELF-LOCKING	2	2		
27	97075-08030	BOLT	3	3		



63D0010-5220

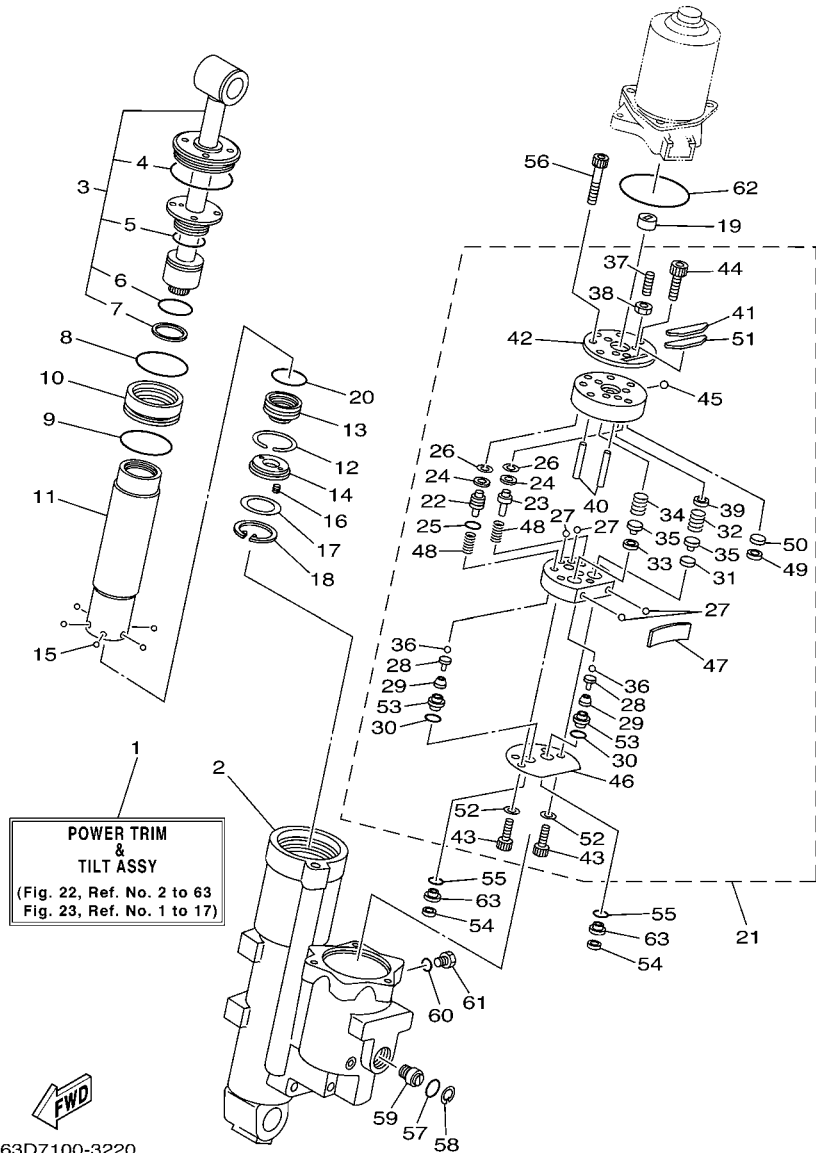
FIG. 21 BRACKET 2

REF. NO.	PART NO.	DESCRIPTION	ETO	WHTO	REMARKS
28	92995-08100	WASHER	3	3	
29	90465-06M86	CLAMP	1	1	
30	90465-11M10	CLAMP	2	2	
31	90445-07MF1	HOSE (L570)	1	1	
32	6E5-83558-00	END, NIPPLE	1	1	
33	63D-83672-10	TRIM SENDER	1		FOR USA
	63D-83672-01	TRIM SENDER	1	1	FOR OCE
34	97885-06016	SCREW, PAN HEAD	2	2	
35	90465-13M11	CLAMP	1	1	
36	63D-48511-00-4D	HOOK, STEERING	1		STEERING GUIDE
37	703-82119-00	COVER, LEAD WIRE	1	1	FOR OCE



63D0010-5220

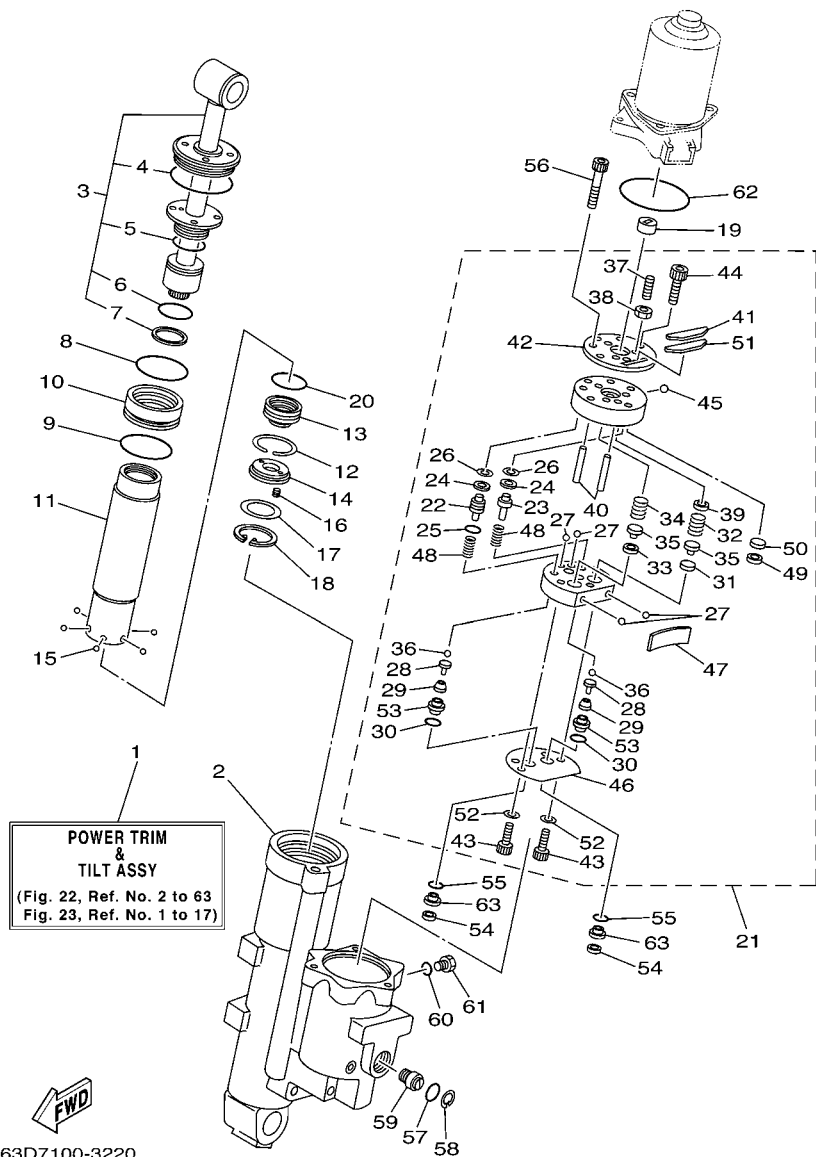
FIG. 22 POWER TRIM & TILT ASSY 1



63D7100-3220

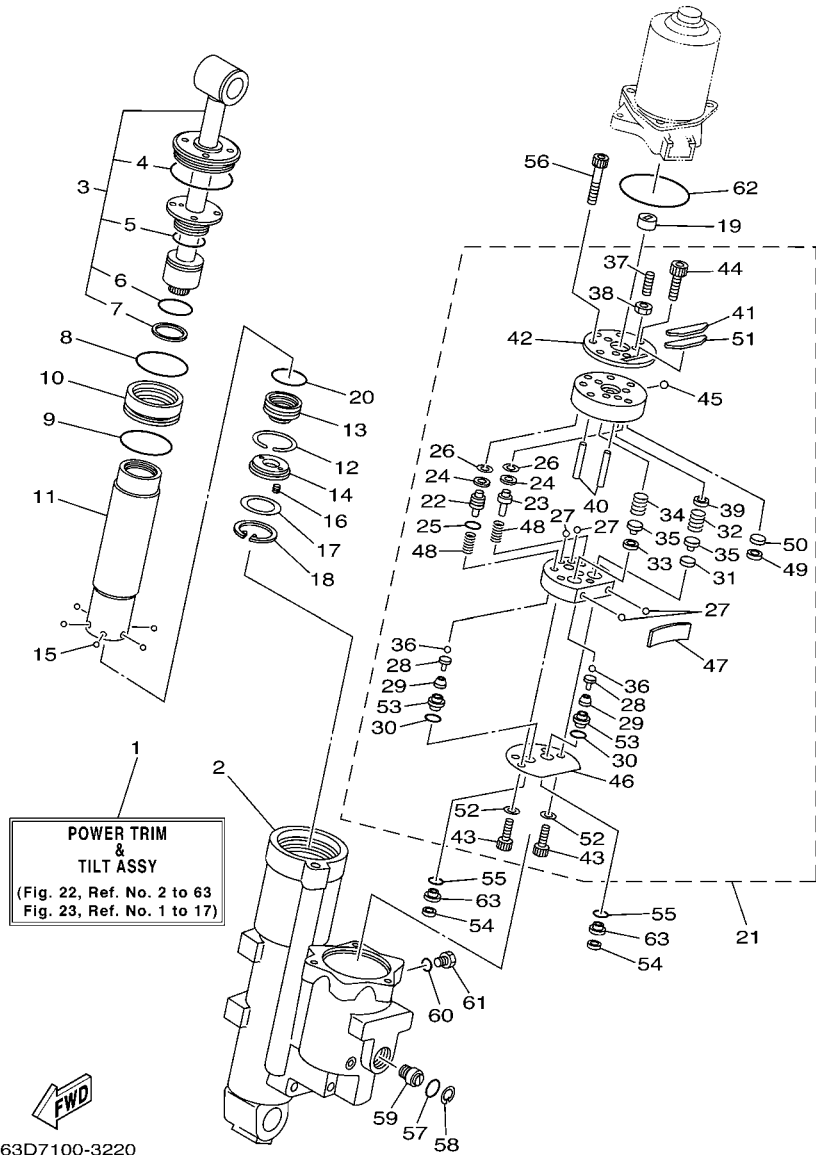
REF. NO.	PART NO.	DESCRIPTION	ETO	WHTO	REMARKS
1	62Y-43800-01-4D	POWER TRIM & TILT ASSY	1	1	
2	62Y-4380K-01	CYLINDER, TILT SUB ASSY	1	1	
3	62X-43810-01	TILT PISTON SUB ASSY	1	1	
4	62X-43861-00	.O-RING	1	1	
5	62X-43862-00	.O-RING	1	1	
6	93210-29375	.O-RING	1	1	
7	62X-43871-00	.RING, BACK UP	1	1	
8	93210-44383	O-RING	1	1	
9	93210-48214	O-RING	1	1	
10	62X-4388A-00	PISTON, TRIM	1	1	
11	62Y-22471-00	CYLINDER, SHOCK ABSORBER	1	1	
12	67F-43875-00	RING, SNAP	1	1	
13	69W-4381B-00	FREE PISTON SUB ASSY	1	1	
14	62X-43899-00	PLATE STOPPER	1	1	
15	93503-16003	BALL	6	6	
16	62X-4384H-00	SPRING	2	2	
17	1UF-22434-00	PLATE, VALVE 1	1	1	
18	62X-43875-00	RING, SNAP	1	1	
19	6H1-43831-10	CONNECTOR, SHAFT	1	1	
20	93210-29375	O-RING	1	1	
21	62Y-43830-01	GEAR PUMP ASSY	1	1	
22	69J-43841-00	.PISTON, SHUTTLE	1	1	
23	69J-4384M-00	.PISTON, SHUTTLE 2	1	1	
24	69A-4384F-00	.SEAL, MAIN VALVE	2	2	
25	6H1-43883-00	.O-RING	1	1	
26	99001-03600	.CIRCLIP	2	2	
27	93505-32038	.BALL	4	4	

FIG. 22 POWER TRIM & TILT ASSY 1



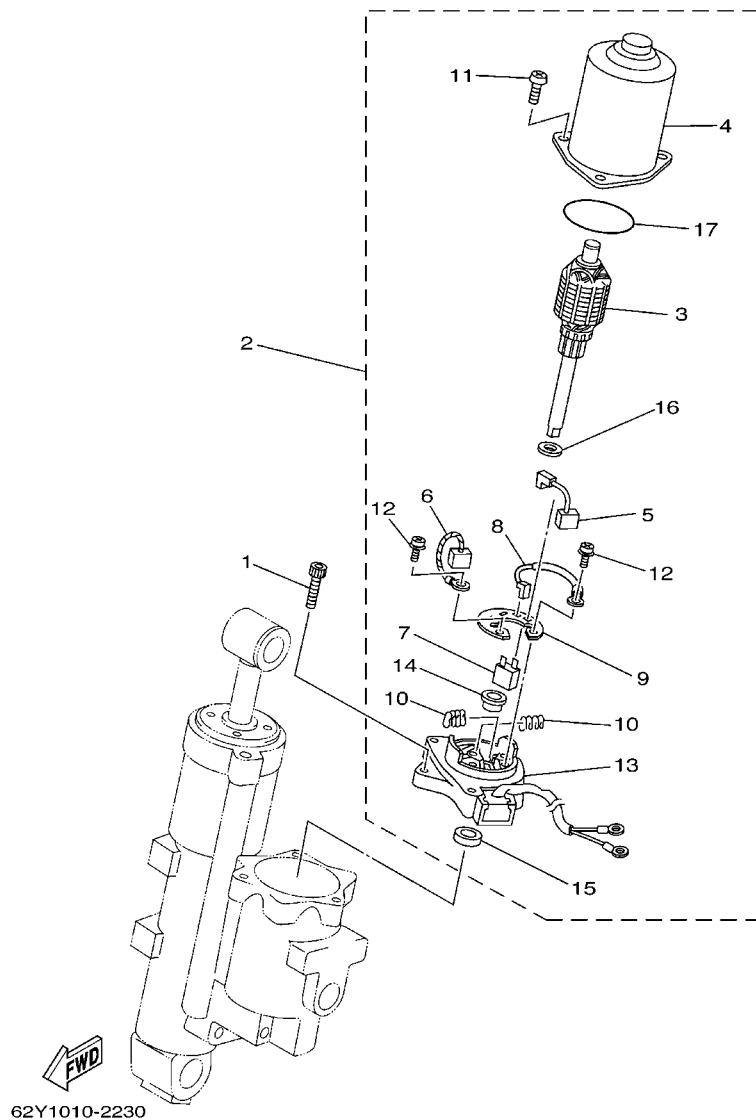
REF. NO.	PART NO.	DESCRIPTION	ETO	WHTO	REMARKS
28	65W-4386A-00	.PIN, ABSORBER VALVE	2	2	
29	69J-43853-00	.SPRING, MAIN VALVE	2	2	
30	69J-4389J-00	.O-RING	2	2	
31	6H1-4384G-11	.SEAL, RELIEF VALVE	1	1	
32	62Y-43855-00	.SPRING, UP RELIEF	1	1	
33	6H1-4384F-10	.SEAL, MAIN VALVE	1	1	
34	6H1-43856-10	.SPRING, DOWN RELIEF	1	1	
35	6H1-43844-10	.PIN, VALVE SUPPORT	2	2	
36	93505-32038	.BALL	2	2	
37	92A08-03110	.SCREW SET	1	1	
38	95307-03600	.NUT	1	1	
39	62Y-4382A-00	.ADAPTOR 1	1	1	
40	93604-26256	.PIN, DOWEL	2	2	
41	62Y-43816-00	.FILTER 1	1	1	
42	62Y-4382L-00	.CAP, RELIEF VALVE	1	1	
43	91318-05020	.BOLT	2	2	
44	91318-05008	.BOLT	2	2	
45	93501-08001	.BALL	1	1	
46	69W-4384G-00	.SEAL, RELIEF VALVE	1	1	
47	62Y-43854-00	.SPRING, MANUAL RELEASE	1	1	
48	69J-43894-00	.SPRING, SHUTTLE RETURN	2	2	
49	62Y-4387J-00	.WASHER, SPECIAL 2	1	1	
50	62Y-22434-00	.PLATE, VALVE 1	1	1	
51	62Y-43871-00	.RING, BACK UP	1	1	
52	62Y-4387G-00	.WASHER	2	2	
53	69J-43893-00	.WASHER	2	2	
54	6H1-43816-00	FILTER 1	2	2	

FIG. 22 POWER TRIM & TILT ASSY 1



REF. NO.	PART NO.	DESCRIPTION	ETO	WHTO	REMARKS
55	69J-4389J-00	O-RING	2	2	
56	91318-06040	BOLT	3	3	
57	93210-18397	O-RING	1	1	
58	6H1-43875-00	RING, SNAP	1	1	
59	62Y-43845-00	SCREW, MANUAL RELEASE	1	1	
60	93210-09165	O-RING	1	1	
61	6H1-43829-00	PLUG, RESERVOIR	1	1	
62	62X-43865-00	O-RING	1	1	
63	69W-43899-01	PLATE STOPPER	2	2	

FIG. 23 POWER TRIM & TILT ASSY 2



REF. NO.	PART NO.	DESCRIPTION	ETO	WHTO		REMARKS
1	62X-43888-00	BOLT, SOCKET	3	3		
2	62Y-43880-01	MOTOR ASSY	1	1		
3	62Y-43805-00	.ARMATURE ASSY	1	1		
4	62X-43804-01	.STATOR ASSY	1	1		
5	62Y-43892-00	.BRUSH 2	1	1		
6	62Y-43891-00	.BRUSH 1	1	1		
7	62Y-82181-01	.CIRCUIT BREAKER COMP.	1	1		
8	62X-43807-00	.WIRE SUB ASSY	1	1		
9	69W-4380F-00	.PLATE, BRUSH HOLDER	1	1		
10	62X-4386K-00	.SPRING, BRUSH	2	2		
11	97880-05020	.SCREW, PAN HEAD	3	3		
12	97607-04212	.SCREW, WITH WASHER	2	2		
13	62Y-43881-00	.FRAME, END	1	1		
14	62X-4380H-00	.METAL	1	1		
15	93102-08414	.OIL SEAL	1	1		
16	90201-083J8	.WASHER, PLATE	1	1		
17	93210-52449	.O-RING	1	1		

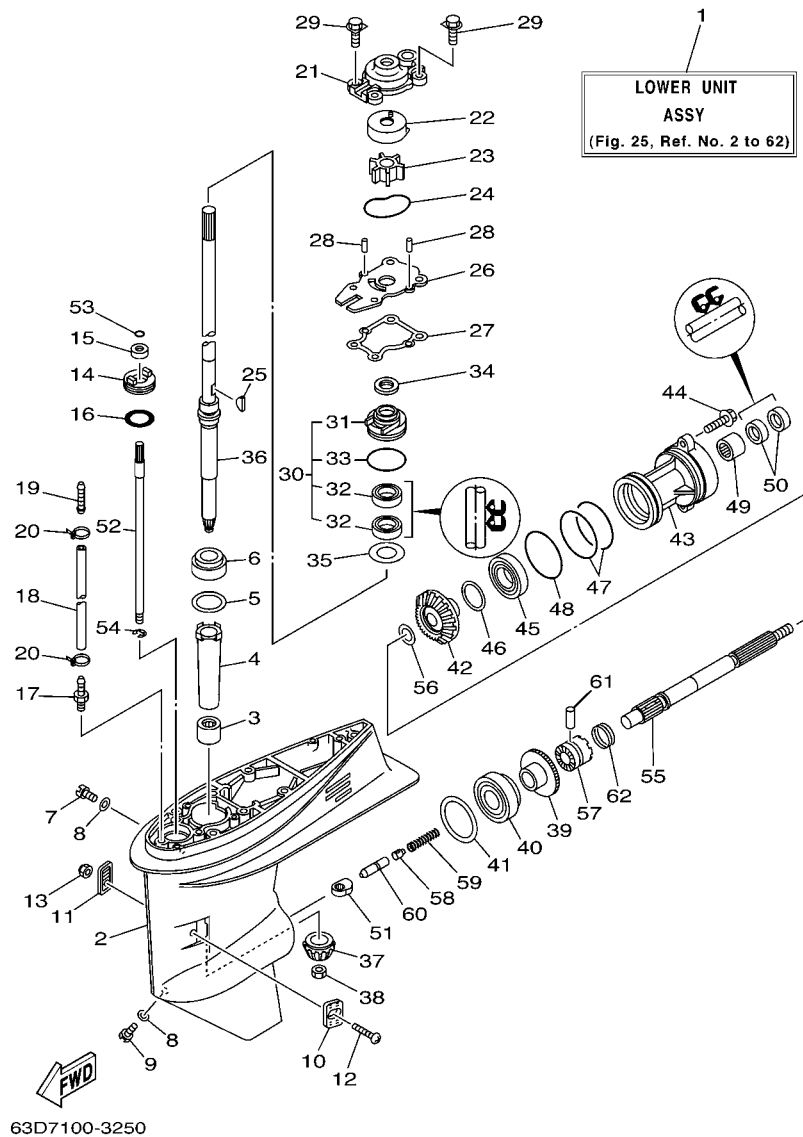


FIG. 25 LOWER CASING & DRIVE 1

REF. NO.	PART NO.	DESCRIPTION	ETO	WHTO	REMARKS
1	63D-45300-12-4D	LOWER UNIT ASSY	1	1	L
2	63D-45301-03-4D	CASING, LOWER	1	1	
3	93315-32224	BEARING	1	1	
4	6H4-45536-00	SLEEVE, DRIVE SHAFT	1	1	
5	663-45587-01-10	SHIM (T:0.10MM)	1	1	UR
6	663-45587-01-12	SHIM (T:0.12MM)	1	1	UR
7	663-45587-01-15	SHIM (T:0.15MM)	1	1	UR
8	663-45587-01-18	SHIM (T:0.18MM)	1	1	UR
9	663-45587-01-30	SHIM (T:0.30MM)	1	1	UR
10	663-45587-01-40	SHIM (T:0.40MM)	1	1	UR
11	663-45587-01-50	SHIM (T:0.50MM)	1	1	UR
12	93332-00001	BEARING	1	1	
13	90340-08002	PLUG, STRAIGHT SCREW	1	1	
14	90430-08020	GASKET	2	2	
15	688-45341-10	PLUG, DRAIN	1	1	
16	63D-45214-00	COVER, WATER INLET	1	1	
17	63D-45215-00	COVER, WATER INLET	1	1	
18	90142-05M06	SCREW, COUNTERSUNK	1	1	
19	95380-05600	NUT	1	1	
20	63D-45321-00	PLATE	1	1	
21	93106-09014	OIL SEAL	1	1	
22	93210-33MG4	O-RING	1	1	
23	6E5-45378-00	NIPPLE, HOSE	1	1	
24	90445-07M31	HOSE (L200)	1	1	L
25	6E5-83558-10	END, NIPPLE	1	1	
26	90465-11M10	CLAMP	2	2	
27	63D-44311-00	HOUSING, WATER PUMP	1	1	

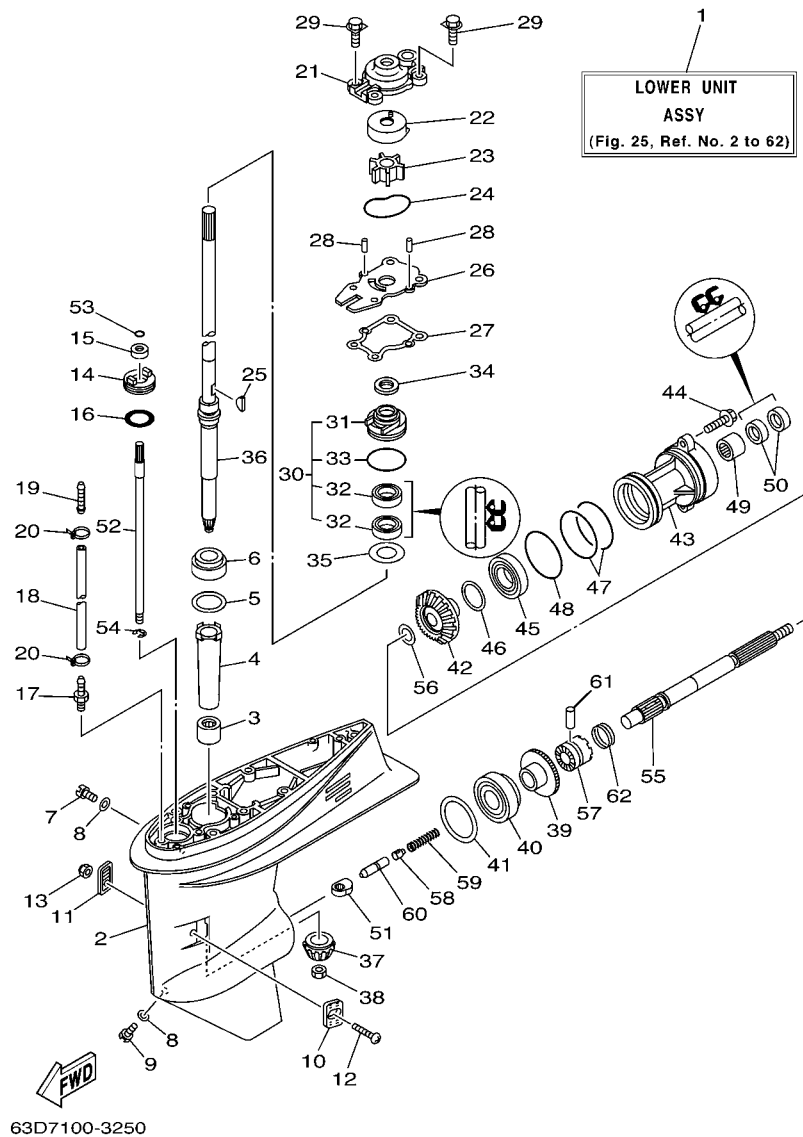


FIG. 25 LOWER CASING & DRIVE 1

REF. NO.	PART NO.	DESCRIPTION	ETO	WHTO	REMARKS
22	63D-44322-00	INSERT, CARTRIDGE	1	1	
23	6H3-44352-00	IMPELLER	1	1	
24	93210-59MG7	O-RING	1	1	
25	90280-03024	KEY, WOODRUFF	1	1	
26	63D-44323-00	OUTER PLATE, CARTRIDGE	1	1	
27	63D-44316-00	GASKET, WATER PUMP	1	1	
28	93604-08062	PIN, DOWEL	2	2	
29	90119-08M15	BOLT, WITH WASHER	4	4	
30	63D-W4434-00	WATER PUMP HOUSING ASSY	1	1	
31	63D-44341-00	.HOUSING, WATER PUMP	1	1	
32	93101-25M57	.OIL SEAL	2	2	
33	93210-48MG8	.O-RING	1	1	
34	63D-45344-00	COVER, OIL SEAL	1	1	
35	90201-27M00	WASHER, PLATE	1	1	
36	63D-45501-10	DRIVE SHAFT COMP.	1	1	L
37	6H4-45551-01	PINION	1	1	
38	90170-12138	NUT	1	1	
39	6H4-45560-01	GEAR	1	1	
40	93332-00003	BEARING	1	1	
41	663-45567-01-10	SHIM (T:0.10MM)	1	1	UR
	663-45567-01-12	SHIM (T:0.12MM)	1	1	UR
	663-45567-01-15	SHIM (T:0.15MM)	1	1	UR
	663-45567-01-18	SHIM (T:0.18MM)	1	1	UR
	663-45567-01-30	SHIM (T:0.30MM)	1	1	UR
	663-45567-01-40	SHIM (T:0.40MM)	1	1	UR
	663-45567-01-50	SHIM (T:0.50MM)	1	1	UR
42	6H4-45571-01	GEAR	1	1	

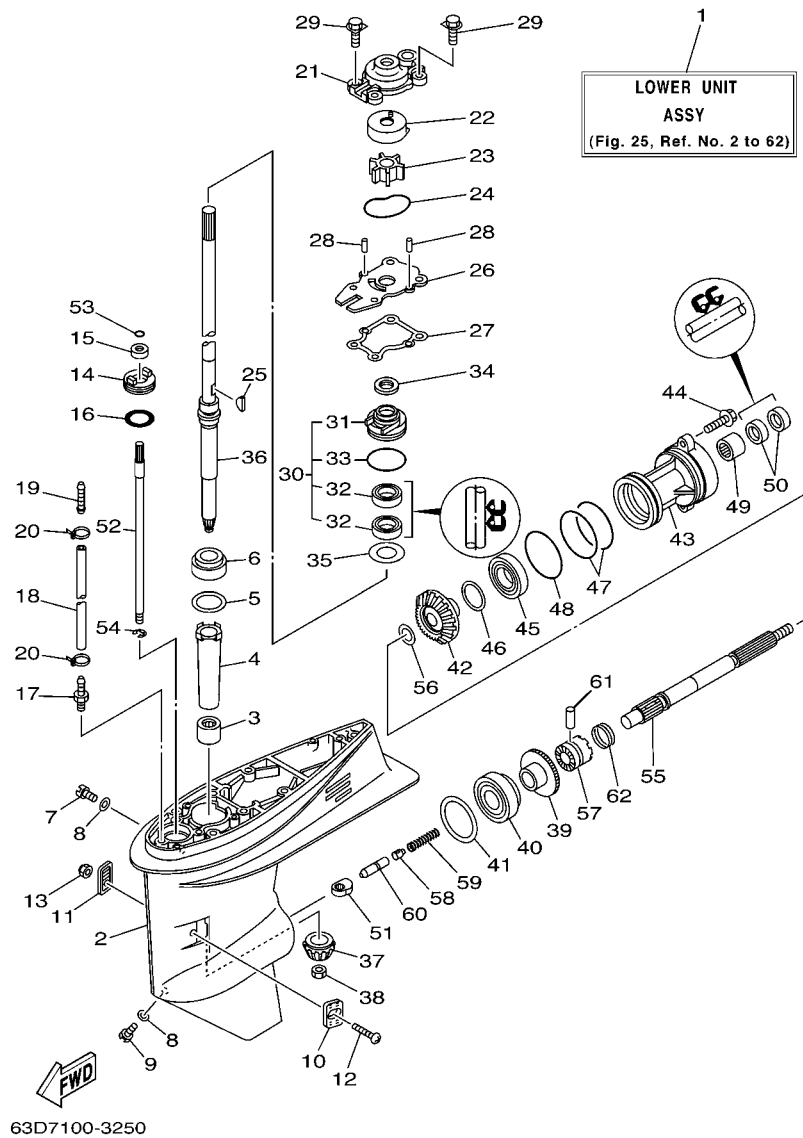
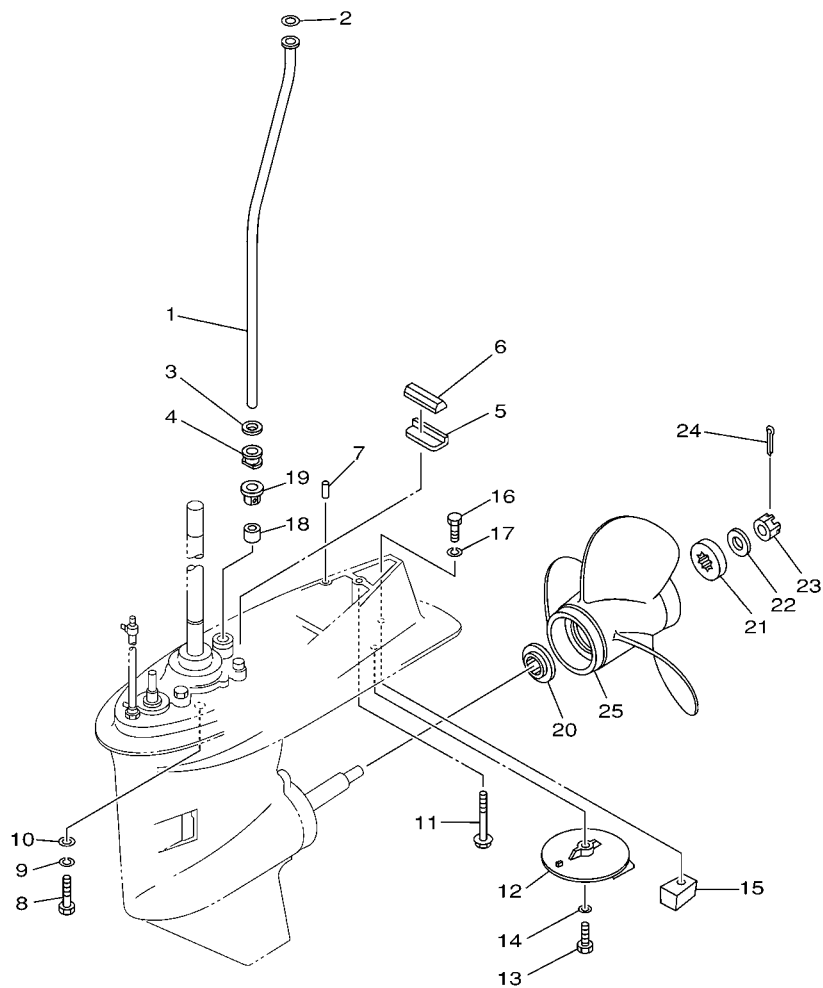


FIG. 25 LOWER CASING & DRIVE 1

REF. NO.	PART NO.	DESCRIPTION	ETO	WHTO	REMARKS
43	63D-45361-02-4D	CAP, LOWER CASING	1	1	
44	90105-08M61	BOLT, FLANGE	2	2	
45	93306-001U1	BEARING	1	1	
46	63D-45577-00-10	SHIM (T:0.10MM)	1	1	UR
	63D-45577-00-12	SHIM (T:0.12MM)	1	1	UR
	63D-45577-00-15	SHIM (T:0.15MM)	1	1	UR
	63D-45577-00-18	SHIM (T:0.18MM)	1	1	UR
	63D-45577-00-30	SHIM (T:0.30MM)	1	1	UR
	63D-45577-00-40	SHIM (T:0.40MM)	1	1	UR
	63D-45577-00-50	SHIM (T:0.50MM)	1	1	UR
47	93210-74MG5	O-RING	2	2	
48	93210-69MG6	O-RING	1	1	
49	93317-22204	BEARING	1	1	
50	93101-22M00	OIL SEAL	2	2	
51	663-44151-00	CAM, SHIFT	1	1	
52	63D-44144-00	ROD, SHIFT	1	1	
53	93210-07003	O-RING	1	1	
54	99001-08600	CIRCLIP	1	1	
55	63D-45611-00	SHAFT, PROPELLER	1	1	
56	90201-22429	WASHER, PLATE	1	1	
57	63D-45631-01	CLUTCH, DOG	1	1	
58	663-45634-00	SLIDE, SHIFT	1	1	
59	90501-16M01	SPRING, COMPRESSION	1	1	
60	63D-45635-00	PLUNGER, SHIFT	1	1	
61	90250-06023	PIN, STRAIGHT	1	1	
62	663-45633-00	RING, CROSS PIN	1	1	

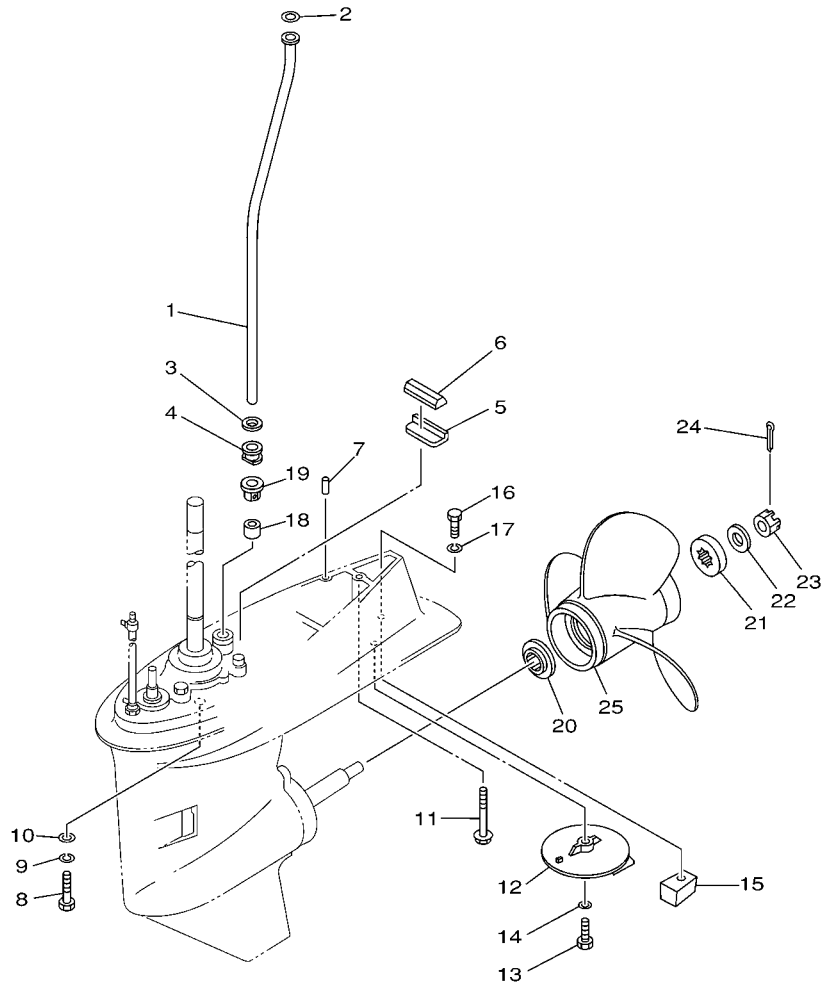
FIG. 26 LOWER CASING & DRIVE 2




63D0100-0241

REF. NO.	PART NO.	DESCRIPTION	ETO	WHTO		REMARKS
1	63D-44361-10	TUBE, WATER	1	1		L
2	90202-12060	WASHER, PLATE	1	1		
3	90430-12072	GASKET	1	1		
4	63D-44367-00	DAMPER, WATER SEAL	1	1		
5	663-45376-00-94	GUIDE, SEAL DAMPER	1	1		
6	63D-45375-00	DAMPER, SEAL	1	1		
7	93606-12019	PIN, DOWEL	2	2		
8	97075-10040	BOLT	4	4		
9	92995-10100	WASHER	4	4		
10	92995-10600	WASHER	4	4		
11	90119-08M84	BOLT, WITH WASHER	1	1		
12	664-45371-01	TAB-TRIM	1	1		
13	97095-08025	BOLT	1	1		
14	92995-08100	WASHER	1	1		
15	67C-45251-00	ANODE	1	1		
16	97095-08035	BOLT	1	1		
17	92995-08100	WASHER	1	1		
18	663-44366-00	DAMPER, WATER SEAL	1	1		
19	63D-44312-00	COVER, WATER PUMP HOUSING	1	1		
20	663-45987-02	SPACER	1	1		
21	670-45997-02	SPACER	1	1		
22	92990-16200	WASHER, PLAIN	1	1		
23	90171-16011	NUT, CASTLE	1	1		
24	91490-30025	PIN, COTTER	1	1		
25	663-45941-01-EL	PROPELLER (3X10-3/4"X17"-G)	1	1		UR
	663-45949-01-EL	PROPELLER (3X10-3/4"X16"-G)	1	1		UR
	663-45952-02-EL	PROPELLER (3X11-3/8"X12"-G)	1	1		UR

B2

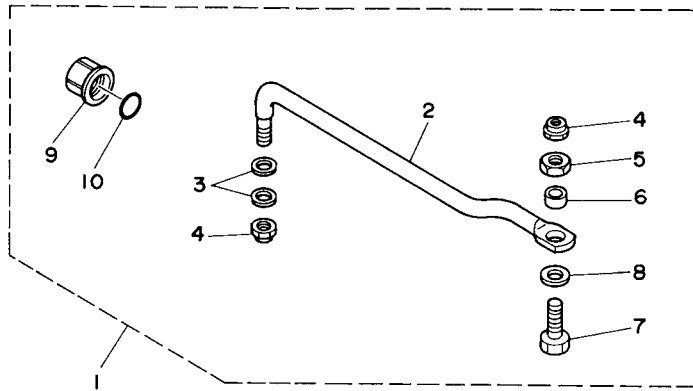


63D0100-0241

FIG. 26 LOWER CASING & DRIVE 2

REF. NO.	PART NO.	DESCRIPTION	ETO	WHTO		REMARKS
25	663-45954-01-EL	PROPELLER (3X11-3/4"X10"-G)	1	1		UR
	663-45956-01-EL	PROPELLER (3X12-1/4"X9"-G)	1	1		UR
	663-45958-01-EL	PROPELLER (3X11-1/4"X14"-G)	1	1		UR
	69W-45943-00-EL	PROPELLER (3X11"X15"-G)	1	1		UR
	69W-45945-00-EL	PROPELLER (3X11-1/8"X13"-G)	1	1		UR
	69W-45947-00-EL	PROPELLER (3X11-5/8"X11"-G)	1	1		UR
	69W-45952-00-EL	PROPELLER (3X11-3/8"X12"-G)	1	1		UR
	6H5-45943-00-EL	PROPELLER (3X10"X15"-G)	1	1		UR WITH LIP CUP
	6H5-45945-00-EL	PROPELLER (3X10-3/8"X13"-G)	1	1		UR WITH LIP CUP
	6H5-45952-00-EL	PROPELLER (3X10-5/8"X12"-G)	1	1		UR WITH LIP CUP
	6H5-45958-00-EL	PROPELLER (3X10-1/4"X14"-G)	1	1		UR WITH LIP CUP
	663-45930-00-98	PROPELLER (3X10-1/4"X14"-G)	1	1		UR
	663-45974-02-98	PROPELLER (3X10-5/8"X13"-G)	1	1		UR
	663-45976-00-98	PROPELLER (3X10-1/4"X15"-G)	1	1		UR
	663-45978-00-98	PROPELLER (3X10-1/4"X16"-G)	1	1		UR
	663-45970-60-98	PROPELLER (3X11-3/4"X12"-G)	1	1		UR
	663-45972-60-98	PROPELLER (3X12"X11"-G)	1	1		UR
	663-45974-60-98	PROPELLER (3X11-1/2"X13"-G)	1	1		UR
	697-45970-00-98	PROPELLER (3X11-1/4"X14"-G)	1	1		UR

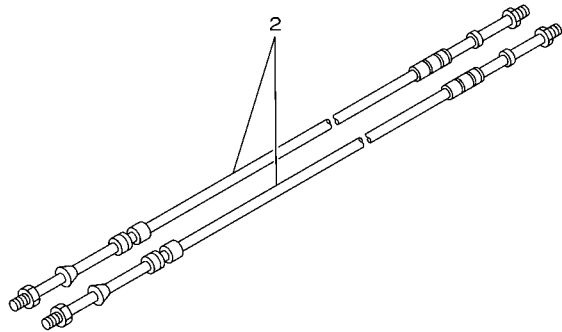
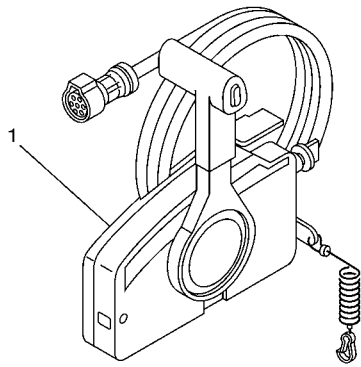
FIG. 28 STEERING GUIDE



62Y0010-5200

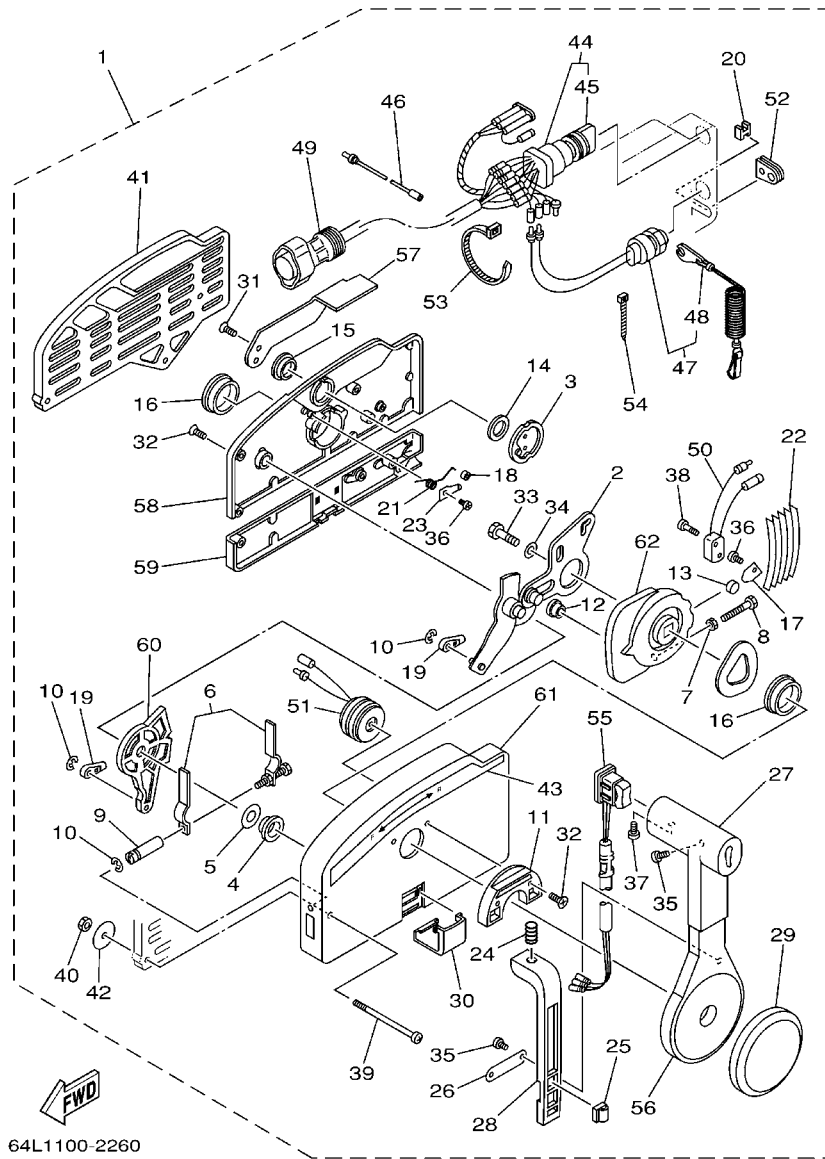
REF. NO.	PART NO.	DESCRIPTION	ETO	WHTO			REMARKS
1	63D-61350-00	STEERING GUIDE ATTACHMENT KIT	1				AP
2	63D-61351-00	.ROD, STEERING LINK	1				
3	90201-10M20	.WASHER, PLATE	2				
4	90185-09M01	.NUT, SELF-LOCKING	2				
5	90170-09M03	.NUT	1				
6	90387-10M42	.COLLAR	1				
7	90101-09M01	.BOLT	1				
8	90201-10M63	.WASHER, PLATE	1				
9	6E5-43145-01	.CAP, CLAMP BRACKET	1				
10	93210-16275	.O-RING	1				

FIG. 29 REMOTE CONTROL BOX



67M0100-8280

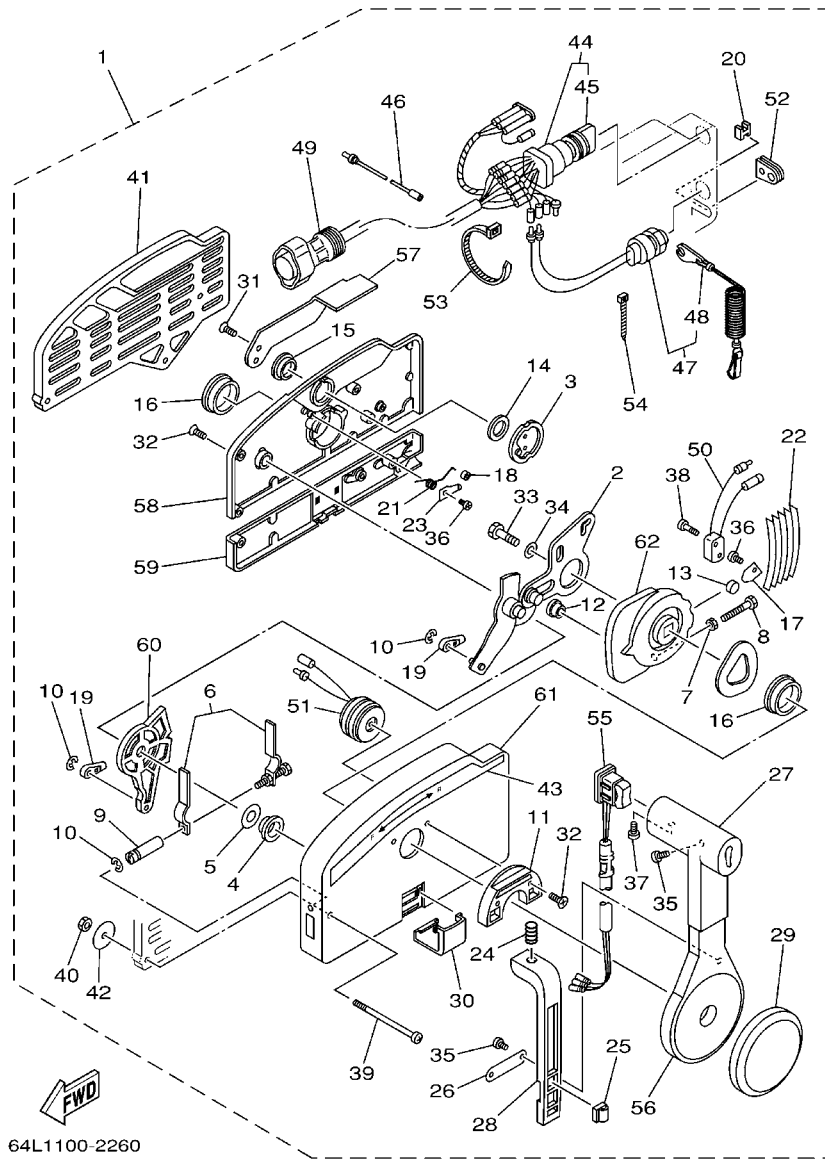
REF. NO.	PART NO.	DESCRIPTION	ETO	WHTO		REMARKS
1	703-48205-17	REMOTE CONTROL ASSY	1			AP WITH PT/T SW.
2	701-48320-00	CABLE, REMOTE CONTROL L=12F	2			UR
	701-48320-20	CABLE, REMOTE CONTROL L=13F	2			UR
	701-48320-30	CABLE, REMOTE CONTROL L=14F	2			UR
	701-48320-50	CABLE, REMOTE CONTROL L=15F	2			UR
	701-48320-60	CABLE, REMOTE CONTROL L=16F	2			UR
	701-48320-80	CABLE, REMOTE CONTROL L=17F	2			UR



64L1100-2260

FIG. 30 REMOTE CONTROL ASSY

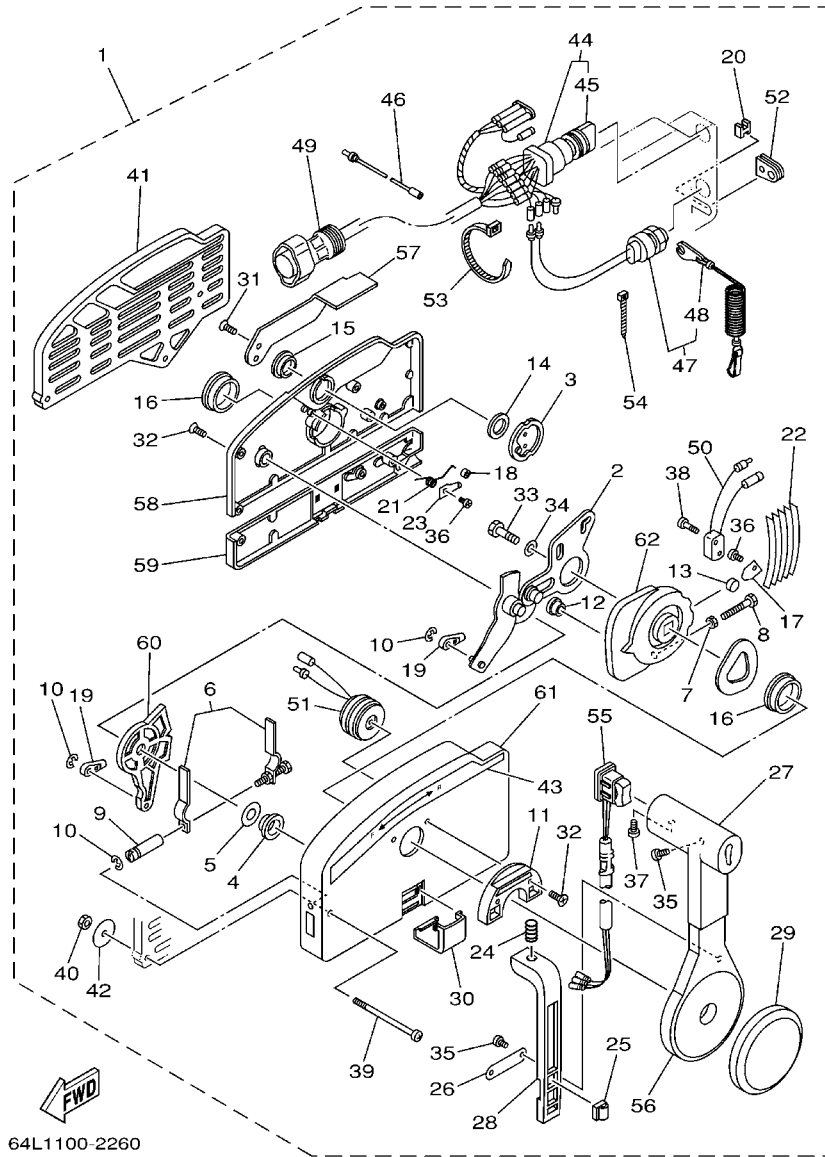
REF. NO.	PART NO.	DESCRIPTION	ETO	WHTO	REMARKS
1	703-48205-17	REMOTE CONTROL ASSY	1		AP WITH PT/T SW.
2	703-48261-01	.ARM, THROTTLE	1		
3	703-48153-00	.SHAFT, FREE ACCEL.	1		
4	703-48235-00	.BUSHING	1		
5	703-48268-00	.SPACER	1		
6	703-48264-00	.THROTTLE, FRICTION	1		
7	95380-05600	.NUT	1		
8	97380-05025	.BOLT	1		
9	703-48265-00	.SHAFT, FRICTION	1		
10	93430-06024	.CIRCLIP	3		
11	703-48245-00	.PLATE, LOCK	1		
12	703-48252-00	.ROLLER, CAM	1		
13	701-48248-00	.ROLLER, FREE ACCEL.	1		
14	703-48198-00	.WASHER, WAVE	1		
15	703-48243-00	.BUSHING	1		
16	703-48236-00	.BUSHING 1	2		
17	703-48189-00	.RETAINER	1		
18	703-48234-00	.ROLLER, DETENT	1		
19	703-48345-01	.CABLE END, REMOTE CONTROL 2	2		
20	703-48358-00	.ANCHOR, CABLE	1		
21	703-48244-00	.SPRING, FREE ACCEL.	1		
22	703-48238-00	.SPRING, DETENT	5		
23	703-48246-00	.SPACER	1		
24	703-48227-00	.SPRING, NEUTRAL LOCK	1		
25	703-82594-00	.CLAMP	1		WITH PT/T SW.
26	703-48226-00	.PLATE, STOPPER	1		
27	703-48222-00	.GRIP, CONTROL LEVER	1		SINGLE



64L1100-2260

FIG. 30 REMOTE CONTROL ASSY

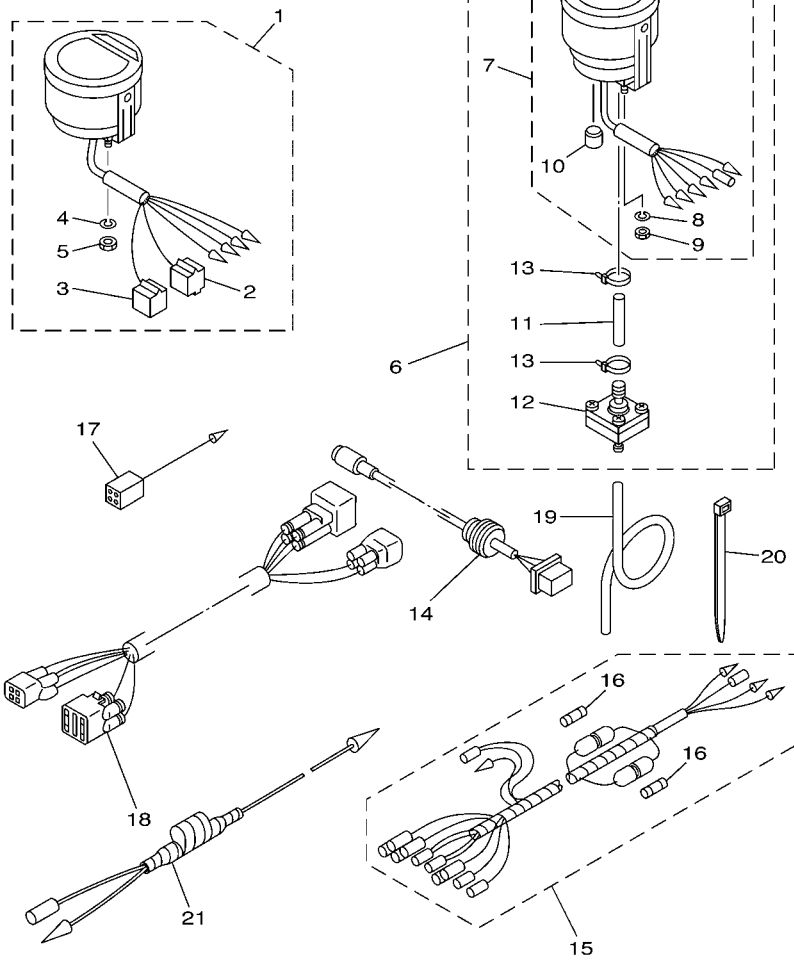
REF. NO.	PART NO.	DESCRIPTION	ETO	WHTO	REMARKS
28	703-48223-00	.LOCK, NEUTRAL	1		
29	703-48225-00	.COVER	1		
30	703-48219-00	.COVER, LEAD	1		
31	703-48281-00	.SCREW	2		
32	703-48282-00	.SCREW	7		
33	97380-08030	.BOLT	1		
34	92990-08600	.WASHER, PLATE	1		
35	98580-04010	.SCREW, PAN HEAD	3		
36	98580-04006	.SCREW, PAN HEAD	2		
37	98580-05010	.SCREW, PAN HEAD	1		
38	98580-03015	.SCREW, PAN HEAD	2		
39	703-48291-10	.SCREW (M6)	3		
40	95380-06600	.NUT, HEXAGON	3		
41	703-48293-10	.SPACER, REMOTE CONTROL	1		SINGLE
42	701-48287-00	.WASHER	3		
43	703-48215-00	.GRAPHIC	1		
44	703-82510-43	.MAIN SWITCH ASSY	1		
45	703-82577-00	..CAP, KEY	1		
46	703-82531-00	.WIRE, LEAD	1		
47	688-82575-01	.ENGINE STOP SWITCH ASSY	1		
48	682-82556-00	..STOPPER	1		
49	688-8258A-20	.EXTENSION, WIRE HARNESS	1		L:5M (10P)
50	703-82540-00	.NEUTRAL SWITCH ASSY	1		
51	703-83383-02	.BUZZER	1		
52	703-48284-00	.GROMMET	1		
53	703-82591-00	.BAND	1		
54	703-82592-00	.BAND	1		



64L1100-2260

FIG. 30 REMOTE CONTROL ASSY

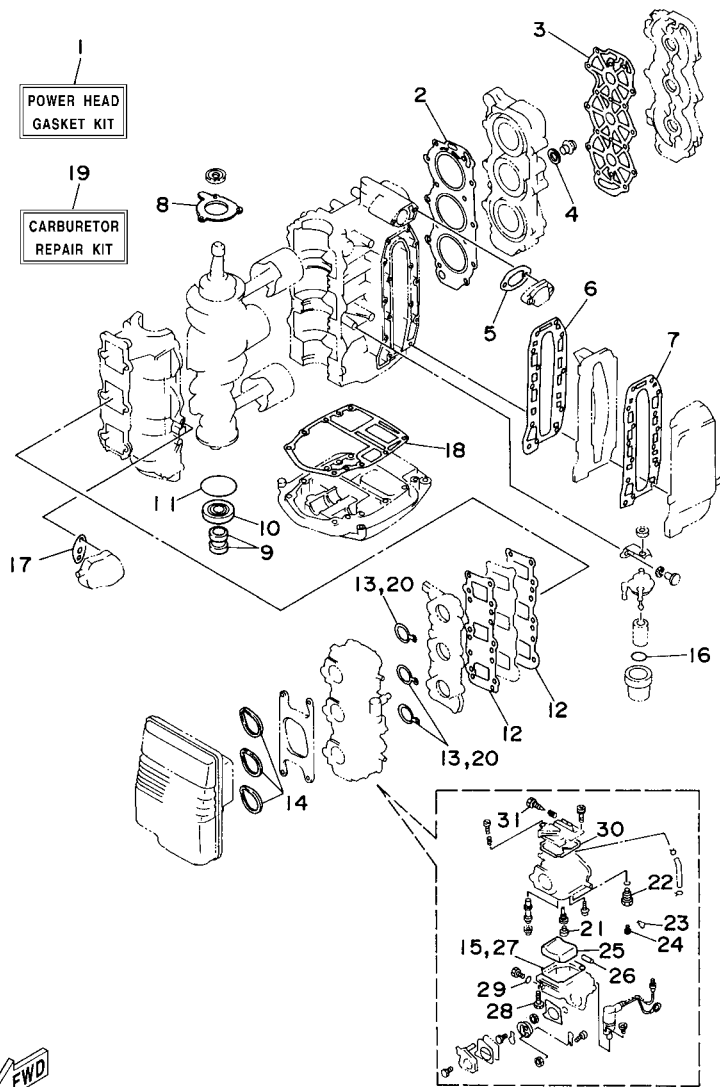
REF. NO.	PART NO.	DESCRIPTION	ETO	WHTO	REMARKS
55	703-82563-02	.TRIM & TILT SWITCH ASSY	1		WITH PT/T SW.
56	703-48221-00	.LEVER, CONTROL	1		
57	703-48152-00	.KNOB, FREE ACCEL.	1		
58	703-48212-00	.BACK PLATE 1	1		
59	703-48213-00	.BACK PLATE 2	1		
60	703-48271-00	.ARM, SHIFT	1		
61	703-48211-01	.HOUSING,1	1		
62	703-48232-00	.GEAR	1		



62X4100-3310

FIG. 31 METER

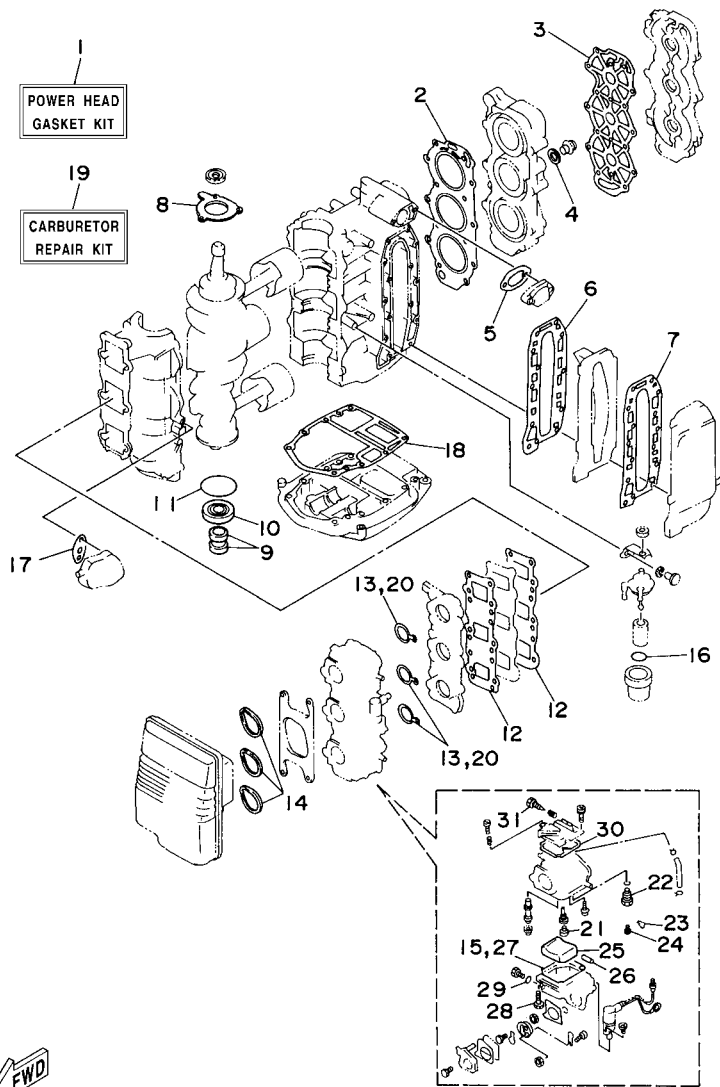
REF. NO.	PART NO.	DESCRIPTION	ETO	WHTO	REMARKS
1	6Y5-8350T-03	TACHOMETER ASSY	1		AP
2	9E450-04433	.CONNECTOR	1		M-4-W
3	9E450-04533	.CONNECTOR	1		F-4-W
4	92990-04100	.WASHER, SPRING	2		
5	95380-04600	.NUT	2		
6	6Y5-83500-S5	DIGITAL SPEEDOMETER ASSY	4		AP 50,50H
7	6Y5-83570-S5	.SPEEDOMETER ASSY	1		
8	92990-04100	..WASHER, SPRING	2		
9	95380-04600	..NUT	2		
10	6Y5-83533-T2	..GROMMET	1		
11	6Y5-83557-31	.TUBE	1		
12	6Y5-83728-00	.CONNECTOR ASSY	1		
13	90465-11M10	.CLAMP	2		
14	6Y5-87122-S0	CORD ASSY 1	1		AP 50,50H
15	6Y5-83553-M0	WIRE, LEAD	1		AP 50,50H
	6Y5-83553-00	WIRE, LEAD	1		AP 40,40V
16	1E6-82151-00	.FUSE (10A)	2		FOR 6Y5-83553-M0
	1E6-82151-00	.FUSE (10A)	1		FOR 6Y5-83553-00
17	6Y5-82117-00	WIRE, LEAD (BLACK)	1		AP 50,50H
18	68F-82553-80	EXTENSION, WIRE LEAD	1		AP 50,50H
	68F-82553-70	EXTENSION, WIRE LEAD	1		AP 40,40V
19	6Y5-83557-10	TUBE (8M)	1		AP 50,50H
20	90465-11M10	CLAMP	2		AP 50,50H
21	6H4-81315-11	LEAD WIRE ASSY	1		AP



63D0010-5270

FIG. 32 REPAIR KIT 1

REF. NO.	PART NO.	DESCRIPTION	ETO	WHTO	REMARKS
1	63D-W0001-00	POWER HEAD GASKET KIT	1	1	
2	63D-11181-A1	.GASKET, CYLINDER HEAD 1	1	1	
3	63D-11193-A0	.GASKET, HEAD COVER 1	1	1	
4	90430-14115	.GASKET	1	1	
5	6J8-12414-A0	.GASKET, COVER	1	1	
6	6H4-41112-A0	.GASKET, EXHAUST INNER COVER	1	1	
7	6H4-41114-A0	.GASKET, EXHAUST OUTER COVER	1	1	
8	6H4-15369-A1	.GASKET, OIL SEAL HOUSING	1	1	
9	93104-16M01	.OIL SEAL	2	2	
10	93102-25M28	.OIL SEAL	1	1	
11	93210-58M21	.O-RING	1	1	
12	6H4-13621-A1	.GASKET, VALVE SEAT	2	2	
13	6H4-14198-01	.GASKET	3	3	
14	6H3-14457-01	.SEAL	3	3	
15	6H4-14984-00	.GASKET, FLOAT CHAMBER	3	3	
16	93210-32738	.O-RING	1	1	
17	650-24431-A0	.GASKET, FUEL PUMP 1	1	1	
18	6H4-45113-A0	.GASKET, UPPER CASING	1	1	
19	6H4-W0093-03	CARBURETOR REPAIR KIT	1	1	
20	6H4-14198-01	.GASKET	3	3	
21	676-14966-00	.CAP	3	3	
22	6H4-14590-01	.NEEDLE VALVE ASSY	3	3	
23	663-14159-00	.CLIP	3	3	
24	676-14186-00	.PIN, FLOAT	3	3	
25	6H4-14985-01	.FLOAT	3	3	
26	6H4-14548-00	.PIN, FLOAT ARM	3	3	
27	6H4-14984-00	.GASKET, FLOAT CHAMBER	3	3	

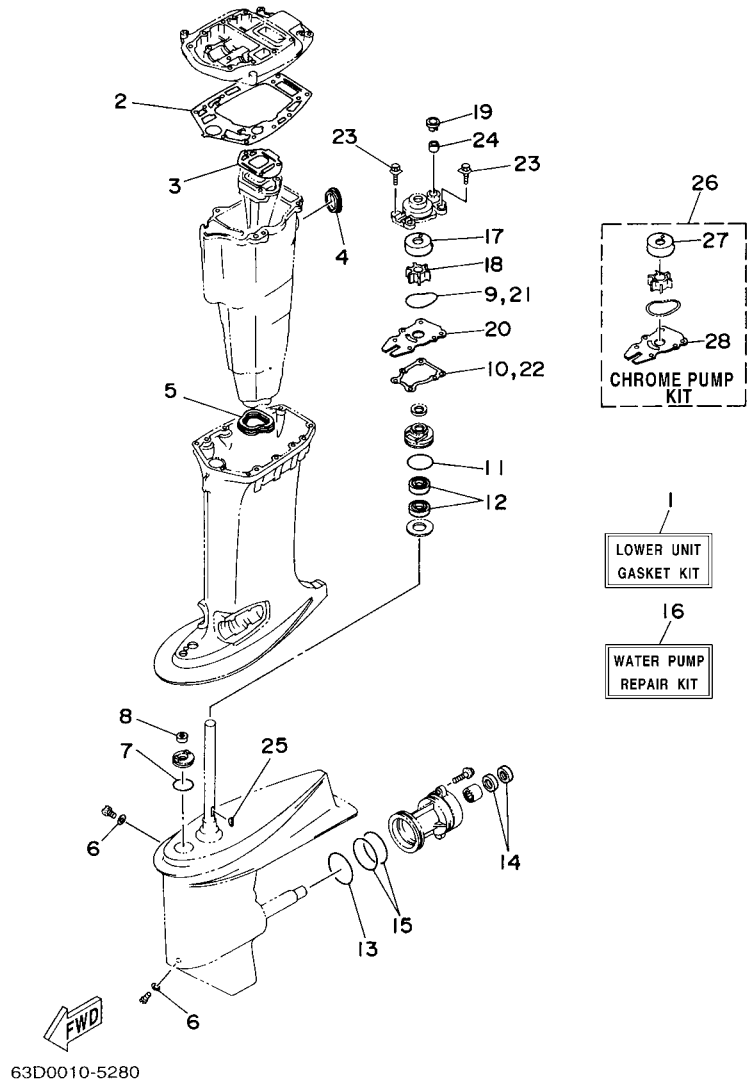


63D0010-5270

FIG. 32 REPAIR KIT 1

REF. NO.	PART NO.	DESCRIPTION	ETO	WHTO	REMARKS
28	97980-04114	.SCREW, WITH WASHER	3	3	
29	93210-04230	.O-RING	3	3	
30	6H4-14147-00	.O-RING	3	3	
31	692-14923-00	.SCREW, PILOT	3	3	

FIG. 33 REPAIR KIT 2



REF. NO.	PART NO.	DESCRIPTION	ETO	WHTO	REMARKS
1	63D-W0001-20	LOWER UNIT GASKET KIT	1	1	
2	63D-45114-A0	.GASKET, UPPER CASING	1	1	
3	6H4-41134-A0	.GASKET, EXHAUST MANIFOLD	1	1	
4	6H3-45127-00	.SEAL	1	1	
5	63D-45123-00	.GASKET, MUFFLER	1	1	
6	90430-08020	.GASKET	2	2	
7	93210-33MG4	.O-RING	1	1	
8	93106-09014	.OIL SEAL	1	1	
9	93210-59MG7	.O-RING	1	1	
10	63D-44316-00	.GASKET, WATER PUMP	1	1	
11	93210-48MG8	.O-RING	1	1	
12	93101-25M57	.OIL SEAL	2	2	
13	93210-69MG6	.O-RING	1	1	
14	93101-22M00	.OIL SEAL	2	2	
15	93210-74MG5	.O-RING	2	2	
16	63D-W0078-01	WATER PUMP REPAIR KIT	1	1	
17	63D-44322-00	.INSERT, CARTRIDGE	1	1	
18	6H3-44352-00	.IMPELLER	1	1	
19	63D-44312-00	.COVER, WATER PUMP HOUSING	1	1	
20	63D-44323-00	.OUTER PLATE, CARTRIDGE	1	1	
21	93210-59MG7	.O-RING	1	1	
22	63D-44316-00	.GASKET, WATER PUMP	1	1	
23	90119-08M15	.BOLT, WITH WASHER	4	4	
24	663-44366-00	.DAMPER, WATER SEAL	1	1	
25	90280-03024	.KEY, WOODRUFF	1	1	
26	63D-W0078-0A	CHROME PUMP KIT	1	1	
27	63D-44322-40	.INSERT, CARTRIDGE	1	1	

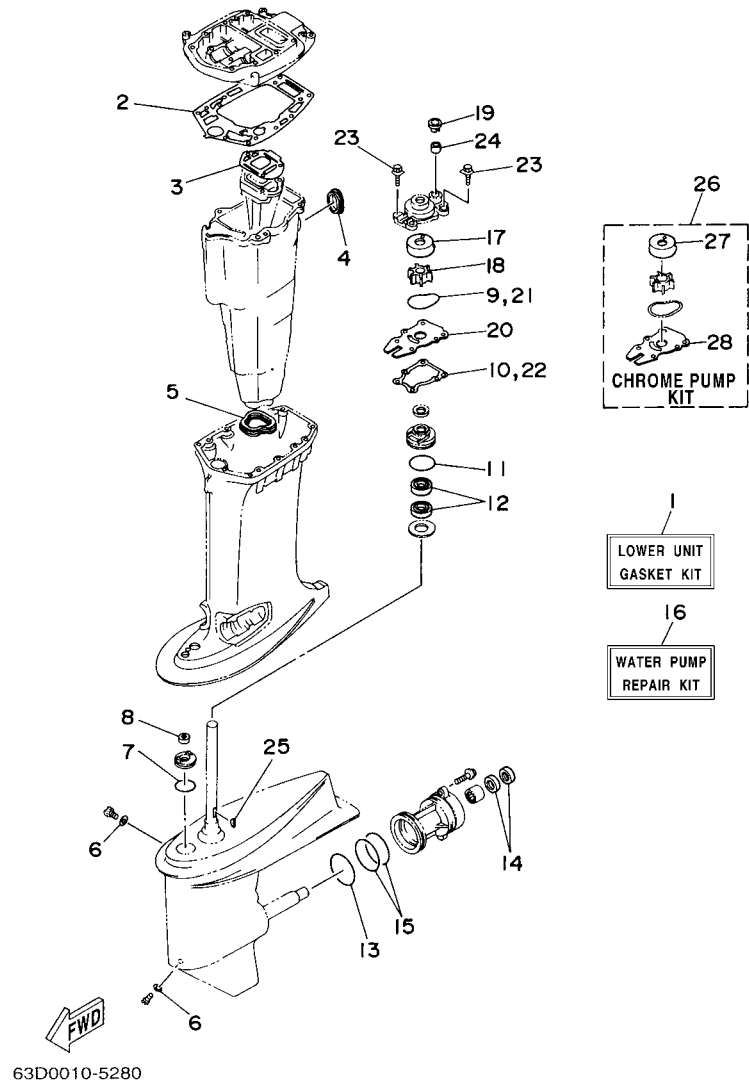


FIG. 33 REPAIR KIT 2

REF. NO.	PART NO.	DESCRIPTION	ETO	WHTO		REMARKS
28	63D-44323-40	.OUTER PLATE, CARTRIDGE	1	1		

NUMERICAL INDEX

PART NO.	REF. NO.	PART NO.	REF. NO.	PART NO.	REF. NO.	PART NO.	REF. NO.	PART NO.	REF. NO.	PART NO.	REF. NO.
63D-11111-00-1S	2 - 22	6H3-14146-10	5 - 16	676-14943-30	5 - 22	6H3-21735-00	1 - 15	6H4-24413-00	5 - 39	63D-42131-10	17 - 27
6H4-11119-01	2 - 18	6H4-14146-10	5 - 15	676-14943-33	5 - 22	63D-21744-00	6 - 33	6L5-24421-00	5 - 38	6H2-42137-00	17 - 3
63D-11181-A1	2 - 23	6H3-14146-20	5 - 16	63D-14943-81	5 - 22		7 - 30	6A0-24421-01	8 - 23	650-42152-00-94	17 - 9
	32 - 2	6H4-14146-30	5 - 15	62X-14947-00	5 - 21	6H4-21752-00	6 - 24	650-24431-A0	8 - 26	63D-42153-00	17 - 17
63D-11191-00-1S	2 - 26	6H4-14147-00	5 - 30	63D-14947-00	5 - 21	6H1-21757-00	6 - 31		32 - 17	63D-42159-00	17 - 11
63D-11193-A0	2 - 27		32 - 30	6H4-14948-11	5 - 24	6H4-21757-00	7 - 29	648-24434-01	8 - 17	6G1-42177-00	17 - 61
	32 - 3	663-14159-00	5 - 12	6H4-14948-12	5 - 24	6J8-21758-00	6 - 30	6H3-24434-10	5 - 42	63D-42181-00	17 - 23
688-11325-00	2 - 20		32 - 23	676-14966-00	5 - 23	63D-2175R-00	6 - 26	648-24435-02	8 - 20	63D-42508-00	18 - 1
650-11370-01	2 - 3	676-14186-00	5 - 13		32 - 21		7 - 24	6H3-24452-10	5 - 29	63D-42510-12-4D	21 - 1
688-11370-01	2 - 7		32 - 24	6H4-14980-00	5 - 18	63D-2176M-00	6 - 27	6H4-24486-00	5 - 40	63D-42526-00	18 - 8
6H4-11372-01	2 - 5	6H4-14198-01	4 - 10	6H3-14980-10	5 - 18		7 - 25	61N-24521-00	8 - 7	63D-42527-00	18 - 2
6H4-11400-14	3 - 8		32 - 13	6H4-14984-00	5 - 17	6H4-21770-00	6 - 28	61N-24560-00	8 - 5	63D-42528-00	18 - 9
6H4-11536-00	3 - 9	62X-14301-00	5 - 1		32 - 15		7 - 26	61N-24563-00	8 - 6	63D-42541-00	18 - 4
6H4-11537-01	6 - 4	63D-14301-00	5 - 1	6H4-14985-01	5 - 14	63D-2177H-00	1 - 13	6H4-24566-02	8 - 9	624-42542-00	6 - 42
	7 - 4	62X-14301-10	5 - 1		32 - 25	1UF-22434-00	22 - 17	6YJ-24610-00	27 - 2		7 - 40
6H4-11545-00	11 - 13	63D-14301-20	5 - 1	6H3-14992-00	5 - 19	62Y-22434-00	22 - 50	6H4-24633-00	7 - 27	63D-42546-00	18 - 3
63D-11603-00	3 - 14	62X-14302-00	5 - 2	6H4-15100-13-1S	2 - 2	62Y-22471-00	22 - 11	6H5-24633-00	6 - 29	63D-42561-00	18 - 12
63D-11604-00	3 - 14	63D-14302-00	5 - 2	6H4-15359-04-94	11 - 3	6YJ-24167-00	27 - 7	6H4-24634-00	7 - 31	63D-42562-00	18 - 10
63D-11605-00	3 - 14	62X-14302-10	5 - 2	6H4-15369-A1	3 - 1	6YJ-24201-10	27 - 1	63D-26301-01	17 - 35	63B-42610-30-4D	1 - 1
6H4-11631-01-95	3 - 13	63D-14302-20	5 - 2		32 - 8	6Y1-24260-12	27 - 3	6E0-28193-00-94	8 - 39	62X-42610-60-4D	1 - 1
648-11633-00	3 - 15	62X-14303-00	5 - 3	6H4-15396-03-5B	3 - 2	6Y1-24268-00	27 - 6	61H-2819R-31	8 - 37	63D-42610-60-4D	1 - 1
6H4-11634-01	3 - 18	63D-14303-00	5 - 3	6H4-15705-00	10 - 27	6G1-24304-02	8 - 1	6H4-41111-00-1S	2 - 35	62X-42610-80-4D	1 - 1
6H4-11635-01	3 - 13	62X-14303-10	5 - 3	6H4-15710-04-4D	10 - 1	6G1-24305-04	27 - 13	6H4-41112-A0	2 - 36	6H4-42613-01-4D	1 - 7
6H4-11636-01	3 - 13	63D-14303-20	5 - 3	6H4-15711-02-94	10 - 2	6E5-24305-05	9 - 2		32 - 6	6H4-42613-11-4D	1 - 7
6H4-11641-00	3 - 17	6A0-14325-00	8 - 24	6H4-15714-00	10 - 19	6Y1-24305-05	27 - 15	6H4-41113-00-1S	2 - 34	6H4-42615-00	1 - 3
6E5-12411-30	2 - 30	67C-1432A-00	5 - 43	6H4-15717-01	10 - 21	6Y2-24305-05	9 - 4	6H4-41114-A0	2 - 37	6H4-42651-00	1 - 4
6H4-12413-00-1S	2 - 31	6H3-14349-00	4 - 23	6H4-15723-01-94	10 - 37	61J-24306-03	27 - 8		32 - 7	6H4-42652-00	1 - 5
6J8-12414-A0	2 - 32		5 - 33	6J8-15723-E1	15 - 26	6Y2-24306-55	9 - 1	6H5-41131-00-5B	24 - 10	62X-42677-30	1 - 9
	32 - 5	63D-14380-00	5 - 34	676-15741-03	10 - 25	6H4-24311-00	8 - 35	6H4-41131-01-5B	24 - 10	63D-42677-30	1 - 9
6H1-13117-01	6 - 5	6H4-14406-00	4 - 11	63D-15746-00	10 - 42	6H4-24312-00	8 - 33	6H4-41134-A0	24 - 22	62X-42678-20	1 - 10
	7 - 5	6H4-14431-02	4 - 13	656-15748-00	10 - 46	6H4-24313-00	8 - 32		33 - 3	63D-42678-20	1 - 10
6E9-13183-70	6 - 46	6H4-14431-13	4 - 13	6F5-15752-00	10 - 9	6H4-24314-00	8 - 12	63D-41137-01-5B	24 - 8	63D-42681-20	1 - 19
	7 - 44	6H3-14457-01	4 - 14	689-15755-01	10 - 16	6Y1-24329-00	27 - 5	63D-41213-00	19 - 3	63D-42682-20	1 - 20
63D-13200-00	6 - 1		32 - 14	6H4-15758-01-4D	10 - 4	650-24351-01	27 - 12	6H4-41217-01	4 - 18	6H1-42694-00	1 - 16
	7 - 1	624-14485-00	2 - 4	6H4-15761-00	1 - 2	6E5-24351-51	9 - 7	6E9-41237-00	6 - 20	6H4-42711-25-4D	16 - 1
6J8-13411-00	6 - 37	6H1-14485-00	4 - 6	6H4-15762-00	10 - 7	61J-24360-00	27 - 10		7 - 20	648-42715-00	19 - 19
	7 - 35	63V-14523-00	5 - 7	63D-15770-00	10 - 45	6Y2-24360-60	9 - 9	6H1-41237-00	6 - 16	6H4-42716-00	16 - 15
6J8-13414-00	6 - 38	6H4-14548-00	5 - 10	63D-15771-00-4D	10 - 31	63D-24364-00	14 - 20		7 - 16	63D-42717-00	16 - 21
	7 - 36		32 - 26		15 - 20	63D-24367-00	14 - 19	6H4-41237-00	19 - 8	6E5-42724-00	16 - 16
6L2-13416-00	6 - 39	679-14555-00	5 - 25	6H4-15772-02-94	10 - 35	6E5-24367-01	16 - 27	6H4-41241-01	6 - 15	6H4-42724-20	16 - 13
	7 - 37	6H4-14567-00	5 - 31		15 - 24	650-24378-00	2 - 8		7 - 15	6H4-42724-30	16 - 13
63D-13436-40	1 - 12	6H2-14578-00	5 - 9	63D-15774-00	19 - 30	688-24378-00	8 - 30	63D-41632-00	19 - 5	63D-42725-00	17 - 33
6H5-13610-00	4 - 1	6H4-14590-01	5 - 27	6F5-15779-02	10 - 17	692-24410-00	8 - 14	63D-41636-00	19 - 7	6H4-42725-00	16 - 29
6H4-13621-A1	4 - 8		32 - 22	6H4-15787-01	10 - 15	663-24411-00	8 - 19	63D-42111-01-4D	17 - 2	676-42726-00	16 - 23
	32 - 12	6K5-14592-00	5 - 5	6A0-15789-00	10 - 8	692-24411-00	8 - 16	63D-42115-00	17 - 8	688-42726-10	16 - 24
6H4-13624-01-94	4 - 7	63D-14711-11-5B	24 - 11	63D-21707-00	6 - 21	6H3-24411-10	5 - 41	664-42119-00	17 - 60	6H3-42727-00	16 - 34
6H4-13641-12-94	4 - 5	692-14923-00	5 - 26	63D-21707-10	7 - 21	6A0-24412-02	8 - 25	63D-42121-20-4D	17 - 67	63D-42741-00-4D	16 - 20
6H3-14137-00	5 - 32		32 - 31	6H3-21732-00	1 - 14	6A0-24413-00	8 - 15	63D-42126-00	17 - 49	6G1-42748-00	4 - 19

NUMERICAL INDEX

PART NO.	REF. NO.	PART NO.	REF. NO.	PART NO.	REF. NO.	PART NO.	REF. NO.	PART NO.	REF. NO.	PART NO.	REF. NO.
6E7-42791-00	16 - 38	62Y-43855-00	22 - 32	63D-44322-40	33 - 27	663-45567-01-12	25 - 41	663-45987-02	26 - 20	701-48320-00	29 - 2
6G5-42791-00	16 - 38	6H1-43856-10	22 - 34	63D-44323-00	25 - 26	663-45567-01-15	25 - 41	670-45997-02	26 - 21	701-48320-20	29 - 2
6E7-42791-10	16 - 38	62X-43861-00	22 - 4		33 - 20	663-45567-01-18	25 - 41	63D-48118-00	17 - 19	701-48320-30	29 - 2
6G5-42791-10	16 - 38	62X-43862-00	22 - 5	63D-44323-40	33 - 28	663-45567-01-30	25 - 41	63D-48119-00	17 - 16	701-48320-50	29 - 2
6H4-42815-00	16 - 2	62X-43865-00	22 - 62	63D-44341-00	25 - 31	663-45567-01-40	25 - 41	63D-48152-00	30 - 57	701-48320-60	29 - 2
6H4-42816-00	16 - 5	65W-4386A-00	22 - 28	6H3-44352-00	25 - 23	663-45567-01-50	25 - 41	703-48153-00	30 - 3	701-48320-80	29 - 2
63D-43111-01-4D	20 - 1	62X-4386K-00	23 - 10		33 - 18	6H4-45571-01	25 - 42	63D-48154-00	17 - 50	63D-48321-01	17 - 34
63D-43112-01-4D	20 - 2	62X-43871-00	22 - 7	63D-44361-10	26 - 1	63D-45577-00-10	25 - 46	703-48189-00	30 - 17	63D-48344-00	19 - 29
6E5-43126-02	20 - 33	62Y-43871-00	22 - 51	663-44366-00	26 - 18	63D-45577-00-12	25 - 46	703-48198-00	30 - 14	663-48344-00	19 - 29
63D-43128-01-4D	20 - 5	62X-43875-00	22 - 18		33 - 24	63D-45577-00-15	25 - 46	703-48205-17	29 - 1	6H4-48344-00	19 - 1
63D-43131-01	20 - 14	67F-43875-00	22 - 12	63D-44367-00	26 - 4	63D-45577-00-18	25 - 46		30 - 1	703-48345-01	30 - 19
6G5-43144-00	20 - 28	6H1-43875-00	22 - 58	6E5-44391-00	16 - 14	63D-45577-00-30	25 - 46	703-48211-01	30 - 61	703-48358-00	30 - 20
6E5-43145-01	28 - 9	62Y-4387G-00	22 - 52	63D-44514-01-94	21 - 22	63D-45577-00-40	25 - 46	703-48212-00	30 - 58	63D-48511-00-4D	21 - 36
6G5-43145-01	20 - 18	62Y-4387J-00	22 - 49	63D-44526-00	21 - 24	63D-45577-00-50	25 - 46	703-48213-00	30 - 59	63D-48531-00	17 - 38
6G5-43148-00	20 - 24	62Y-43880-01	23 - 2	63D-44551-01-4D	21 - 9	663-45587-01-10	25 - 5	703-48215-00	30 - 43	6H4-48531-11-94	16 - 7
688-43160-01	20 - 29	62Y-43881-00	23 - 13	63D-44552-01-4D	21 - 18	663-45587-01-12	25 - 5	703-48219-00	30 - 30	6H4-48532-11-94	16 - 8
688-43165-00	20 - 30	6H1-43883-00	22 - 25	63D-44555-00-94	21 - 11	663-45587-01-15	25 - 5	703-48221-00	30 - 56	63D-48538-00	17 - 39
6H5-43181-03	20 - 19	62X-43888-00	23 - 1	663-44575-00	21 - 16	663-45587-01-18	25 - 5	703-48222-00	30 - 27	63D-61350-00	28 - 1
6H5-43185-03	20 - 20	62X-4388A-00	22 - 10	63D-45111-11-4D	24 - 1	663-45587-01-30	25 - 5	703-48223-00	30 - 28	63D-61351-00	28 - 2
63D-43311-13-4D	20 - 12	62Y-43891-00	23 - 6	6H4-45113-A0	24 - 19	663-45587-01-40	25 - 5	703-48225-00	30 - 29	6H4-81315-11	31 - 21
682-43318-01	18 - 13	62Y-43892-00	23 - 5		32 - 18	663-45587-01-50	25 - 5	703-48226-00	30 - 26	6H4-81332-00	11 - 16
62Y-43800-01-4D	22 - 1	69J-43893-00	22 - 53	63D-45114-A0	24 - 9	63D-45611-00	25 - 55	703-48227-00	30 - 24	6H4-81337-01	15 - 30
62X-43804-01	23 - 4	69J-43894-00	22 - 48		33 - 2	63D-45631-01	25 - 57	703-48232-00	30 - 62	63D-81345-00	11 - 8
62Y-43805-00	23 - 3	62X-43899-00	22 - 14	63D-45123-00	24 - 12	663-45633-00	25 - 62	703-48234-00	30 - 18	63D-81345-10	11 - 9
62X-43807-00	23 - 8	69W-43899-01	22 - 63		33 - 5	663-45634-00	25 - 58	703-48235-00	30 - 4	63D-81345-20	11 - 10
69W-4380F-00	23 - 9	69J-4389J-00	22 - 30	6H3-45127-00	24 - 18	63D-45635-00	25 - 60	63D-48236-00	17 - 15	6J8-81365-A0	10 - 38
62X-4380H-00	23 - 14	63D-44100-11	17 - 5		33 - 4	663-45930-00-98	26 - 25	703-48236-00	30 - 16		15 - 27
62Y-4380K-01	22 - 2	63D-44104-00	17 - 6	63D-45155-00	24 - 4	663-45941-01-EL	26 - 25	63D-48237-00	17 - 20	6F5-81800-11	15 - 1
62X-43810-01	22 - 3	63D-44113-01	17 - 14	63D-45214-00	25 - 10	69W-45943-00-EL	26 - 25	63D-48238-00	17 - 22	689-81807-12	15 - 3
62Y-43816-00	22 - 41	63D-44114-01	17 - 24	63D-45215-00	25 - 11	6H5-45943-00-EL	26 - 25	703-48238-00	30 - 22	689-81809-11	15 - 7
6H1-43816-00	22 - 54	63D-44117-00	19 - 16	63D-45251-00	20 - 6	69W-45945-00-EL	26 - 25	703-48243-00	30 - 15	689-81810-11	15 - 9
69W-4381B-00	22 - 13	63D-44120-10	19 - 13	65W-45251-00	20 - 42	6H5-45945-00-EL	26 - 25	703-48244-00	30 - 21	689-81811-11	15 - 11
6H1-43829-00	22 - 61	63D-44121-00	19 - 24	67C-45251-00	26 - 15	69W-45947-00-EL	26 - 25	703-48245-00	30 - 11	689-81812-11	15 - 12
62Y-4382A-00	22 - 39	688-44122-00	19 - 28	63D-45300-12-4D	25 - 1	663-45949-01-EL	26 - 25	703-48246-00	30 - 23	689-81813-10	15 - 13
62Y-4382L-00	22 - 42	63D-44132-00	17 - 18	63D-45301-03-4D	25 - 2	69W-45952-00-EL	26 - 25	701-48248-00	30 - 13	689-81820-11	15 - 14
62Y-43830-01	22 - 21	63D-44144-00	25 - 52	63D-45321-00	25 - 14	6H5-45952-00-EL	26 - 25	703-48252-00	30 - 12	6H4-81822-02-98	12 - 14
6H1-43831-10	22 - 19	663-44151-00	25 - 51	688-45341-10	25 - 9	663-45952-02-EL	26 - 25	63D-48261-00	17 - 7	689-81826-10	15 - 15
69J-43841-00	22 - 22	63D-44159-01	17 - 57	63D-45344-00	25 - 34	663-45954-01-EL	26 - 25	703-48261-01	30 - 2	6F5-81830-11	15 - 4
6H1-43844-10	22 - 35	63D-44173-00	17 - 59	63D-45361-02-4D	25 - 43	663-45956-01-EL	26 - 25	703-48264-00	30 - 6	689-81831-00	15 - 5
62Y-43845-00	22 - 59	6G8-44191-00	17 - 53	664-45371-01	26 - 12	6H5-45958-00-EL	26 - 25	703-48265-00	30 - 9	689-81840-11	15 - 10
69A-4384F-00	22 - 24	688-44194-00	19 - 12	63D-45375-00	26 - 6	663-45958-01-EL	26 - 25	703-48268-00	30 - 5	689-81847-11	15 - 6
6H1-4384F-10	22 - 33	63D-44311-00	25 - 21	663-45376-00-94	26 - 5	697-45970-00-98	26 - 25	703-48271-00	30 - 60	689-81850-12	15 - 8
69W-4384G-00	22 - 46	63D-44312-00	26 - 19	6E5-45378-00	25 - 17	663-45970-60-98	26 - 25	703-48281-00	30 - 31	689-81857-11	15 - 2
6H1-4384G-11	22 - 31		33 - 19	63D-45501-10	25 - 36	663-45972-60-98	26 - 25	703-48282-00	30 - 32	6G1-81941-10	13 - 2
62X-4384H-00	22 - 16	63D-44316-00	25 - 27	6H4-45536-00	25 - 4	663-45974-02-98	26 - 25	703-48284-00	30 - 52	6H4-81945-00	13 - 4
69J-4384M-00	22 - 23		33 - 10	6H4-45551-01	25 - 37	663-45974-60-98	26 - 25	701-48287-00	30 - 42	6H4-81945-20	13 - 22
69J-43853-00	22 - 29	63D-44322-00	25 - 22	6H4-45560-01	25 - 39	663-45976-00-98	26 - 25	703-48291-10	30 - 39	61A-81949-00	13 - 28
62Y-43854-00	22 - 47		33 - 17	663-45567-01-10	25 - 41	663-45978-00-98	26 - 25	703-48293-10	30 - 41	6H5-81949-00	13 - 27

NUMERICAL INDEX

PART NO.	REF. NO.	PART NO.	REF. NO.	PART NO.	REF. NO.	PART NO.	REF. NO.	PART NO.	REF. NO.	PART NO.	REF. NO.
6H1-81950-00	13 - 19	63D-82590-30	13 - 18	6H4-W0093-03	32 - 19	90159-06M18	17 - 58	90280-03024	25 - 25	90445-07MF1	21 - 31
6H4-81952-00	13 - 3	703-82591-00	30 - 53	656-W2810-02	8 - 38	90159-06M21	15 - 32		33 - 25	90445-09057	8 - 31
6H2-81960-10	13 - 8	703-82592-00	30 - 54	63D-W4434-00	25 - 30	90159-06M22	15 - 33	90338-05M03	1 - 17	90445-09063	8 - 29
63D-82105-U0	13 - 1	63D-82594-00	13 - 15	90101-06020	20 - 41	90161-06M00	18 - 17	90338-05M11	13 - 14	90445-09M37	2 - 38
6H4-82117-00	13 - 31	703-82594-00	30 - 25	90101-06021	2 - 19	90170-09M03	25 - 5	90340-08002	25 - 7	90445-11M05	27 - 11
6Y5-82117-00	31 - 17	6H4-83354-00	11 - 7	90101-08M15	21 - 23	90170-12138	25 - 38	90340-14M00	2 - 24	90445-11M06	27 - 9
703-82119-00	12 - 4	703-83383-02	30 - 51	90101-09M01	28 - 7	90170-18M10	20 - 38	90386-07M58	19 - 25	90445-11M15	6 - 22
	21 - 37	6Y5-83500-S5	31 - 6	90101-12M09	17 - 36	90171-16011	26 - 23	90386-08032	17 - 65		7 - 22
682-82119-01	13 - 29	6Y5-8350T-03	31 - 1	90101-12M65	20 - 43	90179-06M24	12 - 20	90386-10025	20 - 22	90445-11M17	6 - 35
63D-82127-10	21 - 21	6Y5-83533-T2	31 - 10	90105-06M15	13 - 25	90179-16M05	11 - 14	90386-10M16	20 - 21		7 - 33
63D-82148-00	20 - 3	6Y5-83553-00	31 - 15	90105-06M16	13 - 26	90183-05M06	1 - 18	90386-12069	16 - 4	90445-11M23	6 - 32
6H1-82148-00	20 - 9	6Y5-83553-M0	31 - 15	90105-08M61	25 - 44	90185-08045	21 - 26	90386-12M93	17 - 43		7 - 28
6H4-82150-00	13 - 9	6Y5-83557-10	31 - 19	90109-06M39	6 - 7	90185-09M01	28 - 4	90386-18M35	20 - 35	90445-13M00	9 - 8
1E6-82151-00	31 - 16	6Y5-83557-31	31 - 11		7 - 7	90185-10051	21 - 8	90386-18M44	20 - 40	90445-13M01	9 - 6
663-82151-00	13 - 10	6E5-83558-00	21 - 32	90109-06M40	6 - 8	90185-10M01	18 - 11	90386-18M92	20 - 34	90446-10M01	6 - 36
62Y-82181-01	23 - 7	6E5-83558-10	25 - 19		7 - 8	90185-12M12	17 - 47	90386-22M15	20 - 15		7 - 34
6A0-82317-00	6 - 41	6Y5-83570-S5	31 - 7	90109-06M43	19 - 4	90185-22M11	20 - 17	90386-29M95	17 - 44	90464-03M15	11 - 11
	7 - 39	6H4-83589-00	16 - 31	90109-12M21	21 - 15	90201-05652	5 - 6	90386-30M60	21 - 6	90464-06M19	4 - 20
63D-82361-00	18 - 16	6R3-83614-00	13 - 34	90116-06M22	13 - 5	90201-06060	10 - 22	90386-30M77	21 - 4	90464-07M20	6 - 14
663-82370-01	12 - 11	6A1-83625-41	4 - 25	90116-10175	21 - 7	90201-083J8	23 - 16	90386-30M78	21 - 3		7 - 14
6G1-82370-21	12 - 11	6E0-83627-41	17 - 68	90116-18M52	20 - 37	90201-08M01	18 - 5	90387-06M05	13 - 24		13 - 30
63D-82510-10	14 - 4	63D-83672-01	21 - 33	90119-06M13	2 - 10	90201-08M93	6 - 3	90387-06M26	18 - 20	90464-09M13	16 - 25
703-82510-43	30 - 44	63D-83672-10	21 - 33	90119-06M51	12 - 2		7 - 3	90387-06M41	16 - 18	90464-09M42	17 - 40
63D-8252E-01-4D	14 - 16	63D-83728-00	14 - 25	90119-06M61	16 - 19	90201-09425	21 - 25	90387-06M65	15 - 31	90464-15M11	8 - 36
63D-8252F-01-4D	14 - 15	6Y5-83728-00	31 - 12	90119-06M65	6 - 43	90201-10M20	28 - 3	90387-06M66	10 - 41		12 - 3
703-82531-00	30 - 46	63D-84301-00	16 - 34		7 - 41	90201-10M63	28 - 8	90387-06M69	10 - 10		14 - 26
703-82540-00	30 - 50	63D-84342-00	16 - 30	90119-06M67	6 - 44	90201-12426	20 - 45	90387-10M42	28 - 6	90464-15M27	13 - 13
688-82540-11	14 - 1	6J8-85410-00	16 - 29		7 - 42	90201-12M16	21 - 12	90387-12M02	17 - 48	90465-06M86	6 - 49
68F-82553-70	31 - 18	6H4-85415-10	16 - 30	90119-06M73	16 - 6	90201-13M19	21 - 14	90430-08020	25 - 8		21 - 29
68F-82553-80	31 - 18	63D-85520-00	11 - 4	90119-06M99	1 - 8	90201-16M44	11 - 15		33 - 6	90465-11M10	20 - 48
63D-82554-00	14 - 2	63D-85533-10	11 - 5	90119-06MA2	4 - 9	90201-22429	25 - 56	90430-12072	26 - 3		21 - 30
663-82555-01	14 - 3	63D-85540-03	12 - 1		10 - 34	90201-22M03	20 - 16	90430-14115	2 - 25		25 - 20
682-82556-00	14 - 10	63D-85550-00	11 - 1		15 - 23	90201-27M00	25 - 35		32 - 4		31 - 13
	30 - 48	63D-85560-10	11 - 2	90119-06MA3	2 - 29	90201-30M00	21 - 2	90440-14M00	20 - 47	90465-13M11	14 - 12
689-82560-00	12 - 12	6H5-85570-00	12 - 7		10 - 36	90201-50306	3 - 12	90445-07M23	6 - 10		21 - 35
6H4-82560-00	12 - 13	63D-85580-00	11 - 6		15 - 25	90202-05088	6 - 17		7 - 10	90465-13M30	6 - 25
63D-82563-00	14 - 6	6H1-85711-60	4 - 26	90119-06MA5	2 - 40		7 - 17	90445-07M24	2 - 14	90465-13M36	14 - 24
703-82563-02	30 - 55	63D-85720-00	6 - 50	90119-08015	2 - 28	90202-07M07	19 - 15	90445-07M27	2 - 13	90467-06016	2 - 15
63D-82563-10	13 - 32	63D-85720-10	7 - 47	90119-08019	2 - 9	90202-12060	26 - 2	90445-07M31	25 - 18		4 - 22
69W-82575-00	14 - 9	6Y5-87122-S0	31 - 14	90119-08M15	25 - 29	90202-24M53	17 - 54	90445-07M44	6 - 9	90467-08004	2 - 39
688-82575-01	30 - 47	63D-W0001-00	32 - 1		33 - 23	90202-25M04	21 - 13		7 - 9		4 - 24
676-82577-00	14 - 5	63D-W0001-20	33 - 1	90119-08M79	24 - 17	90206-12052	16 - 3	90445-07M46	2 - 12		6 - 40
703-82577-00	30 - 45	6H4-W0004-00	4 - 2	90119-08M83	24 - 7	90206-12M22	17 - 46	90445-07M87	6 - 45		7 - 38
689-8257Y-00	14 - 11	63D-W0070-20	1 - 11	90119-08M84	26 - 11	90209-06M05	4 - 17		7 - 43		8 - 4
6E5-82587-00	13 - 33	63D-W0078-01	33 - 16	90142-05M06	25 - 12	90249-06M19	20 - 25	90445-07MA3	2 - 16	90467-10M04	6 - 34
6E5-82588-00	16 - 35	63D-W0078-0A	33 - 26	90149-05M13	17 - 62	90250-06023	25 - 61	90445-07MA5	4 - 21		7 - 32
688-8258A-20	30 - 49	63D-W0084-01-4D	17 - 1	90157-06M01	16 - 26	90266-04M01	1 - 6	90445-07MA6	6 - 11	90467-11M08	6 - 23
63D-82590-20	13 - 18	63D-W0090-11-1S	2 - 1	90157-06M13	19 - 10	90269-02M09	17 - 4		7 - 11		7 - 23

NUMERICAL INDEX

PART NO.	REF. NO.	PART NO.	REF. NO.	PART NO.	REF. NO.	PART NO.	REF. NO.	PART NO.	REF. NO.	PART NO.	REF. NO.
90468-05M03	6 - 18	92995-05600	16 - 10	93210-18397	22 - 57	94702-00247	2 - 41	97095-06020	10 - 23	98785-05014	17 - 21
	7 - 18	92995-06100	14 - 14	93210-19MA7	6 - 2	94702-00271	2 - 41		12 - 9	98980-03006	5 - 37
90468-07M02	6 - 12		18 - 15		7 - 2	95303-06600	19 - 11		14 - 21	99001-03600	22 - 26
	7 - 12		20 - 8	93210-29375	22 - 6	95307-03600	22 - 38		16 - 11	99001-08600	25 - 54
90468-18008	19 - 2		24 - 3	93210-29M94	21 - 5	95380-03600	5 - 36	97095-06025	8 - 2	99530-10014	10 - 30
90480-09M21	16 - 17	92995-06600	3 - 7	93210-32738	8 - 8		8 - 18		13 - 20	9E450-04433	31 - 2
90480-13M24	13 - 23		8 - 3		32 - 16	95380-04600	31 - 5		14 - 13	9E450-04533	31 - 3
90480-14M14	17 - 28		10 - 6	93210-33MG4	25 - 16	95380-05600	6 - 19		20 - 7		
90480-25161	12 - 8		12 - 6		33 - 7		7 - 19	97095-06030	12 - 15		
90501-10227	10 - 47		13 - 12	93210-44383	22 - 8		19 - 9		14 - 17		
90501-10326	5 - 8		14 - 8	93210-48214	22 - 9		25 - 13	97095-06035	10 - 28		
90501-12082	19 - 18		16 - 12	93210-48MG8	25 - 33		30 - 7		18 - 18		
90501-16M01	25 - 59		17 - 26		33 - 11	95380-06600	10 - 14	97095-06040	8 - 27		
90501-23215	17 - 64		18 - 19	93210-52449	23 - 17		13 - 6		10 - 43		
90502-16M02	20 - 32		19 - 32	93210-58M21	3 - 5		17 - 51	97095-06095	4 - 12		
90506-14M24	20 - 26		20 - 11		32 - 11		30 - 40	97095-08025	26 - 13		
90508-26M35	19 - 6	92995-08100	21 - 20	93210-59MG7	25 - 24	95380-08600	8 - 11	97095-08035	26 - 16		
90510-08002	10 - 20		26 - 14		33 - 9	95380-12600	20 - 46	97095-08040	17 - 55		
91318-05008	22 - 44	92995-08600	17 - 56	93210-69MG6	25 - 48	95380-12800	21 - 17	97095-08050	18 - 6		
91318-05020	22 - 43		18 - 7		33 - 13	95670-06640	12 - 19	97380-05025	30 - 8		
91318-06040	22 - 56		24 - 14	93210-74MG5	25 - 47	97013-06012	5 - 44	97380-08030	30 - 33		
91490-20010	17 - 52	92995-10100	26 - 9		33 - 15	97013-06014	8 - 10	97575-08445	24 - 5		
91490-20012	19 - 27	92995-10600	26 - 10	93306-001U1	25 - 45	97013-06018	11 - 19	97607-04212	23 - 12		
91490-30025	26 - 24	92995-12200	20 - 44	93306-305U8	3 - 10	97013-06020	19 - 20	97780-60525	16 - 22		
91690-30012	20 - 31	92995-18600	20 - 39	93315-32224	25 - 3	97013-06030	10 - 11	97803-04010	5 - 35		
91690-30020	20 - 23	92A08-03110	22 - 37	93317-22204	25 - 49	97013-06045	19 - 22	97880-05014	4 - 3		
91690-30025	17 - 10	93101-22M00	25 - 50	93332-00001	25 - 6	97013-08014	15 - 28	97880-05020	23 - 11		
91690-40018	10 - 3		33 - 14	93332-00003	25 - 40	97013-08016	15 - 18	97880-06014	16 - 32		
92903-06100	10 - 12	93101-25M57	25 - 32	93410-18M02	20 - 36	97013-08020	10 - 39	97885-05010	11 - 17		
92903-06600	5 - 45		33 - 12	93410-28M06	21 - 10	97013-08025	10 - 32	97885-06008	20 - 4		
	10 - 13	93102-08414	23 - 15	93430-04M03	17 - 66		15 - 21	97885-06012	14 - 23		
	11 - 20	93102-23096	11 - 12	93430-06024	30 - 10	97013-08030	15 - 16	97885-06016	14 - 7		
	19 - 21	93102-25M28	3 - 3	93430-06M02	10 - 26	97013-08050	12 - 17		17 - 29		
92903-08600	10 - 33		32 - 10	93430-08006	17 - 13	97075-08030	21 - 19		21 - 34		
	12 - 18	93104-16M01	3 - 4	93440-62057	3 - 11		24 - 13	97885-06040	4 - 15		
	15 - 17		32 - 9	93501-04M02	19 - 17	97075-10040	26 - 8		17 - 31		
92903-10600	17 - 63	93106-09014	25 - 15	93501-08001	22 - 45	97095-05016	16 - 9	97885-06055	4 - 16		
92990-04100	31 - 4		33 - 8	93503-16003	22 - 15	97095-06010	20 - 10	97980-04114	5 - 4		
92990-05100	8 - 22	93210-04228	5 - 28	93505-32038	22 - 27	97095-06012	13 - 16		32 - 28		
92990-05600	4 - 4	93210-04230	5 - 20	93602-20M02	3 - 16		24 - 2	98503-05028	8 - 21		
92990-06600	13 - 7		32 - 29	93604-08062	25 - 28	97095-06014	12 - 5	98580-03015	30 - 38		
	16 - 28	93210-07003	25 - 53	93604-26256	22 - 40		13 - 11	98580-04006	30 - 36		
92990-08200	19 - 26	93210-08287	9 - 3	93606-12019	2 - 11	97095-06016	10 - 5	98580-04008	5 - 11		
92990-08600	30 - 34		27 - 14		24 - 6		13 - 35	98580-04010	30 - 35		
92990-12200	17 - 37	93210-09165	22 - 60		26 - 7		17 - 25	98580-05010	30 - 37		
92990-12600	17 - 45	93210-13M04	6 - 6	93700-06M03	20 - 13		18 - 14	98580-06016	17 - 12		
92990-16200	26 - 22		7 - 6	94702-00160	2 - 41		19 - 31	98586-05016	27 - 4		
92995-05600	11 - 18	93210-16275	28 - 10	94702-00217	2 - 41	97095-06020	3 - 6	98780-04016	2 - 21		

40TRC/50TRC
40V/50H
PARTS CATALOGUE
©2003 by Yamaha Motor Co., Ltd.
1st edition, April 2003
All rights reserved.
Any reprinting or unauthorized use
without the written permission of
Yamaha Motor Co., Ltd.
is expressly prohibited.
Printed in Japan.