

PARTS CATALOGUE

40VEO '01 (63C0)

50HETO '01 (62X0)

50HEDO '01 (62X1)

50HMO '01 (63G0)

50HMHO '01 (63G0)

FOREWORD

This Parts Catalogue is related to the parts for the model(s) in the below frame. When you are ordering replacement parts, please refer to this Parts Catalogue and quote both part numbers and part names correctly.

40VEO'01(63C0), 50HETO'01(62X0), 50HEDO'01(62X1),
50HMO'01(63G0), 50HMHO'01(63G0)

1. Modifications or additions which have been made after issue of the Parts Catalogue will be announced in the Yamaha Parts News.
It is advisable that you make necessary corrections to the Parts Catalogue according to the Yamaha Parts News.

2. Abbreviations
The Following abbreviations are used in this Parts Catalogue.

- "UR" Use specified parts number.
- "UN" Use as many as needed.
- "AP" Alternate Parts
- "LM" Local Made
(Parts need to be ordered locally)
- "O/S" Over Size

3. Parts, which are to be supplied in an assembly, are listed with a dot(.) in front of the part name as shown below.

EXAMPLE
CARBURETOR ASSY
.JET, PILOT
.NOZZLE, MAIN

4. Number of component for assembly
The numeral appearing to the right of each component part indicates the quantity of parts for each assembly unit.

EXAMPLE

PART NO.	DESCRIPTION	E	H	L	S	C	R	REMARKS
6E0-85500-70	C.D.I. MAGNETO ASSY	1						
6E0-85550-70	.ROTOR ASSY	1						
6E0-15723-00-94	.PULLY, STARTER	1						

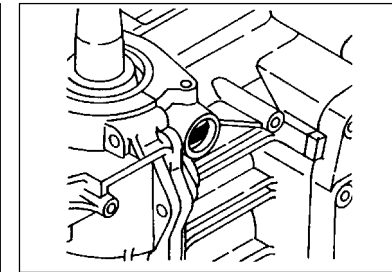
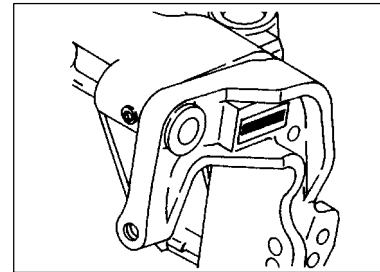
5. Quantity Column Information

NAME for Q'TY COLUMN	APPLICABLE MODEL
EDO	50HEDO
ETO	50VETO
EO	40VEO
MO	50HMO
MHO	50HMHO

6. Applicable Starting Serial No. and Color Code

1) Engine Starting Sserial No.

40VEO L : 844046 50HEDO L : 521700 50HETO L : 446340	50HMO S : 260274 50HMHO S : 190985
--	---------------------------------------



2) Color Code

Color Code	Color Name	Abbreviation
004D	DARK BLUISH GRAY METALLIC 2	DBNM2

- 7. Note that the illustrations for reference in finding parts numbers, not to be used for assembling. When assembling, please use the applicable service manual.
- 8. The asterisk (*) before a reference number indicates modification items after the first edition.

CONTENTS

TOP COWLING	1	BRACKET 4	39
CYLINDER, CRANKCASE	2	POWER TRIM & TILT ASSY	41
CRANKSHAFT, PISTON	4	UPPER CASING	45
INTAKE	5	LOWER CASING, DRIVE 1	46
CARBURETOR	7	LOWER CASING, DRIVE 2	50
OIL PUMP 1	10	FUEL TANK	52
OIL PUMP 2	12	STEERING GUIDE	53
FUEL	14	REMOTE CONTROL BOX	54
STARTER	16	REMOTE CONTROL ASSY 1	55
GENERATOR	18	REMOTE CONTROL ASSY 2	58
ELECTRICAL 1	19	METER	60
ELECTRICAL 2	20	REPAIR KIT 1	61
ELECTRICAL 3	22	REPAIR KIT 2	63
STARTING MOTOR	23		
BOTTOM COWLING	25		
STEERING	27		
CONTROL	30		
BRACKET 1	32		
BRACKET 2	35		
BRACKET 3	37		

INDEX

NUMERICAL INDEX	65
-----------------------	----

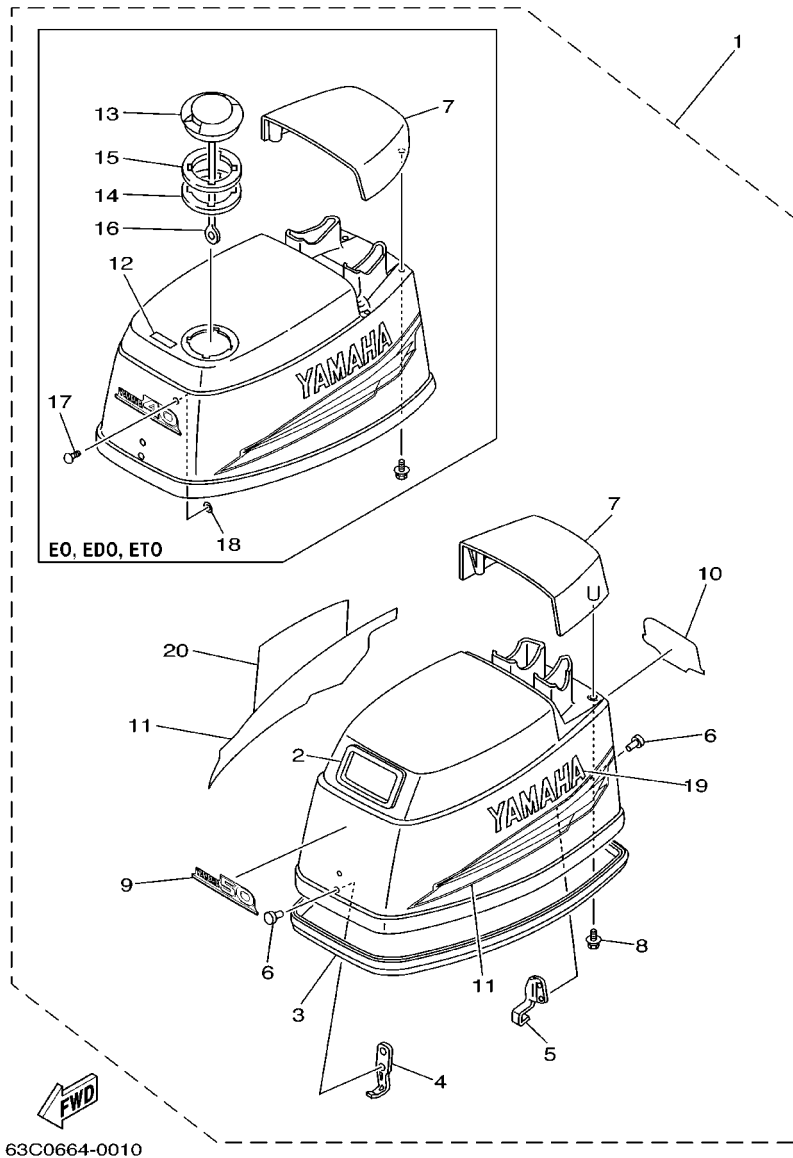
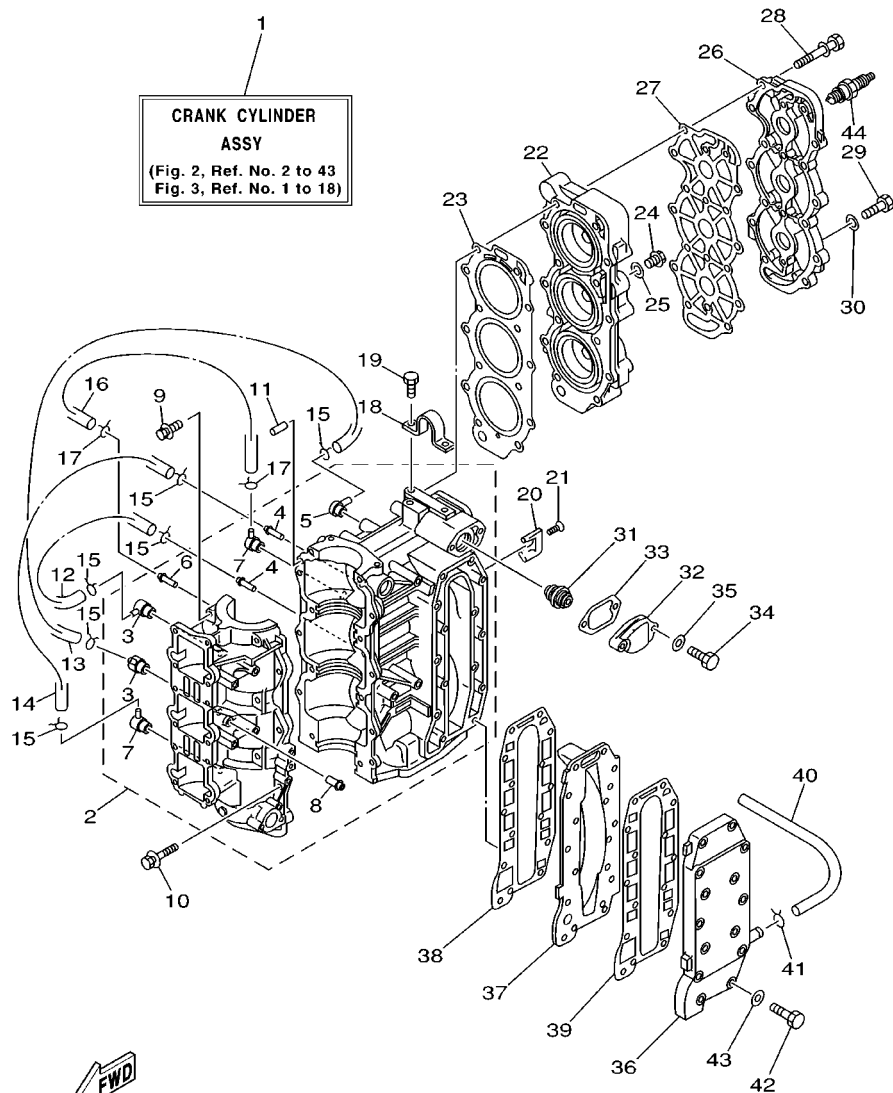


FIG. 1 TOP COWLING

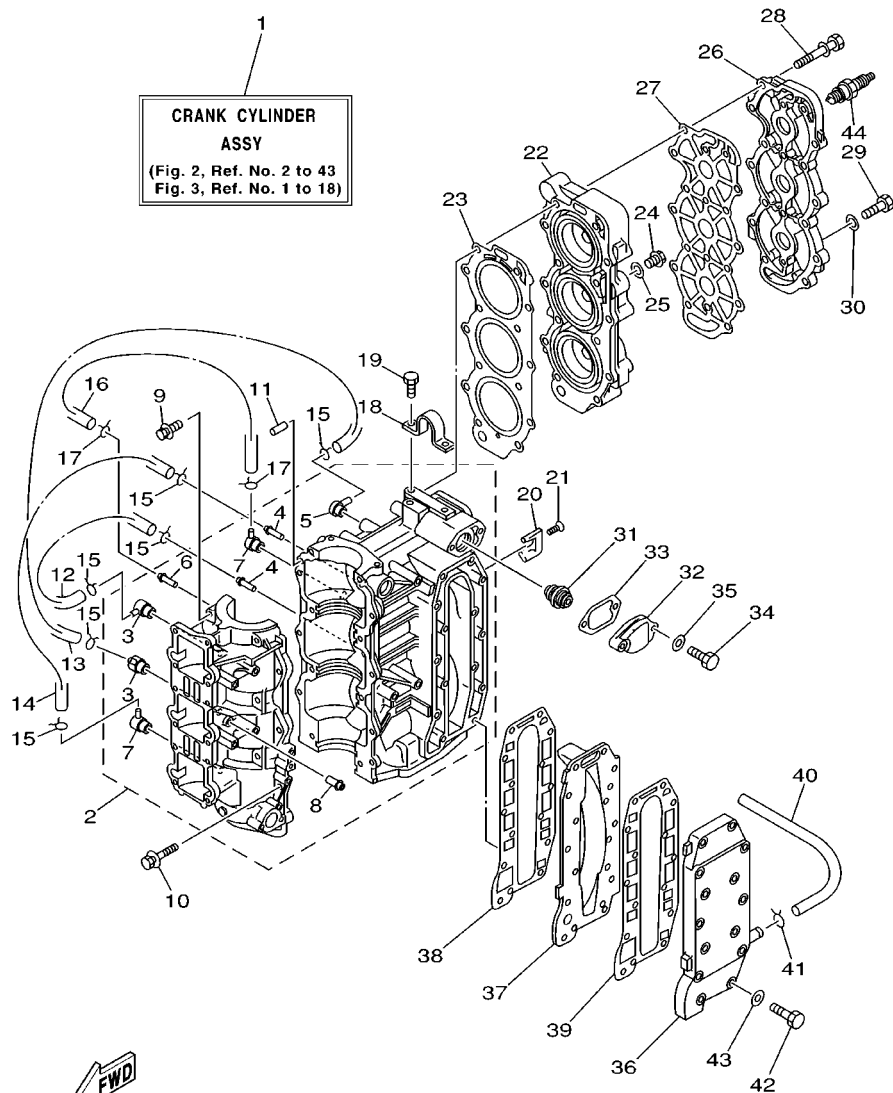
REF. NO.	PART NO.	DESCRIPTION	EDO	ETO	EO	MO	MHO	REMARKS
1	62X-42610-10-4D	TOP COWLING ASSY				1	1	50H
	62X-42610-30-4D	TOP COWLING ASSY	1	1				50H
	63D-42610-30-4D	TOP COWLING ASSY			1			40V
2	6H4-15761-00	.SEAL, RUBBER 1				1	1	
3	6H4-42615-00	.SEAL	1	1	1	1	1	
4	6H4-42651-00	.HOOK	1	1	1	1	1	
5	6H4-42652-00	.HOOK	1	1	1	1	1	
6	90266-04M01	.RIVET	4	4	4	4	4	
7	6H4-42613-01-4D	.MOLDING, AIR DUCT				1	1	
	6H4-42613-11-4D	.MOLDING, AIR DUCT	1	1	1			
8	90119-06M99	.BOLT, WITH WASHER	4	4	4	4	4	
9	62X-42677-11	.GRAPHIC, FRONT	1	1		1	1	50H
	63D-42677-11	.GRAPHIC, FRONT			1			40V
10	62X-42678-11	.GRAPHIC, REAR	1	1		1	1	50H
	63D-42678-11	.GRAPHIC, REAR			1			40V
11	63D-W0070-10	.GRAPHIC SET	1	1	1	1	1	
12	63D-13436-40	.MARK	1	1	1			
13	63D-2177H-00	.DISK CAP 2	1	1	1			
14	6H3-21732-00	.SEAL 1	1	1	1			
15	6H3-21735-00	.SEAL 2	1	1	1			
16	6H1-42694-00	.BAND	1	1	1			
17	90338-05M03	.PLUG	1	1	1			
18	90183-05M06	.NUT, SPRING	1	1	1			
19	63D-42681-10	.MARK, COWLING	1	1	1	1	1	
20	63D-42682-10	.MARK, COWLING	1	1	1	1	1	



63D0100-0020

FIG. 2 CYLINDER, CRANKCASE

REF. NO.	PART NO.	DESCRIPTION	EDO	ETO	EO	MO	MHO	REMARKS
1	63D-W0090-10-4D	CRANK CYLINDER ASSY	1	1	1			EO SPEC
	63D-W0090-30-4D	CRANK CYLINDER ASSY				1	1	MO SPEC
2	6H4-15100-13-94	CRANKCASE ASSY	1	1	1			EO SPEC
	6H4-15100-30-94	CRANKCASE ASSY				1	1	MO SPEC
3	650-11370-00	.CHECK VALVE ASSY	2	2	2	2	2	
4	624-14485-00	.PIPE, JOINT	2	2	2	2	2	
5	6H4-11372-00	.NIPPLE, HOSE	1	1	1	1	1	
6	624-14485-00	.PIPE, JOINT	1	1	1	1	1	
7	688-11370-00	.CHECK VALVE ASSY	2	2	2	2	2	
8	650-24378-00	.PIPE, JOINT 4	1	1	1			EO SPEC
9	90119-08M19	BOLT, WITH WASHER	8	8	8	8	8	
10	90119-06M13	BOLT, WITH WASHER	6	6	6	6	6	
11	93606-12019	PIN, DOWEL	2	2	2	2	2	
12	90445-07M46	HOSE (L360)	1	1	1	1	1	
13	90445-07M27	HOSE (L310)	1	1	1	1	1	
14	90445-07M24	HOSE (L240)	1	1	1	1	1	
15	90467-06016	CLIP	6	6	6	6	6	
16	90445-07MA3	HOSE (L200)	1	1	1	1	1	
17	90467-06016	CLIP	2	2	2	2	2	
18	6H4-11119-00	HANGER, ENGINE	1	1	1	1	1	
19	97013-06014	BOLT	2	2	2	2	2	
20	688-11325-00	ANODE	2	2	2	2	2	
21	98780-04016	SCREW, FLAT HEAD	2	2	2	2	2	
22	63D-11111-00-94	HEAD, CYLINDER 1	1	1	1	1	1	
23	63D-11181-A1	GASKET, CYLINDER HEAD 1	1	1	1	1	1	
24	90340-14M00	PLUG, STRAIGHT SCREW	1	1	1	1	1	
25	90430-14115	GASKET	1	1	1	1	1	

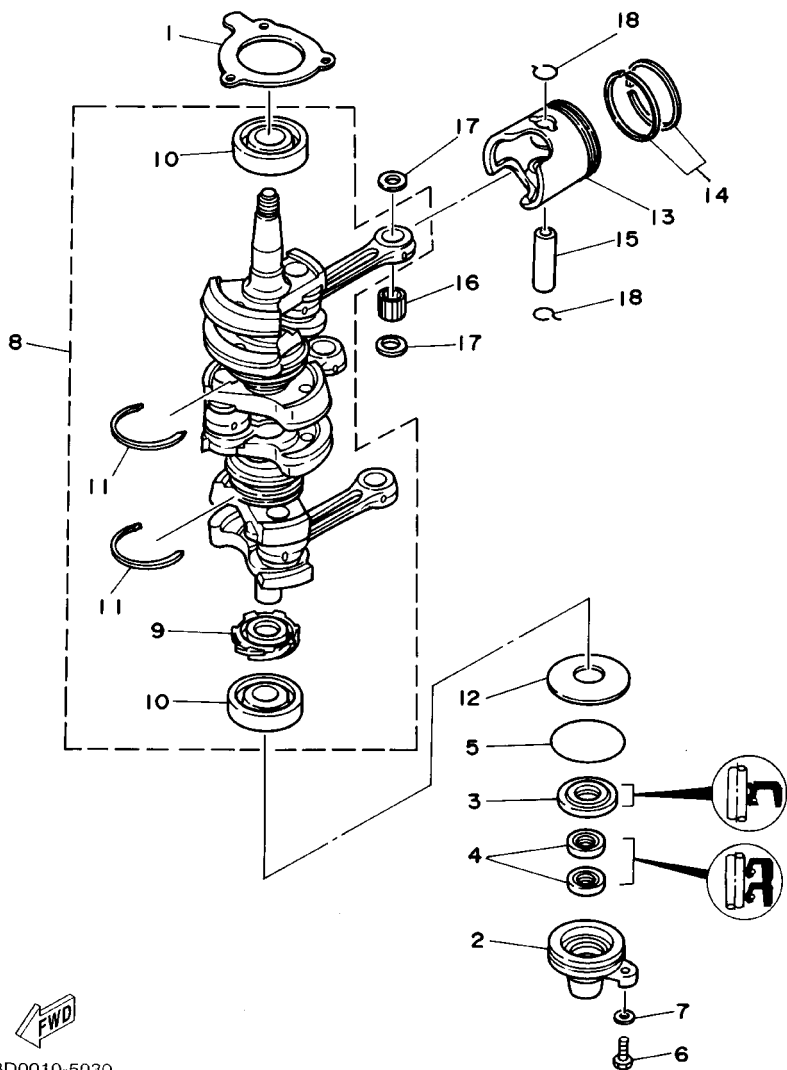


63D0100-0020

FIG. 2 CYLINDER, CRANKCASE

REF. NO.	PART NO.	DESCRIPTION	EDO	ETO	EO	MO	MHO	REMARKS
26	63D-11191-00-9M	COVER, CYLINDER HEAD 1	1	1	1	1	1	
27	63D-11193-A0	GASKET, HEAD COVER 1	1	1	1	1	1	
28	90119-08M29	BOLT, WITH WASHER	14	14	14	14	14	
29	97013-06025	BOLT	4	4	4	4	4	
30	92903-06600	WASHER, PLATE	4	4	4	4	4	
31	6E5-12411-20	THERMOSTAT	1	1	1	1	1	
32	6H4-12413-00-9M	COVER, THERMOSTAT	1	1	1	1	1	
33	6J8-12414-A0	GASKET, COVER	1	1	1	1	1	
34	97013-06025	BOLT	2	2	2	2	2	
35	92903-06600	WASHER, PLATE	2	2	2	2	2	
36	6H4-41113-00-9M	OUTER COVER, EXHAUST	1	1	1	1	1	
37	6H4-41111-00-9M	INNER COVER, EXHAUST	1	1	1	1	1	
38	6H4-41112-A0	GASKET, EXHAUST INNER COVER	1	1	1	1	1	
39	6H4-41114-A0	GASKET, EXHAUST OUTER COVER	1	1	1	1	1	
40	90445-09M37	HOSE (L240)	1	1	1	1	1	
41	90467-08004	CLIP	1	1	1	1	1	
42	97013-06035	BOLT	13	13	13	13	13	
43	92903-06600	WASHER, PLATE	13	13	13	13	13	
44	94702-00247	PLUG, SPARK (NGK BR8HS-10)	3	3		3	3	50H
	94702-00271	PLUG, SPARK (NGK BR7HS-10)				3		40V

FIG. 3 CRANKSHAFT. PISTON



REF. NO.	PART NO.	DESCRIPTION	EDO	ETO	EO	MO	MHO	REMARKS
1	6H4-15369-A1	GASKET, OIL SEAL HOUSING	1	1	1	1	1	
2	6H4-15396-03-5B	HOUSING, OIL SEAL	1	1	1	1	1	
3	93102-25M28	OIL SEAL	1	1	1	1	1	
4	93104-16M01	OIL SEAL	2	2	2	2	2	
5	93210-58M21	O-RING	1	1	1	1	1	
6	97095-06020	BOLT	1	1	1	1	1	
7	92995-06600	WASHER	1	1	1	1	1	
8	6H4-11400-14	CRANKSHAFT ASSY	1	1	1	1	1	
9	6H4-11536-00	.GEAR, DRIVE	1	1	1	1	1	
10	93306-305U8	.BEARING	1	1	1	1	1	
11	93440-62057	.CIRCLIP	2	2	2	2	2	
12	90201-50306	WASHER, PLATE	1	1	1	1	1	
13	6H4-11631-01-95	PISTON (STD)	3	3	3	3	3	
	6H4-11635-01	PISTON (0.25MM O/S)	3	3	3	3	3	AP
	6H4-11636-01	PISTON (0.50MM O/S)	3	3	3	3	3	AP
14	63D-11603-00	PISTON RING SET (STD)	3	3	3	3	3	
	63D-11604-00	PISTON RING SET (0.25MM O/S)	3	3	3	3	3	AP
	63D-11605-00	PISTON RING SET (0.50MM O/S)	3	3	3	3	3	AP
15	648-11633-00	PIN, PISTON	3	3	3	3	3	
16	93602-20M02	PIN, DOWEL	93	93	93	93	93	
17	6H4-11641-00	WASHER, PISTON PIN	6	6	6	6	6	
18	6H4-11634-01	CLIP, PISTON PIN	6	6	6	6	6	

63D0010-5030

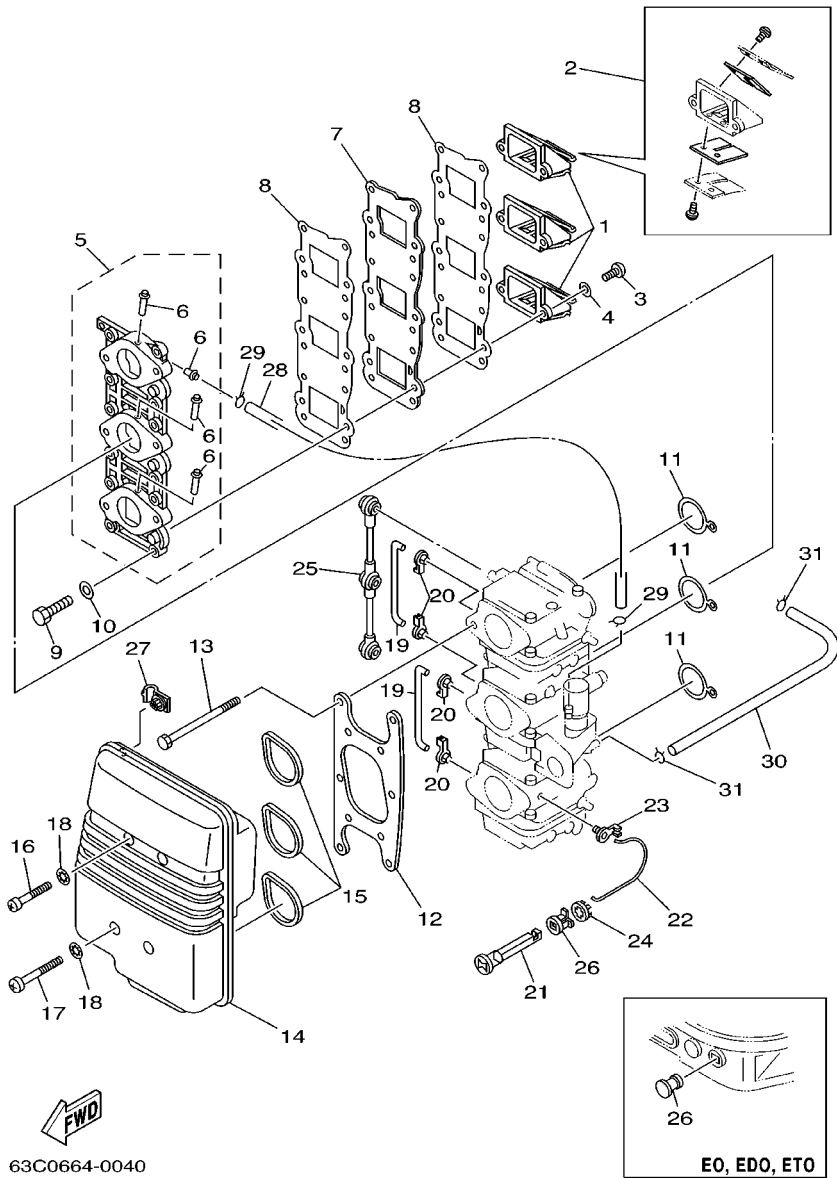


FIG. 4 INTAKE

REF. NO.	PART NO.	DESCRIPTION	EDO	ETO	EO	MO	MHO	REMARKS
1	6H5-13610-00	REED VALVE ASSY	3	3	3	3	3	
2	6H4-W0004-00	.REED SET	1	1	1	1	1	
3	97880-05014	SCREW, PAN HEAD	6	6	6	6	6	
4	92990-05600	WASHER, PLATE	6	6	6	6	6	
5	6H4-13641-12-94	MANIFOLD 1	1	1	1			
	6H4-13641-30-94	MANIFOLD 1				1	1	
6	6H1-14485-00	.PIPE, JOINT	4	4	4			
	6H1-14485-00	.PIPE, JOINT				3	3	
7	6H4-13624-01-94	PLATE, REED VALVE	1	1	1	1	1	
8	6H4-13621-A1	GASKET, VALVE SEAT	2	2	2	2	2	
9	97013-06020	BOLT	12	12	12	12	12	
10	92903-06600	WASHER, PLATE	12	12	12	12	12	
11	6H4-14198-01	GASKET	3	3	3	3	3	
12	6H4-14406-00	HINGE	1	1	1	1	1	
13	97095-06095	BOLT	6	6	6	6	6	
14	6H4-14431-02	SILENCER, INTAKE 1	1	1	1			
	6H4-14431-13	SILENCER, INTAKE 1				1	1	
15	6H3-14457-01	SEAL	3	3	3	3	3	
16	97885-06040	SCREW, PAN HEAD	2	2	2	2	2	
17	97885-06055	SCREW, PAN HEAD	2	2	2	2	2	
18	90209-06M05	WASHER	4	4	4	4	4	
19	6H4-41257-00	ROD, CHOKE 2				2	2	
20	661-41262-02	JOINT, CHOKE LEVER				4	4	
21	6H4-41271-01	KNOB, CHOKE				1	1	
22	6H4-41259-01	ROD, CHOKE 3				1	1	
23	6J8-41262-00	JOINT, CHOKE LEVER				1	1	
24	6J8-41274-00	GROMMET 2				1	1	

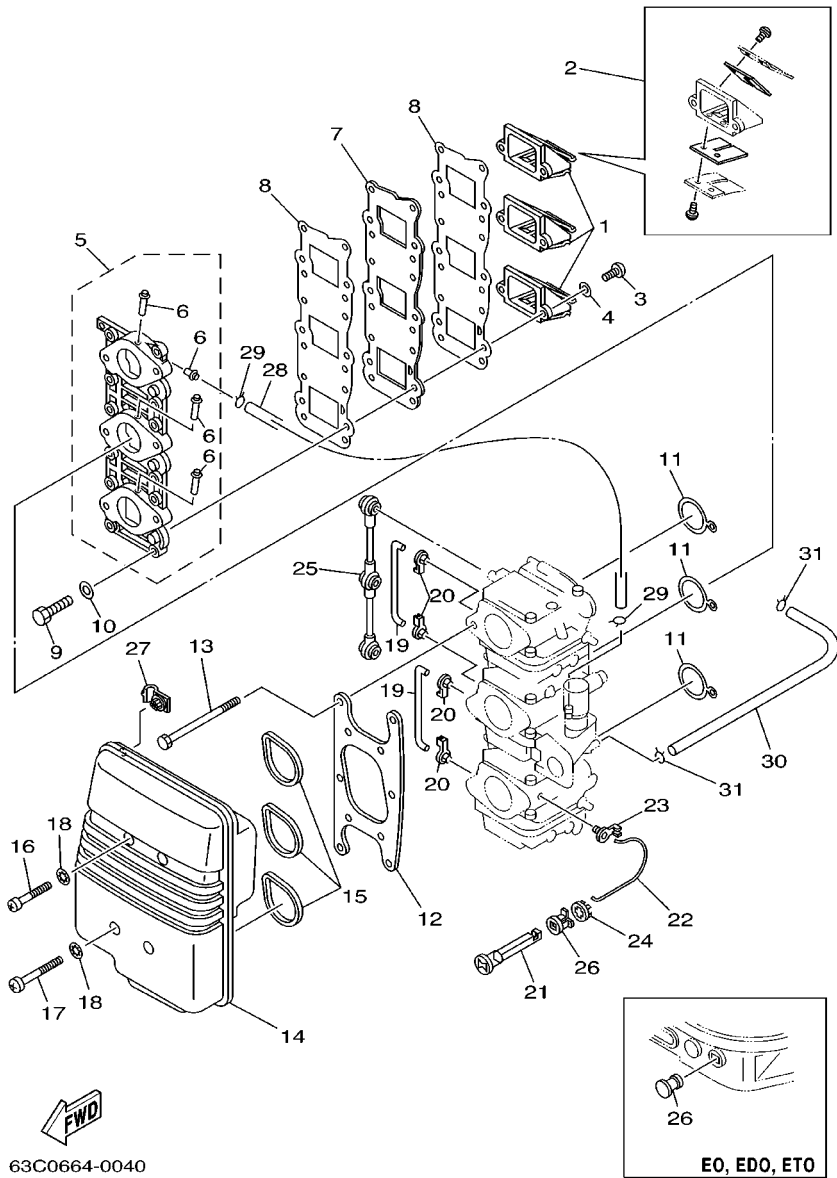
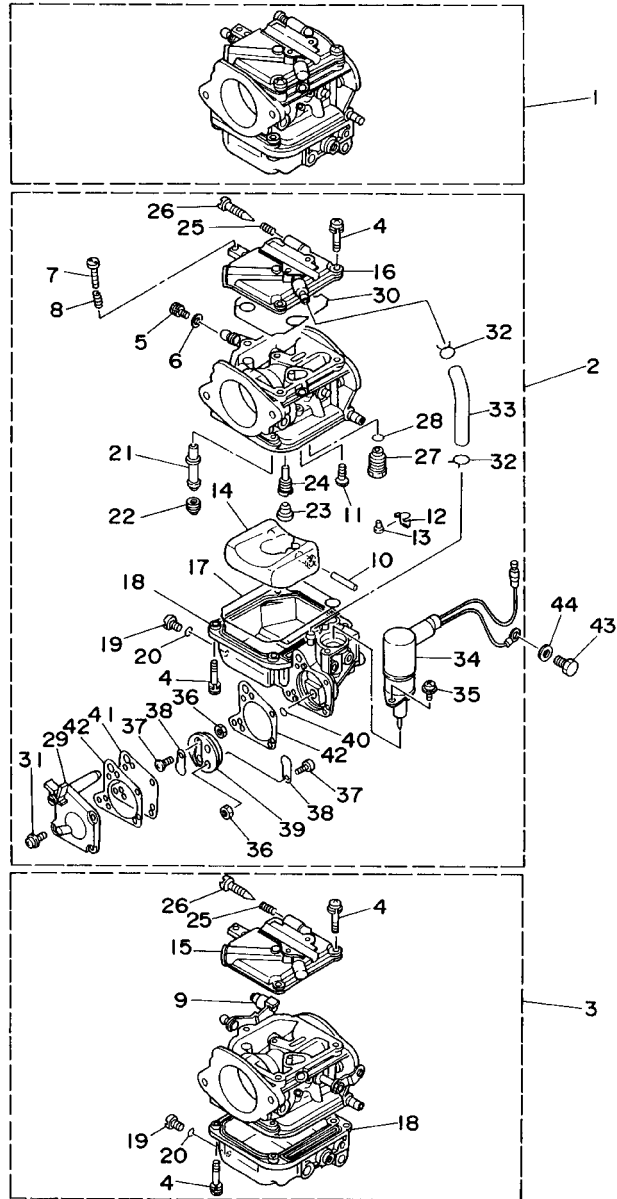


FIG. 4 INTAKE

REF. NO.	PART NO.	DESCRIPTION	EDO	ETO	EO	MO	MHO	REMARKS
25	6H4-41217-01	ROD, ACCEL. LEVER	1	1	1	1	1	
26	6G1-42748-00	GROMMET	1	1	1			
	689-41273-00	GROMMET				1	1	
27	90464-06M19	CLAMP				1	1	
28	90445-07MA5	HOSE (L150)	1	1	1			
29	90467-06016	CLIP	2	2	2			
30	6H3-14349-00	PIPE	1	1	1			
31	90467-08004	CLIP	2	2	2			

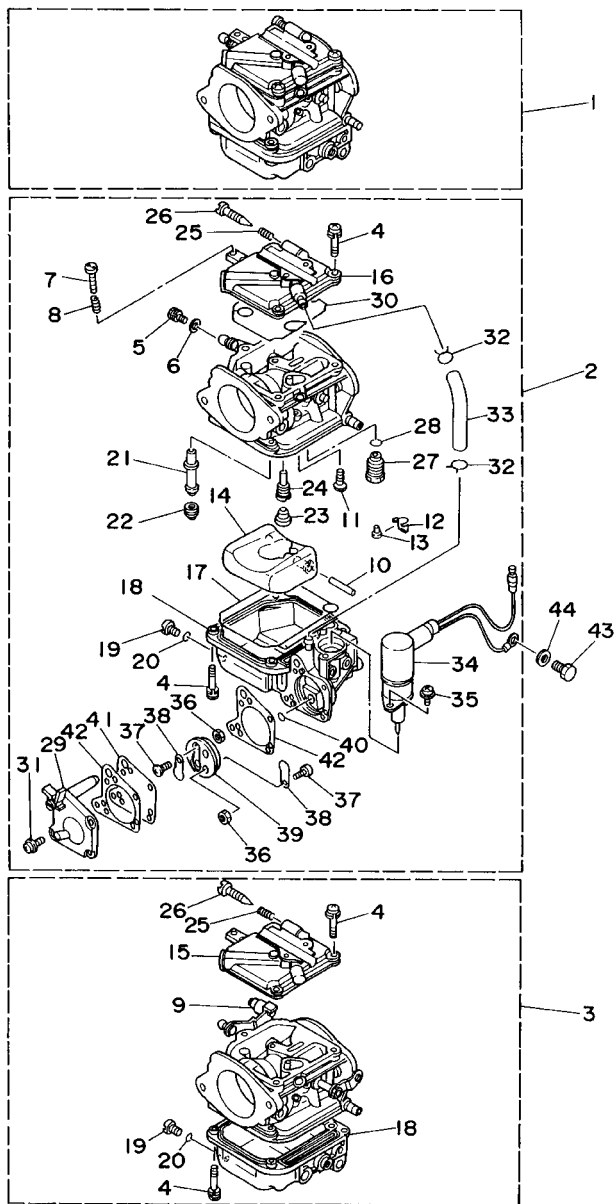
FIG. 5 CARBURETOR



63D0010-5050

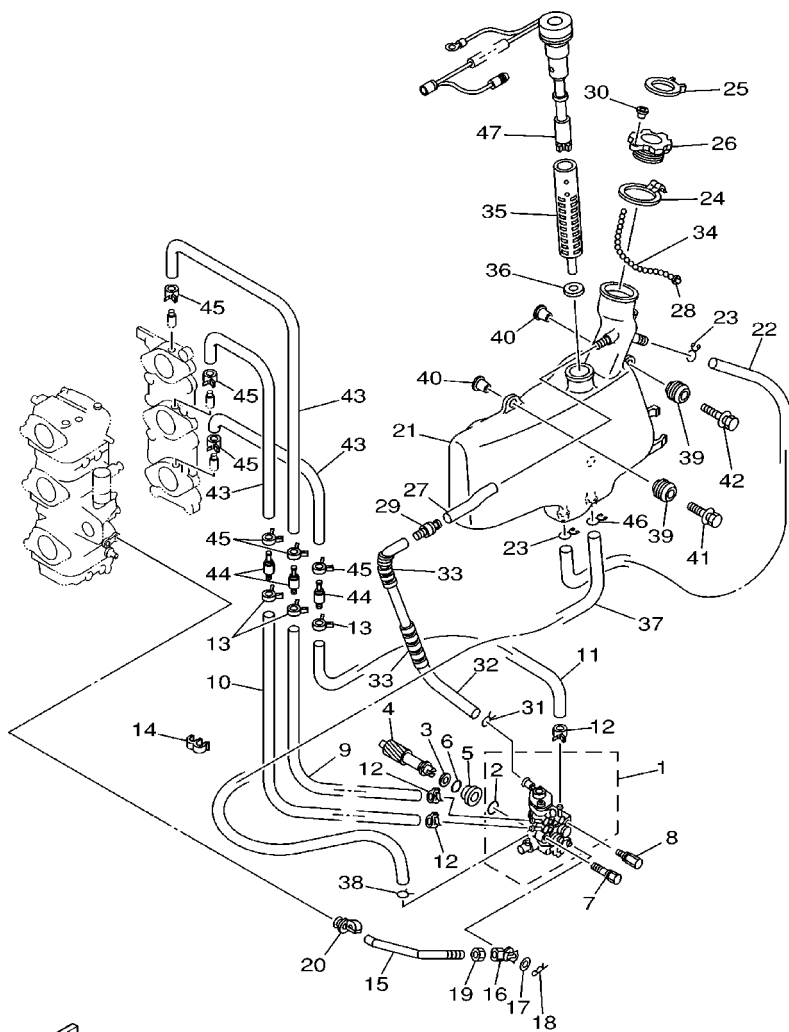
REF. NO.	PART NO.	DESCRIPTION	EDO	ETO	EO	MO	MHO	REMARKS
1	62X-14301-00	CARBURETOR ASSY 1	1	1				50H
	62W-14301-00	CARBURETOR ASSY 1				1	1	50H
	63D-14301-00	CARBURETOR ASSY 1			1			40V
2	62X-14302-00	CARBURETOR ASSY 2	1	1				50H
	62W-14302-00	CARBURETOR ASSY 2				1	1	50H
	63D-14302-00	CARBURETOR ASSY 2			1			40V
3	62X-14303-00	CARBURETOR ASSY 3	1	1				50H
	62W-14303-00	CARBURETOR ASSY 3				1	1	50H
	63D-14303-00	CARBURETOR ASSY 3			1			40V
4	97980-04114	.SCREW, WITH WASHER	21	21	21	21	21	
5	6K5-14592-00	.SCREW	3	3	3	3	3	
6	90201-05652	.WASHER, PLATE	3	3	3	3	3	
7	63V-14523-00	.SCREW, STOP	1	1	1	1	1	#2
8	90501-10326	.SPRING, COMPRESSION	1	1	1	1	1	#2
9	6H2-14578-00	.COLLAR	1	1	1	1	1	#3
10	6H4-14548-00	.PIN, FLOAT ARM	3	3	3	3	3	
11	98580-04008	.SCREW, PAN HEAD	3	3	3	3	3	
12	663-14159-00	.CLIP	3	3	3	3	3	
13	676-14186-00	.PIN, FLOAT	3	3	3	3	3	
14	6H4-14985-01	.FLOAT	3	3	3	3	3	
15	6H4-14146-10	.PLATE	2	2	2	2	2	#1,3
16	6H3-14146-10	.PLATE	1	1	1			#2
17	6H4-14146-00	.PLATE				1	1	#2
18	6H4-14984-00	.GASKET, FLOAT CHAMBER	3	3	3	3	3	
18	6H4-14980-00	.BODY, FLOAT CHAMBER	2	2	2			#1,3
18	6H3-14980-10	.BODY, FLOAT CHAMBER	1	1	1			#2
18	6H4-14980-00	.BODY, FLOAT CHAMBER				3	3	

FIG. 5 CARBURETOR



REF. NO.	PART NO.	DESCRIPTION	EDO	ETO	EO	MO	MHO	REMARKS
19	6H3-14992-00	.SCREW, DRAIN	3	3	3	3	3	
20	93210-04230	.O-RING	3	3	3	3	3	
21	62X-14947-00	.JET, NEEDLE	3	3				50H
	62W-14947-00	.JET, NEEDLE				3	3	50H
	63D-14947-00	.JET, NEEDLE			3			40V
22	676-14943-32	.JET, MAIN (#125)				3	3	50H
	676-14943-33	.JET, MAIN (#130)	3	3				50H
	676-14943-30	.JET, MAIN (#115)			2			40V- #1,3
	63D-14943-81	.JET, MAIN (#118)			1			40V- #2
23	676-14966-00	.CAP	3	3	3	3	3	
24	62X-14948-12	.JET (#62)	3	3		3	3	50H
	6H4-14948-11	.JET (#60)			3			40V
25	679-14555-00	.SPRING	3	3	3	3	3	
26	692-14923-00	.SCREW, PILOT	3	3	3	3	3	
27	6H4-14590-00	.NEEDLE VALVE ASSY	3	3	3	3	3	
28	93210-04228	.O-RING	3	3	3	3	3	
29	6H3-24452-10	.COVER	1	1	1			
30	6H4-14147-00	.O-RING	3	3	3	3	3	
31	6H4-14567-00	.SCREW	4	4	4			
32	6H3-14137-00	.CLIP	2	2	2			
33	6H3-14349-00	.PIPE	1	1	1			
34	63D-14380-00	.PRIME STARTER ASSY	1	1	1			
35	97803-04010	.SCREW, PAN HEAD	2	2	2			
36	95380-03600	.NUT	2	2	2			
37	98980-03006	.SCREW, BIND	2	2	2			
38	6L5-24421-00	.VALVE, CHECK	2	2	2			
39	6H4-24413-00	.BODY 2	1	1	1			

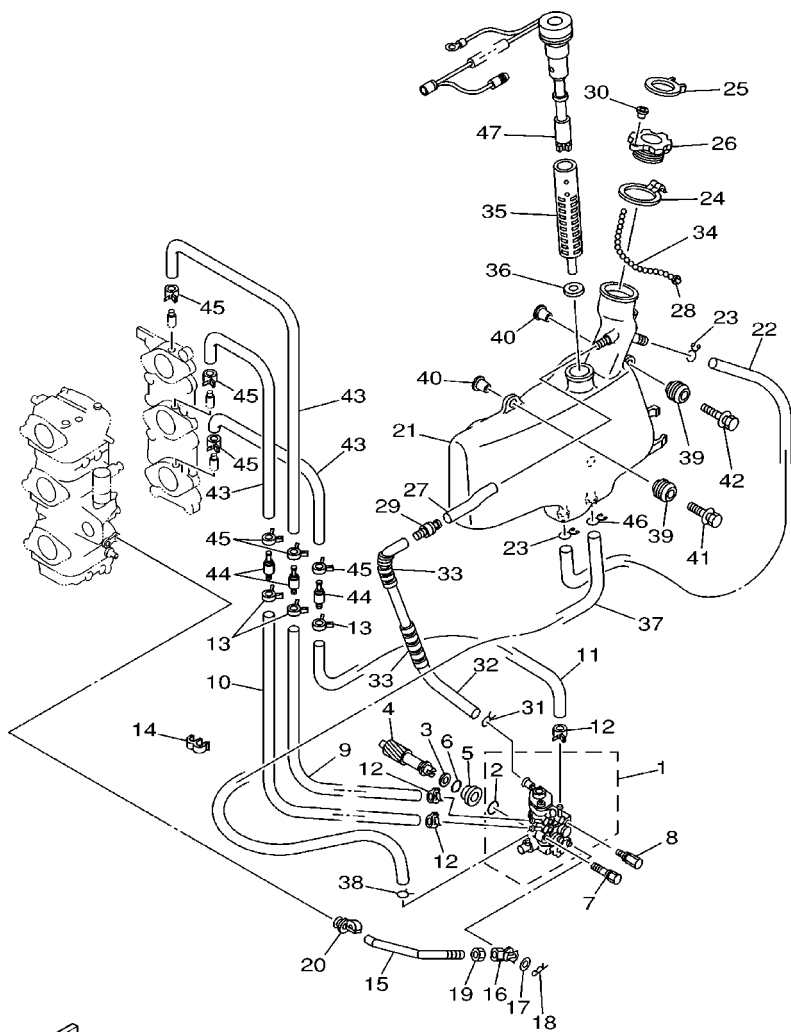
FIG. 6 OIL PUMP 1



63B0100-1060

REF. NO.	PART NO.	DESCRIPTION	EDO	ETO	EO	MO	MHO	REMARKS
1	63D-13200-00	OIL INJECTION PUMP ASSY				1	1	
2	93210-19MA7	.O-RING				1	1	
3	90201-08M93	WASHER, PLATE				1	1	
4	6H4-11537-01	GEAR, DRIVEN				1	1	
5	6H1-13117-01	COLLAR, DISTANCE				1	1	
6	93210-13M04	O-RING				1	1	
7	90109-06M39	BOLT				1	1	
8	90109-06M40	BOLT				1	1	
9	90445-07M44	HOSE (L250)				1	1	
10	90445-07M23	HOSE (L408)				1	1	
11	90445-07MA6	HOSE (L90)				1	1	
12	90468-07M02	CLIP				3	3	
13	90468-07M02	CLIP				3	3	
14	90464-07M20	CLAMP				1	1	
15	6H4-41241-01	ROD, LINK				1	1	
16	6H1-41237-00	JOINT, LINK				1	1	
17	90202-05088	WASHER, PLATE				1	1	
18	90468-05M03	CLIP				1	1	
19	95380-05600	NUT				1	1	
20	6E9-41237-00	JOINT, LINK				1	1	
21	63D-21707-10	OIL TANK COMP.				1	1	
22	90445-11M15	HOSE (L360)				1	1	
23	90467-11M08	CLIP				2	2	
24	63D-2175R-00	HOOK, BAND				1	1	
25	63D-2176M-00	HOOK				1	1	
26	6H4-21770-00	OIL TANK CAP ASSY				1	1	
27	90445-11M23	HOSE (L85)				1	1	

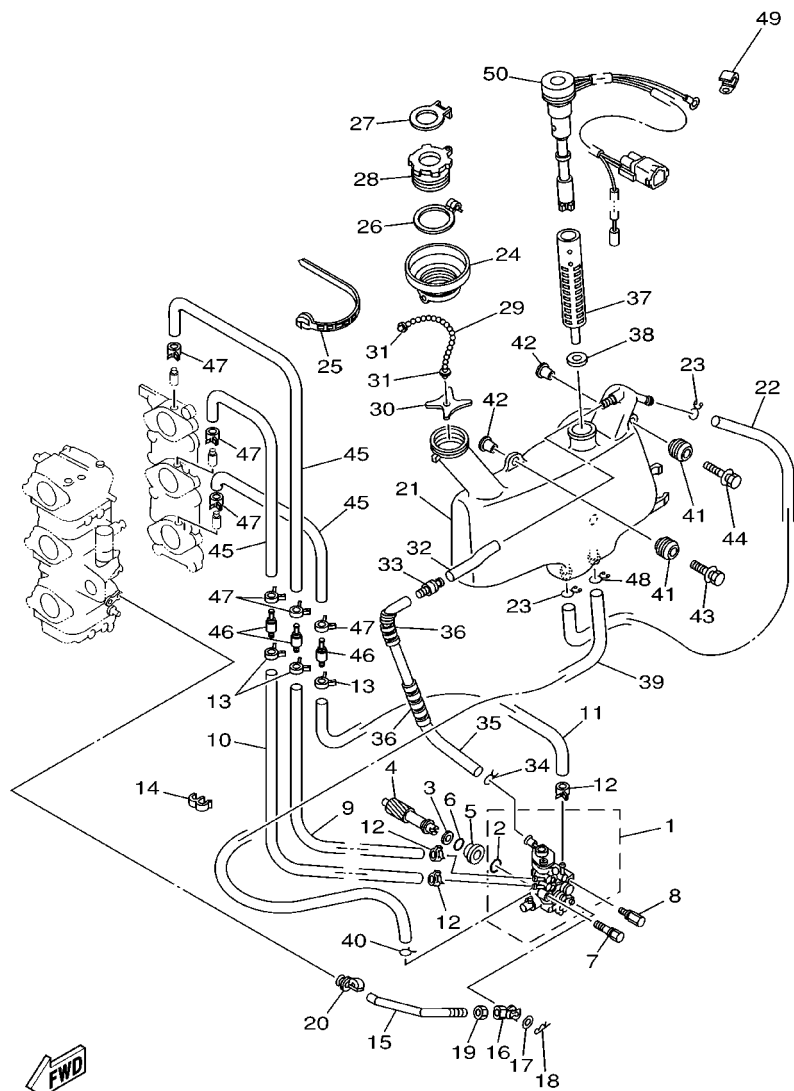
FIG. 6 OIL PUMP 1



63B0100-1060

REF. NO.	PART NO.	DESCRIPTION	EDO	ETO	EO	MO	MHO	REMARKS
28	6H4-21757-00	WASHER, SPECIAL 1				1	1	
29	63D-21744-00	BREATHER				1	1	
30	6H4-24634-00	HOOK, CHAIN BALL				1	1	
31	90467-10M04	CLIP				1	1	
32	90445-11M17	HOSE (L300)				1	1	
33	90446-10M01	HOSE				2	2	
34	6H4-24633-00	CHAIN, BALL				1	1	
35	6J8-13411-00	STRAINER, OIL				1	1	
36	6J8-13414-00	GASKET, STRAINER COVER				1	1	
37	6L2-13416-00	PIPE, OIL 1				1	1	
38	90467-08004	CLIP				1	1	
39	6A0-82317-00	DAMPER, IGNITION COIL				3	3	
40	624-42542-00	PIPE				3	3	
41	90119-06M65	BOLT, WITH WASHER				2	2	
42	90119-06M67	BOLT, WITH WASHER				1	1	
43	90445-07M87	HOSE (L110)				3	3	
44	6E9-13183-70	VALVE, CHECK				3	3	
45	90468-07M02	CLIP				6	6	
46	90467-11M08	CLIP				1	1	
47	63D-85720-10	OIL LEVEL GAUGE ASSY				1	1	

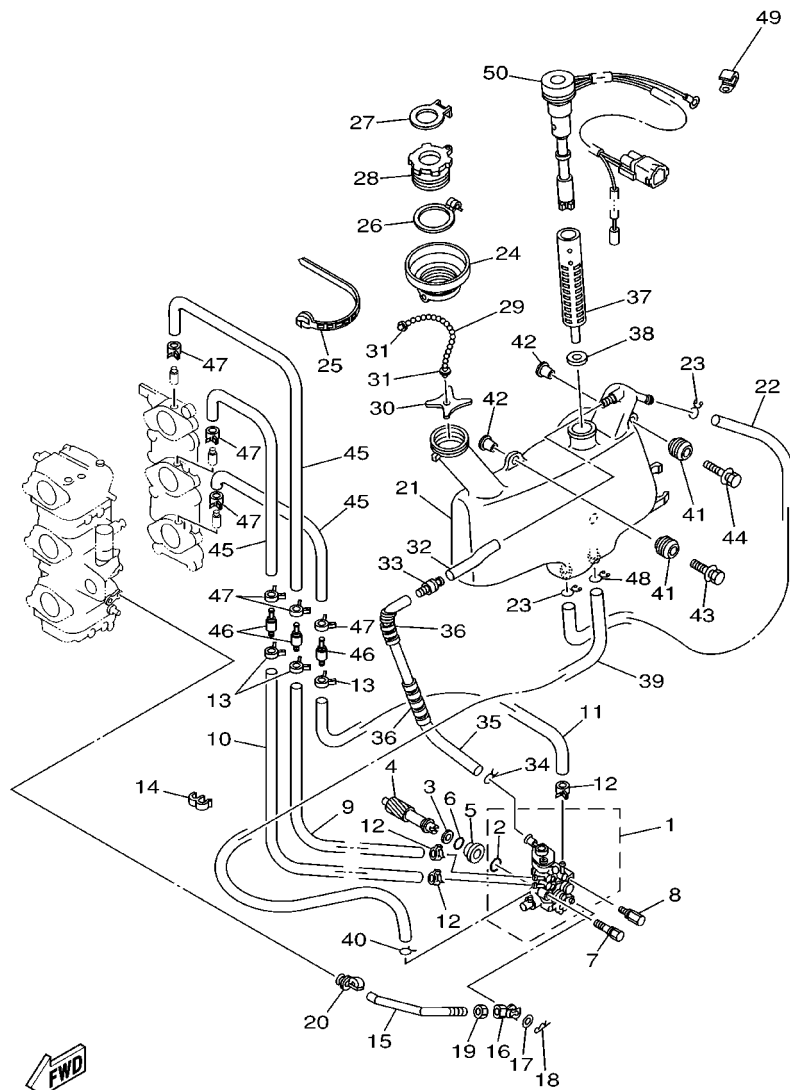
FIG. 7 OIL PUMP 2



63B0100-0070

REF. NO.	PART NO.	DESCRIPTION	EDO	ETO	EO	MO	MHO	REMARKS
1	63D-13200-00	OIL INJECTION PUMP ASSY	1	1	1			
2	93210-19MA7	.O-RING	1	1	1			
3	90201-08M93	WASHER, PLATE	1	1	1			
4	6H4-11537-01	GEAR, DRIVEN	1	1	1			
5	6H1-13117-01	COLLAR, DISTANCE	1	1	1			
6	93210-13M04	O-RING	1	1	1			
7	90109-06M39	BOLT	1	1	1			
8	90109-06M40	BOLT	1	1	1			
9	90445-07M44	HOSE (L250)	1	1	1			
10	90445-07M23	HOSE (L408)	1	1	1			
11	90445-07MA6	HOSE (L90)	1	1	1			
12	90468-07M02	CLIP	3	3	3			
13	90468-07M02	CLIP	3	3	3			
14	90464-07M20	CLAMP	1	1	1			
15	6H4-41241-01	ROD, LINK	1	1	1			
16	6H1-41237-00	JOINT, LINK	1	1	1			
17	90202-05088	WASHER, PLATE	1	1	1			
18	90468-05M03	CLIP	1	1	1			
19	95380-05600	NUT	1	1	1			
20	6E9-41237-00	JOINT, LINK	1	1	1			
21	63D-21707-00	OIL TANK COMP.	1	1	1			
22	90445-11M15	HOSE (L360)	1	1	1			
23	90467-11M08	CLIP	2	2	2			
24	6H4-21752-00	TUBE, FILLER 1	1	1	1			
25	90465-13M30	CLAMP	1	1	1			
26	63D-2175R-00	HOOK, BAND	1	1	1			
27	63D-2176M-00	HOOK	1	1	1			

FIG. 7 OIL PUMP 2

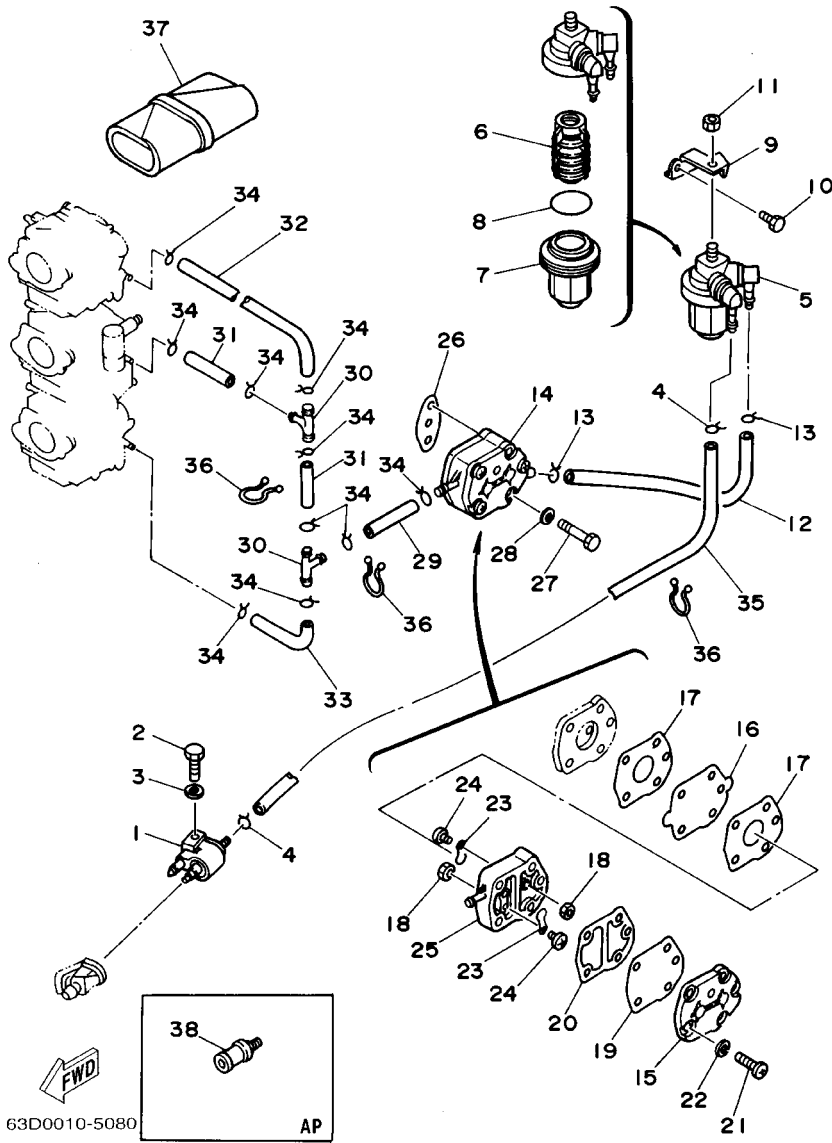


63B0100-0070

REF. NO.	PART NO.	DESCRIPTION	EDO	ETO	EO	MO	MHO	REMARKS
28	6H4-21770-00	OIL TANK CAP ASSY	1	1	1			
29	6H5-24633-00	CHAIN, BALL	1	1	1			
30	6J8-21758-00	WASHER, SPECIAL 2	1	1	1			
31	6H1-21757-00	WASHER, SPECIAL 1	2	2	2			
32	90445-11M23	HOSE (L85)	1	1	1			
33	63D-21744-00	BREATHER	1	1	1			
34	90467-10M04	CLIP	1	1	1			
35	90445-11M17	HOSE (L300)	1	1	1			
36	90446-10M01	HOSE	2	2	2			
37	6J8-13411-00	STRAINER, OIL	1	1	1			
38	6J8-13414-00	GASKET, STRAINER COVER	1	1	1			
39	6L2-13416-00	PIPE, OIL 1	1	1	1			
40	90467-08004	CLIP	1	1	1			
41	6A0-82317-00	DAMPER, IGNITION COIL	3	3	3			
42	624-42542-00	PIPE	3	3	3			
43	90119-06M65	BOLT, WITH WASHER	2	2	2			
44	90119-06M67	BOLT, WITH WASHER	1	1	1			
45	90445-07M87	HOSE (L110)	3	3	3			
46	6E9-13183-70	VALVE, CHECK	3	3	3			
47	90468-07M02	CLIP	6	6	6			
48	90467-11M08	CLIP	1	1	1			
49	90465-06M86	CLAMP	1	1	1			
50	63D-85720-00	OIL LEVEL GAUGE ASSY	1	1	1			

FIG. 8 FUEL

REF. NO.	PART NO.	DESCRIPTION	EDO	ETO	EO	MO	MHO	REMARKS
1	6G1-24304-02	FUEL PIPE JOINT COMP. 1	1	1	1	1	1	
2	97095-06025	BOLT	1	1	1	1	1	
3	92995-06600	WASHER	1	1	1	1	1	
4	90467-08004	CLIP	2	2	2	2	2	
5	61N-24560-00	FILTER ASSY	1	1	1	1	1	
6	61N-24563-00	.ELEMENT, FILTER	1	1	1	1	1	
7	61N-24521-00	.CUP, FILTER	1	1	1	1	1	
8	93210-32738	.O-RING	1	1	1	1	1	
9	6H4-24566-01	BRACKET, FILTER	1	1	1	1	1	
10	97013-06014	BOLT	1	1	1	1	1	
11	95380-08600	NUT	1	1	1	1	1	
12	6H4-24314-00	PIPE 4	1	1	1	1	1	
13	90467-08004	CLIP	2	2	2	2	2	
14	692-24410-00	FUEL PUMP ASSY	1	1	1	1	1	
15	6A0-24413-00	.BODY 2	1	1	1	1	1	
16	692-24411-00	.DIAPHRAGM	1	1	1	1	1	
17	648-24434-01	.GASKET, BODY	2	2	2	2	2	
18	95380-03600	.NUT	2	2	2	2	2	
19	663-24411-00	.DIAPHRAGM	1	1	1	1	1	
20	648-24435-02	.GASKET, BODY 2	1	1	1	1	1	
21	98503-05028	.SCREW, PAN HEAD	3	3	3	3	3	
22	92990-05100	.WASHER, SPRING	3	3	3	3	3	
23	6A0-24421-01	.VALVE, CHECK	2	2	2	2	2	
24	6A0-14325-00	.SCREW, PAN HEAD	2	2	2	2	2	
25	6A0-24412-02	.BODY 1	1	1	1	1	1	
26	650-24431-A0	.GASKET, FUEL PUMP 1	1	1	1	1	1	
27	97095-06040	BOLT	2	2	2	2	2	



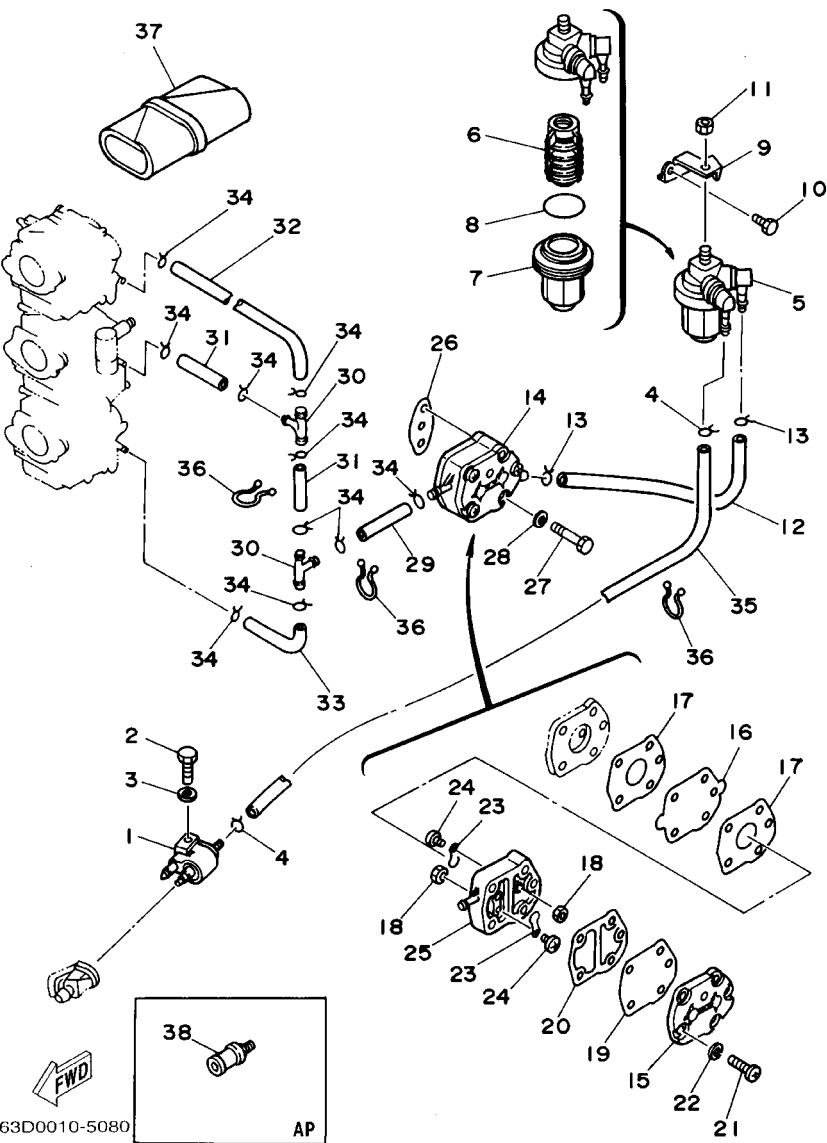
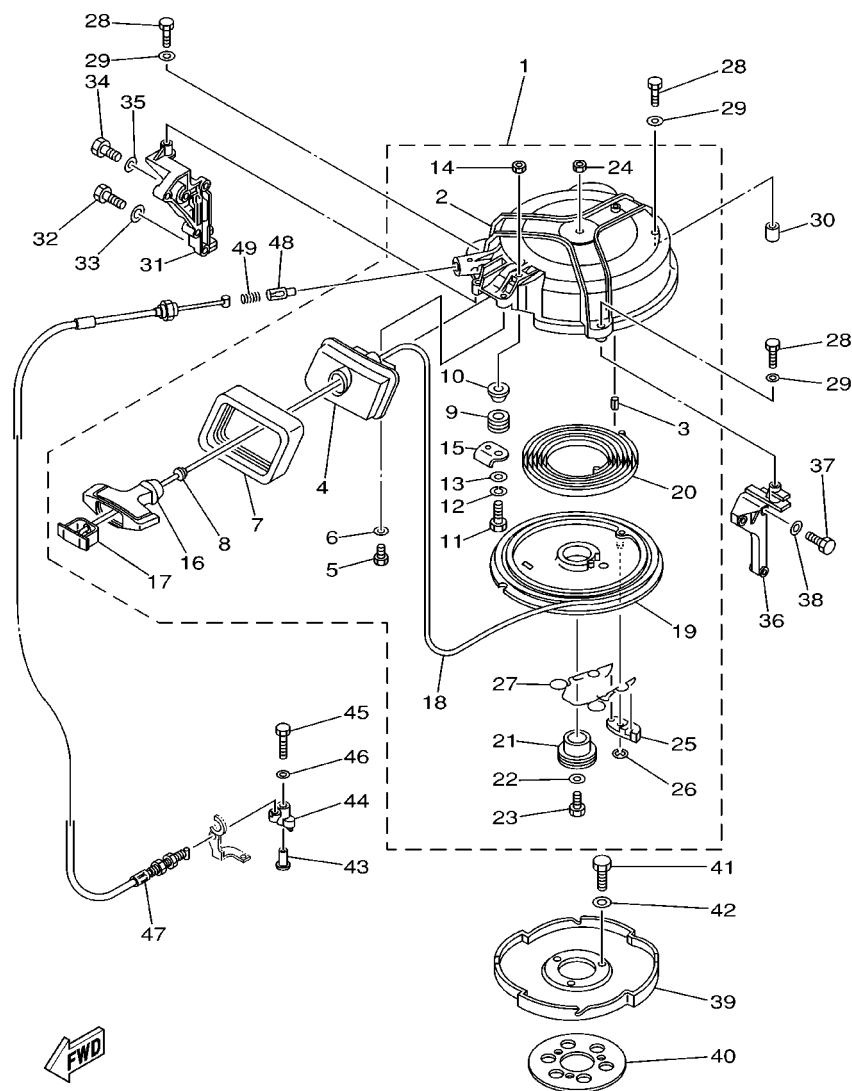


FIG. 8 FUEL

REF. NO.	PART NO.	DESCRIPTION	EDO	ETO	EO	MO	MHO	REMARKS
28	92995-06600	WASHER	2	2	2	2	2	
29	90445-09063	HOSE	1	1	1	1	1	
30	688-24378-00	PIPE, JOINT 4	2	2	2	2	2	
31	90445-09057	HOSE (L45)	2	2	2	2	2	
32	6H4-24313-00	PIPE 3	1	1	1	1	1	
33	6H4-24312-00	PIPE 2	1	1	1	1	1	
34	90467-08004	CLIP	10	10	10	10	10	
35	6H4-24311-00	PIPE, FUEL 1	1	1	1	1	1	
36	90464-15M11	CLAMP	3	3	3	3	3	
37	656-W2810-02	TOOL KIT	1	1	1	1	1	
38	6E0-28193-00-94	PLUG, WATER CHECK	1	1	1	1	1	AP D:12.5MM

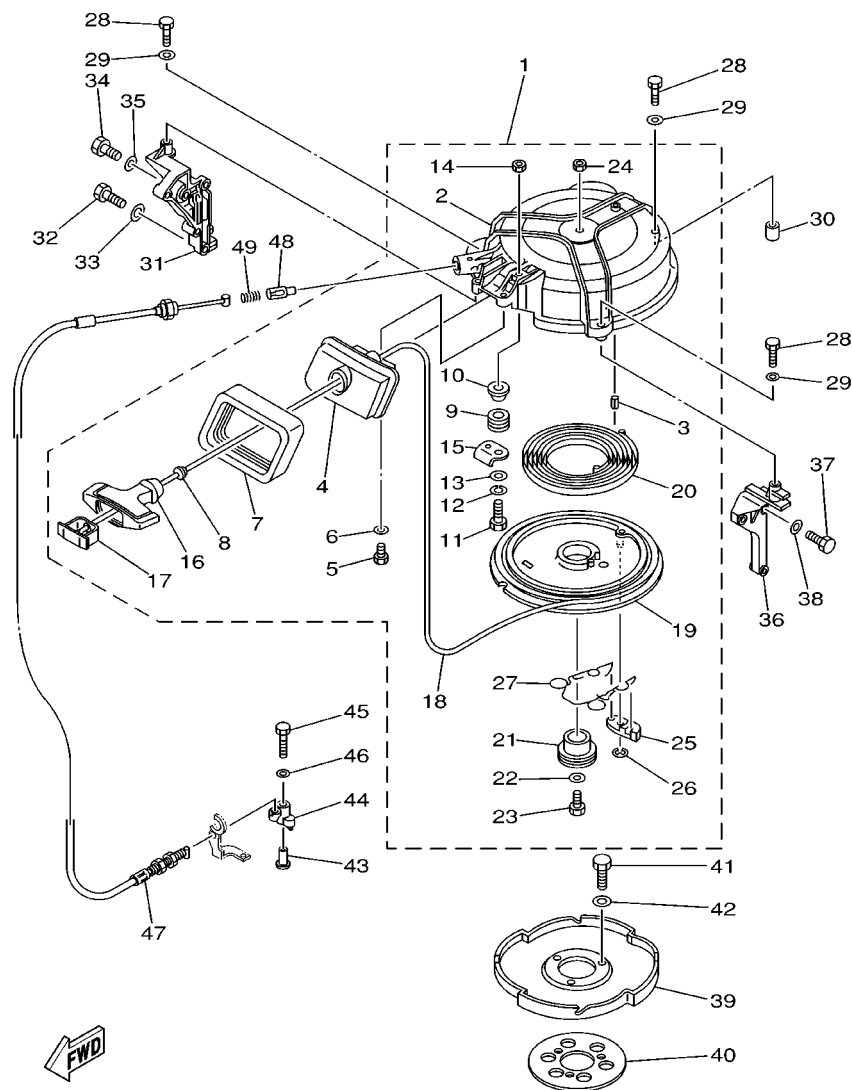


63D0010-0090

FIG. 9 STARTER

REF. NO.	PART NO.	DESCRIPTION	EDO	ETO	EO	MO	MHO	REMARKS
1	6H4-15710-04-4D	STARTER ASSY				1	1	
2	6H4-15711-02-94	.CASE, STARTER				1	1	
3	91690-40018	.PIN, SPRING				1	1	
4	6H4-15758-01-4D	.GUIDE, ROPE				1	1	
5	97095-06016	.BOLT				2	2	
6	92990-06600	.WASHER, PLATE				2	2	
7	6H4-15762-00	.SEAL, RUBBER 2				1	1	
8	6A0-15789-00	.DAMPER				1	1	
9	6F5-15752-00	.ROLLER, WIRE				1	1	
10	90387-06M69	.COLLAR				1	1	
11	97095-06030	.BOLT				1	1	
12	92995-06100	.WASHER, SPRING				1	1	
13	92990-06600	.WASHER, PLATE				1	1	
14	95380-06600	.NUT, HEXAGON				1	1	
15	6H4-15787-01	.STAY				1	1	
16	689-15755-01	.HANDLE, STARTER				1	1	
17	6F5-15779-02	.COVER				1	1	
18	*	.WIRE (L:2095MM)				1	1	
19	6H4-15714-00	.DRUM, SHEAVE				1	1	
20	90510-08002	.SPRING, SPIRAL				1	1	
21	6H4-15717-01	.SHAFT, STARTER				1	1	
22	90201-065F3	.WASHER, PLATE				1	1	
23	97095-06020	.BOLT				1	1	
24	95380-06600	.NUT, HEXAGON				1	1	
25	676-15741-03	.PAWL, DRIVE				1	1	

* CUT FROM 50M ROLLS, PART NO. 90890-44373,
CUTTING LENGTH 2.095M

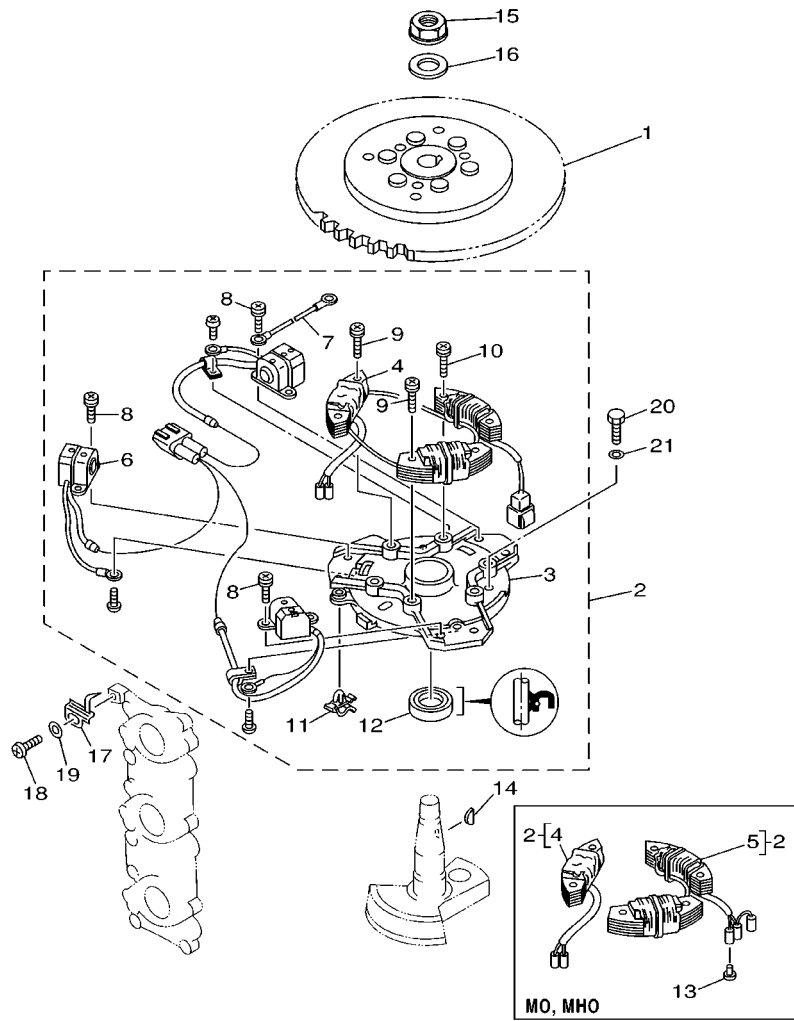


63D0010-0090

FIG. 9 STARTER

REF. NO.	PART NO.	DESCRIPTION	EDO	ETO	EO	MO	MHO	REMARKS
26	93430-06M02	.CIRCLIP				1	1	
27	6H4-15705-00	.SPRING, DRIVE PAWL				1	1	
28	97095-06035	BOLT				3	3	
29	92995-06600	WASHER				3	3	
30	99530-10014	PIN, DOWEL				1	1	
31	63D-15771-00-4D	STAY 1				1	1	
32	97013-08025	BOLT				2	2	
33	92903-08600	WASHER, PLATE				2	2	
34	97013-06020	BOLT				1	1	
35	92903-06600	WASHER, PLATE				1	1	
36	6H4-15772-02-94	STAY 2				1	1	
37	97013-06025	BOLT				3	3	
38	92903-06600	WASHER, PLATE				3	3	
39	6H4-15723-01-94	PULLEY, STARTER				1	1	
40	6J8-81365-A0	GASKET, HOLE COVER				1	1	
41	97013-08020	BOLT				3	3	
42	92903-08600	WASHER, PLATE				3	3	
43	90387-06M66	COLLAR				1	1	
44	63D-15746-00	ARM				1	1	
45	97095-06040	BOLT				1	1	
46	92995-06600	WASHER				1	1	
47	63D-15770-00	CABLE COMP., STARTER STOP				1	1	
48	656-15748-00	PLUNGER, STARTER STOP				1	1	
49	90501-10227	SPRING, COMPRESSION				1	1	

FIG. 10 GENERATOR



63C0664-0100

REF. NO.	PART NO.	DESCRIPTION	EDO	ETO	EO	MO	MHO	REMARKS
1	63D-85550-00	ROTOR ASSY	1	1	1			
	63D-85550-10	ROTOR ASSY				1	1	
2	63D-85560-10	BASE ASSY	1	1	1			
	63D-85560-00	BASE ASSY				1	1	
3	6H4-15359-04-94	.HOUSING, OIL SEAL	1	1	1	1	1	
4	63D-85520-01	.COIL, CHARGE	1	1	1			
	63D-85520-00	.COIL, CHARGE				1	1	
5	63D-85533-00	.COIL, LIGHTING				1	1	
6	63D-85580-00	.COIL, PULSER	1	1	1	1	1	
7	6H4-83354-00	.WIRE, EARTH LEAD 1	1	1	1	1	1	
8	63D-81345-00	.SCREW, WITH WASHER (M5X12)	6	6	6	6	6	
9	63D-81345-10	.SCREW, WITH WASHER (M6X25)	2	2	2	2	2	
10	63D-81345-20	.SCREW, WITH WASHER (M6X30)	4	4	4	4	4	
11	90464-03M15	.CLAMP	1	1	1	1	1	
12	93102-23096	.OIL SEAL	1	1	1	1	1	
13	703-82119-00	COVER, LEAD WIRE				3	3	
14	6H4-11545-00	KEY, WOODRUFF	1	1	1	1	1	
15	90179-16M05	NUT	1	1	1	1	1	
16	90201-16M44	WASHER, PLATE	1	1	1	1	1	
17	6H4-81332-00	PLATE, TIMING	1	1	1	1	1	
18	97885-05010	SCREW, PAN HEAD	1	1	1	1	1	
19	92995-05600	WASHER	1	1	1	1	1	
20	97013-06018	BOLT	3	3	3	3	3	
21	92903-06600	WASHER, PLATE	3	3	3	3	3	

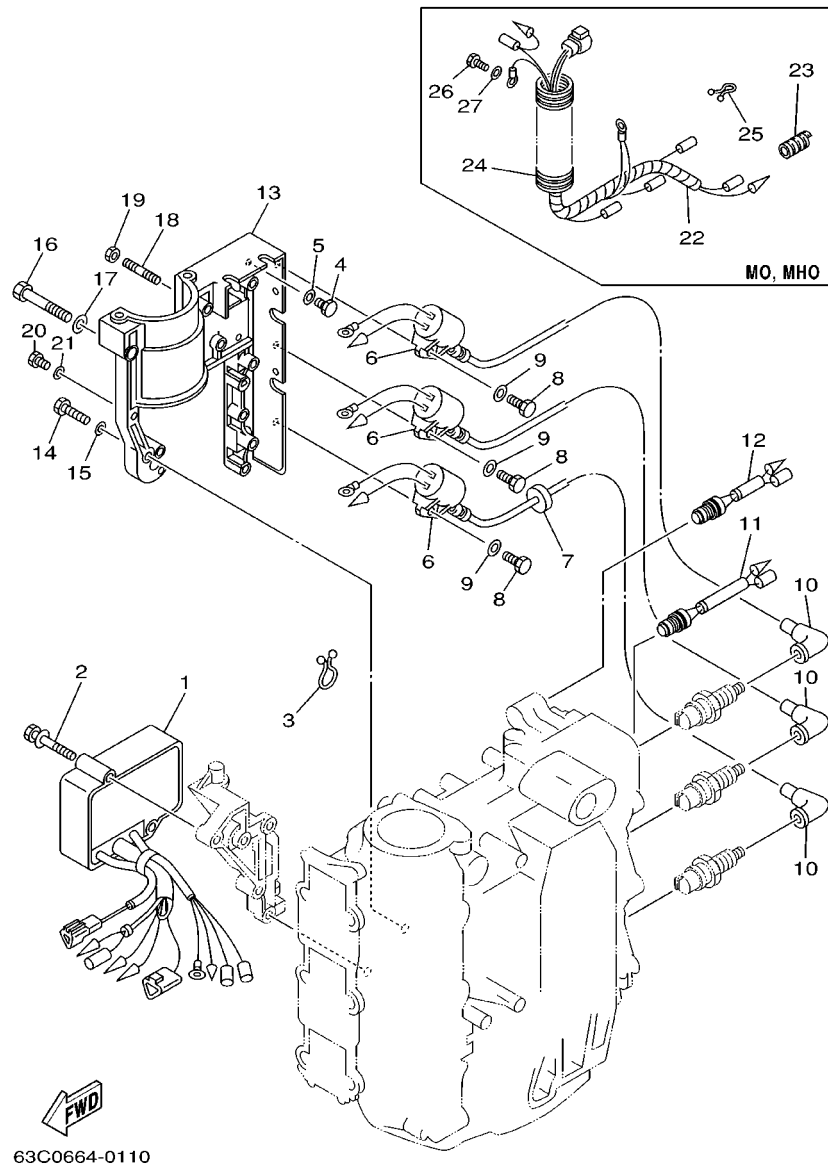
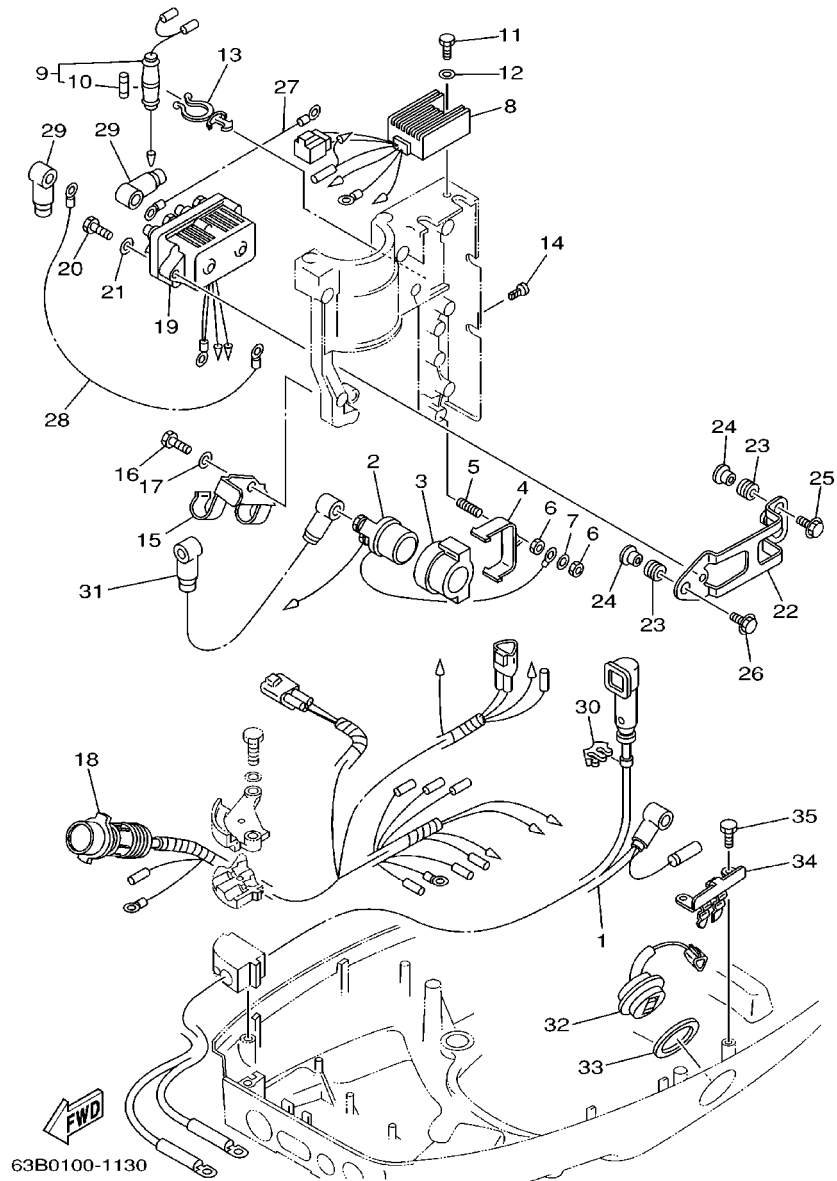


FIG. 11 ELECTRICAL 1

REF. NO.	PART NO.	DESCRIPTION	EDO	ETO	EO	MO	MHO	REMARKS
1	63D-85540-01	C.D.I. UNIT ASSY	1	1	1	1	1	
2	90119-06M51	BOLT, WITH WASHER	2	2	2	2	2	
3	90464-15M11	CLAMP	1	1	1	1	1	
4	97095-06014	BOLT	1	1	1	1	1	
5	92995-06600	WASHER	1	1	1	1	1	
6	6H5-85570-00	IGNITION COIL ASSY	3	3	3	3	3	
7	90480-25161	GROMMET	1	1	1	1	1	
8	97095-06020	BOLT	3	3	3	3	3	
9	92995-06600	WASHER	3	3	3	3	3	
10	6G1-82370-21	PLUG CAP ASSY	3	3	3	3	3	
11	689-82560-00	THERMO SWITCH ASSY	1	1	1	1	1	
12	6H4-82560-00	THERMO SWITCH ASSY	1	1	1	1	1	
13	6H4-81822-02-98	BRACKET, STARTING MOTOR	1	1	1			
14	97095-06030	BOLT	4	4	4			
15	92995-06600	WASHER	4	4	4			
16	97013-08050	BOLT	1	1	1			
17	92903-08600	WASHER, PLATE	1	1	1			
18	95670-06640	BOLT, STUD	1	1	1			
19	90179-06M24	NUT	1	1	1			
20	97095-06014	BOLT	2	2	2			
21	92995-06600	WASHER	2	2	2			
22	63D-82531-00	WIRE, LEAD				1	1	
23	90446-10M02	HOSE				1	1	
24	6G1-83557-00	TUBE				1	1	
25	90464-05M16	CLAMP				1	1	
26	97095-06014	BOLT				1	1	
27	92995-06600	WASHER				1	1	

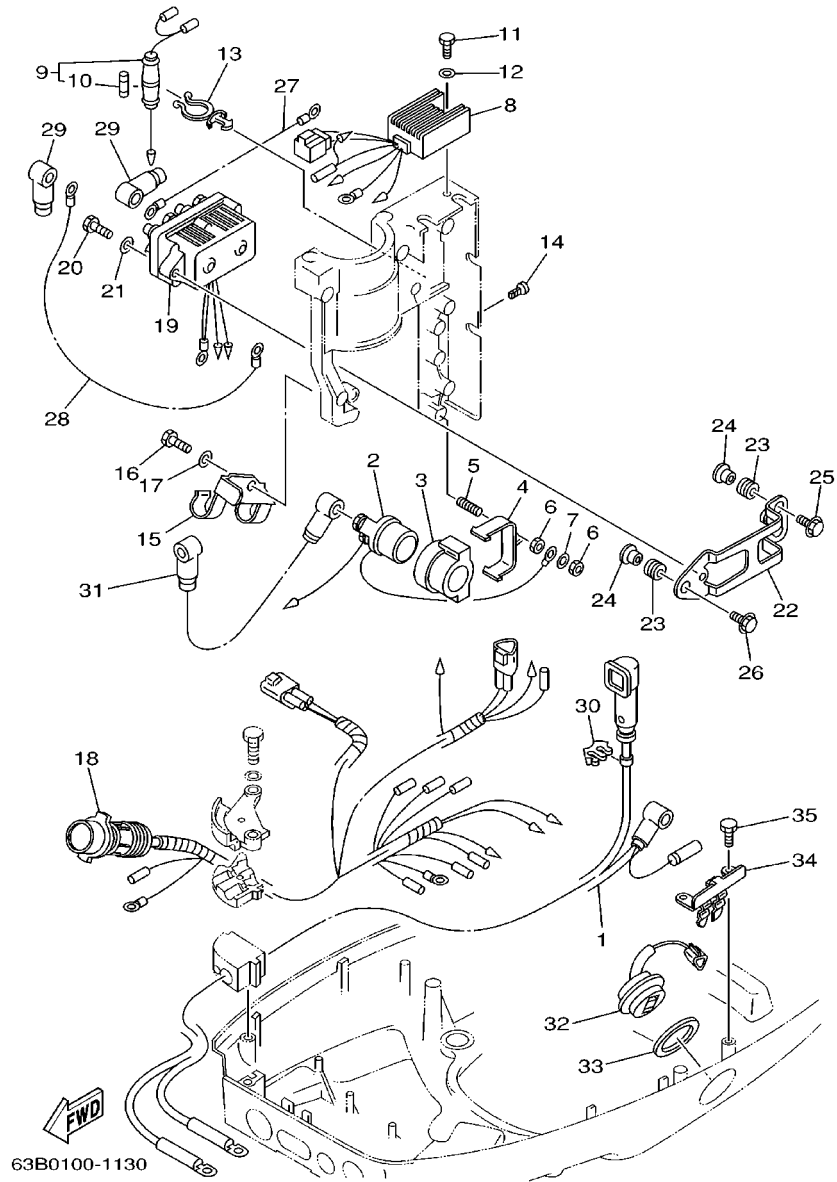
FIG. 12 ELECTRICAL 2



63B0100-1130

REF. NO.	PART NO.	DESCRIPTION	EDO	ETO	EO	MO	MHO	REMARKS
1	6H4-82105-02	WIRE HARNESS	1	1	1			
2	6G1-81941-10	STARTER RELAY ASSY	1	1	1			
3	6H4-81952-00	HOLDER, RELAY	1	1	1			
4	6H4-81945-00	PLATE, SWITCH FITTING	1	1	1			
5	90116-06M22	BOLT, STUD	1	1	1			
6	95380-06600	NUT, HEXAGON	2	2	2			
7	92990-06600	WASHER, PLATE	1	1	1			
8	6H2-81960-10	RECTIFIER & REGULATOR ASSY	1	1	1			
9	6H4-82150-00	FUSE HOLDER ASSY	1	1	1			
10	682-82151-00	.FUSE (20A)	1	1	1			
11	97095-06014	BOLT	1	1	1			
12	92995-06600	WASHER	1	1	1			
13	90464-15M27	CLAMP	1	1	1			
14	90338-05M11	PLUG	2	2	2			
15	63D-82594-00	CLAMP	1	1	1			
16	97095-06012	BOLT	1	1	1			
17	92995-06600	WASHER	1	1	1			
18	63D-82590-20	WIRE HARNESS ASSY		1				
	63D-82590-10	WIRE HARNESS ASSY	1		1			
19	6H1-81950-00	RELAY ASSY		1				
20	97095-06025	BOLT		2				
21	92995-06600	WASHER		2				
22	6H4-81945-20	PLATE, SWITCH FITTING		1				
23	90480-13M24	GROMMET		3				
24	90387-06M05	COLLAR		3				
25	90105-06M15	BOLT, WASHER BASED		2				
26	90105-06M16	BOLT, WASHER BASED		1				

FIG. 12 ELECTRICAL 2



REF. NO.	PART NO.	DESCRIPTION	EDO	ETO	EO	MO	MHO	REMARKS
27	6H5-81949-00	WIRE, LEAD		1				
28	61A-81949-00	WIRE, LEAD		1				
29	682-82119-01	COVER, LEAD WIRE		4				
30	90464-07M20	CLAMP	1	1	1			
31	6H4-82117-00	WIRE, LEAD	1	1	1			
32	63D-82563-10	TRIM & TILT SWITCH ASSY		1				
33	6E5-82587-00	GASKET		1				
34	6R3-83614-00	BRACKET		1				
35	97095-06016	BOLT		2				

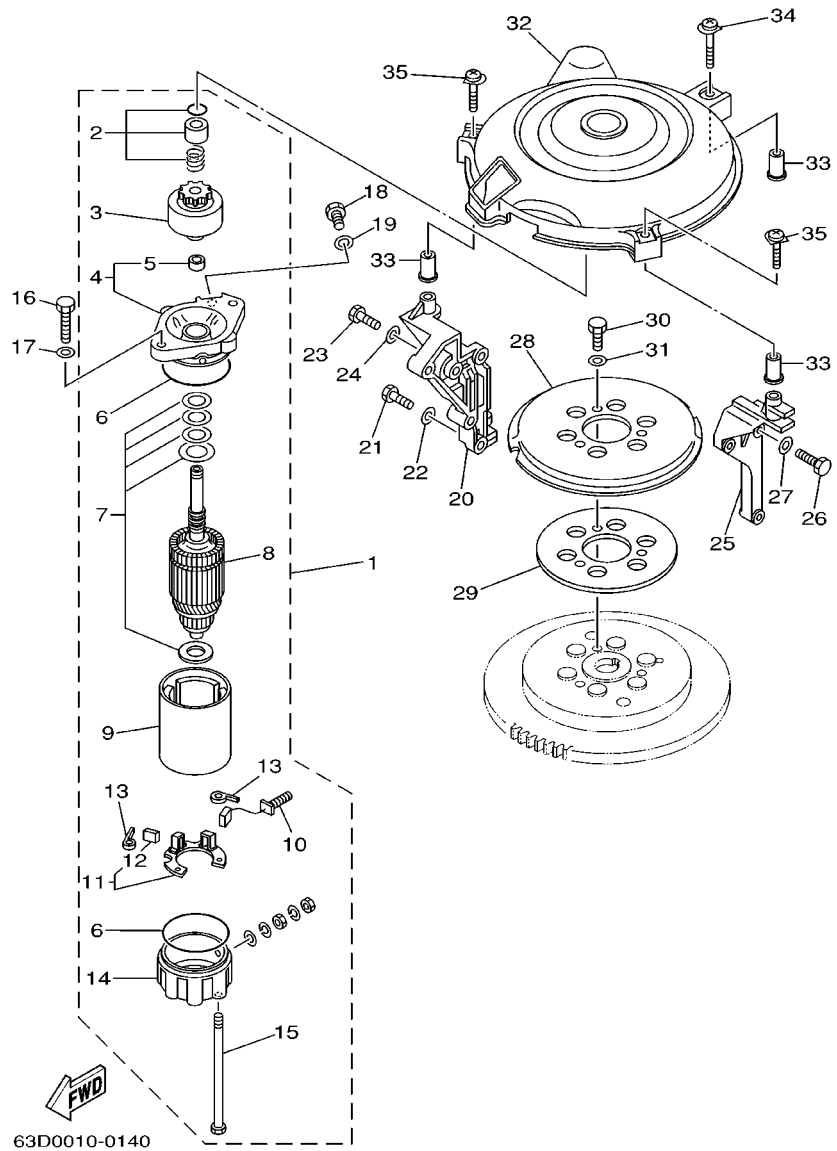
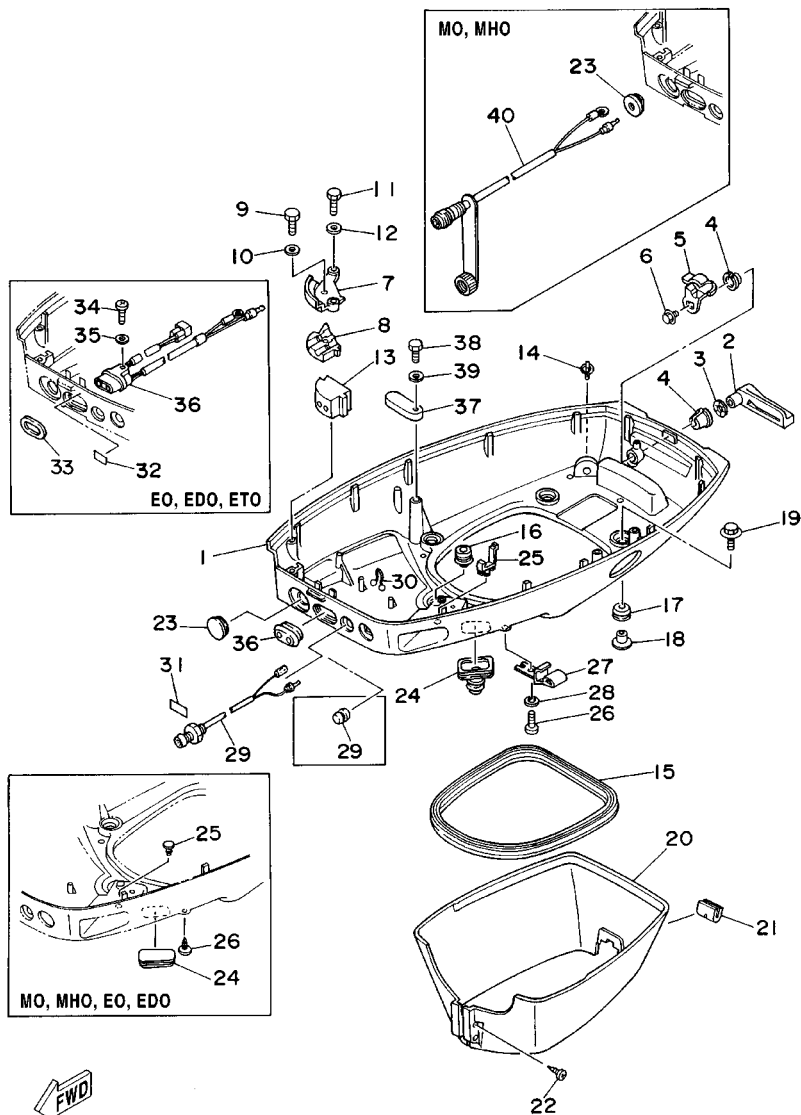


FIG. 14 STARTING MOTOR

REF. NO.	PART NO.	DESCRIPTION	EDO	ETO	EO	MO	MHO	REMARKS
1	6F5-81800-11	STARTING MOTOR ASSY	1	1	1			
2	689-81857-11	.PINION STOPPER SET	1	1	1			
3	689-81807-12	.GEAR ASSY, STARTING MOTOR	1	1	1			
4	6F5-81830-11	.FRONT BRACKET ASSY	1	1	1			
5	689-81831-00	..METAL, FRONT	1	1	1			
6	689-81847-11	.O-RING	2	2	2			
7	689-81809-11	.WASHER KIT	1	1	1			
8	689-81850-12	.ARMATURE ASSY	1	1	1			
9	689-81810-11	.STATOR ASSY	1	1	1			
10	689-81811-11	.BRUSH 1	1	1	1			
11	689-81840-11	.BRUSH HOLDER ASSY	1	1	1			
12	689-81812-11	..BRUSH 2	1	1	1			
13	689-81813-10	.SPRING, BRUSH	2	2	2			
14	689-81820-11	.REAR BRACKET ASSY	1	1	1			
15	689-81826-10	.BOLT	2	2	2			
16	97013-08030	BOLT	2	2	2			
17	92903-08600	WASHER, PLATE	2	2	2			
18	97013-08016	BOLT	1	1	1			
19	92903-08600	WASHER, PLATE	1	1	1			
20	63D-15771-00-4D	STAY 1	1	1	1			
21	97013-08025	BOLT	2	2	2			
22	92903-08600	WASHER, PLATE	2	2	2			
23	97013-06020	BOLT	1	1	1			
24	92903-06600	WASHER, PLATE	1	1	1			
25	6H4-15772-02-94	STAY 2	1	1	1			
26	97013-06025	BOLT	3	3	3			
27	92903-06600	WASHER, PLATE	3	3	3			

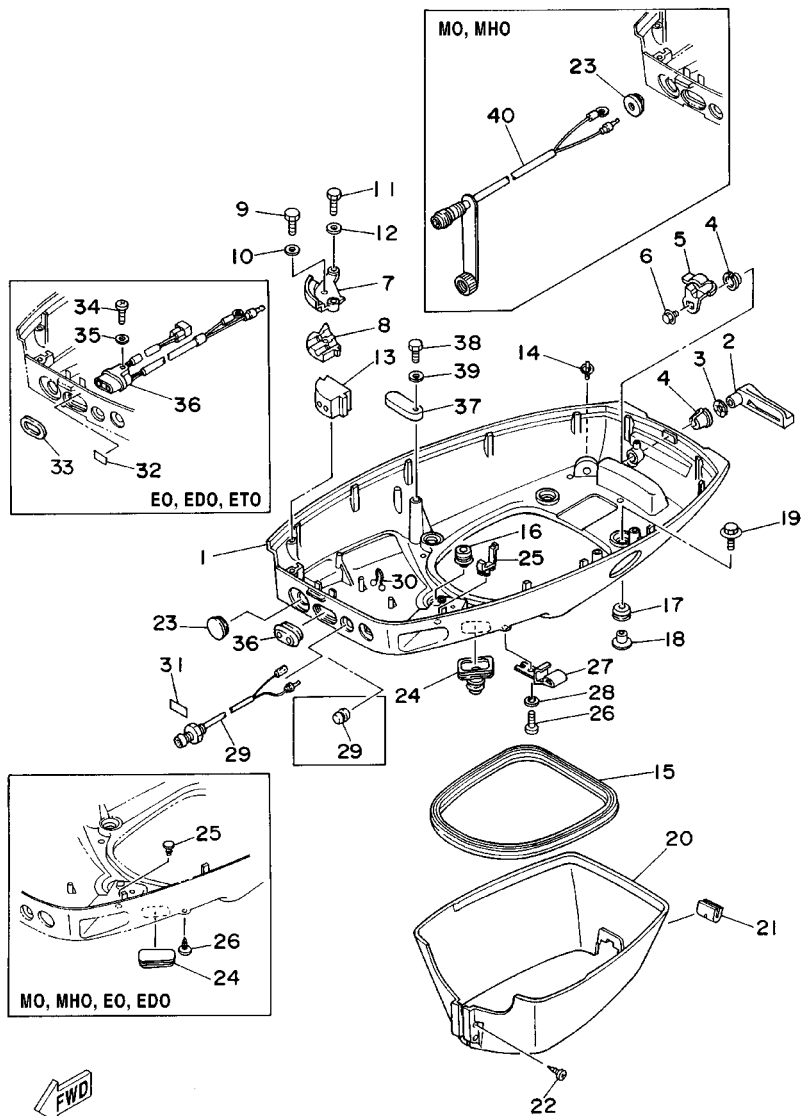
FIG. 15 BOTTOM COWLING



63C0664-5150

REF. NO.	PART NO.	DESCRIPTION	EDO	ETO	EO	MO	MHO	REMARKS
1	6H4-42711-25-4D	COWLING, BOTTOM		1				
	6H4-42711-07-4D	COWLING, BOTTOM	1		1	1	1	
2	6H4-42815-00	LEVER, CLAMP	1	1	1	1	1	
3	90206-12052	WASHER, WAVE	1	1	1	1	1	
4	90386-12069	BUSH	2	2	2	2	2	
5	6H4-42816-00	LEVER, CLAMP	1	1	1	1	1	
6	90119-06M73	BOLT, WITH WASHER	1	1	1	1	1	
7	6H4-48531-11-94	BRACKET, REMOTE CONTROL 1	1	1	1	1	1	
8	6H4-48532-11-94	BRACKET, REMOTE CONTROL 2	1	1	1	1	1	
9	97095-05016	BOLT	1	1	1	1	1	
10	92995-05600	WASHER	1	1	1	1	1	
11	97095-06020	BOLT	2	2	2	2	2	
12	92995-06600	WASHER	2	2	2	2	2	
13	6H4-42724-20	GROMMET	1	1	1			
	6H4-42724-00	GROMMET				1	1	
14	6E5-44391-00	NIPPLE, HOSE	1	1	1	1	1	
15	6H4-42716-00	RUBBER, SEAL 1	1	1	1	1	1	
16	6E5-42724-00	GROMMET	1	1	1	1	1	
17	90480-09M21	GROMMET	4	4	4	4	4	
18	90387-06M41	COLLAR	4	4	4	4	4	
19	90119-06M61	BOLT, WITH WASHER	4	4	4	4	4	
20	63D-42741-00-4D	APRON	1	1	1	1	1	
21	63D-42717-00	RUBBER, SEAL 2	1	1	1	1	1	
22	97780-60525	SCREW, TAPPING	2	2	2	2	2	
23	676-42726-00	GROMMET	1	1	1			
	6H4-42726-40	GROMMET				1	1	
24	688-42726-10	GROMMET		1				

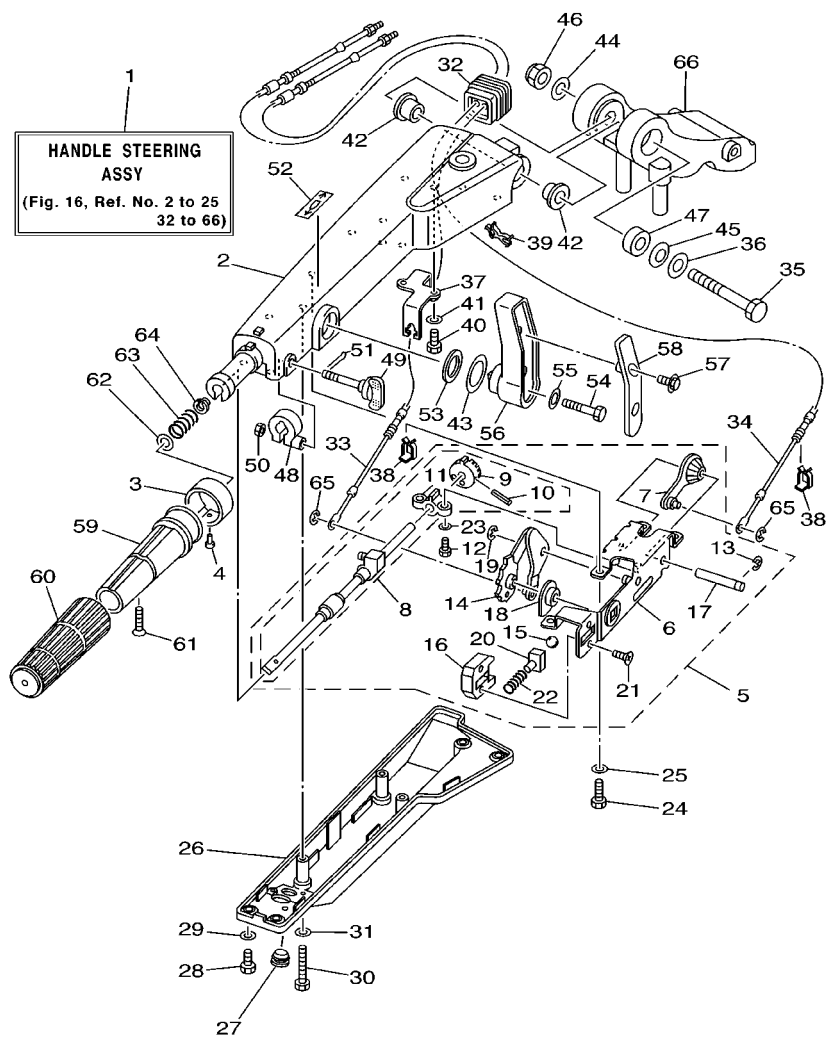
FIG. 15 BOTTOM COWLING



REF. NO.	PART NO.	DESCRIPTION	EDO	ETO	EO	MO	MHO	REMARKS
24	6H4-42726-00	GROMMET	1		1	1	1	
25	90464-09M13	CLAMP		1				
	703-82119-00	COVER, LEAD WIRE	1		1	1	1	
26	90157-06M01	SCREW, PAN HEAD		1				
	90338-05M03	PLUG	1		1	1	1	
27	6E5-24367-01	CLAMP, FUEL PIPE 2		1				
28	92990-06600	WASHER, PLATE		1				
29	6H4-42725-00	GROMMET	1	1	1			
	6J8-85410-00	EMERGENCY SIGNAL LIGHT ASSY				1	1	
30	90464-08M07	CLAMP				1	1	
31	6H4-85415-10	MARK, SIGNAL LAMP				1	1	
32	63D-84342-00	SEAT, EMBLEM	1	1	1			
33	6H4-83589-00	GASKET	1	1	1			
34	97880-06014	SCREW, PAN HEAD	1	1	1			
35	92990-06600	WASHER, PLATE	1	1	1			
36	63D-84301-00	PILOT LIGHT ASSY 1	1	1	1			
	6H3-42727-00	GROMMET				1	1	
37	6E5-82588-00	PLATE	1	1	1	1	1	
38	97095-06020	BOLT	1	1	1	1	1	
39	92995-06600	WASHER	1	1	1	1	1	
40	6F5-84340-00	SOCKET CORD ASSY 1				1	1	FOR 701 REMO-CON

63C0664-5150

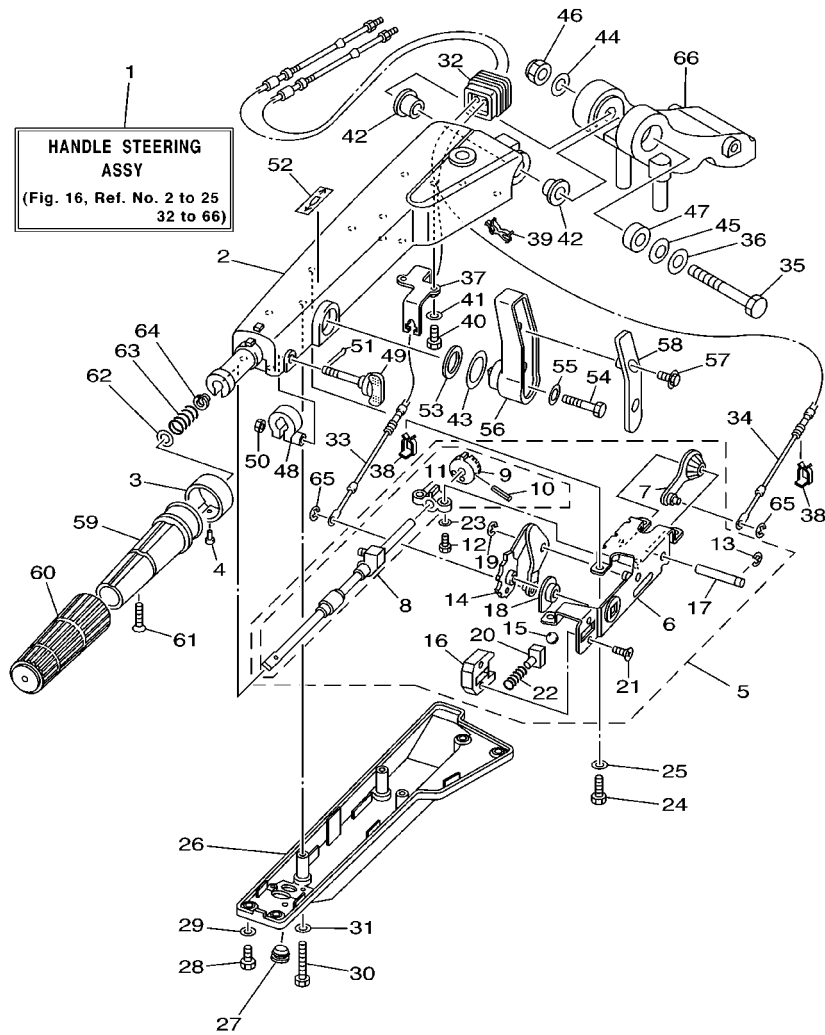
FIG. 16 STEERING



63C0664-0160

REF. NO.	PART NO.	DESCRIPTION	EDO	ETO	EO	MO	MHO	REMARKS
1	63D-W0084-00-4D	HANDLE STEERING ASSY					1	
2	63D-42111-01-4D	HANDLE, STEERING					1	
3	6K5-42137-00	INDICATOR, THROTTLE					1	
4	90269-02M09	RIVET					1	
5	63D-44100-11	SHIFT LINK ASSY					1	
6	63D-44104-00	.PLATE COMP.					1	
7	63D-48261-00	.ARM, THROTTLE					1	
8	63D-42115-00	.SHAFT, STEERING HANDLE					1	
9	650-42152-00-94	..GEAR					1	
10	91690-30025	..PIN, SPRING					1	
11	63D-42159-00	..STAY					1	
12	98580-06016	.SCREW, PAN HEAD					2	
13	93430-08006	.CIRCLIP					1	
14	63D-44113-01	.CAM PLATE, HANDLE					1	
15	63D-48236-00	.ROLLER, DETENT					1	
16	63D-48119-00	.COVER					1	
17	63D-42153-00	.SHAFT, THROTTLE CONTROL					1	
18	63D-44132-00	.BUSHING					1	
19	63D-48118-00	.CLIP, SHIFT LEVER					1	
20	63D-48237-00	.ADAPTOR					1	
21	98785-05014	.SCREW, FLAT HEAD					2	
22	63D-48238-00	.SPRING, DETENT					1	
23	63D-42181-00	.WASHER					2	
24	97095-06016	BOLT					4	
25	92995-06600	WASHER					4	
26	63D-42131-00	.COVER, HANDLE STEERING					1	
27	90480-14M14	GROMMET					1	

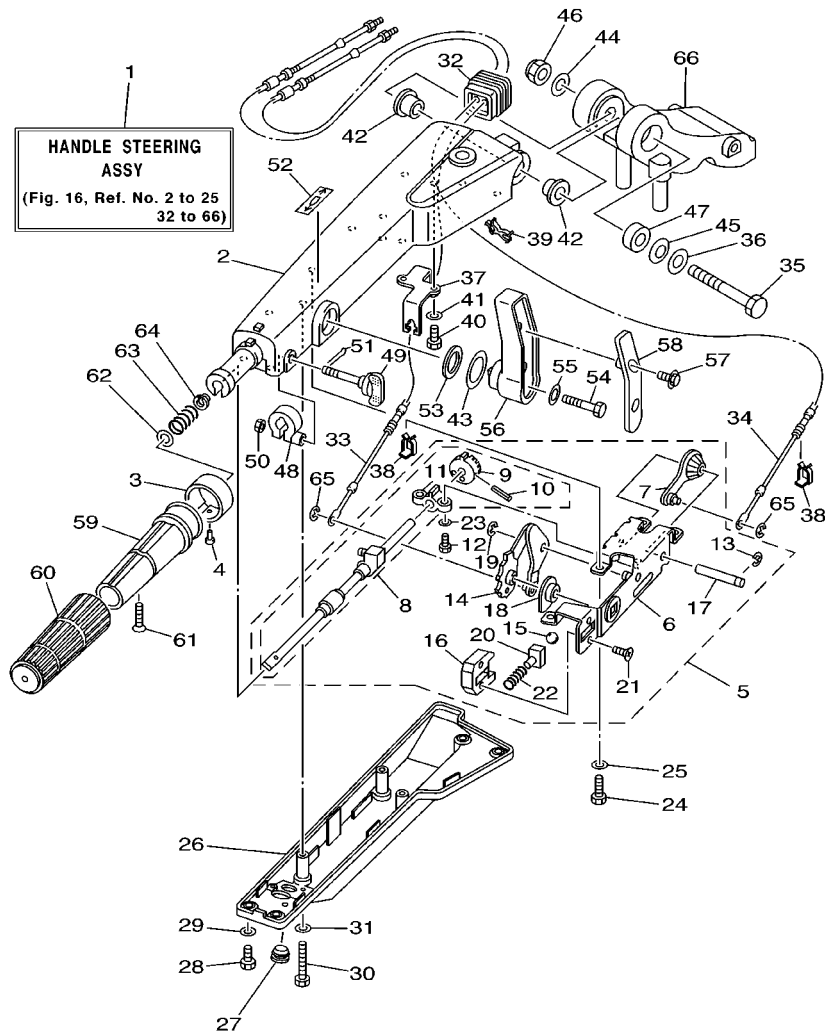
FIG. 16 STEERING



63C0664-0160

REF. NO.	PART NO.	DESCRIPTION	EDO	ETO	EO	MO	MHO	REMARKS
28	97885-06016	SCREW, PAN HEAD					4	
29	92995-06600	WASHER					4	
30	97885-06040	SCREW, PAN HEAD					3	
31	92995-06600	WASHER					3	
32	63D-42725-00	GROMMET					1	
33	63D-48321-01	CABLE					1	
34	63D-26301-01	THROTTLE CABLE ASSY					1	
35	90101-12M09	BOLT					1	
36	92990-12200	WASHER, PLAIN					1	
37	63D-48531-00	BRACKET, REMOTE CONTROL 1					1	
38	63D-48538-00	CLAMP, CABLE 1					2	
39	90464-09M42	CLAMP					1	
40	97095-06016	BOLT					2	
41	92995-06600	WASHER					2	
42	90386-12M93	BUSH					2	
43	90386-29M95	BUSH					1	
44	92990-12600	WASHER, PLATE					1	
45	90206-12M22	WASHER, WAVE					1	
46	90185-12M12	NUT, SELF-LOCKING					1	
47	90387-12M02	COLLAR					1	
48	63D-42126-00	FRICTION, STEERING HANDLE GRIP					1	
49	63D-48154-00	KN0B, THROTTLE					1	
50	95380-06600	NUT, HEXAGON					1	
51	91490-20010	PIN, COTTER					1	
52	6G8-44191-00	INDICATOR, SHIFT					1	
53	90202-24M53	WASHER, PLATE					1	
54	97095-08040	BOLT					1	

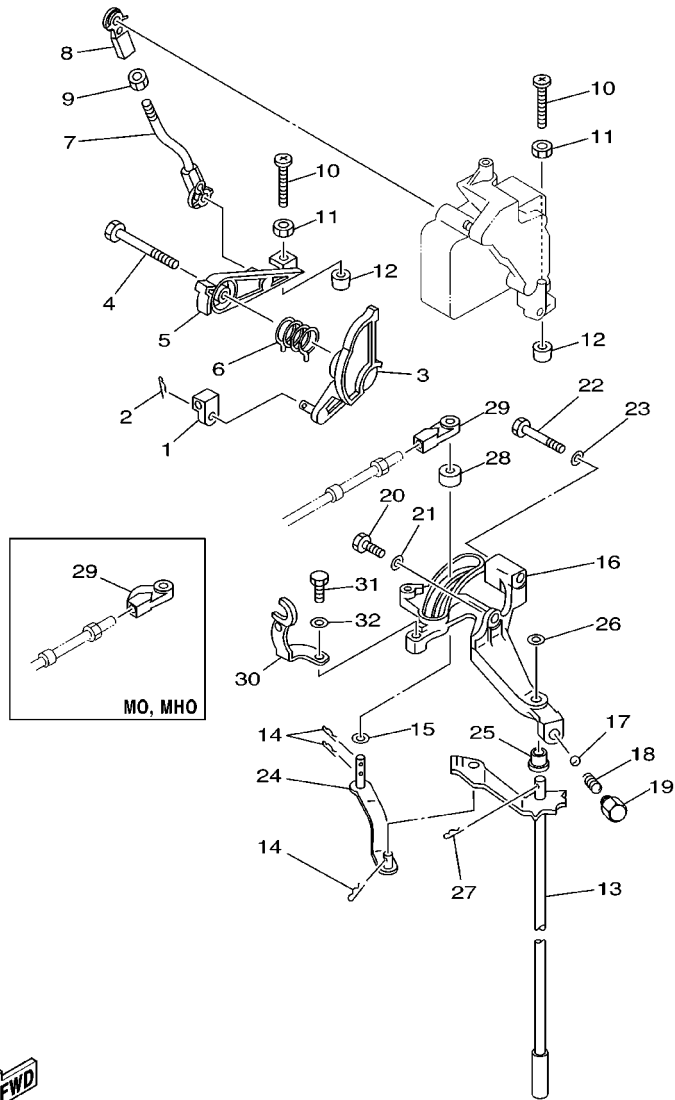
FIG. 16 STEERING



63C0664-0160

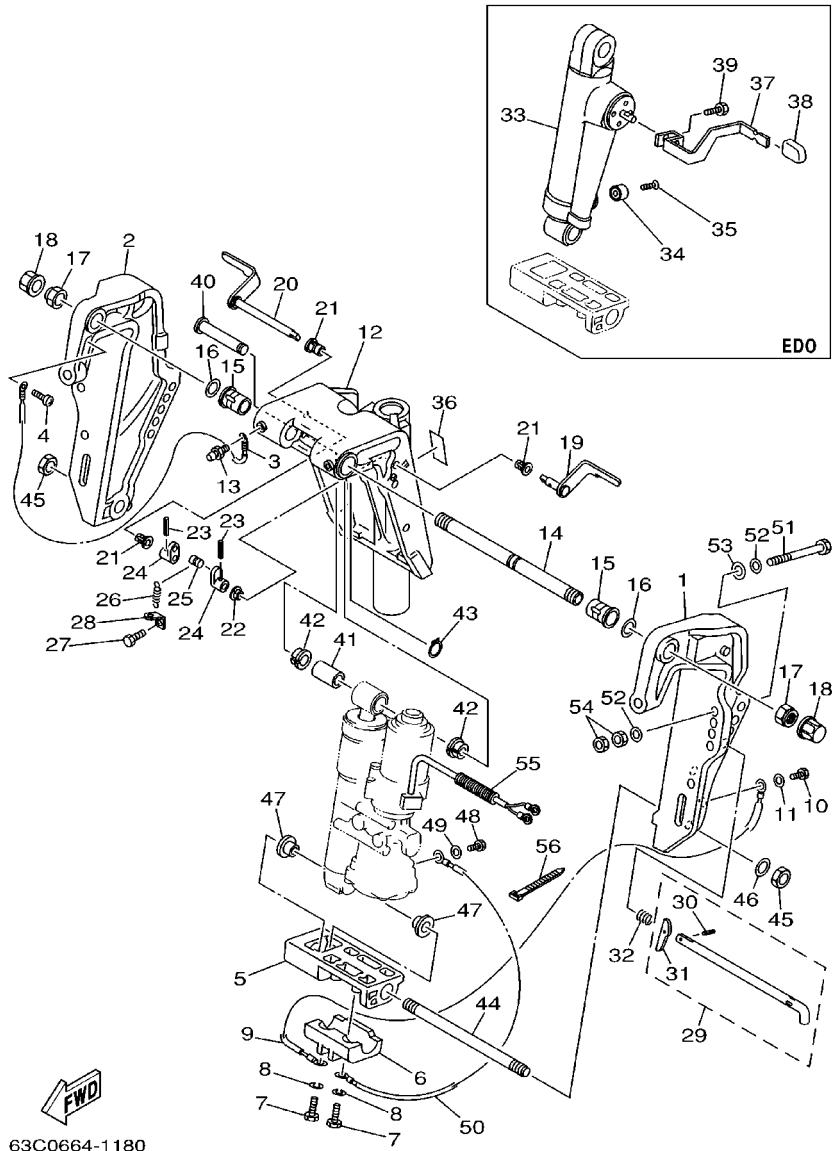
REF. NO.	PART NO.	DESCRIPTION	EDO	ETO	EO	MO	MHO	REMARKS
55	92995-08600	WASHER					1	
56	63D-44159-01	HANDLE, GEAR SHIFT					1	
57	90159-06M18	SCREW, WITH WASHER					2	
58	63D-44173-00	LEVER, SHIFT CONTROL					1	
59	664-42119-00	GRIP, STEERING HANDLE					1	
60	6G1-42177-00	RUBBER, HANDLE					1	
61	90149-05M13	SCREW					1	
62	92903-10600	WASHER, PLATE					1	
63	90501-23215	SPRING, COMPRESSION					1	
64	90386-08032	BUSH					1	
65	93430-04M03	CIRCLIP					2	
66	63D-42121-00-4D	BRACKET					1	

FIG. 17 CONTROL



63C0664-0170

REF. NO.	PART NO.	DESCRIPTION	EDO	ETO	EO	MO	MHO	REMARKS
1	6H4-48344-00	CABLE END, REMOTE CONTROL	1	1	1	1	1	
2	90468-18008	CLIP	1	1	1	1	1	
3	63D-41213-00	CAM, ACCEL.	1	1	1	1	1	
4	90109-06M43	BOLT	1	1	1	1	1	
5	63D-41632-00	LEVER, MAGNETO CONTROL	1	1	1	1	1	
6	90508-26M35	SPRING, TORSION	1	1	1	1	1	
7	63D-41636-00	ROD, MAGNETO CONTROL	1	1	1	1	1	
8	6H4-41237-00	JOINT, LINK	1	1	1	1	1	
9	95380-05600	NUT	1	1	1	1	1	
10	90157-06M13	SCREW, PAN HEAD	2	2	2	2	2	
11	95303-06600	NUT	2	2	2	2	2	
12	688-44194-00	CAP	2	2	2	2	2	
13	63D-44120-00	HANDLE GEAR SHIFT ASSY				1	1	S
	63D-44120-10	HANDLE GEAR SHIFT ASSY	1	1	1			L
14	90468-18008	CLIP	3	3	3	3	3	
15	90202-07M07	WASHER, PLATE	1	1	1	1	1	
16	63D-44117-00	BRACKET	1	1	1	1	1	
17	93501-04M02	BALL	1	1	1	1	1	
18	90501-12082	SPRING, COMPRESSION	1	1	1	1	1	
19	648-42715-00	BUSHING	1	1	1	1	1	
20	97013-06020	BOLT	1	1	1	1	1	
21	92903-06600	WASHER, PLATE	1	1	1	1	1	
22	97013-06045	BOLT	1	1	1	1	1	
23	92903-06600	WASHER, PLATE	1	1	1	1	1	
24	63D-44121-00	LEVER, SHIFT ROD	1	1	1	1	1	
25	90386-07M58	BUSH	1	1	1	1	1	
26	92990-08200	WASHER, PLAIN	1	1	1	1	1	



63C0664-1180

FIG. 18 BRACKET 1

REF. NO.	PART NO.	DESCRIPTION	EDO	ETO	EO	MO	MHO	REMARKS
1	63D-43111-01-4D	BRACKET, CLAMP	1	1				
2	63D-43112-01-4D	BRACKET, CLAMP	1	1				
3	63D-82148-00	WIRE, LEAD 4	1	1				
4	97885-06008	SCREW, PAN HEAD	1	1				
5	63D-43128-01-4D	SPACER, CLAMP BRACKET	1	1				
6	63D-45251-00	ANODE	1	1				
7	97095-06025	BOLT	2	2				
8	92995-06100	WASHER, SPRING	2	2				
9	6H1-82148-00	WIRE, LEAD 4	1	1				
10	97095-06010	BOLT	1	1				
11	92995-06600	WASHER	1	1				
12	63D-43311-12-4D	BRACKET, SWIVEL 1	1	1				
13	93700-06M03	NIPPLE, GREASE	3	3				
14	63D-43131-01	BOLT, CLAMP BRACKET	1	1				
15	90386-22M15	BUSH	2	2				
16	90201-22M03	WASHER, PLATE	2	2				
17	90185-22M11	NUT, SELF-LOCKING	2	2				
18	6G5-43145-00	CAP, CLAMP BRACKET	2	2				
19	6H5-43181-03	LEVER, TILT STOP	1	1				
20	6H5-43185-03	LEVER, TILT STOP	1	1				
21	90386-10M16	BUSH	3	3				
22	90386-10025	BUSH	1	1				
23	91690-30020	PIN, SPRING	2	2				
24	6G5-43148-00	COLLAR, DISTANCE	2	2				
25	90249-06M19	PIN	1	1				
26	90506-14M24	SPRING, TENSION	1	1				
27	97095-06010	BOLT	1	1				

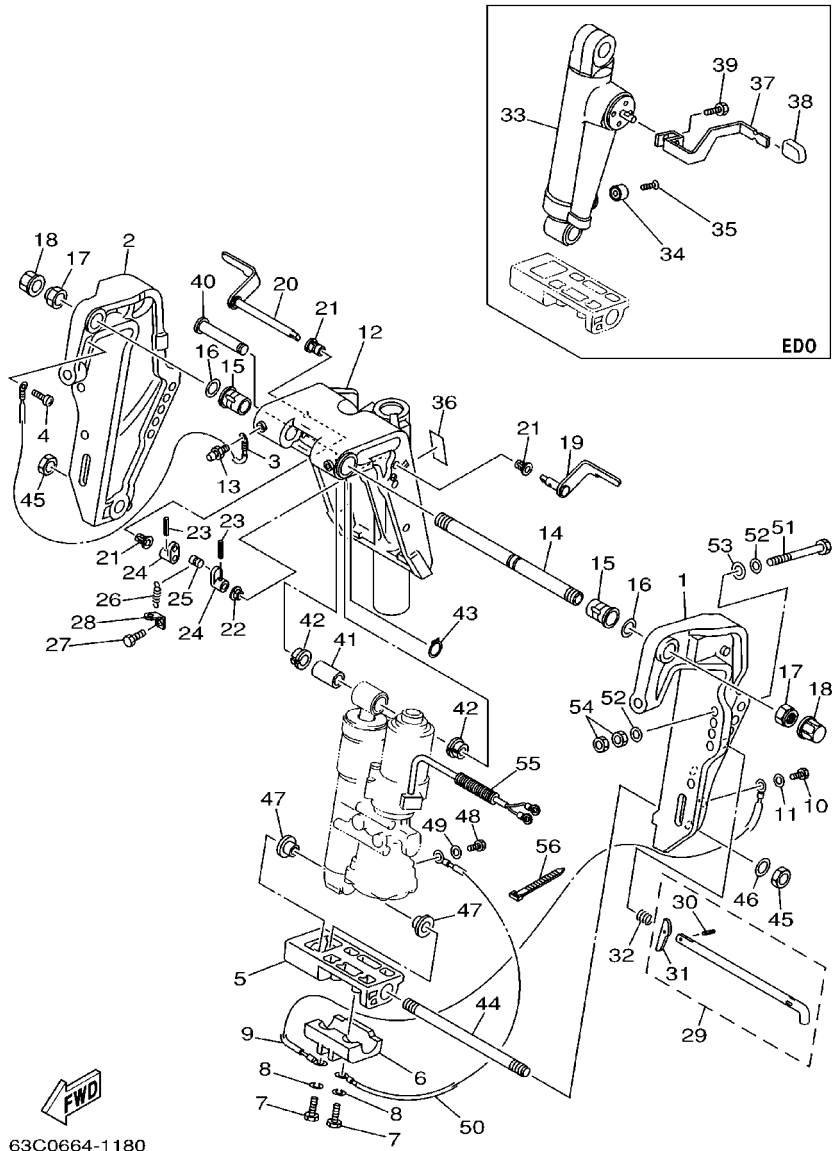
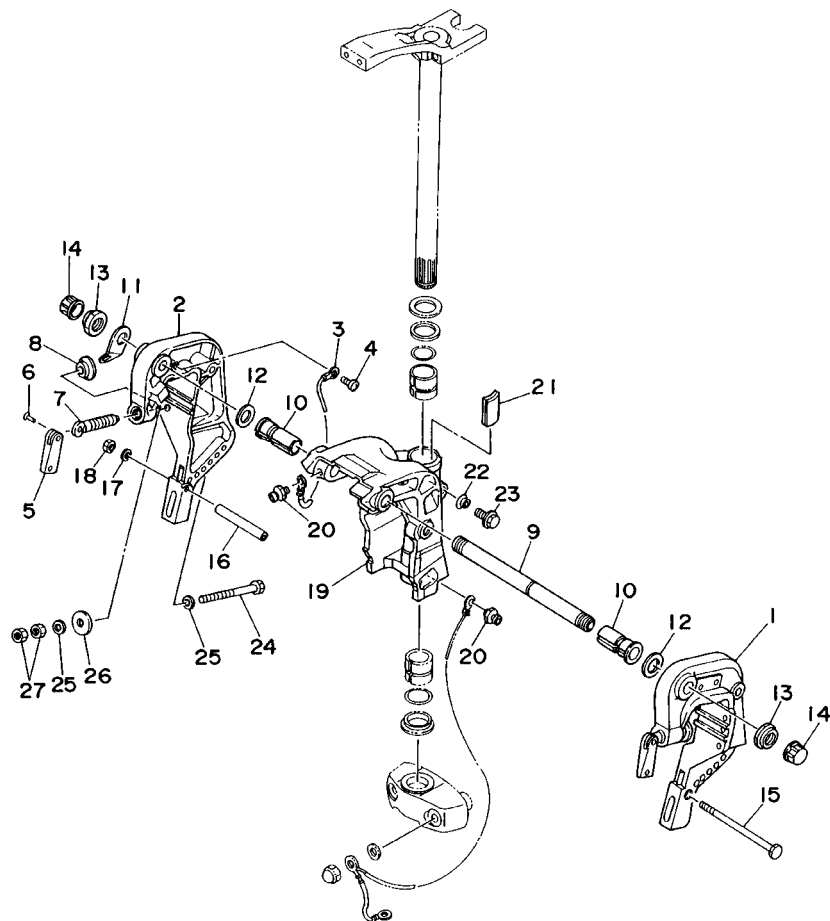


FIG. 18 BRACKET 1

REF. NO.	PART NO.	DESCRIPTION	EDO	ETO	EO	MO	MHO	REMARKS
28	6G5-43144-00	HOOK, SPRING	1	1				
29	688-43160-01	TILT ROD ASSY	1	1				
30	688-43165-00	.PLATE, TILT LOCK	1	1				
31	91690-30012	.PIN, SPRING	1	1				
32	90502-16M02	SPRING, CONICAL	1	1				
<hr/>								
33	62X-43170-11-4D	SHOCK ABSORBER ASSY	1					
34	663-45251-00	ANODE	1					
35	90152-06M01	SCREW, COUNTERSUNK	1					
36	63D-43691-00	INDICATOR, TILT	1					
37	63D-43631-00	LEVER, TILT	1					
<hr/>								
38	682-43318-01	COVER	1					
39	97095-06010	BOLT	1					
40	6E5-43126-02	PIN, UPPER SHOCK MOUNT	1	1				
41	90386-18M92	BUSH	1	1				
42	90386-18M35	BUSH	2	2				
<hr/>								
43	93410-18M02	CIRCLIP	1	1				
44	90116-18M52	BOLT, STUD	1	1				
45	90170-18M10	NUT	2	2				
46	92995-18600	WASHER	1	1				
47	90386-18M44	BUSH	2	2				
<hr/>								
48	97095-06010	BOLT		1				
49	92995-06600	WASHER		1				
50	6H1-82148-00	WIRE, LEAD 4		1				
51	90101-12M65	BOLT	4	4				
52	92995-12200	WASHER	8	8				
<hr/>								
53	90201-12426	WASHER, PLATE	4	4				
54	95380-12600	NUT	8	8				

FIG. 19 BRACKET 2

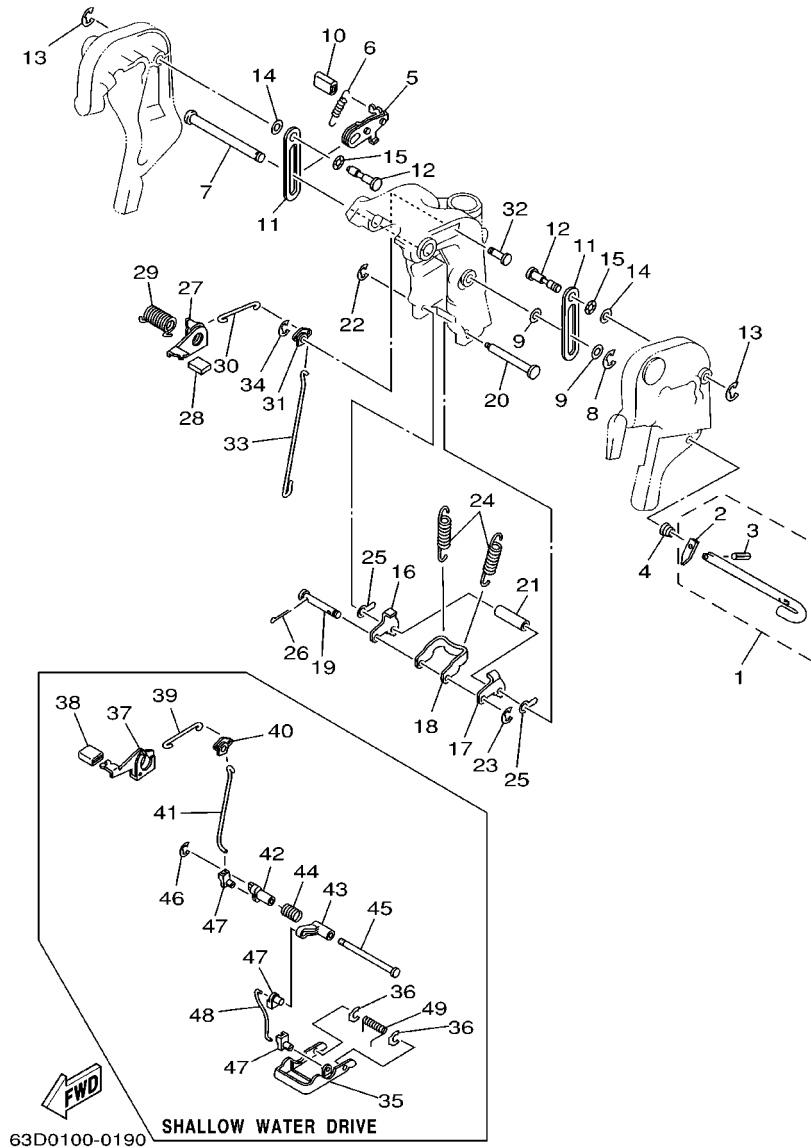


REF. NO.	PART NO.	DESCRIPTION	EDO	ETO	EO	MO	MHO	REMARKS
1	6H4-43111-05-4D	BRACKET, CLAMP			1	1	1	
2	6H4-43112-04-4D	BRACKET, CLAMP			1	1	1	
3	6E5-82148-00	WIRE, LEAD 4			1	1	1	
4	97885-06008	SCREW, PAN HEAD			1	1	1	
5	6E0-43118-01	HANDLE, TRANSOM CLAMP			2	2	2	
6	90243-04M01	PIN			2	2	2	
7	90149-14M12	SCREW			2	2	2	
8	648-43114-01	PAD, TRANSOM CLAMP			2	2	2	
9	63D-43131-01	BOLT, CLAMP BRACKET			1	1	1	
10	90386-22M69	BUSH			2	2	2	
11	6J8-43113-01	PLATE, CLAMP BRACKET			1	1	1	
12	90201-22M03	WASHER, PLATE			2	2	2	
13	90185-22M11	NUT, SELF-LOCKING			2	2	2	
14	6G5-43145-00	CAP, CLAMP BRACKET			2	2	2	
15	90101-08339	BOLT			1	1	1	
16	90387-08M03	COLLAR			1	1	1	
17	92990-08600	WASHER, PLATE			1	1	1	
18	95380-08600	NUT			1	1	1	
19	6J8-43311-04-4D	BRACKET, SWIVEL 1				1	1	S
	6J8-43311-10-4D	BRACKET, SWIVEL 1			1			L
20	93700-06M03	NIPPLE, GREASE			3	3	3	
21	6J8-42528-00	PLATE, FRICTION			1	1	1	
22	689-43373-01	SEAL, DAMPER			1	1	1	
23	90105-06M18	BOLT, WASHER BASED			1	1	1	
24	90101-10M58	BOLT			4	4	4	
25	92995-10600	WASHER			8	8	8	
26	90201-12426	WASHER, PLATE			4	4	4	



63D0010-5200

FIG. 20 BRACKET 3



REF. NO.	PART NO.	DESCRIPTION	EDO	ETO	EO	MO	MHO	REMARKS
1	6H4-43160-01	TILT ROD ASSY			1	1	1	
2	676-43165-00	.PLATE, TILT LOCK			1	1	1	
3	91690-30010	.PIN, SPRING			1	1	1	
4	90502-10M04	SPRING, CONICAL			1	1	1	
5	6J8-43181-01	LEVER, TILT STOP			1	1	1	
6	90506-12M25	SPRING, TENSION			1	1	1	
7	90249-12M28	PIN			1	1	1	
8	93430-10M00	CIRCLIP			1	1	1	
9	90202-12031	WASHER, PLATE			2	2	2	
10	682-43318-01	COVER			1	1	1	
11	6J8-43627-00	STOPPER			2	2	2	
12	90249-12M27	PIN			2	2	2	
13	93430-10M00	CIRCLIP			2	2	2	
14	90202-12031	WASHER, PLATE			2	2	2	
15	90206-12M16	WASHER, WAVE			2	2	2	
16	6J8-43614-00	PLATE, TILT LOCK			1	1	1	
17	6J8-43615-00	PLATE, TILT LOCK			1	1	1	
18	6J8-43613-01	ARM, TILT LOCK			1	1	1	
19	6H4-43659-00	SHAFT, REVERSE LOCK			1	1	1	
20	6J8-43611-01	SHAFT, TILT LOCK			1	1	1	
21	90387-07M64	COLLAR			1	1	1	
22	93430-06M02	CIRCLIP			1	1	1	
23	93430-05027	CIRCLIP			1	1	1	
24	90506-32M22	SPRING, TENSION			2	2	2	
25	6H4-43674-00	WASHER			2	2	2	WITHOUT SHALLOW WATER DRIVE
26	91490-20010	PIN, COTTER			2	2	2	
27	6J8-43631-00	LEVER, TILT			1	1	1	

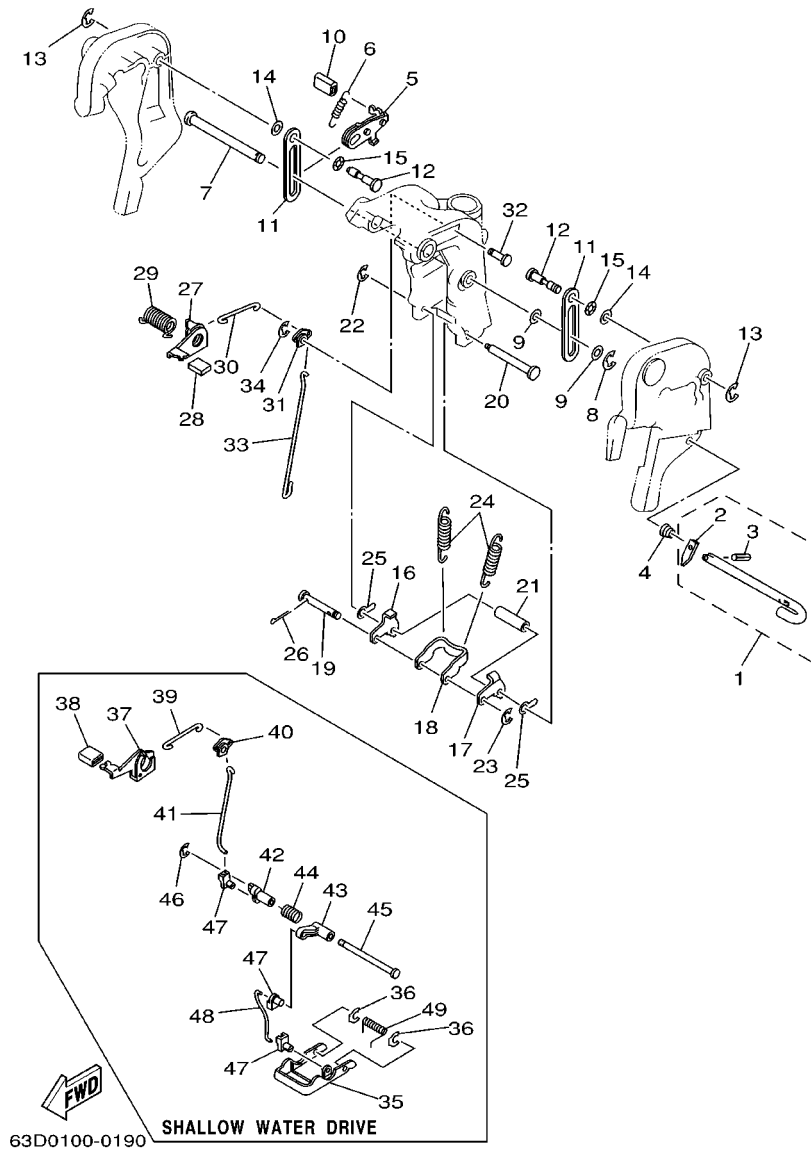
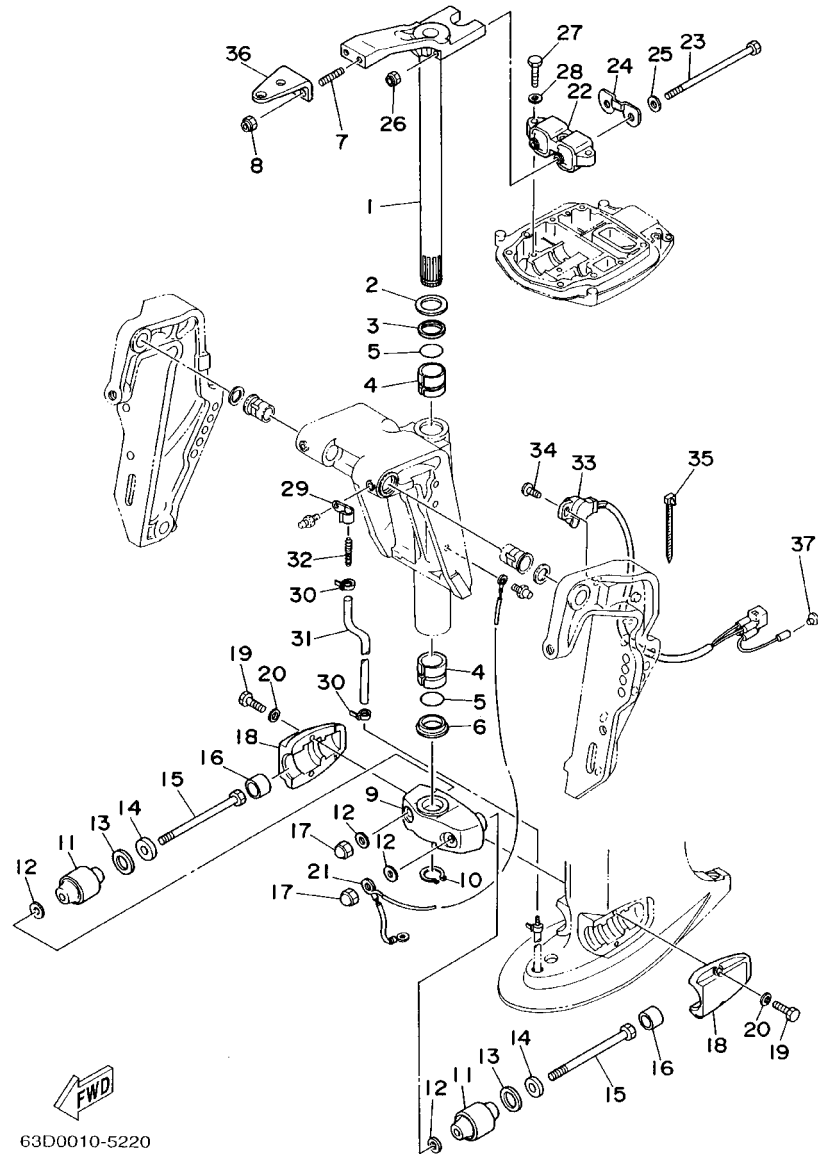


FIG. 20 BRACKET 3

REF. NO.	PART NO.	DESCRIPTION	EDO	ETO	EO	MO	MHO	REMARKS
28	6J8-43633-00	COVER, TILT LEVER			1	1	1	
29	90508-18M24	SPRING, TORSION			1	1	1	
	90508-18M23	SPRING, TORSION			1			AP FOR SHALLOW WATER DRIVE
30	6H4-43616-00	ROD, TILT LOCK			1	1	1	
31	6J8-43641-00	LEVER, TILT			1	1	1	
32	90249-06M23	PIN			1	1	1	
	90249-06M24	PIN			1			AP FOR SHALLOW WATER DRIVE
33	6J8-43617-00	ROD, TILT LOCK			1	1	1	
34	93430-05027	CIRCLIP			1	1	1	
35	6J8-43681-01	LEVER, SHALLOW WATER DRIVE 1			1			AP
36	6J8-43673-00	WASHER 1			2			AP
37	6J8-43631-10	LEVER, TILT			1			AP
38	6J8-43633-00	COVER, TILT LEVER			1			AP
39	6H4-43616-00	ROD, TILT LOCK			1			AP
40	6J8-43641-00	LEVER, TILT			1			AP
41	6J8-43617-10	ROD, TILT LOCK			1			AP
42	6J8-43186-00	LEVER			1			AP
43	6J8-43187-00	LEVER 2			1			AP
44	90508-25M21	SPRING, TORSION			1			AP
45	90249-07M25	PIN			1			AP
46	93430-05027	CIRCLIP			1			AP
47	6J8-41262-00	JOINT, CHOKE LEVER			3			AP
48	6J8-43616-10	ROD, TILT LOCK			1			AP
49	90508-20M22	SPRING, TORSION			1			AP

FIG. 21 BRACKET 4

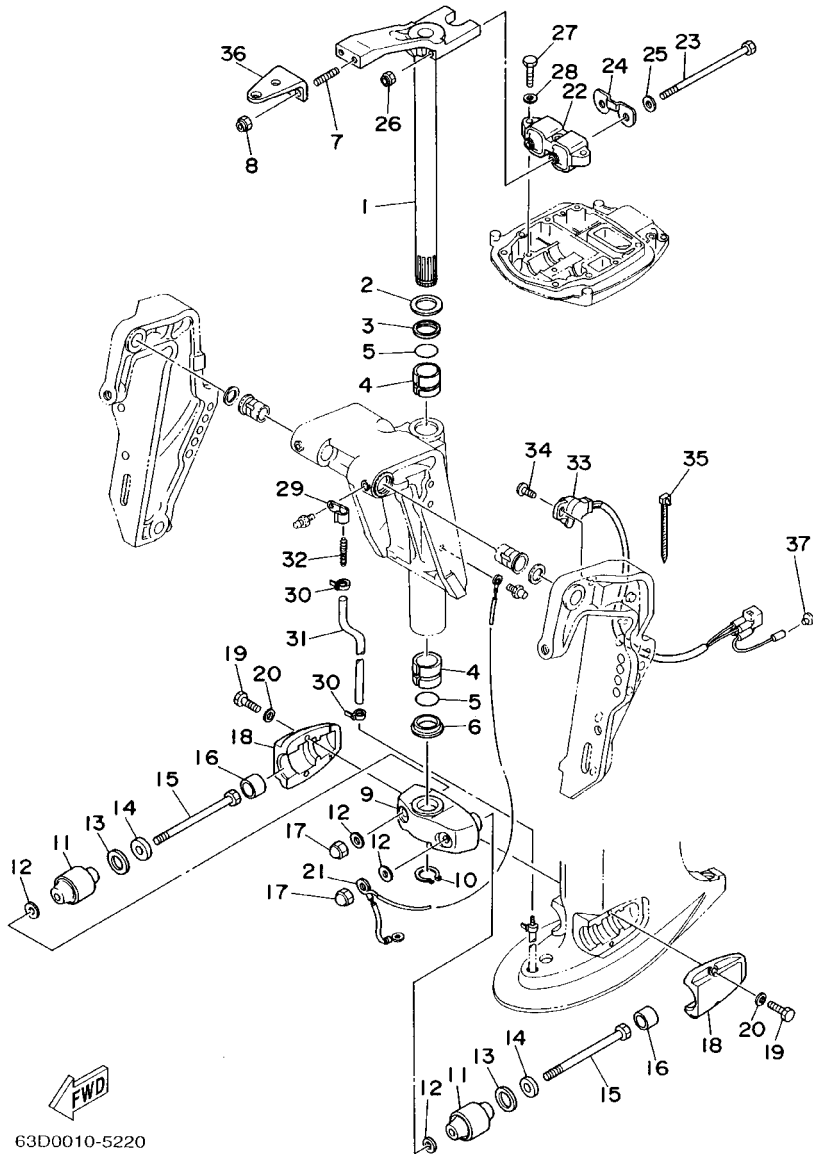


63D0010-5220

REF. NO.	PART NO.	DESCRIPTION	EDO	ETO	EO	MO	MHO	REMARKS
1	63B-42510-00-4D	STEERING BRACKET ASSY				1	1	S
	63D-42510-11-4D	STEERING BRACKET ASSY	1	1				L
	63B-42510-10-4D	STEERING BRACKET ASSY			1			L
2	90201-30M00	WASHER, PLATE	1	1	1	1	1	
3	90386-30M78	BUSH	1	1	1	1	1	
4	90386-30M77	BUSH	2	2	2	2	2	
5	93210-29M94	O-RING	2	2	2	2	2	
6	90386-30M60	BUSH	1	1	1	1	1	
7	90116-10175	BOLT, STUD	2	2	2	2	2	
8	90185-10051	NUT, SELF-LOCKING	2	2	2	2	2	
9	63D-44551-01-4D	HOUSING, LOWER MOUNT RUBBER	1	1	1	1	1	
10	93410-28M06	CIRCLIP	1	1	1	1	1	
11	687-44555-00-94	MOUNT DAMPER, LOWER SIDE				2	2	S
	63D-44555-00-94	MOUNT DAMPER, LOWER SIDE	2	2	2			L
12	90201-12M16	WASHER, PLATE	4	4	4	4	4	
13	90202-25M04	WASHER, PLATE	2	2	2	2	2	
14	90201-13M19	WASHER, PLATE	2	2	2	2	2	
15	90109-12M21	BOLT	2	2	2	2	2	
16	663-44575-00	DAMPER, LOWER MOUNT RUBBER	2	2	2	2	2	
17	95380-12800	NUT, CROWN	2	2	2	2	2	
18	63D-44552-01-4D	HOUSING, LOWER MOUNT RUBBER	2	2	2	2	2	
19	97075-08030	BOLT	4	4	4	4	4	
20	92995-08100	WASHER	4	4	4	4	4	
21	63D-82127-00	WIRE, LEAD 2				1	1	S
	63D-82127-10	WIRE, LEAD 2	1	1	1			L
22	63D-44514-01-94	MOUNT DAMPER, UPPER SIDE	1	1	1	1	1	
23	90101-08M15	BOLT	2	2	2	2	2	

FIG. 21 BRACKET 4

REF. NO.	PART NO.	DESCRIPTION	EDO	ETO	EO	MO	MHO	REMARKS
24	63D-44526-00	PLATE	1	1	1	1	1	
25	90201-09425	WASHER, PLATE	2	2	2	2	2	
26	90185-08045	NUT, SELF-LOCKING	2	2	2	2	2	
27	97075-08030	BOLT	3	3	3	3	3	
28	92995-08100	WASHER	3	3	3	3	3	
29	90465-06M86	CLAMP		1				
30	90465-11M10	CLAMP		2				
31	90445-07MF1	HOSE (L570)		1				
32	6E5-83558-00	END, NIPPLE		1				
33	63D-83672-01	TRIM SENDER		1				
34	97885-06016	SCREW, PAN HEAD		2				
35	90465-13M11	CLAMP		1				
36	63D-48511-00-4D	HOOK, STEERING	1	1	1	1		STEERING GUIDE TYPE
37	703-82119-00	COVER, LEAD WIRE		1				



63D0010-5220

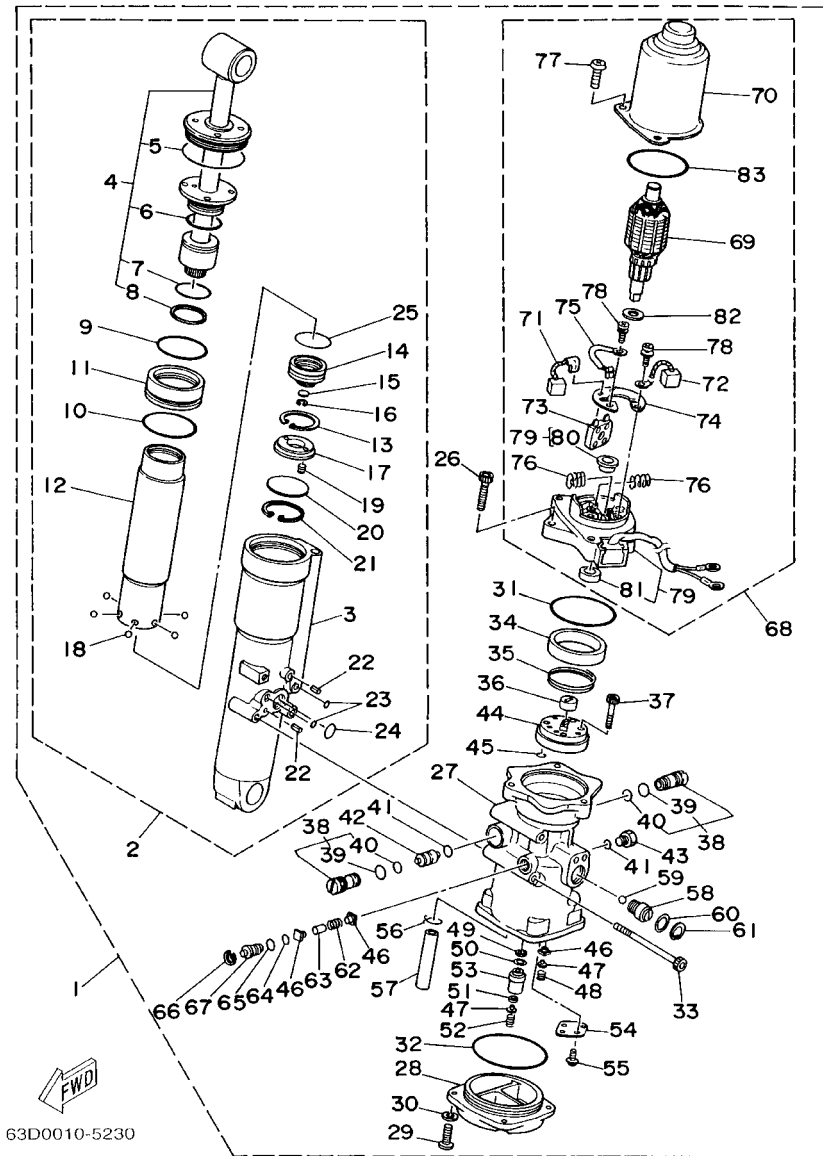
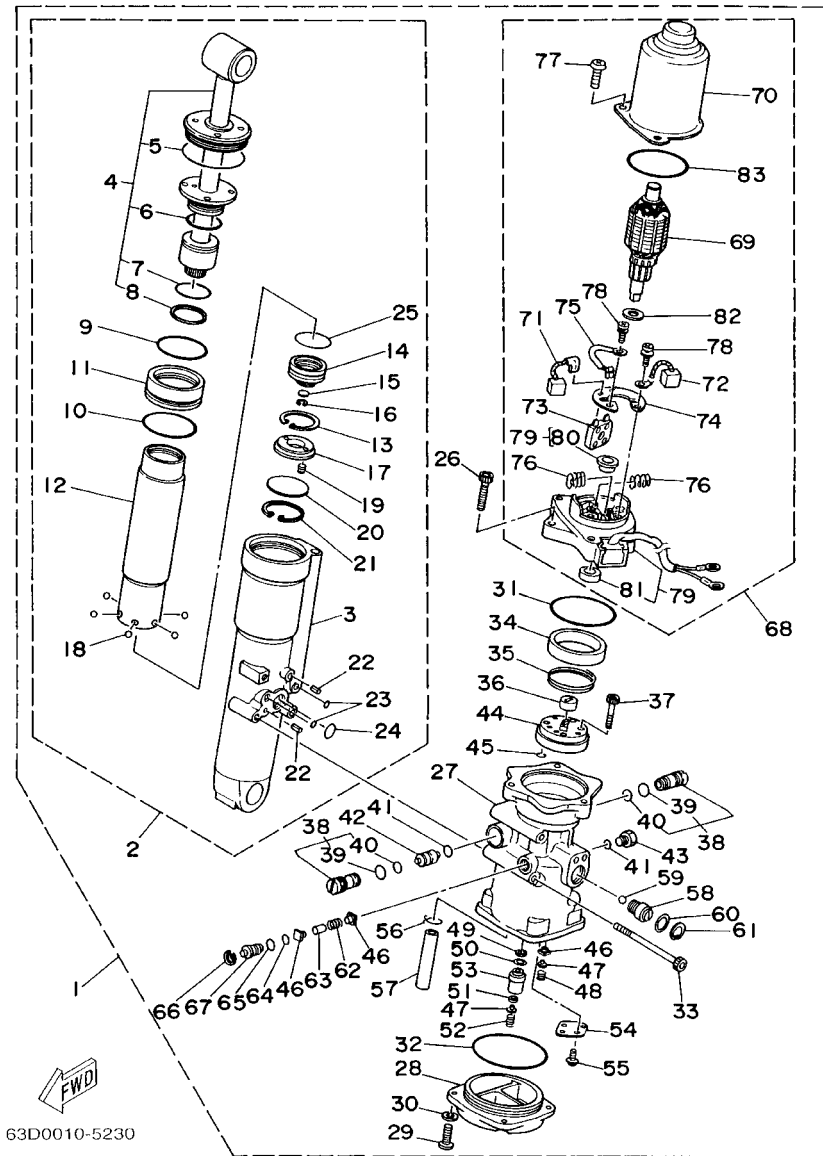


FIG. 22 POWER TRIM & TILT ASSY

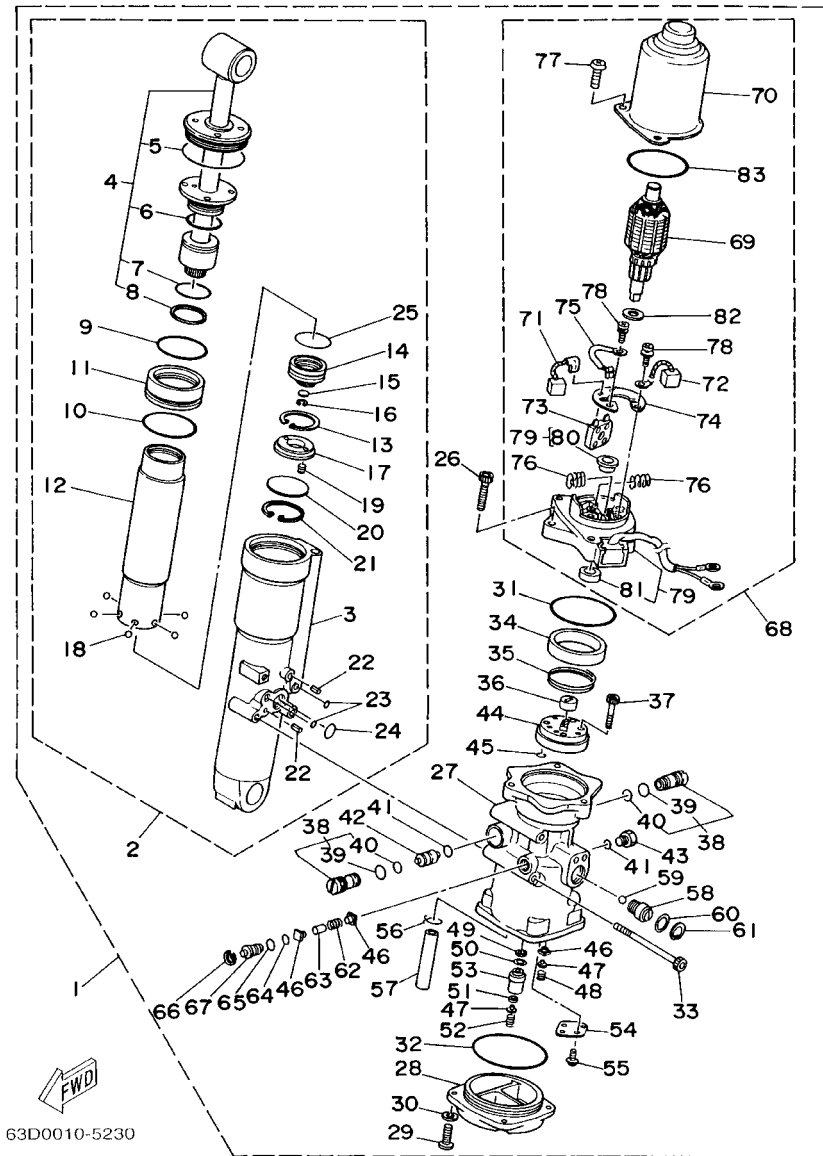
REF. NO.	PART NO.	DESCRIPTION	EDO	ETO	EO	MO	MHO	REMARKS
1	62X-43800-03-4D	POWER TRIM & TILT ASSY		1				
2	62X-43840-01	..POWER TILT ASSY		1				
3	62X-4380K-00	..CYLINDER, TILT SUB ASSY		1				
4	62X-43810-01	..PISTON SUB ASSY		1				
5	62X-43861-00	...O-RING		1				
6	62X-43862-00	...O-RING		1				
7	93210-29375	...O-RING		1				
8	62X-43871-00	...RING, BACK UP		1				
9	93210-44383	..O-RING		1				
10	93210-48214	..O-RING		1				
11	62X-4388A-00	..PISTON, TRIM		1				
12	62X-22471-00	..CYLINDER, SHOCK ABSORBER		1				
13	99009-35500	..CIRCLIP		1				
14	62X-43814-00	..PISTON, FREE		1				
15	6H1-4384G-11	..SEAL, RELIEF VALVE		1				
16	61A-43875-00	..RING, SNAP		1				
17	62X-43899-00	..PLATE STOPPER		1				
18	93503-16003	..BALL		6				
19	62X-4384H-00	..SPRING		2				
20	1UF-22434-00	..PLATE, VALVE 1		1				
21	62X-43875-00	..RING, SNAP		1				
22	91690-40010	..PIN, SPRING		2				
23	93210-064A5	..O-RING		2				
24	62X-43864-00	..O-RING		1				
25	93210-29375	..O-RING		1				
26	62X-43888-00	..BOLT, SOCKET		3				
27	62X-4380L-00	..HOUSING, TRIM & TILT SUB ASSY		1				



63D0010-5230

FIG. 22 POWER TRIM & TILT ASSY

REF. NO.	PART NO.	DESCRIPTION	EDO	ETO	EO	MO	MHO	REMARKS
28	62X-4385M-01	.PLATE, RESERVOIR		1				
29	97095-06016	.BOLT		4				
30	92995-06100	.WASHER, SPRING		4				
31	62X-43865-00	.O-RING		1				
32	62X-43866-00	.O-RING		1				
33	62X-43878-00	.BOLT, SOCKET		3				
34	6H1-43817-01	.FILTER 2		1				
35	6H1-4385H-00	.SPRING, SEAL		1				
36	6H1-43831-10	.CONNECTOR, SHAFT		1				
37	91318-04025	.BOLT		4				
38	6T4-43802-03	.VALVE SUB ASSY		2				
39	6H1-43866-00	.O-RING		1				
40	6H1-43867-00	.O-RING		1				
41	93210-09165	.O-RING		2				
42	62X-43841-01	.PISTON, SHUTTLE		1				
43	6H1-43829-00	.PLUG, RESERVOIR		1				
44	62X-43830-00	.GEAR PUMP ASSY		1				
45	93210-06519	.O-RING		2				
46	6H1-4384F-10	.SEAL, MAIN VALVE		3				
47	6H1-43844-10	.PIN, VALVE SUPPORT		2				
48	6H1-43856-10	.SPRING, DOWN RELIEF		1				
49	6H1-43816-00	.FILTER 1		1				
50	6H1-43896-00	.O-RING		1				
51	6H1-4384G-11	.SEAL, RELIEF VALVE		1				
52	6H1-43855-11	.SPRING, UP RELIEF		1				
53	6H1-43895-11	.SEAT, RELIEF VALVE		1				
54	62X-4382L-00	.CAP, RELIEF VALVE		1				

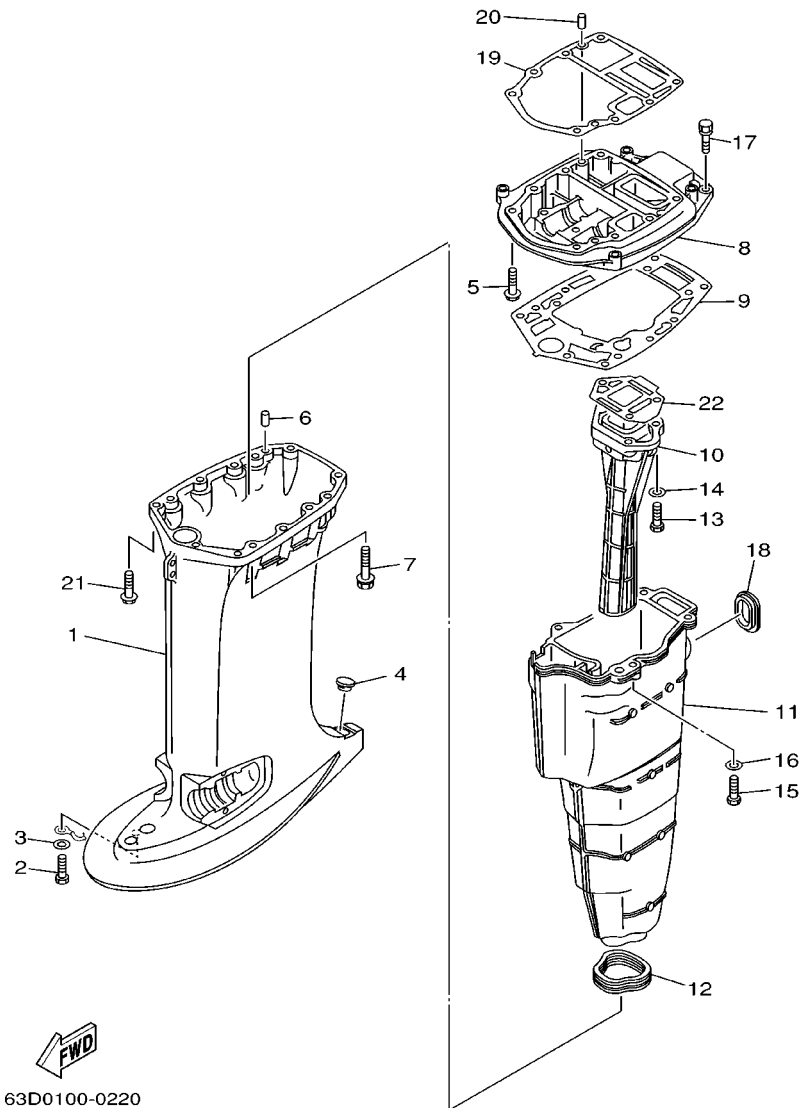


63D0010-5230

FIG. 22 POWER TRIM & TILT ASSY

REF. NO.	PART NO.	DESCRIPTION	EDO	ETO	EO	MO	MHO	REMARKS
55	97607-05210	..SCREW, PAN HEAD WITH WASHER		2				
56	90467-11032	..CLIP		1				
57	62X-4383A-00	..HOSE		1				
58	62X-43860-00	..MANUAL VALVE SUB-ASSY		1				
59	93505-32038	..BALL		1				
60	93210-18397	..O-RING		1				
61	6H1-43875-00	..RING, SNAP		1				
62	61A-4385H-00	..SPRING, SEAL		1				
63	93605-10108	..PIN, DOWEL		1				
64	93210-06001	..O-RING		1				
65	93210-07003	..O-RING		1				
66	6T4-43876-00	..RING, SNAP		1				
67	6T4-43849-00	..PIN, VALVE SUPPORT		1				
68	62X-43880-01	..MOTOR ASSY		1				
69	62X-43805-00	..ARMATURE ASSY		1				
70	62X-43804-01	..STATOR ASSY		1				
71	62X-43891-00	..BRUSH 1		1				
72	62X-43892-00	..BRUSH 2		1				
73	62X-82181-00	..CIRCUIT BREAKER COMP.		1				
74	62X-4380F-00	..PLATE, BRUSH HOLDER		1				
75	62X-43807-00	..WIRE SUB ASSY		1				
76	62X-4386K-00	..SPRING, BRUSH		2				
77	97880-05020	..SCREW, PAN HEAD		3				
78	97607-04212	..SCREW, PAN HEAD WITH WASHER		2				
79	62X-43881-00	..FRAME, END		1				
80	62X-4380H-00	..METAL		1				
81	93102-08414	..OIL SEAL		1				

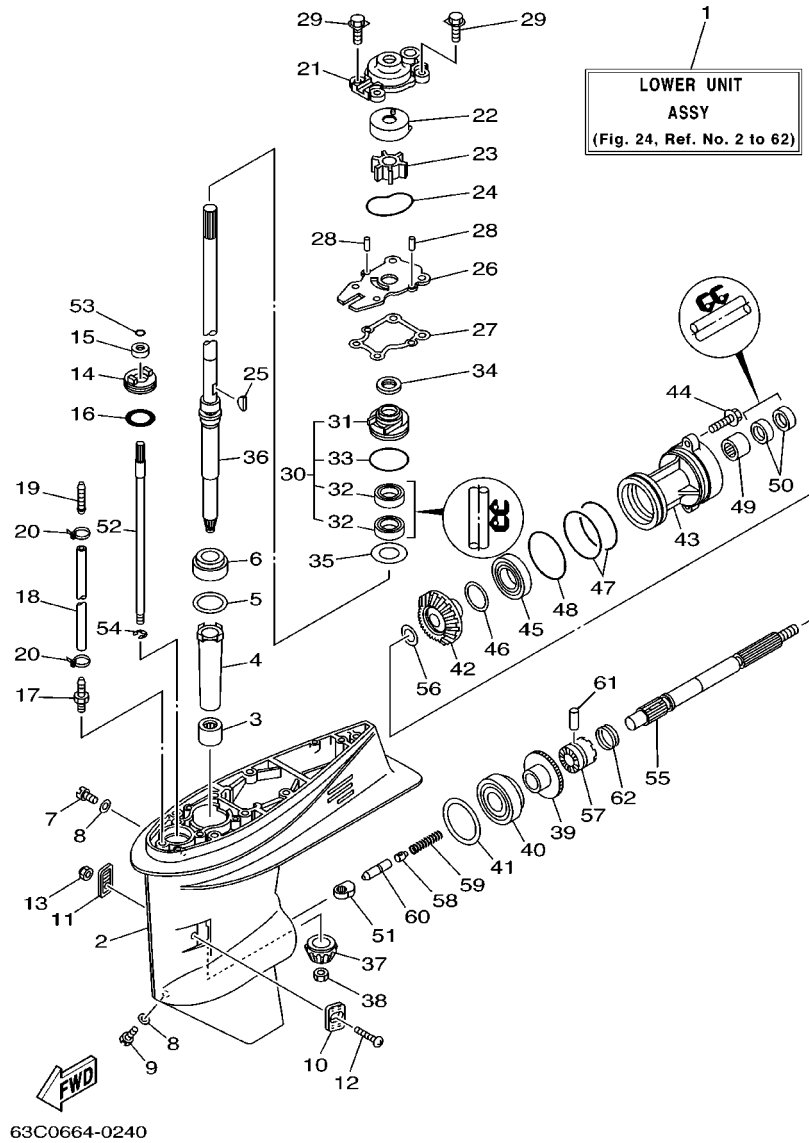
FIG. 23 UPPER CASING



63D0100-0220

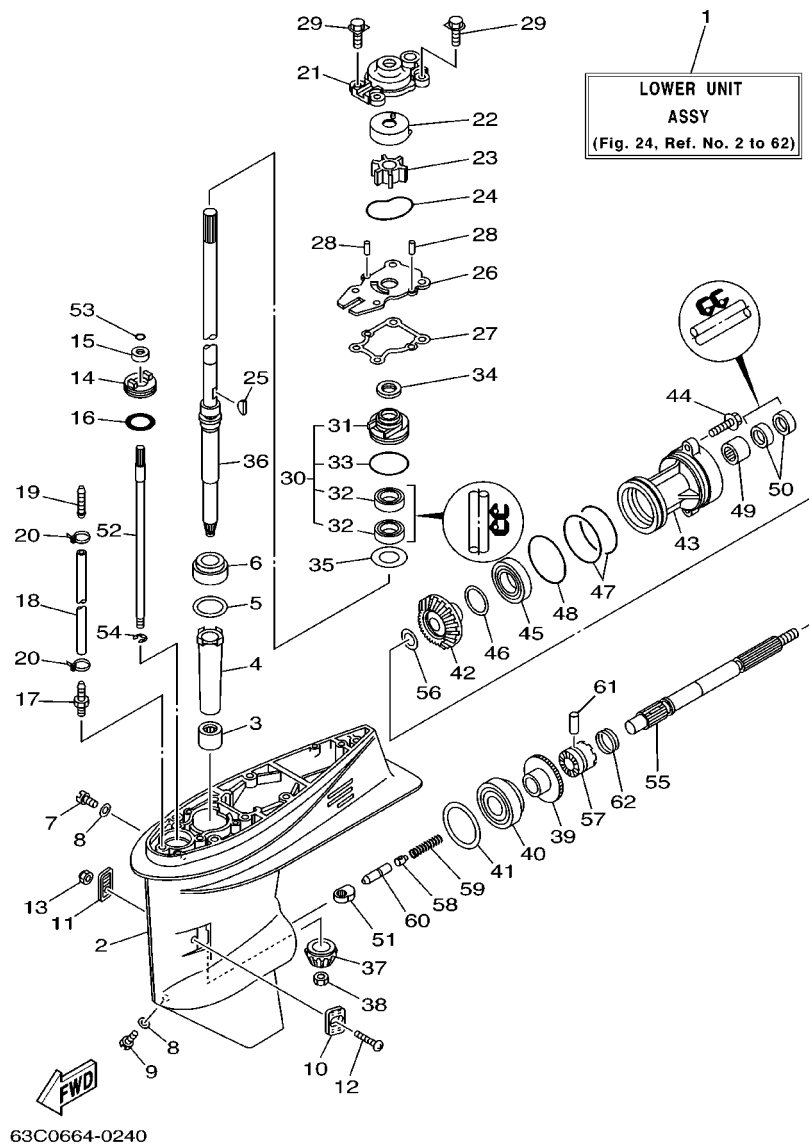
REF. NO.	PART NO.	DESCRIPTION	EDO	ETO	EO	MO	MHO	REMARKS
1	63D-45111-01-4D	CASING, UPPER				1	1	S
	63D-45111-11-4D	CASING, UPPER	1	1	1			L
2	97095-06012	BOLT	1	1	1	1	1	
3	92995-06100	WASHER, SPRING	1	1	1	1	1	
4	63D-45155-00	CAP	1	1	1	1	1	
5	97575-08445	BOLT, WITH WASHER	2	2	2	2	2	
6	93606-12019	PIN, DOWEL	2	2	2	2	2	
7	90119-08M83	BOLT, WITH WASHER	6	6	6	6	6	
8	63D-41137-01-5B	GUIDE, EXHAUST	1	1	1	1	1	
9	63D-45114-A0	GASKET, UPPER CASING	1	1	1	1	1	
10	6H5-41131-00-5B	MANIFOLD, EXT. 1	1	1		1	1	50H
	6H4-41131-01-5B	MANIFOLD, EXT. 1			1			40V
11	63D-14711-00-5B	MUFFLER 1				1	1	S
	63D-14711-11-5B	MUFFLER 1	1	1	1			L
12	63D-45123-00	GASKET, MUFFLER	1	1	1	1	1	
13	97075-08030	BOLT	3	3	3	3	3	
14	92995-08600	WASHER	3	3	3	3	3	
15	97075-08030	BOLT	4	4	4	4	4	
16	92995-08600	WASHER	4	4	4	4	4	
17	90119-08M79	BOLT, WITH WASHER	2	2	2	2	2	
18	6H3-45127-00	SEAL	1	1	1	1	1	
19	6H4-45113-A0	GASKET, UPPER CASING	1	1	1	1	1	
20	93606-12019	PIN, DOWEL	2	2	2	2	2	
21	97575-08445	BOLT, WITH WASHER	2	2	2	2	2	
22	6H4-41134-A0	GASKET, EXHAUST MANIFOLD	1	1	1	1	1	

FIG. 24 LOWER CASING. DRIVE 1



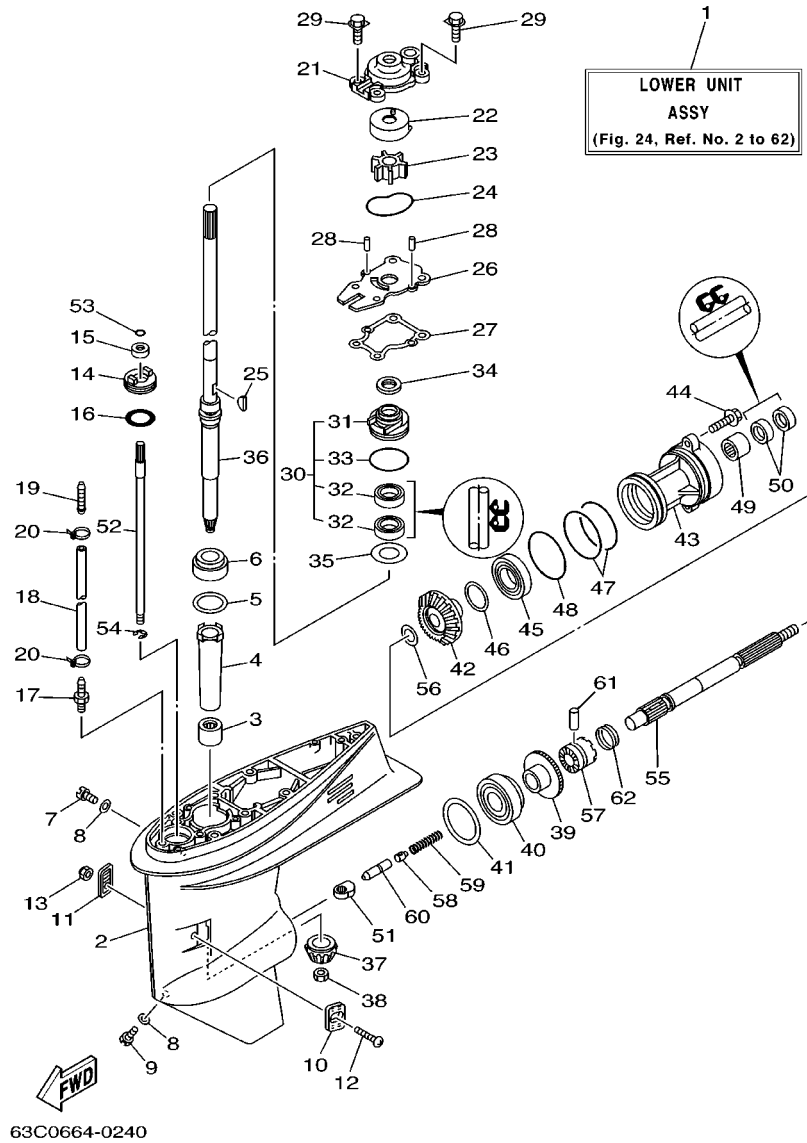
REF. NO.	PART NO.	DESCRIPTION	EDO	ETO	EO	MO	MHO	REMARKS	
1	63D-45300-02-4D	LOWER UNIT ASSY				1	1	S	
	63D-45300-12-4D	LOWER UNIT ASSY	1	1	1			L	
2	63D-45301-03-4D	CASING, LOWER	1	1	1	1	1		
3	93315-32224	BEARING	1	1	1	1	1		
4	6H4-45536-00	SLEEVE, DRIVE SHAFT	1	1	1	1	1		
5	663-45587-01-10	SHIM (T:0.10MM)	1	1	1	1	1	UR	
	663-45587-01-12	SHIM (T:0.12MM)	1	1	1	1	1	UR	
	663-45587-01-15	SHIM (T:0.15MM)	1	1	1	1	1	UR	
	663-45587-01-18	SHIM (T:0.18MM)	1	1	1	1	1	UR	
	663-45587-01-30	SHIM (T:0.30MM)	1	1	1	1	1	UR	
	663-45587-01-40	SHIM (T:0.40MM)	1	1	1	1	1	UR	
	663-45587-01-50	SHIM (T:0.50MM)	1	1	1	1	1	UR	
6	93332-00001	BEARING	1	1	1	1	1		
7	90340-08M04	PLUG, STRAIGHT SCREW	1	1	1	1	1		
8	90430-08020	GASKET	2	2	2	2	2		
9	688-45341-00	PLUG, DRAIN	1	1	1	1	1		
10	63D-45214-00	COVER, WATER INLET	1	1	1	1	1		
11	63D-45215-00	COVER, WATER INLET	1	1	1	1	1		
12	90142-05M06	SCREW, COUNTERSUNK	1	1	1	1	1		
13	95380-05600	NUT	1	1	1	1	1		
14	63D-45321-00	PLATE	1	1	1	1	1		
15	93106-09014	OIL SEAL	1	1	1	1	1		
16	93210-33MG4	O-RING	1	1	1	1	1		
17	6E5-45378-00	NIPPLE, HOSE	1	1	1	1	1		
18	90445-07ME9	HOSE (L120)					1	1	S
	90445-07M31	HOSE (L200)	1	1	1				L
19	6E5-83558-10	END, NIPPLE		1					

FIG. 24 LOWER CASING. DRIVE 1



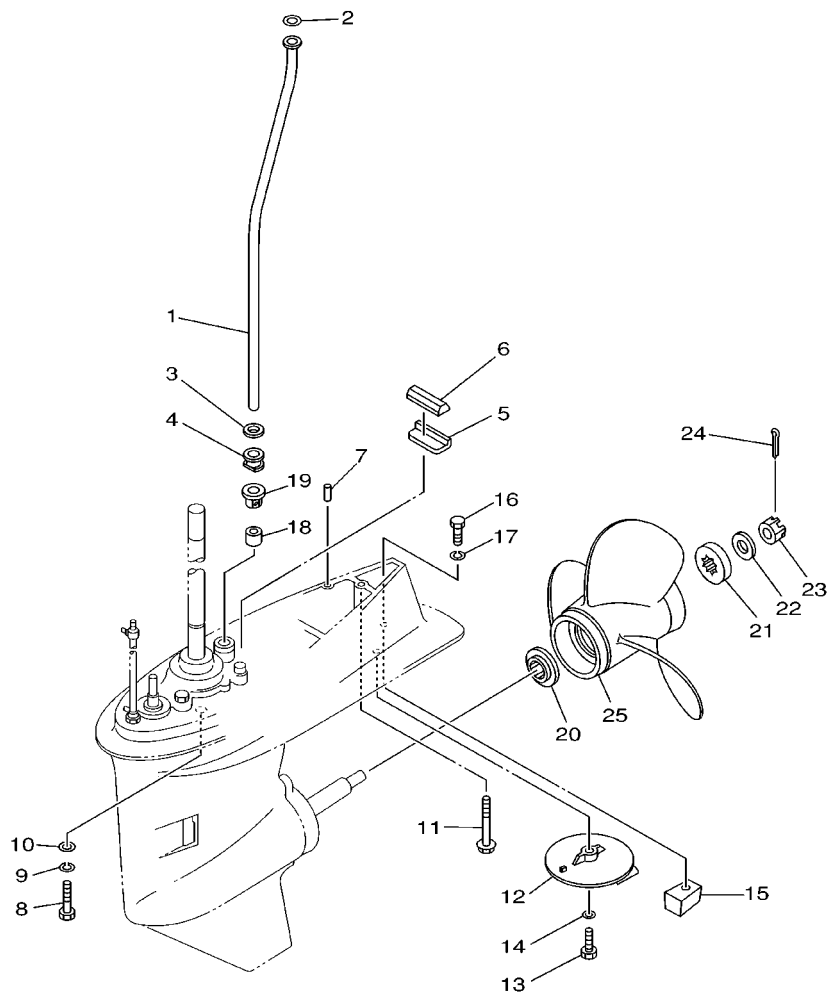
REF. NO.	PART NO.	DESCRIPTION	EDO	ETO	EO	MO	MHO	REMARKS
19	6E5-83558-00	END, NIPPLE	1		1	1	1	
20	90465-11M10	CLAMP	2	2	2	2	2	
21	63D-44311-00	HOUSING, WATER PUMP	1	1	1	1	1	
22	63D-44322-00	INSERT, CARTRIDGE	1	1	1	1	1	
23	6H3-44352-00	IMPELLER	1	1	1	1	1	
24	93210-59MG7	O-RING	1	1	1	1	1	
25	90280-03024	KEY, WOODRUFF	1	1	1	1	1	
26	63D-44323-00	OUTER PLATE, CARTRIDGE	1	1	1	1	1	
27	63D-44316-00	GASKET, WATER PUMP	1	1	1	1	1	
28	93604-08062	PIN, DOWEL	2	2	2	2	2	
29	90119-08M15	BOLT, WITH WASHER	4	4	4	4	4	
30	63D-W4434-00	WATER PUMP HOUSING ASSY	1	1	1	1	1	
31	63D-44341-00	HOUSING, WATER PUMP	1	1	1	1	1	
32	93101-25M57	OIL SEAL	2	2	2	2	2	
33	93210-48MG8	O-RING	1	1	1	1	1	
34	63D-45344-00	COVER, OIL SEAL	1	1	1	1	1	
35	90201-27M00	WASHER, PLATE	1	1	1	1	1	
36	63D-45501-00	DRIVE SHAFT COMP.					1	S
	63D-45501-10	DRIVE SHAFT COMP.	1	1	1			L
37	6H4-45551-01	PINION	1	1	1	1	1	
38	90170-12138	NUT	1	1	1	1	1	
39	6H4-45560-01	GEAR	1	1	1	1	1	
40	93332-00003	BEARING	1	1	1	1	1	
41	663-45567-01-10	SHIM (T:0.10MM)	1	1	1	1	1	UR
	663-45567-01-12	SHIM (T:0.12MM)	1	1	1	1	1	UR
	663-45567-01-15	SHIM (T:0.15MM)	1	1	1	1	1	UR
	663-45567-01-18	SHIM (T:0.18MM)	1	1	1	1	1	UR

FIG. 24 LOWER CASING. DRIVE 1



REF. NO.	PART NO.	DESCRIPTION	EDO	ETO	EO	MO	MHO	REMARKS
41	663-45567-01-30	SHIM (T:0.30MM)	1	1	1	1	1	UR
	663-45567-01-40	SHIM (T:0.40MM)	1	1	1	1	1	UR
	663-45567-01-50	SHIM (T:0.50MM)	1	1	1	1	1	UR
42	6H4-45571-01	GEAR	1	1	1	1	1	
43	63D-45361-02-4D	CAP, LOWER CASING	1	1	1	1	1	
44	90105-08M61	BOLT, WASHER BASED	2	2	2	2	2	
45	93306-001U1	BEARING	1	1	1	1	1	
46	63D-45577-00-10	SHIM (T:0.10MM)	1	1	1	1	1	UR
	63D-45577-00-12	SHIM (T:0.12MM)	1	1	1	1	1	UR
	63D-45577-00-15	SHIM (T:0.15MM)	1	1	1	1	1	UR
	63D-45577-00-18	SHIM (T:0.18MM)	1	1	1	1	1	UR
	63D-45577-00-30	SHIM (T:0.30MM)	1	1	1	1	1	UR
	63D-45577-00-40	SHIM (T:0.40MM)	1	1	1	1	1	UR
	63D-45577-00-50	SHIM (T:0.50MM)	1	1	1	1	1	UR
47	93210-74MG5	O-RING	2	2	2	2	2	
48	93210-69MG6	O-RING	1	1	1	1	1	
49	93317-22204	BEARING	1	1	1	1	1	
50	93101-22M00	OIL SEAL	2	2	2	2	2	
51	663-44151-00	CAM, SHIFT	1	1	1	1	1	
52	63D-44144-00	ROD, SHIFT	1	1	1	1	1	
53	93210-07003	O-RING	1	1	1	1	1	
54	93430-08006	CIRCLIP	1	1	1	1	1	
55	63D-45611-00	SHAFT, PROPELLER	1	1	1	1	1	
56	90201-22429	WASHER, PLATE	1	1	1	1	1	
57	63D-45631-01	CLUTCH, DOG	1	1	1	1	1	
58	663-45634-00	SLIDE, SHIFT	1	1	1	1	1	
59	90501-16M01	SPRING, COMPRESSION	1	1	1	1	1	

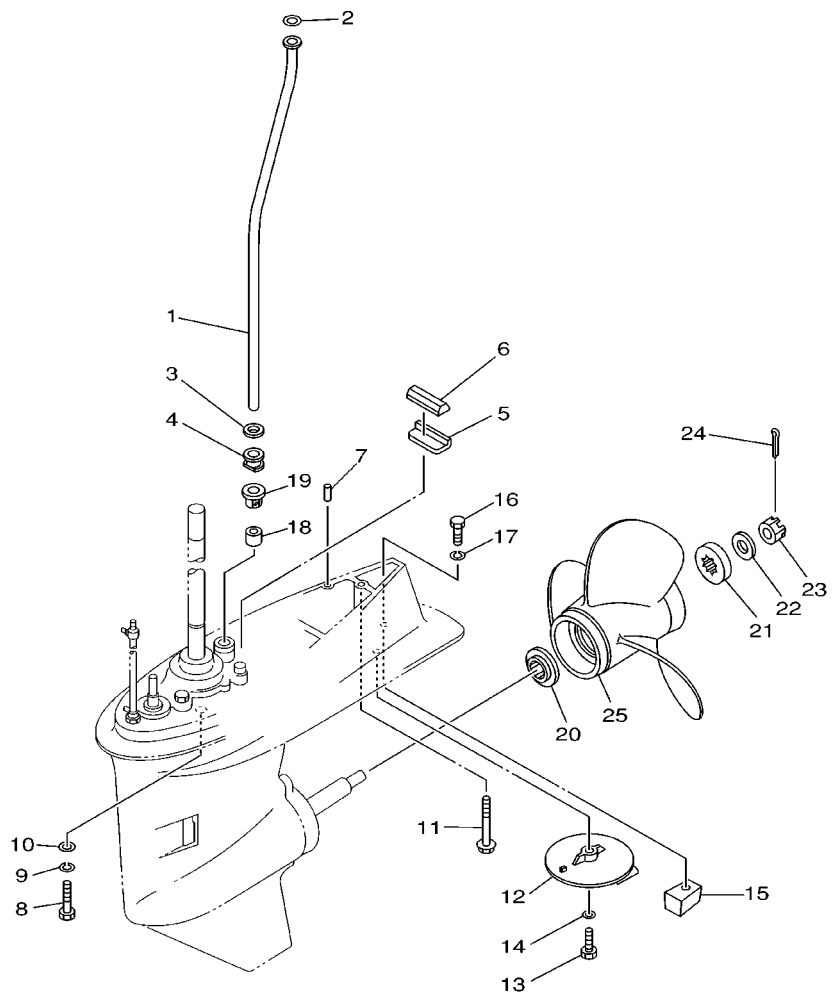
FIG. 25 LOWER CASING. DRIVE 2




63D0100-0241

REF. NO.	PART NO.	DESCRIPTION	EDO	ETO	EO	MO	MHO	REMARKS
1	63D-44361-00	TUBE, WATER				1	1	S
	63D-44361-10	TUBE, WATER	1	1	1			L
2	90202-12060	WASHER, PLATE	1	1	1	1	1	
3	90430-12072	GASKET	1	1	1	1	1	
4	63D-44367-00	DAMPER, WATER SEAL	1	1	1	1	1	
5	663-45376-00-94	GUIDE, SEAL DAMPER	1	1	1	1	1	
6	63D-45375-00	DAMPER, SEAL	1	1	1	1	1	
7	93606-12019	PIN, DOWEL	2	2	2	2	2	
8	97075-10040	BOLT	4	4	4	4	4	
9	92995-10100	WASHER	4	4	4	4	4	
10	92995-10600	WASHER	4	4	4	4	4	
11	90119-08M84	BOLT, WITH WASHER	1	1	1	1	1	
12	664-45371-01	TAB-TRIM	1	1	1	1	1	
13	97095-08025	BOLT	1	1	1	1	1	
14	92995-08100	WASHER	1	1	1	1	1	
15	67C-45251-00	ANODE	1	1	1	1	1	
16	97095-08035	BOLT	1	1	1	1	1	
17	92995-08100	WASHER	1	1	1	1	1	
18	663-44366-00	DAMPER, WATER SEAL	1	1	1	1	1	
19	63D-44312-00	COVER, WATER PUMP HOUSING	1	1	1	1	1	
20	663-45987-02	SPACER	1	1	1	1	1	
21	670-45997-02	SPACER	1	1	1	1	1	
22	92990-16200	WASHER, PLAIN	1	1	1	1	1	
23	90171-16011	NUT, CASTLE	1	1	1	1	1	
24	91490-30025	PIN, COTTER	1	1	1	1	1	
25	663-45941-01-EL	PROPELLER (3X10-3/4"X17"-G)	1	1	1	1	1	UR
	663-45945-02-EL	PROPELLER (3X11-1/8"X13"-G)	1	1	1	1	1	UR

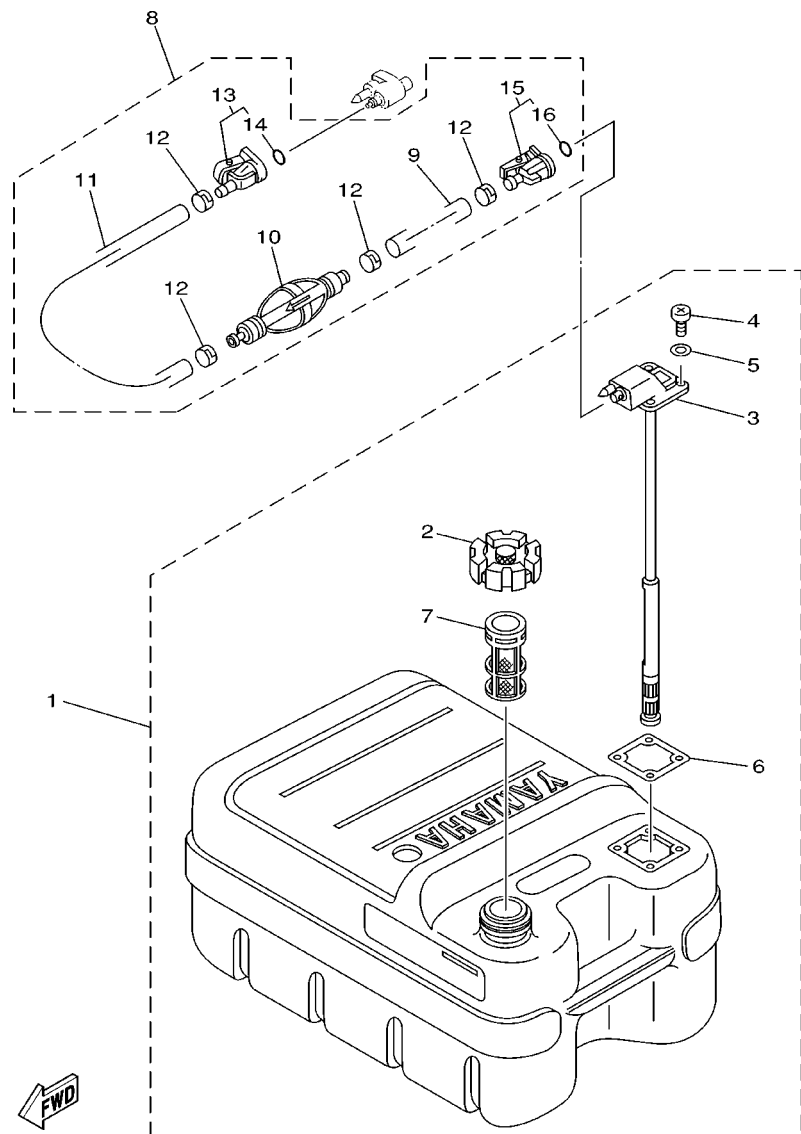
FIG. 25 LOWER CASING. DRIVE 2



FWD
63D0100-0241

REF. NO.	PART NO.	DESCRIPTION	EDO	ETO	EO	MO	MHO	REMARKS
25	663-45947-02-EL	PROPELLER (3X11-5/8"X11"-G)	1	1	1	1	1	UR
	663-45949-01-EL	PROPELLER (3X10-3/4"X16"-G)	1	1	1	1	1	UR
	663-45952-02-EL	PROPELLER (3X11-3/8"X12"-G)	1	1	1	1	1	UR
	663-45954-01-EL	PROPELLER (3X11-3/4"X10"-G)	1	1	1	1	1	UR
	663-45956-01-EL	PROPELLER (3X12-1/4"X9"-G)	1	1	1	1	1	UR
	663-45958-01-EL	PROPELLER (3X11-1/4"X14"-G)	1	1	1	1	1	UR
	6H5-45943-00-EL	PROPELLER (3X10"X15"-G)	1	1	1	1	1	UR WITH LIP CUP
	6H5-45945-00-EL	PROPELLER (3X10-3/8"X13"-G)	1	1	1	1	1	UR WITH LIP CUP
	6H5-45952-00-EL	PROPELLER (3X10-5/8"X12"-G)	1	1	1	1	1	UR WITH LIP CUP
	6H5-45958-00-EL	PROPELLER (3X10-1/4"X14"-G)	1	1	1	1	1	UR WITH LIP CUP
	STAINLESS STEEL PROPELLER							
	663-45930-00-98	PROPELLER (3X10-1/4"X14"-G)	1	1	1	1	1	UR
	663-45970-60-98	PROPELLER (3X11-3/4"X12"-G)	1	1	1	1	1	UR
	663-45972-60-98	PROPELLER (3X12"X11"-G)	1	1	1	1	1	UR
	663-45974-60-98	PROPELLER (3X11-1/2"X13"-G)	1	1	1	1	1	UR
	663-45974-02-98	PROPELLER (3X10-5/8"X13"-G)	1	1	1	1	1	UR
	663-45976-00-98	PROPELLER (3X10-1/4"X15"-G)	1	1	1	1	1	UR
	663-45978-00-98	PROPELLER (3X10-1/4"X16"-G)	1	1	1	1	1	UR
	697-45970-00-98	PROPELLER (3X11-1/4"X14"-G)	1	1	1	1	1	UR

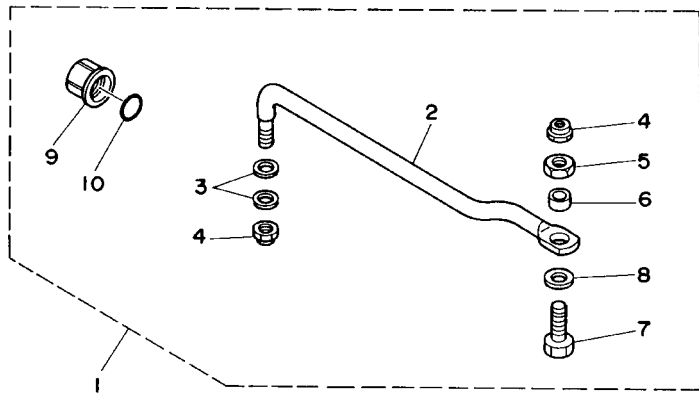
FIG. 26 FUEL TANK



67C0100-9300

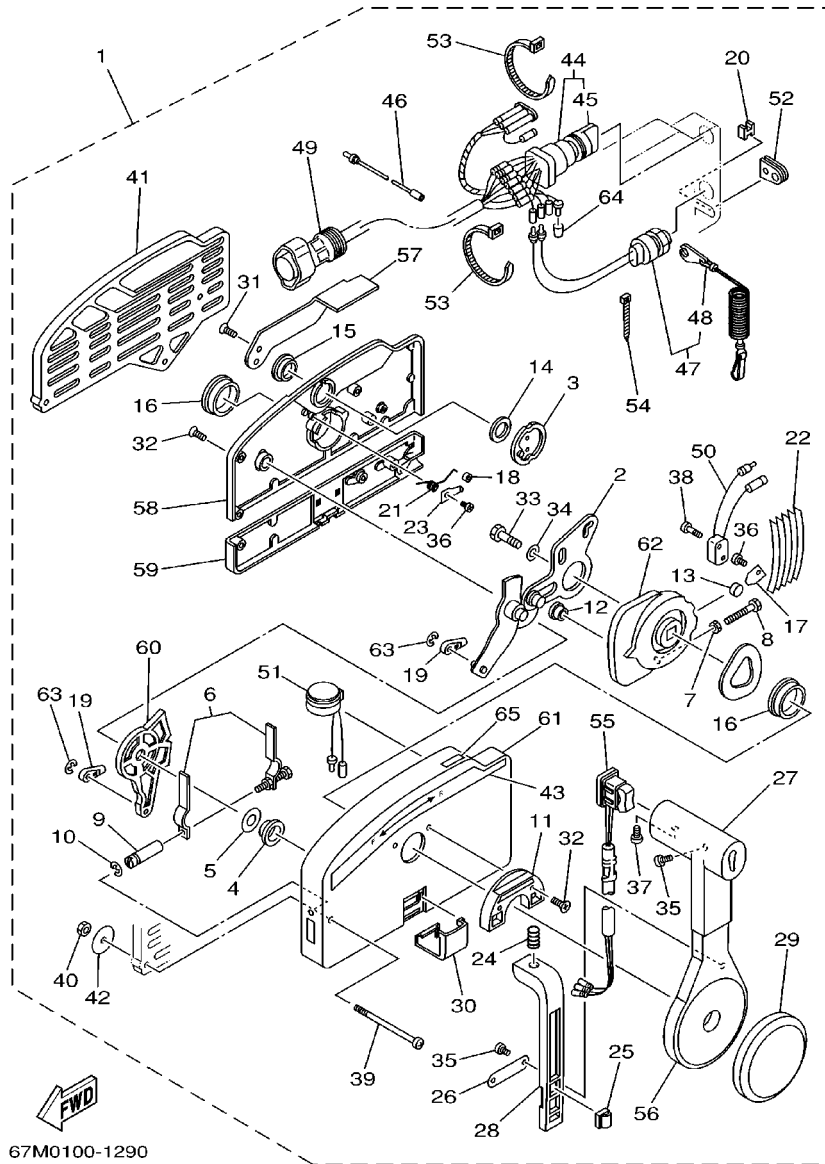
REF. NO.	PART NO.	DESCRIPTION	EDO	ETO	EO	MO	MHO	REMARKS
1	6YJ-24201-10	FUEL TANK ASSY (24L)	1	1	1	1	1	AP WITH INDICATOR
2	6YJ-24610-01	.CAP ASSY	1	1	1	1	1	
3	6Y1-24260-12	.FUEL METER ASSY	1	1	1	1	1	WITH INDICATOR
4	98586-05016	.SCREW, PAN HEAD	4	4	4	4	4	
5	6Y1-24329-00	.SEAL	4	4	4	4	4	
6	6Y1-24268-00	.GASKET, FUEL METER	1	1	1	1	1	
7	6YJ-24167-00	.STRAINER	1	1	1	1	1	
8	61J-24306-02	FUEL PIPE COMP. 1	1	1	1	1	1	AP
9	90445-11M06	.HOSE (L2050)	1	1	1	1	1	
10	61J-24360-00	.PRIMER PUMP ASSY	1	1	1	1	1	
11	90445-11M05	.HOSE (L:850MM)	1	1	1	1	1	
12	650-24351-51	.BAND 1	4	4	4	4	4	
13	6G1-24305-03	.FUEL PIPE JOINT COMP. 2	1	1	1	1	1	
14	93210-08287	..O-RING	1	1	1	1	1	
15	6Y1-24305-04	.FUEL PIPE JOINT COMP. 2	1	1	1	1	1	
16	93210-08287	..O-RING	1	1	1	1	1	

FIG. 27 STEERING GUIDE



REF. NO.	PART NO.	DESCRIPTION	EDO	ETO	EO	MO	MHO	REMARKS
1	63D-61350-00	STEERING GUIDE ATTACHMENT KIT	1	1	1	1		AP
2	63D-61351-00	.ROD, STEERING LINK	1	1	1	1		
3	90201-10M20	.WASHER, PLATE	2	2	2	2		
4	90185-09M01	.NUT, SELF-LOCKING	2	2	2	2		
5	90170-09M03	.NUT	1	1	1	1		
6	90387-10M42	.COLLAR	1	1	1	1		
7	90101-09M01	.BOLT	1	1	1	1		
8	90201-10M63	.WASHER, PLATE	1	1	1	1		
9	6E5-43145-01	.CAP, CLAMP BRACKET	1	1	1	1		
10	93210-16275	.O-RING	1	1	1	1		

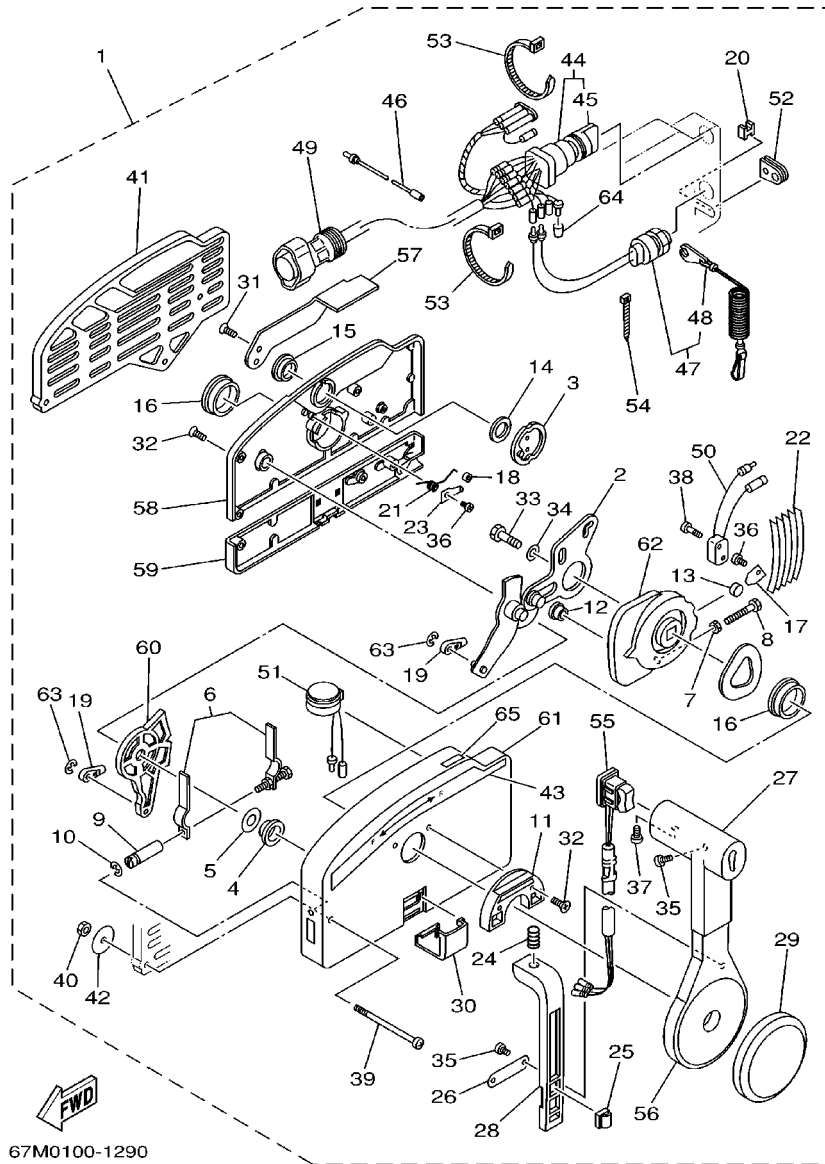
62Y0010-5200



67M0100-1290

FIG. 29 REMOTE CONTROL ASSY 1

REF. NO.	PART NO.	DESCRIPTION	EDO	ETO	EO	MO	MHO	REMARKS
1	703-48205-A3	REMOTE CONTROL ASSY		1				AP WITH PT/T SW.
	703-48201-A1	REMOTE CONTROL ASSY (10P)	1	1				AP
2	703-48261-01	.ARM, THROTTLE	1	1	1			
3	703-48153-00	.SHAFT, FREE ACCEL.	1	1	1			
4	703-48235-00	.BUSHING	1	1	1			
5	703-48268-00	.SPACER	1	1	1			
6	703-48264-00	.THROTTLE, FRICTION	1	1	1			
7	95380-05600	.NUT	1	1	1			
8	97380-05025	.BOLT	1	1	1			
9	703-48265-00	.SHAFT, FRICTION	1	1	1			
10	93430-06024	.CIRCLIP	3	3	3			
11	703-48245-00	.PLATE, LOCK	1	1	1			
12	703-48252-00	.ROLLER, CAM	1	1	1			
13	701-48248-00	.ROLLER, FREE ACCEL.	1	1	1			
14	703-48198-00	.WASHER, WAVE	1	1	1			
15	703-48243-00	.BUSHING	1	1	1			
16	703-48236-00	.BUSHING 1	2	2	2			
17	703-48189-00	.RETAINER	1	1	1			
18	703-48234-00	.ROLLER, DETENT	1	1	1			
19	703-48345-01	.CABLE END,REMOTE CONTROL 2	2	2	2			
20	703-48358-00	.ANCHOR, CABLE	1	1	1			
21	703-48244-00	.SPRING, FREE ACCEL.	1	1	1			
22	703-48238-00	.SPRING, DETENT	5	5	5			
23	703-48246-00	.SPACER	1	1	1			
24	703-48227-00	.SPRING, NEUTRAL LOCK	1	1	1			
25	703-82594-00	.CLAMP	1					WITH PT/T SW.
26	703-48226-00	.PLATE, STOPPER	1	1	1			



67M0100-1290

FIG. 29 REMOTE CONTROL ASSY 1

REF. NO.	PART NO.	DESCRIPTION	EDO	ETO	EO	MO	MHO	REMARKS
27	703-48222-00	.GRIP, CONTROL LEVER	1	1	1			SINGLE
28	703-48223-00	.LOCK, NEUTRAL	1	1	1			
29	703-48225-00	.COVER	1	1	1			
30	703-48219-00	.COVER, LEAD	1	1	1			
31	703-48281-00	.SCREW	2	2	2			
32	703-48282-00	.SCREW	7	7	7			
33	97095-08030	.BOLT	1	1	1			
34	92990-08600	.WASHER, PLATE	1	1	1			
35	98580-04010	.SCREW, PAN HEAD	3	3	3			
36	98580-04006	.SCREW, PAN HEAD	2	2	2			
37	98580-05010	.SCREW, PAN HEAD	1	1	1			
38	98580-03015	.SCREW, PAN HEAD	2	2	2			
39	703-48291-10	.SCREW (M6)	3	3	3			
40	95380-06600	.NUT, HEXAGON	3	3	3			
41	703-48293-10	.SPACER, REMOTE CONTROL	1	1	1			SINGLE
42	701-48287-00	.WASHER	3	3	3			
43	703-48215-00	.GRAPHIC	1	1	1			
44	703-82510-11	.MAIN SWITCH ASSY (10P)	1	1	1			FOR PRIME START MODEL
45	676-82577-00	.CAP, KEY	1	1	1			
46	703-82531-00	.WIRE, LEAD	1	1	1			
47	688-82575-01	.ENGINE STOP SWITCH ASSY	1	1	1			
48	682-82556-00	.STOPPER	1	1	1			
49	688-8258A-20	.EXTENSION, WIRE HARNESS	1	1	1			L:5M (10P)
50	703-82540-00	.NEUTRAL SWITCH ASSY	1	1	1			
51	703-83383-A0	.BUZZER	1	1	1			
52	703-48284-00	.GROMMET	1	1	1			
53	90464-13080	.CLAMP	2	2	2			

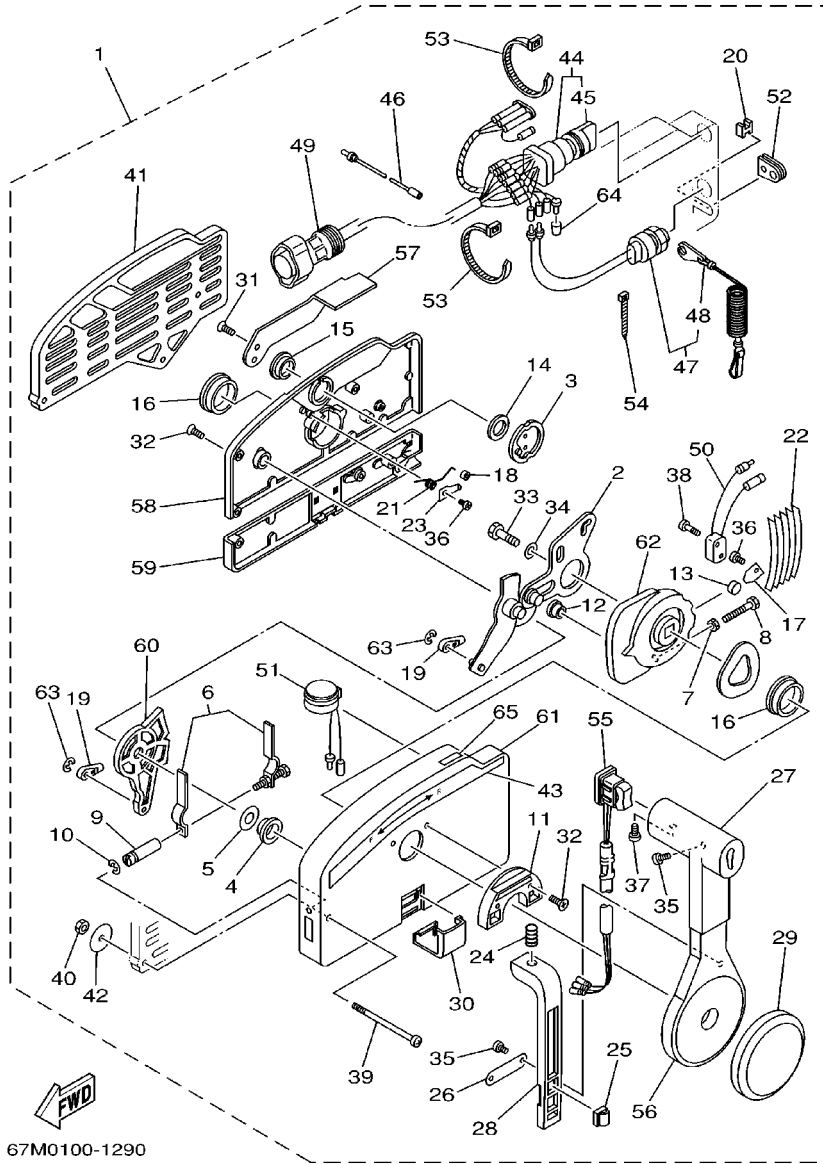
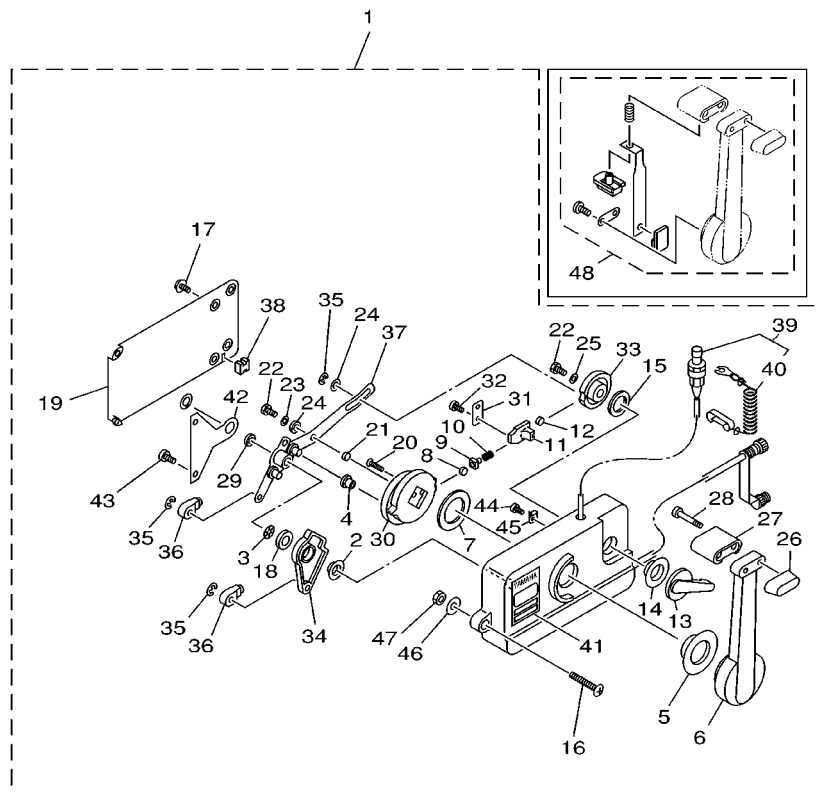


FIG. 29 REMOTE CONTROL ASSY 1

REF. NO.	PART NO.	DESCRIPTION	EDO	ETO	EO	MO	MHO	REMARKS
54	703-82592-00	.BAND	1	1	1			
55	703-82563-02	.TRIM & TILT SWITCH ASSY			1			
	703-48224-00	.COVER, CONTROL LEVER	1		1			WITHOUT PT/T SW.
56	703-48221-00	.LEVER, CONTROL	1	1	1			
57	703-48152-00	.KNOB, FREE ACCEL.	1	1	1			
58	703-48212-00	.BACK PLATE 1	1	1	1			
59	703-48213-00	.BACK PLATE 2	1	1	1			
60	703-48271-00	.ARM, SHIFT	1	1	1			
61	703-48211-01	.HOUSING,1	1	1	1			
62	703-48232-00	.GEAR	1	1	1			
63	93430-06024	.CIRCLIP	2	2	2			
64	703-82542-00	.CAP	1	1	1			
65	703-48218-00	.GRAPHIC	1	1	1			

FIG. 30 REMOTE CONTROL ASSY 2

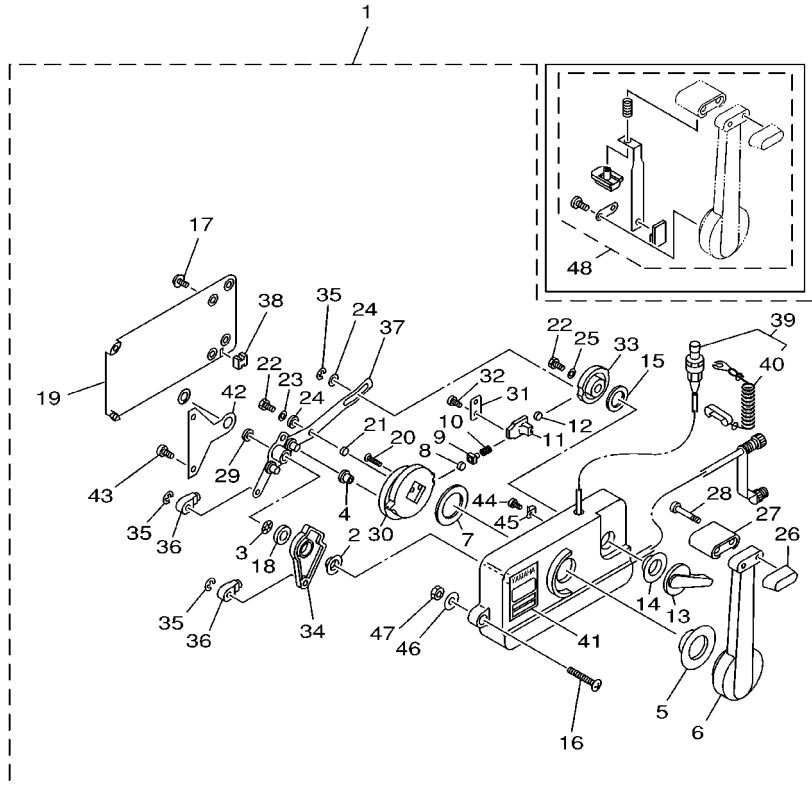


REF. NO.	PART NO.	DESCRIPTION	EDO	ETO	EO	MO	MHO	REMARKS
1	701-48130-E0	REMOTE CONTROL ASSY (RIGHT)				1		AP WITH NEUTRAL LOCK
	701-48140-E0	REMOTE CONTROL ASSY (LEFT)				1		AP WITH NEUTRAL LOCK
2	701-48235-00	.BUSHING				1		
3	701-48197-10	.WASHER, WAVE				1		
4	701-48252-00	.ROLLER, CAM				1		
5	701-48234-00	.BUSHING 1				1		
6	701-48221-00	.LEVER, CONTROL				1		
7	701-48196-11	.WASHER, WAVE				1		
8	701-48236-00	.ROLLER, DETENT				1		
9	702-48237-00	.ADAPTOR				1		
10	702-48238-00	.SPRING, DETENT				1		
11	701-48249-00	.ADAPTOR, SPRING				1		
12	701-48248-00	.ROLLER, FREE ACCEL.				1		
13	701-48152-11	.KNOB, FREE ACCEL.				1		
14	701-48243-00	.BUSHING				1		
15	701-48198-10	.WASHER, WAVE				1		
16	701-48281-10	.SCREW				3		
17	98580-05010	.SCREW, PAN HEAD				4		
18	701-48268-00	.SPACER				1		
19	701-48213-00	.BACK PLATE 2				1		
20	98780-06025	.SCREW, FLAT HEAD				2		
21	701-48255-00	.COLLAR				1		
22	97080-06018	.BOLT				2		
23	702-48288-00	.WASHER, PLAIN				1		
24	701-48246-00	.SPACER				2		
25	92990-06300	.WASHER, INTERNAL TOOTH				1		
26	701-48229-00	.GRIP, CONTROL LEVER				1		



63C0664-9300

FIG. 30 REMOTE CONTROL ASSY 2

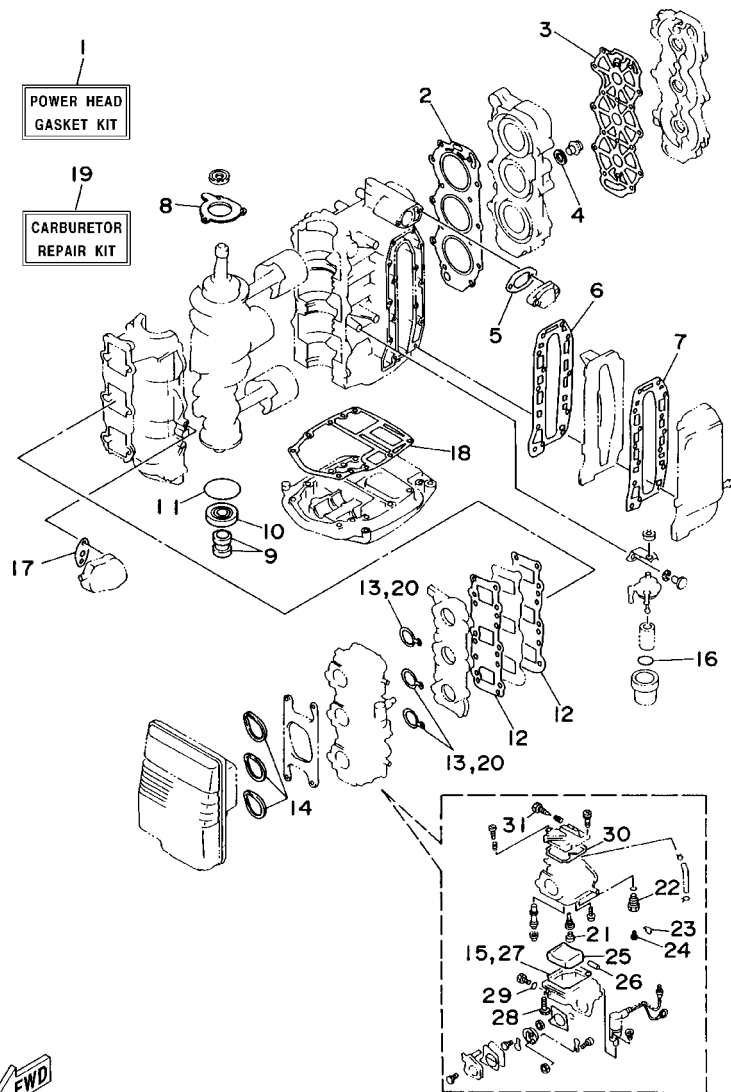


REF. NO.	PART NO.	DESCRIPTION	EDO	ETO	EO	MO	MHO	REMARKS
27	701-48222-00	.GRIP, CONTROL LEVER				1		
28	98580-05555	.SCREW, PAN HEAD				2		
29	701-48266-00	.SPACER				1		
30	701-48232-00	.GEAR				1		
31	701-48189-11	.RETAINER				1		
32	98580-05010	.SCREW, PAN HEAD				2		
33	701-48153-12	.SHAFT, FREE ACCEL.				1		
34	701-48271-00	.ARM, SHIFT				1		
35	93430-06024	.CIRCLIP				3		
36	703-48345-01	.CABLE END,REMOTE CONTROL 2				2		
37	701-48261-20	.ARM, THROTTLE				1		
38	701-48358-00	.ANCHOR, CABLE				1		
39	701-82575-53	.ENGINE STOP SWITCH ASSY				1		
40	682-82556-00	..STOPPER				1		
41	701-48126-00	.GRAPHIC				1		
42	701-48133-00	.PLATE, LINK				1		
43	98580-05020	.SCREW, PAN HEAD				2		
44	701-48283-00	.SCREW				1		
45	701-82594-00	.CLAMP				1		
46	701-48287-00	.WASHER				3		
47	95380-06600	.NUT, HEXAGON				3		
48	701-48280-00	NEUTRAL LOCK KIT				1		



63C0664-9300

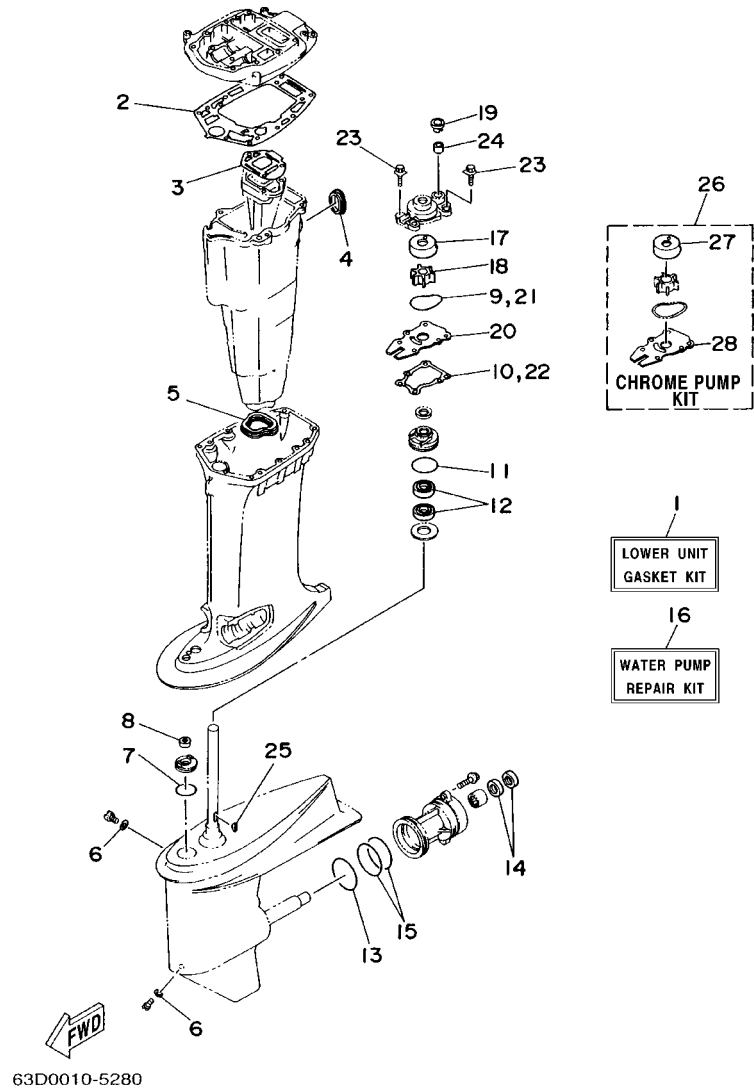
FIG. 32 REPAIR KIT 1



63D0010-5270

REF. NO.	PART NO.	DESCRIPTION	EDO	ETO	EO	MO	MHO	REMARKS
1	63D-W0001-00	POWER HEAD GASKET KIT	1	1	1	1	1	
2	63D-11181-A1	.GASKET, CYLINDER HEAD 1	1	1	1	1	1	
3	63D-11193-A0	.GASKET, HEAD COVER 1	1	1	1	1	1	
4	90430-14115	.GASKET	1	1	1	1	1	
5	61A-12414-A0	.GASKET, COVER	1	1	1	1	1	
6	6H4-41112-A0	.GASKET, EXHAUST INNER COVER	1	1	1	1	1	
7	6H4-41114-A0	.GASKET, EXHAUST OUTER COVER	1	1	1	1	1	
8	6H4-15369-A1	.GASKET, OIL SEAL HOUSING	1	1	1	1	1	
9	93104-16M01	.OIL SEAL	2	2	2	2	2	
10	93102-25M28	.OIL SEAL	1	1	1	1	1	
11	93210-58M21	.O-RING	1	1	1	1	1	
12	6H4-13621-A1	.GASKET, VALVE SEAT	2	2	2	2	2	
13	6H4-14198-01	.GASKET	3	3	3	3	3	
14	6H3-14457-00	.SEAL	3	3	3	3	3	
15	6H4-14984-00	.GASKET, FLOAT CHAMBER	3	3	3	3	3	
16	93210-32738	.O-RING	1	1	1	1	1	
17	650-24431-A0	.GASKET, FUEL PUMP 1	1	1	1	1	1	
18	6H4-45113-A0	.GASKET, UPPER CASING	1	1	1	1	1	
19	6H4-W0093-03	CARBURETOR REPAIR KIT	1	1	1	1	1	
20	6H4-14198-01	.GASKET	3	3	3	3	3	
21	676-14966-00	.CAP	3	3	3	3	3	
22	6H4-14590-00	.NEEDLE VALVE ASSY	3	3	3	3	3	
23	663-14159-00	.CLIP	3	3	3	3	3	
24	676-14186-00	.PIN, FLOAT	3	3	3	3	3	
25	6H4-14985-01	.FLOAT	3	3	3	3	3	
26	6H4-14548-00	.PIN, FLOAT ARM	3	3	3	3	3	
27	6H4-14984-00	.GASKET, FLOAT CHAMBER	3	3	3	3	3	

FIG. 33 REPAIR KIT 2



REF. NO.	PART NO.	DESCRIPTION	EDO	ETO	EO	MO	MHO	REMARKS
1	63D-W0001-20	LOWER UNIT GASKET KIT	1	1	1	1	1	
2	63D-45114-A0	.GASKET, UPPER CASING	1	1	1	1	1	
3	6H4-41134-A0	.GASKET, EXHAUST MANIFOLD	1	1	1	1	1	
4	6H3-45127-00	.SEAL	1	1	1	1	1	
5	63D-45123-00	.GASKET, MUFFLER	1	1	1	1	1	
6	90430-08020	.GASKET	2	2	2	2	2	
7	93210-33MG4	.O-RING	1	1	1	1	1	
8	93106-09014	.OIL SEAL	1	1	1	1	1	
9	93210-59MG7	.O-RING	1	1	1	1	1	
10	63D-44316-00	.GASKET, WATER PUMP	1	1	1	1	1	
11	93210-48MG8	.O-RING	1	1	1	1	1	
12	93101-25M57	.OIL SEAL	2	2	2	2	2	
13	93210-69MG6	.O-RING	1	1	1	1	1	
14	93101-22M00	.OIL SEAL	2	2	2	2	2	
15	93210-74MG5	.O-RING	2	2	2	2	2	
16	63D-W0078-01	WATER PUMP REPAIR KIT	1	1	1	1	1	
17	63D-44322-00	.INSERT, CARTRIDGE	1	1	1	1	1	
18	6H3-44352-00	.IMPELLER	1	1	1	1	1	
19	63D-44312-00	.COVER, WATER PUMP HOUSING	1	1	1	1	1	
20	63D-44323-00	.OUTER PLATE, CARTRIDGE	1	1	1	1	1	
21	93210-59MG7	.O-RING	1	1	1	1	1	
22	63D-44316-00	.GASKET, WATER PUMP	1	1	1	1	1	
23	90119-08M15	.BOLT, WITH WASHER	4	4	4	4	4	
24	663-44366-00	.DAMPER, WATER SEAL	1	1	1	1	1	
25	90280-03024	.KEY, WOODRUFF	1	1	1	1	1	
26	63D-W0078-0A	CHROME PUMP KIT	1	1	1	1	1	
27	63D-44322-40	.INSERT, CARTRIDGE	1	1	1	1	1	

NUMERICAL INDEX

PARTNO.	REF. NO.	PARTNO.	REF. NO.	PARTNO.	REF. NO.	PARTNO.	REF. NO.	PARTNO.	REF. NO.	PARTNO.	REF. NO.
63D-W0001-00	32 - 1	6J8-13411-00	7 - 37	6H4-14548-00	32 - 26	6H4-15758-01-4D	9 - 4	688-24378-00	8 - 30	6H4-41259-01	4 - 22
63D-W0001-20	33 - 1	6J8-13414-00	6 - 36	679-14555-00	5 - 25	6H4-15761-00	1 - 2	692-24410-00	8 - 14	6J8-41262-00	4 - 23
6H4-W0004-00	4 - 2		7 - 38	6H4-14567-00	5 - 31	6H3-24411-10	9 - 7	6H3-24411-10	5 - 41		20 - 47
63D-W0070-10	1 - 11	6L2-13416-00	6 - 37	6H2-14578-00	5 - 9	63D-15770-00	9 - 47	663-24411-00	8 - 19	661-41262-02	4 - 20
63D-W0078-0A	33 - 26		7 - 39	6H4-14590-00	5 - 27	63D-15771-00-4D	9 - 31	692-24411-00	8 - 16	6H4-41271-01	4 - 21
63D-W0078-01	33 - 16	63D-13436-40	1 - 12		32 - 22		14 - 20	6A0-24412-02	8 - 25	689-41273-00	4 - 26
63D-W0084-00-4D	16 - 1	6H5-13610-00	4 - 1	6K5-14592-00	5 - 5	6H4-15772-02-94	9 - 36	6A0-24413-00	8 - 15	6J8-41274-00	4 - 24
63D-W0090-10-4D	2 - 1	6H4-13621-A1	4 - 8	63D-14711-00-5B	23 - 11		14 - 25	6H4-24413-00	5 - 39	63D-41632-00	17 - 5
63D-W0090-30-4D	2 - 1		32 - 12	63D-14711-11-5B	23 - 11	63D-15774-00	17 - 30	6A0-24421-01	8 - 23	63D-41636-00	17 - 7
6H4-W0093-03	32 - 19	6H4-13624-01-94	4 - 7	692-14923-00	5 - 26	6F5-15779-02	9 - 17	6L5-24421-00	5 - 38	63D-42111-01-4D	16 - 2
656-W2810-02	8 - 37	6H4-13641-12-94	4 - 5		32 - 31	6H4-15787-01	9 - 15	650-24431-A0	8 - 26	63D-42115-00	16 - 8
63D-W4434-00	24 - 30	6H4-13641-30-94	4 - 5	63D-14943-81	5 - 22	6A0-15789-00	9 - 8		32 - 17	664-42119-00	16 - 59
63D-11111-00-94	2 - 22	6H3-14137-00	5 - 32	676-14943-30	5 - 22	63D-21707-00	7 - 21	6H3-24434-10	5 - 42	63D-42121-00-4D	16 - 66
6H4-11119-00	2 - 18	6H3-14146-10	5 - 16	676-14943-32	5 - 22	63D-21707-10	6 - 21	648-24434-01	8 - 17	63D-42126-00	16 - 48
63D-11181-A1	2 - 23	6H4-14146-00	5 - 16	676-14943-33	5 - 22	6H3-21732-00	1 - 14	648-24435-02	8 - 20	63D-42131-00	16 - 26
	32 - 2	6H4-14146-10	5 - 15	62W-14947-00	5 - 21	6H3-21735-00	1 - 15	6H3-24452-10	5 - 29	6K5-42137-00	16 - 3
63D-11191-00-9M	2 - 26	6H4-14147-00	5 - 30	62X-14947-00	5 - 21	63D-21744-00	6 - 29	6H4-24486-00	5 - 40	650-42152-00-94	16 - 9
63D-11193-A0	2 - 27		32 - 30	63D-14947-00	5 - 21		7 - 33	61N-24521-00	8 - 7	63D-42153-00	16 - 17
	32 - 3	663-14159-00	5 - 12	6H4-14948-11	5 - 24	63D-2175R-00	6 - 24	61N-24560-00	8 - 5	63D-42159-00	16 - 11
688-11325-00	2 - 20		32 - 23	62X-14948-12	5 - 24		7 - 26	61N-24563-00	8 - 6	6G1-42177-00	16 - 60
650-11370-00	2 - 3	676-14186-00	5 - 13	676-14966-00	5 - 23	6H4-21752-00	7 - 24	6H4-24566-01	8 - 9	63D-42181-00	16 - 23
688-11370-00	2 - 7		32 - 24		32 - 21	6H1-21757-00	7 - 31	6YJ-24610-01	26 - 2	63B-42510-00-4D	21 - 1
6H4-11372-00	2 - 5	6H4-14198-01	4 - 11	6H3-14980-10	5 - 18	6H4-21757-00	6 - 28	6H4-24633-00	6 - 34	63B-42510-10-4D	21 - 1
6H4-11400-14	3 - 8		32 - 13	6H4-14980-00	5 - 18	6J8-21758-00	7 - 30	6H5-24633-00	7 - 29	63D-42510-11-4D	21 - 1
6H4-11536-00	3 - 9		32 - 20	6H4-14984-00	5 - 17	63D-2176M-00	6 - 25	6H4-24634-00	6 - 30	6J8-42528-00	19 - 21
6H4-11537-01	6 - 4	62W-14301-00	5 - 1		32 - 15		7 - 27	63D-26301-01	16 - 34	624-42542-00	6 - 40
	7 - 4	62X-14301-00	5 - 1		32 - 27	63D-2177H-00	1 - 13	6E0-28193-00-94	8 - 38		7 - 42
6H4-11545-00	10 - 14	63D-14301-00	5 - 1	6H4-14985-01	5 - 14	6H4-21770-00	6 - 26	6H4-41111-00-9M	2 - 37	62X-42610-10-4D	1 - 1
63D-11603-00	3 - 14	62W-14302-00	5 - 2		32 - 25		7 - 28	6H4-41112-A0	2 - 38	62X-42610-30-4D	1 - 1
63D-11604-00	3 - 14	62X-14302-00	5 - 2	6H3-14992-00	5 - 19	1UF-22434-00	22 - 20		32 - 6	63D-42610-30-4D	1 - 1
63D-11605-00	3 - 14	63D-14302-00	5 - 2	6H4-15100-13-94	2 - 2	62X-22471-00	22 - 12	6H4-41113-00-9M	2 - 36	6H4-42613-01-4D	1 - 7
6H4-11631-01-95	3 - 13	62W-14303-00	5 - 3	6H4-15100-30-94	2 - 2	6YJ-24167-00	26 - 7	6H4-41114-A0	2 - 39	6H4-42613-11-4D	1 - 7
648-11633-00	3 - 15	62X-14303-00	5 - 3	6H4-15359-04-94	10 - 3	6YJ-24201-10	26 - 1		32 - 7	6H4-42615-00	1 - 3
6H4-11634-01	3 - 18	63D-14303-00	5 - 3	6H4-15369-A1	3 - 1	6Y1-24260-12	26 - 3	6H4-41131-01-5B	23 - 10	6H4-42651-00	1 - 4
6H4-11635-01	3 - 13	6A0-14325-00	8 - 24		32 - 8	6Y1-24268-00	26 - 6	6H5-41131-00-5B	23 - 10	6H4-42652-00	1 - 5
6H4-11636-01	3 - 13	6H3-14349-00	4 - 30	6H4-15396-03-5B	3 - 2	6G1-24304-02	8 - 1	6H4-41134-A0	23 - 22	62X-42677-11	1 - 9
6H4-11641-00	3 - 17		5 - 33	6H4-15705-00	9 - 27	6G1-24305-03	26 - 13		33 - 3	63D-42677-11	1 - 9
6E5-12411-20	2 - 31	63D-14380-00	5 - 34	6H4-15710-04-4D	9 - 1	6Y1-24305-04	26 - 15	63D-41137-01-5B	23 - 8	62X-42678-11	1 - 10
6H4-12413-00-9M	2 - 32	6H4-14406-00	4 - 12	6H4-15711-02-94	9 - 2	61J-24306-02	26 - 8	63D-41213-00	17 - 3	63D-42678-11	1 - 10
6J8-12414-A0	2 - 33	6H4-14431-02	4 - 14	6H4-15714-00	9 - 19	6H4-24311-00	8 - 35	6H4-41217-01	4 - 25	63D-42681-10	1 - 19
61A-12414-A0	32 - 5	6H4-14431-13	4 - 14	6H4-15717-01	9 - 21	6H4-24312-00	8 - 33	6E9-41237-00	6 - 20	63D-42682-10	1 - 20
6H1-13117-01	6 - 5	6H3-14457-00	32 - 14	6H4-15723-01-94	9 - 39	6H4-24313-00	8 - 32		7 - 20	6H1-42694-00	1 - 16
	7 - 5	6H3-14457-01	4 - 15	6J8-15723-E1	14 - 28	6H4-24314-00	8 - 12	6H1-41237-00	6 - 16	6H4-42711-07-4D	15 - 1
6E9-13183-70	6 - 44	6H1-14485-00	4 - 6	676-15741-03	9 - 25	6Y1-24329-00	26 - 5		7 - 16	6H4-42711-25-4D	15 - 1
	7 - 46	624-14485-00	2 - 4	63D-15746-00	9 - 44	650-24351-51	26 - 12	6H4-41237-00	17 - 8	648-42715-00	17 - 19
63D-13200-00	6 - 1		2 - 6	656-15748-00	9 - 48	61J-24360-00	26 - 10	6H4-41241-01	6 - 15	6H4-42716-00	15 - 15
	7 - 1	63V-14523-00	5 - 7	6F5-15752-00	9 - 9	6E5-24367-01	15 - 27		7 - 15	63D-42717-00	15 - 21
6J8-13411-00	6 - 35	6H4-14548-00	5 - 10	689-15755-01	9 - 16	650-24378-00	2 - 8	6H4-41257-00	4 - 19	6E5-42724-00	15 - 16

NUMERICAL INDEX

PARTNO.	REF. NO.	PARTNO.	REF. NO.	PARTNO.	REF. NO.	PARTNO.	REF. NO.	PARTNO.	REF. NO.	PARTNO.	REF. NO.
6H4-42724-00	15 - 13	6J8-43615-00	20 - 17	6H1-43855-11	22 - 52	63D-44322-00	33 - 17	63D-45501-00	24 - 36	663-45974-02-98	25 - 25
6H4-42724-20	15 - 13	6H4-43616-00	20 - 30	6H1-43856-10	22 - 48	63D-44322-40	33 - 27	63D-45501-10	24 - 36	663-45974-60-98	25 - 25
6H4-42725-00	15 - 29		20 - 39	62X-4386K-00	22 - 76	63D-44323-00	24 - 26	6H4-45536-00	24 - 4	663-45976-00-98	25 - 25
63D-42725-00	16 - 32	6J8-43616-10	20 - 48	62X-43860-00	22 - 58		33 - 20	6H4-45551-01	24 - 37	663-45978-00-98	25 - 25
6H4-42726-00	15 - 24	6J8-43617-00	20 - 33	62X-43861-00	22 - 5	63D-44323-40	33 - 28	6H4-45560-01	24 - 39	663-45987-02	25 - 20
6H4-42726-40	15 - 23	6J8-43617-10	20 - 41	62X-43862-00	22 - 6	63D-44341-00	24 - 31	663-45567-01-10	24 - 41	670-45997-02	25 - 21
676-42726-00	15 - 23	6J8-43627-00	20 - 11	62X-43864-00	22 - 24	6H3-44352-00	24 - 23	663-45567-01-12	24 - 41	63D-48118-00	16 - 19
688-42726-10	15 - 24	6J8-43631-00	20 - 27	62X-43865-00	22 - 31		33 - 18	663-45567-01-15	24 - 41	63D-48119-00	16 - 16
6H3-42727-00	15 - 36	6J8-43631-10	20 - 37	6H1-43866-00	22 - 39	63D-44361-00	25 - 1	663-45567-01-18	24 - 41	701-48126-00	30 - 41
63D-42741-00-4D	15 - 20	63D-43631-00	18 - 37	62X-43866-00	22 - 32	63D-44361-10	25 - 1	663-45567-01-30	24 - 41	701-48130-E0	28 - 2
6G1-42748-00	4 - 26	6J8-43633-00	20 - 28	6H1-43867-00	22 - 40	663-44366-00	25 - 18	663-45567-01-40	24 - 41		30 - 1
6H4-42815-00	15 - 2		20 - 38	62X-43871-00	22 - 8		33 - 24	663-45567-01-50	24 - 41	701-48133-00	30 - 42
6H4-42816-00	15 - 5	6J8-43641-00	20 - 31	6H1-43875-00	22 - 61	63D-44367-00	25 - 4	6H4-45571-01	24 - 42	701-48140-E0	28 - 2
6H4-43111-05-4D	19 - 1		20 - 40	61A-43875-00	22 - 16	6E5-44391-00	15 - 14	63D-45577-00-10	24 - 46		30 - 1
63D-43111-01-4D	18 - 1	6H4-43659-00	20 - 19	62X-43875-00	22 - 21	63D-44514-01-94	21 - 22	63D-45577-00-12	24 - 46	701-48152-11	30 - 13
6H4-43112-04-4D	19 - 2	6J8-43673-00	20 - 36	6T4-43876-00	22 - 66	63D-44526-00	21 - 24	63D-45577-00-15	24 - 46	703-48152-00	29 - 57
63D-43112-01-4D	18 - 2	6H4-43674-00	20 - 25	62X-43878-00	22 - 33	63D-44551-01-4D	21 - 9	63D-45577-00-18	24 - 46	701-48153-12	30 - 33
6J8-43113-01	19 - 11	6J8-43681-01	20 - 35	62X-4388A-00	22 - 11	63D-44552-01-4D	21 - 18	63D-45577-00-30	24 - 46	703-48153-00	29 - 3
648-43114-01	19 - 8	63D-43691-00	18 - 36	62X-43880-01	22 - 68	63D-44555-00-94	21 - 11	63D-45577-00-40	24 - 46	63D-48154-00	16 - 49
6E0-43118-01	19 - 5	62X-4380F-00	22 - 74	62X-43881-00	22 - 79	687-44555-00-94	21 - 11	63D-45577-00-50	24 - 46	701-48189-11	30 - 31
6E5-43126-02	18 - 40	62X-4380H-00	22 - 80	62X-43888-00	22 - 26	663-44575-00	21 - 16	663-45587-01-10	24 - 5	703-48189-00	29 - 17
63D-43128-01-4D	18 - 5	62X-4380K-00	22 - 3	62X-43891-00	22 - 71	63D-45111-01-4D	23 - 1	663-45587-01-12	24 - 5	701-48196-11	30 - 7
63D-43131-01	18 - 14	62X-4380L-00	22 - 27	62X-43892-00	22 - 72	63D-45111-11-4D	23 - 1	663-45587-01-15	24 - 5	701-48197-10	30 - 3
	19 - 9	62X-43800-03-4D	22 - 1	6H1-43895-11	22 - 53	6H4-45113-A0	23 - 19	663-45587-01-18	24 - 5	701-48198-10	30 - 15
6G5-43144-00	18 - 28	6T4-43802-03	22 - 38	6H1-43896-00	22 - 50		32 - 18	663-45587-01-30	24 - 5	703-48198-00	29 - 14
6E5-43145-01	27 - 9	62X-43804-01	22 - 70	62X-43899-00	22 - 17	63D-45114-A0	23 - 9	663-45587-01-40	24 - 5	703-48201-A1	28 - 1
6G5-43145-00	18 - 18	62X-43805-00	22 - 69	63D-44100-11	16 - 5		33 - 2	663-45587-01-50	24 - 5		29 - 1
	19 - 14	62X-43807-00	22 - 75	63D-44104-00	16 - 6	63D-45123-00	23 - 12	63D-45611-00	24 - 55	703-48205-A3	28 - 1
6G5-43148-00	18 - 24	62X-43810-01	22 - 4	63D-44113-01	16 - 14		33 - 5	63D-45631-01	24 - 57		29 - 1
6H4-43160-01	20 - 1	62X-43814-00	22 - 14	63D-44117-00	17 - 16	6H3-45127-00	23 - 18	663-45633-00	24 - 62	703-48211-01	29 - 61
688-43160-01	18 - 29	6H1-43816-00	22 - 49	63D-44120-00	17 - 13		33 - 4	663-45634-00	24 - 58	703-48212-00	29 - 58
676-43165-00	20 - 2	6H1-43817-01	22 - 34	63D-44120-10	17 - 13	63D-45155-00	23 - 4	63D-45635-00	24 - 60	701-48213-00	30 - 19
688-43165-00	18 - 30	62X-4382L-00	22 - 54	63D-44121-00	17 - 24	63D-45214-00	24 - 10	663-45930-00-98	25 - 25	703-48213-00	29 - 59
62X-43170-11-4D	18 - 33	6H1-43829-00	22 - 43	688-44122-00	17 - 28	63D-45215-00	24 - 11	663-45941-01-EL	25 - 25	703-48215-00	29 - 43
6H5-43181-03	18 - 19	62X-4383A-00	22 - 57	63D-44132-00	16 - 18	63D-45251-00	18 - 6	6H5-45943-00-EL	25 - 25	703-48218-00	29 - 65
6J8-43181-01	20 - 5	62X-43830-00	22 - 44	63D-44144-00	24 - 52	663-45251-00	18 - 34	6H5-45945-00-EL	25 - 25	703-48219-00	29 - 30
6H5-43185-03	18 - 20	6H1-43831-10	22 - 36	663-44151-00	24 - 51	67C-45251-00	25 - 15	663-45945-02-EL	25 - 25	701-48221-00	30 - 6
6J8-43186-00	20 - 42	6H1-4384F-10	22 - 46	63D-44159-01	16 - 56	63D-45300-02-4D	24 - 1	663-45947-02-EL	25 - 25	703-48221-00	29 - 56
6J8-43187-00	20 - 43	6H1-4384G-11	22 - 15	63D-44173-00	16 - 58	63D-45300-12-4D	24 - 1	663-45949-01-EL	25 - 25	701-48222-00	30 - 27
6J8-43311-04-4D	19 - 19		22 - 51	6G8-44191-00	16 - 52	63D-45301-03-4D	24 - 2	6H5-45952-00-EL	25 - 25	703-48222-00	29 - 27
6J8-43311-10-4D	19 - 19	62X-4384H-00	22 - 19	688-44194-00	17 - 12	63D-45321-00	24 - 14	663-45952-02-EL	25 - 25	703-48223-00	29 - 28
63D-43311-12-4D	18 - 12	62X-43840-01	22 - 2	63D-44311-00	24 - 21	688-45341-00	24 - 9	663-45954-01-EL	25 - 25	703-48224-00	29 - 55
682-43318-01	18 - 38	62X-43841-01	22 - 42	63D-44312-00	25 - 19	63D-45344-00	24 - 34	663-45956-01-EL	25 - 25	703-48225-00	29 - 29
	20 - 10	6H1-43844-10	22 - 47		33 - 19	63D-45361-02-4D	24 - 43	6H5-45958-00-EL	25 - 25	703-48226-00	29 - 26
689-43373-01	19 - 22	6T4-43849-00	22 - 67	63D-44316-00	24 - 27	664-45371-01	25 - 12	663-45958-01-EL	25 - 25	703-48227-00	29 - 24
6J8-43611-01	20 - 20	6H1-4385H-00	22 - 35		33 - 10	63D-45375-00	25 - 6	663-45970-60-98	25 - 25	701-48229-00	30 - 26
6J8-43613-01	20 - 18	61A-4385H-00	22 - 62		33 - 22	663-45376-00-94	25 - 5	697-45970-00-98	25 - 25	701-48232-00	30 - 30
6J8-43614-00	20 - 16	62X-4385M-01	22 - 28	63D-44322-00	24 - 22	6E5-45378-00	24 - 17	663-45972-60-98	25 - 25	703-48232-00	29 - 62

NUMERICAL INDEX

PARTNO.	REF. NO.	PARTNO.	REF. NO.	PARTNO.	REF. NO.	PARTNO.	REF. NO.	PARTNO.	REF. NO.	PARTNO.	REF. NO.
701-48234-00	30 - 5	701-48320-50	28 - 3	6H2-81960-10	12 - 8	703-83383-A0	29 - 51	90116-10175	21 - 7	90201-12M16	21 - 12
703-48234-00	29 - 18	701-48320-60	28 - 3	6H4-82105-02	12 - 1	6Y5-83518-00	31 - 2	90116-18M52	18 - 44	90201-12426	18 - 53
701-48235-00	30 - 2	701-48320-80	28 - 3	6H4-82117-00	12 - 31	6Y5-83536-00	31 - 3	90119-06M13	2 - 10		19 - 26
703-48235-00	29 - 4	63D-48321-01	16 - 33	682-82119-01	12 - 29	6Y5-83544-00	31 - 4	90119-06M51	11 - 2	90201-13M19	21 - 14
63D-48236-00	16 - 15	6H4-48344-00	17 - 1	703-82119-00	10 - 13	6Y5-83553-00	31 - 6	90119-06M61	15 - 19	90201-16M44	10 - 16
701-48236-00	30 - 8	63D-48344-00	17 - 29		15 - 25	6G1-83557-00	11 - 24	90119-06M65	6 - 41	90201-22M03	18 - 16
703-48236-00	29 - 16	663-48344-00	17 - 29		21 - 37	6E5-83558-00	21 - 32		7 - 43		19 - 12
63D-48237-00	16 - 20	703-48345-01	29 - 19	63D-82127-00	21 - 21		24 - 19	90119-06M67	6 - 42	90201-22429	24 - 56
702-48237-00	30 - 9		30 - 36	63D-82127-10	21 - 21	6E5-83558-10	24 - 19		7 - 44	90201-27M00	24 - 35
63D-48238-00	16 - 22	701-48358-00	30 - 38	6E5-82148-00	19 - 3	6H4-83589-00	15 - 33	90119-06M73	15 - 6	90201-30M00	21 - 2
702-48238-00	30 - 10	703-48358-00	29 - 20	6H1-82148-00	18 - 9	6R3-83614-00	12 - 34	90119-06M99	1 - 8	90201-50306	3 - 12
703-48238-00	29 - 22	63D-48511-00-4D	21 - 36		18 - 50	688-83664-00	31 - 5	90119-08M15	24 - 29	90202-05088	6 - 17
701-48243-00	30 - 14	6H4-48531-11-94	15 - 7	63D-82148-00	18 - 3	6Y5-83670-12	31 - 1		33 - 23		7 - 17
703-48243-00	29 - 15	63D-48531-00	16 - 37	6H4-82150-00	12 - 9	63D-83672-01	21 - 33	90119-08M19	2 - 9	90202-07M07	17 - 15
703-48244-00	29 - 21	6H4-48532-11-94	15 - 8	1E6-82151-00	31 - 7	63D-84301-00	15 - 36	90119-08M29	2 - 28	90202-12031	20 - 9
703-48245-00	29 - 11	63D-48538-00	16 - 38	682-82151-00	12 - 10	6F5-84340-00	15 - 40	90119-08M79	23 - 17		20 - 14
701-48246-00	30 - 24	63D-61350-00	27 - 1	62X-82181-00	22 - 73	63D-84342-00	15 - 32	90119-08M83	23 - 7	90202-12060	25 - 2
703-48246-00	29 - 23	63D-61351-00	27 - 2	6A0-82317-00	6 - 39	6J8-85410-00	15 - 29	90119-08M84	25 - 11	90202-24M53	16 - 53
701-48248-00	29 - 13	6H4-81332-00	10 - 17		7 - 41	6H4-85415-10	15 - 31	90142-05M06	24 - 12	90202-25M04	21 - 13
	30 - 12	6H4-81337-01	14 - 32	6G1-82370-21	11 - 10	63D-85520-00	10 - 4	90149-05M13	16 - 61	90206-12M16	20 - 15
701-48249-00	30 - 11	63D-81345-00	10 - 8	703-82510-11	29 - 44	63D-85520-01	10 - 4	90149-14M12	19 - 7	90206-12M22	16 - 45
701-48252-00	30 - 4	63D-81345-10	10 - 9	63D-82531-00	11 - 22	63D-85533-00	10 - 5	90152-06M01	18 - 35	90206-12052	15 - 3
703-48252-00	29 - 12	63D-81345-20	10 - 10	703-82531-00	29 - 46	63D-85540-01	11 - 1	90157-06M01	15 - 26	90209-06M05	4 - 18
701-48255-00	30 - 21	6J8-81365-A0	9 - 40	703-82540-00	29 - 50	63D-85550-00	10 - 1	90157-06M13	17 - 10	90243-04M01	19 - 6
63D-48261-00	16 - 7		14 - 29	703-82542-00	29 - 64	63D-85550-10	10 - 1	90159-06M18	16 - 57	90249-06M19	18 - 25
701-48261-20	30 - 37	6F5-81800-11	14 - 1	6R3-82553-70	31 - 8	63D-85560-00	10 - 2	90159-06M21	14 - 34	90249-06M23	20 - 32
703-48261-01	29 - 2	689-81807-12	14 - 3	682-82556-00	13 - 2	63D-85560-10	10 - 2	90159-06M22	14 - 35	90249-06M24	20 - 32
703-48264-00	29 - 6	689-81809-11	14 - 7		29 - 48	6H5-85570-00	11 - 6	90170-09M03	27 - 5	90249-07M25	20 - 45
703-48265-00	29 - 9	689-81810-11	14 - 9		30 - 40	63D-85580-00	10 - 6	90170-12138	24 - 38	90249-12M27	20 - 12
701-48266-00	30 - 29	689-81811-11	14 - 10	6H4-82560-00	11 - 12	63D-85720-00	7 - 50	90170-18M10	18 - 45	90249-12M28	20 - 7
701-48268-00	30 - 18	689-81812-11	14 - 12	689-82560-00	11 - 11	63D-85720-10	6 - 47	90171-16011	25 - 23	90250-06023	24 - 61
703-48268-00	29 - 5	689-81813-10	14 - 13	63D-82563-10	12 - 32	90101-08M15	21 - 23	90179-06M24	11 - 19	90266-04M01	1 - 6
701-48271-00	30 - 34	689-81820-11	14 - 14	703-82563-02	29 - 55	90101-08339	19 - 15	90179-16M05	10 - 15	90269-02M09	16 - 4
703-48271-00	29 - 60	6H4-81822-02-98	11 - 13	689-8257Y-00	13 - 3	90101-09M01	27 - 7	90183-05M06	1 - 18	90280-03024	24 - 25
701-48280-00	30 - 48	689-81826-10	14 - 15	6K5-82575-02	13 - 1	90101-10M58	19 - 24	90185-08045	21 - 26		33 - 25
701-48281-10	30 - 16	6F5-81830-11	14 - 4	688-82575-01	29 - 47	90101-12M09	16 - 35	90185-09M01	27 - 4	90338-05M03	1 - 17
703-48281-00	29 - 31	689-81831-00	14 - 5	701-82575-53	30 - 39	90101-12M65	18 - 51	90185-10051	21 - 8		15 - 26
703-48282-00	29 - 32	689-81840-11	14 - 11	676-82577-00	29 - 45	90105-06M15	12 - 25	90185-12M12	16 - 46	90338-05M11	12 - 14
701-48283-00	30 - 44	689-81847-11	14 - 6	688-8258A-20	29 - 49	90105-06M16	12 - 26	90185-22M11	18 - 17	90340-08M04	24 - 7
703-48284-00	29 - 52	689-81850-12	14 - 8	6E5-82587-00	12 - 33	90105-06M18	19 - 23		19 - 13	90340-14M00	2 - 24
701-48287-00	29 - 42	689-81857-11	14 - 2	6E5-82588-00	15 - 37	90105-08M61	24 - 44		5 - 6	90386-07M58	17 - 25
	30 - 46	6G1-81941-10	12 - 2	63D-82590-10	12 - 18	90109-06M39	6 - 7	90201-05652	9 - 22	90386-08032	16 - 64
702-48288-00	30 - 23	6H4-81945-00	12 - 4	63D-82590-20	12 - 18		7 - 7	90201-065F3	6 - 3	90386-10M16	18 - 21
703-48291-10	29 - 39	6H4-81945-20	12 - 22	703-82592-00	29 - 54		6 - 8	90201-08M93	7 - 3	90386-10025	18 - 22
703-48293-10	29 - 41	6H5-81949-00	12 - 27	63D-82594-00	12 - 15		7 - 8	90201-083J8	22 - 82	90386-12M93	16 - 42
701-48320-00	28 - 3	61A-81949-00	12 - 28	701-82594-00	30 - 45	90109-06M43	17 - 4	90201-09425	21 - 25	90386-12069	15 - 4
701-48320-20	28 - 3	6H1-81950-00	12 - 19	703-82594-00	29 - 25	90109-12M21	21 - 15	90201-10M20	27 - 3	90386-18M35	18 - 42
701-48320-30	28 - 3	6H4-81952-00	12 - 3	6H4-83354-00	10 - 7	90116-06M22	12 - 5	90201-10M63	27 - 8	90386-18M44	18 - 47

NUMERICAL INDEX

PARTNO.	REF. NO.	PARTNO.	REF. NO.	PARTNO.	REF. NO.	PARTNO.	REF. NO.	PARTNO.	REF. NO.	PARTNO.	REF. NO.
90386-18M92	18 - 41	90445-11M23	7 - 32	90468-07M02	7 - 47	92903-08600	11 - 17	92995-08100	21 - 20	93210-44383	22 - 9
90386-22M15	18 - 15	90446-10M01	6 - 33	90468-18008	17 - 2		14 - 17		21 - 28	93210-48MG8	24 - 33
90386-22M69	19 - 10		7 - 36		17 - 14		14 - 19		25 - 14		33 - 11
90386-29M95	16 - 43	90446-10M02	11 - 23	90480-09M21	15 - 17		14 - 22		25 - 17	93210-48214	22 - 10
90386-30M60	21 - 6	90464-03M15	10 - 11	90480-13M24	12 - 23		14 - 31	92995-08600	16 - 55	93210-52449	22 - 83
90386-30M77	21 - 4	90464-05M16	11 - 25	90480-14M14	16 - 27	92903-10600	16 - 62		23 - 14	93210-58M21	3 - 5
90386-30M78	21 - 3	90464-06M19	4 - 27	90480-25161	11 - 7	92990-05100	8 - 22		23 - 16		32 - 11
90387-06M05	12 - 24	90464-07M20	6 - 14	90501-10227	9 - 49	92990-05600	4 - 4	92995-10100	25 - 9	93210-59MG7	24 - 24
90387-06M41	15 - 18		7 - 14	90501-10326	5 - 8	92990-06300	30 - 25	92995-10600	19 - 25		33 - 9
90387-06M65	14 - 33		12 - 30	90501-12082	17 - 18	92990-06600	9 - 6		25 - 10		33 - 21
90387-06M66	9 - 43	90464-08M07	15 - 30	90501-16M01	24 - 59		9 - 13	92995-12200	18 - 52	93210-69MG6	24 - 48
90387-06M69	9 - 10	90464-09M13	15 - 25	90501-23215	16 - 63		12 - 7	92995-18600	18 - 46		33 - 13
90387-07M64	20 - 21	90464-09M42	16 - 39	90502-10M04	20 - 4		15 - 28	93101-22M00	24 - 50	93210-74MG5	24 - 47
90387-08M03	19 - 16	90464-13080	29 - 53	90502-16M02	18 - 32		15 - 35		33 - 14		33 - 15
90387-10M42	27 - 6	90464-15M11	8 - 36	90506-12M25	20 - 6	92990-08200	17 - 26	93101-25M57	24 - 32	93306-001U1	24 - 45
90387-12M02	16 - 47		11 - 3	90506-14M24	18 - 26	92990-08600	19 - 17		33 - 12	93306-305U8	3 - 10
90430-08020	24 - 8	90464-15M27	12 - 13	90506-32M22	20 - 24		29 - 34	93102-08414	22 - 81	93315-32224	24 - 3
	33 - 6	90465-06M86	7 - 49	90508-18M23	20 - 29	92990-12200	16 - 36	93102-23096	10 - 12	93317-22204	24 - 49
90430-12072	25 - 3		21 - 29	90508-18M24	20 - 29	92990-12600	16 - 44	93102-25M28	3 - 3	93332-00001	24 - 6
90430-14115	2 - 25	90465-11M10	18 - 56	90508-20M22	20 - 49	92990-16200	25 - 22		32 - 10	93332-00003	24 - 40
	32 - 4		21 - 30	90508-25M21	20 - 44	92995-05600	10 - 19	93104-16M01	3 - 4	93410-18M02	18 - 43
90440-14M00	18 - 55		24 - 20	90508-26M35	17 - 6		15 - 10		32 - 9	93410-28M06	21 - 10
90445-07MA3	2 - 16	90465-13M11	21 - 35	90510-08002	9 - 20	92995-06100	9 - 12	93106-09014	24 - 15	93430-04M03	16 - 65
90445-07MA5	4 - 28	90465-13M30	7 - 25	91318-04025	22 - 37		18 - 8		33 - 8	93430-05027	20 - 23
90445-07MA6	6 - 11	90467-06016	2 - 15	91490-20010	16 - 51		22 - 30	93210-04228	5 - 28		20 - 34
	7 - 11		2 - 17		20 - 26		23 - 3	93210-04230	5 - 20		20 - 46
90445-07ME9	24 - 18		4 - 29	91490-20012	17 - 27	92995-06600	3 - 7		32 - 29	93430-06M02	9 - 26
90445-07MF1	21 - 31	90467-08004	2 - 41	91490-30025	25 - 24		8 - 3	93210-06001	22 - 64		20 - 22
90445-07M23	6 - 10		4 - 31	91690-30010	20 - 3		8 - 28	93210-064A5	22 - 23	93430-06024	29 - 10
	7 - 10		6 - 38	91690-30012	18 - 31		9 - 29	93210-06519	22 - 45		29 - 63
90445-07M24	2 - 14		7 - 40	91690-30020	18 - 23		9 - 46	93210-07003	22 - 65		30 - 35
90445-07M27	2 - 13		8 - 4	91690-30025	16 - 10		11 - 5		24 - 53	93430-08006	16 - 13
90445-07M31	24 - 18		8 - 13	91690-40010	22 - 22		11 - 9	93210-08287	26 - 14		24 - 54
90445-07M44	6 - 9		8 - 34	91690-40018	9 - 3		11 - 15		26 - 16	93430-10M00	20 - 8
	7 - 9	90467-10M04	6 - 31	92903-06600	2 - 30		11 - 21	93210-09165	22 - 41		20 - 13
90445-07M46	2 - 12		7 - 34		2 - 35		11 - 27	93210-13M04	6 - 6	93440-62057	3 - 11
90445-07M87	6 - 43	90467-11M08	6 - 23		2 - 43		12 - 12		7 - 6	93501-04M02	17 - 17
	7 - 45		6 - 46		4 - 10		12 - 17	93210-16275	27 - 10	93503-16003	22 - 18
90445-09M37	2 - 40		7 - 23		5 - 44		12 - 21	93210-18397	22 - 60	93505-32038	22 - 59
90445-09057	8 - 31		7 - 48		9 - 35		15 - 12	93210-19MA7	6 - 2	93602-20M02	3 - 16
90445-09063	8 - 29	90467-11032	22 - 56		9 - 38		15 - 39		7 - 2	93604-08062	24 - 28
90445-11M05	26 - 11	90468-05M03	6 - 18		10 - 21		16 - 25	93210-29M94	21 - 5	93605-10108	22 - 63
90445-11M06	26 - 9		7 - 18		14 - 24		16 - 29	93210-29375	22 - 7	93606-12019	2 - 11
90445-11M15	6 - 22	90468-07M02	6 - 12		14 - 27		16 - 31		22 - 25		23 - 6
	7 - 22		6 - 13		17 - 21		16 - 41	93210-32738	8 - 8		23 - 20
90445-11M17	6 - 32		6 - 45		17 - 23		17 - 32		32 - 16		25 - 7
	7 - 35		7 - 12	92903-08600	9 - 33		18 - 11	93210-33MG4	24 - 16	93700-06M03	18 - 13
90445-11M23	6 - 27		7 - 13		9 - 42		18 - 49		33 - 7		19 - 20

NUMERICAL INDEX

PARTNO.	REF. NO.	PARTNO.	REF. NO.	PARTNO.	REF. NO.	PARTNO.	REF. NO.	PARTNO.	REF. NO.	PARTNO.	REF. NO.
94702-00247	2 - 44	97080-06018	30 - 22	97885-06008	19 - 4						
94702-00271	2 - 44	97095-05016	15 - 9	97885-06016	16 - 28						
95303-06600	17 - 11	97095-06010	18 - 10		21 - 34						
95380-03600	5 - 36		18 - 27	97885-06040	4 - 16						
	8 - 18		18 - 39		16 - 30						
95380-05600	6 - 19		18 - 48	97885-06055	4 - 17						
	7 - 19	97095-06012	12 - 16	97980-04114	5 - 4						
	17 - 9		23 - 2		32 - 28						
	24 - 13	97095-06014	11 - 4	98503-05028	8 - 21						
	29 - 7		11 - 20	98580-03015	29 - 38						
95380-06600	9 - 14		11 - 26	98580-04006	29 - 36						
	9 - 24		12 - 11	98580-04008	5 - 11						
	12 - 6	97095-06016	9 - 5	98580-04010	29 - 35						
	16 - 50		12 - 35	98580-05010	29 - 37						
	29 - 40		16 - 24		30 - 17						
	30 - 47		16 - 40		30 - 32						
95380-08600	8 - 11		17 - 31	98580-05020	30 - 43						
	19 - 18		22 - 29	98580-05555	30 - 28						
95380-10600	19 - 27	97095-06020	3 - 6	98580-06016	16 - 12						
95380-12600	18 - 54		9 - 23	98586-05016	26 - 4						
95380-12800	21 - 17		11 - 8	98780-04016	2 - 21						
95670-06640	11 - 18		15 - 11	98780-06025	30 - 20						
97013-06012	5 - 43		15 - 38	98785-05014	16 - 21						
97013-06014	2 - 19	97095-06025	8 - 2	98980-03006	5 - 37						
	8 - 10		12 - 20	99009-35500	22 - 13						
97013-06018	10 - 20		18 - 7	99530-10014	9 - 30						
97013-06020	4 - 9	97095-06030	9 - 11								
	9 - 34		11 - 14								
	14 - 23	97095-06035	9 - 28								
	17 - 20	97095-06040	8 - 27								
97013-06025	2 - 29		9 - 45								
	2 - 34	97095-06095	4 - 13								
	9 - 37	97095-08025	25 - 13								
	14 - 26	97095-08030	29 - 33								
97013-06035	2 - 42	97095-08035	25 - 16								
97013-06045	17 - 22	97095-08040	16 - 54								
97013-08014	14 - 30	97380-05025	29 - 8								
97013-08016	14 - 18	97575-08445	23 - 5								
97013-08020	9 - 41		23 - 21								
97013-08025	9 - 32	97607-04212	22 - 78								
	14 - 21	97607-05210	22 - 55								
97013-08030	14 - 16	97780-60525	15 - 22								
97013-08050	11 - 16	97803-04010	5 - 35								
97075-08030	21 - 19	97880-05014	4 - 3								
	21 - 27	97880-05020	22 - 77								
	23 - 13	97880-06014	15 - 34								
	23 - 15	97885-05010	10 - 18								
97075-10040	25 - 8	97885-06008	18 - 4								