



# **PARTS CATALOGUE**

**40VMHD'04** (63B3)

**50HMHD'04** (62W3)

**50HET'04** (62X6)

# FOREWORD

This Parts Catalogue is related to the parts for the model(s) on the cover page. When you are ordering replacement parts, please refer to this Parts Catalogue and quote both part numbers and part names correctly.

1. Modifications or additions which have been made after the issue of the Parts Catalogue will be announced in the Parts News.  
It is advisable that you make the necessary corrections to the Parts Catalogue according to the Parts News.

2. Abbreviations  
The following abbreviations are used in this Parts Catalogue.

“UR” Use specified parts number.  
 “UN” Use as many as needed.  
 “AP” Alternate Parts  
 “LM” Locally Made (Parts need to be ordered locally)  
 “F#” Frame No. (Applicable machine No.)  
 “O/S” Over Size

3. The number of components for assembly
  - Parts, which are to be supplied in an assembly, are listed with a dot (.) in front of the part name as shown below.
  - The numeral appearing to the right of each component part indicates the quantity of parts for each assembly unit.

| PART NO.     | DESCRIPTION              | Q'TY | REMARKS |
|--------------|--------------------------|------|---------|
| 2F5-83310-60 | FRONT FLASHER LIGHT ASSY | 2    |         |
| 115-83311-60 | .BULB (6V-18W)           | 1    |         |

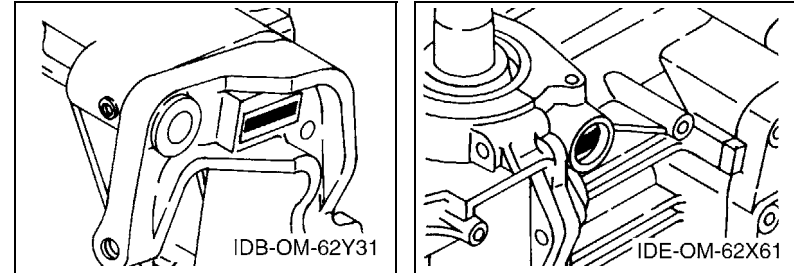
4. Applicable colours of graphics are represented in the “REMARKS” as shown below.

| PART NO.        | DESCRIPTION         | Q'TY | REMARKS |
|-----------------|---------------------|------|---------|
| 2N4-24110-00-X5 | FUEL TANK COMP.     | 2    | MXR     |
| 3J1-24240-10    | .GRAPHIC, FUEL TANK | 1    | FOR MXR |

5. Note that the illustrations for reference in finding parts numbers are not to be used for assembling. When assembling, please use the applicable service manual.

6. The asterisk (\*) before a reference number indicates modified items after the first edition.
7. Applicable Serial No.

Engine Serial No.



8. Applicable Engine Starting Serial No.

| Model | Serial No.   | Model | Serial No.   |
|-------|--------------|-------|--------------|
| 40V   | 6H4K-1005165 | 50H   | 6H5K-1004305 |
|       |              |       |              |
|       |              |       |              |
|       |              |       |              |

9. Applicable Colour Code

| Abbreviation | Colour Name                 | Colour Code |
|--------------|-----------------------------|-------------|
| DBNM2        | DARK BLUISH GRAY METALLIC 2 | 004D        |

10. Quantity Column Information

| Column No. | Name Of Q'ty Column | Applicable Model |
|------------|---------------------|------------------|
| 1          | ET                  | 50HET            |
| 2          | MHD                 | 40VMHD,50HMHD    |
|            |                     |                  |
|            |                     |                  |

# CONTENTS

## SHEET1/2

|                                |    |
|--------------------------------|----|
| TOP COWLING .....              | A4 |
| CYLINDER & CRANKCASE .....     | A5 |
| CRANKSHAFT & PISTON .....      | A7 |
| INTAKE .....                   | B1 |
| CARBURETOR .....               | B3 |
| FUEL .....                     | B6 |
| STARTER .....                  | C1 |
| GENERATOR .....                | C3 |
| ELECTRICAL 1 .....             | C4 |
| ELECTRICAL 2 .....             | C5 |
| ELECTRICAL 3 .....             | C7 |
| STARTING MOTOR .....           | D1 |
| BOTTOM COWLING .....           | D3 |
| STEERING .....                 | D5 |
| STEERING FRICTION .....        | E1 |
| CONTROL .....                  | E2 |
| BRACKET 1 .....                | E4 |
| BRACKET 2 .....                | E7 |
| POWER TRIM & TILT ASSY 1 ..... | F2 |
| POWER TRIM & TILT ASSY 2 ..... | F5 |
| UPPER CASING .....             | F6 |
| LOWER CASING & DRIVE 1 .....   | F7 |

## INDEX

|                       |    |
|-----------------------|----|
| NUMERICAL INDEX ..... | G1 |
|-----------------------|----|

## SHEET2/2

|                              |     |
|------------------------------|-----|
| LOWER CASING & DRIVE 1 ..... | A4* |
| LOWER CASING & DRIVE 2 ..... | A6* |
| FUEL TANK .....              | B1* |
| STEERING GUIDE .....         | B2* |
| REMOTE CONTROL BOX .....     | B3* |
| REMOTE CONTROL ASSY .....    | B4* |
| REPAIR KIT 1 .....           | B7* |
| REPAIR KIT 2 .....           | C2* |

## INDEX

|                       |     |
|-----------------------|-----|
| NUMERICAL INDEX ..... | G1* |
|-----------------------|-----|

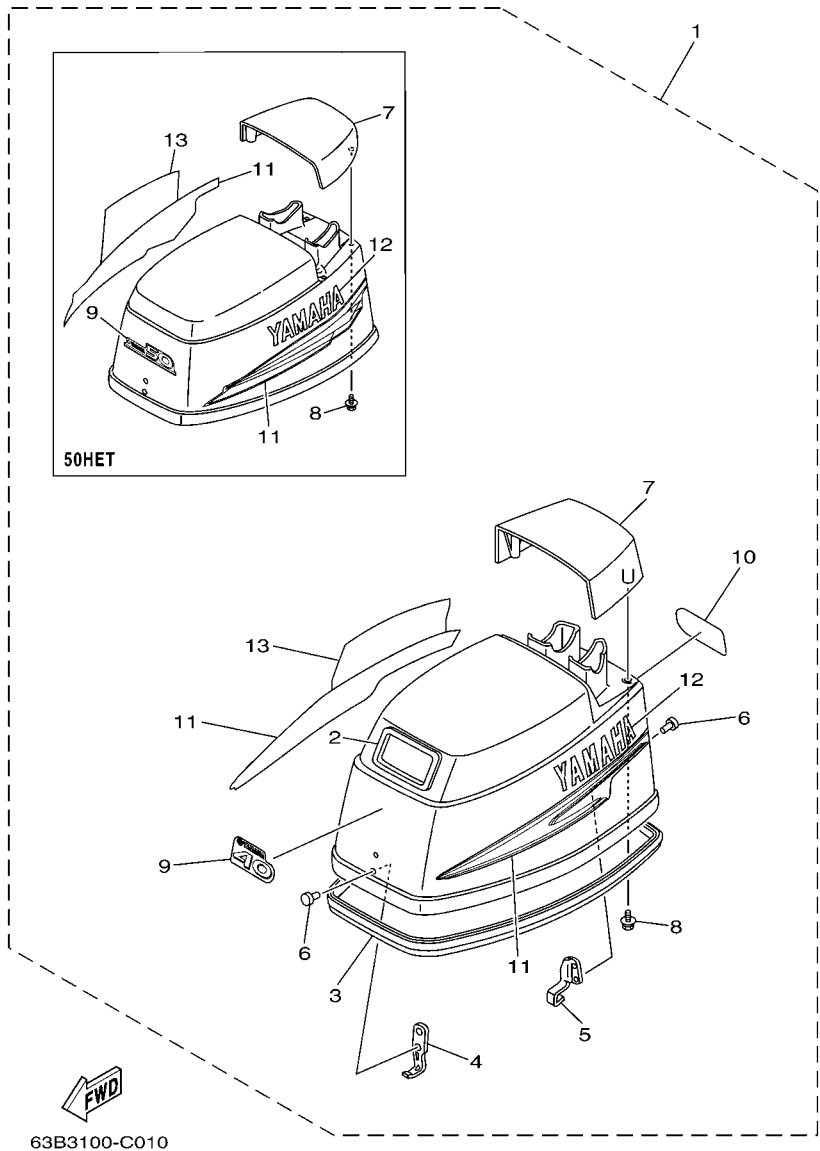
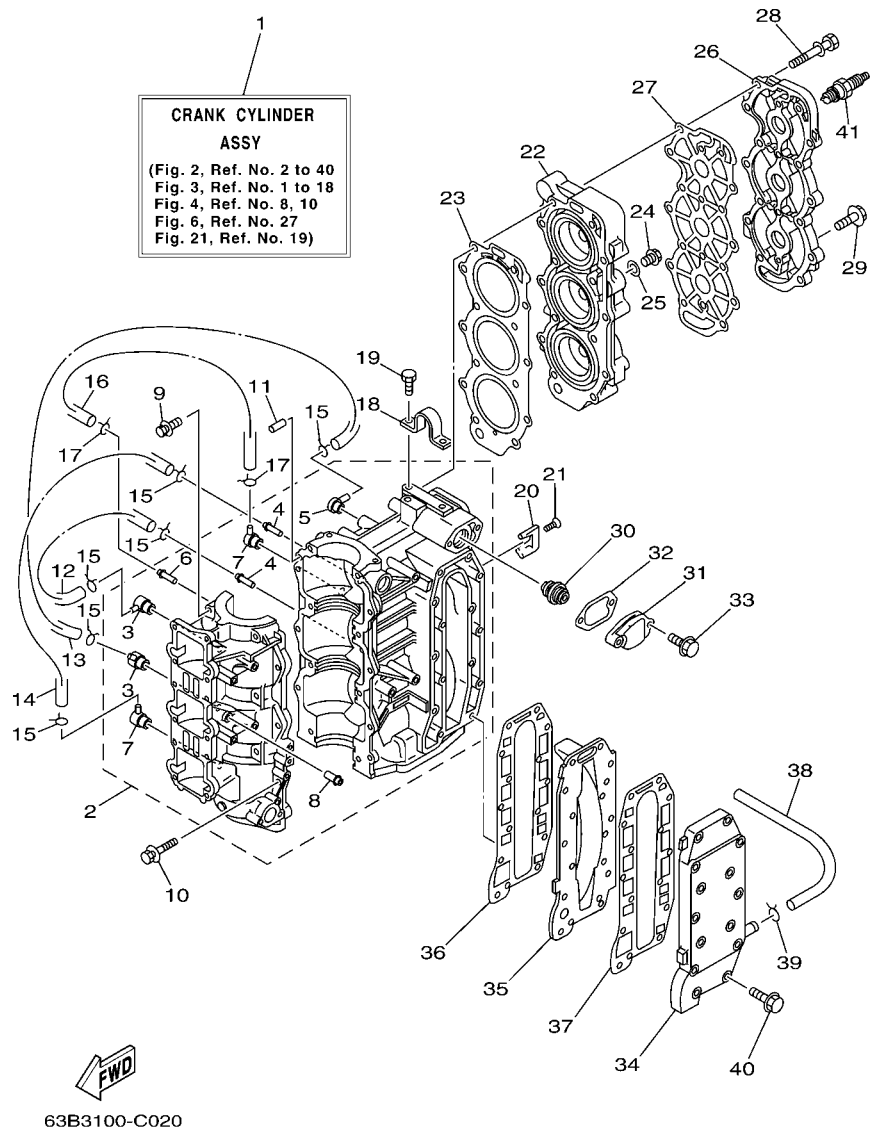


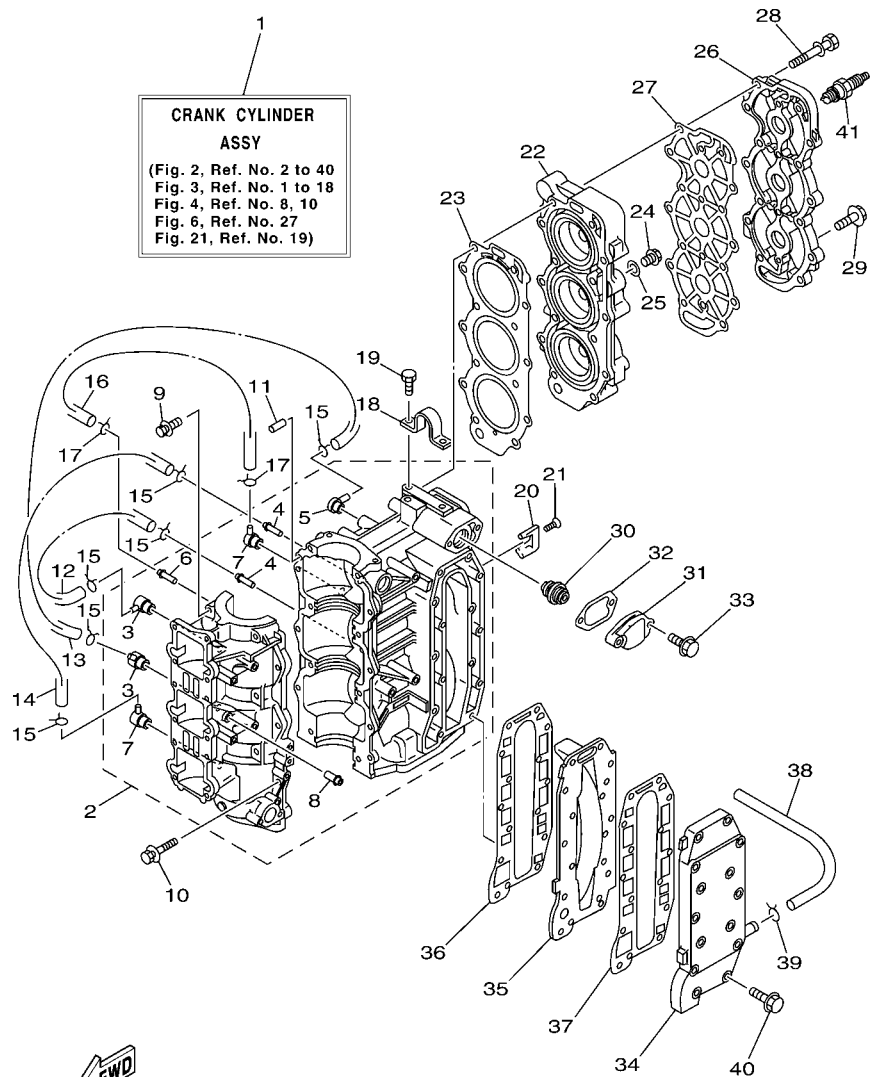
FIG. 1 TOP COWLING

| REF. NO. | PART NO.        | DESCRIPTION        | ET | MHD | REMARKS |
|----------|-----------------|--------------------|----|-----|---------|
| 1        | 63B-42610-30-4D | TOP COWLING ASSY   |    | 1   | 40VMHD  |
|          | 62X-42610-H0-4D | TOP COWLING ASSY   | 1  |     | 50HET   |
|          | 62X-42610-80-4D | TOP COWLING ASSY   |    | 1   | 50HMHD  |
| 2        | 6H4-15761-00    | .SEAL, RUBBER 1    |    | 1   |         |
| 3        | 6H4-42615-00    | .SEAL              | 1  | 1   |         |
| 4        | 6H4-42651-00    | .HOOK              | 1  | 1   |         |
| 5        | 6H4-42652-00    | .HOOK              | 1  | 1   |         |
| 6        | 90266-04M01     | .RIVET             | 4  | 4   |         |
| 7        | 6H4-42613-01-4D | .MOLDING, AIR DUCT |    | 1   |         |
|          | 6H4-42613-11-4D | .MOLDING, AIR DUCT |    | 1   |         |
| 8        | 90119-06M99     | .BOLT, WITH WASHER | 4  | 4   |         |
| 9        | 63D-42677-30    | .GRAPHIC, FRONT    |    | 1   | 40V     |
|          | 62X-42677-30    | .GRAPHIC, FRONT    |    | 1   | 50H     |
|          | 62X-42677-20    | .GRAPHIC, FRONT    |    | 1   | 50H     |
| 10       | 63D-42678-20    | .GRAPHIC, REAR     |    | 1   | 40V     |
|          | 62X-42678-20    | .GRAPHIC, REAR     |    | 1   | 50H     |
|          | 62X-42678-11    | .GRAPHIC, REAR     |    | 1   | 50H     |
| 11       | 63D-W0070-20    | .GRAPHIC SET       |    | 1   |         |
|          | 63D-W0070-10    | .GRAPHIC SET       |    | 1   |         |
| 12       | 63D-42681-20    | .MARK, COWLING     |    | 1   |         |
|          | 63D-42681-10    | .MARK, COWLING     |    | 1   |         |
| 13       | 63D-42682-20    | .MARK, COWLING     |    | 1   |         |
|          | 63D-42682-10    | .MARK, COWLING     |    | 1   |         |



**FIG. 2 CYLINDER & CRANKCASE**

| REF. NO. | PART NO.        | DESCRIPTION             | ET | MHD |  | REMARKS |
|----------|-----------------|-------------------------|----|-----|--|---------|
| 1        | 63D-W0090-21-1S | CRANK CYLINDER ASSY     | 1  |     |  |         |
|          | 63D-W0090-01-1S | CRANK CYLINDER ASSY     |    | 1   |  |         |
| 2        | 6H4-15100-20-1S | CRANKCASE ASSY          | 1  |     |  |         |
|          | 6H4-15100-05-1S | CRANKCASE ASSY          |    | 1   |  |         |
| 3        | 650-11370-01    | .CHECK VALVE ASSY       | 2  | 2   |  |         |
| 4        | 624-14485-00    | .PIPE, JOINT            | 2  | 2   |  |         |
| 5        | 6H4-11372-01    | .NIPPLE, HOSE           | 1  | 1   |  |         |
| 6        | 624-14485-00    | .PIPE, JOINT            | 1  | 1   |  |         |
| 7        | 688-11370-01    | .CHECK VALVE ASSY       | 2  | 2   |  |         |
| 8        | 650-24378-00    | .PIPE, JOINT 4          | 1  |     |  |         |
| 9        | 90119-08019     | BOLT, WITH WASHER       | 8  | 8   |  |         |
| 10       | 90119-06M13     | BOLT, WITH WASHER       | 6  | 6   |  |         |
| 11       | 93606-12019     | PIN, DOWEL              | 2  | 2   |  |         |
| 12       | 90445-07M46     | HOSE (L360)             | 1  | 1   |  |         |
| 13       | 90445-07M27     | HOSE (L310)             | 1  | 1   |  |         |
| 14       | 90445-07M24     | HOSE (L240)             | 1  | 1   |  |         |
| 15       | 90467-06016     | CLIP                    | 6  | 6   |  |         |
| 16       | 90445-07MA3     | HOSE (L200)             | 1  | 1   |  |         |
| 17       | 90467-06016     | CLIP                    | 2  | 2   |  |         |
| 18       | 6H4-11119-01    | HANGER, ENGINE          | 1  | 1   |  |         |
| 19       | 90101-06021     | BOLT                    | 2  | 2   |  |         |
| 20       | 688-11325-00    | ANODE                   | 2  | 2   |  |         |
| 21       | 98780-04016     | SCREW, FLAT HEAD        | 2  | 2   |  |         |
| 22       | 63D-11111-00-1S | HEAD, CYLINDER 1        | 1  | 1   |  |         |
| 23       | 63D-11181-A1    | GASKET, CYLINDER HEAD 1 | 1  | 1   |  |         |
| 24       | 90340-14M00     | PLUG, STRAIGHT SCREW    | 1  | 1   |  |         |
| 25       | 90430-14115     | GASKET                  | 1  | 1   |  |         |

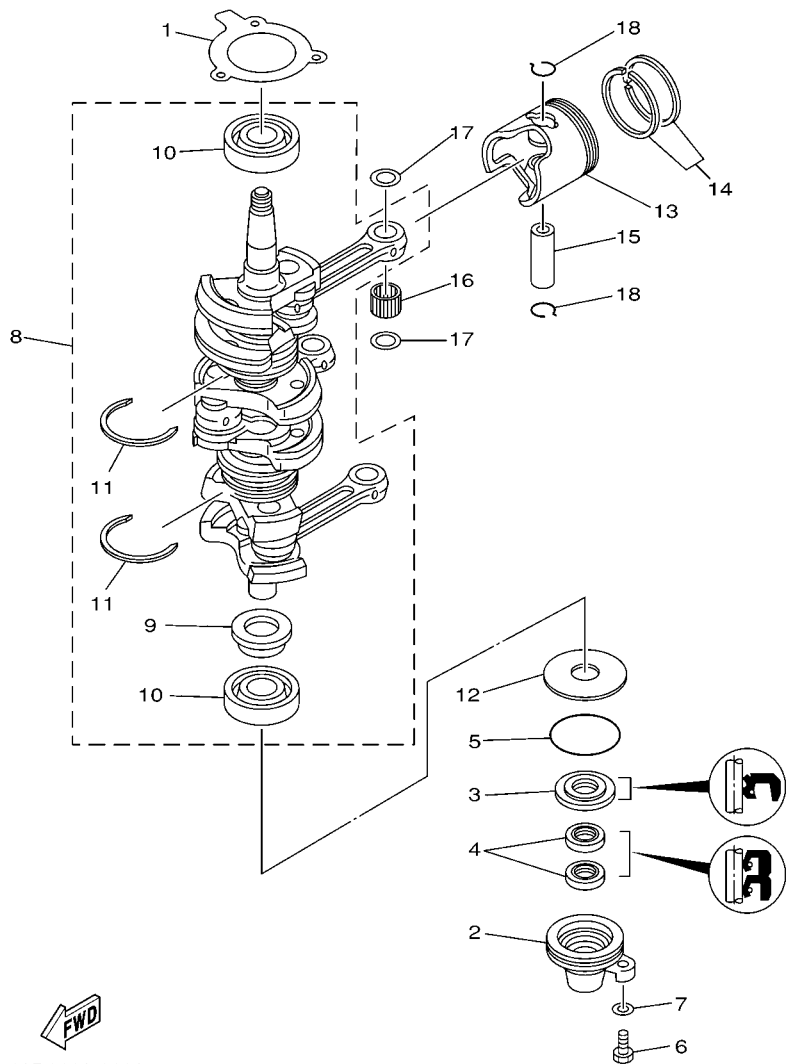


63B3100-C020

FIG. 2 CYLINDER & CRANKCASE

| REF. NO. | PART NO.        | DESCRIPTION                 | ET | MHD | REMARKS |
|----------|-----------------|-----------------------------|----|-----|---------|
| 26       | 63D-11191-00-1S | COVER, CYLINDER HEAD 1      | 1  | 1   |         |
| 27       | 63D-11193-A0    | GASKET, HEAD COVER 1        | 1  | 1   |         |
| 28       | 90119-08015     | BOLT, WITH WASHER           | 14 | 14  |         |
| 29       | 90119-06MA3     | BOLT, WITH WASHER           | 4  | 4   |         |
| 30       | 6E5-12411-30    | THERMOSTAT                  | 1  | 1   |         |
| 31       | 6H4-12413-00-1S | COVER, THERMOSTAT           | 1  | 1   |         |
| 32       | 6J8-12414-A0    | GASKET, COVER               | 1  | 1   |         |
| 33       | 90119-06MA3     | BOLT, WITH WASHER           | 2  | 2   |         |
| 34       | 6H4-41113-00-1S | OUTER COVER, EXHAUST        | 1  | 1   |         |
| 35       | 6H4-41111-00-1S | INNER COVER, EXHAUST        | 1  | 1   |         |
| 36       | 6H4-41112-A0    | GASKET, EXHAUST INNER COVER | 1  | 1   |         |
| 37       | 6H4-41114-A0    | GASKET, EXHAUST OUTER COVER | 1  | 1   |         |
| 38       | 90445-09M37     | HOSE (L240)                 | 1  | 1   |         |
| 39       | 90467-08004     | CLIP                        | 1  | 1   |         |
| 40       | 90119-06MA5     | BOLT, WITH WASHER           | 14 | 14  |         |
| 41       | 94702-00271     | PLUG, SPARK (NGK BR7HS-10)  | 3  |     | 40V     |
|          | 94702-00247     | PLUG, SPARK (NGK BR8HS-10)  | 3  | 3   | 50H     |

**FIG. 3 CRANKSHAFT & PISTON**



63D0100-8030

| REF. NO. | PART NO.        | DESCRIPTION                  | ET | MHD | REMARKS |
|----------|-----------------|------------------------------|----|-----|---------|
| 1        | 6H4-15369-A1    | GASKET, OIL SEAL HOUSING     | 1  | 1   |         |
| 2        | 6H4-15396-03-5B | HOUSING, OIL SEAL            | 1  | 1   |         |
| 3        | 93102-25M28     | OIL SEAL                     | 1  | 1   |         |
| 4        | 93104-16M01     | OIL SEAL                     | 2  | 2   |         |
| 5        | 93210-58M21     | O-RING                       | 1  | 1   |         |
| 6        | 97095-06020     | BOLT                         | 1  | 1   |         |
| 7        | 92995-06600     | WASHER                       | 1  | 1   |         |
| 8        | 6H4-11400-04    | CRANKSHAFT ASSY              | 1  | 1   |         |
| 9        | 6H4-11445-00    | .SPACER                      | 1  | 1   |         |
| 10       | 93306-305U8     | .BEARING                     | 2  | 2   |         |
| 11       | 93440-62057     | .CIRCLIP                     | 2  | 2   |         |
| 12       | 90201-50306     | WASHER, PLATE                | 1  | 1   |         |
| 13       | 6H4-11631-01-95 | PISTON (STD)                 | 3  | 3   |         |
|          | 6H4-11635-01    | PISTON (0.25MM O/S)          | 3  | 3   | AP      |
|          | 6H4-11636-01    | PISTON (0.50MM O/S)          | 3  | 3   | AP      |
| 14       | 63D-11603-00    | PISTON RING SET (STD)        | 3  | 3   |         |
|          | 63D-11604-00    | PISTON RING SET (0.25MM O/S) | 3  | 3   | AP      |
|          | 63D-11605-00    | PISTON RING SET (0.50MM O/S) | 3  | 3   | AP      |
| 15       | 648-11633-00    | PIN, PISTON                  | 3  | 3   |         |
| 16       | 93602-20M02     | PIN, DOWEL                   | 93 | 93  |         |
| 17       | 6H4-11641-00    | WASHER, PISTON PIN           | 6  | 6   |         |
| 18       | 6H4-11634-01    | CLIP, PISTON PIN             | 6  | 6   |         |

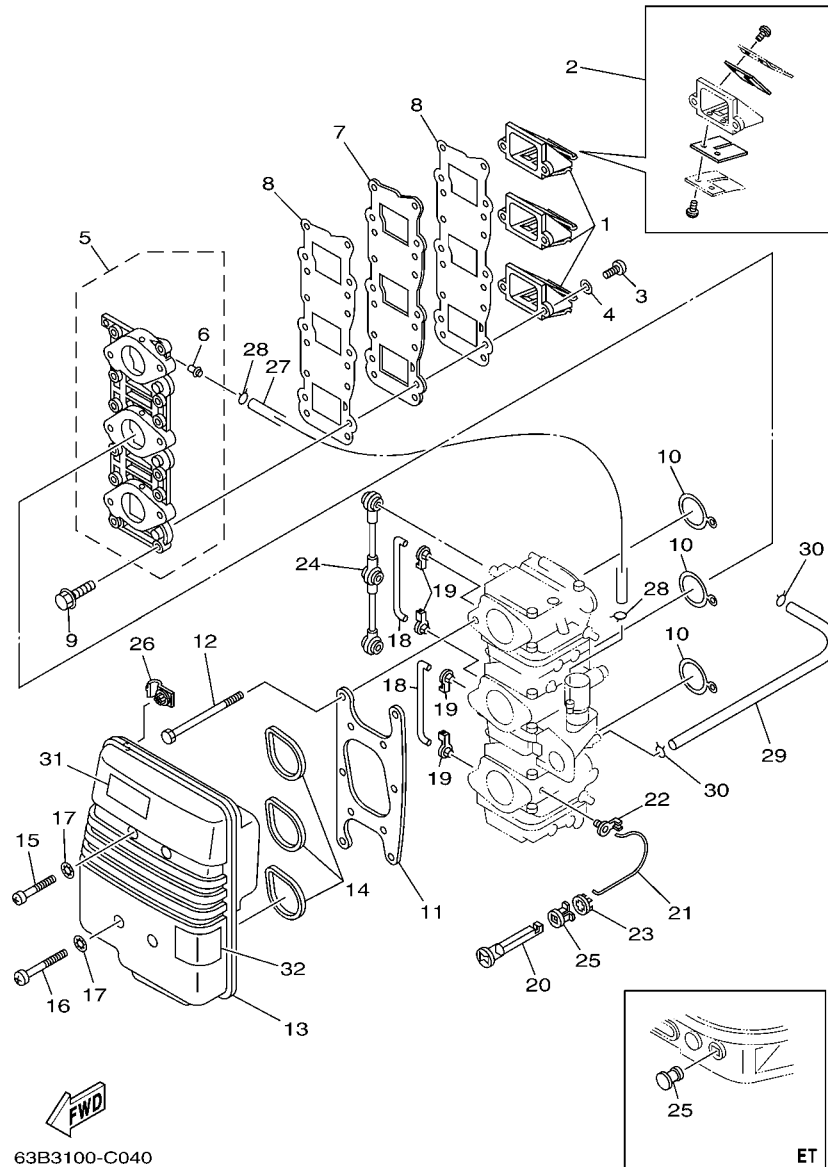
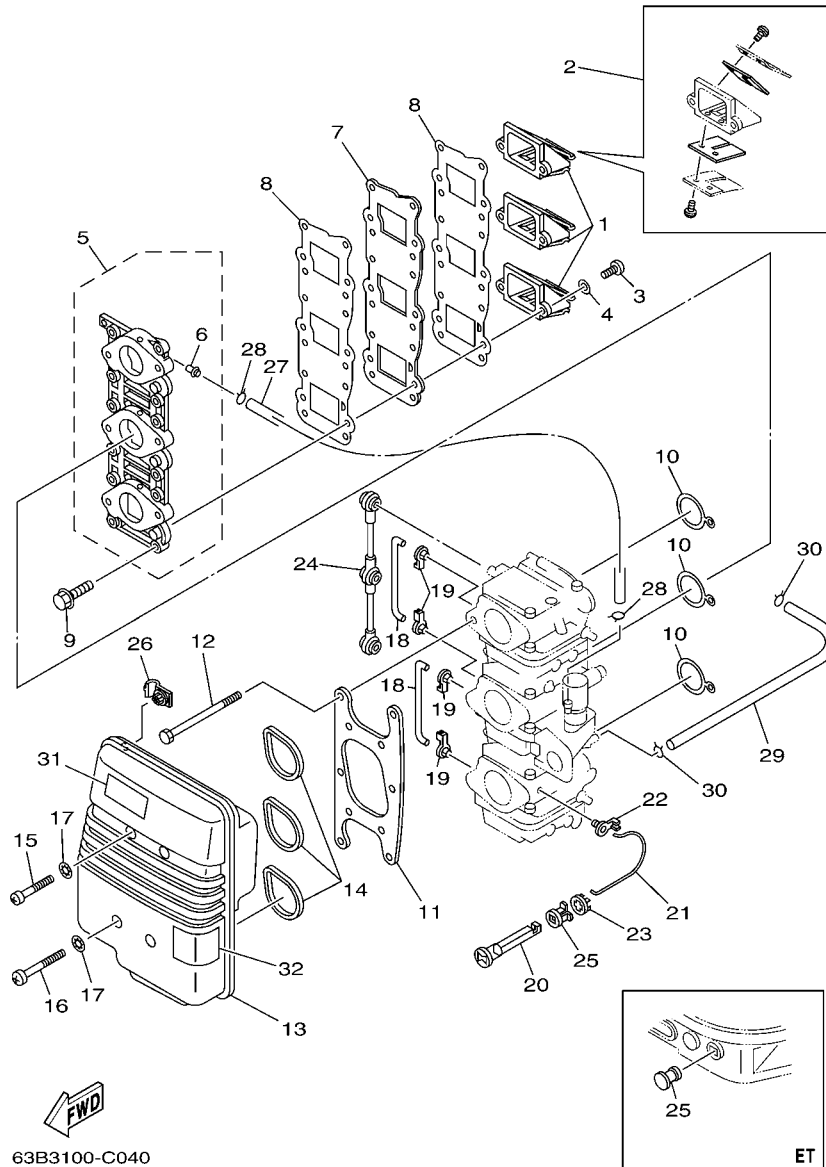


FIG. 4 INTAKE

| REF. NO. | PART NO.        | DESCRIPTION        | ET | MHD |  | REMARKS |
|----------|-----------------|--------------------|----|-----|--|---------|
| 1        | 6H5-13610-00    | REED VALVE ASSY    | 3  | 3   |  |         |
| 2        | 6H4-W0004-00    | .REED SET          | 1  | 1   |  |         |
| 3        | 97880-05014     | SCREW, PAN HEAD    | 6  | 6   |  |         |
| 4        | 92990-05600     | WASHER, PLATE      | 6  | 6   |  |         |
| 5        | 6H4-13641-02-94 | MANIFOLD 1         | 1  |     |  |         |
| 6        | 6H4-13641-20-94 | MANIFOLD 1         |    | 1   |  |         |
| 6        | 6H1-14485-00    | .PIPE, JOINT       | 1  |     |  |         |
| 7        | 6H4-13624-01-94 | PLATE, REED VALVE  | 1  | 1   |  |         |
| 8        | 6H4-13621-A1    | GASKET, VALVE SEAT | 2  | 2   |  |         |
| 9        | 90119-06MA2     | BOLT, WITH WASHER  | 12 | 12  |  |         |
| 10       | 6H4-14198-01    | GASKET             | 3  | 3   |  |         |
| 11       | 6H4-14406-00    | HINGE              | 1  | 1   |  |         |
| 12       | 97095-06095     | BOLT               | 6  | 6   |  |         |
| 13       | 6H4-14431-02    | SILENCER, INTAKE 1 | 1  |     |  |         |
|          | 6H4-14431-13    | SILENCER, INTAKE 1 |    | 1   |  |         |
| 14       | 6H3-14457-01    | SEAL               | 3  | 3   |  |         |
| 15       | 97885-06040     | SCREW, PAN HEAD    | 2  | 2   |  |         |
| 16       | 97885-06055     | SCREW, PAN HEAD    | 2  | 2   |  |         |
| 17       | 90209-06M05     | WASHER             | 4  | 4   |  |         |
| 18       | 6H4-41257-00    | ROD, CHOKE 2       |    | 2   |  |         |
| 19       | 661-41262-02    | JOINT, CHOKE LEVER |    | 4   |  |         |
| 20       | 6H4-41271-01    | KNOB, CHOKE        |    | 1   |  |         |
| 21       | 6H4-41259-01    | ROD, CHOKE 3       |    | 1   |  |         |
| 22       | 6J8-41262-00    | JOINT, CHOKE LEVER |    | 1   |  |         |
| 23       | 6J8-41274-00    | GROMMET 2          |    | 1   |  |         |
| 24       | 6H4-41217-01    | ROD, ACCEL. LEVER  | 1  | 1   |  |         |
| 25       | 6G1-42748-00    | GROMMET            |    | 1   |  |         |

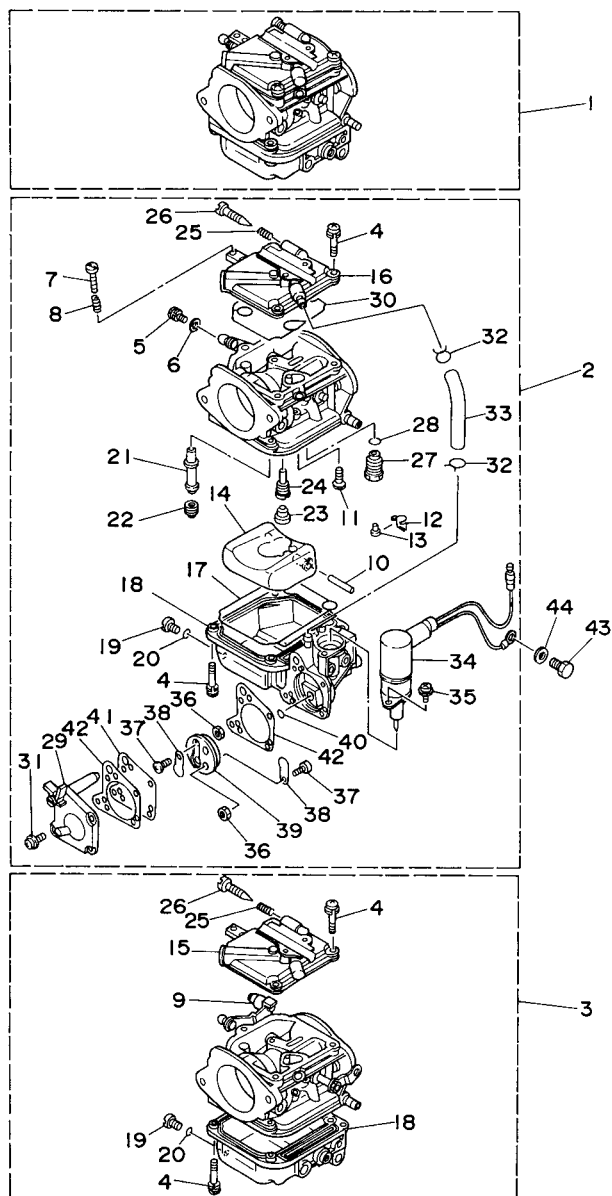




**FIG. 4 INTAKE**

| REF. NO. | PART NO.     | DESCRIPTION   | ET | MHD |   |  |  | REMARKS |
|----------|--------------|---------------|----|-----|---|--|--|---------|
| 25       | 689-41273-00 | GROMMET       |    | 1   |   |  |  |         |
| 26       | 90464-06M19  | CLAMP         |    | 1   |   |  |  |         |
| 27       | 90445-07MA5  | HOSE (L150)   |    | 1   |   |  |  |         |
| 28       | 90467-06016  | CLIP          |    | 2   |   |  |  |         |
| 29       | 6H3-14349-00 | PIPE          |    | 1   |   |  |  |         |
| 30       | 90467-08004  | CLIP          |    | 2   |   |  |  |         |
| 31       | 6A1-83625-41 | MARK 5        |    | 1   | 1 |  |  |         |
| 32       | 6H1-85711-60 | MARK, CAUTION |    | 1   |   |  |  |         |
| <hr/>    |              |               |    |     |   |  |  |         |
| <hr/>    |              |               |    |     |   |  |  |         |
| <hr/>    |              |               |    |     |   |  |  |         |
| <hr/>    |              |               |    |     |   |  |  |         |
| <hr/>    |              |               |    |     |   |  |  |         |
| <hr/>    |              |               |    |     |   |  |  |         |
| <hr/>    |              |               |    |     |   |  |  |         |
| <hr/>    |              |               |    |     |   |  |  |         |
| <hr/>    |              |               |    |     |   |  |  |         |
| <hr/>    |              |               |    |     |   |  |  |         |

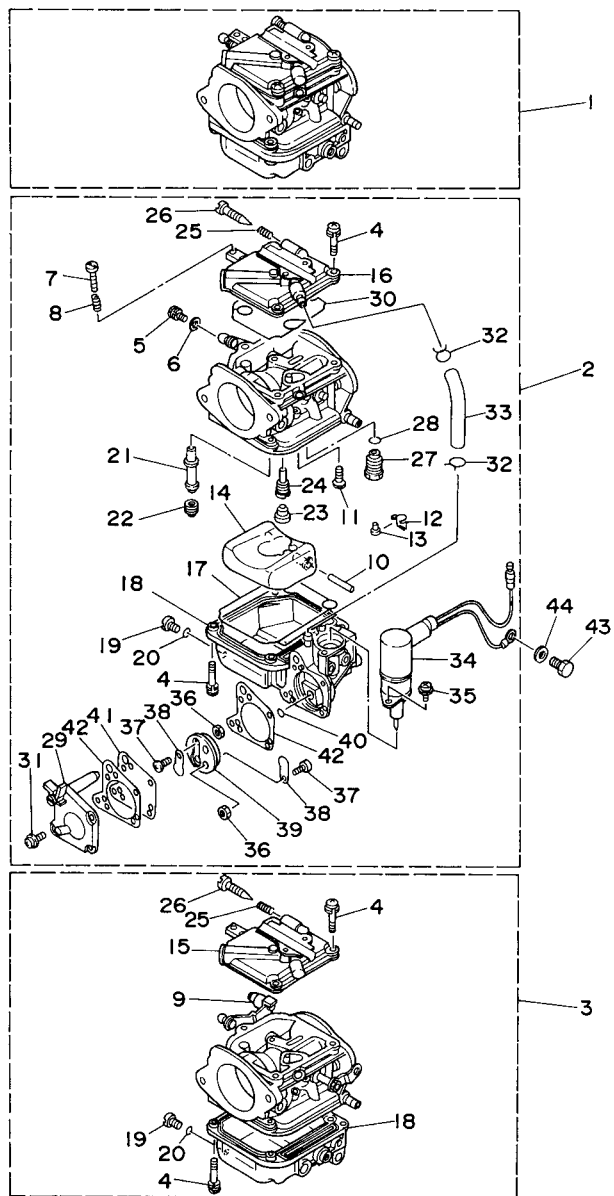
FIG. 5 CARBURETOR



63D0010-5050

| REF. NO. | PART NO.     | DESCRIPTION            | ET | MHD |  | REMARKS |
|----------|--------------|------------------------|----|-----|--|---------|
| 1        | 62X-14301-00 | CARBURETOR ASSY 1      | 1  |     |  | 50H     |
|          | 63B-14301-00 | CARBURETOR ASSY 1      |    | 1   |  | 40V     |
|          | 62W-14301-00 | CARBURETOR ASSY 1      |    | 1   |  | 50H     |
| 2        | 62X-14302-00 | CARBURETOR ASSY 2      | 1  |     |  | 50H     |
|          | 63B-14302-00 | CARBURETOR ASSY 2      |    | 1   |  | 40V     |
|          | 62W-14302-00 | CARBURETOR ASSY 2      |    | 1   |  | 50H     |
| 3        | 62X-14303-00 | CARBURETOR ASSY 3      | 1  |     |  | 50H     |
|          | 63B-14303-00 | CARBURETOR ASSY 3      |    | 1   |  | 40V     |
|          | 62W-14303-00 | CARBURETOR ASSY 3      |    | 1   |  | 50H     |
| 4        | 97980-04114  | .SCREW, WITH WASHER    | 21 | 21  |  |         |
| 5        | 6K5-14592-00 | .SCREW                 | 3  | 3   |  |         |
| 6        | 90201-05652  | .WASHER, PLATE         | 3  | 3   |  |         |
| 7        | 63V-14523-00 | .SCREW, STOP           | 1  | 1   |  | #2      |
| 8        | 90501-10326  | .SPRING, COMPRESSION   | 1  | 1   |  | #2      |
| 9        | 6H2-14578-00 | .COLLAR                | 1  | 1   |  | #3      |
| 10       | 6H4-14548-00 | .PIN, FLOAT ARM        | 3  | 3   |  |         |
| 11       | 98580-04008  | .SCREW, PAN HEAD       | 3  | 3   |  |         |
| 12       | 663-14159-00 | .CLIP                  | 3  | 3   |  |         |
| 13       | 676-14186-00 | .PIN, FLOAT            | 3  | 3   |  |         |
| 14       | 6H4-14985-01 | .FLOAT                 | 3  | 3   |  |         |
| 15       | 6H4-14146-10 | .PLATE                 | 2  | 2   |  | #1,3    |
| 16       | 6H3-14146-10 | .PLATE                 | 1  |     |  | #2      |
|          | 6H4-14146-00 | .PLATE                 |    | 1   |  | #2      |
| 17       | 6H4-14984-00 | .GASKET, FLOAT CHAMBER | 3  | 3   |  |         |
| 18       | 6H4-14980-00 | .BODY, FLOAT CHAMBER   | 2  |     |  | #1,3    |
|          | 6H3-14980-10 | .BODY, FLOAT CHAMBER   | 1  |     |  | #2      |
|          | 6H4-14980-00 | .BODY, FLOAT CHAMBER   |    | 3   |  |         |

FIG. 5 CARBURETOR



  
63D0010-5050

| REF. NO. | PART NO.     | DESCRIPTION         | ET | MHD | REMARKS  |
|----------|--------------|---------------------|----|-----|----------|
| 19       | 6H3-14992-00 | .SCREW, DRAIN       | 3  | 3   |          |
| 20       | 93210-04230  | .O-RING             | 3  | 3   |          |
| 21       | 62X-14947-00 | .JET, NEEDLE        | 3  |     | 50H      |
|          | 63D-14947-00 | .JET, NEEDLE        |    | 3   | 40V      |
|          | 62W-14947-00 | .JET, NEEDLE        |    | 3   | 50H      |
| 22       | 676-14943-33 | .JET, MAIN (#130)   | 3  |     | 50H      |
|          | 676-14943-30 | .JET, MAIN (#115)   |    | 2   | 40V-#1,3 |
|          | 63D-14943-81 | .JET, MAIN (#118)   |    | 1   | 40V-#2   |
|          | 676-14943-32 | .JET, MAIN (#125)   |    | 3   | 50H      |
| 23       | 676-14966-00 | .CAP                | 3  | 3   |          |
| 24       | 6H4-14948-12 | .JET (#62)          | 3  |     | 50H      |
|          | 6H4-14948-11 | .JET (#60)          |    | 3   | 40V      |
|          | 62X-14948-12 | .JET (#62)          |    | 3   | 50H      |
| 25       | 679-14555-00 | .SPRING             | 3  | 3   |          |
| 26       | 692-14923-00 | .SCREW, PILOT       | 3  | 3   |          |
| 27       | 6H4-14590-01 | .NEEDLE VALVE ASSY  | 3  | 3   |          |
| 28       | 93210-04228  | .O-RING             | 3  | 3   |          |
| 29       | 6H3-24452-10 | .COVER              | 1  |     | #2       |
| 30       | 6H4-14147-00 | .O-RING             | 3  | 3   |          |
| 31       | 6H4-14567-00 | .SCREW              | 4  |     | #2       |
| 32       | 6H3-14137-00 | .CLIP               | 2  |     | #2       |
| 33       | 6H3-14349-00 | .PIPE               | 1  |     | #2       |
| 34       | 63D-14380-00 | .PRIME STARTER ASSY | 1  |     | #2       |
| 35       | 97803-04010  | .SCREW, PAN HEAD    | 2  |     | #2       |
| 36       | 95380-03600  | .NUT                | 2  |     | #2       |
| 37       | 98980-03006  | .SCREW, BIND        | 2  |     | #2       |
| 38       | 6L5-24421-00 | .VALVE, CHECK       | 2  |     | #2       |



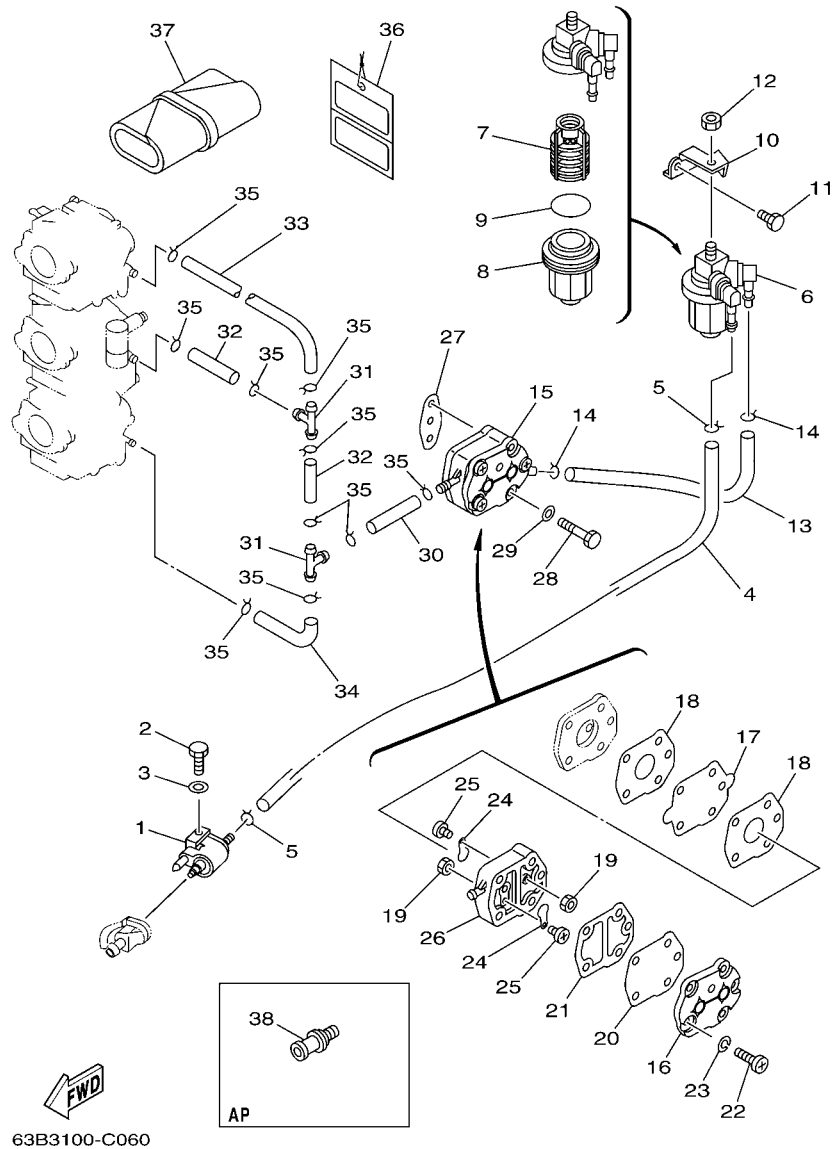
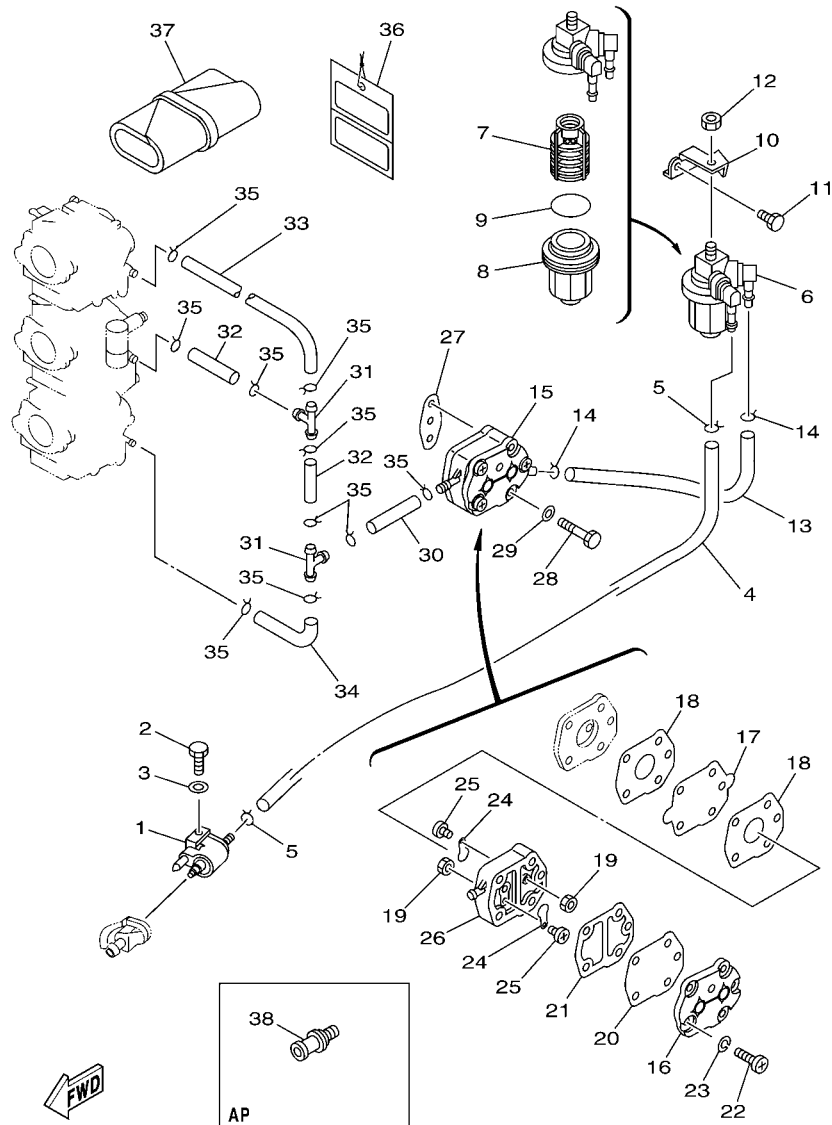


FIG. 6 FUEL

| REF. NO. | PART NO.     | DESCRIPTION             | ET | MHD |  | REMARKS |
|----------|--------------|-------------------------|----|-----|--|---------|
| 1        | 6G1-24304-02 | FUEL PIPE JOINT COMP. 1 | 1  | 1   |  |         |
| 2        | 97095-06025  | BOLT                    | 1  | 1   |  |         |
| 3        | 92995-06600  | WASHER                  | 1  | 1   |  |         |
| 4        | 90445-09M37  | HOSE (L240)             | 1  | 1   |  |         |
| 5        | 90467-08004  | CLIP                    | 2  | 2   |  |         |
| 6        | 61N-24560-00 | FILTER ASSY             | 1  | 1   |  |         |
| 7        | 61N-24563-00 | .ELEMENT, FILTER        | 1  | 1   |  |         |
| 8        | 61N-24521-00 | .CUP, FILTER            | 1  | 1   |  |         |
| 9        | 93210-32738  | .O-RING                 | 1  | 1   |  |         |
| 10       | 6H4-24566-02 | BRACKET, FILTER         | 1  | 1   |  |         |
| 11       | 97013-06014  | BOLT                    | 1  | 1   |  |         |
| 12       | 95380-08600  | NUT                     | 1  | 1   |  |         |
| 13       | 6H4-24314-00 | PIPE 4                  | 1  | 1   |  |         |
| 14       | 90467-08004  | CLIP                    | 2  | 2   |  |         |
| 15       | 692-24410-00 | FUEL PUMP ASSY          | 1  | 1   |  |         |
| 16       | 6A0-24413-00 | .BODY 2                 | 1  | 1   |  |         |
| 17       | 692-24411-00 | .DIAPHRAGM              | 1  | 1   |  |         |
| 18       | 648-24434-01 | .GASKET, BODY           | 2  | 2   |  |         |
| 19       | 95380-03600  | .NUT                    | 2  | 2   |  |         |
| 20       | 663-24411-00 | .DIAPHRAGM              | 1  | 1   |  |         |
| 21       | 648-24435-02 | .GASKET, BODY 2         | 1  | 1   |  |         |
| 22       | 98503-05028  | .SCREW, PAN HEAD        | 3  | 3   |  |         |
| 23       | 92990-05100  | .WASHER, SPRING         | 3  | 3   |  |         |
| 24       | 6A0-24421-01 | .VALVE, CHECK           | 2  | 2   |  |         |
| 25       | 6A0-14325-00 | .SCREW, PAN HEAD        | 2  | 2   |  |         |
| 26       | 6A0-24412-02 | .BODY 1                 | 1  | 1   |  |         |
| 27       | 650-24431-A0 | GASKET, FUEL PUMP 1     | 1  | 1   |  |         |

**B6**

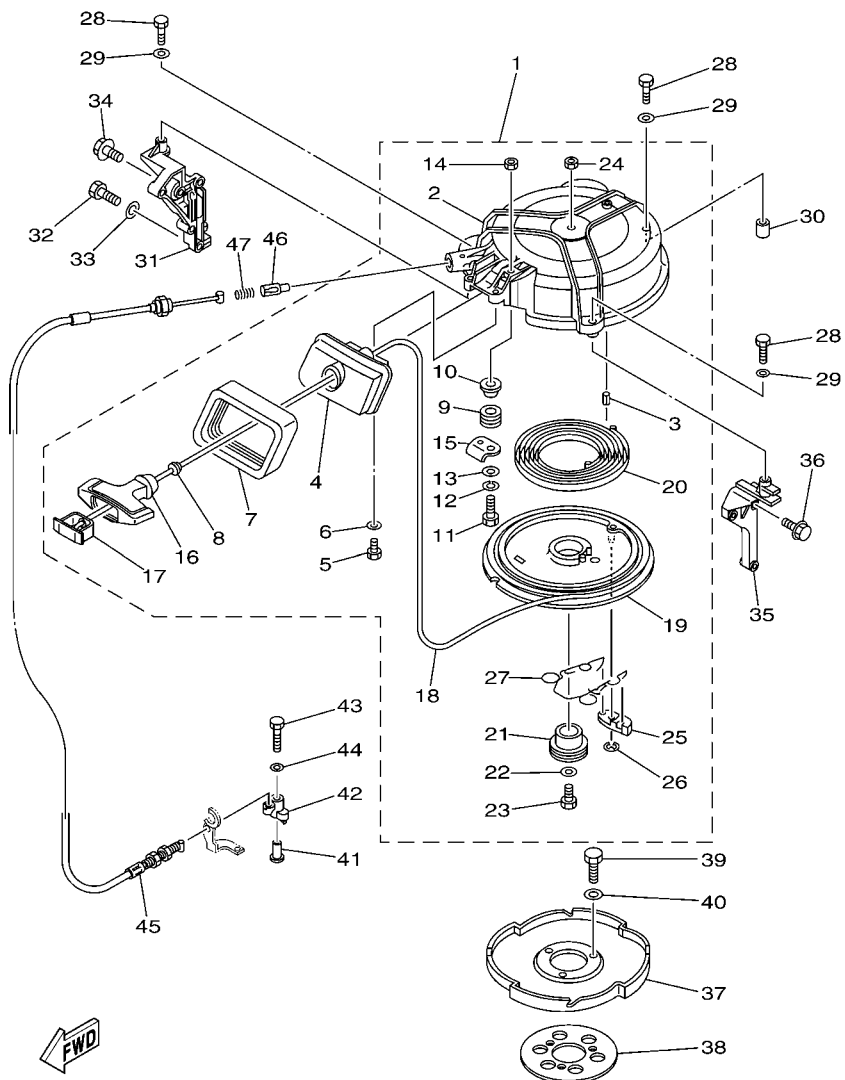


63B3100-C060

FIG. 6 FUEL

| REF. NO. | PART NO.        | DESCRIPTION       | ET | MHD | REMARKS     |
|----------|-----------------|-------------------|----|-----|-------------|
| 28       | 97095-06040     | BOLT              | 2  | 2   |             |
| 29       | 92995-06600     | WASHER            | 2  | 2   |             |
| 30       | 90445-09063     | HOSE              | 1  | 1   |             |
| 31       | 688-24378-00    | PIPE, JOINT 4     | 2  | 2   |             |
| 32       | 90445-09057     | HOSE (L45)        | 2  | 2   |             |
| 33       | 6H4-24313-00    | PIPE 3            | 1  | 1   |             |
| 34       | 6H4-24312-00    | PIPE 2            | 1  | 1   |             |
| 35       | 90467-08004     | CLIP              | 10 | 10  |             |
| 36       | 61H-2819R-31    | TAG, WARNING      | 1  | 1   |             |
| 37       | 656-W2810-02    | TOOL KIT          | 1  | 1   | AP          |
| 38       | 6E0-28193-00-94 | PLUG, WATER CHECK | 1  | 1   | AP D:12.5MM |
|          |                 |                   |    |     |             |
|          |                 |                   |    |     |             |
|          |                 |                   |    |     |             |
|          |                 |                   |    |     |             |
|          |                 |                   |    |     |             |
|          |                 |                   |    |     |             |
|          |                 |                   |    |     |             |
|          |                 |                   |    |     |             |

FIG. 7 STARTER

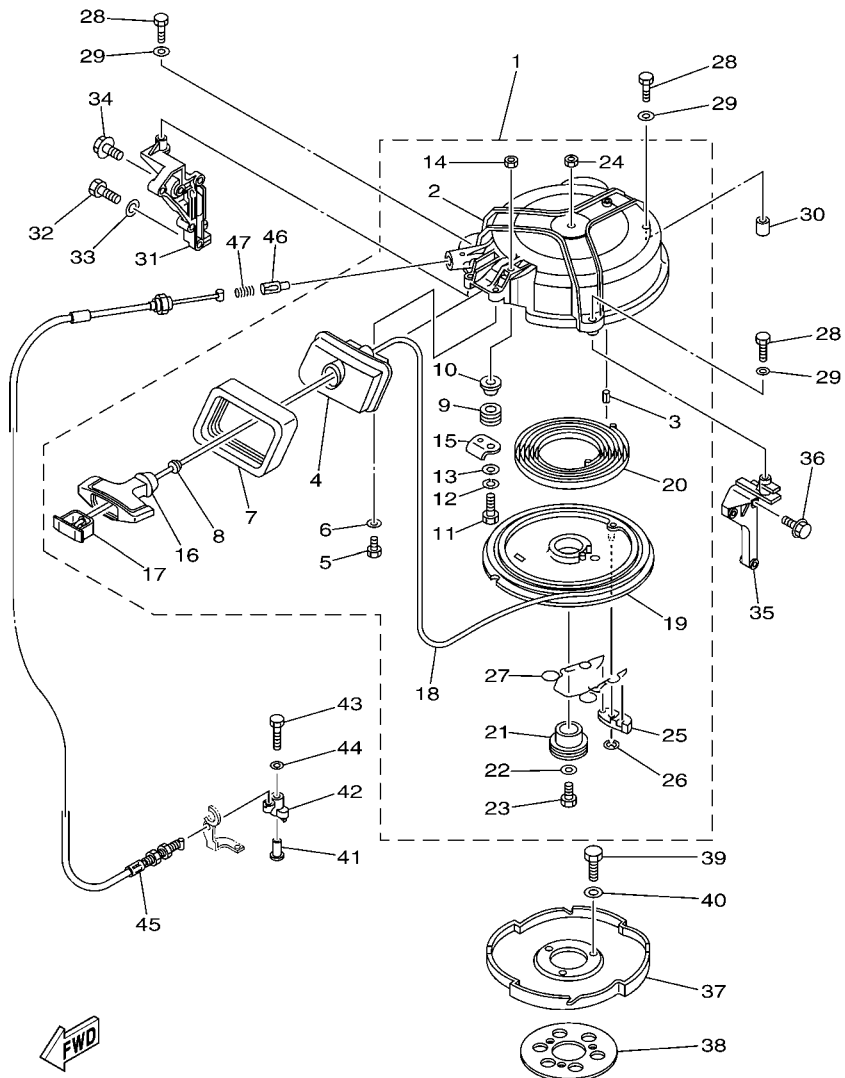


**FWD**  
62X6100-C100

\*1: CUT FROM 50M ROLLS, PART NO. 90890-44373, CUTTING LENGTH 2.095M

| REF. NO. | PART NO.        | DESCRIPTION         | ET | MHD | REMARKS |
|----------|-----------------|---------------------|----|-----|---------|
| 1        | 6H4-15710-04-4D | STARTER ASSY        |    | 1   |         |
| 2        | 6H4-15711-02-94 | .CASE, STARTER      |    | 1   |         |
| 3        | 91690-40018     | .PIN, SPRING        |    | 1   |         |
| 4        | 6H4-15758-01-4D | .GUIDE, ROPE        |    | 1   |         |
| 5        | 97095-06016     | .BOLT               |    | 2   |         |
| 6        | 92995-06600     | .WASHER             |    | 2   |         |
| 7        | 6H4-15762-00    | .SEAL, RUBBER 2     |    | 1   |         |
| 8        | 6A0-15789-00    | .DAMPER             |    | 1   |         |
| 9        | 6F5-15752-00    | .ROLLER, WIRE       |    | 1   |         |
| 10       | 90387-06M69     | .COLLAR             |    | 1   |         |
| 11       | 97013-06030     | .BOLT               |    | 1   |         |
| 12       | 92903-06100     | .WASHER, SPRING     |    | 1   |         |
| 13       | 92903-06600     | .WASHER, PLATE      |    | 1   |         |
| 14       | 95380-06600     | .NUT, HEXAGON       |    | 1   |         |
| 15       | 6H4-15787-01    | .STAY               |    | 1   |         |
| 16       | 689-15755-01    | .HANDLE, STARTER    |    | 1   |         |
| 17       | 6F5-15779-02    | .COVER              |    | 1   |         |
| 18       | *               | .WIRE (L:2095MM)    |    | 1   | *1      |
| 19       | 6H4-15714-00    | .DRUM, SHEAVE       |    | 1   |         |
| 20       | 90510-08002     | .SPRING, SPIRAL     |    | 1   |         |
| 21       | 6H4-15717-01    | .SHAFT, STARTER     |    | 1   |         |
| 22       | 90201-06060     | .WASHER, PLATE      |    | 1   |         |
| 23       | 97095-06020     | .BOLT               |    | 1   |         |
| 24       | 95380-06600     | .NUT, HEXAGON       |    | 1   |         |
| 25       | 676-15741-03    | .PAWL, DRIVE        |    | 1   |         |
| 26       | 93430-06M02     | .CIRCLIP            |    | 1   |         |
| 27       | 6H4-15705-00    | .SPRING, DRIVE PAWL |    | 1   |         |

FIG. 7 STARTER



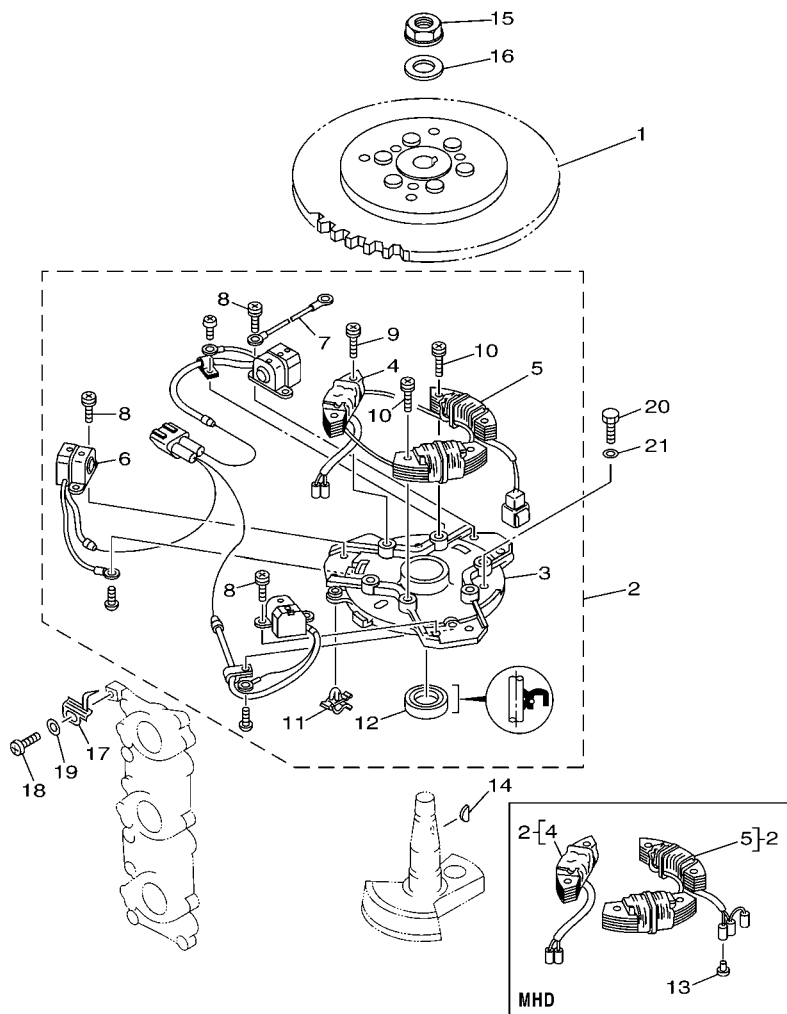
62X6100-C100

\*1: CUT FROM 50M ROLLS, PART NO.90890-44373, CUTTING LENGTH 2.095M

| REF. NO. | PART NO.        | DESCRIPTION               | ET | MHD | REMARKS |
|----------|-----------------|---------------------------|----|-----|---------|
| 28       | 97095-06035     | BOLT                      |    | 3   |         |
| 29       | 92995-06600     | WASHER                    |    | 3   |         |
| 30       | 99530-10014     | PIN, DOWEL                |    | 1   |         |
| 31       | 63D-15771-00-4D | STAY 1                    |    | 1   |         |
| 32       | 97013-08025     | BOLT                      |    | 2   |         |
| 33       | 92903-08600     | WASHER, PLATE             |    | 2   |         |
| 34       | 90119-06MA2     | BOLT, WITH WASHER         |    | 1   |         |
| 35       | 6H4-15772-02-94 | STAY 2                    |    | 1   |         |
| 36       | 90119-06MA3     | BOLT, WITH WASHER         |    | 3   |         |
| 37       | 6H4-15723-01-94 | PULLEY, STARTER           |    | 1   |         |
| 38       | 6J8-81365-A0    | GASKET, HOLE COVER        |    | 1   |         |
| 39       | 97013-08020     | BOLT                      |    | 3   |         |
| 40       | 92903-08600     | WASHER, PLATE             |    | 3   |         |
| 41       | 90387-06M66     | COLLAR                    |    | 1   |         |
| 42       | 63D-15746-00    | ARM                       |    | 1   |         |
| 43       | 97095-06040     | BOLT                      |    | 1   |         |
| 44       | 92995-06600     | WASHER                    |    | 1   |         |
| 45       | 63D-15770-00    | CABLE COMP., STARTER STOP |    | 1   |         |
| 46       | 656-15748-00    | PLUNGER, STARTER STOP     |    | 1   |         |
| 47       | 90501-10227     | SPRING, COMPRESSION       |    | 1   |         |

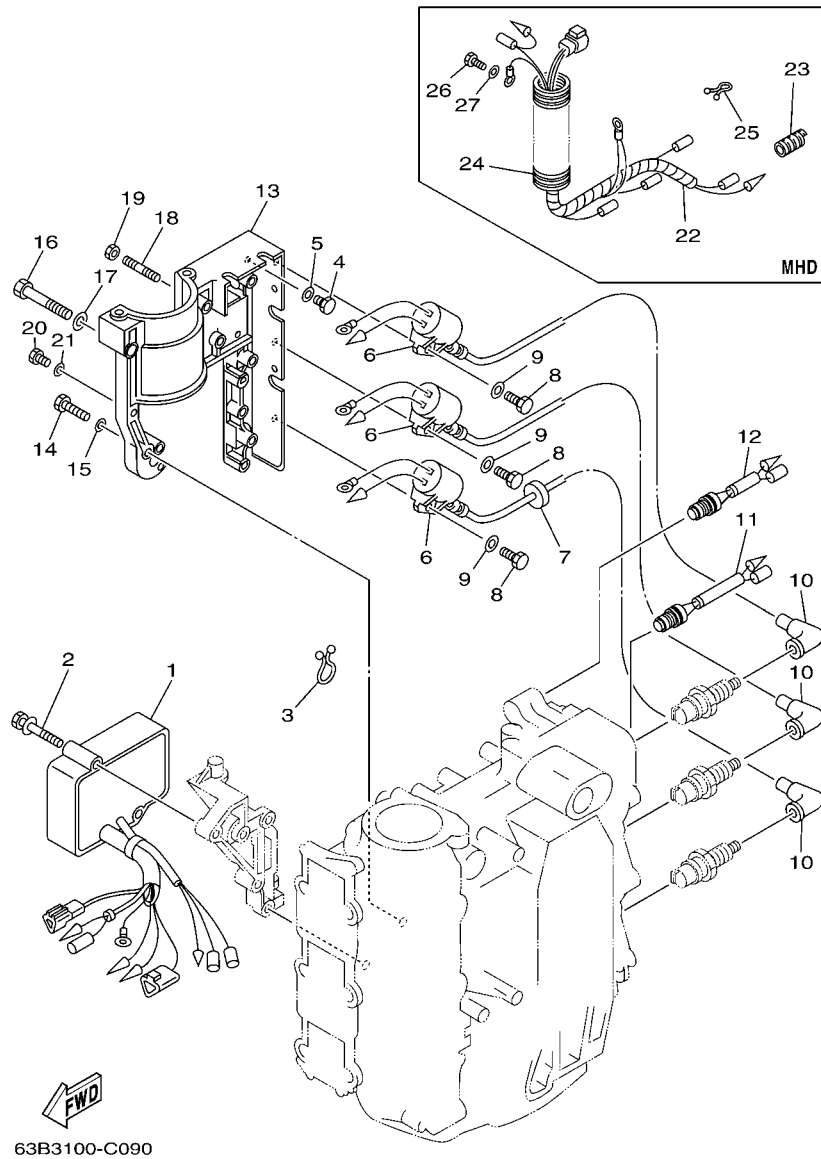


FIG. 8 GENERATOR



**FWD**  
63B3100-C080

| REF. NO. | PART NO.        | DESCRIPTION                 | ET | MHD |  |  | REMARKS |
|----------|-----------------|-----------------------------|----|-----|--|--|---------|
| 1        | 63D-85550-00    | ROTOR ASSY                  | 1  |     |  |  |         |
|          | 63D-85550-10    | ROTOR ASSY                  |    | 1   |  |  |         |
| 2        | 63D-85560-10    | BASE ASSY                   | 1  |     |  |  |         |
|          | 63D-85560-00    | BASE ASSY                   |    | 1   |  |  |         |
| 3        | 6H4-15359-04-94 | .HOUSING, OIL SEAL          | 1  | 1   |  |  |         |
| 4        | 63D-85520-00    | .COIL, CHARGE               | 1  | 1   |  |  |         |
| 5        | 63D-85533-10    | .COIL, LIGHTING             | 1  |     |  |  |         |
|          | 63D-85533-00    | .COIL, LIGHTING             |    | 1   |  |  |         |
| 6        | 63D-85580-00    | .COIL, PULSER               | 1  | 1   |  |  |         |
| 7        | 6H4-83354-00    | .WIRE, EARTH LEAD 1         | 1  | 1   |  |  |         |
| 8        | 63D-81345-00    | .SCREW, WITH WASHER (M5X12) | 6  | 6   |  |  |         |
| 9        | 63D-81345-10    | .SCREW, WITH WASHER (M6X25) | 2  | 2   |  |  |         |
| 10       | 63D-81345-20    | .SCREW, WITH WASHER (M6X30) | 4  | 4   |  |  |         |
| 11       | 90464-03M15     | .CLAMP                      | 1  | 1   |  |  |         |
| 12       | 93102-23096     | .OIL SEAL                   | 1  | 1   |  |  |         |
| 13       | 703-82119-00    | COVER, LEAD WIRE            |    | 3   |  |  |         |
| 14       | 6H4-11545-00    | KEY, WOODRUFF               | 1  | 1   |  |  |         |
| 15       | 90179-16M05     | NUT                         | 1  | 1   |  |  |         |
| 16       | 90201-16M44     | WASHER, PLATE               | 1  | 1   |  |  |         |
| 17       | 6H4-81332-00    | PLATE, TIMING               | 1  | 1   |  |  |         |
| 18       | 97885-05010     | SCREW, PAN HEAD             | 1  | 1   |  |  |         |
| 19       | 92995-05600     | WASHER                      | 1  | 1   |  |  |         |
| 20       | 97013-06018     | BOLT                        | 3  | 3   |  |  |         |
| 21       | 92903-06600     | WASHER, PLATE               | 3  | 3   |  |  |         |

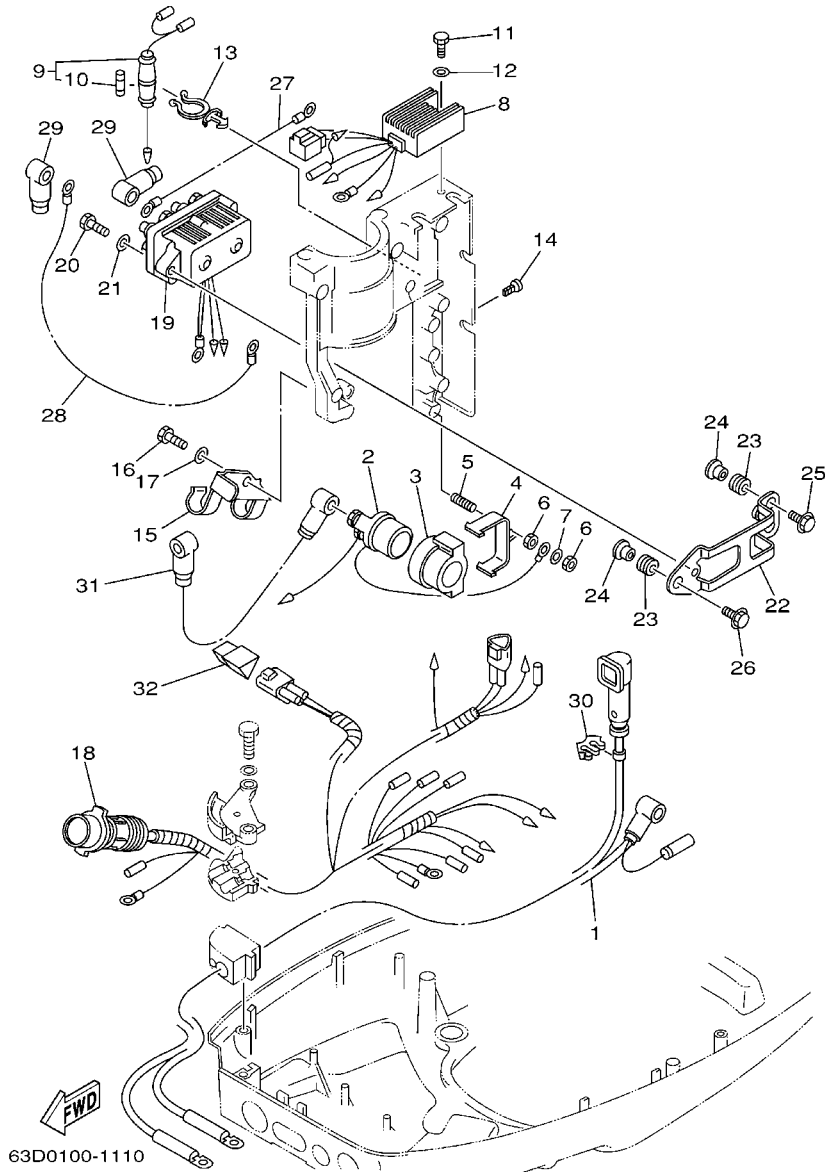


63B3100-C090

FIG. 9 ELECTRICAL 1

| REF. NO. | PART NO.        | DESCRIPTION             | ET | MHD | REMARKS |
|----------|-----------------|-------------------------|----|-----|---------|
| 1        | 63D-85540-03    | C.D.I. UNIT ASSY        | 1  | 1   |         |
| 2        | 90119-06M51     | BOLT, WITH WASHER       | 2  | 2   |         |
| 3        | 90464-15M11     | CLAMP                   | 1  | 1   |         |
| 4        | 97095-06014     | BOLT                    | 1  | 1   |         |
| 5        | 92995-06600     | WASHER                  | 1  | 1   |         |
| 6        | 6H5-85570-00    | IGNITION COIL ASSY      | 3  | 3   |         |
| 7        | 90480-25161     | GROMMET                 | 1  | 1   |         |
| 8        | 97095-06020     | BOLT                    | 3  | 3   |         |
| 9        | 92995-06600     | WASHER                  | 3  | 3   |         |
| 10       | 6G1-82370-21    | PLUG CAP ASSY           | 3  | 3   |         |
| 11       | 689-82560-00    | THERMO SWITCH ASSY      | 1  | 1   |         |
| 12       | 6H4-82560-00    | THERMO SWITCH ASSY      | 1  | 1   |         |
| 13       | 6H4-81822-02-98 | BRACKET, STARTING MOTOR | 1  |     |         |
| 14       | 97095-06030     | BOLT                    | 4  |     |         |
| 15       | 92995-06600     | WASHER                  | 4  |     |         |
| 16       | 97013-08050     | BOLT                    | 1  |     |         |
| 17       | 92903-08600     | WASHER, PLATE           | 1  |     |         |
| 18       | 95670-06640     | BOLT, STUD              | 1  |     |         |
| 19       | 90179-06M24     | NUT                     | 1  |     |         |
| 20       | 97095-06014     | BOLT                    | 2  |     |         |
| 21       | 92995-06600     | WASHER                  | 2  |     |         |
| 22       | 63D-82531-00    | WIRE, LEAD              |    | 1   |         |
| 23       | 90446-10M02     | HOSE                    |    | 1   |         |
| 24       | 6G1-83557-00    | TUBE                    |    | 1   |         |
| 25       | 90464-05M16     | CLAMP                   |    | 1   |         |
| 26       | 97095-06014     | BOLT                    |    | 1   |         |
| 27       | 92995-06600     | WASHER                  |    | 1   |         |

FIG. 10 ELECTRICAL 2



| REF. NO. | PART NO.     | DESCRIPTION                | ET | MHD | REMARKS |
|----------|--------------|----------------------------|----|-----|---------|
| 1        | 63D-82105-U0 | WIRE HARNESS               | 1  |     |         |
| 2        | 6G1-81941-10 | STARTER RELAY ASSY         | 1  |     |         |
| 3        | 6H4-81952-00 | HOLDER, RELAY              | 1  |     |         |
| 4        | 6H4-81945-00 | PLATE, SWITCH FITTING      | 1  |     |         |
| 5        | 90116-06M22  | BOLT, STUD                 | 1  |     |         |
| 6        | 95380-06600  | NUT, HEXAGON               | 2  |     |         |
| 7        | 92990-06600  | WASHER, PLATE              | 1  |     |         |
| 8        | 6H2-81960-10 | RECTIFIER & REGULATOR ASSY | 1  |     |         |
| 9        | 6H4-82150-00 | FUSE HOLDER ASSY           | 1  |     |         |
| 10       | 663-82151-00 | .FUSE (12V-20A)            | 1  |     |         |
| 11       | 97095-06014  | BOLT                       | 1  |     |         |
| 12       | 92995-06600  | WASHER                     | 1  |     |         |
| 13       | 90464-15M27  | CLAMP                      | 1  |     |         |
| 14       | 90338-05M11  | PLUG                       | 2  |     |         |
| 15       | 63D-82594-00 | CLAMP                      | 1  |     |         |
| 16       | 97095-06012  | BOLT                       | 1  |     |         |
| 17       | 92995-06600  | WASHER                     | 1  |     |         |
| 18       | 63D-82590-20 | WIRE HARNESS ASSY          | 1  |     |         |
| 19       | 6H1-81950-00 | RELAY ASSY                 | 1  |     |         |
| 20       | 97095-06025  | BOLT                       | 2  |     |         |
| 21       | 92995-06600  | WASHER                     | 2  |     |         |
| 22       | 6H4-81945-20 | PLATE, SWITCH FITTING      | 1  |     |         |
| 23       | 90480-13M24  | GROMMET                    | 3  |     |         |
| 24       | 90387-06M05  | COLLAR                     | 3  |     |         |
| 25       | 90105-06M15  | BOLT, FLANGE               | 2  |     |         |
| 26       | 90105-06M16  | BOLT, FLANGE               | 1  |     |         |
| 27       | 6H5-81949-00 | WIRE, LEAD                 | 1  |     |         |

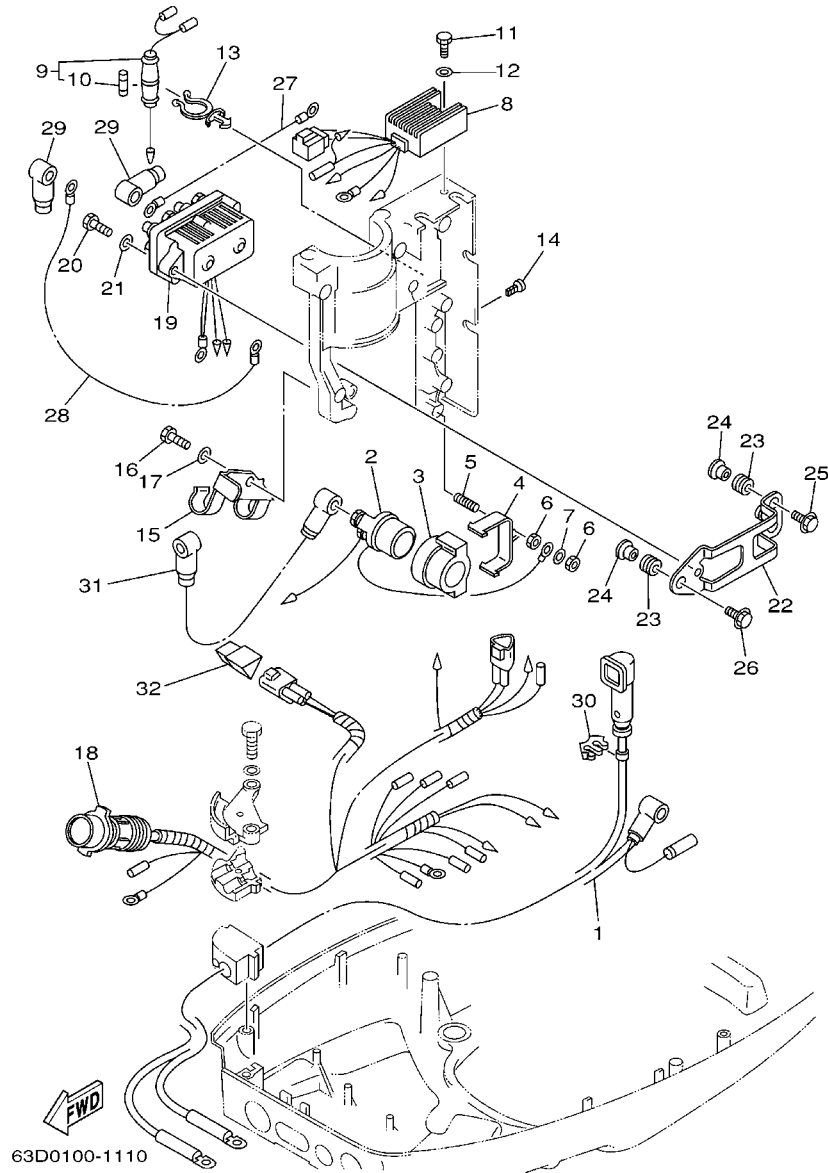
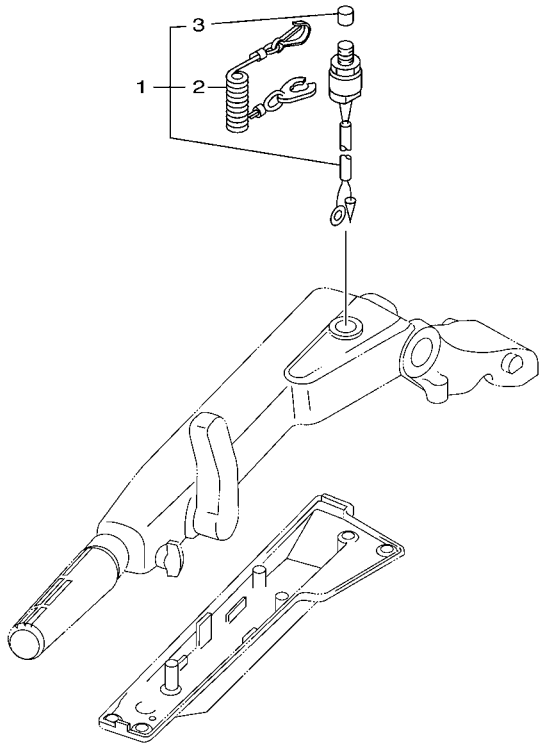


FIG. 10 ELECTRICAL 2

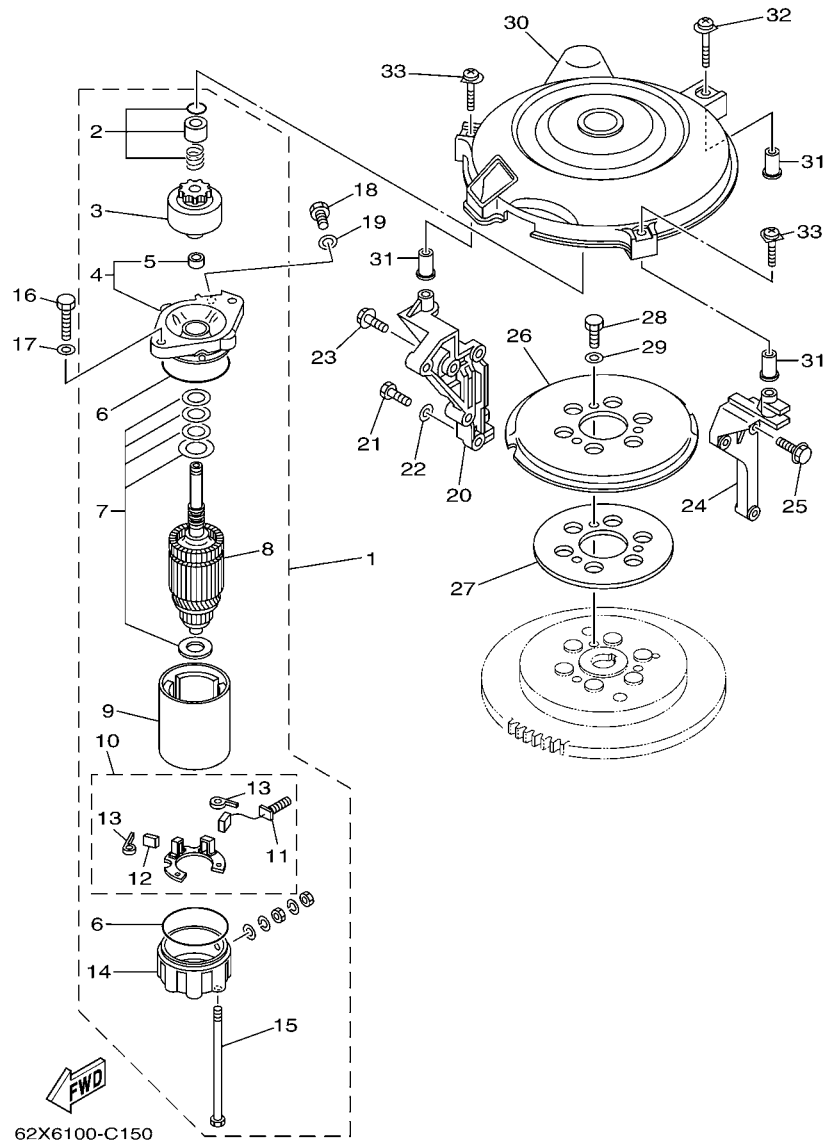
| REF. NO. | PART NO.     | DESCRIPTION         | ET | MHD |  | REMARKS |
|----------|--------------|---------------------|----|-----|--|---------|
| 28       | 61A-81949-00 | WIRE, LEAD          | 1  |     |  |         |
| 29       | 682-82119-01 | COVER, LEAD WIRE    | 4  |     |  |         |
| 30       | 90464-07M20  | CLAMP               | 1  |     |  |         |
| 31       | 6H4-82117-00 | WIRE, LEAD          | 1  |     |  |         |
| 32       | 6N6-82582-00 | COVER, WIRE HARNESS | 1  |     |  |         |
| -----    |              |                     |    |     |  |         |
| -----    |              |                     |    |     |  |         |
| -----    |              |                     |    |     |  |         |
| -----    |              |                     |    |     |  |         |
| -----    |              |                     |    |     |  |         |
| -----    |              |                     |    |     |  |         |
| -----    |              |                     |    |     |  |         |
| -----    |              |                     |    |     |  |         |
| -----    |              |                     |    |     |  |         |



63B0100-0140

FIG. 11 ELECTRICAL 3

| REF. NO. | PART NO.     | DESCRIPTION             | ET | MHD |  | REMARKS |
|----------|--------------|-------------------------|----|-----|--|---------|
| 1        | 6K5-82575-03 | ENGINE STOP SWITCH ASSY |    | 1   |  |         |
| 2        | 682-82556-00 | .STOPPER                |    | 1   |  |         |
| 3        | 689-8257Y-00 | .CAP                    |    | 1   |  |         |
| -----    |              |                         |    |     |  |         |
| -----    |              |                         |    |     |  |         |
| -----    |              |                         |    |     |  |         |
| -----    |              |                         |    |     |  |         |
| -----    |              |                         |    |     |  |         |
| -----    |              |                         |    |     |  |         |
| -----    |              |                         |    |     |  |         |
| -----    |              |                         |    |     |  |         |
| -----    |              |                         |    |     |  |         |



**FIG. 12 STARTING MOTOR**

| REF. NO. | PART NO.        | DESCRIPTION                | ET | MHD | REMARKS |
|----------|-----------------|----------------------------|----|-----|---------|
| 1        | 6F5-81800-11    | STARTING MOTOR ASSY        | 1  |     |         |
| 2        | 689-81857-11    | .PINION STOPPER SET        | 1  |     |         |
| 3        | 689-81807-12    | .GEAR ASSY, STARTING MOTOR | 1  |     |         |
| 4        | 6F5-81830-11    | .FRONT BRACKET ASSY        | 1  |     |         |
| 5        | 689-81831-00    | ..METAL, FRONT             | 1  |     |         |
| 6        | 689-81847-11    | .O-RING                    | 2  |     |         |
| 7        | 689-81809-11    | .WASHER KIT                | 1  |     |         |
| 8        | 689-81850-12    | .ARMATURE ASSY             | 1  |     |         |
| 9        | 689-81810-11    | .STATOR ASSY               | 1  |     |         |
| 10       | 689-81840-11    | .BRUSH HOLDER ASSY         | 1  |     |         |
| 11       | 689-81811-11    | ..BRUSH 1                  | 1  |     |         |
| 12       | 689-81812-11    | ..BRUSH 2                  | 1  |     |         |
| 13       | 689-81813-10    | ..SPRING, BRUSH            | 2  |     |         |
| 14       | 689-81820-11    | .REAR BRACKET ASSY         | 1  |     |         |
| 15       | 689-81826-10    | .BOLT                      | 2  |     |         |
| 16       | 97013-08030     | BOLT                       | 2  |     |         |
| 17       | 92903-08600     | WASHER, PLATE              | 2  |     |         |
| 18       | 97013-08016     | BOLT                       | 1  |     |         |
| 19       | 92903-08600     | WASHER, PLATE              | 1  |     |         |
| 20       | 63D-15771-00-4D | STAY 1                     | 1  |     |         |
| 21       | 97013-08025     | BOLT                       | 2  |     |         |
| 22       | 92903-08600     | WASHER, PLATE              | 2  |     |         |
| 23       | 90119-06MA2     | BOLT, WITH WASHER          | 1  |     |         |
| 24       | 6H4-15772-02-94 | STAY 2                     | 1  |     |         |
| 25       | 90119-06MA3     | BOLT, WITH WASHER          | 3  |     |         |
| 26       | 6J8-15723-E1    | PULLEY, STARTER            | 1  |     |         |
| 27       | 6J8-81365-A0    | GASKET, HOLE COVER         | 1  |     |         |

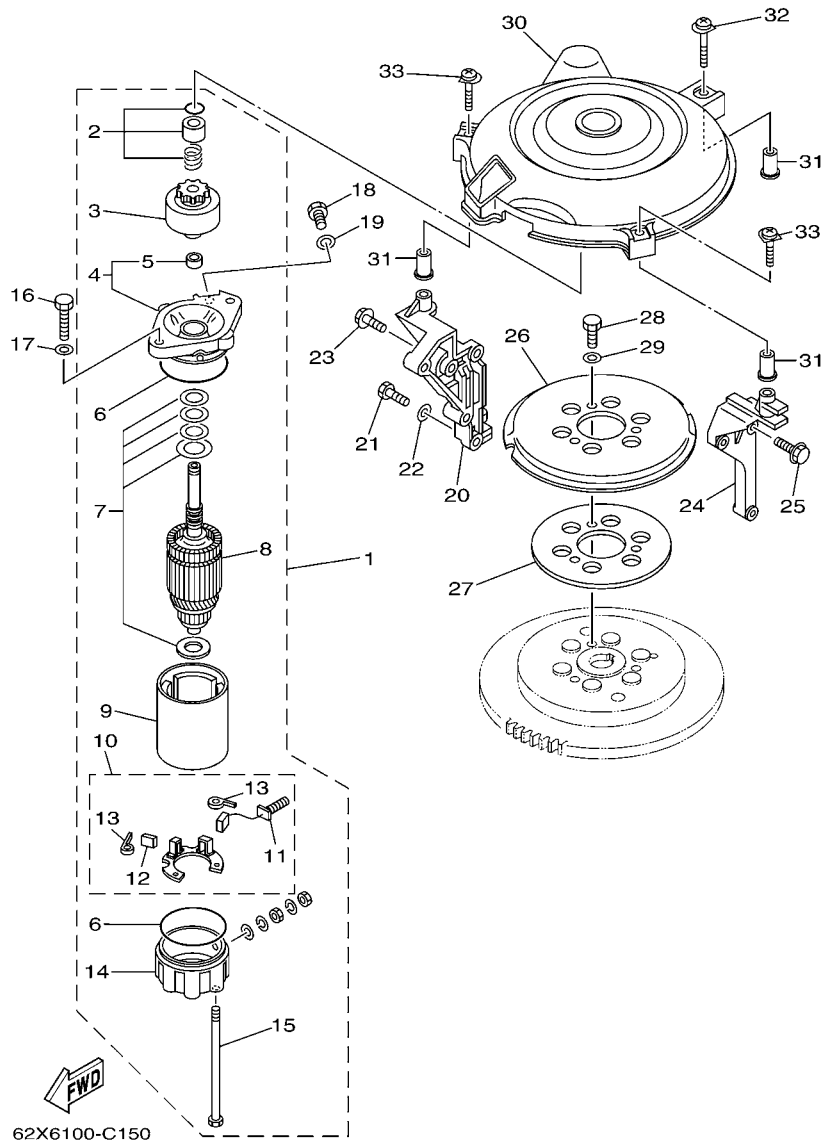
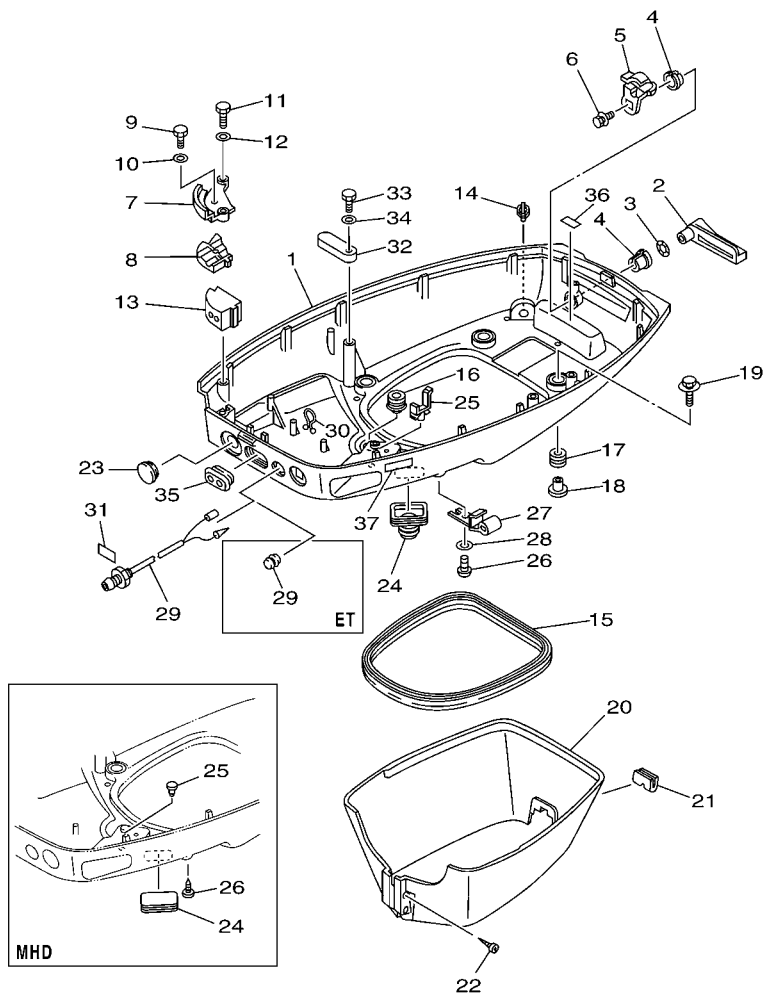


FIG. 12 STARTING MOTOR

| REF. NO. | PART NO.     | DESCRIPTION        | ET | MHD | REMARKS |
|----------|--------------|--------------------|----|-----|---------|
| 28       | 97013-08014  | BOLT               | 3  |     |         |
| 29       | 92903-08600  | WASHER, PLATE      | 3  |     |         |
| 30       | 6H4-81337-01 | COVER, FLYWHEEL    | 1  |     |         |
| 31       | 90387-06M65  | COLLAR             | 3  |     |         |
| 32       | 90159-06M21  | SCREW, WITH WASHER | 1  |     |         |
| 33       | 90159-06M22  | SCREW, WITH WASHER | 2  |     |         |
|          |              |                    |    |     |         |
|          |              |                    |    |     |         |
|          |              |                    |    |     |         |
|          |              |                    |    |     |         |
|          |              |                    |    |     |         |
|          |              |                    |    |     |         |
|          |              |                    |    |     |         |
|          |              |                    |    |     |         |

FIG. 13 BOTTOM COWLING

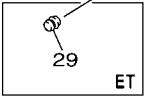
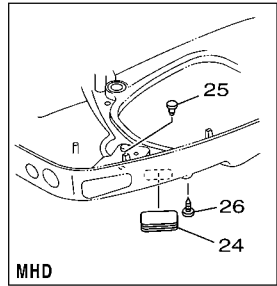
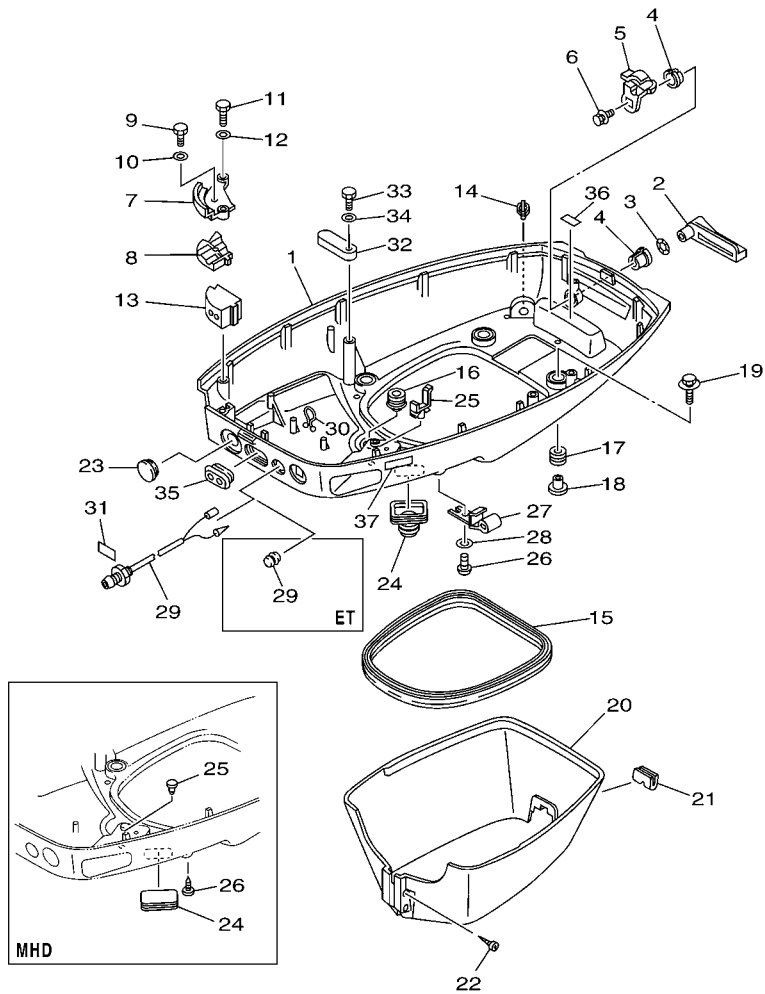


63B3100-C130

| REF. NO. | PART NO.        | DESCRIPTION               | ET | MHD |  | REMARKS |
|----------|-----------------|---------------------------|----|-----|--|---------|
| 1        | 6H4-42711-07-4D | COWLING, BOTTOM           | 1  | 1   |  |         |
| 2        | 6H4-42815-00    | LEVER, CLAMP              | 1  | 1   |  |         |
| 3        | 90206-12052     | WASHER, WAVE              | 1  | 1   |  |         |
| 4        | 90386-12069     | BUSH                      | 2  | 2   |  |         |
| 5        | 6H4-42816-00    | LEVER, CLAMP              | 1  | 1   |  |         |
| 6        | 90119-06M73     | BOLT, WITH WASHER         | 1  | 1   |  |         |
| 7        | 6H4-48531-11-94 | BRACKET, REMOTE CONTROL 1 | 1  | 1   |  |         |
| 8        | 6H4-48532-11-94 | BRACKET, REMOTE CONTROL 2 | 1  | 1   |  |         |
| 9        | 97095-05016     | BOLT                      | 1  | 1   |  |         |
| 10       | 92995-05600     | WASHER                    | 1  | 1   |  |         |
| 11       | 97095-06020     | BOLT                      | 2  | 2   |  |         |
| 12       | 92995-06600     | WASHER                    | 2  | 2   |  |         |
| 13       | 6H4-42724-20    | GROMMET                   | 1  |     |  |         |
|          | 6H4-42724-00    | GROMMET                   |    | 1   |  |         |
| 14       | 6E5-44391-00    | NIPPLE, HOSE              | 1  | 1   |  |         |
| 15       | 6H4-42716-00    | RUBBER, SEAL 1            | 1  | 1   |  |         |
| 16       | 6E5-42724-00    | GROMMET                   | 1  | 1   |  |         |
| 17       | 90480-09M21     | GROMMET                   | 4  | 4   |  |         |
| 18       | 90387-06M41     | COLLAR                    | 4  | 4   |  |         |
| 19       | 90119-06M61     | BOLT, WITH WASHER         | 4  | 4   |  |         |
| 20       | 63D-42741-00-4D | APRON                     | 1  | 1   |  |         |
| 21       | 63D-42717-00    | RUBBER, SEAL 2            | 1  | 1   |  |         |
| 22       | 97780-60525     | SCREW, TAPPING            | 2  | 2   |  |         |
| 23       | 676-42726-00    | GROMMET                   | 1  |     |  |         |
|          | 6H4-42726-40    | GROMMET                   |    | 1   |  |         |
| 24       | 688-42726-10    | GROMMET                   | 1  |     |  |         |
|          | 6H4-42726-00    | GROMMET                   |    | 1   |  |         |

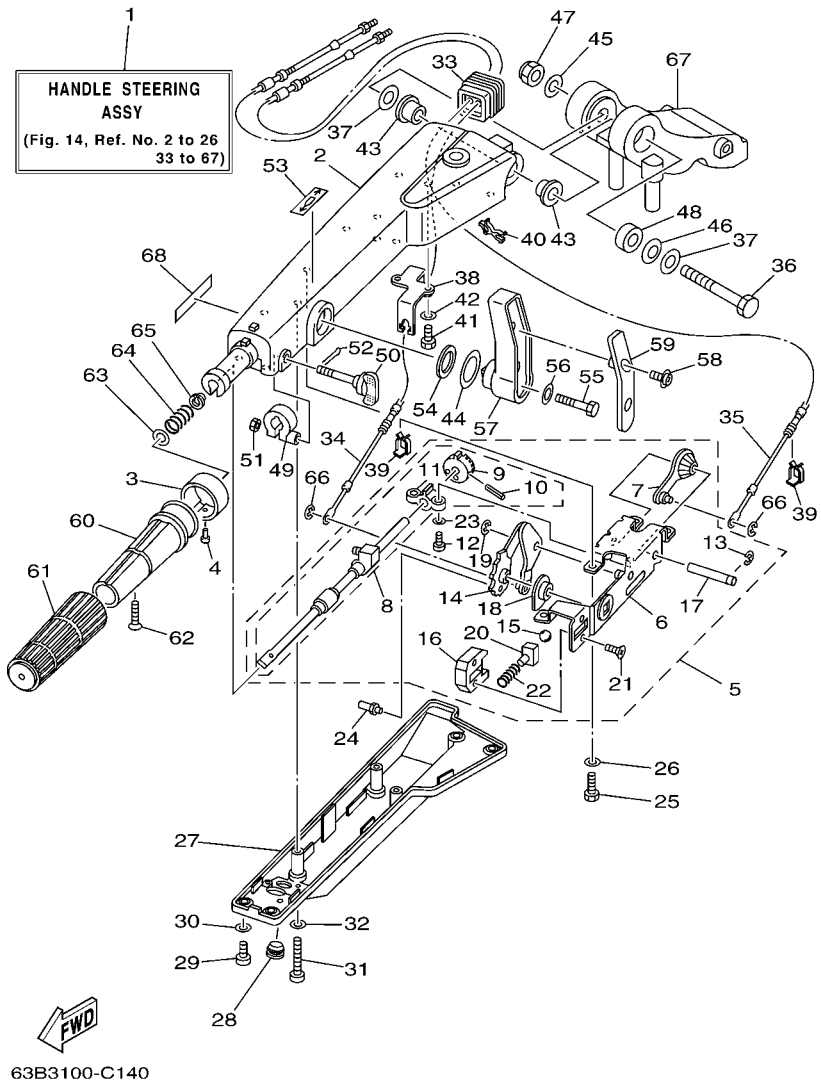


FIG. 13 BOTTOM COWLING



63B3100-C130

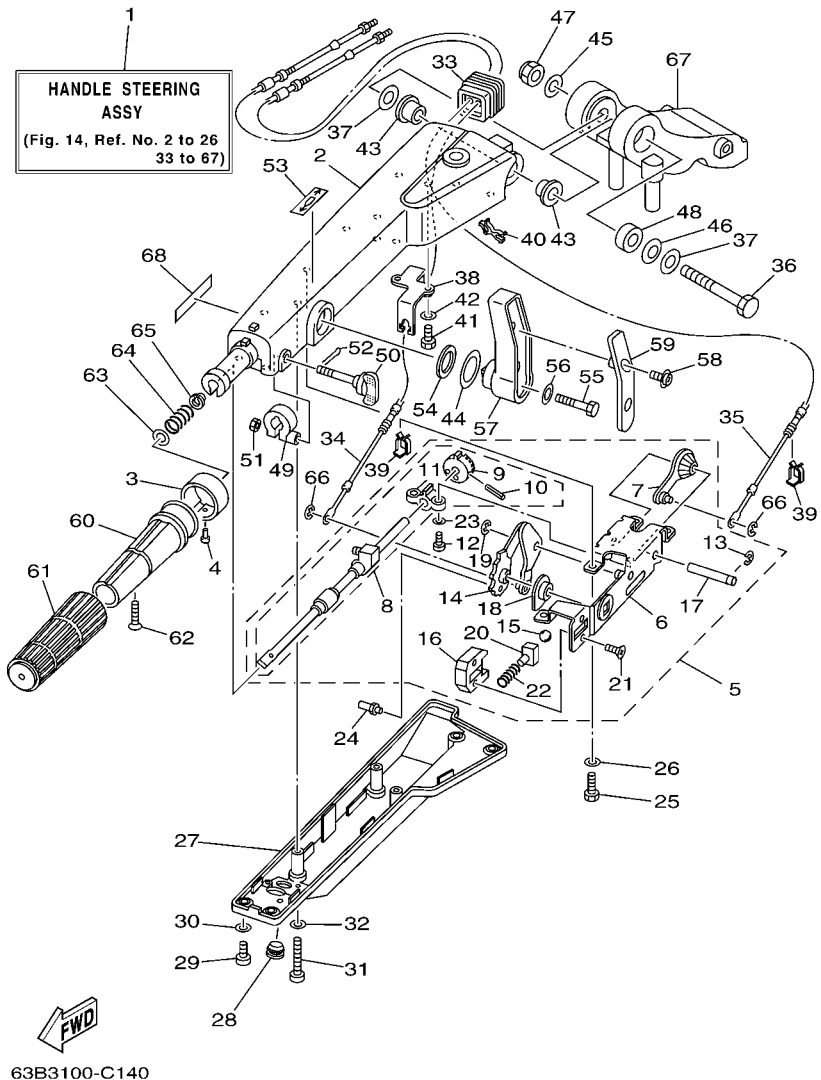
| REF. NO. | PART NO.     | DESCRIPTION           | ET | MHD |  |  | REMARKS |
|----------|--------------|-----------------------|----|-----|--|--|---------|
| 25       | 90464-09M13  | CLAMP                 | 1  |     |  |  |         |
|          | 703-82119-00 | COVER, LEAD WIRE      |    | 1   |  |  |         |
| 26       | 90157-06M01  | SCREW, PAN HEAD       | 1  |     |  |  |         |
|          | 90338-05M03  | PLUG                  |    | 1   |  |  |         |
| 27       | 6E5-24367-01 | CLAMP, FUEL PIPE 2    | 1  |     |  |  |         |
| 28       | 92990-06600  | WASHER, PLATE         | 1  |     |  |  |         |
| 29       | 6H4-42725-00 | GROMMET               | 1  |     |  |  |         |
|          | 6H4-85411-00 | OVERHEAT WARNING LAMP |    | 1   |  |  |         |
| 30       | 90464-08M07  | CLAMP                 |    | 1   |  |  |         |
| 31       | 6H4-85415-00 | MARK, SIGNAL LAMP     |    | 1   |  |  |         |
| 32       | 6E5-82588-00 | PLATE                 | 1  | 1   |  |  |         |
| 33       | 97095-06020  | BOLT                  | 1  | 1   |  |  |         |
| 34       | 92995-06600  | WASHER                | 1  | 1   |  |  |         |
| 35       | 6H3-42727-00 | GROMMET               | 1  | 1   |  |  |         |
| 36       | 6E7-42791-10 | MARK 1                |    | 1   |  |  | 40V     |
|          | 6G5-42791-10 | MARK 1                | 1  | 1   |  |  | 50H     |
| 37       | 6R6-42791-40 | MARK 1                |    | 1   |  |  |         |



63B3100-C140

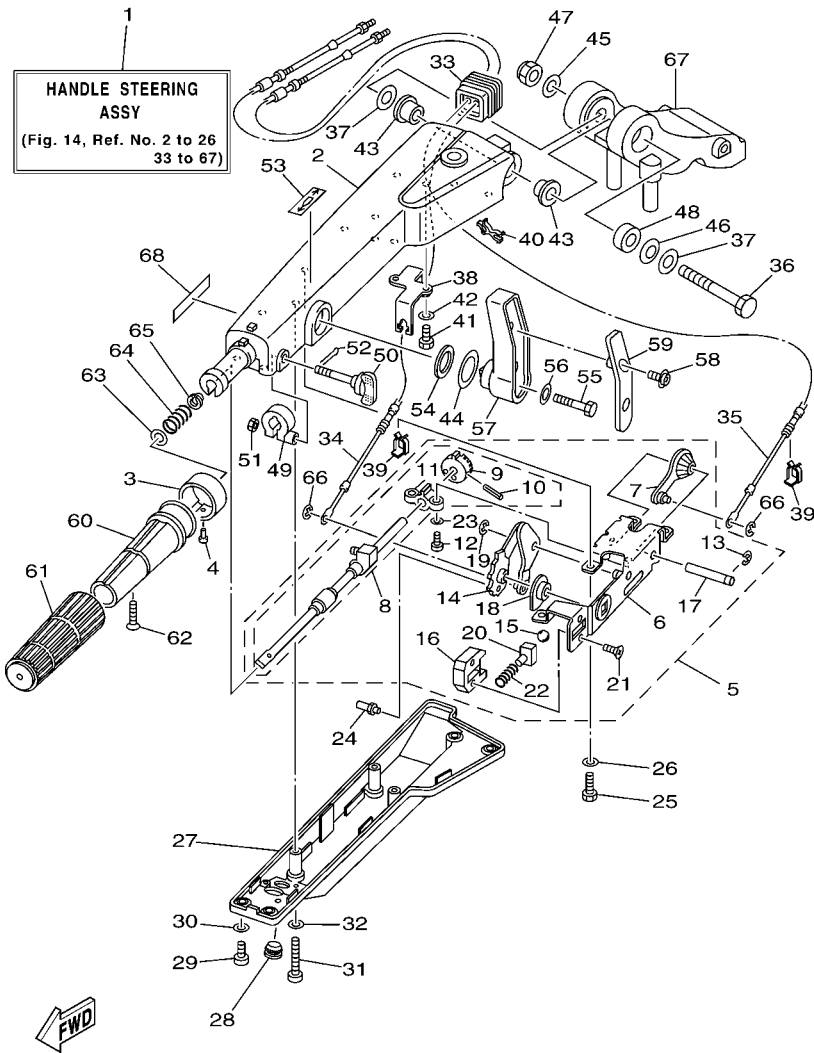
FIG. 14 STEERING

| REF. NO. | PART NO.        | DESCRIPTION              | ET | MHD | REMARKS |
|----------|-----------------|--------------------------|----|-----|---------|
| 1        | 63D-W0084-01-4D | HANDLE STEERING ASSY     |    | 1   |         |
| 2        | 63D-42111-01-4D | HANDLE, STEERING         |    | 1   |         |
| 3        | 6K5-42137-00    | INDICATOR, THROTTLE      |    | 1   |         |
| 4        | 90269-02M09     | RIVET                    |    | 1   |         |
| 5        | 63D-44100-11    | SHIFT LINK ASSY          |    | 1   |         |
| 6        | 63D-44104-00    | .PLATE COMP.             |    | 1   |         |
| 7        | 63D-48261-00    | .ARM, THROTTLE           |    | 1   |         |
| 8        | 63D-42115-00    | .SHAFT, STEERING HANDLE  |    | 1   |         |
| 9        | 650-42152-00-94 | ..GEAR                   |    | 1   |         |
| 10       | 91690-30025     | ..PIN, SPRING            |    | 1   |         |
| 11       | 63D-42159-00    | ..STAY                   |    | 1   |         |
| 12       | 98580-06016     | .SCREW, PAN HEAD         |    | 2   |         |
| 13       | 93430-08006     | .CIRCLIP                 |    | 1   |         |
| 14       | 63D-44113-01    | .CAM PLATE, HANDLE       |    | 1   |         |
| 15       | 63D-48236-00    | .ROLLER, DETENT          |    | 1   |         |
| 16       | 63D-48119-00    | .COVER                   |    | 1   |         |
| 17       | 63D-42153-00    | .SHAFT, THROTTLE CONTROL |    | 1   |         |
| 18       | 63D-44132-00    | .BUSHING                 |    | 1   |         |
| 19       | 63D-48118-00    | .CLIP, SHIFT LEVER       |    | 1   |         |
| 20       | 63D-48237-00    | .ADAPTOR                 |    | 1   |         |
| 21       | 98785-05014     | .SCREW, FLAT HEAD        |    | 2   |         |
| 22       | 63D-48238-00    | .SPRING, DETENT          |    | 1   |         |
| 23       | 63D-42181-00    | .WASHER                  |    | 2   |         |
| 24       | 63D-44114-01    | STOPPER                  |    | 1   |         |
| 25       | 97095-06016     | BOLT                     |    | 4   |         |
| 26       | 92995-06600     | WASHER                   |    | 4   |         |
| 27       | 63D-42131-00    | COVER, HANDLE STEERING   |    | 1   |         |



**FIG. 14 STEERING**

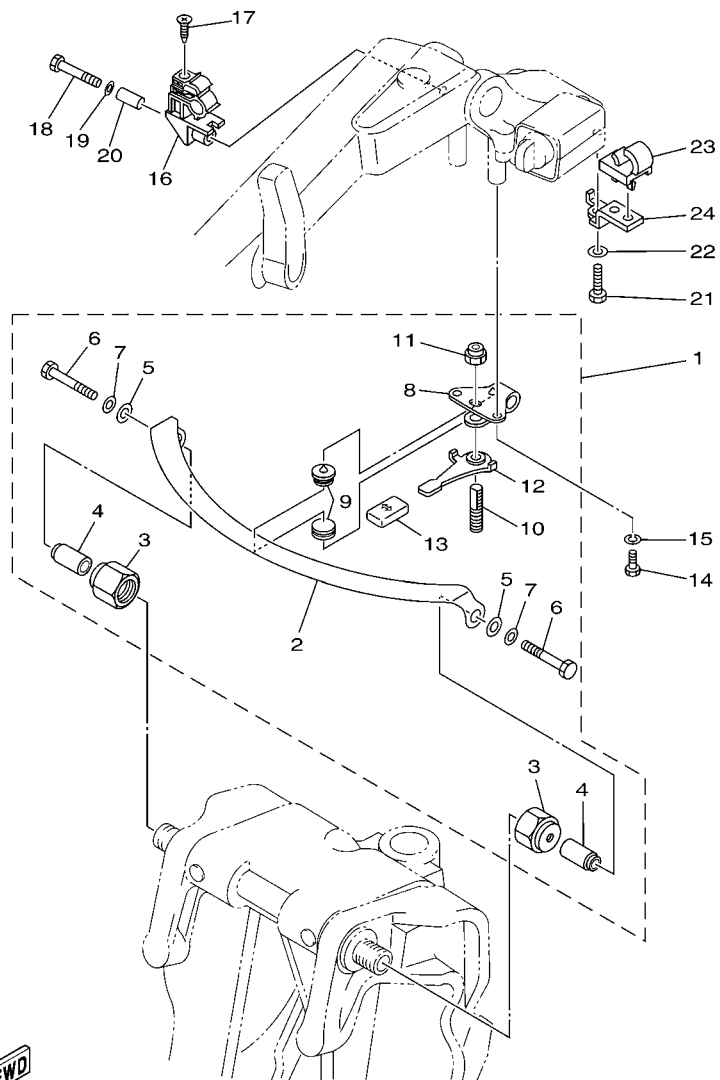
| REF. NO. | PART NO.     | DESCRIPTION                    | ET | MHD | REMARKS |
|----------|--------------|--------------------------------|----|-----|---------|
| 28       | 90480-14M14  | GROMMET                        |    | 1   |         |
| 29       | 97885-06016  | SCREW, PAN HEAD                |    | 4   |         |
| 30       | 92995-06600  | WASHER                         |    | 4   |         |
| 31       | 97885-06040  | SCREW, PAN HEAD                |    | 3   |         |
| 32       | 92995-06600  | WASHER                         |    | 3   |         |
| 33       | 63D-42725-00 | GROMMET                        |    | 1   |         |
| 34       | 63D-48321-01 | CABLE                          |    | 1   |         |
| 35       | 63D-26301-01 | THROTTLE CABLE ASSY            |    | 1   |         |
| 36       | 90101-12M09  | BOLT                           |    | 1   |         |
| 37       | 92990-12200  | WASHER, PLAIN                  |    | 2   |         |
| 38       | 63D-48531-00 | BRACKET, REMOTE CONTROL 1      |    | 1   |         |
| 39       | 63D-48538-00 | CLAMP, CABLE 1                 |    | 2   |         |
| 40       | 90464-09M42  | CLAMP                          |    | 1   |         |
| 41       | 97095-06016  | BOLT                           |    | 2   |         |
| 42       | 92995-06600  | WASHER                         |    | 2   |         |
| 43       | 90386-12M93  | BUSH                           |    | 2   |         |
| 44       | 90386-29M95  | BUSH                           |    | 1   |         |
| 45       | 92990-12600  | WASHER, PLATE                  |    | 1   |         |
| 46       | 90206-12M22  | WASHER, WAVE                   |    | 1   |         |
| 47       | 90185-12M12  | NUT, SELF-LOCKING              |    | 1   |         |
| 48       | 90387-12M02  | COLLAR                         |    | 1   |         |
| 49       | 63D-42126-00 | FRICTION, STEERING HANDLE GRIP |    | 1   |         |
| 50       | 63D-48154-00 | KNOB, THROTTLE                 |    | 1   |         |
| 51       | 95380-06600  | NUT, HEXAGON                   |    | 1   |         |
| 52       | 91490-20010  | PIN, COTTER                    |    | 1   |         |
| 53       | 6G8-44191-00 | INDICATOR, SHIFT               |    | 1   |         |
| 54       | 90202-24M53  | WASHER, PLATE                  |    | 1   |         |



63B3100-C140

FIG. 14 STEERING

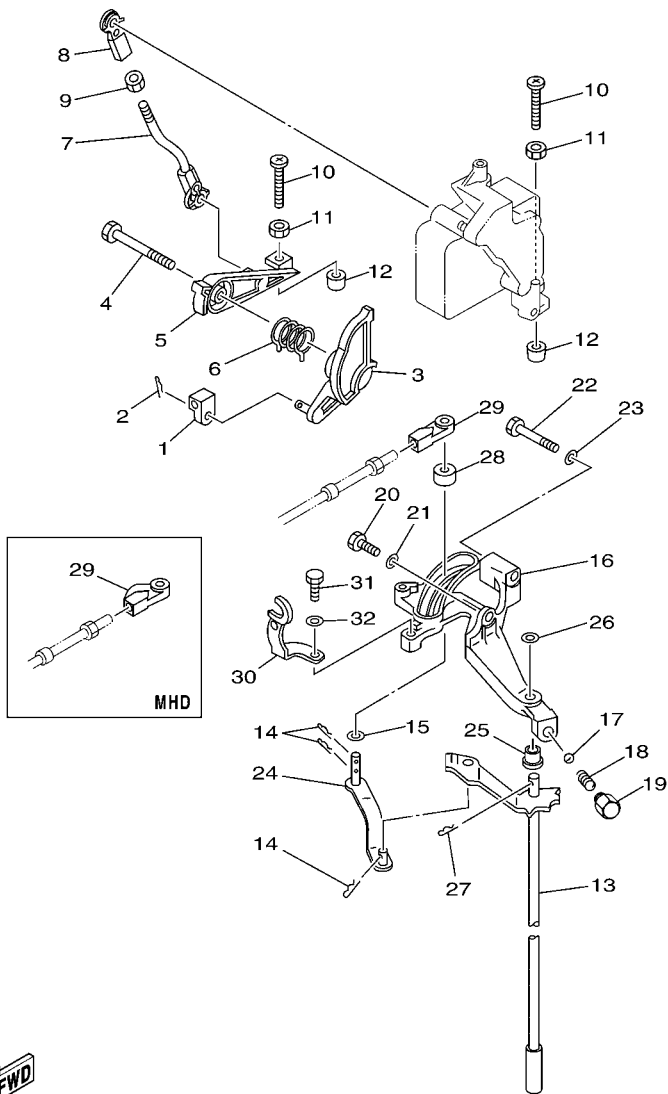
| REF. NO. | PART NO.        | DESCRIPTION           | ET | MHD | REMARKS |
|----------|-----------------|-----------------------|----|-----|---------|
| 55       | 97095-08040     | BOLT                  |    | 1   |         |
| 56       | 92995-08600     | WASHER                |    | 1   |         |
| 57       | 63D-44159-01    | HANDLE, GEAR SHIFT    |    | 1   |         |
| 58       | 90159-06M18     | SCREW, WITH WASHER    |    | 2   |         |
| 59       | 63D-44173-00    | LEVER, SHIFT CONTROL  |    | 1   |         |
| 60       | 664-42119-00    | GRIP, STEERING HANDLE |    | 1   |         |
| 61       | 6G1-42177-00    | RUBBER, HANDLE        |    | 1   |         |
| 62       | 90149-05M13     | SCREW                 |    | 1   |         |
| 63       | 92903-10600     | WASHER, PLATE         |    | 1   |         |
| 64       | 90501-23215     | SPRING, COMPRESSION   |    | 1   |         |
| 65       | 90386-08032     | BUSH                  |    | 1   |         |
| 66       | 93430-04M03     | CIRCLIP               |    | 2   |         |
| 67       | 63D-42121-20-4D | BRACKET               |    | 1   |         |
| 68       | 6E0-83627-41    | LABEL, CAUTION 7      |    | 1   |         |



  
 63B3100-C150

**FIG. 15 STEERING FRICTION**

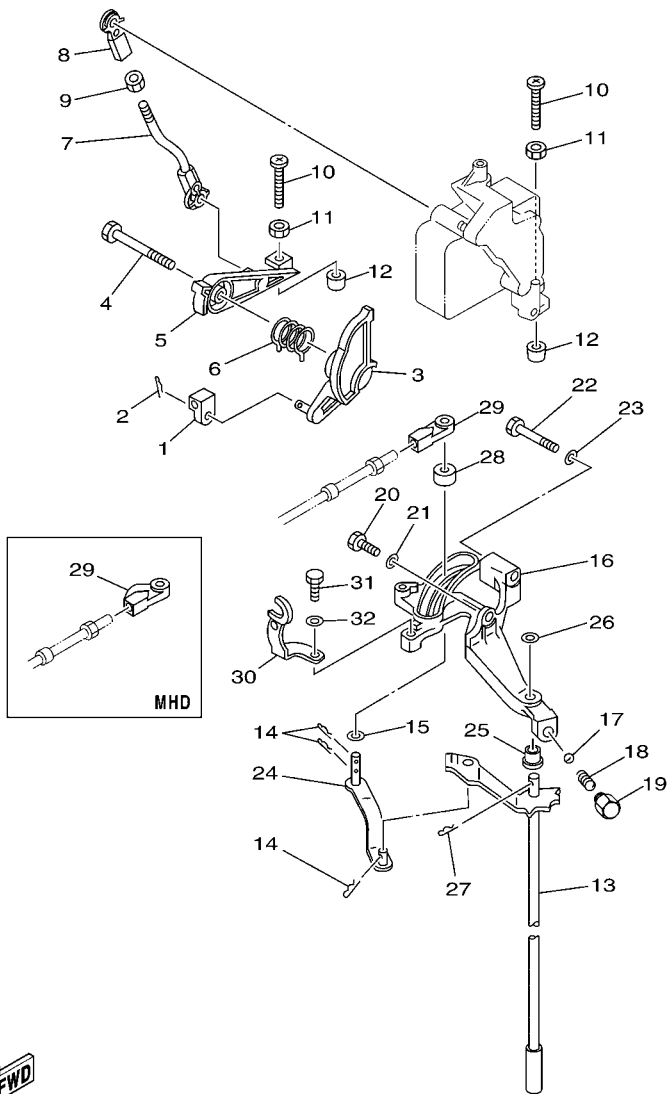
| REF. NO. | PART NO.     | DESCRIPTION            | ET | MHD | REMARKS |
|----------|--------------|------------------------|----|-----|---------|
| 1        | 63D-42508-00 | STEERING FRICTION ASSY |    | 1   |         |
| 2        | 63D-42527-00 | .PLATE, FRICTION       |    | 1   |         |
| 3        | 63D-42546-00 | .NUT                   |    | 2   |         |
| 4        | 63D-42541-00 | .DAMPER                |    | 2   |         |
| 5        | 90201-08M01  | .WASHER, PLATE         |    | 2   |         |
| 6        | 97095-08050  | .BOLT                  |    | 2   |         |
| 7        | 92995-08600  | .WASHER                |    | 2   |         |
| 8        | 63D-42526-00 | .PLATE, FRICTION       |    | 1   |         |
| 9        | 63D-42528-00 | .PLATE, FRICTION       |    | 2   |         |
| 10       | 63D-42562-00 | .SHAFT, STEERING LOCK  |    | 1   |         |
| 11       | 90185-10M01  | .NUT, SELF-LOCKING     |    | 1   |         |
| 12       | 63D-42561-00 | .KNOB, STEERING LOCK   |    | 1   |         |
| 13       | 682-43318-01 | .COVER                 |    | 1   |         |
| 14       | 97095-06016  | BOLT                   |    | 2   |         |
| 15       | 92995-06100  | WASHER, SPRING         |    | 2   |         |
| 16       | 63D-82361-00 | CLAMP, CORD            |    | 1   |         |
| 17       | 90161-06M00  | SCREW, TAPPING         |    | 1   |         |
| 18       | 97095-06035  | BOLT                   |    | 1   |         |
| 19       | 92995-06600  | WASHER                 |    | 1   |         |
| 20       | 90387-06M26  | COLLAR                 |    | 1   |         |
| 21       | 97095-06016  | BOLT                   |    | 1   |         |
| 22       | 92995-06600  | WASHER                 |    | 1   |         |
| 23       | 63D-24367-00 | CLAMP, FUEL PIPE 2     |    | 1   |         |
| 24       | 63D-24364-10 | STAY                   |    | 1   |         |



63B3100-C160

FIG. 16 CONTROL

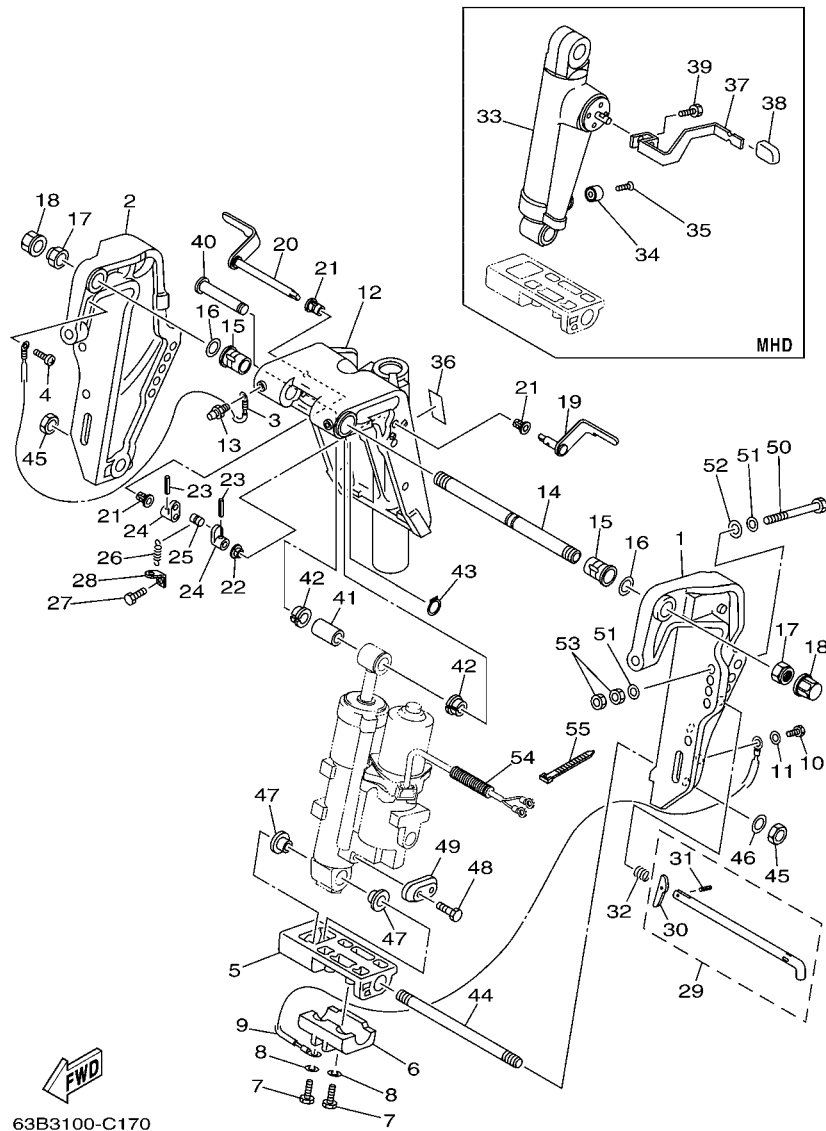
| REF. NO. | PART NO.     | DESCRIPTION               | ET | MHD | REMARKS |
|----------|--------------|---------------------------|----|-----|---------|
| 1        | 6H4-48344-00 | CABLE END, REMOTE CONTROL | 1  | 1   |         |
| 2        | 90468-18008  | CLIP                      | 1  | 1   |         |
| 3        | 63D-41213-00 | CAM, ACCEL.               | 1  | 1   |         |
| 4        | 90109-06M43  | BOLT                      | 1  | 1   |         |
| 5        | 63D-41632-00 | LEVER, MAGNETO CONTROL    | 1  | 1   |         |
| 6        | 90508-26M35  | SPRING, TORSION           | 1  | 1   |         |
| 7        | 63D-41636-00 | ROD, MAGNETO CONTROL      | 1  | 1   |         |
| 8        | 6H4-41237-00 | JOINT, LINK               | 1  | 1   |         |
| 9        | 95380-05600  | NUT                       | 1  | 1   |         |
| 10       | 90157-06M13  | SCREW, PAN HEAD           | 2  | 2   |         |
| 11       | 95303-06600  | NUT                       | 2  | 2   |         |
| 12       | 688-44194-00 | CAP                       | 2  | 2   |         |
| 13       | 63D-44120-10 | HANDLE GEAR SHIFT ASSY    | 1  | 1   | L       |
| 14       | 90468-18008  | CLIP                      | 3  | 3   |         |
| 15       | 90202-07M07  | WASHER, PLATE             | 1  | 1   |         |
| 16       | 63D-44117-00 | BRACKET                   | 1  | 1   |         |
| 17       | 93501-04M02  | BALL                      | 1  | 1   |         |
| 18       | 90501-12082  | SPRING, COMPRESSION       | 1  | 1   |         |
| 19       | 648-42715-00 | BUSHING                   | 1  | 1   |         |
| 20       | 97013-06020  | BOLT                      | 1  | 1   |         |
| 21       | 92903-06600  | WASHER, PLATE             | 1  | 1   |         |
| 22       | 97013-06045  | BOLT                      | 1  | 1   |         |
| 23       | 92903-06600  | WASHER, PLATE             | 1  | 1   |         |
| 24       | 63D-44121-00 | LEVER, SHIFT ROD          | 1  | 1   |         |
| 25       | 90386-07M58  | BUSH                      | 1  | 1   |         |
| 26       | 92990-08200  | WASHER, PLAIN             | 1  | 1   |         |
| 27       | 91490-20012  | PIN, COTTER               | 1  | 1   |         |



63B3100-C160

FIG. 16 CONTROL

| REF. NO. | PART NO.     | DESCRIPTION               | ET | MHD |  |  | REMARKS |
|----------|--------------|---------------------------|----|-----|--|--|---------|
| 28       | 688-44122-00 | BUSHING, SHIFT ROD LEVER  | 1  | 1   |  |  |         |
| 29       | 663-48344-00 | CABLE END, REMOTE CONTROL | 1  |     |  |  |         |
|          | 63D-48344-00 | CABLE END, REMOTE CONTROL |    | 1   |  |  |         |
| 30       | 63D-15774-00 | STAY 4                    | 1  | 1   |  |  |         |
| 31       | 97095-06016  | BOLT                      | 1  | 1   |  |  |         |
| 32       | 92995-06600  | WASHER                    | 1  | 1   |  |  |         |
| <hr/>    |              |                           |    |     |  |  |         |
| <hr/>    |              |                           |    |     |  |  |         |
| <hr/>    |              |                           |    |     |  |  |         |
| <hr/>    |              |                           |    |     |  |  |         |
| <hr/>    |              |                           |    |     |  |  |         |
| <hr/>    |              |                           |    |     |  |  |         |
| <hr/>    |              |                           |    |     |  |  |         |
| <hr/>    |              |                           |    |     |  |  |         |



63B3100-C170

FIG. 17 BRACKET 1

| REF. NO. | PART NO.        | DESCRIPTION           | ET | MHD |  | REMARKS |
|----------|-----------------|-----------------------|----|-----|--|---------|
| 1        | 63D-43111-01-4D | BRACKET, CLAMP        | 1  | 1   |  |         |
| 2        | 63D-43112-01-4D | BRACKET, CLAMP        | 1  | 1   |  |         |
| 3        | 63D-82148-00    | WIRE, LEAD 4          | 1  | 1   |  |         |
| 4        | 97885-06008     | SCREW, PAN HEAD       | 1  | 1   |  |         |
| 5        | 63D-43128-01-4D | SPACER, CLAMP BRACKET | 1  | 1   |  |         |
| 6        | 63D-45251-00    | ANODE                 | 1  | 1   |  |         |
| 7        | 97095-06025     | BOLT                  | 2  | 2   |  |         |
| 8        | 92995-06100     | WASHER, SPRING        | 2  | 2   |  |         |
| 9        | 6H1-82148-00    | WIRE, LEAD 4          | 1  | 1   |  |         |
| 10       | 97095-06010     | BOLT                  | 1  | 1   |  |         |
| 11       | 92995-06600     | WASHER                | 1  | 1   |  |         |
| 12       | 63D-43311-13-4D | BRACKET, SWIVEL 1     | 1  | 1   |  |         |
| 13       | 93700-06M03     | NIPPLE, GREASE        | 3  | 3   |  |         |
| 14       | 63D-43131-01    | BOLT, CLAMP BRACKET   | 1  | 1   |  |         |
| 15       | 90386-22M15     | BUSH                  | 2  | 2   |  |         |
| 16       | 90201-22M03     | WASHER, PLATE         | 2  | 2   |  |         |
| 17       | 90185-22M11     | NUT, SELF-LOCKING     | 2  | 2   |  |         |
| 18       | 6G5-43145-01    | CAP, CLAMP BRACKET    | 2  | 2   |  |         |
| 19       | 6H5-43181-03    | LEVER, TILT STOP      | 1  | 1   |  |         |
| 20       | 6H5-43185-03    | LEVER, TILT STOP      | 1  | 1   |  |         |
| 21       | 90386-10M16     | BUSH                  | 3  | 3   |  |         |
| 22       | 90386-10025     | BUSH                  | 1  | 1   |  |         |
| 23       | 91690-30020     | PIN, SPRING           | 2  | 2   |  |         |
| 24       | 6G5-43148-00    | COLLAR, DISTANCE      | 2  | 2   |  |         |
| 25       | 90249-06M19     | PIN                   | 1  | 1   |  |         |
| 26       | 90506-14M24     | SPRING, TENSION       | 1  | 1   |  |         |
| 27       | 97095-06010     | BOLT                  | 1  | 1   |  |         |



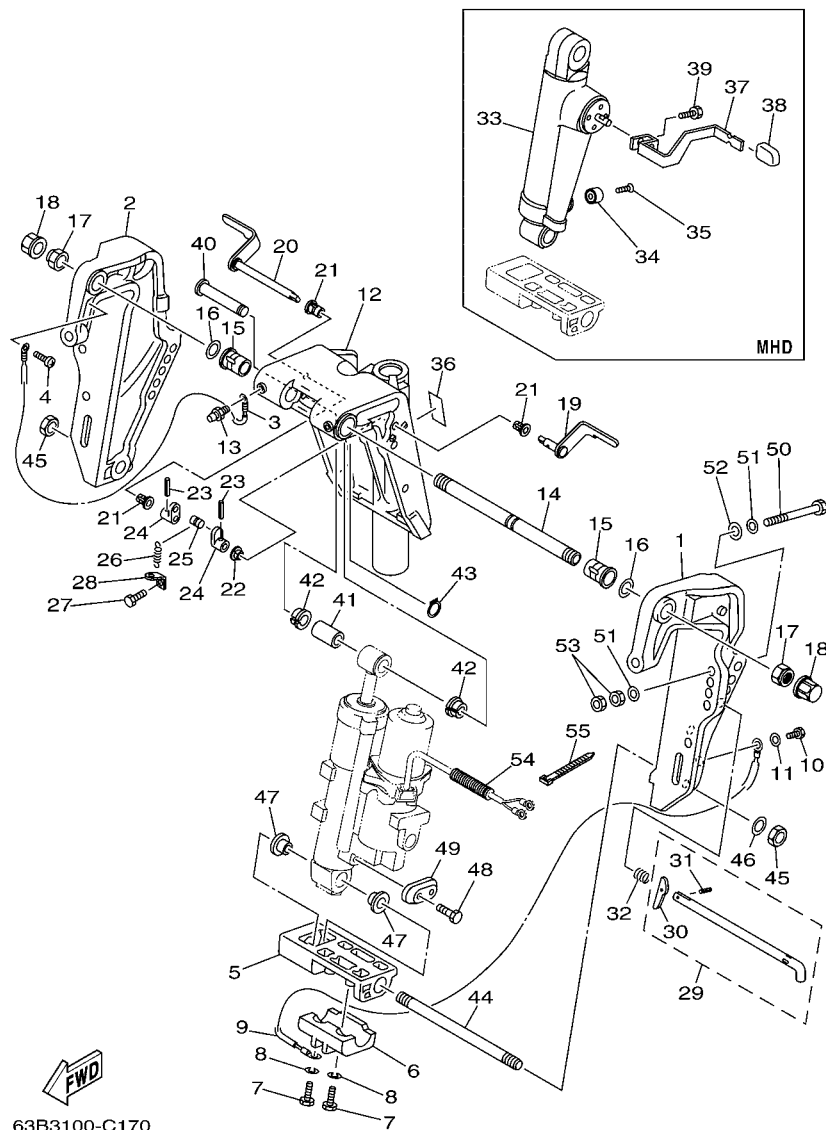


FIG. 17 BRACKET 1

| REF. NO. | PART NO.        | DESCRIPTION            | ET | MHD |  |  | REMARKS |
|----------|-----------------|------------------------|----|-----|--|--|---------|
| 28       | 6G5-43144-00    | HOOK, SPRING           | 1  | 1   |  |  |         |
| 29       | 688-43160-01    | TILT ROD ASSY          | 1  | 1   |  |  |         |
| 30       | 688-43165-00    | .PLATE, TILT LOCK      | 1  | 1   |  |  |         |
| 31       | 91690-30012     | .PIN, SPRING           | 1  | 1   |  |  |         |
| 32       | 90502-16M02     | SPRING, CONICAL        | 1  | 1   |  |  |         |
| 33       | 62X-43170-11-4D | SHOCK ABSORBER ASSY    | 1  |     |  |  |         |
| 34       | 663-45251-00    | ANODE                  | 1  |     |  |  |         |
| 35       | 90152-06M01     | SCREW, COUNTERSUNK     | 1  |     |  |  |         |
| 36       | 63D-43691-00    | INDICATOR, TILT        | 1  |     |  |  |         |
| 37       | 63D-43631-00    | LEVER, TILT            | 1  |     |  |  |         |
| 38       | 682-43318-01    | COVER                  | 1  |     |  |  |         |
| 39       | 97095-06010     | BOLT                   | 1  |     |  |  |         |
| 40       | 6E5-43126-02    | PIN, UPPER SHOCK MOUNT | 1  | 1   |  |  |         |
| 41       | 90386-18M92     | BUSH                   | 1  | 1   |  |  |         |
| 42       | 90386-18M35     | BUSH                   | 2  | 2   |  |  |         |
| 43       | 93410-18M02     | CIRCLIP                | 1  | 1   |  |  |         |
| 44       | 90116-18M52     | BOLT, STUD             | 1  | 1   |  |  |         |
| 45       | 90170-18M10     | NUT                    | 2  | 2   |  |  |         |
| 46       | 92995-18600     | WASHER                 | 1  | 1   |  |  |         |
| 47       | 90386-18M44     | BUSH                   | 2  | 2   |  |  |         |
| 48       | 90101-06020     | BOLT                   | 2  |     |  |  |         |
| 49       | 65W-45251-00    | ANODE                  | 1  |     |  |  |         |
| 50       | 90101-12M65     | BOLT                   | 4  | 4   |  |  |         |
| 51       | 92995-12200     | WASHER                 | 8  | 8   |  |  |         |
| 52       | 90201-12426     | WASHER, PLATE          | 4  | 4   |  |  |         |
| 53       | 95380-12600     | NUT                    | 8  | 8   |  |  |         |
| 54       | 90440-14M00     | PIPE                   | 1  |     |  |  |         |

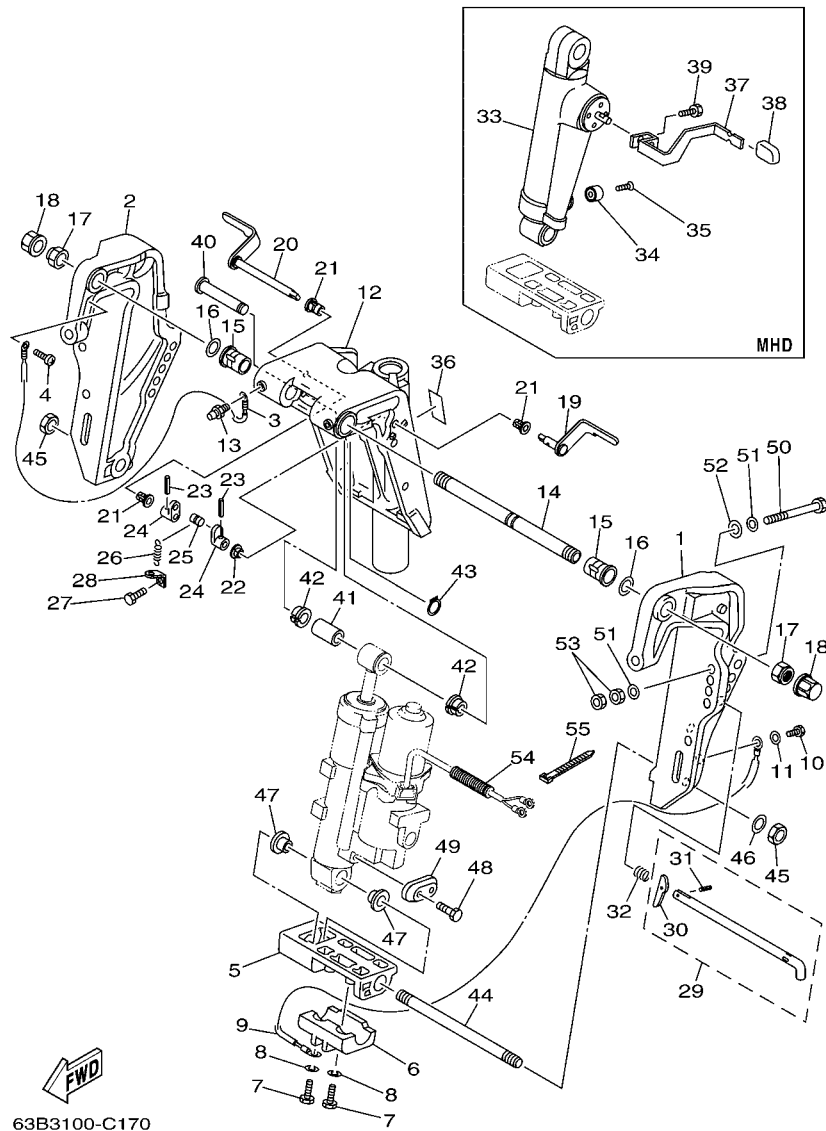
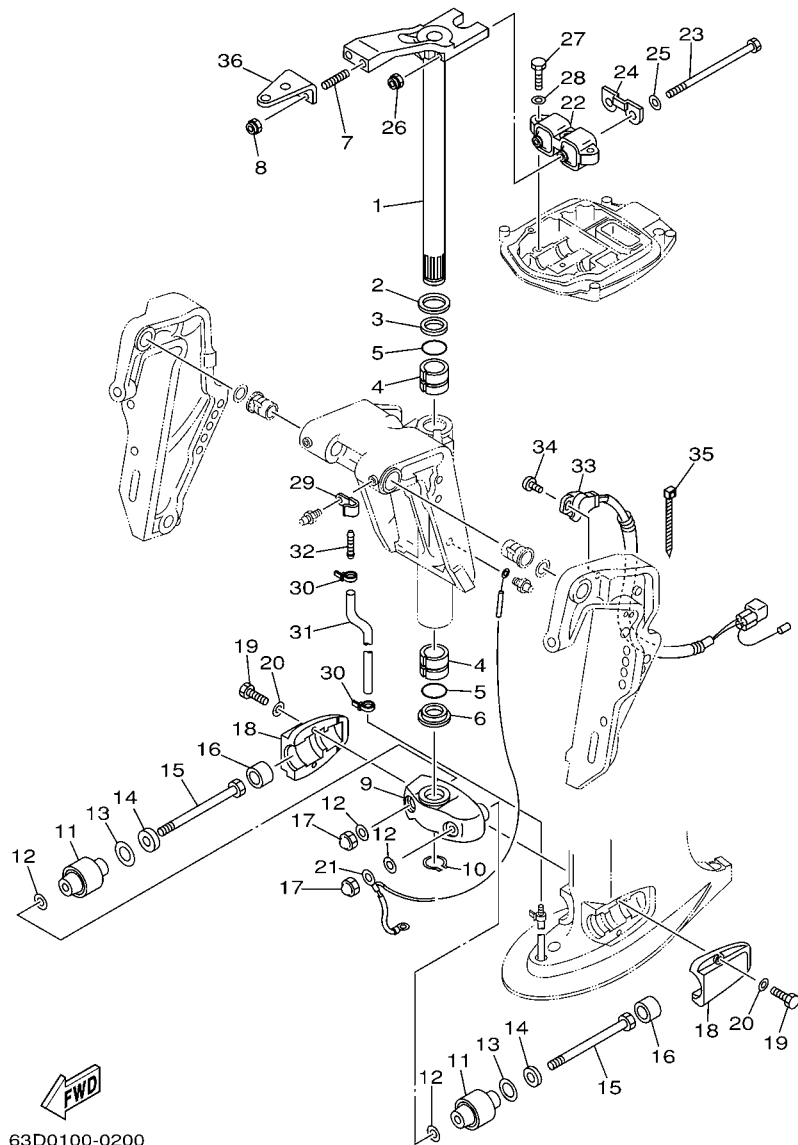


FIG. 17 BRACKET 1

| REF. NO. | PART NO.    | DESCRIPTION | ET | MHD |  | REMARKS |
|----------|-------------|-------------|----|-----|--|---------|
| 55       | 90465-11M10 | CLAMP       | 3  |     |  |         |
|          |             |             |    |     |  |         |
|          |             |             |    |     |  |         |
|          |             |             |    |     |  |         |
|          |             |             |    |     |  |         |
|          |             |             |    |     |  |         |
|          |             |             |    |     |  |         |
|          |             |             |    |     |  |         |
|          |             |             |    |     |  |         |
|          |             |             |    |     |  |         |

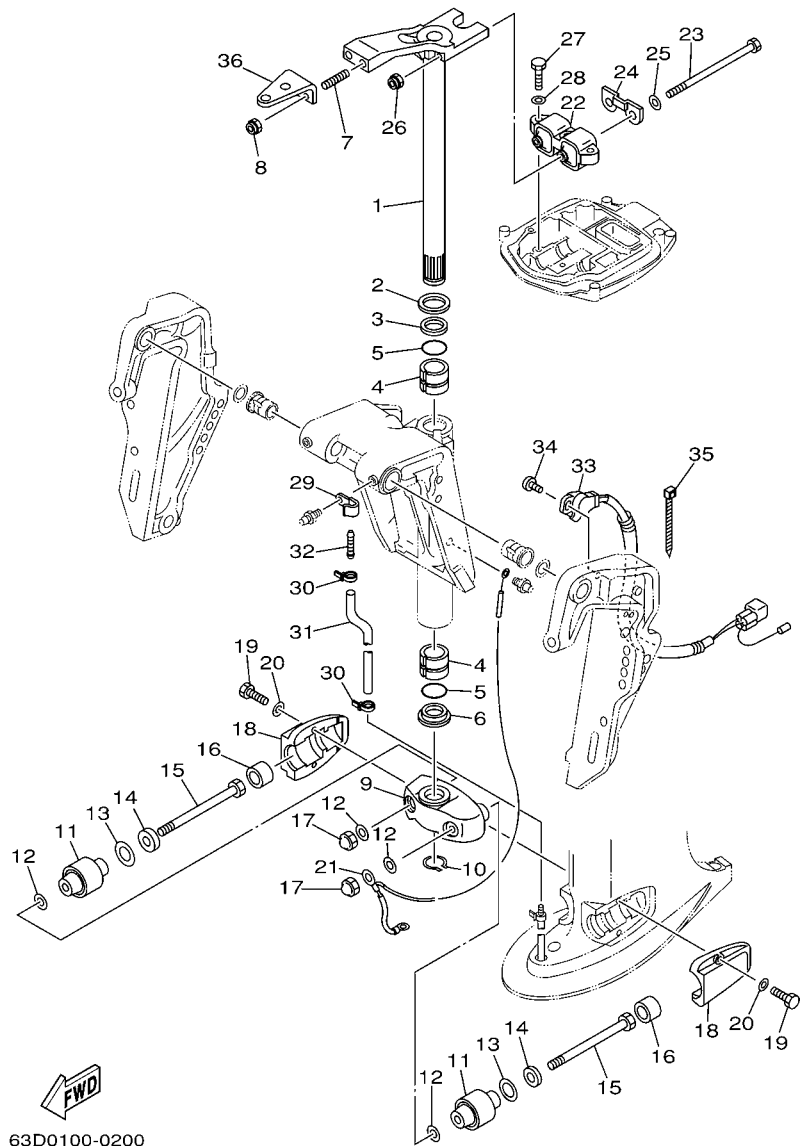
FIG. 18 BRACKET 2



63D0100-0200

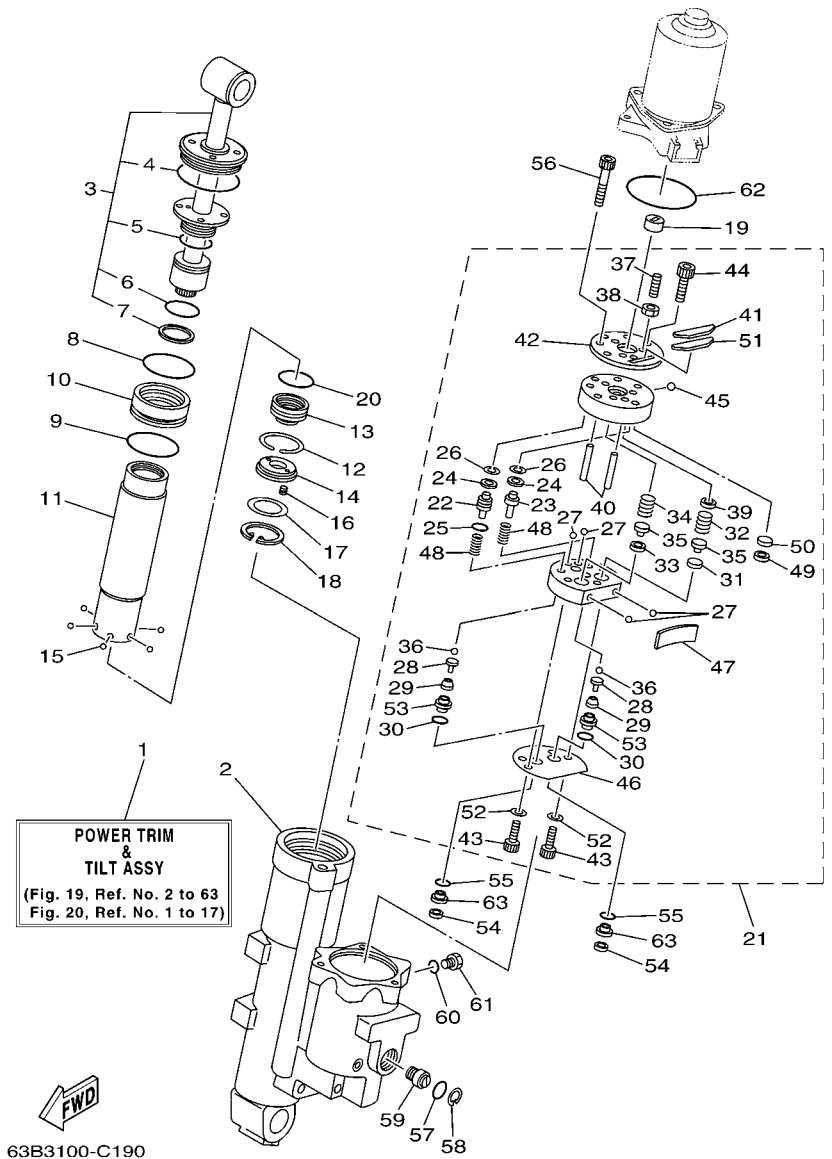
| REF. NO. | PART NO.        | DESCRIPTION                 | ET | MHD |  | REMARKS |
|----------|-----------------|-----------------------------|----|-----|--|---------|
| 1        | 63D-42510-12-4D | STEERING BRACKET ASSY       | 1  | 1   |  | L       |
| 2        | 90201-30M00     | WASHER, PLATE               | 1  | 1   |  |         |
| 3        | 90386-30M78     | BUSH                        | 1  | 1   |  |         |
| 4        | 90386-30M77     | BUSH                        | 2  | 2   |  |         |
| 5        | 93210-29M94     | O-RING                      | 2  | 2   |  |         |
| 6        | 90386-30M60     | BUSH                        | 1  | 1   |  |         |
| 7        | 90116-10175     | BOLT, STUD                  | 2  | 2   |  |         |
| 8        | 90185-10051     | NUT, SELF-LOCKING           | 2  | 2   |  |         |
| 9        | 63D-44551-01-4D | HOUSING, LOWER MOUNT RUBBER | 1  | 1   |  |         |
| 10       | 93410-28M06     | CIRCLIP                     | 1  | 1   |  |         |
| 11       | 63D-44555-00-94 | MOUNT DAMPER, LOWER SIDE    | 2  | 2   |  | L       |
| 12       | 90201-12M16     | WASHER, PLATE               | 4  | 4   |  |         |
| 13       | 90202-25M04     | WASHER, PLATE               | 2  | 2   |  |         |
| 14       | 90201-13M19     | WASHER, PLATE               | 2  | 2   |  |         |
| 15       | 90109-12M21     | BOLT                        | 2  | 2   |  |         |
| 16       | 663-44575-00    | DAMPER, LOWER MOUNT RUBBER  | 2  | 2   |  |         |
| 17       | 95380-12800     | NUT, CROWN                  | 2  | 2   |  |         |
| 18       | 63D-44552-01-4D | HOUSING, LOWER MOUNT RUBBER | 2  | 2   |  |         |
| 19       | 97075-08030     | BOLT                        | 4  | 4   |  |         |
| 20       | 92995-08100     | WASHER                      | 4  | 4   |  |         |
| 21       | 63D-82127-10    | WIRE, LEAD 2                | 1  | 1   |  | L       |
| 22       | 63D-44514-01-94 | MOUNT DAMPER, UPPER SIDE    | 1  | 1   |  |         |
| 23       | 90101-08M15     | BOLT                        | 2  | 2   |  |         |
| 24       | 63D-44526-00    | PLATE                       | 1  | 1   |  |         |
| 25       | 90201-09425     | WASHER, PLATE               | 2  | 2   |  |         |
| 26       | 90185-08045     | NUT, SELF-LOCKING           | 2  | 2   |  |         |
| 27       | 97075-08030     | BOLT                        | 3  | 3   |  |         |

FIG. 18 BRACKET 2



63D0100-0200

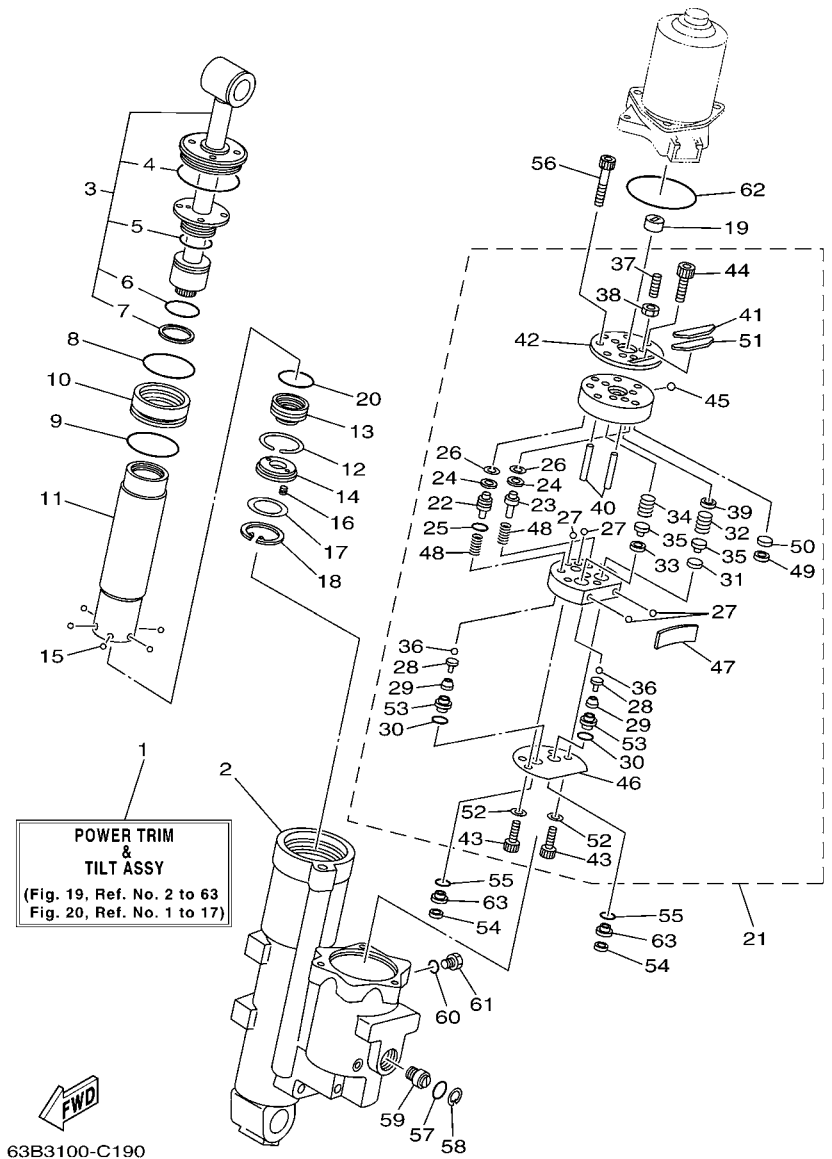
| REF. NO. | PART NO.        | DESCRIPTION     | ET | MHD | REMARKS        |
|----------|-----------------|-----------------|----|-----|----------------|
| 28       | 92995-08100     | WASHER          | 3  | 3   |                |
| 29       | 90465-06M86     | CLAMP           | 1  |     |                |
| 30       | 90465-11M10     | CLAMP           | 2  |     |                |
| 31       | 90445-07MF1     | HOSE (L570)     | 1  |     |                |
| 32       | 6E5-83558-00    | END, NIPPLE     | 1  |     |                |
| 33       | 63D-83672-01    | TRIM SENDER     | 1  |     |                |
| 34       | 97885-06016     | SCREW, PAN HEAD | 2  |     |                |
| 35       | 90465-13M11     | CLAMP           | 1  |     |                |
| 36       | 63D-48511-00-4D | HOOK, STEERING  | 1  |     | STEERING GUIDE |



63B3100-C190

**FIG. 19 POWER TRIM & TILT ASSY 1**

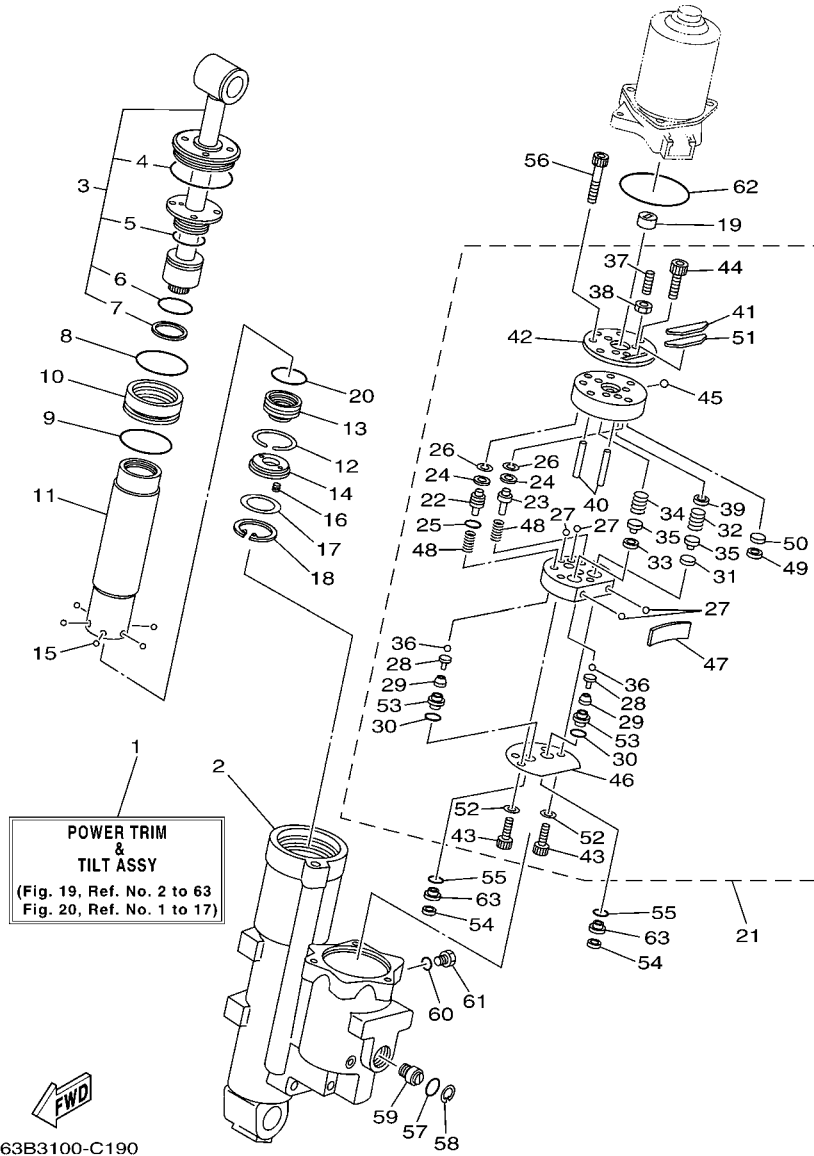
| REF. NO. | PART NO.        | DESCRIPTION              | ET | MHD | REMARKS |
|----------|-----------------|--------------------------|----|-----|---------|
| 1        | 62Y-43800-01-4D | POWER TRIM & TILT ASSY   | 1  |     |         |
| 2        | 62Y-4380K-01    | CYLINDER, TILT SUB ASSY  | 1  |     |         |
| 3        | 62X-43810-01    | TILT PISTON SUB ASSY     | 1  |     |         |
| 4        | 62X-43861-00    | .O-RING                  | 1  |     |         |
| 5        | 62X-43862-00    | .O-RING                  | 1  |     |         |
| 6        | 93210-29375     | .O-RING                  | 1  |     |         |
| 7        | 62X-43871-00    | .RING, BACK UP           | 1  |     |         |
| 8        | 93210-44383     | O-RING                   | 1  |     |         |
| 9        | 93210-48214     | O-RING                   | 1  |     |         |
| 10       | 62X-4388A-00    | PISTON, TRIM             | 1  |     |         |
| 11       | 62Y-22471-00    | CYLINDER, SHOCK ABSORBER | 1  |     |         |
| 12       | 67F-43875-00    | RING, SNAP               | 1  |     |         |
| 13       | 69W-4381B-00    | FREE PISTON SUB ASSY     | 1  |     |         |
| 14       | 62X-43899-00    | PLATE STOPPER            | 1  |     |         |
| 15       | 93503-16003     | BALL                     | 6  |     |         |
| 16       | 62X-4384H-00    | SPRING                   | 2  |     |         |
| 17       | 1UF-22434-00    | PLATE, VALVE 1           | 1  |     |         |
| 18       | 62X-43875-00    | RING, SNAP               | 1  |     |         |
| 19       | 6H1-43831-10    | CONNECTOR, SHAFT         | 1  |     |         |
| 20       | 93210-29375     | O-RING                   | 1  |     |         |
| 21       | 62Y-43830-01    | GEAR PUMP ASSY           | 1  |     |         |
| 22       | 69J-43841-00    | .PISTON, SHUTTLE         | 1  |     |         |
| 23       | 69J-4384M-00    | .PISTON, SHUTTLE 2       | 1  |     |         |
| 24       | 69A-4384F-00    | .SEAL, MAIN VALVE        | 2  |     |         |
| 25       | 6H1-43883-00    | .O-RING                  | 1  |     |         |
| 26       | 99001-03600     | .CIRCLIP                 | 2  |     |         |
| 27       | 93505-32038     | .BALL                    | 4  |     |         |



63B3100-C190

FIG. 19 POWER TRIM & TILT ASSY 1

| REF. NO. | PART NO.     | DESCRIPTION             | ET | MHD | REMARKS |
|----------|--------------|-------------------------|----|-----|---------|
| 28       | 65W-4386A-00 | .PIN, ABSORBER VALVE    | 2  |     |         |
| 29       | 69J-43853-00 | .SPRING, MAIN VALVE     | 2  |     |         |
| 30       | 69J-4389J-00 | .O-RING                 | 2  |     |         |
| 31       | 6H1-4384G-11 | .SEAL, RELIEF VALVE     | 1  |     |         |
| 32       | 62Y-43855-00 | .SPRING, UP RELIEF      | 1  |     |         |
| 33       | 6H1-4384F-10 | .SEAL, MAIN VALVE       | 1  |     |         |
| 34       | 6H1-43856-10 | .SPRING, DOWN RELIEF    | 1  |     |         |
| 35       | 6H1-43844-10 | .PIN, VALVE SUPPORT     | 2  |     |         |
| 36       | 93505-32038  | .BALL                   | 2  |     |         |
| 37       | 92A08-03110  | .SCREW SET              | 1  |     |         |
| 38       | 95307-03600  | .NUT                    | 1  |     |         |
| 39       | 62Y-4382A-00 | .ADAPTOR 1              | 1  |     |         |
| 40       | 93604-26256  | .PIN, DOWEL             | 2  |     |         |
| 41       | 62Y-43816-00 | .FILTER 1               | 1  |     |         |
| 42       | 62Y-4382L-00 | .CAP, RELIEF VALVE      | 1  |     |         |
| 43       | 91318-05020  | .BOLT                   | 2  |     |         |
| 44       | 91318-05008  | .BOLT                   | 2  |     |         |
| 45       | 93501-08001  | .BALL                   | 1  |     |         |
| 46       | 69W-4384G-00 | .SEAL, RELIEF VALVE     | 1  |     |         |
| 47       | 62Y-43854-00 | .SPRING, MANUAL RELEASE | 1  |     |         |
| 48       | 69J-43894-00 | .SPRING, SHUTTLE RETURN | 2  |     |         |
| 49       | 62Y-4387J-00 | .WASHER, SPECIAL 2      | 1  |     |         |
| 50       | 62Y-22434-00 | .PLATE, VALVE 1         | 1  |     |         |
| 51       | 62Y-43871-00 | .RING, BACK UP          | 1  |     |         |
| 52       | 62Y-4387G-00 | .WASHER                 | 2  |     |         |
| 53       | 69J-43893-00 | .WASHER                 | 2  |     |         |
| 54       | 6H1-43816-00 | FILTER 1                | 2  |     |         |

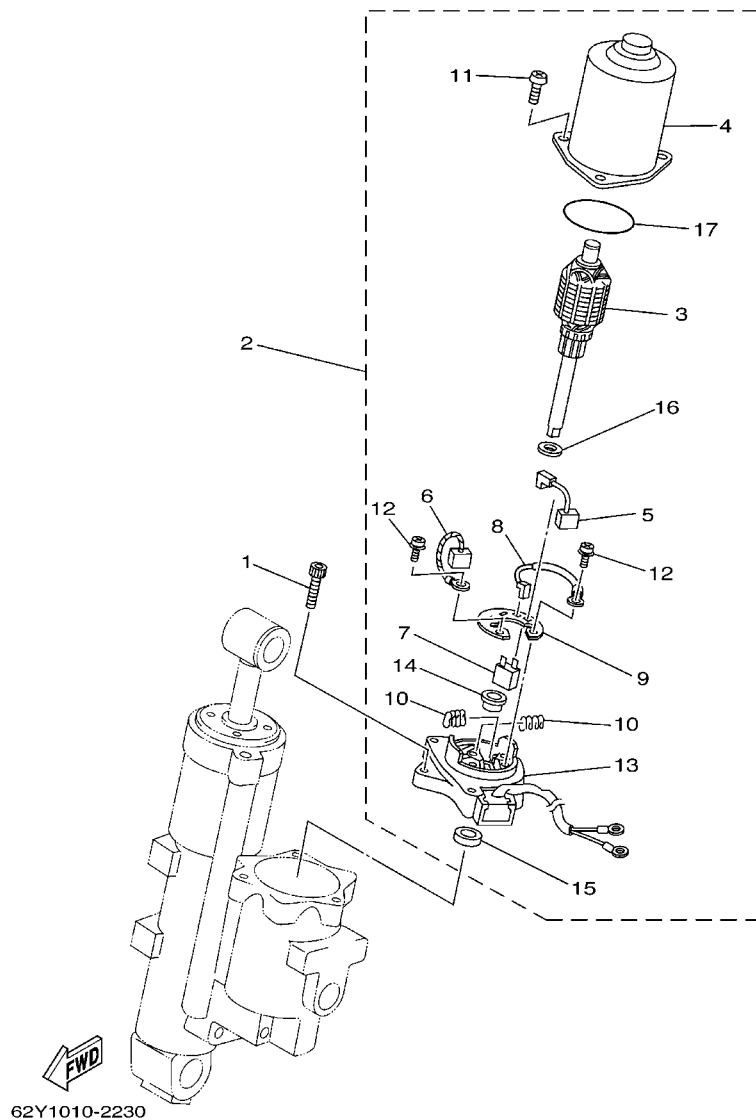


63B3100-C190

FIG. 19 POWER TRIM & TILT ASSY 1

| REF. NO. | PART NO.     | DESCRIPTION           | ET | MHD |  |  | REMARKS |
|----------|--------------|-----------------------|----|-----|--|--|---------|
| 55       | 69J-4389J-00 | O-RING                | 2  |     |  |  |         |
| 56       | 91318-06040  | BOLT                  | 3  |     |  |  |         |
| 57       | 93210-18397  | O-RING                | 1  |     |  |  |         |
| 58       | 6H1-43875-00 | RING, SNAP            | 1  |     |  |  |         |
| 59       | 62Y-43845-00 | SCREW, MANUAL RELEASE | 1  |     |  |  |         |
| 60       | 93210-09165  | O-RING                | 1  |     |  |  |         |
| 61       | 6H1-43829-00 | PLUG, RESERVOIR       | 1  |     |  |  |         |
| 62       | 62X-43865-00 | O-RING                | 1  |     |  |  |         |
| 63       | 69W-43899-01 | PLATE STOPPER         | 2  |     |  |  |         |
|          |              |                       |    |     |  |  |         |
|          |              |                       |    |     |  |  |         |
|          |              |                       |    |     |  |  |         |
|          |              |                       |    |     |  |  |         |
|          |              |                       |    |     |  |  |         |
|          |              |                       |    |     |  |  |         |
|          |              |                       |    |     |  |  |         |
|          |              |                       |    |     |  |  |         |
|          |              |                       |    |     |  |  |         |
|          |              |                       |    |     |  |  |         |
|          |              |                       |    |     |  |  |         |

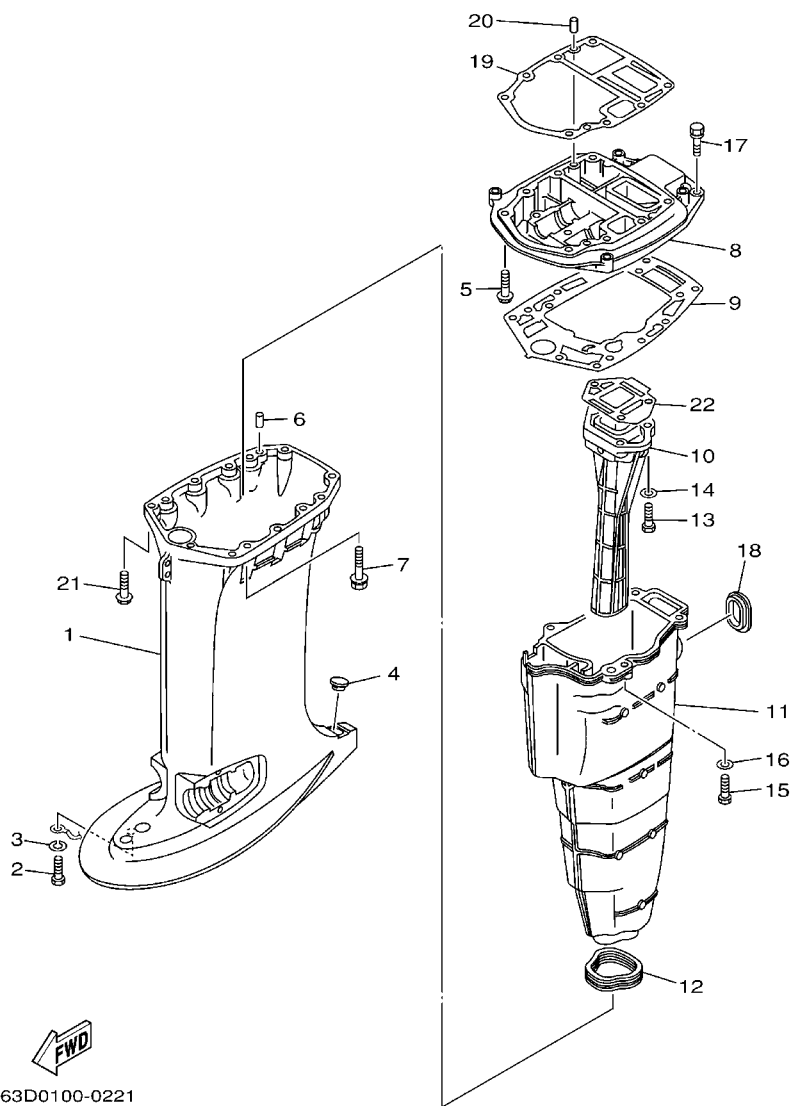
FIG. 20 POWER TRIM & TILT ASSY 2



| REF. NO. | PART NO.     | DESCRIPTION            | ET | MHD |  | REMARKS |
|----------|--------------|------------------------|----|-----|--|---------|
| 1        | 62X-43888-00 | BOLT, SOCKET           | 3  |     |  |         |
| 2        | 62Y-43880-01 | MOTOR ASSY             | 1  |     |  |         |
| 3        | 62Y-43805-00 | .ARMATURE ASSY         | 1  |     |  |         |
| 4        | 62X-43804-01 | .STATOR ASSY           | 1  |     |  |         |
| 5        | 62Y-43892-00 | .BRUSH 2               | 1  |     |  |         |
| 6        | 62Y-43891-00 | .BRUSH 1               | 1  |     |  |         |
| 7        | 62Y-82181-01 | .CIRCUIT BREAKER COMP. | 1  |     |  |         |
| 8        | 62X-43807-00 | .WIRE SUB ASSY         | 1  |     |  |         |
| 9        | 69W-4380F-00 | .PLATE, BRUSH HOLDER   | 1  |     |  |         |
| 10       | 62X-4386K-00 | .SPRING, BRUSH         | 2  |     |  |         |
| 11       | 97880-05020  | .SCREW, PAN HEAD       | 3  |     |  |         |
| 12       | 97607-04212  | .SCREW, WITH WASHER    | 2  |     |  |         |
| 13       | 62Y-43881-00 | .FRAME, END            | 1  |     |  |         |
| 14       | 62X-4380H-00 | .METAL                 | 1  |     |  |         |
| 15       | 93102-08414  | .OIL SEAL              | 1  |     |  |         |
| 16       | 90201-083J8  | .WASHER, PLATE         | 1  |     |  |         |
| 17       | 93210-52449  | .O-RING                | 1  |     |  |         |

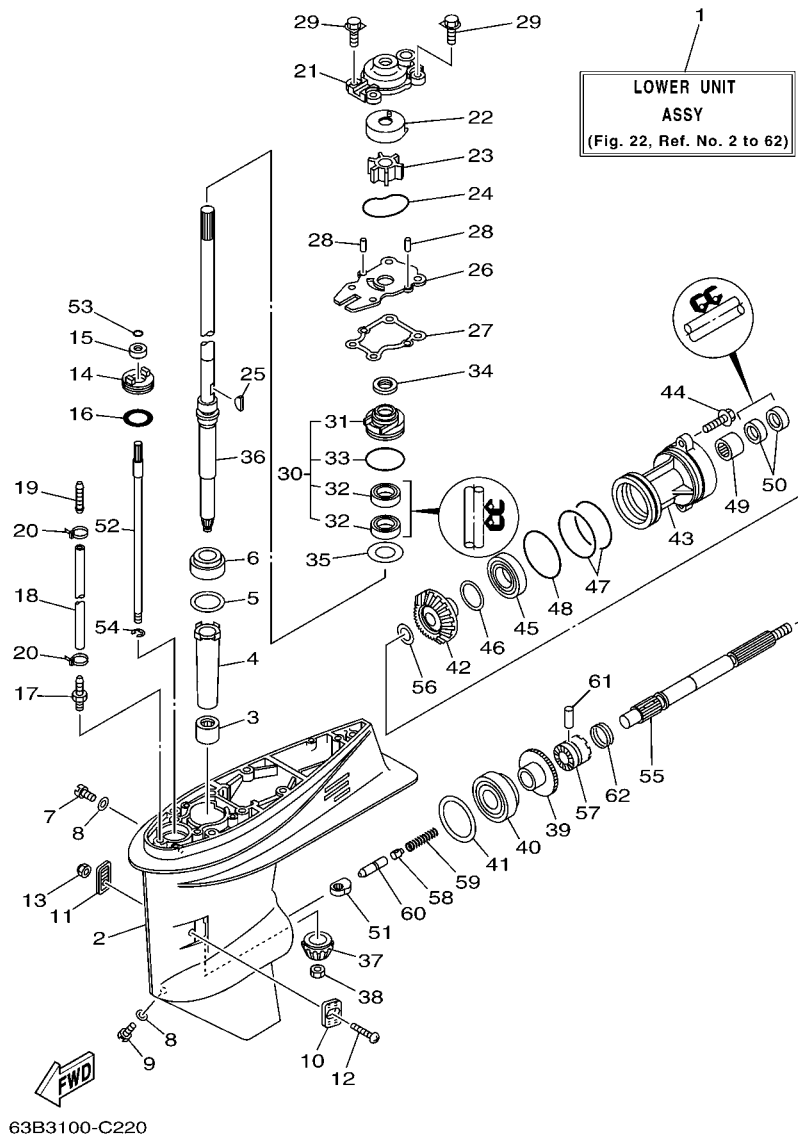


FIG. 21 UPPER CASING



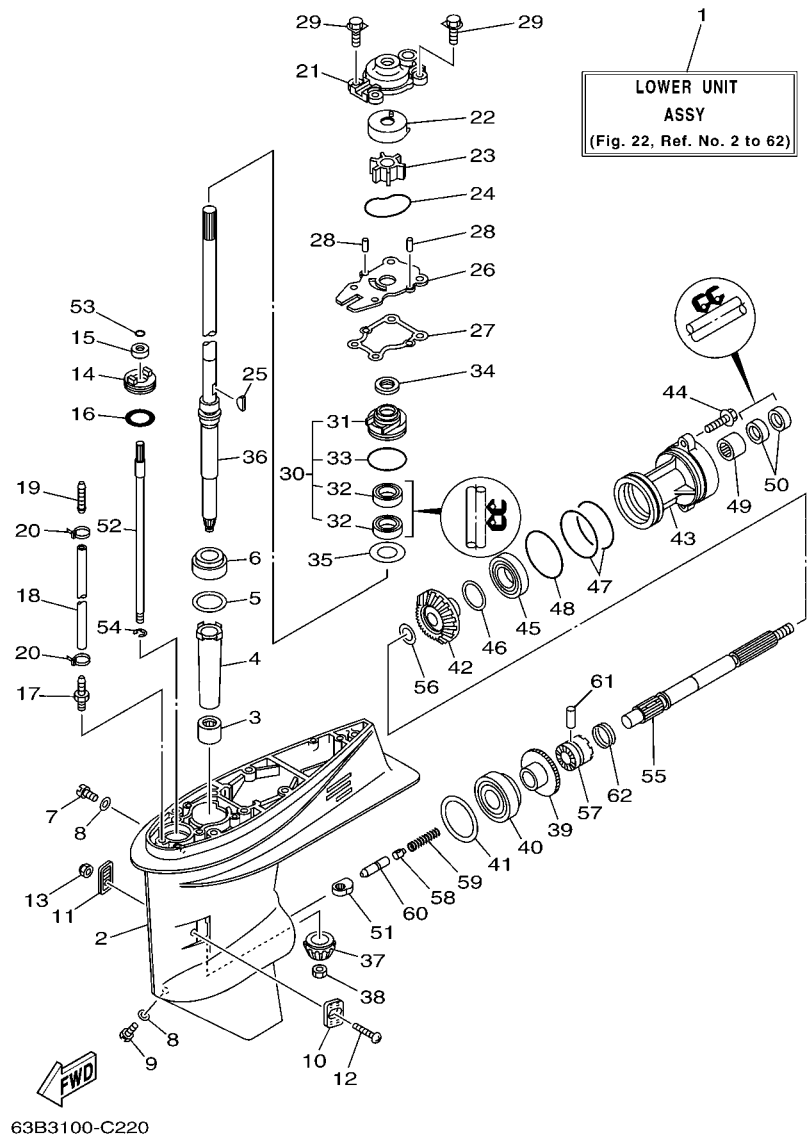
63D0100-0221

| REF. NO. | PART NO.        | DESCRIPTION              | ET | MHD |  | REMARKS |
|----------|-----------------|--------------------------|----|-----|--|---------|
| 1        | 63D-45111-11-4D | CASING, UPPER            | 1  | 1   |  | L       |
| 2        | 97095-06012     | BOLT                     | 1  | 1   |  |         |
| 3        | 92995-06100     | WASHER, SPRING           | 1  | 1   |  |         |
| 4        | 63D-45155-00    | CAP                      | 1  | 1   |  |         |
| 5        | 97575-08445     | BOLT, WITH WASHER        | 2  | 2   |  |         |
| 6        | 93606-12019     | PIN, DOWEL               | 2  | 2   |  |         |
| 7        | 90119-08M83     | BOLT, WITH WASHER        | 6  | 6   |  |         |
| 8        | 63D-41137-01-5B | GUIDE, EXHAUST           | 1  | 1   |  |         |
| 9        | 63D-45114-A0    | GASKET, UPPER CASING     | 1  | 1   |  |         |
| 10       | 6H4-41131-01-5B | MANIFOLD, EXT. 1         |    | 1   |  | 40V     |
|          | 6H5-41131-00-5B | MANIFOLD, EXT. 1         | 1  | 1   |  | 50H     |
| 11       | 63D-14711-11-5B | MUFFLER 1                | 1  | 1   |  | L       |
| 12       | 63D-45123-00    | GASKET, MUFFLER          | 1  | 1   |  |         |
| 13       | 97075-08030     | BOLT                     | 3  | 3   |  |         |
| 14       | 92995-08600     | WASHER                   | 3  | 3   |  |         |
| 15       | 97075-08030     | BOLT                     | 4  | 4   |  |         |
| 16       | 92995-08600     | WASHER                   | 4  | 4   |  |         |
| 17       | 90119-08M79     | BOLT, WITH WASHER        | 2  | 2   |  |         |
| 18       | 6H3-45127-00    | SEAL                     | 1  | 1   |  |         |
| 19       | 6H4-45113-A0    | GASKET, UPPER CASING     | 1  | 1   |  |         |
| 20       | 93606-12019     | PIN, DOWEL               | 2  | 2   |  |         |
| 21       | 97575-08445     | BOLT, WITH WASHER        | 2  | 2   |  |         |
| 22       | 6H4-41134-A0    | GASKET, EXHAUST MANIFOLD | 1  | 1   |  |         |



**FIG. 22 LOWER CASING & DRIVE 1**

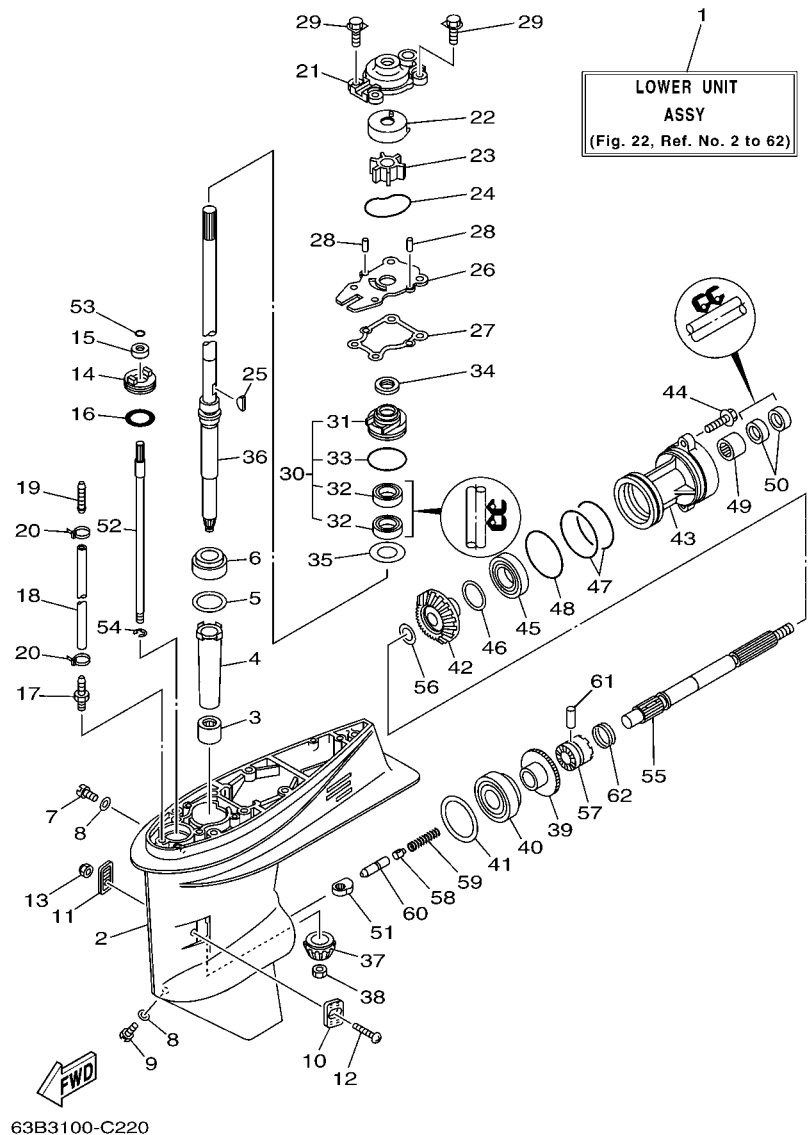
| REF. NO. | PART NO.        | DESCRIPTION          | ET | MHD |  | REMARKS |
|----------|-----------------|----------------------|----|-----|--|---------|
| 1        | 63D-45300-12-4D | LOWER UNIT ASSY      | 1  | 1   |  | L       |
| 2        | 63D-45301-03-4D | CASING, LOWER        | 1  | 1   |  |         |
| 3        | 93315-32224     | BEARING              | 1  | 1   |  |         |
| 4        | 6H4-45536-00    | SLEEVE, DRIVE SHAFT  | 1  | 1   |  |         |
| 5        | 663-45587-01-10 | SHIM (T:0.10MM)      | 1  | 1   |  | UR      |
| 6        | 663-45587-01-12 | SHIM (T:0.12MM)      | 1  | 1   |  | UR      |
| 7        | 663-45587-01-15 | SHIM (T:0.15MM)      | 1  | 1   |  | UR      |
| 8        | 663-45587-01-18 | SHIM (T:0.18MM)      | 1  | 1   |  | UR      |
| 9        | 663-45587-01-30 | SHIM (T:0.30MM)      | 1  | 1   |  | UR      |
| 10       | 663-45587-01-40 | SHIM (T:0.40MM)      | 1  | 1   |  | UR      |
| 11       | 663-45587-01-50 | SHIM (T:0.50MM)      | 1  | 1   |  | UR      |
| 12       | 93332-00001     | BEARING              | 1  | 1   |  |         |
| 13       | 90340-08002     | PLUG, STRAIGHT SCREW | 1  | 1   |  |         |
| 14       | 90430-08020     | GASKET               | 2  | 2   |  |         |
| 15       | 688-45341-10    | PLUG, DRAIN          | 1  | 1   |  |         |
| 16       | 63D-45214-00    | COVER, WATER INLET   | 1  | 1   |  |         |
| 17       | 63D-45215-00    | COVER, WATER INLET   | 1  | 1   |  |         |
| 18       | 90142-05M06     | SCREW, COUNTERSUNK   | 1  | 1   |  |         |
| 19       | 95380-05600     | NUT                  | 1  | 1   |  |         |
| 20       | 63D-45321-00    | PLATE                | 1  | 1   |  |         |
| 21       | 93106-09014     | OIL SEAL             | 1  | 1   |  |         |
| 22       | 93210-33MG4     | O-RING               | 1  | 1   |  |         |
| 23       | 6E5-45378-00    | NIPPLE, HOSE         | 1  | 1   |  |         |
| 24       | 90445-07M31     | HOSE (L200)          | 1  | 1   |  | L       |
| 25       | 6E5-83558-10    | END, NIPPLE          | 1  | 1   |  |         |
| 26       | 6E5-83558-00    | END, NIPPLE          | 1  | 1   |  |         |
| 27       | 90465-11M10     | CLAMP                | 2  | 2   |  |         |



63B3100-C220

**FIG. 22 LOWER CASING & DRIVE 1**

| REF. NO. | PART NO.        | DESCRIPTION             | ET | MHD |  | REMARKS |
|----------|-----------------|-------------------------|----|-----|--|---------|
| 21       | 63D-44311-00    | HOUSING, WATER PUMP     | 1  | 1   |  |         |
| 22       | 63D-44322-00    | INSERT, CARTRIDGE       | 1  | 1   |  |         |
| 23       | 6H3-44352-00    | IMPELLER                | 1  | 1   |  |         |
| 24       | 93210-59MG7     | O-RING                  | 1  | 1   |  |         |
| 25       | 90280-03024     | KEY, WOODRUFF           | 1  | 1   |  |         |
| 26       | 63D-44323-00    | OUTER PLATE, CARTRIDGE  | 1  | 1   |  |         |
| 27       | 63D-44316-00    | GASKET, WATER PUMP      | 1  | 1   |  |         |
| 28       | 93604-08062     | PIN, DOWEL              | 2  | 2   |  |         |
| 29       | 90119-08M15     | BOLT, WITH WASHER       | 4  | 4   |  |         |
| 30       | 63D-W4434-00    | WATER PUMP HOUSING ASSY | 1  | 1   |  |         |
| 31       | 63D-44341-00    | .HOUSING, WATER PUMP    | 1  | 1   |  |         |
| 32       | 93101-25M57     | .OIL SEAL               | 2  | 2   |  |         |
| 33       | 93210-48MG8     | .O-RING                 | 1  | 1   |  |         |
| 34       | 63D-45344-00    | COVER, OIL SEAL         | 1  | 1   |  |         |
| 35       | 90201-27M00     | WASHER, PLATE           | 1  | 1   |  |         |
| 36       | 63D-45501-10    | DRIVE SHAFT COMP.       | 1  | 1   |  | L       |
| 37       | 6H4-45551-01    | PINION                  | 1  | 1   |  |         |
| 38       | 90170-12138     | NUT                     | 1  | 1   |  |         |
| 39       | 6H4-45560-01    | GEAR                    | 1  | 1   |  |         |
| 40       | 93332-00003     | BEARING                 | 1  | 1   |  |         |
| 41       | 663-45567-01-10 | SHIM (T:0.10MM)         | 1  | 1   |  | UR      |
|          | 663-45567-01-12 | SHIM (T:0.12MM)         | 1  | 1   |  | UR      |
|          | 663-45567-01-15 | SHIM (T:0.15MM)         | 1  | 1   |  | UR      |
|          | 663-45567-01-18 | SHIM (T:0.18MM)         | 1  | 1   |  | UR      |
|          | 663-45567-01-30 | SHIM (T:0.30MM)         | 1  | 1   |  | UR      |
|          | 663-45567-01-40 | SHIM (T:0.40MM)         | 1  | 1   |  | UR      |
|          | 663-45567-01-50 | SHIM (T:0.50MM)         | 1  | 1   |  | UR      |

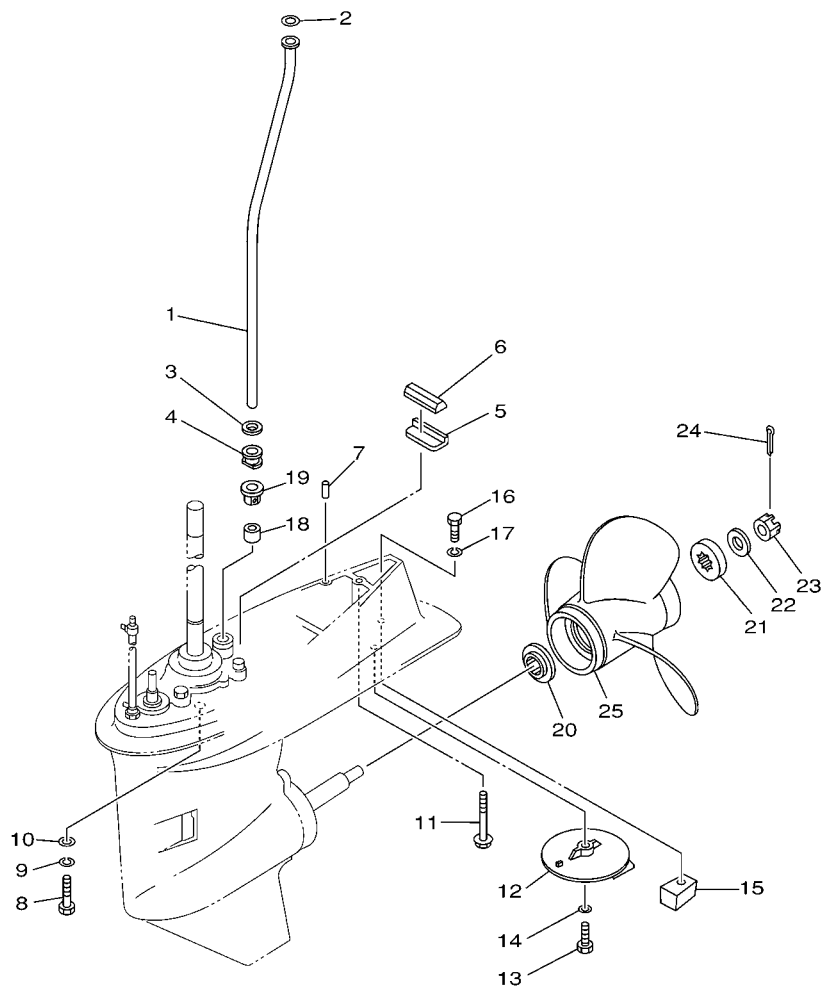


63B3100-C220

**FIG. 22 LOWER CASING & DRIVE 1**

| REF. NO. | PART NO.        | DESCRIPTION         | ET | MHD |  | REMARKS |
|----------|-----------------|---------------------|----|-----|--|---------|
| 42       | 6H4-45571-01    | GEAR                | 1  | 1   |  |         |
| 43       | 63D-45361-02-4D | CAP, LOWER CASING   | 1  | 1   |  |         |
| 44       | 90105-08M61     | BOLT, FLANGE        | 2  | 2   |  |         |
| 45       | 93306-001U1     | BEARING             | 1  | 1   |  |         |
| 46       | 63D-45577-00-10 | SHIM (T:0.10MM)     | 1  | 1   |  | UR      |
| ---      | 63D-45577-00-12 | SHIM (T:0.12MM)     | 1  | 1   |  | UR      |
|          | 63D-45577-00-15 | SHIM (T:0.15MM)     | 1  | 1   |  | UR      |
|          | 63D-45577-00-18 | SHIM (T:0.18MM)     | 1  | 1   |  | UR      |
|          | 63D-45577-00-30 | SHIM (T:0.30MM)     | 1  | 1   |  | UR      |
|          | 63D-45577-00-40 | SHIM (T:0.40MM)     | 1  | 1   |  | UR      |
| ---      | 63D-45577-00-50 | SHIM (T:0.50MM)     | 1  | 1   |  | UR      |
| 47       | 93210-74MG5     | O-RING              | 2  | 2   |  |         |
| 48       | 93210-69MG6     | O-RING              | 1  | 1   |  |         |
| 49       | 93317-22204     | BEARING             | 1  | 1   |  |         |
| 50       | 93101-22M00     | OIL SEAL            | 2  | 2   |  |         |
| ---      | 663-44151-00    | CAM, SHIFT          | 1  | 1   |  |         |
| 52       | 63D-44144-00    | ROD, SHIFT          | 1  | 1   |  |         |
| 53       | 93210-07003     | O-RING              | 1  | 1   |  |         |
| 54       | 99001-08600     | CIRCLIP             | 1  | 1   |  |         |
| 55       | 63D-45611-00    | SHAFT, PROPELLER    | 1  | 1   |  |         |
| ---      | 90201-22429     | WASHER, PLATE       | 1  | 1   |  |         |
| 57       | 63D-45631-01    | CLUTCH, DOG         | 1  | 1   |  |         |
| 58       | 663-45634-00    | SLIDE, SHIFT        | 1  | 1   |  |         |
| 59       | 90501-16M01     | SPRING, COMPRESSION | 1  | 1   |  |         |
| 60       | 63D-45635-00    | PLUNGER, SHIFT      | 1  | 1   |  |         |
| ---      | 90250-06023     | PIN, STRAIGHT       | 1  | 1   |  |         |
| 62       | 663-45633-00    | RING, CROSS PIN     | 1  | 1   |  |         |

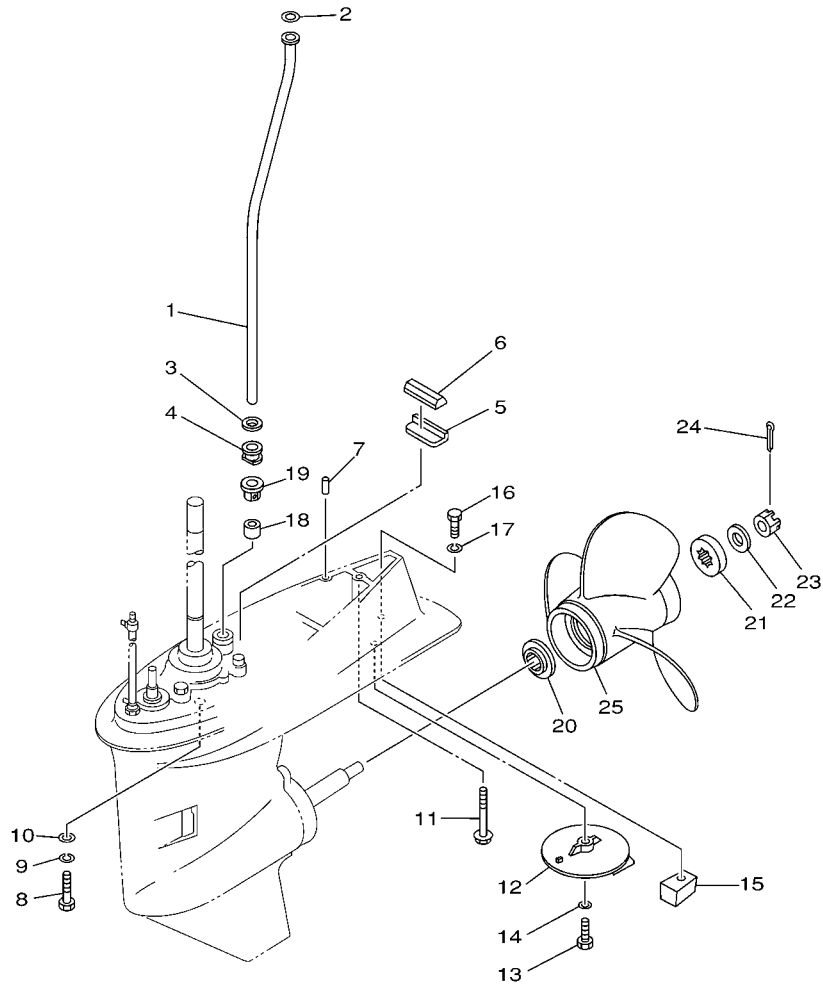
FIG. 23 LOWER CASING & DRIVE 2



  
63D0100-0241

| REF. NO. | PART NO.        | DESCRIPTION                 | ET | MHD |  |  | REMARKS |
|----------|-----------------|-----------------------------|----|-----|--|--|---------|
| 1        | 63D-44361-10    | TUBE, WATER                 | 1  | 1   |  |  | L       |
| 2        | 90202-12060     | WASHER, PLATE               | 1  | 1   |  |  |         |
| 3        | 90430-12072     | GASKET                      | 1  | 1   |  |  |         |
| 4        | 63D-44367-00    | DAMPER, WATER SEAL          | 1  | 1   |  |  |         |
| 5        | 663-45376-00-94 | GUIDE, SEAL DAMPER          | 1  | 1   |  |  |         |
| 6        | 63D-45375-00    | DAMPER, SEAL                | 1  | 1   |  |  |         |
| 7        | 93606-12019     | PIN, DOWEL                  | 2  | 2   |  |  |         |
| 8        | 97075-10040     | BOLT                        | 4  | 4   |  |  |         |
| 9        | 92995-10100     | WASHER                      | 4  | 4   |  |  |         |
| 10       | 92995-10600     | WASHER                      | 4  | 4   |  |  |         |
| 11       | 90119-08M84     | BOLT, WITH WASHER           | 1  | 1   |  |  |         |
| 12       | 664-45371-01    | TAB-TRIM                    | 1  | 1   |  |  |         |
| 13       | 97095-08025     | BOLT                        | 1  | 1   |  |  |         |
| 14       | 92995-08100     | WASHER                      | 1  | 1   |  |  |         |
| 15       | 67C-45251-00    | ANODE                       | 1  | 1   |  |  |         |
| 16       | 97095-08035     | BOLT                        | 1  | 1   |  |  |         |
| 17       | 92995-08100     | WASHER                      | 1  | 1   |  |  |         |
| 18       | 663-44366-00    | DAMPER, WATER SEAL          | 1  | 1   |  |  |         |
| 19       | 63D-44312-00    | COVER, WATER PUMP HOUSING   | 1  | 1   |  |  |         |
| 20       | 663-45987-02    | SPACER                      | 1  | 1   |  |  |         |
| 21       | 670-45997-02    | SPACER                      | 1  | 1   |  |  |         |
| 22       | 92990-16200     | WASHER, PLAIN               | 1  | 1   |  |  |         |
| 23       | 90171-16011     | NUT, CASTLE                 | 1  | 1   |  |  |         |
| 24       | 91490-30025     | PIN, COTTER                 | 1  | 1   |  |  |         |
| 25       | 663-45941-01-EL | PROPELLER (3X10-3/4"X17"-G) | 1  | 1   |  |  | UR      |
|          | 663-45949-01-EL | PROPELLER (3X10-3/4"X16"-G) | 1  | 1   |  |  | UR      |
|          | 663-45952-02-EL | PROPELLER (3X11-3/8"X12"-G) | 1  | 1   |  |  | UR      |

**A6**



**FWD**  
63D0100-0241

**FIG. 23 LOWER CASING & DRIVE 2**

| REF. NO. | PART NO.        | DESCRIPTION                 | ET | MHD |  | REMARKS         |
|----------|-----------------|-----------------------------|----|-----|--|-----------------|
| 25       | 663-45954-01-EL | PROPELLER (3X11-3/4"X10"-G) | 1  | 1   |  | UR              |
|          | 663-45956-01-EL | PROPELLER (3X12-1/4"X9"-G)  | 1  | 1   |  | UR              |
|          | 663-45958-01-EL | PROPELLER (3X11-1/4"X14"-G) | 1  | 1   |  | UR              |
|          | 69W-45943-00-EL | PROPELLER (3X11"X15"-G)     | 1  | 1   |  | UR              |
|          | 69W-45945-00-EL | PROPELLER (3X11-1/8"X13"-G) | 1  | 1   |  | UR              |
|          | 69W-45947-00-EL | PROPELLER (3X11-5/8"X11"-G) | 1  | 1   |  | UR              |
|          | 69W-45952-00-EL | PROPELLER (3X11-3/8"X12"-G) | 1  | 1   |  | UR              |
|          | 6H5-45943-00-EL | PROPELLER (3X10"X15"-G)     | 1  | 1   |  | UR WITH LIP CUP |
|          | 6H5-45945-00-EL | PROPELLER (3X10-3/8"X13"-G) | 1  | 1   |  | UR WITH LIP CUP |
|          | 6H5-45952-00-EL | PROPELLER (3X10-5/8"X12"-G) | 1  | 1   |  | UR WITH LIP CUP |
|          | 6H5-45958-00-EL | PROPELLER (3X10-1/4"X14"-G) | 1  | 1   |  | UR WITH LIP CUP |
|          | 663-45930-00-98 | PROPELLER (3X10-1/4"X14"-G) | 1  | 1   |  | UR              |
|          | 663-45974-02-98 | PROPELLER (3X10-5/8"X13"-G) | 1  | 1   |  | UR              |
|          | 663-45976-00-98 | PROPELLER (3X10-1/4"X15"-G) | 1  | 1   |  | UR              |
|          | 663-45978-00-98 | PROPELLER (3X10-1/4"X16"-G) | 1  | 1   |  | UR              |
|          | 663-45970-60-98 | PROPELLER (3X11-3/4"X12"-G) | 1  | 1   |  | UR              |
|          | 663-45972-60-98 | PROPELLER (3X12"X11"-G)     | 1  | 1   |  | UR              |
|          | 663-45974-60-98 | PROPELLER (3X11-1/2"X13"-G) | 1  | 1   |  | UR              |
|          | 697-45970-00-98 | PROPELLER (3X11-1/4"X14"-G) | 1  | 1   |  | UR              |

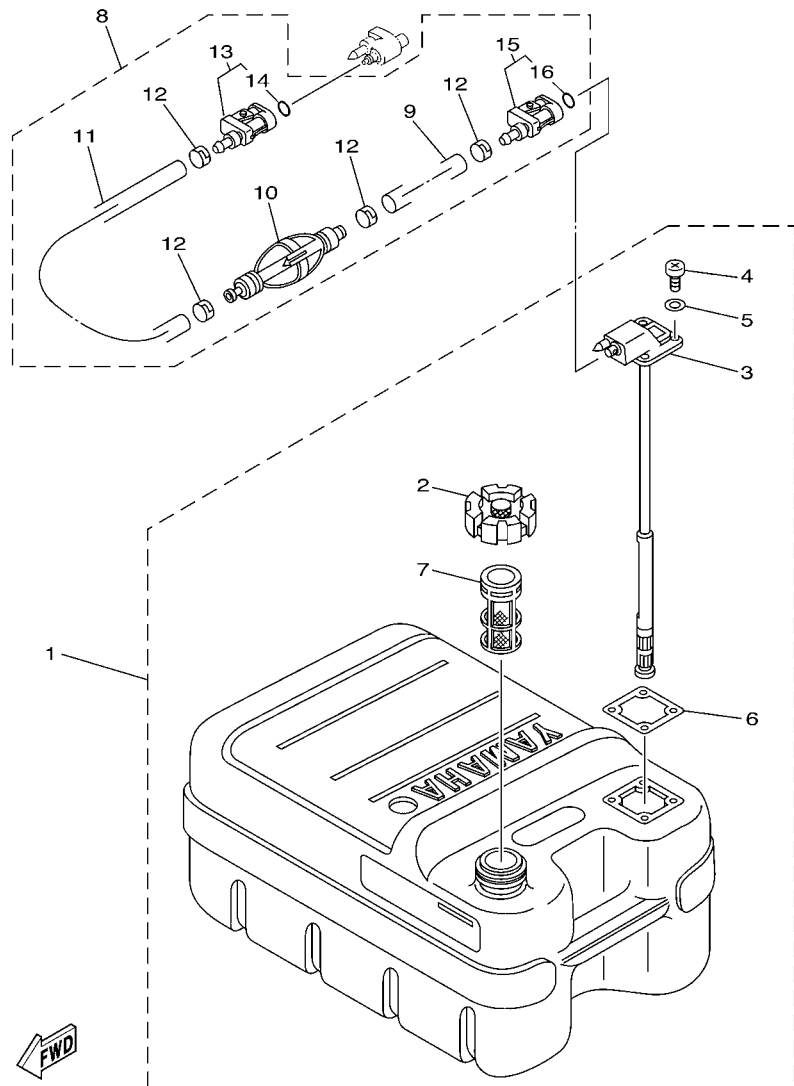
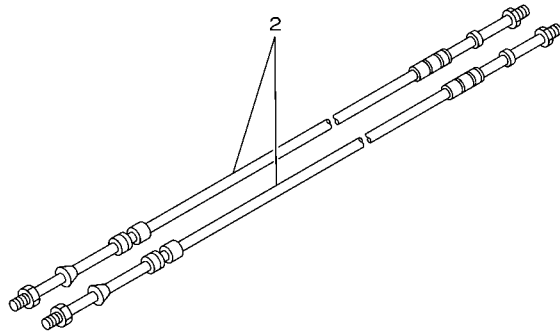
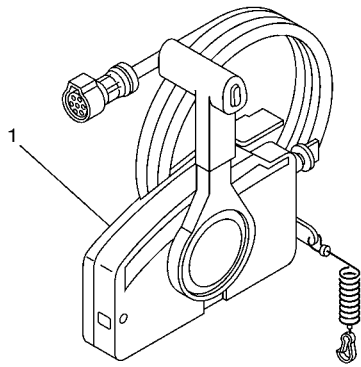


FIG. 24 FUEL TANK

| REF. NO. | PART NO.     | DESCRIPTION              | ET | MHD | REMARKS        |
|----------|--------------|--------------------------|----|-----|----------------|
| 1        | 6YJ-24201-10 | FUEL TANK ASSY (24L)     | 1  | 1   | AP             |
| 2        | 6YJ-24610-00 | .CAP ASSY                | 1  | 1   |                |
| 3        | 6Y1-24260-12 | .FUEL METER ASSY         | 1  | 1   | WITH INDICATOR |
| 4        | 98586-05016  | .SCREW, PAN HEAD         | 4  | 4   |                |
| 5        | 6Y1-24329-00 | .SEAL                    | 4  | 4   |                |
| 6        | 6Y1-24268-00 | .GASKET, FUEL METER      | 1  | 1   |                |
| 7        | 6YJ-24167-00 | .STRAINER                | 1  | 1   |                |
| 8        | 61J-24306-03 | FUEL PIPE COMP. 1        | 1  | 1   | AP             |
| 9        | 90445-11M06  | .HOSE (L2050)            | 1  | 1   |                |
| 10       | 61J-24360-00 | .PRIMER PUMP ASSY        | 1  | 1   |                |
| 11       | 90445-11M05  | .HOSE (L850)             | 1  | 1   |                |
| 12       | 650-24351-01 | .BAND 1                  | 4  | 4   |                |
| 13       | 6G1-24305-04 | .FUEL PIPE JOINT COMP. 2 | 1  | 1   |                |
| 14       | 93210-08287  | ..O-RING                 | 1  | 1   |                |
| 15       | 6Y1-24305-05 | .FUEL PIPE JOINT COMP. 2 | 1  | 1   |                |
| 16       | 93210-08287  | ..O-RING                 | 1  | 1   |                |



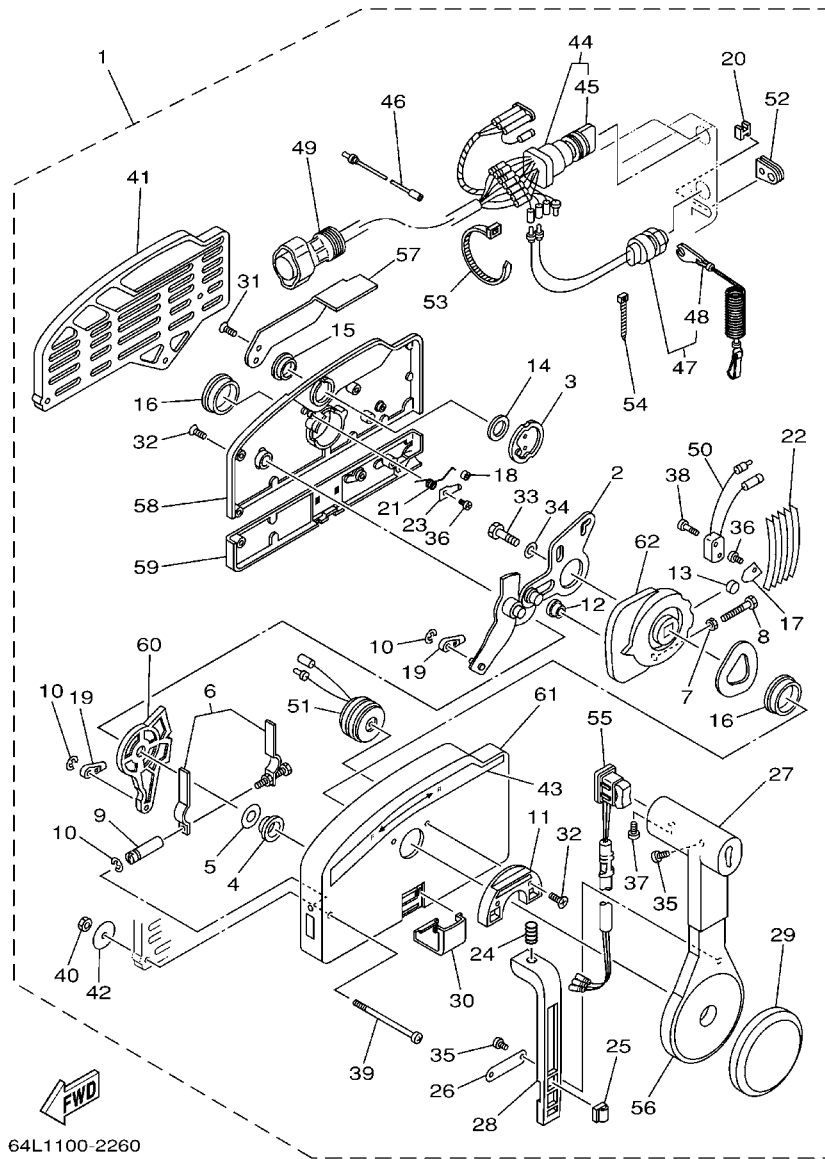




67M0100-8280

**FIG. 26 REMOTE CONTROL BOX**

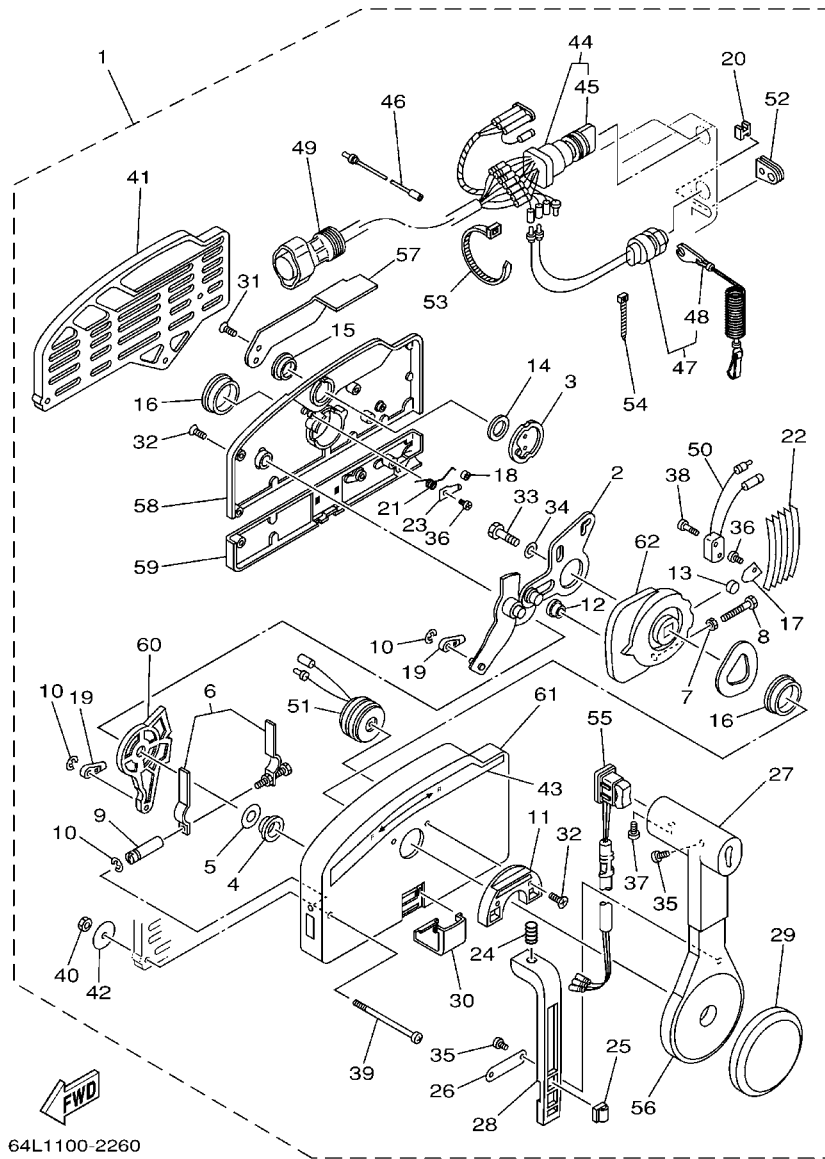
| REF. NO. | PART NO.     | DESCRIPTION                 | ET | MHD |  | REMARKS          |
|----------|--------------|-----------------------------|----|-----|--|------------------|
| 1        | 703-48205-17 | REMOTE CONTROL ASSY         | 1  |     |  | AP WITH PT/T SW. |
| 2        | 701-48320-00 | CABLE, REMOTE CONTROL L=12F | 2  |     |  | UR               |
|          | 701-48320-20 | CABLE, REMOTE CONTROL L=13F | 2  |     |  | UR               |
|          | 701-48320-30 | CABLE, REMOTE CONTROL L=14F | 2  |     |  | UR               |
|          | 701-48320-50 | CABLE, REMOTE CONTROL L=15F | 2  |     |  | UR               |
|          | 701-48320-60 | CABLE, REMOTE CONTROL L=16F | 2  |     |  | UR               |
|          | 701-48320-80 | CABLE, REMOTE CONTROL L=17F | 2  |     |  | UR               |
|          |              |                             |    |     |  |                  |
|          |              |                             |    |     |  |                  |
|          |              |                             |    |     |  |                  |
|          |              |                             |    |     |  |                  |
|          |              |                             |    |     |  |                  |
|          |              |                             |    |     |  |                  |
|          |              |                             |    |     |  |                  |
|          |              |                             |    |     |  |                  |
|          |              |                             |    |     |  |                  |
|          |              |                             |    |     |  |                  |



64L1100-2260

FIG. 27 REMOTE CONTROL ASSY

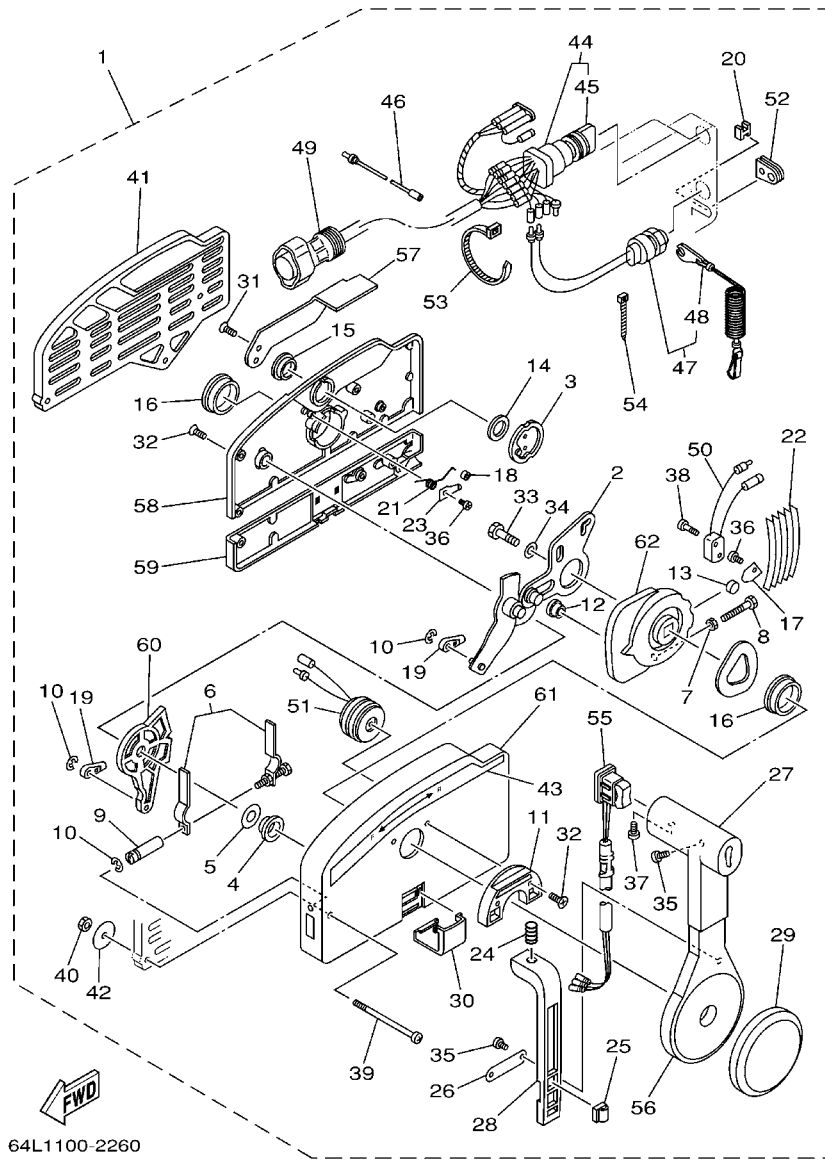
| REF. NO. | PART NO.     | DESCRIPTION                  | ET | MHD | REMARKS          |
|----------|--------------|------------------------------|----|-----|------------------|
| 1        | 703-48205-17 | REMOTE CONTROL ASSY          | 1  |     | AP WITH PT/T SW. |
| 2        | 703-48261-01 | .ARM, THROTTLE               | 1  |     |                  |
| 3        | 703-48153-00 | .SHAFT, FREE ACCEL.          | 1  |     |                  |
| 4        | 703-48235-00 | .BUSHING                     | 1  |     |                  |
| 5        | 703-48268-00 | .SPACER                      | 1  |     |                  |
| 6        | 703-48264-00 | .THROTTLE, FRICTION          | 1  |     |                  |
| 7        | 95380-05600  | .NUT                         | 1  |     |                  |
| 8        | 97380-05025  | .BOLT                        | 1  |     |                  |
| 9        | 703-48265-00 | .SHAFT, FRICTION             | 1  |     |                  |
| 10       | 93430-06024  | .CIRCLIP                     | 3  |     |                  |
| 11       | 703-48245-00 | .PLATE, LOCK                 | 1  |     |                  |
| 12       | 703-48252-00 | .ROLLER, CAM                 | 1  |     |                  |
| 13       | 701-48248-00 | .ROLLER, FREE ACCEL.         | 1  |     |                  |
| 14       | 703-48198-00 | .WASHER, WAVE                | 1  |     |                  |
| 15       | 703-48243-00 | .BUSHING                     | 1  |     |                  |
| 16       | 703-48236-00 | .BUSHING 1                   | 2  |     |                  |
| 17       | 703-48189-00 | .RETAINER                    | 1  |     |                  |
| 18       | 703-48234-00 | .ROLLER, DETENT              | 1  |     |                  |
| 19       | 703-48345-01 | .CABLE END, REMOTE CONTROL 2 | 2  |     |                  |
| 20       | 703-48358-00 | .ANCHOR, CABLE               | 1  |     |                  |
| 21       | 703-48244-00 | .SPRING, FREE ACCEL.         | 1  |     |                  |
| 22       | 703-48238-00 | .SPRING, DETENT              | 5  |     |                  |
| 23       | 703-48246-00 | .SPACER                      | 1  |     |                  |
| 24       | 703-48227-00 | .SPRING, NEUTRAL LOCK        | 1  |     |                  |
| 25       | 703-82594-00 | .CLAMP                       | 1  |     | WITH PT/T SW.    |
| 26       | 703-48226-00 | .PLATE, STOPPER              | 1  |     |                  |
| 27       | 703-48222-00 | .GRIP, CONTROL LEVER         | 1  |     | SINGLE           |



64L1100-2260

FIG. 27 REMOTE CONTROL ASSY

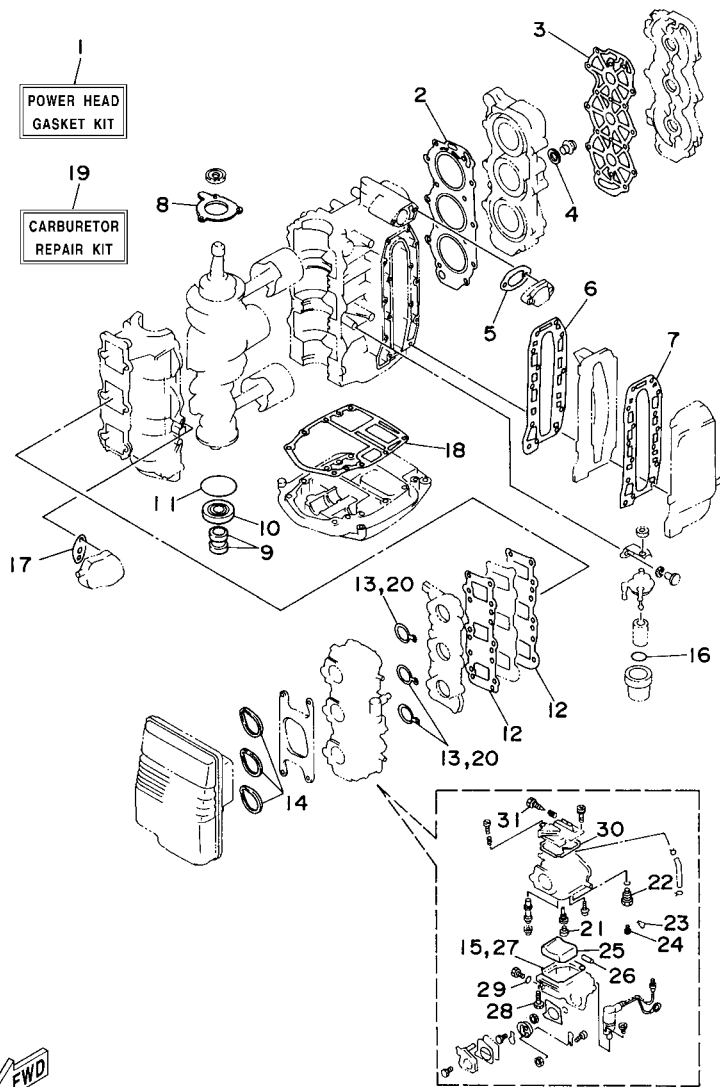
| REF. NO. | PART NO.     | DESCRIPTION              | ET | MHD | REMARKS    |
|----------|--------------|--------------------------|----|-----|------------|
| 28       | 703-48223-00 | .LOCK, NEUTRAL           | 1  |     |            |
| 29       | 703-48225-00 | .COVER                   | 1  |     |            |
| 30       | 703-48219-00 | .COVER, LEAD             | 1  |     |            |
| 31       | 703-48281-00 | .SCREW                   | 2  |     |            |
| 32       | 703-48282-00 | .SCREW                   | 7  |     |            |
| 33       | 97380-08030  | .BOLT                    | 1  |     |            |
| 34       | 92990-08600  | .WASHER, PLATE           | 1  |     |            |
| 35       | 98580-04010  | .SCREW, PAN HEAD         | 3  |     |            |
| 36       | 98580-04006  | .SCREW, PAN HEAD         | 2  |     |            |
| 37       | 98580-05010  | .SCREW, PAN HEAD         | 1  |     |            |
| 38       | 98580-03015  | .SCREW, PAN HEAD         | 2  |     |            |
| 39       | 703-48291-10 | .SCREW (M6)              | 3  |     |            |
| 40       | 95380-06600  | .NUT, HEXAGON            | 3  |     |            |
| 41       | 703-48293-10 | .SPACER, REMOTE CONTROL  | 1  |     | SINGLE     |
| 42       | 701-48287-00 | .WASHER                  | 3  |     |            |
| 43       | 703-48215-00 | .GRAPHIC                 | 1  |     |            |
| 44       | 703-82510-43 | .MAIN SWITCH ASSY        | 1  |     |            |
| 45       | 703-82577-00 | ..CAP, KEY               | 1  |     |            |
| 46       | 703-82531-00 | .WIRE, LEAD              | 1  |     |            |
| 47       | 688-82575-01 | .ENGINE STOP SWITCH ASSY | 1  |     |            |
| 48       | 682-82556-00 | ..STOPPER                | 1  |     |            |
| 49       | 688-8258A-20 | .EXTENSION, WIRE HARNESS | 1  |     | L:5M (10P) |
| 50       | 703-82540-00 | .NEUTRAL SWITCH ASSY     | 1  |     |            |
| 51       | 703-83383-02 | .BUZZER                  | 1  |     |            |
| 52       | 703-48284-00 | .GROMMET                 | 1  |     |            |
| 53       | 703-82591-00 | .BAND                    | 1  |     |            |
| 54       | 703-82592-00 | .BAND                    | 1  |     |            |



64L1100-2260

FIG. 27 REMOTE CONTROL ASSY

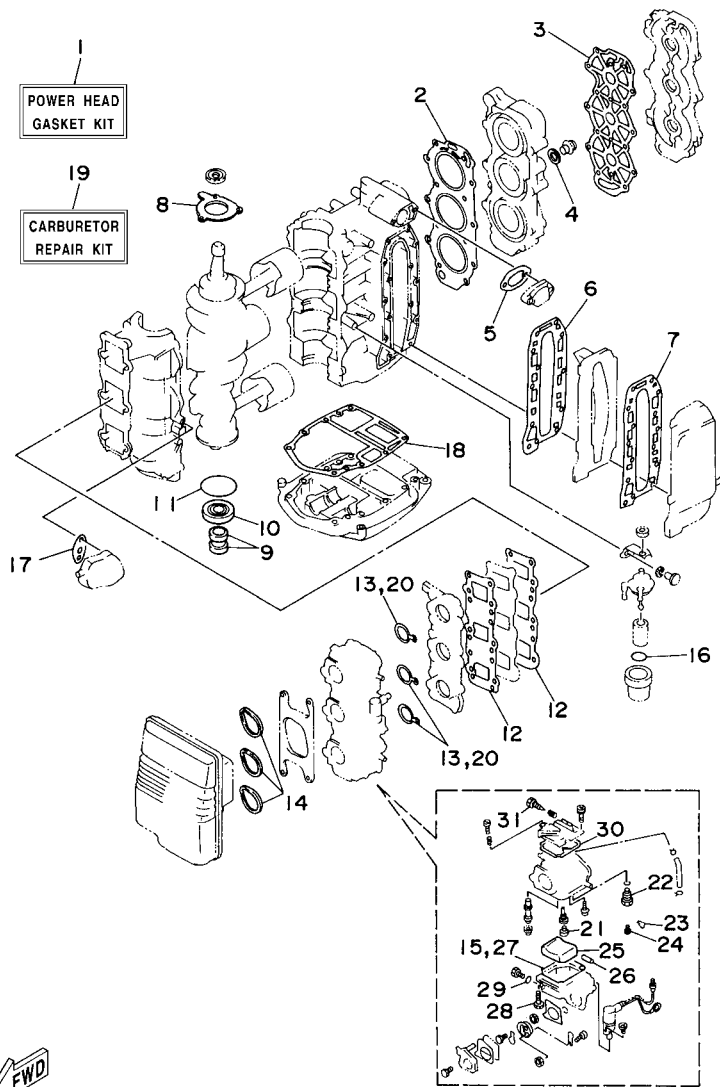
| REF. NO. | PART NO.     | DESCRIPTION              | ET | MHD | REMARKS       |
|----------|--------------|--------------------------|----|-----|---------------|
| 55       | 703-82563-02 | .TRIM & TILT SWITCH ASSY | 1  |     | WITH PT/T SW. |
| 56       | 703-48221-00 | .LEVER, CONTROL          | 1  |     |               |
| 57       | 703-48152-00 | .KNOB, FREE ACCEL.       | 1  |     |               |
| 58       | 703-48212-00 | .BACK PLATE 1            | 1  |     |               |
| 59       | 703-48213-00 | .BACK PLATE 2            | 1  |     |               |
| 60       | 703-48271-00 | .ARM, SHIFT              | 1  |     |               |
| 61       | 703-48211-01 | .HOUSING,1               | 1  |     |               |
| 62       | 703-48232-00 | .GEAR                    | 1  |     |               |



  
 63D0010-5270

**FIG. 28 REPAIR KIT 1**

| REF. NO. | PART NO.     | DESCRIPTION                  | ET | MHD | REMARKS |
|----------|--------------|------------------------------|----|-----|---------|
| 1        | 63D-W0001-00 | POWER HEAD GASKET KIT        | 1  | 1   |         |
| 2        | 63D-11181-A1 | .GASKET, CYLINDER HEAD 1     | 1  | 1   |         |
| 3        | 63D-11193-A0 | .GASKET, HEAD COVER 1        | 1  | 1   |         |
| 4        | 90430-14115  | .GASKET                      | 1  | 1   |         |
| 5        | 6J8-12414-A0 | .GASKET, COVER               | 1  | 1   |         |
| 6        | 6H4-41112-A0 | .GASKET, EXHAUST INNER COVER | 1  | 1   |         |
| 7        | 6H4-41114-A0 | .GASKET, EXHAUST OUTER COVER | 1  | 1   |         |
| 8        | 6H4-15369-A1 | .GASKET, OIL SEAL HOUSING    | 1  | 1   |         |
| 9        | 93104-16M01  | .OIL SEAL                    | 2  | 2   |         |
| 10       | 93102-25M28  | .OIL SEAL                    | 1  | 1   |         |
| 11       | 93210-58M21  | .O-RING                      | 1  | 1   |         |
| 12       | 6H4-13621-A1 | .GASKET, VALVE SEAT          | 2  | 2   |         |
| 13       | 6H4-14198-01 | .GASKET                      | 3  | 3   |         |
| 14       | 6H3-14457-01 | .SEAL                        | 3  | 3   |         |
| 15       | 6H4-14984-00 | .GASKET, FLOAT CHAMBER       | 3  | 3   |         |
| 16       | 93210-32738  | .O-RING                      | 1  | 1   |         |
| 17       | 650-24431-A0 | .GASKET, FUEL PUMP 1         | 1  | 1   |         |
| 18       | 6H4-45113-A0 | .GASKET, UPPER CASING        | 1  | 1   |         |
| 19       | 6H4-W0093-03 | CARBURETOR REPAIR KIT        | 1  | 1   |         |
| 20       | 6H4-14198-01 | .GASKET                      | 3  | 3   |         |
| 21       | 676-14966-00 | .CAP                         | 3  | 3   |         |
| 22       | 6H4-14590-01 | .NEEDLE VALVE ASSY           | 3  | 3   |         |
| 23       | 663-14159-00 | .CLIP                        | 3  | 3   |         |
| 24       | 676-14186-00 | .PIN, FLOAT                  | 3  | 3   |         |
| 25       | 6H4-14985-01 | .FLOAT                       | 3  | 3   |         |
| 26       | 6H4-14548-00 | .PIN, FLOAT ARM              | 3  | 3   |         |
| 27       | 6H4-14984-00 | .GASKET, FLOAT CHAMBER       | 3  | 3   |         |

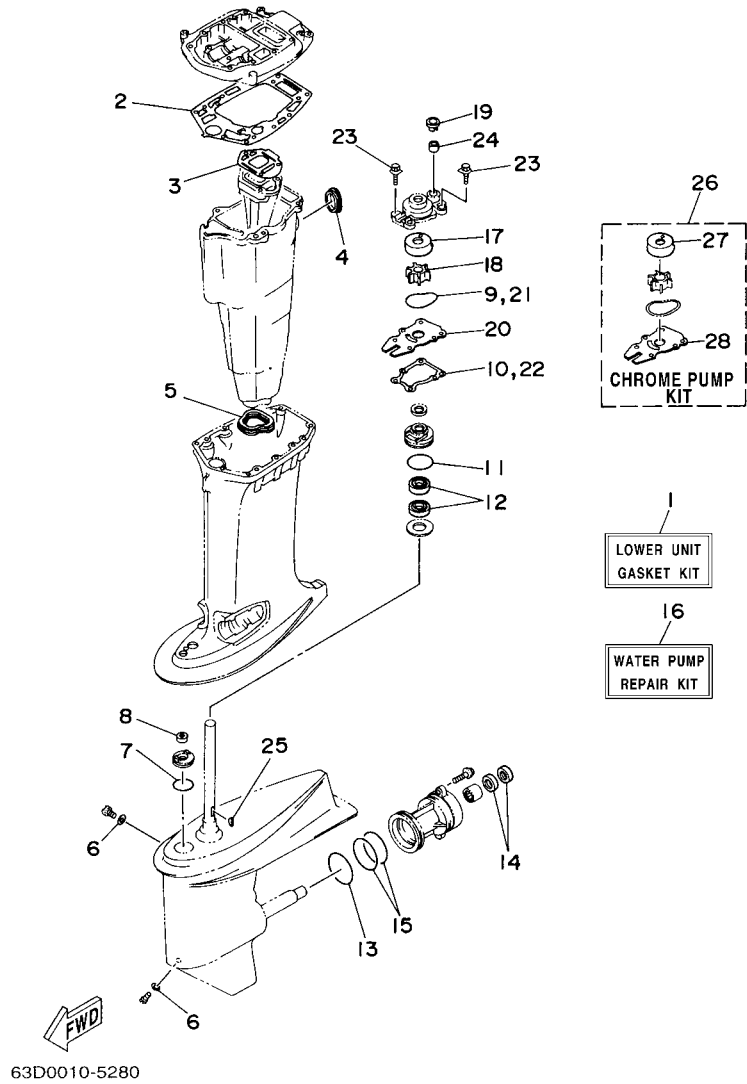


  
 63D0010-5270

FIG. 28 REPAIR KIT 1

| REF. NO. | PART NO.     | DESCRIPTION         | ET | MHD | REMARKS |
|----------|--------------|---------------------|----|-----|---------|
| 28       | 97980-04114  | .SCREW, WITH WASHER | 3  | 3   |         |
| 29       | 93210-04230  | .O-RING             | 3  | 3   |         |
| 30       | 6H4-14147-00 | .O-RING             | 3  | 3   |         |
| 31       | 692-14923-00 | .SCREW, PILOT       | 3  | 3   |         |
| -----    |              |                     |    |     |         |
| -----    |              |                     |    |     |         |
| -----    |              |                     |    |     |         |
| -----    |              |                     |    |     |         |
| -----    |              |                     |    |     |         |
| -----    |              |                     |    |     |         |
| -----    |              |                     |    |     |         |
| -----    |              |                     |    |     |         |
| -----    |              |                     |    |     |         |
| -----    |              |                     |    |     |         |

FIG. 29 REPAIR KIT 2



| REF. NO. | PART NO.     | DESCRIPTION                | ET | MHD | REMARKS |
|----------|--------------|----------------------------|----|-----|---------|
| 1        | 63D-W0001-20 | LOWER UNIT GASKET KIT      | 1  | 1   |         |
| 2        | 63D-45114-A0 | .GASKET, UPPER CASING      | 1  | 1   |         |
| 3        | 6H4-41134-A0 | .GASKET, EXHAUST MANIFOLD  | 1  | 1   |         |
| 4        | 6H3-45127-00 | .SEAL                      | 1  | 1   |         |
| 5        | 63D-45123-00 | .GASKET, MUFFLER           | 1  | 1   |         |
| 6        | 90430-08020  | .GASKET                    | 2  | 2   |         |
| 7        | 93210-33MG4  | .O-RING                    | 1  | 1   |         |
| 8        | 93106-09014  | .OIL SEAL                  | 1  | 1   |         |
| 9        | 93210-59MG7  | .O-RING                    | 1  | 1   |         |
| 10       | 63D-44316-00 | .GASKET, WATER PUMP        | 1  | 1   |         |
| 11       | 93210-48MG8  | .O-RING                    | 1  | 1   |         |
| 12       | 93101-25M57  | .OIL SEAL                  | 2  | 2   |         |
| 13       | 93210-69MG6  | .O-RING                    | 1  | 1   |         |
| 14       | 93101-22M00  | .OIL SEAL                  | 2  | 2   |         |
| 15       | 93210-74MG5  | .O-RING                    | 2  | 2   |         |
| 16       | 63D-W0078-01 | WATER PUMP REPAIR KIT      | 1  | 1   |         |
| 17       | 63D-44322-00 | .INSERT, CARTRIDGE         | 1  | 1   |         |
| 18       | 6H3-44352-00 | .IMPELLER                  | 1  | 1   |         |
| 19       | 63D-44312-00 | .COVER, WATER PUMP HOUSING | 1  | 1   |         |
| 20       | 63D-44323-00 | .OUTER PLATE, CARTRIDGE    | 1  | 1   |         |
| 21       | 93210-59MG7  | .O-RING                    | 1  | 1   |         |
| 22       | 63D-44316-00 | .GASKET, WATER PUMP        | 1  | 1   |         |
| 23       | 90119-08M15  | .BOLT, WITH WASHER         | 4  | 4   |         |
| 24       | 663-44366-00 | .DAMPER, WATER SEAL        | 1  | 1   |         |
| 25       | 90280-03024  | .KEY, WOODRUFF             | 1  | 1   |         |
| 26       | 63D-W0078-0A | CHROME PUMP KIT            | 1  | 1   |         |
| 27       | 63D-44322-40 | .INSERT, CARTRIDGE         | 1  | 1   |         |





NUMERICAL INDEX

| PART NO.        | REF. NO. | PART NO.        | REF. NO. | PART NO.        | REF. NO. | PART NO.        | REF. NO. | PART NO.        | REF. NO. | PART NO.        | REF. NO. |
|-----------------|----------|-----------------|----------|-----------------|----------|-----------------|----------|-----------------|----------|-----------------|----------|
| 63D-11111-00-1S | 2 - 22   | 62W-14302-00    | 5 - 2    | 6H4-15100-05-1S | 2 - 2    | 63D-24367-00    | 15 - 23  | 6J8-41274-00    | 4 - 23   | 6H4-42724-20    | 13 - 13  |
| 6H4-11119-01    | 2 - 18   | 62X-14302-00    | 5 - 2    | 6H4-15100-20-1S | 2 - 2    | 6E5-24367-01    | 13 - 27  | 63D-41632-00    | 16 - 5   | 63D-42725-00    | 14 - 33  |
| 63D-11181-A1    | 2 - 23   | 63B-14302-00    | 5 - 2    | 6H4-15359-04-94 | 8 - 3    | 650-24378-00    | 2 - 8    | 63D-41636-00    | 16 - 7   | 6H4-42725-00    | 13 - 29  |
|                 | 28 - 2   | 62W-14303-00    | 5 - 3    | 6H4-15369-A1    | 3 - 1    | 688-24378-00    | 6 - 31   | 63D-42111-01-4D | 14 - 2   | 676-42726-00    | 13 - 23  |
| 63D-11191-00-1S | 2 - 26   | 62X-14303-00    | 5 - 3    |                 | 28 - 8   | 692-24410-00    | 6 - 15   | 63D-42115-00    | 14 - 8   | 6H4-42726-00    | 13 - 24  |
| 63D-11193-A0    | 2 - 27   | 63B-14303-00    | 5 - 3    | 6H4-15396-03-5B | 3 - 2    | 663-24411-00    | 6 - 20   | 664-42119-00    | 14 - 60  | 688-42726-10    | 13 - 24  |
|                 | 28 - 3   | 6A0-14325-00    | 6 - 25   | 6H4-15705-00    | 7 - 27   | 692-24411-00    | 6 - 17   | 63D-42121-20-4D | 14 - 67  | 6H4-42726-40    | 13 - 23  |
| 688-11325-00    | 2 - 20   | 6H3-14349-00    | 4 - 29   | 6H4-15710-04-4D | 7 - 1    | 6H3-24411-10    | 5 - 41   | 63D-42126-00    | 14 - 49  | 6H3-42727-00    | 13 - 35  |
| 650-11370-01    | 2 - 3    |                 | 5 - 33   | 6H4-15711-02-94 | 7 - 2    | 6A0-24412-02    | 6 - 26   | 63D-42131-00    | 14 - 27  | 63D-42741-00-4D | 13 - 20  |
| 688-11370-01    | 2 - 7    | 63D-14380-00    | 5 - 34   | 6H4-15714-00    | 7 - 19   | 6A0-24413-00    | 6 - 16   | 6K5-42137-00    | 14 - 3   | 6G1-42748-00    | 4 - 25   |
| 6H4-11372-01    | 2 - 5    | 6H4-14406-00    | 4 - 11   | 6H4-15717-01    | 7 - 21   | 6H4-24413-00    | 5 - 39   | 650-42152-00-94 | 14 - 9   | 6E7-42791-10    | 13 - 36  |
| 6H4-11400-04    | 3 - 8    | 6H4-14431-02    | 4 - 13   | 6H4-15723-01-94 | 7 - 37   | 6L5-24421-00    | 5 - 38   | 63D-42153-00    | 14 - 17  | 6G5-42791-10    | 13 - 36  |
| 6H4-11445-00    | 3 - 9    | 6H4-14431-13    | 4 - 13   | 6J8-15723-E1    | 12 - 26  | 6A0-24421-01    | 6 - 24   | 63D-42159-00    | 14 - 11  | 6R6-42791-40    | 13 - 37  |
| 6H4-11545-00    | 8 - 14   | 6H3-14457-01    | 4 - 14   | 676-15741-03    | 7 - 25   | 650-24431-A0    | 6 - 27   | 6G1-42177-00    | 14 - 61  | 6H4-42815-00    | 13 - 2   |
| 63D-11603-00    | 3 - 14   |                 | 28 - 14  | 63D-15746-00    | 7 - 42   |                 | 28 - 17  | 63D-42181-00    | 14 - 23  | 6H4-42816-00    | 13 - 5   |
| 63D-11604-00    | 3 - 14   | 624-14485-00    | 2 - 4    | 656-15748-00    | 7 - 46   | 648-24434-01    | 6 - 18   | 63D-42508-00    | 15 - 1   | 63D-43111-01-4D | 17 - 1   |
| 63D-11605-00    | 3 - 14   | 6H1-14485-00    | 4 - 6    | 6F5-15752-00    | 7 - 9    | 6H3-24434-10    | 5 - 42   | 63D-42510-12-4D | 18 - 1   | 63D-43112-01-4D | 17 - 2   |
| 6H4-11631-01-95 | 3 - 13   | 63V-14523-00    | 5 - 7    | 689-15755-01    | 7 - 16   | 648-24435-02    | 6 - 21   | 63D-42526-00    | 15 - 8   | 6E5-43126-02    | 17 - 40  |
| 648-11633-00    | 3 - 15   | 6H4-14548-00    | 5 - 10   | 6H4-15758-01-4D | 7 - 4    | 6H3-24452-10    | 5 - 29   | 63D-42527-00    | 15 - 2   | 63D-43128-01-4D | 17 - 5   |
| 6H4-11634-01    | 3 - 18   |                 | 28 - 26  | 6H4-15761-00    | 1 - 2    | 6H4-24486-00    | 5 - 40   | 63D-42528-00    | 15 - 9   | 63D-43131-01    | 17 - 14  |
| 6H4-11635-01    | 3 - 13   | 679-14555-00    | 5 - 25   | 6H4-15762-00    | 7 - 7    | 61N-24521-00    | 6 - 8    | 63D-42541-00    | 15 - 4   | 6G5-43144-00    | 17 - 28  |
| 6H4-11636-01    | 3 - 13   | 6H4-14567-00    | 5 - 31   | 63D-15770-00    | 7 - 45   | 61N-24560-00    | 6 - 6    | 63D-42546-00    | 15 - 3   | 6E5-43145-01    | 25 - 9   |
| 6H4-11641-00    | 3 - 17   | 6H2-14578-00    | 5 - 9    | 63D-15771-00-4D | 7 - 31   | 61N-24563-00    | 6 - 7    | 63D-42561-00    | 15 - 12  | 6G5-43145-01    | 17 - 18  |
| 6E5-12411-30    | 2 - 30   | 6H4-14590-01    | 5 - 27   |                 | 12 - 20  | 6H4-24566-02    | 6 - 10   | 63D-42562-00    | 15 - 10  | 6G5-43148-00    | 17 - 24  |
| 6H4-12413-00-1S | 2 - 31   |                 | 28 - 22  | 6H4-15772-02-94 | 7 - 35   | 6YJ-24610-00    | 24 - 2   | 63B-42610-30-4D | 1 - 1    | 688-43160-01    | 17 - 29  |
| 6J8-12414-A0    | 2 - 32   | 6K5-14592-00    | 5 - 5    |                 | 12 - 24  | 63D-26301-01    | 14 - 35  | 62X-42610-80-4D | 1 - 1    | 688-43165-00    | 17 - 30  |
|                 | 28 - 5   | 63D-14711-11-5B | 21 - 11  | 63D-15774-00    | 16 - 30  | 6E0-28193-00-94 | 6 - 38   | 62X-42610-H0-4D | 1 - 1    | 62X-43170-11-4D | 17 - 33  |
| 6H5-13610-00    | 4 - 1    | 692-14923-00    | 5 - 26   | 6F5-15779-02    | 7 - 17   | 61H-2819R-31    | 6 - 36   | 6H4-42613-01-4D | 1 - 7    | 6H5-43181-03    | 17 - 19  |
| 6H4-13621-A1    | 4 - 8    |                 | 28 - 31  | 6H4-15787-01    | 7 - 15   | 6H4-41111-00-1S | 2 - 35   | 6H4-42613-11-4D | 1 - 7    | 6H5-43185-03    | 17 - 20  |
|                 | 28 - 12  | 676-14943-30    | 5 - 22   | 6A0-15789-00    | 7 - 8    | 6H4-41112-A0    | 2 - 36   | 6H4-42615-00    | 1 - 3    | 63D-43311-13-4D | 17 - 12  |
| 6H4-13624-01-94 | 4 - 7    | 676-14943-32    | 5 - 22   | 1UF-22434-00    | 19 - 17  |                 | 28 - 6   | 6H4-42651-00    | 1 - 4    | 682-43318-01    | 15 - 13  |
| 6H4-13641-02-94 | 4 - 5    | 676-14943-33    | 5 - 22   | 62Y-22434-00    | 19 - 50  | 6H4-41113-00-1S | 2 - 34   | 6H4-42652-00    | 1 - 5    |                 | 17 - 38  |
| 6H4-13641-20-94 | 4 - 5    | 63D-14943-81    | 5 - 22   | 62Y-22471-00    | 19 - 11  | 6H4-41114-A0    | 2 - 37   | 62X-42677-20    | 1 - 9    | 63D-43631-00    | 17 - 37  |
| 6H3-14137-00    | 5 - 32   | 62W-14947-00    | 5 - 21   | 6YJ-24167-00    | 24 - 7   |                 | 28 - 7   | 62X-42677-30    | 1 - 9    | 63D-43691-00    | 17 - 36  |
| 6H4-14146-00    | 5 - 16   | 62X-14947-00    | 5 - 21   | 6YJ-24201-10    | 24 - 1   | 6H5-41131-00-5B | 21 - 10  | 63D-42677-30    | 1 - 9    | 62Y-43800-01-4D | 19 - 1   |
| 6H3-14146-10    | 5 - 16   | 63D-14947-00    | 5 - 21   | 6Y1-24260-12    | 24 - 3   | 6H4-41131-01-5B | 21 - 10  | 62X-42678-11    | 1 - 10   | 62X-43804-01    | 20 - 4   |
| 6H4-14146-10    | 5 - 15   | 6H4-14948-11    | 5 - 24   | 6Y1-24268-00    | 24 - 6   | 6H4-41134-A0    | 21 - 22  | 62X-42678-20    | 1 - 10   | 62Y-43805-00    | 20 - 3   |
| 6H4-14147-00    | 5 - 30   | 62X-14948-12    | 5 - 24   | 6G1-24304-02    | 6 - 1    |                 | 29 - 3   | 63D-42678-20    | 1 - 10   | 62X-43807-00    | 20 - 8   |
|                 | 28 - 30  | 6H4-14948-12    | 5 - 24   | 6G1-24305-04    | 24 - 13  | 63D-41137-01-5B | 21 - 8   | 63D-42681-10    | 1 - 12   | 69W-4380F-00    | 20 - 9   |
| 663-14159-00    | 5 - 12   | 676-14966-00    | 5 - 23   | 6Y1-24305-05    | 24 - 15  | 63D-41213-00    | 16 - 3   | 63D-42681-20    | 1 - 12   | 62X-4380H-00    | 20 - 14  |
|                 | 28 - 23  |                 | 28 - 21  | 61J-24306-03    | 24 - 8   | 6H4-41217-01    | 4 - 24   | 63D-42682-10    | 1 - 13   | 62Y-4380K-01    | 19 - 2   |
| 676-14186-00    | 5 - 13   | 6H4-14980-00    | 5 - 18   | 6H4-24312-00    | 6 - 34   | 6H4-41237-00    | 16 - 8   | 63D-42682-20    | 1 - 13   | 62X-43810-01    | 19 - 3   |
|                 | 28 - 24  | 6H3-14980-10    | 5 - 18   | 6H4-24313-00    | 6 - 33   | 6H4-41257-00    | 4 - 18   | 6H4-42711-07-4D | 13 - 1   | 62Y-43816-00    | 19 - 41  |
| 6H4-14198-01    | 4 - 10   | 6H4-14984-00    | 5 - 17   | 6H4-24314-00    | 6 - 13   | 6H4-41259-01    | 4 - 21   | 648-42715-00    | 16 - 19  | 6H1-43816-00    | 19 - 54  |
|                 | 28 - 13  |                 | 28 - 15  | 6Y1-24329-00    | 24 - 5   | 6J8-41262-00    | 4 - 22   | 6H4-42716-00    | 13 - 15  | 69W-4381B-00    | 19 - 13  |
| 62W-14301-00    | 5 - 1    | 6H4-14985-01    | 5 - 14   | 650-24351-01    | 24 - 12  | 661-41262-02    | 4 - 19   | 63D-42717-00    | 13 - 21  | 6H1-43829-00    | 19 - 61  |
| 62X-14301-00    | 5 - 1    |                 | 28 - 25  | 61J-24360-00    | 24 - 10  | 6H4-41271-01    | 4 - 20   | 6E5-42724-00    | 13 - 16  | 62Y-4382A-00    | 19 - 39  |
| 63B-14301-00    | 5 - 1    | 6H3-14992-00    | 5 - 19   | 63D-24364-10    | 15 - 24  | 689-41273-00    | 4 - 25   | 6H4-42724-00    | 13 - 13  | 62Y-4382L-00    | 19 - 42  |

NUMERICAL INDEX

| PART NO.     | REF. NO. | PART NO.        | REF. NO. | PART NO.        | REF. NO. | PART NO.        | REF. NO. | PART NO.        | REF. NO. | PART NO.        | REF. NO. |
|--------------|----------|-----------------|----------|-----------------|----------|-----------------|----------|-----------------|----------|-----------------|----------|
| 62Y-43830-01 | 19 - 21  | 63D-44144-00    | 22 - 52  | 63D-45301-03-4D | 22 - 2   | 69W-45952-00-EL | 23 - 25  | 701-48248-00    | 27 - 13  | 6H4-81822-02-98 | 9 - 13   |
| 6H1-43831-10 | 19 - 19  | 663-44151-00    | 22 - 51  | 63D-45321-00    | 22 - 14  | 6H5-45952-00-EL | 23 - 25  | 703-48252-00    | 27 - 12  | 689-81826-10    | 12 - 15  |
| 69J-43841-00 | 19 - 22  | 63D-44159-01    | 14 - 57  | 688-45341-10    | 22 - 9   | 663-45952-02-EL | 23 - 25  | 63D-48261-00    | 14 - 7   | 6F5-81830-11    | 12 - 4   |
| 6H1-43844-10 | 19 - 35  | 63D-44173-00    | 14 - 59  | 63D-45344-00    | 22 - 34  | 663-45954-01-EL | 23 - 25  | 703-48261-01    | 27 - 2   | 689-81831-00    | 12 - 5   |
| 62Y-43845-00 | 19 - 59  | 6G8-44191-00    | 14 - 53  | 63D-45361-02-4D | 22 - 43  | 663-45956-01-EL | 23 - 25  | 703-48264-00    | 27 - 6   | 689-81840-11    | 12 - 10  |
| 69A-4384F-00 | 19 - 24  | 688-44194-00    | 16 - 12  | 664-45371-01    | 23 - 12  | 6H5-45958-00-EL | 23 - 25  | 703-48265-00    | 27 - 9   | 689-81847-11    | 12 - 6   |
| 6H1-4384F-10 | 19 - 33  | 63D-44311-00    | 22 - 21  | 63D-45375-00    | 23 - 6   | 663-45958-01-EL | 23 - 25  | 703-48268-00    | 27 - 5   | 689-81850-12    | 12 - 8   |
| 69W-4384G-00 | 19 - 46  | 63D-44312-00    | 23 - 19  | 663-45376-00-94 | 23 - 5   | 697-45970-00-98 | 23 - 25  | 703-48271-00    | 27 - 60  | 689-81857-11    | 12 - 2   |
| 6H1-4384G-11 | 19 - 31  |                 | 29 - 19  | 6E5-45378-00    | 22 - 17  | 663-45970-60-98 | 23 - 25  | 703-48281-00    | 27 - 31  | 6G1-81941-10    | 10 - 2   |
| 62X-4384H-00 | 19 - 16  | 63D-44316-00    | 22 - 27  | 63D-45501-10    | 22 - 36  | 663-45972-60-98 | 23 - 25  | 703-48282-00    | 27 - 32  | 6H4-81945-00    | 10 - 4   |
| 69J-4384M-00 | 19 - 23  |                 | 29 - 10  | 6H4-45536-00    | 22 - 4   | 663-45974-02-98 | 23 - 25  | 703-48284-00    | 27 - 52  | 6H4-81945-20    | 10 - 22  |
| 69J-43853-00 | 19 - 29  | 63D-44322-00    | 22 - 22  | 6H4-45551-01    | 22 - 37  | 663-45974-60-98 | 23 - 25  | 701-48287-00    | 27 - 42  | 61A-81949-00    | 10 - 28  |
| 62Y-43854-00 | 19 - 47  |                 | 29 - 17  | 6H4-45560-01    | 22 - 39  | 663-45976-00-98 | 23 - 25  | 703-48291-10    | 27 - 39  | 6H5-81949-00    | 10 - 27  |
| 62Y-43855-00 | 19 - 32  | 63D-44322-40    | 29 - 27  | 663-45567-01-10 | 22 - 41  | 663-45978-00-98 | 23 - 25  | 703-48293-10    | 27 - 41  | 6H1-81950-00    | 10 - 19  |
| 6H1-43856-10 | 19 - 34  | 63D-44323-00    | 22 - 26  | 663-45567-01-12 | 22 - 41  | 663-45987-02    | 23 - 20  | 701-48320-00    | 26 - 2   | 6H4-81952-00    | 10 - 3   |
| 62X-43861-00 | 19 - 4   |                 | 29 - 20  | 663-45567-01-15 | 22 - 41  | 670-45997-02    | 23 - 21  | 701-48320-20    | 26 - 2   | 6H2-81960-10    | 10 - 8   |
| 62X-43862-00 | 19 - 5   | 63D-44323-40    | 29 - 28  | 663-45567-01-18 | 22 - 41  | 63D-48118-00    | 14 - 19  | 701-48320-30    | 26 - 2   | 63D-82105-U0    | 10 - 1   |
| 62X-43865-00 | 19 - 62  | 63D-44341-00    | 22 - 31  | 663-45567-01-30 | 22 - 41  | 63D-48119-00    | 14 - 16  | 701-48320-50    | 26 - 2   | 6H4-82117-00    | 10 - 31  |
| 65W-4386A-00 | 19 - 28  | 6H3-44352-00    | 22 - 23  | 663-45567-01-40 | 22 - 41  | 703-48152-00    | 27 - 57  | 701-48320-60    | 26 - 2   | 703-82119-00    | 8 - 13   |
| 62X-4386K-00 | 20 - 10  |                 | 29 - 18  | 663-45567-01-50 | 22 - 41  | 703-48153-00    | 27 - 3   | 701-48320-80    | 26 - 2   |                 | 13 - 25  |
| 62X-43871-00 | 19 - 7   | 63D-44361-10    | 23 - 1   | 6H4-45571-01    | 22 - 42  | 63D-48154-00    | 14 - 50  | 63D-48321-01    | 14 - 34  | 682-82119-01    | 10 - 29  |
| 62Y-43871-00 | 19 - 51  | 663-44366-00    | 23 - 18  | 63D-45577-00-10 | 22 - 46  | 703-48189-00    | 27 - 17  | 63D-48344-00    | 16 - 29  | 63D-82127-10    | 18 - 21  |
| 62X-43875-00 | 19 - 18  |                 | 29 - 24  | 63D-45577-00-12 | 22 - 46  | 703-48198-00    | 27 - 14  | 663-48344-00    | 16 - 29  | 63D-82148-00    | 17 - 3   |
| 67F-43875-00 | 19 - 12  | 63D-44367-00    | 23 - 4   | 63D-45577-00-15 | 22 - 46  | 703-48205-17    | 26 - 1   | 6H4-48344-00    | 16 - 1   | 6H1-82148-00    | 17 - 9   |
| 6H1-43875-00 | 19 - 58  | 6E5-44391-00    | 13 - 14  | 63D-45577-00-18 | 22 - 46  |                 | 27 - 1   | 703-48345-01    | 27 - 19  | 6H4-82150-00    | 10 - 9   |
| 62Y-4387G-00 | 19 - 52  | 63D-44514-01-94 | 18 - 22  | 63D-45577-00-30 | 22 - 46  | 703-48211-01    | 27 - 61  | 703-48358-00    | 27 - 20  | 663-82151-00    | 10 - 10  |
| 62Y-4387J-00 | 19 - 49  | 63D-44526-00    | 18 - 24  | 63D-45577-00-40 | 22 - 46  | 703-48212-00    | 27 - 58  | 63D-48511-00-4D | 18 - 36  | 62Y-82181-01    | 20 - 7   |
| 62Y-43880-01 | 20 - 2   | 63D-44551-01-4D | 18 - 9   | 63D-45577-00-50 | 22 - 46  | 703-48213-00    | 27 - 59  | 63D-48531-00    | 14 - 38  | 63D-82361-00    | 15 - 16  |
| 62Y-43881-00 | 20 - 13  | 63D-44552-01-4D | 18 - 18  | 663-45587-01-10 | 22 - 5   | 703-48215-00    | 27 - 43  | 6H4-48531-11-94 | 13 - 7   | 6G1-82370-21    | 9 - 10   |
| 6H1-43883-00 | 19 - 25  | 63D-44555-00-94 | 18 - 11  | 663-45587-01-12 | 22 - 5   | 703-48219-00    | 27 - 30  | 6H4-48532-11-94 | 13 - 8   | 703-82510-43    | 27 - 44  |
| 62X-43888-00 | 20 - 1   | 663-44575-00    | 18 - 16  | 663-45587-01-15 | 22 - 5   | 703-48221-00    | 27 - 56  | 63D-48538-00    | 14 - 39  | 63D-82531-00    | 9 - 22   |
| 62X-4388A-00 | 19 - 10  | 63D-45111-11-4D | 21 - 1   | 663-45587-01-18 | 22 - 5   | 703-48222-00    | 27 - 27  | 63D-61350-00    | 25 - 1   | 703-82531-00    | 27 - 46  |
| 62Y-43891-00 | 20 - 6   | 6H4-45113-A0    | 21 - 19  | 663-45587-01-30 | 22 - 5   | 703-48223-00    | 27 - 28  | 63D-61351-00    | 25 - 2   | 703-82540-00    | 27 - 50  |
| 62Y-43892-00 | 20 - 5   |                 | 28 - 18  | 663-45587-01-40 | 22 - 5   | 703-48225-00    | 27 - 29  | 6H4-81332-00    | 8 - 17   | 682-82556-00    | 11 - 2   |
| 69J-43893-00 | 19 - 53  | 63D-45114-A0    | 21 - 9   | 663-45587-01-50 | 22 - 5   | 703-48226-00    | 27 - 26  | 6H4-81337-01    | 12 - 30  |                 | 27 - 48  |
| 69J-43894-00 | 19 - 48  |                 | 29 - 2   | 63D-45611-00    | 22 - 55  | 703-48227-00    | 27 - 24  | 63D-81345-00    | 8 - 8    | 689-82560-00    | 9 - 11   |
| 62X-43899-00 | 19 - 14  | 63D-45123-00    | 21 - 12  | 63D-45631-01    | 22 - 57  | 703-48232-00    | 27 - 62  | 63D-81345-10    | 8 - 9    | 6H4-82560-00    | 9 - 12   |
| 69W-43899-01 | 19 - 63  |                 | 29 - 5   | 663-45633-00    | 22 - 62  | 703-48234-00    | 27 - 18  | 63D-81345-20    | 8 - 10   | 703-82563-02    | 27 - 55  |
| 69J-4389J-00 | 19 - 30  | 6H3-45127-00    | 21 - 18  | 663-45634-00    | 22 - 58  | 703-48235-00    | 27 - 4   | 6J8-81365-A0    | 7 - 38   | 688-82575-01    | 27 - 47  |
| 63D-44100-11 | 14 - 5   |                 | 29 - 4   | 63D-45635-00    | 22 - 60  | 63D-48236-00    | 14 - 15  |                 | 12 - 27  | 6K5-82575-03    | 11 - 1   |
| 63D-44104-00 | 14 - 6   | 63D-45155-00    | 21 - 4   | 663-45930-00-98 | 23 - 25  | 703-48236-00    | 27 - 16  | 6F5-81800-11    | 12 - 1   | 703-82577-00    | 27 - 45  |
| 63D-44113-01 | 14 - 14  | 63D-45214-00    | 22 - 10  | 663-45941-01-EL | 23 - 25  | 63D-48237-00    | 14 - 20  | 689-81807-12    | 12 - 3   | 689-8257Y-00    | 11 - 3   |
| 63D-44114-01 | 14 - 24  | 63D-45215-00    | 22 - 11  | 69W-45943-00-EL | 23 - 25  | 63D-48238-00    | 14 - 22  | 689-81809-11    | 12 - 7   | 6N6-82582-00    | 10 - 32  |
| 63D-44117-00 | 16 - 16  | 63D-45251-00    | 17 - 6   | 6H5-45943-00-EL | 23 - 25  | 703-48238-00    | 27 - 22  | 689-81810-11    | 12 - 9   | 6E5-82588-00    | 13 - 32  |
| 63D-44120-10 | 16 - 13  | 65W-45251-00    | 17 - 49  | 69W-45945-00-EL | 23 - 25  | 703-48243-00    | 27 - 15  | 689-81811-11    | 12 - 11  | 688-8258A-20    | 27 - 49  |
| 63D-44121-00 | 16 - 24  | 663-45251-00    | 17 - 34  | 6H5-45945-00-EL | 23 - 25  | 703-48244-00    | 27 - 21  | 689-81812-11    | 12 - 12  | 63D-82590-20    | 10 - 18  |
| 688-44122-00 | 16 - 28  | 67C-45251-00    | 23 - 15  | 69W-45947-00-EL | 23 - 25  | 703-48245-00    | 27 - 11  | 689-81813-10    | 12 - 13  | 703-82591-00    | 27 - 53  |
| 63D-44132-00 | 14 - 18  | 63D-45300-12-4D | 22 - 1   | 663-45949-01-EL | 23 - 25  | 703-48246-00    | 27 - 23  | 689-81820-11    | 12 - 14  | 703-82592-00    | 27 - 54  |

NUMERICAL INDEX

| PART NO.        | REF. NO. | PART NO.    | REF. NO. | PART NO.    | REF. NO. | PART NO.    | REF. NO. | PART NO.    | REF. NO. | PART NO.    | REF. NO. |
|-----------------|----------|-------------|----------|-------------|----------|-------------|----------|-------------|----------|-------------|----------|
| 63D-82594-00    | 10 - 15  | 90116-06M22 | 10 - 5   | 90201-10M20 | 25 - 3   | 90387-10M42 | 25 - 6   | 90501-12082 | 16 - 18  | 92995-06600 | 16 - 32  |
| 703-82594-00    | 27 - 25  | 90116-10175 | 18 - 7   | 90201-10M63 | 25 - 8   | 90387-12M02 | 14 - 48  | 90501-16M01 | 22 - 59  |             | 17 - 11  |
| 6H4-83354-00    | 8 - 7    | 90116-18M52 | 17 - 44  | 90201-12426 | 17 - 52  | 90430-08020 | 22 - 8   | 90501-23215 | 14 - 64  | 92995-08100 | 18 - 20  |
| 703-83383-02    | 27 - 51  | 90119-06M13 | 2 - 10   | 90201-12M16 | 18 - 12  |             | 29 - 6   | 90502-16M02 | 17 - 32  |             | 23 - 14  |
| 6G1-83557-00    | 9 - 24   | 90119-06M51 | 9 - 2    | 90201-13M19 | 18 - 14  | 90430-12072 | 23 - 3   | 90506-14M24 | 17 - 26  | 92995-08600 | 14 - 56  |
| 6E5-83558-00    | 18 - 32  | 90119-06M61 | 13 - 19  | 90201-16M44 | 8 - 16   | 90430-14115 | 2 - 25   | 90508-26M35 | 16 - 6   |             | 15 - 7   |
|                 | 22 - 19  | 90119-06M73 | 13 - 6   | 90201-22429 | 22 - 56  |             | 28 - 4   | 90510-08002 | 7 - 20   |             | 21 - 14  |
| 6E5-83558-10    | 22 - 19  | 90119-06M99 | 1 - 8    | 90201-22M03 | 17 - 16  | 90440-14M00 | 17 - 54  | 91318-05008 | 19 - 44  | 92995-10100 | 23 - 9   |
| 6A1-83625-41    | 4 - 31   | 90119-06MA2 | 4 - 9    | 90201-27M00 | 22 - 35  | 90445-07M24 | 2 - 14   | 91318-05020 | 19 - 43  | 92995-10600 | 23 - 10  |
| 6E0-83627-41    | 14 - 68  |             | 7 - 34   | 90201-30M00 | 18 - 2   | 90445-07M27 | 2 - 13   | 91318-06040 | 19 - 56  | 92995-12200 | 17 - 51  |
| 63D-83672-01    | 18 - 33  |             | 12 - 23  | 90201-50306 | 3 - 12   | 90445-07M31 | 22 - 18  | 91490-20010 | 14 - 52  | 92995-18600 | 17 - 46  |
| 6H4-85411-00    | 13 - 29  | 90119-06MA3 | 2 - 29   | 90202-07M07 | 16 - 15  | 90445-07M46 | 2 - 12   | 91490-20012 | 16 - 27  | 92A08-03110 | 19 - 37  |
| 6H4-85415-00    | 13 - 31  |             | 7 - 36   | 90202-12060 | 23 - 2   | 90445-07MA3 | 2 - 16   | 91490-30025 | 23 - 24  | 93101-22M00 | 22 - 50  |
| 63D-85520-00    | 8 - 4    |             | 12 - 25  | 90202-24M53 | 14 - 54  | 90445-07MA5 | 4 - 27   | 91690-30012 | 17 - 31  |             | 29 - 14  |
| 63D-85533-00    | 8 - 5    | 90119-06MA5 | 2 - 40   | 90202-25M04 | 18 - 13  | 90445-07MF1 | 18 - 31  | 91690-30020 | 17 - 23  | 93101-25M57 | 22 - 32  |
| 63D-85533-10    | 8 - 5    | 90119-08015 | 2 - 28   | 90206-12052 | 13 - 3   | 90445-09057 | 6 - 32   | 91690-30025 | 14 - 10  |             | 29 - 12  |
| 63D-85540-03    | 9 - 1    | 90119-08019 | 2 - 9    | 90206-12M22 | 14 - 46  | 90445-09063 | 6 - 30   | 91690-40018 | 7 - 3    | 93102-08414 | 20 - 15  |
| 63D-85550-00    | 8 - 1    | 90119-08M15 | 22 - 29  | 90209-06M05 | 4 - 17   | 90445-09M37 | 2 - 38   | 92903-06100 | 7 - 12   | 93102-23096 | 8 - 12   |
| 63D-85550-10    | 8 - 1    |             | 29 - 23  | 90249-06M19 | 17 - 25  |             | 6 - 4    | 92903-06600 | 5 - 44   | 93102-25M28 | 3 - 3    |
| 63D-85560-00    | 8 - 2    | 90119-08M79 | 21 - 17  | 90250-06023 | 22 - 61  | 90445-11M05 | 24 - 11  |             | 7 - 13   |             | 28 - 10  |
| 63D-85560-10    | 8 - 2    | 90119-08M83 | 21 - 7   | 90266-04M01 | 1 - 6    | 90445-11M06 | 24 - 9   |             | 8 - 21   | 93104-16M01 | 3 - 4    |
| 6H5-85570-00    | 9 - 6    | 90119-08M84 | 23 - 11  | 90269-02M09 | 14 - 4   | 90446-10M02 | 9 - 23   |             | 16 - 21  |             | 28 - 9   |
| 63D-85580-00    | 8 - 6    | 90142-05M06 | 22 - 12  | 90280-03024 | 22 - 25  | 90464-03M15 | 8 - 11   | 92903-08600 | 7 - 33   | 93106-09014 | 22 - 15  |
| 6H1-85711-60    | 4 - 32   | 90149-05M13 | 14 - 62  |             | 29 - 25  | 90464-05M16 | 9 - 25   |             | 9 - 17   |             | 29 - 8   |
| 63D-W0001-00    | 28 - 1   | 90152-06M01 | 17 - 35  | 90338-05M03 | 13 - 26  | 90464-06M19 | 4 - 26   |             | 12 - 17  | 93210-04228 | 5 - 28   |
| 63D-W0001-20    | 29 - 1   | 90157-06M01 | 13 - 26  | 90338-05M11 | 10 - 14  | 90464-07M20 | 10 - 30  | 92903-10600 | 14 - 63  | 93210-04230 | 5 - 20   |
| 6H4-W0004-00    | 4 - 2    | 90157-06M13 | 16 - 10  | 90340-08002 | 22 - 7   | 90464-08M07 | 13 - 30  | 92990-05100 | 6 - 23   |             | 28 - 29  |
| 63D-W0070-10    | 1 - 11   | 90159-06M18 | 14 - 58  | 90340-14M00 | 2 - 24   | 90464-09M13 | 13 - 25  | 92990-05600 | 4 - 4    | 93210-07003 | 22 - 53  |
| 63D-W0070-20    | 1 - 11   | 90159-06M21 | 12 - 32  | 90386-07M58 | 16 - 25  | 90464-09M42 | 14 - 40  | 92990-06600 | 10 - 7   | 93210-08287 | 24 - 14  |
| 63D-W0078-01    | 29 - 16  | 90159-06M22 | 12 - 33  | 90386-08032 | 14 - 65  | 90464-15M11 | 9 - 3    |             | 13 - 28  | 93210-09165 | 19 - 60  |
| 63D-W0078-0A    | 29 - 26  | 90161-06M00 | 15 - 17  | 90386-10025 | 17 - 22  | 90464-15M27 | 10 - 13  | 92990-08200 | 16 - 26  | 93210-16275 | 25 - 10  |
| 63D-W0084-01-4D | 14 - 1   | 90170-09M03 | 25 - 5   | 90386-10M16 | 17 - 21  | 90465-06M86 | 18 - 29  | 92990-08600 | 27 - 34  | 93210-18397 | 19 - 57  |
| 63D-W0090-01-1S | 2 - 1    | 90170-12138 | 22 - 38  | 90386-12069 | 13 - 4   | 90465-11M10 | 17 - 55  | 92990-12200 | 14 - 37  | 93210-29375 | 19 - 6   |
| 63D-W0090-21-1S | 2 - 1    | 90170-18M10 | 17 - 45  | 90386-12M93 | 14 - 43  |             | 18 - 30  | 92990-12600 | 14 - 45  | 93210-29M94 | 18 - 5   |
| 6H4-W0093-03    | 28 - 19  | 90171-16011 | 23 - 23  | 90386-18M35 | 17 - 42  |             | 22 - 20  | 92990-16200 | 23 - 22  | 93210-32738 | 6 - 9    |
| 656-W2810-02    | 6 - 37   | 90179-06M24 | 9 - 19   | 90386-18M44 | 17 - 47  | 90465-13M11 | 18 - 35  | 92995-05600 | 8 - 19   |             | 28 - 16  |
| 63D-W4434-00    | 22 - 30  | 90179-16M05 | 8 - 15   | 90386-18M92 | 17 - 41  | 90467-06016 | 2 - 15   |             | 13 - 10  | 93210-33MG4 | 22 - 16  |
| 90101-06020     | 17 - 48  | 90185-08045 | 18 - 26  | 90386-22M15 | 17 - 15  |             | 4 - 28   | 92995-06100 | 15 - 15  |             | 29 - 7   |
| 90101-06021     | 2 - 19   | 90185-09M01 | 25 - 4   | 90386-29M95 | 14 - 44  | 90467-08004 | 2 - 39   |             | 17 - 8   | 93210-44383 | 19 - 8   |
| 90101-08M15     | 18 - 23  | 90185-10051 | 18 - 8   | 90386-30M60 | 18 - 6   |             | 4 - 30   |             | 21 - 3   | 93210-48214 | 19 - 9   |
| 90101-09M01     | 25 - 7   | 90185-10M01 | 15 - 11  | 90386-30M77 | 18 - 4   |             | 6 - 5    | 92995-06600 | 3 - 7    | 93210-48MG8 | 22 - 33  |
| 90101-12M09     | 14 - 36  | 90185-12M12 | 14 - 47  | 90386-30M78 | 18 - 3   | 90468-18008 | 16 - 2   |             | 6 - 3    |             | 29 - 11  |
| 90101-12M65     | 17 - 50  | 90185-22M11 | 17 - 17  | 90387-06M05 | 10 - 24  | 90480-09M21 | 13 - 17  |             | 7 - 6    | 93210-52449 | 20 - 17  |
| 90105-06M15     | 10 - 25  | 90201-05652 | 5 - 6    | 90387-06M26 | 15 - 20  | 90480-13M24 | 10 - 23  |             | 9 - 5    | 93210-58M21 | 3 - 5    |
| 90105-06M16     | 10 - 26  | 90201-06060 | 7 - 22   | 90387-06M41 | 13 - 18  | 90480-14M14 | 14 - 28  |             | 10 - 12  |             | 28 - 11  |
| 90105-08M61     | 22 - 44  | 90201-083J8 | 20 - 16  | 90387-06M65 | 12 - 31  | 90480-25161 | 9 - 7    |             | 13 - 12  | 93210-59MG7 | 22 - 24  |
| 90109-06M43     | 16 - 4   | 90201-08M01 | 15 - 5   | 90387-06M66 | 7 - 41   | 90501-10227 | 7 - 47   |             | 14 - 26  |             | 29 - 9   |
| 90109-12M21     | 18 - 15  | 90201-09425 | 18 - 25  | 90387-06M69 | 7 - 10   | 90501-10326 | 5 - 8    |             | 15 - 19  | 93210-69MG6 | 22 - 48  |

NUMERICAL INDEX

| PART NO.    | REF. NO. | PART NO.    | REF. NO. | PART NO.    | REF. NO. | PART NO. | REF. NO. | PART NO. | REF. NO. | PART NO. | REF. NO. |
|-------------|----------|-------------|----------|-------------|----------|----------|----------|----------|----------|----------|----------|
| 93210-69MG6 | 29 - 13  | 97013-06030 | 7 - 11   | 97885-06008 | 17 - 4   |          |          |          |          |          |          |
| 93210-74MG5 | 22 - 47  | 97013-06045 | 16 - 22  | 97885-06016 | 14 - 29  |          |          |          |          |          |          |
|             | 29 - 15  | 97013-08014 | 12 - 28  |             | 18 - 34  |          |          |          |          |          |          |
| 93306-001U1 | 22 - 45  | 97013-08016 | 12 - 18  | 97885-06040 | 4 - 15   |          |          |          |          |          |          |
| 93306-305U8 | 3 - 10   | 97013-08020 | 7 - 39   |             | 14 - 31  |          |          |          |          |          |          |
| 93315-32224 | 22 - 3   | 97013-08025 | 7 - 32   | 97885-06055 | 4 - 16   |          |          |          |          |          |          |
| 93317-22204 | 22 - 49  |             | 12 - 21  | 97980-04114 | 5 - 4    |          |          |          |          |          |          |
| 93332-00001 | 22 - 6   | 97013-08030 | 12 - 16  |             | 28 - 28  |          |          |          |          |          |          |
| 93332-00003 | 22 - 40  | 97013-08050 | 9 - 16   | 98503-05028 | 6 - 22   |          |          |          |          |          |          |
| 93410-18M02 | 17 - 43  | 97075-08030 | 18 - 19  | 98580-03015 | 27 - 38  |          |          |          |          |          |          |
| 93410-28M06 | 18 - 10  |             | 21 - 13  | 98580-04006 | 27 - 36  |          |          |          |          |          |          |
| 93430-04M03 | 14 - 66  | 97075-10040 | 23 - 8   | 98580-04008 | 5 - 11   |          |          |          |          |          |          |
| 93430-06024 | 27 - 10  | 97095-05016 | 13 - 9   | 98580-04010 | 27 - 35  |          |          |          |          |          |          |
| 93430-06M02 | 7 - 26   | 97095-06010 | 17 - 10  | 98580-05010 | 27 - 37  |          |          |          |          |          |          |
| 93430-08006 | 14 - 13  | 97095-06012 | 10 - 16  | 98580-06016 | 14 - 12  |          |          |          |          |          |          |
| 93440-62057 | 3 - 11   |             | 21 - 2   | 98586-05016 | 24 - 4   |          |          |          |          |          |          |
| 93501-04M02 | 16 - 17  | 97095-06014 | 9 - 4    | 98780-04016 | 2 - 21   |          |          |          |          |          |          |
| 93501-08001 | 19 - 45  |             | 10 - 11  | 98785-05014 | 14 - 21  |          |          |          |          |          |          |
| 93503-16003 | 19 - 15  | 97095-06016 | 7 - 5    | 98980-03006 | 5 - 37   |          |          |          |          |          |          |
| 93505-32038 | 19 - 27  |             | 14 - 25  | 99001-03600 | 19 - 26  |          |          |          |          |          |          |
| 93602-20M02 | 3 - 16   |             | 15 - 14  | 99001-08600 | 22 - 54  |          |          |          |          |          |          |
| 93604-08062 | 22 - 28  |             | 16 - 31  | 99530-10014 | 7 - 30   |          |          |          |          |          |          |
| 93604-26256 | 19 - 40  | 97095-06020 | 3 - 6    |             |          |          |          |          |          |          |          |
| 93606-12019 | 2 - 11   |             | 7 - 23   |             |          |          |          |          |          |          |          |
|             | 21 - 6   |             | 9 - 8    |             |          |          |          |          |          |          |          |
|             | 23 - 7   |             | 13 - 11  |             |          |          |          |          |          |          |          |
| 93700-06M03 | 17 - 13  | 97095-06025 | 6 - 2    |             |          |          |          |          |          |          |          |
| 94702-00247 | 2 - 41   |             | 10 - 20  |             |          |          |          |          |          |          |          |
| 94702-00271 | 2 - 41   |             | 17 - 7   |             |          |          |          |          |          |          |          |
| 95303-06600 | 16 - 11  | 97095-06030 | 9 - 14   |             |          |          |          |          |          |          |          |
| 95307-03600 | 19 - 38  | 97095-06035 | 7 - 28   |             |          |          |          |          |          |          |          |
| 95380-03600 | 5 - 36   |             | 15 - 18  |             |          |          |          |          |          |          |          |
|             | 6 - 19   | 97095-06040 | 6 - 28   |             |          |          |          |          |          |          |          |
| 95380-05600 | 16 - 9   |             | 7 - 43   |             |          |          |          |          |          |          |          |
|             | 22 - 13  | 97095-06095 | 4 - 12   |             |          |          |          |          |          |          |          |
|             | 27 - 7   | 97095-08025 | 23 - 13  |             |          |          |          |          |          |          |          |
| 95380-06600 | 7 - 14   | 97095-08035 | 23 - 16  |             |          |          |          |          |          |          |          |
|             | 10 - 6   | 97095-08040 | 14 - 55  |             |          |          |          |          |          |          |          |
|             | 14 - 51  | 97095-08050 | 15 - 6   |             |          |          |          |          |          |          |          |
|             | 27 - 40  | 97380-05025 | 27 - 8   |             |          |          |          |          |          |          |          |
| 95380-08600 | 6 - 12   | 97380-08030 | 27 - 33  |             |          |          |          |          |          |          |          |
| 95380-12600 | 17 - 53  | 97575-08445 | 21 - 5   |             |          |          |          |          |          |          |          |
| 95380-12800 | 18 - 17  | 97607-04212 | 20 - 12  |             |          |          |          |          |          |          |          |
| 95670-06640 | 9 - 18   | 97780-60525 | 13 - 22  |             |          |          |          |          |          |          |          |
| 97013-06012 | 5 - 43   | 97803-04010 | 5 - 35   |             |          |          |          |          |          |          |          |
| 97013-06014 | 6 - 11   | 97880-05014 | 4 - 3    |             |          |          |          |          |          |          |          |
| 97013-06018 | 8 - 20   | 97880-05020 | 20 - 11  |             |          |          |          |          |          |          |          |
| 97013-06020 | 16 - 20  | 97885-05010 | 8 - 18   |             |          |          |          |          |          |          |          |

40VMHD  
50HMHD/50HET  
PARTS CATALOGUE  
©2003 by Yamaha Motor Co., Ltd.  
1st edition, April 2003  
All rights reserved.  
Any reprinting or unauthorized use  
without the written permission of  
Yamaha Motor Co., Ltd.  
is expressly prohibited.  
Printed in Japan.