

**PARTS
CATALOGUE
CATALOGUE
DE PIÈCES DÉTACHÉES**

4AC'02(6E01)

4BC'02(6E31)

5C '02(6E31)

FOREWORD

This Parts Catalogue is related to the parts for the model(s) in the below frame. When you are ordering replacement parts, please refer to this Parts Catalogue and quote both part numbers and part names correctly.

4AC'02(6E01), 4BC'02(6E31), 5C'02(6E31)

1. Modifications or additions which have been made after issue of the Parts Catalogue will be announced in the Yamaha Parts News.
It is advisable that you make necessary corrections to the Parts Catalogue according to the Yamaha Parts News.

2. Abbreviations

The Following abbreviations are used in this Parts Catalogue.

“UR” Use specified parts number.

“UN” Use as many as needed.

“AP” Alternate Parts

“LM” Local Made
(Parts need to be ordered locally)

“O/S” Over Size

3. Parts, which are to be supplied in an assembly, are listed with a dot(.) in front of the part name as shown below.

EXAMPLE
CARBURETOR ASSY
.JET, PILOT
.NOZZLE, MAIN

4. Number of component for assembly

The numeral appearing to the right of each component part indicates the quantity of parts for each assembly unit.

EXAMPLE

PART NO.	DESCRIPTION	□	田	田	田	REMARKS
6E0-85500-70	C.D.I. MAGNETO ASSY	1				
6E0-85550-70	.ROTOR ASSY	1				
6E0-15723-00-94.	.PULLY, STARTER	1				

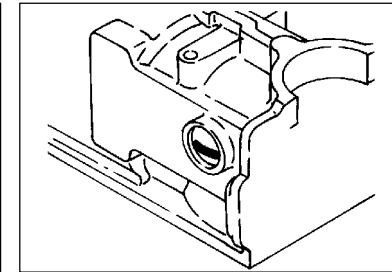
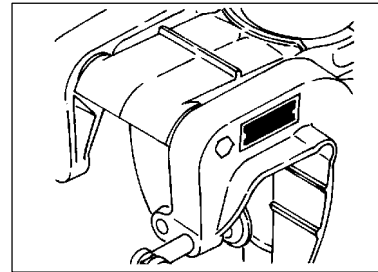
5. Quantity Column Information

NAME for Q'TY COLUMN	APPLICABLE MODEL
4AC	4ACMH
5C	5CMH
4BC	4BCMh

6. Applicable Starting Serial No. and Color Code

1) Engine Starting Serial No.

4ACMH	6E0K	S : 001441	4BCMh	6E3K	S : 600603
	6E0K	L : 300831		6E3K	L : 700321
			5CMH	6E3K	S : 000834
				6E3K	L : 300399



2) Color Code

Color Code	Color Name	Abbreviation
004D	DARK BLUISH GRAY METALLIC 2	DBNM2

7. Note that the illustrations for reference in finding parts numbers, not to be used for assembling. When assembling, please use the applicable service manual.

8. The asterisk (*) before a reference number indicates modification items after the first edition.

CONTENTS

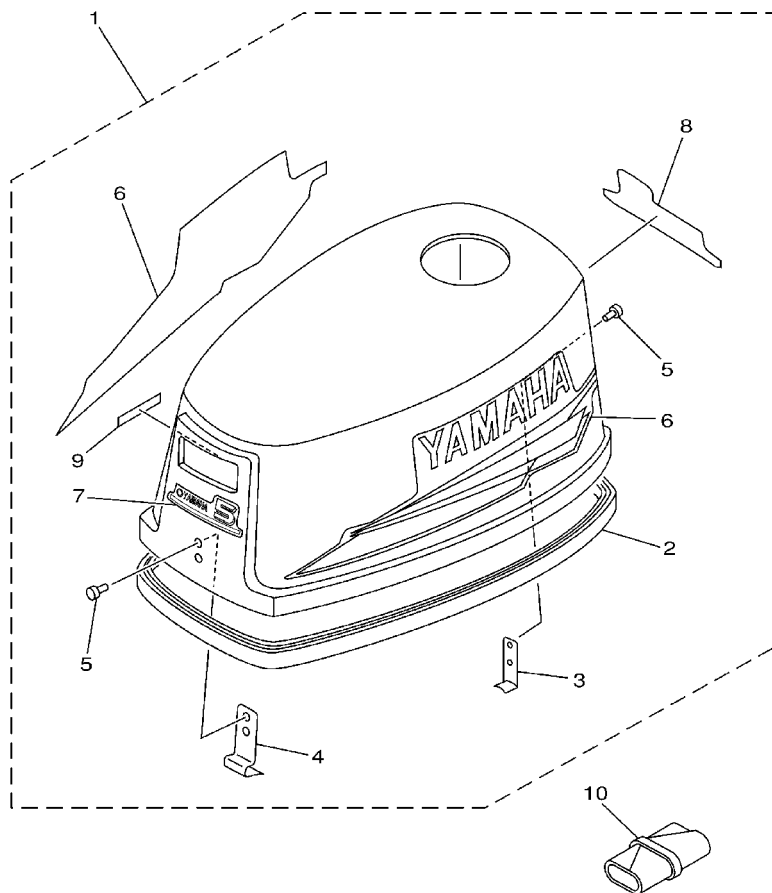
TOP COWLING	A4
CYLINDER, CRANKCASE	A5
INTAKE	B1
STARTER	B3
GENERATOR	B5
ELECTRICAL	B6
BOTTOM COWLING	B7
CONTROL	C2
UPPER CASING, BRACKET	C4
LOWER CASING, DRIVE	C7
FUEL TANK	D3
REPAIR KIT	D4

INDEX

NUMERICAL INDEX	D6
-----------------------	----

FIG. 1 TOP COWLING

CAPOT SUPERIEUR



REF. NO.	PART NO. NO. PIECES	DESCRIPTION DESCRIPTION	4AC	5C	4BC	REMARKS REMARQUES
1	6E0-42610-40-4D	TOP COWLING ASSY CAPOT (ENS.)	1		1	
	6E3-42610-40-4D	TOP COWLING ASSY CAPOT (ENS.)		1		
2	6E0-42615-00	.SEAL .JOINT	1	1	1	
3	6E0-42647-01	.HOLDER, CLAMP BAND .SUPPORT, SANDOW DE SERRAGE	1	1	1	
4	6E0-42651-02	.HOOK .CROCHET	1	1	1	
5	90266-04M00	.RIVET .RIVET	4	4	4	
6	6E0-W0070-14	.GRAPHIC SET JEU DIEMBLEMES	1	1	1	
7	6E0-42677-20	.GRAPHIC, FRONT .ADHESIF, AVANT	1		1	
	6E3-42677-20	.GRAPHIC, FRONT .ADHESIF, AVANT		1		
8	6E0-42678-12	.GRAPHIC, REAR .ADHESIF, ARRIERE	1		1	
	6E3-42678-12	.GRAPHIC, REAR .ADHESIF, ARRIERE		1		
9	6E0-44191-11	.INDICATOR, SHIFT .ETIQUETTE, EMBRAYAGE	1	1	1	
10	656-W2810-02	TOOL KIT TROUSSE A OUTILS	1	1	1	



6E01010-2010

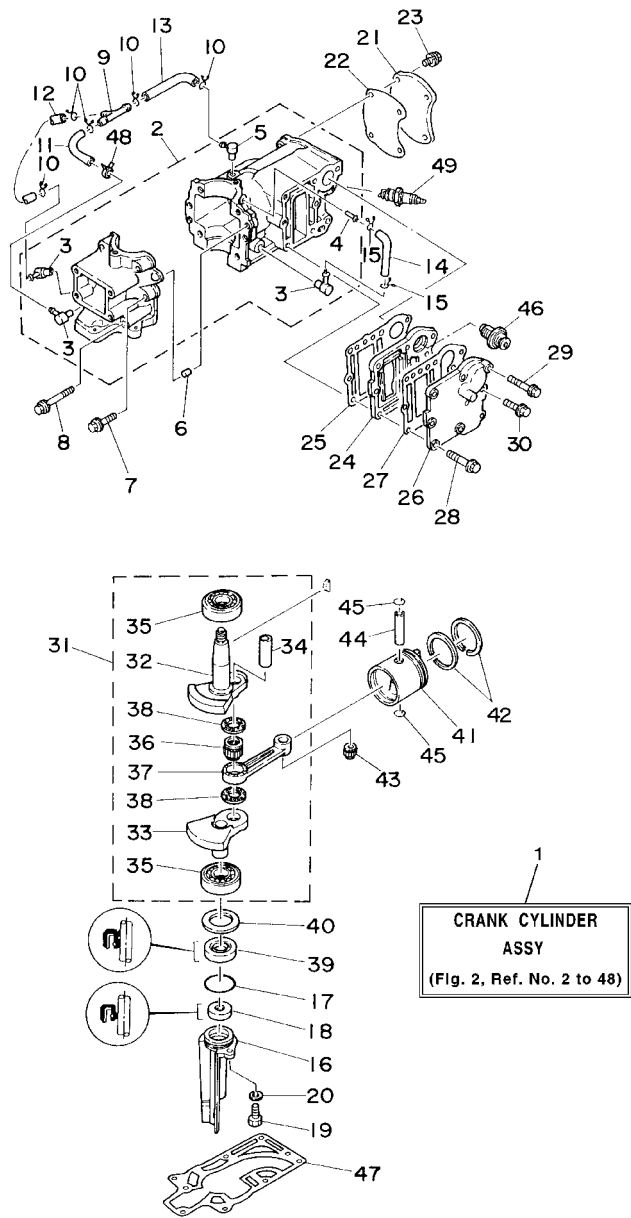


FIG. 2 CYLINDER. CRANKCASE CYLINDRE. CARTER

REF. NO.	PART NO. NO. PIECES	DESCRIPTION DESCRIPTION	4AC	5C	4BC	REMARKS REMARQUES
1	6E0-W0090-04-1S	CRANK CYLINDER ASSY EMBIELLAGE CYLINDRE (ENS.)	1			
	6E3-W0090-04-1S	CRANK CYLINDER ASSY EMBIELLAGE CYLINDRE (ENS.)		1	1	
2	6E0-15100-01-1S	CRANKCASE ASSY CARTER DE MOTEUR COMPLET	1			
	6E3-15100-02-1S	CRANKCASE ASSY CARTER DE MOTEUR COMPLET		1	1	
3	650-11370-00	.CHECK VALVE ASSY .CLAPET. (ENS.)	3	3	3	
4	624-14485-00	.PIPE, JOINT .DURITE	1	1	1	
5	6E5-11372-00	.NIPPLE, HOSE .RACCORD, TUYAU	1	1	1	
6	93606-12019	PIN, DOWEL GOUJON	2	2	2	
7	90105-06M16	BOLT, FLANGE BOULON	4	4	4	
8	90105-06M17	BOLT, FLANGE BOULON	2	2	2	
9	6E0-24378-00	PIPE, JOINT 4 DURITE RACCORDEMENT 4	1	1	1	
10	90467-06016	CLIP JONC	5	5	5	
11	90445-07M00	HOSE (L100) DURITE (L100)	1	1	1	
12	90445-07M28	HOSE (L70) DURITE (L70)	1	1	1	
13	90445-07M32	HOSE (L120) DURITE (L120)	1	1	1	
14	90445-07M28	HOSE (L70) DURITE (L70)	1	1	1	
15	90467-06016	CLIP JONC	2	2	2	
16	6E0-15396-03-5B	HOUSING, OIL SEAL LOGEMENT DE JOINT SPY	1	1	1	
17	93210-31MJ5	O-RING JOINT TORIQUE	1	1	1	
18	93101-10M25	OIL SEAL JOINT SPY	1	1	1	
19	97095-06016	BOLT BOULON	1	1	1	
20	92995-06600	WASHER RONDELLE	1	1	1	
21	6E0-11191-01-1S	COVER, CYLINDER HEAD 1 COUVERCLE, CULASSE 1	1			
	6E3-11191-01-1S	COVER, CYLINDER HEAD 1 COUVERCLE, CULASSE 1		1	1	
22	6E0-11193-A1	GASKET, HEAD COVER 1 JOINT, COUVERCLE DE CULASSE 1	1			
	6E3-11193-A1	GASKET, HEAD COVER 1 JOINT, COUVERCLE DE CULASSE 1		1	1	
23	90105-06039	BOLT, FLANGE BOULON	4	4	4	

FWD
6E00100-4020

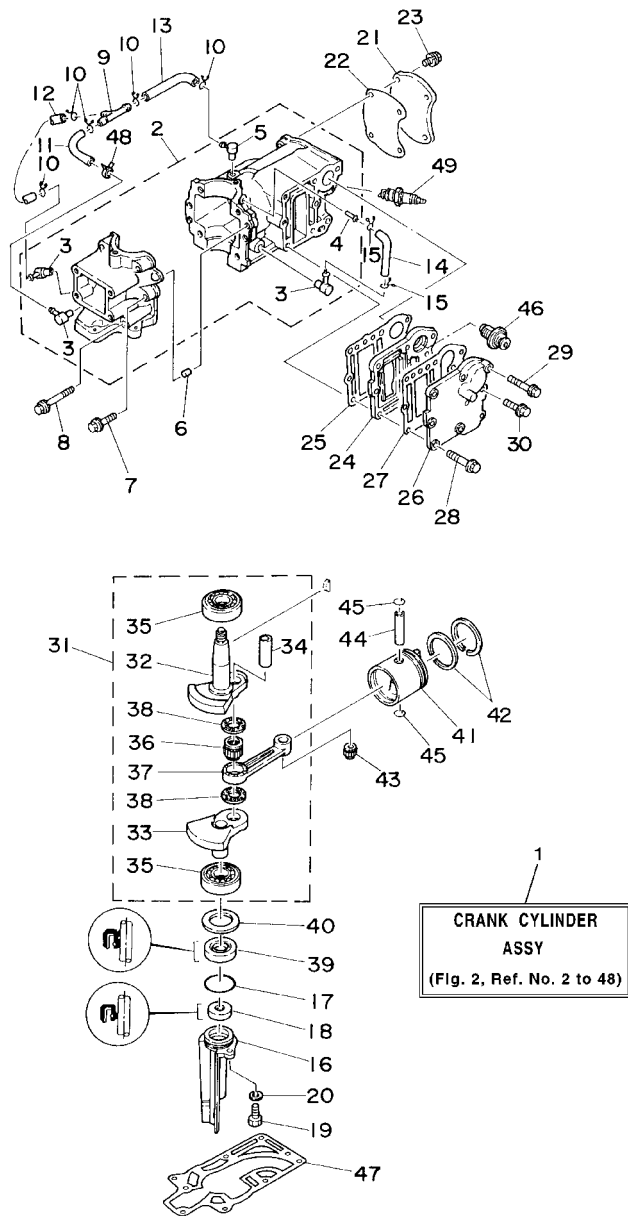


FIG. 2 CYLINDER. CRANKCASE CYLINDRE. CARTER

REF. NO.	PART NO. NO. PIECES	DESCRIPTION DESCRIPTION	4AC	5C	4BC	REMARKS REMARQUES
24	6E0-41111-01-1S	INNER COVER, EXHAUST PLAQUE, ECHAPPEMENT	1			
	6E3-41111-01-1S	INNER COVER, EXHAUST PLAQUE, ECHAPPEMENT		1	1	
25	6E0-41112-A1	GASKET, EXHAUST INNER COVER JOINT, PLAQUE D'ECHAPPEMENT	1			
	6E3-41112-A1	GASKET, EXHAUST INNER COVER JOINT, PLAQUE D'ECHAPPEMENT		1	1	
26	6E0-41113-01-1S	OUTER COVER, EXHAUST COUVERCLE, ECHAPPEMENT	1			
	6E3-41113-01-1S	OUTER COVER, EXHAUST COUVERCLE, ECHAPPEMENT		1	1	
27	6E0-41114-A1	GASKET, EXHAUST OUTER COVER JOINT, COUVERCLE D'ECHAPPEMENT	1			
	6E3-41114-A1	GASKET, EXHAUST OUTER COVER JOINT, COUVERCLE D'ECHAPPEMENT		1	1	
28	90105-06037	BOLT, FLANGE BOULON	7			
	90105-06037	BOLT, FLANGE BOULON		8	8	
29	90105-06035	BOLT, FLANGE BOULON	1			
30	90105-06039	BOLT, FLANGE BOULON	1	1	1	
31	6E0-11400-00	CRANKSHAFT ASSY VILEBREQUIN COMPLET	1			
	6E3-11400-00	CRANKSHAFT ASSY VILEBREQUIN COMPLET		1	1	
32	6E0-11412-00	.CRANK 1 .MASSOLOTTE DE VILEBREQUIN 1	1			
	6E3-11412-00	.CRANK 1 .MASSOLOTTE DE VILEBREQUIN 1		1	1	
33	6E0-11422-00	.CRANK 2 .MASSOLOTTE DE VILEBREQUIN 2	1			
	6E3-11422-00	.CRANK 2 .MASSOLOTTE DE VILEBREQUIN 2		1	1	
34	6G1-11681-00	.PIN, CRANK 1 .MANETON, VILEBREQUIN 1	1	1	1	
35	93306-204U0	.BEARING .ROULEMENT	2	2	2	
36	93310-418V1	.BEARING .ROULEMENT	1	1	1	
37	6E0-11651-01	.ROD, CONNECTING .BIELLE NUE	1	1	1	
38	90209-18112	.WASHER .RONDELLE	2	2	2	
39	93101-20M29	OIL SEAL JOINT SPY	1	1	1	
40	90201-32M48	WASHER, PLATE RONDELLE, PLATE	1	1	1	
41	6E0-11631-00-98	PISTON (STD) PISTON (STD)	1			
	6E3-11631-00-98	PISTON (STD) PISTON (STD)		1	1	

FWD
6E00100-4020

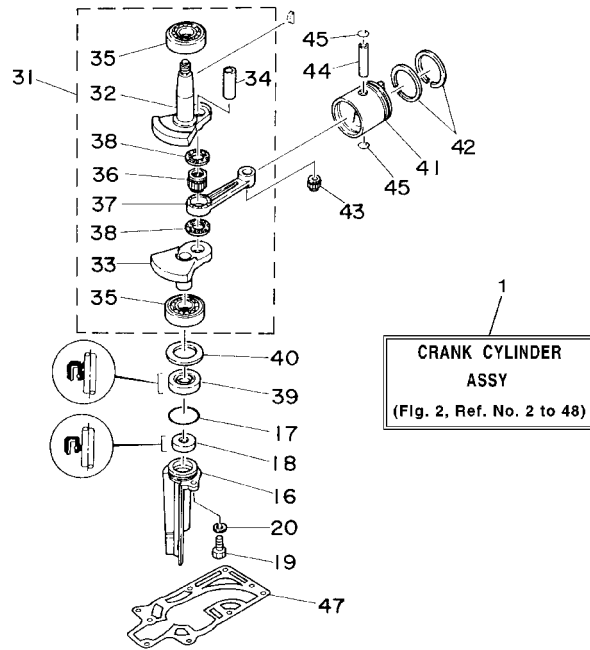
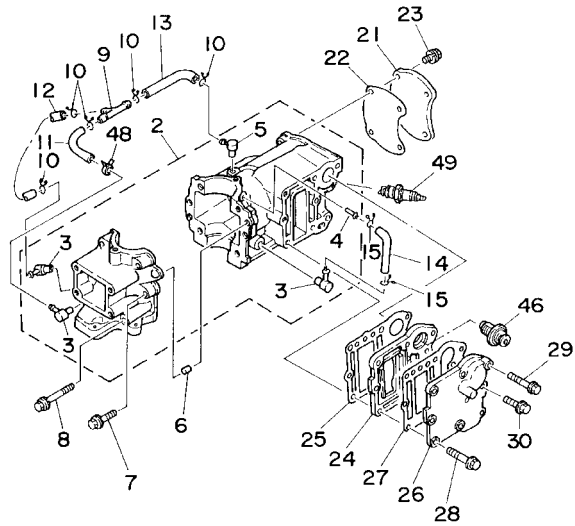


FIG. 2 CYLINDER. CRANKCASE CYLINDRE. CARTER

REF. NO.	PART NO. NO. PIECES	DESCRIPTION DESCRIPTION	4AC	5C	4BC	REMARKS REMARQUES
42	6G1-11610-00	PISTON RING SET (STD) JEU DE SEGMENTS (STD)	1			
	6J1-11610-00	PISTON RING SET (STD) JEU DE SEGMENTS (STD)		1	1	
43	93310-112V0	BEARING ROULEMENT	1	1	1	
44	6G1-11633-00	PIN, PISTON AXE, PISTON	1	1	1	
45	93450-13022	CIRCLIP CIRCLIP, TYPE S	2	2	2	
46	6E5-12411-01	THERMOSTAT THERMOSTAT	1	1	1	
47	6E0-45113-A1	GASKET, UPPER CASING JOINT, TUBE D'ARBRE	1	1	1	
48	90468-07M02	CLIP JONC	1	1	1	
49	94702-00272	PLUG, SPARK (NGK BR7HS) BOUGIE D'ALLUMAGE (NGK BR7HS)	1	1	1	



6E00100-4020

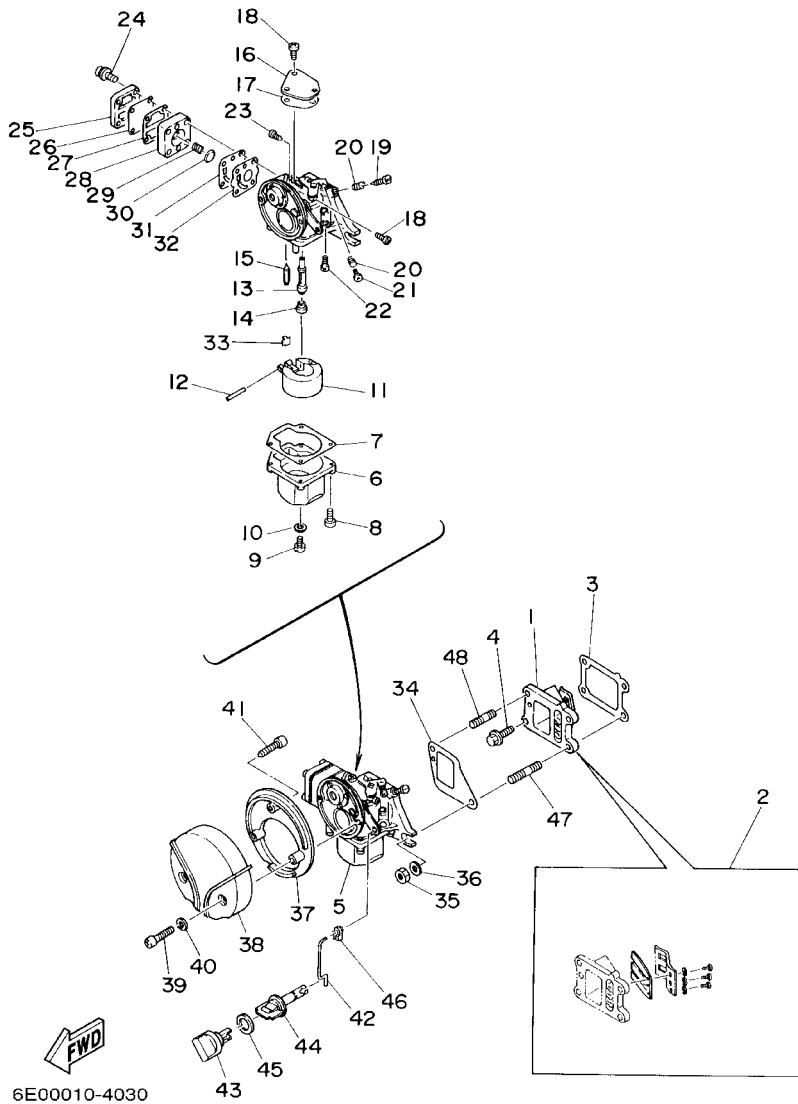
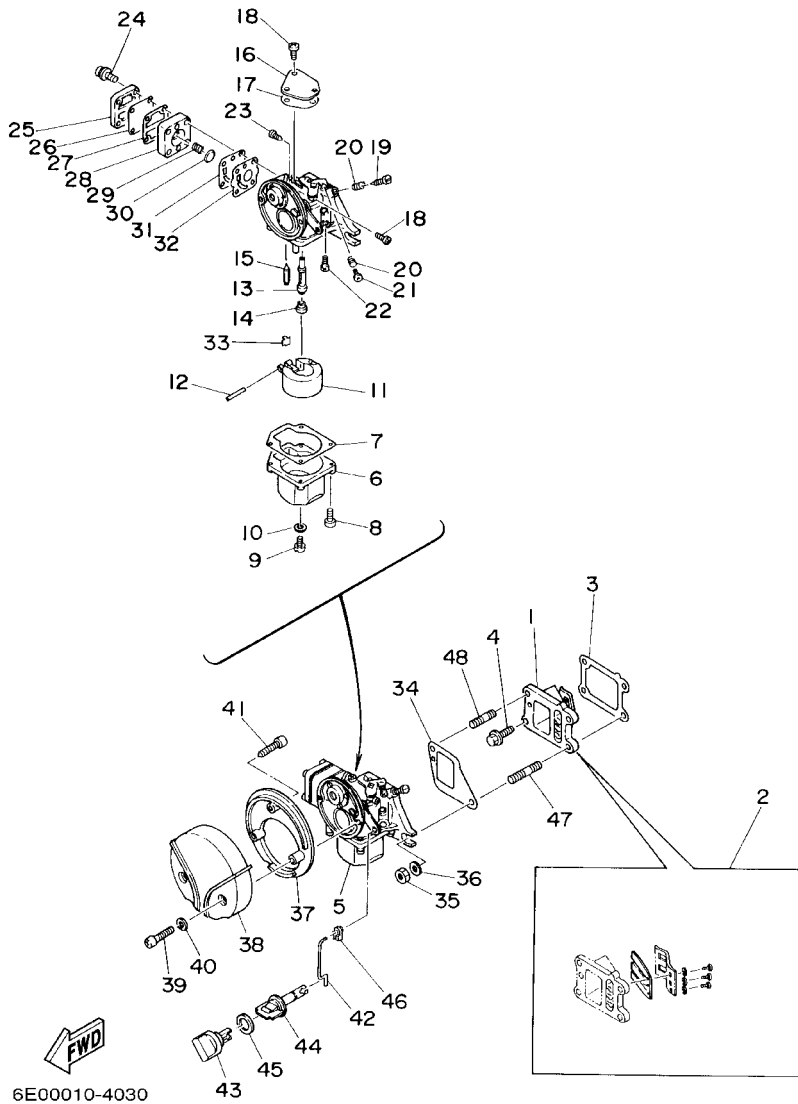


FIG. 3 INTAKE

ADMISSION

REF. NO.	PART NO. NO. PIECES	DESCRIPTION DESCRIPTION	4AC	5C	4BC	REMARKS REMARQUES
1	6E0-13610-00	REED VALVE ASSY CLAPET COMPLET	1	1	1	
2	6E0-W0004-00	.REED SET .JEU DE CLAPETS	1	1	1	
3	6E0-13621-A2	GASKET, VALVE SEAT JOINT, SIEGE DE CLAPET	1	1	1	
4	95895-06016	BOLT, FLANGE BOULON, A COLLERETTE	2	2	2	
5	6E0-14301-05	CARBURETOR ASSY 1 CARBURATEUR COMPLET 1	1			
6	6E0-14381-02	CARBURETOR ASSY 1 CARBURATEUR COMPLET 1		1	1	
6	6E0-14381-02	.BODY, FLOAT CHAMBER .CORPS, CUVE DE FLOTTEUR	1	1	1	
7	6E0-14384-00	.GASKET, FLOAT CHAMBER JOINT, CUVE DE FLOTTEUR	1	1	1	
8	97980-04116	.SCREW, WITH WASHER .VIS, AVEC RONDELLE	4	4	4	
9	97890-05006	.SCREW, PAN HEAD .VIS, TETE TRONCONIQUE	1	1	1	
10	646-14198-01	.GASKET JOINT	1	1	1	
11	6E7-14385-01	.FLOAT .FLOTTEUR	1	1	1	
12	647-14386-00	.PIN, FLOAT .AXE, FLOTTEUR	1	1	1	
13	6E0-14341-01	.NOZZLE, MAIN .PUITS D'AIGUILLE	1			
	6E3-14341-02	.NOZZLE, MAIN .PUITS D'AIGUILLE		1	1	
14	648-14343-40	.JET, MAIN (# 80) .GICLEUR, PRINCIPAL (# 80)	1	1	1	
15	6F5-14392-00	.VALVE, NEEDLE .POINTEAU	1	1	1	
16	6E0-14157-00	.COVER, PLATE .COUVERCLE	1	1	1	
17	6E0-14227-00	.GASKET JOINT	1	1	1	
18	97890-04007	.SCREW, PAN HEAD .VIS, TETE TRONCONIQUE	4	4	4	
19	647-14323-00	.SCREW, AIR ADJUSTING .VIS DE DOSEUR D'AIR	1	1	1	
20	646-14212-01	.SPRING, PILOT ADJUSTING .RESSORT, VIS DE RALENTI	2	2	2	
21	664-14321-01	.SCREW, THROTTLE .VIS, ACCELERATEUR	1	1	1	
22	648-14342-23	.JET, PILOT (# 46) .GICLEUR, RALENTI (# 46)	1			
	648-14342-26	.JET, PILOT (# 52) .GICLEUR, RALENTI (# 52)		1	1	
23	647-14326-00	.SCREW, GUIDE .GUIDE DE VIS	1	1	1	
24	97980-04120	.SCREW, WITH WASHER .VIS, AVEC RONDELLE	4	4	4	



6E00010-4030

FIG. 3 INTAKE

ADMISSION

REF. NO.	PART NO. NO. PIECES	DESCRIPTION DESCRIPTION	4AC	5C	4BC	REMARKS REMARQUES
25	6E0-24413-00	.COVER .CAPUCHON	1	1	1	
26	6E0-24471-00	.DIAPHRAGM .DIAPHRAGME	1	1	1	
27	6E0-24435-00	.GASKET, BODY 2 .JOINT, CORPS 2	1	1	1	
28	6E0-24412-00	.BODY 1 .CORPS 1	1	1	1	
29	6E0-24423-00	.SPRING, DIAPHRAGM .RESSORT, DIAPHRAGME	1	1	1	
30	6E0-14346-00	.PLATE .PLAQUE	1	1	1	
31	6E0-24411-00	.DIAPHRAGM .DIAPHRAGME	1	1	1	
32	6E0-24434-00	.GASKET, BODY .JOINT, CORPS	1	1	1	
33	6E0-14159-00	.CLIP .JONC	1	1	1	
34	6E0-14198-A0	GASKET JOINT	1	1	1	
35	95380-06700	NUT ECROU	2	2	2	
36	92995-06600	WASHER RONDELLE	2	2	2	
37	6E0-14417-00	COVER 1 COUVERCLE 1	1	1	1	
38	6E0-14418-00	COVER 2 COUVERCLE 2	1	1	1	
39	97880-05025	SCREW, PAN HEAD VIS, TETE TRONCONIQUE	2	2	2	
40	92990-05600	WASHER, PLATE RONDELLE, PLATE	2	2	2	
41	97780-40720	SCREW, TAPPING VIS, TETE FRAISEE	1	1	1	
42	6E0-41256-00	ROD, CHOKE 1 TRINGLE 1, STARTER	1	1	1	
43	6E0-41271-00	KNOB, CHOKE BOUTON DE STARTER	1	1	1	
44	6E0-41272-00	KNOB, CHOKE CONTRE ECROU	1	1	1	
45	90202-12M16	WASHER, PLATE RONDELLE, PLATE	1	1	1	
46	661-41262-02	JOINT, CHOKE LEVER RACCORD, LEVIER DE STARTER	1	1	1	
47	95627-06325	BOLT, STUD GOUJON	1	1	1	
48	90116-06M08	BOLT, STUD GOUJON	1	1	1	

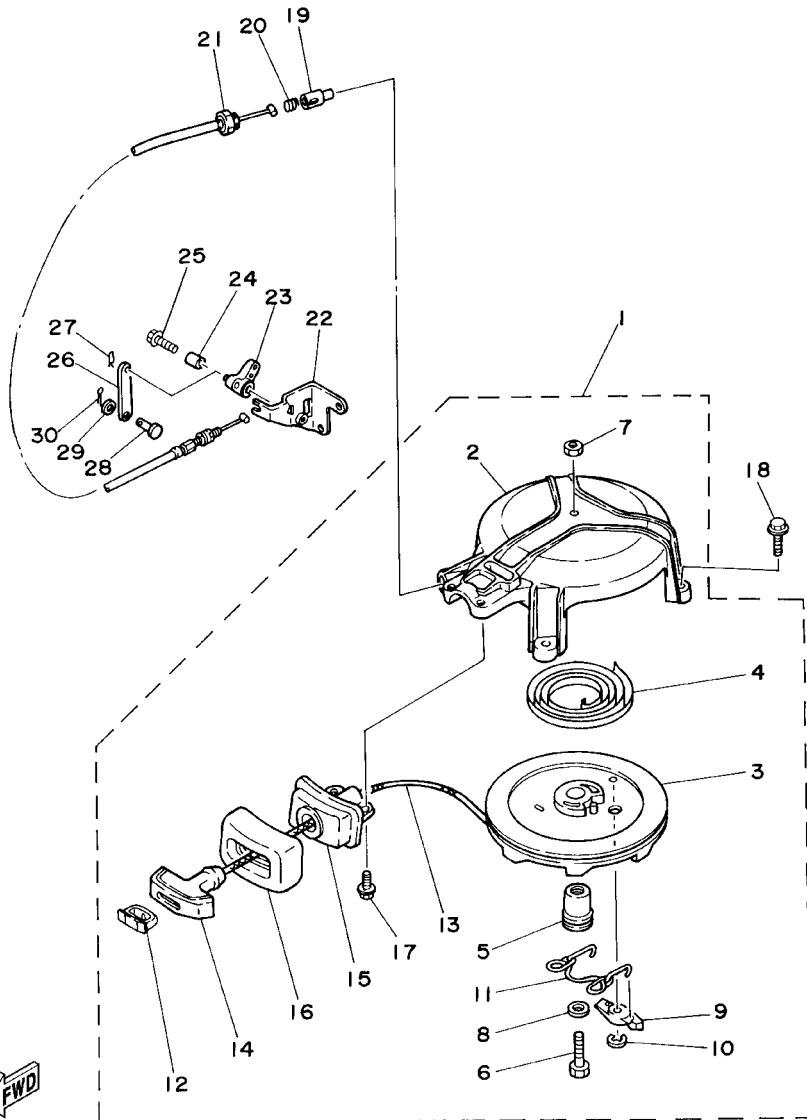
FIG. 4 STARTER

DEMARREUR

REF. NO.	PART NO. NO. PIECES	DESCRIPTION DESCRIPTION	4AC	5C	4BC	REMARKS REMARQUES
1	6E0-15710-03-94	STARTER ASSY DEMARREUR COMPLET	1			
	6E4-15710-73-94	STARTER ASSY DEMARREUR COMPLET		1	1	
2	6E0-15711-01-94	.CASE, STARTER .CARTER DE DEMARREUR	1			
	6E4-15711-71-94	.CASE, STARTER .CARTER DE DEMARREUR		1	1	
3	6E0-15714-01	.DRUM, SHEAVE .TAMBOUR, POULIE	1	1	1	
4	90510-08M03	.SPRING, SPIRAL .RESSORT, HELICOIDAL	1	1	1	
5	6E0-15717-00	.SHAFT, STARTER .AXE DE DEMARREUR	1	1	1	
6	97313-06035	.BOLT .BOULON	1	1	1	
7	95303-06600	.NUT .ECROU	1	1	1	
8	90201-06M30	.WASHER, PLATE .RONDELLE, PLATE	1	1	1	
9	677-15741-01	.PAWL, DRIVE .CLIQUET, ENTRAINEMENT	1	1	1	
10	93430-06M02	.CIRCLIP .CIRCLIP, TYPE S	1	1	1	
11	6E0-15705-00	.SPRING, DRIVE PAWL .RESSORT DE CLIQUET	1	1	1	
12	6G1-15779-00	.COVER .COUVERCLE	1	1	1	
13	*	.WIRE (L1850) .FIL (L1850)	1	1	1	
14	6G1-15755-00	.HANDLE, STARTER .POIGNEE, DE DEMARREUR	1	1	1	
15	6E0-15758-01	.GUIDE, ROPE .GUIDE DE CABLE	1			
	6E3-15758-01	.GUIDE, ROPE .GUIDE DE CABLE		1	1	
16	6E0-15761-00	.SEAL, RUBBER 1 .JOINT CAOUTCHOUC 1	1	1	1	
17	90105-06M14	.BOLT FLANGE .BOULON	2	2	2	
18	95895-06020	BOLT, FLANGE BOULON, A COLLERETTE	3	3	3	
19	656-15748-00	PLUNGER, STARTER STOP PLONGEUR, BOUTE DE DEMAR		1	1	
20	90501-10227	SPRING, COMPRESSION RESSORT, COMPRESSION		1	1	
21	6E4-15770-70	CABLE COMP., STARTER STOP CABLE, BUTEE DE DEMAR		1	1	
22	6E4-15772-71	STAY 2 SUPPORT 2		1	1	

* CUT FROM 50M ROLLS, PART NO. 90890-44372, CUTTING LENGTH 1.85M

* CORTE DE UN RODILLO DE 50M , PARTS NUMERO 90890-44372, LARGO DEL CORTE 1.85M

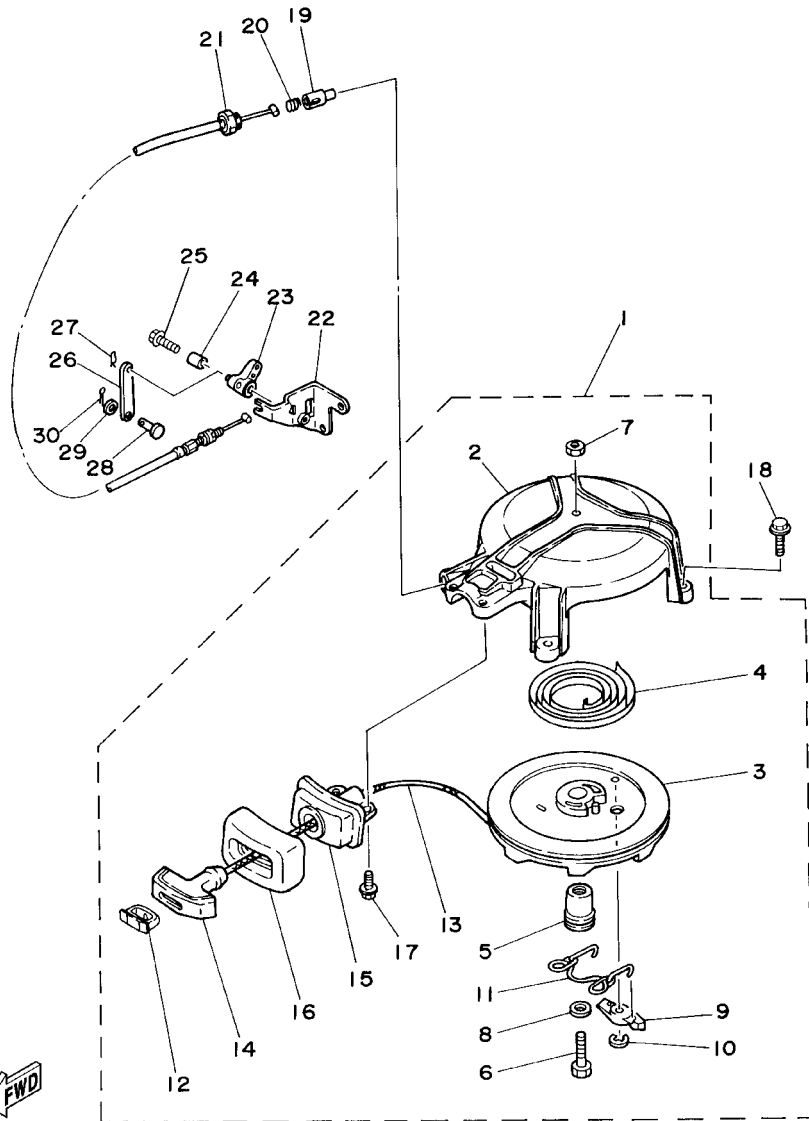


6E00010-4040

FIG. 4 STARTER

DEMARREUR

REF. NO.	PART NO. NO. PIECES	DESCRIPTION DESCRIPTION	4AC	5C	4BC	REMARKS REMARQUES
23	6E4-15746-70	ARM BRAS			1 1	
24	90387-06504	COLLAR COLLERETTE			1 1	
25	90119-06M18	BOLT, WITH WASHER BOULON, AVEC RONDELLE			1 1	
26	6E4-15747-70	LINK BIELLETTE			1 1	
27	90468-10005	CLIP JONC			1 1	
28	91790-05010	PIN, CLEVIS BOULON, A GOUPILLE			1 1	
29	90202-05088	WASHER, PLATE RONDELLE, PLATE			1 1	
30	91490-16010	PIN, COTTER GOUPILLE, FENDUE			1 1	



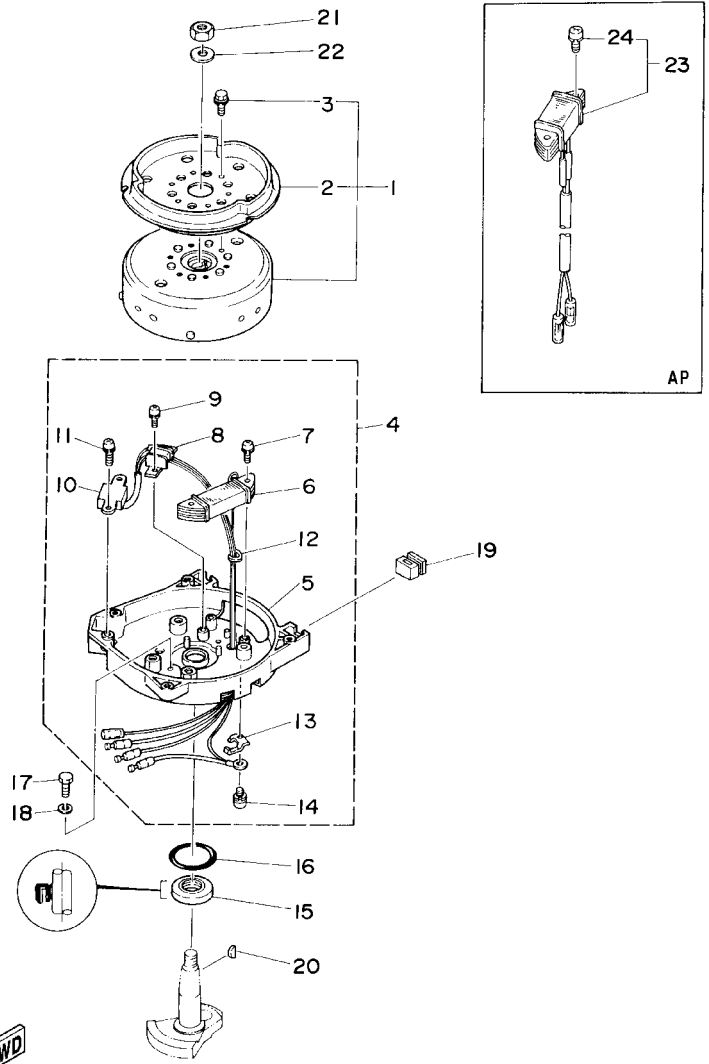
6E00010-4040



FIG. 5 GENERATOR

GENERATRICE

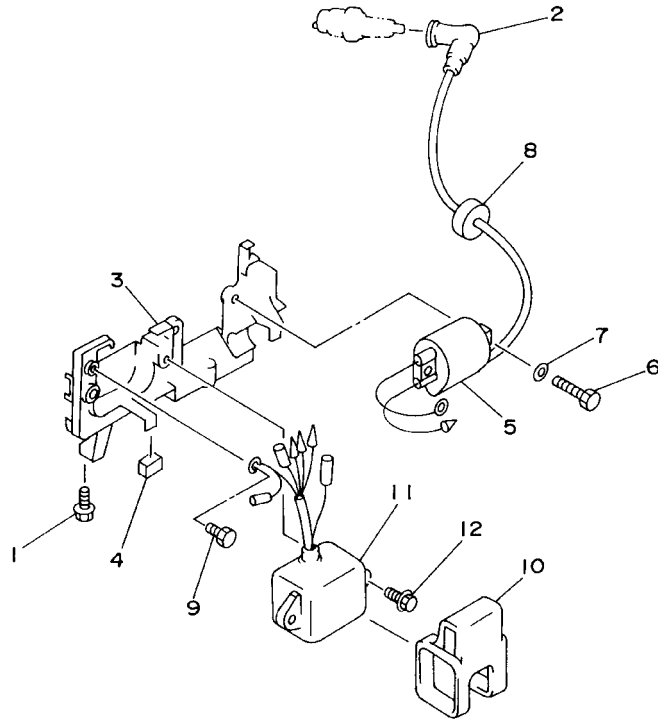
REF. NO.	PART NO. NO. PIECES	DESCRIPTION DESCRIPTION	4AC	5C	4BC	REMARKS REMARQUES
1	6E0-85550-71	ROTOR ASSY ROTOR CPLT	1	1	1	
2	6E0-15723-00-94	.PULLEY, STARTER .POULIE DE DEMARREUR	1	1	1	
3	90105-06M14	.BOLT FLANGE .BOULON	3	3	3	
4	6E0-85560-70	BASE ASSY ENS. FLASQUE	1	1	1	
5	6E0-15359-00-94	.HOUSING, OIL SEAL .LOGEMENT, BAGUE D'ETANCHEITE	1	1	1	
6	6E0-85520-70	.COIL, CHARGE .BOBINE, CHARGE	1	1	1	
7	90159-05038	.SCREW, WITH WASHER .VIS, AVEC RONDELLE	2	2	2	
8	6E0-85595-70	.COIL, PULSER .BOBINE, PULSEUR	1	1	1	
9	90159-04036	.SCREW, WITH WASHER .VIS, AVEC RONDELLE	2	2	2	
10	6E0-85592-70	.PULSER COIL ASSY .PULSATION BOBINE (ENS.)	1	1	1	
11	90159-05037	.SCREW, WITH WASHER .VIS, AVEC RONDELLE	2	2	2	
12	6E0-81336-70	.GROMMET .OUILLET CAOUTCHOUC	1	1	1	
13	6E0-81328-70	.CLAMP .COLLIER	1	1	1	
14	90159-04035	.SCREW, WITH WASHER .VIS, AVEC RONDELLE	1	1	1	
15	93102-20M25	OIL SEAL JOINT SPY	1	1	1	
16	93210-42159	O-RING JOINT TORIQUE	1	1	1	
17	97095-06016	BOLT BOULON	2	2	2	
18	92995-06100	WASHER, SPRING RONDELLE, GROWER	2	2	2	
19	6E0-24183-00	DAMPER, LOCATING 3 SILENT-BLOC	2	2	2	
20	90280-04M06	KEY, WOODRUFF CLAVETTE, DEMI-LUNE	1	1	1	
21	90170-10113	NUT ECROU	1	1	1	
22	90201-10126	WASHER, PLATE RONDELLE, PLATE	1	1	1	
23	6E0-81303-40	LIGHTING COIL ASSY BOBINE D'ECLAIRAGE	1	1	1	AP 40W
	6E0-81303-80	LIGHTING COIL ASSY BOBINE D'ECLAIRAGE	1	1	1	AP 60W
24	90159-05040	.SCREW, WITH WASHER .VIS, AVEC RONDELLE	2	2	2	



FWD
6E00010-4050

FIG. 6 ELECTRICAL

ELECTRIQUE



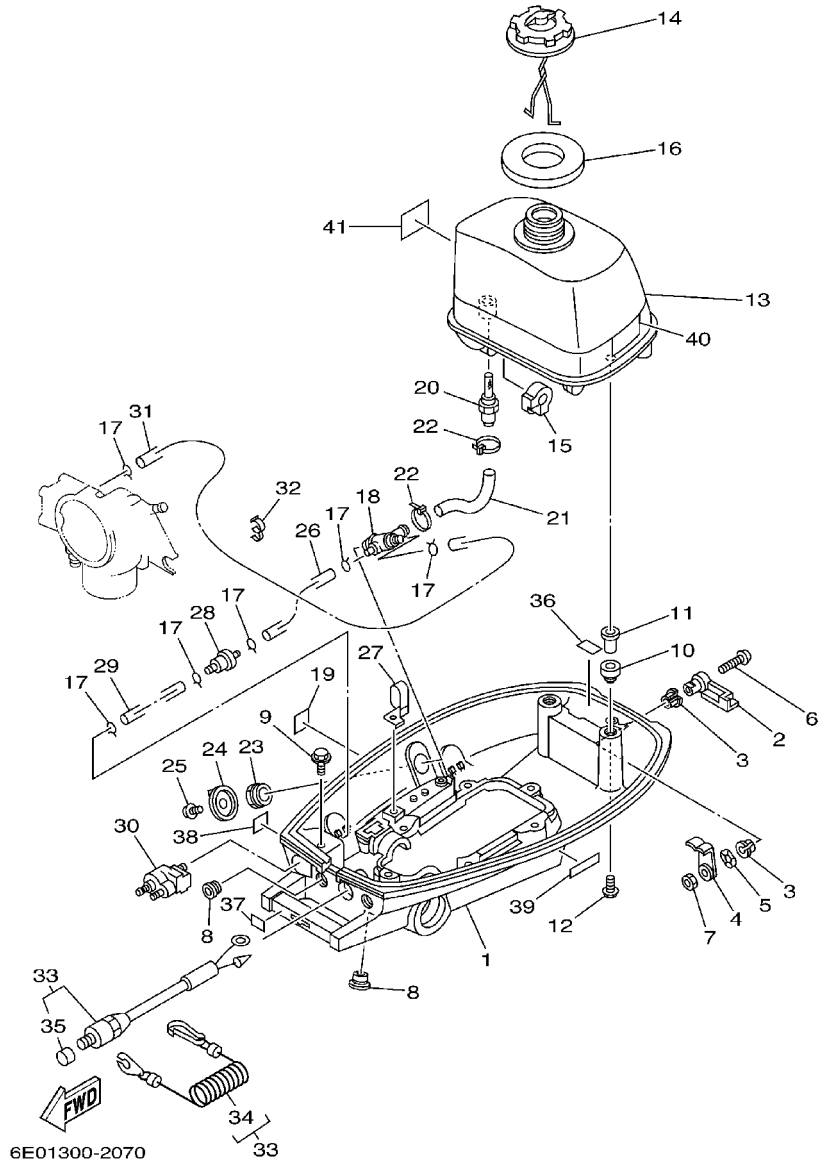
REF. NO.	PART NO. NO. PIECES	DESCRIPTION DESCRIPTION	4AC	5C	4BC	REMARKS REMARQUES
1	95895-06016	BOLT, FLANGE BOULON, A COLLERETTE	2	2	2	
2	6G1-82370-21	PLUG CAP ASSY ANTIPARASITE	1			
	6E3-82370-21	PLUG CAP ASSY ANTIPARASITE		1	1	
3	6E0-82316-01-94	BRACKET, IGNITION COIL SUPPORT, BOBINE D'ALLUMAGE	1	1	1	
4	6E0-82317-00	DAMPER, IGNITION COIL AMORTISSEUR, BOBINE D'ALLUM.	2	2	2	
5	6E0-85570-00	IGNITION COIL ASSY BOBINE D'ALLUMAGE (ENS.)	1	1	1	
6	97095-06016	BOLT BOULON	2	2	2	
7	92995-06600	WASHER RONDELLE	2	2	2	
8	90480-25161	GROMMET PASSE-FIL	1	1	1	
9	97080-06010	BOLT BOULON	1	1	1	
10	6E0-85548-00	HOLDER SUPPORT	1	1	1	
11	6E0-85540-71	C.D.I. UNIT ASSY BLOC C.D.I.	1	1	1	
12	95895-06020	BOLT, FLANGE BOULON, A COLLERETTE	2	2	2	



6E00010-6060

FIG. 7 BOTTOM COWLING

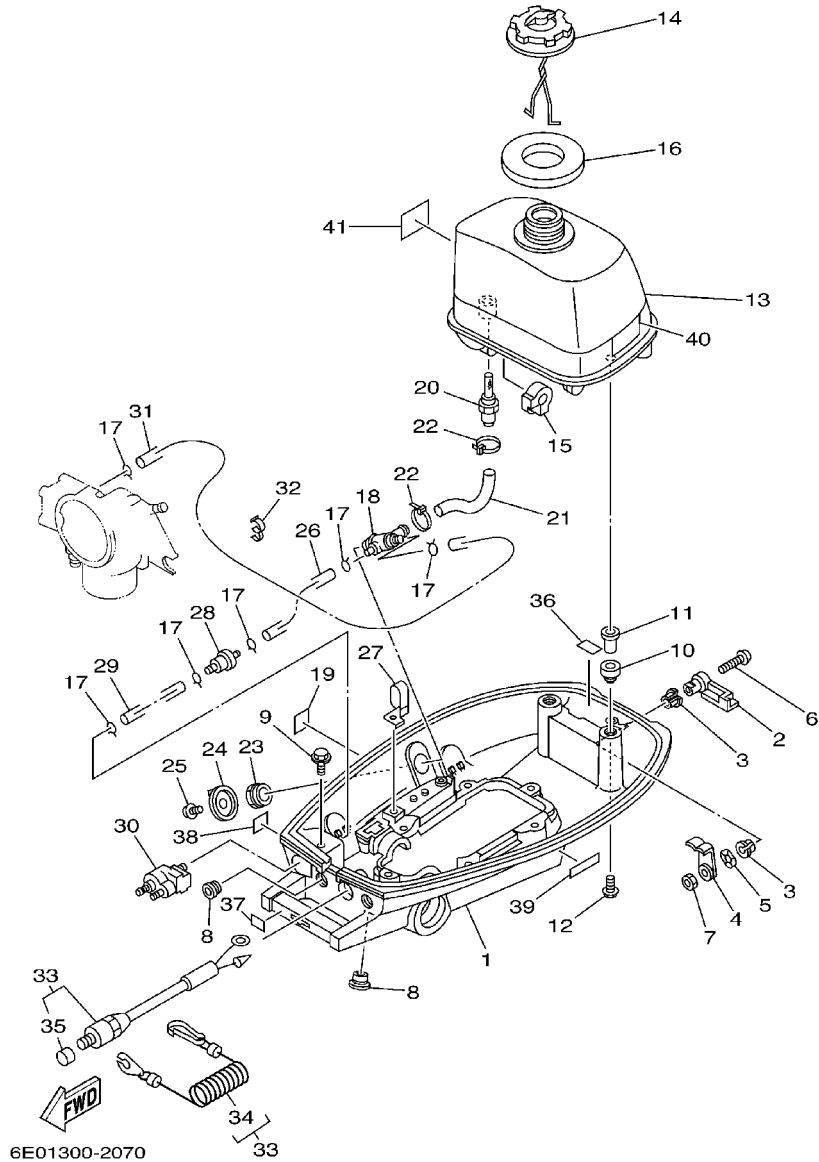
CAPOT INFERIEUR



REF. NO.	PART NO. NO. PIECES	DESCRIPTION DESCRIPTION	4AC	5C	4BC	REMARKS REMARQUES
1	6E0-42711-10-4D	COWLING, BOTTOM CUVETTE	1	1	1	
2	6E0-42815-00-4D	LEVER, CLAMP LEVIER, PRESSE	1	1	1	
3	90386-12069	BUSH DOUILLE	2	2	2	
4	6E0-42816-00	LEVER, CLAMP LEVIER, PRESSE	1	1	1	
5	90206-12052	WASHER, WAVE RONDELLE, ONDULEE	1	1	1	
6	97885-06030	SCREW, PAN HEAD VIS, TETE TRONCONIQUE	1	1	1	
7	95380-06700	NUT ECROU	1	1	1	
8	90480-14M14	GROMMET PASSE-FIL	2	2	2	
9	95895-06020	BOLT, FLANGE BOULON, A COLLERETTE	1	1	1	
10	6E0-24182-00	DAMPER, LOCATING 2 SILENT-BLOC	2			
	6E3-24182-00	DAMPER, LOCATING 2 SILENT-BLOC		2	2	
11	6E0-42542-00	PIPE TUYAU	2	2	2	
12	95895-06025	BOLT, FLANGE BOULON, A COLLERETTE	2	2	2	
13	6E0-24110-01-4D	FUEL TANK COMP. RESERVOIRE A ESSENCE	1	1	1	
14	6E0-24610-02	CAP ASSY BOUCHON	1	1	1	
15	6E0-24181-00	DAMPER, LOCATING 1 SILENT-BLOC	2	2	2	
16	6E0-24641-00	GASKET, CAP 1 JOINT 1, BOUCHON	1			
	6E3-24641-00	GASKET, CAP 1 JOINT 1, BOUCHON		1	1	
17	90467-08004	CLIP JONC	6	6	6	
18	6E0-24500-10	FUEL COCK ASSY 1 ROBINET A ESSENCE	1	1	1	
19	6E0-24591-10	EMBLEM, FUEL COCK ADHESIF	1	1	1	
20	6E0-24335-00	PIPE, SUCTION 1 TUBE 1, ASPIRATION	1	1	1	
21	6E0-24311-00	PIPE, FUEL 1 DURITE A ESSENCE	1	1	1	
22	90465-13M11	CLAMP BRIDE	2	2	2	
23	90170-16M35	NUT ECROU	1	1	1	
24	6J1-24524-00	LEVER, COCK LEVIER, ROBINET	1	1	1	
25	90159-04M24	SCREW, WITH WASHER VIS, AVEC RONDELLE	1	1	1	

FIG. 7 BOTTOM COWLING

CAPOT INFERIEUR

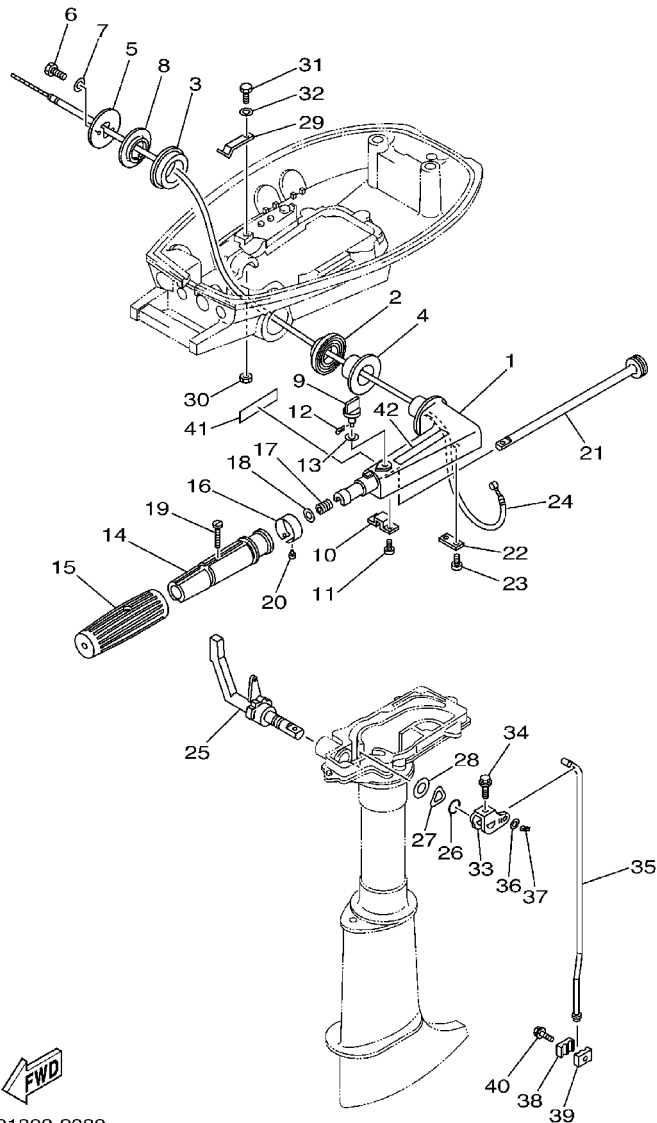


6E01300-2070

REF. NO.	PART NO. NO. PIECES	DESCRIPTION DESCRIPTION	4AC	5C	4BC	REMARKS REMARQUES
26	90445-09M27	HOSE (L125) DURITE (L125)	1	1	1	
27	90465-08M62	CLAMP BRIDE	1	1	1	
28	646-24251-02	STRAINER 1 FILTRE 1	1	1	1	
29	90445-09057	HOSE (L45) DURITE (L45)	1	1	1	
30	6G1-24304-02	FUEL PIPE JOINT COMP. 1 DURITE RACCORDEMT. A ESSENCE	1	1	1	
31	6E0-24312-00	PIPE 2 DURITE 2	1	1	1	
32	90464-09M21	CLAMP BRIDE	1	1	1	
33	6E0-82575-00	ENGINE STOP SWITCH ASSY COUPE CIRCUIT CPLT	1	1	1	
34	682-82556-00	.STOPPER .PLAQUETTE	1	1	1	
35	689-8257Y-00	.CAP .CHAPEAU	1	1	1	
36	664-42791-10	MARK 1 ETIQUETTE 1	1	1	1	
37	6A1-42792-01	MARK (100:1) ETIQUETTE (100:1)	1	1	1	
38	6A1-28176-00	LABEL, CAUTION ETIQUETTE, RECOMMANDATION	1	1	1	
39	6E3-8257H-00	PLATE, MARK PLAQUE, ADHESIF		1	1	
40	6A1-83625-41	MARK 5 ETIQUETTE 5	1	1	1	
41	6A1-83625-51	MARK 5 ETIQUETTE 5	1	1	1	

FIG. 8 CONTROL

COMMANDE

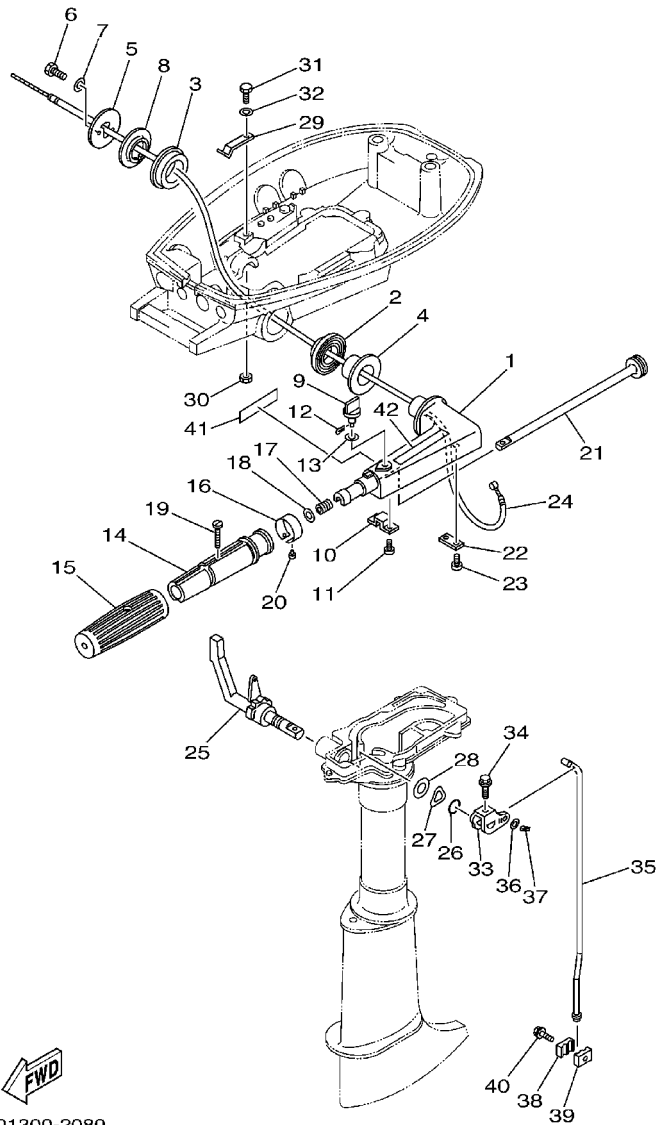


6E01300-2080

REF. NO.	PART NO. NO. PIECES	DESCRIPTION DESCRIPTION	4AC	5C	4BC	REMARKS REMARQUES
1	6E0-42111-02-4D	HANDLE, STEERING POIGNEE	1	1	1	
2	6E0-42129-02	BUSHING, RUBBER DOUILLE, CAOUTCHOUC	1	1	1	
3	6E4-42129-00	BUSHING, RUBBER DOUILLE, CAOUTCHOUC	1	1	1	
4	90386-26M30	BUSH DOUILLE	1	1	1	
5	6E0-42131-02-94	COVER, HANDLE STEERING COUVERCLE	1	1	1	
6	97013-05020	BOLT BOULON	2	2	2	
7	92903-05600	WASHER, PLATE RONDELLE, PLATE	2	2	2	
8	90386-26M33	BUSH DOUILLE	1	1	1	
9	6E0-42125-00	BOLT, FRICTION ADJUSTING BOULON	1	1	1	
10	6E0-42134-02	COVER, THROTTLE LEVER CAPOT, CREMAILLERE	1	1	1	
11	97885-05012	SCREW, PAN HEAD VIS, TETE TRONCONIQUE	2	2	2	
12	91490-12010	PIN, COTTER GOUPILLE, FENDUE	1	1	1	
13	90202-07M22	WASHER, PLATE RONDELLE, PLATE	1	1	1	
14	6E0-42119-00	GRIP, STEERING HANDLE POIGNEE, BARRE FRANCHE	1	1	1	
15	6E0-42177-00	RUBBER, HANDLE CAOUTCHOUC, POIGNEE	1	1	1	
16	6E0-42137-10	INDICATOR, THROTTLE INDICATEUR, ACCELERATION	1	1	1	
17	90501-23215	SPRING, COMPRESSION RESSORT, COMPRESSION	1	1	1	
18	90201-10119	WASHER, PLATE RONDELLE, PLATE	1	1	1	
19	90149-05M13	SCREW VIS	1	1	1	
20	90269-02M09	RIVET RIVET	1	1	1	
21	6E0-42138-01	LEVER, THROTTLE LEVIER, ACCELERATEUR	1	1	1	
22	6E0-42159-02	STAY SUPPORT	1	1	1	
23	97885-05012	SCREW, PAN HEAD VIS, TETE TRONCONIQUE	2	2	2	
24	6E0-26301-01	THROTTLE CABLE ASSY CABLE D'ACCELERATEUR	1	1	1	
25	6E0-44111-02	HANDLE, GEAR SHIFT POIGNEE, LEVIER D'EMBRAYAGE	1			
	6E4-44111-72-4D	HANDLE, GEAR SHIFT POIGNEE, LEVIER D'EMBRAYAGE		1	1	
26	93210-12327	O-RING JOINT TORIQUE	1	1	1	

FIG. 8 CONTROL

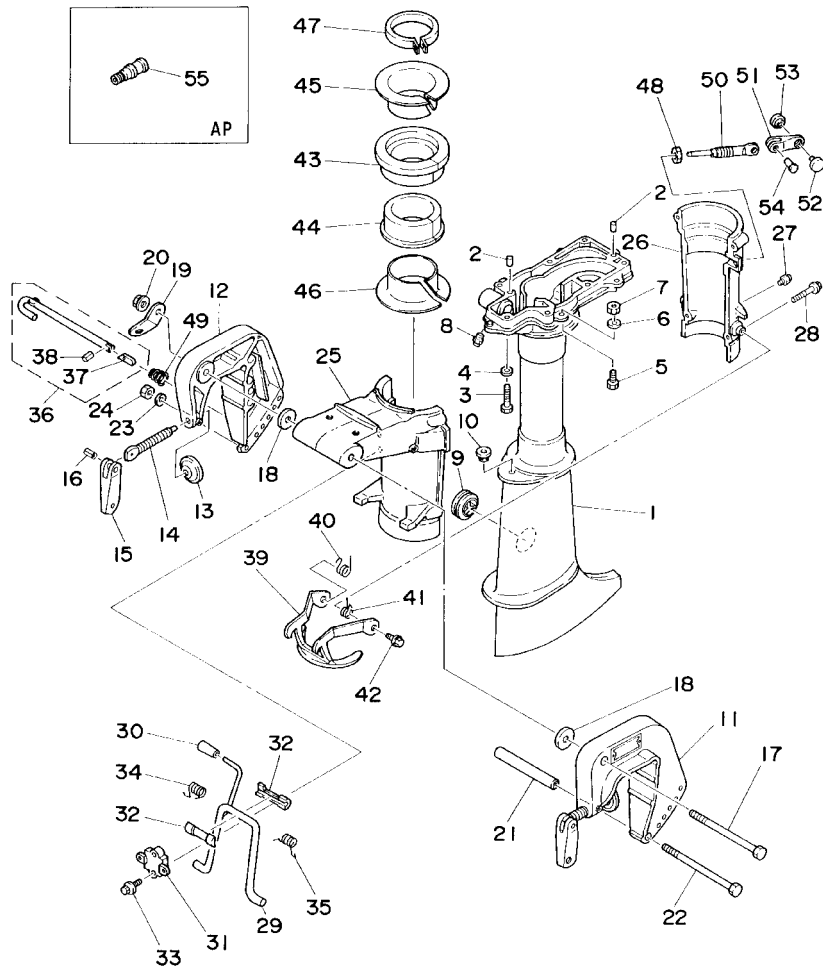
COMMANDE



6E01300-2080

REF. NO.	PART NO. NO. PIECES	DESCRIPTION DESCRIPTION	4AC	5C	4BC	REMARKS REMARQUES
27	90206-16M06	WASHER, WAVE RONDELLE, ONDULEE	1	1	1	
28	90202-16061	WASHER, PLATE RONDELLE, PLATE	1	1	1	
29	6E0-44116-00	SPRING RESSORT	1	1	1	
30	95380-06700	NUT ECROU	1	1	1	
31	97095-06012	BOLT BOULON	1	1	1	
32	92995-06600	WASHER RONDELLE	1	1	1	
33	6E0-44121-00	LEVER, SHIFT ROD LEVIER, TIGE D'INVERSION	1	1	1	
34	95895-06025	BOLT, FLANGE BOULON, A COLLERETTE	1	1	1	
35	6E0-44143-00	ROD, SHIFT TIGE D'EMBAYAGE	1	1	1	S
	6E0-44143-10	ROD, SHIFT TIGE D'EMBAYAGE	1	1	1	L
36	92990-05600	WASHER, PLATE RONDELLE, PLATE	1	1	1	
37	91490-16010	PIN, COTTER GOUPILLE, FENDUE	1	1	1	
38	6E0-44145-00	CONNECTOR, SHIFT ROD CONNECTEUR, TIGE D'INVERSION	1	1	1	
39	6E0-44146-00	CONNECTOR, SHIFT ROD CONNECTEUR, TIGE D'INVERSION	1	1	1	
40	95895-06020	BOLT, FLANGE BOULON, A COLLERETTE	1	1	1	
41	6A1-2415A-41	LABEL, CAUTION ETIQUETTE, RECOMMANDATION	1	1	1	
42	6A1-2415A-51	LABEL, CAUTION ETIQUETTE, RECOMMANDATION	1	1	1	

FIG. 9 UPPER CASING . BRACKET FOURREAU, SUPPORT

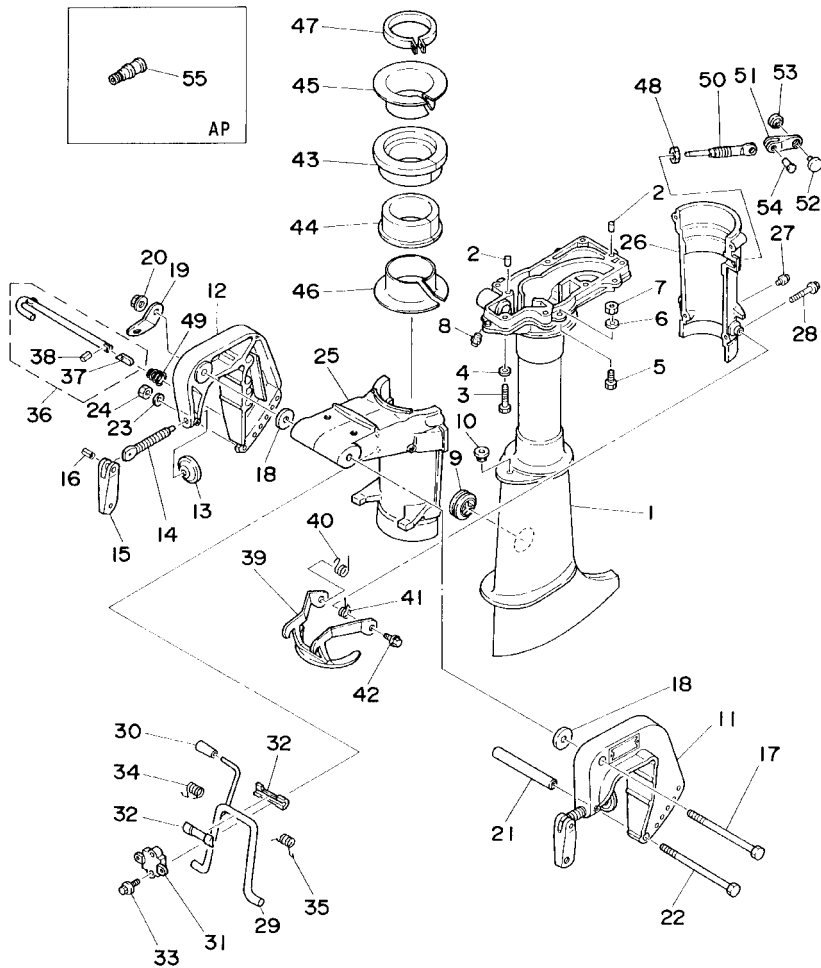


6E00010-4090

REF. NO.	PART NO. NO. PIECES	DESCRIPTION DESCRIPTION	4AC	5C	4BC	REMARKS REMARQUES
1	6E0-45111-02-4D	CASING, UPPER FOURREAU	1	1	1	S
	6E0-45111-12-4D	CASING, UPPER FOURREAU	1	1	1	L
2	93606-12019	PIN, DOWEL GOUJON	2	2	2	
3	97095-06030	BOLT BOULON	7	7	7	
4	92995-06600	WASHER RONDELLE	7	7	7	
5	97095-06016	BOLT BOULON	4	4	4	
6	92995-06600	WASHER RONDELLE	4	4	4	
7	95380-06700	NUT ECROU	4	4	4	
8	93700-06M03	NIPPLE, GREASE GRAISSEUR	1	1	1	
9	647-45151-01	COVER, UPPER CASING CAPUCHON, FOURREAU	1	1	1	
10	90480-10M13	GROMMET PASSE-FIL	1	1	1	
11	6E0-43111-02-4D	BRACKET, CLAMP PRESSE	1	1	1	
12	6E0-43112-01-4D	BRACKET, CLAMP PRESSE	1	1	1	
13	620-43114-00	PAD, TRANSOM CLAMP RONDELLE D'APPUI	2	2	2	
14	6E0-43116-01	SCREW, TRANSOM CLAMP VIS DE PRESSE	2	2	2	
15	6E0-43118-01	HANDLE, TRANSOM CLAMP POIGNEE DE VIS DE PRESSE	2	2	2	
16	90243-04M01	PIN GOUPILLE	2	2	2	
17	90101-08M07	BOLT BOULON	1	1	1	
18	90201-08M03	WASHER, PLATE RONDELLE, PLATE	2	2	2	
19	6A1-43113-01	PLATE, CLAMP BRACKET PLAQUETTE, PRESSE	1	1	1	
20	90185-08057	NUT, SELF-LOCKING ECROU, AUTO-BLOCANT	1	1	1	
21	90387-06M11	COLLAR COLLERETTE	1	1	1	
22	90101-06335	BOLT BOULON	1	1	1	
23	92990-06600	WASHER, PLATE RONDELLE, PLATE	1	1	1	
24	95380-06600	NUT, HEXAGON ECROU	1	1	1	
25	6E0-43311-04-4D	BRACKET, SWIVEL 1 SUPPORT, PIVOT 1	1	1	1	
26	6E0-43312-02-4D	BRACKET, SWIVEL 2 SUPPORT, PIVOT 2	1	1	1	

C4

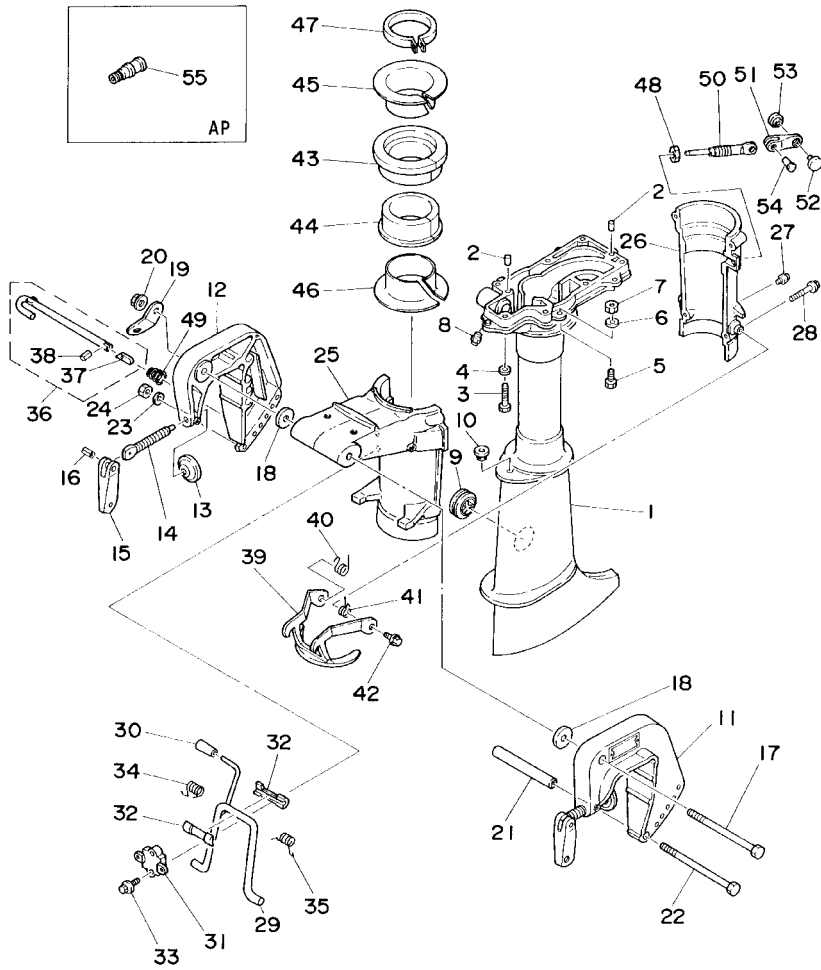
FIG. 9 UPPER CASING . BRACKET FOURREAU, SUPPORT



REF. NO.	PART NO. NO. PIECES	DESCRIPTION DESCRIPTION	4AC	5C	4BC	REMARKS REMARQUES
27	93700-06M03	NIPPLE, GREASE GRAISSEUR	1	1	1	
28	95895-06035	BOLT, FLANGE BOULON, A COLLERETTE	4	4	4	
29	6E0-43181-00	LEVER, TILT STOP LEVIER, VERROUILLAGE RELEVAGE	1	1	1	
30	6E0-43632-00	KNOB, TILT POIGNEE, LEVIER DE RELEVAGE	1	1	1	
31	6E0-43313-00-94	BRACKET, SWIVEL 3 SUPPORT, PIVOT 3	1	1	1	
32	620-43189-00	BUSHING COUSSINET	2	2	2	
33	95895-06020	BOLT, FLANGE BOULON, A COLLERETTE	2	2	2	
34	90508-16020	SPRING, TORSION RESSORT, TORSION	1	1	1	
35	90508-16021	SPRING, TORSION RESSORT, TORSION	1	1	1	
36	6E0-43160-01	TILT ROD ASSY BROCHE D'INCLINAISON (ENS.)	1	1	1	
37	689-43165-00	PLATE, TILT LOCK TAQUET, BROCHE INCLINAISON	1	1	1	
38	91690-30008	PIN, SPRING GOUPILLE, ELASTIQUE	1	1	1	
39	6E0-43614-00-5B	PLATE, TILT LOCK ETRIER, VERROUILLAGE MARCHE AR	1	1	1	
40	90508-14M10	SPRING, TORSION RESSORT, TORSION	1	1	1	
41	90508-14M11	SPRING, TORSION RESSORT, TORSION	1	1	1	
42	95895-06010	BOLT, FLANGE BOULON, A COLLERETTE	2	2	2	
43	6E0-42537-02	BUSHING, PIVOT SHAFT COUSSINET	1	1	1	
44	6E0-42538-02	BUSHING, PIVOT SHAFT COUSSINET	1	1	1	
45	6E0-42539-00	BUSHING, PIVOT SHAFT COUSSINET	1	1	1	
46	6E0-42549-00	BUSHING, PIVOT SHAFT COUSSINET	1	1	1	
47	6E0-42528-03	PLATE, FRICTION PLAQUE, FRICTION	1	1	1	
48	95380-08600	NUT ECROU	1	1	1	
49	90502-08M05	SPRING, CONICAL RESSORT, CONIQUE	1	1	1	
50	6L5-42529-01	SCREW, FRICTION PIECE VIS, PIECE DE FRICTION	1	1	1	
51	6L5-42561-00	KNOB, STEERING LOCK BOUTON	1	1	1	
52	6L5-44196-00	INDICATOR 3 INDICATEUR 3	1	1	1	
53	6L5-44197-00	INDICATOR 4 INDICATEUR 4	1	1	1	

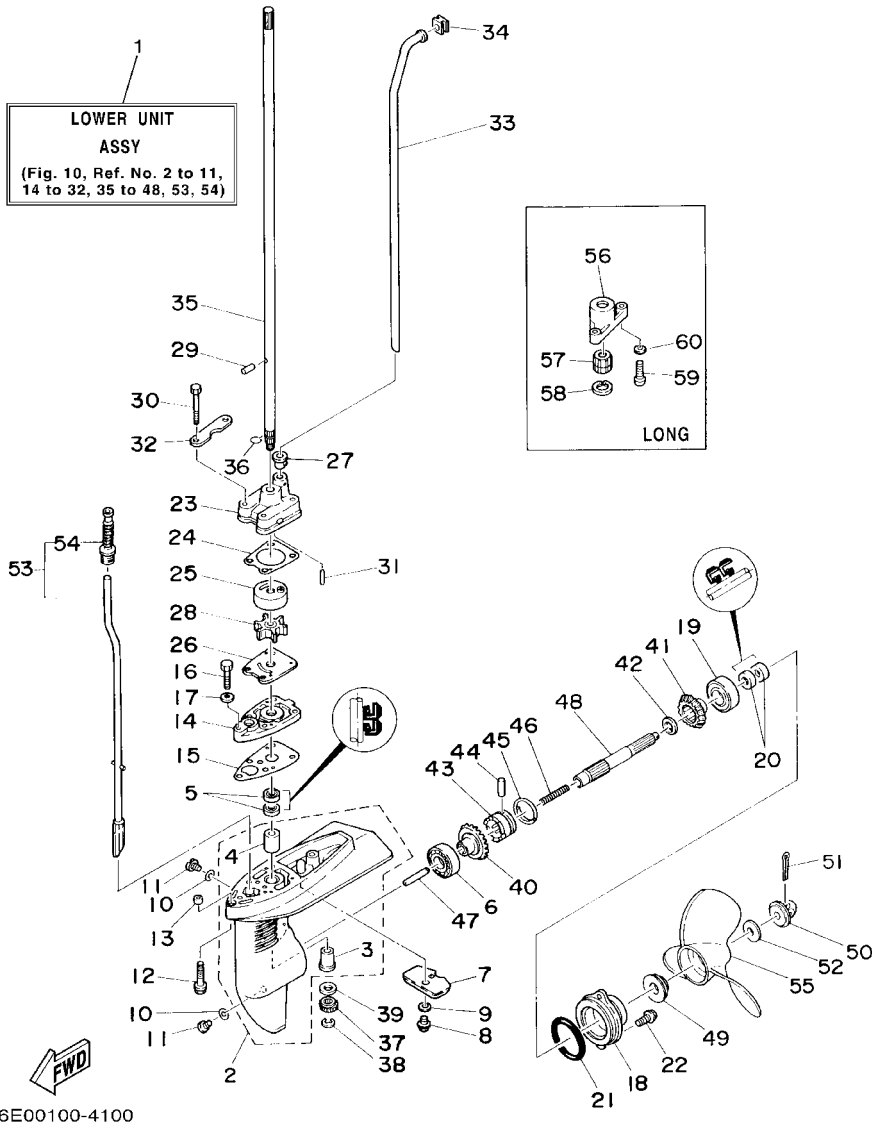

6E00010-4090

FIG. 9 UPPER CASING . BRACKET FOURREAU, SUPPORT



REF. NO.	PART NO. NO. PIECES	DESCRIPTION DESCRIPTION	4AC	5C	4BC	REMARKS REMARQUES
54	90266-04M05	RIVET RIVET	1	1	1	
55	626-28193-01-94	PLUG, WATER CHECK BOUCHON, CONTROLE D'EAU	1	1	1	AP D:15MM


6E00010-4090

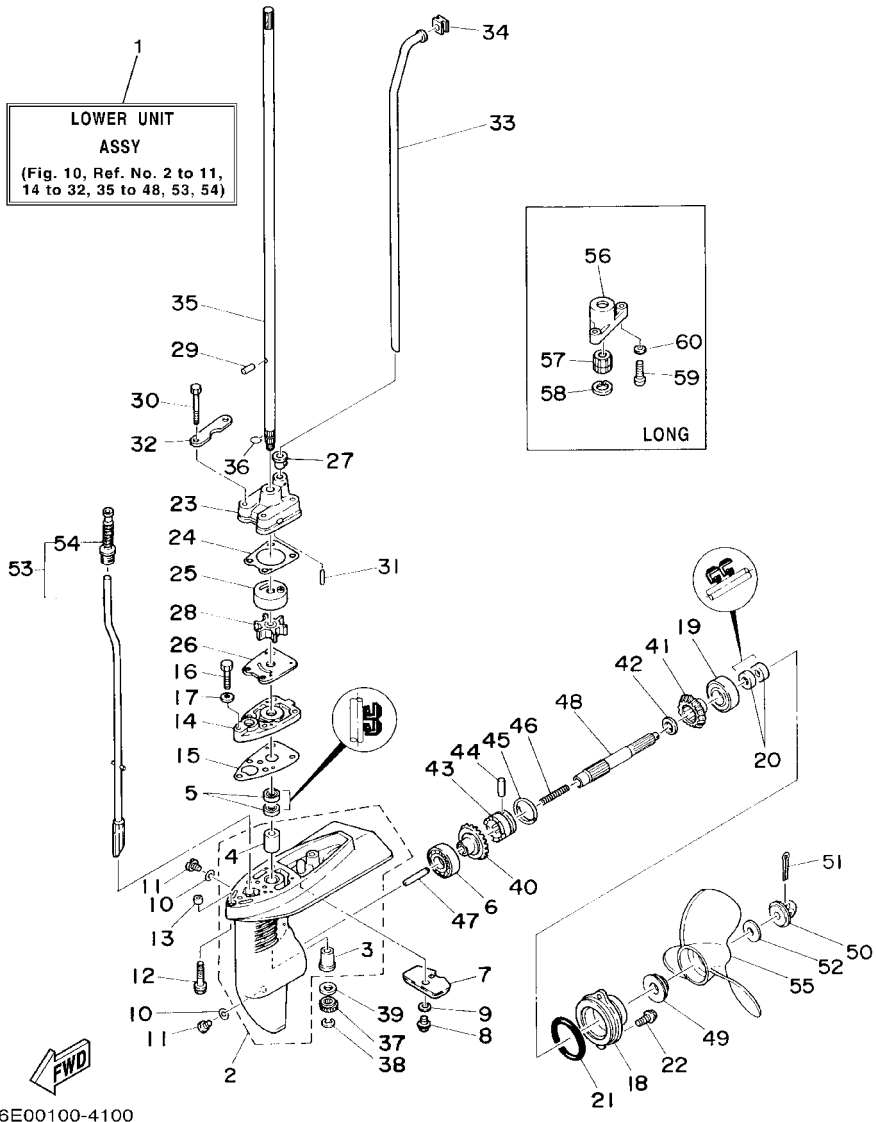


6E00100-4100

FIG. 10 LOWER CASING. DRIVE

BOITIER D'HELICE, TRANSMISSION

REF. NO.	PART NO. NO. PIECES	DESCRIPTION DESCRIPTION	4AC	5C	4BC	REMARKS REMARQUES
1	6E0-45300-03-4D	LOWER UNIT ASSY UNITE INFERIEURE (ENS.)	1	1	1	S
	6E0-45300-13-4D	LOWER UNIT ASSY UNITE INFERIEURE (ENS.)	1	1	1	L
2	6E0-45311-02-4D	CASING, LOWER BOITIER D'HELICE	1	1	1	
3	6E0-45317-09	.BUSHING, DRIVE SHAFT .DOUILLE, ARBRE MOTEUR	1	1	1	
4	6E0-45316-09	.BUSHING, DRIVE SHAFT .DOUILLE, ARBRE MOTEUR	1	1	1	
5	93101-10M14	OIL SEAL JOINT SPY	2	2	2	
6	93306-004U0	BEARING ROULEMENT	1	1	1	
7	6L5-45251-03	ANODE ANODE	1	1	1	
8	95895-06012	BOLT, FLANGE BOULON, A COLLERETTE	1	1	1	
9	92990-06300	WASHER, INTERNAL TOOTH RONDELLE, DENTURE INTERNE	1	1	1	
10	90430-08020	GASKET JOINT	3	3	3	
11	90340-08002	PLUG, STRAIGHT SCREW PLOT, FILETE DROIT	3	3	3	
12	90119-06M40	BOLT, WITH WASHER BOULON, AVEC RONDELLE	2	2	2	
13	90387-06M14	COLLAR COLLERETTE	2	2	2	
14	6E0-45321-01-5B	PLATE PLAQUETTE	1	1	1	
15	6E0-45315-A0	PACKING, LOWER CASING JOINT, BOITIER D'HELICE	1	1	1	
16	97095-06025	BOLT BOULON	1	1	1	
17	92995-06600	WASHER RONDELLE	1	1	1	
18	6E0-45361-01-4D	CAP, LOWER CASING COUVERCLE, BOITIER D'HELICE	1	1	1	
19	93306-004U0	BEARING ROULEMENT	1	1	1	
20	93101-13M12	OIL SEAL JOINT TORIQUE	2	2	2	
21	93210-48214	O-RING JOINT TORIQUE	1	1	1	
22	95895-06016	BOLT, FLANGE BOULON, A COLLERETTE	2	2	2	
23	6E0-44311-00	HOUSING, WATER PUMP CORPS, POMPE A EAU	1	1	1	
24	6E0-44315-A0	GASKET, WATER PUMP JOINT, POMPE A EAU	1	1	1	
25	6E0-44322-02	INSERT, CARTRIDGE CUVETTE	1	1	1	
26	6E0-44323-00	OUTER PLATE, CARTRIDGE PLAQUE EXTERIEURE	1	1	1	

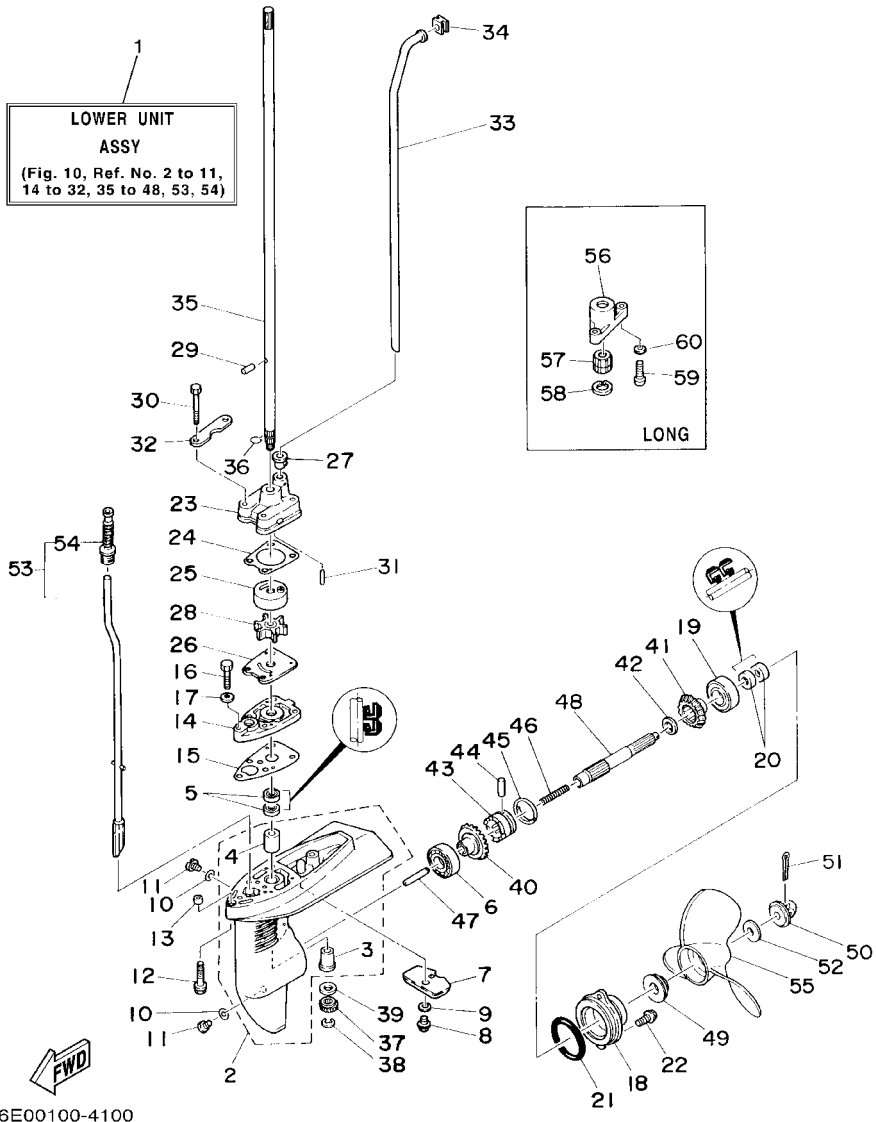


6E00100-4100

FIG. 10 LOWER CASING. DRIVE BOITIER D'HELICE, TRANSMISSION

REF. NO.	PART NO. NO. PIECES	DESCRIPTION DESCRIPTION	4AC	5C	4BC	REMARKS REMARQUES
27	6E0-44366-00	DAMPER, WATER SEAL JOINT, TUBE D'EAU	1	1	1	
28	6E0-44352-00	IMPELLER TURBINE	1	1	1	
29	93604-09066	PIN, DOWEL GOUJON	1	1	1	
30	97095-06045	BOLT BOULON	4	4	4	
31	93604-18080	PIN, DOWEL GOUJON	2	2	2	
32	6E0-44328-00	PLATE PLAQUETTE	2	2	2	
33	6E0-44361-00	TUBE, WATER TUBE D'EAU	1	1	1	S
	6E0-44361-10	TUBE, WATER TUBE D'EAU	1	1	1	L
34	646-44365-00	DAMPER, WATER SEAL JOINT, TUBE D'EAU	1	1	1	
35	6E0-45511-01	SHAFT, DRIVE ARBRE, MOTEUR	1	1	1	S
	6E0-45511-11	SHAFT, DRIVE ARBRE, MOTEUR	1	1	1	L
36	90467-08M01	CLIP JONC	1	1	1	
37	6E0-45551-00	PINION PIGNON D'ATTAQUE	1	1	1	
38	99001-06600	CIRCLIP CIRCLIP	1	1	1	
39	90201-11M49	WASHER, PLATE RONDELLE, PLATE	1	1	1	
40	6E0-45560-00	GEAR PIGNON	1	1	1	
41	6E0-45570-00	GEAR PIGNON	1	1	1	
42	90201-13M50	WASHER, PLATE RONDELLE, PLATE	1	1	1	
43	6E0-45631-00	CLUTCH, DOG CRABOT	1	1	1	
44	90250-05046	PIN, STRAIGHT GOUPILLE, DROITE	1	1	1	
45	654-45633-00	RING, CROSS PIN JONC, GOUPILLE CRABOT	1	1	1	
46	90501-10064	SPRING, COMPRESSION RESSORT, COMPRESSION	1	1	1	
47	654-45635-00	PLUNGER, SHIFT POUSSOIR D'EMBRAYAGE	1	1	1	
48	6E0-45611-01	SHAFT, PROPELLER ARBRE, HELICE	1	1	1	
49	6L5-45987-01	SPACER ENTRETOISE	1	1	1	
50	6L5-45616-00	NUT, PROPPELLER CONE, HELICE	1	1	1	
51	91490-25030	PIN, COTTER GOUPILLE, FENDUE	1	1	1	

D1



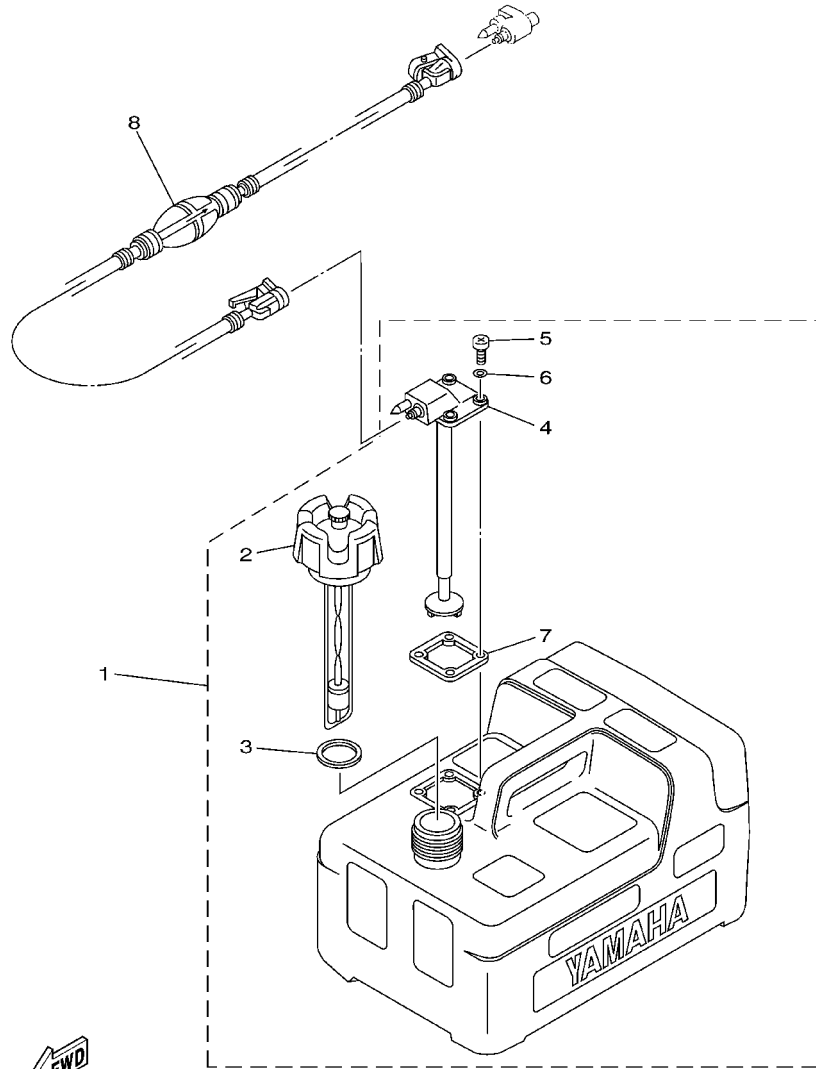
6E00100-4100

FIG. 10 LOWER CASING. DRIVE BOITIER D'HELICE, TRANSMISSION

REF. NO.	PART NO. NO. PIECES	DESCRIPTION DESCRIPTION	4AC	5C	4BC	REMARKS REMARQUES
52	90201-08M54	WASHER, PLATE RONDELLE, PLATE	1	1	1	
53	6E0-44150-00	SHIFT CAM ASSY CAME D'INVERSION	1	1	1	S
	6E0-44150-10	SHIFT CAM ASSY CAME D'INVERSION	1	1	1	L
54	6G1-44147-00	.BOOT, SHIFT ROD .SOUFFLET, TIGE D'INVERSION	1	1	1	
55	6E0-45941-01-EL	PROPELLER (3X7-1/2"X8"-BA) HELICE (3X7-1/2"X8"-BA)	1	1	1	UR
	6E0-45943-01-EL	PROPELLER (3X7-1/2"X7"-BA) HELICE (3X7-1/2"X7"-BA)	1	1	1	UR
	6E0-45949-00-EL	PROPELLER (3X7-1/4"X6-1/2"-BA) HELICE (3X7-1/4"X6-1/2"-BA)	1	1	1	UR
56	6E0-45331-00-5B	HOUSING, BEARING FLASQUE, ROULEMENT	1	1	1	L
57	6E0-45318-01	BUSHING, DRIVE SHAFT DOUILLE, ARBRE MOTEUR	1	1	1	L
58	93420-22M03	CIRCLIP CIRCLIP, TYPE S	1	1	1	L
59	97880-05025	SCREW, PAN HEAD VIS, TETE TRONCONIQUE	2	2	2	L
60	92990-05600	WASHER, PLATE RONDELLE, PLATE	2	2	2	L

FIG. 11 FUEL TANK

RESERVOIR A CARBURANT



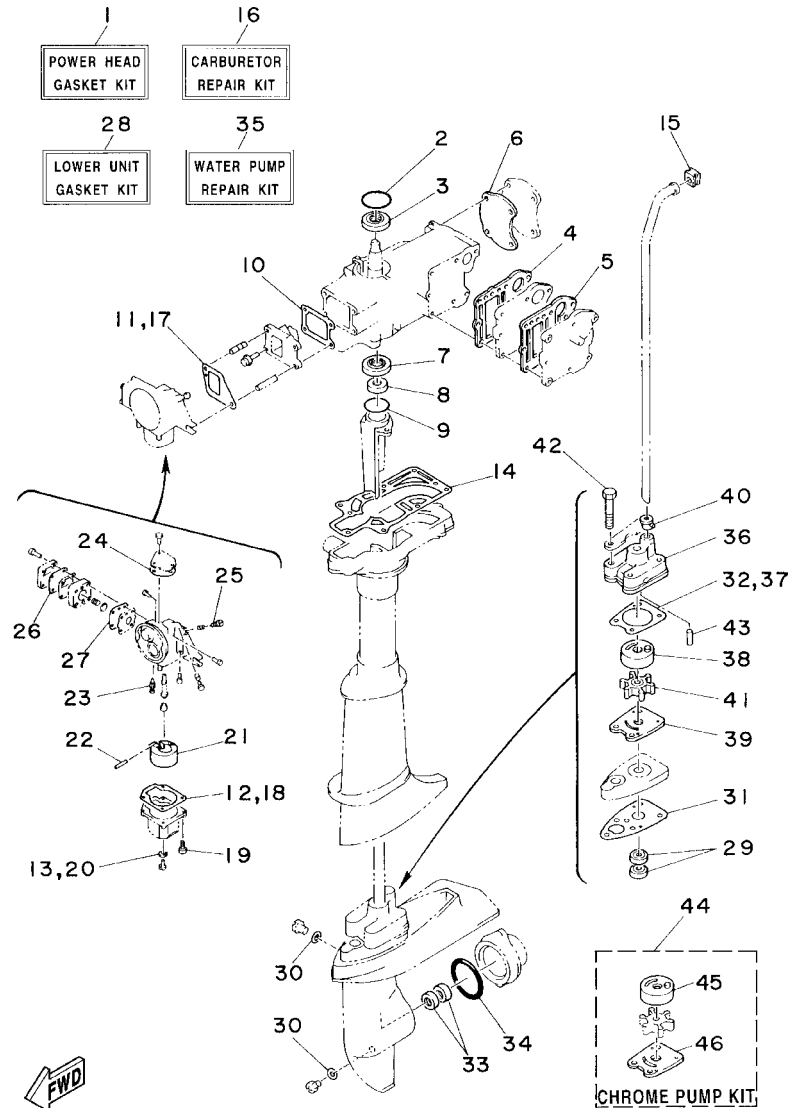
REF. NO.	PART NO. NO. PIECES	DESCRIPTION DESCRIPTION	4AC	5C	4BC	REMARKS REMARQUES
1	6YL-24201-02	FUEL TANK ASSY RESERVOIR A ESSENCE (ENS.)		1		AP
2	6YL-24610-00	.CAP ASSY .BOUCHON		1		
3	6YL-24641-00	.GASKET, CAP 1 .JOINT 1, BOUCHON		1		
4	6YL-24260-01	.FUEL METER ASSY .INDICATEUR DE CARBURANT		1		
5	90157-05M16	.SCREW, PAN HEAD .VIS, TETE TRONCONIQUE		4		
6	6YL-24329-00	.SEAL .JOINT		4		
7	6YL-24268-01	.GASKET, FUEL METER .JOINT, JAUGE A CARBURANT		1		
8	6YL-24306-52	FUEL PIPE COMP. 1 DURITE A ESSENCE 1		1		AP



66R0700-9260

FIG. 12 REPAIR KIT

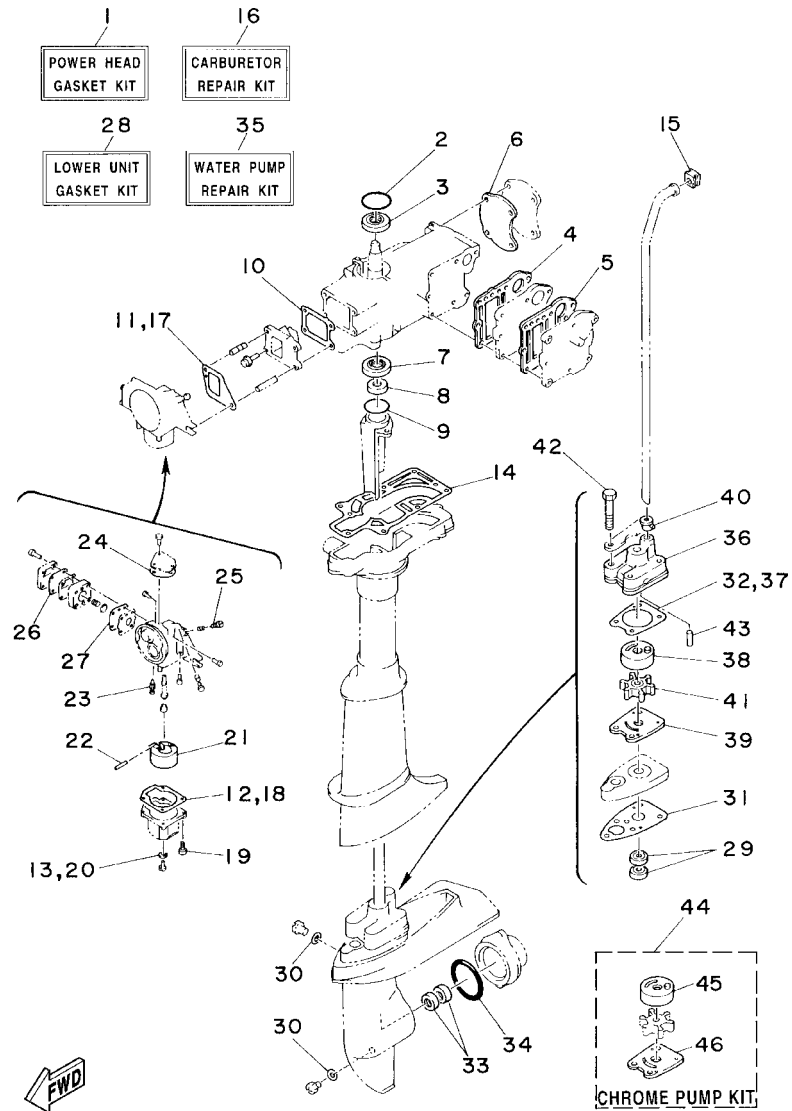
KITS DE REPARATION



6E00100-4110

REF. NO.	PART NO. NO. PIECES	DESCRIPTION DESCRIPTION	4AC	5C	4BC	REMARKS REMARQUES
1	6E0-W0001-A4	POWER HEAD GASKET KIT POCHETTE DE JINTS TETE MOTRICE	1			
	6E3-W0001-A4	POWER HEAD GASKET KIT POCHETTE DE JINTS TETE MOTRICE		1	1	
2	93210-42159	.O-RING .JOINT TORIQUE	1	1	1	
3	93102-20M25	.OIL SEAL .JOINT SPY	1	1	1	
4	6E0-41112-A1	.GASKET, EXHAUST INNER COVER JOINT, PLAQUE D'ECHAPPEMENT	1			
	6E3-41112-A1	.GASKET, EXHAUST INNER COVER JOINT, PLAQUE D'ECHAPPEMENT		1	1	
5	6E0-41114-A1	.GASKET, EXHAUST OUTER COVER JOINT, COUVERCLE D'ECHAPPEMEN	1			
	6E3-41114-A1	.GASKET, EXHAUST OUTER COVER JOINT, COUVERCLE D'ECHAPPEMEN		1	1	
6	6E0-11193-A1	.GASKET, HEAD COVER 1 JOINT, COUVERCLE DE CULASSE 1	1			
	6E3-11193-A1	.GASKET, HEAD COVER 1 JOINT, COUVERCLE DE CULASSE 1		1	1	
7	93101-20M29	.OIL SEAL .JOINT SPY	1	1	1	
8	93101-10M25	.OIL SEAL .JOINT SPY	1	1	1	
9	93210-31114	.O-RING .JOINT TORIQUE	1	1	1	
10	6E0-13621-A2	.GASKET, VALVE SEAT JOINT, SIEGE DE CLAPET	1	1	1	
11	6E0-14198-A0	.GASKET JOINT	1	1	1	
12	6E0-14384-00	.GASKET, FLOAT CHAMBER JOINT, CUVE DE FLOTTEUR	1	1	1	
13	646-14198-01	.GASKET JOINT	1	1	1	
14	6E0-45113-A1	.GASKET, UPPER CASING JOINT, TUBE D'ARBRE	1	1	1	
15	646-44365-00	.DAMPER, WATER SEAL JOINT, TUBE D'EAU	1	1	1	
16	6E0-W0093-04	CARBURETOR REPAIR KIT KIT DE REPARATION CARBURATEUR	1	1	1	
17	6E0-14198-A0	.GASKET JOINT	1	1	1	
18	6E0-14384-00	.GASKET, FLOAT CHAMBER JOINT, CUVE DE FLOTTEUR	1	1	1	
19	97980-04116	.SCREW, WITH WASHER .VIS, AVEC RONDELLE	1	1	1	
20	646-14198-01	.GASKET JOINT	1	1	1	
21	6E7-14385-01	.FLOAT .FLOTTEUR	1	1	1	
22	647-14386-00	.PIN, FLOAT .AXE, FLOTTEUR	1	1	1	
23	6F5-14392-00	.VALVE, NEEDLE .POINTEAU	1	1	1	

D4



6E00100-4110

FIG. 12 REPAIR KIT

KITS DE REPARATION

REF. NO.	PART NO. NO. PIECES	DESCRIPTION DESCRIPTION	KITS DE REPARATION			REMARKS REMARQUES
			4AC	5C	4BC	
24	6E0-14227-00	.GASKET .JOINT	1	1	1	
25	647-14323-00	.SCREW, AIR ADJUSTING .VIS DE DOSEUR D'AIR	1	1	1	
26	6E0-24471-00	.DIAPHRAGM .DIAPHRAGME	1	1	1	
27	6E0-24411-00	.DIAPHRAGM .DIAPHRAGME	1	1	1	
28	6E0-W0001-C1	LOWER UNIT GASKET KIT POCHETTE DE JOINTS EMBASE	1	1	1	
29	93101-10M14	.OIL SEAL .JOINT SPY	2	2	2	
30	90430-08020	.GASKET .JOINT	3	3	3	
31	6E0-45315-A0	.PACKING, LOWER CASING .JOINT, BOITIER D'HELICE	1	1	1	
32	6E0-44315-A0	.GASKET, WATER PUMP .JOINT, POMPE A EAU	1	1	1	
33	93101-13M12	.OIL SEAL .JOINT SPY	2	2	2	
34	93210-48214	.O-RING .JOINT TORIQUE	1	1	1	
35	6E0-W0078-A3	WATER PUMP REPAIR KIT KIT DE REPARATION DE LA POMPE	1	1	1	
36	6E0-44311-00	.HOUSING, WATER PUMP .CORPS, POMPE A EAU	1	1	1	
37	6E0-44315-A0	.GASKET, WATER PUMP .JOINT, POMPE A EAU	1	1	1	
38	6E0-44322-02	.INSERT, CARTRIDGE .CUVETTE	1	1	1	
39	6E0-44323-00	.OUTER PLATE, CARTRIDGE .PLAQUE EXTERIEURE	1	1	1	
40	6E0-44366-00	.DAMPER, WATER SEAL .JOINT, TUBE D'EAU	1	1	1	
41	6E0-44352-00	.IMPELLER .TURBINE	1	1	1	
42	97095-06045	.BOLT .BOULON	4	4	4	
43	93604-18080	.PIN, DOWEL .GOUJON	1	1	1	
44	6E0-W0078-0A	CHROME PUMP KIT KIT DE POMPE A EAU CHROMEE	1	1	1	
45	6E0-44322-40	.INSERT, CARTRIDGE .CUVETTE	1	1	1	
46	6E0-44323-40	.OUTER PLATE, CARTRIDGE .PLAQUE EXTERIEURE	1	1	1	

NUMERICAL INDEX
INDEX NUMERIQUE

PART NO. NO. PIECES	REF. NO.	PART NO. NO. PIECES	REF. NO.	PART NO. NO. PIECES	REF. NO.	PART NO. NO. PIECES	REF. NO.	PART NO. NO. PIECES	REF. NO.	PART NO. NO. PIECES	REF. NO.
6E0-W0001-A4	12 - 1	6E3-14301-05	3 - 5	6A1-2415A-41	8 - 41	6E3-41114-A1	12 - 5	6E0-43311-04-4D	9 - 25	6E0-45315-A0	10 - 15
6E0-W0001-C1	12 - 28	664-14321-01	3 - 21	6A1-2415A-51	8 - 42	6E0-41256-00	3 - 42	6E0-43312-02-4D	9 - 26		12 - 31
6E3-W0001-A4	12 - 1	647-14323-00	3 - 19	6E0-24181-00	7 - 15	661-41262-02	3 - 46	6E0-43313-00-94	9 - 31	6E0-45316-09	10 - 4
6E0-W0004-00	3 - 2		12 - 25	6E0-24182-00	7 - 10	6E0-41271-00	3 - 43	6E0-43614-00-5B	9 - 39	6E0-45317-09	10 - 3
6E0-W0070-14	1 - 6	647-14326-00	3 - 23	6E3-24182-00	7 - 10	6E0-41272-00	3 - 44	6E0-43632-00	9 - 30	6E0-45318-01	10 - 57
6E0-W0078-A3	12 - 35	6E0-14341-01	3 - 13	6E0-24183-00	5 - 19	6E0-42111-02-4D	8 - 1	6E0-44111-02	8 - 25	6E0-45321-01-5B	10 - 14
6E0-W0078-0A	12 - 44	6E3-14341-02	3 - 13	6YL-24201-02	11 - 1	6E0-42119-00	8 - 14	6E4-44111-72-4D	8 - 25	6E0-45331-00-5B	10 - 56
6E0-W0090-04-1S	2 - 1	648-14342-23	3 - 22	646-24251-02	7 - 28	6E0-42125-00	8 - 9	6E0-44116-00	8 - 29	6E0-45361-01-4D	10 - 18
6E3-W0090-04-1S	2 - 1	648-14342-26	3 - 22	6E0-24260-01	11 - 4	6E0-42129-02	8 - 2	6E0-44121-00	8 - 33	6E0-45511-01	10 - 35
6E0-W0093-04	12 - 16	648-14343-40	3 - 14	6YL-24268-01	11 - 7	6E4-42129-00	8 - 3	6E0-44143-00	8 - 35	6E0-45511-11	10 - 35
656-W2810-02	1 - 10	6E0-14346-00	3 - 30	6G1-24304-02	7 - 30	6E0-42131-02-94	8 - 5	6E0-44143-10	8 - 35	6E0-45551-00	10 - 37
6E0-11191-01-1S	2 - 21	6E0-14381-02	3 - 6	6YL-24306-52	11 - 8	6E0-42134-02	8 - 10	6E0-44145-00	8 - 38	6E0-45560-00	10 - 40
6E3-11191-01-1S	2 - 21	6E0-14384-00	3 - 7	6E0-24311-00	7 - 21	6E0-42137-10	8 - 16	6E0-44146-00	8 - 39	6E0-45570-00	10 - 41
6E0-11193-A1	2 - 22		12 - 12	6E0-24312-00	7 - 31	6E0-42138-01	8 - 21	6G1-44147-00	10 - 54	6E0-45611-01	10 - 48
	12 - 6		12 - 18	6YL-24329-00	11 - 6	6E0-42159-02	8 - 22	6E0-44150-00	10 - 53	6L5-45616-00	10 - 50
6E3-11193-A1	2 - 22	6E7-14385-01	3 - 11	6E0-24335-00	7 - 20	6E0-42177-00	8 - 15	6E0-44150-10	10 - 53	6E0-45631-00	10 - 43
	12 - 6		12 - 21	6E0-24378-00	2 - 9	6E0-42528-03	9 - 47	6E0-44191-11	1 - 9	654-45633-00	10 - 45
650-11370-00	2 - 3	647-14386-00	3 - 12	6E0-24411-00	3 - 31	6L5-42529-01	9 - 50	6L5-44196-00	9 - 52	654-45635-00	10 - 47
6E5-11372-00	2 - 5		12 - 22		12 - 27	6E0-42537-02	9 - 43	6L5-44197-00	9 - 53	6E0-45941-01-EL	10 - 55
6E0-11400-00	2 - 31	6F5-14392-00	3 - 15	6E0-24412-00	3 - 28	6E0-42538-02	9 - 44	6E0-44311-00	10 - 23	6E0-45943-01-EL	10 - 55
6E3-11400-00	2 - 31		12 - 23	6E0-24413-00	3 - 25	6E0-42539-00	9 - 45		12 - 36	6E0-45949-00-EL	10 - 55
6E0-11412-00	2 - 32	6E0-14417-00	3 - 37	6E0-24423-00	3 - 29	6E0-42542-00	7 - 11	6E0-44315-A0	10 - 24	6L5-45987-01	10 - 49
6E3-11412-00	2 - 32	6E0-14418-00	3 - 38	6E0-24434-00	3 - 32	6E0-42549-00	9 - 46		12 - 32	6E0-81303-40	5 - 23
6E0-11422-00	2 - 33	624-14485-00	2 - 4	6E0-24435-00	3 - 27	6L5-42561-00	9 - 51		12 - 37	6E0-81303-80	5 - 23
6E3-11422-00	2 - 33	6E0-15100-01-1S	2 - 2	6E0-24471-00	3 - 26	6E0-42610-40-4D	1 - 1	6E0-44322-02	10 - 25	6E0-81328-70	5 - 13
6G1-11610-00	2 - 42	6E3-15100-02-1S	2 - 2		12 - 26	6E3-42610-40-4D	1 - 1		12 - 38	6E0-81336-70	5 - 12
6J1-11610-00	2 - 42	6E0-15359-00-94	5 - 5	6E0-24500-10	7 - 18	6E0-42615-00	1 - 2	6E0-44322-40	12 - 45	6E0-82316-01-94	6 - 3
6E0-11631-00-98	2 - 41	6E0-15396-03-5B	2 - 16	6J1-24524-00	7 - 24	6E0-42647-01	1 - 3	6E0-44323-00	10 - 26	6E0-82317-00	6 - 4
6E3-11631-00-98	2 - 41	6E0-15705-00	4 - 11	6E0-24591-10	7 - 19	6E0-42651-02	1 - 4		12 - 39	6E3-82370-21	6 - 2
6G1-11633-00	2 - 44	6E0-15710-03-94	4 - 1	6E0-24610-02	7 - 14	6E0-42677-20	1 - 7	6E0-44323-40	12 - 46	6G1-82370-21	6 - 2
6E0-11651-01	2 - 37	6E4-15710-73-94	4 - 1	6YL-24610-00	11 - 2	6E3-42677-20	1 - 7	6E0-44328-00	10 - 32	682-82556-00	7 - 34
6G1-11681-00	2 - 34	6E0-15711-01-94	4 - 2	6E0-24641-00	7 - 16	6E0-42678-12	1 - 8	6E0-44352-00	10 - 28	6E3-8257H-00	7 - 39
6E5-12411-01	2 - 46	6E4-15711-71-94	4 - 2	6E3-24641-00	7 - 16	6E3-42678-12	1 - 8		12 - 41	689-8257Y-00	7 - 35
6E0-13610-00	3 - 1	6E0-15714-01	4 - 3	6YL-24641-00	11 - 3	6E0-42711-10-4D	7 - 1	6E0-44361-00	10 - 33	6E0-82575-00	7 - 33
6E0-13621-A2	3 - 3	6E0-15717-00	4 - 5	6E0-26301-01	8 - 24	664-42791-10	7 - 36	6E0-44361-10	10 - 33	6A1-83625-41	7 - 40
	12 - 10	6E0-15723-00-94	5 - 2	6A1-28176-00	7 - 38	6A1-42792-01	7 - 37	646-44365-00	10 - 34	6A1-83625-51	7 - 41
6E0-14157-00	3 - 16	677-15741-01	4 - 9	626-28193-01-94	9 - 55	6E0-42815-00-4D	7 - 2		12 - 15	6E0-85520-70	5 - 6
6E0-14159-00	3 - 33	6E4-15746-70	4 - 23	6E0-41111-01-1S	2 - 24	6E0-42816-00	7 - 4	6E0-44366-00	10 - 27	6E0-85540-71	6 - 11
6E0-14198-A0	3 - 34	6E4-15747-70	4 - 26	6E3-41111-01-1S	2 - 24	6E0-43111-02-4D	9 - 11		12 - 40	6E0-85548-00	6 - 10
	12 - 11	656-15748-00	4 - 19	6E0-41112-A1	2 - 25	6E0-43112-01-4D	9 - 12	6E0-45111-02-4D	9 - 1	6E0-85550-71	5 - 1
	12 - 17	6G1-15755-00	4 - 14		12 - 4	6A1-43113-01	9 - 19	6E0-45111-12-4D	9 - 1	6E0-85560-70	5 - 4
646-14198-01	3 - 10	6E0-15758-01	4 - 15	6E3-41112-A1	2 - 25	620-43114-00	9 - 13	6E0-45113-A1	2 - 47	6E0-85570-00	6 - 5
	12 - 13	6E3-15758-01	4 - 15		12 - 4	6E0-43116-01	9 - 14		12 - 14	6E0-85592-70	5 - 10
	12 - 20	6E0-15761-00	4 - 16	6E0-41113-01-1S	2 - 26	6E0-43118-01	9 - 15	647-45151-01	9 - 9	6E0-85595-70	5 - 8
646-14212-01	3 - 20	6E4-15770-70	4 - 21	6E3-41113-01-1S	2 - 26	6E0-43160-01	9 - 36	6L5-45251-03	10 - 7	90101-06335	9 - 22
6E0-14227-00	3 - 17	6E4-15772-71	4 - 22	6E0-41114-A1	2 - 27	689-43165-00	9 - 37	6E0-45300-03-4D	10 - 1	90101-08M07	9 - 17
	12 - 24	6G1-15779-00	4 - 12		12 - 5	6E0-43181-00	9 - 29	6E0-45300-13-4D	10 - 1	90105-06M14	4 - 17
6E0-14301-05	3 - 5	6E0-24110-01-4D	7 - 13	6E3-41114-A1	2 - 27	620-43189-00	9 - 32	6E0-45311-02-4D	10 - 2		5 - 3

NUMERICAL INDEX
INDEX NUMERIQUE

PART NO. NO. PIECES	REF. NO.	PART NO. NO. PIECES	REF. NO.	PART NO. NO. PIECES	REF. NO.	PART NO. NO. PIECES	REF. NO.	PART NO. NO. PIECES	REF. NO.	PART NO. NO. PIECES	REF. NO.
90105-06M16	2 - 7	90430-08020	10 - 10	92995-06600	10 - 17	95895-06020	6 - 12				
90105-06M17	2 - 8		12 - 30	93101-10M14	10 - 5		7 - 9				
90105-06035	2 - 29	90445-07M00	2 - 11		12 - 29		8 - 40				
90105-06037	2 - 28	90445-07M28	2 - 12	93101-10M25	2 - 18		9 - 33				
90105-06039	2 - 23		2 - 14		12 - 8	95895-06025	7 - 12				
	2 - 30	90445-07M32	2 - 13	93101-13M12	10 - 20		8 - 34				
90116-06M08	3 - 48	90445-09M27	7 - 26		12 - 33	95895-06035	9 - 28				
90119-06M18	4 - 25	90445-09057	7 - 29	93101-20M29	2 - 39	97013-05020	8 - 6				
90119-06M40	10 - 12	90464-09M21	7 - 32		12 - 7	97080-06010	6 - 9				
90149-05M13	8 - 19	90465-08M62	7 - 27	93102-20M25	5 - 15	97095-06012	8 - 31				
90157-05M16	11 - 5	90465-13M11	7 - 22		12 - 3	97095-06016	2 - 19				
90159-04M24	7 - 25	90467-06016	2 - 10	93210-12327	8 - 26		5 - 17				
90159-04035	5 - 14		2 - 15	93210-31MJ5	2 - 17		6 - 6				
90159-04036	5 - 9	90467-08M01	10 - 36	93210-31114	12 - 9		9 - 5				
90159-05037	5 - 11	90467-08004	7 - 17	93210-42159	5 - 16	97095-06025	10 - 16				
90159-05038	5 - 7	90468-07M02	2 - 48		12 - 2	97095-06030	9 - 3				
90159-05040	5 - 24	90468-10005	4 - 27	93210-48214	10 - 21	97095-06045	10 - 30				
90170-10113	5 - 21	90480-10M13	9 - 10		12 - 34		12 - 42				
90170-16M35	7 - 23	90480-14M14	7 - 8	93306-004U0	10 - 6	97313-06035	4 - 6				
90185-08057	9 - 20	90480-25161	6 - 8		10 - 19	97780-40720	3 - 41				
90201-06M30	4 - 8	90501-10064	10 - 46	93306-204U0	2 - 35	97880-05025	3 - 39				
90201-08M03	9 - 18	90501-10227	4 - 20	93310-112V0	2 - 43		10 - 59				
90201-08M54	10 - 52	90501-23215	8 - 17	93310-418V1	2 - 36	97885-05012	8 - 11				
90201-10119	8 - 18	90502-08M05	9 - 49	93420-22M03	10 - 58		8 - 23				
90201-10126	5 - 22	90508-14M10	9 - 40	93430-06M02	4 - 10	97885-06030	7 - 6				
90201-11M49	10 - 39	90508-14M11	9 - 41	93450-13022	2 - 45	97890-04007	3 - 18				
90201-13M50	10 - 42	90508-16020	9 - 34	93604-09066	10 - 29	97890-05006	3 - 9				
90201-32M48	2 - 40	90508-16021	9 - 35	93604-18080	10 - 31	97980-04116	3 - 8				
90202-05088	4 - 29	90510-08M03	4 - 4		12 - 43		12 - 19				
90202-07M22	8 - 13	91490-12010	8 - 12	93606-12019	2 - 6	97980-04120	3 - 24				
90202-12M16	3 - 45	91490-16010	4 - 30		9 - 2	99001-06600	10 - 38				
90202-16061	8 - 28		8 - 37	93700-06M03	9 - 8						
90206-12052	7 - 5	91490-25030	10 - 51		9 - 27						
90206-16M06	8 - 27	91690-30008	9 - 38	94702-00272	2 - 49						
90209-18112	2 - 38	91790-05010	4 - 28	95303-06600	4 - 7						
90243-04M01	9 - 16	92903-05600	8 - 7	95380-06600	9 - 24						
90250-05046	10 - 44	92990-05600	3 - 40	95380-06700	3 - 35						
90266-04M00	1 - 5		8 - 36		7 - 7						
90266-04M05	9 - 54		10 - 60		8 - 30						
90269-02M09	8 - 20	92990-06300	10 - 9		9 - 7						
90280-04M06	5 - 20	92990-06600	9 - 23	95380-08600	9 - 48						
90340-08002	10 - 11	92995-06100	5 - 18	95627-06325	3 - 47						
90386-12069	7 - 3	92995-06600	2 - 20	95895-06010	9 - 42						
90386-26M30	8 - 4		3 - 36	95895-06012	10 - 8						
90386-26M33	8 - 8		6 - 7	95895-06016	3 - 4						
90387-06M11	9 - 21		8 - 32		6 - 1						
90387-06M14	10 - 13		9 - 4		10 - 22						
90387-06504	4 - 24		9 - 6	95895-06020	4 - 18						

4AC/4BC/5C
PARTS CATALOGUE
E2001 by Yamaha Motor Co., Ltd.
1st Edition, Nov. 2001
All rights reserved.
Any reprinting or unauthorized use
without the written permission of
Yamaha Motor Co., Ltd.
is expressly prohibited.

4AC/4BC/5C
CATALOGUE DE PIECES DETACHEES
E2001 Yamaha Motor Co., Ltd.
1ère Edition, Nov. 2001
Tous droits réservés.
Toute réimpression ou utilisation
sans la permission écrite de la
Yamaha Motor Co., Ltd.
est formellement interdite.