

# **PARTS CATALOGUE**

60F'00(6H2)

---

**YAMAHA**  
**GENUINE**  
Parts & Accessories

2Y6H2-200E1

# FOREWORD

This Parts Catalogue is related to the parts for the model(s) in the below frame. When you are ordering replacement parts, please refer to this Parts Catalogue and quote both part numbers and part names correctly.

60F'00(6H2)

1. Modifications or additions which have been made after issue of the Parts Catalogue will be announced in the Yamaha Parts News.  
It is advisable that you make necessary corrections to the Parts Catalogue according to the Yamaha Parts News.

2. Abbreviations  
The Following abbreviations are used in this Parts Catalogue.

- "UR" Use specified parts number.
- "UN" Use as many as needed.
- "AP" Alternate Parts
- "LM" Local Made  
(Parts need to be ordered locally)
- "O/S" Over Size

3. Parts, which are to be supplied in an assembly, are listed with a dot(.) in front of the part name as shown below.

EXAMPLE  
 CARBURETOR ASSY  
 .JET, PILOT  
 .NOZZLE, MAIN

4. Number of component for assembly  
 The numeral appearing to the right of each component part indicates the quantity of parts for each assembly unit.

EXAMPLE

PART NO.	DESCRIPTION	E	H	LH	R	REMARKS
6E0-85500-70	C.D.I. MAGNETO ASSY	1				
6E0-85550-70	.ROTOR ASSY	1				
6E0-15723-00-94.	.PULLY, STARTER	1				

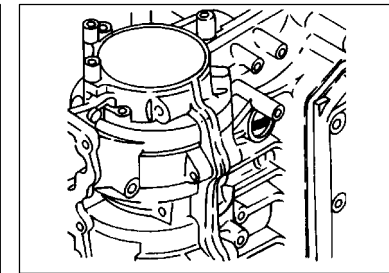
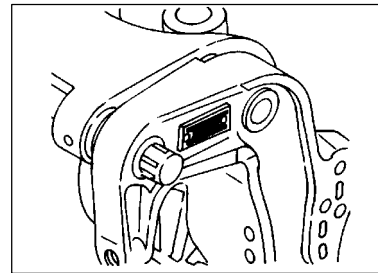
5. Quantity Column Information

NAME for Q'TY COLUMN	APPLICABLE MODEL
ET	60FET
ED	60FED

6. Applicable Starting Serial No. and Color Code

1) Engine Starting Sserial No.

60FET    S : 050479 L : 360089	60FED    S : 001118 L : 305841
-----------------------------------	-----------------------------------



2) Color Code

Color Code	Color Name	Abbreviation
004D	DARK BLUISH GRAY METALLIC 2	DBNM2

7. Note that the illustrations for reference in funding parts numbers, not to be used for assembling. When assembling, pleas use the applicable service manual.

8. The asterisk (\*) before a reference number indicates modification items after the first edition.

# CONTENTS

## SHEET 1/2

TOP COWLING .....	A4
CYLINDER, CRANKCASE .....	A5
CRANKSHAFT, PISTON .....	A7
INTAKE .....	B1
CARBURETOR .....	B2
FUEL .....	B4
GENERATOR .....	B6
ELECTRICAL .....	B7
STARTING MOTOR .....	C2
BOTTOM COWLING .....	C3
CONTROL .....	C5
BRACKET 1 .....	C7
BRACKET 2 .....	D3
BRACKET 3 .....	D6
BRACKET 4 .....	D7
POWER TRIM & TILT ASSY 1 (SHORT) .....	E2
POWER TRIM & TILT ASSY 2 (LONG) .....	E5
UPPER CASING .....	F1
LOWER CASING, DRIVE 1 .....	F2
LOWER CASING, DRIVE 2 .....	F6

## INDEX

NUMERICAL INDEX .....	G1
-----------------------	----

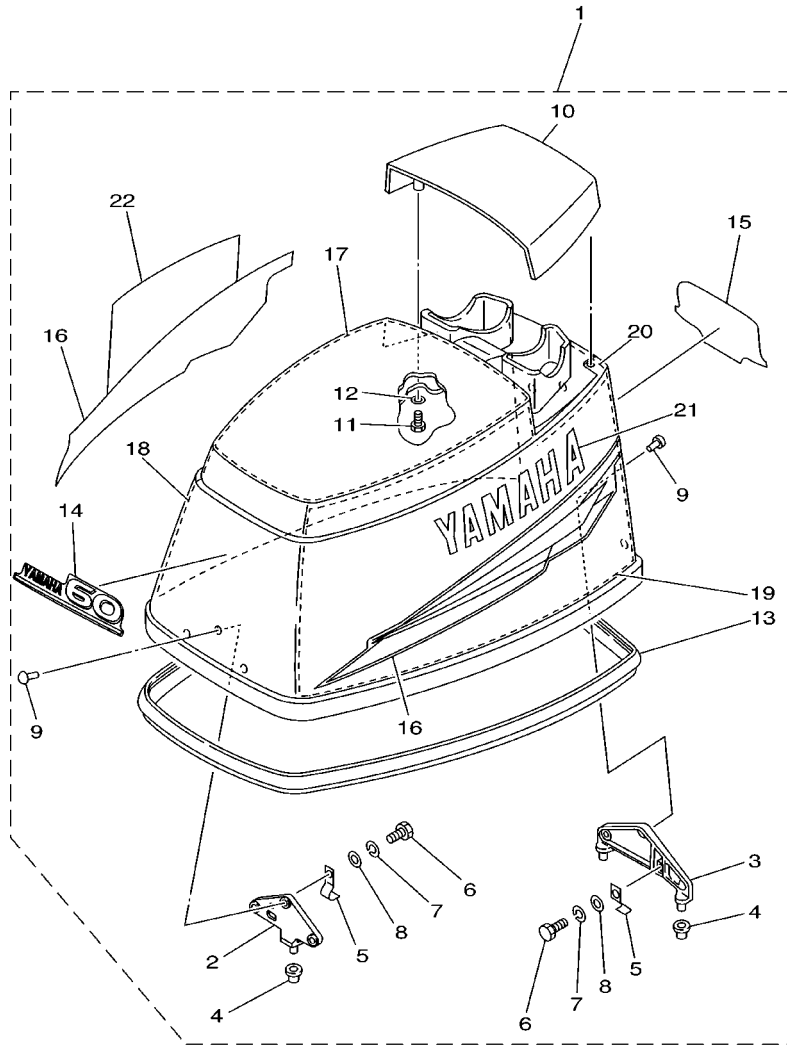
## SHEET 2/2

FUEL TANK .....	A4*
STEERING GUIDE .....	A5*
REMOTE CONTROL BOX .....	A6*
REMOTE CONTROL ASSY .....	A7*
METER .....	B3*
REPAIR KIT 1 .....	B4*
REPAIR KIT 2 .....	B6*

## INDEX

NUMERICAL INDEX .....	G1*
-----------------------	-----

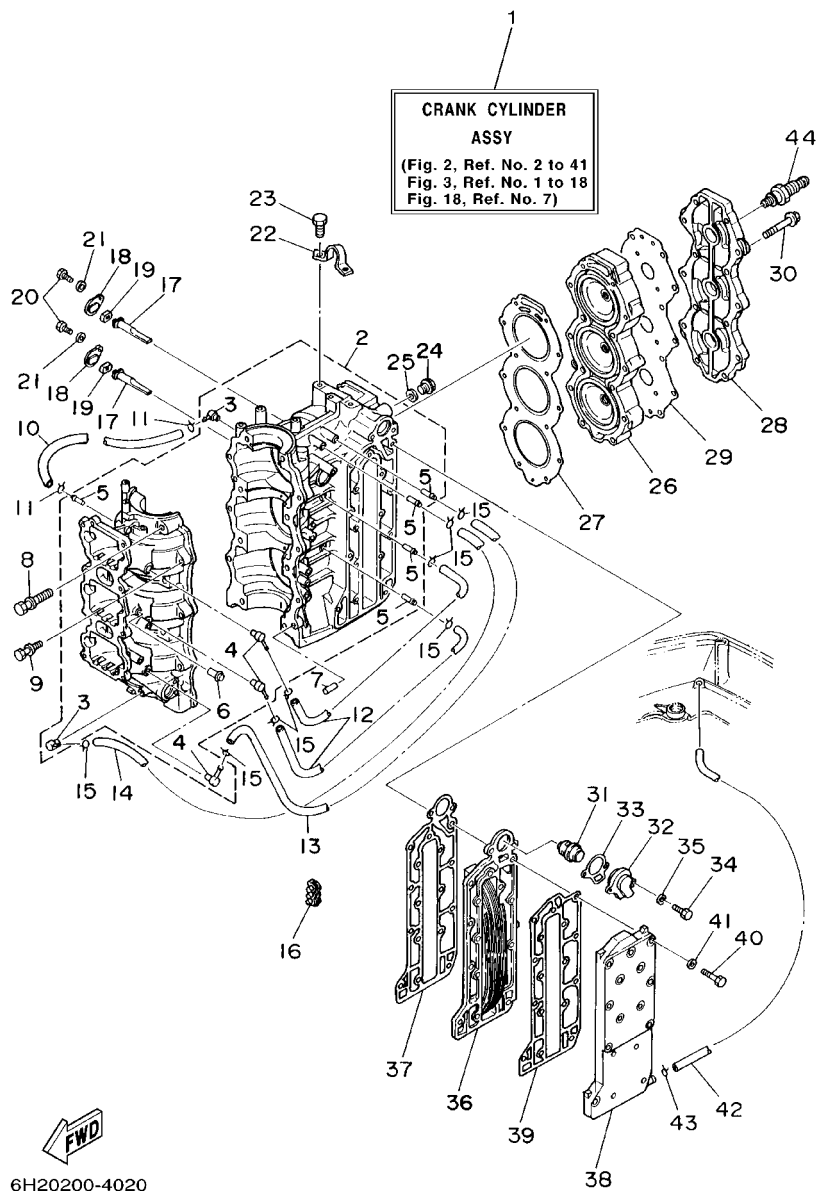
FIG. 1 TOP COWLING



6H20100-0010

REF. NO.	PART NO.	DESCRIPTION	ET	ED				REMARKS
1	6H2-42610-33-4D	TOP COWLING ASSY	1	1				
2	6H3-42647-00-94	.HOLDER, CLAMP BAND	1	1				
3	6H3-42649-00-94	.HOLDER, CLAMP BAND	1	1				
4	663-42662-00	.DAMPER	3	3				
5	6H3-42652-00	.HOOK	2	2				
6	97095-06016	.BOLT	2	2				
7	92995-06100	.WASHER, SPRING	2	2				
8	92995-06600	.WASHER	2	2				
9	90266-06009	.RIVET	6	6				
10	6H3-42613-01-4D	.MOLDING, AIR DUCT	1	1				
11	97095-06016	.BOLT	4	4				
12	92995-06600	.WASHER	4	4				
13	6H3-42615-00	.SEAL	1	1				
14	6H2-42677-30	.GRAPHIC, FRONT	1	1				
15	6H2-42678-30	.GRAPHIC, REAR	1	1				
16	6H3-W0070-30	.GRAPHIC SET	1	1				
17	6H3-42617-00	.DAMPER, FORM	1	1				
18	6H3-42619-00	.DAMPER, FORM	1	1				
19	6H3-42627-00	.DAMPER, FORM	1	1				
20	6H3-42637-00	.DAMPER, FORM	1	1				
21	6H3-42681-30	.MARK, COWLING	1	1				
22	6H3-42682-30	.MARK, COWLING	1	1				

FIG. 2 CYLINDER, CRANKCASE



6H20200-4020

REF. NO.	PART NO.	DESCRIPTION	ET	ED				REMARKS
1	6H3-W0090-05-4D	CRANK CYLINDER ASSY	1	1				N.O/I, AUTO CHOKE
2	6H3-15100-04-94	CRANKCASE ASSY	1	1				N.O/I, AUTO CHOKE
3	688-11370-00	.CHECK VALVE ASSY	2	2				
4	650-11370-00	.CHECK VALVE ASSY	3	3				
5	624-14485-00	.PIPE, JOINT	5	5				
6	650-24378-00	.PIPE, JOINT 4	1	1				
7	93608-12063	PIN, DOWEL	2	2				
8	90119-10M07	BOLT, WITH WASHER	8	8				
9	90119-08M17	BOLT, WITH WASHER	6	6				
10	90445-07M44	HOSE	1	1				
11	90467-06016	CLIP	2	2				
12	90445-07M02	HOSE	2	2				
13	90445-07M45	HOSE	1	1				
14	90445-07M82	HOSE	1	1				
15	90467-06016	CLIP	8	8				
16	90464-07M05	CLAMP	1	1				
17	6H3-11325-01	ANODE	2	2				
18	6H3-11327-00-94	COVER, ANODE	2	2				
19	6H3-11328-00	GROMMET, ANODE	2	2				
20	97013-06016	BOLT	2	2				
21	92903-06600	WASHER, PLATE	2	2				
22	688-11119-00	HANGER, ENGINE	1	1				
23	97013-08020	BOLT	2	2				
24	90340-14M00	PLUG, STRAIGHT SCREW	1	1				
25	90430-14115	GASKET	1	1				
26	6H3-11111-01-94	HEAD, CYLINDER 1	1	1				
27	6H3-11181-A1	GASKET, CYLINDER HEAD 1	1	1				

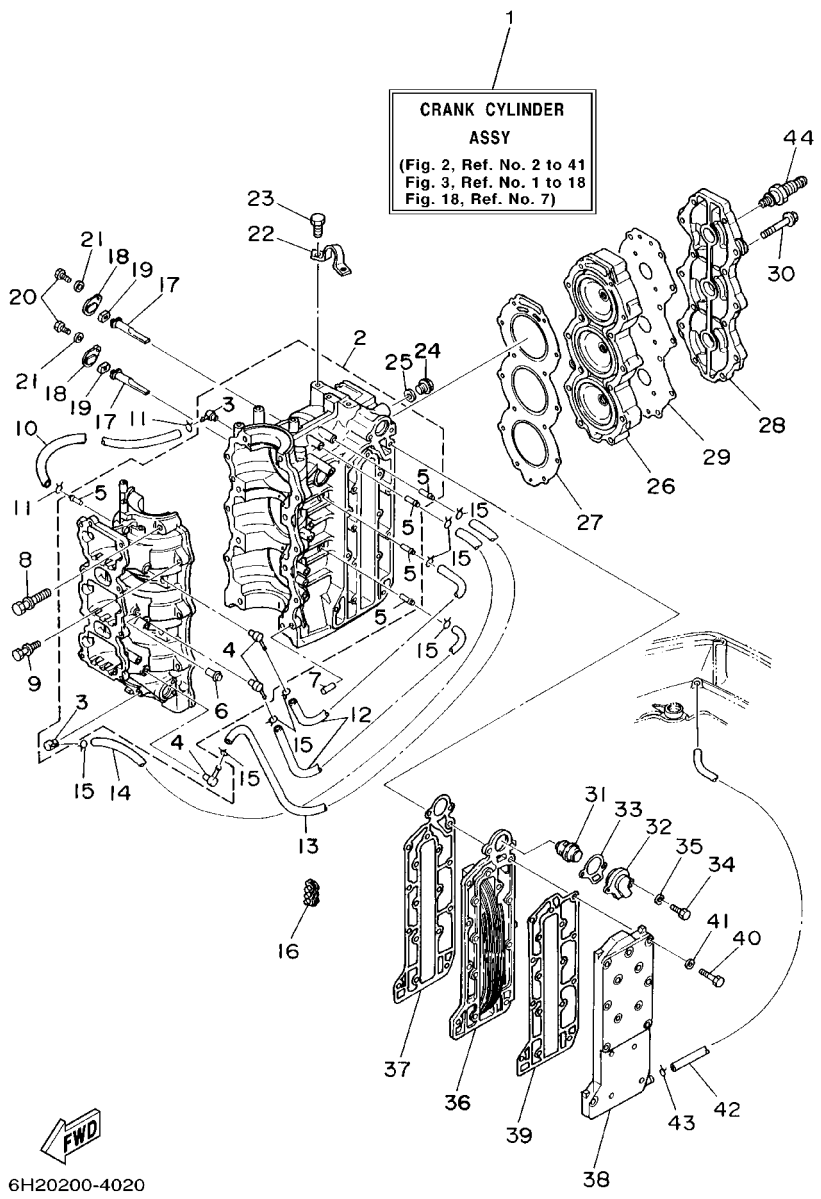
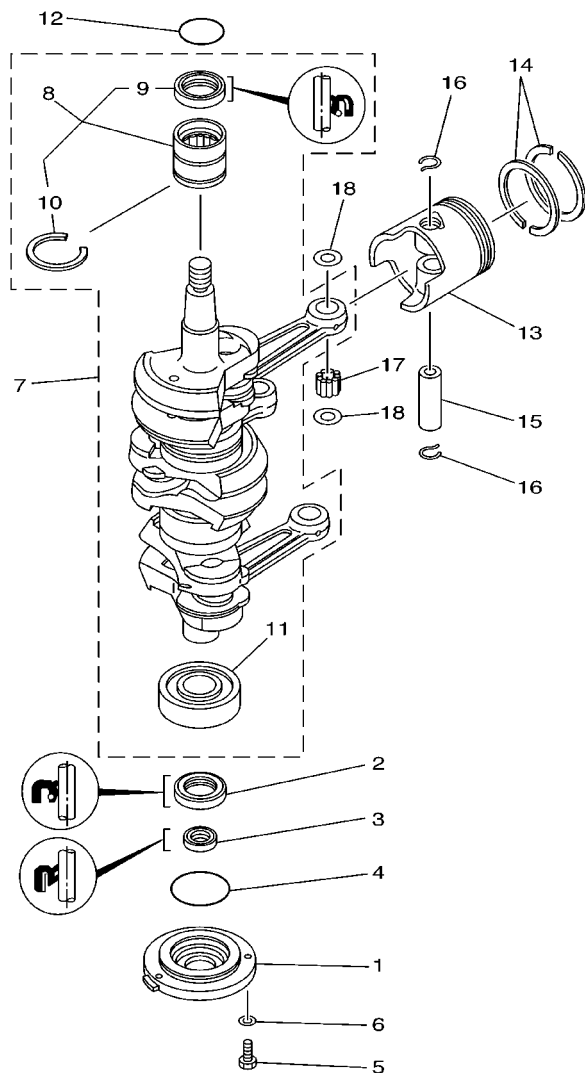


FIG. 2 CYLINDER, CRANKCASE

REF. NO.	PART NO.	DESCRIPTION	ET	ED				REMARKS
28	6H3-11191-00-9M	COVER, CYLINDER HEAD 1	1	1				
29	6H3-11193-A1	GASKET, HEAD COVER 1	1	1				
30	90119-08M09	BOLT, WITH WASHER	14	14				
31	6H3-12411-10	THERMOSTAT	1	1				
32	6H3-12413-00-9M	COVER, THERMOSTAT	1	1				
33	6H3-12414-A1	GASKET, COVER	1	1				
34	97013-06025	BOLT	2	2				
35	92903-06600	WASHER, PLATE	2	2				
36	6H3-41111-00-9M	INNER COVER, EXHAUST	1	1				
37	6H3-41112-A0	GASKET, EXHAUST INNER COVER	1	1				
38	6H3-41113-00-9M	OUTER COVER, EXHAUST	1	1				
39	6H3-41114-A0	GASKET, EXHAUST OUTER COVER	1	1				
40	97013-06035	BOLT	16	16				
41	92903-06600	WASHER, PLATE	16	16				
42	663-24312-01	PIPE 2	1	1				
43	90467-08004	CLIP	1	1				
44	94702-00160	PLUG, SPARK (NGK B8HS-10)	3	3				
	94702-00247	PLUG, SPARK (NGK BR8HS-10)	3					FOR CHINA

6H20200-4020

FIG. 3 CRANKSHAFT. PISTON



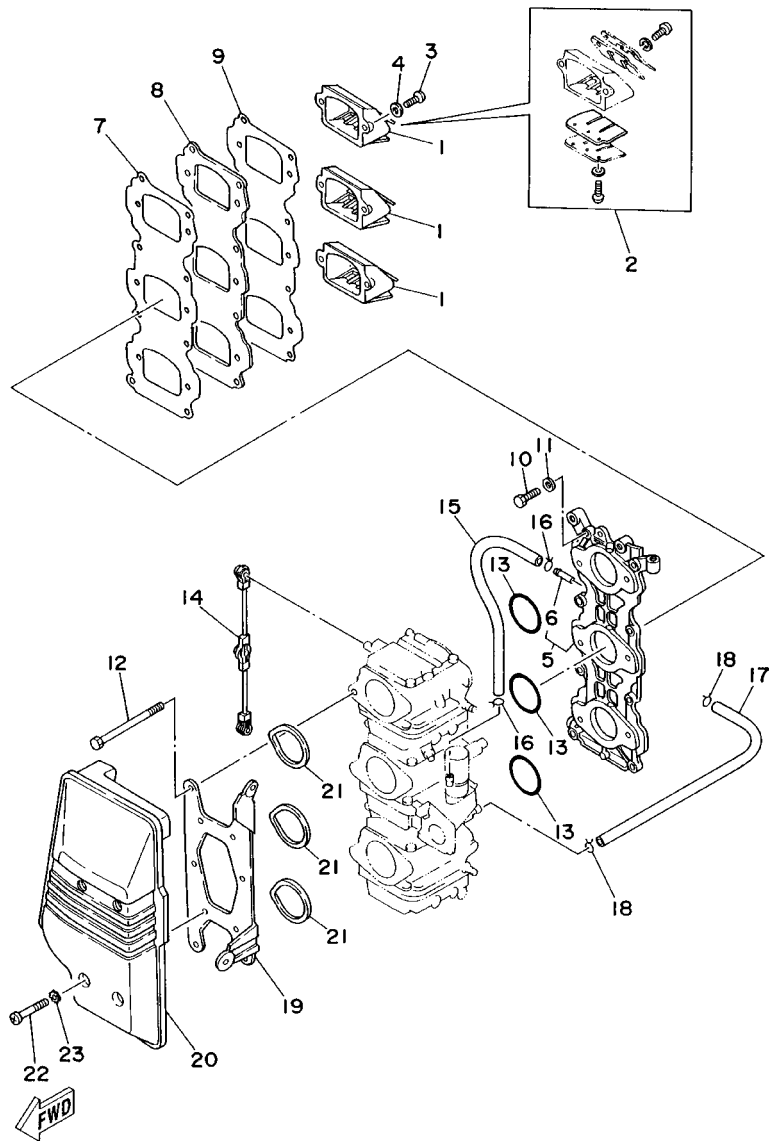
REF. NO.	PART NO.	DESCRIPTION	ET	ED	REMARKS
1	6H3-15359-00-94	HOUSING, OIL SEAL	1	1	
2	93102-30M23	OIL SEAL	1	1	
3	93106-18M01	OIL SEAL	1	1	
4	93210-65M50	O-RING	1	1	
5	97095-06020	BOLT	3	3	
6	92995-06600	WASHER	3	3	
7	6H3-11400-03	CRANKSHAFT ASSY	1	1	
8	93311-636U6	.BEARING	1	1	
9	93102-36M24	..OIL SEAL	1	1	
10	93440-49M04	..CIRCLIP	1	1	
11	93306-306V1	.BEARING	1	1	
12	93210-46M16	O-RING	1	1	
13	6H3-11631-01-96	PISTON (STD)	3	3	
	6H3-11635-01	PISTON (0.25MM O/S)	3	3	AP
	6H3-11636-01	PISTON (0.50MM O/S)	3	3	AP
14	6K5-11601-02	PISTON RING SET (STD)	3	3	
	6K5-11601-12	PISTON RING SET (0.25MM O/S)	3	3	AP
	6K5-11601-22	PISTON RING SET (0.50MM O/S)	3	3	AP
15	6H3-11633-00	PIN, PISTON	3	3	
16	688-11634-10	CLIP, PISTON PIN	6	6	
17	93603-18M09	PIN, DOWEL	84	84	
18	90201-20417	WASHER, PLATE	6	6	



6H20010-0030

FIG. 4 INTAKE

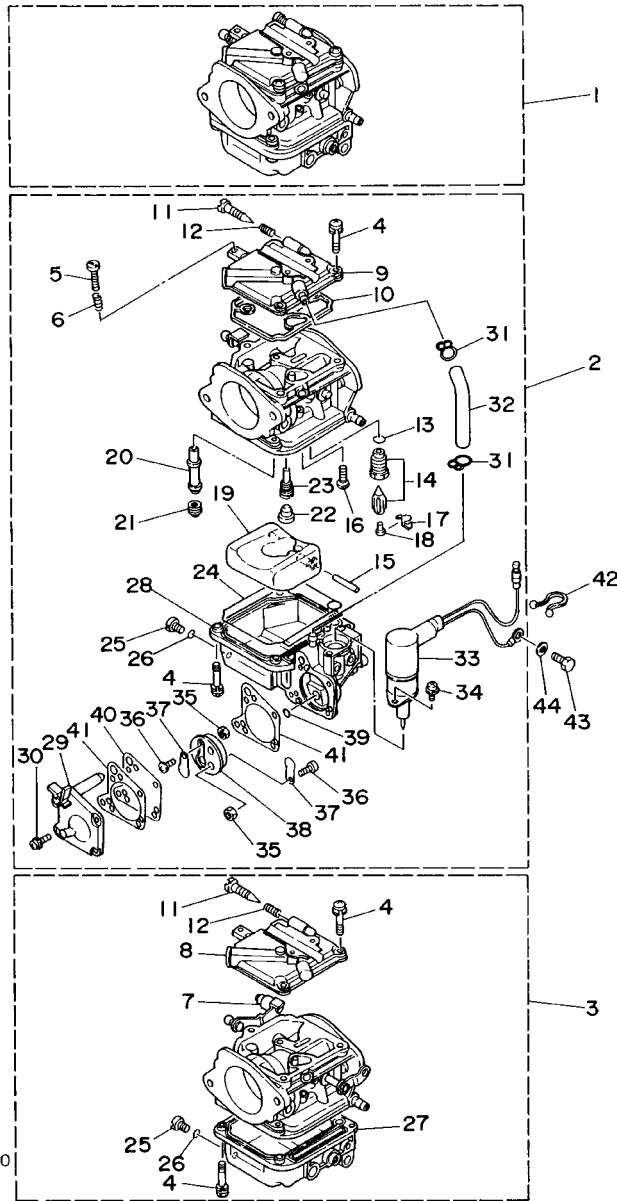
REF. NO.	PART NO.	DESCRIPTION	ET	ED				REMARKS
1	6H2-13610-00	REED VALVE ASSY	3	3				
2	688-W0004-00	.REED SET	1	1				
3	97880-05016	SCREW, PAN HEAD	6	6				
4	92990-05600	WASHER, PLATE	6	6				
5	6H3-13641-21-94	MANIFOLD 1	1	1				
6	6H1-14485-00	.PIPE, JOINT	1	1				
7	6H3-13621-A1	GASKET, VALVE SEAT	1	1				
8	6H3-13624-00-94	PLATE, REED VALVE	1	1				
9	6H3-13622-A1	GASKET, VALVE SEAT	1	1				
10	97013-06025	BOLT	8	8				
11	92903-06600	WASHER, PLATE	8	8				
12	97095-06095	BOLT	6	6				
13	93210-39ME4	O-RING	3	3				
14	6H3-41217-00	ROD, ACCEL. LEVER	1	1				
15	90445-07255	HOSE	1	1				
16	90467-06016	CLIP	2	2				
17	6H3-14349-00	PIPE	1	1				
18	90467-08004	CLIP	2	2				
19	6H3-14413-10	STAY	1	1				
20	6H3-14440-02	SILENCER ASSY, INTAKE	1	1				
21	6H3-14457-01	SEAL	3	3				
22	97885-06045	SCREW, PAN HEAD	4	4				
23	90209-06M05	WASHER	4	4				



6H30010-4040

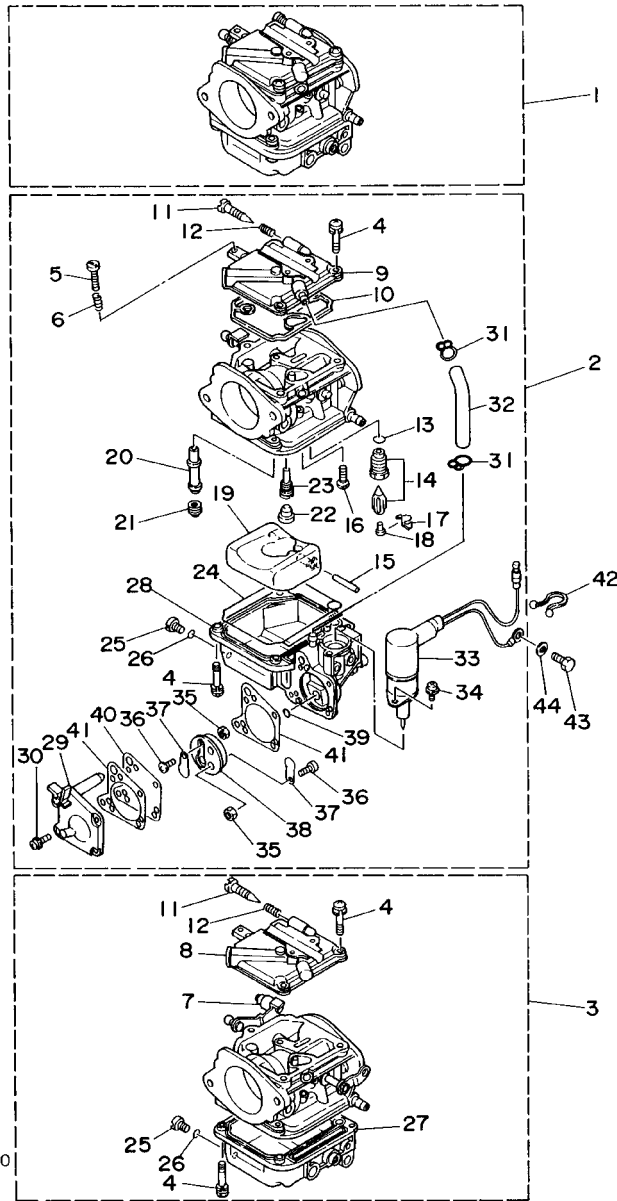


FIG. 5 CARBURETOR



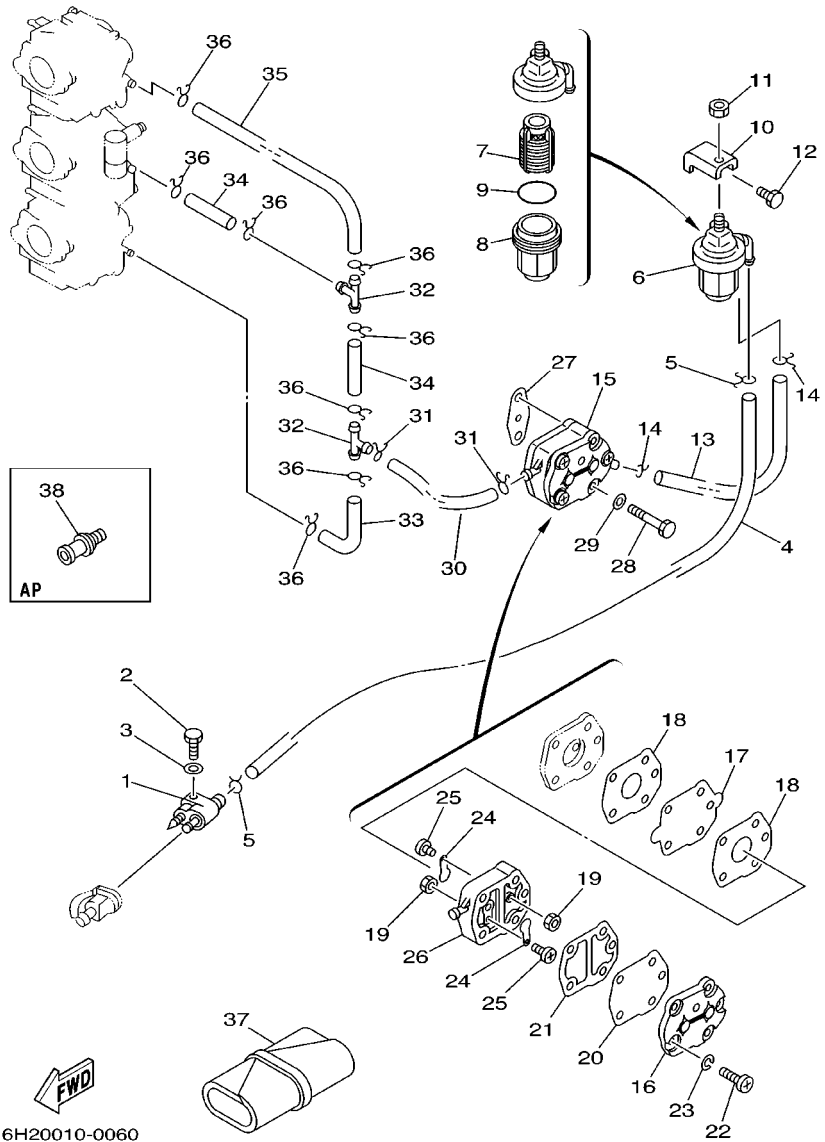
REF. NO.	PART NO.	DESCRIPTION	ET	ED				REMARKS
1	6H2-14301-0A	CARBURETOR ASSY 1	1	1				
2	6H2-14302-0A	CARBURETOR ASSY 2	1	1				
3	6H2-14303-0A	CARBURETOR ASSY 3	1	1				
4	97980-04114	.SCREW, WITH WASHER	21	21				
5	63V-14523-00	.SCREW, STOP	1	1				#2
6	90501-10326	.SPRING, COMPRESSION	1	1				#2
7	6H2-14578-00	.COLLAR	1	1				#3
8	6H4-14146-00	.PLATE	2	2				#1,3
9	6H3-14146-10	.PLATE	1	1				#2
10	6H4-14147-00	.O-RING	3	3				
11	692-14923-00	.SCREW, PILOT	3	3				
12	697-14555-00	.SPRING	3	3				
13	93210-04228	.O-RING	3	3				
14	6H3-14590-00	.NEEDLE VALVE ASSY	3	3				
15	6H4-14548-00	.PIN, FLOAT ARM	3	3				
16	98580-04008	.SCREW, PAN HEAD	3	3				
17	663-14159-00	.CLIP	3	3				
18	676-14186-00	.PIN, FLOAT	3	3				
19	6H4-14985-01	.FLOAT	3	3				
20	6H2-14947-71	.JET, NEEDLE	3	3				
21	6H3-14943-35	.JET, MAIN (#140)	2	2				#1,2
	6H3-14943-36	.JET, MAIN (#145)	1	1				#3
22	676-14966-00	.CAP	3	3				
23	6H3-14948-13	.JET (#65)	3	3				
24	6H4-14984-00	.GASKET, FLOAT CHAMBER	3	3				
25	6H3-14992-00	.SCREW, DRAIN	3	3				
26	93210-04230	.O-RING	3	3				

FIG. 5 CARBURETOR



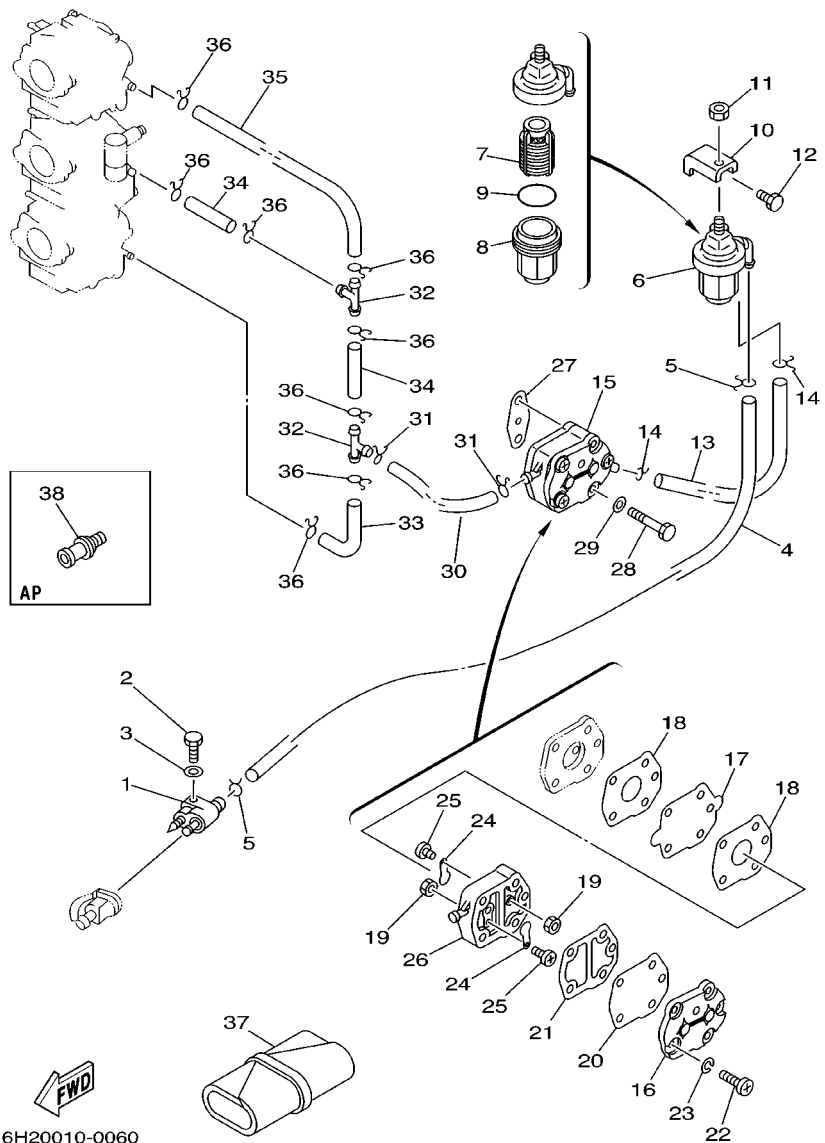
REF. NO.	PART NO.	DESCRIPTION	ET	ED		REMARKS
27	6H4-14980-00	.BODY, FLOAT CHAMBER	2	2		#1,3
28	6H3-14980-10	.BODY, FLOAT CHAMBER	1	1		#2
29	6H3-24452-10	.COVER	1	1		#2
30	6H4-14567-00	.SCREW	4	4		#2
31	6H3-14137-00	.CLIP	2	2		#2
32	6H3-14349-00	.PIPE	1	1		#2
33	6H3-14380-00	.STARTER ASSY	1	1		#2
34	97803-04010	.SCREW, PAN HEAD	2	2		#2
35	95380-03600	.NUT	2	2		#2
36	98980-03006	.SCREW, BIND	2	2		#2
37	6L5-24421-00	.VALVE, CHECK	2	2		#2
38	6H4-24413-00	.BODY 2	1	1		#2
39	6H4-24486-00	.O-RING	1	1		#2
40	6H3-24411-10	.DIAPHRAGM	1	1		#2
41	6H3-24434-10	.GASKET, BODY	2	2		#2
42	90465-18147	CLAMP	1	1		
43	97013-06012	BOLT	1	1		
44	92903-06600	WASHER, PLATE	1	1		

FIG. 6 FUEL



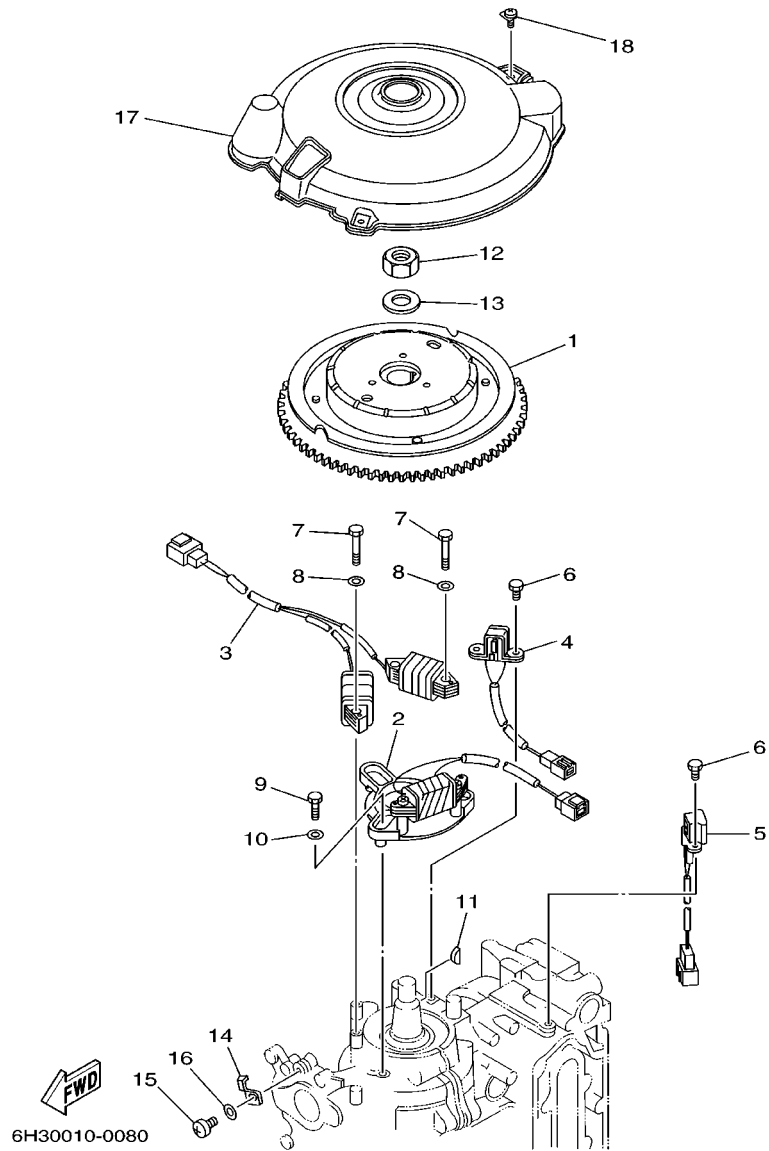
REF. NO.	PART NO.	DESCRIPTION	ET	ED					REMARKS
1	6G1-24304-02	FUEL PIPE JOINT COMP. 1	1	1					
2	97095-06025	BOLT	1	1					
3	92995-06600	WASHER	1	1					
4	90445-09M75	HOSE	1	1					
5	90467-08004	CLIP	2	2					
6	61N-24560-00	FILTER ASSY	1	1					
7	61N-24563-00	.ELEMENT, FILTER	1	1					
8	61N-24521-00	.CUP, FILTER	1	1					
9	93210-32738	.O-RING	1	1					
10	648-24566-02	BRACKET, FILTER	1	1					
11	95380-08600	NUT	1	1					
12	97013-06014	BOLT	1	1					
13	90445-09072	HOSE	1	1					
14	90467-08004	CLIP	2	2					
15	692-24410-00	FUEL PUMP ASSY	1	1					
16	6A0-24413-00	.BODY 2	1	1					
17	692-24411-00	.DIAPHRAGM	1	1					
18	648-24434-01	.GASKET, BODY	2	2					
19	95380-03600	.NUT	2	2					
20	663-24411-00	.DIAPHRAGM	1	1					
21	648-24435-02	.GASKET, BODY 2	1	1					
22	98503-05028	.SCREW, PAN HEAD	3	3					
23	92990-05100	.WASHER, SPRING	3	3					
24	6A0-24421-01	.VALVE, CHECK	2	2					
25	6A0-14325-00	.SCREW, PAN HEAD	2	2					
26	6A0-24412-02	.BODY 1	1	1					
27	650-24431-A0	GASKET, FUEL PUMP 1	1	1					

FIG. 6 FUEL



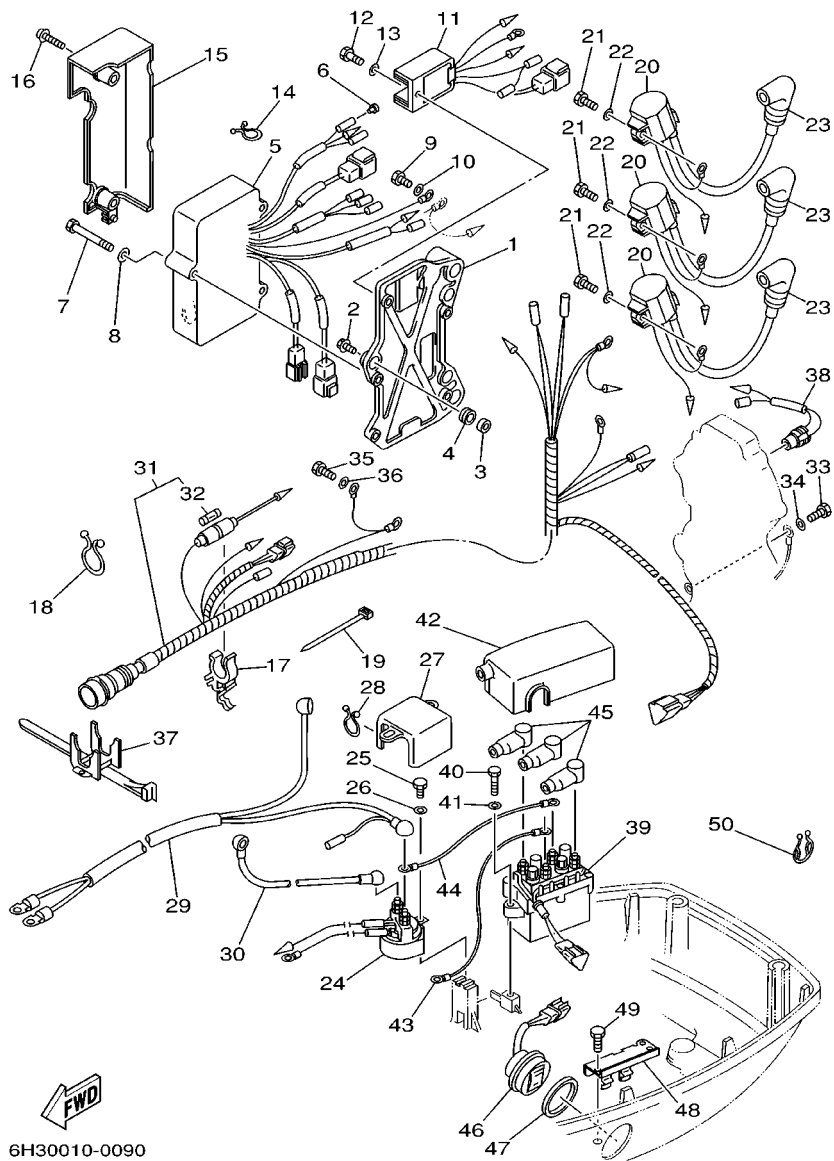
REF. NO.	PART NO.	DESCRIPTION	ET	ED				REMARKS
28	97095-06040	BOLT	2	2				
29	92995-06600	WASHER	2	2				
30	90445-09072	HOSE	1	1				
31	90467-08004	CLIP	2	2				
32	688-24378-00	PIPE, JOINT 4	2	2				
33	6H3-24313-00	PIPE 3	1	1				
34	90445-09220	HOSE	2	2				
35	6H3-24314-00	PIPE 4	1	1				
36	90467-08004	CLIP	8	8				
37	656-W2810-02	TOOL KIT	1	1				
38	6E0-28193-00-94	PLUG, WATER CHECK	1	1				AP D:12.5MM

FIG. 7 GENERATOR



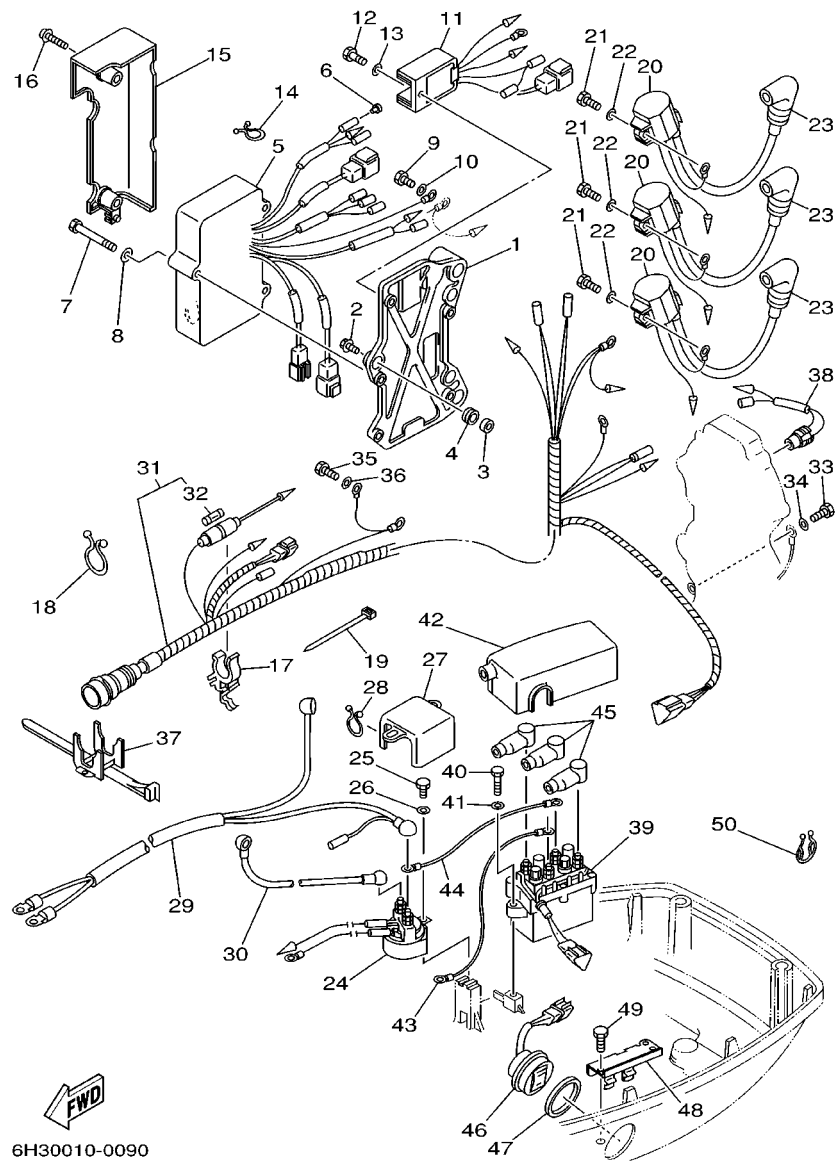
REF. NO.	PART NO.	DESCRIPTION	ET	ED				REMARKS
1	6H2-85550-00	ROTOR ASSY	1	1				
2	6H2-85520-01	COIL, CHARGE	1	1				
3	6H2-85533-01	COIL, LIGHTING	1	1				
4	6H2-85580-01	COIL, PULSER	1	1				
5	6H2-85895-01	CRANK POSITION SENDER	1	1				
6	97095-05012	BOLT	4	4				
7	97095-06035	BOLT	4	4				
8	92995-06600	WASHER	4	4				
9	97095-06025	BOLT	3	3				
10	92995-06600	WASHER	3	3				
11	90280-05015	KEY, WOODRUFF	1	1				
12	90170-20137	NUT	1	1				
13	90201-21M18	WASHER, PLATE	1	1				
14	6E5-81332-00	PLATE, TIMING	1	1				
15	97885-06010	SCREW, PAN HEAD	1	1				
16	92995-06600	WASHER	1	1				
17	6H3-81337-01	COVER, FLYWHEEL	1	1				
18	90159-06M23	SCREW, WITH WASHER	3	3				

FIG. 8 ELECTRICAL



6H30010-0090

REF. NO.	PART NO.	DESCRIPTION	ET	ED	REMARKS
1	6H3-85542-11-94	BRACKET	1	1	
2	90105-06M14	BOLT FLANGE	3	3	
3	90387-06M43	COLLAR	3	3	
4	90480-13M54	GROMMET	3	3	
5	6H2-85540-10	C.D.I. UNIT ASSY	1	1	
6	703-82119-00	COVER, LEAD WIRE	1	1	
7	97095-06045	BOLT	3	3	
8	92995-06600	WASHER	3	3	
9	97013-06012	BOLT	1	1	
10	92903-06600	WASHER, PLATE	1	1	
11	6H2-81960-10	RECTIFIER & REGULATOR ASSY	1	1	
12	97095-06016	BOLT	1	1	
13	92995-06600	WASHER	1	1	
14	90464-05M16	CLAMP	1	1	
15	6H3-81916-10	COVER, TERMINAL	1	1	
16	90159-06M01	SCREW, WITH WASHER	2	2	
17	6G5-82152-00	HOLDER, FUSE	1	1	
18	90464-23M22	CLAMP	1	1	
19	90465-13M11	CLAMP	1	1	
20	697-85570-00	IGNITION COIL ASSY	3	3	
21	97013-06020	BOLT	3	3	
22	92903-06600	WASHER, PLATE	3	3	
23	6G1-82370-21	PLUG CAP ASSY	3	3	
24	688-81950-10	RELAY ASSY	1	1	
25	97013-06016	BOLT	1	1	
26	92903-06600	WASHER, PLATE	1	1	
27	6H3-82164-00	CASE 2	1	1	

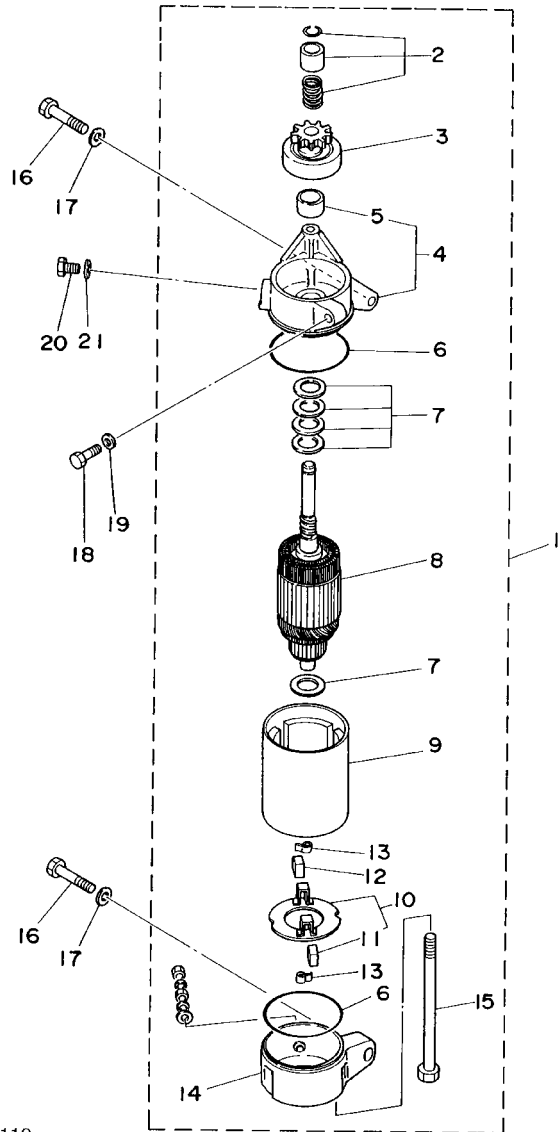


6H30010-0090

FIG. 8 ELECTRICAL

REF. NO.	PART NO.	DESCRIPTION	ET	ED	REMARKS
28	90464-15M11	CLAMP	1	1	
29	6H3-82105-01	WIRE HARNESS	1	1	
30	6H3-82117-00	WIRE, LEAD	1	1	
31	6H2-82590-13	WIRE HARNESS ASSY	1		
	6H2-82590-02	WIRE HARNESS ASSY		1	
32	682-82151-00	.FUSE (20A)	1	1	
33	97013-06012	BOLT	1	1	
34	92903-06600	WASHER, PLATE	1	1	
35	97013-06012	BOLT	2	2	
36	92903-06600	WASHER, PLATE	2	2	
37	688-82594-00	CLAMP	1	1	
38	688-82560-10	THERMO SWITCH ASSY	1	1	
39	61A-81950-00	RELAY ASSY	1		
40	97095-06025	BOLT	2		
41	92995-06600	WASHER	2		
42	6H3-82154-11	CASE	1		
43	6H2-81949-11	WIRE, LEAD	1		
44	6H2-81949-01	WIRE, LEAD	1		
45	682-82119-01	COVER, LEAD WIRE	3		
46	6H1-82563-10	TRIM & TILT SWITCH ASSY	1		
47	6E5-82587-00	GASKET	1		
48	6E5-83614-01	BRACKET	1		
49	97095-06016	BOLT	2		
50	90464-18M14	CLAMP	1		

FIG. 9 STARTING MOTOR

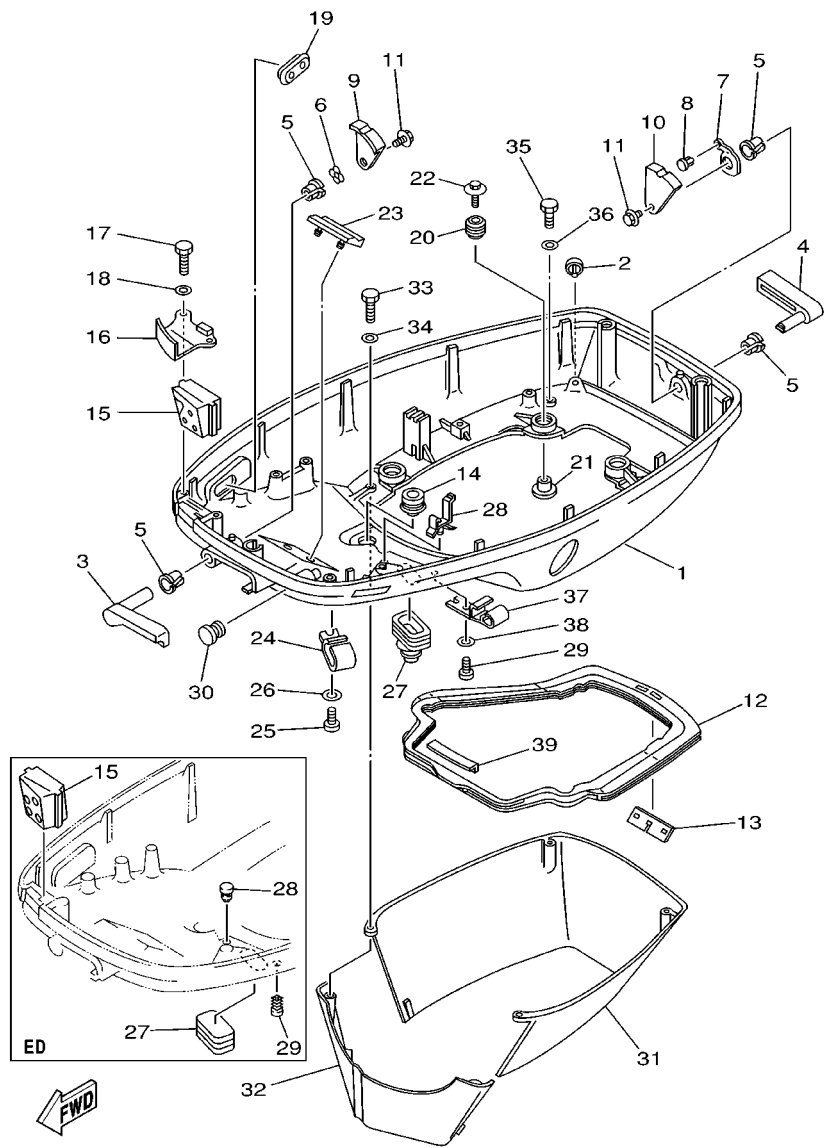


6H30010-4110

REF. NO.	PART NO.	DESCRIPTION	ET	ED				REMARKS
1	6H3-81800-11	STARTING MOTOR ASSY	1	1				
2	689-81857-11	.PINION STOPPER SET	1	1				
3	6H3-81807-10	.GEAR ASSY, STARTING MOTOR	1	1				
4	6H3-81830-10	.FRONT BRACKET ASSY	1	1				
5	689-81831-00	..METAL, FRONT	1	1				
6	689-81847-11	.O-RING	2	2				
7	689-81809-11	.WASHER KIT	1	1				
8	689-81850-12	.ARMATURE ASSY	1	1				
9	6H3-81810-10	.STATOR ASSY	1	1				
10	689-81840-11	.BRUSH HOLDER ASSY	1	1				
11	689-81812-11	..BRUSH 2	1	1				
12	689-81811-11	.BRUSH 1	1	1				
13	689-81813-10	.SPRING, BRUSH	2	2				
14	6H3-81820-11	.REAR BRACKET ASSY	1	1				
15	689-81826-10	.BOLT	2	2				
16	97013-08035	BOLT	2	2				
17	92903-08600	WASHER, PLATE	2	2				
18	97013-06025	BOLT	1	1				
19	92903-06600	WASHER, PLATE	1	1				
20	97013-08016	BOLT	1	1				
21	92903-08600	WASHER, PLATE	1	1				



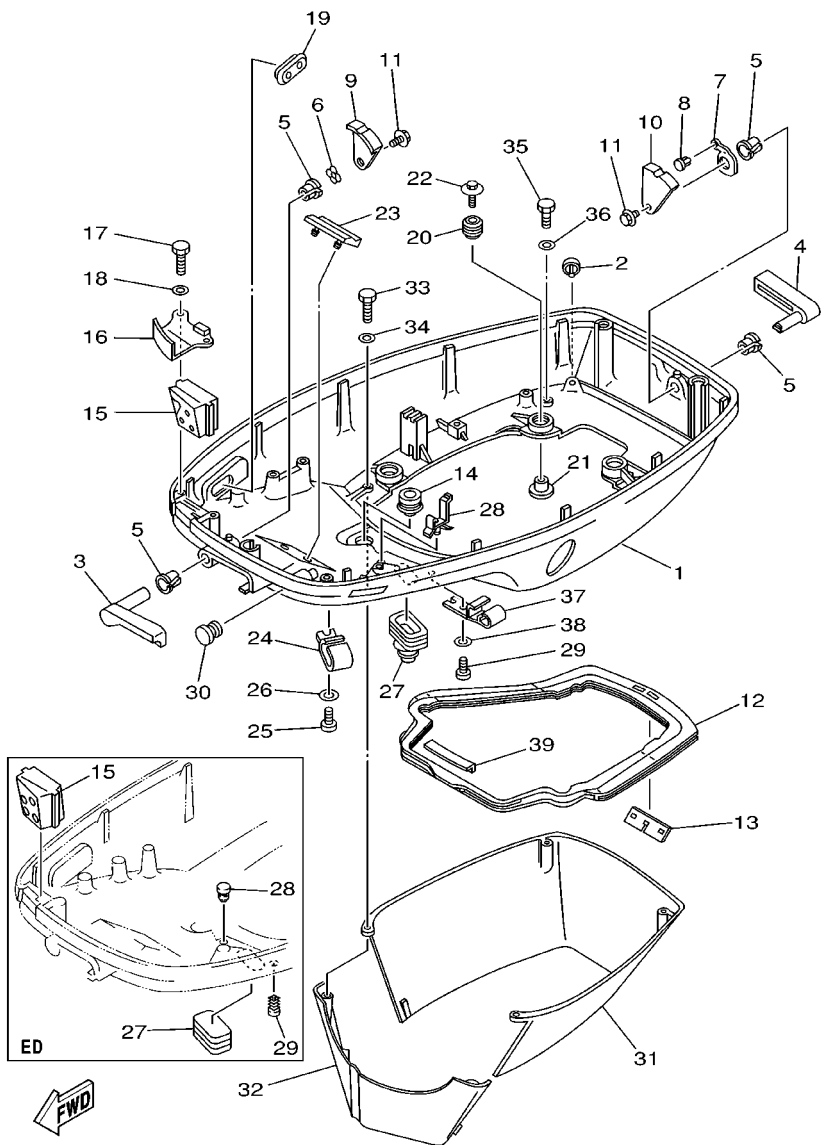
FIG. 10 BOTTOM COWLING



6H20200-0100

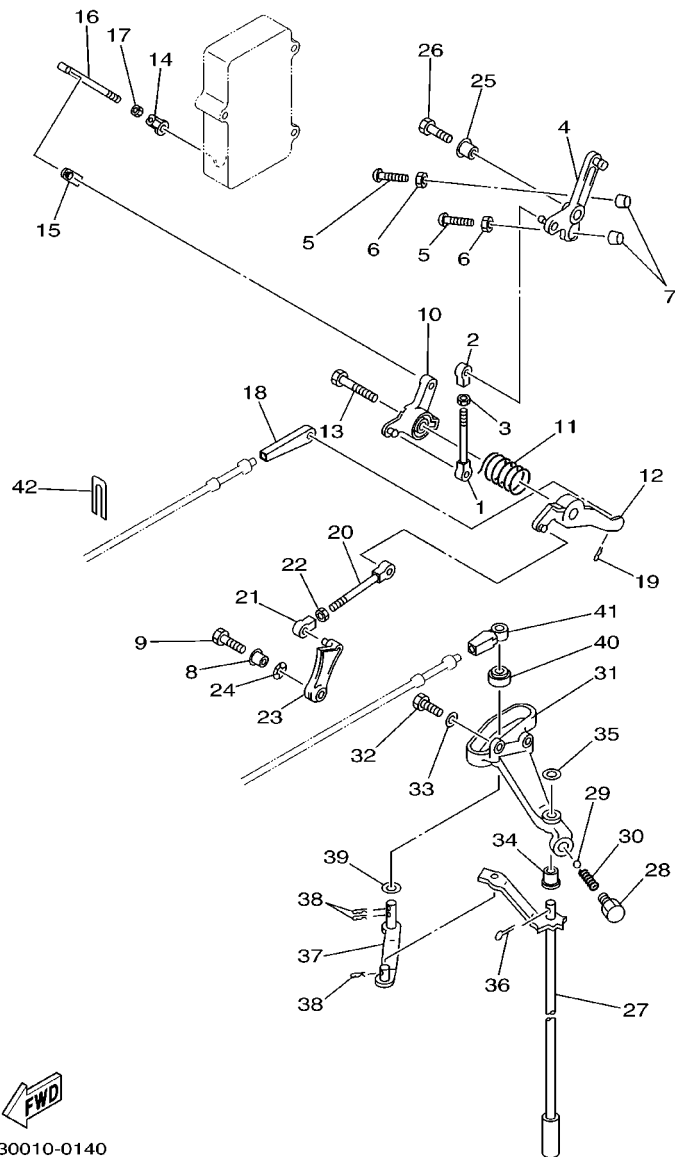
REF. NO.	PART NO.	DESCRIPTION	ET	ED				REMARKS
1	6H3-42711-24-4D	COWLING, BOTTOM	1					
	6H3-42711-05-4D	COWLING, BOTTOM		1				
2	6H3-44391-01	NIPPLE, HOSE	1	1				
3	6H3-42815-01-4D	LEVER, CLAMP	1	1				
4	6H3-42817-01-4D	LEVER, CLAMP	1	1				
5	90386-13M38	BUSH	4	4				
6	90206-13M10	WASHER, WAVE	1	1				
7	6H3-42813-00	SPRING, CLAMP LEVER	1	1				
8	90269-04M03	RIVET	1	1				
9	6H3-42816-00	LEVER, CLAMP	1	1				
10	6H3-42818-00	LEVER, CLAMP	1	1				
11	90119-06M09	BOLT, WITH WASHER	2	2				
12	6H3-42716-02	RUBBER, SEAL 1	1	1				
13	6K5-42717-00	RUBBER, SEAL 2	1	1				
14	6E5-42724-00	GROMMET	1	1				
15	6H3-42725-10	GROMMET	1					
	6H3-42725-00	GROMMET		1				
16	6H3-42738-01-5B	PLATE, FITTING	1	1				
17	97095-06016	BOLT	2	2				
18	92995-06600	WASHER	2	2				
19	6H3-42727-00	GROMMET	1	1				
20	90480-09M12	GROMMET	4	4				
21	90387-06M69	COLLAR	4	4				
22	90119-06M61	BOLT, WITH WASHER	4	4				
23	6H3-42768-00	DAMPER	1	1				
24	6E5-24367-01	CLAMP, FUEL PIPE 2	1	1				
25	90157-06M01	SCREW, PAN HEAD	1	1				

FIG. 10 BOTTOM COWLING



6H20200-0100

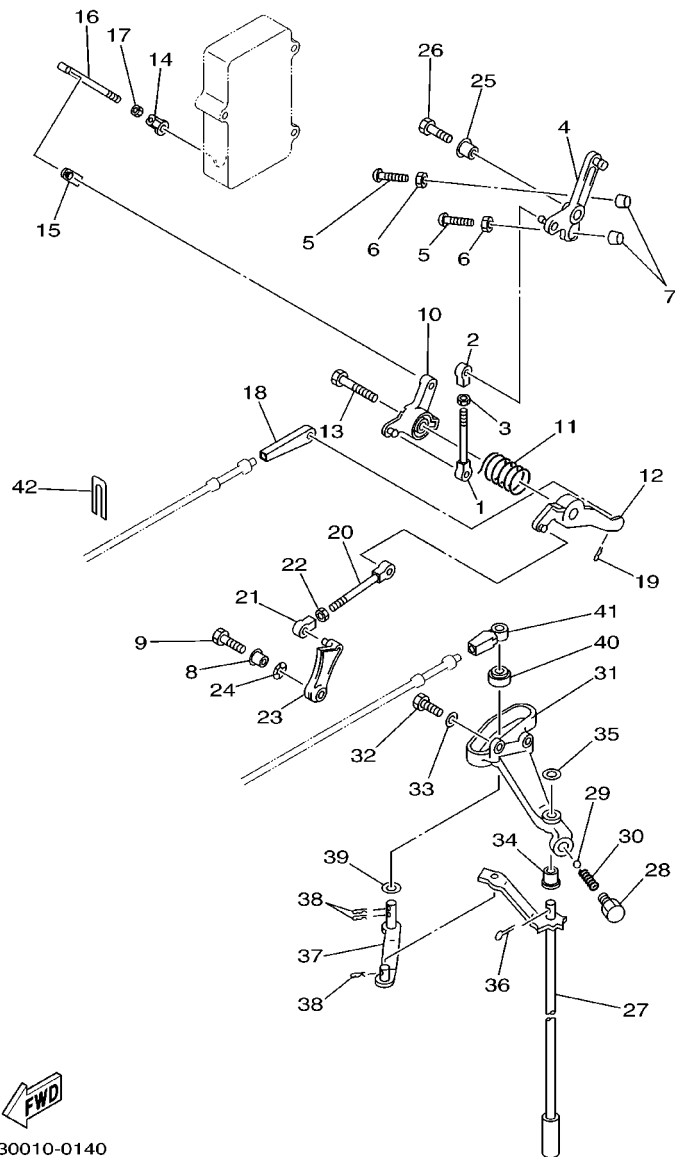
REF. NO.	PART NO.	DESCRIPTION	ET	ED				REMARKS
26	92990-06600	WASHER, PLATE	1	1				
27	688-42726-10	GROMMET	1					
	6H4-42726-00	GROMMET		1				
28	90464-09M13	CLAMP	1					
	703-82119-00	COVER, LEAD WIRE		2				
29	90157-06M01	SCREW, PAN HEAD	1					
	90338-05M03	PLUG		1				
30	6G1-42748-00	GROMMET	1	1				
31	6H3-42741-01-4D	APRON	1	1				
32	6H3-42771-01-4D	APRON	1	1				
33	97095-06025	BOLT	2	2				
34	92995-06600	WASHER	2	2				
35	97095-06020	BOLT	2	2				
36	92995-06600	WASHER	2	2				
37	6E5-24367-01	CLAMP, FUEL PIPE 2	1					
38	92990-06600	WASHER, PLATE	1					
39	6H3-42718-00	RUBBER, SEAL 3	1	1				



6H30010-0140

FIG. 11 CONTROL

REF. NO.	PART NO.	DESCRIPTION	ET	ED				REMARKS
1	689-42169-01	JOINT	1	1				
2	682-41237-00	JOINT, LINK	1	1				
3	95380-05600	NUT	1	1				
4	6H3-41631-00	LEVER, MAGNETO CONTROL	1	1				
5	90157-06M13	SCREW, PAN HEAD	2	2				
6	95380-06600	NUT, HEXAGON	2	2				
7	688-44194-00	CAP	2	2				
8	90387-06M60	COLLAR	1	1				
9	97095-06025	BOLT	1	1				
10	6H3-41632-20	LEVER, MAGNETO CONTROL	1	1				
11	90508-26M35	SPRING, TORSION	1	1				
12	6H3-41633-10	LEVER, MAGNETO CONTROL	1	1				
13	90109-06M43	BOLT	1	1				
14	6H1-41237-00	JOINT, LINK	1	1				
15	6F5-41237-00	JOINT, LINK	1	1				
16	6H3-41636-10-94	ROD, MAGNETO CONTROL	1	1				
17	95380-05600	NUT	1	1				
18	6H3-48344-00	CABLE END, REMOTE CONTROL	1	1				
19	90468-18008	CLIP	1	1				
20	689-42169-01	JOINT	1	1				
21	6H4-41237-00	JOINT, LINK	1	1				
22	95380-05600	NUT	1	1				
23	6H3-41213-10	CAM, ACCEL.	1	1				
24	90206-10M04	WASHER, WAVE	1	1				
25	90387-06M60	COLLAR	1	1				
26	97095-06025	BOLT	1	1				
27	6H3-44120-02	HANDLE GEAR SHIFT ASSY	1	1				S

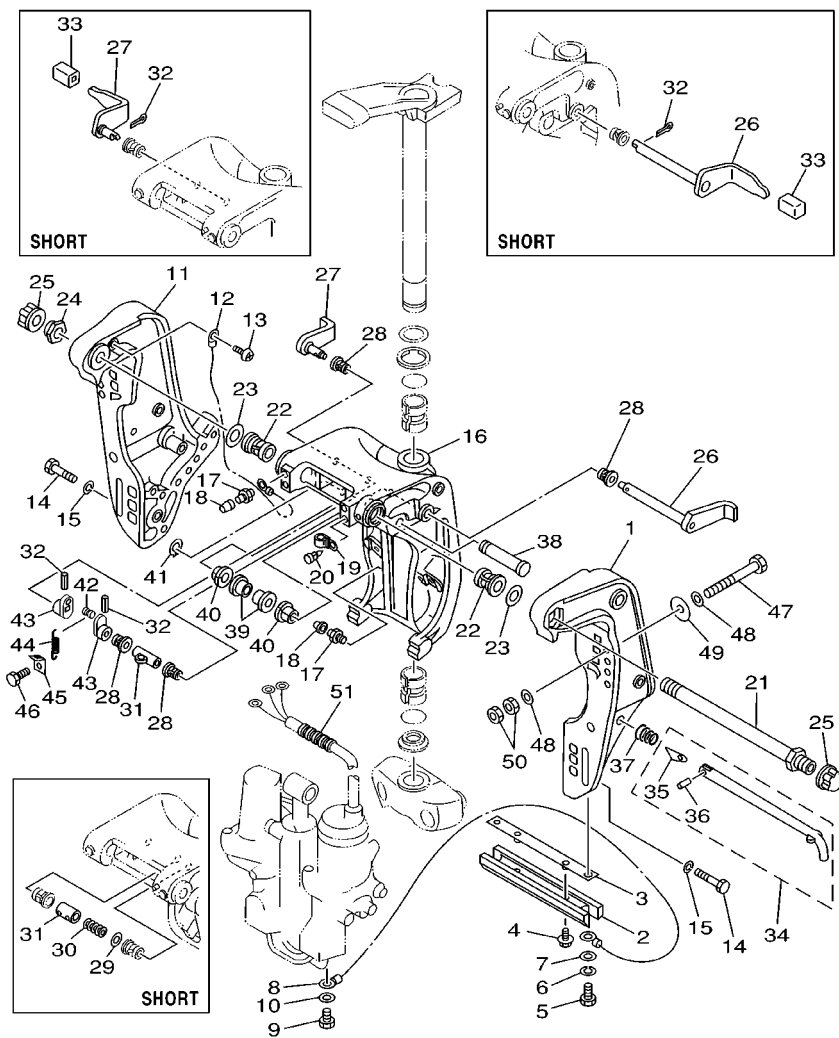


6H30010-0140

FIG. 11 CONTROL

REF. NO.	PART NO.	DESCRIPTION	ET	ED				REMARKS
27	6H3-44120-12	HANDLE GEAR SHIFT ASSY	1	1				L
28	648-42715-00	BUSHING	1	1				
29	93501-04M02	BALL	1	1				
30	90501-12082	SPRING, COMPRESSION	1	1				
31	6H3-44117-00-94	BRACKET	1	1				
32	97013-06020	BOLT	2	2				
33	92903-06600	WASHER, PLATE	2	2				
34	90386-07M58	BUSH	1	1				
35	92990-08200	WASHER, PLAIN	1	1				
36	91490-20012	PIN, COTTER	1	1				
37	6H3-44121-01	LEVER, SHIFT ROD	1	1				
38	90468-18008	CLIP	3	3				
39	90202-07M07	WASHER, PLATE	1	1				
40	688-44122-00	BUSHING, SHIFT ROD LEVER	1	1				
41	663-48344-00	CABLE END, REMOTE CONTROL	1	1				
42	6H3-48538-00	CLAMP, CABLE 1	1	1				

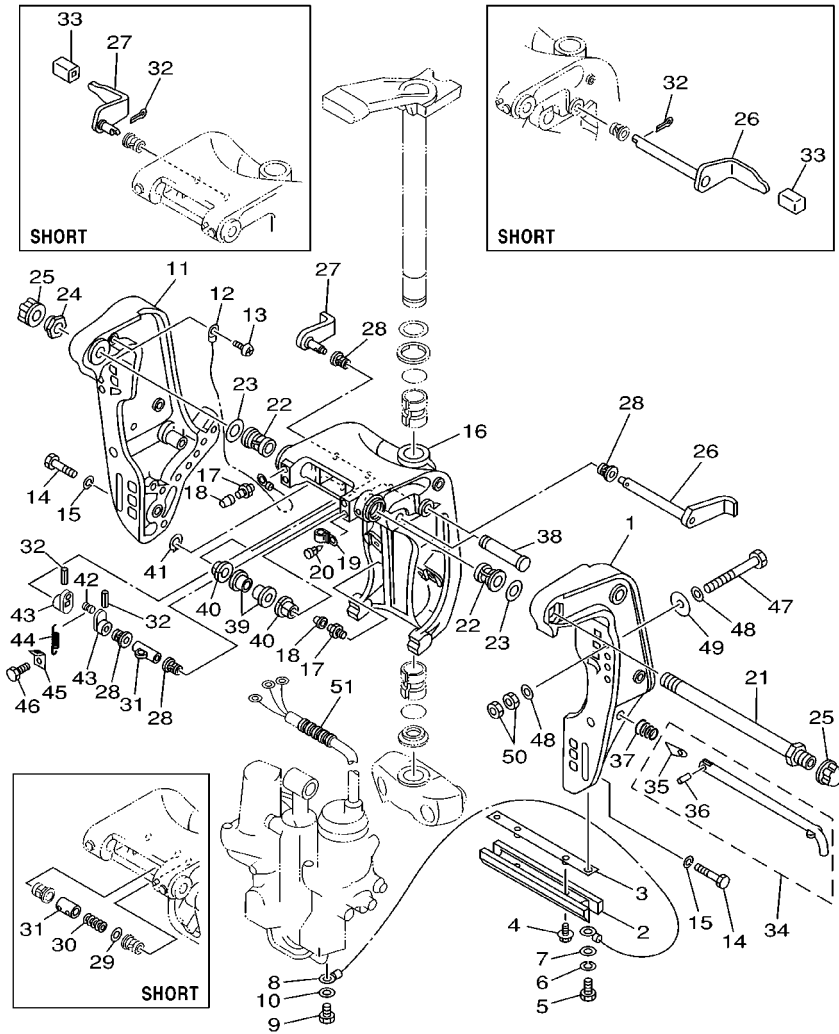
FIG. 12 BRACKET 1



6H20200-0120

REF. NO.	PART NO.	DESCRIPTION	ET	ED		REMARKS
1	697-43111-05-4D	BRACKET, CLAMP	1			S
	6H1-43111-01-4D	BRACKET, CLAMP	1			L
2	6H1-45251-03	ANODE	1			
3	6H1-44526-00	PLATE	1			
4	90119-06M29	BOLT, WITH WASHER	2			
5	97095-06016	BOLT	2			
6	92995-06100	WASHER, SPRING	2			
7	92995-06600	WASHER	2			
8	6H1-82148-00	WIRE, LEAD 4	1			
9	97095-06010	BOLT	1			
10	92995-06600	WASHER	1			
11	697-43112-03-4D	BRACKET, CLAMP	1			S
	6H1-43112-00-4D	BRACKET, CLAMP	1			L
12	6E5-82148-00	WIRE, LEAD 4	1			
13	97880-06012	SCREW, PAN HEAD	1			
14	97095-10045	BOLT	6			
15	92995-10100	WASHER	6			
16	697-43311-03-4D	BRACKET, SWIVEL	1			S
	6H1-43311-01-4D	BRACKET, SWIVEL	1			L
17	93700-06M03	NIPPLE, GREASE	3			
18	663-45119-00	CAP, GREASE NIPPLE	3			AP
19	90465-06M86	CLAMP	1			S
	90464-11M18	CLAMP	1			L
20	90338-05M03	PLUG	1			L
21	688-43131-03	BOLT, CLAMP BRACKET	1			
22	90386-22M15	BUSH	2			
23	90201-22M67	WASHER, PLATE	2			

FIG. 12 BRACKET 1

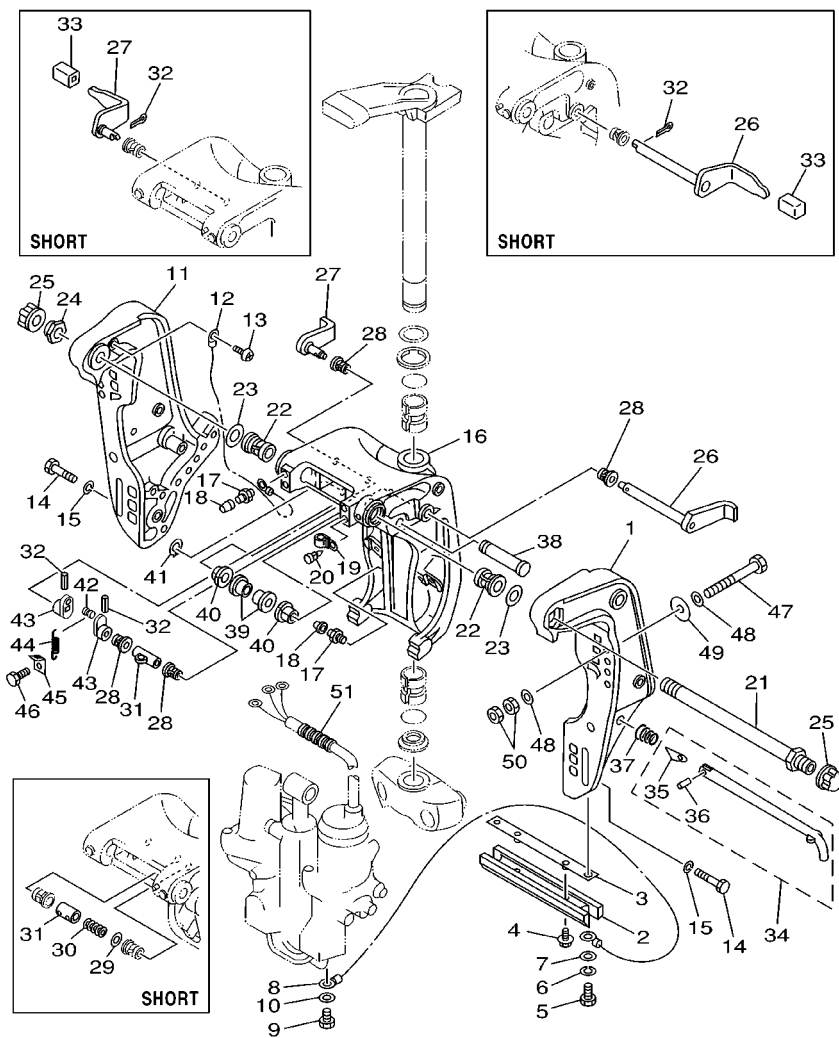


6H20200-0120

REF. NO.	PART NO.	DESCRIPTION	ET	ED			REMARKS
24	90185-22043	NUT, SELF-LOCKING	1				
25	6G5-43145-00	CAP, CLAMP BRACKET	2				
26	688-43181-04	LEVER, TILT STOP	1				S
	6H1-43181-01	LEVER, TILT STOP	1				L
27	688-43185-04	LEVER, TILT STOP	1				S
	6H1-43185-01	LEVER, TILT STOP	1				L
28	90386-10M16	BUSH	4				
29	92990-10600	WASHER, PLATE	1				S
30	90501-10M21	SPRING, COMPRESSION	1				S
31	90387-10M38	COLLAR	1				S
	90387-10M02	COLLAR	1				L
32	91490-30025	PIN, COTTER	2				S
	91690-30020	PIN, SPRING	2				L
33	663-43318-00	COVER	2				S
34	697-43160-00	TILT ROD ASSY	1				S
	688-43160-01	TILT ROD ASSY	1				L
35	688-43165-00	.PLATE, TILT LOCK	1				
36	91690-30012	.PIN, SPRING	1				
37	90502-20M03	SPRING, CONICAL	1				S
	90502-16M02	SPRING, CONICAL	1				L
38	6E5-43126-02	PIN, UPPER SHOCK MOUNT	1				
39	90386-18M63	BUSH	2				
40	90386-18M35	BUSH	2				
41	93410-18M02	CIRCLIP	1				
42	90249-06M19	PIN	1				L
43	6G5-43148-00	COLLAR, DISTANCE	2				L
44	90506-14M24	SPRING, TENSION	1				

D1

FIG. 12 BRACKET 1

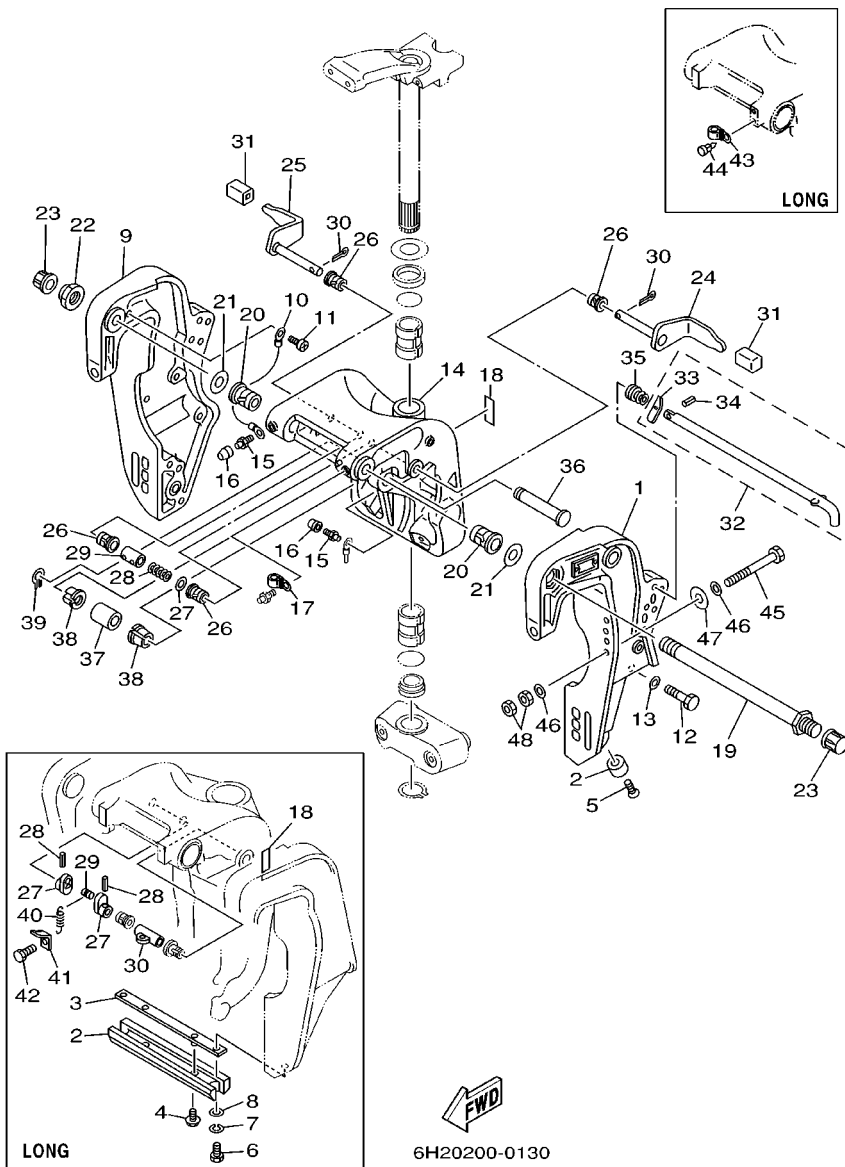


REF. NO.	PART NO.	DESCRIPTION	ET	ED	REMARKS
45	6G5-43144-00	HOOK, SPRING	1		
46	97095-06010	BOLT	1		
47	90101-12M65	BOLT	4		
48	92995-12200	WASHER	8		
49	90201-12426	WASHER, PLATE	4		
50	95380-12600	NUT	8		
51	90440-14M00	PIPE	1		



6H20200-0120

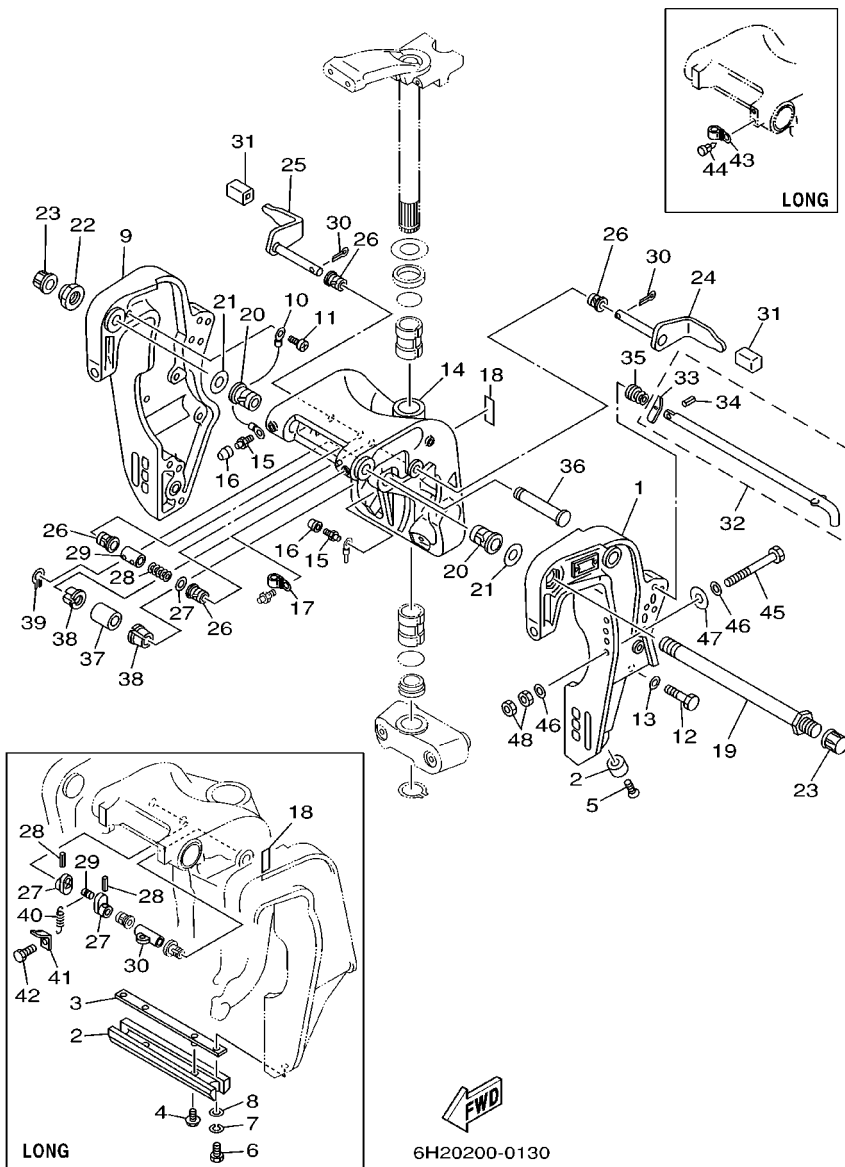
FIG. 13 BRACKET 2



REF. NO.	PART NO.	DESCRIPTION	ET	ED	REMARKS
1	697-43111-05-4D	BRACKET, CLAMP		1	S
	688-43111-13-4D	BRACKET, CLAMP		1	L
2	663-45251-00	ANODE		2	S
	6H1-45251-03	ANODE		1	L
3	6H1-44526-00	PLATE		1	L
4	90119-06M29	BOLT, WITH WASHER		2	L
5	90152-06M01	SCREW, COUNTERSUNK		2	S
6	97095-06016	BOLT		2	L
7	92995-06100	WASHER, SPRING		2	L
8	92995-06600	WASHER		2	L
9	697-43112-03-4D	BRACKET, CLAMP		1	S
	688-43112-12-4D	BRACKET, CLAMP		1	L
10	6E5-82148-00	WIRE, LEAD 4		1	
11	97880-06012	SCREW, PAN HEAD		1	
12	97095-10045	BOLT		6	
13	92995-10100	WASHER		6	
14	697-43311-03-4D	BRACKET, SWIVEL		1	S
	6H1-43311-01-4D	BRACKET, SWIVEL		1	L
15	93700-06M03	NIPPLE, GREASE		3	
16	663-45119-00	CAP, GREASE NIPPLE		3	AP
17	90465-06M86	CLAMP		1	S
18	688-43691-01	INDICATOR, TILT		1	
19	688-43131-03	BOLT, CLAMP BRACKET		1	
20	90386-22M15	BUSH		2	
21	90201-22M67	WASHER, PLATE		2	
22	90185-22043	NUT, SELF-LOCKING		1	
23	6G5-43145-00	CAP, CLAMP BRACKET		2	

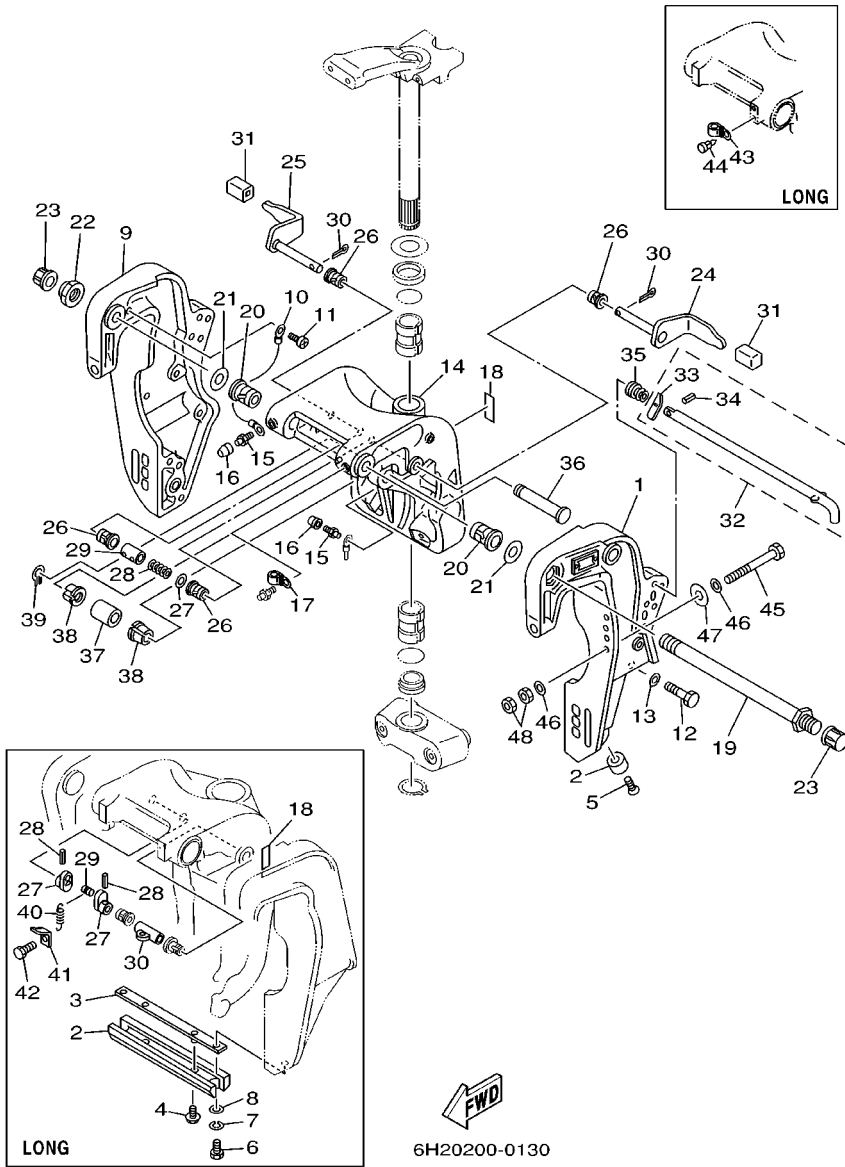


FIG. 13 BRACKET 2



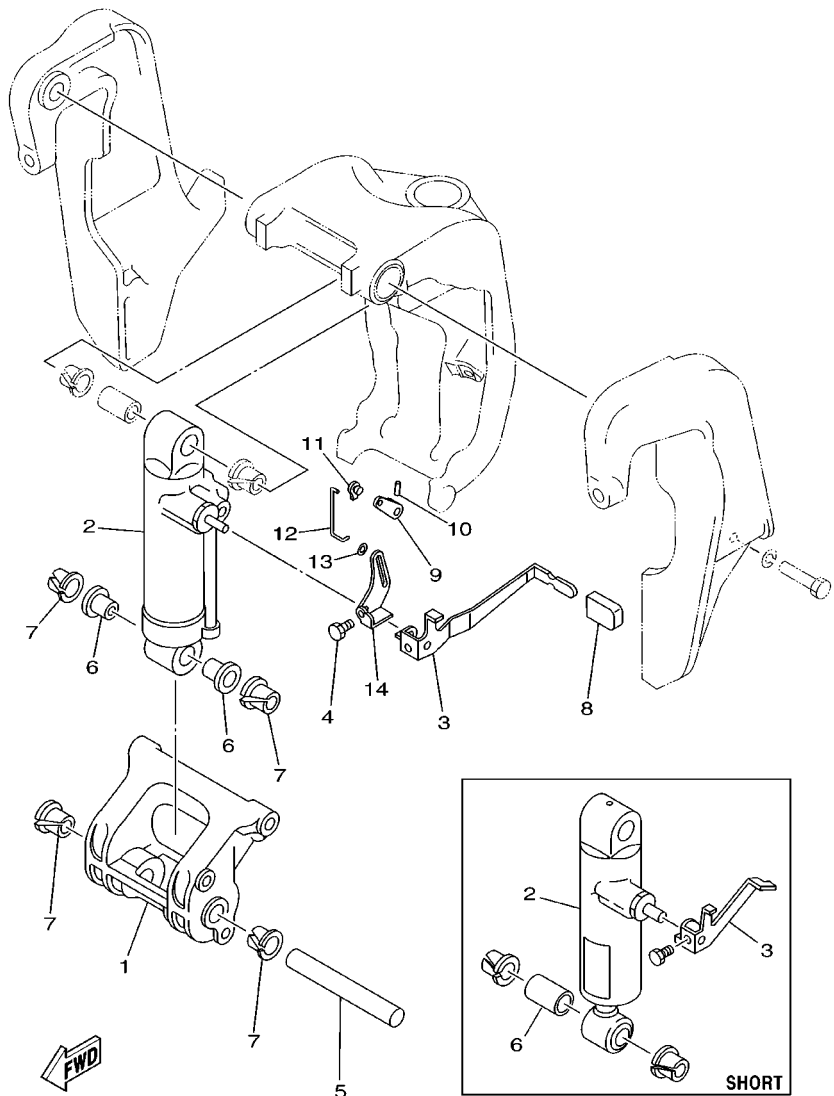
REF. NO.	PART NO.	DESCRIPTION	ET	ED			REMARKS
24	688-43181-04	LEVER, TILT STOP		1			S
	688-43181-10	LEVER, TILT STOP		1			L
25	688-43185-04	LEVER, TILT STOP		1			S
	688-43185-10	LEVER, TILT STOP		1			L
26	90386-10M16	BUSH		4			
27	92990-10600	WASHER, PLATE		1			S
	6G5-43148-00	COLLAR, DISTANCE		2			L
28	90501-10M21	SPRING, COMPRESSION		1			S
	91690-30020	PIN, SPRING		2			L
29	90387-10M38	COLLAR		1			S
	90249-06M19	PIN		1			L
30	91490-30025	PIN, COTTER		2			S
	90387-10M02	COLLAR		1			L
31	663-43318-00	COVER		2			
32	697-43160-00	TILT ROD ASSY		1			S
	688-43160-01	TILT ROD ASSY		1			L
33	688-43165-00	.PLATE, TILT LOCK		1			
34	91690-30012	.PIN, SPRING		1			
35	90502-20M03	SPRING, CONICAL		1			S
	90502-16M02	SPRING, CONICAL		1			L
36	6E5-43126-02	PIN, UPPER SHOCK MOUNT		1			
37	90386-18M21	BUSH		1			
38	90386-18M35	BUSH		2			
39	93410-18M02	CIRCLIP		1			
40	90506-14M24	SPRING, TENSION		1			L
41	6G5-43144-00	HOOK, SPRING		1			L
42	97095-06010	BOLT		1			L

FIG. 13 BRACKET 2



REF. NO.	PART NO.	DESCRIPTION	ET	ED	REMARKS
43	90464-11M18	CLAMP		1	L
44	90338-05M03	PLUG		1	L
45	90101-12M65	BOLT		4	
46	92995-12200	WASHER		8	
47	90201-12426	WASHER, PLATE		4	
48	95380-12600	NUT		8	

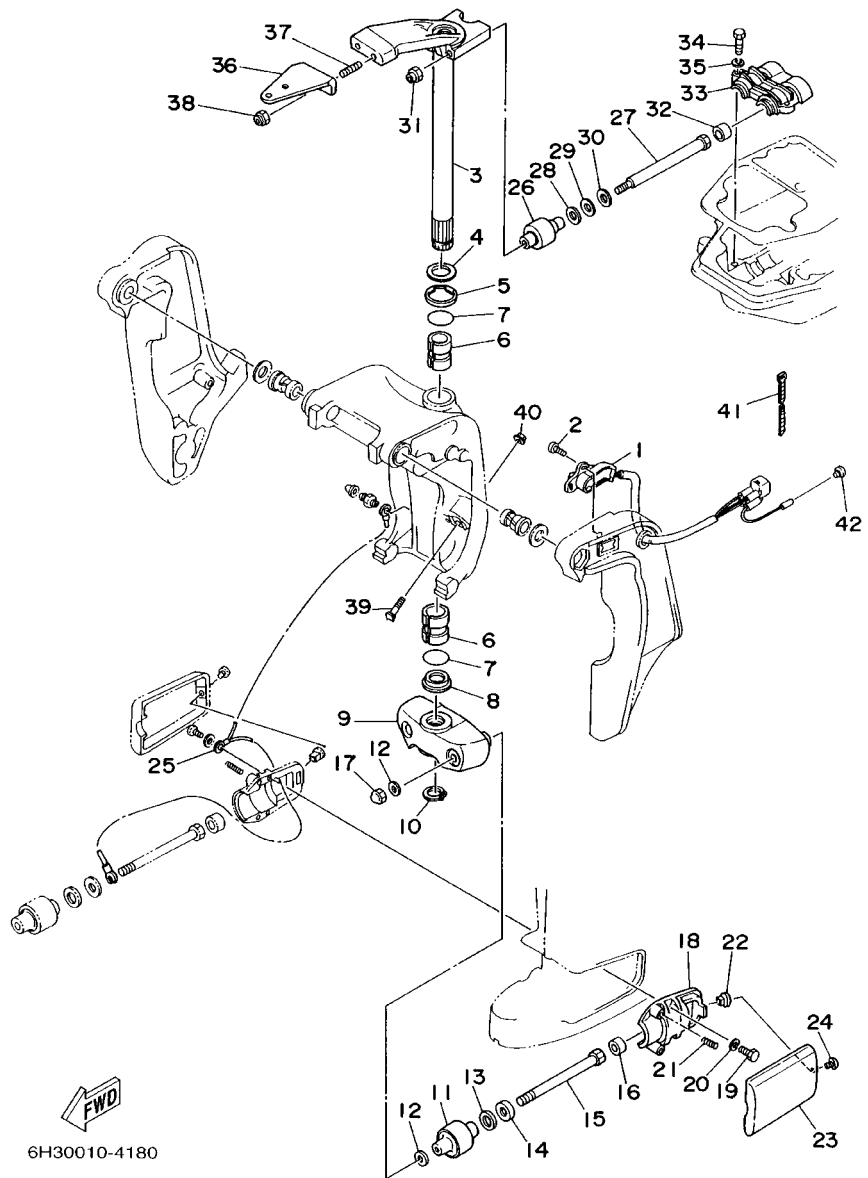
FIG. 14 BRACKET 3



6H30664-0160

REF. NO.	PART NO.	DESCRIPTION	ET	ED			REMARKS
1	697-43128-01-4D	SPACER, CLAMP BRACKET		1			S
	688-43128-01-4D	SPACER, CLAMP BRACKET		1			L
2	697-43170-03-4D	SHOCK ABSORBER ASSY		1			S
	688-43170-04-4D	SHOCK ABSORBER ASSY		1			L
3	688-43631-00	LEVER, TILT		1			S
	688-43631-10	LEVER, TILT		1			L
4	97080-06010	BOLT		1			
5	688-43124-02	PIN, LOWER SHOCK MOUNT		1			
6	90386-18M21	BUSH		1			S
	90386-18M63	BUSH		2			L
7	90386-18M35	BUSH		4			
8	682-43318-01	COVER		1			
9	688-43186-00	LEVER		1			L
10	91690-30020	PIN, SPRING		1			L
11	6J8-41262-00	JOINT, CHOKE LEVER		1			L
12	688-43616-00	ROD, TILT LOCK		1			L
13	90202-03M51	WASHER, PLATE		1			L
14	688-43651-00	LEVER, REVERSE LOCK 1		1			L

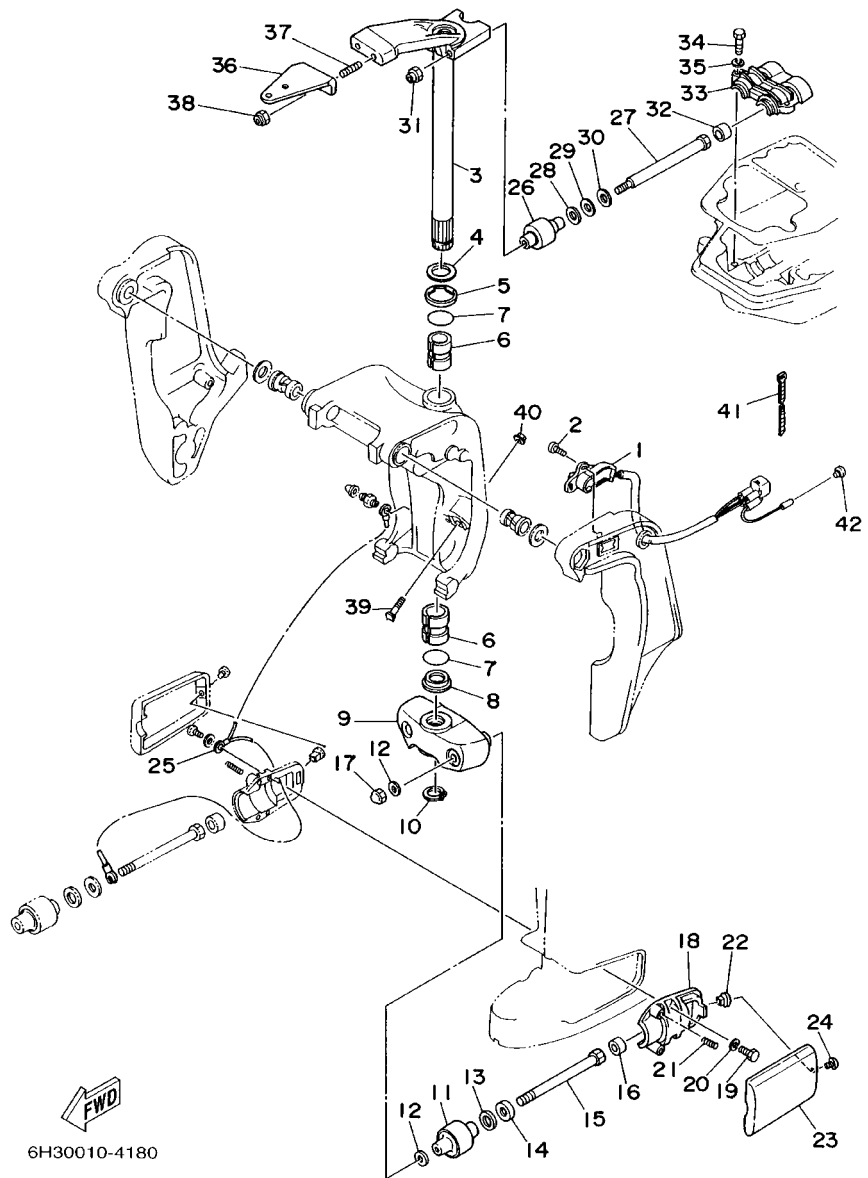
FIG. 15 BRACKET 4



6H30010-4180

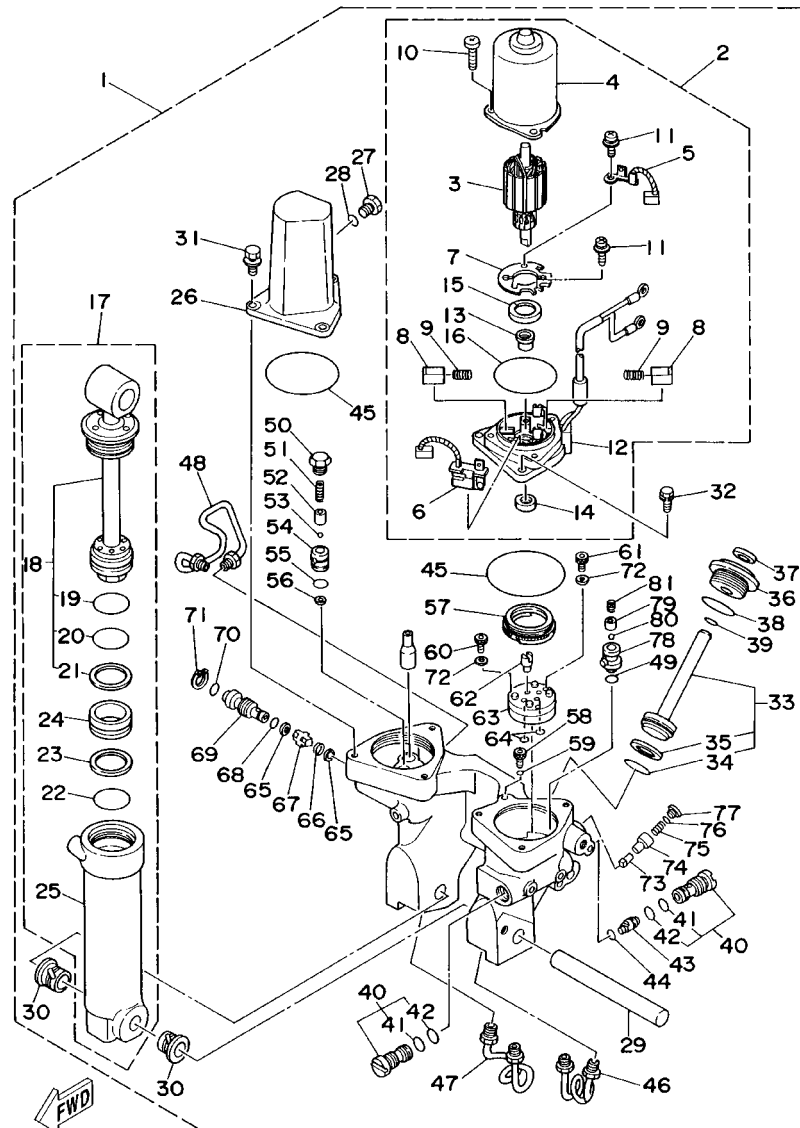
REF. NO.	PART NO.	DESCRIPTION	ET	ED		REMARKS
1	6H5-83672-01	TRIM SENDER	1			S
	6H1-83672-11	TRIM SENDER	1			L
2	97885-06016	SCREW, PAN HEAD	2			
3	6H3-42510-02-4D	STEERING BRACKET ASSY	1	1		S
	6H3-42510-12-4D	STEERING BRACKET ASSY	1	1		L
4	90201-30M00	WASHER, PLATE	1	1		
5	90386-30M78	BUSH	1	1		
6	90386-30M77	BUSH	2	2		
7	93210-29M94	O-RING	2	2		
8	90386-30M60	BUSH	1	1		
9	6H3-44551-01-4D	HOUSING, LOWER MOUNT RUBBER	1	1		
10	93410-28M06	CIRCLIP	1	1		
11	687-44555-00-94	MOUNT DAMPER, LOWER SIDE	2	2		
12	90201-12M16	WASHER, PLATE	4	4		
13	90202-25M04	WASHER, PLATE	2	2		
14	90201-13M19	WASHER, PLATE	2	2		
15	90109-12M21	BOLT	2	2		
16	663-44575-00	DAMPER, LOWER MOUNT RUBBER	2	2		
17	95380-12800	NUT, CROWN	2	2		
18	6H3-44552-02-94	HOUSING, LOWER MOUNT RUBBER	2	2		
19	97075-08025	BOLT	4	4		
20	92995-08100	WASHER	4	4		
21	90501-14M08	SPRING, COMPRESSION	4	4		
22	90179-06066	NUT	2	2		
23	6H3-44553-01-4D	COVER, LOWER MOUNT	2	2		
24	97885-06016	SCREW, PAN HEAD	2	2		
25	697-82127-01	WIRE, LEAD 2	1	1		S

FIG. 15 BRACKET 4



REF. NO.	PART NO.	DESCRIPTION	ET	ED				REMARKS
25	688-82127-02	WIRE, LEAD 2	1	1				L
26	688-44514-00-94	MOUNT DAMPER, UPPER SIDE	2	2				
27	90101-10M49	BOLT	2	2				
28	90201-20M21	WASHER, PLATE	2	2				
29	90202-20M06	WASHER, PLATE	2	2				
30	90201-11M22	WASHER, PLATE	2	2				
31	90185-10051	NUT, SELF-LOCKING	2	2				
32	663-44575-00	DAMPER, LOWER MOUNT RUBBER	2	2				
33	688-44511-00-94	COVER, UPPER MOUNT	1	1				
34	97075-08035	BOLT	3	3				
35	92995-08100	WASHER	3	3				
36	6H3-48511-51-4D	HOOK, STEERING	1	1				
37	90116-10175	BOLT, STUD	2	2				
38	90185-10051	NUT, SELF-LOCKING	2	2				
39	688-43376-01	BOLT, THRUST RECEIVER	2					S
	6H1-43376-00	BOLT, THRUST RECEIVER	2					L
40	90185-08057	NUT, SELF-LOCKING	2					
41	90465-11M10	CLAMP	3					
42	703-82119-00	COVER, LEAD WIRE	1					

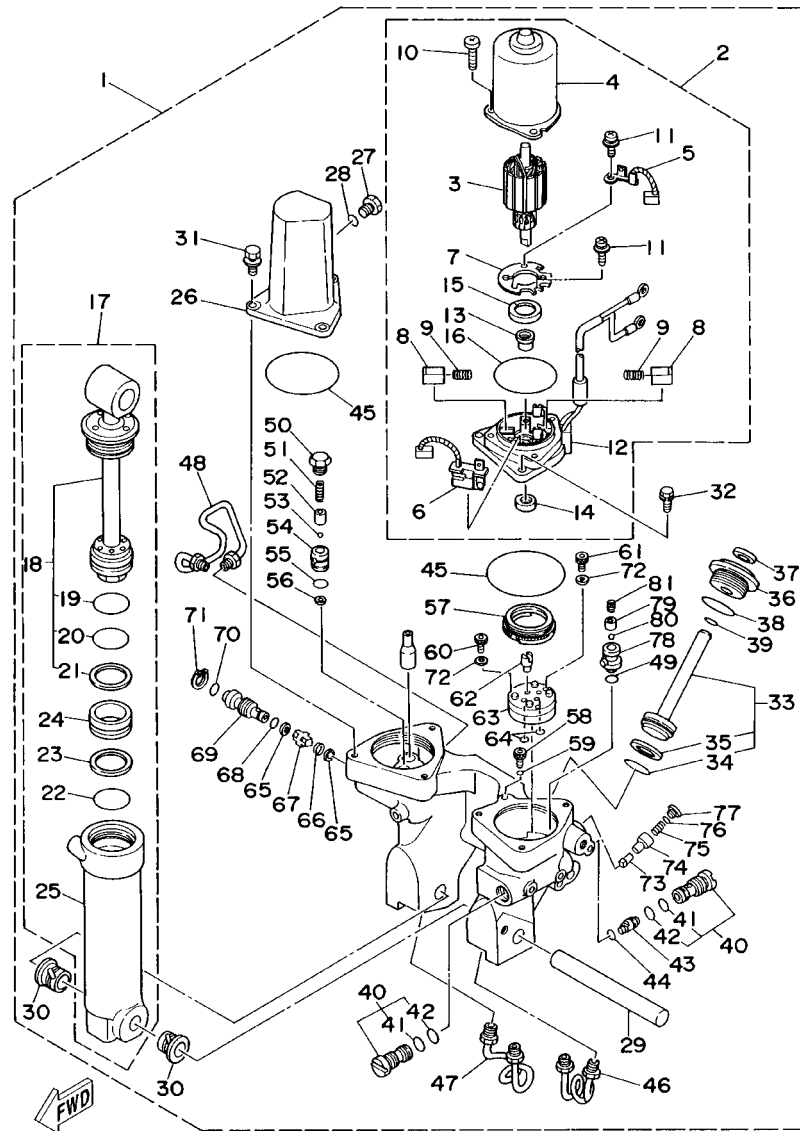
FIG. 16 POWER TRIM & TILT ASSY 1 (SHORT)



6H20200-4160

REF. NO.	PART NO.	DESCRIPTION	ET	ED	REMARKS
1	6H3-43800-08-4D	POWER TRIM & TILT ASSY	1		
2	6H1-43880-02	..MOTOR ASSY	1		
3	6H1-43805-10	..ARMATURE ASSY	1		
4	6H1-43804-10	..STATOR ASSY	1		
5	6H1-43891-10	..BRUSH 1	1		
6	6H1-43892-10	..BRUSH 2	1		
7	6H1-4380F-10	..PLATE, BRUSH HOLDER	1		
8	6H1-4380J-10	..HOLDER, BRUSH	2		
9	6H1-4386K-10	..SPRING, BRUSH	2		
10	97885-05016	..SCREW, PAN HEAD	3		
11	97607-04310	..SCREW, PAN HEAD WITH WASHER	2		
12	6H1-43881-10	..FRAME, END	1		
13	6H1-4380H-10	..METAL	1		
14	93102-08M43	..OIL SEAL	1		
15	6H1-4380G-10	..PLATE	1		
16	6H1-43865-10	..O-RING	1		
17	697-4380E-01	..TILT CYLINDER ASSY	1		
18	697-43810-02	..PISTON SUB ASSY	1		
19	6E5-43861-00	...O-RING	1		
20	6E5-43862-00	...O-RING	1		
21	6E5-43872-00	...RING, BACK UP	1		
22	6E5-43862-00	..O-RING	1		
23	6E5-43872-00	..RING, BACK UP	1		
24	6E5-43814-01	..PISTON, FREE	1		
25	6E5-43813-02	..CYLINDER, TILT	1		
26	6E5-43828-00	..BODY, RESERVOIR	1		
27	6E5-43829-00	..PLUG, RESERVOIR	1		

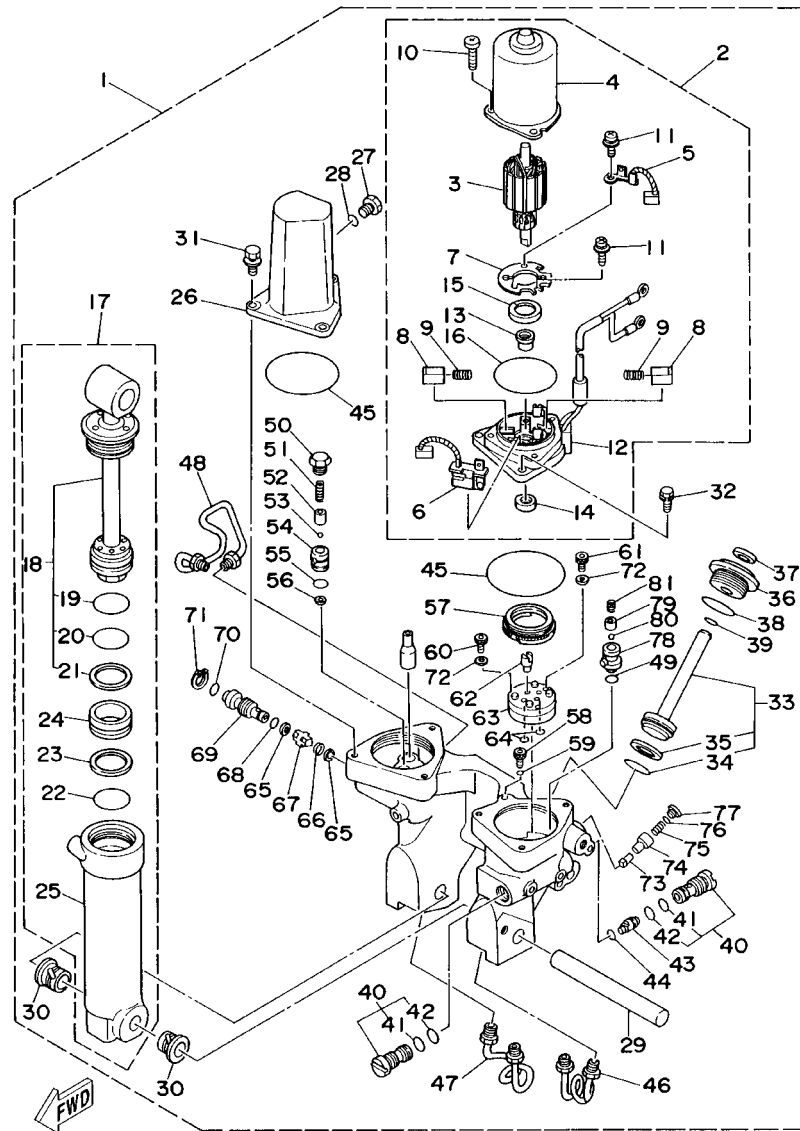
FIG. 16 POWER TRIM & TILT ASSY 1 (SHORT)



6H20200-4160

REF. NO.	PART NO.	DESCRIPTION	ET	ED	REMARKS
28	6E5-43863-00	.O-RING	1		
29	6E5-43818-00	.PIN, LOWER SHOCK MOUNT	1		
30	90386-18M14	.BUSH	2		
31	90119-06M42	.BOLT, WITH WASHER	3		
32	90119-06M71	.BOLT, WITH WASHER	3		
33	6E5-43820-03	.PISTON SUB ASSY	2		
34	6E5-43864-00	.O-RING	1		
35	6E5-43874-01	.RING, BACK UP	1		
36	6E5-43821-01	.SCREW, TRIM CYLINDER END	2		
37	6E5-43822-01	.SEAL, TRIM DUST	2		
38	6E5-43862-00	.O-RING	2		
39	6E5-43865-00	.O-RING	2		
40	6E5-43802-01	.VALVE SUB ASSY	2		
41	6E5-43866-00	.O-RING	1		
42	6E5-43867-00	.O-RING	1		
43	6E5-43841-02	.PISTON, SHUTTLE	1		
44	6E5-43868-00	.O-RING	1		
45	6E5-43869-00	.O-RING	2		
46	6E5-43833-01	.PIPE	1		
47	6E5-43834-01	.PIPE	1		
48	6E5-43835-00	.PIPE	1		
49	6E5-43883-00	.O-RING	1		
50	6E5-43843-00	.SCREW, VALVE LOCK	1		
51	6H3-43855-00	.SPRING, UP RELIEF	1		
52	6E5-43859-00	.PIN, VALVE SUPPORT	1		
53	6E5-43877-01	.BALL	1		
54	6E5-43895-00	.SEAT, RELIEF VALVE	1		

FIG. 16 POWER TRIM & TILT ASSY 1 (SHORT)

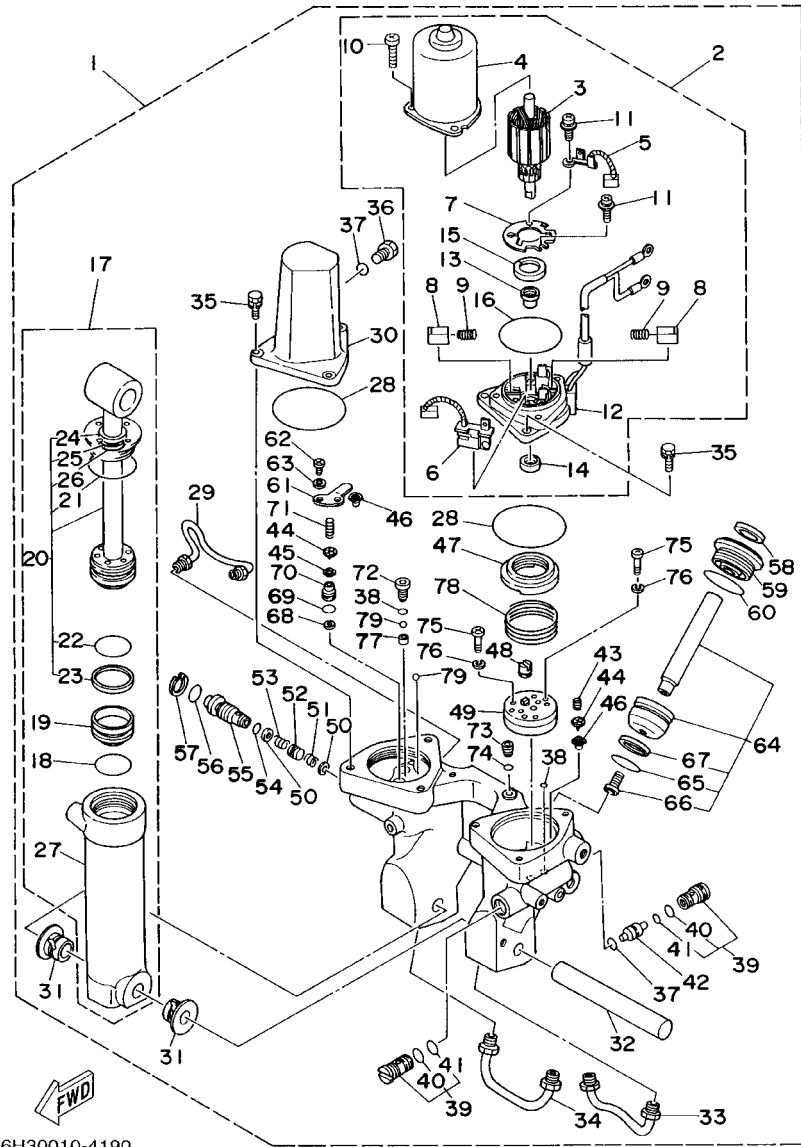


6H20200-4160

REF. NO.	PART NO.	DESCRIPTION	ET	ED	REMARKS
55	6E5-43896-00	.O-RING	1		
56	6E5-43816-10	.FILTER 1	1		
57	6E5-43817-10	.FILTER 2	1		
58	90109-06M21	.BOLT	1		
59	6E5-43897-00	.O-RING	1		
60	6E5-43878-01	.BOLT, SOCKET	2		
61	6E5-43888-01	.BOLT, SOCKET	1		
62	6E5-43831-00	.CONNECTOR, SHAFT	1		
63	6E5-43830-00	.GEAR PUMP ASSY	1		
64	93210-07M78	.O-RING	2		
65	6E5-43847-00	.SEAT, MANUAL VALVE	2		
66	6E5-43854-01	.SPRING, MANUAL RELEASE	1		
67	6E5-4382A-00	.ADAPTOR 1	1		
68	93210-10M74	.O-RING	1		
69	6E5-43845-01	.SCREW, MANUAL RELEASE	1		
70	93210-18M75	.O-RING	1		
71	6E5-43875-00	.RING, SNAP	1		
72	90201-05M00	.WASHER, PLATE	3		
73	6E5-4381A-00	.SHAFT	1		
74	6E5-43849-01	.PIN, VALVE SUPPORT	1		
75	6E5-43824-01	.SPRING, COMPRESSION	1		
76	93210-06M77	.O-RING	1		
77	6E5-43842-00	.SCREW, VALVE SEAT	1		
78	6G5-43851-00	.SEAT, RELIEF VALVE	1		
79	6E5-43844-02	.PIN, VALVE SUPPORT	1		
80	6E5-43858-00	.BALL	1		
81	6E5-43856-01	.SPRING, DOWN RELIEF	1		



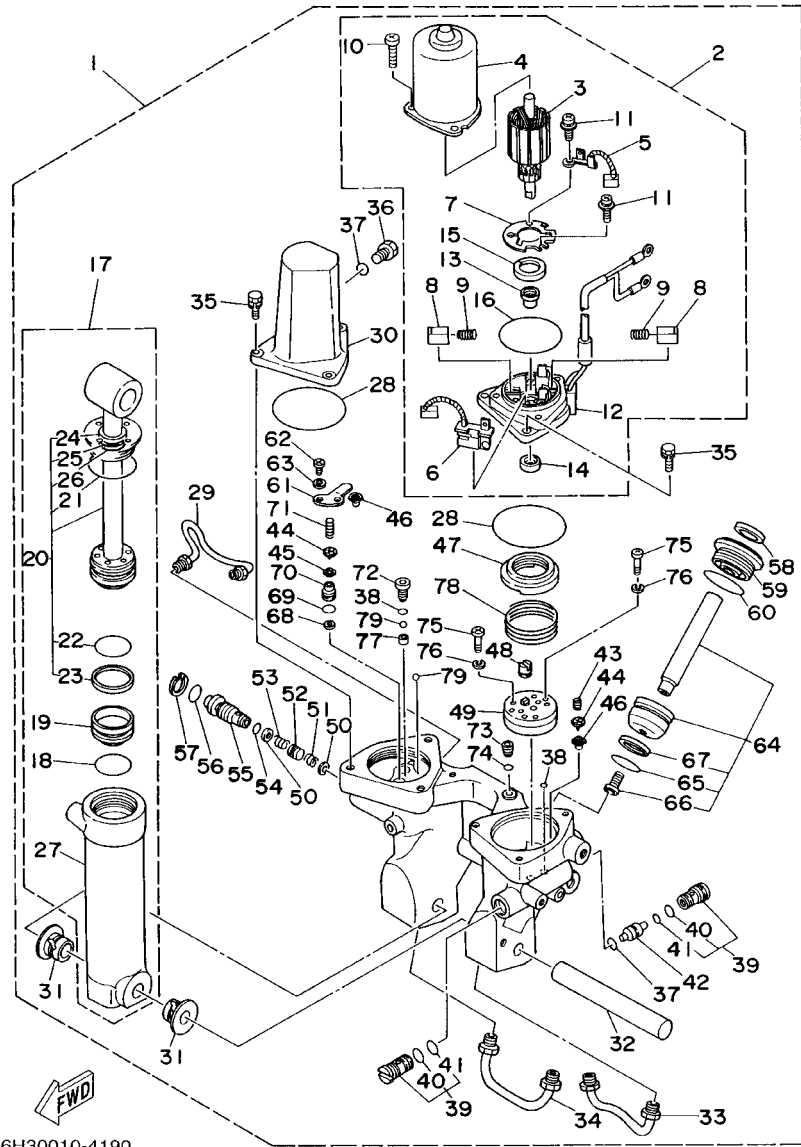
FIG. 17 POWER TRIM & TILT ASSY 2 (LONG)



6H30010-4190

REF. NO.	PART NO.	DESCRIPTION	ET	ED	REMARKS
1	6H1-43800-15-4D	POWER TRIM & TILT ASSY	1		
2	6H1-43880-02	..MOTOR ASSY	1		
3	6H1-43805-10	..ARMATURE ASSY	1		
4	6H1-43804-10	..STATOR ASSY	1		
5	6H1-43891-10	..BRUSH 1	1		
6	6H1-43892-10	..BRUSH 2	1		
7	6H1-4380F-10	..PLATE, BRUSH HOLDER	1		
8	6H1-4380J-10	..HOLDER, BRUSH	2		
9	6H1-4386K-10	..SPRING, BRUSH	2		
10	97885-05016	..SCREW, PAN HEAD	3		
11	97607-04310	..SCREW, PAN HEAD WITH WASHER	2		
12	6H1-43881-10	..FRAME, END	1		
13	6H1-4380H-10	..METAL	1		
14	93102-08M43	..OIL SEAL	1		
15	6H1-4380G-10	..PLATE	1		
16	6H1-43865-10	..O-RING	1		
17	6H1-43840-11	..POWER TILT ASSY	1		
18	6H1-43861-10	..O-RING	1		
19	6H1-43814-11	..PISTON, FREE	1		
20	6H1-43810-11	..PISTON SUB ASSY	1		
21	6H1-43861-00	..O-RING	1		
22	6H1-43861-10	..O-RING	1		
23	6H1-43871-10	..RING, BACK UP	1		
24	6H1-43812-00	..SEAL, DUST	1		
25	6H1-43872-10	..RING, BACK UP	1		
26	93210-18397	..O-RING	1		
27	6H1-43813-10	..CYLINDER, TILT	1		

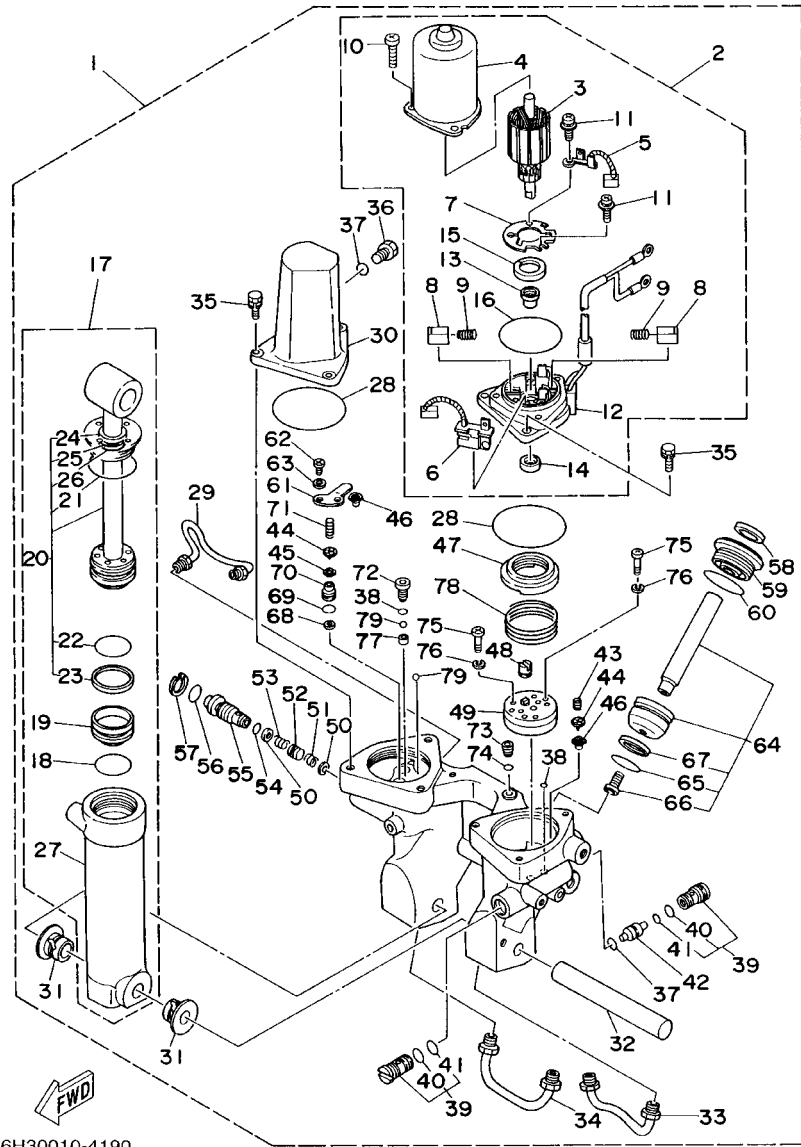
FIG. 17 POWER TRIM & TILT ASSY 2 (LONG)



6H30010-4190

REF. NO.	PART NO.	DESCRIPTION	ET	ED	REMARKS
28	93210-64488	.O-RING	2		
29	6H1-43835-10	.PIPE	1		
30	6H1-43828-10	.BODY, RESERVOIR	1		
31	90386-18M14	.BUSH	2		
32	6E5-43818-00	.PIN, LOWER SHOCK MOUNT	1		
33	6H1-43833-10	.PIPE	1		
34	6H1-43834-00	.PIPE	1		
35	97595-06420	.BOLT, WITH WASHER	6		
36	6H1-43829-00	.PLUG, RESERVOIR	1		
37	93210-09165	.O-RING	2		
38	93210-064A5	.O-RING	3		
39	6T4-43802-03	.VALVE SUB ASSY	2		
40	6H1-43866-00	.O-RING	1		
41	6H1-43867-00	.O-RING	1		
42	6H1-43841-11	.PISTON, SHUTTLE	1		
43	6H1-43856-10	.SPRING, DOWN RELIEF	1		
44	6H1-43844-10	.PIN, VALVE SUPPORT	2		
45	6H1-4384G-11	.SEAL, RELIEF VALVE	1		
46	6H1-4384F-10	.SEAL, MAIN VALVE	2		
47	6H1-43817-01	.FILTER 2	1		
48	6H1-43831-10	.CONNECTOR, SHAFT	1		
49	6H1-43830-11	.GEAR PUMP ASSY	1		
50	6H1-43847-00	.SEAT, MANUAL VALVE	2		
51	6H1-43899-00	.SPRING, MANUAL RELEASE	1		
52	6H1-4382A-10	.ADAPTOR 1	1		
53	6H1-43854-00	.SPRING, MANUAL RELEASE	1		
54	93210-10M74	.O-RING	1		

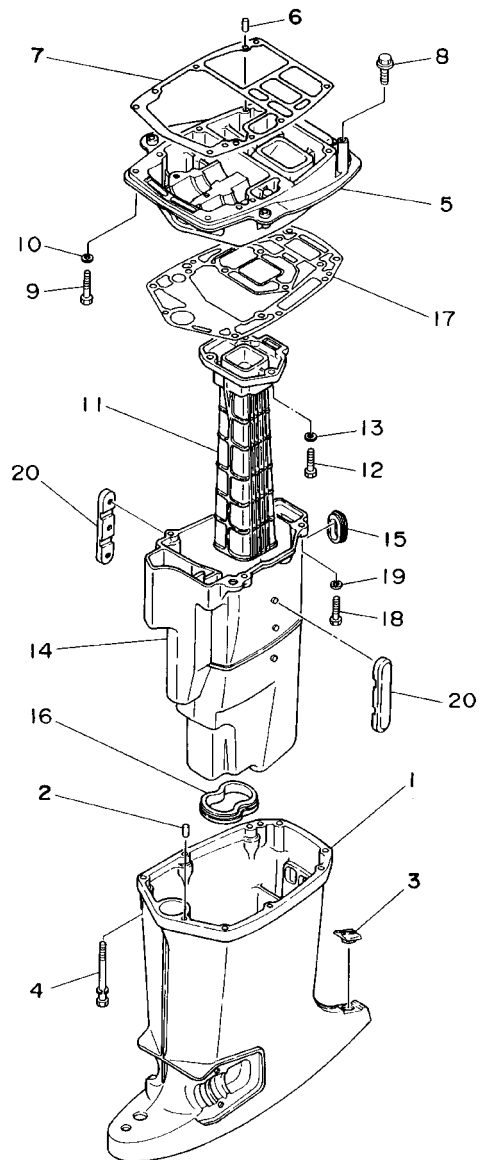
FIG. 17 POWER TRIM & TILT ASSY 2 (LONG)



6H30010-4190

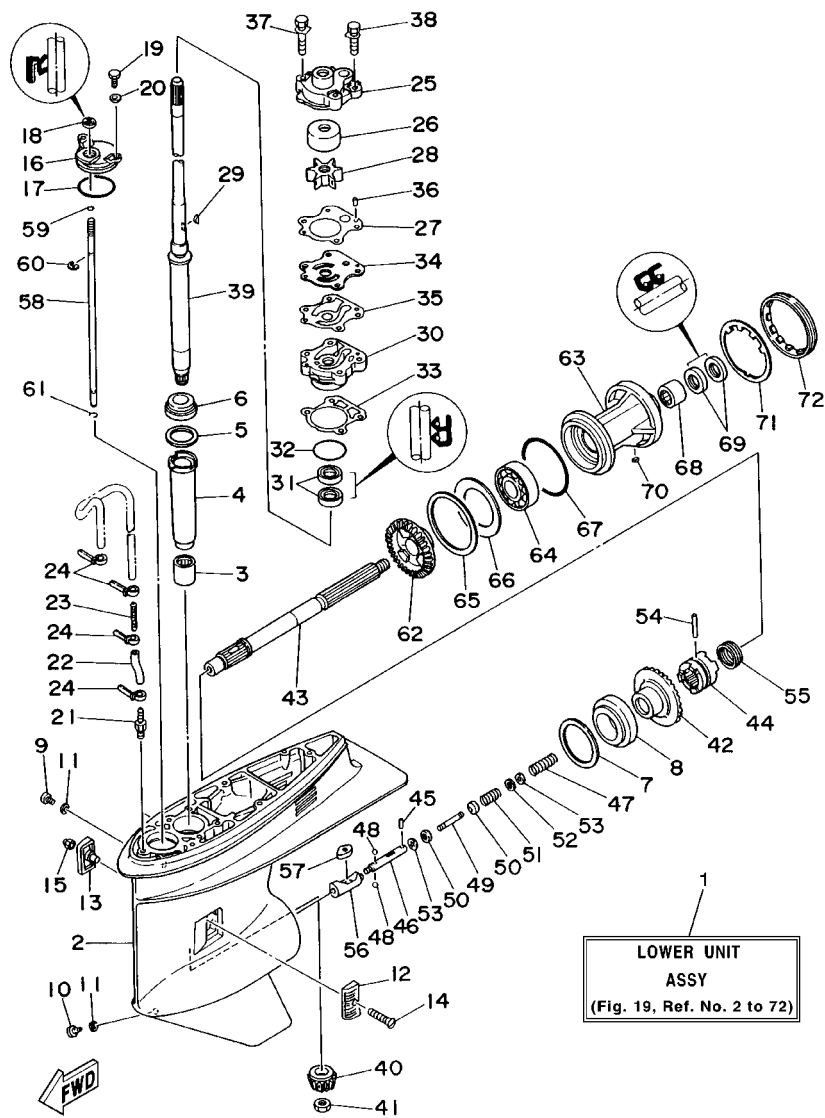
REF. NO.	PART NO.	DESCRIPTION	ET	ED	REMARKS
55	6H1-43845-00	.SCREW, MANUAL RELEASE	1		
56	93210-18M75	.O-RING	1		
57	6H1-43875-00	.RING, SNAP	1		
58	6H1-43822-10	.SEAL, TRIM DUST	2		
59	6H1-43821-11	.SCREW, TRIM CYLINDER END	2		
60	6H1-43861-10	.O-RING	2		
61	6H1-4384E-20	.SPRING, TRIM	1		
62	98501-05010	.SCREW, PAN HEAD	2		
63	92901-05200	.WASHER, PLAIN	2		
64	6H1-43820-11	.PISTON SUB ASSY	2		
65	6H1-43864-00	.O-RING	1		
66	91318-08016	.BOLT	1		
67	6H1-43874-00	.RING, BACK UP	1		
68	6H1-43816-00	.FILTER 1	1		
69	6H1-43896-00	.O-RING	1		
70	6H1-43895-11	.SEAT, RELIEF VALVE	1		
71	6H1-43855-11	.SPRING, UP RELIEF	1		
72	6H1-43843-11	.SCREW, VALVE LOCK	1		
73	6H1-4388E-11	.PLUG, TAPER SCREW	1		
74	6H1-43868-00	.O-RING	1		
75	98501-04025	.SCREW, PAN HEAD	4		
76	92901-04100	.WASHER, SPRING	4		
77	6H1-4387J-00	.WASHER, SPECIAL 2	1		
78	6H1-4385H-00	.SPRING, SEAL	1		
79	93505-32038	.BALL	2		

FIG. 18 UPPER CASING



REF. NO.	PART NO.	DESCRIPTION	ET	ED			REMARKS
1	6H3-45111-01-4D	CASING, UPPER	1	1			S
	6H3-45111-11-4D	CASING, UPPER	1	1			L
2	93606-12019	PIN, DOWEL	2	2			
3	6H3-45155-00	CAP	1	1			
4	90119-08M81	BOLT, WITH WASHER	6	6			
5	6H3-41137-01-94	GUIDE, EXHAUST	1	1			
6	93606-12019	PIN, DOWEL	2	2			
7	6H3-45113-A0	GASKET, UPPER CASING	1	1			
8	90119-08M79	BOLT, WITH WASHER	2	2			
9	97075-08035	BOLT	2	2			
10	92995-08100	WASHER	2	2			
11	6H2-41131-00-5B	MANIFOLD, EXT. 1	1	1			
12	97075-08030	BOLT	3	3			
13	92995-08100	WASHER	3	3			
14	6H3-14711-00-5B	MUFFLER 1	1	1			S
	6H3-14711-10-5B	MUFFLER 1	1	1			L
15	6H3-45127-00	SEAL	1	1			
16	6H3-45123-00	GASKET, MUFFLER	1	1			
17	6H3-45114-A1	GASKET, UPPER CASING	1	1			
18	97075-08030	BOLT	4	4			
19	92995-08100	WASHER	4	4			
20	6H3-14737-00	DAMPER, MUFFLER	2	2			S
	6H3-14737-10	DAMPER, MUFFLER	2	2			L

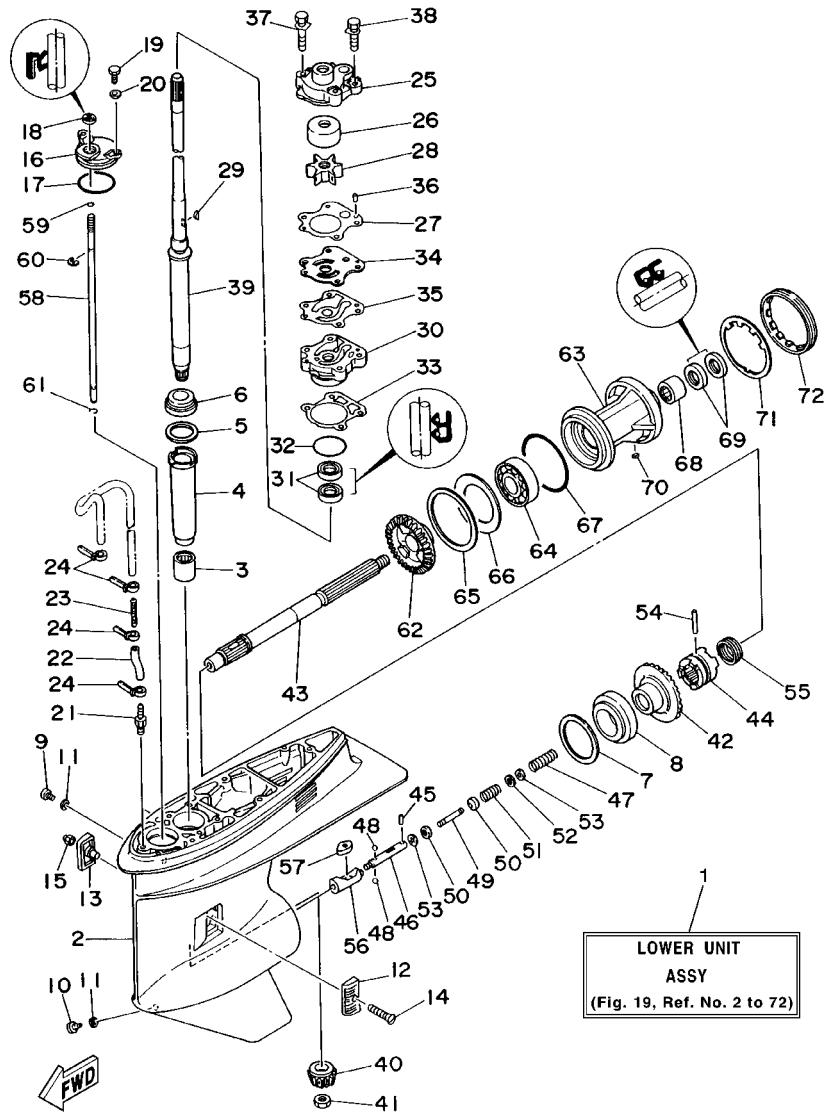
  
6H30100-4190



6H20200-4190

FIG. 19 LOWER CASING. DRIVE 1

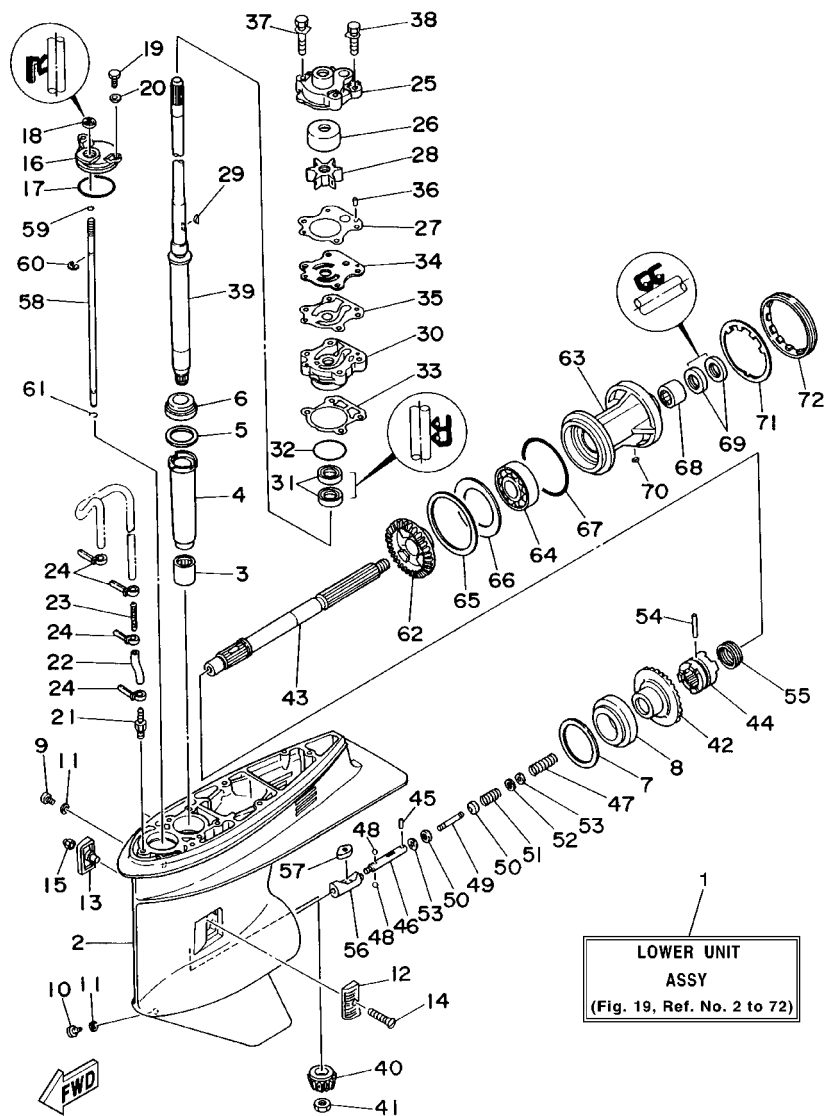
REF. NO.	PART NO.	DESCRIPTION	ET	ED			REMARKS
1	6H3-45300-05-4D	LOWER UNIT ASSY	1	1			S
	6H3-45300-15-4D	LOWER UNIT ASSY	1	1			L
2	6H1-45301-03-4D	CASING, LOWER	1	1			
3	93315-325V1	BEARING	1	1			
4	688-45536-01	SLEEVE, DRIVE SHAFT	1	1			
5	688-45587-01-10	SHIM (T:0.10MM)	1	1			UR
	688-45587-01-12	SHIM (T:0.12MM)	1	1			UR
	688-45587-01-15	SHIM (T:0.15MM)	1	1			UR
	688-45587-01-18	SHIM (T:0.18MM)	1	1			UR
	688-45587-01-30	SHIM (T:0.30MM)	1	1			UR
	688-45587-01-40	SHIM (T:0.40MM)	1	1			UR
	688-45587-01-50	SHIM (T:0.50MM)	1	1			UR
6	93332-000U3	BEARING	1	1			
7	688-45567-01-10	SHIM (T:0.10MM)	1	1			UR
	688-45567-01-12	SHIM (T:0.12MM)	1	1			UR
	688-45567-01-15	SHIM (T:0.15MM)	1	1			UR
	688-45567-01-18	SHIM (T:0.18MM)	1	1			UR
	688-45567-01-30	SHIM (T:0.30MM)	1	1			UR
	688-45567-01-40	SHIM (T:0.40MM)	1	1			UR
	688-45567-01-50	SHIM (T:0.50MM)	1	1			UR
8	93332-000W7	BEARING	1	1			
9	90340-08M04	PLUG, STRAIGHT SCREW	1	1			
10	688-45341-00	PLUG, DRAIN	1	1			
11	90430-08020	GASKET	2	2			
12	6H1-45214-00	COVER, WATER INLET	1	1			
13	6H1-45215-00	COVER, WATER INLET	1	1			
14	90151-05M00	SCREW, COUNTERSUNK	1	1			



6H20200-4190

FIG. 19 LOWER CASING. DRIVE 1

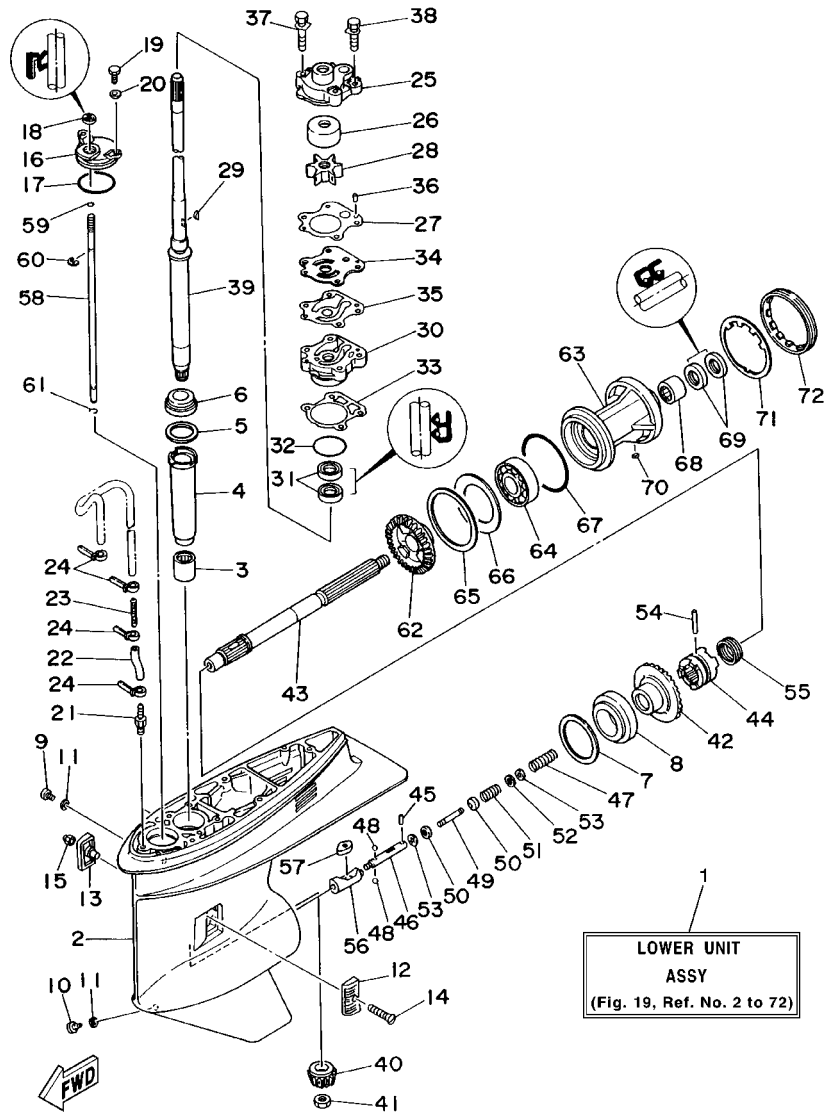
REF. NO.	PART NO.	DESCRIPTION	ET	ED			REMARKS
15	90185-05002	NUT, SELF-LOCKING	1	1			
16	688-45321-00	PLATE	1	1			
17	93210-49046	O-RING	1	1			
18	93106-09014	OIL SEAL	1	1			
19	97095-06016	BOLT	2	2			
20	92995-06600	WASHER	2	2			
21	6E5-45378-00	NIPPLE, HOSE	1	1			
22	90445-07ME8	HOSE	1	1			S
	90445-07ME9	HOSE	1	1			L
23	6E5-83558-10	END, NIPPLE	1	1			
24	90465-11M10	CLAMP	4	4			
25	6H3-44311-00	HOUSING, WATER PUMP	1	1			
26	663-44322-00	INSERT, CARTRIDGE	1	1			
	663-44322-40	INSERT, CARTRIDGE	1	1			FOR CHROMATE
27	6H3-44315-A0	GASKET, WATER PUMP	1	1			
28	6H3-44352-00	IMPELLER	1	1			
29	90280-03M03	KEY, WOODRUFF	1	1			
30	6H3-44341-00-94	HOUSING, WATER PUMP	1	1			
31	93101-23070	OIL SEAL	2	2			
32	93210-46044	O-RING	1	1			
33	688-44316-A0	GASKET, WATER PUMP	1	1			
34	6H3-44323-00	OUTER PLATE, CARTRIDGE	1	1			
	6H3-44323-40	OUTER PLATE, CARTRIDGE	1	1			FOR CHROMATE
35	6H3-44324-A0	GASKET, CARTRIDGE	1	1			
36	93604-10M03	PIN, DOWEL	2	2			
37	90119-08M33	BOLT, WITH WASHER	2	2			
38	90119-08M14	BOLT, WITH WASHER	2	2			



6H20200-4190

FIG. 19 LOWER CASING, DRIVE 1

REF. NO.	PART NO.	DESCRIPTION	ET	ED	REMARKS
39	6H3-45501-00	DRIVE SHAFT COMP.	1	1	S
	6H3-45501-10	DRIVE SHAFT COMP.	1	1	L
40	6K5-45551-00	PINION (12T)	1	1	
41	90170-16M01	NUT	1	1	
42	6K5-45560-00	GEAR (28T)	1	1	
43	6H1-45611-01	SHAFT, PROPELLER	1	1	
44	6H1-45631-01	CLUTCH, DOG	1	1	
45	93603-12M11	PIN, DOWEL	1	1	
46	6H1-45634-02	SLIDE, SHIFT	1	1	
47	90501-16M65	SPRING, COMPRESSION	1	1	
48	93503-16003	BALL	2	2	
49	6H1-45668-00	SHAFT, FREE	1	1	
50	6H1-45635-00	PLUNGER, SHIFT	2	2	
51	90501-12M48	SPRING, COMPRESSION	1	1	
52	90201-03313	WASHER, PLATE	1	1	
53	90183-02M03	NUT, SPRING	2	2	
54	90250-07M02	PIN, STRAIGHT	1	1	
55	688-45633-00	RING, CROSS PIN	1	1	
56	6H1-45641-01	SHIFTER	1	1	
57	6H1-44151-00	CAM, SHIFT	1	1	
58	6H1-44144-00	ROD, SHIFT	1	1	
59	93210-07003	O-RING	1	1	
60	93430-08006	CIRCLIP	1	1	
61	93450-07M00	CIRCLIP	1	1	
62	6H3-45571-00	GEAR	1	1	
63	688-45331-00-94	HOUSING, BEARING	1	1	
64	93306-207U0	BEARING	1	1	



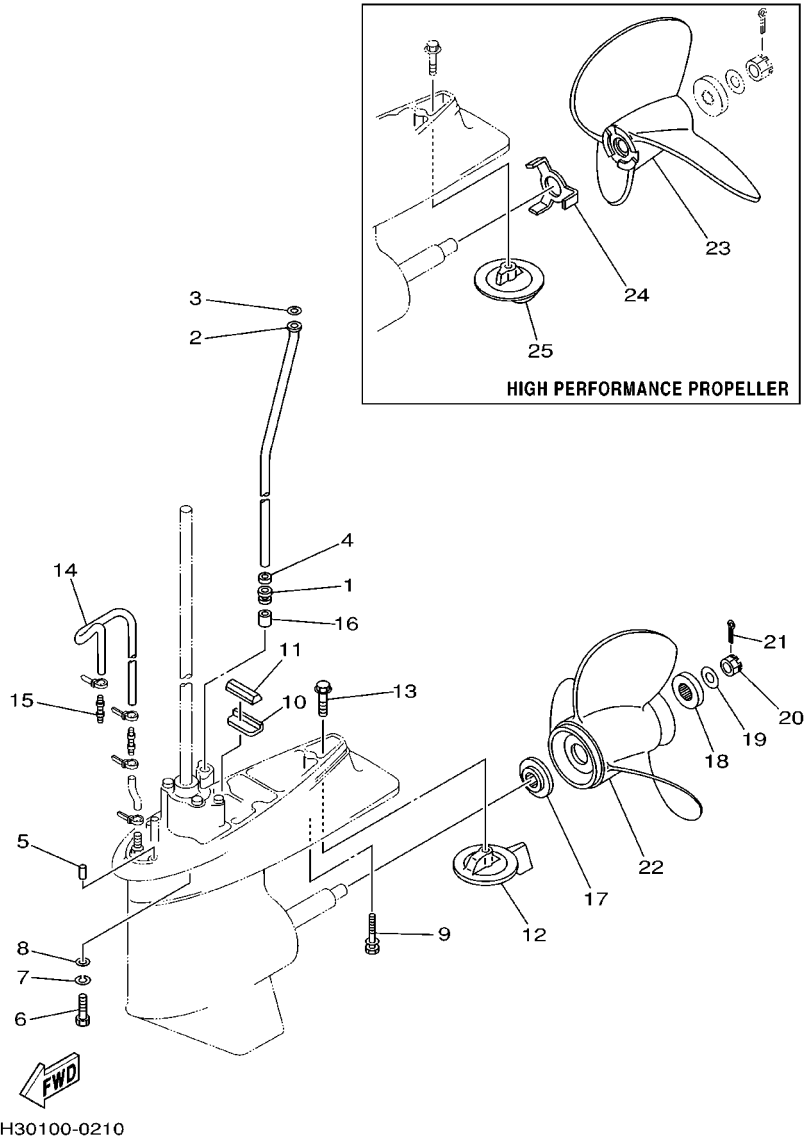
6H20200-4190

FIG. 19 LOWER CASING. DRIVE 1

REF. NO.	PART NO.	DESCRIPTION	ET	ED				REMARKS
65	688-45577-01-10	SHIM (T:0.10MM)	1	1				UR
	688-45577-01-12	SHIM (T:0.12MM)	1	1				UR
	688-45577-01-15	SHIM (T:0.15MM)	1	1				UR
	688-45577-01-18	SHIM (T:0.18MM)	1	1				UR
	688-45577-01-30	SHIM (T:0.30MM)	1	1				UR
	688-45577-01-40	SHIM (T:0.40MM)	1	1				UR
	688-45577-01-50	SHIM (T:0.50MM)	1	1				UR
66	688-45576-00	WASHER, THRUST	1	1				
67	93210-85M97	O-RING	1	1				
68	93317-325U0	BEARING	1	1				
69	93101-25M03	OIL SEAL	2	2				
70	90282-04010	KEY, STRAIGHT	1	1				
71	688-45383-02	WASHER, CLAW	1	1				
72	688-45384-00	NUT	1	1				

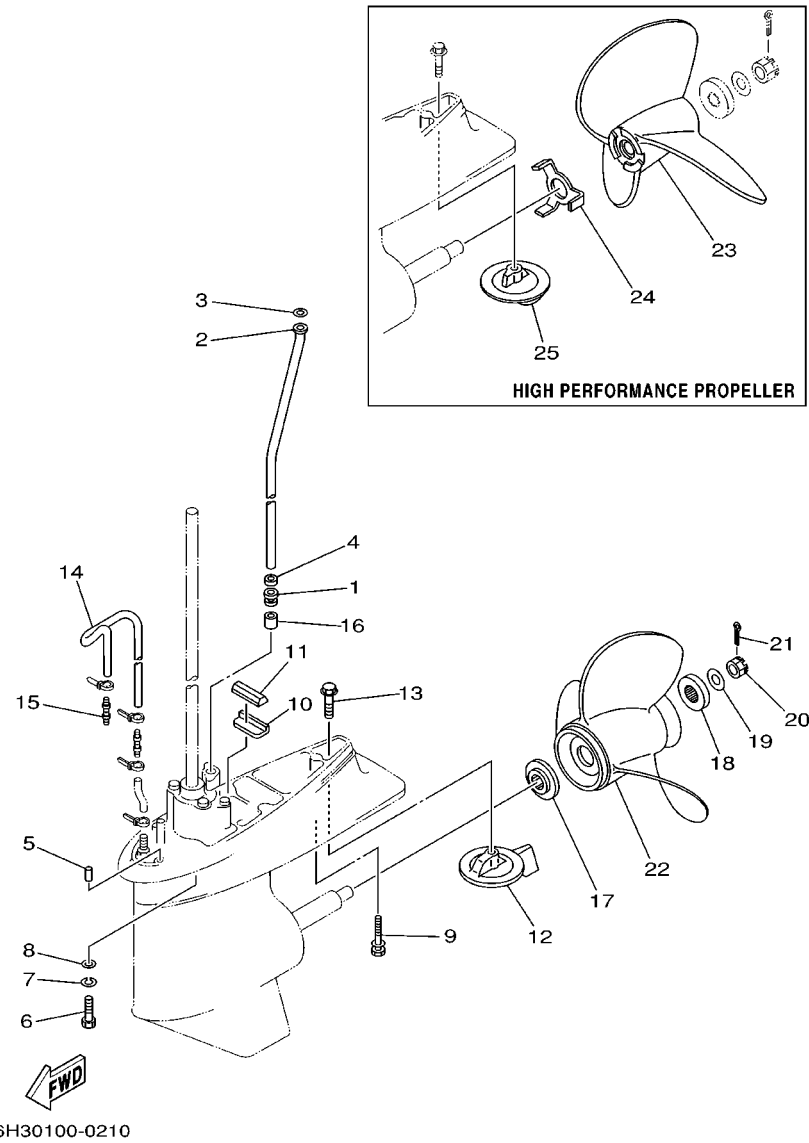


FIG. 20 LOWER CASING. DRIVE 2



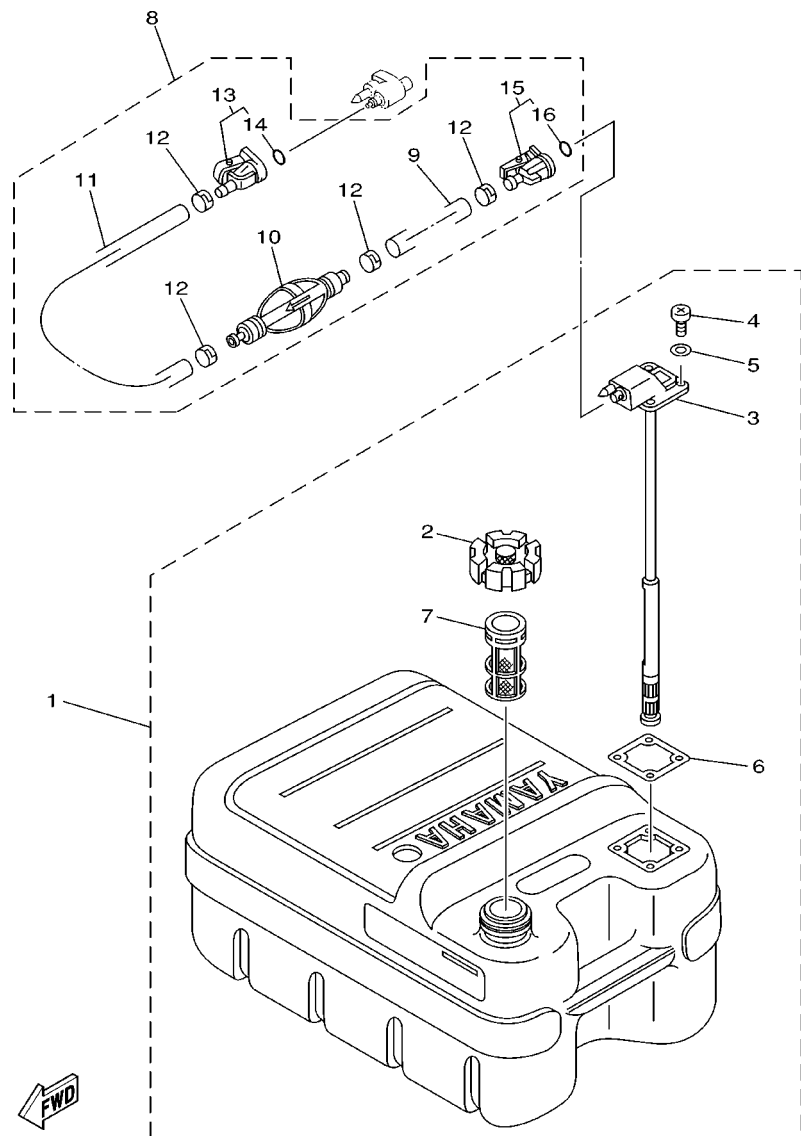
REF. NO.	PART NO.	DESCRIPTION	ET	ED				REMARKS
1	663-44367-00	DAMPER, WATER SEAL	1	1				
2	6H3-44361-00	TUBE, WATER	1	1				S
	6H3-44361-10	TUBE, WATER	1	1				L
3	90202-12060	WASHER, PLATE	1	1				
4	90430-12072	GASKET	1	1				
5	93606-12019	PIN, DOWEL	2	2				
6	97075-10040	BOLT	4	4				
7	92990-10100	WASHER, SPRING	4	4				
8	92990-10600	WASHER, PLATE	4	4				
9	90119-08M84	BOLT, WITH WASHER	1	1				
10	663-45376-00-94	GUIDE, SEAL DAMPER	1	1				
11	688-45375-00	DAMPER, SEAL	1	1				
12	688-45371-02	TAB-TRIM	1	1				
13	90105-10M67	BOLT, WASHER BASED	1	1				
14	90445-07MF1	HOSE	1	1				
15	6E5-83558-00	END, NIPPLE	1	1				
16	663-44366-00	DAMPER, WATER SEAL	1	1				
17	688-45987-01	SPACER	1	1				
18	688-45997-01	SPACER	1	1				
19	90201-17M00	WASHER, PLATE	1	1				
20	90171-16011	NUT, CASTLE	1	1				
21	91490-40025	PIN, COTTER	1	1				
22	6E5-45941-00-EL	PROPELLER (3X13"X19"-K)	1	1				UR
	6E5-45943-00-EL	PROPELLER (3X12-5/8"X21"-K)	1	1				UR
	6E5-45947-00-EL	PROPELLER (3X13-1/2"X15"-K)	1	1				UR
	6E5-45949-00-EL	PROPELLER (3X13-5/8"X13"-K)	1	1				UR
	6E5-45952-00-EL	PROPELLER (3X13"X23"-K)	1	1				UR

FIG. 20 LOWER CASING, DRIVE 2



REF. NO.	PART NO.	DESCRIPTION	ET	ED		REMARKS
22	6E5-45954-00-EL	PROPELLER (3X14"X11"-K)	1	1		UR
	6E5-45956-00-EL	PROPELLER (3X13"X25"-K)	1	1		UR
		STAINLESS STEEL PROPELLER				
	688-45930-02-98	PROPELLER (3X13"X17"-K)	1	1		UR
	688-45970-03-98	PROPELLER (3X13"X19"-K)	1	1		UR
	688-45972-02-98	PROPELLER (3X13"X21"-K)	1	1		UR
	688-45974-02-98	PROPELLER (3X13"X23"-K)	1	1		UR
	688-45976-01-98	PROPELLER (3X13"X25"-K)	1	1		UR
	688-45932-60-98	PROPELLER (3X13-1/2"X14"-K)	1	1		UR
	688-45978-60-98	PROPELLER (3X13-1/2"X16"-K)	1	1		UR
		HIGH PERFORMANCE PROPELLER				
23	6E5-45970-10	PROPELLER (3X14"X20"-P)	1	1		UR
	6E5-45972-10	PROPELLER (3X14"X24"-P)	1	1		UR
	6E5-45974-10	PROPELLER (3X14"X28"-P)	1	1		UR
	6E5-45976-10	PROPELLER (3X14"X22"-P)	1	1		UR
	6E5-45978-10	PROPELLER (3X14"X26"-P)	1	1		UR
24	6E5-45994-10	PLATE, TOOTH	1	1		
25	6E5-45371-10	TAB-TRIM	1	1		

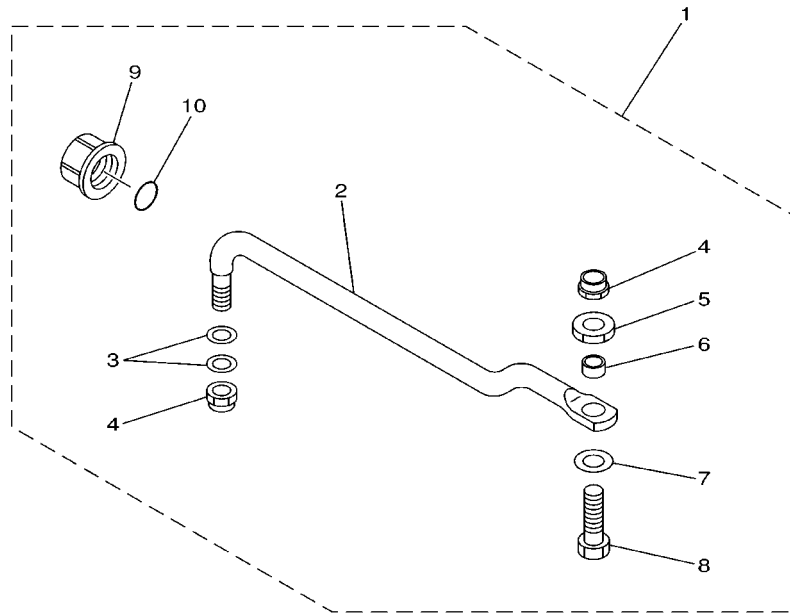
FIG. 21 FUEL TANK



67C0100-9300

REF. NO.	PART NO.	DESCRIPTION	ET	ED				REMARKS
1	6YJ-24201-00	FUEL TANK ASSY (24L)	1	1				AP
	6YJ-24201-10	FUEL TANK ASSY (24L)	1					AP FOR CHINA WITH INDICATOR
2	6YJ-24610-01	.CAP ASSY	1	1				
3	6YJ-24260-00	.FUEL METER ASSY	1	1				
	6Y1-24260-12	.FUEL METER ASSY	1					WITH INDICATOR
4	98586-05016	.SCREW, PAN HEAD	4	4				
5	6Y1-24329-00	.SEAL	4	4				
6	6Y1-24268-00	.GASKET, FUEL METER	1	1				
7	6YJ-24167-00	.STRAINER	1	1				
8	6Y1-24306-06	FUEL PIPE COMP. 1	1	1				AP
9	90445-11M06	.HOSE (L:2050MM)	1	1				
10	6Y1-24360-51	.PRIMER PUMP ASSY	1	1				
11	90445-11M05	.HOSE (L:850MM)	1	1				
12	650-24351-51	.BAND 1	4	4				
13	6G1-24305-01	.FUEL PIPE JOINT COMP. 2	1	1				
14	93210-08287	..O-RING	1	1				
15	6Y1-24305-02	.FUEL PIPE JOINT COMP. 2	1	1				
16	93210-08287	..O-RING	1	1				

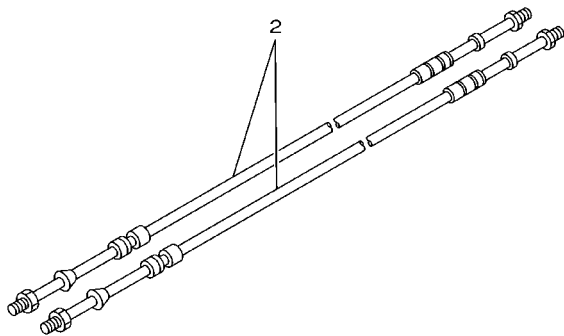
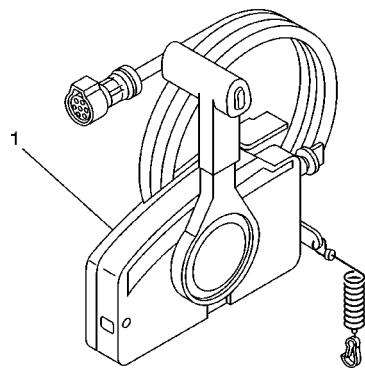
FIG. 22 STEERING GUIDE



REF. NO.	PART NO.	DESCRIPTION	ET	ED				REMARKS
1	688-61350-10	STEERING GUIDE ATTACHMENT KIT	1					AP
2	688-61351-10	.ROD, STEERING LINK	1					
3	90201-10M20	.WASHER, PLATE	2					
4	90185-09M01	.NUT, SELF-LOCKING	2					
5	90170-09M03	.NUT	1					
6	90387-10M42	.COLLAR	1					
7	90201-10M63	.WASHER, PLATE	1					
8	6E5-61355-00	.BOLT	1					
9	6E5-43145-01	.CAP, CLAMP BRACKET	1					
10	93210-16275	.O-RING	1					

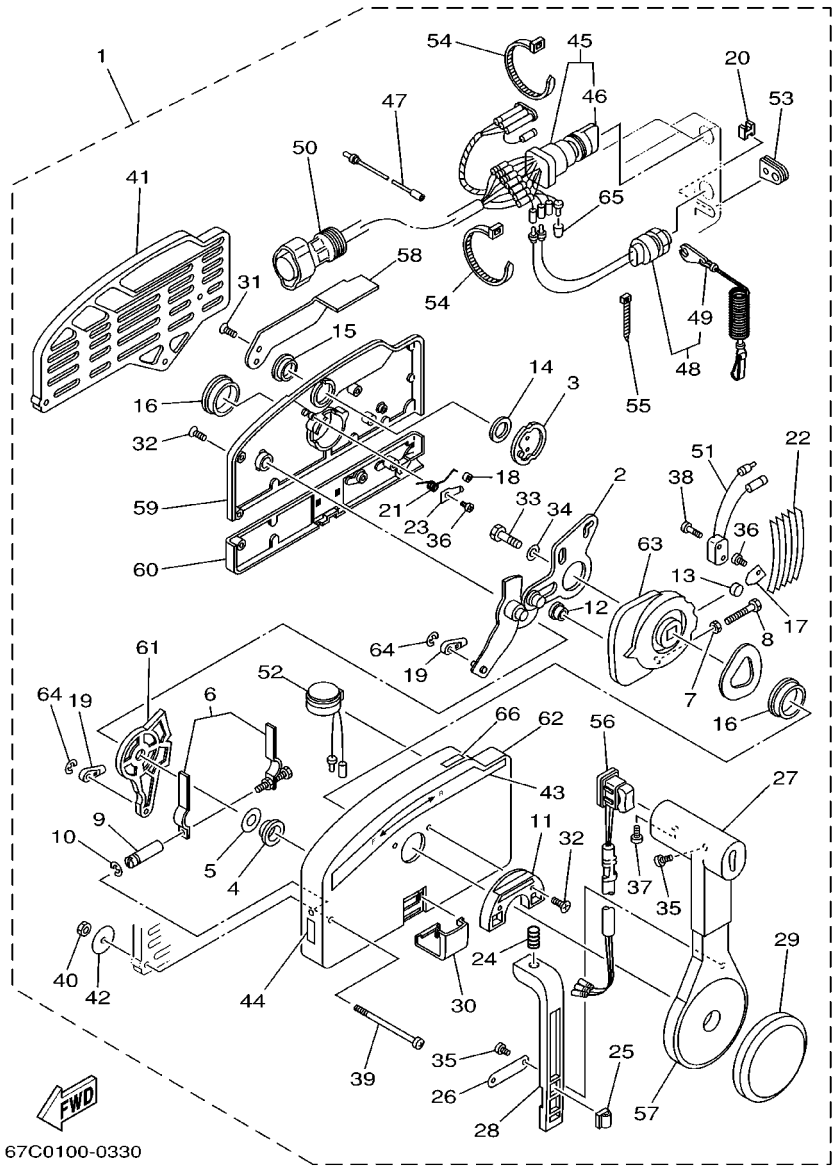
6880700-9190

FIG. 23 REMOTE CONTROL BOX



67M0100-8280

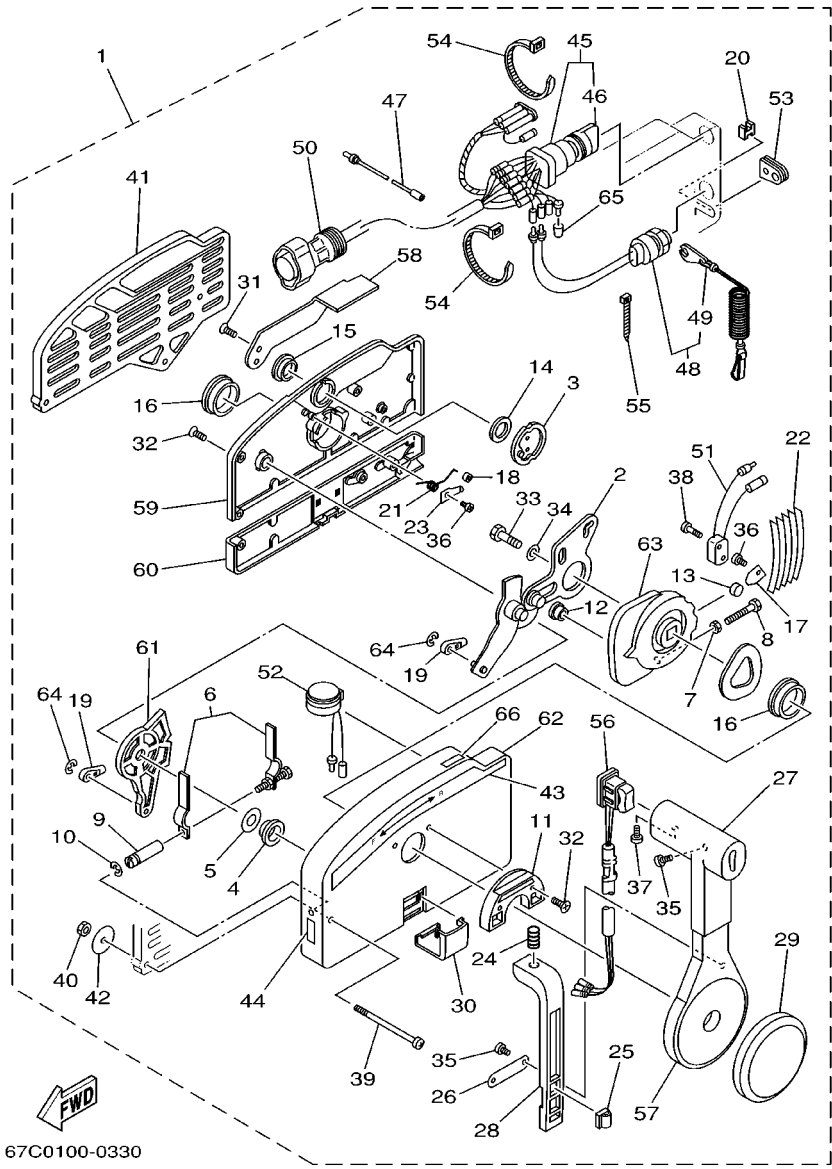
REF. NO.	PART NO.	DESCRIPTION	ET	ED			REMARKS
1	703-48205-A2	REMOTE CONTROL ASSY (10P)	1				AP WITH PT/T SW.
	703-48203-A1	REMOTE CONTROL ASSY (7P)		1			AP
2	701-48320-20	CABLE, REMOTE CONTROL L=13F	2	2			UR
	701-48320-50	CABLE, REMOTE CONTROL L=15F	2				UR
-----							
-----							
-----							
-----							
-----							
-----							
-----							
-----							
-----							
-----							



67C0100-0330

FIG. 24 REMOTE CONTROL ASSY

REF. NO.	PART NO.	DESCRIPTION	ET	ED	REMARKS
1	703-48205-A2	REMOTE CONTROL ASSY (10P)	1		AP WITH PT/T SW.
	703-48203-A1	REMOTE CONTROL ASSY (7P)		1	
2	703-48261-01	.ARM, THROTTLE	1	1	
3	703-48153-00	.SHAFT, FREE ACCEL.	1	1	
4	703-48235-00	.BUSHING	1	1	
5	703-48268-00	.SPACER	1	1	
6	703-48264-00	.THROTTLE, FRICTION	1	1	
7	95380-05600	.NUT	1	1	
8	97380-05025	.BOLT	1	1	
9	703-48265-00	.SHAFT, FRICTION	1	1	
10	93430-06024	.CIRCLIP	3	3	
11	703-48245-00	.PLATE, LOCK	1	1	
12	703-48252-00	.ROLLER, CAM	1	1	
13	701-48248-00	.ROLLER, FREE ACCEL.	1	1	
14	703-48198-00	.WASHER, WAVE	1	1	
15	703-48243-00	.BUSHING	1	1	
16	703-48236-00	.BUSHING 1	2	2	
17	703-48189-00	.RETAINER	1	1	
18	703-48236-00	.BUSHING 1	1	1	
19	703-48345-01	.CABLE END,REMOTE CONTROL 2	2	2	
20	703-48358-00	.ANCHOR, CABLE	1	1	
21	703-48244-00	.SPRING, FREE ACCEL.	1	1	
22	703-48238-00	.SPRING, DETENT	5	5	
23	703-48246-00	.SPACER	1	1	
24	703-48227-00	.SPRING, NEUTRAL LOCK	1	1	
25	703-82594-00	.CLAMP	1		WITH PT/T SW.
26	703-48226-00	.PLATE, STOPPER	1	1	

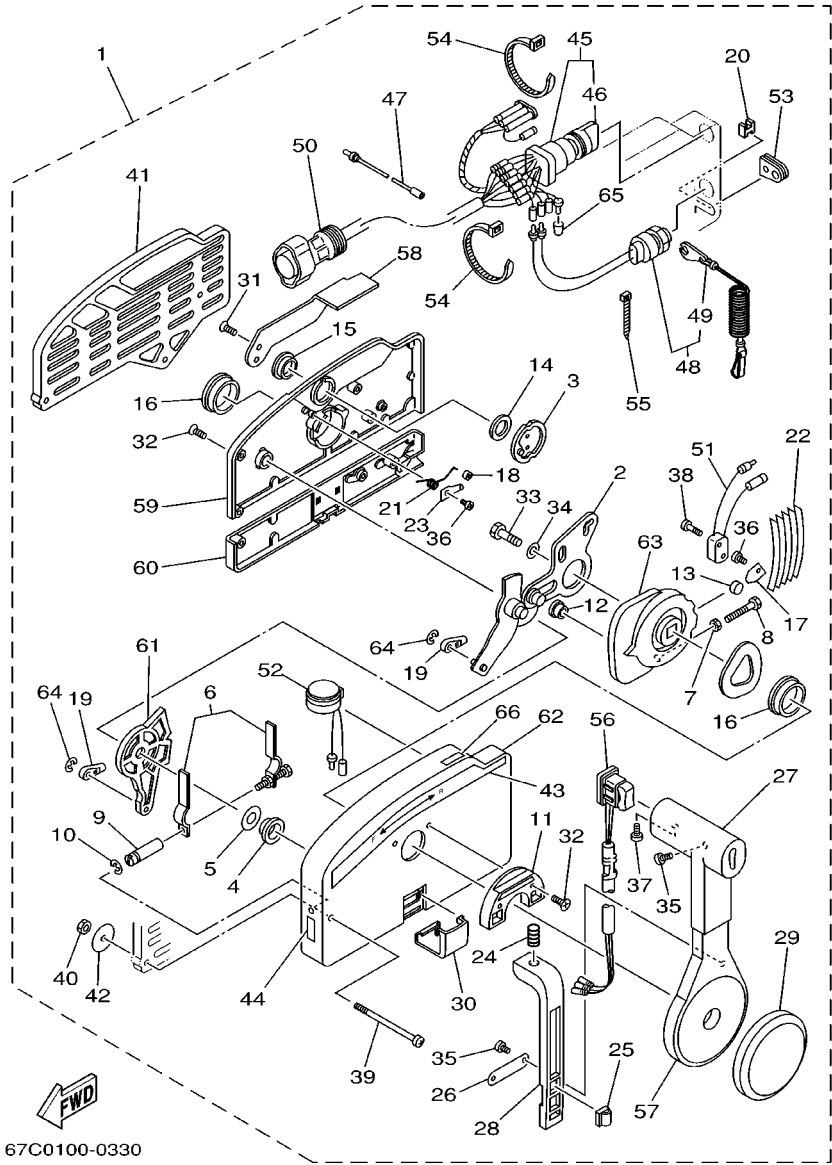


67C0100-0330

FIG. 24 REMOTE CONTROL ASSY

REF. NO.	PART NO.	DESCRIPTION	ET	ED	REMARKS
27	703-48222-00	.GRIP, CONTROL LEVER	1	1	SINGLE
28	703-48223-00	.LOCK, NEUTRAL	1	1	
29	703-48225-00	.COVER	1	1	
30	703-48219-00	.COVER, LEAD	1	1	
31	703-48281-00	.SCREW	2	2	
32	703-48282-00	.SCREW	7	7	
33	97095-08030	.BOLT	1	1	
34	92990-08600	.WASHER, PLATE	1	1	
35	98580-04010	.SCREW, PAN HEAD	3	3	
36	98580-04006	.SCREW, PAN HEAD	2	2	
37	98580-05010	.SCREW, PAN HEAD	1	1	
38	98580-03015	.SCREW, PAN HEAD	2	2	
39	703-48291-10	.SCREW (M6)	3	3	
40	95380-06600	.NUT, HEXAGON	3	3	
41	703-48293-10	.SPACER, REMOTE CONTROL	1	1	SINGLE
42	701-48287-00	.WASHER	3	3	
43	703-48215-00	.GRAPHIC	1	1	
44	702-48217-00	.MARK	1	1	
45	703-82510-11	.MAIN SWITCH ASSY (10P)	1		FOR PRIME START MODEL
	703-82510-02	.MAIN SWITCH ASSY (7P)		1	FOR PRIME START MODEL
46	676-82577-00	..CAP, KEY	1	1	
47	703-82531-00	.WIRE, LEAD	1	1	
48	688-82575-01	.ENGINE STOP SWITCH ASSY	1	1	
49	682-82556-00	..STOPPER	1	1	
50	688-8258A-20	.EXTENSION, WIRE HARNESS	1		L:5M (10P)
	688-8258B-21	.EXTENSION, WIRE HARNESS		1	L:5M (7P)
51	703-82540-00	.NEUTRAL SWITCH ASSY	1	1	

FIG. 24 REMOTE CONTROL ASSY

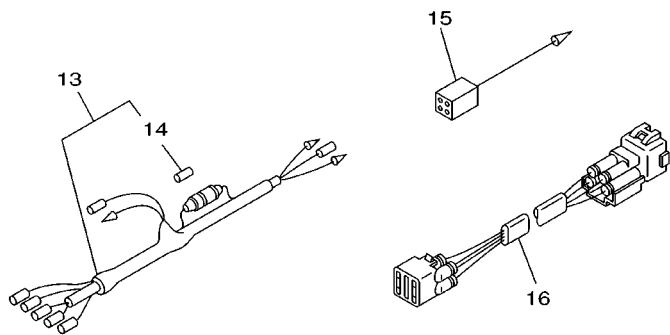
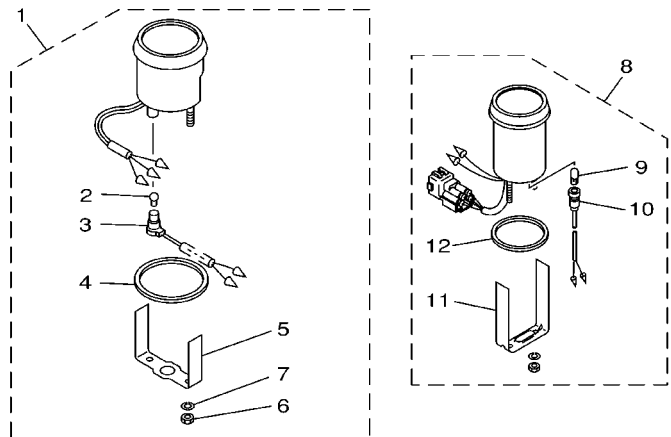


67C0100-0330

REF. NO.	PART NO.	DESCRIPTION	ET	ED	REMARKS
52	703-83383-A0	.BUZZER	1	1	
53	703-48284-00	.GROMMET	1	1	
54	90464-13080	.CLAMP	2	2	
55	703-82592-00	.BAND	1	1	
56	703-82563-01	.TRIM & TILT SWITCH ASSY	1		
	703-48224-00	.COVER, CONTROL LEVER	1		WITHOUT PT/T SW.
57	703-48221-00	.LEVER, CONTROL	1	1	
58	703-48152-00	.KNOB, FREE ACCEL.	1	1	
59	703-48212-00	.BACK PLATE 1	1	1	
60	703-48213-00	.BACK PLATE 2	1	1	
61	703-48271-00	.ARM, SHIFT	1	1	
62	703-48211-01	.HOUSING, 1	1	1	
63	703-48232-00	.GEAR	1	1	
64	93430-06024	.CIRCLIP	2	2	
65	703-82542-00	.CAP	1	1	
66	703-48218-00	.GRAPHIC	1	1	



FIG. 25 METER

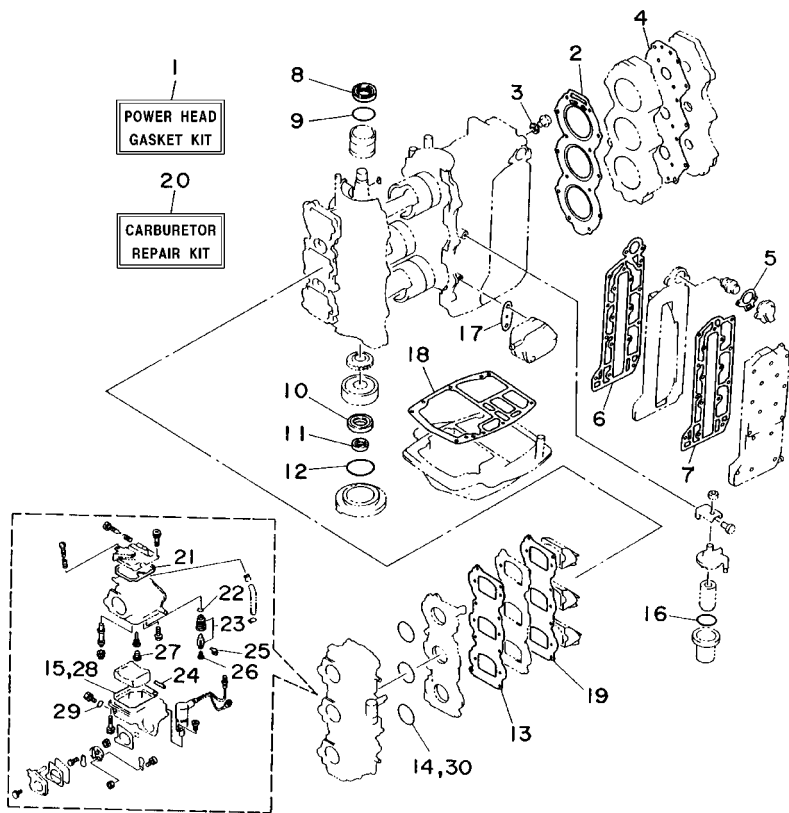


REF. NO.	PART NO.	DESCRIPTION	ET	ED			REMARKS
1	6Y5-83540-14	TACHOMETER ASSY	1				AP WITHOUT OIL LAMP
2	6Y5-83517-00	.BULB (12V-1.7W, T10)	1				
3	6Y5-83536-10	.SOCKET, METER	1				
4	6Y5-83523-00	.DAMPER	1				
5	6Y5-83514-00	.PLATE, FITTING	1				
6	95303-05600	.NUT	2				
7	92903-05100	.WASHER, SPRING	2				
8	6Y5-83670-11	TRIM METER ASSY.	1				AP
9	6Y5-83518-00	.BULB (12V-1.7W, T6.5)	1				
10	6Y5-83536-00	.SOCKET, METER	1				
11	6Y5-83577-00	.PLATE, FITTING	1				
12	688-83664-00	.DAMPER	1				
13	6Y5-83553-00	WIRE, LEAD	1				AP
14	1E6-82151-00	.FUSE (10A)	1				
15	6Y5-82117-00	WIRE, LEAD (BLACK)	1				AP
16	6R3-82553-70	EXTENSION, WIRE LEAD	1				AP 4P,7M

6H20200-0250

FIG. 26 REPAIR KIT 1

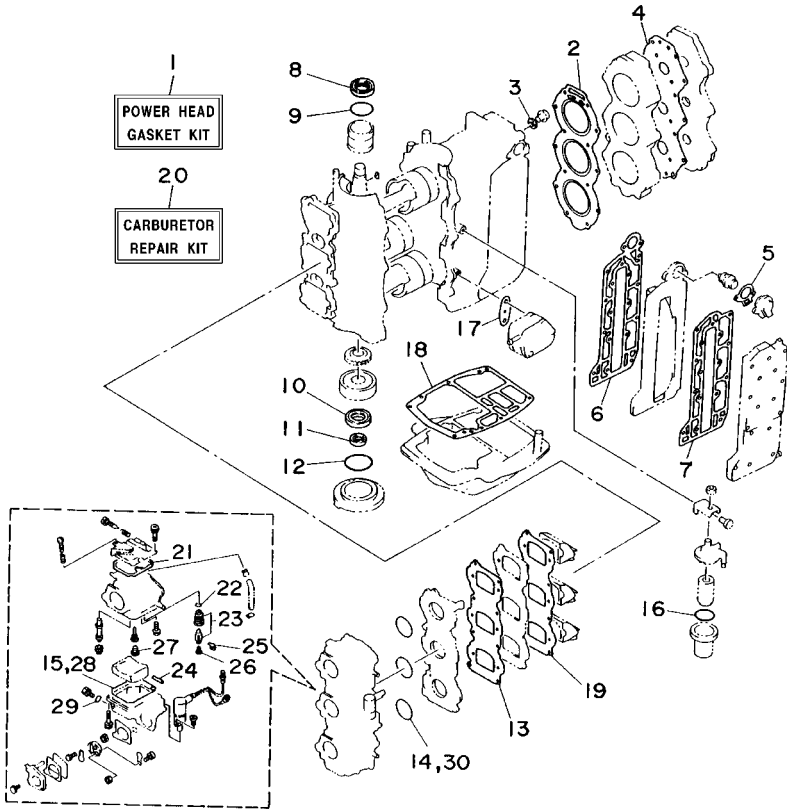
REF. NO.	PART NO.	DESCRIPTION	ET	ED	REMARKS
1	6H3-W0001-02	POWER HEAD GASKET KIT	1	1	AUTO CHOKE
2	6H3-11181-A1	.GASKET, CYLINDER HEAD 1	1	1	
3	90430-14115	.GASKET	1	1	
4	6H3-11193-A1	.GASKET, HEAD COVER 1	1	1	
5	6H3-12414-A1	.GASKET, COVER	1	1	
6	6H3-41112-A0	.GASKET, EXHAUST INNER COVER	1	1	
7	6H3-41114-A0	.GASKET, EXHAUST OUTER COVER	1	1	
8	93102-36M24	.OIL SEAL	1	1	
9	93210-46M16	.O-RING	1	1	
10	93102-30M23	.OIL SEAL	1	1	
11	93106-18M01	.OIL SEAL	1	1	
12	93210-65M50	.O-RING	1	1	
13	6H3-13621-A1	.GASKET, VALVE SEAT	1	1	
14	93210-39ME4	.O-RING	3	3	
15	6H4-14984-00	.GASKET, FLOAT CHAMBER	3	3	
16	93210-32738	.O-RING	1	1	
17	650-24431-A0	.GASKET, FUEL PUMP 1	1	1	
18	6H3-45113-A0	.GASKET, UPPER CASING	1	1	
19	6H3-13622-A1	.GASKET, VALVE SEAT	1	1	
20	6H2-W0093-10	CARBURETOR REPAIR KIT	1	1	AUTO CHOKE
21	6H4-14147-00	.O-RING	1	1	
22	93210-04228	.O-RING	1	1	
23	6H3-14590-00	.NEEDLE VALVE ASSY	1	1	
24	6H4-14548-00	.PIN, FLOAT ARM	1	1	
25	663-14159-00	.CLIP	1	1	
26	676-14186-00	.PIN, FLOAT	1	1	
27	676-14966-00	.CAP	1	1	



6H30010-4230

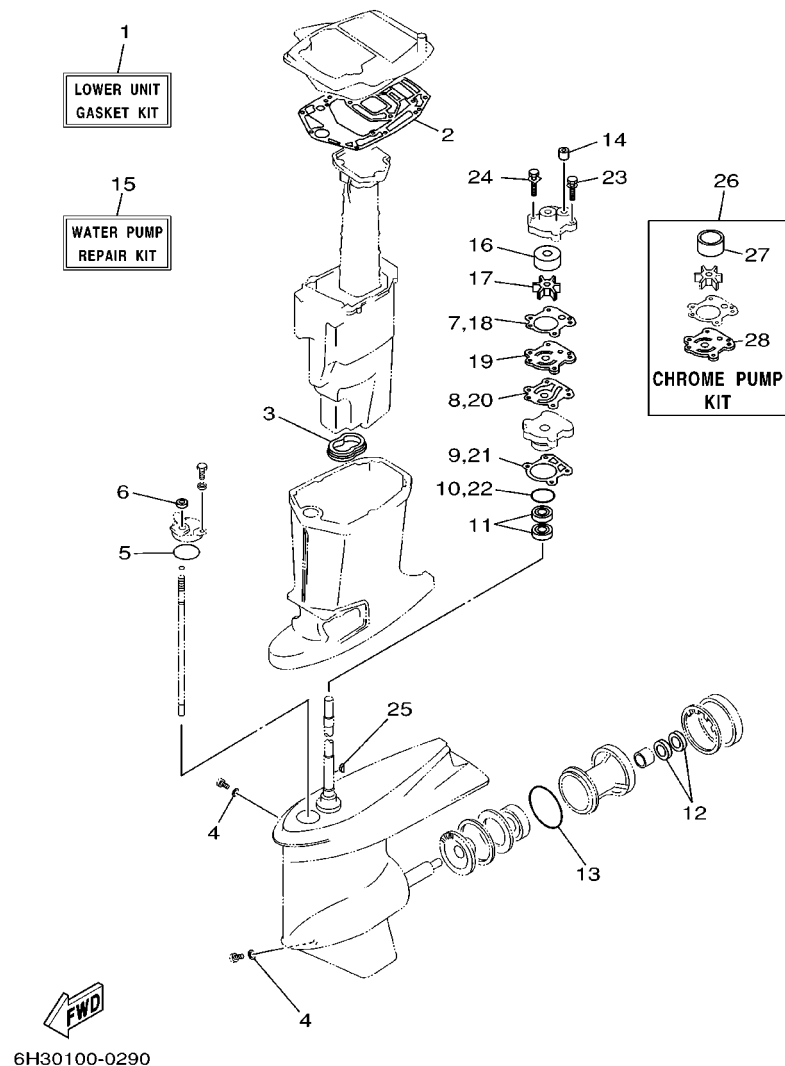
FIG. 26 REPAIR KIT 1

REF. NO.	PART NO.	DESCRIPTION	ET	ED					REMARKS
28	6H4-14984-00	.GASKET, FLOAT CHAMBER	1	1					
29	93210-04230	.O-RING	1	1					
30	93210-39ME4	.O-RING	1	1					
-----									
-----									
-----									
-----									
-----									
-----									
-----									
-----									
-----									
-----									
-----									
-----									



6H30010-4230

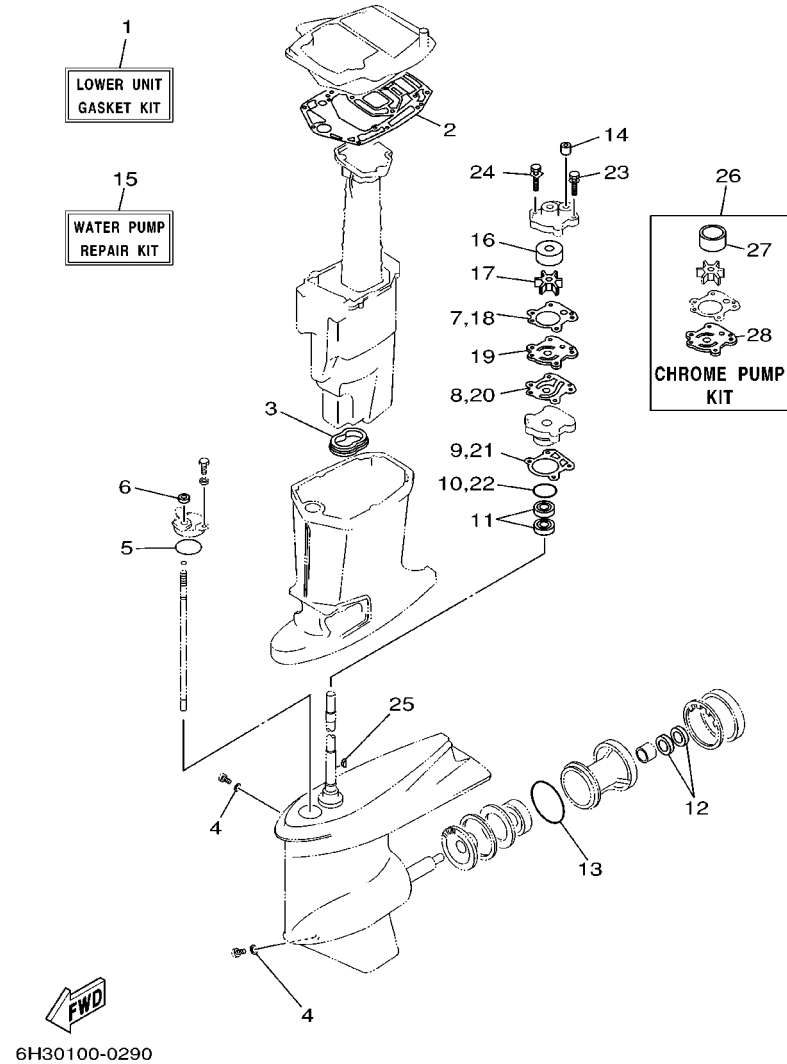
FIG. 27 REPAIR KIT 2



REF. NO.	PART NO.	DESCRIPTION	ET	ED				REMARKS
1	6H3-W0001-22	LOWER UNIT GASKET KIT	1	1				
2	6H3-45114-A1	.GASKET, UPPER CASING	1	1				
3	6H3-45123-00	.GASKET, MUFFLER	1	1				
4	90430-08020	.GASKET	2	2				
5	93210-49046	.O-RING	1	1				
6	93106-09014	.OIL SEAL	1	1				
7	6H3-44315-A0	.GASKET, WATER PUMP	1	1				
8	6H3-44324-A0	.GASKET, CARTRIDGE	1	1				
9	688-44316-A0	.GASKET, WATER PUMP	1	1				
10	93210-46044	.O-RING	1	1				
11	93101-23070	.OIL SEAL	2	2				
12	93101-25M03	.OIL SEAL	2	2				
13	93210-85M97	.O-RING	1	1				
14	663-44366-00	.DAMPER, WATER SEAL	1	1				
15	6H3-W0078-02	WATER PUMP REPAIR KIT	1	1				
16	663-44322-00	.INSERT, CARTRIDGE	1	1				
17	6H3-44352-00	.IMPELLER	1	1				
18	6H3-44315-A0	.GASKET, WATER PUMP	1	1				
19	6H3-44323-00	.OUTER PLATE, CARTRIDGE	1	1				
20	6H3-44324-A0	.GASKET, CARTRIDGE	1	1				
21	688-44316-A0	.GASKET, WATER PUMP	1	1				
22	93210-46044	.O-RING	1	1				
23	90119-08M14	.BOLT, WITH WASHER	2	2				
24	90119-08M33	.BOLT, WITH WASHER	2	2				
25	90280-03M03	.KEY, WOODRUFF	1	1				
26	6H3-W0078-1A	CHROME PUMP KIT	1	1				
27	663-44322-40	.INSERT, CARTRIDGE	1	1				

FIG. 27 REPAIR KIT 2

REF. NO.	PART NO.	DESCRIPTION	ET	ED				REMARKS
28	6H3-44323-40	.OUTER PLATE, CARTRIDGE	1	1				
-----								
-----								
-----								
-----								
-----								
-----								
-----								
-----								
-----								
-----								



B7

NUMERICAL INDEX

PART NO.	REF. NO.	PART NO.	REF. NO.	PART NO.	REF. NO.	PART NO.	REF. NO.	PART NO.	REF. NO.	PART NO.	REF. NO.
6H3-W0001-02	26 - 1	676-14186-00	5 - 18	6G1-24304-02	6 - 1	6H4-41237-00	11 - 21	6H1-43111-01-4D	12 - 1	688-43616-00	14 - 12
6H3-W0001-22	27 - 1		26 - 26	6G1-24305-01	21 - 13	682-41237-00	11 - 2	688-43111-13-4D	13 - 1	688-43631-00	14 - 3
688-W0004-00	4 - 2	6H2-14301-0A	5 - 1	6Y1-24305-02	21 - 15	6J8-41262-00	14 - 11	697-43111-05-4D	12 - 1	688-43631-10	14 - 3
6H3-W0070-30	1 - 16	6H2-14302-0A	5 - 2	6Y1-24306-06	21 - 8	6H3-41631-00	11 - 4		13 - 1	688-43651-00	14 - 14
6H3-W0078-02	27 - 15	6H2-14303-0A	5 - 3	663-24312-01	2 - 42	6H3-41632-20	11 - 10	6H1-43112-00-4D	12 - 11	688-43691-01	13 - 18
6H3-W0078-1A	27 - 26	6A0-14325-00	6 - 25	6H3-24313-00	6 - 33	6H3-41633-10	11 - 12	688-43112-12-4D	13 - 9	697-4380E-01	16 - 17
6H3-W0090-05-4D	2 - 1	6H3-14349-00	4 - 17	6H3-24314-00	6 - 35	6H3-41636-10-94	11 - 16	697-43112-03-4D	12 - 11	6H1-4380F-10	16 - 7
6H2-W0093-10	26 - 20		5 - 32	6Y1-24329-00	21 - 5	689-42169-01	11 - 1		13 - 9		17 - 7
656-W2810-02	6 - 37	6H3-14380-00	5 - 33	650-24351-51	21 - 12		11 - 20	688-43124-02	14 - 5	6H1-4380G-10	16 - 15
6H3-11111-01-94	2 - 26	6H3-14413-10	4 - 19	6Y1-24360-51	21 - 10	6H3-42510-02-4D	15 - 3	6E5-43126-02	12 - 38		17 - 15
688-11119-00	2 - 22	6H3-14440-02	4 - 20	6E5-24367-01	10 - 24	6H3-42510-12-4D	15 - 3		13 - 36	6H1-4380H-10	16 - 13
6H3-11181-A1	2 - 27	6H3-14457-01	4 - 21		10 - 37	6H2-42610-33-4D	1 - 1	688-43128-01-4D	14 - 1		17 - 13
	26 - 2	6H1-14485-00	4 - 6	650-24378-00	2 - 6	6H3-42613-01-4D	1 - 10	697-43128-01-4D	14 - 1	6H1-4380J-10	16 - 8
6H3-11191-00-9M	2 - 28	624-14485-00	2 - 5	688-24378-00	6 - 32	6H3-42615-00	1 - 13	688-43131-03	12 - 21		17 - 8
6H3-11193-A1	2 - 29	63V-14523-00	5 - 5	692-24411-00	6 - 15	6H3-42617-00	1 - 17		13 - 19	6H1-43800-15-4D	17 - 1
	26 - 4	6H4-14548-00	5 - 15	6H3-24411-10	5 - 40	6H3-42619-00	1 - 18	6G5-43144-00	12 - 45	6H3-43800-08-4D	16 - 1
6H3-11325-01	2 - 17		26 - 24	663-24411-00	6 - 20	6H3-42627-00	1 - 19		13 - 41	6E5-43802-01	16 - 40
6H3-11327-00-94	2 - 18	697-14555-00	5 - 12	692-24411-00	6 - 17	6H3-42637-00	1 - 20	6E5-43145-01	22 - 9	6T4-43802-03	17 - 39
6H3-11328-00	2 - 19	6H4-14567-00	5 - 30	6A0-24412-02	6 - 26	6H3-42647-00-94	1 - 2	6G5-43145-00	12 - 25	6H1-43804-10	16 - 4
650-11370-00	2 - 4	6H2-14578-00	5 - 7	6A0-24413-00	6 - 16	6H3-42649-00-94	1 - 3		13 - 23		17 - 4
688-11370-00	2 - 3	6H3-14590-00	5 - 14	6H4-24413-00	5 - 38	6H3-42652-00	1 - 5	6G5-43148-00	12 - 43	6H1-43805-10	16 - 3
6H3-11400-03	3 - 7		26 - 23	6A0-24421-01	6 - 24	663-42662-00	1 - 4		13 - 27		17 - 3
6K5-11601-02	3 - 14	6H3-14711-00-5B	18 - 14	6L5-24421-00	5 - 37	6H2-42677-30	1 - 14	688-43160-01	12 - 34	6E5-4381A-00	16 - 73
6K5-11601-12	3 - 14	6H3-14711-10-5B	18 - 14	650-24431-A0	6 - 27	6H2-42678-30	1 - 15		13 - 32	6H1-43810-11	17 - 20
6K5-11601-22	3 - 14	6H3-14737-00	18 - 20		26 - 17	6H3-42681-30	1 - 21	697-43160-00	12 - 34	697-43810-02	16 - 18
6H3-11631-01-96	3 - 13	6H3-14737-10	18 - 20	6H3-24434-10	5 - 41	6H3-42682-30	1 - 22		13 - 32	6H1-43812-00	17 - 24
6H3-11633-00	3 - 15	692-14923-00	5 - 11	648-24434-01	6 - 18	6H3-42711-05-4D	10 - 1	688-43165-00	12 - 35	6E5-43813-02	16 - 25
688-11634-10	3 - 16	6H3-14943-35	5 - 21	648-24435-02	6 - 21	6H3-42711-24-4D	10 - 1		13 - 33	6H1-43813-10	17 - 27
6H3-11635-01	3 - 13	6H3-14943-36	5 - 21	6H3-24452-10	5 - 29	648-42715-00	11 - 28	688-43170-04-4D	14 - 2	6E5-43814-01	16 - 24
6H3-11636-01	3 - 13	6H2-14947-71	5 - 20	6H4-24486-00	5 - 39	6H3-42716-02	10 - 12	697-43170-03-4D	14 - 2	6H1-43814-11	17 - 19
6H3-12411-10	2 - 31	6H3-14948-13	5 - 23	61N-24521-00	6 - 8	6K5-42717-00	10 - 13	6H1-43181-01	12 - 26	6E5-43816-10	16 - 56
6H3-12413-00-9M	2 - 32	676-14966-00	5 - 22	61N-24560-00	6 - 6	6H3-42718-00	10 - 39	688-43181-04	12 - 26	6H1-43816-00	17 - 68
6H3-12414-A1	2 - 33		26 - 27	61N-24563-00	6 - 7	6E5-42724-00	10 - 14		13 - 24	6E5-43817-10	16 - 57
	26 - 5	6H3-14980-10	5 - 28	648-24566-02	6 - 10	6H3-42725-00	10 - 15	688-43181-10	13 - 24	6H1-43817-01	17 - 47
6H2-13610-00	4 - 1	6H4-14980-00	5 - 27	6YJ-24610-01	21 - 2	6H3-42725-10	10 - 15	6H1-43185-01	12 - 27	6E5-43818-00	16 - 29
6H3-13621-A1	4 - 7	6H4-14984-00	5 - 24	6E0-28193-00-94	6 - 38	6H4-42726-00	10 - 27	688-43185-04	12 - 27		17 - 32
	26 - 13		26 - 15	6H3-41111-00-9M	2 - 36	688-42726-10	10 - 27		13 - 25	6E5-4382A-00	16 - 67
6H3-13622-A1	4 - 9		26 - 28	6H3-41112-A0	2 - 37	6H3-42727-00	10 - 19	688-43185-10	13 - 25	6H1-4382A-10	17 - 52
	26 - 19	6H4-14985-01	5 - 19		26 - 6	6H3-42738-01-5B	10 - 16	688-43186-00	14 - 9	6E5-43820-03	16 - 33
6H3-13624-00-94	4 - 8	6H3-14992-00	5 - 25	6H3-41113-00-9M	2 - 38	6H3-42741-01-4D	10 - 31	6H1-43311-01-4D	12 - 16	6H1-43820-11	17 - 64
6H3-13641-21-94	4 - 5	6H3-15100-04-94	2 - 2	6H3-41114-A0	2 - 39	6G1-42748-00	10 - 30		13 - 14	6E5-43821-01	16 - 36
6H3-14137-00	5 - 31	6H3-15359-00-94	3 - 1		26 - 7	6H3-42768-00	10 - 23	697-43311-03-4D	12 - 16	6H1-43821-11	17 - 59
6H3-14146-10	5 - 9	6YJ-24167-00	21 - 7	6H2-41131-00-5B	18 - 11	6H3-42771-01-4D	10 - 32		13 - 14	6E5-43822-01	16 - 37
6H4-14146-00	5 - 8	6YJ-24201-00	21 - 1	6H3-41137-01-94	18 - 5	6H3-42813-00	10 - 7	663-43318-00	12 - 33	6H1-43822-10	17 - 58
6H4-14147-00	5 - 10	6YJ-24201-10	21 - 1	6H3-41213-10	11 - 23	6H3-42815-01-4D	10 - 3		13 - 31	6E5-43824-01	16 - 75
	26 - 21	6YJ-24260-00	21 - 3	6H3-41217-00	4 - 14	6H3-42816-00	10 - 9	682-43318-01	14 - 8	6E5-43828-00	16 - 26
663-14159-00	5 - 17	6Y1-24260-12	21 - 3	6F5-41237-00	11 - 15	6H3-42817-01-4D	10 - 4	6H1-43376-00	15 - 39	6H1-43828-10	17 - 30
	26 - 25	6Y1-24268-00	21 - 6	6H1-41237-00	11 - 14	6H3-42818-00	10 - 10	688-43376-01	15 - 39	6E5-43829-00	16 - 27

NUMERICAL INDEX

PART NO.	REF. NO.	PART NO.	REF. NO.	PART NO.	REF. NO.	PART NO.	REF. NO.	PART NO.	REF. NO.	PART NO.	REF. NO.
6H1-43829-00	17 - 36	6E5-43864-00	16 - 34	6H3-44311-00	19 - 25	6H3-45155-00	18 - 3	6H1-45631-01	19 - 44	703-48226-00	24 - 26
6E5-43830-00	16 - 63	6H1-43864-00	17 - 65	6H3-44315-A0	19 - 27	6H1-45214-00	19 - 12	688-45633-00	19 - 55	703-48227-00	24 - 24
6H1-43830-11	17 - 49	6E5-43865-00	16 - 39		27 - 7	6H1-45215-00	19 - 13	6H1-45634-02	19 - 46	703-48232-00	24 - 63
6E5-43831-00	16 - 62	6H1-43865-10	16 - 16		27 - 18	6H1-45251-03	12 - 2	6H1-45635-00	19 - 50	703-48235-00	24 - 4
6H1-43831-10	17 - 48		17 - 16	688-44316-A0	19 - 33		13 - 2	6H1-45641-01	19 - 56	703-48236-00	24 - 16
6E5-43833-01	16 - 46	6E5-43866-00	16 - 41		27 - 9	663-45251-00	13 - 2	6H1-45668-00	19 - 49		24 - 18
6H1-43833-10	17 - 33	6H1-43866-00	17 - 40		27 - 21	6H3-45300-05-4D	19 - 1	688-45930-02-98	20 - 22	703-48238-00	24 - 22
6E5-43834-01	16 - 47	6E5-43867-00	16 - 42	663-44322-00	19 - 26	6H3-45300-15-4D	19 - 1	688-45932-60-98	20 - 22	703-48243-00	24 - 15
6H1-43834-00	17 - 34	6H1-43867-00	17 - 41		27 - 16	6H1-45301-03-4D	19 - 2	6E5-45941-00-EL	20 - 22	703-48244-00	24 - 21
6E5-43835-00	16 - 48	6E5-43868-00	16 - 44	663-44322-40	19 - 26	688-45321-00	19 - 16	6E5-45943-00-EL	20 - 22	703-48245-00	24 - 11
6H1-43835-10	17 - 29	6H1-43868-00	17 - 74		27 - 27	688-45331-00-94	19 - 63	6E5-45947-00-EL	20 - 22	703-48246-00	24 - 23
6H1-4384E-20	17 - 61	6E5-43869-00	16 - 45	6H3-44323-00	19 - 34	688-45341-00	19 - 10	6E5-45949-00-EL	20 - 22	701-48248-00	24 - 13
6H1-4384F-10	17 - 46	6H1-4387J-00	17 - 77		27 - 19	6E5-45371-10	20 - 25	6E5-45952-00-EL	20 - 22	703-48252-00	24 - 12
6H1-4384G-11	17 - 45	6H1-43871-10	17 - 23	6H3-44323-40	19 - 34	688-45371-02	20 - 12	6E5-45954-00-EL	20 - 22	703-48261-01	24 - 2
6H1-43840-11	17 - 17	6E5-43872-00	16 - 21		27 - 28	688-45375-00	20 - 11	6E5-45956-00-EL	20 - 22	703-48264-00	24 - 6
6E5-43841-02	16 - 43		16 - 23	6H3-44324-A0	19 - 35	663-45376-00-94	20 - 10	6E5-45970-10	20 - 23	703-48265-00	24 - 9
6H1-43841-11	17 - 42	6H1-43872-10	17 - 25		27 - 8	6E5-45378-00	19 - 21	688-45970-03-98	20 - 22	703-48268-00	24 - 5
6E5-43842-00	16 - 77	6E5-43874-01	16 - 35		27 - 20	688-45383-02	19 - 71	6E5-45972-10	20 - 23	703-48271-00	24 - 61
6E5-43843-00	16 - 50	6H1-43874-00	17 - 67	6H3-44341-00-94	19 - 30	688-45384-00	19 - 72	688-45972-02-98	20 - 22	703-48281-00	24 - 31
6H1-43843-11	17 - 72	6E5-43875-00	16 - 71	6H3-44352-00	19 - 28	6H3-45501-00	19 - 39	6E5-45974-10	20 - 23	703-48282-00	24 - 32
6E5-43844-02	16 - 79	6H1-43875-00	17 - 57		27 - 17	6H3-45501-10	19 - 39	688-45974-02-98	20 - 22	703-48284-00	24 - 53
6H1-43844-10	17 - 44	6E5-43877-01	16 - 53	6H3-44361-00	20 - 2	688-45536-01	19 - 4	6E5-45976-10	20 - 23	701-48287-00	24 - 42
6E5-43845-01	16 - 69	6E5-43878-01	16 - 60	6H3-44361-10	20 - 2	6K5-45551-00	19 - 40	688-45976-01-98	20 - 22	703-48291-10	24 - 39
6H1-43845-00	17 - 55	6H1-4388E-11	17 - 73	663-44366-00	20 - 16	6K5-45560-00	19 - 42	6E5-45978-10	20 - 23	703-48293-10	24 - 41
6E5-43847-00	16 - 65	6H1-43880-02	16 - 2		27 - 14	688-45567-01-10	19 - 7	688-45978-60-98	20 - 22	701-48320-20	23 - 2
6H1-43847-00	17 - 50		17 - 2	663-44367-00	20 - 1	688-45567-01-12	19 - 7	688-45987-01	20 - 17	701-48320-50	23 - 2
6E5-43849-01	16 - 74	6H1-43881-10	16 - 12		10 - 2	688-45567-01-15	19 - 7	6E5-45994-10	20 - 24	6H3-48344-00	11 - 18
6H1-4385H-00	17 - 78		17 - 12	688-44511-00-94	15 - 33	688-45567-01-18	19 - 7	688-45997-01	20 - 18	663-48344-00	11 - 41
6G5-43851-00	16 - 78	6E5-43883-00	16 - 49	688-44514-00-94	15 - 26	688-45567-01-30	19 - 7	703-48152-00	24 - 58	703-48345-01	24 - 19
6E5-43854-01	16 - 66	6E5-43888-01	16 - 61	6H1-44526-00	12 - 3	688-45567-01-40	19 - 7	703-48153-00	24 - 3	703-48358-00	24 - 20
6H1-43854-00	17 - 53	6H1-43891-10	16 - 5		13 - 3	688-45567-01-50	19 - 7	703-48189-00	24 - 17	6H3-48511-51-4D	15 - 36
6H1-43855-11	17 - 71		17 - 5	6H3-44551-01-4D	15 - 9	6H3-45571-00	19 - 62	703-48198-00	24 - 14	6H3-48538-00	11 - 42
6H3-43855-00	16 - 51	6H1-43892-10	16 - 6	6H3-44552-02-94	15 - 18	688-45576-00	19 - 66	703-48203-A1	23 - 1	688-61350-10	22 - 1
6E5-43856-01	16 - 81		17 - 6	6H3-44553-01-4D	15 - 23	688-45577-01-10	19 - 65		24 - 1	688-61351-10	22 - 2
6H1-43856-10	17 - 43	6E5-43895-00	16 - 54	687-44555-00-94	15 - 11	688-45577-01-12	19 - 65	703-48205-A2	23 - 1	6E5-61355-00	22 - 8
6E5-43858-00	16 - 80	6H1-43895-11	17 - 70	663-44575-00	15 - 16	688-45577-01-15	19 - 65		24 - 1	6E5-81332-00	7 - 14
6E5-43859-00	16 - 52	6E5-43896-00	16 - 55		15 - 32	688-45577-01-18	19 - 65	703-48211-01	24 - 62	6H3-81337-01	7 - 17
6H1-4386K-10	16 - 9	6H1-43896-00	17 - 69	6H3-45111-01-4D	18 - 1	688-45577-01-30	19 - 65	703-48212-00	24 - 59	6H3-81800-11	9 - 1
	17 - 9	6E5-43897-00	16 - 59	6H3-45111-11-4D	18 - 1	688-45577-01-40	19 - 65	703-48213-00	24 - 60	6H3-81807-10	9 - 3
6E5-43861-00	16 - 19	6H1-43899-00	17 - 51	6H3-45113-A0	18 - 7	688-45577-01-50	19 - 65	703-48215-00	24 - 43	689-81809-11	9 - 7
6H1-43861-00	17 - 21	6H3-44117-00-94	11 - 31		26 - 18	688-45587-01-10	19 - 5	702-48217-00	24 - 44	6H3-81810-10	9 - 9
6H1-43861-10	17 - 18	6H3-44120-02	11 - 27	6H3-45114-A1	18 - 17	688-45587-01-12	19 - 5	703-48218-00	24 - 66	689-81811-11	9 - 12
	17 - 22	6H3-44120-12	11 - 27		27 - 2	688-45587-01-15	19 - 5	703-48219-00	24 - 30	689-81812-11	9 - 11
	17 - 60	6H3-44121-01	11 - 37	663-45119-00	12 - 18	688-45587-01-18	19 - 5	703-48221-00	24 - 57	689-81813-10	9 - 13
6E5-43862-00	16 - 20	688-44122-00	11 - 40		13 - 16	688-45587-01-30	19 - 5	703-48222-00	24 - 27	6H3-81820-11	9 - 14
	16 - 22	6H1-44144-00	19 - 58	6H3-45123-00	18 - 16	688-45587-01-40	19 - 5	703-48223-00	24 - 28	689-81826-10	9 - 15
	16 - 38	6H1-44151-00	19 - 57		27 - 3	688-45587-01-50	19 - 5	703-48224-00	24 - 56	6H3-81830-10	9 - 4
6E5-43863-00	16 - 28	688-44194-00	11 - 7	6H3-45127-00	18 - 15	6H1-45611-01	19 - 43	703-48225-00	24 - 29	689-81831-00	9 - 5

NUMERICAL INDEX

PART NO.	REF. NO.	PART NO.	REF. NO.	PART NO.	REF. NO.	PART NO.	REF. NO.	PART NO.	REF. NO.	PART NO.	REF. NO.
689-81840-11	9 - 10	703-83383-A0	24 - 52	90119-08M84	20 - 9	90250-07M02	19 - 54	90445-07M02	2 - 12	90502-20M03	12 - 37
689-81847-11	9 - 6	6Y5-83514-00	25 - 5	90119-10M07	2 - 8	90266-06009	1 - 9	90445-07M44	2 - 10		13 - 35
689-81850-12	9 - 8	6Y5-83517-00	25 - 2	90151-05M00	19 - 14	90269-04M03	10 - 8	90445-07M45	2 - 13	90506-14M24	12 - 44
689-81857-11	9 - 2	6Y5-83518-00	25 - 9	90152-06M01	13 - 5	90280-03M03	19 - 29	90445-07M82	2 - 14		13 - 40
6H3-81916-10	8 - 15	6Y5-83523-00	25 - 4	90157-06M01	10 - 25		27 - 25	90445-07255	4 - 15	90508-26M35	11 - 11
6H2-81949-01	8 - 44	6Y5-83536-00	25 - 10		10 - 29	90280-05015	7 - 11	90445-09M75	6 - 4	91318-08016	17 - 66
6H2-81949-11	8 - 43	6Y5-83536-10	25 - 3	90157-06M13	11 - 5	90282-04010	19 - 70	90445-09072	6 - 13	91490-20012	11 - 36
61A-81950-00	8 - 39	6Y5-83540-14	25 - 1	90159-06M01	8 - 16	90338-05M03	10 - 29		6 - 30	91490-30025	12 - 32
688-81950-10	8 - 24	6Y5-83553-00	25 - 13	90159-06M23	7 - 18		12 - 20	90445-09220	6 - 34		13 - 30
6H2-81960-10	8 - 11	6E5-83558-00	20 - 15	90170-09M03	22 - 5		13 - 44	90445-11M05	21 - 11	91490-40025	20 - 21
6H3-82105-01	8 - 29	6E5-83558-10	19 - 23	90170-16M01	19 - 41	90340-08M04	19 - 9	90445-11M06	21 - 9	91690-30012	12 - 36
6H3-82117-00	8 - 30	6Y5-83577-00	25 - 11	90170-20137	7 - 12	90340-14M00	2 - 24	90464-05M16	8 - 14		13 - 34
6Y5-82117-00	25 - 15	6E5-83614-01	8 - 48	90171-16011	20 - 20	90386-07M58	11 - 34	90464-07M05	2 - 16	91690-30020	12 - 32
682-82119-01	8 - 45	688-83664-00	25 - 12	90179-06066	15 - 22	90386-10M16	12 - 28	90464-09M13	10 - 28		13 - 28
703-82119-00	8 - 6	6Y5-83670-11	25 - 8	90183-02M03	19 - 53		13 - 26	90464-11M18	12 - 19		14 - 10
	10 - 28	6H1-83672-11	15 - 1	90185-05002	19 - 15	90386-13M38	10 - 5		13 - 43	92901-04100	17 - 76
	15 - 42	6H5-83672-01	15 - 1	90185-08057	15 - 40	90386-18M14	16 - 30	90464-13080	24 - 54	92901-05200	17 - 63
688-82127-02	15 - 25	6H2-85520-01	7 - 2	90185-09M01	22 - 4		17 - 31	90464-15M11	8 - 28	92903-05100	25 - 7
697-82127-01	15 - 25	6H2-85533-01	7 - 3	90185-10051	15 - 31	90386-18M21	13 - 37	90464-18M14	8 - 50	92903-06600	2 - 21
6E5-82148-00	12 - 12	6H2-85540-10	8 - 5		15 - 38		14 - 6	90464-23M22	8 - 18		2 - 35
	13 - 10	6H3-85542-11-94	8 - 1	90185-22043	12 - 24	90386-18M35	12 - 40	90465-06M86	12 - 19		2 - 41
6H1-82148-00	12 - 8	6H2-85550-00	7 - 1		13 - 22		13 - 38		13 - 17		4 - 11
1E6-82151-00	25 - 14	697-85570-00	8 - 20	90201-03313	19 - 52		14 - 7	90465-11M10	15 - 41		5 - 44
682-82151-00	8 - 32	6H2-85580-01	7 - 4	90201-05M00	16 - 72	90386-18M63	12 - 39		19 - 24		8 - 10
6G5-82152-00	8 - 17	6H2-85895-01	7 - 5	90201-10M20	22 - 3		14 - 6	90465-13M11	8 - 19		8 - 22
6H3-82154-11	8 - 42	90101-10M49	15 - 27	90201-10M63	22 - 7	90386-22M15	12 - 22	90465-18147	5 - 42		8 - 26
6H3-82164-00	8 - 27	90101-12M65	12 - 47	90201-11M22	15 - 30		13 - 20	90467-06016	2 - 11		8 - 34
6G1-82370-21	8 - 23		13 - 45	90201-12M16	15 - 12	90386-30M60	15 - 8		2 - 15		8 - 36
703-82510-02	24 - 45	90105-06M14	8 - 2	90201-12426	12 - 49	90386-30M77	15 - 6		4 - 16		9 - 19
703-82510-11	24 - 45	90105-10M67	20 - 13		13 - 47	90386-30M78	15 - 5	90467-08004	2 - 43		11 - 33
703-82531-00	24 - 47	90109-06M21	16 - 58	90201-13M19	15 - 14	90387-06M43	8 - 3		4 - 18	92903-08600	9 - 17
703-82540-00	24 - 51	90109-06M43	11 - 13	90201-17M00	20 - 19	90387-06M60	11 - 8		6 - 5		9 - 21
703-82542-00	24 - 65	90109-12M21	15 - 15	90201-20M21	15 - 28		11 - 25		6 - 14	92990-05100	6 - 23
6R3-82553-70	25 - 16	90116-10175	15 - 37	90201-20417	3 - 18	90387-06M69	10 - 21		6 - 31	92990-05600	4 - 4
682-82556-00	24 - 49	90119-06M09	10 - 11	90201-21M18	7 - 13	90387-10M02	12 - 31		6 - 36	92990-06600	10 - 26
688-82560-10	8 - 38	90119-06M29	12 - 4	90201-22M67	12 - 23		13 - 30	90468-18008	11 - 19		10 - 38
6H1-82563-10	8 - 46		13 - 4		13 - 21	90387-10M38	12 - 31		11 - 38	92990-08200	11 - 35
703-82563-01	24 - 56	90119-06M42	16 - 31	90201-30M00	15 - 4		13 - 29	90480-09M12	10 - 20	92990-08600	24 - 34
688-82575-01	24 - 48	90119-06M61	10 - 22	90202-03M51	14 - 13	90387-10M42	22 - 6	90480-13M54	8 - 4	92990-10100	20 - 7
676-82577-00	24 - 46	90119-06M71	16 - 32	90202-07M07	11 - 39	90430-08020	19 - 11	90501-10M21	12 - 30	92990-10600	12 - 29
688-8258A-20	24 - 50	90119-08M09	2 - 30	90202-12060	20 - 2		27 - 4		13 - 28		13 - 27
688-82586-21	24 - 50	90119-08M14	19 - 38	90202-20M06	15 - 29	90430-12072	20 - 4	90501-10326	5 - 6		20 - 8
6E5-82587-00	8 - 47		27 - 23	90202-25M04	15 - 13	90430-14115	2 - 25	90501-12M48	19 - 51	92995-06100	1 - 7
6H2-82590-02	8 - 31	90119-08M17	2 - 9	90206-10M04	11 - 24		26 - 3	90501-12082	11 - 30		12 - 6
6H2-82590-13	8 - 31	90119-08M33	19 - 37	90206-13M10	10 - 6	90440-14M00	12 - 51	90501-14M08	15 - 21		13 - 7
703-82592-00	24 - 55		27 - 24	90209-06M05	4 - 23	90445-07ME8	19 - 22	90501-16M65	19 - 47	92995-06600	1 - 8
688-82594-00	8 - 37	90119-08M79	18 - 8	90249-06M19	12 - 42	90445-07ME9	19 - 22	90502-16M02	12 - 37		1 - 12
703-82594-00	24 - 25	90119-08M81	18 - 4		13 - 29	90445-07MF1	20 - 14		13 - 35		3 - 6



NUMERICAL INDEX

PART NO.	REF. NO.	PART NO.	REF. NO.	PART NO.	REF. NO.	PART NO.	REF. NO.	PART NO.	REF. NO.	PART NO.	REF. NO.
92995-06600	6 - 3	93210-09165	17 - 37	93606-12019	20 - 5	97095-06016	8 - 12				
	6 - 29	93210-10M74	16 - 68	93608-12063	2 - 7		8 - 49				
	7 - 8		17 - 54	93700-06M03	12 - 17		10 - 17				
	7 - 10	93210-16275	22 - 10		13 - 15		12 - 5				
	7 - 16	93210-18M75	16 - 70	94702-00160	2 - 44		13 - 6				
	8 - 8		17 - 56	94702-00247	2 - 44		19 - 19				
	8 - 13	93210-18397	17 - 26	95303-05600	25 - 6	97095-06020	3 - 5				
	8 - 41	93210-29M94	15 - 7	95380-03600	5 - 35		10 - 35				
	10 - 18	93210-32738	6 - 9		6 - 19	97095-06025	6 - 2				
	10 - 34		26 - 16	95380-05600	11 - 3		7 - 9				
	10 - 36	93210-39ME4	4 - 13		11 - 17		8 - 40				
	12 - 7		26 - 14		11 - 22		10 - 33				
	12 - 10		26 - 30		24 - 7		11 - 9				
	13 - 8	93210-46M16	3 - 12	95380-06600	11 - 6		11 - 26				
	19 - 20		26 - 9		24 - 40	97095-06035	7 - 7				
92995-08100	15 - 20	93210-46044	19 - 32	95380-08600	6 - 11	97095-06040	6 - 28				
	15 - 35		27 - 10	95380-12600	12 - 50	97095-06045	8 - 7				
	18 - 10		27 - 22		13 - 48	97095-06095	4 - 12				
	18 - 13	93210-49046	19 - 17	95380-12800	15 - 17	97095-08030	24 - 33				
	18 - 19		27 - 5	97013-06012	5 - 43	97095-10045	12 - 14				
92995-10100	12 - 15	93210-64488	17 - 28		8 - 9		13 - 12				
	13 - 13	93210-65M50	3 - 4		8 - 33	97380-05025	24 - 8				
92995-12200	12 - 48		26 - 12		8 - 35	97595-06420	17 - 35				
	13 - 46	93210-85M97	19 - 67	97013-06014	6 - 12	97607-04310	16 - 11				
93101-23070	19 - 31		27 - 13	97013-06016	2 - 20		17 - 11				
	27 - 11	93306-207U0	19 - 64		8 - 25	97803-04010	5 - 34				
93101-25M03	19 - 69	93306-306V1	3 - 11	97013-06020	8 - 21	97880-05016	4 - 3				
	27 - 12	93311-636U6	3 - 8		11 - 32	97880-06012	12 - 13				
93102-08M43	16 - 14	93315-325V1	19 - 3	97013-06025	2 - 34		13 - 11				
	17 - 14	93317-325U0	19 - 68		4 - 10	97885-05016	16 - 10				
93102-30M23	3 - 2	93332-000U3	19 - 6		9 - 18		17 - 10				
	26 - 10	93332-000W7	19 - 8	97013-06035	2 - 40	97885-06010	7 - 15				
93102-36M24	3 - 9	93410-18M02	12 - 41	97013-08016	9 - 20	97885-06016	15 - 2				
	26 - 8		13 - 39	97013-08020	2 - 23		15 - 24				
93106-09014	19 - 18	93410-28M06	15 - 10	97013-08035	9 - 16	97885-06045	4 - 22				
	27 - 6	93430-06024	24 - 10	97075-08025	15 - 19	97980-04114	5 - 4				
93106-18M01	3 - 3		24 - 64	97075-08030	18 - 12	98501-04025	17 - 75				
	26 - 11	93430-08006	19 - 60		18 - 18	98501-05010	17 - 62				
93210-04228	5 - 13	93440-49M04	3 - 10	97075-08035	15 - 34	98503-05028	6 - 22				
	26 - 22	93450-07M00	19 - 61		18 - 9	98580-03015	24 - 38				
93210-04230	5 - 26	93501-04M02	11 - 29	97075-10040	20 - 6	98580-04006	24 - 36				
	26 - 29	93503-16003	19 - 48	97080-06010	14 - 4	98580-04008	5 - 16				
93210-06M77	16 - 76	93505-32038	17 - 79	97095-05012	7 - 6	98580-04010	24 - 35				
93210-064A5	17 - 38	93603-12M11	19 - 45	97095-06010	12 - 9	98580-05010	24 - 37				
93210-07M78	16 - 64	93603-18M09	3 - 17		12 - 46	98586-05016	21 - 4				
93210-07003	19 - 59	93604-10M03	19 - 36		13 - 42	98980-03006	5 - 36				
93210-08287	21 - 14	93606-12019	18 - 2	97095-06016	1 - 6						
	21 - 16		18 - 6		1 - 11						