



# **PARTS CATALOGUE**

**60FETO'04** (6H29)

**60FEDO'04** (6H2B)

**70BETO'04** (6H33)

# FOREWORD

This Parts Catalogue is related to the parts for the model(s) on the cover page. When you are ordering replacement parts, please refer to this Parts Catalogue and quote both part numbers and part names correctly.

1. Modifications or additions which have been made after the issue of the Parts Catalogue will be announced in the Parts News.  
It is advisable that you make the necessary corrections to the Parts Catalogue according to the Parts News.

2. Abbreviations

The following abbreviations are used in this Parts Catalogue.

“UR” Use specified parts number.

“UN” Use as many as needed.

“AP” Alternate Parts

“LM” Locally Made (Parts need to be ordered locally)

“F#” Frame No. (Applicable machine No.)

“O/S” Over Size

3. The number of components for assembly

- Parts, which are to be supplied in an assembly, are listed with a dot (.) in front of the part name as shown below.
- The numeral appearing to the right of each component part indicates the quantity of parts for each assembly unit.

PART NO.	DESCRIPTION	Q'TY	REMARKS
2F5-83310-60	FRONT FLASHER LIGHT ASSY	2	
115-83311-60	.BULB (6V-18W)	1	

4. Applicable colours of graphics are represented in the “REMARKS” as shown below.

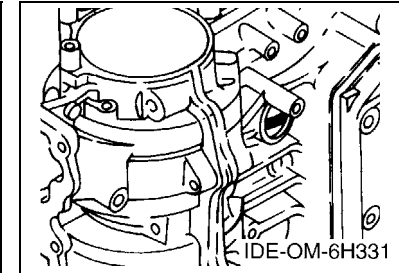
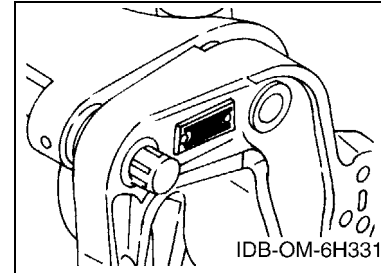
PART NO.	DESCRIPTION	Q'TY	REMARKS
2N4-24110-00-X5	FUEL TANK COMP.	2	MXR
3J1-24240-10	.GRAPHIC, FUEL TANK	1	FOR MXR

5. Note that the illustrations for reference in finding parts numbers are not to be used for assembling. When assembling, please use the applicable service manual.

6. The asterisk (\*) before a reference number indicates modified items after the first edition.

7. Applicable Serial No.

Engine Serial No.



8. Applicable Engine Starting Serial No.

Model	Serial No.	Model	Serial No.
60F	6H2K-1003093	70B	6H3K-1002818

9. Applicable Colour Code

Abbreviation	Colour Name	Colour Code
DBNM2	DARK BLUISH GRAY METALLIC 2	004D

10. Quantity Column Information

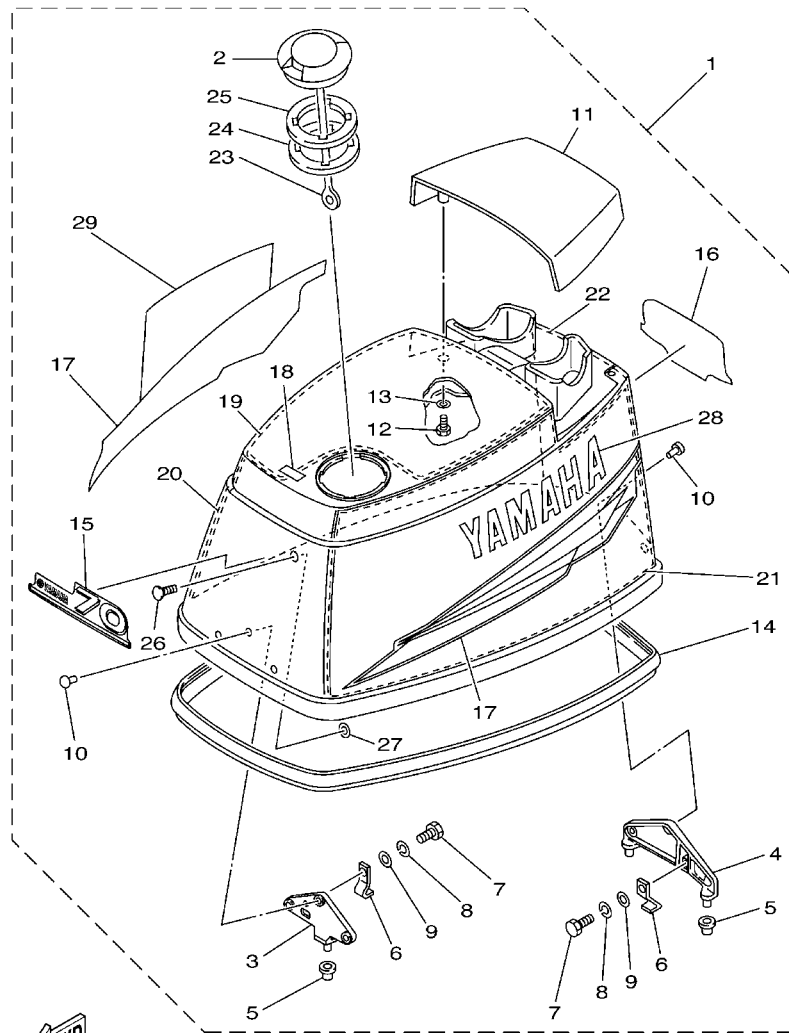
Column No.	Name Of Q'ty Column	Applicable Model
1	EDO	60FEDO
2	ETO	60FETO,70BETO

# CONTENTS

TOP COWLING .....	1
CYLINDER & CRANKCASE .....	3
CRANKSHAFT & PISTON .....	5
INTAKE .....	6
CARBURETOR .....	7
OIL PUMP .....	9
FUEL .....	12
GENERATOR .....	14
ELECTRICAL .....	15
STARTING MOTOR .....	17
BOTTOM COWLING .....	18
CONTROL .....	20
BRACKET 1 .....	22
BRACKET 2 .....	24
BRACKET 3 .....	26
BRACKET 4 .....	27
POWER TRIM & TILT ASSY .....	29
UPPER CASING .....	32
LOWER CASING & DRIVE 1 .....	33
LOWER CASING & DRIVE 2 .....	37
FUEL TANK .....	39
STEERING GUIDE .....	40
REMOTE CONTROL BOX .....	41
REMOTE CONTROL ASSY .....	42
METER 1 .....	45
METER 2 .....	46
REPAIR KIT 1 .....	47
REPAIR KIT 2 .....	49

## INDEX

NUMERICAL INDEX .....	51
-----------------------	----

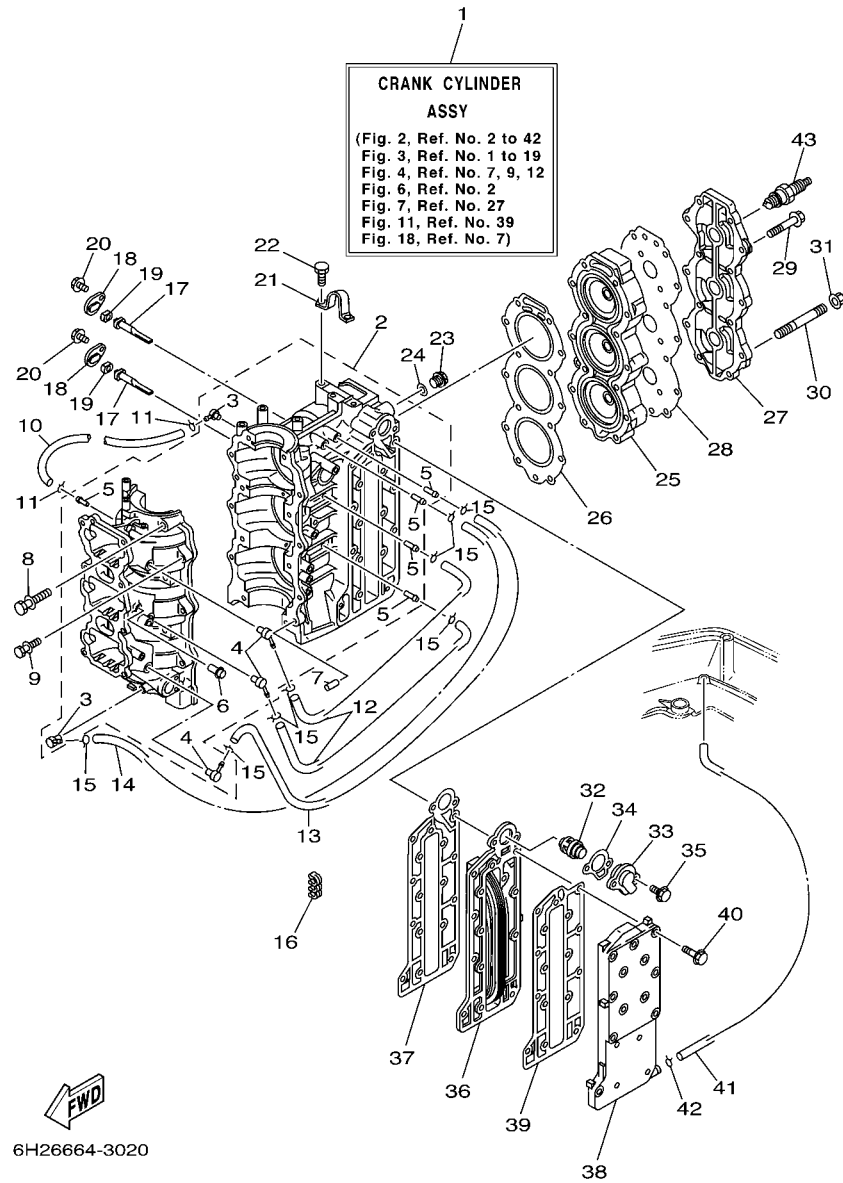


6H31664-2010

FIG. 1 TOP COWLING

REF. NO.	PART NO.	DESCRIPTION	EDO	ETO	REMARKS
1	6H3-42610-50-4D	TOP COWLING ASSY		1	70B
	6H2-42610-80-4D	TOP COWLING ASSY	1	1	60F
2	63D-2177H-00	.DISK CAP 2	1	1	
3	6H3-42647-00-94	.HOLDER, CLAMP BAND	1	1	
4	6H3-42649-00-94	.HOLDER, CLAMP BAND	1	1	
5	663-42662-00	.DAMPER	3	3	
6	6H3-42652-00	.HOOK	2	2	
7	97095-06016	.BOLT	2	2	
8	92995-06100	.WASHER, SPRING	2	2	
9	92995-06600	.WASHER	2	2	
10	90266-06009	.RIVET	6	6	
11	6H3-42613-01-4D	.MOLDING, AIR DUCT	1	1	
12	97095-06016	.BOLT	4	4	
13	92995-06600	.WASHER	4	4	
14	6H3-42615-00	.SEAL	1	1	
15	6H3-42677-50	.GRAPHIC, FRONT		1	70B
	6H2-42677-50	.GRAPHIC, FRONT	1	1	60F
16	6H3-42678-30	.GRAPHIC, REAR		1	70B
	6H2-42678-30	.GRAPHIC, REAR	1	1	60F
17	6H3-W0070-30	.GRAPHIC SET	1	1	
18	6H3-13436-00	.MARK		1	70B
	6H3-13436-40	.MARK	1	1	60F
19	6H3-42617-10	.DAMPER, FORM	1	1	
20	6H3-42619-00	.DAMPER, FORM	1	1	
21	6H3-42627-00	.DAMPER, FORM	1	1	
22	6H3-42637-00	.DAMPER, FORM	1	1	
23	6H1-42694-00	.BAND	1	1	



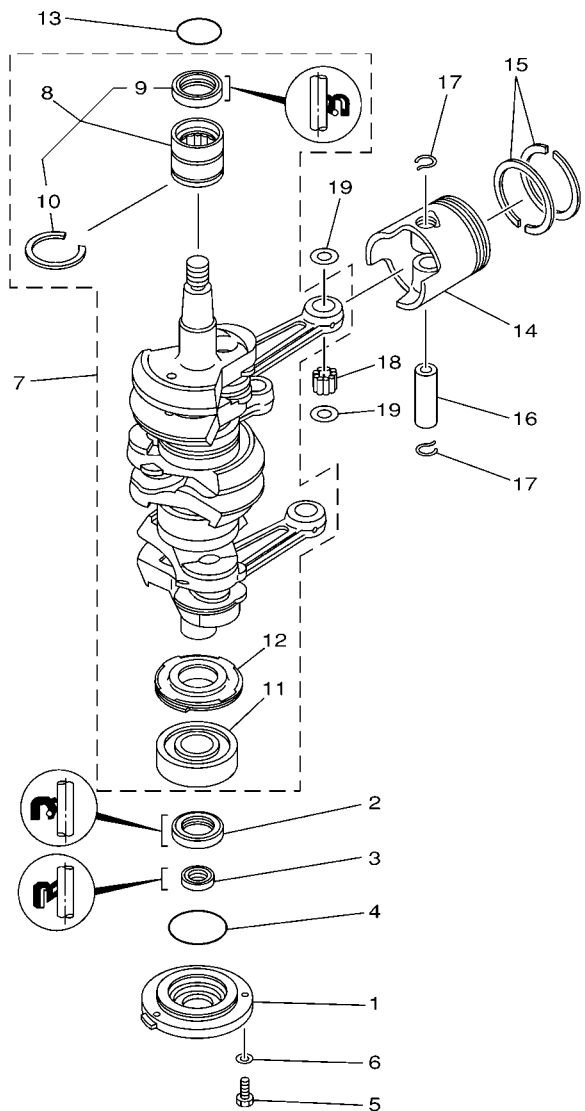


6H26664-3020

FIG. 2 CYLINDER & CRANKCASE

REF. NO.	PART NO.	DESCRIPTION	EDO	ETO	REMARKS
1	6H3-W0090-44-1S	CRANK CYLINDER ASSY	1	1	
2	6H3-15100-14-1S	CRANKCASE ASSY	1	1	
3	688-11370-01	.CHECK VALVE ASSY	2	2	
4	650-11370-01	.CHECK VALVE ASSY	3	3	
5	624-14485-00	.PIPE, JOINT	5	5	
6	650-24378-00	.PIPE, JOINT 4	1	1	
7	93608-12063	PIN, DOWEL	2	2	
8	90119-10005	BOLT, WITH WASHER	8	8	
9	90119-08M64	BOLT, WITH WASHER	6	6	
10	90445-07M44	HOSE (L250)	1	1	
11	90467-06016	CLIP	2	2	
12	90445-07M02	HOSE (L167)	2	2	
13	90445-07M45	HOSE (L340)	1	1	
14	90445-07M82	HOSE (L440)	1	1	
15	90467-06016	CLIP	8	8	
16	90464-07M05	CLAMP	1	1	
17	6H3-11325-01	ANODE	2	2	
18	6H3-11327-00-1S	COVER, ANODE	2	2	
19	6H3-11328-00	GROMMET, ANODE	2	2	
20	90119-06023	BOLT, WITH WASHER	2	2	
21	688-11119-01	HANGER, ENGINE	1	1	
22	90101-08002	BOLT	2	2	
23	90340-14M00	PLUG, STRAIGHT SCREW	1	1	
24	90430-14115	GASKET	1	1	
25	6H3-11111-01-1S	HEAD, CYLINDER 1	1	1	
26	6H3-11181-A1	GASKET, CYLINDER HEAD 1	1	1	
27	6H3-11191-00-1S	COVER, CYLINDER HEAD 1	1	1	



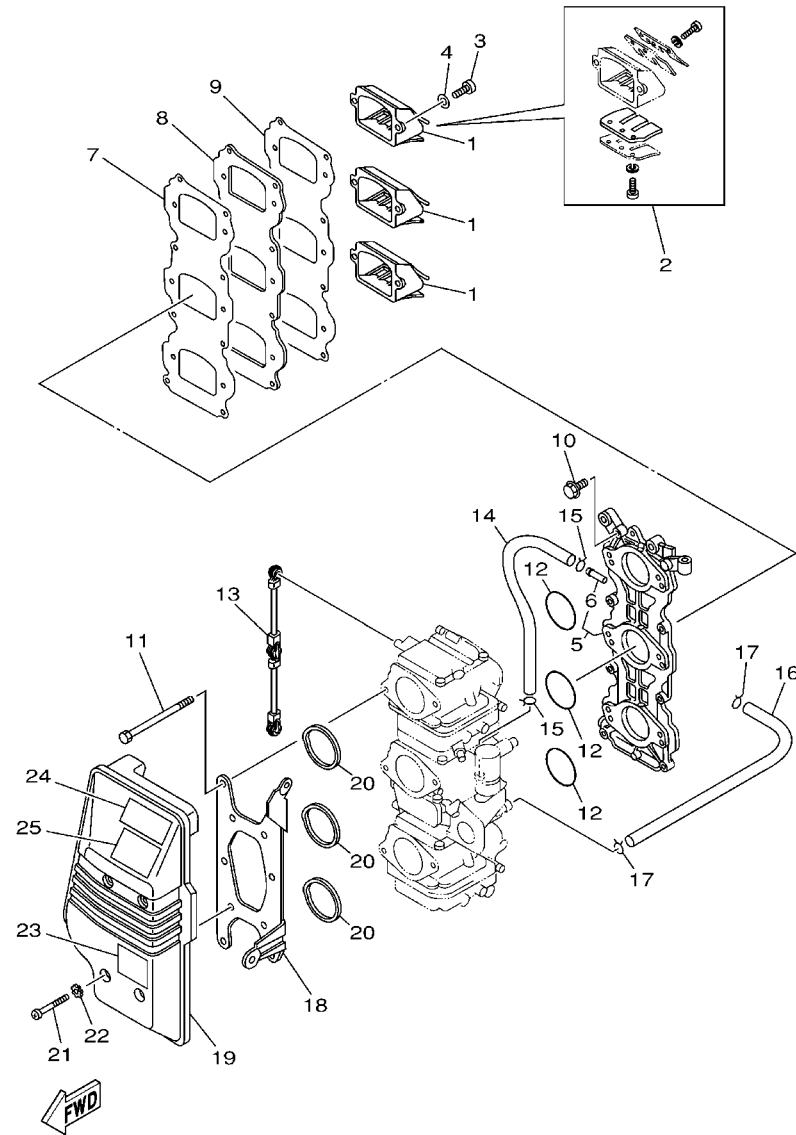


6H30010-9030

FIG. 3 CRANKSHAFT & PISTON

REF. NO.	PART NO.	DESCRIPTION	EDO	ETO	REMARKS
1	6H3-15359-00-94	HOUSING, OIL SEAL	1	1	
2	93102-30M23	OIL SEAL	1	1	
3	93106-18M01	OIL SEAL	1	1	
4	93210-65M50	O-RING	1	1	
5	97095-06020	BOLT	3	3	
6	92995-06600	WASHER	3	3	
7	6H3-11400-10	CRANKSHAFT ASSY	1	1	
8	93311-636U6	.BEARING	1	1	
9	93102-36M24	..OIL SEAL	1	1	
10	93440-49M04	..CIRCLIP	1	1	
11	93306-306V1	.BEARING	1	1	
12	6H3-11536-00	.GEAR, DRIVE	1	1	
13	93210-46M16	O-RING	1	1	
14	6H3-11631-01-96	PISTON (STD)	3	3	
	6H3-11635-01	PISTON (0.25MM O/S)	3	3	AP
	6H3-11636-01	PISTON (0.50MM O/S)	3	3	AP
15	6K5-11601-02	PISTON RING SET (STD)	3	3	
	6K5-11601-12	PISTON RING SET (0.25MM O/S)	3	3	AP
	6K5-11601-22	PISTON RING SET (0.50MM O/S)	3	3	AP
16	6H3-11633-00	PIN, PISTON	3	3	
17	688-11634-10	CLIP, PISTON PIN	6	6	
18	93603-18M09	PIN, DOWEL	84	84	
19	90201-20417	WASHER, PLATE	6	6	





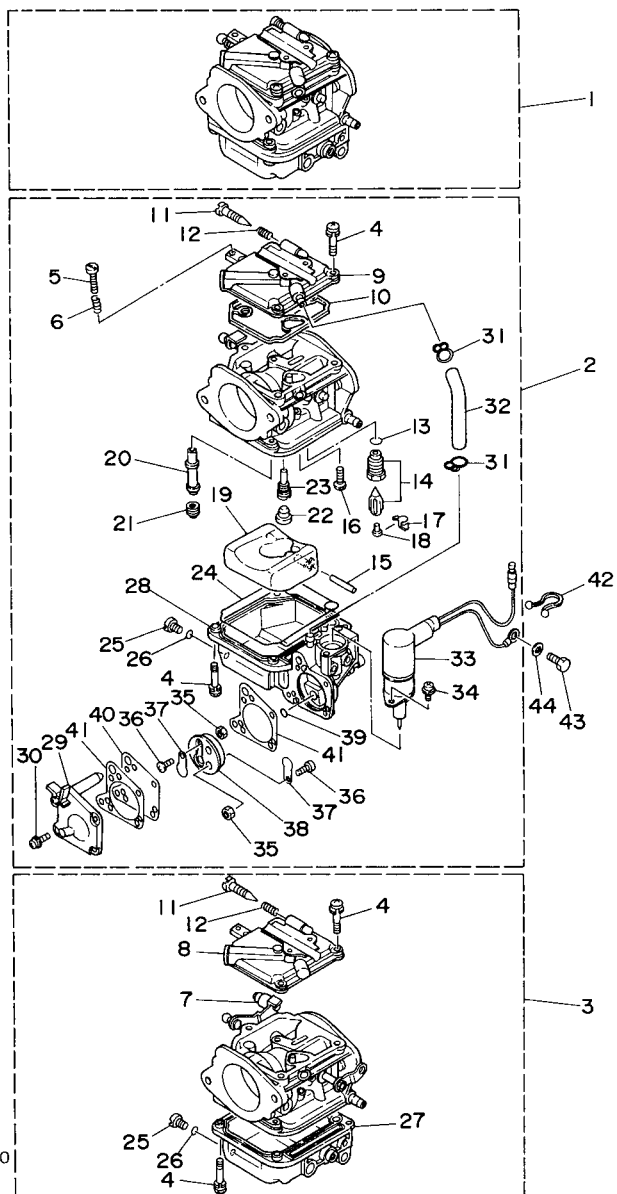
6H31100-2040

FIG. 4 INTAKE

REF. NO.	PART NO.	DESCRIPTION	EDO	ETO	REMARKS
1	6H3-13610-00	REED VALVE ASSY		3	70B
	6H2-13610-00	REED VALVE ASSY	3	3	60F
2	688-W0004-00	.REED SET	1	1	
3	97880-05016	SCREW, PAN HEAD	6	6	
4	92990-05600	WASHER, PLATE	6	6	
5	6H3-13641-13-94	MANIFOLD 1	1	1	
6	6H1-14485-00	.PIPE, JOINT	4	4	
7	6H3-13621-A1	GASKET, VALVE SEAT	1	1	
8	6H3-13624-00-94	PLATE, REED VALVE	1	1	
9	6H3-13622-A1	GASKET, VALVE SEAT	1	1	
10	90119-06MA3	BOLT, WITH WASHER	8	8	
11	97095-06095	BOLT	6	6	
12	93210-39ME4	O-RING	3	3	
13	6H3-41217-00	ROD, ACCEL. LEVER	1	1	
14	90445-07255	HOSE (L160)	1	1	
15	90467-06016	CLIP	2	2	
16	6H3-14349-00	PIPE	1	1	
17	90467-08004	CLIP	2	2	
18	6H3-14413-10	STAY	1	1	
19	6H3-14440-02	SILENCER ASSY, INTAKE	1	1	
20	6H3-14457-01	SEAL	3	3	
21	97885-06045	SCREW, PAN HEAD	4	4	
22	90209-06M05	WASHER	4	4	
23	6H1-85711-60	MARK, CAUTION	1	1	
24	6A1-83625-41	MARK 5	1	1	
25	6A1-83625-51	MARK 5	1	1	

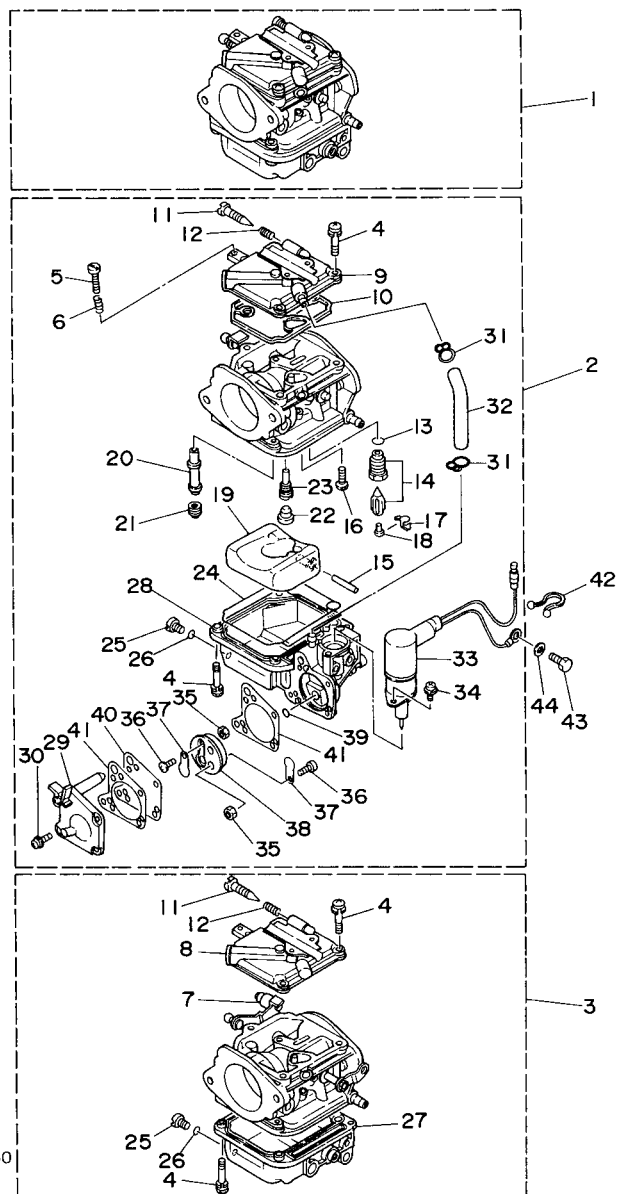
FIG. 5 CARBURETOR

6H30010-4050  

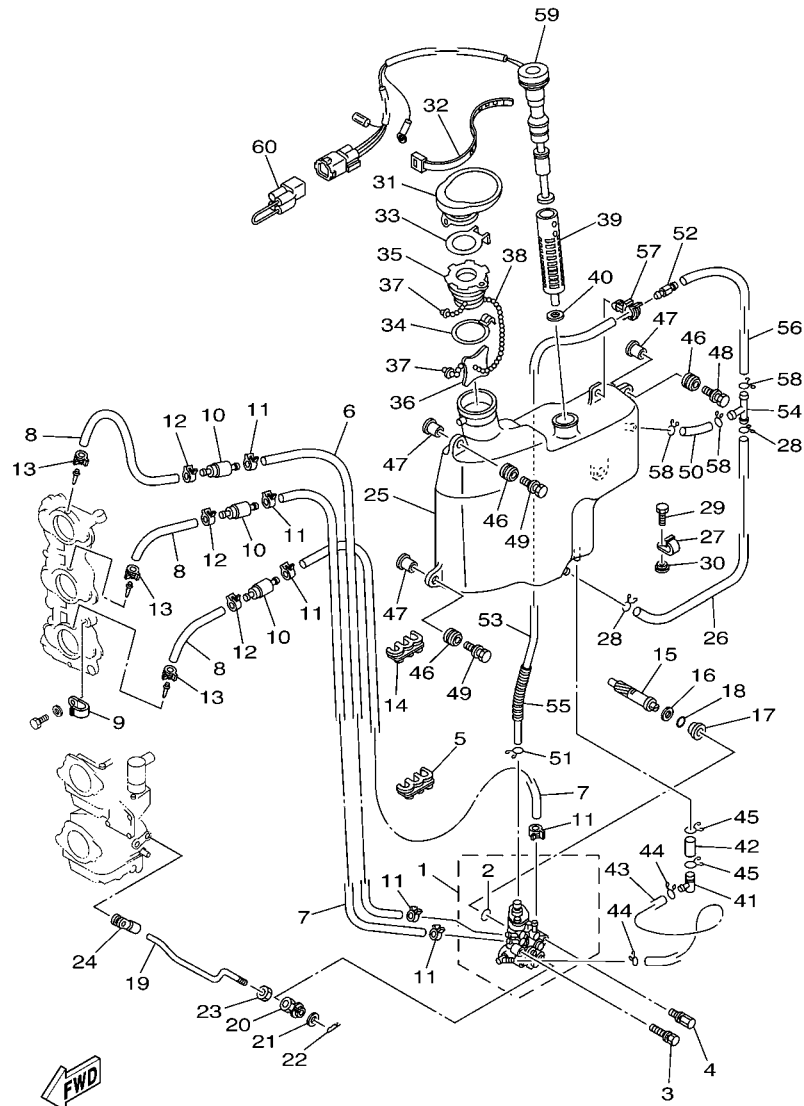
REF. NO.	PART NO.	DESCRIPTION	EDO	ETO		REMARKS
1	6H3-14301-0A	CARBURETOR ASSY 1		1		70B
	6H2-14301-0A	CARBURETOR ASSY 1	1	1		60F
2	6H3-14302-0A	CARBURETOR ASSY 2		1		70B
	6H2-14302-0A	CARBURETOR ASSY 2	1	1		60F
3	6H3-14303-0A	CARBURETOR ASSY 3		1		70B
	6H2-14303-0A	CARBURETOR ASSY 3	1	1		60F
4	97980-04114	.SCREW, WITH WASHER	21	21		
5	63V-14523-00	.SCREW, STOP	1	1		#2
6	90501-10326	.SPRING, COMPRESSION	1	1		#2
7	6H2-14578-00	.COLLAR	1	1		#3
8	6H4-14146-00	.PLATE	2	2		#1,3
9	6H3-14146-10	.PLATE	1	1		#2
10	6H4-14147-00	.O-RING	3	3		
11	692-14923-00	.SCREW, PILOT	3	3		
12	697-14555-00	.SPRING	4	4		
13	93210-04228	.O-RING	3	3		
14	6H3-14590-01	.NEEDLE VALVE ASSY	3	3		
15	6H4-14548-00	.PIN, FLOAT ARM	3	3		
16	98580-04008	.SCREW, PAN HEAD	3	3		
17	663-14159-00	.CLIP	3	3		
18	676-14186-00	.PIN, FLOAT	3	3		
19	6H4-14985-01	.FLOAT	3	3		
20	6H3-14947-71	.JET, NEEDLE		3		70B
	6H2-14947-71	.JET, NEEDLE	3	3		60F
21	6H3-14943-37	.JET, MAIN (#150)		3		70B
	6H3-14943-35	.JET, MAIN (#140)	2	2		60F-#1,2
	6H3-14943-36	.JET, MAIN (#145)	1	1		60F-#3

FIG. 5 CARBURETOR



FWD  
6H30010-4050

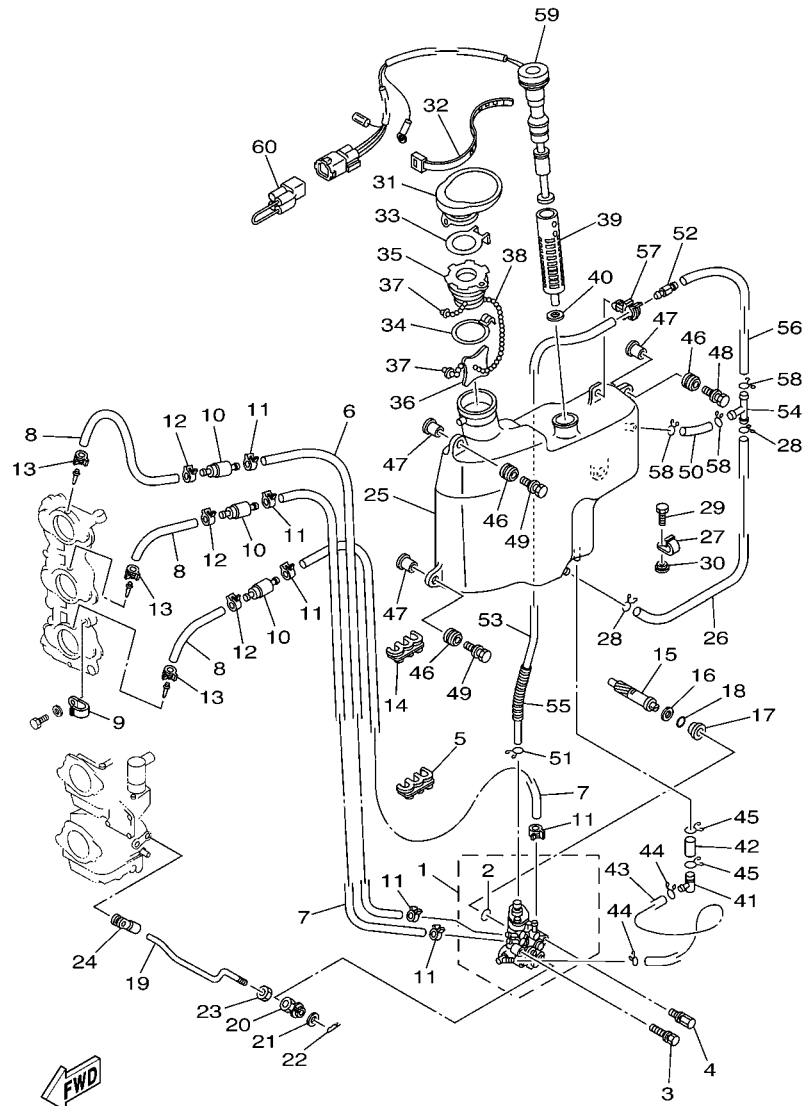
REF. NO.	PART NO.	DESCRIPTION	EDO	EYO	REMARKS
22	676-14966-00	.CAP	3	3	
23	6H3-14948-17	.JET (#75)		3	70B
	6H3-14948-13	.JET (#65)	3	3	60F
24	6H4-14984-00	.GASKET, FLOAT CHAMBER	3	3	
25	6H3-14992-00	.SCREW, DRAIN	3	3	
26	93210-04230	.O-RING	3	3	
27	6H4-14980-00	.BODY, FLOAT CHAMBER	2	2	#1,3
28	6H3-14980-10	.BODY, FLOAT CHAMBER	1	1	#2
29	6H3-24452-10	.COVER	1	1	#2
30	6H4-14567-00	.SCREW	4	4	#2
31	6H3-14137-00	.CLIP	2	2	#2
32	6H3-14349-00	.PIPE	1	1	#2
33	6H3-14380-00	.STARTER ASSY	1	1	#2
34	97803-04010	.SCREW, PAN HEAD	2	2	#2
35	95380-03600	.NUT	2	2	#2
36	98980-03006	.SCREW, BIND	2	2	#2
37	6L5-24421-00	.VALVE, CHECK	2	2	#2
38	6H4-24413-00	.BODY 2	1	1	#2
39	6H4-24486-00	.O-RING	1	1	#2
40	6H3-24411-10	.DIAPHRAGM	1	1	#2
41	6H3-24434-10	.GASKET, BODY	2	2	#2
42	90465-18147	CLAMP	1	1	
43	97013-06012	BOLT	1	1	
44	92903-06600	WASHER, PLATE	1	1	



6H32010-3060

FIG. 6 OIL PUMP

REF. NO.	PART NO.	DESCRIPTION	EDO	ETO	REMARKS
1	6H3-13200-02	OIL INJECTION PUMP ASSY	1	1	
2	93210-19MA7	.O-RING	1	1	
3	90109-06M39	BOLT	1	1	
4	90109-06M40	BOLT	1	1	
5	90464-07M05	CLAMP	1	1	
6	90445-07M44	HOSE (L250)	1	1	
7	90445-07M23	HOSE (L408)	2	2	
8	90445-07M87	HOSE (L110)	3	3	
9	90465-06M86	CLAMP	1	1	
10	6E9-13183-70	VALVE, CHECK	3	3	
11	90468-07M02	CLIP	6	6	
12	90468-07M02	CLIP	3	3	
13	90468-07M02	CLIP	3	3	
14	90464-07M05	CLAMP	1	1	
15	6H3-11537-01	GEAR, DRIVEN	1	1	
16	90201-08M93	WASHER, PLATE	1	1	
17	6H1-13117-01	COLLAR, DISTANCE	1	1	
18	93210-13M04	O-RING	1	1	
19	6H3-41241-01	ROD, LINK	1	1	
20	6H1-41237-00	JOINT, LINK	1	1	
21	90202-05088	WASHER, PLATE	1	1	
22	90468-05M03	CLIP	1	1	
23	95380-05600	NUT	1	1	
24	6E9-41237-00	JOINT, LINK	1	1	
25	6H3-21707-06	OIL TANK COMP.	1	1	
26	90445-11M03	HOSE (L330)	1	1	
27	90465-11M27	CLAMP	1	1	



6H32010-3060

FIG. 6 OIL PUMP

REF. NO.	PART NO.	DESCRIPTION	EDO	ETO	REMARKS
28	90467-11M08	CLIP	2	2	
29	97095-06016	BOLT	1	1	
30	90387-06M31	COLLAR	1	1	
31	6H3-21752-00	TUBE, FILLER 1	1	1	
32	90465-13M30	CLAMP	1	1	
33	63D-2176M-00	HOOK	1	1	
34	63D-2175R-00	HOOK, BAND	1	1	
35	6H4-21770-00	OIL TANK CAP ASSY	1	1	
36	6J8-21758-00	WASHER, SPECIAL 2	1	1	
37	6H1-21757-00	WASHER, SPECIAL 1	2	2	
38	6H1-24633-00	CHAIN, BALL	1	1	
39	6J8-13411-00	STRAINER, OIL	1	1	
40	6J8-13414-00	GASKET, STRAINER COVER	1	1	
41	6H1-13435-00	NIPPLE	1	1	
42	90445-08M01	HOSE (L30)	1	1	
43	6H1-21766-01	PIPE, OIL	1	1	
44	90467-08004	CLIP	2	2	
45	90467-12M11	CLIP	2	2	
46	6A0-82317-00	DAMPER, IGNITION COIL	4	4	
47	624-42542-00	PIPE	4	4	
48	90119-06M65	BOLT, WITH WASHER	2	2	
49	90119-06M88	BOLT, WITH WASHER	2	2	
50	90445-11M21	HOSE (L40)	1	1	
51	90467-10M04	CLIP	1	1	
52	6J8-21744-00	BREATHER	1	1	
53	90445-11M15	HOSE (L360)	1	1	
54	6E5-24378-00	PIPE, JOINT 3	1	1	



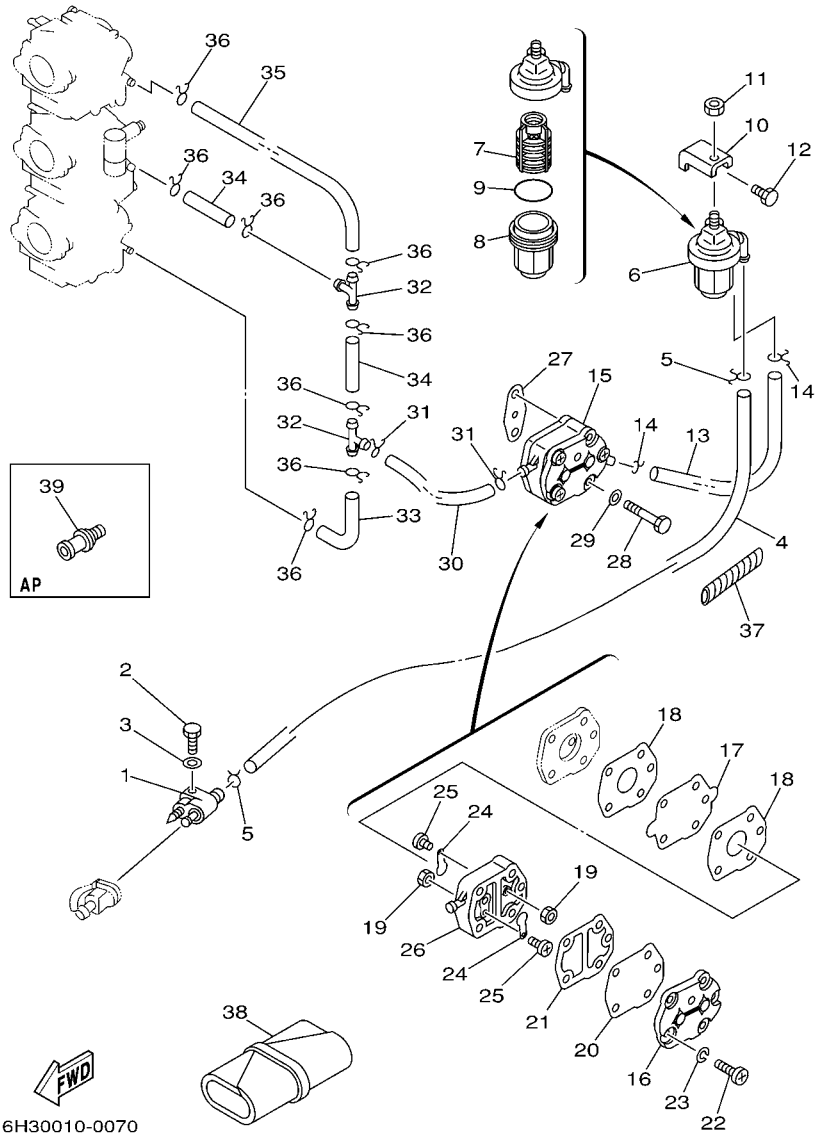
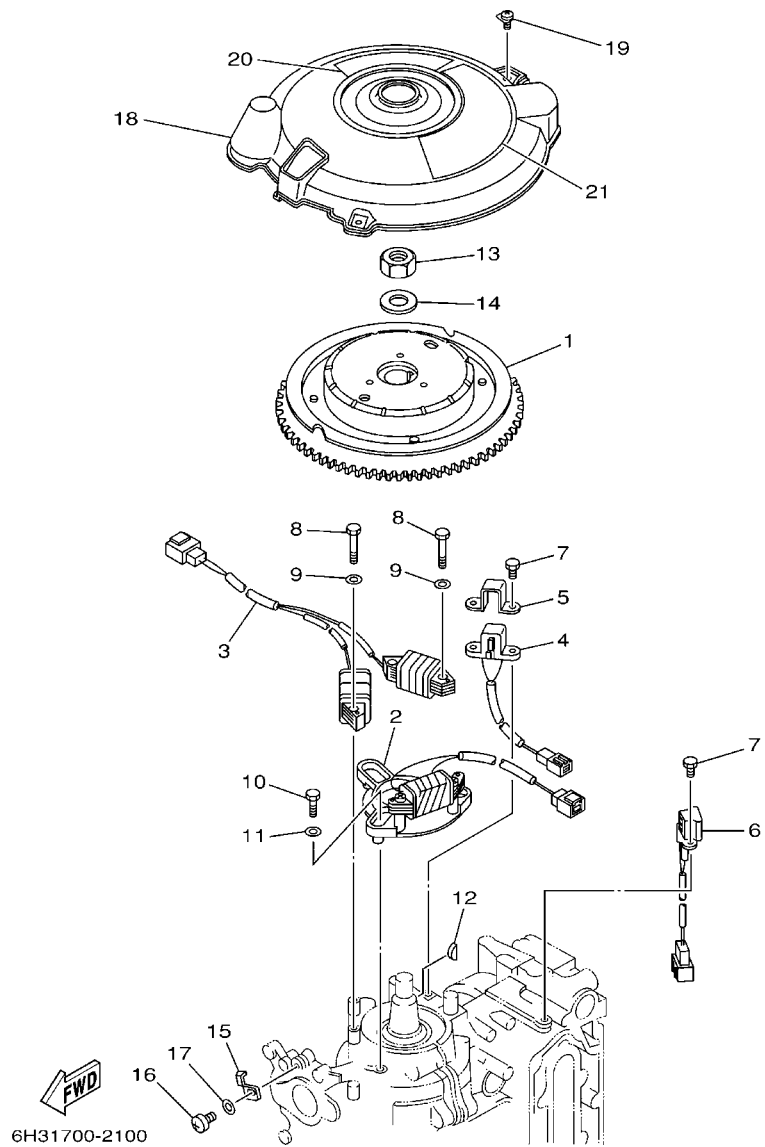


FIG. 7 FUEL

REF. NO.	PART NO.	DESCRIPTION	EDO	ETO	REMARKS
1	6G1-24304-02	FUEL PIPE JOINT COMP. 1	1	1	
2	97095-06025	BOLT	1	1	
3	92995-06600	WASHER	1	1	
4	90445-09M75	HOSE (L370)	1	1	
5	90467-08004	CLIP	2	2	
6	61N-24560-00	FILTER ASSY	1	1	
7	61N-24563-00	.ELEMENT, FILTER	1	1	
8	61N-24521-00	.CUP, FILTER	1	1	
9	93210-32738	.O-RING	1	1	
10	648-24566-02	BRACKET, FILTER	1	1	
11	95380-08600	NUT	1	1	
12	97013-06014	BOLT	1	1	
13	90445-09072	HOSE (L120)	1	1	
14	90467-08004	CLIP	2	2	
15	692-24410-00	FUEL PUMP ASSY	1	1	
16	6A0-24413-00	.BODY 2	1	1	
17	692-24411-00	.DIAPHRAGM	1	1	
18	648-24434-01	.GASKET, BODY	2	2	
19	95380-03600	.NUT	2	2	
20	663-24411-00	.DIAPHRAGM	1	1	
21	648-24435-02	.GASKET, BODY 2	1	1	
22	98503-05028	.SCREW, PAN HEAD	3	3	
23	92990-05100	.WASHER, SPRING	3	3	
24	6A0-24421-01	.VALVE, CHECK	2	2	
25	6A0-14325-00	.SCREW, PAN HEAD	2	2	
26	6A0-24412-02	.BODY 1	1	1	
27	650-24431-A0	GASKET, FUEL PUMP 1	1	1	

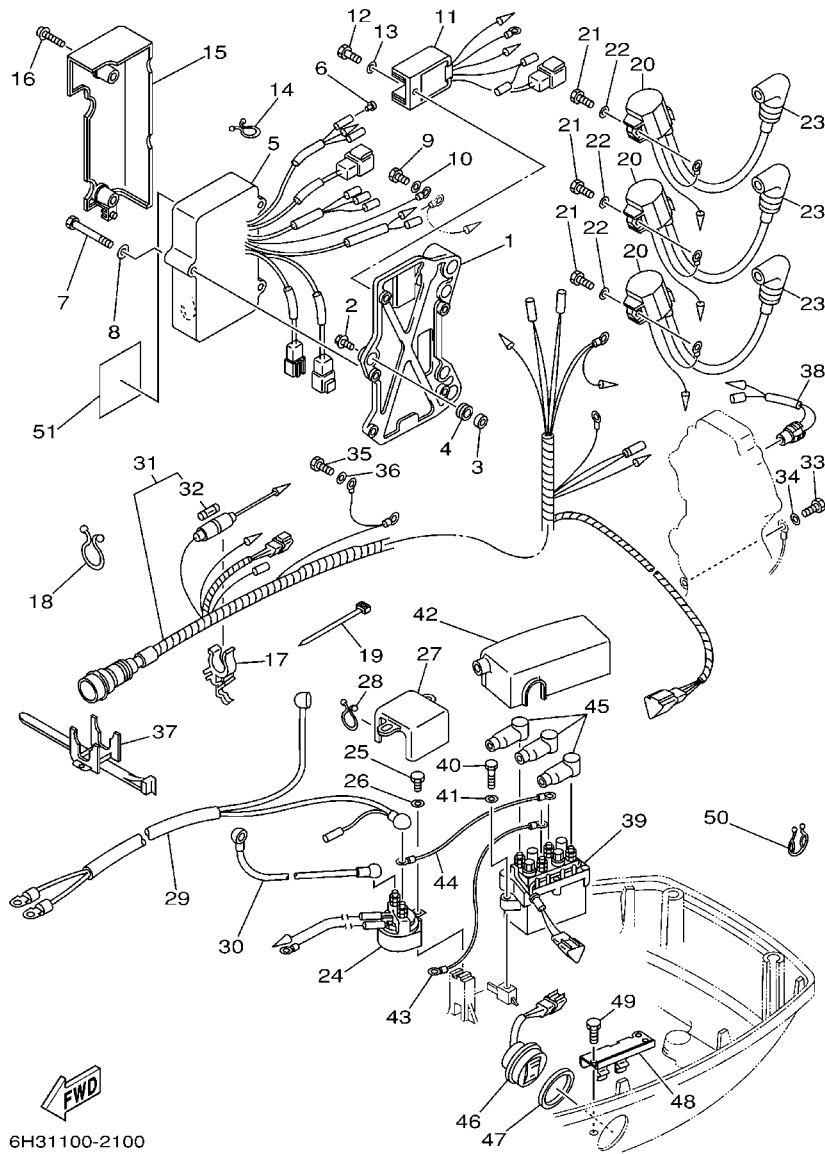






**FIG. 8 GENERATOR**

REF. NO.	PART NO.	DESCRIPTION	EDO	EYO	REMARKS
1	6H2-85550-00	ROTOR ASSY	1	1	
2	6H2-85520-01	COIL, CHARGE	1	1	
3	6H2-85533-01	COIL, LIGHTING	1	1	
4	6H2-85580-01	COIL, PULSER	1	1	
5	6H2-85582-00	ATTACHMENT, PULSER	1	1	
6	6H2-85895-01	CRANK POSITION SENDER	1	1	
7	97095-05012	BOLT	4	4	
8	97095-06035	BOLT	4	4	
9	92995-06600	WASHER	4	4	
10	97095-06025	BOLT	3	3	
11	92995-06600	WASHER	3	3	
12	90280-05015	KEY, WOODRUFF	1	1	
13	90170-20137	NUT	1	1	
14	90201-21M18	WASHER, PLATE	1	1	
15	6E5-81332-00	PLATE, TIMING	1	1	
16	97885-06010	SCREW, PAN HEAD	1	1	
17	92995-06600	WASHER	1	1	
18	6H3-81337-01	COVER, FLYWHEEL	1	1	
19	90159-06M23	SCREW, WITH WASHER	3	3	
20	6H3-14488-00	LABEL, CAUTION	1	1	
21	6H3-13437-21	MARK, CAUTION	1	1	



**FIG. 9 ELECTRICAL**

REF. NO.	PART NO.	DESCRIPTION	EDO	ETO	REMARKS
1	6H3-85542-11-94	BRACKET	1	1	
2	90105-06M14	BOLT FLANGE	3	3	
3	90387-06M43	COLLAR	3	3	
4	90480-13M54	GROMMET	3	3	
5	6H2-85540-12	C.D.I. UNIT ASSY	1	1	
6	703-82119-00	COVER, LEAD WIRE	1	1	
7	97095-06045	BOLT	3	3	
8	92995-06600	WASHER	3	3	
9	97013-06012	BOLT	1	1	
10	92903-06600	WASHER, PLATE	1	1	
11	6H2-81960-10	RECTIFIER & REGULATOR ASSY	1	1	
12	97095-06016	BOLT	1	1	
13	92995-06600	WASHER	1	1	
14	90464-05M16	CLAMP	1	1	
15	6H3-81916-10	COVER, TERMINAL	1	1	
16	90159-06M01	SCREW, WITH WASHER	2	2	
17	6G5-82152-00	HOLDER, FUSE	1	1	
18	90464-23M22	CLAMP	1	1	
19	90465-13M11	CLAMP	1	1	
20	697-85570-00	IGNITION COIL ASSY	3	3	
21	97013-06020	BOLT	3	3	
22	92903-06600	WASHER, PLATE	3	3	
23	6G1-82370-21	PLUG CAP ASSY	3	3	
24	688-81950-10	RELAY ASSY	1	1	
25	97013-06016	BOLT	1	1	
26	92903-06600	WASHER, PLATE	1	1	
27	6H3-82164-00	CASE 2	1	1	

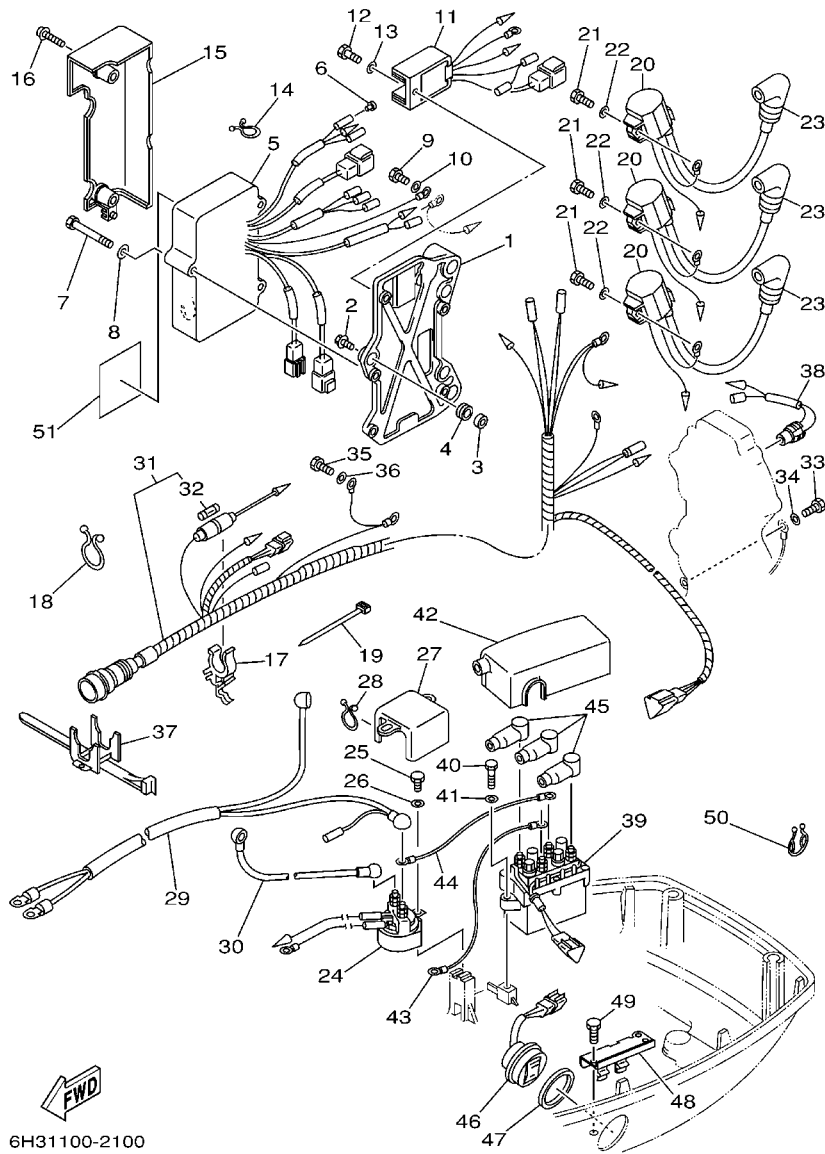
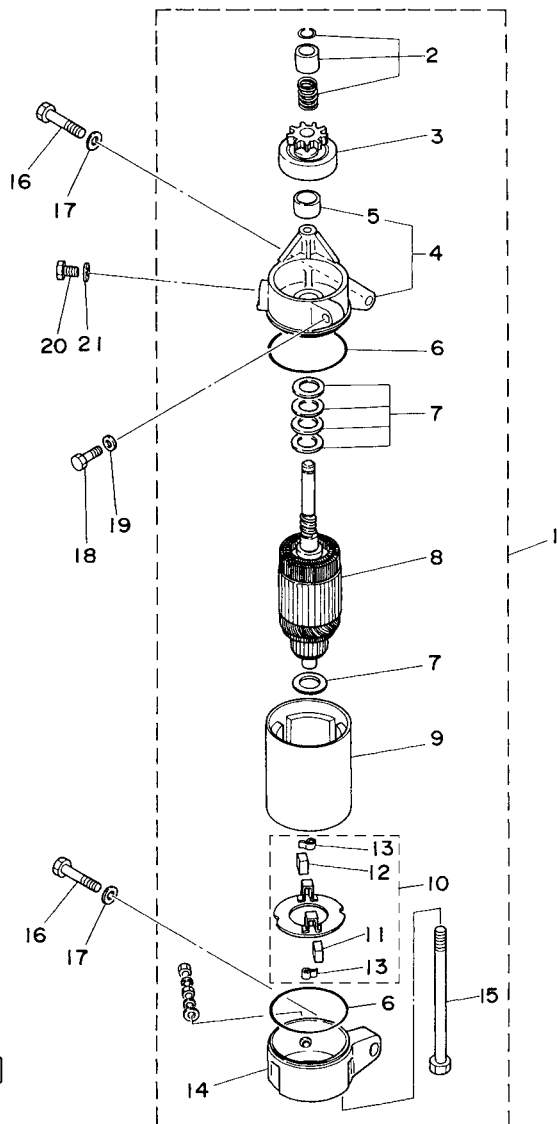


FIG. 9 ELECTRICAL

REF. NO.	PART NO.	DESCRIPTION	EDO	ETO	REMARKS
28	90464-15M11	CLAMP	1	1	
29	6H3-82105-01	WIRE HARNESS	1	1	
30	6H3-82117-00	WIRE, LEAD	1	1	
31	6H2-82590-13	WIRE HARNESS ASSY		1	
	6H2-82590-31	WIRE HARNESS ASSY	1		
32	663-82151-00	.FUSE (12V-20A)	1	1	
33	97013-06012	BOLT	1	1	
34	92903-06600	WASHER, PLATE	1	1	
35	97013-06012	BOLT	2	2	
36	92903-06600	WASHER, PLATE	2	2	
37	688-82594-00	CLAMP	1	1	
38	688-82560-10	THERMO SWITCH ASSY	1	1	
39	61A-81950-00	RELAY ASSY		1	
40	97095-06025	BOLT		2	
41	92995-06600	WASHER		2	
42	6H3-82154-11	CASE		1	
43	6H2-81949-11	WIRE, LEAD		1	
44	6H2-81949-01	WIRE, LEAD		1	
45	682-82119-01	COVER, LEAD WIRE		3	
46	6H1-82563-10	TRIM & TILT SWITCH ASSY		1	
47	6E5-82587-00	GASKET		1	
48	6E5-83614-01	BRACKET		1	
49	97095-06016	BOLT		1	
50	90464-18M14	CLAMP		1	
51	6R5-85711-60	MARK, CAUTION		1	

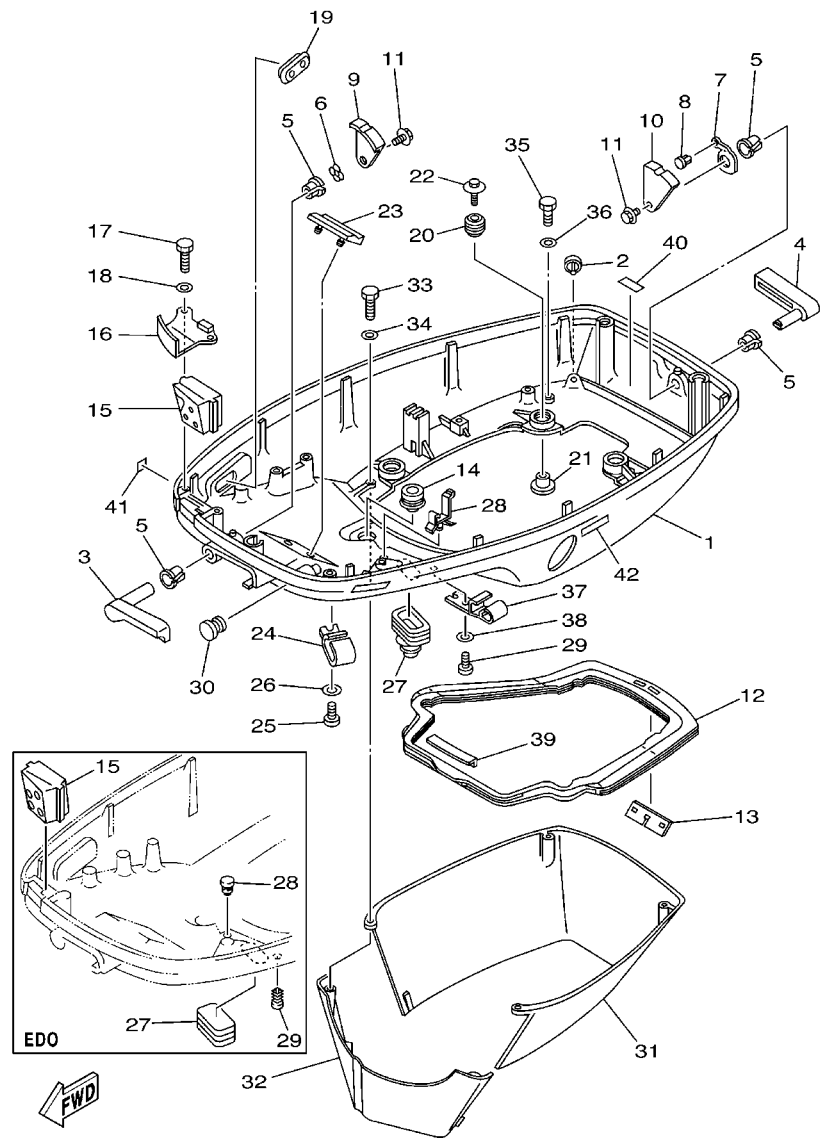


69D3200-C140

FIG. 10 STARTING MOTOR

REF. NO.	PART NO.	DESCRIPTION	EDO	EYO	REMARKS
1	6H3-81800-11	STARTING MOTOR ASSY	1	1	
2	689-81857-11	.PINION STOPPER SET	1	1	
3	6H3-81807-10	.GEAR ASSY, STARTING MOTOR	1	1	
4	6H3-81830-10	.FRONT BRACKET ASSY	1	1	
5	689-81831-00	..METAL, FRONT	1	1	
6	689-81847-11	.O-RING	2	2	
7	689-81809-11	.WASHER KIT	1	1	
8	689-81850-12	.ARMATURE ASSY	1	1	
9	6H3-81810-10	.STATOR ASSY	1	1	
10	689-81840-11	.BRUSH HOLDER ASSY	1	1	
11	689-81812-11	..BRUSH 2	1	1	
12	689-81811-11	..BRUSH 1	1	1	
13	689-81813-10	..SPRING, BRUSH	2	2	
14	6H3-81820-11	.REAR BRACKET ASSY	1	1	
15	689-81826-10	.BOLT	2	2	
16	97013-08035	BOLT	2	2	
17	92903-08600	WASHER, PLATE	2	2	
18	97013-06025	BOLT	1	1	
19	92903-06600	WASHER, PLATE	1	1	
20	97013-08016	BOLT	1	1	
21	92903-08600	WASHER, PLATE	1	1	

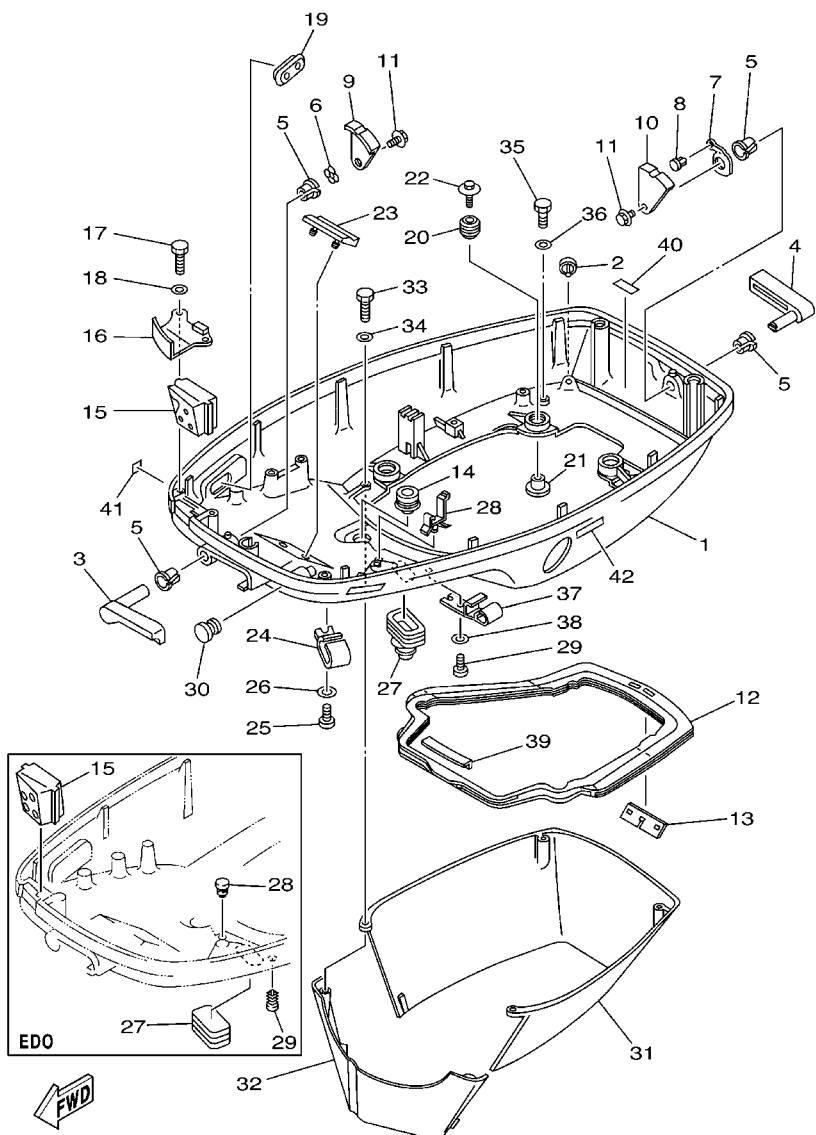
FIG. 11 BOTTOM COWLING



6H31664-2110

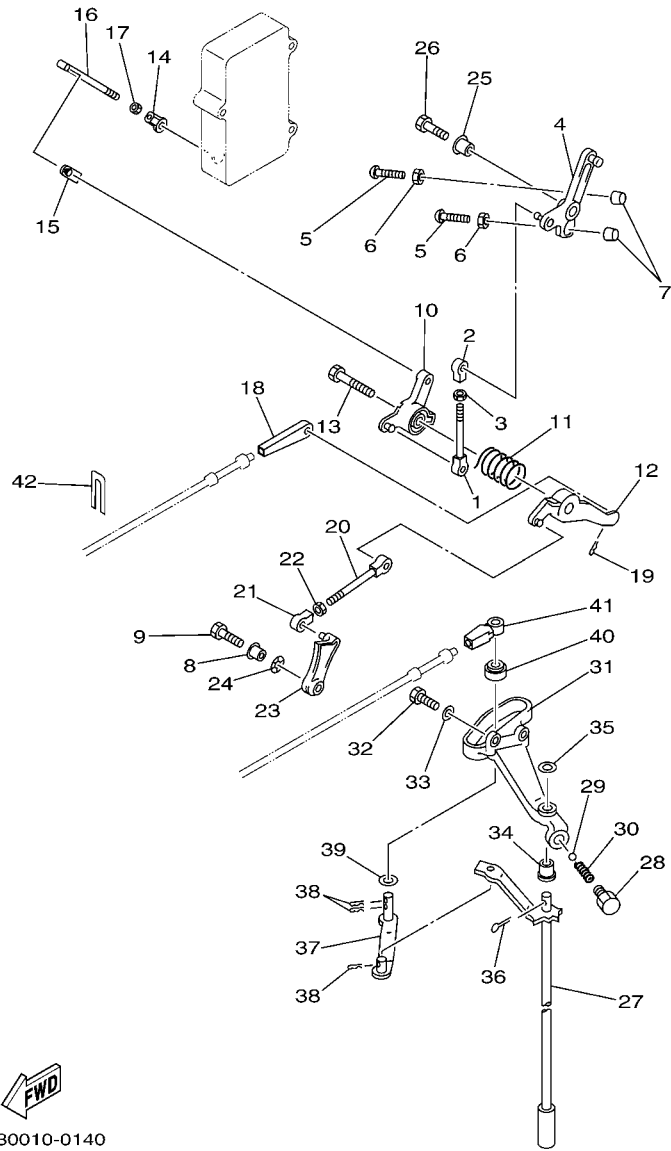
REF. NO.	PART NO.	DESCRIPTION	EDO	EYO		REMARKS
1	6H3-42711-25-4D	COWLING, BOTTOM		1		
	6H3-42711-06-4D	COWLING, BOTTOM	1			
2	69D-44391-00	NIPPLE, HOSE	1	1		L
3	6H3-42815-01-4D	LEVER, CLAMP	1	1		
4	6H3-42817-01-4D	LEVER, CLAMP	1	1		
5	90386-13M38	BUSH	4	4		
6	90206-13M10	WASHER, WAVE	1	1		
7	6H3-42813-00	SPRING, CLAMP LEVER	1	1		
8	90269-04M03	RIVET	1	1		
9	6H3-42816-00	LEVER, CLAMP	1	1		
10	6H3-42818-00	LEVER, CLAMP	1	1		
11	90119-06M09	BOLT, WITH WASHER	2	2		
12	6H3-42716-02	RUBBER, SEAL 1	1	1		
13	6K5-42717-00	RUBBER, SEAL 2	1	1		
14	6E5-42724-00	GROMMET	1	1		
15	6H3-42725-10	GROMMET		1		
	6H3-42725-00	GROMMET	1			
16	6H3-42738-01-5B	PLATE, FITTING	1	1		
17	97095-06016	BOLT	2	2		
18	92995-06600	WASHER	2	2		
19	6H3-42727-00	GROMMET	1	1		
20	90480-09M12	GROMMET	4	4		
21	90387-06M69	COLLAR	4	4		
22	90119-06M61	BOLT, WITH WASHER	4	4		
23	6H3-42768-00	DAMPER	1	1		
24	6E5-24367-01	CLAMP, FUEL PIPE 2	1	1		
25	90157-06M01	SCREW, PAN HEAD	1	1		

FIG. 11 BOTTOM COWLING



6H31664-2110

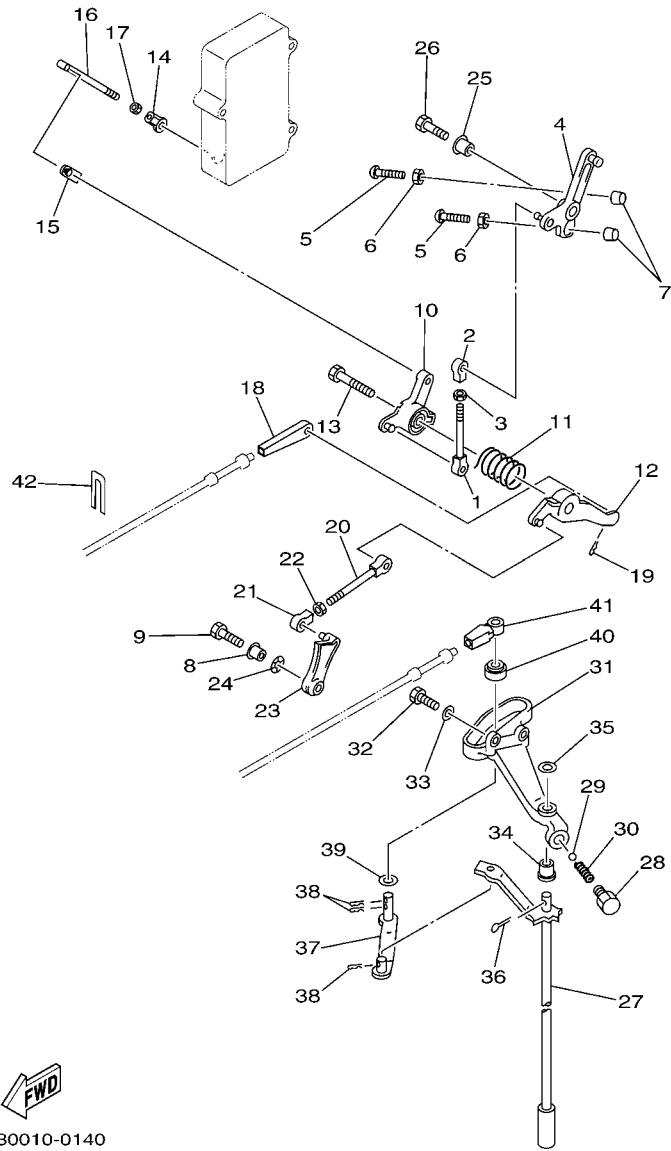
REF. NO.	PART NO.	DESCRIPTION	EDO	ETO		REMARKS
26	92990-06600	WASHER, PLATE	1	1		
27	688-42726-10	GROMMET		1		
	6H4-42726-00	GROMMET	1			
28	90464-09M13	CLAMP		1		
	703-82119-00	COVER, LEAD WIRE	2			
29	90157-06M01	SCREW, PAN HEAD		1		
	90338-05M03	PLUG	1			
30	6G1-42748-00	GROMMET	1	1		
31	6H3-42741-01-4D	APRON	1	1		
32	6H3-42771-01-4D	APRON	1	1		
33	97095-06025	BOLT	2	2		
34	92995-06600	WASHER	2	2		
35	97095-06020	BOLT	2	2		
36	92995-06600	WASHER	2	2		
37	6E5-24367-01	CLAMP, FUEL PIPE 2		1		
38	92990-06600	WASHER, PLATE		1		
39	6H3-42718-00	RUBBER, SEAL 3	1	1		
40	6G5-42791-10	MARK 1	1	1		
41	6A1-28176-00	LABEL, CAUTION		1		70B
42	6E3-8257H-00	PLATE, MARK		1		70B



6H30010-0140

FIG. 12 CONTROL

REF. NO.	PART NO.	DESCRIPTION	EDO	ETO	REMARKS
1	689-42169-01	JOINT	1	1	
2	682-41237-00	JOINT, LINK	1	1	
3	95380-05600	NUT	1	1	
4	6H3-41631-00	LEVER, MAGNETO CONTROL	1	1	
5	90157-06M13	SCREW, PAN HEAD	2	2	
6	95380-06600	NUT, HEXAGON	2	2	
7	688-44194-00	CAP	2	2	
8	90387-06M60	COLLAR	1	1	
9	97095-06025	BOLT	1	1	
10	6H3-41632-20	LEVER, MAGNETO CONTROL	1	1	
11	90508-26M35	SPRING, TORSION	1	1	
12	6H3-41633-10	LEVER, MAGNETO CONTROL	1	1	
13	90109-06M43	BOLT	1	1	
14	6H1-41237-00	JOINT, LINK	1	1	
15	6F5-41237-00	JOINT, LINK	1	1	
16	6H3-41636-10-94	ROD, MAGNETO CONTROL	1	1	
17	95380-05600	NUT	1	1	
18	6H3-48344-00	CABLE END, REMOTE CONTROL	1	1	
19	90468-18008	CLIP	1	1	
20	689-42169-01	JOINT	1	1	
21	6H4-41237-00	JOINT, LINK	1	1	
22	95380-05600	NUT	1	1	
23	6H3-41213-10	CAM, ACCEL.	1	1	
24	90206-10M04	WASHER, WAVE	1	1	
25	90387-06M60	COLLAR	1	1	
26	97095-06025	BOLT	1	1	
27	6H3-44120-12	HANDLE GEAR SHIFT ASSY	1	1	L

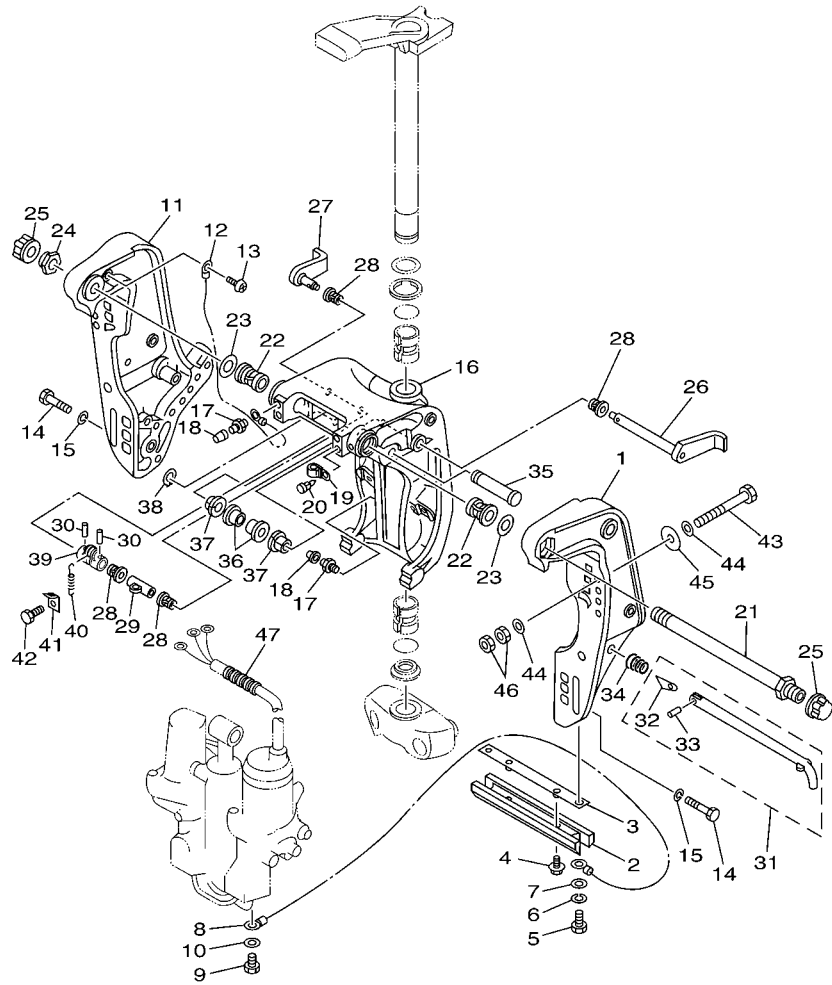


6H30010-0140

FIG. 12 CONTROL

REF. NO.	PART NO.	DESCRIPTION	EDO	ETO	REMARKS
28	648-42715-00	BUSHING	1	1	
29	93501-04M02	BALL	1	1	
30	90501-12082	SPRING, COMPRESSION	1	1	
31	6H3-44117-00-94	BRACKET	1	1	
32	97013-06020	BOLT	2	2	
33	92903-06600	WASHER, PLATE	2	2	
34	90386-07M58	BUSH	1	1	
35	92990-08200	WASHER, PLAIN	1	1	
36	91490-20012	PIN, COTTER	1	1	
37	6H3-44121-01	LEVER, SHIFT ROD	1	1	
38	90468-18008	CLIP	3	3	
39	90202-07M07	WASHER, PLATE	1	1	
40	688-44122-00	BUSHING, SHIFT ROD LEVER	1	1	
41	663-48344-00	CABLE END, REMOTE CONTROL	1	1	
42	6H3-48538-00	CLAMP, CABLE 1	1	1	

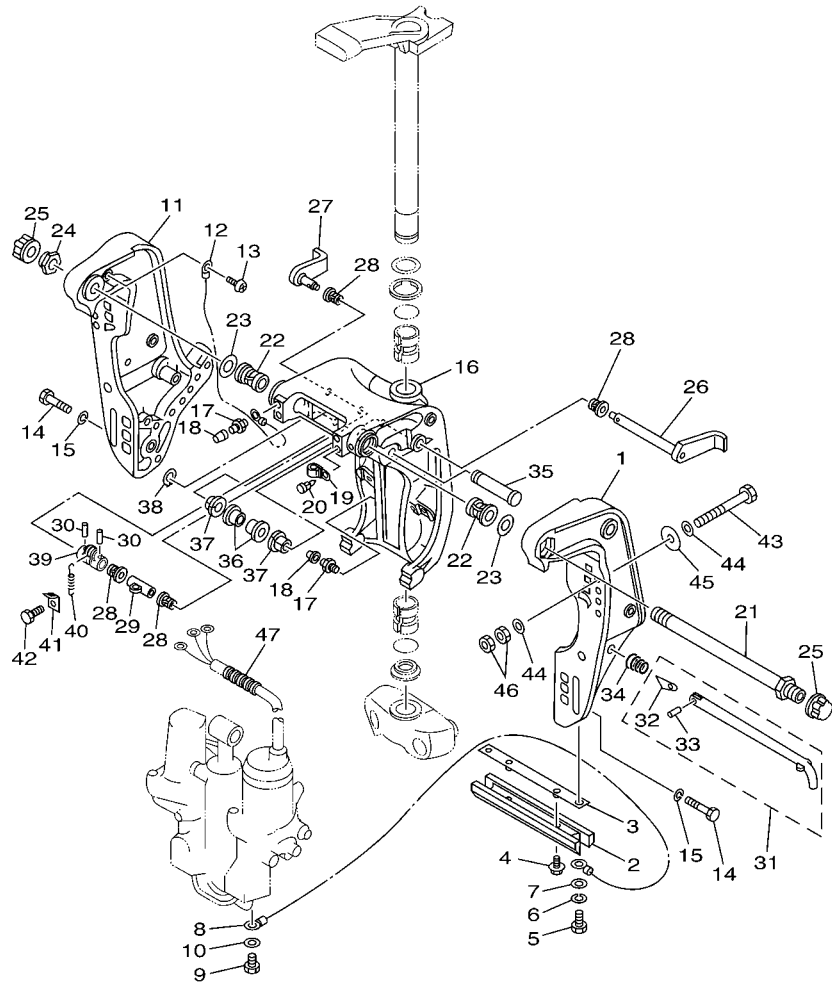




FWD  
6H33300-C130

FIG. 13 BRACKET 1

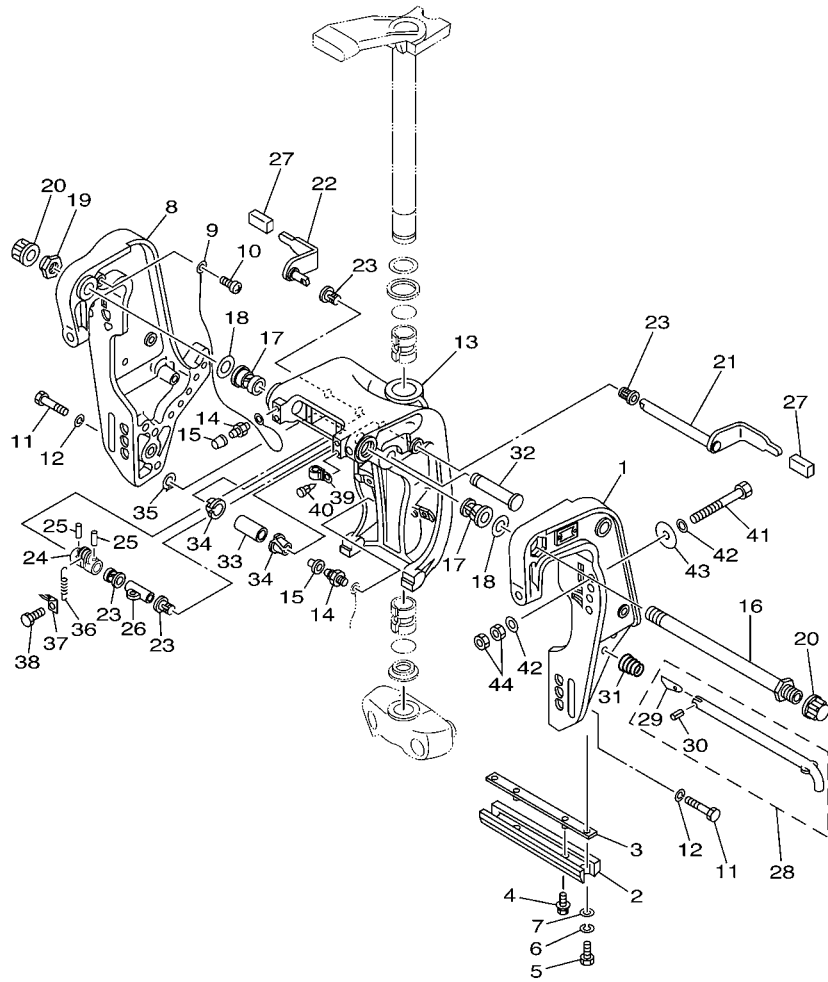
REF. NO.	PART NO.	DESCRIPTION	EDO	ETO	REMARKS
1	6H1-43111-01-4D	BRACKET, CLAMP		1	
2	6H1-45251-03	ANODE		1	
3	6H1-44526-00	PLATE		1	
4	90119-06M29	BOLT, WITH WASHER		2	
5	97095-06016	BOLT		2	
6	92995-06100	WASHER, SPRING		2	
7	92995-06600	WASHER		2	
8	6H1-82148-00	WIRE, LEAD 4		1	
9	97095-06010	BOLT		1	
10	92995-06600	WASHER		1	
11	6H1-43112-00-4D	BRACKET, CLAMP		1	
12	6E5-82148-00	WIRE, LEAD 4		1	
13	97880-06012	SCREW, PAN HEAD		1	
14	97095-10045	BOLT		6	
15	92995-10100	WASHER		6	
16	6H1-43311-02-4D	BRACKET, SWIVEL 1		1	
17	93700-06M03	NIPPLE, GREASE		3	
18	663-45119-00	CAP, GREASE NIPPLE		3	AP
19	90464-11M18	CLAMP		1	
20	90338-05M03	PLUG		1	
21	688-43131-03	BOLT, CLAMP BRACKET		1	
22	90386-22M15	BUSH		2	
23	90201-22M67	WASHER, PLATE		2	
24	90185-22043	NUT, SELF-LOCKING		1	
25	6G5-43145-01	CAP, CLAMP BRACKET		2	
26	6H1-43181-01	LEVER, TILT STOP		1	
27	6H1-43185-01	LEVER, TILT STOP		1	



FWD  
6H33300-C130

FIG. 13 BRACKET 1

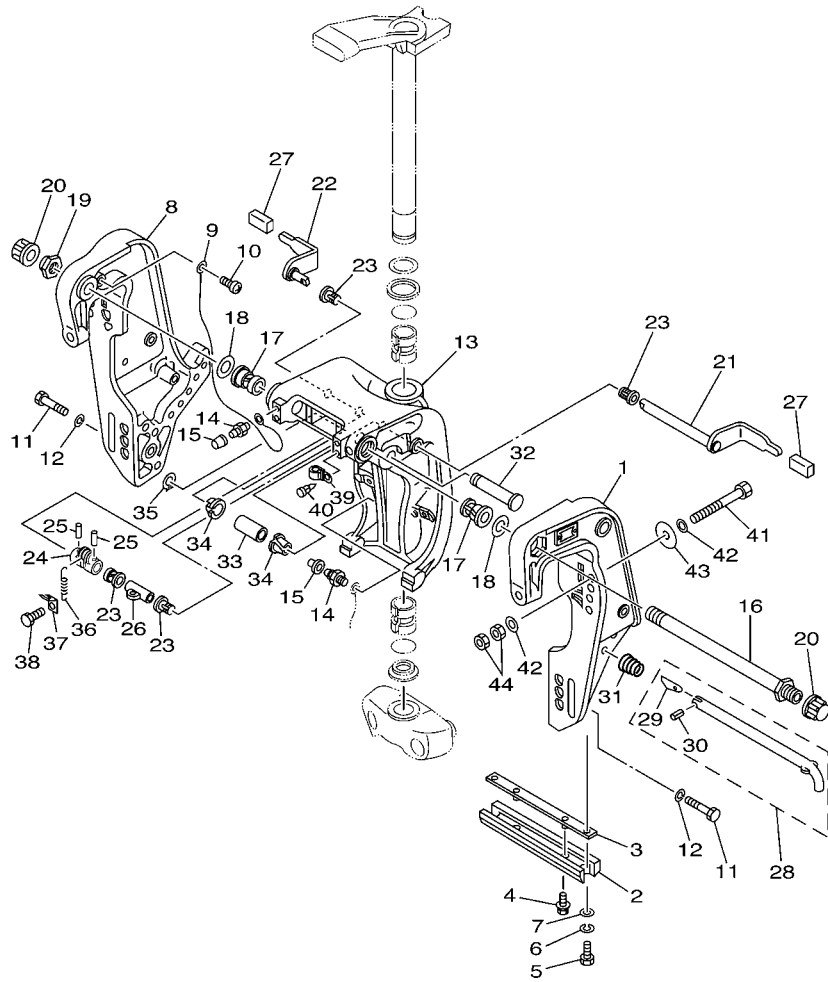
REF. NO.	PART NO.	DESCRIPTION	EDO	ETO	REMARKS
28	90386-10M16	BUSH		4	
29	90387-10M02	COLLAR		1	
30	91690-30020	PIN, SPRING		2	
31	688-43160-01	TILT ROD ASSY		1	
32	688-43165-00	.PLATE, TILT LOCK		1	
33	91690-30012	.PIN, SPRING		1	
34	90502-16M02	SPRING, CONICAL		1	
35	6E5-43126-02	PIN, UPPER SHOCK MOUNT		1	
36	90386-18M63	BUSH		2	
37	90386-18M35	BUSH		2	
38	93410-18M02	CIRCLIP		1	
39	6G5-43148-10	COLLAR, DISTANCE		1	
40	90506-20011	SPRING, TENSION		1	
41	6G5-43144-00	HOOK, SPRING		1	
42	97095-06010	BOLT		1	
43	90101-12M65	BOLT		4	
44	92995-12200	WASHER		8	
45	90201-12426	WASHER, PLATE		4	
46	95380-12600	NUT		8	
47	90440-14M00	PIPE		1	



6H33664-C140

FIG. 14 BRACKET 2

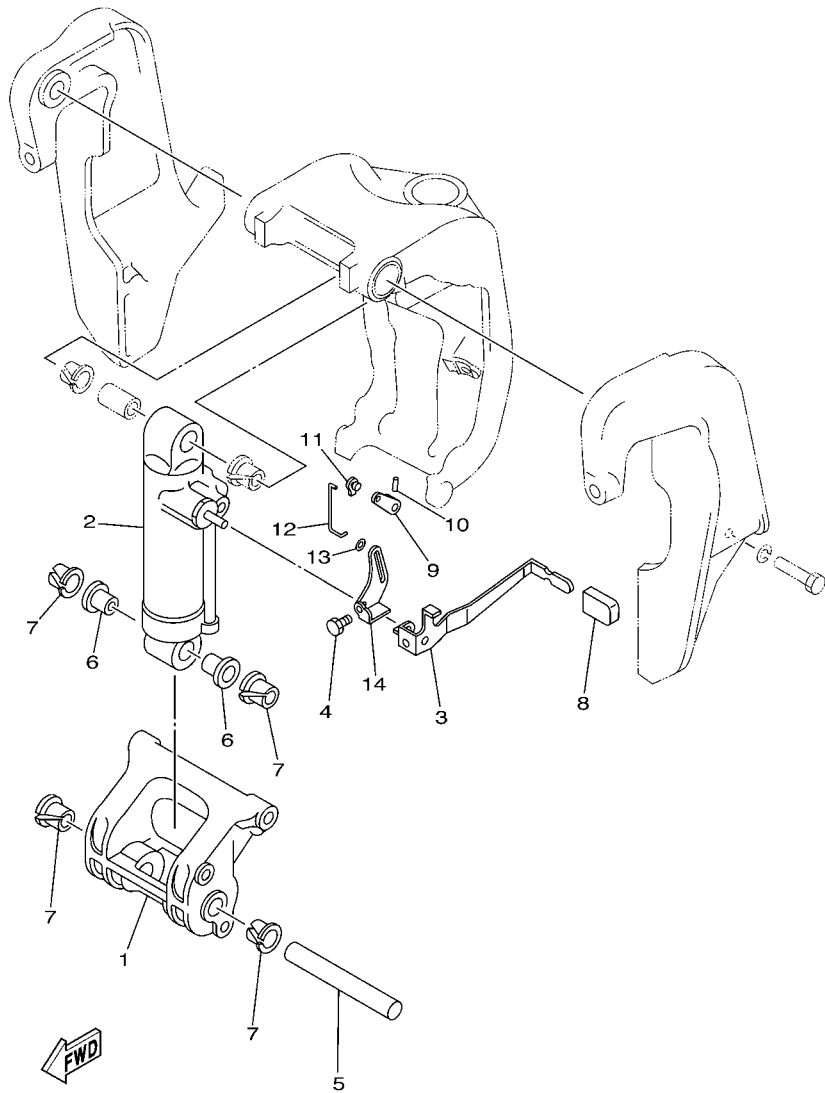
REF. NO.	PART NO.	DESCRIPTION	EDO	ETO		REMARKS
1	688-43111-13-4D	BRACKET, CLAMP	1			
2	6H1-45251-03	ANODE	1			
3	6H1-44526-00	PLATE	1			
4	90119-06M29	BOLT, WITH WASHER	2			
5	97095-06016	BOLT	2			
6	92995-06100	WASHER, SPRING	2			
7	92995-06600	WASHER	2			
8	688-43112-12-4D	BRACKET, CLAMP	1			
9	6E5-82148-00	WIRE, LEAD 4	1			
10	97880-06012	SCREW, PAN HEAD	1			
11	97095-10045	BOLT	6			
12	92995-10100	WASHER	6			
13	6H1-43311-02-4D	BRACKET, SWIVEL 1	1			
14	93700-06M03	NIPPLE, GREASE	3			
15	663-45119-00	CAP, GREASE NIPPLE	3			AP
16	688-43131-03	BOLT, CLAMP BRACKET	1			
17	90386-22M15	BUSH	2			
18	90201-22M67	WASHER, PLATE	2			
19	90185-22043	NUT, SELF-LOCKING	1			
20	6G5-43145-01	CAP, CLAMP BRACKET	2			
21	688-43181-10	LEVER, TILT STOP	1			
22	688-43185-10	LEVER, TILT STOP	1			
23	90386-10M16	BUSH	4			
24	6G5-43148-10	COLLAR, DISTANCE	1			
25	91690-30020	PIN, SPRING	2			
26	90387-10M02	COLLAR	1			
27	663-43318-00	COVER	2			



6H33664-C140

FIG. 14 BRACKET 2

REF. NO.	PART NO.	DESCRIPTION	EDO	ETO		REMARKS
28	688-43160-01	TILT ROD ASSY	1			
29	688-43165-00	.PLATE, TILT LOCK	1			
30	91690-30012	.PIN, SPRING	1			
31	90502-16M02	SPRING, CONICAL	1			
32	6E5-43126-02	PIN, UPPER SHOCK MOUNT	1			
33	90386-18M21	BUSH	1			
34	90386-18M35	BUSH	2			
35	93410-18M02	CIRCLIP	1			
36	90506-20011	SPRING, TENSION	1			
37	6G5-43144-00	HOOK, SPRING	1			
38	97095-06010	BOLT	1			
39	90464-11M18	CLAMP	1			
40	90338-05M03	PLUG	1			
41	90101-12M65	BOLT	4			
42	92995-12200	WASHER	8			
43	90201-12426	WASHER, PLATE	4			
44	95380-12600	NUT	8			



6H30010-0170

FIG. 15 BRACKET 3

REF. NO.	PART NO.	DESCRIPTION	EDO	ETO		REMARKS
1	688-43128-01-4D	SPACER, CLAMP BRACKET	1			
2	688-43170-04-4D	SHOCK ABSORBER ASSY	1			
3	688-43631-10	LEVER, TILT	1			
4	97080-06010	BOLT	1			
5	688-43124-02	PIN, LOWER SHOCK MOUNT	1			
6	90386-18M63	BUSH	2			
7	90386-18M35	BUSH	4			
8	682-43318-01	COVER	1			
9	688-43186-00	LEVER	1			
10	91690-30020	PIN, SPRING	1			
11	6J8-41262-00	JOINT, CHOKE LEVER	1			
12	688-43616-00	ROD, TILT LOCK	1			
13	90202-03M51	WASHER, PLATE	1			
14	688-43651-00	LEVER, REVERSE LOCK 1	1			

FIG. 16 BRACKET 4

REF. NO.	PART NO.	DESCRIPTION	EDO	ETO	REMARKS
1	6H1-83672-12	TRIM SENDER		1	
2	97885-06016	SCREW, PAN HEAD		2	
3	6H3-42510-13-4D	STEERING BRACKET ASSY	1	1	
4	90201-30M00	WASHER, PLATE	1	1	
5	90386-30M78	BUSH	1	1	
6	90386-30M77	BUSH	2	2	
7	93210-29M94	O-RING	2	2	
8	90386-30M60	BUSH	1	1	
9	6H3-44551-01-4D	HOUSING, LOWER MOUNT RUBBER	1	1	
10	93410-28M06	CIRCLIP	1	1	
11	687-44555-00-94	MOUNT DAMPER, LOWER SIDE	2	2	
12	90201-12M16	WASHER, PLATE	4	4	
13	90202-25M04	WASHER, PLATE	2	2	
14	90201-13M19	WASHER, PLATE	2	2	
15	90109-12M21	BOLT	2	2	
16	663-44575-00	DAMPER, LOWER MOUNT RUBBER	2	2	
17	95380-12800	NUT, CROWN	2	2	
18	6H3-44552-03-94	HOUSING, LOWER MOUNT RUBBER	2	2	
19	97075-08025	BOLT	4	4	
20	92995-08100	WASHER	4	4	
21	90501-14M08	SPRING, COMPRESSION	4	4	
22	90179-06066	NUT	2	2	
23	6H3-44553-01-4D	COVER, LOWER MOUNT	2	2	
24	97885-06016	SCREW, PAN HEAD	2	2	
25	688-82127-02	WIRE, LEAD 2	1	1	
26	688-44514-00-94	MOUNT DAMPER, UPPER SIDE	2	2	
27	90101-10M49	BOLT	2	2	

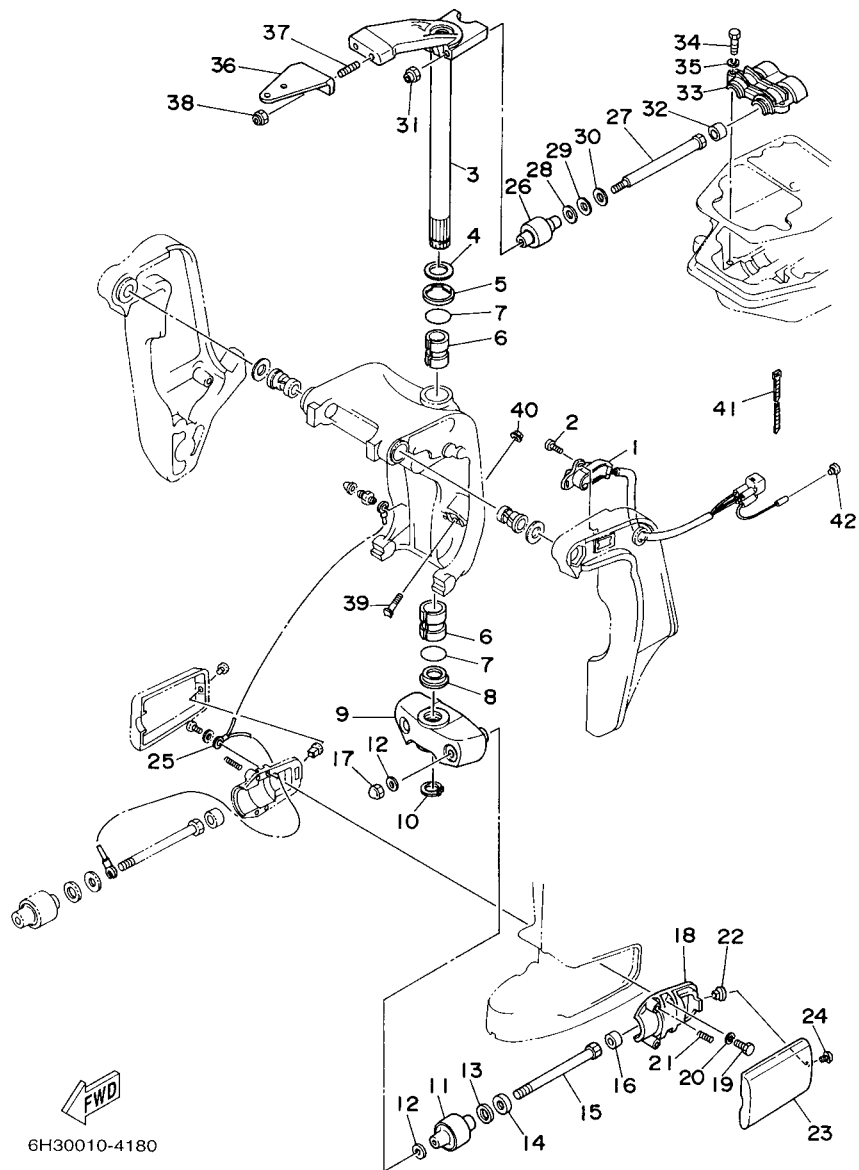
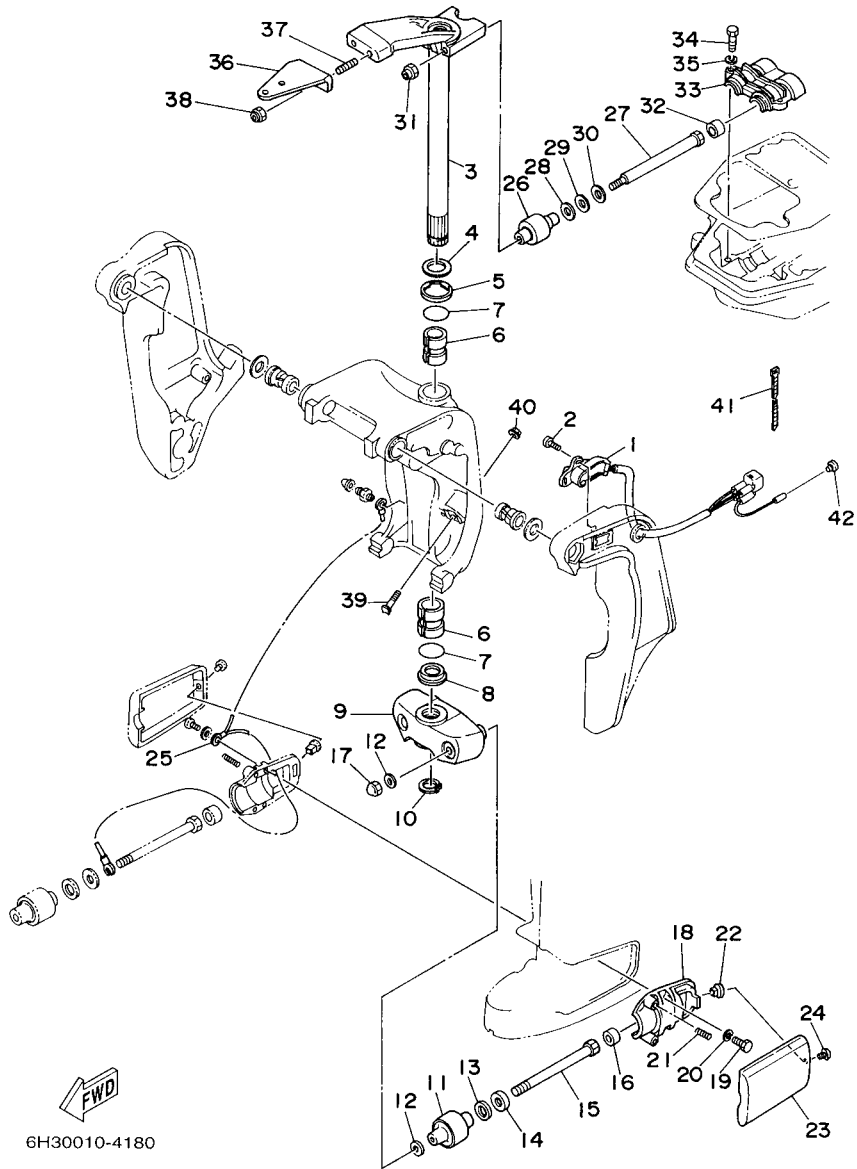
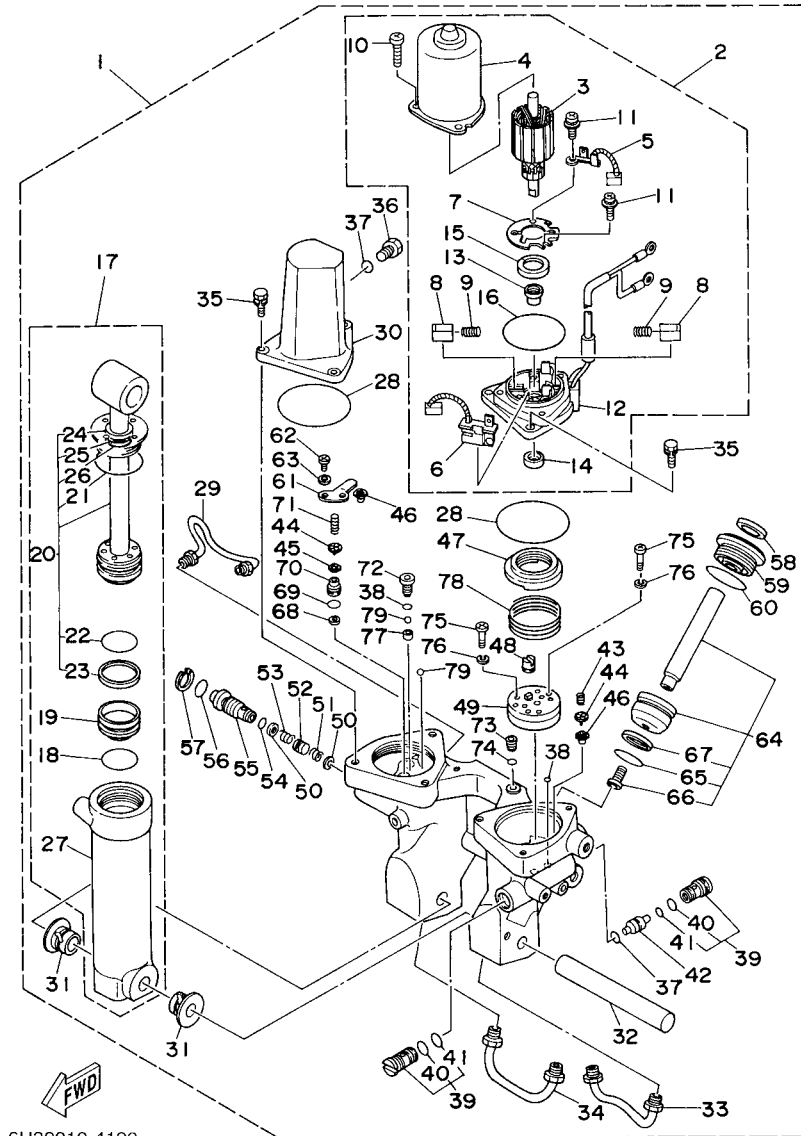


FIG. 16 BRACKET 4

REF. NO.	PART NO.	DESCRIPTION	EDO	ETO	REMARKS
28	90201-20M21	WASHER, PLATE	2	2	
29	90202-20M06	WASHER, PLATE	2	2	
30	90201-11M22	WASHER, PLATE	2	2	
31	90185-10051	NUT, SELF-LOCKING	2	2	
32	663-44575-00	DAMPER, LOWER MOUNT RUBBER	2	2	
33	688-44511-00-94	COVER, UPPER MOUNT	1	1	
34	97075-08035	BOLT	3	3	
35	92995-08100	WASHER	3	3	
36	6H3-48511-51-4D	HOOK, STEERING	1	1	STEERING GUIDE
37	90116-10175	BOLT, STUD		2	70B
	90116-10M28	BOLT, STUD	2	2	60F
38	90185-10051	NUT, SELF-LOCKING	2	2	
39	6H1-43376-00	BOLT, THRUST RECEIVER		2	
40	90185-08057	NUT, SELF-LOCKING		2	
41	90465-11M10	CLAMP		3	
42	703-82119-00	COVER, LEAD WIRE		1	



6H30010-4180

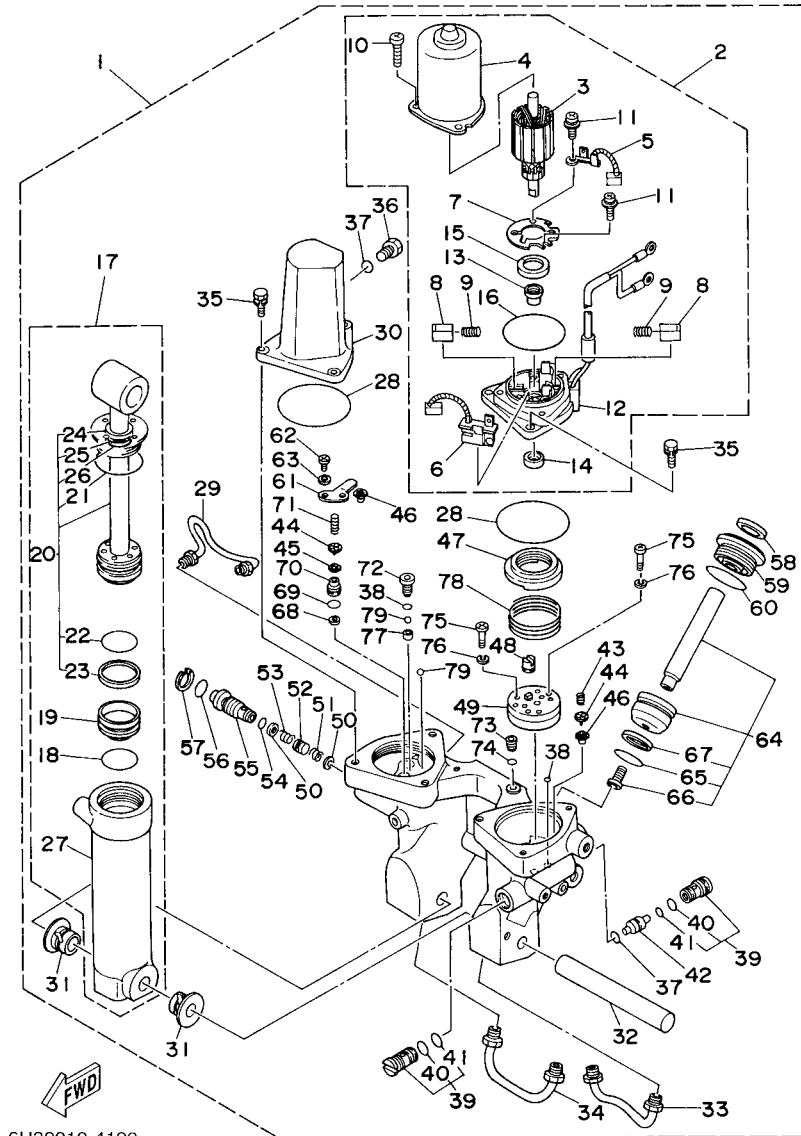


6H30010-4190

FIG. 17 POWER TRIM & TILT ASSY

REF. NO.	PART NO.	DESCRIPTION	EDO	ETO	REMARKS
1	6H1-43800-17-4D	POWER TRIM & TILT ASSY		1	
2	6H1-43880-02	..MOTOR ASSY		1	
3	6H1-43805-10	..ARMATURE ASSY		1	
4	6H1-43804-10	..STATOR ASSY		1	
5	6H1-43891-10	..BRUSH 1		1	
6	6H1-43892-10	..BRUSH 2		1	
7	6H1-4380F-10	..PLATE, BRUSH HOLDER		1	
8	6H1-4380J-10	..HOLDER, BRUSH		2	
9	6H1-4386K-10	..SPRING, BRUSH		2	
10	97885-05016	..SCREW, PAN HEAD		3	
11	97607-04310	..SCREW,WITH WASHER		2	
12	6H1-43881-10	..FRAME, END		1	
13	6H1-4380H-10	..METAL		1	
14	93102-08M43	..OIL SEAL		1	
15	6H1-4380G-10	..PLATE		1	
16	6H1-43865-10	..O-RING		1	
17	6H1-43840-11	..POWER TILT ASSY		1	
18	6H1-43861-10	..O-RING		1	
19	6H1-43814-11	..PISTON, FREE		1	
20	6H1-43810-11	..TILT PISTON SUB ASSY		1	
21	6H1-43861-00	..O-RING		1	
22	6H1-43861-10	..O-RING		1	
23	6H1-43871-10	..RING, BACK UP		1	
24	6H1-43812-00	..SEAL, DUST		1	
25	6H1-43872-10	..RING, BACK UP		1	
26	93210-18397	..O-RING		1	
27	6H1-43813-10	..CYLINDER, TILT		1	

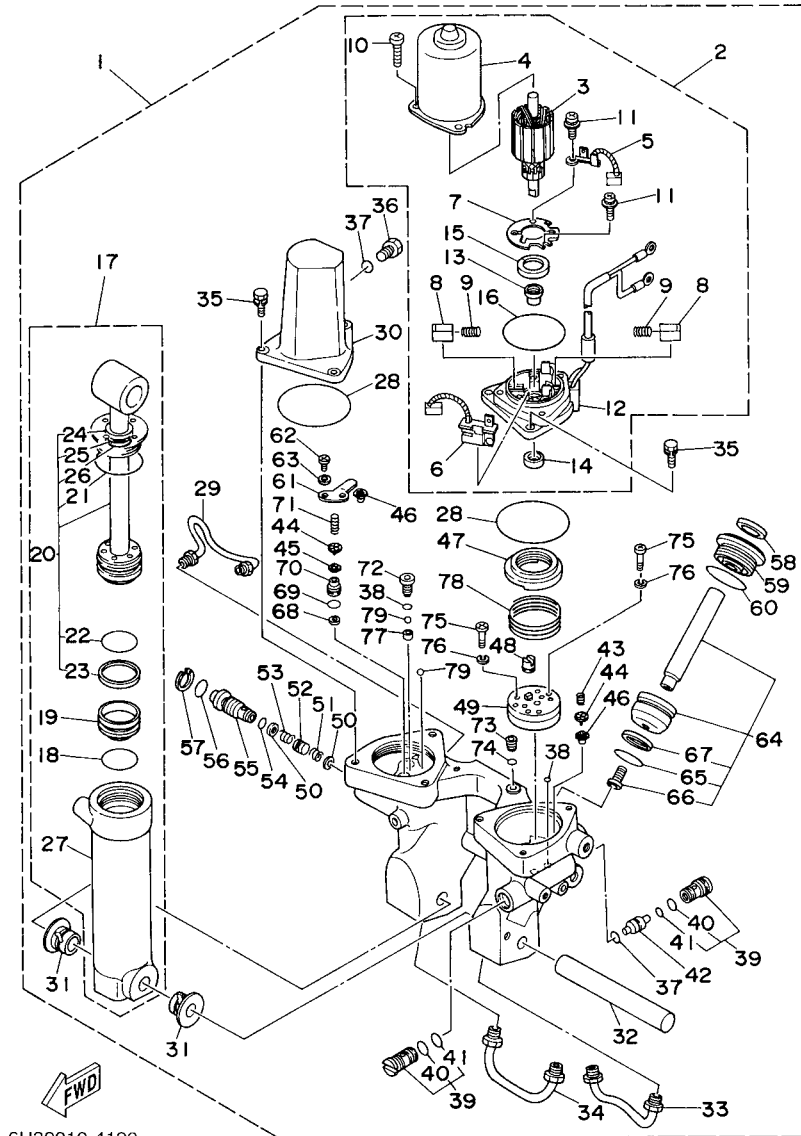




6H30010-4190

FIG. 17 POWER TRIM & TILT ASSY

REF. NO.	PART NO.	DESCRIPTION	EDO	ETO	REMARKS
28	93210-64488	.O-RING		2	
29	6H1-43835-10	.PIPE		1	
30	6H1-43828-10	.BODY, RESERVOIR		1	
31	90386-18M14	.BUSH		2	
32	6E5-43818-00	.PIN, LOWER SHOCK MOUNT		1	
33	6H1-43833-10	.PIPE		1	
34	6H1-43834-00	.PIPE		1	
35	97595-06420	.BOLT, WITH WASHER		6	
36	6H1-43829-00	.PLUG, RESERVOIR		1	
37	93210-09165	.O-RING		2	
38	93210-064A5	.O-RING		1	
39	67F-43802-00	.VALVE SUB ASSY		2	
40	6H1-43866-00	..O-RING		1	
41	6H1-43867-00	..O-RING		1	
42	6H1-43841-11	.PISTON, SHUTTLE		1	
43	6H1-43856-10	.SPRING, DOWN RELIEF		1	
44	6H1-43844-10	.PIN, VALVE SUPPORT		2	
45	6H1-4384G-11	.SEAL, RELIEF VALVE		1	
46	6H1-4384F-10	.SEAL, MAIN VALVE		2	
47	6H1-43817-01	.FILTER 2		1	
48	6H1-43831-10	.CONNECTOR, SHAFT		1	
49	6H1-43830-11	.GEAR PUMP ASSY		1	
50	6H1-43847-00	.SEAT, MANUAL VALVE		2	
51	6H1-43899-00	.SPRING, MANUAL RELEASE		1	
52	6H1-4382A-10	.ADAPTOR 1		1	
53	6H1-43854-00	.SPRING, MANUAL RELEASE		1	
54	93210-10M74	.O-RING		1	



6H30010-4190

FIG. 17 POWER TRIM & TILT ASSY

REF. NO.	PART NO.	DESCRIPTION	EDO	ETO	REMARKS
55	6H1-43845-00	.SCREW, MANUAL RELEASE		1	
56	93210-18M75	.O-RING		1	
57	6H1-43875-00	.RING, SNAP		1	
58	6H1-43822-10	.SEAL, TRIM DUST		2	
59	6H1-43821-11	.SCREW, TRIM CYLINDER END		2	
60	6H1-43861-10	.O-RING		2	
61	6H1-4384E-20	.SPRING, TRIM		1	
62	98501-05010	.SCREW, PAN HEAD		2	
63	92901-05200	.WASHER, PLAIN		2	
64	6H1-43820-11	.TRIM PISTON SUB ASSY		2	
65	6H1-43864-00	.O-RING		1	
66	91318-08016	.BOLT		1	
67	6H1-43874-00	.RING, BACK UP		1	
68	6H1-43816-00	.FILTER 1		1	
69	6H1-43896-00	.O-RING		1	
70	6H1-43895-12	.SEAT, RELIEF VALVE		1	
71	6H1-43855-11	.SPRING, UP RELIEF		1	
72	6H1-43843-11	.SCREW, VALVE LOCK		1	
73	6H1-4388E-11	.PLUG, TAPER SCREW		1	
74	6H1-43868-00	.O-RING		1	
75	98501-04025	.SCREW, PAN HEAD		4	
76	92901-04100	.WASHER, SPRING		4	
77	6H1-4387J-00	.WASHER, SPECIAL 2		1	
78	6H1-4385H-00	.SPRING, SEAL		1	
79	93505-32038	.BALL		2	

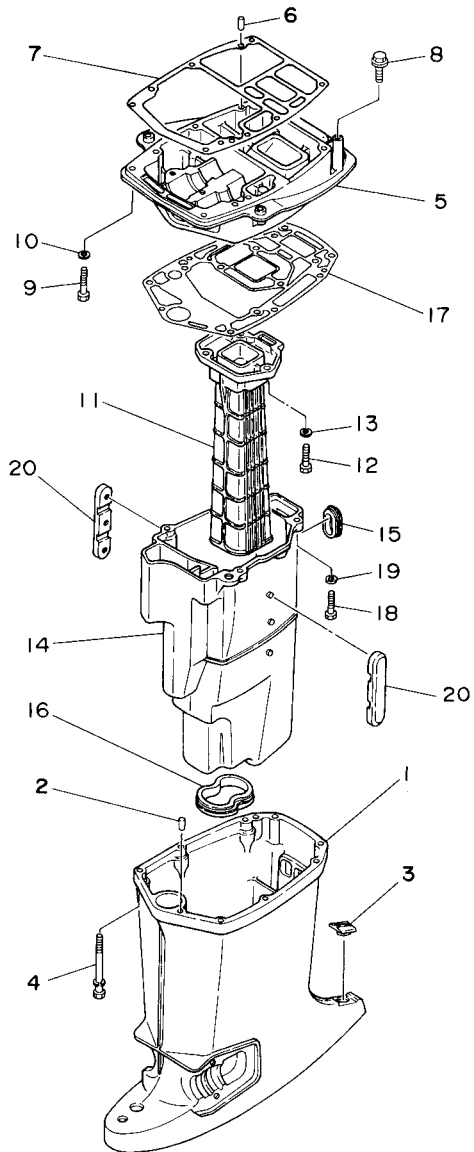


FIG. 18 UPPER CASING

REF. NO.	PART NO.	DESCRIPTION	EDO	ETO	REMARKS
1	6H3-45111-12-4D	CASING, UPPER	1	1	L
2	93606-12019	PIN, DOWEL	2	2	
3	6H3-45155-00	CAP	1	1	
4	90119-08M81	BOLT, WITH WASHER	6	6	
5	6H3-41137-01-94	GUIDE, EXHAUST	1	1	
6	93606-12019	PIN, DOWEL	2	2	
7	6H3-45113-A0	GASKET, UPPER CASING	1	1	
8	90119-08M79	BOLT, WITH WASHER	2	2	
9	97075-08035	BOLT	2	2	
10	92995-08100	WASHER	2	2	
11	6H3-41131-00-5B	MANIFOLD, EXT. 1	1	1	70B
	6H2-41131-00-5B	MANIFOLD, EXT. 1	1	1	60F
12	97075-08030	BOLT	3	3	
13	92995-08100	WASHER	3	3	
14	6H3-14711-11-5B	MUFFLER 1	1	1	L
15	6H3-45127-00	SEAL	1	1	
16	6H3-45123-00	GASKET, MUFFLER	1	1	
17	6H3-45114-A1	GASKET, UPPER CASING	1	1	
18	97075-08030	BOLT	4	4	
19	92995-08100	WASHER	4	4	
20	6H3-14737-10	DAMPER, MUFFLER	2	2	L

FWD  
6H30100-4190

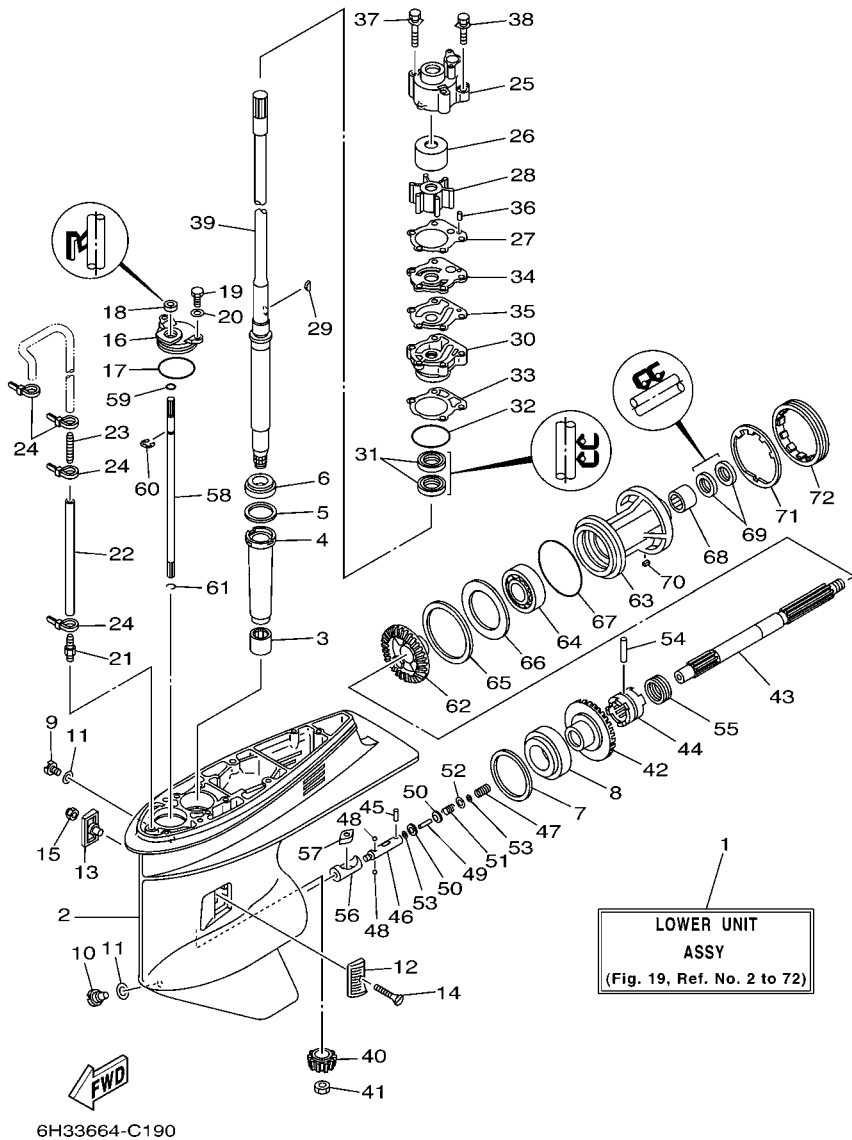


FIG. 19 LOWER CASING & DRIVE 1

REF. NO.	PART NO.	DESCRIPTION	EDO	ETO	REMARKS
1	6H3-45300-16-4D	LOWER UNIT ASSY	1	1	L
2	6H1-45301-03-4D	CASING, LOWER	1	1	
3	93315-325V1	BEARING	1	1	
4	688-45536-01	SLEEVE, DRIVE SHAFT	1	1	
5	688-45587-01-10	SHIM (T:0.10MM)	1	1	UR
	688-45587-01-12	SHIM (T:0.12MM)	1	1	UR
	688-45587-01-15	SHIM (T:0.15MM)	1	1	UR
	688-45587-01-18	SHIM (T:0.18MM)	1	1	UR
	688-45587-01-30	SHIM (T:0.30MM)	1	1	UR
	688-45587-01-40	SHIM (T:0.40MM)	1	1	UR
	688-45587-01-50	SHIM (T:0.50MM)	1	1	UR
6	93332-000U3	BEARING	1	1	
7	688-45567-01-10	SHIM (T:0.10MM)	1	1	UR
	688-45567-01-12	SHIM (T:0.12MM)	1	1	UR
	688-45567-01-15	SHIM (T:0.15MM)	1	1	UR
	688-45567-01-18	SHIM (T:0.18MM)	1	1	UR
	688-45567-01-30	SHIM (T:0.30MM)	1	1	UR
	688-45567-01-40	SHIM (T:0.40MM)	1	1	UR
	688-45567-01-50	SHIM (T:0.50MM)	1	1	UR
8	93332-000W7	BEARING	1	1	
9	90340-08002	PLUG, STRAIGHT SCREW	1	1	
10	688-45341-10	PLUG, DRAIN	1	1	
11	90430-08020	GASKET	2	2	
12	6H1-45214-00	COVER, WATER INLET	1	1	
13	6H1-45215-00	COVER, WATER INLET	1	1	
14	90151-05M00	SCREW, COUNTERSUNK	1	1	
15	90185-05002	NUT, SELF-LOCKING	1	1	

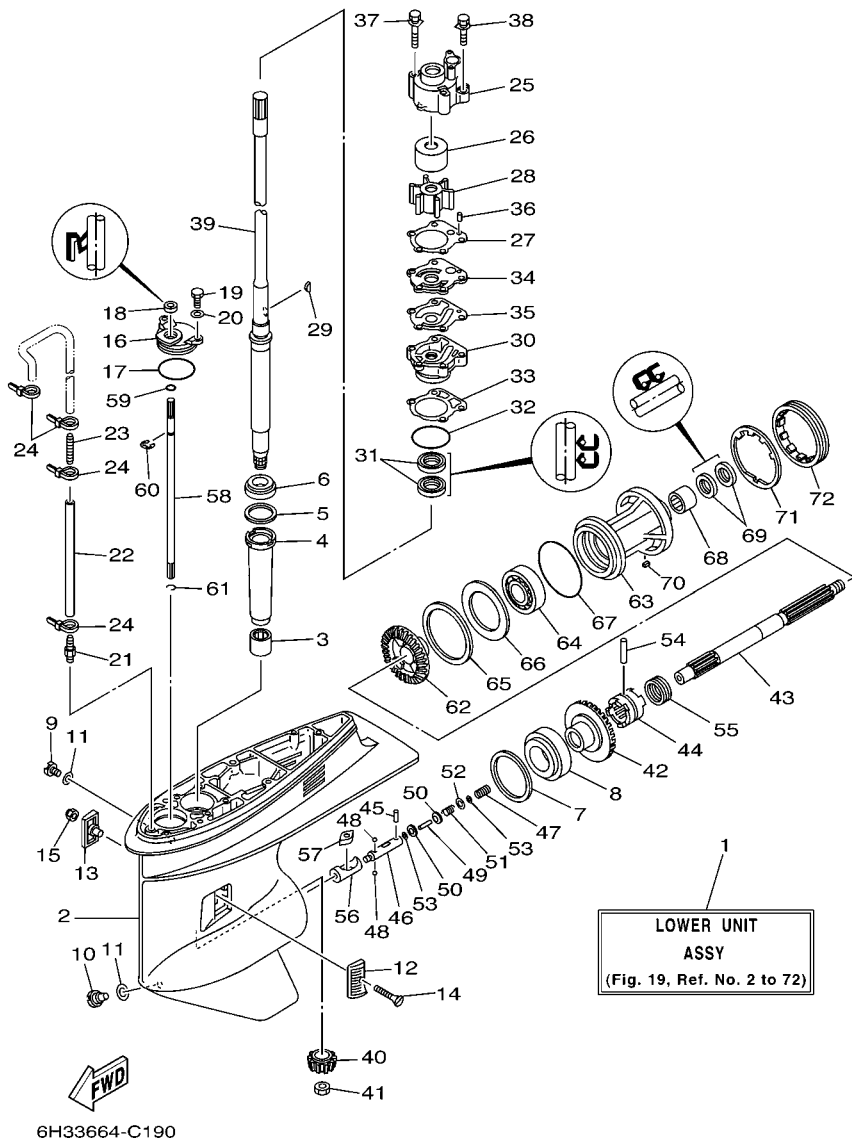


FIG. 19 LOWER CASING & DRIVE 1

REF. NO.	PART NO.	DESCRIPTION	EDO	EYO	REMARKS
16	688-45321-00	PLATE	1	1	
17	93210-49046	O-RING	1	1	
18	93106-09014	OIL SEAL	1	1	
19	97095-06016	BOLT	2	2	
20	92995-06600	WASHER	2	2	
21	6E5-45378-00	NIPPLE, HOSE	1	1	
22	90445-07ME9	HOSE (L120)	1	1	L
23	6E5-83558-10	END, NIPPLE	1	1	
24	90465-11M10	CLAMP	4	4	
25	688-44311-01	HOUSING, WATER PUMP	1	1	L
26	688-44322-00	INSERT, CARTRIDGE	1	1	L
27	688-44315-A0	GASKET, WATER PUMP	1	1	L
28	688-44352-03	IMPELLER	1	1	L
29	90280-04M04	KEY, WOODRUFF	1	1	L
30	688-44341-01-94	HOUSING, WATER PUMP	1	1	L
31	93101-25M03	OIL SEAL	2	2	L
32	93210-46044	O-RING	1	1	
33	688-44316-A0	GASKET, WATER PUMP	1	1	
34	688-44323-00	OUTER PLATE, CARTRIDGE	1	1	L
35	688-44324-A0	GASKET, CARTRIDGE	1	1	L
36	93604-10M03	PIN, DOWEL	2	2	
37	90119-08M16	BOLT, WITH WASHER	2	2	L
38	90119-08M13	BOLT, WITH WASHER	2	2	L
39	6H3-45501-11	DRIVE SHAFT COMP.	1	1	L
40	6K5-45551-00	PINION (12T)	1	1	
41	90170-16M01	NUT	1	1	
42	6K5-45560-00	GEAR (28T)	1	1	

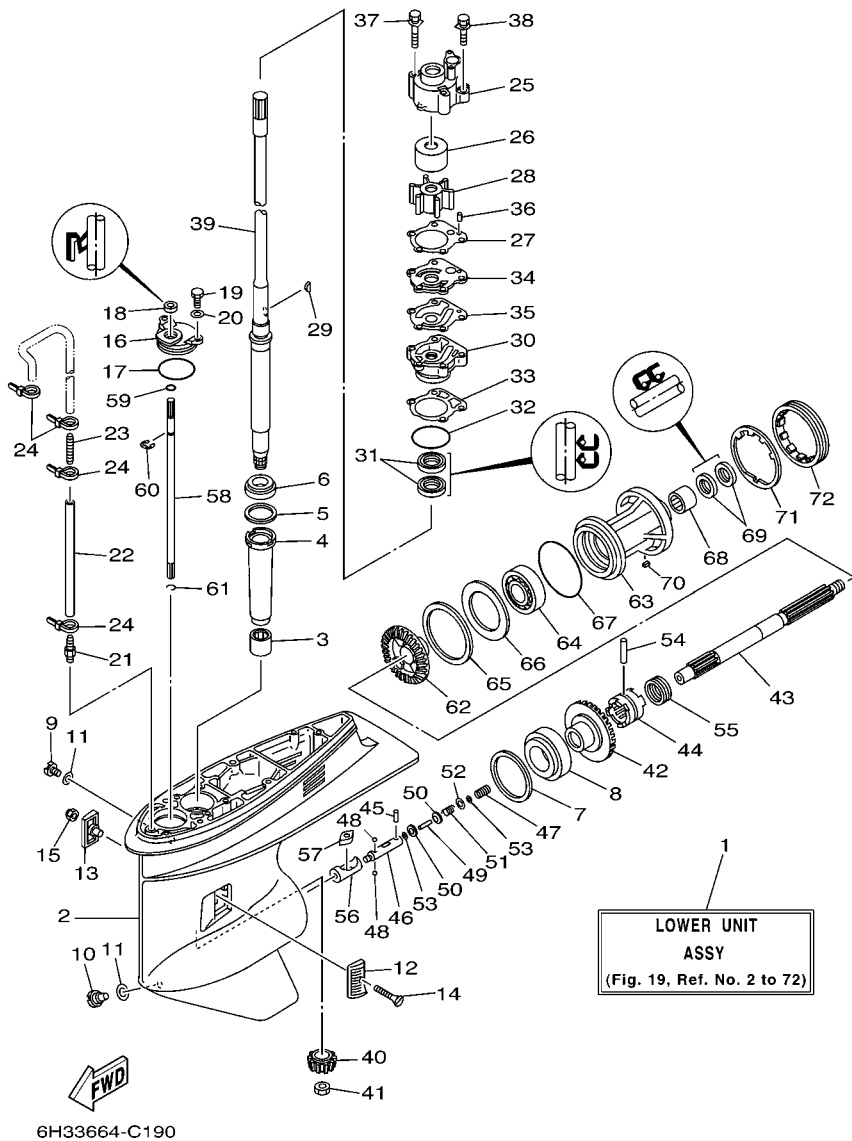
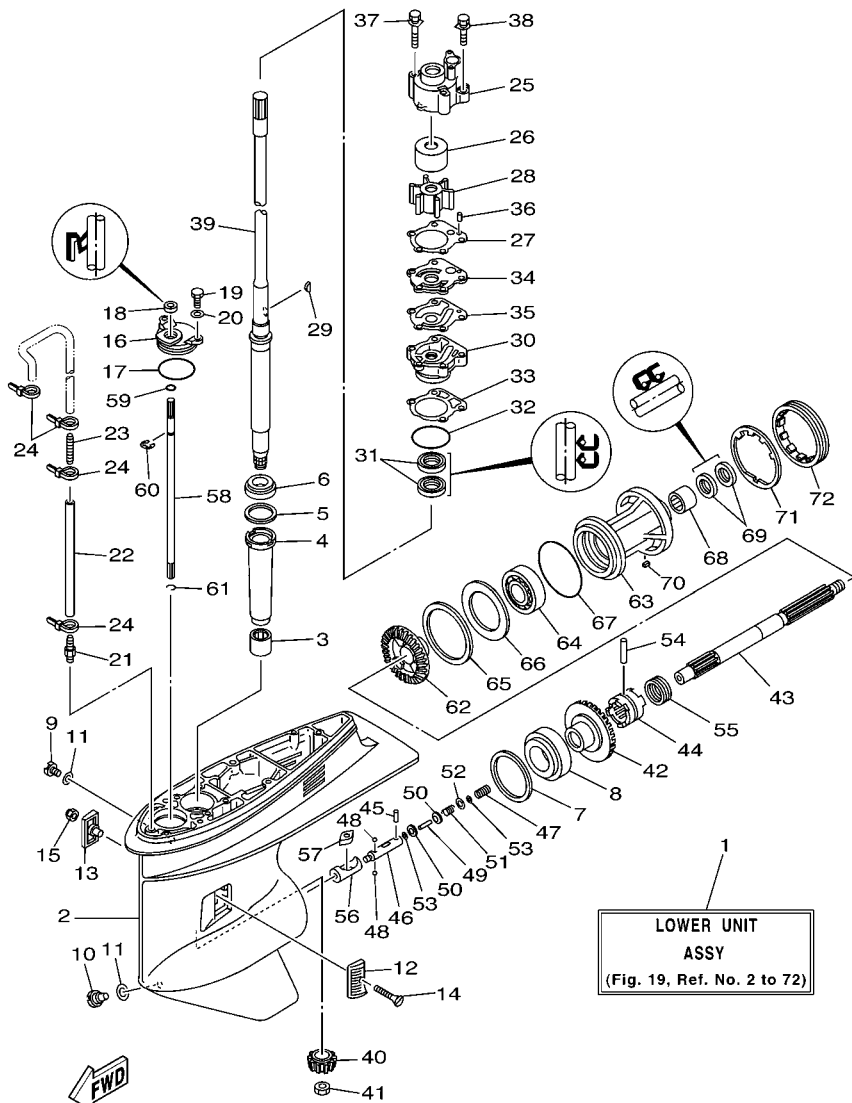


FIG. 19 LOWER CASING & DRIVE 1

REF. NO.	PART NO.	DESCRIPTION	EDO	ETO	REMARKS
43	6H1-45611-01	SHAFT, PROPELLER	1	1	
44	6H1-45631-01	CLUTCH, DOG	1	1	
45	93603-12M11	PIN, DOWEL	1	1	
46	6H1-45634-02	SLIDE, SHIFT	1	1	
47	90501-16M65	SPRING, COMPRESSION	1	1	
48	93503-16003	BALL	2	2	
49	6H1-45668-00	SHAFT, FREE	1	1	
50	6H1-45635-00	PLUNGER, SHIFT	2	2	
51	90501-12M48	SPRING, COMPRESSION	1	1	
52	90201-03313	WASHER, PLATE	1	1	
53	90183-02M03	NUT, SPRING	2	2	
54	90250-07M02	PIN, STRAIGHT	1	1	
55	688-45633-00	RING, CROSS PIN	1	1	
56	6H1-45641-01	SHIFTER	1	1	
57	6H1-44151-00	CAM, SHIFT	1	1	
58	6H1-44144-00	ROD, SHIFT	1	1	
59	93210-07003	O-RING	1	1	
60	99001-08600	CIRCLIP	1	1	
61	93450-07M00	CIRCLIP	1	1	
62	6H3-45571-00	GEAR	1	1	
63	688-45331-00-94	HOUSING, BEARING	1	1	
64	93306-207U0	BEARING	1	1	
65	688-45577-01-10	SHIM (T:0.10MM)	1	1	UR
	688-45577-01-12	SHIM (T:0.12MM)	1	1	UR
	688-45577-01-15	SHIM (T:0.15MM)	1	1	UR
	688-45577-01-18	SHIM (T:0.18MM)	1	1	UR
	688-45577-01-30	SHIM (T:0.30MM)	1	1	UR



6H33664-C190

FIG. 19 LOWER CASING & DRIVE 1

REF. NO.	PART NO.	DESCRIPTION	EDO	ETO	REMARKS
65	688-45577-01-40	SHIM (T:0.40MM)	1	1	UR
	688-45577-01-50	SHIM (T:0.50MM)	1	1	UR
66	688-45576-00	WASHER, THRUST	1	1	
67	93210-85M97	O-RING	1	1	
68	93317-325U0	BEARING	1	1	
69	93101-25M03	OIL SEAL	2	2	
70	90282-04010	KEY, STRAIGHT	1	1	
71	688-45383-02	WASHER, CLAW	1	1	
72	688-45384-00	NUT	1	1	

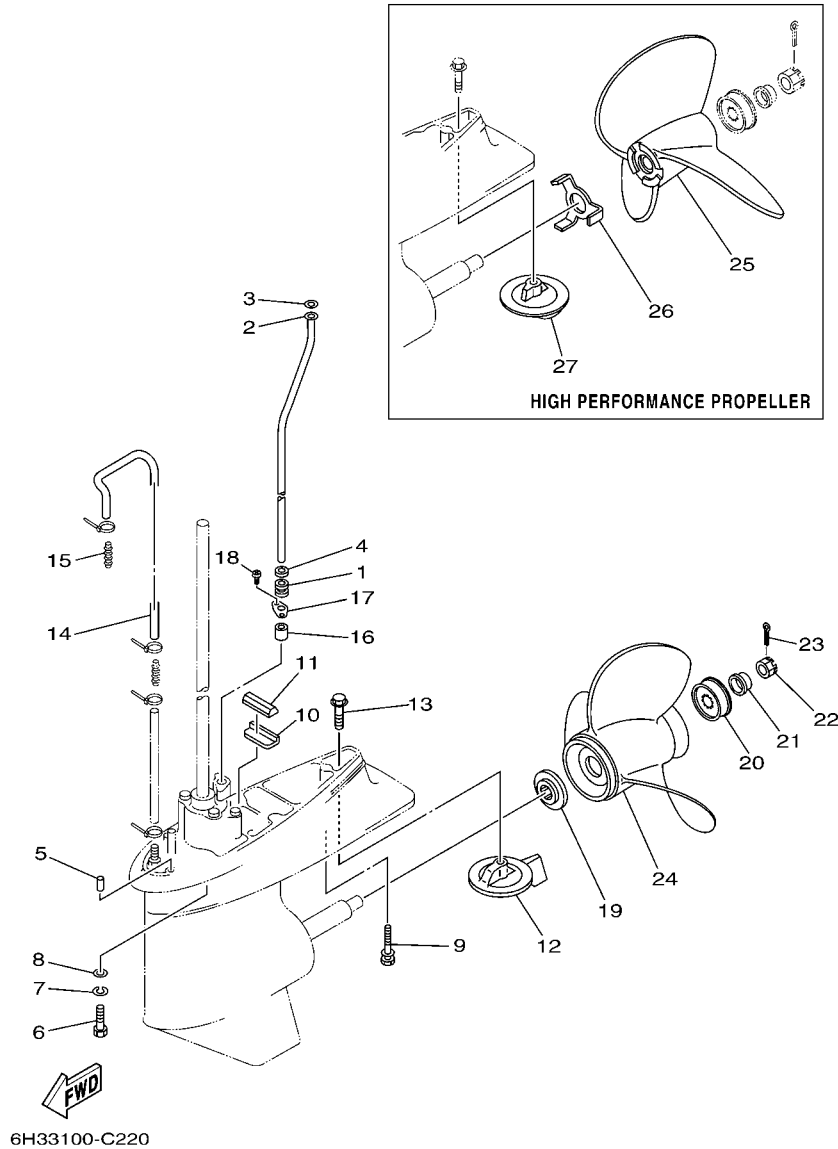
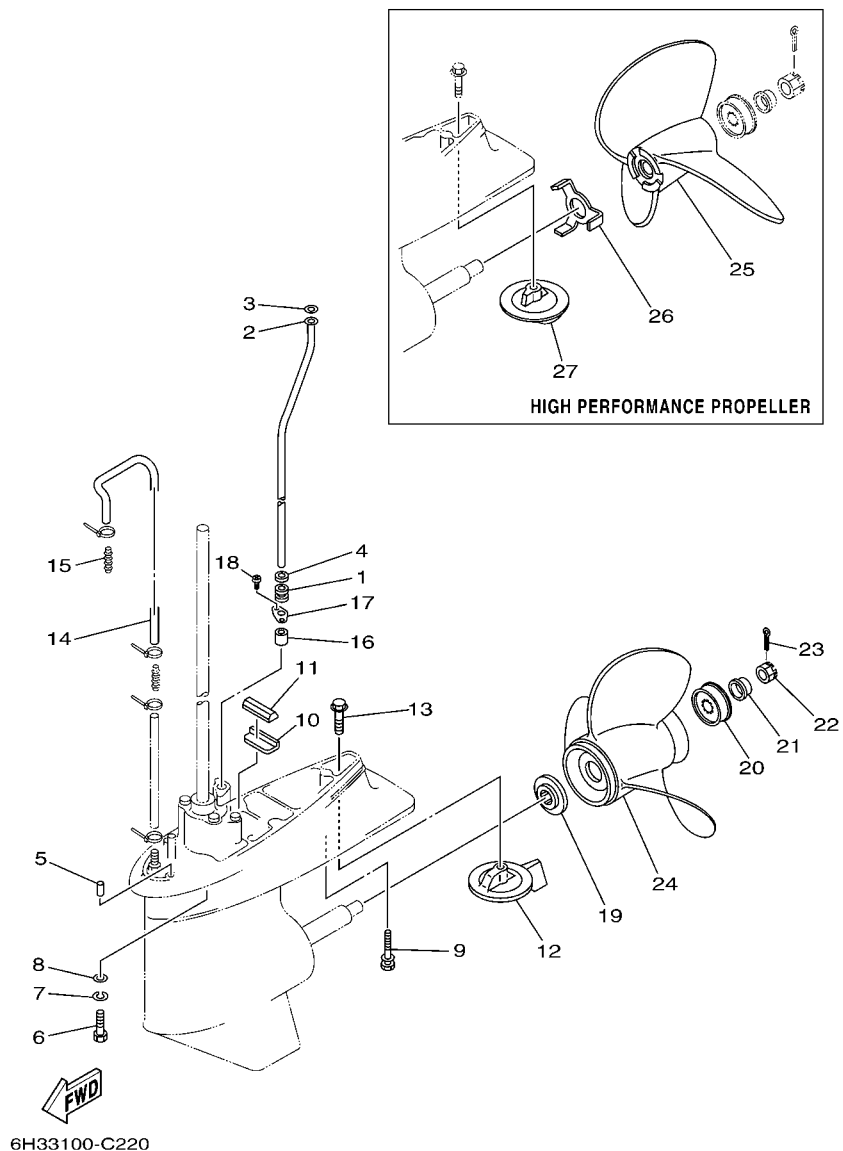


FIG. 20 LOWER CASING & DRIVE 2

REF. NO.	PART NO.	DESCRIPTION	EDO	E/O		REMARKS
1	663-44367-00	DAMPER, WATER SEAL	1	1		
2	6H3-44361-11	TUBE, WATER	1	1		L
3	90202-12060	WASHER, PLATE	1	1		
4	90430-12072	GASKET	1	1		
5	93606-12019	PIN, DOWEL	2	2		
6	97075-10040	BOLT	4	4		
7	92990-10100	WASHER, SPRING	4	4		
8	92990-10600	WASHER, PLATE	4	4		
9	90119-08M84	BOLT, WITH WASHER	1	1		
10	663-45376-00-94	GUIDE, SEAL DAMPER	1	1		
11	688-45375-00	DAMPER, SEAL	1	1		
12	688-45371-02	TAB-TRIM	1	1		
13	90105-10M67	BOLT, FLANGE	1	1		
14	90445-07MF1	HOSE (L570)	1	1		
15	6E5-83558-00	END, NIPPLE	1	1		
16	663-44366-00	DAMPER, WATER SEAL	1	1		
17	90480-19M06	GROMMET	1	1		L
18	97780-40512	SCREW, TAPPING	2	2		L
19	688-45987-01	SPACER	1	1		
20	67F-45997-00	SPACER	1	1		
21	90389-25M00	BUSH	1	1		
22	90171-16011	NUT, CASTLE	1	1		
23	91490-40025	PIN, COTTER	1	1		
24	6E5-45941-00-EL	PROPELLER (3X13"X19"-K)	1	1		UR
	6E5-45943-00-EL	PROPELLER (3X12-5/8"X21"-K)	1	1		UR
	6E5-45945-01-EL	PROPELLER (3X13-1/4"X17"-K)	1	1		UR
	6E5-45947-00-EL	PROPELLER (3X13-1/2"X15"-K)	1	1		UR





**FIG. 20 LOWER CASING & DRIVE 2**

REF. NO.	PART NO.	DESCRIPTION	EDO	ETO		REMARKS
24	6E5-45949-00-EL	PROPELLER (3X13-5/8"X13"-K)	1	1		UR
	6E5-45952-00-EL	PROPELLER (3X13"X23"-K)	1	1		UR
	6E5-45954-00-EL	PROPELLER (3X14"X11"-K)	1	1		UR
	6E5-45956-00-EL	PROPELLER (3X13"X25"-K)	1	1		UR
	688-45930-02-98	PROPELLER (3X13"X17"-K)	1	1		UR
---	688-45970-03-98	PROPELLER (3X13"X19"-K)	1	1		UR
	688-45972-02-98	PROPELLER (3X13"X21"-K)	1	1		UR
	688-45974-02-98	PROPELLER (3X13"X23"-K)	1	1		UR
	688-45976-01-98	PROPELLER (3X13"X25"-K)	1	1		UR
	688-45932-60-98	PROPELLER (3X13-1/2"X14"-K)	1	1		UR
---	688-45978-60-98	PROPELLER (3X13-1/2"X16"-K)	1	1		UR
25	6E5-45970-10	PROPELLER (3X14"X20"-P)	1	1		UR
	6E5-45972-10	PROPELLER (3X14"X24"-P)	1	1		UR
	6E5-45974-10	PROPELLER (3X14"X28"-P)	1	1		UR
	6E5-45976-10	PROPELLER (3X14"X22"-P)	1	1		UR
---	6E5-45978-10	PROPELLER (3X14"X26"-P)	1	1		UR
26	6E5-45994-10	PLATE, TOOTH	1	1		
27	6E5-45371-10	TAB-TRIM	1	1		
---						
---						
---						

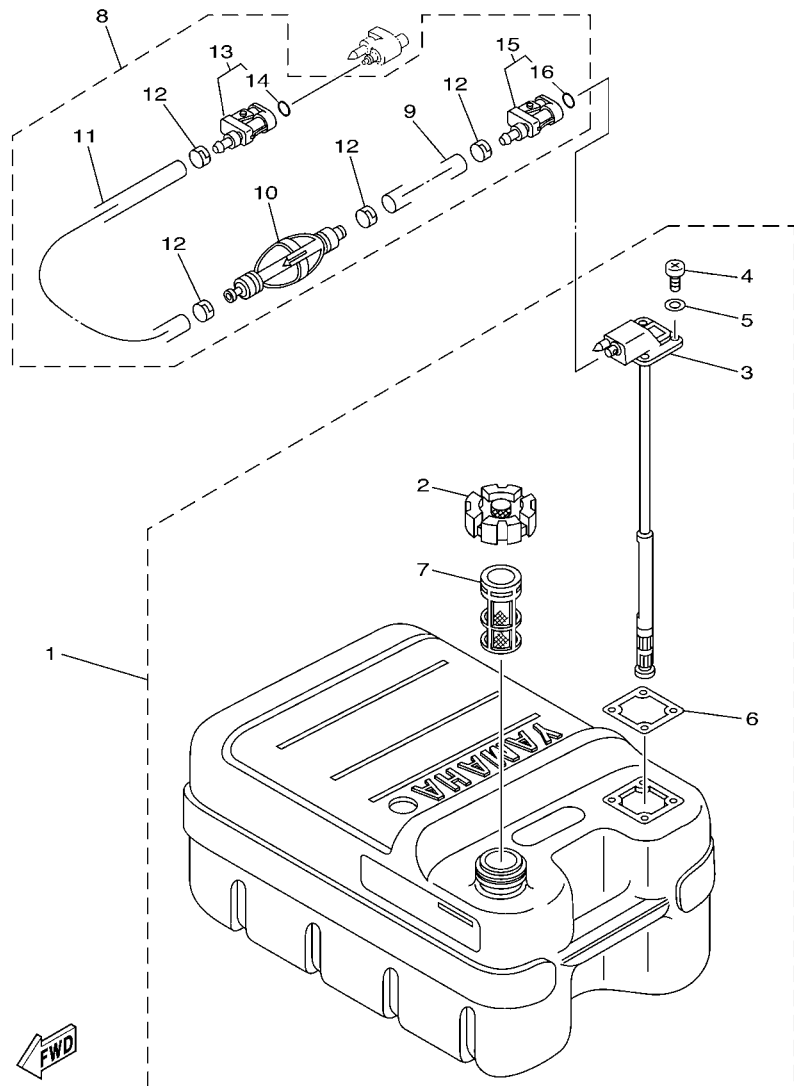
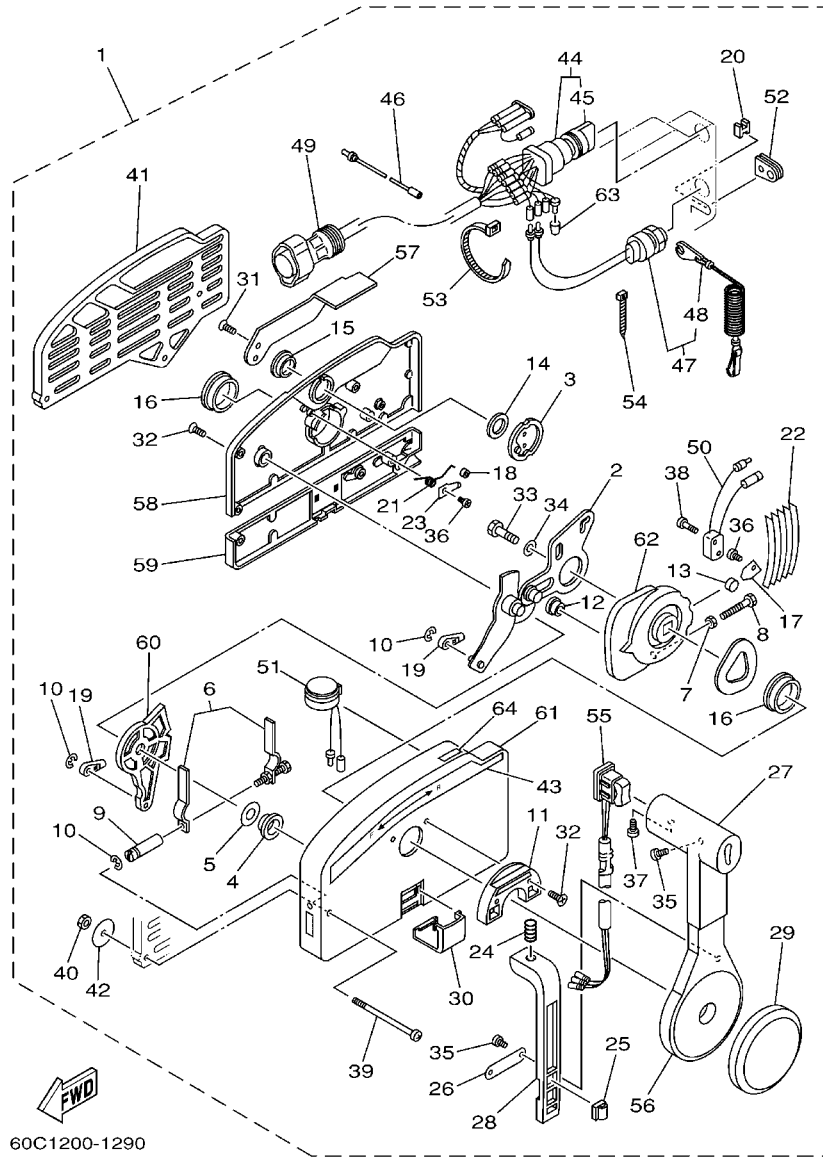


FIG. 21 FUEL TANK

REF. NO.	PART NO.	DESCRIPTION	EDO	EYO		REMARKS
1	6YJ-24201-10	FUEL TANK ASSY (24L)	1	1		AP
2	6YJ-24610-01	.CAP ASSY	1	1		
3	6Y1-24260-12	.FUEL METER ASSY	1	1		WITH INDICATOR
4	98586-05016	.SCREW, PAN HEAD	4	4		
5	6Y1-24329-00	.SEAL	4	4		
6	6Y1-24268-00	.GASKET, FUEL METER	1	1		
7	6YJ-24167-00	.STRAINER	1	1		
8	61J-24306-03	FUEL PIPE COMP. 1	1	1		AP
9	90445-11M06	.HOSE (L2050)	1	1		
10	61J-24360-00	.PRIMER PUMP ASSY	1	1		
11	90445-11M05	.HOSE (L850)	1	1		
12	650-24351-01	.BAND 1	4	4		
13	6G1-24305-04	.FUEL PIPE JOINT COMP. 2	1	1		
14	93210-08287	..O-RING	1	1		
15	6Y1-24305-05	.FUEL PIPE JOINT COMP. 2	1	1		
16	93210-08287	..O-RING	1	1		







60C1200-1290

FIG. 24 REMOTE CONTROL ASSY

REF. NO.	PART NO.	DESCRIPTION	EDO	ETO	REMARKS
1	703-48205-A4	REMOTE CONTROL ASSY (10P)		1	AP WITH PT/T SW.
	703-48201-A2	REMOTE CONTROL ASSY (10P)	1		AP
2	703-48261-01	.ARM, THROTTLE	1	1	
3	703-48153-00	.SHAFT, FREE ACCEL.	1	1	
4	703-48235-00	.BUSHING	1	1	
5	703-48268-00	.SPACER	1	1	
6	703-48264-00	.THROTTLE, FRICTION	1	1	
7	95380-05600	.NUT	1	1	
8	97380-05025	.BOLT	1	1	
9	703-48265-00	.SHAFT, FRICTION	1	1	
10	93430-06024	.CIRCLIP	3	3	
11	703-48245-00	.PLATE, LOCK	1	1	
12	703-48252-00	.ROLLER, CAM	1	1	
13	701-48248-00	.ROLLER, FREE ACCEL.	1	1	
14	703-48198-00	.WASHER, WAVE	1	1	
15	703-48243-00	.BUSHING	1	1	
16	703-48236-00	.BUSHING 1	2	2	
17	703-48189-00	.RETAINER	1	1	
18	703-48234-00	.ROLLER, DETENT	1	1	
19	703-48345-01	.CABLE END, REMOTE CONTROL 2	2	2	
20	703-48358-00	.ANCHOR, CABLE	1	1	
21	703-48244-00	.SPRING, FREE ACCEL.	1	1	
22	703-48238-00	.SPRING, DETENT	5	5	
23	703-48246-00	.SPACER	1	1	
24	703-48227-00	.SPRING, NEUTRAL LOCK	1	1	
25	703-82594-00	.CLAMP	1	1	WITH PT/T SW.
26	703-48226-00	.PLATE, STOPPER	1	1	

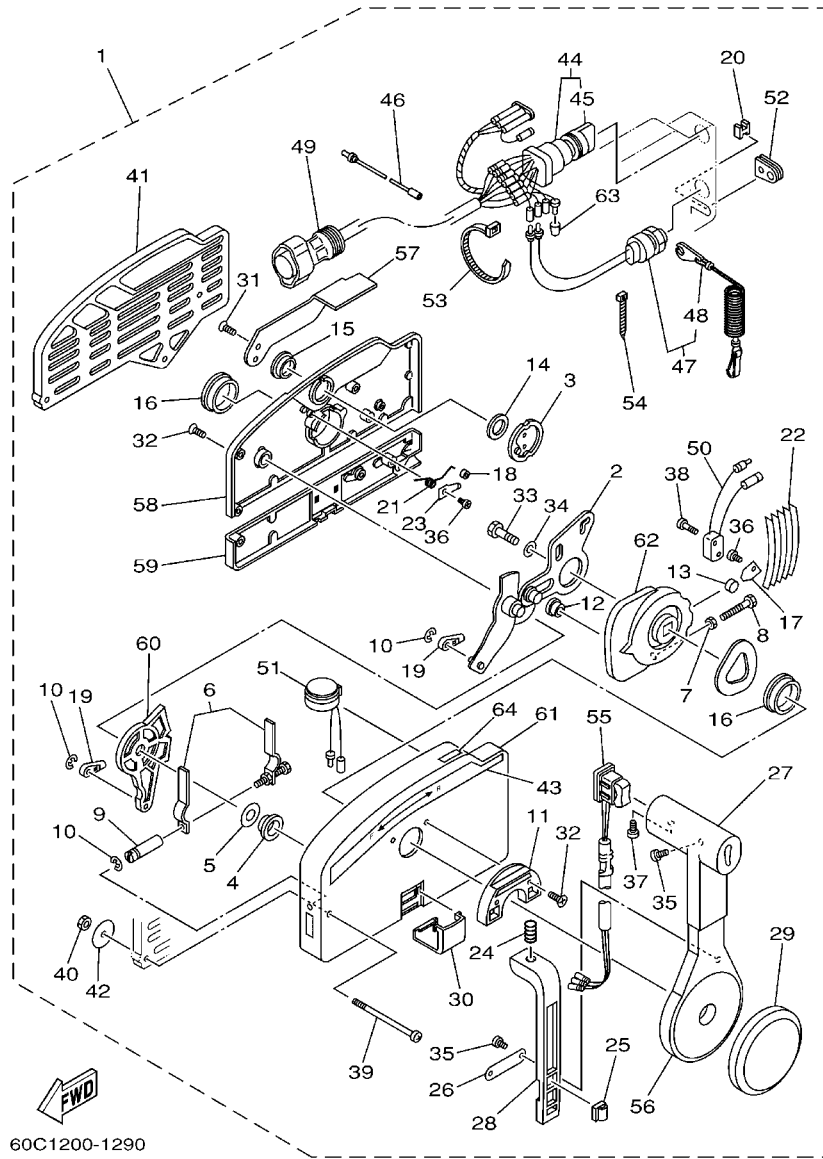


FIG. 24 REMOTE CONTROL ASSY

REF. NO.	PART NO.	DESCRIPTION	EDO	E/O		REMARKS
27	703-48222-00	.GRIP, CONTROL LEVER	1	1		SINGLE
28	703-48223-00	.LOCK, NEUTRAL	1	1		
29	703-48225-00	.COVER	1	1		
30	703-48219-00	.COVER, LEAD	1	1		
31	703-48281-00	.SCREW	2	2		
32	703-48282-00	.SCREW	7	7		
33	97380-08030	.BOLT	1	1		
34	92990-08600	.WASHER, PLATE	1	1		
35	98580-04010	.SCREW, PAN HEAD	3	3		
36	98580-04006	.SCREW, PAN HEAD	2	2		
37	98580-05010	.SCREW, PAN HEAD	1	1		
38	98580-03015	.SCREW, PAN HEAD	2	2		
39	703-48291-10	.SCREW (M6)	3	3		
40	95380-06600	.NUT, HEXAGON	3	3		
41	703-48293-10	.SPACER, REMOTE CONTROL	1	1		SINGLE
42	701-48287-00	.WASHER	3	3		
43	703-48215-00	.GRAPHIC	1	1		
44	703-82510-12	.MAIN SWITCH ASSY	1	1		PRIME START
45	676-82577-00	..CAP, KEY	1	1		
46	703-82531-00	.WIRE, LEAD	1	1		
47	688-82575-01	.ENGINE STOP SWITCH ASSY	1	1		
48	682-82556-00	..STOPPER	1	1		
49	688-8258A-20	.EXTENSION, WIRE HARNESS	1	1		L:5M (10P)
50	703-82540-00	.NEUTRAL SWITCH ASSY	1	1		
51	703-83383-A0	.BUZZER	1	1		
52	703-48284-00	.GROMMET	1	1		
53	703-82591-00	.BAND	1	1		

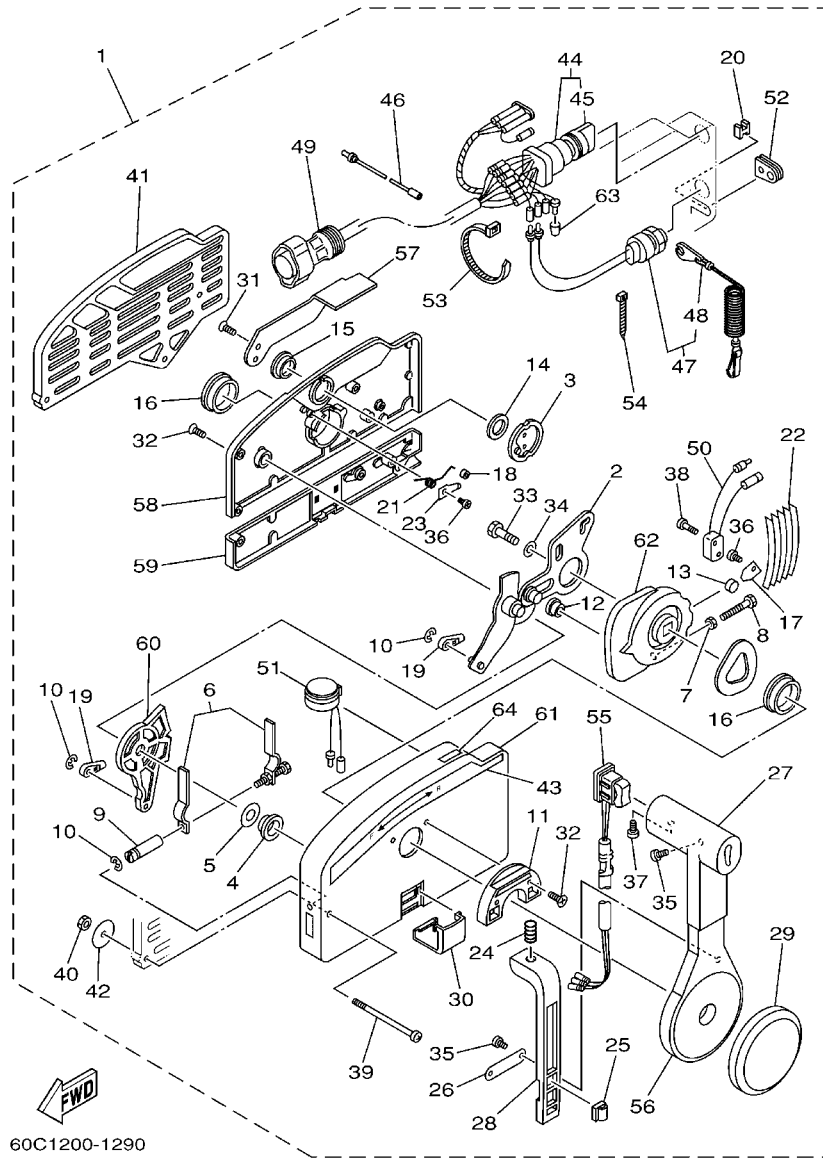
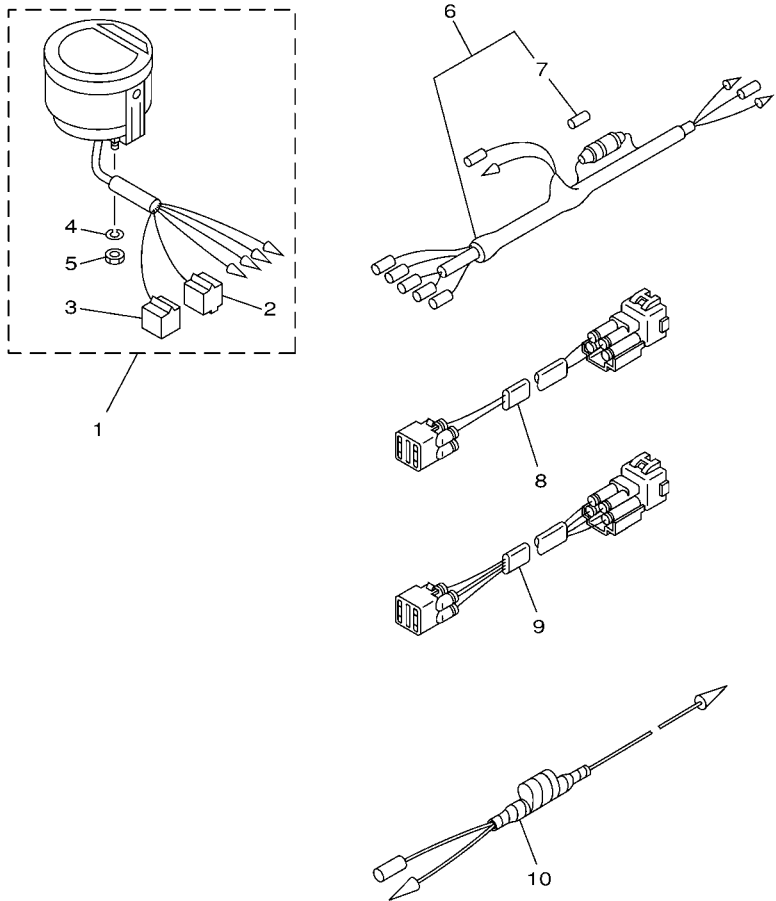


FIG. 24 REMOTE CONTROL ASSY

REF. NO.	PART NO.	DESCRIPTION	EDO	ETO	REMARKS
54	703-82592-00	.BAND	1	1	
55	703-82563-02	.TRIM & TILT SWITCH ASSY		1	WITH PT/T SW.
	703-48224-00	.COVER, CONTROL LEVER	1		WITHOUT PT/T SW.
56	703-48221-00	.LEVER, CONTROL	1	1	
57	703-48152-00	.KNOB, FREE ACCEL.	1	1	
58	703-48212-00	.BACK PLATE 1	1	1	
59	703-48213-00	.BACK PLATE 2	1	1	
60	703-48271-00	.ARM, SHIFT	1	1	
61	703-48211-01	.HOUSING,1	1	1	
62	703-48232-00	.GEAR	1	1	
63	703-82542-00	.CAP		1	FOR 703-48205-A4
	703-82542-00	.CAP		3	FOR 703-48201-A2
64	703-48218-00	.GRAPHIC	1	1	



6H30100-0270

FIG. 25 METER 1

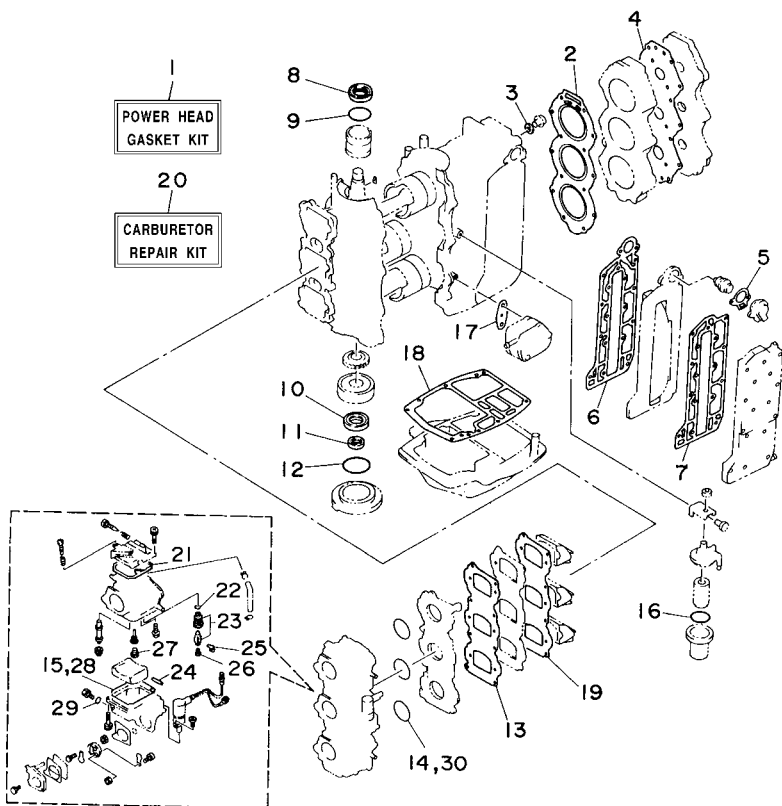
REF. NO.	PART NO.	DESCRIPTION	EDO	EYO	REMARKS
1	6Y5-8350T-03	TACHOMETER ASSY		1	AP
2	9E450-04433	.CONNECTOR		1	M-4-W
3	9E450-04533	.CONNECTOR		1	F-4-W
4	92990-04100	.WASHER, SPRING		2	
5	95380-04600	.NUT		2	
6	6Y5-83553-00	WIRE, LEAD		1	AP
7	1E6-82151-00	.FUSE (10A)		1	
8	6R3-82521-70	WIRE, LEAD		1	AP 7M
9	6R3-82553-70	EXTENSION, WIRE LEAD		1	AP 4P,7M
10	6H4-81315-11	LEAD WIRE ASSY		1	AP





FIG. 27 REPAIR KIT 1

REF. NO.	PART NO.	DESCRIPTION	EDO	ETO	REMARKS
1	6H3-W0001-02	POWER HEAD GASKET KIT	1	1	AUTO CHOKE
2	6H3-11181-A1	.GASKET, CYLINDER HEAD 1	1	1	
3	90430-14115	.GASKET	1	1	
4	6H3-11193-A1	.GASKET, HEAD COVER 1	1	1	
5	6H3-12414-A1	.GASKET, COVER	1	1	
6	6H3-41112-A0	.GASKET, EXHAUST INNER COVER	1	1	
7	6H3-41114-A0	.GASKET, EXHAUST OUTER COVER	1	1	
8	93102-36M24	.OIL SEAL	1	1	
9	93210-46M16	.O-RING	1	1	
10	93102-30M23	.OIL SEAL	1	1	
11	93106-18M01	.OIL SEAL	1	1	
12	93210-65M50	.O-RING	1	1	
13	6H3-13621-A1	.GASKET, VALVE SEAT	1	1	
14	93210-39ME4	.O-RING	3	3	
15	6H4-14984-00	.GASKET, FLOAT CHAMBER	3	3	
16	93210-32738	.O-RING	1	1	
17	650-24431-A0	.GASKET, FUEL PUMP 1	1	1	
18	6H3-45113-A0	.GASKET, UPPER CASING	1	1	
19	6H3-13622-A1	.GASKET, VALVE SEAT	1	1	
20	6H2-W0093-10	CARBURETOR REPAIR KIT	1	1	AUTO CHOKE
21	6H4-14147-00	.O-RING	1	1	
22	93210-04228	.O-RING	1	1	
23	6H3-14590-01	.NEEDLE VALVE ASSY	1	1	
24	6H4-14548-00	.PIN, FLOAT ARM	1	1	
25	663-14159-00	.CLIP	1	1	
26	676-14186-00	.PIN, FLOAT	1	1	
27	676-14966-00	.CAP	1	1	



  
 6H30010-4230



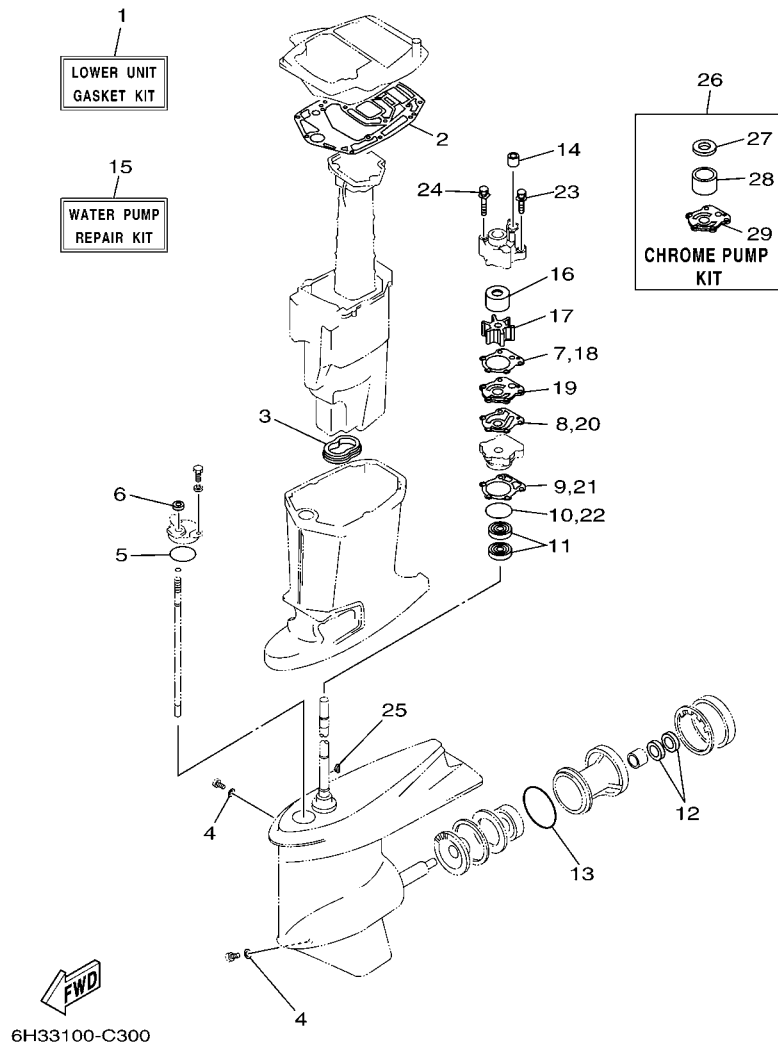


FIG. 28 REPAIR KIT 2

REF. NO.	PART NO.	DESCRIPTION	EDO	ETO		REMARKS
1	6H2-W0001-20	LOWER UNIT GASKET KIT	1	1		
2	6H3-45114-A1	.GASKET, UPPER CASING	1	1		
3	6H3-45123-00	.GASKET, MUFFLER	1	1		
4	90430-08020	.GASKET	2	2		
5	93210-49046	.O-RING	1	1		
6	93106-09014	.OIL SEAL	1	1		
7	688-44315-A0	.GASKET, WATER PUMP	1	1		
8	688-44324-A0	.GASKET, CARTRIDGE	1	1		
9	688-44316-A0	.GASKET, WATER PUMP	1	1		
10	93210-46044	.O-RING	1	1		
11	93101-25M03	.OIL SEAL	2	2		
12	93101-25M03	.OIL SEAL	2	2		
13	93210-85M97	.O-RING	1	1		
14	663-44366-00	.DAMPER, WATER SEAL	1	1		
15	692-W0078-02	WATER PUMP REPAIR KIT	1	1		
16	688-44322-00	.INSERT, CARTRIDGE	1	1		
17	688-44352-03	.IMPELLER	1	1		
18	688-44315-A0	.GASKET, WATER PUMP	1	1		
19	688-44323-00	.OUTER PLATE, CARTRIDGE	1	1		
20	688-44324-A0	.GASKET, CARTRIDGE	1	1		
21	688-44316-A0	.GASKET, WATER PUMP	1	1		
22	93210-46044	.O-RING	1	1		
23	90119-08M13	.BOLT, WITH WASHER	2	2		
24	90119-08M16	.BOLT, WITH WASHER	2	2		
25	90280-04M04	.KEY, WOODRUFF	1	1		
26	688-W0078-1A	CHROME PUMP KIT	1	1		
27	688-44321-41	.INNER PLATE, CARTRIDGE	1	1		



NUMERICAL INDEX

PART NO.	REF. NO.	PART NO.	REF. NO.	PART NO.	REF. NO.	PART NO.	REF. NO.	PART NO.	REF. NO.	PART NO.	REF. NO.
6H3-11111-01-1S	2 - 25	6H4-14147-00	27 - 21	6H3-15100-14-1S	2 - 2	6H4-24486-00	5 - 39	6H2-42677-50	1 - 15	688-43160-01	14 - 28
688-11119-01	2 - 21	663-14159-00	5 - 17	6H3-15359-00-94	3 - 1	61N-24521-00	7 - 8	6H2-42677-50	1 - 15	688-43165-00	13 - 32
6H3-11181-A1	2 - 26		27 - 25	6H3-21707-06	6 - 25	61N-24560-00	7 - 6	6H2-42678-30	1 - 16		14 - 29
	27 - 2	676-14186-00	5 - 18	6H3-21732-00	1 - 24	61N-24563-00	7 - 7	6H3-42678-30	1 - 16	688-43170-04-4D	15 - 2
6H3-11191-00-1S	2 - 27		27 - 26	648-24566-02	1 - 25	648-24566-02	7 - 10	6H3-42681-30	1 - 28	6H1-43181-01	13 - 26
6H3-11193-A1	2 - 28	6H2-14301-0A	5 - 1	6J8-21744-00	6 - 52	6YJ-24610-01	21 - 2	6H3-42682-30	1 - 29	688-43181-10	14 - 21
	27 - 4	6H3-14301-0A	5 - 1	6H3-21752-00	6 - 31	6H1-24633-00	6 - 38	6H1-42694-00	1 - 23	6H1-43185-01	13 - 27
6H3-11325-01	2 - 17	6H2-14302-0A	5 - 2	6H1-21757-00	6 - 37	6A1-28176-00	11 - 41	6H3-42711-06-4D	11 - 1	688-43185-10	14 - 22
6H3-11327-00-1S	2 - 18	6H3-14302-0A	5 - 2	6J8-21758-00	6 - 36	6E0-28193-00-94	7 - 39	6H3-42711-25-4D	11 - 1	688-43186-00	15 - 9
6H3-11328-00	2 - 19	6H2-14303-0A	5 - 3	63D-2175R-00	6 - 34	6H3-41111-01-1S	2 - 36	648-42715-00	12 - 28	6H1-43311-02-4D	13 - 16
650-11370-01	2 - 4	6H3-14303-0A	5 - 3	6H1-21766-01	6 - 43	6H3-41112-A0	2 - 37	6H3-42716-02	11 - 12		14 - 13
688-11370-01	2 - 3	6A0-14325-00	7 - 25	63D-2176M-00	6 - 33		27 - 6	6K5-42717-00	11 - 13	663-43318-00	14 - 27
6H3-11400-10	3 - 7	6H3-14349-00	4 - 16	6H4-21770-00	6 - 35	6H3-41113-02-1S	2 - 38	6H3-42718-00	11 - 39	682-43318-01	15 - 8
6H3-11536-00	3 - 12		5 - 32	63D-2177H-00	1 - 2	6H3-41114-A0	2 - 39	6E5-42724-00	11 - 14	6H1-43376-00	16 - 39
6H3-11537-01	6 - 15	6H3-14380-00	5 - 33	6YJ-24167-00	21 - 7		27 - 7	6H3-42725-00	11 - 15	688-43616-00	15 - 12
6K5-11601-02	3 - 15	6H3-14413-10	4 - 18	6YJ-24201-10	21 - 1	6H2-41131-00-5B	18 - 11	6H3-42725-10	11 - 15	688-43631-10	15 - 3
6K5-11601-12	3 - 15	6H3-14440-02	4 - 19	6Y1-24260-12	21 - 3	6H3-41131-00-5B	18 - 11	6H4-42726-00	11 - 27	688-43651-00	15 - 14
6K5-11601-22	3 - 15	6H3-14457-01	4 - 20	6Y1-24268-00	21 - 6	6H3-41137-01-94	18 - 5	688-42726-10	11 - 27	6H1-43800-17-4D	17 - 1
6H3-11631-01-96	3 - 14	624-14485-00	2 - 5	6G1-24304-02	7 - 1	6H3-41213-10	12 - 23	6H3-42727-00	11 - 19	67F-43802-00	17 - 39
6H3-11633-00	3 - 16	6H1-14485-00	4 - 6	6Y1-24305-04	21 - 13	6H3-41217-00	4 - 13	6H3-42738-01-5B	11 - 16	6H1-43804-10	17 - 4
688-11634-10	3 - 17	6H3-14488-00	8 - 20	6Y1-24305-05	21 - 15	682-41237-00	12 - 2	6H3-42741-01-4D	11 - 31	6H1-43805-10	17 - 3
6H3-11635-01	3 - 14	63V-14523-00	5 - 5	61J-24306-03	21 - 8	6E9-41237-00	6 - 24	6G1-42748-00	11 - 30	6H1-4380F-10	17 - 7
6H3-11636-01	3 - 14	6H4-14548-00	5 - 15	663-24312-01	2 - 41	6F5-41237-00	12 - 15	6H3-42768-00	11 - 23	6H1-4380G-10	17 - 15
6H3-12411-10	2 - 32		27 - 24	6H3-24313-00	7 - 33	6H1-41237-00	6 - 20	6H3-42771-01-4D	11 - 32	6H1-4380H-10	17 - 13
6H3-12413-00-1S	2 - 33	697-14555-00	5 - 12	6H3-24314-00	7 - 35		12 - 14	6G5-42791-10	11 - 40	6H1-4380J-10	17 - 8
6H3-12414-A1	2 - 34	6H4-14567-00	5 - 30	6Y1-24329-00	21 - 5	6H4-41237-00	12 - 21	6H3-42813-00	11 - 7	6H1-43810-11	17 - 20
	27 - 5	6H2-14578-00	5 - 7	650-24351-01	21 - 12	6H3-41241-01	6 - 19	6H3-42815-01-4D	11 - 3	6H1-43812-00	17 - 24
6H1-13117-01	6 - 17	6H3-14590-01	5 - 14	61J-24360-00	21 - 10	6J8-41262-00	15 - 11	6H3-42816-00	11 - 9	6H1-43813-10	17 - 27
6E9-13183-70	6 - 10		27 - 23	6E5-24367-01	11 - 24	6H3-41631-00	12 - 4	6H3-42817-01-4D	11 - 4	6H1-43814-11	17 - 19
6H3-13200-02	6 - 1	6H3-14711-11-5B	18 - 14		11 - 37	6H3-41632-20	12 - 10	6H3-42818-00	11 - 10	6H1-43816-00	17 - 68
6J8-13411-00	6 - 39	6H3-14737-10	18 - 20	650-24378-00	2 - 6	6H3-41633-10	12 - 12	6H1-43111-01-4D	13 - 1	6H1-43817-01	17 - 47
6J8-13414-00	6 - 40	692-14923-00	5 - 11	688-24378-00	7 - 32	6H3-41636-10-94	12 - 16	688-43111-13-4D	14 - 1	6E5-43818-00	17 - 32
6H1-13435-00	6 - 41	6H3-14943-35	5 - 21	6E5-24378-00	6 - 54	689-42169-01	12 - 1	6H1-43112-00-4D	13 - 11	6H1-43820-11	17 - 64
6H3-13436-00	1 - 18	6H3-14943-36	5 - 21	692-24410-00	7 - 15		12 - 20	688-43112-12-4D	14 - 8	6H1-43821-11	17 - 59
6H3-13436-40	1 - 18	6H3-14943-37	5 - 21	663-24411-00	7 - 20	6H3-42510-13-4D	16 - 3	688-43124-02	15 - 5	6H1-43822-10	17 - 58
6H3-13437-21	8 - 21	6H2-14947-71	5 - 20	692-24411-00	7 - 17	624-42542-00	6 - 47	6E5-43126-02	13 - 35	6H1-43828-10	17 - 30
6H2-13610-00	4 - 1	6H3-14947-71	5 - 20	6H3-24411-10	5 - 40	6H3-42610-50-4D	1 - 1		14 - 32	6H1-43829-00	17 - 36
6H3-13610-00	4 - 1	6H3-14948-13	5 - 23	6A0-24412-02	7 - 26	6H2-42610-80-4D	1 - 1	688-43128-01-4D	15 - 1	6H1-4382A-10	17 - 52
6H3-13621-A1	4 - 7	6H3-14948-17	5 - 23	6A0-24413-00	7 - 16	6H3-42613-01-4D	1 - 11	688-43131-03	13 - 21	6H1-43830-11	17 - 49
	27 - 13	676-14966-00	5 - 22	6H4-24413-00	5 - 38	6H3-42615-00	1 - 14		14 - 16	6H1-43831-10	17 - 48
6H3-13622-A1	4 - 9		27 - 27	6L5-24421-00	5 - 37	6H3-42617-10	1 - 19	6G5-43144-00	13 - 41	6H1-43833-10	17 - 33
	27 - 19	6H4-14980-00	5 - 27	6A0-24421-01	7 - 24	6H3-42619-00	1 - 20		14 - 37	6H1-43834-00	17 - 34
6H3-13624-00-94	4 - 8	6H3-14980-10	5 - 28	650-24431-A0	7 - 27	6H3-42627-00	1 - 21	6E5-43145-01	22 - 9	6H1-43835-10	17 - 29
6H3-13641-13-94	4 - 5	6H4-14984-00	5 - 24		27 - 17	6H3-42637-00	1 - 22	6G5-43145-01	13 - 25	6H1-43840-11	17 - 17
6H3-14137-00	5 - 31		27 - 15	648-24434-01	7 - 18	6H3-42647-00-94	1 - 3		14 - 20	6H1-43841-11	17 - 42
6H4-14146-00	5 - 8		27 - 28	6H3-24434-10	5 - 41	6H3-42649-00-94	1 - 4	6G5-43148-10	13 - 39	6H1-43843-11	17 - 72
6H3-14146-10	5 - 9	6H4-14985-01	5 - 19	648-24435-02	7 - 21	6H3-42652-00	1 - 6		14 - 24	6H1-43844-10	17 - 44
6H4-14147-00	5 - 10	6H3-14992-00	5 - 25	6H3-24452-10	5 - 29	663-42662-00	1 - 5	688-43160-01	13 - 31	6H1-43845-00	17 - 55

NUMERICAL INDEX

PART NO.	REF. NO.	PART NO.	REF. NO.	PART NO.	REF. NO.	PART NO.	REF. NO.	PART NO.	REF. NO.	PART NO.	REF. NO.
6H1-43847-00	17 - 50	688-44322-41	28 - 28	663-45376-00-94	20 - 10	688-45970-03-98	20 - 24	703-48268-00	24 - 5	703-82119-00	11 - 28
6H1-4384E-20	17 - 61	688-44323-00	19 - 34	6E5-45378-00	19 - 21	6E5-45970-10	20 - 25	703-48271-00	24 - 60		16 - 42
6H1-4384F-10	17 - 46		28 - 19	688-45383-02	19 - 71	688-45972-02-98	20 - 24	703-48281-00	24 - 31	682-82119-00	9 - 45
6H1-4384G-11	17 - 45	688-44323-40	28 - 29	688-45384-00	19 - 72	6E5-45972-10	20 - 25	703-48282-00	24 - 32	688-82127-02	16 - 25
6H1-43854-00	17 - 53	688-44324-A0	19 - 35	6H3-45501-11	19 - 39	688-45974-02-98	20 - 24	703-48284-00	24 - 52	6E5-82148-00	13 - 12
6H1-43855-11	17 - 71		28 - 8	688-45536-01	19 - 4	6E5-45974-10	20 - 25	701-48287-00	24 - 42		14 - 9
6H1-43856-10	17 - 43		28 - 20	6K5-45551-00	19 - 40	688-45976-01-98	20 - 24	703-48291-10	24 - 39	6H1-82148-00	13 - 8
6H1-4385H-00	17 - 78	688-44341-01-94	19 - 30	6K5-45560-00	19 - 42	6E5-45976-10	20 - 25	703-48293-10	24 - 41	1E6-82151-00	25 - 7
6H1-43861-00	17 - 21	688-44352-03	19 - 28	688-45567-01-10	19 - 7	6E5-45978-10	20 - 25	701-48310-90	23 - 2		26 - 13
6H1-43861-10	17 - 18		28 - 17	688-45567-01-12	19 - 7	688-45978-60-98	20 - 24	701-48320-00	23 - 2	663-82151-00	9 - 32
	17 - 22	6H3-44361-11	20 - 2	688-45567-01-15	19 - 7	688-45987-01	20 - 19	701-48320-20	23 - 2	6G5-82152-00	9 - 17
	17 - 60	663-44366-00	20 - 16	688-45567-01-18	19 - 7	6E5-45994-10	20 - 26	663-48344-00	12 - 41	6H3-82154-11	9 - 42
6H1-43864-00	17 - 65		28 - 14	688-45567-01-30	19 - 7	67F-45997-00	20 - 20	6H3-48344-00	12 - 18	6H3-82164-00	9 - 27
6H1-43865-10	17 - 16	663-44367-00	20 - 1	688-45567-01-40	19 - 7	703-48152-00	24 - 57	703-48345-01	24 - 19	6A0-82317-00	6 - 46
6H1-43866-00	17 - 40	69D-44391-00	11 - 2	688-45567-01-50	19 - 7	703-48153-00	24 - 3	703-48358-00	24 - 20	6G1-82370-21	9 - 23
6H1-43867-00	17 - 41	688-44511-00-94	16 - 33	6H3-45571-00	19 - 62	703-48189-00	24 - 17	6H3-48511-51-4D	16 - 36	703-82510-12	24 - 44
6H1-43868-00	17 - 74	688-44514-00-94	16 - 26	688-45576-00	19 - 66	703-48198-00	24 - 14	6H3-48538-00	12 - 42	6R3-82521-70	25 - 8
6H1-4386K-10	17 - 9	6H1-44526-00	13 - 3	688-45577-01-10	19 - 65	703-48201-A2	23 - 1	688-61350-10	22 - 1		26 - 14
6H1-43871-10	17 - 23		14 - 3	688-45577-01-12	19 - 65		24 - 1	688-61351-10	22 - 2	703-82531-00	24 - 46
6H1-43872-10	17 - 25	6H3-44551-01-4D	16 - 9	688-45577-01-15	19 - 65	703-48205-A4	23 - 1	6E5-61355-00	22 - 8	703-82540-00	24 - 50
6H1-43874-00	17 - 67	6H3-44552-03-94	16 - 18	688-45577-01-18	19 - 65		24 - 1	6H4-81315-11	25 - 10	703-82542-00	24 - 63
6H1-43875-00	17 - 57	6H3-44553-01-4D	16 - 23	688-45577-01-30	19 - 65	703-48211-01	24 - 61	6E5-81332-00	8 - 15		24 - 63
6H1-4387J-00	17 - 77	687-44555-00-94	16 - 11	688-45577-01-40	19 - 65	703-48212-00	24 - 58	6H3-81337-01	8 - 18	6R3-82553-70	25 - 9
6H1-43880-02	17 - 2	663-44575-00	16 - 16	688-45577-01-50	19 - 65	703-48213-00	24 - 59	6H3-81800-11	10 - 1	682-82556-00	24 - 48
6H1-43881-10	17 - 12		16 - 32	688-45587-01-10	19 - 5	703-48215-00	24 - 43	6H3-81807-10	10 - 3	688-82560-10	9 - 38
6H1-4388E-11	17 - 73	6H3-45111-12-4D	18 - 1	688-45587-01-12	19 - 5	703-48218-00	24 - 64	689-81809-11	10 - 7	703-82563-02	24 - 55
6H1-43891-10	17 - 5	6H3-45113-A0	18 - 7	688-45587-01-15	19 - 5	703-48219-00	24 - 30	6H3-81810-10	10 - 9	6H1-82563-10	9 - 46
6H1-43892-10	17 - 6		27 - 18	688-45587-01-18	19 - 5	703-48221-00	24 - 56	689-81811-11	10 - 12	688-82575-01	24 - 47
6H1-43895-12	17 - 70	6H3-45114-A1	18 - 17	688-45587-01-30	19 - 5	703-48222-00	24 - 27	689-81812-11	10 - 11	676-82577-00	24 - 45
6H1-43896-00	17 - 69		28 - 2	688-45587-01-40	19 - 5	703-48223-00	24 - 28	689-81813-10	10 - 13	6E3-8257H-00	11 - 42
6H1-43899-00	17 - 51	663-45119-00	13 - 18	688-45587-01-50	19 - 5	703-48224-00	24 - 55	6H3-81820-11	10 - 14	6R5-82582-B0	6 - 60
6H3-44117-00-94	12 - 31		14 - 15	6H1-45611-01	19 - 43	703-48225-00	24 - 29	689-81826-10	10 - 15	6E5-82587-00	9 - 47
6H3-44120-12	12 - 27	6H3-45123-00	18 - 16	6H1-45631-01	19 - 44	703-48226-00	24 - 26	6H3-81830-10	10 - 4	688-8258A-20	24 - 49
6H3-44121-01	12 - 37		28 - 3	688-45633-00	19 - 55	703-48227-00	24 - 24	689-81831-00	10 - 5	6H2-82590-13	9 - 31
688-44122-00	12 - 40	6H3-45127-00	18 - 15	6H1-45634-02	19 - 46	703-48232-00	24 - 62	689-81840-11	10 - 10	6H2-82590-31	9 - 31
6H1-44144-00	19 - 58	6H3-45155-00	18 - 3	6H1-45635-00	19 - 50	703-48234-00	24 - 18	689-81847-11	10 - 6	703-82591-00	24 - 53
6H1-44151-00	19 - 57	6H1-45214-00	19 - 12	6H1-45641-01	19 - 56	703-48235-00	24 - 4	689-81850-12	10 - 8	703-82592-00	24 - 54
688-44194-00	12 - 7	6H1-45215-00	19 - 13	6H1-45668-00	19 - 49	703-48236-00	24 - 16	689-81857-11	10 - 2	688-82594-00	9 - 37
688-44311-01	19 - 25	6H1-45251-03	13 - 2	688-45930-02-98	20 - 24	703-48238-00	24 - 22	6H3-81916-10	9 - 15	703-82594-00	24 - 25
688-44315-A0	19 - 27		14 - 2	688-45932-60-98	20 - 24	703-48243-00	24 - 15	6H2-81949-01	9 - 44	703-83383-A0	24 - 51
	28 - 7	6H3-45300-16-4D	19 - 1	6E5-45941-00-EL	20 - 24	703-48244-00	24 - 21	6H2-81949-11	9 - 43	6Y5-83509-03	26 - 6
	28 - 18	6H1-45301-03-4D	19 - 2	6E5-45943-00-EL	20 - 24	703-48245-00	24 - 11	61A-81950-00	9 - 39	6Y5-8350T-03	25 - 1
688-44316-A0	19 - 33	688-45321-00	19 - 16	6E5-45945-01-EL	20 - 24	703-48246-00	24 - 23	6Y5-81950-02	26 - 10	6Y5-83514-00	26 - 5
	28 - 9	688-45331-00-94	19 - 63	6E5-45947-00-EL	20 - 24	701-48248-00	24 - 13	688-81950-10	9 - 24	6Y5-83517-00	26 - 2
	28 - 21	688-45341-10	19 - 10	6E5-45949-00-EL	20 - 24	703-48252-00	24 - 12	6H2-81960-10	9 - 11	6Y5-83518-00	26 - 7
688-44321-41	28 - 27	688-45371-02	20 - 12	6E5-45952-00-EL	20 - 24	703-48261-01	24 - 2	6H3-82105-01	9 - 29	6Y5-83523-00	26 - 4
688-44322-00	19 - 26	6E5-45371-10	20 - 27	6E5-45954-00-EL	20 - 24	703-48264-00	24 - 6	6H3-82117-00	9 - 30	6Y5-83536-10	26 - 3
	28 - 16	688-45375-00	20 - 11	6E5-45956-00-EL	20 - 24	703-48265-00	24 - 9	703-82119-00	9 - 6	6Y5-83540-05	26 - 1

NUMERICAL INDEX

PART NO.	REF. NO.	PART NO.	REF. NO.	PART NO.	REF. NO.	PART NO.	REF. NO.	PART NO.	REF. NO.	PART NO.	REF. NO.
6Y5-83553-00	25 - 6	90119-06M88	6 - 49	90201-22M67	14 - 18	90389-25M00	20 - 21	90465-18147	5 - 42	92903-06600	9 - 26
	26 - 12	90119-06MA3	2 - 35	90201-30M00	16 - 4	90430-08020	19 - 11	90467-06016	2 - 11		9 - 34
6E5-83558-00	20 - 15		4 - 10	90202-03M51	15 - 13		28 - 4		2 - 15		9 - 36
6E5-83558-10	19 - 23	90119-06MA5	2 - 40	90202-05088	6 - 21	90430-12072	20 - 4		4 - 15		10 - 19
6E5-83614-01	9 - 48	90119-08M13	19 - 38	90202-07M07	12 - 39	90430-14115	2 - 24	90467-08004	2 - 42		12 - 33
6A1-83625-41	4 - 24		28 - 23	90202-12060	20 - 3		27 - 3		4 - 17	92903-08600	10 - 17
6A1-83625-51	4 - 25	90119-08M16	19 - 37	90202-20M06	16 - 29	90440-14M00	13 - 47		6 - 44		10 - 21
6H1-83672-12	16 - 1		28 - 24	90202-25M04	16 - 13	90445-07255	4 - 14		7 - 5	92990-04100	25 - 4
6H2-85520-01	8 - 2	90119-08M64	2 - 9	90206-10M04	12 - 24	90445-07M02	2 - 12		7 - 14	92990-05100	7 - 23
6H2-85533-01	8 - 3	90119-08M79	18 - 8	90206-13M10	11 - 6	90445-07M23	6 - 7		7 - 31	92990-05600	4 - 4
6H2-85540-12	9 - 5	90119-08M81	18 - 4	90209-06M05	4 - 22	90445-07M44	2 - 10		7 - 36	92990-06600	11 - 26
6H3-85542-11-94	9 - 1	90119-08M84	20 - 9	90250-07M02	19 - 54		6 - 6	90467-10M04	6 - 51		11 - 38
6H2-85550-00	8 - 1	90119-08MA5	2 - 29	90266-06009	1 - 10	90445-07M45	2 - 13	90467-11M08	6 - 28	92990-08200	12 - 35
697-85570-00	9 - 20	90119-10005	2 - 8	90269-04M03	11 - 8	90445-07M82	2 - 14		6 - 58	92990-08600	24 - 34
6H2-85580-01	8 - 4	90151-05M00	19 - 14	90280-04M04	19 - 29	90445-07M87	6 - 8	90467-12M11	6 - 45	92990-10100	20 - 7
6H2-85582-00	8 - 5	90157-06M01	11 - 25		28 - 25	90445-07ME9	19 - 22	90468-05M03	6 - 22	92990-10600	20 - 8
6H1-85711-60	4 - 23		11 - 29	90280-05015	8 - 12	90445-07MF1	20 - 14	90468-07M02	6 - 11	92995-06100	1 - 8
6R5-85711-60	9 - 51	90157-06M13	12 - 5	90282-04010	19 - 70	90445-08M01	6 - 42		6 - 12		13 - 6
6H3-85720-16	6 - 59	90159-06M01	9 - 16	90338-05M03	1 - 26	90445-09072	7 - 13		6 - 13		14 - 6
6H2-85895-01	8 - 6	90159-06M23	8 - 19		11 - 29		7 - 30	90468-18008	12 - 19	92995-06600	1 - 9
6H3-W0001-02	27 - 1	90170-09M03	22 - 5		13 - 20	90445-09220	7 - 34		12 - 38		1 - 13
6H2-W0001-20	28 - 1	90170-16M01	19 - 41		14 - 40	90445-09M75	7 - 4	90480-09M12	11 - 20		3 - 6
688-W0004-00	4 - 2	90170-20137	8 - 13	90340-08002	19 - 9	90445-11M02	6 - 56	90480-13M54	9 - 4		7 - 3
6H3-W0070-30	1 - 17	90171-16011	20 - 22	90340-14M00	2 - 23	90445-11M03	6 - 26	90480-19M06	20 - 17		7 - 29
692-W0078-02	28 - 15	90179-06066	16 - 22	90386-07M58	12 - 34	90445-11M05	21 - 11	90501-10326	5 - 6		8 - 9
688-W0078-1A	28 - 26	90179-08M34	2 - 31	90386-10M16	13 - 28	90445-11M06	21 - 9	90501-12082	12 - 30		8 - 11
6H3-W0090-44-1S	2 - 1	90183-02M03	19 - 53		14 - 23	90445-11M15	6 - 53	90501-12M48	19 - 51		8 - 17
6H2-W0093-10	27 - 20	90183-05M06	1 - 27	90386-13M38	11 - 5	90445-11M21	6 - 50	90501-14M08	16 - 21		9 - 8
656-W2810-02	7 - 38	90185-05002	19 - 15	90386-18M14	17 - 31	90446-10M01	6 - 55	90501-16M65	19 - 47		9 - 13
90101-08002	2 - 22	90185-08057	16 - 40	90386-18M21	14 - 33		7 - 37	90502-16M02	13 - 34		9 - 41
90101-10M49	16 - 27	90185-09M01	22 - 4	90386-18M35	13 - 37	90464-05M16	9 - 14		14 - 31		11 - 18
90101-12M65	13 - 43	90185-10051	16 - 31		14 - 34	90464-07M05	2 - 16	90506-20011	13 - 40		11 - 34
	14 - 41		16 - 38		15 - 7		6 - 5		14 - 36		11 - 36
90105-06M14	9 - 2	90185-22043	13 - 24	90386-18M63	13 - 36		6 - 14	90508-26M35	12 - 11		13 - 7
90105-10M67	20 - 13		14 - 19		15 - 6	90464-09M13	11 - 28	91318-08016	17 - 66		13 - 10
90109-06M39	6 - 3	90201-03313	19 - 52	90386-22M15	13 - 22	90464-11M18	13 - 19	91490-20012	12 - 36		14 - 7
90109-06M40	6 - 4	90201-08M93	6 - 16		14 - 17		14 - 39	91490-40025	20 - 23		19 - 20
90109-06M43	12 - 13	90201-10M20	22 - 3	90386-30M60	16 - 8	90464-11M23	6 - 57	91690-30012	13 - 33	92995-08100	16 - 20
90109-12M21	16 - 15	90201-10M63	22 - 7	90386-30M77	16 - 6	90464-15M11	9 - 28		14 - 30		16 - 35
90116-08M69	2 - 30	90201-11M22	16 - 30	90386-30M78	16 - 5	90464-18M14	9 - 50	91690-30020	13 - 30		18 - 10
90116-10175	16 - 37	90201-12426	13 - 45	90387-06M31	6 - 30	90464-23M22	9 - 18		14 - 25		18 - 13
90116-10M28	16 - 37		14 - 43	90387-06M43	9 - 3	90465-06M86	6 - 9		15 - 10		18 - 19
90119-06023	2 - 20	90201-12M16	16 - 12	90387-06M60	12 - 8	90465-11M10	16 - 41	92901-04100	17 - 76	92995-10100	13 - 15
90119-06M09	11 - 11	90201-13M19	16 - 14		12 - 25		19 - 24	92901-05200	17 - 63		14 - 12
90119-06M29	13 - 4	90201-20417	3 - 19	90387-06M69	11 - 21	90465-11M27	6 - 27	92903-05100	26 - 9	92995-12200	13 - 44
	14 - 4	90201-20M21	16 - 28	90387-10M02	13 - 29	90465-13M11	9 - 19	92903-06600	5 - 44		14 - 42
90119-06M61	11 - 22	90201-21M18	8 - 14		14 - 26	90465-13M18	26 - 11		9 - 10	93101-25M03	19 - 31
90119-06M65	6 - 48	90201-22M67	13 - 23	90387-10M42	22 - 6	90465-13M30	6 - 32		9 - 22		19 - 69



NUMERICAL INDEX

PART NO.	REF. NO.	PART NO.	REF. NO.	PART NO.	REF. NO.	PART NO.	REF. NO.	PART NO.	REF. NO.	PART NO.	REF. NO.
93101-25M03	28 - 11	93317-325U0	19 - 68	97075-08025	16 - 19	97980-04114	5 - 4				
	28 - 12	93332-000U3	19 - 6	97075-08030	18 - 12	98501-04025	17 - 75				
93102-08M43	17 - 14	93332-000W7	19 - 8		18 - 18	98501-05010	17 - 62				
93102-30M23	3 - 2	93410-18M02	13 - 38	97075-08035	16 - 34	98503-05028	7 - 22				
	27 - 10		14 - 35		18 - 9	98580-03015	24 - 38				
93102-36M24	3 - 9	93410-28M06	16 - 10	97075-10040	20 - 6	98580-04006	24 - 36				
	27 - 8	93430-06024	24 - 10	97080-06010	15 - 4	98580-04008	5 - 16				
93106-09014	19 - 18	93440-49M04	3 - 10	97095-05012	8 - 7	98580-04010	24 - 35				
	28 - 6	93450-07M00	19 - 61	97095-06010	13 - 9	98580-05010	24 - 37				
93106-18M01	3 - 3	93501-04M02	12 - 29		13 - 42	98586-05016	21 - 4				
	27 - 11	93503-16003	19 - 48		14 - 38	98980-03006	5 - 36				
93210-04228	5 - 13	93505-32038	17 - 79	97095-06016	1 - 7	99001-08600	19 - 60				
	27 - 22	93603-12M11	19 - 45		1 - 12	9E450-04433	25 - 2				
93210-04230	5 - 26	93603-18M09	3 - 18		6 - 29	9E450-04533	25 - 3				
	27 - 29	93604-10M03	19 - 36		9 - 12						
93210-064A5	17 - 38	93606-12019	18 - 2		9 - 49						
93210-07003	19 - 59		18 - 6		11 - 17						
93210-08287	21 - 14		20 - 5		13 - 5						
	21 - 16	93608-12063	2 - 7		14 - 5						
93210-09165	17 - 37	93700-06M03	13 - 17		19 - 19						
93210-10M74	17 - 54		14 - 14	97095-06020	3 - 5						
93210-13M04	6 - 18	94702-00247	2 - 43		11 - 35						
93210-16275	22 - 10	95303-05600	26 - 8	97095-06025	7 - 2						
93210-18397	17 - 26	95380-03600	5 - 35		8 - 10						
93210-18M75	17 - 56		7 - 19		9 - 40						
93210-19MA7	6 - 2	95380-04600	25 - 5		11 - 33						
93210-29M94	16 - 7	95380-05600	6 - 23		12 - 9						
93210-32738	7 - 9		12 - 3		12 - 26						
	27 - 16		12 - 17	97095-06035	8 - 8						
93210-39ME4	4 - 12		12 - 22	97095-06040	7 - 28						
	27 - 14		24 - 7	97095-06045	9 - 7						
	27 - 30	95380-06600	12 - 6	97095-06095	4 - 11						
93210-46044	19 - 32		24 - 40	97095-10045	13 - 14						
	28 - 10	95380-08600	7 - 11		14 - 11						
	28 - 22	95380-12600	13 - 46	97380-05025	24 - 8						
93210-46M16	3 - 13		14 - 44	97380-08030	24 - 33						
	27 - 9	95380-12800	16 - 17	97595-06420	17 - 35						
93210-49046	19 - 17	97013-06012	5 - 43	97607-04310	17 - 11						
	28 - 5		9 - 9	97780-40512	20 - 18						
93210-64488	17 - 28		9 - 33	97803-04010	5 - 34						
93210-65M50	3 - 4		9 - 35	97880-05016	4 - 3						
	27 - 12	97013-06014	7 - 12	97880-06012	13 - 13						
93210-85M97	19 - 67	97013-06016	9 - 25		14 - 10						
	28 - 13	97013-06020	9 - 21	97885-05016	17 - 10						
93306-207U0	19 - 64		12 - 32	97885-06010	8 - 16						
93306-306V1	3 - 11	97013-06025	10 - 18	97885-06016	16 - 2						
93311-636U6	3 - 8	97013-08016	10 - 20		16 - 24						
93315-325V1	19 - 3	97013-08035	10 - 16	97885-06045	4 - 21						

60FETO  
60FEDO/70BETO  
PARTS CATALOGUE  
©2003 by Yamaha Motor Co., Ltd.  
1st edition, September 2003  
All rights reserved.  
Any reprinting or unauthorized use  
without the written permission of  
Yamaha Motor Co., Ltd.  
is expressly prohibited.  
Printed in Japan.