

# **PARTS CATALOGUE**

60F'00(6H2)

70B'00(6H3)

# FOREWORD

This Parts Catalogue is related to the parts for the model(s) in the below frame. When you are ordering replacement parts, please refer to this Parts Catalogue and quote both part numbers and part names correctly.

60F'00(6H2), 70B'00(6H3)

1. Modifications or additions which have been made after issue of the Parts Catalogue will be announced in the Yamaha Parts News.  
It is advisable that you make necessary corrections to the Parts Catalogue according to the Yamaha Parts News.

2. Abbreviations

The Following abbreviations are used in this Parts Catalogue.

- "UR" Use specified parts number.
- "UN" Use as many as needed.
- "AP" Alternate Parts
- "LM" Local Made  
(Parts need to be ordered locally)
- "O/S" Over Size

3. Parts, which are to be supplied in an assembly, are listed with a dot(.) in front of the part name as shown below.

EXAMPLE  
 CARBURETOR ASSY  
 .JET, PILOT  
 .NOZZLE, MAIN

4. Number of component for assembly

The numeral appearing to the right of each component part indicates the quantity of parts for each assembly unit.

EXAMPLE

PART NO.	DESCRIPTION	E	H	L	REMARKS
6E0-85500-70	C.D.I. MAGNETO ASSY	1			
6E0-85550-70	.ROTOR ASSY	1			
6E0-15723-00-94	.PULLY, STARTER	1			

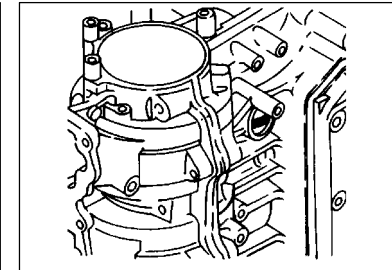
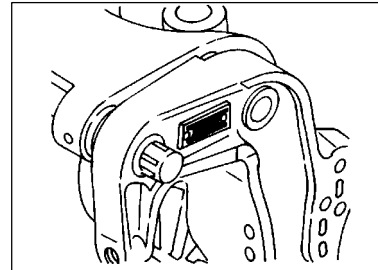
5. Quantity Column Information

NAME for Q'TY COLUMN	APPLICABLE MODEL
6EDO	60FEDO
7EDO	70BEDO
6ETO	60FETO
7ETO	70BETO

6. Applicable Starting Serial No. and Color Code

1) Engine Starting Sserial No.

60FEDO S : 100862 L : 407338 60FETO L : 473323	70BEDO L : 402077 70BETO L : 493832
--	--



2) Color Code

Color Code	Color Name	Abbreviation
004D	DARK BLUISH GRAY METALLIC 2	DBNM2

7. Note that the illustrations for reference in funding parts numbers, not to be used for assembling. When assembling, pleas use the applicable service manual.

8. The asterisk (\*) before a reference number indicates modification items after the first edition.

# CONTENTS

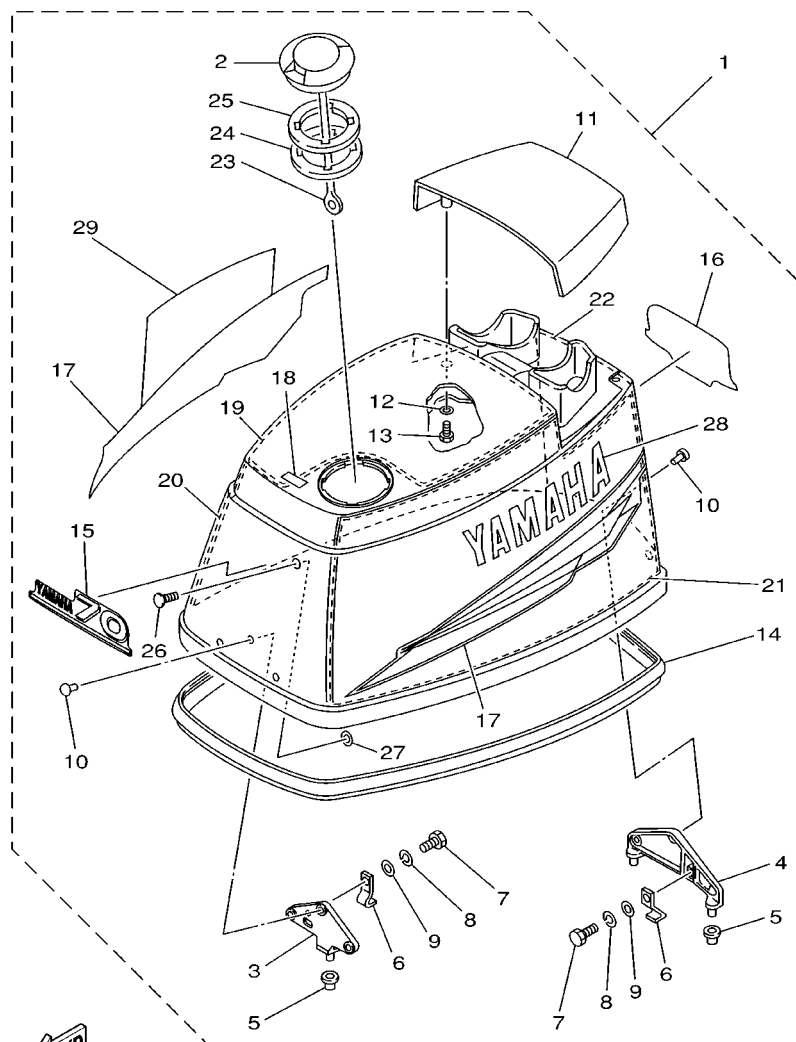
TOP COWLING .....	1
CYLINDER, CRANKCASE .....	3
CRANKSHAFT, PISTON .....	5
INTAKE .....	6
CARBURETOR .....	7
OIL PUMP .....	9
FUEL .....	12
GENERATOR .....	14
ELECTRICAL .....	15
STARTING MOTOR .....	17
BOTTOM COWLING .....	18
CONTROL .....	20
BRACKET 1 .....	22
BRACKET 2 (SHORT) .....	24
BRACKET 3 (LONG) .....	26
BRACKET 4 .....	28
BRACKET 5 .....	29
POWER TRIM & TILT ASSY .....	31
UPPER CASING .....	34
LOWER CASING, DRIVE 1 .....	35

LOWER CASING, DRIVE 2 .....	39
FUEL TANK .....	41
STEERING GUIDE .....	42
REMOTE CONTROL BOX .....	43
REMOTE CONTROL ASSY .....	44
METER 1 .....	47
METER 2 .....	48
REPAIR KIT 1 .....	49
REPAIR KIT 2 .....	51

## INDEX

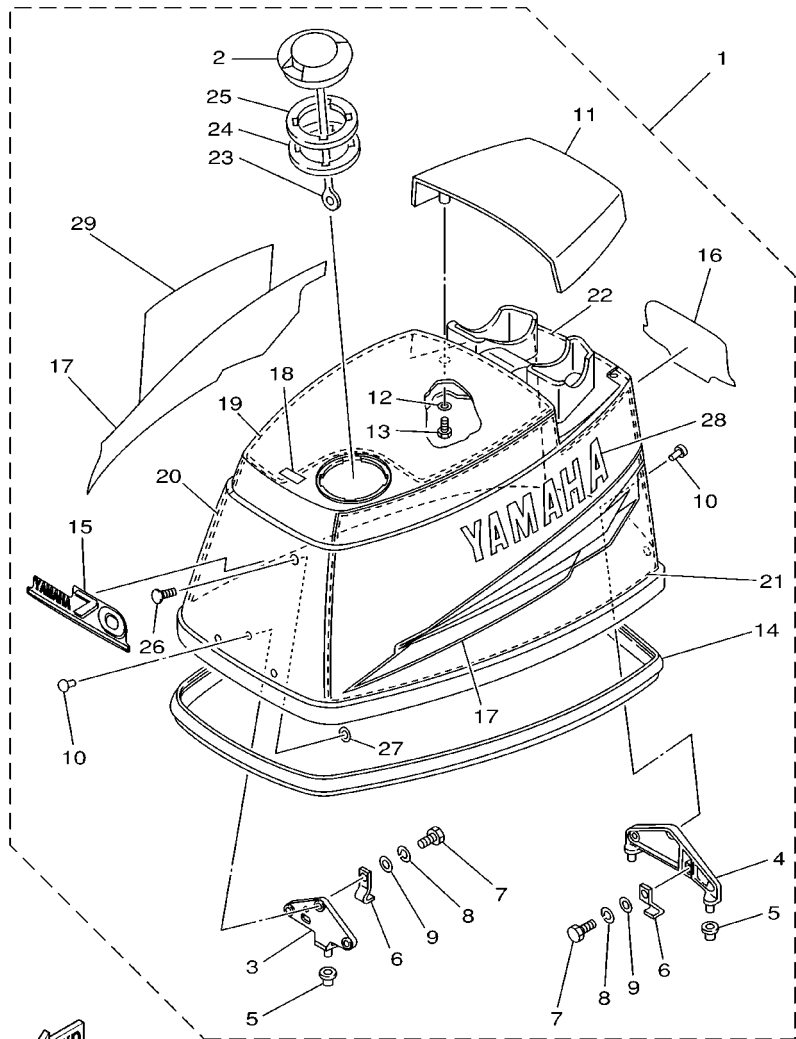
NUMERICAL INDEX .....	53
-----------------------	----

FIG. 1 TOP COWLING



6H30010-0010

REF. NO.	PART NO.	DESCRIPTION	6EDO	7EDO	6ETO	7ETO	REMARKS
1	6H3-42610-30-4D	TOP COWLING ASSY		1		1	
	6H2-42610-46-4D	TOP COWLING ASSY	1		1		
2	63D-2177H-00	.DISK CAP 2	1	1	1	1	
3	6H3-42647-00-94	.HOLDER, CLAMP BAND	1	1	1	1	
4	6H3-42649-00-94	.HOLDER, CLAMP BAND	1	1	1	1	
5	663-42662-00	.DAMPER	3	3	3	3	
6	6H3-42652-00	.HOOK	2	2	2	2	
7	97095-06016	.BOLT	2	2	2	2	
8	92995-06100	.WASHER, SPRING	2	2	2	2	
9	92995-06600	.WASHER	2	2	2	2	
10	90266-06009	.RIVET	6	6	6	6	
11	6H3-42613-01-4D	.MOLDING, AIR DUCT	1	1	1	1	
12	97095-06016	.BOLT	4	4	4	4	
13	92995-06600	.WASHER	4	4	4	4	
14	6H3-42615-00	.SEAL	1	1	1	1	
15	6H3-42677-30	.GRAPHIC, FRONT		1		1	
	6H2-42677-30	.GRAPHIC, FRONT	1		1		
16	6H3-42678-30	.GRAPHIC, REAR		1		1	
	6H2-42678-30	.GRAPHIC, REAR	1		1		
17	6H3-W0070-30	.GRAPHIC SET	1	1	1	1	
18	6H3-13436-00	.MARK		1		1	
	6H3-13436-40	.MARK	1		1		
19	6H3-42617-10	.DAMPER, FORM	1	1	1	1	
20	6H3-42619-00	.DAMPER, FORM	1	1	1	1	
21	6H3-42627-00	.DAMPER, FORM	1	1	1	1	
22	6H3-42637-00	.DAMPÉR, FÖRM	1	1	1	1	
23	6H1-42694-00	.BAND	1	1	1	1	

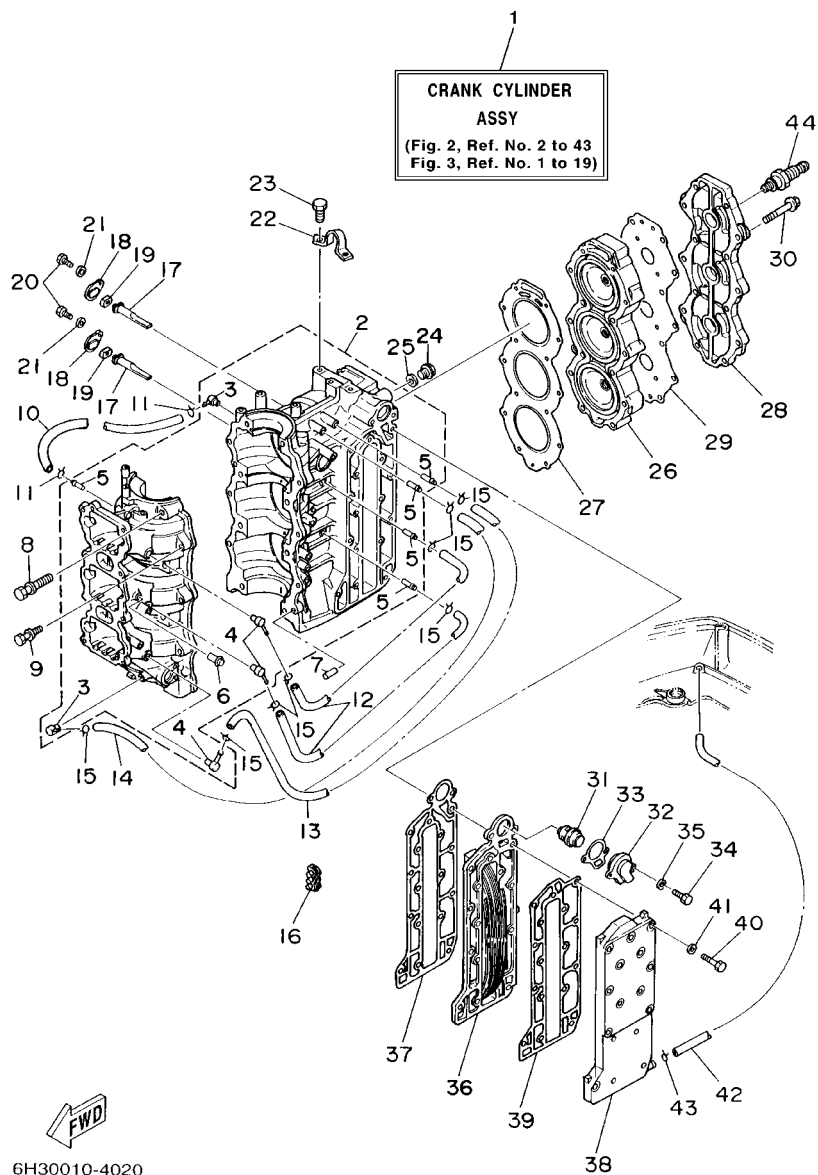


6H30010-0010

FIG. 1 TOP COWLING

REF. NO.	PART NO.	DESCRIPTION	6EDO	7EDO	6ETO	7ETO	REMARKS
24	6H3-21732-00	.SEAL 1	1	1	1	1	
25	6H3-21735-00	.SEAL 2	1	1	1	1	
26	90338-05M03	.PLUG	1	1	1	1	
27	90183-05M06	.NUT, SPRING	1	1	1	1	
28	6H3-42681-30	.MARK, COWLING	1	1	1	1	
29	6H3-42682-30	.MARK, COWLING	1	1	1	1	

FIG. 2 CYLINDER, CRANKCASE



6H30010-4020

REF. NO.	PART NO.	DESCRIPTION	6	7	6	7	REMARKS
			E	E	E	E	
1	6H3-W0090-41-4D	CRANK CYLINDER ASSY	1	1	1	1	
2	6H3-15100-13-94	CRANKCASE ASSY	1	1	1	1	
3	688-11370-00	.CHECK VALVE ASSY	2	2	2	2	
4	650-11370-00	.CHECK VALVE ASSY	3	3	3	3	
5	624-14485-00	.PIPE, JOINT	5	5	5	5	
6	650-24378-00	.PIPE, JOINT 4	1	1	1	1	
7	93608-12063	PIN, DOWEL	2	2	2	2	
8	90119-10M07	BOLT, WITH WASHER	8	8	8	8	
9	90119-08M17	BOLT, WITH WASHER	6	6	6	6	
10	90445-07M44	HOSE	1	1	1	1	
11	90467-06016	CLIP	2	2	2	2	
12	90445-07M02	HOSE	2	2	2	2	
13	90445-07M45	HOSE	1	1	1	1	
14	90445-07M82	HOSE	1	1	1	1	
15	90467-06016	CLIP	8	8	8	8	
16	90464-07M05	CLAMP	1	1	1	1	
17	6H3-11325-01	ANODE	2	2	2	2	
18	6H3-11327-00-94	COVER, ANODE	2	2	2	2	
19	6H3-11328-00	GROMMET, ANODE	2	2	2	2	
20	97013-06016	BOLT	2	2	2	2	
21	92903-06600	WASHER, PLATE	2	2	2	2	
22	688-11119-00	HANGER, ENGINE	1	1	1	1	
23	97013-08020	BOLT	2	2	2	2	
24	90340-14M00	PLUG, STRAIGHT SCREW	1	1	1	1	
25	90430-14115	GASKET	1	1	1	1	
26	6H3-11111-01-94	HEAD, CYLINDER 1	1	1	1	1	
27	6H3-11181-A1	GASKET, CYLINDER HEAD 1	1	1	1	1	

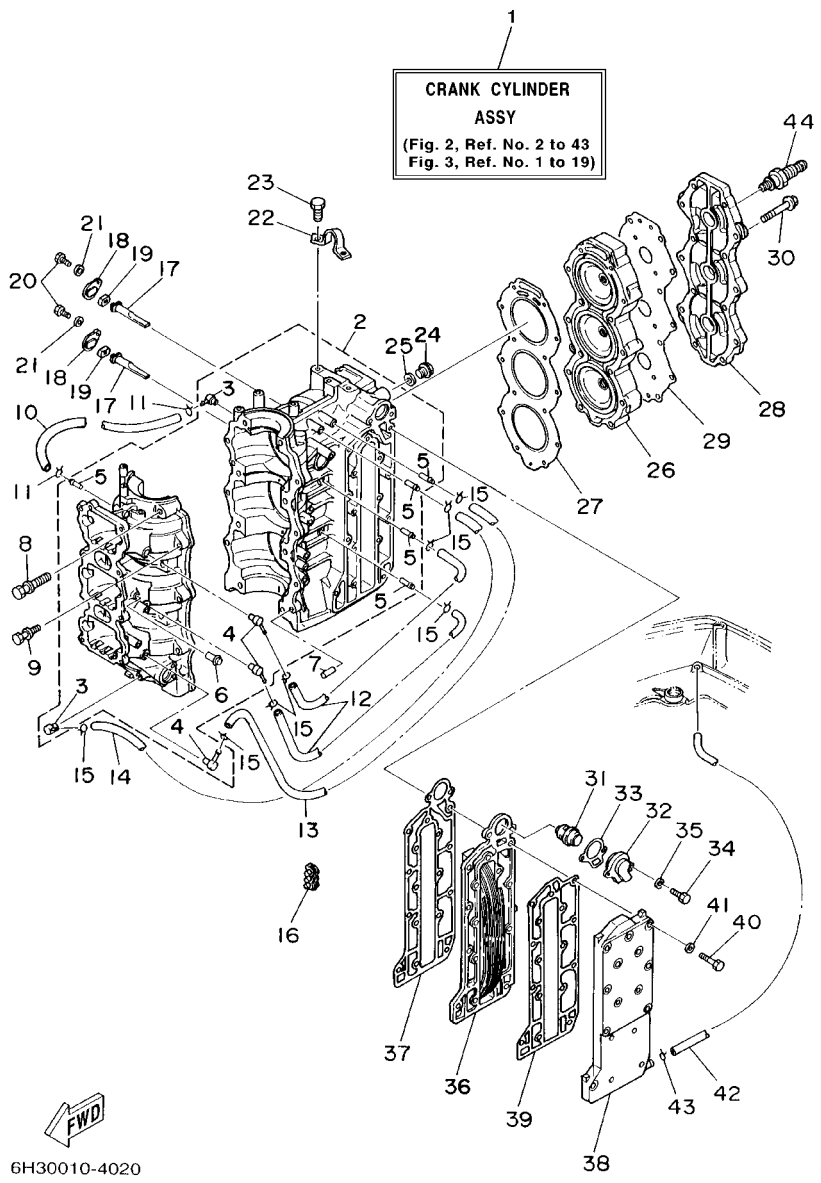
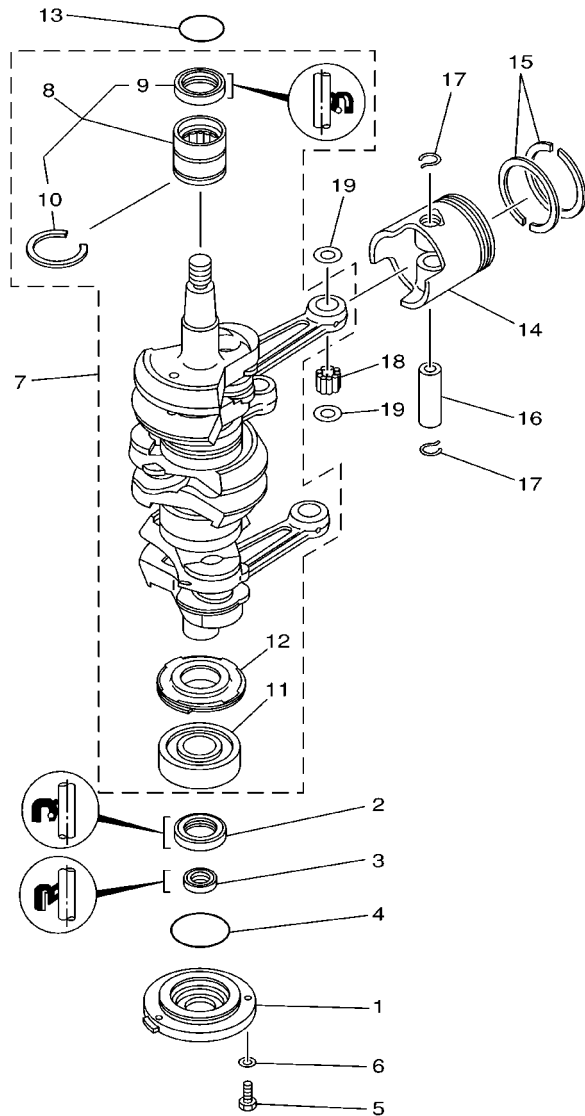


FIG. 2 CYLINDER, CRANKCASE

REF. NO.	PART NO.	DESCRIPTION	6EDO	7EDO	6ETO	7ETO	REMARKS
28	6H3-11191-00-9M	COVER, CYLINDER HEAD 1	1	1	1	1	
29	6H3-11193-A1	GASKET, HEAD COVER 1	1	1	1	1	
30	90119-08M09	BOLT, WITH WASHER	14	14	14	14	
31	6H3-12411-10	THERMOSTAT	1	1	1	1	
32	6H3-12413-00-9M	COVER, THERMOSTAT	1	1	1	1	
33	6H3-12414-A1	GASKET, COVER	1	1	1	1	
34	97013-06025	BOLT	2	2	2	2	
35	92903-06600	WASHER, PLATE	2	2	2	2	
36	6H3-41111-00-9M	INNER COVER, EXHAUST	1	1	1	1	
37	6H3-41112-A0	GASKET, EXHAUST INNER COVER	1	1	1	1	
38	6H3-41113-00-9M	OUTER COVER, EXHAUST	1	1	1	1	
39	6H3-41114-A0	GASKET, EXHAUST OUTER COVER	1	1	1	1	
40	97013-06035	BOLT	16	16	16	16	
41	92903-06600	WASHER, PLATE	16	16	16	16	
42	663-24312-01	PIPE 2	1	1	1	1	
43	90467-08004	CLIP	1	1	1	1	
44	94702-00247	PLUG, SPARK (NGK BR8HS-10)	3	3	3	3	



**FWD**  
6H30010-9030

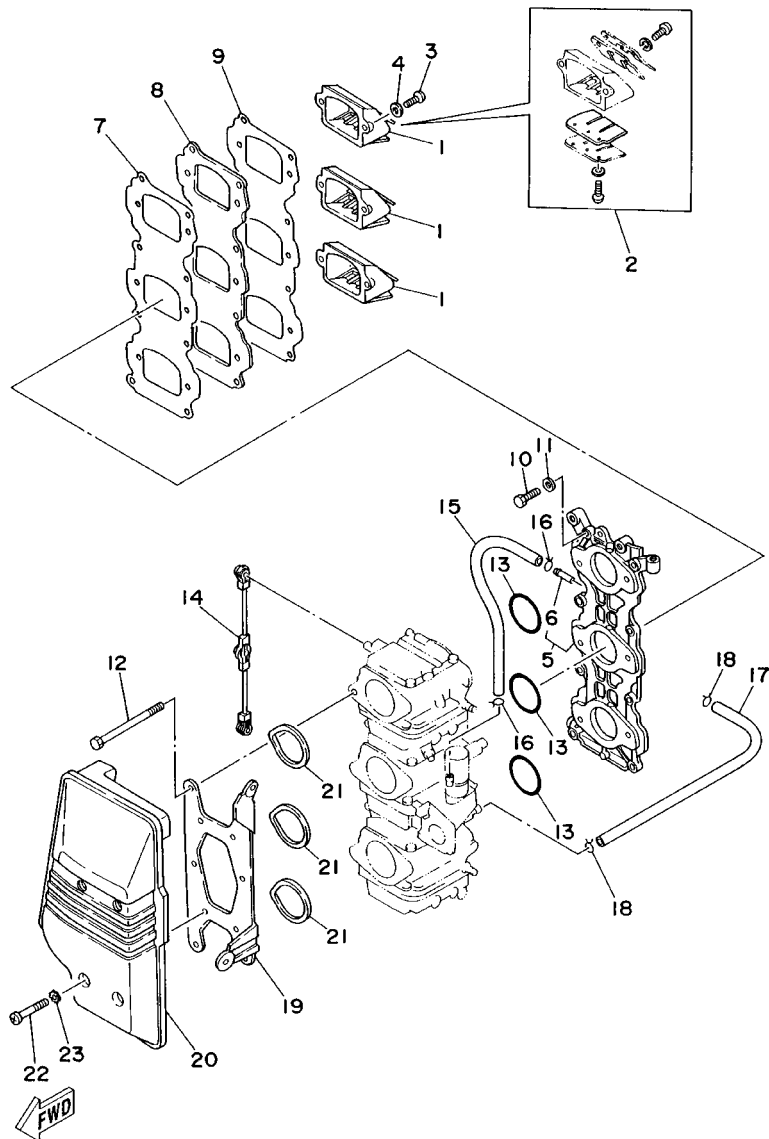
FIG. 3 CRANKSHAFT. PISTON

REF. NO.	PART NO.	DESCRIPTION	6EDO	7EDO	6ETO	7ETO	REMARKS
1	6H3-15359-00-94	HOUSING, OIL SEAL	1	1	1	1	
2	93102-30M23	OIL SEAL	1	1	1	1	
3	93106-18M01	OIL SEAL	1	1	1	1	
4	93210-65M50	O-RING	1	1	1	1	
5	97095-06020	BOLT	3	3	3	3	
6	92995-06600	WASHER	3	3	3	3	
7	6H3-11400-11	CRANKSHAFT ASSY	1	1	1	1	
8	93311-636U6	.BEARING	1	1	1	1	
9	93102-36M24	..OIL SEAL	1	1	1	1	
10	93440-49M04	..CIRCLIP	1	1	1	1	
11	93306-306V1	.BEARING	1	1	1	1	
12	6H3-11536-00	.GEAR, DRIVE	1	1	1	1	
13	93210-46M16	O-RING	1	1	1	1	
14	6H3-11631-01-96	PISTON (STD)	3	3	3	3	
	6H3-11635-01	PISTON (0.25MM O/S)	3	3	3	3	AP
	6H3-11636-01	PISTON (0.50MM O/S)	3	3	3	3	AP
15	6K5-11601-02	PISTON RING SET (STD)	3	3	3	3	
	6K5-11601-12	PISTON RING SET (0.25MM O/S)	3	3	3	3	AP
	6K5-11601-22	PISTON RING SET (0.50MM O/S)	3	3	3	3	AP
16	6H3-11633-00	PIN, PISTON	3	3	3	3	
17	688-11634-10	CLIP, PISTON PIN	6	6	6	6	
18	93603-18M09	PIN, DOWEL	84	84	84	84	
19	90201-20417	WASHER, PLATE	6	6	6	6	



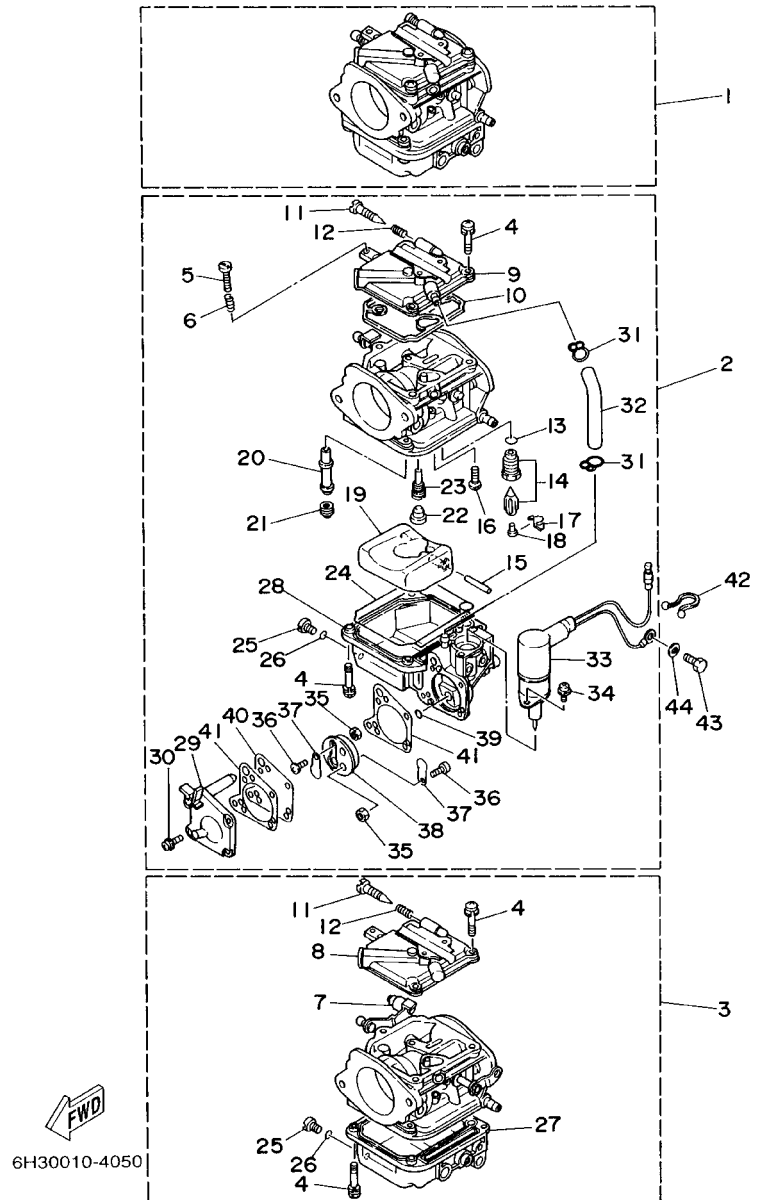
FIG. 4 INTAKE

REF. NO.	PART NO.	DESCRIPTION	6EDO	7EDO	6ETO	7ETO	REMARKS
1	6H3-13610-00	REED VALVE ASSY		3		3	
	6H2-13610-00	REED VALVE ASSY	3		3		
2	688-W0004-00	.REED SET	1	1	1	1	
3	97880-05016	SCREW, PAN HEAD	6	6	6	6	
4	92990-05600	WASHER, PLATE	6	6	6	6	
5	6H3-13641-13-94	MANIFOLD 1	1	1	1	1	
6	6H1-14485-00	.PIPE, JOINT	4	4	4	4	
7	6H3-13621-A1	GASKET, VALVE SEAT	1	1	1	1	
8	6H3-13624-00-94	PLATE, REED VALVE	1	1	1	1	
9	6H3-13622-A1	GASKET, VALVE SEAT	1	1	1	1	
10	97013-06025	BOLT	8	8	8	8	
11	92903-06600	WASHER, PLATE	8	8	8	8	
12	97095-06095	BOLT	6	6	6	6	
13	93210-39ME4	O-RING	3	3	3	3	
14	6H3-41217-00	ROD, ACCEL. LEVER	1	1	1	1	
15	90445-07255	HOSE	1	1	1	1	
16	90467-06016	CLIP	2	2	2	2	
17	6H3-14349-00	PIPE	1	1	1	1	
18	90467-08004	CLIP	2	2	2	2	
19	6H3-14413-10	STAY	1	1	1	1	
20	6H3-14440-02	SILENCER ASSY, INTAKE	1	1	1	1	
21	6H3-14457-01	SEAL	3	3	3	3	
22	97885-06045	SCREW, PAN HEAD	4	4	4	4	
23	90209-06M05	WASHER	4	4	4	4	



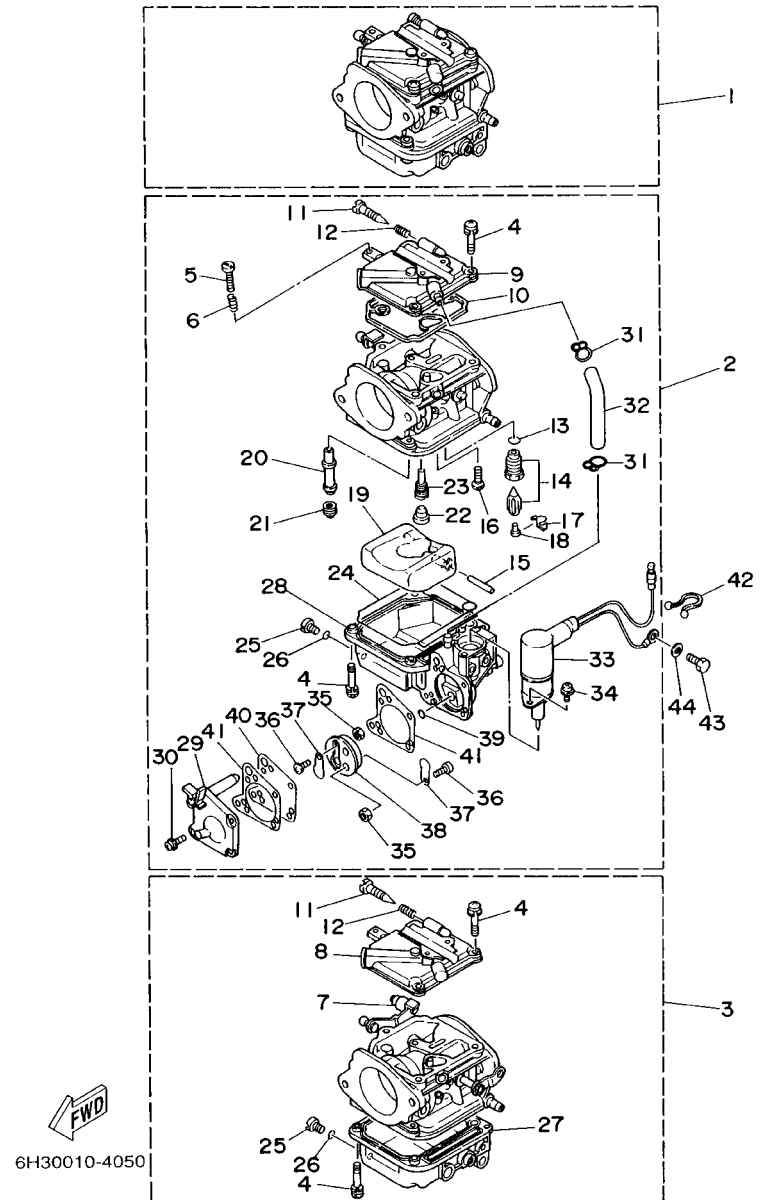
6H30010-4040

FIG. 5 CARBURETOR



REF. NO.	PART NO.	DESCRIPTION	6	7	6	7	REMARKS
			E	E	E	E	
1	6H3-14301-0A	CARBURETOR ASSY 1		1		1	
	6H2-14301-0A	CARBURETOR ASSY 1	1		1		
2	6H3-14302-0A	CARBURETOR ASSY 2		1		1	
	6H2-14302-0A	CARBURETOR ASSY 2	1		1		
3	6H3-14303-0A	CARBURETOR ASSY 3		1		1	
	6H2-14303-0A	CARBURETOR ASSY 3	1		1		
4	97980-04114	.SCREW, WITH WASHER	21	21	21	21	
5	63V-14523-00	.SCREW, STOP	1	1	1	1	#2
6	90501-10326	.SPRING, COMPRESSION	1	1	1	1	#2
7	6H2-14578-00	.COLLAR	1	1	1	1	#3
8	6H4-14146-00	.PLATE	2	2	2	2	#1,3
9	6H3-14146-10	.PLATE	1	1	1	1	#2
10	6H4-14147-00	.O-RING	3	3	3	3	
11	692-14923-00	.SCREW, PILOT	3	3	3	3	
12	697-14555-00	.SPRING	3	3	3	3	
13	93210-04228	.O-RING	3	3	3	3	
14	6H3-14590-00	.NEEDLE VALVE ASSY	3	3	3	3	
15	6H4-14548-00	.PIN, FLOAT ARM	3	3	3	3	
16	98580-04008	.SCREW, PAN HEAD	3	3	3	3	
17	663-14159-00	.CLIP	3	3	3	3	
18	676-14186-00	.PIN, FLOAT	3	3	3	3	
19	6H4-14985-01	.FLOAT	3	3	3	3	
20	6H3-14947-71	.JET, NEEDLE		3		3	
	6H2-14947-71	.JET, NEEDLE	3		3		
21	6H3-14943-37	.JET, MAIN (#150)		3		3	
	6H3-14943-35	.JET, MAIN (#140)	2		2		#1,3
	6H3-14943-36	.JET, MAIN (#145)	1		1		#2

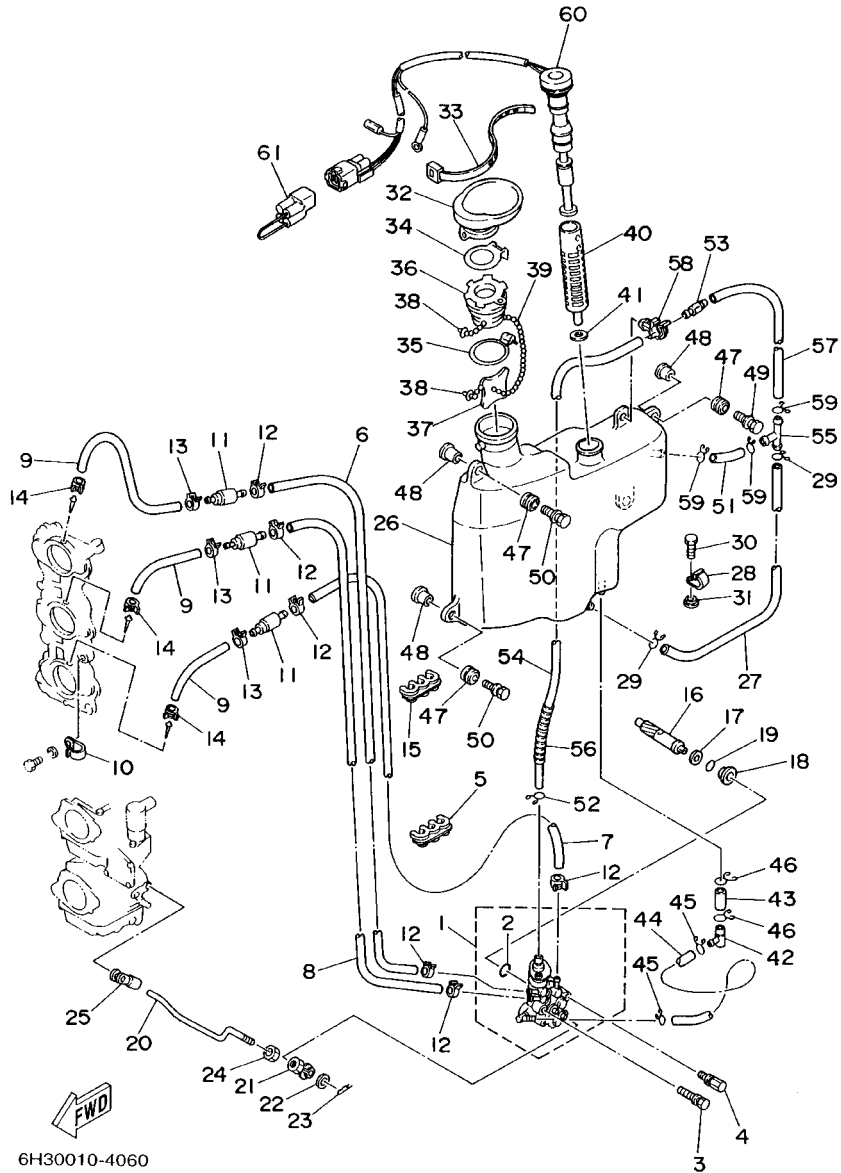
FIG. 5 CARBURETOR



6H30010-4050

REF. NO.	PART NO.	DESCRIPTION	6	7	6	7	REMARKS
			E	D	E	T	
22	676-14966-00	.CAP	3	3	3	3	
23	6H3-14948-17	.JET (#75)		3		3	
	6H3-14948-13	.JET (#65)	3		3		
24	6H4-14984-00	.GASKET, FLOAT CHAMBER	3	3	3	3	
25	6H3-14992-00	.SCREW, DRAIN	3	3	3	3	
26	93210-04230	.O-RING	3	3	3	3	
27	6H4-14980-00	.BODY, FLOAT CHAMBER	2	2	2	2	#1,3
28	6H3-14980-10	.BODY, FLOAT CHAMBER	1	1	1	1	#2
29	6H3-24452-10	.COVER	1	1	1	1	#2
30	6H4-14567-00	.SCREW	4	4	4	4	#2
31	6H3-14137-00	.CLIP	2	2	2	2	#2
32	6H3-14349-00	.PIPE	1	1	1	1	#2
33	6H3-14380-00	.STARTER ASSY	1	1	1	1	#2
34	97803-04010	.SCREW, PAN HEAD	2	2	2	2	#2
35	95380-03600	.NUT	2	2	2	2	#2
36	98980-03006	.SCREW, BIND	2	2	2	2	#2
37	6L5-24421-00	.VALVE, CHECK	2	2	2	2	#2
38	6H4-24413-00	.BODY 2	1	1	1	1	#2
39	6H4-24486-00	.O-RING	1	1	1	1	#2
40	6H3-24411-10	.DIAPHRAGM	1	1	1	1	#2
41	6H3-24434-10	.GASKET, BODY	2	2	2	2	#2
42	90465-18147	CLAMP	1	1	1	1	
43	97013-06012	BOLT	1	1	1	1	
44	92903-06600	WASHER, PLATE	1	1	1	1	

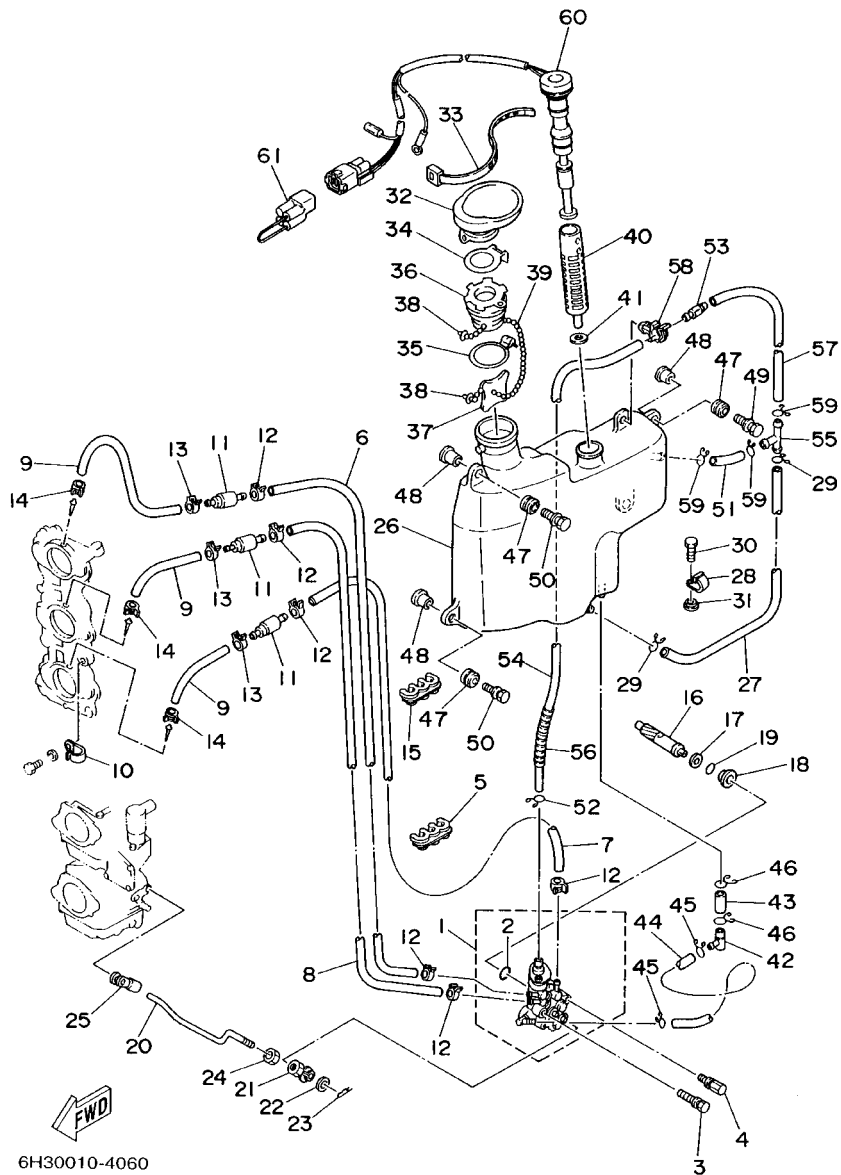
FIG. 6 OIL PUMP



6H30010-4060

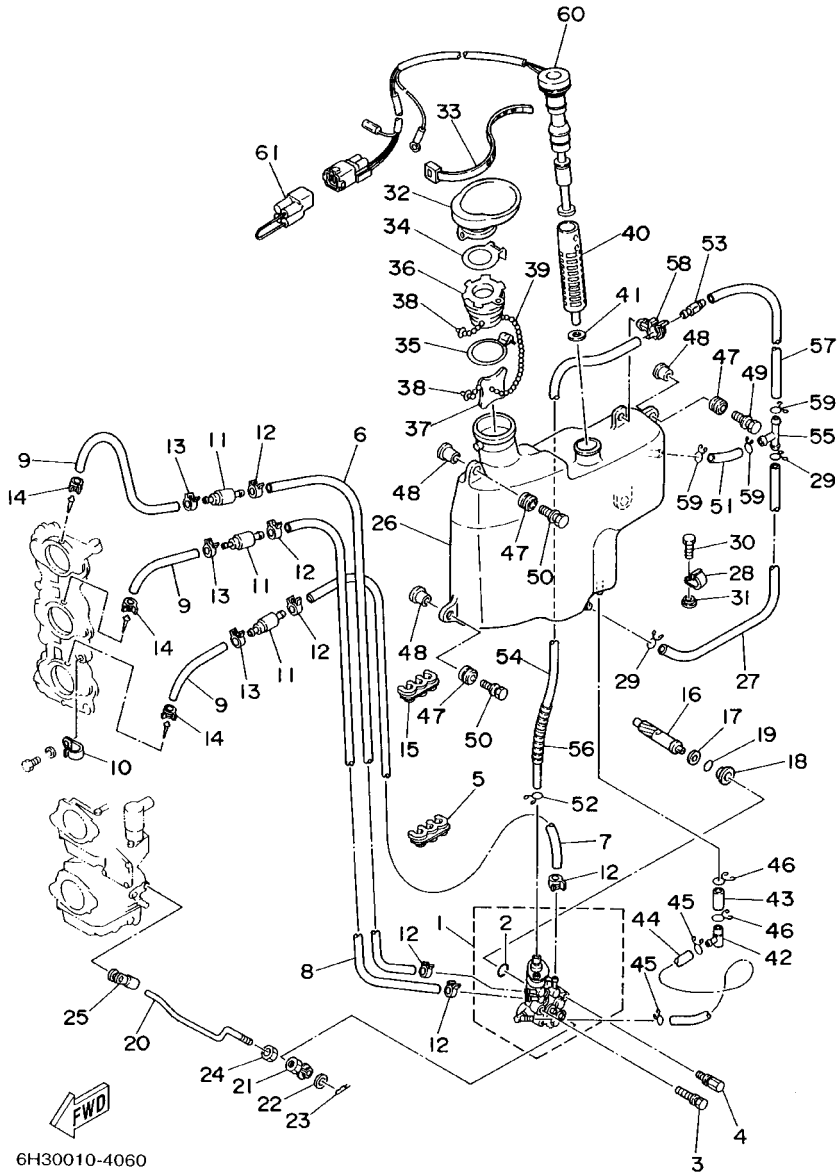
REF. NO.	PART NO.	DESCRIPTION	6E0	7E0	6E0	7E0	REMARKS
1	6H3-13200-02	OIL INJECTION PUMP ASSY	1	1	1	1	
2	93210-19MA7	.O-RING	1	1	1	1	
3	90109-06M39	BOLT	1	1	1	1	
4	90109-06M40	BOLT	1	1	1	1	
5	90464-07M05	CLAMP	1	1	1	1	
6	90445-07M44	HOSE	1	1	1	1	
7	90445-07M23	HOSE	1	1	1	1	
8	90445-07MA5	HOSE	1	1	1	1	
9	90445-07M87	HOSE	3	3	3	3	
10	90465-06M86	CLAMP	1	1	1	1	
11	6E9-13183-70	VALVE, CHECK	3	3	3	3	
12	90468-07M02	CLIP	6	6	6	6	
13	90468-07M02	CLIP	3	3	3	3	
14	90468-07M02	CLIP	3	3	3	3	
15	90464-07M05	CLAMP	1	1	1	1	
16	6H3-11537-01	GEAR, DRIVEN	1	1	1	1	
17	90201-08M93	WASHER, PLATE	1	1	1	1	
18	6H1-13117-01	COLLAR, DISTANCE	1	1	1	1	
19	93210-13M04	O-RING	1	1	1	1	
20	6H3-41241-01	ROD, LINK	1	1	1	1	
21	6H1-41237-00	JOINT, LINK	1	1	1	1	
22	90202-05088	WASHER, PLATE	1	1	1	1	
23	90468-05M03	CLIP	1	1	1	1	
24	95380-05600	NUT	1	1	1	1	
25	6E9-41237-00	JOINT, LINK	1	1	1	1	
26	6H3-21707-06	OIL TANK COMP.	1	1	1	1	
27	90445-11M03	HOSE	1	1	1	1	

FIG. 6 OIL PUMP



6H30010-4060

REF. NO.	PART NO.	DESCRIPTION	6	7	6	7	REMARKS
			E	E	E	E	
28	90465-11M27	CLAMP	1	1	1	1	
29	90467-11M08	CLIP	2	2	2	2	
30	97095-06016	BOLT	1	1	1	1	
31	90387-06M31	COLLAR	1	1	1	1	
32	6H3-21752-00	TUBE, FILLER 1	1	1	1	1	
33	90465-13M30	CLAMP	1	1	1	1	
34	63D-2176M-00	HOOK	1	1	1	1	
35	63D-2175R-00	HOOK, BAND	1	1	1	1	
36	6H4-21770-00	OIL TANK CAP ASSY	1	1	1	1	
37	6J8-21758-00	WASHER, SPECIAL 2	1	1	1	1	
38	6H1-21757-00	WASHER, SPECIAL 1	2	2	2	2	
39	6H1-24633-00	CHAIN, BALL	1	1	1	1	
40	6J8-13411-00	STRAINER, OIL	1	1	1	1	
41	6J8-13414-00	GASKET, STRAINER COVER	1	1	1	1	
42	6H1-13435-00	NIPPLE	1	1	1	1	
43	90445-08M01	HOSE	1	1	1	1	
44	6H1-21766-01	PIPE, OIL	1	1	1	1	
45	90467-08004	CLIP	2	2	2	2	
46	90467-12M11	CLIP	2	2	2	2	
47	6A0-82317-00	DAMPER, IGNITION COIL	4	4	4	4	
48	624-42542-00	PIPE	4	4	4	4	
49	90119-06M65	BOLT, WITH WASHER	2	2	2	2	
50	90119-06M88	BOLT, WITH WASHER	2	2	2	2	
51	90445-11M21	HOSE	1	1	1	1	
52	90467-10M04	CLIP	1	1	1	1	
53	6J8-21744-00	BREATHÉR	1	1	1	1	
54	90445-11M15	HOSE	1	1	1	1	

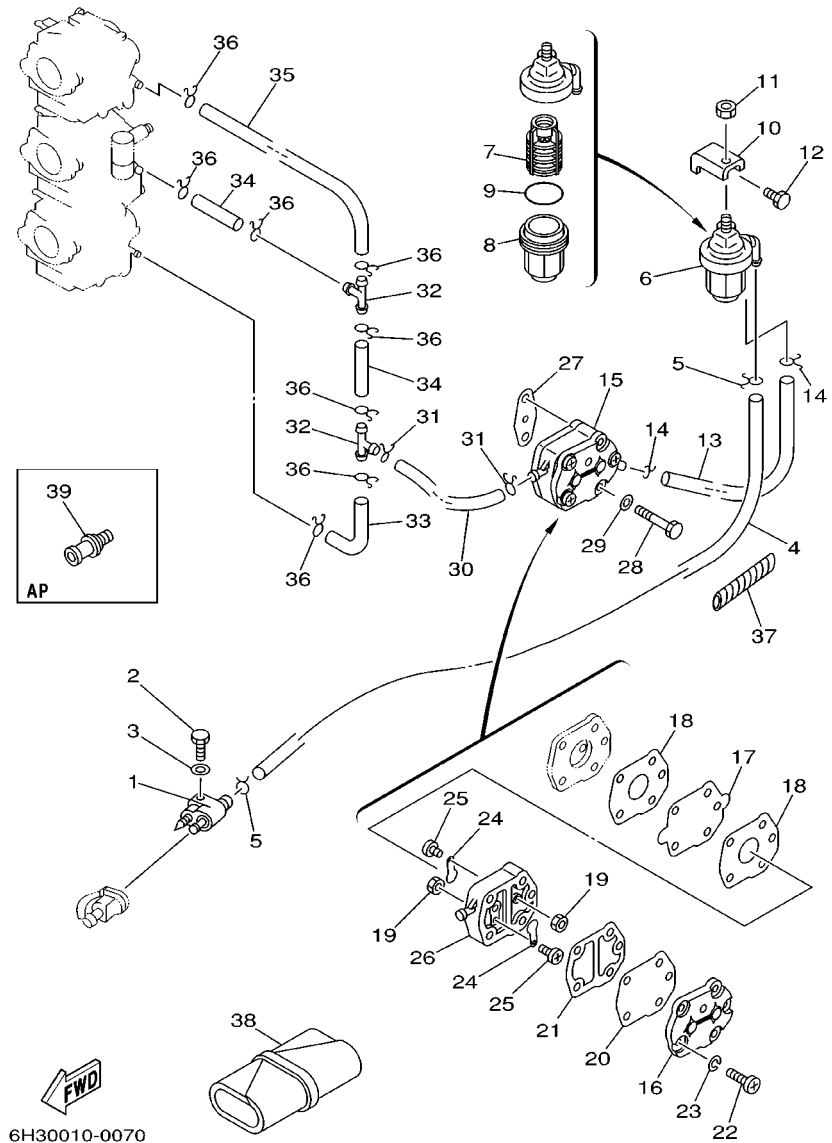


6H30010-4060

FIG. 6 OIL PUMP

REF. NO.	PART NO.	DESCRIPTION	6EDO	7EDO	6ETO	7ETO	REMARKS
55	6E5-24378-00	PIPE, JOINT 4	1	1	1	1	
56	90446-10M01	HOSE	1	1	1	1	
57	90445-11M02	HOSE	1	1	1	1	
58	90464-11M23	CLAMP	1	1	1	1	
59	90467-11M08	CLIP	3	3	3	3	
60	6H3-85720-16	OIL LEVEL GAUGE ASSY	1	1	1	1	
61	6R5-82582-B0	COVER, WIRE HARNESS	1	1	1	1	AP

FIG. 7 FUEL



6H30010-0070

REF. NO.	PART NO.	DESCRIPTION	6E0	7E0	6E0	7E0	REMARKS
1	6G1-24304-02	FUEL PIPE JOINT COMP. 1	1	1	1	1	
2	97095-06025	BOLT	1	1	1	1	
3	92995-06600	WASHER	1	1	1	1	
4	90445-09M75	HOSE	1	1	1	1	
5	90467-08004	CLIP	2	2	2	2	
6	61N-24560-00	FILTER ASSY	1	1	1	1	
7	61N-24563-00	.ELEMENT, FILTER	1	1	1	1	
8	61N-24521-00	.CUP, FILTER	1	1	1	1	
9	93210-32738	.O-RING	1	1	1	1	
10	648-24566-02	BRACKET, FILTER	1	1	1	1	
11	95380-08600	NUT	1	1	1	1	
12	97013-06014	BOLT	1	1	1	1	
13	90445-09072	HOSE	1	1	1	1	
14	90467-08004	CLIP	2	2	2	2	
15	692-24410-00	FUEL PUMP ASSY	1	1	1	1	
16	6A0-24413-00	.BODY 2	1	1	1	1	
17	692-24411-00	.DIAPHRAGM	1	1	1	1	
18	648-24434-01	.GASKET, BODY	2	2	2	2	
19	95380-03600	.NUT	2	2	2	2	
20	663-24411-00	.DIAPHRAGM	1	1	1	1	
21	648-24435-02	.GASKET, BODY 2	1	1	1	1	
22	98503-05028	.SCREW, PAN HEAD	3	3	3	3	
23	92990-05100	.WASHER, SPRING	3	3	3	3	
24	6A0-24421-01	.VALVE, CHECK	2	2	2	2	
25	6A0-14325-00	.SCREW, PAN HEAD	2	2	2	2	
26	6A0-24412-02	.BODY 1	1	1	1	1	
27	650-24431-A0	GASKET, FUEL PUMP 1	1	1	1	1	

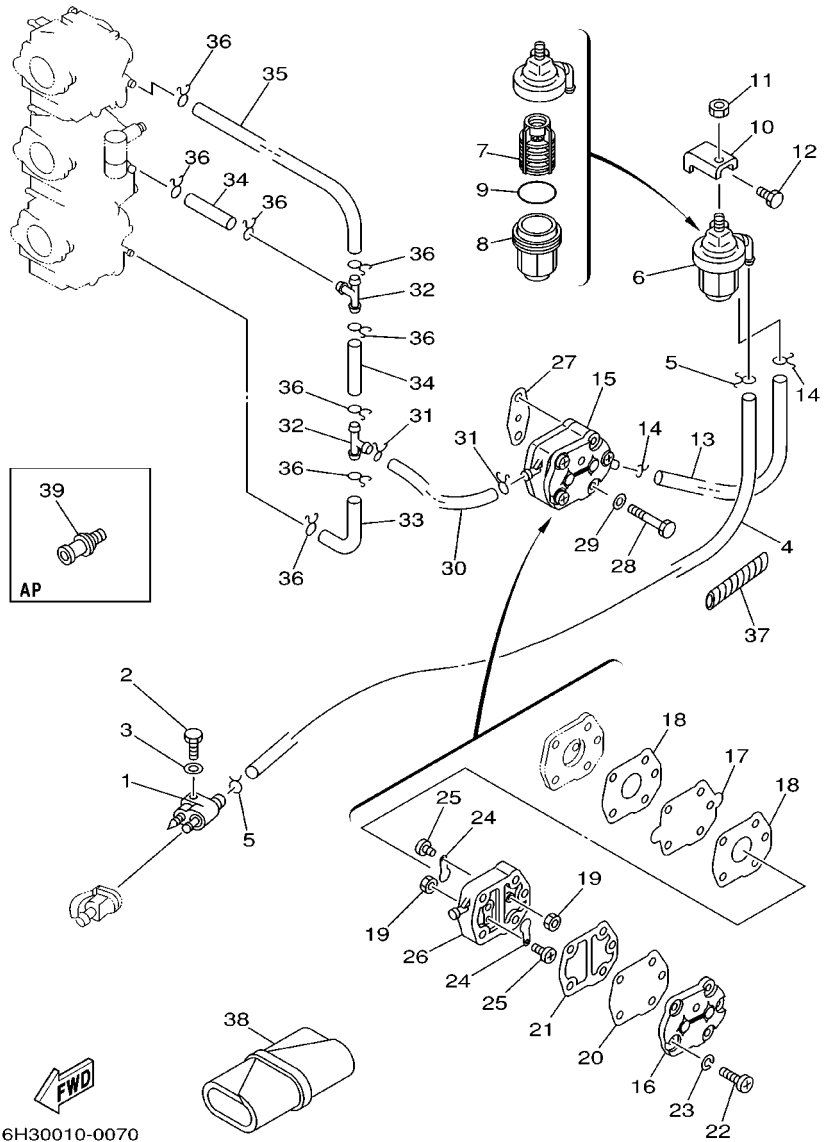
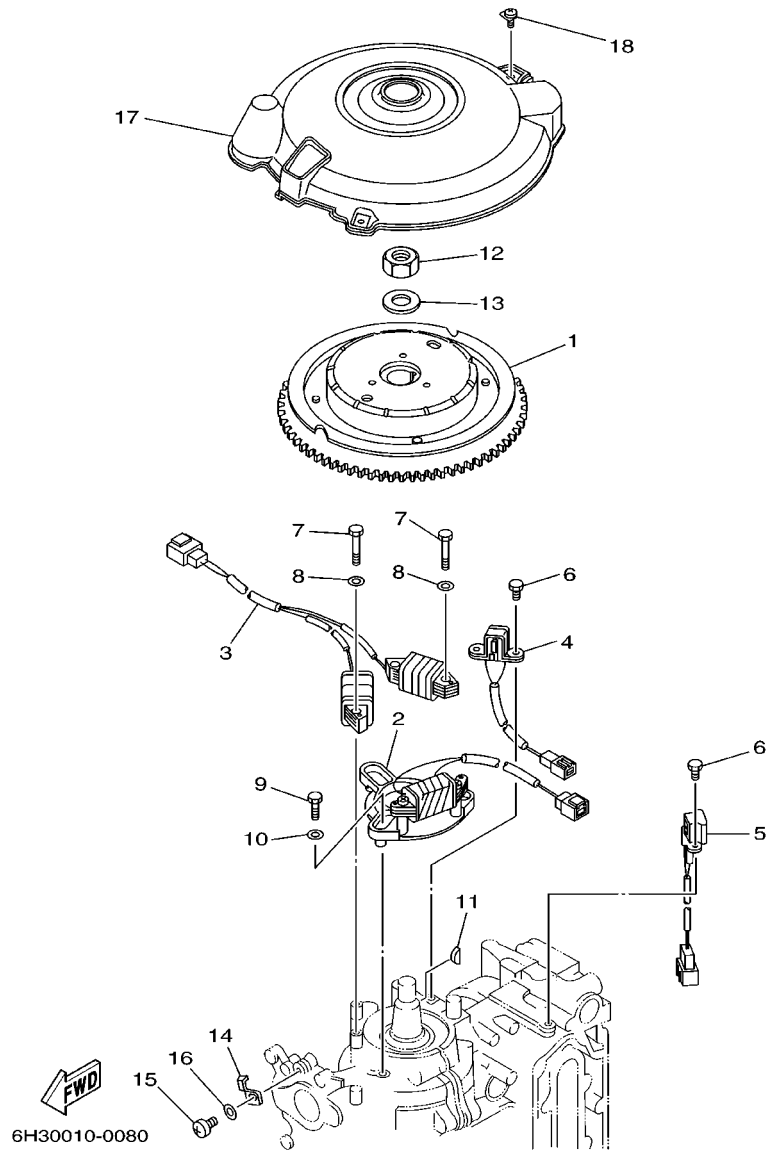


FIG. 7 FUEL

REF. NO.	PART NO.	DESCRIPTION	6EDO	7EDO	6ETO	7ETO	REMARKS
28	97095-06040	BOLT	2	2	2	2	
29	92995-06600	WASHER	2	2	2	2	
30	90445-09072	HOSE	1	1	1	1	
31	90467-08004	CLIP	2	2	2	2	
32	688-24378-00	PIPE, JOINT 4	2	2	2	2	
33	6H3-24313-00	PIPE 3	1	1	1	1	
34	90445-09220	HOSE	2	2	2	2	
35	6H3-24314-00	PIPE 4	1	1	1	1	
36	90467-08004	CLIP	8	8	8	8	
37	90446-10M01	HOSE	1	1	1	1	
38	656-W2810-02	TOOL KIT	1	1	1	1	
39	6E0-28193-00-94	PLUG, WATER CHECK	1	1	1	1	AP D:12.5MM

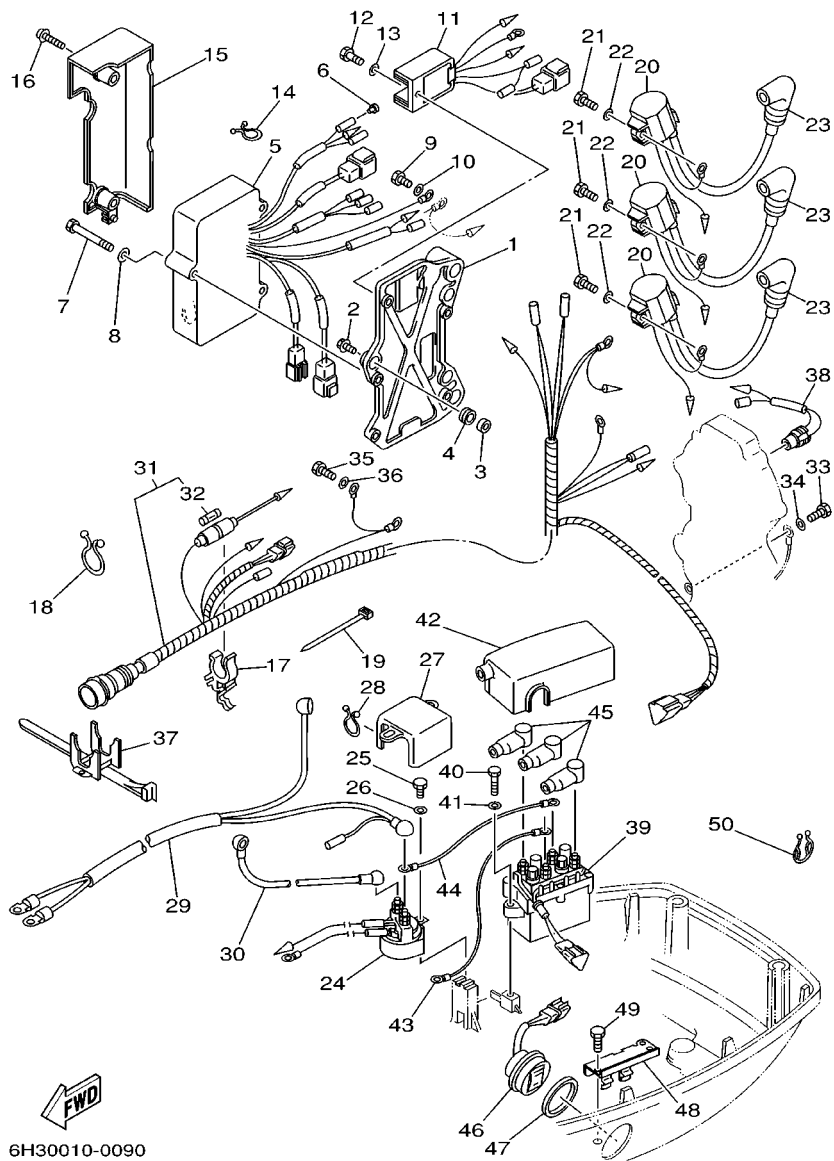


FIG. 8 GENERATOR



REF. NO.	PART NO.	DESCRIPTION	6EDO	7EDO	6ETO	7ETO	REMARKS
1	6H2-85550-00	ROTOR ASSY	1	1	1	1	
2	6H2-85520-01	COIL, CHARGE	1	1	1	1	
3	6H2-85533-01	COIL, LIGHTING	1	1	1	1	
4	6H2-85580-01	COIL, PULSER	1	1	1	1	
5	6H2-85895-01	CRANK POSITION SENDER	1	1	1	1	
6	97095-05012	BOLT	4	4	4	4	
7	97095-06035	BOLT	4	4	4	4	
8	92995-06600	WASHER	4	4	4	4	
9	97095-06025	BOLT	3	3	3	3	
10	92995-06600	WASHER	3	3	3	3	
11	90280-05015	KEY, WOODRUFF	1	1	1	1	
12	90170-20137	NUT	1	1	1	1	
13	90201-21M18	WASHER, PLATE	1	1	1	1	
14	6E5-81332-00	PLATE, TIMING	1	1	1	1	
15	97885-06010	SCREW, PAN HEAD	1	1	1	1	
16	92995-06600	WASHER	1	1	1	1	
17	6H3-81337-01	COVER, FLYWHEEL	1	1	1	1	
18	90159-06M23	SCREW, WITH WASHER	3	3	3	3	

FIG. 9 ELECTRICAL



6H30010-0090

REF. NO.	PART NO.	DESCRIPTION	6EDO	7EDO	6ETO	7ETO	REMARKS
1	6H3-85542-11-94	BRACKET	1	1	1	1	
2	90105-06M14	BOLT FLANGE	3	3	3	3	
3	90387-06M43	COLLAR	3	3	3	3	
4	90480-13M54	GROMMET	3	3	3	3	
5	6H2-85540-10	C.D.I. UNIT ASSY	1	1	1	1	
6	703-82119-00	COVER, LEAD WIRE	1	1	1	1	
7	97095-06045	BOLT	3	3	3	3	
8	92995-06600	WASHER	3	3	3	3	
9	97013-06012	BOLT	1	1	1	1	
10	92903-06600	WASHER, PLATE	1	1	1	1	
11	6H2-81960-10	RECTIFIER & REGULATOR ASSY	1	1	1	1	
12	97095-06016	BOLT	1	1	1	1	
13	92995-06600	WASHER	1	1	1	1	
14	90464-05M16	CLAMP	1	1	1	1	
15	6H3-81916-10	COVER, TERMINAL	1	1	1	1	
16	90159-06M01	SCREW, WITH WASHER	2	2	2	2	
17	6G5-82152-00	HOLDER, FUSE	1	1	1	1	
18	90464-23M22	CLAMP	1	1	1	1	
19	90465-13M11	CLAMP	1	1	1	1	
20	697-85570-00	IGNITION COIL ASSY	3	3	3	3	
21	97013-06020	BOLT	3	3	3	3	
22	92903-06600	WASHER, PLATE	3	3	3	3	
23	6G1-82370-21	PLUG CAP ASSY	3	3	3	3	
24	688-81950-10	RELAY ASSY	1	1	1	1	
25	97013-06016	BOLT	1	1	1	1	
26	92903-06600	WASHER, PLATE	1	1	1	1	
27	6H3-82164-00	CASE 2	1	1	1	1	

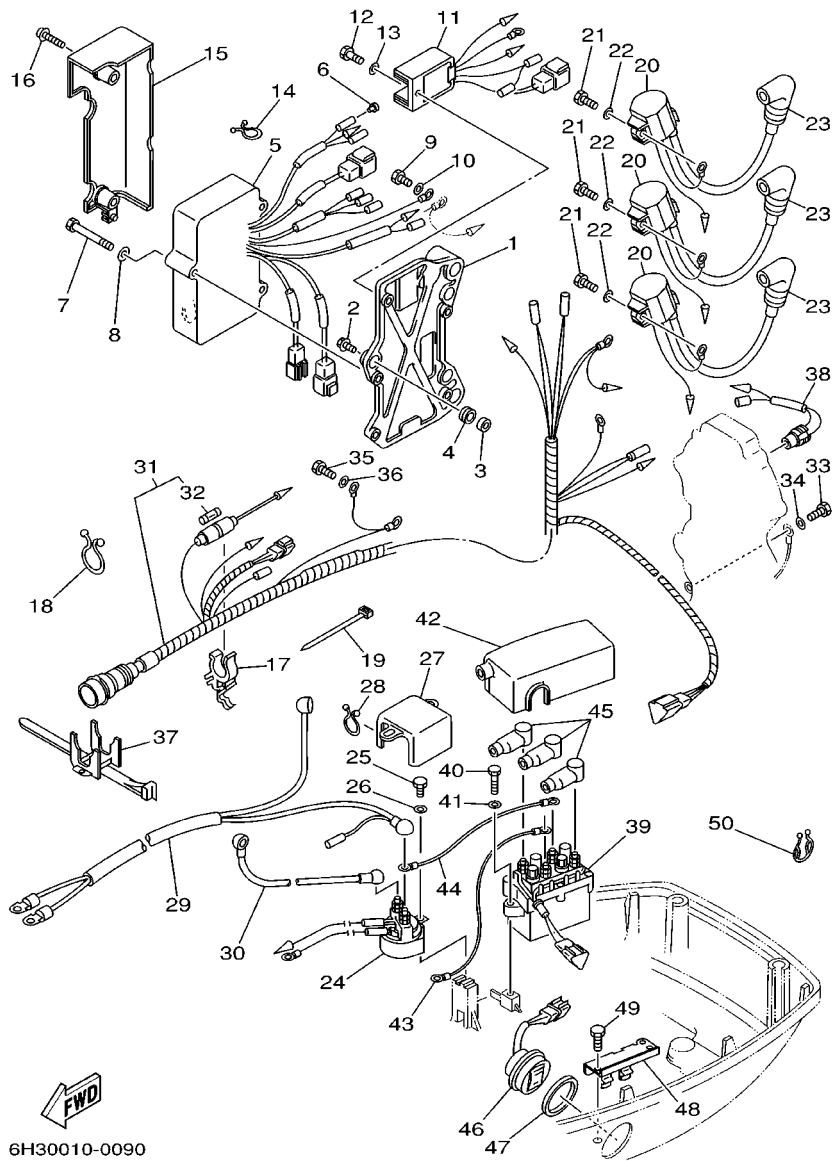
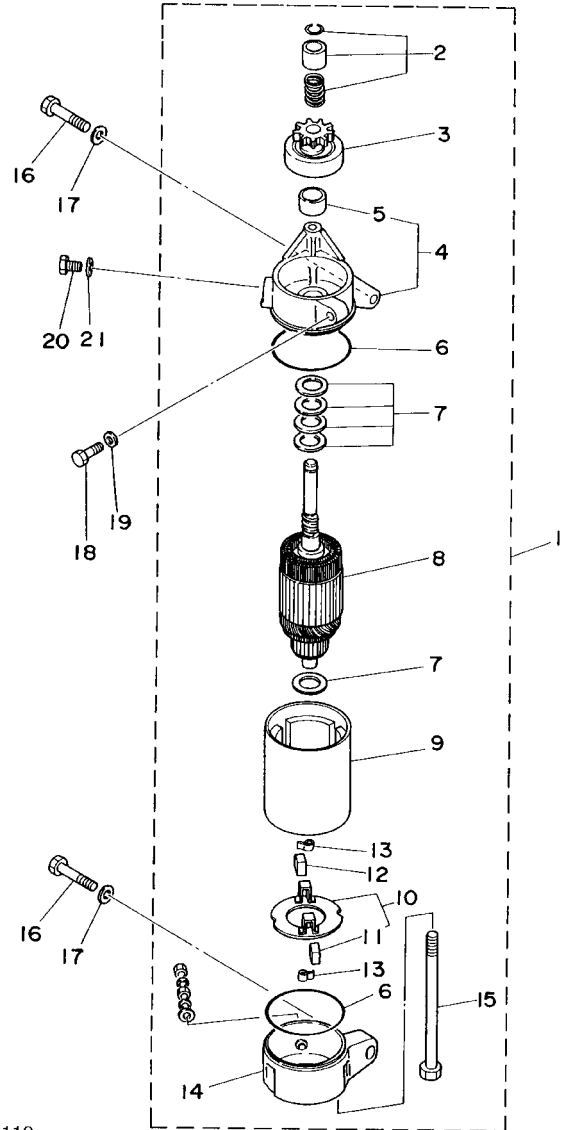


FIG. 9 ELECTRICAL

REF. NO.	PART NO.	DESCRIPTION	6	7	6	7	REMARKS
			E	E	E	E	
28	90464-15M11	CLAMP	1	1	1	1	
29	6H3-82105-01	WIRE HARNESS	1	1	1	1	
30	6H3-82117-00	WIRE, LEAD	1	1	1	1	
31	6H2-82590-13	WIRE HARNESS ASSY			1	1	
	6H2-82590-31	WIRE HARNESS ASSY	1	1			
32	682-82151-00	.FUSE (20A)	1	1	1	1	
33	97013-06012	BOLT	1	1	1	1	
34	92903-06600	WASHER, PLATE	1	1	1	1	
35	97013-06012	BOLT	2	2	2	2	
36	92903-06600	WASHER, PLATE	2	2	2	2	
37	688-82594-00	CLAMP	1	1	1	1	
38	688-82560-10	THERMO SWITCH ASSY	1	1	1	1	
39	61A-81950-00	RELAY ASSY			1	1	
40	97095-06025	BOLT			2	2	
41	92995-06600	WASHER			2	2	
42	6H3-82154-11	CASE			1	1	
43	6H2-81949-11	WIRE, LEAD			1	1	
44	6H2-81949-01	WIRE, LEAD			1	1	
45	682-82119-01	COVER, LEAD WIRE			3	3	
46	6H1-82563-10	TRIM & TILT SWITCH ASSY			1	1	
47	6E5-82587-00	GASKET			1	1	
48	6E5-83614-01	BRACKET			1	1	
49	97095-06016	BOLT			2	2	
50	90464-18M14	CLAMP			1	1	

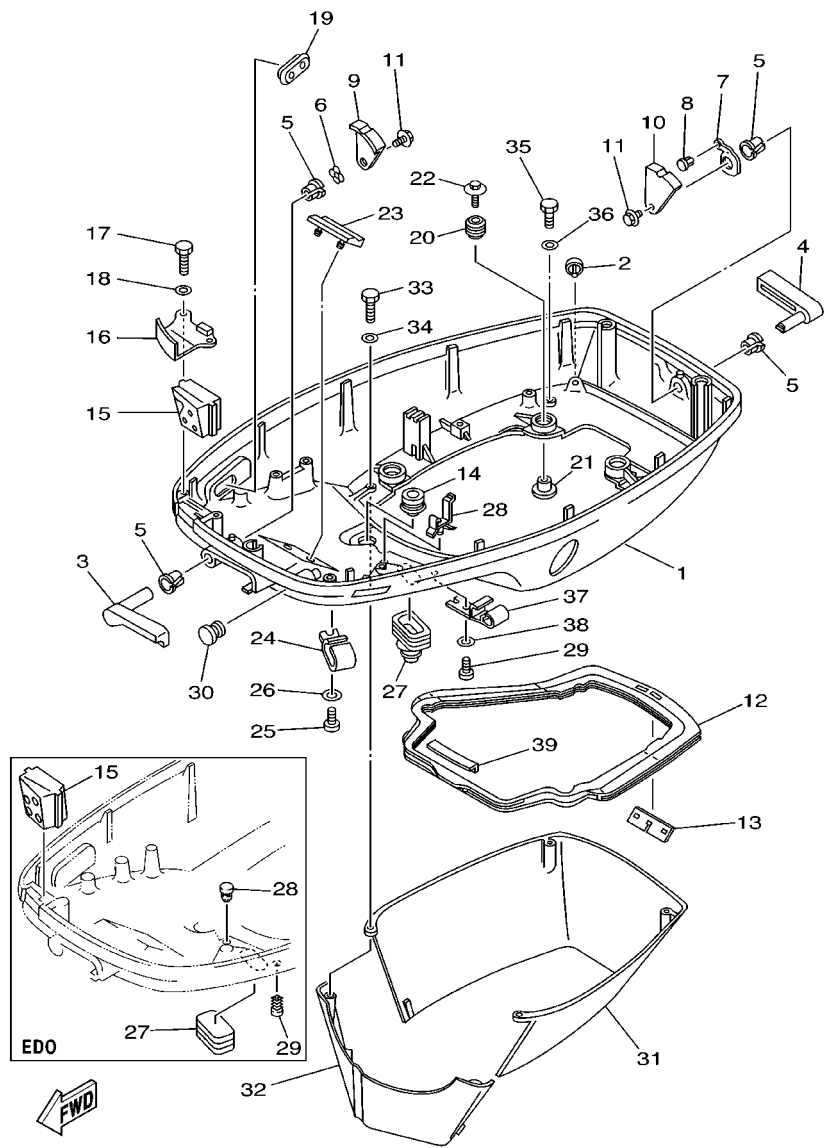
FIG. 10 STARTING MOTOR



6H30010-4110

REF. NO.	PART NO.	DESCRIPTION	6	7	6	7	REMARKS
			E	E	E	E	
1	6H3-81800-11	STARTING MOTOR ASSY	1	1	1	1	
2	689-81857-11	.PINION STOPPER SET	1	1	1	1	
3	6H3-81807-10	.GEAR ASSY, STARTING MOTOR	1	1	1	1	
4	6H3-81830-10	.FRONT BRACKET ASSY	1	1	1	1	
5	689-81831-00	..METAL, FRONT	1	1	1	1	
6	689-81847-11	.O-RING	2	2	2	2	
7	689-81809-11	.WASHER KIT	1	1	1	1	
8	689-81850-12	.ARMATURE ASSY	1	1	1	1	
9	6H3-81810-10	.STATOR ASSY	1	1	1	1	
10	689-81840-11	.BRUSH HOLDER ASSY	1	1	1	1	
11	689-81812-11	..BRUSH 2	1	1	1	1	
12	689-81811-11	.BRUSH 1	1	1	1	1	
13	689-81813-10	.SPRING, BRUSH	2	2	2	2	
14	6H3-81820-11	.REAR BRACKET ASSY	1	1	1	1	
15	689-81826-10	.BOLT	2	2	2	2	
16	97013-08035	BOLT	2	2	2	2	
17	92903-08600	WASHER, PLATE	2	2	2	2	
18	97013-06025	BOLT	1	1	1	1	
19	92903-06600	WASHER, PLATE	1	1	1	1	
20	97013-08016	BOLT	1	1	1	1	
21	92903-08600	WASHER, PLATE	1	1	1	1	

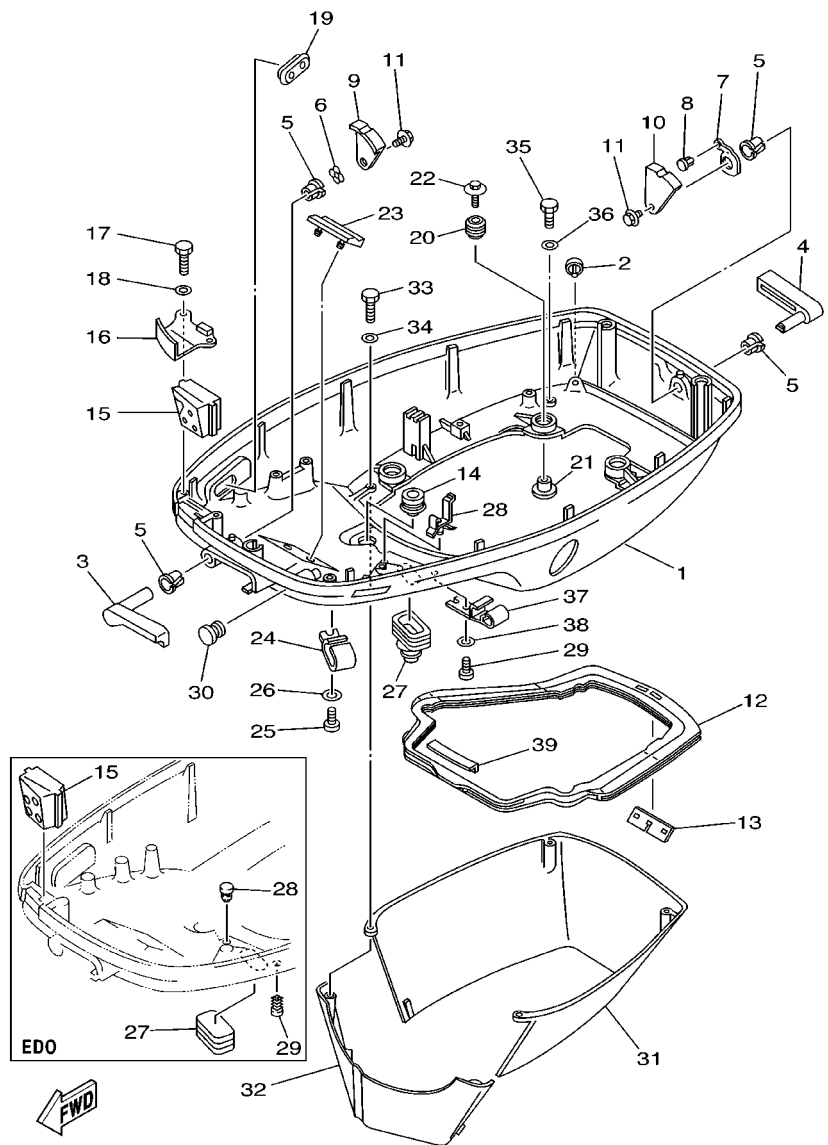
FIG. 11 BOTTOM COWLING



6H30664-0110

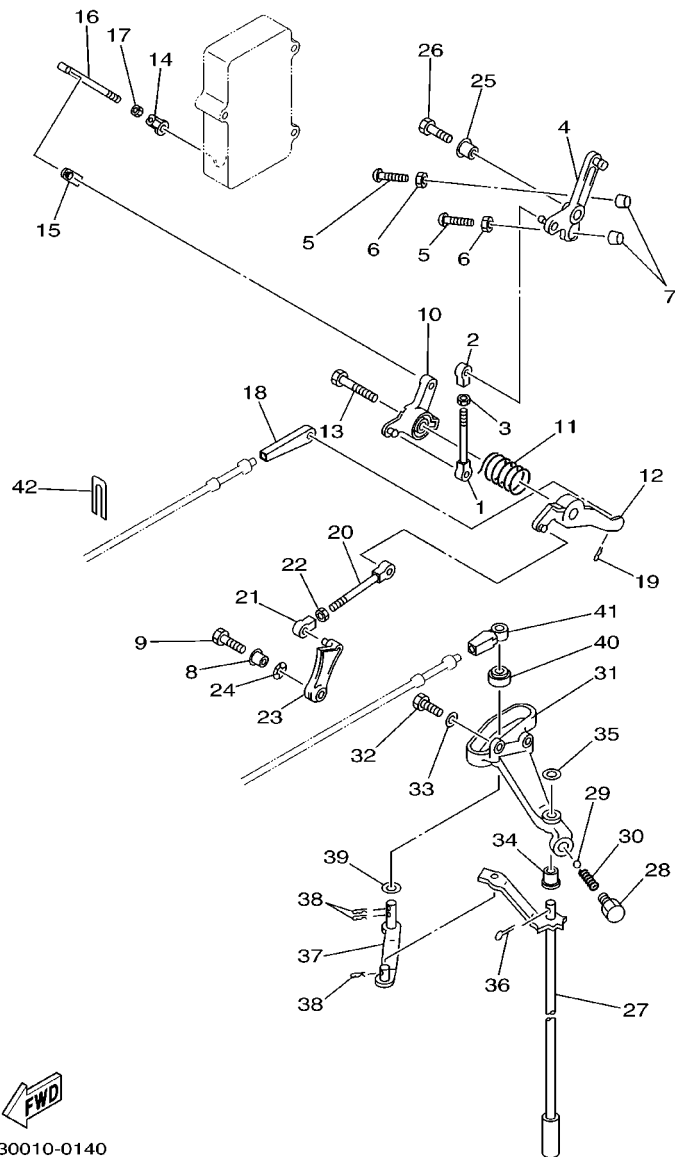
REF. NO.	PART NO.	DESCRIPTION	6EDO	7EDO	6ETO	7ETO	REMARKS
1	6H3-42711-24-4D	COWLING, BOTTOM			1	1	
	6H3-42711-05-4D	COWLING, BOTTOM	1	1			
2	6H3-44391-01	NIPPLE, HOSE	1	1	1	1	
3	6H3-42815-01-4D	LEVER, CLAMP	1	1	1	1	
4	6H3-42817-01-4D	LEVER, CLAMP	1	1	1	1	
5	90386-13M38	BUSH	4	4	4	4	
6	90206-13M10	WASHER, WAVE	1	1	1	1	
7	6H3-42813-00	SPRING, CLAMP LEVER	1	1	1	1	
8	90269-04M03	RIVET	1	1	1	1	
9	6H3-42816-00	LEVER, CLAMP	1	1	1	1	
10	6H3-42818-00	LEVER, CLAMP	1	1	1	1	
11	90119-06M09	BOLT, WITH WASHER	2	2	2	2	
12	6H3-42716-02	RUBBER, SEAL 1	1	1	1	1	
13	6K5-42717-00	RUBBER, SEAL 2	1	1	1	1	
14	6E5-42724-00	GROMMET	1	1	1	1	
15	6H3-42725-10	GROMMET			1	1	
	6H3-42725-00	GROMMET	1	1			
16	6H3-42738-01-5B	PLATE, FITTING	1	1	1	1	
17	97095-06016	BOLT	2	2	2	2	
18	92995-06600	WASHER	2	2	2	2	
19	6H3-42727-00	GROMMET	1	1	1	1	
20	90480-09M12	GROMMET	4	4	4	4	
21	90387-06M69	COLLAR	4	4	4	4	
22	90119-06M61	BOLT, WITH WASHER	4	4	4	4	
23	6H3-42768-00	DAMPER	1	1	1	1	
24	6E5-24367-01	CLAMP, FUEL PIPE 2	1	1	1	1	
25	90157-06M01	SCREW, PAN HEAD	1	1	1	1	

FIG. 11 BOTTOM COWLING



6H30664-0110

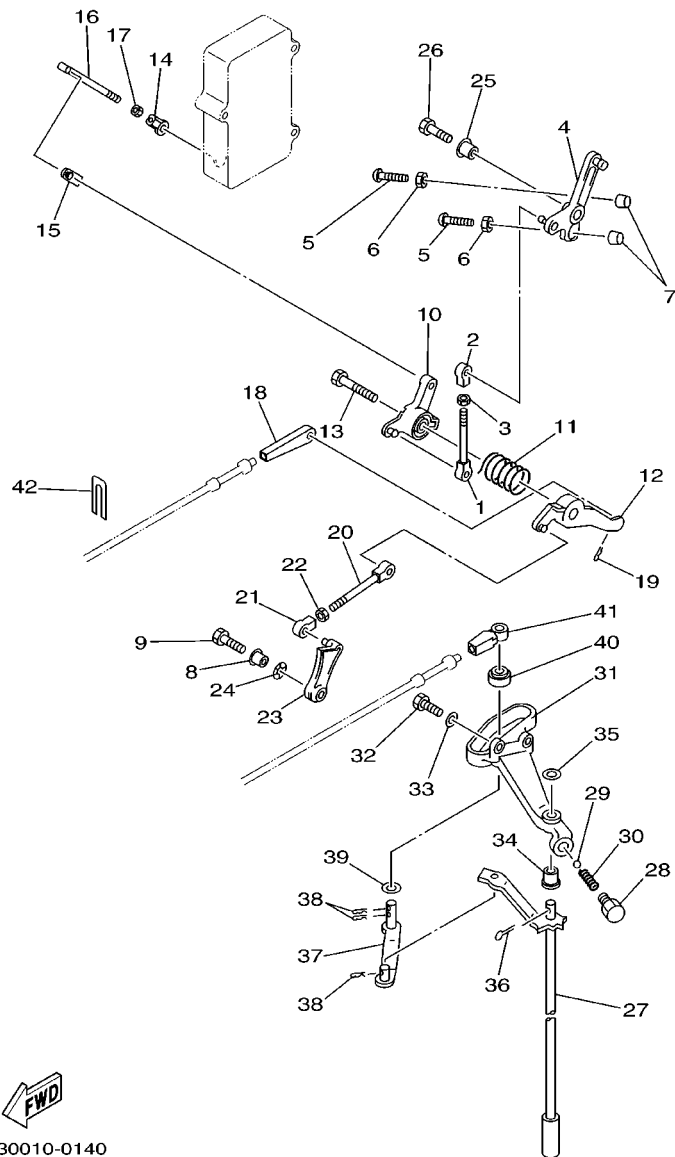
REF. NO.	PART NO.	DESCRIPTION	6EDO	7EDO	6ETO	7ETO	REMARKS
26	92990-06600	WASHER, PLATE	1	1	1	1	
27	688-42726-10	GROMMET			1	1	
	6H4-42726-00	GROMMET	1	1			
28	90464-09M13	CLAMP			1	1	
	703-82119-00	COVER, LEAD WIRE	1	1			
29	90157-06M01	SCREW, PAN HEAD			1	1	
	90338-05M03	PLUG	1	1			
30	6G1-42748-00	GROMMET	1	1	1	1	
31	6H3-42741-01-4D	APRON	1	1	1	1	
32	6H3-42771-01-4D	APRON	1	1	1	1	
33	97095-06025	BOLT	2	2	2	2	
34	92995-06600	WASHER	2	2	2	2	
35	97095-06020	BOLT	2	2	2	2	
36	92995-06600	WASHER	2	2	2	2	
37	6E5-24367-01	CLAMP, FUEL PIPE 2			1	1	
38	92990-06600	WASHER, PLATE			1	1	
39	6H3-42718-00	RUBBER, SEAL 3	1	1	1	1	



6H30010-0140

FIG. 12 CONTROL

REF. NO.	PART NO.	DESCRIPTION	6EDO	7EDO	6ETO	7ETO	REMARKS
1	689-42169-01	JOINT	1	1	1	1	
2	682-41237-00	JOINT, LINK	1	1	1	1	
3	95380-05600	NUT	1	1	1	1	
4	6H3-41631-00	LEVER, MAGNETO CONTROL	1	1	1	1	
5	90157-06M13	SCREW, PAN HEAD	2	2	2	2	
6	95380-06600	NUT, HEXAGON	2	2	2	2	
7	688-44194-00	CAP	2	2	2	2	
8	90387-06M60	COLLAR	1	1	1	1	
9	97095-06025	BOLT	1	1	1	1	
10	6H3-41632-20	LEVER, MAGNETO CONTROL	1	1	1	1	
11	90508-26M35	SPRING, TORSION	1	1	1	1	
12	6H3-41633-10	LEVER, MAGNETO CONTROL	1	1	1	1	
13	90109-06M43	BOLT	1	1	1	1	
14	6H1-41237-00	JOINT, LINK	1	1	1	1	
15	6F5-41237-00	JOINT, LINK	1	1	1	1	
16	6H3-41636-10-94	ROD, MAGNETO CONTROL	1	1	1	1	
17	95380-05600	NUT	1	1	1	1	
18	6H3-48344-00	CABLE END, REMOTE CONTROL	1	1	1	1	
19	90468-18008	CLIP	1	1	1	1	
20	689-42169-01	JOINT	1	1	1	1	
21	6H4-41237-00	JOINT, LINK	1	1	1	1	
22	95380-05600	NUT	1	1	1	1	
23	6H3-41213-10	CAM, ACCEL.	1	1	1	1	
24	90206-10M04	WASHER, WAVE	1	1	1	1	
25	90387-06M60	COLLAR	1	1	1	1	
26	97095-06025	BOLT	1	1	1	1	
27	6H3-44120-02	HANDLE GEAR SHIFT ASSY	1				S



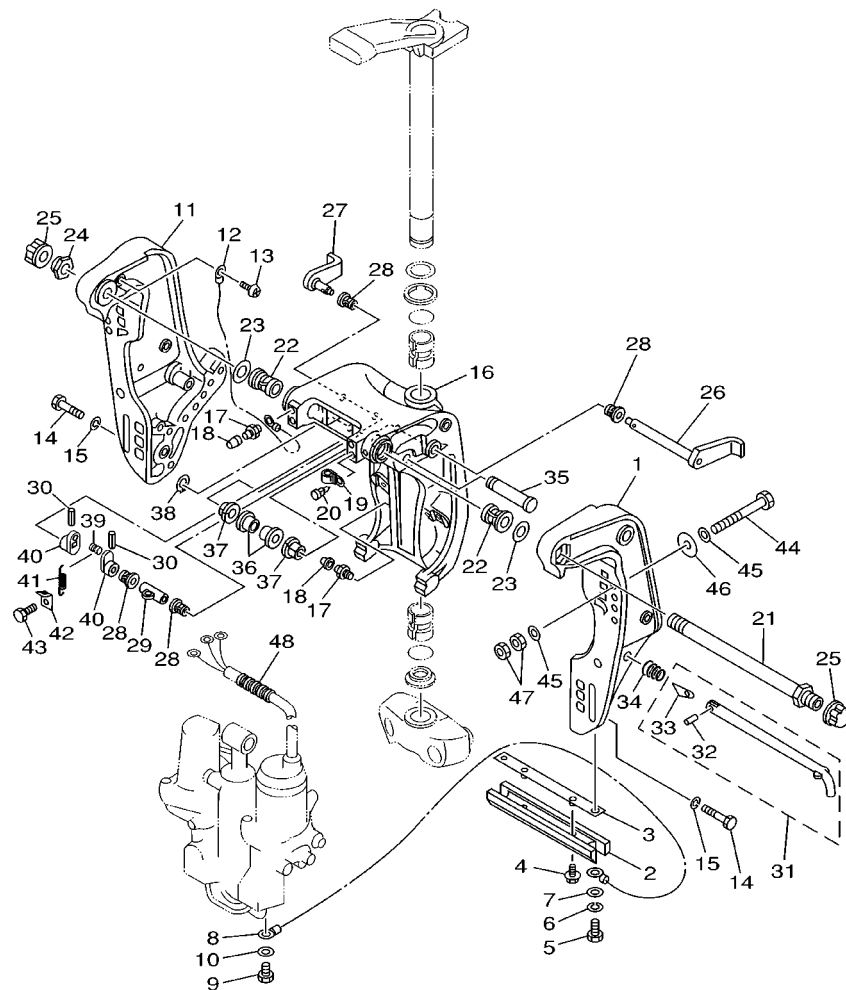
6H30010-0140

FIG. 12 CONTROL

REF. NO.	PART NO.	DESCRIPTION	6EDO	7EDO	6ETO	7ETO	REMARKS
27	6H3-44120-12	HANDLE GEAR SHIFT ASSY	1	1	1	1	L
28	648-42715-00	BUSHING	1	1	1	1	
29	93501-04M02	BALL	1	1	1	1	
30	90501-12082	SPRING, COMPRESSION	1	1	1	1	
31	6H3-44117-00-94	BRACKET	1	1	1	1	
32	97013-06020	BOLT	2	2	2	2	
33	92903-06600	WASHER, PLATE	2	2	2	2	
34	90386-07M58	BUSH	1	1	1	1	
35	92990-08200	WASHER, PLAIN	1	1	1	1	
36	91490-20012	PIN, COTTER	1	1	1	1	
37	6H3-44121-01	LEVER, SHIFT ROD	1	1	1	1	
38	90468-18008	CLIP	3	3	3	3	
39	90202-07M07	WASHER, PLATE	1	1	1	1	
40	688-44122-00	BUSHING, SHIFT ROD LEVER	1	1	1	1	
41	663-48344-00	CABLE END, REMOTE CONTROL	1	1	1	1	
42	6H3-48538-00	CLAMP, CABLE 1	1	1	1	1	



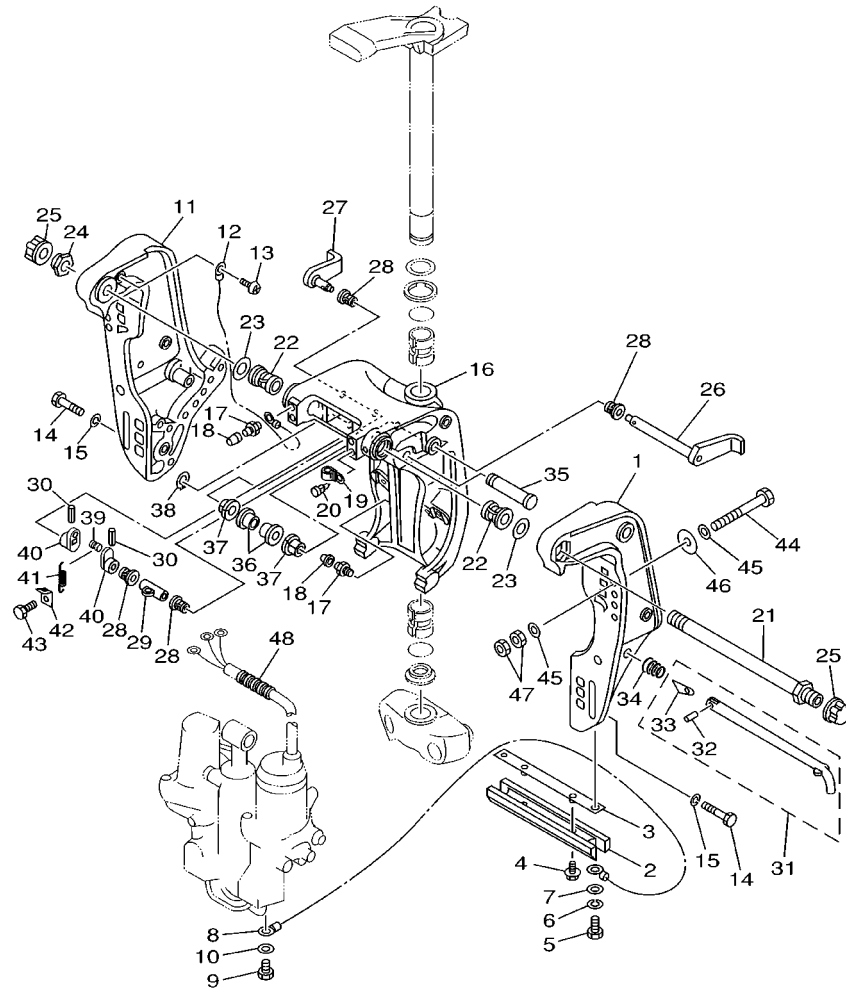
FIG. 13 BRACKET 1



6H30010-9150

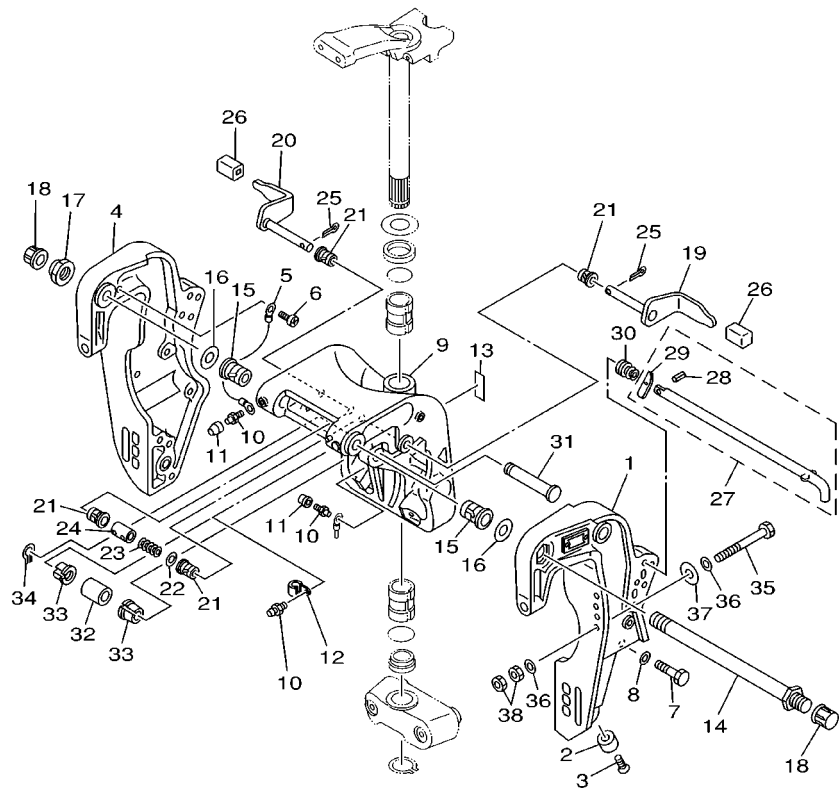
REF. NO.	PART NO.	DESCRIPTION	6EDO	7EDO	6ETO	7ETO	REMARKS
1	6H1-43111-01-4D	BRACKET, CLAMP			1	1	
2	6H1-45251-03	ANODE			1	1	
3	6H1-44526-00	PLATE			1	1	
4	90119-06M29	BOLT, WITH WASHER			2	2	
5	97095-06016	BOLT			2	2	
6	92995-06100	WASHER, SPRING			2	2	
7	92995-06600	WASHER			2	2	
8	6H1-82148-00	WIRE, LEAD 4			1	1	
9	97095-06010	BOLT			1	1	
10	92995-06600	WASHER			1	1	
11	6H1-43112-00-4D	BRACKET, CLAMP			1	1	
12	6E5-82148-00	WIRE, LEAD 4			1	1	
13	97880-06012	SCREW, PAN HEAD			1	1	
14	97095-10045	BOLT			6	6	
15	92995-10100	WASHER			6	6	
16	6H1-43311-01-4D	BRACKET, SWIVEL			1	1	
17	93700-06M03	NIPPLE, GREASE			3	3	
18	663-45119-00	CAP, GREASE NIPPLE			3	3	AP
19	90464-11M18	CLAMP			1	1	
20	90338-05M03	PLUG			1	1	
21	688-43131-03	BOLT, CLAMP BRACKET			1	1	
22	90386-22M15	BUSH			2	2	
23	90201-22M67	WASHER, PLATE			2	2	
24	90185-22043	NUT, SELF-LOCKING			1	1	
25	6G5-43145-00	CAP, CLAMP BRACKET			2	2	
26	6H1-43181-01	LEVER, TILT STOP			1	1	
27	6H1-43185-01	LEVER, TILT STOP			1	1	

FIG. 13 BRACKET 1



6H30010-9150

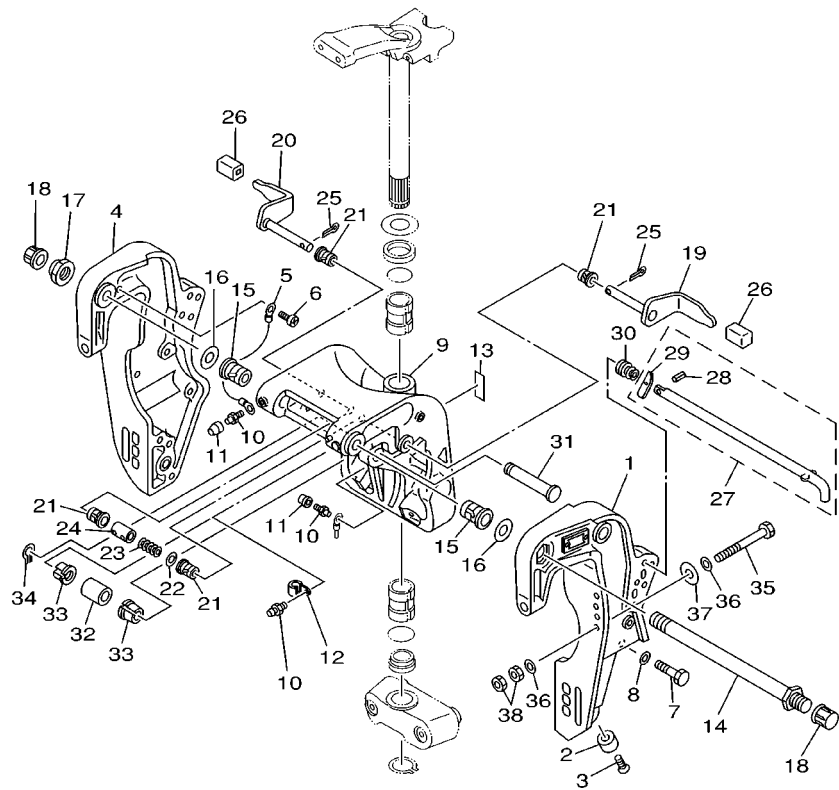
REF. NO.	PART NO.	DESCRIPTION	6EDO	7EDO	6ETO	7ETO	REMARKS
28	90386-10M16	BUSH			4	4	
29	90387-10M02	COLLAR			1	1	
30	91690-30020	PIN, SPRING			2	2	
31	688-43160-01	TILT ROD ASSY			1	1	
32	91690-30012	.PIN, SPRING			1	1	
33	688-43165-00	.PLATE, TILT LOCK			1	1	
34	90502-16M02	SPRING, CONICAL			1	1	
35	6E5-43126-02	PIN, UPPER SHOCK MOUNT			1	1	
36	90386-18M63	BUSH			2	2	
37	90386-18M35	BUSH			2	2	
38	93410-18M02	CIRCLIP			1	1	
39	90249-06M19	PIN			1	1	
40	6G5-43148-00	COLLAR, DISTANCE			2	2	
41	90506-14M24	SPRING, TENSION			1	1	
42	6G5-43144-00	HOOK, SPRING			1	1	
43	97095-06010	BOLT			1	1	
44	90101-12M65	BOLT			4	4	
45	92995-12200	WASHER			8	8	
46	90201-12426	WASHER, PLATE			4	4	
47	95380-12600	NUT			8	8	
48	90440-14M00	PIPE			1	1	



6H30664-0140

FIG. 14 BRACKET 2 (SHORT)

REF. NO.	PART NO.	DESCRIPTION	6EDO	7EDO	6ETO	7ETO	REMARKS
1	697-43111-05-4D	BRACKET, CLAMP	1				S
2	663-45251-00	ANODE	2				S
3	90152-06M01	SCREW, COUNTERSUNK	2				S
4	697-43112-03-4D	BRACKET, CLAMP	1				S
5	6E5-82148-00	WIRE, LEAD 4	1				
6	97880-06012	SCREW, PAN HEAD	1				
7	97095-10045	BOLT	6				
8	92995-10100	WASHER	6				
9	697-43311-03-4D	BRACKET, SWIVEL	1				S
10	93700-06M03	NIPPLE, GREASE	3				
11	663-45119-00	CAP, GREASE NIPPLE	3				AP
12	90465-06M86	CLAMP	1				
13	688-43691-01	INDICATOR, TILT	1				
14	688-43131-03	BOLT, CLAMP BRACKET	1				
15	90386-22M15	BUSH	2				
16	90201-22M67	WASHER, PLATE	2				
17	90185-22043	NUT, SELF-LOCKING	1				
18	6G5-43145-00	CAP, CLAMP BRACKET	2				
19	688-43181-04	LEVER, TILT STOP	1				S
20	688-43185-04	LEVER, TILT STOP	1				S
21	90386-10M16	BUSH	4				
22	92990-10600	WASHER, PLATE	1				
23	90501-10M21	SPRING, COMPRESSION	1				
24	90387-10M38	COLLAR	1				
25	91490-30025	PIN, COTTER	2				
26	663-43318-00	COVER	2				
27	697-43160-00	TILT ROD ASSY	1				

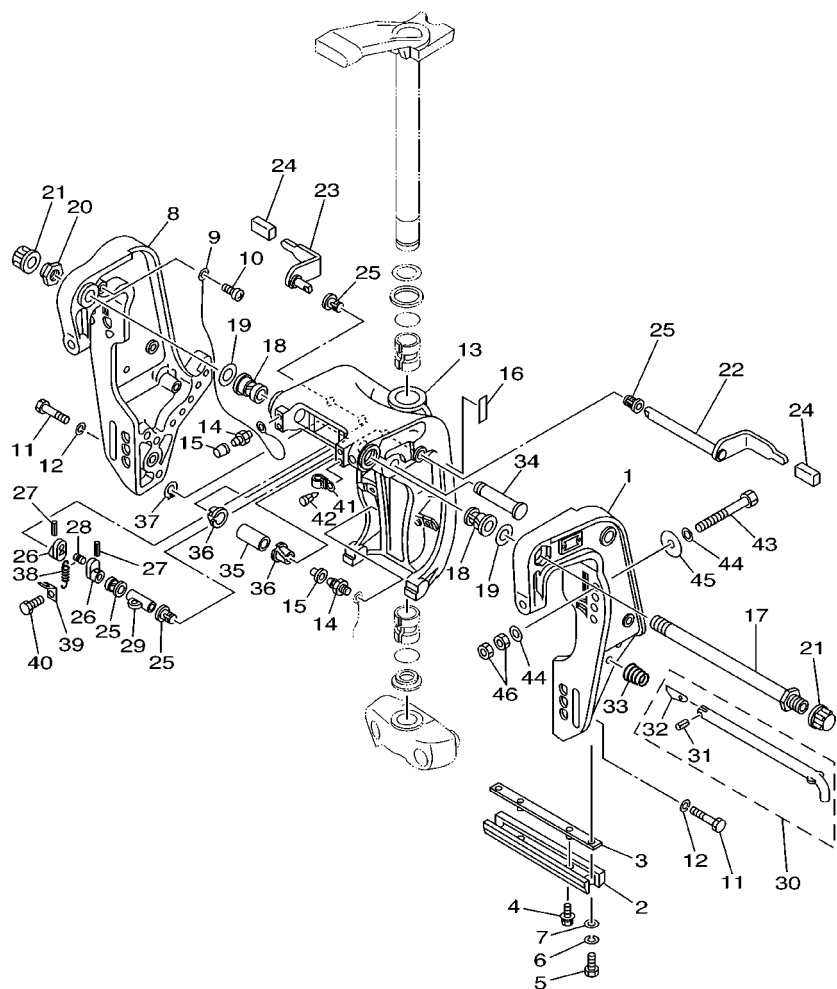


6H30664-0140

FIG. 14 BRACKET 2 (SHORT)

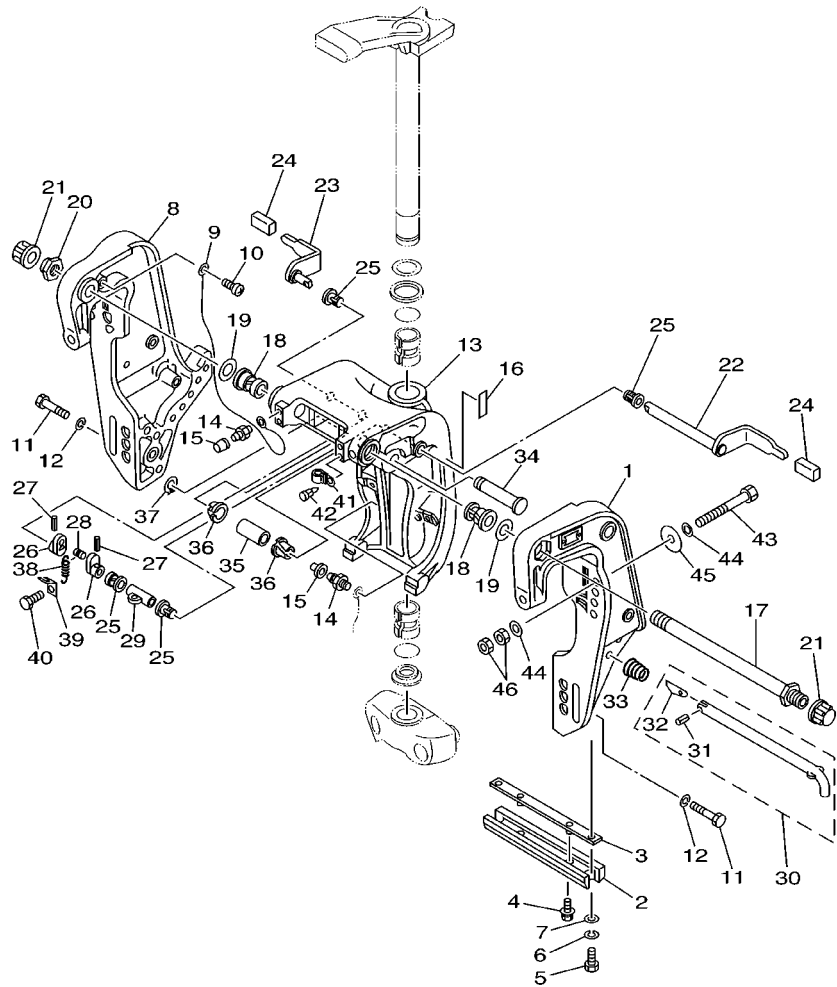
REF. NO.	PART NO.	DESCRIPTION	6EDO	7EDO	6ETO	7ETO	REMARKS
28	91690-30012	.PIN, SPRING	1				
29	688-43165-00	.PLATE, TILT LOCK	1				
30	90502-20M03	SPRING, CONICAL	1				
31	6E5-43126-02	PIN, UPPER SHOCK MOUNT	1				
32	90386-18M21	BUSH	1				
33	90386-18M35	BUSH	2				
34	93410-18M02	CIRCLIP	1				
35	90101-12M65	BOLT	4				
36	92995-12200	WASHER	8				
37	90201-12426	WASHER, PLATE	4				
38	95380-12600	NUT	8				

FIG. 15 BRACKET 3 (LONG)



FWD  
6H30010-0160

REF. NO.	PART NO.	DESCRIPTION	6EDO	7EDO	6ETO	7ETO	REMARKS
1	688-43111-13-4D	BRACKET, CLAMP	1	1			L
2	6H1-45251-03	ANODE	1	1			L
3	6H1-44526-00	PLATE	1	1			L
4	90119-06M29	BOLT, WITH WASHER	2	2			L
5	97095-06016	BOLT	2	2			L
6	92995-06100	WASHER, SPRING	2	2			L
7	92995-06600	WASHER	2	2			L
8	688-43112-12-4D	BRACKET, CLAMP	1	1			L
9	6E5-82148-00	WIRE, LEAD 4	1	1			
10	97880-06012	SCREW, PAN HEAD	1	1			
11	97095-10045	BOLT	6	6			
12	92995-10100	WASHER	6	6			
13	6H1-43311-01-4D	BRACKET, SWIVEL	1	1			L
14	93700-06M03	NIPPLE, GREASE	3	3			
15	663-45119-00	CAP, GREASE NIPPLE	3	3			AP
16	688-43691-01	INDICATOR, TILT	1	1			
17	688-43131-03	BOLT, CLAMP BRACKET	1	1			
18	90386-22M15	BUSH	2	2			
19	90201-22M67	WASHER, PLATE	2	2			
20	90185-22043	NUT, SELF-LOCKING	1	1			
21	6G5-43145-00	CAP, CLAMP BRACKET	2	2			
22	688-43181-10	LEVER, TILT STOP	1	1			L
23	688-43185-10	LEVER, TILT STOP	1	1			L
24	663-43318-00	COVER	2	2			
25	90386-10M16	BUSH	4	4			
26	6G5-43148-00	COLLAR, DISTANCE	2	2			
27	91690-30020	PIN, SPRING	2	2			

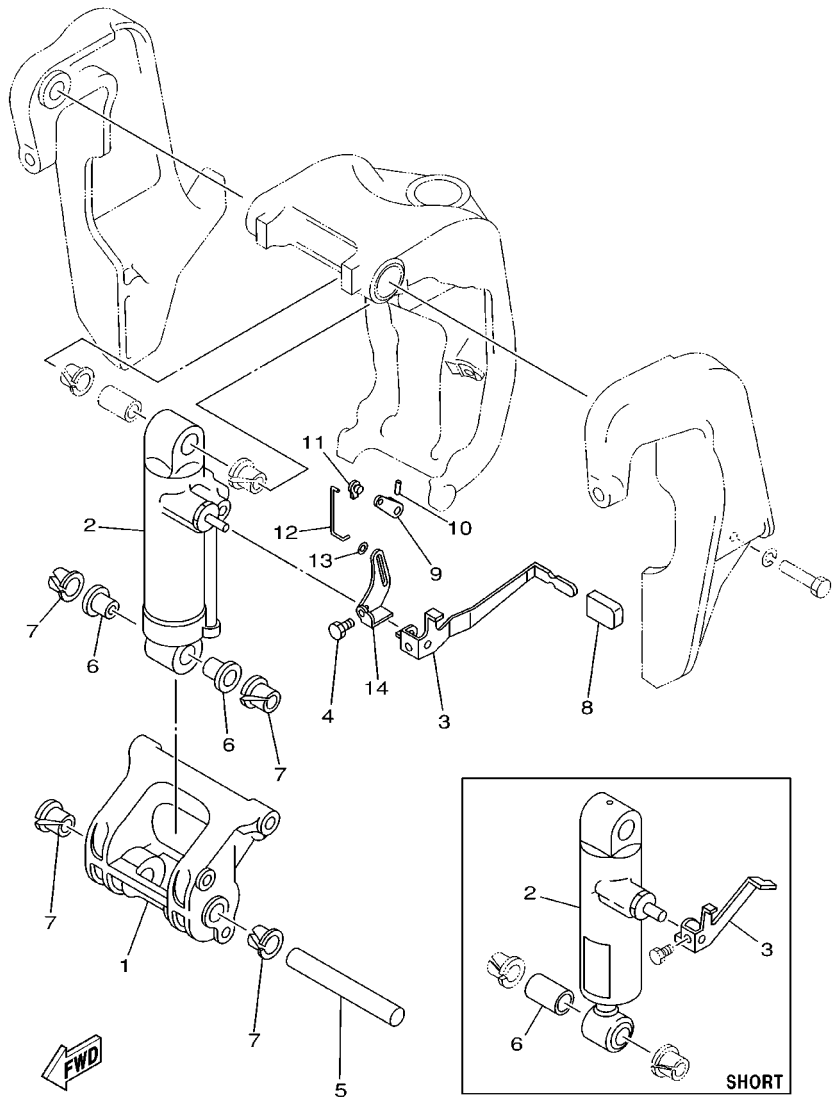


**FWD**  
6H30010-0160

FIG. 15 BRACKET 3 (LONG)

REF. NO.	PART NO.	DESCRIPTION	6EDO	7EDO	6ETO	7ETO	REMARKS
28	90249-06M19	PIN	1	1			
29	90387-10M02	COLLAR	1	1			
30	688-43160-01	TILT ROD ASSY	1	1			
31	91690-30012	.PIN, SPRING	1	1			
32	688-43165-00	.PLATE, TILT LOCK	1	1			
33	90502-16M02	SPRING, CONICAL	1	1			
34	6E5-43126-02	PIN, UPPER SHOCK MOUNT	1	1			
35	90386-18M21	BUSH	1	1			
36	90386-18M35	BUSH	2	2			
37	93410-18M02	CIRCLIP	1	1			
38	90506-14M24	SPRING, TENSION	1	1			
39	6G5-43144-00	HOOK, SPRING	1	1			
40	97095-06010	BOLT	1	1			
41	90464-11M18	CLAMP	1	1			
42	90338-05M03	PLUG	1	1			
43	90101-12M65	BOLT	4	4			
44	92995-12200	WASHER	8	8			
45	90201-12426	WASHER, PLATE	4	4			
46	95380-12600	NUT	8	8			

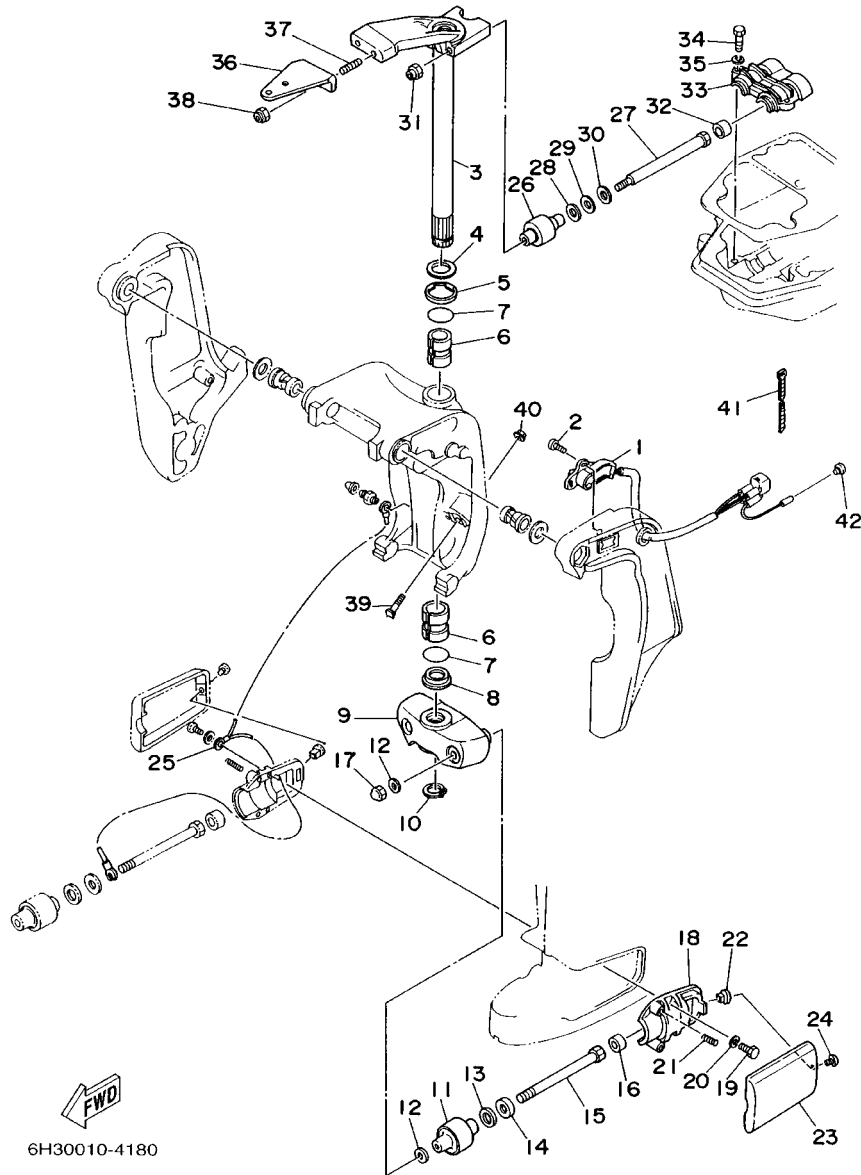
FIG. 16 BRACKET 4



6H30664-0160

REF. NO.	PART NO.	DESCRIPTION	6EDO	7EDO	6ETO	7ETO	REMARKS
1	697-43128-01-4D	SPACER, CLAMP BRACKET	1				S
	688-43128-01-4D	SPACER, CLAMP BRACKET	1	1			L
2	697-43170-03-4D	SHOCK ABSORBER ASSY	1				S
	688-43170-04-4D	SHOCK ABSORBER ASSY	1	1			L
3	688-43631-00	LEVER, TILT	1				S
	688-43631-10	LEVER, TILT	1	1			L
4	97080-06010	BOLT	1	1			
5	688-43124-02	PIN, LOWER SHOCK MOUNT	1	1			
6	90386-18M21	BUSH	1				S
	90386-18M63	BUSH	2	2			L
7	90386-18M35	BUSH	4	4			
8	682-43318-01	COVER	1	1			
9	688-43186-00	LEVER	1	1			L
10	91690-30020	PIN, SPRING	1	1			L
11	6J8-41262-00	JOINT, CHOKE LEVER	1	1			L
12	688-43616-00	ROD, TILT LOCK	1	1			L
13	90202-03M51	WASHER, PLATE	1	1			L
14	688-43651-00	LEVER, REVERSE LOCK 1	1	1			L

FIG. 17 BRACKET 5

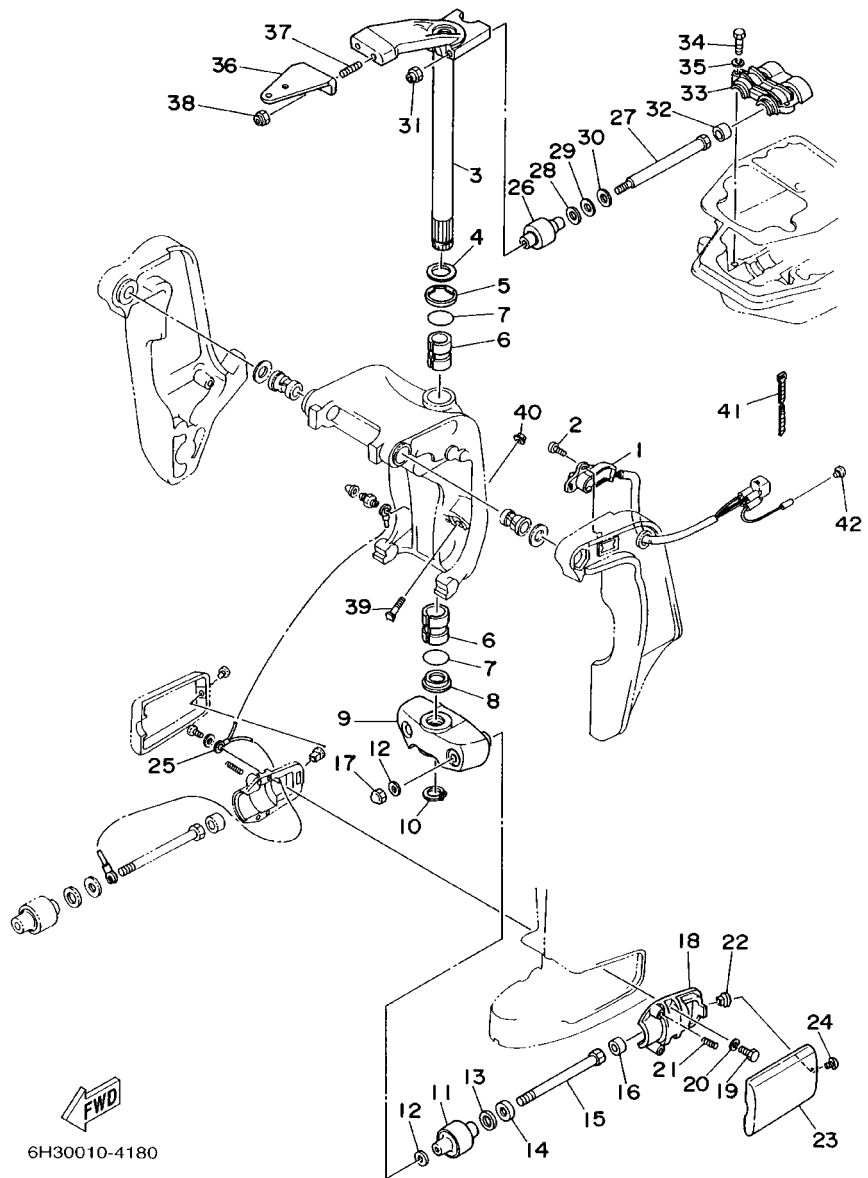


6H30010-4180

REF. NO.	PART NO.	DESCRIPTION	6EDO	7EDO	6ETO	7ETO	REMARKS
1	6H1-83672-11	TRIM SENDER			1	1	
2	97885-06016	SCREW, PAN HEAD			2	2	
3	6H3-42510-02-4D	STEERING BRACKET ASSY	1				S
	6H3-42510-12-4D	STEERING BRACKET ASSY	1	1	1	1	L
4	90201-30M00	WASHER, PLATE	1	1	1	1	
5	90386-30M78	BUSH	1	1	1	1	
6	90386-30M77	BUSH	2	2	2	2	
7	93210-29M94	O-RING	2	2	2	2	
8	90386-30M60	BUSH	1	1	1	1	
9	6H3-44551-01-4D	HOUSING, LOWER MOUNT RUBBER	1	1	1	1	
10	93410-28M06	CIRCLIP	1	1	1	1	
11	687-44555-00-94	MOUNT DAMPER, LOWER SIDE	2	2	2	2	
12	90201-12M16	WASHER, PLATE	4	4	4	4	
13	90202-25M04	WASHER, PLATE	2	2	2	2	
14	90201-13M19	WASHER, PLATE	2	2	2	2	
15	90109-12M21	BOLT	2	2	2	2	
16	663-44575-00	DAMPER, LOWER MOUNT RUBBER	2	2	2	2	
17	95380-12800	NUT, CROWN	2	2	2	2	
18	6H3-44552-02-94	HOUSING, LOWER MOUNT RUBBER	2	2	2	2	
19	97075-08025	BOLT	4	4	4	4	
20	92995-08100	WASHER	4	4	4	4	
21	90501-14M08	SPRING, COMPRESSION	4	4	4	4	
22	90179-06066	NUT	2	2	2	2	
23	6H3-44553-01-4D	COVER, LOWER MOUNT	2	2	2	2	
24	97885-06016	SCREW, PAN HEAD	2	2	2	2	
25	697-82127-01	WIRE, LEAD 2	1				S
	688-82127-02	WIRE, LEAD 2	1	1	1	1	L

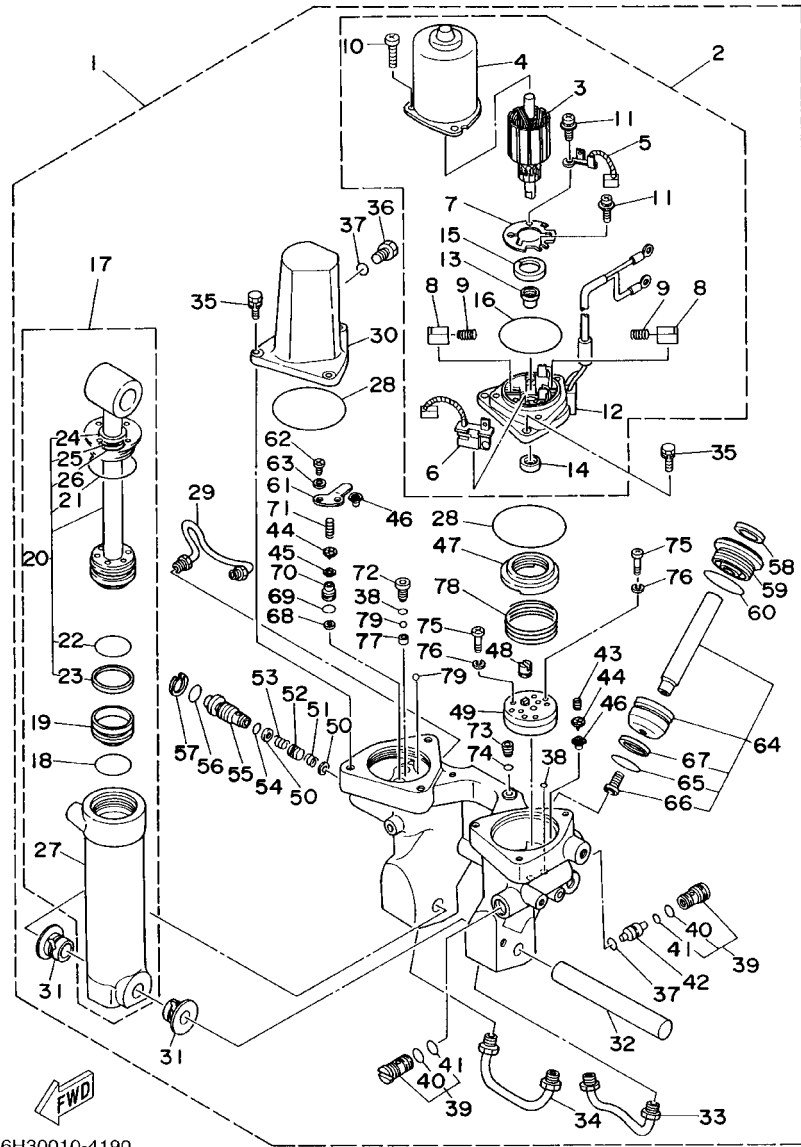


FIG. 17 BRACKET 5



6H30010-4180

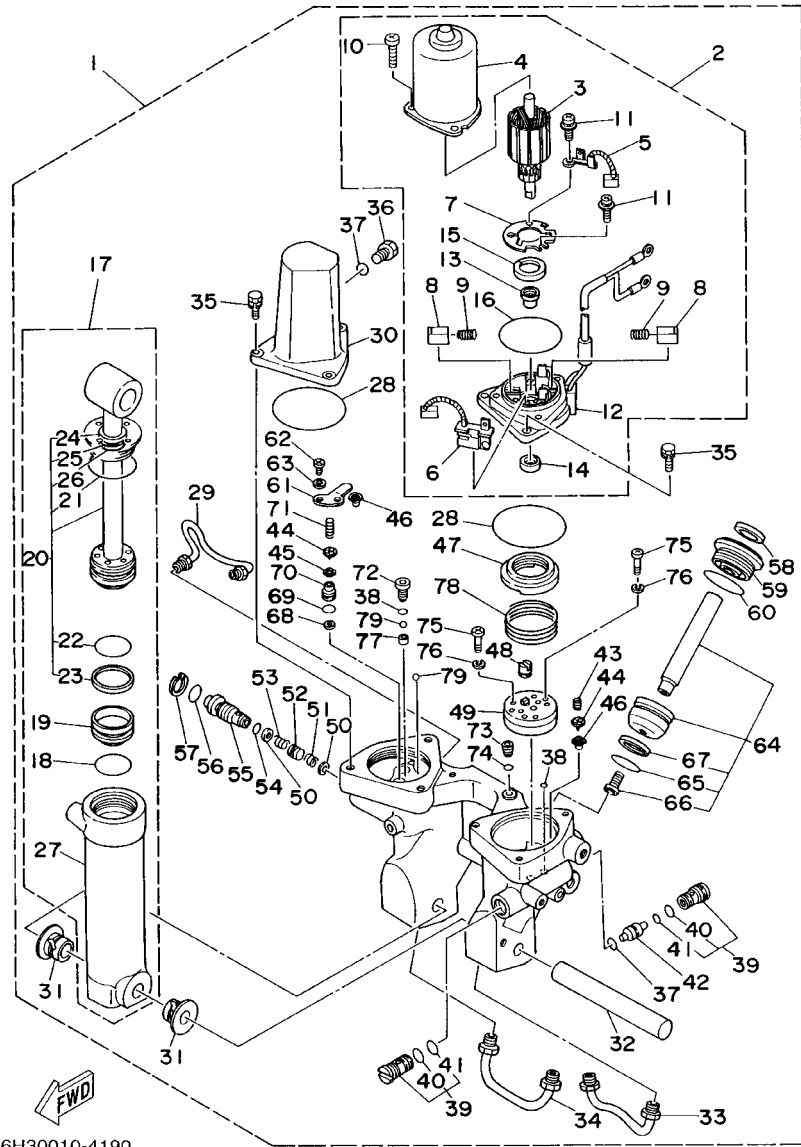
REF. NO.	PART NO.	DESCRIPTION	6EDO	7EDO	6ETO	7ETO	REMARKS
26	688-44514-00-94	MOUNT DAMPER, UPPER SIDE	2	2	2	2	
27	90101-10M49	BOLT	2	2	2	2	
28	90201-20M21	WASHER, PLATE	2	2	2	2	
29	90202-20M06	WASHER, PLATE	2	2	2	2	
30	90201-11M22	WASHER, PLATE	2	2	2	2	
31	90185-10051	NUT, SELF-LOCKING	2	2	2	2	
32	663-44575-00	DAMPER, LOWER MOUNT RUBBER	2	2	2	2	
33	688-44511-00-94	COVER, UPPER MOUNT	1	1	1	1	
34	97075-08035	BOLT	3	3	3	3	
35	92995-08100	WASHER	3	3	3	3	
36	6H3-48511-51-4D	HOOK, STEERING	1	1	1	1	
37	90116-10175	BOLT, STUD	2	2	2	2	
38	90185-10051	NUT, SELF-LOCKING	2	2	2	2	
39	6H1-43376-00	BOLT, THRUST RECEIVER			2	2	
40	90185-08057	NUT, SELF-LOCKING			2	2	
41	90465-11M10	CLAMP			3	3	
42	703-82119-00	COVER, LEAD WIRE			1	1	



6H30010-4190

FIG. 18 POWER TRIM & TILT ASSY

REF. NO.	PART NO.	DESCRIPTION	6EDO	7EDO	6ETO	7ETO	REMARKS
1	6H1-43800-15-4D	POWER TRIM & TILT ASSY			1	1	
2	6H1-43880-02	..MOTOR ASSY			1	1	
3	6H1-43805-10	..ARMATURE ASSY			1	1	
4	6H1-43804-10	..STATOR ASSY			1	1	
5	6H1-43891-10	..BRUSH 1			1	1	
6	6H1-43892-10	..BRUSH 2			1	1	
7	6H1-4380F-10	..PLATE, BRUSH HOLDER			1	1	
8	6H1-4380J-10	..HOLDER, BRUSH			2	2	
9	6H1-4386K-10	..SPRING, BRUSH			2	2	
10	97885-05016	..SCREW, PAN HEAD			3	3	
11	97607-04310	..SCREW, PAN HEAD WITH WASHER			2	2	
12	6H1-43881-10	..FRAME, END			1	1	
13	6H1-4380H-10	..METAL			1	1	
14	93102-08M43	..OIL SEAL			1	1	
15	6H1-4380G-10	..PLATE			1	1	
16	6H1-43865-10	..O-RING			1	1	
17	6H1-43840-11	..POWER TILT ASSY			1	1	
18	6H1-43861-10	..O-RING			1	1	
19	6H1-43814-11	..PISTON, FREE			1	1	
20	6H1-43810-11	..PISTON SUB ASSY			1	1	
21	6H1-43861-00	..O-RING			1	1	
22	6H1-43861-10	..O-RING			1	1	
23	6H1-43871-10	..RING, BACK UP			1	1	
24	6H1-43812-00	..SEAL, DUST			1	1	
25	6H1-43872-10	..RING, BACK UP			1	1	
26	93210-18397	..O-RING			1	1	
27	6H1-43813-10	..CYLINDER, TILT			1	1	



6H30010-4190

FIG. 18 POWER TRIM & TILT ASSY

REF. NO.	PART NO.	DESCRIPTION	6EDO	7EDO	6ETO	7ETO	REMARKS
28	93210-64488	.O-RING			2	2	
29	6H1-43835-10	.PIPE			1	1	
30	6H1-43828-10	.BODY, RESERVOIR			1	1	
31	90386-18M14	.BUSH			2	2	
32	6E5-43818-00	.PIN, LOWER SHOCK MOUNT			1	1	
33	6H1-43833-10	.PIPE			1	1	
34	6H1-43834-00	.PIPE			1	1	
35	97595-06420	.BOLT, WITH WASHER			6	6	
36	6H1-43829-00	.PLUG, RESERVOIR			1	1	
37	93210-09165	.O-RING			2	2	
38	93210-064A5	.O-RING			3	3	
39	6T4-43802-03	.VALVE SUB ASSY			2	2	
40	6H1-43866-00	.O-RING			1	1	
41	6H1-43867-00	.O-RING			1	1	
42	6H1-43841-11	.PISTON, SHUTTLE			1	1	
43	6H1-43856-10	.SPRING, DOWN RELIEF			1	1	
44	6H1-43844-10	.PIN, VALVE SUPPORT			2	2	
45	6H1-4384G-11	.SEAL, RELIEF VALVE			1	1	
46	6H1-4384F-10	.SEAL, MAIN VALVE			2	2	
47	6H1-43817-01	.FILTER 2			1	1	
48	6H1-43831-10	.CONNECTOR, SHAFT			1	1	
49	6H1-43830-11	.GEAR PUMP ASSY			1	1	
50	6H1-43847-00	.SEAT, MANUAL VALVE			2	2	
51	6H1-43899-00	.SPRING, MANUAL RELEASE			1	1	
52	6H1-4382A-10	.ADAPTOR 1			1	1	
53	6H1-43854-00	.SPRING, MANUAL RELEASE			1	1	
54	93210-10M74	.O-RING			1	1	

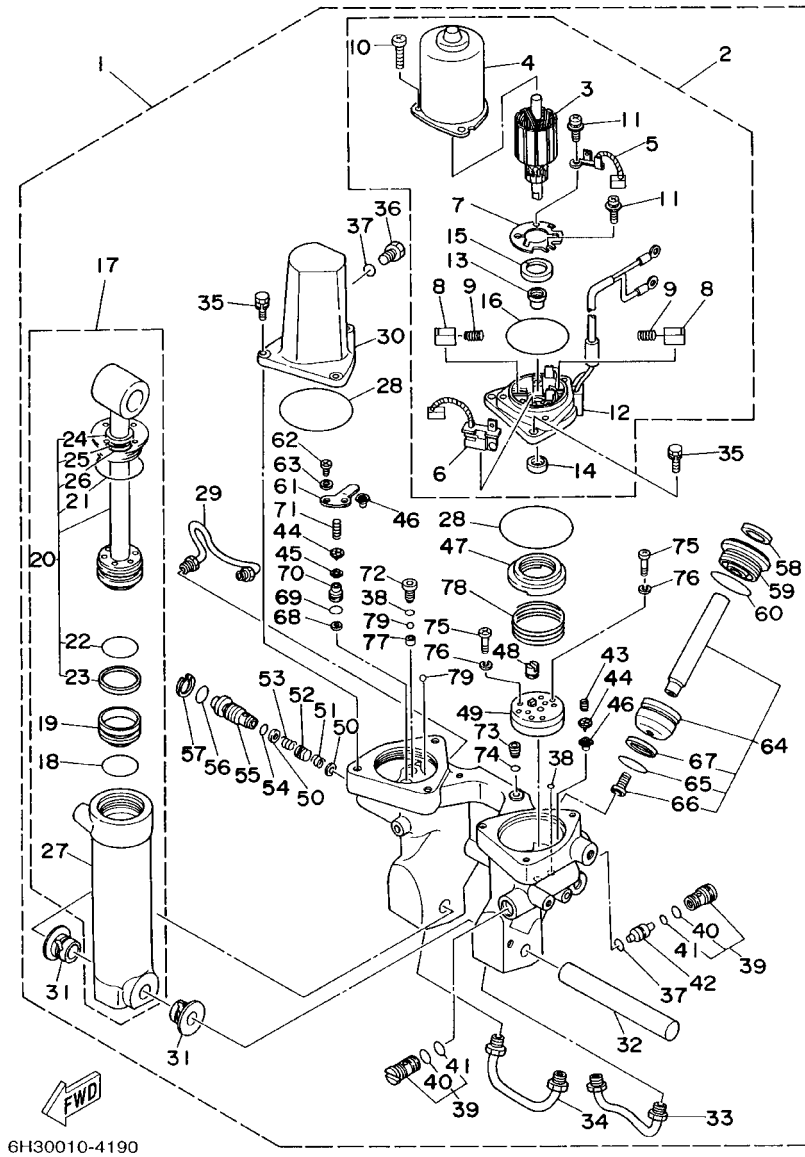
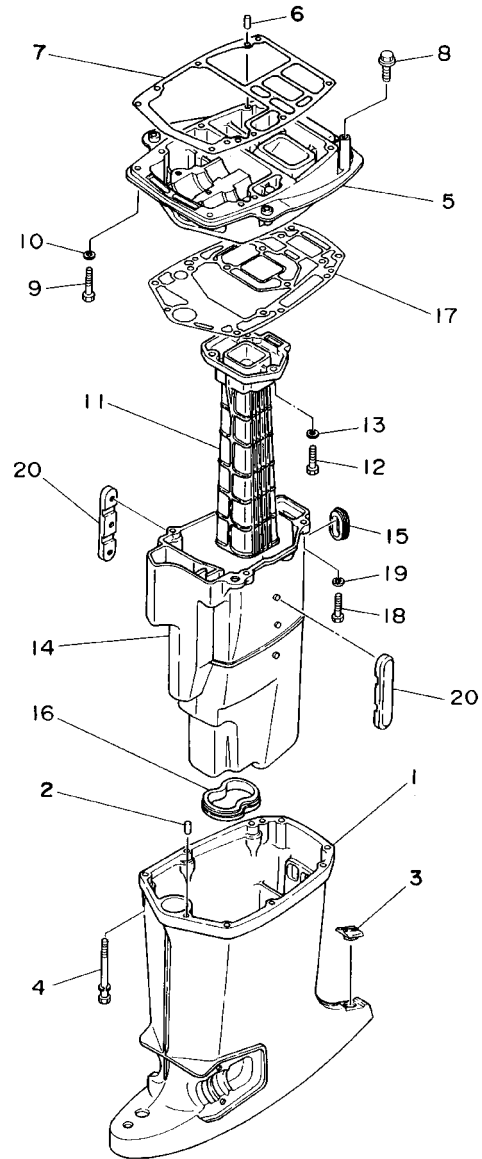


FIG. 18 POWER TRIM & TILT ASSY

REF. NO.	PART NO.	DESCRIPTION	6EDO	7EDO	6ETO	7ETO	REMARKS
55	6H1-43845-00	.SCREW, MANUAL RELEASE			1	1	
56	93210-18M75	.O-RING			1	1	
57	6H1-43875-00	.RING, SNAP			1	1	
58	6H1-43822-10	.SEAL, TRIM DUST			2	2	
59	6H1-43821-11	.SCREW, TRIM CYLINDER END			2	2	
60	6H1-43861-10	.O-RING			2	2	
61	6H1-4384E-20	.SPRING, TRIM			1	1	
62	98501-05010	.SCREW, PAN HEAD			2	2	
63	92901-05200	.WASHER, PLAIN			2	2	
64	6H1-43820-11	.PISTON SUB ASSY			2	2	
65	6H1-43864-00	.O-RING			1	1	
66	91318-08016	.BOLT			1	1	
67	6H1-43874-00	.RING, BACK UP			1	1	
68	6H1-43816-00	.FILTER 1			1	1	
69	6H1-43896-00	.O-RING			1	1	
70	6H1-43895-11	.SEAT, RELIEF VALVE			1	1	
71	6H1-43855-11	.SPRING, UP RELIEF			1	1	
72	6H1-43843-11	.SCREW, VALVE LOCK			1	1	
73	6H1-4388E-11	.PLUG, TAPER SCREW			1	1	
74	6H1-43868-00	.O-RING			1	1	
75	98501-04025	.SCREW, PAN HEAD			4	4	
76	92901-04100	.WASHER, SPRING			4	4	
77	6H1-4387J-00	.WASHER, SPECIAL 2			1	1	
78	6H1-4385H-00	.SPRING, SEAL			1	1	
79	93505-32038	.BALL			2	2	

FIG. 19 UPPER CASING



REF. NO.	PART NO.	DESCRIPTION	6EDO	7EDO	6ETO	7ETO	REMARKS
1	6H3-45111-01-4D	CASING, UPPER	1				S
	6H3-45111-11-4D	CASING, UPPER	1	1	1	1	L
2	93606-12019	PIN, DOWEL	2	2	2	2	
3	6H3-45155-00	CAP	1	1	1	1	
4	90119-08M81	BOLT, WITH WASHER	6	6	6	6	
5	6H3-41137-01-94	GUIDE, EXHAUST	1	1	1	1	
6	93606-12019	PIN, DOWEL	2	2	2	2	
7	6H3-45113-A0	GASKET, UPPER CASING	1	1	1	1	
8	90119-08M79	BOLT, WITH WASHER	2	2	2	2	
9	97075-08035	BOLT	2	2	2	2	
10	92995-08100	WASHER	2	2	2	2	
11	6H3-41131-00-5B	MANIFOLD, EXT. 1		1		1	
	6H2-41131-00-5B	MANIFOLD, EXT. 1	1		1		
12	97075-08030	BOLT	3	3	3	3	
13	92995-08100	WASHER	3	3	3	3	
14	6H3-14711-00-5B	MUFFLER 1	1				S
	6H3-14711-10-5B	MUFFLER 1	1	1	1	1	L
15	6H3-45127-00	SEAL	1	1	1	1	
16	6H3-45123-00	GASKET, MUFFLER	1	1	1	1	
17	6H3-45114-A1	GASKET, UPPER CASING	1	1	1	1	
18	97075-08030	BOLT	4	4	4	4	
19	92995-08100	WASHER	4	4	4	4	
20	6H3-14737-00	DAMPER, MUFFLER	2				S
	6H3-14737-10	DAMPER, MUFFLER	2	2	2	2	L

FWD  
6H30100-4190

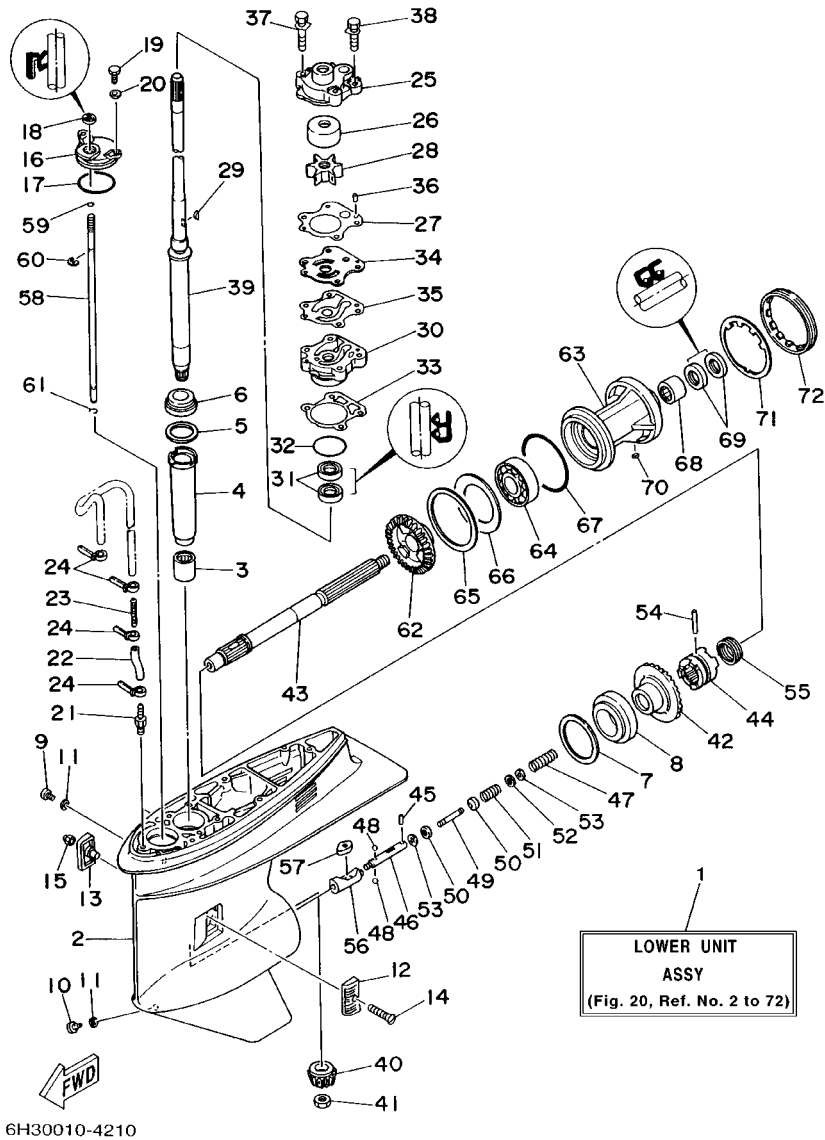


FIG. 20 LOWER CASING, DRIVE 1

REF. NO.	PART NO.	DESCRIPTION	6	7	6	7	REMARKS
			E	E	E	E	
1	6H3-45300-05-4D	LOWER UNIT ASSY	1				S
	6H3-45300-15-4D	LOWER UNIT ASSY	1	1	1	1	L
2	6H1-45301-03-4D	CASING, LOWER	1	1	1	1	
3	93315-325V1	BEARING	1	1	1	1	
4	688-45536-01	SLEEVE, DRIVE SHAFT	1	1	1	1	
5	688-45587-01-10	SHIM (T:0.10MM)	1	1	1	1	UR
	688-45587-01-12	SHIM (T:0.12MM)	1	1	1	1	UR
	688-45587-01-15	SHIM (T:0.15MM)	1	1	1	1	UR
	688-45587-01-18	SHIM (T:0.18MM)	1	1	1	1	UR
	688-45587-01-30	SHIM (T:0.30MM)	1	1	1	1	UR
	688-45587-01-40	SHIM (T:0.40MM)	1	1	1	1	UR
	688-45587-01-50	SHIM (T:0.50MM)	1	1	1	1	UR
6	93332-000U3	BEARING	1	1	1	1	
7	688-45567-01-10	SHIM (T:0.10MM)	1	1	1	1	UR
	688-45567-01-12	SHIM (T:0.12MM)	1	1	1	1	UR
	688-45567-01-15	SHIM (T:0.15MM)	1	1	1	1	UR
	688-45567-01-18	SHIM (T:0.18MM)	1	1	1	1	UR
	688-45567-01-30	SHIM (T:0.30MM)	1	1	1	1	UR
	688-45567-01-40	SHIM (T:0.40MM)	1	1	1	1	UR
	688-45567-01-50	SHIM (T:0.50MM)	1	1	1	1	UR
8	93332-000W7	BEARING	1	1	1	1	
9	90340-08M04	PLUG, STRAIGHT SCREW	1	1	1	1	
10	688-45341-00	PLUG, DRAIN	1	1	1	1	
11	90430-08020	GASKET	2	2	2	2	
12	6H1-45214-00	COVER, WATER INLET	1	1	1	1	
13	6H1-45215-00	COVER, WATER INLET	1	1	1	1	
14	90151-05M00	SCREW, COUNTERSUNK	1	1	1	1	

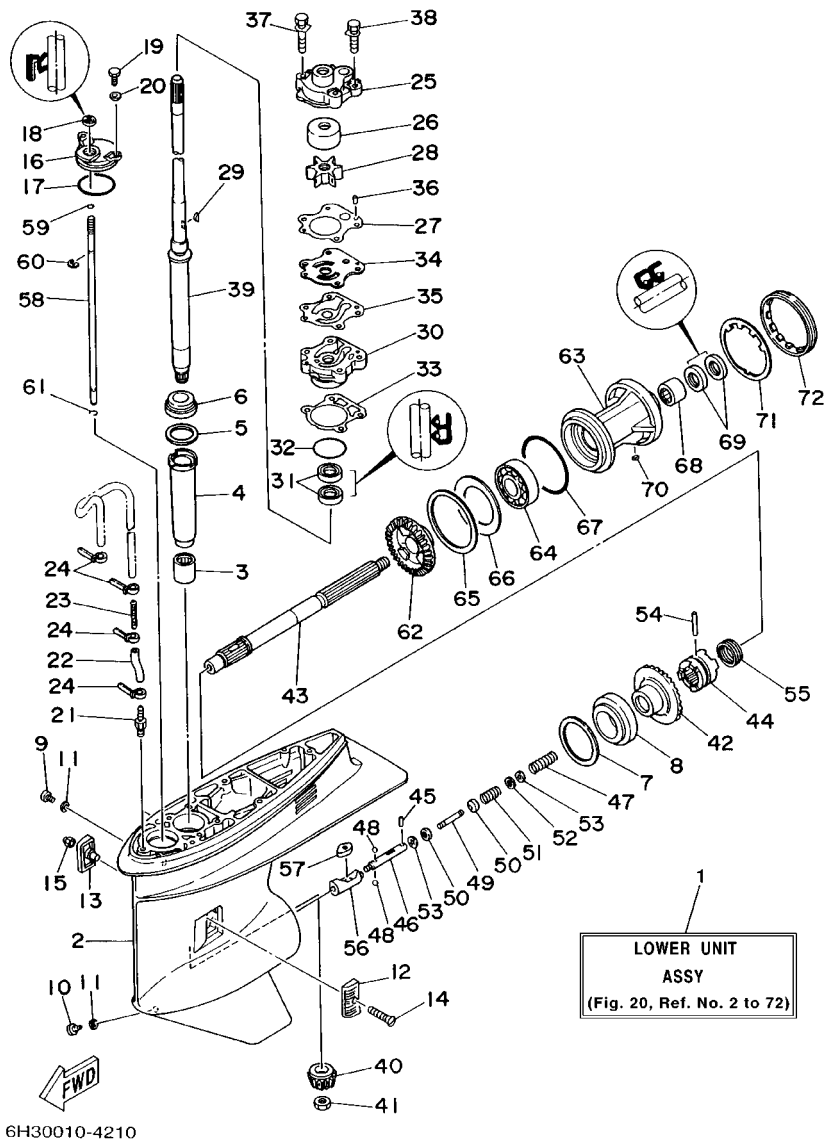


FIG. 20 LOWER CASING. DRIVE 1

REF. NO.	PART NO.	DESCRIPTION	6	7	6	7	REMARKS
			E	E	E	E	
15	90185-05002	NUT, SELF-LOCKING	1	1	1	1	
16	688-45321-00	PLATE	1	1	1	1	
17	93210-49046	O-RING	1	1	1	1	
18	93106-09014	OIL SEAL	1	1	1	1	
19	97095-06016	BOLT	2	2	2	2	
20	92995-06600	WASHER	2	2	2	2	
21	6E5-45378-00	NIPPLE, HOSE	1	1	1	1	
22	90445-07ME8	HOSE	1				S
	90445-07ME9	HOSE	1	1	1	1	L
23	6E5-83558-10	END, NIPPLE	1	1	1	1	
24	90465-11M10	CLAMP	4	4	4	4	
25	6H3-44311-00	HOUSING, WATER PUMP	1	1	1	1	
26	663-44322-00	INSERT, CARTRIDGE	1	1	1	1	
27	6H3-44315-A0	GASKET, WATER PUMP	1	1	1	1	
28	6H3-44352-00	IMPELLER	1	1	1	1	
29	90280-03M03	KEY, WOODRUFF	1	1	1	1	
30	6H3-44341-00-94	HOUSING, WATER PUMP	1	1	1	1	
31	93101-23070	OIL SEAL	2	2	2	2	
32	93210-46044	O-RING	1	1	1	1	
33	688-44316-A0	GASKET, WATER PUMP	1	1	1	1	
34	6H3-44323-00	OUTER PLATE, CARTRIDGE	1	1	1	1	
35	6H3-44324-A0	GASKET, CARTRIDGE	1	1	1	1	
36	93604-10M03	PIN, DOWEL	2	2	2	2	
37	90119-08M33	BOLT, WITH WASHER	2	2	2	2	
38	90119-08M14	BOLT, WITH WASHER	2	2	2	2	
39	6H3-45501-00	DRIVE SHAFT COMP.	1				S
	6H3-45501-10	DRIVE SHAFT COMP.	1	1	1	1	L

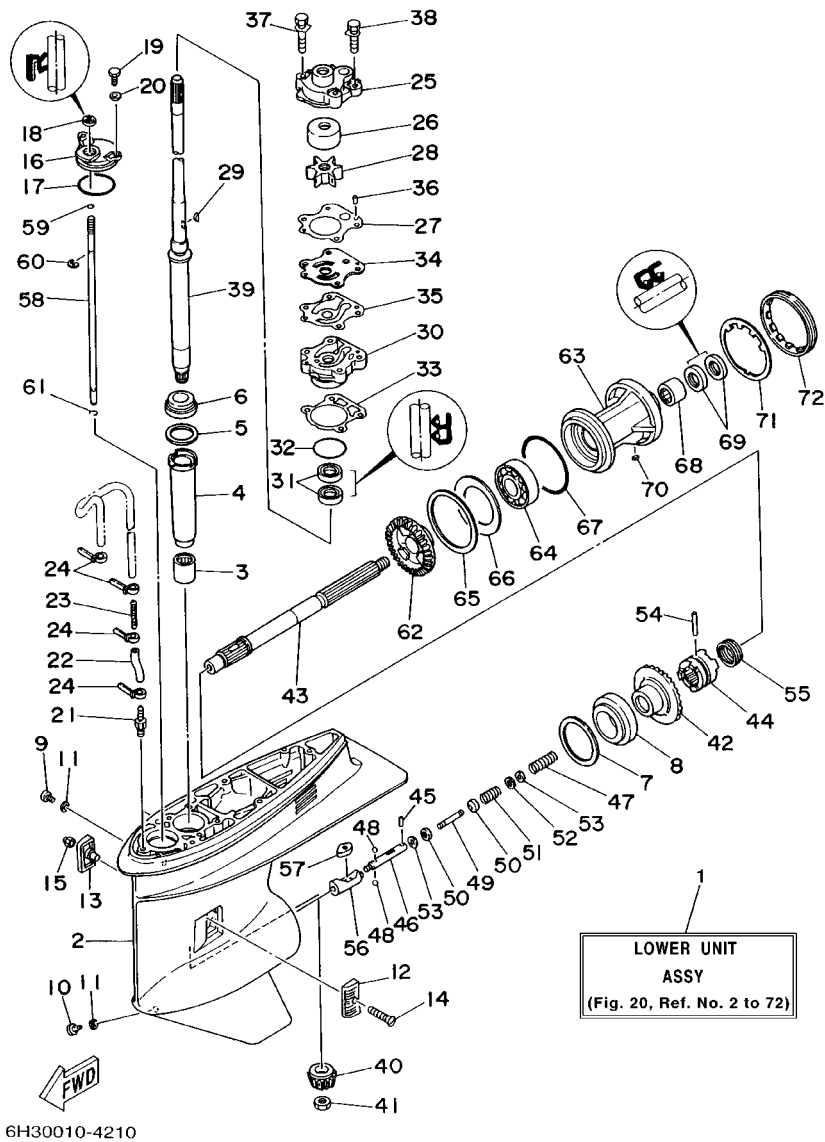
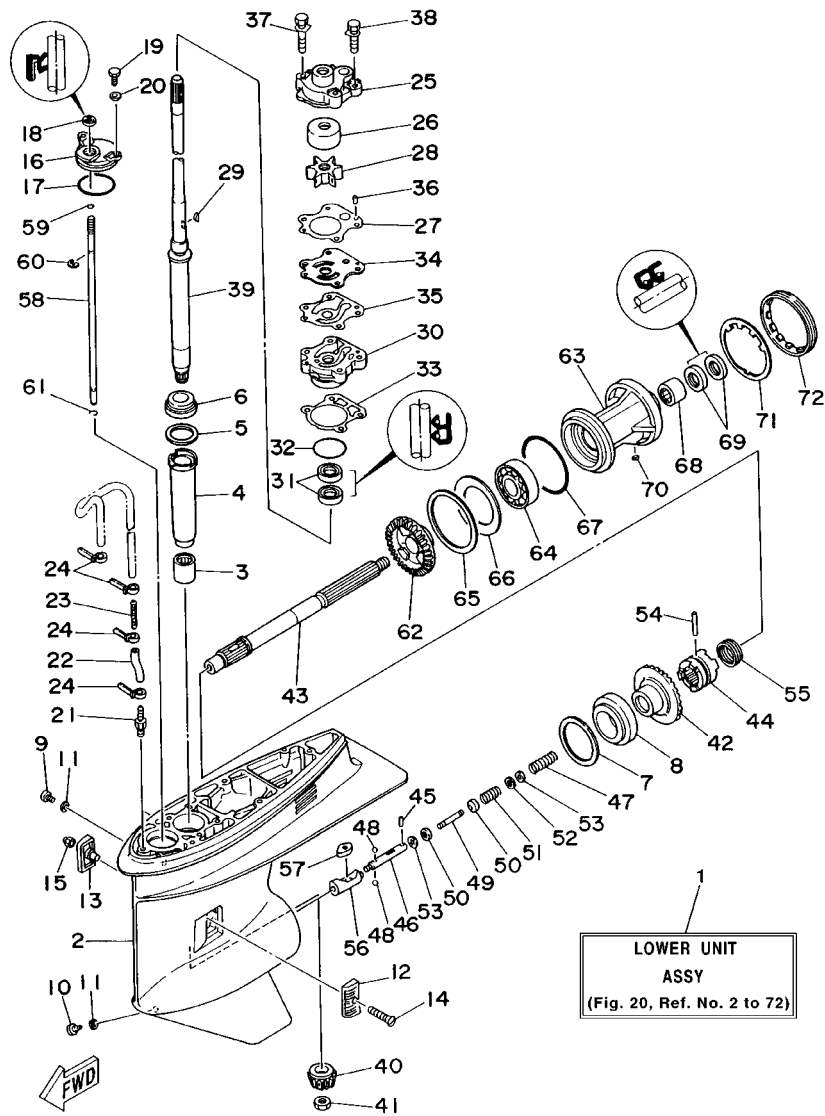


FIG. 20 LOWER CASING. DRIVE 1

REF. NO.	PART NO.	DESCRIPTION	6EDO	7EDO	6ETO	7ETO	REMARKS
40	6K5-45551-00	PINION (12T)	1	1	1	1	
41	90170-16M01	NUT	1	1	1	1	
42	6K5-45560-00	GEAR (28T)	1	1	1	1	
43	6H1-45611-01	SHAFT, PROPELLER	1	1	1	1	
44	6H1-45631-01	CLUTCH, DOG	1	1	1	1	
45	93603-12M11	PIN, DOWEL	1	1	1	1	
46	6H1-45634-02	SLIDE, SHIFT	1	1	1	1	
47	90501-16M65	SPRING, COMPRESSION	1	1	1	1	
48	93503-16003	BALL	2	2	2	2	
49	6H1-45668-00	SHAFT, FREE	1	1	1	1	
50	6H1-45635-00	PLUNGER, SHIFT	2	2	2	2	
51	90501-12M48	SPRING, COMPRESSION	1	1	1	1	
52	90201-03313	WASHER, PLATE	1	1	1	1	
53	90183-02M03	NUT, SPRING	2	2	2	2	
54	90250-07M02	PIN, STRAIGHT	1	1	1	1	
55	688-45633-00	RING, CROSS PIN	1	1	1	1	
56	6H1-45641-01	SHIFTER	1	1	1	1	
57	6H1-44151-00	CAM, SHIFT	1	1	1	1	
58	6H1-44144-00	ROD, SHIFT	1	1	1	1	
59	93210-07003	O-RING	1	1	1	1	
60	93430-08006	CIRCLIP	1	1	1	1	
61	93450-07M00	CIRCLIP	1	1	1	1	
62	6H3-45571-00	GEAR	1	1	1	1	
63	688-45331-00-94	HOUSING, BEARING	1	1	1	1	
64	93306-207U0	BEARING	1	1	1	1	
65	688-45577-01-10	SHIM (T:0.10MM)	1	1	1	1	UR
	688-45577-01-12	SHIM (T:0.12MM)	1	1	1	1	UR



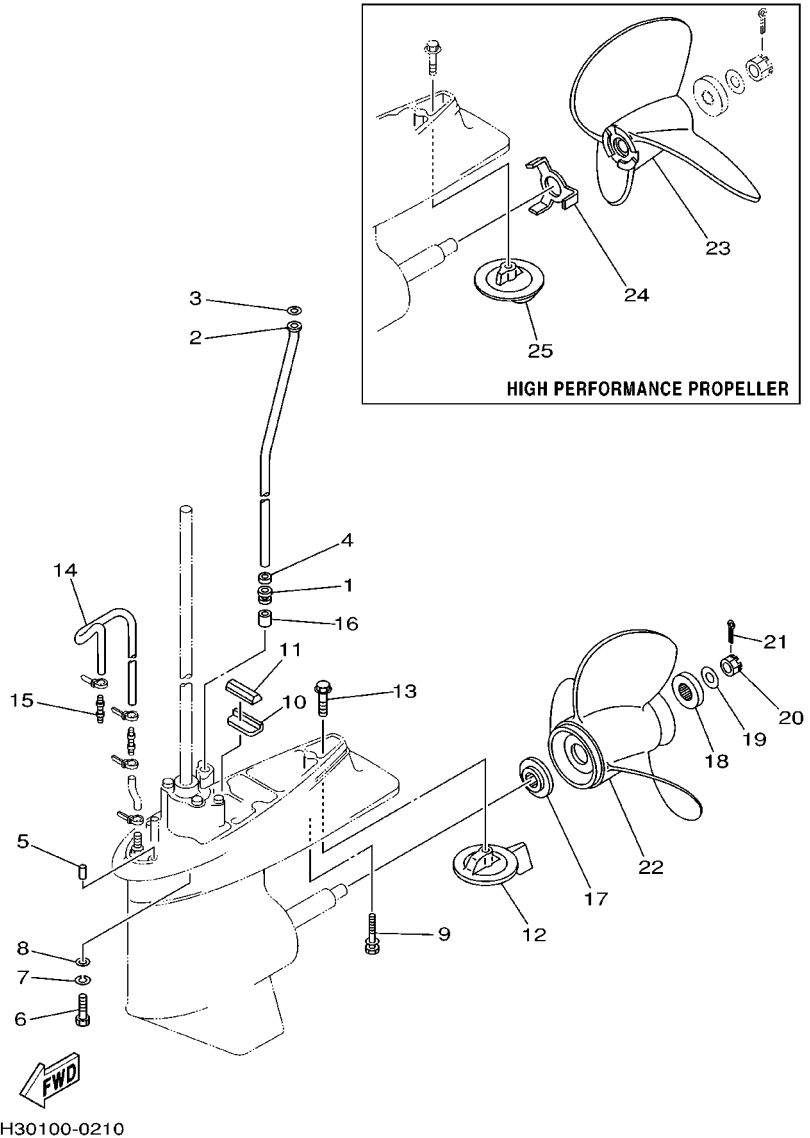


6H30010-4210

FIG. 20 LOWER CASING. DRIVE 1

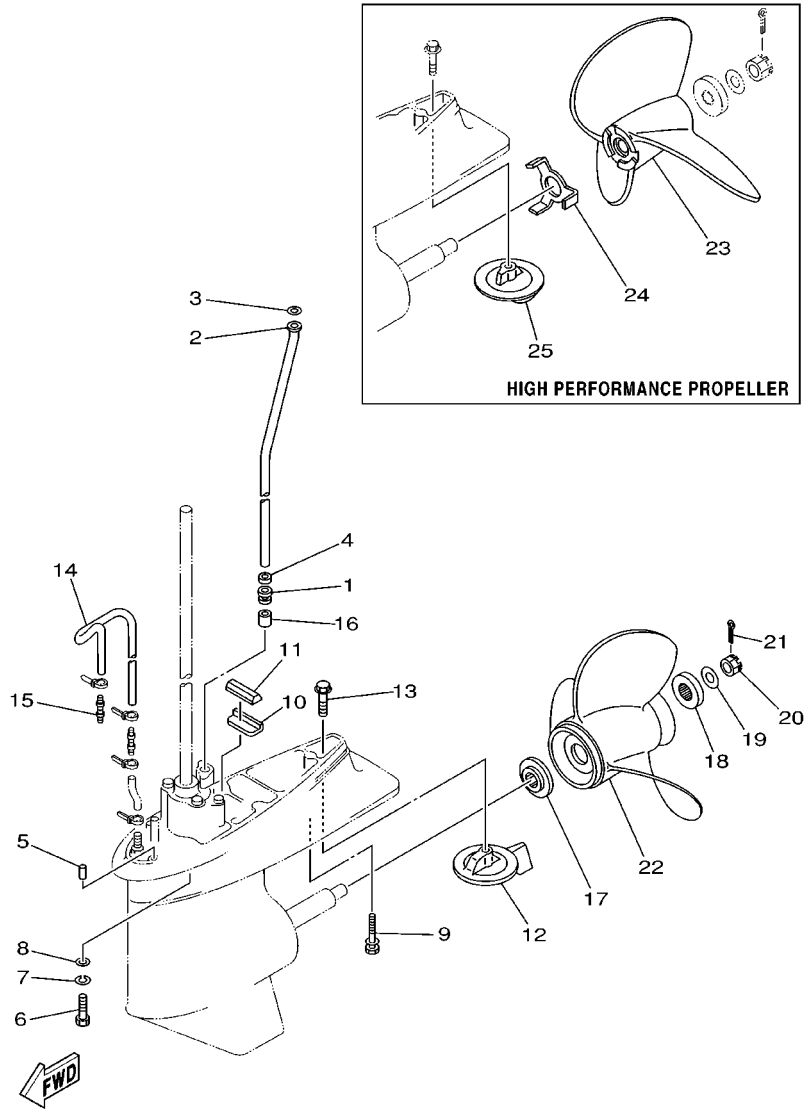
REF. NO.	PART NO.	DESCRIPTION	6EDO	7EDO	6ETO	7ETO	REMARKS
65	688-45577-01-15	SHIM (T:0.15MM)	1	1	1	1	UR
	688-45577-01-18	SHIM (T:0.18MM)	1	1	1	1	UR
	688-45577-01-30	SHIM (T:0.30MM)	1	1	1	1	UR
	688-45577-01-40	SHIM (T:0.40MM)	1	1	1	1	UR
	688-45577-01-50	SHIM (T:0.50MM)	1	1	1	1	UR
66	688-45576-00	WASHER, THRUST	1	1	1	1	
67	93210-85M97	O-RING	1	1	1	1	
68	93317-325U0	BEARING	1	1	1	1	
69	93101-25M03	OIL SEAL	2	2	2	2	
70	90282-04010	KEY, STRAIGHT	1	1	1	1	
71	688-45383-02	WASHER, CLAW	1	1	1	1	
72	688-45384-00	NUT	1	1	1	1	

FIG. 21 LOWER CASING. DRIVE 2



REF. NO.	PART NO.	DESCRIPTION	6EDO	7EDO	6ETO	7ETO	REMARKS
1	663-44367-00	DAMPER, WATER SEAL	1	1	1	1	
2	6H3-44361-00	TUBE, WATER	1				S
	6H3-44361-10	TUBE, WATER	1	1	1	1	L
3	90202-12060	WASHER, PLATE	1	1	1	1	
4	90430-12072	GASKET	1	1	1	1	
5	93606-12019	PIN, DOWEL	2	2	2	2	
6	97075-10040	BOLT	4	4	4	4	
7	92990-10100	WASHER, SPRING	4	4	4	4	
8	92990-10600	WASHER, PLATE	4	4	4	4	
9	90119-08M84	BOLT, WITH WASHER	1	1	1	1	
10	663-45376-00-94	GUIDE, SEAL DAMPER	1	1	1	1	
11	688-45375-00	DAMPER, SEAL	1	1	1	1	
12	688-45371-02	TAB-TRIM	1	1	1	1	
13	90105-10M67	BOLT, WASHER BASED	1	1	1	1	
14	90445-07MF1	HOSE	1	1	1	1	
15	6E5-83558-00	END, NIPPLE	1	1	1	1	
16	663-44366-00	DAMPER, WATER SEAL	1	1	1	1	
17	688-45987-01	SPACER	1	1	1	1	
18	688-45997-01	SPACER	1	1	1	1	
19	90201-17M00	WASHER, PLATE	1	1	1	1	
20	90171-16011	NUT, CASTLE	1	1	1	1	
21	91490-40025	PIN, COTTER	1	1	1	1	
22	6E5-45941-00-EL	PROPELLER (3X13"X19"-K)	1	1	1	1	UR
	6E5-45943-00-EL	PROPELLER (3X12-5/8"X21"-K)	1	1	1	1	UR
	6E5-45945-01-EL	PROPELLER (3X13-1/4"X17"-K)	1	1	1	1	UR
	6E5-45947-00-EL	PROPELLER (3X13-1/2"X15"-K)	1	1	1	1	UR
	6E5-45949-00-EL	PROPELLER (3X13-5/8"X13"-K)	1	1	1	1	UR

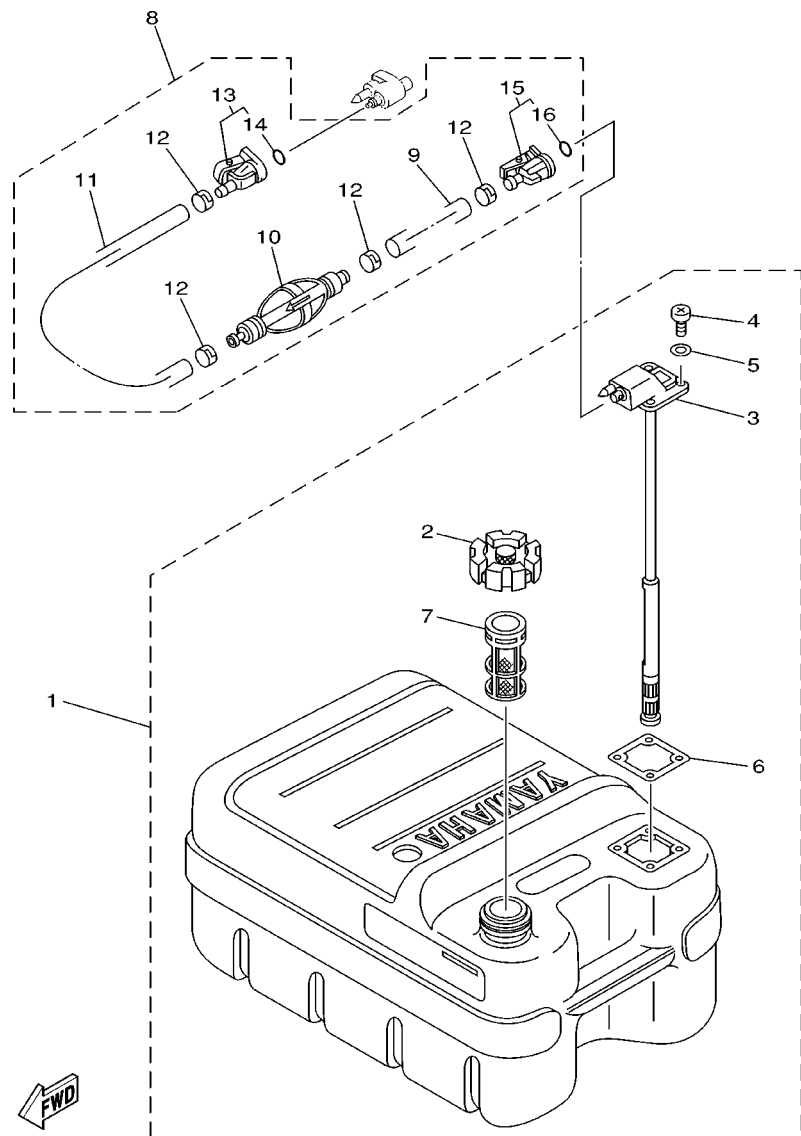
FIG. 21 LOWER CASING, DRIVE 2



6H30100-0210

REF. NO.	PART NO.	DESCRIPTION	6EDO	7EDO	6ETO	7ETO	REMARKS
22	6E5-45952-00-EL	PROPELLER (3X13"X23"-K)	1	1	1	1	UR
	6E5-45954-00-EL	PROPELLER (3X14"X11"-K)	1	1	1	1	UR
	6E5-45956-00-EL	PROPELLER (3X13"X25"-K)	1	1	1	1	UR
		STAINLESS STEEL PROPELLER					
	688-45930-02-98	PROPELLER (3X13"X17"-K)	1	1	1	1	UR
	688-45970-03-98	PROPELLER (3X13"X19"-K)	1	1	1	1	UR
	688-45972-02-98	PROPELLER (3X13"X21"-K)	1	1	1	1	UR
	688-45974-02-98	PROPELLER (3X13"X23"-K)	1	1	1	1	UR
	688-45976-01-98	PROPELLER (3X13"X25"-K)	1	1	1	1	UR
	688-45932-60-98	PROPELLER (3X13-1/2"X14"-K)	1	1	1	1	UR
	688-45978-60-98	PROPELLER (3X13-1/2"X16"-K)	1	1	1	1	UR
		HIGH PERFORMANCE PROPELLER					
23	6E5-45970-10	PROPELLER (3X14"X20"-P)	1	1	1	1	UR
	6E5-45972-10	PROPELLER (3X14"X24"-P)	1	1	1	1	UR
	6E5-45974-10	PROPELLER (3X14"X28"-P)	1	1	1	1	UR
	6E5-45976-10	PROPELLER (3X14"X22"-P)	1	1	1	1	UR
	6E5-45978-10	PROPELLER (3X14"X26"-P)	1	1	1	1	UR
24	6E5-45994-10	PLATE, TOOTH	1	1	1	1	
25	6E5-45371-10	TAB-TRIM	1	1	1	1	

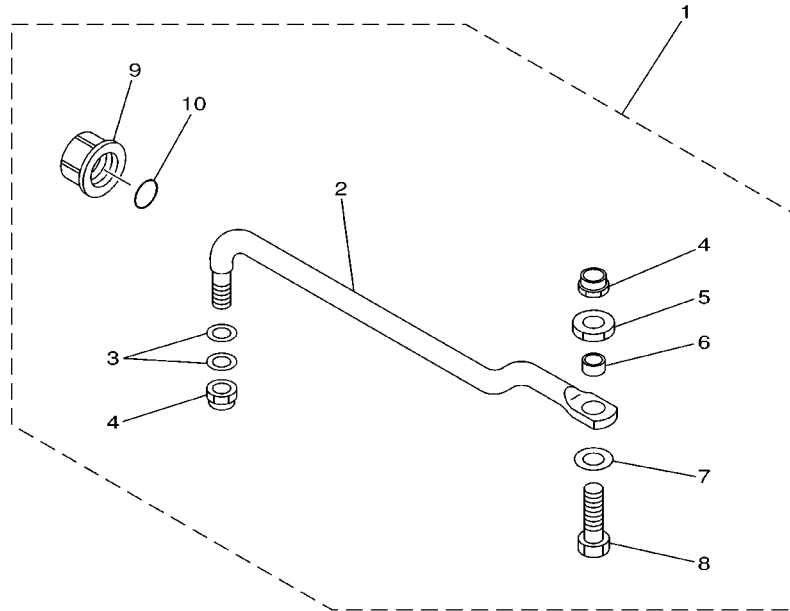
FIG. 22 FUEL TANK



67C0100-9300

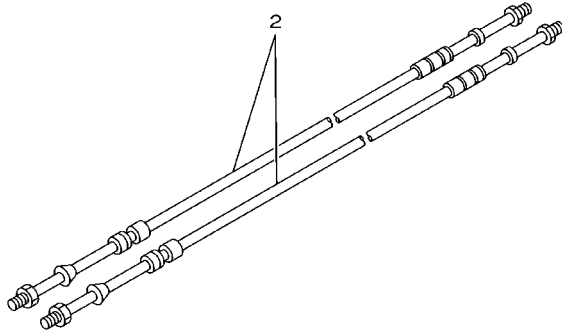
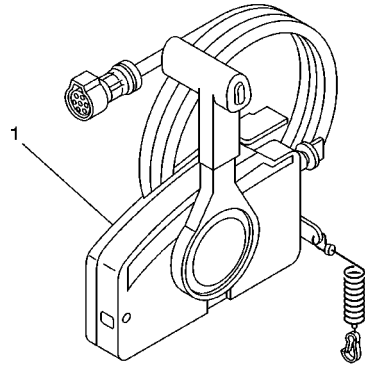
REF. NO.	PART NO.	DESCRIPTION	6EDO	7EDO	6ETO	7ETO	REMARKS
1	6YJ-24201-10	FUEL TANK ASSY (24L)	1	1	1	1	AP WITH INDICATOR
2	6YJ-24610-01	.CAP ASSY	1	1	1	1	
3	6Y1-24260-12	.FUEL METER ASSY	1	1	1	1	WITH INDICATOR
4	98586-05016	.SCREW, PAN HEAD	4	4	4	4	
5	6Y1-24329-00	.SEAL	4	4	4	4	
6	6Y1-24268-00	.GASKET, FUEL METER	1	1	1	1	
7	6YJ-24167-00	.STRAINER	1	1	1	1	
8	6Y1-24306-06	FUEL PIPE COMP. 1	1	1	1	1	AP
9	90445-11M06	.HOSE (L:2050MM)	1	1	1	1	
10	6Y1-24360-51	.PRIMER PUMP ASSY	1	1	1	1	
11	90445-11M05	.HOSE (L:850MM)	1	1	1	1	
12	650-24351-51	.BAND 1	4	4	4	4	
13	6G1-24305-01	.FUEL PIPE JOINT COMP. 2	1	1	1	1	
14	93210-08287	..O-RING	1	1	1	1	
15	6Y1-24305-02	.FUEL PIPE JOINT COMP. 2	1	1	1	1	
16	93210-08287	..O-RING	1	1	1	1	

FIG. 23 STEERING GUIDE



REF. NO.	PART NO.	DESCRIPTION	6EDO	7EDO	6ETO	7ETO	REMARKS
1	688-61350-10	STEERING GUIDE ATTACHMENT KIT	1	1	1	1	AP
2	688-61351-10	.ROD, STEERING LINK	1	1	1	1	
3	90201-10M20	.WASHER, PLATE	2	2	2	2	
4	90185-09M01	.NUT, SELF-LOCKING	2	2	2	2	
5	90170-09M03	.NUT	1	1	1	1	
6	90387-10M42	.COLLAR	1	1	1	1	
7	90201-10M63	.WASHER, PLATE	1	1	1	1	
8	6E5-61355-00	.BOLT	1	1	1	1	
9	6E5-43145-01	.CAP, CLAMP BRACKET	1	1	1	1	
10	93210-16275	.O-RING	1	1	1	1	

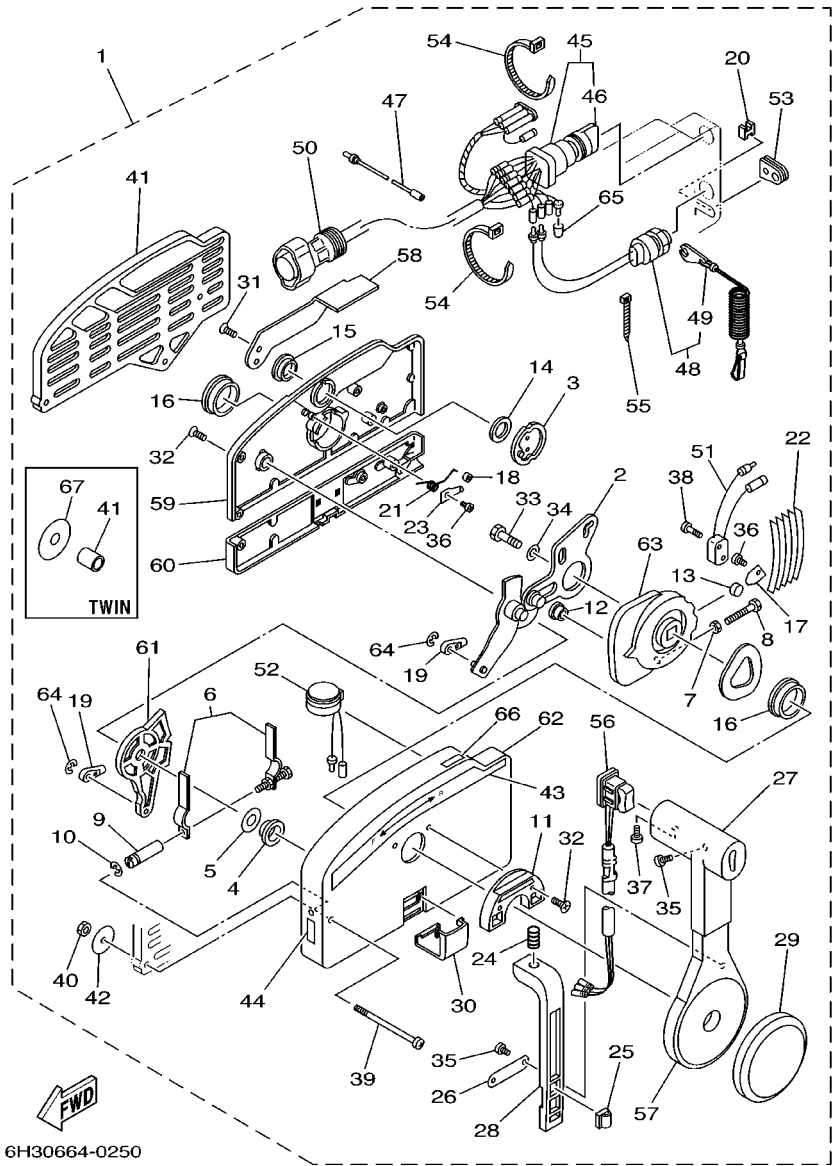
6880700-9190



67M0100-8280

FIG. 24 REMOTE CONTROL BOX

REF. NO.	PART NO.	DESCRIPTION	6EDO	7EDO	6ETO	7ETO	REMARKS
1	703-48205-A2	REMOTE CONTROL ASSY (10P)			1	1	AP WITH PT/T SW.
	703-48201-A1	REMOTE CONTROL ASSY (10P)	1	1			AP
	703-48208-A2	REMOTE CONTROL ASSY	1				AP TWIN LEVER
2	701-48320-00	CABLE, REMOTE CONTROL L=12F	2	2	2	2	UR
	701-48320-20	CABLE, REMOTE CONTROL L=13F	2				UR
<hr/>							
<hr/>							
<hr/>							
<hr/>							
<hr/>							
<hr/>							
<hr/>							



6H30664-0250

FIG. 25 REMOTE CONTROL ASSY

REF. NO.	PART NO.	DESCRIPTION	6EDO	7EDO	6ETO	7ETO	REMARKS
1	703-48205-A2	REMOTE CONTROL ASSY (10P)			1	1	AP WITH PT/T SW.
	703-48201-A1	REMOTE CONTROL ASSY (10P)	1	1			AP
	703-48208-A2	REMOTE CONTROL ASSY	1				AP TWIN LEVER
2	703-48261-01	.ARM, THROTTLE	1	1	1	1	
3	703-48153-00	.SHAFT, FREE ACCEL.	1	1	1	1	
4	703-48235-00	.BUSHING	1	1	1	1	
5	703-48268-00	.SPACER	1	1	1	1	
6	703-48264-00	.THROTTLE, FRICTION	1	1	1	1	
7	95380-05600	.NUT	1	1	1	1	
8	97380-05025	.BOLT	1	1	1	1	
9	703-48265-00	.SHAFT, FRICTION	1	1	1	1	
10	93430-06024	.CIRCLIP	3	3	3	3	
11	703-48245-00	.PLATE, LOCK	1	1	1	1	
12	703-48252-00	.ROLLER, CAM	1	1	1	1	
13	701-48248-00	.ROLLER, FREE ACCEL.	1	1	1	1	
14	703-48198-00	.WASHER, WAVE	1	1	1	1	
15	703-48243-00	.BUSHING	1	1	1	1	
16	703-48236-00	.BUSHING 1	2	2	2	2	
17	703-48189-00	.RETAINER	1	1	1	1	
18	703-48236-00	.BUSHING 1	1	1	1	1	
19	703-48345-01	.CABLE END, REMOTE CONTROL 2	2	2	2	2	
20	703-48358-00	.ANCHOR, CABLE	1	1	1	1	
21	703-48244-00	.SPRING, FREE ACCEL.	1	1	1	1	
22	703-48238-00	.SPRING, DETENT	5	5	5	5	
23	703-48246-00	.SPACER	1	1	1	1	
24	703-48227-00	.SPRING, NEUTRAL LOCK	1	1	1	1	
25	703-82594-00	.CLAMP			1	1	WITH PT/T SW.

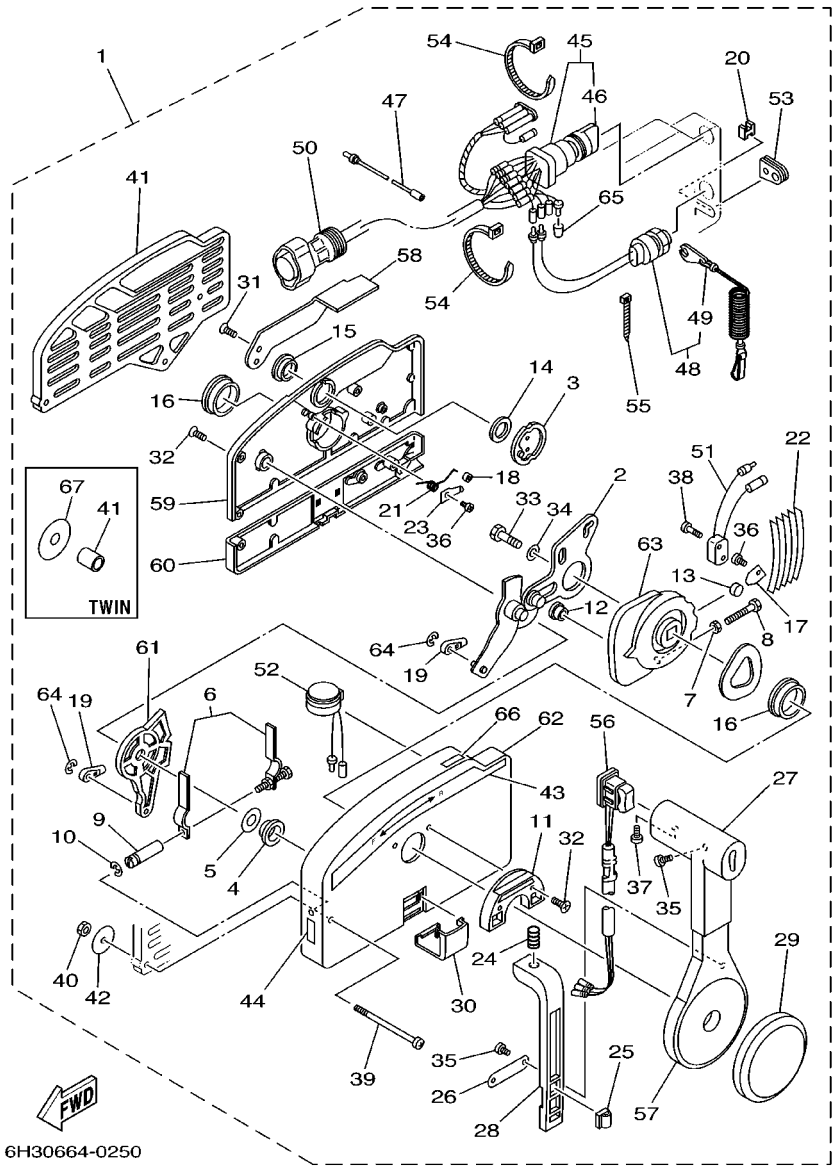
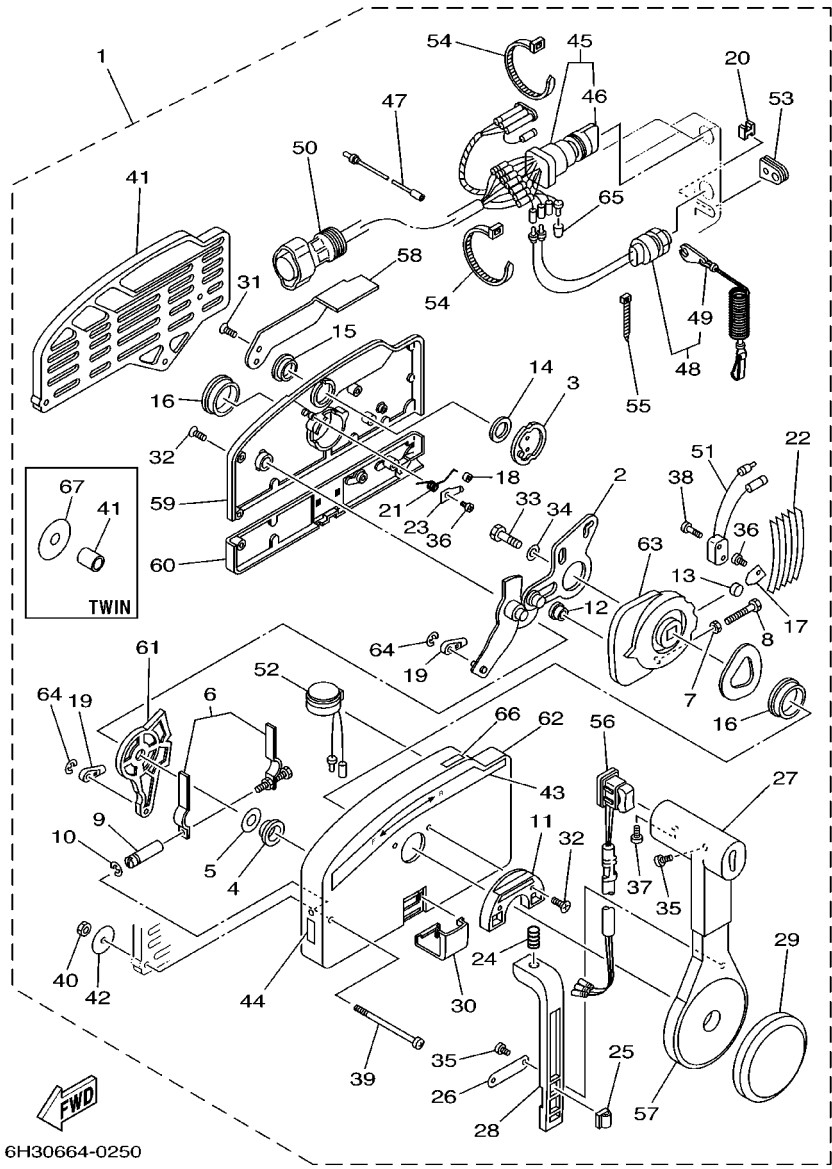


FIG. 25 REMOTE CONTROL ASSY

REF. NO.	PART NO.	DESCRIPTION	6EDO	7EDO	6ETO	7ETO	REMARKS
26	703-48226-00	.PLATE, STOPPER	1	1	1	1	
27	703-48222-00	.GRIP, CONTROL LEVER	1	1	1	1	SINGLE
	703-48222-10	.GRIP, CONTROL LEVER	1				TWIN
28	703-48223-00	.LOCK, NEUTRAL	1	1	1	1	
29	703-48225-00	.COVER	1	1	1	1	
30	703-48219-00	.COVER, LEAD	1	1	1	1	
31	703-48281-00	.SCREW	2	2	2	2	
32	703-48282-00	.SCREW	7	7	7	7	
33	97095-08030	.BOLT	1	1	1	1	
34	92990-08600	.WASHER, PLATE	1	1	1	1	
35	98580-04010	.SCREW, PAN HEAD	3	3	3	3	SINGLE
	98580-04010	.SCREW, PAN HEAD	2				TWIN
36	98580-04006	.SCREW, PAN HEAD	2	2	2	2	
37	98580-05010	.SCREW, PAN HEAD	1	1	1	1	
38	98580-03015	.SCREW, PAN HEAD	2	2	2	2	
39	703-48291-10	.SCREW (M6)	3	3	3	3	
40	95380-06600	.NUT, HEXAGON	3	3	3	3	
41	703-48293-10	.SPACER, REMOTE CONTROL	1	1	1	1	SINGLE
	703-48293-00	.SPACER, REMOTE CONTROL	1				TWIN
42	701-48287-00	.WASHER	3	3	3	3	
43	703-48215-00	.GRAPHIC	1	1	1	1	
44	702-48217-00	.MARK	1	1	1	1	
45	703-82510-11	.MAIN SWITCH ASSY (10P)	1	1	1	1	FOR PRIME START MODEL
46	676-82577-00	..CAP, KEY	1	1	1	1	
47	703-82531-00	.WIRE, LEAD	1	1	1	1	
48	688-82575-01	.ENGINE STOP SWITCH ASSY	1	1	1	1	
49	682-82556-00	..STOPPER	1	1	1	1	





6H30664-0250

FIG. 25 REMOTE CONTROL ASSY

REF. NO.	PART NO.	DESCRIPTION	6	7	6	7	REMARKS
			E	E	E	E	
50	688-8258A-20	.EXTENSION, WIRE HARNESS	1	1	1	1	L:5M (10P)
51	703-82540-00	.NEUTRAL SWITCH ASSY	1	1	1	1	
52	703-83383-A0	.BUZZER	1	1	1	1	
53	703-48284-00	.GROMMET	1	1	1	1	
	703-48284-10	.GROMMET	1				FOR 703-48208-A2
54	90464-13080	.CLAMP	2	2	2	2	
55	703-82592-00	.BAND	1	1	1	1	
56	703-82563-01	.TRIM & TILT SWITCH ASSY				1	1
	703-48224-00	.COVER, CONTROL LEVER	1	1			WITHOUT PT/T SW.
57	703-48221-00	.LEVER, CONTROL	1	1	1	1	
58	703-48152-00	.KNOB, FREE ACCEL.	1	1	1	1	
59	703-48212-00	.BACK PLATE 1	1	1	1	1	
60	703-48213-00	.BACK PLATE 2	1	1	1	1	
61	703-48271-00	.ARM, SHIFT	1	1	1	1	
62	703-48211-01	.HOUSING,1	1	1	1	1	
63	703-48232-00	.GEAR	1	1	1	1	
64	93430-06024	.CIRCLIP	2	2	2	2	
65	703-82542-00	.CAP	1	1	1	1	
66	703-48218-00	.GRAPHIC	1	1	1	1	
67	703-48287-00	.WASHER	3				TWIN

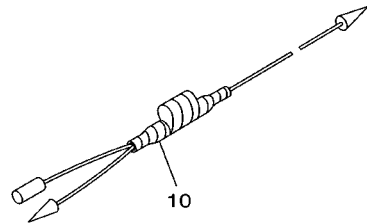
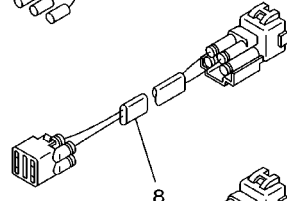
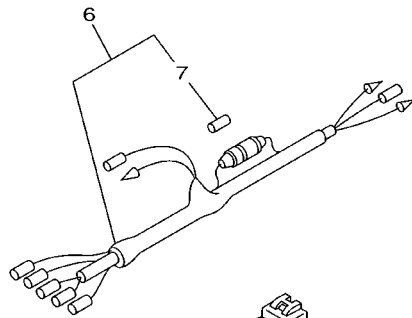
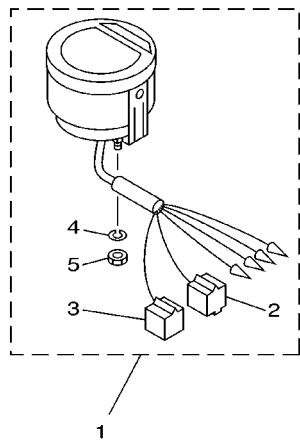
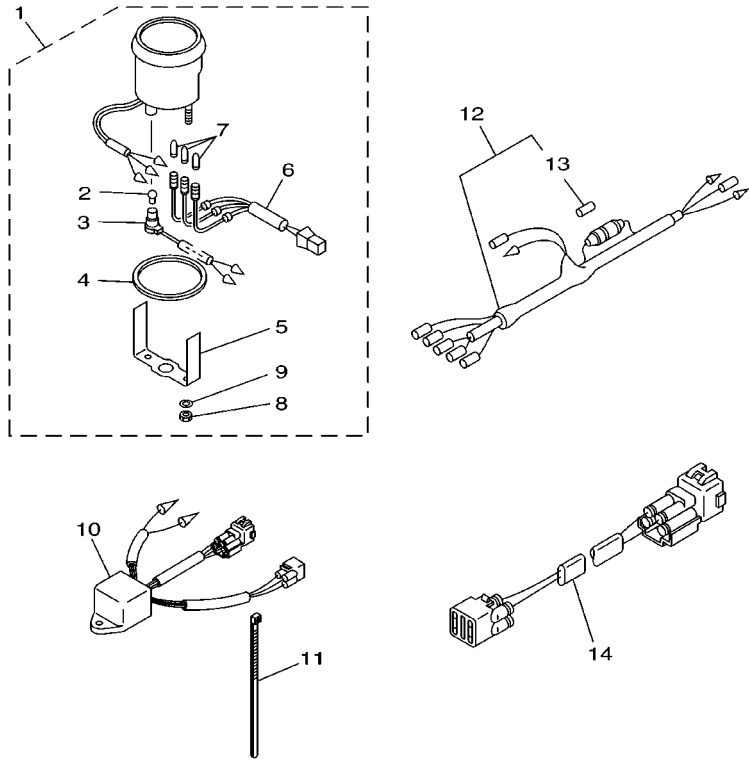


FIG. 26 METER 1

REF. NO.	PART NO.	DESCRIPTION	6EDO	7EDO	6ETO	7ETO	REMARKS
1	6Y5-83500-T2	DIGITAL TACHOMETER ASSY			1	1	AP
2	9E450-04433	.CONNECTOR			1	1	M-4-W
3	9E450-04533	.CONNECTOR			1	1	F-4-W
4	92990-04100	.WASHER, SPRING			2	2	
5	95380-04600	.NUT			2	2	
6	6Y5-83553-00	WIRE, LEAD			1	1	AP
7	1E6-82151-00	.FUSE (10A)			1	1	
8	6R3-82521-70	WIRE, LEAD			1	1	AP 7M
9	6R3-82553-70	EXTENSION, WIRE LEAD			1	1	AP 4P,7M
10	6H4-81315-11	LEAD WIRE ASSY			1	1	AP

6H30100-0270

FIG. 27 METER 2

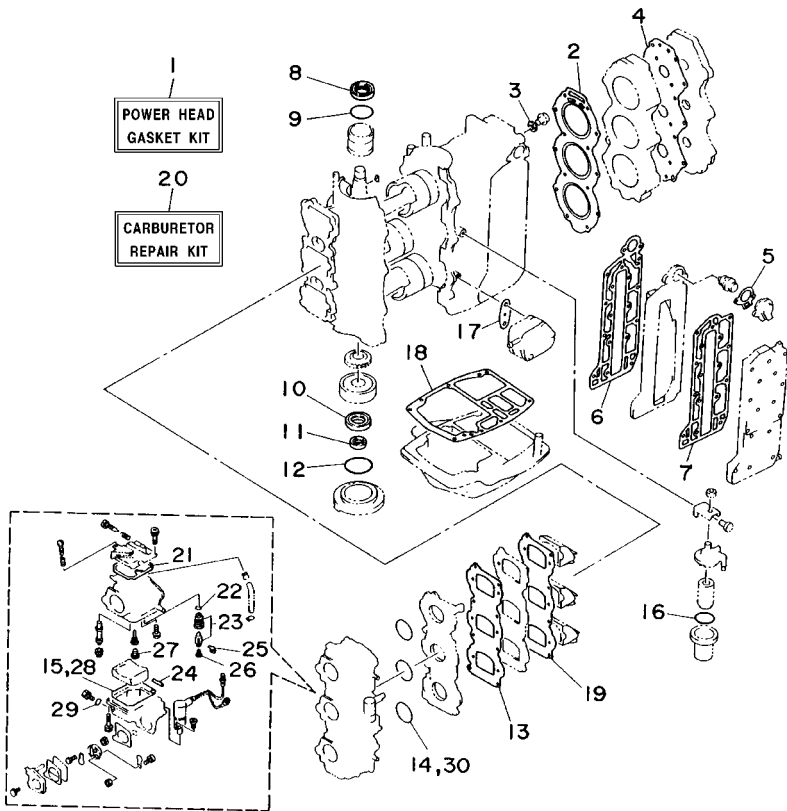


REF. NO.	PART NO.	DESCRIPTION	6EDO	7EDO	6ETO	7ETO	REMARKS
1	6Y5-83540-05	TACHOMETER ASSY	1	1			AP WITH OIL LAMP
2	6Y5-83517-00	.BULB (12V-1.7W, T10)	1	1			
3	6Y5-83536-10	.SOCKET, METER	1	1			
4	6Y5-83523-00	.DAMPER	1	1			
5	6Y5-83514-00	.PLATE, FITTING	1	1			
6	6Y5-83509-03	.SOCKET CORD ASSY	1	1			
7	6Y5-83518-00	.BULB (12V-1.7W, T6.5)	3	3			
8	95303-05600	.NUT	2	2			
9	92903-05100	.WASHER, SPRING	2	2			
10	6Y5-81950-02	RELAY ASSY	1	1			AP
11	90465-13M18	CLAMP	1	1			AP
12	6Y5-83553-00	WIRE, LEAD	1	1			AP
13	1E6-82151-00	.FUSE (10A)	1	1			AP
14	6R3-82521-70	WIRE, LEAD	1	1			AP 7M

6H30664-0270

FIG. 28 REPAIR KIT 1

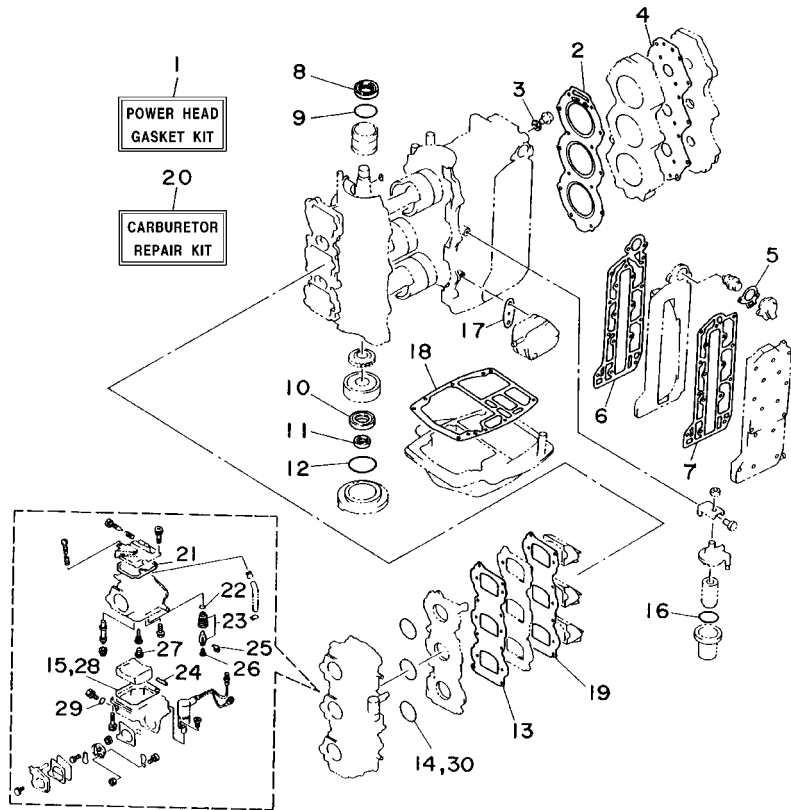
REF. NO.	PART NO.	DESCRIPTION	6EDO	7EDO	6ETO	7ETO	REMARKS
1	6H3-W0001-02	POWER HEAD GASKET KIT	1	1	1	1	OIL INJECTION MODEL
2	6H3-11181-A1	.GASKET, CYLINDER HEAD 1	1	1	1	1	
3	90430-14115	.GASKET	1	1	1	1	
4	6H3-11193-A1	.GASKET, HEAD COVER 1	1	1	1	1	
5	6H3-12414-A1	.GASKET, COVER	1	1	1	1	
6	6H3-41112-A0	.GASKET, EXHAUST INNER COVER	1	1	1	1	
7	6H3-41114-A0	.GASKET, EXHAUST OUTER COVER	1	1	1	1	
8	93102-36M24	.OIL SEAL	1	1	1	1	
9	93210-46M16	.O-RING	1	1	1	1	
10	93102-30M23	.OIL SEAL	1	1	1	1	
11	93106-18M01	.OIL SEAL	1	1	1	1	
12	93210-65M50	.O-RING	1	1	1	1	
13	6H3-13621-A1	.GASKET, VALVE SEAT	1	1	1	1	
14	93210-39ME4	.O-RING	3	3	3	3	
15	6H4-14984-00	.GASKET, FLOAT CHAMBER	3	3	3	3	
16	93210-32738	.O-RING	1	1	1	1	
17	650-24431-A0	.GASKET, FUEL PUMP 1	1	1	1	1	
18	6H3-45113-A0	.GASKET, UPPER CASING	1	1	1	1	
19	6H3-13622-A1	.GASKET, VALVE SEAT	1	1	1	1	
20	6H2-W0093-10	CARBURETOR REPAIR KIT	1	1	1	1	AUTO CHOKE
21	6H4-14147-00	.O-RING	1	1	1	1	
22	93210-04228	.O-RING	1	1	1	1	
23	6H3-14590-00	.NEEDLE VALVE ASSY	1	1	1	1	
24	6H4-14548-00	.PIN, FLOAT ARM	1	1	1	1	
25	663-14159-00	.CLIP	1	1	1	1	
26	676-14186-00	.PIN, FLOAT	1	1	1	1	
27	676-14966-00	.CAP	1	1	1	1	



6H30010-4230

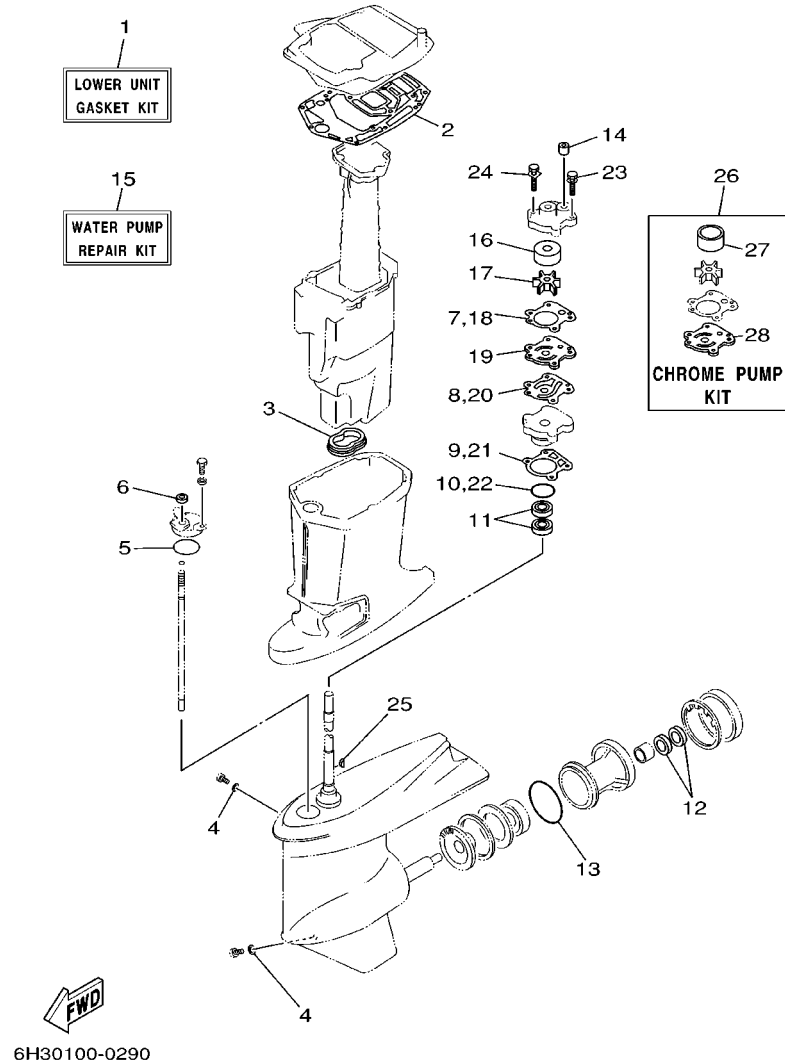
FIG. 28 REPAIR KIT 1

REF. NO.	PART NO.	DESCRIPTION	6	7	6	7	REMARKS
			EDO	EDO	ETO	ETO	
28	6H4-14984-00	.GASKET, FLOAT CHAMBER	1	1	1	1	
29	93210-04230	.O-RING	1	1	1	1	
30	93210-39ME4	.O-RING	1	1	1	1	
-----							
-----							
-----							
-----							
-----							
-----							
-----							
-----							
-----							



6H30010-4230

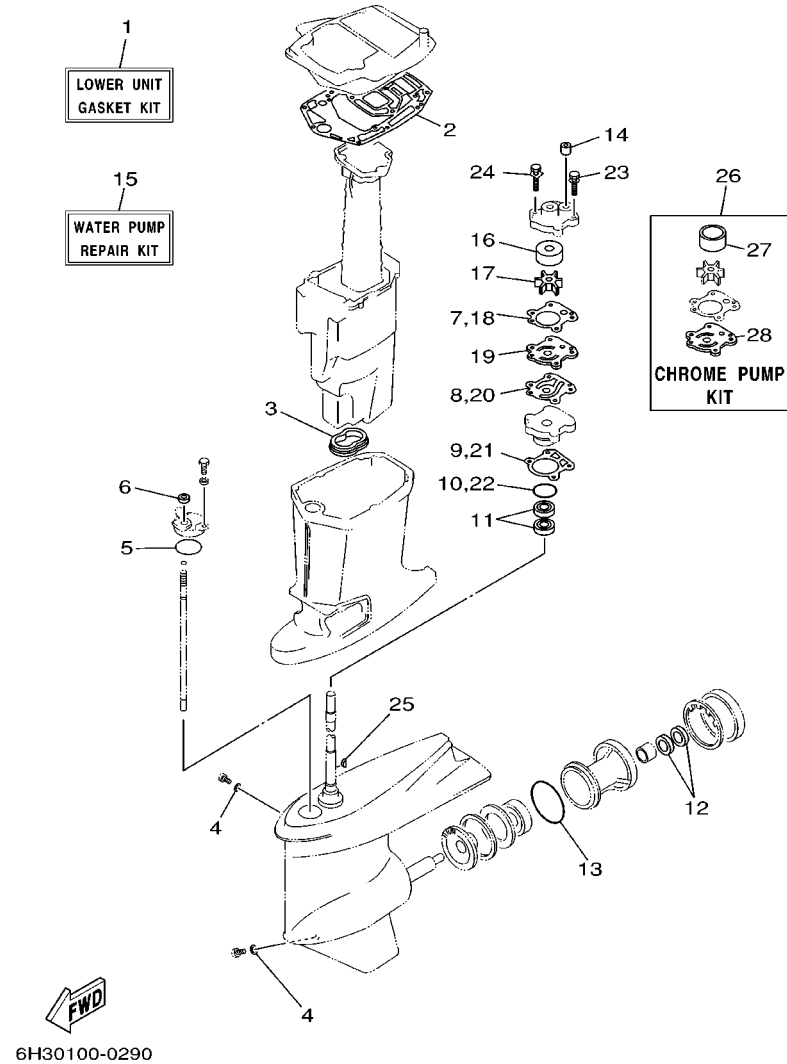
FIG. 29 REPAIR KIT 2



REF. NO.	PART NO.	DESCRIPTION	6EDO	7EDO	6ETO	7ETO	REMARKS
1	6H3-W0001-22	LOWER UNIT GASKET KIT	1	1	1	1	
2	6H3-45114-A1	.GASKET, UPPER CASING	1	1	1	1	
3	6H3-45123-00	.GASKET, MUFFLER	1	1	1	1	
4	90430-08020	.GASKET	2	2	2	2	
5	93210-49046	.O-RING	1	1	1	1	
6	93106-09014	.OIL SEAL	1	1	1	1	
7	6H3-44315-A0	.GASKET, WATER PUMP	1	1	1	1	
8	6H3-44324-A0	.GASKET, CARTRIDGE	1	1	1	1	
9	688-44316-A0	.GASKET, WATER PUMP	1	1	1	1	
10	93210-46044	.O-RING	1	1	1	1	
11	93101-23070	.OIL SEAL	2	2	2	2	
12	93101-25M03	.OIL SEAL	2	2	2	2	
13	93210-85M97	.O-RING	1	1	1	1	
14	663-44366-00	.DAMPER, WATER SEAL	1	1	1	1	
15	6H3-W0078-02	WATER PUMP REPAIR KIT	1	1	1	1	
16	663-44322-00	.INSERT, CARTRIDGE	1	1	1	1	
17	6H3-44352-00	.IMPELLER	1	1	1	1	
18	6H3-44315-A0	.GASKET, WATER PUMP	1	1	1	1	
19	6H3-44323-00	.OUTER PLATE, CARTRIDGE	1	1	1	1	
20	6H3-44324-A0	.GASKET, CARTRIDGE	1	1	1	1	
21	688-44316-A0	.GASKET, WATER PUMP	1	1	1	1	
22	93210-46044	.O-RING	1	1	1	1	
23	90119-08M14	.BOLT, WITH WASHER	2	2	2	2	
24	90119-08M33	.BOLT, WITH WASHER	2	2	2	2	
25	90280-03M03	.KEY, WOODRUFF	1	1	1	1	
26	6H3-W0078-1A	CHROME PUMP KIT	1	1	1	1	
27	663-44322-40	.INSERT, CARTRIDGE	1	1	1	1	

FIG. 29 REPAIR KIT 2

REF. NO.	PART NO.	DESCRIPTION	6EDO	7EDO	6ETO	7ETO	REMARKS
28	6H3-44323-40	.OUTER PLATE, CARTRIDGE	1	1	1	1	
-----							
-----							
-----							
-----							
-----							
-----							
-----							
-----							
-----							
-----							
-----							
-----							
-----							
-----							
-----							
-----							
-----							
-----							
-----							
-----							



NUMERICAL INDEX

PART NO.	REF. NO.	PART NO.	REF. NO.	PART NO.	REF. NO.	PART NO.	REF. NO.	PART NO.	REF. NO.	PART NO.	REF. NO.
6H3-W0001-02	28 - 1	6H3-13622-A1	4 - 9	676-14966-00	5 - 22	6H4-24413-00	5 - 38	6H3-42615-00	1 - 14	688-43128-01-4D	16 - 1
6H3-W0001-22	29 - 1		28 - 19		28 - 27	6A0-24421-01	7 - 24	6H3-42617-10	1 - 19	697-43128-01-4D	16 - 1
688-W0004-00	4 - 2	6H3-13624-00-94	4 - 8	6H3-14980-10	5 - 28	6L5-24421-00	5 - 37	6H3-42619-00	1 - 20	688-43131-03	13 - 21
6H3-W0070-30	1 - 17	6H3-13641-13-94	4 - 5	6H4-14980-00	5 - 27	650-24431-A0	7 - 27	6H3-42627-00	1 - 21		14 - 14
6H3-W0078-02	29 - 15	6H3-14137-00	5 - 31	6H4-14984-00	5 - 24		28 - 17	6H3-42637-00	1 - 22		15 - 17
6H3-W0078-1A	29 - 26	6H3-14146-10	5 - 9		28 - 15	6H3-24434-10	5 - 41	6H3-42647-00-94	1 - 3	6G5-43144-00	13 - 42
6H3-W0090-41-4D	2 - 1	6H4-14146-00	5 - 8		28 - 28	648-24434-01	7 - 18	6H3-42649-00-94	1 - 4		15 - 39
6H2-W0093-10	28 - 20	6H4-14147-00	5 - 10	6H4-14985-01	5 - 19	648-24435-02	7 - 21	6H3-42652-00	1 - 6	6E5-43145-01	23 - 9
656-W2810-02	7 - 38		28 - 21	6H3-14992-00	5 - 25	6H3-24452-10	5 - 29	663-42662-00	1 - 5	6G5-43145-00	13 - 25
6H3-11111-01-94	2 - 26	663-14159-00	5 - 17	6H3-15100-13-94	2 - 2	6H4-24486-00	5 - 39	6H2-42677-30	1 - 15		14 - 18
688-11119-00	2 - 22		28 - 25	6H3-15359-00-94	3 - 1	61N-24521-00	7 - 8	6H3-42677-30	1 - 15		15 - 21
6H3-11181-A1	2 - 27	676-14186-00	5 - 18	6H3-21707-06	6 - 26	61N-24560-00	7 - 6	6H2-42678-30	1 - 16	6G5-43148-00	13 - 40
	28 - 2		28 - 26	6H3-21732-00	1 - 24	61N-24563-00	7 - 7	6H3-42678-30	1 - 16		15 - 26
6H3-11191-00-9M	2 - 28	6H2-14301-0A	5 - 1	6H3-21735-00	1 - 25	648-24566-02	7 - 10	6H3-42681-30	1 - 28	688-43160-01	13 - 31
6H3-11193-A1	2 - 29	6H3-14301-0A	5 - 1	6J8-21744-00	6 - 53	6YJ-24610-01	22 - 2	6H3-42682-30	1 - 29		15 - 30
	28 - 4	6H2-14302-0A	5 - 2	63D-2175R-00	6 - 35	6H1-24633-00	6 - 39	6H1-42694-00	1 - 23	697-43160-00	14 - 27
6H3-11325-01	2 - 17	6H3-14302-0A	5 - 2	6H3-21752-00	6 - 32	6E0-28193-00-94	7 - 39	6H3-42711-05-4D	11 - 1	688-43165-00	13 - 33
6H3-11327-00-94	2 - 18	6H2-14303-0A	5 - 3	6H1-21757-00	6 - 38	6H3-41111-00-9M	2 - 36	6H3-42711-24-4D	11 - 1		14 - 29
6H3-11328-00	2 - 19	6H3-14303-0A	5 - 3	6J8-21758-00	6 - 37	6H3-41112-A0	2 - 37	648-42715-00	12 - 28		15 - 32
650-11370-00	2 - 4	6A0-14325-00	7 - 25	63D-2176M-00	6 - 34		28 - 6	6H3-42715-02	11 - 12	688-43170-04-4D	16 - 2
688-11370-00	2 - 3	6H3-14349-00	4 - 17	6H1-21766-01	6 - 44	6H3-41113-00-9M	2 - 38	6K5-42717-00	11 - 13	697-43170-03-4D	16 - 2
6H3-11400-11	3 - 7		5 - 32	63D-2177H-00	1 - 2	6H3-41114-A0	2 - 39	6H3-42718-00	11 - 39	6H1-43181-01	13 - 26
6H3-11536-00	3 - 12	6H3-14380-00	5 - 33	6H4-21770-00	6 - 36		28 - 7	6E5-42724-00	11 - 14	688-43181-04	14 - 19
6H3-11537-01	6 - 16	6H3-14413-10	4 - 19	6YJ-21467-00	22 - 7	6H2-41131-00-5B	19 - 11	6H3-42725-00	11 - 15	688-43181-10	15 - 22
6K5-11601-02	3 - 15	6H3-14440-02	4 - 20	6YJ-24201-10	22 - 1	6H3-41131-00-5B	19 - 11	6H3-42725-10	11 - 15	6H1-43185-01	13 - 27
6K5-11601-12	3 - 15	6H3-14457-01	4 - 21	6Y1-24260-12	22 - 3	6H3-41137-01-94	19 - 5	6H4-42726-00	11 - 27	688-43185-04	14 - 20
6K5-11601-22	3 - 15	6H1-14485-00	4 - 6	6Y1-24268-00	22 - 6	6H3-41213-10	12 - 23	688-42726-10	11 - 27	688-43185-10	15 - 23
6H3-11631-01-96	3 - 14	624-14485-00	2 - 5	6G1-24304-02	7 - 1	6H3-41217-00	4 - 14	6H3-42727-00	11 - 19	688-43186-00	16 - 9
6H3-11633-00	3 - 16	63V-14523-00	5 - 5	6G1-24305-01	22 - 13	6E9-41237-00	6 - 25	6H3-42738-01-5B	11 - 16	6H1-43311-01-4D	13 - 16
688-11634-10	3 - 17	6H4-14548-00	5 - 15	6Y1-24305-02	22 - 15	6F5-41237-00	12 - 15	6H3-42741-01-4D	11 - 31		15 - 13
6H3-11635-01	3 - 14		28 - 24	6Y1-24306-06	22 - 8	6H1-41237-00	6 - 21	6G1-42748-00	11 - 30	697-43311-03-4D	14 - 9
6H3-11636-01	3 - 14	697-14555-00	5 - 12	663-24312-01	2 - 42		12 - 14	6H3-42768-00	11 - 23	663-43318-00	14 - 26
6H3-12411-10	2 - 31	6H4-14567-00	5 - 30	6H3-24313-00	7 - 33	6H4-41237-00	12 - 21	6H3-42771-01-4D	11 - 32		15 - 24
6H3-12413-00-9M	2 - 32	6H2-14578-00	5 - 7	6H3-24314-00	7 - 35	682-41237-00	12 - 2	6H3-42813-00	11 - 7	682-43318-01	16 - 8
6H3-12414-A1	2 - 33	6H3-14590-00	5 - 14	6Y1-24329-00	22 - 5	6H3-41241-01	6 - 20	6H3-42815-01-4D	11 - 3	6H1-43376-00	17 - 39
	28 - 5		28 - 23	650-24351-51	22 - 12	6J8-41262-00	16 - 11	6H3-42816-00	11 - 9	688-43616-00	16 - 12
6H1-13117-01	6 - 18	6H3-14711-00-5B	19 - 14	6Y1-24360-51	22 - 10	6H3-41631-00	12 - 4	6H3-42817-01-4D	11 - 4	688-43631-00	16 - 3
6E9-13183-70	6 - 11	6H3-14711-10-5B	19 - 14	6E5-24367-01	11 - 24	6H3-41632-20	12 - 10	6H3-42818-00	11 - 10	688-43631-10	16 - 3
6H3-13200-02	6 - 1	6H3-14737-00	19 - 20		11 - 37	6H3-41633-10	12 - 12	6H1-43111-01-4D	13 - 1	688-43651-00	16 - 14
6J8-13411-00	6 - 40	6H3-14737-10	19 - 20	6E5-24378-00	6 - 55	6H3-41636-10-94	12 - 16	688-43111-13-4D	15 - 1	688-43691-01	14 - 13
6J8-13414-00	6 - 41	692-14923-00	5 - 11	650-24378-00	2 - 6	689-42169-01	12 - 1	697-43111-05-4D	14 - 1		15 - 16
6H1-13435-00	6 - 42	6H3-14943-35	5 - 21	688-24378-00	7 - 32		12 - 20	6H1-43112-00-4D	13 - 11	6H1-4380F-10	18 - 7
6H3-13436-00	1 - 18	6H3-14943-36	5 - 21	692-24410-00	7 - 15	6H3-42510-02-4D	17 - 3	688-43112-12-4D	15 - 8	6H1-4380G-10	18 - 15
6H3-13436-40	1 - 18	6H3-14943-37	5 - 21	6H3-24411-10	5 - 40	6H3-42510-12-4D	17 - 3	697-43112-03-4D	14 - 4	6H1-4380H-10	18 - 13
6H2-13610-00	4 - 1	6H2-14947-71	5 - 20	663-24411-00	7 - 20	624-42542-00	6 - 48	688-43124-02	16 - 5	6H1-4380J-10	18 - 8
6H3-13610-00	4 - 1	6H3-14947-71	5 - 20	692-24411-00	7 - 17	6H2-42610-46-4D	1 - 1	6E5-43126-02	13 - 35	6H1-43800-15-4D	18 - 1
6H3-13621-A1	4 - 7	6H3-14948-13	5 - 23	6A0-24412-02	7 - 26	6H3-42610-30-4D	1 - 1		14 - 31	6T4-43802-03	18 - 39
	28 - 13	6H3-14948-17	5 - 23	6A0-24413-00	7 - 16	6H3-42613-01-4D	1 - 11		15 - 34	6H1-43804-10	18 - 4



NUMERICAL INDEX

PART NO.	REF. NO.	PART NO.	REF. NO.	PART NO.	REF. NO.	PART NO.	REF. NO.	PART NO.	REF. NO.	PART NO.	REF. NO.
6H1-43805-10	18 - 3	6H1-43880-02	18 - 2	663-44575-00	17 - 16	688-45577-01-12	20 - 65	703-48201-A1	25 - 1	663-48344-00	12 - 41
6H1-43810-11	18 - 20	6H1-43881-10	18 - 12		17 - 32	688-45577-01-15	20 - 65	703-48205-A2	24 - 1	703-48345-01	25 - 19
6H1-43812-00	18 - 24	6H1-43891-10	18 - 5	6H3-45111-01-4D	19 - 1	688-45577-01-18	20 - 65		25 - 1	703-48358-00	25 - 20
6H1-43813-10	18 - 27	6H1-43892-10	18 - 6	6H3-45111-11-4D	19 - 1	688-45577-01-30	20 - 65	703-48208-A2	24 - 1	6H3-48511-51-4D	17 - 36
6H1-43814-11	18 - 19	6H1-43895-11	18 - 70	6H3-45113-A0	19 - 7	688-45577-01-40	20 - 65		25 - 1	6H3-48538-00	12 - 42
6H1-43816-00	18 - 68	6H1-43896-00	18 - 69		28 - 18	688-45577-01-50	20 - 65	703-48211-01	25 - 62	688-61350-10	23 - 1
6H1-43817-01	18 - 47	6H1-43899-00	18 - 51	6H3-45114-A1	19 - 17	688-45587-01-10	20 - 5	703-48212-00	25 - 59	688-61351-10	23 - 2
6E5-43818-00	18 - 32	6H3-44117-00-94	12 - 31		29 - 2	688-45587-01-12	20 - 5	703-48213-00	25 - 60	6E5-61355-00	23 - 8
6H1-4382A-10	18 - 52	6H3-44120-02	12 - 27	663-45119-00	13 - 18	688-45587-01-15	20 - 5	703-48215-00	25 - 43	6H4-81315-11	26 - 10
6H1-43820-11	18 - 64	6H3-44120-12	12 - 27		14 - 11	688-45587-01-18	20 - 5	702-48217-00	25 - 44	6E5-81332-00	8 - 14
6H1-43821-11	18 - 59	6H3-44121-01	12 - 37		15 - 15	688-45587-01-30	20 - 5	703-48218-00	25 - 66	6H3-81337-01	8 - 17
6H1-43822-10	18 - 58	688-44122-00	12 - 40	6H3-45123-00	19 - 16	688-45587-01-40	20 - 5	703-48219-00	25 - 30	6H3-81800-11	10 - 1
6H1-43828-10	18 - 30	6H1-44144-00	20 - 58		29 - 3	688-45587-01-50	20 - 5	703-48221-00	25 - 57	6H3-81807-10	10 - 3
6H1-43829-00	18 - 36	6H1-44151-00	20 - 57	6H3-45127-00	19 - 15	6H1-45611-01	20 - 43	703-48222-00	25 - 27	689-81809-11	10 - 7
6H1-43830-11	18 - 49	688-44194-00	12 - 7	6H3-45155-00	19 - 3	6H1-45631-01	20 - 44	703-48222-10	25 - 27	6H3-81810-10	10 - 9
6H1-43831-10	18 - 48	6H3-44311-00	20 - 25	6H1-45214-00	20 - 12	688-45633-00	20 - 55	703-48223-00	25 - 28	689-81811-11	10 - 12
6H1-43833-10	18 - 33	6H3-44315-A0	20 - 27	6H1-45215-00	20 - 13	6H1-45634-02	20 - 46	703-48224-00	25 - 56	689-81812-11	10 - 11
6H1-43834-00	18 - 34		29 - 7	6H1-45251-03	13 - 2	6H1-45635-00	20 - 50	703-48225-00	25 - 29	689-81813-10	10 - 13
6H1-43835-10	18 - 29		29 - 18		15 - 2	6H1-45641-01	20 - 56	703-48226-00	25 - 26	6H3-81820-11	10 - 14
6H1-4384E-20	18 - 61	688-44316-A0	20 - 33	663-45251-00	14 - 2	6H1-45668-00	20 - 49	703-48227-00	25 - 24	689-81826-10	10 - 15
6H1-4384F-10	18 - 46		29 - 9	6H3-45300-05-4D	20 - 1	688-45930-02-98	21 - 22	703-48232-00	25 - 63	6H3-81830-10	10 - 4
6H1-4384G-11	18 - 45		29 - 21	6H3-45300-15-4D	20 - 1	688-45932-60-98	21 - 22	703-48235-00	25 - 4	689-81831-00	10 - 5
6H1-43840-11	18 - 17	663-44322-00	20 - 26	6H1-45301-03-4D	20 - 2	6E5-45941-00-EL	21 - 22	703-48236-00	25 - 16	689-81840-11	10 - 10
6H1-43841-11	18 - 42		29 - 16	688-45321-00	20 - 16	6E5-45943-00-EL	21 - 22		25 - 18	689-81847-11	10 - 6
6H1-43843-11	18 - 72	663-44322-40	29 - 27	688-45331-00-94	20 - 63	6E5-45945-01-EL	21 - 22	703-48238-00	25 - 22	689-81850-12	10 - 8
6H1-43844-10	18 - 44	6H3-44323-00	20 - 34	688-45341-00	20 - 10	6E5-45947-00-EL	21 - 22	703-48243-00	25 - 15	689-81857-11	10 - 2
6H1-43845-00	18 - 55		29 - 19	6E5-45371-10	21 - 25	6E5-45949-00-EL	21 - 22	703-48244-00	25 - 21	6H3-81916-10	9 - 15
6H1-43847-00	18 - 50	6H3-44323-40	29 - 28	688-45371-02	21 - 12	6E5-45952-00-EL	21 - 22	703-48245-00	25 - 11	6H2-81949-01	9 - 44
6H1-4385H-00	18 - 78	6H3-44324-A0	20 - 35	688-45375-00	21 - 11	6E5-45954-00-EL	21 - 22	703-48246-00	25 - 23	6H2-81949-11	9 - 43
6H1-43854-00	18 - 53		29 - 8	663-45376-00-94	21 - 10	6E5-45956-00-EL	21 - 22	701-48248-00	25 - 13	6Y5-81950-02	27 - 10
6H1-43855-11	18 - 71		29 - 20	6E5-45378-00	20 - 21	6E5-45970-10	21 - 23	703-48252-00	25 - 12	61A-81950-00	9 - 39
6H1-43856-10	18 - 43	6H3-44341-00-94	20 - 30	688-45383-02	20 - 71	688-45970-03-98	21 - 22	703-48261-01	25 - 2	688-81950-10	9 - 24
6H1-4386K-10	18 - 9	6H3-44352-00	20 - 28	688-45384-00	20 - 72	6E5-45972-10	21 - 23	703-48264-00	25 - 6	6H2-81960-10	9 - 11
6H1-43861-00	18 - 21		29 - 17	6H3-45501-00	20 - 39	688-45972-02-98	21 - 22	703-48265-00	25 - 9	6H3-82105-01	9 - 29
6H1-43861-10	18 - 18	6H3-44361-00	21 - 2	6H3-45501-10	20 - 39	6E5-45974-10	21 - 23	703-48268-00	25 - 5	6H3-82117-00	9 - 30
	18 - 22	6H3-44361-10	21 - 2	688-45536-01	20 - 4	688-45974-02-98	21 - 22	703-48271-00	25 - 61	682-82119-01	9 - 45
	18 - 60	663-44366-00	21 - 16	6K5-45551-00	20 - 40	6E5-45976-10	21 - 23	703-48281-00	25 - 31	703-82119-00	9 - 6
6H1-43864-00	18 - 65		29 - 14	6K5-45560-00	20 - 42	688-45976-01-98	21 - 22	703-48282-00	25 - 32		11 - 28
6H1-43865-10	18 - 16	663-44367-00	21 - 1	688-45567-01-10	20 - 7	6E5-45978-10	21 - 23	703-48284-00	25 - 53		17 - 42
6H1-43866-00	18 - 40	6H3-44391-01	11 - 2	688-45567-01-12	20 - 7	688-45978-60-98	21 - 22	703-48284-10	25 - 53	688-82127-02	17 - 25
6H1-43867-00	18 - 41	688-44511-00-94	17 - 33	688-45567-01-15	20 - 7	688-45987-01	21 - 17	701-48287-00	25 - 42	697-82127-01	17 - 25
6H1-43868-00	18 - 74	688-44514-00-94	17 - 26	688-45567-01-18	20 - 7	6E5-45994-10	21 - 24	703-48287-00	25 - 67	6E5-82148-00	13 - 12
6H1-4387J-00	18 - 77	6H1-44526-00	13 - 3	688-45567-01-30	20 - 7	688-45997-01	21 - 18	703-48291-10	25 - 39		14 - 5
6H1-43871-10	18 - 23		15 - 3	688-45567-01-40	20 - 7	703-48152-00	25 - 58	703-48293-00	25 - 41		15 - 9
6H1-43872-10	18 - 25	6H3-44551-01-4D	17 - 9	688-45567-01-50	20 - 7	703-48153-00	25 - 3	703-48293-10	25 - 41	6H1-82148-00	13 - 8
6H1-43874-00	18 - 67	6H3-44552-02-94	17 - 18	6H3-45571-00	20 - 62	703-48189-00	25 - 17	701-48320-00	24 - 2	1E6-82151-00	26 - 7
6H1-43875-00	18 - 57	6H3-44553-01-4D	17 - 23	688-45576-00	20 - 66	703-48198-00	25 - 14	701-48320-20	24 - 2		27 - 13
6H1-4388E-11	18 - 73	687-44555-00-94	17 - 11	688-45577-01-10	20 - 65	703-48201-A1	24 - 1	6H3-48344-00	12 - 18	682-82151-00	9 - 32

NUMERICAL INDEX

PART NO.	REF. NO.	PART NO.	REF. NO.	PART NO.	REF. NO.	PART NO.	REF. NO.	PART NO.	REF. NO.	PART NO.	REF. NO.
6G5-82152-00	9 - 17	6H3-85720-16	6 - 60	90185-10051	17 - 31	90386-10M16	13 - 28	90445-09M75	7 - 4	90468-07M02	6 - 12
6H3-82154-11	9 - 42	6H2-85895-01	8 - 5		17 - 38		14 - 21	90445-09072	7 - 13		6 - 13
6H3-82164-00	9 - 27	9E450-04433	26 - 2	90185-22043	13 - 24		15 - 25		7 - 30		6 - 14
6A0-82317-00	6 - 47	9E450-04533	26 - 3		14 - 17	90386-13M38	11 - 5	90445-09220	7 - 34	90468-18008	12 - 19
6G1-82370-21	9 - 23	90101-10M49	17 - 27		15 - 20	90386-18M14	18 - 31	90445-11M02	6 - 57		12 - 38
703-82510-11	25 - 45	90101-12M65	13 - 44	90201-03313	20 - 52	90386-18M21	14 - 32	90445-11M03	6 - 27	90480-09M12	11 - 20
6R3-82521-70	26 - 8		14 - 35	90201-08M93	6 - 17		15 - 35	90445-11M05	22 - 11	90480-13M54	9 - 4
	27 - 14		15 - 43	90201-10M20	23 - 3		16 - 6	90445-11M06	22 - 9	90501-10M21	14 - 23
703-82531-00	25 - 47	90105-06M14	9 - 2	90201-10M63	23 - 7	90386-18M35	13 - 37	90445-11M15	6 - 54	90501-10326	5 - 6
703-82540-00	25 - 51	90105-10M67	21 - 13	90201-11M22	17 - 30		14 - 33	90445-11M21	6 - 51	90501-12M48	20 - 51
703-82542-00	25 - 65	90109-06M39	6 - 3	90201-12M16	17 - 12		15 - 36	90446-10M01	6 - 56	90501-12082	12 - 30
6R3-82553-70	26 - 9	90109-06M40	6 - 4	90201-12426	13 - 46		16 - 7		7 - 37	90501-14M08	17 - 21
682-82556-00	25 - 49	90109-06M43	12 - 13		14 - 37	90386-18M63	13 - 36	90464-05M16	9 - 14	90501-16M65	20 - 47
688-82560-10	9 - 38	90109-12M21	17 - 15		15 - 45		16 - 6	90464-07M05	2 - 16	90502-16M02	13 - 34
6H1-82563-10	9 - 46	90116-10175	17 - 37	90201-13M19	17 - 14	90386-22M15	13 - 22		6 - 5		15 - 33
703-82563-01	25 - 56	90119-06M09	11 - 11	90201-17M00	21 - 19		14 - 15		6 - 15	90502-20M03	14 - 30
688-82575-01	25 - 48	90119-06M29	13 - 4	90201-20M21	17 - 28		15 - 18	90464-09M13	11 - 28	90506-14M24	13 - 41
676-82577-00	25 - 46		15 - 4	90201-20417	3 - 19	90386-30M60	17 - 8	90464-11M18	13 - 19		15 - 38
688-8258A-20	25 - 50	90119-06M61	11 - 22	90201-21M18	8 - 13	90386-30M77	17 - 6		15 - 41	90508-26M35	12 - 11
6R5-82582-B0	6 - 61	90119-06M65	6 - 49	90201-22M67	13 - 23	90386-30M78	17 - 5	90464-11M23	6 - 58	91318-08016	18 - 66
6E5-82587-00	9 - 47	90119-06M88	6 - 50		14 - 16	90387-06M31	6 - 31	90464-13080	25 - 54	91490-20012	12 - 36
6H2-82590-13	9 - 31	90119-08M09	2 - 30		15 - 19	90387-06M43	9 - 3	90464-15M11	9 - 28	91490-30025	14 - 25
6H2-82590-31	9 - 31	90119-08M14	20 - 38	90201-30M00	17 - 4	90387-06M60	12 - 8	90464-18M14	9 - 50	91490-40025	21 - 21
703-82592-00	25 - 55		29 - 23	90202-03M51	16 - 13		12 - 25	90464-23M22	9 - 18	91690-30012	13 - 32
688-82594-00	9 - 37	90119-08M17	2 - 9	90202-05088	6 - 22	90387-06M69	11 - 21	90465-06M86	6 - 10		14 - 28
703-82594-00	25 - 25	90119-08M33	20 - 37	90202-07M07	12 - 39	90387-10M02	13 - 29		14 - 12		15 - 31
703-83383-A0	25 - 52		29 - 24	90202-12060	21 - 3		15 - 29	90465-11M10	17 - 41	91690-30020	13 - 30
6Y5-83500-T2	26 - 1	90119-08M79	19 - 8	90202-20M06	17 - 29	90387-10M38	14 - 24		20 - 24		15 - 27
6Y5-83509-03	27 - 6	90119-08M81	19 - 4	90202-25M04	17 - 13	90387-10M42	23 - 6	90465-11M27	6 - 28		16 - 10
6Y5-83514-00	27 - 5	90119-08M84	21 - 9	90206-10M04	12 - 24	90430-08020	20 - 11	90465-13M11	9 - 19	92901-04100	18 - 76
6Y5-83517-00	27 - 2	90119-10M07	2 - 8	90206-13M10	11 - 6		29 - 4	90465-13M18	27 - 11	92901-05200	18 - 63
6Y5-83518-00	27 - 7	90151-05M00	20 - 14	90209-06M05	4 - 23	90430-12072	21 - 4	90465-13M30	6 - 33	92903-05100	27 - 9
6Y5-83523-00	27 - 4	90152-06M01	14 - 3	90249-06M19	13 - 39	90430-14115	2 - 25	90465-18147	5 - 42	92903-06600	2 - 21
6Y5-83536-10	27 - 3	90157-06M01	11 - 25		15 - 28		28 - 3	90467-06016	2 - 11		2 - 35
6Y5-83540-05	27 - 1		11 - 29	90250-07M02	20 - 54	90440-14M00	13 - 48		2 - 15		2 - 41
6Y5-83553-00	26 - 6	90157-06M13	12 - 5	90266-06009	1 - 10	90445-07MA5	6 - 8		4 - 16		4 - 11
	27 - 12	90159-06M01	9 - 16	90269-04M03	11 - 8	90445-07ME8	20 - 22	90467-08004	2 - 43		5 - 44
	21 - 15	90159-06M23	8 - 18	90280-03M03	20 - 29	90445-07ME9	20 - 22		4 - 18		9 - 10
6E5-83558-00	20 - 23	90170-09M03	23 - 5		29 - 25	90445-07MF1	21 - 14		6 - 45		9 - 22
6E5-83614-01	9 - 48	90170-16M01	20 - 41	90280-05015	8 - 11	90445-07M02	2 - 12		7 - 5		9 - 26
6H1-83672-11	17 - 1	90170-20137	8 - 12	90282-04010	20 - 70	90445-07M23	6 - 7		7 - 14		9 - 34
6H2-85520-01	8 - 2	90171-16011	21 - 20	90338-05M03	1 - 26	90445-07M44	2 - 10		7 - 31		9 - 36
6H2-85533-01	8 - 3	90179-06066	17 - 22		11 - 29		6 - 6		7 - 36		10 - 19
6H2-85540-10	9 - 5	90183-02M03	20 - 53		13 - 20	90445-07M45	2 - 13	90467-10M04	6 - 52		12 - 33
6H3-85542-11-94	9 - 1	90183-05M06	1 - 27		15 - 42	90445-07M82	2 - 14	90467-11M08	6 - 29	92903-08600	10 - 17
6H2-85550-00	8 - 1	90185-05002	20 - 15	90340-08M04	20 - 9	90445-07M87	6 - 9		6 - 59		10 - 21
697-85570-00	9 - 20	90185-08057	17 - 40	90340-14M00	2 - 24	90445-07255	4 - 15	90467-12M11	6 - 46	92990-04100	26 - 4
6H2-85580-01	8 - 4	90185-09M01	23 - 4	90386-07M58	12 - 34	90445-08M01	6 - 43	90468-05M03	6 - 23	92990-05100	7 - 23

NUMERICAL INDEX

PART NO.	REF. NO.	PART NO.	REF. NO.	PART NO.	REF. NO.	PART NO.	REF. NO.	PART NO.	REF. NO.	PART NO.	REF. NO.
92990-05600	4 - 4	93102-36M24	28 - 8	93410-28M06	17 - 10	97013-06035	2 - 40	97885-05016	18 - 10		
92990-06600	11 - 26	93106-09014	20 - 18	93430-06024	25 - 10	97013-08016	10 - 20	97885-06010	8 - 15		
	11 - 38		29 - 6		25 - 64	97013-08020	2 - 23	97885-06016	17 - 2		
92990-08200	12 - 35	93106-18M01	3 - 3	93430-08006	20 - 60	97013-08035	10 - 16		17 - 24		
92990-08600	25 - 34		28 - 11	93440-49M04	3 - 10	97075-08025	17 - 19	97885-06045	4 - 22		
92990-10100	21 - 7	93210-04228	5 - 13	93450-07M00	20 - 61	97075-08030	19 - 12	97980-04114	5 - 4		
92990-10600	14 - 22		28 - 22	93501-04M02	12 - 29		19 - 18	98501-04025	18 - 75		
	21 - 8	93210-04230	5 - 26	93503-16003	20 - 48	97075-08035	17 - 34	98501-05010	18 - 62		
92995-06100	1 - 8		28 - 29	93505-32038	18 - 79		19 - 9	98503-05028	7 - 22		
	13 - 6	93210-064A5	18 - 38	93603-12M11	20 - 45	97075-10040	21 - 6	98580-03015	25 - 38		
	15 - 6	93210-07003	20 - 59	93603-18M09	3 - 18	97080-06010	16 - 4	98580-04006	25 - 36		
92995-06600	1 - 9	93210-08287	22 - 14	93604-10M03	20 - 36	97095-05012	8 - 6	98580-04008	5 - 16		
	1 - 13		22 - 16	93606-12019	19 - 2	97095-06010	13 - 9	98580-04010	25 - 35		
	3 - 6	93210-09165	18 - 37		19 - 6		13 - 43	98580-05010	25 - 37		
	7 - 3	93210-10M74	18 - 54		21 - 5		15 - 40	98586-05016	22 - 4		
	7 - 29	93210-13M04	6 - 19	93608-12063	2 - 7	97095-06016	1 - 7	98980-03006	5 - 36		
	8 - 8	93210-16275	23 - 10	93700-06M03	13 - 17		1 - 12				
	8 - 10	93210-18M75	18 - 56		14 - 10		6 - 30				
	8 - 16	93210-18397	18 - 26		15 - 14		9 - 12				
	9 - 8	93210-19MA7	6 - 2	94702-00247	2 - 44		9 - 49				
	9 - 13	93210-29M94	17 - 7	95303-05600	27 - 8		11 - 17				
	9 - 41	93210-32738	7 - 9	95380-03600	5 - 35		13 - 5				
	11 - 18		28 - 16		7 - 19		15 - 5				
	11 - 34	93210-39ME4	4 - 13	95380-04600	26 - 5		20 - 19				
	11 - 36		28 - 14	95380-05600	6 - 24	97095-06020	3 - 5				
	13 - 7		28 - 30		12 - 3		11 - 35				
	13 - 10	93210-46M16	3 - 13		12 - 17	97095-06025	7 - 2				
	15 - 7		28 - 9		12 - 22		8 - 9				
	20 - 20	93210-46044	20 - 32		25 - 7		9 - 40				
92995-08100	17 - 20		29 - 10	95380-06600	12 - 6		11 - 33				
	17 - 35		29 - 22		25 - 40		12 - 9				
	19 - 10	93210-49046	20 - 17	95380-08600	7 - 11		12 - 26				
	19 - 13		29 - 5	95380-12600	13 - 47	97095-06035	8 - 7				
	19 - 19	93210-64488	18 - 28		14 - 38	97095-06040	7 - 28				
92995-10100	13 - 15	93210-65M50	3 - 4		15 - 46	97095-06045	9 - 7				
	14 - 8		28 - 12	95380-12800	17 - 17	97095-06095	4 - 12				
	15 - 12	93210-85M97	20 - 67	97013-06012	5 - 43	97095-08030	25 - 33				
92995-12200	13 - 45		29 - 13		9 - 9	97095-10045	13 - 14				
	14 - 36	93306-207U0	20 - 64		9 - 33		14 - 7				
	15 - 44	93306-306V1	3 - 11		9 - 35		15 - 11				
93101-23070	20 - 31	93311-636U6	3 - 8	97013-06014	7 - 12	97380-05025	25 - 8				
	29 - 11	93315-325V1	20 - 3	97013-06016	2 - 20	97595-06420	18 - 35				
93101-25M03	20 - 69	93317-325U0	20 - 68		9 - 25	97607-04310	18 - 11				
	29 - 12	93332-000U3	20 - 6	97013-06020	9 - 21	97803-04010	5 - 34				
93102-08M43	18 - 14	93332-000W7	20 - 8		12 - 32	97880-05016	4 - 3				
93102-30M23	3 - 2	93410-18M02	13 - 38	97013-06025	2 - 34	97880-06012	13 - 13				
	28 - 10		14 - 34		4 - 10		14 - 6				
93102-36M24	3 - 9		15 - 37		10 - 18		15 - 10				