

PARTS CATALOGUE

60F'00(6H2)

70B'00(6H3)

FOREWORD

This Parts Catalogue is related to the parts for the model(s) in the below frame. When you are ordering replacement parts, please refer to this Parts Catalogue and quote both part numbers and part names correctly.

60F'00(6H2), 70B'00(6H3)

1. Modifications or additions which have been made after issue of the Parts Catalogue will be announced in the Yamaha Parts News.
It is advisable that you make necessary corrections to the Parts Catalogue according to the Yamaha Parts News.

2. Abbreviations

The Following abbreviations are used in this Parts Catalogue.

- "UR" Use specified parts number.
- "UN" Use as many as needed.
- "AP" Alternate Parts
- "LM" Local Made
(Parts need to be ordered locally)
- "O/S" Over Size

3. Parts, which are to be supplied in an assembly, are listed with a dot(.) in front of the part name as shown below.

EXAMPLE
 CARBURETOR ASSY
 .JET, PILOT
 .NOZZLE, MAIN

4. Number of component for assembly

The numeral appearing to the right of each component part indicates the quantity of parts for each assembly unit.

EXAMPLE

| PART NO. | DESCRIPTION | U | H | HT | | REMARKS |
|-----------------|---------------------|---|---|----|--|---------|
| 6E0-85500-70 | C.D.I. MAGNETO ASSY | 1 | | | | |
| 6E0-85550-70 | .ROTOR ASSY | 1 | | | | |
| 6E0-15723-00-94 | .PULLY, STARTER | 1 | | | | |

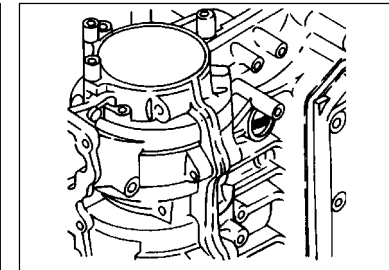
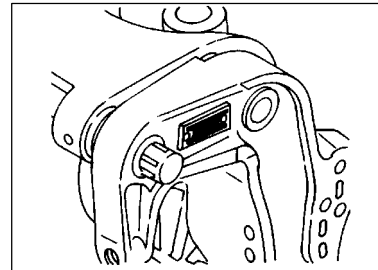
5. Quantity Column Information

| NAME for Q'TY COLUMN | APPLICABLE MODEL |
|----------------------|------------------|
| 60FET | 60FET |
| 6ETO | 60FETO |
| 7ETO | 70BETO |

6. Applicable Starting Serial No. and Color Code

1) Engine Starting Sserial No.

| | |
|---------------------------------------|---------------------------------|
| 60FET L : 360089 60FETO L : 473323 | 70BETO L : 493832 X : 731314 |
|---------------------------------------|---------------------------------|



2) Color Code

| Color Code | Color Name | Abbreviation |
|------------|-----------------------------|--------------|
| 004D | DARK BLUISH GRAY METALLIC 2 | DBNM2 |

7. Note that the illustrations for reference in funding parts numbers, not to be used for assembling. When assembling, pleas use the applicable service manual.

8. The asterisk (*) before a reference number indicates modification items after the first edition.

CONTENTS

SHEET 1/2

| | |
|------------------------------|----|
| TOP COWLING | A4 |
| CYLINDER. CRANKCASE | A6 |
| CRANKSHAFT. PISTON | B1 |
| INTAKE 1 | B2 |
| INTAKE 2 | B3 |
| CARBURETOR 1 | B4 |
| CARBURETOR 2 | B6 |
| OIL PUMP | C1 |
| FUEL | C4 |
| GENERATOR | C6 |
| ELECTRICAL | C7 |
| STARTING MOTOR | D3 |
| BOTTOM COWLING | D4 |
| CONTROL | D6 |
| BRACKET 1 | E1 |
| BRACKET 2 | E3 |
| POWER TRIM & TILT ASSY | E5 |
| UPPER CASING | F1 |
| LOWER CASING. DRIVE 1 | F2 |
| LOWER CASING. DRIVE 2 | F6 |

INDEX

| | |
|-----------------------|----|
| NUMERICAL INDEX | G1 |
|-----------------------|----|

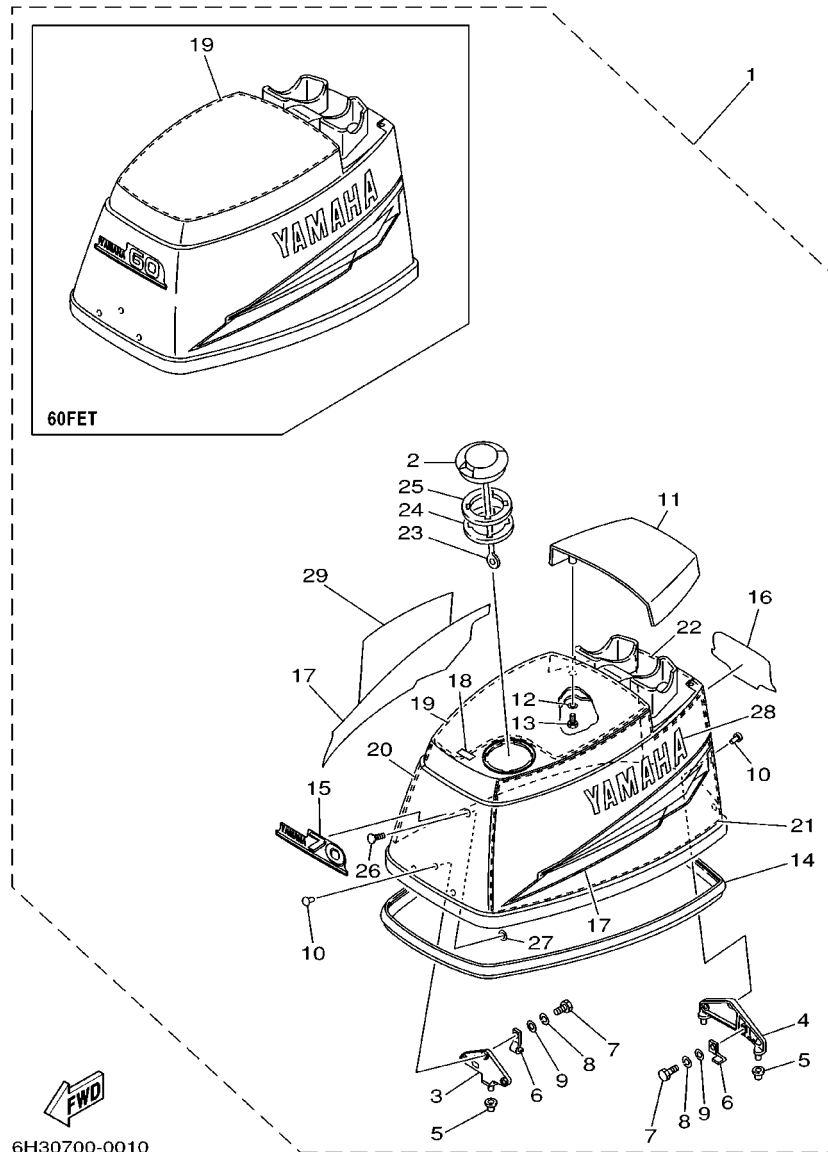
SHEET 2/2

| | |
|-----------------------------|-----|
| LOWER CASING. DRIVE 2 | A4* |
| LOWER CASING. DRIVE 3 | A6* |
| FUEL TANK | B1* |
| STEERING GUIDE | B2* |
| REMOTE CONTROL BOX | B3* |
| REMOTE CONTROL ASSY 1 | B4* |
| REMOTE CONTROL ASSY 2 | B7* |
| METER | C3* |
| REPAIR KIT 1 | C5* |
| REPAIR KIT 2 | C7* |
| REPAIR KIT 3 | D2* |

INDEX

| | |
|-----------------------|-----|
| NUMERICAL INDEX | G1* |
|-----------------------|-----|

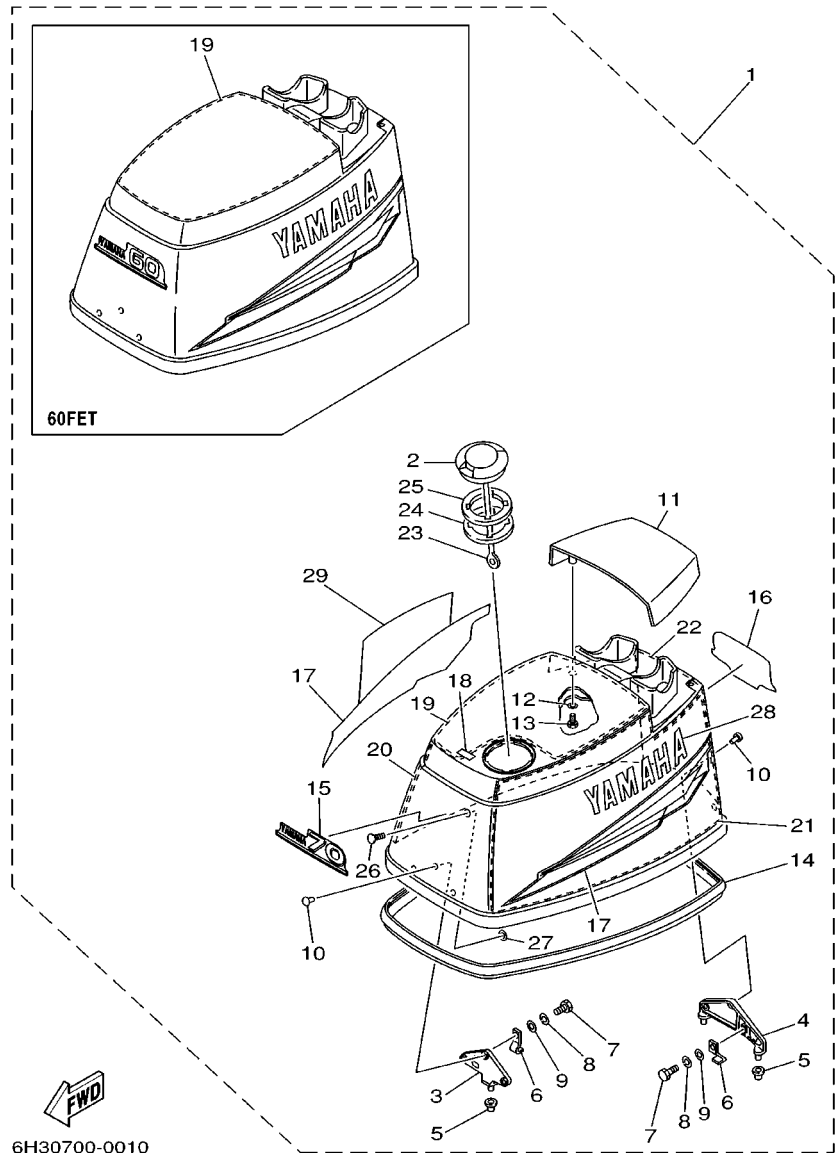
FIG. 1 TOP COWLING

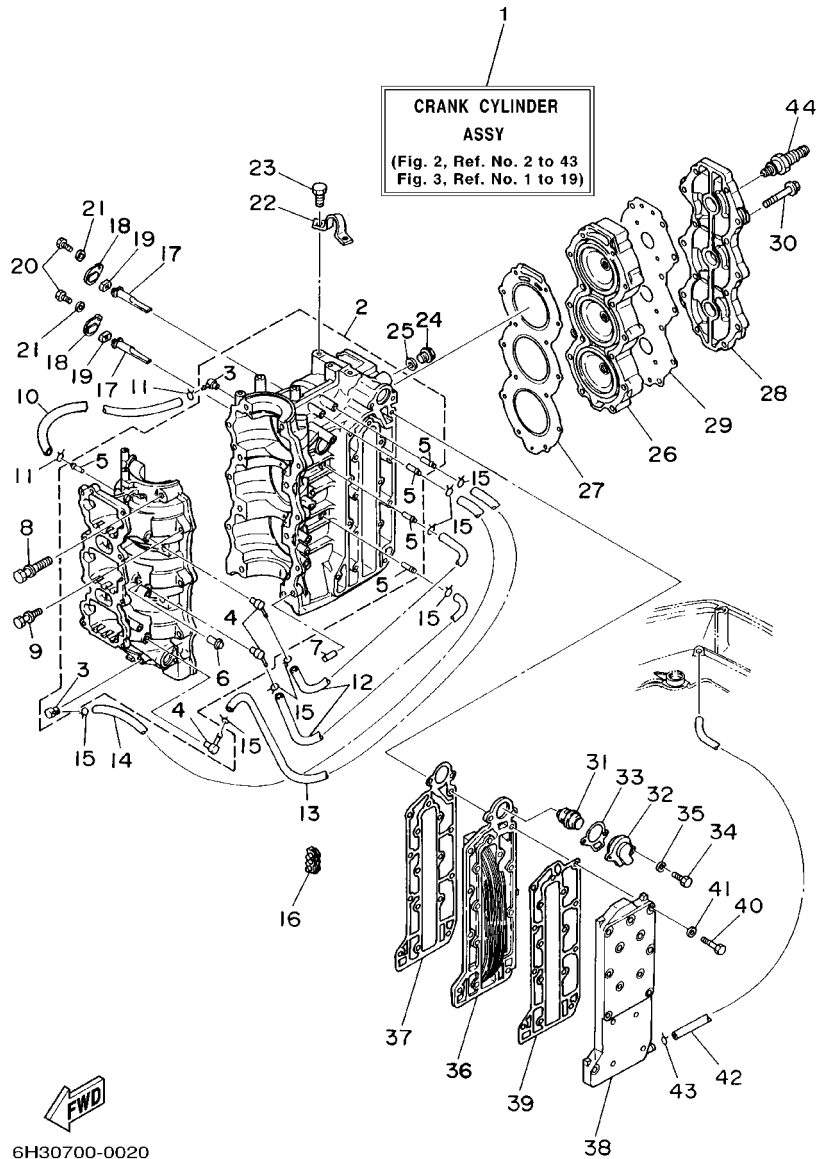


| REF. NO. | PART NO. | DESCRIPTION | 60ET | 6ETO | 7ETO | REMARKS |
|----------|-----------------|---------------------|------|------|------|---------|
| 1 | 6H3-42610-30-4D | TOP COWLING ASSY | | | 1 | |
| | 6H2-42610-46-4D | TOP COWLING ASSY | | 1 | | |
| | 6H2-42610-33-4D | TOP COWLING ASSY | 1 | | | |
| 2 | 63D-2177H-00 | .DISK CAP 2 | | 1 | 1 | |
| 3 | 6H3-42647-00-94 | .HOLDER, CLAMP BAND | 1 | 1 | 1 | |
| 4 | 6H3-42649-00-94 | .HOLDER, CLAMP BAND | 1 | 1 | 1 | |
| 5 | 663-42662-00 | .DAMPER | 3 | 3 | 3 | |
| 6 | 6H3-42652-00 | .HOOK | 2 | 2 | 2 | |
| 7 | 97095-06016 | .BOLT | 2 | 2 | 2 | |
| 8 | 92995-06100 | .WASHER, SPRING | 2 | 2 | 2 | |
| 9 | 92995-06600 | .WASHER | 2 | 2 | 2 | |
| 10 | 90266-06009 | .RIVET | 6 | 6 | 6 | |
| 11 | 6H3-42613-01-4D | .MOLDING, AIR DUCT | 1 | 1 | 1 | |
| 12 | 97095-06016 | .BOLT | 4 | 4 | 4 | |
| 13 | 92995-06600 | .WASHER | 4 | 4 | 4 | |
| 14 | 6H3-42615-00 | .SEAL | 1 | 1 | 1 | |
| 15 | 6H3-42677-30 | .GRAPHIC, FRONT | | | 1 | |
| | 6H2-42677-30 | .GRAPHIC, FRONT | 1 | 1 | | |
| 16 | 6H3-42678-30 | .GRAPHIC, REAR | | | 1 | |
| | 6H2-42678-30 | .GRAPHIC, REAR | 1 | 1 | | |
| 17 | 6H3-W0070-30 | .GRAPHIC SET | 1 | 1 | 1 | |
| 18 | 6H3-13436-00 | .MARK | | | 1 | |
| | 6H3-13436-40 | .MARK | | 1 | | |
| 19 | 6H3-42617-10 | .DAMPER, FORM | | 1 | 1 | |
| | 6H3-42617-00 | .DAMPER, FORM | 1 | | | |
| 20 | 6H3-42619-00 | .DAMPÉR, FÖRM | 1 | 1 | 1 | |
| 21 | 6H3-42627-00 | .DAMPER, FORM | 1 | 1 | 1 | |

FIG. 1 TOP COWLING

| REF. NO. | PART NO. | DESCRIPTION | 60ET | 6ETO | 7ETO | REMARKS |
|----------|--------------|----------------|------|------|------|---------|
| 22 | 6H3-42637-00 | .DAMPER, FORM | 1 | 1 | 1 | |
| 23 | 6H1-42694-00 | .BAND | | 1 | 1 | |
| 24 | 6H3-21732-00 | .SEAL 1 | | 1 | 1 | |
| 25 | 6H3-21735-00 | .SEAL 2 | | 1 | 1 | |
| 26 | 90338-05M03 | .PLUG | | 1 | 1 | |
| 27 | 90183-05M06 | .NUT, SPRING | | 1 | 1 | |
| 28 | 6H3-42681-30 | .MARK, COWLING | 1 | 1 | 1 | |
| 29 | 6H3-42682-30 | .MARK, COWLING | 1 | 1 | 1 | |

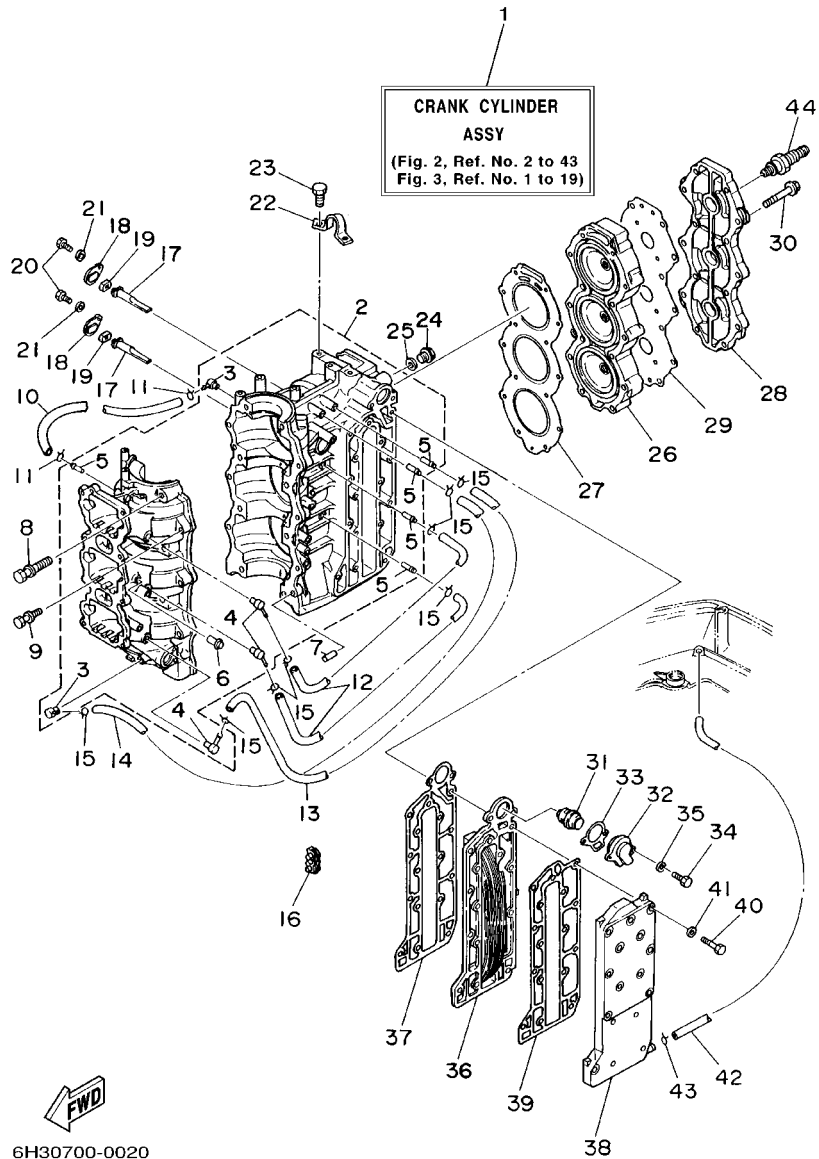




6H30700-0020

FIG. 2 CYLINDER, CRANKCASE

| REF. NO. | PART NO. | DESCRIPTION | 60ET | 6ETO | 7ETO | REMARKS |
|----------|-----------------|----------------------|------|------|------|----------------|
| 1 | 6H3-W0090-41-4D | CRANK CYLINDER ASSY | | 1 | 1 | |
| | 6H3-W0090-30-4D | CRANK CYLINDER ASSY | 1 | | | N.O/I, M/CHOKE |
| 2 | 6H3-15100-13-94 | CRANKCASE ASSY | | 1 | 1 | |
| | 6B0-15100-01-94 | CRANKCASE ASSY | 1 | | | N.O/I, M/CHOKE |
| 3 | 688-11370-00 | .CHECK VALVE ASSY | 2 | 2 | 2 | |
| 4 | 650-11370-00 | .CHECK VALVE ASSY | 3 | 3 | 3 | |
| 5 | 624-14485-00 | .PIPE, JOINT | 5 | 5 | 5 | |
| 6 | 650-24378-00 | .PIPE, JOINT 4 | | 1 | 1 | |
| 7 | 93608-12063 | PIN, DOWEL | 2 | 2 | 2 | |
| 8 | 90119-10M07 | BOLT, WITH WASHER | 8 | 8 | 8 | |
| 9 | 90119-08M17 | BOLT, WITH WASHER | 6 | 6 | 6 | |
| 10 | 90445-07M44 | HOSE | 1 | 1 | 1 | |
| 11 | 90467-06016 | CLIP | 2 | 2 | 2 | |
| 12 | 90445-07M02 | HOSE | 2 | 2 | 2 | |
| 13 | 90445-07M45 | HOSE | 1 | 1 | 1 | |
| 14 | 90445-07M82 | HOSE | 1 | 1 | 1 | |
| 15 | 90467-06016 | CLIP | 8 | 8 | 8 | |
| 16 | 90464-07M05 | CLAMP | 1 | 1 | 1 | |
| 17 | 6H3-11325-01 | ANODE | 2 | 2 | 2 | |
| 18 | 6H3-11327-00-94 | COVER, ANODE | 2 | 2 | 2 | |
| 19 | 6H3-11328-00 | GROMMET, ANODE | 2 | 2 | 2 | |
| 20 | 97013-06016 | BOLT | 2 | 2 | 2 | |
| 21 | 92903-06600 | WASHER, PLATE | 2 | 2 | 2 | |
| 22 | 688-11119-00 | HANGER, ENGINE | 1 | 1 | 1 | |
| 23 | 97013-08020 | BOLT | 2 | 2 | 2 | |
| 24 | 90340-14M00 | PLUG, STRAIGHT SCREW | 1 | 1 | 1 | |
| 25 | 90430-14115 | GASKET | 1 | 1 | 1 | |

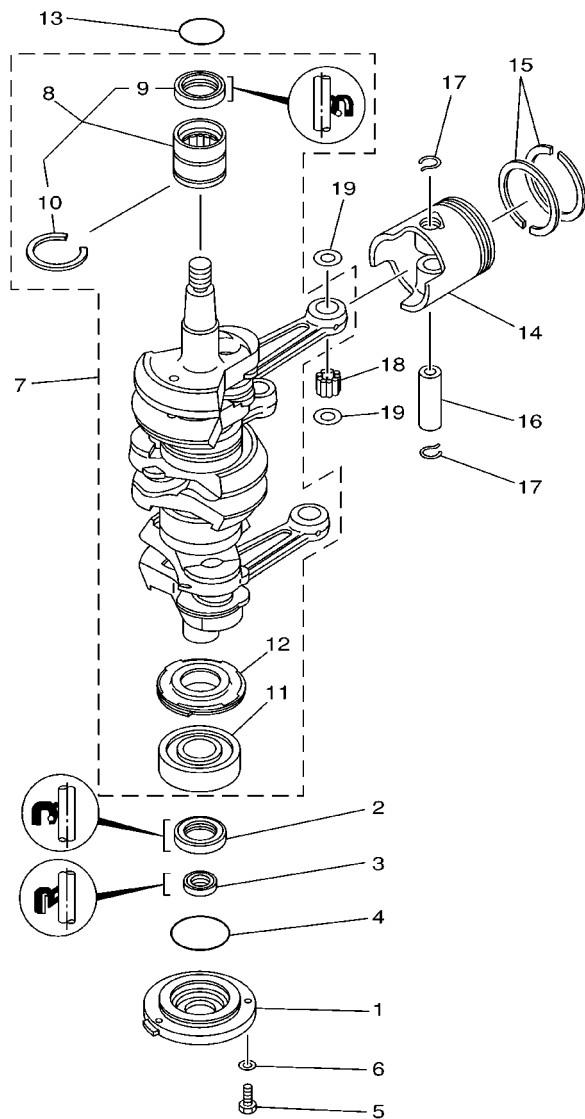


6H30700-0020

FIG. 2 CYLINDER, CRANKCASE

| REF. NO. | PART NO. | DESCRIPTION | 60ET | 6ETO | 7ETO | REMARKS |
|----------|-----------------|-----------------------------|------|------|------|---------|
| 26 | 6H3-11111-01-94 | HEAD, CYLINDER 1 | 1 | 1 | 1 | |
| 27 | 6H3-11181-A1 | GASKET, CYLINDER HEAD 1 | 1 | 1 | 1 | |
| 28 | 6H3-11191-00-9M | COVER, CYLINDER HEAD 1 | 1 | 1 | 1 | |
| 29 | 6H3-11193-A1 | GASKET, HEAD COVER 1 | 1 | 1 | 1 | |
| 30 | 90119-08M09 | BOLT, WITH WASHER | 14 | 14 | 14 | |
| 31 | 6H3-12411-10 | THERMOSTAT | 1 | 1 | 1 | |
| 32 | 6H3-12413-00-9M | COVER, THERMOSTAT | 1 | 1 | 1 | |
| 33 | 6H3-12414-A1 | GASKET, COVER | 1 | 1 | 1 | |
| 34 | 97013-06025 | BOLT | 2 | 2 | 2 | |
| 35 | 92903-06600 | WASHER, PLATE | 2 | 2 | 2 | |
| 36 | 6H3-41111-00-9M | INNER COVER, EXHAUST | 1 | 1 | 1 | |
| 37 | 6H3-41112-A0 | GASKET, EXHAUST INNER COVER | 1 | 1 | 1 | |
| 38 | 6H3-41113-00-9M | OUTER COVER, EXHAUST | 1 | 1 | 1 | |
| 39 | 6H3-41114-A0 | GASKET, EXHAUST OUTER COVER | 1 | 1 | 1 | |
| 40 | 97013-06035 | BOLT | 16 | 16 | 16 | |
| 41 | 92903-06600 | WASHER, PLATE | 16 | 16 | 16 | |
| 42 | 663-24312-01 | PIPE 2 | 1 | 1 | 1 | |
| 43 | 90467-08004 | CLIP | 1 | 1 | 1 | |
| 44 | 94702-00247 | PLUG, SPARK (NGK BR8HS-10) | 3 | 3 | 3 | |

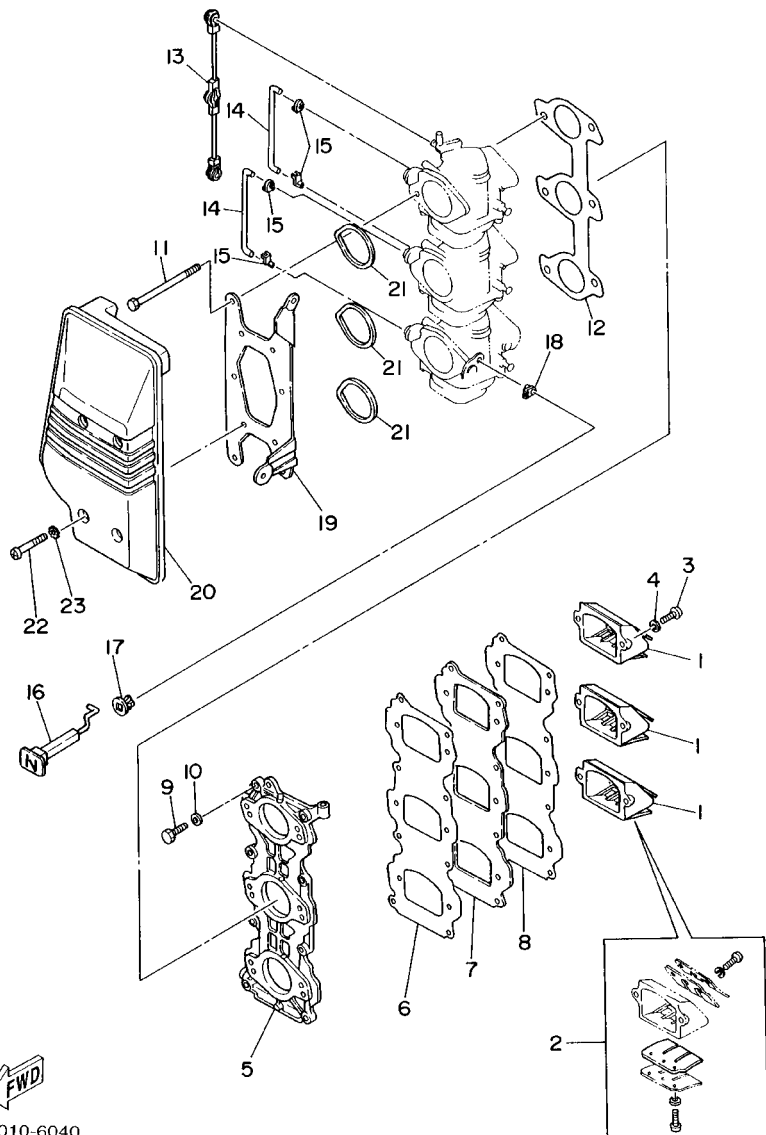
FIG. 3 CRANKSHAFT. PISTON




6H30010-9030

| REF. NO. | PART NO. | DESCRIPTION | 60ET | 6ETO | 7ETO | REMARKS |
|----------|-----------------|------------------------------|------|------|------|---------|
| 1 | 6H3-15359-00-94 | HOUSING, OIL SEAL | 1 | 1 | 1 | |
| 2 | 93102-30M23 | OIL SEAL | 1 | 1 | 1 | |
| 3 | 93106-18M01 | OIL SEAL | 1 | 1 | 1 | |
| 4 | 93210-65M50 | O-RING | 1 | 1 | 1 | |
| 5 | 97095-06020 | BOLT | 3 | 3 | 3 | |
| 6 | 92995-06600 | WASHER | 3 | 3 | 3 | |
| 7 | 6H3-11400-11 | CRANKSHAFT ASSY | | 1 | 1 | |
| | 6H3-11400-03 | CRANKSHAFT ASSY | 1 | | | |
| 8 | 93311-636U6 | .BEARING | 1 | 1 | 1 | |
| 9 | 93102-36M24 | ..OIL SEAL | 1 | 1 | 1 | |
| 10 | 93440-49M04 | ..CIRCLIP | 1 | 1 | 1 | |
| 11 | 93306-306V1 | .BEARING | 1 | 1 | 1 | |
| 12 | 6H3-11536-00 | .GEAR, DRIVE | | 1 | 1 | |
| 13 | 93210-46M16 | O-RING | 1 | 1 | 1 | |
| 14 | 6H3-11631-01-96 | PISTON (STD) | 3 | 3 | 3 | |
| | 6H3-11635-01 | PISTON (0.25MM O/S) | 3 | 3 | 3 | AP |
| | 6H3-11636-01 | PISTON (0.50MM O/S) | 3 | 3 | 3 | AP |
| 15 | 6K5-11601-02 | PISTON RING SET (STD) | 3 | 3 | 3 | |
| | 6K5-11601-12 | PISTON RING SET (0.25MM O/S) | 3 | 3 | 3 | AP |
| | 6K5-11601-22 | PISTON RING SET (0.50MM O/S) | 3 | 3 | 3 | AP |
| 16 | 6H3-11633-00 | PIN, PISTON | 3 | 3 | 3 | |
| 17 | 688-11634-10 | CLIP, PISTON PIN | 6 | 6 | 6 | |
| 18 | 93603-18M09 | PIN, DOWEL | 84 | 84 | 84 | |
| 19 | 90201-20417 | WASHER, PLATE | 6 | 6 | 6 | |

FIG. 4 INTAKE 1

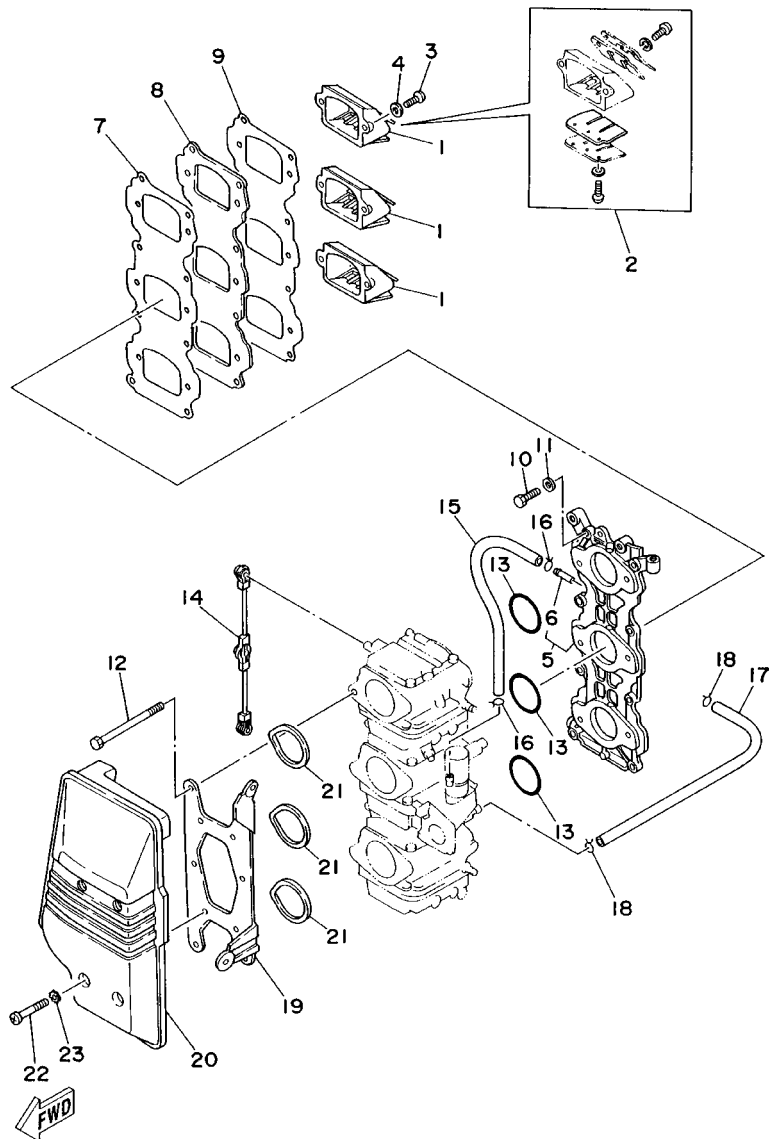


6H20010-6040

| REF. NO. | PART NO. | DESCRIPTION | 60ET | 6ETO | 7ETO | REMARKS |
|----------|-----------------|-----------------------|------|------|------|---------|
| 1 | 6H2-13610-00 | REED VALVE ASSY | 3 | | | |
| 2 | 688-W0004-00 | .REED SET | 1 | | | |
| 3 | 97880-05016 | SCREW, PAN HEAD | 6 | | | |
| 4 | 92990-05600 | WASHER, PLATE | 6 | | | |
| 5 | 6H3-13641-03-94 | MANIFOLD 1 | 1 | | | |
| 6 | 6H3-13621-A1 | GASKET, VALVE SEAT | 1 | | | |
| 7 | 6H3-13624-00-94 | PLATE, REED VALVE | 1 | | | |
| 8 | 6H3-13622-A1 | GASKET, VALVE SEAT | 1 | | | |
| 9 | 97013-06025 | BOLT | 8 | | | |
| 10 | 92903-06600 | WASHER, PLATE | 8 | | | |
| 11 | 97095-06095 | BOLT | 6 | | | |
| 12 | 6H3-14198-A1 | GASKET | 1 | | | |
| 13 | 6H3-41217-00 | ROD, ACCEL. LEVER | 1 | | | |
| 14 | 6H3-41257-00 | ROD, CHOKE 2 | 2 | | | |
| 15 | 661-41262-02 | JOINT, CHOKE LEVER | 4 | | | |
| 16 | 6H3-41271-00 | KNOB, CHOKE | 1 | | | |
| 17 | 689-41273-00 | GROMMET | 1 | | | |
| 18 | 661-41262-02 | JOINT, CHOKE LEVER | 1 | | | |
| 19 | 6H3-14413-10 | STAY | 1 | | | |
| 20 | 6H3-14440-02 | SILENCER ASSY, INTAKE | 1 | | | |
| 21 | 6H3-14457-01 | SEAL | 3 | | | |
| 22 | 97885-06045 | SCREW, PAN HEAD | 4 | | | |
| 23 | 90209-06M05 | WASHER | 4 | | | |

FIG. 5 INTAKE 2

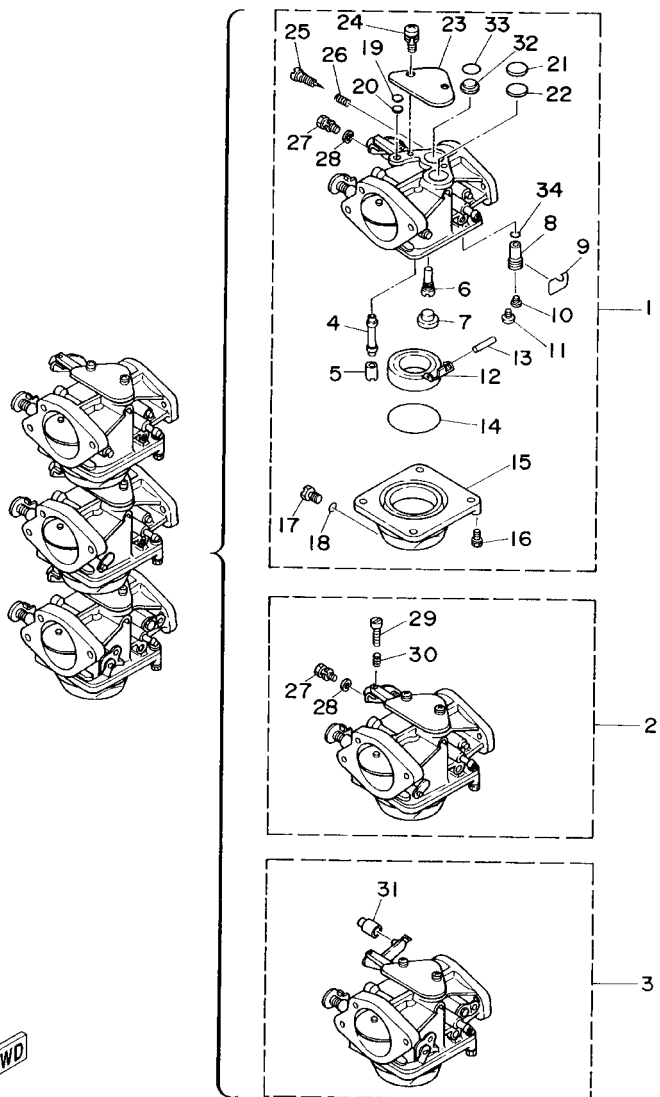
| REF. NO. | PART NO. | DESCRIPTION | 60ET | 6ETO | 7ETO | REMARKS |
|----------|-----------------|-----------------------|------|------|------|---------|
| 1 | 6H3-13610-00 | REED VALVE ASSY | | | 3 | |
| | 6H2-13610-00 | REED VALVE ASSY | | 3 | | |
| 2 | 688-W0004-00 | .REED SET | | 1 | 1 | |
| 3 | 97880-05016 | SCREW, PAN HEAD | | 6 | 6 | |
| 4 | 92990-05600 | WASHER, PLATE | | 6 | 6 | |
| 5 | 6H3-13641-13-94 | MANIFOLD 1 | | 1 | 1 | |
| 6 | 6H1-14485-00 | .PIPE, JOINT | | 4 | 4 | |
| 7 | 6H3-13621-A1 | GASKET, VALVE SEAT | | 1 | 1 | |
| 8 | 6H3-13624-00-94 | PLATE, REED VALVE | | 1 | 1 | |
| 9 | 6H3-13622-A1 | GASKET, VALVE SEAT | | 1 | 1 | |
| 10 | 97013-06025 | BOLT | | 8 | 8 | |
| 11 | 92903-06600 | WASHER, PLATE | | 8 | 8 | |
| 12 | 97095-06095 | BOLT | | 6 | 6 | |
| 13 | 93210-39ME4 | O-RING | | 3 | 3 | |
| 14 | 6H3-41217-00 | ROD, ACCEL. LEVER | | 1 | 1 | |
| 15 | 90445-07255 | HOSE | | 1 | 1 | |
| 16 | 90467-06016 | CLIP | | 2 | 2 | |
| 17 | 6H3-14349-00 | PIPE | | 1 | 1 | |
| 18 | 90467-08004 | CLIP | | 2 | 2 | |
| 19 | 6H3-14413-10 | STAY | | 1 | 1 | |
| 20 | 6H3-14440-02 | SILENCER ASSY, INTAKE | | 1 | 1 | |
| 21 | 6H3-14457-01 | SEAL | | 3 | 3 | |
| 22 | 97885-06045 | SCREW, PAN HEAD | | 4 | 4 | |
| 23 | 90209-06M05 | WASHER | | 4 | 4 | |



6H30010-4040

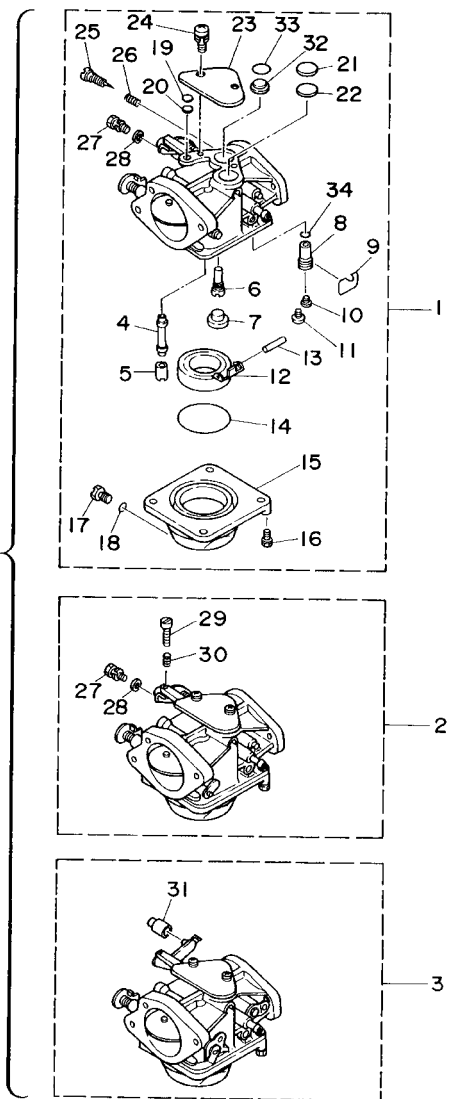
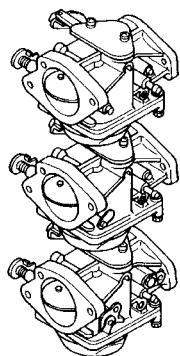
FIG. 6 CARBURETOR 1

| REF. NO. | PART NO. | DESCRIPTION | 60ET | 6ETO | 7ETO | REMARKS |
|----------|--------------|----------------------|------|------|------|---------|
| 1 | 6H2-14301-10 | CARBURETOR ASSY 1 | 1 | | | |
| 2 | 6H2-14302-10 | CARBURETOR ASSY 2 | 1 | | | |
| 3 | 6H2-14303-10 | CARBURETOR ASSY 3 | 1 | | | |
| 4 | 6H3-14947-07 | .JET, NEEDLE | 3 | | | |
| 5 | 676-14943-35 | .JET, MAIN (#140) | 2 | | | #1,2 |
| | 676-14943-36 | .JET, MAIN (#145) | 1 | | | #3 |
| 6 | 6H3-14948-16 | .JET (#72) | 3 | | | |
| 7 | 676-14966-00 | .CAP | 3 | | | |
| 8 | 6H3-14590-00 | .NEEDLE VALVE ASSY | 3 | | | |
| 9 | 663-14159-00 | .CLIP | 3 | | | |
| 10 | 676-14186-00 | .PIN, FLOAT | 3 | | | |
| 11 | 98502-04008 | .SCREW, PAN HEAD | 3 | | | |
| 12 | 6G1-14985-00 | .FLOAT | 3 | | | |
| 13 | 688-14548-00 | .PIN, FLOAT ARM | 3 | | | |
| 14 | 6G1-14984-00 | .O-RING | 3 | | | |
| 15 | 6H2-14980-00 | .BODY, FLOAT CHAMBER | 3 | | | |
| 16 | 97980-04114 | .SCREW, WITH WASHER | 12 | | | |
| 17 | 6H3-14992-00 | .SCREW, DRAIN | 3 | | | |
| 18 | 93210-04230 | .O-RING | 3 | | | |
| 19 | 663-14126-00 | .GASKET | 3 | | | |
| 20 | 663-14527-00 | .PLATE | 3 | | | |
| 21 | 688-14126-00 | .GASKET | 3 | | | |
| 22 | 688-14527-00 | .PLATE | 3 | | | |
| 23 | 6H2-14527-01 | .PLATE | 3 | | | |
| 24 | 97980-05310 | .SCREW, WITH WASHER | 6 | | | |
| 25 | 692-14923-00 | .SCREW, PILOT | 3 | | | |
| 26 | 679-14555-00 | .SPRING | 3 | | | |



6H20010-6050

FIG. 6 CARBURETOR 1

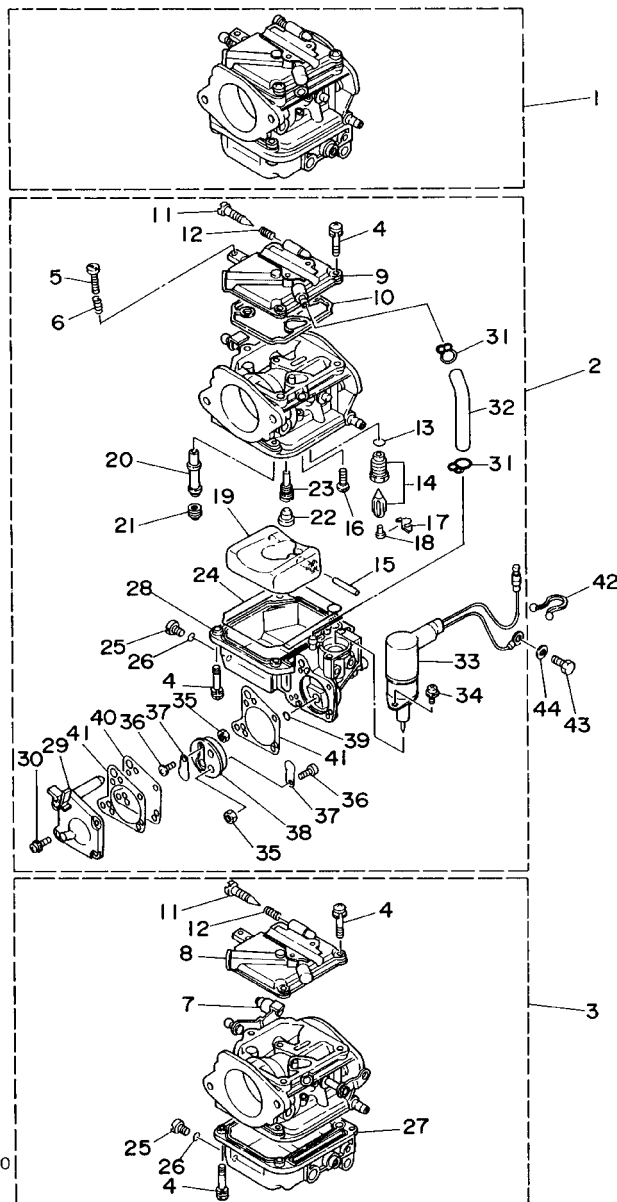


| REF. NO. | PART NO. | DESCRIPTION | 60ET | 6ETO | 7ETO | REMARKS |
|----------|--------------|----------------------|------|------|------|---------|
| 27 | 6K5-14592-00 | .SCREW | 2 | | | #1,2 |
| 28 | 90201-05652 | .WASHER, PLATE | 2 | | | #1,2 |
| 29 | 63V-14523-00 | .SCREW, STOP | 1 | | | #2 |
| 30 | 90501-10326 | .SPRING, COMPRESSION | 1 | | | #2 |
| 31 | 6H3-17578-00 | .COLLAR | 1 | | | #1,2 |
| 32 | 6H3-14578-00 | .PLATE | 3 | | | |
| 33 | 93210-15M52 | .O-RING | 3 | | | |
| 34 | 93210-04228 | .O-RING | 3 | | | |



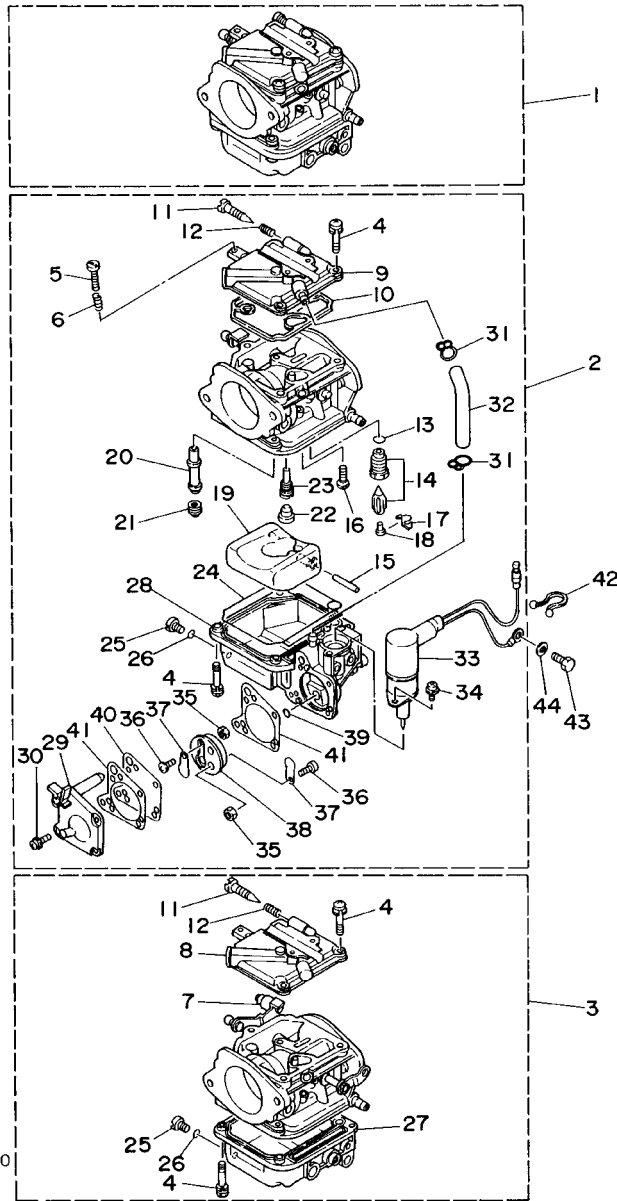
6H20010-6050

FIG. 7 CARBURETOR 2



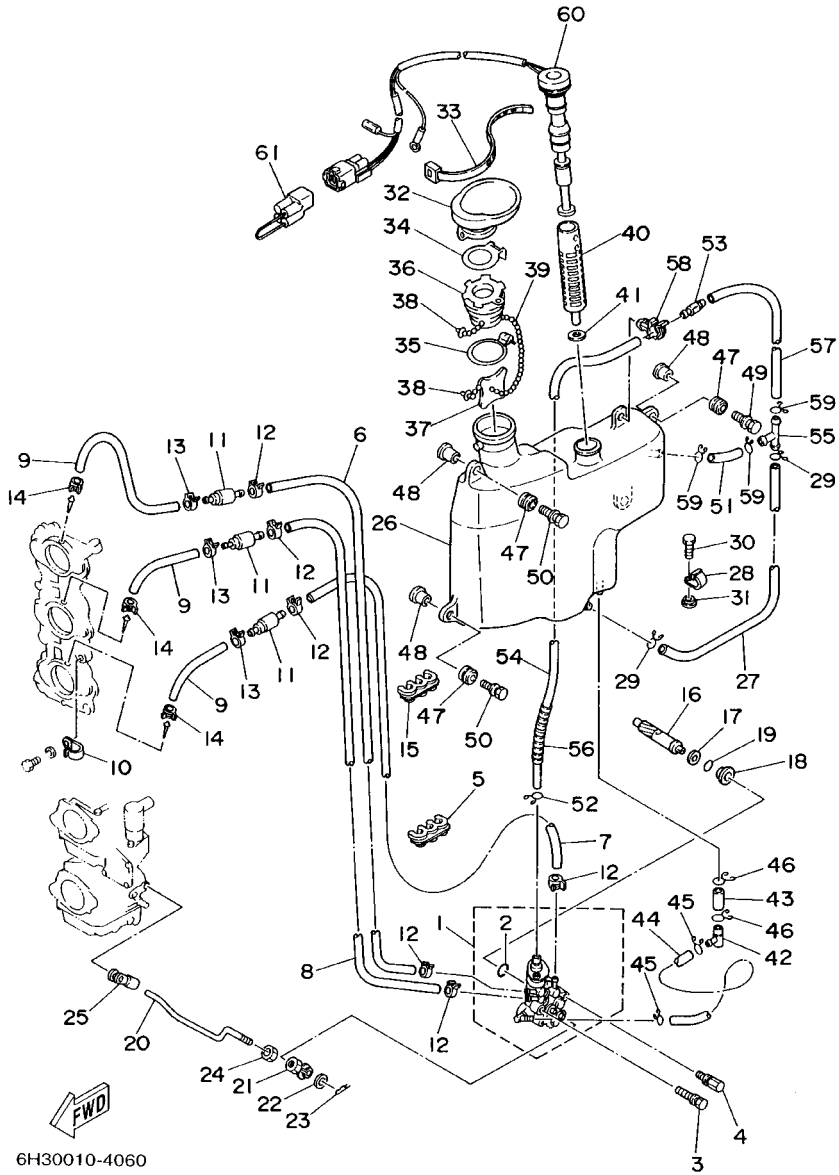
| REF. NO. | PART NO. | DESCRIPTION | 60ET | 6ETO | 7ETO | REMARKS |
|----------|--------------|----------------------|------|------|------|---------|
| 1 | 6H3-14301-0A | CARBURETOR ASSY 1 | | | 1 | |
| | 6H2-14301-0A | CARBURETOR ASSY 1 | | 1 | | |
| 2 | 6H3-14302-0A | CARBURETOR ASSY 2 | | | 1 | |
| | 6H2-14302-0A | CARBURETOR ASSY 2 | | 1 | | |
| 3 | 6H3-14303-0A | CARBURETOR ASSY 3 | | | 1 | |
| | 6H2-14303-0A | CARBURETOR ASSY 3 | | 1 | | |
| 4 | 97980-04114 | .SCREW, WITH WASHER | | 21 | 21 | |
| 5 | 63V-14523-00 | .SCREW, STOP | | 1 | 1 | #2 |
| 6 | 90501-10326 | .SPRING, COMPRESSION | | 1 | 1 | #2 |
| 7 | 6H2-14578-00 | .COLLAR | | 1 | 1 | #3 |
| 8 | 6H4-14146-00 | .PLATE | | 2 | 2 | #1,3 |
| 9 | 6H3-14146-10 | .PLATE | | 1 | 1 | #2 |
| 10 | 6H4-14147-00 | .O-RING | | 3 | 3 | |
| 11 | 692-14923-00 | .SCREW, PILOT | | 3 | 3 | |
| 12 | 697-14555-00 | .SPRING | | 3 | 3 | |
| 13 | 93210-04228 | .O-RING | | 3 | 3 | |
| 14 | 6H3-14590-00 | .NEEDLE VALVE ASSY | | 3 | 3 | |
| 15 | 6H4-14548-00 | .PIN, FLOAT ARM | | 3 | 3 | |
| 16 | 98580-04008 | .SCREW, PAN HEAD | | 3 | 3 | |
| 17 | 663-14159-00 | .CLIP | | 3 | 3 | |
| 18 | 676-14186-00 | .PIN, FLOAT | | 3 | 3 | |
| 19 | 6H4-14985-01 | .FLOAT | | 3 | 3 | |
| 20 | 6H3-14947-71 | .JET, NEEDLE | | | 3 | |
| | 6H2-14947-71 | .JET, NEEDLE | | 3 | | |
| 21 | 6H3-14943-37 | .JET, MAIN (#150) | | | 3 | |
| | 6H3-14943-35 | .JET, MAIN (#140) | | 2 | | #1,2 |
| | 6H3-14943-36 | .JET, MAIN (#145) | | 1 | | #3 |

FIG. 7 CARBURETOR 2



| REF. NO. | PART NO. | DESCRIPTION | 60ET | 6ETO | 7ETO | REMARKS |
|----------|--------------|------------------------|------|------|------|---------|
| 22 | 676-14966-00 | .CAP | | 3 | 3 | |
| 23 | 6H3-14948-17 | .JET (#75) | | | 3 | |
| | 6H3-14948-13 | .JET (#65) | | 3 | | |
| 24 | 6H4-14984-00 | .GASKET, FLOAT CHAMBER | | 3 | 3 | |
| 25 | 6H3-14992-00 | .SCREW, DRAIN | | 3 | 3 | |
| 26 | 93210-04230 | .O-RING | | 3 | 3 | |
| 27 | 6H4-14980-00 | .BODY, FLOAT CHAMBER | | 2 | 2 | #1,3 |
| 28 | 6H3-14980-10 | .BODY, FLOAT CHAMBER | | 1 | 1 | #2 |
| 29 | 6H3-24452-10 | .COVER | | 1 | 1 | #2 |
| 30 | 6H4-14567-00 | .SCREW | | 4 | 4 | #2 |
| 31 | 6H3-14137-00 | .CLIP | | 2 | 2 | #2 |
| 32 | 6H3-14349-00 | .PIPE | | 1 | 1 | #2 |
| 33 | 6H3-14380-00 | .STARTER ASSY | | 1 | 1 | #2 |
| 34 | 97803-04010 | .SCREW, PAN HEAD | | 2 | 2 | #2 |
| 35 | 95380-03600 | .NUT | | 2 | 2 | #2 |
| 36 | 98980-03006 | .SCREW, BIND | | 2 | 2 | #2 |
| 37 | 6L5-24421-00 | .VALVE, CHECK | | 2 | 2 | #2 |
| 38 | 6H4-24413-00 | .BODY 2 | | 1 | 1 | #2 |
| 39 | 6H4-24486-00 | .O-RING | | 1 | 1 | #2 |
| 40 | 6H3-24411-10 | .DIAPHRAGM | | 1 | 1 | #2 |
| 41 | 6H3-24434-10 | .GASKET, BODY | | 2 | 2 | #2 |
| 42 | 90465-18147 | CLAMP | | 1 | 1 | |
| 43 | 97013-06012 | BOLT | | 1 | 1 | |
| 44 | 92903-06600 | WASHER, PLATE | | 1 | 1 | |

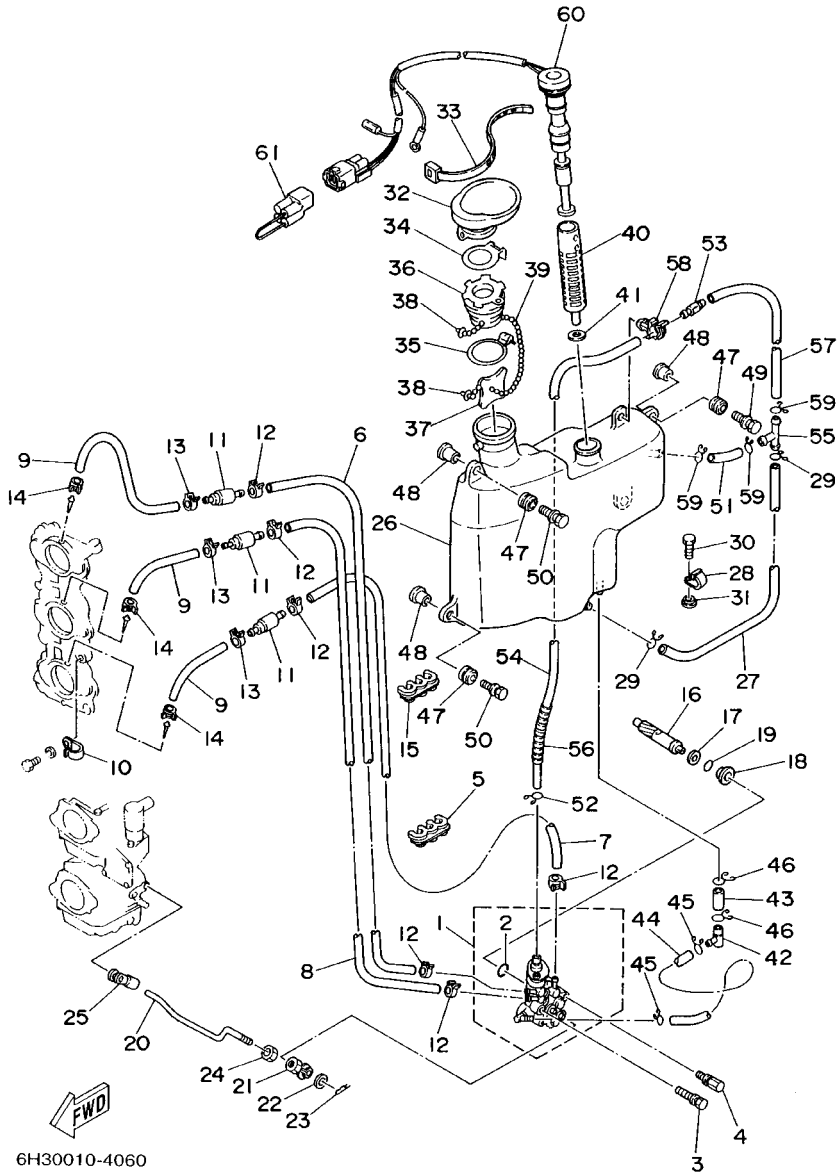
FIG. 8 OIL PUMP



6H30010-4060

| REF. NO. | PART NO. | DESCRIPTION | 60ET | 6ETO | 7ETO | REMARKS |
|----------|--------------|-------------------------|------|------|------|---------|
| 1 | 6H3-13200-02 | OIL INJECTION PUMP ASSY | | 1 | 1 | |
| 2 | 93210-19MA7 | .O-RING | | 1 | 1 | |
| 3 | 90109-06M39 | BOLT | | 1 | 1 | |
| 4 | 90109-06M40 | BOLT | | 1 | 1 | |
| 5 | 90464-07M05 | CLAMP | | 1 | 1 | |
| 6 | 90445-07M44 | HOSE | | 1 | 1 | |
| 7 | 90445-07M23 | HOSE | | 1 | 1 | |
| 8 | 90445-07MA5 | HOSE | | 1 | 1 | |
| 9 | 90445-07M87 | HOSE | | 3 | 3 | |
| 10 | 90465-06M86 | CLAMP | | 1 | 1 | |
| 11 | 6E9-13183-70 | VALVE, CHECK | | 3 | 3 | |
| 12 | 90468-07M02 | CLIP | | 6 | 6 | |
| 13 | 90468-07M02 | CLIP | | 3 | 3 | |
| 14 | 90468-07M02 | CLIP | | 3 | 3 | |
| 15 | 90464-07M05 | CLAMP | | 1 | 1 | |
| 16 | 6H3-11537-01 | GEAR, DRIVEN | | 1 | 1 | |
| 17 | 90201-08M93 | WASHER, PLATE | | 1 | 1 | |
| 18 | 6H1-13117-01 | COLLAR, DISTANCE | | 1 | 1 | |
| 19 | 93210-13M04 | O-RING | | 1 | 1 | |
| 20 | 6H3-41241-01 | ROD, LINK | | 1 | 1 | |
| 21 | 6H1-41237-00 | JOINT, LINK | | 1 | 1 | |
| 22 | 90202-05088 | WASHER, PLATE | | 1 | 1 | |
| 23 | 90468-05M03 | CLIP | | 1 | 1 | |
| 24 | 95380-05600 | NUT | | 1 | 1 | |
| 25 | 6E9-41237-00 | JOINT, LINK | | 1 | 1 | |
| 26 | 6H3-21707-06 | OIL TANK COMP. | | 1 | 1 | |
| 27 | 90445-11M03 | HOSE | | 1 | 1 | |

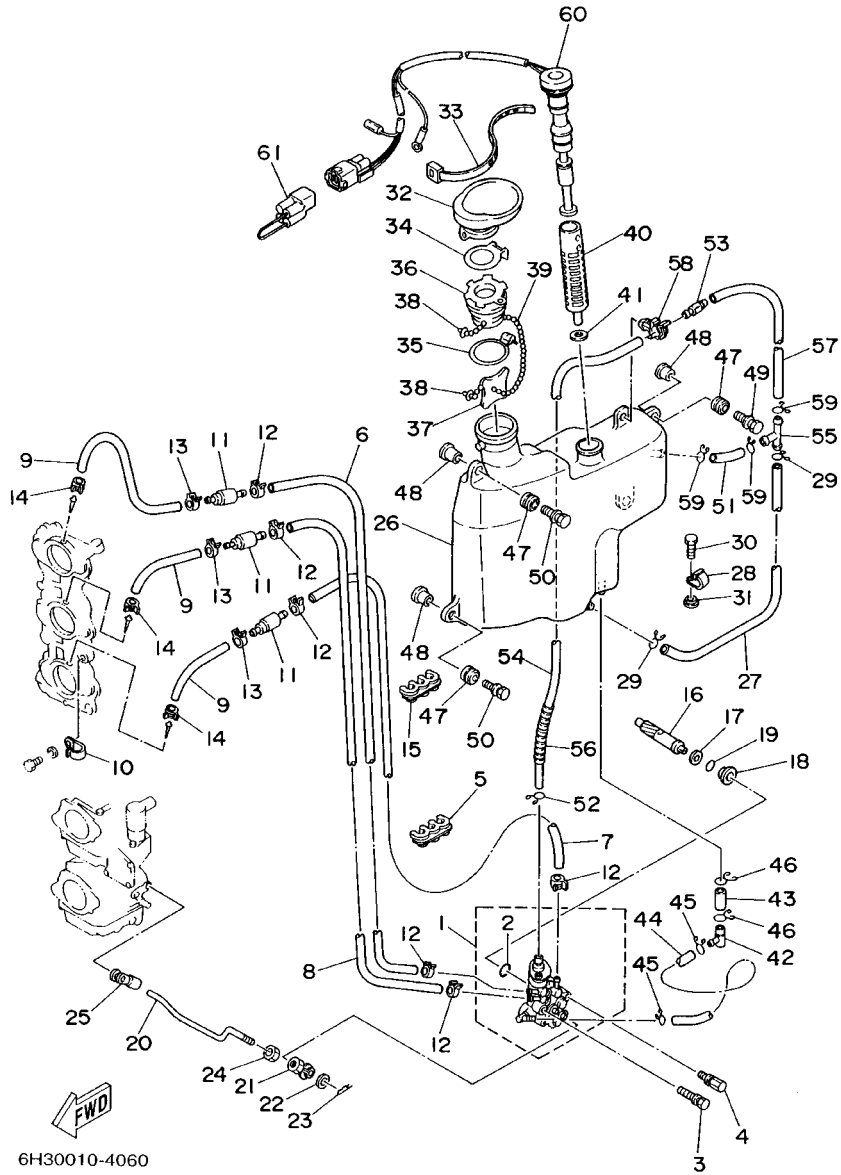
FIG. 8 OIL PUMP



6H30010-4060

| REF. NO. | PART NO. | DESCRIPTION | 60ET | 6ETO | 7ETO | REMARKS |
|----------|--------------|------------------------|------|------|------|---------|
| 28 | 90465-11M27 | CLAMP | | 1 | 1 | |
| 29 | 90467-11M08 | CLIP | | 2 | 2 | |
| 30 | 97095-06016 | BOLT | 1 | 1 | | |
| 31 | 90387-06M31 | COLLAR | 1 | 1 | | |
| 32 | 6H3-21752-00 | TUBE, FILLER 1 | 1 | 1 | | |
| 33 | 90465-13M30 | CLAMP | 1 | 1 | | |
| 34 | 63D-2176M-00 | HOOK | 1 | 1 | | |
| 35 | 63D-2175R-00 | HOOK, BAND | 1 | 1 | | |
| 36 | 6H4-21770-00 | OIL TANK CAP ASSY | 1 | 1 | | |
| 37 | 6J8-21758-00 | WASHER, SPECIAL 2 | 1 | 1 | | |
| 38 | 6H1-21757-00 | WASHER, SPECIAL 1 | 2 | 2 | | |
| 39 | 6H1-24633-00 | CHAIN, BALL | 1 | 1 | | |
| 40 | 6J8-13411-00 | STRAINER, OIL | 1 | 1 | | |
| 41 | 6J8-13414-00 | GASKET, STRAINER COVER | 1 | 1 | | |
| 42 | 6H1-13435-00 | NIPPLE | 1 | 1 | | |
| 43 | 90445-08M01 | HOSE | 1 | 1 | | |
| 44 | 6H1-21766-01 | PIPE, OIL | 1 | 1 | | |
| 45 | 90467-08004 | CLIP | 2 | 2 | | |
| 46 | 90467-12M11 | CLIP | 2 | 2 | | |
| 47 | 6A0-82317-00 | DAMPER, IGNITION COIL | 4 | 4 | | |
| 48 | 624-42542-00 | PIPE | 4 | 4 | | |
| 49 | 90119-06M65 | BOLT, WITH WASHER | 2 | 2 | | |
| 50 | 90119-06M88 | BOLT, WITH WASHER | 2 | 2 | | |
| 51 | 90445-11M21 | HOSE | 1 | 1 | | |
| 52 | 90467-10M04 | CLIP | 1 | 1 | | |
| 53 | 6J8-21744-00 | BREATHÉR | 1 | 1 | | |
| 54 | 90445-11M15 | HOSE | 1 | 1 | | |

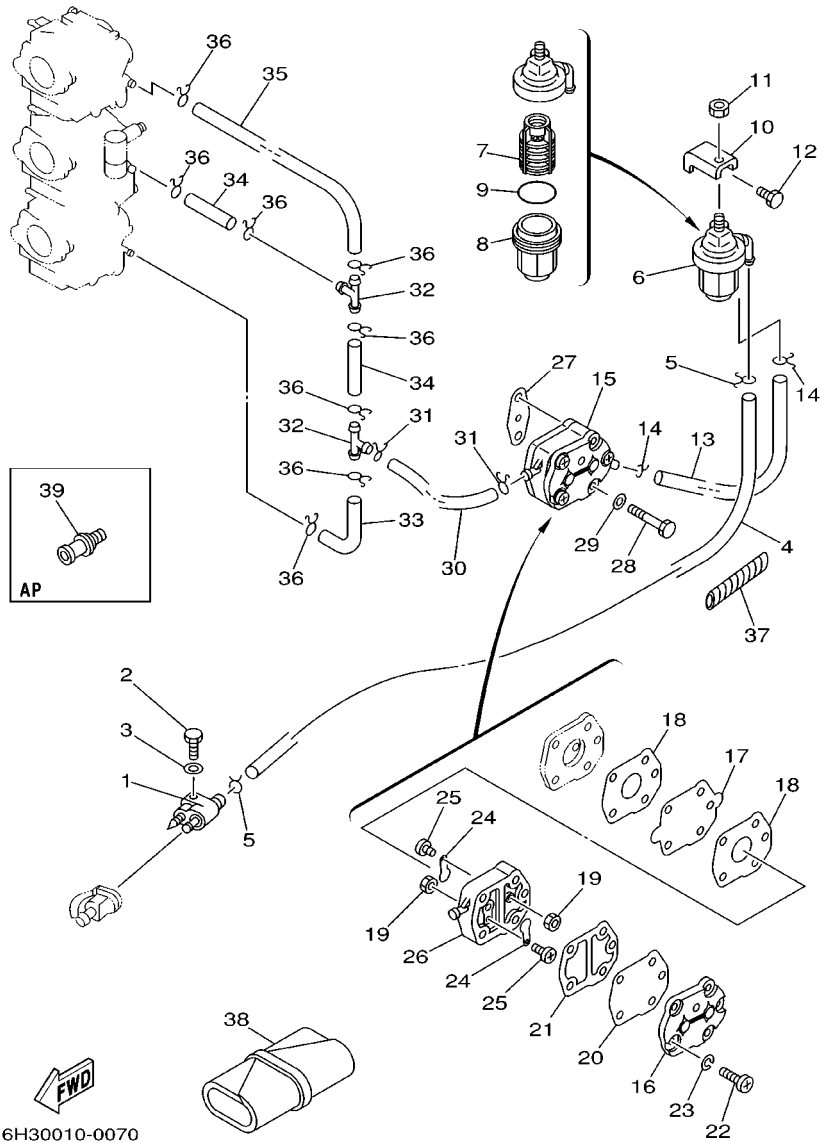
FIG. 8 OIL PUMP



6H30010-4060

| REF. NO. | PART NO. | DESCRIPTION | 60ET | 6ETO | 7ETO | REMARKS |
|----------|--------------|----------------------|------|------|------|---------|
| 55 | 6E5-24378-00 | PIPE, JOINT 4 | | 1 | 1 | |
| 56 | 90446-10M01 | HOSE | | 1 | 1 | |
| 57 | 90445-11M02 | HOSE | | 1 | 1 | |
| 58 | 90464-11M23 | CLAMP | | 1 | 1 | |
| 59 | 90467-11M08 | CLIP | | 3 | 3 | |
| 60 | 6H3-85720-16 | OIL LEVEL GAUGE ASSY | | 1 | 1 | |
| 61 | 6R5-82582-B0 | COVER, WIRE HARNESS | | 1 | 1 | AP |

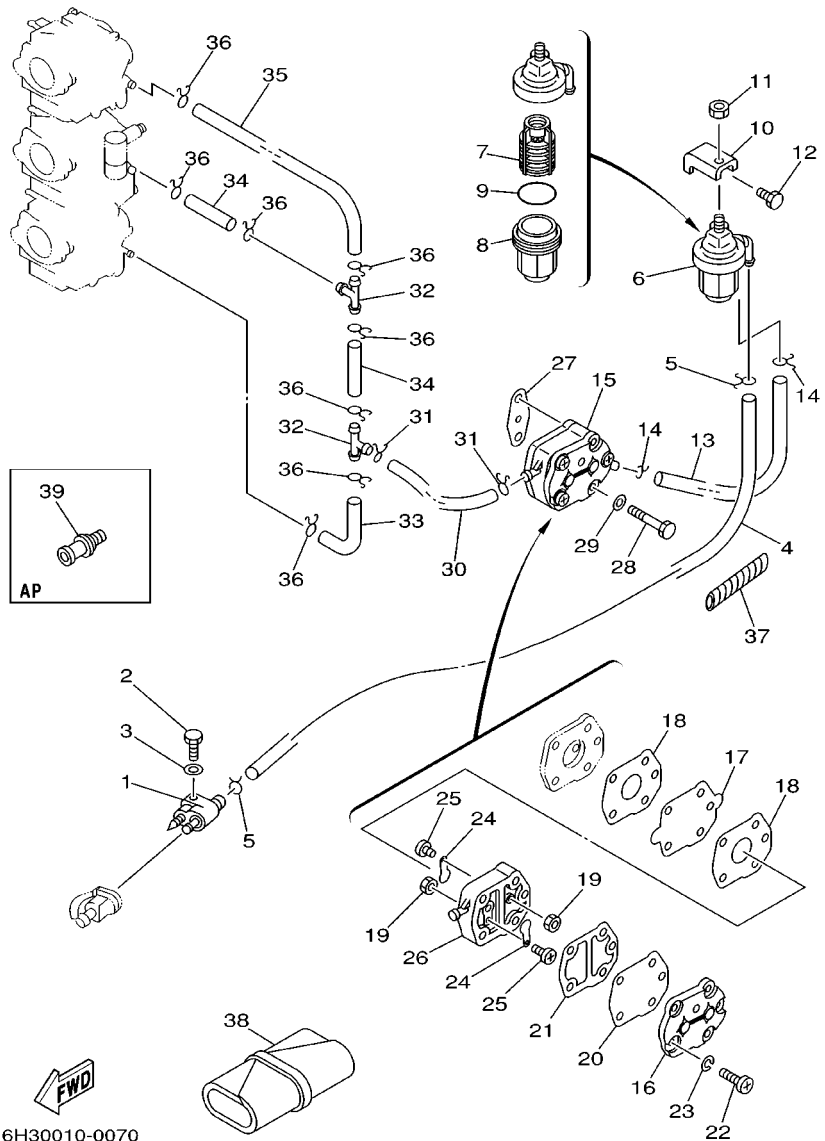
FIG. 9 FUEL



6H30010-0070

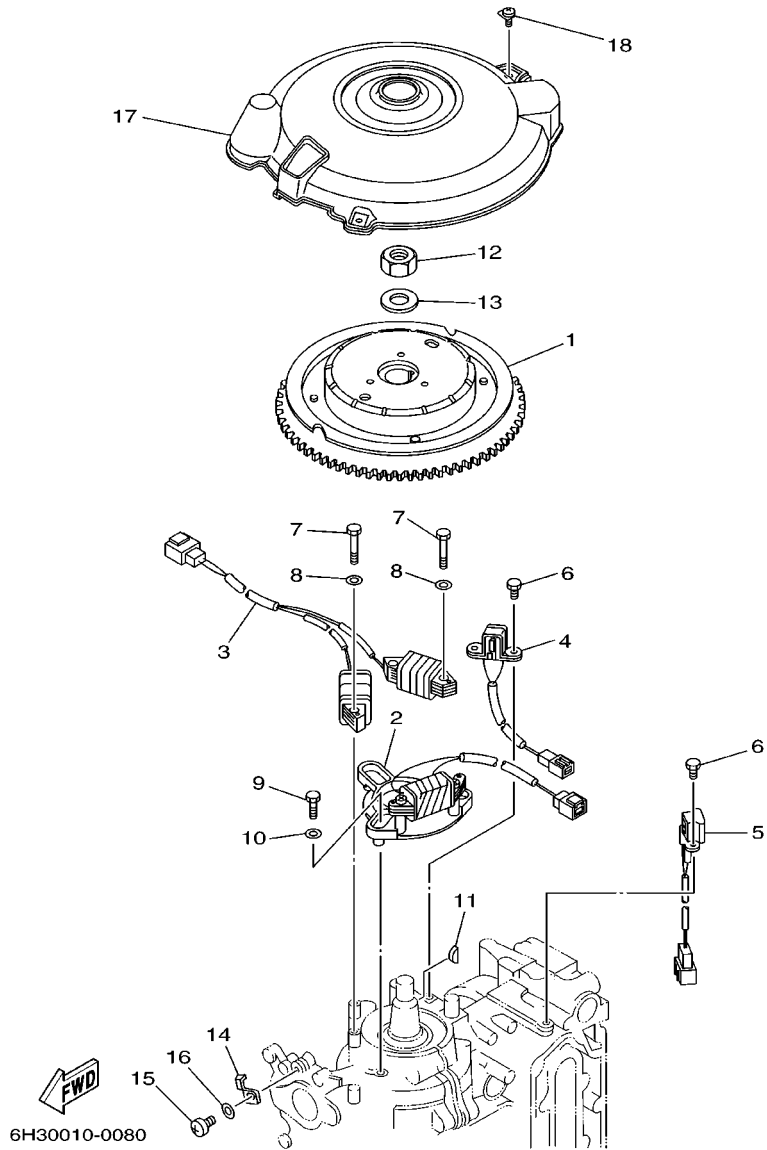
| REF. NO. | PART NO. | DESCRIPTION | 60ET | 6ETO | 7ETO | REMARKS |
|----------|--------------|-------------------------|------|------|------|---------|
| 1 | 6G1-24304-02 | FUEL PIPE JOINT COMP. 1 | 1 | 1 | 1 | |
| 2 | 97095-06025 | BOLT | 1 | 1 | 1 | |
| 3 | 92995-06600 | WASHER | 1 | 1 | 1 | |
| 4 | 90445-09M75 | HOSE | 1 | 1 | 1 | |
| 5 | 90467-08004 | CLIP | 2 | 2 | 2 | |
| 6 | 61N-24560-00 | FILTER ASSY | 1 | 1 | 1 | |
| 7 | 61N-24563-00 | .ELEMENT, FILTER | 1 | 1 | 1 | |
| 8 | 61N-24521-00 | .CUP, FILTER | 1 | 1 | 1 | |
| 9 | 93210-32738 | .O-RING | 1 | 1 | 1 | |
| 10 | 648-24566-02 | BRACKET, FILTER | 1 | 1 | 1 | |
| 11 | 95380-08600 | NUT | 1 | 1 | 1 | |
| 12 | 97013-06014 | BOLT | 1 | 1 | 1 | |
| 13 | 90445-09072 | HOSE | 1 | 1 | 1 | |
| 14 | 90467-08004 | CLIP | 2 | 2 | 2 | |
| 15 | 692-24410-00 | FUEL PUMP ASSY | 1 | 1 | 1 | |
| 16 | 6A0-24413-00 | .BODY 2 | 1 | 1 | 1 | |
| 17 | 692-24411-00 | .DIAPHRAGM | 1 | 1 | 1 | |
| 18 | 648-24434-01 | .GASKET, BODY | 2 | 2 | 2 | |
| 19 | 95380-03600 | .NUT | 2 | 2 | 2 | |
| 20 | 663-24411-00 | .DIAPHRAGM | 1 | 1 | 1 | |
| 21 | 648-24435-02 | .GASKET, BODY 2 | 1 | 1 | 1 | |
| 22 | 98503-05028 | .SCREW, PAN HEAD | 3 | 3 | 3 | |
| 23 | 92990-05100 | .WASHER, SPRING | 3 | 3 | 3 | |
| 24 | 6A0-24421-01 | .VALVE, CHECK | 2 | 2 | 2 | |
| 25 | 6A0-14325-00 | .SCREW, PAN HEAD | 2 | 2 | 2 | |
| 26 | 6A0-24412-02 | .BODY 1 | 1 | 1 | 1 | |
| 27 | 650-24431-A0 | GASKET, FUEL PUMP 1 | 1 | 1 | 1 | |

FIG. 9 FUEL



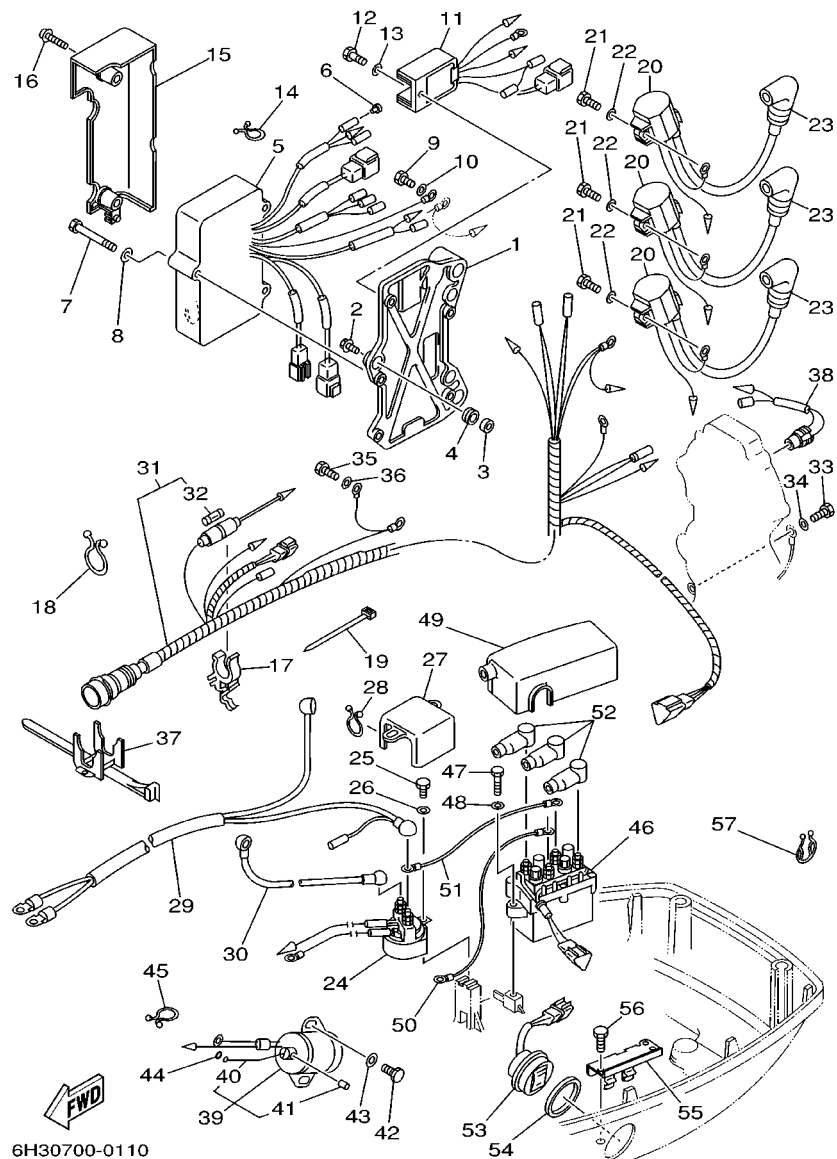
| REF. NO. | PART NO. | DESCRIPTION | 60ET | 6ETO | 7ETO | REMARKS |
|----------|-----------------|-------------------|------|------|------|-------------|
| 28 | 97095-06040 | BOLT | 2 | 2 | 2 | |
| 29 | 92995-06600 | WASHER | 2 | 2 | 2 | |
| 30 | 90445-09072 | HOSE | 1 | 1 | 1 | |
| 31 | 90467-08004 | CLIP | 2 | 2 | 2 | |
| 32 | 688-24378-00 | PIPE, JOINT 4 | 2 | 2 | 2 | |
| 33 | 6H3-24313-00 | PIPE 3 | 1 | 1 | 1 | |
| 34 | 90445-09220 | HOSE | 2 | 2 | 2 | |
| 35 | 6H3-24314-00 | PIPE 4 | 1 | 1 | 1 | |
| 36 | 90467-08004 | CLIP | 8 | 8 | 8 | |
| 37 | 90446-10M01 | HOSE | | 1 | 1 | |
| 38 | 656-W2810-02 | TOOL KIT | 1 | 1 | 1 | |
| 39 | 6E0-28193-00-94 | PLUG, WATER CHECK | 1 | 1 | 1 | AP D:12.5MM |

FIG. 10 GENERATOR



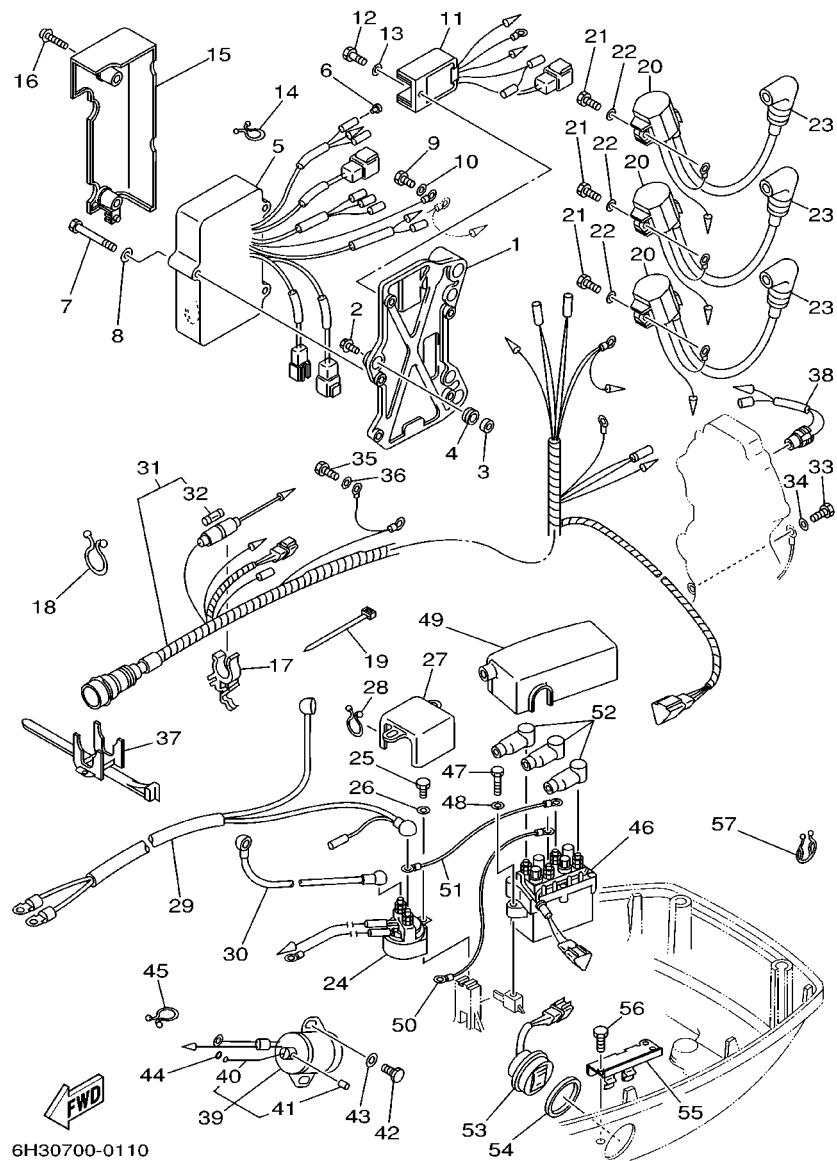
| REF. NO. | PART NO. | DESCRIPTION | 60ET | 6ETO | 7ETO | REMARKS |
|----------|--------------|-----------------------|------|------|------|---------|
| 1 | 6H2-85550-00 | ROTOR ASSY | 1 | 1 | 1 | |
| 2 | 6H2-85520-01 | COIL, CHARGE | 1 | 1 | 1 | |
| 3 | 6H2-85533-01 | COIL, LIGHTING | 1 | 1 | 1 | |
| 4 | 6H2-85580-01 | COIL, PULSER | 1 | 1 | 1 | |
| 5 | 6H2-85895-01 | CRANK POSITION SENDER | 1 | 1 | 1 | |
| 6 | 97095-05012 | BOLT | 4 | 4 | 4 | |
| 7 | 97095-06035 | BOLT | 4 | 4 | 4 | |
| 8 | 92995-06600 | WASHER | 4 | 4 | 4 | |
| 9 | 97095-06025 | BOLT | 3 | 3 | 3 | |
| 10 | 92995-06600 | WASHER | 3 | 3 | 3 | |
| 11 | 90280-05015 | KEY, WOODRUFF | 1 | 1 | 1 | |
| 12 | 90170-20137 | NUT | 1 | 1 | 1 | |
| 13 | 90201-21M18 | WASHER, PLATE | 1 | 1 | 1 | |
| 14 | 6E5-81332-00 | PLATE, TIMING | 1 | 1 | 1 | |
| 15 | 97885-06010 | SCREW, PAN HEAD | 1 | 1 | 1 | |
| 16 | 92995-06600 | WASHER | 1 | 1 | 1 | |
| 17 | 6H3-81337-01 | COVER, FLYWHEEL | 1 | 1 | 1 | |
| 18 | 90159-06M23 | SCREW, WITH WASHER | 3 | 3 | 3 | |
| | | | | | | |
| | | | | | | |
| | | | | | | |

FIG. 11 ELECTRICAL



6H30700-0110

| REF. NO. | PART NO. | DESCRIPTION | 60ET | 6ETO | 7ETO | REMARKS |
|----------|-----------------|----------------------------|------|------|------|---------|
| 1 | 6H3-85542-11-94 | BRACKET | 1 | 1 | 1 | |
| 2 | 90105-06M14 | BOLT FLANGE | 3 | 3 | 3 | |
| 3 | 90387-06M43 | COLLAR | 3 | 3 | 3 | |
| 4 | 90480-13M54 | GROMMET | 3 | 3 | 3 | |
| 5 | 6H2-85540-10 | C.D.I. UNIT ASSY | 1 | 1 | 1 | |
| 6 | 703-82119-00 | COVER, LEAD WIRE | 1 | 1 | 1 | |
| 7 | 97095-06045 | BOLT | 3 | 3 | 3 | |
| 8 | 92995-06600 | WASHER | 3 | 3 | 3 | |
| 9 | 97013-06012 | BOLT | 1 | 1 | 1 | |
| 10 | 92903-06600 | WASHER, PLATE | 1 | 1 | 1 | |
| 11 | 6H2-81960-10 | RECTIFIER & REGULATOR ASSY | 1 | 1 | 1 | |
| 12 | 97095-06016 | BOLT | 1 | 1 | 1 | |
| 13 | 92995-06600 | WASHER | 1 | 1 | 1 | |
| 14 | 90464-05M16 | CLAMP | 1 | 1 | 1 | |
| 15 | 6H3-81916-10 | COVER, TERMINAL | 1 | 1 | 1 | |
| 16 | 90159-06M01 | SCREW, WITH WASHER | 2 | 2 | 2 | |
| 17 | 6G5-82152-00 | HOLDER, FUSE | 1 | 1 | 1 | |
| 18 | 90464-23M22 | CLAMP | 1 | 1 | 1 | |
| 19 | 90465-13M11 | CLAMP | 1 | 1 | 1 | |
| 20 | 697-85570-00 | IGNITION COIL ASSY | 3 | 3 | 3 | |
| 21 | 97013-06020 | BOLT | 3 | 3 | 3 | |
| 22 | 92903-06600 | WASHER, PLATE | 3 | 3 | 3 | |
| 23 | 6G1-82370-21 | PLUG CAP ASSY | 3 | 3 | 3 | |
| 24 | 688-81950-10 | RELAY ASSY | 1 | 1 | 1 | |
| 25 | 97013-06016 | BOLT | 1 | 1 | 1 | |
| 26 | 92903-06600 | WASHER, PLATE | 1 | 1 | 1 | |
| 27 | 6H3-82164-00 | CASE 2 | 1 | 1 | 1 | |



6H30700-0110

FIG. 11 ELECTRICAL

| REF. NO. | PART NO. | DESCRIPTION | 60ET | 6ETO | 7ETO | REMARKS |
|----------|--------------|-------------------------|------|------|------|---------|
| 28 | 90464-15M11 | CLAMP | 1 | 1 | 1 | |
| 29 | 6H3-82105-01 | WIRE HARNESS | 1 | 1 | 1 | |
| 30 | 6H3-82117-00 | WIRE, LEAD | 1 | 1 | 1 | |
| 31 | 6H2-82590-13 | WIRE HARNESS ASSY | | 1 | 1 | |
| | 6H2-82590-60 | WIRE HARNESS ASSY | 1 | | | |
| 32 | 682-82151-00 | .FUSE (20A) | 1 | 1 | 1 | |
| 33 | 97013-06012 | BOLT | 1 | 1 | 1 | |
| 34 | 92903-06600 | WASHER, PLATE | 1 | 1 | 1 | |
| 35 | 97013-06012 | BOLT | 2 | 2 | 2 | |
| 36 | 92903-06600 | WASHER, PLATE | 2 | 2 | 2 | |
| 37 | 688-82594-00 | CLAMP | 1 | 1 | 1 | |
| 38 | 688-82560-10 | THERMO SWITCH ASSY | 1 | 1 | 1 | |
| 39 | 6H3-86110-02 | SOLENOID | 1 | | | |
| 40 | 6H3-86116-00 | .WIRE, PULL | 1 | | | |
| 41 | 91690-30010 | .PIN, SPRING | 1 | | | |
| 42 | 97013-06016 | BOLT | 2 | | | |
| 43 | 92903-06600 | WASHER, PLATE | 2 | | | |
| 44 | 93210-03261 | O-RING | 1 | | | |
| 45 | 90465-18147 | CLAMP | 1 | | | |
| 46 | 61A-81950-00 | RELAY ASSY | 1 | 1 | 1 | |
| 47 | 97095-06025 | BOLT | 2 | 2 | 2 | |
| 48 | 92995-06600 | WASHER | 2 | 2 | 2 | |
| 49 | 6H3-82154-11 | CASE | 1 | 1 | 1 | |
| 50 | 6H2-81949-11 | WIRE, LEAD | 1 | 1 | 1 | |
| 51 | 6H2-81949-01 | WIRE, LEAD | 1 | 1 | 1 | |
| 52 | 682-82119-01 | COVER, LEAD WIRE | 3 | 3 | 3 | |
| 53 | 6H1-82563-10 | TRIM & TILT SWITCH ASSY | | 1 | 1 | |

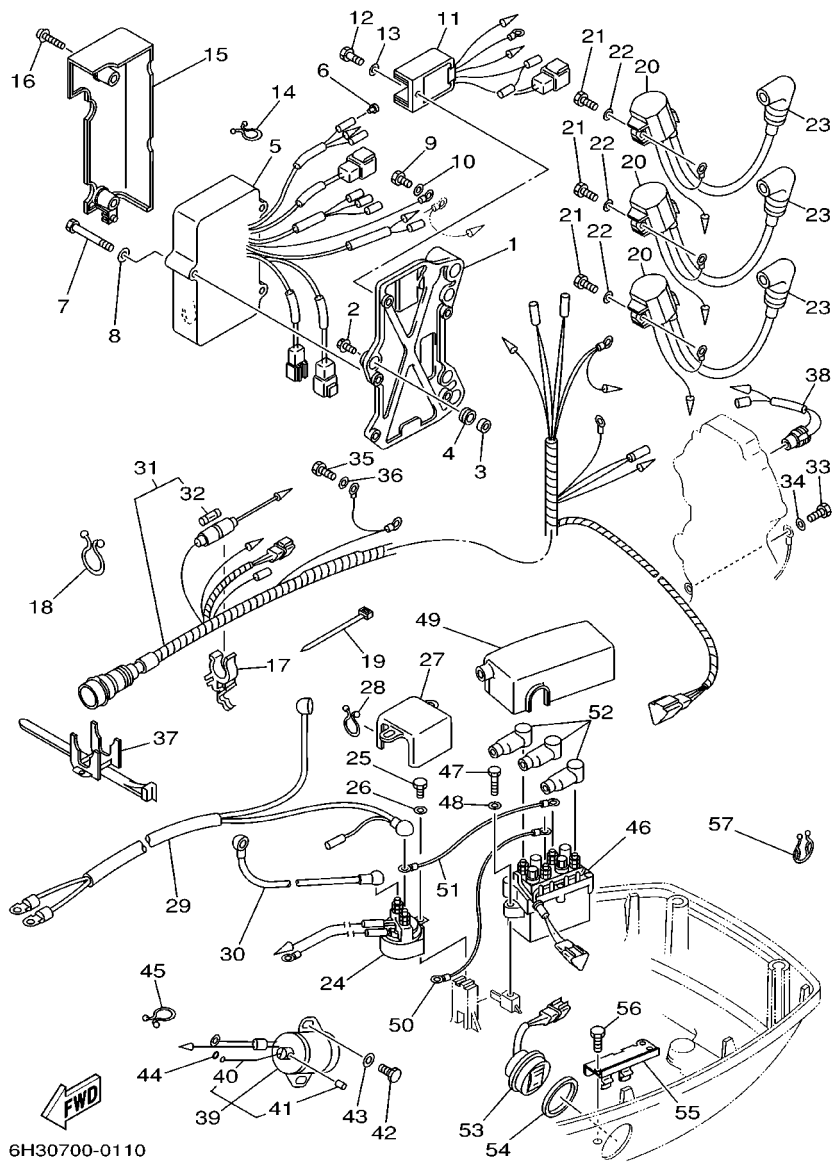
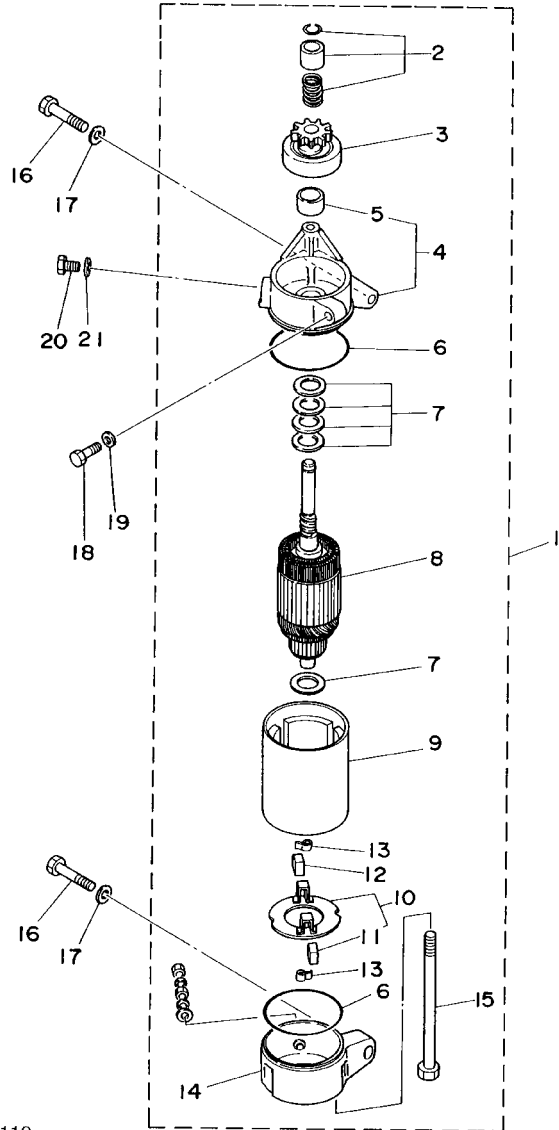


FIG. 11 ELECTRICAL

| REF. NO. | PART NO. | DESCRIPTION | 60ET | 6ETO | 7ETO | REMARKS |
|----------|--------------|-------------|------|------|------|---------|
| 54 | 6E5-82587-00 | GASKET | | 1 | 1 | |
| 55 | 6E5-83614-01 | BRACKET | | 1 | 1 | |
| 56 | 97095-06016 | BOLT | | 2 | 2 | |
| 57 | 90464-18M14 | CLAMP | | 1 | 1 | |
| ----- | | | | | | |
| ----- | | | | | | |
| ----- | | | | | | |
| ----- | | | | | | |
| ----- | | | | | | |
| ----- | | | | | | |
| ----- | | | | | | |

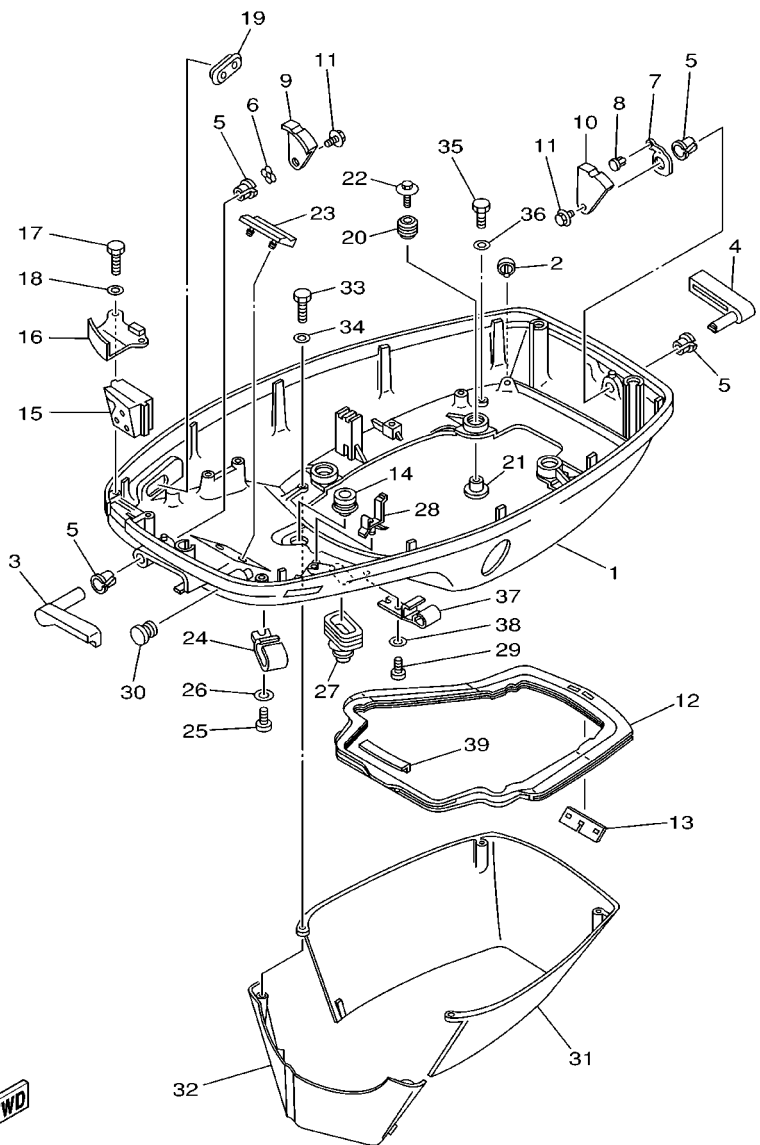
FIG. 12 STARTING MOTOR



6H30010-4110

| REF. NO. | PART NO. | DESCRIPTION | 60ET | 6ETO | 7ETO | REMARKS |
|----------|--------------|----------------------------|------|------|------|---------|
| 1 | 6H3-81800-11 | STARTING MOTOR ASSY | 1 | 1 | 1 | |
| 2 | 689-81857-11 | .PINION STOPPER SET | 1 | 1 | 1 | |
| 3 | 6H3-81807-10 | .GEAR ASSY, STARTING MOTOR | 1 | 1 | 1 | |
| 4 | 6H3-81830-10 | .FRONT BRACKET ASSY | 1 | 1 | 1 | |
| 5 | 689-81831-00 | ..METAL, FRONT | 1 | 1 | 1 | |
| 6 | 689-81847-11 | .O-RING | 2 | 2 | 2 | |
| 7 | 689-81809-11 | .WASHER KIT | 1 | 1 | 1 | |
| 8 | 689-81850-12 | .ARMATURE ASSY | 1 | 1 | 1 | |
| 9 | 6H3-81810-10 | .STATOR ASSY | 1 | 1 | 1 | |
| 10 | 689-81840-11 | .BRUSH HOLDER ASSY | 1 | 1 | 1 | |
| 11 | 689-81812-11 | ..BRUSH 2 | 1 | 1 | 1 | |
| 12 | 689-81811-11 | .BRUSH 1 | 1 | 1 | 1 | |
| 13 | 689-81813-10 | .SPRING, BRUSH | 2 | 2 | 2 | |
| 14 | 6H3-81820-11 | .REAR BRACKET ASSY | 1 | 1 | 1 | |
| 15 | 689-81826-10 | .BOLT | 2 | 2 | 2 | |
| 16 | 97013-08035 | BOLT | 2 | 2 | 2 | |
| 17 | 92903-08600 | WASHER, PLATE | 2 | 2 | 2 | |
| 18 | 97013-06025 | BOLT | 1 | 1 | 1 | |
| 19 | 92903-06600 | WASHER, PLATE | 1 | 1 | 1 | |
| 20 | 97013-08016 | BOLT | 1 | 1 | 1 | |
| 21 | 92903-08600 | WASHER, PLATE | 1 | 1 | 1 | |

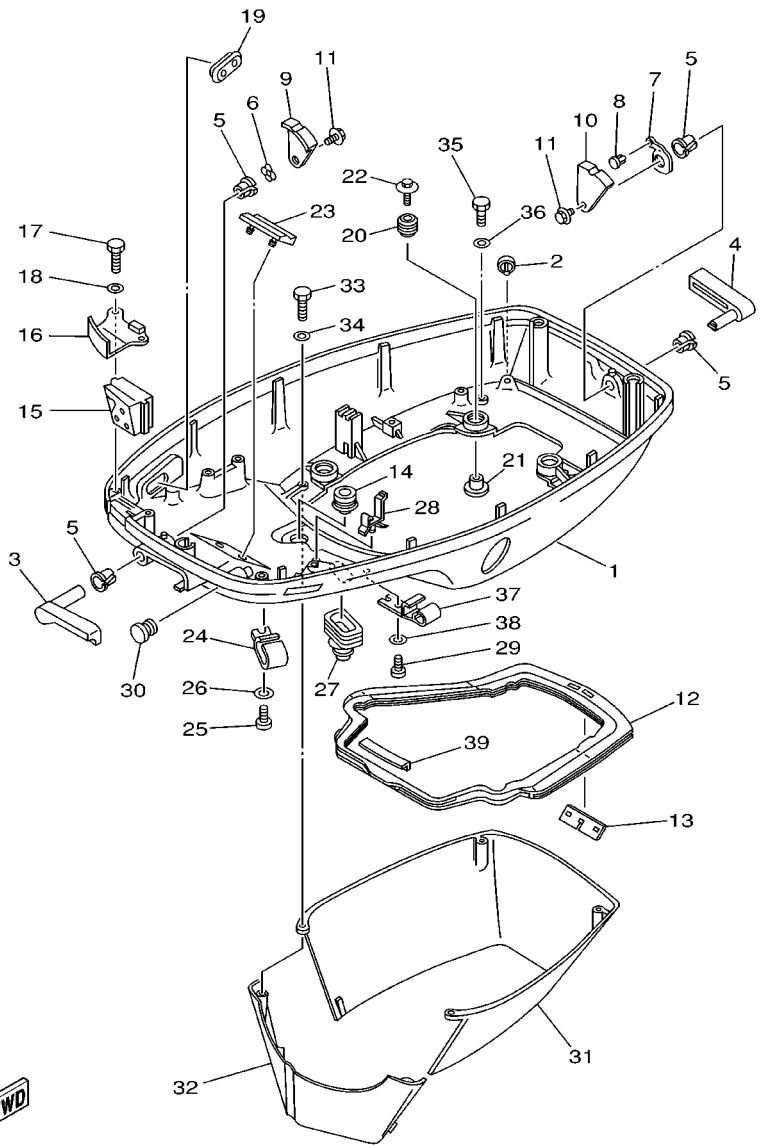
FIG. 13 BOTTOM COWLING



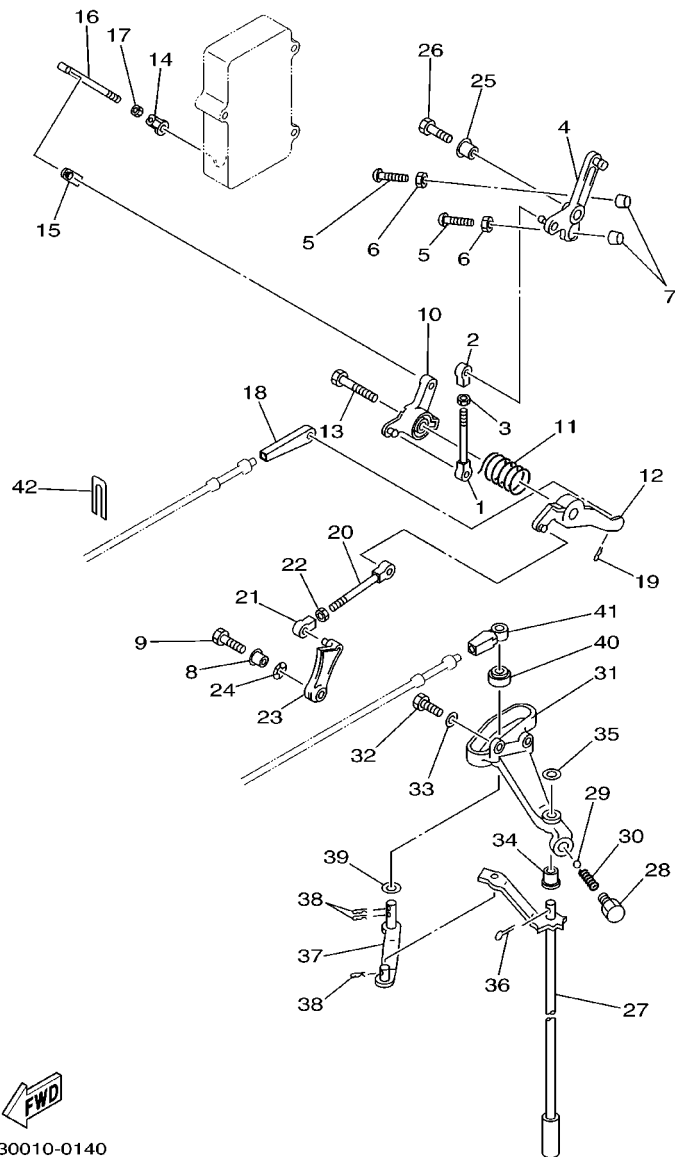
FWD
6H30100-0130

| REF. NO. | PART NO. | DESCRIPTION | 60ET | 6ETO | 7ETO | REMARKS |
|----------|-----------------|---------------------|------|------|------|---------|
| 1 | 6H3-42711-24-4D | COWLING, BOTTOM | | 1 | 1 | |
| | 6H3-42711-05-4D | COWLING, BOTTOM | 1 | | | |
| 2 | 6H3-44391-01 | NIPPLE, HOSE | 1 | 1 | 1 | |
| 3 | 6H3-42815-01-4D | LEVER, CLAMP | 1 | 1 | 1 | |
| 4 | 6H3-42817-01-4D | LEVER, CLAMP | 1 | 1 | 1 | |
| 5 | 90386-13M38 | BUSH | 4 | 4 | 4 | |
| 6 | 90206-13M10 | WASHER, WAVE | 1 | 1 | 1 | |
| 7 | 6H3-42813-00 | SPRING, CLAMP LEVER | 1 | 1 | 1 | |
| 8 | 90269-04M03 | RIVET | 1 | 1 | 1 | |
| 9 | 6H3-42816-00 | LEVER, CLAMP | 1 | 1 | 1 | |
| 10 | 6H3-42818-00 | LEVER, CLAMP | 1 | 1 | 1 | |
| 11 | 90119-06M09 | BOLT, WITH WASHER | 2 | 2 | 2 | |
| 12 | 6H3-42716-02 | RUBBER, SEAL 1 | 1 | 1 | 1 | |
| 13 | 6K5-42717-00 | RUBBER, SEAL 2 | 1 | 1 | 1 | |
| 14 | 6E5-42724-00 | GROMMET | 1 | 1 | 1 | |
| 15 | 6H3-42725-10 | GROMMET | 1 | 1 | 1 | |
| 16 | 6H3-42738-01-5B | PLATE, FITTING | 1 | 1 | 1 | |
| 17 | 97095-06016 | BOLT | 2 | 2 | 2 | |
| 18 | 92995-06600 | WASHER | 2 | 2 | 2 | |
| 19 | 6H3-42727-00 | GROMMET | 1 | 1 | 1 | |
| 20 | 90480-09M12 | GROMMET | 4 | 4 | 4 | |
| 21 | 90387-06M69 | COLLAR | 4 | 4 | 4 | |
| 22 | 90119-06M61 | BOLT, WITH WASHER | 4 | 4 | 4 | |
| 23 | 6H3-42768-00 | DAMPER | 1 | 1 | 1 | |
| 24 | 6E5-24367-01 | CLAMP, FUEL PIPE 2 | 1 | 1 | 1 | |
| 25 | 90157-06M01 | SCREW, PAN HEAD | 1 | 1 | 1 | |
| 26 | 92990-06600 | WASHER, PLATE | 1 | 1 | 1 | |

FIG. 13 BOTTOM COWLING



| REF. NO. | PART NO. | DESCRIPTION | 60ET | 6ETO | 7ETO | REMARKS |
|----------|-----------------|--------------------|------|------|------|---------|
| 27 | 688-42726-10 | GROMMET | 1 | 1 | 1 | |
| 28 | 90464-09M13 | CLAMP | 1 | 1 | 1 | |
| 29 | 90157-06M01 | SCREW, PAN HEAD | 1 | 1 | 1 | |
| 30 | 6G1-42748-00 | GROMMET | | 1 | 1 | |
| 31 | 6H3-42741-01-4D | APRON | 1 | 1 | 1 | |
| 32 | 6H3-42771-01-4D | APRON | 1 | 1 | 1 | |
| 33 | 97095-06025 | BOLT | 2 | 2 | 2 | |
| 34 | 92995-06600 | WASHER | 2 | 2 | 2 | |
| 35 | 97095-06020 | BOLT | 2 | 2 | 2 | |
| 36 | 92995-06600 | WASHER | 2 | 2 | 2 | |
| 37 | 6E5-24367-01 | CLAMP, FUEL PIPE 2 | 1 | 1 | 1 | |
| 38 | 92990-06600 | WASHER, PLATE | 1 | 1 | 1 | |
| 39 | 6H3-42718-00 | RUBBER, SEAL 3 | 1 | 1 | 1 | |
| | | | | | | |
| | | | | | | |
| | | | | | | |
| | | | | | | |
| | | | | | | |

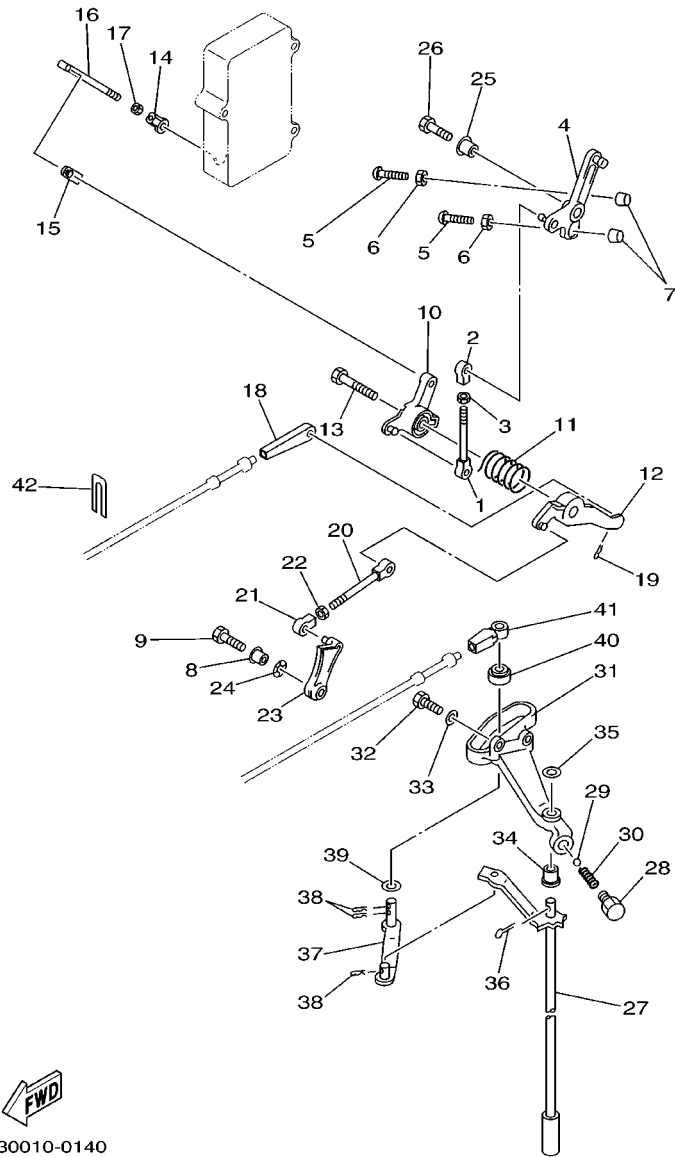


6H30010-0140

FIG. 14 CONTROL

| REF. NO. | PART NO. | DESCRIPTION | 60ET | 6ETO | 7ETO | REMARKS |
|----------|-----------------|---------------------------|------|------|------|---------|
| 1 | 689-42169-01 | JOINT | 1 | 1 | 1 | |
| 2 | 682-41237-00 | JOINT, LINK | 1 | 1 | 1 | |
| 3 | 95380-05600 | NUT | 1 | 1 | 1 | |
| 4 | 6H3-41631-00 | LEVER, MAGNETO CONTROL | 1 | 1 | 1 | |
| 5 | 90157-06M13 | SCREW, PAN HEAD | 2 | 2 | 2 | |
| 6 | 95380-06600 | NUT, HEXAGON | 2 | 2 | 2 | |
| 7 | 688-44194-00 | CAP | 2 | 2 | 2 | |
| 8 | 90387-06M60 | COLLAR | 1 | 1 | 1 | |
| 9 | 97095-06025 | BOLT | 1 | 1 | 1 | |
| 10 | 6H3-41632-20 | LEVER, MAGNETO CONTROL | 1 | 1 | 1 | |
| 11 | 90508-26M35 | SPRING, TORSION | 1 | 1 | 1 | |
| 12 | 6H3-41633-10 | LEVER, MAGNETO CONTROL | 1 | 1 | 1 | |
| 13 | 90109-06M43 | BOLT | 1 | 1 | 1 | |
| 14 | 6H1-41237-00 | JOINT, LINK | 1 | 1 | 1 | |
| 15 | 6F5-41237-00 | JOINT, LINK | 1 | 1 | 1 | |
| 16 | 6H3-41636-10-94 | ROD, MAGNETO CONTROL | 1 | 1 | 1 | |
| 17 | 95380-05600 | NUT | 1 | 1 | 1 | |
| 18 | 6H3-48344-00 | CABLE END, REMOTE CONTROL | 1 | 1 | 1 | |
| 19 | 90468-18008 | CLIP | 1 | 1 | 1 | |
| 20 | 689-42169-01 | JOINT | 1 | 1 | 1 | |
| 21 | 6H4-41237-00 | JOINT, LINK | 1 | 1 | 1 | |
| 22 | 95380-05600 | NUT | 1 | 1 | 1 | |
| 23 | 6H3-41213-10 | CAM, ACCEL. | 1 | 1 | 1 | |
| 24 | 90206-10M04 | WASHER, WAVE | 1 | 1 | 1 | |
| 25 | 90387-06M60 | COLLAR | 1 | 1 | 1 | |
| 26 | 97095-06025 | BOLT | 1 | 1 | 1 | |
| 27 | 6H3-44120-12 | HANDLE GEAR SHIFT ASSY | 1 | 1 | 1 | L |

D6

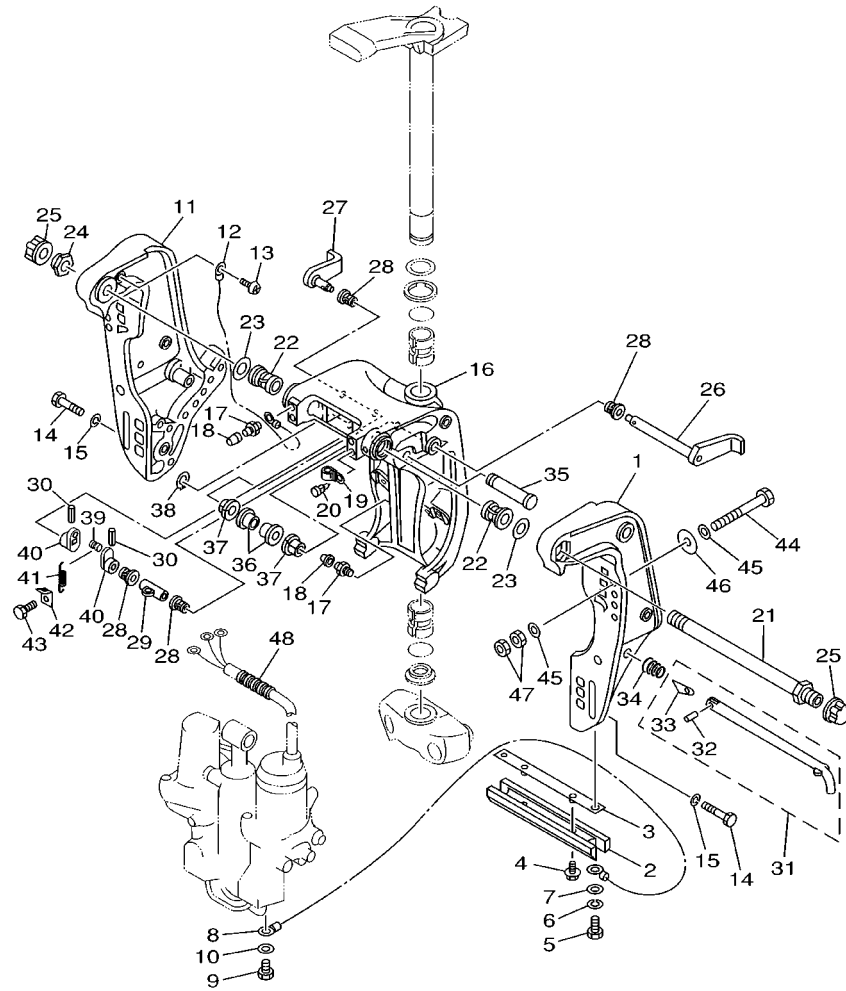


6H30010-0140

FIG. 14 CONTROL

| REF. NO. | PART NO. | DESCRIPTION | 60ET | 6ETO | 7ETO | REMARKS |
|----------|-----------------|---------------------------|------|------|------|---------|
| 27 | 6H3-44120-22 | HANDLE GEAR SHIFT ASSY | | | 1 | X |
| 28 | 648-42715-00 | BUSHING | 1 | 1 | 1 | |
| 29 | 93501-04M02 | BALL | 1 | 1 | 1 | |
| 30 | 90501-12082 | SPRING, COMPRESSION | 1 | 1 | 1 | |
| 31 | 6H3-44117-00-94 | BRACKET | | 1 | 1 | |
| | 6J2-44117-01-94 | BRACKET | 1 | | | |
| 32 | 97013-06020 | BOLT | 2 | 2 | 2 | |
| 33 | 92903-06600 | WASHER, PLATE | 2 | 2 | 2 | |
| 34 | 90386-07M58 | BUSH | 1 | 1 | 1 | |
| 35 | 92990-08200 | WASHER, PLAIN | 1 | 1 | 1 | |
| 36 | 91490-20012 | PIN, COTTER | 1 | 1 | 1 | |
| 37 | 6H3-44121-01 | LEVER, SHIFT ROD | 1 | 1 | 1 | |
| 38 | 90468-18008 | CLIP | 3 | 3 | 3 | |
| 39 | 90202-07M07 | WASHER, PLATE | 1 | 1 | 1 | |
| 40 | 688-44122-00 | BUSHING, SHIFT ROD LEVER | 1 | 1 | 1 | |
| 41 | 663-48344-00 | CABLE END, REMOTE CONTROL | 1 | 1 | 1 | |
| 42 | 6H3-48538-00 | CLAMP, CABLE 1 | 1 | 1 | 1 | |
| | | | | | | |
| | | | | | | |
| | | | | | | |
| | | | | | | |

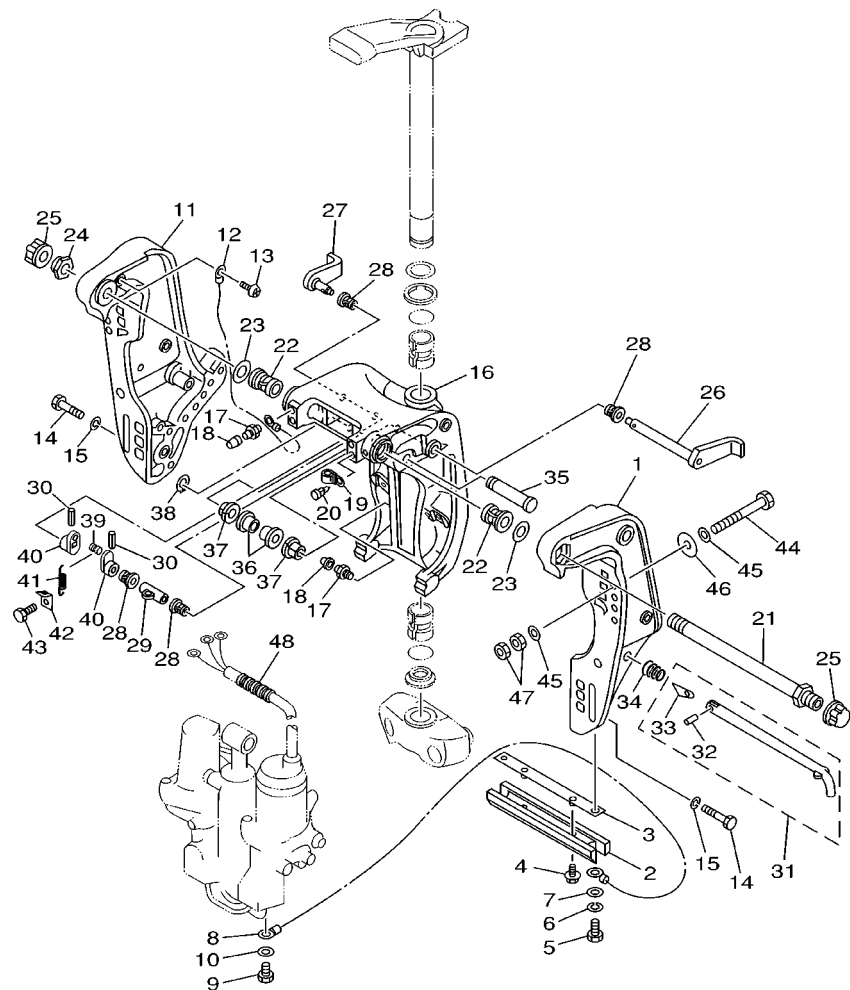
FIG. 15 BRACKET 1



6H30010-9150

| REF. NO. | PART NO. | DESCRIPTION | 60ET | 6ETO | 7ETO | REMARKS |
|----------|-----------------|---------------------|------|------|------|---------|
| 1 | 6H1-43111-01-4D | BRACKET, CLAMP | 1 | 1 | 1 | |
| 2 | 6H1-45251-03 | ANODE | 1 | 1 | 1 | |
| 3 | 6H1-44526-00 | PLATE | 1 | 1 | 1 | |
| 4 | 90119-06M29 | BOLT, WITH WASHER | 2 | 2 | 2 | |
| 5 | 97095-06016 | BOLT | 2 | 2 | 2 | |
| 6 | 92995-06100 | WASHER, SPRING | 2 | 2 | 2 | |
| 7 | 92995-06600 | WASHER | 2 | 2 | 2 | |
| 8 | 6H1-82148-00 | WIRE, LEAD 4 | 1 | 1 | 1 | |
| 9 | 97095-06010 | BOLT | 1 | 1 | 1 | |
| 10 | 92995-06600 | WASHER | 1 | 1 | 1 | |
| 11 | 6H1-43112-00-4D | BRACKET, CLAMP | 1 | 1 | 1 | |
| 12 | 6E5-82148-00 | WIRE, LEAD 4 | 1 | 1 | 1 | |
| 13 | 97880-06012 | SCREW, PAN HEAD | 1 | 1 | 1 | |
| 14 | 97095-10045 | BOLT | 6 | 6 | 6 | |
| 15 | 92995-10100 | WASHER | 6 | 6 | 6 | |
| 16 | 6H1-43311-01-4D | BRACKET, SWIVEL | 1 | 1 | 1 | |
| 17 | 93700-06M03 | NIPPLE, GREASE | 3 | 3 | 3 | |
| 18 | 663-45119-00 | CAP, GREASE NIPPLE | 3 | 3 | 3 | AP |
| 19 | 90464-11M18 | CLAMP | 1 | 1 | 1 | |
| 20 | 90338-05M03 | PLUG | 1 | 1 | 1 | |
| 21 | 688-43131-03 | BOLT, CLAMP BRACKET | 1 | 1 | 1 | |
| 22 | 90386-22M15 | BUSH | 2 | 2 | 2 | |
| 23 | 90201-22M67 | WASHER, PLATE | 2 | 2 | 2 | |
| 24 | 90185-22043 | NUT, SELF-LOCKING | 1 | 1 | 1 | |
| 25 | 6G5-43145-00 | CAP, CLAMP BRACKET | 2 | 2 | 2 | |
| 26 | 6H1-43181-01 | LEVER, TILT STOP | 1 | 1 | 1 | |
| 27 | 6H1-43185-01 | LEVER, TILT STOP | 1 | 1 | 1 | |

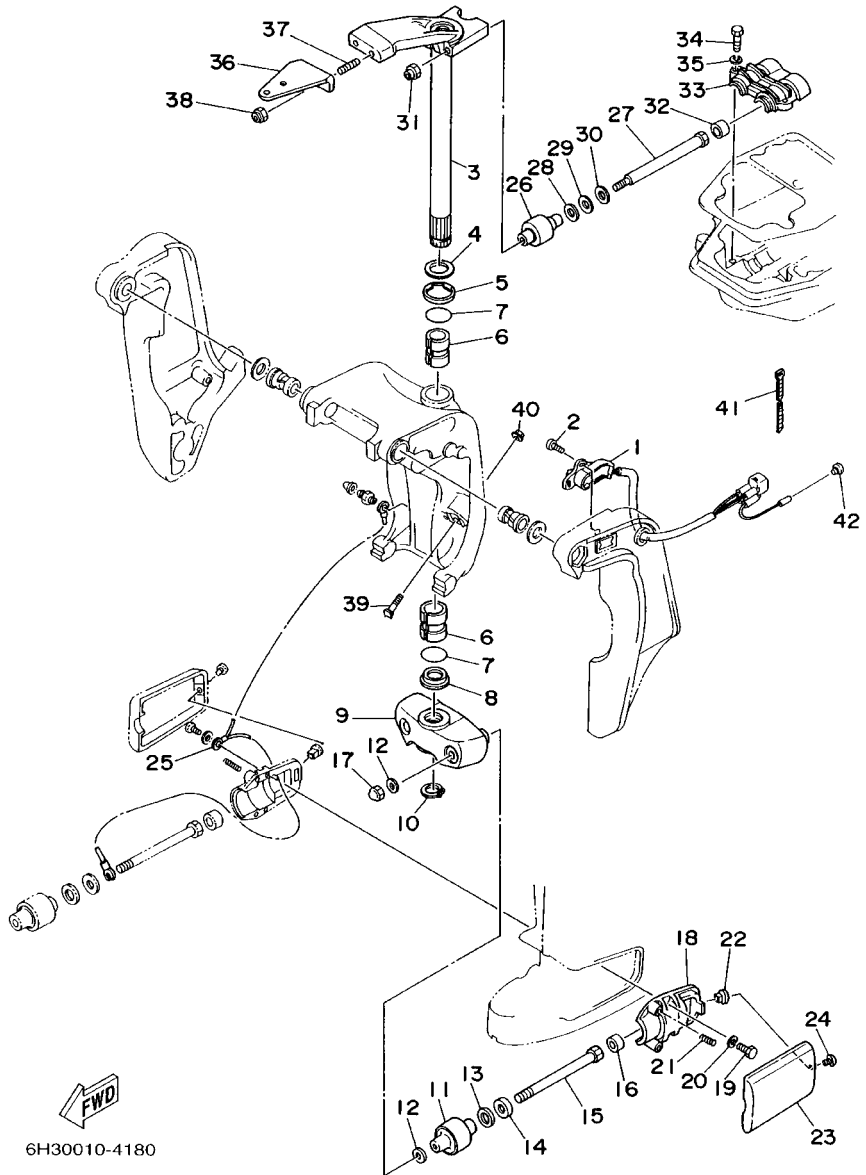
FIG. 15 BRACKET 1



6H30010-9150

| REF. NO. | PART NO. | DESCRIPTION | 60ET | 6ETO | 7ETO | REMARKS |
|----------|--------------|------------------------|------|------|------|---------|
| 28 | 90386-10M16 | BUSH | 4 | 4 | 4 | |
| 29 | 90387-10M02 | COLLAR | 1 | 1 | 1 | |
| 30 | 91690-30020 | PIN, SPRING | 2 | 2 | 2 | |
| 31 | 688-43160-01 | TILT ROD ASSY | 1 | 1 | 1 | |
| 32 | 91690-30012 | .PIN, SPRING | 1 | 1 | 1 | |
| 33 | 688-43165-00 | .PLATE, TILT LOCK | 1 | 1 | 1 | |
| 34 | 90502-16M02 | SPRING, CONICAL | 1 | 1 | 1 | |
| 35 | 6E5-43126-02 | PIN, UPPER SHOCK MOUNT | 1 | 1 | 1 | |
| 36 | 90386-18M63 | BUSH | 2 | 2 | 2 | |
| 37 | 90386-18M35 | BUSH | 2 | 2 | 2 | |
| 38 | 93410-18M02 | CIRCLIP | 1 | 1 | 1 | |
| 39 | 90249-06M19 | PIN | 1 | 1 | 1 | |
| 40 | 6G5-43148-00 | COLLAR, DISTANCE | 2 | 2 | 2 | |
| 41 | 90506-14M24 | SPRING, TENSION | 1 | 1 | 1 | |
| 42 | 6G5-43144-00 | HOOK, SPRING | 1 | 1 | 1 | |
| 43 | 97095-06010 | BOLT | 1 | 1 | 1 | |
| 44 | 90101-12M65 | BOLT | 4 | 4 | 4 | |
| 45 | 92995-12200 | WASHER | 8 | 8 | 8 | |
| 46 | 90201-12426 | WASHER, PLATE | 4 | 4 | 4 | |
| 47 | 95380-12600 | NUT | 8 | 8 | 8 | |
| 48 | 90440-14M00 | PIPE | 1 | 1 | 1 | |

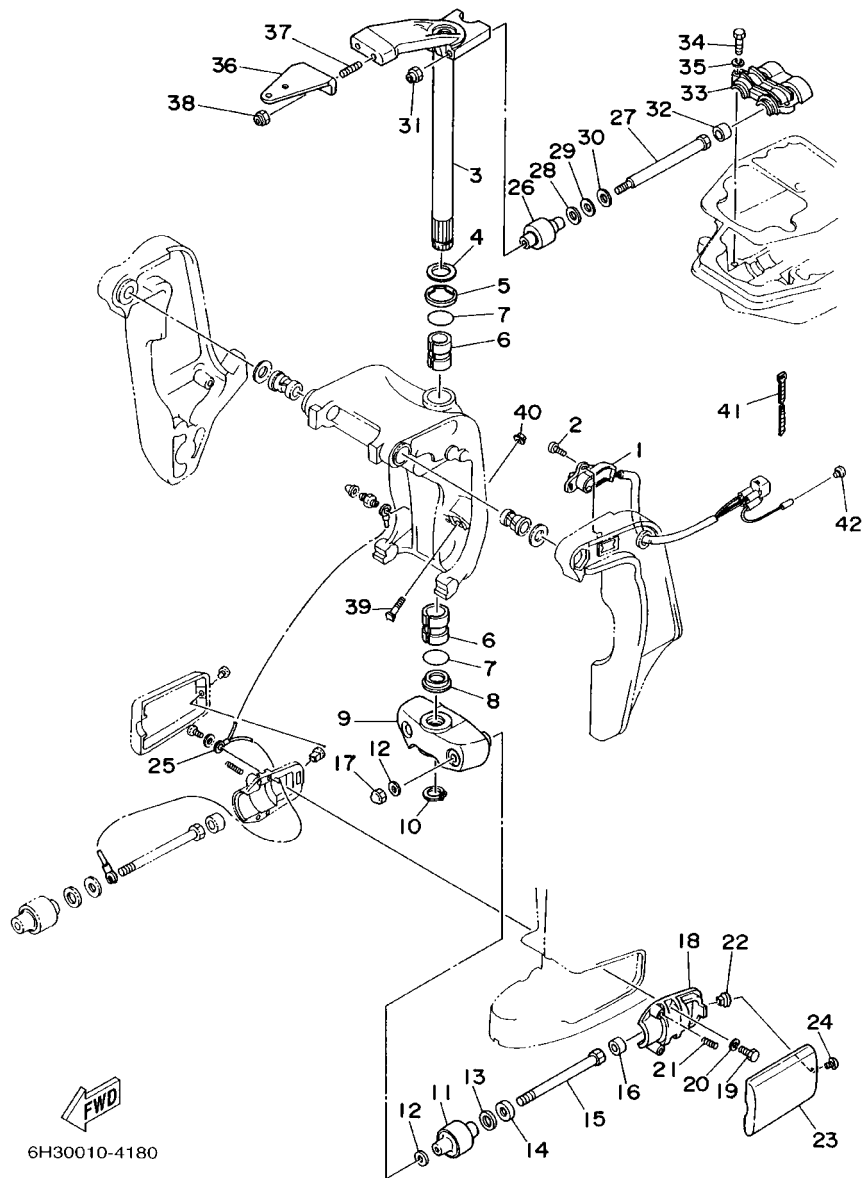
FIG. 16 BRACKET 2



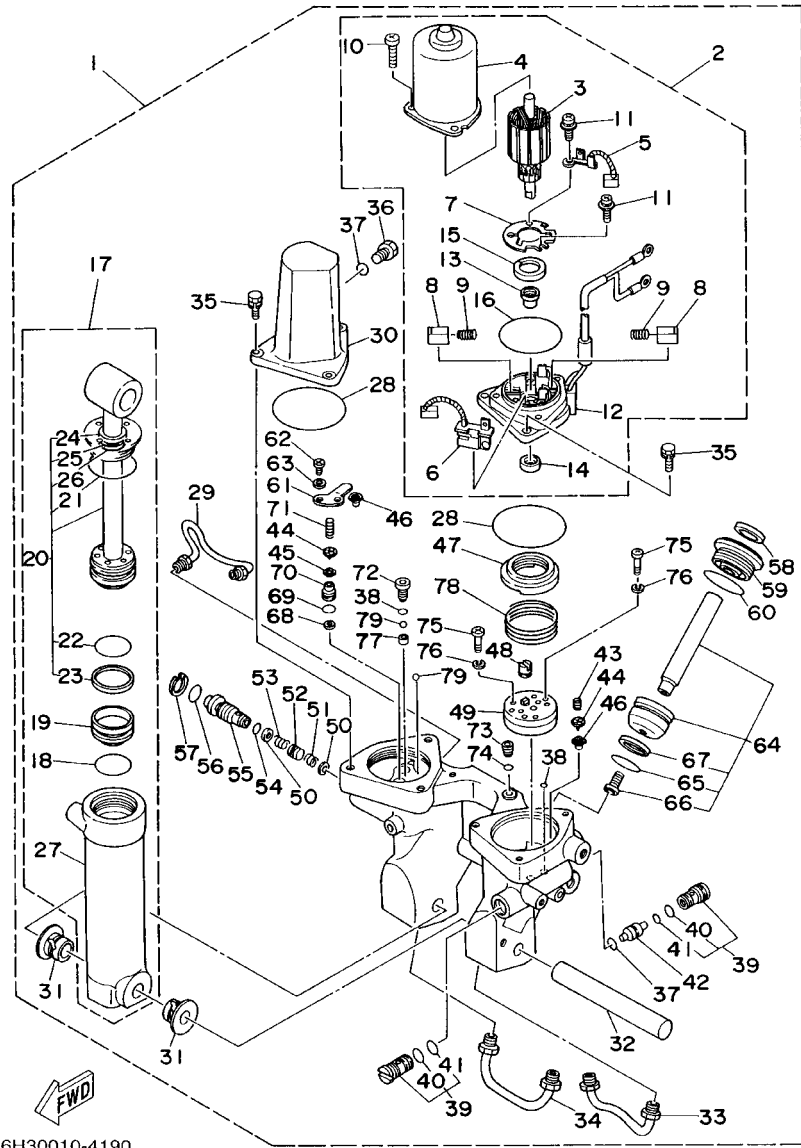
6H30010-4180

| REF. NO. | PART NO. | DESCRIPTION | 60ET | 6ETO | 7ETO | REMARKS |
|----------|-----------------|-----------------------------|------|------|------|---------|
| 1 | 6H1-83672-11 | TRIM SENDER | 1 | 1 | 1 | |
| 2 | 97885-06016 | SCREW, PAN HEAD | 2 | 2 | 2 | |
| 3 | 6H3-42510-12-4D | STEERING BRACKET ASSY | 1 | 1 | 1 | |
| 4 | 90201-30M00 | WASHER, PLATE | 1 | 1 | 1 | |
| 5 | 90386-30M78 | BUSH | 1 | 1 | 1 | |
| 6 | 90386-30M77 | BUSH | 2 | 2 | 2 | |
| 7 | 93210-29M94 | O-RING | 2 | 2 | 2 | |
| 8 | 90386-30M60 | BUSH | 1 | 1 | 1 | |
| 9 | 6H3-44551-01-4D | HOUSING, LOWER MOUNT RUBBER | 1 | 1 | 1 | |
| 10 | 93410-28M06 | CIRCLIP | 1 | 1 | 1 | |
| 11 | 687-44555-00-94 | MOUNT DAMPER, LOWER SIDE | 2 | 2 | 2 | L |
| | 688-44555-00-94 | MOUNT DAMPER, LOWER SIDE | | | 2 | X |
| 12 | 90201-12M16 | WASHER, PLATE | 4 | 4 | 4 | |
| 13 | 90202-25M04 | WASHER, PLATE | 2 | 2 | 2 | |
| 14 | 90201-13M19 | WASHER, PLATE | 2 | 2 | 2 | |
| 15 | 90109-12M21 | BOLT | 2 | 2 | 2 | |
| 16 | 663-44575-00 | DAMPER, LOWER MOUNT RUBBER | 2 | 2 | 2 | |
| 17 | 95380-12800 | NUT, CROWN | 2 | 2 | 2 | |
| 18 | 6H3-44552-02-94 | HOUSING, LOWER MOUNT RUBBER | 2 | 2 | 2 | |
| 19 | 97075-08025 | BOLT | 4 | 4 | 4 | |
| 20 | 92995-08100 | WASHER | 4 | 4 | 4 | |
| 21 | 90501-14M08 | SPRING, COMPRESSION | 4 | 4 | 4 | |
| 22 | 90179-06066 | NUT | 2 | 2 | 2 | |
| 23 | 6H3-44553-01-4D | COVER, LOWER MOUNT | 2 | 2 | 2 | |
| 24 | 97885-06016 | SCREW, PAN HEAD | 2 | 2 | 2 | |
| 25 | 688-82127-02 | WIRE, LEAD 2 | 1 | 1 | 1 | |
| 26 | 688-44514-00-94 | MOUNT DAMPER, UPPER SIDE | 2 | 2 | 2 | |

FIG. 16 BRACKET 2



| REF. NO. | PART NO. | DESCRIPTION | 60ET | 6ETO | 7ETO | REMARKS |
|----------|-----------------|----------------------------|------|------|------|---------|
| 27 | 90101-10M49 | BOLT | 2 | 2 | 2 | |
| 28 | 90201-20M21 | WASHER, PLATE | 2 | 2 | 2 | |
| 29 | 90202-20M06 | WASHER, PLATE | 2 | 2 | 2 | |
| 30 | 90201-11M22 | WASHER, PLATE | 2 | 2 | 2 | |
| 31 | 90185-10051 | NUT, SELF-LOCKING | 2 | 2 | 2 | |
| 32 | 663-44575-00 | DAMPER, LOWER MOUNT RUBBER | 2 | 2 | 2 | |
| 33 | 688-44511-00-94 | COVER, UPPER MOUNT | 1 | 1 | 1 | |
| 34 | 97075-08035 | BOLT | 3 | 3 | 3 | |
| 35 | 92995-08100 | WASHER | 3 | 3 | 3 | |
| 36 | 6H3-48511-51-4D | HOOK, STEERING | 1 | 1 | 1 | |
| 37 | 90116-10175 | BOLT, STUD | 2 | 2 | 2 | |
| 38 | 90185-10051 | NUT, SELF-LOCKING | 2 | 2 | 2 | |
| 39 | 6H1-43376-00 | BOLT, THRUST RECEIVER | 2 | 2 | 2 | |
| 40 | 90185-08057 | NUT, SELF-LOCKING | 2 | 2 | 2 | |
| 41 | 90465-11M10 | CLAMP | 3 | 3 | 3 | |
| 42 | 703-82119-00 | COVER, LEAD WIRE | 1 | 1 | 1 | |
| | | | | | | |
| | | | | | | |
| | | | | | | |
| | | | | | | |

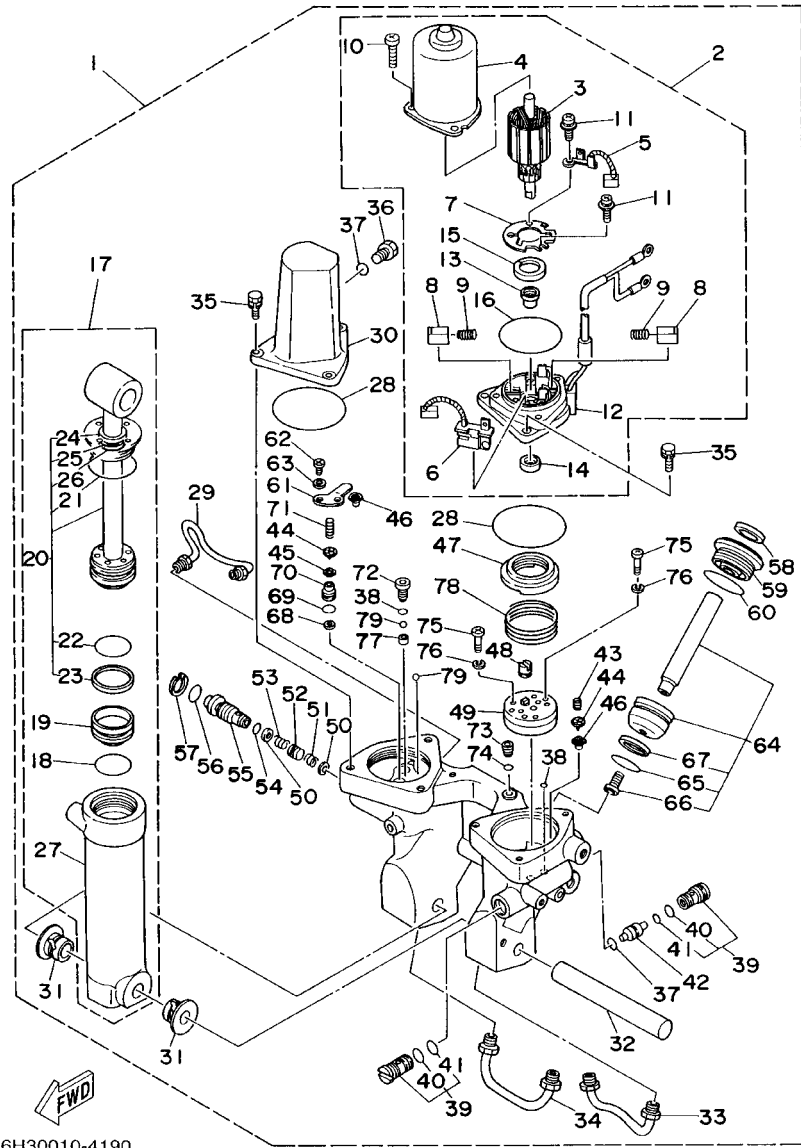


6H30010-4190

FIG. 17 POWER TRIM & TILT ASSY

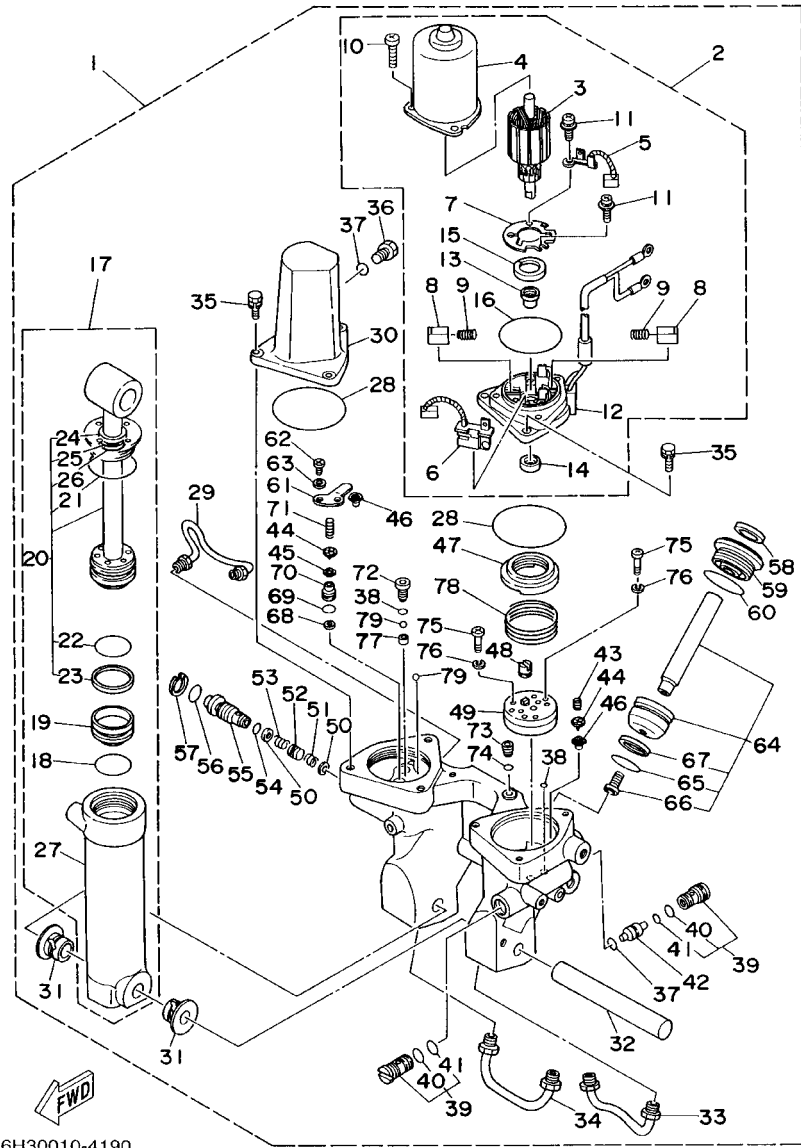
| REF. NO. | PART NO. | DESCRIPTION | 60ET | 6ETO | 7ETO | REMARKS |
|----------|-----------------|-------------------------------|------|------|------|---------|
| 1 | 6H1-43800-15-4D | POWER TRIM & TILT ASSY | 1 | 1 | 1 | |
| 2 | 6H1-43880-02 | ..MOTOR ASSY | 1 | 1 | 1 | |
| 3 | 6H1-43805-10 | ..ARMATURE ASSY | 1 | 1 | 1 | |
| 4 | 6H1-43804-10 | ..STATOR ASSY | 1 | 1 | 1 | |
| 5 | 6H1-43891-10 | ..BRUSH 1 | 1 | 1 | 1 | |
| 6 | 6H1-43892-10 | ..BRUSH 2 | 1 | 1 | 1 | |
| 7 | 6H1-4380F-10 | ..PLATE, BRUSH HOLDER | 1 | 1 | 1 | |
| 8 | 6H1-4380J-10 | ..HOLDER, BRUSH | 2 | 2 | 2 | |
| 9 | 6H1-4386K-10 | ..SPRING, BRUSH | 2 | 2 | 2 | |
| 10 | 97885-05016 | ..SCREW, PAN HEAD | 3 | 3 | 3 | |
| 11 | 97607-04310 | ..SCREW, PAN HEAD WITH WASHER | 2 | 2 | 2 | |
| 12 | 6H1-43881-10 | ..FRAME, END | 1 | 1 | 1 | |
| 13 | 6H1-4380H-10 | ..METAL | 1 | 1 | 1 | |
| 14 | 93102-08M43 | ..OIL SEAL | 1 | 1 | 1 | |
| 15 | 6H1-4380G-10 | ..PLATE | 1 | 1 | 1 | |
| 16 | 6H1-43865-10 | ..O-RING | 1 | 1 | 1 | |
| 17 | 6H1-43840-11 | ..POWER TILT ASSY | 1 | 1 | 1 | |
| 18 | 6H1-43861-10 | ..O-RING | 1 | 1 | 1 | |
| 19 | 6H1-43814-11 | ..PISTON, FREE | 1 | 1 | 1 | |
| 20 | 6H1-43810-11 | ..PISTON SUB ASSY | 1 | 1 | 1 | |
| 21 | 6H1-43861-00 | ..O-RING | 1 | 1 | 1 | |
| 22 | 6H1-43861-10 | ..O-RING | 1 | 1 | 1 | |
| 23 | 6H1-43871-10 | ..RING, BACK UP | 1 | 1 | 1 | |
| 24 | 6H1-43812-00 | ..SEAL, DUST | 1 | 1 | 1 | |
| 25 | 6H1-43872-10 | ..RING, BACK UP | 1 | 1 | 1 | |
| 26 | 93210-18397 | ..O-RING | 1 | 1 | 1 | |
| 27 | 6H1-43813-10 | ..CYLINDER, TILT | 1 | 1 | 1 | |

FIG. 17 POWER TRIM & TILT ASSY



6H30010-4190

| REF. NO. | PART NO. | DESCRIPTION | 60ET | 6ETO | 7ETO | REMARKS |
|----------|--------------|-------------------------|------|------|------|---------|
| 28 | 93210-64488 | .O-RING | 2 | 2 | 2 | |
| 29 | 6H1-43835-10 | .PIPE | 1 | 1 | 1 | |
| 30 | 6H1-43828-10 | .BODY, RESERVOIR | 1 | 1 | 1 | |
| 31 | 90386-18M14 | .BUSH | 2 | 2 | 2 | |
| 32 | 6E5-43818-00 | .PIN, LOWER SHOCK MOUNT | 1 | 1 | 1 | |
| 33 | 6H1-43833-10 | .PIPE | 1 | 1 | 1 | |
| 34 | 6H1-43834-00 | .PIPE | 1 | 1 | 1 | |
| 35 | 97595-06420 | .BOLT, WITH WASHER | 6 | 6 | 6 | |
| 36 | 6H1-43829-00 | .PLUG, RESERVOIR | 1 | 1 | 1 | |
| 37 | 93210-09165 | .O-RING | 2 | 2 | 2 | |
| 38 | 93210-064A5 | .O-RING | 3 | 3 | 3 | |
| 39 | 6T4-43802-03 | .VALVE SUB ASSY | 2 | 2 | 2 | |
| 40 | 6H1-43866-00 | .O-RING | 1 | 1 | 1 | |
| 41 | 6H1-43867-00 | .O-RING | 1 | 1 | 1 | |
| 42 | 6H1-43841-11 | .PISTON, SHUTTLE | 1 | 1 | 1 | |
| 43 | 6H1-43856-10 | .SPRING, DOWN RELIEF | 1 | 1 | 1 | |
| 44 | 6H1-43844-10 | .PIN, VALVE SUPPORT | 2 | 2 | 2 | |
| 45 | 6H1-4384G-11 | .SEAL, RELIEF VALVE | 1 | 1 | 1 | |
| 46 | 6H1-4384F-10 | .SEAL, MAIN VALVE | 2 | 2 | 2 | |
| 47 | 6H1-43817-01 | .FILTER 2 | 1 | 1 | 1 | |
| 48 | 6H1-43831-10 | .CONNECTOR, SHAFT | 1 | 1 | 1 | |
| 49 | 6H1-43830-11 | .GEAR PUMP ASSY | 1 | 1 | 1 | |
| 50 | 6H1-43847-00 | .SEAT, MANUAL VALVE | 2 | 2 | 2 | |
| 51 | 6H1-43899-00 | .SPRING, MANUAL RELEASE | 1 | 1 | 1 | |
| 52 | 6H1-4382A-10 | .ADAPTOR 1 | 1 | 1 | 1 | |
| 53 | 6H1-43854-00 | .SPRING, MANUAL RELEASE | 1 | 1 | 1 | |
| 54 | 93210-10M74 | .O-RING | 1 | 1 | 1 | |

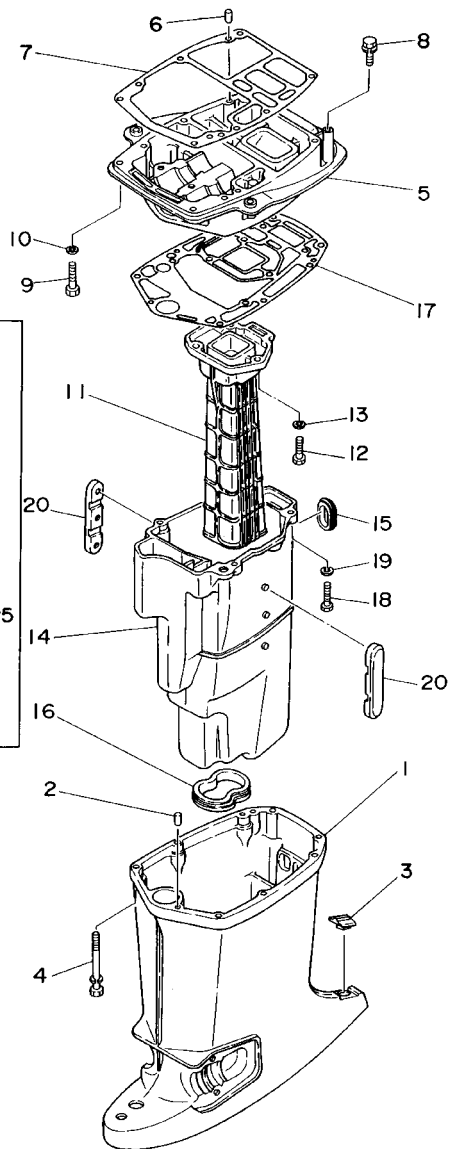
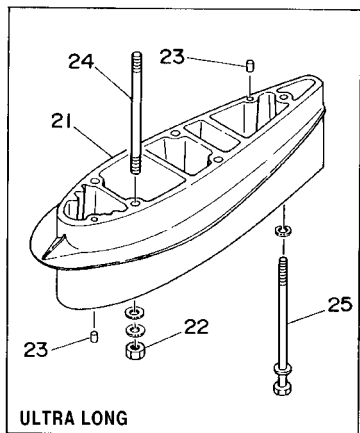


6H30010-4190

FIG. 17 POWER TRIM & TILT ASSY

| REF. NO. | PART NO. | DESCRIPTION | 60ET | 6ETO | 7ETO | REMARKS |
|----------|--------------|---------------------------|------|------|------|---------|
| 55 | 6H1-43845-00 | .SCREW, MANUAL RELEASE | 1 | 1 | 1 | |
| 56 | 93210-18M75 | .O-RING | 1 | 1 | 1 | |
| 57 | 6H1-43875-00 | .RING, SNAP | 1 | 1 | 1 | |
| 58 | 6H1-43822-10 | .SEAL, TRIM DUST | 2 | 2 | 2 | |
| 59 | 6H1-43821-11 | .SCREW, TRIM CYLINDER END | 2 | 2 | 2 | |
| 60 | 6H1-43861-10 | .O-RING | 2 | 2 | 2 | |
| 61 | 6H1-4384E-20 | .SPRING, TRIM | 1 | 1 | 1 | |
| 62 | 98501-05010 | .SCREW, PAN HEAD | 2 | 2 | 2 | |
| 63 | 92901-05200 | .WASHER, PLAIN | 2 | 2 | 2 | |
| 64 | 6H1-43820-11 | .PISTON SUB ASSY | 2 | 2 | 2 | |
| 65 | 6H1-43864-00 | .O-RING | 1 | 1 | 1 | |
| 66 | 91318-08016 | .BOLT | 1 | 1 | 1 | |
| 67 | 6H1-43874-00 | .RING, BACK UP | 1 | 1 | 1 | |
| 68 | 6H1-43816-00 | .FILTER 1 | 1 | 1 | 1 | |
| 69 | 6H1-43896-00 | .O-RING | 1 | 1 | 1 | |
| 70 | 6H1-43895-11 | .SEAT, RELIEF VALVE | 1 | 1 | 1 | |
| 71 | 6H1-43855-11 | .SPRING, UP RELIEF | 1 | 1 | 1 | |
| 72 | 6H1-43843-11 | .SCREW, VALVE LOCK | 1 | 1 | 1 | |
| 73 | 6H1-4388E-11 | .PLUG, TAPER SCREW | 1 | 1 | 1 | |
| 74 | 6H1-43868-00 | .O-RING | 1 | 1 | 1 | |
| 75 | 98501-04025 | .SCREW, PAN HEAD | 4 | 4 | 4 | |
| 76 | 92901-04100 | .WASHER, SPRING | 4 | 4 | 4 | |
| 77 | 6H1-4387J-00 | .WASHER, SPECIAL 2 | 1 | 1 | 1 | |
| 78 | 6H1-4385H-00 | .SPRING, SEAL | 1 | 1 | 1 | |
| 79 | 93505-32038 | .BALL | 2 | 2 | 2 | |

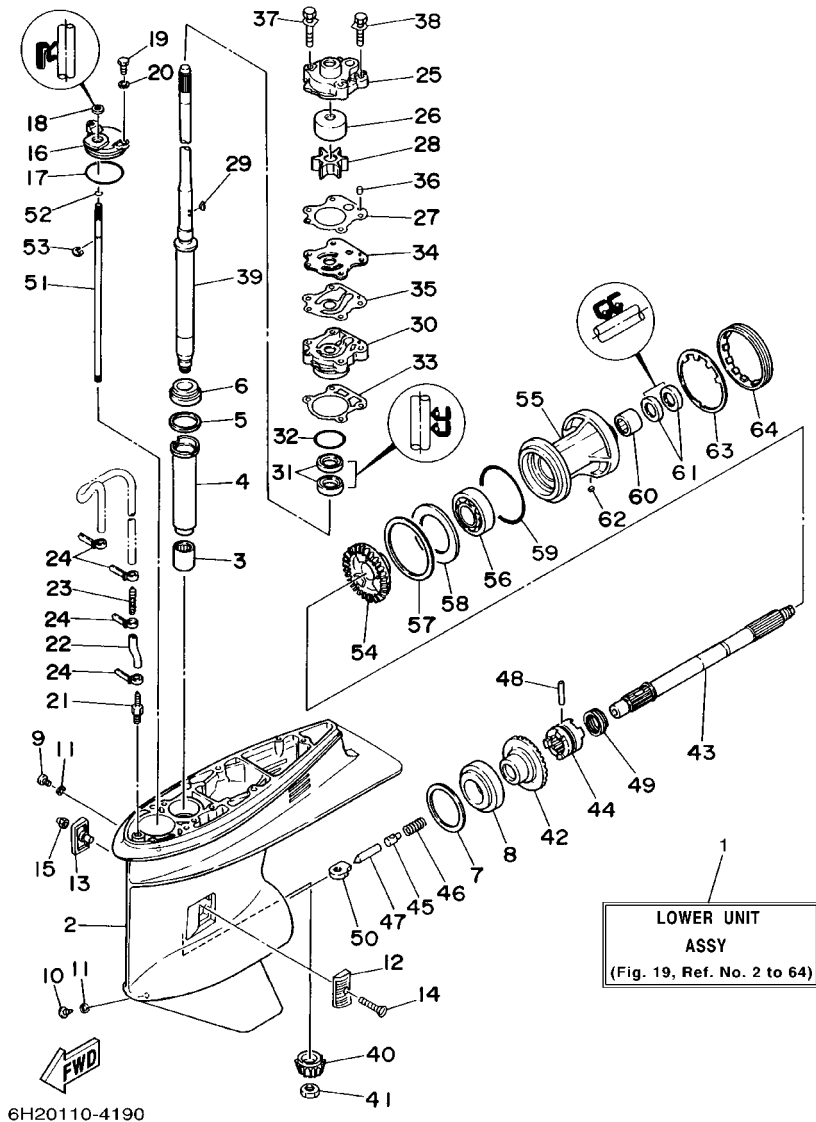
FIG. 18 UPPER CASING



| REF. NO. | PART NO. | DESCRIPTION | 60ET | 6ETO | 7ETO | REMARKS |
|----------|-----------------|----------------------|------|------|------|---------|
| 1 | 6H3-45111-11-4D | CASING, UPPER | 1 | 1 | 1 | |
| 2 | 93606-12019 | PIN, DOWEL | 2 | 2 | 2 | |
| 3 | 6H3-45155-00 | CAP | 1 | 1 | 1 | |
| 4 | 90119-08M81 | BOLT, WITH WASHER | 6 | 6 | 6 | |
| 5 | 6H3-41137-01-94 | GUIDE, EXHAUST | 1 | 1 | 1 | |
| 6 | 93606-12019 | PIN, DOWEL | 2 | 2 | 2 | |
| 7 | 6H3-45113-A0 | GASKET, UPPER CASING | 1 | 1 | 1 | |
| 8 | 90119-08M79 | BOLT, WITH WASHER | 2 | 2 | 2 | |
| 9 | 97075-08035 | BOLT | 2 | 2 | 2 | |
| 10 | 92995-08100 | WASHER | 2 | 2 | 2 | |
| 11 | 6H3-41131-00-5B | MANIFOLD, EXT. 1 | | | 1 | |
| | 6H2-41131-00-5B | MANIFOLD, EXT. 1 | 1 | 1 | | |
| 12 | 97075-08030 | BOLT | 3 | 3 | 3 | |
| 13 | 92995-08100 | WASHER | 3 | 3 | 3 | |
| 14 | 6H3-14711-10-5B | MUFFLER 1 | 1 | 1 | 1 | |
| 15 | 6H3-45127-00 | SEAL | 1 | 1 | 1 | |
| 16 | 6H3-45123-00 | GASKET, MUFFLER | 1 | 1 | 1 | |
| 17 | 6H3-45114-A1 | GASKET, UPPER CASING | 1 | 1 | 1 | |
| 18 | 97075-08030 | BOLT | 4 | 4 | 4 | |
| 19 | 92995-08100 | WASHER | 4 | 4 | 4 | |
| 20 | 6H3-14737-10 | DAMPER, MUFFLER | 2 | 2 | 2 | |
| 21 | 688-45211-01-4D | EXTENSION | | | 1 | X |
| 22 | 95380-10600 | NUT | | | 4 | X |
| 23 | 93606-12019 | PIN, DOWEL | | | 2 | X |
| 24 | 90116-10M05 | BOLT, STUD | | | 4 | X |
| 25 | 90119-08M86 | BOLT, WITH WASHER | | | 1 | X |

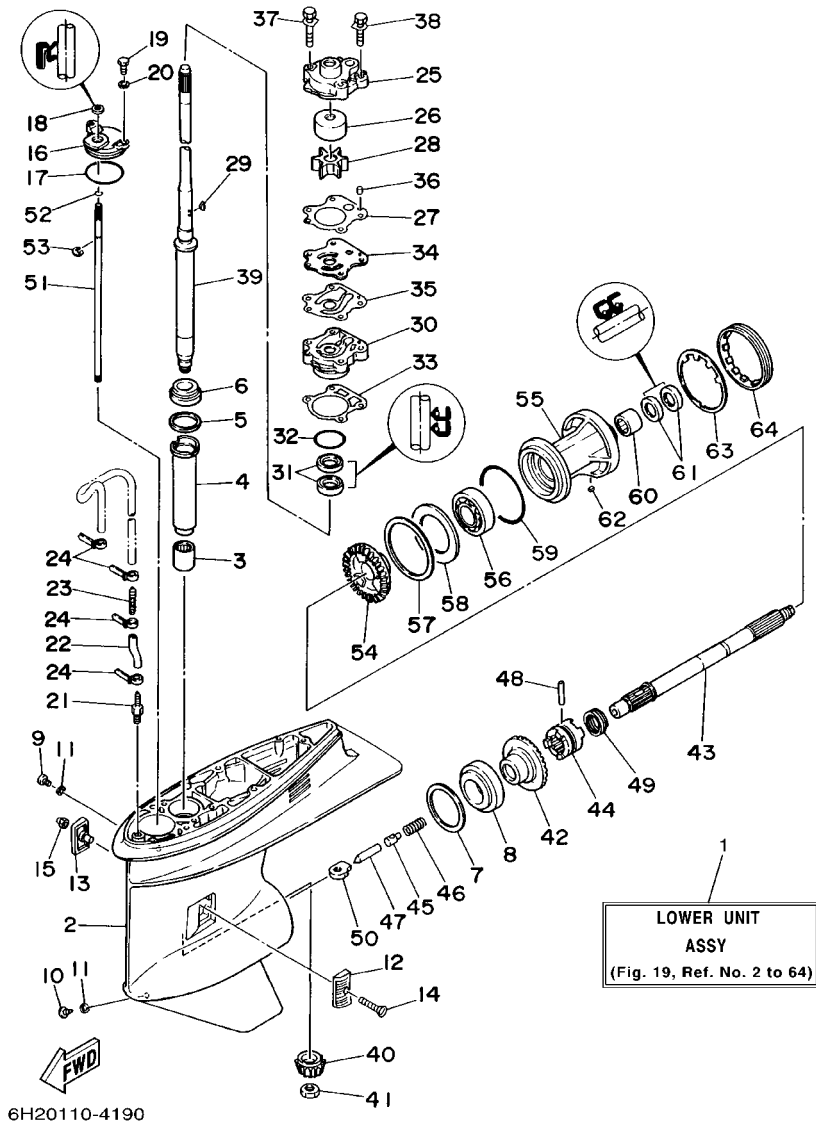
FWD
6H30010-4200

FIG. 19 LOWER CASING. DRIVE 1



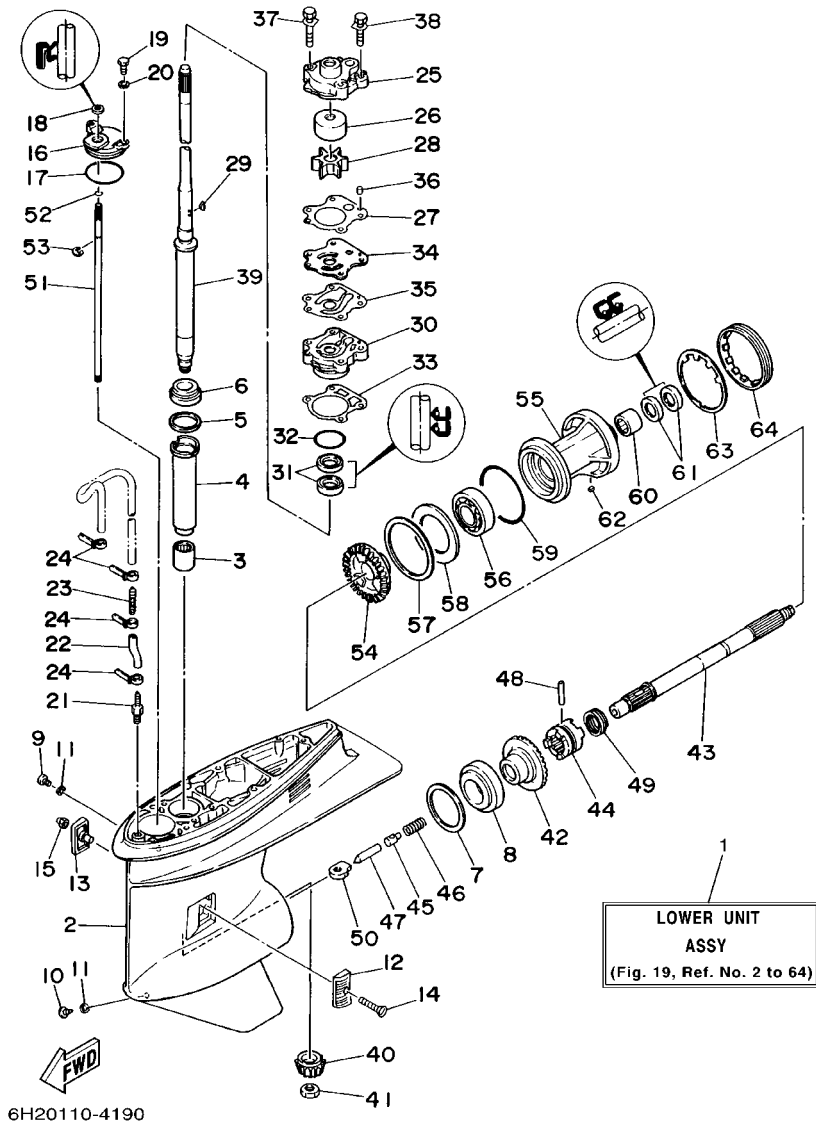
| REF. NO. | PART NO. | DESCRIPTION | 60ET | 6ETO | 7ETO | REMARKS |
|----------|-----------------|----------------------|------|------|------|---------|
| 1 | 6H3-45300-E4-4D | LOWER UNIT ASSY | 1 | | | L |
| 2 | 6H1-45301-12-4D | CASING, LOWER | 1 | | | |
| 3 | 93315-325V1 | BEARING | 1 | | | |
| 4 | 688-45536-01 | SLEEVE, DRIVE SHAFT | 1 | | | |
| 5 | 688-45587-01-10 | SHIM (T:0.10MM) | 1 | | | UR |
| | 688-45587-01-12 | SHIM (T:0.12MM) | 1 | | | UR |
| | 688-45587-01-15 | SHIM (T:0.15MM) | 1 | | | UR |
| | 688-45587-01-18 | SHIM (T:0.18MM) | 1 | | | UR |
| | 688-45587-01-30 | SHIM (T:0.30MM) | 1 | | | UR |
| | 688-45587-01-40 | SHIM (T:0.40MM) | 1 | | | UR |
| | 688-45587-01-50 | SHIM (T:0.50MM) | 1 | | | UR |
| 6 | 93332-000U3 | BEARING | 1 | | | |
| 7 | 688-45567-01-10 | SHIM (T:0.10MM) | 1 | | | UR |
| | 688-45567-01-12 | SHIM (T:0.12MM) | 1 | | | UR |
| | 688-45567-01-15 | SHIM (T:0.15MM) | 1 | | | UR |
| | 688-45567-01-18 | SHIM (T:0.18MM) | 1 | | | UR |
| | 688-45567-01-30 | SHIM (T:0.30MM) | 1 | | | UR |
| | 688-45567-01-40 | SHIM (T:0.40MM) | 1 | | | UR |
| | 688-45567-01-50 | SHIM (T:0.50MM) | 1 | | | UR |
| 8 | 93332-000W7 | BEARING | 1 | | | |
| 9 | 90340-08M04 | PLUG, STRAIGHT SCREW | 1 | | | |
| 10 | 688-45341-00 | PLUG, DRAIN | 1 | | | |
| 11 | 90430-08020 | GASKET | 2 | | | |
| 12 | 6H1-45214-00 | COVER, WATER INLET | 1 | | | |
| 13 | 6H1-45215-00 | COVER, WATER INLET | 1 | | | |
| 14 | 90151-05M00 | SCREW, COUNTERSUNK | 1 | | | |
| 15 | 90185-05002 | NUT, SELF-LOCKING | 1 | | | |

FIG. 19 LOWER CASING. DRIVE 1



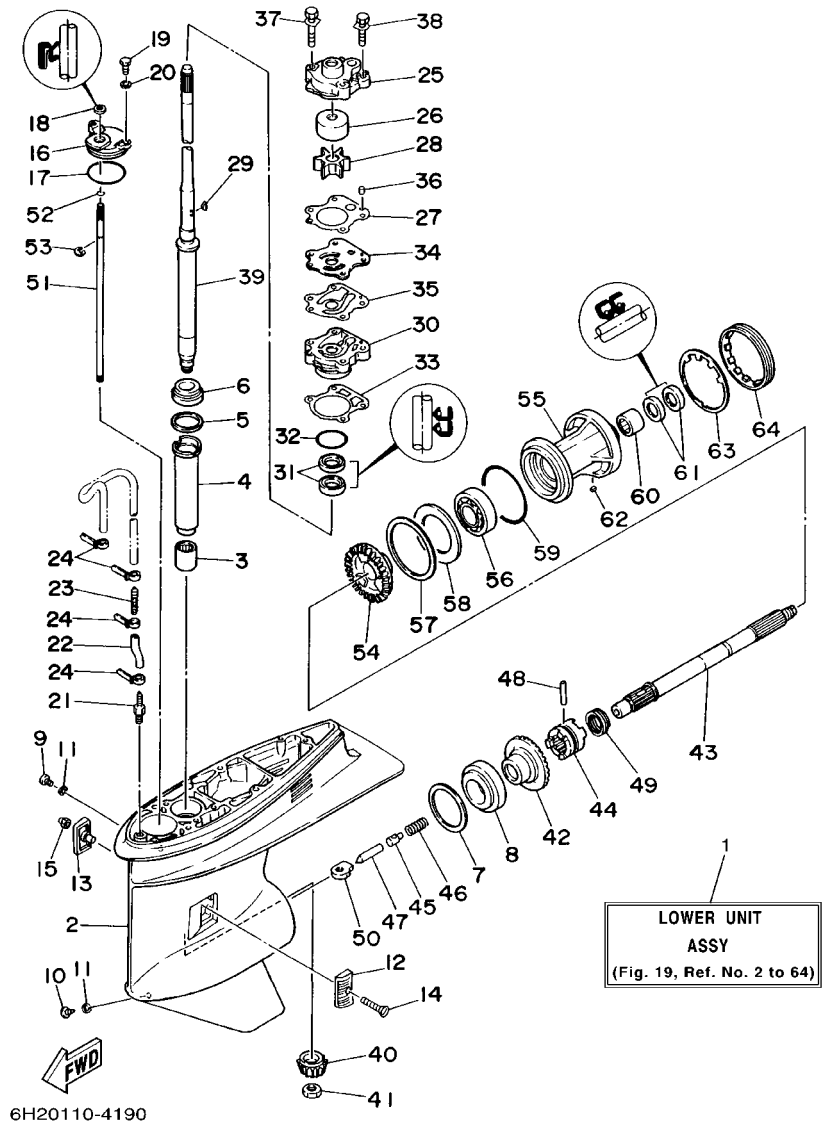
| REF. NO. | PART NO. | DESCRIPTION | 60ET | 6ETO | 7ETO | REMARKS |
|----------|-----------------|------------------------|------|------|------|---------|
| 16 | 688-45321-00 | PLATE | 1 | | | |
| 17 | 93210-49046 | O-RING | 1 | | | |
| 18 | 93106-09014 | OIL SEAL | 1 | | | |
| 19 | 97095-06016 | BOLT | 2 | | | |
| 20 | 92995-06600 | WASHER | 2 | | | |
| <hr/> | | | | | | |
| 21 | 6E5-45378-00 | NIPPLE, HOSE | 1 | | | |
| 22 | 90445-07ME9 | HOSE | 1 | | | L |
| 23 | 6E5-83558-10 | END, NIPPLE | 1 | | | |
| 24 | 90465-11M10 | CLAMP | 4 | | | |
| 25 | 6H3-44311-00 | HOUSING, WATER PUMP | 1 | | | |
| <hr/> | | | | | | |
| 26 | 663-44322-00 | INSERT, CARTRIDGE | 1 | | | |
| 27 | 6H3-44315-A0 | GASKET, WATER PUMP | 1 | | | |
| 28 | 6H3-44352-00 | IMPELLER | 1 | | | |
| 29 | 90280-03M03 | KEY, WOODRUFF | 1 | | | |
| 30 | 6H3-44341-00-94 | HOUSING, WATER PUMP | 1 | | | |
| <hr/> | | | | | | |
| 31 | 93101-23070 | OIL SEAL | 2 | | | |
| 32 | 93210-46044 | O-RING | 1 | | | |
| 33 | 688-44316-A0 | GASKET, WATER PUMP | 1 | | | |
| 34 | 6H3-44323-00 | OUTER PLATE, CARTRIDGE | 1 | | | |
| 35 | 6H3-44324-A0 | GASKET, CARTRIDGE | 1 | | | |
| <hr/> | | | | | | |
| 36 | 93604-10M03 | PIN, DOWEL | 2 | | | |
| 37 | 90119-08M33 | BOLT, WITH WASHER | 2 | | | |
| 38 | 90119-08M14 | BOLT, WITH WASHER | 2 | | | |
| 39 | 6H3-45501-10 | DRIVE SHAFT COMP. | 1 | | | L |
| 40 | 6K5-45551-00 | PINION (12T) | 1 | | | |
| 41 | 90170-16M01 | NUT | 1 | | | |
| <hr/> | | | | | | |
| 42 | 6K5-45560-00 | GEAR (28T) | 1 | | | |

FIG. 19 LOWER CASING. DRIVE 1



| REF. NO. | PART NO. | DESCRIPTION | 60ET | 6ETO | 7ETO | REMARKS |
|----------|-----------------|---------------------|------|------|------|---------|
| 43 | 688-45611-00 | SHAFT, PROPELLER | 1 | | | |
| 44 | 688-45631-01 | CLUTCH, DOG | 1 | | | |
| 45 | 688-45634-00 | SLIDE, SHIFT | 1 | | | |
| 46 | 90501-16233 | SPRING, COMPRESSION | 1 | | | |
| 47 | 688-45635-00 | PLUNGER, SHIFT | 1 | | | |
| 48 | 90250-07M02 | PIN, STRAIGHT | 1 | | | |
| 49 | 688-45633-00 | RING, CROSS PIN | 1 | | | |
| 50 | 663-44151-00 | CAM, SHIFT | 1 | | | |
| 51 | 6K5-44144-00 | ROD, SHIFT | 1 | | | |
| 52 | 93210-07003 | O-RING | 1 | | | |
| 53 | 93430-08006 | CIRCLIP | 1 | | | |
| 54 | 6K5-45571-00 | GEAR (28T) | 1 | | | |
| 55 | 688-45331-00-94 | HOUSING, BEARING | 1 | | | |
| 56 | 93306-207U0 | BEARING | 1 | | | |
| 57 | 688-45577-01-10 | SHIM (T:0.10MM) | 1 | | | UR |
| | 688-45577-01-12 | SHIM (T:0.12MM) | 1 | | | UR |
| | 688-45577-01-15 | SHIM (T:0.15MM) | 1 | | | UR |
| | 688-45577-01-18 | SHIM (T:0.18MM) | 1 | | | UR |
| | 688-45577-01-30 | SHIM (T:0.30MM) | 1 | | | UR |
| | 688-45577-01-40 | SHIM (T:0.40MM) | 1 | | | UR |
| | 688-45577-01-50 | SHIM (T:0.50MM) | 1 | | | UR |
| 58 | 688-45576-00 | WASHER, THRUST | 1 | | | |
| 59 | 93210-85M97 | O-RING | 1 | | | |
| 60 | 93317-325U0 | BEARING | 1 | | | |
| 61 | 93101-25M03 | OIL SEAL | 2 | | | |
| 62 | 90282-04010 | KEY, STRAIGHT | 1 | | | |
| 63 | 688-45383-02 | WASHER, CLAW | 1 | | | |

FIG. 19 LOWER CASING. DRIVE 1



| REF. NO. | PART NO. | DESCRIPTION | 60ET | 6ETO | 7ETO | REMARKS |
|----------|--------------|-------------|------|------|------|---------|
| 64 | 688-45384-00 | NUT | 1 | | | |
| | | | | | | |
| | | | | | | |
| | | | | | | |
| | | | | | | |
| | | | | | | |
| | | | | | | |
| | | | | | | |
| | | | | | | |
| | | | | | | |
| | | | | | | |

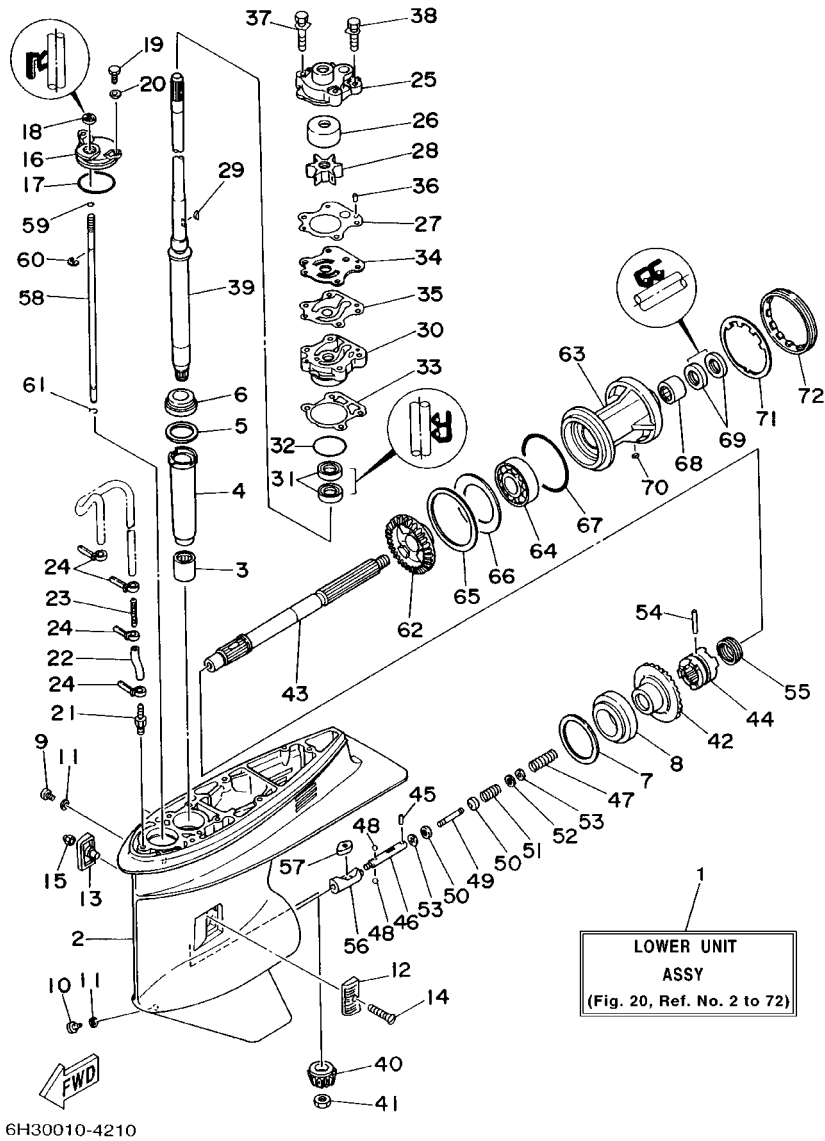


FIG. 20 LOWER CASING, DRIVE 2

| REF. NO. | PART NO. | DESCRIPTION | 60ET | 6ETO | 7ETO | REMARKS |
|----------|-----------------|----------------------|------|------|------|---------|
| 1 | 6H3-45300-15-4D | LOWER UNIT ASSY | | 1 | 1 | |
| 2 | 6H1-45301-03-4D | CASING, LOWER | | 1 | 1 | |
| 3 | 93315-325V1 | BEARING | | 1 | 1 | |
| 4 | 688-45536-01 | SLEEVE, DRIVE SHAFT | | 1 | 1 | |
| 5 | 688-45587-01-10 | SHIM (T:0.10MM) | | 1 | 1 | UR |
| | 688-45587-01-12 | SHIM (T:0.12MM) | | 1 | 1 | UR |
| | 688-45587-01-15 | SHIM (T:0.15MM) | | 1 | 1 | UR |
| | 688-45587-01-18 | SHIM (T:0.18MM) | | 1 | 1 | UR |
| | 688-45587-01-30 | SHIM (T:0.30MM) | | 1 | 1 | UR |
| | 688-45587-01-40 | SHIM (T:0.40MM) | | 1 | 1 | UR |
| | 688-45587-01-50 | SHIM (T:0.50MM) | | 1 | 1 | UR |
| 6 | 93332-000U3 | BEARING | | 1 | 1 | |
| 7 | 688-45567-01-10 | SHIM (T:0.10MM) | | 1 | 1 | UR |
| | 688-45567-01-12 | SHIM (T:0.12MM) | | 1 | 1 | UR |
| | 688-45567-01-15 | SHIM (T:0.15MM) | | 1 | 1 | UR |
| | 688-45567-01-18 | SHIM (T:0.18MM) | | 1 | 1 | UR |
| | 688-45567-01-30 | SHIM (T:0.30MM) | | 1 | 1 | UR |
| | 688-45567-01-40 | SHIM (T:0.40MM) | | 1 | 1 | UR |
| | 688-45567-01-50 | SHIM (T:0.50MM) | | 1 | 1 | UR |
| 8 | 93332-000W7 | BEARING | | 1 | 1 | |
| 9 | 90340-08M04 | PLUG, STRAIGHT SCREW | | 1 | 1 | |
| 10 | 688-45341-00 | PLUG, DRAIN | | 1 | 1 | |
| 11 | 90430-08020 | GASKET | | 2 | 2 | |
| 12 | 6H1-45214-00 | COVER, WATER INLET | | 1 | 1 | |
| 13 | 6H1-45215-00 | COVER, WATER INLET | | 1 | 1 | |
| 14 | 90151-05M00 | SCREW, COUNTERSUNK | | 1 | 1 | |
| 15 | 90185-05002 | NUT, SELF-LOCKING | | 1 | 1 | |

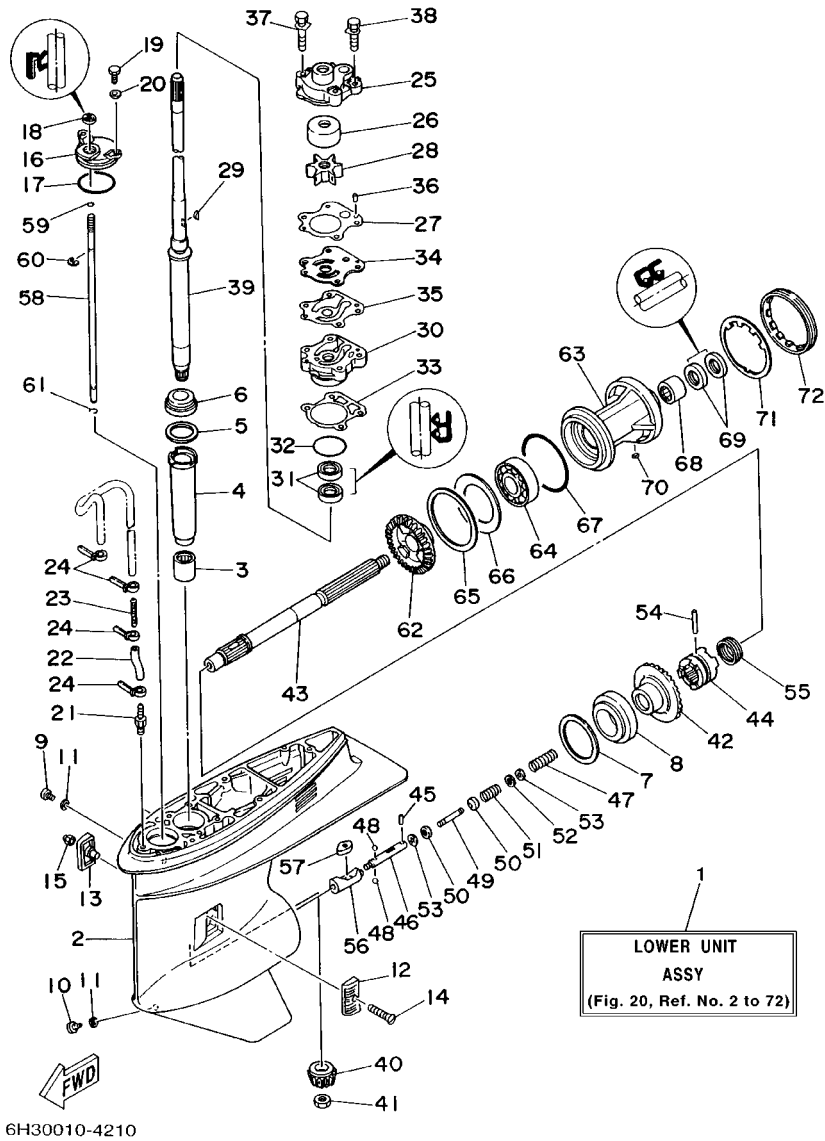
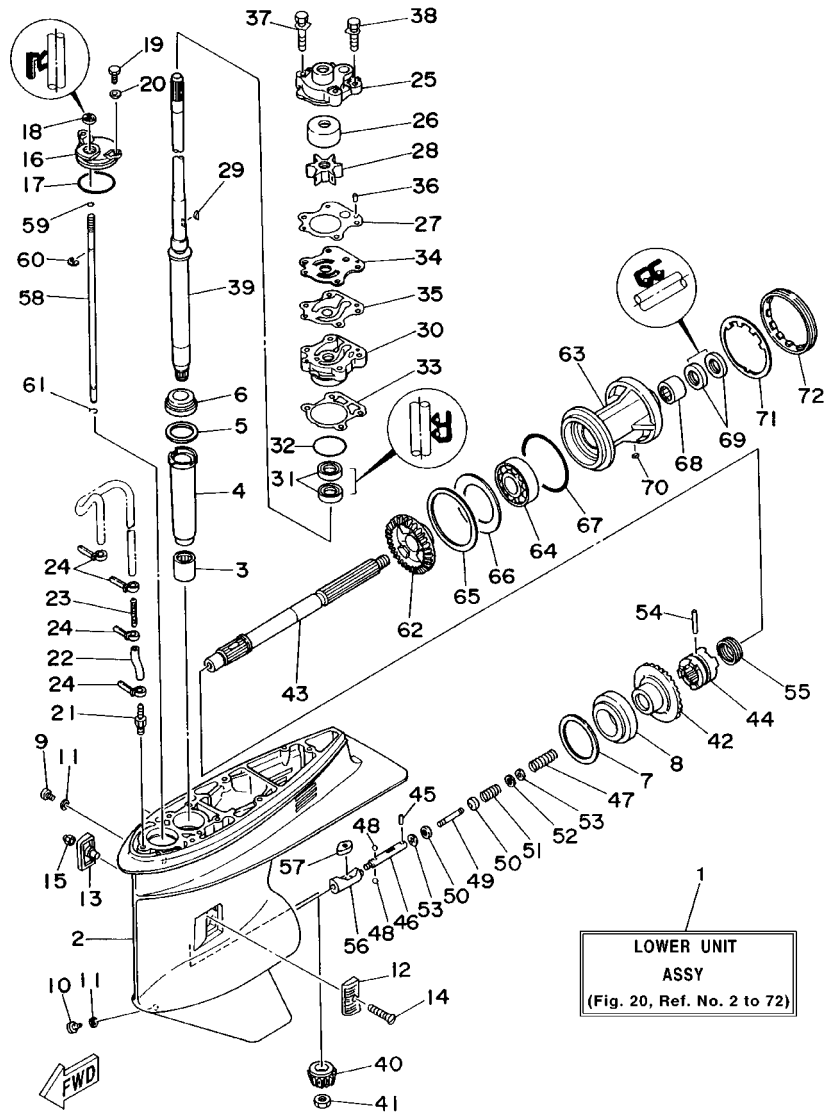


FIG. 20 LOWER CASING. DRIVE 2

| REF. NO. | PART NO. | DESCRIPTION | 60ET | 6ETO | 7ETO | REMARKS |
|----------|-----------------|------------------------|------|------|------|---------|
| 16 | 688-45321-00 | PLATE | | 1 | 1 | |
| 17 | 93210-49046 | O-RING | | 1 | 1 | |
| 18 | 93106-09014 | OIL SEAL | | 1 | 1 | |
| 19 | 97095-06016 | BOLT | | 2 | 2 | |
| 20 | 92995-06600 | WASHER | | 2 | 2 | |
| <hr/> | | | | | | |
| 21 | 6E5-45378-00 | NIPPLE, HOSE | | 1 | 1 | |
| 22 | 90445-07ME9 | HOSE | | 1 | 1 | L |
| | 90445-07MF2 | HOSE | | 1 | 1 | X |
| 23 | 6E5-83558-10 | END, NIPPLE | | 1 | 1 | |
| 24 | 90465-11M10 | CLAMP | | 4 | 4 | |
| <hr/> | | | | | | |
| 25 | 6H3-44311-00 | HOUSING, WATER PUMP | | 1 | 1 | |
| 26 | 663-44322-00 | INSERT, CARTRIDGE | | 1 | 1 | |
| 27 | 6H3-44315-A0 | GASKET, WATER PUMP | | 1 | 1 | |
| 28 | 6H3-44352-00 | IMPELLER | | 1 | 1 | |
| 29 | 90280-03M03 | KEY, WOODRUFF | | 1 | 1 | |
| <hr/> | | | | | | |
| 30 | 6H3-44341-00-94 | HOUSING, WATER PUMP | | 1 | 1 | |
| 31 | 93101-23070 | OIL SEAL | | 2 | 2 | |
| 32 | 93210-46044 | O-RING | | 1 | 1 | |
| 33 | 688-44316-A0 | GASKET, WATER PUMP | | 1 | 1 | |
| 34 | 6H3-44323-00 | OUTER PLATE, CARTRIDGE | | 1 | 1 | |
| <hr/> | | | | | | |
| 35 | 6H3-44324-A0 | GASKET, CARTRIDGE | | 1 | 1 | |
| 36 | 93604-10M03 | PIN, DOWEL | | 2 | 2 | |
| 37 | 90119-08M33 | BOLT, WITH WASHER | | 2 | 2 | |
| 38 | 90119-08M14 | BOLT, WITH WASHER | | 2 | 2 | |
| 39 | 6H3-45501-10 | DRIVE SHAFT COMP. | | 1 | 1 | L |
| | 6H3-45501-20 | DRIVE SHAFT COMP. | | 1 | 1 | X |
| <hr/> | | | | | | |
| 40 | 6K5-45551-00 | PINION (12T) | | 1 | 1 | |

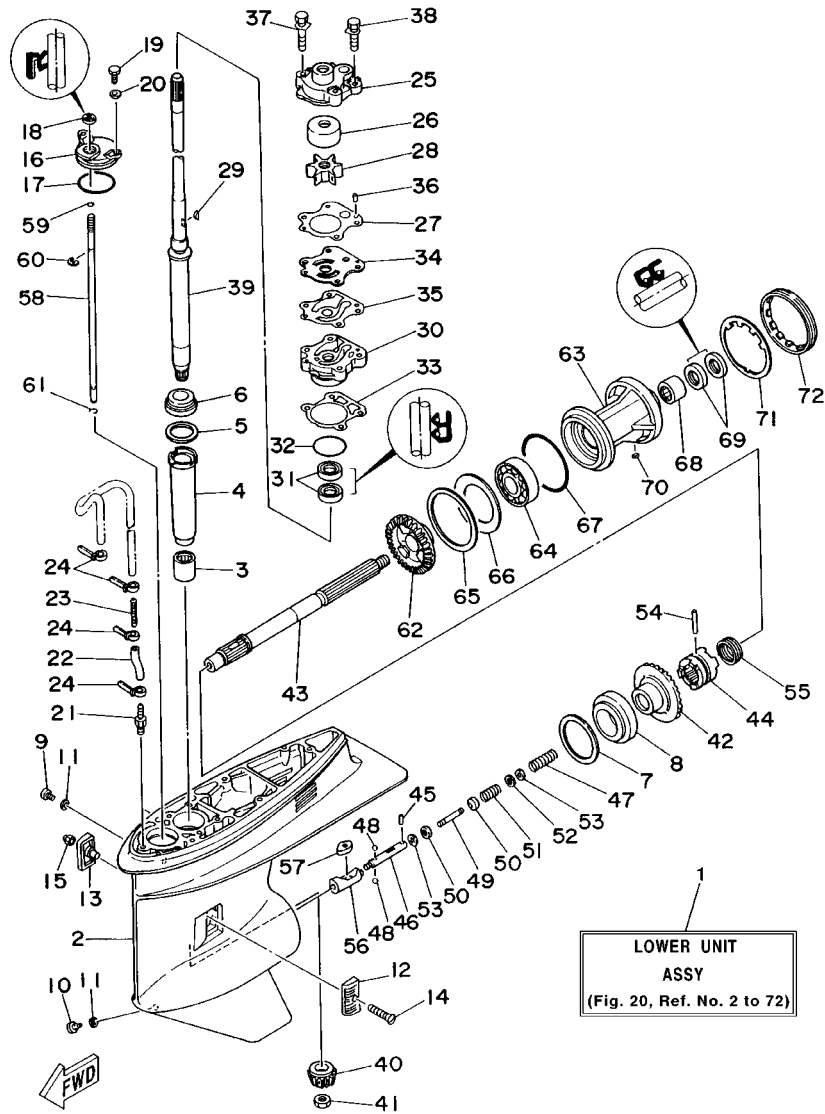
FIG. 20 LOWER CASING. DRIVE 2



6H30010-4210

| REF. NO. | PART NO. | DESCRIPTION | 60ET | 6ETO | 7ETO | REMARKS |
|----------|-----------------|---------------------|------|------|------|---------|
| 41 | 90170-16M01 | NUT | | 1 | 1 | |
| 42 | 6K5-45560-00 | GEAR (28T) | | 1 | 1 | |
| 43 | 6H1-45611-01 | SHAFT, PROPELLER | | 1 | 1 | |
| 44 | 6H1-45631-01 | CLUTCH, DOG | | 1 | 1 | |
| 45 | 93603-12M11 | PIN, DOWEL | | 1 | 1 | |
| 46 | 6H1-45634-02 | SLIDE, SHIFT | | 1 | 1 | |
| 47 | 90501-16M65 | SPRING, COMPRESSION | | 1 | 1 | |
| 48 | 93503-16003 | BALL | | 2 | 2 | |
| 49 | 6H1-45668-00 | SHAFT, FREE | | 1 | 1 | |
| 50 | 6H1-45635-00 | PLUNGER, SHIFT | | 2 | 2 | |
| 51 | 90501-12M48 | SPRING, COMPRESSION | | 1 | 1 | |
| 52 | 90201-03313 | WASHER, PLATE | | 1 | 1 | |
| 53 | 90183-02M03 | NUT, SPRING | | 2 | 2 | |
| 54 | 90250-07M02 | PIN, STRAIGHT | | 1 | 1 | |
| 55 | 688-45633-00 | RING, CROSS PIN | | 1 | 1 | |
| 56 | 6H1-45641-01 | SHIFTER | | 1 | 1 | |
| 57 | 6H1-44151-00 | CAM, SHIFT | | 1 | 1 | |
| 58 | 6H1-44144-00 | ROD, SHIFT | | 1 | 1 | |
| 59 | 93210-07003 | O-RING | | 1 | 1 | |
| 60 | 93430-08006 | CIRCLIP | | 1 | 1 | |
| 61 | 93450-07M00 | CIRCLIP | | 1 | 1 | |
| 62 | 6H3-45571-00 | GEAR | | 1 | 1 | |
| 63 | 688-45331-00-94 | HOUSING, BEARING | | 1 | 1 | |
| 64 | 93306-207U0 | BEARING | | 1 | 1 | |
| 65 | 688-45577-01-10 | SHIM (T:0.10MM) | | 1 | 1 | UR |
| 66 | 688-45577-01-12 | SHIM (T:0.12MM) | | 1 | 1 | UR |
| 67 | 688-45577-01-15 | SHIM (T:0.15MM) | | 1 | 1 | UR |

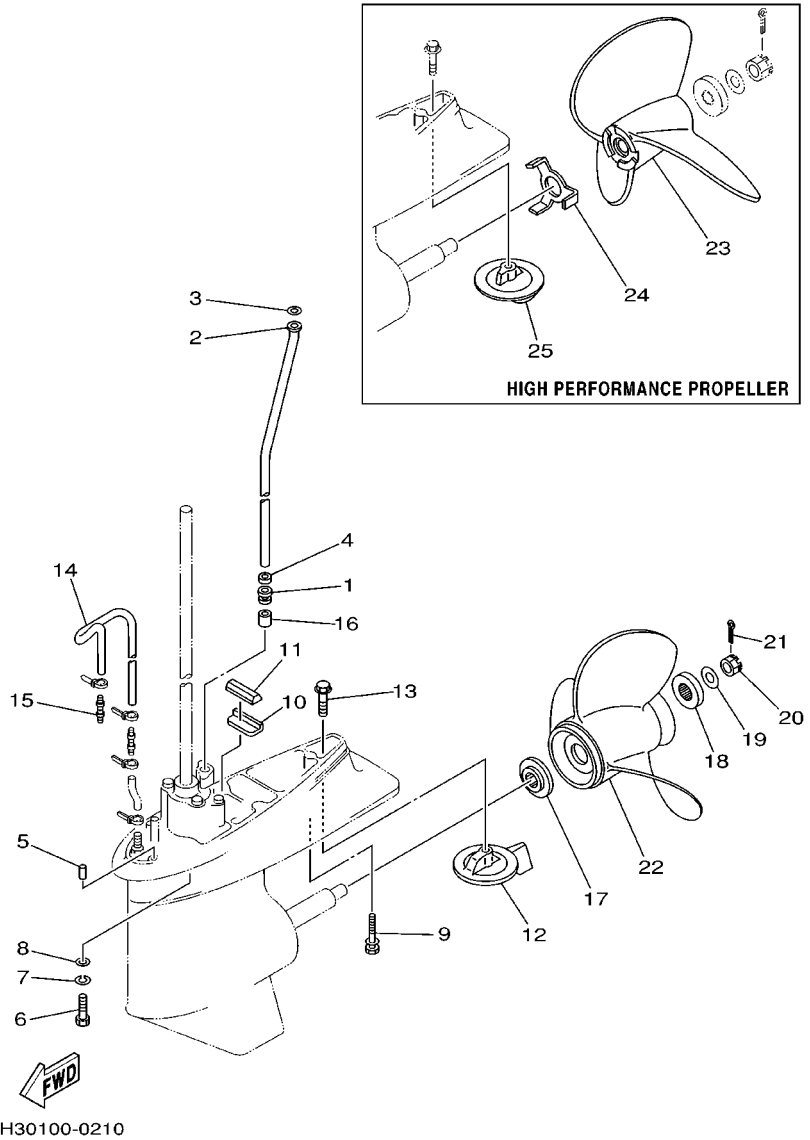
FIG. 20 LOWER CASING. DRIVE 2



6H30010-4210

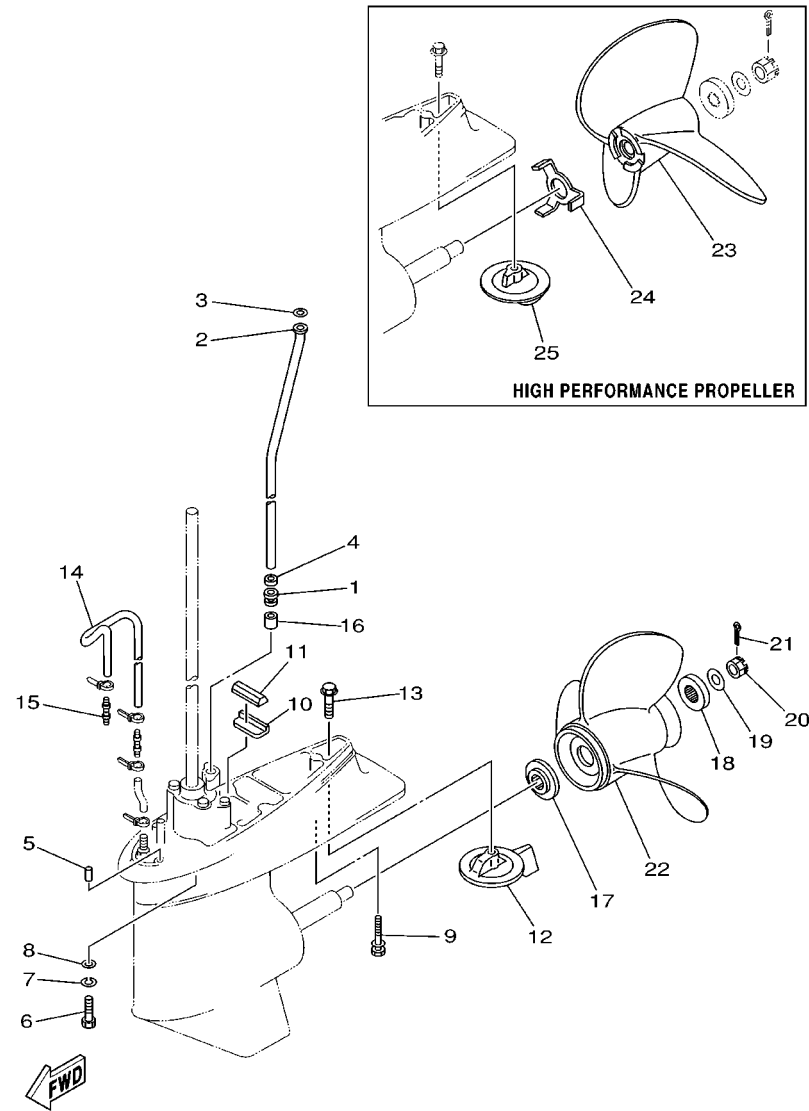
| REF. NO. | PART NO. | DESCRIPTION | 60ET | 6ETO | 7ETO | REMARKS |
|----------|-----------------|-----------------|------|------|------|---------|
| 65 | 688-45577-01-18 | SHIM (T:0.18MM) | | 1 | 1 | UR |
| | 688-45577-01-30 | SHIM (T:0.30MM) | | 1 | 1 | UR |
| | 688-45577-01-40 | SHIM (T:0.40MM) | | 1 | 1 | UR |
| | 688-45577-01-50 | SHIM (T:0.50MM) | | 1 | 1 | UR |
| 66 | 688-45576-00 | WASHER, THRUST | | 1 | 1 | |
| 67 | 93210-85M97 | O-RING | | 1 | 1 | |
| 68 | 93317-325U0 | BEARING | | 1 | 1 | |
| 69 | 93101-25M03 | OIL SEAL | | 2 | 2 | |
| 70 | 90282-04010 | KEY, STRAIGHT | | 1 | 1 | |
| 71 | 688-45383-02 | WASHER, CLAW | | 1 | 1 | |
| 72 | 688-45384-00 | NUT | | 1 | 1 | |

FIG. 21 LOWER CASING. DRIVE 3



| REF. NO. | PART NO. | DESCRIPTION | 60ET | 6ETO | 7ETO | REMARKS |
|----------|-----------------|-----------------------------|------|------|------|---------|
| 1 | 663-44367-00 | DAMPER, WATER SEAL | 1 | 1 | 1 | |
| 2 | 6H3-44361-10 | TUBE, WATER | 1 | 1 | 1 | L |
| | 6H3-44361-20 | TUBE, WATER | | | 1 | X |
| 3 | 90202-12060 | WASHER, PLATE | 1 | 1 | 1 | |
| 4 | 90430-12072 | GASKET | 1 | 1 | 1 | |
| 5 | 93606-12019 | PIN, DOWEL | 2 | 2 | 2 | |
| 6 | 97075-10040 | BOLT | 4 | 4 | 4 | L |
| 7 | 92990-10100 | WASHER, SPRING | 4 | 4 | 4 | |
| 8 | 92990-10600 | WASHER, PLATE | 4 | 4 | 4 | |
| 9 | 90119-08M84 | BOLT, WITH WASHER | 1 | 1 | 1 | L |
| 10 | 663-45376-00-94 | GUIDE, SEAL DAMPER | 1 | 1 | 1 | |
| 11 | 688-45375-00 | DAMPER, SEAL | 1 | 1 | 1 | |
| 12 | 688-45371-02 | TAB-TRIM | 1 | 1 | 1 | |
| 13 | 90105-10M67 | BOLT, WASHER BASED | 1 | 1 | 1 | |
| 14 | 90445-07MF1 | HOSE | 1 | 1 | 1 | |
| 15 | 6E5-83558-00 | END, NIPPLE | 1 | 1 | 1 | |
| 16 | 663-44366-00 | DAMPER, WATER SEAL | 1 | 1 | 1 | |
| 17 | 688-45987-01 | SPACER | 1 | 1 | 1 | |
| 18 | 688-45997-01 | SPACER | 1 | 1 | 1 | |
| 19 | 90201-17M00 | WASHER, PLATE | 1 | 1 | 1 | |
| 20 | 90171-16011 | NUT, CASTLE | 1 | 1 | 1 | |
| 21 | 91490-40025 | PIN, COTTER | 1 | 1 | 1 | |
| 22 | 6E5-45941-00-EL | PROPELLER (3X13"X19"-K) | 1 | 1 | 1 | UR |
| | 6E5-45943-00-EL | PROPELLER (3X12-5/8"X21"-K) | 1 | 1 | 1 | UR |
| | 6E5-45945-01-EL | PROPELLER (3X13-1/4"X17"-K) | 1 | 1 | 1 | UR |
| | 6E5-45947-00-EL | PROPELLER (3X13-1/2"X15"-K) | 1 | 1 | 1 | UR |
| | 6E5-45949-00-EL | PROPELLER (3X13-5/8"X13"-K) | 1 | 1 | 1 | UR |

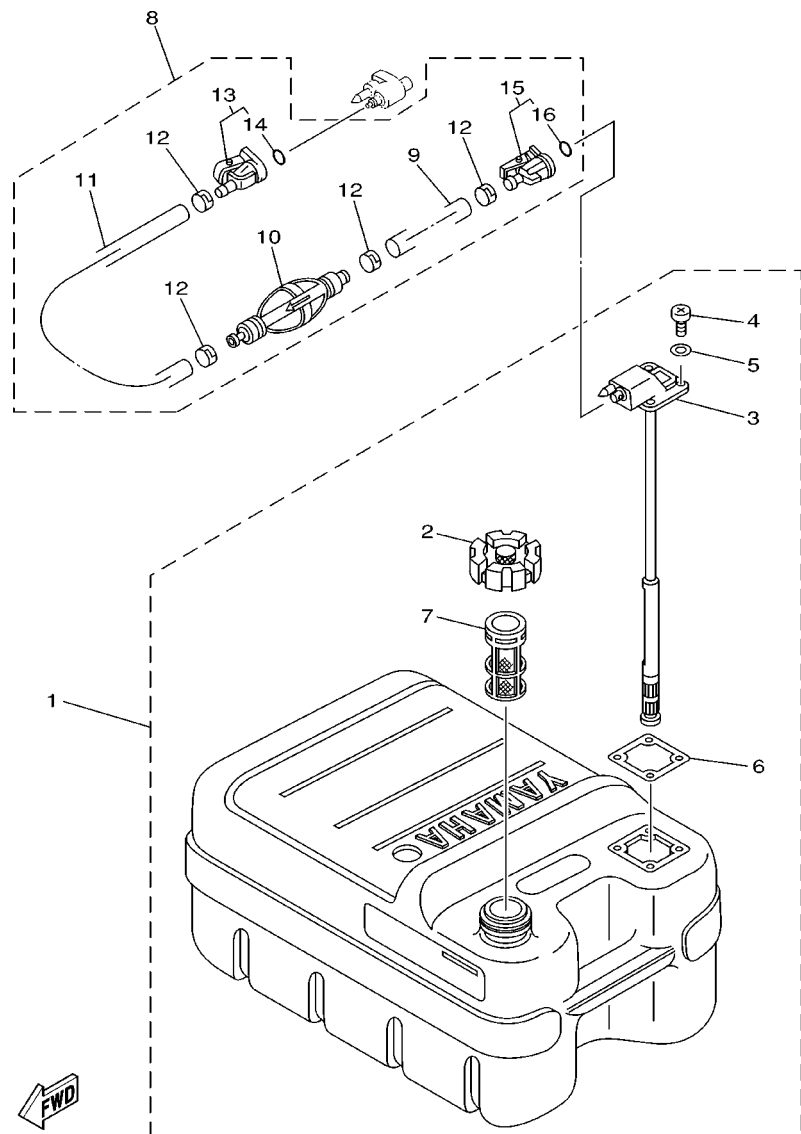
FIG. 21 LOWER CASING, DRIVE 3



6H30100-0210

| REF. NO. | PART NO. | DESCRIPTION | 60ET | 6ETO | 7ETO | REMARKS |
|----------|-----------------|-----------------------------|------|------|------|---------|
| 22 | 6E5-45952-00-EL | PROPELLER (3X13"X23"-K) | 1 | 1 | 1 | UR |
| | 6E5-45954-00-EL | PROPELLER (3X14"X11"-K) | 1 | 1 | 1 | UR |
| | 6E5-45956-00-EL | PROPELLER (3X13"X25"-K) | 1 | 1 | 1 | UR |
| | | STAINLESS STEEL PROPELLER | | | | |
| | 688-45930-02-98 | PROPELLER (3X13"X17"-K) | 1 | 1 | 1 | UR |
| | 688-45970-03-98 | PROPELLER (3X13"X19"-K) | 1 | 1 | 1 | UR |
| | 688-45972-02-98 | PROPELLER (3X13"X21"-K) | 1 | 1 | 1 | UR |
| | 688-45974-02-98 | PROPELLER (3X13"X23"-K) | 1 | 1 | 1 | UR |
| | 688-45976-01-98 | PROPELLER (3X13"X25"-K) | 1 | 1 | 1 | UR |
| | 688-45932-60-98 | PROPELLER (3X13-1/2"X14"-K) | 1 | 1 | 1 | UR |
| | 688-45978-60-98 | PROPELLER (3X13-1/2"X16"-K) | 1 | 1 | 1 | UR |
| | | HIGH PERFORMANCE PROPELLER | | | | |
| 23 | 6E5-45970-10 | PROPELLER (3X14"X20"-P) | 1 | 1 | 1 | UR |
| | 6E5-45972-10 | PROPELLER (3X14"X24"-P) | 1 | 1 | 1 | UR |
| | 6E5-45974-10 | PROPELLER (3X14"X28"-P) | 1 | 1 | 1 | UR |
| | 6E5-45976-10 | PROPELLER (3X14"X22"-P) | 1 | 1 | 1 | UR |
| | 6E5-45978-10 | PROPELLER (3X14"X26"-P) | 1 | 1 | 1 | UR |
| 24 | 6E5-45994-10 | PLATE, TOOTH | 1 | 1 | 1 | |
| 25 | 6E5-45371-10 | TAB-TRIM | 1 | 1 | 1 | |

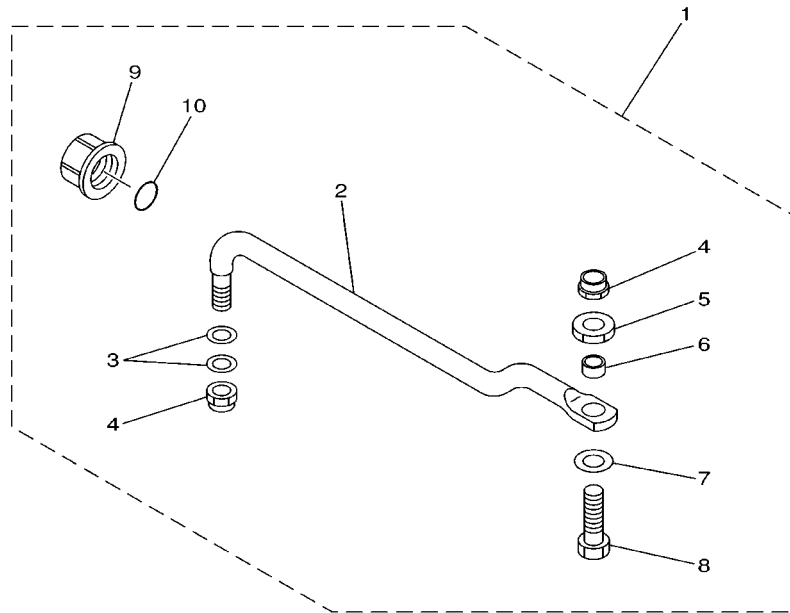
FIG. 22 FUEL TANK



67C0100-9300

| REF. NO. | PART NO. | DESCRIPTION | 60ET | 6ETO | 7ETO | REMARKS |
|----------|--------------|--------------------------|------|------|------|-------------------|
| 1 | 6YJ-24201-10 | FUEL TANK ASSY (24L) | 1 | 1 | 1 | AP WITH INDICATOR |
| 2 | 6YJ-24610-01 | .CAP ASSY | 1 | 1 | 1 | |
| 3 | 6Y1-24260-12 | .FUEL METER ASSY | 1 | 1 | 1 | WITH INDICATOR |
| 4 | 98586-05016 | .SCREW, PAN HEAD | 4 | 4 | 4 | |
| 5 | 6Y1-24329-00 | .SEAL | 4 | 4 | 4 | |
| 6 | 6Y1-24268-00 | .GASKET, FUEL METER | 1 | 1 | 1 | |
| 7 | 6YJ-24167-00 | .STRAINER | 1 | 1 | 1 | |
| 8 | 6Y1-24306-06 | FUEL PIPE COMP. 1 | 1 | 1 | 1 | AP |
| 9 | 90445-11M06 | .HOSE (L:2050MM) | 1 | 1 | 1 | |
| 10 | 6Y1-24360-51 | .PRIMER PUMP ASSY | 1 | 1 | 1 | |
| 11 | 90445-11M05 | .HOSE (L:850MM) | 1 | 1 | 1 | |
| 12 | 650-24351-51 | .BAND 1 | 4 | 4 | 4 | |
| 13 | 6G1-24305-01 | .FUEL PIPE JOINT COMP. 2 | 1 | 1 | 1 | |
| 14 | 93210-08287 | ..O-RING | 1 | 1 | 1 | |
| 15 | 6Y1-24305-02 | .FUEL PIPE JOINT COMP. 2 | 1 | 1 | 1 | |
| 16 | 93210-08287 | ..O-RING | 1 | 1 | 1 | |

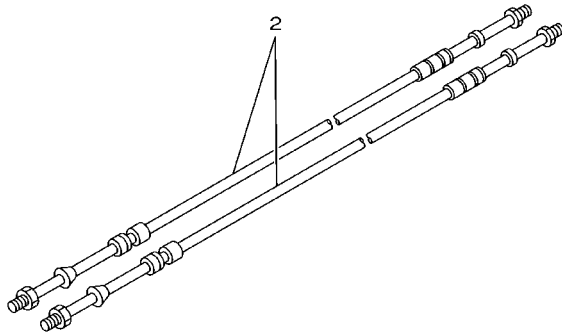
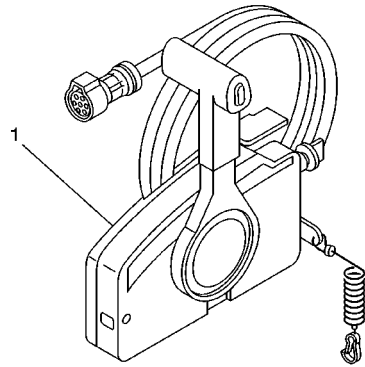
FIG. 23 STEERING GUIDE



| REF. NO. | PART NO. | DESCRIPTION | 60ET | 6ETO | 7ETO | REMARKS |
|----------|--------------|-------------------------------|------|------|------|---------|
| 1 | 688-61350-10 | STEERING GUIDE ATTACHMENT KIT | 1 | 1 | 1 | AP |
| 2 | 688-61351-10 | .ROD, STEERING LINK | 1 | 1 | 1 | |
| 3 | 90201-10M20 | .WASHER, PLATE | 2 | 2 | 2 | |
| 4 | 90185-09M01 | .NUT, SELF-LOCKING | 2 | 2 | 2 | |
| 5 | 90170-09M03 | .NUT | 1 | 1 | 1 | |
| 6 | 90387-10M42 | .COLLAR | 1 | 1 | 1 | |
| 7 | 90201-10M63 | .WASHER, PLATE | 1 | 1 | 1 | |
| 8 | 6E5-61355-00 | .BOLT | 1 | 1 | 1 | |
| 9 | 6E5-43145-01 | .CAP, CLAMP BRACKET | 1 | 1 | 1 | |
| 10 | 93210-16275 | .O-RING | 1 | 1 | 1 | |

6880700-9190

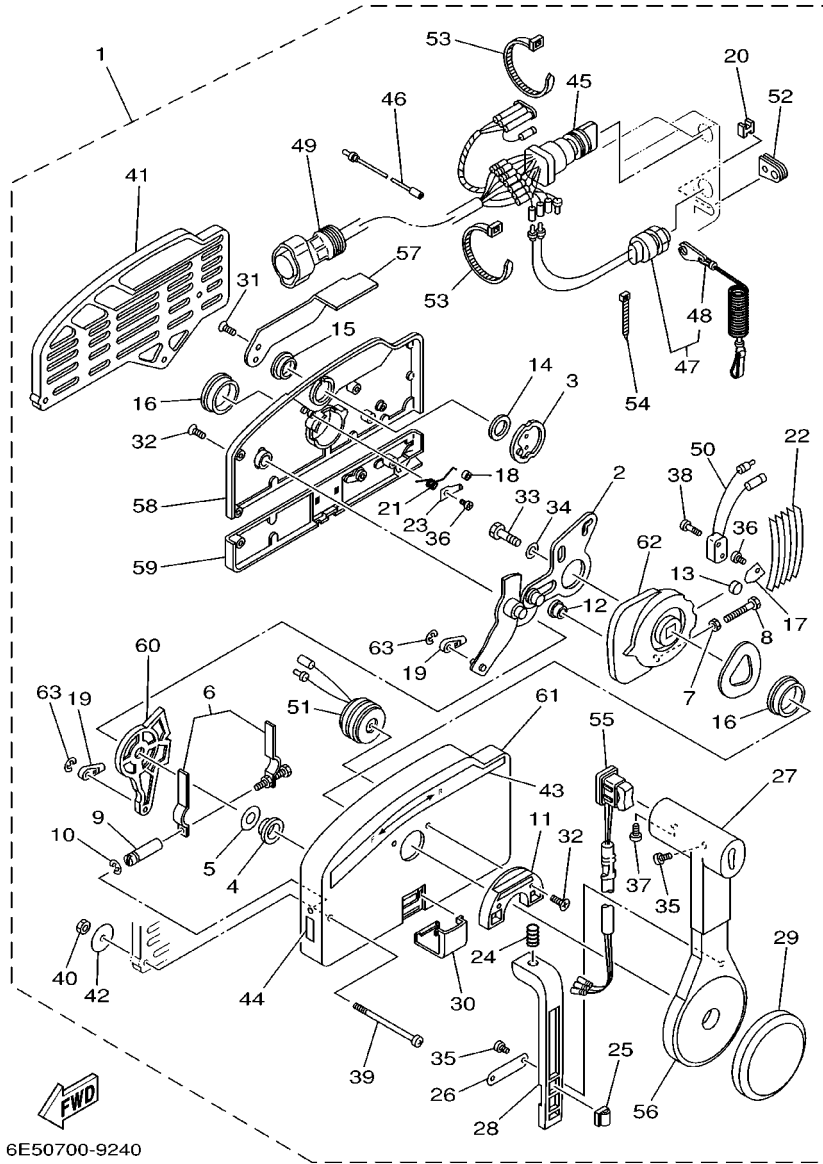
FIG. 24 REMOTE CONTROL BOX



67M0100-8280

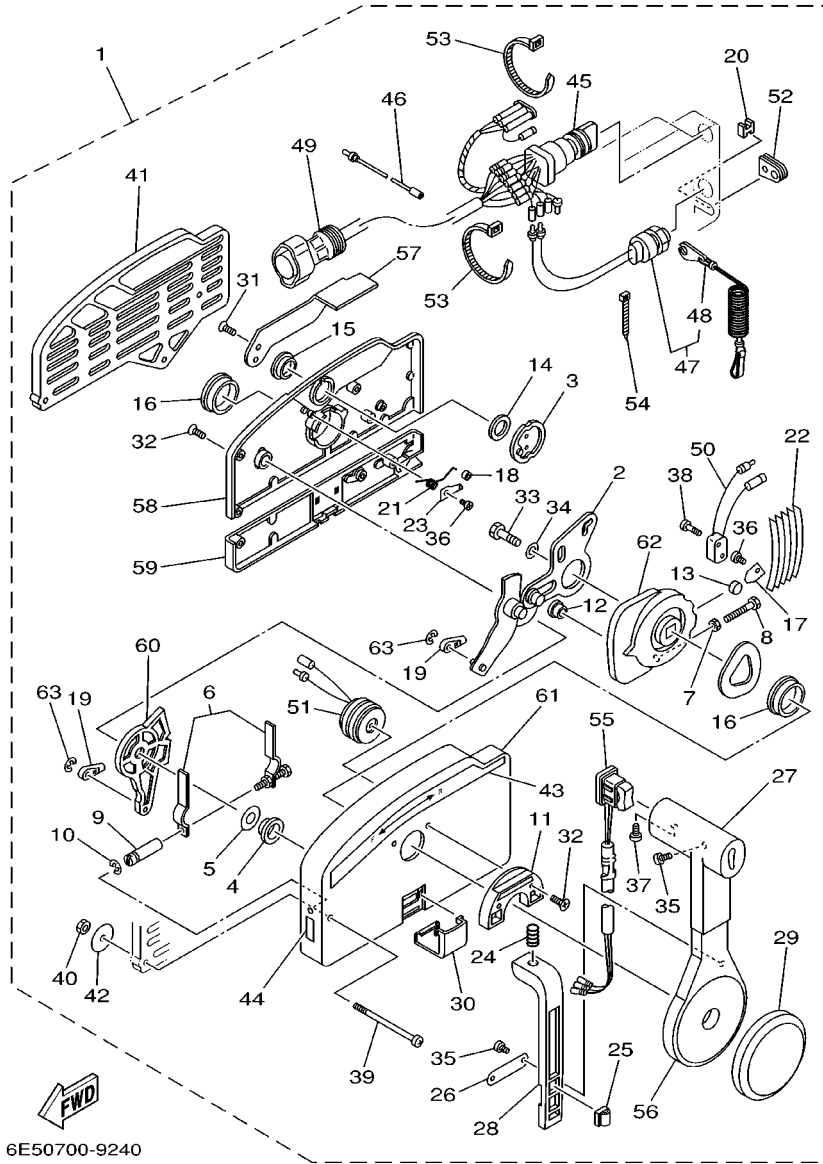
| REF. NO. | PART NO. | DESCRIPTION | 60ET | 6ETO | 7ETO | REMARKS |
|----------|--------------|-----------------------------|------|------|------|------------------|
| 1 | 703-48205-15 | REMOTE CONTROL ASSY (10P) | 1 | | | AP WITH PT/T SW. |
| | 703-48205-A2 | REMOTE CONTROL ASSY (10P) | | 1 | 1 | AP WITH PT/T SW. |
| 2 | 701-48320-00 | CABLE, REMOTE CONTROL L=12F | 2 | 2 | 2 | UR |
| | 701-48320-20 | CABLE, REMOTE CONTROL L=13F | 2 | 2 | 2 | UR |
| | 701-48320-30 | CABLE, REMOTE CONTROL L=14F | 2 | 2 | 2 | UR |
| | 701-48320-50 | CABLE, REMOTE CONTROL L=15F | 2 | 2 | 2 | UR |
| | 701-48320-60 | CABLE, REMOTE CONTROL L=16F | 2 | 2 | 2 | UR |
| | 701-48320-80 | CABLE, REMOTE CONTROL L=17F | 2 | 2 | 2 | UR |
| | | | | | | |
| | | | | | | |
| | | | | | | |
| | | | | | | |
| | | | | | | |

FIG. 25 REMOTE CONTROL ASSY 1



| REF. NO. | PART NO. | DESCRIPTION | 60ET | 6ETO | 7ETO | REMARKS |
|----------|--------------|-----------------------------|------|------|------|------------------|
| 1 | 703-48205-15 | REMOTE CONTROL ASSY (10P) | 1 | | | AP WITH PT/T SW. |
| 2 | 703-48261-01 | .ARM, THROTTLE | 1 | | | |
| 3 | 703-48153-00 | .SHAFT, FREE ACCEL. | 1 | | | |
| 4 | 703-48235-00 | .BUSHING | 1 | | | |
| 5 | 703-48268-00 | .SPACER | 1 | | | |
| 6 | 703-48264-00 | .THROTTLE, FRICTION | 1 | | | |
| 7 | 95380-05600 | .NUT | 1 | | | |
| 8 | 97380-05025 | .BOLT | 1 | | | |
| 9 | 703-48265-00 | .SHAFT, FRICTION | 1 | | | |
| 10 | 93430-06024 | .CIRCLIP | 3 | | | |
| 11 | 703-48245-00 | .PLATE, LOCK | 1 | | | |
| 12 | 703-48252-00 | .ROLLER, CAM | 1 | | | |
| 13 | 701-48248-00 | .ROLLER, FREE ACCEL. | 1 | | | |
| 14 | 703-48198-00 | .WASHER, WAVE | 1 | | | |
| 15 | 703-48243-00 | .BUSHING | 1 | | | |
| 16 | 703-48236-00 | .BUSHING 1 | 2 | | | |
| 17 | 703-48189-00 | .RETAINER | 1 | | | |
| 18 | 703-48236-00 | .BUSHING 1 | 1 | | | |
| 19 | 703-48345-01 | .CABLE END,REMOTE CONTROL 2 | 2 | | | |
| 20 | 703-48358-00 | .ANCHOR, CABLE | 1 | | | |
| 21 | 703-48244-00 | .SPRING, FREE ACCEL. | 1 | | | |
| 22 | 703-48238-00 | .SPRING, DETENT | 5 | | | |
| 23 | 703-48246-00 | .SPACER | 1 | | | |
| 24 | 703-48227-00 | .SPRING, NEUTRAL LOCK | 1 | | | |
| 25 | 703-82594-00 | .CLAMP | 1 | | | |
| 26 | 703-48226-00 | .PLATE, STOPPER | 1 | | | |
| 27 | 703-48222-00 | .GRIP, CONTROL LEVER | 1 | | | SINGLE |

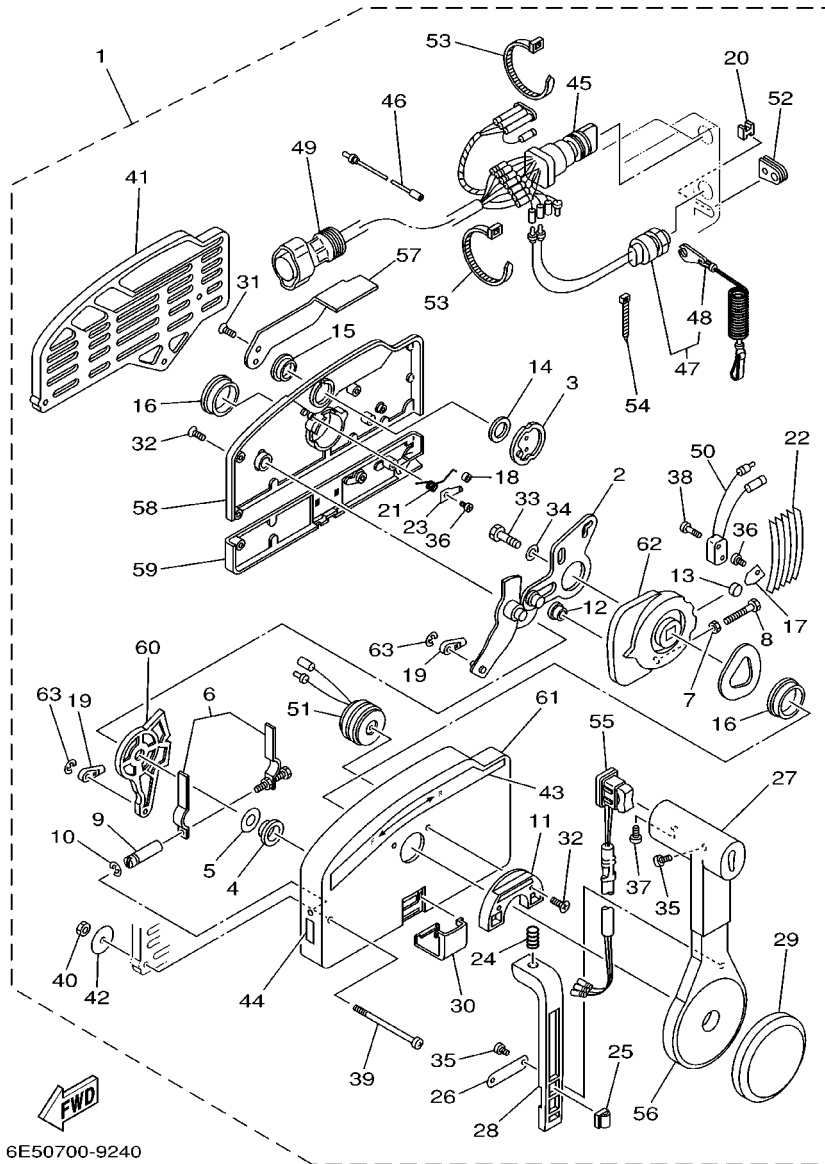
FIG. 25 REMOTE CONTROL ASSY 1



6E50700-9240

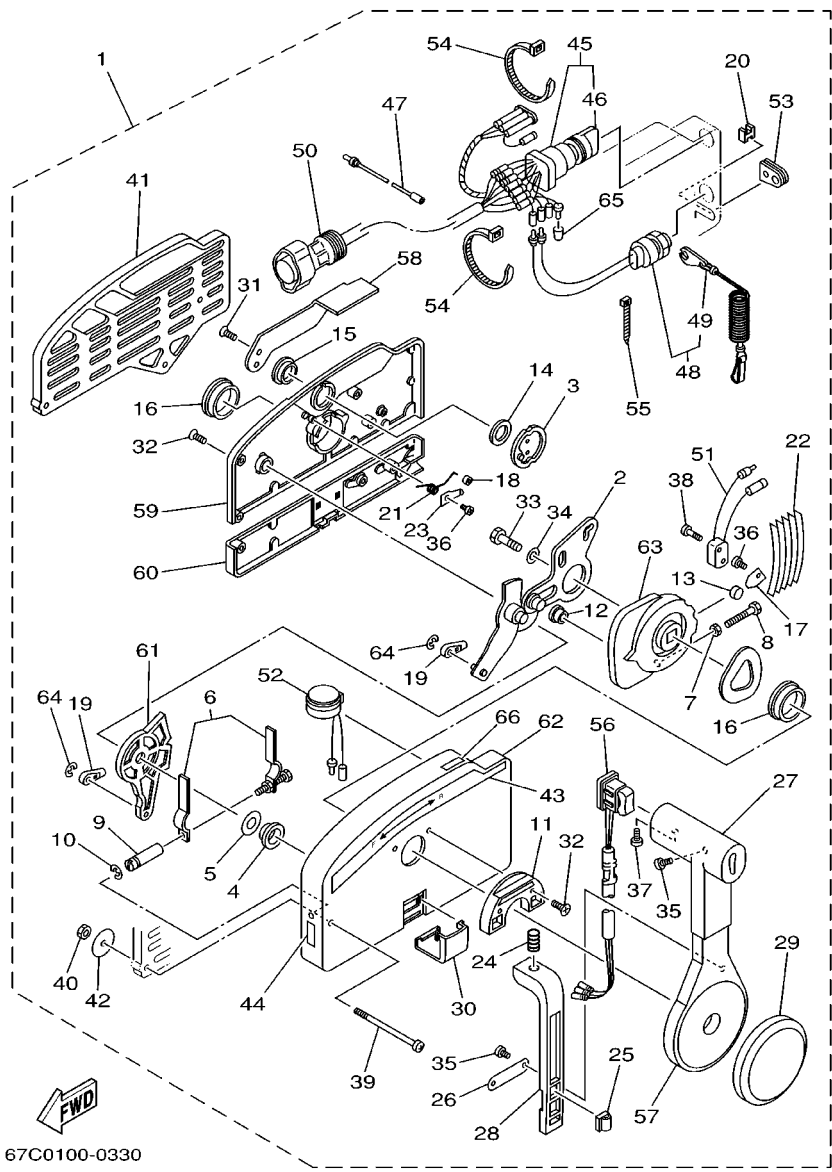
| REF. NO. | PART NO. | DESCRIPTION | 60ET | 6ETO | 7ETO | REMARKS |
|----------|--------------|--------------------------|------|------|------|------------|
| 28 | 703-48223-00 | .LOCK, NEUTRAL | 1 | | | |
| 29 | 703-48225-00 | .COVER | 1 | | | |
| 30 | 703-48219-00 | .COVER, LEAD | 1 | | | |
| 31 | 703-48281-00 | .SCREW | 2 | | | |
| 32 | 703-48282-00 | .SCREW | 7 | | | |
| 33 | 97095-08030 | .BOLT | 1 | | | |
| 34 | 92990-08600 | .WASHER, PLATE | 1 | | | |
| 35 | 98580-04010 | .SCREW, PAN HEAD | 3 | | | |
| 36 | 98580-04006 | .SCREW, PAN HEAD | 2 | | | |
| 37 | 98580-05010 | .SCREW, PAN HEAD | 1 | | | |
| 38 | 98580-03015 | .SCREW, PAN HEAD | 2 | | | |
| 39 | 703-48291-10 | .SCREW (M6) | 3 | | | |
| 40 | 95380-06600 | .NUT, HEXAGON | 3 | | | |
| 41 | 703-48293-10 | .SPACER, REMOTE CONTROL | 1 | | | SINGLE |
| 42 | 701-48287-00 | .WASHER | 3 | | | |
| 43 | 703-48215-00 | .GRAPHIC | 1 | | | |
| 44 | 702-48217-00 | .MARK | 1 | | | |
| 45 | 703-82510-41 | .MAIN SWITCH ASSY (10P) | 1 | | | |
| 46 | 703-82531-00 | .WIRE, LEAD | 1 | | | |
| 47 | 688-82575-01 | .ENGINE STOP SWITCH ASSY | 1 | | | |
| 48 | 682-82556-00 | ..STOPPER | 1 | | | |
| 49 | 688-8258A-20 | .EXTENSION, WIRE HARNESS | 1 | | | L:5M (10P) |
| 50 | 703-82540-00 | .NEUTRAL SWITCH ASSY | 1 | | | |
| 51 | 703-83383-02 | .BUZZER | 1 | | | |
| 52 | 703-48284-00 | .GROMMET | 1 | | | |
| 53 | 703-82591-00 | .BAND | 2 | | | |
| 54 | 703-82592-00 | .BAND | 1 | | | |

FIG. 25 REMOTE CONTROL ASSY 1



6E50700-9240

| REF. NO. | PART NO. | DESCRIPTION | 60ET | 6ETO | 7ETO | REMARKS |
|----------|--------------|--------------------------|------|------|------|---------|
| 55 | 703-82563-01 | .TRIM & TILT SWITCH ASSY | 1 | | | |
| 56 | 703-48221-00 | .LEVER, CONTROL | 1 | | | |
| 57 | 703-48152-00 | .KNOB, FREE ACCEL. | 1 | | | |
| 58 | 703-48212-00 | .BACK PLATE 1 | 1 | | | |
| 59 | 703-48213-00 | .BACK PLATE 2 | 1 | | | |
| 60 | 703-48271-00 | .ARM, SHIFT | 1 | | | |
| 61 | 703-48211-01 | .HOUSING,1 | 1 | | | |
| 62 | 703-48232-00 | .GEAR | 1 | | | |
| 63 | 93430-06024 | .CIRCLIP | 2 | | | |

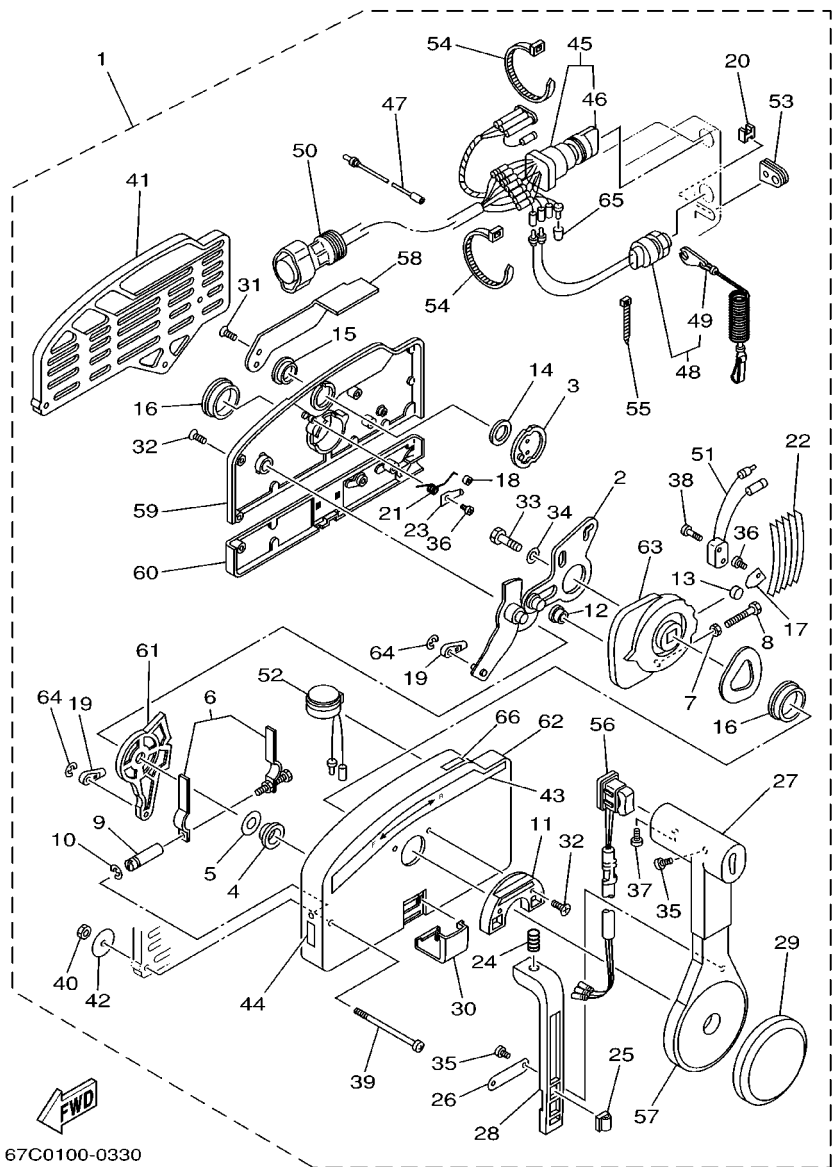


67C0100-0330

FIG. 26 REMOTE CONTROL ASSY 2

| REF. NO. | PART NO. | DESCRIPTION | 60ET | 6ETO | 7ETO | REMARKS |
|----------|--------------|-----------------------------|------|------|------|------------------|
| 1 | 703-48205-A2 | REMOTE CONTROL ASSY (10P) | | 1 | 1 | AP WITH PT/T SW. |
| 2 | 703-48261-01 | .ARM, THROTTLE | | 1 | 1 | |
| 3 | 703-48153-00 | .SHAFT, FREE ACCEL. | | 1 | 1 | |
| 4 | 703-48235-00 | .BUSHING | | 1 | 1 | |
| 5 | 703-48268-00 | .SPACER | | 1 | 1 | |
| 6 | 703-48264-00 | .THROTTLE, FRICTION | | 1 | 1 | |
| 7 | 95380-05600 | .NUT | | 1 | 1 | |
| 8 | 97380-05025 | .BOLT | | 1 | 1 | |
| 9 | 703-48265-00 | .SHAFT, FRICTION | | 1 | 1 | |
| 10 | 93430-06024 | .CIRCLIP | | 3 | 3 | |
| 11 | 703-48245-00 | .PLATE, LOCK | | 1 | 1 | |
| 12 | 703-48252-00 | .ROLLER, CAM | | 1 | 1 | |
| 13 | 701-48248-00 | .ROLLER, FREE ACCEL. | | 1 | 1 | |
| 14 | 703-48198-00 | .WASHER, WAVE | | 1 | 1 | |
| 15 | 703-48243-00 | .BUSHING | | 1 | 1 | |
| 16 | 703-48236-00 | .BUSHING 1 | | 2 | 2 | |
| 17 | 703-48189-00 | .RETAINER | | 1 | 1 | |
| 18 | 703-48236-00 | .BUSHING 1 | | 1 | 1 | |
| 19 | 703-48345-01 | .CABLE END,REMOTE CONTROL 2 | | 2 | 2 | |
| 20 | 703-48358-00 | .ANCHOR, CABLE | | 1 | 1 | |
| 21 | 703-48244-00 | .SPRING, FREE ACCEL. | | 1 | 1 | |
| 22 | 703-48238-00 | .SPRING, DETENT | | 5 | 5 | |
| 23 | 703-48246-00 | .SPACER | | 1 | 1 | |
| 24 | 703-48227-00 | .SPRING, NEUTRAL LOCK | | 1 | 1 | |
| 25 | 703-82594-00 | .CLAMP | | 1 | 1 | |
| 26 | 703-48226-00 | .PLATE, STOPPER | | 1 | 1 | |
| 27 | 703-48222-00 | .GRIP, CONTROL LEVER | | 1 | 1 | SINGLE |

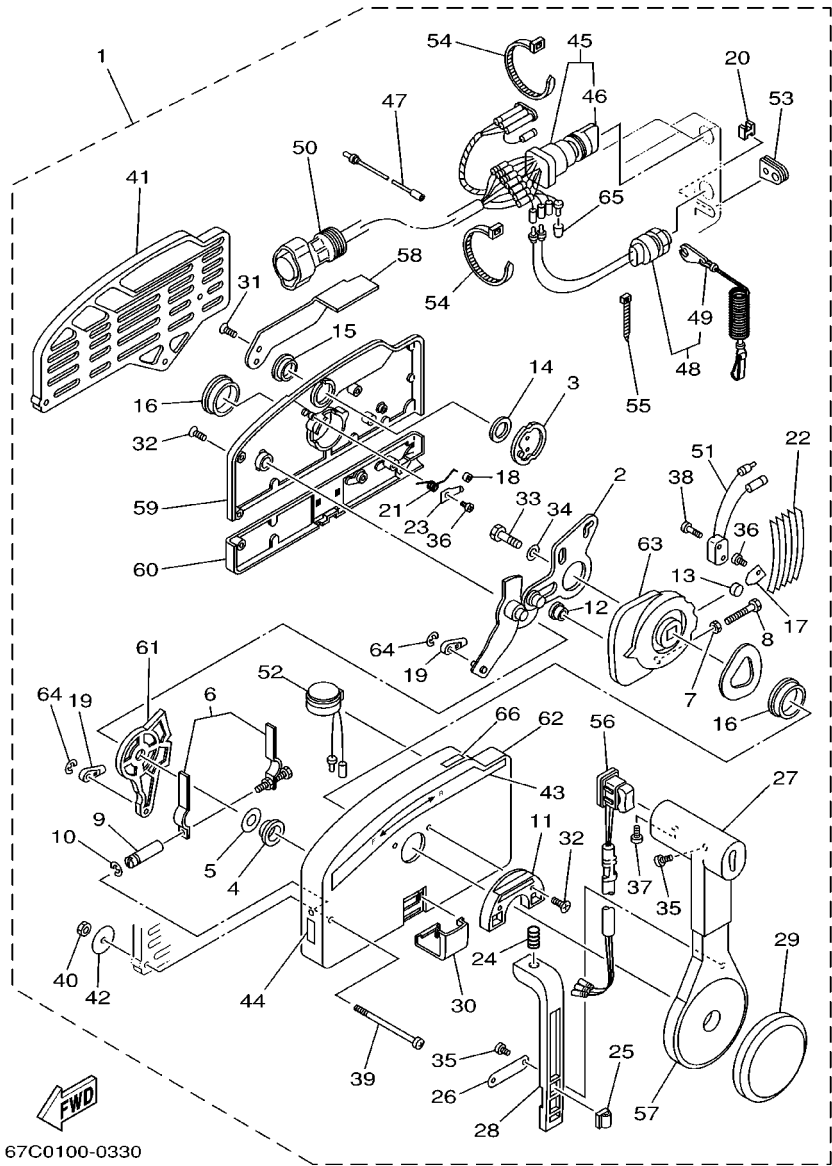
FIG. 26 REMOTE CONTROL ASSY 2



67C0100-0330

| REF. NO. | PART NO. | DESCRIPTION | 60ET | 6ETO | 7ETO | REMARKS |
|----------|--------------|--------------------------|------|------|------|-----------------------|
| 28 | 703-48223-00 | .LOCK, NEUTRAL | | 1 | 1 | |
| 29 | 703-48225-00 | .COVER | | 1 | 1 | |
| 30 | 703-48219-00 | .COVER, LEAD | | 1 | 1 | |
| 31 | 703-48281-00 | .SCREW | | 2 | 2 | |
| 32 | 703-48282-00 | .SCREW | | 7 | 7 | |
| 33 | 97095-08030 | .BOLT | | 1 | 1 | |
| 34 | 92990-08600 | .WASHER, PLATE | | 1 | 1 | |
| 35 | 98580-04010 | .SCREW, PAN HEAD | | 3 | 3 | |
| 36 | 98580-04006 | .SCREW, PAN HEAD | | 2 | 2 | |
| 37 | 98580-05010 | .SCREW, PAN HEAD | | 1 | 1 | |
| 38 | 98580-03015 | .SCREW, PAN HEAD | | 2 | 2 | |
| 39 | 703-48291-10 | .SCREW (M6) | | 3 | 3 | |
| 40 | 95380-06600 | .NUT, HEXAGON | | 3 | 3 | |
| 41 | 703-48293-10 | .SPACER, REMOTE CONTROL | | 1 | 1 | SINGLE |
| 42 | 701-48287-00 | .WASHER | | 3 | 3 | |
| 43 | 703-48215-00 | .GRAPHIC | | 1 | 1 | |
| 44 | 702-48217-00 | .MARK | | 1 | 1 | |
| 45 | 703-82510-11 | .MAIN SWITCH ASSY (10P) | | 1 | 1 | FOR PRIME START MODEL |
| 46 | 676-82577-00 | ..CAP, KEY | | 1 | 1 | |
| 47 | 703-82531-00 | .WIRE, LEAD | | 1 | 1 | |
| 48 | 688-82575-01 | .ENGINE STOP SWITCH ASSY | | 1 | 1 | |
| 49 | 682-82556-00 | ..STOPPER | | 1 | 1 | |
| 50 | 688-8258A-20 | .EXTENSION, WIRE HARNESS | | 1 | 1 | L:5M (10P) |
| 51 | 703-82540-00 | .NEUTRAL SWITCH ASSY | | 1 | 1 | |
| 52 | 703-83383-A0 | .BUZZER | | 1 | 1 | |
| 53 | 703-48284-00 | .GROMMET | | 1 | 1 | |
| 54 | 90464-13080 | .CLAMP | | 2 | 2 | |

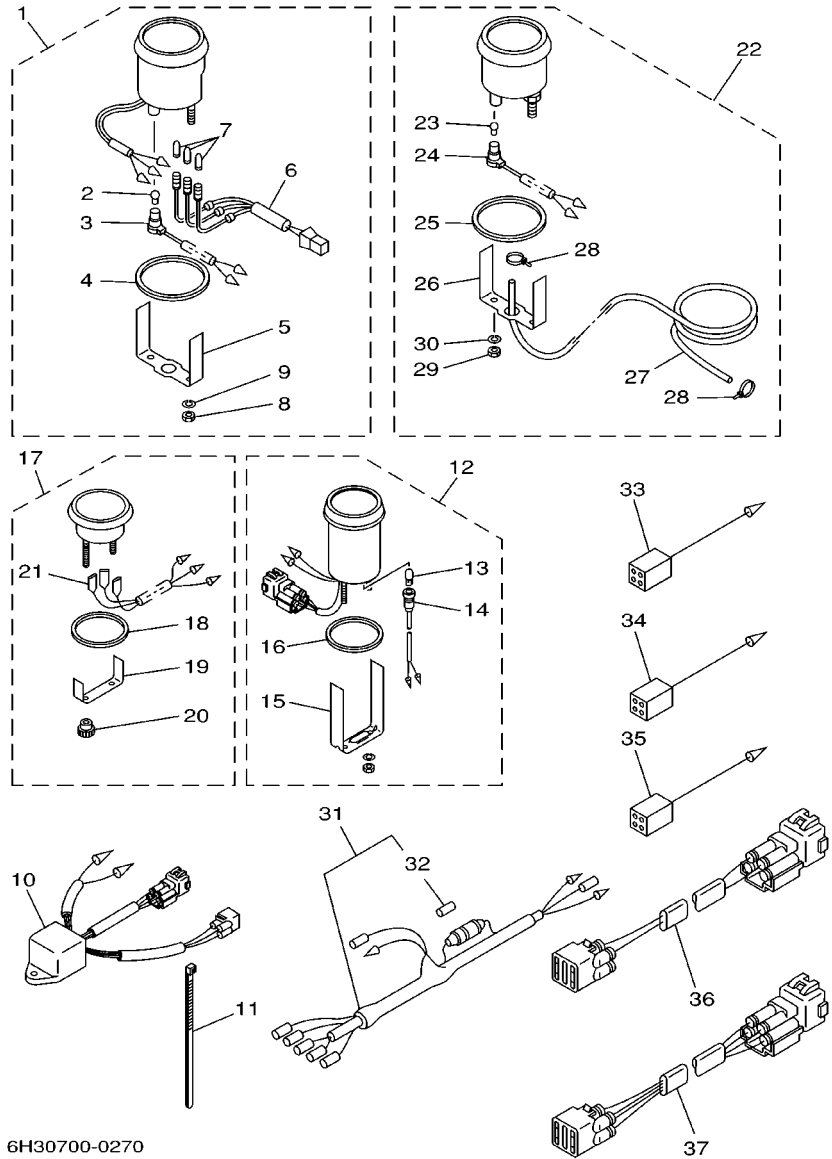
FIG. 26 REMOTE CONTROL ASSY 2



67C0100-0330

| REF. NO. | PART NO. | DESCRIPTION | 60ET | 6ETO | 7ETO | REMARKS |
|----------|--------------|--------------------------|------|------|------|---------|
| 55 | 703-82592-00 | .BAND | | 1 | 1 | |
| 56 | 703-82563-01 | .TRIM & TILT SWITCH ASSY | | 1 | 1 | |
| 57 | 703-48221-00 | .LEVER, CONTROL | | 1 | 1 | |
| 58 | 703-48152-00 | .KNOB, FREE ACCEL. | | 1 | 1 | |
| 59 | 703-48212-00 | .BACK PLATE 1 | | 1 | 1 | |
| 60 | 703-48213-00 | .BACK PLATE 2 | | 1 | 1 | |
| 61 | 703-48271-00 | .ARM, SHIFT | | 1 | 1 | |
| 62 | 703-48211-01 | .HOUSING,1 | | 1 | 1 | |
| 63 | 703-48232-00 | .GEAR | | 1 | 1 | |
| 64 | 93430-06024 | .CIRCLIP | | 2 | 2 | |
| 65 | 703-82542-00 | .CAP | | 1 | 1 | |
| 66 | 703-48218-00 | .GRAPHIC | | 1 | 1 | |

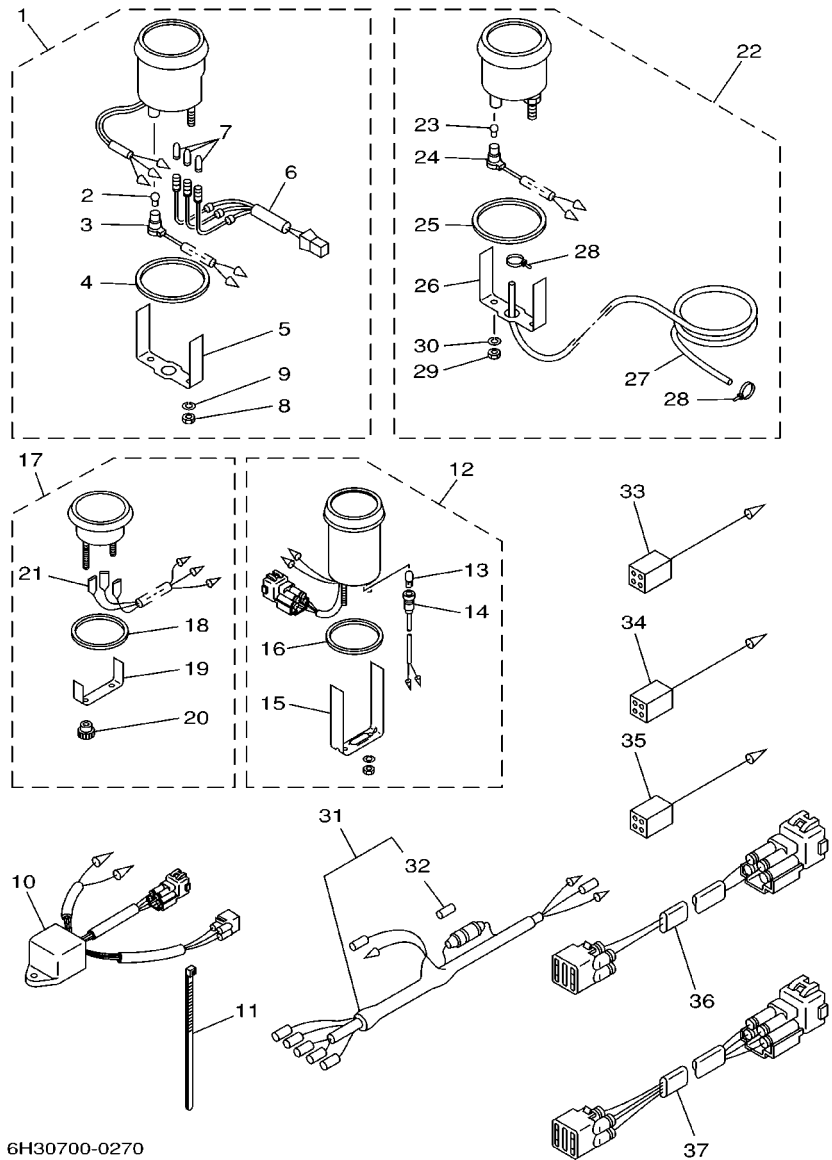
FIG. 27 METER



6H30700-0270

| REF. NO. | PART NO. | DESCRIPTION | 60ET | 6ETO | 7ETO | REMARKS |
|----------|--------------|--------------------------|------|------|------|---------------------|
| 1 | 6Y5-83540-05 | TACHOMETER ASSY | | 1 | 1 | AP WITH OIL LAMP |
| | 6Y5-83540-14 | TACHOMETER ASSY | 1 | | | AP WITHOUT OIL LAMP |
| 2 | 6Y5-83517-00 | .BULB (12V-1.7W, T10) | 1 | 1 | 1 | |
| 3 | 6Y5-83536-10 | .SOCKET, METER | 1 | 1 | 1 | |
| 4 | 6Y5-83523-00 | .DAMPER | 1 | 1 | 1 | |
| 5 | 6Y5-83514-00 | .PLATE, FITTING | 1 | 1 | 1 | |
| 6 | 6Y5-83509-03 | .SOCKET CORD ASSY | | 1 | 1 | FOR OIL LAMP |
| 7 | 6Y5-83518-00 | .BULB (12V-1.7W, T6.5) | | 3 | 3 | FOR OIL LAMP |
| 8 | 95303-05600 | .NUT | 2 | 2 | 2 | |
| 9 | 92903-05100 | .WASHER, SPRING | 2 | 2 | 2 | |
| 10 | 6Y5-81950-02 | RELAY ASSY | | 1 | 1 | AP FOR OIL LAMP |
| 11 | 90465-13M18 | CLAMP | | 1 | 1 | AP FOR OIL LAMP |
| 12 | 6Y5-83670-11 | TRIM METER ASSY. | 1 | 1 | 1 | AP |
| 13 | 6Y5-83518-00 | .BULB (12V-1.7W, T6.5) | 1 | 1 | 1 | |
| 14 | 6Y5-83536-00 | .SOCKET, METER | 1 | 1 | 1 | |
| 15 | 6Y5-83577-00 | .PLATE, FITTING | 1 | 1 | 1 | |
| 16 | 688-83664-00 | .DAMPER | 1 | 1 | 1 | |
| 17 | 6Y5-83504-10 | HOUR METER ASSY | | 1 | 1 | AP |
| 18 | 6Y5-83513-10 | .DAMPER | | 1 | 1 | |
| 19 | 6Y5-83514-10 | .PLATE, FITTING | | 1 | 1 | |
| 20 | 6Y5-83554-10 | .NUT | | 2 | 2 | |
| 21 | 6Y5-8350U-00 | .WIRE, LEAD | | 1 | 1 | |
| 22 | 6Y5-83510-10 | SPEEDOMETER ASSY (50MPH) | | 1 | 1 | AP |
| 23 | 6Y5-83517-00 | .BULB (12V-1.7W, T10) | | 1 | 1 | |
| 24 | 6Y5-83536-10 | .SOCKET, METER | | 1 | 1 | |
| 25 | 6Y5-83523-00 | .DAMPER | | 1 | 1 | |
| 26 | 6Y5-83514-00 | .PLATE, FITTING | | 1 | 1 | |

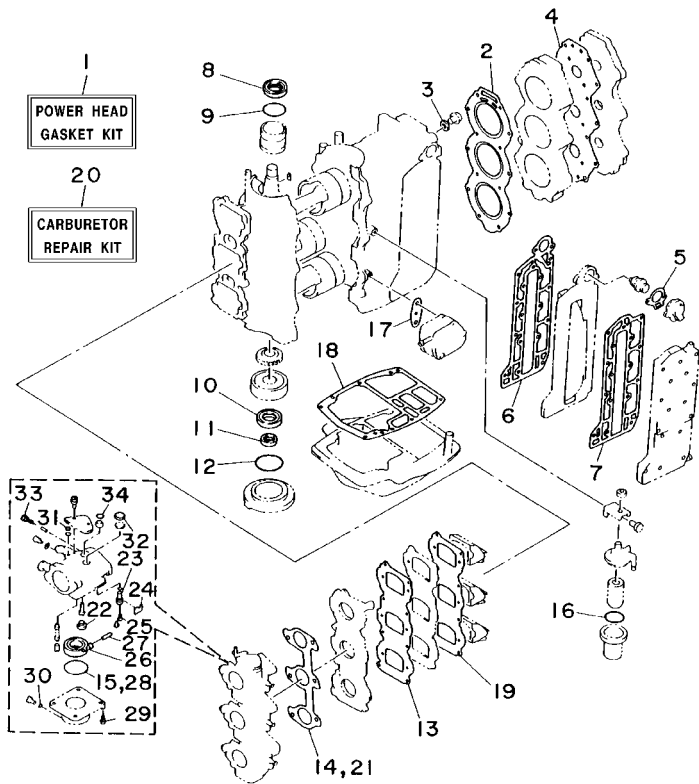
FIG. 27 METER



6H30700-0270

| REF. NO. | PART NO. | DESCRIPTION | 60ET | 6ETO | 7ETO | REMARKS |
|----------|--------------|----------------------|------|------|------|----------|
| 27 | 688-83557-00 | .TUBE | | 1 | 1 | |
| 28 | 90465-11M10 | .CLAMP | | 2 | 2 | |
| 29 | 95303-05600 | .NUT | | 2 | 2 | |
| 30 | 92903-05100 | .WASHER, SPRING | | 2 | 2 | |
| 31 | 6Y5-83553-00 | WIRE, LEAD | 1 | 1 | 1 | AP |
| 32 | 1E6-82151-00 | .FUSE (10A) | 1 | 1 | 1 | |
| 33 | 6Y5-82117-00 | WIRE, LEAD (BLACK) | | 3 | 3 | AP |
| | 6Y5-82117-00 | WIRE, LEAD (BLACK) | 1 | | | AP |
| 34 | 6Y5-82521-00 | WIRE, LEAD (YELLOW) | | 1 | 1 | AP |
| 35 | 6Y5-82149-00 | WIRE, LEAD (BLUE) | | 1 | 1 | AP |
| 36 | 6R3-82521-70 | WIRE, LEAD | | 1 | 1 | AP 7M |
| 37 | 6R3-82553-70 | EXTENSION, WIRE LEAD | | 1 | 1 | AP 4P,7M |

FIG. 28 REPAIR KIT 1

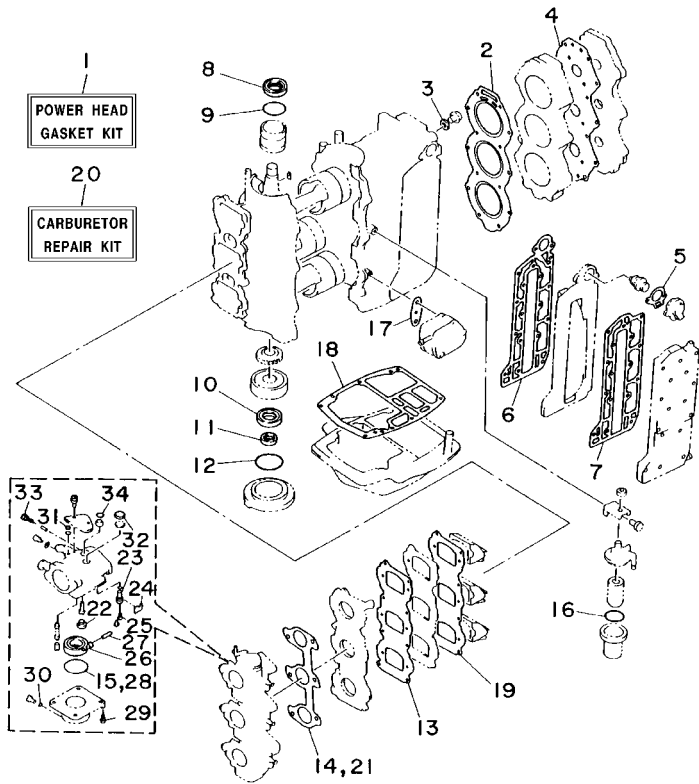


| REF. NO. | PART NO. | DESCRIPTION | 60ET | 6ETO | 7ETO | REMARKS |
|----------|--------------|------------------------------|------|------|------|--------------|
| 1 | 6H3-W0001-03 | POWER HEAD GASKET KIT | 1 | | | MANUAL CHOKE |
| 2 | 6H3-11181-A1 | .GASKET, CYLINDER HEAD 1 | 1 | | | |
| 3 | 90430-14115 | .GASKET | 1 | | | |
| 4 | 6H3-11193-A1 | .GASKET, HEAD COVER 1 | 1 | | | |
| 5 | 6H3-12414-A1 | .GASKET, COVER | 1 | | | |
| 6 | 6H3-41112-A0 | .GASKET, EXHAUST INNER COVER | 1 | | | |
| 7 | 6H3-41114-A0 | .GASKET, EXHAUST OUTER COVER | 1 | | | |
| 8 | 93102-36M24 | .OIL SEAL | 1 | | | |
| 9 | 93210-46M16 | .O-RING | 1 | | | |
| 10 | 93102-30M23 | .OIL SEAL | 1 | | | |
| 11 | 93106-18M01 | .OIL SEAL | 1 | | | |
| 12 | 93210-65M50 | .O-RING | 1 | | | |
| 13 | 6H3-13621-A1 | .GASKET, VALVE SEAT | 1 | | | |
| 14 | 6H3-14198-A1 | .GASKET | 3 | | | |
| 15 | 6G1-14984-00 | .O-RING | 3 | | | |
| 16 | 93210-32738 | .O-RING | 1 | | | |
| 17 | 650-24431-A0 | .GASKET, FUEL PUMP 1 | 1 | | | |
| 18 | 6H3-45113-A0 | .GASKET, UPPER CASING | 1 | | | |
| 19 | 6H3-13622-A1 | .GASKET, VALVE SEAT | 1 | | | |
| 20 | 6H2-W0093-02 | CARBURETOR REPAIR KIT | 1 | | | MANUAL CHOKE |
| 21 | 6H3-14198-A1 | .GASKET | 1 | | | |
| 22 | 676-14966-00 | .CAP | 3 | | | |
| 23 | 6H3-14590-00 | .NEEDLE VALVE ASSY | 3 | | | |
| 24 | 663-14159-00 | .CLIP | 3 | | | |
| 25 | 676-14186-00 | .PIN, FLOAT | 3 | | | |
| 26 | 6G1-14985-00 | .FLOAT | 3 | | | |
| 27 | 688-14548-00 | .PIN, FLOAT ARM | 3 | | | |



6H20010-4180

FIG. 28 REPAIR KIT 1



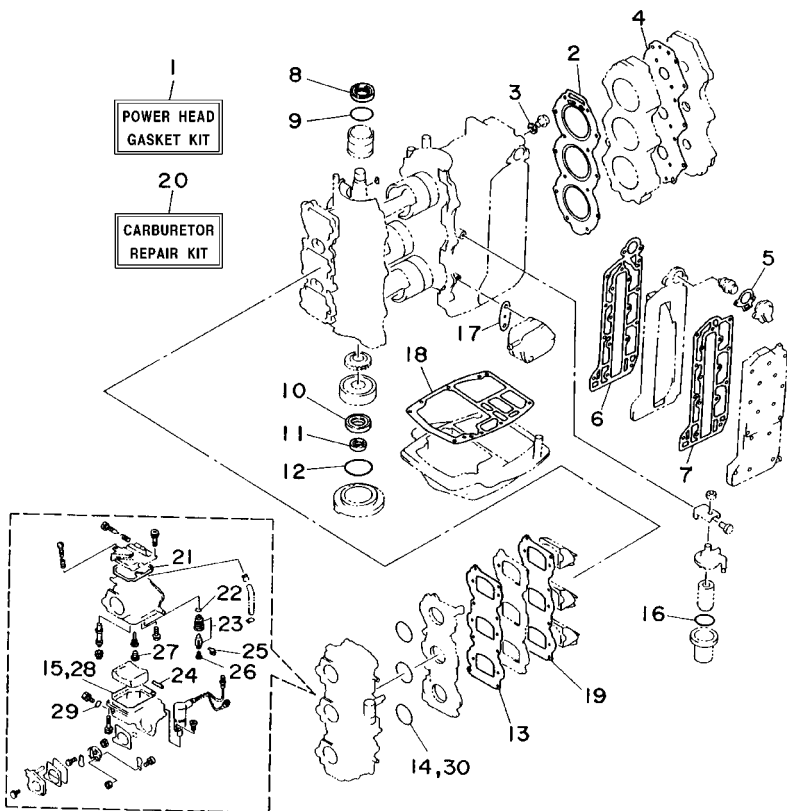
| REF. NO. | PART NO. | DESCRIPTION | 60ET | 6ETO | 7ETO | REMARKS |
|----------|--------------|---------------------|------|------|------|---------|
| 28 | 6G1-14984-00 | .O-RING | 3 | | | |
| 29 | 97980-04114 | .SCREW, WITH WASHER | 3 | | | |
| 30 | 93210-04230 | .O-RING | 3 | | | |
| 31 | 663-14126-00 | .GASKET | 3 | | | |
| 32 | 688-14126-00 | .GASKET | 3 | | | |
| 33 | 692-14923-00 | .SCREW, PILOT | 3 | | | |
| 34 | 93210-15M52 | .O-RING | 3 | | | |
| | | | | | | |
| | | | | | | |
| | | | | | | |
| | | | | | | |
| | | | | | | |
| | | | | | | |



6H20010-4180

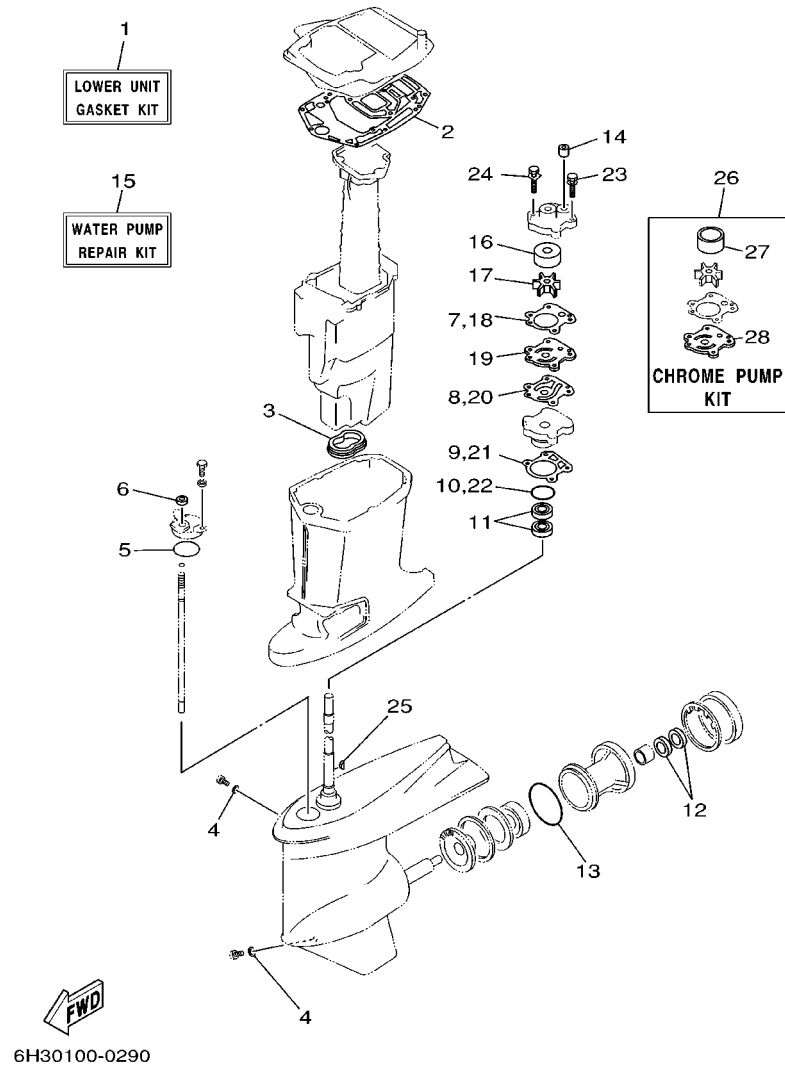
FIG. 29 REPAIR KIT 2

| REF. NO. | PART NO. | DESCRIPTION | 60ET | 6ETO | 7ETO | REMARKS |
|----------|--------------|------------------------------|------|------|------|---------------------|
| 1 | 6H3-W0001-02 | POWER HEAD GASKET KIT | | 1 | 1 | OIL INJECTION MODEL |
| 2 | 6H3-11181-A1 | .GASKET, CYLINDER HEAD 1 | | 1 | 1 | |
| 3 | 90430-14115 | .GASKET | | 1 | 1 | |
| 4 | 6H3-11193-A1 | .GASKET, HEAD COVER 1 | | 1 | 1 | |
| 5 | 6H3-12414-A1 | .GASKET, COVER | | 1 | 1 | |
| 6 | 6H3-41112-A0 | .GASKET, EXHAUST INNER COVER | | 1 | 1 | |
| 7 | 6H3-41114-A0 | .GASKET, EXHAUST OUTER COVER | | 1 | 1 | |
| 8 | 93102-36M24 | .OIL SEAL | | 1 | 1 | |
| 9 | 93210-46M16 | .O-RING | | 1 | 1 | |
| 10 | 93102-30M23 | .OIL SEAL | | 1 | 1 | |
| 11 | 93106-18M01 | .OIL SEAL | | 1 | 1 | |
| 12 | 93210-65M50 | .O-RING | | 1 | 1 | |
| 13 | 6H3-13621-A1 | .GASKET, VALVE SEAT | | 1 | 1 | |
| 14 | 93210-39ME4 | .O-RING | | 3 | 3 | |
| 15 | 6H4-14984-00 | .GASKET, FLOAT CHAMBER | | 3 | 3 | |
| 16 | 93210-32738 | .O-RING | | 1 | 1 | |
| 17 | 650-24431-A0 | .GASKET, FUEL PUMP 1 | | 1 | 1 | |
| 18 | 6H3-45113-A0 | .GASKET, UPPER CASING | | 1 | 1 | |
| 19 | 6H3-13622-A1 | .GASKET, VALVE SEAT | | 1 | 1 | |
| 20 | 6H2-W0093-10 | CARBURETOR REPAIR KIT | | 1 | 1 | AUTO CHOKE |
| 21 | 6H4-14147-00 | .O-RING | | 1 | 1 | |
| 22 | 93210-04228 | .O-RING | | 1 | 1 | |
| 23 | 6H3-14590-00 | .NEEDLE VALVE ASSY | | 1 | 1 | |
| 24 | 6H4-14548-00 | .PIN, FLOAT ARM | | 1 | 1 | |
| 25 | 663-14159-00 | .CLIP | | 1 | 1 | |
| 26 | 676-14186-00 | .PIN, FLOAT | | 1 | 1 | |
| 27 | 676-14966-00 | .CAP | | 1 | 1 | |



6H30010-4230

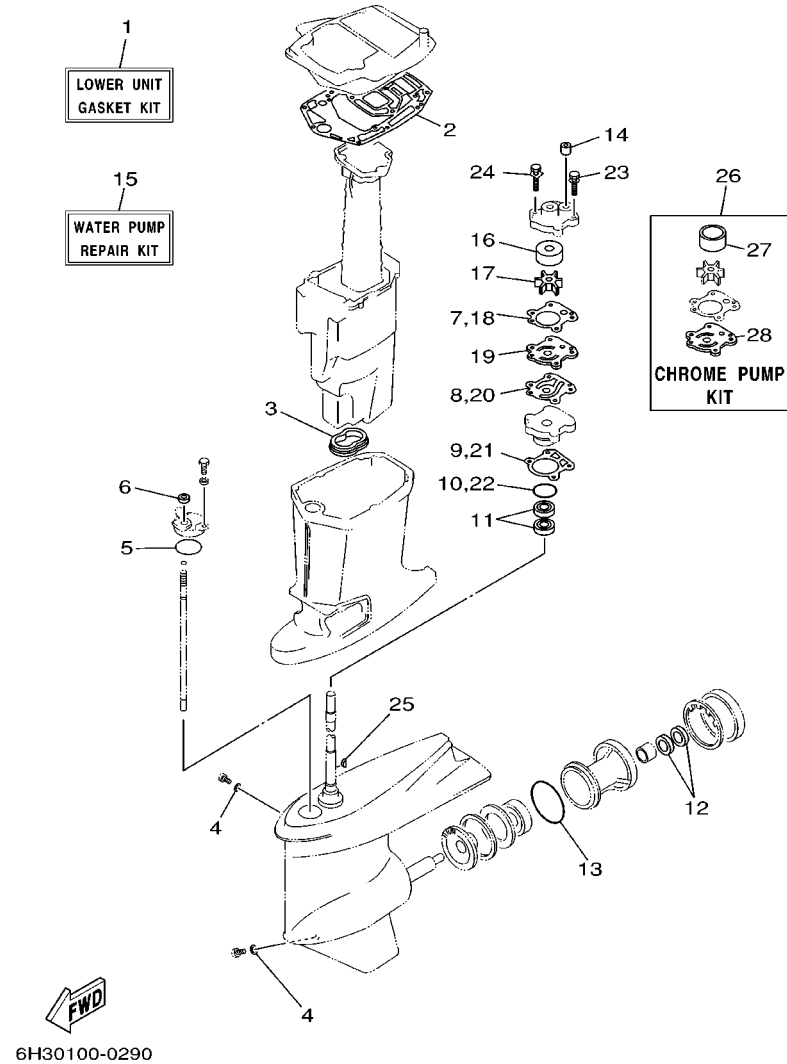
FIG. 30 REPAIR KIT 3



| REF. NO. | PART NO. | DESCRIPTION | 60ET | 6ETO | 7ETO | REMARKS |
|----------|--------------|-------------------------|------|------|------|---------|
| 1 | 6H3-W0001-22 | LOWER UNIT GASKET KIT | | 1 | 1 | |
| 2 | 6H3-45114-A1 | .GASKET, UPPER CASING | | 1 | 1 | |
| 3 | 6H3-45123-00 | .GASKET, MUFFLER | | 1 | 1 | |
| 4 | 90430-08020 | .GASKET | | 2 | 2 | |
| 5 | 93210-49046 | .O-RING | | 1 | 1 | |
| 6 | 93106-09014 | .OIL SEAL | | 1 | 1 | |
| 7 | 6H3-44315-A0 | .GASKET, WATER PUMP | | 1 | 1 | |
| 8 | 6H3-44324-A0 | .GASKET, CARTRIDGE | | 1 | 1 | |
| 9 | 688-44316-A0 | .GASKET, WATER PUMP | | 1 | 1 | |
| 10 | 93210-46044 | .O-RING | | 1 | 1 | |
| 11 | 93101-23070 | .OIL SEAL | | 2 | 2 | |
| 12 | 93101-25M03 | .OIL SEAL | | 2 | 2 | |
| 13 | 93210-85M97 | .O-RING | | 1 | 1 | |
| 14 | 663-44366-00 | .DAMPER, WATER SEAL | | 1 | 1 | |
| 15 | 6H3-W0078-02 | WATER PUMP REPAIR KIT | | 1 | 1 | |
| 16 | 663-44322-00 | .INSERT, CARTRIDGE | | 1 | 1 | |
| 17 | 6H3-44352-00 | .IMPELLER | | 1 | 1 | |
| 18 | 6H3-44315-A0 | .GASKET, WATER PUMP | | 1 | 1 | |
| 19 | 6H3-44323-00 | .OUTER PLATE, CARTRIDGE | | 1 | 1 | |
| 20 | 6H3-44324-A0 | .GASKET, CARTRIDGE | | 1 | 1 | |
| 21 | 688-44316-A0 | .GASKET, WATER PUMP | | 1 | 1 | |
| 22 | 93210-46044 | .O-RING | | 1 | 1 | |
| 23 | 90119-08M14 | .BOLT, WITH WASHER | | 2 | 2 | |
| 24 | 90119-08M33 | .BOLT, WITH WASHER | | 2 | 2 | |
| 25 | 90280-03M03 | .KEY, WOODRUFF | | 1 | 1 | |
| 26 | 6H3-W0078-1A | CHROME PUMP KIT | | 1 | 1 | |
| 27 | 663-44322-40 | .INSERT, CARTRIDGE | | 1 | 1 | |

FIG. 30 REPAIR KIT 3

| REF. NO. | PART NO. | DESCRIPTION | 60ET | 6ETO | 7ETO | REMARKS |
|----------|--------------|-------------------------|------|------|------|---------|
| 28 | 6H3-44323-40 | .OUTER PLATE, CARTRIDGE | | 1 | 1 | |
| ----- | | | | | | |
| ----- | | | | | | |
| ----- | | | | | | |
| ----- | | | | | | |
| ----- | | | | | | |
| ----- | | | | | | |
| ----- | | | | | | |
| ----- | | | | | | |
| ----- | | | | | | |
| ----- | | | | | | |
| ----- | | | | | | |



NUMERICAL INDEX

| PART NO. | REF. NO. | PART NO. | REF. NO. | PART NO. | REF. NO. | PART NO. | REF. NO. | PART NO. | REF. NO. | PART NO. | REF. NO. |
|-----------------|----------|-----------------|----------|-----------------|----------|-----------------|----------|-----------------|----------|-----------------|----------|
| 6H3-W0001-02 | 29 - 1 | 6J8-13414-00 | 8 - 41 | 6A0-14325-00 | 9 - 25 | 676-14966-00 | 7 - 22 | 6E5-24367-01 | 13 - 37 | 6H3-41241-01 | 8 - 20 |
| 6H3-W0001-03 | 28 - 1 | 6H1-13435-00 | 8 - 42 | 6H3-14349-00 | 5 - 17 | | 28 - 22 | 6E5-24378-00 | 8 - 55 | 6H3-41257-00 | 4 - 14 |
| 6H3-W0001-22 | 30 - 1 | 6H3-13436-00 | 1 - 18 | | 7 - 32 | | 29 - 27 | 650-24378-00 | 2 - 6 | 661-41262-02 | 4 - 15 |
| 688-W0004-00 | 4 - 2 | 6H3-13436-40 | 1 - 18 | 6H3-14380-00 | 7 - 33 | 6H2-14980-00 | 6 - 15 | 688-24378-00 | 9 - 32 | | 4 - 18 |
| | 5 - 2 | 6H2-13610-00 | 4 - 1 | 6H3-14413-10 | 4 - 19 | 6H3-14980-10 | 7 - 28 | 692-24410-00 | 9 - 15 | 6H3-41271-00 | 4 - 16 |
| 6H3-W0070-30 | 1 - 17 | | 5 - 1 | | 5 - 19 | 6H4-14980-00 | 7 - 27 | 6H3-24411-10 | 7 - 40 | 689-41273-00 | 4 - 17 |
| 6H3-W0078-02 | 30 - 15 | 6H3-13610-00 | 5 - 1 | 6H3-14440-02 | 4 - 20 | 6G1-14984-00 | 6 - 14 | 663-24411-00 | 9 - 20 | 6H3-41631-00 | 14 - 4 |
| 6H3-W0078-1A | 30 - 26 | 6H3-13621-A1 | 4 - 6 | | 5 - 20 | | 28 - 15 | 692-24411-00 | 9 - 17 | 6H3-41632-20 | 14 - 10 |
| 6H3-W0090-30-4D | 2 - 1 | | 5 - 7 | 6H3-14457-01 | 4 - 21 | | 28 - 28 | 6A0-24412-02 | 9 - 26 | 6H3-41633-10 | 14 - 12 |
| 6H3-W0090-41-4D | 2 - 1 | | 28 - 13 | | 5 - 21 | 6H4-14984-00 | 7 - 24 | 6A0-24413-00 | 9 - 16 | 6H3-41636-10-94 | 14 - 16 |
| 6H2-W0093-02 | 28 - 20 | | 29 - 13 | 6H1-14485-00 | 5 - 6 | | 29 - 15 | 6H4-24413-00 | 7 - 38 | 689-42169-01 | 14 - 1 |
| 6H2-W0093-10 | 29 - 20 | 6H3-13622-A1 | 4 - 8 | 624-14485-00 | 2 - 5 | | 29 - 28 | 6A0-24421-01 | 9 - 24 | | 14 - 20 |
| 656-W2810-02 | 9 - 38 | | 5 - 9 | 63V-14523-00 | 6 - 29 | 6G1-14985-00 | 6 - 12 | 6L5-24421-00 | 7 - 37 | 6H3-42510-12-4D | 16 - 3 |
| 6H3-11111-01-94 | 2 - 26 | | 28 - 19 | | 7 - 5 | | 28 - 26 | 650-24431-A0 | 9 - 27 | 624-42542-00 | 8 - 48 |
| 688-11119-00 | 2 - 22 | | 29 - 19 | 6H2-14527-01 | 6 - 23 | 6H4-14985-01 | 7 - 19 | | 28 - 17 | 6H2-42610-33-4D | 1 - 1 |
| 6H3-11181-A1 | 2 - 27 | 6H3-13624-00-94 | 4 - 7 | 663-14527-00 | 6 - 20 | 6H3-14992-00 | 6 - 17 | | 29 - 17 | 6H2-42610-46-4D | 1 - 1 |
| | 28 - 2 | | 5 - 8 | 688-14527-00 | 6 - 22 | | 7 - 25 | 6H3-24434-10 | 7 - 41 | 6H3-42610-30-4D | 1 - 1 |
| | 29 - 2 | 6H3-13641-03-94 | 4 - 5 | 6H4-14548-00 | 7 - 15 | 6B0-15100-01-94 | 2 - 2 | 648-24434-01 | 9 - 18 | 6H3-42613-01-4D | 1 - 11 |
| 6H3-11191-00-9M | 2 - 28 | 6H3-13641-13-94 | 5 - 5 | 688-14548-00 | 29 - 24 | 6H3-15100-13-94 | 2 - 2 | 648-24435-02 | 9 - 21 | 6H3-42615-00 | 1 - 14 |
| 6H3-11193-A1 | 2 - 29 | 663-14126-00 | 6 - 19 | | 6 - 13 | 6H3-15359-00-94 | 3 - 1 | 6H3-24452-10 | 7 - 29 | 6H3-42617-00 | 1 - 19 |
| | 28 - 4 | | 28 - 31 | | 28 - 27 | 6H3-17578-00 | 6 - 31 | 6H4-24486-00 | 7 - 39 | 6H3-42617-10 | 1 - 19 |
| | 29 - 4 | 688-14126-00 | 6 - 21 | 679-14555-00 | 6 - 26 | 6H3-21707-06 | 8 - 26 | 61N-24521-00 | 9 - 8 | 6H3-42619-00 | 1 - 20 |
| 6H3-11325-01 | 2 - 17 | | 28 - 32 | 697-14555-00 | 7 - 12 | 6H3-21732-00 | 1 - 24 | 61N-24560-00 | 9 - 6 | 6H3-42627-00 | 1 - 21 |
| 6H3-11327-00-94 | 2 - 18 | 6H3-14137-00 | 7 - 31 | 6H4-14567-00 | 7 - 30 | 6H3-21735-00 | 1 - 25 | 61N-24563-00 | 9 - 7 | 6H3-42637-00 | 1 - 22 |
| 6H3-11328-00 | 2 - 19 | 6H3-14146-10 | 7 - 9 | 6H2-14578-00 | 7 - 7 | 6J8-21744-00 | 8 - 53 | 648-24566-02 | 9 - 10 | 6H3-42647-00-94 | 1 - 3 |
| 650-11370-00 | 2 - 4 | 6H4-14146-00 | 7 - 8 | 6H3-14578-00 | 6 - 32 | 63D-2175R-00 | 8 - 35 | 6YJ-24610-01 | 22 - 2 | 6H3-42649-00-94 | 1 - 4 |
| 688-11370-00 | 2 - 3 | 6H4-14147-00 | 7 - 10 | 6H3-14590-00 | 6 - 8 | 6H3-21752-00 | 8 - 32 | 6H1-24633-00 | 8 - 39 | 6H3-42652-00 | 1 - 6 |
| 6H3-11400-03 | 3 - 7 | | 29 - 21 | | 7 - 14 | 6H1-21757-00 | 8 - 38 | 6E0-28193-00-94 | 9 - 39 | 663-42662-00 | 1 - 5 |
| 6H3-11400-11 | 3 - 7 | 663-14159-00 | 6 - 9 | | 28 - 23 | 6J8-21758-00 | 8 - 37 | 6H3-41111-00-9M | 2 - 36 | 6H2-42677-30 | 1 - 15 |
| 6H3-11536-00 | 3 - 12 | | 7 - 17 | | 29 - 23 | 63D-2176M-00 | 8 - 34 | 6H3-41112-A0 | 2 - 37 | 6H3-42677-30 | 1 - 15 |
| 6H3-11537-01 | 8 - 16 | | 28 - 24 | 6K5-14592-00 | 6 - 27 | 6H1-21766-01 | 8 - 44 | | 28 - 6 | 6H2-42678-30 | 1 - 16 |
| 6K5-11601-02 | 3 - 15 | | 29 - 25 | 6H3-14711-10-5B | 18 - 14 | 63D-2177H-00 | 1 - 2 | | 29 - 6 | 6H3-42678-30 | 1 - 16 |
| 6K5-11601-12 | 3 - 15 | 676-14186-00 | 6 - 10 | 6H3-14737-10 | 18 - 20 | 6H4-21770-00 | 8 - 36 | 6H3-41113-00-9M | 2 - 38 | 6H3-42681-30 | 1 - 28 |
| 6K5-11601-22 | 3 - 15 | | 7 - 18 | 692-14923-00 | 6 - 25 | 6YJ-24167-00 | 22 - 7 | 6H3-41114-A0 | 2 - 39 | 6H3-42682-30 | 1 - 29 |
| 6H3-11631-01-96 | 3 - 14 | | 28 - 25 | | 7 - 11 | 6YJ-24201-10 | 22 - 1 | | 28 - 7 | 6H1-42694-00 | 1 - 23 |
| 6H3-11633-00 | 3 - 16 | | 29 - 26 | | 28 - 33 | 6Y1-24260-12 | 22 - 3 | | 29 - 7 | 6H3-42711-05-4D | 13 - 1 |
| 688-11634-10 | 3 - 17 | 6H3-14198-A1 | 4 - 12 | 6H3-14943-35 | 7 - 21 | 6Y1-24268-00 | 22 - 6 | 6H2-41131-00-5B | 18 - 11 | 6H3-42711-24-4D | 13 - 1 |
| 6H3-11635-01 | 3 - 14 | | 28 - 14 | 6H3-14943-36 | 7 - 21 | 6G1-24304-02 | 9 - 1 | 6H3-41131-00-5B | 18 - 11 | 648-42715-00 | 14 - 28 |
| 6H3-11636-01 | 3 - 14 | | 28 - 21 | 6H3-14943-37 | 7 - 21 | 6G1-24305-01 | 22 - 13 | 6H3-41137-01-94 | 18 - 5 | 6H3-42716-02 | 13 - 12 |
| 6H3-12411-10 | 2 - 31 | 6H2-14301-0A | 7 - 1 | 676-14943-35 | 6 - 5 | 6Y1-24305-02 | 22 - 15 | 6H3-41213-10 | 14 - 23 | 6K5-42717-00 | 13 - 13 |
| 6H3-12413-00-9M | 2 - 32 | 6H2-14301-10 | 6 - 1 | 676-14943-36 | 6 - 5 | 6Y1-24306-06 | 22 - 8 | 6H3-41217-00 | 4 - 13 | 6H3-42718-00 | 13 - 39 |
| 6H3-12414-A1 | 2 - 33 | 6H3-14301-0A | 7 - 1 | 6H2-14947-71 | 7 - 20 | 663-24312-01 | 2 - 42 | | 5 - 14 | 6E5-42724-00 | 13 - 14 |
| | 28 - 5 | 6H2-14302-0A | 7 - 2 | 6H3-14947-07 | 6 - 4 | 6H3-24313-00 | 9 - 33 | 6E9-41237-00 | 8 - 25 | 6H3-42725-10 | 13 - 15 |
| | 29 - 5 | 6H2-14302-10 | 6 - 2 | 6H3-14947-71 | 7 - 20 | 6H3-24314-00 | 9 - 35 | 6F5-41237-00 | 14 - 15 | 688-42726-10 | 13 - 27 |
| 6H1-13117-01 | 8 - 18 | 6H3-14302-0A | 7 - 2 | 6H3-14948-13 | 7 - 23 | 6Y1-24329-00 | 22 - 5 | 6H1-41237-00 | 8 - 21 | 6H3-42727-00 | 13 - 19 |
| 6E9-13183-70 | 8 - 11 | 6H2-14303-0A | 7 - 3 | 6H3-14948-16 | 6 - 6 | 650-24351-51 | 22 - 12 | | 14 - 14 | 6H3-42738-01-5B | 13 - 16 |
| 6H3-13200-02 | 8 - 1 | 6H2-14303-10 | 6 - 3 | 6H3-14948-17 | 7 - 23 | 6Y1-24360-51 | 22 - 10 | 6H4-41237-00 | 14 - 21 | 6H3-42741-01-4D | 13 - 31 |
| 6J8-13411-00 | 8 - 40 | 6H3-14303-0A | 7 - 3 | 676-14966-00 | 6 - 7 | 6E5-24367-01 | 13 - 24 | 682-41237-00 | 14 - 2 | 6G1-42748-00 | 13 - 30 |

NUMERICAL INDEX

| PART NO. | REF. NO. | PART NO. | REF. NO. | PART NO. | REF. NO. | PART NO. | REF. NO. | PART NO. | REF. NO. | PART NO. | REF. NO. |
|-----------------|----------|-----------------|----------|-----------------|----------|-----------------|----------|-----------------|----------|-----------------|----------|
| 6H3-42768-00 | 13 - 23 | 6H1-4384F-10 | 17 - 46 | 6H3-44315-A0 | 19 - 27 | 6H3-45123-00 | 18 - 16 | 688-45567-01-30 | 20 - 7 | 6H1-45668-00 | 20 - 49 |
| 6H3-42771-01-4D | 13 - 32 | 6H1-4384G-11 | 17 - 45 | | 20 - 27 | | 30 - 3 | 688-45567-01-40 | 19 - 7 | 688-45930-02-98 | 21 - 22 |
| 6H3-42813-00 | 13 - 7 | 6H1-43840-11 | 17 - 17 | | 30 - 7 | 6H3-45127-00 | 18 - 15 | | 20 - 7 | 688-45932-60-98 | 21 - 22 |
| 6H3-42815-01-4D | 13 - 3 | 6H1-43841-11 | 17 - 42 | | 30 - 18 | 6H3-45155-00 | 18 - 3 | 688-45567-01-50 | 19 - 7 | 6E5-45941-00-EL | 21 - 22 |
| 6H3-42816-00 | 13 - 9 | 6H1-43843-11 | 17 - 72 | 688-44316-A0 | 19 - 33 | 688-45211-01-4D | 18 - 21 | | 20 - 7 | 6E5-45943-00-EL | 21 - 22 |
| 6H3-42817-01-4D | 13 - 4 | 6H1-43844-10 | 17 - 44 | | 20 - 33 | 6H1-45214-00 | 19 - 12 | 6H3-45571-00 | 20 - 62 | 6E5-45945-01-EL | 21 - 22 |
| 6H3-42818-00 | 13 - 10 | 6H1-43845-00 | 17 - 55 | | 30 - 9 | | 20 - 12 | 6K5-45571-00 | 19 - 54 | 6E5-45947-00-EL | 21 - 22 |
| 6H1-43111-01-4D | 15 - 1 | 6H1-43847-00 | 17 - 50 | | 30 - 21 | 6H1-45215-00 | 19 - 13 | 688-45576-00 | 19 - 58 | 6E5-45949-00-EL | 21 - 22 |
| 6H1-43112-00-4D | 15 - 11 | 6H1-4385H-00 | 17 - 78 | 663-44322-00 | 19 - 26 | | 20 - 13 | | 20 - 66 | 6E5-45952-00-EL | 21 - 22 |
| 6E5-43126-02 | 15 - 35 | 6H1-43854-00 | 17 - 53 | | 20 - 26 | 6H1-45251-03 | 15 - 2 | 688-45577-01-10 | 19 - 57 | 6E5-45954-00-EL | 21 - 22 |
| 688-43131-03 | 15 - 21 | 6H1-43855-11 | 17 - 71 | | 30 - 16 | 6H3-45300-E4-4D | 19 - 1 | | 20 - 65 | 6E5-45956-00-EL | 21 - 22 |
| 6G5-43144-00 | 15 - 42 | 6H1-43856-10 | 17 - 43 | 663-44322-40 | 30 - 27 | 6H3-45300-15-4D | 20 - 1 | 688-45577-01-12 | 19 - 57 | 6E5-45970-10 | 21 - 23 |
| 6E5-43145-01 | 23 - 9 | 6H1-4386K-10 | 17 - 9 | 6H3-44323-00 | 19 - 34 | 6H1-45301-03-4D | 20 - 2 | | 20 - 65 | 688-45970-03-98 | 21 - 22 |
| 6G5-43145-00 | 15 - 25 | 6H1-43861-00 | 17 - 21 | | 20 - 34 | 6H1-45301-12-4D | 19 - 2 | 688-45577-01-15 | 19 - 57 | 6E5-45972-10 | 21 - 23 |
| 6G5-43148-00 | 15 - 40 | 6H1-43861-10 | 17 - 18 | | 30 - 19 | 688-45321-00 | 19 - 16 | | 20 - 65 | 688-45972-02-98 | 21 - 22 |
| 688-43160-01 | 15 - 31 | | 17 - 22 | 6H3-44323-40 | 30 - 28 | | 20 - 16 | 688-45577-01-18 | 19 - 57 | 6E5-45974-10 | 21 - 23 |
| 688-43165-00 | 15 - 33 | | 17 - 60 | 6H3-44324-A0 | 19 - 35 | 688-45331-00-94 | 19 - 55 | | 20 - 65 | 688-45974-02-98 | 21 - 22 |
| 6H1-43181-01 | 15 - 26 | 6H1-43864-00 | 17 - 65 | | 20 - 35 | | 20 - 63 | 688-45577-01-30 | 19 - 57 | 6E5-45976-10 | 21 - 23 |
| 6H1-43185-01 | 15 - 27 | 6H1-43865-10 | 17 - 16 | | 30 - 8 | 688-45341-00 | 19 - 10 | | 20 - 65 | 688-45976-01-98 | 21 - 22 |
| 6H1-43311-01-4D | 15 - 16 | 6H1-43866-00 | 17 - 40 | | 30 - 20 | | 20 - 10 | 688-45577-01-40 | 19 - 57 | 6E5-45978-10 | 21 - 23 |
| 6H1-43376-00 | 16 - 39 | 6H1-43867-00 | 17 - 41 | 6H3-44341-00-94 | 19 - 30 | 6E5-45371-10 | 21 - 25 | | 20 - 65 | 688-45978-60-98 | 21 - 22 |
| 6H1-4380F-10 | 17 - 7 | 6H1-43868-00 | 17 - 74 | | 20 - 30 | 688-45371-02 | 21 - 12 | 688-45577-01-50 | 19 - 57 | 688-45987-01 | 21 - 17 |
| 6H1-4380G-10 | 17 - 15 | 6H1-4387J-00 | 17 - 77 | | 19 - 28 | 688-45375-00 | 21 - 11 | | 20 - 65 | 6E5-45994-10 | 21 - 24 |
| 6H1-4380H-10 | 17 - 13 | 6H1-43871-10 | 17 - 23 | 6H3-44352-00 | 20 - 28 | 663-45376-00-94 | 21 - 10 | 688-45587-01-10 | 19 - 5 | 688-45997-01 | 21 - 18 |
| 6H1-4380J-10 | 17 - 8 | 6H1-43872-10 | 17 - 25 | | 30 - 17 | 6E5-45378-00 | 19 - 21 | | 20 - 5 | 703-48152-00 | 25 - 57 |
| 6H1-43800-15-4D | 17 - 1 | 6H1-43874-00 | 17 - 67 | | 21 - 2 | | 20 - 21 | 688-45587-01-12 | 19 - 5 | | 26 - 58 |
| 6T4-43802-03 | 17 - 39 | 6H1-43875-00 | 17 - 57 | 6H3-44361-10 | 21 - 2 | 688-45383-02 | 19 - 63 | | 20 - 5 | 703-48153-00 | 25 - 3 |
| 6H1-43804-10 | 17 - 4 | 6H1-4388E-11 | 17 - 73 | 663-44366-00 | 21 - 16 | | 20 - 71 | 688-45587-01-15 | 19 - 5 | | 26 - 3 |
| 6H1-43805-10 | 17 - 3 | 6H1-43880-02 | 17 - 2 | | 30 - 14 | 688-45384-00 | 19 - 64 | | 20 - 5 | 703-48189-00 | 25 - 17 |
| 6H1-43810-11 | 17 - 20 | 6H1-43881-10 | 17 - 12 | 663-44367-00 | 21 - 1 | | 20 - 72 | 688-45587-01-18 | 19 - 5 | | 26 - 17 |
| 6H1-43812-00 | 17 - 24 | 6H1-43891-10 | 17 - 5 | 6H3-44391-01 | 13 - 2 | 6H3-45501-10 | 19 - 39 | | 20 - 5 | 703-48198-00 | 25 - 14 |
| 6H1-43813-10 | 17 - 27 | 6H1-43892-10 | 17 - 6 | 688-44511-00-94 | 16 - 33 | | 20 - 39 | 688-45587-01-30 | 19 - 5 | | 26 - 14 |
| 6H1-43814-11 | 17 - 19 | 6H1-43895-11 | 17 - 70 | 688-44514-00-94 | 16 - 26 | 6H3-45501-20 | 20 - 39 | | 20 - 5 | 703-48205-A2 | 24 - 1 |
| 6H1-43816-00 | 17 - 68 | 6H1-43896-00 | 17 - 69 | 6H1-44526-00 | 15 - 3 | 688-45536-01 | 19 - 4 | 688-45587-01-40 | 19 - 5 | | 26 - 1 |
| 6H1-43817-01 | 17 - 47 | 6H1-43899-00 | 17 - 51 | 6H3-44551-01-4D | 16 - 9 | | 20 - 4 | | 20 - 5 | 703-48205-15 | 24 - 1 |
| 6E5-43818-00 | 17 - 32 | 6H3-44117-00-94 | 14 - 31 | 6H3-44552-02-94 | 16 - 18 | 6K5-45551-00 | 19 - 40 | 688-45587-01-50 | 19 - 5 | | 25 - 1 |
| 6H1-4382A-10 | 17 - 52 | 6J2-44117-01-94 | 14 - 31 | 6H3-44553-01-4D | 16 - 23 | | 20 - 40 | | 20 - 5 | 703-48211-01 | 25 - 61 |
| 6H1-43820-11 | 17 - 64 | 6H3-44120-12 | 14 - 27 | 687-44555-00-94 | 16 - 11 | 6K5-45560-00 | 19 - 42 | | 20 - 43 | | 26 - 62 |
| 6H1-43821-11 | 17 - 59 | 6H3-44120-22 | 14 - 27 | 688-44555-00-94 | 16 - 11 | | 20 - 42 | 6H1-45611-01 | 20 - 43 | 703-48212-00 | 25 - 58 |
| 6H1-43822-10 | 17 - 58 | 6H3-44121-01 | 14 - 37 | 663-44575-00 | 16 - 16 | 688-45567-01-10 | 19 - 7 | | 20 - 44 | | 26 - 59 |
| 6H1-43828-10 | 17 - 30 | 688-44122-00 | 14 - 40 | | 16 - 32 | | 20 - 7 | 688-45631-01 | 19 - 44 | 703-48213-00 | 25 - 59 |
| 6H1-43829-00 | 17 - 36 | 6H1-44144-00 | 20 - 58 | 6H3-45111-11-4D | 18 - 1 | 688-45567-01-12 | 19 - 7 | | 19 - 49 | | 26 - 60 |
| 6H1-43830-11 | 17 - 49 | 6K5-44144-00 | 19 - 51 | 6H3-45113-A0 | 18 - 7 | | 20 - 7 | | 20 - 55 | 703-48215-00 | 25 - 43 |
| 6H1-43831-10 | 17 - 48 | 6H1-44151-00 | 20 - 57 | | 28 - 18 | 688-45567-01-15 | 19 - 7 | | 20 - 46 | | 26 - 43 |
| 6H1-43833-10 | 17 - 33 | 663-44151-00 | 19 - 50 | | 29 - 18 | | 20 - 7 | 6H1-45634-02 | 19 - 45 | 702-48217-00 | 25 - 44 |
| 6H1-43834-00 | 17 - 34 | 688-44194-00 | 14 - 7 | 6H3-45114-A1 | 18 - 17 | 688-45567-01-18 | 19 - 7 | | 20 - 50 | | 26 - 44 |
| 6H1-43835-10 | 17 - 29 | 6H3-44311-00 | 19 - 25 | | 30 - 2 | | 20 - 7 | 688-45635-00 | 19 - 47 | 703-48218-00 | 26 - 66 |
| 6H1-4384E-20 | 17 - 61 | | 20 - 25 | 663-45119-00 | 15 - 18 | 688-45567-01-30 | 19 - 7 | 6H1-45641-01 | 20 - 56 | 703-48219-00 | 25 - 30 |

NUMERICAL INDEX

| PART NO. | REF. NO. | PART NO. | REF. NO. | PART NO. | REF. NO. | PART NO. | REF. NO. | PART NO. | REF. NO. | PART NO. | REF. NO. |
|--------------|----------|-----------------|----------|--------------|----------|-----------------|----------|-------------|----------|-------------|----------|
| 703-48219-00 | 26 - 30 | 703-48282-00 | 26 - 32 | 688-81950-10 | 11 - 24 | 703-82594-00 | 25 - 25 | 90105-10M67 | 21 - 13 | 90201-05652 | 6 - 28 |
| 703-48221-00 | 25 - 56 | 703-48284-00 | 25 - 52 | 6H2-81960-10 | 11 - 11 | | 26 - 25 | 90109-06M39 | 8 - 3 | 90201-08M93 | 8 - 17 |
| | 26 - 57 | | 26 - 53 | 6H3-82105-01 | 11 - 29 | 703-83383-A0 | 26 - 52 | 90109-06M40 | 8 - 4 | 90201-10M20 | 23 - 3 |
| 703-48222-00 | 25 - 27 | 701-48287-00 | 25 - 42 | 6H3-82117-00 | 11 - 30 | 703-83383-02 | 25 - 51 | 90109-06M43 | 14 - 13 | 90201-10M63 | 23 - 7 |
| | 26 - 27 | | 26 - 42 | 6Y5-82117-00 | 27 - 33 | 6Y5-8350U-00 | 27 - 21 | 90109-12M21 | 16 - 15 | 90201-11M22 | 16 - 30 |
| 703-48223-00 | 25 - 28 | 703-48291-10 | 25 - 39 | 682-82119-01 | 11 - 52 | 6Y5-83504-10 | 27 - 17 | 90116-10M05 | 18 - 24 | 90201-12M16 | 16 - 12 |
| | 26 - 28 | | 26 - 39 | 703-82119-00 | 11 - 6 | 6Y5-83509-03 | 27 - 6 | 90116-10175 | 16 - 37 | 90201-12A26 | 15 - 46 |
| 703-48225-00 | 25 - 29 | 703-48293-10 | 25 - 41 | | 16 - 42 | 6Y5-83510-10 | 27 - 22 | 90119-06M09 | 13 - 11 | 90201-13M19 | 16 - 14 |
| | 26 - 29 | | 26 - 41 | 688-82127-02 | 16 - 25 | 6Y5-83513-10 | 27 - 18 | 90119-06M29 | 15 - 4 | 90201-17M00 | 21 - 19 |
| 703-48226-00 | 25 - 26 | 701-48320-00 | 24 - 2 | 6E5-82148-00 | 15 - 12 | 6Y5-83514-00 | 27 - 5 | 90119-06M61 | 13 - 22 | 90201-20M21 | 16 - 28 |
| | 26 - 26 | 701-48320-20 | 24 - 2 | 6H1-82148-00 | 15 - 8 | | 27 - 26 | 90119-06M65 | 8 - 49 | 90201-20A17 | 3 - 19 |
| 703-48227-00 | 25 - 24 | 701-48320-30 | 24 - 2 | 6Y5-82149-00 | 27 - 35 | 6Y5-83514-10 | 27 - 19 | 90119-06M88 | 8 - 50 | 90201-21M18 | 10 - 13 |
| | 26 - 24 | 701-48320-50 | 24 - 2 | 1E6-82151-00 | 27 - 32 | 6Y5-83517-00 | 27 - 2 | 90119-08M09 | 2 - 30 | 90201-22M67 | 15 - 23 |
| 703-48232-00 | 25 - 62 | 701-48320-60 | 24 - 2 | 682-82151-00 | 11 - 32 | | 27 - 23 | 90119-08M14 | 19 - 38 | 90201-30M00 | 16 - 4 |
| | 26 - 63 | 701-48320-80 | 24 - 2 | 6G5-82152-00 | 11 - 17 | 6Y5-83518-00 | 27 - 7 | | 20 - 38 | 90202-05088 | 8 - 22 |
| 703-48235-00 | 25 - 4 | 6H3-48344-00 | 14 - 18 | 6H3-82154-11 | 11 - 49 | | 27 - 13 | | 30 - 23 | 90202-07M07 | 14 - 39 |
| | 26 - 4 | 663-48344-00 | 14 - 41 | 6H3-82164-00 | 11 - 27 | 6Y5-83523-00 | 27 - 4 | 90119-08M17 | 2 - 9 | 90202-12060 | 21 - 3 |
| 703-48236-00 | 25 - 16 | 703-48345-01 | 25 - 19 | 6A0-82317-00 | 8 - 47 | | 27 - 25 | 90119-08M33 | 19 - 37 | 90202-20M06 | 16 - 29 |
| | 25 - 18 | | 26 - 19 | 6G1-82370-21 | 11 - 23 | 6Y5-83536-00 | 27 - 14 | | 20 - 37 | 90202-25M04 | 16 - 13 |
| | 26 - 16 | 703-48358-00 | 25 - 20 | 703-82510-11 | 26 - 45 | 6Y5-83536-10 | 27 - 3 | | 30 - 24 | 90206-10M04 | 14 - 24 |
| | 26 - 18 | | 26 - 20 | 703-82510-41 | 25 - 45 | | 27 - 24 | 90119-08M79 | 18 - 8 | 90206-13M10 | 13 - 6 |
| 703-48238-00 | 25 - 22 | 6H3-48511-51-4D | 16 - 36 | 6R3-82521-70 | 27 - 36 | 6Y5-83540-05 | 27 - 1 | 90119-08M81 | 18 - 4 | 90209-06M05 | 4 - 23 |
| | 26 - 22 | 6H3-48538-00 | 14 - 42 | 6Y5-82521-00 | 27 - 34 | 6Y5-83540-14 | 27 - 1 | 90119-08M84 | 21 - 9 | | 5 - 23 |
| 703-48243-00 | 25 - 15 | 688-61350-10 | 23 - 1 | 703-82531-00 | 25 - 46 | 6Y5-83553-00 | 27 - 31 | 90119-08M86 | 18 - 25 | 90249-06M19 | 15 - 39 |
| | 26 - 15 | 688-61351-10 | 23 - 2 | | 26 - 47 | 6Y5-83554-10 | 27 - 20 | 90119-10M07 | 2 - 8 | 90250-07M02 | 19 - 48 |
| 703-48244-00 | 25 - 21 | 6E5-61355-00 | 23 - 8 | 703-82540-00 | 25 - 50 | 688-83557-00 | 27 - 27 | 90151-05M00 | 19 - 14 | | 20 - 54 |
| | 26 - 21 | 6E5-81332-00 | 10 - 14 | | 26 - 51 | 6E5-83558-00 | 21 - 15 | | 20 - 14 | 90266-06009 | 1 - 10 |
| 703-48245-00 | 25 - 11 | 6H3-81337-01 | 10 - 17 | 703-82542-00 | 26 - 65 | 6E5-83558-10 | 19 - 23 | 90157-06M01 | 13 - 25 | 90269-04M03 | 13 - 8 |
| | 26 - 11 | 6H3-81800-11 | 12 - 1 | 6R3-82553-70 | 27 - 37 | | 20 - 23 | | 13 - 29 | 90280-03M03 | 19 - 29 |
| 703-48246-00 | 25 - 23 | 6H3-81807-10 | 12 - 3 | 682-82556-00 | 25 - 48 | 6Y5-83577-00 | 27 - 15 | 90157-06M13 | 14 - 5 | | 20 - 29 |
| | 26 - 23 | 689-81809-11 | 12 - 7 | | 26 - 49 | 6E5-83614-01 | 11 - 55 | 90159-06M01 | 11 - 16 | | 30 - 25 |
| 701-48248-00 | 25 - 13 | 6H3-81810-10 | 12 - 9 | 688-82560-10 | 11 - 38 | 688-83664-00 | 27 - 16 | 90159-06M23 | 10 - 18 | 90280-05015 | 10 - 11 |
| | 26 - 13 | 689-81811-11 | 12 - 12 | 6H1-82563-10 | 11 - 53 | 6Y5-83670-11 | 27 - 12 | 90170-09M03 | 23 - 5 | 90282-04010 | 19 - 62 |
| 703-48252-00 | 25 - 12 | 689-81812-11 | 12 - 11 | 703-82563-01 | 25 - 55 | 6H1-83672-11 | 16 - 1 | 90170-16M01 | 19 - 41 | | 20 - 70 |
| | 26 - 12 | 689-81813-10 | 12 - 13 | | 26 - 56 | 6H2-85520-01 | 10 - 2 | | 20 - 41 | 90338-05M03 | 1 - 26 |
| 703-48261-01 | 25 - 2 | 6H3-81820-11 | 12 - 14 | 688-82575-01 | 25 - 47 | 6H2-85533-01 | 10 - 3 | 90170-20137 | 10 - 12 | | 15 - 20 |
| | 26 - 2 | 689-81826-10 | 12 - 15 | | 26 - 48 | 6H2-85540-10 | 11 - 5 | 90171-16011 | 21 - 20 | 90340-08M04 | 19 - 9 |
| 703-48264-00 | 25 - 6 | 6H3-81830-10 | 12 - 4 | 676-82577-00 | 26 - 46 | 6H3-85542-11-94 | 11 - 1 | 90179-06066 | 16 - 22 | | 20 - 9 |
| | 26 - 6 | 689-81831-00 | 12 - 5 | 688-8258A-20 | 25 - 49 | 6H2-85550-00 | 10 - 1 | 90183-02M03 | 20 - 53 | 90340-14M00 | 2 - 24 |
| 703-48265-00 | 25 - 9 | 689-81840-11 | 12 - 10 | | 26 - 50 | 697-85570-00 | 11 - 20 | 90183-05M06 | 1 - 27 | 90386-07M58 | 14 - 34 |
| | 26 - 9 | 689-81847-11 | 12 - 6 | 6R5-82582-B0 | 8 - 61 | 6H2-85580-01 | 10 - 4 | 90185-05002 | 19 - 15 | 90386-10M16 | 15 - 28 |
| 703-48268-00 | 25 - 5 | 689-81850-12 | 12 - 8 | 6E5-82587-00 | 11 - 54 | 6H3-85720-16 | 8 - 60 | | 20 - 15 | 90386-13M38 | 13 - 5 |
| | 26 - 5 | 689-81857-11 | 12 - 2 | 6H2-82590-13 | 11 - 31 | 6H2-85895-01 | 10 - 5 | 90185-08057 | 16 - 40 | 90386-18M14 | 17 - 31 |
| 703-48271-00 | 25 - 60 | 6H3-81916-10 | 11 - 15 | 6H2-82590-60 | 11 - 31 | 6H3-86110-02 | 11 - 39 | 90185-09M01 | 23 - 4 | 90386-18M35 | 15 - 37 |
| | 26 - 61 | 6H2-81949-01 | 11 - 51 | 703-82591-00 | 25 - 53 | 6H3-86116-00 | 11 - 40 | 90185-10051 | 16 - 31 | 90386-18M63 | 15 - 36 |
| 703-48281-00 | 25 - 31 | 6H2-81949-11 | 11 - 50 | 703-82592-00 | 25 - 54 | 90101-10M49 | 16 - 27 | | 16 - 38 | 90386-22M15 | 15 - 22 |
| | 26 - 31 | 6Y5-81950-02 | 27 - 10 | | 26 - 55 | 90101-12M65 | 15 - 44 | 90185-22043 | 15 - 24 | 90386-30M60 | 16 - 8 |
| 703-48282-00 | 25 - 32 | 61A-81950-00 | 11 - 46 | 688-82594-00 | 11 - 37 | 90105-06M14 | 11 - 2 | 90201-03313 | 20 - 52 | 90386-30M77 | 16 - 6 |

NUMERICAL INDEX

| PART NO. | REF. NO. | PART NO. | REF. NO. | PART NO. | REF. NO. | PART NO. | REF. NO. | PART NO. | REF. NO. | PART NO. | REF. NO. |
|-------------|----------|-------------|----------|-------------|----------|-------------|----------|-------------|----------|-------------|----------|
| 90386-30M78 | 16 - 5 | 90464-11M23 | 8 - 58 | 91318-08016 | 17 - 66 | 92995-06600 | 11 - 48 | 93210-10M74 | 17 - 54 | 93430-06024 | 26 - 10 |
| 90387-06M31 | 8 - 31 | 90464-13080 | 26 - 54 | 91490-20012 | 14 - 36 | | 13 - 18 | 93210-13M04 | 8 - 19 | | 26 - 64 |
| 90387-06M43 | 11 - 3 | 90464-15M11 | 11 - 28 | 91490-40025 | 21 - 21 | | 13 - 34 | 93210-15M52 | 6 - 33 | 93430-08006 | 19 - 53 |
| 90387-06M60 | 14 - 8 | 90464-18M14 | 11 - 57 | 91690-30010 | 11 - 41 | | 13 - 36 | | 28 - 34 | | 20 - 60 |
| | 14 - 25 | 90464-23M22 | 11 - 18 | 91690-30012 | 15 - 32 | | 15 - 7 | 93210-16275 | 23 - 10 | 93440-49M04 | 3 - 10 |
| 90387-06M69 | 13 - 21 | 90465-06M86 | 8 - 10 | 91690-30020 | 15 - 30 | | 15 - 10 | 93210-18M75 | 17 - 56 | 93450-07M00 | 20 - 61 |
| 90387-10M02 | 15 - 29 | 90465-11M10 | 16 - 41 | 92901-04100 | 17 - 76 | | 19 - 20 | 93210-18397 | 17 - 26 | 93501-04M02 | 14 - 29 |
| 90387-10M42 | 23 - 6 | | 19 - 24 | 92901-05200 | 17 - 63 | | 20 - 20 | 93210-19MA7 | 8 - 2 | 93503-16003 | 20 - 48 |
| 90430-08020 | 19 - 11 | | 20 - 24 | 92903-05100 | 27 - 9 | 92995-08100 | 16 - 20 | 93210-29M94 | 16 - 7 | 93505-32038 | 17 - 79 |
| | 20 - 11 | | 27 - 28 | | 27 - 30 | | 16 - 35 | 93210-32738 | 9 - 9 | 93603-12M11 | 20 - 45 |
| | 30 - 4 | 90465-11M27 | 8 - 28 | 92903-06600 | 2 - 21 | | 18 - 10 | | 28 - 16 | 93603-18M09 | 3 - 18 |
| 90430-12072 | 21 - 4 | 90465-13M11 | 11 - 19 | | 2 - 35 | | 18 - 13 | | 29 - 16 | 93604-10M03 | 19 - 36 |
| 90430-14115 | 2 - 25 | 90465-13M18 | 27 - 11 | | 2 - 41 | | 18 - 19 | 93210-39ME4 | 5 - 13 | | 20 - 36 |
| | 28 - 3 | 90465-13M30 | 8 - 33 | | 4 - 10 | 92995-10100 | 15 - 15 | | 29 - 14 | 93606-12019 | 18 - 2 |
| | 29 - 3 | 90465-18147 | 7 - 42 | | 5 - 11 | 92995-12200 | 15 - 45 | | 29 - 30 | | 18 - 6 |
| 90440-14M00 | 15 - 48 | | 11 - 45 | | 7 - 44 | 93101-23070 | 19 - 31 | 93210-46M16 | 3 - 13 | | 18 - 23 |
| 90445-07MA5 | 8 - 8 | 90467-06016 | 2 - 11 | | 11 - 10 | | 20 - 31 | | 28 - 9 | | 21 - 5 |
| 90445-07ME9 | 19 - 22 | | 2 - 15 | | 11 - 22 | | 30 - 11 | | 29 - 9 | 93608-12063 | 2 - 7 |
| | 20 - 22 | | 5 - 16 | | 11 - 26 | 93101-25M03 | 19 - 61 | 93210-46044 | 19 - 32 | 93700-06M03 | 15 - 17 |
| 90445-07MF1 | 21 - 14 | 90467-08004 | 2 - 43 | | 11 - 34 | | 20 - 69 | | 20 - 32 | 94702-00247 | 2 - 44 |
| 90445-07MF2 | 20 - 22 | | 5 - 18 | | 11 - 36 | | 30 - 12 | | 30 - 10 | 95303-05600 | 27 - 8 |
| 90445-07M02 | 2 - 12 | | 8 - 45 | | 11 - 43 | 93102-08M43 | 17 - 14 | | 30 - 22 | | 27 - 29 |
| 90445-07M23 | 8 - 7 | | 9 - 5 | | 12 - 19 | 93102-30M23 | 3 - 2 | 93210-49046 | 19 - 17 | 95380-03600 | 7 - 35 |
| 90445-07M44 | 2 - 10 | | 9 - 14 | | 14 - 33 | | 28 - 10 | | 20 - 17 | | 9 - 19 |
| | 8 - 6 | | 9 - 31 | 92903-08600 | 12 - 17 | | 29 - 10 | | 30 - 5 | 95380-05600 | 8 - 24 |
| | 2 - 13 | | 9 - 36 | | 12 - 21 | 93102-36M24 | 3 - 9 | 93210-64488 | 17 - 28 | | 14 - 3 |
| 90445-07M82 | 2 - 14 | 90467-10M04 | 8 - 52 | 92990-05100 | 9 - 23 | | 28 - 8 | 93210-65M50 | 3 - 4 | | 14 - 17 |
| 90445-07M87 | 8 - 9 | 90467-11M08 | 8 - 29 | 92990-05600 | 4 - 4 | | 29 - 8 | | 28 - 12 | | 14 - 22 |
| 90445-07255 | 5 - 15 | | 8 - 59 | | 5 - 4 | 93106-09014 | 19 - 18 | | 29 - 12 | | 25 - 7 |
| 90445-08M01 | 8 - 43 | 90467-12M11 | 8 - 46 | 92990-06600 | 13 - 26 | | 20 - 18 | 93210-85M97 | 19 - 59 | | 26 - 7 |
| 90445-09M75 | 9 - 4 | 90468-05M03 | 8 - 23 | | 13 - 38 | | 30 - 6 | | 20 - 67 | 95380-06600 | 14 - 6 |
| 90445-09072 | 9 - 13 | 90468-07M02 | 8 - 12 | 92990-08200 | 14 - 35 | 93106-18M01 | 3 - 3 | | 30 - 13 | | 25 - 40 |
| | 9 - 30 | | 8 - 13 | 92990-08600 | 25 - 34 | | 28 - 11 | 93306-207U0 | 19 - 56 | | 26 - 40 |
| | 9 - 34 | | 8 - 14 | | 26 - 34 | | 29 - 11 | | 20 - 64 | 95380-08600 | 9 - 11 |
| 90445-09220 | 8 - 57 | 90468-18008 | 14 - 19 | 92990-10100 | 21 - 7 | 93210-03261 | 11 - 44 | 93306-306V1 | 3 - 11 | 95380-10600 | 18 - 22 |
| 90445-11M02 | 8 - 27 | | 14 - 38 | 92990-10600 | 21 - 8 | 93210-04228 | 6 - 34 | 93311-636U6 | 3 - 8 | 95380-12600 | 15 - 47 |
| 90445-11M03 | 22 - 11 | 90480-09M12 | 13 - 20 | 92995-06100 | 1 - 8 | | 7 - 13 | 93315-325V1 | 19 - 3 | 95380-12800 | 16 - 17 |
| 90445-11M05 | 22 - 9 | 90480-13M54 | 11 - 4 | | 15 - 6 | | 29 - 22 | | 20 - 3 | 97013-06012 | 7 - 43 |
| 90445-11M06 | 8 - 54 | 90501-10326 | 6 - 30 | 92995-06600 | 1 - 9 | 93210-04230 | 6 - 18 | 93317-325U0 | 19 - 60 | | 11 - 9 |
| 90445-11M15 | 8 - 51 | | 7 - 6 | | 1 - 13 | | 7 - 26 | | 20 - 68 | | 11 - 33 |
| 90445-11M21 | 8 - 56 | 90501-12M48 | 20 - 51 | | 3 - 6 | | 28 - 30 | 93332-000U3 | 19 - 6 | | 11 - 35 |
| 90446-10M01 | 9 - 37 | 90501-12082 | 14 - 30 | | 9 - 3 | | 29 - 29 | | 20 - 6 | 97013-06014 | 9 - 12 |
| | 11 - 14 | 90501-14M08 | 16 - 21 | | 9 - 29 | 93210-064A5 | 17 - 38 | 93332-000W7 | 19 - 8 | 97013-06016 | 2 - 20 |
| 90464-05M16 | 2 - 16 | 90501-16M65 | 20 - 47 | | 10 - 8 | 93210-07003 | 19 - 52 | | 20 - 8 | | 11 - 25 |
| | 8 - 5 | 90501-16233 | 19 - 46 | | 10 - 10 | | 20 - 59 | 93410-18M02 | 15 - 38 | | 11 - 42 |
| | 8 - 15 | 90502-16M02 | 15 - 34 | | 10 - 16 | 93210-08287 | 22 - 14 | 93410-28M06 | 16 - 10 | 97013-06020 | 11 - 21 |
| 90464-09M13 | 13 - 28 | 90506-14M24 | 15 - 41 | | 11 - 8 | | 22 - 16 | 93430-06024 | 25 - 10 | | 14 - 32 |
| 90464-11M18 | 15 - 19 | 90508-26M35 | 14 - 11 | | 11 - 13 | 93210-09165 | 17 - 37 | | 25 - 63 | 97013-06025 | 2 - 34 |

NUMERICAL INDEX

| PART NO. | REF. NO. | PART NO. | REF. NO. | PART NO. | REF. NO. | PART NO. | REF. NO. | PART NO. | REF. NO. | PART NO. | REF. NO. |
|-------------|----------|-------------|----------|----------|----------|----------|----------|----------|----------|----------|----------|
| 97013-06025 | 4 - 9 | 97880-06012 | 15 - 13 | | | | | | | | |
| | 5 - 10 | 97885-05016 | 17 - 10 | | | | | | | | |
| | 12 - 18 | 97885-06010 | 10 - 15 | | | | | | | | |
| 97013-06035 | 2 - 40 | 97885-06016 | 16 - 2 | | | | | | | | |
| 97013-08016 | 12 - 20 | | 16 - 24 | | | | | | | | |
| 97013-08020 | 2 - 23 | 97885-06045 | 4 - 22 | | | | | | | | |
| 97013-08035 | 12 - 16 | | 5 - 22 | | | | | | | | |
| 97075-08025 | 16 - 19 | 97980-04114 | 6 - 16 | | | | | | | | |
| 97075-08030 | 18 - 12 | | 7 - 4 | | | | | | | | |
| | 18 - 18 | | 28 - 29 | | | | | | | | |
| 97075-08035 | 16 - 34 | 97980-05310 | 6 - 24 | | | | | | | | |
| | 18 - 9 | 98501-04025 | 17 - 75 | | | | | | | | |
| 97075-10040 | 21 - 6 | 98501-05010 | 17 - 62 | | | | | | | | |
| 97095-05012 | 10 - 6 | 98502-04008 | 6 - 11 | | | | | | | | |
| 97095-06010 | 15 - 9 | 98503-05028 | 9 - 22 | | | | | | | | |
| | 15 - 43 | 98580-03015 | 25 - 38 | | | | | | | | |
| 97095-06016 | 1 - 7 | | 26 - 38 | | | | | | | | |
| | 1 - 12 | 98580-04006 | 25 - 36 | | | | | | | | |
| | 8 - 30 | | 26 - 36 | | | | | | | | |
| | 11 - 12 | 98580-04008 | 7 - 16 | | | | | | | | |
| | 11 - 56 | 98580-04010 | 25 - 35 | | | | | | | | |
| | 13 - 17 | | 26 - 35 | | | | | | | | |
| | 15 - 5 | 98580-05010 | 25 - 37 | | | | | | | | |
| | 19 - 19 | | 26 - 37 | | | | | | | | |
| | 20 - 19 | 98586-05016 | 22 - 4 | | | | | | | | |
| 97095-06020 | 3 - 5 | 98980-03006 | 7 - 36 | | | | | | | | |
| | 13 - 35 | | | | | | | | | | |
| 97095-06025 | 9 - 2 | | | | | | | | | | |
| | 10 - 9 | | | | | | | | | | |
| | 11 - 47 | | | | | | | | | | |
| | 13 - 33 | | | | | | | | | | |
| | 14 - 9 | | | | | | | | | | |
| | 14 - 26 | | | | | | | | | | |
| 97095-06035 | 10 - 7 | | | | | | | | | | |
| 97095-06040 | 9 - 28 | | | | | | | | | | |
| 97095-06045 | 11 - 7 | | | | | | | | | | |
| 97095-06095 | 4 - 11 | | | | | | | | | | |
| | 5 - 12 | | | | | | | | | | |
| 97095-08030 | 25 - 33 | | | | | | | | | | |
| | 26 - 33 | | | | | | | | | | |
| 97095-10045 | 15 - 14 | | | | | | | | | | |
| 97380-05025 | 25 - 8 | | | | | | | | | | |
| | 26 - 8 | | | | | | | | | | |
| 97595-06420 | 17 - 35 | | | | | | | | | | |
| 97607-04310 | 17 - 11 | | | | | | | | | | |
| 97803-04010 | 7 - 34 | | | | | | | | | | |
| 97880-05016 | 4 - 3 | | | | | | | | | | |
| | 5 - 3 | | | | | | | | | | |