



PARTS CATALOGUE

60TRC (6H29)

70TRC (6H33)

60FET'04 (6H2A)

60FETO'04 (6H29)

70BETO'04 (6H33)

FOREWORD

This Parts Catalogue is related to the parts for the model(s) on the cover page. When you are ordering replacement parts, please refer to this Parts Catalogue and quote both part numbers and part names correctly.

1. Modifications or additions which have been made after the issue of the Parts Catalogue will be announced in the Parts News.
It is advisable that you make the necessary corrections to the Parts Catalogue according to the Parts News.

2. Abbreviations

The following abbreviations are used in this Parts Catalogue.

“UR” Use specified parts number.

“UN” Use as many as needed.

“AP” Alternate Parts

“LM” Locally Made (Parts need to be ordered locally)

“F#” Frame No. (Applicable machine No.)

“O/S” Over Size

3. The number of components for assembly

- Parts, which are to be supplied in an assembly, are listed with a dot (.) in front of the part name as shown below.
- The numeral appearing to the right of each component part indicates the quantity of parts for each assembly unit.

PART NO.	DESCRIPTION	Q'TY	REMARKS
2F5-83310-60	FRONT FLASHER LIGHT ASSY	2	
115-83311-60	.BULB (6V-18W)	1	

4. Applicable colours of graphics are represented in the “REMARKS” as shown below.

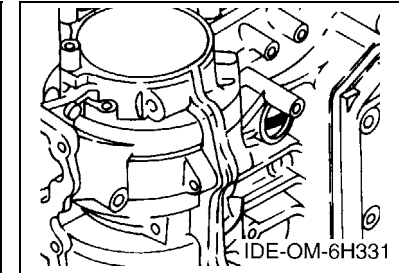
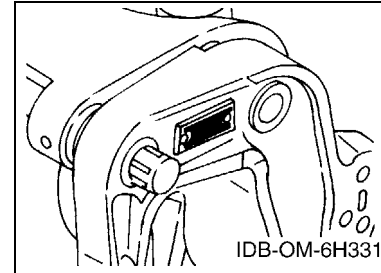
PART NO.	DESCRIPTION	Q'TY	REMARKS
2N4-24110-00-X5	FUEL TANK COMP.	2	MXR
3J1-24240-10	.GRAPHIC, FUEL TANK	1	FOR MXR

5. Note that the illustrations for reference in finding parts numbers are not to be used for assembling. When assembling, please use the applicable service manual.

6. The asterisk (*) before a reference number indicates modified items after the first edition.

7. Applicable Serial No.

Engine Serial No.



8. Applicable Engine Starting Serial No.

Model	Serial No.	Model	Serial No.
60	6H2K-1003093	60F	6H2K-1003093
70	6H3K-1002818	70B	6H3K-1002818

9. Applicable Colour Code

Abbreviation	Colour Name	Colour Code
DBNM2	DARK BLUISH GRAY METALLIC 2	004D

10. Quantity Column Information

Column No.	Name Of Q'ty Column	Applicable Model
1	60ET	60FET
2	6ETO	60TRC,60FETO
3	7ETO	70TRC,70BETO

CONTENTS

SHEET1/2

TOP COWLING	A4
CYLINDER & CRANKCASE	A6
CRANKSHAFT & PISTON	B1
INTAKE 1	B2
INTAKE 2	B3
CARBURETOR 1	B4
CARBURETOR 2	B6
OIL PUMP	C2
FUEL 1	C5
FUEL 2	C7
GENERATOR	D1
ELECTRICAL	D2
STARTING MOTOR	D5
BOTTOM COWLING	D6
CONTROL	E1
BRACKET 1	E3
BRACKET 2	E5
POWER TRIM & TILT ASSY	E7
UPPER CASING	F3
LOWER CASING & DRIVE 1	F4

INDEX

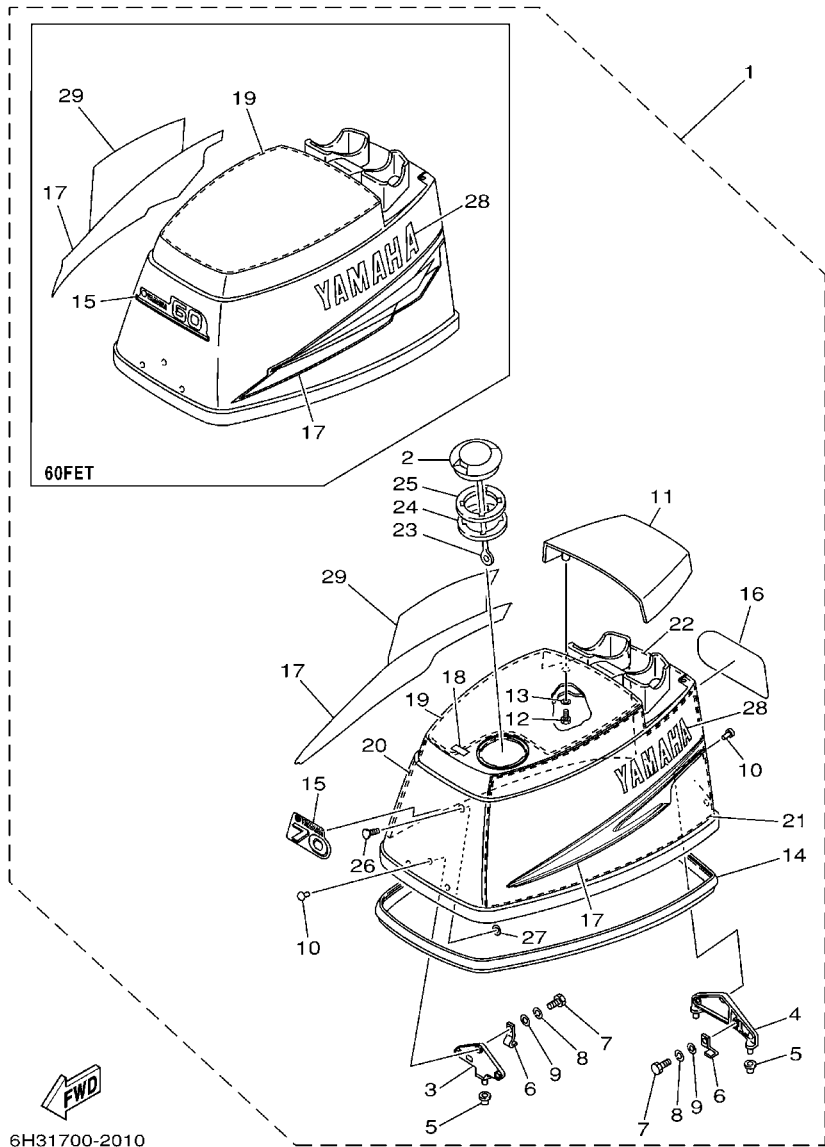
NUMERICAL INDEX	G1
-----------------------	----

SHEET2/2

LOWER CASING & DRIVE 2	A4*
LOWER CASING & DRIVE 3	B1*
FUEL TANK	B3*
STEERING GUIDE	B4*
REMOTE CONTROL BOX	B5*
REMOTE CONTROL ASSY	B6*
METER	C2*
REPAIR KIT 1	C3*
REPAIR KIT 2	C5*
REPAIR KIT 3	C7*

INDEX

NUMERICAL INDEX	G1*
-----------------------	-----



6H31700-2010

FIG. 1 TOP COWLING

REF. NO.	PART NO.	DESCRIPTION	60ET	6ETO	7ETO	REMARKS
1	6H3-42610-60-4D	TOP COWLING ASSY			1	
	6H2-42610-90-4D	TOP COWLING ASSY		1		FOR USA,OCE
	6H2-42610-80-4D	TOP COWLING ASSY		1		FOR BRA
	6H2-42610-50-4D	TOP COWLING ASSY	1			
2	63D-2177H-00	.DISK CAP 2		1	1	
3	6H3-42647-00-94	.HOLDER, CLAMP BAND	1	1	1	
4	6H3-42649-00-94	.HOLDER, CLAMP BAND	1	1	1	
5	663-42662-00	.DAMPER	3	3	3	
6	6H3-42652-00	.HOOK	2	2	2	
7	97095-06016	.BOLT	2	2	2	
8	92995-06100	.WASHER, SPRING	2	2	2	
9	92995-06600	.WASHER	2	2	2	
10	90266-06009	.RIVET	6	6	6	
11	6H3-42613-01-4D	.MOLDING, AIR DUCT	1	1	1	
12	97095-06016	.BOLT	4	4	4	
13	92995-06600	.WASHER	4	4	4	
14	6H3-42615-00	.SEAL	1	1	1	
15	6H3-42677-60	.GRAPHIC, FRONT			1	
	6H2-42677-60	.GRAPHIC, FRONT		1		FOR USA,OCE
	6H2-42677-50	.GRAPHIC, FRONT		1		ETO-FOR BRA
16	6H3-42678-50	.GRAPHIC, REAR			1	
	6H2-42678-50	.GRAPHIC, REAR		1		FOR USA,OCE
	6H2-42678-30	.GRAPHIC, REAR		1		ETO-FOR BRA
17	6H3-W0070-50	.GRAPHIC SET		1	1	FOR USA,OCE
	6H3-W0070-30	.GRAPHIC SET		1		ETO-FOR BRA
18	6H3-13436-40	.MARK		1	1	
19	6H3-42617-10	.DAMPER, FORM		1	1	

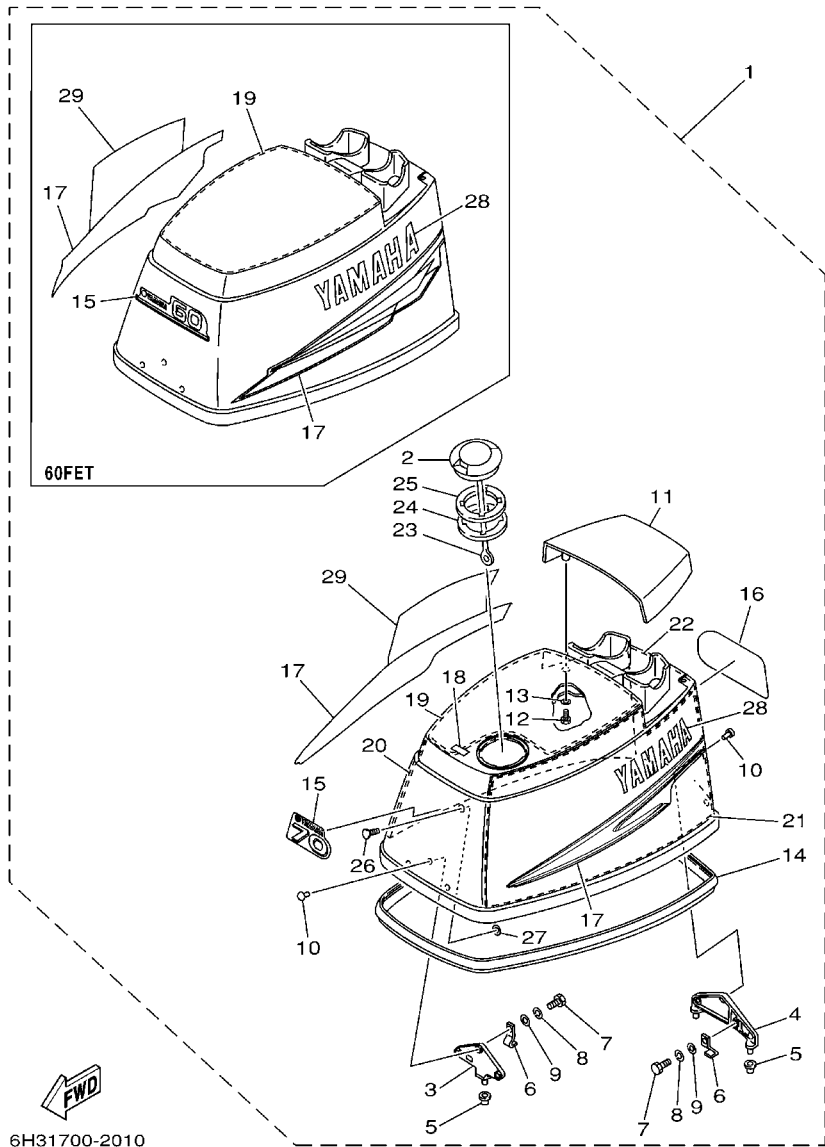


FIG. 1 TOP COWLING

REF. NO.	PART NO.	DESCRIPTION	60FET	6ETO	7ETO	REMARKS
19	6H3-42617-00	.DAMPER, FORM	1			
20	6H3-42619-00	.DAMPER, FORM	1	1	1	
21	6H3-42627-00	.DAMPER, FORM	1	1	1	
22	6H3-42637-00	.DAMPER, FORM	1	1	1	
23	6H1-42694-00	.BAND			1	1
24	6H3-21732-00	.SEAL 1		1	1	
25	6H3-21735-00	.SEAL 2		1	1	
26	90338-05M03	.PLUG		1	1	
27	90183-05M06	.NUT, SPRING		1	1	
28	6H3-42681-50	.MARK, COWLING		1	1	FOR USA,OCE
	6H3-42681-30	.MARK, COWLING	1	1		ETO-FOR BRA
29	6H3-42682-50	.MARK, COWLING		1	1	FOR USA,OCE
	6H3-42682-30	.MARK, COWLING	1	1		ETO-FOR BRA

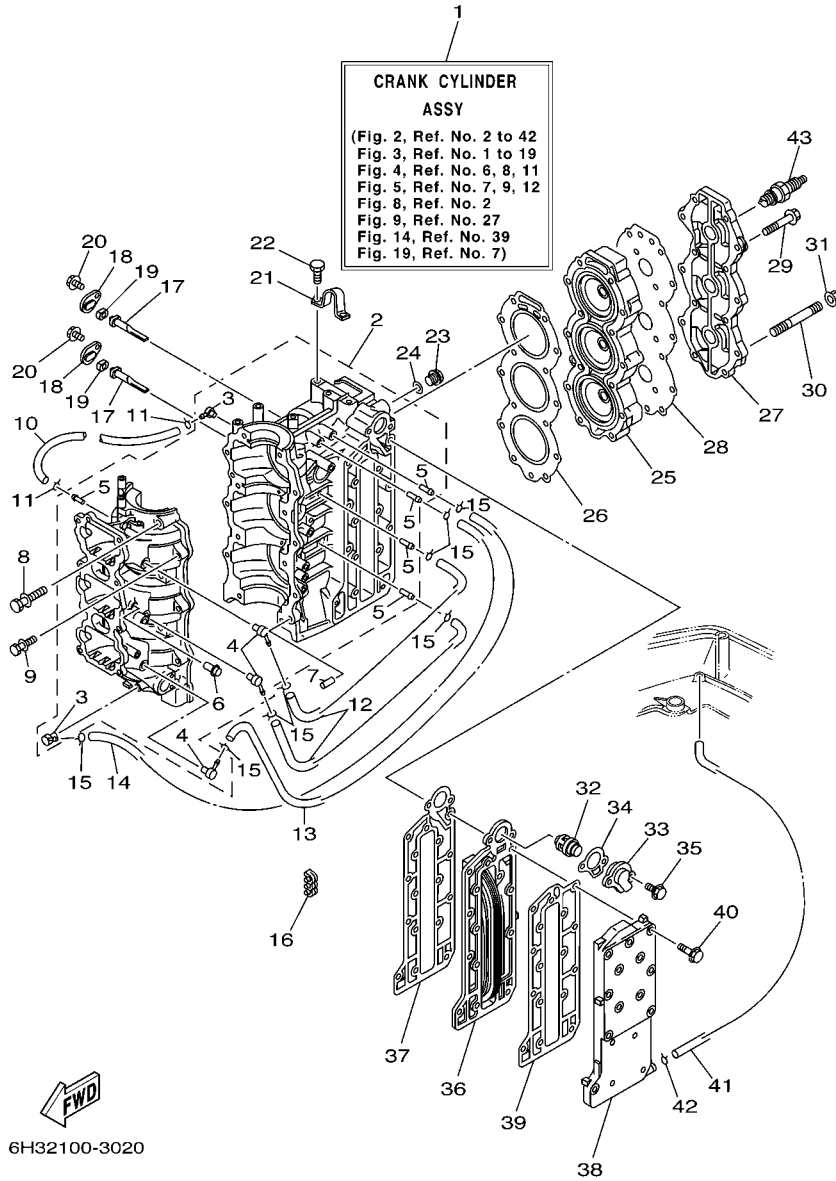


FIG. 2 CYLINDER & CRANKCASE

REF. NO.	PART NO.	DESCRIPTION	60ET	6E0	7E0	REMARKS
1	6H3-W0090-44-1S	CRANK CYLINDER ASSY		1	1	O/I-A/CHOKE
	6H3-W0090-32-1S	CRANK CYLINDER ASSY	1			N.O/I-M/CHOKE
2	6H3-15100-14-1S	CRANKCASE ASSY		1	1	O/I-A/CHOKE
	6B0-15100-02-1S	CRANKCASE ASSY	1			N.O/I-M/CHOKE
3	688-11370-01	.CHECK VALVE ASSY	2	2	2	
4	650-11370-01	.CHECK VALVE ASSY	3	3	3	
5	624-14485-00	.PIPE, JOINT	5	5	5	
6	650-24378-00	.PIPE, JOINT 4		1	1	
7	93608-12063	PIN, DOWEL	2	2	2	
8	90119-10005	BOLT, WITH WASHER	8	8	8	
9	90119-08M64	BOLT, WITH WASHER	6	6	6	
10	90445-07M44	HOSE (L250)	1	1	1	
11	90467-06016	CLIP	2	2	2	
12	90445-07M02	HOSE (L167)	2	2	2	
13	90445-07M45	HOSE (L340)	1	1	1	
14	90445-07M82	HOSE (L440)	1	1	1	
15	90467-06016	CLIP	8	8	8	
16	90464-07M05	CLAMP	1	1	1	
17	6H3-11325-01	ANODE	2	2	2	
18	6H3-11327-00-1S	COVER, ANODE	2	2	2	
19	6H3-11328-00	GROMMET, ANODE	2	2	2	
20	90119-06023	BOLT, WITH WASHER	2	2	2	
21	688-11119-01	HANGER, ENGINE	1	1	1	
22	90101-08002	BOLT	2	2	2	
23	90340-14M00	PLUG, STRAIGHT SCREW	1	1	1	
24	90430-14115	GASKET	1	1	1	
25	6H3-11111-01-1S	HEAD, CYLINDER 1	1	1	1	

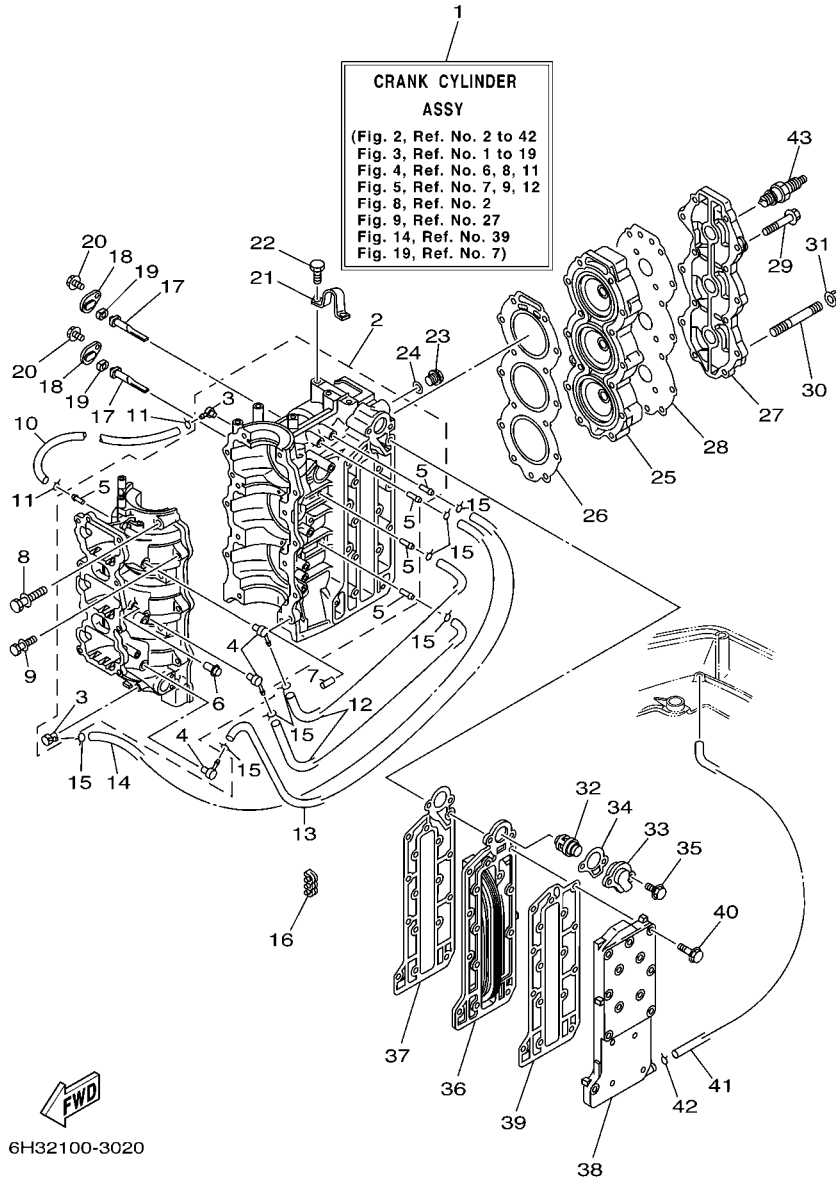
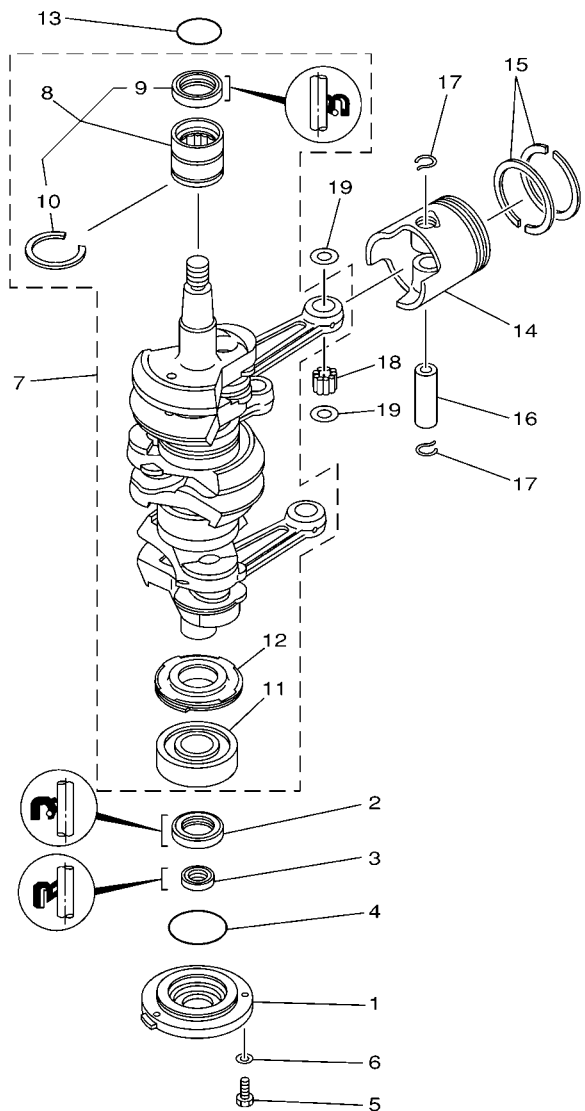


FIG. 2 CYLINDER & CRANKCASE

REF. NO.	PART NO.	DESCRIPTION	60ET	6E70	7E70	REMARKS
26	6H3-11181-A1	GASKET, CYLINDER HEAD 1	1	1	1	
27	6H3-11191-00-1S	COVER, CYLINDER HEAD 1	1	1	1	
28	6H3-11193-A1	GASKET, HEAD COVER 1	1	1	1	
29	90119-08MA5	BOLT, WITH WASHER	13	13	13	
30	90116-08M69	BOLT, STUD	1	1	1	
31	90179-08M34	NUT	1	1	1	
32	6H3-12411-10	THERMOSTAT	1	1	1	
33	6H3-12413-00-1S	COVER, THERMOSTAT	1	1	1	
34	6H3-12414-A1	GASKET, COVER	1	1	1	
35	90119-06MA3	BOLT, WITH WASHER	2	2	2	
36	6H3-41111-01-1S	INNER COVER, EXHAUST	1	1	1	
37	6H3-41112-A0	GASKET, EXHAUST INNER COVER	1	1	1	
38	6H3-41113-02-1S	OUTER COVER, EXHAUST	1	1	1	
39	6H3-41114-A0	GASKET, EXHAUST OUTER COVER	1	1	1	
40	90119-06MA5	BOLT, WITH WASHER	16	16	16	
41	663-24312-01	PIPE 2	1	1	1	
42	90467-08004	CLIP	1	1	1	
43	94702-00160	PLUG, SPARK (NGK B8HS-10)		3	3	FOR USA,BRA
	94702-00247	PLUG, SPARK (NGK BR8HS-10)		3	3	FOR OCE



6H30010-9030

FIG. 3 CRANKSHAFT & PISTON

REF. NO.	PART NO.	DESCRIPTION	60ET	6E0	7E0	REMARKS
1	6H3-15359-00-94	HOUSING, OIL SEAL	1	1	1	
2	93102-30M23	OIL SEAL	1	1	1	
3	93106-18M01	OIL SEAL	1	1	1	
4	93210-65M50	O-RING	1	1	1	
5	97095-06020	BOLT	3	3	3	
6	92995-06600	WASHER	3	3	3	
7	6H3-11400-10	CRANKSHAFT ASSY		1	1	
	6H3-11400-03	CRANKSHAFT ASSY	1			
8	93311-636U6	.BEARING	1	1	1	
9	93102-36M24	..OIL SEAL	1	1	1	
10	93440-49M04	..CIRCLIP	1	1	1	
11	93306-306V1	.BEARING	1	1	1	
12	6H3-11536-00	.GEAR, DRIVE		1	1	
13	93210-46M16	O-RING	1	1	1	
14	6H3-11631-01-96	PISTON (STD)	3	3	3	
	6H3-11635-01	PISTON (0.25MM O/S)	3	3	3	AP
	6H3-11636-01	PISTON (0.50MM O/S)	3	3	3	AP
15	6K5-11601-02	PISTON RING SET (STD)	3	3	3	
	6K5-11601-12	PISTON RING SET (0.25MM O/S)	3	3	3	AP
	6K5-11601-22	PISTON RING SET (0.50MM O/S)	3	3	3	AP
16	6H3-11633-00	PIN, PISTON	3	3	3	
17	688-11634-10	CLIP, PISTON PIN	6	6	6	
18	93603-18M09	PIN, DOWEL	84	84	84	
19	90201-20417	WASHER, PLATE	6	6	6	

B1

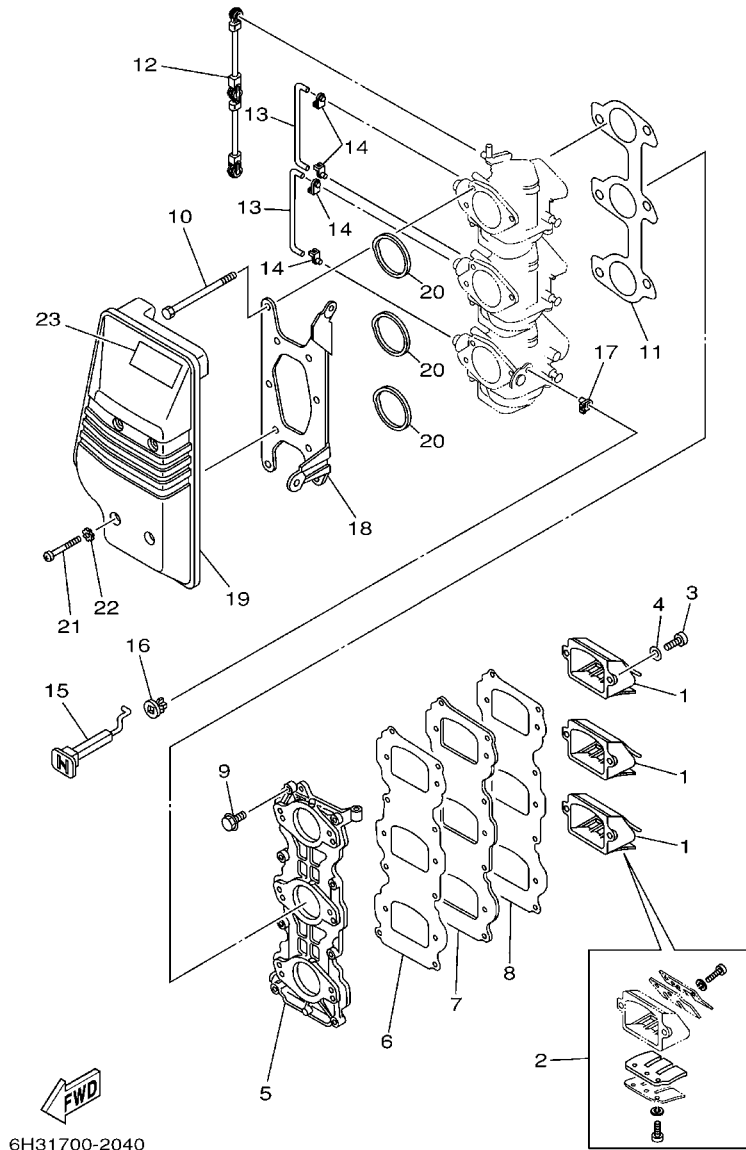
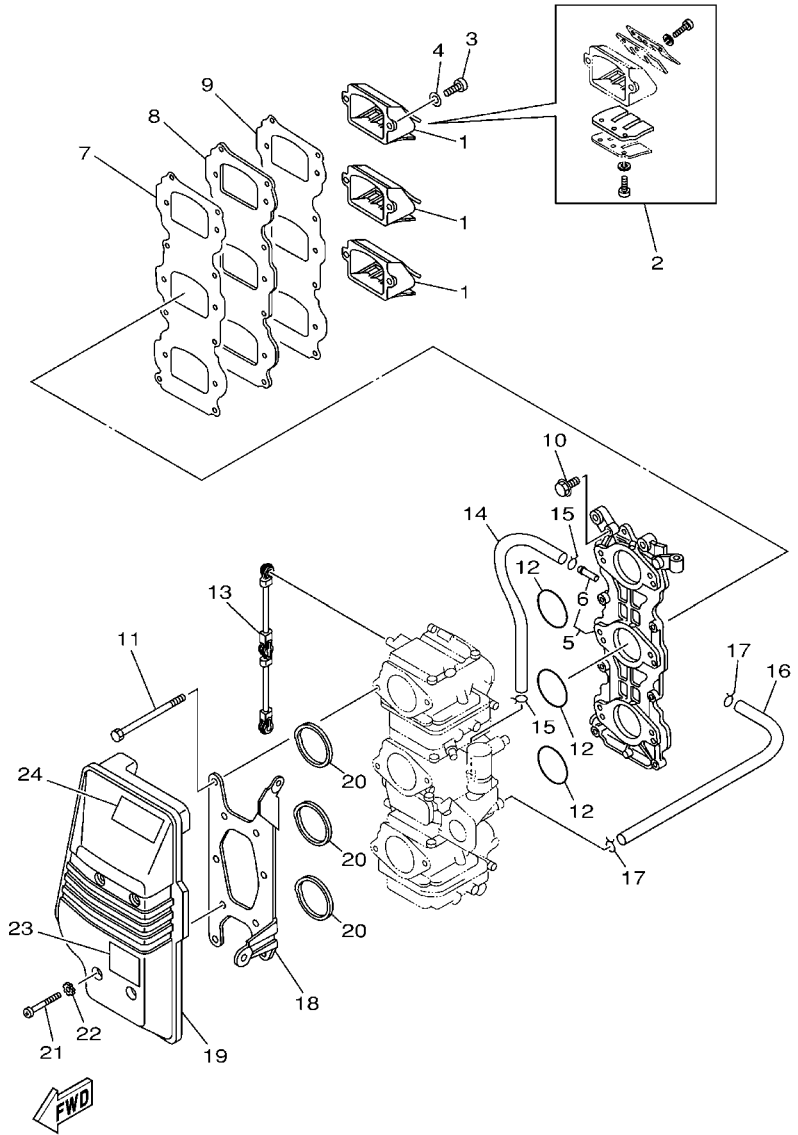


FIG. 4 INTAKE 1

REF. NO.	PART NO.	DESCRIPTION	60ET	6ETO	7ETO	REMARKS
1	6H2-13610-00	REED VALVE ASSY	3			
2	688-W0004-00	.REED SET	1			
3	97880-05016	SCREW, PAN HEAD	6			
4	92990-05600	WASHER, PLATE	6			
5	6H3-13641-03-94	MANIFOLD 1	1			
6	6H3-13621-A1	GASKET, VALVE SEAT	1			
7	6H3-13624-00-94	PLATE, REED VALVE	1			
8	6H3-13622-A1	GASKET, VALVE SEAT	1			
9	90119-06MA3	BOLT, WITH WASHER	8			
10	97095-06095	BOLT	6			
11	6H3-14198-A1	GASKET	1			
12	6H3-41217-00	ROD, ACCEL. LEVER	1			
13	6H3-41257-00	ROD, CHOKE 2	2			
14	661-41262-02	JOINT, CHOKE LEVER	4			
15	6H3-41271-00	KNOB, CHOKE	1			
16	689-41273-00	GROMMET	1			
17	661-41262-02	JOINT, CHOKE LEVER	1			
18	6H3-14413-10	STAY	1			
19	6H3-14440-02	SILENCER ASSY, INTAKE	1			
20	6H3-14457-01	SEAL	3			
21	97885-06045	SCREW, PAN HEAD	4			
22	90209-06M05	WASHER	4			
23	6A1-83625-41	MARK 5	1			

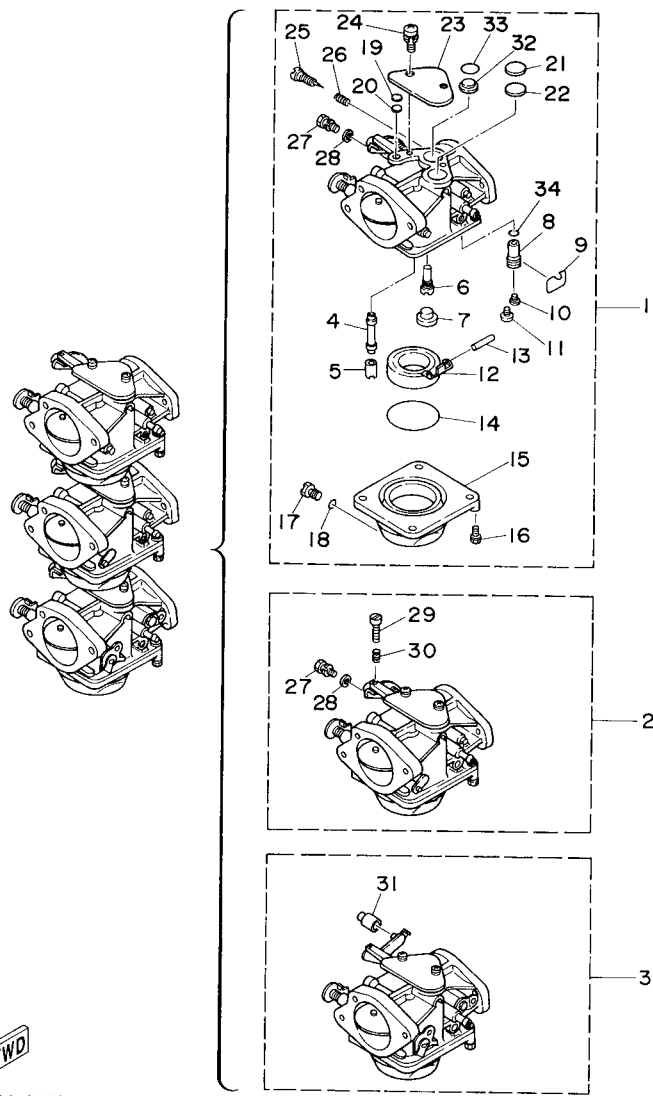


6H31110-2040

FIG. 5 INTAKE 2

REF. NO.	PART NO.	DESCRIPTION	60ET	6E0	7E0	REMARKS
1	6H2-13610-00	REED VALVE ASSY		3		
	6H3-13610-00	REED VALVE ASSY			3	
2	688-W0004-00	.REED SET		1	1	
3	97880-05016	SCREW, PAN HEAD		6	6	
4	92990-05600	WASHER, PLATE		6	6	
5	6H3-13641-13-94	MANIFOLD 1		1	1	
6	6H1-14485-00	.PIPE, JOINT		4	4	
7	6H3-13621-A1	GASKET, VALVE SEAT		1	1	
8	6H3-13624-00-94	PLATE, REED VALVE		1	1	
9	6H3-13622-A1	GASKET, VALVE SEAT		1	1	
10	90119-06MA3	BOLT, WITH WASHER		8	8	
11	97095-06095	BOLT		6	6	
12	93210-39ME4	O-RING		3	3	
13	6H3-41217-00	ROD, ACCEL. LEVER		1	1	
14	90445-07255	HOSE (L160)		1	1	
15	90467-06016	CLIP		2	2	
16	6H3-14349-00	PIPE		1	1	
17	90467-08004	CLIP		2	2	
18	6H3-14413-10	STAY		1	1	
19	6H3-14440-02	SILENCER ASSY, INTAKE		1	1	
20	6H3-14457-01	SEAL		3	3	
21	97885-06045	SCREW, PAN HEAD		4	4	
22	90209-06M05	WASHER		4	4	
23	6H1-85711-60	MARK, CAUTION		1	1	
24	6A1-83625-41	MARK 5		1	1	

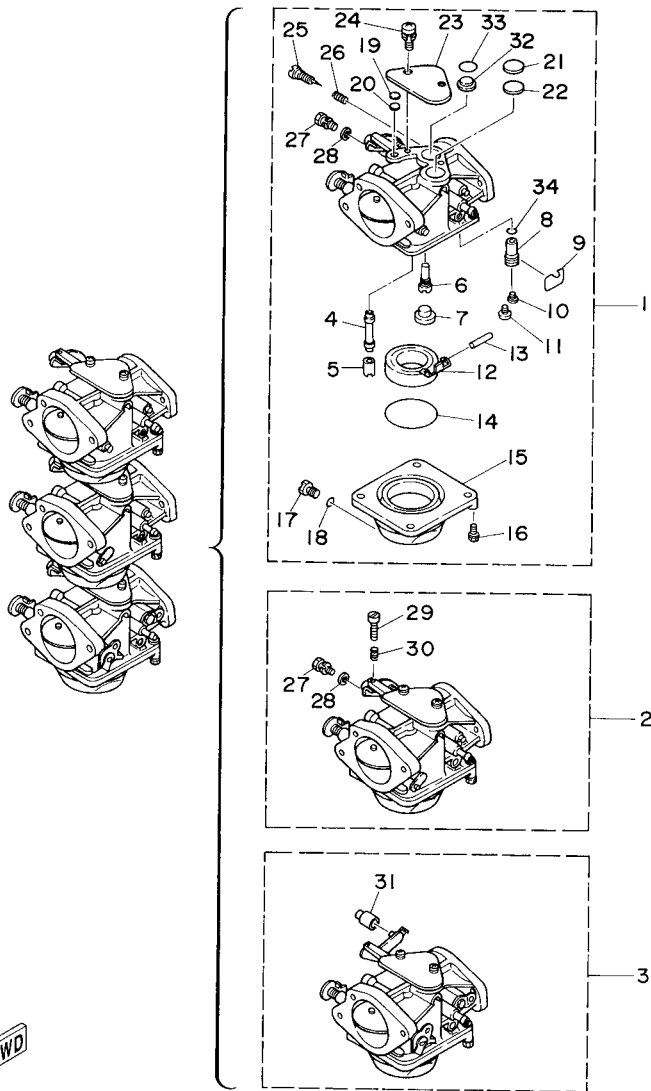
FIG. 6 CARBURETOR 1



REF. NO.	PART NO.	DESCRIPTION	60ET	6ETO	7ETO	REMARKS
1	6H2-14301-10	CARBURETOR ASSY 1	1			
2	6H2-14302-10	CARBURETOR ASSY 2	1			
3	6H2-14303-10	CARBURETOR ASSY 3	1			
4	6H3-14947-07	.JET, NEEDLE	3			
5	676-14943-35	.JET, MAIN (#140)	2			#1,2
	676-14943-36	.JET, MAIN (#145)	1			#3
6	6H3-14948-16	.JET (#72)	3			
7	676-14966-00	.CAP	3			
8	6H3-14590-01	.NEEDLE VALVE ASSY	3			
9	663-14159-00	.CLIP	3			
10	676-14186-00	.PIN, FLOAT	3			
11	98580-04008	.SCREW, PAN HEAD	3			
12	6G1-14985-00	.FLOAT	3			
13	688-14548-00	.PIN, FLOAT ARM	3			
14	6G1-14984-00	.O-RING	3			
15	6H2-14980-00	.BODY, FLOAT CHAMBER	3			
16	97980-04114	.SCREW, WITH WASHER	12			
17	6H3-14992-00	.SCREW, DRAIN	3			
18	93210-04230	.O-RING	3			
19	663-14126-00	.GASKET	3			
20	663-14527-00	.PLATE	3			
21	688-14126-00	.GASKET	3			
22	688-14527-00	.PLATE	3			
23	6H2-14527-01	.PLATE	3			
24	97980-05310	.SCREW, WITH WASHER	6			
25	692-14923-00	.SCREW, PILOT	3			
26	679-14555-00	.SPRING	3			

FWD
6H20010-6050

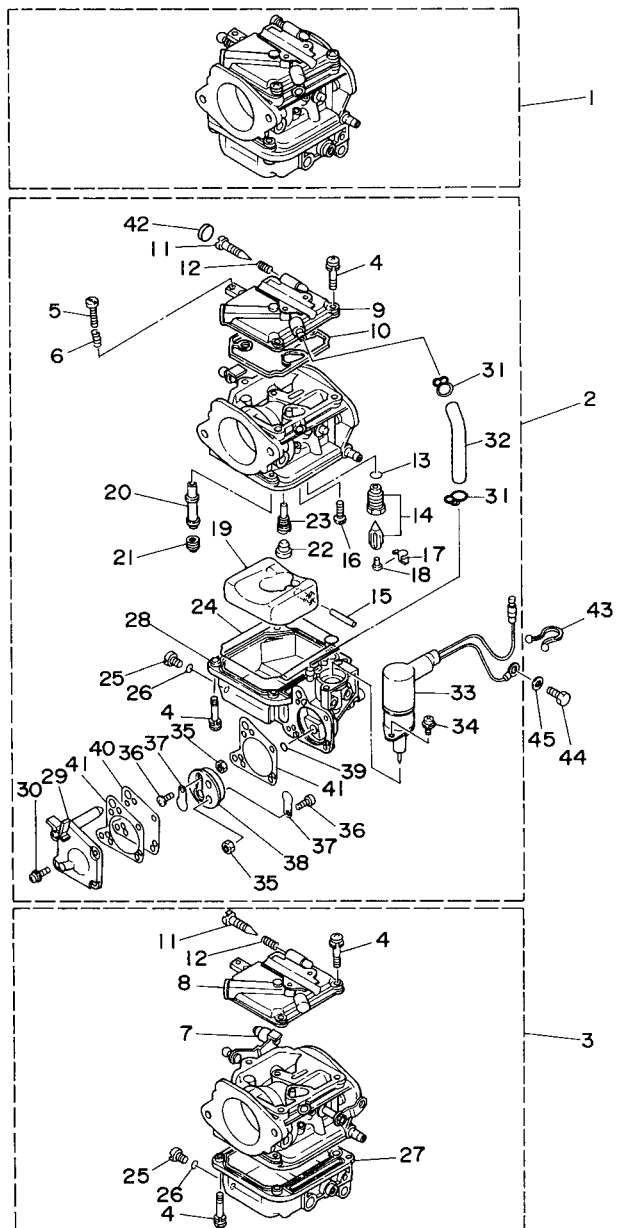
FIG. 6 CARBURETOR 1



REF. NO.	PART NO.	DESCRIPTION	60ET	6ETO	7ETO	REMARKS
27	6K5-14592-00	.SCREW	2			#1,2
28	90201-05652	.WASHER, PLATE	2			#1,2
29	63V-14523-00	.SCREW, STOP	1			#2
30	90501-10326	.SPRING, COMPRESSION	1			#2
31	6H2-14578-00	.COLLAR	1			#3
32	6H3-14578-00	.PLATE	3			
33	93210-15M52	.O-RING	3			
34	93210-04228	.O-RING	3			

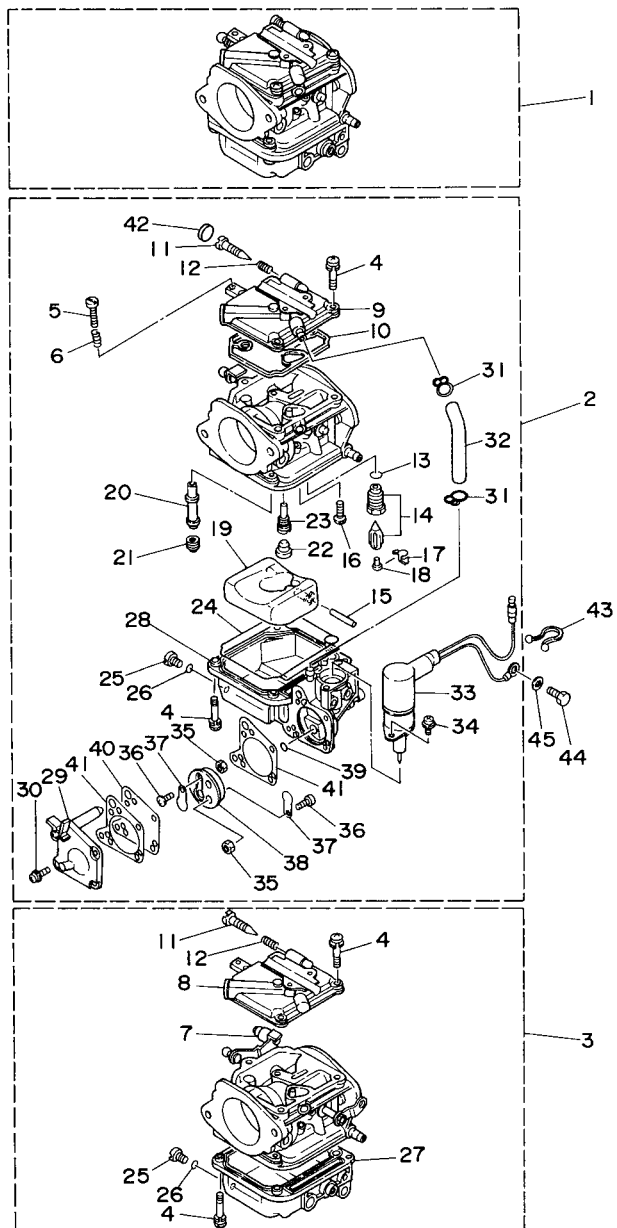
6H20010-6050

FIG. 7 CARBURETOR 2



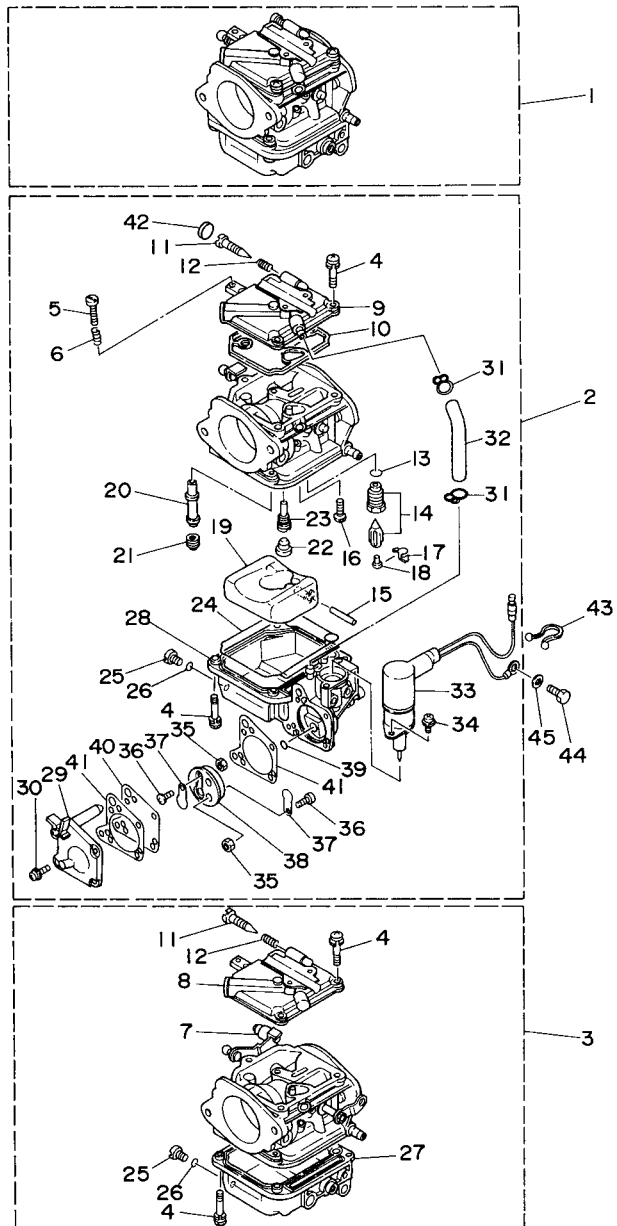
REF. NO.	PART NO.	DESCRIPTION	60ET	6E0	7E0	REMARKS	
1	6H2-14301-30	CARBURETOR ASSY 1		1		FOR USA	
	6H3-14301-10	CARBURETOR ASSY 1			1	FOR USA	
	6H2-14301-0A	CARBURETOR ASSY 1		1		FOR OCE	
	6H2-14301-20	CARBURETOR ASSY 1		1		FOR BRA	
	6H3-14301-0A	CARBURETOR ASSY 1			1	FOR OCE	
	2	6H2-14302-30	CARBURETOR ASSY 2		1		FOR USA
6H3-14302-10		CARBURETOR ASSY 2			1	FOR USA	
6H2-14302-0A		CARBURETOR ASSY 2		1		FOR OCE	
6H2-14302-20		CARBURETOR ASSY 2		1		FOR BRA	
6H3-14302-0A		CARBURETOR ASSY 2			1	FOR OCE	
3		6H2-14303-30	CARBURETOR ASSY 3		1		FOR USA
	6H3-14303-10	CARBURETOR ASSY 3			1	FOR USA	
	6H2-14303-0A	CARBURETOR ASSY 3		1		FOR OCE	
	6H2-14303-20	CARBURETOR ASSY 3		1		FOR BRA	
	6H3-14303-0A	CARBURETOR ASSY 3			1	FOR OCE	
	4	97980-04114	.SCREW, WITH WASHER		21	21	
63V-14523-00		.SCREW, STOP		1	1	#2	
90501-10326		.SPRING, COMPRESSION		1	1	#2	
6H2-14578-00		.COLLAR		1	1	#3	
8		6H4-14146-20	.PLATE		2	2	FOR USA-#1,3
		6H4-14146-00	.PLATE		2	2	FOR OCE,BRA-#1,3
9		6H3-14146-20	.PLATE		1	1	FOR USA-#2
		6H3-14146-10	.PLATE		1	1	FOR OCE,BRA-#2
10		6H4-14147-00	.O-RING		3	3	
11		692-14923-00	.SCREW, PILOT		3	3	
12		697-14555-00	.SPRING		4	4	
13		93210-04228	.O-RING		3	3	

FIG. 7 CARBURETOR 2

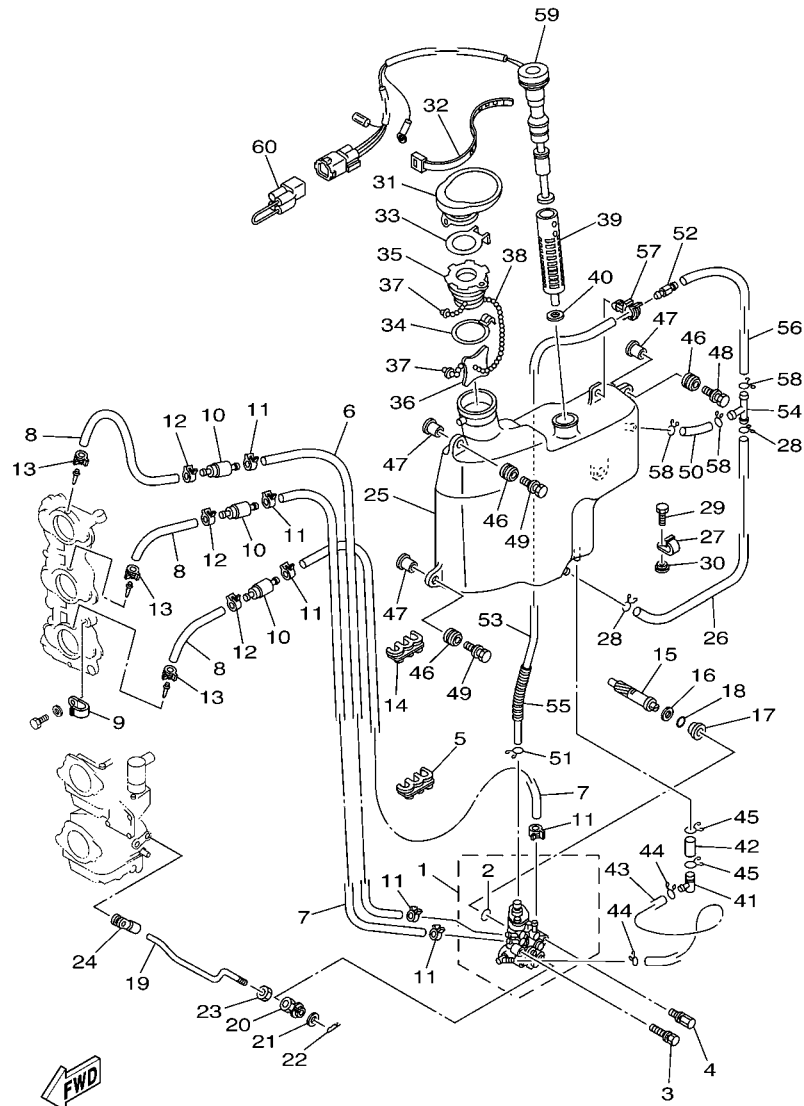


REF. NO.	PART NO.	DESCRIPTION	60ET	6ET0	7ET0	REMARKS
14	6H3-14590-01	.NEEDLE VALVE ASSY		3	3	
15	6H4-14548-00	.PIN, FLOAT ARM		3	3	
16	98580-04008	.SCREW, PAN HEAD		3	3	
17	663-14159-00	.CLIP		3	3	
18	676-14186-00	.PIN, FLOAT		3	3	
19	6H4-14985-01	.FLOAT		3	3	
20	6H2-14947-71	.JET, NEEDLE		3		
	6H3-14947-71	.JET, NEEDLE			3	
21	6H3-14943-35	.JET, MAIN (#140)		2		FOR USA,OCE-#1,2
	676-14943-38	.JET, MAIN (#155)		2		FOR BRA-#1,2
	6H3-14943-36	.JET, MAIN (#145)		1		FOR USA,OCE-#3
	6H1-14943-39	.JET, MAIN (#160)		1		FOR BRA-#3
	6H3-14943-37	.JET, MAIN (#150)			3	
22	676-14966-00	.CAP		3	3	
23	6H3-14948-13	.JET (#65)		3		FOR USA,OCE
	6H3-14948-16	.JET (#72)		3		FOR BRA
	6H3-14948-17	.JET (#75)			3	
24	6H4-14984-00	.GASKET, FLOAT CHAMBER		3	3	
25	6H3-14992-00	.SCREW, DRAIN		3	3	
26	93210-04230	.O-RING		3	3	
27	6H4-14980-00	.BODY, FLOAT CHAMBER		2	2	#1,3
28	6H3-14980-10	.BODY, FLOAT CHAMBER		1	1	#2
29	6H3-24452-10	.COVER		1	1	#2
30	6H4-14567-00	.SCREW		4	4	#2
31	6H3-14137-00	.CLIP		2	2	#2
32	6H3-14349-00	.PIPE		1	1	#2
33	6H3-14380-00	.STARTER ASSY		1	1	#2

FIG. 7 CARBURETOR 2



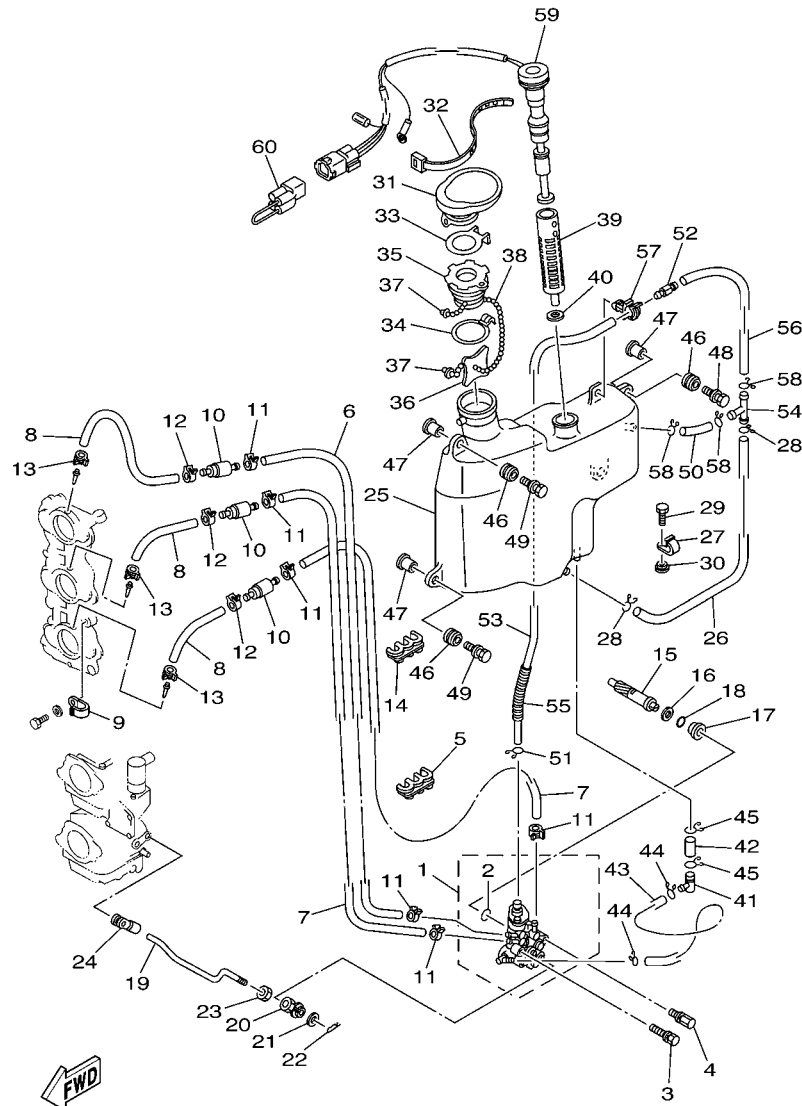
REF. NO.	PART NO.	DESCRIPTION	60ET	6E70	7E70	REMARKS
34	97803-04010	.SCREW, PAN HEAD		2	2	#2
35	95380-03600	.NUT		2	2	#2
36	98980-03006	.SCREW, BIND		2	2	#2
37	6L5-24421-00	.VALVE, CHECK		2	2	#2
38	6H4-24413-00	.BODY 2		1	1	#2
39	6H4-24486-00	.O-RING		1	1	#2
40	6H3-24411-10	.DIAPHRAGM		1	1	#2
41	6H3-24434-10	.GASKET, BODY		2	2	#2
42	67C-1432A-00	.PLUG		3	3	FOR USA
43	90465-18147	CLAMP		1	1	
44	97013-06012	BOLT		1	1	
45	92903-06600	WASHER, PLATE		1	1	



6H32010-3060

FIG. 8 OIL PUMP

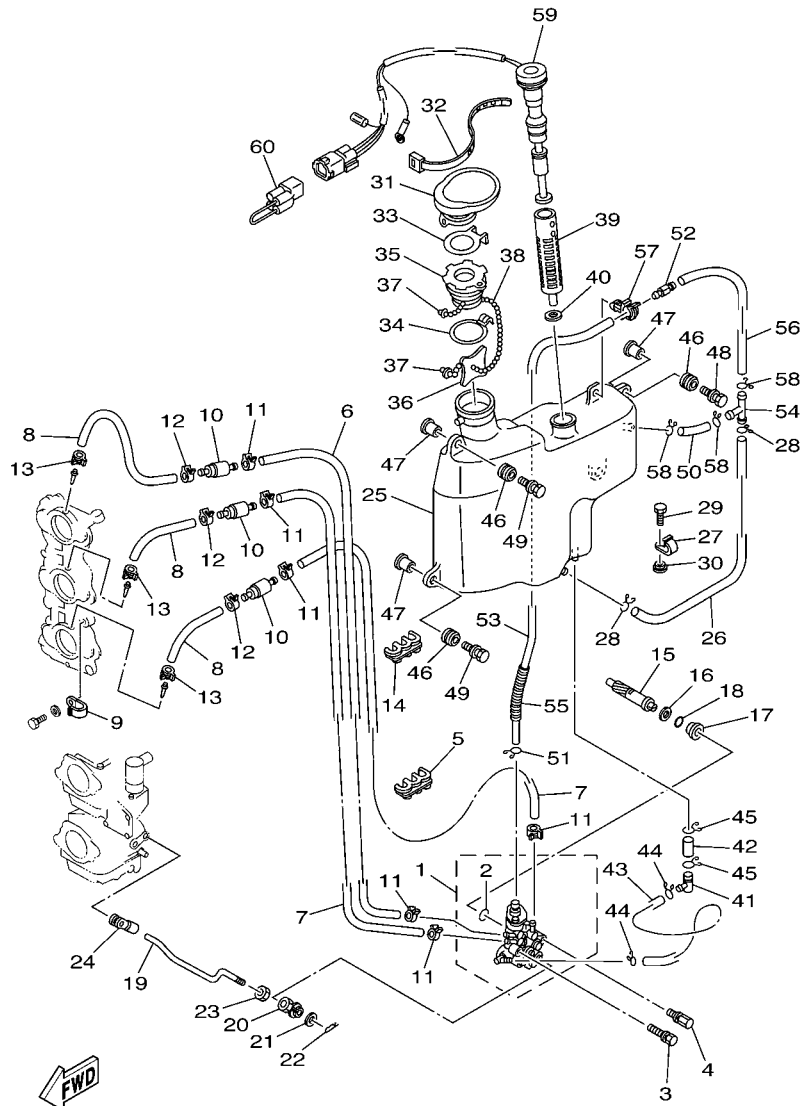
REF. NO.	PART NO.	DESCRIPTION	60ET	6E0	7E0	REMARKS
1	6H3-13200-02	OIL INJECTION PUMP ASSY		1	1	
2	93210-19MA7	.O-RING		1	1	
3	90109-06M39	BOLT		1	1	
4	90109-06M40	BOLT		1	1	
5	90464-07M05	CLAMP		1	1	
6	90445-07M44	HOSE (L250)		1	1	
7	90445-07M23	HOSE (L408)		2	2	
8	90445-07M87	HOSE (L110)		3	3	
9	90465-06M86	CLAMP		1	1	
10	6E9-13183-70	VALVE, CHECK		3	3	
11	90468-07M02	CLIP		6	6	
12	90468-07M02	CLIP		3	3	
13	90468-07M02	CLIP		3	3	
14	90464-07M05	CLAMP		1	1	
15	6H3-11537-01	GEAR, DRIVEN		1	1	
16	90201-08M93	WASHER, PLATE		1	1	
17	6H1-13117-01	COLLAR, DISTANCE		1	1	
18	93210-13M04	O-RING		1	1	
19	6H3-41241-01	ROD, LINK		1	1	
20	6H1-41237-00	JOINT, LINK		1	1	
21	90202-05088	WASHER, PLATE		1	1	
22	90468-05M03	CLIP		1	1	
23	95380-05600	NUT		1	1	
24	6E9-41237-00	JOINT, LINK		1	1	
25	6H3-21707-06	OIL TANK COMP.		1	1	
26	90445-11M03	HOSE (L330)		1	1	
27	90465-11M27	CLAMP		1	1	



6H32010-3060

FIG. 8 OIL PUMP

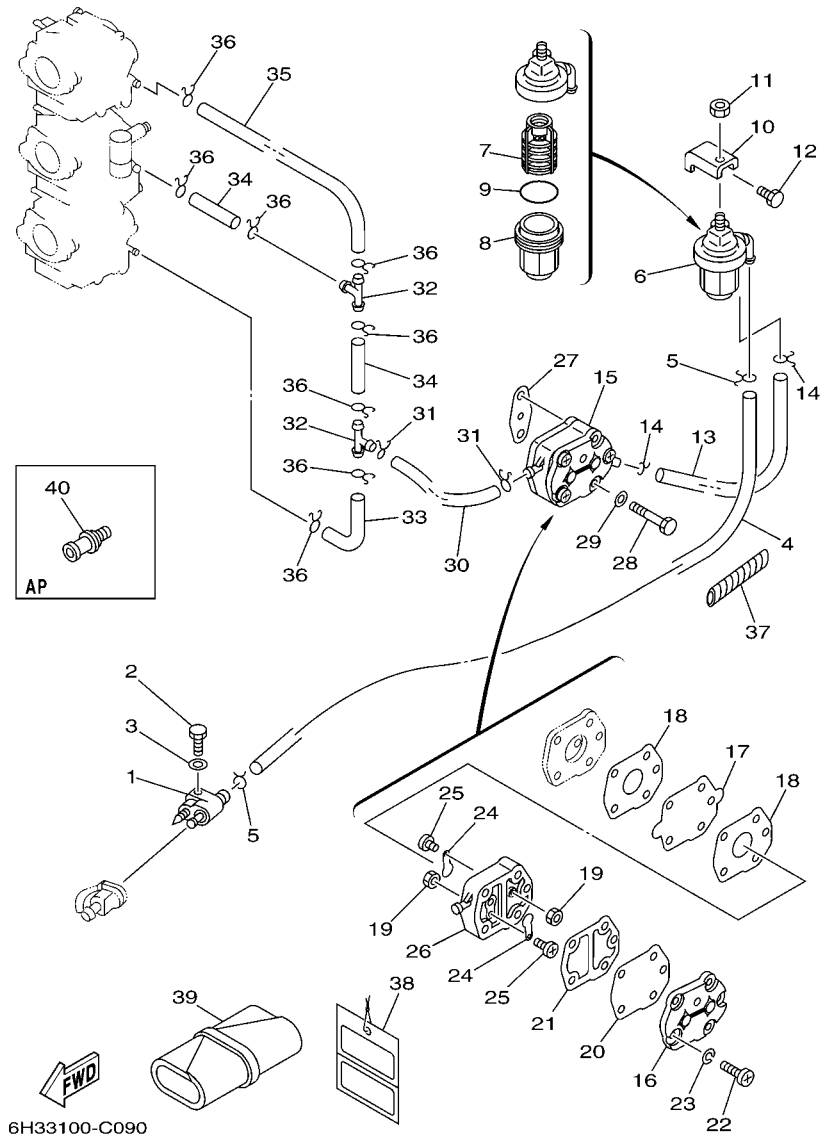
REF. NO.	PART NO.	DESCRIPTION	60ET	6ETO	7ETO	REMARKS
28	90467-11M08	CLIP		2	2	
29	97095-06016	BOLT		1	1	
30	90387-06M31	COLLAR		1	1	
31	6H3-21752-00	TUBE, FILLER 1		1	1	
32	90465-13M30	CLAMP		1	1	
33	63D-2176M-00	HOOK		1	1	
34	63D-2175R-00	HOOK, BAND		1	1	
35	6H4-21770-00	OIL TANK CAP ASSY		1	1	
36	6J8-21758-00	WASHER, SPECIAL 2		1	1	
37	6H1-21757-00	WASHER, SPECIAL 1		2	2	
38	6H1-24633-00	CHAIN, BALL		1	1	
39	6J8-13411-00	STRAINER, OIL		1	1	
40	6J8-13414-00	GASKET, STRAINER COVER		1	1	
41	6H1-13435-00	NIPPLE		1	1	
42	90445-08M01	HOSE (L30)		1	1	
43	6H1-21766-01	PIPE, OIL		1	1	
44	90467-08004	CLIP		2	2	
45	90467-12M11	CLIP		2	2	
46	6A0-82317-00	DAMPER, IGNITION COIL		4	4	
47	624-42542-00	PIPE		4	4	
48	90119-06M65	BOLT, WITH WASHER		2	2	
49	90119-06M88	BOLT, WITH WASHER		2	2	
50	90445-11M21	HOSE (L40)		1	1	
51	90467-10M04	CLIP		1	1	
52	6J8-21744-00	BREATHER		1	1	
53	90445-11M15	HOSE (L360)		1	1	
54	6E5-24378-00	PIPE, JOINT 3		1	1	



6H32010-3060

FIG. 8 OIL PUMP

REF. NO.	PART NO.	DESCRIPTION	60ET	6ETO	7ETO	REMARKS
55	90446-10M01	HOSE (L60)		1	1	
56	90445-11M02	HOSE (L100)		1	1	
57	90464-11M23	CLAMP		1	1	
58	90467-11M08	CLIP		3	3	
59	6H3-85720-16	OIL LEVEL GAUGE ASSY		1	1	
60	6R5-82582-B0	COVER, WIRE HARNESS		1	1	AP



6H33100-C090

FIG. 9 FUEL 1

REF. NO.	PART NO.	DESCRIPTION	60ET	6E0	7E0	REMARKS
1	6G1-24304-02	FUEL PIPE JOINT COMP. 1	1	1	1	
2	97095-06025	BOLT	1	1	1	
3	92995-06600	WASHER	1	1	1	
4	90445-09M75	HOSE (L370)	1	1	1	
5	90467-08004	CLIP	2	2	2	
6	61N-24560-00	FILTER ASSY	1	1	1	
7	61N-24563-00	.ELEMENT, FILTER	1	1	1	
8	61N-24521-00	.CUP, FILTER	1	1	1	
9	93210-32738	.O-RING	1	1	1	
10	648-24566-02	BRACKET, FILTER	1	1	1	
11	95380-08600	NUT	1	1	1	
12	97013-06014	BOLT	1	1	1	
13	90445-09072	HOSE (L120)	1	1	1	
14	90467-08004	CLIP	2	2	2	
15	692-24410-00	FUEL PUMP ASSY	1	1	1	
16	6A0-24413-00	.BODY 2	1	1	1	
17	692-24411-00	.DIAPHRAGM	1	1	1	
18	648-24434-01	.GASKET, BODY	2	2	2	
19	95380-03600	.NUT	2	2	2	
20	663-24411-00	.DIAPHRAGM	1	1	1	
21	648-24435-02	.GASKET, BODY 2	1	1	1	
22	98503-05028	.SCREW, PAN HEAD	3	3	3	
23	92990-05100	.WASHER, SPRING	3	3	3	
24	6A0-24421-01	.VALVE, CHECK	2	2	2	
25	6A0-14325-00	.SCREW, PAN HEAD	2	2	2	
26	6A0-24412-02	.BODY 1	1	1	1	
27	650-24431-A0	GASKET, FUEL PUMP 1	1	1	1	

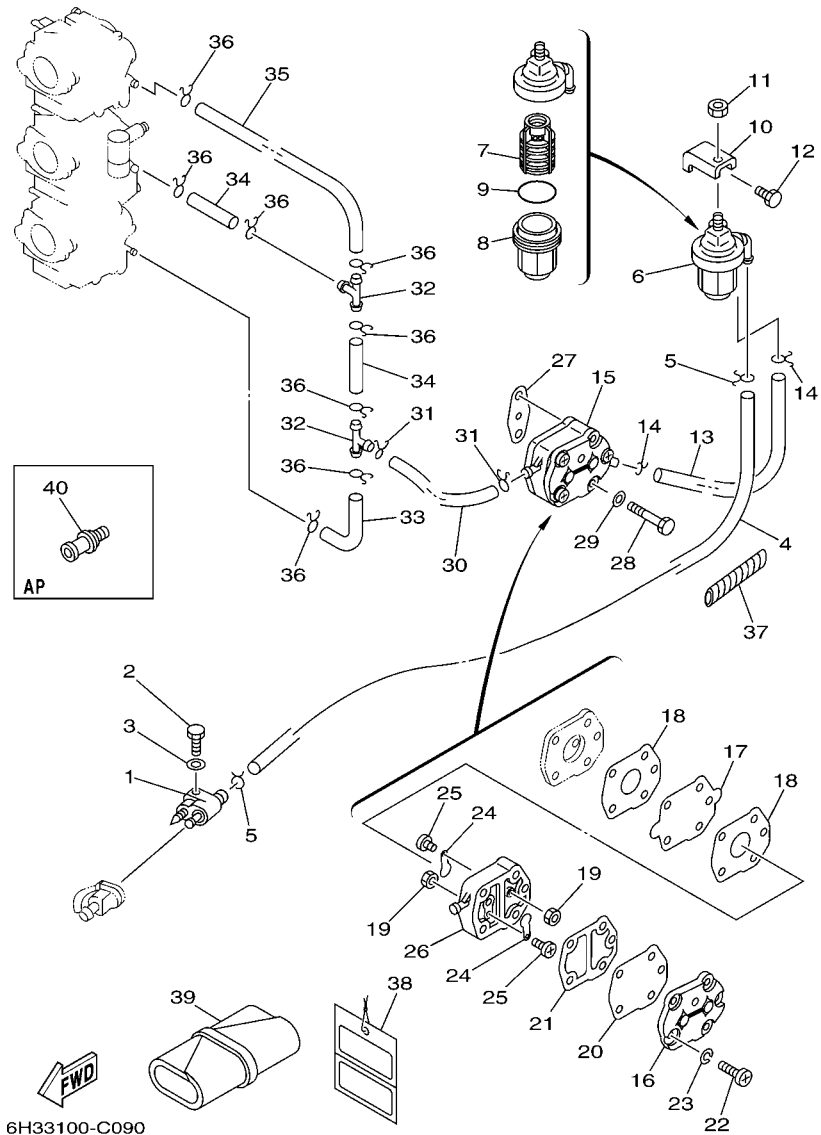
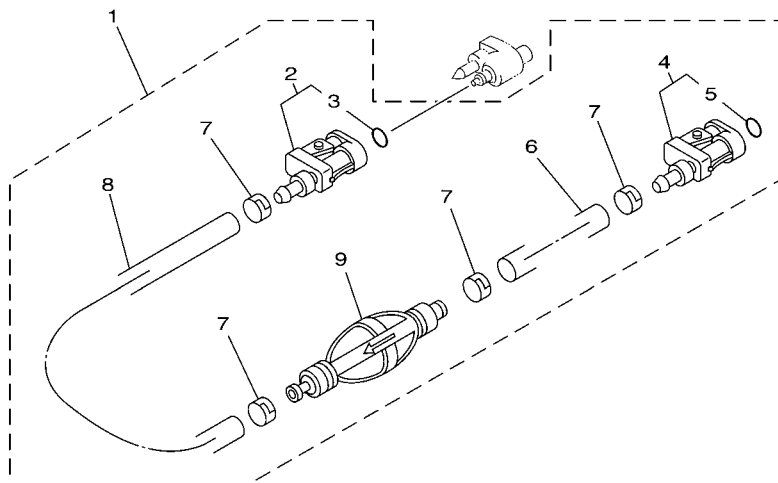


FIG. 9 FUEL 1

REF. NO.	PART NO.	DESCRIPTION	60ET	6ETO	7ETO	REMARKS
28	97095-06040	BOLT	2	2	2	
29	92995-06600	WASHER	2	2	2	
30	90445-09072	HOSE (L120)	1	1	1	
31	90467-08004	CLIP	2	2	2	
32	688-24378-00	PIPE, JOINT 4	2	2	2	
33	6H3-24313-00	PIPE 3	1	1	1	
34	90445-09220	HOSE (L30)	2	2	2	
35	6H3-24314-00	PIPE 4	1	1	1	
36	90467-08004	CLIP	8	8	8	
37	90446-10M01	HOSE (L60)		1	1	
38	61H-2819R-31	TAG, WARNING	1	1	1	FOR USA,OCE
39	656-W2810-02	TOOL KIT	1	1	1	AP
40	6E0-28193-00-94	PLUG, WATER CHECK	1	1	1	AP D:12.5MM

FIG. 10 FUEL 2

REF. NO.	PART NO.	DESCRIPTION	60ET	6EEO	7ETO	REMARKS
1	6Y2-24306-55	FUEL PIPE COMP. 1		1	1	AP FOR USA
2	6E5-24305-05	.FUEL PIPE JOINT COMP. 2		1	1	
3	93210-08287	..O-RING		1	1	
4	6Y2-24305-05	.FUEL PIPE JOINT COMP. 2		1	1	
5	93210-08287	..O-RING		1	1	
6	90445-13M01	.HOSE (L2050)		1	1	
7	6E5-24351-51	.BAND 1		4	4	
8	90445-13M00	.HOSE (L850)		1	1	
9	6Y2-24360-60	.PRIMER PUMP ASSY		1	1	



68R3100-C100

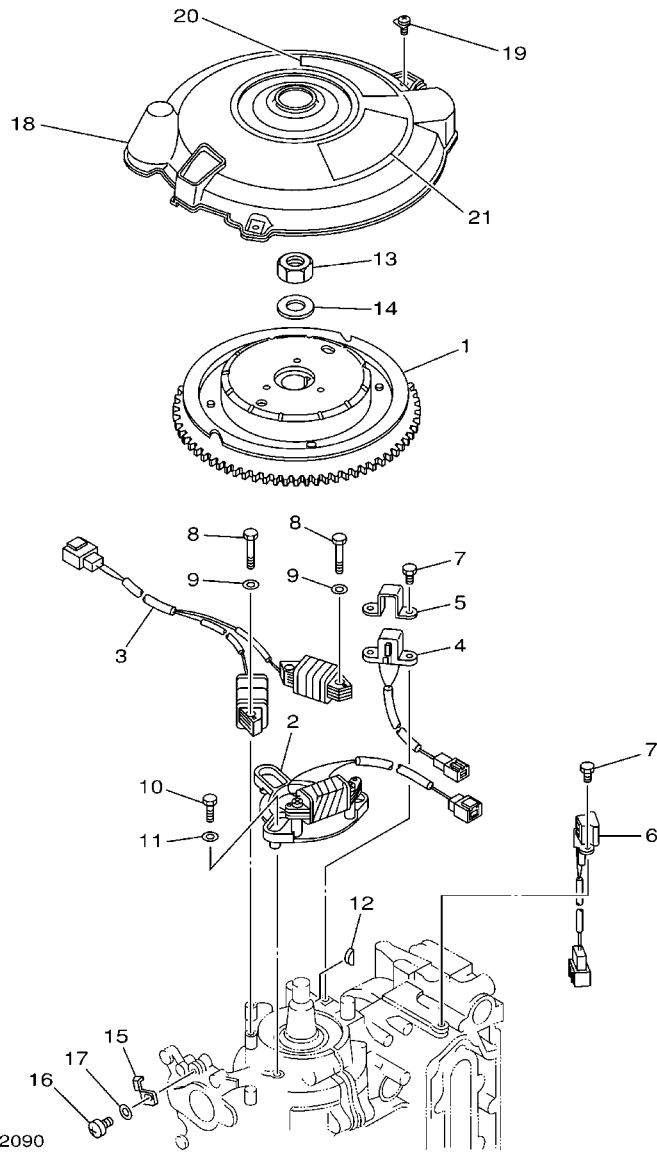


FIG. 11 GENERATOR

REF. NO.	PART NO.	DESCRIPTION	60ET	6E70	7E70	REMARKS
1	6H2-85550-00	ROTOR ASSY	1	1	1	
2	6H2-85520-01	COIL, CHARGE	1	1	1	
3	6H2-85533-01	COIL, LIGHTING	1	1	1	
4	6H2-85580-01	COIL, PULSER	1	1	1	
5	6H2-85582-00	ATTACHMENT, PULSER	1	1	1	
6	6H2-85895-01	CRANK POSITION SENDER	1	1	1	
7	97095-05012	BOLT	4	4	4	
8	97095-06035	BOLT	4	4	4	
9	92995-06600	WASHER	4	4	4	
10	97095-06025	BOLT	3	3	3	
11	92995-06600	WASHER	3	3	3	
12	90280-05015	KEY, WOODRUFF	1	1	1	
13	90170-20137	NUT	1	1	1	
14	90201-21M18	WASHER, PLATE	1	1	1	
15	6E5-81332-00	PLATE, TIMING	1	1	1	
16	97885-06010	SCREW, PAN HEAD	1	1	1	
17	92995-06600	WASHER	1	1	1	
18	6H3-81337-01	COVER, FLYWHEEL	1	1	1	
19	90159-06M23	SCREW, WITH WASHER	3	3	3	
20	6H3-14488-00	LABEL, CAUTION	1	1	1	
21	6H3-13437-43	MARK, CAUTION		1	1	
	6H3-13437-21	MARK, CAUTION			1	FOR OCE

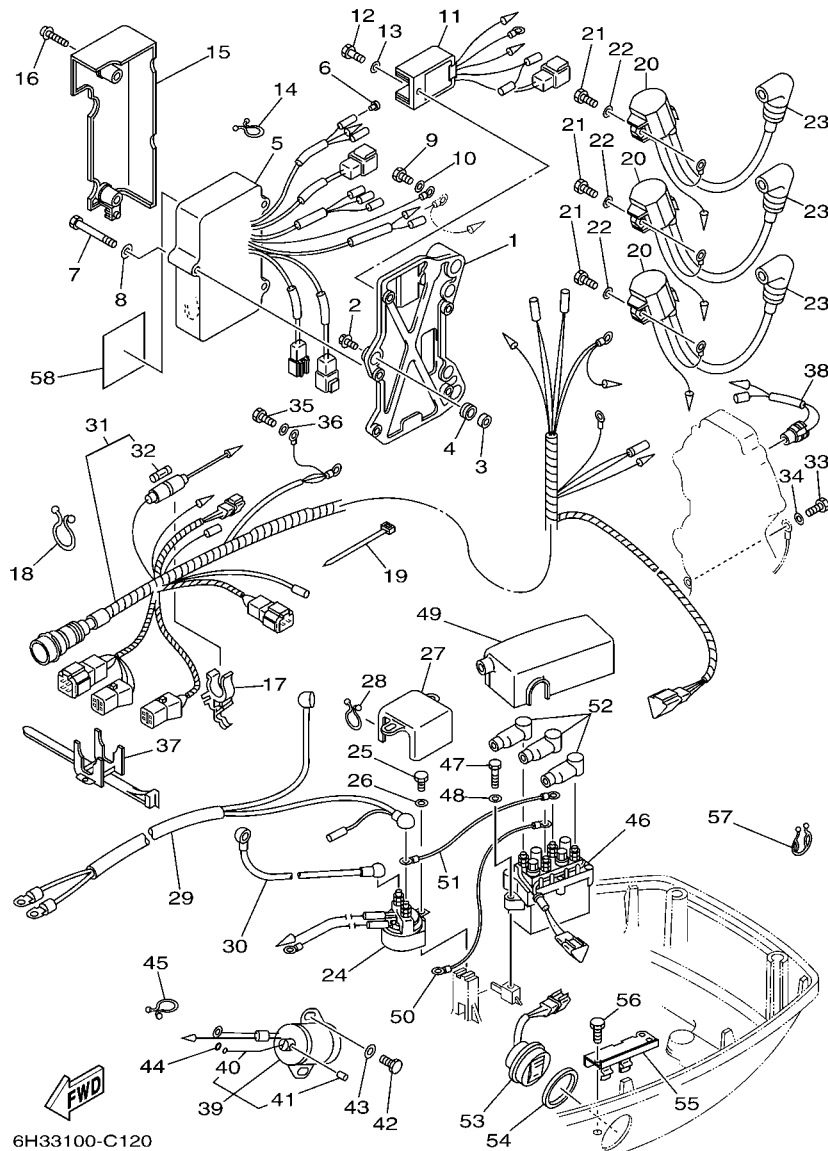


FIG. 12 ELECTRICAL

REF. NO.	PART NO.	DESCRIPTION	60ET	6ET0	7ET0	REMARKS
1	6H3-85542-11-94	BRACKET	1	1	1	
2	90105-06M14	BOLT FLANGE	3	3	3	
3	90387-06M43	COLLAR	3	3	3	
4	90480-13M54	GROMMET	3	3	3	
5	6H2-85540-12	C.D.I. UNIT ASSY	1	1	1	
6	703-82119-00	COVER, LEAD WIRE	1	1	1	
7	97095-06045	BOLT	3	3	3	
8	92995-06600	WASHER	3	3	3	
9	97013-06012	BOLT	1	1	1	
10	92903-06600	WASHER, PLATE	1	1	1	
11	6H2-81960-10	RECTIFIER & REGULATOR ASSY	1	1	1	
12	97095-06016	BOLT	1	1	1	
13	92995-06600	WASHER	1	1	1	
14	90464-05M16	CLAMP	1	1	1	
15	6H3-81916-10	COVER, TERMINAL	1	1	1	
16	90159-06M01	SCREW, WITH WASHER	2	2	2	
17	6G5-82152-00	HOLDER, FUSE	1	1	1	
18	90464-23M22	CLAMP	1	1	1	
19	90465-13M11	CLAMP	1	1	1	
20	697-85570-00	IGNITION COIL ASSY	3	3	3	
21	97013-06020	BOLT	3	3	3	
22	92903-06600	WASHER, PLATE	3	3	3	
23	6G1-82370-21	PLUG CAP ASSY	3	3	3	
24	688-81950-10	RELAY ASSY	1	1	1	
25	97013-06016	BOLT	1	1	1	
26	92903-06600	WASHER, PLATE	1	1	1	
27	6H3-82164-00	CASE 2	1	1	1	

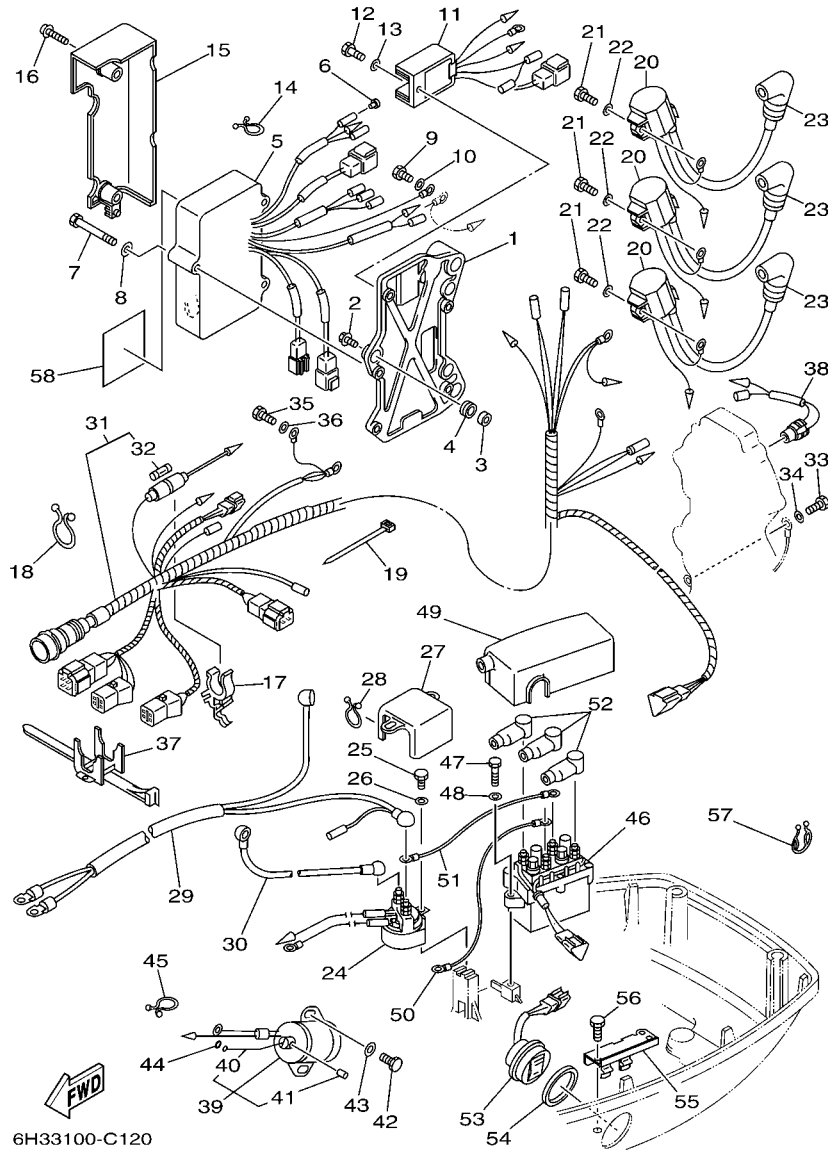


FIG. 12 ELECTRICAL

REF. NO.	PART NO.	DESCRIPTION	60ET	6ETO	7ETO	REMARKS
28	90464-15M11	CLAMP	1	1	1	
29	6H3-82105-U0	WIRE HARNESS	1	1	1	FOR USA,OCE
	6H3-82105-01	WIRE HARNESS		1		FOR BRA
30	6H3-82117-00	WIRE, LEAD	1	1	1	
31	6H2-82590-70	WIRE HARNESS ASSY		1	1	FOR USA
	6H2-82590-13	WIRE HARNESS ASSY		1	1	FOR OCE,BRA
	6H2-82590-60	WIRE HARNESS ASSY	1			
32	663-82151-00	.FUSE (12V-20A)	1	1	1	
33	97013-06012	BOLT	1	1	1	
34	92903-06600	WASHER, PLATE	1	1	1	
35	97013-06012	BOLT	2	2	2	
36	92903-06600	WASHER, PLATE	2	2	2	
37	688-82594-00	CLAMP	1	1	1	
38	688-82560-10	THERMO SWITCH ASSY	1	1	1	
39	6H3-86110-02	SOLENOID	1			
40	6H3-86116-00	.WIRE, PULL	1			
41	91690-30010	.PIN, SPRING	1			
42	97013-06016	BOLT	2			
43	92903-06600	WASHER, PLATE	2			
44	93210-03261	O-RING	1			
45	90465-18147	CLAMP	1			
46	61A-81950-00	RELAY ASSY	1	1	1	
47	97095-06025	BOLT	2	2	2	
48	92995-06600	WASHER	2	2	2	
49	6H3-82154-11	CASE	1	1	1	
50	6H2-81949-11	WIRE, LEAD	1	1	1	
51	6H2-81949-01	WIRE, LEAD	1	1	1	

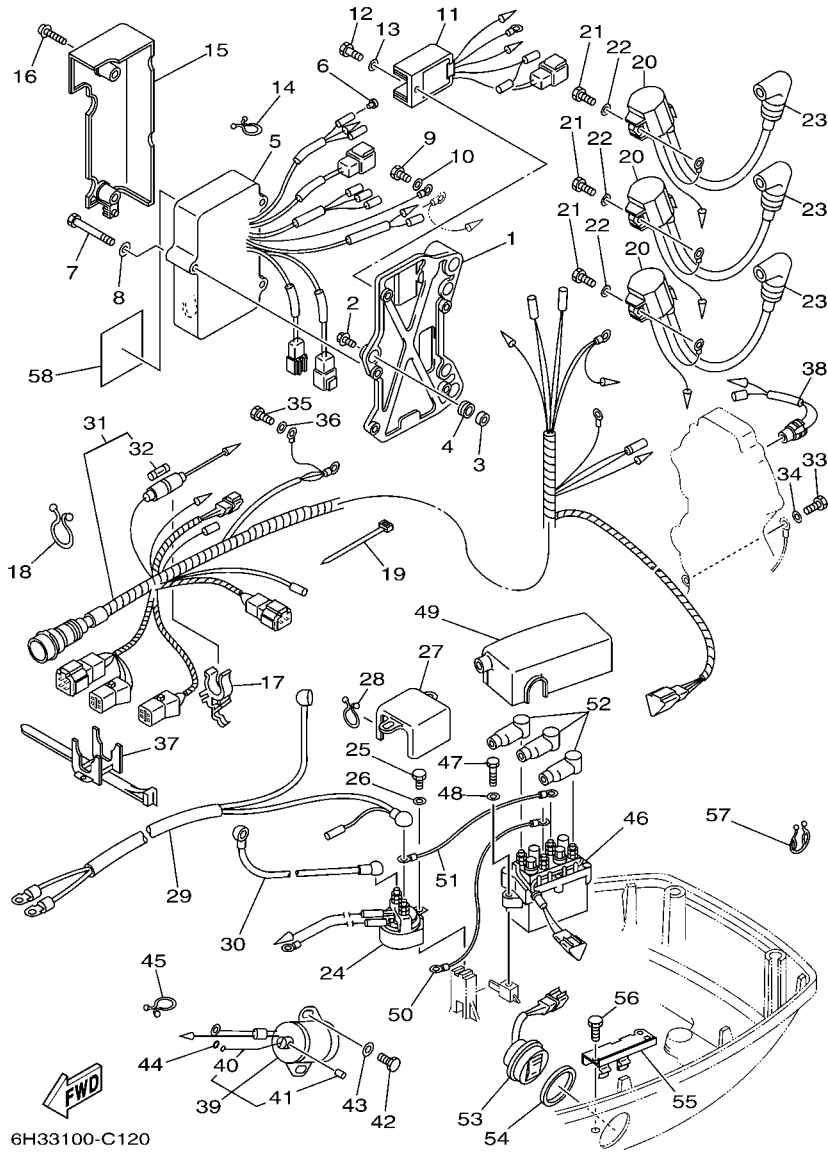
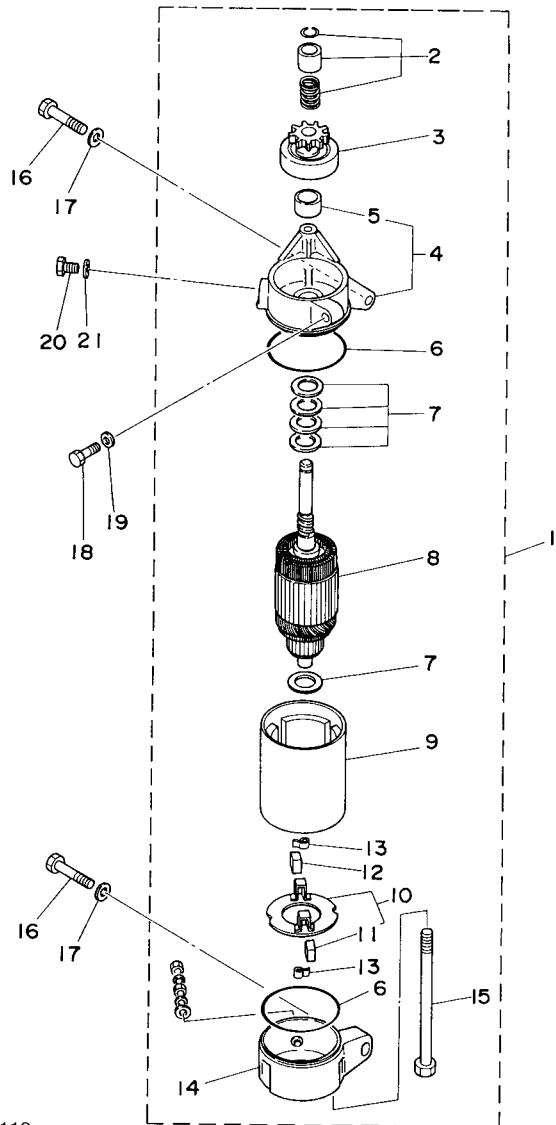


FIG. 12 ELECTRICAL

REF. NO.	PART NO.	DESCRIPTION	60ET	6ETO	7ETO	REMARKS
52	682-82119-01	COVER, LEAD WIRE	3	3	3	
53	6H1-82563-10	TRIM & TILT SWITCH ASSY		1	1	
54	6E5-82587-00	GASKET		1	1	
55	6E5-83614-01	BRACKET		1	1	
56	97095-06016	BOLT		1	1	
57	90464-18M14	CLAMP		1	1	
58	6R5-85711-60	MARK, CAUTION	1	1	1	

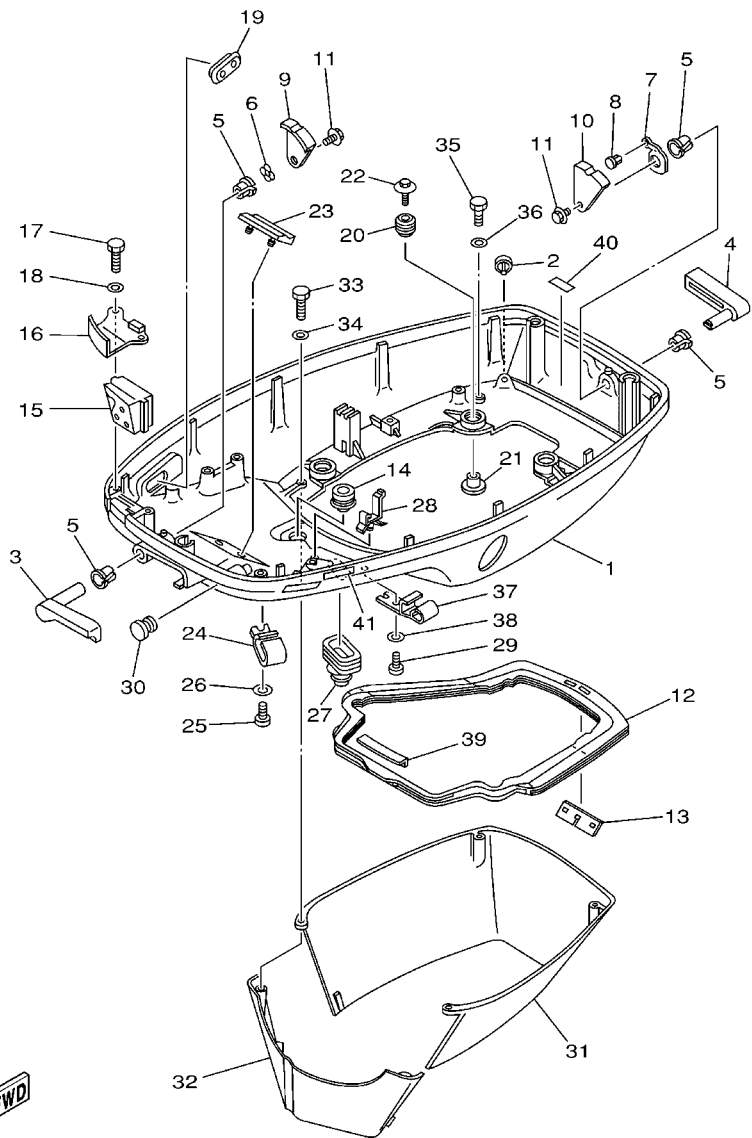
FIG. 13 STARTING MOTOR



6H30010-4110

REF. NO.	PART NO.	DESCRIPTION	60ET	6E0	7E0	REMARKS
1	6H3-81800-11	STARTING MOTOR ASSY	1	1	1	
2	689-81857-11	.PINION STOPPER SET	1	1	1	
3	6H3-81807-10	.GEAR ASSY, STARTING MOTOR	1	1	1	
4	6H3-81830-10	.FRONT BRACKET ASSY	1	1	1	
5	689-81831-00	..METAL, FRONT	1	1	1	
6	689-81847-11	.O-RING	2	2	2	
7	689-81809-11	.WASHER KIT	1	1	1	
8	689-81850-12	.ARMATURE ASSY	1	1	1	
9	6H3-81810-10	.STATOR ASSY	1	1	1	
10	689-81840-11	.BRUSH HOLDER ASSY	1	1	1	
11	689-81812-11	..BRUSH 2	1	1	1	
12	689-81811-11	.BRUSH 1	1	1	1	
13	689-81813-10	.SPRING, BRUSH	2	2	2	
14	6H3-81820-11	.REAR BRACKET ASSY	1	1	1	
15	689-81826-10	.BOLT	2	2	2	
16	97013-08035	BOLT	2	2	2	
17	92903-08600	WASHER, PLATE	2	2	2	
18	97013-06025	BOLT	1	1	1	
19	92903-06600	WASHER, PLATE	1	1	1	
20	97013-08016	BOLT	1	1	1	
21	92903-08600	WASHER, PLATE	1	1	1	

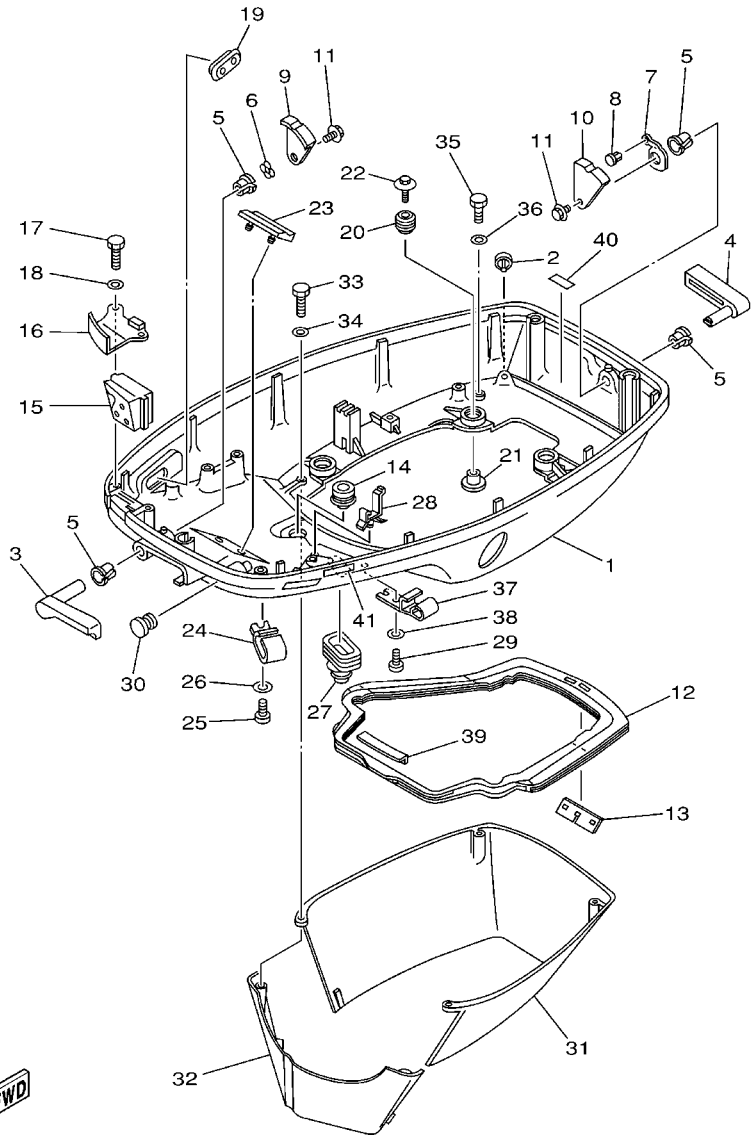
FIG. 14 BOTTOM COWLING



6H31700-2130

REF. NO.	PART NO.	DESCRIPTION	60ET	6E0	7E0	REMARKS
1	6H3-42711-25-4D	COWLING, BOTTOM		1	1	
	6H3-42711-06-4D	COWLING, BOTTOM	1			
2	69D-44391-00	NIPPLE, HOSE	1	1	1	
3	6H3-42815-01-4D	LEVER, CLAMP	1	1	1	
4	6H3-42817-01-4D	LEVER, CLAMP	1	1	1	
5	90386-13M38	BUSH	4	4	4	
6	90206-13M10	WASHER, WAVE	1	1	1	
7	6H3-42813-00	SPRING, CLAMP LEVER	1	1	1	
8	90269-04M03	RIVET	1	1	1	
9	6H3-42816-00	LEVER, CLAMP	1	1	1	
10	6H3-42818-00	LEVER, CLAMP	1	1	1	
11	90119-06M09	BOLT, WITH WASHER	2	2	2	
12	6H3-42716-02	RUBBER, SEAL 1	1	1	1	
13	6K5-42717-00	RUBBER, SEAL 2	1	1	1	
14	6E5-42724-00	GROMMET	1	1	1	
15	6H3-42725-30	GROMMET		1	1	
	6H3-42725-10	GROMMET	1			
16	6H3-42738-01-5B	PLATE, FITTING	1	1	1	
17	97095-06016	BOLT	2	2	2	
18	92995-06600	WASHER	2	2	2	
19	6H3-42727-00	GROMMET	1	1	1	
20	90480-09M12	GROMMET	4	4	4	
21	90387-06M69	COLLAR	4	4	4	
22	90119-06M61	BOLT, WITH WASHER	4	4	4	
23	6H3-42768-00	DAMPER	1	1	1	
24	6E5-24367-01	CLAMP, FUEL PIPE 2	1	1	1	
25	90157-06M01	SCREW, PAN HEAD	1	1	1	

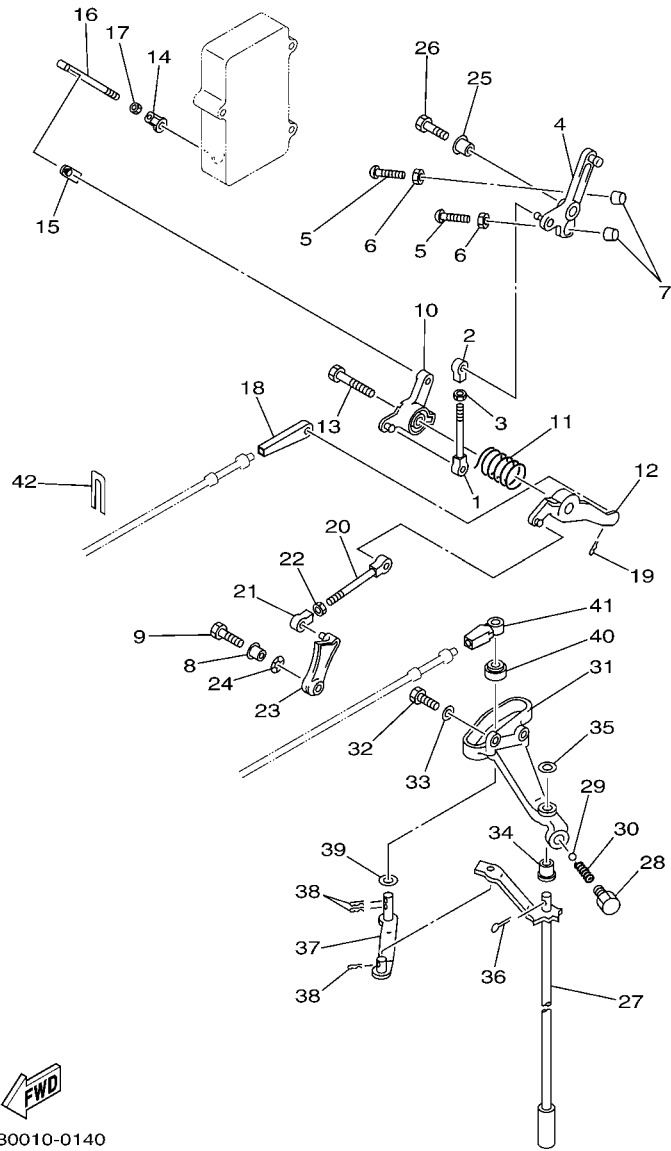
D6



6H31700-2130

FIG. 14 BOTTOM COWLING

REF. NO.	PART NO.	DESCRIPTION	60ET	6ETO	7ETO	REMARKS
26	92990-06600	WASHER, PLATE	1	1	1	
27	688-42726-10	GROMMET	1	1	1	
28	90464-09M13	CLAMP	1	1	1	
29	90157-06M01	SCREW, PAN HEAD	1	1	1	
30	6G1-42748-00	GROMMET		1	1	
31	6H3-42741-01-4D	APRON	1	1	1	
32	6H3-42771-01-4D	APRON	1	1	1	
33	97095-06025	BOLT	2	2	2	
34	92995-06600	WASHER	2	2	2	
35	97095-06020	BOLT	2	2	2	
36	92995-06600	WASHER	2	2	2	
37	6E5-24367-01	CLAMP, FUEL PIPE 2	1	1	1	
38	92990-06600	WASHER, PLATE	1	1	1	
39	6H3-42718-00	RUBBER, SEAL 3	1	1	1	
40	6G5-42791-00	MARK 1		1	1	FOR USA,BRA
	6G5-42791-10	MARK 1	1	1	1	FOR OCE
41	6R6-42791-40	MARK 1	1			

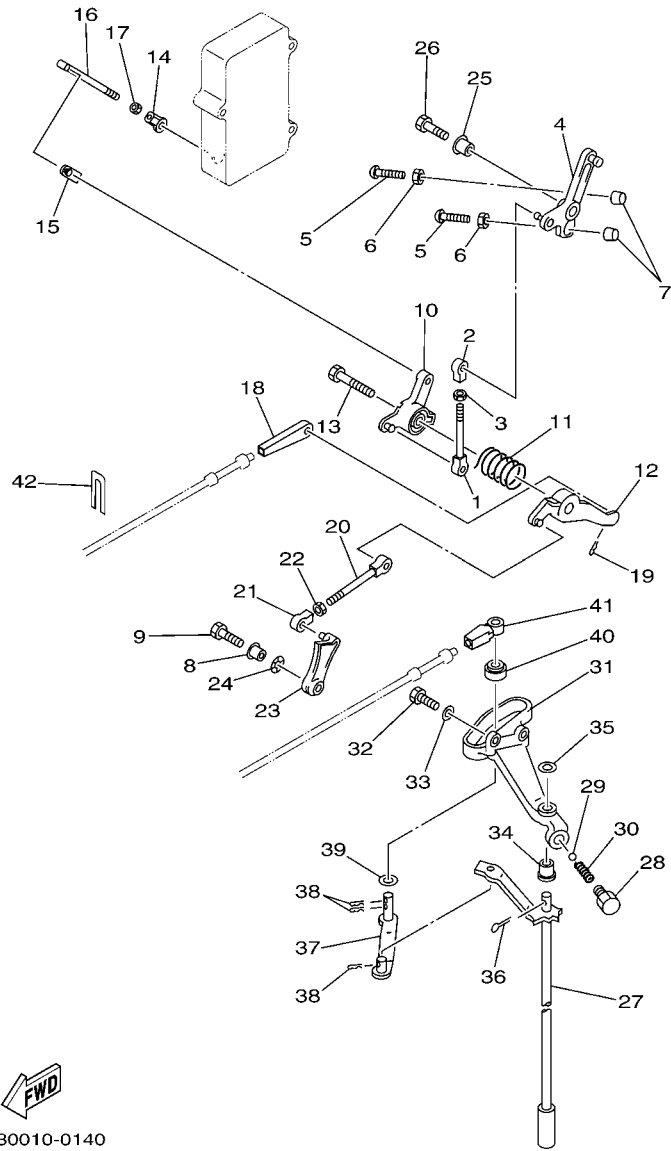


6H30010-0140

FIG. 15 CONTROL

REF. NO.	PART NO.	DESCRIPTION	60ET	6E0	7E0	REMARKS
1	689-42169-01	JOINT	1	1	1	
2	682-41237-00	JOINT, LINK	1	1	1	
3	95380-05600	NUT	1	1	1	
4	6H3-41631-00	LEVER, MAGNETO CONTROL	1	1	1	
5	90157-06M13	SCREW, PAN HEAD	2	2	2	
6	95380-06600	NUT, HEXAGON	2	2	2	
7	688-44194-00	CAP	2	2	2	
8	90387-06M60	COLLAR	1	1	1	
9	97095-06025	BOLT	1	1	1	
10	6H3-41632-20	LEVER, MAGNETO CONTROL	1	1	1	
11	90508-26M35	SPRING, TORSION	1	1	1	
12	6H3-41633-10	LEVER, MAGNETO CONTROL	1	1	1	
13	90109-06M43	BOLT	1	1	1	
14	6H1-41237-00	JOINT, LINK	1	1	1	
15	6F5-41237-00	JOINT, LINK	1	1	1	
16	6H3-41636-10-94	ROD, MAGNETO CONTROL	1	1	1	
17	95380-05600	NUT	1	1	1	
18	6H3-48344-00	CABLE END, REMOTE CONTROL	1	1	1	
19	90468-18008	CLIP	1	1	1	
20	689-42169-01	JOINT	1	1	1	
21	6H4-41237-00	JOINT, LINK	1	1	1	
22	95380-05600	NUT	1	1	1	
23	6H3-41213-10	CAM, ACCEL.	1	1	1	
24	90206-10M04	WASHER, WAVE	1	1	1	
25	90387-06M60	COLLAR	1	1	1	
26	97095-06025	BOLT	1	1	1	
27	6H3-44120-12	HANDLE GEAR SHIFT ASSY	1	1	1	L

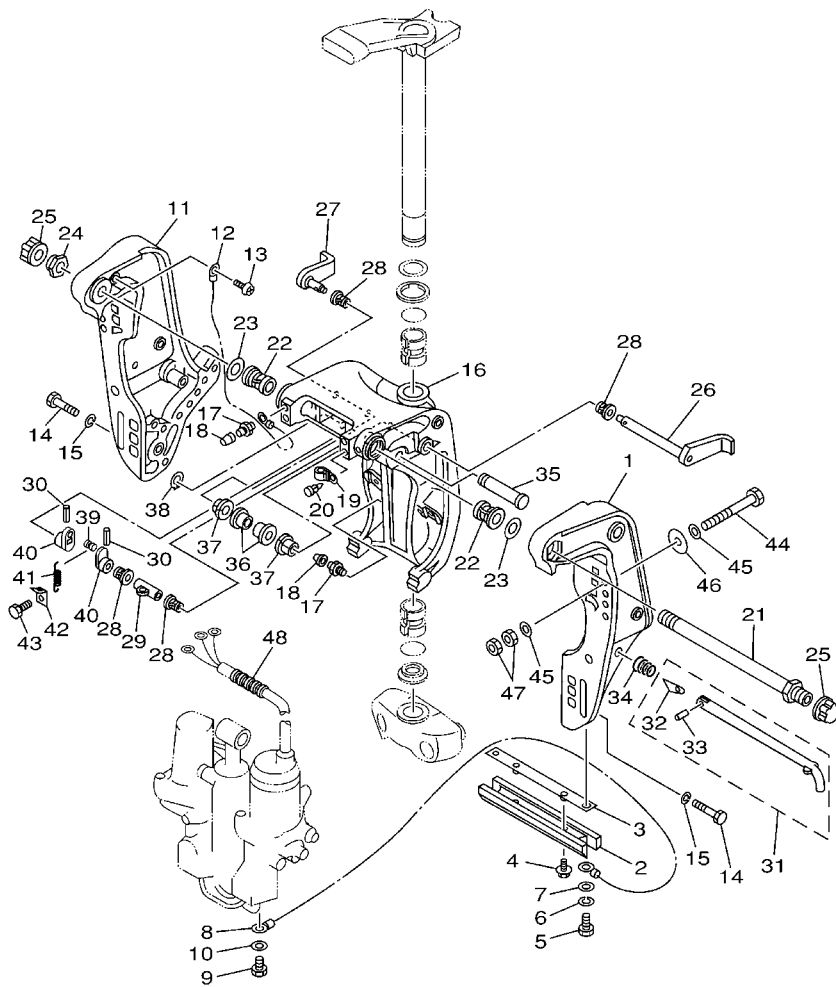
E1



6H30010-0140

FIG. 15 CONTROL

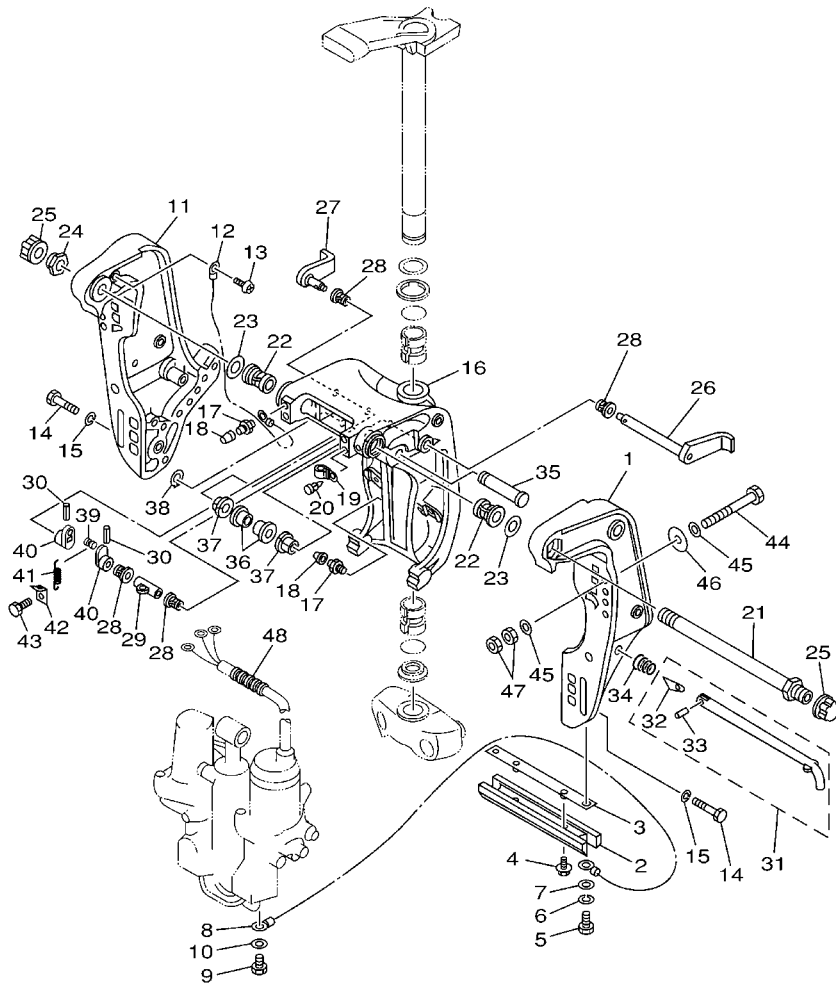
REF. NO.	PART NO.	DESCRIPTION	60ET	6ETO	7ETO	REMARKS
28	648-42715-00	BUSHING	1	1	1	
29	93501-04M02	BALL	1	1	1	
30	90501-12082	SPRING, COMPRESSION	1	1	1	
31	6H3-44117-00-94	BRACKET		1	1	
	6J2-44117-01-94	BRACKET	1			
32	97013-06020	BOLT	2	2	2	
33	92903-06600	WASHER, PLATE	2	2	2	
34	90386-07M58	BUSH	1	1	1	
35	92990-08200	WASHER, PLAIN	1	1	1	
36	91490-20012	PIN, COTTER	1	1	1	
37	6H3-44121-01	LEVER, SHIFT ROD	1	1	1	
38	90468-18008	CLIP	3	3	3	
39	90202-07M07	WASHER, PLATE	1	1	1	
40	688-44122-00	BUSHING, SHIFT ROD LEVER	1	1	1	
41	663-48344-00	CABLE END, REMOTE CONTROL	1	1	1	
42	6H3-48538-00	CLAMP, CABLE 1	1	1	1	



6H30010-9151

FIG. 16 BRACKET 1

REF. NO.	PART NO.	DESCRIPTION	60ET	6E0	7E0	REMARKS
1	6H1-43111-01-4D	BRACKET, CLAMP	1	1	1	
2	6H1-45251-03	ANODE	1	1	1	
3	6H1-44526-00	PLATE	1	1	1	
4	90119-06M29	BOLT, WITH WASHER	2	2	2	
5	97095-06016	BOLT	2	2	2	
6	92995-06100	WASHER, SPRING	2	2	2	
7	92995-06600	WASHER	2	2	2	
8	6H1-82148-00	WIRE, LEAD 4	1	1	1	
9	97095-06010	BOLT	1	1	1	
10	92995-06600	WASHER	1	1	1	
11	6H1-43112-00-4D	BRACKET, CLAMP	1	1	1	
12	6E5-82148-00	WIRE, LEAD 4	1	1	1	
13	97880-06012	SCREW, PAN HEAD	1	1	1	
14	97095-10045	BOLT	6	6	6	
15	92995-10100	WASHER	6	6	6	
16	6H1-43311-02-4D	BRACKET, SWIVEL 1	1	1	1	
17	93700-06M03	NIPPLE, GREASE	3	3	3	
18	663-45119-00	CAP, GREASE NIPPLE	3	3	3	AP
19	90464-11M18	CLAMP	1	1	1	
20	90338-05M03	PLUG	1	1	1	
21	688-43131-03	BOLT, CLAMP BRACKET	1	1	1	
22	90386-22M15	BUSH	2	2	2	
23	90201-22M67	WASHER, PLATE	2	2	2	
24	90185-22043	NUT, SELF-LOCKING	1	1	1	
25	6G5-43145-01	CAP, CLAMP BRACKET	2	2	2	
26	6H1-43181-01	LEVER, TILT STOP	1	1	1	
27	6H1-43185-01	LEVER, TILT STOP	1	1	1	



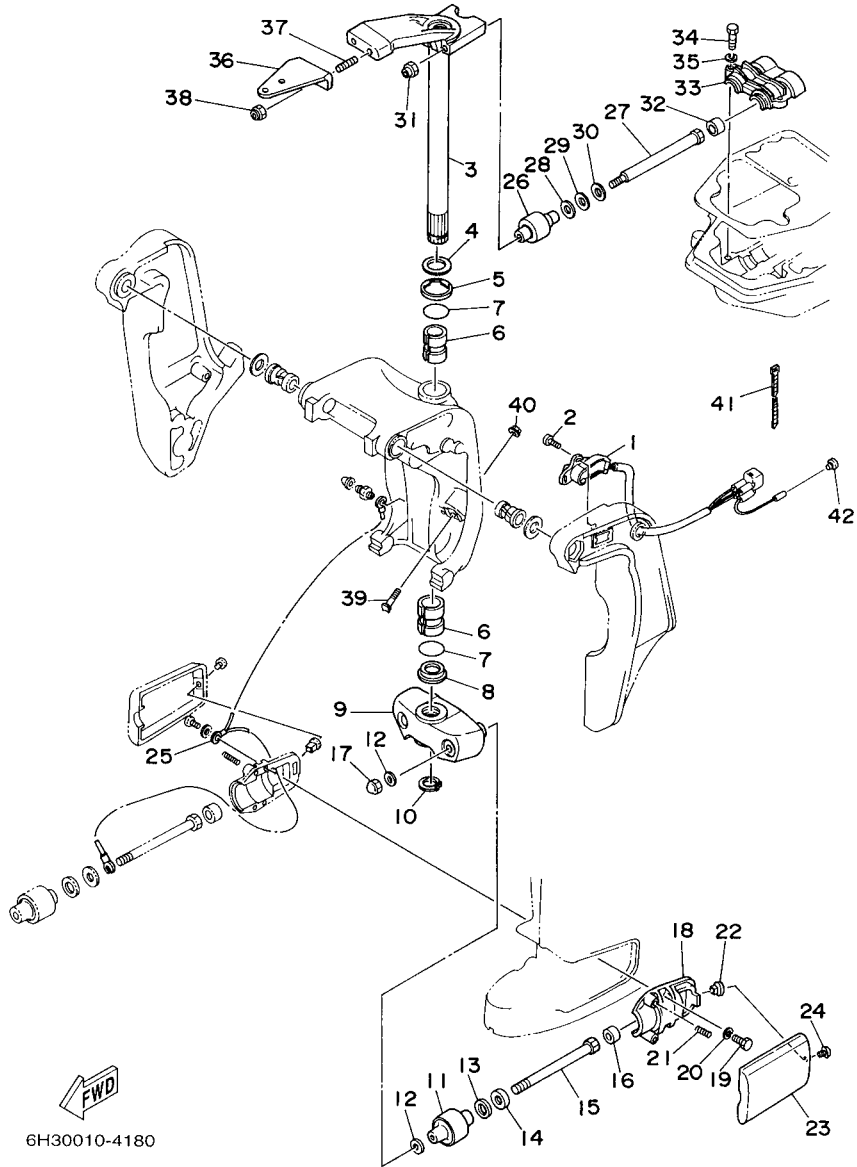
FWD
6H30010-9151

FIG. 16 BRACKET 1

REF. NO.	PART NO.	DESCRIPTION	60ET	6E0	7E0	REMARKS
28	90386-10M16	BUSH	4	4	4	
29	90387-10M02	COLLAR	1	1	1	
30	91690-30020	PIN, SPRING	2	2	2	
31	688-43160-01	TILT ROD ASSY	1	1	1	
32	688-43165-00	.PLATE, TILT LOCK	1	1	1	
33	91690-30012	.PIN, SPRING	1	1	1	
34	90502-16M02	SPRING, CONICAL	1	1	1	
35	6E5-43126-02	PIN, UPPER SHOCK MOUNT	1	1	1	
36	90386-18M63	BUSH	2	2	2	
37	90386-18M35	BUSH	2	2	2	
38	93410-18M02	CIRCLIP	1	1	1	
39	90249-06M19	PIN	1	1	1	
40	6G5-43148-00	COLLAR, DISTANCE	2	2	2	
41	90506-14M24	SPRING, TENSION	1	1	1	
42	6G5-43144-00	HOOK, SPRING	1	1	1	
43	97095-06010	BOLT	1	1	1	
44	90101-12M65	BOLT	4	4	4	
45	92995-12200	WASHER	8	8	8	
46	90201-12426	WASHER, PLATE	4	4	4	
47	95380-12600	NUT	8	8	8	
48	90440-14M00	PIPE	1	1	1	

FIG. 17 BRACKET 2

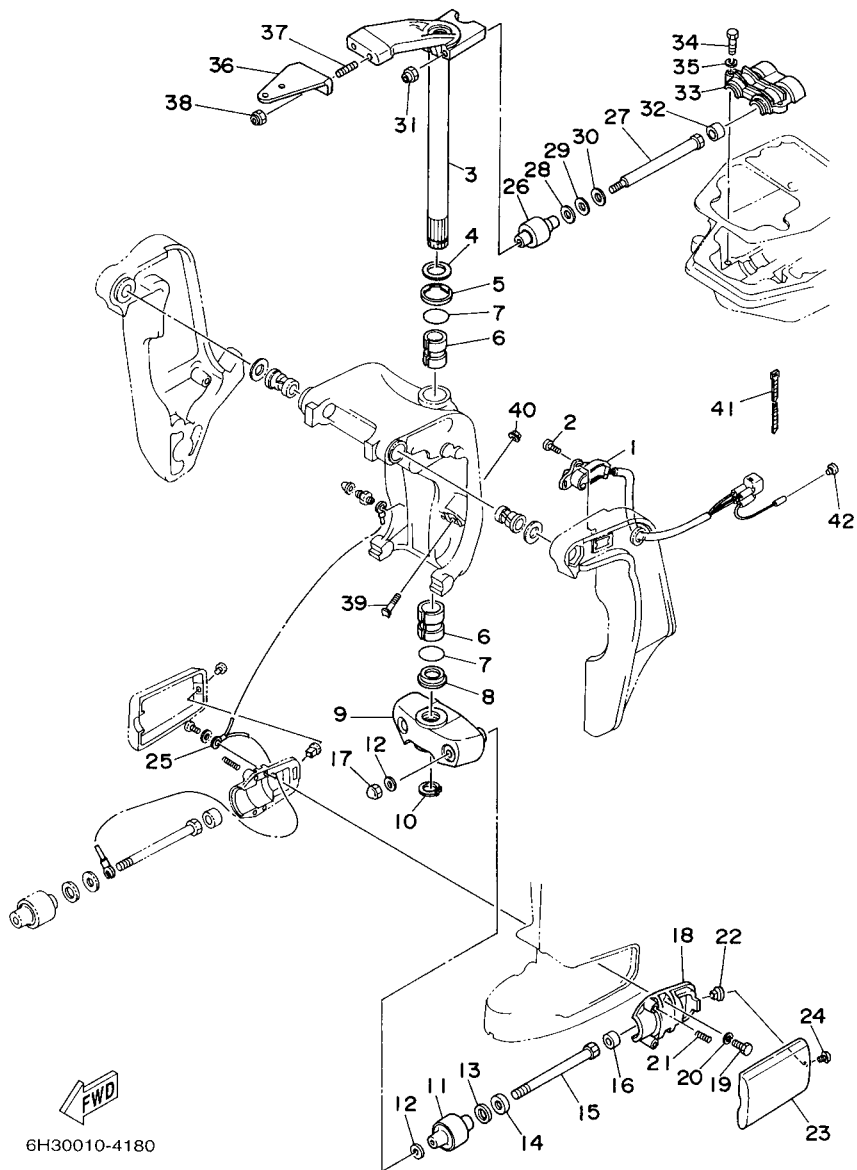
REF. NO.	PART NO.	DESCRIPTION	60ET	6ETO	7ETO	REMARKS
1	6H1-83672-12	TRIM SENDER	1	1	1	FOR OCE,BRA
	6H1-83672-20	TRIM SENDER		1	1	FOR USA
2	97885-06016	SCREW, PAN HEAD	2	2	2	
3	6H3-42510-13-4D	STEERING BRACKET ASSY	1	1	1	
4	90201-30M00	WASHER, PLATE	1	1	1	
5	90386-30M78	BUSH	1	1	1	
6	90386-30M77	BUSH	2	2	2	
7	93210-29M94	O-RING	2	2	2	
8	90386-30M60	BUSH	1	1	1	
9	6H3-44551-01-4D	HOUSING, LOWER MOUNT RUBBER	1	1	1	
10	93410-28M06	CIRCLIP	1	1	1	
11	687-44555-00-94	MOUNT DAMPER, LOWER SIDE	2	2	2	
12	90201-12M16	WASHER, PLATE	4	4	4	
13	90202-25M04	WASHER, PLATE	2	2	2	
14	90201-13M19	WASHER, PLATE	2	2	2	
15	90109-12M21	BOLT	2	2	2	
16	663-44575-00	DAMPER, LOWER MOUNT RUBBER	2	2	2	
17	95380-12800	NUT, CROWN	2	2	2	
18	6H3-44552-03-94	HOUSING, LOWER MOUNT RUBBER	2	2	2	
19	97075-08025	BOLT	4	4	4	
20	92995-08100	WASHER	4	4	4	
21	90501-14M08	SPRING, COMPRESSION	4	4	4	
22	90179-06066	NUT	2	2	2	
23	6H3-44553-01-4D	COVER, LOWER MOUNT	2	2	2	
24	97885-06016	SCREW, PAN HEAD	2	2	2	
25	688-82127-02	WIRE, LEAD 2	1	1	1	
26	688-44514-00-94	MOUNT DAMPER, UPPER SIDE	2	2	2	



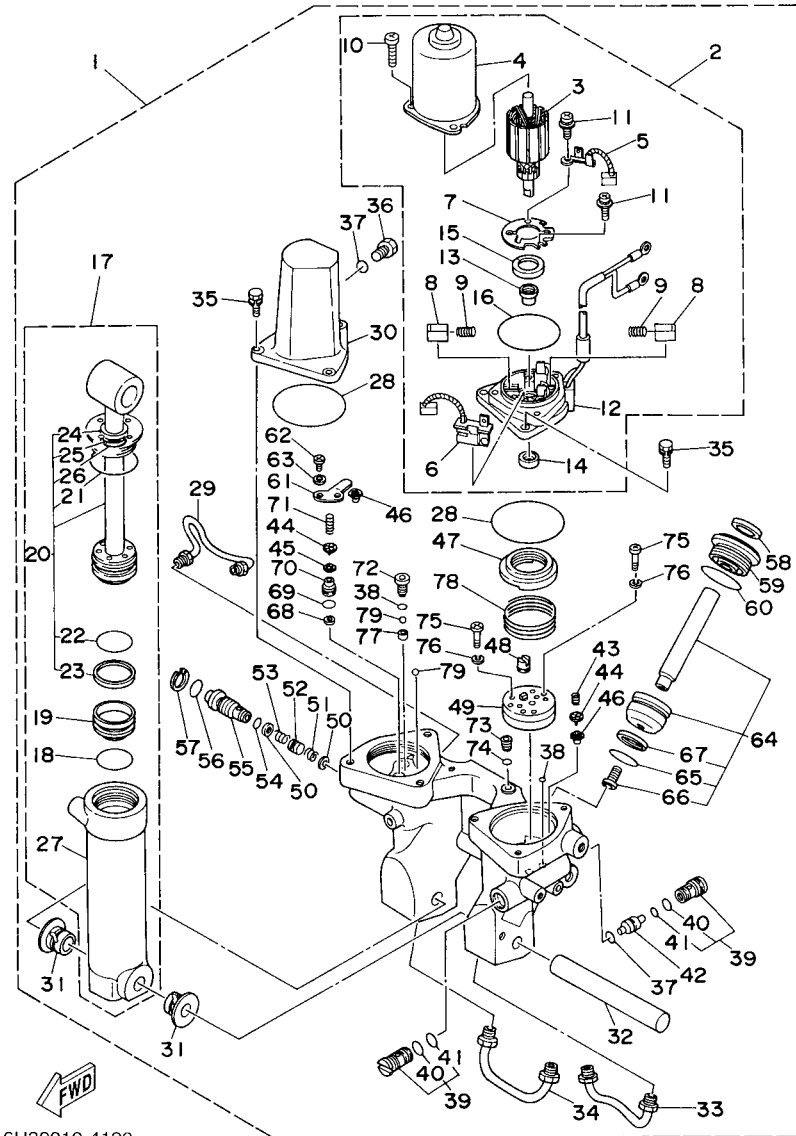
6H30010-4180

FIG. 17 BRACKET 2

REF. NO.	PART NO.	DESCRIPTION	60ET	6ET0	7ET0	REMARKS
27	90101-10M49	BOLT	2	2	2	
28	90201-20M21	WASHER, PLATE	2	2	2	
29	90202-20M06	WASHER, PLATE	2	2	2	
30	90201-11M22	WASHER, PLATE	2	2	2	
31	90185-10051	NUT, SELF-LOCKING	2	2	2	
32	663-44575-00	DAMPER, LOWER MOUNT RUBBER	2	2	2	
33	688-44511-00-94	COVER, UPPER MOUNT	1	1	1	
34	97075-08035	BOLT	3	3	3	
35	92995-08100	WASHER	3	3	3	
36	6H3-48511-51-4D	HOOK, STEERING	1	1	1	STEERING GUIDE
37	90116-10M28	BOLT, STUD	2	2		
	90116-10175	BOLT, STUD			2	
38	90185-10051	NUT, SELF-LOCKING	2	2	2	
39	6H1-43376-00	BOLT, THRUST RECEIVER	2	2	2	
40	90185-08057	NUT, SELF-LOCKING	2	2	2	
41	90465-11M10	CLAMP	3	3	3	
42	703-82119-00	COVER, LEAD WIRE	1	1	1	



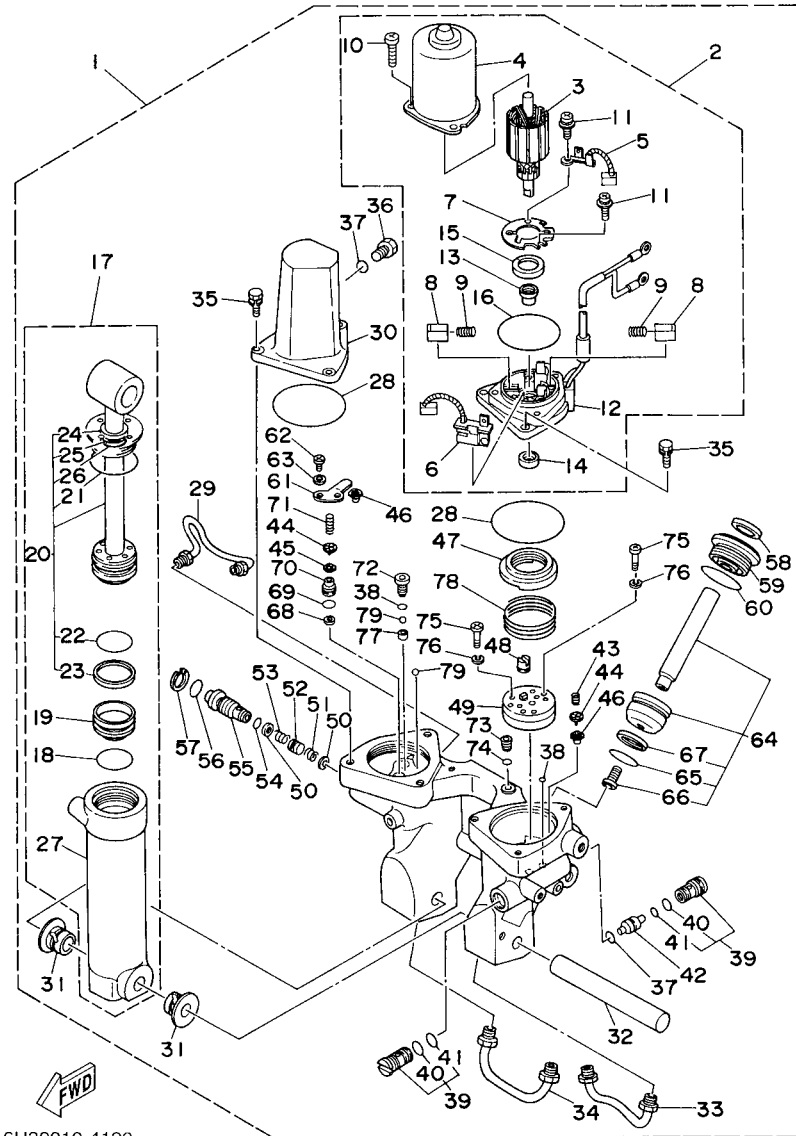
6H30010-4180



6H30010-4190

FIG. 18 POWER TRIM & TILT ASSY

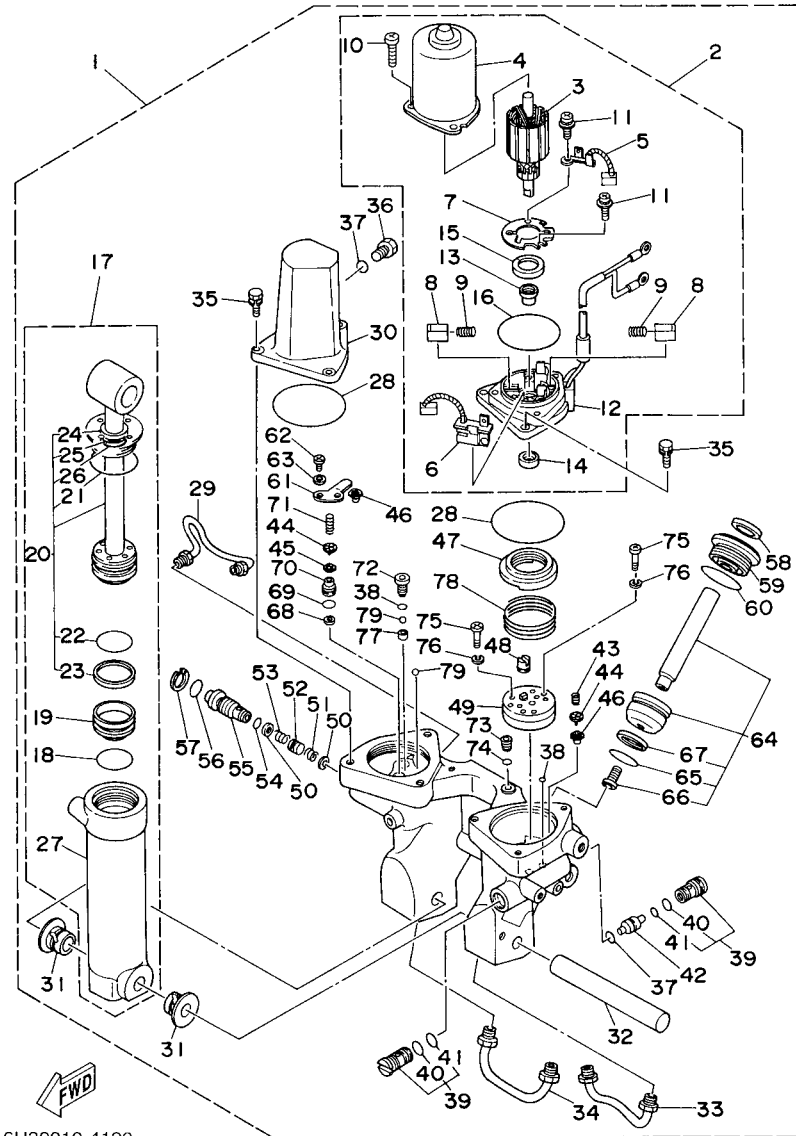
REF. NO.	PART NO.	DESCRIPTION	60ET	6ETO	7ETO	REMARKS
1	6H1-43800-17-4D	POWER TRIM & TILT ASSY	1	1	1	
2	6H1-43880-02	..MOTOR ASSY	1	1	1	
3	6H1-43805-10	..ARMATURE ASSY	1	1	1	
4	6H1-43804-10	..STATOR ASSY	1	1	1	
5	6H1-43891-10	..BRUSH 1	1	1	1	
6	6H1-43892-10	..BRUSH 2	1	1	1	
7	6H1-4380F-10	..PLATE, BRUSH HOLDER	1	1	1	
8	6H1-4380J-10	..HOLDER, BRUSH	2	2	2	
9	6H1-4386K-10	..SPRING, BRUSH	2	2	2	
10	97885-05016	..SCREW, PAN HEAD	3	3	3	
11	97607-04310	..SCREW,WITH WASHER	2	2	2	
12	6H1-43881-10	..FRAME, END	1	1	1	
13	6H1-4380H-10	..METAL	1	1	1	
14	93102-08M43	..OIL SEAL	1	1	1	
15	6H1-4380G-10	..PLATE	1	1	1	
16	6H1-43865-10	..O-RING	1	1	1	
17	6H1-43840-11	..POWER TILT ASSY	1	1	1	
18	6H1-43861-10	..O-RING	1	1	1	
19	6H1-43814-11	..PISTON, FREE	1	1	1	
20	6H1-43810-11	..TILT PISTON SUB ASSY	1	1	1	
21	6H1-43861-00	..O-RING	1	1	1	
22	6H1-43861-10	..O-RING	1	1	1	
23	6H1-43871-10	..RING, BACK UP	1	1	1	
24	6H1-43812-00	..SEAL, DUST	1	1	1	
25	6H1-43872-10	..RING, BACK UP	1	1	1	
26	93210-18397	..O-RING	1	1	1	
27	6H1-43813-10	..CYLINDER, TILT	1	1	1	



6H30010-4190

FIG. 18 POWER TRIM & TILT ASSY

REF. NO.	PART NO.	DESCRIPTION	60ET	6ETO	7ETO	REMARKS
28	93210-64488	.O-RING	2	2	2	
29	6H1-43835-10	.PIPE	1	1	1	
30	6H1-43828-10	.BODY, RESERVOIR	1	1	1	
31	90386-18M14	.BUSH	2	2	2	
32	6E5-43818-00	.PIN, LOWER SHOCK MOUNT	1	1	1	
33	6H1-43833-10	.PIPE	1	1	1	
34	6H1-43834-00	.PIPE	1	1	1	
35	97595-06420	.BOLT, WITH WASHER	6	6	6	
36	6H1-43829-00	.PLUG, RESERVOIR	1	1	1	
37	93210-09165	.O-RING	2	2	2	
38	93210-064A5	.O-RING	1	1	1	
39	67F-43802-00	.VALVE SUB ASSY	2	2	2	
40	6H1-43866-00	..O-RING	1	1	1	
41	6H1-43867-00	..O-RING	1	1	1	
42	6H1-43841-11	.PISTON, SHUTTLE	1	1	1	
43	6H1-43856-10	.SPRING, DOWN RELIEF	1	1	1	
44	6H1-43844-10	.PIN, VALVE SUPPORT	2	2	2	
45	6H1-4384G-11	.SEAL, RELIEF VALVE	1	1	1	
46	6H1-4384F-10	.SEAL, MAIN VALVE	2	2	2	
47	6H1-43817-01	.FILTER 2	1	1	1	
48	6H1-43831-10	.CONNECTOR, SHAFT	1	1	1	
49	6H1-43830-11	.GEAR PUMP ASSY	1	1	1	
50	6H1-43847-00	.SEAT, MANUAL VALVE	2	2	2	
51	6H1-43899-00	.SPRING, MANUAL RELEASE	1	1	1	
52	6H1-4382A-10	.ADAPTOR 1	1	1	1	
53	6H1-43854-00	.SPRING, MANUAL RELEASE	1	1	1	
54	93210-10M74	.O-RING	1	1	1	



6H30010-4190

FIG. 18 POWER TRIM & TILT ASSY

REF. NO.	PART NO.	DESCRIPTION	60ET	6ETO	7ETO	REMARKS
55	6H1-43845-00	.SCREW, MANUAL RELEASE	1	1	1	
56	93210-18M75	.O-RING	1	1	1	
57	6H1-43875-00	.RING, SNAP	1	1	1	
58	6H1-43822-10	.SEAL, TRIM DUST	2	2	2	
59	6H1-43821-11	.SCREW, TRIM CYLINDER END	2	2	2	
60	6H1-43861-10	.O-RING	2	2	2	
61	6H1-4384E-20	.SPRING, TRIM	1	1	1	
62	98501-05010	.SCREW, PAN HEAD	2	2	2	
63	92901-05200	.WASHER, PLAIN	2	2	2	
64	6H1-43820-11	.TRIM PISTON SUB ASSY	2	2	2	
65	6H1-43864-00	.O-RING	1	1	1	
66	91318-08016	.BOLT	1	1	1	
67	6H1-43874-00	.RING, BACK UP	1	1	1	
68	6H1-43816-00	.FILTER 1	1	1	1	
69	6H1-43896-00	.O-RING	1	1	1	
70	6H1-43895-12	.SEAT, RELIEF VALVE	1	1	1	
71	6H1-43855-11	.SPRING, UP RELIEF	1	1	1	
72	6H1-43843-11	.SCREW, VALVE LOCK	1	1	1	
73	6H1-4388E-11	.PLUG, TAPER SCREW	1	1	1	
74	6H1-43868-00	.O-RING	1	1	1	
75	98501-04025	.SCREW, PAN HEAD	4	4	4	
76	92901-04100	.WASHER, SPRING	4	4	4	
77	6H1-4387J-00	.WASHER, SPECIAL 2	1	1	1	
78	6H1-4385H-00	.SPRING, SEAL	1	1	1	
79	93505-32038	.BALL	2	2	2	

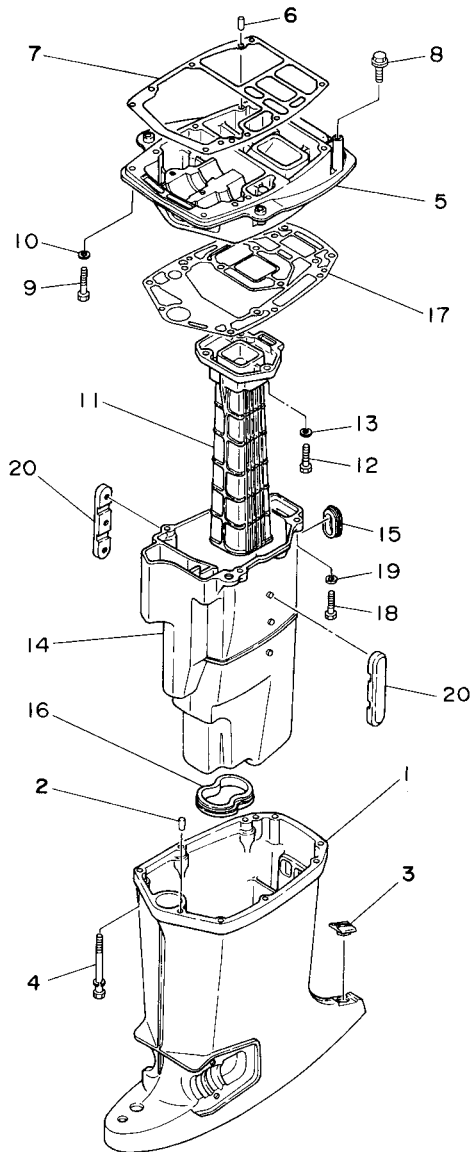
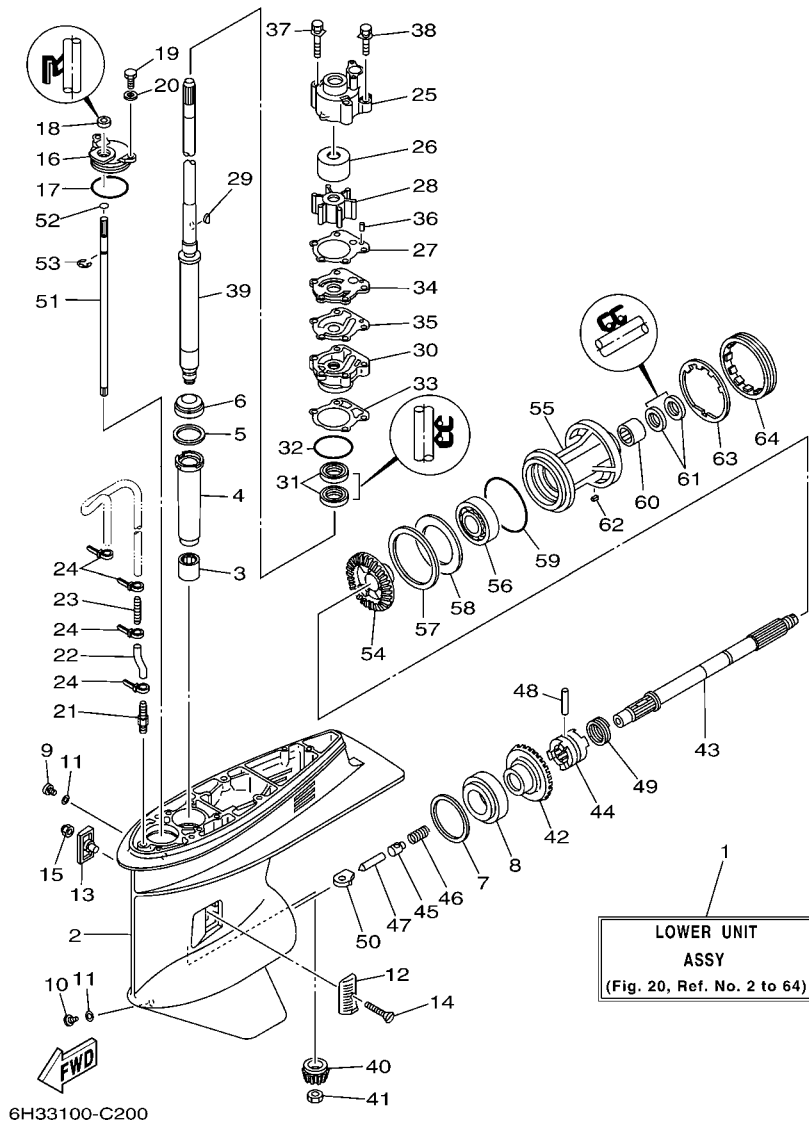


FIG. 19 UPPER CASING

REF. NO.	PART NO.	DESCRIPTION	60ET	6ETO	7ETO	REMARKS
1	6H3-45111-12-4D	CASING, UPPER	1	1	1	L
2	93606-12019	PIN, DOWEL	2	2	2	
3	6H3-45155-00	CAP	1	1	1	
4	90119-08M81	BOLT, WITH WASHER	6	6	6	
5	6H3-41137-01-94	GUIDE, EXHAUST	1	1	1	
6	93606-12019	PIN, DOWEL	2	2	2	
7	6H3-45113-A0	GASKET, UPPER CASING	1	1	1	
8	90119-08M79	BOLT, WITH WASHER	2	2	2	
9	97075-08035	BOLT	2	2	2	
10	92995-08100	WASHER	2	2	2	
11	6H2-41131-00-5B	MANIFOLD, EXT. 1	1	1		
	6H3-41131-00-5B	MANIFOLD, EXT. 1			1	
12	97075-08030	BOLT	3	3	3	
13	92995-08100	WASHER	3	3	3	
14	6H3-14711-11-5B	MUFFLER 1	1	1	1	L
15	6H3-45127-00	SEAL	1	1	1	
16	6H3-45123-00	GASKET, MUFFLER	1	1	1	
17	6H3-45114-A1	GASKET, UPPER CASING	1	1	1	
18	97075-08030	BOLT	4	4	4	
19	92995-08100	WASHER	4	4	4	
20	6H3-14737-10	DAMPER, MUFFLER	2	2	2	L



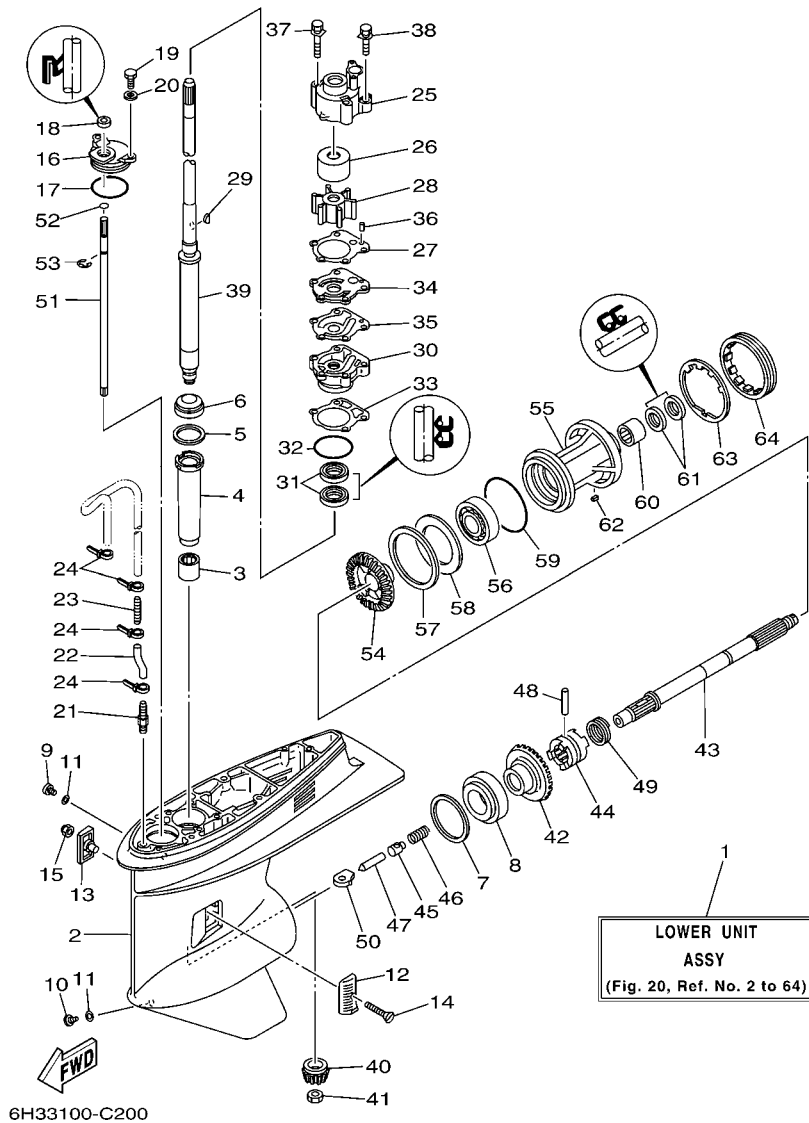
6H30100-4190



6H33100-C200

FIG. 20 LOWER CASING & DRIVE 1

REF. NO.	PART NO.	DESCRIPTION	60ET	6ETO	7ETO	REMARKS
1	6H3-45300-E5-4D	LOWER UNIT ASSY	1			L
2	6H1-45301-12-4D	CASING, LOWER	1			
3	93315-325V1	BEARING	1			
4	688-45536-01	SLEEVE, DRIVE SHAFT	1			
5	688-45587-01-10	SHIM (T:0.10MM)	1			UR
	688-45587-01-12	SHIM (T:0.12MM)	1			UR
	688-45587-01-15	SHIM (T:0.15MM)	1			UR
	688-45587-01-18	SHIM (T:0.18MM)	1			UR
	688-45587-01-30	SHIM (T:0.30MM)	1			UR
	688-45587-01-40	SHIM (T:0.40MM)	1			UR
	688-45587-01-50	SHIM (T:0.50MM)	1			UR
6	93332-000U3	BEARING	1			
7	688-45567-01-10	SHIM (T:0.10MM)	1			UR
	688-45567-01-12	SHIM (T:0.12MM)	1			UR
	688-45567-01-15	SHIM (T:0.15MM)	1			UR
	688-45567-01-18	SHIM (T:0.18MM)	1			UR
	688-45567-01-30	SHIM (T:0.30MM)	1			UR
	688-45567-01-40	SHIM (T:0.40MM)	1			UR
	688-45567-01-50	SHIM (T:0.50MM)	1			UR
8	93332-000W7	BEARING	1			
9	90340-08002	PLUG, STRAIGHT SCREW	1			
10	688-45341-10	PLUG, DRAIN	1			
11	90430-08020	GASKET	2			
12	6H1-45214-00	COVER, WATER INLET	1			
13	6H1-45215-00	COVER, WATER INLET	1			
14	90151-05M00	SCREW, COUNTERSUNK	1			
15	90185-05002	NUT, SELF-LOCKING	1			



6H33100-C200

FIG. 20 LOWER CASING & DRIVE 1

REF. NO.	PART NO.	DESCRIPTION	60ET	6ETO	7ETO	REMARKS
16	688-45321-00	PLATE	1			
17	93210-49046	O-RING	1			
18	93106-09014	OIL SEAL	1			
19	97095-06016	BOLT	2			
20	92995-06600	WASHER	2			
21	6E5-45378-00	NIPPLE, HOSE	1			
22	90445-07ME9	HOSE (L120)	1			L
23	6E5-83558-10	END, NIPPLE	1			
24	90465-11M10	CLAMP	4			
25	688-44311-01	HOUSING, WATER PUMP	1			L
26	688-44322-00	INSERT, CARTRIDGE	1			L
27	688-44315-A0	GASKET, WATER PUMP	1			L
28	688-44352-03	IMPELLER	1			L
29	90280-04M04	KEY, WOODRUFF	1			L
30	688-44341-01-94	HOUSING, WATER PUMP	1			L
31	93101-25M03	OIL SEAL	2			L
32	93210-46044	O-RING	1			
33	688-44316-A0	GASKET, WATER PUMP	1			
34	688-44323-00	OUTER PLATE, CARTRIDGE	1			L
35	688-44324-A0	GASKET, CARTRIDGE	1			L
36	93604-10M03	PIN, DOWEL	2			
37	90119-08M16	BOLT, WITH WASHER	2			L
38	90119-08M13	BOLT, WITH WASHER	2			L
39	6H3-45501-11	DRIVE SHAFT COMP.	1			L
40	6K5-45551-00	PINION (12T)	1			
41	90170-16M01	NUT	1			
42	6K5-45560-00	GEAR (28T)	1			

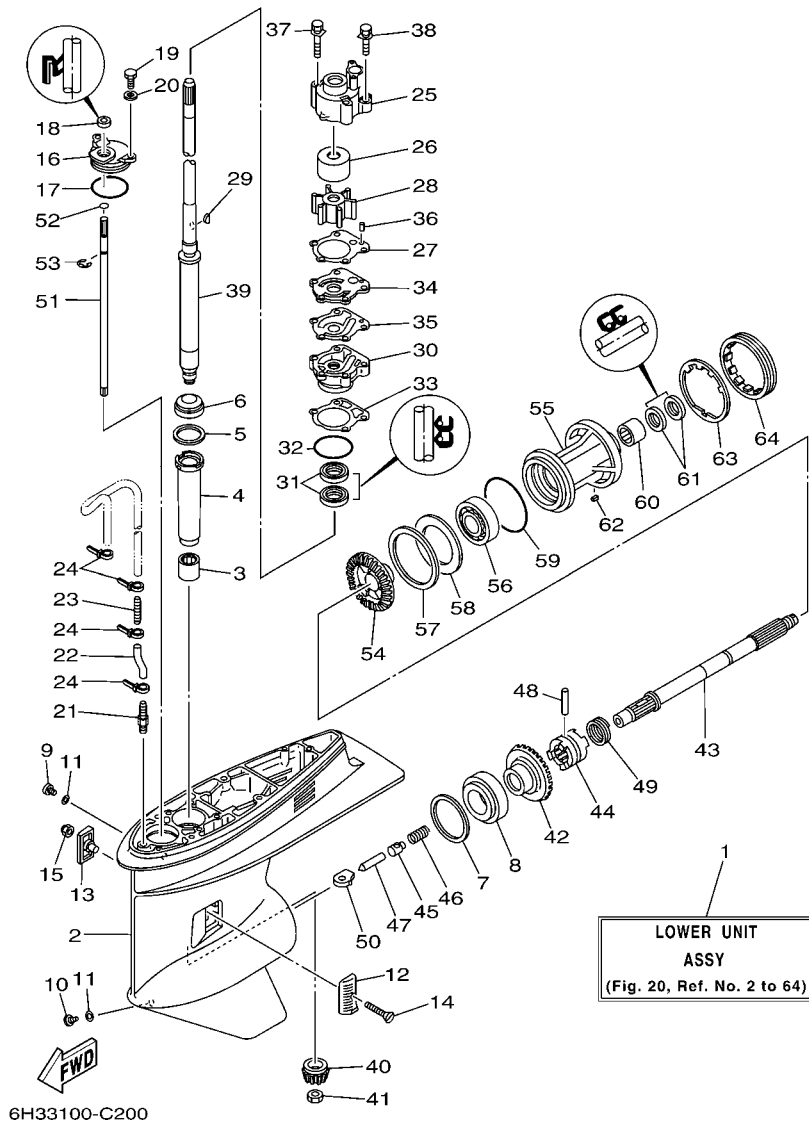


FIG. 20 LOWER CASING & DRIVE 1

REF. NO.	PART NO.	DESCRIPTION	60ET	6ETO	7ETO	REMARKS
43	688-45611-00	SHAFT, PROPELLER	1			
44	688-45631-01	CLUTCH, DOG	1			
45	688-45634-00	SLIDE, SHIFT	1			
46	90501-16233	SPRING, COMPRESSION	1			
47	688-45635-00	PLUNGER, SHIFT	1			
48	90250-07M02	PIN, STRAIGHT	1			
49	688-45633-00	RING, CROSS PIN	1			
50	663-44151-00	CAM, SHIFT	1			
51	6K5-44144-00	ROD, SHIFT	1			
52	93210-07003	O-RING	1			
53	99001-08600	CIRCLIP	1			
54	6K5-45571-00	GEAR (28T)	1			
55	688-45331-00-94	HOUSING, BEARING	1			
56	93306-207U0	BEARING	1			
57	688-45577-01-10	SHIM (T:0.10MM)	1			UR
	688-45577-01-12	SHIM (T:0.12MM)	1			UR
	688-45577-01-15	SHIM (T:0.15MM)	1			UR
	688-45577-01-18	SHIM (T:0.18MM)	1			UR
	688-45577-01-30	SHIM (T:0.30MM)	1			UR
	688-45577-01-40	SHIM (T:0.40MM)	1			UR
	688-45577-01-50	SHIM (T:0.50MM)	1			UR
58	688-45576-00	WASHER, THRUST	1			
59	93210-85M97	O-RING	1			
60	93317-325U0	BEARING	1			
61	93101-25M03	OIL SEAL	2			
62	90282-04010	KEY, STRAIGHT	1			
63	688-45383-02	WASHER, CLAW	1			

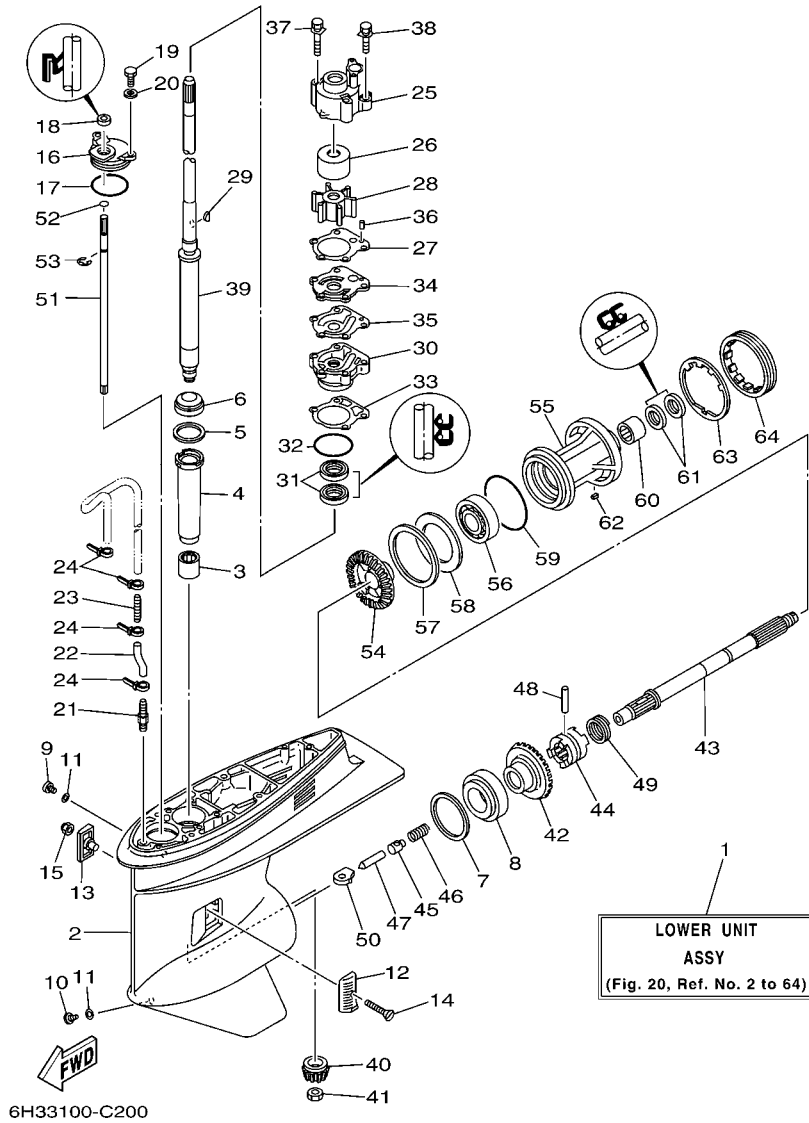


FIG. 20 LOWER CASING & DRIVE 1

REF. NO.	PART NO.	DESCRIPTION	60ET	6ETO	7ETO	REMARKS
64	688-45384-00	NUT	1			

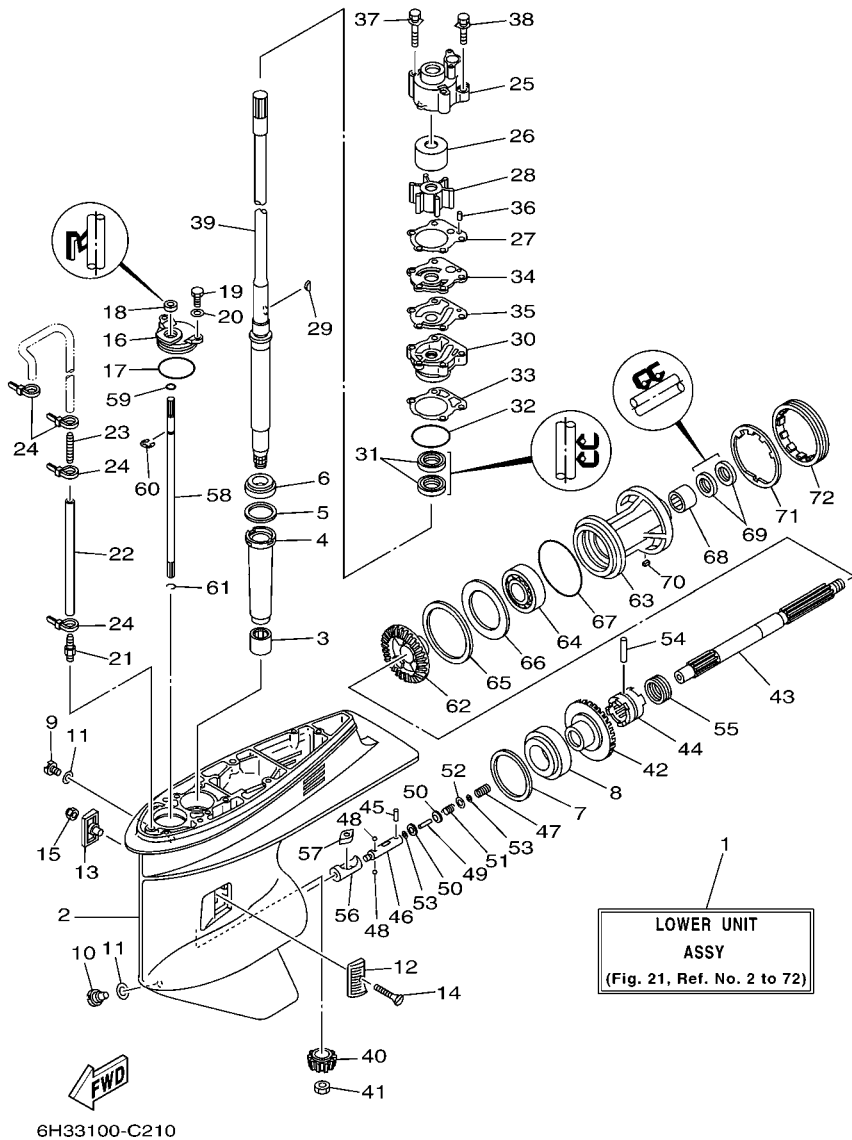


FIG. 21 LOWER CASING & DRIVE 2

REF. NO.	PART NO.	DESCRIPTION	60ET	6ETO	7ETO	REMARKS
1	6H3-45300-16-4D	LOWER UNIT ASSY		1	1	L
2	6H1-45301-03-4D	CASING, LOWER		1	1	
3	93315-325V1	BEARING		1	1	
4	688-45536-01	SLEEVE, DRIVE SHAFT		1	1	
5	688-45587-01-10	SHIM (T:0.10MM)		1	1	UR
	688-45587-01-12	SHIM (T:0.12MM)		1	1	UR
	688-45587-01-15	SHIM (T:0.15MM)		1	1	UR
	688-45587-01-18	SHIM (T:0.18MM)		1	1	UR
	688-45587-01-30	SHIM (T:0.30MM)		1	1	UR
	688-45587-01-40	SHIM (T:0.40MM)		1	1	UR
	688-45587-01-50	SHIM (T:0.50MM)		1	1	UR
6	93332-000U3	BEARING		1	1	
7	688-45567-01-10	SHIM (T:0.10MM)		1	1	UR
	688-45567-01-12	SHIM (T:0.12MM)		1	1	UR
	688-45567-01-15	SHIM (T:0.15MM)		1	1	UR
	688-45567-01-18	SHIM (T:0.18MM)		1	1	UR
	688-45567-01-30	SHIM (T:0.30MM)		1	1	UR
	688-45567-01-40	SHIM (T:0.40MM)		1	1	UR
	688-45567-01-50	SHIM (T:0.50MM)		1	1	UR
8	93332-000W7	BEARING		1	1	
9	90340-08002	PLUG, STRAIGHT SCREW		1	1	
10	688-45341-10	PLUG, DRAIN		1	1	
11	90430-08020	GASKET		2	2	
12	6H1-45214-00	COVER, WATER INLET		1	1	
13	6H1-45215-00	COVER, WATER INLET		1	1	
14	90151-05M00	SCREW, COUNTERSUNK		1	1	
15	90185-05002	NUT, SELF-LOCKING		1	1	

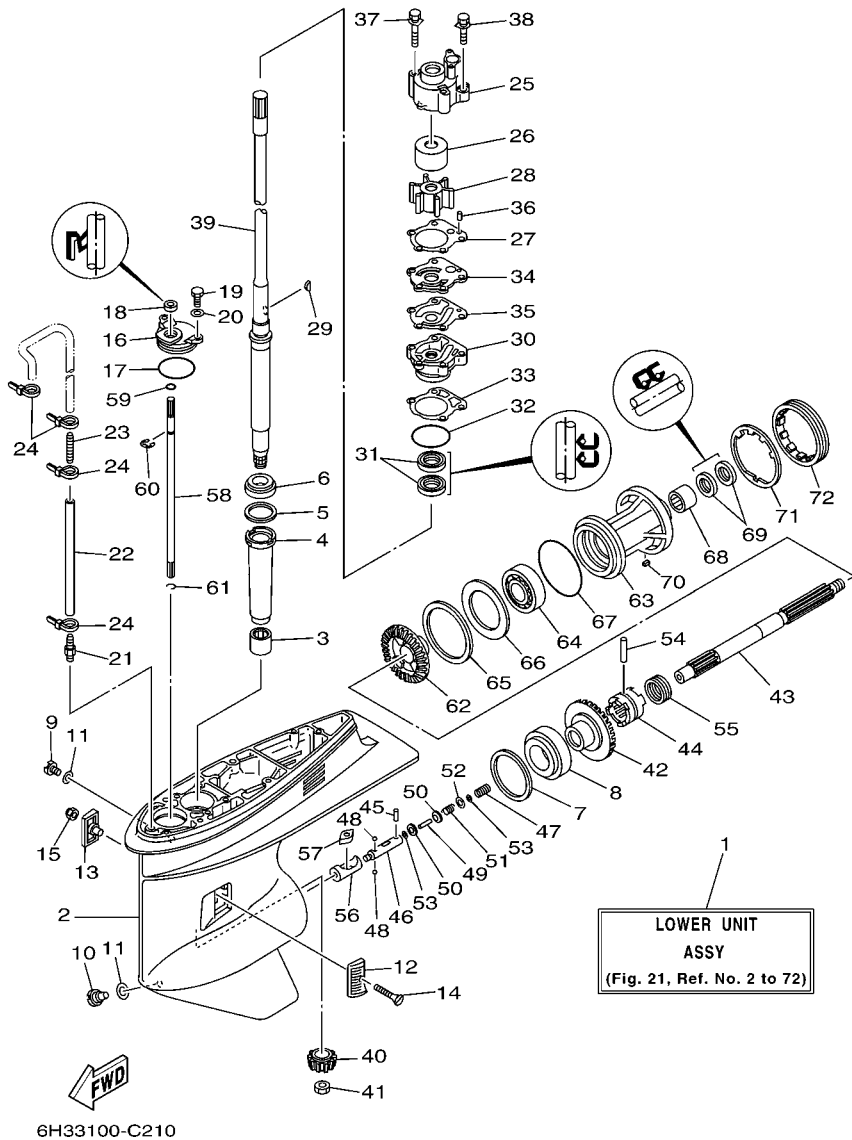
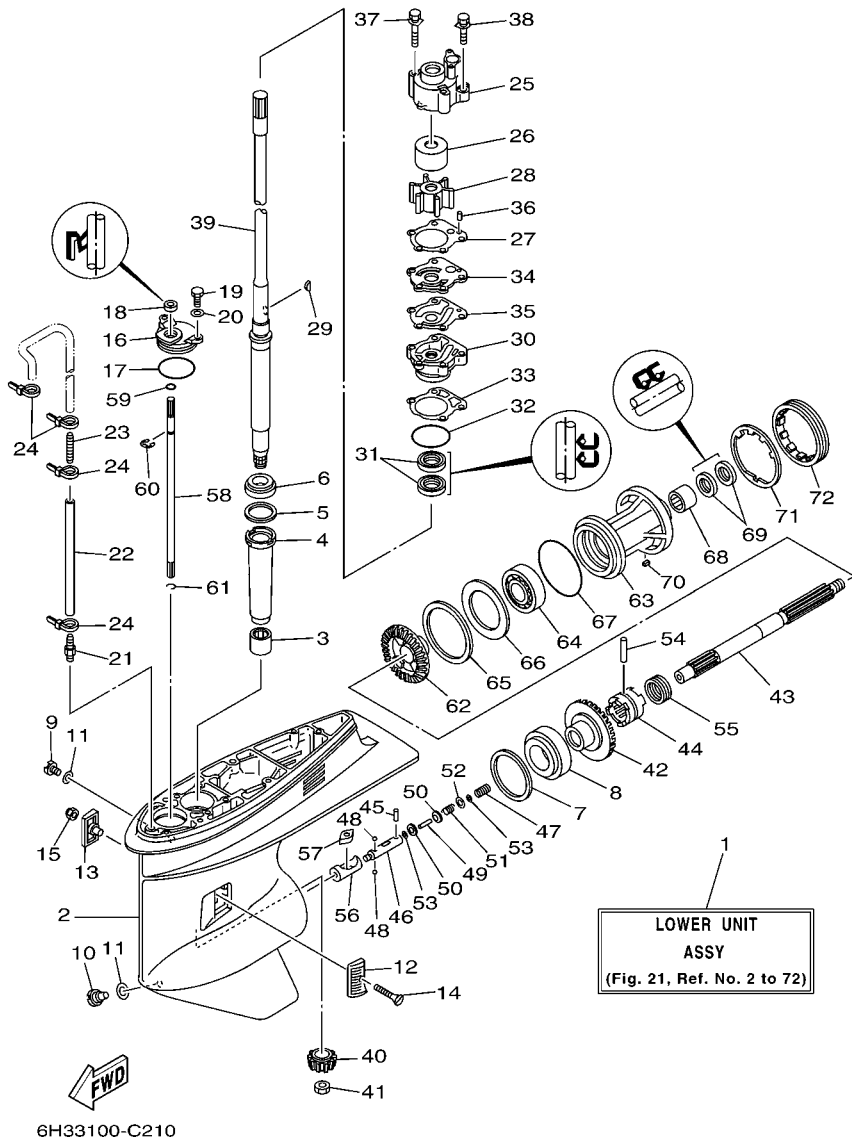


FIG. 21 LOWER CASING & DRIVE 2

REF. NO.	PART NO.	DESCRIPTION	60ET	6ETO	7ETO	REMARKS
16	688-45321-00	PLATE		1	1	
17	93210-49046	O-RING		1	1	
18	93106-09014	OIL SEAL		1	1	
19	97095-06016	BOLT		2	2	
20	92995-06600	WASHER		2	2	
21	6E5-45378-00	NIPPLE, HOSE		1	1	
22	90445-07ME9	HOSE (L120)		1	1	L
23	6E5-83558-10	END, NIPPLE		1	1	
24	90465-11M10	CLAMP		4	4	L
25	688-44311-01	HOUSING, WATER PUMP		1	1	L
26	688-44322-00	INSERT, CARTRIDGE		1	1	L
	69D-44322-00	INSERT, CARTRIDGE		1		FOR BRA-L
27	688-44315-A0	GASKET, WATER PUMP		1	1	L
28	688-44352-03	IMPELLER		1		L
29	90280-04M04	KEY, WOODRUFF		1		L
30	688-44341-01-94	HOUSING, WATER PUMP		1		L
31	93101-25M03	OIL SEAL		2		L
32	93210-46044	O-RING		1		
33	688-44316-A0	GASKET, WATER PUMP		1		
34	688-44323-00	OUTER PLATE, CARTRIDGE		1		L
	688-44323-40	OUTER PLATE, CARTRIDGE		1		FOR BRA-L
35	688-44324-A0	GASKET, CARTRIDGE		1		L
36	93604-10M03	PIN, DOWEL		2		
37	90119-08M16	BOLT, WITH WASHER		2		L
38	90119-08M13	BOLT, WITH WASHER		2		L
39	6H3-45501-11	DRIVE SHAFT COMP.		1		L
40	6K5-45551-00	PINION (12T)		1		

FIG. 21 LOWER CASING & DRIVE 2



REF. NO.	PART NO.	DESCRIPTION	60ET	6ETO	7ETO	REMARKS
41	90170-16M01	NUT		1		
42	6K5-45560-00	GEAR (28T)		1		
43	6H1-45611-01	SHAFT, PROPELLER		1		
44	6H1-45631-01	CLUTCH, DOG		1		
45	93603-12M11	PIN, DOWEL		1		
46	6H1-45634-02	SLIDE, SHIFT		1		
47	90501-16M65	SPRING, COMPRESSION		1		
48	93503-16003	BALL		2		
49	6H1-45668-00	SHAFT, FREE		1		
50	6H1-45635-00	PLUNGER, SHIFT		2		
51	90501-12M48	SPRING, COMPRESSION		1		
52	90201-03313	WASHER, PLATE		1		
53	90183-02M03	NUT, SPRING		2		
54	90250-07M02	PIN, STRAIGHT		1		
55	688-45633-00	RING, CROSS PIN		1		
56	6H1-45641-01	SHIFTER		1		
57	6H1-44151-00	CAM, SHIFT		1		
58	6H1-44144-00	ROD, SHIFT		1		
59	93210-07003	O-RING		1		
60	99001-08600	CIRCLIP		1		
61	93450-07M00	CIRCLIP		1		
62	6H3-45571-00	GEAR		1		
63	688-45331-00-94	HOUSING, BEARING		1		
64	93306-207U0	BEARING		1		
65	688-45577-01-10	SHIM (T:0.10MM)		1		UR
	688-45577-01-12	SHIM (T:0.12MM)		1		UR
	688-45577-01-15	SHIM (T:0.15MM)		1		UR

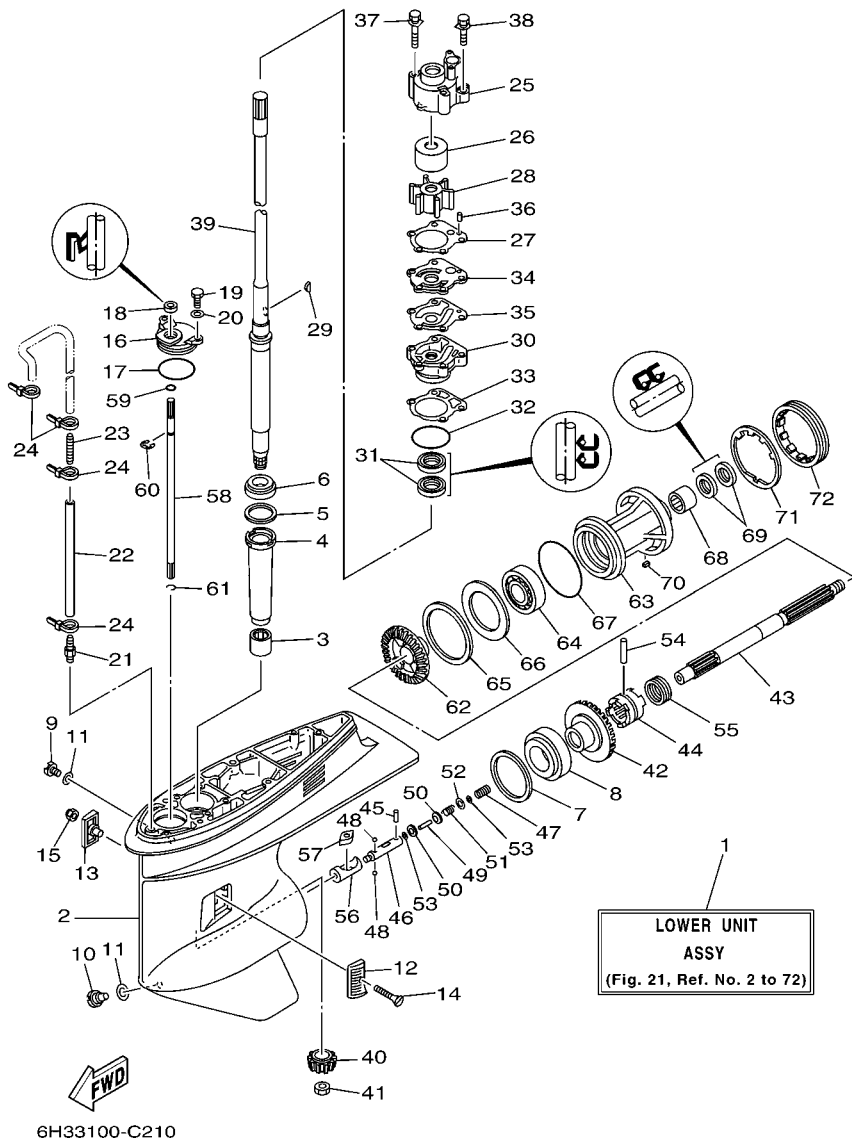
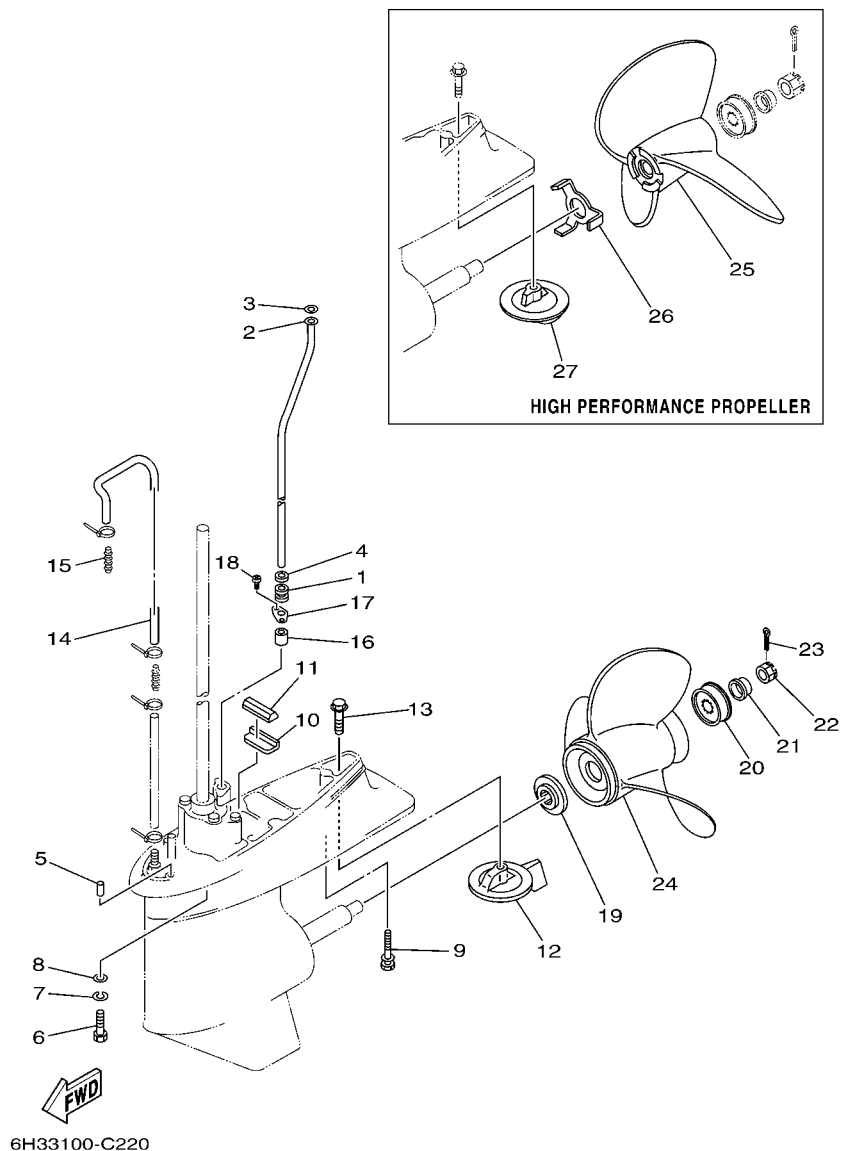


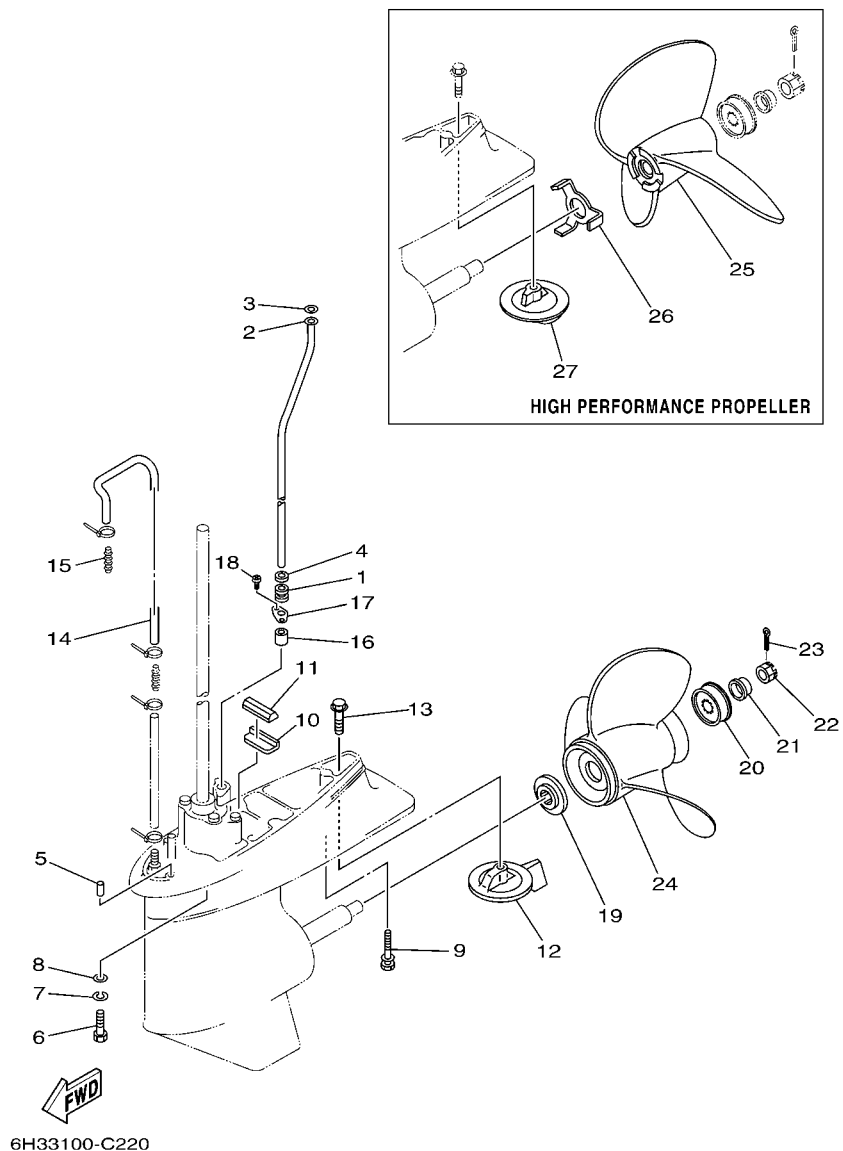
FIG. 21 LOWER CASING & DRIVE 2

REF. NO.	PART NO.	DESCRIPTION	60ET	6ETO	7ETO	REMARKS
65	688-45577-01-18	SHIM (T:0.18MM)		1		UR
	688-45577-01-30	SHIM (T:0.30MM)		1		UR
	688-45577-01-40	SHIM (T:0.40MM)		1		UR
	688-45577-01-50	SHIM (T:0.50MM)		1		UR
66	688-45576-00	WASHER, THRUST		1		
67	93210-85M97	O-RING		1		
68	93317-325U0	BEARING		1		
69	93101-25M03	OIL SEAL		2		
70	90282-04010	KEY, STRAIGHT		1		
71	688-45383-02	WASHER, CLAW		1		
72	688-45384-00	NUT		1		

FIG. 22 LOWER CASING & DRIVE 3



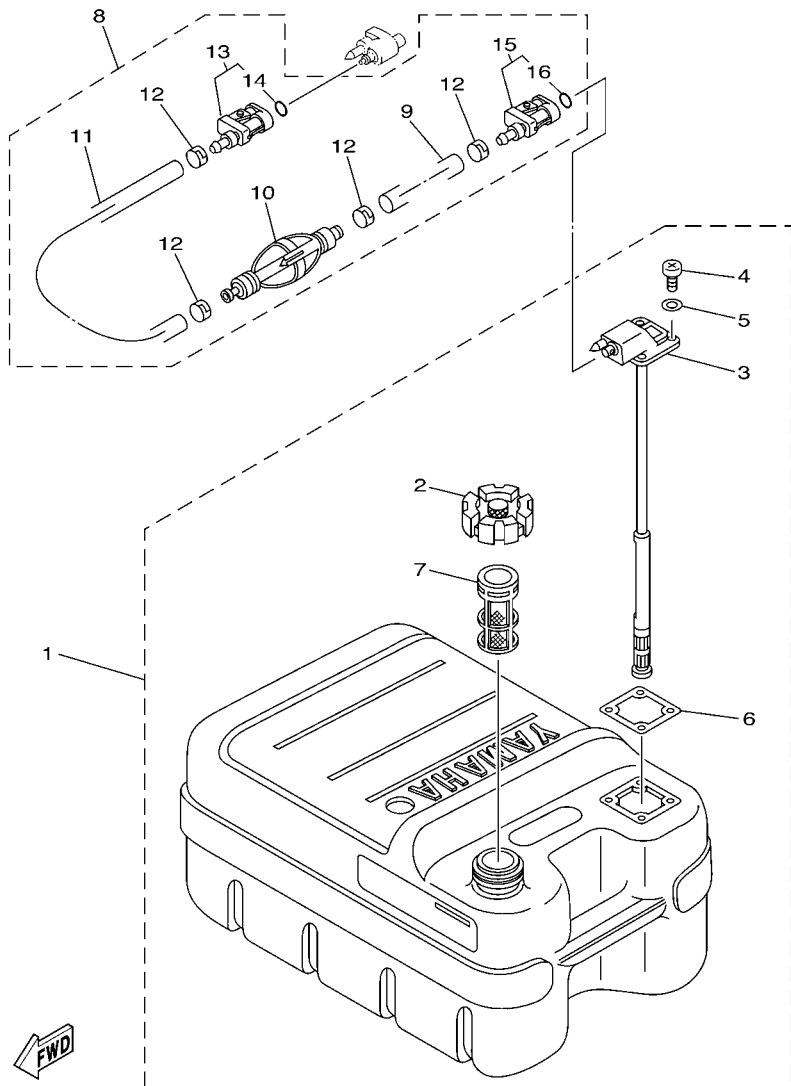
REF. NO.	PART NO.	DESCRIPTION	60ET	6E0	7E0	REMARKS
1	663-44367-00	DAMPER, WATER SEAL	1	1	1	
2	6H3-44361-11	TUBE, WATER	1	1	1	L
3	90202-12060	WASHER, PLATE	1	1	1	
4	90430-12072	GASKET	1	1	1	
5	93606-12019	PIN, DOWEL	2	2	2	
6	97075-10040	BOLT	4	4	4	
7	92990-10100	WASHER, SPRING	4	4	4	
8	92990-10600	WASHER, PLATE	4	4	4	
9	90119-08M84	BOLT, WITH WASHER	1	1	1	
10	663-45376-00-94	GUIDE, SEAL DAMPER	1	1	1	
11	688-45375-00	DAMPER, SEAL	1	1	1	
12	688-45371-02	TAB-TRIM	1	1	1	
13	90105-10M67	BOLT, FLANGE	1	1	1	
14	90445-07MF1	HOSE (L570)	1	1	1	
15	6E5-83558-00	END, NIPPLE	1	1	1	
16	663-44366-00	DAMPER, WATER SEAL	1	1	1	
17	90480-19M06	GROMMET	1	1	1	L
18	97780-40512	SCREW, TAPPING	2	2	2	L
19	688-45987-01	SPACER	1	1	1	
20	67F-45997-00	SPACER	1	1	1	
21	90389-25M00	BUSH	1	1	1	
22	90171-16011	NUT, CASTLE	1	1	1	
23	91490-40025	PIN, COTTER	1	1	1	
24	6E5-45941-00-EL	PROPELLER (3X13"X19"-K)	1	1	1	UR
	6E5-45943-00-EL	PROPELLER (3X12-5/8"X21"-K)	1	1	1	UR
	6E5-45945-01-EL	PROPELLER (3X13-1/4"X17"-K)	1	1	1	UR
	6E5-45947-00-EL	PROPELLER (3X13-1/2"X15"-K)	1	1	1	UR



6H33100-C220

FIG. 22 LOWER CASING & DRIVE 3

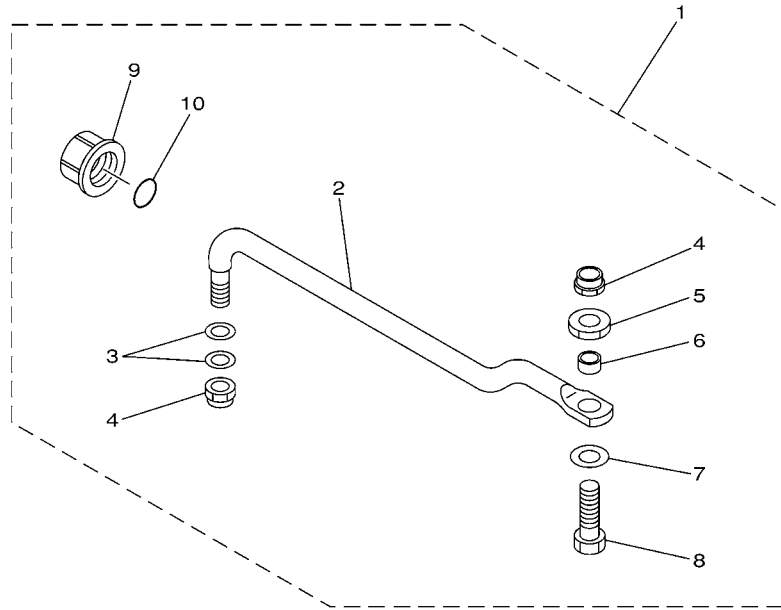
REF. NO.	PART NO.	DESCRIPTION	60ET	6ETO	7ETO	REMARKS
24	6E5-45949-00-EL	PROPELLER (3X13-5/8"X13"-K)	1	1	1	UR
	6E5-45952-00-EL	PROPELLER (3X13"X23"-K)	1	1	1	UR
	6E5-45954-00-EL	PROPELLER (3X14"X11"-K)	1	1	1	UR
	6E5-45956-00-EL	PROPELLER (3X13"X25"-K)	1	1	1	UR
	688-45930-02-98	PROPELLER (3X13"X17"-K)	1	1	1	UR
	688-45970-03-98	PROPELLER (3X13"X19"-K)	1	1	1	UR
	688-45972-02-98	PROPELLER (3X13"X21"-K)	1	1	1	UR
	688-45974-02-98	PROPELLER (3X13"X23"-K)	1	1	1	UR
	688-45976-01-98	PROPELLER (3X13"X25"-K)	1	1	1	UR
	688-45932-60-98	PROPELLER (3X13-1/2"X14"-K)	1	1	1	UR
	688-45978-60-98	PROPELLER (3X13-1/2"X16"-K)	1	1	1	UR
25	6E5-45970-10	PROPELLER (3X14"X20"-P)	1	1	1	UR
	6E5-45972-10	PROPELLER (3X14"X24"-P)	1	1	1	UR
	6E5-45974-10	PROPELLER (3X14"X28"-P)	1	1	1	UR
	6E5-45976-10	PROPELLER (3X14"X22"-P)	1	1	1	UR
	6E5-45978-10	PROPELLER (3X14"X26"-P)	1	1	1	UR
26	6E5-45994-10	PLATE, TOOTH	1	1	1	
27	6E5-45371-10	TAB-TRIM	1	1	1	



68U3100-C240

FIG. 23 FUEL TANK

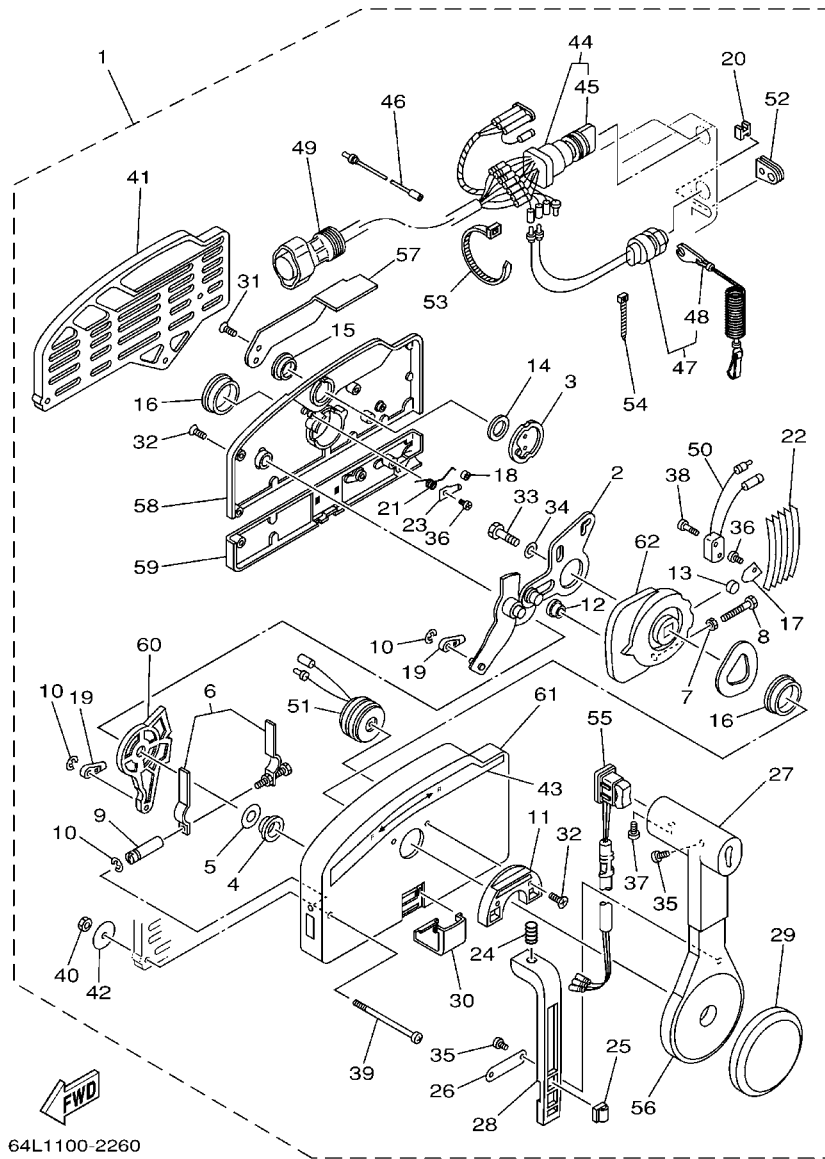
REF. NO.	PART NO.	DESCRIPTION	60ET	6E70	7E70	REMARKS
1	6YJ-24201-10	FUEL TANK ASSY (24L)	1	1	1	AP FOR OCE
	6YJ-24201-00	FUEL TANK ASSY (24L)		1		AP FOR BRA
2	6YJ-24610-00	.CAP ASSY	1	1	1	
3	6Y1-24260-12	.FUEL METER ASSY	1	1	1	FOR 6YJ-24201-10
	6YJ-24260-00	.FUEL METER ASSY		1		FOR 6YJ-24201-00
4	98586-05016	.SCREW, PAN HEAD	4	4	4	
5	6Y1-24329-00	.SEAL	4	4	4	
6	6Y1-24268-00	.GASKET, FUEL METER	1	1	1	
7	6YJ-24167-00	.STRAINER	1	1	1	
8	61J-24306-03	FUEL PIPE COMP. 1	1	1	1	AP FOR OCE,BRA
9	90445-11M06	.HOSE (L2050)	1	1	1	
10	61J-24360-00	.PRIMER PUMP ASSY	1	1	1	
11	90445-11M05	.HOSE (L850)	1	1	1	
12	650-24351-01	.BAND 1	4	4	4	
13	6G1-24305-04	.FUEL PIPE JOINT COMP. 2	1	1	1	
14	93210-08287	..O-RING	1	1	1	
15	6Y1-24305-05	.FUEL PIPE JOINT COMP. 2	1	1	1	
16	93210-08287	..O-RING	1	1	1	



6880700-9190

FIG. 24 STEERING GUIDE

REF. NO.	PART NO.	DESCRIPTION	60ET	6ETO	7ETO	REMARKS
1	688-61350-10	STEERING GUIDE ATTACHMENT KIT	1	1	1	AP
2	688-61351-10	.ROD, STEERING LINK	1	1	1	
3	90201-10M20	.WASHER, PLATE	2	2	2	
4	90185-09M01	.NUT, SELF-LOCKING	2	2	2	
5	90170-09M03	.NUT	1	1	1	
6	90387-10M42	.COLLAR	1	1	1	
7	90201-10M63	.WASHER, PLATE	1	1	1	
8	6E5-61355-00	.BOLT	1	1	1	
9	6E5-43145-01	.CAP, CLAMP BRACKET	1	1	1	
10	93210-16275	.O-RING	1	1	1	

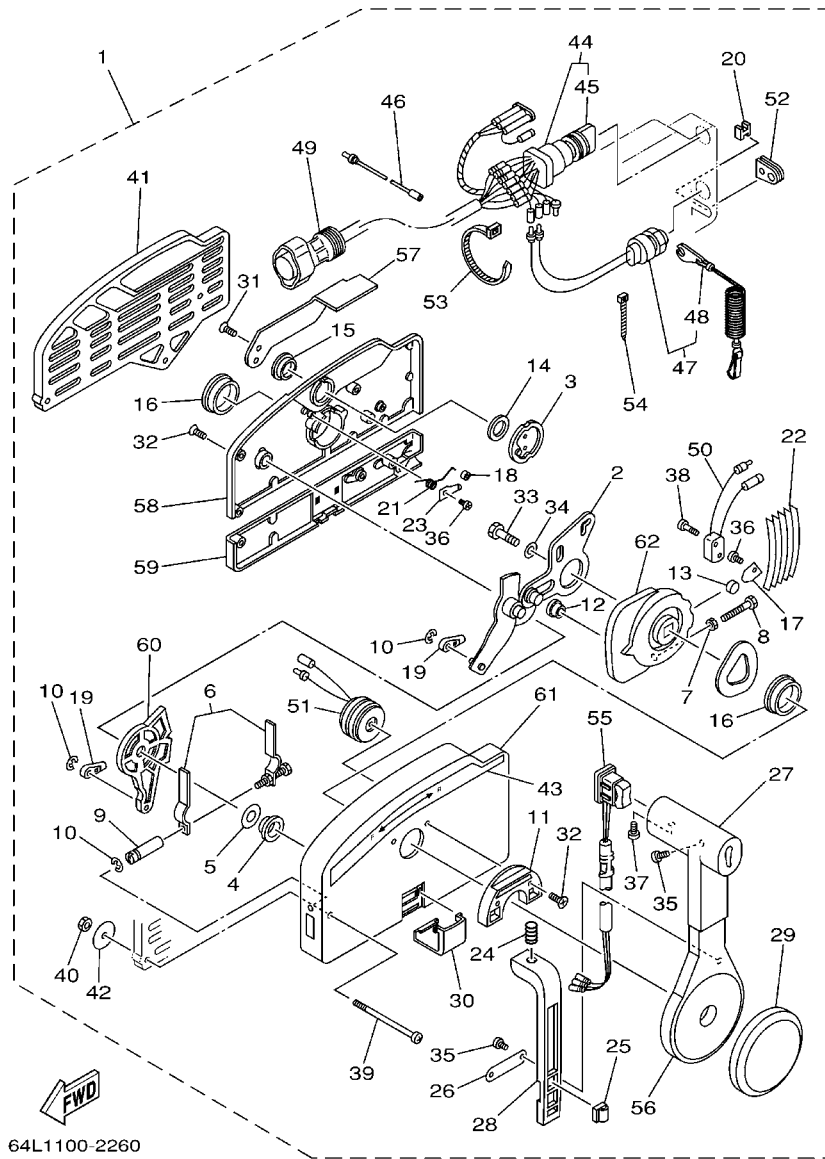


64L1100-2260

FIG. 26 REMOTE CONTROL ASSY

REF. NO.	PART NO.	DESCRIPTION	60ET	6ETO	7ETO	REMARKS
1	703-48205-17	REMOTE CONTROL ASSY	1	1	1	AP FOR OCE
	703-48207-17	REMOTE CONTROL ASSY		1		AP FOR BRA
2	703-48261-01	.ARM, THROTTLE	1	1	1	
3	703-48153-00	.SHAFT, FREE ACCEL.	1	1	1	
4	703-48235-00	.BUSHING	1	1	1	
5	703-48268-00	.SPACER	1	1	1	
6	703-48264-00	.THROTTLE, FRICTION	1	1	1	
7	95380-05600	.NUT	1	1	1	
8	97380-05025	.BOLT	1	1	1	
9	703-48265-00	.SHAFT, FRICTION	1	1	1	
10	93430-06024	.CIRCLIP	3	3	3	
11	703-48245-00	.PLATE, LOCK	1	1	1	
12	703-48252-00	.ROLLER, CAM	1	1	1	
13	701-48248-00	.ROLLER, FREE ACCEL.	1	1	1	
14	703-48198-00	.WASHER, WAVE	1	1	1	
15	703-48243-00	.BUSHING	1	1	1	
16	703-48236-00	.BUSHING 1	2	2	2	
17	703-48189-00	.RETAINER	1	1	1	
18	703-48234-00	.ROLLER, DETENT	1	1	1	
19	703-48345-01	.CABLE END, REMOTE CONTROL 2	2	2	2	
20	703-48358-00	.ANCHOR, CABLE	1	1	1	
21	703-48244-00	.SPRING, FREE ACCEL.	1	1	1	
22	703-48238-00	.SPRING, DETENT	5	5	5	
23	703-48246-00	.SPACER	1	1	1	
24	703-48227-00	.SPRING, NEUTRAL LOCK	1	1	1	
25	703-82594-00	.CLAMP	1	1	1	WITH PT/T SW.
26	703-48226-00	.PLATE, STOPPER	1	1	1	

B6



64L1100-2260

FIG. 26 REMOTE CONTROL ASSY

REF. NO.	PART NO.	DESCRIPTION	60ET	6ETO	7ETO	REMARKS
27	703-48222-00	.GRIP, CONTROL LEVER	1	1	1	SINGLE
28	703-48223-00	.LOCK, NEUTRAL	1	1	1	
29	703-48225-00	.COVER	1	1	1	
30	703-48219-00	.COVER, LEAD	1	1	1	
31	703-48281-00	.SCREW	2	2	2	
32	703-48282-00	.SCREW	7	7	7	
33	97380-08030	.BOLT	1	1	1	
34	92990-08600	.WASHER, PLATE	1	1	1	
35	98580-04010	.SCREW, PAN HEAD	3	3	3	
36	98580-04006	.SCREW, PAN HEAD	2	2	2	
37	98580-05010	.SCREW, PAN HEAD	1	1	1	
38	98580-03015	.SCREW, PAN HEAD	2	2	2	
39	703-48291-10	.SCREW (M6)	3	3	3	
40	95380-06600	.NUT, HEXAGON	3	3	3	
41	703-48293-10	.SPACER, REMOTE CONTROL	1	1	1	SINGLE
42	701-48287-00	.WASHER	3	3	3	
43	703-48215-00	.GRAPHIC	1	1	1	
44	703-82510-43	.MAIN SWITCH ASSY	1	1	1	
45	703-82577-00	..CAP, KEY	1	1	1	
46	703-82531-00	.WIRE, LEAD	1	1	1	
47	688-82575-01	.ENGINE STOP SWITCH ASSY	1	1	1	
48	682-82556-00	..STOPPER	1	1	1	
49	688-8258A-20	.EXTENSION, WIRE HARNESS	1	1	1	L:5M (10P)
50	703-82540-00	.NEUTRAL SWITCH ASSY	1	1	1	
51	703-83383-02	.BUZZER	1	1	1	
52	703-48284-00	.GROMMET	1	1	1	FOR 703-48205-17
	703-48284-10	.GROMMET		1		FOR 703-48207-17

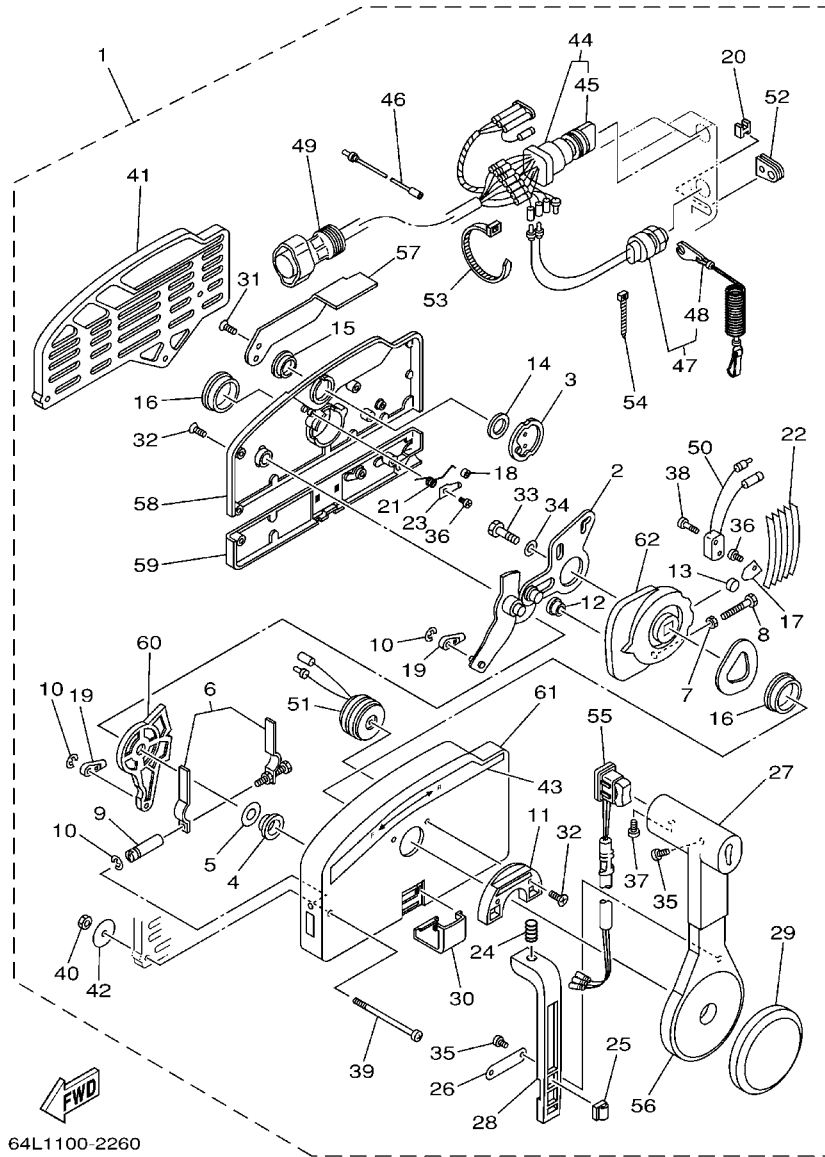
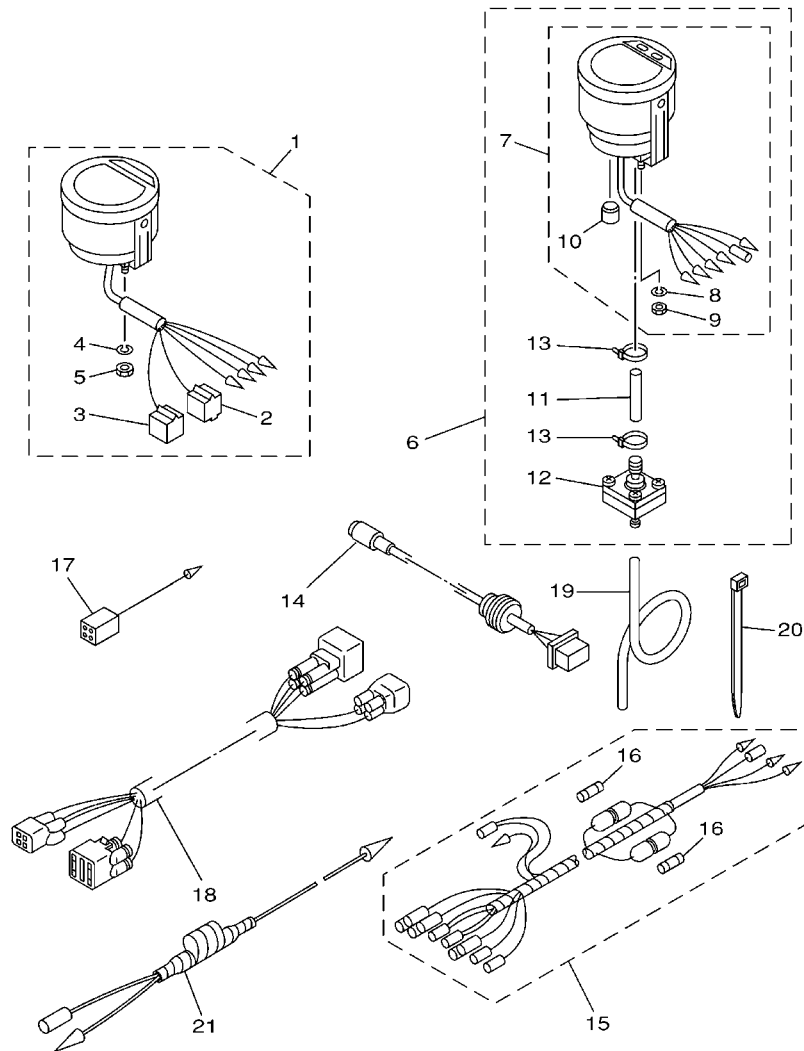


FIG. 26 REMOTE CONTROL ASSY

REF. NO.	PART NO.	DESCRIPTION	60ET	6ETO	7ETO	REMARKS
53	703-82591-00	.BAND	1	1	1	FOR 703-48205-17
	703-82591-00	.BAND		3		FOR 703-48207-17
54	703-82592-00	.BAND	1	1	1	
55	703-82563-02	.TRIM & TILT SWITCH ASSY	1	1	1	FOR 703-48205-17
	703-82563-12	.TRIM & TILT SWITCH ASSY		1		FOR 703-48207-17
56	703-48221-00	.LEVER, CONTROL	1	1	1	
57	703-48152-00	.KNOB, FREE ACCEL.	1	1	1	
58	703-48212-00	.BACK PLATE 1	1	1	1	
59	703-48213-00	.BACK PLATE 2	1	1	1	
60	703-48271-00	.ARM, SHIFT	1	1	1	
61	703-48211-01	.HOUSING,1	1	1	1	
62	703-48232-00	.GEAR	1	1	1	

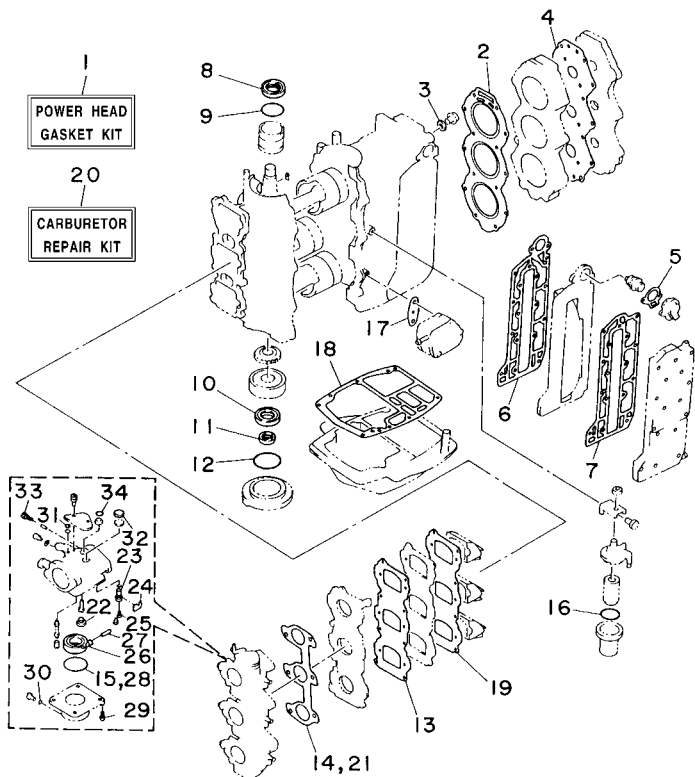
FIG. 27 METER



6H31700-2260

REF. NO.	PART NO.	DESCRIPTION	60ET	6E0	7E0	REMARKS
1	6Y5-8350T-03	TACHOMETER ASSY		1	1	AP
2	9E450-04433	.CONNECTOR		1	1	M-4-W
3	9E450-04533	.CONNECTOR		1	1	F-4-W
4	92990-04100	.WASHER, SPRING		2	2	
5	95380-04600	.NUT		2	2	
6	6Y5-83500-S5	DIGITAL SPEEDOMETER ASSY		1	1	AP FOR OCE
7	6Y5-83570-S5	.SPEEDOMETER ASSY		1	1	
8	92990-04100	..WASHER, SPRING		2	2	
9	95380-04600	..NUT		2	2	
10	6Y5-83533-T2	..GROMMET		1	1	
11	6Y5-83557-31	.TUBE		1	1	
12	6Y5-83728-00	.CONNECTOR ASSY		1	1	
13	90465-11M10	.CLAMP		2	2	
14	6Y5-87122-S0	CORD ASSY 1		1	1	AP FOR OCE
15	6Y5-83553-M0	WIRE, LEAD		1	1	AP FOR OCE
	6Y5-83553-00	WIRE, LEAD		1		AP FOR BRA
16	1E6-82151-00	.FUSE (10A)		2	2	FOR 6Y5-83553-M0
	1E6-82151-00	.FUSE (10A)		1		FOR 6Y5-83553-00
17	6Y5-82117-00	WIRE, LEAD (BLACK)		1	1	AP FOR OCE
18	68F-82553-80	EXTENSION, WIRE LEAD		1	1	AP FOR OCE
	68F-82553-70	EXTENSION, WIRE LEAD		1		AP FOR BRA
19	6Y5-83557-10	TUBE (8M)		1	1	AP FOR OCE
20	90465-11M10	CLAMP		2	2	AP FOR OCE
21	6H4-81315-11	LEAD WIRE ASSY		1	1	AP

FIG. 28 REPAIR KIT 1



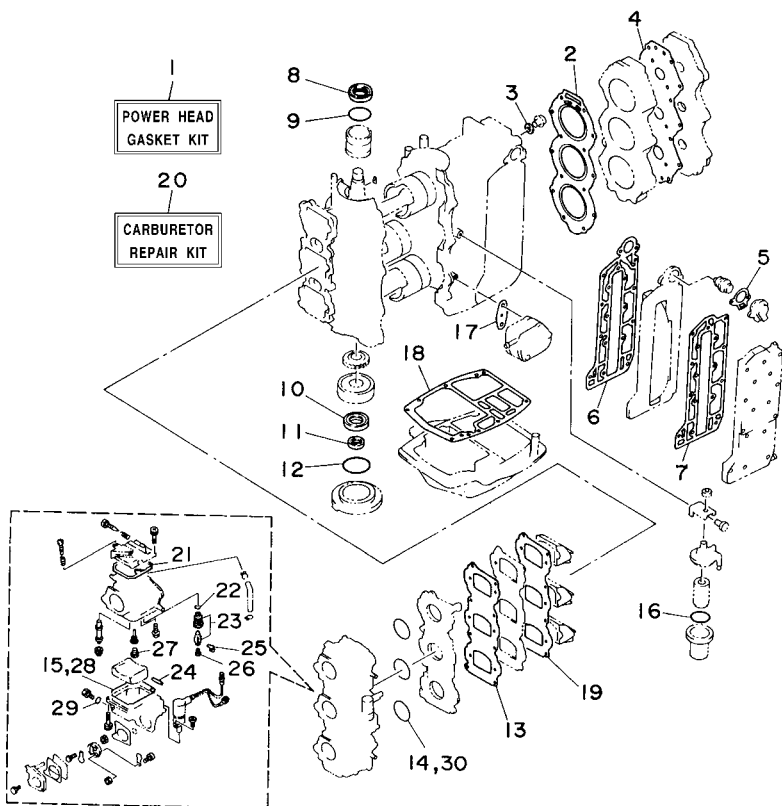
REF. NO.	PART NO.	DESCRIPTION	60ET	6ETO	7ETO	REMARKS
1	6H3-W0001-03	POWER HEAD GASKET KIT	1			MANUAL CHOKE
2	6H3-11181-A1	.GASKET, CYLINDER HEAD 1	1			
3	90430-14115	.GASKET	1			
4	6H3-11193-A1	.GASKET, HEAD COVER 1	1			
5	6H3-12414-A1	.GASKET, COVER	1			
6	6H3-41112-A0	.GASKET, EXHAUST INNER COVER	1			
7	6H3-41114-A0	.GASKET, EXHAUST OUTER COVER	1			
8	93102-36M24	.OIL SEAL	1			
9	93210-46M16	.O-RING	1			
10	93102-30M23	.OIL SEAL	1			
11	93106-18M01	.OIL SEAL	1			
12	93210-65M50	.O-RING	1			
13	6H3-13621-A1	.GASKET, VALVE SEAT	1			
14	6H3-14198-A1	.GASKET	3			
15	6G1-14984-00	.O-RING	3			
16	93210-32738	.O-RING	1			
17	650-24431-A0	.GASKET, FUEL PUMP 1	1			
18	6H3-45113-A0	.GASKET, UPPER CASING	1			
19	6H3-13622-A1	.GASKET, VALVE SEAT	1			
20	6H2-W0093-02	CARBURETOR REPAIR KIT	1			MANUAL CHOKE
21	6H3-14198-A1	.GASKET	1			
22	676-14966-00	.CAP	3			
23	6H3-14590-01	.NEEDLE VALVE ASSY	3			
24	663-14159-00	.CLIP	3			
25	676-14186-00	.PIN, FLOAT	3			
26	6G1-14985-00	.FLOAT	3			
27	688-14548-00	.PIN, FLOAT ARM	3			



6H20010-4180

FIG. 29 REPAIR KIT 2

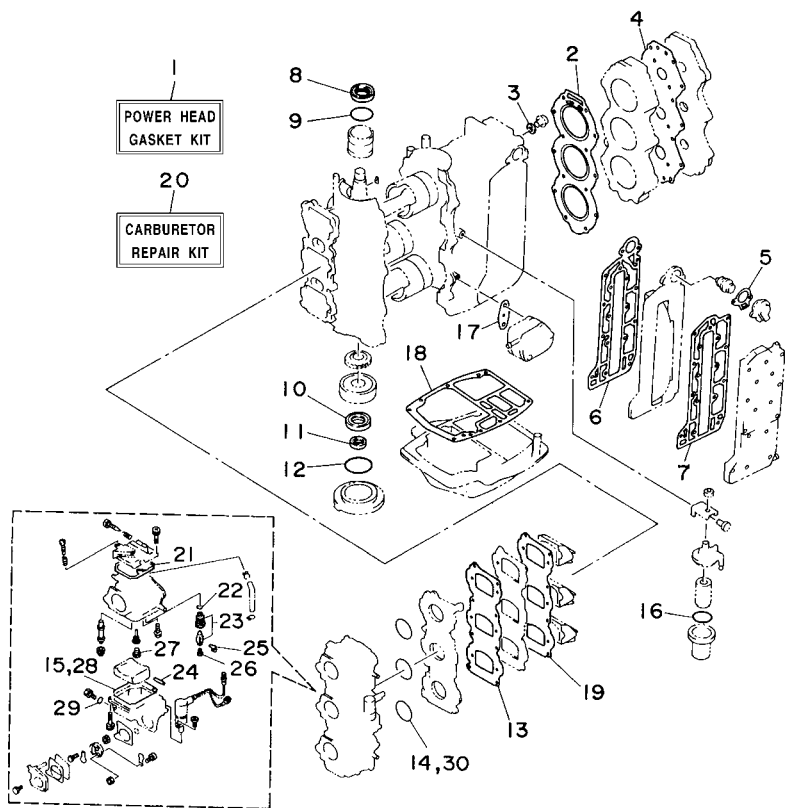
REF. NO.	PART NO.	DESCRIPTION	60ET	6E70	7E70	REMARKS
1	6H3-W0001-02	POWER HEAD GASKET KIT		1	1	AUTO CHOKE
2	6H3-11181-A1	.GASKET, CYLINDER HEAD 1		1	1	
3	90430-14115	.GASKET		1	1	
4	6H3-11193-A1	.GASKET, HEAD COVER 1		1	1	
5	6H3-12414-A1	.GASKET, COVER		1	1	
6	6H3-41112-A0	.GASKET, EXHAUST INNER COVER		1	1	
7	6H3-41114-A0	.GASKET, EXHAUST OUTER COVER		1	1	
8	93102-36M24	.OIL SEAL		1	1	
9	93210-46M16	.O-RING		1	1	
10	93102-30M23	.OIL SEAL		1	1	
11	93106-18M01	.OIL SEAL		1	1	
12	93210-65M50	.O-RING		1	1	
13	6H3-13621-A1	.GASKET, VALVE SEAT		1	1	
14	93210-39ME4	.O-RING		3	3	
15	6H4-14984-00	.GASKET, FLOAT CHAMBER		3	3	
16	93210-32738	.O-RING		1	1	
17	650-24431-A0	.GASKET, FUEL PUMP 1		1	1	
18	6H3-45113-A0	.GASKET, UPPER CASING		1	1	
19	6H3-13622-A1	.GASKET, VALVE SEAT		1	1	
20	6H2-W0093-10	CARBURETOR REPAIR KIT		1	1	AUTO CHOKE
21	6H4-14147-00	.O-RING		1	1	
22	93210-04228	.O-RING		1	1	
23	6H3-14590-01	.NEEDLE VALVE ASSY		1	1	
24	6H4-14548-00	.PIN, FLOAT ARM		1	1	
25	663-14159-00	.CLIP		1	1	
26	676-14186-00	.PIN, FLOAT		1	1	
27	676-14966-00	.CAP		1	1	



6H30010-4230

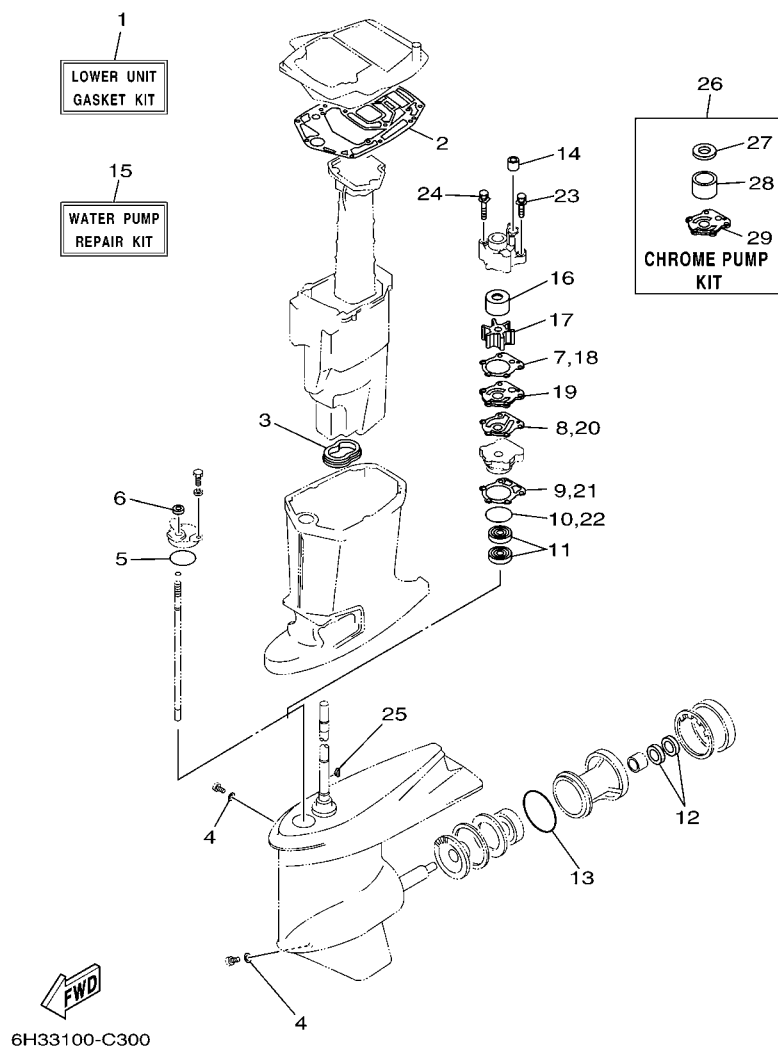
FIG. 29 REPAIR KIT 2

REF. NO.	PART NO.	DESCRIPTION	60ET	6ET0	7ET0	REMARKS
28	6H4-14984-00	.GASKET, FLOAT CHAMBER		1	1	
29	93210-04230	.O-RING		1	1	
30	93210-39ME4	.O-RING		1	1	



6H30010-4230

FIG. 30 REPAIR KIT 3



REF. NO.	PART NO.	DESCRIPTION	60ET	6ET0	7ET0	REMARKS
1	6H2-W0001-20	LOWER UNIT GASKET KIT	1	1	1	
2	6H3-45114-A1	.GASKET, UPPER CASING	1	1	1	
3	6H3-45123-00	.GASKET, MUFFLER	1	1	1	
4	90430-08020	.GASKET	2	2	2	
5	93210-49046	.O-RING	1	1	1	
6	93106-09014	.OIL SEAL	1	1	1	
7	688-44315-A0	.GASKET, WATER PUMP	1	1	1	
8	688-44324-A0	.GASKET, CARTRIDGE	1	1	1	
9	688-44316-A0	.GASKET, WATER PUMP	1	1	1	
10	93210-46044	.O-RING	1	1	1	
11	93101-25M03	.OIL SEAL	2	2	2	
12	93101-25M03	.OIL SEAL	2	2	2	
13	93210-85M97	.O-RING	1	1	1	
14	663-44366-00	.DAMPER, WATER SEAL	1	1	1	
15	692-W0078-02	WATER PUMP REPAIR KIT	1	1	1	
16	688-44322-00	.INSERT, CARTRIDGE	1	1	1	
17	688-44352-03	.IMPELLER	1	1	1	
18	688-44315-A0	.GASKET, WATER PUMP	1	1	1	
19	688-44323-00	.OUTER PLATE, CARTRIDGE	1	1	1	
20	688-44324-A0	.GASKET, CARTRIDGE	1	1	1	
21	688-44316-A0	.GASKET, WATER PUMP	1	1	1	
22	93210-46044	.O-RING	1	1	1	
23	90119-08M13	.BOLT, WITH WASHER	2	2	2	
24	90119-08M16	.BOLT, WITH WASHER	2	2	2	
25	90280-04M04	.KEY, WOODRUFF	1	1	1	
26	688-W0078-1A	CHROME PUMP KIT	1	1	1	
27	688-44321-41	.INNER PLATE, CARTRIDGE	1	1	1	

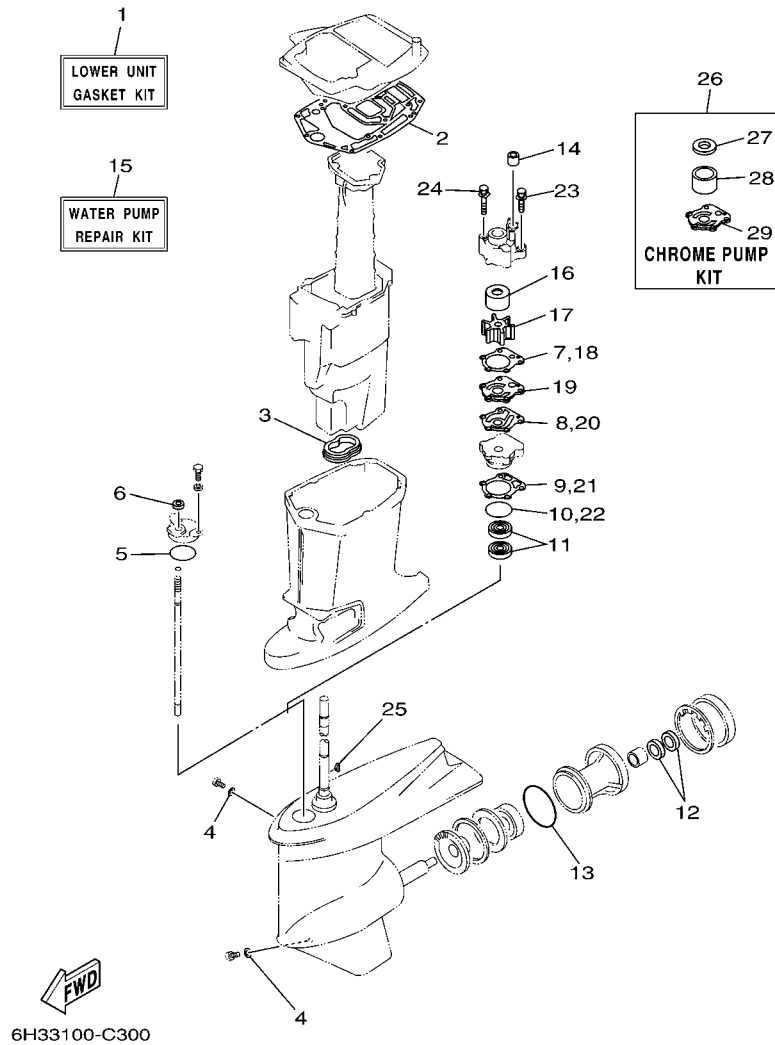


FIG. 30 REPAIR KIT 3

REF. NO.	PART NO.	DESCRIPTION	60ET	6ETO	7ETO	REMARKS
28	688-44322-41	.INSERT, CARTRIDGE	1	1	1	
29	688-44323-40	.OUTER PLATE, CARTRIDGE	1	1	1	
<hr style="border-top: 1px dashed black;"/>						
<hr style="border-top: 1px dashed black;"/>						
<hr style="border-top: 1px dashed black;"/>						
<hr style="border-top: 1px dashed black;"/>						
<hr style="border-top: 1px dashed black;"/>						
<hr style="border-top: 1px dashed black;"/>						
<hr style="border-top: 1px dashed black;"/>						
<hr style="border-top: 1px dashed black;"/>						
<hr style="border-top: 1px dashed black;"/>						

D1

NUMERICAL INDEX

PART NO.	REF. NO.	PART NO.	REF. NO.	PART NO.	REF. NO.	PART NO.	REF. NO.	PART NO.	REF. NO.	PART NO.	REF. NO.
6H3-11111-01-1S	2 - 25	6H3-13622-A1	5 - 9	6H3-14349-00	5 - 16	6H3-14948-16	6 - 6	6H3-24313-00	9 - 33	6H3-41217-00	4 - 12
688-11119-01	2 - 21		28 - 19		7 - 32		7 - 23	6H3-24314-00	9 - 35		5 - 13
6H3-11181-A1	2 - 26		29 - 19	6H3-14380-00	7 - 33	6H3-14948-17	7 - 23	6Y1-24329-00	23 - 5	682-41237-00	15 - 2
	28 - 2	6H3-13624-00-94	4 - 7	6H3-14413-10	4 - 18	676-14966-00	6 - 7	650-24351-01	23 - 12	6E9-41237-00	8 - 24
	29 - 2		5 - 8		5 - 18		7 - 22	6E5-24351-51	10 - 7	6F5-41237-00	15 - 15
6H3-11191-00-1S	2 - 27	6H3-13641-03-94	4 - 5	6H3-14440-02	4 - 19		28 - 22	61J-24360-00	23 - 10	6H1-41237-00	8 - 20
6H3-11193-A1	2 - 28	6H3-13641-13-94	5 - 5		5 - 19		29 - 27	6Y2-24360-60	10 - 9		15 - 14
	28 - 4	663-14126-00	6 - 19	6H3-14457-01	4 - 20	6H2-14980-00	6 - 15	6E5-24367-01	14 - 24	6H4-41237-00	15 - 21
	29 - 4		28 - 31		5 - 20	6H4-14980-00	7 - 27	650-24378-00	2 - 6	6H3-41241-01	8 - 19
6H3-11325-01	2 - 17	688-14126-00	6 - 21	624-14485-00	2 - 5	6H3-14980-10	7 - 28	688-24378-00	9 - 32	6H3-41257-00	4 - 13
6H3-11327-00-1S	2 - 18		28 - 32	6H1-14485-00	5 - 6	6G1-14984-00	6 - 14	6E5-24378-00	8 - 54	661-41262-02	4 - 14
6H3-11328-00	2 - 19	6H3-14137-00	7 - 31	6H3-14488-00	11 - 20		28 - 15	692-24410-00	9 - 15	6H3-41271-00	4 - 15
650-11370-01	2 - 4	6H4-14146-00	7 - 8	63V-14523-00	6 - 29	6H4-14984-00	7 - 24	663-24411-00	9 - 20	689-41273-00	4 - 16
688-11370-01	2 - 3	6H3-14146-10	7 - 9		7 - 5		29 - 15	692-24411-00	9 - 17	6H3-41631-00	15 - 4
6H3-11400-03	3 - 7	6H3-14146-20	7 - 9	663-14527-00	6 - 20	6G1-14985-00	6 - 12	6H3-24411-10	7 - 40	6H3-41632-20	15 - 10
6H3-11400-10	3 - 7	6H4-14146-20	7 - 8	688-14527-00	6 - 22		28 - 26	6A0-24412-02	9 - 26	6H3-41633-10	15 - 12
6H3-11536-00	3 - 12	6H4-14147-00	7 - 10	6H2-14527-01	6 - 23	6H4-14985-01	7 - 19	6A0-24413-00	9 - 16	6H3-41636-10-94	15 - 16
6H3-11537-01	8 - 15		29 - 21	688-14548-00	6 - 13	6H3-14992-00	6 - 17	6H4-24413-00	7 - 38	689-42169-01	15 - 1
6K5-11601-02	3 - 15	663-14159-00	6 - 9		28 - 27		7 - 25	6L5-24421-00	7 - 37	6H3-42510-13-4D	17 - 3
6K5-11601-12	3 - 15		7 - 17	6H4-14548-00	7 - 15	6B0-15100-02-1S	2 - 2	6A0-24421-01	9 - 24	624-42542-00	8 - 47
6K5-11601-22	3 - 15		28 - 24		29 - 24	6H3-15100-14-1S	2 - 2	650-24431-A0	9 - 27	6H2-42610-50-4D	1 - 1
6H3-11631-01-96	3 - 14		29 - 25	679-14555-00	6 - 26	6H3-15359-00-94	3 - 1		28 - 17	6H3-42610-60-4D	1 - 1
6H3-11633-00	3 - 16	676-14186-00	6 - 10	697-14555-00	7 - 12	6H3-21707-06	8 - 25		29 - 17	6H2-42610-80-4D	1 - 1
688-11634-10	3 - 17		7 - 18	6H4-14567-00	7 - 30	6H3-21732-00	1 - 24	648-24434-01	9 - 18	6H2-42610-90-4D	1 - 1
6H3-11635-01	3 - 14		28 - 25	6H2-14578-00	6 - 31	6H3-21735-00	1 - 25	6H3-24434-10	7 - 41	6H3-42613-01-4D	1 - 11
6H3-11636-01	3 - 14		29 - 26		7 - 7	6J8-21744-00	8 - 52	648-24435-02	9 - 21	6H3-42615-00	1 - 14
6H3-12411-10	2 - 32	6H3-14198-A1	4 - 11	6H3-14578-00	6 - 32	6H3-21752-00	8 - 31	6H3-24452-10	7 - 29	6H3-42617-00	1 - 19
6H3-12413-00-1S	2 - 33		28 - 14	6H3-14590-01	6 - 8	6H1-21757-00	8 - 37	6H4-24486-00	7 - 39	6H3-42617-10	1 - 19
6H3-12414-A1	2 - 34	6H2-14301-0A	7 - 1		7 - 14	6J8-21758-00	8 - 36	61N-24521-00	9 - 8	6H3-42619-00	1 - 20
	28 - 5	6H3-14301-0A	7 - 1		28 - 23	63D-2175R-00	8 - 34	61N-24560-00	9 - 6	6H3-42627-00	1 - 21
	29 - 5	6H2-14301-10	6 - 1		29 - 23	6H1-21766-01	8 - 43	61N-24563-00	9 - 7	6H3-42637-00	1 - 22
6H1-13117-01	8 - 17	6H3-14301-10	7 - 1	6K5-14592-00	6 - 27	63D-2176M-00	8 - 33	648-24566-02	9 - 10	6H3-42647-00-94	1 - 3
6E9-13183-70	8 - 10	6H2-14301-20	7 - 1	6H3-14711-11-5B	19 - 14	6H4-21770-00	8 - 35	6YJ-24610-00	23 - 2	6H3-42649-00-94	1 - 4
6H3-13200-02	8 - 1	6H2-14301-30	7 - 1	6H3-14737-10	19 - 20	63D-2177H-00	1 - 2	6H1-24633-00	8 - 38	6H3-42652-00	1 - 6
6J8-13411-00	8 - 39	6H2-14302-0A	7 - 2	692-14923-00	6 - 25	6YJ-24167-00	23 - 7	6E0-28193-00-94	9 - 40	663-42662-00	1 - 5
6J8-13414-00	8 - 40	6H3-14302-0A	7 - 2		7 - 11	6YJ-24201-00	23 - 1	61H-2819R-31	9 - 38	6H2-42677-50	1 - 15
6H1-13435-00	8 - 41	6H2-14302-10	6 - 2		28 - 33	6YJ-24201-10	23 - 1	6H3-41111-01-1S	2 - 36	6H2-42677-60	1 - 15
6H3-13436-40	1 - 18	6H3-14302-10	7 - 2	676-14943-35	6 - 5	6YJ-24260-00	23 - 3	6H3-41112-A0	2 - 37	6H3-42677-60	1 - 15
6H3-13437-21	11 - 21	6H2-14302-20	7 - 2	6H3-14943-35	7 - 21	6Y1-24260-12	23 - 3		28 - 6	6H2-42678-30	1 - 16
6H3-13437-43	11 - 21	6H2-14302-30	7 - 2	676-14943-36	6 - 5	6Y1-24268-00	23 - 6		29 - 6	6H2-42678-50	1 - 16
6H2-13610-00	4 - 1	6H2-14303-0A	7 - 3	6H3-14943-36	7 - 21	6G1-24304-02	9 - 1	6H3-41113-02-1S	2 - 38	6H3-42678-50	1 - 16
	5 - 1	6H3-14303-0A	7 - 3	6H3-14943-37	7 - 21	6G1-24305-04	23 - 13	6H3-41114-A0	2 - 39	6H3-42681-30	1 - 28
6H3-13610-00	5 - 1	6H2-14303-10	6 - 3	676-14943-38	7 - 21	6E5-24305-05	10 - 2		28 - 7	6H3-42681-50	1 - 28
6H3-13621-A1	4 - 6	6H3-14303-10	7 - 3	6H1-14943-39	7 - 21	6Y1-24305-05	23 - 15		29 - 7	6H3-42682-30	1 - 29
	5 - 7	6H2-14303-20	7 - 3	6H3-14947-07	6 - 4	6Y2-24305-05	10 - 4	6H2-41131-00-5B	19 - 11	6H3-42682-50	1 - 29
	28 - 13	6H2-14303-30	7 - 3	6H2-14947-71	7 - 20	61J-24306-03	23 - 8	6H3-41131-00-5B	19 - 11	6H1-42694-00	1 - 23
	29 - 13	6A0-14325-00	9 - 25	6H3-14947-71	7 - 20	6Y2-24306-55	10 - 1	6H3-41137-01-94	19 - 5	6H3-42711-06-4D	14 - 1
6H3-13622-A1	4 - 8	67C-1432A-00	7 - 42	6H3-14948-13	7 - 23	663-24312-01	2 - 41	6H3-41213-10	15 - 23	6H3-42711-25-4D	14 - 1

NUMERICAL INDEX

PART NO.	REF. NO.	PART NO.	REF. NO.	PART NO.	REF. NO.	PART NO.	REF. NO.	PART NO.	REF. NO.	PART NO.	REF. NO.
648-42715-00	15 - 28	6H1-43816-00	18 - 68	6H3-44117-00-94	15 - 31	687-44555-00-94	17 - 11	688-45567-01-12	20 - 7	688-45633-00	20 - 49
6H3-42716-02	14 - 12	6H1-43817-01	18 - 47	6J2-44117-01-94	15 - 31	663-44575-00	17 - 16		21 - 7		21 - 55
6K5-42717-00	14 - 13	6E5-43818-00	18 - 32	6H3-44120-12	15 - 27	6H3-45111-12-4D	19 - 1	688-45567-01-15	20 - 7	688-45634-00	20 - 45
6H3-42718-00	14 - 39	6H1-43820-11	18 - 64	6H3-44121-01	15 - 37	6H3-45113-A0	19 - 7		21 - 7	6H1-45634-02	21 - 46
6E5-42724-00	14 - 14	6H1-43821-11	18 - 59	688-44122-00	15 - 40		28 - 18	688-45567-01-18	20 - 7	688-45635-00	20 - 47
6H3-42725-10	14 - 15	6H1-43822-10	18 - 58	6H1-44144-00	21 - 58		29 - 18		21 - 7	6H1-45635-00	21 - 50
6H3-42725-30	14 - 15	6H1-43828-10	18 - 30	6K5-44144-00	20 - 51	6H3-45114-A1	19 - 17	688-45567-01-30	20 - 7	6H1-45641-01	21 - 56
688-42726-10	14 - 27	6H1-43829-00	18 - 36	663-44151-00	20 - 50		30 - 2		21 - 7	6H1-45668-00	21 - 49
6H3-42727-00	14 - 19	6H1-4382A-10	18 - 52	6H1-44151-00	21 - 57	663-45119-00	16 - 18	688-45567-01-40	20 - 7	688-45930-02-98	22 - 24
6H3-42738-01-5B	14 - 16	6H1-43830-11	18 - 49	688-44194-00	15 - 7	6H3-45123-00	19 - 16		21 - 7	688-45932-60-98	22 - 24
6H3-42741-01-4D	14 - 31	6H1-43831-10	18 - 48	688-44311-01	20 - 25		30 - 3	688-45567-01-50	20 - 7	6E5-45941-00-EL	22 - 24
6G1-42748-00	14 - 30	6H1-43833-10	18 - 33		21 - 25	6H3-45127-00	19 - 15		21 - 7	6E5-45943-00-EL	22 - 24
6H3-42768-00	14 - 23	6H1-43834-00	18 - 34	688-44315-A0	20 - 27	6H3-45155-00	19 - 3	6H3-45571-00	21 - 62	6E5-45945-01-EL	22 - 24
6H3-42771-01-4D	14 - 32	6H1-43835-10	18 - 29		21 - 27	6H1-45214-00	20 - 12	6K5-45571-00	20 - 54	6E5-45947-00-EL	22 - 24
6G5-42791-00	14 - 40	6H1-43840-11	18 - 17		30 - 7		21 - 12	688-45576-00	20 - 58	6E5-45949-00-EL	22 - 24
6G5-42791-10	14 - 40	6H1-43841-11	18 - 42	688-44316-A0	20 - 33	6H1-45215-00	20 - 13		21 - 66	6E5-45952-00-EL	22 - 24
6R6-42791-40	14 - 41	6H1-43843-11	18 - 72		21 - 33		20 - 13	688-45577-01-10	20 - 57	6E5-45954-00-EL	22 - 24
6H3-42813-00	14 - 7	6H1-43844-10	18 - 44		30 - 9	6H1-45251-03	16 - 2		21 - 65	6E5-45956-00-EL	22 - 24
6H3-42815-01-4D	14 - 3	6H1-43845-00	18 - 55	688-44321-41	30 - 27	6H3-45300-16-4D	21 - 1	688-45577-01-12	20 - 57	688-45970-03-98	22 - 24
6H3-42816-00	14 - 9	6H1-43847-00	18 - 50	688-44322-00	20 - 26	6H3-45300-E5-4D	20 - 1		21 - 65	6E5-45970-10	22 - 25
6H3-42817-01-4D	14 - 4	6H1-4384E-20	18 - 61		21 - 26	6H1-45301-03-4D	21 - 2	688-45577-01-15	20 - 57	688-45972-02-98	22 - 24
6H3-42818-00	14 - 10	6H1-4384F-10	18 - 46		30 - 16	6H1-45301-12-4D	20 - 2		21 - 65	6E5-45972-10	22 - 25
6H1-43111-01-4D	16 - 1	6H1-4384G-11	18 - 45	69D-44322-00	21 - 26	688-45321-00	20 - 16	688-45577-01-18	20 - 57	688-45974-02-98	22 - 24
6H1-43112-00-4D	16 - 11	6H1-43854-00	18 - 53	688-44322-41	30 - 28		21 - 16		21 - 65	6E5-45974-10	22 - 25
6E5-43126-02	16 - 35	6H1-43855-11	18 - 71	688-44323-00	20 - 34	688-45331-00-94	20 - 55	688-45577-01-30	20 - 57	688-45976-01-98	22 - 24
688-43131-03	16 - 21	6H1-43856-10	18 - 43		21 - 34		21 - 63		21 - 65	6E5-45976-10	22 - 25
6G5-43144-00	16 - 42	6H1-4385H-00	18 - 78		30 - 19	688-45341-10	20 - 10	688-45577-01-40	20 - 57	6E5-45978-10	22 - 25
6E5-43145-01	24 - 9	6H1-43861-00	18 - 21	688-44323-40	21 - 34		21 - 10		21 - 65	688-45978-60-98	22 - 24
6G5-43145-01	16 - 25	6H1-43861-10	18 - 18		30 - 29	688-45371-02	22 - 12	688-45577-01-50	20 - 57	688-45987-01	22 - 19
6G5-43148-00	16 - 40	6H1-43864-00	18 - 65	688-44324-A0	20 - 35	6E5-45371-10	22 - 27		21 - 65	6E5-45994-10	22 - 26
688-43160-01	16 - 31	6H1-43865-10	18 - 16		21 - 35	688-45375-00	22 - 11	688-45587-01-10	20 - 5	67F-45997-00	22 - 20
688-43165-00	16 - 32	6H1-43866-00	18 - 40		30 - 8	663-45376-00-94	22 - 10		21 - 5	703-48152-00	26 - 57
6H1-43181-01	16 - 26	6H1-43867-00	18 - 41	688-44341-01-94	20 - 30	6E5-45378-00	20 - 21	688-45587-01-12	20 - 5	703-48153-00	26 - 3
6H1-43185-01	16 - 27	6H1-43868-00	18 - 74		21 - 30		21 - 21		21 - 5	703-48189-00	26 - 17
6H1-43311-02-4D	16 - 16	6H1-4386K-10	18 - 9	688-44352-03	20 - 28	688-45383-02	20 - 63	688-45587-01-15	20 - 5	703-48198-00	26 - 14
6H1-43376-00	17 - 39	6H1-43871-10	18 - 23		21 - 28		21 - 71		21 - 5	703-48205-17	25 - 1
6H1-43800-17-4D	18 - 1	6H1-43872-10	18 - 25		30 - 17	688-45384-00	20 - 64	688-45587-01-18	20 - 5		26 - 1
67F-43802-00	18 - 39	6H1-43874-00	18 - 67	6H3-44361-11	22 - 2		21 - 72		21 - 5	703-48207-17	25 - 1
6H1-43804-10	18 - 4	6H1-43875-00	18 - 57	663-44366-00	22 - 16	6H3-45501-11	20 - 39	688-45587-01-30	20 - 5		26 - 1
6H1-43805-10	18 - 3	6H1-4387J-00	18 - 77		30 - 14		21 - 39		21 - 5	703-48211-01	26 - 61
6H1-4380F-10	18 - 7	6H1-43880-02	18 - 2	663-44367-00	22 - 1	688-45536-01	20 - 4	688-45587-01-40	20 - 5	703-48212-00	26 - 58
6H1-4380G-10	18 - 15	6H1-43881-10	18 - 12	69D-44391-00	14 - 2		21 - 4		21 - 5	703-48213-00	26 - 59
6H1-4380H-10	18 - 13	6H1-4388E-11	18 - 73	688-44511-00-94	17 - 33	6K5-45551-00	20 - 40	688-45587-01-50	20 - 5	703-48215-00	26 - 43
6H1-4380J-10	18 - 8	6H1-43889-10	18 - 5	688-44514-00-94	17 - 26		21 - 40		21 - 5	703-48219-00	26 - 30
6H1-43810-11	18 - 20	6H1-43892-10	18 - 6	6H1-44526-00	16 - 3	6K5-45560-00	20 - 42	688-45611-00	20 - 43	703-48221-00	26 - 56
6H1-43812-00	18 - 24	6H1-43895-12	18 - 70	6H3-44551-01-4D	17 - 9		21 - 42	6H1-45611-01	21 - 43	703-48222-00	26 - 27
6H1-43813-10	18 - 27	6H1-43896-00	18 - 69	6H3-44552-03-94	17 - 18	688-45567-01-10	20 - 7	688-45631-01	20 - 44	703-48223-00	26 - 28
6H1-43814-11	18 - 19	6H1-43899-00	18 - 51	6H3-44553-01-4D	17 - 23		21 - 7	6H1-45631-01	21 - 44	703-48225-00	26 - 29

NUMERICAL INDEX

PART NO.	REF. NO.	PART NO.	REF. NO.	PART NO.	REF. NO.	PART NO.	REF. NO.	PART NO.	REF. NO.	PART NO.	REF. NO.
703-48226-00	26 - 26	689-81812-11	13 - 11	6H2-82590-13	12 - 31	688-W0078-1A	30 - 26	90170-16M01	21 - 41	90338-05M03	16 - 20
703-48227-00	26 - 24	689-81813-10	13 - 13	6H2-82590-60	12 - 31	6H3-W0090-32-1S	2 - 1	90170-20137	11 - 13	90340-08002	20 - 9
703-48232-00	26 - 62	6H3-81820-11	13 - 14	6H2-82590-70	12 - 31	6H3-W0090-44-1S	2 - 1	90171-16011	22 - 22		21 - 9
703-48234-00	26 - 18	689-81826-10	13 - 15	703-82591-00	26 - 53	6H2-W0093-02	28 - 20	90179-06066	17 - 22	90340-14M00	2 - 23
703-48235-00	26 - 4	6H3-81830-10	13 - 4	703-82592-00	26 - 54	6H2-W0093-10	29 - 20	90179-08M34	2 - 31	90386-07M58	15 - 34
703-48236-00	26 - 16	689-81831-00	13 - 5	688-82594-00	12 - 37	656-W2810-02	9 - 39	90183-02M03	21 - 53	90386-10M16	16 - 28
703-48238-00	26 - 22	689-81840-11	13 - 10	703-82594-00	26 - 25	90101-08002	2 - 22	90183-05M06	1 - 27	90386-13M38	14 - 5
703-48243-00	26 - 15	689-81847-11	13 - 6	703-83383-02	26 - 51	90101-10M49	17 - 27	90185-05002	20 - 15	90386-18M14	18 - 31
703-48244-00	26 - 21	689-81850-12	13 - 8	6Y5-83500-S5	27 - 6	90101-12M65	16 - 44		21 - 15	90386-18M35	16 - 37
703-48245-00	26 - 11	689-81857-11	13 - 2	6Y5-8350T-03	27 - 1	90105-06M14	12 - 2	90185-08057	17 - 40	90386-18M63	16 - 36
703-48246-00	26 - 23	6H3-81916-10	12 - 15	6Y5-83533-T2	27 - 10	90105-10M67	22 - 13	90185-09M01	24 - 4	90386-22M15	16 - 22
701-48248-00	26 - 13	6H2-81949-01	12 - 51	6Y5-83553-00	27 - 15	90109-06M39	8 - 3	90185-10051	17 - 31	90386-30M60	17 - 8
703-48252-00	26 - 12	6H2-81949-11	12 - 50	6Y5-83553-M0	27 - 15	90109-06M40	8 - 4	90185-22043	16 - 24	90386-30M77	17 - 6
703-48261-01	26 - 2	61A-81950-00	12 - 46	6Y5-83557-10	27 - 19	90109-06M43	15 - 13	90201-03313	21 - 52	90386-30M78	17 - 5
703-48264-00	26 - 6	688-81950-10	12 - 24	6Y5-83557-31	27 - 11	90109-12M21	17 - 15	90201-05652	6 - 28	90387-06M31	8 - 30
703-48265-00	26 - 9	6H2-81960-10	12 - 11	6E5-83558-00	22 - 15	90116-08M69	2 - 30	90201-08M93	8 - 16	90387-06M43	12 - 3
703-48268-00	26 - 5	6H3-82105-01	12 - 29	6E5-83558-10	20 - 23	90116-10175	17 - 37	90201-10M20	24 - 3	90387-06M60	15 - 8
703-48271-00	26 - 60	6H3-82105-U0	12 - 29		21 - 23	90116-10M28	17 - 37	90201-10M63	24 - 7	90387-06M69	14 - 21
703-48281-00	26 - 31	6H3-82117-00	12 - 30	6Y5-83570-S5	27 - 7	90119-06023	2 - 20	90201-11M22	17 - 30	90387-10M02	16 - 29
703-48282-00	26 - 32	6Y5-82117-00	27 - 17	6E5-83614-01	12 - 55	90119-06M09	14 - 11	90201-12426	16 - 46	90387-10M42	24 - 6
703-48284-00	26 - 52	703-82119-00	12 - 6	6A1-83625-41	4 - 23	90119-06M29	16 - 4	90201-12M16	17 - 12	90389-25M00	22 - 21
703-48284-10	26 - 52		17 - 42		5 - 24	90119-06M61	14 - 22	90201-13M19	17 - 14	90430-08020	20 - 11
701-48287-00	26 - 42	682-82119-01	12 - 52	6H1-83672-12	17 - 1	90119-06M65	8 - 48	90201-20417	3 - 19		21 - 11
703-48291-10	26 - 39	688-82127-02	17 - 25	6H1-83672-20	17 - 1	90119-06M88	8 - 49	90201-20M21	17 - 28		30 - 4
703-48293-10	26 - 41	6E5-82148-00	16 - 12	6Y5-83728-00	27 - 12	90119-06MA3	2 - 35	90201-21M18	11 - 14	90430-12072	22 - 4
701-48320-00	25 - 2	6H1-82148-00	16 - 8	6H2-85520-01	11 - 2		4 - 9	90201-22M67	16 - 23	90430-14115	2 - 24
701-48320-20	25 - 2	1E6-82151-00	27 - 16	6H2-85533-01	11 - 3		5 - 10	90201-30M00	17 - 4		28 - 3
701-48320-30	25 - 2	663-82151-00	12 - 32	6H2-85540-12	12 - 5	90119-06MA5	2 - 40	90202-05088	8 - 21		29 - 3
701-48320-50	25 - 2	6G5-82152-00	12 - 17	6H3-85542-11-94	12 - 1	90119-08M13	20 - 38	90202-07M07	15 - 39	90440-14M00	16 - 48
701-48320-60	25 - 2	6H3-82154-11	12 - 49	6H2-85550-00	11 - 1		21 - 38	90202-12060	22 - 3	90445-07255	5 - 14
701-48320-80	25 - 2	6H3-82164-00	12 - 27	697-85570-00	12 - 20		30 - 23	90202-20M06	17 - 29	90445-07M02	2 - 12
663-48344-00	15 - 41	6A0-82317-00	8 - 46	6H2-85580-01	11 - 4	90119-08M16	20 - 37	90202-25M04	17 - 13	90445-07M23	8 - 7
6H3-48344-00	15 - 18	6G1-82370-21	12 - 23	6H2-85582-00	11 - 5		21 - 37	90206-10M04	15 - 24	90445-07M44	2 - 10
703-48345-01	26 - 19	703-82510-43	26 - 44	6H1-85711-60	5 - 23		30 - 24	90206-13M10	14 - 6		8 - 6
703-48358-00	26 - 20	703-82531-00	26 - 46	6R5-85711-60	12 - 58	90119-08M64	2 - 9	90209-06M05	4 - 22	90445-07M45	2 - 13
6H3-48511-51-4D	17 - 36	703-82540-00	26 - 50	6H3-85720-16	8 - 59	90119-08M79	19 - 8		5 - 22	90445-07M82	2 - 14
6H3-48538-00	15 - 42	68F-82553-70	27 - 18	6H2-85895-01	11 - 6	90119-08M81	19 - 4	90249-06M19	16 - 39	90445-07M87	8 - 8
688-61350-10	24 - 1	68F-82553-80	27 - 18	6H3-86110-02	12 - 39	90119-08M84	22 - 9	90250-07M02	20 - 48	90445-07ME9	20 - 22
688-61351-10	24 - 2	682-82556-00	26 - 48	6H3-86116-00	12 - 40	90119-08MA5	2 - 29		21 - 54		21 - 22
6E5-61355-00	24 - 8	688-82560-10	12 - 38	6Y5-87122-S0	27 - 14	90119-10005	2 - 8	90266-06009	1 - 10	90445-07MF1	22 - 14
6H4-81315-10	27 - 21	703-82563-02	26 - 55	6H3-W0001-02	29 - 1	90151-05M00	20 - 14	90269-04M03	14 - 8	90445-08M01	8 - 42
6E5-81332-00	11 - 15	6H1-82563-10	12 - 53	6H3-W0001-03	28 - 1		21 - 14	90280-04M04	20 - 29	90445-09072	9 - 13
6H3-81337-01	11 - 18	703-82563-12	26 - 55	6H2-W0001-20	30 - 1	90157-06M01	14 - 25		21 - 29	90445-09220	9 - 34
6H3-81800-11	13 - 1	688-82575-01	26 - 47	688-W0004-00	4 - 2	90157-06M13	15 - 5		30 - 25	90445-09M75	9 - 4
6H3-81807-10	13 - 3	703-82577-00	26 - 45		5 - 2	90159-06M01	12 - 16	90280-05015	11 - 12	90445-11M02	8 - 56
689-81809-11	13 - 7	6R5-82582-B0	8 - 60	6H3-W0070-30	1 - 17	90159-06M23	11 - 19	90282-04010	20 - 62	90445-11M03	8 - 26
6H3-81810-10	13 - 9	6E5-82587-00	12 - 54	6H3-W0070-50	1 - 17	90170-09M03	24 - 5		21 - 70	90445-11M05	23 - 11
689-81811-11	13 - 12	688-8258A-20	26 - 49	692-W0078-02	30 - 15	90170-16M01	20 - 41	90338-05M03	1 - 26	90445-11M06	23 - 9



NUMERICAL INDEX

PART NO.	REF. NO.	PART NO.	REF. NO.	PART NO.	REF. NO.	PART NO.	REF. NO.	PART NO.	REF. NO.	PART NO.	REF. NO.
90445-11M15	8 - 53	90506-14M24	16 - 41	93102-36M24	29 - 8	93210-85M97	20 - 59	97013-06020	12 - 21	97980-04114	28 - 29
90445-11M21	8 - 50	90508-26M35	15 - 11	93106-09014	20 - 18		21 - 67		15 - 32	97980-05310	6 - 24
90445-13M00	10 - 8	91318-08016	18 - 66		21 - 18		30 - 13	97013-06025	13 - 18	98501-04025	18 - 75
90445-13M01	10 - 6	91490-20012	15 - 36		30 - 6	93306-207U0	20 - 56	97013-08016	13 - 20	98501-05010	18 - 62
90446-10M01	8 - 55	91490-40025	22 - 23	93106-18M01	3 - 3		21 - 64	97013-08035	13 - 16	98503-05028	9 - 22
	9 - 37	91690-30010	12 - 41		28 - 11	93306-306V1	3 - 11	97075-08025	17 - 19	98580-03015	26 - 38
90464-05M16	12 - 14	91690-30012	16 - 33		29 - 11	93311-636U6	3 - 8	97075-08030	19 - 12	98580-04006	26 - 36
90464-07M05	2 - 16	91690-30020	16 - 30	93210-03261	12 - 44	93315-325V1	20 - 3	97075-08035	17 - 34	98580-04008	6 - 11
	8 - 5	92901-04100	18 - 76	93210-04228	6 - 34		21 - 3		19 - 9		7 - 16
90464-09M13	14 - 28	92901-05200	18 - 63		7 - 13	93317-325U0	20 - 60	97075-10040	22 - 6	98580-04010	26 - 35
90464-11M18	16 - 19	92903-06600	7 - 45		29 - 22		21 - 68	97095-05012	11 - 7	98580-05010	26 - 37
90464-11M23	8 - 57		12 - 10	93210-04230	6 - 18	93332-000U3	20 - 6	97095-06010	16 - 9	98586-05016	23 - 4
90464-15M11	12 - 28		13 - 19		7 - 26		21 - 6	97095-06016	1 - 7	98980-03006	7 - 36
90464-18M14	12 - 57		15 - 33		28 - 30	93332-000W7	20 - 8		8 - 29	99001-08600	20 - 53
90464-23M22	12 - 18	92903-08600	13 - 17		29 - 29		21 - 8		12 - 12		21 - 60
90465-06M86	8 - 9	92990-04100	27 - 4	93210-064A5	18 - 38	93410-18M02	16 - 38		14 - 17	9E450-04433	27 - 2
90465-11M10	17 - 41	92990-05100	9 - 23	93210-07003	20 - 52	93410-28M06	17 - 10		16 - 5	9E450-04533	27 - 3
	20 - 24	92990-05600	4 - 4		21 - 59	93430-06024	26 - 10		20 - 19		
	21 - 24		5 - 4	93210-08287	10 - 3	93440-49M04	3 - 10		21 - 19		
	27 - 13	92990-06600	14 - 26		23 - 14	93450-07M00	21 - 61	97095-06020	3 - 5		
90465-11M27	8 - 27	92990-08200	15 - 35	93210-09165	18 - 37	93501-04M02	15 - 29		14 - 35		
90465-13M11	12 - 19	92990-08600	26 - 34	93210-10M74	18 - 54	93503-16003	21 - 48	97095-06025	9 - 2		
90465-13M30	8 - 32	92990-10100	22 - 7	93210-13M04	8 - 18	93505-32038	18 - 79		11 - 10		
90465-18147	7 - 43	92990-10600	22 - 8	93210-15M52	6 - 33	93603-12M11	21 - 45		12 - 47		
	12 - 45	92995-06100	1 - 8		28 - 34	93603-18M09	3 - 18		14 - 33		
90467-06016	2 - 11		16 - 6	93210-16275	24 - 10	93604-10M03	20 - 36		15 - 9		
	5 - 15	92995-06600	1 - 9	93210-18397	18 - 26		21 - 36	97095-06035	11 - 8		
90467-08004	2 - 42		3 - 6	93210-18M75	18 - 56	93606-12019	19 - 2	97095-06040	9 - 28		
	5 - 17		9 - 3	93210-19MA7	8 - 2		22 - 5	97095-06045	12 - 7		
	8 - 44		11 - 9	93210-29M94	17 - 7	93608-12063	2 - 7	97095-06095	4 - 10		
	9 - 5		12 - 8	93210-32738	9 - 9	93700-06M03	16 - 17		5 - 11		
90467-10M04	8 - 51		14 - 18		28 - 16	94702-00160	2 - 43	97095-10045	16 - 14		
90467-11M08	8 - 28		16 - 7		29 - 16	94702-00247	2 - 43	97380-05025	26 - 8		
90467-12M11	8 - 45		20 - 20	93210-39ME4	5 - 12	95380-03600	7 - 35	97380-08030	26 - 33		
90468-05M03	8 - 22		21 - 20		29 - 14		9 - 19	97595-06420	18 - 35		
90468-07M02	8 - 11	92995-08100	17 - 20	93210-46044	20 - 32	95380-04600	27 - 5	97607-04310	18 - 11		
90468-18008	15 - 19		19 - 10		21 - 32	95380-05600	8 - 23	97780-40512	22 - 18		
90480-09M12	14 - 20	92995-10100	16 - 15		30 - 10		15 - 3	97803-04010	7 - 34		
90480-13M54	12 - 4	92995-12200	16 - 45	93210-46M16	3 - 13		26 - 7	97880-05016	4 - 3		
90480-19M06	22 - 17	93101-25M03	20 - 31		28 - 9	95380-06600	15 - 6		5 - 3		
90501-10326	6 - 30		21 - 31		29 - 9		26 - 40	97880-06012	16 - 13		
	7 - 6		30 - 11	93210-49046	20 - 17	95380-08600	9 - 11	97885-05016	18 - 10		
90501-12082	15 - 30	93102-08M43	18 - 14		21 - 17	95380-12600	16 - 47	97885-06010	11 - 16		
90501-12M48	21 - 51	93102-30M23	3 - 2		30 - 5	95380-12800	17 - 17	97885-06016	17 - 2		
90501-14M08	17 - 21		28 - 10	93210-64488	18 - 28	97013-06012	7 - 44	97885-06045	4 - 21		
90501-16233	20 - 46		29 - 10	93210-65M50	3 - 4		12 - 9		5 - 21		
90501-16M65	21 - 47	93102-36M24	3 - 9		28 - 12	97013-06014	9 - 12	97980-04114	6 - 16		
90502-16M02	16 - 34		28 - 8		29 - 12	97013-06016	12 - 25		7 - 4		



60TRC/70TRC
60FET/60FETO/70BETO
PARTS CATALOGUE
©2003 by Yamaha Motor Co., Ltd.
1st edition, April 2003
All rights reserved.
Any reprinting or unauthorized use
without the written permission of
Yamaha Motor Co., Ltd.
is expressly prohibited.
Printed in Japan.