

**YAMAHA**



**PARTS  
CATALOGUE**

**70CE '94 (6J2)**

---

**YAMAHA**  
**GENUINE**  
Parts & Accessories

1S6J2-100E1

# FOREWORD

This Parts Catalogue is related to the parts in use for the Yamaha outboard motor 70CE '94(6J2). When you are ordering replacement parts for the 70CE'94(6J2), refer to this Parts Catalogue and quote both part numbers and part names correctly.

1. Modifications or additions which have been made after issue of the Parts Catalogue will be announced in the Yamaha Parts News.

It is advisable that according to the Yamaha Parts News you make necessary corrections to the Parts Catalogue on hand to keep it up-to-date.

2. Abbreviations

The following abbreviations are used in this Parts Catalogue.

UR Use size (thickness) and/or number as required.  
 UN Use as many as you need.  
 AP Alternate Parts  
 STD Standard  
 O/S Over Size

3. Parts, which are to be supplied in the form of assemblies, are listed with an indentation of one letter's space, and a dot ( . ) is put against the name of each part.

**EXAMPLE**

CARBURETOR ASS'Y  
 . JET, pilot  
 . NOZZLE, main

4. Indication of No. of constituent parts for assembly.

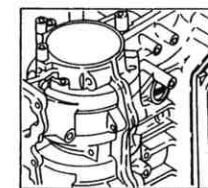
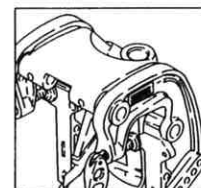
The numeral appearing to the right of each constituent part under the description indicates the quantity of such parts for each individual assembly unit.

**EXAMPLE**

Part No.	Description	Q'ty	Remarks
6E0-85500-70	C.D.I. MAGNETO ASS'Y	1	
6E0-85550-70	. ROTOR ASS'Y	1	
6E0-15723-00-94	. . PULLEY, starter	1	

5. Initial Serial No. and Color Code

Engine Serial No.	70CE S : 000825 and following
-------------------	-------------------------------



Color Code	Color Name	Abbreviate
4D	DARK BLUISH GRAY METALLIC 2	DBNM2

# CONTENTS

FIG. 1	CYLINDER. CRANKCASE .....	1
FIG. 2	CRANKSHAFT. PISTON .....	3
FIG. 3	INTAKE .....	4
FIG. 4	CABURETOR .....	5
FIG. 5	FUEL 1 .....	7
FIG. 6	FUEL 2 .....	9
FIG. 7	TOP COWLING .....	10
FIG. 8	BOTTOM COWLING .....	11
FIG. 9	BRACKET 1 .....	13
FIG. 10	CONTROL .....	16
FIG. 11	UPPER CASING .....	18
FIG. 12	LOWER CASING. DRIVE 1 .....	19
FIG. 13	LOWER CASING. DRIVE 2 .....	22
FIG. 14	MAGNETO .....	23
FIG. 15	STARTING MOTOR .....	24
FIG. 16	ELECTRICAL 1 .....	25
	NUMERICAL INDEX	



FIG. 17	.....	26
FIG. 18	.....	27
FIG. 19	.....	28
FIG. 20	.....	29
FIG. 21	.....	30
FIG. 22	.....	31
FIG. 23	.....	32
FIG. 24	.....	33
FIG. 25	.....	34
FIG. 26	.....	35
FIG. 27	.....	36
FIG. 28	.....	37
FIG. 29	.....	38
FIG. 30	.....	39
FIG. 31	.....	40
FIG. 32	.....	41
FIG. 33	.....	42
FIG. 34	.....	43
FIG. 35	.....	44
FIG. 36	.....	45
FIG. 37	.....	46
FIG. 38	.....	47
FIG. 39	.....	48
FIG. 40	.....	49
FIG. 41	.....	50
FIG. 42	.....	51
FIG. 43	.....	52
FIG. 44	.....	53
FIG. 45	.....	54
FIG. 46	.....	55
FIG. 47	.....	56
FIG. 48	.....	57
FIG. 49	.....	58
FIG. 50	.....	59
FIG. 51	.....	60
FIG. 52	.....	61
FIG. 53	.....	62
FIG. 54	.....	63
FIG. 55	.....	64
FIG. 56	.....	65
FIG. 57	.....	66
FIG. 58	.....	67
FIG. 59	.....	68
FIG. 60	.....	69
FIG. 61	.....	70
FIG. 62	.....	71
FIG. 63	.....	72
FIG. 64	.....	73
FIG. 65	.....	74
FIG. 66	.....	75
FIG. 67	.....	76
FIG. 68	.....	77
FIG. 69	.....	78
FIG. 70	.....	79
FIG. 71	.....	80
FIG. 72	.....	81
FIG. 73	.....	82
FIG. 74	.....	83
FIG. 75	.....	84
FIG. 76	.....	85
FIG. 77	.....	86
FIG. 78	.....	87
FIG. 79	.....	88
FIG. 80	.....	89
FIG. 81	.....	90
FIG. 82	.....	91
FIG. 83	.....	92
FIG. 84	.....	93
FIG. 85	.....	94
FIG. 86	.....	95
FIG. 87	.....	96
FIG. 88	.....	97
FIG. 89	.....	98
FIG. 90	.....	99
FIG. 91	.....	100

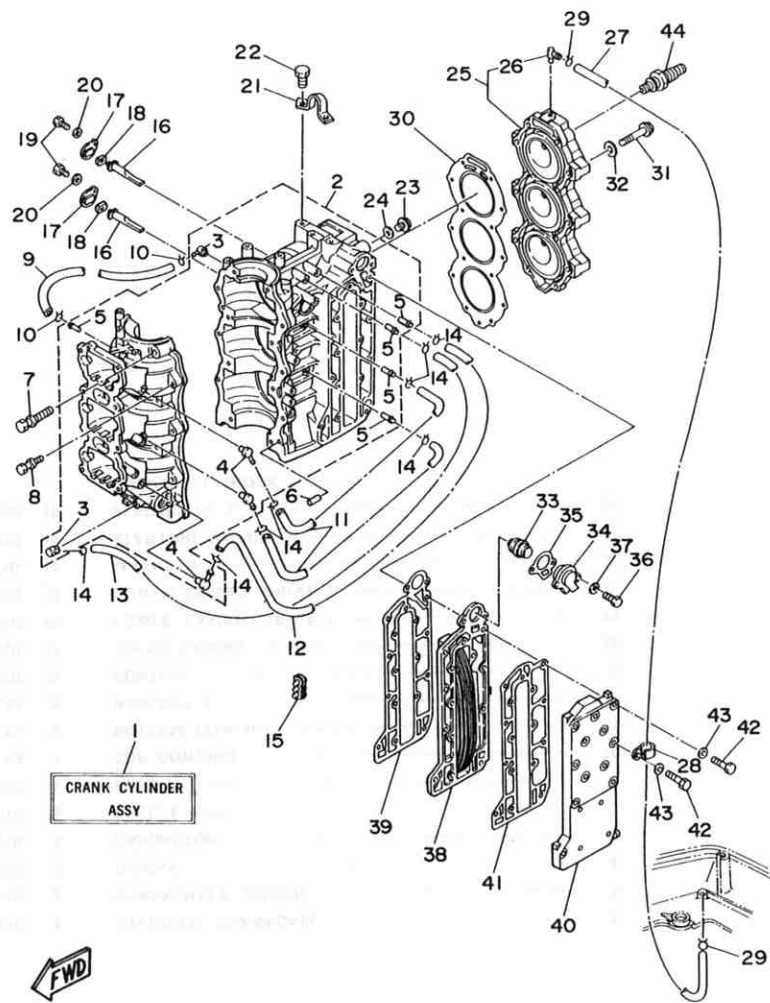


FIG. 1 CYLINDER. CRANKCASE

REF. NO.	PART NO.	DESCRIPTION	Q'TY	REMARKS
1	6J2-W0090-02-40	CRANK CYLINDER ASSY (Ref.No. 2 to 43 and Fig. 2, Ref.No. 1 to 18)	1	
2	6J2-15100-01-94	CRANKCASE ASSY	1	
3	688-11370-00	.CHECK VALVE ASSY	2	
4	650-11370-00	.CHECK VALVE ASSY	3	
5	624-14485-00	.PIPE, joint	5	
6	93608-12063	PIN, dowel	2	
7	90119-10M07	BOLT, with washer	8	
8	90119-08M17	BOLT, with washer	6	
9	90445-07M44	HOSE	1	
10	90467-06016	CLIP	2	
11	90445-07M02	HOSE	2	
12	90445-07M45	HOSE	1	
13	90445-07M82	HOSE	1	
14	90467-06016	CLIP	8	
15	90464-07M05	CLAMP	1	
16	6H3-11325-00	ANODE	2	
17	6H3-11327-00-94	COVER, anode	2	
18	6H3-11328-00	GROMMET, anode	2	
19	97313-06016	BOLT	2	
20	92990-06600	WASHER, plate	2	
21	688-11119-00	HANGER, engine	1	
22	97313-08020	BOLT	2	
23	90340-14M00	PLUG, straight screw	1	
24	90430-14115	GASKET	1	
25	6J2-11111-01-94	HEAD, cylinder 1	1	
26	676-11372-00	.NIPPLE, hose	1	

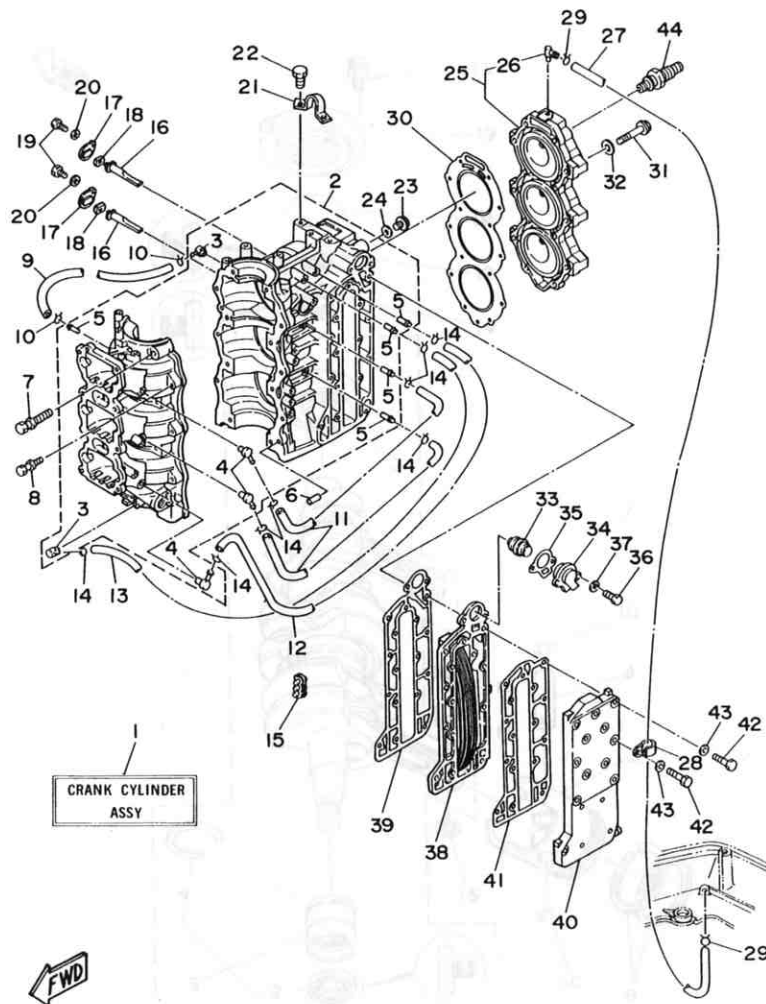


FIG. 1 CYLINDER. CRANKCASE

REF. NO.	PART NO.	DESCRIPTION	Q'TY	REMARKS
27	90445-09M08	HOSE	1	
28	90465-08028	CLAMP	1	
29	90467-08004	CLIP	2	
30	6H3-11181-A0	GASKET, cylinder head 1	1	
31	90119-08M29	BOLT, with washer	14	
32	90201-08M61	WASHER, plate	14	
33	6H3-12411-10	THERMOSTAT	1	
34	6H3-12413-00-9M	COVER, thermostat	1	
35	6H3-12414-A1	GASKET, cover	1	
36	97313-06025	BOLT	2	
37	92990-06600	WASHER, plate	2	
38	6H3-41111-00-9M	INNER COVER, exhaust	1	
39	6H3-41112-A0	GASKET, exhaust inner cover	1	
40	6J2-41113-00-9M	OUTER COVER, exhaust	1	
41	6H3-41114-A0	GASKET, exhaust outer cover	1	
42	97013-06035	BOLT	16	
43	92990-06600	WASHER, plate	16	
44	94702-00247	PLUG, spark (NGK BR8HS 10)	3	

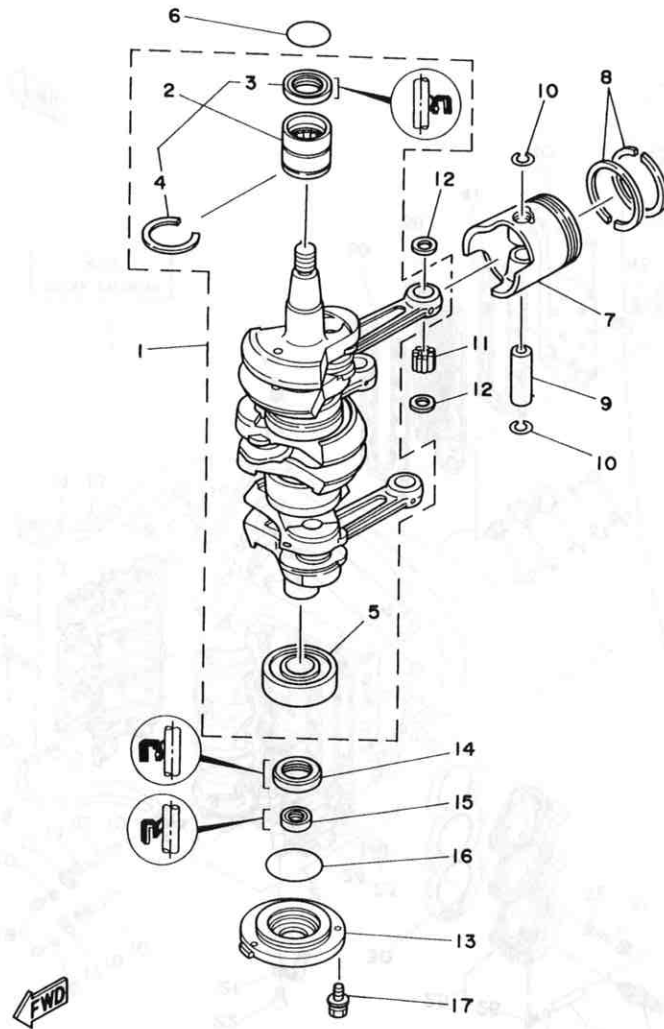


FIG. 2 CRANKSHAFT, PISTON

REF. NO.	PART NO.	DESCRIPTION	Q'TY	REMARKS
1	6H3-11400-03	CRANKSHAFT ASSY	1	
2	93311-636U6	.BEARING, cylindrical	1	
3	93102-36M24	..OIL SEAL	1	
4	93440-49M04	..CIRCLIP	1	
5	93306-306V1	.BEARING	1	
6	93210-46M16	O-RING	1	
7	6J2-11631-02-96	PISTON (STD)	3	
8	6J2-11610-02	PISTON RING SET (STD)	3	
9	6H3-11633-00	PIN, piston	3	
10	688-11634-10	CLIP, piston pin	6	
11	93603-18M09	PIN, dowel	84	
12	90201-20417	WASHER, plate	6	
13	6H3-15359-00-94	HOUSING, oil seal	1	
14	93102-30M23	OIL SEAL	1	
15	93106-18M01	OIL SEAL	1	
16	93210-65M50	O-RING	1	
17	97595-06520	BOLT, with washer	3	

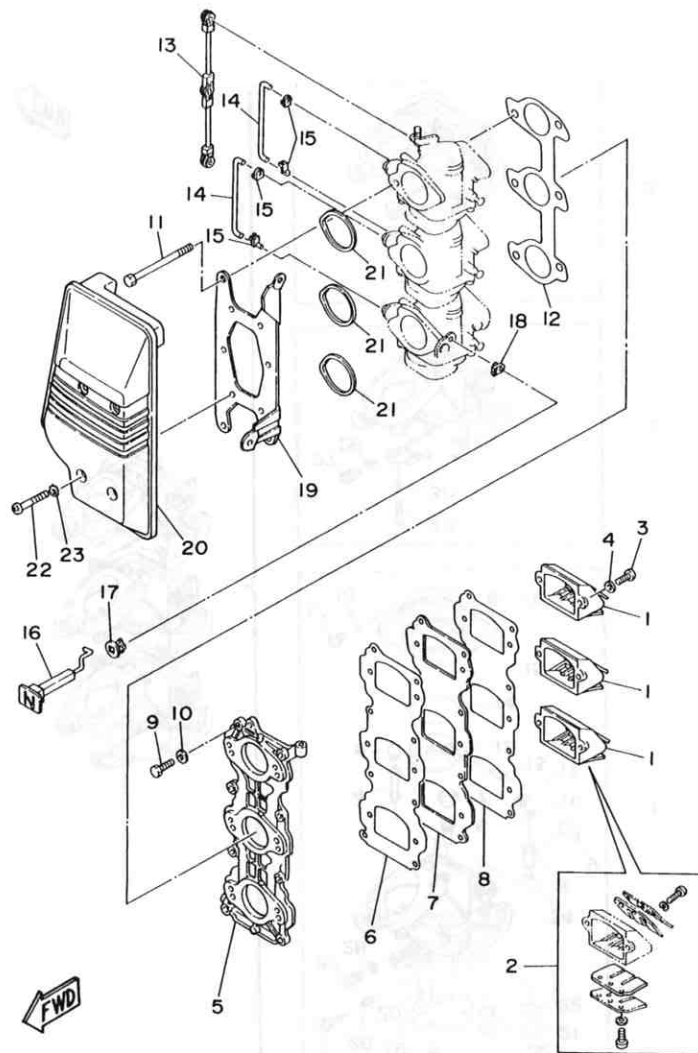


FIG. 3 INTAKE

REF. NO.	PART NO.	DESCRIPTION	Q'TY	REMARKS
1	6J2-13610-00	REED VALVE ASSY	3	
2	6J2-W0004-00	.REED SET	1	
3	98580-05016	SCREW, pan head	6	
4	92990-05600	WASHER, plate	6	
5	6H3-13641-03-94	MANIFOLD 1	1	
6	6H3-13621-A1	GASKET, valve seat	1	
7	6H3-13624-00-94	PLATE, reed valve	1	
8	6H3-13622-A1	GASKET, valve seat	1	
9	97313-06025	BOLT	8	
10	92990-06600	WASHER, plate	8	
11	97313-06095	BOLT	6	
12	6H3-14198-A1	GASKET	1	
13	6H3-41217-00	ROD, accel. lever	1	
14	6H3-41257-00	ROD, choke 2	2	
15	661-41262-02	JOINT, choke lever	4	
16	6H3-41271-00	KNOB, choke	1	
17	689-41273-00	GROMMET	1	
18	661-41262-02	JOINT, choke lever	1	
19	6H3-14413-10	STAY	1	
20	6H3-14440-02	SILENCER ASSY, intake	1	
21	6H3-14457-01	SEAL	3	
22	92503-06045	SCREW, pan head	4	
23	90209-06M05	WASHER	4	

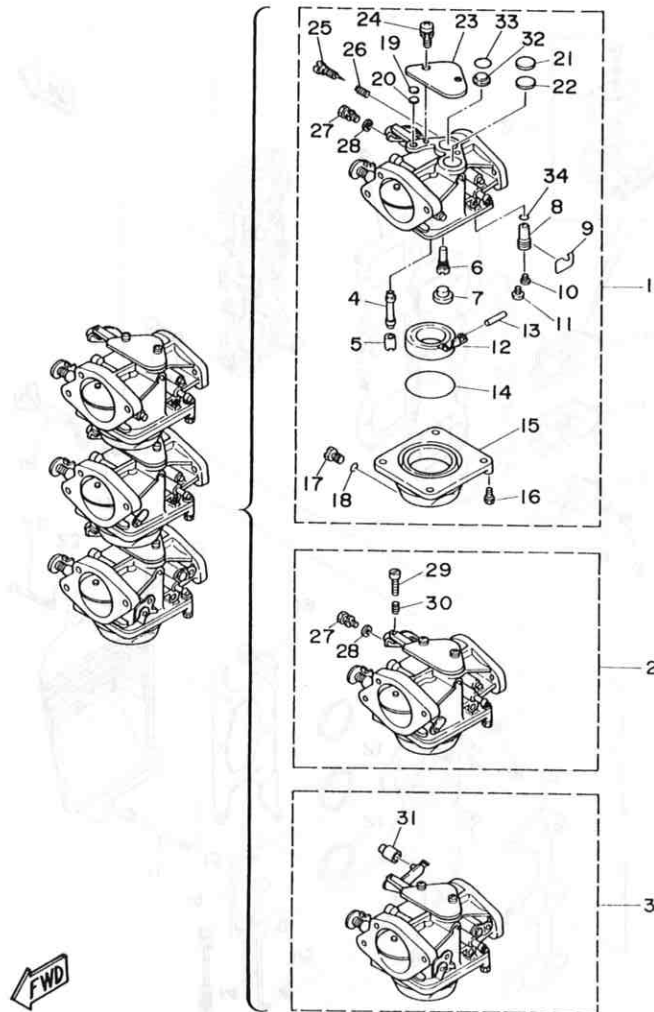


FIG. 4 CARBURETOR

REF. NO.	PART NO.	DESCRIPTION	Q'TY	REMARKS
1	6J2-14301-05	CARBURETOR ASSY 1	1	
2	6J2-14302-05	CARBURETOR ASSY 2	1	
3	6J2-14303-05	CARBURETOR ASSY 3	1	
4	6H3-14947-02	.NOZZLE, main	3	
5	676-14943-39	.JET, main (#160)	3	
6	6H3-14948-18	.JET (#78)	3	
7	676-14966-00	.CAP	3	
8	6H3-14590-00	.NEEDLE VALVE ASSY	3	
9	663-14159-00	.CLIP	3	
10	676-14186-00	.PIN, float	3	
11	98580-04008	.SCREW, pan head	3	
12	6G1-14985-00	.FLOAT	3	
13	688-14548-00	.PIN, float arm	3	
14	6G1-14984-00	.O-RING	3	
15	6H2-14980-00	.BODY, float chamber	3	
16	97980-04114	.SCREW, with washer	12	
17	6H3-14992-00	.SCREW, drain	3	
18	93210-04230	.O-RING	3	
19	663-14126-00	.GASKET	3	
20	663-14527-00	.PLATE	3	
21	688-14126-00	.GASKET	3	
22	688-14527-00	.PLATE	3	
23	6H2-14527-01	.PLATE	3	
24	97980-05310	.SCREW, with washer	6	
25	692-14923-00	.SCREW, pilot	3	
26	679-14555-00	.SPRING	3	
27	6K5-14592-00	.SCREW	2	UPPER/CENTER
28	90201-05652	.WASHER, plate	2	UPPER/CENTER



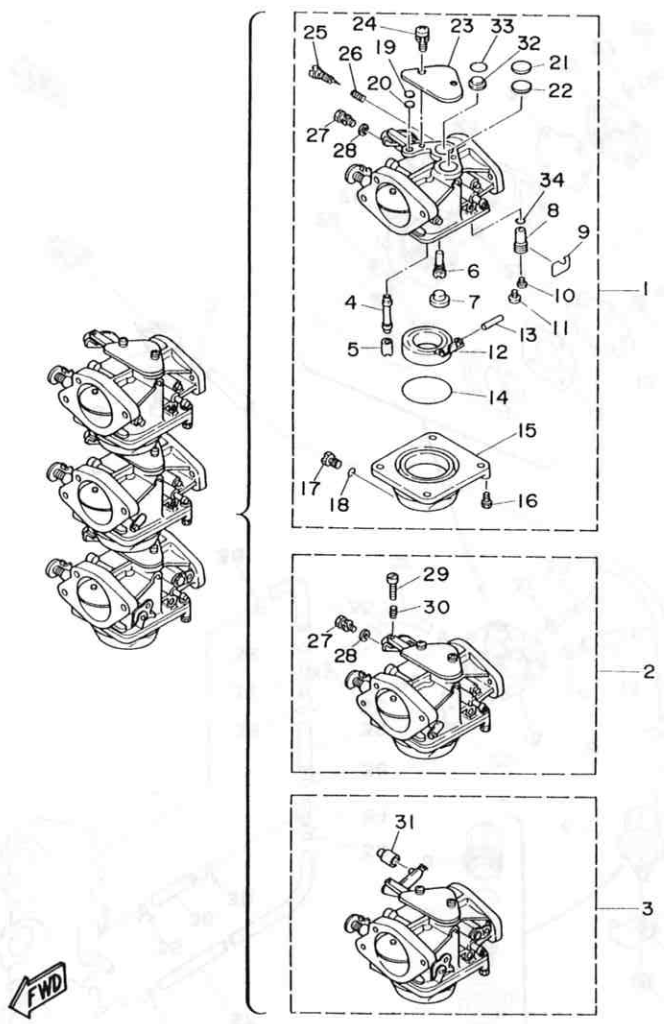


FIG. 4 CARBURETOR

REF. NO.	PART NO.	DESCRIPTION	Q'TY	REMARKS
29	6H1-14523-00	.SCREW, stop	1	CENTER
30	90501-10326	.SPRING, compression	1	CENTER
31	6H2-14578-00	.COLLAR	1	LOWER
32	6H3-14578-00	.PLATE	3	
33	93210-15M52	.O-RING	3	
34	93210-04228	.O-RING	3	

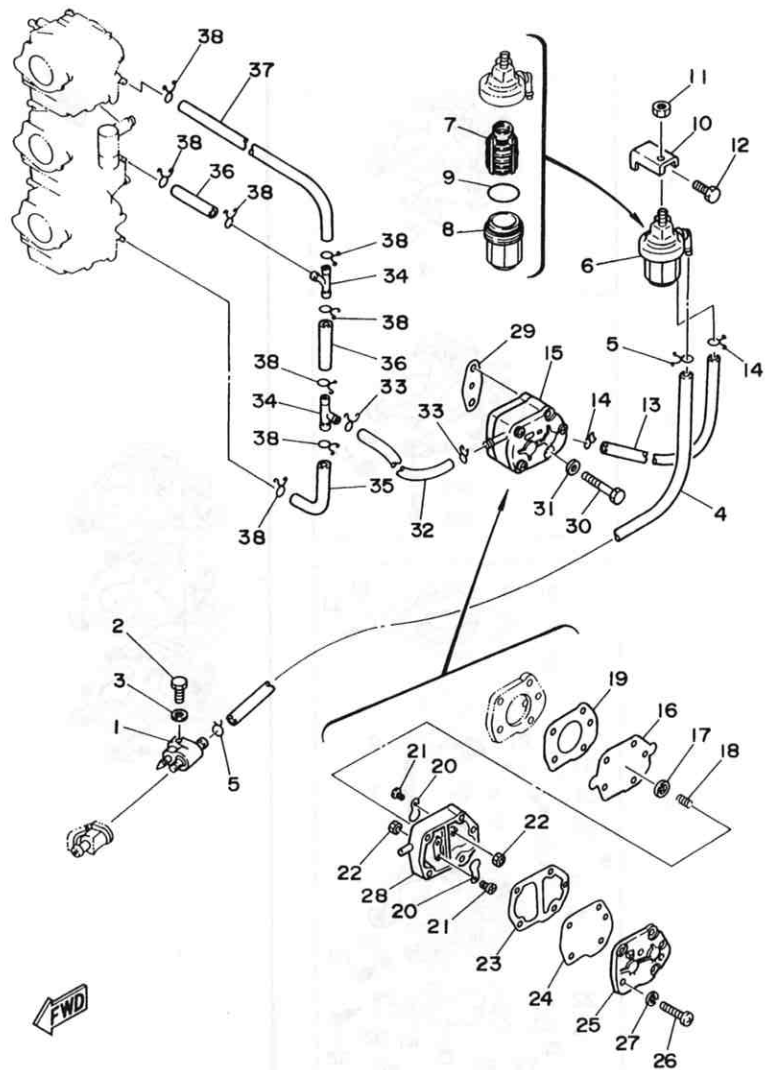


FIG. 5 FUEL 1

REF. NO.	PART NO.	DESCRIPTION	Q'TY	REMARKS
1	6G1-24304-02	FUEL PIPE JOINT COMP. 1	1	
2	97313-06025	BOLT	1	
3	92990-06600	WASHER, plate	1	
4	90445-09M75	HOSE	1	
5	90467-08004	CLIP	2	
6	61N-24560-00	FILTER ASSY	1	
7	61N-24563-00	.ELEMENT, filter	1	
8	61N-24521-00	.CUP, filter	1	
9	93210-32738	.O-RING	1	
10	648-24566-01	BRACKET, filter	1	
11	95303-08600	NUT	1	
12	97313-06014	BOLT	1	
13	90445-09072	HOSE	1	
14	90467-08004	CLIP	2	
15	6A0-24410-05	FUEL PUMP ASSY	1	
16	648-24411-00	.DIAPHRAGM	1	
17	648-24424-00	.SEAT, spring	1	
18	648-24423-00	.SPRING, diaphragm	1	
19	648-24434-01	.GASKET, body	1	
20	6A0-24421-01	.VALVE, check	2	
21	6A0-14325-00	.SCREW, pan head	2	
22	95380-03600	.NUT	2	
23	648-24435-02	.GASKET, body 2	1	
24	663-24411-00	.DIAPHRAGM	1	
25	648-24413-01	.BODY 2	1	
26	98580-05530	.SCREW, pan head	3	
27	92990-05100	.WASHER, spring	3	
28	6A0-24412-02	.BODY 1	1	

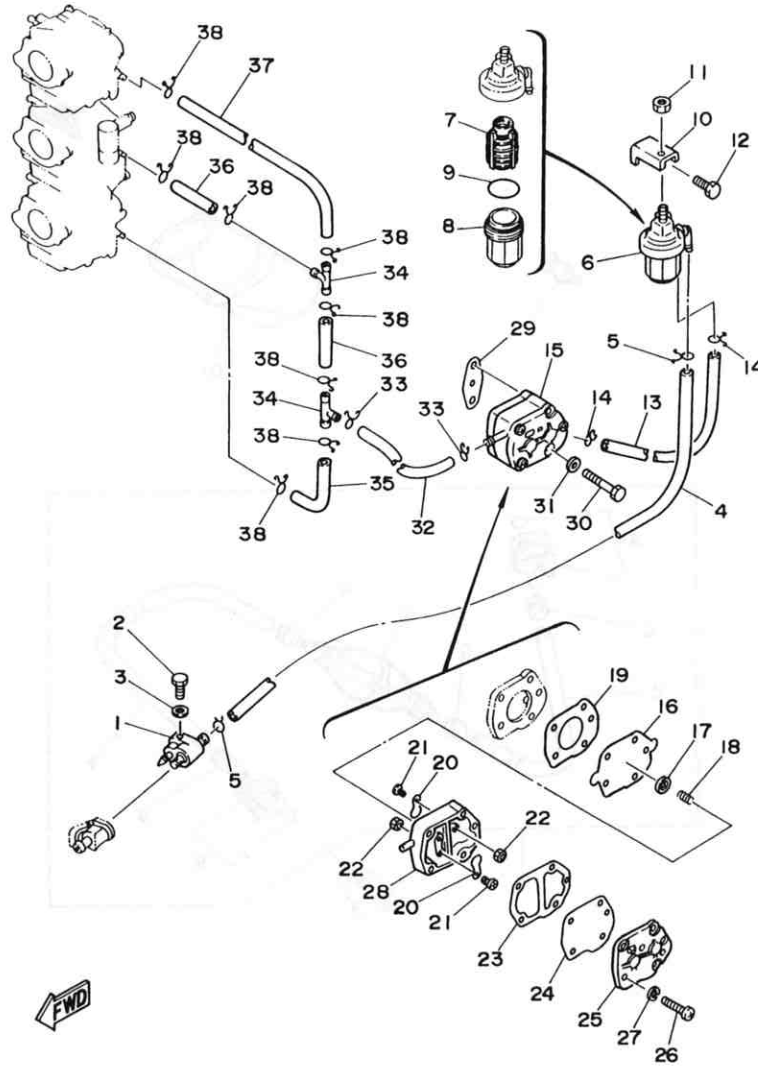
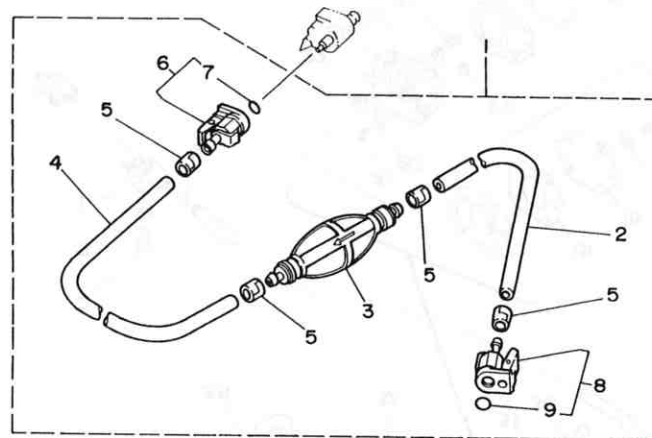


FIG. 5 FUEL 1

REF. NO.	PART NO.	DESCRIPTION	Q'TY	REMARKS
29	650-24431-A0	GASKET, fuel pump 1	1	
30	97313-06040	BOLT	2	
31	92990-06600	WASHER, plate	2	
32	90445-09072	HOSE	1	
33	90467-08004	CLIP	2	
34	688-24378-00	PIPE, joint 4	2	
35	6H3-24313-00	PIPE 3	1	
36	90445-09220	HOSE	2	
37	6H3-24314-00	PIPE 4	1	
38	90467-08004	CLIP	8	



← FWD

FIG. 6 FUEL 2

REF. NO.	PART NO.	DESCRIPTION	Q'TY	REMARKS
1	6Y1-24306-05	FUEL PIPE COMP. 1	1	
# 2	90445-11M06	.HOSE (L2050)	1	
3	6Y1-24360-02	.PRIMER PUMP ASSY	1	
# 4	90445-11M05	.HOSE (L850)	1	
5	650-24351-01	.BAND 1	4	
6	6G1-24305-00	.FUEL PIPE JOINT COMP. 2	1	
7	93210-08287	..O-RING	1	
8	6Y1-24305-01	.FUEL PIPE JOINT COMP. 2	1	
9	93210-08287	..O-RING	1	
10	656-W2810-01	TOOL KIT	1	
11	6E0-28193-00-94	PLUG, water check	1	

# Also available in 30m rolls. (Parts No. 90890-56878)

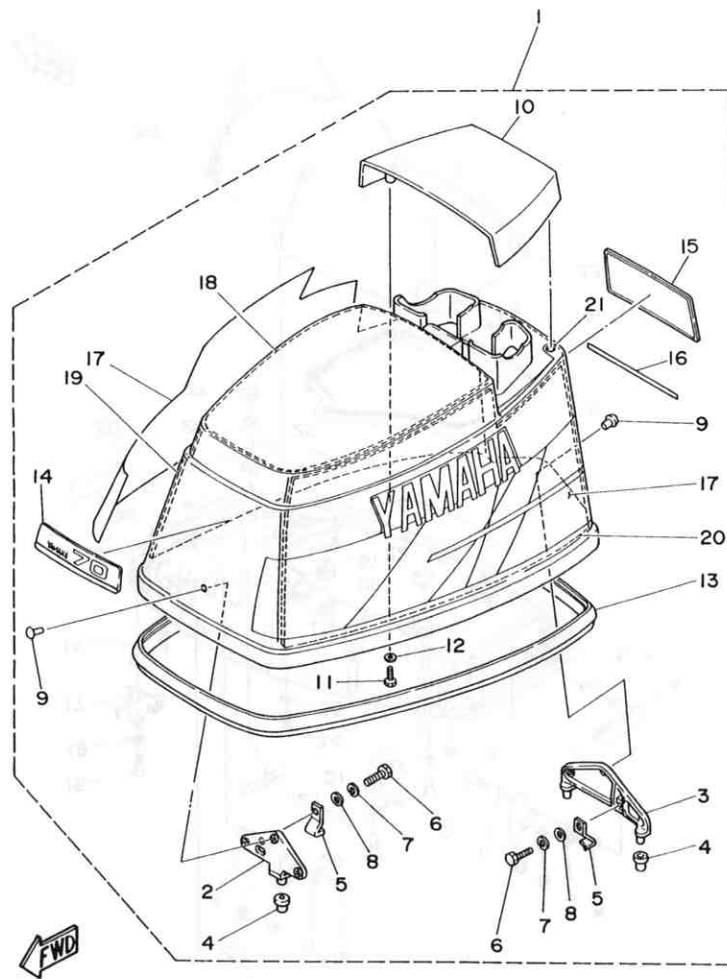


FIG. 7 TOP COWLING

REF. NO.	PART NO.	DESCRIPTION	Q'TY	REMARKS
1	6J2-42610-90-4D	TOP COWLING ASSY	1	
2	6H3-42647-00-94	.HOLDER, clamp band	1	
3	6H3-42649-00-94	.HOLDER, clamp band	1	
4	663-42662-00	.DAMPER	3	
5	6H3-42652-00	.HOOK	2	
6	97395-06016	.BOLT	2	
7	92990-06100	.WASHER, spring	2	
8	92990-06600	.WASHER, plate	2	
9	90266-06M02	.RIVET	6	
10	6H3-42613-00-4D	.MOLDING, air duct	1	
11	97313-06016	.BOLT	4	
12	92990-06600	.WASHER, plate	4	
13	6H3-42615-00	.SEAL	1	
14	6J2-42686-01	.EMBLEM, front	1	
15	6J2-42687-01	.EMBLEM, rear	1	
16	6H3-4267A-A0	.GRAPHIC, rear 2	1	
17	6J2-W0070-90	.GRAPHIC SET	1	
18	689-W4266-20	.DAMPER, form	1	
19	689-W4266-40	.DAMPER, form	1	
20	689-W4266-40	.DAMPER, form	1	
21	689-W4266-10	.DAMPER, form	1	

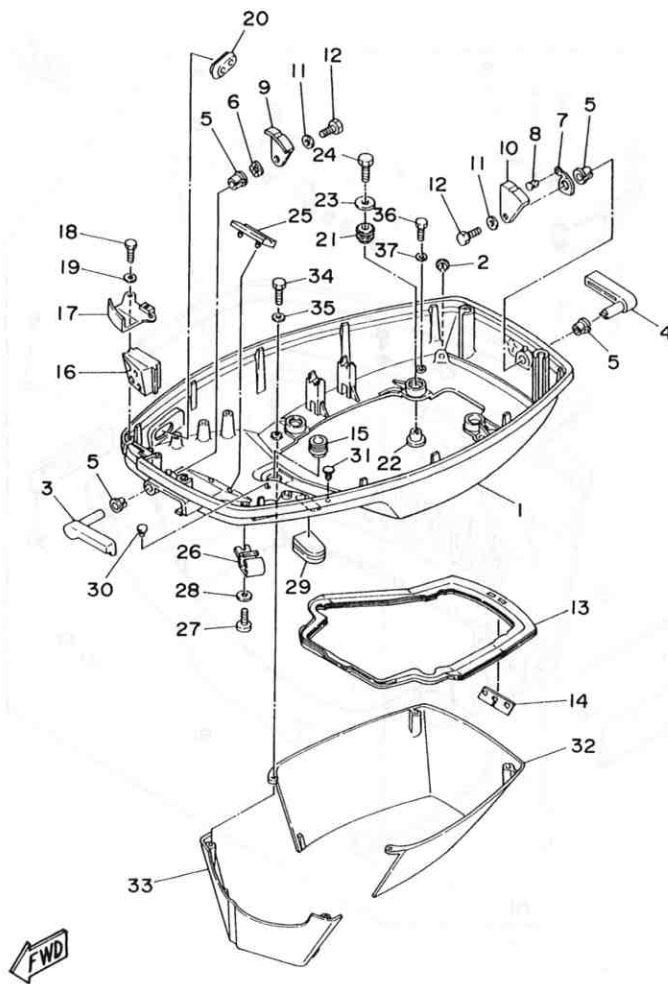


FIG. 8 BOTTOM COWLING

REF. NO.	PART NO.	DESCRIPTION	Q'TY	REMARKS
1	6H3-42711-04-4D	COWLING, bottom	1	
2	6H3-44391-01	NIPPLE, hose	1	
3	6H3-42815-00-4D	LEVER, clamp	1	
4	6H3-42817-00-4D	LEVER, clamp	1	
5	90386-13M38	BUSH	4	
6	90206-13M10	WASHER, wave	1	
7	6H3-42813-00	SPRING, clamp lever	1	
8	90269-04M03	RIVET	1	
9	6H3-42816-00	LEVER, clamp	1	
10	6H3-42818-00	LEVER, clamp	1	
11	90201-06M02	WASHER, plate	2	
12	97013-06012	BOLT	2	
13	6H3-42716-02	RUBBER, seal 1	1	
14	6K5-42717-00	RUBBER, seal 2	1	
15	6E5-42724-00	GROMMET	1	
16	6H3-42725-00	GROMMET	1	
17	6H3-42738-00-5B	PLATE, fitting	1	
18	97313-06016	BOLT	2	
19	92990-06600	WASHER, plate	2	
20	6H3-42727-00	GROMMET	1	
21	90480-09M12	GROMMET	4	
22	90387-06M69	COLLAR	4	
23	90201-06416	WASHER, plate	4	
24	97313-06030	BOLT	4	
25	6H3-42768-00	DAMPER	1	
26	6E5-24367-01	CLAMP, fuel pipe 2	1	
27	90157-06M01	SCREW, pan head	1	
28	92990-06600	WASHER, plate	1	

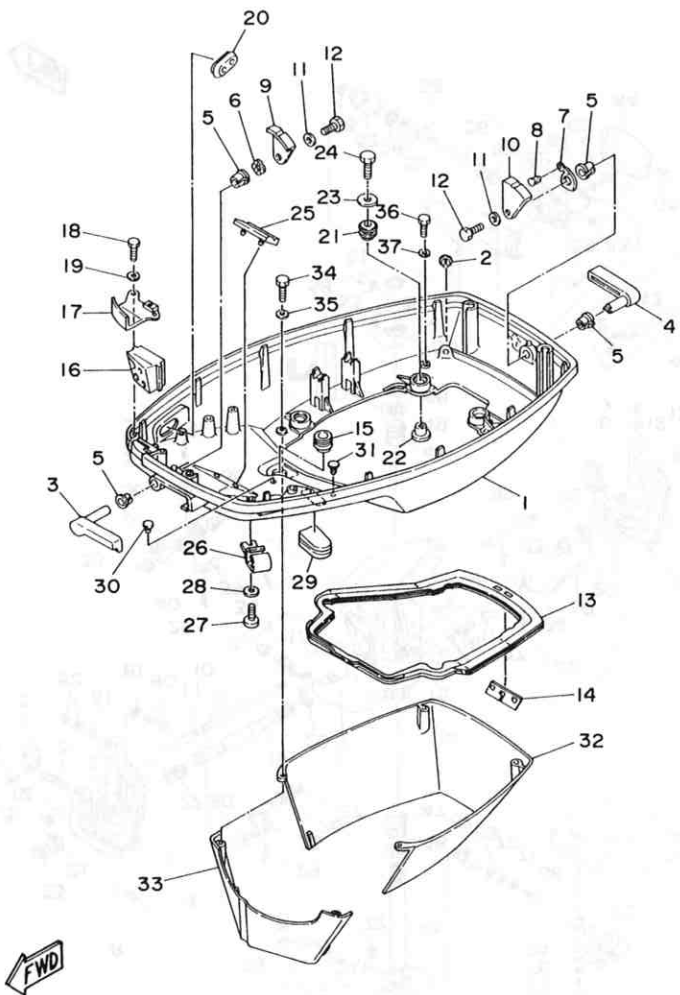


FIG. 8 BOTTOM COWLING

REF. NO.	PART NO.	DESCRIPTION	Q'TY	REMARKS
29	6H4-42726-00	GROMMET	1	
30	703-82119-00	COVER, lead wire	2	
31	90338-05M03	PLUG	1	
32	6H3-42741-00-4D	APRON	1	
33	6H3-42771-00-4D	APRON	1	
34	97313-06025	BOLT	2	
35	92990-06600	WASHER, plate	2	
36	97313-06020	BOLT	2	
37	92990-06600	WASHER, plate	2	

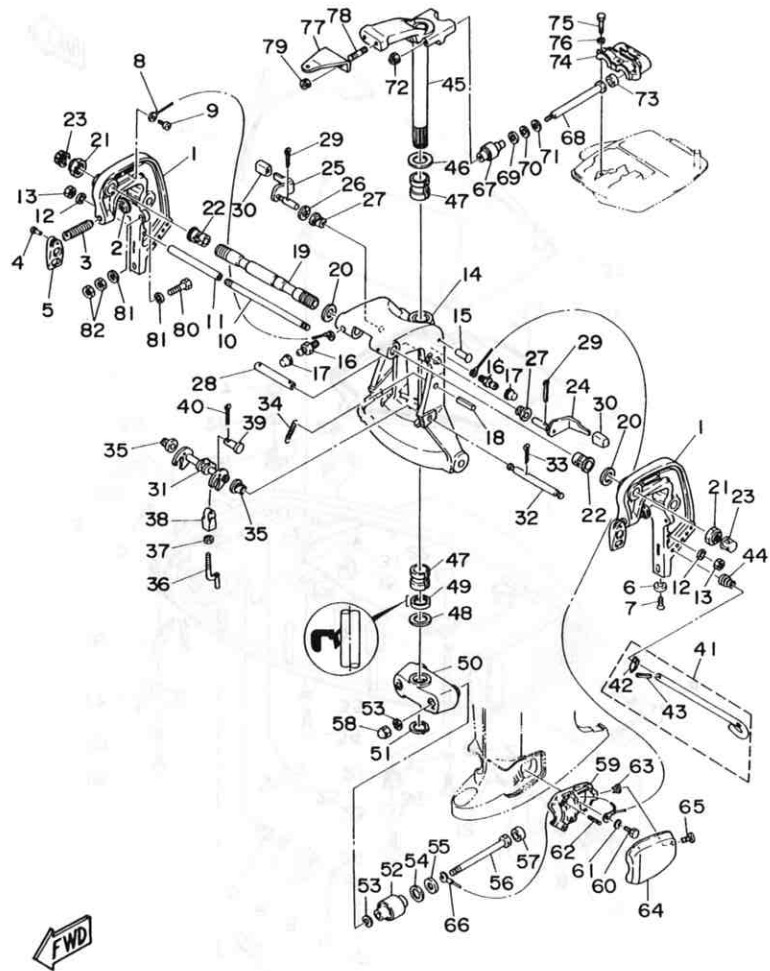


FIG. 9 BRACKET 1

REF. NO.	PART NO.	DESCRIPTION	Q'TY	REMARKS
1	696-43111-00-4D	BRACKET, clamp	2	
2	648-43114-01	PAD, transom clamp	2	
3	663-43116-01	SCREW, transom clamp	2	
4	90243-04007	PIN	2	
5	663-43118-00-4D	HANDLE, transom clamp	2	
6	663-45251-00	ANODE	1	
7	92180-06025	SCREW, oval head	1	
8	6E5-82148-00	WIRE, lead 4	1	
9	98580-06012	SCREW, pan head	1	
10	663-43123-00	BOLT, clamp bracket	1	
11	90387-10M03	COLLAR	1	
12	92990-10600	WASHER, plate	2	
13	95380-10600	NUT	2	
14	696-43311-00-4D	BRACKET, swivel	1	
15	90269-03010	RIVET	1	
16	93700-06M03	NIPPLE, grease	3	
17	663-45119-00	CAP, grease nipple	3	
18	91690-40040	PIN, spring	1	
19	696-43131-01	BOLT, clamp bracket	1	
20	90201-22428	WASHER, plate	2	
21	90185-22043	NUT, self-locking	2	
22	90386-22M15	BUSH	2	
23	665-43145-00	CAP, clamp bracket	2	
24	697-43181-02	LEVER, tilt stop	1	
25	697-43185-02	LEVER, tilt stop	1	
26	90206-10M08	WASHER, wave	1	
27	90386-10045	BUSH	2	
28	90387-10269	COLLAR	1	



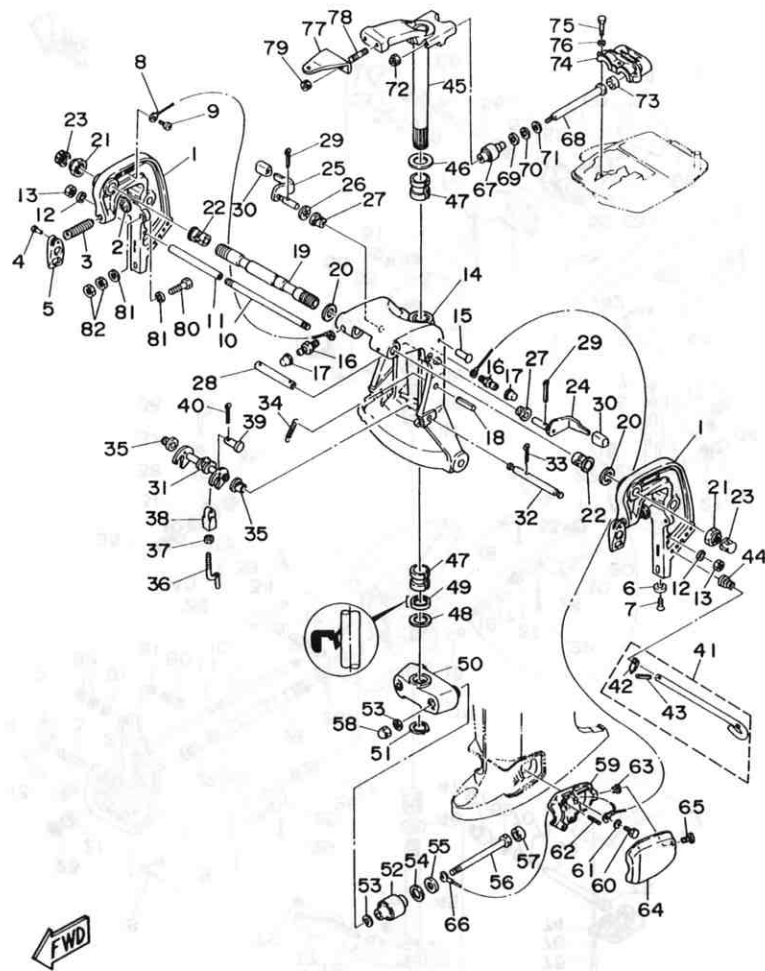


FIG. 9 BRACKET 1

REF. NO.	PART NO.	DESCRIPTION	Q'TY	REMARKS
29	91490-30030	PIN, cotter	2	
30	663-43318-00	COVER	2	
31	696-43610-00	TILT LOCK ASSY	1	
32	696-43611-00	SHAFT, tilt lock	1	
33	91490-25030	PIN, cotter	1	
34	90506-12078	SPRING, tension	1	
35	90386-10045	BUSH	2	
36	663-43616-02	ROD, tilt lock	1	
37	95380-08600	NUT	1	
38	663-43653-00	NUT, connection	1	
39	91590-08030	PIN, clevis	1	
40	91490-20015	PIN, cotter	1	
41	676-43160-02	TILT ROD ASSY	1	
42	676-43165-00	.PLATE, tilt lock	1	
43	91690-30010	.PIN, spring	1	
44	90502-10M04	SPRING, conical	1	
45	6H3-42510-02-4D	STEERING BRACKET ASSY	1	
46	90201-30M00	WASHER, plate	1	
47	90386-30048	BUSH	2	
48	90201-31418	WASHER, plate	1	
49	93109-30M03	OIL SEAL	1	
50	6H3-44551-00-4D	HOUSING, lower mount rubber	1	
51	93410-28M06	CIRCLIP	1	
52	688-44555-00-94	MOUNT DAMPER, lower side	2	
53	90201-12M16	WASHER, plate	4	
54	90202-25M04	WASHER, plate	2	
55	90201-13M19	WASHER, plate	2	
56	90109-12M21	BOLT	2	

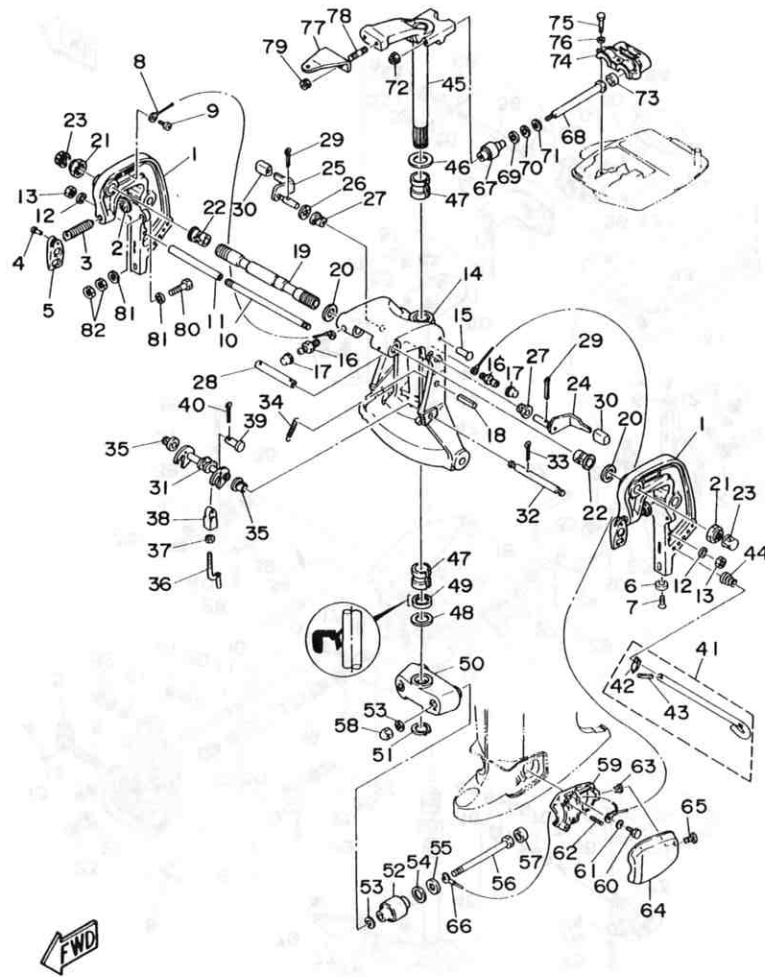


FIG. 9 BRACKET 1

REF. NO.	PART NO.	DESCRIPTION	Q'TY	REMARKS
57	663-44575-00	DAMPER, lower mount rubber	2	
58	95380-12800	NUT, crown	2	
59	6H3-44552-01-94	HOUSING, lower mount rubber	2	
60	97395-08025	BOLT	4	
61	92990-08100	WASHER, spring	4	
62	90501-14236	SPRING, compression	4	
63	90179-06066	NUT	2	
64	6H3-44553-00-4D	COVER, lower mount	2	
65	92380-06015	SCREW, cylinder head	2	
66	696-82127-00	WIRE, lead 2	1	
67	688-44514-00-94	MOUNT DAMPER, upper side	2	
68	90101-10M49	BOLT	2	
69	90201-20M21	WASHER, plate	2	
70	90202-20M06	WASHER, plate	2	
71	90201-11M22	WASHER, plate	2	
72	90185-10051	NUT, self-locking	2	
73	663-44575-00	DAMPER, lower mount rubber	2	
74	688-44511-00-94	COVER, upper mount	1	
75	97090-08035	BOLT	3	
76	92990-08100	WASHER, spring	3	
77	688-48511-01-4D	HOOK, steering (Ball Post Type)	1	
78	90116-10175	BOLT, stud	2	
79	90185-10051	NUT, self-locking	2	
80	90101-10M58	BOLT	4	
81	92995-10600	WASHER	8	
82	95380-10600	NUT	8	

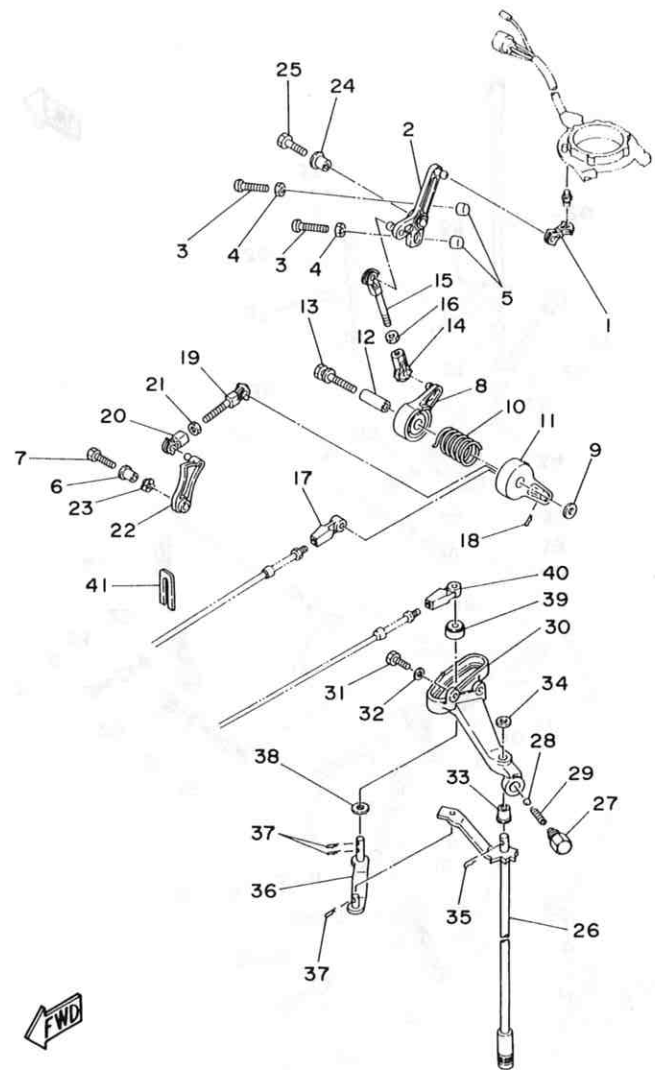


FIG. 10 CONTROL

REF. NO.	PART NO.	DESCRIPTION	Q'TY	REMARKS
1	6H3-41238-00	JOINT, link	1	
2	6H3-41631-00	LEVER, magneto control	1	
3	90157-06M13	SCREW, pan head	2	
4	95380-06600	NUT	2	
5	688-44194-00	CAP	2	
6	90387-06M60	COLLAR	1	
7	97395-06025	BOLT	1	
8	6H3-41632-00	LEVER, magneto control	1	
9	90201-06M31	WASHER, plate	1	
10	90508-29M19	SPRING, torsion	1	
11	6H3-41633-00	LEVER, magneto control	1	
12	90387-06M59	COLLAR	1	
13	90119-06M66	BOLT, with washer	1	
14	6H1-41237-00	JOINT, link	1	
15	679-41636-00	ROD, magneto control	1	
16	95380-05600	NUT	1	
17	663-48344-00	CABLE END, remote control	1	
18	90468-18008	CLIP	1	
19	682-41237-50	JOINT, link	1	
20	6H1-41237-00	JOINT, link	1	
21	95380-05600	NUT	1	
22	6H3-41213-01	CAM, accel.	1	
23	90206-10M04	WASHER, wave	1	
24	90387-06M60	COLLAR	1	
25	97313-06025	BOLT	1	
26	6J2-44120-00	HANDLE GEAR SHIFT ASSY	1	
27	648-42715-00	BUSHING	1	
28	93501-04M02	BALL	1	

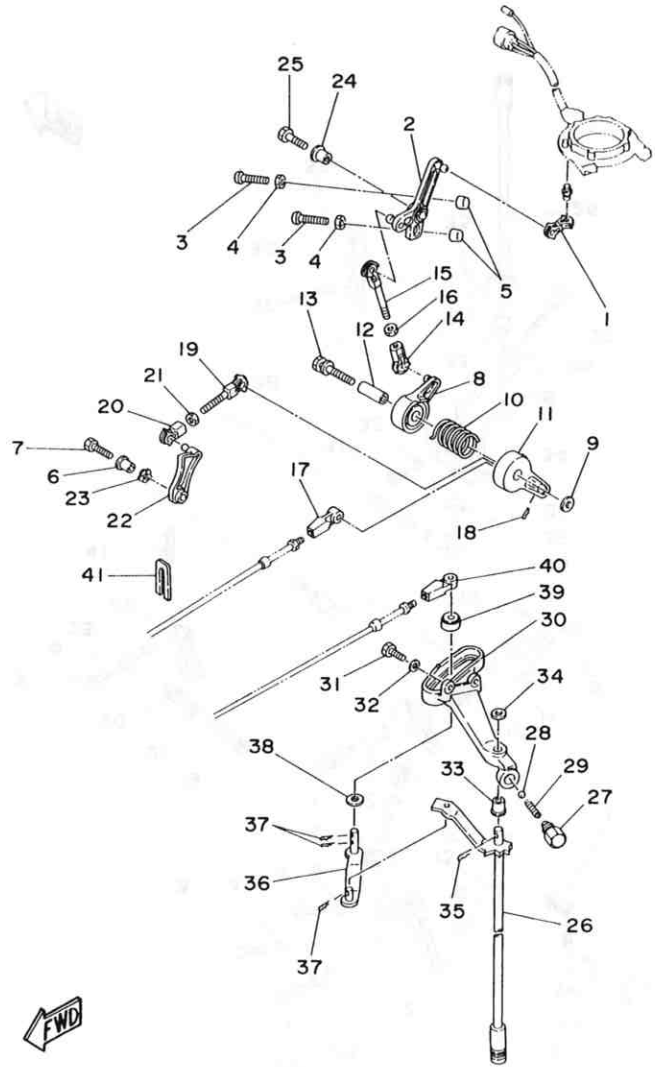


FIG. 10 CONTROL

REF. NO.	PART NO.	DESCRIPTION	Q'TY	REMARKS
29	90501-12082	SPRING, compression	1	
30	6J2-44117-01-94	BRACKET	1	
31	97313-06020	BOLT	2	
32	92990-06600	WASHER, plate	2	
33	90386-08006	BUSH	1	
34	92990-08200	WASHER, plain	1	
35	91490-20015	PIN, cotter	1	
36	6H3-44121-01	LEVER, shift rod	1	
37	90468-18008	CLIP	3	
38	90202-07M07	WASHER, plate	1	
39	688-44122-00	BUSHING, shift rod lever	1	
40	663-48344-00	CABLE END, remote control	1	
41	6H3-48538-00	CLAMP, cable 1	1	

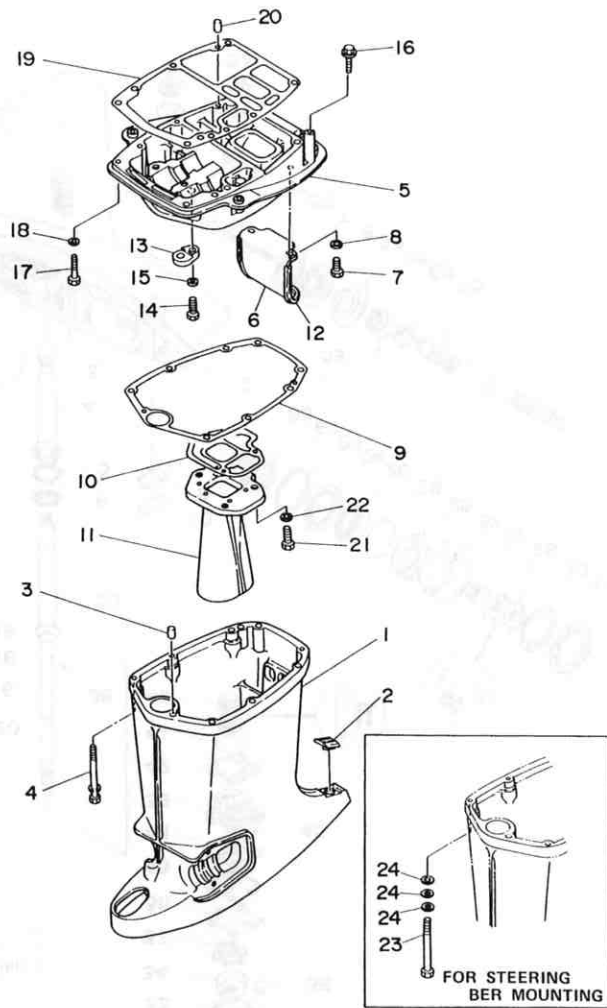


FIG. 11 UPPER CASING

REF. NO.	PART NO.	DESCRIPTION	Q'TY	REMARKS
1	6J2-45111-00-40	CASING, upper	1	
2	6H3-45155-00	CAP	1	
3	93606-12019	PIN, dowel	2	
4	90119-08M81	BOLT, with washer	6	
5	6J2-41137-00-94	GUIDE, exhaust	1	
6	6J2-14793-00	PLATE, muffler	1	
7	97375-08015	BOLT	2	
8	92990-08100	WASHER, spring	2	
9	6J2-45114-A1	GASKET, upper casing	1	
10	6J2-41134-A1	GASKET, exhaust manifold	1	
11	6J2-41131-01	MANIFOLD, ext. 1	1	
12	6J2-45127-00	SEAL	1	
13	6J2-44328-00	PLATE	1	
14	97395-08020	BOLT	1	
15	92990-08100	WASHER, spring	1	
16	90119-08M79	BOLT, with washer	2	
17	97090-08035	BOLT	2	
18	92990-08100	WASHER, spring	2	
19	6H3-45113-A0	GASKET, upper casing	1	
20	93606-12019	PIN, dowel	2	
21	97395-08025	BOLT	3	
22	92990-08100	WASHER, spring	3	
23	90119-08M82	BOLT (For Steering Ber Mounting)	6	AP
24	92990-08600	WASHER, plate (For Steering Ber Mounting)	18	AP

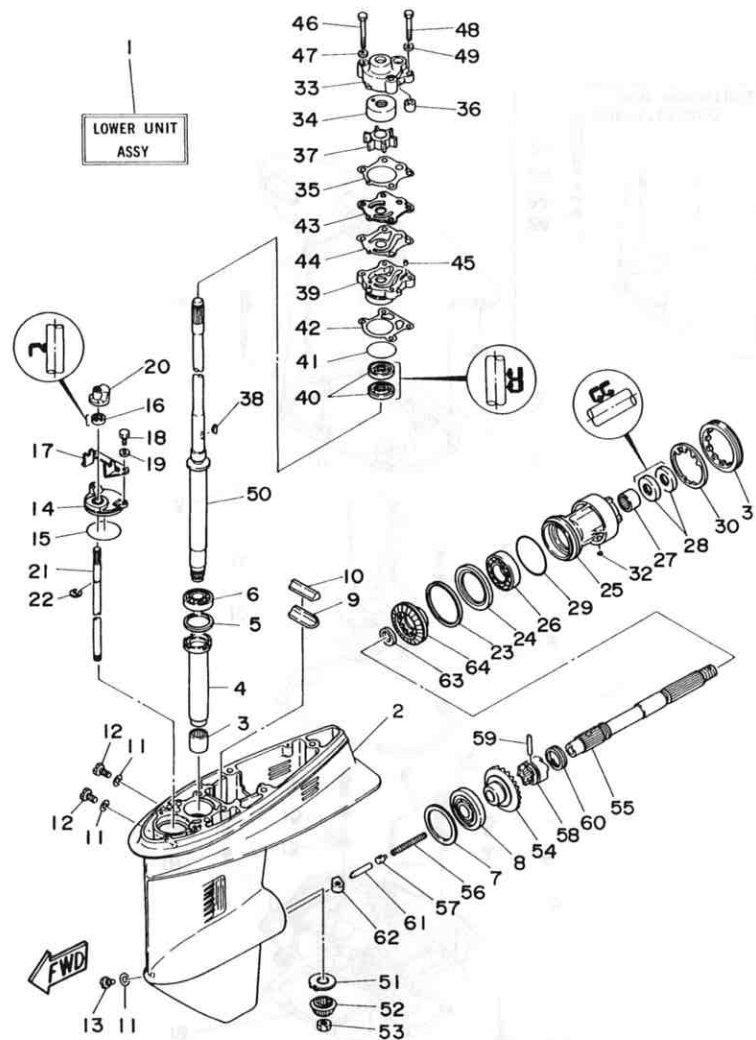


FIG. 12 LOWER CASING. DRIVE 1

REF. NO.	PART NO.	DESCRIPTION	Q'TY	REMARKS
1	6J2-45300-01-4D	LOWER UNIT ASSY (Ref.No. 2 to 64)	1	
2	6J2-45311-00-4D	CASING, lower	1	
3	93315-322V2	BEARING, cylindrical	1	
4	698-45536-00	SLEEVE, drive shaft	1	
5	663-45587-01-10	SHIM (T:0.10MM)	1	UR
	663-45587-01-12	SHIM (T:0.12MM)	1	UR
	663-45587-01-15	SHIM (T:0.15MM)	1	UR
	663-45587-01-18	SHIM (T:0.18MM)	1	UR
	663-45587-01-30	SHIM (T:0.30MM)	1	UR
	663-45587-01-40	SHIM (T:0.40MM)	1	UR
	663-45587-01-50	SHIM (T:0.50MM)	1	UR
6	93332-00001	BEARING	1	
7	663-45567-01-10	SHIM (T:0.10MM)	1	UR
	663-45567-01-12	SHIM (T:0.12MM)	1	UR
	663-45567-01-15	SHIM (T:0.15MM)	1	UR
	663-45567-01-18	SHIM (T:0.18MM)	1	UR
	663-45567-01-30	SHIM (T:0.30MM)	1	UR
	663-45567-01-40	SHIM (T:0.40MM)	1	UR
	663-45567-01-50	SHIM (T:0.50MM)	1	UR
8	93332-00003	BEARING	1	
9	663-45376-00-94	GUIDE, seal damper	1	
10	663-45375-00	DAMPER, seal	1	
11	90430-08020	GASKET	3	
12	90340-08M04	PLUG, straight screw	2	
13	688-45341-00	PLUG, drain	1	
14	663-45321-00	PLATE	1	
15	93210-49046	O-RING	1	
16	93106-09014	OIL SEAL	1	

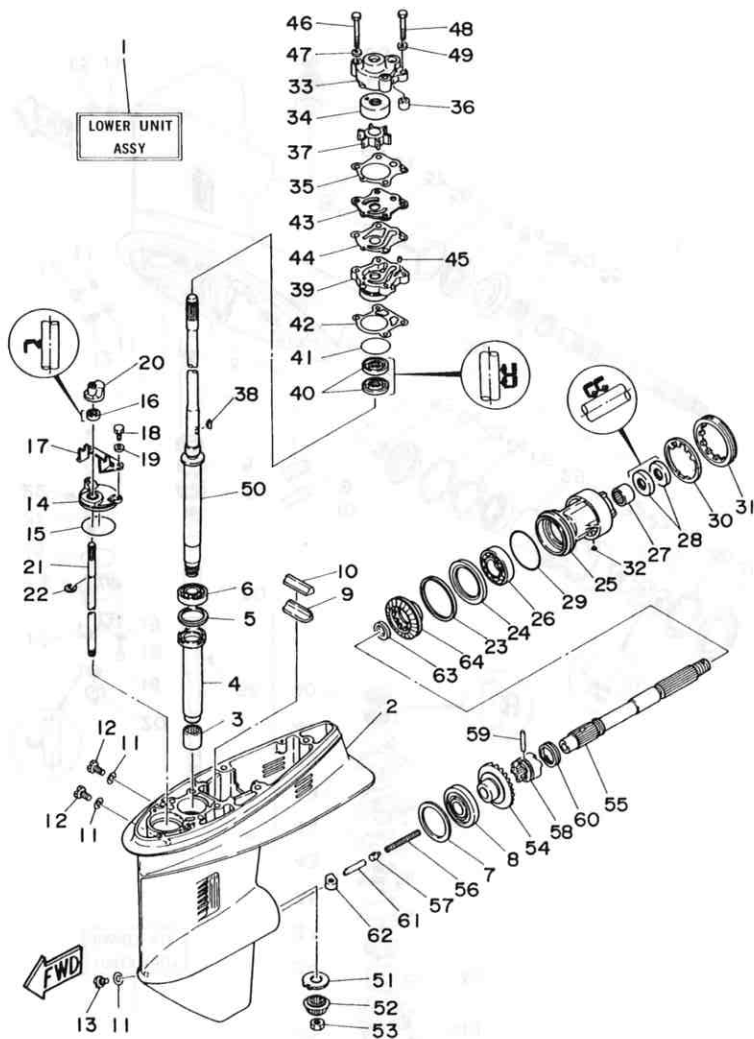


FIG. 12 LOWER CASING. DRIVE 1

REF. NO.	PART NO.	DESCRIPTION	Q'TY	REMARKS
17	6J2-43627-00	STOPPER	1	
18	97395-06016	BOLT	2	
19	92990-06600	WASHER, plate	2	
20	663-44155-01	CAM, reverse rod	1	
21	663-44144-01	ROD, shift	1	
22	99001-08600	CIRCLIP	1	
23	663-45577-01-10	SHIM (T:0.10MM)	1	UR
	663-45577-01-12	SHIM (T:0.12MM)	1	UR
	663-45577-01-15	SHIM (T:0.15MM)	1	UR
	663-45577-01-18	SHIM (T:0.18MM)	1	UR
	663-45577-01-30	SHIM (T:0.30MM)	1	UR
	663-45577-01-40	SHIM (T:0.40MM)	1	UR
	663-45577-01-50	SHIM (T:0.50MM)	1	UR
24	663-45576-00	WASHER, thrust	1	
25	663-45331-00-94	HOUSING, bearing	1	
26	93306-00702	BEARING	1	
27	93317-22204	BEARING, cylindrical	1	
28	93101-22067	OIL SEAL	2	
29	93210-66M98	O-RING	1	
30	90214-48M03	WASHER, claw	1	
31	697-45384-00	NUT	1	
32	90282-04010	KEY, straight	1	
33	663-44311-02	HOUSING, water pump	1	
34	663-44322-00	INSERT, cartridge	1	
35	663-44315-A0	GASKET, water pump	1	
36	663-44366-00	DAMPER, water seal	1	
37	6H3-44352-00	IMPELLER	1	
38	90280-03M03	KEY, woodruff	1	

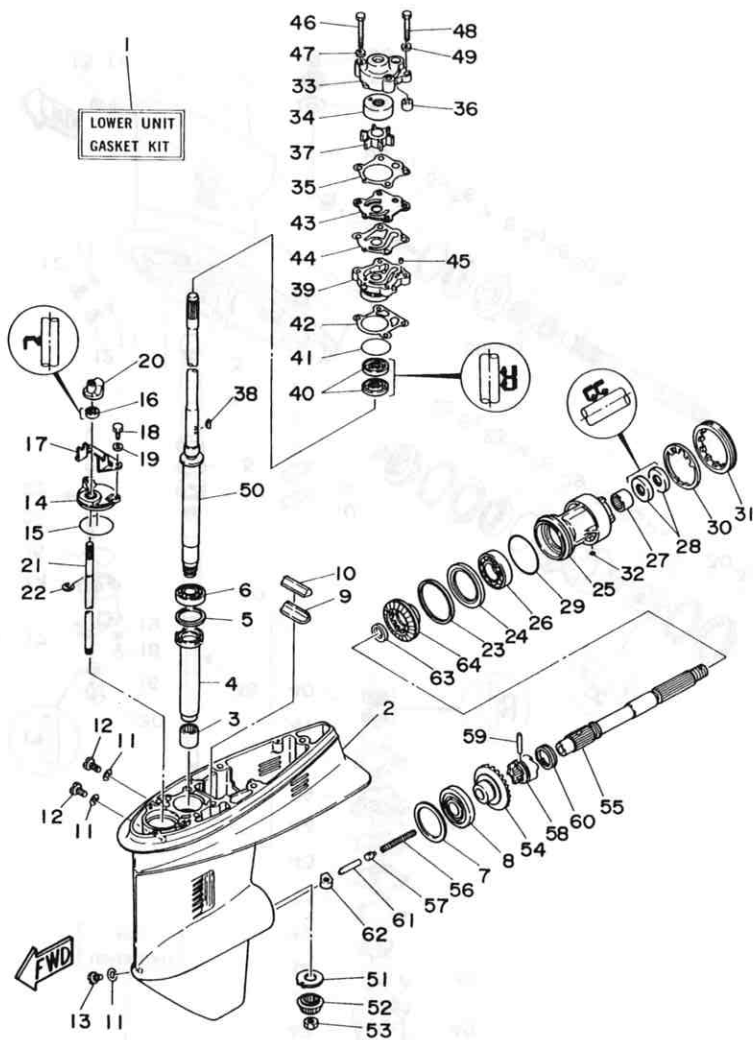


FIG. 12 LOWER CASING. DRIVE 1

REF. NO.	PART NO.	DESCRIPTION	Q'TY	REMARKS
39	663-44341-00-94	HOUSING, water pump	1	
40	93101-23070	OIL SEAL	2	
41	93210-41042	O-RING	1	
42	663-44316-A0	GASKET, water pump	1	
43	663-44323-00	OUTER PLATE, cartridge	1	
44	663-44324-A0	GASKET, cartridge	1	
45	93604-08062	PIN, dowel	2	
46	97395-08055	BOLT	2	
47	92990-08600	WASHER, plate	2	
48	97395-08045	BOLT	2	
49	92990-08600	WASHER, plate	2	
50	6J2-45501-00	DRIVE SHAFT COMP.	1	
51	663-45552-00	BEARING, plain	1	
52	675-45551-00	PINION	1	
53	90170-12138	NUT	1	
54	675-45560-00	GEAR	1	
55	697-45611-00	SHAFT, propeller	1	
56	90501-16233	SPRING, compression	1	
57	663-45634-00	SLIDE, shift	1	
58	663-45631-01	CLUTCH, dog	1	
59	90250-06023	PIN, straight	1	
60	663-45633-00	RING, cross pin	1	
61	688-45635-00	PLUNGER, shift	1	
62	663-44151-00	CAM, shift	1	
63	90201-22429	WASHER, plate	1	
64	675-45571-01	GEAR	1	



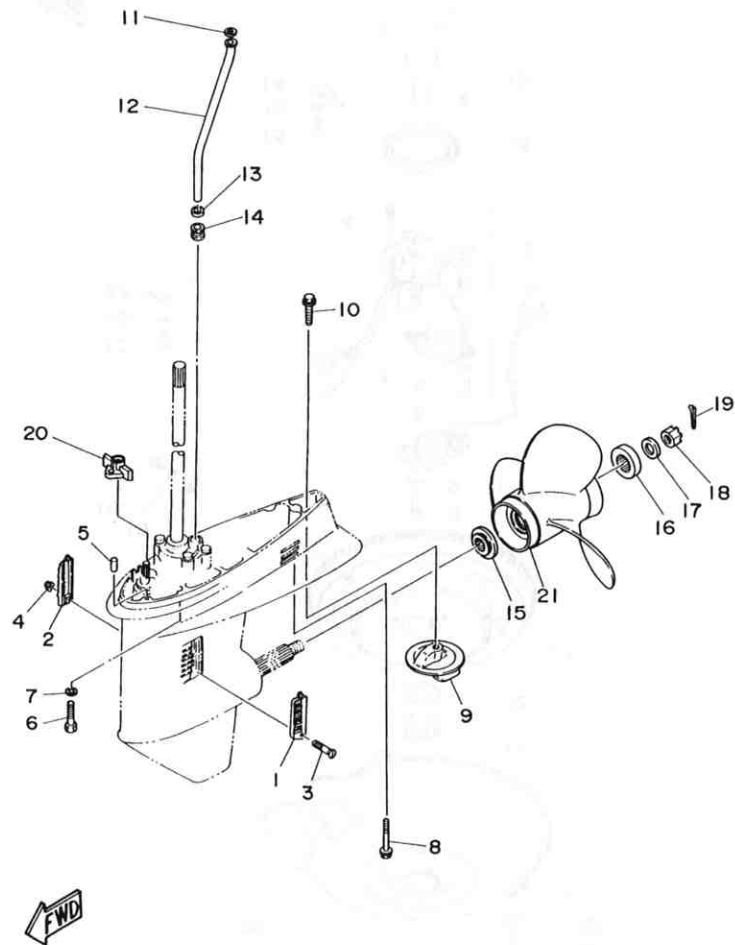


FIG. 13 LOWER CASING. DRIVE 2

REF. NO.	PART NO.	DESCRIPTION	Q'TY	REMARKS
1	688-45214-02	COVER, water inlet	1	
2	688-45215-02	COVER, water inlet	1	
3	98680-05540	SCREW, oval head	1	
4	90185-05002	NUT, self-locking	1	
5	93606-12019	PIN, dowel	2	
6	97395-10040	BOLT	4	
7	92990-10100	WASHER, spring	4	
8	90119-08M84	BOLT, with washer	1	
9	679-45371-00	TAB-TRIM	1	
10	90105-10M00	BOLT, washer based	1	
11	90202-12060	WASHER, plate	1	
12	6H3-44361-00	TUBE, water	1	
13	90430-12072	GASKET	1	
14	663-44367-00	DAMPER, water seal	1	
15	663-45987-02	SPACER	1	
16	670-45997-02	SPACER	1	
17	92990-16200	WASHER, plain	1	
18	90171-16011	NUT, castle	1	
19	91490-40030	PIN, cotter	1	
20	6J2-43662-00	GUIDE, reverse rod	1	
21	6J2-45970-00	PROPELLER (3X11"X21"-G)	1	UR
	6J2-45972-00	PROPELLER (3X11"X19"-G)	1	UR

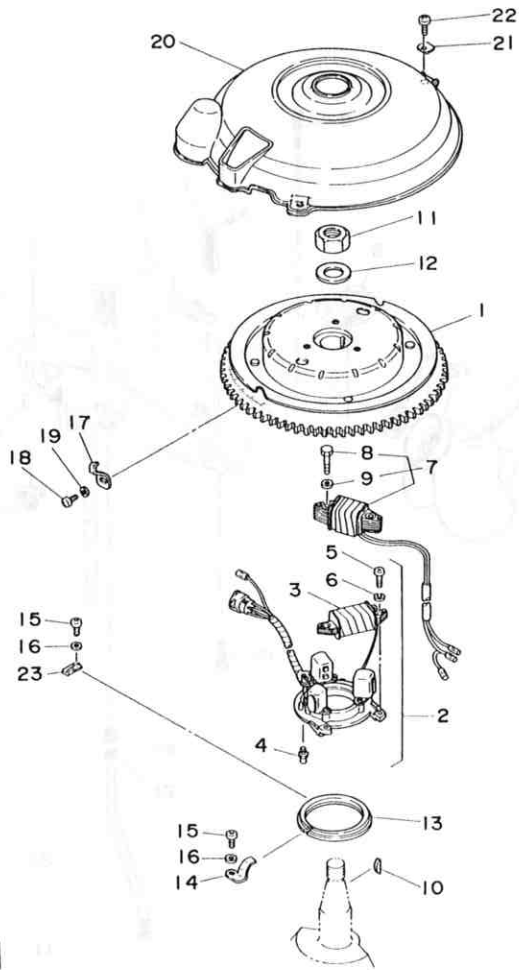


FIG. 14 MAGNETO

REF. NO.	PART NO.	DESCRIPTION	Q'TY	REMARKS
1	6K5-85550-A0	ROTOR ASSY	1	
2	6H3-85510-A0	STATOR ASSY	1	
3	6H3-85520-00	.COIL, charge	1	
4	663-85518-00	.JOINT, ball	1	
5	98501-05016	.SCREW, pan head	2	
6	92990-05100	.WASHER, spring	2	
7	6H3-81303-A0	LIGHTING COIL ASSY	1	
8	97313-06030	.BOLT	2	
9	92990-06600	.WASHER, plate	2	
10	90280-05049	KEY, woodruff	1	
11	90170-20137	NUT	1	
12	90201-21M18	WASHER, plate	1	
13	6H3-41611-00	RETAINER, magneto base	1	
14	6H3-41612-00	RETAINER, magneto base	2	
15	98580-06012	SCREW, pan head	3	
16	92990-06600	WASHER, plate	3	
17	6E5-81332-00	PLATE, timing	1	
18	97803-06010	SCREW, pan head	1	
19	92990-06600	WASHER, plate	1	
20	6H3-81337-01	COVER, flywheel	1	
21	90209-06M04	WASHER	3	
22	92503-06015	SCREW, pan head	3	
23	6H3-41612-10	RETAINER, magneto base	1	

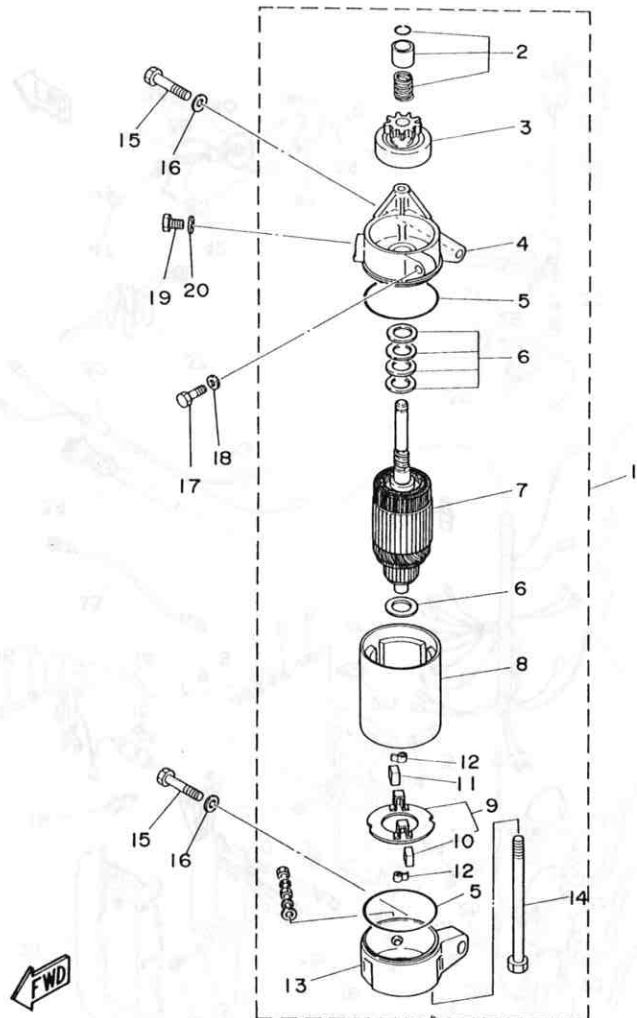


FIG. 15 STARTING MOTOR

REF. NO.	PART NO.	DESCRIPTION	Q'TY	REMARKS
1	6H3-81800-11	STARTING MOTOR ASSY	1	
2	689-81857-11	.PINION STOPPER SET	1	
3	6H3-81807-10	.GEAR ASSY, starting motor	1	
4	6H3-81830-10	.FRONT BRACKET ASSY	1	
5	689-81847-11	.O-RING	2	
6	689-81809-11	.WASHER KIT	1	
7	689-81850-12	.ARMATURE ASSY	1	
8	6H3-81810-10	.STATOR ASSY	1	
9	689-81840-11	.BRUSH HOLDER ASSY	1	
10	689-81812-11	.BRUSH 2	1	
11	689-81811-11	.BRUSH 1	1	
12	689-81813-10	.SPRING, brush	2	
13	6H3-81820-11	.REAR BRACKET ASSY	1	
14	689-81826-10	.BOLT	2	
15	97313-08035	BOLT	2	
16	92990-08600	WASHER, plate	2	
17	97313-06025	BOLT	1	
18	92990-06600	WASHER, plate	1	
19	97313-08016	BOLT	1	
20	92990-08600	WASHER, plate	1	

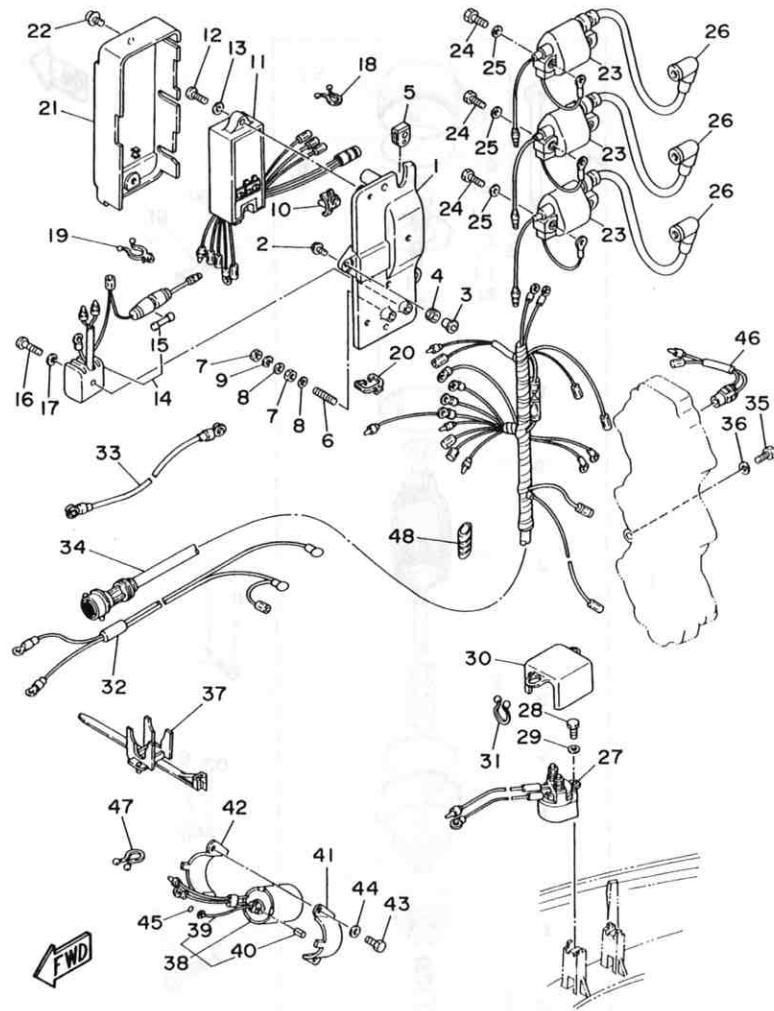


FIG. 16 ELECTRICAL 1

REF. NO.	PART NO.	DESCRIPTION	Q'TY	REMARKS
1	6H3-85542-00-94	BRACKET	1	
2	90105-06M14	BOLT, washer based	3	
3	90387-06M43	COLLAR	3	
4	90480-13M24	GROMMET	3	
5	6H3-81922-00	GROMMET	1	
6	90116-06M07	BOLT, stud	1	
7	95380-06700	NUT	2	
8	92990-06200	WASHER, plain	2	
9	92990-06100	WASHER, spring	1	
10	90464-04M12	CLAMP	1	
11	6H3-85540-11	C.D.I. UNIT ASSY	1	
12	98580-06025	SCREW, pan head	2	
13	92990-06600	WASHER, plate	2	
14	6G1-81970-61	RECTIFIER ASSY	1	
15	6G1-82151-00	.FUSE	1	
16	98503-05025	SCREW, pan head	1	
17	92990-05600	WASHER, plate	1	
18	90465-18147	CLAMP	1	
19	90464-12M17	CLAMP	1	
20	90464-07M10	CLAMP	1	
21	6H3-81916-00	COVER, terminal	1	
22	97980-06212	SCREW, with washer	2	
23	6H3-85570-10	IGNITION COIL ASSY	3	
24	97313-06025	BOLT	6	
25	92990-06600	WASHER, plate	6	
26	6G1-82370-20	PLUG CAP ASSY	3	
27	688-81950-10	RELAY ASSY	1	
28	97313-06016	BOLT	1	

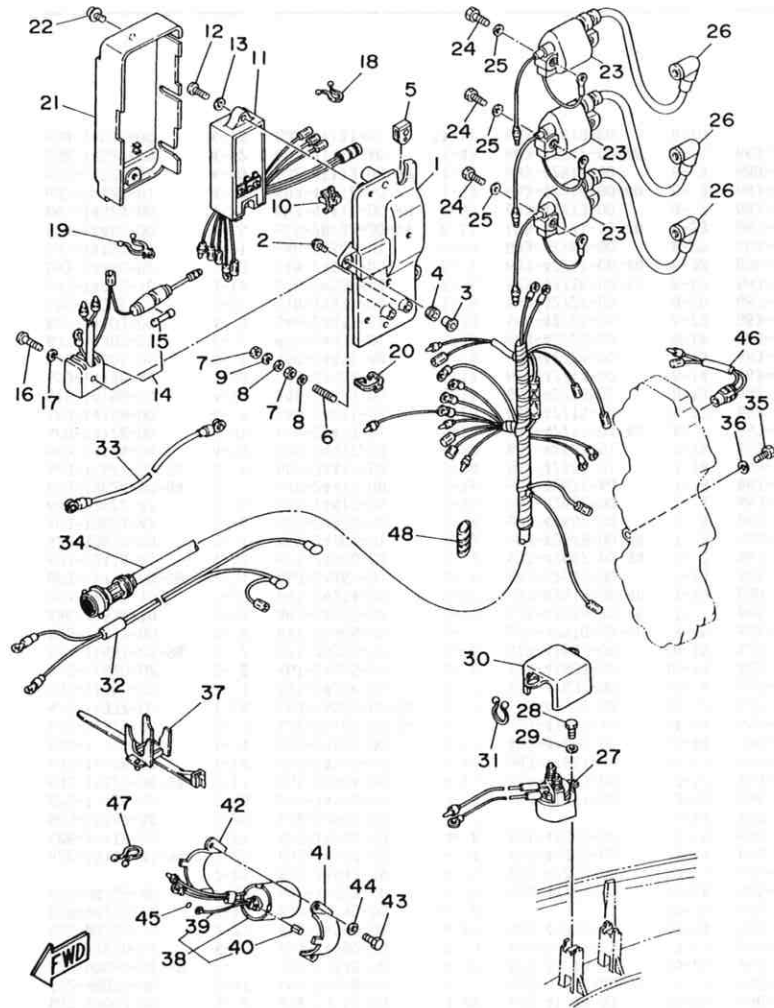


FIG. 16 ELECTRICAL 1

REF. NO.	PART NO.	DESCRIPTION	Q'TY	REMARKS
29	92990-06600	WASHER, plate	1	
30	6H3-82164-00	CASE 2	1	
31	90464-16039	CLAMP	1	
32	6H3-82105-00	WIRE HARNESS	1	
33	6H3-82117-00	WIRE, lead	1	
34	6H3-82590-01	WIRE HARNESS ASSY	1	
35	97013-06012	BOLT	1	
36	92990-06600	WASHER, plate	1	
37	688-82594-00	CLAMP	1	
38	6H3-86110-02	SOLENOID	1	
39	6H3-86116-00	.WIRE, pull	1	
40	91690-30010	.PIN, spring	1	
41	6H3-86112-00	STAY, solenoid	1	
42	6H3-86115-00	HOLDER, solenoid	1	
43	97313-06016	BOLT	2	
44	92990-06600	WASHER, plate	2	
45	93210-03261	O-RING	1	
46	688-82560-10	THERMO SWITCH ASSY	1	
47	90465-18147	CLAMP	1	
48	90446-10M02	HOSE	1	

NUMERICAL INDEX

PART NO.	REF. NO.	PART NO.	REF. NO.	PART NO.	REF. NO.	PART NO.	REF. NO.	PART NO.	REF. NO.	PART NO.	REF. NO.
6J2-W0004-00	3- 2	679-14555-00	4-26	6J2-41134-A1	11-10	696-43111-00-4D	9- 1	6J2-45111-00-4D	11- 1	663-45633-00	12-60
6J2-W0070-90	7-17	6H2-14578-00	4-31	6J2-41137-00-94	11- 5	648-43114-01	9- 2	6H3-45113-A0	11-19	663-45634-00	12-57
6J2-W0090-02-4D	1- 1	6H3-14578-00	4-32	6H3-41213-01	10-22	663-43116-01	9- 3	6J2-45114-A1	11- 9	688-45635-00	12-61
656-W2810-01	6-10	6H3-14590-00	4- 8	6H3-41217-00	3-13	663-43118-00-4D	9- 5	663-45119-00	9-17	6J2-45970-00	13-21
689-W4266-10	7-21	6K5-14592-00	4-27	6H1-41237-00	10-14	663-43123-00	9-10	6J2-45127-00	11-12	6J2-45972-00	13-21
689-W4266-20	7-18	6J2-14793-00	11- 6		10-20	696-43131-01	9-19	6H3-45155-00	11- 2	663-45987-02	13-15
689-W4266-40	7-19	692-14923-00	4-25	682-41237-50	10-19	665-43145-00	9-23	688-45214-02	13- 1	670-45997-02	13-16
	7-20	676-14943-39	4- 5	6H3-41238-00	10- 1	676-43160-02	9-41	688-45215-02	13- 2	663-48344-00	10-17
6J2-11111-01-94	1-25	6H3-14947-02	4- 4	6H3-41257-00	3-14	676-43165-00	9-42	663-45251-00	9- 6		10-40
688-11119-00	1-21	6H3-14948-18	4- 6	661-41262-02	3-15	697-43181-02	9-24	6J2-45300-01-4D	12- 1	688-48511-01-4D	9-77
6H3-11181-A0	1-30	676-14966-00	4- 7		3-18	697-43185-02	9-25	6J2-45311-00-4D	12- 2	6H3-48538-00	10-41
6H3-11325-00	1-16	6H2-14980-00	4-15	6H3-41271-00	3-16	696-43311-00-4D	9-14	663-45321-00	12-14	6H3-81303-A0	14- 7
6H3-11327-00-94	1-17	6G1-14984-00	4-14	689-41273-00	3-17	663-43318-00	9-30	663-45331-00-94	12-25	6E5-81332-00	14-17
6H3-11328-00	1-18	6G1-14985-00	4-12	6H3-41611-00	14-13	696-43610-00	9-31	688-45341-00	12-13	6H3-81337-01	14-20
650-11370-00	1- 4	6H3-14992-00	4-17	6H3-41612-00	14-14	696-43611-00	9-32	679-45371-00	13- 9	6H3-81800-11	15- 1
688-11370-00	1- 3	6J2-15100-01-94	1- 2	6H3-41612-10	14-23	663-43616-02	9-36	663-45375-00	12-10	6H3-81807-10	15- 3
676-11372-00	1-26	6H3-15359-00-94	2-13	6H3-41631-00	10- 2	6J2-43627-00	12-17	663-45376-00-94	12- 9	689-81809-11	15- 6
6H3-11400-03	2- 1	6G1-24304-02	5- 1	6H3-41632-00	10- 8	663-43653-00	9-38	697-45384-00	12-31	6H3-81810-10	15- 8
6J2-11610-02	2- 8	6G1-24305-00	6- 6	6H3-41633-00	10-11	6J2-43662-00	13-20	6J2-45501-00	12-50	689-81811-11	15-11
6J2-11631-02-96	2- 7	6Y1-24305-01	6- 8	679-41636-00	10-15	6J2-44117-01-94	10-30	698-45536-00	12- 4	689-81812-11	15-10
6H3-11633-00	2- 9	6Y1-24306-05	6- 1	6H3-42510-02-4D	9-45	6J2-44120-00	10-26	675-45551-00	12-52	689-81813-10	15-12
688-11634-10	2-10	6H3-24313-00	5-35	6J2-42610-90-4D	7- 1	6H3-44121-01	10-36	663-45552-00	12-51	6H3-81820-11	15-13
6H3-12411-10	1-33	6H3-24314-00	5-37	6H3-42613-00-4D	7-10	688-44122-00	10-39	675-45560-00	12-54	689-81826-10	15-14
6H3-12413-00-9M	1-34	650-24351-01	6- 5	6H3-42615-00	7-13	663-44144-01	12-21	663-45567-01-10	12- 7	6H3-81830-10	15- 4
6H3-12414-A1	1-35	6Y1-24360-02	6- 3	6H3-42647-00-94	7- 2	663-44151-00	12-62	663-45567-01-12	12- 7	689-81840-11	15- 9
6J2-13610-00	3- 1	6E5-24367-01	8-26	6H3-42649-00-94	7- 3	663-44155-01	12-20	663-45567-01-15	12- 7	689-81847-11	15- 5
6H3-13621-A1	3- 6	688-24378-00	5-34	6H3-42652-00	7- 5	688-44194-00	10- 5	663-45567-01-18	12- 7	689-81850-12	15- 7
6H3-13622-A1	3- 8	6A0-24410-05	5-15	663-42662-00	7- 4	663-44311-02	12-33	663-45567-01-30	12- 7	689-81857-11	15- 2
6H3-13624-00-94	3- 7	648-24411-00	5-16	6H3-4267A-A0	7-16	663-44315-A0	12-35	663-45567-01-40	12- 7	6H3-81916-00	16-21
6H3-13641-03-94	3- 5	663-24411-00	5-24	6J2-42686-01	7-14	663-44316-A0	12-42	663-45567-01-50	12- 7	6H3-81922-00	16- 5
663-14126-00	4-19	6A0-24412-02	5-28	6J2-42687-01	7-15	663-44322-00	12-34	675-45571-01	12-64	688-81950-10	16-27
688-14126-00	4-21	648-24413-01	5-25	6H3-42711-04-4D	8- 1	663-44323-00	12-43	663-45576-00	12-24	6G1-81970-61	16-14
663-14159-00	4- 9	6A0-24421-01	5-20	648-42715-00	10-27	663-44324-A0	12-44	663-45577-01-10	12-23	6H3-82105-00	16-32
676-14186-00	4-10	648-24423-00	5-18	6H3-42716-02	8-13	6J2-44328-00	11-13	663-45577-01-12	12-23	6H3-82117-00	16-33
6H3-14198-A1	3-12	648-24424-00	5-17	6K5-42717-00	8-14	663-44341-00-94	12-39	663-45577-01-15	12-23	703-82119-00	8-30
6J2-14301-05	4- 1	650-24431-A0	5-29	6E5-42724-00	8-15	6H3-44352-00	12-37	663-45577-01-18	12-23	696-82127-00	9-66
6J2-14302-05	4- 2	648-24434-01	5-19	6H3-42725-00	8-16	6H3-44361-00	13-12	663-45577-01-30	12-23	6E5-82148-00	9- 8
6J2-14303-05	4- 3	648-24435-02	5-23	6H4-42726-00	8-29	663-44366-00	12-36	663-45577-01-40	12-23	6G1-82151-00	16-15
6A0-14325-00	5-21	61N-24521-00	5- 8	6H3-42727-00	8-20	663-44367-00	13-14	663-45577-01-50	12-23	6H3-82164-00	16-30
6H3-14413-10	3-19	61N-24560-00	5- 6	6H3-42738-00-5B	8-17	6H3-44391-01	8- 2	663-45587-01-10	12- 5	6G1-82370-20	16-26
6H3-14440-02	3-20	61N-24563-00	5- 7	6H3-42741-00-4D	8-32	688-44511-00-94	9-74	663-45587-01-12	12- 5	688-82560-10	16-46
6H3-14457-01	3-21	648-24566-01	5-10	6H3-42768-00	8-25	688-44514-00-94	9-67	663-45587-01-15	12- 5	6H3-82590-01	16-34
624-14485-00	1- 5	6E0-28193-00-94	6-11	6H3-42771-00-4D	8-33	6H3-44551-00-4D	9-50	663-45587-01-18	12- 5	688-82594-00	16-37
6H1-14523-00	4-29	6H3-41111-00-9M	1-38	6H3-42813-00	8- 7	6H3-44552-01-94	9-59	663-45587-01-30	12- 5	6H3-85510-A0	14- 2
6H2-14527-01	4-23	6H3-41112-A0	1-39	6H3-42815-00-4D	8- 3	6H3-44553-00-4D	9-64	663-45587-01-40	12- 5	663-85518-00	14- 4
663-14527-00	4-20	6J2-41113-00-9M	1-40	6H3-42816-00	8- 9	688-44555-00-94	9-52	663-45587-01-50	12- 5	6H3-85520-00	14- 3
688-14527-00	4-22	6H3-41114-A0	1-41	6H3-42817-00-4D	8- 4	663-44575-00	9-57	697-45611-00	12-55	6H3-85540-11	16-11
688-14548-00	4-13	6J2-41131-01	11-11	6H3-42818-00	8-10		9-73	663-45631-01	12-58	6H3-85542-00-94	16- 1

NUMERICAL INDEX

PART NO.	REF. NO.	PART NO.	REF. NO.	PART NO.	REF. NO.	PART NO.	REF. NO.	PART NO.	REF. NO.	PART NO.	REF. NO.
6K5-85550-A0	14- 1	90202-20M06	9-70	90464-07M05	1-15	92990-06600	3-10	93210-15M52	4-33	97313-06025	1-36
6H3-85570-10	16-23	90202-25M04	9-54	90464-07M10	16-20		5- 3	93210-32738	5- 9		3- 9
6H3-86110-02	16-38	90206-10M04	10-23	90464-12M17	16-19		5-31	93210-41042	12-41		5- 2
6H3-86112-00	16-41	90206-10M08	9-26	90464-16039	16-31		7- 8	93210-46M16	2- 6		8-34
6H3-86115-00	16-42	90206-13M10	8- 6	90465-08028	1-28		7-12	93210-49046	12-15		10-25
6H3-86116-00	16-39	90209-06M04	14-21	90465-18147	16-18		8-19	93210-65M50	2-16		15-17
90101-10M49	9-68	90209-06M05	3-23		16-47		8-28	93210-66M98	12-29		16-24
90101-10M58	9-80	90214-48M03	12-30	90467-06016	1-10		8-35	93306-00702	12-26	97313-06030	8-24
90105-06M14	16- 2	90243-04007	9- 4		1-14		8-37	93306-306V1	2- 5		14- 8
90105-10M00	13-10	90250-06023	12-59	90467-08004	1-29		10-32	93311-636U6	2- 2	97313-06040	5-30
90109-12M21	9-56	90266-06M02	7- 9		5- 5		12-19	93315-322V2	12- 3	97313-06095	3-11
90116-06M07	16- 6	90269-03010	9-15		5-14		14- 9	93317-22204	12-27	97313-08016	15-19
90116-10175	9-78	90269-04M03	8- 8		5-33		14-16	93332-00001	12- 6	97313-08020	1-22
90119-06M66	10-13	90280-03M03	12-38		5-38		14-19	93332-00003	12- 8	97313-08035	15-15
90119-08M17	1- 8	90280-05049	14-10	90468-18008	10-18		15-18	93410-28M06	9-51	97375-08015	11- 7
90119-08M29	1-31	90282-04010	12-32		10-37		16-13	93440-49M04	2- 4	97395-06016	7- 6
90119-08M79	11-16	90338-05M03	8-31	90480-09M12	8-21		16-25	93501-04M02	10-28		12-18
90119-08M81	11- 4	90340-08M04	12-12	90480-13M24	16- 4		16-29	93603-18M09	2-11	97395-06025	10- 7
90119-08M82	11-23	90340-14M00	1-23	90501-10326	4-30		16-36	93604-08062	12-45	97395-08020	11-14
90119-08M84	13- 8	90386-08006	10-33	90501-12082	10-29		16-44	93606-12019	11- 3	97395-08025	9-60
90119-10M07	1- 7	90386-10045	9-27	90501-14236	9-62	92990-08100	9-61		11-20		11-21
90157-06M01	8-27		9-35	90501-16233	12-56		9-76		13- 5	97395-08045	12-48
90157-06M13	10- 3	90386-13M38	8- 5	90502-10M04	9-44		11- 8	93608-12063	1- 6	97395-08055	12-46
90170-12138	12-53	90386-22M15	9-22	90506-12078	9-34		11-15	93700-06M03	9-16	97395-10040	13- 6
90170-20137	14-11	90386-30048	9-47	90508-29M19	10-10		11-18	94702-00247	1-44	97595-06520	2-17
90171-16011	13-18	90387-06M43	16- 3	91490-20015	9-40		11-22	95303-08600	5-11	97803-06010	14-18
90179-06066	9-63	90387-06M59	10-12		10-35	92990-08200	10-34	95380-03600	5-22	97980-04114	4-16
90185-05002	13- 4	90387-06M60	10- 6	91490-25030	9-33	92990-08600	11-24	95380-05600	10-16	97980-05310	4-24
90185-10051	9-72		10-24	91490-30030	9-29		12-47		10-21	97980-06212	16-22
	9-79	90387-06M69	8-22	91490-40030	13-19		12-49	95380-06600	10- 4	98501-05016	14- 5
90185-22043	9-21	90387-10M03	9-11	91590-08030	9-39		15-16	95380-06700	16- 7	98503-05025	16-16
90201-05652	4-28	90387-10269	9-28	91690-30010	9-43		15-20	95380-08600	9-37	98580-04008	4-11
90201-06M02	8-11	90430-08020	12-11		16-40	92990-10100	13- 7	95380-10600	9-13	98580-05016	3- 3
90201-06M31	10- 9	90430-12072	13-13	91690-40040	9-18	92990-10600	9-12		9-12	98580-05530	5-26
90201-06416	8-23	90430-14115	1-24	92180-06025	9- 7	92990-16200	13-17	95380-12800	9-58	98580-06012	9- 9
90201-08M61	1-32	90445-07M02	1-11	92380-06015	9-65	92995-10600	9-81	97013-06012	8-12		14-15
90201-11M22	9-71	90445-07M44	1- 9	92503-06015	14-22	93101-22067	12-28		16-35	98580-06025	16-12
90201-12M16	9-53	90445-07M45	1-12	92503-06045	3-22	93101-23070	12-40	97013-06035	1-42	98680-05540	13- 3
90201-13M19	9-55	90445-07M82	1-13	92990-05100	5-27	93102-30M23	2-14	97090-08035	9-75	99001-08600	12-22
90201-20M21	9-69	90445-09M08	1-27		14- 6	93102-36M24	2- 3		11-17		
90201-20417	2-12	90445-09M75	5- 4	92990-05600	3- 4	93106-09014	12-16	97313-06014	5-12		
90201-21M18	14-12	90445-09072	5-13		16-17	93106-18M01	2-15	97313-06016	1-19		
90201-22428	9-20		5-32	92990-06100	7- 7	93109-30M03	9-49		7-11		
90201-22429	12-63	90445-09220	5-36		16- 9	93210-03261	16-45		8-18		
90201-30M00	9-46	90445-11M05	6- 4	92990-06200	16- 8	93210-04228	4-34		16-28		
90201-31418	9-48	90445-11M06	6- 2	92990-06600	1-20	93210-04230	4-18		16-43		
90202-07M07	10-38	90446-10M02	16-48		1-37	93210-08287	6- 7	97313-06020	8-36		
90202-12060	13-11	90464-04M12	16-10		1-43		6- 9		10-31		

— MEMO —

No.	Name	Age	Sex	Occupation	Address	Remarks
1	...	...	...	...	...	...
2	...	...	...	...	...	...
3	...	...	...	...	...	...
4	...	...	...	...	...	...
5	...	...	...	...	...	...
6	...	...	...	...	...	...
7	...	...	...	...	...	...
8	...	...	...	...	...	...
9	...	...	...	...	...	...
10	...	...	...	...	...	...
11	...	...	...	...	...	...
12	...	...	...	...	...	...
13	...	...	...	...	...	...
14	...	...	...	...	...	...
15	...	...	...	...	...	...
16	...	...	...	...	...	...
17	...	...	...	...	...	...
18	...	...	...	...	...	...
19	...	...	...	...	...	...
20	...	...	...	...	...	...
21	...	...	...	...	...	...
22	...	...	...	...	...	...
23	...	...	...	...	...	...
24	...	...	...	...	...	...
25	...	...	...	...	...	...
26	...	...	...	...	...	...
27	...	...	...	...	...	...
28	...	...	...	...	...	...
29	...	...	...	...	...	...
30	...	...	...	...	...	...
31	...	...	...	...	...	...
32	...	...	...	...	...	...
33	...	...	...	...	...	...
34	...	...	...	...	...	...
35	...	...	...	...	...	...
36	...	...	...	...	...	...
37	...	...	...	...	...	...
38	...	...	...	...	...	...
39	...	...	...	...	...	...
40	...	...	...	...	...	...
41	...	...	...	...	...	...
42	...	...	...	...	...	...
43	...	...	...	...	...	...
44	...	...	...	...	...	...
45	...	...	...	...	...	...
46	...	...	...	...	...	...
47	...	...	...	...	...	...
48	...	...	...	...	...	...
49	...	...	...	...	...	...
50	...	...	...	...	...	...