

PARTS CATALOGUE

85AED'01 (6880)

FOREWORD

This Parts Catalogue is related to the parts for the model(s) in the below frame. When you are ordering replacement parts, please refer to this Parts Catalogue and quote both part numbers and part names correctly.

85AED'01(6880)

1. Modifications or additions which have been made after issue of the Parts Catalogue will be announced in the Yamaha Parts News.
It is advisable that you make necessary corrections to the Parts Catalogue according to the Yamaha Parts News.

2. Abbreviations

The Following abbreviations are used in this Parts Catalogue.

- "UR" Use specified parts number.
- "UN" Use as many as needed.
- "AP" Alternate Parts
- "LM" Local Made
(Parts need to be ordered locally)
- "O/S" Over Size

3. Parts, which are to be supplied in an assembly, are listed with a dot(.) in front of the part name as shown below.

EXAMPLE
 CARBURETOR ASSY
 .JET, PILOT
 .NOZZLE, MAIN

4. Number of component for assembly

The numeral appearing to the right of each component part indicates the quantity of parts for each assembly unit.

EXAMPLE

PART NO.	DESCRIPTION	U	H	EH		REMARKS
6E0-85500-70	C.D.I. MAGNETO ASSY	1				
6E0-85550-70	.ROTOR ASSY	1				
6E0-15723-00-94.	.PULLY, STARTER	1				

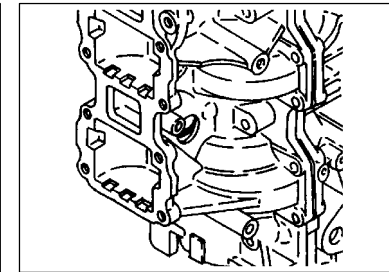
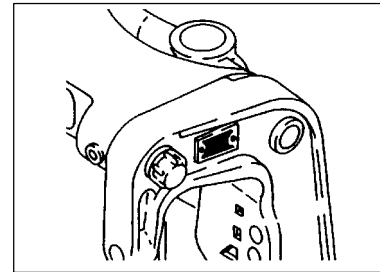
5. Quantity Column Information

NAME for Q'TY COLUMN	APPLICABLE MODEL
85A	85AED

6. Applicable Starting Serial No. and Color Code

1) Engine Starting Sserial No.

85AED	L : 319493
	X : 701108



2) Color Code

Color Code	Color Name	Abbreviation
004D	DARK BLUISH GRAY METALLIC 2	DBNM2

7. Note that the illustrations for reference in finding parts numbers, not to be used for assembling. When assembling, please use the applicable service manual.

8. The asterisk (*) before a reference number indicates modification items after the first edition.

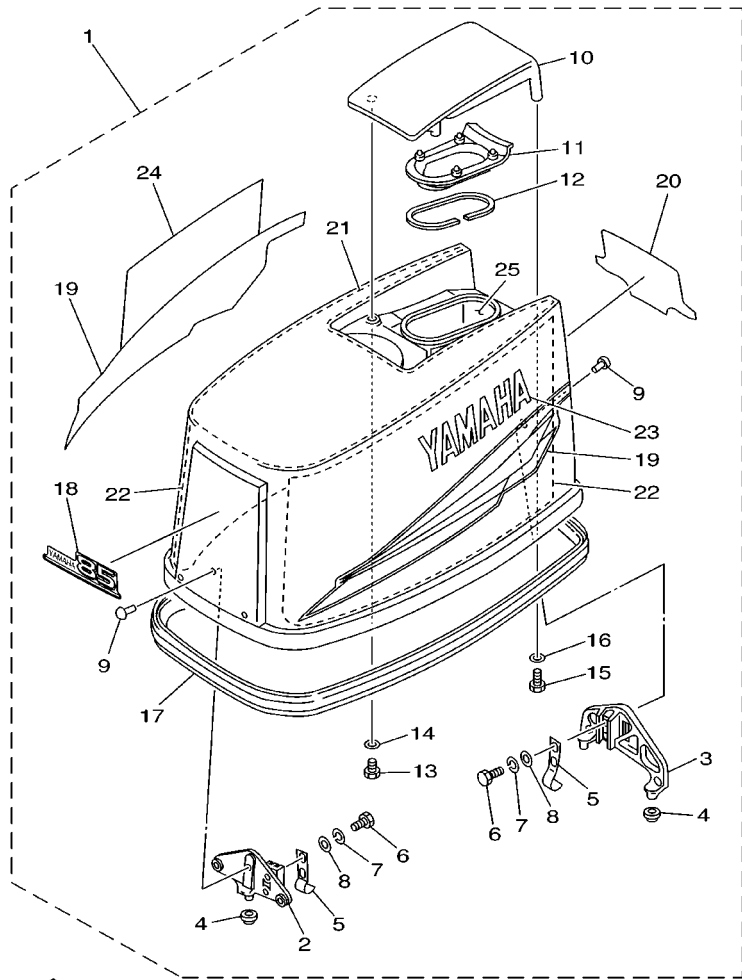
CONTENTS

TOP COWLING	1
CYLINDER, CRANKCASE	2
CRANKSHAFT, PISTON	4
INTAKE	6
CARBURETOR	8
FUEL	10
GENERATOR	12
ELECTRICAL	13
STARTING MOTOR	15
BOTTOM COWLING	16
CONTROL	18
BRACKET 1	21
BRACKET 2	23
BRACKET 3	24
UPPER CASING	26
LOWER CASING, DRIVE 1	27
LOWER CASING, DRIVE 2	30
FUEL TANK	32
STEERING GUIDE	33
REMOTE CONTROL BOX	34

REMOTE CONTROL ASSY	35
REPAIR KIT 1	38
REPAIR KIT 2	40

INDEX

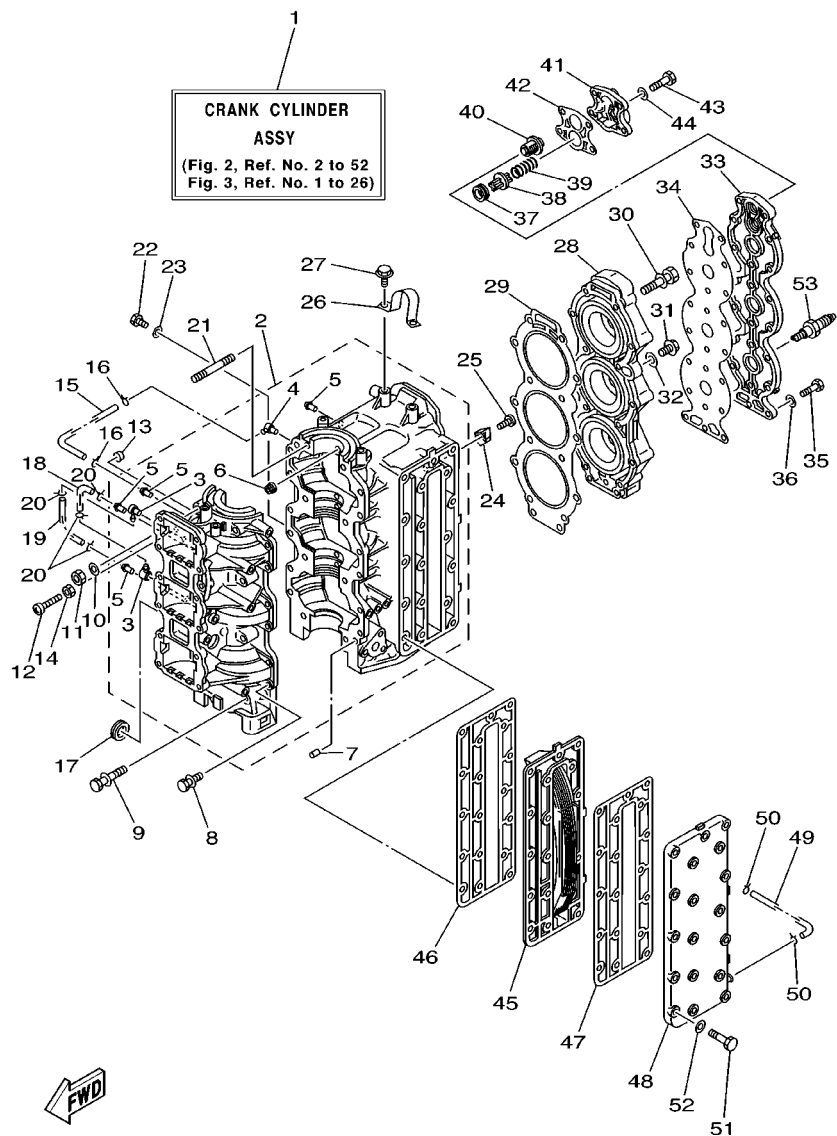
NUMERICAL INDEX	42
-----------------------	----



6880664-0010

FIG. 1 TOP COWLING

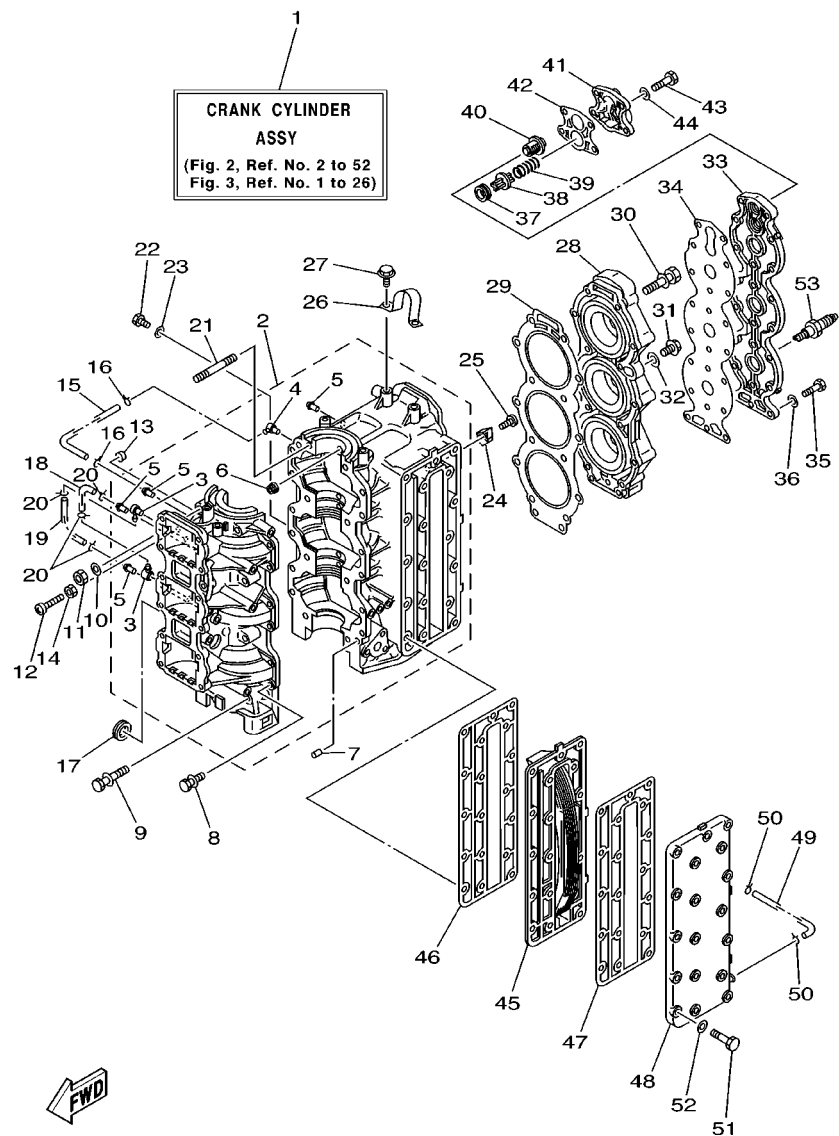
REF. NO.	PART NO.	DESCRIPTION	85A				REMARKS
1	688-42610-32-4D	TOP COWLING ASSY	1				
2	688-42647-00-94	.HOLDER, CLAMP BAND	1				
3	688-42649-00-94	.HOLDER, CLAMP BAND	1				
4	663-42662-00	.DAMPER	3				
5	688-42652-10	.HOOK	2				
6	97095-06018	.BOLT	2				
7	92995-06100	.WASHER, SPRING	2				
8	92995-06600	.WASHER	2				
9	90266-06009	.RIVET	6				
10	688-42613-01-4D	.MOLDING, AIR DUCT	1				
11	688-42618-00	.AIR SHROUD, TOP COWLING	1				
12	688-42628-00	.SEAL	1				
13	97095-06016	.BOLT	2				
14	92995-06600	.WASHER	2				
15	97095-06025	.BOLT	2				
16	92995-06600	.WASHER	2				
17	688-42615-00	.SEAL	1				
18	688-42677-31	.GRAPHIC, FRONT	1				
19	688-W0070-31	.GRAPHIC SET	1				
20	688-42678-31	.GRAPHIC, REAR	1				
21	688-42617-00	.DAMPER, FORM	1				
22	688-42619-00	.DAMPER, FORM	2				
23	688-42681-31	.MARK, COWLING	1				
24	688-42682-31	.MARK, COWLING	1				
25	688-42637-00	.DAMPER, FORM	1				



6880664-0020

FIG. 2 CYLINDER, CRANKCASE

REF. NO.	PART NO.	DESCRIPTION	85A				REMARKS
1	688-W0090-42-4D	CRANK CYLINDER ASSY	1				
2	688-15100-05-94	CRANKCASE ASSY	1				
3	688-11370-00	.CHECK VALVE ASSY	2				
4	650-11370-00	.CHECK VALVE ASSY	1				
5	624-14485-00	.PIPE, JOINT	4				
<hr/>							
6	663-11518-01	.LOCK, BEARING	3				
7	93608-12063	PIN, DOWEL	2				
8	90119-06M12	BOLT, WITH WASHER	12				
9	90119-10M07	BOLT, WITH WASHER	6				
10	90201-10430	WASHER, PLATE	2				
<hr/>							
11	95313-10600	NUT	2				
12	90157-06014	SCREW, PAN HEAD	1				
13	688-44194-00	CAP	1				
14	95303-06700	NUT	1				
15	90445-07260	HOSE (L276)	1				
<hr/>							
16	90467-06016	CLIP	2				
17	90480-24M04	GROMMET	1				
18	90445-07M00	HOSE (L100)	1				
19	90445-07M23	HOSE (L408)	1				
20	90467-06016	CLIP	4				
<hr/>							
21	90116-10M06	BOLT, STUD	2				
22	97095-06012	BOLT	1				
23	92995-06100	WASHER, SPRING	1				
24	688-11325-00	ANODE	2				
25	98780-04015	SCREW, FLAT HEAD	2				
<hr/>							
26	688-11119-00	HANGER, ENGINE	1				
27	90119-08MA3	BOLT, WITH WASHER	2				

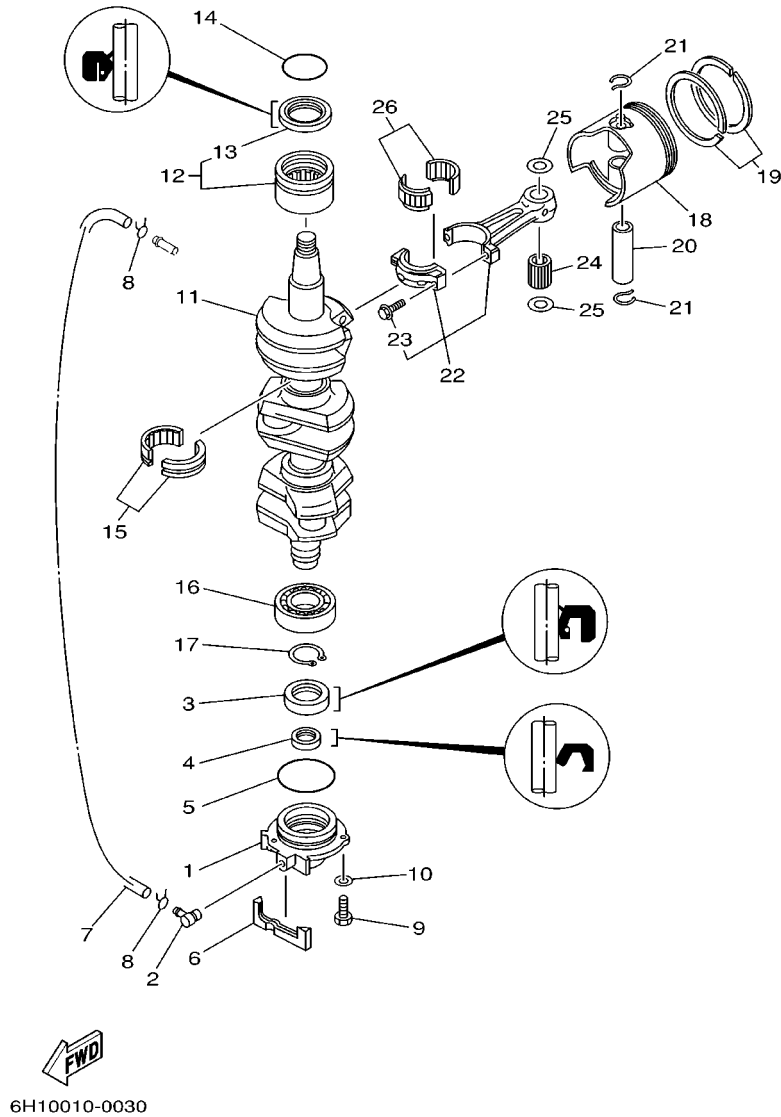


6880664-0020

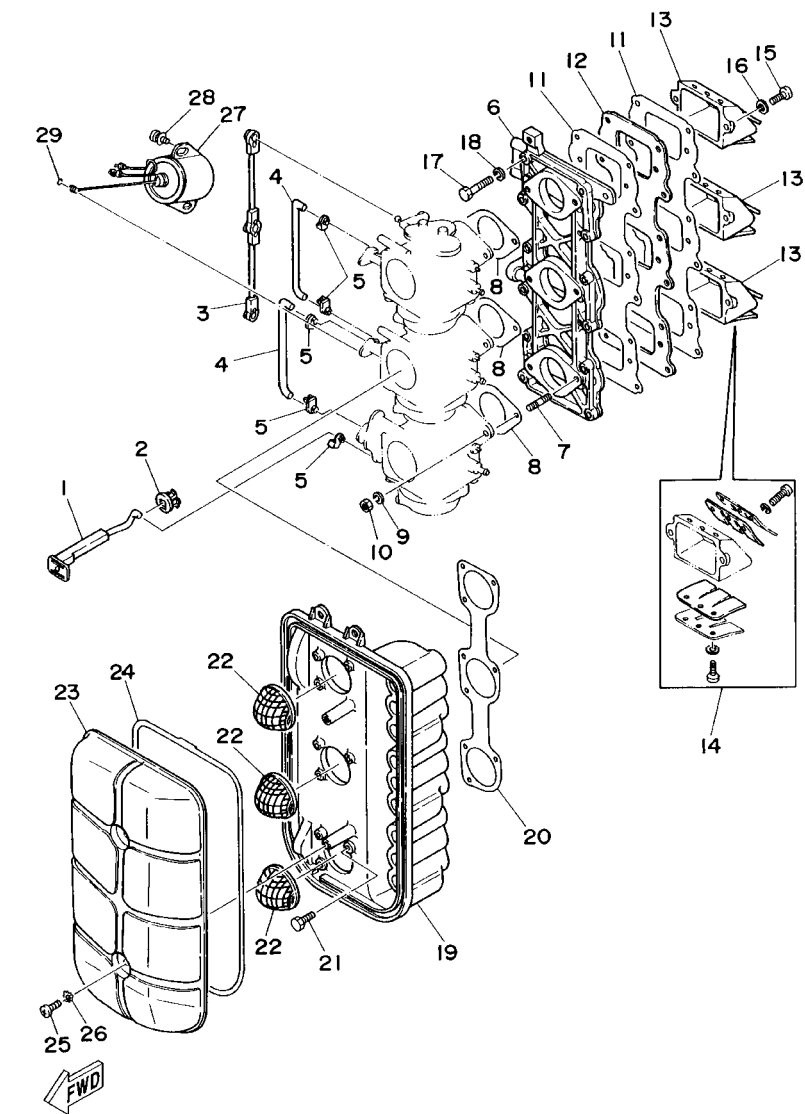
FIG. 2 CYLINDER, CRANKCASE

REF. NO.	PART NO.	DESCRIPTION	85A				REMARKS
28	688-11111-02-94	HEAD, CYLINDER 1	1				
29	688-11181-A1	GASKET, CYLINDER HEAD 1	1				
30	90119-08M65	BOLT, WITH WASHER	14				
31	90340-14M00	PLUG, STRAIGHT SCREW	1				
32	90430-14115	GASKET	1				
33	688-11191-00-9M	COVER, CYLINDER HEAD 1	1				
34	688-11193-A1	GASKET, HEAD COVER 1	1				
35	97013-06025	BOLT	18				
36	92903-06600	WASHER, PLATE	18				
37	90480-20M05	GROMMET	1				
38	688-12416-00	VALVE, PRESSURE CONTROL	1				
39	90501-16M11	SPRING, COMPRESSION	1				
40	688-12411-10	THERMOSTAT	1				
41	688-12413-00-9M	COVER, THERMOSTAT	1				
42	688-12414-A1	GASKET, COVER	1				
43	97013-06035	BOLT	4				
44	92903-06600	WASHER, PLATE	4				
45	688-41111-00-9M	INNER COVER, EXHAUST	1				
46	688-41112-A0	GASKET, EXHAUST INNER COVER	1				
47	688-41114-A0	GASKET, EXHAUST OUTER COVER	1				
48	688-41113-00-9M	OUTER COVER, EXHAUST	1				
49	663-24312-01	PIPE 2	1				
50	90467-08004	CLIP	2				
51	97013-08040	BOLT	18				
52	92903-08600	WASHER, PLATE	18				
53	94702-00247	PLUČ, ŠPARK (NGK BR8HS-10)	3				

FIG. 3 CRANKSHAFT. PISTON



REF. NO.	PART NO.	DESCRIPTION	85A				REMARKS
1	6H1-15359-01-94	HOUSING, OIL SEAL	1				
2	688-11370-00	CHECK VALVE ASSY	1				
3	93102-30M05	OIL SEAL	1				
4	93104-20M02	OIL SEAL	1				
5	93210-62269	O-RING	1				
6	688-15379-00	SEAL, CRANKCASE	1				
7	90445-07M86	HOSE (L460)	1				
8	90467-06016	CLIP	2				
9	97095-06020	BOLT	3				
10	92995-06600	WASHER	3				
11	688-11411-01	CRANKSHAFT	1				
12	93310-636U4	BEARING	1				
13	93102-36M02	OIL SEAL	1				
14	93210-46M16	O-RING	1				
15	93310-835U8	BEARING	2				
16	93306-206U5	BEARING	1				
17	93410-32M00	CIRCLIP	1				
18	688-11631-03-94	PISTON (STD)	3				
	688-11635-03	PISTON (0.25MM O/S)	3				AP
	688-11636-03	PISTON (0.50MM O/S)	3				AP
19	688-11603-A0	PISTON RING SET (STD)	3				
	688-11604-A0	PISTON RING SET (0.25MM O/S)	3				AP
	688-11605-A0	PISTON RING SET (0.50MM O/S)	3				AP
20	663-11633-00	PIN, PISTON	3				
21	688-11634-00	CLIP, PISTON PIN	6				
22	688-11650-03	CONNECTING ROD ASSY	3				
23	90109-08M61	BOLT	2				

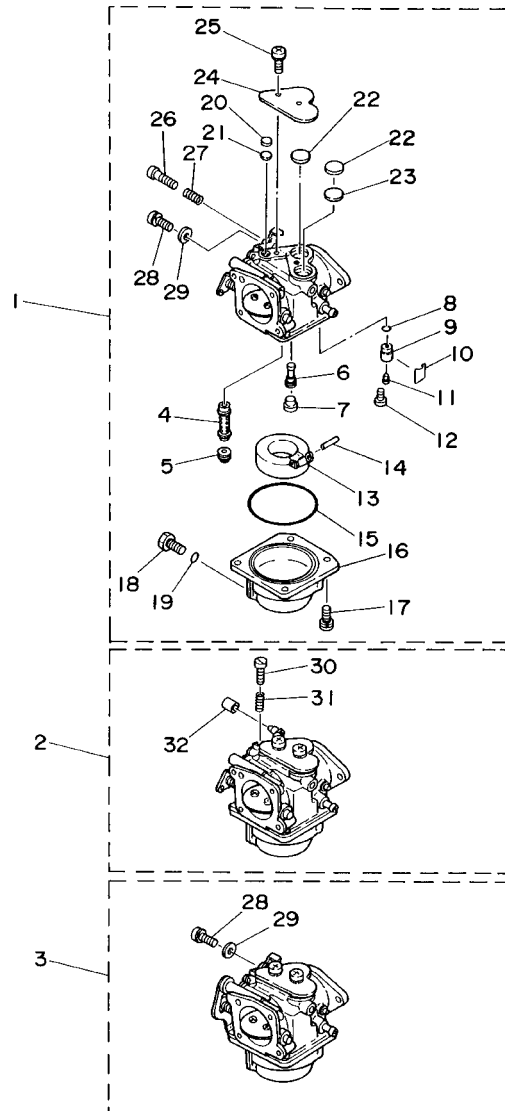


6880010-4040

FIG. 4 INTAKE

REF. NO.	PART NO.	DESCRIPTION	85A				REMARKS
1	692-41256-00	ROD, CHOKE 1	1				
2	689-41273-00	GROMMET	1				
3	688-41217-01	ROD, ACCEL. LEVER	1				
4	688-41257-01	ROD, CHOKE 2	2				
5	661-41262-02	JOINT, CHOKE LEVER	5				
6	688-13641-00-94	MANIFOLD 1	1				
7	90116-06122	BOLT, STUD	6				
8	688-14198-A2	GASKET	3				
9	92995-06100	WASHER, SPRING	6				
10	95380-06600	NUT, HEXAGON	6				
11	688-13621-A1	GASKET, VALVE SEAT	2				
12	688-13624-00	PLATE, REED VALVE	1				
13	688-13610-00	REED VALVE ASSY	3				
14	688-W0004-00	.REED SET	1				
15	97880-05020	SCREW, PAN HEAD	6				
16	92990-05100	WASHER, SPRING	6				
17	97013-06030	BOLT	12				
18	92903-06100	WASHER, SPRING	12				
19	688-14417-01-94	COVER 1	1				
20	688-14483-A0	GASKET	1				
21	97013-06018	BOLT	6				
22	688-14481-00	CAP, CARBURETOR	3				
23	688-14418-01	COVER 2	1				
24	688-14416-01	GASKET, AIR CLEANER	1				
25	97885-06016	SCREW, PAN HEAD	2				
26	90209-06M05	WASHER	2				
27	688-86110-01	SOLENOID	1				

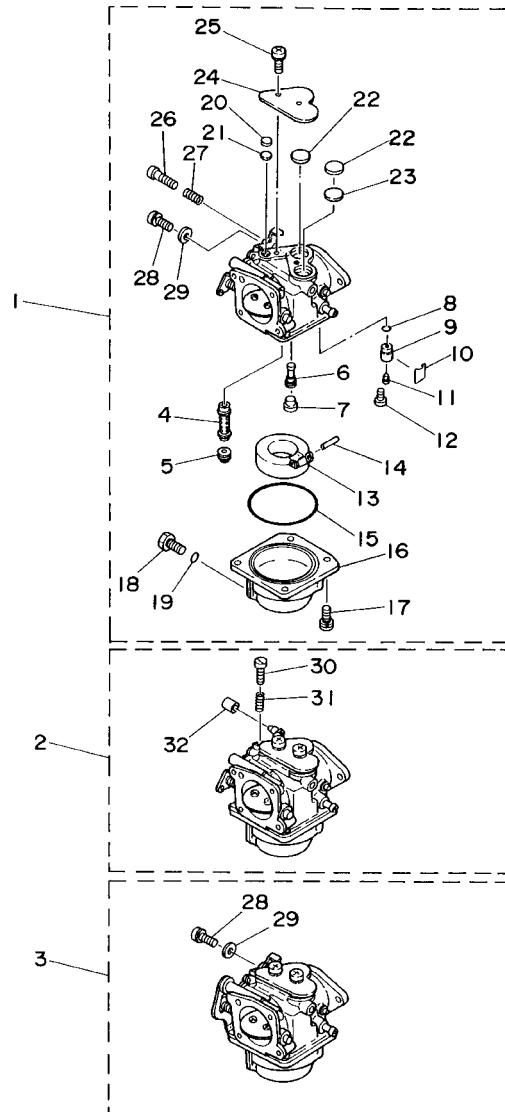
FIG. 5 CARBURETOR



6880010-4050

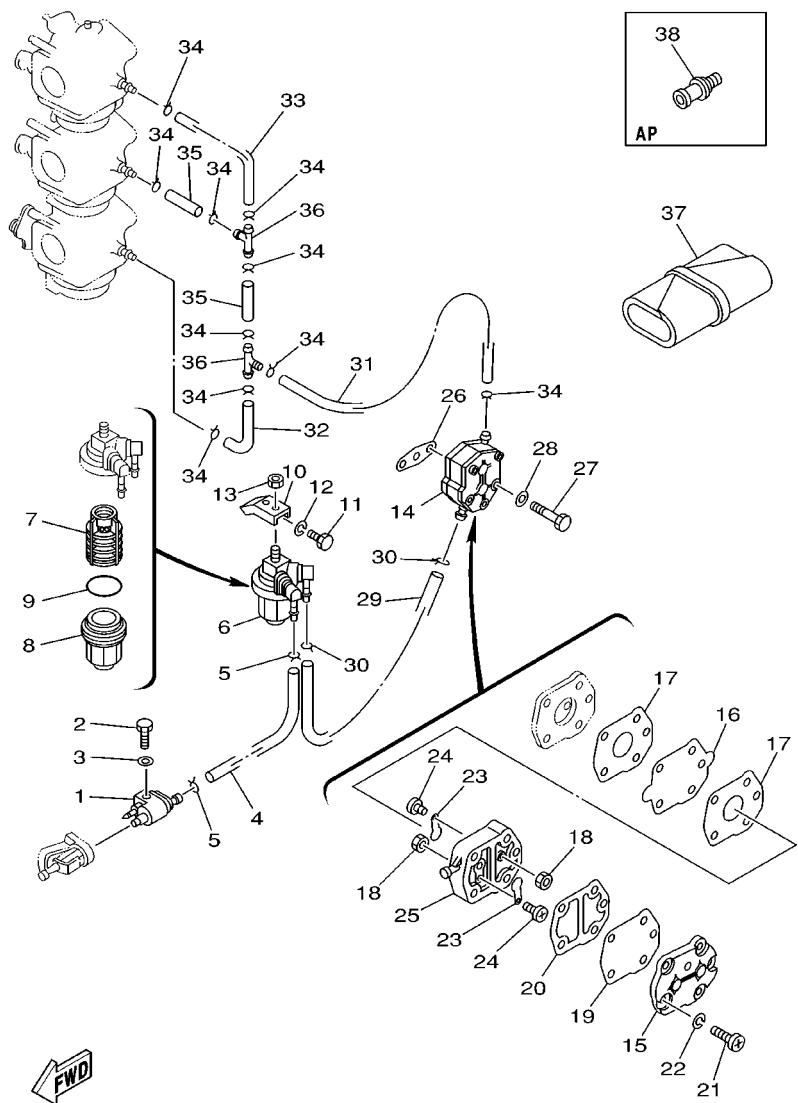
REF. NO.	PART NO.	DESCRIPTION	85A				REMARKS
1	688-14301-08	CARBURETOR ASSY 1	1				
2	688-14302-08	CARBURETOR ASSY 2	1				
3	688-14303-08	CARBURETOR ASSY 3	1				
4	688-14947-00	.JET, NEEDLE	3				
5	676-14943-40	.JET, MAIN (#165)	3				
6	676-14948-18	.JET (#78)	3				
7	676-14966-00	.CAP	3				
8	93210-04228	.O-RING	3				
9	692-14590-00	.VALVE SEAT	3				
10	663-14159-00	.CLIP	3				
11	676-14186-00	.PIN, FLOAT	3				
12	98580-04008	.SCREW, PAN HEAD	3				
13	676-14985-01	.FLOAT	3				
14	688-14548-00	.PIN, FLOAT ARM	3				
15	676-14984-00	.GASKET, FLOAT CHAMBER	3				
16	688-14980-00	.BODY, FLOAT CHAMBER	3				
17	97980-04114	.SCREW, WITH WASHER	12				
18	6H3-14992-00	.SCREW, DRAIN	3				
19	93210-04230	.O-RING	3				
20	663-14126-00	.GASKET	3				
21	663-14527-00	.PLATE	3				
22	688-14126-00	.GASKET	6				
23	688-14527-00	.PLATE	3				
24	688-14572-01	.PLATE, STAY	3				
25	97980-05310	.SCREW, WITH WASHER	6				
26	692-14923-00	.SCREW, PILOT	3				
27	679-14555-00	.SPRING	3				

FIG. 5 CARBURETOR



6880010-4050

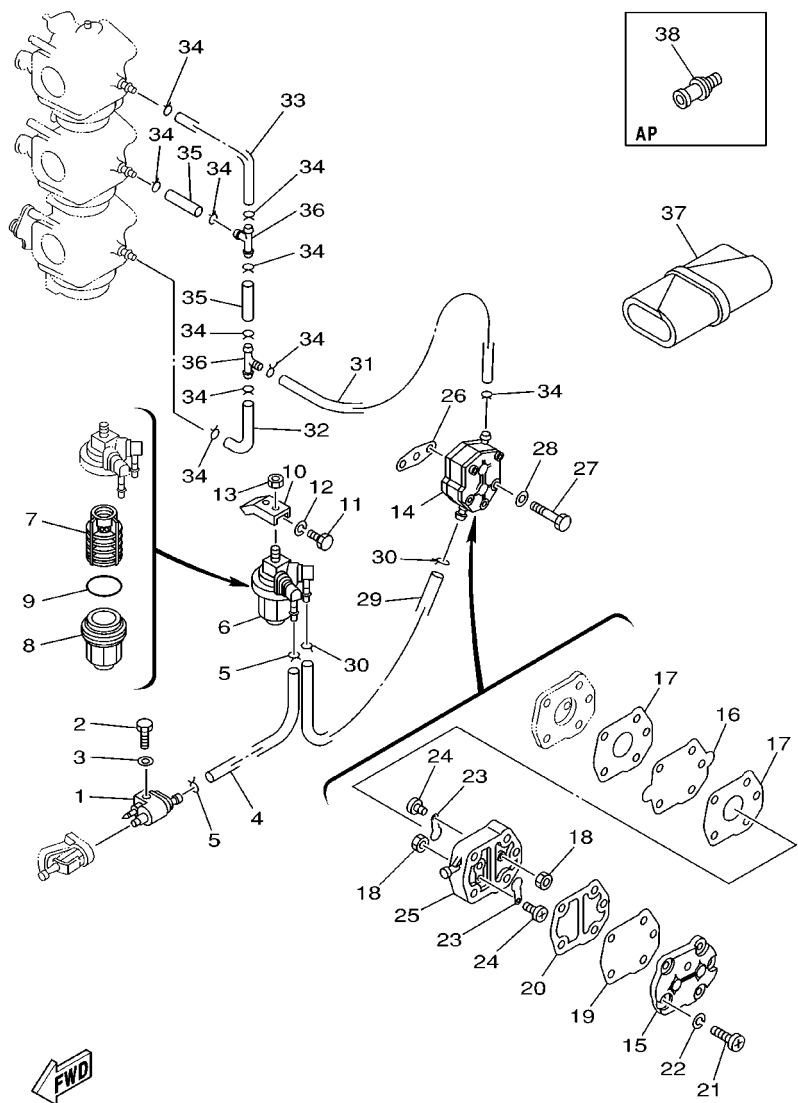
REF. NO.	PART NO.	DESCRIPTION	85A				REMARKS
28	6K5-14592-00	.SCREW	2				#1,3
29	90201-05652	.WASHER, PLATE	2				#1,3
30	63V-14523-00	.SCREW, STOP	1				#2
31	90501-10326	.SPRING, COMPRESSION	1				#2
32	6H2-14578-00	.COLLAR	1				#2



6880010-0060

FIG. 6 FUEL

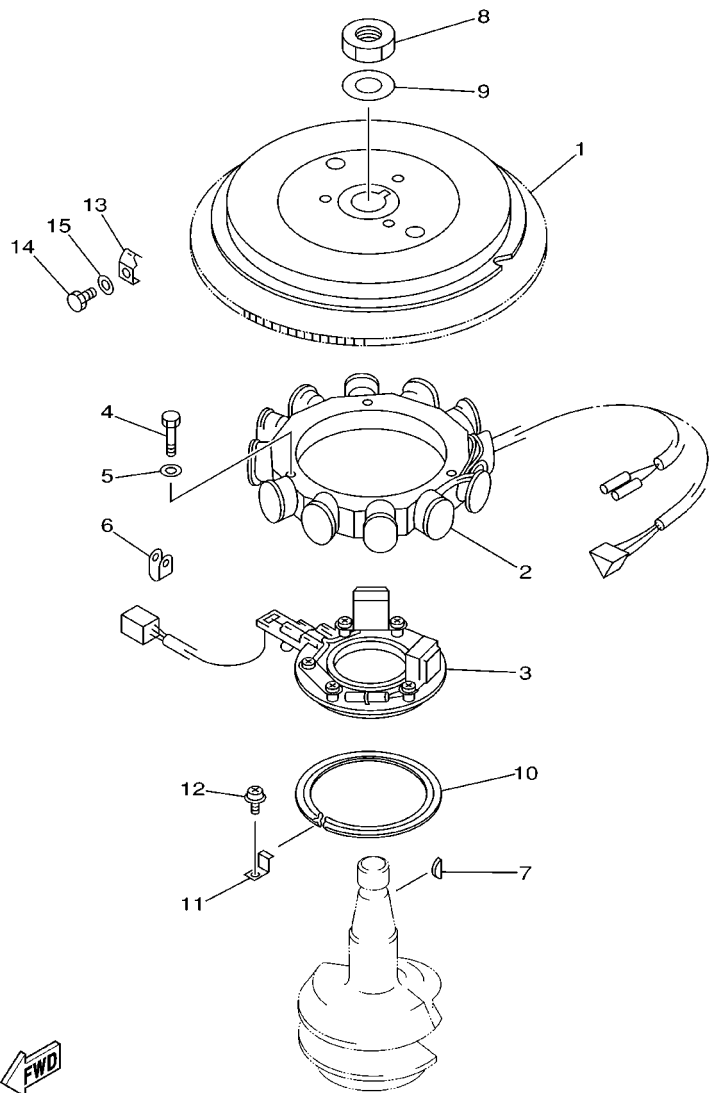
REF. NO.	PART NO.	DESCRIPTION	85A				REMARKS
1	6G1-24304-02	FUEL PIPE JOINT COMP. 1	1				
2	97095-06020	BOLT	1				
3	92995-06600	WASHER	1				
4	90445-09090	HOSE	1				
5	90467-08004	CLIP	2				
6	61N-24560-00	FILTER ASSY	1				
7	61N-24563-00	.ELEMENT, FILTER	1				
8	61N-24521-00	.CUP, FILTER	1				
9	93210-32738	.O-RING	1				
10	648-24566-02	BRACKET, FILTER	1				
11	97013-06014	BOLT	1				
12	92903-06100	WASHER, SPRING	1				
13	95380-08600	NUT	1				
14	692-24410-00	FUEL PUMP ASSY	1				
15	6A0-24413-00	.BODY 2	1				
16	692-24411-00	.DIAPHRAGM	1				
17	648-24434-01	.GASKET, BODY	2				
18	95380-03600	.NUT	2				
19	663-24411-00	.DIAPHRAGM	1				
20	648-24435-02	.GASKET, BODY 2	1				
21	98503-05028	.SCREW, PAN HEAD	3				
22	92990-05100	.WASHER, SPRING	3				
23	6A0-24421-01	.VALVE, CHECK	2				
24	6A0-14325-00	.SCREW, PAN HEAD	2				
25	6A0-24412-02	.BODY 1	1				
26	650-24431-A0	.GASKET, FUEL PUMP 1	1				
27	97095-06040	BOLT	2				



6880010-0060

FIG. 6 FUEL

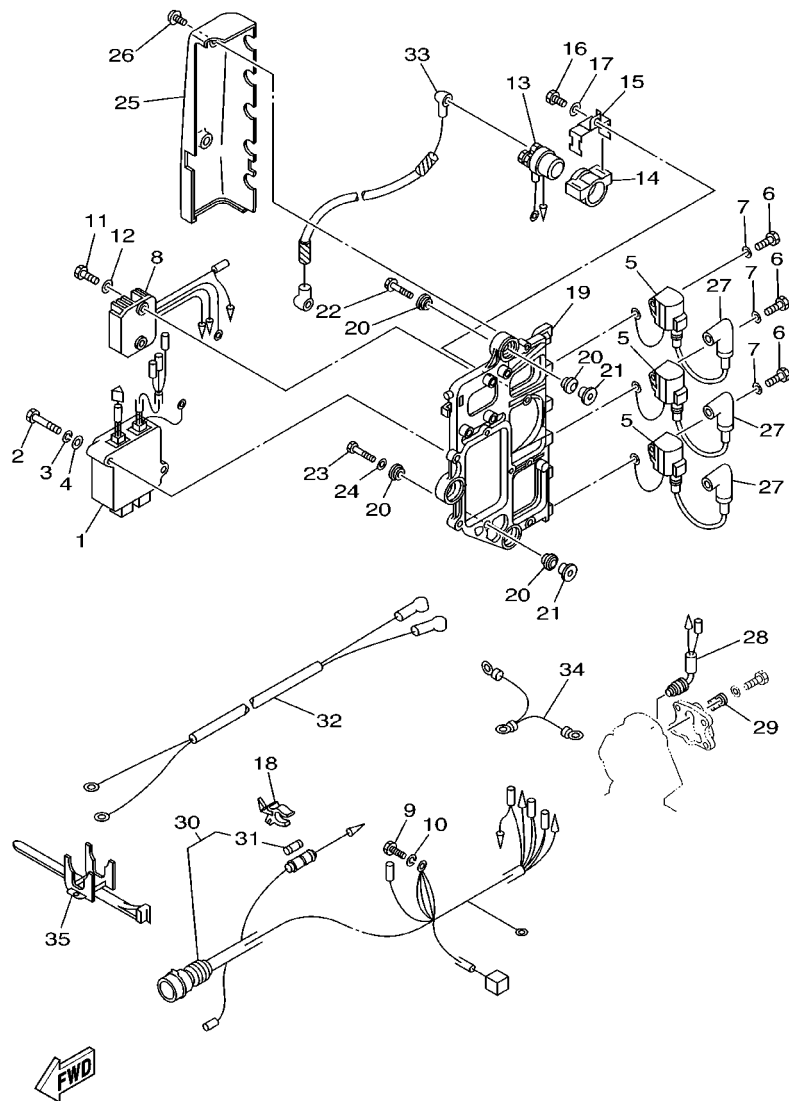
REF. NO.	PART NO.	DESCRIPTION	85A				REMARKS
28	92995-06600	WASHER	2				
29	90445-09221	HOSE (L205)	1				
30	90467-08004	CLIP	2				
31	90445-09097	HOSE	1				
32	688-24313-00	PIPE 3	1				
33	688-24314-00	PIPE 4	1				
34	90467-08004	CLIP	10				
35	90445-09220	HOSE	2				
36	688-24378-00	PIPE, JOINT 4	2				
37	656-W2810-02	TOOL KIT	1				
38	6E0-28193-00-94	PLUG, WATER CHECK	1				AP D:12.5MM




 6880010-0070

FIG. 7 GENERATOR

REF. NO.	PART NO.	DESCRIPTION	85A				REMARKS
1	688-85550-00	ROTOR ASSY	1				
2	688-85510-01	STATOR ASSY	1				
3	688-85580-00	COIL, PULSER	1				
4	97013-06030	BOLT	3				
5	92903-06600	WASHER, PLATE	3				
6	90464-12M00	CLAMP	1				
7	90280-05015	KEY, WOODRUFF	1				
8	90170-20137	NUT	1				
9	90201-21M18	WASHER, PLATE	1				
10	688-41611-00	RETAINER, MAGNETO BASE	1				
11	688-41612-00	RETAINER, MAGNETO BASE	3				
12	90159-06M31	SCREW, WITH WASHER	3				
13	688-81332-01	PLATE, TIMING	1				
14	97095-06010	BOLT	1				
15	92995-06600	WASHER	1				

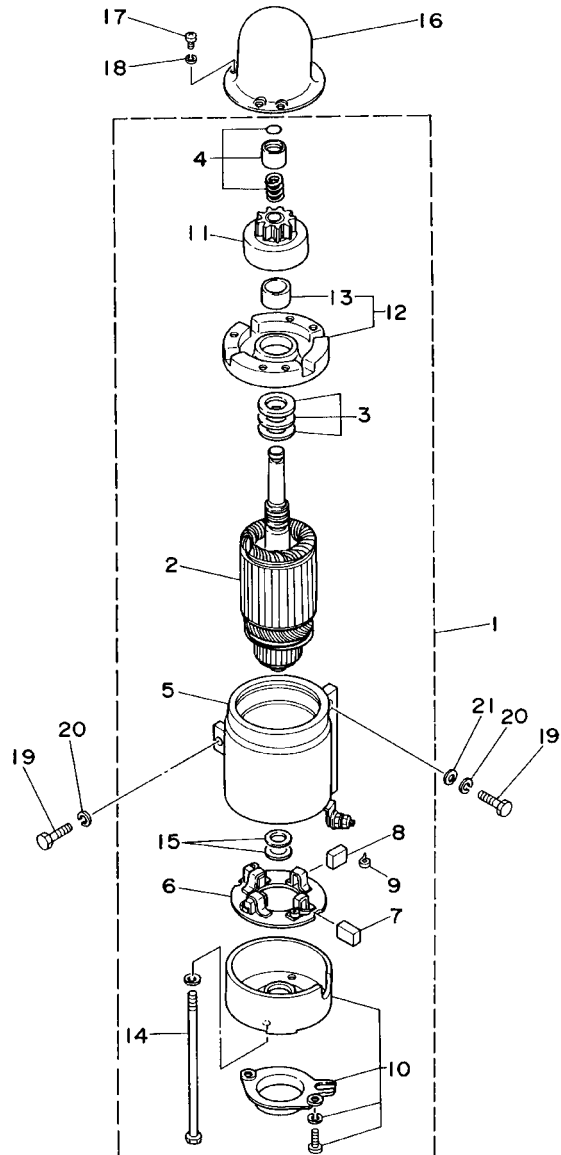


6880664-0080

FIG. 8 ELECTRICAL

REF. NO.	PART NO.	DESCRIPTION	85A				REMARKS
1	688-85540-00	C.D.I. UNIT ASSY	1				
2	97880-06040	SCREW, PAN HEAD	2				
3	92990-06100	WASHER, SPRING	2				
4	92990-06600	WASHER, PLATE	2				
5	697-85570-00	IGNITION COIL ASSY	3				
6	97095-06020	BOLT	3				
7	92995-06600	WASHER	3				
8	6H0-81960-00	RECTIFIER & REGULATOR ASSY	1				
9	97095-06012	BOLT	1				
10	92995-06100	WASHER, SPRING	1				
11	97095-06020	BOLT	2				
12	92995-06600	WASHER	2				
13	6G1-81941-10	STARTER RELAY ASSY	1				
14	6G1-81952-00	HOLDER, RELAY	1				
15	6E9-81945-70	PLATE, SWITCH FITTING	1				
16	97013-06016	BOLT	1				
17	92903-06600	WASHER, PLATE	1				
18	6G5-82152-00	HOLDER, FUSE	1				
19	6H1-85542-00-94	BRACKET	1				
20	90480-09M25	GROMMET	6				
21	90387-06M03	COLLAR	3				
22	90119-06M75	BOLT, WITH WASHER	2				
23	90109-06M39	BOLT	1				
24	90201-06M31	WASHER, PLATE	1				
25	6H1-81916-00	COVER, TERMINAL	1				
26	90159-06M11	SCREW, WITH WASHER	2				
27	6G1-82370-21	PLUG CAP ASSY	3				

FIG. 9 STARTING MOTOR

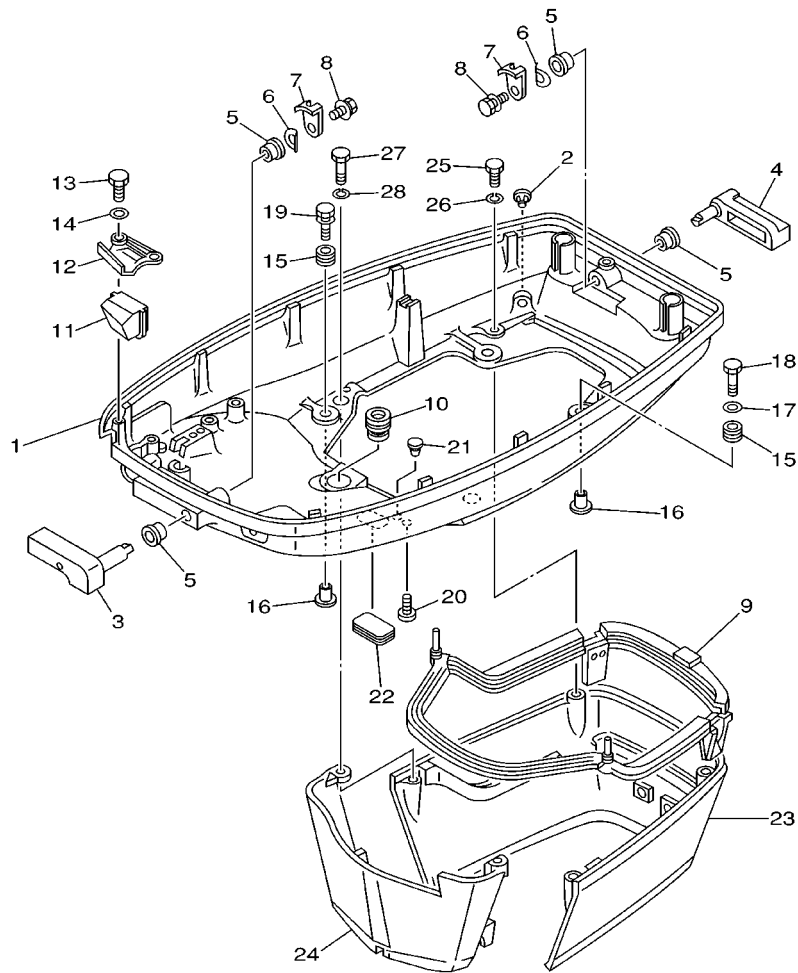


REF. NO.	PART NO.	DESCRIPTION	85A				REMARKS
1	688-81800-12	STARTING MOTOR ASSY	1				
2	676-81850-11	.ARMATURE ASSY	1				
3	676-81809-10	.WASHER KIT	1				
4	676-81857-10	.PINION STOPPER SET	1				
5	688-81810-11	.STATOR ASSY	1				
6	663-81840-11	.BRUSH HOLDER ASSY	1				
7	663-81811-11	.BRUSH 1	2				
8	663-81812-11	.BRUSH 2	2				
9	663-81813-10	.SPRING, BRUSH	4				
10	663-81820-12	.REAR BRACKET ASSY	1				
11	663-81832-11	.PINION ASSY	1				
12	688-81830-11	.FRONT BRACKET ASSY	1				
13	688-81831-00	..METAL, FRONT	1				
14	663-81826-10	.BOLT	2				
15	688-81824-00	.WASHER 2	2				
16	688-81842-00	COVER	1				
17	97880-04010	SCREW, PAN HEAD	3				
18	92990-04600	WASHER, PLATE	3				
19	97013-08030	BOLT	3				
20	92903-08100	WASHER, SPRING	3				
21	92990-08600	WASHER, PLATE	2				



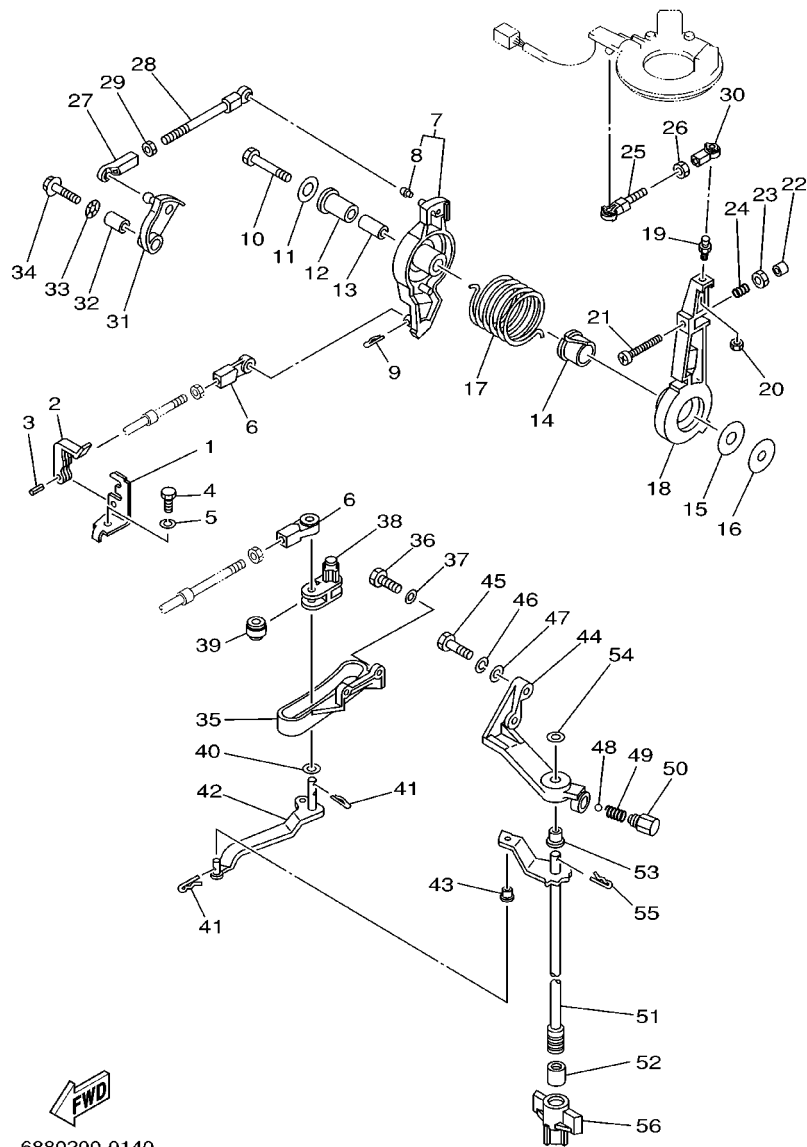
6880010-5090

FIG. 10 BOTTOM COWLING



FWD
6880664-8100

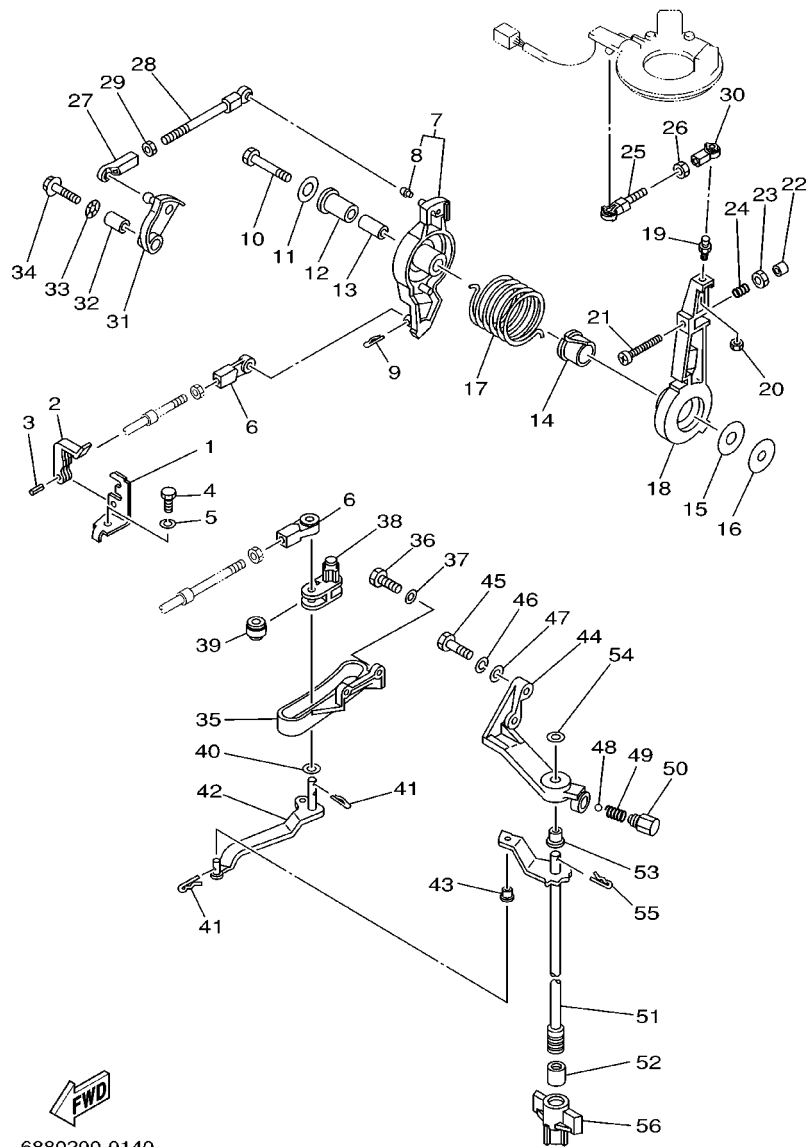
REF. NO.	PART NO.	DESCRIPTION	85A				REMARKS
1	688-42711-04-4D	COWLING, BOTTOM	1				
2	6H3-44391-01	NIPPLE, HOSE	1				
3	688-42815-01-4D	LEVER, CLAMP	1				
4	688-42817-01-4D	LEVER, CLAMP	1				
5	90386-13M38	BUSH	4				
6	90206-13019	WASHER, WAVE	2				
7	688-42816-00	LEVER, CLAMP	2				
8	90119-06M09	BOLT, WITH WASHER	2				
9	688-42716-02	RUBBER, SEAL 1	1				
10	663-42724-00	GROMMET	1				
11	688-42725-02	GROMMET	1				
12	688-42738-01-94	PLATE, FITTING	1				
13	97095-06016	BOLT	2				
14	92995-06600	WASHER	2				
15	90480-09M12	GROMMET	4				
16	90387-06M69	COLLAR	4				
17	90201-06416	WASHER, PLATE	1				
18	97095-06030	BOLT	1				
19	90119-06M61	BOLT, WITH WASHER	3				
20	90338-05M03	PLUG	1				
21	703-82119-00	COVER, LEAD WIRE	1				
22	6H4-42726-00	GROMMET	1				
23	688-42741-01-4D	APRON	1				
24	688-42771-01-4D	APRON	1				
25	97095-06020	BOLT	2				
26	92995-06100	WASHER, SPRING	2				
27	97095-06030	BOLT	2				



6880200-0140

FIG. 11 CONTROL

REF. NO.	PART NO.	DESCRIPTION	85A				REMARKS
1	663-48531-00	BRACKET, REMOTE CONTROL 1	1				
2	663-48538-00	CLAMP, CABLE 1	1				
3	91690-30012	PIN, SPRING	1				
4	97095-08016	BOLT	1				
5	92995-08100	WASHER	1				
6	663-48344-00	CABLE END, REMOTE CONTROL	2				
7	688-41632-01-94	LEVER, MAGNETO CONTROL	1				
8	662-41214-01	JOINT 1	1				
9	90468-18008	CLIP	1				
10	97095-08045	BOLT	1				
11	90201-08M23	WASHER, PLATE	1				
12	90386-12089	BUSH	1				
13	90387-08M16	COLLAR	1				
14	90386-22M13	BUSH	1				
15	90202-12092	WASHER, PLATE	1				
16	90201-08M13	WASHER, PLATE	1				
17	90508-29M05	SPRING, TORSION	1				
18	688-41631-01-94	LEVER, MAGNETO CONTROL	1				
19	663-85518-00	JOINT, BALL	1				
20	95303-05700	NUT	1				
21	90157-06013	SCREW, PAN HEAD	1				
22	688-44194-00	CAP	1				
23	95303-06600	NUT	1				
24	90501-16M12	SPRING, COMPRESSION	1				
25	682-41237-50	JOINT, LINK	1				
26	95380-05600	NUT	1				
27	682-41237-00	JOINT, LINK	1				

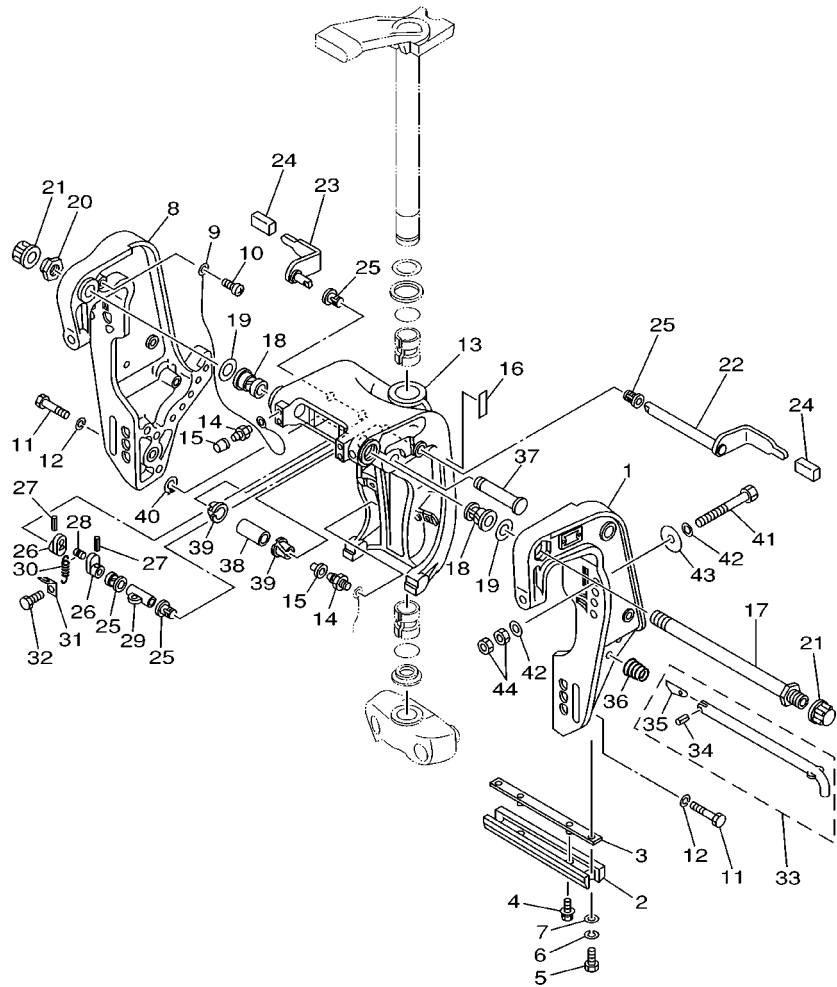


6880200-0140

FIG. 11 CONTROL

REF. NO.	PART NO.	DESCRIPTION	85A				REMARKS
28	688-41211-01	LINK, ACCEL.	1				
29	95380-05600	NUT	1				
30	682-41237-00	JOINT, LINK	1				
31	688-41213-00	CAM, ACCEL.	1				
32	90387-06M17	COLLAR	1				
33	90206-10M04	WASHER, WAVE	1				
34	90119-06M24	BOLT, WITH WASHER	1				
35	688-44117-00-94	BRACKET	1				
36	97013-06020	BOLT	2				
37	92903-06600	WASHER, PLATE	2				
38	688-44124-00	LINK, SHIFT ROD	1				
39	688-44122-00	BUSHING, SHIFT ROD LEVER	1				
40	90202-07M07	WASHER, PLATE	1				
41	90468-18008	CLIP	3				
42	688-44121-02	LEVER, SHIFT ROD	1				
43	90386-06M12	BUSH	1				
44	688-44118-00-94	BRACKET	1				
45	97013-08030	BOLT	2				
46	92903-08100	WASHER, SPRING	2				
47	92903-08600	WASHER, PLATE	2				
48	93501-04M02	BALL	1				
49	90501-12082	SPRING, COMPRESSION	1				
50	648-42715-00	BUSHING	1				
51	688-44120-12	HANDLE GEAR SHIFT ASSY	1				L
	688-44120-22	HANDLE GEAR SHIFT ASSY	1				X
52	696-44147-00	BOOT, SHIFT ROD	1				
53	90386-08006	BUSH	1				

FIG. 12 BRACKET 1



REF. NO.	PART NO.	DESCRIPTION	85A				REMARKS
1	688-43111-13-4D	BRACKET, CLAMP	1				
2	6H1-45251-03	ANODE	1				
3	6H1-44526-00	PLATE	1				
4	90119-06M29	BOLT, WITH WASHER	2				
5	97095-06016	BOLT	2				
6	92995-06100	WASHER, SPRING	2				
7	92995-06600	WASHER	2				
8	688-43112-12-4D	BRACKET, CLAMP	1				
9	6E5-82148-00	WIRE, LEAD 4	1				
10	97880-06012	SCREW, PAN HEAD	1				
11	97095-10045	BOLT	6				
12	92995-10100	WASHER	6				
13	6H1-43311-01-4D	BRACKET, SWIVEL 1	1				
14	93700-06M03	NIPPLE, GREASE	3				
15	663-45119-00	CAP, GREASE NIPPLE	3				AP
16	688-43691-01	INDICATOR, TILT	1				
17	688-43131-03	BOLT, CLAMP BRACKET	1				
18	90386-22M15	BUSH	2				
19	90201-22M67	WASHER, PLATE	2				
20	90185-22043	NUT, SELF-LOCKING	1				
21	6G5-43145-00	CAP, CLAMP BRACKET	2				
22	688-43181-10	LEVER, TILT STOP	1				
23	688-43185-10	LEVER, TILT STOP	1				
24	663-43318-00	COVER	2				
25	90386-10M16	BUSH	4				
26	6G5-43148-00	COLLAR, DISTANCE	2				
27	91690-30020	PIN, SPRING	2				



6920100-0140

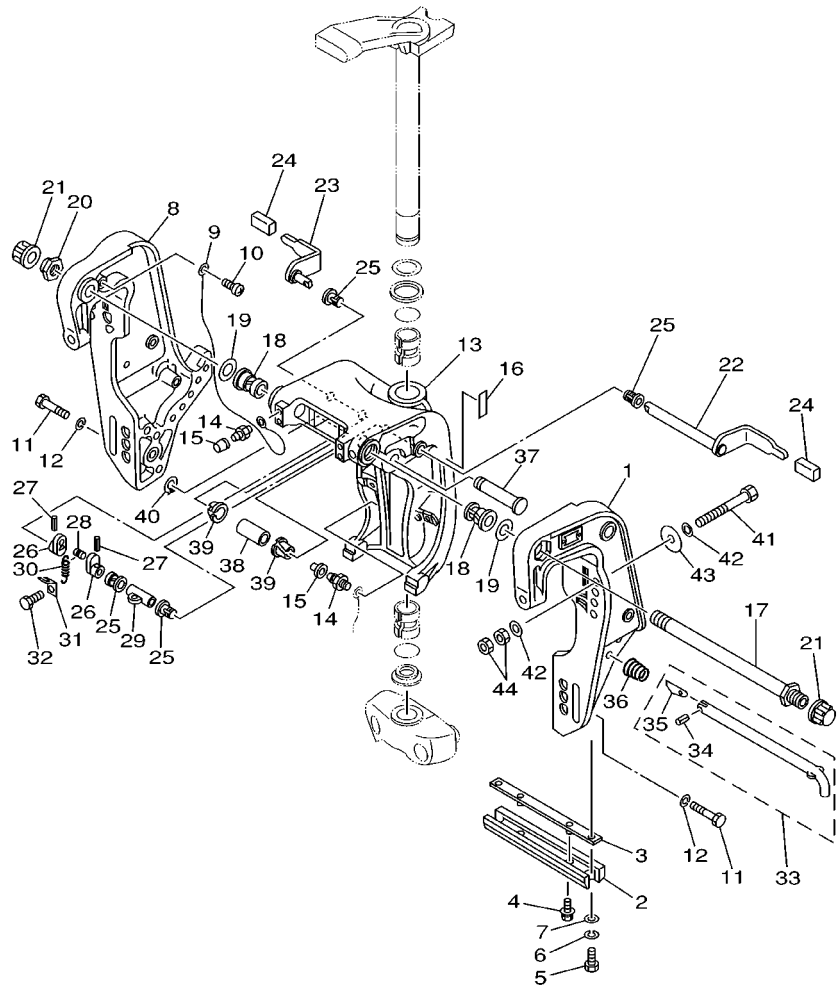


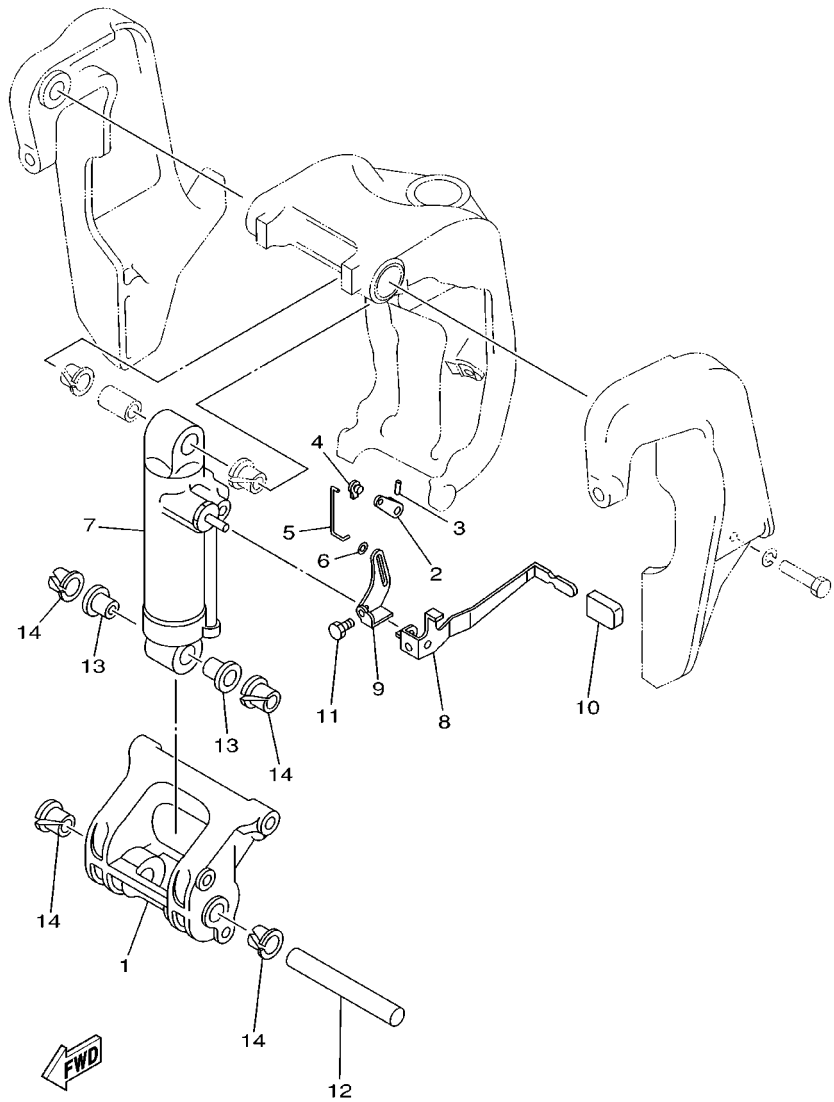
FIG. 12 BRACKET 1

REF. NO.	PART NO.	DESCRIPTION	85A				REMARKS
28	90249-06M19	PIN	1				
29	90387-10M02	COLLAR	1				
30	90506-14M24	SPRING, TENSION	1				
31	6G5-43144-00	HOOK, SPRING	1				
32	97095-06010	BOLT	1				
33	688-43160-01	TILT ROD ASSY	1				
34	91690-30012	.PIN, SPRING	1				
35	688-43165-00	.PLATE, TILT LOCK	1				
36	90502-16M02	SPRING, CONICAL	1				
37	6E5-43126-02	PIN, UPPER SHOCK MOUNT	1				
38	90386-18M21	BUSH	1				
39	90386-18M35	BUSH	2				
40	93410-18M02	CIRCLIP	1				
41	90101-12M65	BOLT	4				
42	92995-12200	WASHER	8				
43	90201-12426	WASHER, PLATE	4				
44	95380-12600	NUT	8				



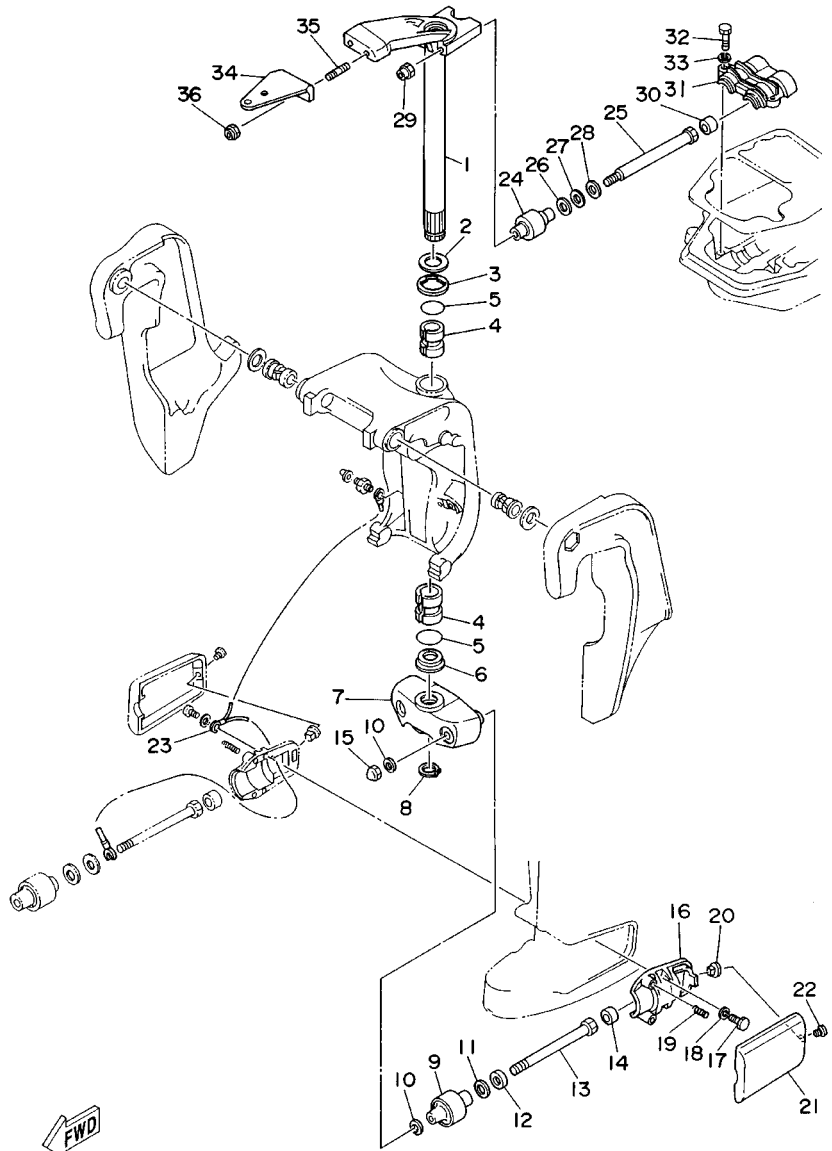
6920100-0140

FIG. 13 BRACKET 2



REF. NO.	PART NO.	DESCRIPTION	85A				REMARKS
1	688-43128-01-4D	SPACER, CLAMP BRACKET	1				
2	688-43186-00	LEVER	1				
3	91690-30020	PIN, SPRING	1				
4	6J8-41262-00	JOINT, CHOKE LEVER	1				
5	688-43616-00	ROD, TILT LOCK	1				
6	90202-03M51	WASHER, PLATE	1				
7	688-43170-04-4D	SHOCK ABSORBER ASSY	1				
8	688-43631-10	LEVER, TILT	1				
9	688-43651-00	LEVER, REVERSE LOCK 1	1				
10	682-43318-01	COVER	1				
11	97080-06010	BOLT	1				
12	688-43124-02	PIN, LOWER SHOCK MOUNT	1				
13	90386-18M63	BUSH	2				
14	90386-18M35	BUSH	4				

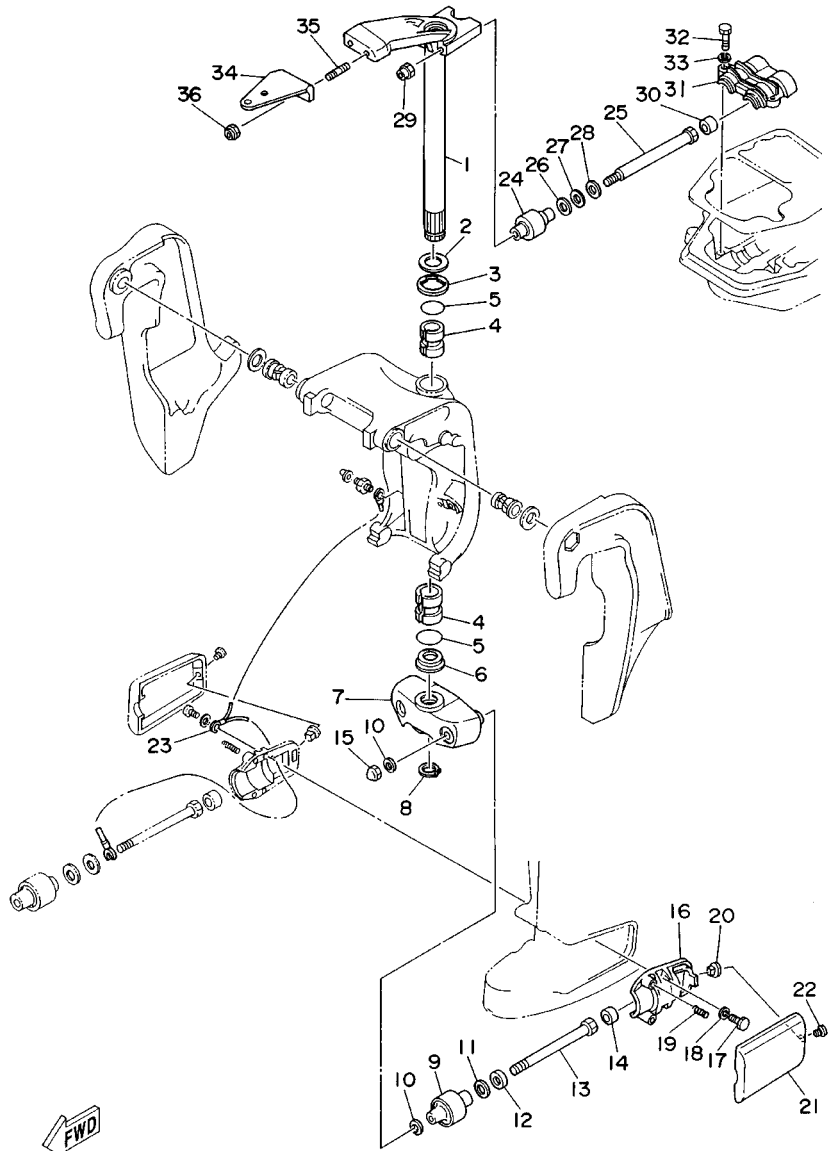
FIG. 14 BRACKET 3



6880664-4140

REF. NO.	PART NO.	DESCRIPTION	85A				REMARKS
1	688-42510-02-4D	STEERING BRACKET ASSY	1				
2	90201-30M00	WASHER, PLATE	1				
3	90386-30M78	BUSH	1				
4	90386-30M77	BUSH	2				
5	93210-29M94	O-RING	2				
6	90386-30M60	BUSH	1				
7	663-44551-02-4D	HOUSING, LOWER MOUNT RUBBER	1				
8	93410-28M06	CIRCLIP	1				
9	687-44555-00-94	MOUNT DAMPER, LOWER SIDE	2				
10	90201-12M16	WASHER, PLATE	4				
11	90202-25M04	WASHER, PLATE	2				
12	90201-13M19	WASHER, PLATE	2				
13	90109-12261	BOLT	2				
14	663-44575-00	DAMPER, LOWER MOUNT RUBBER	2				
15	95380-12800	NUT, CROWN	2				
16	687-44552-02-94	HOUSING, LOWER MOUNT RUBBER	2				
17	97075-08025	BOLT	4				
18	92995-08100	WASHER	4				
19	90501-14M08	SPRING, COMPRESSION	4				
20	90179-06066	NUT	2				
21	663-44553-01-4D	COVER, LOWER MOUNT	2				
22	97885-06016	SCREW, PAN HEAD	2				
23	688-82127-02	WIRE, LEAD 2	1				
24	688-44514-00-94	MOUNT DAMPER, UPPER SIDE	2				
25	90101-10M49	BOLT	2				
26	90201-20M21	WASHER, PLATE	2				
27	90202-20M06	WASHER, PLATE	2				

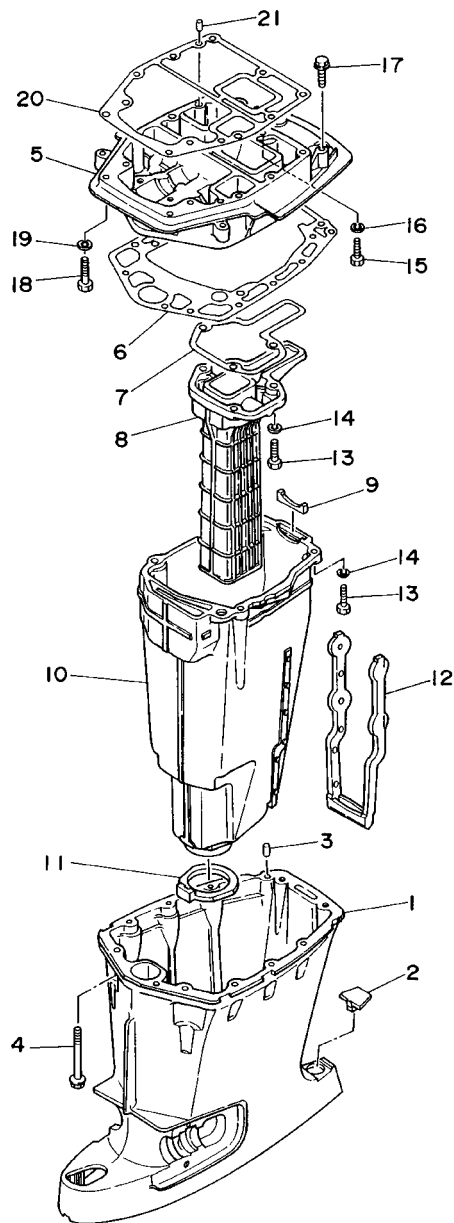
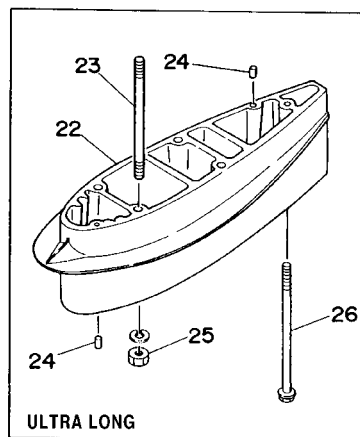
FIG. 14 BRACKET 3



6880664-4140

REF. NO.	PART NO.	DESCRIPTION	85A				REMARKS
28	90201-11M22	WASHER, PLATE	2				
29	90185-10051	NUT, SELF-LOCKING	2				
30	663-44575-00	DAMPER, LOWER MOUNT RUBBER	2				
31	688-44511-00-94	COVER, UPPER MOUNT	1				
32	97075-08035	BOLT	3				
33	92995-08100	WASHER	3				
34	688-48511-11-4D	HOOK, STEERING	1				STEERING GUIDE TYPE
35	90116-10175	BOLT, STUD	2				
36	90185-10051	NUT, SELF-LOCKING	2				

FIG. 15 UPPER CASING



REF. NO.	PART NO.	DESCRIPTION	85A				REMARKS
1	688-45111-04-4D	CASING, UPPER	1				
2	663-45155-10	CAP	1				
3	93606-12019	PIN, DOWEL	2				
4	90119-08M80	BOLT, WITH WASHER	8				
5	688-41137-03-94	GUIDE, EXHAUST	1				
6	688-45114-A1	GASKET, UPPER CASING	1				
7	688-41134-A0	GASKET, EXHAUST MANIFOLD	1				
8	688-41131-00-5B	MANIFOLD, EXT. 1	1				
9	688-41133-00	GASKET, EXHAUST MANIFOLD 1	1				
10	688-14711-01-5B	MUFFLER 1	1				
11	688-45123-00	GASKET, MUFFLER	1				
12	663-14737-10	DAMPER, MUFFLER	1				
13	97075-08030	BOLT	7				
14	92995-08100	WASHER	7				
15	97075-08025	BOLT	1				
16	92995-08100	WASHER	1				
17	90119-08M79	BOLT, WITH WASHER	2				
18	97075-08035	BOLT	2				
19	92995-08100	WASHER	2				
20	688-45113-A0	GASKET, UPPER CASING	1				
21	93606-12019	PIN, DOWEL	2				
22	688-45211-01-4D	EXTENSION	1				X
23	90116-10M05	BOLT, STUD	4				X
24	93606-12019	PIN, DOWEL	4				X
25	95380-10600	NUT	4				X
26	90119-08M86	BOLT, WITH WASHER	1				X

FWD
6H10010-4200

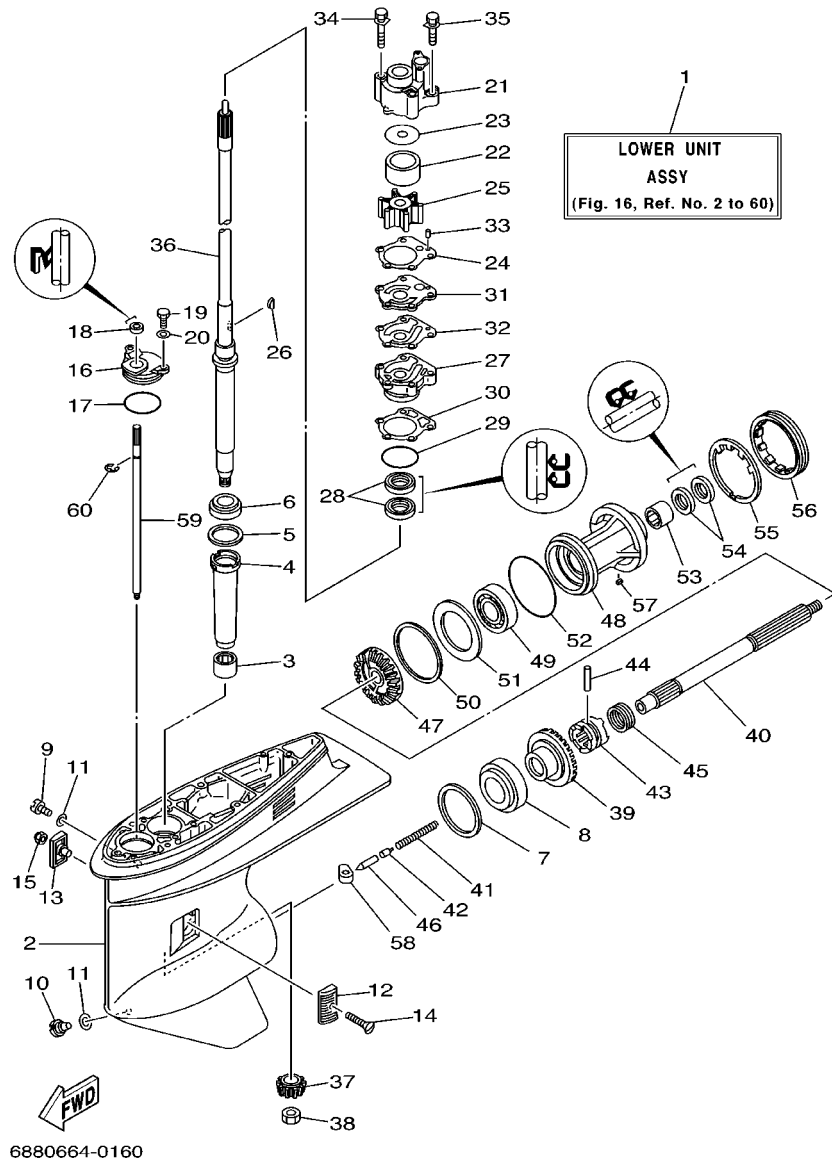
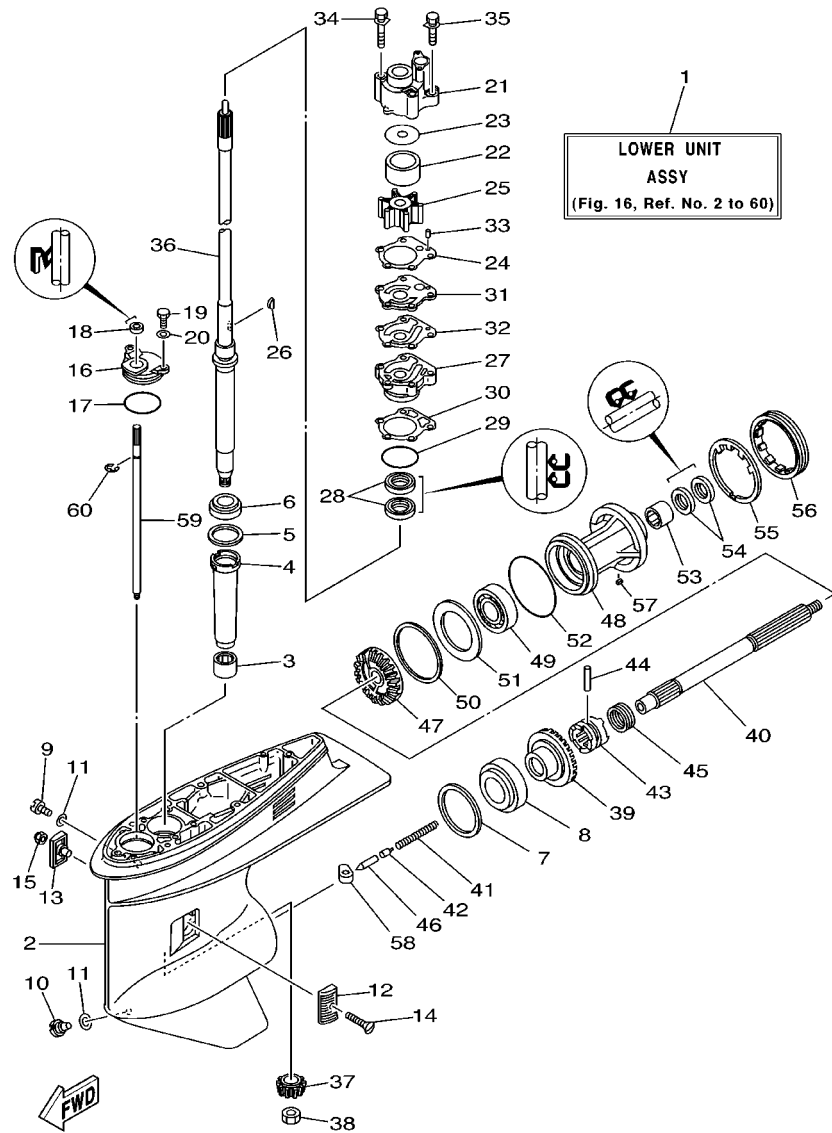


FIG. 16 LOWER CASING, DRIVE 1

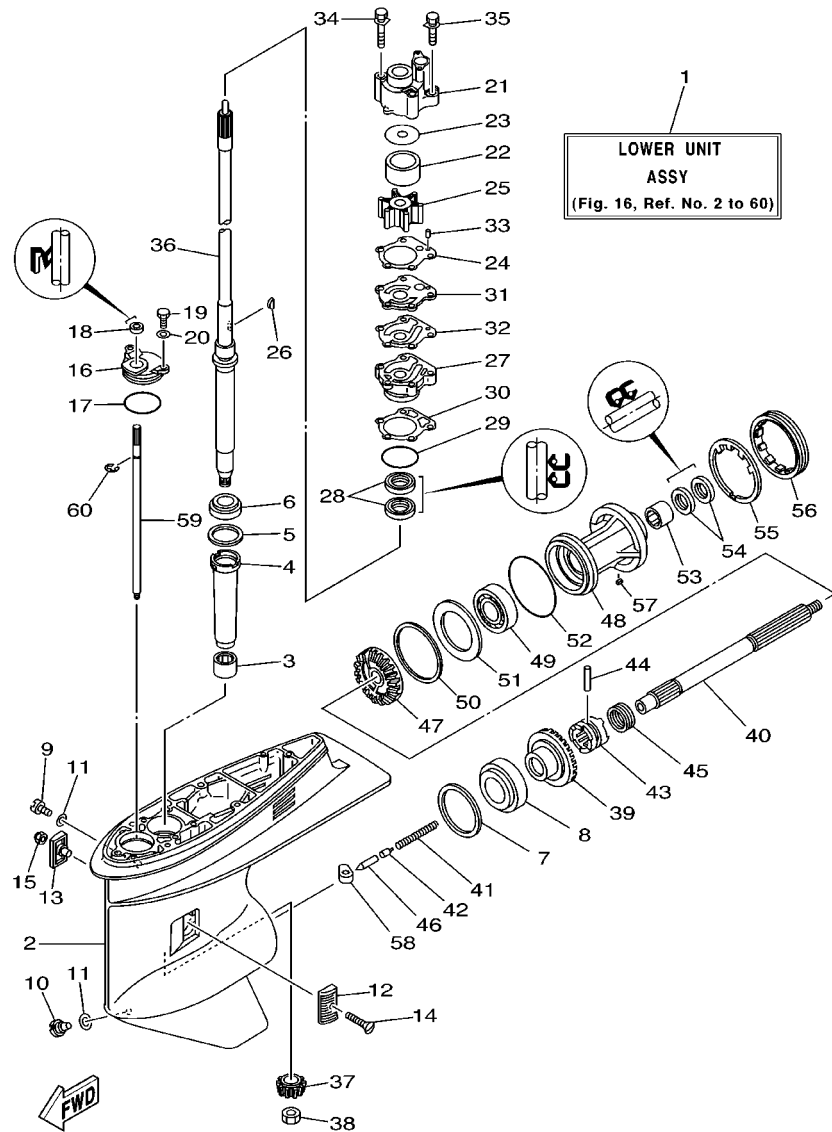
REF. NO.	PART NO.	DESCRIPTION	85A				REMARKS
1	692-45300-14-4D	LOWER UNIT ASSY	1				L
	692-45300-24-4D	LOWER UNIT ASSY	1				X
2	688-45311-06-4D	CASING, LOWER	1				
3	93315-325V1	BEARING	1				
4	688-45536-01	SLEEVE, DRIVE SHAFT	1				
5	688-45587-01-10	SHIM (T:0.10MM)	1				UR
	688-45587-01-12	SHIM (T:0.12MM)	1				UR
	688-45587-01-15	SHIM (T:0.15MM)	1				UR
	688-45587-01-18	SHIM (T:0.18MM)	1				UR
	688-45587-01-30	SHIM (T:0.30MM)	1				UR
	688-45587-01-40	SHIM (T:0.40MM)	1				UR
	688-45587-01-50	SHIM (T:0.50MM)	1				UR
6	93332-000U3	BEARING	1				
7	688-45567-01-10	SHIM (T:0.10MM)	1				UR
	688-45567-01-12	SHIM (T:0.12MM)	1				UR
	688-45567-01-15	SHIM (T:0.15MM)	1				UR
	688-45567-01-18	SHIM (T:0.18MM)	1				UR
	688-45567-01-30	SHIM (T:0.30MM)	1				UR
	688-45567-01-40	SHIM (T:0.40MM)	1				UR
	688-45567-01-50	SHIM (T:0.50MM)	1				UR
8	93332-000W7	BEARING	1				
9	90340-08M04	PLUG, STRAIGHT SCREW	1				
10	688-45341-00	PLUG, DRAIN	1				
11	90430-08020	GASKET	2				
12	6H1-45214-00	COVER, WATER INLET	1				
13	6H1-45215-00	COVER, WATER INLET	1				
14	90151-05M00	SCREW, COUNTERSUNK	1				



6880664-0160

FIG. 16 LOWER CASING. DRIVE 1

REF. NO.	PART NO.	DESCRIPTION	85A				REMARKS
15	90185-05002	NUT, SELF-LOCKING	1				
16	688-45321-00	PLATE	1				
17	93210-49046	O-RING	1				
18	93106-09014	OIL SEAL	1				
19	97095-06016	BOLT	2				
20	92995-06600	WASHER	2				
21	688-44311-01	HOUSING, WATER PUMP	1				
22	688-44322-41	INSERT, CARTRIDGE	1				FOR CHROMATE
23	688-44321-41	INNER PLATE, CARTRIDGE	1				FOR CHROMATE
24	688-44315-A0	GASKET, WATER PUMP	1				
25	688-44352-03	IMPELLER	1				
26	90280-04M04	KEY, WOODRUFF	1				
27	688-44341-01-94	HOUSING, WATER PUMP	1				
28	93101-25M03	OIL SEAL	2				
29	93210-46044	O-RING	1				
30	688-44316-A0	GASKET, WATER PUMP	1				
31	688-44323-40	OUTER PLATE, CARTRIDGE	1				FOR CHROMATE
32	688-44324-A0	GASKET, CARTRIDGE	1				
33	93604-10M03	PIN, DOWEL	2				
34	90119-08M16	BOLT, WITH WASHER	2				
35	90119-08M13	BOLT, WITH WASHER	2				
36	688-45501-11	DRIVE SHAFT COMP.	1				L
	688-45501-22	DRIVE SHAFT COMP.	1				X
37	688-45551-01	PINION	1				
38	90170-16M01	NUT	1				
39	688-45560-00	GEAR	1				
40	688-45611-00	SHAFT, PROPELLER	1				



6880664-0160

FIG. 16 LOWER CASING. DRIVE 1

REF. NO.	PART NO.	DESCRIPTION	85A				REMARKS
41	90501-16233	SPRING, COMPRESSION	1				
42	688-45634-00	SLIDE, SHIFT	1				
43	688-45631-01	CLUTCH, DOG	1				
44	90250-07M02	PIN, STRAIGHT	1				
45	688-45633-00	RING, CROSS PIN	1				
46	688-45635-00	PLUNGER, SHIFT	1				
47	688-45571-01	GEAR	1				
48	688-45331-00-94	HOUSING, BEARING	1				
49	93306-207U0	BEARING	1				
50	688-45577-01-10	SHIM (T:0.10MM)	1				UR
	688-45577-01-12	SHIM (T:0.12MM)	1				UR
	688-45577-01-15	SHIM (T:0.15MM)	1				UR
	688-45577-01-18	SHIM (T:0.18MM)	1				UR
	688-45577-01-30	SHIM (T:0.30MM)	1				UR
	688-45577-01-40	SHIM (T:0.40MM)	1				UR
	688-45577-01-50	SHIM (T:0.50MM)	1				UR
51	688-45576-00	WASHER, THRUST	1				
52	93210-85M97	O-RING	1				
53	93317-325U0	BEARING	1				
54	93101-25M03	OIL SEAL	2				
55	688-45383-02	WASHER, CLAW	1				
56	688-45384-00	NUT	1				
57	90282-04010	KEY, STRAIGHT	1				
58	663-44151-00	CAM, SHIFT	1				
59	663-44144-01	ROD, SHIFT	1				
60	93430-08006	CIRCLIP	1				

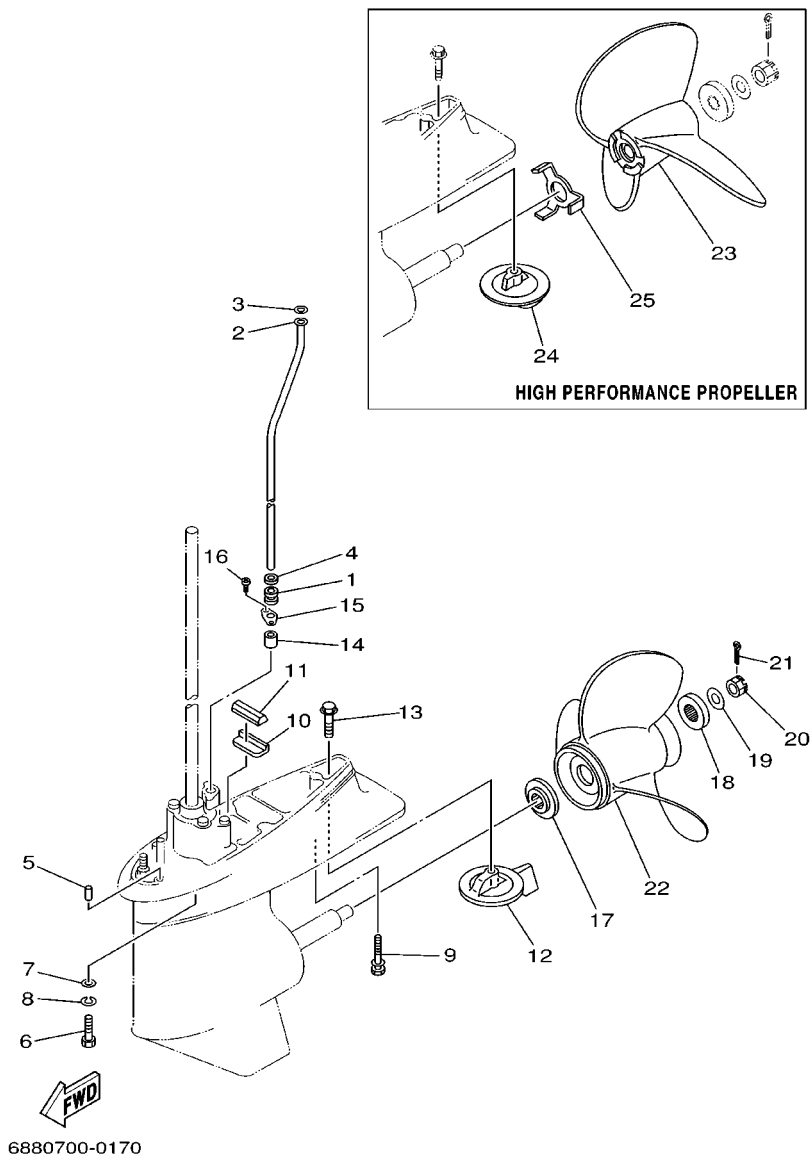


FIG. 17 LOWER CASING. DRIVE 2

REF. NO.	PART NO.	DESCRIPTION	85A				REMARKS
1	663-44367-00	DAMPER, WATER SEAL	1				
2	688-44361-10	TUBE, WATER	1				L
	688-44361-20	TUBE, WATER	1				X
3	90202-12060	WASHER, PLATE	1				
4	90430-12072	GASKET	1				
5	93606-12019	PIN, DOWEL	2				L
6	97075-10040	BOLT	4				L
7	92990-10600	WASHER, PLATE	4				
8	92990-10100	WASHER, SPRING	4				
9	90119-08M84	BOLT, WITH WASHER	1				L
10	663-45376-00-94	GUIDE, SEAL DAMPER	1				
11	688-45375-00	DAMPER, SEAL	1				
12	688-45371-02	TAB-TRIM	1				
13	90105-10M67	BOLT, WASHER BASED	1				
14	663-44366-00	DAMPER, WATER SEAL	1				
15	90480-19M06	GROMMET	1				
16	97780-40512	SCREW, TAPPING	2				
17	688-45987-01	SPACER	1				
18	688-45997-01	SPACER	1				
19	90201-17M00	WASHER, PLATE	1				
20	90171-16011	NUT, CASTLE	1				
21	91490-40025	PIN, COTTER	1				
22	6E5-45941-00-EL	PROPELLER (3X13"X19"-K)	1				UR
	6E5-45943-00-EL	PROPELLER (3X12-5/8"X21"-K)	1				UR
	6E5-45945-01-EL	PROPELLER (3X13-1/4"X17"-K)	1				UR
	6E5-45947-00-EL	PROPELLER (3X13-1/2"X15"-K)	1				UR
	6E5-45949-00-EL	PROPELLER (3X13-5/8"X13"-K)	1				UR

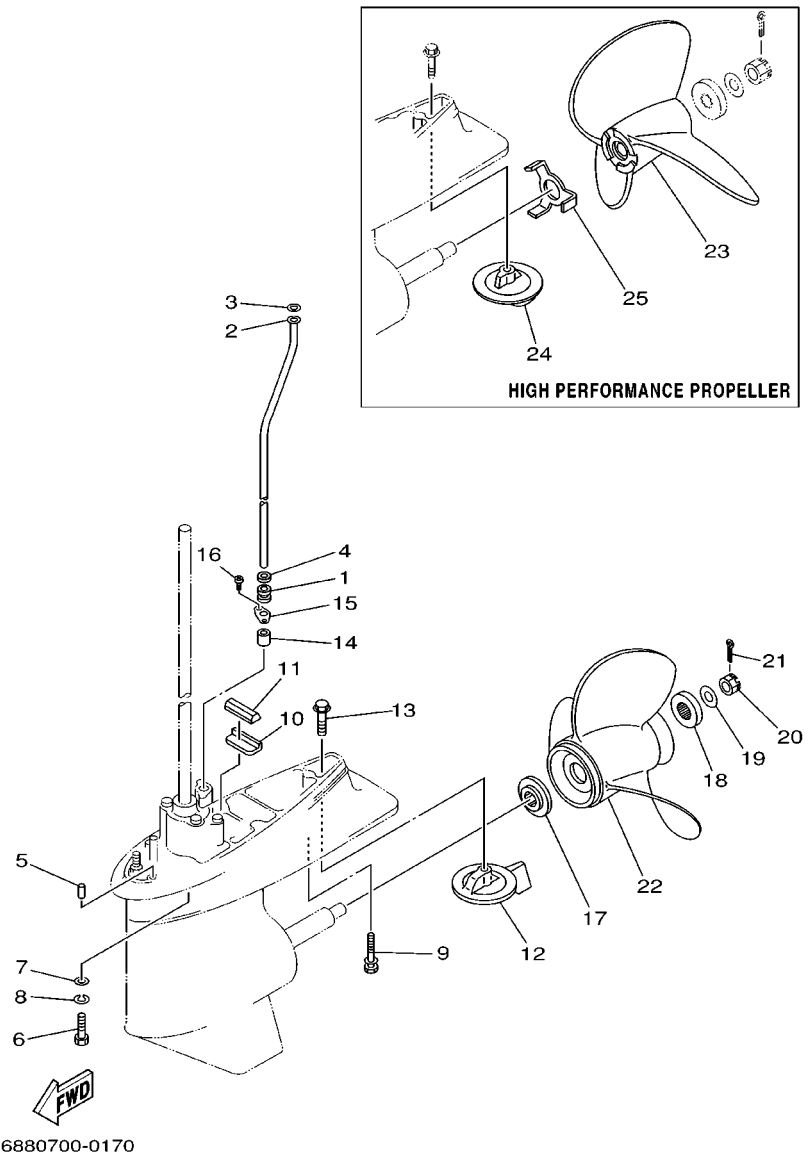
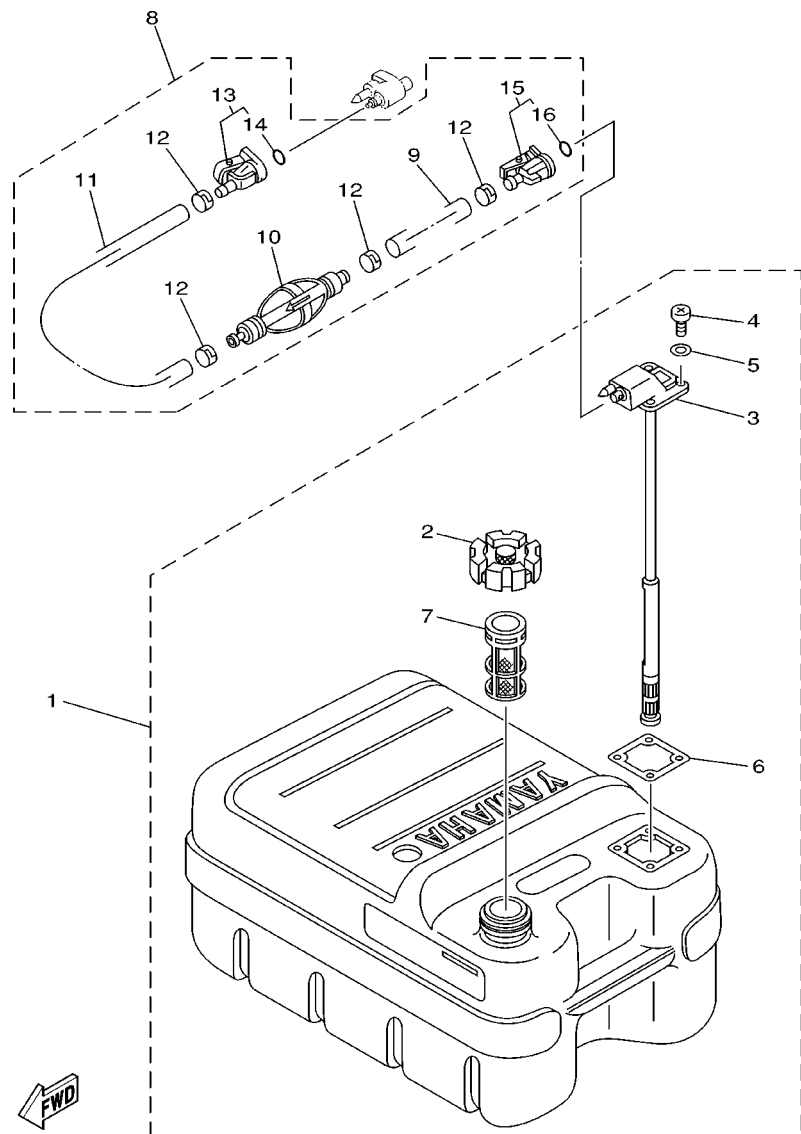


FIG. 17 LOWER CASING. DRIVE 2

REF. NO.	PART NO.	DESCRIPTION	85A			REMARKS
22	6E5-45952-00-EL	PROPELLER (3X13"X23"-K)	1			UR
	6E5-45954-00-EL	PROPELLER (3X14"X11"-K)	1			UR
		STAINLESS STEEL PROPELLER				
	688-45970-03-98	PROPELLER (3X13"X19"-K)	1			UR
	688-45972-02-98	PROPELLER (3X13"X21"-K)	1			UR
	688-45974-02-98	PROPELLER (3X13"X23"-K)	1			UR
	688-45976-01-98	PROPELLER (3X13"X25"-K)	1			UR
	688-45978-60-98	PROPELLER (3X13-1/2"X16"-K)	1			UR
	688-45930-02-98	PROPELLER (3X13"X17"-K)	1			UR
	688-45932-60-98	PROPELLER (3X13-1/2"X14"-K)	1			UR
		HIGH PERFORMANCE PROPELLER				
23	6E5-45970-10	PROPELLER (3X14"X20"-P)	1			UR
	6E5-45972-10	PROPELLER (3X14"X24"-P)	1			UR
	6E5-45974-10	PROPELLER (3X14"X28"-P)	1			UR
	6E5-45976-10	PROPELLER (3X14"X22"-P)	1			UR
	6E5-45978-10	PROPELLER (3X14"X26"-P)	1			UR
24	6E5-45371-10	TAB-TRIM	1			
25	6E5-45994-10	PLATE, TOOTH	1			

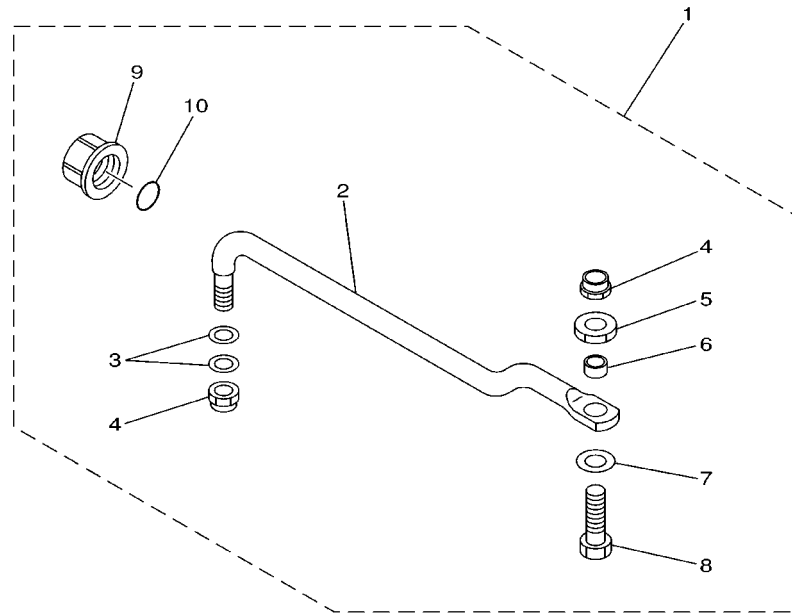
FIG. 18 FUEL TANK



67C0100-9300

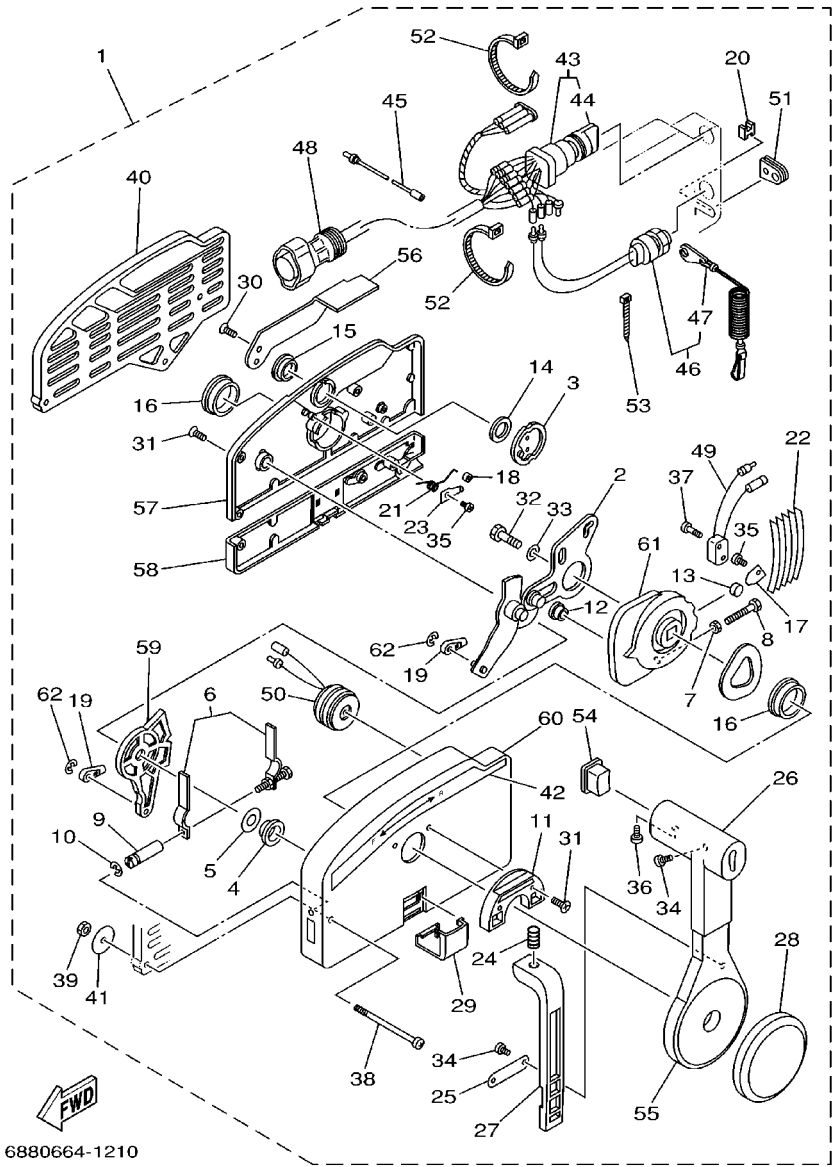
REF. NO.	PART NO.	DESCRIPTION	85A				REMARKS
1	6YJ-24201-10	FUEL TANK ASSY (24L)	1				AP WITH INDICATOR
2	6YJ-24610-01	.CAP ASSY	1				
3	6Y1-24260-12	.FUEL METER ASSY	1				WITH INDICATOR
4	98586-05016	.SCREW, PAN HEAD	4				
5	6Y1-24329-00	.SEAL	4				
6	6Y1-24268-00	.GASKET, FUEL METER	1				
7	6YJ-24167-00	.STRAINER	1				
8	61J-24306-02	FUEL PIPE COMP. 1	1				AP
9	90445-11M06	.HOSE (L2050)	1				
10	61J-24360-00	.PRIMER PUMP ASSY	1				
11	90445-11M05	.HOSE (L:850MM)	1				
12	650-24351-51	.BAND 1	4				
13	6G1-24305-03	.FUEL PIPE JOINT COMP. 2	1				
14	93210-08287	..O-RING	1				
15	6Y1-24305-04	.FUEL PIPE JOINT COMP. 2	1				
16	93210-08287	..O-RING	1				

FIG. 19 STEERING GUIDE



REF. NO.	PART NO.	DESCRIPTION	85A				REMARKS
1	688-61350-10	STEERING GUIDE ATTACHMENT KIT	1				AP
2	688-61351-10	.ROD, STEERING LINK	1				
3	90201-10M20	.WASHER, PLATE	2				
4	90185-09M01	.NUT, SELF-LOCKING	2				
5	90170-09M03	.NUT	1				
6	90387-10M42	.COLLAR	1				
7	90201-10M63	.WASHER, PLATE	1				
8	6E5-61355-00	.BOLT	1				
9	6E5-43145-01	.CAP, CLAMP BRACKET	1				
10	93210-16275	.O-RING	1				

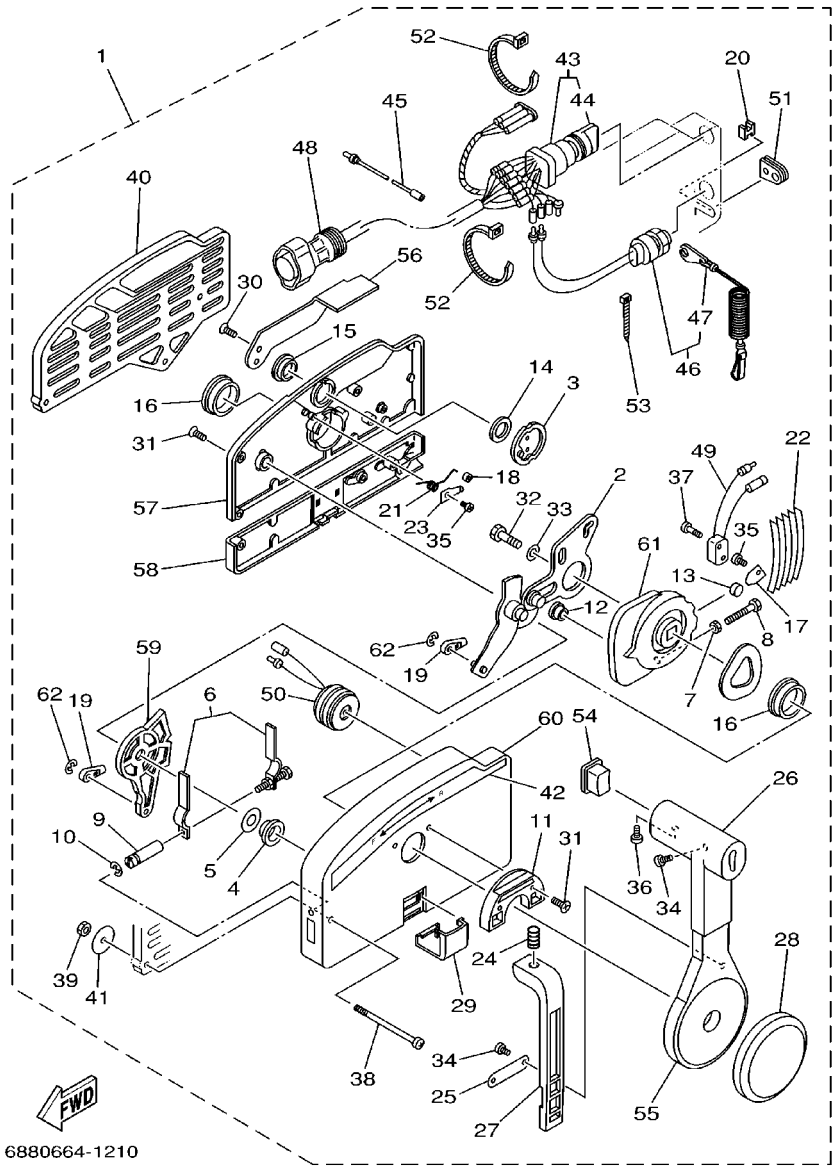
6880700-9190



6880664-1210

FIG. 21 REMOTE CONTROL ASSY

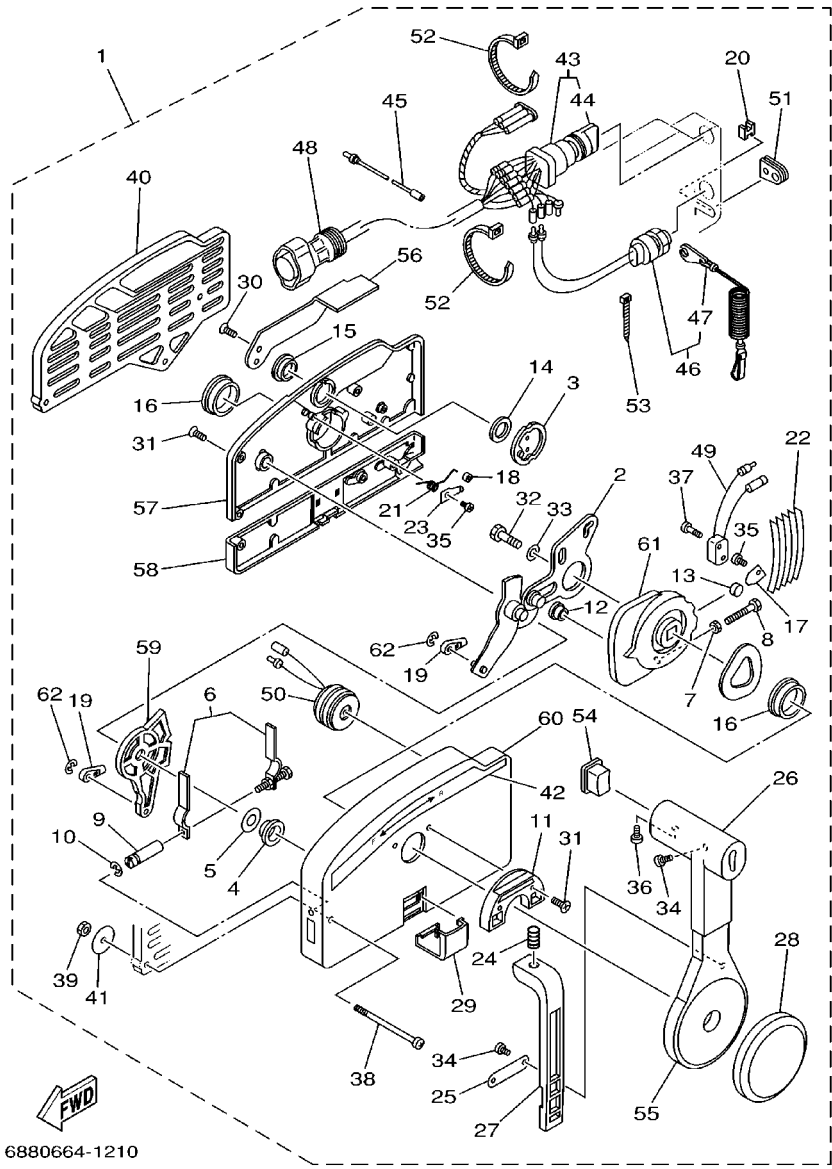
REF. NO.	PART NO.	DESCRIPTION	85A				REMARKS
1	703-48203-14	REMOTE CONTROL ASSY (7P)	1				AP
2	703-48261-01	.ARM, THROTTLE	1				
3	703-48153-00	.SHAFT, FREE ACCEL.	1				
4	703-48235-00	.BUSHING	1				
5	703-48268-00	.SPACER	1				
6	703-48264-00	.THROTTLE, FRICTION	1				
7	95380-05600	.NUT	1				
8	97380-05025	.BOLT	1				
9	703-48265-00	.SHAFT, FRICTION	1				
10	93430-06024	.CIRCLIP	3				
11	703-48245-00	.PLATE, LOCK	1				
12	703-48252-00	.ROLLER, CAM	1				
13	701-48248-00	.ROLLER, FREE ACCEL.	1				
14	703-48198-00	.WASHER, WAVE	1				
15	703-48243-00	.BUSHING	1				
16	703-48236-00	.BUSHING 1	2				
17	703-48189-00	.RETAINER	1				
18	703-48234-00	.ROLLER, DETENT	1				
19	703-48345-01	.CABLE END,REMOTE CONTROL 2	2				
20	703-48358-00	.ANCHOR, CABLE	1				
21	703-48244-00	.SPRING, FREE ACCEL.	1				
22	703-48238-00	.SPRING, DETENT	5				
23	703-48246-00	.SPACER	1				
24	703-48227-00	.SPRING, NEUTRAL LOCK	1				
25	703-48226-00	.PLATE, STOPPER	1				
26	703-48222-00	.GRIP, CONTROL LEVER	1				SINGLE
27	703-48223-00	.LOCK, NEUTRAL	1				



6880664-1210

FIG. 21 REMOTE CONTROL ASSY

REF. NO.	PART NO.	DESCRIPTION	85A				REMARKS
28	703-48225-00	.COVER	1				
29	703-48219-00	.COVER, LEAD	1				
30	703-48281-00	.SCREW	2				
31	703-48282-00	.SCREW	7				
32	97095-08030	.BOLT	1				
33	92990-08600	.WASHER, PLATE	1				
34	98580-04010	.SCREW, PAN HEAD	3				
35	98580-04006	.SCREW, PAN HEAD	2				
36	98580-05010	.SCREW, PAN HEAD	1				
37	98580-03015	.SCREW, PAN HEAD	2				
38	703-48291-10	.SCREW (M6)	3				
39	95380-06600	.NUT, HEXAGON	3				
40	703-48293-10	.SPACER, REMOTE CONTROL	1				SINGLE
41	701-48287-00	.WASHER	3				
42	703-48215-00	.GRAPHIC	1				
43	703-82510-31	.MAIN SWITCH ASSY (7P)	1				
44	676-82577-00	..CAP, KEY	1				
45	703-82531-00	.WIRE, LEAD	1				
46	688-82575-01	.ENGINE STOP SWITCH ASSY	1				
47	682-82556-00	..STOPPER	1				
48	688-82586-21	.EXTENSION, WIRE HARNESS	1				L:5M (7P)
49	703-82540-00	.NEUTRAL SWITCH ASSY	1				
50	703-83383-02	.BUZZER	1				
51	703-48284-00	.GROMMET	1				
52	703-82591-00	.BAND	3				
53	703-82592-00	.BAND	1				
54	703-48224-00	.COVER, CONTROL LEVER	1				WITHOUT PT/T SW.

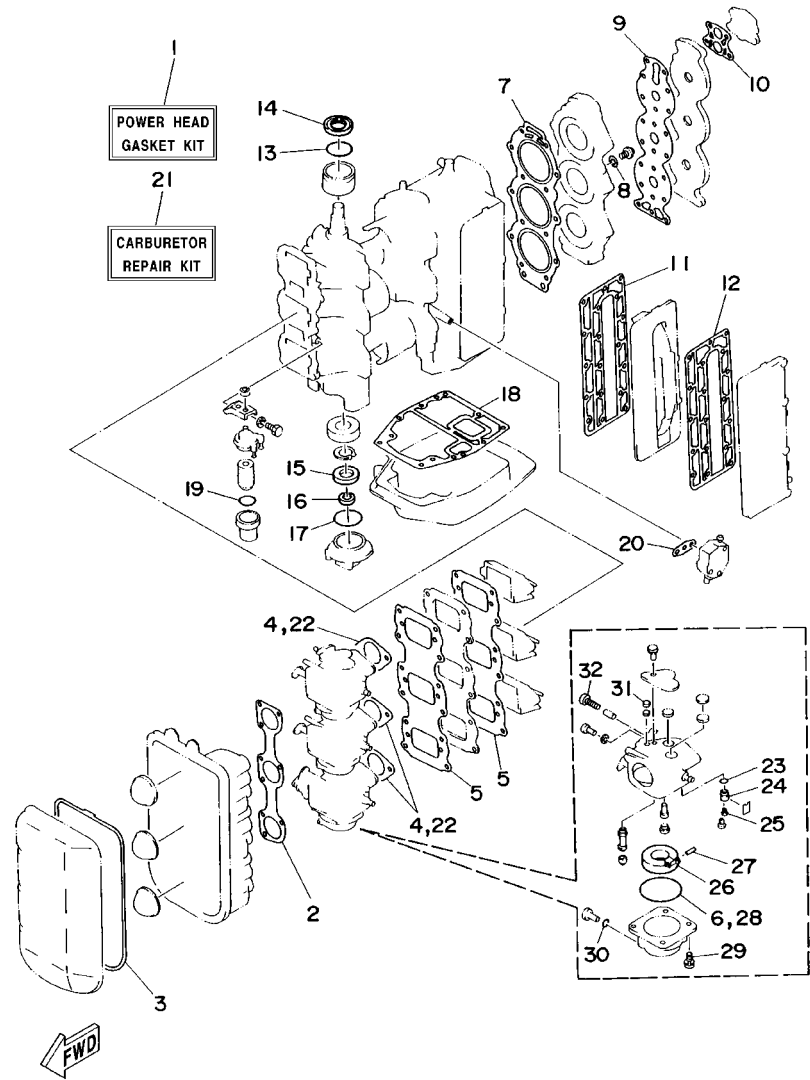


6880664-1210

FIG. 21 REMOTE CONTROL ASSY

REF. NO.	PART NO.	DESCRIPTION	85A				REMARKS
55	703-48221-00	.LEVER, CONTROL	1				
56	703-48152-00	.KNOB, FREE ACCEL.	1				
57	703-48212-00	.BACK PLATE 1	1				
58	703-48213-00	.BACK PLATE 2	1				
59	703-48271-00	.ARM, SHIFT	1				
60	703-48211-01	.HOUSING,1	1				
61	703-48232-00	.GEAR	1				
62	93430-06024	.CIRCLIP	2				

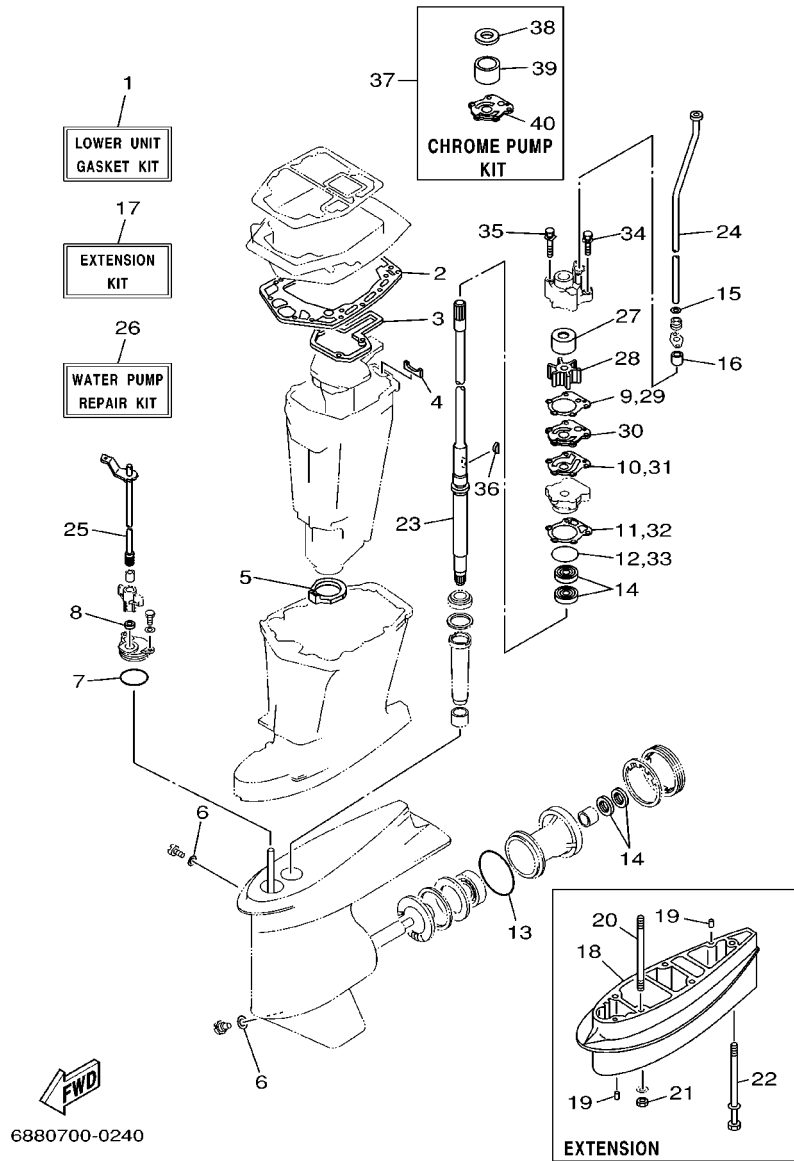
FIG. 22 REPAIR KIT 1



6880010-4180

REF. NO.	PART NO.	DESCRIPTION	85A				REMARKS
1	688-W0001-02	POWER HEAD GASKET KIT	1				
2	688-14483-A0	.GASKET	1				
3	688-14416-01	.GASKET, AIR CLEANER	1				
4	688-14198-A2	.GASKET	3				
5	688-13621-A1	.GASKET, VALVE SEAT	2				
6	676-14984-00	.GASKET, FLOAT CHAMBER	3				
7	688-11181-A1	.GASKET, CYLINDER HEAD 1	1				
8	90430-14115	.GASKET	1				
9	688-11193-A1	.GASKET, HEAD COVER 1	1				
10	688-12414-A1	.GASKET, COVER	1				
11	688-41112-A0	.GASKET, EXHAUST INNER COVER	1				
12	688-41114-A0	.GASKET, EXHAUST OUTER COVER	1				
13	93210-46M16	.O-RING	1				
14	93102-36M02	.OIL SEAL	1				
15	93102-30M05	.OIL SEAL	1				
16	93104-20M02	.OIL SEAL	1				
17	93210-62269	.O-RING	1				
18	688-45113-A0	.GASKET, UPPER CASING	1				
19	93210-32738	.O-RING	1				
20	650-24431-A0	.GASKET, FUEL PUMP 1	1				
21	6H1-W0093-01	CARBURETOR REPAIR KIT	1				
22	688-14198-A2	.GASKET	3				
23	93210-04228	.O-RING	3				
24	692-14590-00	.VALVE SEAT	3				
25	676-14186-00	.PIN, FLOAT	3				
26	676-14985-01	.FLOAT	3				
27	688-14548-00	.PIN, FLOAT ARM	3				

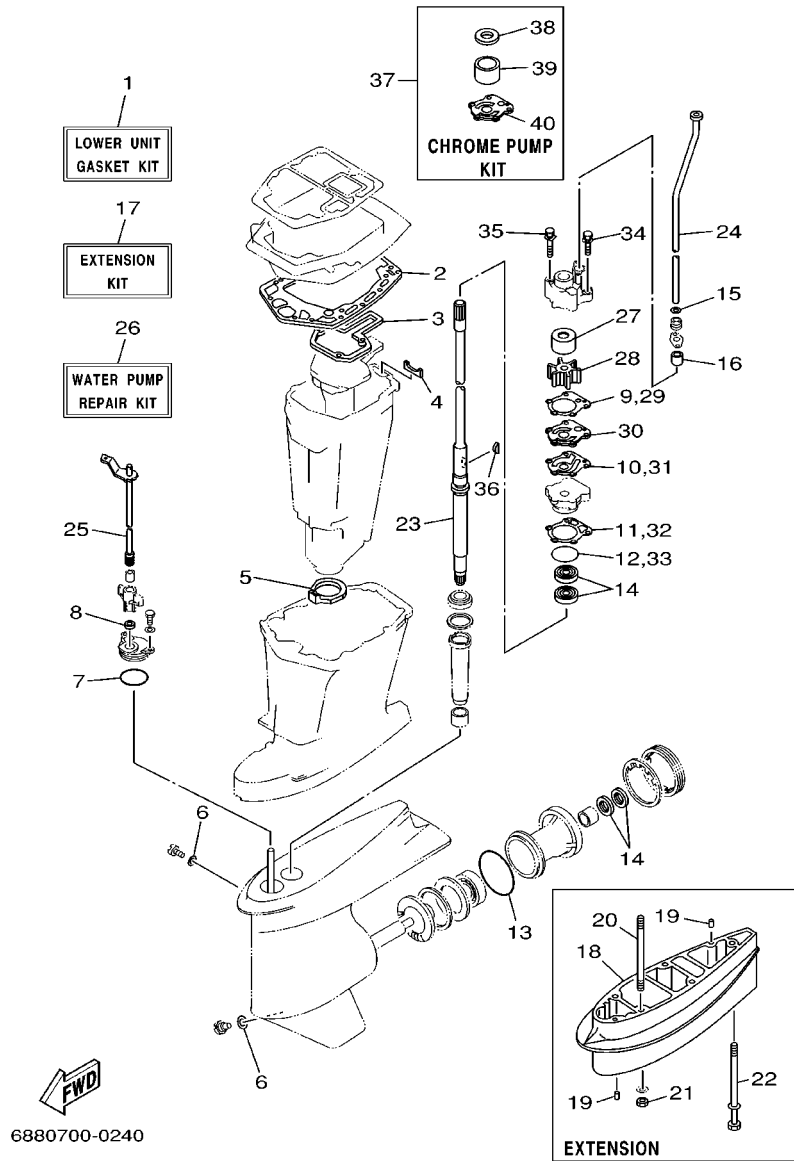
FIG. 23 REPAIR KIT 2



6880700-0240

REF. NO.	PART NO.	DESCRIPTION	85A				REMARKS
1	688-W0001-22	LOWER UNIT GASKET KIT	1				
2	688-45114-A1	.GASKET, UPPER CASING	1				
3	688-41134-A0	.GASKET, EXHAUST MANIFOLD	1				
4	688-41133-00	.GASKET, EXHAUST MANIFOLD 1	1				
5	688-45123-00	.GASKET, MUFFLER	1				
6	90430-08020	.GASKET	2				
7	93210-49046	.O-RING	1				
8	93106-09014	.OIL SEAL	1				
9	688-44315-A0	.GASKET, WATER PUMP	1				
10	688-44324-A0	.GASKET, CARTRIDGE	1				
11	688-44316-A0	.GASKET, WATER PUMP	1				
12	93210-46044	.O-RING	1				
13	93210-85M97	.O-RING	1				
14	93101-25M03	.OIL SEAL	4				
15	90430-12072	.GASKET	1				
16	663-44366-00	.DAMPER, WATER SEAL	1				
17	688-W0072-00-4D	EXTENSION KIT	1				X
18	688-45211-00-4D	.EXTENSION	1				
19	93606-12019	.PIN, DOWEL	4				
20	90116-10M05	.BOLT, STUD	4				
21	95380-10600	.NUT	4				
22	90119-08M86	.BOLT, WITH WASHER	1				
23	688-45501-22	.DRIVE SHAFT COMP.	1				
24	688-44361-20	.TUBE, WATER	1				
25	688-44120-22	.HANDLE GEAR SHIFT ASSY	1				
26	692-W0078-02	WATER PUMP REPAIR KIT	1				
27	688-44322-00	.INSERT, CARTRIDGE	1				

FIG. 23 REPAIR KIT 2



REF. NO.	PART NO.	DESCRIPTION	85A				REMARKS
28	688-44352-03	.IMPELLER	1				
29	688-44315-A0	.GASKET, WATER PUMP	1				
30	688-44323-00	.OUTER PLATE, CARTRIDGE	1				
31	688-44324-A0	.GASKET, CARTRIDGE	1				
32	688-44316-A0	.GASKET, WATER PUMP	1				
33	93210-46044	.O-RING	1				
34	90119-08M13	.BOLT, WITH WASHER	2				
35	90119-08M16	.BOLT, WITH WASHER	2				
36	90280-04M04	.KEY, WOODRUFF	1				
37	688-W0078-1A	CHROME PUMP KIT	1				
38	688-44321-41	.INNER PLATE, CARTRIDGE	1				
39	688-44322-41	.INSERT, CARTRIDGE	1				
40	688-44323-40	.OUTER PLATE, CARTRIDGE	1				

NUMERICAL INDEX

PARTNO.	REF. NO.	PARTNO.	REF. NO.	PARTNO.	REF. NO.	PARTNO.	REF. NO.	PARTNO.	REF. NO.	PARTNO.	REF. NO.
688-W0001-02	22 - 1	688-14198-A2	4 - 8	6G1-24304-02	6 - 1	6J8-41262-00	13 - 4	688-43170-04-4D	13 - 7	688-44361-20	23 - 24
688-W0001-22	23 - 1		22 - 4	6G1-24305-03	18 - 13	661-41262-02	4 - 5	688-43181-10	12 - 22	663-44366-00	17 - 14
688-W0004-00	4 - 14		22 - 22	6Y1-24305-04	18 - 15	689-41273-00	4 - 2	688-43185-10	12 - 23		23 - 16
688-W0070-31	1 - 19	688-14301-08	5 - 1	61J-24306-02	18 - 8	688-41611-00	7 - 10	688-43186-00	13 - 2	663-44367-00	17 - 1
688-W0072-00-4D	23 - 17	688-14302-08	5 - 2	663-24312-01	2 - 49	688-41612-00	7 - 11	6H1-43311-01-4D	12 - 13	6H3-44391-01	10 - 2
688-W0078-1A	23 - 37	688-14303-08	5 - 3	688-24313-00	6 - 32	688-41631-01-94	11 - 18	663-43318-00	12 - 24	688-44511-00-94	14 - 31
692-W0078-02	23 - 26	6A0-14325-00	6 - 24	688-24314-00	6 - 33	688-41632-01-94	11 - 7	682-43318-01	13 - 10	688-44514-00-94	14 - 24
688-W0090-42-4D	2 - 1	688-14416-01	4 - 24	6Y1-24329-00	18 - 5	688-42510-02-4D	14 - 1	688-43616-00	13 - 5	6H1-44526-00	12 - 3
6H1-W0093-01	22 - 21		22 - 3	650-24351-51	18 - 12	688-42610-32-4D	1 - 1	688-43631-10	13 - 8	663-44551-02-4D	14 - 7
656-W2810-02	6 - 37	688-14417-01-94	4 - 19	61J-24360-00	18 - 10	688-42613-01-4D	1 - 10	688-43651-00	13 - 9	687-44552-02-94	14 - 16
688-11111-02-94	2 - 28	688-14418-01	4 - 23	688-24378-00	6 - 36	688-42615-00	1 - 17	697-43662-00	11 - 56	663-44553-01-4D	14 - 21
688-11119-00	2 - 26	688-14481-00	4 - 22	692-24410-00	6 - 14	688-42617-00	1 - 21	688-43691-01	12 - 16	687-44555-00-94	14 - 9
688-11181-A1	2 - 29	688-14483-A0	4 - 20	663-24411-00	6 - 19	688-42618-00	1 - 11	688-44117-00-94	11 - 35	663-44575-00	14 - 14
	22 - 7		22 - 2	692-24411-00	6 - 16	688-42619-00	1 - 22	688-44118-00-94	11 - 44		14 - 30
688-11191-00-9M	2 - 33	624-14485-00	2 - 5	6A0-24412-02	6 - 25	688-42628-00	1 - 12	688-44120-12	11 - 51	688-45111-04-4D	15 - 1
688-11193-A1	2 - 34	63V-14523-00	5 - 30	6A0-24413-00	6 - 15	688-42637-00	1 - 25	688-44120-22	11 - 51	688-45113-A0	15 - 20
	22 - 9	663-14527-00	5 - 21	6A0-24421-01	6 - 23	688-42647-00-94	1 - 2		23 - 25		22 - 18
688-11325-00	2 - 24	688-14527-00	5 - 23	650-24431-A0	6 - 26	688-42649-00-94	1 - 3	688-44121-02	11 - 42	688-45114-A1	15 - 6
650-11370-00	2 - 4	688-14548-00	5 - 14		22 - 20	688-42652-10	1 - 5	688-44122-00	11 - 39		23 - 2
688-11370-00	2 - 3		22 - 27	648-24434-01	6 - 17	663-42662-00	1 - 4	688-44124-00	11 - 38	663-45119-00	12 - 15
	3 - 2	679-14555-00	5 - 27	648-24435-02	6 - 20	688-42677-31	1 - 18	663-44144-01	16 - 59	688-45123-00	15 - 11
688-11411-01	3 - 11	688-14572-01	5 - 24	61N-24521-00	6 - 8	688-42678-31	1 - 20	696-44147-00	11 - 52		23 - 5
663-11518-01	2 - 6	6H2-14578-00	5 - 32	61N-24560-00	6 - 6	688-42681-31	1 - 23	663-44151-00	16 - 58	663-45155-10	15 - 2
688-11603-A0	3 - 19	692-14590-00	5 - 9	61N-24563-00	6 - 7	688-42682-31	1 - 24	688-44194-00	2 - 13	688-45211-00-4D	23 - 18
688-11604-A0	3 - 19		22 - 24	648-24566-02	6 - 10	688-42711-04-4D	10 - 1		11 - 22	688-45211-01-4D	15 - 22
688-11605-A0	3 - 19	6K5-14592-00	5 - 28	6YJ-24610-01	18 - 2	648-42715-00	11 - 50	688-44311-01	16 - 21	6H1-45214-00	16 - 12
688-11631-03-94	3 - 18	688-14711-01-5B	15 - 10	6E0-28193-00-94	6 - 38	688-42716-02	10 - 9	688-44315-A0	16 - 24	6H1-45215-00	16 - 13
663-11633-00	3 - 20	663-14737-10	15 - 12	688-41111-00-9M	2 - 45	663-42724-00	10 - 10		23 - 9	6H1-45251-03	12 - 2
688-11634-00	3 - 21	692-14923-00	5 - 26	688-41112-A0	2 - 46	688-42725-02	10 - 11		23 - 29	692-45300-14-4D	16 - 1
688-11635-03	3 - 18		22 - 32		22 - 11	6H4-42726-00	10 - 22	688-44316-A0	16 - 30	692-45300-24-4D	16 - 1
688-11636-03	3 - 18	676-14943-40	5 - 5	688-41113-00-9M	2 - 48	688-42738-01-94	10 - 12		23 - 11	688-45311-06-4D	16 - 2
688-11650-03	3 - 22	688-14947-00	5 - 4	688-41114-A0	2 - 47	688-42741-01-4D	10 - 23		23 - 32	688-45321-00	16 - 16
688-12411-10	2 - 40	676-14948-18	5 - 6		22 - 12	688-42771-01-4D	10 - 24	688-44321-41	16 - 23	688-45331-00-94	16 - 48
688-12413-00-9M	2 - 41	676-14966-00	5 - 7	688-41131-00-5B	15 - 8	688-42815-01-4D	10 - 3		23 - 38	688-45341-00	16 - 10
688-12414-A1	2 - 42	688-14980-00	5 - 16	688-41133-00	15 - 9	688-42816-00	10 - 7	688-44322-00	23 - 27	6E5-45371-10	17 - 24
	22 - 10	676-14984-00	5 - 15		23 - 4	688-42817-01-4D	10 - 4	688-44322-41	16 - 22	688-45371-02	17 - 12
688-12416-00	2 - 38		22 - 6	688-41134-A0	15 - 7	688-43111-13-4D	12 - 1		23 - 39	688-45375-00	17 - 11
688-13610-00	4 - 13		22 - 28		23 - 3	688-43112-12-4D	12 - 8	688-44323-00	23 - 30	663-45376-00-94	17 - 10
688-13621-A1	4 - 11	676-14985-01	5 - 13	688-41137-03-94	15 - 5	688-43124-02	13 - 12	688-44323-40	16 - 31	688-45383-02	16 - 55
	22 - 5		22 - 26	688-41211-01	11 - 28	6E5-43126-02	12 - 37		23 - 40	688-45384-00	16 - 56
688-13624-00	4 - 12	6H3-14992-00	5 - 18	688-41213-00	11 - 31	688-43128-01-4D	13 - 1	688-44324-A0	16 - 32	688-45501-11	16 - 36
688-13641-00-94	4 - 6	688-15100-05-94	2 - 2	662-41214-01	11 - 8	688-43131-03	12 - 17		23 - 10	688-45501-22	16 - 36
663-14126-00	5 - 20	6H1-15359-01-94	3 - 1	688-41217-01	4 - 3	6G5-43144-00	12 - 31		23 - 31		23 - 23
	22 - 31	688-15379-00	3 - 6	682-41237-00	11 - 27	6E5-43145-01	19 - 9	688-44341-01-94	16 - 27	688-45536-01	16 - 4
688-14126-00	5 - 22	6YJ-24167-00	18 - 7		11 - 30	6G5-43145-00	12 - 21	688-44352-03	16 - 25	688-45551-01	16 - 37
663-14159-00	5 - 10	6YJ-24201-10	18 - 1	682-41237-50	11 - 25	6G5-43148-00	12 - 26		23 - 28	688-45560-00	16 - 39
676-14186-00	5 - 11	6Y1-24260-12	18 - 3	692-41256-00	4 - 1	688-43160-01	12 - 33	688-44361-10	17 - 2	688-45567-01-10	16 - 7
	22 - 25	6Y1-24268-00	18 - 6	688-41257-01	4 - 4	688-43165-00	12 - 35	688-44361-20	17 - 2	688-45567-01-12	16 - 7

NUMERICAL INDEX

PARTNO.	REF. NO.	PARTNO.	REF. NO.	PARTNO.	REF. NO.	PARTNO.	REF. NO.	PARTNO.	REF. NO.	PARTNO.	REF. NO.
688-45567-01-15	16 - 7	703-48152-00	21 - 56	703-48358-00	21 - 20	703-82591-00	21 - 52	90170-16M01	16 - 38	90386-10M16	12 - 25
688-45567-01-18	16 - 7	703-48153-00	21 - 3	688-48511-11-4D	14 - 34	703-82592-00	21 - 53	90170-20137	7 - 8	90386-12089	11 - 12
688-45567-01-30	16 - 7	703-48189-00	21 - 17	663-48531-00	11 - 1	688-82594-00	8 - 35	90171-16011	17 - 20	90386-13M38	10 - 5
688-45567-01-40	16 - 7	703-48198-00	21 - 14	663-48538-00	11 - 2	703-83383-02	21 - 50	90179-06066	14 - 20	90386-18M21	12 - 38
688-45567-01-50	16 - 7	703-48203-14	20 - 1	688-61350-10	19 - 1	688-85510-01	7 - 2	90185-05002	16 - 15	90386-18M35	12 - 39
688-45571-01	16 - 47		21 - 1	688-61351-10	19 - 2	663-85518-00	11 - 19	90185-09M01	19 - 4		13 - 14
688-45576-00	16 - 51	703-48211-01	21 - 60	6E5-61355-00	19 - 8	688-85540-00	8 - 1	90185-10051	14 - 29	90386-18M63	13 - 13
688-45577-01-10	16 - 50	703-48212-00	21 - 57	688-81332-01	7 - 13	6H1-85542-00-94	8 - 19		14 - 36	90386-22M13	11 - 14
688-45577-01-12	16 - 50	703-48213-00	21 - 58	688-81800-12	9 - 1	688-85550-00	7 - 1	90185-22043	12 - 20	90386-22M15	12 - 18
688-45577-01-15	16 - 50	703-48215-00	21 - 42	676-81809-10	9 - 3	697-85570-00	8 - 5	90201-05652	5 - 29	90386-30M60	14 - 6
688-45577-01-18	16 - 50	703-48219-00	21 - 29	688-81810-11	9 - 5	688-85580-00	7 - 3	90201-06M31	8 - 24	90386-30M77	14 - 4
688-45577-01-30	16 - 50	703-48221-00	21 - 55	663-81811-11	9 - 7	688-86110-01	4 - 27	90201-06416	10 - 17	90386-30M78	14 - 3
688-45577-01-40	16 - 50	703-48222-00	21 - 26	663-81812-11	9 - 8	90101-10M49	14 - 25	90201-08M13	11 - 16	90387-06M03	8 - 21
688-45577-01-50	16 - 50	703-48223-00	21 - 27	663-81813-10	9 - 9	90101-12M65	12 - 41	90201-08M23	11 - 11	90387-06M17	11 - 32
688-45587-01-10	16 - 5	703-48224-00	21 - 54	663-81820-12	9 - 10	90105-10M67	17 - 13	90201-10M20	19 - 3	90387-06M69	10 - 16
688-45587-01-12	16 - 5	703-48225-00	21 - 28	688-81824-00	9 - 15	90109-06M39	8 - 23	90201-10M63	19 - 7	90387-08M16	11 - 13
688-45587-01-15	16 - 5	703-48226-00	21 - 25	663-81826-10	9 - 14	90109-08M61	3 - 23	90201-10430	2 - 10	90387-10M02	12 - 29
688-45587-01-18	16 - 5	703-48227-00	21 - 24	688-81830-11	9 - 12	90109-12261	14 - 13	90201-11M22	14 - 28	90387-10M42	19 - 6
688-45587-01-30	16 - 5	703-48232-00	21 - 61	688-81831-00	9 - 13	90116-06122	4 - 7	90201-12M16	14 - 10	90430-08020	16 - 11
688-45587-01-40	16 - 5	703-48234-00	21 - 18	663-81832-11	9 - 11	90116-10M05	15 - 23	90201-12426	12 - 43		23 - 6
688-45587-01-50	16 - 5	703-48235-00	21 - 4	663-81840-11	9 - 6		23 - 20	90201-13M19	14 - 12	90430-12072	17 - 4
688-45611-00	16 - 40	703-48236-00	21 - 16	688-81842-00	9 - 16	90116-10M06	2 - 21	90201-17M00	17 - 19		23 - 15
688-45631-01	16 - 43	703-48238-00	21 - 22	676-81850-11	9 - 2	90116-10175	14 - 35	90201-20M21	14 - 26	90430-14115	2 - 32
688-45633-00	16 - 45	703-48243-00	21 - 15	676-81857-10	9 - 4	90119-06M09	10 - 8	90201-20417	3 - 25		22 - 8
688-45634-00	16 - 42	703-48244-00	21 - 21	6H1-81916-00	8 - 25	90119-06M12	2 - 8	90201-21M18	7 - 9	90445-07M00	2 - 18
688-45635-00	16 - 46	703-48245-00	21 - 11	6G1-81941-10	8 - 13	90119-06M24	11 - 34	90201-22M67	12 - 19	90445-07M23	2 - 19
688-45930-02-98	17 - 22	703-48246-00	21 - 23	6E9-81945-70	8 - 15	90119-06M29	12 - 4	90201-30M00	14 - 2	90445-07M86	3 - 7
688-45932-60-98	17 - 22	701-48248-00	21 - 13	6G1-81952-00	8 - 14	90119-06M61	10 - 19	90202-03M51	13 - 6	90445-07260	2 - 15
6E5-45941-00-EL	17 - 22	703-48252-00	21 - 12	6H0-81960-00	8 - 8	90119-06M75	8 - 22	90202-07M07	11 - 40	90445-09090	6 - 4
6E5-45943-00-EL	17 - 22	703-48261-01	21 - 2	6H0-82105-02	8 - 32	90119-08MA3	2 - 27	90202-12060	17 - 3	90445-09097	6 - 31
6E5-45945-01-EL	17 - 22	703-48264-00	21 - 6	6H0-82117-00	8 - 33	90119-08M13	16 - 35	90202-12092	11 - 15	90445-09220	6 - 35
6E5-45947-00-EL	17 - 22	703-48265-00	21 - 9	703-82119-00	10 - 21		23 - 34	90202-20M06	14 - 27	90445-09221	6 - 29
6E5-45949-00-EL	17 - 22	703-48268-00	21 - 5	688-82127-02	14 - 23	90119-08M16	16 - 34	90202-25M04	14 - 11	90445-11M05	18 - 11
6E5-45952-00-EL	17 - 22	703-48271-00	21 - 59	6E5-82148-00	12 - 9		23 - 35	90206-10M04	11 - 33	90445-11M06	18 - 9
6E5-45954-00-EL	17 - 22	703-48281-00	21 - 30	663-82151-00	8 - 31	90119-08M65	2 - 30	90206-13019	10 - 6	90464-12M00	7 - 6
6E5-45970-10	17 - 23	703-48282-00	21 - 31	6G5-82152-00	8 - 18	90119-08M79	15 - 17	90209-06M05	4 - 26	90467-06016	2 - 16
688-45970-03-98	17 - 22	703-48284-00	21 - 51	6G1-82370-21	8 - 27	90119-08M80	15 - 4	90249-06M19	12 - 28		2 - 20
6E5-45972-10	17 - 23	701-48287-00	21 - 41	703-82510-31	21 - 43	90119-08M84	17 - 9	90250-07M02	16 - 44		3 - 8
688-45972-02-98	17 - 22	703-48291-10	21 - 38	697-82519-00	8 - 34	90119-08M86	15 - 26	90266-06009	1 - 9	90467-08004	2 - 50
6E5-45974-10	17 - 23	703-48293-10	21 - 40	703-82531-00	21 - 45		23 - 22	90280-04M04	16 - 26		6 - 5
688-45974-02-98	17 - 22	701-48320-00	20 - 2	703-82540-00	21 - 49	90119-10M07	2 - 9		23 - 36		6 - 30
6E5-45976-10	17 - 23	701-48320-50	20 - 2	682-82556-00	21 - 47	90151-05M00	16 - 14	90280-05015	7 - 7		6 - 34
688-45976-01-98	17 - 22	701-48320-60	20 - 2	688-82560-10	8 - 28	90157-06013	11 - 21	90282-04010	16 - 57	90468-18008	11 - 9
6E5-45978-10	17 - 23	701-48320-80	20 - 2	688-82575-01	21 - 46	90157-06014	2 - 12	90338-05M03	10 - 20		11 - 41
688-45978-60-98	17 - 22	663-48344-00	11 - 6	676-82577-00	21 - 44	90159-06M11	8 - 26	90340-08M04	16 - 9		11 - 55
688-45987-01	17 - 17	703-48345-01	21 - 19	688-82586-21	21 - 48	90159-06M19	4 - 28	90340-14M00	2 - 31	90480-09M12	10 - 15
6E5-45994-10	17 - 25	701-48350-00	20 - 2	688-82588-01	8 - 29	90159-06M31	7 - 12	90386-06M12	11 - 43	90480-09M25	8 - 20
688-45997-01	17 - 18	701-48350-20	20 - 2	688-82590-04	8 - 30	90170-09M03	19 - 5	90386-08006	11 - 53	90480-19M06	17 - 15

NUMERICAL INDEX

PARTNO.	REF. NO.	PARTNO.	REF. NO.	PARTNO.	REF. NO.	PARTNO.	REF. NO.	PARTNO.	REF. NO.	PARTNO.	REF. NO.
90480-20M05	2 - 37	92995-06600	6 - 3	93210-85M97	23 - 13	97013-06030	7 - 4	98580-04008	5 - 12		
90480-24M04	2 - 17		6 - 28	93306-206U5	3 - 16	97013-06035	2 - 43	98580-04010	21 - 34		
90501-10326	5 - 31		7 - 15	93306-207U0	16 - 49	97013-08030	9 - 19	98580-05010	21 - 36		
90501-12082	11 - 49		8 - 7	93310-636U4	3 - 12		11 - 45	98586-05016	18 - 4		
90501-14M08	14 - 19		8 - 12	93310-730V8	3 - 26	97013-08040	2 - 51	98780-04015	2 - 25		
90501-16M11	2 - 39		10 - 14	93310-835U8	3 - 15	97075-08025	14 - 17				
90501-16M12	11 - 24		12 - 7	93315-325V1	16 - 3		15 - 15				
90501-16233	16 - 41		16 - 20	93317-325U0	16 - 53	97075-08030	15 - 13				
90502-16M02	12 - 36	92995-08100	11 - 5	93332-000U3	16 - 6	97075-08035	14 - 32				
90506-14M24	12 - 30		14 - 18	93332-000W7	16 - 8		15 - 18				
90508-29M05	11 - 17		14 - 33	93410-18M02	12 - 40	97075-10040	17 - 6				
91490-40025	17 - 21		15 - 14	93410-28M06	14 - 8	97080-06010	13 - 11				
91690-30012	11 - 3		15 - 16	93410-32M00	3 - 17	97095-06010	7 - 14				
	12 - 34		15 - 19	93430-06024	21 - 10		12 - 32				
91690-30020	12 - 27	92995-10100	12 - 12		21 - 62	97095-06012	2 - 22				
	13 - 3	92995-12200	12 - 42	93430-08006	16 - 60		8 - 9				
92903-06100	4 - 18	93101-25M03	16 - 28	93501-04M02	11 - 48	97095-06016	1 - 13				
	6 - 12		16 - 54	93603-21111	3 - 24		10 - 13				
92903-06600	2 - 36		23 - 14	93604-10M03	16 - 33		12 - 5				
	2 - 44	93102-30M05	3 - 3	93606-12019	15 - 3		16 - 19				
	7 - 5		22 - 15		15 - 21	97095-06018	1 - 6				
	8 - 17	93102-36M02	3 - 13		15 - 24	97095-06020	3 - 9				
	11 - 37		22 - 14		17 - 5		6 - 2				
92903-08100	9 - 20	93104-20M02	3 - 4		23 - 19		8 - 6				
	11 - 46		22 - 16	93608-12063	2 - 7		8 - 11				
92903-08600	2 - 52	93106-09014	16 - 18	93700-06M03	12 - 14		10 - 25				
	11 - 47		23 - 8	94702-00247	2 - 53	97095-06025	1 - 15				
92990-04600	9 - 18	93210-03261	4 - 29	95303-05700	11 - 20	97095-06030	10 - 18				
92990-05100	4 - 16	93210-04228	5 - 8	95303-06600	11 - 23		10 - 27				
	6 - 22		22 - 23	95303-06700	2 - 14	97095-06040	6 - 27				
92990-06100	8 - 3	93210-04230	5 - 19	95313-10600	2 - 11	97095-08016	11 - 4				
92990-06600	8 - 4		22 - 30	95380-03600	6 - 18	97095-08030	21 - 32				
92990-08200	11 - 54	93210-08287	18 - 14	95380-05600	11 - 26	97095-08045	11 - 10				
92990-08600	9 - 21		18 - 16		11 - 29	97095-10045	12 - 11				
	21 - 33	93210-16275	19 - 10		21 - 7	97380-05025	21 - 8				
92990-10100	17 - 8	93210-29M94	14 - 5	95380-06600	4 - 10	97780-40512	17 - 16				
92990-10600	17 - 7	93210-32738	6 - 9		21 - 39	97880-04010	9 - 17				
92995-06100	1 - 7		22 - 19	95380-08600	6 - 13	97880-05020	4 - 15				
	2 - 23	93210-46M16	3 - 14	95380-10600	15 - 25	97880-06012	12 - 10				
	4 - 9		22 - 13		23 - 21	97880-06040	8 - 2				
	8 - 10	93210-46044	16 - 29	95380-12600	12 - 44	97885-06016	4 - 25				
	10 - 26		23 - 12	95380-12800	14 - 15		14 - 22				
	10 - 28		23 - 33	97013-06014	6 - 11	97980-04114	5 - 17				
	12 - 6	93210-49046	16 - 17	97013-06016	8 - 16		22 - 29				
92995-06600	1 - 8		23 - 7	97013-06018	4 - 21	97980-05310	5 - 25				
	1 - 14	93210-62269	3 - 5	97013-06020	11 - 36	98503-05028	6 - 21				
	1 - 16		22 - 17	97013-06025	2 - 35	98580-03015	21 - 37				
	3 - 10	93210-85M97	16 - 52	97013-06030	4 - 17	98580-04006	21 - 35				