

# **PARTS CATALOGUE**

**75AET'04** (6926)

**85AET'04** (6883)

# FOREWORD

This Parts Catalogue is related to the parts for the model(s) on the cover page. When you are ordering replacement parts, please refer to this Parts Catalogue and quote both part numbers and part names correctly.

1. Modifications or additions which have been made after the issue of the Parts Catalogue will be announced in the Parts News.  
It is advisable that you make the necessary corrections to the Parts Catalogue according to the Parts News.

2. Abbreviations

The following abbreviations are used in this Parts Catalogue.

“UR” Use specified parts number.

“UN” Use as many as needed.

“AP” Alternate Parts

“LM” Locally Made (Parts need to be ordered locally)

“F#” Frame No. (Applicable machine No.)

“O/S” Over Size

3. The number of components for assembly

- Parts, which are to be supplied in an assembly, are listed with a dot (.) in front of the part name as shown below.
- The numeral appearing to the right of each component part indicates the quantity of parts for each assembly unit.

PART NO.	DESCRIPTION	Q'TY	REMARKS
2F5-83310-60	FRONT FLASHER LIGHT ASSY	2	
115-83311-60	.BULB (6V-18W)	1	

4. Applicable colours of graphics are represented in the “REMARKS” as shown below.

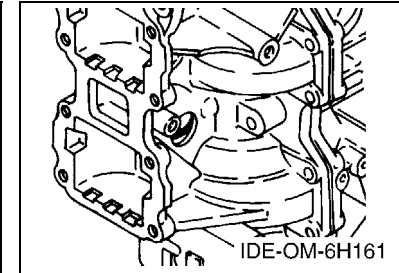
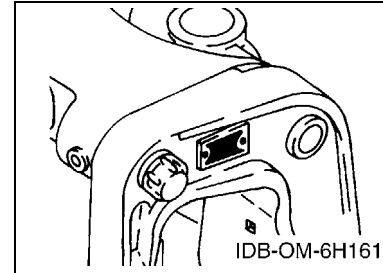
PART NO.	DESCRIPTION	Q'TY	REMARKS
2N4-24110-00-X5	FUEL TANK COMP.	2	MXR
3J1-24240-10	.GRAPHIC, FUEL TANK	1	FOR MXR

5. Note that the illustrations for reference in finding parts numbers are not to be used for assembling. When assembling, please use the applicable service manual.

6. The asterisk (\*) before a reference number indicates modified items after the first edition.

7. Applicable Serial No.

Engine Serial No.



8. Applicable Engine Starting Serial No.

Model	Serial No.	Model	Serial No.
75A	692-1005272	85A	688-1003089

9. Applicable Colour Code

Abbreviation	Colour Name	Colour Code
DBNM2	DARK BLUISH GRAY METALLIC 2	004D

10. Quantity Column Information

Column No.	Name Of Q'ty Column	Applicable Model
1	75A	75AET
2	85A	85AET

# CONTENTS

## SHEET1/2

TOP COWLING .....	A4
CYLINDER & CRANKCASE .....	A6
CRANKSHAFT & PISTON .....	B1
INTAKE .....	B3
CARBURETOR .....	B5
FUEL .....	B7
GENERATOR .....	C2
ELECTRICAL .....	C3
STARTING MOTOR .....	C5
BOTTOM COWLING .....	C6
CONTROL .....	D1
BRACKET 1 .....	D4
BRACKET 2 .....	D6
POWER TRIM & TILT ASSY .....	E1
UPPER CASING .....	E4
LOWER CASING & DRIVE 1 .....	E5
LOWER CASING & DRIVE 2 .....	F1
FUEL TANK .....	F3
STEERING GUIDE .....	F4
REMOTE CONTROL BOX .....	F5
REMOTE CONTROL ASSY .....	F6

## INDEX

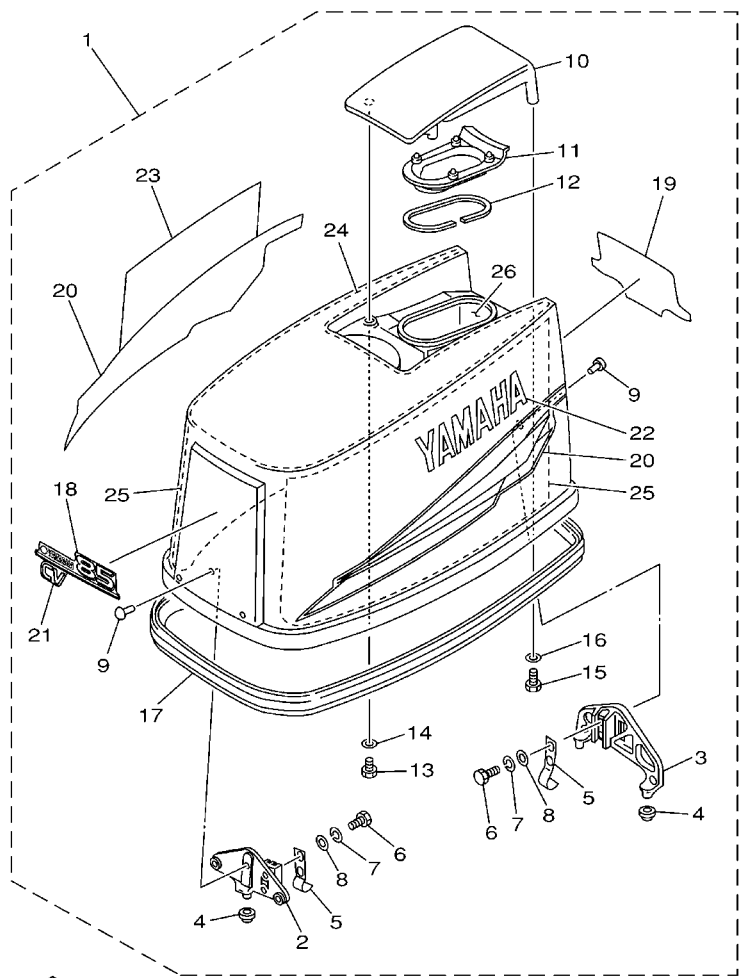
NUMERICAL INDEX .....	G1
-----------------------	----

## SHEET2/2

REMOTE CONTROL ASSY .....	A4*
REPAIR KIT 1 .....	A5*
REPAIR KIT 2 .....	A7*

## INDEX

NUMERICAL INDEX .....	G1*
-----------------------	-----

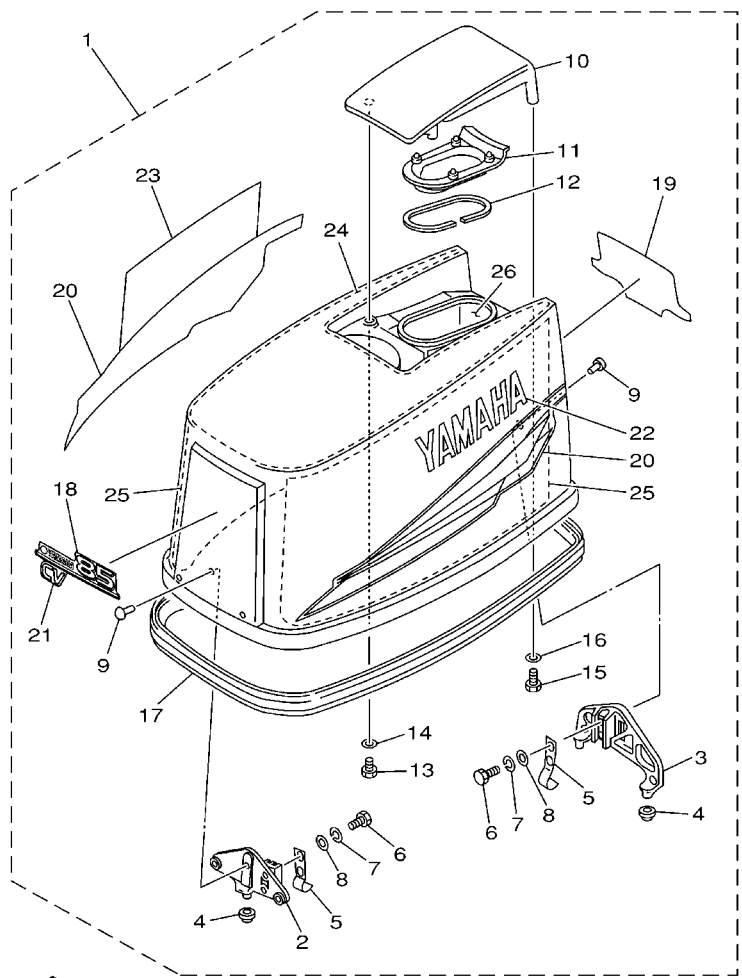


  
 6881700-2010

**FIG. 1 TOP COWLING**

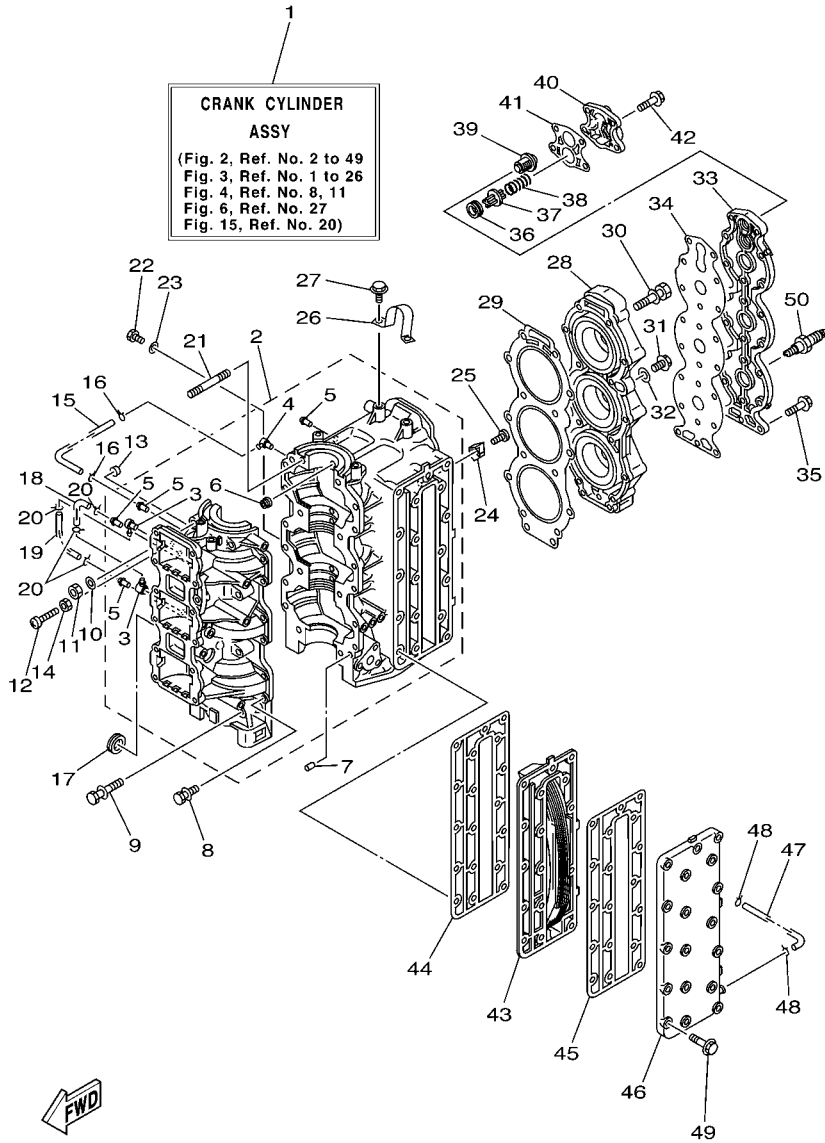
REF. NO.	PART NO.	DESCRIPTION	75A	85A				REMARKS
1	688-42610-H0-4D	TOP COWLING ASSY		1				
	692-42610-D0-4D	TOP COWLING ASSY	1					
2	688-42647-00-94	.HOLDER, CLAMP BAND	1	1				
3	688-42649-00-94	.HOLDER, CLAMP BAND	1	1				
4	663-42662-00	.DAMPER	3	3				
5	688-42652-10	.HOOK	2	2				
6	97095-06018	.BOLT	2	2				
7	92995-06100	.WASHER, SPRING	2	2				
8	92995-06600	.WASHER	2	2				
9	90266-06009	.RIVET	6	6				
10	688-42613-01-4D	.MOLDING, AIR DUCT	1	1				
11	688-42618-00	.AIR SHROUD, TOP COWLING	1	1				
12	688-42628-00	.SEAL	1	1				
13	97095-06016	.BOLT	2	2				
14	92995-06600	.WASHER	2	2				
15	97095-06025	.BOLT	2	2				
16	92995-06600	.WASHER	2	2				
17	688-42615-00	.SEAL	1	1				
18	688-42677-40	.GRAPHIC, FRONT		1				
	692-42677-40	.GRAPHIC, FRONT	1					
19	688-42678-31	.GRAPHIC, REAR		1				
	692-42678-31	.GRAPHIC, REAR	1					
20	688-W0070-31	.GRAPHIC SET	1	1				
21	61R-42683-F0	.MARK, COWLING	1	1				CV
22	688-42681-31	.MARK, COWLING	1	1				
23	688-42682-31	.MARK, COWLING	1	1				
24	688-42617-00	.DAMPER, FORM		1				

FIG. 1 TOP COWLING



**FWD**  
6881700-2010

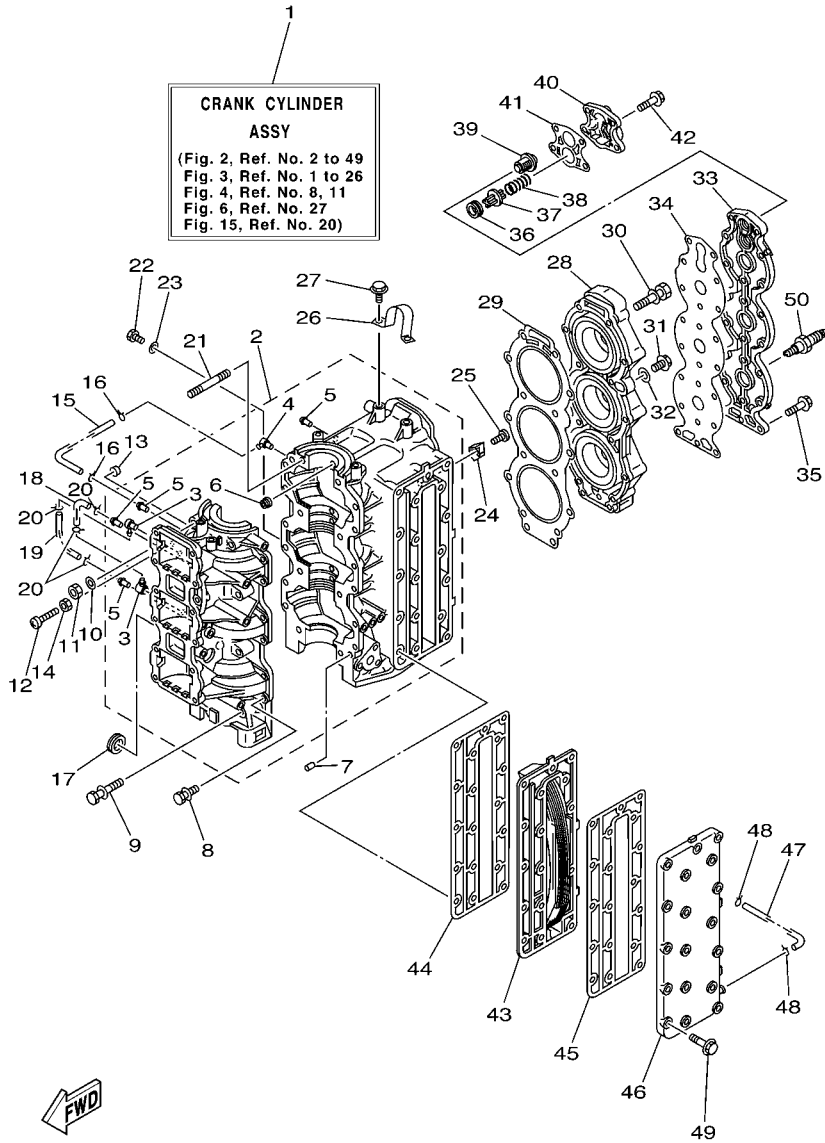
REF. NO.	PART NO.	DESCRIPTION	75A	85A		REMARKS
25	688-42619-00	.DAMPER, FORM		2		
26	688-42637-00	.DAMPER, FORM		1		



6882664-3020

FIG. 2 CYLINDER & CRANKCASE

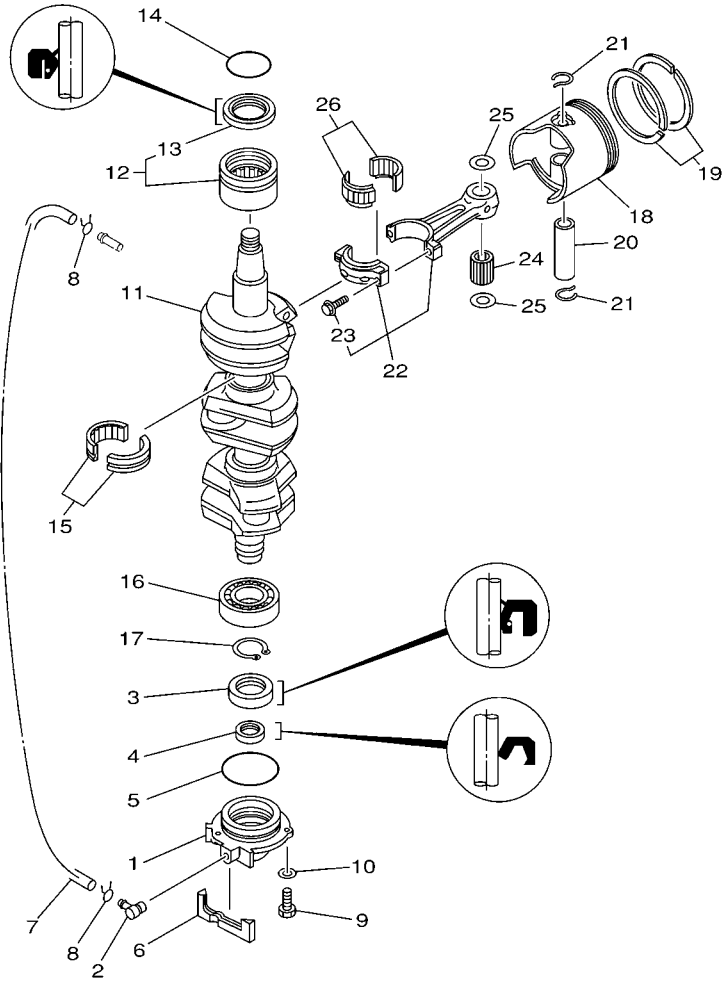
REF. NO.	PART NO.	DESCRIPTION	75A	85A		REMARKS
1	688-W0090-43-1S	CRANK CYLINDER ASSY		1		
	692-W0090-44-1S	CRANK CYLINDER ASSY	1			
2	688-15100-05-1S	CRANKCASE ASSY	1	1		
3	688-11370-01	.CHECK VALVE ASSY	2	2		
4	650-11370-01	.CHECK VALVE ASSY	1	1		
5	624-14485-00	.PIPE, JOINT	4	4		
6	663-11518-01	.LOCK, BEARING	3	3		
7	93608-12063	PIN, DOWEL	2	2		
8	90119-06M12	BOLT, WITH WASHER	12	12		
9	90119-10005	BOLT, WITH WASHER	6	6		
10	90201-10008	WASHER, PLATE	2	2		
11	95313-10600	NUT	2	2		
12	90157-06014	SCREW, PAN HEAD	1	1		
13	688-44194-00	CAP	1	1		
14	95303-06700	NUT	1	1		
15	90445-07260	HOSE (L276)	1	1		
16	90467-06016	CLIP	2	2		
17	90480-24M04	GROMMET	1	1		
18	90445-07M00	HOSE (L100)	1	1		
19	90445-07M23	HOSE (L408)	1	1		
20	90467-06016	CLIP	4	4		
21	90116-10M06	BOLT, STUD	2	2		
22	97095-06012	BOLT	1	1		
23	92995-06100	WASHER, SPRING	1	1		
24	688-11325-00	ANODE	2	2		
25	98780-04015	SCREW, FLAT HEAD	2	2		
26	688-11119-01	HANGER, ENGINE	1	1		



6882664-3020

FIG. 2 CYLINDER & CRANKCASE

REF. NO.	PART NO.	DESCRIPTION	75A	85A		REMARKS
27	90119-08MA3	BOLT, WITH WASHER	2	2		
28	688-11111-02-1S	HEAD, CYLINDER 1		1		
	692-11111-01-1S	HEAD, CYLINDER 1	1			
29	688-11181-A1	GASKET, CYLINDER HEAD 1	1	1		
30	90119-08MA8	BOLT, WITH WASHER	14	14		
31	90340-14M00	PLUG, STRAIGHT SCREW	1	1		
32	90430-14115	GASKET	1	1		
33	688-11191-00-1S	COVER, CYLINDER HEAD 1	1	1		
34	688-11193-A1	GASKET, HEAD COVER 1	1	1		
35	90119-06MA3	BOLT, WITH WASHER	18	18		
36	90480-20M05	GROMMET	1	1		
37	688-12416-00	VALVE, PRESSURE CONTROL	1	1		
38	90501-16M11	SPRING, COMPRESSION	1	1		
39	688-12411-10	THERMOSTAT	1	1		
40	688-12413-00-1S	COVER, THERMOSTAT	1	1		
41	688-12414-A1	GASKET, COVER	1	1		
42	90119-06MA5	BOLT, WITH WASHER	4	4		
43	688-41111-00-1S	INNER COVER, EXHAUST	1	1		
44	688-41112-A0	GASKET, EXHAUST INNER COVER	1	1		
45	688-41114-A0	GASKET, EXHAUST OUTER COVER	1	1		
46	688-41113-00-1S	OUTER COVER, EXHAUST	1	1		
47	663-24312-01	PIPE 2	1	1		
48	90467-08004	CLIP	2	2		
49	90119-08020	BOLT, WITH WASHER	18	18		
50	94702-00247	PLUG, SPARK (NGK BR8HS-10)	3	3		

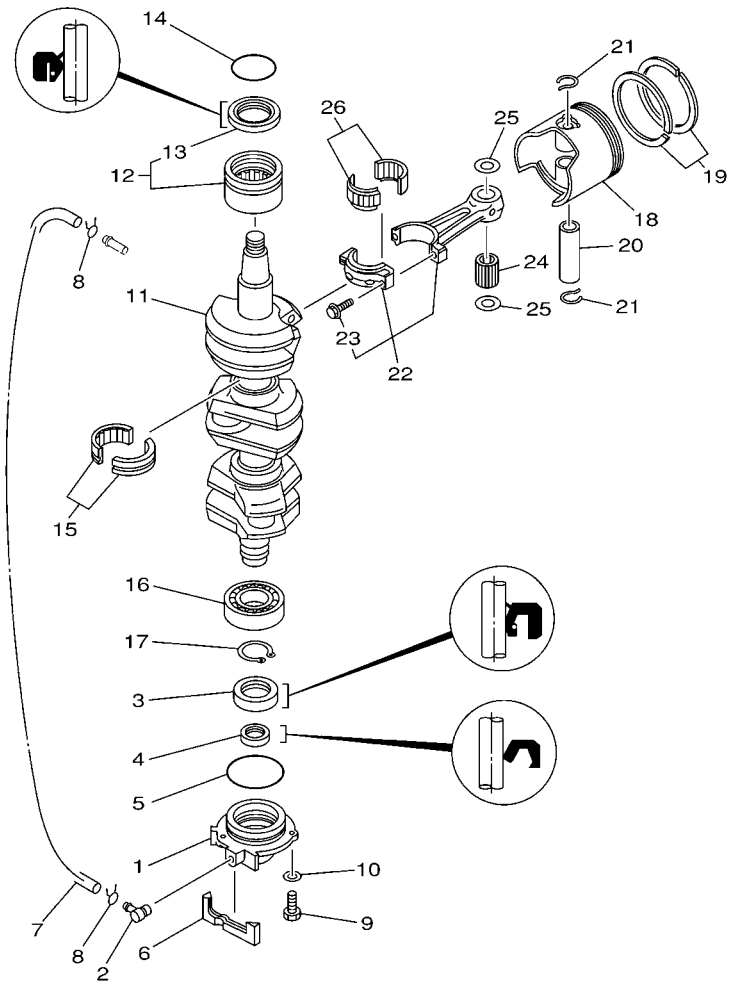


**FWD**  
6H10010-0030

**FIG. 3 CRANKSHAFT & PISTON**

REF. NO.	PART NO.	DESCRIPTION	75A	85A		REMARKS
1	6H1-15359-01-94	HOUSING, OIL SEAL	1	1		
2	688-11370-01	CHECK VALVE ASSY	1	1		
3	93102-30M05	OIL SEAL	1	1		
4	93104-20M02	OIL SEAL	1	1		
5	93210-62269	O-RING	1	1		
6	688-15379-00	SEAL, CRANKCASE	1	1		
7	90445-07M86	HOSE (L460)	1	1		
8	90467-06016	CLIP	2	2		
9	97095-06020	BOLT	3	3		
10	92995-06600	WASHER	3	3		
11	688-11411-01	CRANKSHAFT	1	1		
12	93310-636U4	BEARING	1	1		
13	93102-36M02	.OIL SEAL	1	1		
14	93210-46M16	O-RING	1	1		
15	93310-835U8	BEARING	2	2		
16	93306-206U5	BEARING	1	1		
17	93410-32M00	CIRCLIP	1	1		
18	688-11631-03-94	PISTON (STD)	3	3		
	688-11635-03	PISTON (0.25MM O/S)	3	3		AP
	688-11636-03	PISTON (0.50MM O/S)	3	3		AP
19	688-11603-A0	PISTON RING SET (STD)	3	3		
	688-11604-A0	PISTON RING SET (0.25MM O/S)	3	3		AP
	688-11605-A0	PISTON RING SET (0.50MM O/S)	3	3		AP
20	663-11633-00	PIN, PISTON	3	3		
21	688-11634-00	CLIP, PISTON PIN	6	6		
22	688-11650-03	CONNECTING ROD ASSY	3	3		
23	90109-08022	.BOLT	2	2		

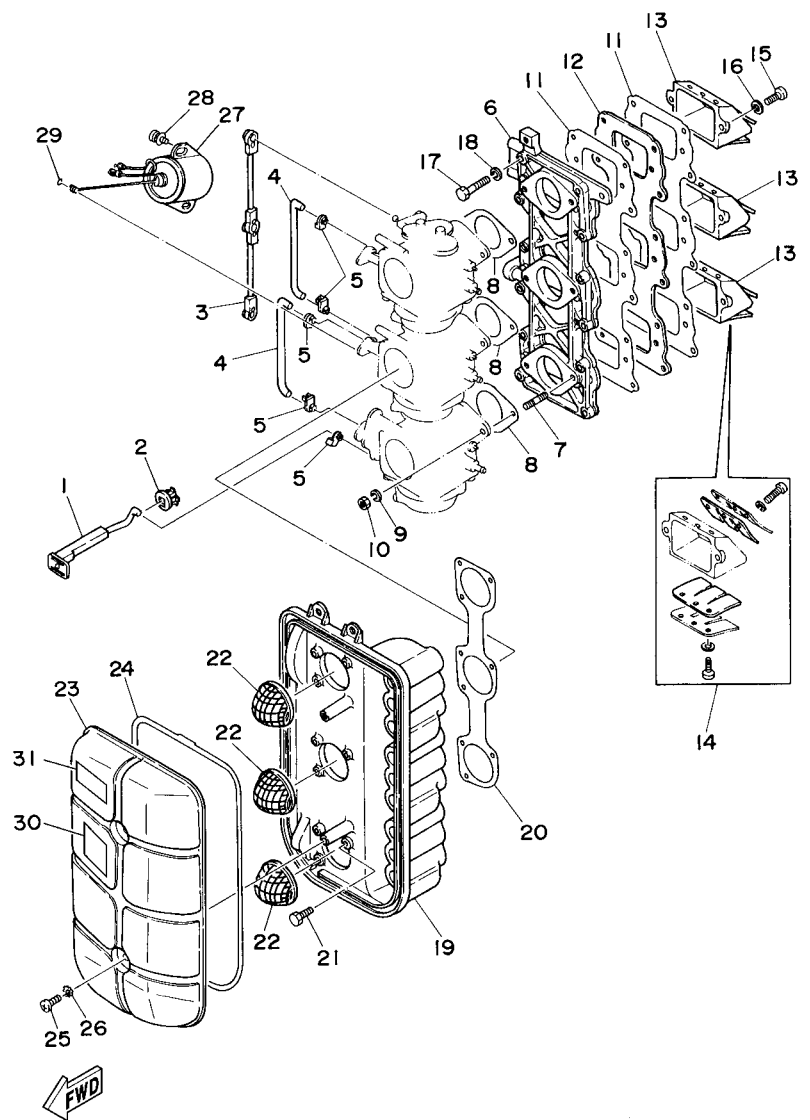




  
6H10010-0030

**FIG. 3 CRANKSHAFT & PISTON**

REF. NO.	PART NO.	DESCRIPTION	75A	85A	REMARKS
24	93603-21111	PIN, DOWEL	84	84	
25	90201-20417	WASHER, PLATE	6	6	
26	93310-730V8	BEARING	3	3	
-----					
-----					
-----					
-----					
-----					
-----					
-----					
-----					
-----					
-----					

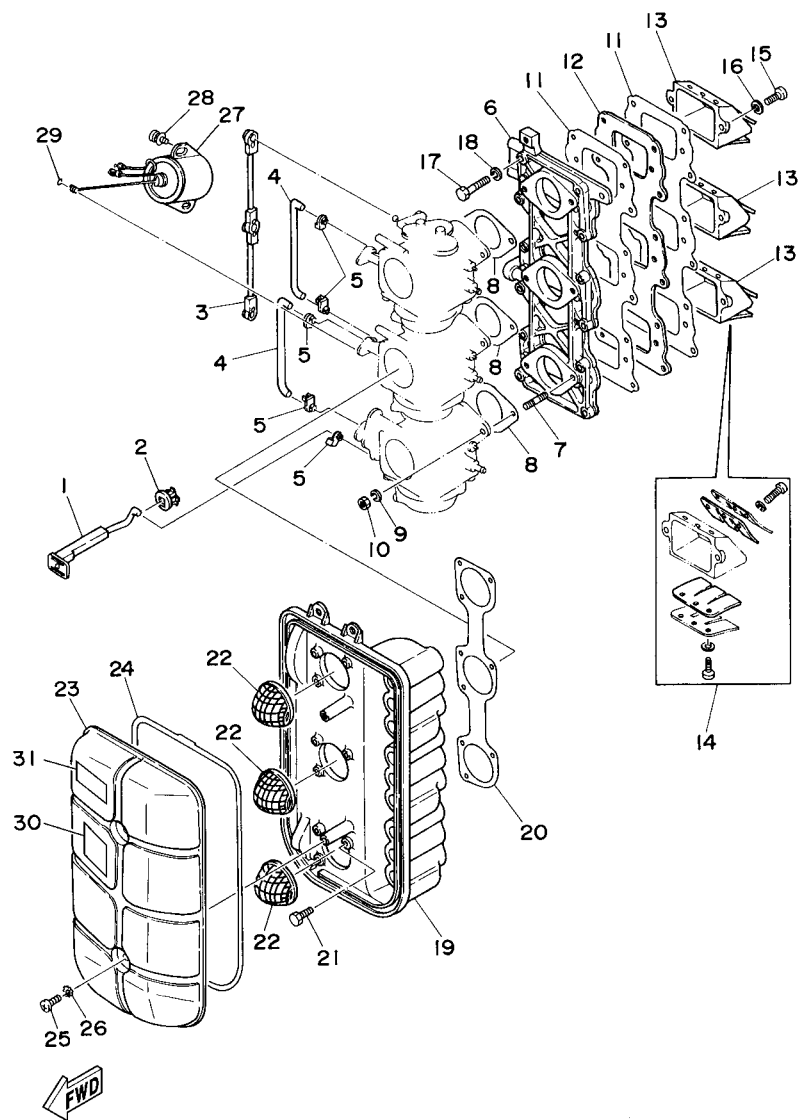


6881700-2040



FIG. 4 INTAKE

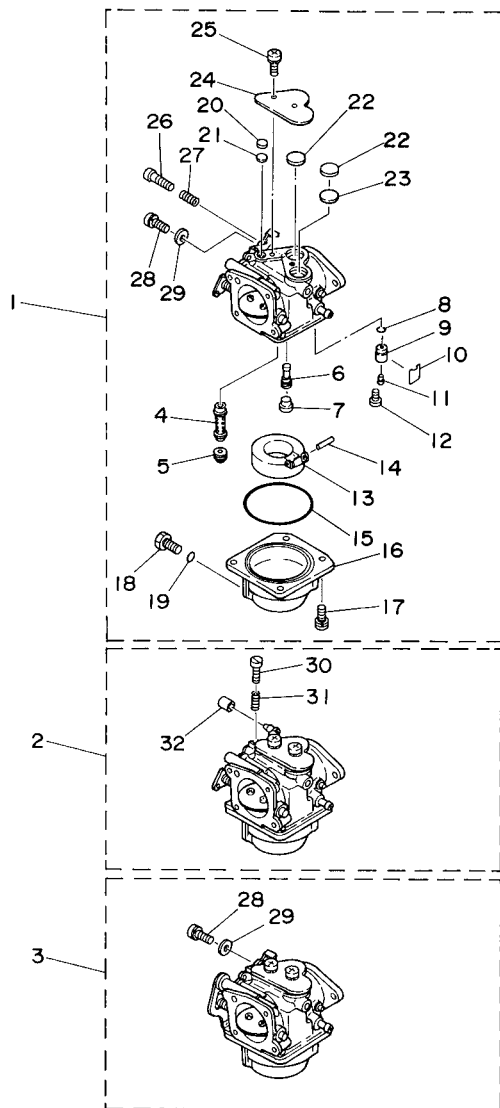
REF. NO.	PART NO.	DESCRIPTION	75A	85A	REMARKS
1	692-41256-00	ROD, CHOKE 1	1	1	
2	689-41273-00	GROMMET	1	1	
3	688-41217-01	ROD, ACCEL. LEVER	1	1	
4	688-41257-01	ROD, CHOKE 2	2	2	
5	661-41262-02	JOINT, CHOKE LEVER	5	5	
6	688-13641-00-94	MANIFOLD 1	1	1	
7	90116-06122	BOLT, STUD	6	6	
8	688-14198-A2	GASKET	3	3	
9	92995-06100	WASHER, SPRING	6	6	
10	95380-06600	NUT, HEXAGON	6	6	
11	688-13621-A1	GASKET, VALVE SEAT	2	2	
12	688-13624-00	PLATE, REED VALVE	1	1	
13	688-13610-00	REED VALVE ASSY		3	
	692-13610-00	REED VALVE ASSY		3	
14	688-W0004-00	.REED SET		1	
	692-W0004-00	.REED SET		1	
15	97880-05020	SCREW, PAN HEAD	6	6	
16	92990-05100	WASHER, SPRING	6	6	
17	97013-06030	BOLT	12	12	
18	92903-06100	WASHER, SPRING	12	12	
19	688-14417-01-94	COVER 1	1	1	
20	688-14483-A0	GASKET	1	1	
21	97013-06018	BOLT	6	6	
22	688-14481-00	CAP, CARBURETOR	3	3	
23	688-14418-01	COVER 2	1	1	
24	688-14416-01	GASKET, AIR CLEANER	1	1	
25	97885-06016	SCREW, PAN HEAD	2	2	



6881700-2040

FIG. 4 INTAKE

REF. NO.	PART NO.	DESCRIPTION	75A	85A				REMARKS
26	90209-06M05	WASHER	2	2				
27	688-86110-01	SOLENOID	1	1				
28	90159-06M19	SCREW, WITH WASHER	2	2				
29	93210-03261	O-RING	1	1				
30	6H1-14488-00	LABEL, CAUTION	1	1				
31	6A1-83625-41	MARK 5	1	1				
-----								
-----								
-----								
-----								
-----								
-----								
-----								
-----								

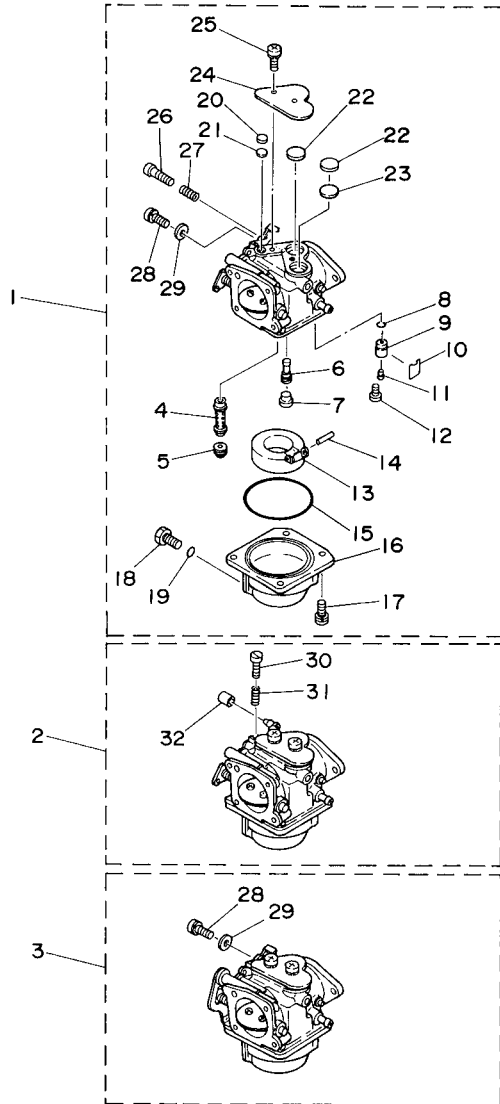


  
6880010-4050

FIG. 5 CARBURETOR

REF. NO.	PART NO.	DESCRIPTION	75A	85A				REMARKS
1	688-14301-08	CARBURETOR ASSY 1		1				
	692-14301-25	CARBURETOR ASSY 1	1					
2	688-14302-08	CARBURETOR ASSY 2		1				
	692-14302-25	CARBURETOR ASSY 2	1					
3	688-14303-08	CARBURETOR ASSY 3		1				
	692-14303-25	CARBURETOR ASSY 3	1					
4	688-14947-00	.JET, NEEDLE		3				
	692-14947-00	.JET, NEEDLE	3					
5	676-14943-40	.JET, MAIN (#165)		3				
	676-14943-42	.JET, MAIN (#175)	3					
6	676-14948-18	.JET (#78)		3				
	676-14948-19	.JET (#80)	3					
7	676-14966-00	.CAP	3	3				
8	93210-04228	.O-RING	3	3				
9	692-14590-01	.NEEDLE VALVE ASSY	3	3				
10	663-14159-00	.CLIP	3	3				
11	676-14186-00	.PIN, FLOAT	3	3				
12	98580-04008	.SCREW, PAN HEAD	3	3				
13	676-14985-01	.FLOAT	3	3				
14	688-14548-00	.PIN, FLOAT ARM	3	3				
15	676-14984-00	.GASKET, FLOAT CHAMBER	3	3				
16	688-14980-00	.BODY, FLOAT CHAMBER	3	3				
17	97980-04114	.SCREW, WITH WASHER	12	12				
18	6H3-14992-00	.SCREW, DRAIN	3	3				
19	93210-04230	.O-RING	3	3				
20	663-14126-00	.GASKET	3	3				
21	663-14527-00	.PLATE	3	3				

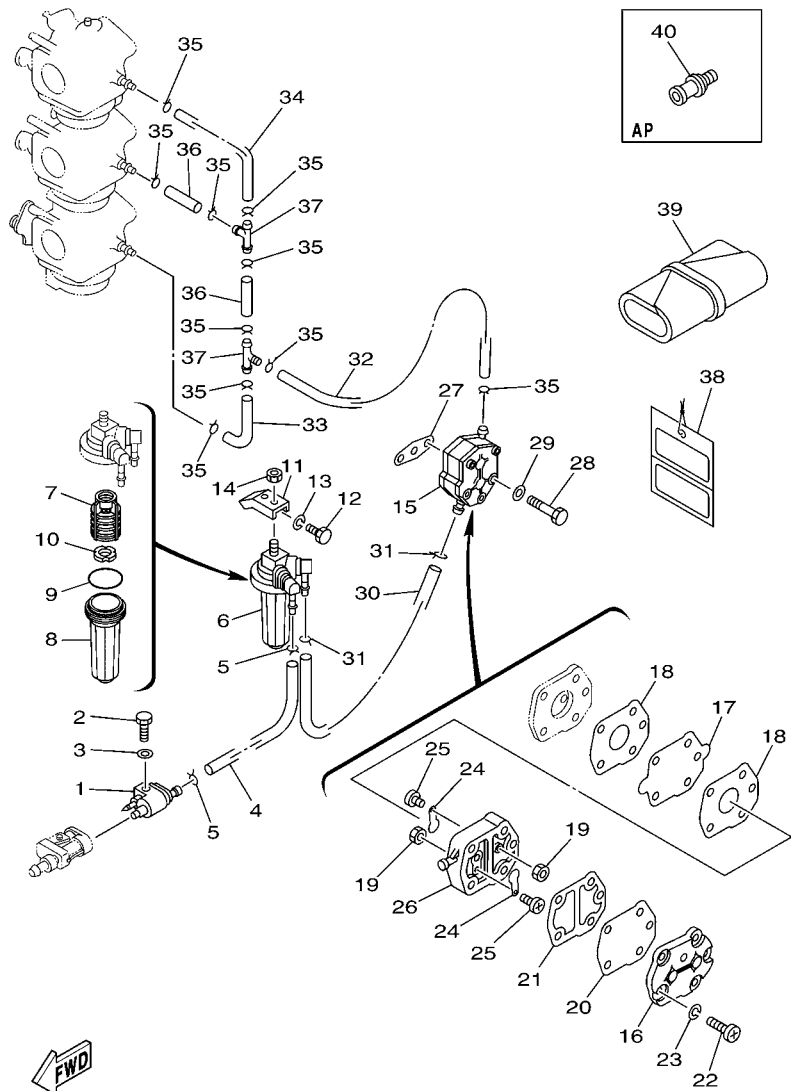
**B5**



6880010-4050

FIG. 5 CARBURETOR

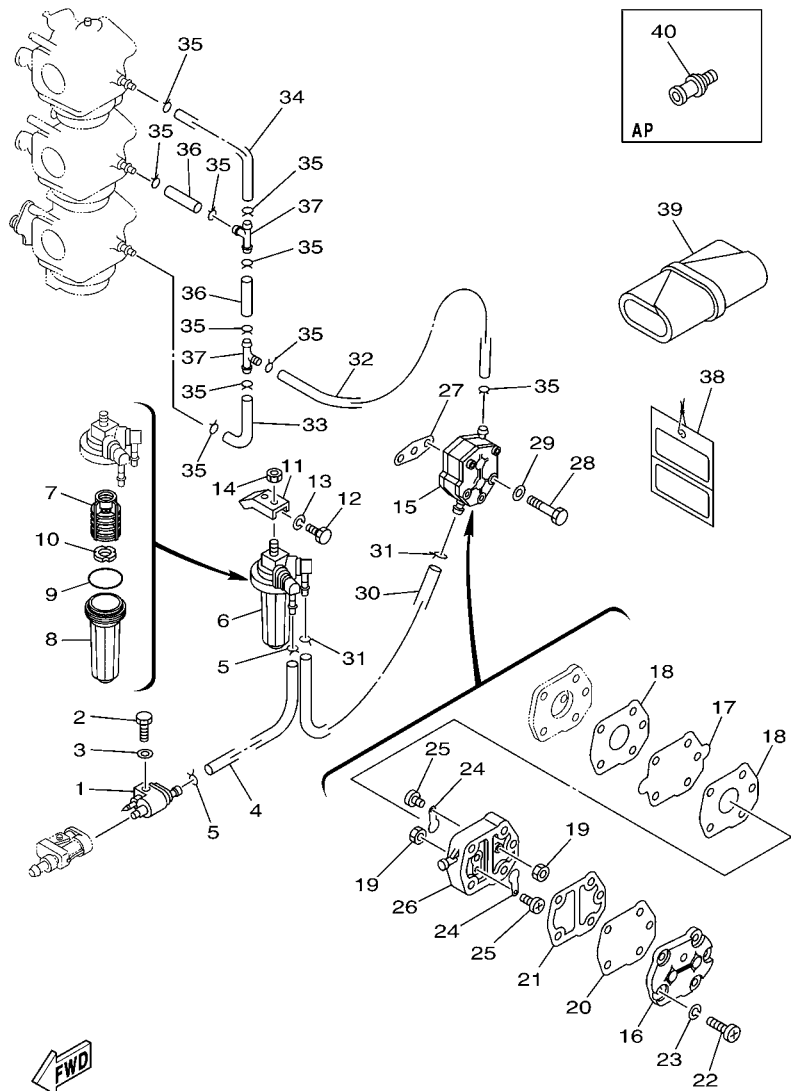
REF. NO.	PART NO.	DESCRIPTION	75A	85A			REMARKS
22	688-14126-00	.GASKET	6	6			
23	688-14527-00	.PLATE	3	3			
24	688-14572-01	.PLATE, STAY	3	3			
25	97980-05310	.SCREW, WITH WASHER	6	6			
26	692-14923-00	.SCREW, PILOT	3	3			
27	679-14555-00	.SPRING	3	3			
28	6K5-14592-00	.SCREW	2	2			#1,3
29	90201-05652	.WASHER, PLATE	2	2			#1,3
30	63V-14523-00	.SCREW, STOP	1	1			#2
31	90501-10326	.SPRING, COMPRESSION	1	1			#2
32	6H2-14578-00	.COLLAR	1	1			#2



6883700-C060

FIG. 6 FUEL

REF. NO.	PART NO.	DESCRIPTION	75A	85A	REMARKS
1	6G1-24304-02	FUEL PIPE JOINT COMP. 1	1	1	
2	97095-06020	BOLT	1	1	
3	92995-06600	WASHER	1	1	
4	90445-09090	HOSE	1	1	
5	90467-08004	CLIP	2	2	
6	64J-24560-00	FILTER ASSY	1	1	
7	61N-24563-00	.ELEMENT, FILTER	1	1	
8	68V-24521-01	.CUP, FILTER	1	1	
9	93210-32738	.O-RING	1	1	
10	68V-24469-01	.FLOAT, WATER LEVEL	1	1	
11	648-24566-02	BRACKET, FILTER	1	1	
12	97013-06014	BOLT	1	1	
13	92903-06100	WASHER, SPRING	1	1	
14	95380-08600	NUT	1	1	
15	692-24410-00	FUEL PUMP ASSY	1	1	
16	6A0-24413-00	.BODY 2	1	1	
17	692-24411-00	.DIAPHRAGM	1	1	
18	648-24434-01	.GASKET, BODY	2	2	
19	95380-03600	.NUT	2	2	
20	663-24411-00	.DIAPHRAGM	1	1	
21	648-24435-02	.GASKET, BODY 2	1	1	
22	98503-05028	.SCREW, PAN HEAD	3	3	
23	92990-05100	.WASHER, SPRING	3	3	
24	6A0-24421-01	.VALVE, CHECK	2	2	
25	6A0-14325-00	.SCREW, PAN HEAD	2	2	
26	6A0-24412-02	.BODY 1	1	1	
27	650-24431-A0	GASKET, FUEL PUMP 1	1	1	

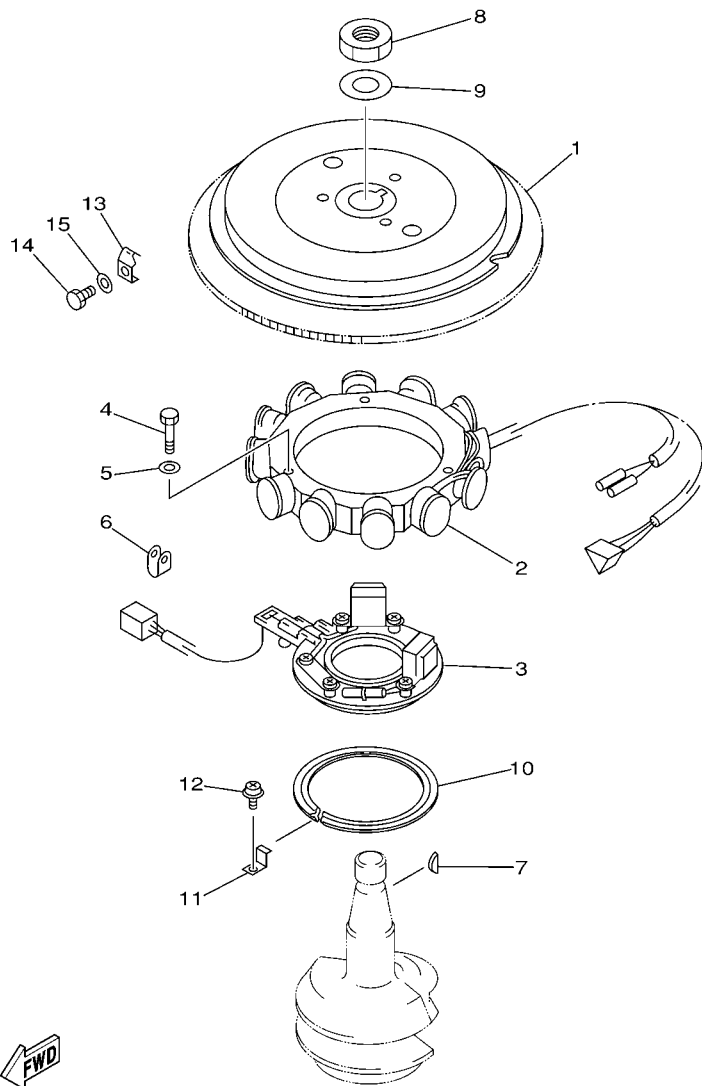


6883700-C060

C1

FIG. 6 FUEL

REF. NO.	PART NO.	DESCRIPTION	75A	85A		REMARKS
28	97095-06040	BOLT	2	2		
29	92995-06600	WASHER	2	2		
30	90445-09221	HOSE (L205)	1	1		
31	90467-08004	CLIP	2	2		
32	90445-09097	HOSE (L250)	1	1		
33	688-24313-00	PIPE 3	1	1		
34	688-24314-00	PIPE 4	1	1		
35	90467-08004	CLIP	10	10		
36	90445-09220	HOSE (L30)	2	2		
37	688-24378-00	PIPE, JOINT 4	2	2		
38	61H-2819R-31	TAG, WARNING	1	1		
39	656-W2810-02	TOOL KIT	1	1		AP
40	6E0-28193-00-94	PLUG, WATER CHECK	1	1		AP D:12.5MM

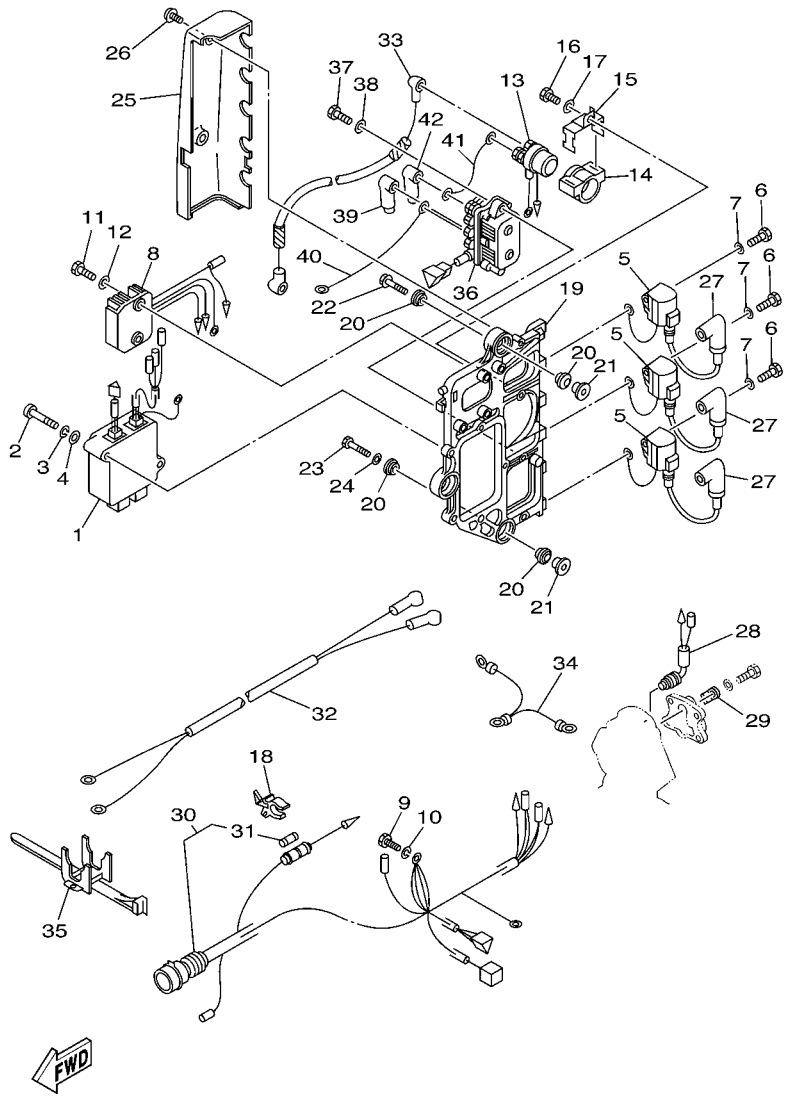


6880010-0070

FIG. 7 GENERATOR

REF. NO.	PART NO.	DESCRIPTION	75A	85A			REMARKS
1	688-85550-00	ROTOR ASSY	1	1			
2	688-85510-01	STATOR ASSY	1	1			
3	688-85580-00	COIL, PULSER	1	1			
4	97013-06030	BOLT	3	3			
5	92903-06600	WASHER, PLATE	3	3			
6	90464-12M00	CLAMP	1	1			
7	90280-05015	KEY, WOODRUFF	1	1			
8	90170-20137	NUT	1	1			
9	90201-21M18	WASHER, PLATE	1	1			
10	688-41611-00	RETAINER, MAGNETO BASE	1	1			
11	688-41612-00	RETAINER, MAGNETO BASE	3	3			
12	90159-06M31	SCREW, WITH WASHER	3	3			
13	688-81332-01	PLATE, TIMING	1	1			
14	97095-06010	BOLT	1	1			
15	92995-06600	WASHER	1	1			

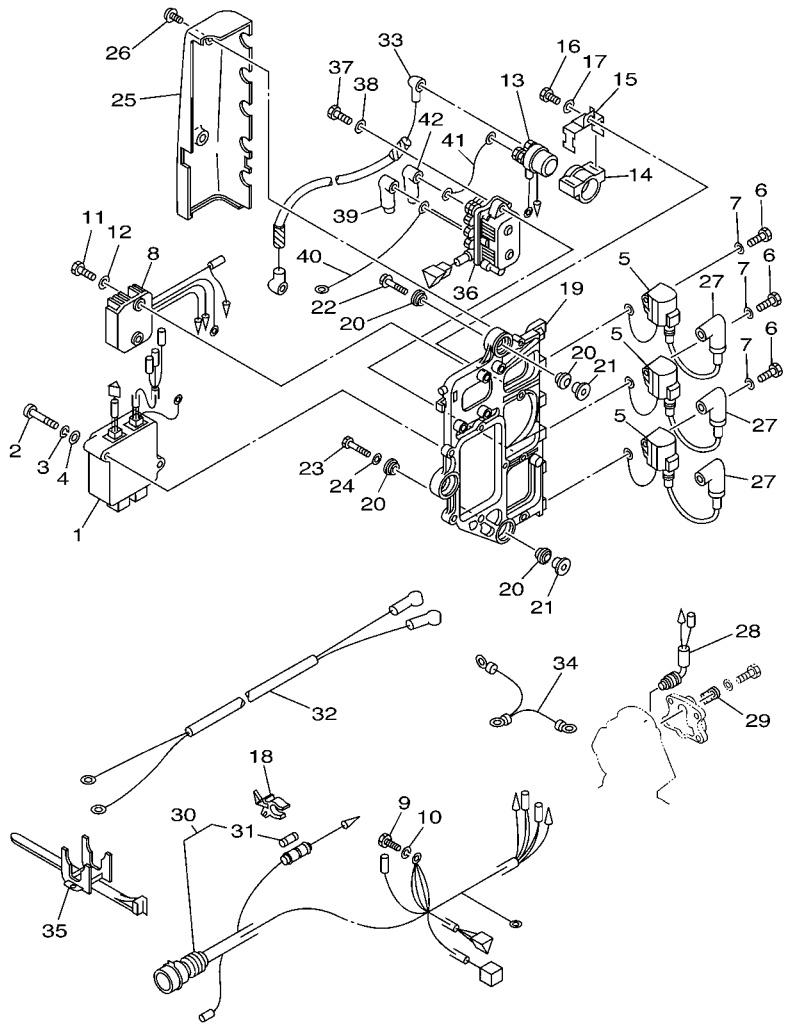




6880010-0081

FIG. 8 ELECTRICAL

REF. NO.	PART NO.	DESCRIPTION	75A	85A	REMARKS
1	688-85540-00	C.D.I. UNIT ASSY	1	1	
2	97880-06040	SCREW, PAN HEAD	2	2	
3	92990-06100	WASHER, SPRING	2	2	
4	92990-06600	WASHER, PLATE	2	2	
5	697-85570-00	IGNITION COIL ASSY	3	3	
6	97095-06020	BOLT	3	3	
7	92995-06600	WASHER	3	3	
8	6H0-81960-00	RECTIFIER & REGULATOR ASSY	1	1	
9	97095-06012	BOLT	1	1	
10	92995-06100	WASHER, SPRING	1	1	
11	97095-06020	BOLT	2	2	
12	92995-06600	WASHER	2	2	
13	6G1-81941-10	STARTER RELAY ASSY	1	1	
14	6G1-81952-00	HOLDER, RELAY	1	1	
15	6E9-81945-70	PLATE, SWITCH FITTING	1	1	
16	97013-06016	BOLT	1	1	
17	92903-06600	WASHER, PLATE	1	1	
18	6G5-82152-00	HOLDER, FUSE	1	1	
19	6H1-85542-00-94	BRACKET	1	1	
20	90480-09M25	GROMMET	6	6	
21	90387-06M03	COLLAR	3	3	
22	90119-06M75	BOLT, WITH WASHER	2	2	
23	90109-06M39	BOLT	1	1	
24	90201-06M31	WASHER, PLATE	1	1	
25	6H1-81916-00	COVER, TERMINAL	1	1	
26	90159-06M11	SCREW, WITH WASHER	2	2	
27	6G1-82370-21	PLUG CAP ASSY	3	3	

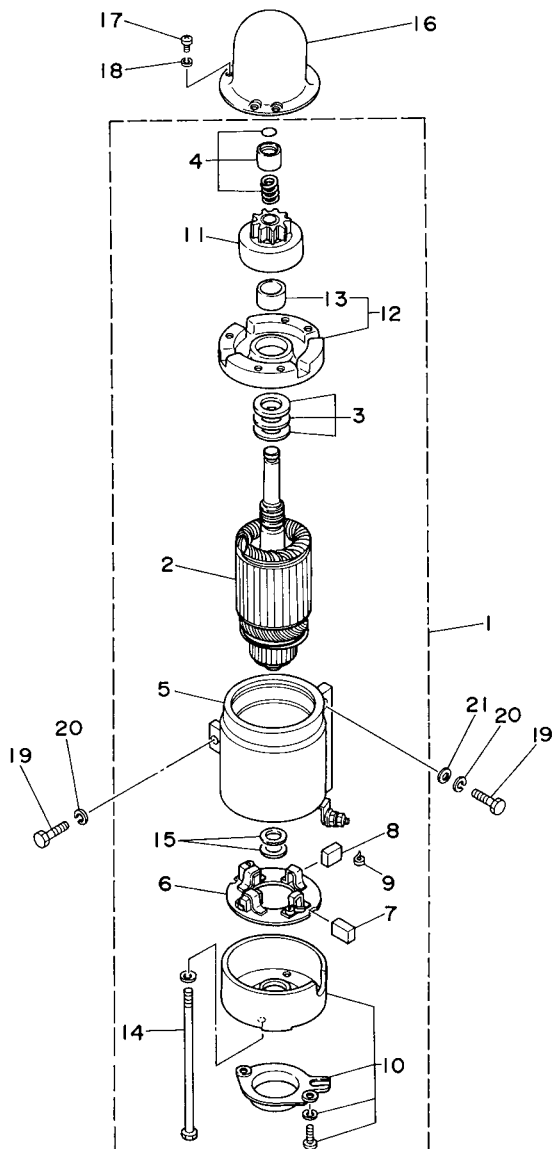


6880010-0081

FIG. 8 ELECTRICAL

REF. NO.	PART NO.	DESCRIPTION	75A	85A		REMARKS
28	688-82560-10	THERMO SWITCH ASSY	1	1		
29	688-82588-01	PLATE	1	1		
30	688-82590-17	WIRE HARNESS ASSY	1	1		
31	663-82151-00	.FUSE (12V-20A)	1	1		
32	6H0-82105-02	WIRE HARNESS	1	1		
33	6H0-82117-00	WIRE, LEAD	1	1		
34	697-82519-00	WIRE, EARTH LEAD	1	1		
35	688-82594-00	CLAMP	1	1		
36	61A-81950-00	RELAY ASSY	1	1		
37	97095-06025	BOLT	2	2		
38	92995-06600	WASHER	2	2		
39	682-82119-01	COVER, LEAD WIRE	2	2		
40	6H0-81949-10	WIRE, LEAD	1	1		
41	6H0-81949-01	WIRE, LEAD	1	1		
42	682-82119-01	COVER, LEAD WIRE	1	1		

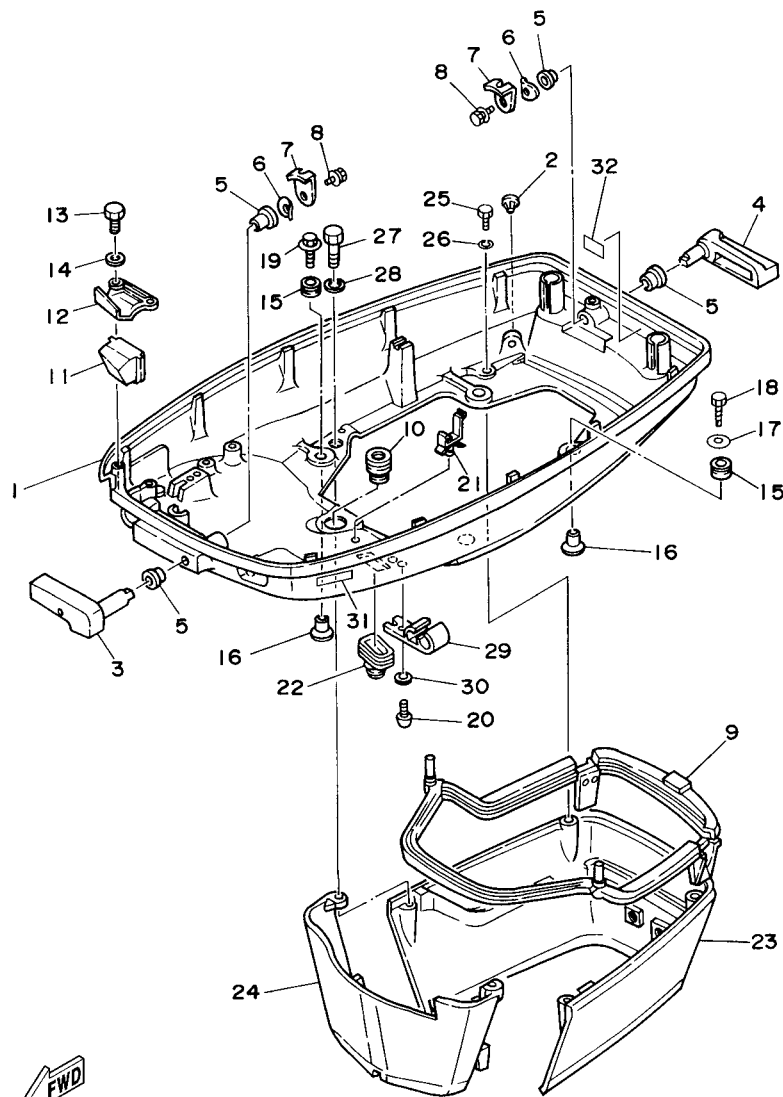
FIG. 9 STARTING MOTOR



REF. NO.	PART NO.	DESCRIPTION	75A	85A				REMARKS
1	688-81800-12	STARTING MOTOR ASSY	1	1				
2	676-81850-11	.ARMATURE ASSY	1	1				
3	676-81809-10	.WASHER KIT	1	1				
4	676-81857-10	.PINION STOPPER SET	1	1				
5	688-81810-11	.STATOR ASSY	1	1				
6	663-81840-11	.BRUSH HOLDER ASSY	1	1				
7	663-81811-11	.BRUSH 1	2	2				
8	663-81812-11	.BRUSH 2	2	2				
9	663-81813-10	.SPRING, BRUSH	4	4				
10	663-81820-12	.REAR BRACKET ASSY	1	1				
11	663-81832-11	.PINION ASSY	1	1				
12	688-81830-11	.FRONT BRACKET ASSY	1	1				
13	688-81831-00	.METAL, FRONT	1	1				
14	663-81826-10	.BOLT	2	2				
15	688-81824-00	.WASHER 2	2	2				
16	688-81842-00	COVER	1	1				
17	97880-04010	SCREW, PAN HEAD	3	3				
18	92990-04600	WASHER, PLATE	3	3				
19	97013-08030	BOLT	3	3				
20	92903-08100	WASHER, SPRING	3	3				
21	92990-08600	WASHER, PLATE	2	2				

FWD  
6880010-5090

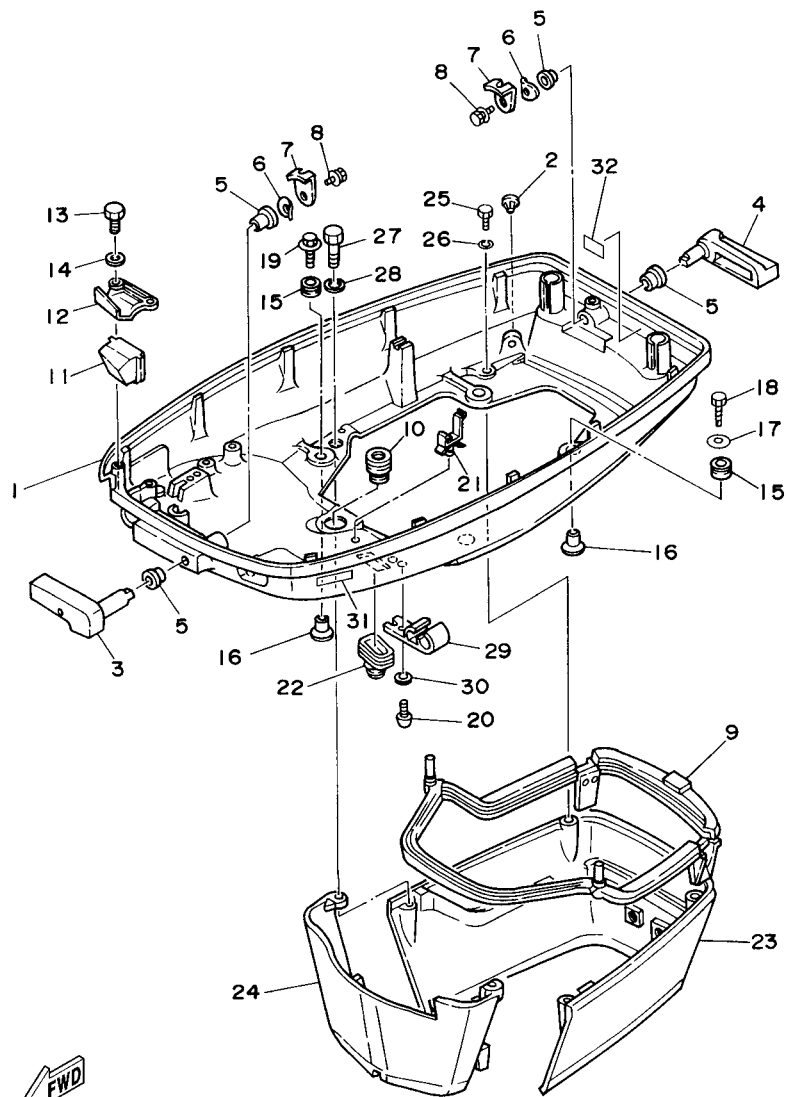
FIG. 10 BOTTOM COWLING



6881700-2100

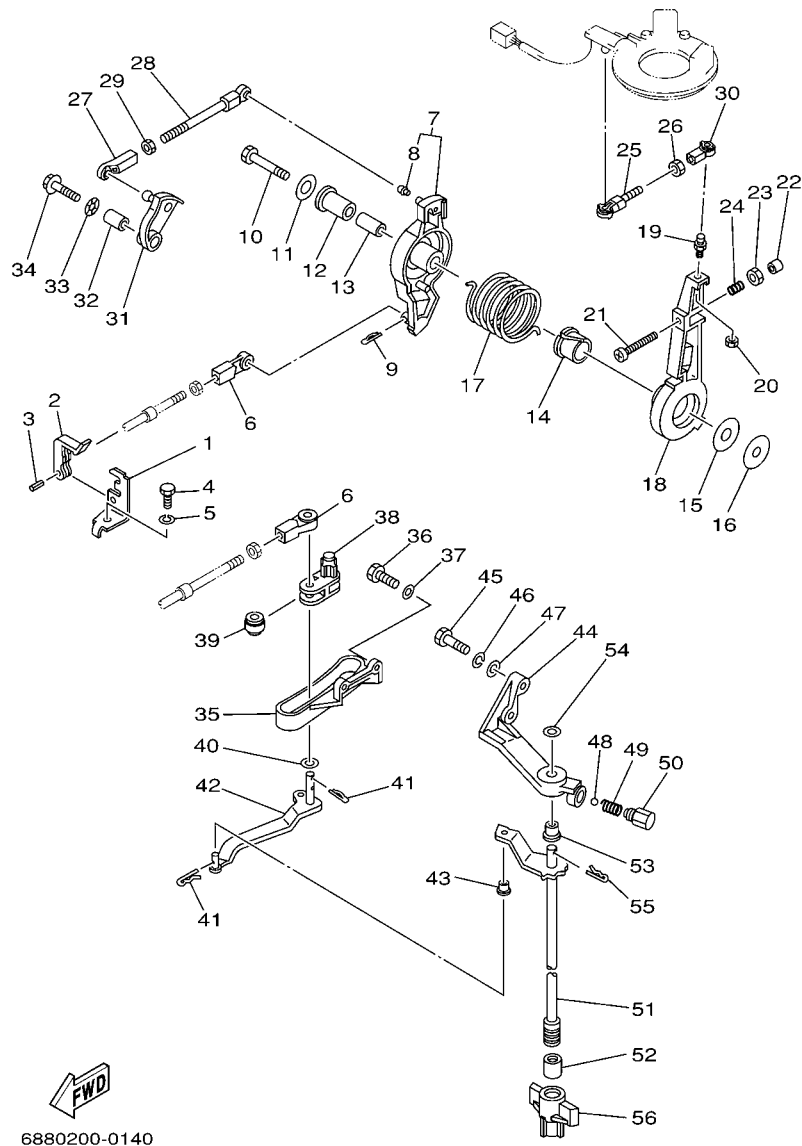
REF. NO.	PART NO.	DESCRIPTION	75A	85A	REMARKS
1	688-42711-04-4D	COWLING, BOTTOM	1	1	
2	6H3-44391-01	NIPPLE, HOSE	1	1	
3	688-42815-01-4D	LEVER, CLAMP	1	1	
4	688-42817-01-4D	LEVER, CLAMP	1	1	
5	90386-13M38	BUSH	4	4	
6	90206-13019	WASHER, WAVE	2	2	
7	688-42816-00	LEVER, CLAMP	2	2	
8	90119-06M09	BOLT, WITH WASHER	2	2	
9	688-42716-02	RUBBER, SEAL 1	1	1	
10	663-42724-00	GROMMET	1	1	
11	688-42725-10	GROMMET	1	1	
12	688-42738-01-94	PLATE, FITTING	1	1	
13	97095-06016	BOLT	2	2	
14	92995-06600	WASHER	2	2	
15	90480-09M12	GROMMET	4	4	
16	90387-06M69	COLLAR	4	4	
17	90201-06416	WASHER, PLATE	1	1	
18	97095-06030	BOLT	1	1	
19	90119-06M61	BOLT, WITH WASHER	3	3	
20	90157-06M01	SCREW, PAN HEAD	1	1	
21	90464-09M13	CLAMP	1	1	
22	688-42726-10	GROMMET	1	1	
23	688-42741-01-4D	APRON	1	1	
24	688-42771-01-4D	APRON	1	1	
25	97095-06020	BOLT	2	2	
26	92995-06100	WASHER, SPRING	2	2	
27	97095-06030	BOLT	2	2	

FIG. 10 BOTTOM COWLING



6881700-2100

REF. NO.	PART NO.	DESCRIPTION	75A	85A			REMARKS
28	92995-06100	WASHER, SPRING	2	2			
29	6E5-24367-01	CLAMP, FUEL PIPE 2	1	1			
30	92990-06600	WASHER, PLATE	1	1			
31	6R6-42791-40	MARK 1	1	1			
32	6G5-42791-10	MARK 1	1	1			
<hr style="border-top: 1px dashed black;"/>							
<hr style="border-top: 1px dashed black;"/>							
<hr style="border-top: 1px dashed black;"/>							
<hr style="border-top: 1px dashed black;"/>							
<hr style="border-top: 1px dashed black;"/>							
<hr style="border-top: 1px dashed black;"/>							
<hr style="border-top: 1px dashed black;"/>							
<hr style="border-top: 1px dashed black;"/>							
<hr style="border-top: 1px dashed black;"/>							

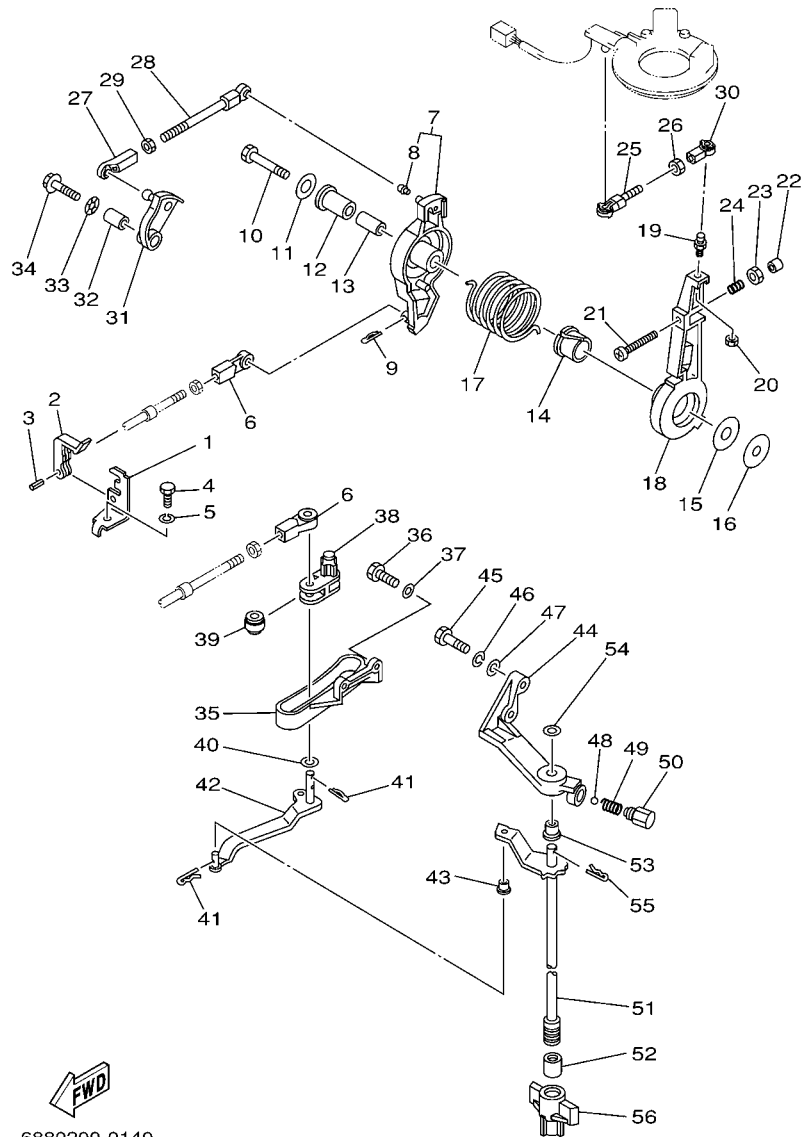


6880200-0140

FIG. 11 CONTROL

REF. NO.	PART NO.	DESCRIPTION	75A	85A	REMARKS
1	663-48531-00	BRACKET, REMOTE CONTROL	1	1	
2	663-48538-00	CLAMP, CABLE 1	1	1	
3	91690-30012	PIN, SPRING	1	1	
4	97095-08016	BOLT	1	1	
5	92995-08100	WASHER	1	1	
6	663-48344-00	CABLE END, REMOTE CONTROL	2	2	
7	688-41632-01-94	LEVER, MAGNETO CONTROL	1	1	
8	662-41214-01	JOINT 1	1	1	
9	90468-18008	CLIP	1	1	
10	97095-08045	BOLT	1	1	
11	90201-08M23	WASHER, PLATE	1	1	
12	90386-12089	BUSH	1	1	
13	90387-08M16	COLLAR	1	1	
14	90386-22M13	BUSH	1	1	
15	90202-12092	WASHER, PLATE	1	1	
16	90201-08M13	WASHER, PLATE	1	1	
17	90508-29M05	SPRING, TORSION	1	1	
18	688-41631-01-94	LEVER, MAGNETO CONTROL	1	1	
19	663-85518-00	JOINT, BALL	1	1	
20	95303-05700	NUT	1	1	
21	90157-06013	SCREW, PAN HEAD	1	1	
22	688-44194-00	CAP	1	1	
23	95303-06600	NUT	1	1	
24	90501-16M12	SPRING, COMPRESSION	1	1	
25	682-41237-50	JOINT, LINK	1	1	
26	95380-05600	NUT	1	1	
27	682-41237-00	JOINT, LINK	1	1	

D1



6880200-0140

FIG. 11 CONTROL

REF. NO.	PART NO.	DESCRIPTION	75A	85A	REMARKS
28	688-41211-01	LINK, ACCEL.	1	1	
29	95380-05600	NUT	1	1	
30	682-41237-00	JOINT, LINK	1	1	
31	688-41213-00	CAM, ACCEL.	1	1	
32	90387-06M17	COLLAR	1	1	
33	90206-10M04	WASHER, WAVE	1	1	
34	90119-06M24	BOLT, WITH WASHER	1	1	
35	688-44117-00-94	BRACKET	1	1	
36	97013-06020	BOLT	2	2	
37	92903-06600	WASHER, PLATE	2	2	
38	688-44124-00	LINK, SHIFT ROD	1	1	
39	688-44122-00	BUSHING, SHIFT ROD LEVER	1	1	
40	90202-07M07	WASHER, PLATE	1	1	
41	90468-18008	CLIP	3	3	
42	688-44121-02	LEVER, SHIFT ROD	1	1	
43	90386-06M12	BUSH	1	1	
44	688-44118-00-94	BRACKET	1	1	
45	97013-08030	BOLT	2	2	
46	92903-08100	WASHER, SPRING	2	2	
47	92903-08600	WASHER, PLATE	2	2	
48	93501-04M02	BALL	1	1	
49	90501-12082	SPRING, COMPRESSION	1	1	
50	648-42715-00	BUSHING	1	1	
51	688-44120-12	HANDLE GEAR SHIFT ASSY	1	1	L
	688-44120-22	HANDLE GEAR SHIFT ASSY		1	X
52	696-44147-00	BOOT, SHIFT ROD	1	1	
53	90386-08006	BUSH	1	1	

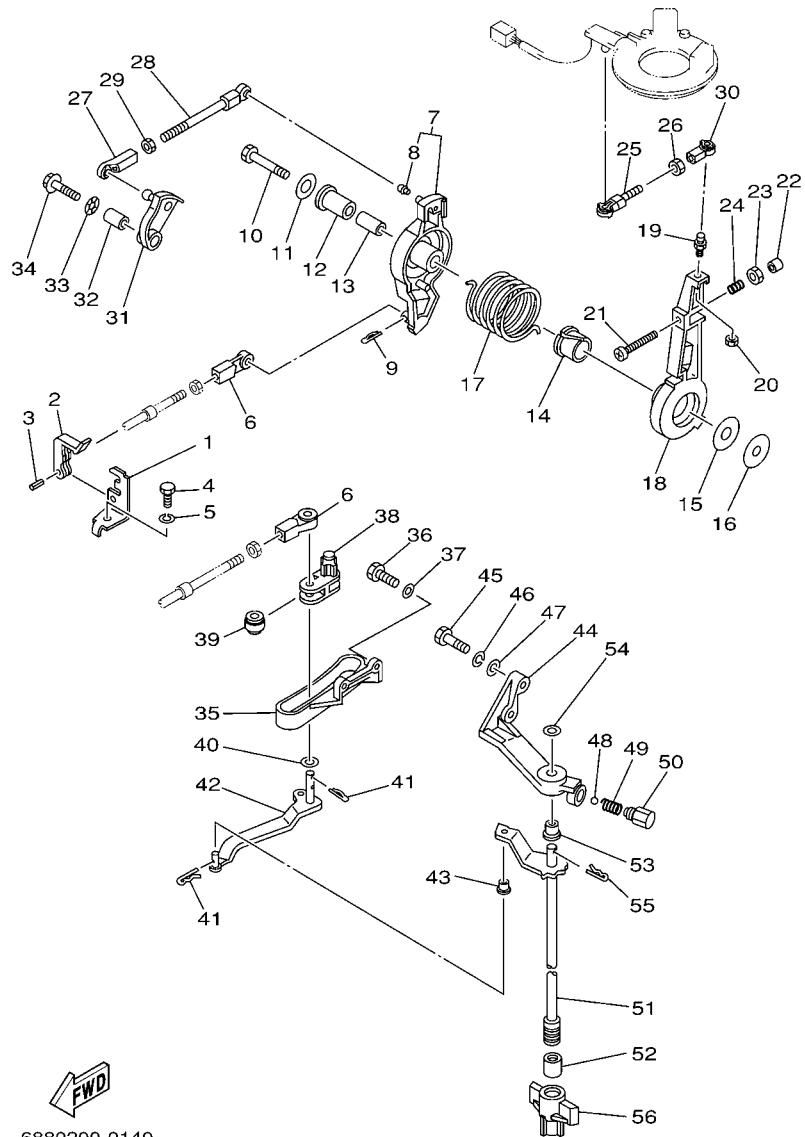
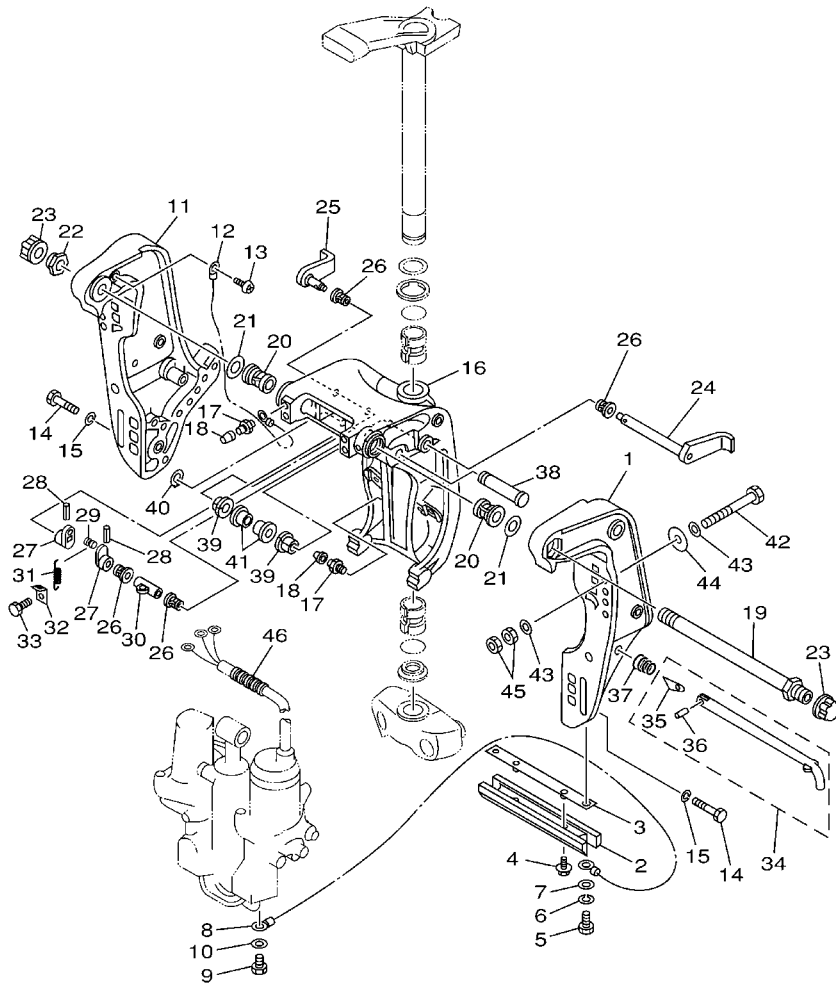


FIG. 11 CONTROL

REF. NO.	PART NO.	DESCRIPTION	75A	85A		REMARKS
54	92990-08200	WASHER, PLAIN	1	1		
55	90468-18008	CLIP	1	1		
56	697-43662-00	GUIDE, REVERSE ROD	1	1		
-----						
-----						
-----						
-----						
-----						
-----						
-----						
-----						

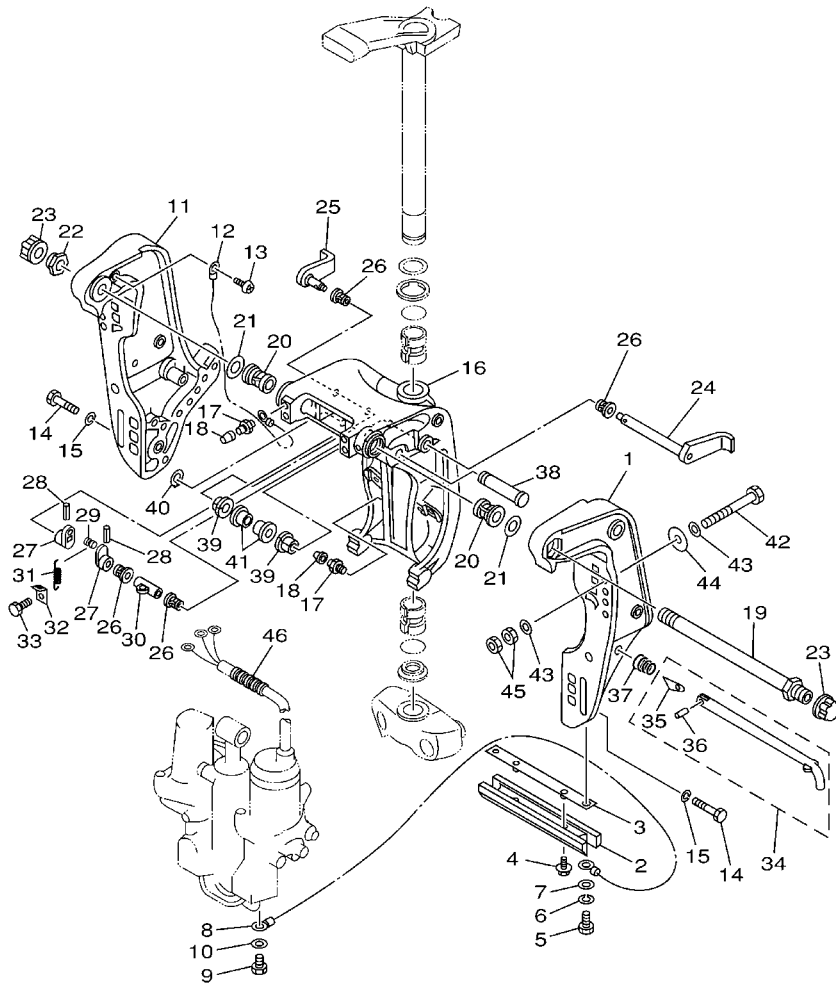




6880010-0121

FIG. 12 BRACKET 1

REF. NO.	PART NO.	DESCRIPTION	75A	85A	REMARKS
1	6H1-43111-01-4D	BRACKET, CLAMP	1	1	
2	6H1-45251-03	ANODE	1	1	
3	6H1-44526-00	PLATE	1	1	
4	90119-06M29	BOLT, WITH WASHER	2	2	
5	97095-06016	BOLT	2	2	
6	92995-06100	WASHER, SPRING	2	2	
7	92995-06600	WASHER	2	2	
8	6H1-82148-00	WIRE, LEAD 4	1	1	
9	97095-06010	BOLT	1	1	
10	92995-06600	WASHER	1	1	
11	6H1-43112-00-4D	BRACKET, CLAMP	1	1	
12	6E5-82148-00	WIRE, LEAD 4	1	1	
13	97880-06012	SCREW, PAN HEAD	1	1	
14	97095-10045	BOLT	6	6	
15	92995-10100	WASHER	6	6	
16	6H1-43311-02-4D	BRACKET, SWIVEL 1	1	1	
17	93700-06M03	NIPPLE, GREASE	3	3	
18	663-45119-00	CAP, GREASE NIPPLE	3	3	
19	688-43131-03	BOLT, CLAMP BRACKET	1	1	
20	90386-22M15	BUSH	2	2	
21	90201-22M67	WASHER, PLATE	2	2	
22	90185-22043	NUT, SELF-LOCKING	1	1	
23	6G5-43145-01	CAP, CLAMP BRACKET	2	2	
24	6H1-43181-01	LEVER, TILT STOP	1	1	
25	6H1-43185-01	LEVER, TILT STOP	1	1	
26	90386-10M16	BUSH	4	4	
27	6G5-43148-00	COLLAR, DISTANCE	2	2	



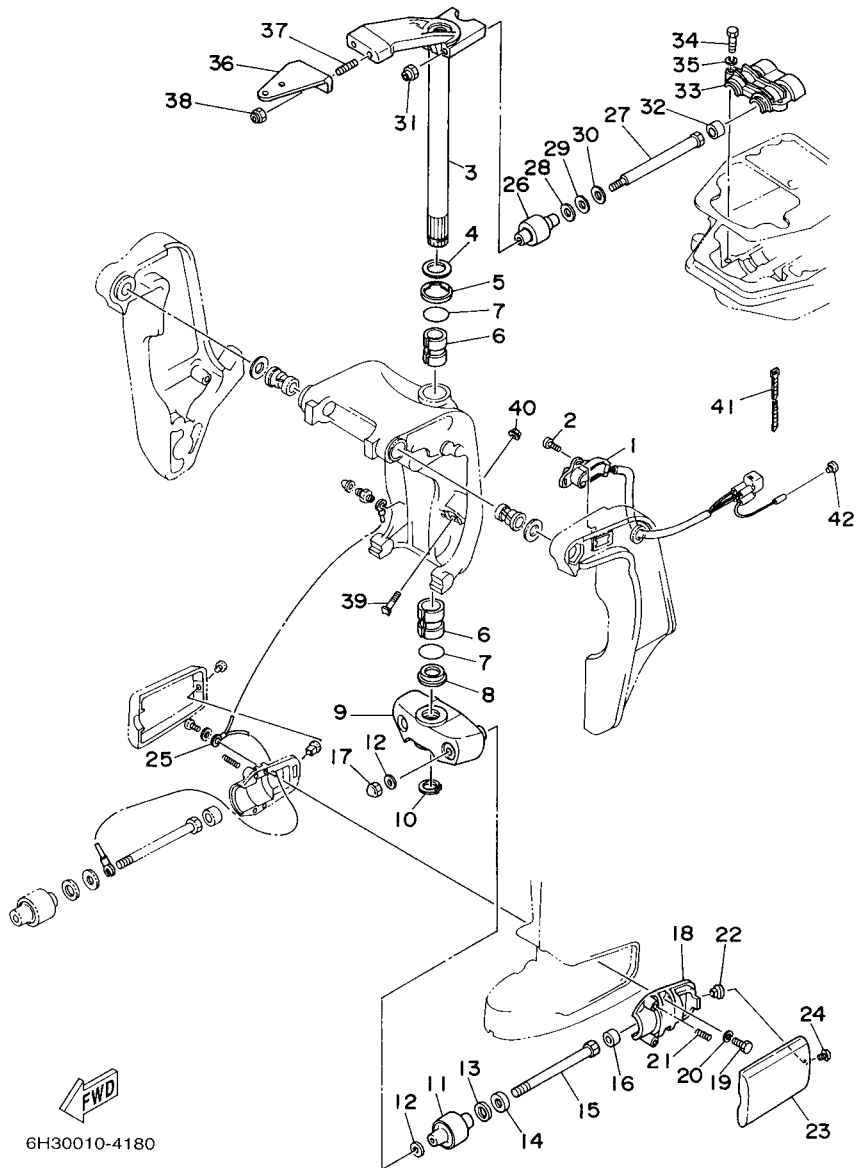
FWD  
6880010-0121

FIG. 12 BRACKET 1

REF. NO.	PART NO.	DESCRIPTION	75A	85A		REMARKS
28	91690-30020	PIN, SPRING	2	2		
29	90249-06M19	PIN	1	1		
30	90387-10M02	COLLAR	1	1		
31	90506-14M24	SPRING, TENSION	1	1		
32	6G5-43144-00	HOOK, SPRING	1	1		
33	97095-06010	BOLT	1	1		
34	688-43160-01	TILT ROD ASSY	1	1		
35	688-43165-00	.PLATE, TILT LOCK	1	1		
36	91690-30012	.PIN, SPRING	1	1		
37	90502-16M02	SPRING, CONICAL	1	1		
38	6E5-43126-02	PIN, UPPER SHOCK MOUNT	1	1		
39	90386-18M35	BUSH	2	2		
40	93410-18M02	CIRCLIP	1	1		
41	90386-18M63	BUSH	2	2		
42	90101-12M65	BOLT	4	4		
43	92995-12200	WASHER	8	8		
44	90201-12426	WASHER, PLATE	4	4		
45	95380-12600	NUT	8	8		
46	90440-14M00	PIPE	1	1		

FIG. 13 BRACKET 2

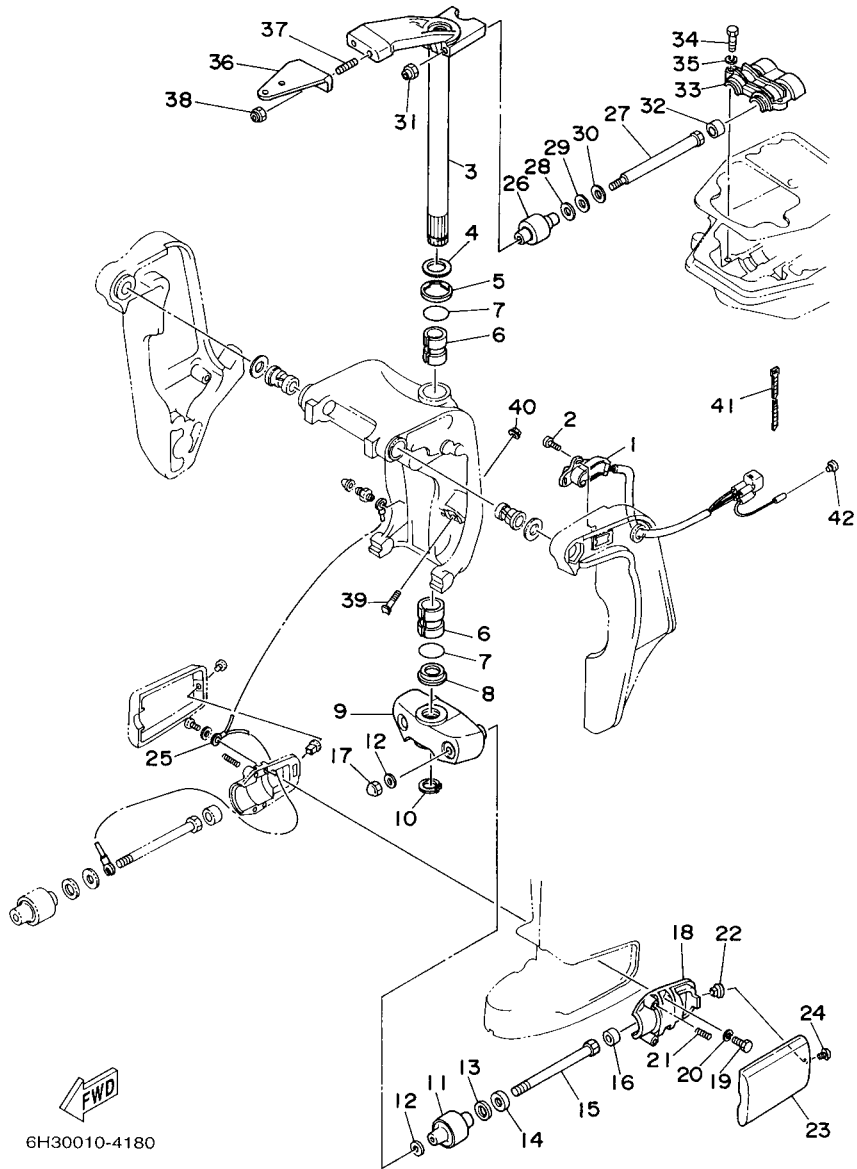
REF. NO.	PART NO.	DESCRIPTION	75A	85A				REMARKS
1	6H1-83672-12	TRIM SENDER	1	1				
2	97885-06016	SCREW, PAN HEAD	2	2				
3	688-42510-03-4D	STEERING BRACKET ASSY	1	1				
4	90201-30M00	WASHER, PLATE	1	1				
5	90386-30M78	BUSH	1	1				
6	90386-30M77	BUSH	2	2				
7	93210-29M94	O-RING	2	2				
8	90386-30M60	BUSH	1	1				
9	663-44551-02-4D	HOUSING, LOWER MOUNT RUBBER	1	1				
10	93410-28M06	CIRCLIP	1	1				
11	687-44555-00-94	MOUNT DAMPER, LOWER SIDE	2	2				
12	90201-12M16	WASHER, PLATE	4	4				
13	90202-25M04	WASHER, PLATE	2	2				
14	90201-13M19	WASHER, PLATE	2	2				
15	90109-12261	BOLT	2	2				
16	663-44575-00	DAMPER, LOWER MOUNT RUBBER	2	2				
17	95380-12800	NUT, CROWN	2	2				
18	687-44552-02-94	HOUSING, LOWER MOUNT RUBBER	2	2				
19	97075-08025	BOLT	4	4				
20	92995-08100	WASHER	4	4				
21	90501-14M08	SPRING, COMPRESSION	4	4				
22	90179-06066	NUT	2	2				
23	663-44553-01-4D	COVER, LOWER MOUNT	2	2				
24	97885-06016	SCREW, PAN HEAD	2	2				
25	688-82127-02	WIRE, LEAD 2	1	1				
26	688-44514-00-94	MOUNT DAMPER, UPPER SIDE	2	2				
27	90101-10M49	BOLT	2	2				



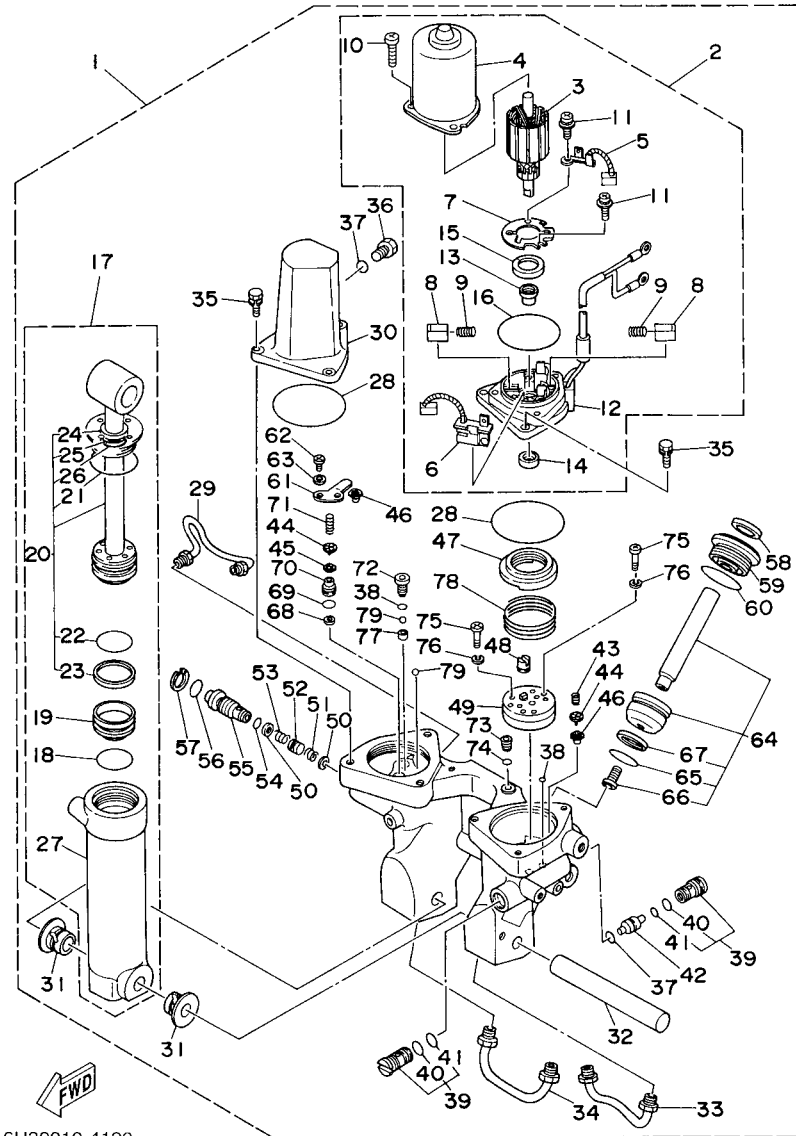
D6

FIG. 13 BRACKET 2

REF. NO.	PART NO.	DESCRIPTION	75A	85A	REMARKS
28	90201-20M21	WASHER, PLATE	2	2	
29	90202-20M06	WASHER, PLATE	2	2	
30	90201-11M22	WASHER, PLATE	2	2	
31	90185-10051	NUT, SELF-LOCKING	2	2	
32	663-44575-00	DAMPER, LOWER MOUNT RUBBER	2	2	
33	688-44511-00-94	COVER, UPPER MOUNT	1	1	
34	97075-08035	BOLT	3	3	
35	92995-08100	WASHER	3	3	
36	688-48511-11-4D	HOOK, STEERING	1	1	STEERING GUIDE
37	90116-10M28	BOLT, STUD	2	2	
38	90185-10051	NUT, SELF-LOCKING	2	2	
39	6H1-43376-00	BOLT, THRUST RECEIVER	2	2	
40	90185-08057	NUT, SELF-LOCKING	2	2	
41	90465-11M10	CLAMP	3	3	
42	703-82119-00	COVER, LEAD WIRE	1	1	



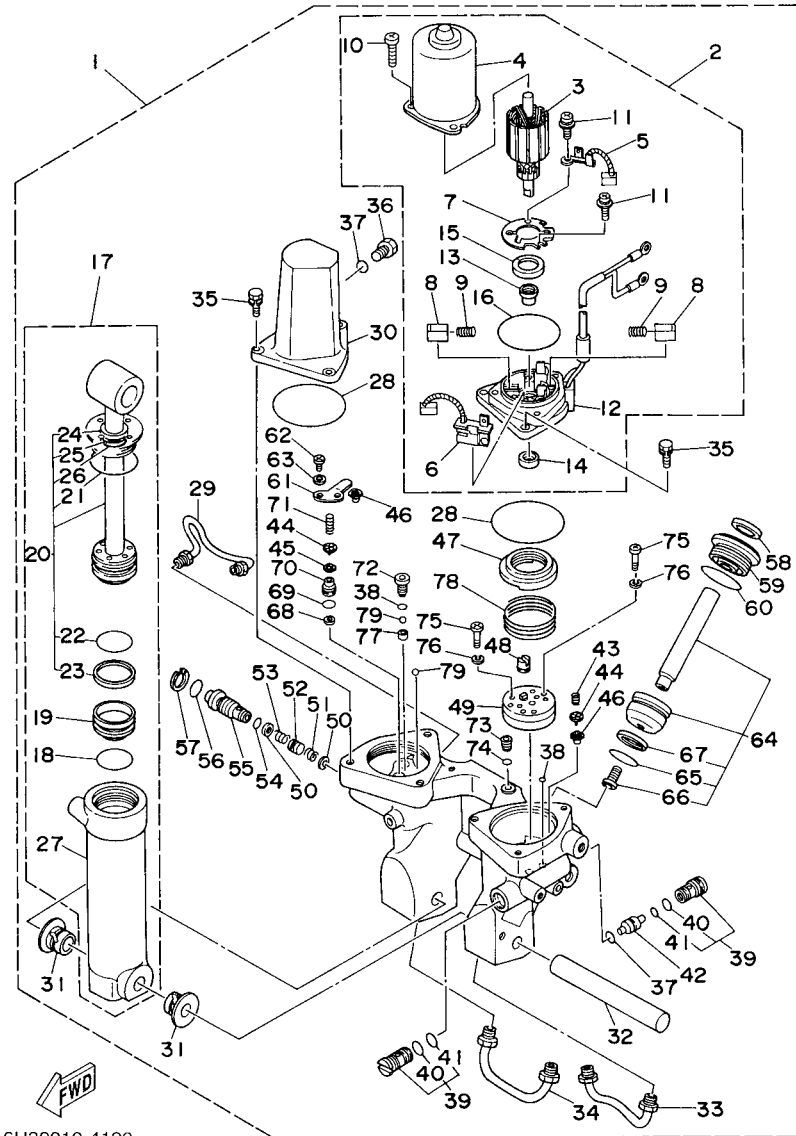
6H30010-4180



6H30010-4190

FIG. 14 POWER TRIM & TILT ASSY

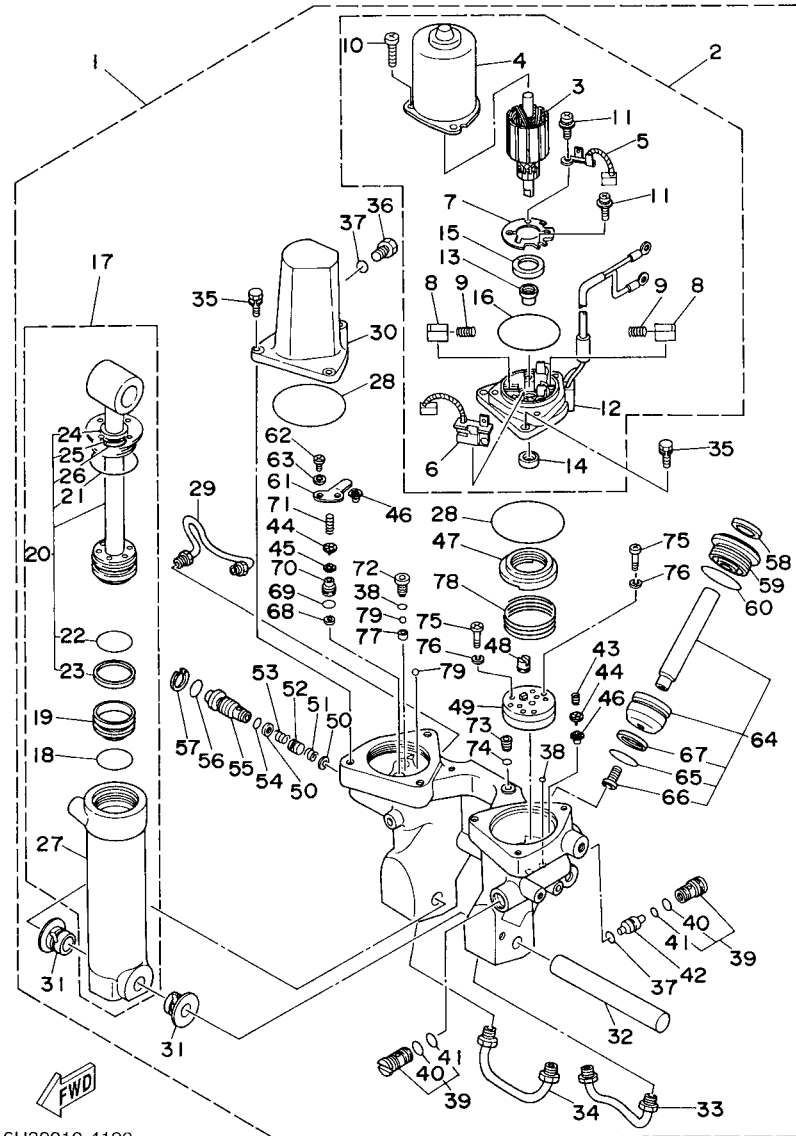
REF. NO.	PART NO.	DESCRIPTION	75A	85A	REMARKS
1	6H1-43800-17-4D	POWER TRIM & TILT ASSY	1	1	
2	6H1-43880-02	..MOTOR ASSY	1	1	
3	6H1-43805-10	..ARMATURE ASSY	1	1	
4	6H1-43804-10	..STATOR ASSY	1	1	
5	6H1-43891-10	..BRUSH 1	1	1	
6	6H1-43892-10	..BRUSH 2	1	1	
7	6H1-4380F-10	..PLATE, BRUSH HOLDER	1	1	
8	6H1-4380J-10	..HOLDER, BRUSH	2	2	
9	6H1-4386K-10	..SPRING, BRUSH	2	2	
10	97885-05016	..SCREW, PAN HEAD	3	3	
11	97607-04310	..SCREW,WITH WASHER	2	2	
12	6H1-43881-10	..FRAME, END	1	1	
13	6H1-4380H-10	..METAL	1	1	
14	93102-08M43	..OIL SEAL	1	1	
15	6H1-4380G-10	..PLATE	1	1	
16	6H1-43865-10	..O-RING	1	1	
17	6H1-43840-11	..POWER TILT ASSY	1	1	
18	6H1-43861-10	..O-RING	1	1	
19	6H1-43814-11	..PISTON, FREE	1	1	
20	6H1-43810-11	..TILT PISTON SUB ASSY	1	1	
21	6H1-43861-00	..O-RING	1	1	
22	6H1-43861-10	..O-RING	1	1	
23	6H1-43871-10	..RING, BACK UP	1	1	
24	6H1-43812-00	..SEAL, DUST	1	1	
25	6H1-43872-10	..RING, BACK UP	1	1	
26	93210-18397	..O-RING	1	1	
27	6H1-43813-10	..CYLINDER, TILT	1	1	



6H30010-4190

FIG. 14 POWER TRIM & TILT ASSY

REF. NO.	PART NO.	DESCRIPTION	75A	85A	REMARKS
28	93210-64488	.O-RING	2	2	
29	6H1-43835-10	.PIPE	1	1	
30	6H1-43828-10	.BODY, RESERVOIR	1	1	
31	90386-18M14	.BUSH	2	2	
32	6E5-43818-00	.PIN, LOWER SHOCK MOUNT	1	1	
33	6H1-43833-10	.PIPE	1	1	
34	6H1-43834-00	.PIPE	1	1	
35	97595-06420	.BOLT, WITH WASHER	6	6	
36	6H1-43829-00	.PLUG, RESERVOIR	1	1	
37	93210-09165	.O-RING	2	2	
38	93210-064A5	.O-RING	1	1	
39	67F-43802-00	.VALVE SUB ASSY	2	2	
40	6H1-43866-00	..O-RING	1	1	
41	6H1-43867-00	..O-RING	1	1	
42	6H1-43841-11	.PISTON, SHUTTLE	1	1	
43	6H1-43856-10	.SPRING, DOWN RELIEF	1	1	
44	6H1-43844-10	.PIN, VALVE SUPPORT	2	2	
45	6H1-4384G-11	.SEAL, RELIEF VALVE	1	1	
46	6H1-4384F-10	.SEAL, MAIN VALVE	2	2	
47	6H1-43817-01	.FILTER 2	1	1	
48	6H1-43831-10	.CONNECTOR, SHAFT	1	1	
49	6H1-43830-11	.GEAR PUMP ASSY	1	1	
50	6H1-43847-00	.SEAT, MANUAL VALVE	2	2	
51	6H1-43899-00	.SPRING, MANUAL RELEASE	1	1	
52	6H1-4382A-10	.ADAPTOR 1	1	1	
53	6H1-43854-00	.SPRING, MANUAL RELEASE	1	1	
54	93210-10M74	.O-RING	1	1	

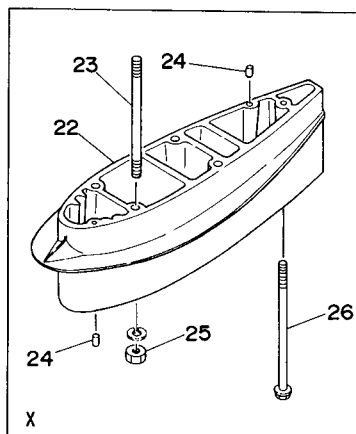
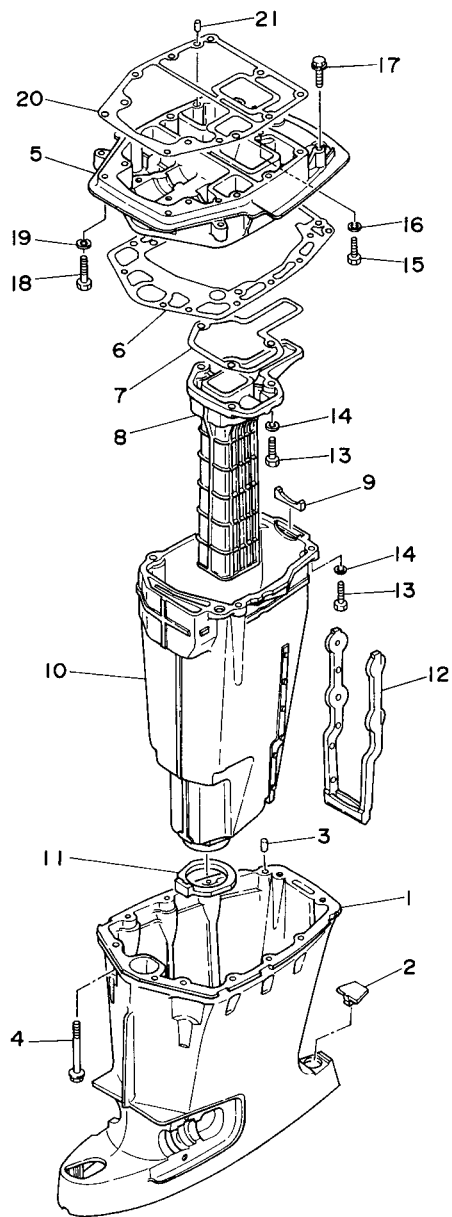


6H30010-4190

FIG. 14 POWER TRIM & TILT ASSY

REF. NO.	PART NO.	DESCRIPTION	75A	85A	REMARKS
55	6H1-43845-00	.SCREW, MANUAL RELEASE	1	1	
56	93210-18M75	.O-RING	1	1	
57	6H1-43875-00	.RING, SNAP	1	1	
58	6H1-43822-10	.SEAL, TRIM DUST	2	2	
59	6H1-43821-11	.SCREW, TRIM CYLINDER END	2	2	
60	6H1-43861-10	.O-RING	2	2	
61	6H1-4384E-20	.SPRING, TRIM	1	1	
62	98501-05010	.SCREW, PAN HEAD	2	2	
63	92901-05200	.WASHER, PLAIN	2	2	
64	6H1-43820-11	.TRIM PISTON SUB ASSY	2	2	
65	6H1-43864-00	.O-RING	1	1	
66	91318-08016	.BOLT	1	1	
67	6H1-43874-00	.RING, BACK UP	1	1	
68	6H1-43816-00	.FILTER 1	1	1	
69	6H1-43896-00	.O-RING	1	1	
70	6H1-43895-12	.SEAT, RELIEF VALVE	1	1	
71	6H1-43855-11	.SPRING, UP RELIEF	1	1	
72	6H1-43843-11	.SCREW, VALVE LOCK	1	1	
73	6H1-4388E-11	.PLUG, TAPER SCREW	1	1	
74	6H1-43868-00	.O-RING	1	1	
75	98501-04025	.SCREW, PAN HEAD	4	4	
76	92901-04100	.WASHER, SPRING	4	4	
77	6H1-4387J-00	.WASHER, SPECIAL 2	1	1	
78	6H1-4385H-00	.SPRING, SEAL	1	1	
79	93505-32038	.BALL	2	2	

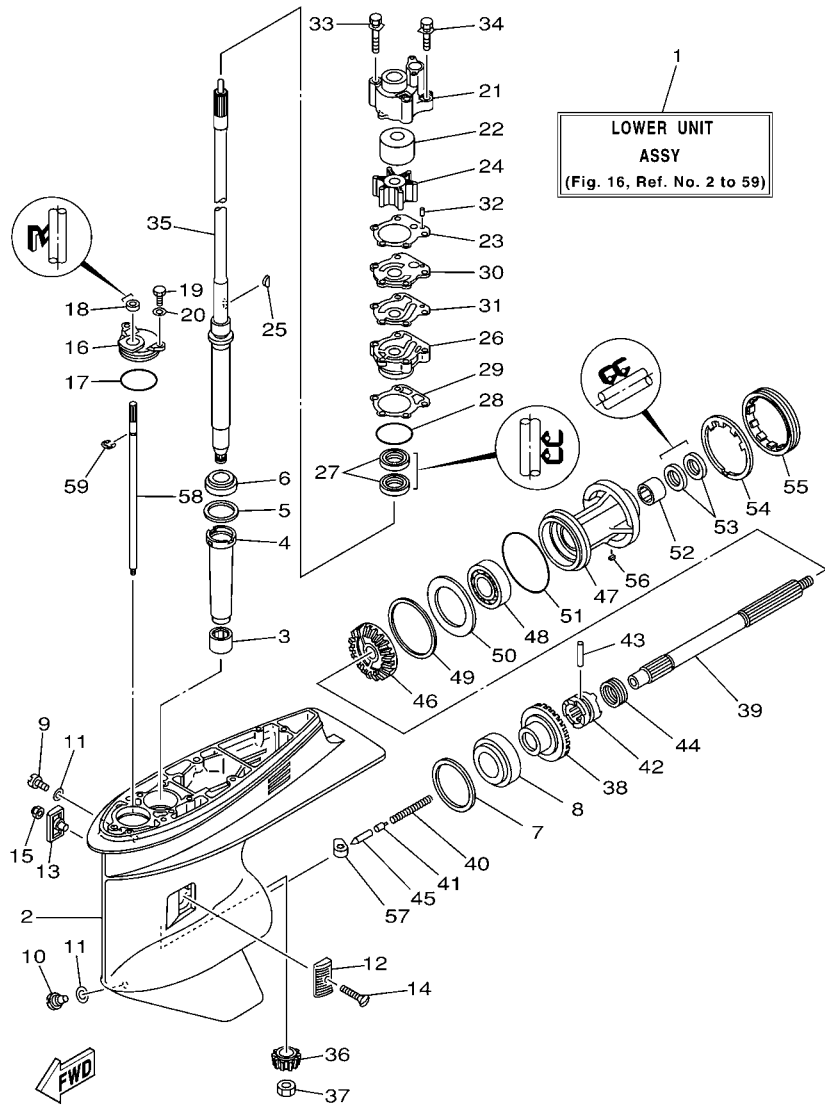
FIG. 15 UPPER CASING



  
6H14100-4170

REF. NO.	PART NO.	DESCRIPTION	75A	85A			REMARKS
1	688-45111-04-4D	CASING, UPPER	1	1			
2	663-45155-10	CAP	1	1			
3	93606-12019	PIN, DOWEL	2	2			
4	90119-08M80	BOLT, WITH WASHER	8	8			
5	688-41137-03-94	GUIDE, EXHAUST	1	1			
6	688-45114-A1	GASKET, UPPER CASING	1	1			
7	688-41134-A0	GASKET, EXHAUST MANIFOLD	1	1			
8	688-41131-00-5B	MANIFOLD, EXT. 1	1	1			
9	688-41133-00	GASKET, EXHAUST MANIFOLD 1	1	1			
10	688-14711-01-5B	MUFFLER 1	1	1			
11	688-45123-00	GASKET, MUFFLER	1	1			
12	663-14737-10	DAMPER, MUFFLER	1	1			
13	97075-08030	BOLT	7	7			
14	92995-08100	WASHER	7	7			
15	97075-08025	BOLT	1	1			
16	92995-08100	WASHER	1	1			
17	90119-08M79	BOLT, WITH WASHER	2	2			
18	97075-08035	BOLT	2	2			
19	92995-08100	WASHER	2	2			
20	688-45113-A0	GASKET, UPPER CASING	1	1			
21	93606-12019	PIN, DOWEL	2	2			
22	688-45211-01-4D	EXTENSION	1				X
23	90116-10M05	BOLT, STUD	4				X
24	93606-12019	PIN, DOWEL	4				X
25	95380-10600	NUT	4				X
26	90119-08M86	BOLT, WITH WASHER	1				X

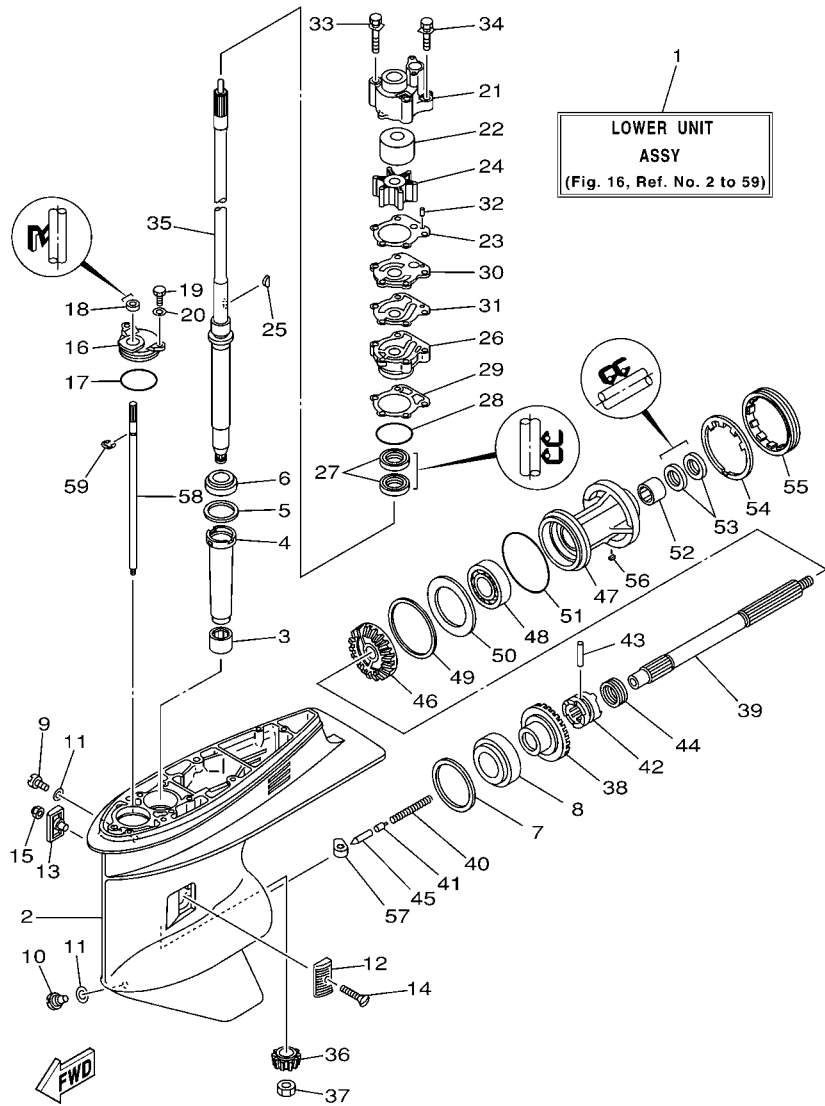




6880700-0160

FIG. 16 LOWER CASING & DRIVE 1

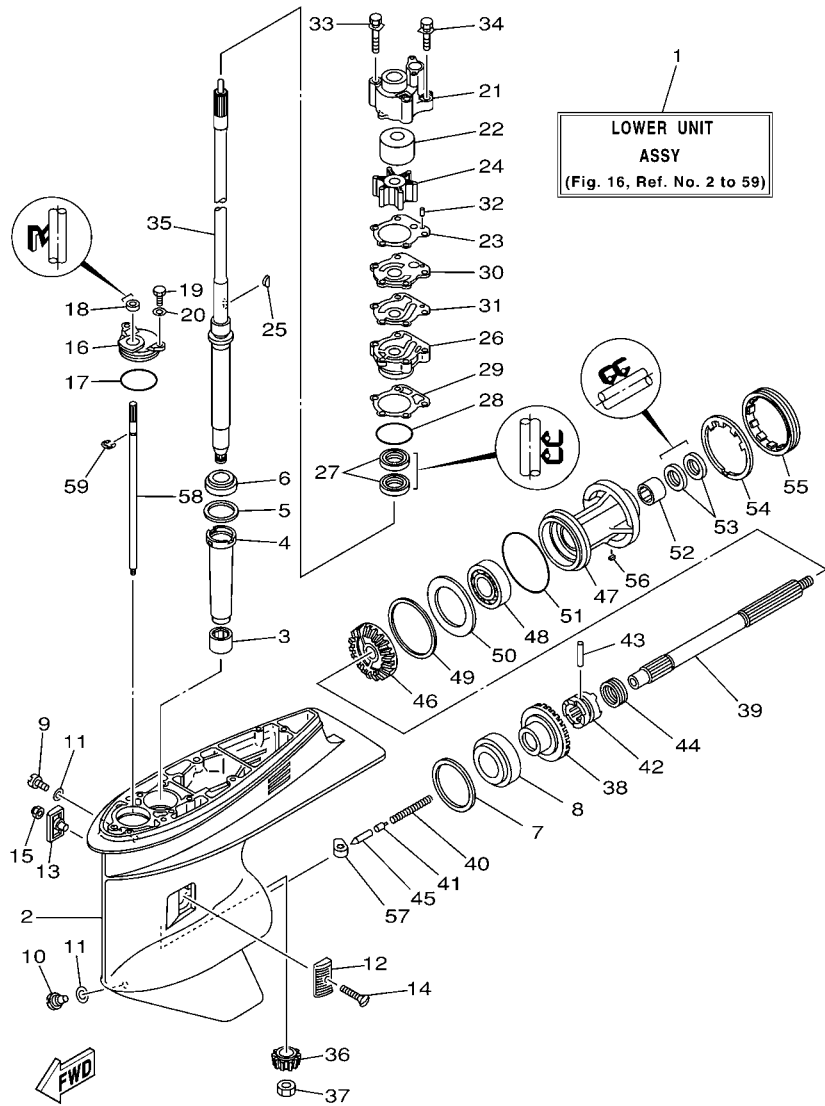
REF. NO.	PART NO.	DESCRIPTION	75A	85A		REMARKS
1	692-45300-14-4D	LOWER UNIT ASSY	1	1		L
	692-45300-24-4D	LOWER UNIT ASSY		1		X
2	688-45311-06-4D	CASING, LOWER	1	1		
3	93315-325V1	BEARING	1	1		
4	688-45536-01	SLEEVE, DRIVE SHAFT	1	1		
5	688-45587-01-10	SHIM (T:0.10MM)	1	1		UR
	688-45587-01-12	SHIM (T:0.12MM)	1	1		UR
	688-45587-01-15	SHIM (T:0.15MM)	1	1		UR
	688-45587-01-18	SHIM (T:0.18MM)	1	1		UR
	688-45587-01-30	SHIM (T:0.30MM)	1	1		UR
	688-45587-01-40	SHIM (T:0.40MM)	1	1		UR
	688-45587-01-50	SHIM (T:0.50MM)	1	1		UR
6	93332-000U3	BEARING	1	1		
7	688-45567-01-10	SHIM (T:0.10MM)	1	1		UR
	688-45567-01-12	SHIM (T:0.12MM)	1	1		UR
	688-45567-01-15	SHIM (T:0.15MM)	1	1		UR
	688-45567-01-18	SHIM (T:0.18MM)	1	1		UR
	688-45567-01-30	SHIM (T:0.30MM)	1	1		UR
	688-45567-01-40	SHIM (T:0.40MM)	1	1		UR
	688-45567-01-50	SHIM (T:0.50MM)	1	1		UR
8	93332-000W7	BEARING	1	1		
9	90340-08002	PLUG, STRAIGHT SCREW	1	1		
10	688-45341-10	PLUG, DRAIN	1	1		
11	90430-08020	GASKET	2	2		
12	6H1-45214-00	COVER, WATER INLET	1	1		
13	6H1-45215-00	COVER, WATER INLET	1	1		
14	90151-05M00	SCREW, COUNTERSUNK	1	1		



6880700-0160

FIG. 16 LOWER CASING & DRIVE 1

REF. NO.	PART NO.	DESCRIPTION	75A	85A		REMARKS
15	90185-05002	NUT, SELF-LOCKING	1	1		
16	688-45321-00	PLATE	1	1		
17	93210-49046	O-RING	1	1		
18	93106-09014	OIL SEAL	1	1		
19	97095-06016	BOLT	2	2		
20	92995-06600	WASHER	2	2		
21	688-44311-01	HOUSING, WATER PUMP	1	1		
22	688-44322-00	INSERT, CARTRIDGE	1	1		
23	688-44315-A0	GASKET, WATER PUMP	1	1		
24	688-44352-03	IMPELLER	1	1		
25	90280-04M04	KEY, WOODRUFF	1	1		
26	688-44341-01-94	HOUSING, WATER PUMP	1	1		
27	93101-25M03	OIL SEAL	2	2		
28	93210-46044	O-RING	1	1		
29	688-44316-A0	GASKET, WATER PUMP	1	1		
30	688-44323-00	OUTER PLATE, CARTRIDGE	1	1		
31	688-44324-A0	GASKET, CARTRIDGE	1	1		
32	93604-10M03	PIN, DOWEL	2	2		
33	90119-08M16	BOLT, WITH WASHER	2	2		
34	90119-08M13	BOLT, WITH WASHER	2	2		
35	688-45501-11	DRIVE SHAFT COMP.	1	1		L
	688-45501-22	DRIVE SHAFT COMP.		1		X
36	688-45551-01	PINION	1	1		
37	90170-16M01	NUT	1	1		
38	688-45560-00	GEAR	1	1		
39	688-45611-00	SHAFT, PROPELLER	1	1		
40	90501-16233	SPRING, COMPRESSION	1	1		



6880700-0160

FIG. 16 LOWER CASING & DRIVE 1

REF. NO.	PART NO.	DESCRIPTION	75A	85A	REMARKS
41	688-45634-00	SLIDE, SHIFT	1	1	
42	688-45631-01	CLUTCH, DOG	1	1	
43	90250-07M02	PIN, STRAIGHT	1	1	
44	688-45633-00	RING, CROSS PIN	1	1	
45	688-45635-00	PLUNGER, SHIFT	1	1	
46	688-45571-01	GEAR	1	1	
47	688-45331-00-94	HOUSING, BEARING	1	1	
48	93306-207U0	BEARING	1	1	
49	688-45577-01-10	SHIM (T:0.10MM)	1	1	UR
	688-45577-01-12	SHIM (T:0.12MM)	1	1	UR
	688-45577-01-15	SHIM (T:0.15MM)	1	1	UR
	688-45577-01-18	SHIM (T:0.18MM)	1	1	UR
	688-45577-01-30	SHIM (T:0.30MM)	1	1	UR
	688-45577-01-40	SHIM (T:0.40MM)	1	1	UR
	688-45577-01-50	SHIM (T:0.50MM)	1	1	UR
50	688-45576-00	WASHER, THRUST	1	1	
51	93210-85M97	O-RING	1	1	
52	93317-325U0	BEARING	1	1	
53	93101-25M03	OIL SEAL	2	2	
54	688-45383-02	WASHER, CLAW	1	1	
55	688-45384-00	NUT	1	1	
56	90282-04010	KEY, STRAIGHT	1	1	
57	663-44151-00	CAM, SHIFT	1	1	
58	663-44144-01	ROD, SHIFT	1	1	
59	99001-08600	CIRCLIP	1	1	

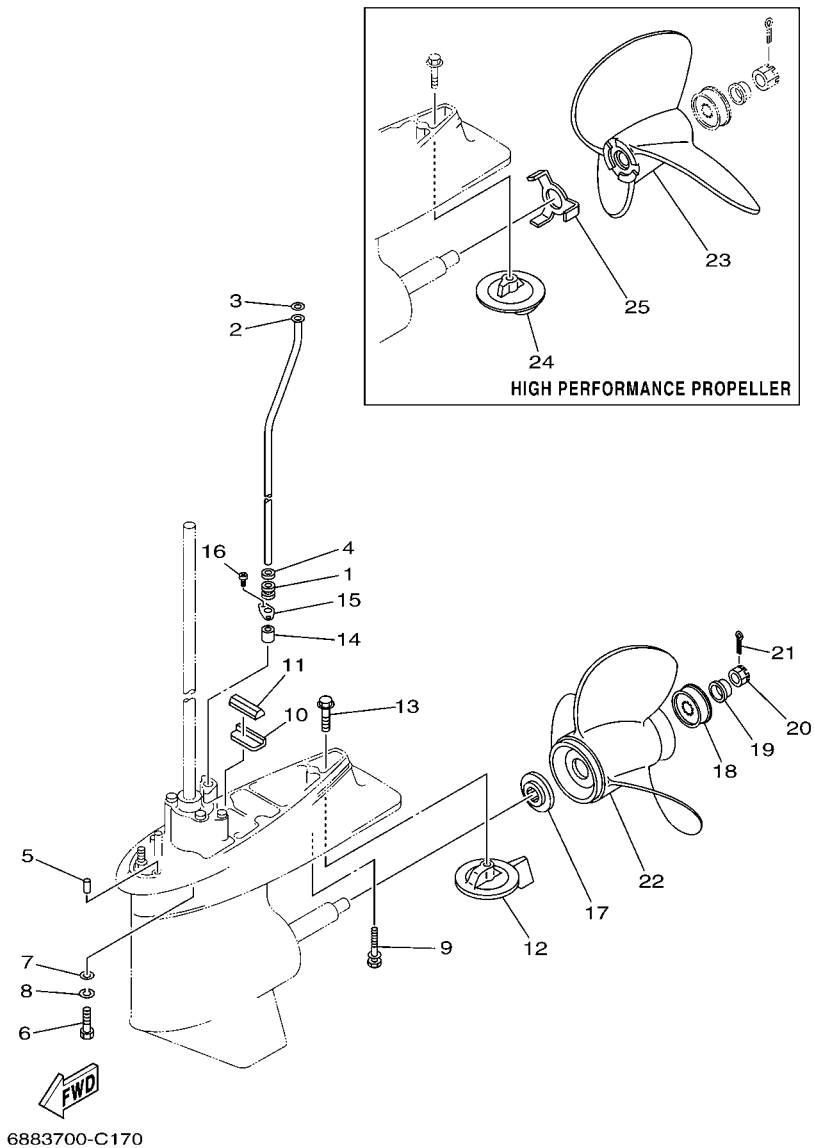


FIG. 17 LOWER CASING & DRIVE 2

REF. NO.	PART NO.	DESCRIPTION	75A	85A		REMARKS
1	663-44367-00	DAMPER, WATER SEAL	1	1		
2	688-44361-10	TUBE, WATER	1	1		L
	688-44361-20	TUBE, WATER		1		X
3	90202-12060	WASHER, PLATE	1	1		
4	90430-12072	GASKET	1	1		
5	93606-12019	PIN, DOWEL	2	2		L
6	97075-10040	BOLT	4	4		L
7	92990-10600	WASHER, PLATE	4	4		
8	92990-10100	WASHER, SPRING	4	4		
9	90119-08M84	BOLT, WITH WASHER	1	1		L
10	663-45376-00-94	GUIDE, SEAL DAMPER	1	1		
11	688-45375-00	DAMPER, SEAL	1	1		
12	688-45371-02	TAB-TRIM	1	1		
13	90105-10M67	BOLT, FLANGE	1	1		
14	663-44366-00	DAMPER, WATER SEAL	1	1		
15	90480-19M06	GROMMET	1	1		
16	97780-40512	SCREW, TAPPING	2	2		
17	688-45987-01	SPACER	1	1		
18	67F-45997-00	SPACER	1	1		
19	90389-25M00	BUSH	1	1		
20	90171-16011	NUT, CASTLE	1	1		
21	91490-40025	PIN, COTTER	1	1		
22	6E5-45941-00-EL	PROPELLER (3X13"X19"-K)	1	1		UR
	6E5-45943-00-EL	PROPELLER (3X12-5/8"X21"-K)	1	1		UR
	6E5-45945-01-EL	PROPELLER (3X13-1/4"X17"-K)	1	1		UR
	6E5-45947-00-EL	PROPELLER (3X13-1/2"X15"-K)	1	1		UR
	6E5-45949-00-EL	PROPELLER (3X13-5/8"X13"-K)	1	1		UR

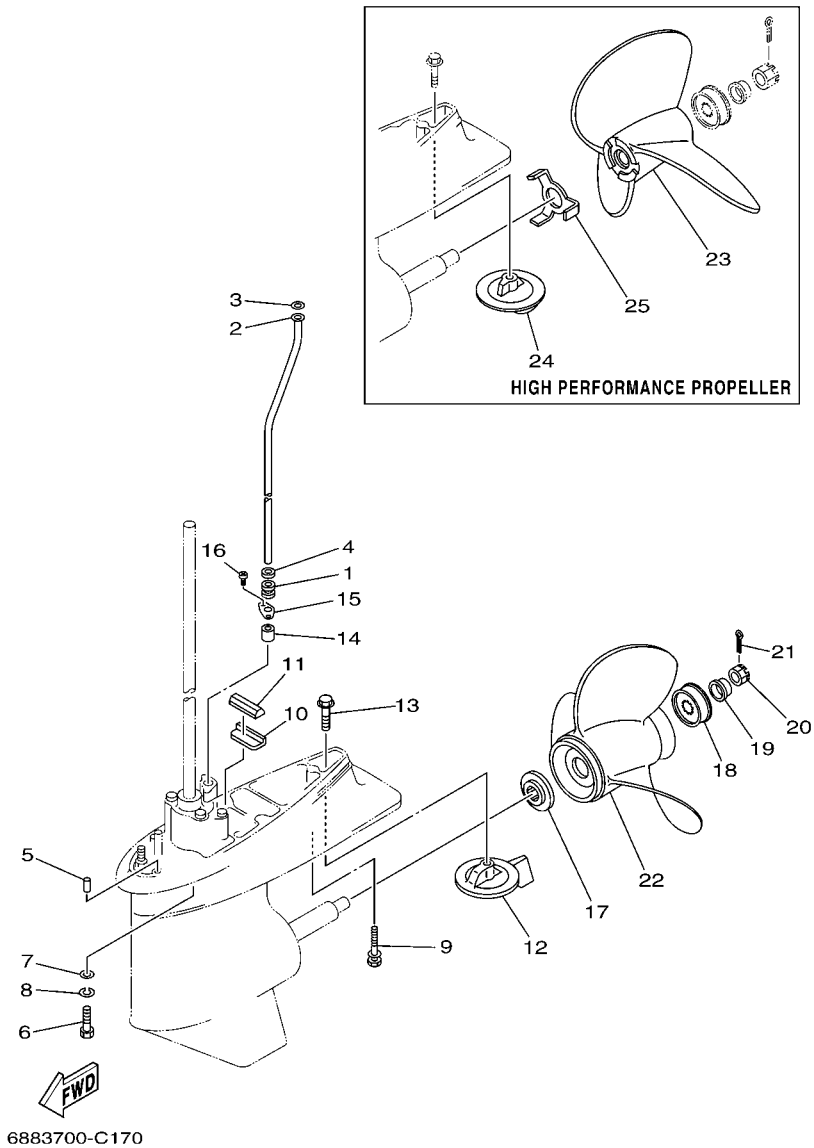
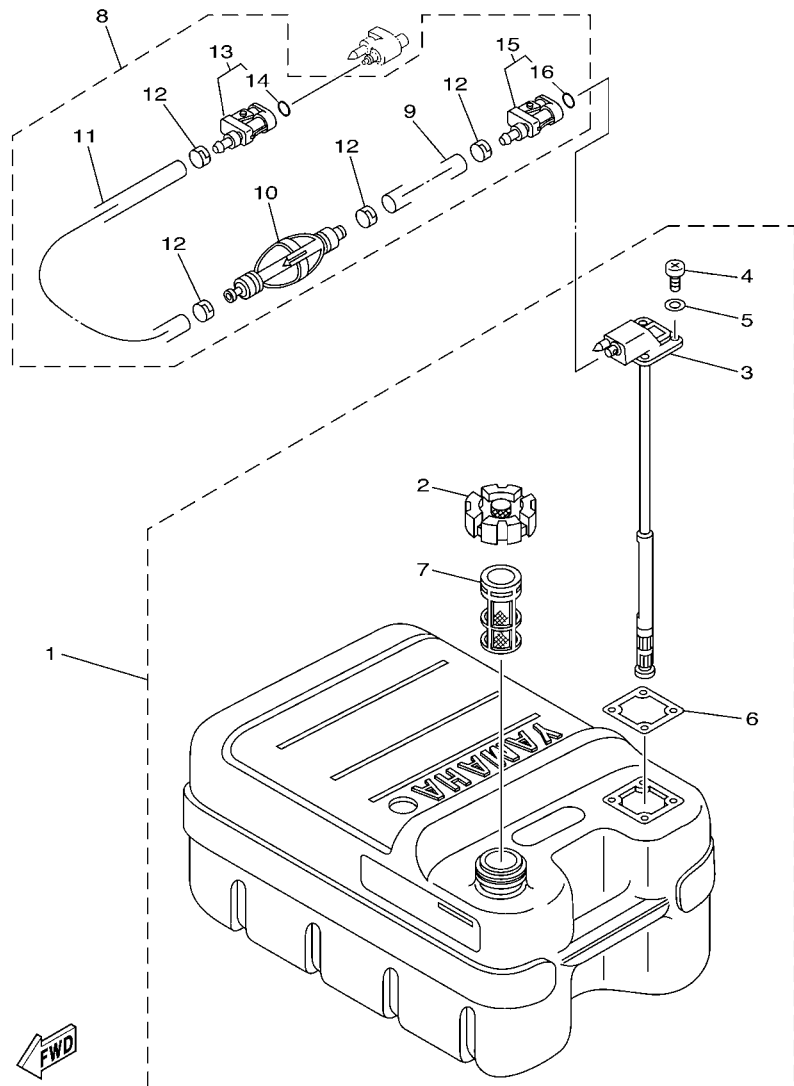


FIG. 17 LOWER CASING & DRIVE 2

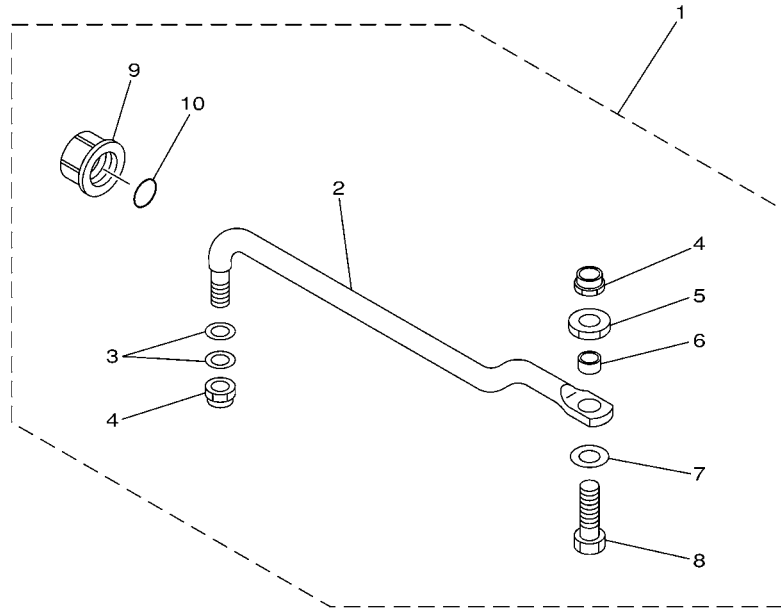
REF. NO.	PART NO.	DESCRIPTION	75A	85A		REMARKS
22	6E5-45952-00-EL	PROPELLER (3X13"X23"-K)	1	1		UR
	6E5-45954-00-EL	PROPELLER (3X14"X11"-K)	1	1		UR
	688-45970-03-98	PROPELLER (3X13"X19"-K)	1	1		UR
	688-45972-02-98	PROPELLER (3X13"X21"-K)	1	1		UR
	688-45974-02-98	PROPELLER (3X13"X23"-K)	1	1		UR
	688-45976-01-98	PROPELLER (3X13"X25"-K)	1	1		UR
	688-45978-60-98	PROPELLER (3X13-1/2"X16"-K)	1	1		UR
	688-45930-02-98	PROPELLER (3X13"X17"-K)	1	1		UR
	688-45932-60-98	PROPELLER (3X13-1/2"X14"-K)	1	1		UR
23	6E5-45970-10	PROPELLER (3X14"X20"-P)	1	1		UR
	6E5-45972-10	PROPELLER (3X14"X24"-P)	1	1		UR
	6E5-45974-10	PROPELLER (3X14"X28"-P)	1	1		UR
	6E5-45976-10	PROPELLER (3X14"X22"-P)	1	1		UR
	6E5-45978-10	PROPELLER (3X14"X26"-P)	1	1		UR
24	6E5-45371-10	TAB-TRIM	1	1		
25	6E5-45994-10	PLATE, TOOTH	1	1		



68U3100-C240

FIG. 18 FUEL TANK

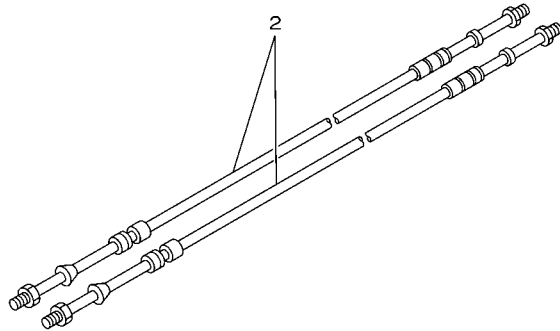
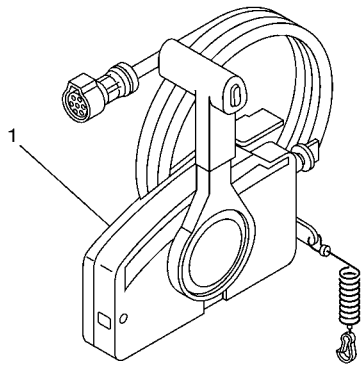
REF. NO.	PART NO.	DESCRIPTION	75A	85A			REMARKS
1	6YJ-24201-10	FUEL TANK ASSY (24L)	1	1			AP
2	6YJ-24610-00	.CAP ASSY	1	1			
3	6Y1-24260-12	.FUEL METER ASSY	1	1			WITH INDICATOR
4	98586-05016	.SCREW, PAN HEAD	4	4			
5	6Y1-24329-00	.SEAL	4	4			
6	6Y1-24268-00	.GASKET, FUEL METER	1	1			
7	6YJ-24167-00	.STRAINER	1	1			
8	61J-24306-03	FUEL PIPE COMP. 1	1	1			AP
9	90445-11M06	.HOSE (L2050)	1	1			
10	61J-24360-00	.PRIMER PUMP ASSY	1	1			
11	90445-11M05	.HOSE (L850)	1	1			
12	650-24351-01	.BAND 1	4	4			
13	6G1-24305-04	.FUEL PIPE JOINT COMP. 2	1	1			
14	93210-08287	..O-RING	1	1			
15	6Y1-24305-05	.FUEL PIPE JOINT COMP. 2	1	1			
16	93210-08287	..O-RING	1	1			



6880700-9190

**FIG. 19 STEERING GUIDE**

REF. NO.	PART NO.	DESCRIPTION	75A	85A				REMARKS
1	688-61350-10	STEERING GUIDE ATTACHMENT KIT	1	1				AP
2	688-61351-10	.ROD, STEERING LINK	1	1				
3	90201-10M20	.WASHER, PLATE	2	2				
4	90185-09M01	.NUT, SELF-LOCKING	2	2				
5	90170-09M03	.NUT	1	1				
6	90387-10M42	.COLLAR	1	1				
7	90201-10M63	.WASHER, PLATE	1	1				
8	6E5-61355-00	.BOLT	1	1				
9	6E5-43145-01	.CAP, CLAMP BRACKET	1	1				
10	93210-16275	.O-RING	1	1				

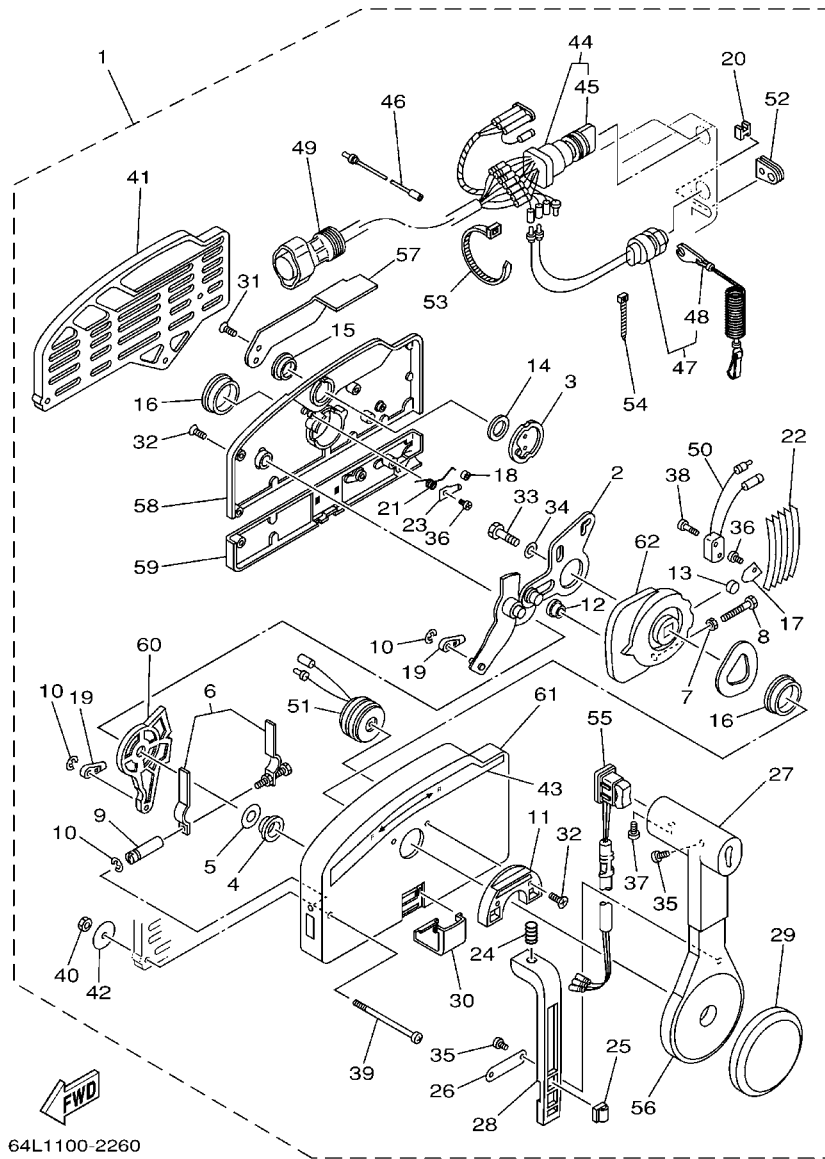


67M0100-8280

**FIG. 20 REMOTE CONTROL BOX**

REF. NO.	PART NO.	DESCRIPTION	75A	85A			REMARKS
1	703-48205-17	REMOTE CONTROL ASSY		1			AP WITH PT/T SW.
	703-48207-17	REMOTE CONTROL ASSY	1				AP WITH PT/T SW.
2	701-48320-00	CABLE, REMOTE CONTROL L=12F	2	2			UR
	701-48320-50	CABLE, REMOTE CONTROL L=15F	2	2			UR
	701-48320-60	CABLE, REMOTE CONTROL L=16F	2	2			UR
	701-48320-80	CABLE, REMOTE CONTROL L=17F	2	2			UR
	701-48350-00	CABLE, REMOTE CONTROL L=21F	2	2			UR

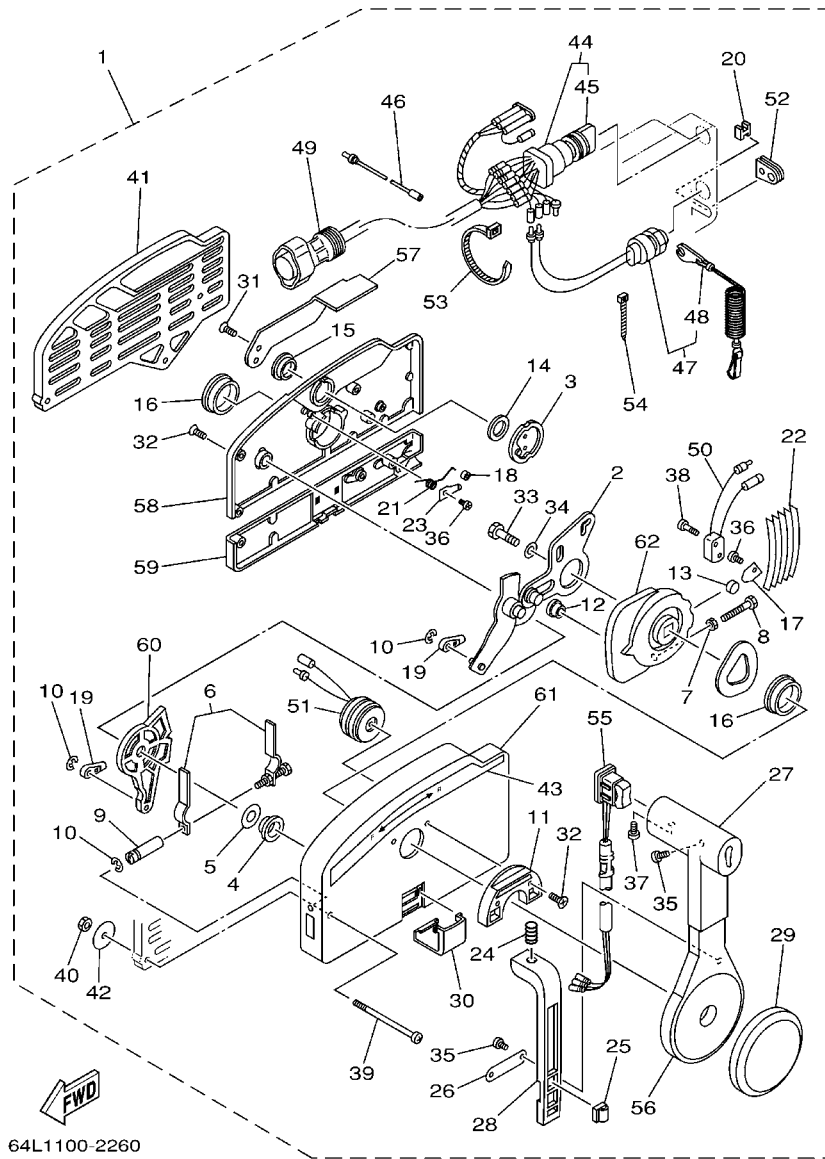




64L1100-2260

FIG. 21 REMOTE CONTROL ASSY

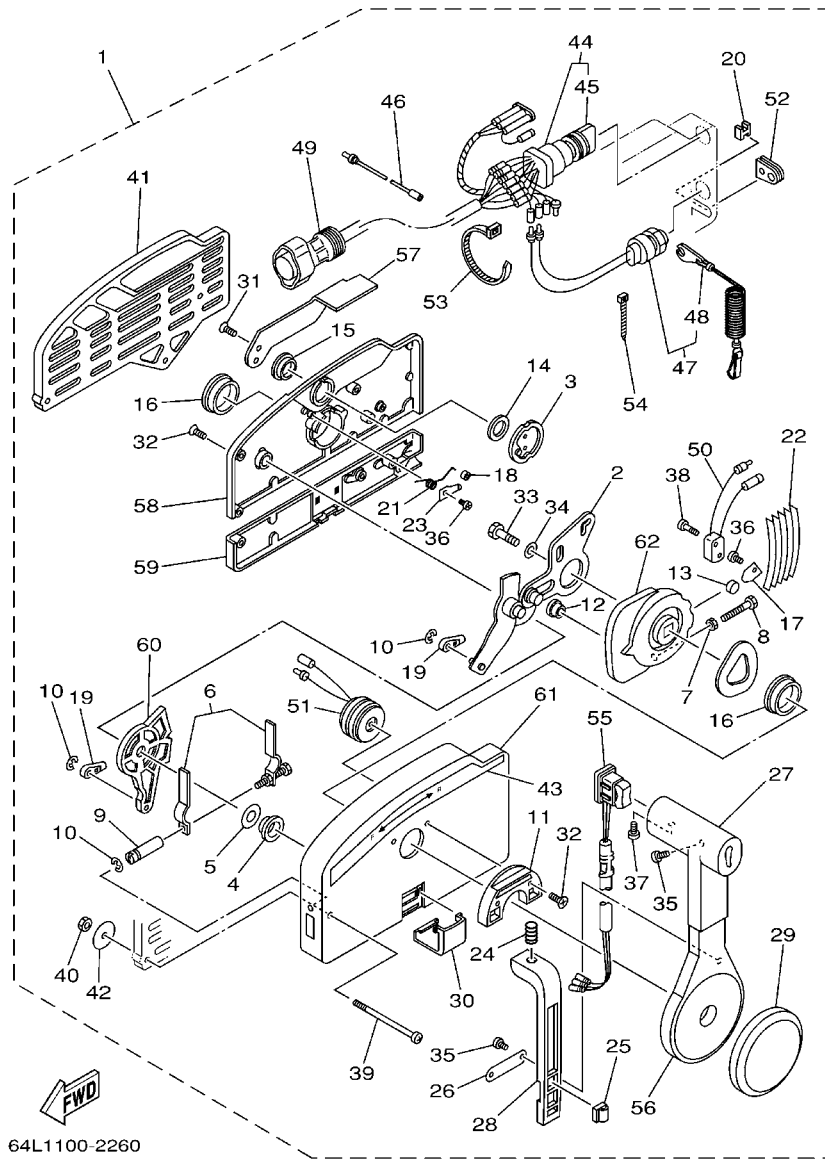
REF. NO.	PART NO.	DESCRIPTION	75A	85A	REMARKS
1	703-48205-17	REMOTE CONTROL ASSY		1	AP WITH PT/T SW.
	703-48207-17	REMOTE CONTROL ASSY	1		AP WITH PT/T SW.
2	703-48261-01	.ARM, THROTTLE	1	1	
3	703-48153-00	.SHAFT, FREE ACCEL.	1	1	
4	703-48235-00	.BUSHING	1	1	
5	703-48268-00	.SPACER	1	1	
6	703-48264-00	.THROTTLE, FRICTION	1	1	
7	95380-05600	.NUT	1	1	
8	97380-05025	.BOLT	1	1	
9	703-48265-00	.SHAFT, FRICTION	1	1	
10	93430-06024	.CIRCLIP	3	3	
11	703-48245-00	.PLATE, LOCK	1	1	
12	703-48252-00	.ROLLER, CAM	1	1	
13	701-48248-00	.ROLLER, FREE ACCEL.	1	1	
14	703-48198-00	.WASHER, WAVE	1	1	
15	703-48243-00	.BUSHING	1	1	
16	703-48236-00	.BUSHING 1	2	2	
17	703-48189-00	.RETAINER	1	1	
18	703-48234-00	.ROLLER, DETENT	1	1	
19	703-48345-01	.CABLE END, REMOTE CONTROL 2	2	2	
20	703-48358-00	.ANCHOR, CABLE	1	1	
21	703-48244-00	.SPRING, FREE ACCEL.	1	1	
22	703-48238-00	.SPRING, DETENT	5	5	
23	703-48246-00	.SPACER	1	1	
24	703-48227-00	.SPRING, NEUTRAL LOCK	1	1	
25	703-82594-00	.CLAMP	1	1	WITH PT/T SW.
26	703-48226-00	.PLATE, STOPPER	1	1	



64L1100-2260

FIG. 21 REMOTE CONTROL ASSY

REF. NO.	PART NO.	DESCRIPTION	75A	85A		REMARKS
27	703-48222-00	.GRIP, CONTROL LEVER	1	1		SINGLE
28	703-48223-00	.LOCK, NEUTRAL	1	1		
29	703-48225-00	.COVER	1	1		
30	703-48219-00	.COVER, LEAD	1	1		
31	703-48281-00	.SCREW	2	2		
32	703-48282-00	.SCREW	7	7		
33	97380-08030	.BOLT	1	1		
34	92990-08600	.WASHER, PLATE	1	1		
35	98580-04010	.SCREW, PAN HEAD	3	3		
36	98580-04006	.SCREW, PAN HEAD	2	2		
37	98580-05010	.SCREW, PAN HEAD	1	1		
38	98580-03015	.SCREW, PAN HEAD	2	2		
39	703-48291-10	.SCREW (M6)	3	3		
40	95380-06600	.NUT, HEXAGON	3	3		
41	703-48293-10	.SPACER, REMOTE CONTROL	1	1		SINGLE
42	701-48287-00	.WASHER	3	3		
43	703-48215-00	.GRAPHIC	1	1		
44	703-82510-43	.MAIN SWITCH ASSY	1	1		
45	703-82577-00	..CAP, KEY	1	1		
46	703-82531-00	.WIRE, LEAD	1	1		
47	688-82575-01	.ENGINE STOP SWITCH ASSY	1	1		
48	682-82556-00	..STOPPER	1	1		
49	688-8258A-20	.EXTENSION, WIRE HARNESS	1	1		L:5M (10P)
50	703-82540-00	.NEUTRAL SWITCH ASSY	1	1		
51	703-83383-02	.BUZZER	1	1		
52	703-48284-00	.GROMMET	1	1		
	703-48284-10	.GROMMET	1			



64L1100-2260

FIG. 21 REMOTE CONTROL ASSY

REF. NO.	PART NO.	DESCRIPTION	75A	85A	REMARKS
53	703-82591-00	.BAND		1	
	703-82591-00	.BAND	3		
54	703-82592-00	.BAND	1	1	
55	703-82563-02	.TRIM & TILT SWITCH ASSY		1	
	703-82563-12	.TRIM & TILT SWITCH ASSY	1		
56	703-48221-00	.LEVER, CONTROL	1	1	
57	703-48152-00	.KNOB, FREE ACCEL.	1	1	
58	703-48212-00	.BACK PLATE 1	1	1	
59	703-48213-00	.BACK PLATE 2	1	1	
60	703-48271-00	.ARM, SHIFT	1	1	
61	703-48211-01	.HOUSING,1	1	1	
62	703-48232-00	.GEAR	1	1	

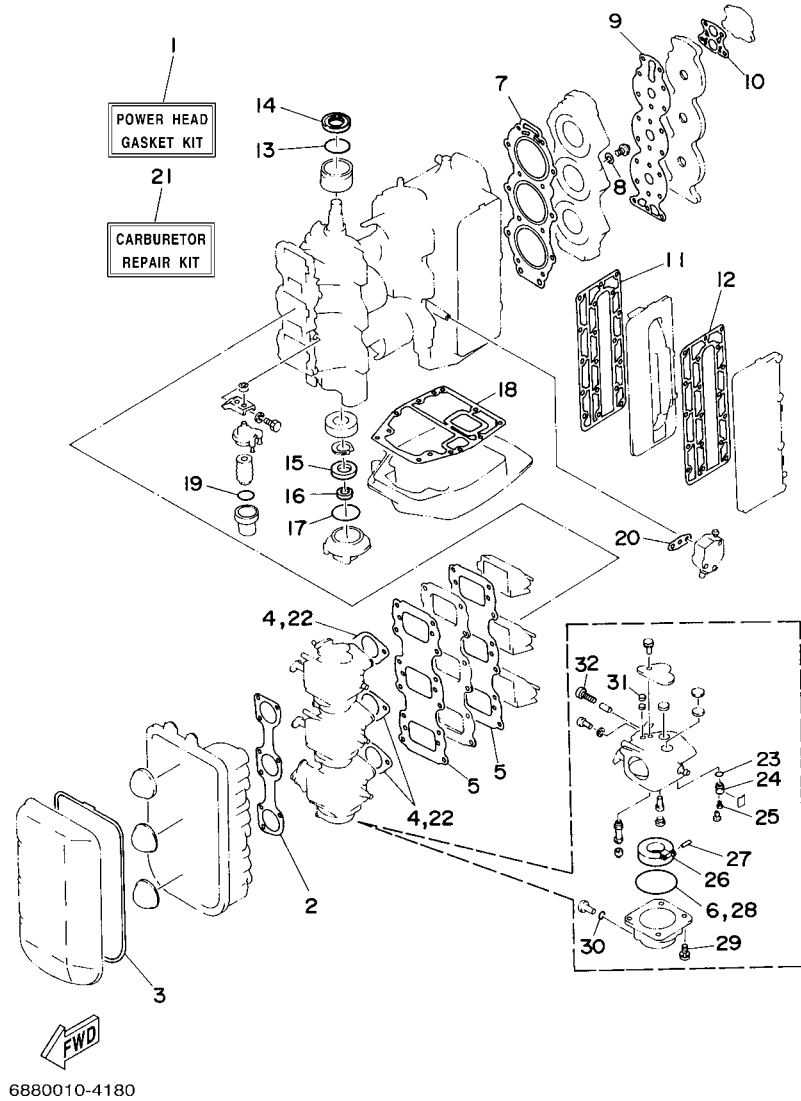


FIG. 22 REPAIR KIT 1

REF. NO.	PART NO.	DESCRIPTION	75A	85A	REMARKS
1	688-W0001-02	POWER HEAD GASKET KIT	1	1	
2	688-14483-A0	.GASKET	1	1	
3	688-14416-01	.GASKET, AIR CLEANER	1	1	
4	688-14198-A2	.GASKET	3	3	
5	688-13621-A1	.GASKET, VALVE SEAT	2	2	
6	676-14984-00	.GASKET, FLOAT CHAMBER	3	3	
7	688-11181-A1	.GASKET, CYLINDER HEAD 1	1	1	
8	90430-14115	.GASKET	1	1	
9	688-11193-A1	.GASKET, HEAD COVER 1	1	1	
10	688-12414-A1	.GASKET, COVER	1	1	
11	688-41112-A0	.GASKET, EXHAUST INNER COVER	1	1	
12	688-41114-A0	.GASKET, EXHAUST OUTER COVER	1	1	
13	93210-46M16	.O-RING	1	1	
14	93102-36M02	.OIL SEAL	1	1	
15	93102-30M05	.OIL SEAL	1	1	
16	93104-20M02	.OIL SEAL	1	1	
17	93210-62269	.O-RING	1	1	
18	688-45113-A0	.GASKET, UPPER CASING	1	1	
19	93210-32738	.O-RING	1	1	
20	650-24431-A0	.GASKET, FUEL PUMP 1	1	1	
21	6H1-W0093-01	CARBURETOR REPAIR KIT	1	1	
22	688-14198-A2	.GASKET	3	3	
23	93210-04228	.O-RING	3	3	
24	692-14590-01	.NEEDLE VALVE ASSY	3	3	
25	676-14186-00	.PIN, FLOAT	3	3	
26	676-14985-01	.FLOAT	3	3	
27	688-14548-00	.PIN, FLOAT ARM	3	3	

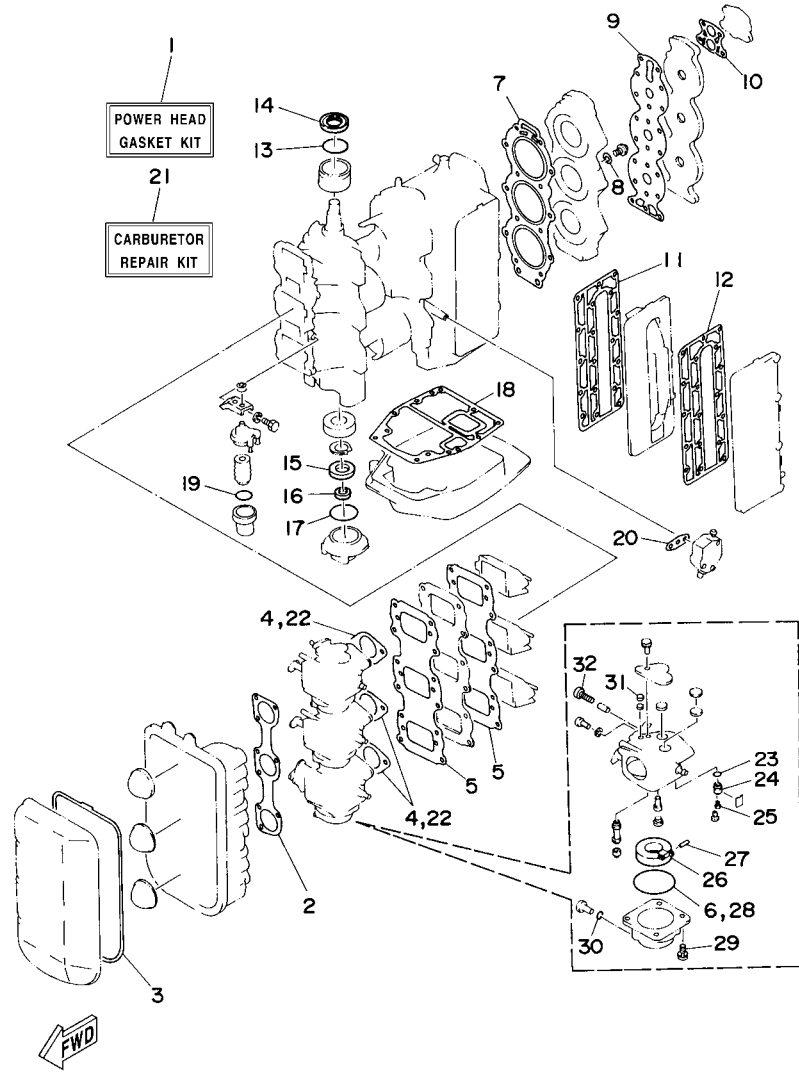
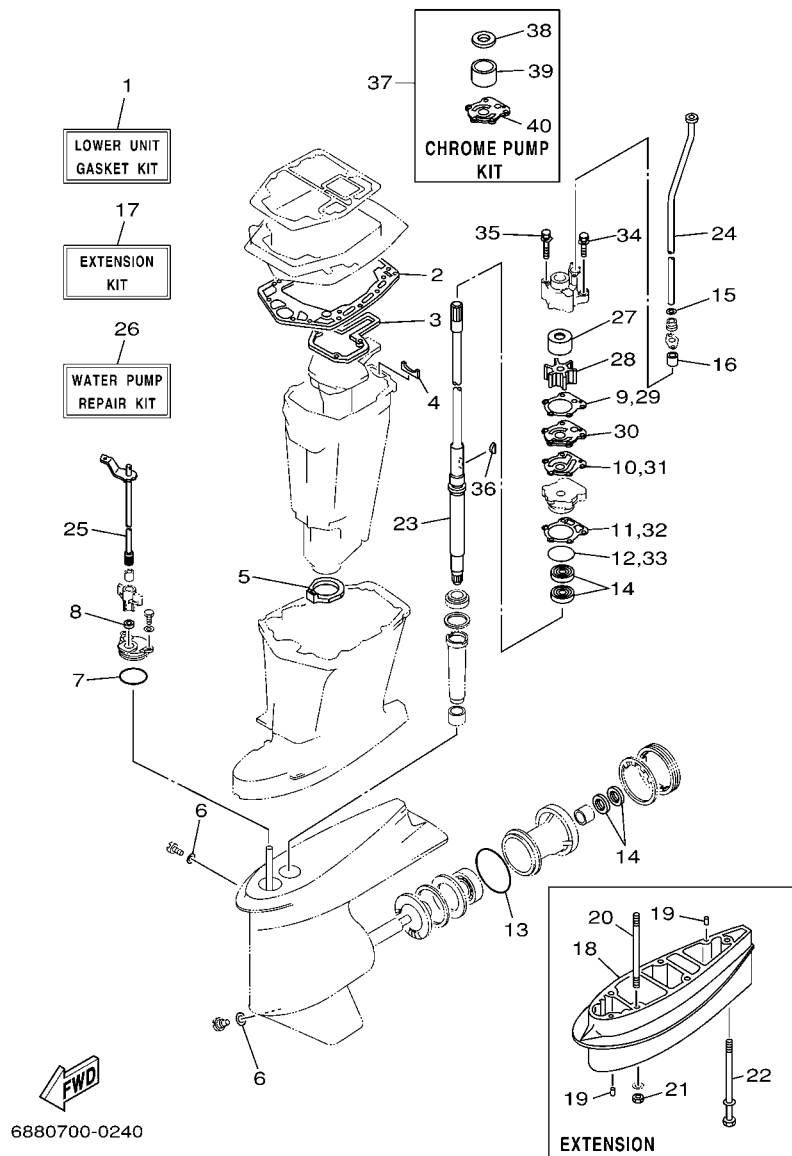


FIG. 22 REPAIR KIT 1

REF. NO.	PART NO.	DESCRIPTION	75A	85A	REMARKS
28	676-14984-00	.GASKET, FLOAT CHAMBER	3	3	
29	97980-04114	.SCREW, WITH WASHER	3	3	
30	93210-04230	.O-RING	3	3	
31	663-14126-00	.GASKET	3	3	
32	692-14923-00	.SCREW, PILOT	3	3	
-----					
-----					
-----					
-----					
-----					
-----					
-----					
-----					

FIG. 23 REPAIR KIT 2



REF. NO.	PART NO.	DESCRIPTION	75A	85A		REMARKS
1	688-W0001-22	LOWER UNIT GASKET KIT	1	1		
2	688-45114-A1	.GASKET, UPPER CASING	1	1		
3	688-41134-A0	.GASKET, EXHAUST MANIFOLD	1	1		
4	688-41133-00	.GASKET, EXHAUST MANIFOLD 1	1	1		
5	688-45123-00	.GASKET, MUFFLER	1	1		
6	90430-08020	.GASKET	2	2		
7	93210-49046	.O-RING	1	1		
8	93106-09014	.OIL SEAL	1	1		
9	688-44315-A0	.GASKET, WATER PUMP	1	1		
10	688-44324-A0	.GASKET, CARTRIDGE	1	1		
11	688-44316-A0	.GASKET, WATER PUMP	1	1		
12	93210-46044	.O-RING	1	1		
13	93210-85M97	.O-RING	1	1		
14	93101-25M03	.OIL SEAL	4	4		
15	90430-12072	.GASKET	1	1		
16	663-44366-00	.DAMPER, WATER SEAL	1	1		
17	688-W0072-00-4D	EXTENSION KIT	1			X
18	688-45211-00-4D	.EXTENSION	1			
19	93606-12019	.PIN, DOWEL	4			
20	90116-10M05	.BOLT, STUD	4			
21	95380-10600	.NUT	4			
22	90119-08M86	.BOLT, WITH WASHER	1			
23	688-45501-22	.DRIVE SHAFT COMP.	1			
24	688-44361-20	.TUBE, WATER	1			
25	688-44120-22	.HANDLE GEAR SHIFT ASSY	1			
26	692-W0078-02	WATER PUMP REPAIR KIT	1	1		
27	688-44322-00	.INSERT, CARTRIDGE	1	1		

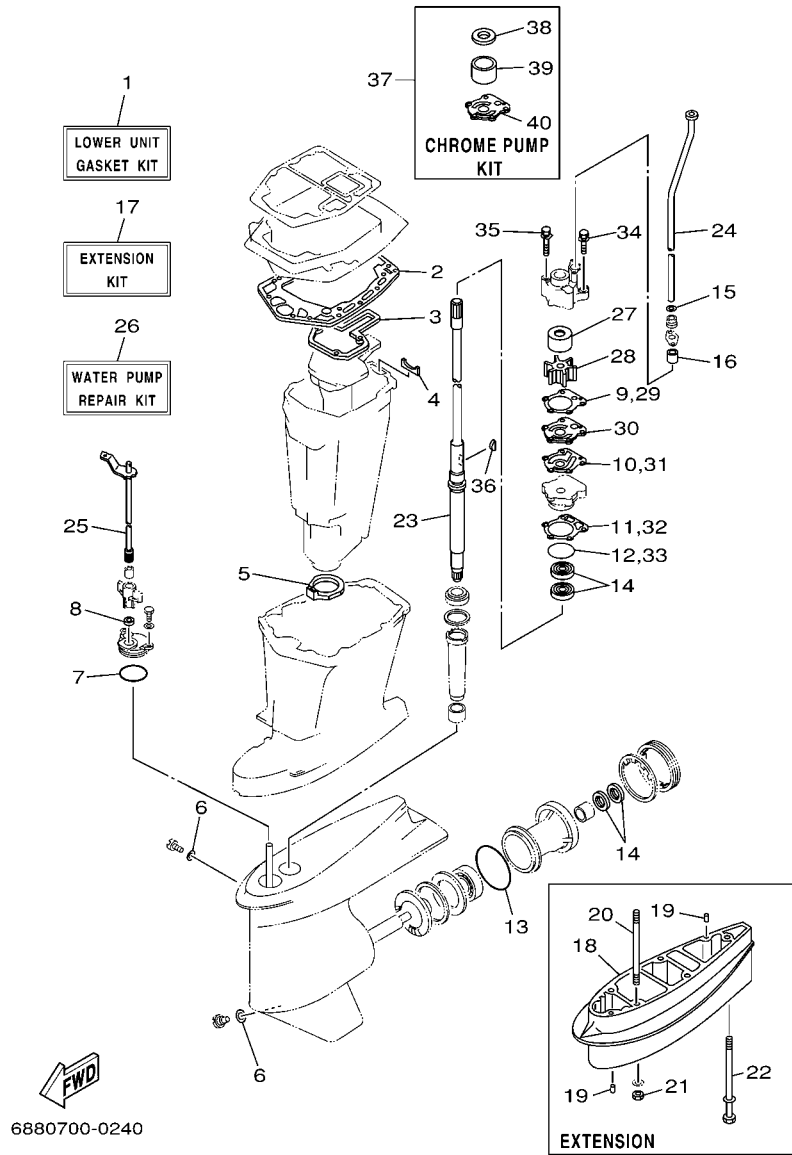


FIG. 23 REPAIR KIT 2

REF. NO.	PART NO.	DESCRIPTION	75A	85A	REMARKS
28	688-44352-03	.IMPELLER	1	1	
29	688-44315-A0	.GASKET, WATER PUMP	1	1	
30	688-44323-00	.OUTER PLATE, CARTRIDGE	1	1	
31	688-44324-A0	.GASKET, CARTRIDGE	1	1	
32	688-44316-A0	.GASKET, WATER PUMP	1	1	
33	93210-46044	.O-RING	1	1	
34	90119-08M13	.BOLT, WITH WASHER	2	2	
35	90119-08M16	.BOLT, WITH WASHER	2	2	
36	90280-04M04	.KEY, WOODRUFF	1	1	
37	688-W0078-1A	CHROME PUMP KIT	1	1	
38	688-44321-41	.INNER PLATE, CARTRIDGE	1	1	
39	688-44322-41	.INSERT, CARTRIDGE	1	1	
40	688-44323-40	.OUTER PLATE, CARTRIDGE	1	1	

NUMERICAL INDEX

PART NO.	REF. NO.	PART NO.	REF. NO.	PART NO.	REF. NO.	PART NO.	REF. NO.	PART NO.	REF. NO.	PART NO.	REF. NO.
692-11111-01-1S	2 - 28	6A0-14325-00	6 - 25	61J-24306-03	18 - 8	689-41273-00	4 - 2	688-43160-01	12 - 34	6H1-43864-00	14 - 65
688-11111-02-1S	2 - 28	688-14416-01	4 - 24	663-24312-01	2 - 47	688-41611-00	7 - 10	688-43165-00	12 - 35	6H1-43865-10	14 - 16
688-11119-01	2 - 26		22 - 3	688-24313-00	6 - 33	688-41612-00	7 - 11	6H1-43181-01	12 - 24	6H1-43866-00	14 - 40
688-11181-A1	2 - 29	688-14417-01-94	4 - 19	688-24314-00	6 - 34	688-41631-01-94	11 - 18	6H1-43185-01	12 - 25	6H1-43867-00	14 - 41
	22 - 7	688-14418-01	4 - 23	6Y1-24329-00	18 - 5	688-41632-01-94	11 - 7	6H1-43311-02-4D	12 - 16	6H1-43868-00	14 - 74
688-11191-00-1S	2 - 33	688-14481-00	4 - 22	650-24351-01	18 - 12	688-42510-03-4D	13 - 3	6H1-43376-00	13 - 39	6H1-4386K-10	14 - 9
688-11193-A1	2 - 34	688-14483-A0	4 - 20	61J-24360-00	18 - 10	692-42610-D0-4D	1 - 1	697-43662-00	11 - 56	6H1-43871-10	14 - 23
	22 - 9		22 - 2	6E5-24367-01	10 - 29	688-42610-H0-4D	1 - 1	6H1-43800-17-4D	14 - 1	6H1-43872-10	14 - 25
688-11325-00	2 - 24	624-14485-00	2 - 5	688-24378-00	6 - 37	688-42613-01-4D	1 - 10	67F-43802-00	14 - 39	6H1-43874-00	14 - 67
650-11370-01	2 - 4	6H1-14488-00	4 - 30	692-24410-00	6 - 15	688-42615-00	1 - 17	6H1-43804-10	14 - 4	6H1-43875-00	14 - 57
688-11370-01	2 - 3	63V-14523-00	5 - 30	663-24411-00	6 - 20	688-42617-00	1 - 24	6H1-43805-10	14 - 3	6H1-4387J-00	14 - 77
	3 - 2	663-14527-00	5 - 21	692-24411-00	6 - 17	688-42618-00	1 - 11	6H1-4380F-10	14 - 7	6H1-43880-02	14 - 2
688-11411-01	3 - 11	688-14527-00	5 - 23	6A0-24412-02	6 - 26	688-42619-00	1 - 25	6H1-4380G-10	14 - 15	6H1-43881-10	14 - 12
663-11518-01	2 - 6	688-14548-00	5 - 14	6A0-24413-00	6 - 16	688-42628-00	1 - 12	6H1-4380H-10	14 - 13	6H1-4388E-11	14 - 73
688-11603-A0	3 - 19		22 - 27	6A0-24421-01	6 - 24	688-42637-00	1 - 26	6H1-4380J-10	14 - 8	6H1-43891-10	14 - 5
688-11604-A0	3 - 19	679-14555-00	5 - 27	650-24431-A0	6 - 27	688-42647-00-94	1 - 2	6H1-43810-11	14 - 20	6H1-43892-10	14 - 6
688-11605-A0	3 - 19	688-14572-01	5 - 24		22 - 20	688-42649-00-94	1 - 3	6H1-43812-00	14 - 24	6H1-43895-12	14 - 70
688-11631-03-94	3 - 18	6H2-14578-00	5 - 32	648-24434-01	6 - 18	688-42652-10	1 - 5	6H1-43813-10	14 - 27	6H1-43896-00	14 - 69
663-11633-00	3 - 20	692-14590-01	5 - 9	648-24435-02	6 - 21	663-42662-00	1 - 4	6H1-43814-11	14 - 19	6H1-43899-00	14 - 51
688-11634-00	3 - 21		22 - 24	68V-24469-01	6 - 10	688-42677-40	1 - 18	6H1-43816-00	14 - 68	688-44117-00-94	11 - 35
688-11635-03	3 - 18	6K5-14592-00	5 - 28	68V-24521-01	6 - 8	692-42677-40	1 - 18	6H1-43817-01	14 - 47	688-44118-00-94	11 - 44
688-11636-03	3 - 18	688-14711-01-5B	15 - 10	64J-24560-00	6 - 6	688-42678-31	1 - 19	6E5-43818-00	14 - 32	688-44120-12	11 - 51
688-11650-03	3 - 22	663-14737-10	15 - 12	61N-24563-00	6 - 7	692-42678-31	1 - 19	6H1-43820-11	14 - 64	688-44120-22	11 - 51
688-12411-10	2 - 39	692-14923-00	5 - 26	648-24566-02	6 - 11	688-42681-31	1 - 22	6H1-43821-11	14 - 59		23 - 25
688-12413-00-1S	2 - 40		22 - 32	6YJ-24610-00	18 - 2	688-42682-31	1 - 23	6H1-43822-10	14 - 58	688-44121-02	11 - 42
688-12414-A1	2 - 41	676-14943-40	5 - 5	6E0-28193-00-94	6 - 40	61R-42683-F0	1 - 21	6H1-43828-10	14 - 30	688-44122-00	11 - 39
	22 - 10	676-14943-42	5 - 5	61H-2819R-31	6 - 38	688-42711-04-4D	10 - 1	6H1-43829-00	14 - 36	688-44124-00	11 - 38
688-12416-00	2 - 37	688-14947-00	5 - 4	688-41111-00-1S	2 - 43	648-42715-00	11 - 50	6H1-4382A-10	14 - 52	663-44144-01	16 - 58
688-13610-00	4 - 13	692-14947-00	5 - 4	688-41112-A0	2 - 44	688-42716-02	10 - 9	6H1-43830-11	14 - 49	696-44147-00	11 - 52
692-13610-00	4 - 13	676-14948-18	5 - 6		22 - 11	663-42724-00	10 - 10	6H1-43831-10	14 - 48	663-44151-00	16 - 57
688-13621-A1	4 - 11	676-14948-19	5 - 6	688-41113-00-1S	2 - 46	688-42725-10	10 - 11	6H1-43833-10	14 - 33	688-44194-00	2 - 13
	22 - 5	676-14966-00	5 - 7	688-41114-A0	2 - 45	688-42726-10	10 - 22	6H1-43834-00	14 - 34		11 - 22
688-13624-00	4 - 12	688-14980-00	5 - 16		22 - 12	688-42738-01-94	10 - 12	6H1-43835-10	14 - 29	688-44311-01	16 - 21
688-13641-00-94	4 - 6	676-14984-00	5 - 15	688-41131-00-5B	15 - 8	688-42741-01-4D	10 - 23	6H1-43840-11	14 - 17	688-44315-A0	16 - 23
663-14126-00	5 - 20		22 - 6	688-41133-00	15 - 9	688-42771-01-4D	10 - 24	6H1-43841-11	14 - 42		23 - 9
	22 - 31	676-14985-01	5 - 13		23 - 4	6G5-42791-10	10 - 32	6H1-43843-11	14 - 72	688-44316-A0	16 - 29
688-14126-00	5 - 22		22 - 26	688-41134-A0	15 - 7	6R6-42791-40	10 - 31	6H1-43844-10	14 - 44		23 - 11
663-14159-00	5 - 10	6H3-14992-00	5 - 18		23 - 3	688-42815-01-4D	10 - 3	6H1-43845-00	14 - 55	688-44321-41	23 - 38
676-14186-00	5 - 11	688-15100-05-1S	2 - 2	688-41137-03-94	15 - 5	688-42816-00	10 - 7	6H1-43847-00	14 - 50	688-44322-00	16 - 22
	22 - 25	6H1-15359-01-94	3 - 1	688-41211-01	11 - 28	688-42817-01-4D	10 - 4	6H1-4384E-20	14 - 61		23 - 27
688-14198-A2	4 - 8	688-15379-00	3 - 6	688-41213-00	11 - 31	6H1-43111-01-4D	12 - 1	6H1-4384F-10	14 - 46	688-44322-41	23 - 39
	22 - 4	6YJ-24167-00	18 - 7	662-41214-01	11 - 8	6H1-43112-00-4D	12 - 11	6H1-4384G-11	14 - 45	688-44323-00	16 - 30
688-14301-08	5 - 1	6YJ-24201-10	18 - 1	688-41217-01	4 - 3	6E5-43126-02	12 - 38	6H1-43854-00	14 - 53		23 - 30
692-14301-25	5 - 1	6Y1-24260-12	18 - 3	682-41237-00	11 - 27	688-43131-03	12 - 19	6H1-43855-11	14 - 71	688-44323-40	23 - 40
688-14302-08	5 - 2	6Y1-24268-00	18 - 6	682-41237-50	11 - 25	6G5-43144-00	12 - 32	6H1-43856-10	14 - 43	688-44324-A0	16 - 31
692-14302-25	5 - 2	6G1-24304-02	6 - 1	692-41256-00	4 - 1	6E5-43145-01	19 - 9	6H1-4385H-00	14 - 78		23 - 10
688-14303-08	5 - 3	6G1-24305-04	18 - 13	688-41257-01	4 - 4	6G5-43145-01	12 - 23	6H1-43861-00	14 - 21	688-44341-01-94	16 - 26
692-14303-25	5 - 3	6Y1-24305-05	18 - 15	661-41262-02	4 - 5	6G5-43148-00	12 - 27	6H1-43861-10	14 - 18	688-44352-03	16 - 24



NUMERICAL INDEX

PART NO.	REF. NO.	PART NO.	REF. NO.	PART NO.	REF. NO.	PART NO.	REF. NO.	PART NO.	REF. NO.	PART NO.	REF. NO.
688-44352-03	23 - 28	688-45567-01-10	16 - 7	6E5-45994-10	17 - 25	663-48344-00	11 - 6	703-82540-00	21 - 50	90119-06M09	10 - 8
688-44361-10	17 - 2	688-45567-01-12	16 - 7	67F-45997-00	17 - 18	703-48345-01	21 - 19	682-82556-00	21 - 48	90119-06M12	2 - 8
688-44361-20	17 - 2	688-45567-01-15	16 - 7	703-48152-00	21 - 57	701-48350-00	20 - 2	688-82560-10	8 - 28	90119-06M24	11 - 34
	23 - 24	688-45567-01-18	16 - 7	703-48153-00	21 - 3	703-48358-00	21 - 20	703-82563-02	21 - 55	90119-06M29	12 - 4
663-44366-00	17 - 14	688-45567-01-30	16 - 7	703-48189-00	21 - 17	688-48511-11-4D	13 - 36	703-82563-12	21 - 55	90119-06M61	10 - 19
	23 - 16	688-45567-01-40	16 - 7	703-48198-00	21 - 14	663-48531-00	11 - 1	688-82575-01	21 - 47	90119-06M75	8 - 22
663-44367-00	17 - 1	688-45567-01-50	16 - 7	703-48205-17	20 - 1	663-48538-00	11 - 2	703-82577-00	21 - 45	90119-06MA3	2 - 35
6H3-44391-01	10 - 2	688-45571-01	16 - 46		21 - 1	688-61350-10	19 - 1	688-82588-01	8 - 29	90119-06MA5	2 - 42
688-44511-00-94	13 - 33	688-45576-00	16 - 50	703-48207-17	20 - 1	688-61351-10	19 - 2	688-8258A-20	21 - 49	90119-08020	2 - 49
688-44514-00-94	13 - 26	688-45577-01-10	16 - 49		21 - 1	6E5-61355-00	19 - 8	688-82590-17	8 - 30	90119-08M13	16 - 34
6H1-44526-00	12 - 3	688-45577-01-12	16 - 49	703-48211-01	21 - 61	688-81332-01	7 - 13	703-82591-00	21 - 53		23 - 34
663-44551-02-4D	13 - 9	688-45577-01-15	16 - 49	703-48212-00	21 - 58	688-81800-12	9 - 1	703-82592-00	21 - 54	90119-08M16	16 - 33
687-44552-02-94	13 - 18	688-45577-01-18	16 - 49	703-48213-00	21 - 59	676-81809-10	9 - 3	688-82594-00	8 - 35		23 - 35
663-44553-01-4D	13 - 23	688-45577-01-30	16 - 49	703-48215-00	21 - 43	688-81810-11	9 - 5	703-82594-00	21 - 25	90119-08M79	15 - 17
687-44555-00-94	13 - 11	688-45577-01-40	16 - 49	703-48219-00	21 - 30	663-81811-11	9 - 7	703-83383-02	21 - 51	90119-08M80	15 - 4
663-44575-00	13 - 16	688-45577-01-50	16 - 49	703-48221-00	21 - 56	663-81812-11	9 - 8	6A1-83625-41	4 - 31	90119-08M84	17 - 9
688-45111-04-4D	15 - 1	688-45587-01-10	16 - 5	703-48222-00	21 - 27	663-81813-10	9 - 9	6H1-83672-12	13 - 1	90119-08M86	15 - 26
688-45113-A0	15 - 20	688-45587-01-12	16 - 5	703-48223-00	21 - 28	663-81820-12	9 - 10	688-85510-01	7 - 2		23 - 22
	22 - 18	688-45587-01-15	16 - 5	703-48225-00	21 - 29	688-81824-00	9 - 15	663-85518-00	11 - 19	90119-08MA3	2 - 27
688-45114-A1	15 - 6	688-45587-01-18	16 - 5	703-48226-00	21 - 26	663-81826-10	9 - 14	688-85540-00	8 - 1	90119-08MA8	2 - 30
	23 - 2	688-45587-01-30	16 - 5	703-48227-00	21 - 24	688-81830-11	9 - 12	6H1-85542-00-94	8 - 19	90119-10005	2 - 9
663-45119-00	12 - 18	688-45587-01-40	16 - 5	703-48232-00	21 - 62	688-81831-00	9 - 13	688-85550-00	7 - 1	90151-05M00	16 - 14
688-45123-00	15 - 11	688-45587-01-50	16 - 5	703-48234-00	21 - 18	663-81832-11	9 - 11	697-85570-00	8 - 5	90157-06013	11 - 21
	23 - 5	688-45611-00	16 - 39	703-48235-00	21 - 4	663-81840-11	9 - 6	688-85580-00	7 - 3	90157-06014	2 - 12
663-45155-10	15 - 2	688-45631-01	16 - 42	703-48236-00	21 - 16	688-81842-00	9 - 16	688-86110-01	4 - 27	90157-06M01	10 - 20
688-45211-00-4D	23 - 18	688-45633-00	16 - 44	703-48238-00	21 - 22	676-81850-11	9 - 2	688-W0001-02	22 - 1	90159-06M11	8 - 26
688-45211-01-4D	15 - 22	688-45634-00	16 - 41	703-48243-00	21 - 15	676-81857-10	9 - 4	688-W0001-22	23 - 1	90159-06M19	4 - 28
6H1-45214-00	16 - 12	688-45635-00	16 - 45	703-48244-00	21 - 21	6H1-81916-00	8 - 25	688-W0004-00	4 - 14	90159-06M31	7 - 12
6H1-45215-00	16 - 13	688-45930-02-98	17 - 22	703-48245-00	21 - 11	6G1-81941-10	8 - 13	692-W0004-00	4 - 14	90170-09M03	19 - 5
6H1-45251-03	12 - 2	688-45932-60-98	17 - 22	703-48246-00	21 - 23	6E9-81945-70	8 - 15	688-W0070-31	1 - 20	90170-16M01	16 - 37
692-45300-14-4D	16 - 1	6E5-45941-00-EL	17 - 22	701-48248-00	21 - 13	6H0-81949-01	8 - 41	688-W0072-00-4D	23 - 17	90170-20137	7 - 8
692-45300-24-4D	16 - 1	6E5-45943-00-EL	17 - 22	703-48252-00	21 - 12	6H0-81949-10	8 - 40	692-W0078-02	23 - 26	90171-16011	17 - 20
688-45311-06-4D	16 - 2	6E5-45945-01-EL	17 - 22	703-48261-01	21 - 2	61A-81950-00	8 - 36	688-W0078-1A	23 - 37	90179-06066	13 - 22
688-45321-00	16 - 16	6E5-45947-00-EL	17 - 22	703-48264-00	21 - 6	6G1-81952-00	8 - 14	688-W0090-43-1S	2 - 1	90185-05002	16 - 15
688-45331-00-94	16 - 47	6E5-45949-00-EL	17 - 22	703-48265-00	21 - 9	6H0-81960-00	8 - 8	692-W0090-44-1S	2 - 1	90185-08057	13 - 40
688-45341-10	16 - 10	6E5-45952-00-EL	17 - 22	703-48268-00	21 - 5	6H0-82105-02	8 - 32	6H1-W0093-01	22 - 21	90185-09M01	19 - 4
688-45371-02	17 - 12	6E5-45954-00-EL	17 - 22	703-48271-00	21 - 60	6H0-82117-00	8 - 33	656-W2810-02	6 - 39	90185-10051	13 - 31
6E5-45371-10	17 - 24	688-45970-03-98	17 - 22	703-48281-00	21 - 31	703-82119-00	13 - 42	90101-10M49	13 - 27	90185-22043	12 - 22
688-45375-00	17 - 11	6E5-45970-10	17 - 23	703-48282-00	21 - 32	682-82119-01	8 - 39	90101-12M65	12 - 42	90201-05652	5 - 29
663-45376-00-94	17 - 10	688-45972-02-98	17 - 22	703-48284-00	21 - 52	688-82127-02	13 - 25	90105-10M67	17 - 13	90201-06416	10 - 17
688-45383-02	16 - 54	6E5-45972-10	17 - 23	703-48284-10	21 - 52	6E5-82148-00	12 - 12	90109-06M39	8 - 23	90201-06M31	8 - 24
688-45384-00	16 - 55	688-45974-02-98	17 - 22	701-48287-00	21 - 42	6H1-82148-00	12 - 8	90109-08022	3 - 23	90201-08M13	11 - 16
688-45501-11	16 - 35	6E5-45974-10	17 - 23	703-48291-10	21 - 39	663-82151-00	8 - 31	90109-12261	13 - 15	90201-08M23	11 - 11
688-45501-22	16 - 35	688-45976-01-98	17 - 22	703-48293-10	21 - 41	6G5-82152-00	8 - 18	90116-06122	4 - 7	90201-10008	2 - 10
	23 - 23	6E5-45976-10	17 - 23	701-48320-00	20 - 2	6G1-82370-21	8 - 27	90116-10M05	15 - 23	90201-10M20	19 - 3
688-45536-01	16 - 4	6E5-45978-10	17 - 23	701-48320-50	20 - 2	703-82510-43	21 - 44		23 - 20	90201-10M63	19 - 7
688-45551-01	16 - 36	688-45978-60-98	17 - 22	701-48320-60	20 - 2	697-82519-00	8 - 34	90116-10M06	2 - 21	90201-11M22	13 - 30
688-45560-00	16 - 38	688-45987-01	17 - 17	701-48320-80	20 - 2	703-82531-00	21 - 46	90116-10M28	13 - 37	90201-12426	12 - 44

NUMERICAL INDEX

PART NO.	REF. NO.	PART NO.	REF. NO.	PART NO.	REF. NO.	PART NO.	REF. NO.	PART NO.	REF. NO.	PART NO.	REF. NO.
90201-12M16	13 - 12	90430-14115	2 - 32	92903-08100	11 - 46	93210-064A5	14 - 38	95380-03600	6 - 19	97780-40512	17 - 16
90201-13M19	13 - 14		22 - 8	92903-08600	11 - 47	93210-08287	18 - 14	95380-05600	11 - 26	97880-04010	9 - 17
90201-20417	3 - 25	90440-14M00	12 - 46	92990-04600	9 - 18	93210-09165	14 - 37		21 - 7	97880-05020	4 - 15
90201-20M21	13 - 28	90445-07260	2 - 15	92990-05100	4 - 16	93210-10M74	14 - 54	95380-06600	4 - 10	97880-06012	12 - 13
90201-21M18	7 - 9	90445-07M00	2 - 18		6 - 23	93210-16275	19 - 10		21 - 40	97880-06040	8 - 2
90201-22M67	12 - 21	90445-07M23	2 - 19	92990-06100	8 - 3	93210-18397	14 - 26	95380-08600	6 - 14	97885-05016	14 - 10
90201-30M00	13 - 4	90445-07M86	3 - 7	92990-06600	8 - 4	93210-18M75	14 - 56	95380-10600	15 - 25	97885-06016	4 - 25
90202-07M07	11 - 40	90445-09090	6 - 4		10 - 30	93210-29M94	13 - 7		23 - 21		13 - 2
90202-12060	17 - 3	90445-09097	6 - 32	92990-08200	11 - 54	93210-32738	6 - 9	95380-12600	12 - 45	97980-04114	5 - 17
90202-12092	11 - 15	90445-09220	6 - 36	92990-08600	9 - 21		22 - 19	95380-12800	13 - 17		22 - 29
90202-20M06	13 - 29	90445-09221	6 - 30		21 - 34	93210-46044	16 - 28	97013-06014	6 - 12	97980-05310	5 - 25
90202-25M04	13 - 13	90445-11M05	18 - 11	92990-10100	17 - 8		23 - 12	97013-06016	8 - 16	98501-04025	14 - 75
90206-10M04	11 - 33	90445-11M06	18 - 9	92990-10600	17 - 7	93210-46M16	3 - 14	97013-06018	4 - 21	98501-05010	14 - 62
90206-13019	10 - 6	90464-09M13	10 - 21	92995-06100	1 - 7		22 - 13	97013-06020	11 - 36	98503-05028	6 - 22
90209-06M05	4 - 26	90464-12M00	7 - 6		2 - 23	93210-49046	16 - 17	97013-06030	4 - 17	98580-03015	21 - 38
90249-06M19	12 - 29	90465-11M10	13 - 41		4 - 9		23 - 7		7 - 4	98580-04006	21 - 36
90250-07M02	16 - 43	90467-06016	2 - 16		8 - 10	93210-62269	3 - 5	97013-08030	9 - 19	98580-04008	5 - 12
90266-06009	1 - 9		3 - 8		10 - 26		22 - 17		11 - 45	98580-04010	21 - 35
90280-04M04	16 - 25	90467-08004	2 - 48		12 - 6	93210-64488	14 - 28	97075-08025	13 - 19	98580-05010	21 - 37
	23 - 36		6 - 5	92995-06600	1 - 8	93210-85M97	16 - 51		15 - 15	98586-05016	18 - 4
90280-05015	7 - 7	90468-18008	11 - 9		3 - 10		23 - 13	97075-08030	15 - 13	98780-04015	2 - 25
90282-04010	16 - 56	90480-09M12	10 - 15		6 - 3	93306-206U5	3 - 16	97075-08035	13 - 34	99001-08600	16 - 59
90340-08002	16 - 9	90480-09M25	8 - 20		7 - 15	93306-207U0	16 - 48		15 - 18		
90340-14M00	2 - 31	90480-19M06	17 - 15		8 - 7	93310-636U4	3 - 12	97075-10040	17 - 6		
90386-06M12	11 - 43	90480-20M05	2 - 36		10 - 14	93310-730V8	3 - 26	97095-06010	7 - 14		
90386-08006	11 - 53	90480-24M04	2 - 17		12 - 7	93310-835U8	3 - 15		12 - 9		
90386-10M16	12 - 26	90501-10326	5 - 31		16 - 20	93315-325V1	16 - 3	97095-06012	2 - 22		
90386-12089	11 - 12	90501-12082	11 - 49	92995-08100	11 - 5	93317-325U0	16 - 52		8 - 9		
90386-13M38	10 - 5	90501-14M08	13 - 21		13 - 20	93332-000U3	16 - 6	97095-06016	1 - 13		
90386-18M14	14 - 31	90501-16233	16 - 40		15 - 14	93332-000W7	16 - 8		10 - 13		
90386-18M35	12 - 39	90501-16M11	2 - 38	92995-10100	12 - 15	93410-18M02	12 - 40		12 - 5		
90386-18M63	12 - 41	90501-16M12	11 - 24	92995-12200	12 - 43	93410-28M06	13 - 10		16 - 19		
90386-22M13	11 - 14	90502-16M02	12 - 37	93101-25M03	16 - 27	93410-32M00	3 - 17	97095-06018	1 - 6		
90386-22M15	12 - 20	90506-14M24	12 - 31		23 - 14	93430-06024	21 - 10	97095-06020	3 - 9		
90386-30M60	13 - 8	90508-29M05	11 - 17	93102-08M43	14 - 14	93501-04M02	11 - 48		6 - 2		
90386-30M77	13 - 6	91318-08016	14 - 66	93102-30M05	3 - 3	93505-32038	14 - 79		8 - 6		
90386-30M78	13 - 5	91490-40025	17 - 21		22 - 15	93603-21111	3 - 24		10 - 25		
90387-06M03	8 - 21	91690-30012	11 - 3	93102-36M02	3 - 13	93604-10M03	16 - 32	97095-06025	1 - 15		
90387-06M17	11 - 32		12 - 36		22 - 14	93606-12019	15 - 3		8 - 37		
90387-06M69	10 - 16	91690-30020	12 - 28	93104-20M02	3 - 4		17 - 5	97095-06030	10 - 18		
90387-08M16	11 - 13	92901-04100	14 - 76		22 - 16		23 - 19	97095-06040	6 - 28		
90387-10M02	12 - 30	92901-05200	14 - 63	93106-09014	16 - 18	93608-12063	2 - 7	97095-08016	11 - 4		
90387-10M42	19 - 6	92903-06100	4 - 18		23 - 8	93700-06M03	12 - 17	97095-08045	11 - 10		
90389-25M00	17 - 19		6 - 13	93210-03261	4 - 29	94702-00247	2 - 50	97095-10045	12 - 14		
90430-08020	16 - 11	92903-06600	7 - 5	93210-04228	5 - 8	95303-05700	11 - 20	97380-05025	21 - 8		
	23 - 6		8 - 17		22 - 23	95303-06600	11 - 23	97380-08030	21 - 33		
90430-12072	17 - 4		11 - 37	93210-04230	5 - 19	95303-06700	2 - 14	97595-06420	14 - 35		
	23 - 15	92903-08100	9 - 20		22 - 30	95313-10600	2 - 11	97607-04310	14 - 11		

75AET/85AET  
PARTS CATALOGUE  
©2003 by Yamaha Motor Co., Ltd.  
1st edition, April 2003  
All rights reserved.  
Any reprinting or unauthorized use  
without the written permission of  
Yamaha Motor Co., Ltd.  
is expressly prohibited.  
Printed in Japan.