

**PARTS
CATALOGUE
CATALOGO
DE REPUESTOS**

90AET/ETO '01 (6H10)

90AED/EHD '01 (6H11)

FOREWORD

This Parts Catalogue is related to the parts for the model(s) in the below frame. When you are ordering replacement parts, please refer to this Parts Catalogue and quote both part numbers and part names correctly.

90AET/ETO'01(6H10), 90AED/EHD'01(6H11)
--

1. Modifications or additions which have been made after issue of the Parts Catalogue will be announced in the Yamaha Parts News.
It is advisable that you make necessary corrections to the Parts Catalogue according to the Yamaha Parts News.

2. Abbreviations

The Following abbreviations are used in this Parts Catalogue.

- "UR" Use specified parts number.
- "UN" Use as many as needed.
- "AP" Alternate Parts
- "LM" Local Made
(Parts need to be ordered locally)
- "O/S" Over Size

3. Parts, which are to be supplied in an assembly, are listed with a dot(.) in front of the part name as shown below.

EXAMPLE
 CARBURETOR ASSY
 .JET, PILOT
 .NOZZLE, MAIN

4. Number of component for assembly

The numeral appearing to the right of each component part indicates the quantity of parts for each assembly unit.

EXAMPLE

PART NO.	DESCRIPTION	E	H	H1	H2	H3	REMARKS
6E0-85500-70	C.D.I. MAGNETO ASSY	1					
6E0-85550-70	.ROTOR ASSY	1					
6E0-15723-00-94.	.PULLY, STARTER	1					

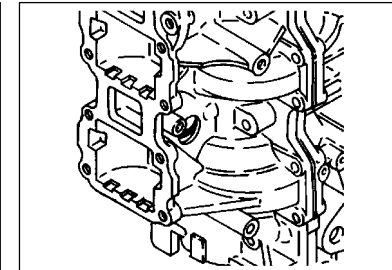
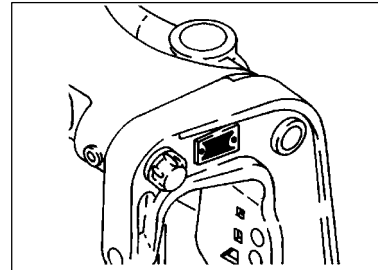
5. Quantity Column Information

NAME for Q'TY COLUMN	APPLICABLE MODEL
EHD	90AEHD
ED	90AED
ET	90AET
ETO	90AETO

6. Applicable Starting Serial No. and Color Code

- 1) Engine Starting Sserial No.

90AET L : 360597 90AETO L : 504646 X : 857026	90AEHD L : 320137 90AED L : 302101
--	--



- 2) Color Code

Color Code	Color Name	Abbreviation
004D	DARK BLUISH GRAY METALLIC 2	DBNM2

7. Note that the illustrations for reference in finding parts numbers, not to be used for assembling. When assembling, please use the applicable service manual.

8. The asterisk (*) before a reference number indicates modification items after the first edition.

CONTENTS

SHEET 1/2

TOP COWLING 1	A4
TOP COWLING 2	A5
CYLINDER. CRANKCASE	A7
CRANKSHAFT. PISTON	B3
INTAKE	B5
CARBURETOR	B6
OIL PUMP	C1
FUEL	C3
GENERATOR	C5
ELECTRICAL 1	C6
ELECTRICAL 2	D1
STARTING MOTOR	D2
BOTTOM COWLING	D3
STEERING	D5
CONTROL	D7
BRACKET 1	E3
BRACKET 2	E5
BRACKET 3	E7
BRACKET 4	F1
POWER TRIM & TILT ASSY	F3
UPPER CASING	F6
LOWER CASING. DRIVE 1	F7

INDEX

NUMERICAL INDEX	G1
-----------------------	----

SHEET 2/2

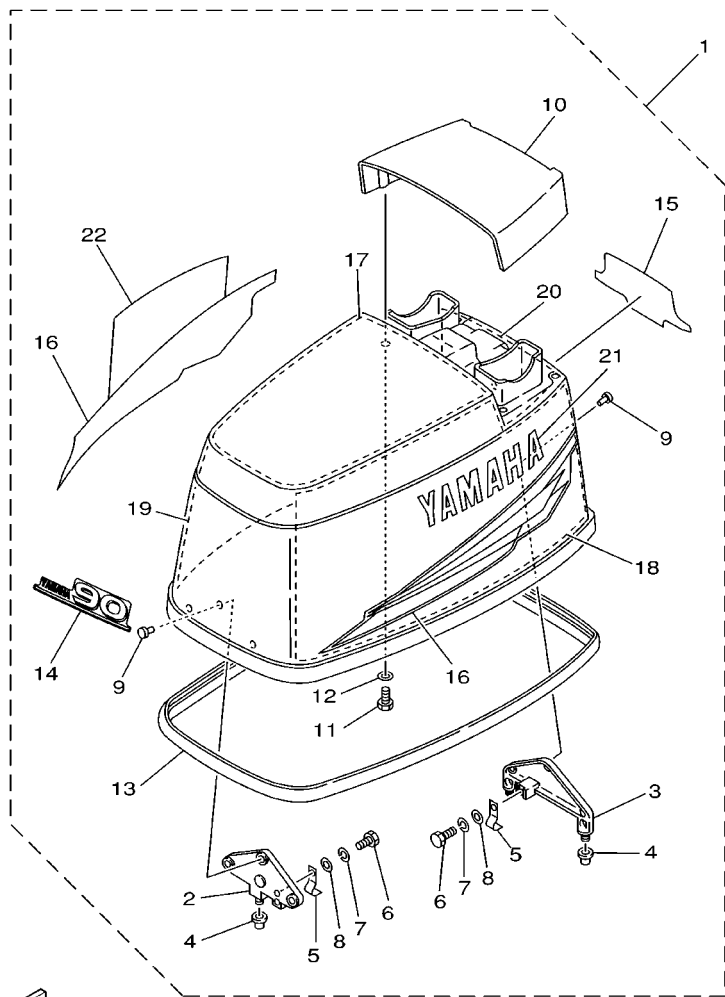
LOWER CASING. DRIVE 1	A4*
LOWER CASING. DRIVE 2	A6*
LOWER CASING. DRIVE 3	B3*
FUEL TANK	B5*
STEERING GUIDE	B6*
REMOTE CONTROL BOX	B7*
REMOTE CONTROL ASSY	C1*
METER	C4*
REPAIR KIT 1	C5*
REPAIR KIT 2	C7*

INDEX

NUMERICAL INDEX	G1*
-----------------------	-----

FIG. 1 TOP COWLING 1

SOPORTE SUPERIOR 1

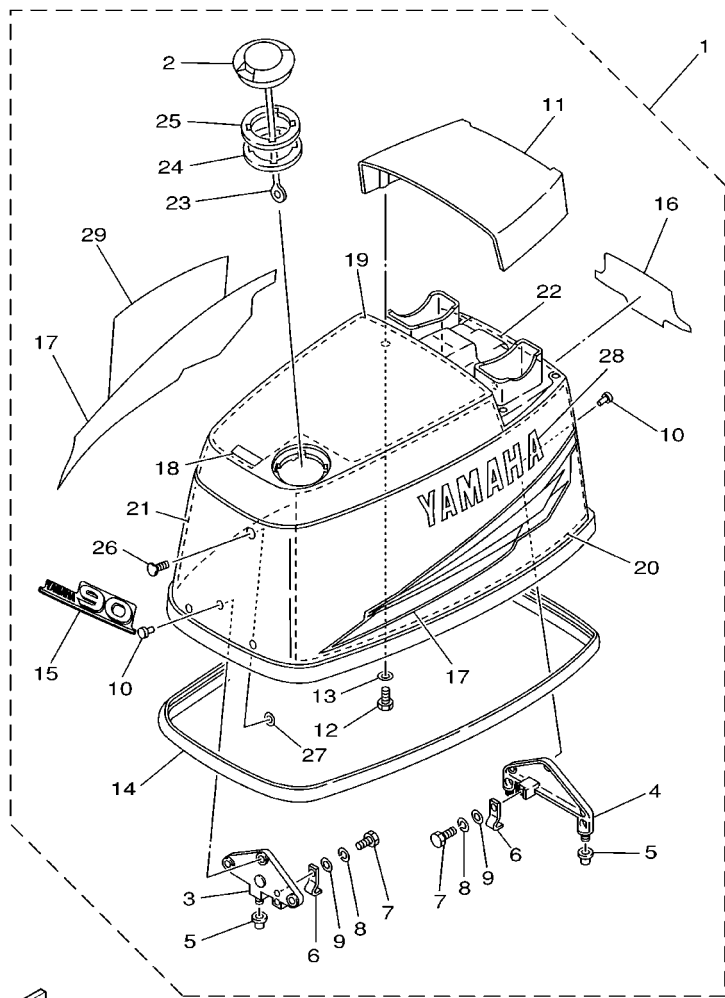


6H10100-0010

REF. NO.	PART NO. CODIGO NO.	DESCRIPTION DESCRIPTION	EHD	ED	ET	ETO	REMARKS OBSERVACION
1	6H1-42610-G4-4D	TOP COWLING ASSY SOPORTE SUPERIOR COMPL.	1	1	1		
2	6H1-42647-00-94	.HOLDER, CLAMP BAND .MORDAZA DE ABRAZADERA	1	1	1		
3	6H1-42649-00-94	.HOLDER, CLAMP BAND .MORDAZA DE ABRAZADERA	1	1	1		
4	663-42662-00	.DAMPER .AMORTIGUADOR	3	3	3		
5	688-42652-10	.HOOK .GANCHO	2	2	2		
6	97095-06016	.BOLT .PERNO	2	2	2		
7	92995-06100	.WASHER, SPRING .ARANDELA	2	2	2		
8	92995-06600	.WASHER .ARANDELA	2	2	2		
9	90266-06009	.RIVET .REMACHE	6	6	6		
10	6H1-42613-01-4D	.MOLDING, AIR DUCT .MOLDURA CONDUCTO AIRE	1	1	1		
11	97095-06016	.BOLT .PERNO	4	4	4		
12	92995-06600	.WASHER .ARANDELA	4	4	4		
13	688-42615-00	.SEAL .SELLO	1	1	1		
14	6H1-42677-30	.GRAPHIC, FRONT .CALCAMONIA FRONTAL	1	1	1		
15	6H1-42678-30	.GRAPHIC, REAR .CALCAMONIA TRASERA	1	1	1		
16	6H1-W0070-30	.GRAPHIC SET .JUEGO DE EMBLEMA	1	1	1		
17	6H1-42617-10	.DAMPER, FORM .HULE DE FORMA	1	1	1		
18	6H1-42619-00	.DAMPER, FORM .HULE DE FORMA	1	1	1		
19	6H1-42627-00	.DAMPER, FORM .AMORTIGUADOR FORMA 3	1	1	1		
20	6H1-42637-00	.DAMPER, FORM .HULE DE FORMA	1	1	1		
21	6H1-42681-30	.MARK, COWLING .MARCA DE CUBIERTA	1	1	1		
22	6H1-42682-30	.MARK, COWLING .MARCA DE CUBIERTA	1	1	1		

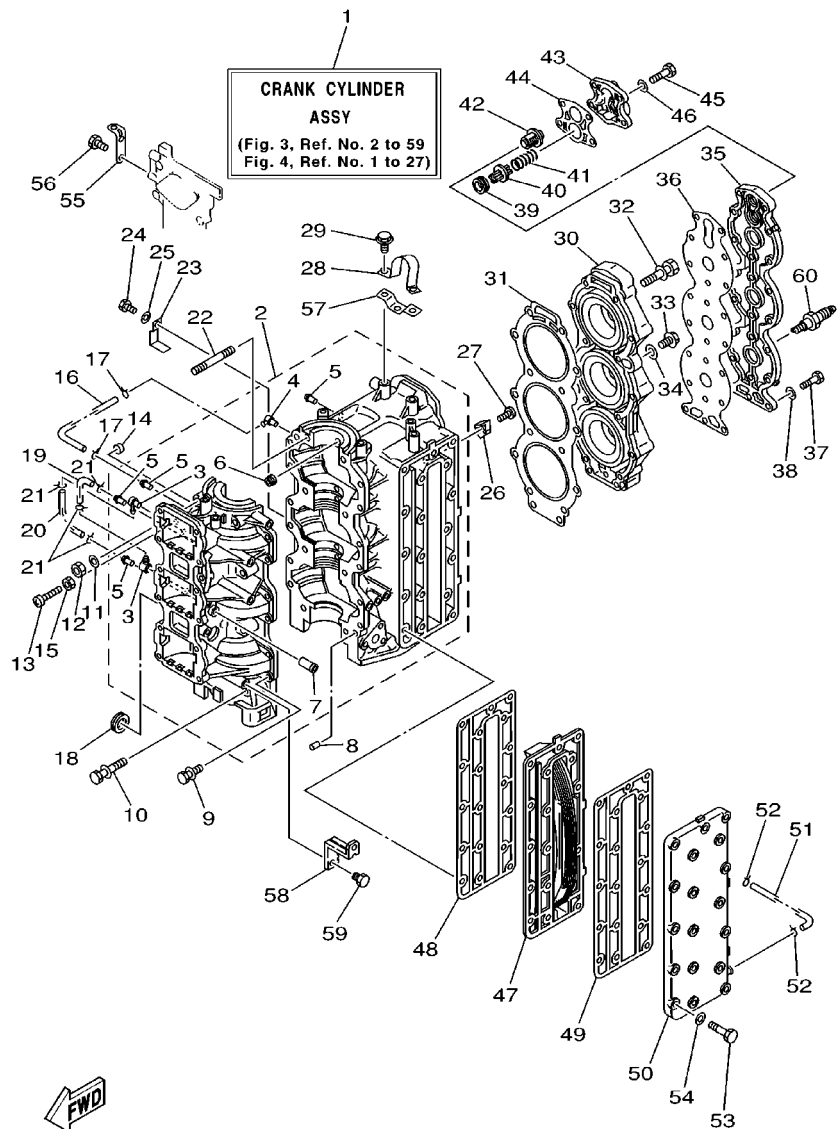
FIG. 2 TOP COWLING 2

SOPORTE SUPERIOR 2



6H10010-0010

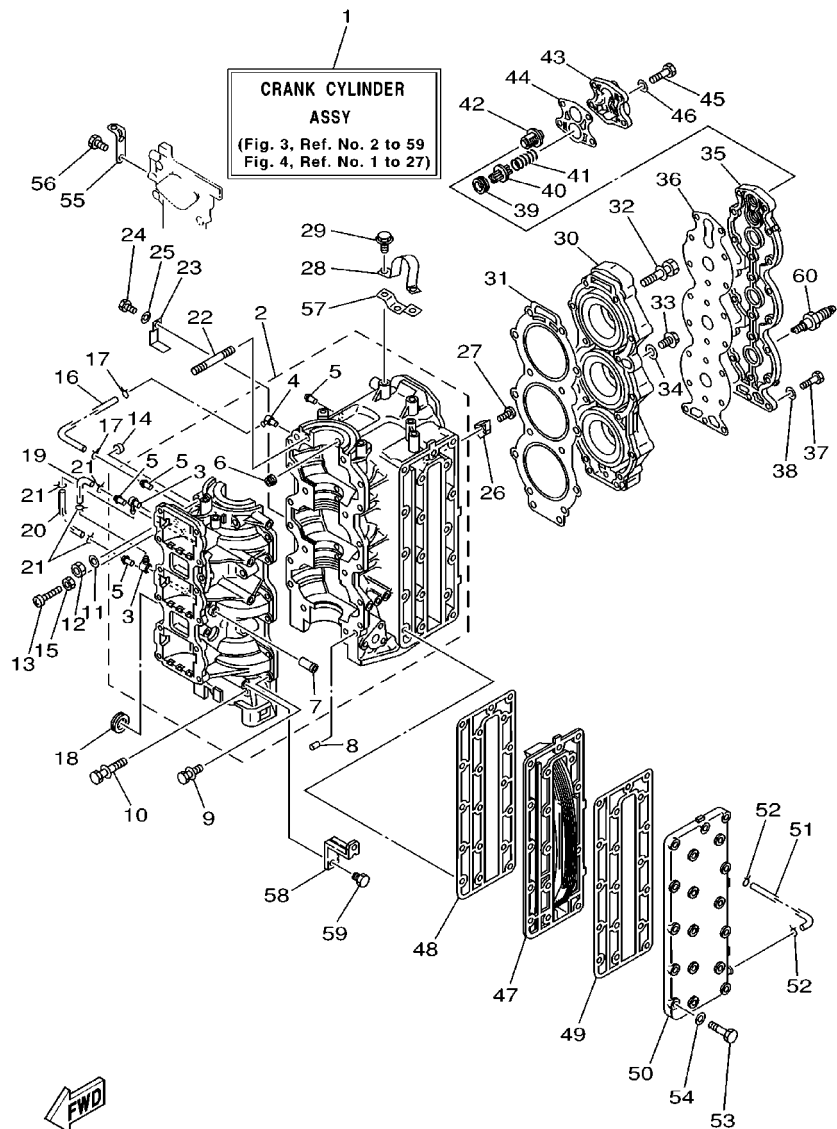
REF. NO.	PART NO. CODIGO NO.	DESCRIPTION DESCRIPTION	EHD	ED	ET	EIO	REMARKS OBSERVACION
1	6H1-42610-31-4D	TOP COWLING ASSY SOPORTE SUPERIOR COMPL.				1	
2	63D-2177H-00	.DISK CAP 2 .TAPA DE DISCO 2				1	
3	6H1-42647-00-94	.HOLDER, CLAMP BAND .MORDAZA DE ABRAZADERA				1	
4	6H1-42649-00-94	.HOLDER, CLAMP BAND .MORDAZA DE ABRAZADERA				1	
5	663-42662-00	.DAMPER .AMORTIGUADOR				3	
6	688-42652-10	.HOOK .GANCHO				2	
7	97095-06016	.BOLT .PERNO				2	
8	92995-06100	.WASHER, SPRING .ARANDELA				2	
9	92995-06600	.WASHER .ARANDELA				2	
10	90266-06009	.RIVET .REMAÇHE				6	
11	6H1-42613-01-4D	MOLDING, AIR DUCT .MOLDURA CONDUCTO AIRE				1	
12	97095-06016	.BOLT .PERNO				4	
13	92995-06600	.WASHER .ARANDELA				4	
14	688-42615-00	.SEAL .SELLO				1	
15	6H1-42677-30	.GRAPHIC, FRONT .CALCAMONIA FRONTAL				1	
16	6H1-42678-30	.GRAPHIC, REAR .CALCAMONIA TRASERA				1	
17	6H1-W0070-30	.GRAPHIC SET .JUEGO DE EMBLEMA				1	
18	6H1-13436-00	.MARK .MARCA				1	
19	6H1-42617-10	.DAMPER, FORM .HULE DE FORMA				1	
20	6H1-42619-00	.DAMPER, FORM .HULE DE FORMA				1	
21	6H1-42627-00	.DAMPER, FORM .AMORTIGUADOR FORMA 3				1	
22	6H1-42637-00	.DAMPER, FORM .HULE DE FORMA				1	
23	6H1-42694-00	.BAND .ABRAZADERA				1	
24	6H3-21732-00	.SEAL 1 .SELLO 1				1	
25	6H3-21735-00	.SEAL 2 .SELLO 2				1	
26	90338-05M12	.PLUG .TAPON				1	
27	90183-05M06	.NUT, SPRING .TUERCA DE RESORTE				1	



6H10200-1030

FIG. 3 CYLINDER, CRANKCASE CYLINDRO, CARTER

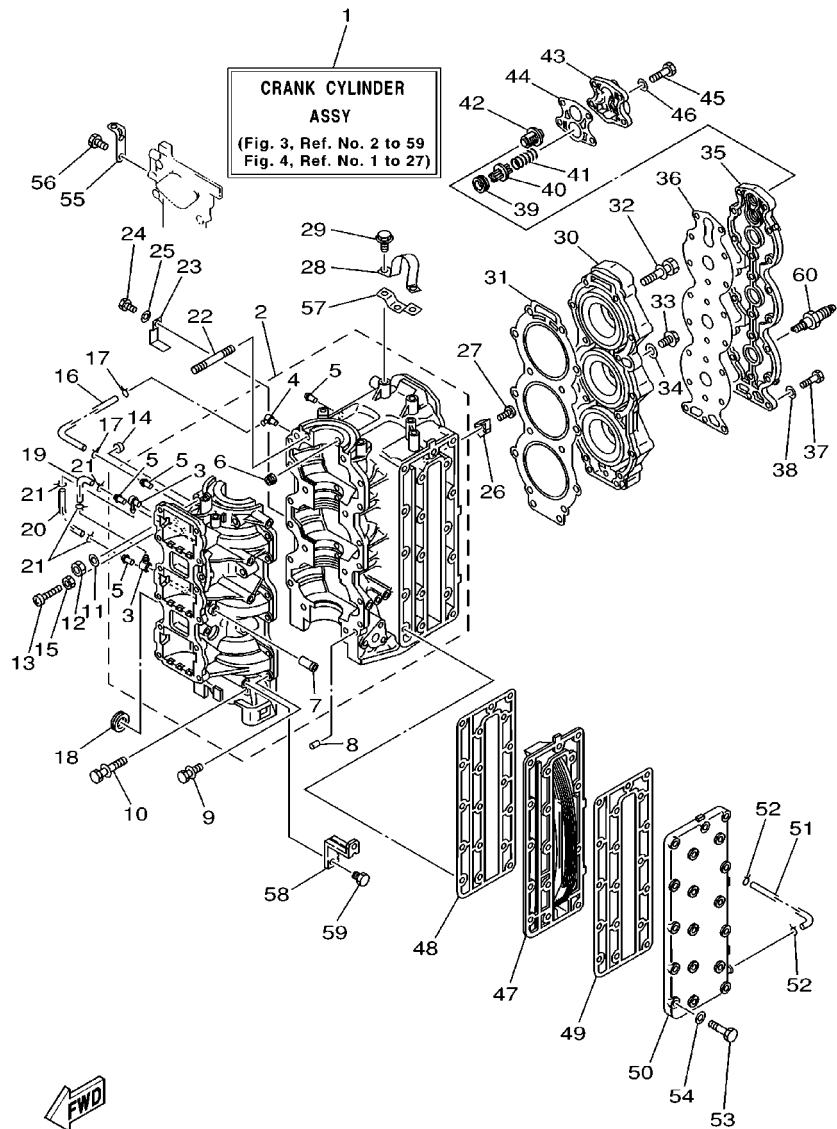
REF. NO.	PART NO. CODIGO NO.	DESCRIPTION DESCRIPTION	EHD	ED	ET	EIO	REMARKS OBSERVACION
1	6H1-W0090-06-4D	CRANK CYLINDER ASSY (N.O/I) BLOQUE MOTOR COMPLETO (N.O/I)	1	1	1		
	6H1-W0090-43-4D	CRANK CYLINDER ASSY BLOQUE MOTOR COMPLETO				1	
2	6H1-15100-13-94	CRANKCASE ASSY (N.O/I) CARTER COMPLETO (N.O/I)	1	1	1		
	6H1-15100-02-94	CRANKCASE ASSY (O/I) CARTER COMPLETO (O/I)				1	
3	688-11370-00	.CHECK VALVE ASSY .VALVULA DE CONTROL COMPL.	2	2	2	2	
4	650-11370-00	.CHECK VALVE ASSY .VALVULA DE CONTROL COMPL.	1	1	1	1	
5	624-14485-00	.PIPE, JOINT .TUBO DE UNION	4	4	4	4	
6	663-11518-01	.LOCK, BEARING .SEGURO BALERO	3	3	3	3	
7	650-24378-00	.PIPE, JOINT 4 .TUBO DE UNION 4	1	1	1	1	
8	93608-12063	PIN, DOWEL PASADOR DE CLAVIJA	2	2	2	2	
9	90119-06M12	BOLT, WITH WASHER TORNILLO CON ARANDELA	12	12	12	12	
10	90119-10M07	BOLT, WITH WASHER TORNILLO CON ARANDELA	6	6	6	6	
11	90201-10430	WASHER, PLATE ARANDELA PLANA	2	2	2	2	
12	95313-10600	NUT TUERCA	2	2	2	2	
13	90157-06014	SCREW, PAN HEAD TORNILLO CABEZA CONICA PLANA	1	1	1	1	
14	688-44194-00	CAP TAPA	1	1	1	1	
15	95303-06700	NUT TUERCA	1	1	1	1	
16	90445-07260	HOSE (L276) TUBO (L276)	1	1	1	1	
17	90467-06016	CLIP PRESILLA	2	2	2	2	
18	90480-24M04	GROMMET TAPON	1	1	1	1	
19	90445-07M00	HOSE (L100) TUBO (L100)	1	1	1	1	
20	90445-07M23	HOSE (L408) TUBO (L408)	1	1	1	1	
21	90467-06016	CLIP PRESILLA	4	4	4	4	
22	90116-10M06	BOLT, STUD ESPARRAGO	2	2	2	2	
23	90465-12M03	CLAMP BRIDA	1	1	1	1	
24	97095-06014	BOLT PERNO	1	1	1	1	
25	92995-06100	WASHER, SPRING ARANDELA	1	1	1	1	



6H10200-1030

FIG. 3 CYLINDER, CRANKCASE CYLINDRO, CARTER

REF. NO.	PART NO. CODIGO NO.	DESCRIPTION DESCRIPTION	EHD	ED	EL	ELO	REMARKS OBSERVACION
26	688-11325-00	ANODE ANODO	2	2	2	2	
27	98780-04015	SCREW, FLAT HEAD TORNILLO DE CABEZA PLANA	2	2	2	2	
28	688-11119-00	HANGER, ENGINE SOPORTE DEL MOTOR	1	1	1	1	
29	90119-08MA3	BOLT, WITH WASHER TORNILLO CON ARANDELA	2	2	2	2	
30	6H1-11111-01-94	HEAD, CYLINDER 1 CULATA CILINDRO 1	1	1	1	1	
31	688-11181-A1	GASKET, CYLINDER HEAD 1 JUNTA, DE CULATA 1	1	1	1	1	
32	90119-08M65	BOLT, WITH WASHER TORNILLO CON ARANDELA	14	14	14	14	
33	90340-14M00	PLUG, STRAIGHT SCREW TORNILLO, DE DRENAJE	1	1	1	1	
34	90430-14115	GASKET JUNTA	1	1	1	1	
35	688-11191-00-9M	COVER, CYLINDER HEAD 1 TAPA, CULATA DE CILINDRO 1	1	1	1	1	
36	688-11193-A1	GASKET, HEAD COVER 1 EMPAQUE	1	1	1	1	
37	97013-06025	BOLT PERNO	18	18	18	18	
38	92903-06600	WASHER, PLATE ARANDELA	18	18	18	18	
39	90480-20M05	GROMMET TAPON	1	1	1	1	
40	688-12416-00	VALVE, PRESSURE CONTROL VALVULA DE CONTROL DE PRESION	1	1	1	1	
41	90501-16M11	SPRING, COMPRESSION RESORTE DE COMPRESION	1	1	1	1	
42	688-12411-10	THERMOSTAT TERMOSTAT	1	1	1	1	
	688-12411-01	THERMOSTAT TERMOSTAT	1				
43	688-12413-00-9M	COVER, THERMOSTAT CUBIERTA TERMOSTATO	1	1	1	1	
44	688-12414-A1	GASKET, COVER EMPAQUE	1	1	1	1	
45	97013-06035	BOLT PERNO	4	4	4	4	
46	92903-06600	WASHER, PLATE ARANDELA	4	4	4	4	
47	688-41111-00-9M	INNER COVER, EXHAUST CUBIERTA INTERIOR DE ESCAPE	1	1	1	1	
48	688-41112-A0	GASKET, EXHAUST INNER COVER EMPAQUE	1	1	1	1	
49	688-41114-A0	GASKET, EXHAUST OUTER COVER EMPAQUE	1	1	1	1	
50	688-41113-00-9M	OUTER COVER, EXHAUST CUBIERTA EXTERIOR DE ESCAPE	1	1	1	1	
51	663-24312-01	PIPE 2 TUBO 2	1	1	1	1	



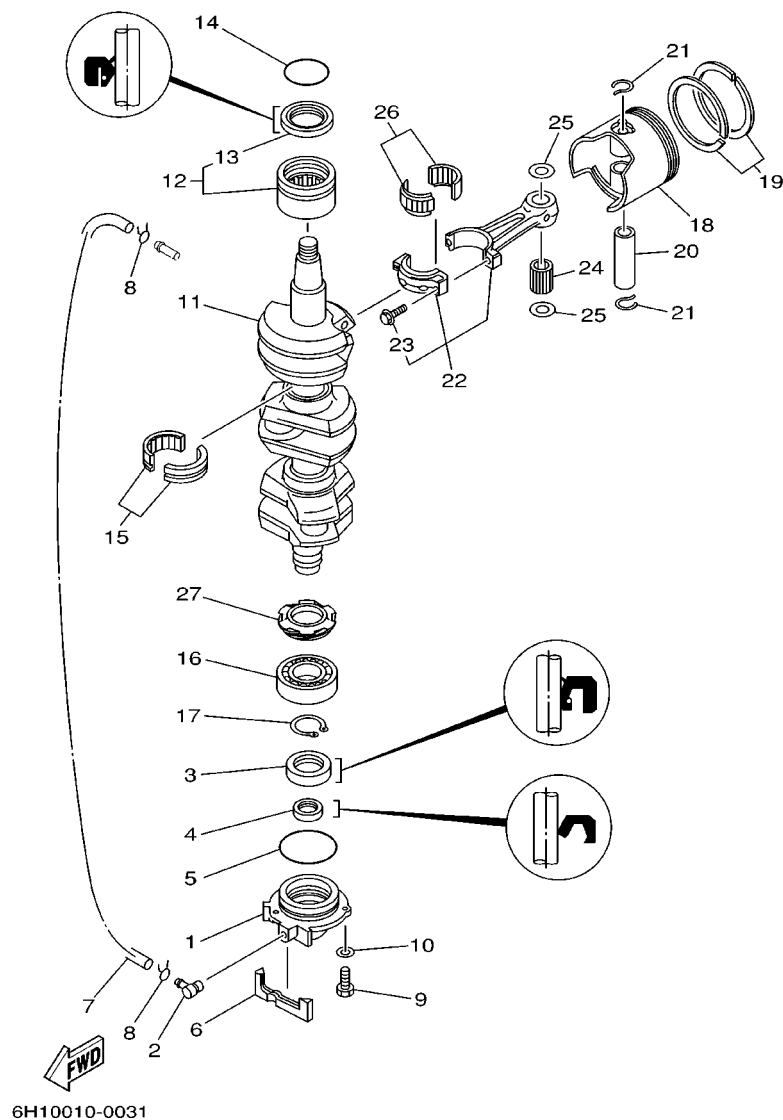
6H10200-1030

FIG. 3 CYLINDER. CRANKCASE CYLINDRO. CARTER

REF. NO.	PART NO. CODIGO NO.	DESCRIPTION DESCRIPTION	EHD	ED	EL	ELO	REMARKS OBSERVACION
52	90467-08004	CLIP PRESILLA	2	2	2	2	
53	97013-08040	BOLT PERNO	18	18	18	18	
54	92903-08600	WASHER, PLATE ARANDELA	18	18	18	18	
55	6H1-15772-00	STAY 2 SOPORTE 2	1	1	1	1	
56	97095-06012	BOLT PERNO	2	2	2	2	
57	6H1-15773-00	STAY 3 SOPORTE 3	1	1	1	1	
58	6H1-21796-00	HINGE BISAGRA				1	
59	97095-08012	BOLT PERNO				1	
60	94702-00160	PLUG, SPARK (NGK B8HS-10) BUJIA (NGK B8HS-10)	3	3	3	3	
	94702-00247	PLUG, SPARK (NGK BR8HS-10) BUJIA (NGK BR8HS-10)				3	FOR CARIB

FIG. 4 CRANKSHAFT. PISTON

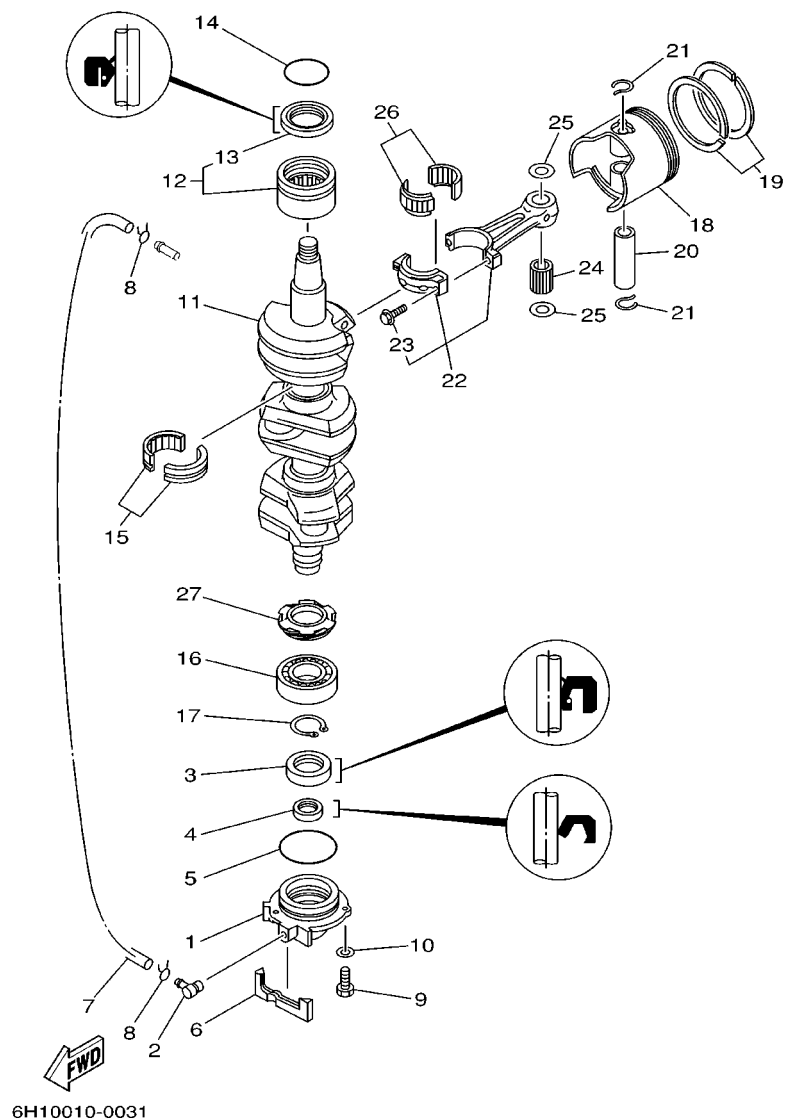
CIGUENAL. PISTON



REF. NO.	PART NO. CODIGO NO.	DESCRIPTION DESCRIPTION	EHD	ED	ET	EIO	REMARKS OBSERVACION
1	6H1-15359-01-94	HOUSING, OIL SEAL CAJA DE SELLO DE ACEITE	1	1	1	1	
2	688-11370-00	CHECK VALVE ASSY VALVULA DE CONTROL COMPL.	1	1	1	1	
3	93102-30M05	OIL SEAL SELLO ACEITE	1	1	1	1	
4	93104-20M02	OIL SEAL SELLO ACEITE	1	1	1	1	
5	93210-62269	O-RING ANILLO Q	1	1	1	1	
6	688-15379-00	SEAL, CRANKCASE SELLO DE CARTER	1	1	1	1	
7	90445-07M86	HOSE (L460) TUBO (L460)	1	1	1	1	
8	90467-06016	CLIP PRESILLA	2	2	2	2	
9	97095-06020	BOLT PERNO	3	3	3	3	
10	92995-06600	WASHER ARANDELA	3	3	3	3	
11	688-11411-01	CRANKSHAFT CIGUENAL	1	1	1	1	
12	93310-636U4	BEARING COJINETE	1	1	1	1	
13	93102-36M02	OIL SEAL SELLO ACEITE	1	1	1	1	
14	93210-46M16	O-RING ANILLO O	1	1	1	1	
15	93310-835U8	BEARING COJINETE	2	2	2	2	
16	93306-206U5	BEARING COJINETE	1	1	1	1	
17	93410-32M00	CIRCLIP BOLA	1	1	1	1	
18	6H1-11631-03-95	PISTON (STD) PISTON (STD)	3	3	3	3	
	6H1-11635-03	PISTON (0.25MM O/S) PISTON (0.25MM O/S)	3	3	3	3	AP
	6H1-11636-03	PISTON (0.50MM O/S) PISTON (0.50MM O/S)	3	3	3	3	AP
19	688-11603-A0	PISTON RING SET (STD) JUEGO DE ANILLOS (STD)	3	3	3	3	
	688-11604-A0	PISTON RING SET (0.25MM O/S) JUEGO DE ANILLOS (0.25MM O/S)	3	3	3	3	AP
	688-11605-A0	PISTON RING SET (0.50MM O/S) JUEGO DE ANILLOS (0.50MM O/S)	3	3	3	3	AP
20	663-11633-00	PIN, PISTON PASADOR, PISTON	3	3	3	3	
21	688-11634-10	CLIP, PISTON PIN PRESILLA, BULON DE PISTON	6	6	6	6	
22	688-11650-03	CONNECTING ROD ASSY BIELA COMPLETA	3	3	3	3	
23	90109-08M61	BOLT PERNO	2	2	2	2	

FIG. 4 CRANKSHAFT. PISTON

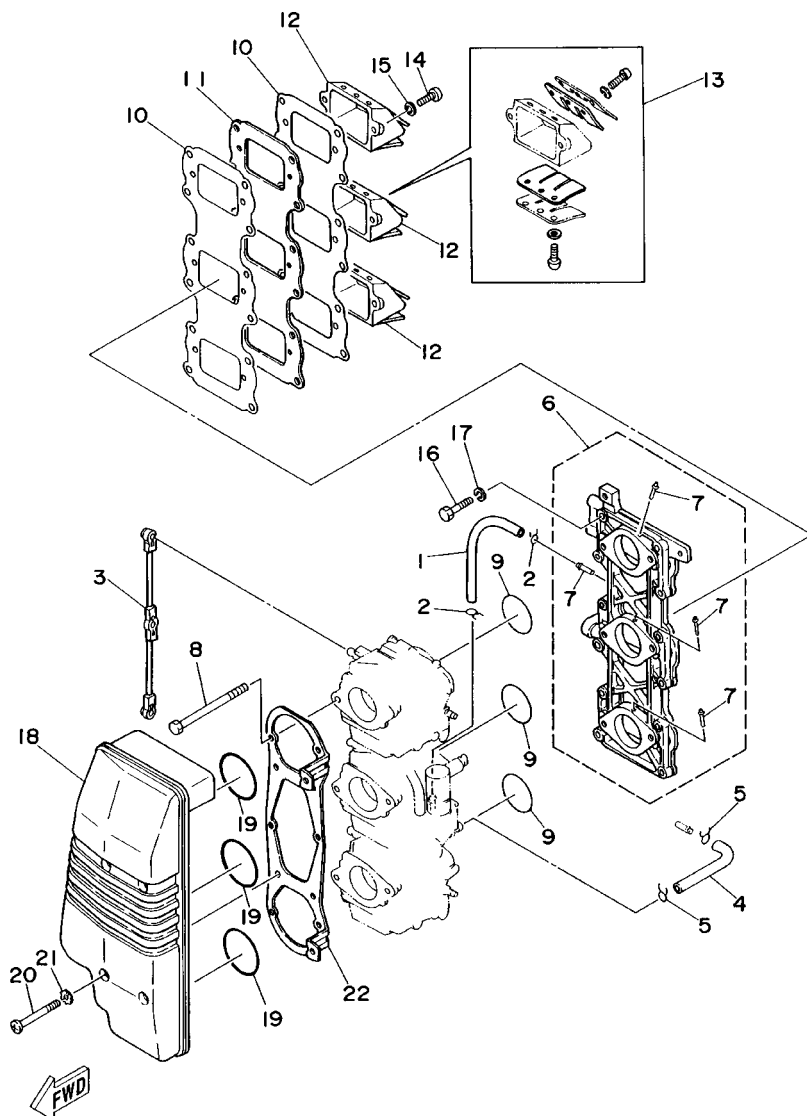
CIGUENAL. PISTON



REF. NO.	PART NO. CODIGO NO.	DESCRIPTION DESCRIPTION	EHD	ED	ET	EIO	REMARKS OBSERVACION
24	93603-21111	PIN, DOWEL PASADOR DE CLAVIJA	84	84	84	84	
25	90201-20417	WASHER, PLATE ARANDELA PLANA	6	6	6	6	
26	93310-730V8	BEARING COJINETE	3	3	3	3	
27	6H1-11536-00	GEAR, DRIVE ENGRANAJE TRACCION				1	
<hr/>							
<hr/>							
<hr/>							
<hr/>							
<hr/>							
<hr/>							
<hr/>							
<hr/>							
<hr/>							

FIG. 5 INTAKE

ADMISION

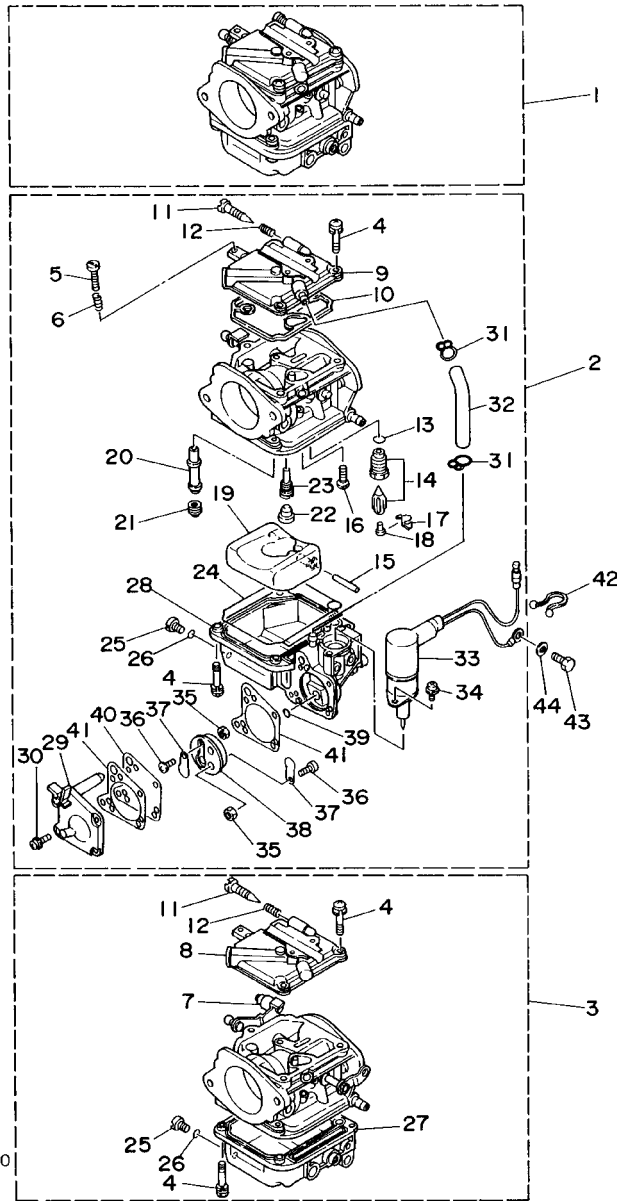


6H10010-4040

REF. NO.	PART NO. CODIGO NO.	DESCRIPTION DESCRIPTION	EHD	ED	ET	EIO	REMARKS OBSERVACION
1	90445-07M23	HOSE (L408) TUBO (L408)	1	1	1	1	
2	90467-06016	CLIP PRESILLA	2	2	2	2	
3	688-41217-01	ROD, ACCEL. LEVER VARILLA PALANCA ACELERADOR	1	1	1	1	
4	6H3-14349-00	PIPE TUBO	1	1	1	1	
5	90467-08004	CLIP PRESILLA	2	2	2	2	
6	6H1-13641-11-94	MANIFOLD 1 MULTIPLE 1	1	1	1		
	6H1-13641-02-94	MANIFOLD 1 MULTIPLE 1				1	
7	6H1-14485-00	.PIPE, JOINT .TUBO DE UNION	1	1	1		
	6H1-14485-00	.PIPE, JOINT .TUBO DE UNION				4	
8	97095-06095	BOLT PERNO	6	6	6	6	
9	93210-39ME4	O-RING ANILLO O	3	3	3	3	
10	688-13621-A1	GASKET, VALVE SEAT JUNTA, DE VALV. DE EMPAQUE	2	2	2	2	
11	688-13624-00	PLATE, REED VALVE PLACA DE VALVULA DE LAMINAS	1	1	1	1	
12	688-13610-00	REED VALVE ASSY VALVULA DE LAMINAS COMPLETA	3	3	3	3	
13	688-W0004-00	.REED SET .JUEGO DE VALVULAS DE LENGUETA	1	1	1	1	
14	97880-05020	SCREW, PAN HEAD TORNILLO DE CABEZA CON PLANA	6	6	6	6	
15	92990-05100	WASHER, SPRING ARANDELA	6	6	6	6	
16	97013-06030	BOLT PERNO	12	12	12	12	
17	92903-06100	WASHER, SPRING ARANDELA	12	12	12	12	
18	6H1-14440-02	SILENCER ASSY, INTAKE SILENCIADOR COMPL. DE ADMISION	1	1	1	1	
19	93210-46044	O-RING ANILLO O	3	3	3	3	
20	97885-06050	SCREW, PAN HEAD TORNILLO DE CABEZA CON PLANA	4	4	4	4	
21	90209-06M05	WASHER ARANDELA DE SEPARACION	4	4	4	4	
22	6H1-14413-02	STAY SOPORTE	1	1	1	1	

FIG. 6 CARBURETOR

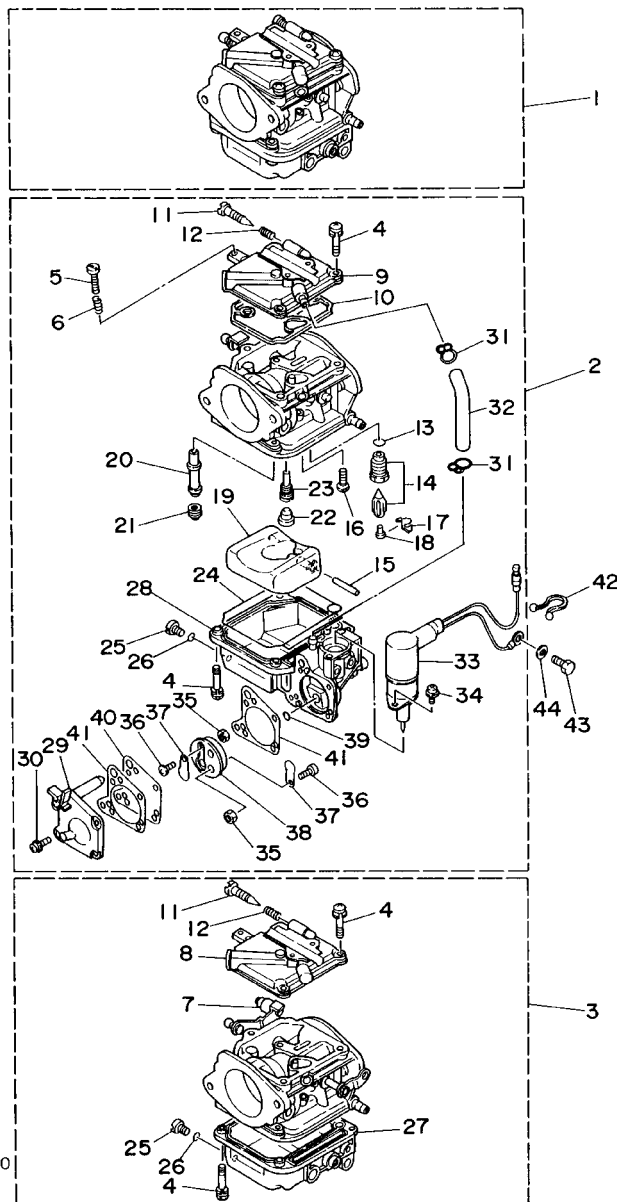
CARBURADOR



REF. NO.	PART NO. CODIGO NO.	DESCRIPTION DESCRIPTION	EHD	ED	ET	EIO	REMARKS OBSERVACION
1	6H1-14301-07	CARBURETOR ASSY 1 CARBURADOR COMPLETO 1	1	1	1	1	
	6H1-14301-20	CARBURETOR ASSY 1 CARBURADOR COMPLETO 1				1	FOR BRAZIL
2	6H1-14302-07	CARBURETOR ASSY 2 CARBURADOR COMPLETO 2	1	1	1	1	
	6H1-14302-20	CARBURETOR ASSY 2 CARBURADOR COMPLETO 2				1	FOR BRAZIL
3	6H1-14303-07	CARBURETOR ASSY 3 CARBURADOR COMPL. 3	1	1	1	1	
	6H1-14303-20	CARBURETOR ASSY 3 CARBURADOR COMPL. 3				1	FOR BRAZIL
4	97980-04114	.SCREW, WITH WASHER .TORNILLO, CON ARANDELA	21	21	21	21	
5	63V-14523-00	.SCREW, STOP .TORNILLO DE TOPE	1	1	1	1	#2
6	90501-10326	.SPRING, COMPRESSION .RESORTE DE COMPRESION	1	1	1	1	#2
7	6H2-14578-00	.COLLAR .COLLAR	1	1	1	1	#3
8	6H4-14146-00	.PLATE .PLACA SOPORTE	2	2	2	2	#1,3
9	6H3-14146-10	.PLATE .PLACA SOPORTE	1	1	1	1	#2
10	6H4-14147-00	.O-RING .ANILLO O	3	3	3	3	
11	692-14923-00	.SCREW, PILOT .TORNILLO DE AJUSTE	3	3	3	3	
12	697-14555-00	.SPRING .RESORTE	3	3	3	3	
13	93210-04228	.O-RING .ANILLO O	3	3	3	3	
14	692-14590-00	.VALVE SEAT .VALVULA DE AGUJA COMPLETA	3	3	3	3	
15	6H4-14548-00	.PIN, FLOAT ARM .PASADOR DE BRAZO DE BOIA	3	3	3	3	
16	98580-04008	.SCREW, PAN HEAD .TORNILLO DE CABEZA CON PLANA	3	3	3	3	
17	663-14159-00	.CLIP .PRESILLA	3	3	3	3	
18	676-14186-00	.PIN, FLOAT .PASADOR DE LA BOYA	3	3	3	3	
19	6H4-14985-01	.FLOAT BOIA	3	3	3	3	
20	6H1-14947-75	.JET, NEEDLE .INYEKTOR DE AGUJA	3	3	3	3	
21	6H1-14943-39	.JET, MAIN (#160) .INYEKTOR PRINCIPAL (#160)	3	3	3	3	
	6H1-14943-40	.JET, MAIN (#165) .INYEKTOR PRINCIPAL (#165)				3	FOR BRAZIL
22	676-14966-00	.CAP .TAPA	3	3	3	3	
23	6H1-14948-18	.JET (#78) .INYEKTOR (#78)	3	3	3	3	

FIG. 6 CARBURETOR

CARBURADOR

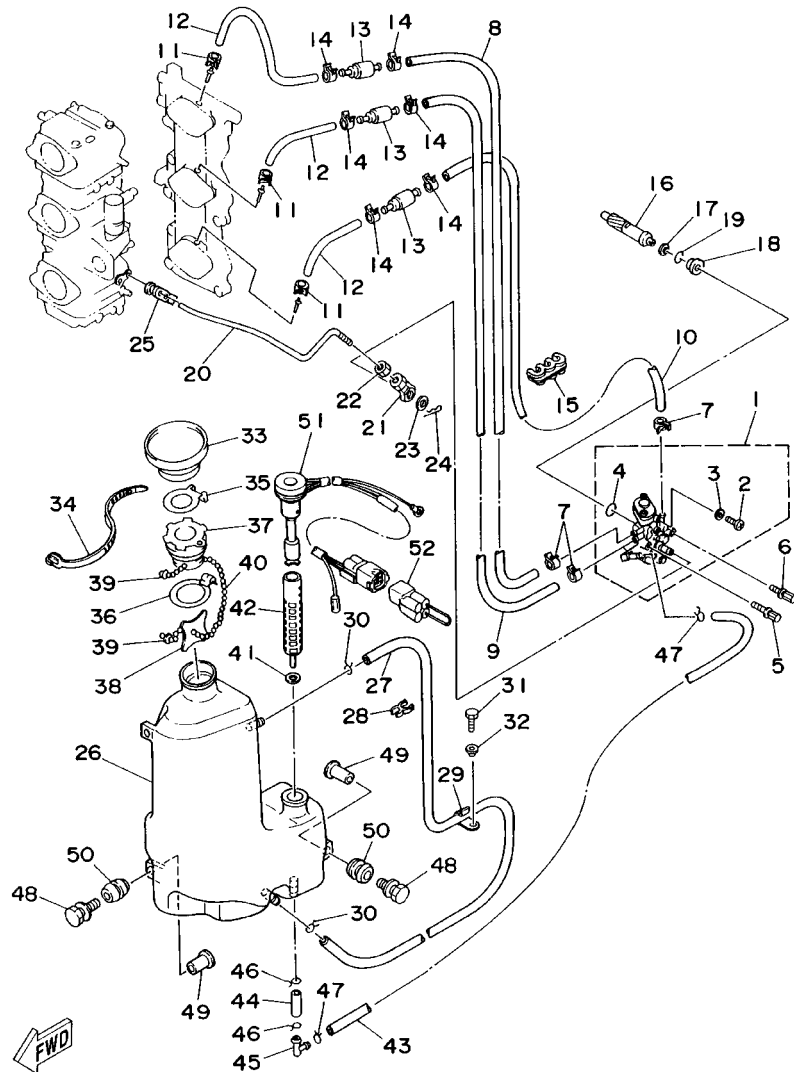


REF. NO.	PART NO. CODIGO NO.	DESCRIPTION DESCRIPTION	EHD	ED	ET	EIO	REMARKS OBSERVACION
23	6H1-14948-20	.JET (#82) .INYECTOR (#82)				3	FOR BRAZIL
24	6H4-14984-00	.GASKET, FLOAT CHAMBER .EMPAQUE CAMARA DE BOIA	3	3	3	3	
25	6H3-14992-00	.SCREW, DRAIN .TORNILLO, SEGURO	3	3	3	3	
26	93210-04230	.O-RING .ANILLO O	3	3	3	3	
27	6H4-14980-00	.BODY, FLOAT CHAMBER .CUERPO CAMARA DE BOIA	2	2	2	2	#1,3
28	6H3-14980-10	.BODY, FLOAT CHAMBER .CUERPO CAMARA DE BOIA	1	1	1	1	#2
29	6H3-24452-10	.COVER .CUBIERTA	1	1	1	1	#2
30	6H4-14567-00	.SCREW .TORNILLO	4	4	4	4	#2
31	6H3-14137-00	.CLIP .PRESILLA	2	2	2	2	#2
32	6H3-14349-00	.PIPE .TUBO	1	1	1	1	#2
33	6H3-14380-00	.STARTER ASSY .ARRANQUE COMPLETO	1	1	1	1	#2
34	97803-04008	.SCREW, PAN HEAD .TORNILLO DE CABEZA CON PLANA	2	2	2	2	#2
35	95380-03600	.NUT .TUERCA	2	2	2	2	#2
36	98980-03006	.SCREW, BIND .TORNILLO DE LIGAR	2	2	2	2	#2
37	6L5-24421-00	.VALVE, CHECK .VALVULA DE RETENCION	2	2	2	2	#2
38	6H4-24413-00	.BODY 2 .CUERPO 2	1	1	1	1	#2
39	6H4-24486-00	.O-RING .ANILLO O	1	1	1	1	#2
40	6H3-24411-10	.DIAPHRAGM .DIAFRAGMA	1	1	1	1	#2
41	6H3-24434-10	.GASKET, BODY .EMPAQUE	2	2	2	2	#2
42	90465-18147	.CLAMP .BRIDA	1	1	1	1	
43	97013-06012	.BOLT .PERNO	1	1	1	1	
44	92903-06600	.WASHER, PLATE .ARANDELA	1	1	1	1	

FIG. 7 OIL PUMP

BOMBA DE ACEITE

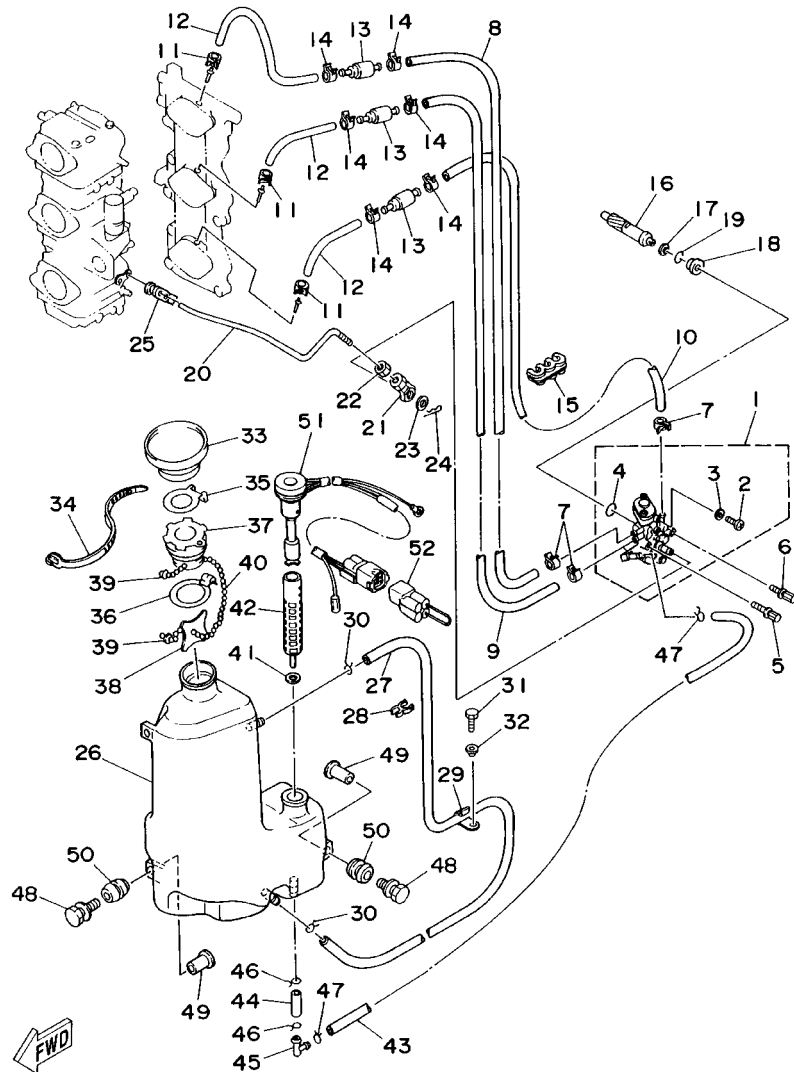
REF. NO.	PART NO. CODIGO NO.	DESCRIPTION DESCRIPTION	EHD	ED	ET	EIO	REMARKS OBSERVACION
1	6H1-13200-02	OIL INJECTION PUMP ASSY BOMBA DE ACEITE COMPLETA				1	
2	6R3-13471-00	.PLUG, DRAIN .TAPON DE LLAVE DE VACIADO				1	
3	6L2-13475-00	.GASKET .EMPAQUE				1	
4	93210-19MA7	.O-RING .ANILLO O				1	
5	90109-06M39	BOLT PERNO				1	
6	90109-06M40	BOLT PERNO				1	
7	90468-07M02	CLIP PRESILLA				3	
8	90445-07M90	HOSE (L390) TUBO (L390)				1	
9	90445-07240	HOSE (L330) TUBO (L330)				1	
10	90445-07M44	HOSE (L250) TUBO (L250)				1	
11	90468-07M02	CLIP PRESILLA				3	
12	90445-07M87	HOSE (L110) TUBO (L110)				3	
13	6E9-13183-70	VALVE, CHECK VALVULA DE RETENCION				3	
14	90468-07M02	CLIP PRESILLA				6	
15	90464-07M05	CLAMP BRIDA				1	
16	6H1-11537-01	GEAR, DRIVEN ENGRANAJE TRACCION				1	
17	90201-08M93	WASHER, PLATE ARANDELA PLANA				1	
18	6H1-13117-01	COLLAR, DISTANCE COLLAR, DISTANCIA				1	
19	93210-13M04	O-RING ANILLO O				1	
20	6H1-41241-02	ROD, LINK VARILLA				1	
21	6H1-41237-00	JOINT, LINK CONECTOR				1	
22	95380-05600	NUT TUERCA				1	
23	90202-05088	WASHER, PLATE ARANDELA DE PLANA				1	
24	90468-05M03	CLIP PRESILLA				1	
25	6E9-41237-00	JOINT, LINK CONECTOR				1	
26	6H1-21707-07	OIL TANK COMP. DEPOSITO DE ACEITE COMP.				1	
27	90445-11M09	HOSE (L600) TUBO (L600)				1	



6H10010-0060

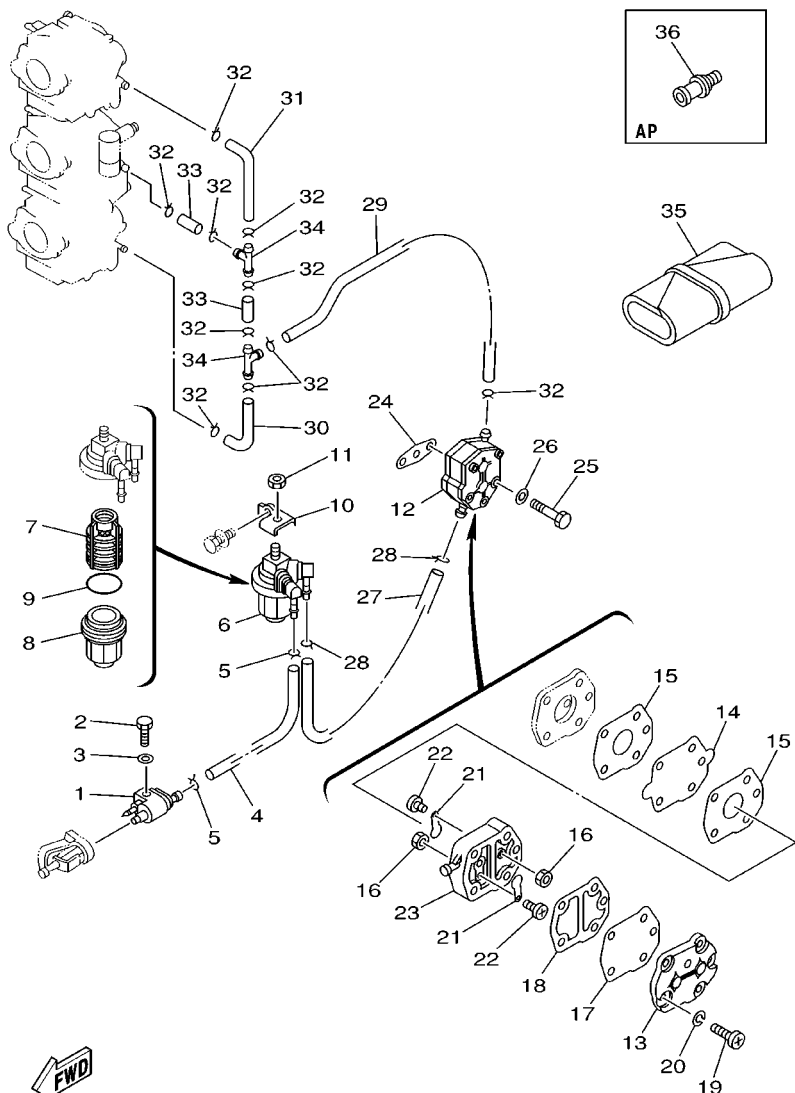
FIG. 7 OIL PUMP

BOMBA DE ACEITE



6H10010-0060

REF. NO.	PART NO. CODIGO NO.	DESCRIPTION DESCRIPTION	EHD	ED	ET	ETO	REMARKS OBSERVACION
28	90464-11M24	CLAMP BRIDA				1	
29	90465-11M27	CLAMP BRIDA				1	
30	90467-11M08	CLIP PRESILLA				2	
31	97095-06016	BOLT PERNO				1	
32	90387-06M31	COLLAR CASQUILLO CON VALONA				1	
33	6H1-21752-00	TUBE, FILLER 1 TUBO DE LLENADOR 1				1	
34	90465-13M30	CLAMP BRIDA				1	
35	63D-2176M-00	HOOK GANCHO				1	
36	63D-2175R-00	HOOK, BAND GANCHO DE CINTA				1	
37	6H4-21770-00	OIL TANK CAP ASSY TAPA DE DEPOSITO DE ACEITE				1	
38	6J8-21758-00	WASHER, SPECIAL 2 ARANDELA ESPECIAL 2				1	
39	6H1-21757-00	WASHER, SPECIAL 1 ARANDELA ESPECIAL 1				2	
40	6H1-24633-00	CHAIN, BALL EMPAQUE				1	
41	6J8-13414-00	GASKET, STRAINER COVER EMPAQUE DE TAPA FILTRO				1	
42	6H1-13411-00	STRAINER, OIL FILTRO DE ACEITE				1	
43	6H1-21766-01	PIPE, OIL TUBO DEL ACEITE				1	
44	90445-08M01	HOSE (L30) TUBO (L30)				1	
45	6H1-13435-00	NIPPLE NIPLE				1	
46	90467-12M11	CLIP PRESILLA				2	
47	90467-08004	CLIP PRESILLA				2	
48	90119-06M88	BOLT, WITH WASHER TORNILLO CON ARANDELA				3	
49	624-42542-00	PIPE TUBO				3	
50	6A0-82317-00	DAMPER, IGNITION COIL AMORTIGUADOR BOBINA ENCENDIDO				3	
51	6H1-85720-15	OIL LEVEL GAUGE ASSY MEDIDOR DE NIVEL DE ACEITE				1	
52	6R5-82582-B0	COVER, WIRE HARNESS CUBIERTA DE ARNES DE CABLE				1	AP



FWD
6H10010-0070

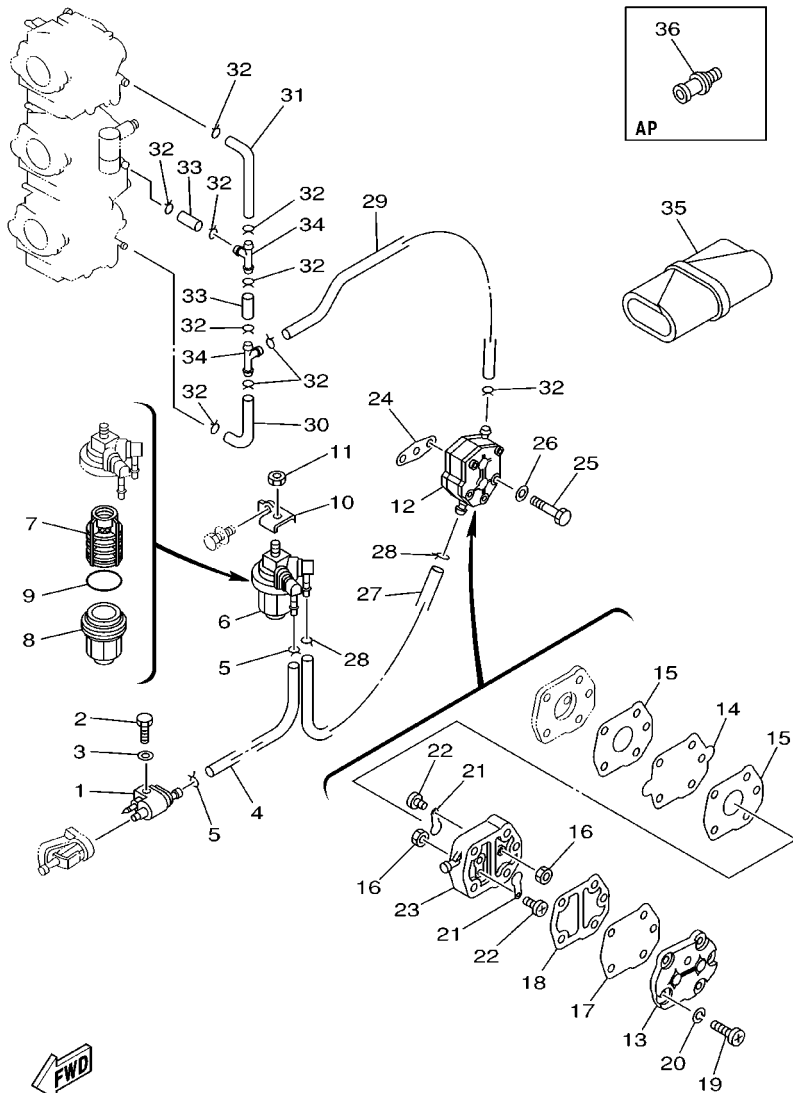
FIG. 8 FUEL

COMBUSTIBLE

REF. NO.	PART NO. CODIGO NO.	DESCRIPTION DESCRIPTION	EHD	ED	ET	EIO	REMARKS OBSERVACION
1	6G1-24304-02	FUEL PIPE JOINT COMP. 1 CONECTOR MANGUERA COMBUST.1	1	1	1	1	
2	97095-06020	BOLT PERNO	1	1	1	1	
3	92995-06600	WASHER ARANDELA	1	1	1	1	
4	90445-09105	HOSE (L300) TUBO (L300)	1	1	1	1	
5	90467-08004	CLIP PRESILLA	2	2	2	2	
6	61N-24560-00	FILTER ASSY FILTRO COMPLETO	1	1	1	1	
7	61N-24563-00	.ELEMENT, FILTER .ELEMENTO DEL FILTRO	1	1	1	1	
8	61N-24521-00	.CUP, FILTER .COPA DE FILTRO	1	1	1	1	
9	93210-32738	.O-RING .ANILLO O	1	1	1	1	
10	6H1-24566-00	BRACKET, FILTER SOPORTE DEL FILTRO	1	1	1	1	
11	95380-08600	NUT TUERCA	1	1	1	1	
12	692-24410-00	FUEL PUMP ASSY BOMBA DE COMBUSTIBLE COMPLETA	1	1	1	1	
13	6A0-24413-00	.BODY 2 .CUERPO 2	1	1	1	1	
14	692-24411-00	.DIAPHRAGM .DIAFRAGMA	1	1	1	1	
15	648-24434-01	.GASKET, BODY EMPAQUE	2	2	2	2	
16	95380-03600	NUT TUERCA	2	2	2	2	
17	663-24411-00	.DIAPHRAGM .DIAFRAGMA	1	1	1	1	
18	648-24435-02	.GASKET, BODY 2 EMPAQUE	1	1	1	1	
19	98503-05028	.SCREW, PAN HEAD .TORNILLO DE CABEZA CON PLANA	3	3	3	3	
20	92990-05100	.WASHER, SPRING ARANDELA	3	3	3	3	
21	6A0-24421-01	.VALVE, CHECK VALVULA DE RETENCION	2	2	2	2	
22	6A0-14325-00	.SCREW, PAN HEAD .TORNILLO CABEZA REDONDA	2	2	2	2	
23	6A0-24412-02	.BODY 1 .CUERPO 1	1	1	1	1	
24	650-24431-A0	GASKET, FUEL PUMP 1 EMPAQUE BOMBA COMBUST 1	1	1	1	1	
25	97095-06040	BOLT PERNO	2	2	2	2	
26	92995-06600	WASHER ARANDELA	2	2	2	2	
27	6H1-24314-00	PIPE 4 TUBO 4	1	1	1	1	

COMBUSTIBLE

FIG. 8 FUEL

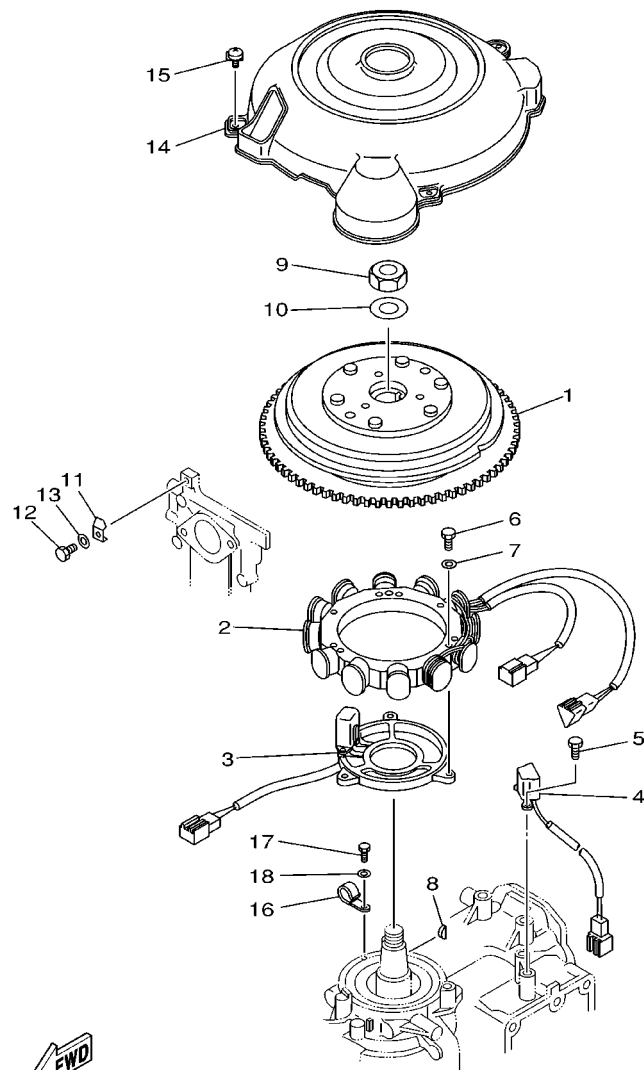


REF. NO.	PART NO. CODIGO NO.	DESCRIPTION DESCRIPTION	EHD	ED	ET	EIO	REMARKS OBSERVACION
28	90467-08004	CLIP PRESILLA	2	2	2	2	
29	90445-09097	HOSE TUBO	1	1	1	1	
30	688-24313-00	PIPE 3 TUBO 3	1	1	1	1	
31	688-24314-00	PIPE 4 TUBO 4	1	1	1	1	
32	90467-08004	CLIP PRESILLA	10	10	10	10	
33	90445-09220	HOSE TUBO	2	2	2	2	
34	688-24378-00	PIPE, JOINT 4 TUBO DE UNION 4	2	2	2	2	
35	656-W2810-02	TOOL KIT JUEGO DE HERRAMIENTAS	1	1	1	1	
36	6E0-28193-00-94	PLUG, WATER CHECK TAPON DE CONTROL DE LA AGUA	1	1	1	1	AP D:12.5MM

6H10010-0070

FIG. 9 GENERATOR

GENERADOR

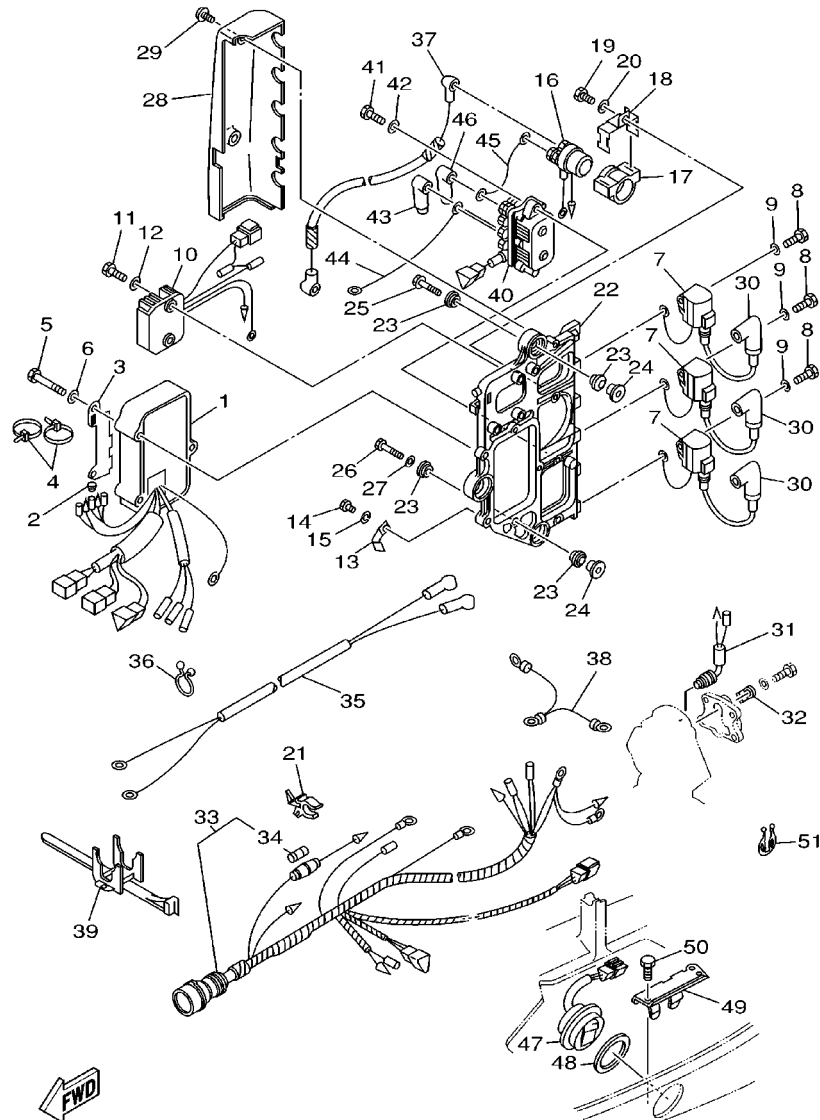


6H10010-0080

REF. NO.	PART NO. CODIGO NO.	DESCRIPTION DESCRIPTION	EHD	ED	ET	EIO	REMARKS OBSERVACION
1	6H0-85550-00	ROTOR ASSY ROTOR COMPLETO	1	1	1	1	
2	6H0-85510-02	STATOR ASSY ESTATOR COMPLET	1	1	1	1	
3	6H0-85580-01	COIL, PULSER BOBINA DE PULSACION	1	1	1	1	
4	6H2-85895-01	CRANK POSITION SENDER SENSOR, POSICION DE CIGUENAL	1	1	1	1	
5	97095-05012	BOLT PERNO	2	2	2	2	
6	97095-06040	BOLT PERNO	3	3	3	3	
7	92995-06600	WASHER ARANDELA	3	3	3	3	
8	90280-05015	KEY, WOODRUFF CUNA WOODRUFF	1	1	1	1	
9	90170-20137	NUT TUERCA	1	1	1	1	
10	90201-21M18	WASHER, PLATE ARANDELA PLANA	1	1	1	1	
11	688-81332-01	PLATE, TIMING PLACA REGULADOR DE TIEMPO	1	1	1	1	
12	97095-06010	BOLT PERNO	1	1	1	1	
13	92995-06600	WASHER ARANDELA	1	1	1	1	
14	6H1-81337-01	COVER, FLYWHEEL CUBIERTA DE VOLANTE	1	1	1	1	
15	90159-06M20	SCREW, WITH WASHER TORNILLO CON VALONA	3	3	3	3	
16	90465-06M90	CLAMP BRIDA	1	1	1	1	
17	97095-06012	BOLT PERNO	1	1	1	1	
18	92995-06600	WASHER ARANDELA	1	1	1	1	

FIG. 10 ELECTRICAL 1

EQUIPO ELECTRICO 1

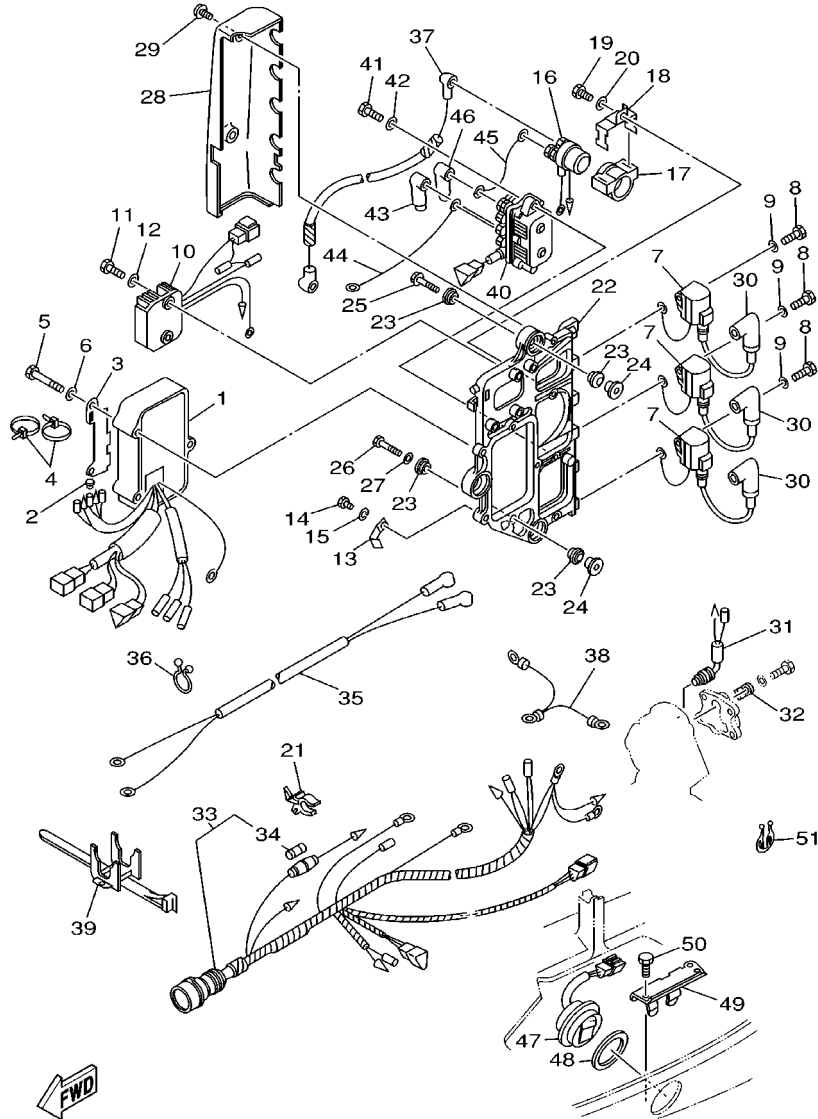


6H10200-1100

REF. NO.	PART NO. CODIGO NO.	DESCRIPTION DESCRIPTION	EHD	ED	ET	EIO	REMARKS OBSERVACION
1	6H0-85540-04	C.D.I. UNIT ASSY UNIDAD C.D.I. COMPLETA	1	1	1	1	
2	703-82119-00	COVER, LEAD WIRE CUBIERTA DE CABLE CONDUCTOR		1	1	1	
3	6H1-85542-10	BRACKET SOPORTE	1	1	1	1	
4	90465-13M11	CLAMP BRIDA	2	2	2	2	
5	97095-06050	BOLT PERNO	3	3	3	3	
6	92995-06600	WASHER ARANDELA	3	3	3	3	
7	697-85570-00	IGNITION COIL ASSY BOBINA DE IGNICION COMPLETO	3	3	3	3	
8	97013-06020	BOLT PERNO	3	3	3	3	
9	92903-06600	WASHER, PLATE ARANDELA	3	3	3	3	
10	6H0-81960-10	RECTIFIER & REGULATOR ASSY RECTIFICADOR Y REGULADOR	1	1	1	1	
11	97095-06020	BOLT PERNO	2	2	2	2	
12	92995-06600	WASHER ARANDELA	2	2	2	2	
13	90465-08M23	CLAMP BRIDA	1	1	1	1	
14	97095-06012	BOLT PERNO	1	1	1	1	
15	92995-06100	WASHER, SPRING ARANDELA	1	1	1	1	
16	6G1-81941-10	STARTER RELAY ASSY RELE DE ARRANQUE	1	1	1	1	
17	6G1-81952-00	HOLDER, RELAY SOSTEN DE RELE	1	1	1	1	
18	6E9-81945-70	PLATE, SWITCH FITTING PLACA ACCESORIA DE INTERRUP.	1	1	1	1	
19	97013-06016	BOLT PERNO	1	1	1	1	
20	92903-06600	WASHER, PLATE ARANDELA	1	1	1	1	
21	6G5-82152-00	HOLDER, FUSE PORTA-FUSIBLES	1	1	1	1	
22	6H1-85542-00-94	BRACKET SOPORTE	1	1	1	1	
23	90480-09M25	GROMMET TAPON	6	6	6	6	
24	90387-06M03	COLLAR CASQUILLO CON VALONA	3	3	3	3	
25	90119-06M75	BOLT, WITH WASHER TORNILLO CON ARANDELA	2	2	2	2	
26	90109-06M39	BOLT PERNO	1	1	1	1	
27	90201-06M31	WASHER, PLATE ARANDELA PLANA	1	1	1	1	

FIG. 10 ELECTRICAL 1

EQUIPO ELECTRICO 1

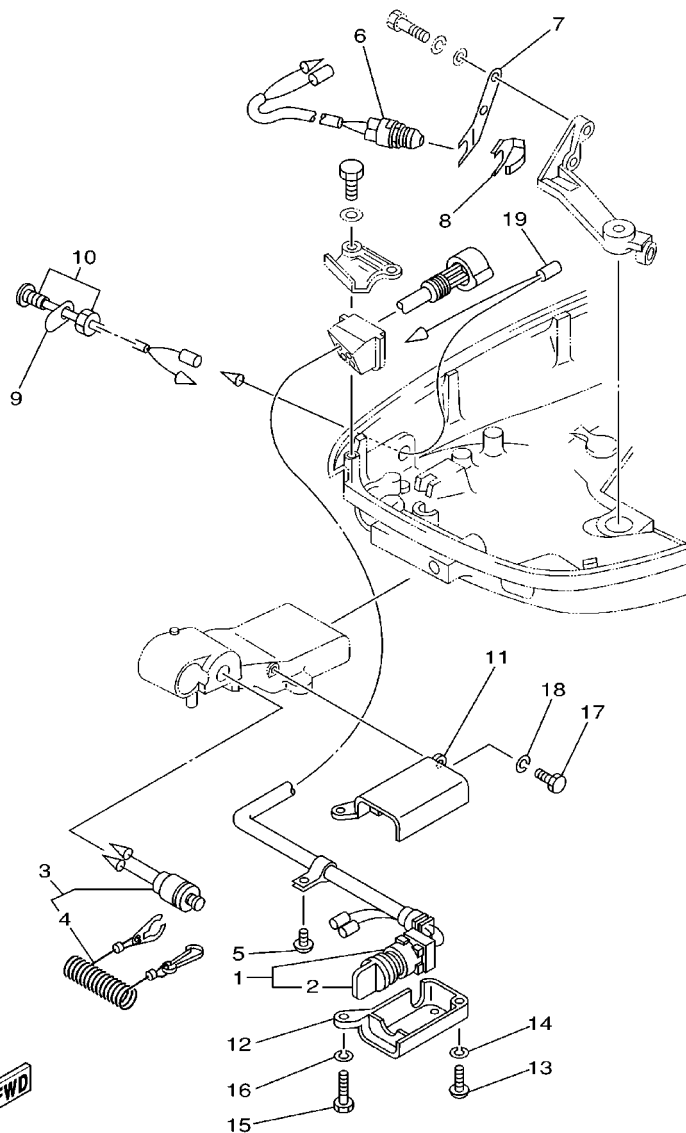


6H10200-1100

REF. NO.	PART NO. CODIGO NO.	DESCRIPTION DESCRIPTION	EHD	ED	ET	EIO	REMARKS OBSERVACION
28	6H1-81916-00	COVER, TERMINAL CUBIERTA DE TERMINAL	1	1	1	1	
29	90159-06M11	SCREW, WITH WASHER TORNILLO CON VALONA	2	2	2	2	
30	6E3-82370-21	PLUG CAP ASSY TAPON DE BUJIA COMPLT	3	3	3	3	
31	688-82560-10	THERMO SWITCH ASSY INTER. DE TERMO	1	1	1	1	
32	688-82588-01	PLATE PLACA	1	1	1	1	
33	6H0-82590-02	WIRE HARNESS ASSY CONJUNTO DE CABLES	1	1			
	6H0-82590-60	WIRE HARNESS ASSY CONJUNTO DE CABLES			1		
	6H0-82590-12	WIRE HARNESS ASSY CONJUNTO DE CABLES				1	
34	682-82151-00	.FUSE (20A) .FUSIBLE (20A)	1	1	1	1	
35	6H0-82105-02	WIRE HARNESS ARNES DE CABLES	1	1	1	1	
36	90464-23M22	CLAMP BRIDA	1	1	1	1	
37	6H0-82117-00	WIRE, LEAD CABLE CONDUCTOR	1	1	1	1	
38	697-82519-00	WIRE, EARTH LEAD CABLE CONDUCTOR A TIERRA	1	1	1	1	
39	688-82594-00	CLAMP GRAMPA	1	1	1	1	
40	61A-81950-00	RELAY ASSY RELE COMPLETO			1	1	
41	97095-06025	BOLT PERNO			2	2	
42	92995-06600	WASHER ARANDELA			2	2	
43	682-82119-01	COVER, LEAD WIRE CUBIERTA DE CABLE CONDUCTOR			2	2	
44	6H0-81949-10	WIRE, LEAD CABLE CONDUCTOR			1	1	
45	6H0-81949-01	WIRE, LEAD CABLE CONDUCTOR			1	1	
46	682-82119-01	COVER, LEAD WIRE CUBIERTA DE CABLE CONDUCTOR			1	1	
47	6H1-82563-10	TRIM & TILT SWITCH ASSY INTERRUPTOR DE INCLINACION				1	
48	6E5-82587-00	GASKET EMPAQUETADURA				1	
49	6H1-83614-00	BRACKET SOPORTE				1	
50	97095-06016	BOLT PERNO				1	
51	90464-18M14	CLAMP BRIDA				1	

FIG. 11 ELECTRICAL 2

EQUIPO ELECTRICO 2

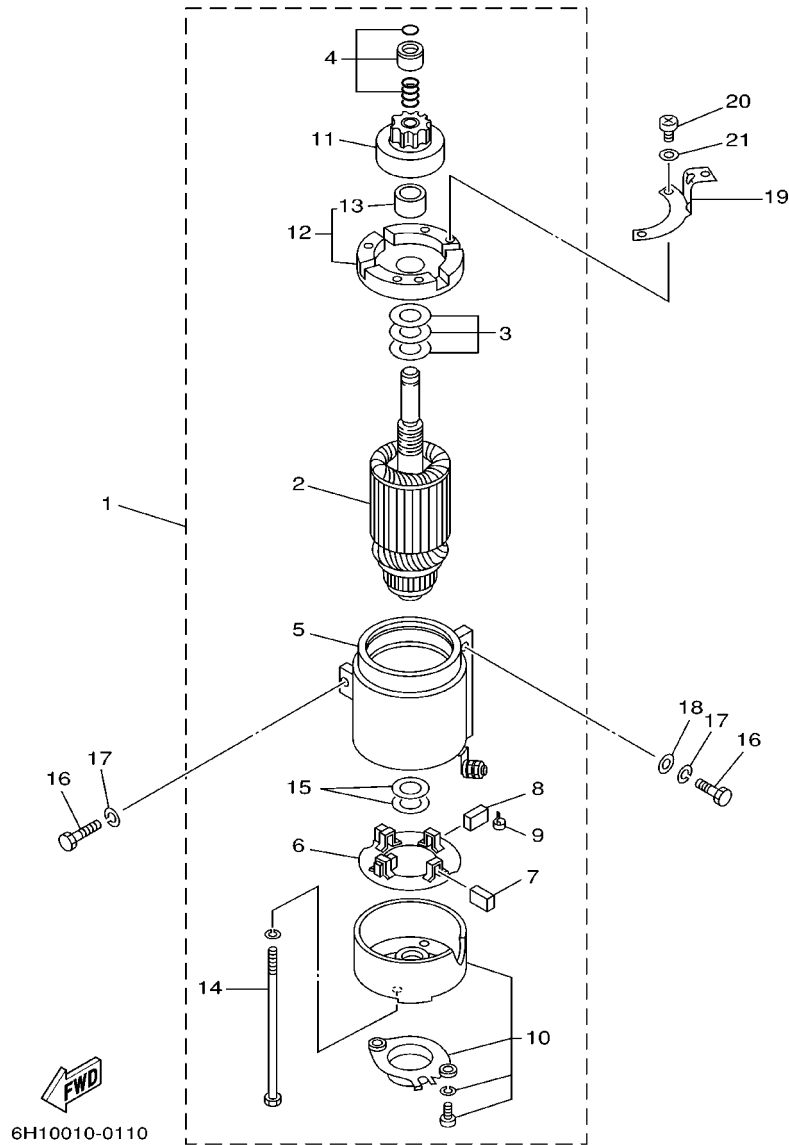


6H10200-1110

REF. NO.	PART NO. CODIGO NO.	DESCRIPTION DESCRIPTION	EHD	ED	ET	ETO	REMARKS OBSERVACION
1	6H3-82510-01	MAIN SWITCH ASSY CONJUNTO DE LLAVE IGNICION	1				
2	676-82577-00	.CAP, KEY .TAPA	1				
3	688-82575-01	ENGINE STOP SWITCH ASSY INTERRUPTOR DE PARADA COMPL	1				
4	682-82556-00	.STOPPER .RETEN	1				
5	97885-06012	SCREW, PAN HEAD TORNILLO DE CABEZA CON PLANA	1				
6	688-82540-11	NEUTRAL SWITCH ASSY INTERRUPTOR NEUTRAL COMPL	1				
7	663-82554-01	STAY, NEUTRAL SWITCH SOPORTE INTERRUPTOR DE NEUTRAL	1				
8	663-82555-01	DAMPER, MAIN SWITCH 1 AMORT.DE INTER.PPAL.1	1				
9	692-85415-00	MARK, SIGNAL LAMP MARCO DE FOCO DE SENAL	1				
10	6H4-85411-00	OVERHEAT WARNING LAMP CALENTAR DEMASIADO DEL ALARMA	1				
11	697-8252E-01-4D	COVER, MAIN SWITCH CUBIELA INTERRUPTOR PRINC.1	1				
12	697-8252F-01-4D	COVER, MAIN SWITCH CUBIELA INTERRUPTOR PRINC.2	1				
13	97885-06025	SCREW, PAN HEAD TORNILLO DE CABEZA CON PLANA	1				
14	92995-06100	WASHER, SPRING ARANDELA	1				
15	97095-06030	BOLT PERNO	1				
16	92995-06100	WASHER, SPRING ARANDELA	1				
17	97095-06020	BOLT PERNO	1				
18	92995-06100	WASHER, SPRING ARANDELA	1				
19	6H3-82531-01	WIRE, LEAD CABLE CONDUCTOR	1				

FIG. 12 STARTING MOTOR

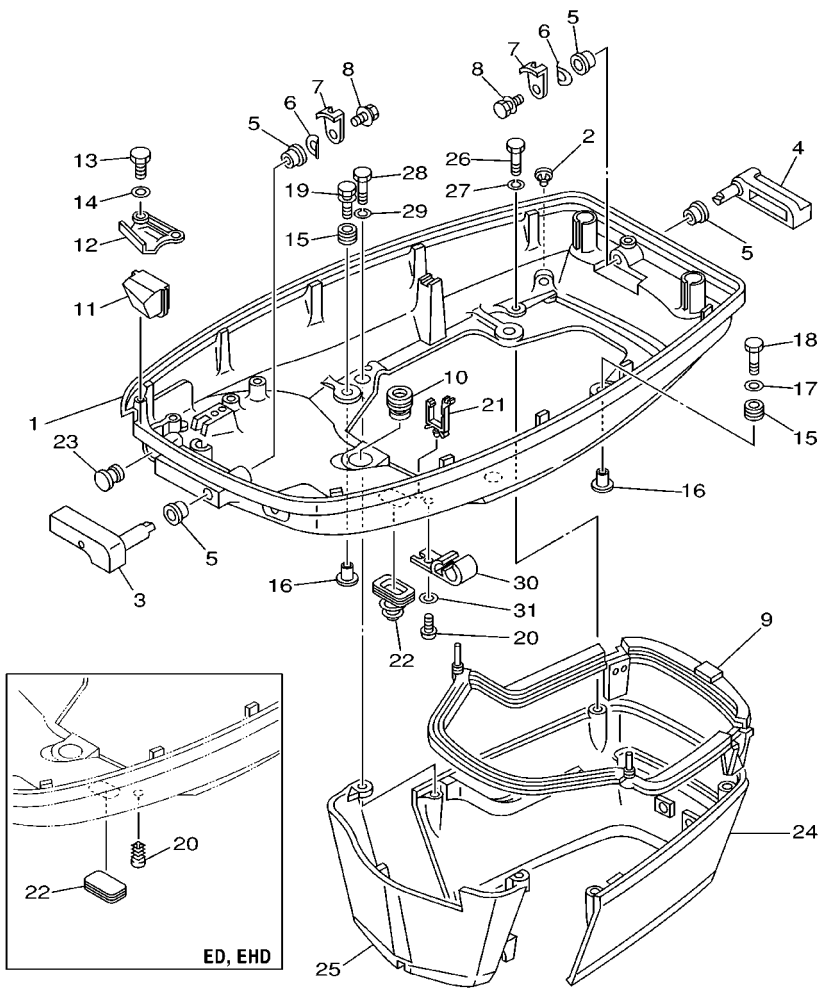
MOTOR DE ARRANQUE



REF. NO.	PART NO. CODIGO NO.	DESCRIPTION DESCRIPTION	EHD	ED	ET	EIO	REMARKS OBSERVACION
1	688-81800-12	STARTING MOTOR ASSY MOTOR DE ARRANQUE COMPLETO	1	1	1	1	
2	676-81850-11	.ARMATURE ASSY .INDUCIDO COMPLETO	1	1	1	1	
3	676-81809-10	.WASHER KIT .JUEGO DE ARANDELA	1	1	1	1	
4	676-81857-10	.PINION STOPPER SET .JUEGO TAPON PINON	1	1	1	1	
5	688-81810-11	.STATOR ASSY .ESTATOR COMPLETO	1	1	1	1	
6	663-81840-11	.BRUSH HOLDER ASSY .SOSTEN DE ESCOBILLA COMPLETO	1	1	1	1	
7	663-81811-11	.BRUSH 1 .ESCOBILLA 1	2	2	2	2	
8	663-81812-11	.BRUSH 2 .ESCOBILLA 2	2	2	2	2	
9	663-81813-10	.SPRING, BRUSH .RESORTE DE ESCOBILLA	4	4	4	4	
10	663-81820-12	.REAR BRACKET ASSY .CUBIERTA TRASERA COMPL	1	1	1	1	
11	663-81832-11	.PINION ASSY .PINON COMPL.	1	1	1	1	
12	688-81830-11	.FRONT BRACKET ASSY .SOPORTE DELANTERO COMPLETO	1	1	1	1	
13	688-81831-00	..METAL, FRONT ..METAL, DELANTERO	1	1	1	1	
14	663-81826-10	.BOLT .PERNO	2	2	2	2	
15	688-81824-00	.WASHER 2 .ARANDELA 2	2	2	2	2	
16	97013-08030	.BOLT .PERNO	3	3	3	3	
17	92903-08100	.WASHER, SPRING .ARANDELA	3	3	3	3	
18	92990-08600	.WASHER, PLATE .ARANDELA	2	2	2	2	
19	6H1-15771-00	.STAY 1 .SOPORTE 1	1	1	1	1	
20	97885-04010	.SCREW, PAN HEAD .TORNILLO DE CABEZA CON PLANA	3	3	3	3	
21	92995-04600	.WASHER .ARANDELA	3	3	3	3	

FIG. 13 BOTTOM COWLING

CUBIERTA INFERIOR

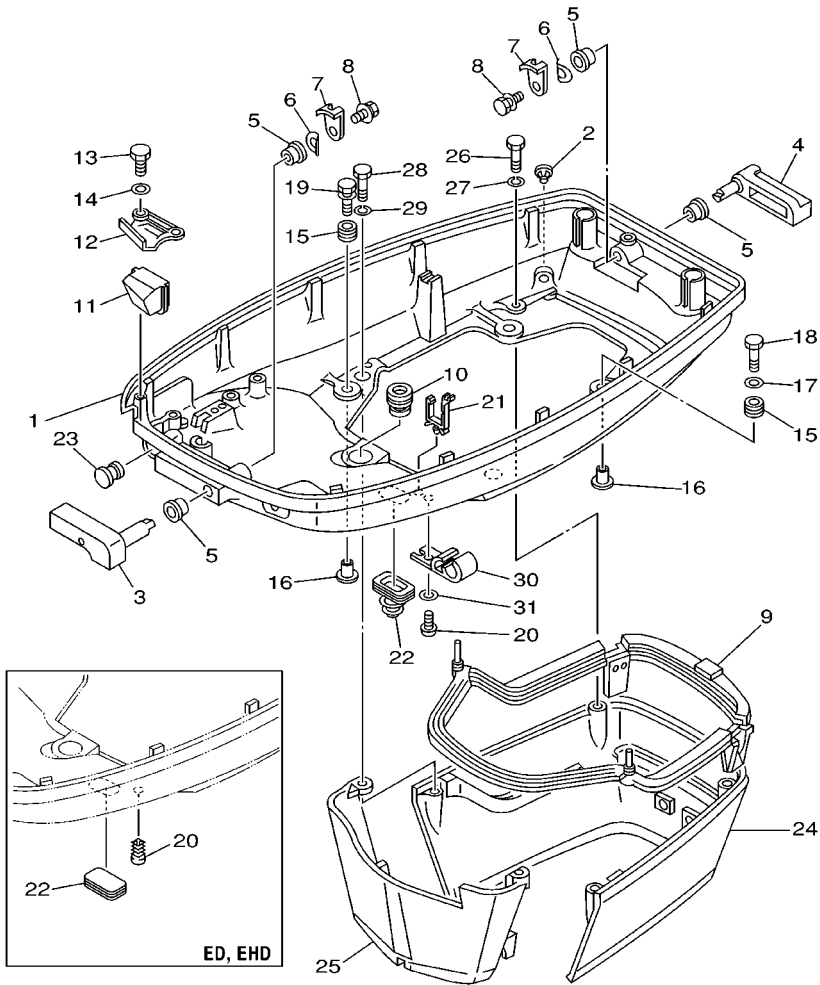


FWD
6H10200-0110

REF. NO.	PART NO. CODIGO NO.	DESCRIPTION DESCRIPTION	EHD	ED	ET	EIO	REMARKS OBSERVACION
1	688-42711-04-4D	COWLING, BOTTOM CUBIERTA INFERIOR		1	1		
	692-42711-02-4D	COWLING, BOTTOM CUBIERTA INFERIOR	1				
	6H1-42711-01-4D	COWLING, BOTTOM CUBIERTA INFERIOR				1	
2	6H3-44391-01	NIPPLE, HOSE NIPLE MANGUERA	1	1	1	1	
3	688-42815-01-4D	LEVER, CLAMP PALANCA ABRAZADERA	1	1	1	1	
4	688-42817-01-4D	LEVER, CLAMP PALANCA ABRAZADERA	1	1	1	1	
5	90386-13M38	BUSH BUJE	4	4	4	4	
6	90206-13019	WASHER, WAVE ARANDELA ONDULADA	2	2	2	2	
7	688-42816-00	LEVER, CLAMP PALANCA ABRAZADERA	2	2	2	2	
8	90119-06M09	BOLT, WITH WASHER TORNILLO CON ARANDELA	2	2	2	2	
9	688-42716-02	RUBBER, SEAL 1 SELLO DE GOMA 1	1	1	1	1	
10	663-42724-00	GROMMET TAPON	1	1	1	1	
11	688-42725-10	GROMMET TAPON			1	1	
	688-42725-02	GROMMET TAPON		1			
	692-42725-00	GROMMET TAPON	1				
12	688-42738-01-94	PLATE, FITTING PLACA DE AJUSTE	1	1	1	1	
13	97095-06016	BOLT PERNO	2	2	2	2	
14	92995-06600	WASHER ARANDELA	2	2	2	2	
15	90480-09M12	GROMMET TAPON	4	4	4	4	
16	90387-06M69	COLLAR CASQUILLO CON VALONA	4	4	4	4	
17	90201-06416	WASHER, PLATE ARANDELA PLANA	1	1	1	1	
18	97095-06030	BOLT PERNO	1	1	1	1	
19	90119-06M61	BOLT, WITH WASHER TORNILLO CON ARANDELA	3	3	3	3	
20	90157-06M01	SCREW, PAN HEAD TORNILLO CABEZA CONICA PLANA			1	1	
	90338-05M03	PLUG TAPON	1	1			
21	90464-15M08	CLAMP BRIDA	1	1	1	1	
22	688-42726-10	GROMMET TAPON			1	1	

FIG. 13 BOTTOM COWLING

CUBIERTA INFERIOR



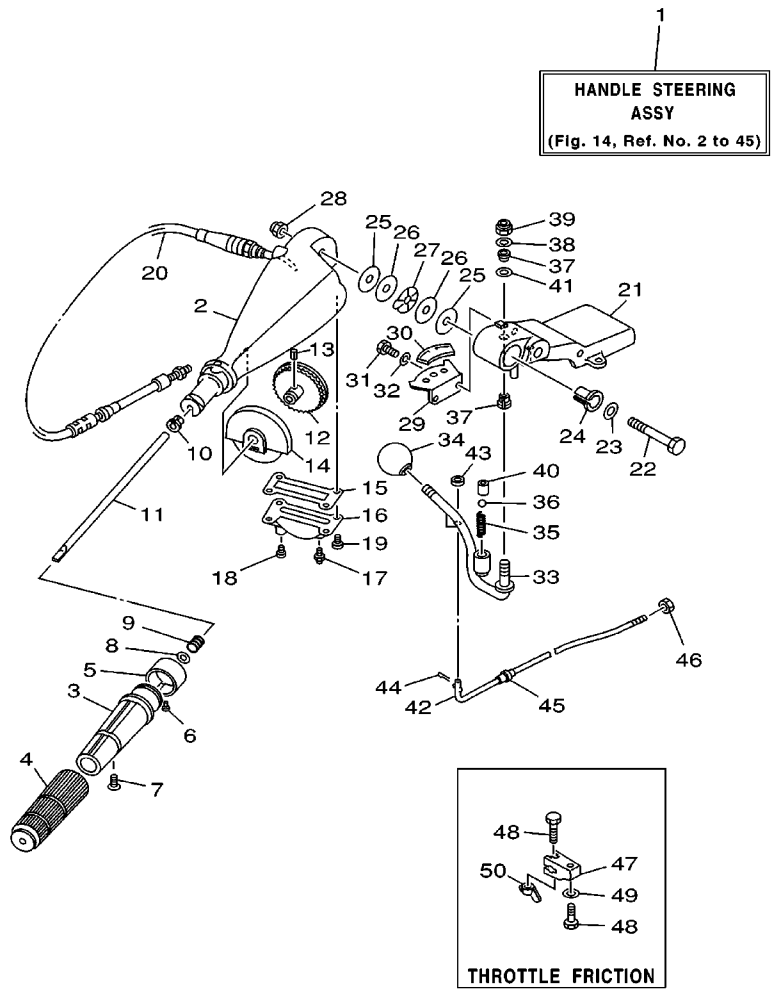
REF. NO.	PART NO. CODIGO NO.	DESCRIPTION DESCRIPTION	EHD	ED	ET	EIO	REMARKS OBSERVACION
22	6H4-42726-00	GROMMET TAPON	1	1			
23	6G1-42748-00	GROMMET TAPON	1	1	1	1	
24	688-42741-01-4D	APRON MANDIL	1	1	1	1	
25	688-42771-01-4D	APRON MANDIL	1	1	1	1	
26	97095-06020	BOLT PERNO	2	2	2	2	
27	92995-06100	WASHER, SPRING ARANDELA	2	2	2	2	
28	97095-06030	BOLT PERNO	2	2	2	2	
29	92995-06100	WASHER, SPRING ARANDELA	2	2	2	2	
30	6E5-24367-01	CLAMP, FUEL PIPE 2 GRAMPA DE TUBO DE COMBUST.2			1	1	
31	92990-06600	WASHER, PLATE ARANDELA			1	1	



6H10200-0110

FIG. 14 STEERING

DIRECCION



REF. NO.	PART NO. CODIGO NO.	DESCRIPTION DESCRIPTION	EHD	ED	ET	ETO	REMARKS OBSERVACION
1	692-W0084-11-4D	HANDLE STEERING ASSY CONJUNTO DE MANIJA	1				
2	692-42111-12-4D	HANDLE, STEERING MANIJA DE DIRECCION	1				
3	664-42119-00	GRIP, STEERING HANDLE MANGO, MANIJA DE DIRRECCION	1				
4	6F6-42177-A0	RUBBER, HANDLE HULE DE MANIJA	1				
5	692-42137-02	INDICATOR, THROTTLE INDICADOR ACELERADOR	1				
6	90269-02M09	RIVET REMACHE	1				
7	90149-05M13	SCREW TORNILLO DE REGLAJE	1				
8	92903-10600	WASHER, PLATE ARANDELA	1				
9	90501-23215	SPRING, COMPRESSION RESORTE DE COMPRESION	1				
10	90386-08032	BUSH BUJE	1				
11	692-42115-00	SHAFT, STEERING HANDLE EJE MANIJA DE DIRECCION	1				
12	663-42138-00	LEVER, THROTTLE PLANCA DE ACELERACION	1				
13	90254-03003	PIN, SPRING PASADOR DE TIPO A RESORTE	1				
14	692-42135-00	HOUSING, THROTTLE LEVER CAJA PALANCA ACELERADOR	1				
15	663-42133-01	GASKET EMPAQUE	1				
16	692-42134-03-94	COVER, THROTTLE LEVER CUBIERTA PALANCA ACELERADOR	1				
17	93700-06M03	NIPPLE, GREASE NIPLE DE ENGRASAR	1				
18	97885-06008	SCREW, PAN HEAD TORNILLO DE CABEZA CON PLANA	1				
19	97885-05012	SCREW, PAN HEAD TORNILLO DE CABEZA CON PLANA	4				
20	692-26301-03	THROTTLE CABLE ASSY CABLE DE ACELERADOR COMPLETO	1				
21	692-42121-01-4D	BRACKET SOPORTE	1				
22	90101-12M06	BOLT TORNILLO	1				
23	92990-12200	WASHER, PLAIN ARANDELA	1				
24	90386-12089	BUSH BUJE	1				
25	90202-12092	WASHER, PLATE ARANDELA DE PLANA	2				
26	90201-12537	WASHER, PLATE ARANDELA PLANA	2				
27	90206-12054	WASHER, WAVE ARANDELA ONDULADA	1				

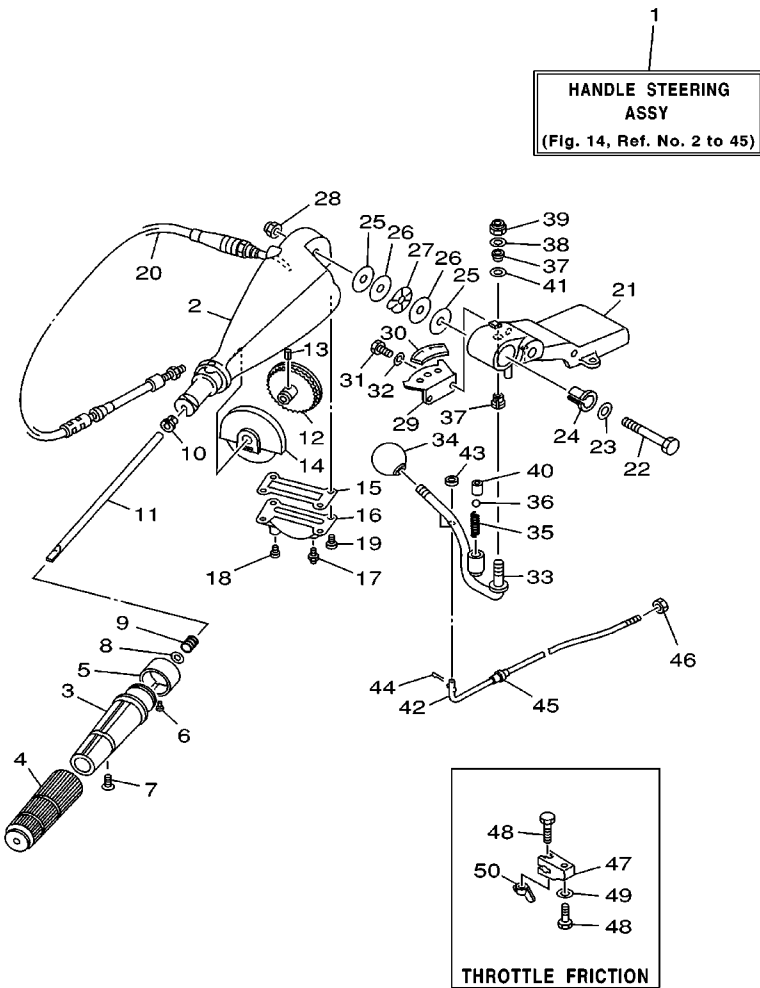
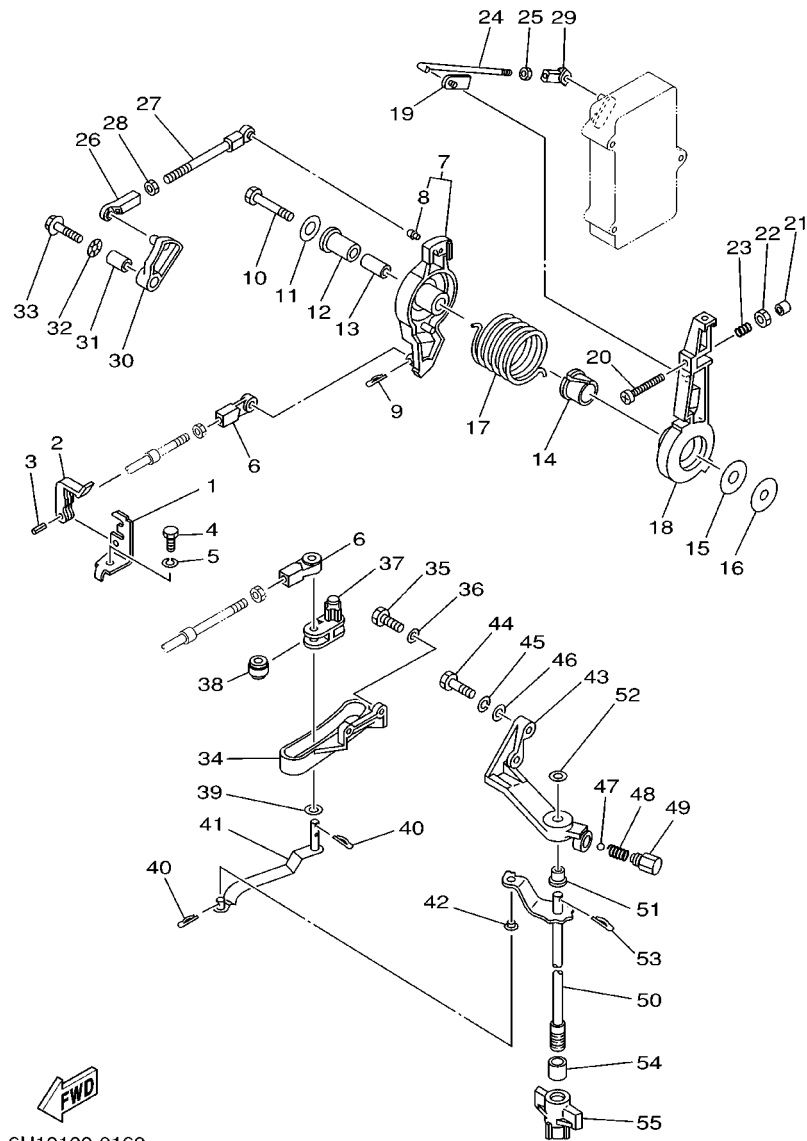


FIG. 14 STEERING

DIRECCION

REF. NO.	PART NO. CODIGO NO.	DESCRIPTION DESCRIPTION	EHD	ED	ET	ETO	REMARKS OBSERVACION
28	90185-12058	NUT, SELF-LOCKING TUERCA AUTOBLOCANTE	1				
29	697-44113-00	CAM PLATE, HANDLE PLACA DE LA LEVA DEL MANGO	1				
30	6K5-44191-00	INDICATOR, SHIFT INDICADOR DE CAMBIOS	1				
31	97013-06016	BOLT PERNO	2				
32	92903-06100	WASHER, SPRING ARANDELA	2				
33	692-44159-01	HANDLE, GEAR SHIFT MANIJA DE CAMBIO DE MARCHAS	1				
34	663-44173-00	LEVER, SHIFT CONTROL PALANCA CONTROL CAMBIOS	1				
35	90501-16M17	SPRING, COMPRESSION RESORTE DE COMPRESION	1				
36	93515-32M01	BALL BOLA	1				
37	90386-10009	BUSH BUJE	2				
38	90201-10120	WASHER, PLATE ARANDELA PLANA	1				
39	90185-10051	NUT, SELF-LOCKING TUERCA AUTOBLOCANTE	1				
40	90387-12M30	COLLAR CASQUILLO CON VALONA	1				
41	90201-12M34	WASHER, PLATE ARANDELA PLANA	1				
42	692-42164-00	ROD, MANUAL SHIFT VARILLA DE CAMBIOS MANUAL	1				
43	92990-06600	WASHER, PLATE ARANDELA	1				
44	91490-25012	PIN, COTTER PASADOR DE CHAVETA	1				
45	90386-06088	BUSH BUJE	1				
46	700-48339-00	NUT, CABLE END TUERCA TERMINAL	1				
47	663-42126-01	FRICTION, STEERING HANDLE GRIP FRICCION DE MANGO DIRECCION	1				
48	90101-06M27	BOLT TORNILLO	2				
49	92990-06600	WASHER, PLATE ARANDELA	1				
50	90175-06003	NUT, WING TUERCA MARIPOSA	1				

FWD
6H10200-1140

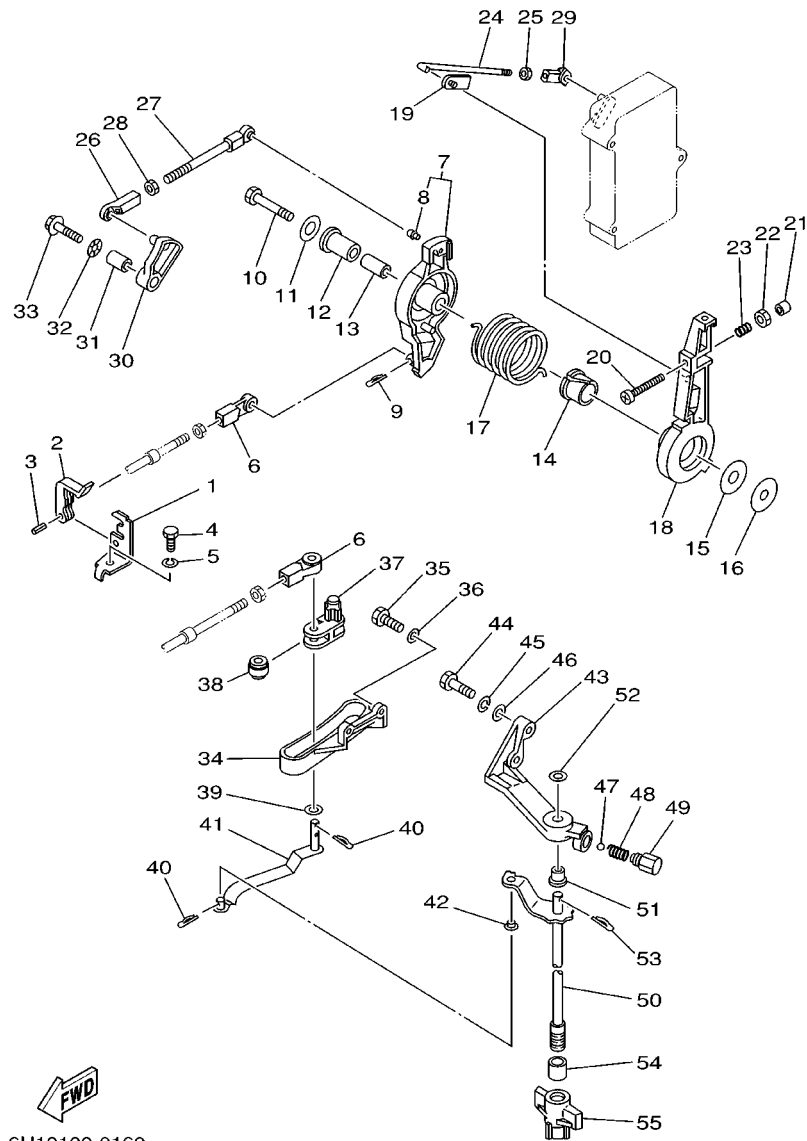


6H10100-0160

FIG. 15 CONTROL

CONTROL

REF. NO.	PART NO. CODIGO NO.	DESCRIPTION DESCRIPTION	EHD	ED	ET	EJO	REMARKS OBSERVACION
1	663-48531-00	BRACKET, REMOTE CONTROL 1 SOPORTE DE CONTROL REMOTO	1	1	1	1	
2	663-48538-00	CLAMP, CABLE 1 GRAMPA DE CABLE	1	1	1	1	
3	91690-30012	PIN, SPRING PASADOR DE RESORTE	1	1	1	1	
4	97095-08016	BOLT PERNO	1	1	1	1	
5	92995-08100	WASHER ARANDELA	1	1	1	1	
6	663-48344-00	CABLE END, REMOTE CONTROL BASE CONTROL	2	2	2	2	
7	688-41632-01-94	LEVER, MAGNETO CONTROL PALANCA DE CONTROL DE MAGNETO	1	1	1	1	
8	662-41214-01	.JOINT 1 .CONECTOR	1	1	1	1	
9	90468-18008	CLIP PRESILLA	1	1	1	1	
10	97095-08045	BOLT PERNO	1	1	1	1	
11	90201-08M23	WASHER, PLATE ARANDELA PLANA	1	1	1	1	
12	90386-12089	BUSH BUJE	1	1	1	1	
13	90387-08M16	COLLAR CASQUILLO CON VALONA	1	1	1	1	
14	90386-22M13	BUSH BUJE	1	1	1	1	
15	90202-12092	WASHER, PLATE ARANDELA DE PLANA	1	1	1	1	
16	90201-08M13	WASHER, PLATE ARANDELA PLANA	1	1	1	1	
17	90508-29M05	SPRING, TORSION RESORTE DE TORSION	1	1	1	1	
18	688-41631-01-94	LEVER, MAGNETO CONTROL PALANCA DE CONTROL DE MAGNETO	1	1	1	1	
19	6F5-41237-00	JOINT, LINK CONECTOR	1	1	1	1	
20	90157-06013	SCREW, PAN HEAD TORNILLO CABEZA CONICA PLANA	1	1	1	1	
21	688-44194-00	CAP TAPA	1	1	1	1	
22	95303-06600	NUT TUERCA	1	1	1	1	
23	90501-16M12	SPRING, COMPRESSION RESORTE DE COMPRESION	1	1	1	1	
24	6H1-41636-00	ROD, MAGNETO CONTROL VARILLA DE CONTROL MAGNETO	1	1	1	1	
25	95380-05600	NUT TUERCA	1	1	1	1	
26	662-41237-01	JOINT, LINK CONECTOR	1	1	1	1	
27	688-41211-01	LINK, ACCEL. ESLABON, ACELERADOR	1	1	1	1	

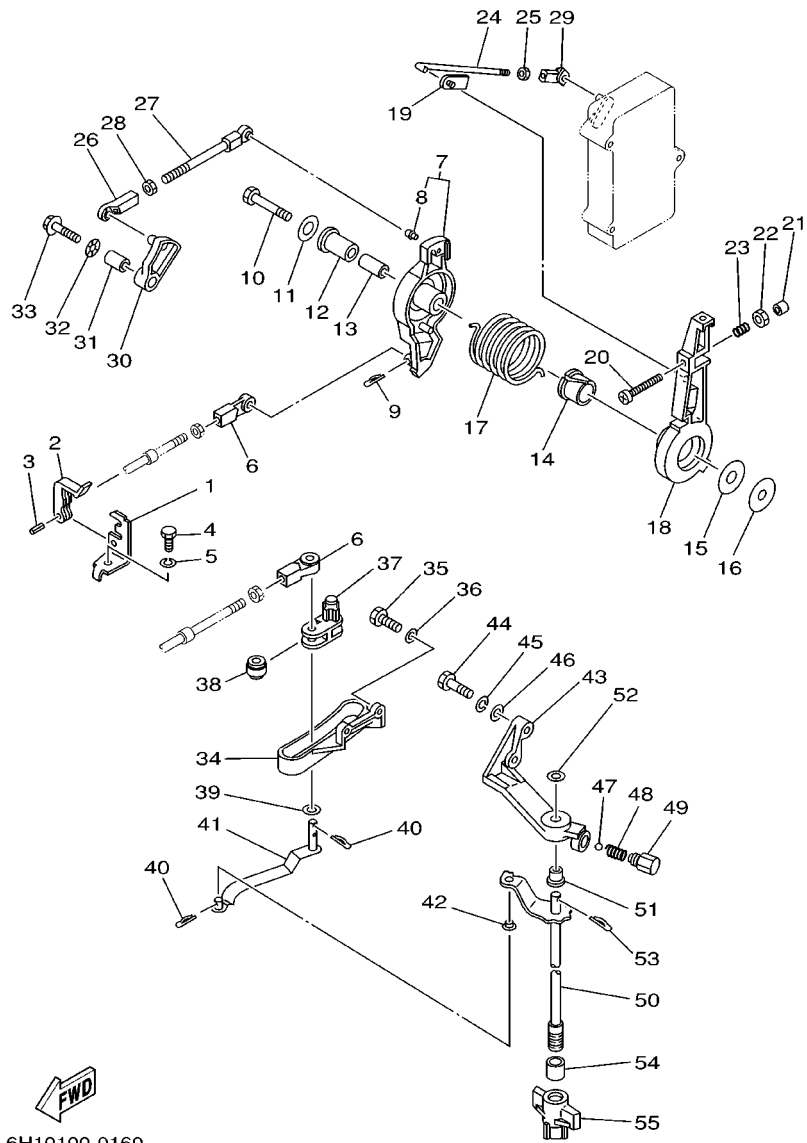


6H10100-0160

FIG. 15 CONTROL

CONTROL

REF. NO.	PART NO. CODIGO NO.	DESCRIPTION DESCRIPTION	EHD	ED	ET	EIO	REMARKS OBSERVACION
28	95380-05600	NUT TUERCA	1	1	1	1	
29	682-41237-00	JOINT, LINK CONECTOR	1	1	1	1	
30	6H1-41213-00	CAM, ACCEL. LEVA ACELERADOR	1	1	1	1	
31	90387-06M17	COLLAR CASQUILLO CON VALONA	1	1	1	1	
32	90206-10M04	WASHER, WAVE ARANDELA ONDULADA	1	1	1	1	
33	90119-06M24	BOLT, WITH WASHER TORNILLO CON ARANDELA	1	1	1	1	
34	688-44117-00-94	BRACKET SOPORTE	1	1	1	1	
35	97013-06020	BOLT PERNO	2	2	2	2	
36	92903-06600	WASHER, PLATE ARANDELA	2	2	2	2	
37	688-44124-00	LINK, SHIFT ROD ESLABON	1	1	1	1	
38	688-44122-00	BUSHING, SHIFT ROD LEVER BUJE PALANCA VARILLA DE CAMBIO	1	1	1	1	
39	90202-07M07	WASHER, PLATE ARANDELA DE PLANA	1	1	1	1	
40	90468-18008	CLIP PRESILLA	3	3	3	3	
41	688-44121-02	LEVER, SHIFT ROD PALANCA VARILLA CAMBIOS	1	1	1		
	6H1-44121-00	LEVER, SHIFT ROD PALANCA VARILLA CAMBIOS				1	
42	90386-06M12	BUSH BUJE	1	1	1		
43	688-44118-00-94	BRACKET SOPORTE	1	1	1	1	
44	97013-08030	BOLT PERNO	2	2	2	2	
45	92903-08100	WASHER, SPRING ARANDELA	2	2	2	2	
46	92903-08600	WASHER, PLATE ARANDELA	2	2	2	2	
47	93501-04M02	BALL BOLA	1	1	1	1	
48	90501-12082	SPRING, COMPRESSION RESORTE DE COMPRESION	1	1	1	1	
49	648-42715-00	BUSHING BUJE	1	1	1	1	
50	688-44120-12	HANDLE GEAR SHIFT ASSY MANIJA DE CAMBIO COMPL	1	1	1		L
	6H1-44120-12	HANDLE GEAR SHIFT ASSY MANIJA DE CAMBIO COMPL				1	L
	6H1-44120-22	HANDLE GEAR SHIFT ASSY MANIJA DE CAMBIO COMPL				1	X
51	90386-08006	BUSH BUJE	1	1	1		



6H10100-0160

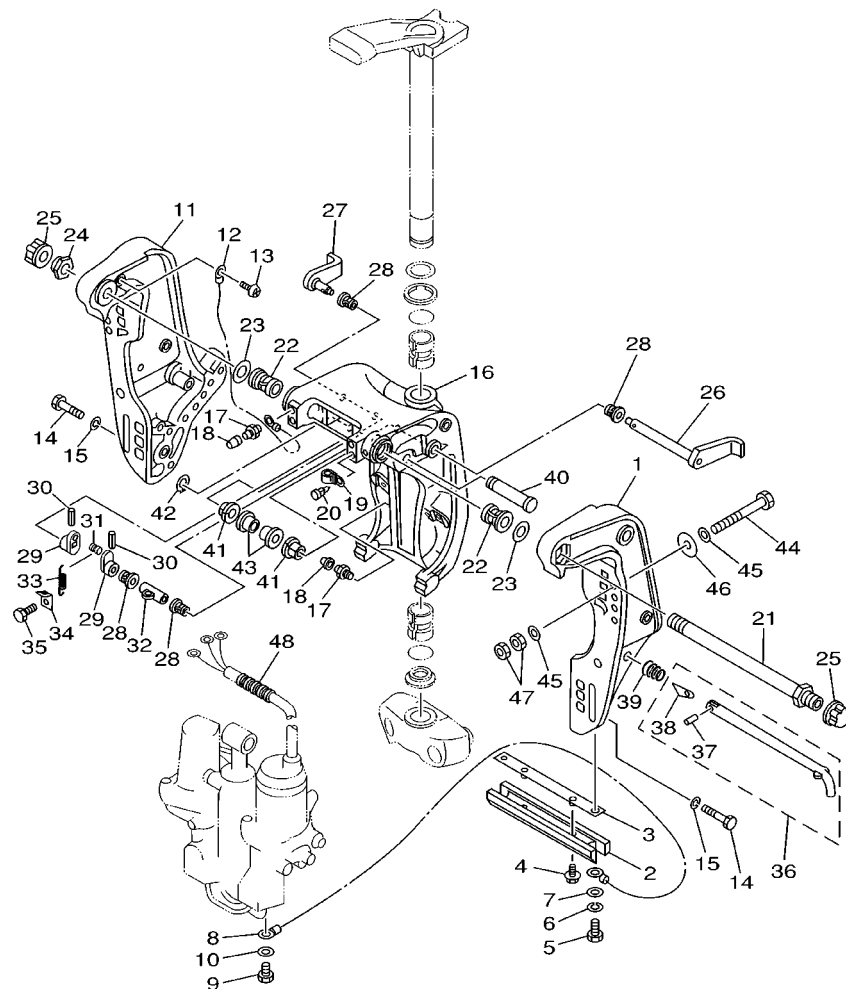
FIG. 15 CONTROL

CONTROL

REF. NO.	PART NO. CODIGO NO.	DESCRIPTION DESCRIPTION	EHD	ED	ET	ETO	REMARKS OBSERVACION
51	90386-07M58	BUSH BUJE				1	
52	92990-08200	WASHER, PLAIN ARANDELA	1	1	1	1	
53	90468-18008	CLIP PRESILLA	1	1	1	1	
54	696-44147-00	BOOT, SHIFT ROD HULE DE VARILLA	1	1	1		
55	697-43662-00	GUIDE, REVERSE ROD GUIA DE LA VARILLA DE REVERSE	1	1	1		

FIG. 16 BRACKET 1

SOPORTE 1

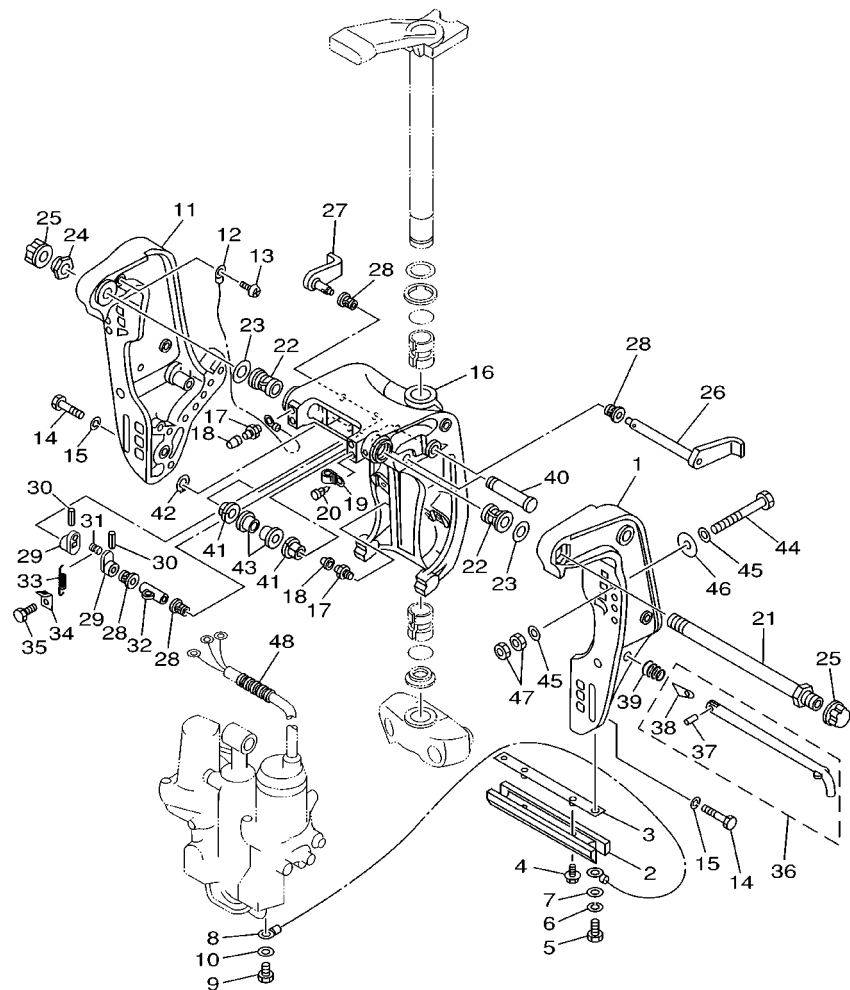


6H10010-0150

REF. NO.	PART NO. CODIGO NO.	DESCRIPTION DESCRIPTION	EHD	ED	ET	EIO	REMARKS OBSERVACION
1	6H1-43111-01-4D	BRACKET, CLAMP SOPORTE DE LA ABRAZADERA			1	1	
2	6H1-45251-03	ANODE CATODE			1	1	
3	6H1-44526-00	PLATE PLACA 1			1	1	
4	90119-06M29	BOLT, WITH WASHER TORNILLO CON ARANDELA			2	2	
5	97095-06016	BOLT PERNO			2	2	
6	92995-06100	WASHER, SPRING ARANDELA			2	2	
7	92995-06600	WASHER ARANDELA			2	2	
8	6H1-82148-00	WIRE, LEAD 4 CABLE CONDUCTOR 4			1	1	
9	97095-06010	BOLT PERNO			1	1	
10	92995-06600	WASHER ARANDELA			1	1	
11	6H1-43112-00-4D	BRACKET, CLAMP SOPORTE DE LA ABRAZADERA			1	1	
12	6E5-82148-00	WIRE, LEAD 4 CABLE CONDUCTOR 4			1	1	
13	97880-06012	SCREW, PAN HEAD TORNILLO DE CABEZA CON PLANA			1	1	
14	97095-10045	BOLT PERNO			6	6	
15	92995-10100	WASHER ARANDELA			6	6	
16	6H1-43311-01-4D	BRACKET, SWIVEL 1 SOPORTE GIRATORIO 1			1	1	
17	93700-06M03	NIPPLE, GREASE NIPLE DE ENGRASAR			3	3	
18	663-45119-00	CAP, GREASE NIPPLE TAPA DE GRASERA			3	3	
19	90464-11M18	CLAMP BRIDA			1	1	
20	90338-05M03	PLUG TAPON			1	1	
21	688-43131-03	BOLT, CLAMP BRACKET TORNILLO DE ABRAZADERA DEL SOP			1	1	
22	90386-22M15	BUSH BUJE			2	2	
23	90201-22M67	WASHER, PLATE ARANDELA PLANA			2	2	
24	90185-22043	NUT, SELF-LOCKING TUERCA AUTOBLOCANTE			1	1	
25	6G5-43145-00	CAP, CLAMP BRACKET TAPA			2	2	
26	6H1-43181-01	LEVER, TILT STOP PALANCA TOPE INCLINACION			1	1	
27	6H1-43185-01	LEVER, TILT STOP PALANCA TOPE INCLINACION			1	1	

FIG. 16 BRACKET 1

SOPORTE 1



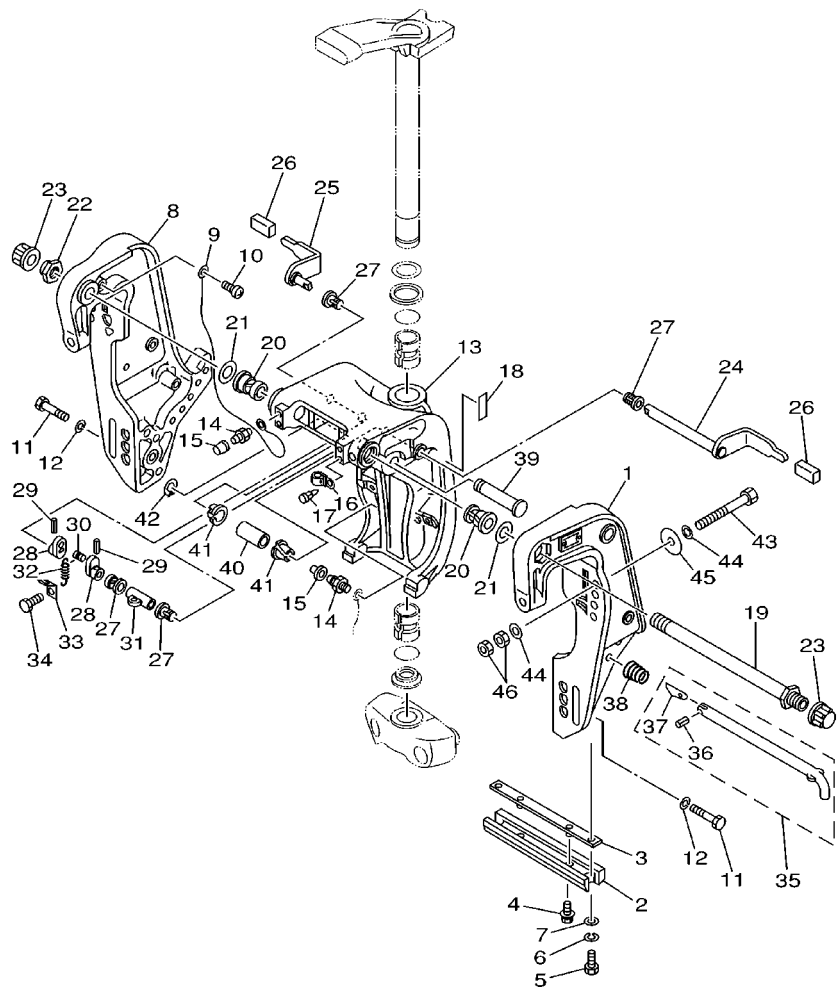
REF. NO.	PART NO. CODIGO NO.	DESCRIPTION DESCRIPTION	EHD	ED	ET	EIO	REMARKS OBSERVACION
28	90386-10M16	BUSH BUJE			4	4	
29	6G5-43148-00	COLLAR, DISTANCE COLLAR			2	2	
30	91690-30020	PIN, SPRING PASADOR DE RESORTE			2	2	
31	90249-06M19	PIN PASADOR			1	1	
32	90387-10M02	COLLAR CASQUILLO CON VALONA			1	1	
33	90506-14M24	SPRING, TENSION RESORTE DE TENSION			1	1	
34	6G5-43144-00	HOOK, SPRING GANCHO			1	1	
35	97095-06010	BOLT PERNO			1	1	
36	688-43160-01	TILT ROD ASSY VARILLA DE BASCULACION COMPL.			1	1	
37	91690-30012	PIN, SPRING PASADOR DE RESORTE			1	1	
38	688-43165-00	PLATE, TILT LOCK PLACA DE TOPE, VARILLA SEGUR			1	1	
39	90502-16M02	SPRING, CONICAL RESORTE CONICO			1	1	
40	6E5-43126-02	PIN, UPPER SHOCK MOUNT PASADOR DE AMORTIGUADOR SUPERI			1	1	
41	90386-18M35	BUSH BUJE			2	2	
42	93410-18M02	CIRCLIP BOLA			1	1	
43	90386-18M63	BUSH BUJE			2	2	
44	90101-12M65	BOLT TORNILLO			4	4	
45	92995-12200	WASHER ARANDELA			8	8	
46	90201-12426	WASHER, PLATE ARANDELA PLANA			4	4	
47	95380-12600	NUT TUERCA			8	8	
48	90440-14M00	PIPE TUBO			1	1	



6H10010-0150

FIG. 17 BRACKET 2

SOPORTE 2

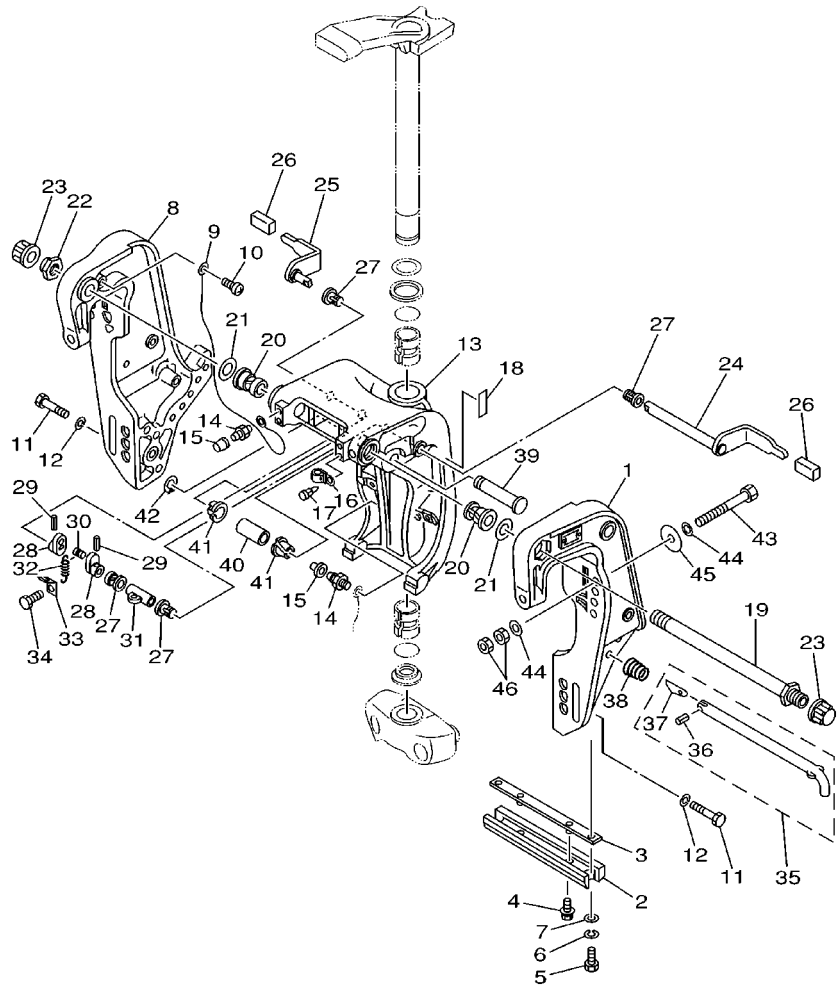


6H10010-9160

REF. NO.	PART NO. CODIGO NO.	DESCRIPTION DESCRIPTION	EHD	ED	ET	ETO	REMARKS OBSERVACION
1	688-43111-13-4D	BRACKET, CLAMP SOPORTE DE LA ABRAZADERA	1	1			
2	6H1-45251-03	ANODE CATODE	1	1			
3	6H1-44526-00	PLATE PLACA 1	1	1			
4	90119-06M29	BOLT, WITH WASHER TORNILLO CON ARANDELA	2	2			
5	97095-06016	BOLT PERNO	2	2			
6	92995-06100	WASHER, SPRING ARANDELA	2	2			
7	92995-06600	WASHER ARANDELA	2	2			
8	688-43112-12-4D	BRACKET, CLAMP SOPORTE DE LA ABRAZADERA	1	1			
9	6E5-82148-00	WIRE, LEAD 4 CABLE CONDUCTOR 4	1	1			
10	97880-06012	SCREW, PAN HEAD TORNILLO DE CABEZA CON PLANA	1	1			
11	97095-10045	BOLT PERNO	6	6			
12	92995-10100	WASHER ARANDELA	6	6			
13	6H1-43311-01-4D	BRACKET, SWIVEL 1 SOPORTE GIRATORIO 1	1	1			
14	93700-06M03	NIPPLE, GREASE NIPLE DE ENGRASAR	3	3			
15	663-45119-00	CAP, GREASE NIPPLE TAPA DE GRASERA	3	3			
16	90464-11M18	CLAMP BRIDA	1	1			
17	90338-05M03	PLUG TAPON	1	1			
18	688-43691-01	INDICATOR, TILT INDICADOR	1	1			
19	688-43131-03	BOLT, CLAMP BRACKET TORNILLO DE ABRAZADERA DEL SOP	1	1			
20	90386-22M15	BUSH BUJE	2	2			
21	90201-22M67	WASHER, PLATE ARANDELA PLANA	2	2			
22	90185-22043	NUT, SELF-LOCKING TUERCA AUTOBLOCANTE	1	1			
23	6G5-43145-00	CAP, CLAMP BRACKET TAPA	2	2			
24	688-43181-10	LEVER, TILT STOP PALANCA TOPE INCLINACION	1	1			
25	688-43185-10	LEVER, TILT STOP PALANCA TOPE INCLINACION	1	1			
26	663-43318-00	COVER CUBIERTA	2	2			
27	90386-10M16	BUSH BUJE	4	4			

FIG. 17 BRACKET 2

SOPORTE 2

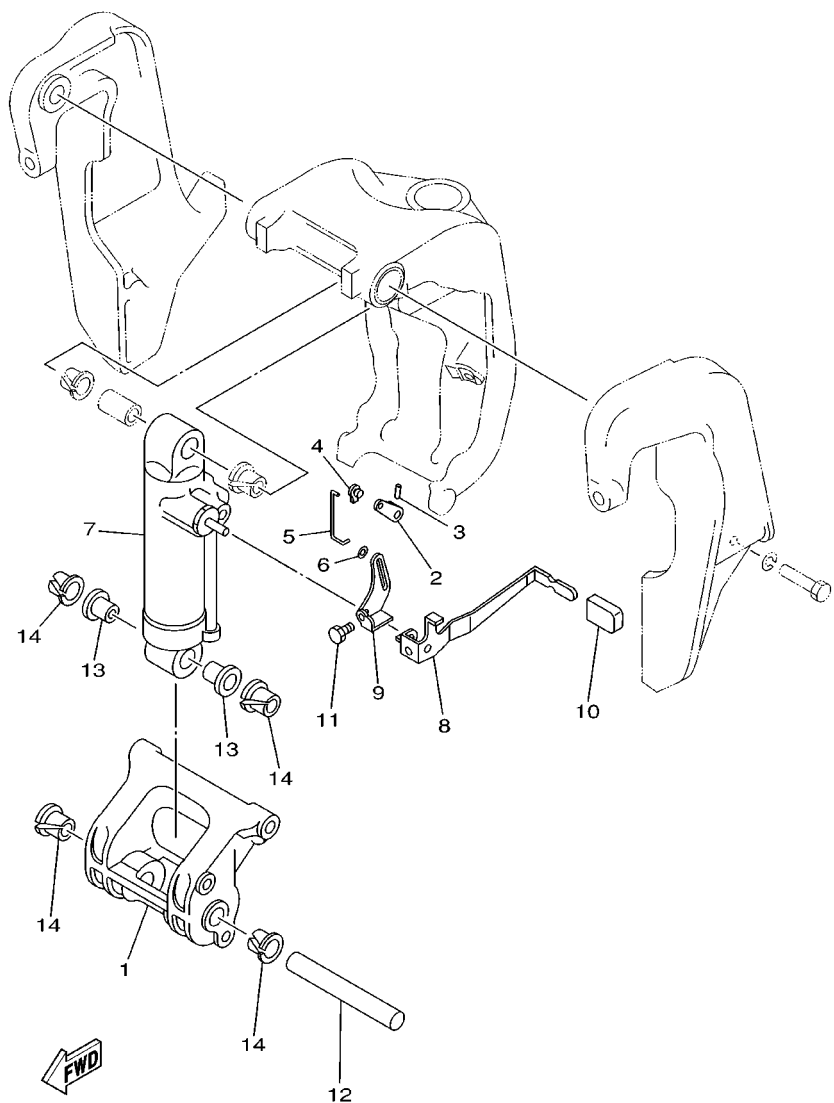


FWD
6H10010-9160

REF. NO.	PART NO. CODIGO NO.	DESCRIPTION DESCRIPTION	EHD	ED	ET	ETO	REMARKS OBSERVACION
28	6G5-43148-00	COLLAR, DISTANCE COLLAR	2	2			
29	91690-30020	PIN, SPRING PASADOR DE RESORTE	2	2			
30	90249-06M19	PIN PASADOR	1	1			
31	90387-10M02	COLLAR CASQUILLO CON VALONA	1	1			
32	90506-14M24	SPRING, TENSION RESORTE DE TENSION	1	1			
33	6G5-43144-00	HOOK, SPRING GANCHO	1	1			
34	97095-06010	BOLT PERNO	1	1			
35	688-43160-01	TILT ROD ASSY VARILLA DE BASCULACION COMPL.	1	1			
36	91690-30012	PIN, SPRING PASADOR DE RESORTE	1	1			
37	688-43165-00	PLATE, TILT LOCK PLACA DE TOPE, VARILLA SEGUR	1	1			
38	90502-16M02	SPRING, CONICAL RESORTE CONICO	1	1			
39	6E5-43126-02	PIN, UPPER SHOCK MOUNT PASADOR DE AMORTIGUADOR SUPERI	1	1			
40	90386-18M21	BUSH BUJE	1	1			
41	90386-18M35	BUSH BUJE	2	2			
42	93410-18M02	CIRCLIP BOLA	1	1			
43	90101-12M65	BOLT TORNILLO	4	4			
44	92995-12200	WASHER ARANDELA	8	8			
45	90201-12426	WASHER, PLATE ARANDELA PLANA	4	4			
46	95380-12600	NUT TUERCA	8	8			

FIG. 18 BRACKET 3

SOPORTE 3

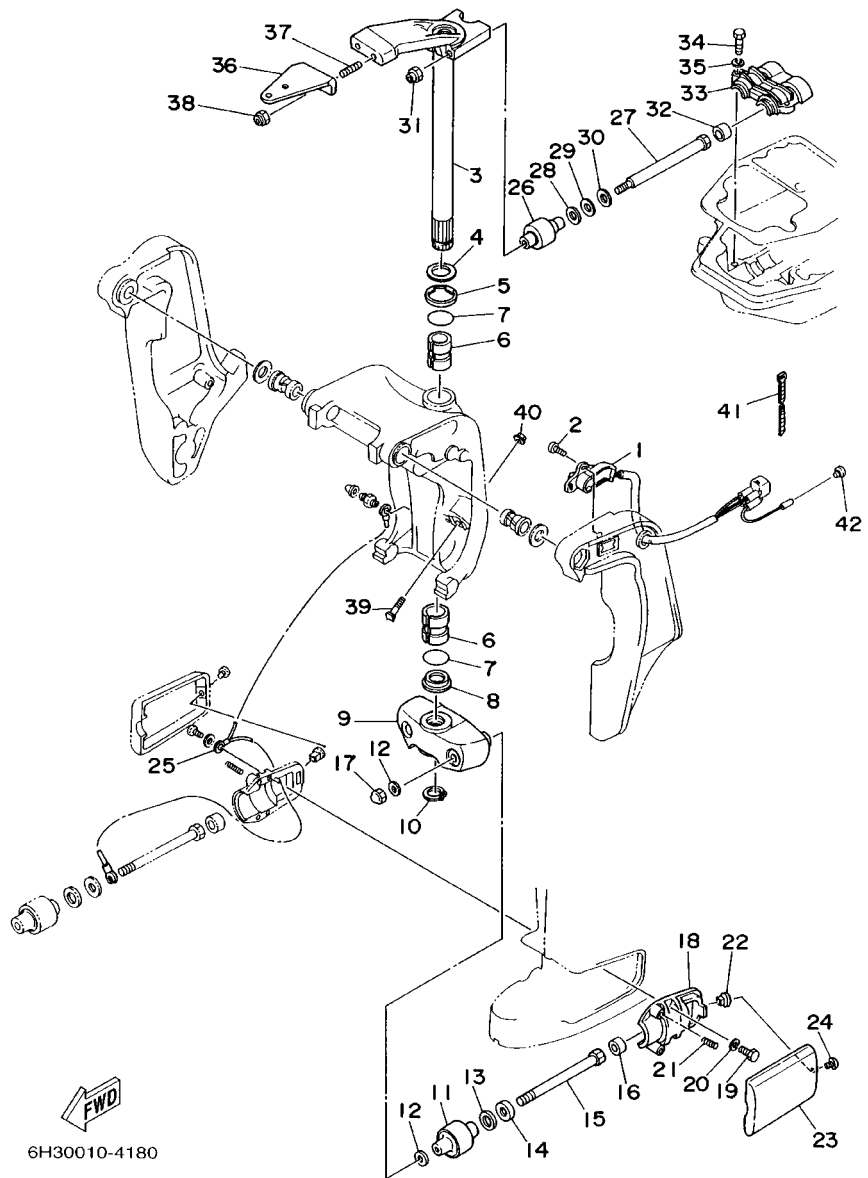


6H10010-0170

REF. NO.	PART NO. CODIGO NO.	DESCRIPTION DESCRIPTION	EHD	ED	ET	ETO	REMARKS OBSERVACION
1	688-43128-01-4D	SPACER, CLAMP BRACKET ESPACIADOR ABRAZADERA SOPORTE	1	1			
2	688-43186-00	LEVER PALANCA	1	1			
3	91690-30020	PIN, SPRING PASADOR DE RESORTE	1	1			
4	6J8-41262-00	JOINT, CHOKE LEVER CONECTOR DE AHOGADOR	1	1			
5	688-43616-00	ROD, TILT LOCK VARILLA SEGURO DE INCLINACION	1	1			
6	90202-03M51	WASHER, PLATE ARANDELA DE PLANA	1	1			
7	688-43170-04-4D	SHOCK ABSORBER ASSY AMORTIGUADOR COMPL.	1	1			
8	688-43631-10	LEVER, TILT PALANCA DE INCLINACION	1	1			
9	688-43651-00	LEVER, REVERSE LOCK 1 PALANCA SEGURO DE RESERVA	1	1			
10	682-43318-01	COVER CUBIERTA	1	1			
11	97080-06010	BOLT PERNO	1	1			
12	688-43124-02	PIN, LOWER SHOCK MOUNT PASADOR DE AMORTIGUADOR INFERI	1	1			
13	90386-18M63	BUSH BUJE	2	2			
14	90386-18M35	BUSH BUJE	4	4			

FIG. 19 BRACKET 4

SOPORTE 4

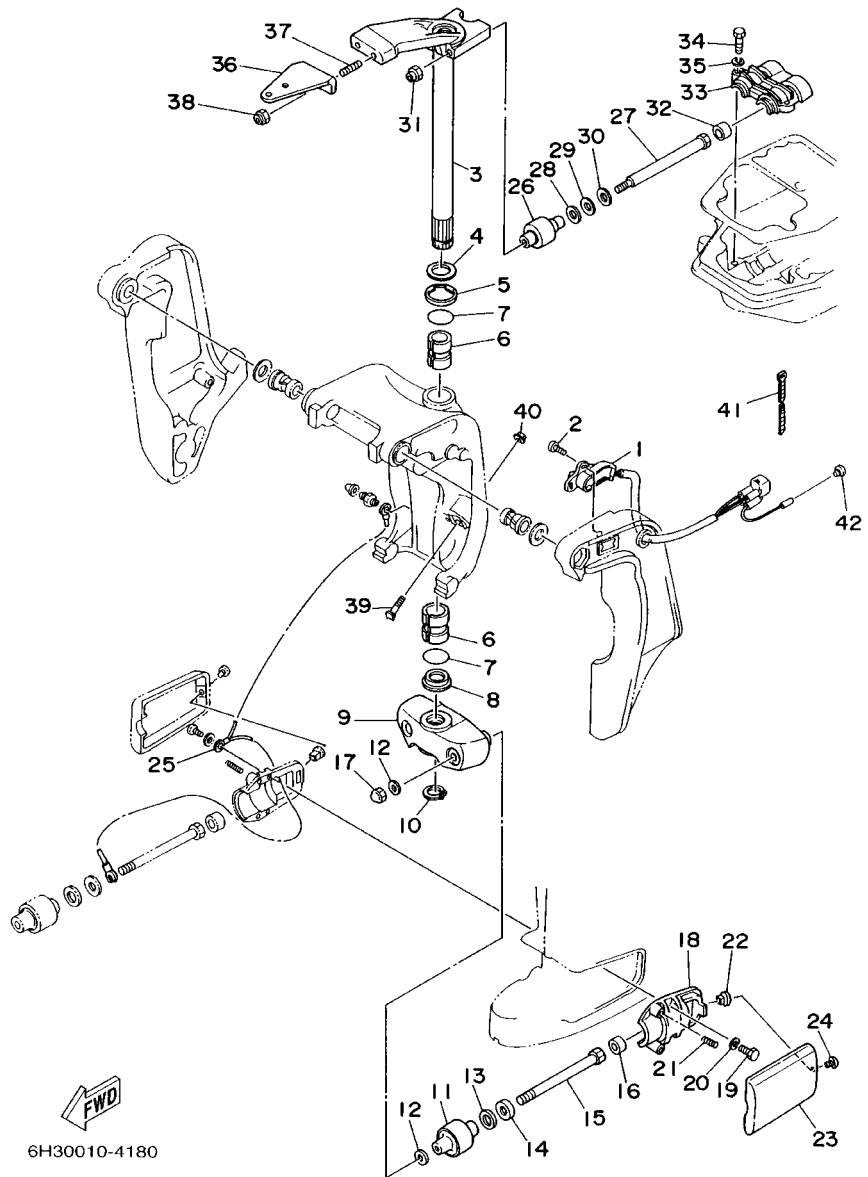


6H30010-4180

REF. NO.	PART NO. CODIGO NO.	DESCRIPTION DESCRIPTION	EHD	ED	ET	EIO	REMARKS OBSERVACION
1	6H1-83672-12	TRIM SENDER TRANSMISOR DE INCLINADOR			1	1	
2	97885-06016	SCREW, PAN HEAD TORNILLO DE CABEZA CON PLANA			2	2	
3	688-42510-02-4D	STEERING BRACKET ASSY SOPORTE DIRECCION COMPL.	1	1	1	1	
4	90201-30M00	WASHER, PLATE ARANDELA PLANA	1	1	1	1	
5	90386-30M78	BUSH BUJE	1	1	1	1	
6	90386-30M77	BUSH BUJE	2	2	2	2	
7	93210-29M94	O-RING ANILLO O	2	2	2	2	
8	90386-30M60	BUSH BUJE	1	1	1	1	
9	663-44551-02-4D	HOUSING, LOWER MOUNT RUBBER CAJA AMORTIGUADOR INFERIOR HU	1	1	1	1	
10	93410-28M06	CIRCLIP BOLA	1	1	1	1	
11	687-44555-00-94	MOUNT DAMPER, LOWER SIDE AMORTIGUADOR DE HULE LADO INFE	2	2	2	2	
12	90201-12M16	WASHER, PLATE ARANDELA PLANA	4	4	4	4	
13	90202-25M04	WASHER, PLATE ARANDELA DE PLANA	2	2	2	2	
14	90201-13M19	WASHER, PLATE ARANDELA PLANA	2	2	2	2	
15	90109-12261	BOLT PERNO	2	2	2	2	
16	663-44575-00	DAMPÉR, LOWER MOUNT RUBBER AMORTIGUADOR INFERIOR	2	2	2	2	
17	95380-12800	NUT, CROWN TUERCA	2	2	2	2	
18	687-44552-02-94	HOUSING, LOWER MOUNT RUBBER CAJA AMORTIGUADOR INFERIOR HU	2	2	2	2	
19	97075-08025	BOLT PERNO	4	4	4	4	
20	92995-08100	WASHER ARANDELA	4	4	4	4	
21	90501-14M08	SPRING, COMPRESSION RESORTE DE COMPRESION	4	4	4	4	
22	90179-06066	NUT TUERCA	2	2	2	2	
23	663-44553-01-4D	COVER, LOWER MOUNT CUBIERTA, AMORTIGUADOR INFERIOR	2	2	2	2	
24	97885-06016	SCREW, PAN HEAD TORNILLO DE CABEZA CON PLANA	2	2	2	2	
25	688-82127-02	WIRE, LEAD 2 CABLE CONDUCTOR 2	1	1	1	1	
26	688-44514-00-94	MOUNT DAMPER, UPPER SIDE AMORTIGUADOR LADO SUPERIOR	2	2	2	2	
27	90101-10M49	BOLT TORNILLO	2	2	2	2	

FIG. 19 BRACKET 4

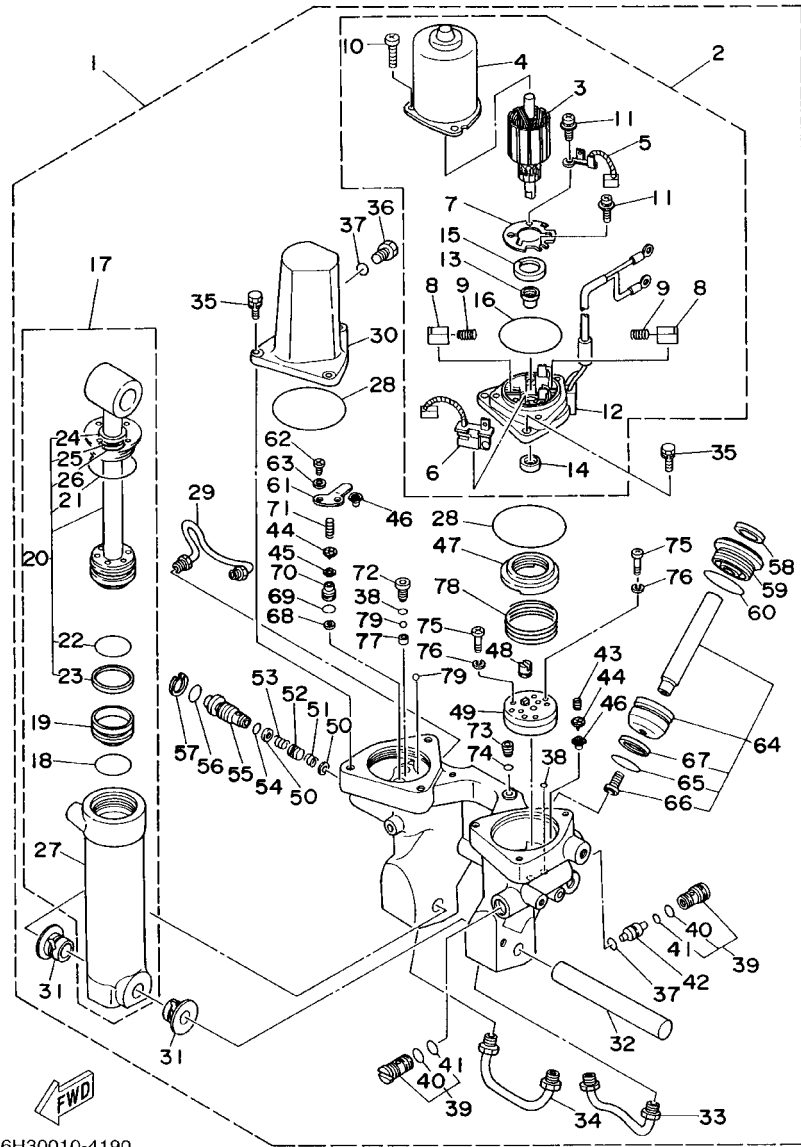
SOPORTE 4



6H30010-4180

REF. NO.	PART NO. CODIGO NO.	DESCRIPTION DESCRIPTION	EHD	ED	ET	EIO	REMARKS OBSERVACION
28	90201-20M21	WASHER, PLATE ARANDELA PLANA	2	2	2	2	
29	90202-20M06	WASHER, PLATE ARANDELA DE PLANA	2	2	2	2	
30	90201-11M22	WASHER, PLATE ARANDELA PLANA	2	2	2	2	
31	90185-10051	NUT, SELF-LOCKING TUERCA AUTOBLOCANTE	2	2	2	2	
32	663-44575-00	DAMPER, LOWER MOUNT RUBBER AMORTIGUADOR INFERIOR	2	2	2	2	
33	688-44511-00-94	COVER, UPPER MOUNT CUBIERTA AMORTIGUADOR SUPERIOR	1	1	1	1	
34	97075-08035	BOLT PERNO	3	3	3	3	
35	92995-08100	WASHER ARANDELA	3	3	3	3	
36	688-48511-11-4D	HOOK, STEERING GANCHO DIRECCION		1	1	1	STEERING GUIDE TYPE
37	90116-10175	BOLT, STUD ESPARRAGO	2	2	2	2	
38	90185-10051	NUT, SELF-LOCKING TUERCA AUTOBLOCANTE	2	2	2	2	
39	6H1-43376-00	BOLT, THRUST RECEIVER TORNILLO RECEPTOR			2	2	
40	90185-08057	NUT, SELF-LOCKING TUERCA AUTOBLOCANTE			2	2	
41	90465-11M10	CLAMP BRIDA			3	3	
42	703-82119-00	COVER, LEAD WIRE CUBIERTA DE CABLE CONDUCTOR			1	1	

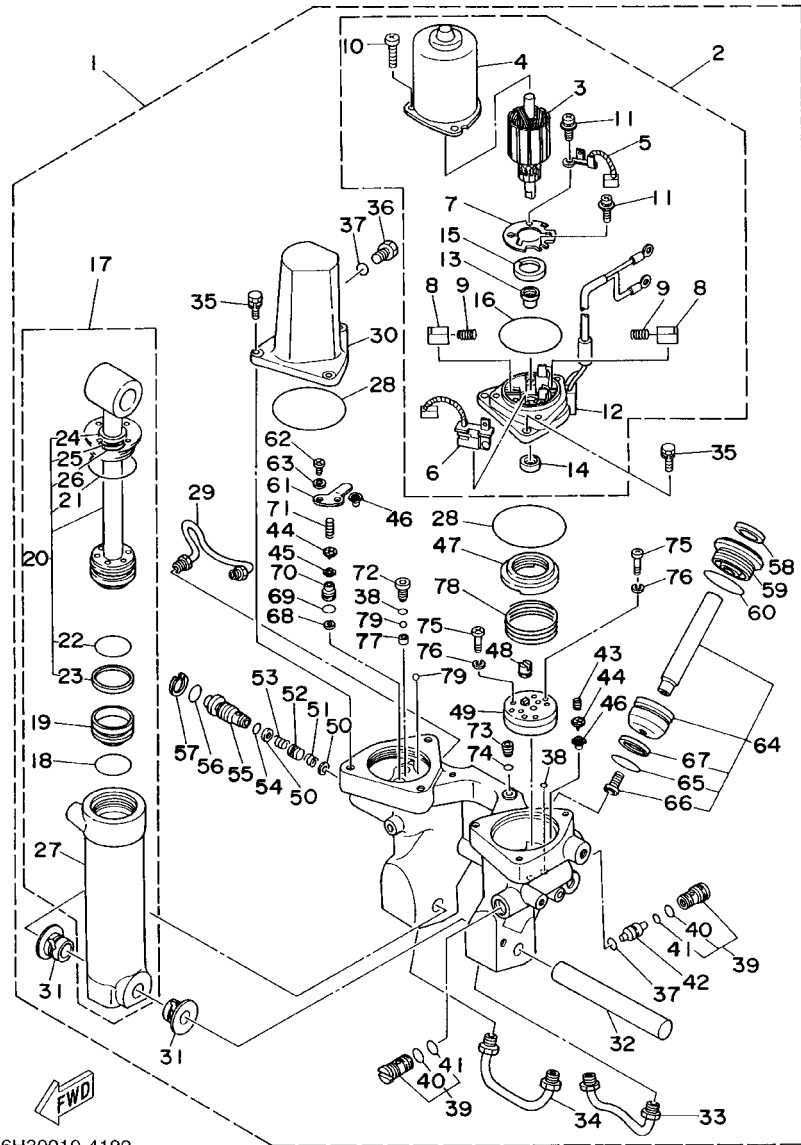
FIG. 20 POWER TRIM & TILT ASSY COMPONER Y PODER VARILLA



6H30010-4190

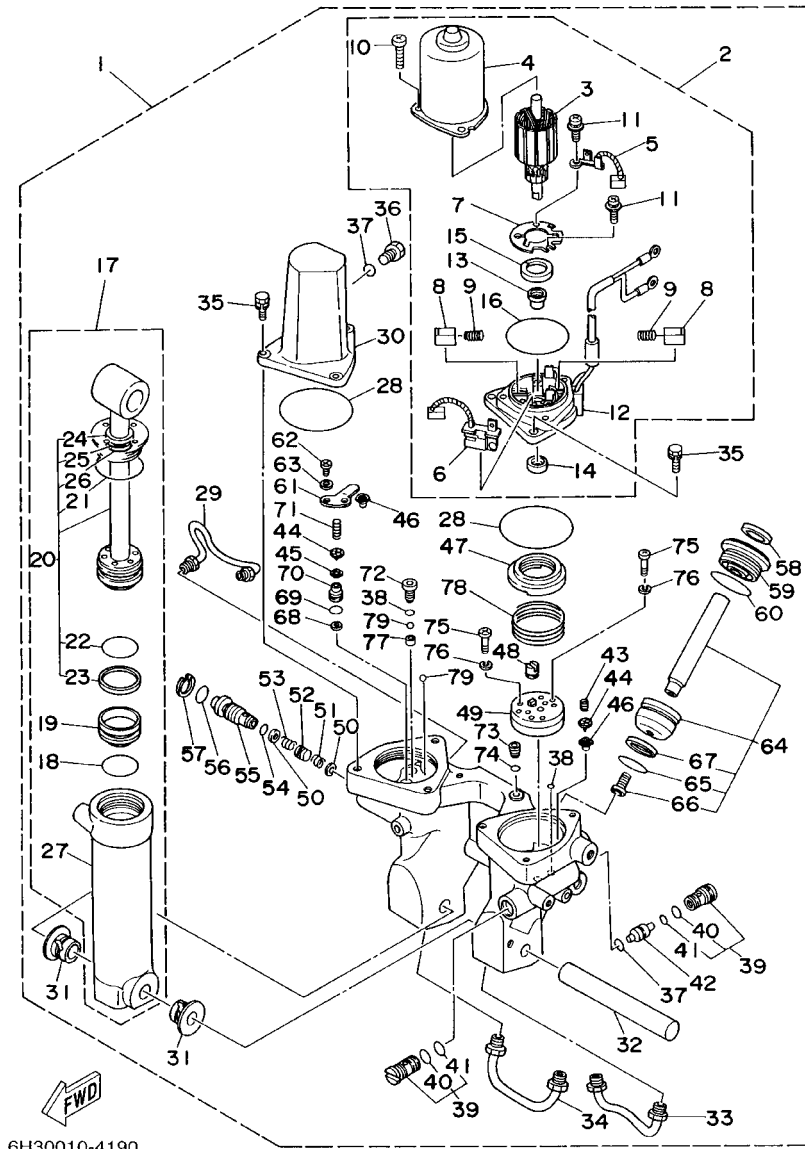
REF. NO.	PART NO. CODIGO NO.	DESCRIPTION DESCRIPTION	EHD	ED	ET	EIO	REMARKS OBSERVACION
1	6H1-43800-15-4D	POWER TRIM & TILT ASSY ELEVADOR HIDRAULICO COMPL			1	1	
2	6H1-43880-02	..MOTOR ASSY ..MOTOR COMPL.			1	1	
3	6H1-43805-10	..ARMATURE ASSY ..INDUCIDO COMPL.			1	1	
4	6H1-43804-10	..STATOR ASSY ..ESTATOR COMPL			1	1	
5	6H1-43891-10	..BRUSH 1 ..ESCOBILLA 1			1	1	
6	6H1-43892-10	..BRUSH 2 ..ESCOBILLA 2			1	1	
7	6H1-4380F-10	..PLATE, BRUSH HOLDER ..PLACA			1	1	
8	6H1-4380J-10	..HOLDER, BRUSH ..PORTAESCOBILLA			2	2	
9	6H1-4386K-10	..SPRING, BRUSH ..RESORTE, ESCOBILLA			2	2	
10	97885-05016	..SCREW, PAN HEAD ..TORNILLO DE CABEZA CON PLAN			3	3	
11	97607-04310	..SCREW, PAN HEAD WITH WASHER ..TORNILLO CAB CON PLANA C/ARA			2	2	
12	6H1-43881-10	..FRAME, END ..CUADRO EXTERMO			1	1	
13	6H1-4380H-10	..METAL ..METAL			1	1	
14	93102-08M43	..OIL SEAL ..SELLO ACEITE			1	1	
15	6H1-4380G-10	..PLATE ..PLACA			1	1	
16	6H1-43865-10	..O-RING ..ANILLO EN O 5			1	1	
17	6H1-43840-11	..POWER TILT ASSY ..CONJUNTO COMPONER			1	1	
18	6H1-43861-10	..O-RING ..ANILLO EN O 1			1	1	
19	6H1-43814-11	..PISTON, FREE ..PISTON LIBRE			1	1	
20	6H1-43810-11	..PISTON SUB ASSY ..SUB-PISTON COMPL			1	1	
21	6H1-43861-00	..O-RING ..ANILLO EN O 1			1	1	
22	6H1-43861-10	..O-RING ..ANILLO EN O 1			1	1	
23	6H1-43871-10	..RING, BACK UP ..ANILLO			1	1	
24	6H1-43812-00	..SEAL, DUST ..SELLO DE POLVO			1	1	
25	6H1-43872-10	..RING, BACK UP ..ANILLO			1	1	
26	93210-18397	..O-RING ..ANILLO O			1	1	
27	6H1-43813-10	..CYLINDER, TILT ..CILINDRO INCLINACION			1	1	

FIG. 20 POWER TRIM & TILT ASSY COMPONER Y PODER VARILLA



6H30010-4190

REF. NO.	PART NO. CODIGO NO.	DESCRIPTION DESCRIPTION	EHD	ED	EL	ELO	REMARKS OBSERVACION
28	93210-64488	.O-RING .ANILLO O			2	2	
29	6H1-43835-10	.PIPE .TUBO 3			1	1	
30	6H1-43828-10	.BODY, RESERVOIR .CUERPO DEPOSITO			1	1	
31	90386-18M14	.BUSH .BUJE			2	2	
32	6E5-43818-00	.PIN, LOWER SHOCK MOUNT .PASADOR AMORTIGUADOR INFERIOR			1	1	
33	6H1-43833-10	.PIPE .TUBO 1			1	1	
34	6H1-43834-00	.PIPE .TUBO 2			1	1	
35	97595-06420	.BOLT, WITH WASHER .PERNO CON ARANDELA RONDELLE			6	6	
36	6H1-43829-00	.PLUG, RESERVOIR .TAPON DEPOSITO			1	1	
37	93210-09165	.O-RING .ANILLO O			2	2	
38	93210-064A5	.O-RING .ANILLO O			3	3	
39	6T4-43802-03	.VALVE SUB ASSY .VALVULA PRINCIPAL COMPL.			2	2	
40	6H1-43866-00	.O-RING .ANILLO EN O 6			1	1	
41	6H1-43867-00	.O-RING .ANILLO EN O 7			1	1	
42	6H1-43841-11	.PISTON, SHUTTLE .PISTON			1	1	
43	6H1-43856-10	.SPRING, DOWN RELIEF .RESORTE SEGURIDAD			1	1	
44	6H1-43844-10	.PIN, VALVE SUPPORT .PASADOR VALVULA SOPORTE			2	2	
45	6H1-4384G-11	.SEAL, RELIEF VALVE .ASIENTO			1	1	
46	6H1-4384F-10	.SEAL, MAIN VALVE .ASIENTO			2	2	
47	6H1-43817-01	.FILTER 2 .FILTRO 2			1	1	
48	6H1-43831-10	.CONNECTOR, SHAFT .CONEXION EJE			1	1	
49	6H1-43830-11	.GEAR PUMP ASSY .ENGRANAJE BOMBA COMPL.			1	1	
50	6H1-43847-00	.SEAT, MANUAL VALVE .ASIENTO VALVULA MANUAL			2	2	
51	6H1-43899-00	.SPRING, MANUAL RELEASE .PLACA			1	1	
52	6H1-4382A-10	.ADAPTOR 1 .ADAPTADOR 1			1	1	
53	6H1-43854-00	.SPRING, MANUAL RELEASE .RESORTE DESCOPLO MANUAL			1	1	
54	93210-10M74	.O-RING .ANILLO O			1	1	



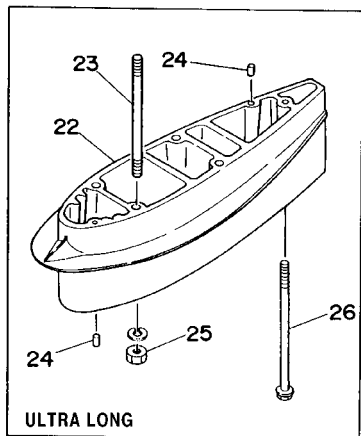
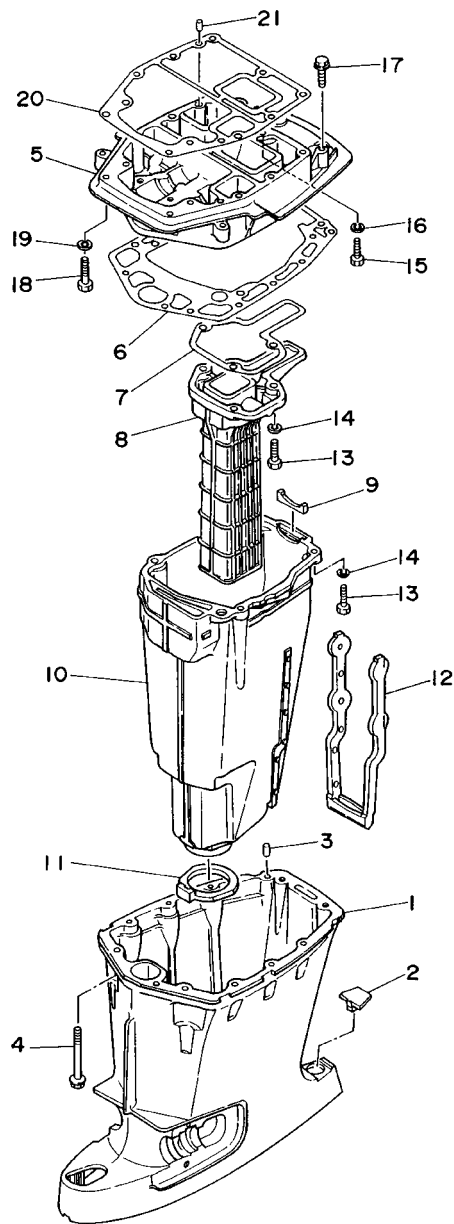
6H30010-4190

FIG. 20 POWER TRIM & TILT ASSY COMPONER Y PODER VARILLA

REF. NO.	PART NO. CODIGO NO.	DESCRIPTION DESCRIPTION	EHD	ED	EL	ELO	REMARKS OBSERVACION
55	6H1-43845-00	SCREW, MANUAL RELEASE .TORNILLO DESCOPLO MANUAL			1	1	
56	93210-18M75	.O-RING .ANILLO O			1	1	
57	6H1-43875-00	.RING, SNAP .ANILLO			1	1	
58	6H1-43822-10	.SEAL, TRIM DUST .SELLO DE POLVO			2	2	
59	6H1-43821-11	.SCREW, TRIM CYLINDER END .TORNILLO CILINDURO EXTREMO			2	2	
60	6H1-43861-10	.O-RING .ANILLO EN O 1			2	2	
61	6H1-4384E-20	.SPRING, TRIM .RESORTO			1	1	
62	98501-05010	.SCREW, PAN HEAD .TORNILLO DE CABEZA CON PLANA			2	2	
63	92901-05200	.WASHER, PLAIN .ARANDELA			2	2	
64	6H1-43820-11	.PISTON SUB ASSY .PISTON COMPL.			2	2	
65	6H1-43864-00	.O-RING .ANILLO EN O 4			1	1	
66	91318-08016	.BOLT .PERNO			1	1	
67	6H1-43874-00	.RING, BACK UP .ANILLO			1	1	
68	6H1-43816-00	.FILTER 1 .FILTRO 1			1	1	
69	6H1-43896-00	.O-RING .ANILLO EN O			1	1	
70	6H1-43895-11	.SEAT, RELIEF VALVE .ASIENTO			1	1	
71	6H1-43855-11	.SPRING, UP RELIEF .RESORTE SEGURIDAD SUPERIOR			1	1	
72	6H1-43843-11	.SCREW, VALVE LOCK .TORNILLO			1	1	
73	6H1-4388E-11	.PLUG, TAPER SCREW .TAPON			1	1	
74	6H1-43868-00	.O-RING .ANILLO EN O 8			1	1	
75	98501-04025	.SCREW, PAN HEAD .TORNILLO DE CABEZA CON PLANA			4	4	
76	92901-04100	.WASHER, SPRING .ARANDELA			4	4	
77	6H1-4387J-00	.WASHER, SPECIAL 2 .FILTRO2			1	1	
78	6H1-4385H-00	.SPRING, SEAL .RESORTE			1	1	
79	93505-32038	.BALL .BOLA			2	2	

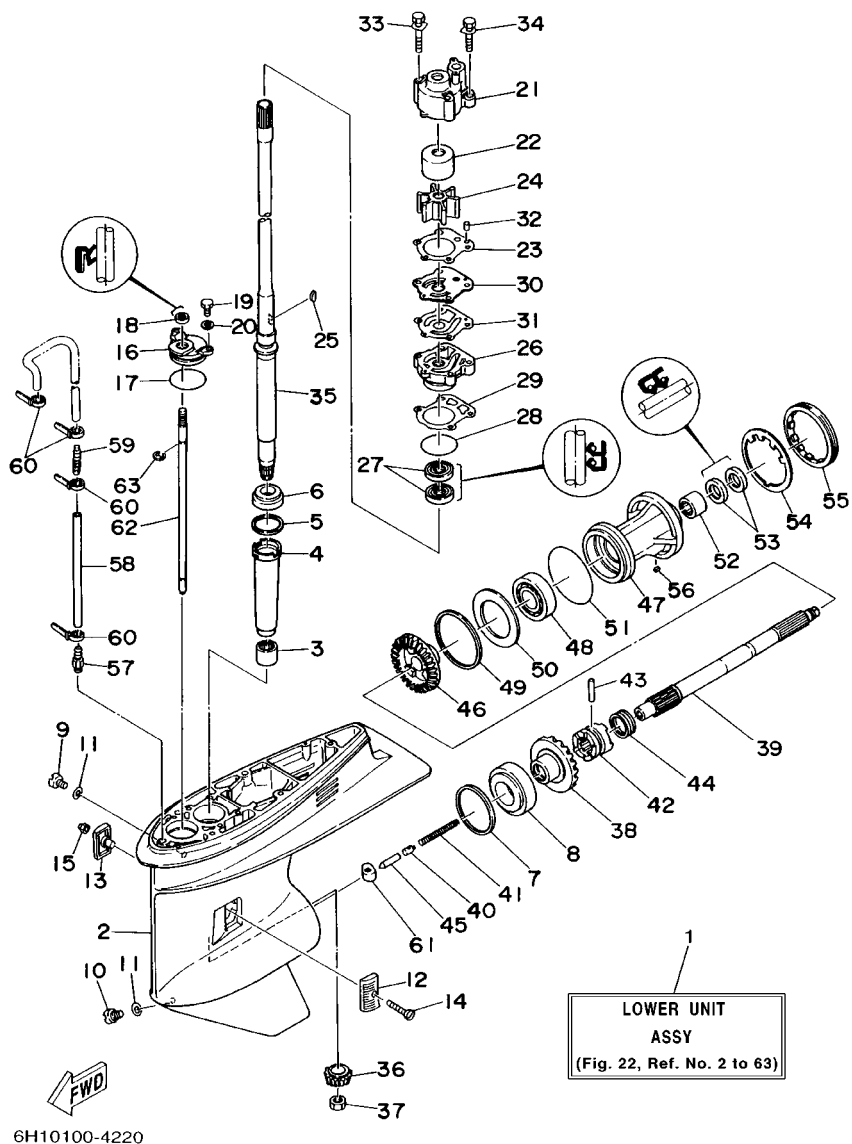
FIG. 21 UPPER CASING

FUNDA SUPERIOR



REF. NO.	PART NO. CODIGO NO.	DESCRIPTION DESCRIPTION	EHD	ED	ET	EJO	REMARKS OBSERVACION
1	688-45111-04-4D	CASING, UPPER CAJA SUPERIOR	1	1	1	1	
2	663-45155-10	CAP TAPA	1	1	1	1	
3	93606-12019	PIN, DOWEL PASADOR DE CLAVIJA	2	2	2	2	
4	90119-08M80	BOLT, WITH WASHER TORNILLO CON ARANDELA	8	8	8	8	
5	688-41137-03-94	GUIDE, EXHAUST GUJA DE ESCAPE	1	1	1	1	
6	688-45114-A1	GASKET, UPPER CASING EMPAQUE	1	1	1	1	
7	688-41134-A0	GASKET, EXHAUST MANIFOLD EMPAQUE	1	1	1	1	
8	688-41131-00-5B	MANIFOLD, EXT. 1 TUBO MULTIPLE DE ESCAPE	1	1	1	1	
9	688-41133-00	GASKET, EXHAUST MANIFOLD 1 EMPAQUE ESCAPE MULTIPLE	1	1	1	1	
10	688-14711-01-5B	MUFFLER 1 SILENCIADOR 1	1	1	1	1	
11	688-45123-00	GASKET, MUFFLER EMPAQUE SILENCIADOR	1	1	1	1	
12	663-14737-10	DAMPER, MUFFLER AMORTIGUADOR DE SILENCIADOR	1	1	1	1	
13	97075-08030	BOLT PERNO	7	7	7	7	
14	92995-08100	WASHER ARANDELA	7	7	7	7	
15	97075-08025	BOLT PERNO	1	1	1	1	
16	92995-08100	WASHER ARANDELA	1	1	1	1	
17	90119-08M79	BOLT, WITH WASHER TORNILLO CON ARANDELA	2	2	2	2	
18	97075-08035	BOLT PERNO	2	2	2	2	
19	92995-08100	WASHER ARANDELA	2	2	2	2	
20	688-45113-A0	GASKET, UPPER CASING EMPAQUE	1	1	1	1	
21	93606-12019	PIN, DOWEL PASADOR DE CLAVIJA	2	2	2	2	
22	688-45211-01-4D	EXTENSION EXTENSION				1	X
23	90116-10M05	BOLT, STUD ESPARRAGO				4	X
24	93606-12019	PIN, DOWEL PASADOR DE CLAVIJA				4	X
25	95380-10600	NUT TUERCA				4	X
26	90119-08M86	BOLT, WITH WASHER TORNILLO CON ARANDELA				1	X

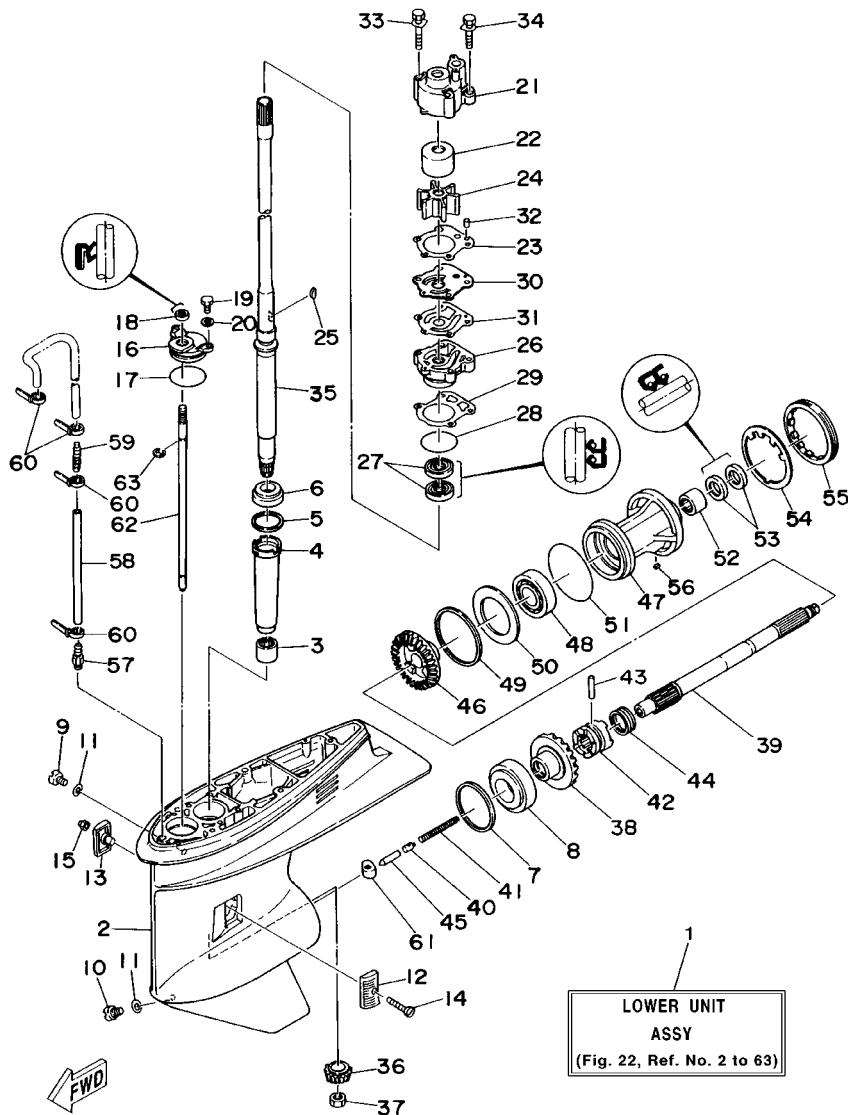

6H10010-4200



6H10100-4220

FIG. 22 LOWER CASING, DRIVE 1 IMPULSOR E INFERIOR 1

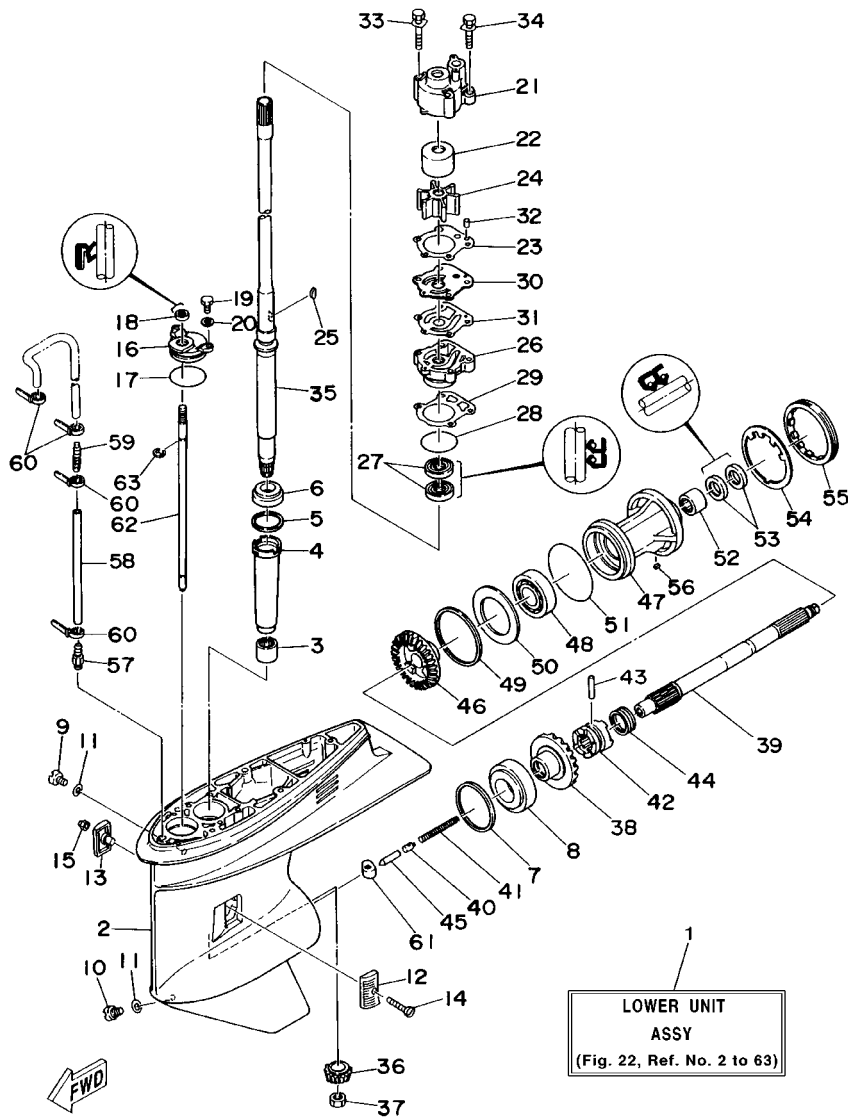
REF. NO.	PART NO. CODIGO NO.	DESCRIPTION DESCRIPTION	EHD	ED	ET	ETO	REMARKS OBSERVACION
1	6H1-45300-A3-4D	LOWER UNIT ASSY CONJUNTO UNIDAD INFERIOR	1	1	1		L
2	6H1-45301-12-4D	CASING, LOWER FUNDA INFERIOR COMPLETA	1	1	1		
3	93315-325V1	BEARING COJINETE	1	1	1		
4	688-45536-01	SLEEVE, DRIVE SHAFT CAMISA EJE DE MANDO	1	1	1		
5	688-45587-01-10	SHIM (T:0.10MM) LAINA (T:0.10MM)	1	1	1		UR
	688-45587-01-12	SHIM (T:0.12MM) LAINA (T:0.12MM)	1	1	1		UR
	688-45587-01-15	SHIM (T:0.15MM) LAINA (T:0.15MM)	1	1	1		UR
	688-45587-01-18	SHIM (T:0.18MM) LAINA (T:0.18MM)	1	1	1		UR
	688-45587-01-30	SHIM (T:0.30MM) LAINA (T:0.30MM)	1	1	1		UR
	688-45587-01-40	SHIM (T:0.40MM) LAINA (T:0.40MM)	1	1	1		UR
	688-45587-01-50	SHIM (T:0.50MM) LAINA (T:0.50MM)	1	1	1		UR
6	93332-000U3	BEARING COJINETE	1	1	1		
7	688-45567-01-10	SHIM (T:0.10MM) LAINA (T:0.10MM)	1	1	1		UR
	688-45567-01-12	SHIM (T:0.12MM) LAINA (T:0.12MM)	1	1	1		UR
	688-45567-01-15	SHIM (T:0.15MM) LAINA (T:0.15MM)	1	1	1		UR
	688-45567-01-18	SHIM (T:0.18MM) LAINA (T:0.18MM)	1	1	1		UR
	688-45567-01-30	SHIM (T:0.30MM) LAINA (T:0.30MM)	1	1	1		UR
	688-45567-01-40	SHIM (T:0.40MM) LAINA (T:0.40MM)	1	1	1		UR
	688-45567-01-50	SHIM (T:0.50MM) LAINA (T:0.50MM)	1	1	1		UR
8	93332-000W7	BEARING COJINETE	1	1	1		
9	90340-08M04	PLUG, STRAIGHT SCREW TORNILLO, DE DRENAJE	1	1	1		
10	688-45341-00	PLUG, DRAIN TAPON, DREN	1	1	1		
11	90430-08020	GASKET JUNTA	2	2	2		
12	6H1-45214-00	COVER, WATER INLET CUBIERTA ENTRADA AGUA	1	1	1		
13	6H1-45215-00	COVER, WATER INLET CUBIERTA ENTRADA AGUA	1	1	1		
14	90151-05M00	SCREW, COUNTERSUNK TORNILLO EMBUTIDO	1	1	1		
15	90185-05002	NUT, SELF-LOCKING TUERCA AUTOBLOCANTE	1	1	1		



6H10100-4220

FIG. 22 LOWER CASING, DRIVE 1 IMPULSOR E INFERIOR 1

REF. NO.	PART NO. CODIGO NO.	DESCRIPTION DESCRIPTION	EHD	ED	ET	ETO	REMARKS OBSERVACION
16	688-45321-00	PLATE PLACA	1	1	1		
17	93210-49046	O-RING ANILLO O	1	1	1		
18	93106-09014	OIL SEAL SELLO ACEITE	1	1	1		
19	97095-06016	BOLT PERNO	2	2	2		
20	92995-06600	WASHER ARANDELA	2	2	2		
21	688-44311-01	HOUSING, WATER PUMP CAJA BOMBA DE AGUA	1	1	1		
22	688-44322-00	INSERT, CARTRIDGE CARTUCHO	1	1	1		
23	688-44315-A0	GASKET, WATER PUMP EMPAQUE	1	1	1		
24	688-44352-03	IMPELLER IMPULSOR	1	1	1		
25	90280-04M04	KEY, WOODRUFF CUNA WOODRUFF	1	1	1		
26	688-44341-01-94	HOUSING, WATER PUMP CAJA BOMBA DE AGUA	1	1	1		
27	93101-25M03	OIL SEAL SELLO ACEITE	2	2	2		
28	93210-46044	O-RING ANILLO O	1	1	1		
29	688-44316-A0	GASKET, WATER PUMP EMPAQUE	1	1	1		
30	688-44323-00	OUTER PLATE, CARTRIDGE PLACA EXTERIOR DEL CARTUCHO	1	1	1		
31	688-44324-A0	GASKET, CARTRIDGE EMPAQUE	1	1	1		
32	93604-10M03	PIN, DOWEL PASADOR DE CLAVIJA	2	2	2		
33	90119-08M16	BOLT, WITH WASHER TORNILLO CON ARANDELA	2	2	2		
34	90119-08M13	BOLT, WITH WASHER TORNILLO CON ARANDELA	2	2	2		
35	6H1-45501-11	DRIVE SHAFT COMP. EJE DE MANDO COMPL.	1	1	1		L
36	688-45551-01	PINION PINON	1	1	1		
37	90170-16M01	NUT TUERCA	1	1	1		
38	688-45560-00	GEAR ENGRANE COMPLE 1	1	1	1		
39	688-45611-00	SHAFT, PROPELLER EJE PROPUSOR	1	1	1		
40	688-45634-00	SLIDE, SHIFT DESLIZADOR, CAMBIO	1	1	1		
41	90501-16233	SPRING, COMPRESSION RESORTE DE COMPRESION	1	1	1		
42	688-45631-01	CLUTCH, DOG EMBRAGUE DE GARRA	1	1	1		



6H10100-4220

FIG. 22 LOWER CASING. DRIVE 1 IMPULSOR E INFERIOR 1

REF. NO.	PART NO. CODIGO NO.	DESCRIPTION DESCRIPTION	EHD	ED	ET	ETO	REMARKS OBSERVACION
43	90250-07M02	PIN, STRAIGHT PASADOR CILINDRICO	1	1	1		
44	688-45633-00	RING, CROSS PIN ANILLO DE PASADOR	1	1	1		
45	688-45635-00	PLUNGER, SHIFT EMBOLO DE CAMBIO	1	1	1		
46	688-45571-01	GEAR ENGRANAJE	1	1	1		
47	688-45331-00-94	HOUSING, BEARING CAJA DE COJINETE	1	1	1		
48	93306-207U0	BEARING COJINETE	1	1	1		
49	688-45577-01-10	SHIM (T:0.10MM) LAINA (T:0.10MM)	1	1	1		UR
	688-45577-01-12	SHIM (T:0.12MM) LAINA (:0.12MM)	1	1	1		UR
	688-45577-01-15	SHI (T:0.15MM) LAINA (T:0.15MM)	1	1	1		UR
	688-45577-01-18	SHIM (T:0.18MM) LAINA (T:0.18MM)	1	1	1		UR
	688-45577-01-30	SHIM (T:0.30MM) LAINA (T:0.30MM)	1	1	1		UR
	688-45577-01-40	SHIM (T:0.40MM) LAINA (T:0.40MM)	1	1	1		UR
	688-45577-01-50	SHIM (T:0.50MM) LAINA (T:0.50MM)	1	1	1		UR
50	688-45576-00	WASHER, THRUST ARANDELA DE EMPUJE AXIAL	1	1	1		
51	93210-85M97	O-RING ANILLO O	1	1	1		
52	93317-325U0	BEARING COJINETE	1	1	1		
53	93101-25M03	OIL SEAL SELLO ACEITE	2	2	2		
54	688-45383-02	WASHER, CLAW ARANDELA DE UNA	1	1	1		
55	688-45384-00	NUT TUERCA	1	1	1		
56	90282-04010	KEY, STRAIGHT CHAVETA, RECTA	1	1	1		
57	6E5-45378-00	NIPPLE, HOSE NIPLE MANGUERA	1	1	1		
58	90445-07ME9	HOSE (L120) TUBO (L120)	1	1	1		L
59	6E5-83558-10	END, NIPPLE EXTREMO DE NIPLE	1	1	1		
60	90465-11M10	CLAMP BRIDA	4	4	4		
61	663-44151-00	CAM, SHIFT LEVA DE CAMBIO	1	1	1		
62	663-44144-01	ROD, SHIFT VARILLA DE CAMBIO	1	1	1		
63	93430-08006	CIRCLIP BOLA	1	1	1		

FIG. 23 LOWER CASING, DRIVE 2

IMPULSOR E INFERIOR 2

REF. NO.	PART NO. CODIGO NO.	DESCRIPTION DESCRIPTION	EHD	ED	ET	ETO	REMARKS OBSERVACION
1	6H1-45300-15-4D	LOWER UNIT ASSY CONJUNTO UNIDAD INFERIOR				1	L
	6H1-45300-24-4D	LOWER UNIT ASSY CONJUNTO UNIDAD INFERIOR				1	X
2	6H1-45301-03-4D	CASING, LOWER FUNDA INFERIOR COMPLETA				1	
3	93315-325V1	BEARING COJINETE				1	
4	688-45536-01	SLEEVE, DRIVE SHAFT CAMISA EJE DE MANDO				1	
5	688-45587-01-10	SHIM (T:0.10MM) LAINA (T:0.10MM)				1	UR
	688-45587-01-12	SHIM (T:0.12MM) LAINA (T:0.12MM)				1	UR
	688-45587-01-15	SHIM (T:0.15MM) LAINA (T:0.15MM)				1	UR
	688-45587-01-18	SHIM (T:0.18MM) LAINA (T:0.18MM)				1	UR
	688-45587-01-30	SHIM (T:0.30MM) LAINA (T:0.30MM)				1	UR
6	93332-000U3	BEARING COJINETE				1	
7	688-45567-01-10	SHIM (T:0.10MM) LAINA (T:0.10MM)				1	UR
	688-45567-01-12	SHIM (T:0.12MM) LAINA (T:0.12MM)				1	UR
	688-45567-01-15	SHIM (T:0.15MM) LAINA (T:0.15MM)				1	UR
	688-45567-01-18	SHIM (T:0.18MM) LAINA (T:0.18MM)				1	UR
	688-45567-01-30	SHIM (T:0.30MM) LAINA (T:0.30MM)				1	UR
	688-45567-01-40	SHIM (T:0.40MM) LAINA (T:0.40MM)				1	UR
	688-45567-01-50	SHIM (T:0.50MM) LAINA (T:0.50MM)				1	UR
8	93332-000W7	BEARING COJINETE				1	
9	90340-08M04	PLUG, STRAIGHT SCREW TORNILLO, DE DRENAJE				1	
10	688-45341-00	PLUG, DRAIN TAPON, DREN				1	
11	90430-08020	GASKET JUNTA				2	
12	6H1-45214-00	COVER, WATER INLET CUBIERTA ENTRADA AGUA				1	
13	6H1-45215-00	COVER, WATER INLET CUBIERTA ENTRADA AGUA				1	
14	90151-05M00	SCREW, COUNTERSUNK TORNILLO EMBUTIDO				1	

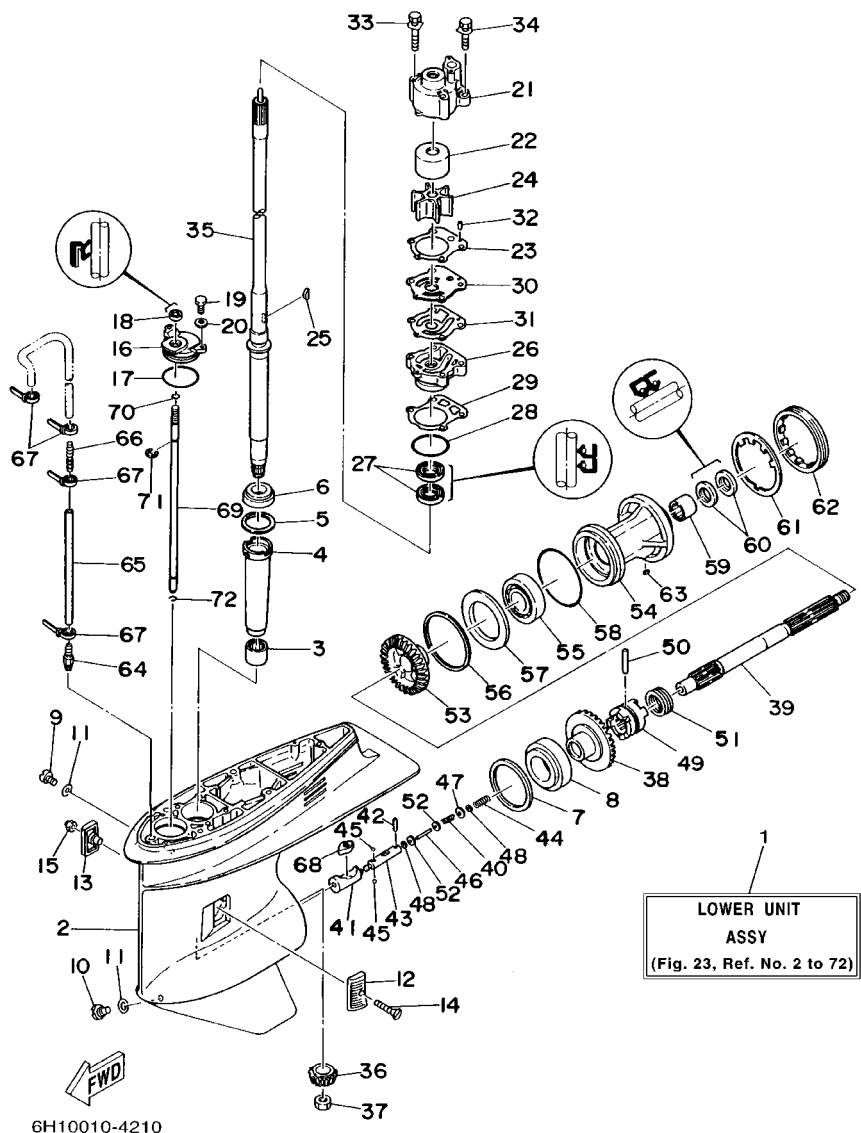


FIG. 23 LOWER CASING. DRIVE 2

IMPULSOR E INFERIOR 2

REF. NO.	PART NO. CODIGO NO.	DESCRIPTION DESCRIPTION	EHD	ED	ET	EIO	REMARKS OBSERVACION
15	90185-05002	NUT, SELF-LOCKING TUERCA AUTOBLOCANTE				1	
16	688-45321-00	PLATE PLACA				1	
17	93210-49046	O-RING ANILLO O				1	
18	93106-09014	OIL SEAL SELLO ACEITE				1	
19	97095-06016	BOLT PERNO				2	
20	92995-06600	WASHER ARANDELA				2	
21	688-44311-01	HOUSING, WATER PUMP CAJA BOMBA DE AGUA				1	
22	688-44322-00	INSERT, CARTRIDGE CARTUCHO				1	
23	688-44315-A0	GASKET, WATER PUMP EMPAQUE				1	
24	688-44352-03	IMPELLER IMPULSOR				1	
25	90280-04M04	KEY, WOODRUFF CUNA WOODRUFF				1	
26	688-44341-01-94	HOUSING, WATER PUMP CAJA BOMBA DE AGUA				1	
27	93101-25M03	OIL SEAL SELLO ACEITE				2	
28	93210-46044	O-RING ANILLO O				1	
29	688-44316-A0	GASKET, WATER PUMP EMPAQUE				1	
30	688-44323-00	OUTER PLATE, CARTRIDGE PLACA EXTERIOR DEL CARTUCHO				1	
31	688-44324-A0	GASKET, CARTRIDGE EMPAQUE				1	
32	93604-10M03	PIN, DOWEL PASADOR DE CLAVIJA				2	
33	90119-08M16	BOLT, WITH WASHER TORNILLO CON ARANDELA				2	
34	90119-08M13	BOLT, WITH WASHER TORNILLO CON ARANDELA				2	
35	6H1-45501-11	DRIVE SHAFT COMP. EJE DE MANDO COMPL.				1	L
	688-45501-22	DRIVE SHAFT COMP. EJE DE MANDO COMPL.				1	X
36	688-45551-01	PINION PINON				1	
37	90170-16M01	NUT TUERCA				1	
38	688-45560-00	GEAR ENGRANE COMPLE 1				1	
39	6H1-45611-01	SHAFT, PROPELLER EJE PROPUSOR				1	
40	90501-12M48	SPRING, COMPRESSION RESORTE DE COMPRESION				1	

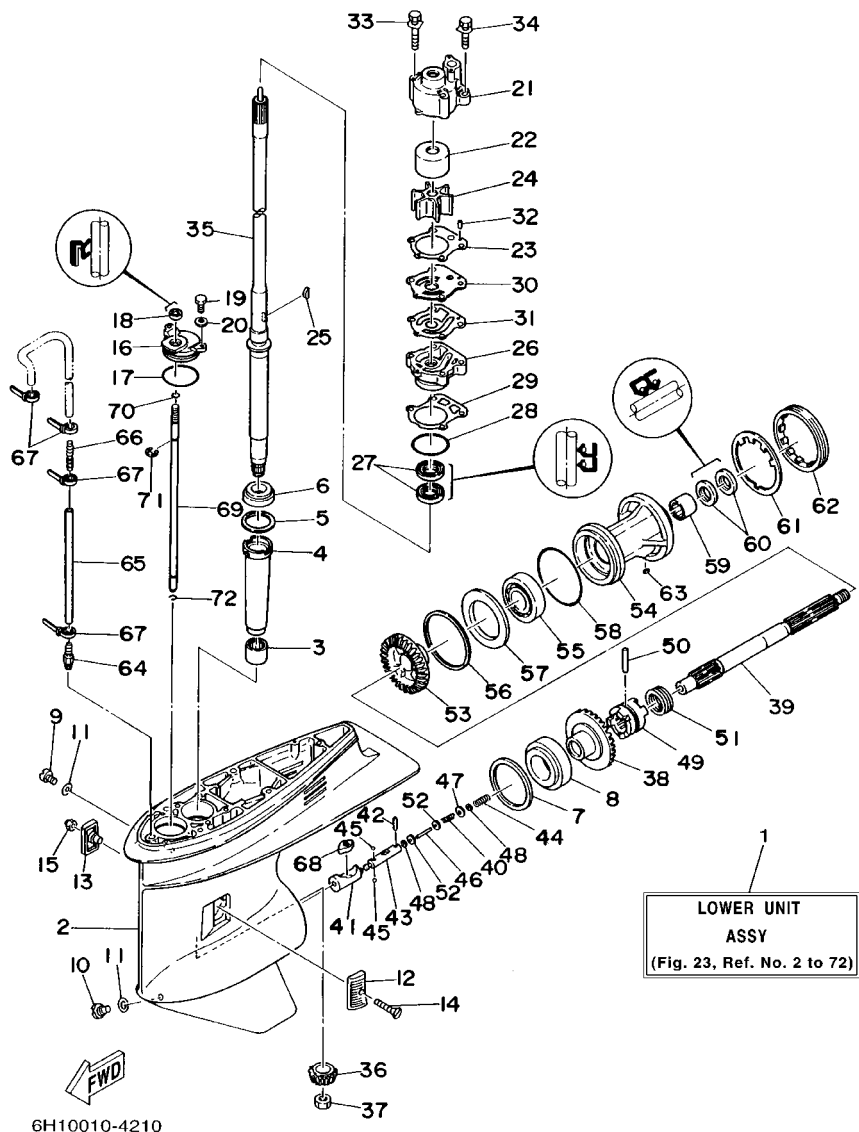


FIG. 23 LOWER CASING. DRIVE 2

IMPULSOR E INFERIOR 2

REF. NO.	PART NO. CODIGO NO.	DESCRIPTION DESCRIPTION	EHD	ED	ET	EIO	REMARKS OBSERVACION
41	6H1-45641-01	SHIFTER CAMBIO				1	
42	93603-12M11	PIN, DOWEL PASADOR DE CLAVIJA				1	
43	6H1-45634-02	SLIDE, SHIFT DESLIZADOR, CAMBIO				1	
44	90501-16M65	SPRING, COMPRESSION RESORTE DE COMPRESION				1	
45	93503-16003	BALL BOLA				2	
46	6H1-45668-00	SHAFT, FREE EJE				1	
47	90201-03313	WASHER, PLATE ARANDELA PLANA				1	
48	90183-02M03	NUT, SPRING TUERCA DE RESORTE				2	
49	6H1-45631-01	CLUTCH, DOG EMBRAGUE DE GARRA				1	
50	90250-07M02	PIN, STRAIGHT PASADOR CILINDRICO				1	
51	688-45633-00	RING, CROSS PIN ANILLO DE PASADOR				1	
52	6H1-45635-00	PLUNGER, SHIFT EMBOLO DE CAMBIO				2	
53	6H1-45571-00	GEAR ENGRANAJE				1	
54	688-45331-00-94	HOUSING, BEARING CAJA DE COJINETE				1	
55	93306-207U0	BEARING COJINETE				1	
56	688-45577-01-10	SHIM (T:0.10MM) LAINA (T:0.10MM)				1	UR
	688-45577-01-12	SHIM (T:0.12MM) LAINA (T:0.12MM)				1	UR
	688-45577-01-15	SHIM (T:0.15MM) LAINA (T:0.15MM)				1	UR
	688-45577-01-18	SHIM (T:0.18MM) LAINA (T:0.18MM)				1	UR
	688-45577-01-30	SHIM (T:0.30MM) LAINA (T:0.30MM)				1	UR
	688-45577-01-40	SHIM (T:0.40MM) LAINA (T:0.40MM)				1	UR
	688-45577-01-50	SHIM (T:0.50MM) LAINA (T:0.50MM)				1	UR
57	688-45576-00	WASHER, THRUST ARANDELA DE EMPUJE AXIAL				1	
58	93210-85M97	O-RING ANILLO O				1	
59	93317-325U0	BEARING COJINETE				1	
60	93101-25M03	OIL SEAL SELLO ACEITE				2	
61	688-45383-02	WASHER, CLAW ARANDELA DE UNA				1	

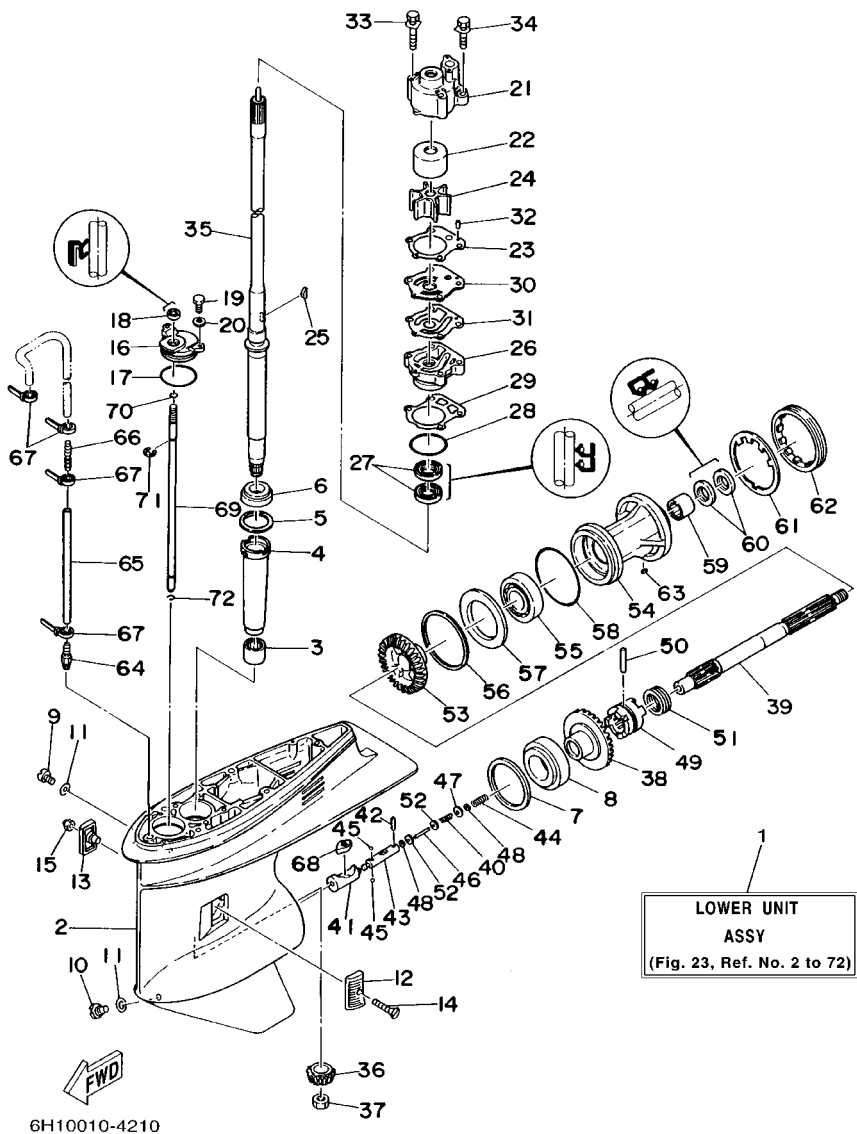


FIG. 23 LOWER CASING. DRIVE 2

IMPULSOR E INFERIOR 2

REF. NO.	PART NO. CODIGO NO.	DESCRIPTION DESCRIPTION	EHD	ED	ET	ETO	REMARKS OBSERVACION
62	688-45384-00	NUT TUERCA				1	
63	90282-04010	KEY, STRAIGHT CHAVETA, RECTA				1	
64	6E5-45378-00	NIPPLE, HOSE NIPLE MANGUERA				1	
65	90445-07ME9	HOSE (L120) TUBO (L120)				1	L
	90445-07MF2	HOSE (L250) TUBO (L250)				1	X
66	6E5-83558-10	END, NIPPLE EXTREMO DE NIPLE				1	
67	90465-11M10	CLAMP BRIDA				4	
68	6H1-44151-00	CAM, SHIFT LEVA DE CAMBIO				1	
69	6H1-44144-00	ROD, SHIFT VARILLA DE CAMBIO				1	
70	93210-07003	O-RING ANILLO O				1	
71	93430-08006	CIRCLIP BOLA				1	
72	93450-07M00	CIRCLIP BOLA				1	

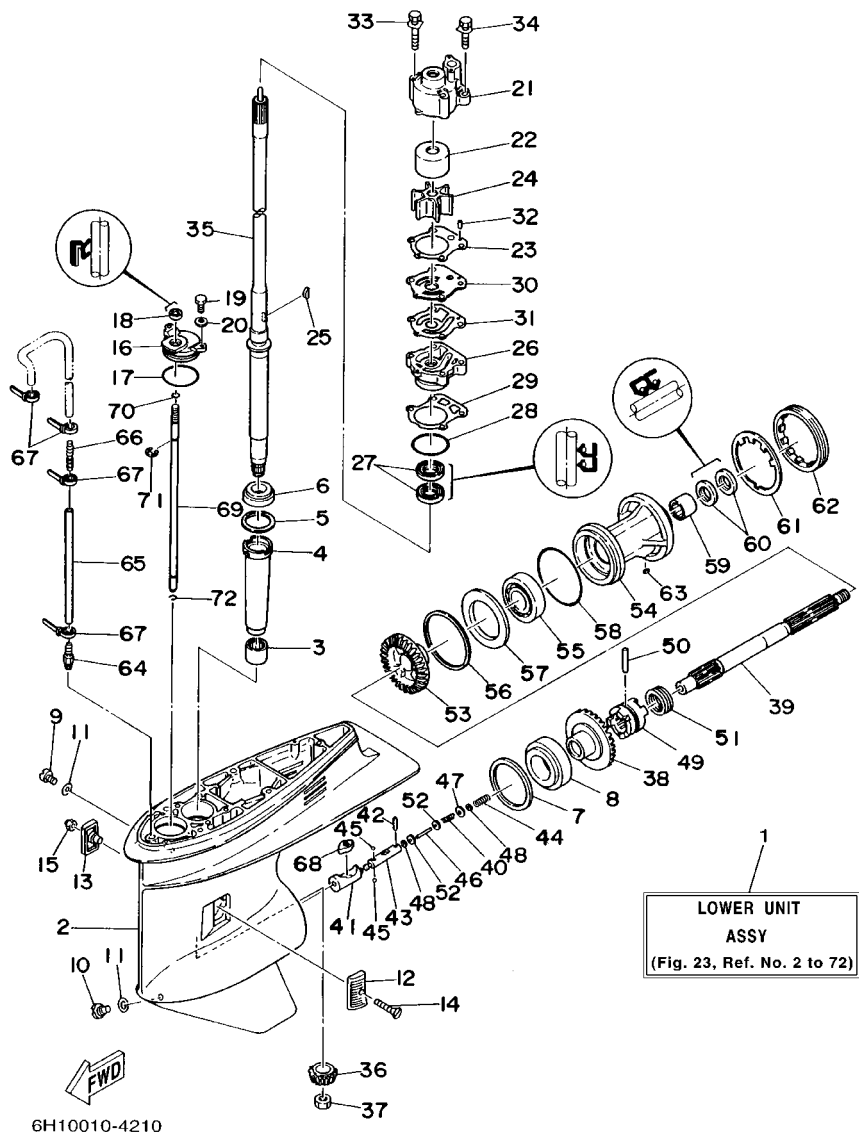
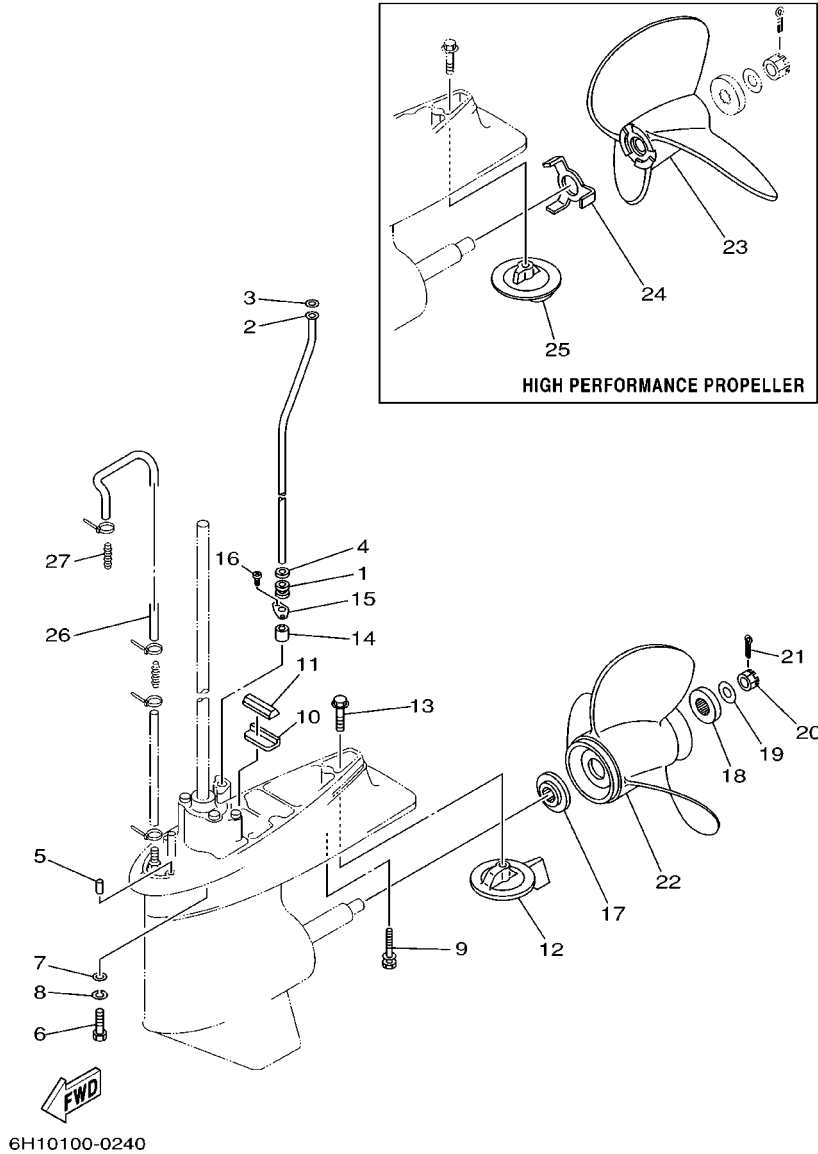


FIG. 24 LOWER CASING. DRIVE 3

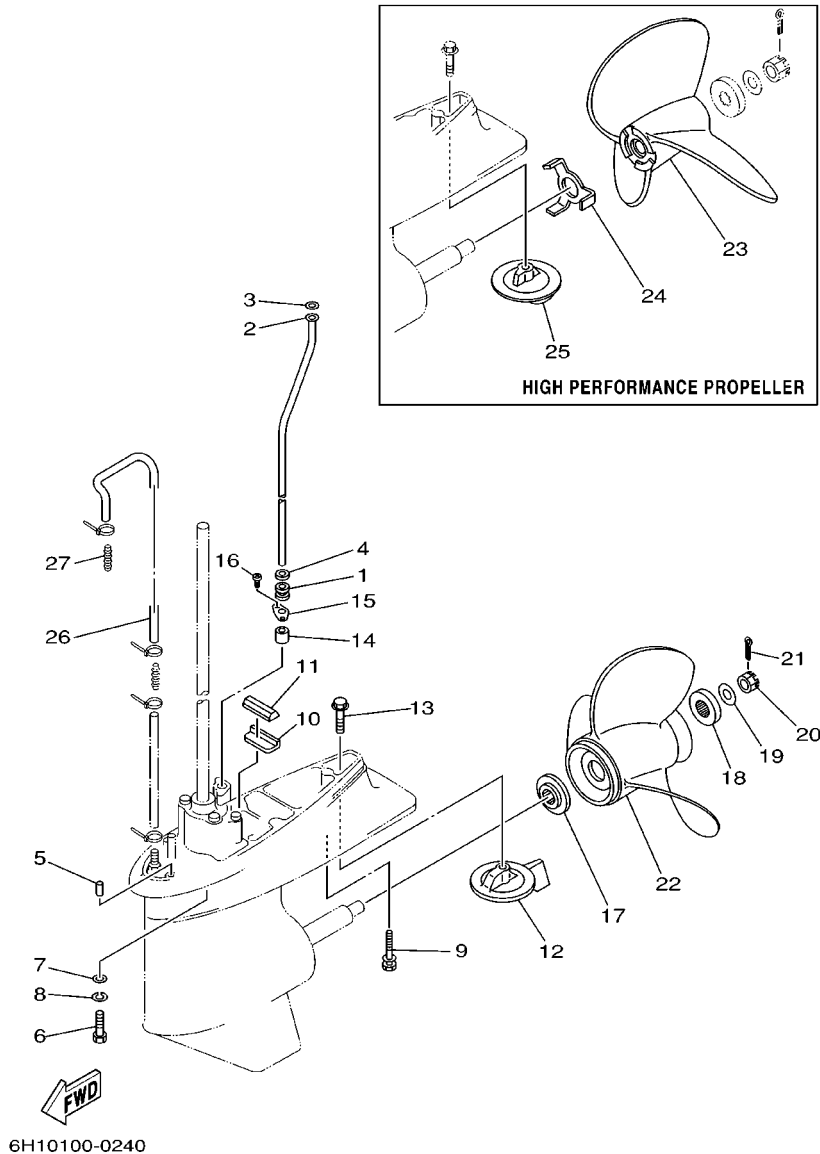
IMPULSOR E INFERIOR 3



REF. NO.	PART NO. CODIGO NO.	DESCRIPTION DESCRIPTION	EHD	ED	ET	EIO	REMARKS OBSERVACION
1	663-44367-00	DAMPER, WATER SEAL GOMA DEL SELLO DE AGUA	1	1	1	1	
2	688-44361-10	TUBE, WATER TUBO DE AGUA	1	1	1	1	L
	688-44361-20	TUBE, WATER TUBO DE AGUA				1	X
3	90202-12060	WASHER, PLATE ARANDELA DE PLANA	1	1	1	1	
4	90430-12072	GASKET JUNTA	1	1	1	1	
5	93606-12019	PIN, DOWEL PASADOR DE CLAVIJA	2	2	2	2	L
6	97075-10040	BOLT PERNO	4	4	4	4	L
7	92990-10600	WASHER, PLATE ARANDELA	4	4	4	4	
8	92990-10100	WASHER, SPRING ARANDELA	4	4	4	4	
9	90119-08M84	BOLT, WITH WASHER TORNILLO CON ARANDELA	1	1	1	1	L
10	663-45376-00-94	GUIDE, SEAL DAMPER GUIA DE SELLO GOMA	1	1	1	1	
11	688-45375-00	DAMPER, SEAL GOMA DE SELLO	1	1	1	1	
12	688-45371-02	TAB-TRIM QUILLA ESTABILIZADOR	1	1	1	1	
13	90105-10M67	BOLT, WASHER BASED TORNILLO CON ARANDELA	1	1	1	1	
14	663-44366-00	DAMPER, WATER SEAL GOMA DEL SELLO DE AGUA	1	1	1	1	
15	90480-19M06	GROMMET TAPON	1	1	1	1	
16	97780-40512	SCREW, TAPPING TORNILLO ROSCA HEMBRA	2	2	2	2	
17	688-45987-01	SPACER ESPACIADOR	1	1	1	1	
18	688-45997-01	SPACER ESPACIADOR	1	1	1	1	
19	90201-17M00	WASHER, PLATE ARANDELA PLANA	1	1	1	1	
20	90171-16011	NUT, CASTLE TUERCA ENTALLADA	1	1	1	1	
21	91490-40025	PIN, COTTER PASADOR DE CHAVETA	1	1	1	1	
22	6E5-45941-00-EL	PROPELLER (3X13"X19"-K) PROPELA (3X13"X19"-K)	1	1	1	1	UR
	6E5-45943-00-EL	PROPELLER (3X12-5/8"X21"-K) PROPELA (3X12-5/8"X21"-K)	1	1	1	1	UR
	6E5-45945-01-EL	PROPELLER (3X13-1/4"X17"-K) PROPELA (3X13-1/4"X17"-K)	1	1	1	1	UR
	6E5-45947-00-EL	PROPELLER (3X13-1/2"X15"-K) PROPELA (3X13-1/2"X15"-K)	1	1	1	1	UR
	6E5-45949-00-EL	PROPELLER (3X13-5/8"X13"-K) PROPELA (3X13-5/8"X13"-K)	1	1	1	1	UR

FIG. 24 LOWER CASING. DRIVE 3

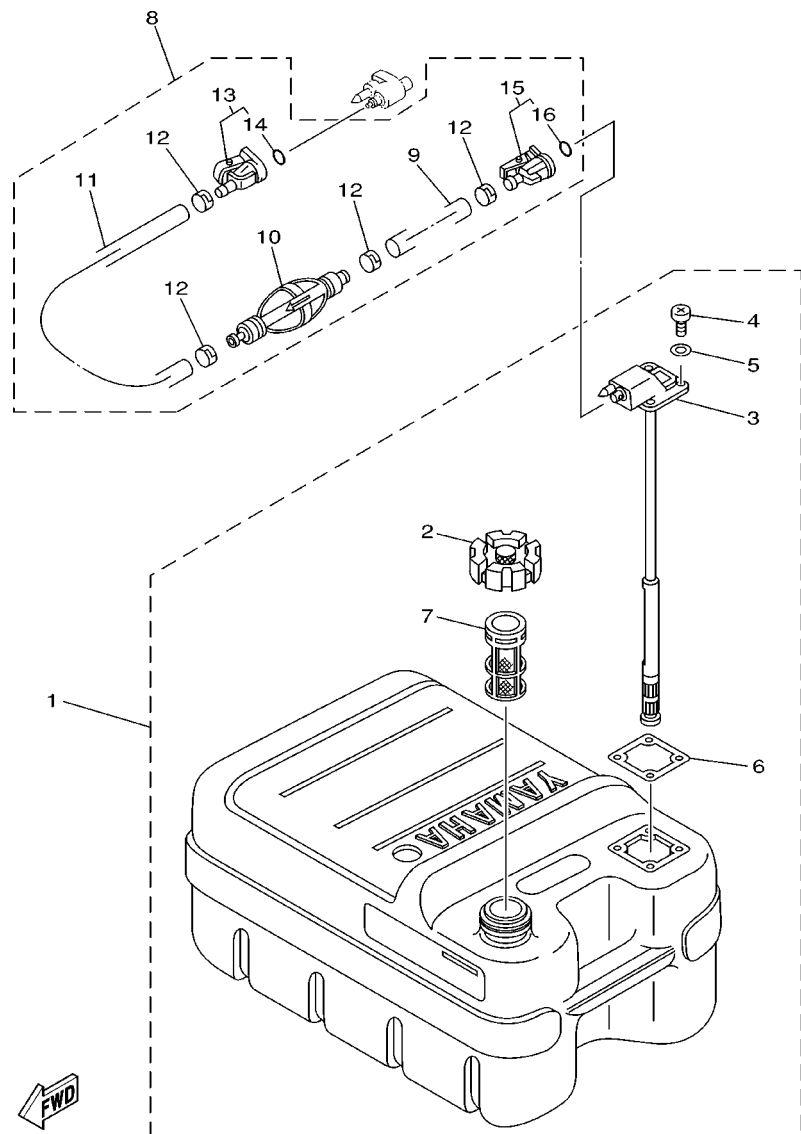
IMPULSOR E INFERIOR 3



REF. NO.	PART NO. CODIGO NO.	DESCRIPTION DESCRIPTION	EHD	ED	ET	ETO	REMARKS OBSERVACION
22	6E5-45952-00-EL	PROPELLER (3X13"X23"-K) PROPELA (3X13"X23"-K)	1	1	1	1	UR
	6E5-45954-00-EL	PROPELLER (3X14"X11"-K) PROPELA (3X14"X11"-K)	1	1	1	1	UR
	6E5-45956-00-EL	PROPELLER (3X13"X25"-K) PROPELA (3X13"X25"-K)	1	1	1	1	UR
	688-45970-03-98	STAINLESS STEEL PROPELLER LIMPIO-ACERO DEL PROPELA PROPELLER (3X13"X19"-K) PROPELA (3X13"X19"-K)	1	1	1	1	UR
	688-45972-02-98	PROPELLER (3X13"X21"-K) PROPELA (3X13"X21"-K)	1	1	1	1	UR
	688-45974-02-98	PROPELLER (3X13"X23"-K) PROPELA (3X13"X23"-K)	1	1	1	1	UR
	688-45976-01-98	PROPELLER (3X13"X25"-K) PROPELA (3X13"X25"-K)	1	1	1	1	UR
	688-45930-02-98	PROPELLER (3X13"X17"-K) PROPELA (3X13"X17"-K)	1	1	1	1	UR
	688-45932-60-98	PROPELLER (3X13-1/2"X14"-K) PROPELA (3X13-1/2"X14"-K)	1	1	1	1	UR
	688-45978-60-98	PROPELLER (3X13-1/2"X16"-K) PROPELA (3X13-1/2"X16"-K)	1	1	1	1	UR
		HIGH PERFORMANCE PROPELLER ALTO COMPOSICION DEL PROPELA					
23	6E5-45970-10	PROPELLER (3X14"X20"-P) PROPELA (3X14"X20"-P)	1	1	1	1	UR
	6E5-45972-10	PROPELLER (3X14"X24"-P) PROPELA (3X14"X24"-P)	1	1	1	1	UR
	6E5-45974-10	PROPELLER (3X14"X28"-P) PROPELA (3X14"X28"-P)	1	1	1	1	UR
	6E5-45976-10	PROPELLER (3X14"X22"-P) PROPELA (3X14"X22"-P)	1	1	1	1	UR
	6E5-45978-10	PROPELLER (3X14"X26"-P) PROPELA (3X14"X26"-P)	1	1	1	1	UR
24	6E5-45994-10	PLATE, TOOTH PLACA	1	1	1	1	
25	6E5-45371-10	TAB-TRIM QUILLA ESTABILIZADOR	1	1	1	1	
26	90445-07MF1	HOSE (L570) TUBO (L570)	1	1	1	1	
27	6E5-83558-00	END, NIPPLE EXTREMO DE NIPLE	1	1	1	1	

FIG. 25 FUEL TANK

DEPOSITO DE COMBUSTIBLE

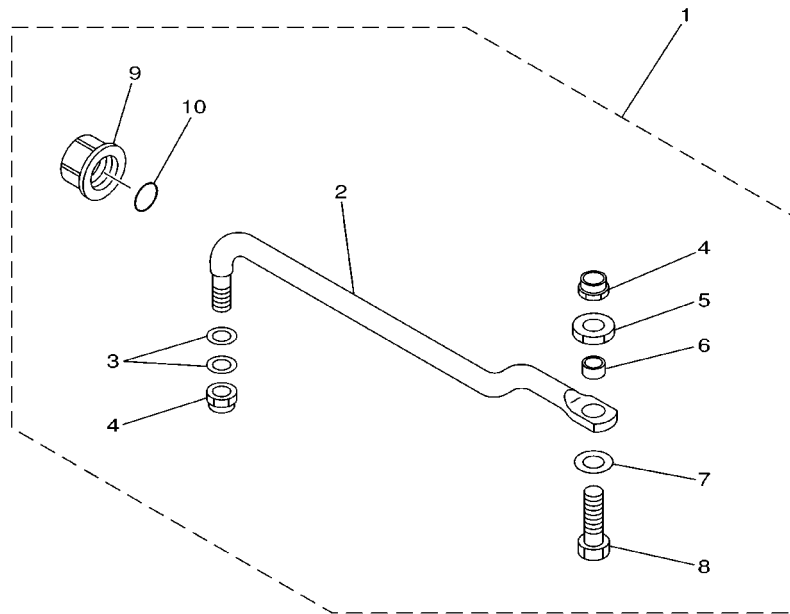


REF. NO.	PART NO. CODIGO NO.	DESCRIPTION DESCRIPTION	E/D	ED	E/L	E/O	REMARKS OBSERVACION
1	6YJ-24201-00	FUEL TANK ASSY (24L) TANQUE DEL COMBUSTIBLE (24L)	1	1	1	1	AP
	6YJ-24201-10	FUEL TANK ASSY (24L) TANQUE DEL COMBUSTIBLE (24L)				1	AP FOR CARIB WITH INDICATOR
2	6YJ-24610-01	.CAP ASSY .TAPA COMPLETA	1	1	1	1	
3	6YJ-24260-00	.FUEL METER ASSY .MEDIDOR DE COMBUSTIBLE COMPL.	1	1	1	1	
	6Y1-24260-12	.FUEL METER ASSY .MEDIDOR DE COMBUSTIBLE COMPL.				1	WITH INDICATOR
4	98586-05016	.SCREW, PAN HEAD .TORNILLO DE CABEZA CON PLANA	4	4	4	4	
5	6Y1-24329-00	.SEAL .SELLO	4	4	4	4	
6	6Y1-24268-00	.GASKET, FUEL METER .EMPAQ MEDIDOR DE COMBUSTIBLE	1	1	1	1	
7	6YJ-24167-00	.STRAINER .COLADOR	1	1	1	1	
8	61J-24306-02	FUEL PIPE COMP. 1 TUBO COMBUST. COMPL 1	1	1	1	1	AP
9	90445-11M06	.HOSE (L2050) .MANGUERA (L2050)	1	1	1	1	
10	61J-24360-00	.PRIMER PUMP ASSY .SOPORTE BOMBA	1	1	1	1	
11	90445-11M05	.HOSE (L:850MM) .MANGUERA (L:850MM)	1	1	1	1	
12	650-24351-51	BAND 1 .ABRAZADERA 1	4	4	4	4	
13	6G1-24305-03	FUEL PIPE JOINT COMP. 2 CONECTOR MANGUERA COMBUST.2	1	1	1	1	
14	93210-08287	.O-RING .ANILLO O	1	1	1	1	
15	6Y1-24305-04	FUEL PIPE JOINT COMP. 2 CONECTOR MANGUERA COMBUST.2	1	1	1	1	
16	93210-08287	.O-RING .ANILLO O	1	1	1	1	

67C0100-9300
FWD

FIG. 26 STEERING GUIDE

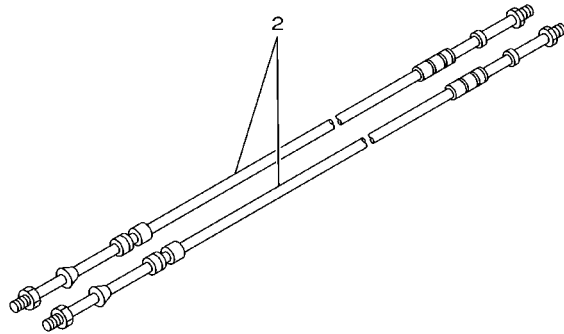
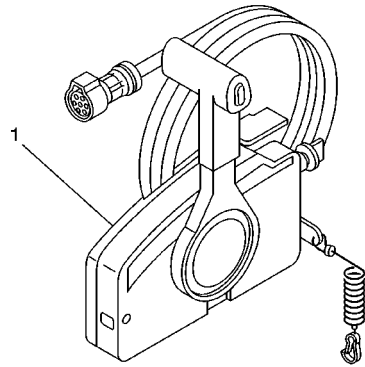
DIRECCIONGUIAR



REF. NO.	PART NO. CODIGO NO.	DESCRIPTION DESCRIPTION	EHD	ED	ET	EIO	REMARKS OBSERVACION
1	688-61350-10	STEERING GUIDE ATTACHMENT KIT ESTUCHE ADITAMENTO GUIA DE TIM		1	1	1	AP
2	688-61351-10	.ROD, STEERING LINK .VARILLA ESLABON DIRECCION		1	1	1	
3	90201-10M20	.WASHER, PLATE .ARANDELA PLANA		2	2	2	
4	90185-09M01	.NUT, SELF-LOCKING .TUERCA AUTOBLOCANTE		2	2	2	
5	90170-09M03	.NUT .TUERCA		1	1	1	
6	90387-10M42	.COLLAR .CASQUILLO CON VALONA		1	1	1	
7	90201-10M63	.WASHER, PLATE .ARANDELA PLANA		1	1	1	
8	6E5-61355-00	.BOLT .TORNILLO		1	1	1	
9	6E5-43145-01	.CAP, CLAMP BRACKET .TAPA		1	1	1	
10	93210-16275	.O-RING .ANILLO O		1	1	1	

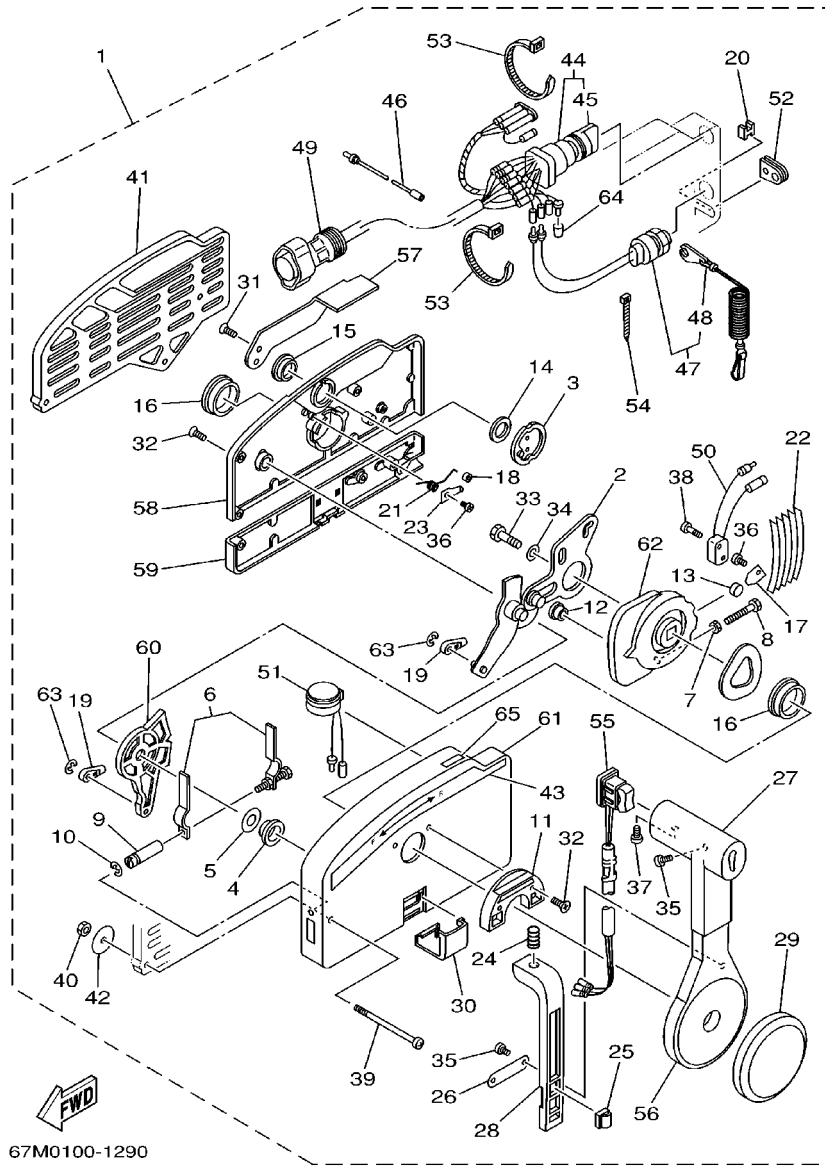
6880700-9190

FIG. 27 REMOTE CONTROL BOX CONTROL REMOTO COMPL.



REF. NO.	PART NO. CODIGO NO.	DESCRIPTION DESCRIPTION	EHD	ED	ET	EIO	REMARKS OBSERVACION
1	703-48205-A3	REMOTE CONTROL ASSY REMOTO CONTROL COMPL.			1	1	AP WITH PT/T SW.
	703-48203-A1	REMOTE CONTROL ASSY (7P) REMOTO CONTROL COMPL. (7P)		1			AP
2	701-48320-30	CABLE, REMOTE CONTROL L=14F CABLE CONTROL REMOTO L=14F		2	2	2	


67M0100-8280

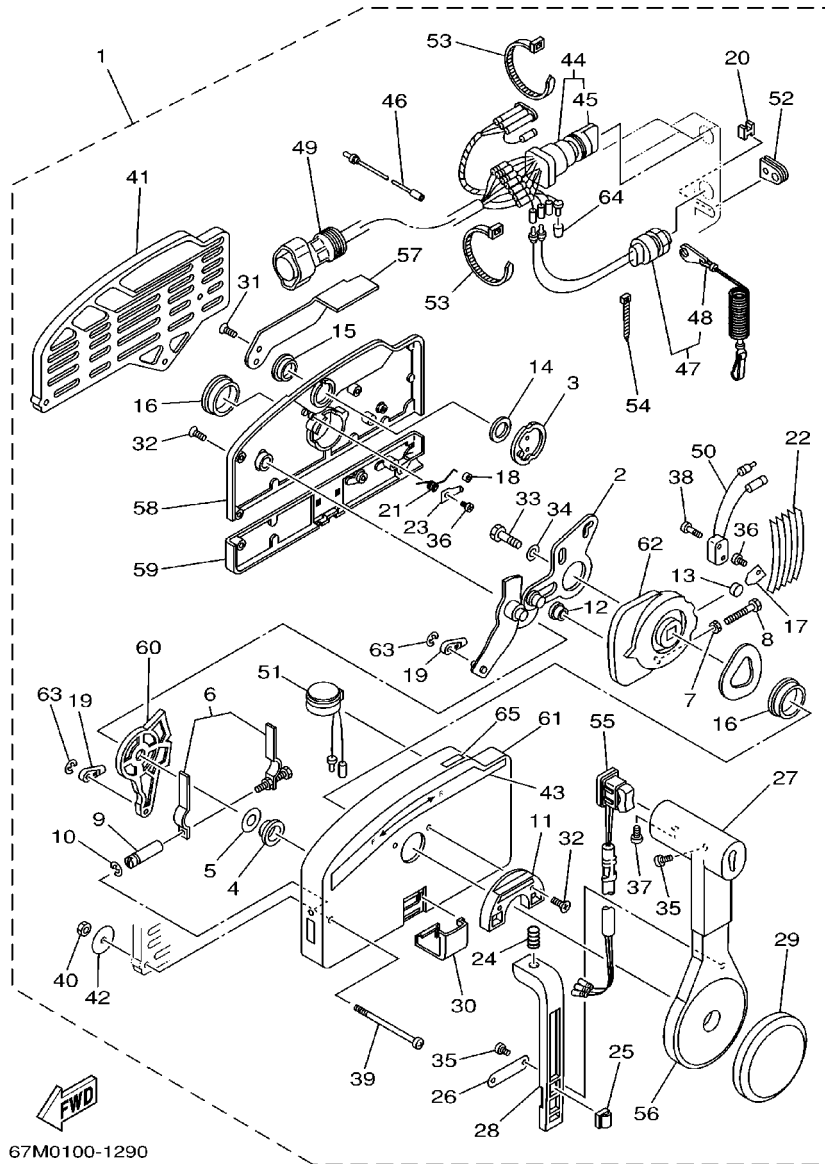


67M0100-1290

FIG. 28 REMOTE CONTROL ASSY CONTROL REMOTO COMPL.

REF. NO.	PART NO. CODIGO NO.	DESCRIPTION DESCRIPTION	EHD	ED	ET	EJO	REMARKS OBSERVACION
1	703-48205-A3	REMOTE CONTROL ASSY REMOTO CONTROL COMPL.			1	1	AP WITH PT/T SW.
	703-48203-A1	REMOTE CONTROL ASSY (7P) REMOTO CONTROL COMPL. (7P)		1			AP
2	703-48261-01	.ARM, THROTTLE .BRAZO ACELERADOR		1	1	1	
3	703-48153-00	.SHAFT, FREE ACCEL. .EJE		1	1	1	
4	703-48235-00	.BUSHING .BUJE		1	1	1	
5	703-48268-00	.SPACER .ESPACIADOR 3		1	1	1	
6	703-48264-00	.THROTTLE, FRICTION .FRICCION ACELERADOR		1	1	1	
7	95380-05600	.NUT .TUERCA		1	1	1	
8	97380-05025	.BOLT .PERNO		1	1	1	
9	703-48265-00	.SHAFT, FRICTION .EJE FRICCION		1	1	1	
10	93430-06024	.CIRCLIP .BOLA		3	3	3	
11	703-48245-00	.PLATE, LOCK .PLACA CERRADURA		1	1	1	
12	703-48252-00	.ROLLER, CAM .RODILLO LEVA		1	1	1	
13	701-48248-00	.ROLLER, FREE ACCEL. .RODILLO ACELERADOR LIBRE		1	1	1	
14	703-48198-00	.WASHER, WAVE .RONDANA ONDULADA 3		1	1	1	
15	703-48243-00	.BUSHING .BUJE 3		1	1	1	
16	703-48236-00	.BUSHING 1 .BUJE		2	2	2	
17	703-48189-00	.RETAINER .RETENEDOR		1	1	1	
18	703-48234-00	.ROLLER, DETENT .RODILLO		1	1	1	
19	703-48345-01	.CABLE END, REMOTE CONTROL 2 .TERMINAL CABLE DE CONTROL REM		2	2	2	
20	703-48358-00	.ANCHOR, CABLE .ABRAZADERA CABLE		1	1	1	
21	703-48244-00	.SPRING, FREE ACCEL. .RESORTE ACELERADOR LIBRE		1	1	1	
22	703-48238-00	.SPRING, DETENT .RESORTE		5	5	5	
23	703-48246-00	.SPACER .ESPACIADOR		1	1	1	
24	703-48227-00	.SPRING, NEUTRAL LOCK .RESORTE DE SEGURO		1	1	1	
25	703-82594-00	.CLAMP .GRAMPA		1	1	1	WITH PT/T SW.
26	703-48226-00	.PLATE, STOPPER .PLACA RETEN		1	1	1	

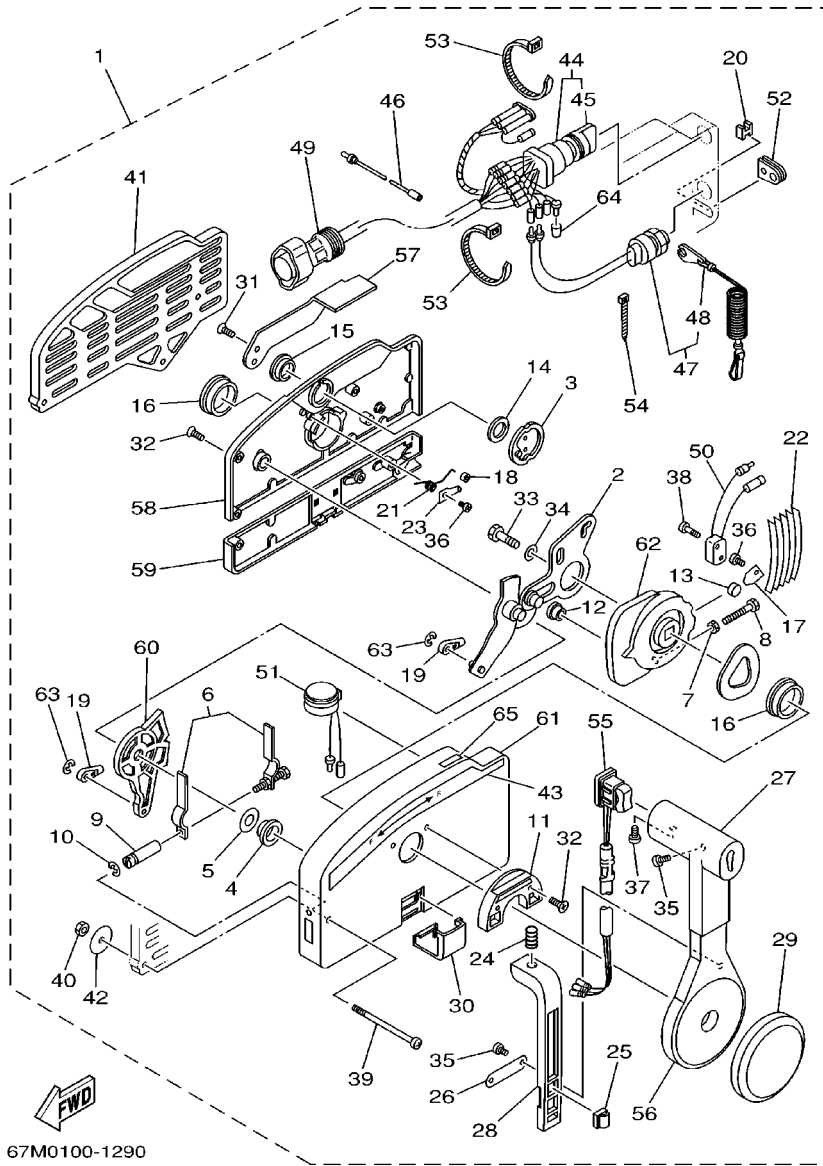
C1



67M0100-1290

FIG. 28 REMOTE CONTROL ASSY CONTROL REMOTO COMPL.

REF. NO.	PART NO. CODIGO NO.	DESCRIPTION DESCRIPTION	EHD	ED	EL	ELO	REMARKS OBSERVACION
27	703-48222-00	.GRIP, CONTROL LEVER .MANGO DE PALANCA CONTROL		1	1	1	SINGLE
28	703-48223-00	.LOCK, NEUTRAL .CERRADURA NEUTRO		1	1	1	
29	703-48225-00	.COVER .CUBIERTA		1	1	1	
30	703-48219-00	.COVER, LEAD .CUBIERTA		1	1	1	
31	703-48281-00	.SCREW .TORNILLO 1		2	2	2	
32	703-48282-00	.SCREW .TORNILLO 2		7	7	7	
33	97095-08030	.BOLT .PERNO		1	1	1	
34	92990-08600	.WASHER, PLATE .ARANDELA		1	1	1	
35	98580-04010	.SCREW, PAN HEAD .TORNILLO DE CABEZA CON PLANA		3	3	3	
36	98580-04006	.SCREW, PAN HEAD .TORNILLO DE CABEZA CON PLANA		2	2	2	
37	98580-05010	.SCREW, PAN HEAD .TORNILLO DE CABEZA CON PLANA		1	1	1	
38	98580-03015	.SCREW, PAN HEAD .TORNILLO DE CABEZA CON PLANA		2	2	2	
39	703-48291-10	.SCREW (M6) .TORNILLO (M6)		3	3	3	
40	95380-06600	.NUT, HEXAGON .TUERCA		3	3	3	
41	703-48293-10	.SPACER, REMOTE CONTROL .ESPACIADOR		1	1	1	SINGLE
42	701-48287-00	.WASHER .ARANDELA		3	3	3	
43	703-48215-00	.GRAPHIC .CALCOMANIA 1		1	1	1	
44	703-82510-11	.MAIN SWITCH ASSY (10P) .CONJUNTO DE LLAVE IGNICION (10P)		1	1	1	FOR PRIME START MODEL
	703-82510-02	.MAIN SWITCH ASSY (7P) .CONJUNTO DE LLAVE IGNICION (7P)		1			FOR PRIME START MODEL
45	676-82577-00	.CAP, KEY .TAPA		1	1	1	
46	703-82531-00	.WIRE, LEAD .CABLE CONDUCTOR		1	1	1	
47	688-82575-01	.ENGINE STOP SWITCH ASSY .INTERRUPTOR DE PARADA COMPL		1	1	1	
48	682-82556-00	.STOPPER .RETEN		1	1	1	
49	688-8258A-20	.EXTENSION, WIRE HARNESS .EXTENSION, ARNES DE CABLES		1	1	1	L:5M (10P)
	688-82586-21	.EXTENSION, WIRE HARNESS .EXTENSION, CONJ. DE CABLES		1			L:5M (7P)
50	703-82540-00	.NEUTRAL SWITCH ASSY .INTERRUPTOR NEUTRAL COMPL		1	1	1	
51	703-83383-A0	.BUZZER .ZUMBADOR		1	1	1	



67M0100-1290

FIG. 28 REMOTE CONTROL ASSY CONTROL REMOTO COMPL.

REF. NO.	PART NO. CODIGO NO.	DESCRIPTION DESCRIPTION	EHD	ED	ET	EIO	REMARKS OBSERVACION
52	703-48284-00	.GROMMET .TAPON 1		1	1	1	
53	90464-13080	.CLAMP .BRIDA		2	2	2	
54	703-82592-00	.BAND .BANDA		1	1	1	
55	703-82563-02	.TRIM & TILT SWITCH ASSY .INTERRUPTOR DE INCLINACION			1	1	
	703-48224-00	.COVER, CONTROL LEVER .CUBIERTA DE PALANCA CONTROL		1			WITHOUT PT/T SW.
56	703-48221-00	.LEVER, CONTROL .PALANCA CONTROL		1	1	1	
57	703-48152-00	.KNOB, FREE ACCEL. .PERILLA		1	1	1	
58	703-48212-00	.BACK PLATE 1 .PLACA TRASERA 1		1	1	1	
59	703-48213-00	.BACK PLATE 2 .PLACA TRASERA 2		1	1	1	
60	703-48271-00	.ARM, SHIFT .BRAZO CAMBIADOR		1	1	1	
61	703-48211-01	.HOUSING, 1 .CAJA		1	1	1	
62	703-48232-00	.GEAR .ENGRANAJE 1		1	1	1	
63	93430-06024	.CIRCLIP .BOLA		2	2	2	
64	703-82542-00	.CAP .TAPA		1	1	1	
65	703-48218-00	.GRAPHIC .CALCAMONIA		1	1	1	

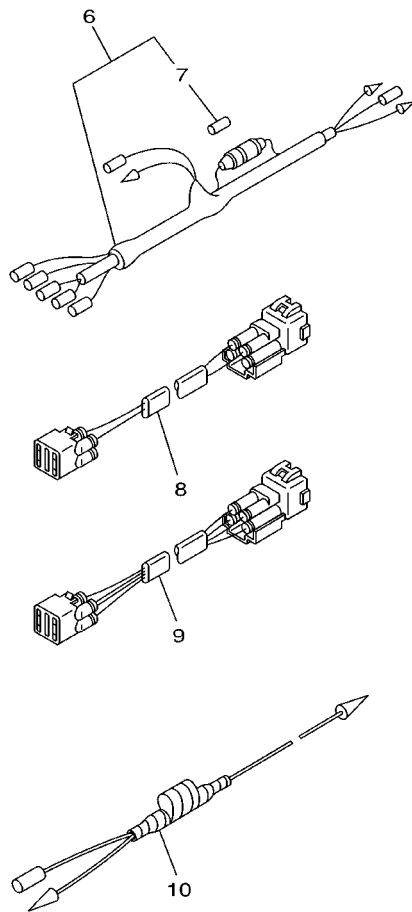
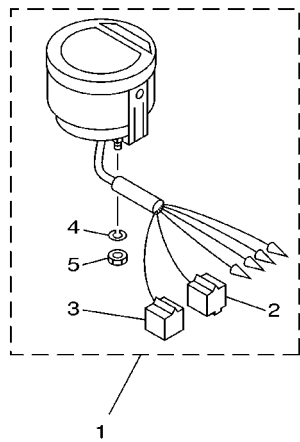


FIG. 29 METER

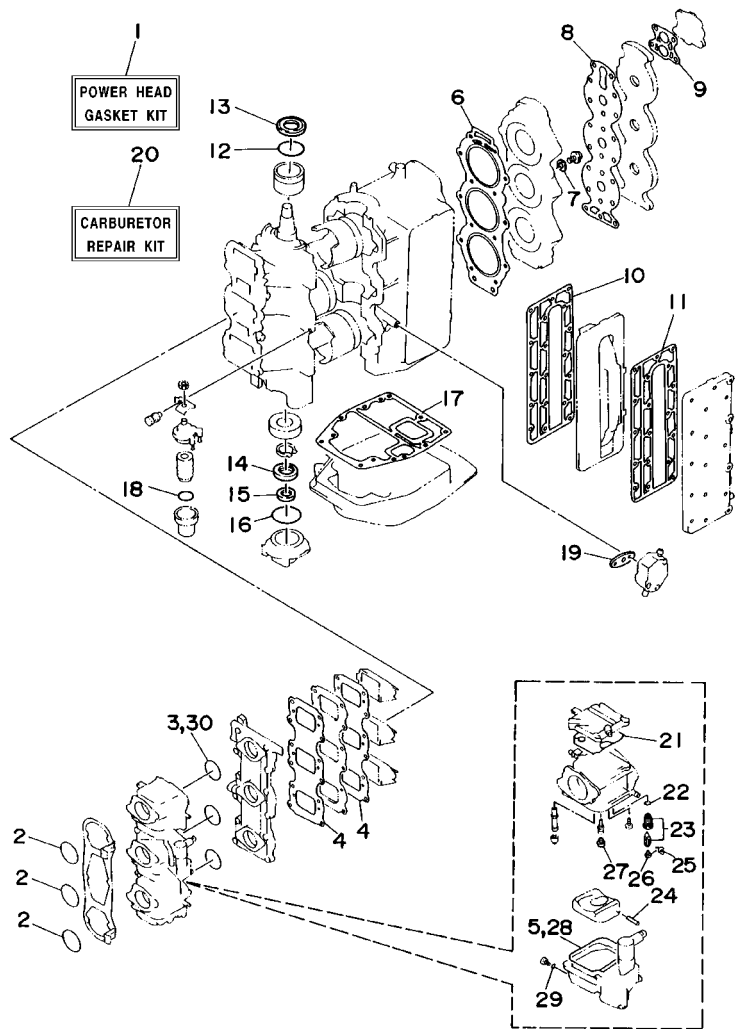
MEDIDOR

REF. NO.	PART NO. CODIGO NO.	DESCRIPTION DESCRIPTION	EHD	ED	ET	EIO	REMARKS OBSERVACION
1	6Y5-83500-T2	DIGITAL TACHOMETER ASSY TACOMETRO DIGGITAL COMPLETO				1	AP
2	9E450-04433	.CONNECTOR .CONECTOR				1	M-4-W
3	9E450-04533	.CONNECTOR .CONECTOR				1	F-4-W
4	92990-04100	.WASHER, SPRING .ARANDELA				2	
5	95380-04600	.NUT .TUERCA				2	
6	6Y5-83553-00	WIRE, LEAD CABLE CONDUCTOR				1	AP
7	1E6-82151-00	.FUSE (10A) .FUSIBLE				1	
8	6R3-82521-70	WIRE, LEAD CABLE CONDUCTOR				1	AP 7M
9	6R3-82553-70	EXTENSION, WIRE LEAD CABLE				1	AP 4P,7M
10	6H4-81315-11	LEAD WIRE ASSY CABLE CONDUCTOR COMPLETO				1	AP

6H30100-0270

FIG. 30 REPAIR KIT 1

ESTUCHE REPARATION 1

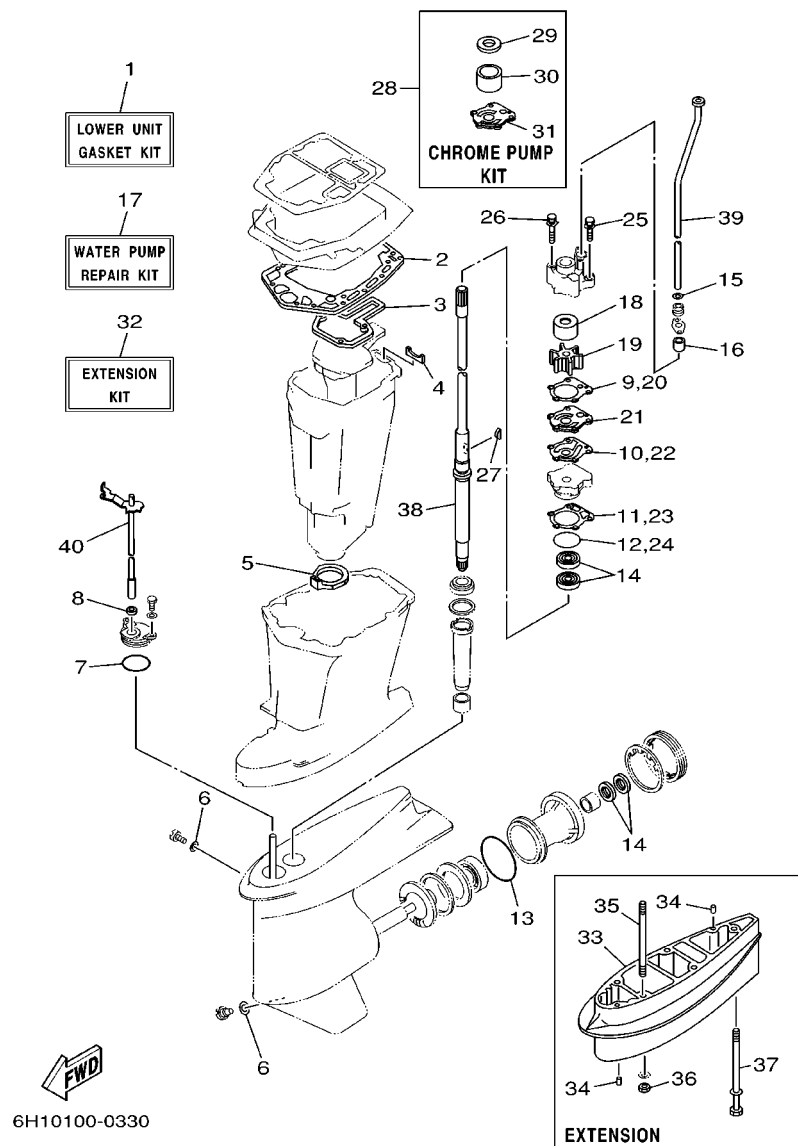


6H10010-4230

REF. NO.	PART NO. CODIGO NO.	DESCRIPTION DESCRIPTION	EHD	ED	ET	EIO	REMARKS OBSERVACION
1	6H1-W0001-02	POWER HEAD GASKET KIT JUEGO DE EMPAQUE	1	1	1	1	
2	93210-46044	.O-RING ANILLO O	3	3	3	3	
3	93210-39ME4	.O-RING ANILLO O	3	3	3	3	
4	688-13621-A1	.GASKET, VALVE SEAT JUNTA, DE VALV.DE EMPAQUE	2	2	2	2	
5	6H4-14984-00	.GASKET, FLOAT CHAMBER EMPAQUE CAMARA DE BOIA	3	3	3	3	
6	688-11181-A1	.GASKET, CYLINDER HEAD 1 JUNTA, DE CULATA 1	1	1	1	1	
7	90430-14115	.GASKET JUNTA	1	1	1	1	
8	688-11193-A1	.GASKET, HEAD COVER 1 EMPAQUE	1	1	1	1	
9	688-12414-A1	.GASKET, COVER EMPAQUE	1	1	1	1	
10	688-41112-A0	.GASKET, EXHAUST INNER COVER EMPAQUE	1	1	1	1	
11	688-41114-A0	.GASKET, EXHAUST OUTER COVER EMPAQUE	1	1	1	1	
12	93210-46M16	.O-RING ANILLO O	1	1	1	1	
13	93102-36M02	.OIL SEAL SELLO ACEITE	1	1	1	1	
14	93102-30M05	.OIL SEAL SELLO ACEITE	1	1	1	1	
15	93104-20M02	.OIL SEAL SELLO ACEITE	1	1	1	1	
16	93210-62269	.O-RING ANILLO O	1	1	1	1	
17	688-45113-A0	.GASKET, UPPER CASING EMPAQUE	1	1	1	1	
18	93210-32738	.O-RING ANILLO O	1	1	1	1	
19	650-24431-A0	.GASKET, FUEL PUMP 1 EMPAQUE BOMBA COMBUST 1	1	1	1	1	
20	6H1-W0093-10	CARBURETOR REPAIR KIT KIT REPARACION CARBURADOR	1	1	1	1	
21	6H4-14147-00	.O-RING ANILLO O	1	1	1	1	
22	93210-04228	.O-RING ANILLO O	1	1	1	1	
23	692-14590-00	.VALVE SEAT VALVULA DE AGUJA COMPLETA	1	1	1	1	
24	6H4-14548-00	.PIN, FLOAT ARM PASADOR DE BRAZO DE BOIA	1	1	1	1	
25	663-14159-00	.CLIP PRESILLA	1	1	1	1	
26	676-14186-00	.PIN, FLOAT PASADOR DE LA BOYA	1	1	1	1	
27	676-14966-00	.CAP .TAPA	1	1	1	1	

FIG. 31 REPAIR KIT 2

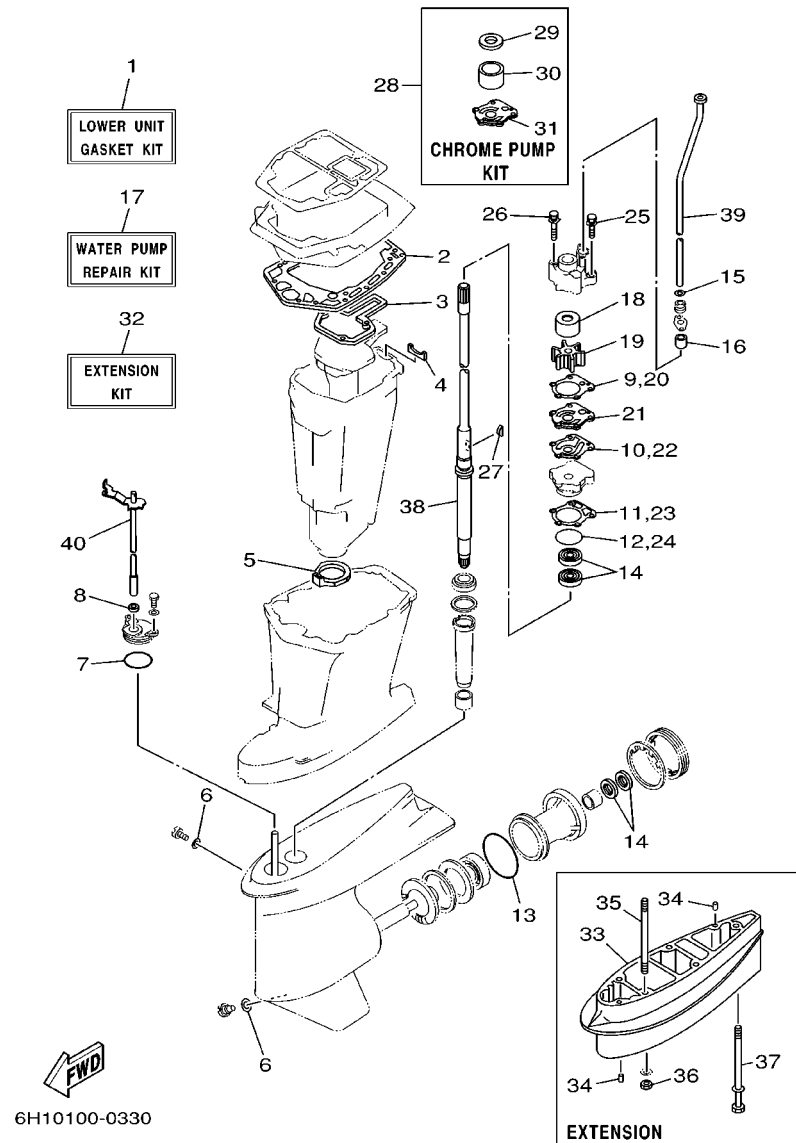
ESTUCHE REPARATION 2



REF. NO.	PART NO. CODIGO NO.	DESCRIPTION DESCRIPTION	EHD	ED	ET	EIO	REMARKS OBSERVACION
1	688-W0001-21	LOWER UNIT GASKET KIT JUEGO DE JUNTA UNIDAD INFERIOR	1	1	1	1	
2	688-45114-A1	.GASKET, UPPER CASING .EMPAQUE	1	1	1	1	
3	688-41134-A0	.GASKET, EXHAUST MANIFOLD .EMPAQUE	1	1	1	1	
4	688-41133-00	.GASKET, EXHAUST MANIFOLD 1 .EMPAQUE ESCAPE MULTIPLE	1	1	1	1	
5	688-45123-00	.GASKET, MUFFLER .EMPAQUE_SILENCIADOR	1	1	1	1	
6	90430-08020	.GASKET .JUNTA	2	2	2	2	
7	93210-49046	.O-RING .ANILLO O	1	1	1	1	
8	93106-09014	.OIL SEAL .SELLO ACEITE	1	1	1	1	
9	688-44315-A0	.GASKET, WATER PUMP .EMPAQUE	1	1	1	1	
10	688-44324-A0	.GASKET, CARTRIDGE .EMPAQUE	1	1	1	1	
11	688-44316-A0	.GASKET, WATER PUMP .EMPAQUE	1	1	1	1	
12	93210-46044	.O-RING .ANILLO O	1	1	1	1	
13	93210-85M97	.O-RING .ANILLO O	1	1	1	1	
14	93101-25M03	.OIL SEAL .SELLO ACEITE	2	2	2	2	
15	90430-12072	.GASKET .JUNTA	1	1	1	1	
16	663-44366-00	.DAMPER, WATER SEAL .GOMA DEL SELLO DE AGUA	1	1	1	1	
17	692-W0078-02	WATER PUMP REPAIR KIT ESTUCHE REPARACION BOMBA AGUA	1	1	1	1	
18	688-44322-00	.INSERT, CARTRIDGE .CARTUCHO	1	1	1	1	
19	688-44352-03	.IMPELLER .IMPULSOR	1	1	1	1	
20	688-44315-A0	.GASKET, WATER PUMP .EMPAQUE	1	1	1	1	
21	688-44323-00	.OUTER PLATE, CARTRIDGE .PLACA EXTERIOR DEL CARTUCHO	1	1	1	1	
22	688-44324-A0	.GASKET, CARTRIDGE .EMPAQUE	1	1	1	1	
23	688-44316-A0	.GASKET, WATER PUMP .EMPAQUE	1	1	1	1	
24	93210-46044	.O-RING .ANILLO O	1	1	1	1	
25	90119-08M13	.BOLT, WITH WASHER .TORNILLO CON ARANDELA	2	2	2	2	
26	90119-08M16	.BOLT, WITH WASHER .TORNILLO CON ARANDELA	2	2	2	2	
27	90280-04M04	.KEY, WOODRUFF .CUNA WOODRUFF	1	1	1	1	

FIG. 31 REPAIR KIT 2

ESTUCHE REPARATION 2



6H10100-0330

REF. NO.	PART NO. CODIGO NO.	DESCRIPTION DESCRIPTION	EHD	ED	ET	EIO	REMARKS OBSERVACION
28	688-W0078-1A	CHROME PUMP KIT ESTUCHE REPARACION BOMBA AGUA	1	1	1	1	
29	688-44321-41	.INNER PLATE, CARTRIDGE .PLACA INTERIOR CARTUCHO	1	1	1	1	
30	688-44322-41	.INSERT, CARTRIDGE .CARTUCHO	1	1	1	1	
31	688-44323-40	.OUTER PLATE, CARTRIDGE .PLACA EXTERIOR DEL CARTUCHO	1	1	1	1	
32	6H1-W0072-02-4D	EXTENSION KIT ESTUCHE PARA EXTENSION				1	X
33	688-45211-00-4D	.EXTENSION .EXTENSION				1	
34	93606-12019	.PIN, DOWEL .PASADOR DE CLAVIJA				4	
35	90116-10M05	.BOLT, STUD .ESPARRAGO				4	
36	95380-10600	.NUT .TUERCA				4	
37	90119-08M86	.BOLT, WITH WASHER .TORNILLO CON ARANDELA				1	
38	688-45501-22	.DRIVE SHAFT COMP. .EJE DE MANDO COMPL.				1	X
39	688-44361-20	.TUBE, WATER .TUBO DE AGUA				1	X
40	6H1-44120-22	.HANDLE GEAR SHIFT ASSY .MANIJA DE CAMBIO COMPL.				1	X

NUMERICAL INDEX
INDICE NUMERICO

PART NO. CODIGO NO.	REF. NO.	PART NO. CODIGO NO.	REF. NO.	PART NO. CODIGO NO.	REF. NO.	PART NO. CODIGO NO.	REF. NO.	PART NO. CODIGO NO.	REF. NO.	PART NO. CODIGO NO.	REF. NO.
6H1-W0001-02	30 - 1	6H1-13435-00	7 - 45	6H1-14948-20	6 - 23	688-24378-00	8 - 34	688-41631-01-94	15 - 18	6H1-42711-01-4D	13 - 1
688-W0001-21	31 - 1	6H1-13436-00	2 - 18	676-14966-00	6 - 22	692-24410-00	8 - 12	688-41632-01-94	15 - 7	688-42711-04-4D	13 - 1
688-W0004-00	5 - 13	6R3-13471-00	7 - 2		30 - 27	6H3-24411-10	6 - 40	6H1-41636-00	15 - 24	692-42711-02-4D	13 - 1
6H1-W0070-30	1 - 16	6L2-13475-00	7 - 3	6H3-14980-10	6 - 28	663-24411-00	8 - 17	692-42111-12-4D	14 - 2	648-42715-00	15 - 49
	2 - 17	688-13610-00	5 - 12	6H4-14980-00	6 - 27	692-24411-00	8 - 14	692-42115-00	14 - 11	688-42716-02	13 - 9
6H1-W0072-02-4D	31 - 32	688-13621-A1	5 - 10	6H4-14984-00	6 - 24	6A0-24412-02	8 - 23	664-42119-00	14 - 3	663-42724-00	13 - 10
688-W0078-1A	31 - 28		30 - 4		30 - 5	6A0-24413-00	8 - 13	692-42121-01-4D	14 - 21	688-42725-02	13 - 11
692-W0078-02	31 - 17	688-13624-00	5 - 11		30 - 28	6H4-24413-00	6 - 38	663-42126-01	14 - 47	688-42725-10	13 - 11
692-W0084-11-4D	14 - 1	6H1-13641-02-94	5 - 6	6H4-14985-01	6 - 19	6A0-24421-01	8 - 21	663-42133-01	14 - 15	692-42725-00	13 - 11
6H1-W0090-06-4D	3 - 1	6H1-13641-11-94	5 - 6	6H3-14992-00	6 - 25	6L5-24421-00	6 - 37	692-42134-03-94	14 - 16	6H4-42726-00	13 - 22
6H1-W0090-43-4D	3 - 1	6H3-14137-00	6 - 31	6H1-15100-02-94	3 - 2	650-24431-A0	8 - 24	692-42135-00	14 - 14	688-42726-10	13 - 22
6H1-W0093-10	30 - 20	6H3-14146-10	6 - 9	6H1-15100-13-94	3 - 2		30 - 19	692-42137-02	14 - 5	688-42738-01-94	13 - 12
656-W2810-02	8 - 35	6H4-14146-00	6 - 8	6H1-15359-01-94	4 - 1	6H3-24434-10	6 - 41	663-42138-00	14 - 12	688-42741-01-4D	13 - 24
6H1-11111-01-94	3 - 30	6H4-14147-00	6 - 10	688-15379-00	4 - 6	648-24434-01	8 - 15	692-42164-00	14 - 42	6G1-42748-00	13 - 23
688-11119-00	3 - 28		30 - 21	6H1-15771-00	12 - 19	6A0-24435-02	8 - 18	6F6-42177-A0	14 - 4	688-42771-01-4D	13 - 25
688-11181-A1	3 - 31	663-14159-00	6 - 17	6H1-15772-00	3 - 55	6H3-24452-10	6 - 29	688-42510-02-4D	19 - 3	688-42815-01-4D	13 - 3
	30 - 6		30 - 25	6H1-15773-00	3 - 57	6H4-24486-00	6 - 39	624-42542-00	7 - 49	688-42816-00	13 - 7
688-11191-00-9M	3 - 35	676-14186-00	6 - 18	6H1-21707-07	7 - 26	61N-24521-00	8 - 8	6H1-42610-G4-4D	1 - 1	688-42817-01-4D	13 - 4
688-11193-A1	3 - 36		30 - 26	6H3-21732-00	2 - 24	61N-24560-00	8 - 6	6H1-42610-31-4D	2 - 1	6H1-43111-01-4D	16 - 1
	30 - 8	6H1-14301-07	6 - 1	6H3-21735-00	2 - 25	61N-24563-00	8 - 7	6H1-42613-01-4D	1 - 10	688-43111-13-4D	17 - 1
688-11325-00	3 - 26	6H1-14301-20	6 - 1	63D-2175R-00	7 - 36	6H1-24566-00	8 - 10		2 - 11	6H1-43112-00-4D	16 - 11
650-11370-00	3 - 4	6H1-14302-07	6 - 2	6H1-21752-00	7 - 33	6YJ-24610-01	25 - 2	688-42615-00	1 - 13	688-43112-12-4D	17 - 8
688-11370-00	3 - 3	6H1-14302-20	6 - 2	6H1-21757-00	7 - 39	6H1-24633-00	7 - 40		2 - 14	688-43124-02	18 - 12
	4 - 2	6H1-14303-07	6 - 3	6J8-21758-00	7 - 38	692-26301-03	14 - 20	6H1-42617-10	1 - 17	6E5-43126-02	16 - 40
688-11411-01	4 - 11	6H1-14303-20	6 - 3	63D-2176M-00	7 - 35	6E0-28193-00-94	8 - 36		2 - 19		17 - 39
663-11518-01	3 - 6	6A0-14325-00	8 - 22	6H1-21766-01	7 - 43	688-41111-00-9M	3 - 47	6H1-42619-00	1 - 18	688-43128-01-4D	18 - 1
6H1-11536-00	4 - 27	6H3-14349-00	5 - 4	63D-2177H-00	2 - 2	688-41112-A0	3 - 48		2 - 20	688-43131-03	16 - 21
6H1-11537-01	7 - 16		6 - 32	6H4-21770-00	7 - 37		30 - 10	6H1-42627-00	1 - 19		17 - 19
688-11603-A0	4 - 19	6H3-14380-00	6 - 33	6H1-21796-00	3 - 58	688-41113-00-9M	3 - 50		2 - 21	6G5-43144-00	16 - 34
688-11604-A0	4 - 19	6H1-14413-02	5 - 22	6YJ-24167-00	25 - 7	688-41114-A0	3 - 49	6H1-42637-00	1 - 20		17 - 33
688-11605-A0	4 - 19	6H1-14440-02	5 - 18	6YJ-24201-00	25 - 1		30 - 11		2 - 22	6E5-43145-01	26 - 9
6H1-11631-03-95	4 - 18	6H1-14485-00	5 - 7	6YJ-24201-10	25 - 1	688-41131-00-5B	21 - 8	6H1-42647-00-94	1 - 2	6G5-43145-00	16 - 25
663-11633-00	4 - 20	624-14485-00	3 - 5	6YJ-24260-00	25 - 3	688-41133-00	21 - 9		2 - 3		17 - 23
688-11634-10	4 - 21	63V-14523-00	6 - 5	6Y1-24260-12	25 - 3		31 - 4	6H1-42649-00-94	1 - 3	6G5-43148-00	16 - 29
6H1-11635-03	4 - 18	6H4-14548-00	6 - 15	6Y1-24268-00	25 - 6	688-41134-A0	21 - 7		2 - 4		17 - 28
6H1-11636-04	4 - 18		30 - 24	6G1-24304-02	8 - 1		31 - 3	688-42652-10	1 - 5	688-43160-01	16 - 36
688-11650-03	4 - 22	697-14555-00	6 - 12	6G1-24305-03	25 - 13	688-41137-03-94	21 - 5		2 - 6		17 - 35
688-12411-01	3 - 42	6H4-14567-00	6 - 30	6Y1-24305-04	25 - 15	688-41211-01	15 - 27	663-42662-00	1 - 4	688-43165-00	16 - 38
688-12411-10	3 - 42	6H2-14578-00	6 - 7	61J-24306-02	25 - 8	6H1-41213-00	15 - 30		2 - 5		17 - 37
688-12413-00-9M	3 - 43	692-14590-00	6 - 14	663-24312-01	3 - 51	662-41214-01	15 - 8	6H1-42677-30	1 - 14	688-43170-04-4D	18 - 7
688-12414-A1	3 - 44		30 - 23	688-24313-00	8 - 30	688-41217-01	5 - 3		2 - 15	6H1-43181-01	16 - 26
	30 - 9	688-14711-01-5B	21 - 10	6H1-24314-00	8 - 27	6E9-41237-00	7 - 25	6H1-42678-30	1 - 15	688-43181-10	17 - 24
688-12416-00	3 - 40	663-14737-10	21 - 12	688-24314-00	8 - 31	6F5-41237-00	15 - 19		2 - 16	6H1-43185-01	16 - 27
6H1-13117-01	7 - 18	692-14923-00	6 - 11	6Y1-24329-00	25 - 5	6H1-41237-00	7 - 21	6H1-42681-30	1 - 21	688-43185-10	17 - 25
6E9-13183-70	7 - 13	6H1-14943-39	6 - 21	650-24351-51	25 - 12	662-41237-01	15 - 26		2 - 28	688-43186-00	18 - 2
6H1-13200-02	7 - 1	6H1-14943-40	6 - 21	61J-24360-00	25 - 10	682-41237-00	15 - 29	6H1-42682-30	1 - 22	6H1-43311-01-4D	16 - 16
6H1-13411-00	7 - 42	6H1-14947-75	6 - 20	6E5-24367-01	13 - 30	6H1-41241-02	7 - 20		2 - 29		17 - 13
6J8-13414-00	7 - 41	6H1-14948-18	6 - 23	650-24378-00	3 - 7	6J8-41262-00	18 - 4	6H1-42694-00	2 - 23	663-43318-00	17 - 26

NUMERICAL INDEX
INDICE NUMERICO

PART NO. CODIGO NO.	REF. NO.	PART NO. CODIGO NO.	REF. NO.	PART NO. CODIGO NO.	REF. NO.	PART NO. CODIGO NO.	REF. NO.	PART NO. CODIGO NO.	REF. NO.	PART NO. CODIGO NO.	REF. NO.
682-43318-01	18 - 10	6H1-43861-10	20 - 18	688-44316-A0	22 - 29	663-45155-10	21 - 2	688-45567-01-30	22 - 7	6H1-45641-01	23 - 41
6H1-43376-00	19 - 39		20 - 22		23 - 29	688-45211-00-4D	31 - 33		23 - 7	6H1-45668-00	23 - 46
688-43616-00	18 - 5		20 - 60		31 - 11	688-45211-01-4D	21 - 22	688-45567-01-40	22 - 7	688-45930-02-98	24 - 22
688-43631-10	18 - 8	6H1-43864-00	20 - 65		31 - 23	6H1-45214-00	22 - 12		23 - 7	688-45932-60-98	24 - 22
688-43651-00	18 - 9	6H1-43865-10	20 - 16	688-44321-41	31 - 29		23 - 12	688-45567-01-50	22 - 7	6E5-45941-00-EL	24 - 22
697-43662-00	15 - 55	6H1-43866-00	20 - 40	688-44322-00	22 - 22	6H1-45215-00	22 - 13		23 - 7	6E5-45943-00-EL	24 - 22
688-43691-01	17 - 18	6H1-43867-00	20 - 41		23 - 22		23 - 13	6H1-45571-00	23 - 53	6E5-45945-01-EL	24 - 22
6H1-4380F-10	20 - 7	6H1-43868-00	20 - 74		31 - 18	6H1-45251-03	16 - 2	688-45571-01	22 - 46	6E5-45947-00-EL	24 - 22
6H1-4380G-10	20 - 15	6H1-4387J-00	20 - 77	688-44322-41	31 - 30		17 - 2	688-45576-00	22 - 50	6E5-45949-00-EL	24 - 22
6H1-4380H-10	20 - 13	6H1-43871-10	20 - 23	688-44323-00	22 - 30	6H1-45300-A3-4D	22 - 1		23 - 57	6E5-45952-00-EL	24 - 22
6H1-4380J-10	20 - 8	6H1-43872-10	20 - 25		23 - 30	6H1-45300-15-4D	23 - 1	688-45577-01-10	22 - 49	6E5-45954-00-EL	24 - 22
6H1-43800-15-4D	20 - 1	6H1-43874-00	20 - 67		31 - 21	6H1-45300-24-4D	23 - 1		23 - 56	6E5-45956-00-EL	24 - 22
6T4-43802-03	20 - 39	6H1-43875-00	20 - 57	688-44323-40	31 - 31	6H1-45301-03-4D	23 - 2	688-45577-01-12	22 - 49	6E5-45970-10	24 - 23
6H1-43804-10	20 - 4	6H1-4388E-11	20 - 73	688-44324-A0	22 - 31	6H1-45301-12-4D	22 - 2		23 - 56	688-45970-03-98	24 - 22
6H1-43805-10	20 - 3	6H1-43880-02	20 - 2		23 - 31	688-45321-00	22 - 16	688-45577-01-15	22 - 49	6E5-45972-10	24 - 23
6H1-43810-11	20 - 20	6H1-43881-10	20 - 12		31 - 10		23 - 16		23 - 56	688-45972-02-98	24 - 22
6H1-43812-00	20 - 24	6H1-43891-10	20 - 5		31 - 22	688-45331-00-94	22 - 47	688-45577-01-18	22 - 49	6E5-45974-10	24 - 23
6H1-43813-10	20 - 27	6H1-43892-10	20 - 6	688-44341-01-94	22 - 26		23 - 54		23 - 56	688-45974-02-98	24 - 22
6H1-43814-11	20 - 19	6H1-43895-11	20 - 70		23 - 26	688-45341-00	22 - 10	688-45577-01-30	22 - 49	6E5-45976-10	24 - 23
6H1-43816-00	20 - 68	6H1-43896-00	20 - 69	688-44352-03	22 - 24		23 - 10		23 - 56	688-45976-01-98	24 - 22
6H1-43817-01	20 - 47	6H1-43899-00	20 - 51		23 - 24	6E5-45371-10	24 - 25	688-45577-01-40	22 - 49	6E5-45978-10	24 - 23
6E5-43818-00	20 - 32	697-44113-00	14 - 29		31 - 19	688-45371-02	24 - 12		23 - 56	688-45978-60-98	24 - 22
6H1-4382A-10	20 - 52	688-44117-00-94	15 - 34	688-44361-10	24 - 2	688-45375-00	24 - 11	688-45577-01-50	22 - 49	688-45987-01	24 - 17
6H1-43820-11	20 - 64	688-44118-00-94	15 - 43	688-44361-20	24 - 2	663-45376-00-94	24 - 10		23 - 56	6E5-45994-10	24 - 24
6H1-43821-11	20 - 59	6H1-44120-12	15 - 50		31 - 39	6E5-45378-00	22 - 57	688-45587-01-10	22 - 5	688-45997-01	24 - 18
6H1-43822-10	20 - 58	6H1-44120-22	15 - 50	663-44366-00	24 - 14		23 - 64		23 - 5	703-48152-00	28 - 57
6H1-43828-10	20 - 30		31 - 40		31 - 16	688-45383-02	22 - 54	688-45587-01-12	22 - 5	703-48153-00	28 - 3
6H1-43829-00	20 - 36	688-44120-12	15 - 50	663-44367-00	24 - 1		23 - 61		23 - 5	703-48189-00	28 - 17
6H1-43830-11	20 - 49	6H1-44121-00	15 - 41	6H3-44391-01	13 - 2	688-45384-00	22 - 55	688-45587-01-15	22 - 5	703-48198-00	28 - 14
6H1-43831-10	20 - 48	688-44121-02	15 - 41	688-44511-00-94	19 - 33		23 - 62		23 - 5	703-48203-A1	27 - 1
6H1-43833-10	20 - 33	688-44122-00	15 - 38	688-44514-00-94	19 - 26	6H1-45501-11	22 - 35	688-45587-01-18	22 - 5		28 - 1
6H1-43834-00	20 - 34	688-44124-00	15 - 37	6H1-44526-00	16 - 3		23 - 35		23 - 5	703-48205-A3	27 - 1
6H1-43835-10	20 - 29	6H1-44144-00	23 - 69		17 - 3	688-45501-22	23 - 35	688-45587-01-30	22 - 5		28 - 1
6H1-4384E-20	20 - 61	663-44144-01	22 - 62	663-44551-02-4D	19 - 9		31 - 38		23 - 5	703-48211-01	28 - 61
6H1-4384F-10	20 - 46	696-44147-00	15 - 54	687-44552-02-94	19 - 18	688-45536-01	22 - 4	688-45587-01-40	22 - 5	703-48212-00	28 - 58
6H1-4384G-11	20 - 45	6H1-44151-00	23 - 68	663-44553-01-4D	19 - 23		23 - 4		23 - 5	703-48213-00	28 - 59
6H1-43840-11	20 - 17	663-44151-00	22 - 61	687-44555-00-94	19 - 11	688-45551-01	22 - 36	688-45587-01-50	22 - 5	703-48215-00	28 - 43
6H1-43841-11	20 - 42	692-44159-01	14 - 33	663-44575-00	19 - 16		23 - 36		23 - 5	703-48218-00	28 - 65
6H1-43843-11	20 - 72	663-44173-00	14 - 34		19 - 32	688-45560-00	22 - 38	6H1-45611-01	23 - 39	703-48219-00	28 - 30
6H1-43844-10	20 - 44	6K5-44191-00	14 - 30	688-45111-04-4D	21 - 1		23 - 38	688-45611-00	22 - 39	703-48221-00	28 - 56
6H1-43845-00	20 - 55	688-44194-00	3 - 14	688-45113-A0	21 - 20	688-45567-01-10	22 - 7	6H1-45631-01	23 - 49	703-48222-00	28 - 27
6H1-43847-00	20 - 50		15 - 21		30 - 17		23 - 7	688-45631-01	22 - 42	703-48223-00	28 - 28
6H1-4385H-00	20 - 78	688-44311-01	22 - 21	688-45114-A1	21 - 6	688-45567-01-12	22 - 7	688-45633-00	22 - 44	703-48224-00	28 - 55
6H1-43854-00	20 - 53		23 - 21		31 - 2		23 - 7		23 - 51	703-48225-00	28 - 29
6H1-43855-11	20 - 71	688-44315-A0	22 - 23	663-45119-00	16 - 18	688-45567-01-15	22 - 7	6H1-45634-02	23 - 43	703-48226-00	28 - 26
6H1-43856-10	20 - 43		23 - 23		17 - 15		23 - 7	688-45634-00	22 - 40	703-48227-00	28 - 24
6H1-4386K-10	20 - 9		31 - 9	688-45123-00	21 - 11	688-45567-01-18	22 - 7	6H1-45635-00	23 - 52	703-48232-00	28 - 62
6H1-43861-00	20 - 21		31 - 20		31 - 5		23 - 7	688-45635-00	22 - 45	703-48234-00	28 - 18

NUMERICAL INDEX
INDICE NUMERICO

PART NO. CODIGO NO.	REF. NO.	PART NO. CODIGO NO.	REF. NO.	PART NO. CODIGO NO.	REF. NO.	PART NO. CODIGO NO.	REF. NO.	PART NO. CODIGO NO.	REF. NO.	PART NO. CODIGO NO.	REF. NO.
703-48235-00	28 - 4	676-81857-10	12 - 4	688-8258A-20	28 - 49	90119-06M12	3 - 9	90201-03313	23 - 47	90282-04010	22 - 56
703-48236-00	28 - 16	6H1-81916-00	10 - 28	6R5-82582-B0	7 - 52	90119-06M24	15 - 33	90201-06M31	10 - 27		23 - 63
703-48238-00	28 - 22	6G1-81941-10	10 - 16	688-82586-21	28 - 49	90119-06M29	16 - 4	90201-06416	13 - 17	90338-05M03	13 - 20
703-48243-00	28 - 15	6E9-81945-70	10 - 18	6E5-82587-00	10 - 48		17 - 4	90201-08M13	15 - 16		16 - 20
703-48244-00	28 - 21	6H0-81949-01	10 - 45	688-82588-01	10 - 32	90119-06M61	13 - 19	90201-08M23	15 - 11		17 - 17
703-48245-00	28 - 11	6H0-81949-10	10 - 44	6H0-82590-02	10 - 33	90119-06M75	10 - 25	90201-08M93	7 - 17	90338-05M12	2 - 26
703-48246-00	28 - 23	61A-81950-00	10 - 40	6H0-82590-12	10 - 33	90119-06M88	7 - 48	90201-10M20	26 - 3	90340-08M04	22 - 9
701-48248-00	28 - 13	6G1-81952-00	10 - 17	6H0-82590-60	10 - 33	90119-08MA3	3 - 29	90201-10M63	26 - 7		23 - 9
703-48252-00	28 - 12	6H0-81960-10	10 - 10	703-82592-00	28 - 54	90119-08M13	22 - 34	90201-10120	14 - 38	90340-14M00	3 - 33
703-48261-01	28 - 2	6H0-82105-02	10 - 35	688-82594-00	10 - 39		23 - 34	90201-10430	3 - 11	90386-06M12	15 - 42
703-48264-00	28 - 6	6H0-82117-00	10 - 37	703-82594-00	28 - 25		31 - 25	90201-11M22	19 - 30	90386-06088	14 - 45
703-48265-00	28 - 9	682-82119-01	10 - 43	703-83383-A0	28 - 51	90119-08M16	22 - 33	90201-12M16	19 - 12	90386-07M58	15 - 51
703-48268-00	28 - 5		10 - 46	6Y5-83500-T2	29 - 1		23 - 33	90201-12M34	14 - 41	90386-08006	15 - 51
703-48271-00	28 - 60	703-82119-00	10 - 2	6Y5-83553-00	29 - 6		31 - 26	90201-12426	16 - 46	90386-08032	14 - 10
703-48281-00	28 - 31		19 - 42	6E5-83558-00	24 - 27	90119-08M65	3 - 32		17 - 45	90386-10M16	16 - 28
703-48282-00	28 - 32	688-82127-02	19 - 25	6E5-83558-10	22 - 59	90119-08M79	21 - 17	90201-12537	14 - 26		17 - 27
703-48284-00	28 - 52	6E5-82148-00	16 - 12		23 - 66	90119-08M80	21 - 4	90201-13M19	19 - 14	90386-10009	14 - 37
701-48287-00	28 - 42		17 - 9	6H1-83614-00	10 - 49	90119-08M84	24 - 9	90201-17M00	24 - 9	90386-12089	14 - 24
703-48291-10	28 - 39	6H1-82148-00	16 - 8	6H1-83672-12	19 - 1	90119-08M86	21 - 26	90201-20M21	19 - 28		15 - 12
703-48293-10	28 - 41	1E6-82151-00	29 - 7	6H4-85411-00	11 - 10		31 - 37	90201-20417	4 - 25	90386-13M38	13 - 5
701-48320-30	27 - 2	682-82151-00	10 - 34	692-85415-00	11 - 9	90119-10M07	3 - 10	90201-21M18	9 - 10	90386-18M14	20 - 31
700-48339-00	14 - 46	6G5-82152-00	10 - 21	6H0-85510-02	9 - 2	90149-05M13	14 - 7	90201-22M67	16 - 23	90386-18M21	17 - 40
663-48344-00	15 - 6	6A0-82317-00	7 - 50	6H0-85540-04	10 - 1	90151-05M00	22 - 14		17 - 21	90386-18M35	16 - 41
703-48345-01	28 - 19	6E3-82370-21	10 - 30	6H1-85542-00-94	10 - 22		23 - 14	90201-30M00	19 - 4		17 - 41
703-48358-00	28 - 20	6H3-82510-01	11 - 1	6H1-85542-10	10 - 3	90157-06M01	13 - 20	90202-03M51	18 - 6		18 - 14
688-48511-11-4D	19 - 36	703-82510-02	28 - 44	6H0-85550-00	9 - 1	90157-06013	15 - 20	90202-05088	7 - 23	90386-18M63	16 - 43
663-48531-00	15 - 1	703-82510-11	28 - 44	697-85570-00	10 - 7	90157-06014	3 - 13	90202-07M07	15 - 39		18 - 13
663-48538-00	15 - 2	697-82519-00	10 - 38	6H0-85580-01	9 - 3	90159-06M11	10 - 29	90202-12060	24 - 3	90386-22M13	15 - 14
688-61350-10	26 - 1	697-8252E-01-4D	11 - 11	6H1-85720-15	7 - 51	90159-06M20	9 - 15	90202-12092	14 - 25	90386-22M15	16 - 22
688-61351-10	26 - 2	697-8252F-01-4D	11 - 12	6H2-85895-01	9 - 4	90170-09M03	26 - 5		15 - 15		17 - 20
6E5-61355-00	26 - 8	6R3-82521-70	29 - 8	9E450-04433	29 - 2	90170-16M01	22 - 37	90202-20M06	19 - 29	90386-30M60	19 - 8
6H4-81315-11	29 - 10	6H3-82531-01	11 - 19	9E450-04533	29 - 3		23 - 37	90202-25M04	19 - 13	90386-30M77	19 - 6
688-81332-01	9 - 11	703-82531-00	28 - 46	90101-06M27	14 - 48	90170-20137	9 - 9	90206-10M04	15 - 32	90386-30M78	19 - 5
6H1-81337-01	9 - 14	688-82540-11	11 - 6	90101-10M49	19 - 27	90171-16011	24 - 20	90206-12054	14 - 27	90387-06M03	10 - 24
688-81800-12	12 - 1	703-82540-00	28 - 50	90101-12M06	14 - 22	90175-06003	14 - 50	90206-13019	13 - 6	90387-06M17	15 - 31
676-81809-10	12 - 3	703-82542-00	28 - 64	90101-12M65	16 - 44	90179-06066	19 - 22	90209-06M05	5 - 21	90387-06M31	7 - 32
688-81810-11	12 - 5	6R3-82553-70	29 - 9		17 - 43	90183-02M03	23 - 48	90249-06M19	16 - 31	90387-06M69	13 - 16
663-81811-11	12 - 7	663-82554-01	11 - 7	90105-10M67	24 - 13	90183-05M06	2 - 27		17 - 30	90387-08M16	15 - 13
663-81812-11	12 - 8	663-82555-01	11 - 8	90109-06M39	7 - 5	90185-05002	22 - 15	90250-07M02	22 - 43	90387-10M02	16 - 32
663-81813-10	12 - 9	682-82556-00	11 - 4		10 - 26		23 - 15		23 - 50		17 - 31
663-81820-12	12 - 10		28 - 48	90109-06M40	7 - 6	90185-08057	19 - 40	90254-03003	14 - 13	90387-10M42	26 - 6
688-81824-00	12 - 15	688-82560-10	10 - 31	90109-08M61	4 - 23	90185-09M01	26 - 4	90266-06009	1 - 9	90387-12M30	14 - 40
663-81826-10	12 - 14	6H1-82563-10	10 - 47	90109-12261	19 - 15	90185-10051	14 - 39		2 - 10	90430-08020	22 - 11
688-81830-11	12 - 12	703-82563-02	28 - 55	90116-10M05	21 - 23		19 - 31	90269-02M09	14 - 6		23 - 11
688-81831-00	12 - 13	688-82575-01	11 - 3		31 - 35		19 - 38	90280-04M04	22 - 25		31 - 6
663-81832-11	12 - 11		28 - 47	90116-10M06	3 - 22	90185-12058	14 - 28		23 - 25	90430-12072	24 - 4
663-81840-11	12 - 6	676-82577-00	11 - 2	90116-10175	19 - 37	90185-22043	16 - 24		31 - 27		31 - 15
676-81850-11	12 - 2		28 - 45	90119-06M09	13 - 8		17 - 22	90280-05015	9 - 8	90430-14115	3 - 34

NUMERICAL INDEX
INDICE NUMERICO

PART NO. CODIGO NO.	REF. NO.	PART NO. CODIGO NO.	REF. NO.	PART NO. CODIGO NO.	REF. NO.	PART NO. CODIGO NO.	REF. NO.	PART NO. CODIGO NO.	REF. NO.	PART NO. CODIGO NO.	REF. NO.
90430-14115	30 - 7	90467-08004	8 - 28	92903-06600	10 - 20	92995-06600	22 - 20	93210-46M16	4 - 14	93606-12019	21 - 3
90440-14M00	16 - 48		8 - 32		15 - 36		23 - 20		30 - 12		21 - 21
90445-07ME9	22 - 58	90467-11M08	7 - 30	92903-08100	12 - 17	92995-08100	15 - 5	93210-46044	5 - 19		21 - 24
	23 - 65	90467-12M11	7 - 46		15 - 45		19 - 20		22 - 28		24 - 5
90445-07MF1	24 - 26	90468-05M03	7 - 24	92903-08600	3 - 54		19 - 35		23 - 28		31 - 34
90445-07MF2	23 - 65	90468-07M02	7 - 7		15 - 46		21 - 14		30 - 2	93608-12063	3 - 8
90445-07M00	3 - 19		7 - 11	92903-10600	14 - 8		21 - 16		31 - 12	93700-06M03	14 - 17
90445-07M23	3 - 20		7 - 14	92990-04100	29 - 4		21 - 19		31 - 24		16 - 17
	5 - 1	90468-18008	15 - 9	92990-05100	5 - 15	92995-10100	16 - 15	93210-49046	22 - 17		17 - 14
90445-07M44	7 - 10		15 - 40		8 - 20		17 - 12		23 - 17	94702-00160	3 - 60
90445-07M86	4 - 7		15 - 53	92990-06600	13 - 31	92995-12200	16 - 45		31 - 7	94702-00247	3 - 60
90445-07M87	7 - 12	90480-09M12	13 - 15		14 - 43		17 - 44	93210-62269	4 - 5	95303-06600	15 - 22
90445-07M90	7 - 8	90480-09M25	10 - 23		14 - 49	93101-25M03	22 - 27		30 - 16	95303-06700	3 - 15
90445-07240	7 - 9	90480-19M06	24 - 15	92990-08200	15 - 52		22 - 53	93210-64488	20 - 28	95313-10600	3 - 12
90445-07260	3 - 16	90480-20M05	3 - 39	92990-08600	12 - 18		23 - 27	93210-85M97	22 - 51	95380-03600	6 - 35
90445-08M01	7 - 44	90480-24M04	3 - 18		28 - 34		23 - 60		23 - 58		8 - 16
90445-09097	8 - 29	90501-10326	6 - 6	92990-10100	24 - 8		31 - 14		31 - 13	95380-04600	29 - 5
90445-09105	8 - 4	90501-12M48	23 - 40	92990-10600	24 - 7	93102-08M43	20 - 14	93306-206U5	4 - 16	95380-05600	7 - 22
90445-09220	8 - 33	90501-12082	15 - 48	92990-12200	14 - 23	93102-30M05	4 - 3	93306-207U0	22 - 48		15 - 25
90445-11M05	25 - 11	90501-14M08	19 - 21	92995-04600	12 - 21		30 - 14		23 - 55		15 - 28
90445-11M06	25 - 9	90501-16M11	3 - 41	92995-06100	1 - 7	93102-36M02	4 - 13	93310-636U4	4 - 12		28 - 7
90445-11M09	7 - 27	90501-16M12	15 - 23		2 - 8		30 - 13	93310-730V8	4 - 26	95380-06600	28 - 40
90464-07M05	7 - 15	90501-16M17	14 - 35		3 - 25	93104-20M02	4 - 4	93310-835U8	4 - 15	95380-08600	8 - 11
90464-11M18	16 - 19	90501-16M65	23 - 44		10 - 15		30 - 15	93315-325V1	22 - 3	95380-10600	21 - 25
	17 - 16	90501-16233	22 - 41		11 - 14	93106-09014	22 - 18		23 - 3		31 - 36
90464-11M24	7 - 28	90501-23215	14 - 9		11 - 16		23 - 18	93317-325U0	22 - 52	95380-12600	16 - 47
90464-13080	28 - 53	90502-16M02	16 - 39		11 - 18		31 - 8		23 - 59		17 - 46
90464-15M08	13 - 21		17 - 38		13 - 27	93210-04228	6 - 13	93332-000U3	22 - 6	95380-12800	19 - 17
90464-18M14	10 - 51	90506-14M24	16 - 33		13 - 29		30 - 22		23 - 6	97013-06012	6 - 43
90464-23M22	10 - 36		17 - 32		16 - 6	93210-04230	6 - 26	93332-000W7	22 - 8	97013-06016	10 - 19
90465-06M90	9 - 16	90508-29M05	15 - 17		17 - 6		30 - 29		23 - 8		14 - 31
90465-08M23	10 - 13	91318-08016	20 - 66	92995-06600	1 - 8	93210-064A5	20 - 38	93410-18M02	16 - 42	97013-06020	10 - 8
90465-11M10	19 - 41	91490-25012	14 - 44		1 - 12	93210-07003	23 - 70		17 - 42		15 - 35
	22 - 60	91490-40025	24 - 21		2 - 9	93210-08287	25 - 14	93410-28M06	19 - 10	97013-06025	3 - 37
	23 - 67	91690-30012	15 - 3		2 - 13		25 - 16	93410-32M00	4 - 17	97013-06030	5 - 16
90465-11M27	7 - 29		16 - 37		4 - 10	93210-09165	20 - 37	93430-06024	28 - 10	97013-06035	3 - 45
90465-12M03	3 - 23		17 - 36		8 - 3	93210-10M74	20 - 54		28 - 63	97013-08030	12 - 16
90465-13M11	10 - 4	91690-30020	16 - 30		8 - 26	93210-13M04	7 - 19	93430-08006	22 - 63		15 - 44
90465-13M30	7 - 34		17 - 29		9 - 7	93210-16275	26 - 10		23 - 71	97013-08040	3 - 53
90465-18147	6 - 42		18 - 3		9 - 13	93210-18M75	20 - 56	93450-07M00	23 - 72	97075-08025	19 - 19
90467-06016	3 - 17	92901-04100	20 - 76		9 - 18	93210-18397	20 - 26	93501-04M02	15 - 47		21 - 15
	3 - 21	92901-05200	20 - 63		10 - 6	93210-19MA7	7 - 4	93503-16003	23 - 45	97075-08030	21 - 13
	4 - 8	92903-06100	5 - 17		10 - 12	93210-29M94	19 - 7	93505-32038	20 - 79	97075-08035	19 - 34
	5 - 2		14 - 32		10 - 42	93210-32738	8 - 9	93515-32M01	14 - 36		21 - 18
90467-08004	3 - 52	92903-06600	3 - 38		13 - 14		30 - 18	93603-12M11	23 - 42	97075-10040	24 - 6
	5 - 5		3 - 46		16 - 7	93210-39ME4	5 - 9	93603-21111	4 - 24	97080-06010	18 - 11
	7 - 47		6 - 44		16 - 10		30 - 3	93604-10M03	22 - 32	97095-05012	9 - 5
	8 - 5		10 - 9		17 - 7		30 - 30		23 - 32	97095-06010	9 - 12

NUMERICAL INDEX
INDICE NUMERICO

PART NO. CODIGO NO.	REF. NO.	PART NO. CODIGO NO.	REF. NO.	PART NO. CODIGO NO.	REF. NO.	PART NO. CODIGO NO.	REF. NO.	PART NO. CODIGO NO.	REF. NO.
97095-06010	16 - 9	97885-06008	14 - 18						
	16 - 35	97885-06012	11 - 5						
	17 - 34	97885-06016	19 - 2						
97095-06012	3 - 56		19 - 24						
	9 - 17	97885-06025	11 - 13						
	10 - 14	97885-06050	5 - 20						
97095-06014	3 - 24	97980-04114	6 - 4						
97095-06016	1 - 6	98501-04025	20 - 75						
	1 - 11	98501-05010	20 - 62						
	2 - 7	98503-05028	8 - 19						
	2 - 12	98580-03015	28 - 38						
	7 - 31	98580-04006	28 - 36						
	10 - 50	98580-04008	6 - 16						
	13 - 13	98580-04010	28 - 35						
	16 - 5	98580-05010	28 - 37						
	17 - 5	98586-05016	25 - 4						
	22 - 19	98780-04015	3 - 27						
	23 - 19	98980-03006	6 - 36						
97095-06020	4 - 9								
	8 - 2								
	10 - 11								
	11 - 17								
	13 - 26								
97095-06025	10 - 41								
97095-06030	11 - 15								
	13 - 18								
	13 - 28								
97095-06040	8 - 25								
	9 - 6								
97095-06050	10 - 5								
97095-06095	5 - 8								
97095-08012	3 - 59								
97095-08016	15 - 4								
97095-08030	28 - 33								
97095-08045	15 - 10								
97095-10045	16 - 14								
	17 - 11								
97380-05025	28 - 8								
97595-06420	20 - 35								
97607-04310	20 - 11								
97780-40512	24 - 16								
97803-04008	6 - 34								
97880-05020	5 - 14								
97880-06012	16 - 13								
	17 - 10								
97885-04010	12 - 20								
97885-05012	14 - 19								
97885-05016	20 - 10								