



PARTS CATALOGUE

90AETO'04 (6H16)

FOREWORD

This Parts Catalogue is related to the parts for the model(s) on the cover page. When you are ordering replacement parts, please refer to this Parts Catalogue and quote both part numbers and part names correctly.

1. Modifications or additions which have been made after the issue of the Parts Catalogue will be announced in the Parts News.
It is advisable that you make the necessary corrections to the Parts Catalogue according to the Parts News.

2. Abbreviations

The following abbreviations are used in this Parts Catalogue.

“UR” Use specified parts number.

“UN” Use as many as needed.

“AP” Alternate Parts

“LM” Locally Made (Parts need to be ordered locally)

“F#” Frame No. (Applicable machine No.)

“O/S” Over Size

3. The number of components for assembly

- Parts, which are to be supplied in an assembly, are listed with a dot (.) in front of the part name as shown below.
- The numeral appearing to the right of each component part indicates the quantity of parts for each assembly unit.

PART NO.	DESCRIPTION	Q'TY	REMARKS
2F5-83310-60	FRONT FLASHER LIGHT ASSY	2	
115-83311-60	.BULB (6V-18W)	1	

4. Applicable colours of graphics are represented in the “REMARKS” as shown below.

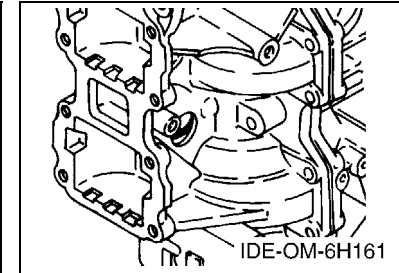
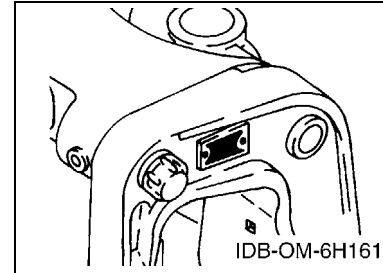
PART NO.	DESCRIPTION	Q'TY	REMARKS
2N4-24110-00-X5	FUEL TANK COMP.	2	MXR
3J1-24240-10	.GRAPHIC, FUEL TANK	1	FOR MXR

5. Note that the illustrations for reference in finding parts numbers are not to be used for assembling. When assembling, please use the applicable service manual.

6. The asterisk (*) before a reference number indicates modified items after the first edition.

7. Applicable Serial No.

Engine Serial No.



8. Applicable Engine Starting Serial No.

Model	Serial No.	Model	Serial No.
90A	6H1-1007591		

9. Applicable Colour Code

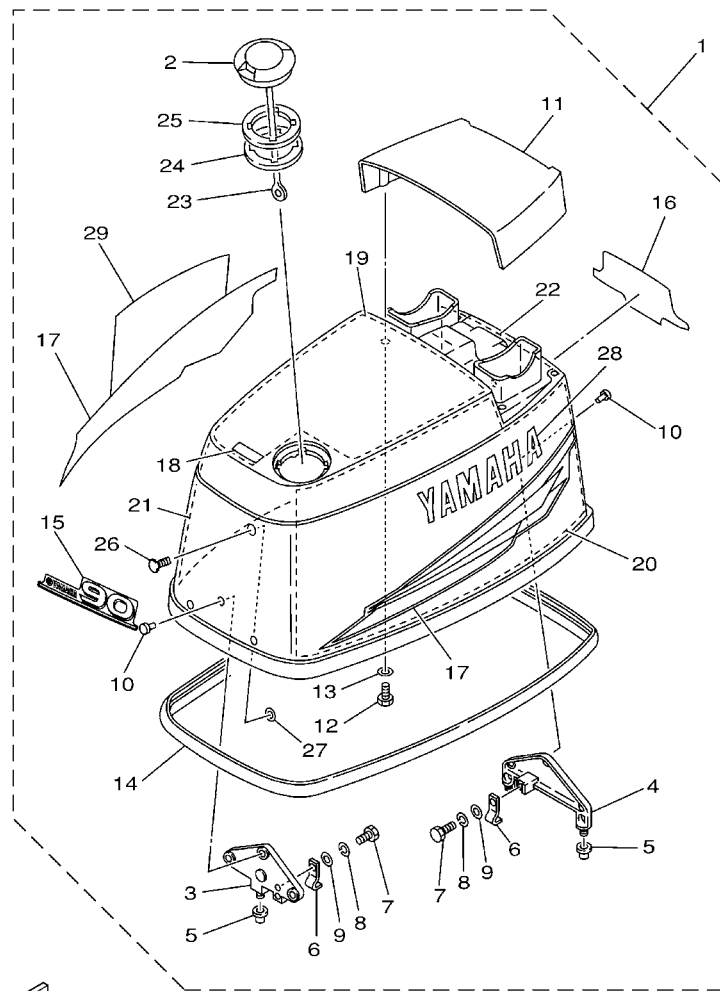
Abbreviation	Colour Name	Colour Code
DBNM2	DARK BLUISH GRAY METALLIC 2	004D

10. Quantity Column Information

Column No.	Name Of Q'ty Column	Applicable Model
1	90A	90AETO

CONTENTS

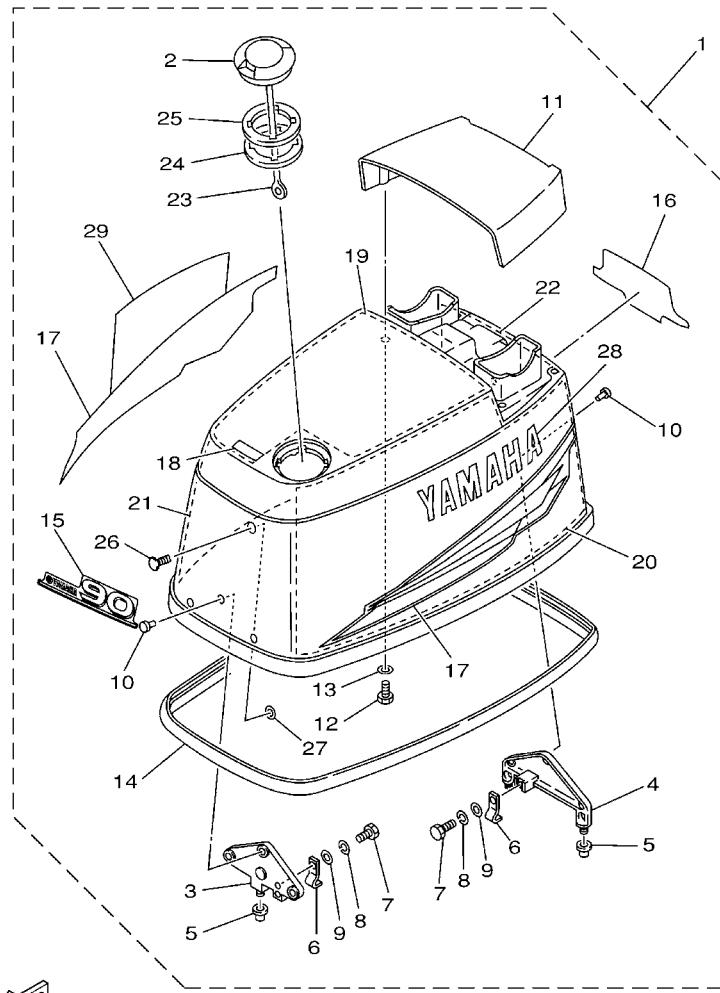
TOP COWLING	1
CYLINDER & CRANKCASE	3
CRANKSHAFT & PISTON	6
INTAKE	8
CARBURETOR	9
OIL PUMP	11
FUEL	13
GENERATOR	15
ELECTRICAL	16
STARTING MOTOR	18
BOTTOM COWLING	19
CONTROL	21
BRACKET 1	23
BRACKET 2	25
POWER TRIM & TILT ASSY	27
UPPER CASING	30
LOWER CASING & DRIVE 1	31
LOWER CASING & DRIVE 2	35
FUEL TANK	37
STEERING GUIDE	38
REMOTE CONTROL BOX	39
REMOTE CONTROL ASSY	40
METER	43
REPAIR KIT 1	44
REPAIR KIT 2	46
INDEX	
NUMERICAL INDEX	48




6H12200-2010

FIG. 1 TOP COWLING

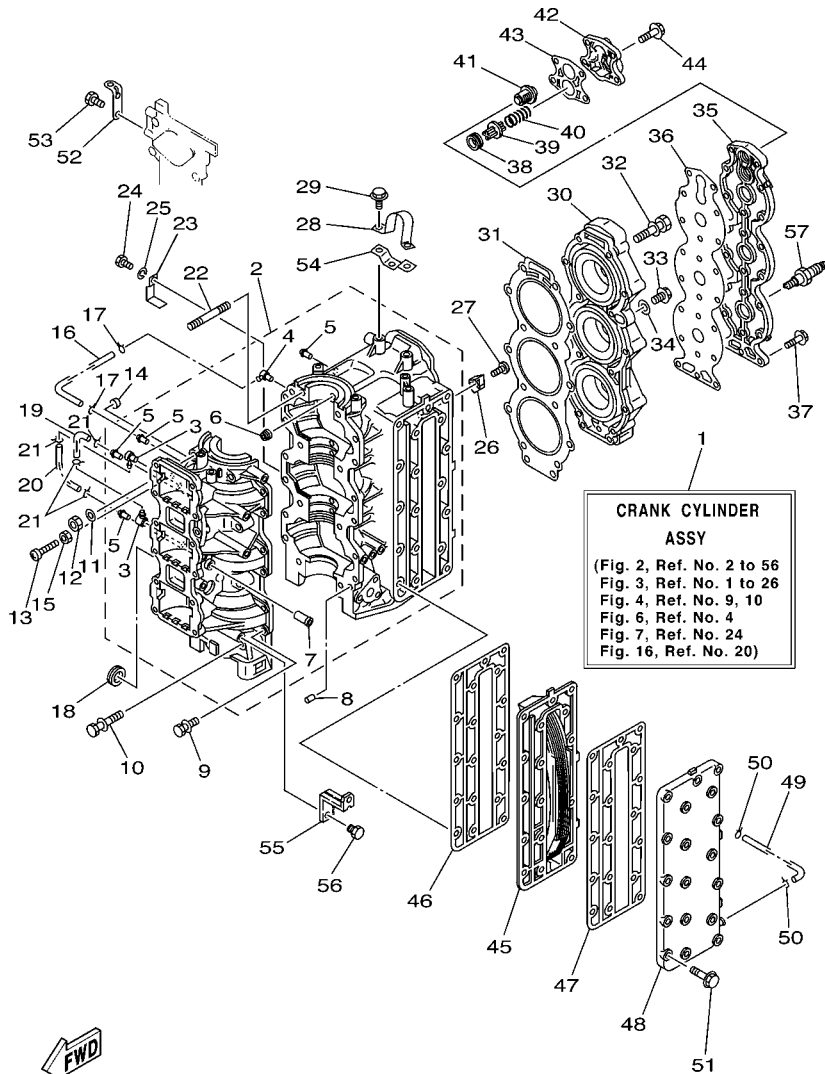
REF. NO.	PART NO.	DESCRIPTION	90A				REMARKS
1	6H1-42610-60-4D	TOP COWLING ASSY	1				
2	63D-2177H-00	.DISK CAP 2	1				
3	6H1-42647-00-94	.HOLDER, CLAMP BAND	1				
4	6H1-42649-00-94	.HOLDER, CLAMP BAND	1				
5	663-42662-00	.DAMPER	3				
6	688-42652-10	.HOOK	2				
7	97095-06016	.BOLT	2				
8	92995-06100	.WASHER, SPRING	2				
9	92995-06600	.WASHER	2				
10	90266-06009	.RIVET	6				
11	6H1-42613-01-4D	.MOLDING, AIR DUCT	1				
12	97095-06016	.BOLT	4				
13	92995-06600	.WASHER	4				
14	688-42615-00	.SEAL	1				
15	6H1-42677-60	.GRAPHIC, FRONT	1				
16	6H1-42678-30	.GRAPHIC, REAR	1				
17	6H1-W0070-30	.GRAPHIC SET	1				
18	6H1-13436-00	.MARK	1				
19	6H1-42617-10	.DAMPER, FORM	1				
20	6H1-42619-00	.DAMPER, FORM	1				
21	6H1-42627-00	.DAMPER, FORM	1				
22	6H1-42637-00	.DAMPER, FORM	1				
23	6H1-42694-00	.BAND	1				
24	6H3-21732-00	.SEAL 1	1				
25	6H3-21735-00	.SEAL 2	1				
26	90338-05M12	.PLUG	1				
27	90183-05M06	.NUT, SPRING	1				



6H12200-2010

FIG. 1 TOP COWLING

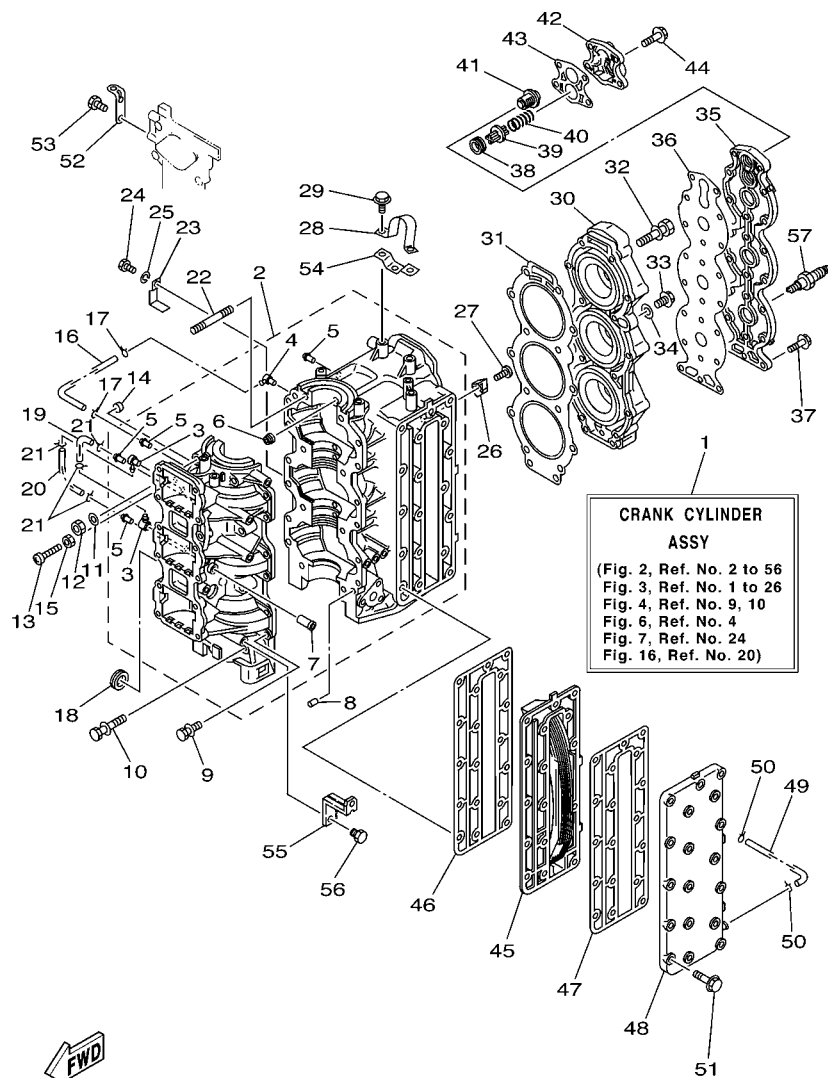
REF. NO.	PART NO.	DESCRIPTION	90A				REMARKS
28	6H1-42681-30	.MARK, COWLING	1				
29	6H1-42682-30	.MARK, COWLING	1				



6H14664-3020

FIG. 2 CYLINDER & CRANKCASE

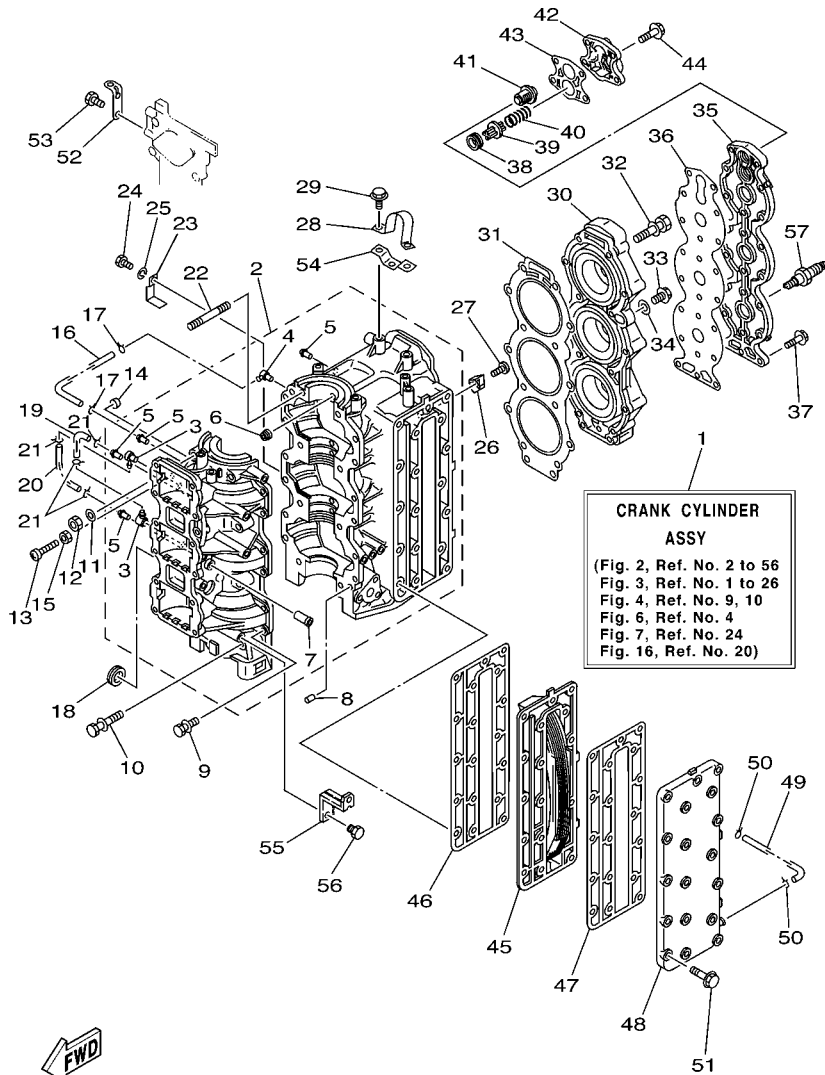
REF. NO.	PART NO.	DESCRIPTION	90A				REMARKS
1	6H1-W0090-44-1S	CRANK CYLINDER ASSY	1				
2	6H1-15100-02-1S	CRANKCASE ASSY	1				
3	688-11370-01	.CHECK VALVE ASSY	2				
4	650-11370-01	.CHECK VALVE ASSY	1				
5	624-14485-00	.PIPE, JOINT	4				
6	663-11518-01	.LOCK, BEARING	3				
7	650-24378-00	.PIPE, JOINT 4	1				
8	93608-12063	PIN, DOWEL	2				
9	90119-06M12	BOLT, WITH WASHER	12				
10	90119-10005	BOLT, WITH WASHER	6				
11	90201-10008	WASHER, PLATE	2				
12	95313-10600	NUT	2				
13	90157-06014	SCREW, PAN HEAD	1				
14	688-44194-00	CAP	1				
15	95303-06700	NUT	1				
16	90445-07260	HOSE (L276)	1				
17	90467-06016	CLIP	2				
18	90480-24M04	GROMMET	1				
19	90445-07M00	HOSE (L100)	1				
20	90445-07M23	HOSE (L408)	1				
21	90467-06016	CLIP	4				
22	90116-10M06	BOLT, STUD	2				
23	90465-12M03	CLAMP	1				
24	97095-06014	BOLT	1				
25	92995-06100	WASHER, SPRING	1				
26	688-11325-00	ANODE	2				
27	98780-04015	SCREW, FLAT HEAD	2				



6H14664-3020

FIG. 2 CYLINDER & CRANKCASE

REF. NO.	PART NO.	DESCRIPTION	90A				REMARKS
28	688-11119-01	HANGER, ENGINE	1				
29	90119-08MA3	BOLT, WITH WASHER	2				
30	6H1-11111-01-1S	HEAD, CYLINDER 1	1				
31	688-11181-A1	GASKET, CYLINDER HEAD 1	1				
32	90119-08MA8	BOLT, WITH WASHER	14				
33	90340-14M00	PLUG, STRAIGHT SCREW	1				
34	90430-14115	GASKET	1				
35	688-11191-00-1S	COVER, CYLINDER HEAD 1	1				
36	688-11193-A1	GASKET, HEAD COVER 1	1				
37	90119-06MA3	BOLT, WITH WASHER	18				
38	90480-20M05	GROMMET	1				
39	688-12416-00	VALVE, PRESSURE CONTROL	1				
40	90501-16M11	SPRING, COMPRESSION	1				
41	688-12411-10	THERMOSTAT	1				
42	688-12413-00-1S	COVER, THERMOSTAT	1				
43	688-12414-A1	GASKET, COVER	1				
44	90119-06MA5	BOLT, WITH WASHER	4				
45	688-41111-00-1S	INNER COVER, EXHAUST	1				
46	688-41112-A0	GASKET, EXHAUST INNER COVER	1				
47	688-41114-A0	GASKET, EXHAUST OUTER COVER	1				
48	688-41113-00-1S	OUTER COVER, EXHAUST	1				
49	663-24312-01	PIPE 2	1				
50	90467-08004	CLIP	2				
51	90119-08020	BOLT, WITH WASHER	18				
52	6H1-15772-00	STAY 2	1				
53	97095-06012	BOLT	2				
54	6H1-15773-01	STAY 3	1				



FWD
6H14664-3020

FIG. 2 CYLINDER & CRANKCASE

REF. NO.	PART NO.	DESCRIPTION	90A				REMARKS
55	6H1-21796-00	HINGE	1				
56	97095-08012	BOLT	1				
57	94702-00247	PLUG, SPARK (NGK BR8HS-10)	3				

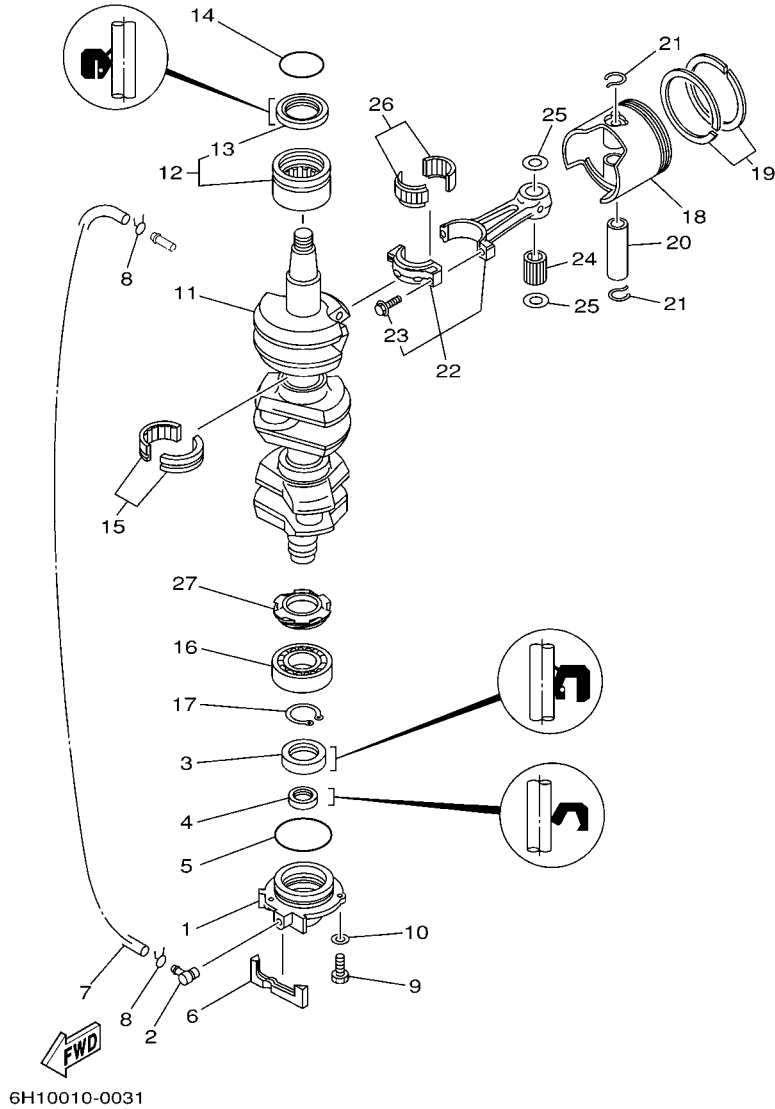


FIG. 3 CRANKSHAFT & PISTON

REF. NO.	PART NO.	DESCRIPTION	90A				REMARKS
1	6H1-15359-01-94	HOUSING, OIL SEAL	1				
2	688-11370-01	CHECK VALVE ASSY	1				
3	93102-30M05	OIL SEAL	1				
4	93104-20M02	OIL SEAL	1				
5	93210-62269	O-RING	1				
6	688-15379-00	SEAL, CRANKCASE	1				
7	90445-07M86	HOSE (L460)	1				
8	90467-06016	CLIP	2				
9	97095-06020	BOLT	3				
10	92995-06600	WASHER	3				
11	688-11411-01	CRANKSHAFT	1				
12	93310-636U4	BEARING	1				
13	93102-36M02	.OIL SEAL	1				
14	93210-46M16	O-RING	1				
15	93310-835U8	BEARING	2				
16	93306-206U5	BEARING	1				
17	93410-32M00	CIRCLIP	1				
18	6H1-11631-03-95	PISTON (STD)	3				
	6H1-11635-03	PISTON (0.25MM O/S)	3				AP
	6H1-11636-03	PISTON (0.50MM O/S)	3				AP
19	688-11603-A0	PISTON RING SET (STD)	3				
	688-11604-A0	PISTON RING SET (0.25MM O/S)	3				AP
	688-11605-A0	PISTON RING SET (0.50MM O/S)	3				AP
20	663-11633-00	PIN, PISTON	3				
21	688-11634-10	CLIP, PISTON PIN	6				
22	688-11650-03	CONNECTING ROD ASSY	3				
23	90109-08022	.BOLT	2				

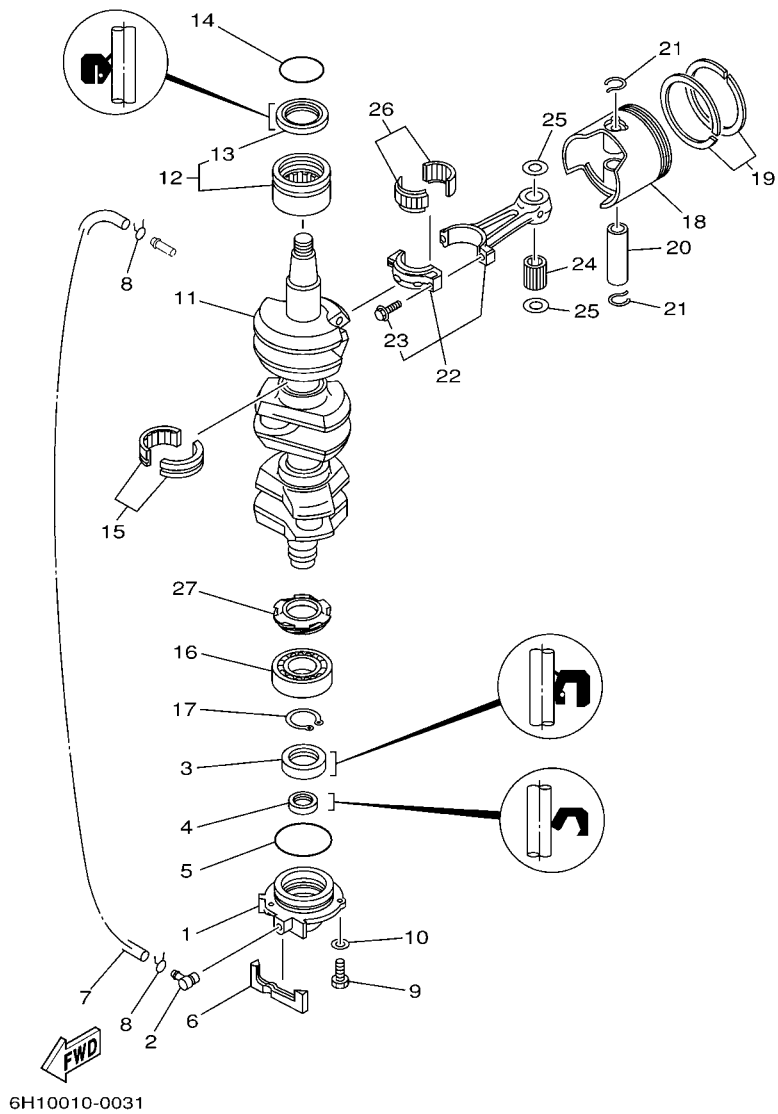
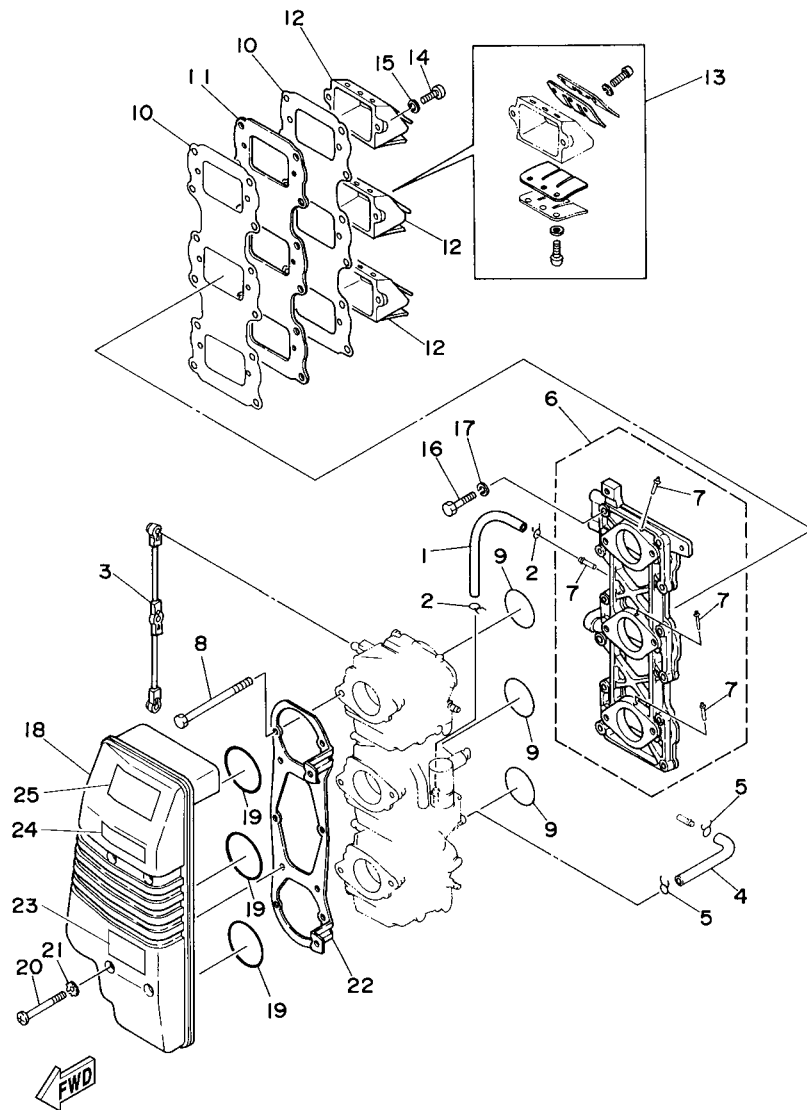


FIG. 3 CRANKSHAFT & PISTON

REF. NO.	PART NO.	DESCRIPTION	90A				REMARKS
24	93603-21111	PIN, DOWEL	84				
25	90201-20417	WASHER, PLATE	6				
26	93310-730V8	BEARING	3				
27	6H1-11536-00	GEAR, DRIVE	1				

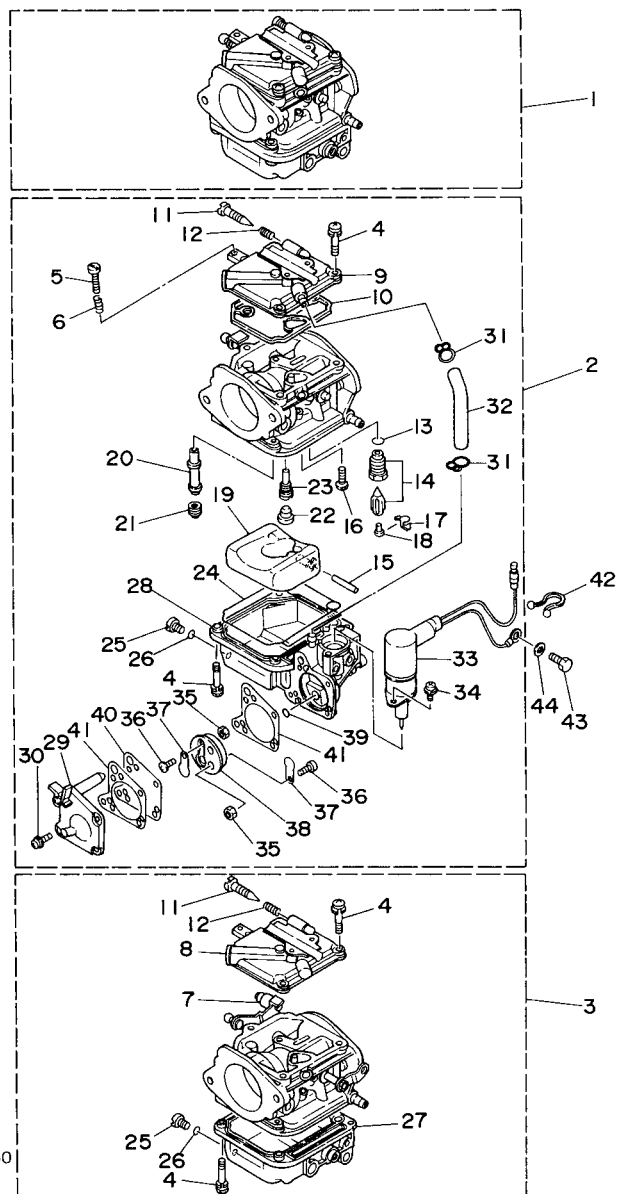


6H12100-2040

FIG. 4 INTAKE

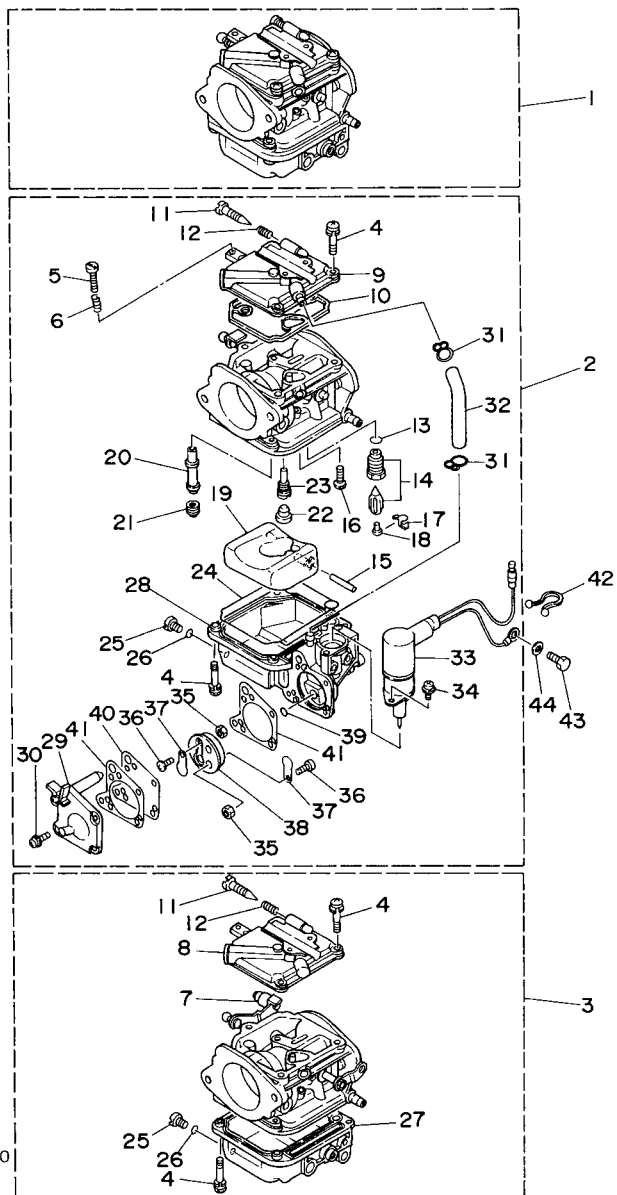
REF. NO.	PART NO.	DESCRIPTION	90A				REMARKS
1	90445-07M23	HOSE (L408)	1				
2	90467-06016	CLIP	2				
3	688-41217-01	ROD, ACCEL. LEVER	1				
4	6H3-14349-00	PIPE	1				
5	90467-08004	CLIP	2				
6	6H1-13641-02-94	MANIFOLD 1	1				
7	6H1-14485-00	.PIPE, JOINT	4				
8	97095-06095	BOLT	6				
9	93210-39ME4	O-RING	3				
10	688-13621-A1	GASKET, VALVE SEAT	2				
11	688-13624-00	PLATE, REED VALVE	1				
12	688-13610-00	REED VALVE ASSY	3				
13	688-W0004-00	.REED SET	1				
14	97880-05020	SCREW, PAN HEAD	6				
15	92990-05100	WASHER, SPRING	6				
16	97013-06030	BOLT	12				
17	92903-06100	WASHER, SPRING	12				
18	6H1-14440-02	SILENCER ASSY, INTAKE	1				
19	93210-46044	O-RING	3				
20	97885-06050	SCREW, PAN HEAD	4				
21	90209-06M05	WASHER	4				
22	6H1-14413-02	STAY	1				
23	6H1-85711-60	MARK, CAUTION	1				
24	6A1-83625-41	MARK 5	1				
25	6A1-83625-51	MARK 5	1				

FIG. 5 CARBURETOR

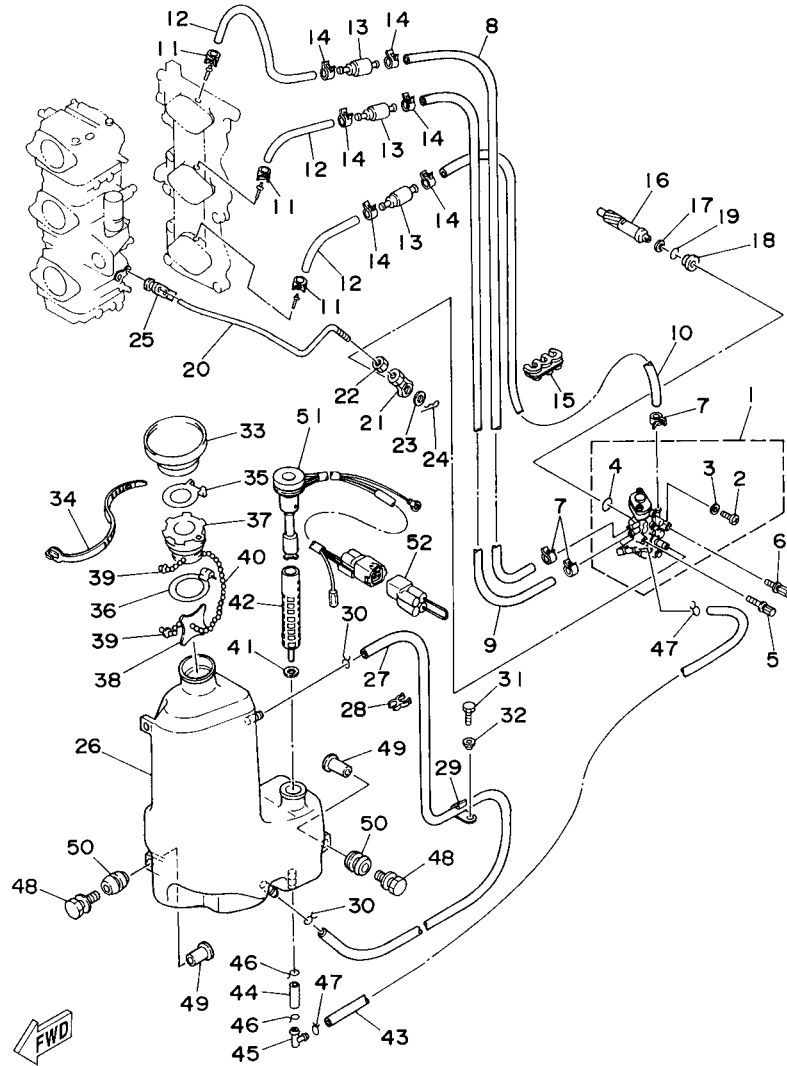


REF. NO.	PART NO.	DESCRIPTION	90A				REMARKS
1	6H1-14301-07	CARBURETOR ASSY 1	1				
2	6H1-14302-07	CARBURETOR ASSY 2	1				
3	6H1-14303-07	CARBURETOR ASSY 3	1				
4	97980-04114	.SCREW, WITH WASHER	21				
5	63V-14523-00	.SCREW, STOP	1				#2
6	90501-10326	.SPRING, COMPRESSION	1				#2
7	6H2-14578-00	.COLLAR	1				#3
8	6H4-14146-00	.PLATE	2				#1,3
9	6H3-14146-10	.PLATE	1				#2
10	6H4-14147-00	.O-RING	3				
11	692-14923-00	.SCREW, PILOT	3				
12	697-14555-00	.SPRING	3				
13	93210-04228	.O-RING	3				
14	692-14590-01	.NEEDLE VALVE ASSY	3				
15	6H4-14548-00	.PIN, FLOAT ARM	3				
16	98580-04008	.SCREW, PAN HEAD	3				
17	663-14159-00	.CLIP	3				
18	676-14186-00	.PIN, FLOAT	3				
19	6H4-14985-01	.FLOAT	3				
20	6H1-14947-75	.JET, NEEDLE	3				
21	6H1-14943-39	.JET, MAIN (#160)	3				
22	676-14966-00	.CAP	3				
23	6H1-14948-18	.JET (#78)	3				
24	6H4-14984-00	.GASKET, FLOAT CHAMBER	3				
25	6H3-14992-00	.SCREW, DRAIN	3				
26	93210-04230	.O-RING	3				
27	6H4-14980-00	.BODY, FLOAT CHAMBER	2				#1,3

FIG. 5 CARBURETOR



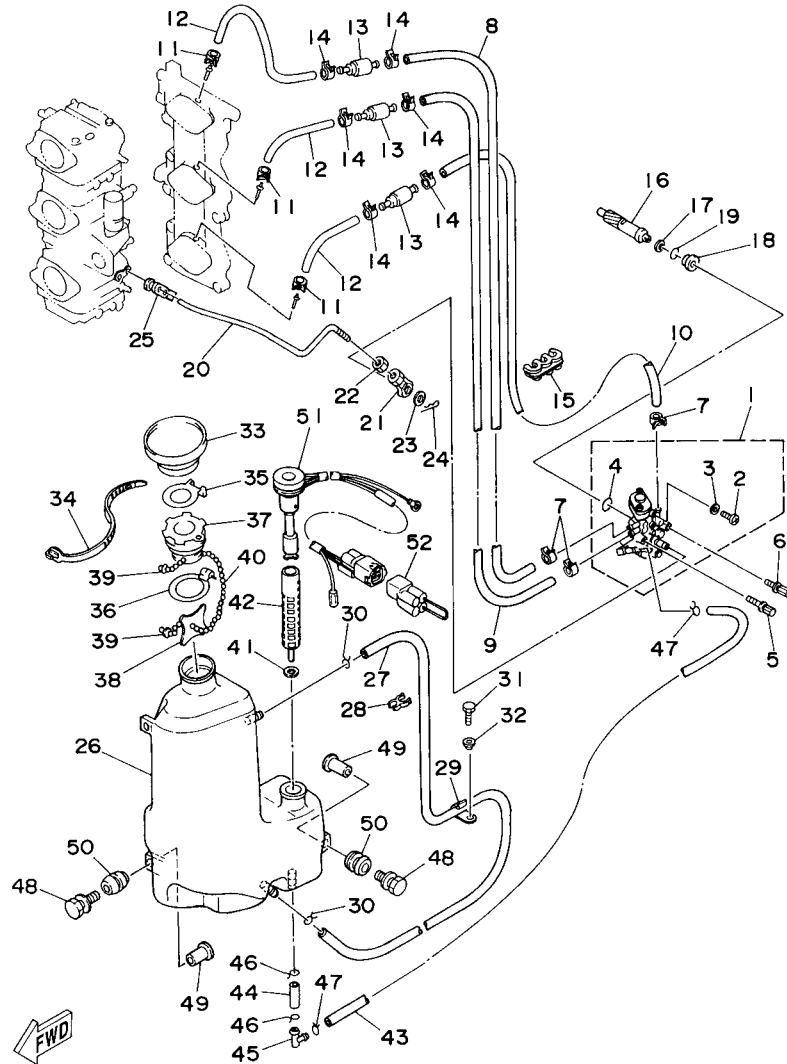
REF. NO.	PART NO.	DESCRIPTION	90A				REMARKS
28	6H3-14980-10	.BODY, FLOAT CHAMBER	1				#2
29	6H3-24452-10	.COVER	1				#2
30	6H4-14567-00	.SCREW	4				#2
31	6H3-14137-00	.CLIP	2				#2
32	6H3-14349-00	.PIPE	1				#2
33	6H3-14380-00	.STARTER ASSY	1				#2
34	97803-04010	.SCREW, PAN HEAD	2				#2
35	95380-03600	.NUT	2				#2
36	98980-03006	.SCREW, BIND	2				#2
37	6L5-24421-00	.VALVE, CHECK	2				#2
38	6H4-24413-00	.BODY 2	1				#2
39	6H4-24486-00	.O-RING	1				#2
40	6H3-24411-10	.DIAPHRAGM	1				#2
41	6H3-24434-10	.GASKET, BODY	2				#2
42	90465-18147	CLAMP	1				
43	97013-06012	BOLT	1				
44	92903-06600	WASHER, PLATE	1				



6H10010-0060

FIG. 6 OIL PUMP

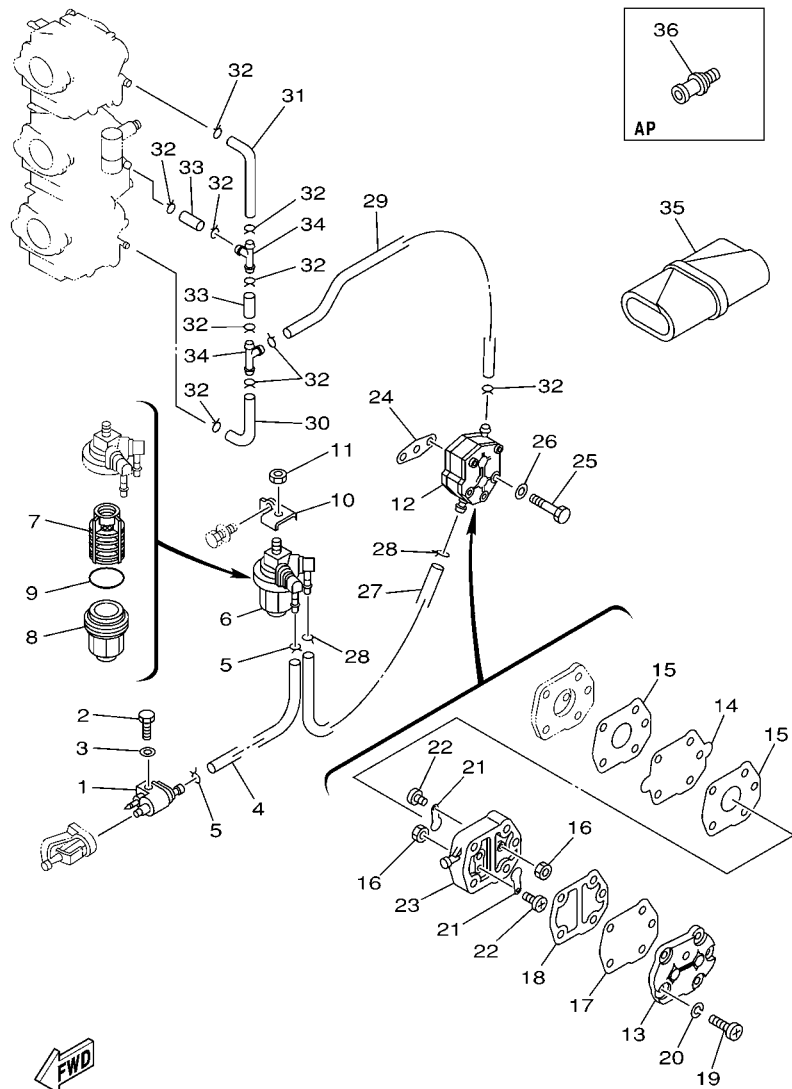
REF. NO.	PART NO.	DESCRIPTION	90A				REMARKS
1	6H1-13200-02	OIL INJECTION PUMP ASSY	1				
2	6R3-13471-00	.PLUG, DRAIN	1				
3	6L2-13475-00	.GASKET	1				
4	93210-19MA7	.O-RING	1				
5	90109-06M39	BOLT	1				
6	90109-06M40	BOLT	1				
7	90468-07M02	CLIP	3				
8	90445-07M90	HOSE (L390)	1				
9	90445-07240	HOSE (L330)	1				
10	90445-07M44	HOSE (L250)	1				
11	90468-07M02	CLIP	3				
12	90445-07M87	HOSE (L110)	3				
13	6E9-13183-70	VALVE, CHECK	3				
14	90468-07M02	CLIP	6				
15	90464-07M05	CLAMP	1				
16	6H1-11537-01	GEAR, DRIVEN	1				
17	90201-08M93	WASHER, PLATE	1				
18	6H1-13117-01	COLLAR, DISTANCE	1				
19	93210-13M04	O-RING	1				
20	6H1-41241-02	ROD, LINK	1				
21	6H1-41237-00	JOINT, LINK	1				
22	95380-05600	NUT	1				
23	90202-05088	WASHER, PLATE	1				
24	90468-05M03	CLIP	1				
25	6E9-41237-00	JOINT, LINK	1				
26	6H1-21707-07	OIL TANK COMP.	1				
27	90445-11M09	HOSE (L600)	1				



6H10010-0060

FIG. 6 OIL PUMP

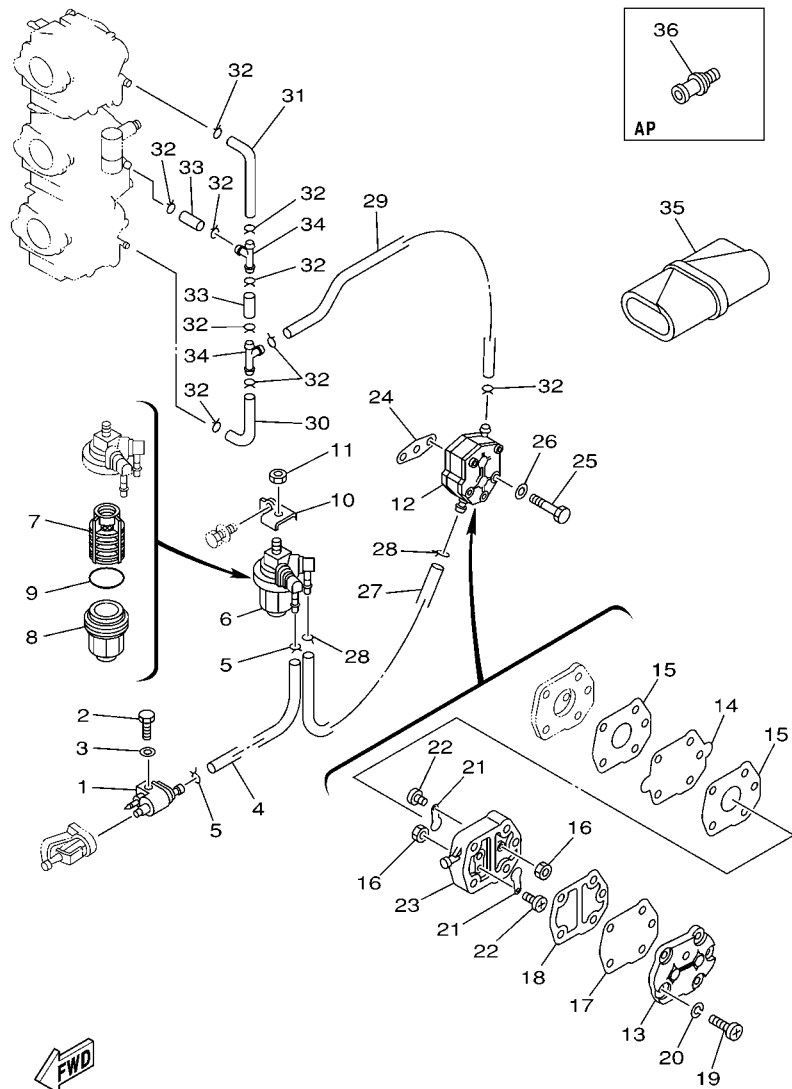
REF. NO.	PART NO.	DESCRIPTION	90A				REMARKS
28	90464-11M24	CLAMP	1				
29	90465-11M27	CLAMP	1				
30	90467-11M08	CLIP	2				
31	97095-06016	BOLT	1				
32	90387-06M31	COLLAR	1				
33	6H1-21752-00	TUBE, FILLER 1	1				
34	90465-13M30	CLAMP	1				
35	63D-2176M-00	HOOK	1				
36	63D-2175R-00	HOOK, BAND	1				
37	6H4-21770-00	OIL TANK CAP ASSY	1				
38	6J8-21758-00	WASHER, SPECIAL 2	1				
39	6H1-21757-00	WASHER, SPECIAL 1	2				
40	6H1-24633-00	CHAIN, BALL	1				
41	6J8-13414-00	GASKET, STRAINER COVER	1				
42	6H1-13411-00	STRAINER, OIL	1				
43	6H1-21766-01	PIPE, OIL	1				
44	90445-08M01	HOSE (L30)	1				
45	6H1-13435-00	NIPPLE	1				
46	90467-12M11	CLIP	2				
47	90467-08004	CLIP	2				
48	90119-06M88	BOLT, WITH WASHER	3				
49	624-42542-00	PIPE	3				
50	6A0-82317-00	DAMPER, IGNITION COIL	3				
51	6H1-85720-15	OIL LEVEL GAUGE ASSY	1				
52	6R5-82582-B0	COVER, WIRE HARNESS	1				AP



6H10010-0070

FIG. 7 FUEL

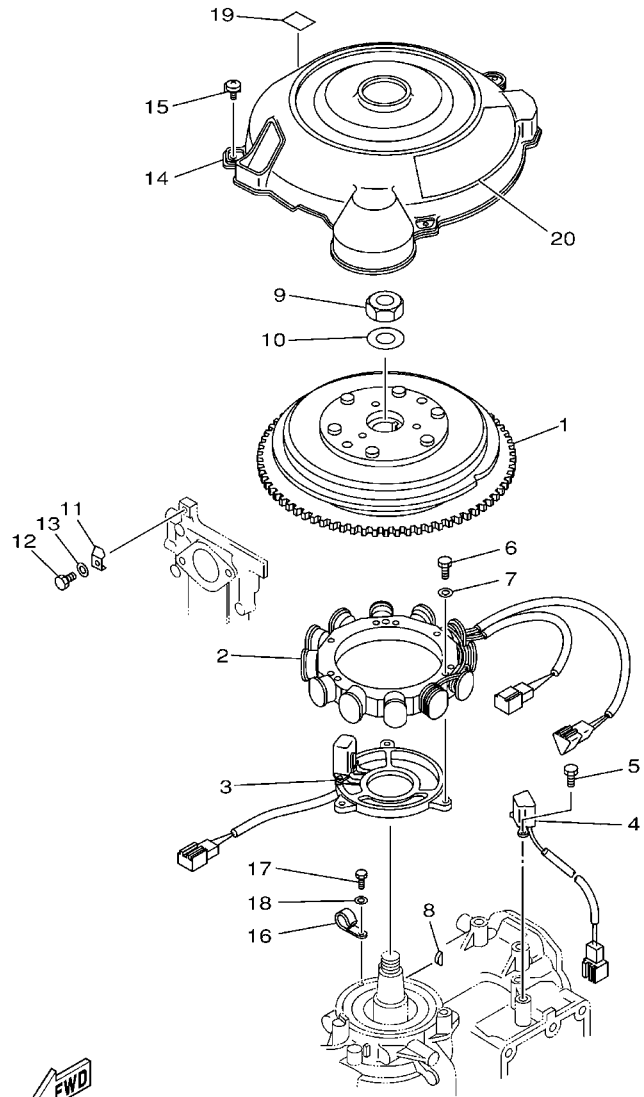
REF. NO.	PART NO.	DESCRIPTION	90A				REMARKS
1	6G1-24304-02	FUEL PIPE JOINT COMP. 1	1				
2	97095-06020	BOLT	1				
3	92995-06600	WASHER	1				
4	90445-09104	HOSE (L300)	1				
5	90467-08004	CLIP	2				
6	61N-24560-00	FILTER ASSY	1				
7	61N-24563-00	.ELEMENT, FILTER	1				
8	61N-24521-00	.CUP, FILTER	1				
9	93210-32738	.O-RING	1				
10	6H1-24566-01	BRACKET, FILTER	1				
11	95380-08600	NUT	1				
12	692-24410-00	FUEL PUMP ASSY	1				
13	6A0-24413-00	.BODY 2	1				
14	692-24411-00	.DIAPHRAGM	1				
15	648-24434-01	.GASKET, BODY	2				
16	95380-03600	.NUT	2				
17	663-24411-00	.DIAPHRAGM	1				
18	648-24435-02	.GASKET, BODY 2	1				
19	98503-05028	.SCREW, PAN HEAD	3				
20	92990-05100	.WASHER, SPRING	3				
21	6A0-24421-01	.VALVE, CHECK	2				
22	6A0-14325-00	.SCREW, PAN HEAD	2				
23	6A0-24412-02	.BODY 1	1				
24	650-24431-A0	GASKET, FUEL PUMP 1	1				
25	97095-06040	BOLT	2				
26	92995-06600	WASHER	2				
27	6H1-24314-00	PIPE 4	1				



6H10010-0070

FIG. 7 FUEL

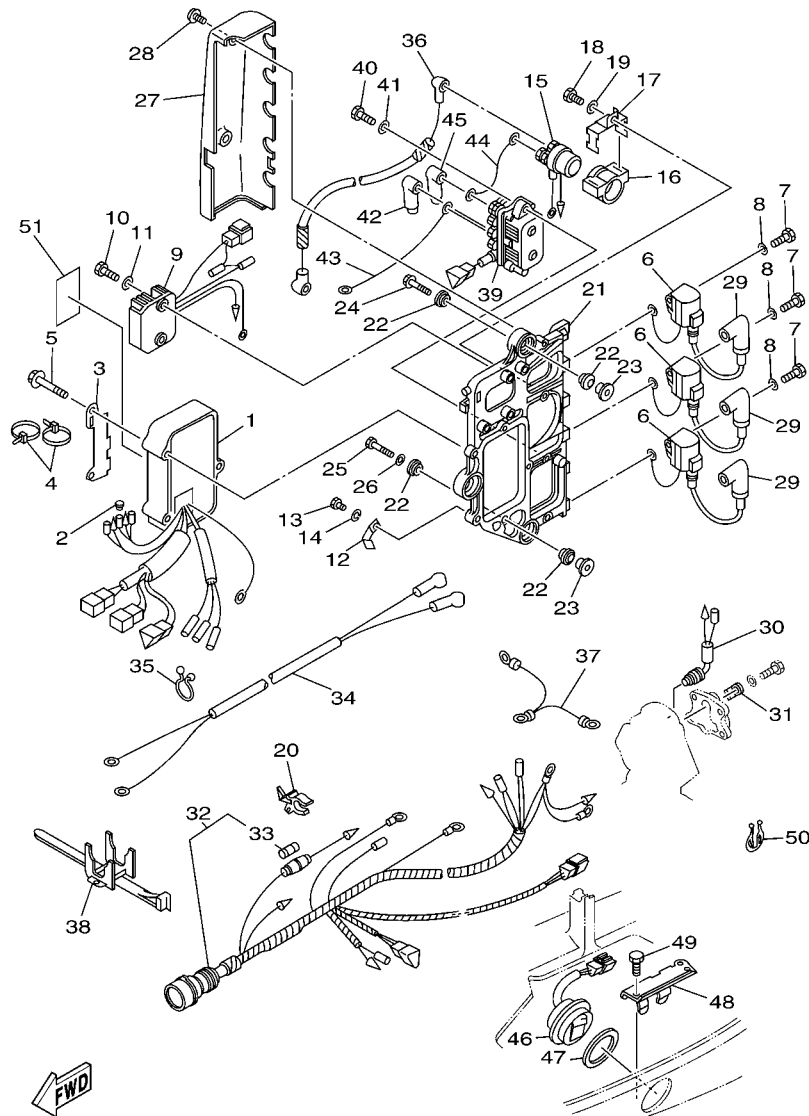
REF. NO.	PART NO.	DESCRIPTION	90A				REMARKS
28	90467-08004	CLIP	2				
29	90445-09097	HOSE (L250)	1				
30	688-24313-00	PIPE 3	1				
31	688-24314-00	PIPE 4	1				
32	90467-08004	CLIP	9				
33	90445-09220	HOSE (L30)	2				
34	688-24378-00	PIPE, JOINT 4	2				
35	656-W2810-02	TOOL KIT	1				
36	6E0-28193-00-94	PLUG, WATER CHECK	1				AP D:12.5MM




6H12200-2080

FIG. 8 GENERATOR

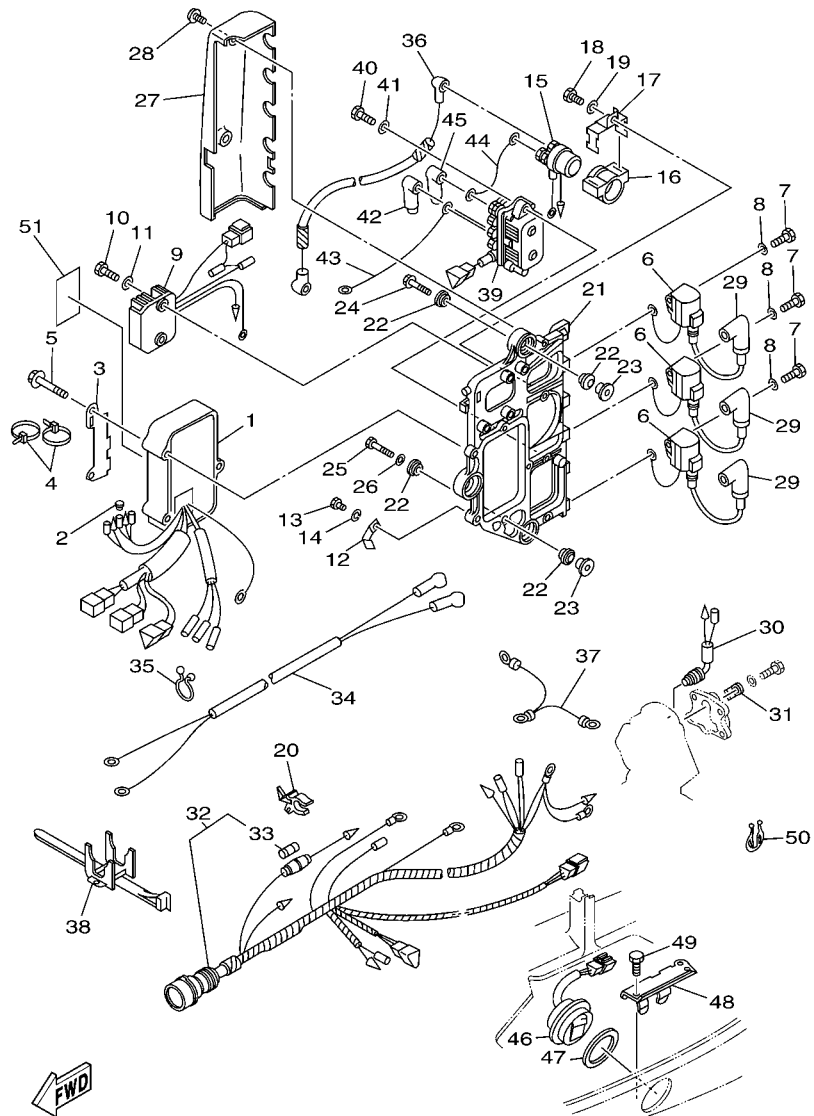
REF. NO.	PART NO.	DESCRIPTION	90A				REMARKS
1	6H0-85550-00	ROTOR ASSY	1				
2	6H0-85510-03	STATOR ASSY	1				
3	6H0-85580-01	COIL, PULSER	1				
4	6H2-85895-01	CRANK POSITION SENDER	1				
5	97095-05012	BOLT	2				
6	97095-06040	BOLT	3				
7	92995-06600	WASHER	3				
8	90280-05015	KEY, WOODRUFF	1				
9	90170-20137	NUT	1				
10	90201-21M18	WASHER, PLATE	1				
11	688-81332-01	PLATE, TIMING	1				
12	97095-06010	BOLT	1				
13	92995-06600	WASHER	1				
14	6H1-81337-01	COVER, FLYWHEEL	1				
15	90159-06M20	SCREW, WITH WASHER	3				
16	90465-06M90	CLAMP	1				
17	97095-06012	BOLT	1				
18	92995-06600	WASHER	1				
19	6H1-14488-00	LABEL, CAUTION	1				
20	6H1-13437-21	MARK, CAUTION	1				



6H16300-C090

FIG. 9 ELECTRICAL

REF. NO.	PART NO.	DESCRIPTION	90A				REMARKS
1	6H0-85540-06	C.D.I. UNIT ASSY	1				
2	703-82119-00	COVER, LEAD WIRE	1				
3	6H1-85542-10	BRACKET	1				
4	90465-13M11	CLAMP	2				
5	97595-06550	BOLT, WITH WASHER	3				
6	697-85570-00	IGNITION COIL ASSY	3				
7	97013-06020	BOLT	3				
8	92903-06600	WASHER, PLATE	3				
9	6H0-81960-10	RECTIFIER & REGULATOR ASSY	1				
10	97095-06020	BOLT	2				
11	92995-06600	WASHER	2				
12	90465-08M23	CLAMP	1				
13	97095-06012	BOLT	1				
14	92995-06100	WASHER, SPRING	1				
15	6G1-81941-10	STARTER RELAY ASSY	1				
16	6G1-81952-00	HOLDER, RELAY	1				
17	6E9-81945-70	PLATE, SWITCH FITTING	1				
18	97013-06016	BOLT	1				
19	92903-06600	WASHER, PLATE	1				
20	6G5-82152-00	HOLDER, FUSE	1				
21	6H1-85542-00-94	BRACKET	1				
22	90480-09M25	GROMMET	6				
23	90387-06M03	COLLAR	3				
24	90119-06M75	BOLT, WITH WASHER	2				
25	90109-06M39	BOLT	1				
26	90201-06M31	WASHER, PLATE	1				
27	6H1-81916-00	COVER, TERMINAL	1				



6H16300-C090

FIG. 9 ELECTRICAL

REF. NO.	PART NO.	DESCRIPTION	90A				REMARKS
28	90159-06M11	SCREW, WITH WASHER	2				
29	6E3-82370-21	PLUG CAP ASSY	3				
30	688-82560-10	THERMO SWITCH ASSY	1				
31	688-82588-01	PLATE	1				
32	6H0-82590-12	WIRE HARNESS ASSY	1				
33	663-82151-00	.FUSE (12V-20A)	1				
34	6H0-82105-02	WIRE HARNESS	1				
35	90464-23M22	CLAMP	1				
36	6H0-82117-00	WIRE, LEAD	1				
37	697-82519-00	WIRE, EARTH LEAD	1				
38	688-82594-00	CLAMP	1				
39	61A-81950-00	RELAY ASSY	1				
40	97095-06025	BOLT	2				
41	92995-06600	WASHER	2				
42	682-82119-01	COVER, LEAD WIRE	2				
43	6H0-81949-10	WIRE, LEAD	1				
44	6H0-81949-01	WIRE, LEAD	1				
45	682-82119-01	COVER, LEAD WIRE	1				
46	6H1-82563-10	TRIM & TILT SWITCH ASSY	1				
47	6E5-82587-00	GASKET	1				
48	6H1-83614-00	BRACKET	1				
49	97095-06016	BOLT	1				
50	90464-18M14	CLAMP	1				
51	6R5-85711-60	MARK, CAUTION	1				

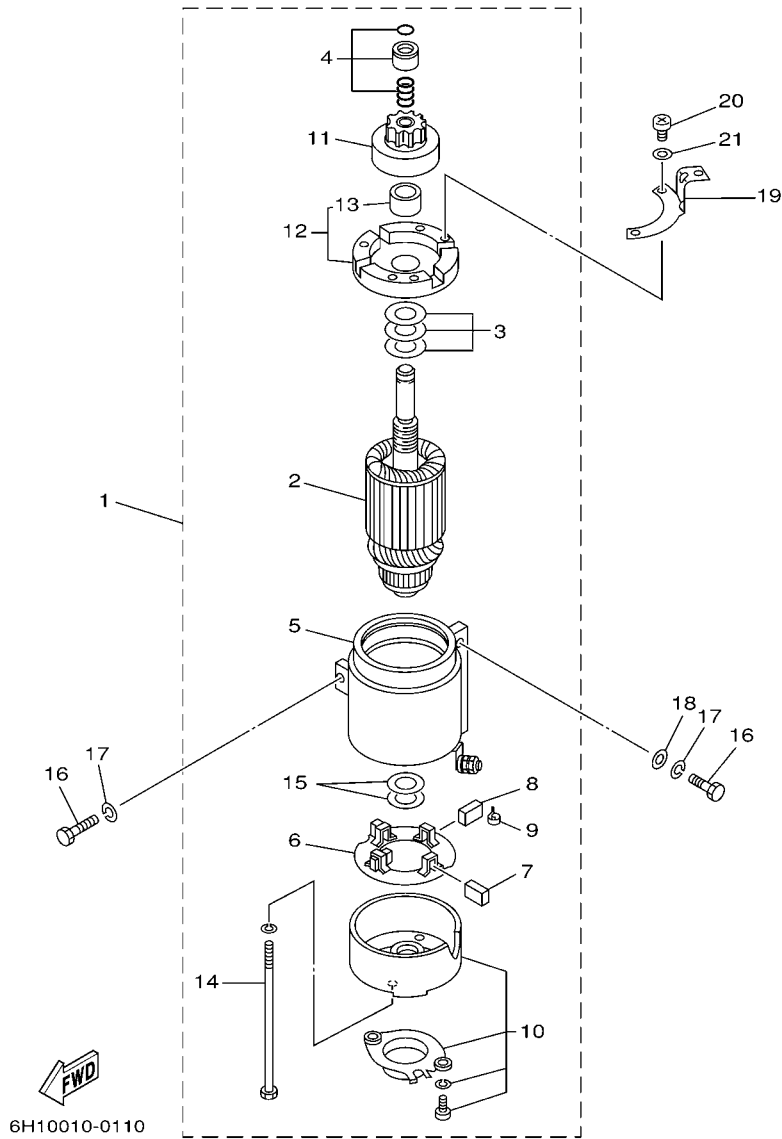
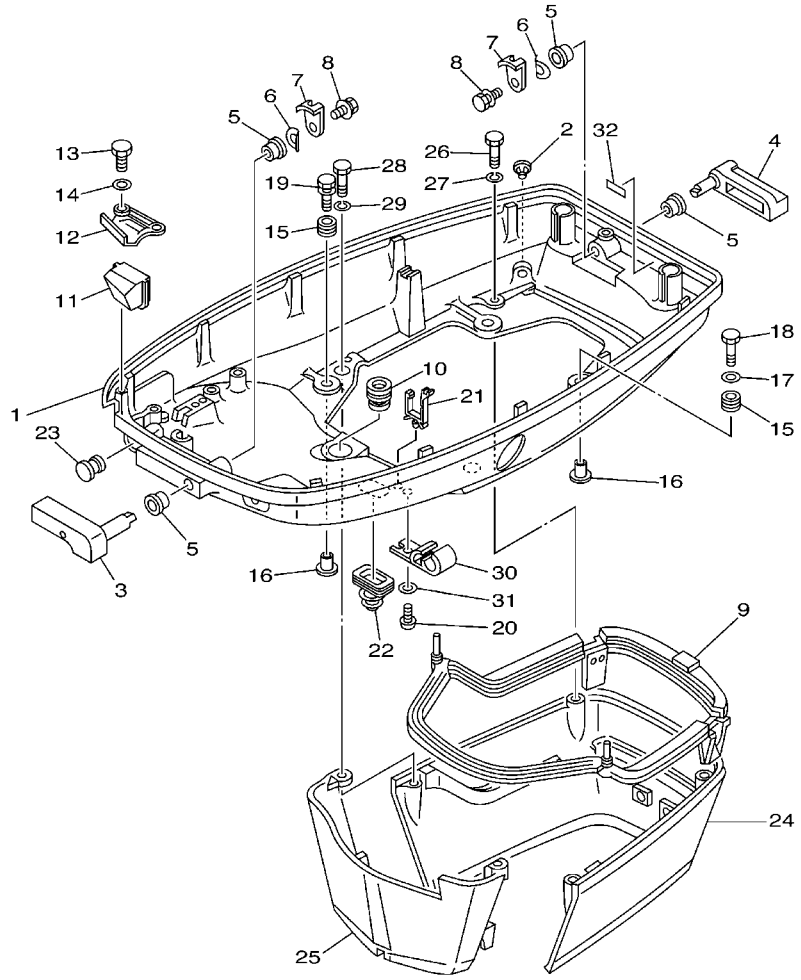


FIG. 10 STARTING MOTOR

REF. NO.	PART NO.	DESCRIPTION	90A			REMARKS
1	688-81800-12	STARTING MOTOR ASSY	1			
2	676-81850-11	.ARMATURE ASSY	1			
3	676-81809-10	.WASHER KIT	1			
4	676-81857-10	.PINION STOPPER SET	1			
5	688-81810-11	.STATOR ASSY	1			
6	663-81840-11	.BRUSH HOLDER ASSY	1			
7	663-81811-11	.BRUSH 1	2			
8	663-81812-11	.BRUSH 2	2			
9	663-81813-10	.SPRING, BRUSH	4			
10	663-81820-12	.REAR BRACKET ASSY	1			
11	663-81832-11	.PINION ASSY	1			
12	688-81830-11	.FRONT BRACKET ASSY	1			
13	688-81831-00	.METAL, FRONT	1			
14	663-81826-10	.BOLT	2			
15	688-81824-00	.WASHER 2	2			
16	97013-08030	BOLT	3			
17	92903-08100	WASHER, SPRING	3			
18	92990-08600	WASHER, PLATE	2			
19	6H1-15771-00	STAY 1	1			
20	97885-04010	SCREW, PAN HEAD	3			
21	92995-04600	WASHER	3			



6H12664-2110

FIG. 11 BOTTOM COWLING

REF. NO.	PART NO.	DESCRIPTION	90A				REMARKS
1	6H1-42711-01-4D	COWLING, BOTTOM	1				
2	6H3-44391-01	NIPPLE, HOSE	1				
3	688-42815-01-4D	LEVER, CLAMP	1				
4	688-42817-01-4D	LEVER, CLAMP	1				
5	90386-13M38	BUSH	4				
6	90206-13019	WASHER, WAVE	2				
7	688-42816-00	LEVER, CLAMP	2				
8	90119-06M09	BOLT, WITH WASHER	2				
9	688-42716-02	RUBBER, SEAL 1	1				
10	663-42724-00	GROMMET	1				
11	688-42725-10	GROMMET	1				
12	688-42738-01-94	PLATE, FITTING	1				
13	97095-06016	BOLT	2				
14	92995-06600	WASHER	2				
15	90480-09M12	GROMMET	4				
16	90387-06M69	COLLAR	4				
17	90201-06416	WASHER, PLATE	1				
18	97095-06030	BOLT	1				
19	90119-06M61	BOLT, WITH WASHER	3				
20	90157-06M01	SCREW, PAN HEAD	1				
21	90464-15M08	CLAMP	1				
22	688-42726-10	GROMMET	1				
23	6G1-42748-00	GROMMET	1				
24	688-42741-01-4D	APRON	1				
25	688-42771-01-4D	APRON	1				
26	97095-06020	BOLT	2				
27	92995-06100	WASHER, SPRING	2				

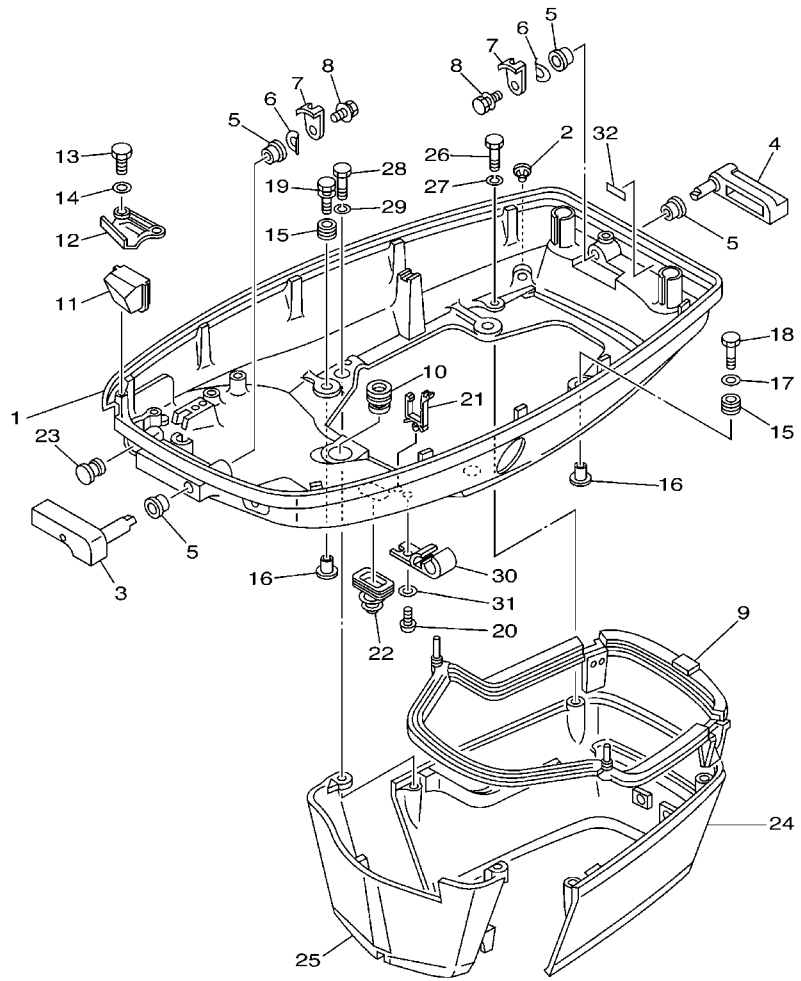
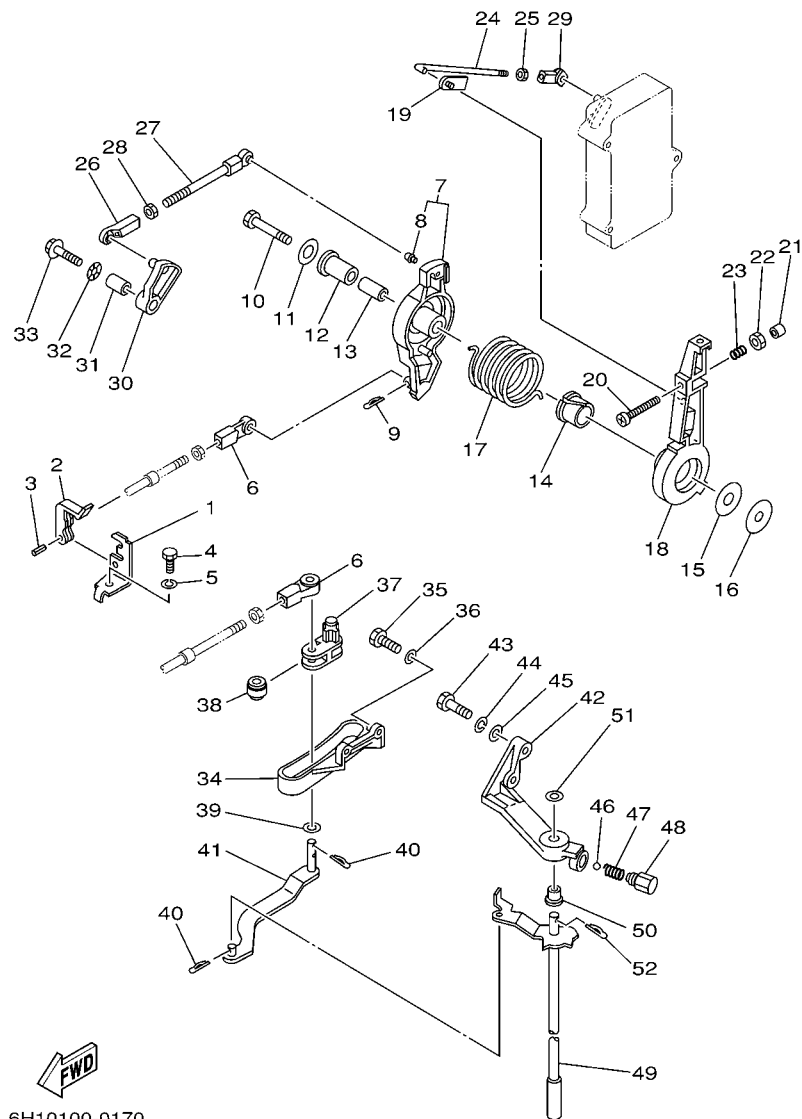


FIG. 11 BOTTOM COWLING

REF. NO.	PART NO.	DESCRIPTION	90A				REMARKS
28	97095-06030	BOLT	2				
29	92995-06100	WASHER, SPRING	2				
30	6E5-24367-01	CLAMP, FUEL PIPE 2	1				
31	92990-06600	WASHER, PLATE	1				
32	6G5-42791-10	MARK 1	1				

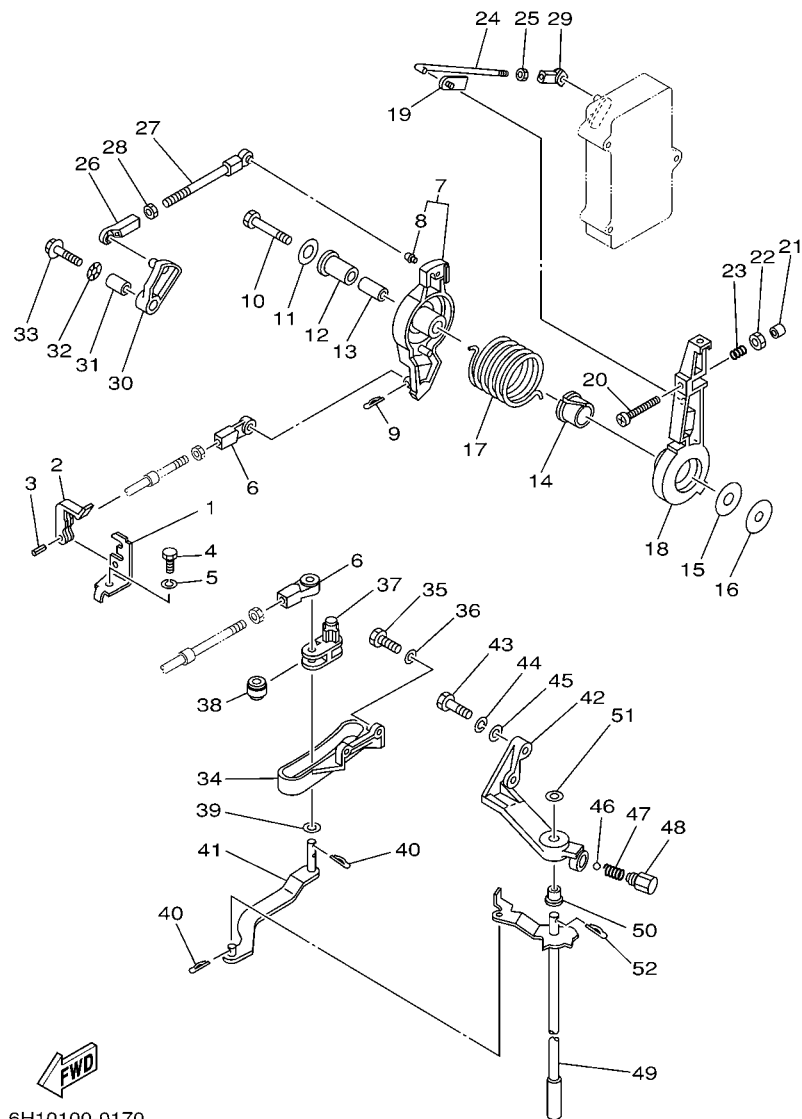
FWD
6H12664-2110



6H10100-0170

FIG. 12 CONTROL

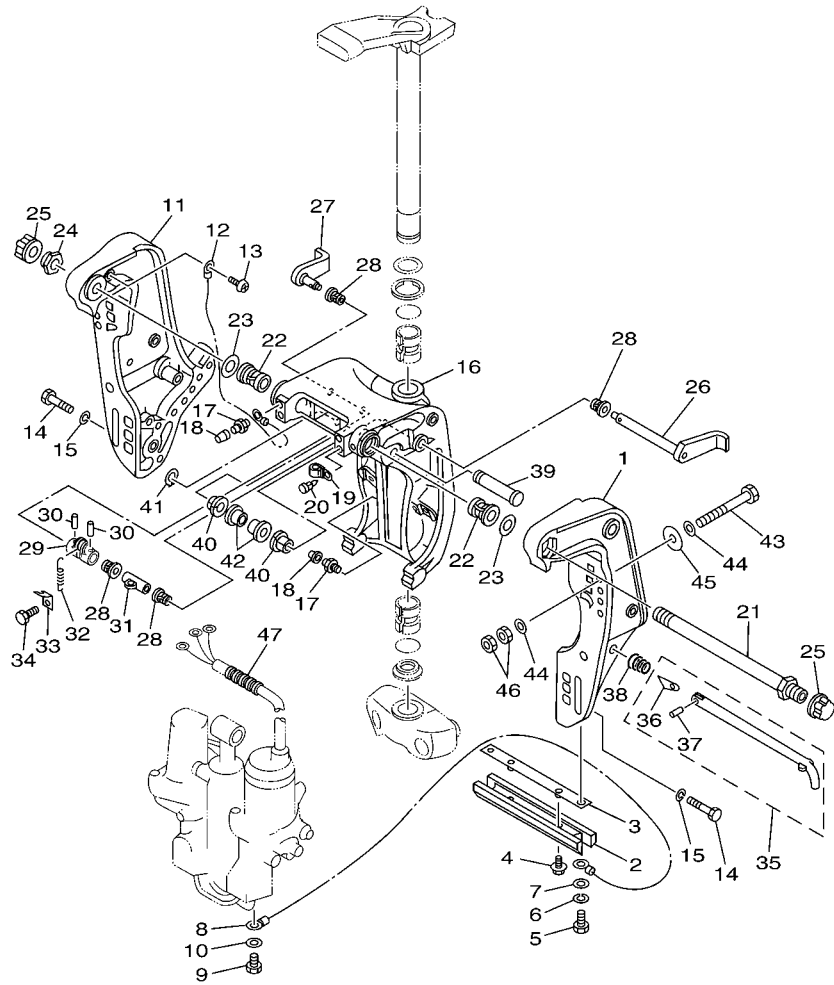
REF. NO.	PART NO.	DESCRIPTION	90A			REMARKS
1	663-48531-00	BRACKET, REMOTE CONTROL	1			
2	663-48538-00	CLAMP, CABLE 1	1			
3	91690-30012	PIN, SPRING	1			
4	97095-08016	BOLT	1			
5	92995-08100	WASHER	1			
6	663-48344-00	CABLE END, REMOTE CONTROL	2			
7	688-41632-01-94	LEVER, MAGNETO CONTROL	1			
8	662-41214-01	JOINT 1	1			
9	90468-18008	CLIP	1			
10	97095-08045	BOLT	1			
11	90201-08M23	WASHER, PLATE	1			
12	90386-12089	BUSH	1			
13	90387-08M16	COLLAR	1			
14	90386-22M13	BUSH	1			
15	90202-12092	WASHER, PLATE	1			
16	90201-08M13	WASHER, PLATE	1			
17	90508-29M05	SPRING, TORSION	1			
18	688-41631-01-94	LEVER, MAGNETO CONTROL	1			
19	6F5-41237-00	JOINT, LINK	1			
20	90157-06013	SCREW, PAN HEAD	1			
21	688-44194-00	CAP	1			
22	95303-06600	NUT	1			
23	90501-16M12	SPRING, COMPRESSION	1			
24	6H1-41636-00	ROD, MAGNETO CONTROL	1			
25	95380-05600	NUT	1			
26	662-41237-01	JOINT, LINK	1			
27	688-41211-01	LINK, ACCEL.	1			



6H10100-0170

FIG. 12 CONTROL

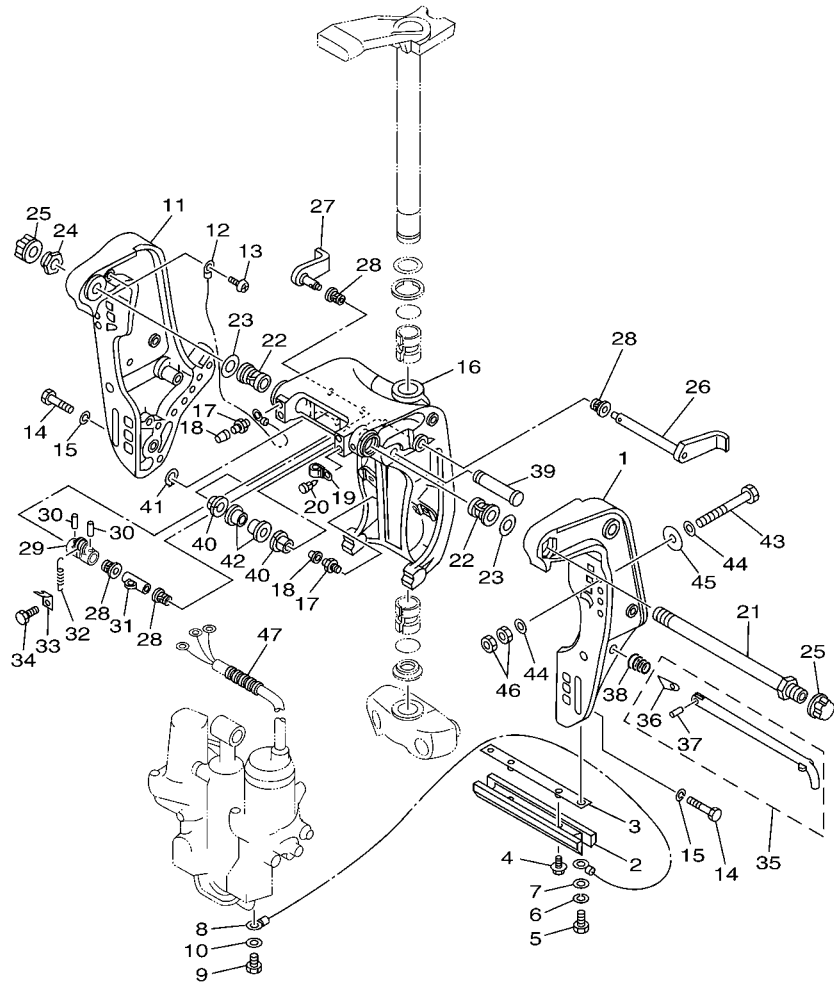
REF. NO.	PART NO.	DESCRIPTION	90A				REMARKS
28	95380-05600	NUT	1				
29	682-41237-00	JOINT, LINK	1				
30	6H1-41213-00	CAM, ACCEL.	1				
31	90387-06M17	COLLAR	1				
32	90206-10M04	WASHER, WAVE	1				
33	90119-06M24	BOLT, WITH WASHER	1				
34	688-44117-00-94	BRACKET	1				
35	97013-06020	BOLT	2				
36	92903-06600	WASHER, PLATE	2				
37	688-44124-00	LINK, SHIFT ROD	1				
38	688-44122-00	BUSHING, SHIFT ROD LEVER	1				
39	90202-07M07	WASHER, PLATE	1				
40	90468-18008	CLIP	3				
41	6H1-44121-00	LEVER, SHIFT ROD	1				
42	688-44118-00-94	BRACKET	1				
43	97013-08030	BOLT	2				
44	92903-08100	WASHER, SPRING	2				
45	92903-08600	WASHER, PLATE	2				
46	93501-04M02	BALL	1				
47	90501-12082	SPRING, COMPRESSION	1				
48	648-42715-00	BUSHING	1				
49	6H1-44120-12	HANDLE GEAR SHIFT ASSY	1				L
	6H1-44120-22	HANDLE GEAR SHIFT ASSY	1				X
50	90386-07M58	BUSH	1				
51	92990-08200	WASHER, PLAIN	1				
52	90468-18008	CLIP	1				



6H16300-C130

FIG. 13 BRACKET 1

REF. NO.	PART NO.	DESCRIPTION	90A				REMARKS
1	6H1-43111-01-4D	BRACKET, CLAMP	1				
2	6H1-45251-03	ANODE	1				
3	6H1-44526-00	PLATE	1				
4	90119-06M29	BOLT, WITH WASHER	2				
5	97095-06016	BOLT	2				
6	92995-06100	WASHER, SPRING	2				
7	92995-06600	WASHER	2				
8	6H1-82148-00	WIRE, LEAD 4	1				
9	97095-06010	BOLT	1				
10	92995-06600	WASHER	1				
11	6H1-43112-00-4D	BRACKET, CLAMP	1				
12	6E5-82148-00	WIRE, LEAD 4	1				
13	97880-06012	SCREW, PAN HEAD	1				
14	97095-10045	BOLT	6				
15	92995-10100	WASHER	6				
16	6H1-43311-02-4D	BRACKET, SWIVEL 1	1				
17	93700-06M03	NIPPLE, GREASE	3				
18	663-45119-00	CAP, GREASE NIPPLE	3				
19	90464-11M18	CLAMP	1				
20	90338-05M03	PLUG	1				
21	688-43131-03	BOLT, CLAMP BRACKET	1				
22	90386-22M15	BUSH	2				
23	90201-22M67	WASHER, PLATE	2				
24	90185-22043	NUT, SELF-LOCKING	1				
25	6G5-43145-01	CAP, CLAMP BRACKET	2				
26	6H1-43181-01	LEVER, TILT STOP	1				
27	6H1-43185-01	LEVER, TILT STOP	1				



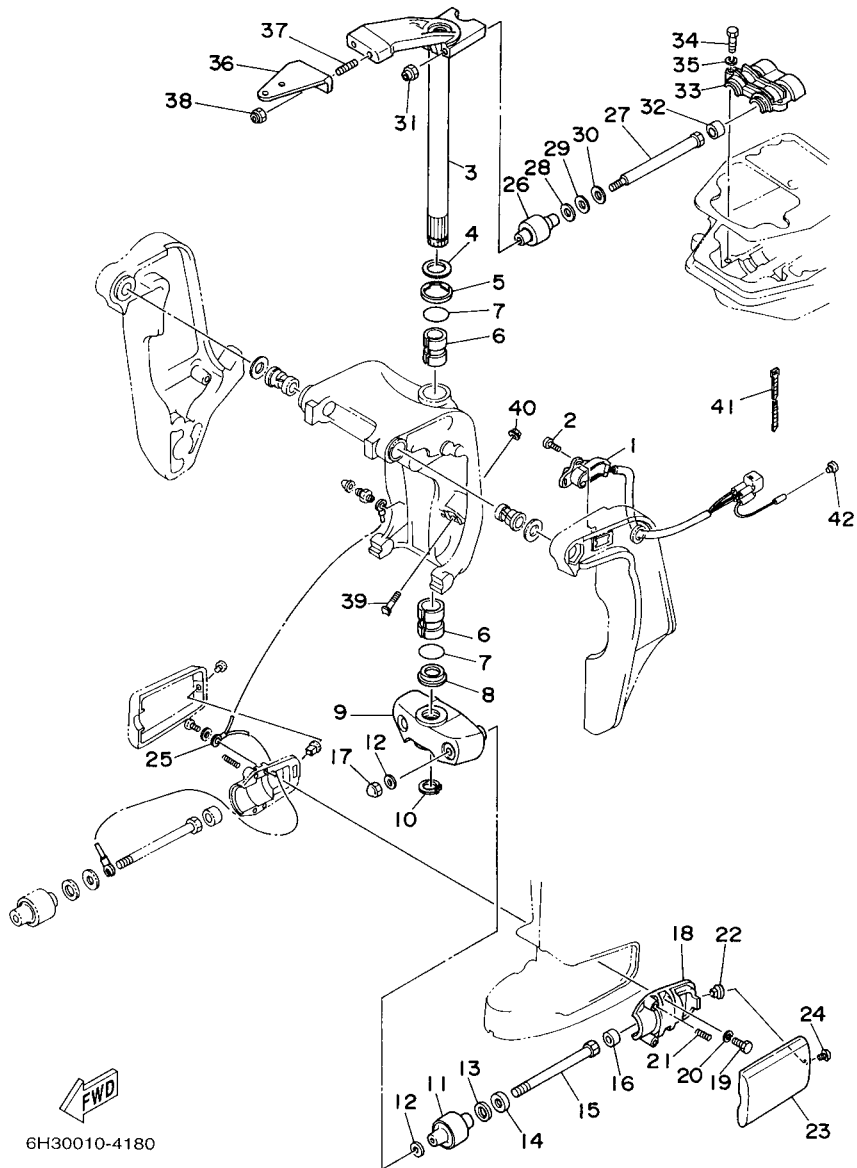
6H16300-C130

FIG. 13 BRACKET 1

REF. NO.	PART NO.	DESCRIPTION	90A				REMARKS
28	90386-10M16	BUSH	4				
29	6G5-43148-10	COLLAR, DISTANCE	1				
30	91690-30020	PIN, SPRING	2				
31	90387-10M02	COLLAR	1				
32	90506-20011	SPRING, TENSION	1				
33	6G5-43144-00	HOOK, SPRING	1				
34	97095-06010	BOLT	1				
35	688-43160-01	TILT ROD ASSY	1				
36	688-43165-00	.PLATE, TILT LOCK	1				
37	91690-30012	.PIN, SPRING	1				
38	90502-16M02	SPRING, CONICAL	1				
39	6E5-43126-02	PIN, UPPER SHOCK MOUNT	1				
40	90386-18M35	BUSH	2				
41	93410-18M02	CIRCLIP	1				
42	90386-18M63	BUSH	2				
43	90101-12M65	BOLT	4				
44	92995-12200	WASHER	8				
45	90201-12426	WASHER, PLATE	4				
46	95380-12600	NUT	8				
47	90440-14M00	PIPE	1				

FIG. 14 BRACKET 2

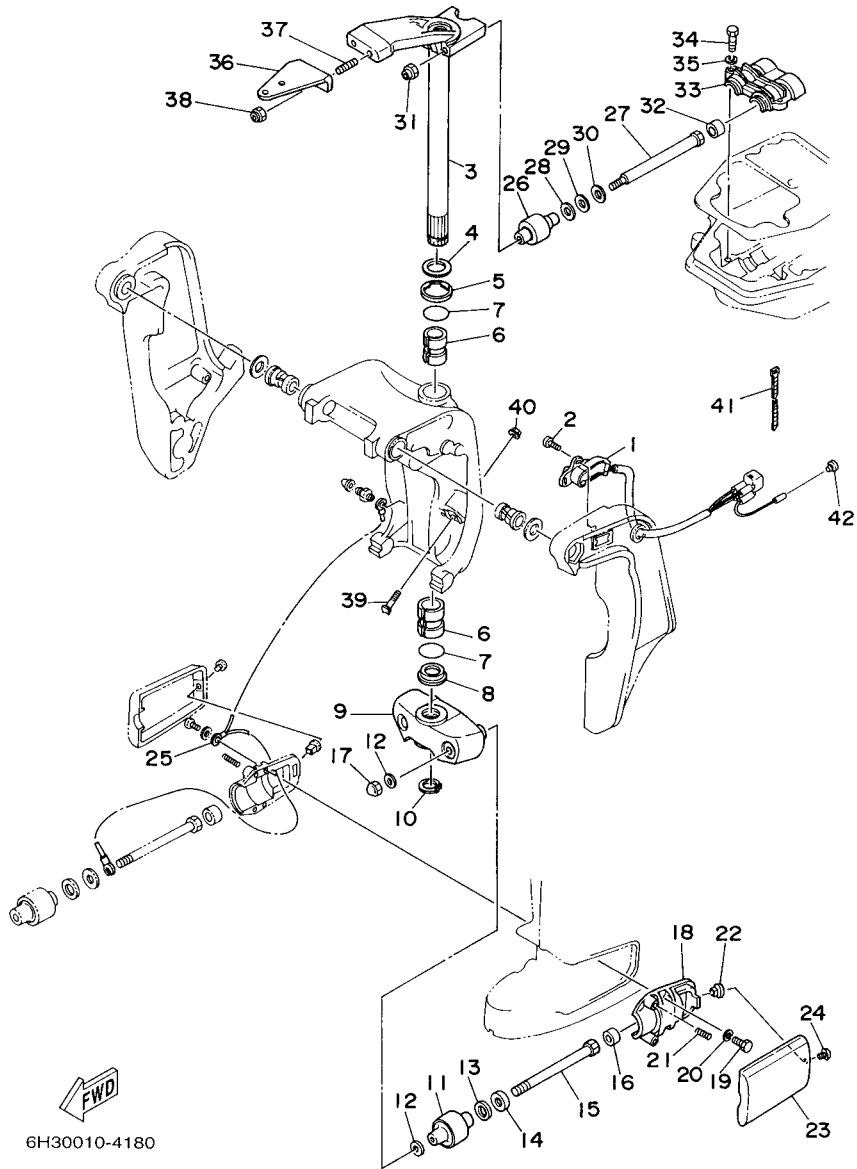
REF. NO.	PART NO.	DESCRIPTION	90A				REMARKS
1	6H1-83672-12	TRIM SENDER	1				
2	97885-06016	SCREW, PAN HEAD	2				
3	688-42510-03-4D	STEERING BRACKET ASSY	1				
4	90201-30M00	WASHER, PLATE	1				
5	90386-30M78	BUSH	1				
6	90386-30M77	BUSH	2				
7	93210-29M94	O-RING	2				
8	90386-30M60	BUSH	1				
9	663-44551-02-4D	HOUSING, LOWER MOUNT RUBBER	1				
10	93410-28M06	CIRCLIP	1				
11	687-44555-00-94	MOUNT DAMPER, LOWER SIDE	2				
12	90201-12M16	WASHER, PLATE	4				
13	90202-25M04	WASHER, PLATE	2				
14	90201-13M19	WASHER, PLATE	2				
15	90109-12261	BOLT	2				
16	663-44575-00	DAMPER, LOWER MOUNT RUBBER	2				
17	95380-12800	NUT, CROWN	2				
18	687-44552-02-94	HOUSING, LOWER MOUNT RUBBER	2				
19	97075-08025	BOLT	4				
20	92995-08100	WASHER	4				
21	90501-14M08	SPRING, COMPRESSION	4				
22	90179-06066	NUT	2				
23	663-44553-01-4D	COVER, LOWER MOUNT	2				
24	97885-06016	SCREW, PAN HEAD	2				
25	688-82127-02	WIRE, LEAD 2	1				
26	688-44514-00-94	MOUNT DAMPER, UPPER SIDE	2				
27	90101-10M49	BOLT	2				



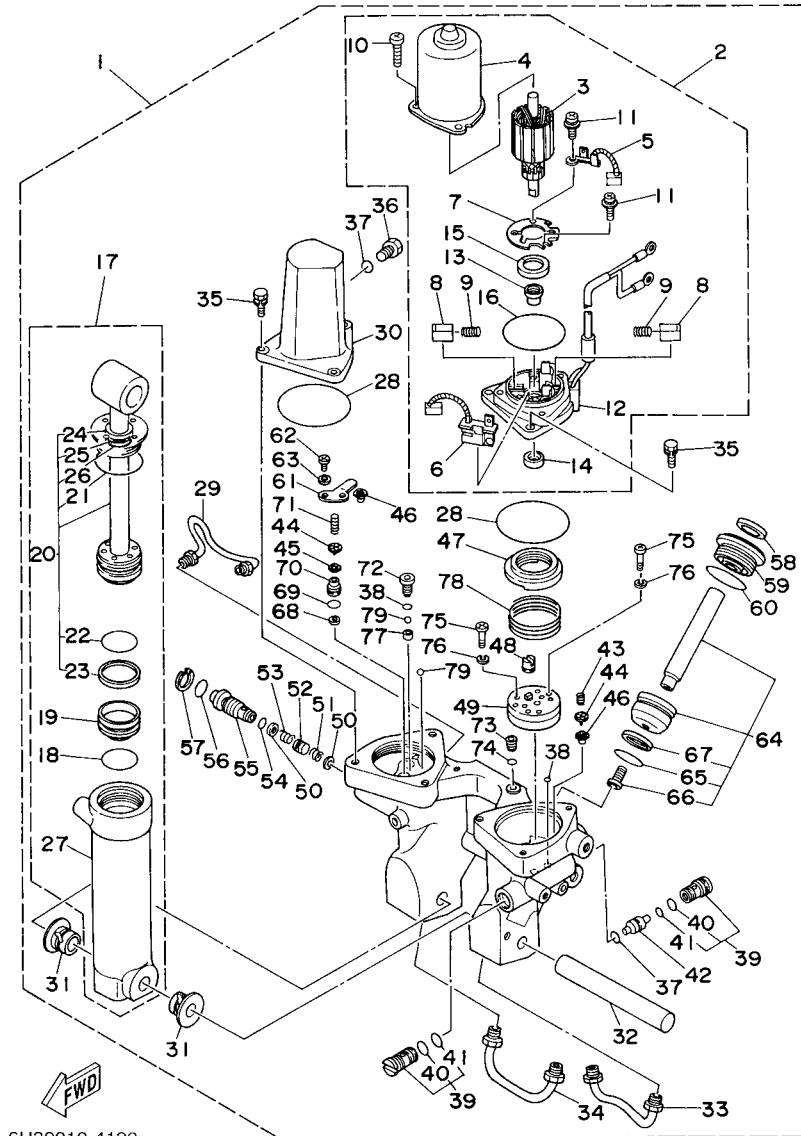
6H30010-4180

FIG. 14 BRACKET 2

REF. NO.	PART NO.	DESCRIPTION	90A				REMARKS
28	90201-20M21	WASHER, PLATE	2				
29	90202-20M06	WASHER, PLATE	2				
30	90201-11M22	WASHER, PLATE	2				
31	90185-10051	NUT, SELF-LOCKING	2				
32	663-44575-00	DAMPER, LOWER MOUNT RUBBER	2				
33	688-44511-00-94	COVER, UPPER MOUNT	1				
34	97075-08035	BOLT	3				
35	92995-08100	WASHER	3				
36	688-48511-11-4D	HOOK, STEERING	1				STEERING GUIDE
37	90116-10175	BOLT, STUD	2				
38	90185-10051	NUT, SELF-LOCKING	2				
39	6H1-43376-00	BOLT, THRUST RECEIVER	2				
40	90185-08057	NUT, SELF-LOCKING	2				
41	90465-11M10	CLAMP	3				
42	703-82119-00	COVER, LEAD WIRE	1				AP



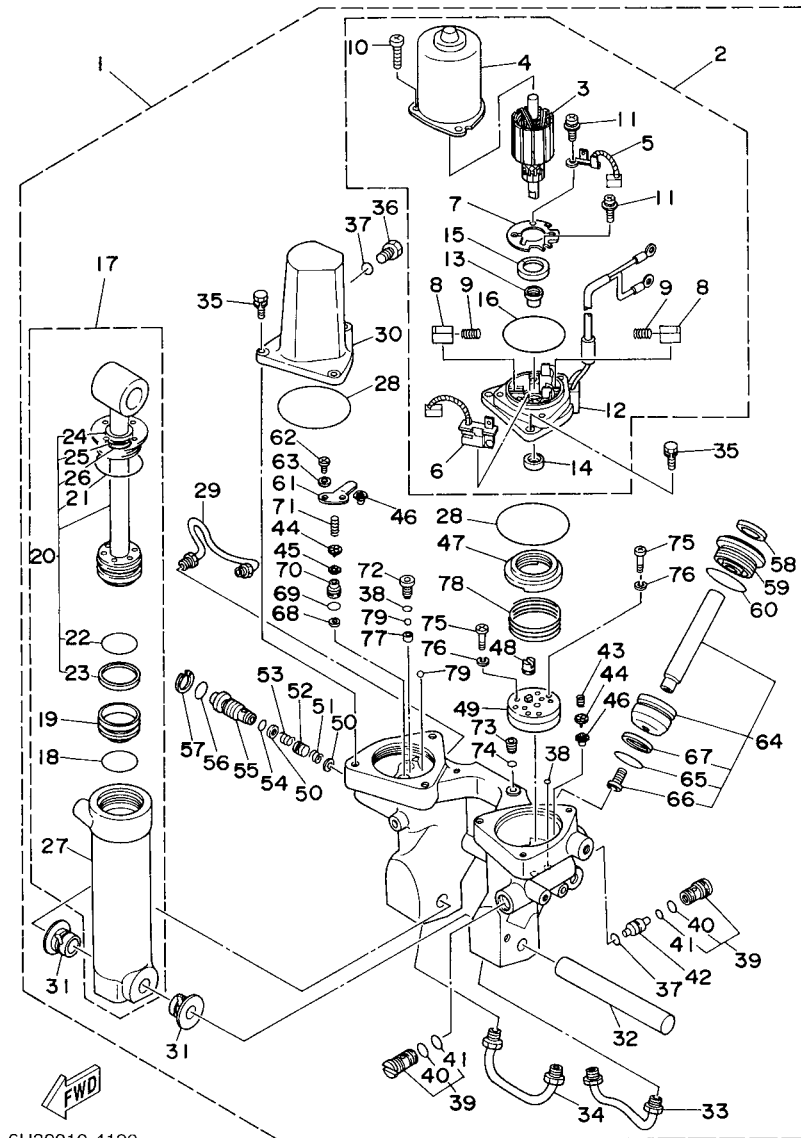
6H30010-4180



6H30010-4190

FIG. 15 POWER TRIM & TILT ASSY

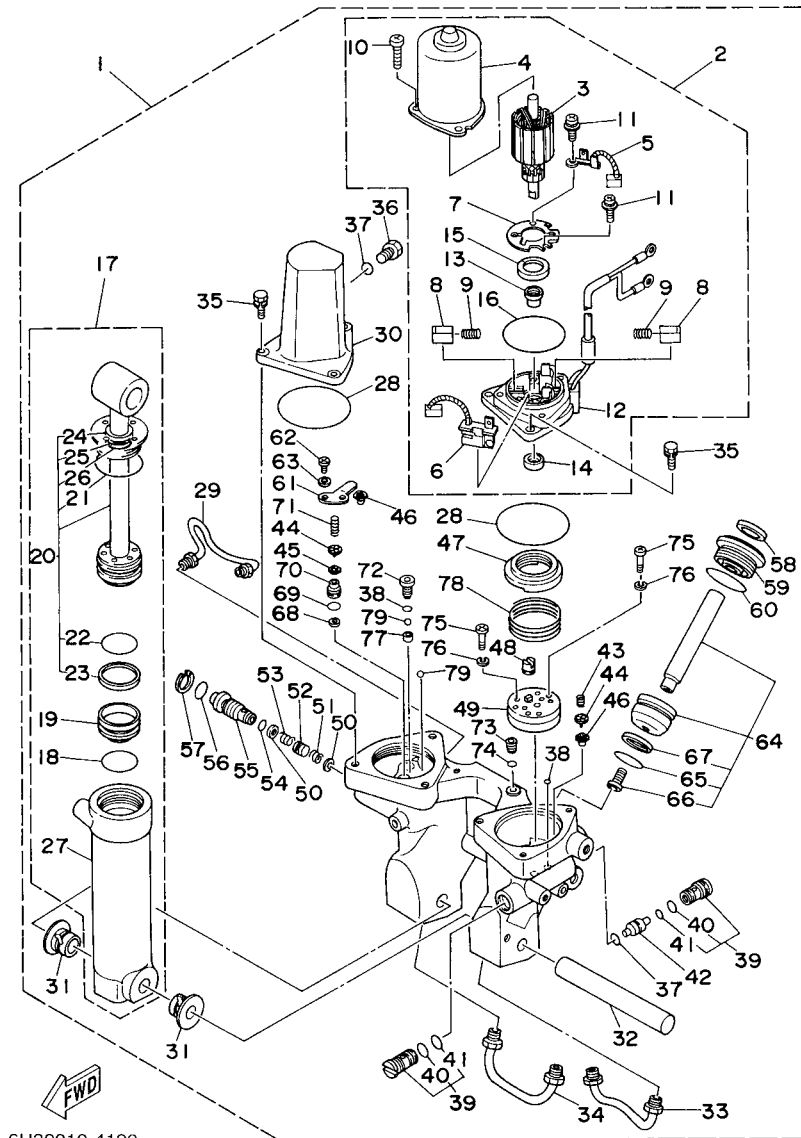
REF. NO.	PART NO.	DESCRIPTION	90A			REMARKS
1	6H1-43800-17-4D	POWER TRIM & TILT ASSY	1			
2	6H1-43880-02	..MOTOR ASSY	1			
3	6H1-43805-10	..ARMATURE ASSY	1			
4	6H1-43804-10	..STATOR ASSY	1			
5	6H1-43891-10	..BRUSH 1	1			
6	6H1-43892-10	..BRUSH 2	1			
7	6H1-4380F-10	..PLATE, BRUSH HOLDER	1			
8	6H1-4380J-10	..HOLDER, BRUSH	2			
9	6H1-4386K-10	..SPRING, BRUSH	2			
10	97885-05016	..SCREW, PAN HEAD	3			
11	97607-04310	..SCREW, WITH WASHER	2			
12	6H1-43881-10	..FRAME, END	1			
13	6H1-4380H-10	..METAL	1			
14	93102-08M43	..OIL SEAL	1			
15	6H1-4380G-10	..PLATE	1			
16	6H1-43865-10	..O-RING	1			
17	6H1-43840-11	..POWER TILT ASSY	1			
18	6H1-43861-10	..O-RING	1			
19	6H1-43814-11	..PISTON, FREE	1			
20	6H1-43810-11	..TILT PISTON SUB ASSY	1			
21	6H1-43861-00	..O-RING	1			
22	6H1-43861-10	..O-RING	1			
23	6H1-43871-10	..RING, BACK UP	1			
24	6H1-43812-00	..SEAL, DUST	1			
25	6H1-43872-10	..RING, BACK UP	1			
26	93210-18397	..O-RING	1			
27	6H1-43813-10	..CYLINDER, TILT	1			



6H30010-4190

FIG. 15 POWER TRIM & TILT ASSY

REF. NO.	PART NO.	DESCRIPTION	90A				REMARKS
28	93210-64488	.O-RING	2				
29	6H1-43835-10	.PIPE	1				
30	6H1-43828-10	.BODY, RESERVOIR	1				
31	90386-18M14	.BUSH	2				
32	6E5-43818-00	.PIN, LOWER SHOCK MOUNT	1				
33	6H1-43833-10	.PIPE	1				
34	6H1-43834-00	.PIPE	1				
35	97595-06420	.BOLT, WITH WASHER	6				
36	6H1-43829-00	.PLUG, RESERVOIR	1				
37	93210-09165	.O-RING	2				
38	93210-064A5	.O-RING	1				
39	67F-43802-00	.VALVE SUB ASSY	2				
40	6H1-43866-00	..O-RING	1				
41	6H1-43867-00	..O-RING	1				
42	6H1-43841-11	.PISTON, SHUTTLE	1				
43	6H1-43856-10	.SPRING, DOWN RELIEF	1				
44	6H1-43844-10	.PIN, VALVE SUPPORT	2				
45	6H1-4384G-11	.SEAL, RELIEF VALVE	1				
46	6H1-4384F-10	.SEAL, MAIN VALVE	2				
47	6H1-43817-01	.FILTER 2	1				
48	6H1-43831-10	.CONNECTOR, SHAFT	1				
49	6H1-43830-11	.GEAR PUMP ASSY	1				
50	6H1-43847-00	.SEAT, MANUAL VALVE	2				
51	6H1-43899-00	.SPRING, MANUAL RELEASE	1				
52	6H1-4382A-10	.ADAPTOR 1	1				
53	6H1-43854-00	.SPRING, MANUAL RELEASE	1				
54	93210-10M74	.O-RING	1				

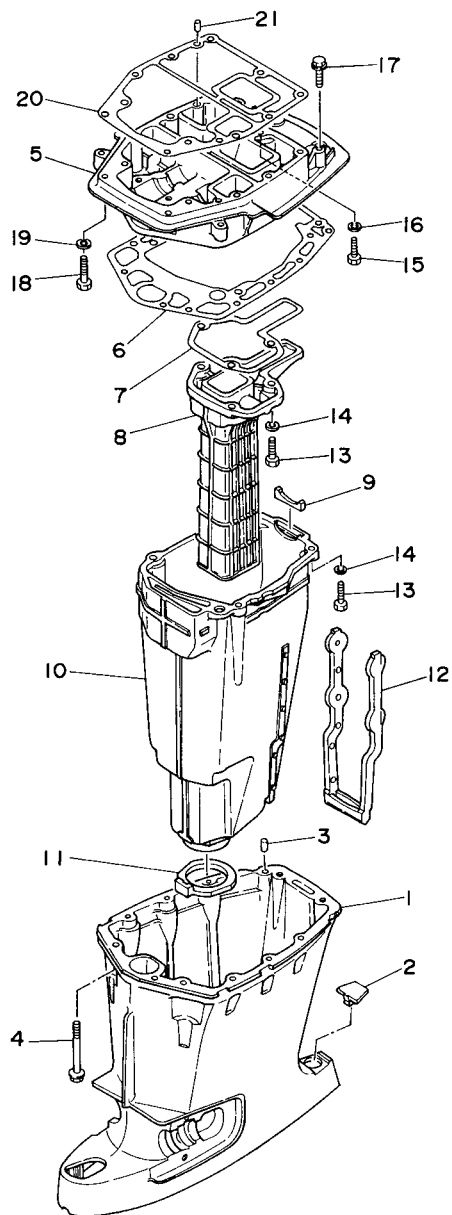
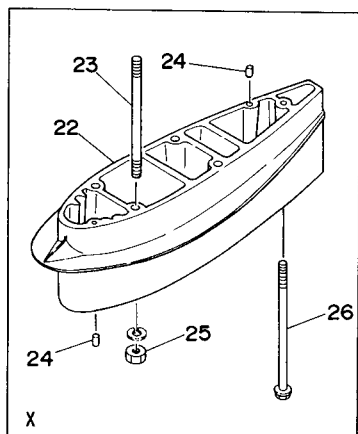


6H30010-4190

FIG. 15 POWER TRIM & TILT ASSY

REF. NO.	PART NO.	DESCRIPTION	90A			REMARKS
55	6H1-43845-00	.SCREW, MANUAL RELEASE	1			
56	93210-18M75	.O-RING	1			
57	6H1-43875-00	.RING, SNAP	1			
58	6H1-43822-10	.SEAL, TRIM DUST	2			
59	6H1-43821-11	.SCREW, TRIM CYLINDER END	2			
60	6H1-43861-10	.O-RING	2			
61	6H1-4384E-20	.SPRING, TRIM	1			
62	98501-05010	.SCREW, PAN HEAD	2			
63	92901-05200	.WASHER, PLAIN	2			
64	6H1-43820-11	.TRIM PISTON SUB ASSY	2			
65	6H1-43864-00	.O-RING	1			
66	91318-08016	.BOLT	1			
67	6H1-43874-00	.RING, BACK UP	1			
68	6H1-43816-00	.FILTER 1	1			
69	6H1-43896-00	.O-RING	1			
70	6H1-43895-12	.SEAT, RELIEF VALVE	1			
71	6H1-43855-11	.SPRING, UP RELIEF	1			
72	6H1-43843-11	.SCREW, VALVE LOCK	1			
73	6H1-4388E-11	.PLUG, TAPER SCREW	1			
74	6H1-43868-00	.O-RING	1			
75	98501-04025	.SCREW, PAN HEAD	4			
76	92901-04100	.WASHER, SPRING	4			
77	6H1-4387J-00	.WASHER, SPECIAL 2	1			
78	6H1-4385H-00	.SPRING, SEAL	1			
79	93505-32038	.BALL	2			

FIG. 16 UPPER CASING



6H14100-4170

REF. NO.	PART NO.	DESCRIPTION	90A				REMARKS
1	688-45111-04-4D	CASING, UPPER	1				
2	663-45155-10	CAP	1				
3	93606-12019	PIN, DOWEL	2				
4	90119-08M80	BOLT, WITH WASHER	8				
5	688-41137-03-94	GUIDE, EXHAUST	1				
6	688-45114-A1	GASKET, UPPER CASING	1				
7	688-41134-A0	GASKET, EXHAUST MANIFOLD	1				
8	688-41131-00-5B	MANIFOLD, EXT. 1	1				
9	688-41133-00	GASKET, EXHAUST MANIFOLD 1	1				
10	688-14711-01-5B	MUFFLER 1	1				
11	688-45123-00	GASKET, MUFFLER	1				
12	663-14737-10	DAMPER, MUFFLER	1				
13	97075-08030	BOLT	7				
14	92995-08100	WASHER	7				
15	97075-08025	BOLT	1				
16	92995-08100	WASHER	1				
17	90119-08M79	BOLT, WITH WASHER	2				
18	97075-08035	BOLT	2				
19	92995-08100	WASHER	2				
20	688-45113-A0	GASKET, UPPER CASING	1				
21	93606-12019	PIN, DOWEL	2				
22	688-45211-01-4D	EXTENSION	1				X
23	90116-10M05	BOLT, STUD	4				X
24	93606-12019	PIN, DOWEL	4				X
25	95380-10600	NUT	4				X
26	90119-08M86	BOLT, WITH WASHER	1				X

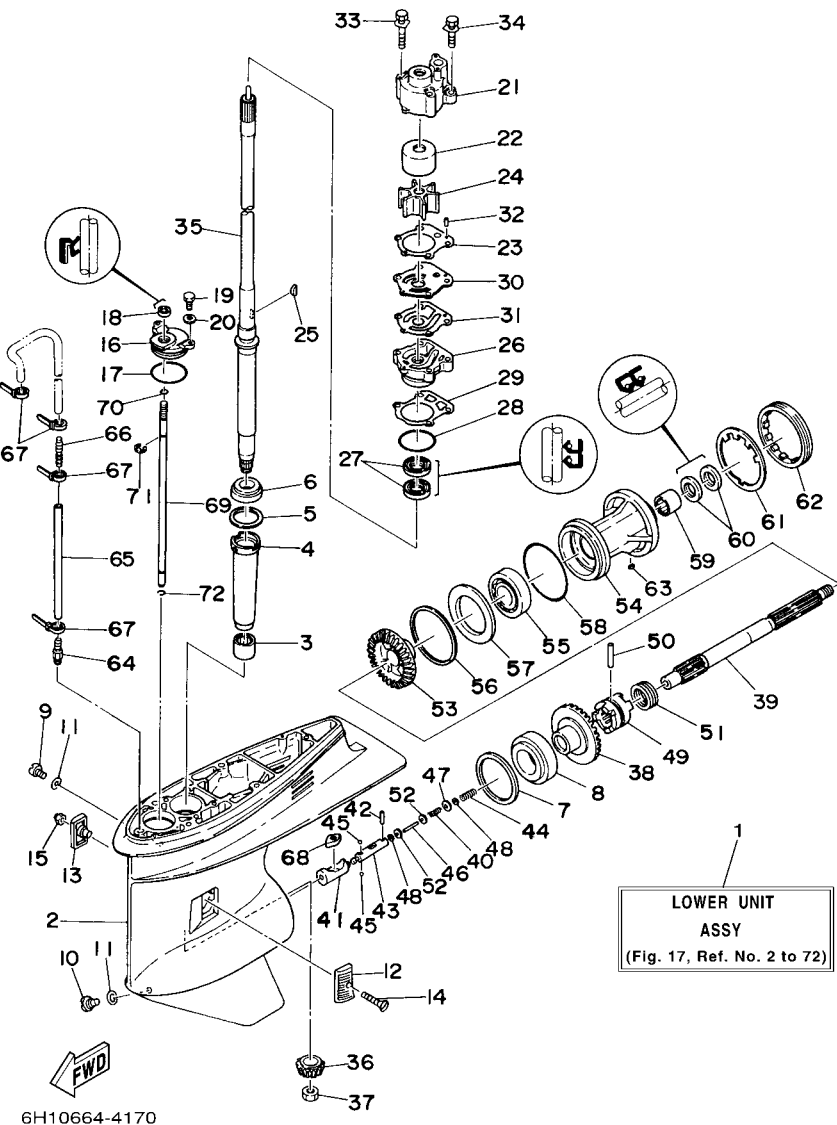


FIG. 17 LOWER CASING & DRIVE 1

REF. NO.	PART NO.	DESCRIPTION	90A			REMARKS
1	6H1-45300-15-4D	LOWER UNIT ASSY	1			L
	6H1-45300-24-4D	LOWER UNIT ASSY	1			X
2	6H1-45301-03-4D	CASING, LOWER	1			
3	93315-325V1	BEARING	1			
4	688-45536-01	SLEEVE, DRIVE SHAFT	1			
5	688-45587-01-10	SHIM (T:0.10MM)	1			UR
	688-45587-01-12	SHIM (T:0.12MM)	1			UR
	688-45587-01-15	SHIM (T:0.15MM)	1			UR
	688-45587-01-18	SHIM (T:0.18MM)	1			UR
	688-45587-01-30	SHIM (T:0.30MM)	1			UR
	688-45587-01-40	SHIM (T:0.40MM)	1			UR
	688-45587-01-50	SHIM (T:0.50MM)	1			UR
6	93332-000U3	BEARING	1			
7	688-45567-01-10	SHIM (T:0.10MM)	1			UR
	688-45567-01-12	SHIM (T:0.12MM)	1			UR
	688-45567-01-15	SHIM (T:0.15MM)	1			UR
	688-45567-01-18	SHIM (T:0.18MM)	1			UR
	688-45567-01-30	SHIM (T:0.30MM)	1			UR
	688-45567-01-40	SHIM (T:0.40MM)	1			UR
	688-45567-01-50	SHIM (T:0.50MM)	1			UR
8	93332-000W7	BEARING	1			
9	90340-08002	PLUG, STRAIGHT SCREW	1			
10	688-45341-10	PLUG, DRAIN	1			
11	90430-08020	GASKET	2			
12	6H1-45214-00	COVER, WATER INLET	1			
13	6H1-45215-00	COVER, WATER INLET	1			
14	90151-05M00	SCREW, COUNTERSUNK	1			

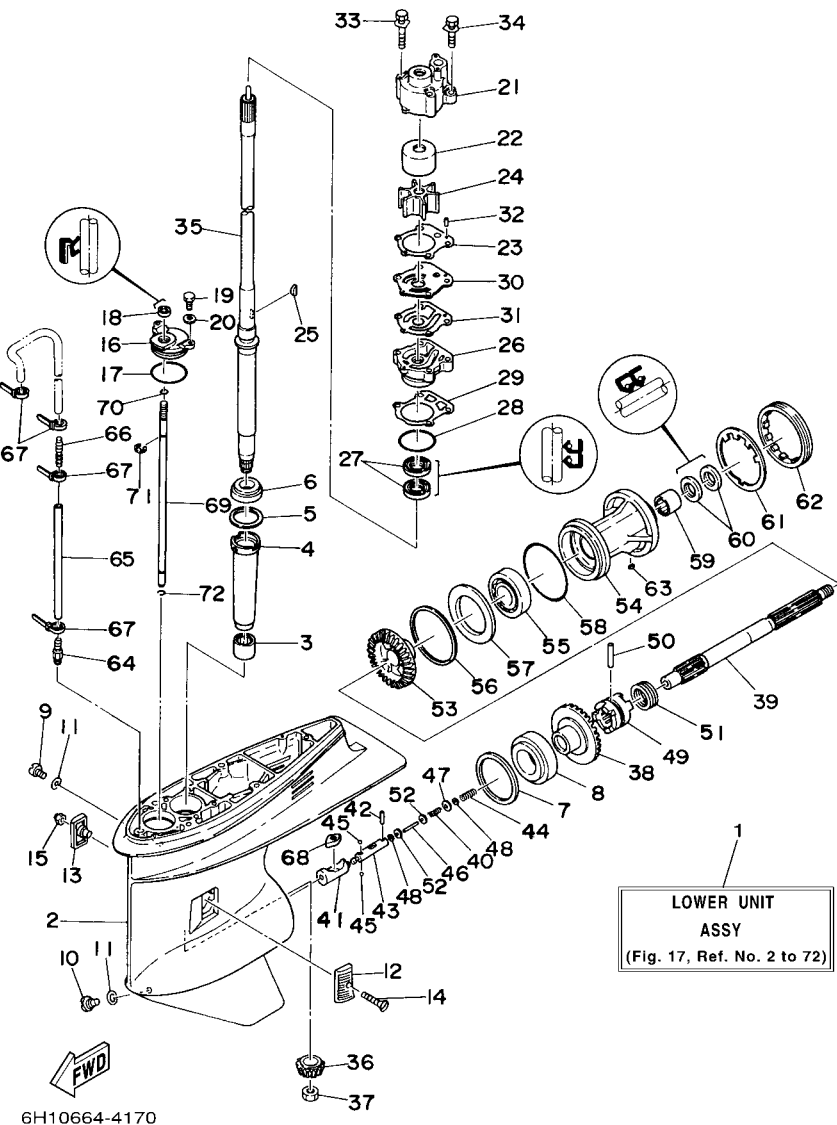


FIG. 17 LOWER CASING & DRIVE 1

REF. NO.	PART NO.	DESCRIPTION	90A				REMARKS
15	90185-05002	NUT, SELF-LOCKING	1				
16	688-45321-00	PLATE	1				
17	93210-49046	O-RING	1				
18	93106-09014	OIL SEAL	1				
19	97095-06016	BOLT	2				
20	92995-06600	WASHER	2				
21	688-44311-01	HOUSING, WATER PUMP	1				
22	688-44322-00	INSERT, CARTRIDGE	1				
23	688-44315-A0	GASKET, WATER PUMP	1				
24	688-44352-03	IMPELLER	1				
25	90280-04M04	KEY, WOODRUFF	1				
26	688-44341-01-94	HOUSING, WATER PUMP	1				
27	93101-25M03	OIL SEAL	2				
28	93210-46044	O-RING	1				
29	688-44316-A0	GASKET, WATER PUMP	1				
30	688-44323-00	OUTER PLATE, CARTRIDGE	1				
31	688-44324-A0	GASKET, CARTRIDGE	1				
32	93604-10M03	PIN, DOWEL	2				
33	90119-08M16	BOLT, WITH WASHER	2				
34	90119-08M13	BOLT, WITH WASHER	2				
35	6H1-45501-11	DRIVE SHAFT COMP.	1				L
	688-45501-22	DRIVE SHAFT COMP.	1				X
36	688-45551-01	PINION	1				
37	90170-16M01	NUT	1				
38	688-45560-00	GEAR	1				
39	6H1-45611-01	SHAFT, PROPELLER	1				
40	90501-12M48	SPRING, COMPRESSION	1				

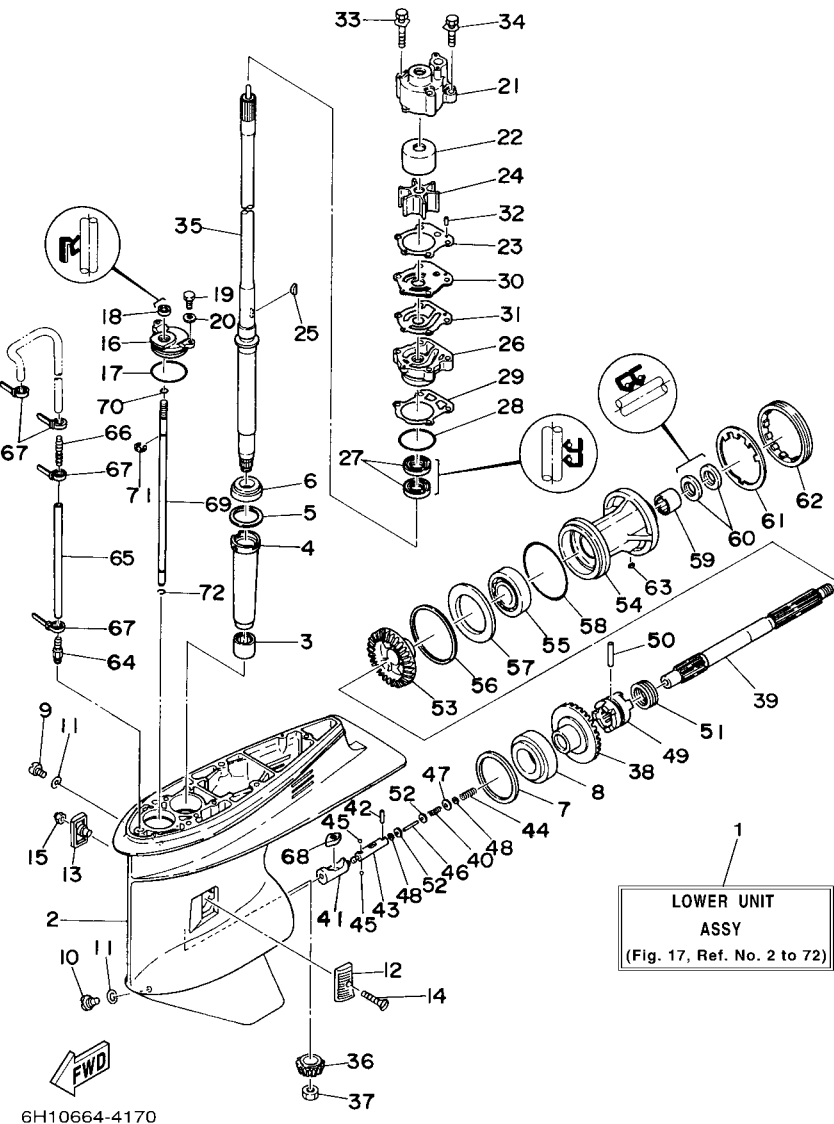


FIG. 17 LOWER CASING & DRIVE 1

REF. NO.	PART NO.	DESCRIPTION	90A			REMARKS
41	6H1-45641-01	SHIFTER	1			
42	93603-12M11	PIN, DOWEL	1			
43	6H1-45634-02	SLIDE, SHIFT	1			
44	90501-16M65	SPRING, COMPRESSION	1			
45	93503-16003	BALL	2			
46	6H1-45668-00	SHAFT, FREE	1			
47	90201-03313	WASHER, PLATE	1			
48	90183-02M03	NUT, SPRING	2			
49	6H1-45631-01	CLUTCH, DOG	1			
50	90250-07M02	PIN, STRAIGHT	1			
51	688-45633-00	RING, CROSS PIN	1			
52	6H1-45635-00	PLUNGER, SHIFT	2			
53	6H1-45571-00	GEAR	1			
54	688-45331-00-94	HOUSING, BEARING	1			
55	93306-207U0	BEARING	1			
56	688-45577-01-10	SHIM (T:0.10MM)	1			UR
	688-45577-01-12	SHIM (T:0.12MM)	1			UR
	688-45577-01-15	SHIM (T:0.15MM)	1			UR
	688-45577-01-18	SHIM (T:0.18MM)	1			UR
	688-45577-01-30	SHIM (T:0.30MM)	1			UR
	688-45577-01-40	SHIM (T:0.40MM)	1			UR
	688-45577-01-50	SHIM (T:0.50MM)	1			UR
57	688-45576-00	WASHER, THRUST	1			
58	93210-85M97	O-RING	1			
59	93317-325U0	BEARING	1			
60	93101-25M03	OIL SEAL	2			
61	688-45383-02	WASHER, CLAW	1			

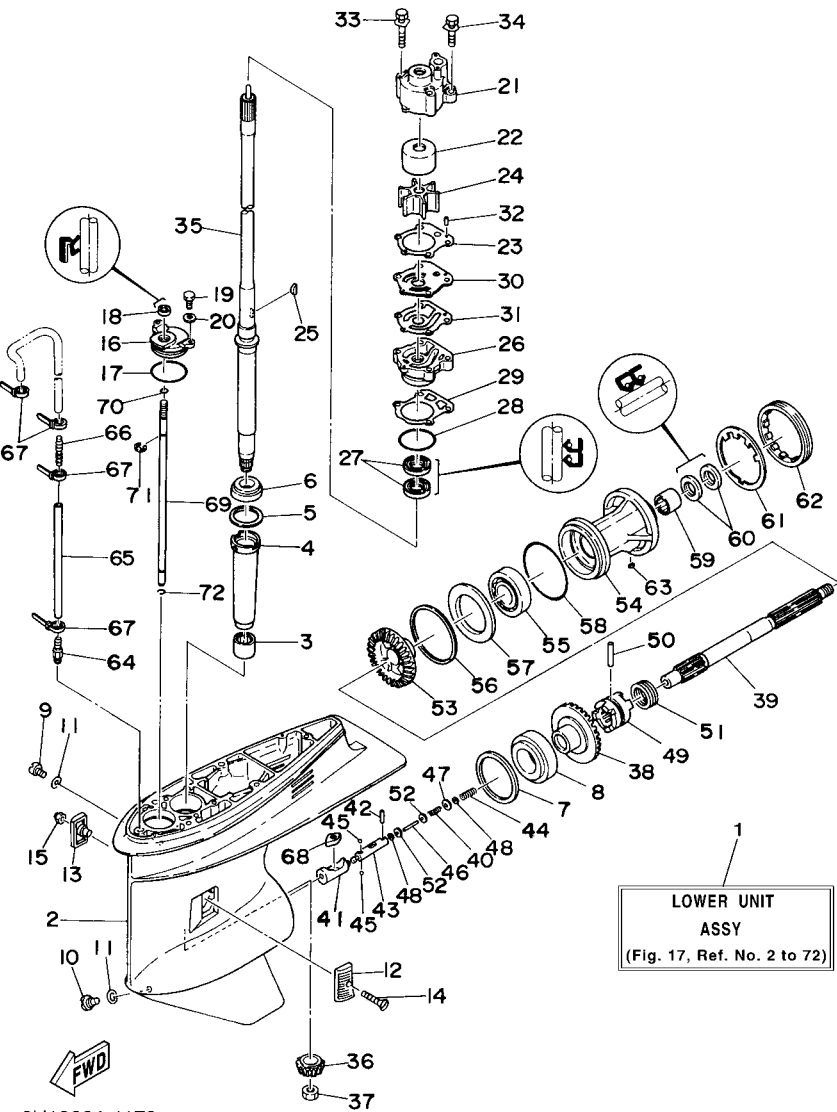


FIG. 17 LOWER CASING & DRIVE 1

REF. NO.	PART NO.	DESCRIPTION	90A			REMARKS
62	688-45384-00	NUT	1			
63	90282-04010	KEY, STRAIGHT	1			
64	6E5-45378-00	NIPPLE, HOSE	1			
65	90445-07ME9	HOSE (L120)	1			L
	90445-07MF2	HOSE (L250)	1			X
66	6E5-83558-10	END, NIPPLE	1			
67	90465-11M10	CLAMP	4			
68	6H1-44151-00	CAM, SHIFT	1			
69	6H1-44144-00	ROD, SHIFT	1			
70	93210-07003	O-RING	1			
71	99001-08600	CIRCLIP	1			
72	93450-07M00	CIRCLIP	1			
<hr/>						
<hr/>						
<hr/>						
<hr/>						
<hr/>						
<hr/>						
<hr/>						
<hr/>						
<hr/>						
<hr/>						

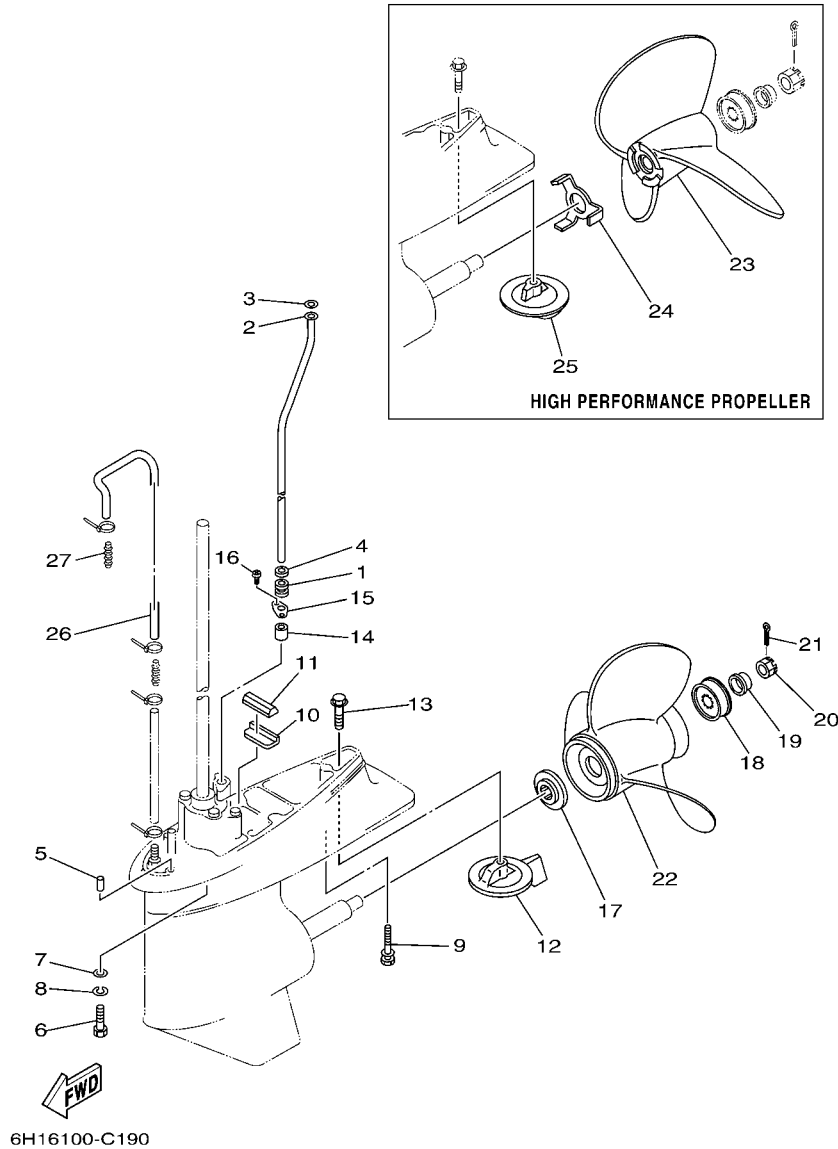


FIG. 18 LOWER CASING & DRIVE 2

REF. NO.	PART NO.	DESCRIPTION	90A				REMARKS
1	663-44367-00	DAMPER, WATER SEAL	1				
2	688-44361-10	TUBE, WATER	1				L
	688-44361-20	TUBE, WATER	1				X
3	90202-12060	WASHER, PLATE	1				
4	90430-12072	GASKET	1				
5	93606-12019	PIN, DOWEL	2				L
6	97075-10040	BOLT	4				L
7	92990-10600	WASHER, PLATE	4				
8	92990-10100	WASHER, SPRING	4				
9	90119-08M84	BOLT, WITH WASHER	1				L
10	663-45376-00-94	GUIDE, SEAL DAMPER	1				
11	688-45375-00	DAMPER, SEAL	1				
12	688-45371-02	TAB-TRIM	1				
13	90105-10M67	BOLT, FLANGE	1				
14	663-44366-00	DAMPER, WATER SEAL	1				
15	90480-19M06	GROMMET	1				
16	97780-40512	SCREW, TAPPING	2				
17	688-45987-01	SPACER	1				
18	67F-45997-00	SPACER	1				
19	90389-25M00	BUSH	1				
20	90171-16011	NUT, CASTLE	1				
21	91490-40025	PIN, COTTER	1				
22	6E5-45941-00-EL	PROPELLER (3X13"X19"-K)	1				UR
	6E5-45943-00-EL	PROPELLER (3X12-5/8"X21"-K)	1				UR
	6E5-45945-01-EL	PROPELLER (3X13-1/4"X17"-K)	1				UR
	6E5-45947-00-EL	PROPELLER (3X13-1/2"X15"-K)	1				UR
	6E5-45949-00-EL	PROPELLER (3X13-5/8"X13"-K)	1				UR

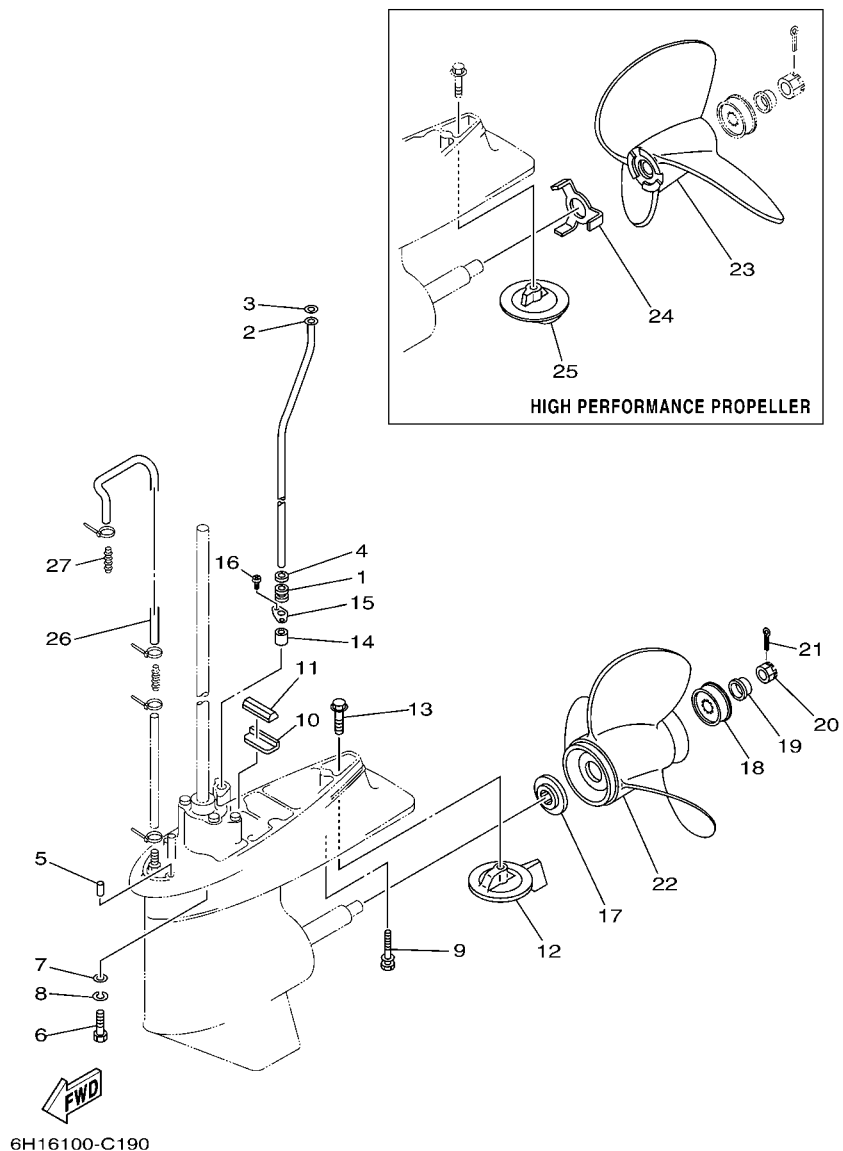
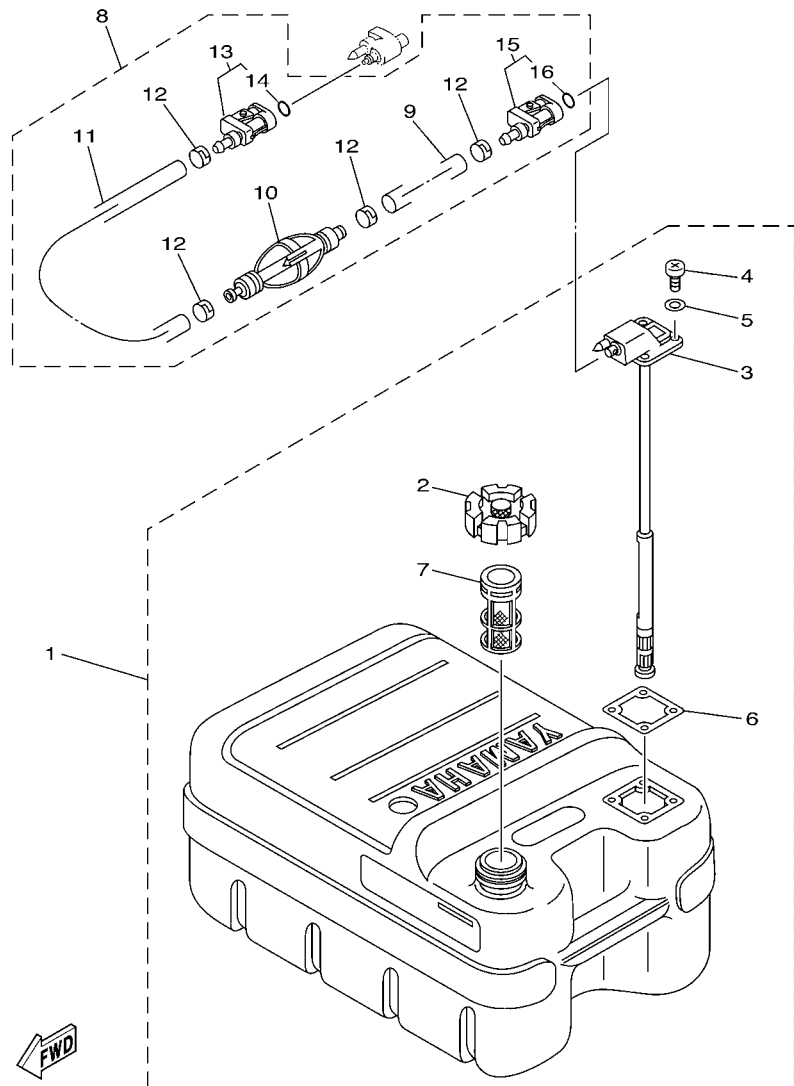


FIG. 18 LOWER CASING & DRIVE 2

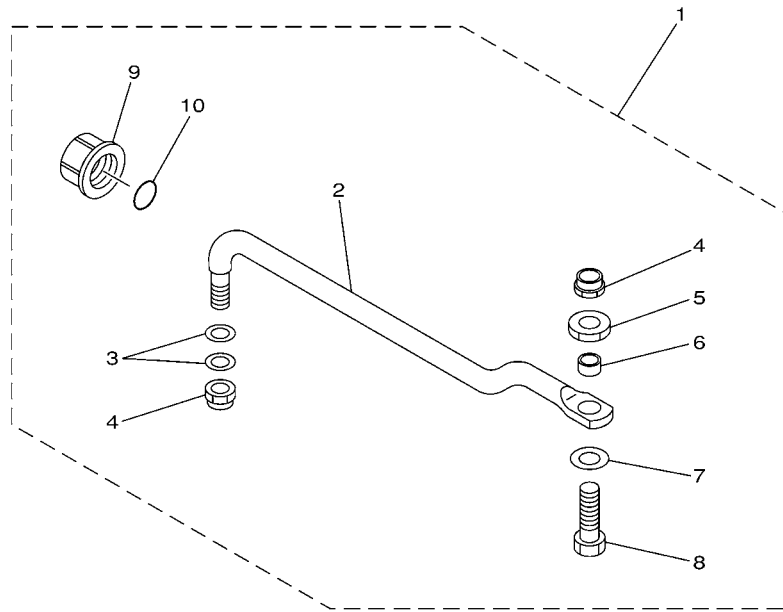
REF. NO.	PART NO.	DESCRIPTION	90A				REMARKS
22	6E5-45952-00-EL	PROPELLER (3X13"X23"-K)	1				UR
	6E5-45954-00-EL	PROPELLER (3X14"X11"-K)	1				UR
	6E5-45956-00-EL	PROPELLER (3X13"X25"-K)	1				UR
	688-45930-02-98	PROPELLER (3X13"X17"-K)	1				UR
	688-45970-03-98	PROPELLER (3X13"X19"-K)	1				UR
	688-45972-02-98	PROPELLER (3X13"X21"-K)	1				UR
	688-45974-02-98	PROPELLER (3X13"X23"-K)	1				UR
	688-45976-01-98	PROPELLER (3X13"X25"-K)	1				UR
	688-45932-60-98	PROPELLER (3X13-1/2"X14"-K)	1				UR
	688-45978-60-98	PROPELLER (3X13-1/2"X16"-K)	1				UR
23	6E5-45970-10	PROPELLER (3X14"X20"-P)	1				UR
	6E5-45972-10	PROPELLER (3X14"X24"-P)	1				UR
	6E5-45974-10	PROPELLER (3X14"X28"-P)	1				UR
	6E5-45976-10	PROPELLER (3X14"X22"-P)	1				UR
	6E5-45978-10	PROPELLER (3X14"X26"-P)	1				UR
24	6E5-45994-10	PLATE, TOOTH	1				
25	6E5-45371-10	TAB-TRIM	1				
26	90445-07MF1	HOSE (L570)	1				
27	6E5-83558-00	END, NIPPLE	1				



68U3100-C240

FIG. 19 FUEL TANK

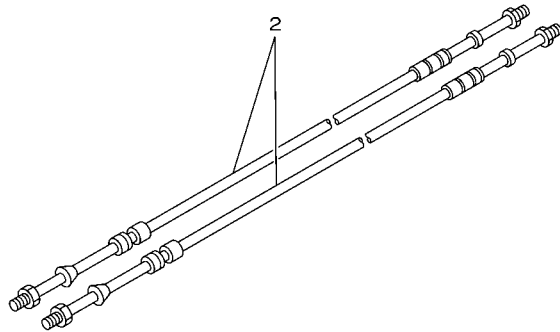
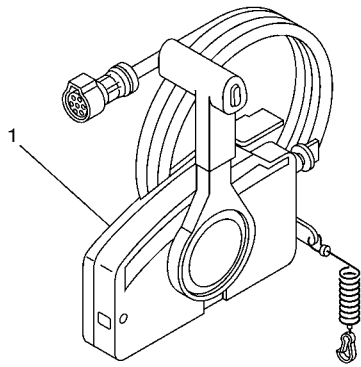
REF. NO.	PART NO.	DESCRIPTION	90A				REMARKS
1	6YJ-24201-10	FUEL TANK ASSY (24L)	1				AP
2	6YJ-24610-01	.CAP ASSY	1				
3	6Y1-24260-12	.FUEL METER ASSY	1				WITH INDICATOR
4	98586-05016	.SCREW, PAN HEAD	4				
5	6Y1-24329-00	.SEAL	4				
6	6Y1-24268-00	.GASKET, FUEL METER	1				
7	6YJ-24167-00	.STRAINER	1				
8	61J-24306-03	FUEL PIPE COMP. 1	1				AP
9	90445-11M06	.HOSE (L2050)	1				
10	61J-24360-00	.PRIMER PUMP ASSY	1				
11	90445-11M05	.HOSE (L850)	1				
12	650-24351-01	.BAND 1	4				
13	6G1-24305-04	.FUEL PIPE JOINT COMP. 2	1				
14	93210-08287	..O-RING	1				
15	6Y1-24305-05	.FUEL PIPE JOINT COMP. 2	1				
16	93210-08287	..O-RING	1				



6880700-9190

FIG. 20 STEERING GUIDE

REF. NO.	PART NO.	DESCRIPTION	90A				REMARKS
1	688-61350-10	STEERING GUIDE ATTACHMENT KIT	1				AP
2	688-61351-10	.ROD, STEERING LINK	1				
3	90201-10M20	.WASHER, PLATE	2				
4	90185-09M01	.NUT, SELF-LOCKING	2				
5	90170-09M03	.NUT	1				
6	90387-10M42	.COLLAR	1				
7	90201-10M63	.WASHER, PLATE	1				
8	6E5-61355-00	.BOLT	1				
9	6E5-43145-01	.CAP, CLAMP BRACKET	1				
10	93210-16275	.O-RING	1				



67M0100-8280

FIG. 21 REMOTE CONTROL BOX

REF. NO.	PART NO.	DESCRIPTION	90A			REMARKS
1	703-48205-A4	REMOTE CONTROL ASSY (10P)	1			AP WITH PT/T SW.
2	701-48320-00	CABLE, REMOTE CONTROL L=12F	2			UR
	701-48320-20	CABLE, REMOTE CONTROL L=13F	2			UR
	701-48320-30	CABLE, REMOTE CONTROL L=14F	2			UR
	701-48320-50	CABLE, REMOTE CONTROL L=15F	2			UR
	701-48320-60	CABLE, REMOTE CONTROL L=16F	2			UR
	701-48320-80	CABLE, REMOTE CONTROL L=17F	2			UR

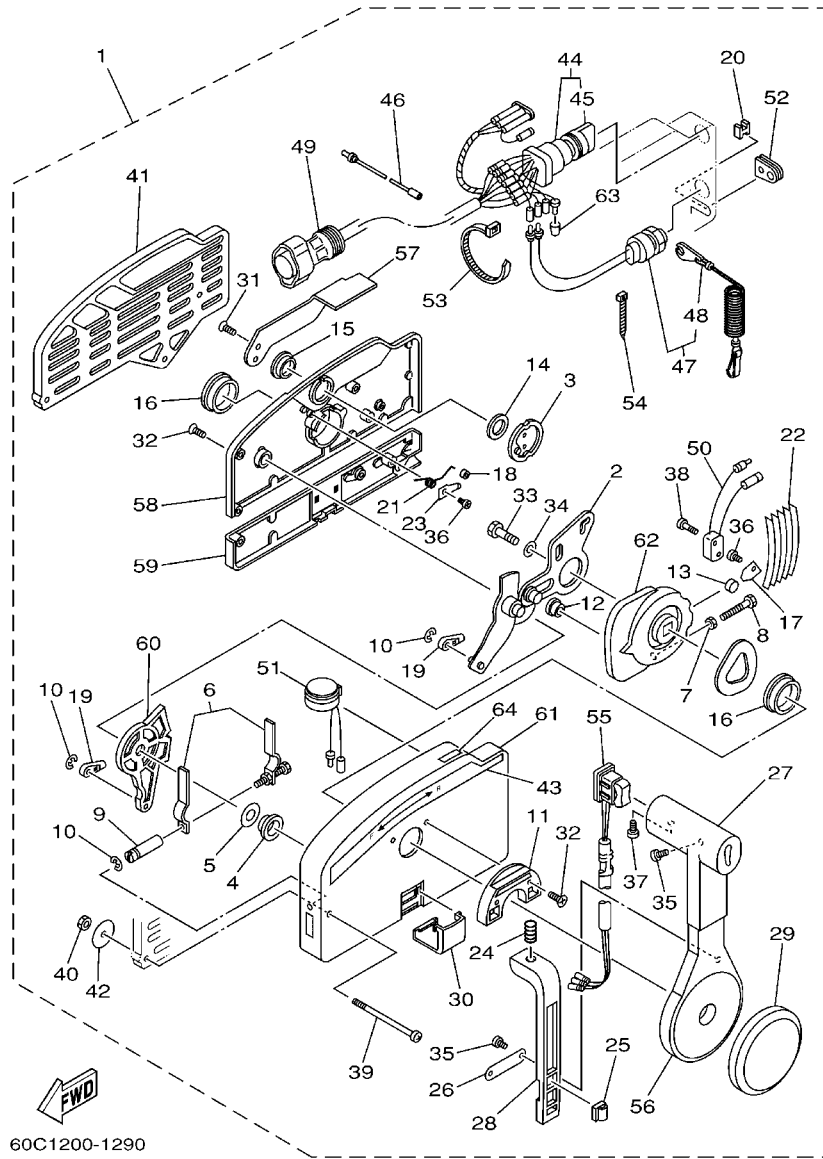


FIG. 22 REMOTE CONTROL ASSY

REF. NO.	PART NO.	DESCRIPTION	90A			REMARKS
1	703-48205-A4	REMOTE CONTROL ASSY (10P)	1			AP WITH PT/T SW.
2	703-48261-01	.ARM, THROTTLE	1			
3	703-48153-00	.SHAFT, FREE ACCEL.	1			
4	703-48235-00	.BUSHING	1			
5	703-48268-00	.SPACER	1			
6	703-48264-00	.THROTTLE, FRICTION	1			
7	95380-05600	.NUT	1			
8	97380-05025	.BOLT	1			
9	703-48265-00	.SHAFT, FRICTION	1			
10	93430-06024	.CIRCLIP	3			
11	703-48245-00	.PLATE, LOCK	1			
12	703-48252-00	.ROLLER, CAM	1			
13	701-48248-00	.ROLLER, FREE ACCEL.	1			
14	703-48198-00	.WASHER, WAVE	1			
15	703-48243-00	.BUSHING	1			
16	703-48236-00	.BUSHING 1	2			
17	703-48189-00	.RETAINER	1			
18	703-48234-00	.ROLLER, DETENT	1			
19	703-48345-01	.CABLE END, REMOTE CONTROL 2	2			
20	703-48358-00	.ANCHOR, CABLE	1			
21	703-48244-00	.SPRING, FREE ACCEL.	1			
22	703-48238-00	.SPRING, DETENT	5			
23	703-48246-00	.SPACER	1			
24	703-48227-00	.SPRING, NEUTRAL LOCK	1			
25	703-82594-00	.CLAMP	1			WITH PT/T SW.
26	703-48226-00	.PLATE, STOPPER	1			
27	703-48222-00	.GRIP, CONTROL LEVER	1			SINGLE

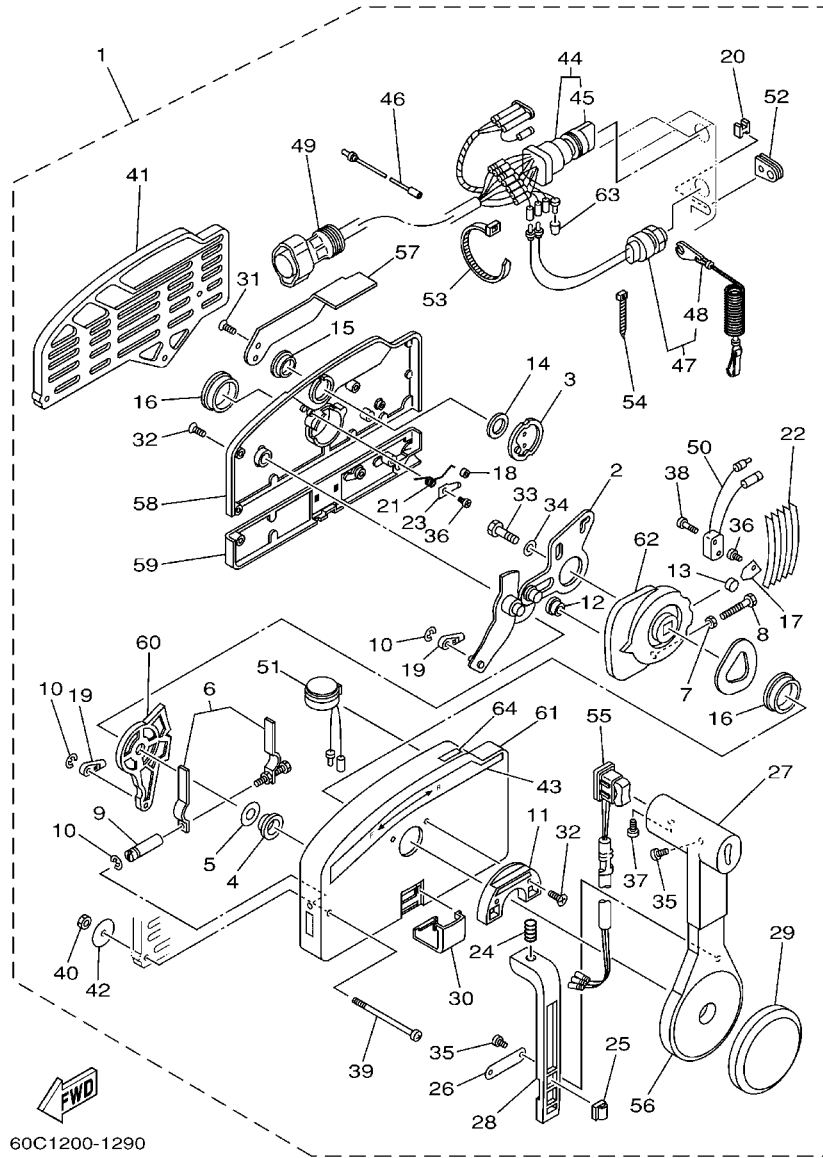


FIG. 22 REMOTE CONTROL ASSY

REF. NO.	PART NO.	DESCRIPTION	90A				REMARKS
28	703-48223-00	.LOCK, NEUTRAL	1				
29	703-48225-00	.COVER	1				
30	703-48219-00	.COVER, LEAD	1				
31	703-48281-00	.SCREW	2				
32	703-48282-00	.SCREW	7				
33	97380-08030	.BOLT	1				
34	92990-08600	.WASHER, PLATE	1				
35	98580-04010	.SCREW, PAN HEAD	3				
36	98580-04006	.SCREW, PAN HEAD	2				
37	98580-05010	.SCREW, PAN HEAD	1				
38	98580-03015	.SCREW, PAN HEAD	2				
39	703-48291-10	.SCREW (M6)	3				
40	95380-06600	.NUT, HEXAGON	3				
41	703-48293-10	.SPACER, REMOTE CONTROL	1				SINGLE
42	701-48287-00	.WASHER	3				
43	703-48215-00	.GRAPHIC	1				
44	703-82510-12	.MAIN SWITCH ASSY	1				PRIME START
45	676-82577-00	..CAP, KEY	1				
46	703-82531-00	.WIRE, LEAD	1				
47	688-82575-01	.ENGINE STOP SWITCH ASSY	1				
48	682-82556-00	..STOPPER	1				
49	688-8258A-20	.EXTENSION, WIRE HARNESS	1				L:5M (10P)
50	703-82540-00	.NEUTRAL SWITCH ASSY	1				
51	703-83383-A0	.BUZZER	1				
52	703-48284-00	.GROMMET	1				
53	703-82591-00	.BAND	1				
54	703-82592-00	.BAND	1				

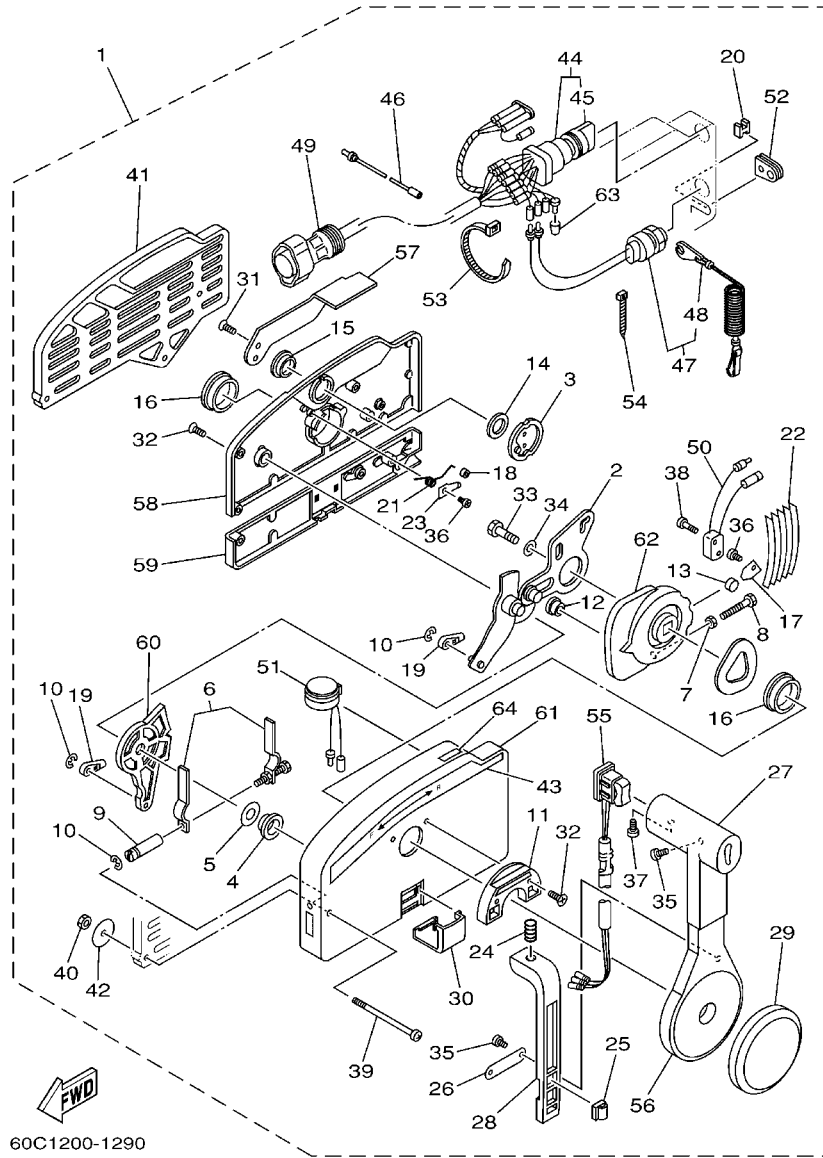
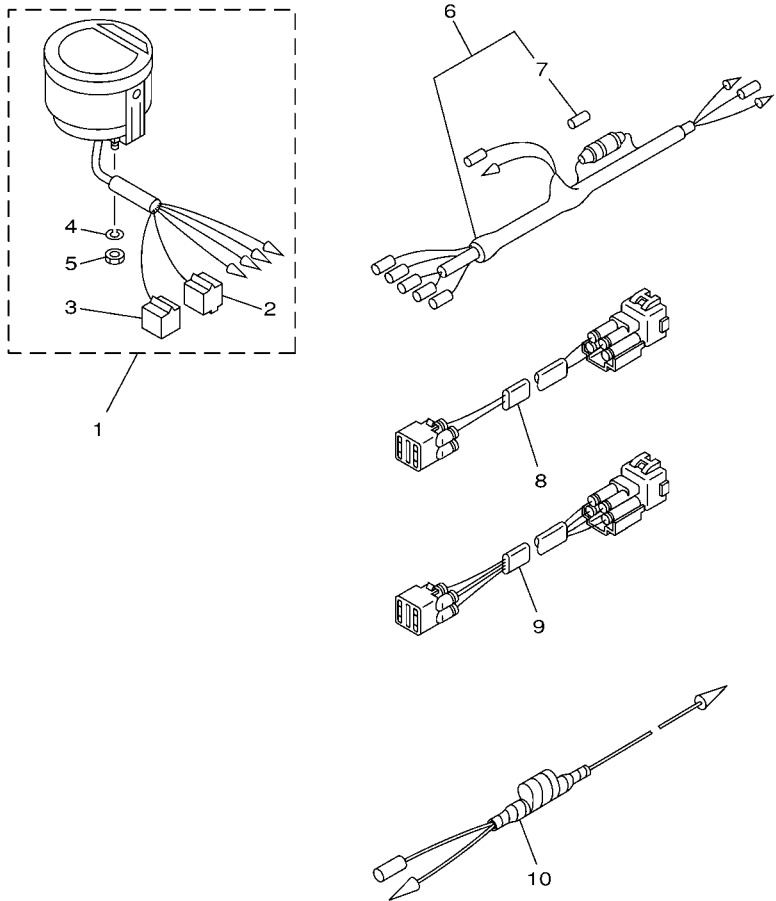


FIG. 22 REMOTE CONTROL ASSY

REF. NO.	PART NO.	DESCRIPTION	90A				REMARKS
55	703-82563-02	.TRIM & TILT SWITCH ASSY	1				WITH PT/T SW.
56	703-48221-00	.LEVER, CONTROL	1				
57	703-48152-00	.KNOB, FREE ACCEL.	1				
58	703-48212-00	.BACK PLATE 1	1				
59	703-48213-00	.BACK PLATE 2	1				
60	703-48271-00	.ARM, SHIFT	1				
61	703-48211-01	.HOUSING,1	1				
62	703-48232-00	.GEAR	1				
63	703-82542-00	.CAP	1				
64	703-48218-00	.GRAPHIC	1				



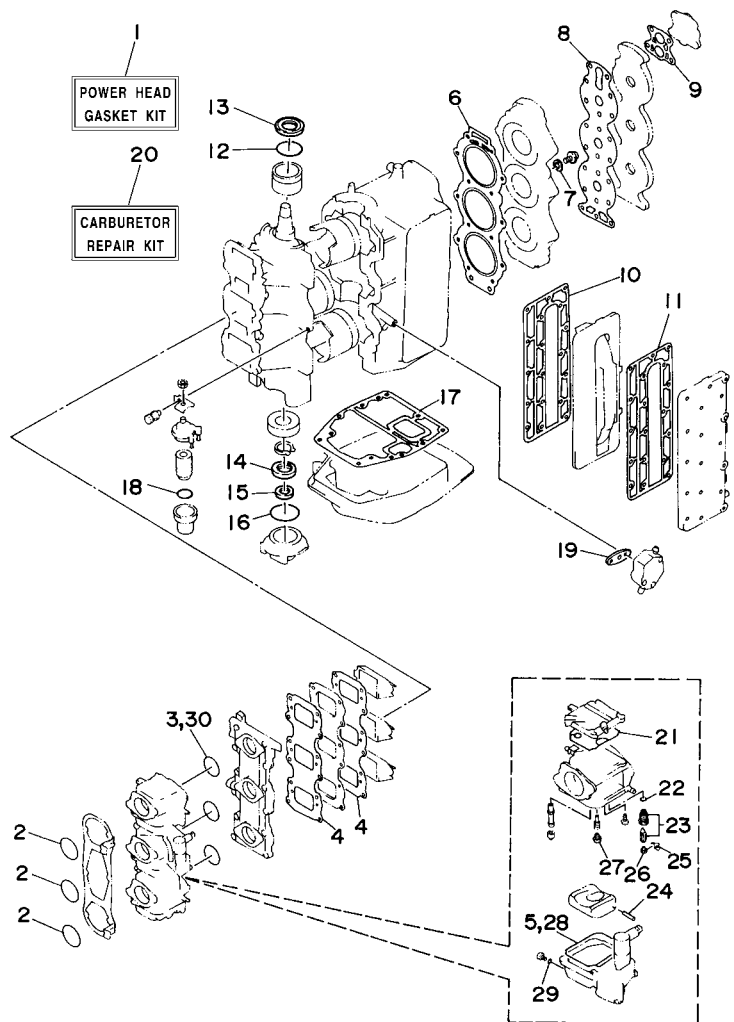
6H30100-0270

FIG. 23 METER

REF. NO.	PART NO.	DESCRIPTION	90A			REMARKS
1	6Y5-8350T-03	TACHOMETER ASSY	1			AP
2	9E450-04433	.CONNECTOR	1			M-4-W
3	9E450-04533	.CONNECTOR	1			F-4-W
4	92990-04100	.WASHER, SPRING	2			
5	95380-04600	.NUT	2			
6	6Y5-83553-00	WIRE, LEAD	1			AP
7	1E6-82151-00	.FUSE (10A)	1			
8	6R3-82521-70	WIRE, LEAD	1			AP 7M
9	6R3-82553-70	EXTENSION, WIRE LEAD	1			AP 4P,7M
10	6H4-81315-11	LEAD WIRE ASSY	1			AP

FIG. 24 REPAIR KIT 1

REF. NO.	PART NO.	DESCRIPTION	90A				REMARKS
1	6H1-W0001-02	POWER HEAD GASKET KIT	1				
2	93210-46044	.O-RING	3				
3	93210-39ME4	.O-RING	3				
4	688-13621-A1	.GASKET, VALVE SEAT	2				
5	6H4-14984-00	.GASKET, FLOAT CHAMBER	3				
6	688-11181-A1	.GASKET, CYLINDER HEAD 1	1				
7	90430-14115	.GASKET	1				
8	688-11193-A1	.GASKET, HEAD COVER 1	1				
9	688-12414-A1	.GASKET, COVER	1				
10	688-41112-A0	.GASKET, EXHAUST INNER COVER	1				
11	688-41114-A0	.GASKET, EXHAUST OUTER COVER	1				
12	93210-46M16	.O-RING	1				
13	93102-36M02	.OIL SEAL	1				
14	93102-30M05	.OIL SEAL	1				
15	93104-20M02	.OIL SEAL	1				
16	93210-62269	.O-RING	1				
17	688-45113-A0	.GASKET, UPPER CASING	1				
18	93210-32738	.O-RING	1				
19	650-24431-A0	.GASKET, FUEL PUMP 1	1				
20	6H1-W0093-10	CARBURETOR REPAIR KIT	1				
21	6H4-14147-00	.O-RING	1				
22	93210-04228	.O-RING	1				
23	692-14590-01	.NEEDLE VALVE ASSY	1				
24	6H4-14548-00	.PIN, FLOAT ARM	1				
25	663-14159-00	.CLIP	1				
26	676-14186-00	.PIN, FLOAT	1				
27	676-14966-00	.CAP	1				



6H10010-4230

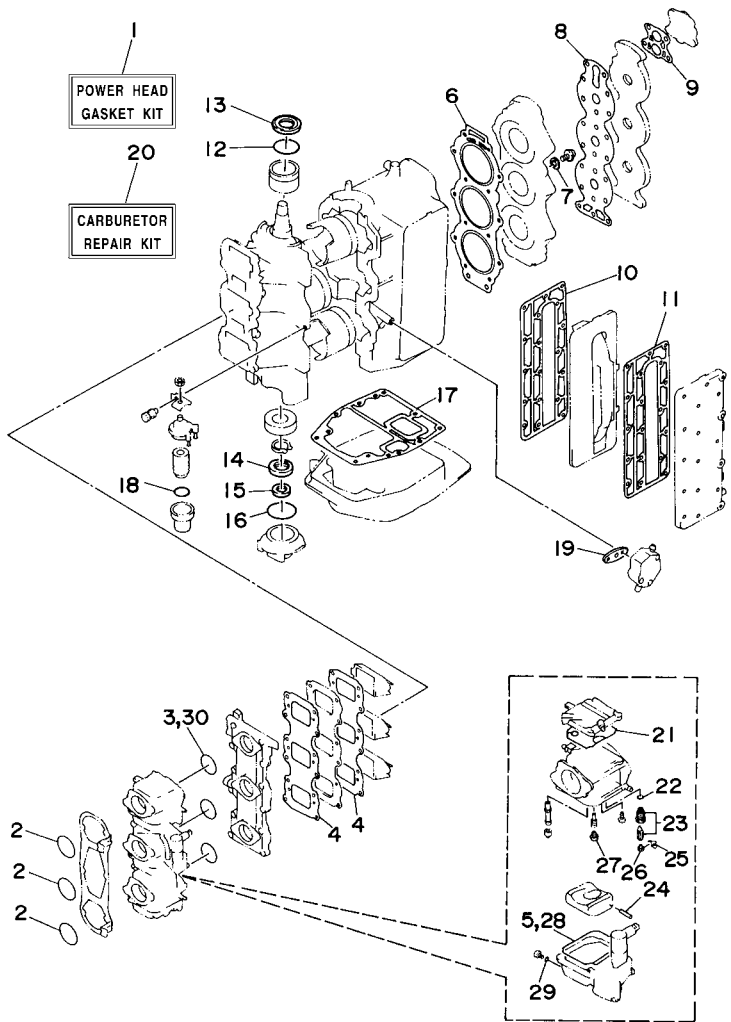
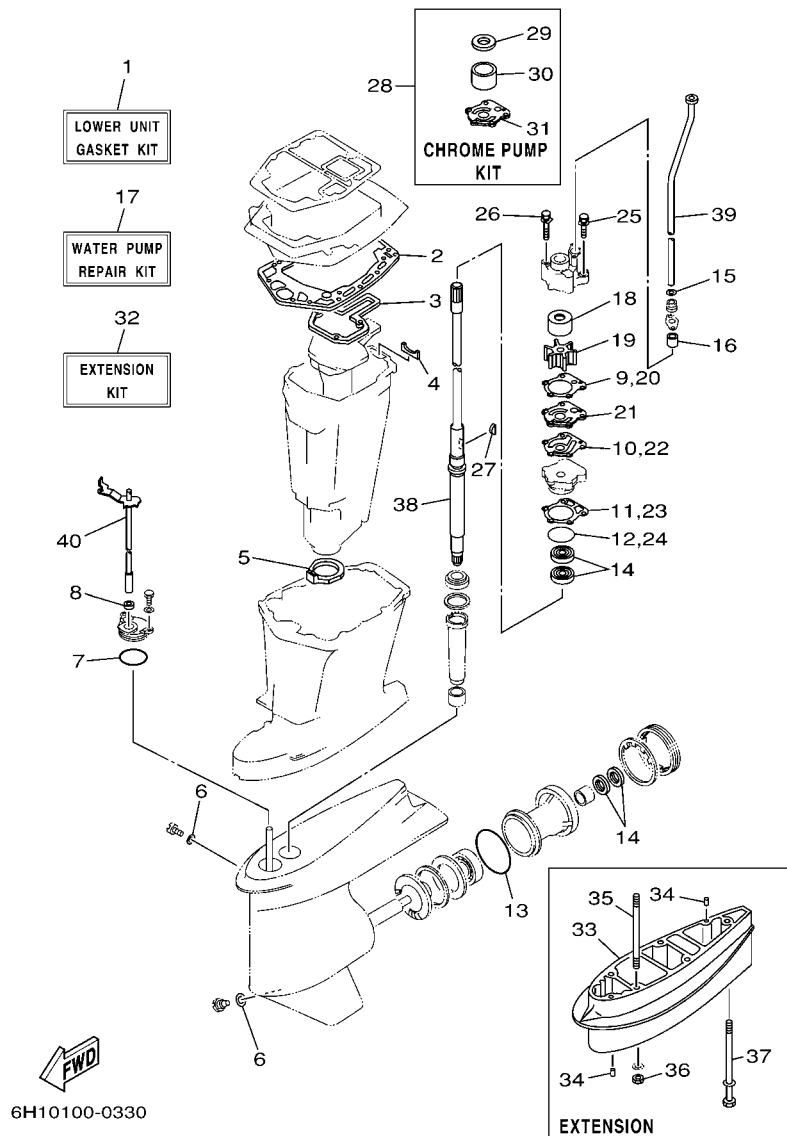


FIG. 24 REPAIR KIT 1

REF. NO.	PART NO.	DESCRIPTION	90A				REMARKS
28	6H4-14984-00	.GASKET, FLOAT CHAMBER	1				
29	93210-04230	.O-RING	1				
30	93210-39ME4	.O-RING	1				

6H10010-4230
 FWD



6H10100-0330

FIG. 25 REPAIR KIT 2

REF. NO.	PART NO.	DESCRIPTION	90A				REMARKS
1	688-W0001-21	LOWER UNIT GASKET KIT	1				
2	688-45114-A1	.GASKET, UPPER CASING	1				
3	688-41134-A0	.GASKET, EXHAUST MANIFOLD	1				
4	688-41133-00	.GASKET, EXHAUST MANIFOLD 1	1				
5	688-45123-00	.GASKET, MUFFLER	1				
6	90430-08020	.GASKET	2				
7	93210-49046	.O-RING	1				
8	93106-09014	.OIL SEAL	1				
9	688-44315-A0	.GASKET, WATER PUMP	1				
10	688-44324-A0	.GASKET, CARTRIDGE	1				
11	688-44316-A0	.GASKET, WATER PUMP	1				
12	93210-46044	.O-RING	1				
13	93210-85M97	.O-RING	1				
14	93101-25M03	.OIL SEAL	4				
15	90430-12072	.GASKET	1				
16	663-44366-00	.DAMPER, WATER SEAL	1				
17	692-W0078-02	WATER PUMP REPAIR KIT	1				
18	688-44322-00	.INSERT, CARTRIDGE	1				
19	688-44352-03	.IMPELLER	1				
20	688-44315-A0	.GASKET, WATER PUMP	1				
21	688-44323-00	.OUTER PLATE, CARTRIDGE	1				
22	688-44324-A0	.GASKET, CARTRIDGE	1				
23	688-44316-A0	.GASKET, WATER PUMP	1				
24	93210-46044	.O-RING	1				
25	90119-08M13	.BOLT, WITH WASHER	2				
26	90119-08M16	.BOLT, WITH WASHER	2				
27	90280-04M04	.KEY, WOODRUFF	1				

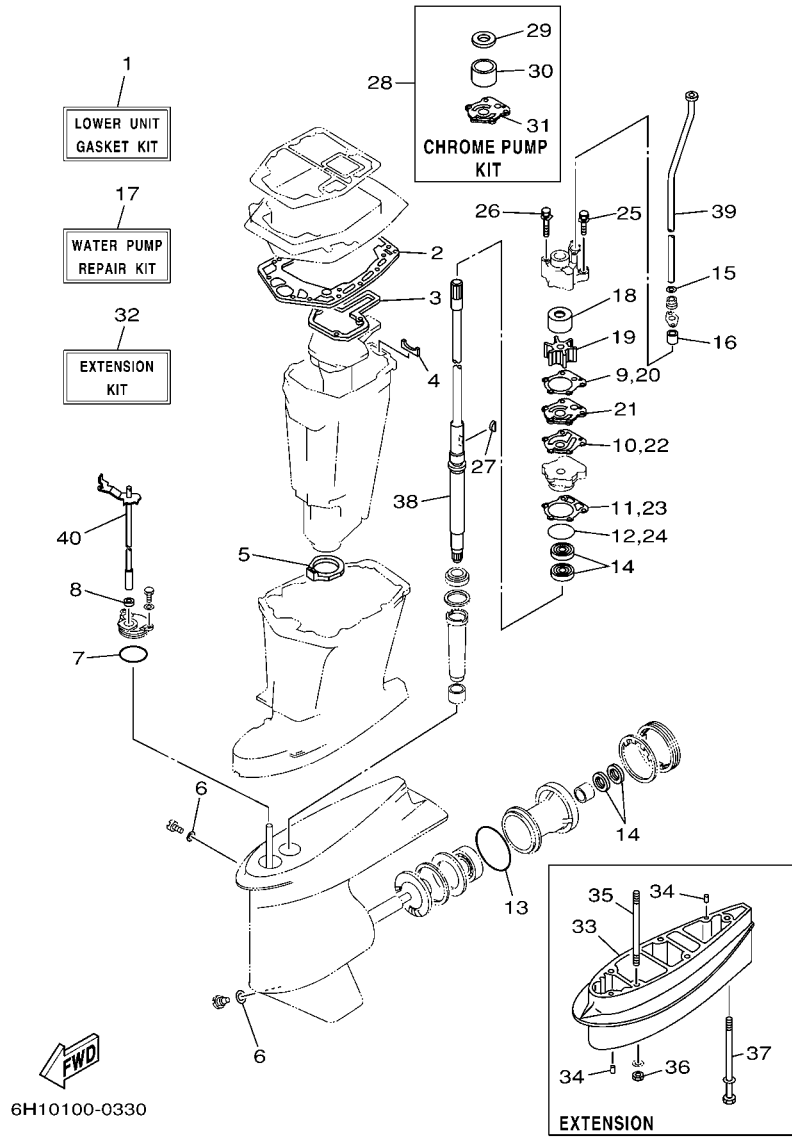


FIG. 25 REPAIR KIT 2

REF. NO.	PART NO.	DESCRIPTION	90A				REMARKS
28	688-W0078-1A	CHROME PUMP KIT	1				
29	688-44321-41	.INNER PLATE, CARTRIDGE	1				
30	688-44322-41	.INSERT, CARTRIDGE	1				
31	688-44323-40	.OUTER PLATE, CARTRIDGE	1				
32	6H1-W0072-02-4D	EXTENSION KIT	1				X
33	688-45211-00-4D	.EXTENSION	1				
34	93606-12019	.PIN, DOWEL	4				
35	90116-10M05	.BOLT, STUD	4				
36	95380-10600	.NUT	4				
37	90119-08M86	.BOLT, WITH WASHER	1				
38	688-45501-22	.DRIVE SHAFT COMP.	1				
39	688-44361-20	.TUBE, WATER	1				
40	6H1-44120-22	.HANDLE GEAR SHIFT ASSY	1				

NUMERICAL INDEX

PART NO.	REF. NO.	PART NO.	REF. NO.	PART NO.	REF. NO.	PART NO.	REF. NO.	PART NO.	REF. NO.	PART NO.	REF. NO.
6H1-11111-01-1S	2 - 30	6H4-14147-00	24 - 21	6H1-21752-00	6 - 33	6H1-24633-00	6 - 40	663-42724-00	11 - 10	6H1-43833-10	15 - 33
688-11119-01	2 - 28	663-14159-00	5 - 17	6H1-21757-00	6 - 39	6E0-28193-00-94	7 - 36	688-42725-10	11 - 11	6H1-43834-00	15 - 34
688-11181-A1	2 - 31		24 - 25	6J8-21758-00	6 - 38	688-41111-00-1S	2 - 45	688-42726-10	11 - 22	6H1-43835-10	15 - 29
	24 - 6	676-14186-00	5 - 18	63D-2175R-00	6 - 36	688-41112-A0	2 - 46	688-42738-01-94	11 - 12	6H1-43840-11	15 - 17
688-11191-00-1S	2 - 35		24 - 26	6H1-21766-01	6 - 43		24 - 10	688-42741-01-4D	11 - 24	6H1-43841-11	15 - 42
688-11193-A1	2 - 36	6H1-14301-07	5 - 1	63D-2176M-00	6 - 35	688-41113-00-1S	2 - 48	6G1-42748-00	11 - 23	6H1-43843-11	15 - 72
	24 - 8	6H1-14302-07	5 - 2	6H4-21770-00	6 - 37	688-41114-A0	2 - 47	688-42771-01-4D	11 - 25	6H1-43844-10	15 - 44
688-11325-00	2 - 26	6H1-14303-07	5 - 3	63D-2177H-00	1 - 2		24 - 11	6G5-42791-10	11 - 32	6H1-43845-00	15 - 55
650-11370-01	2 - 4	6A0-14325-00	7 - 22	6H1-21796-00	2 - 55	688-41131-00-5B	16 - 8	688-42815-01-4D	11 - 3	6H1-43847-00	15 - 50
688-11370-01	2 - 3	6H3-14349-00	4 - 4	6YJ-24167-00	19 - 7	688-41133-00	16 - 9	688-42816-00	11 - 7	6H1-4384E-20	15 - 61
	3 - 2		5 - 32	6YJ-24201-10	19 - 1		25 - 4	688-42817-01-4D	11 - 4	6H1-4384F-10	15 - 46
688-11411-01	3 - 11	6H3-14380-00	5 - 33	6Y1-24260-12	19 - 3	688-41134-A0	16 - 7	6H1-43111-01-4D	13 - 1	6H1-4384G-11	15 - 45
663-11518-01	2 - 6	6H1-14413-02	4 - 22	6Y1-24268-00	19 - 6		25 - 3	6H1-43112-00-4D	13 - 11	6H1-43854-00	15 - 53
6H1-11536-00	3 - 27	6H1-14440-02	4 - 18	6G1-24304-02	7 - 1	688-41137-03-94	16 - 5	6E5-43126-02	13 - 39	6H1-43855-11	15 - 71
6H1-11537-01	6 - 16	624-14485-00	2 - 5	6G1-24305-04	19 - 13	688-41211-01	12 - 27	688-43131-03	13 - 21	6H1-43856-10	15 - 43
688-11603-A0	3 - 19	6H1-14485-00	4 - 7	6Y1-24305-05	19 - 15	6H1-41213-00	12 - 30	6G5-43144-00	13 - 33	6H1-4385H-00	15 - 78
688-11604-A0	3 - 19	6H1-14488-00	8 - 19	61J-24306-03	19 - 8	662-41214-01	12 - 8	6E5-43145-01	20 - 9	6H1-43861-00	15 - 21
688-11605-A0	3 - 19	63V-14523-00	5 - 5	663-24312-01	2 - 49	688-41217-01	4 - 3	6G5-43145-01	13 - 25	6H1-43861-10	15 - 18
6H1-11631-03-95	3 - 18	6H4-14548-00	5 - 15	688-24313-00	7 - 30	682-41237-00	12 - 29	6G5-43148-10	13 - 29	6H1-43864-00	15 - 65
663-11633-00	3 - 20		24 - 24	688-24314-00	7 - 31	6E9-41237-00	6 - 25	688-43160-10	13 - 35	6H1-43865-10	15 - 16
688-11634-10	3 - 21	697-14555-00	5 - 12	6H1-24314-00	7 - 27	6F5-41237-00	12 - 19	688-43165-00	13 - 36	6H1-43866-00	15 - 40
6H1-11635-03	3 - 18	6H4-14567-00	5 - 30	6Y1-24329-00	19 - 5	6H1-41237-00	6 - 21	6H1-43181-01	13 - 26	6H1-43867-00	15 - 41
6H1-11636-03	3 - 18	6H2-14578-00	5 - 7	650-24351-01	19 - 12	662-41237-01	12 - 26	6H1-43185-01	13 - 27	6H1-43868-00	15 - 74
688-11650-03	3 - 22	692-14590-01	5 - 14	61J-24360-00	19 - 10	6H1-41241-02	6 - 20	6H1-43311-02-4D	13 - 16	6H1-4386K-10	15 - 9
688-12411-10	2 - 41		24 - 23	6E5-24367-01	11 - 30	688-41631-01-94	12 - 18	6H1-43376-00	14 - 39	6H1-43871-10	15 - 23
688-12413-00-1S	2 - 42	688-14711-01-5B	16 - 10	650-24378-00	2 - 7	688-41632-01-94	12 - 7	6H1-43800-17-4D	15 - 1	6H1-43872-10	15 - 25
688-12414-A1	2 - 43	663-14737-10	16 - 12	688-24378-00	7 - 34	6H1-41636-00	12 - 24	67F-43802-00	15 - 39	6H1-43874-00	15 - 67
	24 - 9	692-14923-00	5 - 11	692-24410-00	7 - 12	688-42510-03-4D	14 - 3	6H1-43804-10	15 - 4	6H1-43875-00	15 - 57
688-12416-00	2 - 39	6H1-14943-39	5 - 21	663-24411-00	7 - 17	624-42542-00	6 - 49	6H1-43805-10	15 - 3	6H1-4387J-00	15 - 77
6H1-13117-01	6 - 18	6H1-14947-75	5 - 20	692-24411-00	7 - 14	6H1-42610-60-4D	1 - 1	6H1-4380F-10	15 - 7	6H1-43880-02	15 - 2
6E9-13183-70	6 - 13	6H1-14948-18	5 - 23	6H3-24411-10	5 - 40	6H1-42613-01-4D	1 - 11	6H1-4380G-10	15 - 15	6H1-43881-10	15 - 12
6H1-13200-02	6 - 1	676-14966-00	5 - 22	6A0-24412-02	7 - 23	688-42615-00	1 - 14	6H1-4380H-10	15 - 13	6H1-4388E-11	15 - 73
6H1-13411-00	6 - 42		24 - 27	6A0-24413-00	7 - 13	6H1-42617-10	1 - 19	6H1-4380J-10	15 - 8	6H1-43891-10	15 - 5
6J8-13414-00	6 - 41	6H4-14980-00	5 - 27	6H4-24413-00	5 - 38	6H1-42619-00	1 - 20	6H1-43810-11	15 - 20	6H1-43892-10	15 - 6
6H1-13435-00	6 - 45	6H3-14980-10	5 - 28	6L5-24421-00	5 - 37	6H1-42627-00	1 - 21	6H1-43812-00	15 - 24	6H1-43895-12	15 - 70
6H1-13436-00	1 - 18	6H4-14984-00	5 - 24	6A0-24421-01	7 - 21	6H1-42637-00	1 - 22	6H1-43813-10	15 - 27	6H1-43896-00	15 - 69
6H1-13437-21	8 - 20		24 - 5	650-24431-A0	7 - 24	6H1-42647-00-94	1 - 3	6H1-43814-11	15 - 19	6H1-43899-00	15 - 51
6R3-13471-00	6 - 2	6H4-14985-01	5 - 19		24 - 19	6H1-42649-00-94	1 - 4	6H1-43816-00	15 - 68	688-44117-00-94	12 - 34
6L2-13475-00	6 - 3	6H3-14992-00	5 - 25	648-24434-01	7 - 15	688-42652-10	1 - 6	6H1-43817-01	15 - 47	688-44118-00-94	12 - 42
688-13610-00	4 - 12	6H1-15100-02-1S	2 - 2	6H3-24434-10	5 - 41	663-42662-00	1 - 5	6E5-43818-00	15 - 32	6H1-44120-12	12 - 49
688-13621-A1	4 - 10	6H1-15359-01-94	3 - 1	648-24435-02	7 - 18	6H1-42677-60	1 - 15	6H1-43820-11	15 - 64	6H1-44120-22	12 - 49
	24 - 4	688-15379-00	3 - 6	6H3-24452-10	5 - 29	6H1-42678-30	1 - 16	6H1-43821-11	15 - 59		25 - 40
688-13624-00	4 - 11	6H1-15771-00	10 - 19	6H4-24486-00	5 - 39	6H1-42681-30	1 - 28	6H1-43822-10	15 - 58	6H1-44121-00	12 - 41
6H1-13641-02-94	4 - 6	6H1-15772-00	2 - 52	61N-24521-00	7 - 8	6H1-42682-30	1 - 29	6H1-43828-10	15 - 30	688-44122-00	12 - 38
6H3-14137-00	5 - 31	6H1-15773-01	2 - 54	61N-24560-00	7 - 6	6H1-42694-00	1 - 23	6H1-43829-00	15 - 36	688-44124-00	12 - 37
6H4-14146-00	5 - 8	6H1-21707-07	6 - 26	61N-24563-00	7 - 7	6H1-42711-01-4D	11 - 1	6H1-4382A-10	15 - 52	6H1-44144-00	17 - 69
6H3-14146-10	5 - 9	6H3-21732-00	1 - 24	6H1-24566-01	7 - 10	648-42715-00	12 - 48	6H1-43830-11	15 - 49	6H1-44151-00	17 - 68
6H4-14147-00	5 - 10	6H3-21735-00	1 - 25	6YJ-24610-01	19 - 2	688-42716-02	11 - 9	6H1-43831-10	15 - 48	688-44194-00	2 - 14

NUMERICAL INDEX

PART NO.	REF. NO.	PART NO.	REF. NO.	PART NO.	REF. NO.	PART NO.	REF. NO.	PART NO.	REF. NO.	PART NO.	REF. NO.
688-44194-00	12 - 21	6H1-45300-24-4D	17 - 1	688-45930-02-98	18 - 22	703-48245-00	22 - 11	6H1-81916-00	9 - 27	6H1-83614-00	9 - 48
688-44311-01	17 - 21	6H1-45301-03-4D	17 - 2	688-45932-60-98	18 - 22	703-48246-00	22 - 23	6G1-81941-10	9 - 15	6A1-83625-41	4 - 24
688-44315-A0	17 - 23	688-45321-00	17 - 16	6E5-45941-00-EL	18 - 22	701-48248-00	22 - 13	6E9-81945-70	9 - 17	6A1-83625-51	4 - 25
	25 - 9	688-45331-00-94	17 - 54	6E5-45943-00-EL	18 - 22	703-48252-00	22 - 12	6H0-81949-01	9 - 44	6H1-83672-12	14 - 1
688-44316-A0	17 - 29	688-45341-10	17 - 10	6E5-45945-01-EL	18 - 22	703-48261-01	22 - 2	6H0-81949-10	9 - 43	6H0-85510-03	8 - 2
	25 - 11	688-45371-02	18 - 12	6E5-45947-00-EL	18 - 22	703-48264-00	22 - 6	61A-81950-00	9 - 39	6H0-85540-06	9 - 1
688-44321-41	25 - 29	6E5-45371-10	18 - 25	6E5-45949-00-EL	18 - 22	703-48265-00	22 - 9	6G1-81952-00	9 - 16	6H1-85542-00-94	9 - 21
688-44322-00	17 - 22	688-45375-00	18 - 11	6E5-45952-00-EL	18 - 22	703-48268-00	22 - 5	6H0-81960-10	9 - 9	6H1-85542-10	9 - 3
	25 - 18	663-45376-00-94	18 - 10	6E5-45954-00-EL	18 - 22	703-48271-00	22 - 60	6H0-82105-02	9 - 34	6H0-85550-00	8 - 1
688-44322-41	25 - 30	6E5-45378-00	17 - 64	6E5-45956-00-EL	18 - 22	703-48281-00	22 - 31	6H0-82117-00	9 - 36	697-85570-00	9 - 6
688-44323-00	17 - 30	688-45383-02	17 - 61	688-45970-03-98	18 - 22	703-48282-00	22 - 32	703-82119-00	9 - 2	6H0-85580-01	8 - 3
	25 - 21	688-45384-00	17 - 62	6E5-45970-10	18 - 23	703-48284-00	22 - 52		14 - 42	6H1-85711-60	4 - 23
688-44323-40	25 - 31	6H1-45501-11	17 - 35	688-45972-02-98	18 - 22	701-48287-00	22 - 42	682-82119-01	9 - 42	6R5-85711-60	9 - 51
688-44324-A0	17 - 31	688-45501-22	17 - 35	6E5-45972-10	18 - 23	703-48291-10	22 - 39	688-82127-02	14 - 25	6H1-85720-15	6 - 51
	25 - 10		25 - 38	688-45974-02-98	18 - 22	703-48293-10	22 - 41	6E5-82148-00	13 - 12	6H2-85895-01	8 - 4
688-44341-01-94	17 - 26	688-45536-01	17 - 4	6E5-45974-10	18 - 23	701-48320-00	21 - 2	6H1-82148-00	13 - 8	6H1-W0001-02	24 - 1
688-44352-03	17 - 24	688-45551-01	17 - 36	688-45976-01-98	18 - 22	701-48320-20	21 - 2	1E6-82151-00	23 - 7	688-W0001-21	25 - 1
	25 - 19	688-45560-00	17 - 38	6E5-45976-10	18 - 23	701-48320-30	21 - 2	663-82151-00	9 - 33	688-W0004-00	4 - 13
688-44361-10	18 - 2	688-45567-01-10	17 - 7	6E5-45978-10	18 - 23	701-48320-50	21 - 2	6G5-82152-00	9 - 20	6H1-W0070-30	1 - 17
688-44361-20	18 - 2	688-45567-01-12	17 - 7	688-45978-60-98	18 - 22	701-48320-60	21 - 2	6A0-82317-00	6 - 50	6H1-W0072-02-4D	25 - 32
	25 - 39	688-45567-01-15	17 - 7	688-45987-01	18 - 17	701-48320-80	21 - 2	692-W0078-02	9 - 29	692-W0078-02	25 - 17
663-44366-00	18 - 14	688-45567-01-18	17 - 7	6E5-45994-10	18 - 24	663-48344-00	12 - 6	703-82510-12	22 - 44	688-W0078-1A	25 - 28
	25 - 16	688-45567-01-30	17 - 7	67F-45997-00	18 - 18	703-48345-01	22 - 19	697-82519-00	9 - 37	6H1-W0090-44-1S	2 - 1
663-44367-00	18 - 1	688-45567-01-40	17 - 7	703-48152-00	22 - 57	703-48358-00	22 - 20	6R3-82521-70	23 - 8	6H1-W0093-10	24 - 20
6H3-44391-01	11 - 2	688-45567-01-50	17 - 7	703-48153-00	22 - 3	688-48511-11-4D	14 - 36	703-82531-00	22 - 46	656-W2810-02	7 - 35
688-44511-00-94	14 - 33	6H1-45571-00	17 - 53	703-48189-00	22 - 17	663-48531-00	12 - 1	703-82540-00	22 - 50	90101-10M49	14 - 27
688-44514-00-94	14 - 26	688-45576-00	17 - 57	703-48198-00	22 - 14	663-48538-00	12 - 2	703-82542-00	22 - 63	90101-12M65	13 - 43
6H1-44526-00	13 - 3	688-45577-01-10	17 - 56	703-48205-A4	21 - 1	688-61350-10	20 - 1	6R3-82553-70	23 - 9	90105-10M67	18 - 13
663-44551-02-4D	14 - 9	688-45577-01-12	17 - 56		22 - 1	688-61351-10	20 - 2	682-82556-00	22 - 48	90109-06M39	6 - 5
687-44552-02-94	14 - 18	688-45577-01-15	17 - 56	703-48211-01	22 - 61	6E5-61355-00	20 - 8	688-82560-10	9 - 30		9 - 25
663-44553-01-4D	14 - 23	688-45577-01-18	17 - 56	703-48212-00	22 - 58	6H4-81315-11	23 - 10	703-82563-02	22 - 55	90109-06M40	6 - 6
687-44555-00-94	14 - 11	688-45577-01-30	17 - 56	703-48213-00	22 - 59	688-81332-01	8 - 11	6H1-82563-10	9 - 46	90109-08022	3 - 23
663-44575-00	14 - 16	688-45577-01-40	17 - 56	703-48215-00	22 - 43	6H1-81337-01	8 - 14	688-82575-01	22 - 47	90109-12261	14 - 15
688-45111-04-4D	16 - 1	688-45577-01-50	17 - 56	703-48218-00	22 - 64	688-81800-12	10 - 1	676-82577-00	22 - 45	90116-10175	14 - 37
688-45113-A0	16 - 20	688-45587-01-10	17 - 5	703-48219-00	22 - 30	676-81809-10	10 - 3	6R5-82582-B0	6 - 52	90116-10M05	16 - 23
	24 - 17	688-45587-01-12	17 - 5	703-48221-00	22 - 56	688-81810-11	10 - 5	6E5-82587-00	9 - 47		25 - 35
688-45114-A1	16 - 6	688-45587-01-15	17 - 5	703-48222-00	22 - 27	663-81811-11	10 - 7	688-82588-01	9 - 31	90116-10M06	2 - 22
	25 - 2	688-45587-01-18	17 - 5	703-48223-00	22 - 28	663-81812-11	10 - 8	688-8258A-20	22 - 49	90119-06M09	11 - 8
663-45119-00	13 - 18	688-45587-01-30	17 - 5	703-48225-00	22 - 29	663-81813-10	10 - 9	6H0-82590-12	9 - 32	90119-06M12	2 - 9
688-45123-00	16 - 11	688-45587-01-40	17 - 5	703-48226-00	22 - 26	663-81820-12	10 - 10	703-82591-00	22 - 53	90119-06M24	12 - 33
	25 - 5	688-45587-01-50	17 - 5	703-48227-00	22 - 24	688-81824-00	10 - 15	703-82592-00	22 - 54	90119-06M29	13 - 4
663-45155-10	16 - 2	6H1-45611-01	17 - 39	703-48232-00	22 - 62	663-81826-10	10 - 14	688-82594-00	9 - 38	90119-06M61	11 - 19
688-45211-00-4D	25 - 33	6H1-45631-01	17 - 49	703-48234-00	22 - 18	688-81830-11	10 - 12	703-82594-00	22 - 25	90119-06M75	9 - 24
688-45211-01-4D	16 - 22	688-45633-00	17 - 51	703-48235-00	22 - 4	688-81831-00	10 - 13	703-83383-A0	22 - 51	90119-06M88	6 - 48
6H1-45214-00	17 - 12	6H1-45634-02	17 - 43	703-48236-00	22 - 16	663-81832-11	10 - 11	6Y5-8350T-03	23 - 1	90119-06MA3	2 - 37
6H1-45215-00	17 - 13	6H1-45635-00	17 - 52	703-48238-00	22 - 22	663-81840-11	10 - 6	6Y5-83553-00	23 - 6	90119-06MA5	2 - 44
6H1-45251-03	13 - 2	6H1-45641-01	17 - 41	703-48243-00	22 - 15	676-81850-11	10 - 2	6E5-83558-00	18 - 27	90119-08020	2 - 51
6H1-45300-15-4D	17 - 1	6H1-45668-00	17 - 46	703-48244-00	22 - 21	676-81857-10	10 - 4	6E5-83558-10	17 - 66	90119-08M13	17 - 34

NUMERICAL INDEX

PART NO.	REF. NO.	PART NO.	REF. NO.	PART NO.	REF. NO.	PART NO.	REF. NO.	PART NO.	REF. NO.	PART NO.	REF. NO.
90119-08M13	25 - 25	90202-07M07	12 - 39	90445-07M23	2 - 20	90501-10326	5 - 6	92995-08100	14 - 20	93306-207U0	17 - 55
90119-08M16	17 - 33	90202-12060	18 - 3		4 - 1	90501-12082	12 - 47		16 - 14	93310-636U4	3 - 12
	25 - 26	90202-12092	12 - 15	90445-07M44	6 - 10	90501-12M48	17 - 40	92995-10100	13 - 15	93310-730V8	3 - 26
90119-08M79	16 - 17	90202-20M06	14 - 29	90445-07M86	3 - 7	90501-14M08	14 - 21	92995-12200	13 - 44	93310-835U8	3 - 15
90119-08M80	16 - 4	90202-25M04	14 - 13	90445-07M87	6 - 12	90501-16M11	2 - 40	93101-25M03	17 - 27	93315-325V1	17 - 3
90119-08M84	18 - 9	90206-10M04	12 - 32	90445-07M90	6 - 8	90501-16M12	12 - 23		25 - 14	93317-325U0	17 - 59
90119-08M86	16 - 26	90206-13019	11 - 6	90445-07ME9	17 - 65	90501-16M65	17 - 44	93102-08M43	15 - 14	93332-000U3	17 - 6
	25 - 37	90209-06M05	4 - 21	90445-07MF1	18 - 26	90502-16M02	13 - 38	93102-30M05	3 - 3	93332-000W7	17 - 8
90119-08MA3	2 - 29	90250-07M02	17 - 50	90445-07MF2	17 - 65	90506-20011	13 - 32		24 - 14	93410-18M02	13 - 41
90119-08MA8	2 - 32	90266-06009	1 - 10	90445-08M01	6 - 44	90508-29M05	12 - 17	93102-36M02	3 - 13	93410-28M06	14 - 10
90119-10005	2 - 10	90280-04M04	17 - 25	90445-09097	7 - 29	91318-08016	15 - 66		24 - 13	93410-32M00	3 - 17
90151-05M00	17 - 14		25 - 27	90445-09104	7 - 4	91490-40025	18 - 21	93104-20M02	3 - 4	93430-06024	22 - 10
90157-06013	12 - 20	90280-05015	8 - 8	90445-09220	7 - 33	91690-30012	12 - 3		24 - 15	93450-07M00	17 - 72
90157-06014	2 - 13	90282-04014	17 - 63	90445-11M05	19 - 11		13 - 37	93106-09014	17 - 18	93501-04M02	12 - 46
90157-06M01	11 - 20	90338-05M03	13 - 20	90445-11M06	19 - 9	91690-30020	13 - 30		25 - 8	93503-16003	17 - 45
90159-06M11	9 - 28	90338-05M12	1 - 26	90445-11M09	6 - 27	92901-04100	15 - 76	93210-04228	5 - 13	93505-32038	15 - 79
90159-06M20	8 - 15	90340-08002	17 - 9	90464-07M05	6 - 15	92901-05200	15 - 63		24 - 22	93603-12M11	17 - 42
90170-09M03	20 - 5	90340-14M00	2 - 33	90464-11M18	13 - 19	92903-06100	4 - 17	93210-04230	5 - 26	93603-21111	3 - 24
90170-16M01	17 - 37	90386-07M58	12 - 50	90464-11M24	6 - 28	92903-06600	5 - 44		24 - 29	93604-10M03	17 - 32
90170-20137	8 - 9	90386-10M16	13 - 28	90464-15M08	11 - 21		9 - 8	93210-064A5	15 - 38	93606-12019	16 - 3
90171-16011	18 - 20	90386-12089	12 - 12	90464-18M14	9 - 50		12 - 36	93210-07003	17 - 70		18 - 5
90179-06066	14 - 22	90386-13M38	11 - 5	90464-23M22	9 - 35	92903-08100	10 - 17	93210-08287	19 - 14		25 - 34
90183-02M03	17 - 48	90386-18M14	15 - 31	90465-06M90	8 - 16		12 - 44	93210-09165	15 - 37	93608-12063	2 - 8
90183-05M06	1 - 27	90386-18M35	13 - 40	90465-08M23	9 - 12	92903-08600	12 - 45	93210-10M74	15 - 54	93700-06M03	13 - 17
90185-05002	17 - 15	90386-18M63	13 - 42	90465-11M10	14 - 41	92990-04100	23 - 4	93210-13M04	6 - 19	94702-00247	2 - 57
90185-08057	14 - 40	90386-22M13	12 - 14		17 - 67	92990-05100	4 - 15	93210-16275	20 - 10	95303-06600	12 - 22
90185-09M01	20 - 4	90386-22M15	13 - 22	90465-11M27	6 - 29		7 - 20	93210-18397	15 - 26	95303-06700	2 - 15
90185-10051	14 - 31	90386-30M60	14 - 8	90465-12M03	2 - 23	92990-06600	11 - 31	93210-18M75	15 - 56	95313-10600	2 - 12
90185-22043	13 - 24	90386-30M77	14 - 6	90465-13M11	9 - 4	92990-08200	12 - 51	93210-19MA7	6 - 4	95380-03600	5 - 35
90201-03313	17 - 47	90386-30M78	14 - 5	90465-13M30	6 - 34	92990-08600	10 - 18	93210-29M94	14 - 7		7 - 16
90201-06416	11 - 17	90387-06M03	9 - 23	90465-18147	5 - 42		22 - 34	93210-32738	7 - 9	95380-04600	23 - 5
90201-06M31	9 - 26	90387-06M17	12 - 31	90467-06016	2 - 17	92990-10100	18 - 8		24 - 18	95380-05600	6 - 22
90201-08M13	12 - 16	90387-06M31	6 - 32		3 - 8	92990-10600	18 - 7	93210-39ME4	4 - 9		12 - 25
90201-08M23	12 - 11	90387-06M69	11 - 16		4 - 2	92995-04600	10 - 21		24 - 3		22 - 7
90201-08M93	6 - 17	90387-08M16	12 - 13	90467-08004	2 - 50	92995-06100	1 - 8	93210-46044	4 - 19	95380-06600	22 - 40
90201-10008	2 - 11	90387-10M02	13 - 31		4 - 5		2 - 25		17 - 28	95380-08600	7 - 11
90201-10M20	20 - 3	90387-10M42	20 - 6		6 - 47		9 - 14		24 - 2	95380-10600	16 - 25
90201-10M63	20 - 7	90389-25M00	18 - 19		7 - 5		11 - 27		25 - 12		25 - 36
90201-11M22	14 - 30	90430-08020	17 - 11	90467-11M08	6 - 30		13 - 6	93210-46M16	3 - 14	95380-12600	13 - 46
90201-12426	13 - 45		25 - 6	90467-12M11	6 - 46	92995-06600	1 - 9		24 - 12	95380-12800	14 - 17
90201-12M16	14 - 12	90430-12072	18 - 4	90468-05M03	6 - 24		3 - 10	93210-49046	17 - 17	97013-06012	5 - 43
90201-13M19	14 - 14		25 - 15	90468-07M02	6 - 7		7 - 3		25 - 7	97013-06016	9 - 18
90201-20417	3 - 25	90430-14115	2 - 34	90468-18008	12 - 9		8 - 7	93210-62269	3 - 5	97013-06020	9 - 7
90201-20M21	14 - 28		24 - 7	90480-09M12	11 - 15		9 - 11		24 - 16		12 - 35
90201-21M18	8 - 10	90440-14M00	13 - 47	90480-09M25	9 - 22		11 - 14	93210-64488	15 - 28	97013-06030	4 - 16
90201-22M67	13 - 23	90445-07240	6 - 9	90480-19M06	18 - 15		13 - 7	93210-85M97	17 - 58	97013-08030	10 - 16
90201-30M00	14 - 4	90445-07260	2 - 16	90480-20M05	2 - 38		17 - 20		25 - 13		12 - 43
90202-05088	6 - 23	90445-07M00	2 - 19	90480-24M04	2 - 18	92995-08100	12 - 5	93306-206U5	3 - 16	97075-08025	14 - 19

NUMERICAL INDEX

PART NO.	REF. NO.	PART NO.	REF. NO.	PART NO.	REF. NO.	PART NO.	REF. NO.	PART NO.	REF. NO.	PART NO.	REF. NO.
97075-08025	16 - 15	98580-03015	22 - 38								
97075-08030	16 - 13	98580-04006	22 - 36								
97075-08035	14 - 34	98580-04008	5 - 16								
	16 - 18	98580-04010	22 - 35								
97075-10040	18 - 6	98580-05010	22 - 37								
97095-05012	8 - 5	98586-05016	19 - 4								
97095-06010	8 - 12	98780-04015	2 - 27								
	13 - 9	98980-03006	5 - 36								
97095-06012	2 - 53	99001-08600	17 - 71								
	8 - 17	9E450-04433	23 - 2								
	9 - 13	9E450-04533	23 - 3								
97095-06014	2 - 24										
97095-06016	1 - 7										
	6 - 31										
	9 - 49										
	11 - 13										
	13 - 5										
	17 - 19										
97095-06020	3 - 9										
	7 - 2										
	9 - 10										
	11 - 26										
97095-06025	9 - 40										
97095-06030	11 - 18										
97095-06040	7 - 25										
	8 - 6										
97095-06095	4 - 8										
97095-08012	2 - 56										
97095-08016	12 - 4										
97095-08045	12 - 10										
97095-10045	13 - 14										
97380-05025	22 - 8										
97380-08030	22 - 33										
97595-06420	15 - 35										
97595-06550	9 - 5										
97607-04310	15 - 11										
97780-40512	18 - 16										
97803-04010	5 - 34										
97880-05020	4 - 14										
97880-06012	13 - 13										
97885-04010	10 - 20										
97885-05016	15 - 10										
97885-06016	14 - 2										
97885-06050	4 - 20										
97980-04114	5 - 4										
98501-04025	15 - 75										
98501-05010	15 - 62										
98503-05028	7 - 19										

90AETO
PARTS CATALOGUE
©2003 by Yamaha Motor Co., Ltd.
1st edition, July 2003
All rights reserved.
Any reprinting or unauthorized use
without the written permission of
Yamaha Motor Co., Ltd.
is expressly prohibited.
Printed in Japan.