

PARTS CATALOGUE

9.9MHC (63V3)

15MHC (63W3)

9.9FMH'04 (63V3)

15FMH'04 (63W3)

FOREWORD

This Parts Catalogue is related to the parts for the model(s) on the cover page. When you are ordering replacement parts, please refer to this Parts Catalogue and quote both part numbers and part names correctly.

1. Modifications or additions which have been made after the issue of the Parts Catalogue will be announced in the Parts News.
It is advisable that you make the necessary corrections to the Parts Catalogue according to the Parts News.

2. Abbreviations

The following abbreviations are used in this Parts Catalogue.

“UR” Use specified parts number.

“UN” Use as many as needed.

“AP” Alternate Parts

“LM” Locally Made (Parts need to be ordered locally)

“F#” Frame No. (Applicable machine No.)

“O/S” Over Size

3. The number of components for assembly

- Parts, which are to be supplied in an assembly, are listed with a dot (.) in front of the part name as shown below.
- The numeral appearing to the right of each component part indicates the quantity of parts for each assembly unit.

PART NO.	DESCRIPTION	Q'TY	REMARKS
2F5-83310-60	FRONT FLASHER LIGHT ASSY	2	
115-83311-60	.BULB (6V-18W)	1	

4. Applicable colours of graphics are represented in the “REMARKS” as shown below.

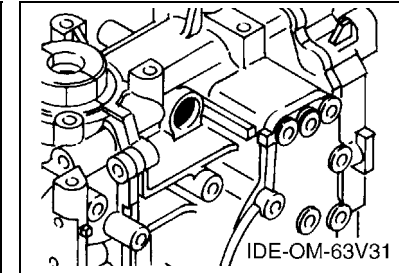
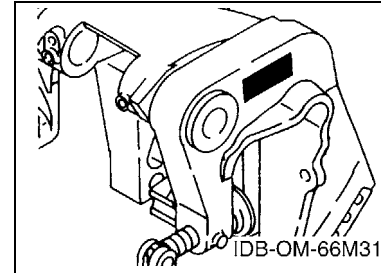
PART NO.	DESCRIPTION	Q'TY	REMARKS
2N4-24110-00-X5	FUEL TANK COMP.	2	MXR
3J1-24240-10	.GRAPHIC, FUEL TANK	1	FOR MXR

5. Note that the illustrations for reference in finding parts numbers are not to be used for assembling. When assembling, please use the applicable service manual.

6. The asterisk (*) before a reference number indicates modified items after the first edition.

7. Applicable Serial No.

Engine Serial No.



8. Applicable Engine Starting Serial No.

Model	Serial No.	Model	Serial No.
9.9	682K-1009214	15	684K-1019178
9.9F	682K-1009214	15F	684K-1019178

9. Applicable Colour Code

Abbreviation	Colour Name	Colour Code
DBNM2	DARK BLUIISH GRAY METALLIC 2	004D

10. Quantity Column Information

Column No.	Name Of Q'ty Column	Applicable Model
1	99F	9.9MHC, 9.9FMH
2	15F	15MHC, 15FMH

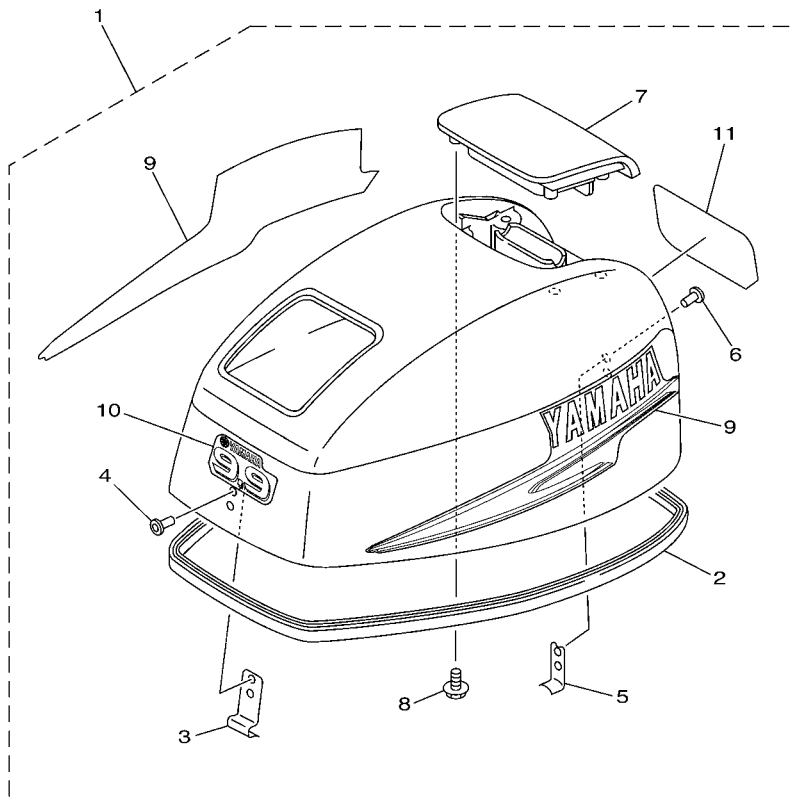
CONTENTS

TOP COWLING	A4
CYLINDER & CRANKCASE	A5
CRANKSHAFT & PISTON	A6
INTAKE	B1
CARBURETOR	B2
FUEL 1	B4
FUEL 2	B5
STARTER	B6
GENERATOR	C1
ELECTRICAL	C2
BOTTOM COWLING	C3
STEERING	C4
CONTROL	C6
REMO-CON ATTACHMENT	D1
BRACKET 1	D2
BRACKET 2	D4
UPPER CASING	D6
LOWER CASING & DRIVE 1	D7
LOWER CASING & DRIVE 2	E3
FUEL TANK	E5
REPAIR KIT 1	E6
REPAIR KIT 2	E7

INDEX

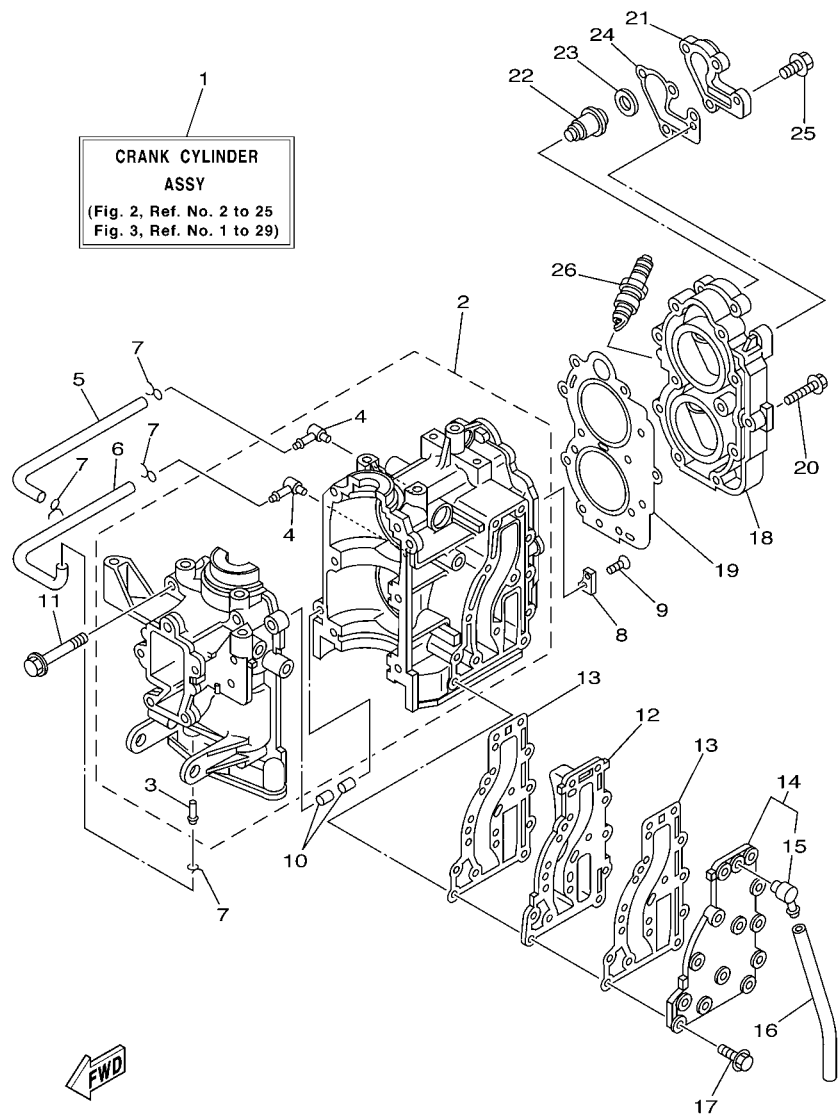
NUMERICAL INDEX	G1
-----------------------	----

FIG. 1 TOP COWLING



REF. NO.	PART NO.	DESCRIPTION	99F	15F				REMARKS
1	63V-42610-30-4D	TOP COWLING ASSY	1					
	63W-42610-30-4D	TOP COWLING ASSY		1				
2	63V-42615-00	.SEAL	1	1				
3	6G1-42651-02	.HOOK	1	1				
4	90266-04M04	.RIVET	2	2				
5	6L2-42647-00	.HOLDER, CLAMP BAND	1	1				
6	90266-04M04	.RIVET	2	2				
7	63V-42613-01-4D	.MOLDING, AIR DUCT	1	1				
8	97595-06516	.BOLT, WITH WASHER	4	4				
9	63V-W0070-20	.GRAPHIC SET	1	1				
10	63V-42677-30	.GRAPHIC, FRONT	1					
	63W-42677-30	.GRAPHIC, FRONT		1				
11	63V-42678-20	.GRAPHIC, REAR	1					
	63W-42678-20	.GRAPHIC, REAR		1				


63V2100-3010

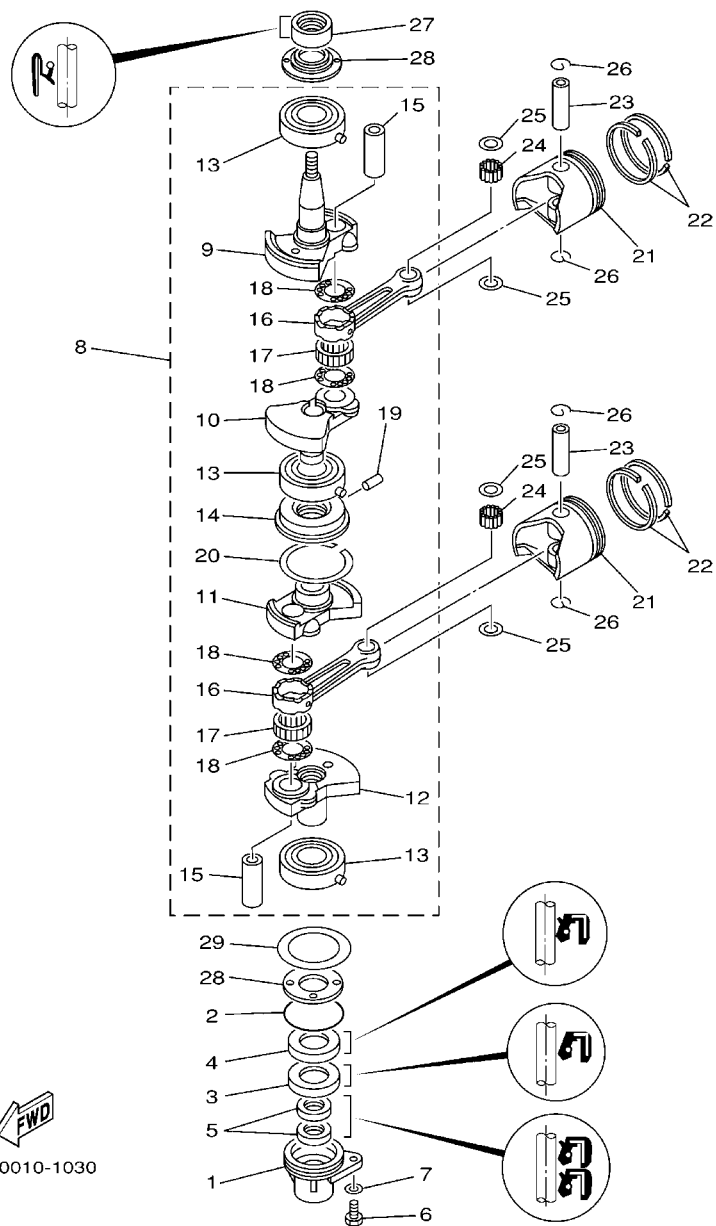


63V2100-3020

FIG. 2 CYLINDER & CRANKCASE

REF. NO.	PART NO.	DESCRIPTION	99F	15F	REMARKS
1	63V-W0090-03-1S	CRANK CYLINDER ASSY	1	1	
2	63V-15100-02-1S	CRANKCASE ASSY	1	1	
3	624-14485-00	.PIPE, JOINT	1	1	
4	650-14485-03	.PIPE, JOINT	2	2	
5	90445-07M08	HOSE (L220)	1	1	
6	90445-07M08	HOSE (L220)	1	1	
7	90467-06016	CLIP	4	4	
8	682-11325-00	ANODE	1	1	
9	98780-05015	SCREW, FLAT HEAD	1	1	
10	93606-12019	PIN, DOWEL	2	2	
11	90119-08M07	BOLT, WITH WASHER	6	6	
12	63V-41111-00-1S	INNER COVER, EXHAUST	1	1	
13	63V-41112-A0	GASKET, EXHAUST INNER COVER	2	2	
14	63V-41113-00-1S	OUTER COVER, EXHAUST	1	1	
15	676-11372-00	.NIPPLE, HOSE	1	1	
16	90445-09105	HOSE (L300)	1	1	
17	90119-06MA4	BOLT, WITH WASHER	13	13	
18	6E7-11111-01-1S	HEAD, CYLINDER 1	1	1	
19	63V-11181-A1	GASKET, CYLINDER HEAD 1	1	1	
20	90105-07M05	BOLT, FLANGE	11	11	
21	682-12413-00-1S	COVER, THERMOSTAT	1	1	
22	6E5-12411-30	THERMOSTAT	1	1	
23	90201-16M03	WASHER, PLATE	1	1	
24	682-12414-A1	GASKET, COVER	1	1	
25	90119-06MA2	BOLT, WITH WASHER	4	4	
26	94702-00217	PLUG, SPARK (NGK B7HS-10)	2	2	FOR USA
	94702-00271	PLUG, SPARK (NGK BR7HS-10)	2	2	FOR CAN,OCE

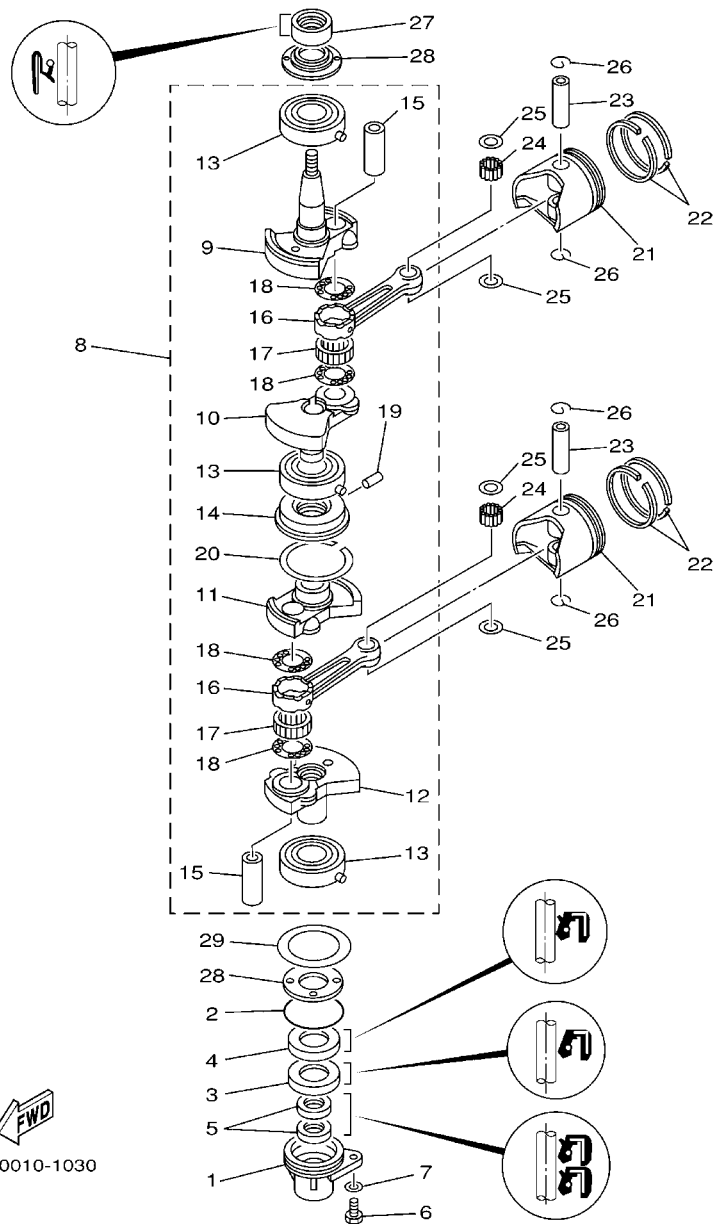
FIG. 3 CRANKSHAFT & PISTON



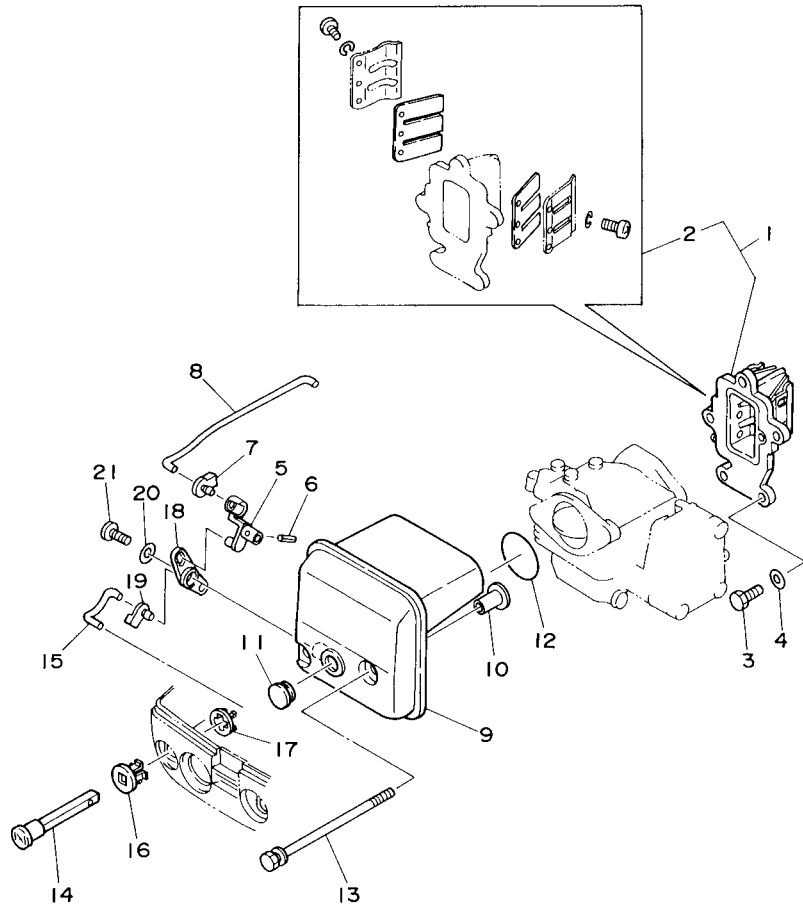
63V0010-1030

REF. NO.	PART NO.	DESCRIPTION	99F	15F	REMARKS
1	63V-15396-01-94	HOUSING, OIL SEAL	1	1	
2	93210-46M16	O-RING	1	1	
3	93101-25018	OIL SEAL	1	1	
4	93102-25M48	OIL SEAL	1	1	
5	93101-13018	OIL SEAL	2	2	
6	97095-06016	BOLT	1	1	
7	92995-06600	WASHER	1	1	
8	63V-11400-01	CRANKSHAFT ASSY	1	1	
9	63V-11412-00	.CRANK 1	1	1	FOR OCE
10	63V-11422-00	.CRANK 2	1	1	FOR OCE
11	63V-11432-00	.CRANK 3	1	1	FOR OCE
12	63V-11442-00	.CRANK 4	1	1	FOR OCE
13	93306-205U7	.BEARING	3	3	
14	63V-11515-02	.SEAL, LABYRINTH 1	1	1	FOR OCE
15	682-11681-00	.PIN, CRANK 1	2	2	FOR OCE
16	650-11651-04	.ROD, CONNECTING	2	2	FOR OCE
17	93310-620V5	.BEARING	2	2	FOR OCE
18	90209-20M23	.WASHER	4	4	FOR OCE
19	91609-20008	.PIN, SPRING	1	1	FOR OCE
20	93440-52009	.CIRCLIP	1	1	FOR OCE
21	6E7-11631-00-97	PISTON (STD)	2	2	
	6E7-11635-00	PISTON (0.25MM O/S)	2	2	AP
	6E7-11636-00	PISTON (0.50MM O/S)	2	2	AP
22	682-11610-01	PISTON RING SET (STD)	2	2	
	682-11610-11	PISTON RING SET (0.25MM O/S)	2	2	AP
	682-11610-21	PISTON RING SET (0.50MM O/S)	2	2	AP
23	634-11633-00	PIN, PISTON	2	2	

FIG. 3 CRANKSHAFT & PISTON



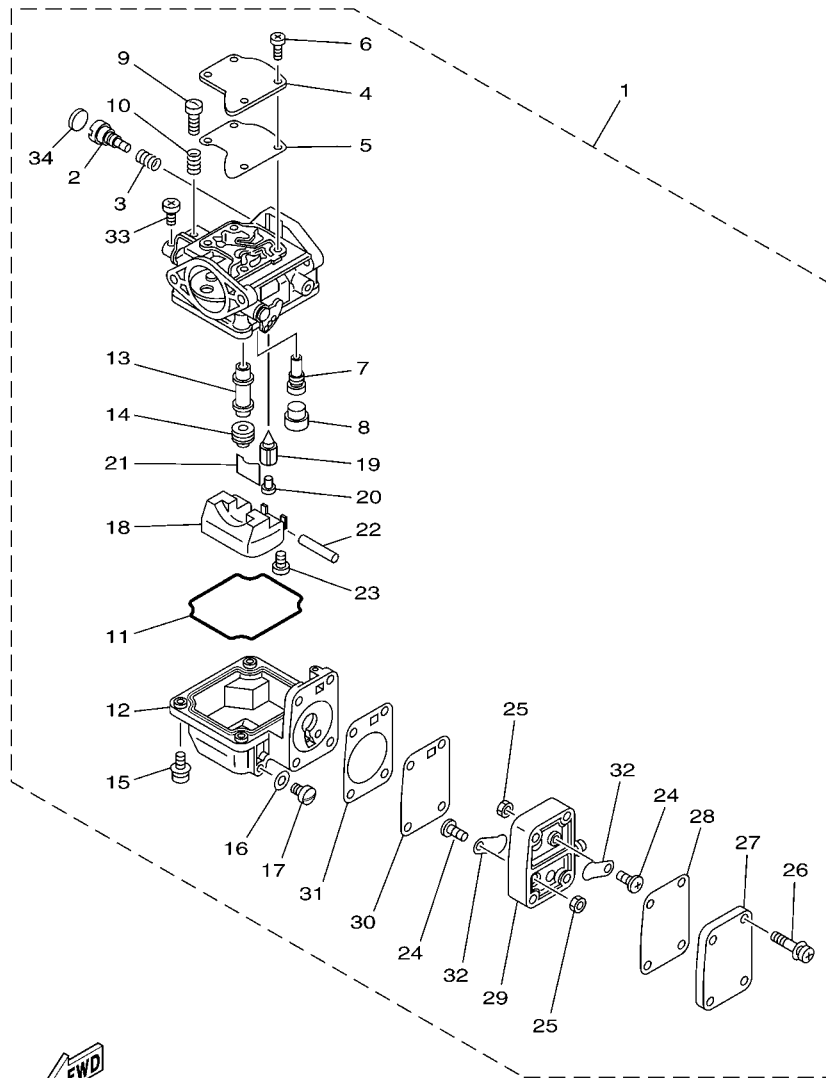
REF. NO.	PART NO.	DESCRIPTION	99F	15F	REMARKS
24	93602-14104	PIN, DOWEL	50	50	
25	90201-14377	WASHER, PLATE	4	4	
26	93450-15023	CIRCLIP	4	4	
27	93110-23M00	OIL SEAL	1	1	
28	63V-11445-00	SPACER	2	2	
29	90201-46M29	WASHER, PLATE	1	1	



FWD
63V0010-5040

FIG. 4 INTAKE

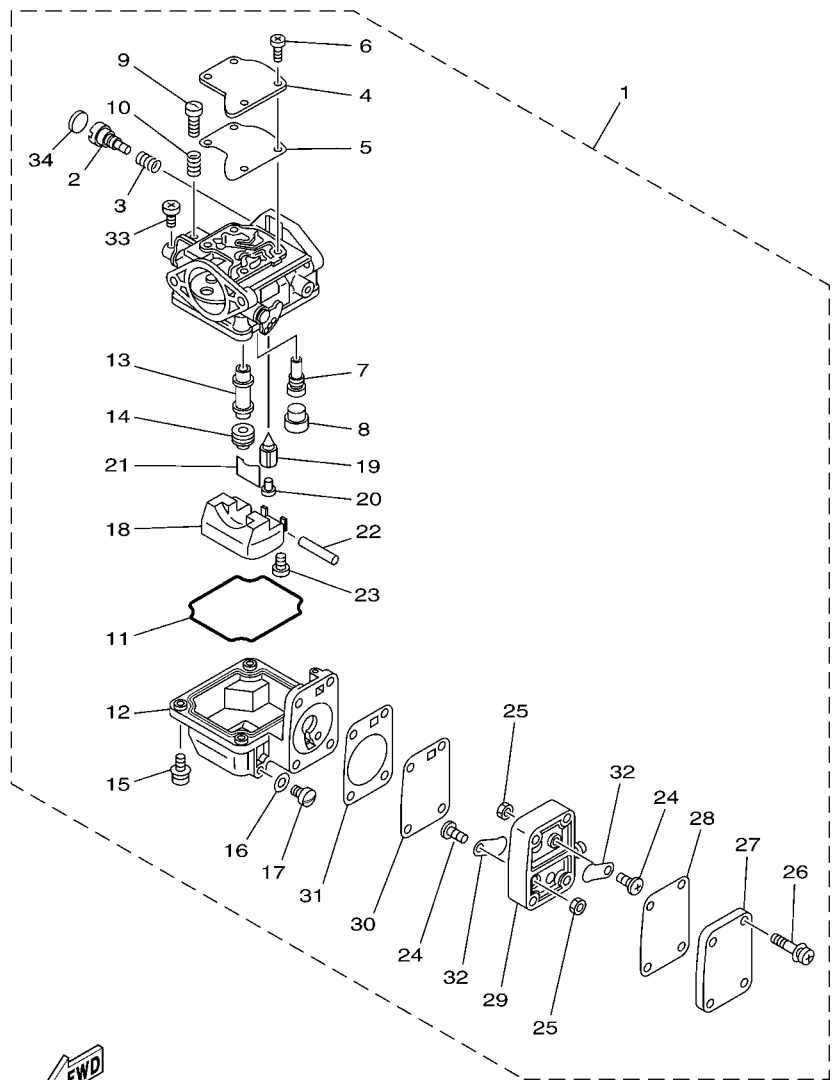
REF. NO.	PART NO.	DESCRIPTION	99F	15F	REMARKS
1	63V-13610-00	REED VALVE ASSY	1		FOR USA,OCE
	63V-13610-10	REED VALVE ASSY	1		FOR CAN
	63W-13610-00	REED VALVE ASSY		1	
2	682-W0004-00	.REED SET	1	1	
3	97095-06020	BOLT	3	3	
4	92995-06600	WASHER	3	3	
5	63V-41253-00	LEVER, CHOKE	1	1	
6	91690-20010	PIN, SPRING	1	1	
7	63V-41262-00	JOINT, CHOKE LEVER	1	1	
8	63V-41257-00	ROD, CHOKE 2	1	1	
9	63V-14440-00	SILENCER ASSY, INTAKE	1	1	
10	90387-06M15	COLLAR	2	2	
11	90480-12M25	GROMMET	1	1	
12	93210-35M86	O-RING	1	1	
13	90119-06M94	BOLT, WITH WASHER	2	2	
14	6H4-41271-01	KNOB, CHOKE	1	1	
15	63V-41256-00	ROD, CHOKE 1	1	1	
16	689-41273-00	GROMMET	1	1	
17	6J8-41274-00	GROMMET 2	1	1	
18	63V-41252-00	LEVER, CHOKE 1	1	1	
19	661-41262-02	JOINT, CHOKE LEVER	1	1	
20	90201-05M09	WASHER, PLATE	1	1	
21	90164-05M03	SCREW, TAPPING	1	1	



FWD
63V3100-C050

FIG. 5 CARBURETOR

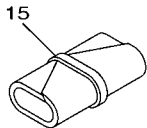
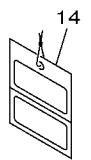
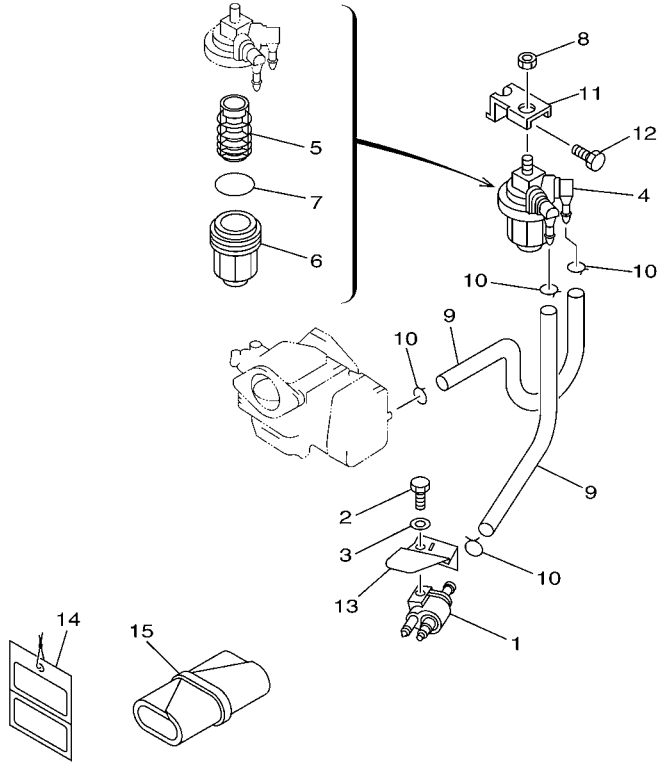
REF. NO.	PART NO.	DESCRIPTION	99F	15F	REMARKS
1	63V-14301-10	CARBURETOR ASSY 1	1	1	FOR USA,CAN
	63V-14301-00	CARBURETOR ASSY 1	1	1	FOR OCE
2	679-14923-00	.SCREW, PILOT	1	1	
3	679-14555-00	.SPRING	1	1	
4	63V-14527-00	.PLATE	1	1	
5	63V-14126-00	.GASKET	1	1	
6	97803-04010	.SCREW, PAN HEAD	4	4	
7	63V-14948-06	.JET (#48)	1	1	
8	679-14966-00	.RUBBER CAP	1	1	
9	63V-14523-00	.SCREW, STOP	1	1	
10	90501-10326	.SPRING, COMPRESSION	1	1	
11	63V-14984-00	.GASKET, FLOAT CHAMBER	1	1	
12	63V-14980-00	.BODY, FLOAT CHAMBER	1	1	
13	63V-14947-00	.JET, NEEDLE	1	1	
14	676-14943-29	.JET, MAIN (#110)	1	1	
15	97980-04114	.SCREW, WITH WASHER	4	4	
16	65W-14398-00	.GASKET	1	1	
17	6G1-14992-00	.SCREW, DRAIN	1	1	
18	63V-14985-00	.FLOAT	1	1	
19	6G1-14546-01	.VALVE, NEEDLE	1	1	
20	676-14186-00	.PIN, FLOAT	1	1	
21	663-14159-00	.CLIP	1	1	
22	6H4-14548-00	.PIN, FLOAT ARM	1	1	
23	98580-04008	.SCREW, PAN HEAD	1	1	
24	98980-03006	.SCREW, BIND	2	2	
25	95380-03600	.NUT	2	2	
26	97980-04125	.SCREW, WITH WASHER	4	4	



FWD
63V3100-C050

FIG. 5 CARBURETOR

REF. NO.	PART NO.	DESCRIPTION	99F	15F	REMARKS
27	6G1-24452-00	.COVER	1	1	
28	63V-24411-00	.DIAPHRAGM	1	1	
29	6G1-24412-01	.BODY 1	1	1	
30	6G1-24411-00	.DIAPHRAGM	1	1	
31	6G1-24431-01	.GASKET, FUEL PUMP 1	1	1	
32	6L5-24421-00	.VALVE, CHECK	2	2	
33	98580-04006	.SCREW, PAN HEAD	1	1	
34	6N0-1432A-00	.PLUG	1	1	FOR 63V-14301-10



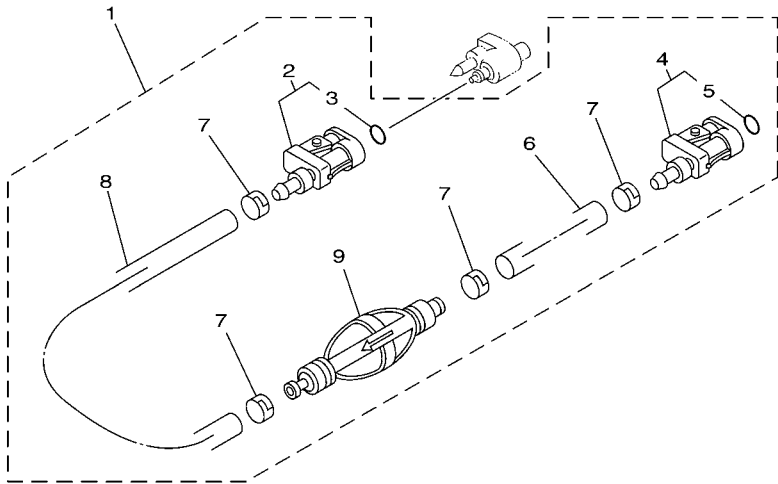
63V3100-C060

FIG. 6 FUEL 1

REF. NO.	PART NO.	DESCRIPTION	99F	15F	REMARKS
1	6G1-24304-02	FUEL PIPE JOINT COMP. 1	1	1	
2	97095-06020	BOLT	1	1	
3	92995-06600	WASHER	1	1	
4	61N-24560-00	FILTER ASSY	1	1	
5	61N-24563-00	.ELEMENT, FILTER	1	1	
6	61N-24521-00	.CUP, FILTER	1	1	
7	93210-32738	.O-RING	1	1	
8	95380-08600	NUT	1	1	
9	90445-09M00	HOSE (L180)	2	2	
10	90467-08004	CLIP	4	4	
11	682-24566-01	BRACKET, FILTER	1	1	
12	97013-06010	BOLT	1	1	
13	63V-24396-01	PLATE	1	1	
14	61H-2819R-31	TAG, WARNING	1	1	
15	656-W2810-02	TOOL KIT	1	1	AP

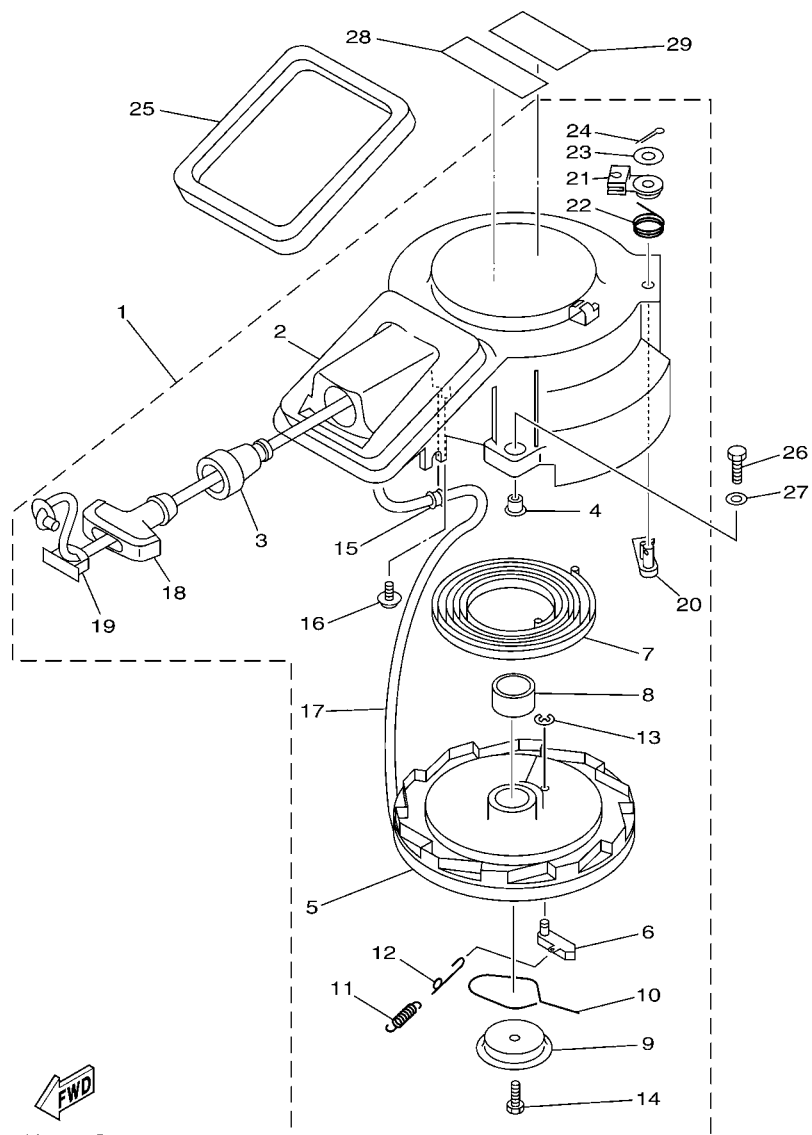
FIG. 7 FUEL 2

REF. NO.	PART NO.	DESCRIPTION	99F	15F		REMARKS
1	6Y2-24306-55	FUEL PIPE COMP. 1	1	1		AP FOR USA
2	6E5-24305-05	.FUEL PIPE JOINT COMP. 2	1	1		
3	93210-08287	..O-RING	1	1		
4	6Y2-24305-05	.FUEL PIPE JOINT COMP. 2	1	1		
5	93210-08287	..O-RING	1	1		
6	90445-13M01	.HOSE (L2050)	1	1		
7	6E5-24351-51	.BAND 1	4	4		
8	90445-13M00	.HOSE (L850)	1	1		
9	6Y2-24360-60	.PRIMER PUMP ASSY	1	1		



68R3100-C100

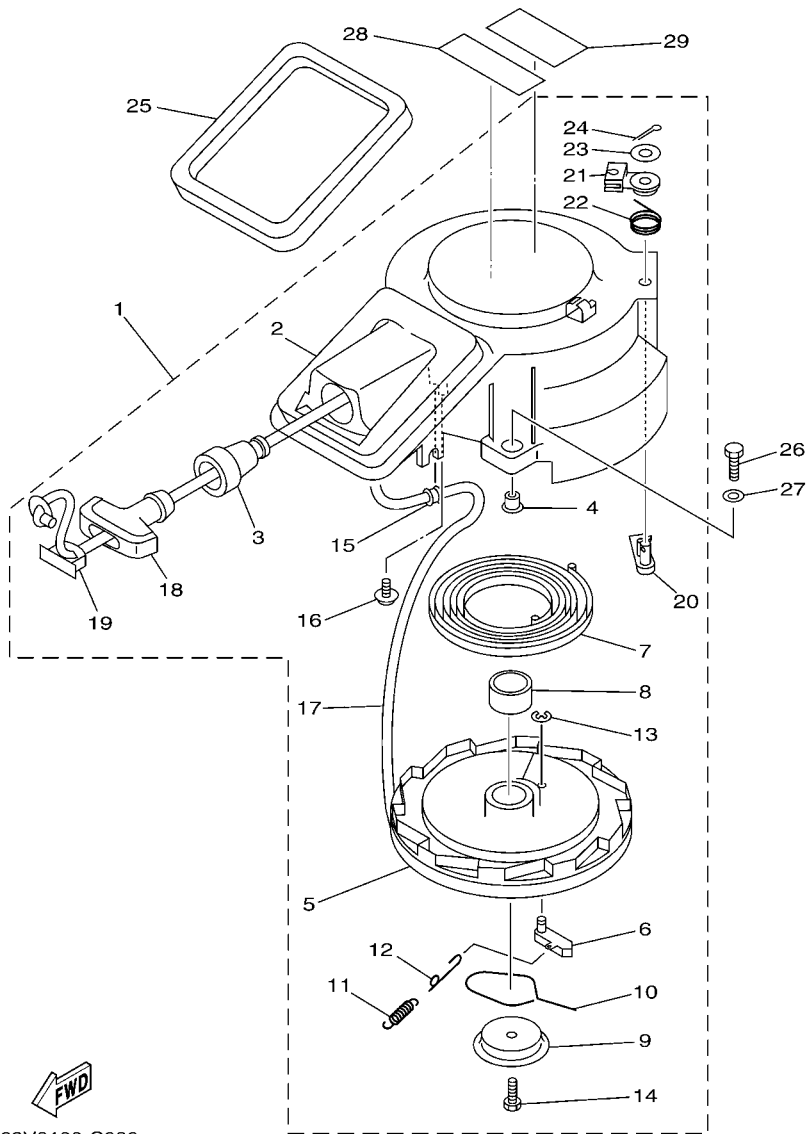
FIG. 8 STARTER



63V3100-C080

*1: CUT FROM 50M ROLLS, PART NO.90890-44373, CUTTING LENGTH 1.8M

REF. NO.	PART NO.	DESCRIPTION	99F	15F	REMARKS
1	63V-15710-12	STARTER ASSY	1	1	WITH SAFETY DEVICE
2	63V-15711-01	.CASE, STARTER	1	1	
3	63V-15795-01	.GUIDE, ROPE	1	1	
4	90387-06M05	.COLLAR	3	3	
5	63V-15714-00	.DRUM, SHEAVE	1	1	
6	63V-15741-00	.PAWL, DRIVE	1	1	
7	63V-15713-00	.SPRING, STARTER	1	1	
8	63V-15753-00	.BUSH	1	1	
9	63V-15716-00	.PLATE, DRIVE	1	1	
10	63V-15705-01	.SPRING, DRIVE PAWL	1	1	
11	63V-15767-01	.SPRING	1	1	
12	63V-15784-01	.SPRING, RETURN	1	1	
13	63V-15744-00	.CIRCLIP	1	1	
14	63V-15768-00	.BOLT	1	1	
15	63V-15764-00	.COLLAR 1	1	1	
16	63V-15793-00	.SCREW	1	1	
17	*	.WIRE, STARTER (L:1800MM)	1	1	*1
18	6G1-15755-00	.HANDLE, STARTER	1	1	
19	6G1-15779-00	.COVER	1	1	
20	63V-15794-00	.STOPPER	1	1	
21	63V-15748-00	.PLUNGER, STARTER STOP	1	1	
22	63V-15734-00	.SPRING, RETURN	1	1	
23	63V-15726-00	.WASHER, FLAT	1	1	
24	91490-16018	.PIN, COTTER	1	1	
25	63V-15762-00	SEAL, RUBBER 2	1	1	
26	97095-06020	BOLT	3	3	
27	92995-06600	WASHER	3	3	




 63V3100-C080

*1: CUT FROM 50M ROLLS, PART NO.90890-44373, CUTTING LENGTH 1.8M

FIG. 8 STARTER

REF. NO.	PART NO.	DESCRIPTION	99F	15F		REMARKS
28	6A1-83625-41	MARK 5	1	1		
29	6A1-83625-51	MARK 5	1	1		FOR CAN

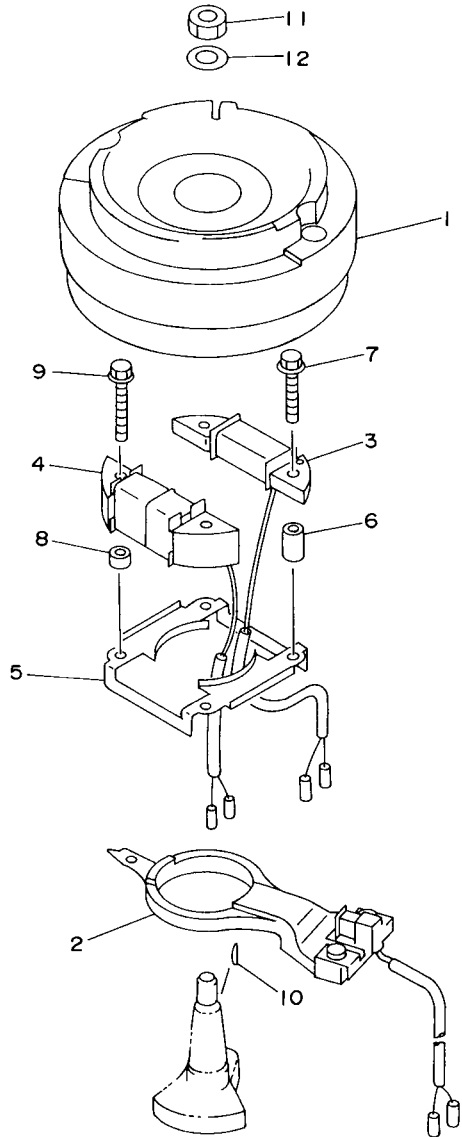


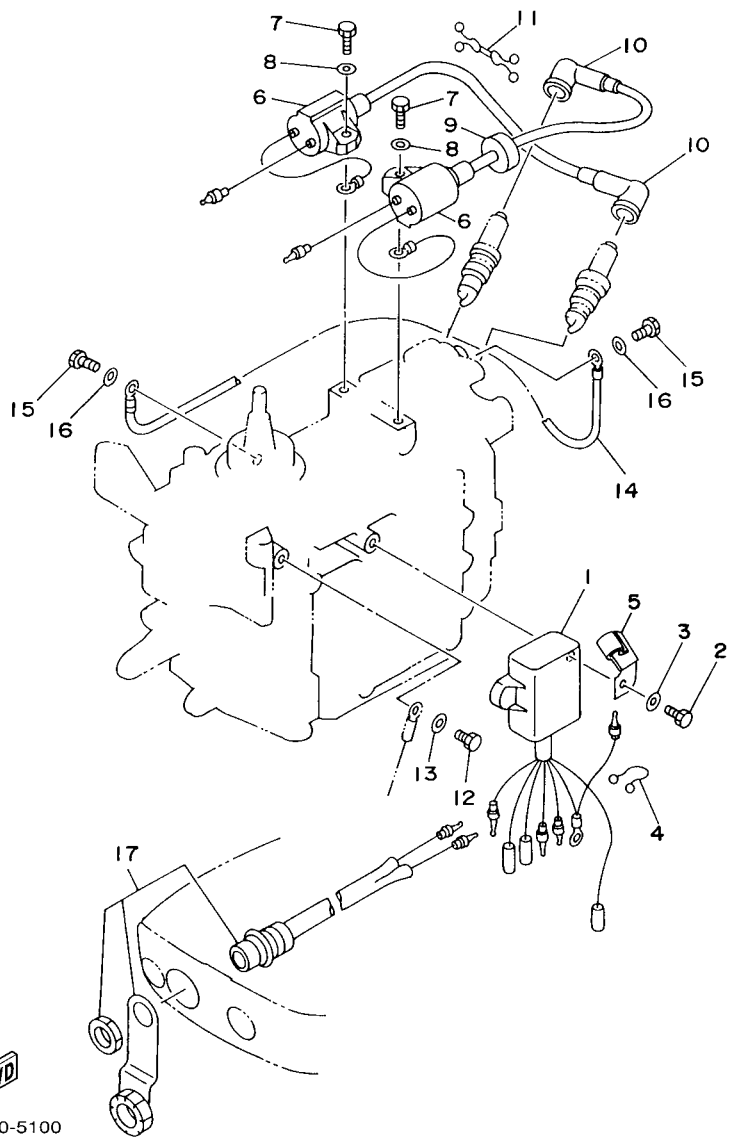
FIG. 9 GENERATOR

REF. NO.	PART NO.	DESCRIPTION	99F	15F	REMARKS
1	63V-85550-11	ROTOR ASSY	1	1	FOR USA,OCE
	63V-85550-01	ROTOR ASSY (WITH RING GEAR)	1	1	FOR CAN
2	63V-85580-01	COIL, PULSER	1	1	
3	63V-85520-01	COIL, CHARGE	1	1	
4	63V-85533-00	COIL, LIGHTING	1	1	
5	63V-41611-00	RETAINER, MAGNETO BASE	1	1	
6	90387-06M53	COLLAR	2	2	
7	90105-06M68	BOLT, FLANGE	2	2	
8	90387-06M24	COLLAR	2	2	
9	90105-06M69	BOLT, FLANGE	2	2	
10	90280-05013	KEY, WOODRUFF	1	1	
11	90170-12066	NUT	1	1	
12	90201-12472	WASHER, PLATE	1	1	


63V0010-5080

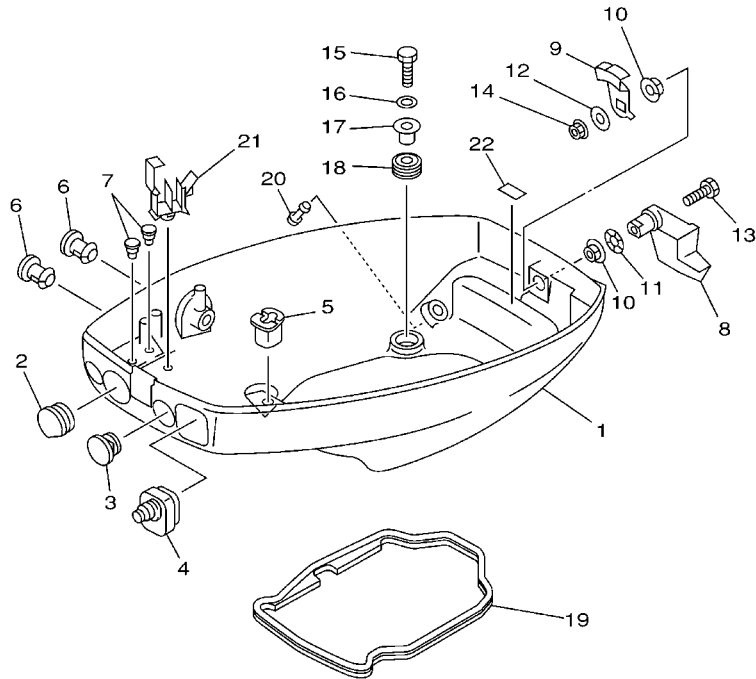
C1

FIG. 10 ELECTRICAL



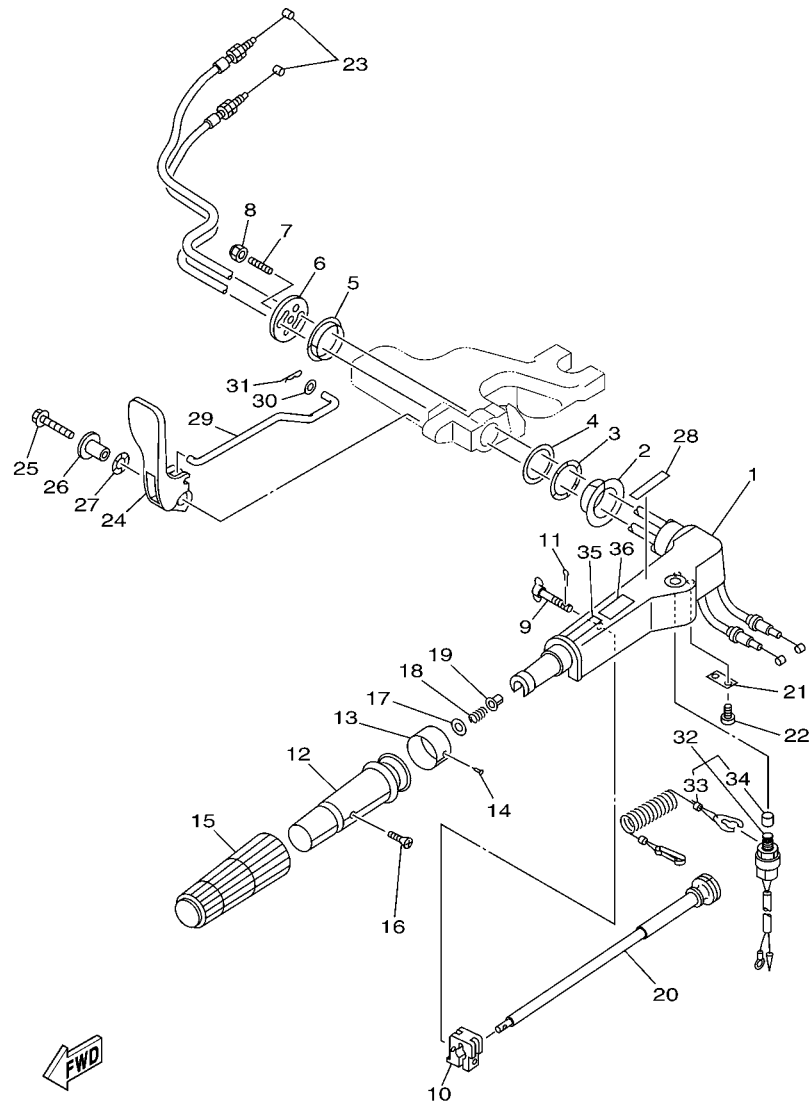
REF. NO.	PART NO.	DESCRIPTION	99F	15F	REMARKS
1	63V-85540-01	C.D.I. UNIT ASSY	1	1	
2	97095-06020	BOLT	2	2	
3	92995-06600	WASHER	2	2	
4	90464-15M11	CLAMP	1	1	
5	90465-08M61	CLAMP	1	1	
6	63V-85570-00	IGNITION COIL ASSY	2	2	
7	97095-06018	BOLT	2	2	
8	92995-06600	WASHER	2	2	
9	90480-25161	GROMMET	1	1	
10	663-82370-01	PLUG CAP ASSY	2	2	FOR USA
	6E3-82370-21	PLUG CAP ASSY	2	2	FOR CAN,OCE
11	90464-08M02	CLAMP	1	1	
12	97095-06012	BOLT	1	1	
13	92995-06600	WASHER	1	1	
14	662-82519-00	WIRE, EARTH LEAD	1	1	
15	97095-06012	BOLT	2	2	
16	92995-06600	WASHER	2	2	
17	682-84381-00	2P CONCENT	1	1	FOR OCE

FIG. 11 BOTTOM COWLING



63V1100-2110

REF. NO.	PART NO.	DESCRIPTION	99F	15F	REMARKS
1	63V-42711-03-4D	COWLING, BOTTOM	1	1	
2	682-42724-00	GROMMET	1	1	FOR USA,CAN
3	682-42725-02	GROMMET	1	1	
4	63V-42726-00	GROMMET	1	1	
5	682-42727-00	GROMMET	1	1	
6	6G1-42748-00	GROMMET	2	2	
7	90480-06M19	GROMMET	2	2	
8	63V-42815-01-4D	LEVER, CLAMP	1	1	
9	6E7-42816-00	LEVER, CLAMP	1	1	
10	90386-12M45	BUSH	2	2	
11	90206-12052	WASHER, WAVE	1	1	
12	90201-06068	WASHER, PLATE	1	1	
13	97095-06025	BOLT	1	1	
14	95380-06700	NUT	1	1	
15	97095-06025	BOLT	4	4	
16	92995-06600	WASHER	4	4	
17	90387-06034	COLLAR	4	4	
18	90480-15M31	GROMMET	4	4	
19	63V-42716-02	RUBBER, SEAL 1	1	1	
20	6H3-44391-01	NIPPLE, HOSE	1	1	
21	90465-25M57	CLAMP	1	1	
22	6E7-42791-00	MARK 1	1	1	FOR USA
	6E7-42791-10	MARK 1	1	1	FOR CAN,OCE

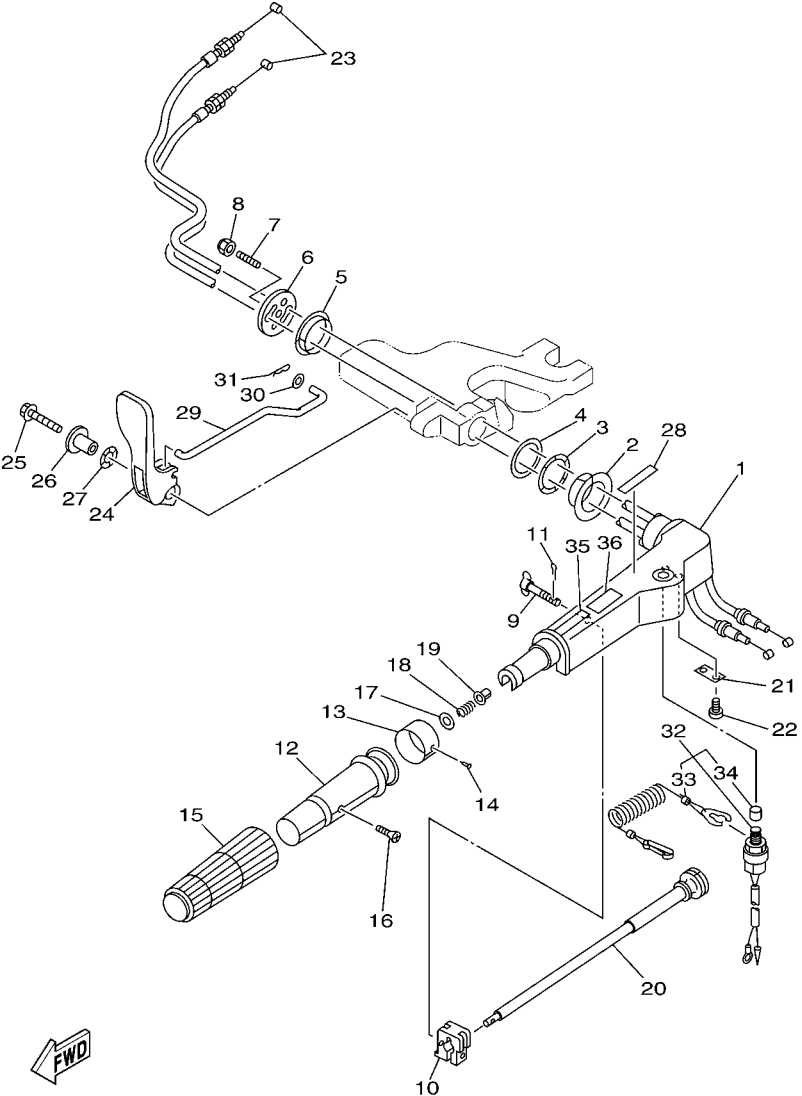


63V3100-C120

FIG. 12 STEERING

REF. NO.	PART NO.	DESCRIPTION	99F	15F			REMARKS
1	63V-42111-01-4D	HANDLE, STEERING	1	1			
2	90386-34M97	BUSH	1	1			
3	90206-36M21	WASHER, WAVE	1	1			
4	90202-36M55	WASHER, PLATE	1	1			
5	90386-33M96	BUSH	1	1			
6	6G1-42131-02	COVER, HANDLE STEERING	1	1			
7	90116-08016	BOLT, STUD	1	1			
8	90185-08057	NUT, SELF-LOCKING	1	1			
9	6G1-42125-01	BOLT, FRICTION ADJUSTING	1	1			
10	6G1-42126-00	FRICTION, STEERING HANDLE GRIP	1	1			
11	91490-16010	PIN, COTTER	1	1			
12	664-42119-00	GRIP, STEERING HANDLE	1	1			
13	6H2-42137-00	INDICATOR, THROTTLE	1	1			
14	90269-02M09	RIVET	1	1			
15	6G1-42177-00	RUBBER, HANDLE	1	1			
16	90149-05M13	SCREW	1	1			
17	92903-10600	WASHER, PLATE	1	1			
18	90501-23215	SPRING, COMPRESSION	1	1			
19	90386-08032	BUSH	1	1			
20	6G1-42138-01	LEVER, THROTTLE	1	1			
21	6E0-42159-02	STAY	1	1			
22	97885-05012	SCREW, PAN HEAD	2	2			
23	6L2-26301-00	THROTTLE CABLE ASSY	2	2			
24	63V-44111-02	HANDLE, GEAR SHIFT	1	1			
25	90119-06M05	BOLT, WITH WASHER	1	1			
26	90387-06M86	COLLAR	1	1			
27	90206-15M18	WASHER, WAVE	1	1			

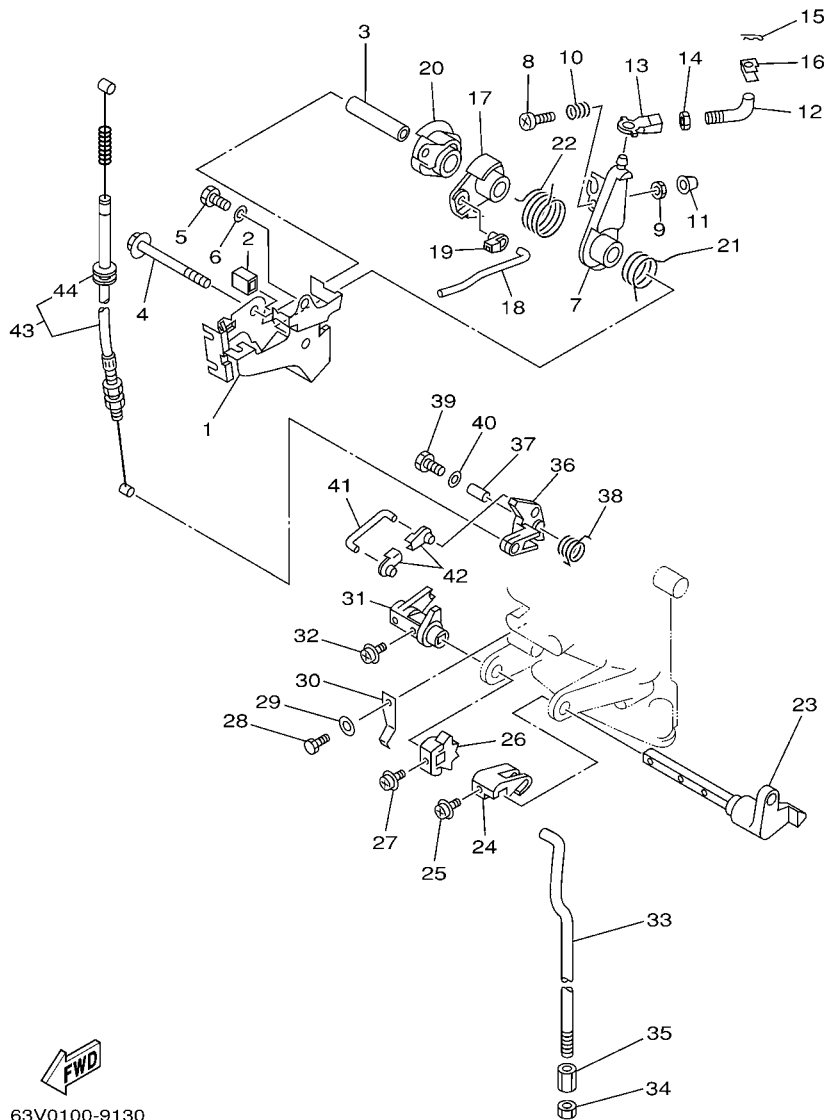
FIG. 12 STEERING



63V3100-C120

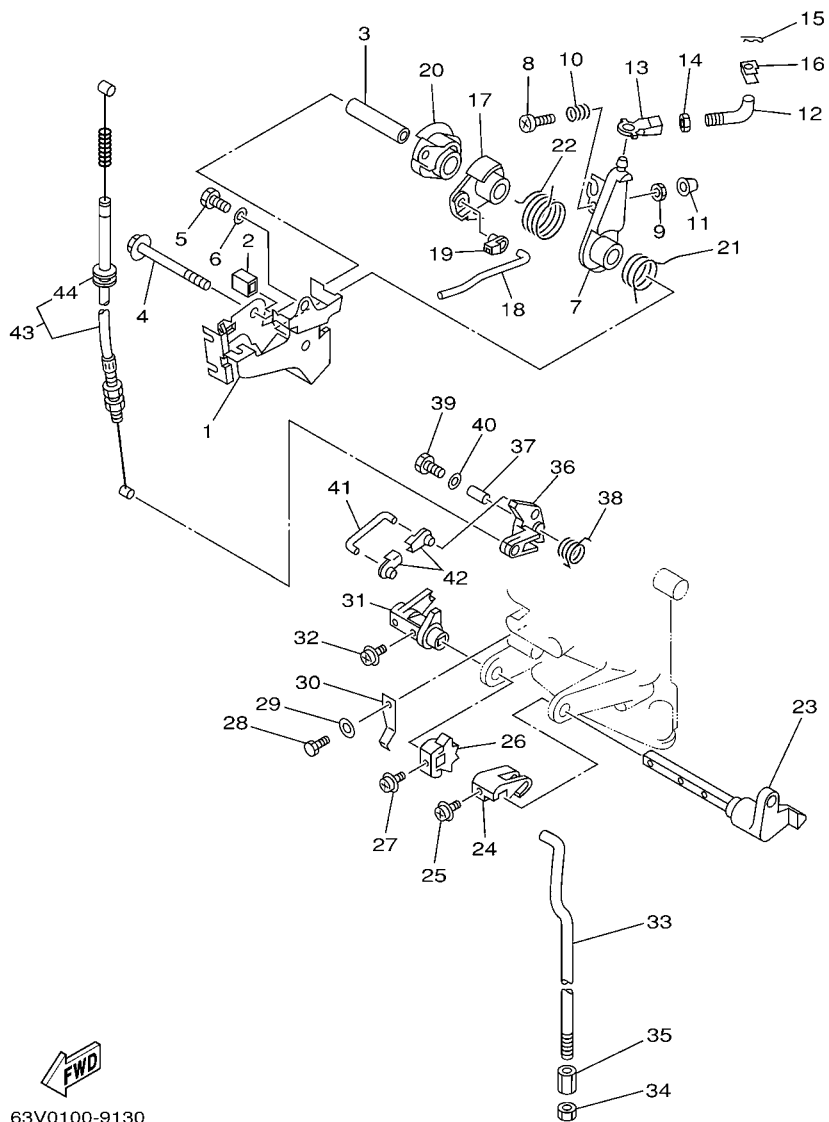
REF. NO.	PART NO.	DESCRIPTION	99F	15F	REMARKS
28	6E0-44191-11	INDICATOR, SHIFT	1	1	
29	63V-44124-02	LINK, SHIFT ROD	1	1	
30	90202-06009	WASHER, PLATE	1	1	
31	90468-18008	CLIP	1	1	
32	65W-82575-01	ENGINE STOP SWITCH ASSY	1	1	
33	682-82556-00	.STOPPER	1	1	
34	689-8257Y-00	.CAP	1	1	
35	6E0-83627-41	LABEL, CAUTION 7	1	1	
36	6E0-83627-51	LABEL, CAUTION 7	1	1	FOR CAN

FIG. 13 CONTROL



63V0100-9130

REF. NO.	PART NO.	DESCRIPTION	99F	15F	REMARKS
1	63V-14497-02	STAY, THROTTLE WIRE	1	1	
2	689-44194-00	CAP	1	1	
3	90387-06M50	COLLAR	1	1	
4	95895-06065	BOLT, FLANGE	1	1	
5	97095-06012	BOLT	1	1	
6	92995-06600	WASHER	1	1	
7	63V-41631-00	LEVER, MAGNETO CONTROL	1	1	
8	97885-06030	SCREW, PAN HEAD	1	1	
9	95380-06600	NUT, HEXAGON	1	1	
10	90501-12M16	SPRING, COMPRESSION	1	1	
11	688-44194-00	CAP	1	1	
12	63V-41238-00	JOINT, LINK	1	1	
13	6H4-41237-00	JOINT, LINK	1	1	
14	95380-05700	NUT	1	1	
15	90468-10005	CLIP	1	1	
16	63V-41223-00	WASHER, LOCK 1	1	1	
17	63V-41283-01	LEVER, FREE ACCEL.	1	1	
18	63V-41211-00	LINK, ACCEL.	1	1	
19	661-41262-02	JOINT, CHOKE LEVER	1	1	
20	63V-41638-00	PULLEY	1	1	
21	90508-16M37	SPRING, TORSION	1	1	
22	90508-20M38	SPRING, TORSION	1	1	
23	63V-44123-01	ARM, SHIFT ROD	1	1	
24	63V-44121-01	LEVER, SHIFT ROD	1	1	
25	90159-05M25	SCREW, WITH WASHER	1	1	
26	63V-44125-00	LEVER, SHIFT ROD	1	1	
27	90159-05M25	SCREW, WITH WASHER	1	1	

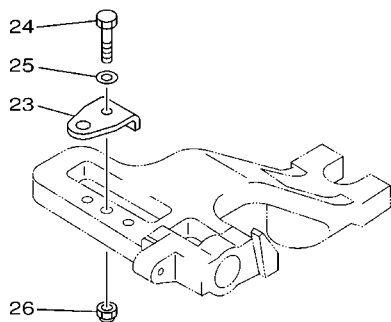
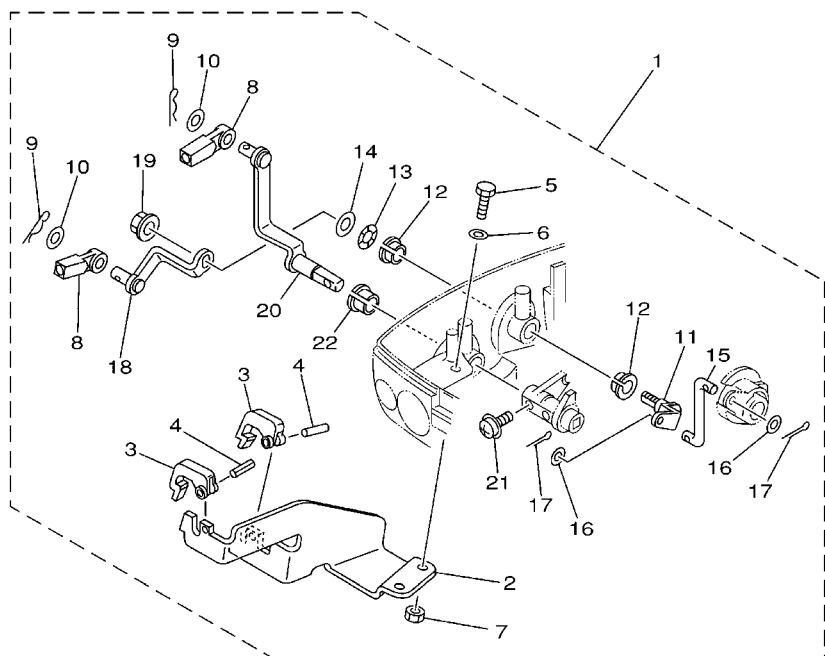


63V0100-9130

FIG. 13 CONTROL

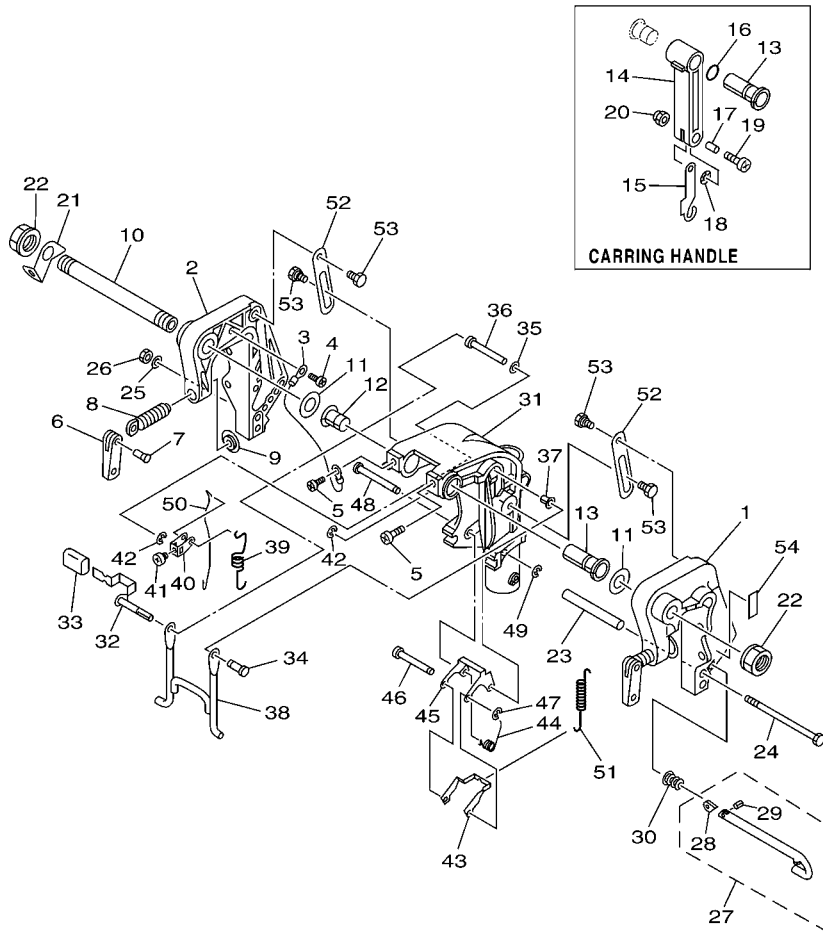
REF. NO.	PART NO.	DESCRIPTION	99F	15F	REMARKS
28	97095-06012	BOLT	1	1	
29	92995-06600	WASHER	1	1	
30	63V-44116-00	SPRING	1	1	
31	63V-44122-01	BUSHING, SHIFT ROD LEVER	1	1	
32	90159-05M25	SCREW, WITH WASHER	1	1	
33	63V-44143-01	ROD, SHIFT	1	1	
34	95380-06700	NUT	1	1	
35	90170-06015	NUT	1	1	
36	63V-15746-00	ARM	1	1	
37	90387-06M06	COLLAR	1	1	
38	90508-08M39	SPRING, TORSION	1	1	
39	97095-06020	BOLT	1	1	
40	92995-06600	WASHER	1	1	
41	6L2-15747-00	LINK	1	1	
42	661-41262-02	JOINT, CHOKE LEVER	2	2	
43	63V-15770-01	CABLE COMP., STARTER STOP	1	1	
44	90480-10M16	.GROMMET	1	1	

FIG. 14 REMO-CON ATTACHMENT



63V1100-2140

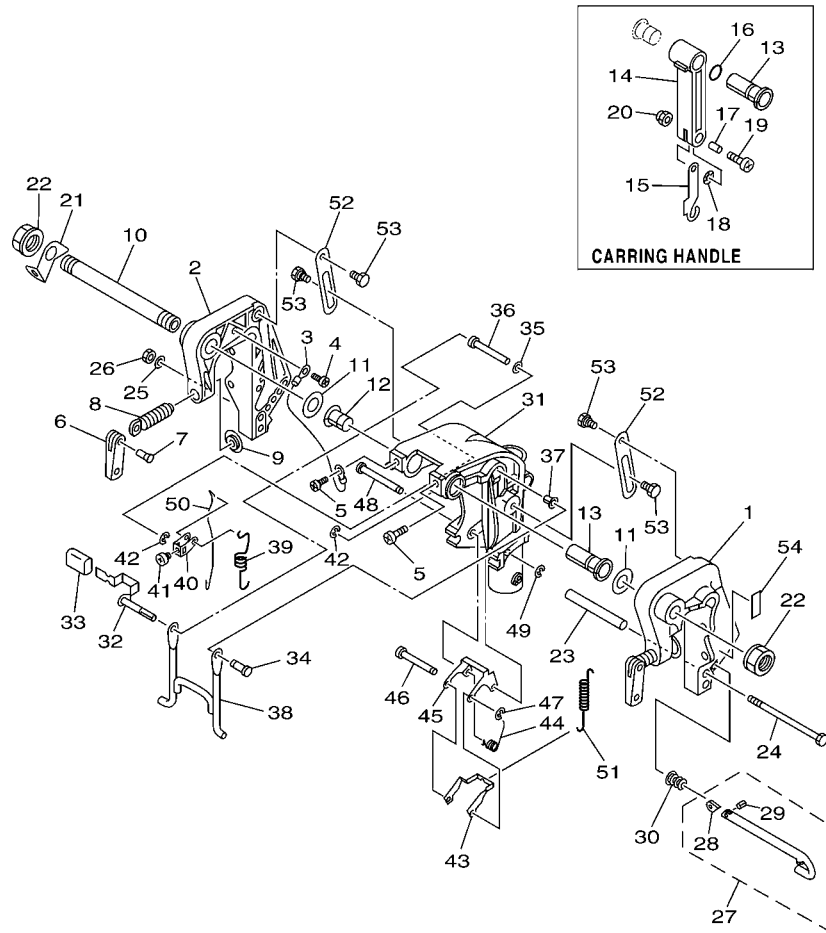
REF. NO.	PART NO.	DESCRIPTION	99F	15F		REMARKS
1	63V-48501-00	REMOTE CONT. ATTACHMENT ASSY.	1	1		AP
2	63V-48531-00	.BRACKET, REMOTE CONTROL 1	1	1		
3	682-48538-50	.CLAMP, CABLE 1	2	2		
4	91690-30012	.PIN, SPRING	2	2		
5	97095-06016	.BOLT	2	2		
6	92995-06600	.WASHER	2	2		
7	95380-06600	.NUT, HEXAGON	2	2		
8	663-48344-00	.CABLE END, REMOTE CONTROL	2	2		
9	90468-18008	.CLIP	2	2		
10	90201-08M12	.WASHER, PLATE	2	2		
11	63V-42154-00	.LEVER, THROTTLE CONTROL	1	1		
12	90386-10025	.BUSH	2	2		
13	90206-10M04	.WASHER, WAVE	1	1		
14	90201-10M02	.WASHER, PLATE	1	1		
15	63V-42192-00	.ROD 2	1	1		
16	90201-04M06	.WASHER, PLATE	2	2		
17	91490-20010	.PIN, COTTER	2	2		
18	63V-48534-00	.THROTTLE LEVER, CONTROL	1	1		
19	95780-08300	.NUT, FLANGE	1	1		
20	63V-48544-00	.LEVER, SHIFTCONTROL	1	1		
21	90159-05M25	.SCREW, WITH WASHER	1	1		
22	90386-10009	.BUSH	1	1		
23	63V-48511-01	HOOK, STEERING	1	1		AP
24	97075-08035	BOLT	1	1		AP
25	92995-08600	WASHER	1	1		AP
26	90185-08057	NUT, SELF-LOCKING	1	1		AP



63V3100-C150

FIG. 15 BRACKET 1

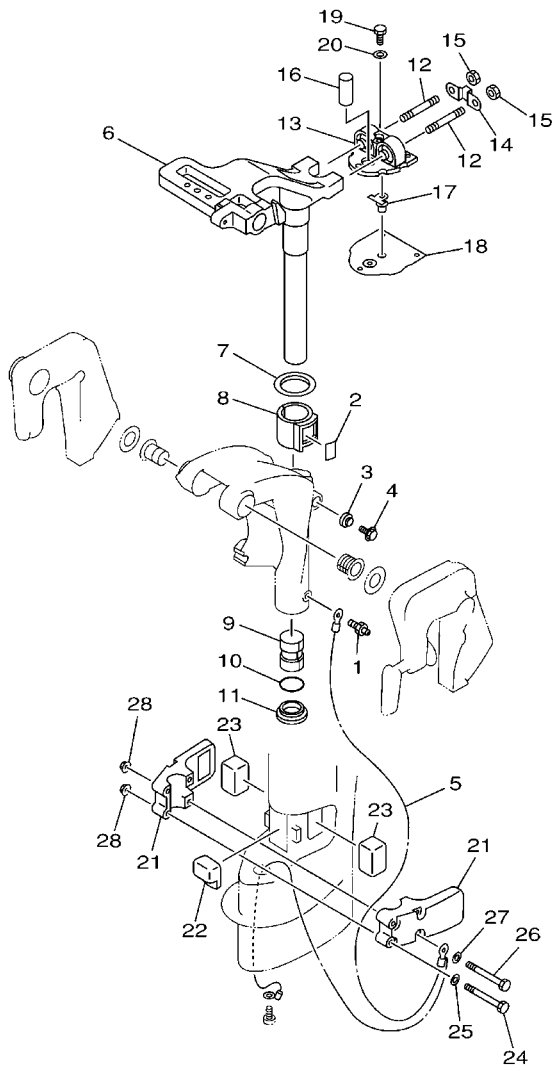
REF. NO.	PART NO.	DESCRIPTION	99F	15F	REMARKS
1	63V-43111-06-4D	BRACKET, CLAMP	1	1	
2	63V-43112-07-4D	BRACKET, CLAMP	1	1	
3	66M-82148-00	WIRE, LEAD 4	1	1	
4	97885-06008	SCREW, PAN HEAD	1	1	
5	97885-08010	SCREW, PAN HEAD	2	2	
6	6E0-43118-01	HANDLE, TRANSOM CLAMP	2	2	
7	90243-04M01	PIN	2	2	
8	6E7-43116-00	SCREW, TRANSOM CLAMP	2	2	
9	648-43114-01	PAD, TRANSOM CLAMP	2	2	
10	63W-43131-01	BOLT, CLAMP BRACKET	1	1	
11	90202-22M54	WASHER, PLATE	2	2	
12	90386-22M94	BUSH	1	1	
13	90386-22M69	BUSH	1	1	
14	63V-42731-00-4D	CARRYING HANDLE	1	1	
15	63V-43676-01	HOOK	1	1	
16	93210-20M65	O-RING	1	1	
17	90387-06M75	COLLAR	1	1	
18	90206-08010	WASHER, WAVE	1	1	
19	97885-06025	SCREW, PAN HEAD	1	1	
20	95780-06300	NUT, FLANGE	1	1	
21	6J8-43113-01	PLATE, CLAMP BRACKET	1	1	
22	90185-22043	NUT, SELF-LOCKING	2	2	
23	90387-06M13	COLLAR	1	1	
24	90101-06M29	BOLT	1	1	
25	92995-06600	WASHER	1	1	
26	95380-06700	NUT	1	1	
27	689-43160-00	TILT ROD ASSY	1	1	



63V3100-C150

FIG. 15 BRACKET 1

REF. NO.	PART NO.	DESCRIPTION	99F	15F	REMARKS
28	689-43165-00	.PLATE, TILT LOCK	1	1	
29	91690-30008	.PIN, SPRING	1	1	
30	90502-10M07	SPRING, CONICAL	1	1	
31	63V-43311-03-4D	BRACKET, SWIVEL 1	1	1	
32	66M-43630-01	TILT LEVER ASSY	1	1	
33	682-43318-01	COVER	1	1	
34	63V-43191-00	SHAFT, STOPPER	1	1	
35	90202-07M60	WASHER, PLATE	1	1	
36	90387-07M07	COLLAR	1	1	
37	90386-07M95	BUSH	1	1	
38	66M-43350-01	RECEIVER ASSY	1	1	
39	90507-20M00	SPRING, TENSION	1	1	
40	63V-43641-01	LEVER, TILT	1	1	
41	90157-05014	SCREW, PAN HEAD	1	1	
42	99080-05600	CIRCLIP	2	2	
43	63V-43614-10	PLATE, TILT LOCK	1	1	
44	90508-18M41	SPRING, TORSION	1	1	
45	66R-43615-00	PLATE, TILT LOCK	1	1	
46	66R-43611-00	SHAFT, TILT LOCK	1	1	
47	93430-04M03	CIRCLIP	1	1	
48	63V-43659-00	SHAFT, REVERSE LOCK	1	1	
49	99080-05600	CIRCLIP	1	1	
50	66R-43617-00	ROD, TILT LOCK	1	1	
51	63V-43656-00	SPRING, REVERSE LOCK 1	1	1	
52	63V-43181-00	LEVER, TILT STOP	2	2	
53	90109-06M84	BOLT	4	4	
54	63V-82377-50	LABEL (SPARK,IGNITION)	1	1	FOR CAN

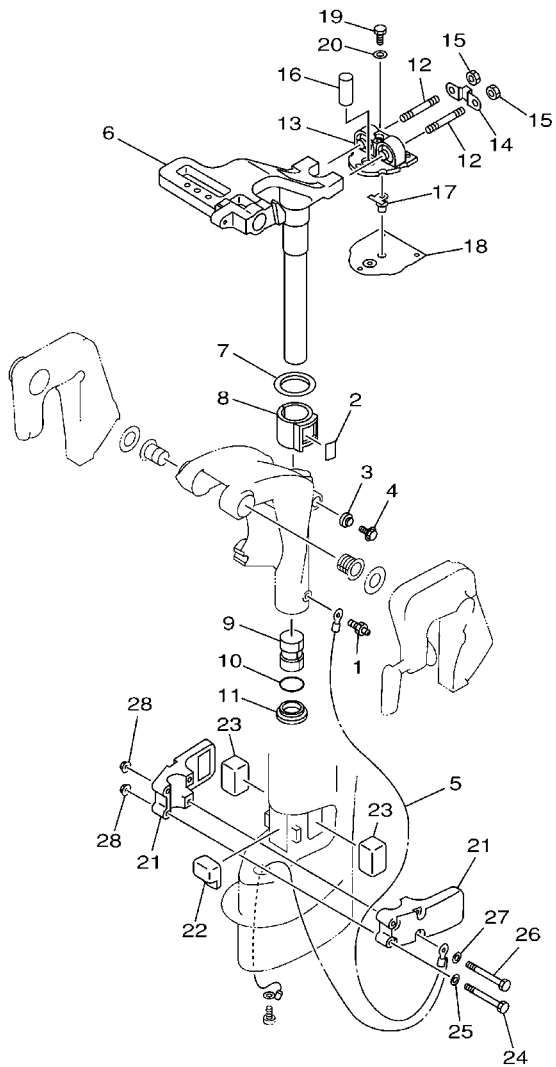


63V0010-1160

FIG. 16 BRACKET 2

REF. NO.	PART NO.	DESCRIPTION	99F	15F			REMARKS
1	93700-06M03	NIPPLE, GREASE	1	1			
2	63V-42528-00	PLATE, FRICTION	1	1			
3	689-43373-01	SEAL, DAMPER	1	1			
4	90105-06M07	BOLT, FLANGE	1	1			
5	63V-82127-00	WIRE, LEAD 2	1	1			
6	63V-42511-04-4D	BRACKET, STEERING	1	1			
7	90209-40008	WASHER	1	1			
8	65F-42537-00	BUSHING, PIVOT SHAFT	1	1			
9	90386-30048	BUSH	1	1			
10	93210-29M94	O-RING	1	1			
11	90386-30M60	BUSH	1	1			
12	90116-08M54	BOLT, STUD	2	2			
13	63V-44514-01-5B	MOUNT DAMPER, UPPER SIDE	1	1			
14	63V-44526-00	PLATE	1	1			
15	95380-08600	NUT	2	2			
16	90387-16002	COLLAR	1	1			
17	63V-44366-01	DAMPER, WATER SEAL	1	1			
18	63V-45114-A0	GASKET, UPPER CASING	1	1			
19	97095-06018	BOLT	3	3			
20	92995-06600	WASHER	3	3			
21	63V-44551-01-4D	HOUSING, LOWER MOUNT RUBBER	2	2			
22	63V-44557-00	MOUNT DAMPER, LOWER FRONT	1	1			
23	682-44555-00	MOUNT DAMPER, LOWER SIDE	2	2			
24	97075-06055	BOLT	2	2			
25	92995-06600	WASHER	2	2			
26	97075-06075	BOLT	2	2			
27	92995-06600	WASHER	2	2			

D4

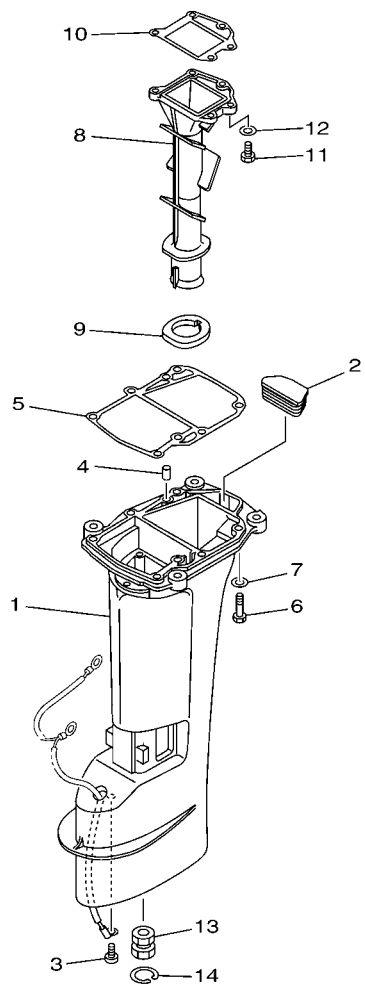


63V0010-1160

FIG. 16 BRACKET 2

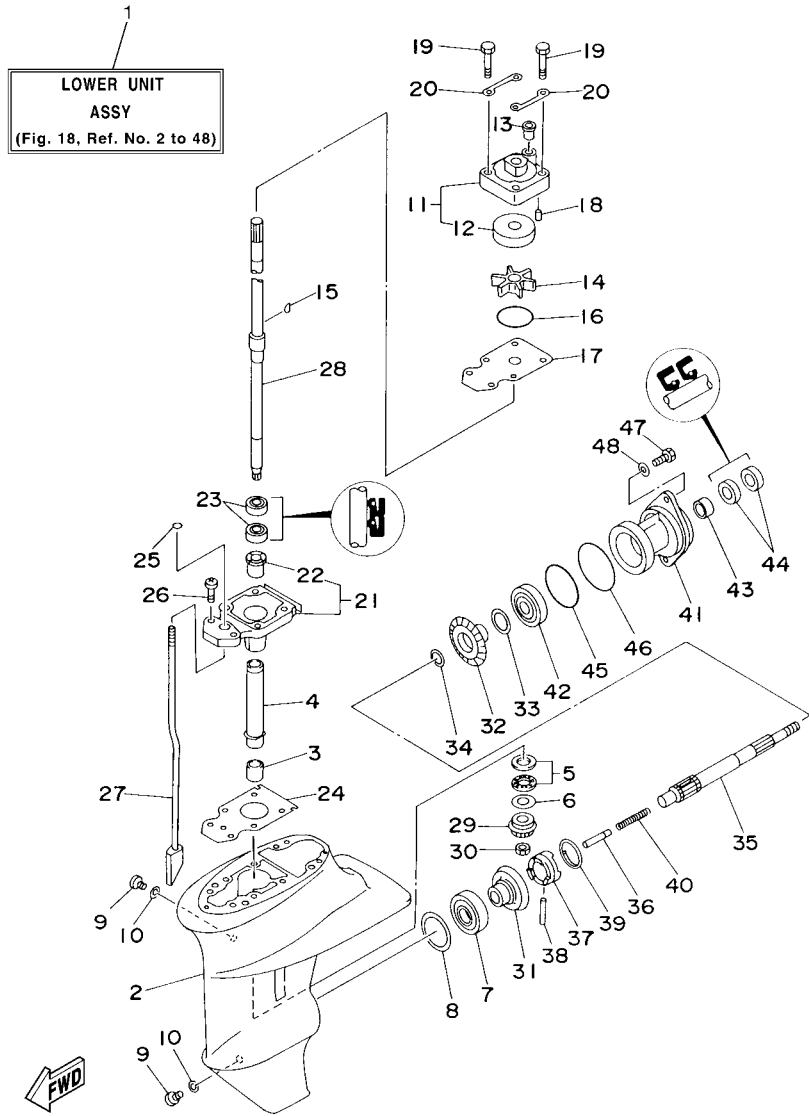
REF. NO.	PART NO.	DESCRIPTION	99F	15F				REMARKS
28	90179-06M28	NUT	4	4				

FIG. 17 UPPER CASING



REF. NO.	PART NO.	DESCRIPTION	99F	15F				REMARKS
1	63V-45111-05-4D	CASING, UPPER	1	1				S
	63V-45111-15-4D	CASING, UPPER		1				L
2	63V-45126-01	PLATE, SEAL DAMPER	1	1				
3	90157-06M06	SCREW, PAN HEAD	1	1				
4	93606-12019	PIN, DOWEL	2	2				
5	63V-45113-A1	GASKET, UPPER CASING	1	1				
6	97095-08030	BOLT	6	6				
7	92995-08600	WASHER	6	6				
8	65F-41131-00-5B	MANIFOLD, EXT. 1	1	1				
9	63V-41135-00	GASKET, EXHAUST MANIFOLD	1	1				
10	63V-41133-A1	GASKET, EXHAUST MANIFOLD 1	1	1				
11	97095-06020	BOLT	5	5				
12	92995-06600	WASHER	5	5				
13	682-45318-00	BUSHING, DRIVE SHAFT		1				L
14	93420-30042	CIRCLIP		1				L

 63V3100-C170



63V0010-5180

FIG. 18 LOWER CASING & DRIVE 1

REF. NO.	PART NO.	DESCRIPTION	99F	15F	REMARKS
1	63V-45300-03-4D	LOWER UNIT ASSY	1	1	S
	63V-45300-13-4D	LOWER UNIT ASSY		1	L
2	63V-45311-01-4D	CASING, LOWER	1	1	
3	93315-314V8	BEARING	1	1	
4	63V-45536-00	SLEEVE, DRIVE SHAFT	1	1	
5	93341-41414	BEARING	1	1	
6	6E8-45587-10-13	SHIM (T:1.13MM)	1	1	UR
	6E8-45587-10-20	SHIM (T:1.20MM)	1	1	UR
7	93332-00005	BEARING	1	1	
8	664-45567-01-10	SHIM (T:0.10MM)	1	1	UR
	664-45567-01-12	SHIM (T:0.12MM)	1	1	UR
	664-45567-01-15	SHIM (T:0.15MM)	1	1	UR
	664-45567-01-18	SHIM (T:0.18MM)	1	1	UR
	664-45567-01-30	SHIM (T:0.30MM)	1	1	UR
	664-45567-01-40	SHIM (T:0.40MM)	1	1	UR
	664-45567-01-50	SHIM (T:0.50MM)	1	1	UR
9	90340-08002	PLUG, STRAIGHT SCREW	2	2	
10	90430-08020	GASKET	2	2	
11	63V-44301-00	WATER PUMP HOUSING COMP.	1	1	
12	63V-44322-00	.INSERT, CARTRIDGE	1	1	
13	647-44366-00	DAMPER, WATER SEAL	1	1	
14	63V-44352-01	IMPELLER	1	1	
15	63V-44338-00	KEY, WOODRUFF	1	1	
16	93210-44398	O-RING	1	1	
17	63V-44323-00	OUTER PLATE, CARTRIDGE	1	1	
18	93604-12M07	PIN, DOWEL	2	2	
19	97080-08045	BOLT	4	4	

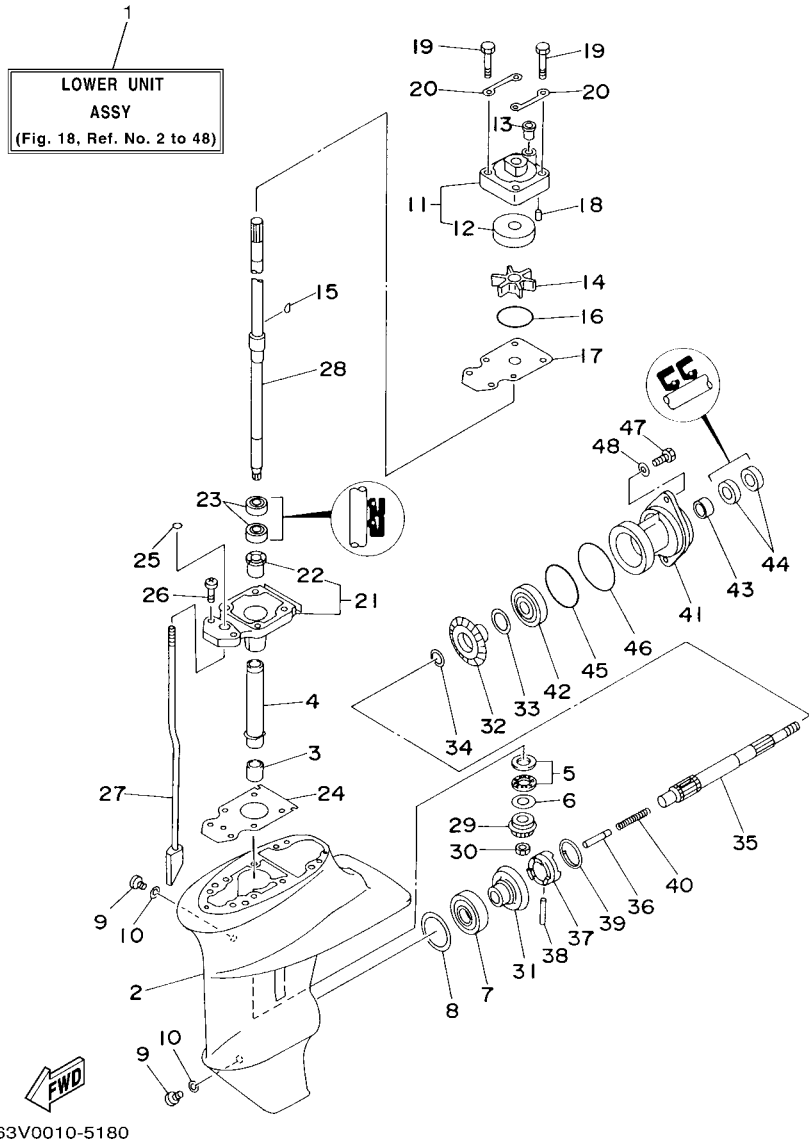
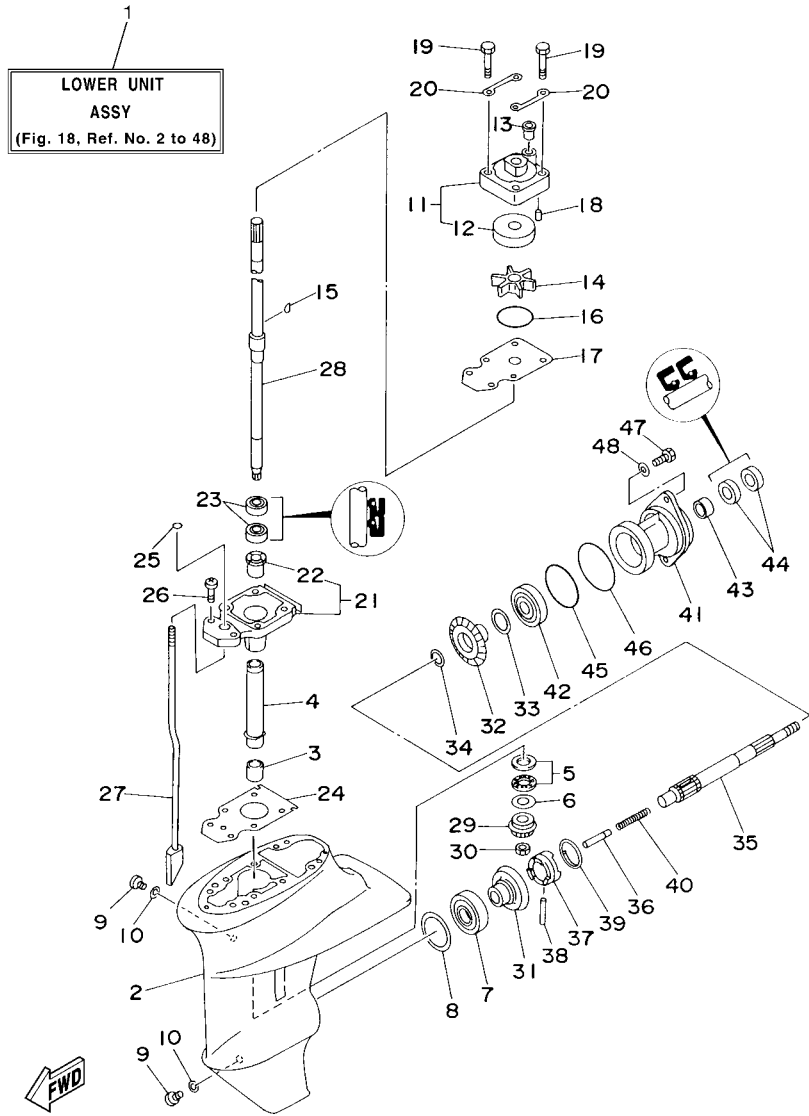


FIG. 18 LOWER CASING & DRIVE 1

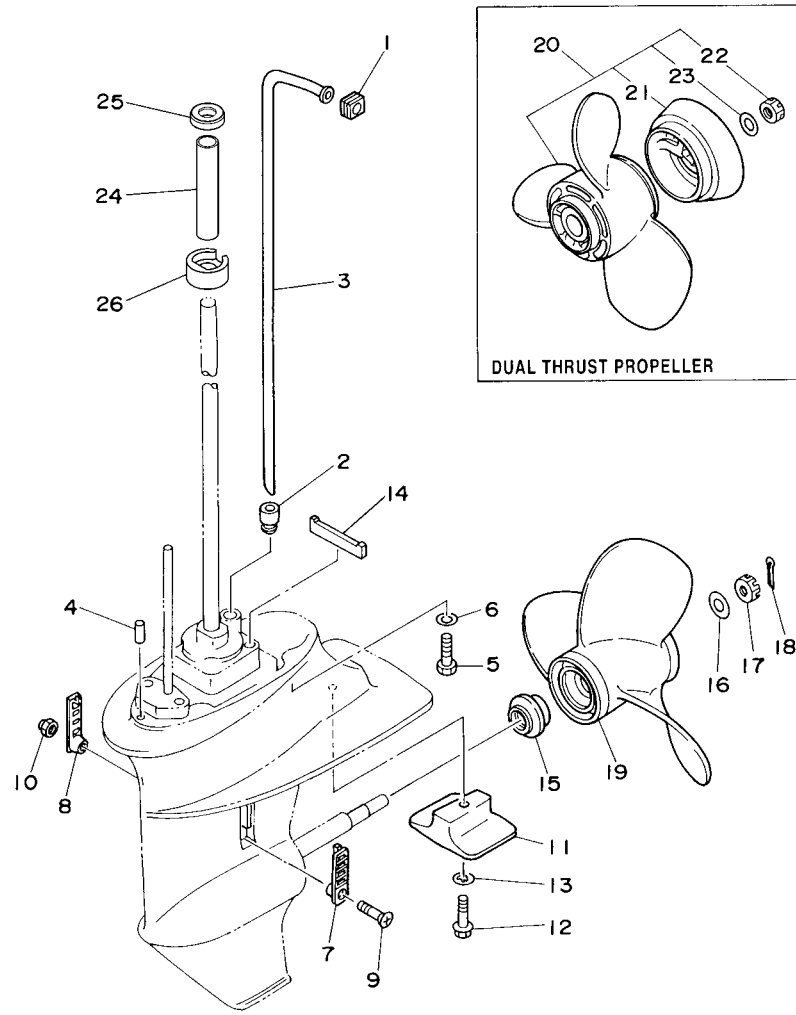
REF. NO.	PART NO.	DESCRIPTION	99F	15F		REMARKS
20	63V-44328-00	PLATE	2	2		
21	63V-45331-00-5B	HOUSING, BEARING	1	1		
22	90381-14020	.BUSH, SOLID	1	1		
23	93101-20048	OIL SEAL	2	2		
24	63V-45315-A0	PACKING, LOWER CASING	1	1		
25	93210-06ME6	O-RING	1	1		
26	97080-08025	BOLT	2	2		
27	63V-44150-00	SHIFT CAM ASSY	1	1		S
	63V-44150-10	SHIFT CAM ASSY		1		L
28	63V-45510-01	DRIVE SHAFT ASSY	1	1		S
	63V-45510-11	DRIVE SHAFT ASSY		1		L
29	63V-45551-00	PINION	1	1		
30	90179-08M06	NUT	1	1		
31	6E7-45560-01	GEAR	1	1		
32	6E7-45571-00	GEAR	1	1		
33	626-45577-00-01	SHIM (T:0.10MM)	1	1		UR
	626-45577-00-03	SHIM (T:0.30MM)	1	1		UR
	626-45577-00-05	SHIM (T:0.50MM)	1	1		UR
34	90201-17682	WASHER, PLATE	1	1		
35	683-45611-00	SHAFT, PROPELLER	1	1		
36	650-45635-00	PLUNGER, SHIFT	1	1		
37	682-45631-00	CLUTCH, DOG	1	1		
38	90250-05010	PIN, STRAIGHT	1	1		
39	648-45633-00	RING, CROSS PIN	1	1		
40	90501-14M06	SPRING, COMPRESSION	1	1		
41	683-45361-02-4D	CAP, LOWER CASING	1	1		
42	93306-00501	BEARING (B6005)	1	1		



63V0010-5180

FIG. 18 LOWER CASING & DRIVE 1

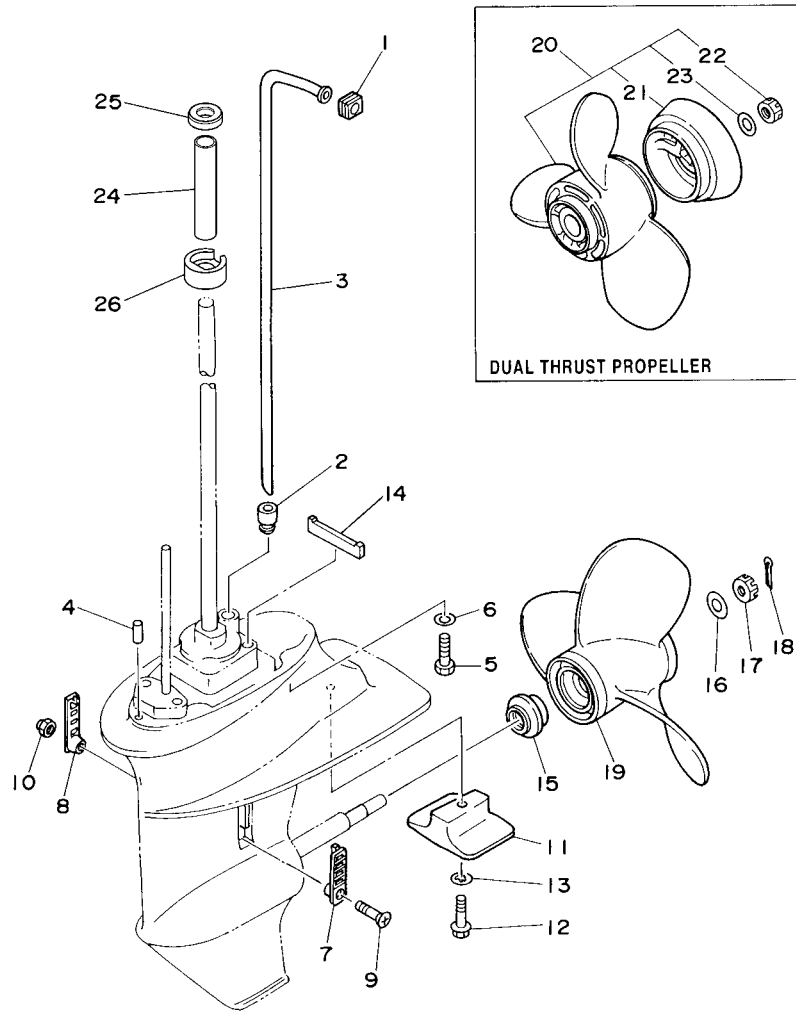
REF. NO.	PART NO.	DESCRIPTION	99F	15F	REMARKS
43	93315-317U2	BEARING	1	1	
44	93101-17054	OIL SEAL	2	2	
45	93210-57M09	O-RING	1	1	
46	93210-56M80	O-RING	1	1	
47	97095-06020	BOLT	2	2	
48	92995-06600	WASHER	2	2	



63V3100-C190

FIG. 19 LOWER CASING & DRIVE 2

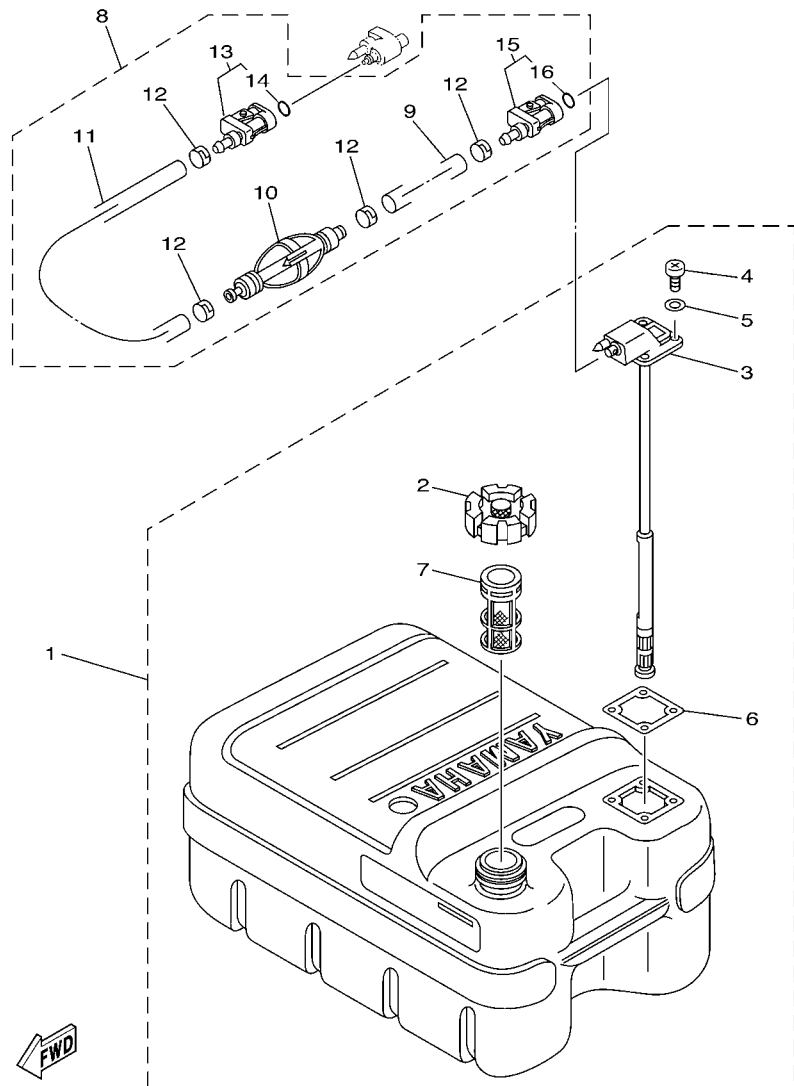
REF. NO.	PART NO.	DESCRIPTION	99F	15F			REMARKS
1	63V-44365-10	DAMPER, WATER SEAL	1	1			
2	63V-44368-00	RUBBER, WATER SEAL 4	1	1			
3	63V-44361-01	TUBE, WATER	1	1			S
	63V-44361-11	TUBE, WATER		1			L
4	93604-12M07	PIN, DOWEL	2	2			
5	97075-08030	BOLT	4	4			
6	92995-08600	WASHER	4	4			
7	6G1-45214-00	COVER, WATER INLET	1	1			
8	63V-45215-00	COVER, WATER INLET	1	1			
9	90152-05M04	SCREW, COUNTERSUNK	1	1			
10	90185-05002	NUT, SELF-LOCKING	1	1			
11	61N-45251-01	ANODE	1	1			
12	95895-06030	BOLT, FLANGE	1	1			
13	92990-06300	WASHER, INTERNAL TOOTH	1	1			
14	63V-45375-00	DAMPER, SEAL	1	1			
15	6E7-45987-01	SPACER	1	1			
16	90201-10M01	WASHER, PLATE	1	1			
17	90171-10M01	NUT, CASTLE	1	1			
18	91490-30020	PIN, COTTER	1	1			
19	683-45941-00-EL	PROPELLER (3X9-1/4"X12"-J)	1	1			UR
	683-45943-00-EL	PROPELLER (3X9-1/4"X10-1/2"-J)	1	1			UR
	683-45945-00-EL	PROPELLER (3X9-1/4"X9"-J)	1	1			UR
	683-45947-00-EL	PROPELLER (3X9-1/4"X8"-J)	1	1			UR
	683-45949-00-EL	PROPELLER (3X9-1/2"X6-1/2"-J)	1	1			UR
	683-45952-00-EL	PROPELLER (3X9-1/4"X9-3/4"-J)	1	1			UR
	63V-45943-00-EL	PROPELLER (3X9-1/4"X11"-J)	1	1			UR
	63V-45945-00-EL	PROPELLER (3X9-1/4"X9"-J)	1	1			UR



63V3100-C190

FIG. 19 LOWER CASING & DRIVE 2

REF. NO.	PART NO.	DESCRIPTION	99F	15F		REMARKS
20	683-W4591-02-EL	PROPELLER (3X9-3/4"X8"-J)	1	1		UR
	683-W4592-02-EL	PROPELLER (3X9-3/4"X6-1/2"-J)	1	1		UR
21	6E7-45986-00	.RING, DEFLECTOR	1	1		
22	90171-10M07	.NUT, CASTLE	1	1		
23	90201-10M02	.WASHER, PLATE	1	1		
24	63V-44362-00	TUBE, WATER		1		L
25	63V-44375-00	GROMMET, WATER TUBE 1		1		L
26	63V-44376-00	GROMMET, WATER TUBE 2		1		L

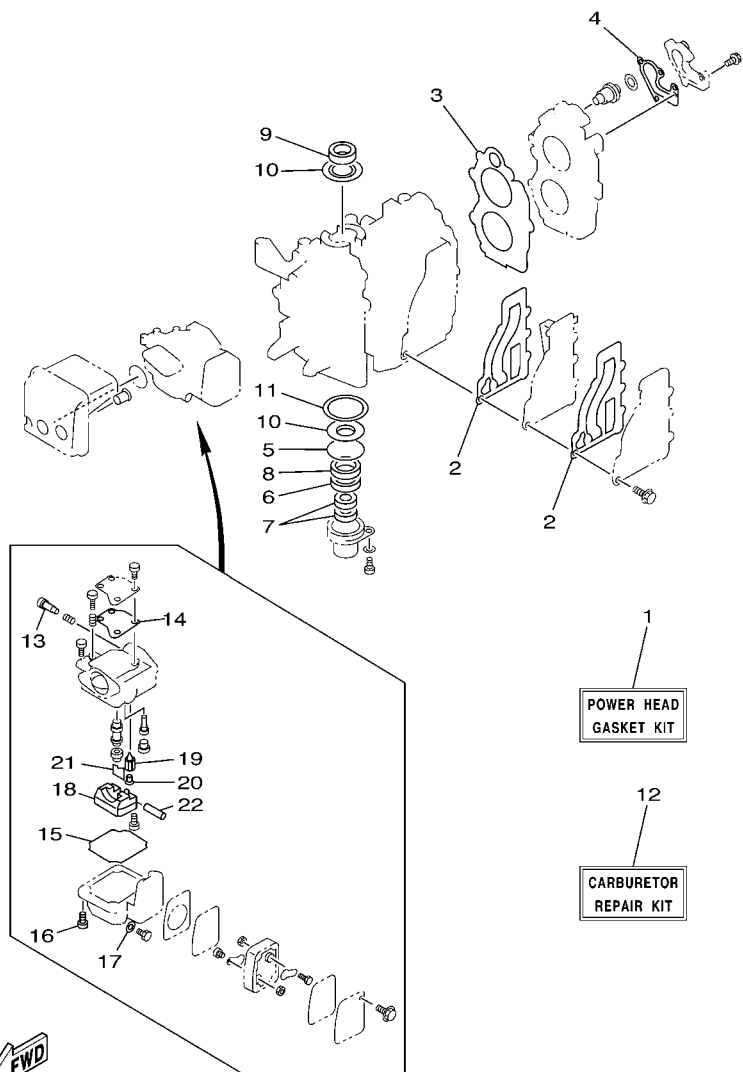


68U3100-C240

FIG. 20 FUEL TANK

REF. NO.	PART NO.	DESCRIPTION	99F	15F	REMARKS
1	6YJ-24201-50	FUEL TANK ASSY	1	1	AP FOR CAN
	6YJ-24201-10	FUEL TANK ASSY (24L)	1	1	AP FOR OCE
2	6YJ-24610-00	.CAP ASSY	1	1	
3	6Y1-24260-12	.FUEL METER ASSY	1	1	WITH INDICATOR
4	98586-05016	.SCREW, PAN HEAD	4	4	
5	6Y1-24329-00	.SEAL	4	4	
6	6Y1-24268-00	.GASKET, FUEL METER	1	1	
7	6YJ-24167-00	.STRAINER	1	1	
8	6Y1-24306-54	FUEL PIPE COMP. 1	1	1	AP FOR CAN
	61J-24306-03	FUEL PIPE COMP. 1	1	1	AP FOR OCE
9	90445-11M06	.HOSE (L2050)	1	1	
10	6Y1-24360-52	.PRIMER PUMP ASSY	1	1	FOR 6Y1-24306-54
	61J-24360-00	.PRIMER PUMP ASSY	1	1	FOR 61J-24306-03
11	90445-11M05	.HOSE (L850)	1	1	
12	650-24351-51	.BAND 1	4	4	FOR 6Y1-24306-54
	650-24351-01	.BAND 1	4	4	FOR 61J-24306-03
13	6G1-24305-04	.FUEL PIPE JOINT COMP. 2	1	1	
14	93210-08287	..O-RING	1	1	
15	6Y1-24305-05	.FUEL PIPE JOINT COMP. 2	1	1	
16	93210-08287	..O-RING	1	1	

FIG. 21 REPAIR KIT 1



63V2100-3210

REF. NO.	PART NO.	DESCRIPTION	99F	15F	REMARKS
1	63V-W0001-02	POWER HEAD GASKET KIT	1	1	
2	63V-41112-A0	.GASKET, EXHAUST INNER COVER	2	2	
3	63V-11181-A1	.GASKET, CYLINDER HEAD 1	1	1	
4	682-12414-A1	.GASKET, COVER	1	1	
5	93210-46M16	.O-RING	1	1	
6	93101-25018	.OIL SEAL	1	1	
7	93101-13018	.OIL SEAL	2	2	
8	93102-25M48	.OIL SEAL	1	1	
9	93110-23M00	.OIL SEAL	1	1	
10	63V-11445-00	.SPACER	2	2	
11	90201-46M29	.WASHER, PLATE	1	1	
12	63V-W0093-00	CARBURETOR REPAIR KIT	1	1	
13	679-14923-00	.SCREW, PILOT	1	1	
14	63V-14126-00	.GASKET	1	1	
15	63V-14984-00	.GASKET, FLOAT CHAMBER	1	1	
16	97980-04114	.SCREW, WITH WASHER	4	4	
17	65W-14398-00	.GASKET	1	1	
18	63V-14985-00	.FLOAT	1	1	
19	6G1-14546-01	.VALVE, NEEDLE	1	1	
20	676-14186-00	.PIN, FLOAT	1	1	
21	663-14159-00	.CLIP	1	1	
22	6H4-14548-00	.PIN, FLOAT ARM	1	1	

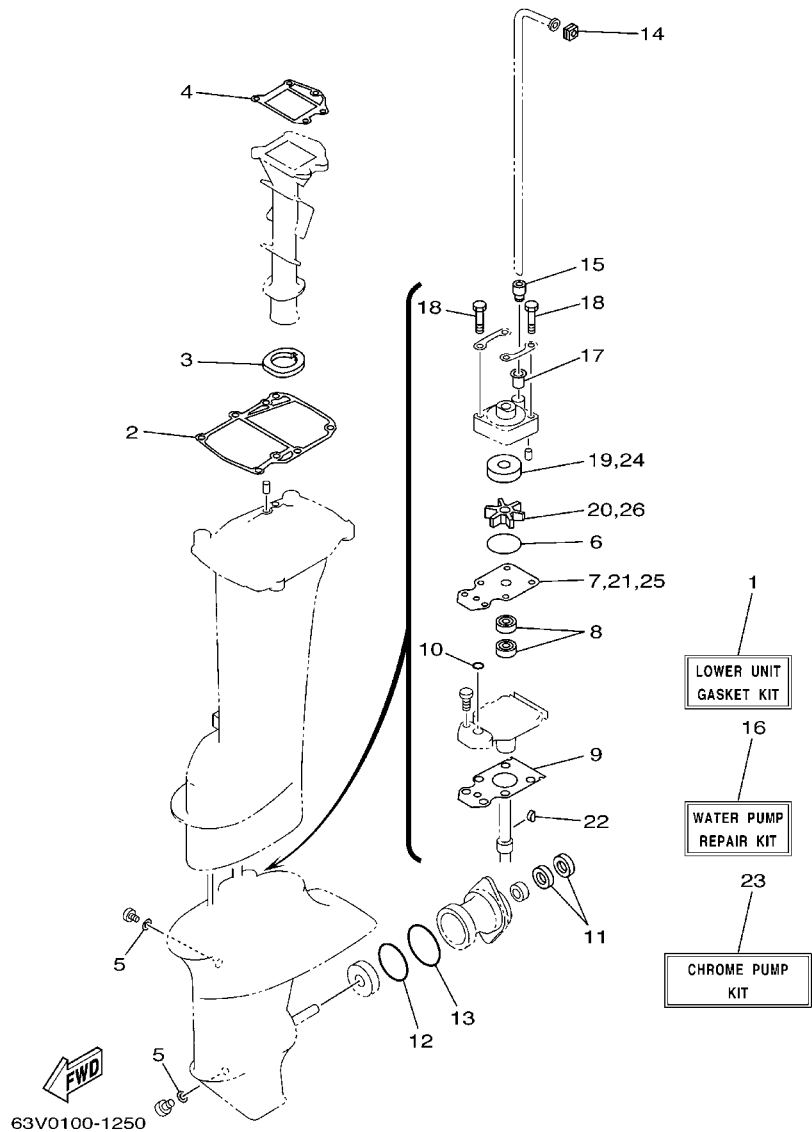


FIG. 22 REPAIR KIT 2

REF. NO.	PART NO.	DESCRIPTION	99F	15F				REMARKS
1	63V-W0001-22	LOWER UNIT GASKET KIT	1	1				
2	63V-45113-A1	.GASKET, UPPER CASING	1	1				
3	63V-41135-00	.GASKET, EXHAUST MANIFOLD	1	1				
4	63V-41133-A1	.GASKET, EXHAUST MANIFOLD 1	1	1				
5	90430-08020	.GASKET	2	2				
6	93210-44398	.O-RING	1	1				
7	63V-44323-00	.OUTER PLATE, CARTRIDGE	1	1				
8	93101-20048	.OIL SEAL	2	2				
9	63V-45315-A0	.PACKING, LOWER CASING	1	1				
10	93210-06ME6	.O-RING	1	1				
11	93101-17054	.OIL SEAL	2	2				
12	93210-57M09	.O-RING	1	1				
13	93210-56M80	.O-RING	1	1				
14	63V-44365-10	.DAMPER, WATER SEAL	1	1				
15	63V-44368-00	.RUBBER, WATER SEAL 4	1	1				
16	63V-W0078-01	WATER PUMP REPAIR KIT	1	1				
17	647-44366-00	.DAMPER, WATER SEAL	1	1				
18	97080-08045	.BOLT	4	4				
19	63V-44322-00	.INSERT, CARTRIDGE	1	1				
20	63V-44352-01	.IMPELLER	1	1				
21	63V-44323-00	.OUTER PLATE, CARTRIDGE	1	1				
22	63V-44338-00	.KEY, WOODRUFF	1	1				
23	63V-W0078-0A	CHROME PUMP KIT	1	1				
24	63V-44322-40	.INSERT, CARTRIDGE	1	1				
25	63V-44323-40	.OUTER PLATE, CARTRIDGE	1	1				
26	63V-44352-01	.IMPELLER	1	1				

NUMERICAL INDEX

PART NO.	REF. NO.	PART NO.	REF. NO.	PART NO.	REF. NO.	PART NO.	REF. NO.	PART NO.	REF. NO.	PART NO.	REF. NO.
6E7-11111-01-1S	2 - 18	6H4-14548-00	5 - 22	6G1-24305-04	20 - 13	6H4-41271-01	4 - 14	6E0-43118-01	15 - 6	63V-44365-10	22 - 14
63V-11181-A1	2 - 19		21 - 22	6E5-24305-05	7 - 2	689-41273-00	4 - 16	63W-43131-01	15 - 10	647-44366-00	18 - 13
	21 - 3	679-14555-00	5 - 3	6Y1-24305-05	20 - 15	6J8-41274-00	4 - 17	689-43160-00	15 - 27		22 - 17
682-11325-00	2 - 8	679-14923-00	5 - 2	6Y2-24305-05	7 - 4	63V-41283-01	13 - 17	689-43165-00	15 - 28	63V-44366-01	16 - 17
676-11372-00	2 - 15		21 - 13	61J-24306-03	20 - 8	63V-41611-00	9 - 5	63V-43181-00	15 - 52	63V-44368-00	19 - 2
63V-11400-01	3 - 8	676-14943-29	5 - 14	6Y1-24306-54	20 - 8	63V-41631-00	13 - 7	63V-43191-00	15 - 34		22 - 15
63V-11412-00	3 - 9	63V-14947-00	5 - 13	6Y2-24306-55	7 - 1	63V-41638-00	13 - 20	63V-43311-03-4D	15 - 31	63V-44375-00	19 - 25
63V-11422-00	3 - 10	63V-14948-06	5 - 7	6Y1-24329-00	20 - 5	63V-42111-01-4D	12 - 1	682-43318-01	15 - 33	63V-44376-00	19 - 26
63V-11432-00	3 - 11	679-14966-00	5 - 8	650-24351-01	20 - 12	664-42119-00	12 - 12	66M-43350-01	15 - 38	6H3-44391-01	11 - 20
63V-11442-00	3 - 12	63V-14980-00	5 - 12	650-24351-51	20 - 12	6G1-42125-01	12 - 9	689-43373-01	16 - 3	63V-44514-01-5B	16 - 13
63V-11445-00	3 - 28	63V-14984-00	5 - 11	6E5-24351-51	7 - 7	6G1-42126-00	12 - 10	66R-43611-00	15 - 46	63V-44526-00	16 - 14
	21 - 10		21 - 15	61J-24360-00	20 - 10	6G1-42131-02	12 - 6	63V-43614-10	15 - 43	63V-44551-01-4D	16 - 21
63V-11515-02	3 - 14	63V-14985-00	5 - 18	6Y1-24360-52	20 - 10	6H2-42137-00	12 - 13	66R-43615-00	15 - 45	682-44555-00	16 - 23
682-11610-01	3 - 22		21 - 18	6Y2-24360-60	7 - 9	6G1-42138-01	12 - 20	66R-43617-00	15 - 50	63V-44557-00	16 - 22
682-11610-11	3 - 22	6G1-14992-00	5 - 17	63V-24396-01	6 - 13	63V-42154-00	14 - 11	66M-43630-01	15 - 32	63V-45111-05-4D	17 - 1
682-11610-21	3 - 22	63V-15100-02-1S	2 - 2	63V-24411-00	5 - 28	6E0-42159-02	12 - 21	63V-43641-01	15 - 40	63V-45111-15-4D	17 - 1
6E7-11631-00-97	3 - 21	63V-15396-01-94	3 - 1	6G1-24411-00	5 - 30	6G1-42177-00	12 - 15	63V-43656-00	15 - 51	63V-45113-A1	17 - 5
634-11633-00	3 - 23	63V-15705-01	8 - 10	6G1-24412-01	5 - 29	63V-42192-00	14 - 15	63V-43659-00	15 - 48		22 - 2
6E7-11635-00	3 - 21	63V-15710-12	8 - 1	6L5-24421-00	5 - 32	63V-42511-04-4D	16 - 6	63V-43676-01	15 - 15	63V-45114-A0	16 - 18
6E7-11636-00	3 - 21	63V-15711-01	8 - 2	6G1-24431-01	5 - 31	63V-42528-00	16 - 2	63V-44111-02	12 - 24	63V-45126-01	17 - 2
650-11651-04	3 - 16	63V-15713-00	8 - 7	6G1-24452-00	5 - 27	65F-42453-00	16 - 8	63V-44116-00	13 - 30	6G1-45214-00	19 - 7
682-11681-00	3 - 15	63V-15714-00	8 - 5	61N-24521-00	6 - 6	63V-42610-30-4D	1 - 1	63V-44121-01	13 - 24	63V-45215-00	19 - 8
6E5-12411-30	2 - 22	63V-15716-00	8 - 9	61N-24560-00	6 - 4	63W-42610-30-4D	1 - 1	63V-44122-01	13 - 31	61N-45251-01	19 - 11
682-12413-00-1S	2 - 21	63V-15726-00	8 - 23	61N-24563-00	6 - 5	63V-42613-01-4D	1 - 7	63V-44123-01	13 - 23	63V-45300-03-4D	18 - 1
682-12414-A1	2 - 24	63V-15734-00	8 - 22	682-24566-01	6 - 11	63V-42615-00	1 - 2	63V-44124-02	12 - 29	63V-45300-13-4D	18 - 1
	21 - 4	63V-15741-00	8 - 6	6YJ-24610-00	20 - 2	6L2-42647-00	1 - 5	63V-44125-00	13 - 26	63V-45311-01-4D	18 - 2
63V-13610-00	4 - 1	63V-15744-00	8 - 13	6L2-26301-00	12 - 23	6G1-42651-02	1 - 3	63V-44143-01	13 - 33	63V-45315-A0	18 - 24
63W-13610-00	4 - 1	63V-15746-00	13 - 36	61H-2819R-31	6 - 14	63V-42677-30	1 - 10	63V-44150-00	18 - 27		22 - 9
63V-13610-10	4 - 1	6L2-15747-00	13 - 41	63V-41111-00-1S	2 - 12	63W-42677-30	1 - 10	63V-44150-10	18 - 27	682-45318-00	17 - 13
63V-14126-00	5 - 5	63V-15748-00	8 - 21	63V-41112-A0	2 - 13	63V-42678-20	1 - 11	6E0-44191-11	12 - 28	63V-45331-00-5B	18 - 21
	21 - 14	63V-15753-00	8 - 8		21 - 2	63W-42678-20	1 - 11	688-44194-00	13 - 11	683-45361-02-4D	18 - 41
663-14159-00	5 - 21	6G1-15755-00	8 - 18	63V-41113-00-1S	2 - 14	63V-42711-03-4D	11 - 1	689-44194-00	13 - 2	63V-45375-00	19 - 14
	21 - 21	63V-15762-00	8 - 25	65F-41131-00-5B	17 - 8	63V-42716-02	11 - 19	63V-44301-00	18 - 11	63V-45510-01	18 - 28
676-14186-00	5 - 20	63V-15764-00	8 - 15	63V-41133-A1	17 - 10	682-42724-00	11 - 2	63V-44322-00	18 - 12	63V-45510-11	18 - 28
	21 - 20	63V-15767-01	8 - 11		22 - 4	682-42725-02	11 - 3		22 - 19	63V-45536-00	18 - 4
63V-14301-00	5 - 1	63V-15768-00	8 - 14	63V-41135-00	17 - 9	63V-42726-00	11 - 4	63V-44322-40	22 - 24	63V-45551-00	18 - 29
63V-14301-10	5 - 1	63V-15770-01	13 - 43		22 - 3	682-42727-00	11 - 5	63V-44323-00	18 - 17	6E7-45560-01	18 - 31
6N0-1432A-00	5 - 34	6G1-15779-00	8 - 19	63V-41211-00	13 - 18	63V-42731-00-4D	15 - 14		22 - 7	664-45567-01-10	18 - 8
65W-14398-00	5 - 16	63V-15784-01	8 - 12	63V-41223-00	13 - 16	6G1-42748-00	11 - 6	63V-44323-40	22 - 25	664-45567-01-12	18 - 8
	21 - 17	63V-15793-00	8 - 16	6H4-41237-00	13 - 13	6E7-42791-00	11 - 22	63V-44328-00	18 - 20	664-45567-01-15	18 - 8
63V-14440-00	4 - 9	63V-15794-00	8 - 20	63V-41238-00	13 - 12	6E7-42791-10	11 - 22	63V-44338-00	18 - 15	664-45567-01-18	18 - 8
624-14485-00	2 - 3	63V-15795-01	8 - 3	63V-41252-00	4 - 18	63V-42815-01-4D	11 - 8		22 - 22	664-45567-01-30	18 - 8
650-14485-03	2 - 4	6YJ-24167-00	20 - 7	63V-41253-00	4 - 5	6E7-42816-00	11 - 9	63V-44352-01	18 - 14	664-45567-01-40	18 - 8
63V-14497-02	13 - 1	6YJ-24201-10	20 - 1	63V-41256-00	4 - 15	63V-43111-06-4D	15 - 1		22 - 20	664-45567-01-50	18 - 8
63V-14523-00	5 - 9	6YJ-24201-50	20 - 1	63V-41257-00	4 - 8	63V-43112-07-4D	15 - 2	63V-44361-01	19 - 3	6E7-45571-00	18 - 32
63V-14527-00	5 - 4	6Y1-24260-12	20 - 3	63V-41262-00	4 - 7	6J8-43113-01	15 - 21	63V-44361-11	19 - 3	626-45577-00-01	18 - 33
6G1-14546-01	5 - 19	6Y1-24268-00	20 - 6	661-41262-02	4 - 19	648-43114-01	15 - 9	63V-44362-00	19 - 24	626-45577-00-03	18 - 33
	21 - 19	6G1-24304-02	6 - 1		13 - 19	6E7-43116-00	15 - 8	63V-44365-10	19 - 1	626-45577-00-05	18 - 33

NUMERICAL INDEX

PART NO.	REF. NO.	PART NO.	REF. NO.	PART NO.	REF. NO.	PART NO.	REF. NO.	PART NO.	REF. NO.	PART NO.	REF. NO.
6E8-45587-10-13	18 - 6	63V-W0078-01	22 - 16	90201-46M29	3 - 29	90445-11M05	20 - 11	92995-06600	17 - 12	93606-12019	17 - 4
6E8-45587-10-20	18 - 6	63V-W0078-0A	22 - 23		21 - 11	90445-11M06	20 - 9		18 - 48	93700-06M03	16 - 1
683-45611-00	18 - 35	63V-W0090-03-1S	2 - 1	90202-06009	12 - 30	90445-13M00	7 - 8	92995-08600	14 - 25	94702-00217	2 - 26
682-45631-00	18 - 37	63V-W0093-00	21 - 12	90202-07M60	15 - 35	90445-13M01	7 - 6		17 - 7	94702-00271	2 - 26
648-45633-00	18 - 39	656-W2810-02	6 - 15	90202-22M54	15 - 11	90464-08M02	10 - 11		19 - 6	95380-03600	5 - 25
650-45635-00	18 - 36	683-W4591-02-EL	19 - 20	90202-36M55	12 - 4	90464-15M11	10 - 4	93101-13018	3 - 5	95380-05700	13 - 14
683-45941-00-EL	19 - 19	683-W4592-02-EL	19 - 20	90206-08010	15 - 18	90465-08M61	10 - 5		21 - 7	95380-06600	13 - 9
63V-45943-00-EL	19 - 19	90101-06M29	15 - 24	90206-10M04	14 - 13	90465-25M57	11 - 21	93101-17054	18 - 44		14 - 7
683-45943-00-EL	19 - 19	90105-06M07	16 - 4	90206-12052	11 - 11	90467-06016	2 - 7		22 - 11	95380-06700	11 - 14
63V-45945-00-EL	19 - 19	90105-06M68	9 - 7	90206-15M18	12 - 27	90467-08004	6 - 10	93101-20048	18 - 23		13 - 34
683-45945-00-EL	19 - 19	90105-06M69	9 - 9	90206-36M21	12 - 3	90468-10005	13 - 15		22 - 8		15 - 26
683-45947-00-EL	19 - 19	90105-07M05	2 - 20	90209-20M23	3 - 18	90468-18008	12 - 31	93101-25018	3 - 3	95380-08600	6 - 8
683-45949-00-EL	19 - 19	90109-06M84	15 - 53	90209-40008	16 - 7		14 - 9		21 - 6		16 - 15
683-45952-00-EL	19 - 19	90116-08016	12 - 7	90243-04M01	15 - 7	90480-06M19	11 - 7	93102-25M48	3 - 4	95780-06300	15 - 20
6E7-45986-00	19 - 21	90116-08M54	16 - 12	90250-05010	18 - 38	90480-10M16	13 - 44		21 - 8	95780-08300	14 - 19
6E7-45987-01	19 - 15	90119-06M05	12 - 25	90266-04M04	1 - 4	90480-12M25	4 - 11	93110-23M00	3 - 27	95895-06030	19 - 12
663-48344-00	14 - 8	90119-06M94	4 - 13	90269-02M09	12 - 14	90480-15M31	11 - 18		21 - 9	95895-06065	13 - 4
63V-48501-00	14 - 1	90119-06MA2	2 - 25	90280-05013	9 - 10	90480-25161	10 - 9	93210-06ME6	18 - 25	97013-06010	6 - 12
63V-48511-01	14 - 23	90119-06MA4	2 - 17	90340-08002	18 - 9	90501-10326	5 - 10		22 - 10	97075-06055	16 - 24
63V-48531-00	14 - 2	90119-08M07	2 - 11	90381-14020	18 - 22	90501-12M16	13 - 10	93210-08287	7 - 3	97075-06075	16 - 26
63V-48534-00	14 - 18	90149-05M13	12 - 16	90386-07M95	15 - 37	90501-14M06	18 - 40		20 - 14	97075-08030	19 - 5
682-48538-50	14 - 3	90152-05M04	19 - 9	90386-08032	12 - 19	90501-23215	12 - 18	93210-20M65	15 - 16	97075-08035	14 - 24
63V-48544-00	14 - 20	90157-05014	15 - 41	90386-10009	14 - 22	90502-10M07	15 - 30	93210-29M94	16 - 10	97080-08025	18 - 26
63V-82127-00	16 - 5	90157-06M06	17 - 3	90386-10025	14 - 12	90507-20M00	15 - 39	93210-32738	6 - 7	97080-08045	18 - 19
66M-82148-00	15 - 3	90159-05M25	13 - 25	90386-12M45	11 - 10	90508-08M39	13 - 38	93210-35M86	4 - 12		22 - 18
663-82370-01	10 - 10		14 - 21	90386-22M69	15 - 13	90508-16M37	13 - 21	93210-44398	18 - 16	97095-06012	10 - 12
6E3-82370-21	10 - 10	90164-05M03	4 - 21	90386-22M94	15 - 12	90508-18M41	15 - 44		22 - 6		13 - 5
63V-82377-50	15 - 54	90170-06015	13 - 35	90386-30048	16 - 9	90508-20M38	13 - 22	93210-46M16	3 - 2	97095-06016	3 - 6
662-82519-00	10 - 14	90170-12066	9 - 11	90386-30M60	16 - 11	91490-16010	12 - 11		21 - 5		14 - 5
682-82556-00	12 - 33	90171-10M01	19 - 17	90386-33M96	12 - 5	91490-16018	8 - 24	93210-56M80	18 - 46	97095-06018	10 - 7
65W-82575-01	12 - 32	90171-10M07	19 - 22	90386-34M97	12 - 2	91490-20010	14 - 17		22 - 13		16 - 19
689-8257Y-00	12 - 34	90179-06M28	16 - 28	90387-06034	11 - 17	91490-30020	19 - 18	93210-57M09	18 - 45	97095-06020	4 - 3
6A1-83625-41	8 - 28	90179-08M06	18 - 30	90387-06M05	8 - 4	91609-20008	3 - 19		22 - 12		6 - 2
6A1-83625-51	8 - 29	90185-05002	19 - 10	90387-06M06	13 - 37	91690-20010	4 - 6	93306-00501	18 - 42		8 - 26
6E0-83627-41	12 - 35	90185-08057	12 - 8	90387-06M13	15 - 23	91690-30008	15 - 29	93306-205U7	3 - 13		10 - 2
6E0-83627-51	12 - 36		14 - 26	90387-06M15	4 - 10	91690-30012	14 - 4	93310-620V5	3 - 17		13 - 39
682-84381-00	10 - 17	90185-22043	15 - 22	90387-06M24	9 - 8	92903-10600	12 - 17	93315-314V8	18 - 3		17 - 11
63V-85520-01	9 - 3	90201-04M06	14 - 16	90387-06M50	13 - 3	92990-06300	19 - 13	93315-317U2	18 - 43		18 - 47
63V-85533-00	9 - 4	90201-05M09	4 - 20	90387-06M53	9 - 6	92995-06600	3 - 7	93332-00005	18 - 7	97095-06025	11 - 13
63V-85540-01	10 - 1	90201-06068	11 - 12	90387-06M75	15 - 17		4 - 4	93341-41414	18 - 5	97095-08030	17 - 6
63V-85550-01	9 - 1	90201-08M12	14 - 10	90387-06M86	12 - 26		6 - 3	93420-30042	17 - 14	97595-06516	1 - 8
63V-85550-11	9 - 1	90201-10M01	19 - 16	90387-07M07	15 - 36		8 - 27	93430-04M03	15 - 47	97803-04010	5 - 6
63V-85570-00	10 - 6	90201-10M02	14 - 14	90387-16002	16 - 16		10 - 3	93440-52009	3 - 20	97885-05012	12 - 22
63V-85580-01	9 - 2		19 - 23	90430-08020	18 - 10		11 - 16	93450-15023	3 - 26	97885-06008	15 - 4
63V-W0001-02	21 - 1	90201-12472	9 - 12		22 - 5		13 - 6	93602-14104	3 - 24	97885-06025	15 - 19
63V-W0001-22	22 - 1	90201-14377	3 - 25	90445-07M08	2 - 5		14 - 6	93604-12M07	18 - 18	97885-06030	13 - 8
682-W0004-00	4 - 2	90201-16M03	2 - 23	90445-09105	2 - 16		15 - 25		19 - 4	97885-08010	15 - 5
63V-W0070-20	1 - 9	90201-17682	18 - 34	90445-09M00	6 - 9		16 - 20	93606-12019	2 - 10	97980-04114	5 - 15



NUMERICAL INDEX

PART NO.	REF. NO.	PART NO.	REF. NO.	PART NO.	REF. NO.	PART NO.	REF. NO.	PART NO.	REF. NO.
97980-04114	21 - 16								
97980-04125	5 - 26								
98580-04006	5 - 33								
98580-04008	5 - 23								
98586-05016	20 - 4								
98780-05015	2 - 9								
98980-03006	5 - 24								
99080-05600	15 - 42								

9.9MHC/15MHC
9.9FMH/15FMH
PARTS CATALOGUE
©2003 by Yamaha Motor Co., Ltd.
1st edition, April 2003
All rights reserved.
Any reprinting or unauthorized use
without the written permission of
Yamaha Motor Co., Ltd.
is expressly prohibited.
Printed in Japan.