

**PARTS
CATALOGUE
CATALOGUE
DE PIÈCES DÉTACHÉES**

E60HMHD'03(69D2)

2B69D-300F1

YAMAHA
GENUINE
Parts & Accessories

A1

FOREWORD

This Parts Catalogue is related to the parts for the model(s) in the below frame. When you are ordering replacement parts, please refer to this Parts Catalogue and quote both part numbers and part names correctly.

E60HMHD'03(69D2)

1. Modifications or additions which have been made after issue of the Parts Catalogue will be announced in the Yamaha Parts News.
It is advisable that you make necessary corrections to the Parts Catalogue according to the Yamaha Parts News.

2. Abbreviations

The Following abbreviations are used in this Parts Catalogue.

“UR” Use specified parts number.

“UN” Use as many as needed.

“AP” Alternate Parts

“LM” Local Made
(Parts need to be ordered locally)

“O/S” Over Size

3. Parts, which are to be supplied in an assembly, are listed with a dot(.) in front of the part name as shown below.

EXAMPLE

CARBURETOR ASSY

.JET, PILOT

.NOZZLE, MAIN

4. Number of component for assembly

The numeral appearing to the right of each component part indicates the quantity of parts for each assembly unit.

EXAMPLE

PART NO.	DESCRIPTION	u	u	u	u	REMARKS
6E0-85500-70	C.D.I. MAGNETO ASSY	1				
6E0-85550-70	.ROTOR ASSY	1				
6E0-15723-00-94..	PULLY, STARTER	1				

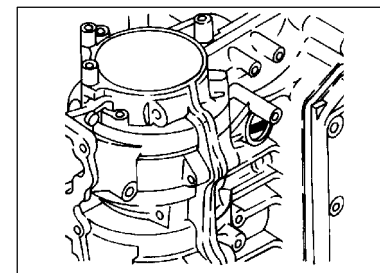
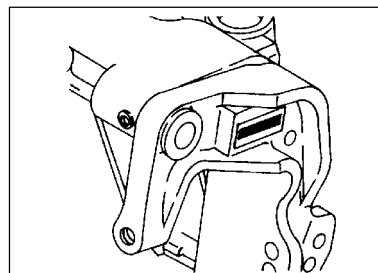
5. Quantity Column Information

NAME for Q'TY COLUMN	APPLICABLE MODEL
E60H	E60HMHD

6. Applicable Starting Serial No. and Color Code

1) Engine Starting Sserial No.

E60HMHD L 6K5 : 1000001



2) Color Code

Color Code	Color Name	Abbreviation
004D	DARK BLUISH GRAY METALLIC 2	DBNM2

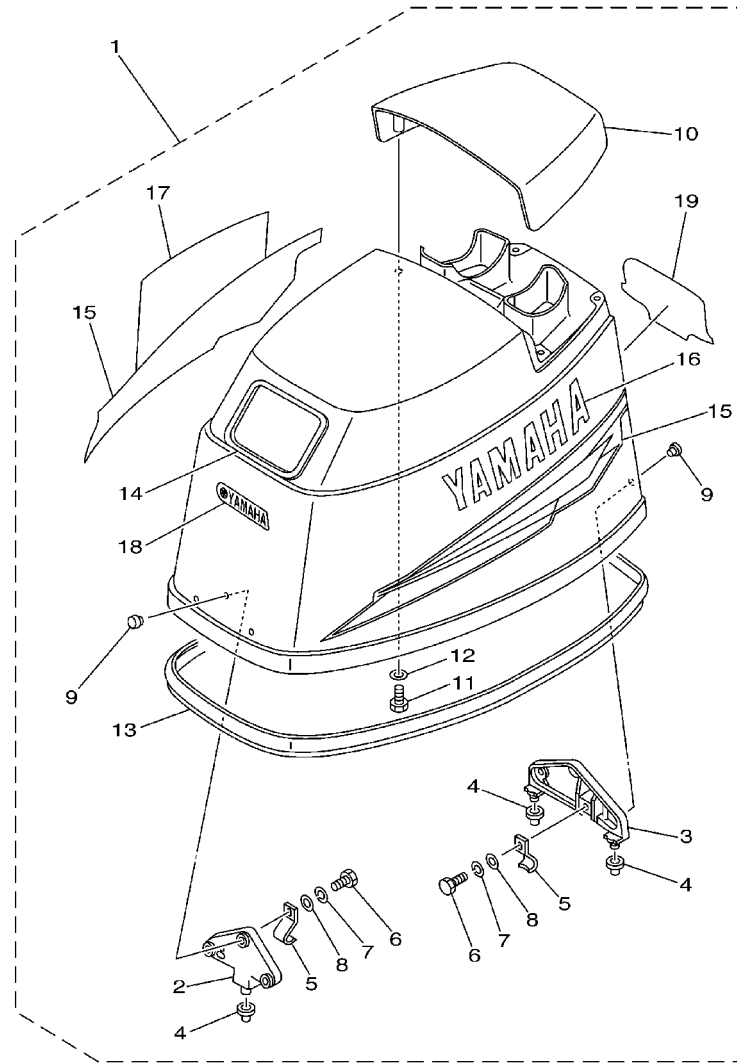
7. Note that the illustrations for reference in finding parts numbers, not to be used for assembling. When assembling, please use the applicable service manual.
8. The asterisk (*) before a reference number indicates modification items after the first edition.

CONTENTS

TOP COWLING	A4
CYLINDER. CRANKCASE	A5
CRANKSHAFT. PISTON	A7
INTAKE	B1
CARBURETOR	B2
FUEL	B4
STARTER	B6
GENERATOR	C2
ELECTRICAL	C3
BOTTOM COWLING	C5
STEERING	C7
CONTROL	D3
BRACKET 1	D5
BRACKET 2	E1
UPPER CASING	E3
LOWER CASING. DRIVE 1	E4
LOWER CASING. DRIVE 2	F1
FUEL TANK	F3
REPAIR KIT 1	F4
REPAIR KIT 2	F6

INDEX

NUMERICAL INDEX	F7
-----------------------	----



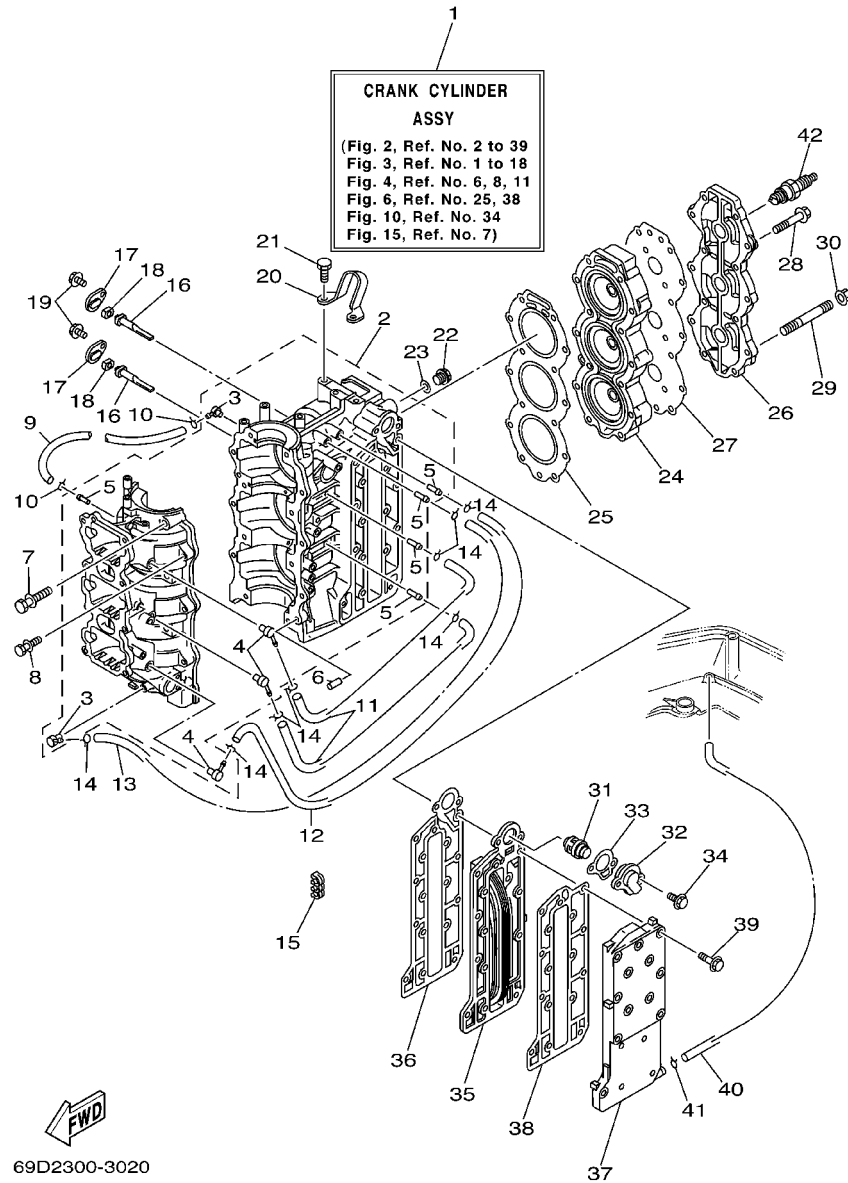
69D1300-2010

FIG. 1 TOP COWLING

CAPOT SUPERIEUR

REF. NO.	PART NO. NO. PIECES	DESCRIPTION DESCRIPTION	E60H				REMARKS REMARQUES
1	6K5-42610-C0-4D	TOP COWLING ASSY CAPOT (ENS.)	1				
2	6H3-42647-00-94	.HOLDER, CLAMP BAND .SUPPORT, SANDOW DE SERRAGE	1				
3	6H3-42649-00-94	.HOLDER, CLAMP BAND .SUPPORT, SANDOW DE SERRAGE	1				
4	663-42662-00	.DAMPER .AMORTISSEUR	3				
5	6H3-42652-00	.HOOK .CROCHET	2				
6	97095-06016	.BOLT .BOULON	2				
7	92995-06100	.WASHER, SPRING .RONDELLE, GROWER	2				
8	92995-06600	.WASHER .RONDELLE	2				
9	90266-06009	.RIVET .RIVET	6				
10	6H3-42613-01-4D	.MOLDING, AIR DUCT .MANCHON A AIR	1				
11	97095-06016	.BOLT .BOULON	4				
12	92995-06600	.WASHER .RONDELLE	4				
13	6H3-42615-00	.SEAL .JOINT	1				
14	6K5-15761-00	.SEAL, RUBBER 1 .JOINT CAOUTCHOUC 1	1				
15	6H3-W0070-30	.GRAPHIC SET .JEU DIEMBLEMES	1				
16	6H3-42681-30	.MARK, COWLING .ADHESIF, CAPOT	1				
17	6H3-42682-30	.MARK, COWLING .ADHESIF, CAPOT	1				
18	688-42677-D0	.GRAPHIC, FRONT .ADHESIF, AVANT	1				YAMAHA
19	6H2-42678-30	.GRAPHIC, REAR .ADHESIF, ARRIERE	1				

FIG. 2 CYLINDER. CRANKCASE CYLINDRE. CARTER



69D2300-3020

REF. NO.	PART NO. NO. PIECES	DESCRIPTION DESCRIPTION	E60H				REMARKS REMARQUES
1	69D-W0090-01-1S	CRANK CYLINDER ASSY EMBIELLAGE CYLINDRE (ENS.)	1				
2	69D-15100-00-1S	CRANKCASE ASSY CARTER DE MOTEUR COMPLET	1				
3	688-11370-01	.CHECK VALVE ASSY .CLAPET (ENS.)	2				
4	650-11370-01	.CHECK VALVE ASSY .CLAPET (ENS.)	3				
5	624-14485-00	.PIPE, JOINT .DURITE	5				
6	93608-12063	PIN, DOWEL AXE	2				
7	90119-10005	BOLT, WITH WASHER BOULON, AVEC RONDELLE	8				
8	90119-08M64	BOLT, WITH WASHER BOULON, AVEC RONDELLE	6				
9	90445-07M44	HOSE (L250) DURITE (L250)	1				
10	90467-06016	CLIP JONC	2				
11	90445-07M02	HOSE (L167) DURITE (L167)	2				
12	90445-07M45	HOSE (L340) DURITE (L340)	1				
13	90445-07M82	HOSE (L440) DURITE (L440)	1				
14	90467-06016	CLIP JONC	8				
15	90464-07M05	CLAMP BRIDE	1				
16	6H3-11325-01	ANODE ANODE	2				
17	6H3-11327-00-1S	COVER, ANODE COUVERCLE	2				
18	6H3-11328-00	GROMMET, ANODE PASSE-FIL	2				
19	90119-06023	BOLT, WITH WASHER BOULON, AVEC RONDELLE	2				
20	6K5-11119-01	HANGER, ENGINE ANNEAU, LEVAGE	1				
21	90101-08002	BOLT BOULON	2				
22	90340-14M00	PLUG, STRAIGHT SCREW PLOT, FILETE DROIT	1				
23	90430-14115	GASKET JOINT	1				
24	6H3-11111-01-1S	HEAD, CYLINDER 1 CULASSE	1				
25	6H3-11181-A1	GASKET, CYLINDER HEAD 1 JOINT, DE CULASSE 1	1				
26	6H3-11191-00-1S	COVER, CYLINDER HEAD 1 COUVERCLE, CULASSE 1	1				
27	6H3-11193-A1	GASKET, HEAD COVER 1 JOINT, COUVERCLE DE CULASSE 1	1				

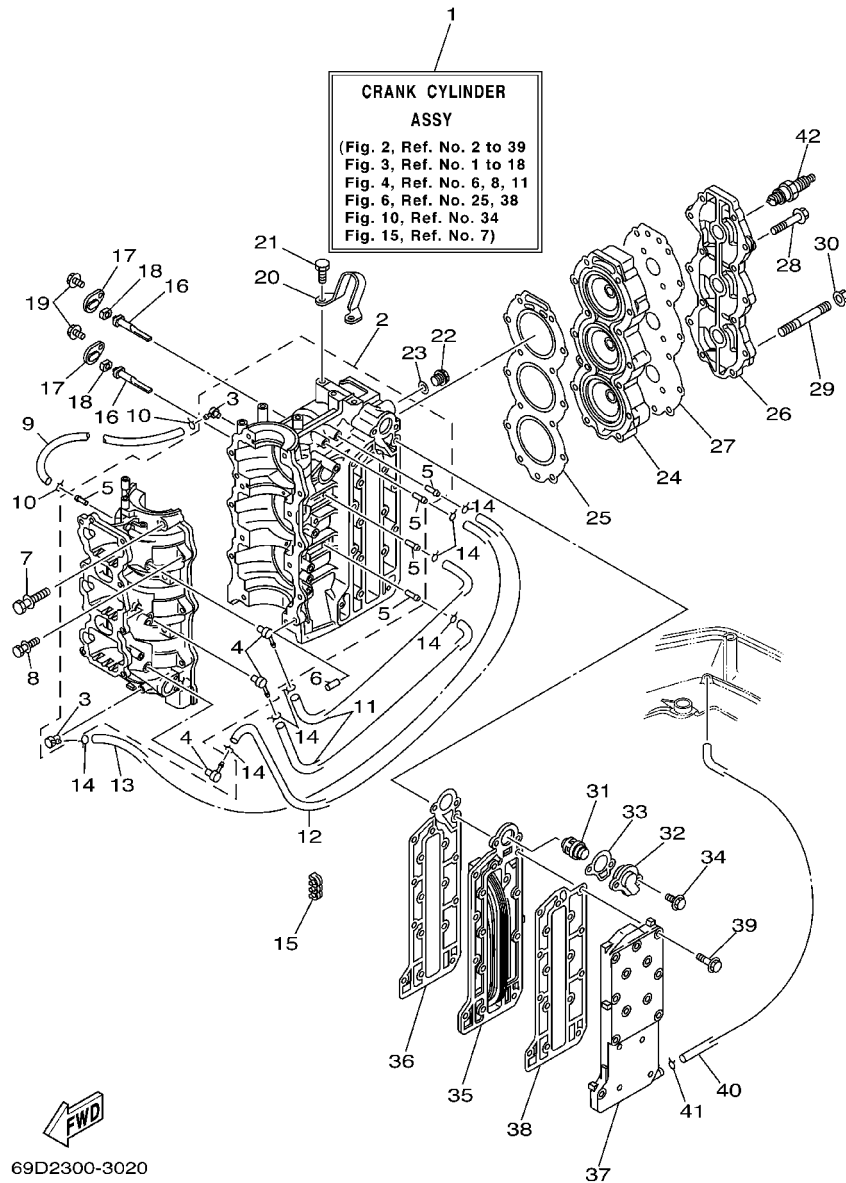


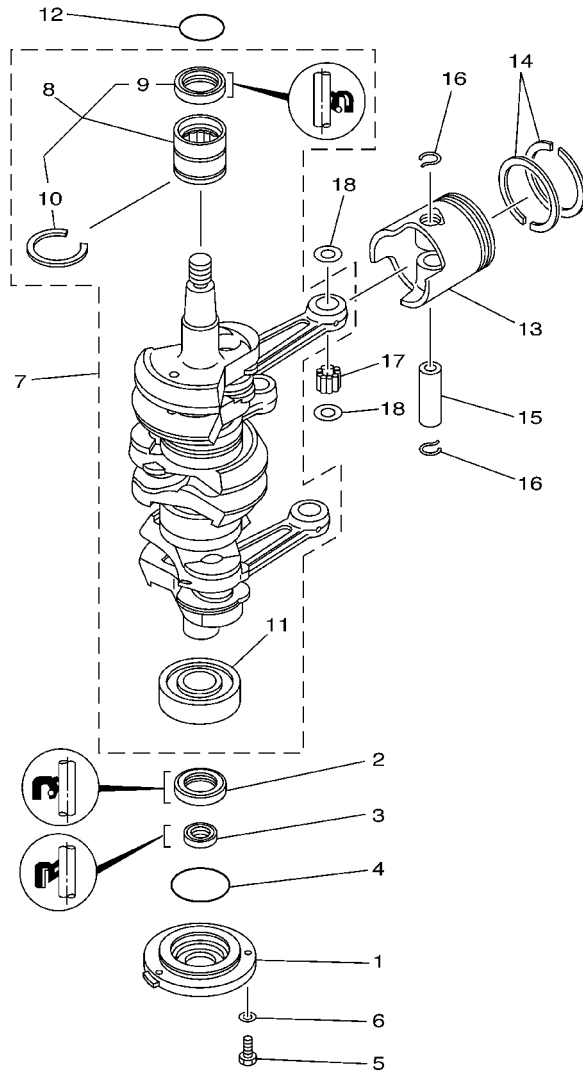
FIG. 2 CYLINDER. CRANKCASE CYLINDRE. CARTER

REF. NO.	PART NO. NO. PIECES	DESCRIPTION DESCRIPTION	E60H				REMARKS REMARQUES
28	90119-08MA5	BOLT, WITH WASHER BOULON, AVEC RONDELLE	13				
29	90116-08M69	BOLT, STUD GOUJON	1				
30	90179-08M34	NUT ECROU	1				
31	6H3-12411-10	THERMOSTAT THERMOSTAT	1				
32	6H3-12413-00-1S	COVER, THERMOSTAT COUVERCLE, THERMOSTAT	1				
33	6H3-12414-A1	GASKET, COVER JOINT, COUVERCLE	1				
34	90119-06MA3	BOLT, WITH WASHER BOULON, AVEC RONDELLE	2				
35	6H3-41111-01-1S	INNER COVER, EXHAUST PLAQUE, ECHAPPEMENT	1				
36	6H3-41112-A0	GASKET, EXHAUST INNER COVER JOINT, PLAQUE D'ECHAPPEMENT	1				
37	6H3-41113-02-1S	OUTER COVER, EXHAUST COUVERCLE, ECHAPPEMENT	1				
38	6H3-41114-A0	GASKET, EXHAUST OUTER COVER JOINT, COUVERCLE D'ECHAPPEMENT	1				
39	90119-06MA5	BOLT, WITH WASHER BOULON, AVEC RONDELLE	16				
40	663-24312-01	PIPE 2 DURITE 2	1				
41	90467-08004	CLIP JONC	1				
42	94702-00247	PLUG, SPARK (NGK BR8HS-10) BOUGIE D'ALLUMAGE (NGK BR8HS-10)	3				

69D2300-3020

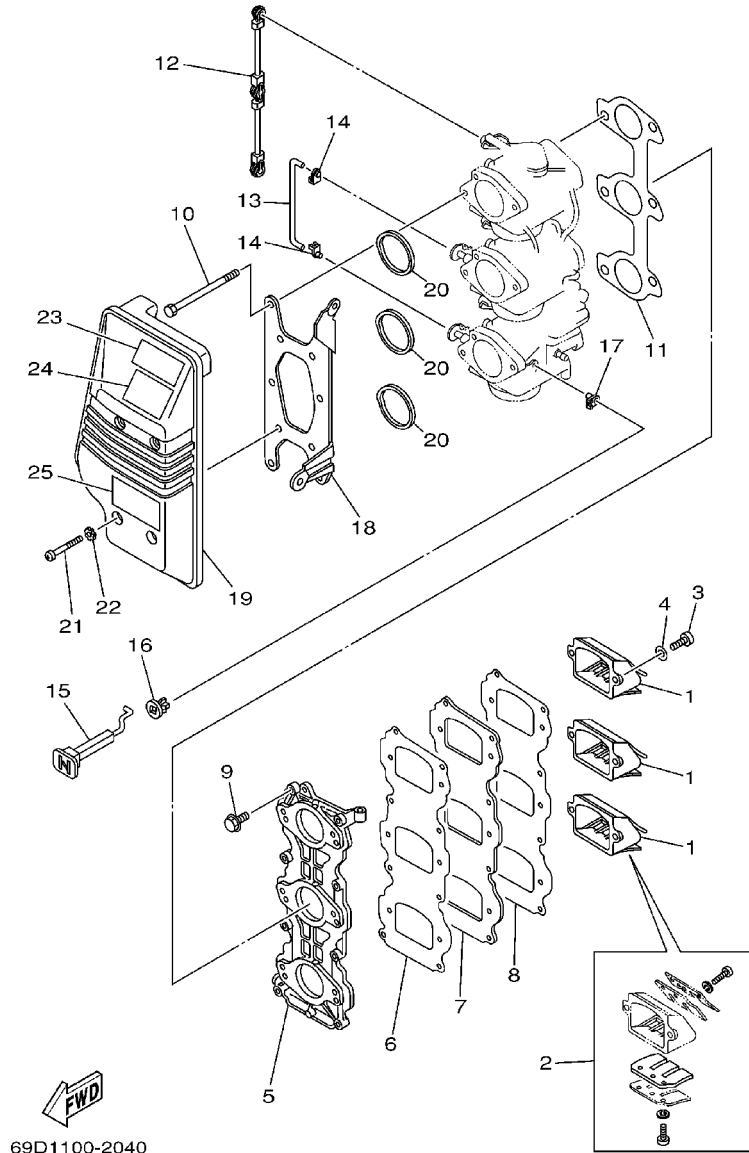
FIG. 3 CRANKSHAFT. PISTON

VILEBREQUIN. PISTON



REF. NO.	PART NO. NO. PIECES	DESCRIPTION DESCRIPTION	E60H				REMARKS REMARQUES
1	6H3-15359-00-94	HOUSING, OIL SEAL LOGEMENT, BAGUE D'ETANCHEITE	1				
2	93102-30M23	OIL SEAL JOINT SPY	1				
3	93106-18M01	OIL SEAL JOINT SPY	1				
4	93210-65M50	O-RING JOINT TORIQUE	1				
5	97095-06020	BOLT BOULON	3				
6	92995-06600	WASHER RONDELLE	3				
7	69D-11400-00	CRANKSHAFT ASSY VILEBREQUIN COMPLET	1				
8	93311-636U6	.BEARING .ROULEMENT	1				
9	93102-36M24	..OIL SEAL ..JOINT SPY	1				
10	93440-49M04	..CIRCLIP ..CIRCLIP	1				
11	93306-306V1	.BEARING .ROULEMENT	1				
12	93210-46M16	O-RING JOINT TORIQUE	1				
13	6K5-11631-03-95	PISTON (STD) PISTON (STD)	3				
	6K5-11635-03	PISTON (0.25MM O/S) PISTON (0.25MM O/S)	3				AP
	6K5-11636-03	PISTON (0.50MM O/S) PISTON (0.50MM O/S)	3				AP
14	6K5-11601-02	PISTON RING SET (STD) JEU DE SEGMENTS (STD)	3				
	6K5-11601-12	PISTON RING SET (0.25MM O/S) JEU DE SEGMENTS (0.25MM O/S)	3				AP
	6K5-11601-22	PISTON RING SET (0.50MM O/S) JEU DE SEGMENTS (0.50MM O/S)	3				AP
15	6H3-11633-00	PIN, PISTON AXE, PISTON	3				
16	688-11634-10	CLIP, PISTON PIN AGRAFE, AXE DE PISTON	6				
17	93603-18M09	PIN, DOWEL CLAVETTE	84				
18	90201-20417	WASHER, PLATE RONDELLE, PLATE	6				

FWD
6H20010-0030



69D1100-2040

FIG. 4 INTAKE

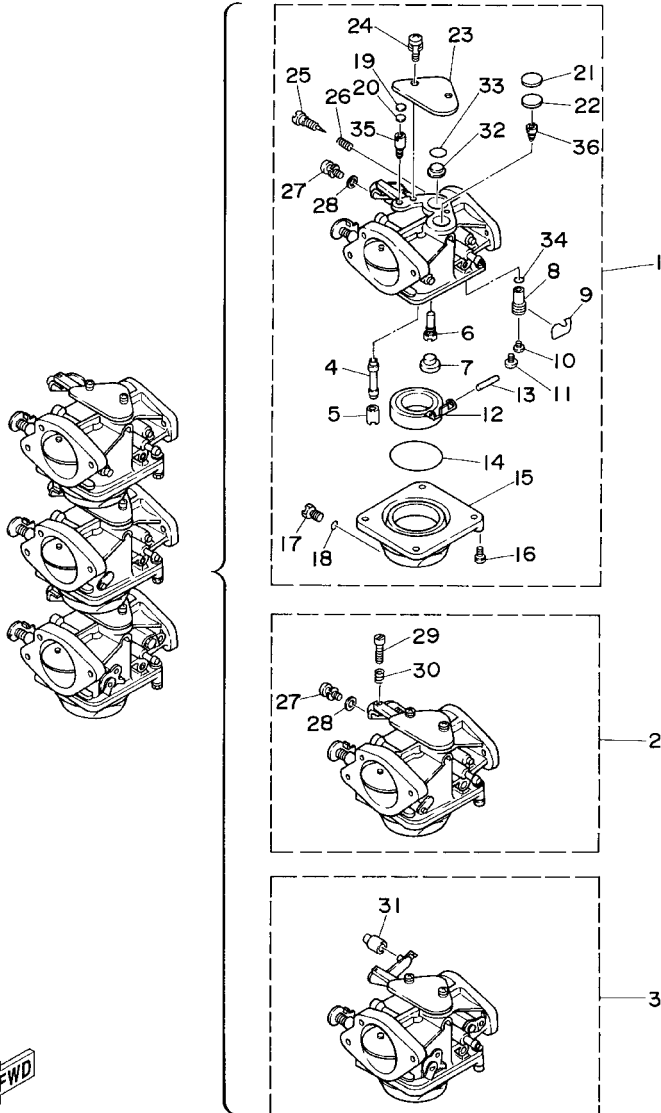
ADMISSION

REF. NO.	PART NO. NO. PIECES	DESCRIPTION DESCRIPTION	E60H				REMARKS REMARQUES
1	6H2-13610-00	REED VALVE ASSY CLAPET COMPLET	3				
2	688-W0004-00	.REED SET .JEU DE CLAPETS	1				
3	97880-05016	SCREW, PAN HEAD VIS, TETE TRONCONIQUE	6				
4	92990-05600	WASHER, PLATE RONDELLE, PLATE	6				
5	6H3-13641-03-94	MANIFOLD 1 TUBULURE 1	1				
6	6H3-13621-A1	GASKET, VALVE SEAT JOINT, SIEGE DE CLAPET	1				
7	6H3-13624-00-94	PLATE, REED VALVE PLAQUE DE CLAPET	1				
8	6H3-13622-A1	GASKET, VALVE SEAT JOINT, SIEGE DE CLAPET	1				
9	90119-06MA3	BOLT, WITH WASHER BOULON, AVEC RONDELLE	8				
10	97095-06095	BOLT BOULON	6				
11	6H3-14198-A1	GASKET JOINT	1				
12	6H3-41217-00	ROD, ACCEL. LEVER TIGE, LEVIER ACCELERATION	1				
13	6H3-41257-00	ROD, CHOKE 2 TRINGLE 2, STARTER	2				
14	661-41262-02	JOINT, CHOKE LEVER RACCORD, LEVIER DE STARTER	4				
15	6H3-41271-00	KNOB, CHOKE BOUTON DE STARTER	1				
16	689-41273-00	GROMMET PASSE-FIL	1				
17	661-41262-02	JOINT, CHOKE LEVER RACCORD, LEVIER DE STARTER	1				
18	6H3-14413-10	STAY SUPPORT	1				
19	6H3-14440-02	SILENCER ASSY, INTAKE SIENCIEUX D'ADMISSION	1				
20	6H3-14457-01	SEAL JOINT	3				
21	97885-06045	SCREW, PAN HEAD VIS, A ENCOCHE	4				
22	90209-06M05	WASHER RONDELLE	4				
23	6A1-83625-41	MARK 5 ETIQUETTE 5	1				
24	6A1-83625-51	MARK 5 ETIQUETTE 5	1				
25	6K5-14488-00	LABEL, CAUTION ETIQUETTE, RECOMMANDATION	1				

FIG. 5 CARBURETOR

CARBURETEUR

REF. NO.	PART NO. NO. PIECES	DESCRIPTION DESCRIPTION	E60H				REMARKS REMARQUES
1	6K5-14301-03	CARBURETOR ASSY 1 CARBURATEUR COMPLET 1	1				
2	6K5-14302-03	CARBURETOR ASSY 2 CARBURATEUR COMPLET 2	1				
3	6K5-14303-03	CARBURETOR ASSY 3 CARBURATEUR COMPLET 3	1				
4	6H2-14947-02	.NOZZLE, MAIN .PUITS D'AIGUILLE	3				
5	676-14943-34	.JET, MAIN (#135) .GICLEUR, PRINCIPAL (#135)	3				
6	6H4-14948-15	.JET, SLOW (#70) .GICLEUR (#70)	3				
7	676-14966-00	.CAP .CAPUCHON	3				
8	6H3-14590-01	.NEEDLE VALVE ASSY .POINTEAU	3				
9	663-14159-00	.CLIP .JONC	3				
10	676-14186-00	.PIN, FLOAT .AXE, FLOTTEUR	3				
11	98580-04008	.SCREW, PAN HEAD .VIS	3				
12	6G1-14985-00	.FLOAT .FLOTTEUR	3				
13	688-14548-00	.PIN, FLOAT ARM .AXE, BRAS DE FLOTTEUR	3				
14	6G1-14984-00	.O-RING .JOINT TORIQUE	3				
15	6H2-14980-00	.BODY, FLOAT CHAMBER .CORPS, CUVE DE FLOTTEUR	3				
16	97980-04114	.SCREW, WITH WASHER .VIS, AVEC RONDELLE	12				
17	6H3-14992-00	.SCREW, DRAIN .BOUCHON, PURGE	3				
18	93210-04230	.O-RING .JOINT TORIQUE	3				
19	663-14126-00	.GASKET .JOINT	3				
20	663-14527-00	.PLATE .PLAQUE	3				
21	688-14126-00	.GASKET .JOINT	3				
22	688-14527-00	.PLATE .PLAQUE	3				
23	6H2-14527-01	.PLATE .PLAQUE	3				
24	97980-05310	.SCREW, WITH WASHER .VIS, AVEC RONDELLE	6				
25	692-14923-00	.SCREW, PILOT .VIS, RALENTI	3				
26	679-14555-00	.SPRING .RESSORT	3				
27	6K5-14592-00	.SCREW .VIS	2				#1,2

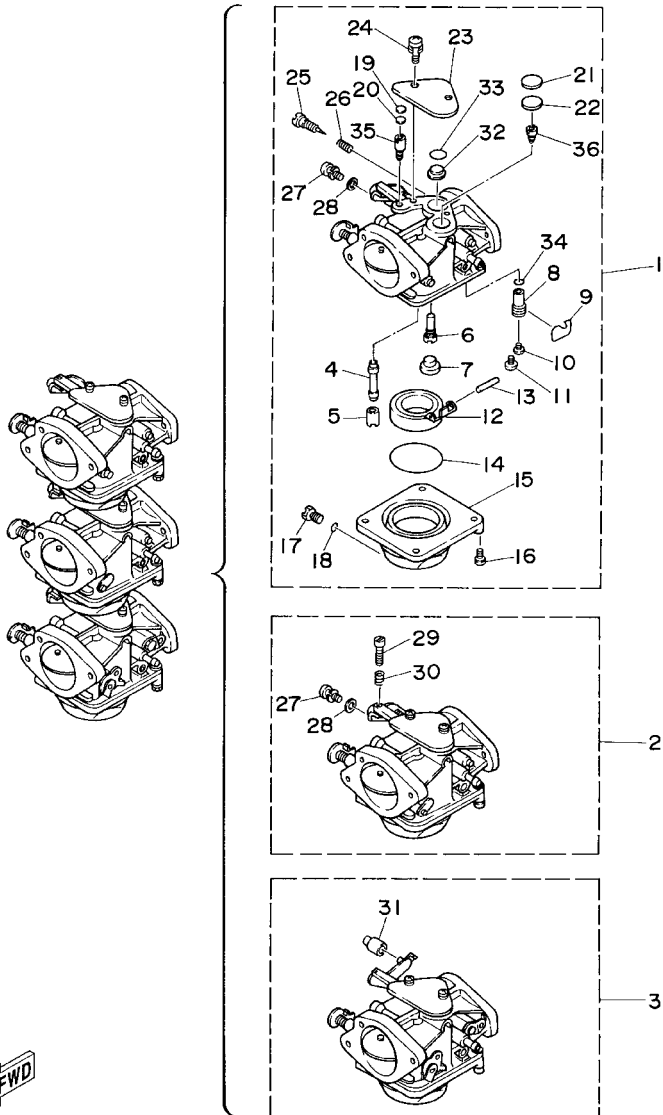


6K50100-4050

FIG. 5 CARBURETOR

CARBURATEUR

REF. NO.	PART NO. NO. PIECES	DESCRIPTION DESCRIPTION	E60H		REMARKS REMARQUES
28	90201-05652	.WASHER, PLATE .RONDELLE, PLATE	2		#1,2
29	63V-14523-00	.SCREW, STOP .VIS, BUTEE	1		#2
30	90501-10326	.SPRING, COMPRESSION .RESSORT, COMPRESSION	1		#2
31	6H2-14578-00	.COLLAR .COLLERETTE	1		#3
32	6H3-14578-00	.PLATE .PLAQUE	3		
33	93210-15M52	.O-RING .JOINT TORIQUE	3		
34	93210-04228	.O-RING .JOINT TORIQUE	3		
35	6K5-14945-36	.JET, AIR MAIN (#145) .GICLEUR (#145)	3		
36	6K5-14950-21	.JET, AIR SLOW (#85) .GICLEUR (#85)	3		



 6K50100-4050

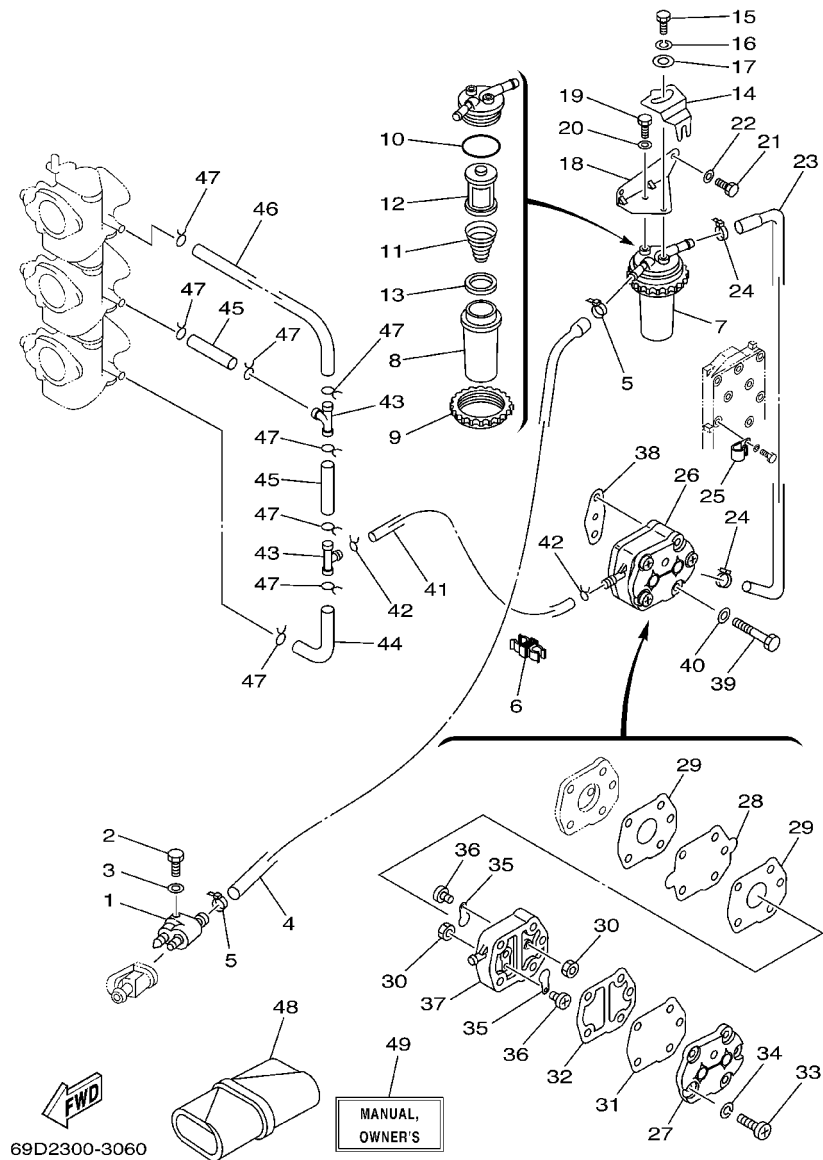


FIG. 6 FUEL

CARBURANT

REF. NO.	PART NO. NO. PIECES	DESCRIPTION DESCRIPTION	E60H				REMARKS REMARQUES
1	6G1-24304-02	FUEL PIPE JOINT COMP. 1 DURITE RACCORDEMT. A ESSENCE	1				
2	97095-06025	BOLT BOULON	1				
3	92995-06600	WASHER RONDELLE	1				
4	69D-24311-00	PIPE, FUEL 1 DURITE A ESSENCE	1				
5	90465-11M10	CLAMP BRIDE	2				
6	90464-10M59	CLAMP BRIDE	1				
7	61A-24560-04	FILTER ASSY ENS FILTRE	1				
8	61A-24521-00	.CUP, FILTER .CUVETTE, FILTRE	1				
9	65L-24531-01	.NUT .ECROU	1				
10	61A-24564-00	.O-RING .JOINT TORIQUE	1				
11	61A-24577-01	.SPRING .RESSORT	1				
12	61A-24563-00	.ELEMENT, FILTER .ELEMENT, FILTRE	1				
13	61A-24469-00	.FLOAT, WATER LEVEL .FLOTTEUR	1				
14	65L-24558-00	HOLDER, FILTER SUPPORT, FILTRE	1				
15	97095-06016	BOLT BOULON	1				
16	92995-06100	WASHER, SPRING RONDELLE, GROWER	1				
17	90201-06068	WASHER, PLATE RONDELLE, PLATE	1				
18	69D-24566-01	BRACKET, FILTER SUPPORT, FILTRE	1				
19	97095-06014	BOLT BOULON	1				
20	92995-06600	WASHER RONDELLE	1				
21	97095-06016	BOLT BOULON	2				
22	92995-06600	WASHER RONDELLE	2				
23	69D-24312-00	PIPE 2 DURITE 2	1				
24	90465-11M10	CLAMP BRIDE	2				
25	90465-08M83	CLAMP BRIDE	1				
26	692-24410-00	FUEL PUMP ASSY POMPE A ESSENCE	1				
27	6A0-24413-00	.BODY 2 .CORPS 2	1				

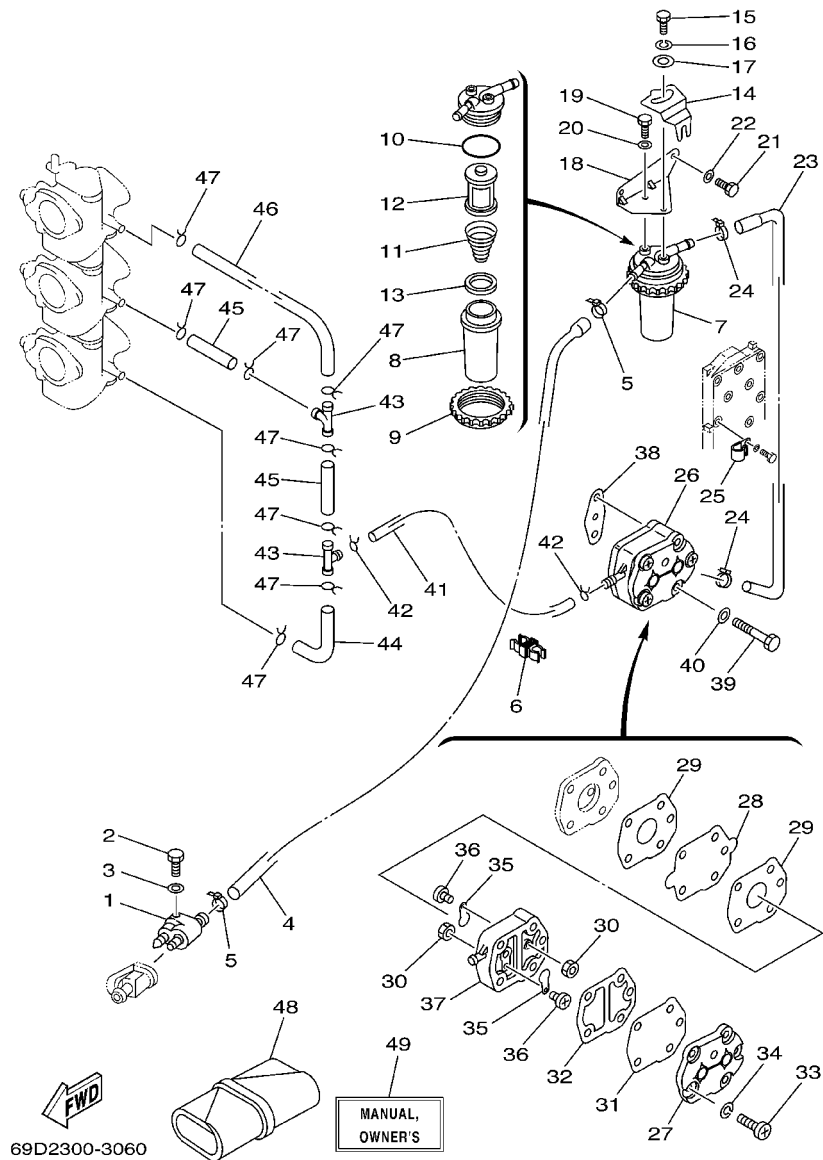
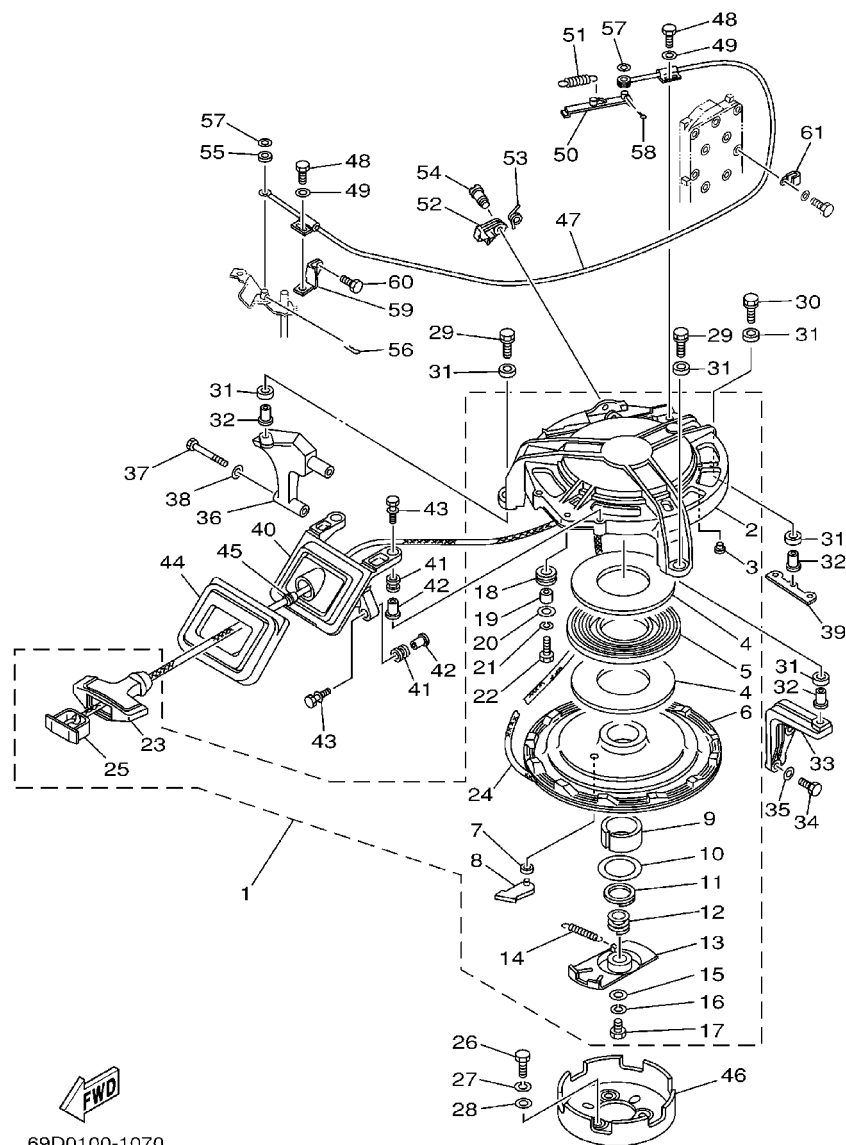


FIG. 6 FUEL

CARBURANT

REF. NO.	PART NO. NO. PIECES	DESCRIPTION DESCRIPTION	E60H				REMARKS REMARQUES
28	692-24411-00	.DIAPHRAGM .DIAPHRAGME	1				
29	648-24434-01	.GASKET, BODY .JOINT, CORPS	2				
30	95380-03600	.NUT ECROU	2				
31	663-24411-00	.DIAPHRAGM .DIAPHRAGME	1				
32	648-24435-02	.GASKET, BODY 2 .JOINT, CORPS 2	1				
33	98503-05028	.SCREW, PAN HEAD .VIS	3				
34	92990-05100	.WASHER, SPRING .RONDELLE, GROWER	3				
35	6A0-24421-01	.VALVE, CHECK .SOUPAPE, RETENUE	2				
36	6A0-14325-00	.SCREW, PAN HEAD .VIS TETE CONIQUE	2				
37	6A0-24412-02	.BODY 1 .CORPS 1	1				
38	650-24431-A0	GASKET, FUEL PUMP 1 JOINT 1 DE POMPE A ESSENCE	1				
39	97095-06040	BOLT BOULON	2				
40	92995-06600	WASHER RONDELLE	2				
41	90445-09072	HOSE (L120) DURITE (L120)	1				
42	90467-08004	CLIP JONC	2				
43	688-24378-00	PIPE, JOINT 4 DURITE RACCORDEMENT 4	2				
44	6H3-24313-00	PIPE 3 DURITE 3	1				
45	90445-09220	HOSE DURITE	2				
46	6H3-24314-00	PIPE 4 DURITE 4	1				
47	90467-08004	CLIP JONC	8				
48	656-W2810-02	TOOL KIT TROUSSE A OUTILS	1				
49	69D-28199-60-A0	MANUAL, OWNER'S MANUEL D'UTILISATION	1				(F,S,P)



69D0100-1070

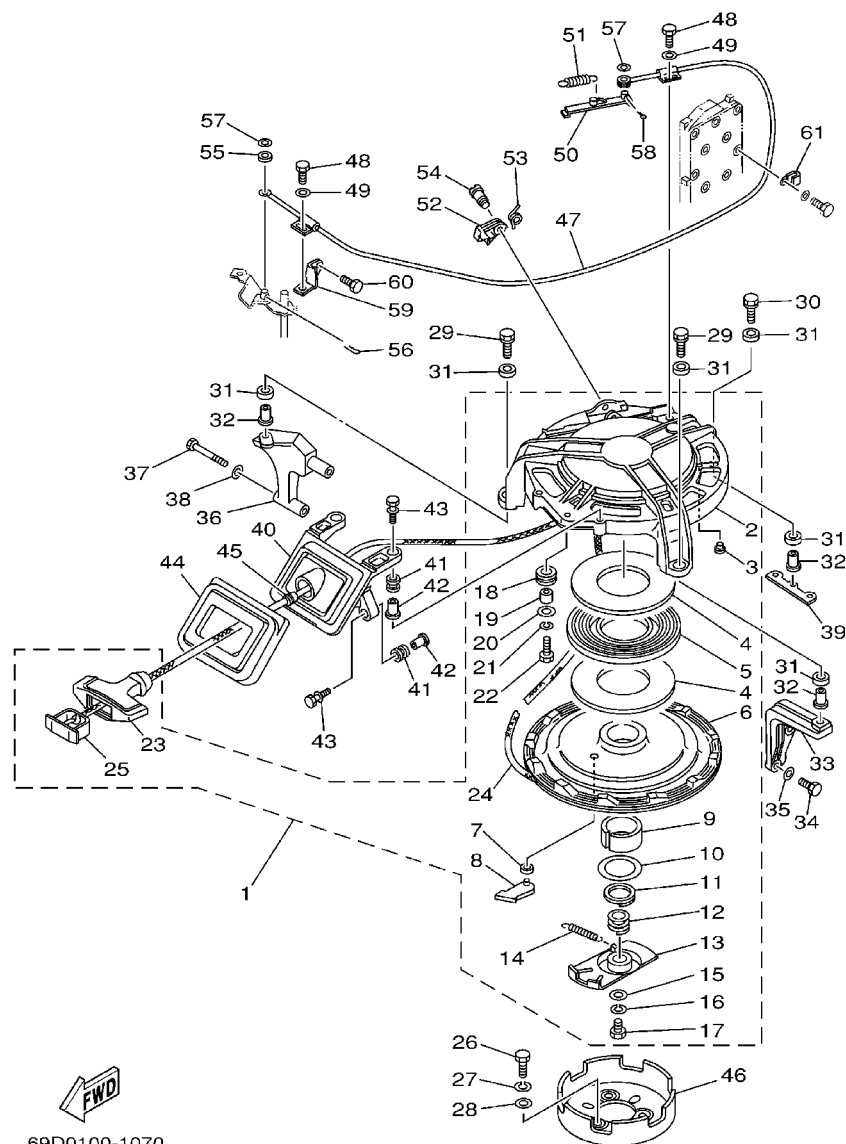
FIG. 7 STARTER

DEMARREUR

REF. NO.	PART NO. NO. PIECES	DESCRIPTION DESCRIPTION	E60H				REMARKS REMARQUES
1	692-W1571-02	STARTER ASSY DEMARREUR COMPLET	1				
2	692-15711-00	.CASE, STARTER .CARTER DE DEMARREUR	1				
3	648-15773-00	.STAY 3 .SUPPORT 3	5				
4	663-15739-00	.WASHER, THRUST .RONDELLE, DE BUTEE	2				
5	663-15713-00	.SPRING, STARTER .RESSORT DE DEMARREUR	1				
6	663-15714-01	.DRUM, SHEAVE .TAMBOUR, POULIE	1				
7	663-15764-00	.COLLAR 1 .COLLERETTE 1	1				
8	663-15741-02	.PAWL, DRIVE .CLIQUET, ENTRAINEMENT	1				
9	663-15754-00	.BUSH 2 .BAGUE 2	1				
10	663-15726-01	.WASHER, FLAT .RONDELLE, PLATE	1				
11	663-15744-00	.CIRCLIP .CIRCLIP	1				
12	663-15715-00	.SPRING, FRICTION .RESSORT, PLAQUE D'ENTRAINEMT	1				
13	663-15716-01	.PLATE, DRIVE .PLAQUE, ENTRAINEMENT	1				
14	663-15734-01	.SPRING, RETURN .RESSORT, RAPPEL	1				
15	663-15719-00	.WASHER, THRUST .RONDELLE, DE BUTEE	1				
16	92903-06100	.WASHER, SPRING .RONDELLE, GROWER	1				
17	97303-06016	.BOLT .BOULON	1				
18	663-15752-00	.ROLLER, WIRE .GALET, CABLE	1				
19	663-15753-00	.BUSH .CHARBON	1				
20	663-15791-00	.WASHER, LOCK .RONDELLE-FREIN	1				
21	92903-06100	.WASHER, SPRING .RONDELLE, GROWER	1				
22	97303-06025	.BOLT .BOULON	1				
23	689-15755-01	.HANDLE, STARTER .POIGNEE, DE DEMARREUR	1				
24	*	.WIRE (L:2300MM) .FIL (L:2300MM)	1				
25	6F5-15779-02	.COVER .COUVERCLE	1				

* CUT FROM 50M ROLLS, PART NO. 90890-44374,
CUTTING LENGTH 2.3M

* A PRELEVER SUR BOBINE 50M, REFERENCE 90890-44374,
LONGUEUR DE COUPE 2.3M



69D0100-1070

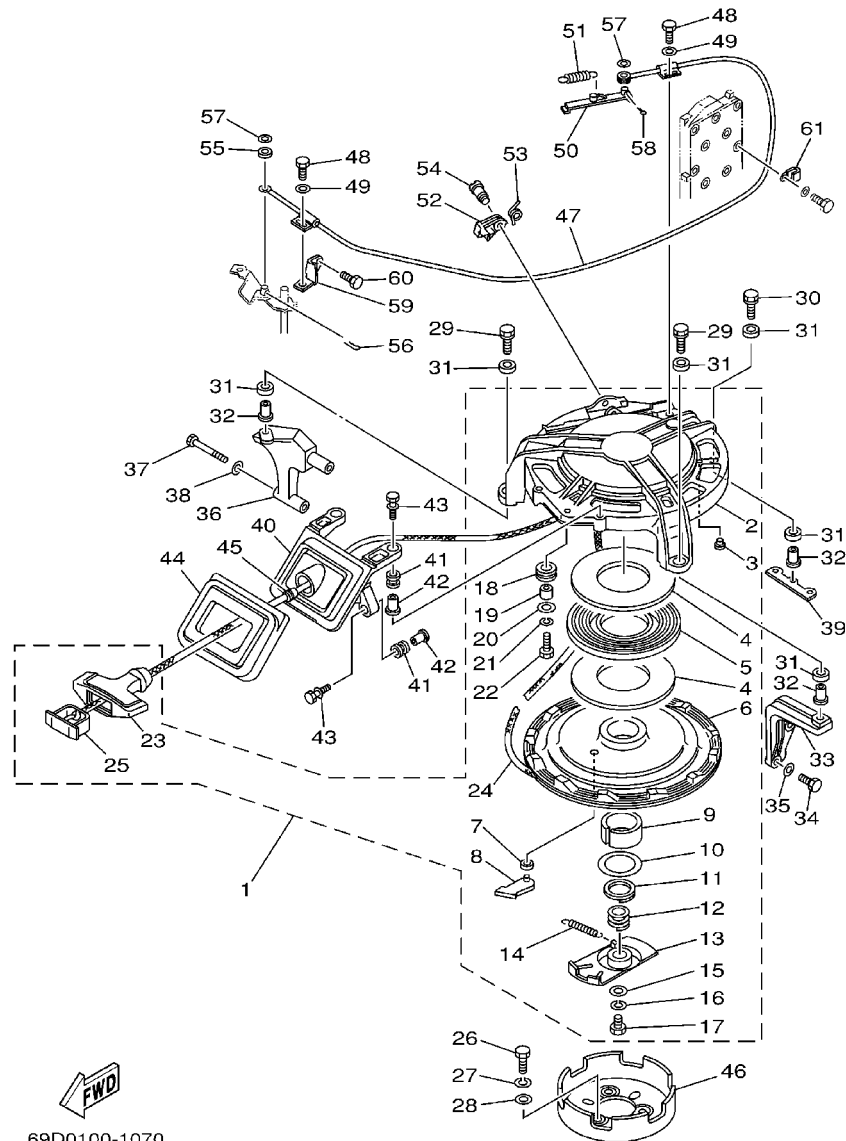
FIG. 7 STARTER

DEMARREUR

REF. NO.	PART NO. NO. PIECES	DESCRIPTION DESCRIPTION	E60H				REMARKS REMARQUES
26	97013-08012	BOLT BOULON	3				
27	92903-08100	WASHER, SPRING RONDELLE, GROWER	3				
28	92903-08600	WASHER, PLATE RONDELLE, PLATE	3				
29	90119-08M28	BOLT, WITH WASHER BOULON, AVEC RONDELLE	2				
30	90119-08M32	BOLT, WITH WASHER BOULON, AVEC RONDELLE	1				
31	90385-12M04	BUSH DOUILLE	6				
32	90387-08M05	COLLAR COLLERETTE	3				
33	6K5-15771-00-94	STAY 1 SUPPORT 1	1				
34	97013-06025	BOLT BOULON	2				
35	92903-06600	WASHER, PLATE RONDELLE, PLATE	2				
36	6K5-15772-00-94	STAY 2 SUPPORT 2	1				
37	97013-06055	BOLT BOULON	2				
38	92903-06600	WASHER, PLATE RONDELLE, PLATE	2				
39	6K5-15773-01	STAY 3 SUPPORT 3	1				
40	6K5-15758-01-94	GUIDE, ROPE GUIDE DE CABLE	1				
41	6A0-82317-00	DAMPER, IGNITION COIL AMORTISSEUR, BOBINE D'ALLUM	4				
42	624-42542-00	PIPE TUYAU	4				
43	90119-06M65	BOLT, WITH WASHER BOULON, AVEC RONDELLE	4				
44	6K5-15762-00	SEAL, RUBBER 2 JOINT CAOUTCHOUC 2	1				
45	697-15789-00	DAMPER AMORTISSEUR	1				
46	6K5-15723-00	PULLEY, STARTER POULIE DE DEMARREUR	1				
47	6K5-15770-01	CABLE COMP., STARTER STOP CABLE, BUTEE DE DEMAR	1				
48	97095-06012	BOLT BOULON	2				
49	92995-06600	WASHER RONDELLE	2				
50	663-15735-01	GUIDE, CAM COULISSEAU	1				
51	90506-08M23	SPRING, TENSION RESSORT, TENSION	1				
52	663-15794-00	STOPPER BUTEE	1				

FIG. 7 STARTER

DEMARREUR

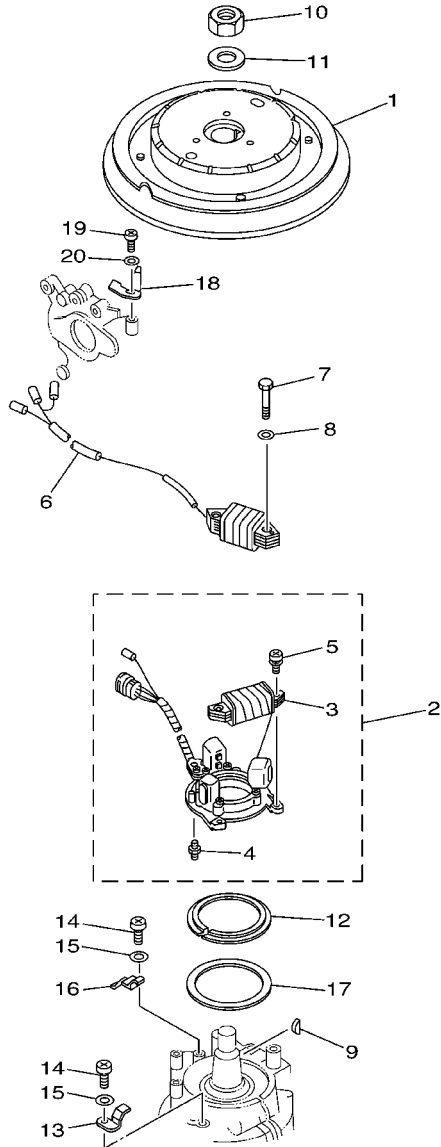


REF. NO.	PART NO. NO. PIECES	DESCRIPTION DESCRIPTION	E60H				REMARKS REMARQUES
53	90508-12015	SPRING, TORSION RESSORT, TORSION	1				
54	90149-05095	SCREW VIS	1				
55	663-15736-00	RING, RETAINING 1 CIRCLIP 1	1				
56	90468-18008	CLIP JONC	1				
57	92903-06200	WASHER, PLAIN RONDELLE, PLATE	2				
58	91490-16012	PIN, COTTER GOUPILLE	1				
59	6K5-15774-00	STAY 4 SUPPORT 4	1				
60	97013-06012	BOLT BOULON	1				
61	90465-06M90	CLAMP BRIDE	1				

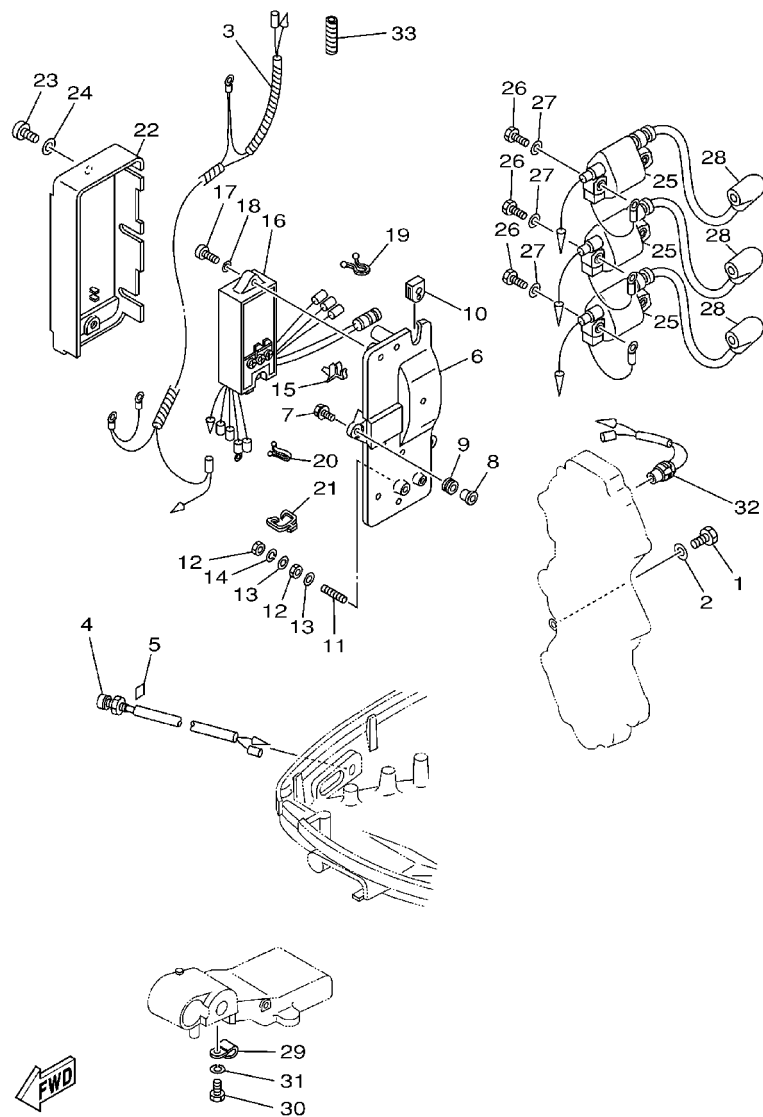
FWD
69D0100-1070

FIG. 8 GENERATOR

GENERATRICE



REF. NO.	PART NO. NO. PIECES	DESCRIPTION DESCRIPTION	E60H				REMARKS REMARQUES
1	6K5-85550-10	ROTOR ASSY ROTOR CPLT	1				
2	6H3-85510-A1	STATOR ASSY STATOR CPLT	1				
3	6H3-85520-00	.COIL, CHARGE .BOBINE, CHARGE	1				
4	663-85518-00	.JOINT, BALL .JOINT SPHERIQUE	1				
5	97902-05125	.SCREW, WITH WASHER .VIS, AVEC RONDELLE	2				
6	6H3-85533-A0	COIL, LIGHTING BOBINE, ECLAIRAGE	1				
7	97013-06030	BOLT BOULON	2				
8	92903-06600	WASHER, PLATE RONDELLE, PLATE	2				
9	90280-05015	KEY, WOODRUFF CLAVETTE, DEMI-LUNE	1				
10	90170-20137	NUT ECROU	1				
11	90201-21M18	WASHER, PLATE RONDELLE, PLATE	1				
12	6H4-41611-00	RETAINER, MAGNETO BASE FLASQUE, PLATEAU D'AVANCE	1				
13	6H3-41612-00	RETAINER, MAGNETO BASE FLASQUE, PLATEAU D'AVANCE	2				
14	97885-06012	SCREW, PAN HEAD VIS, A ENCOCHE	3				
15	92995-06600	WASHER RONDELLE	3				
16	6H3-41612-10	RETAINER, MAGNETO BASE FLASQUE, PLATEAU D'AVANCE	1				
17	6K5-41618-00	WASHER, MAGNETO RONDELLE, MAGNETO	1				
18	6K5-81332-60	PLATE, TIMING PLATEAU, ALLUMAGE	1				
19	97885-06010	SCREW, PAN HEAD VIS, A ENCOCHE	1				
20	92995-06600	WASHER RONDELLE	1				

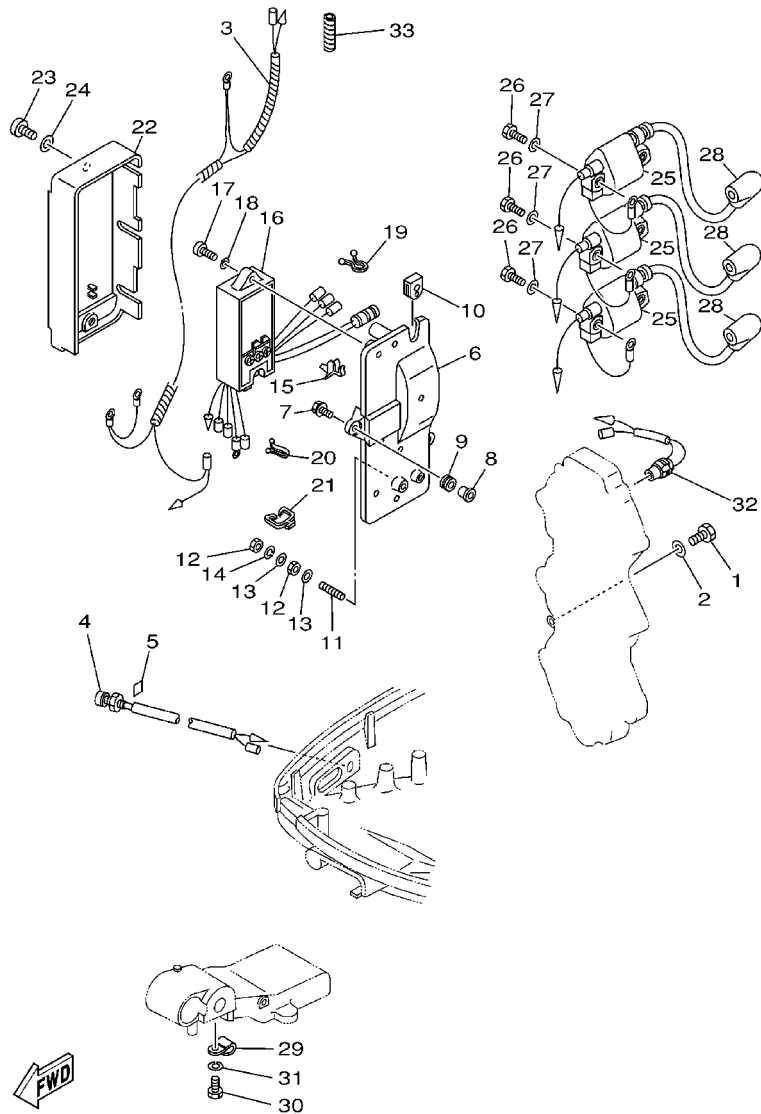


6K50100-0100

FIG. 9 ELECTRICAL

ELECTRIQUE

REF. NO.	PART NO. NO. PIECES	DESCRIPTION DESCRIPTION	E60H				REMARKS REMARQUES
1	97013-06012	BOLT BOULON	1				
2	92903-06600	WASHER, PLATE RONDELLE, PLATE	1				
3	6K5-82531-00	WIRE, LEAD FIL	1				
4	6H4-85411-00	OVERHEAT WARNING LAMP SURCHAUFFER LAMPE GRI	1				
5	6H4-85415-00	MARK, SIGNAL LAMP ETIQUETTE	1				
6	6H3-85542-00-94	BRACKET SUPPORT	1				
7	90105-06M14	BOLT FLANGE BOULON	3				
8	90387-06M43	COLLAR COLLERETTE	3				
9	90480-13M24	GROMMET PASSE-FIL	3				
10	6H3-81922-00	GROMMET OEILLET, CAOUTCHOUQ.	1				
11	90116-06M07	BOLT, STUD GOUJON	1				
12	95380-06700	NUT ECROU	2				
13	92990-06200	WASHER, PLAIN RONDELLE, PLATE	2				
14	92990-06100	WASHER, SPRING RONDELLE, GROWER	1				
15	90464-04M12	CLAMP BRIDE	1				
16	6H3-85540-11	C.D.I. UNIT ASSY BLOC C.D.I.	1				
17	97880-06025	SCREW, PAN HEAD VIS, TETE TRONCONIQUE	2				
18	92990-06600	WASHER, PLATE RONDELLE, PLATE	2				
19	90464-08M07	CLAMP BRIDE	1				
20	90464-12M17	CLAMP BRIDE	1				
21	90464-07M10	CLAMP BRIDE	1				
22	6H3-81916-00	COVER, TERMINAL COUVERCLE, BORNE	1				
23	97885-06012	SCREW, PAN HEAD VIS, A ENCOCHE	2				
24	92995-06600	WASHER RONDELLE	2				
25	6H3-85570-10	IGNITION COIL ASSY BOBINE D'ALLUMAGE (ENS.)	3				
26	97013-06025	BOLT BOULON	6				
27	92903-06600	WASHER, PLATE RONDELLE, PLATE	6				



6K50100-0100

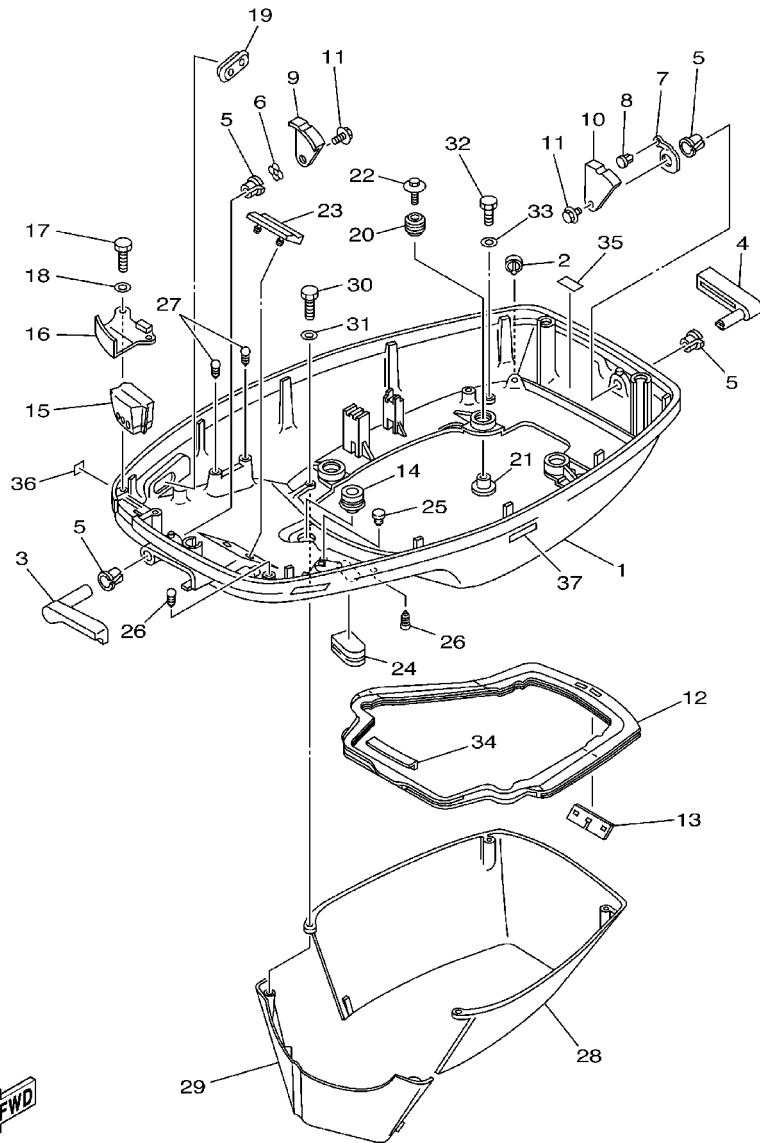
FIG. 9 ELECTRICAL

ELECTRIQUE

REF. NO.	PART NO. NO. PIECES	DESCRIPTION DESCRIPTION	E60H				REMARKS REMARQUES
28	6G1-82370-21	PLUG CAP ASSY ANTIPARASITE	3				
29	90465-06M90	CLAMP BRIDE	1				
30	97013-06012	BOLT BOULON	1				
31	92903-06100	WASHER, SPRING RONDELLE, GROWER	1				
32	688-82560-10	THERMO SWITCH ASSY THERMO-CONTACT COMPLET	1				
33	90446-10M02	HOSE DURITE	1				

FIG. 10 BOTTOM COWLING

CAPOT INFERIEUR

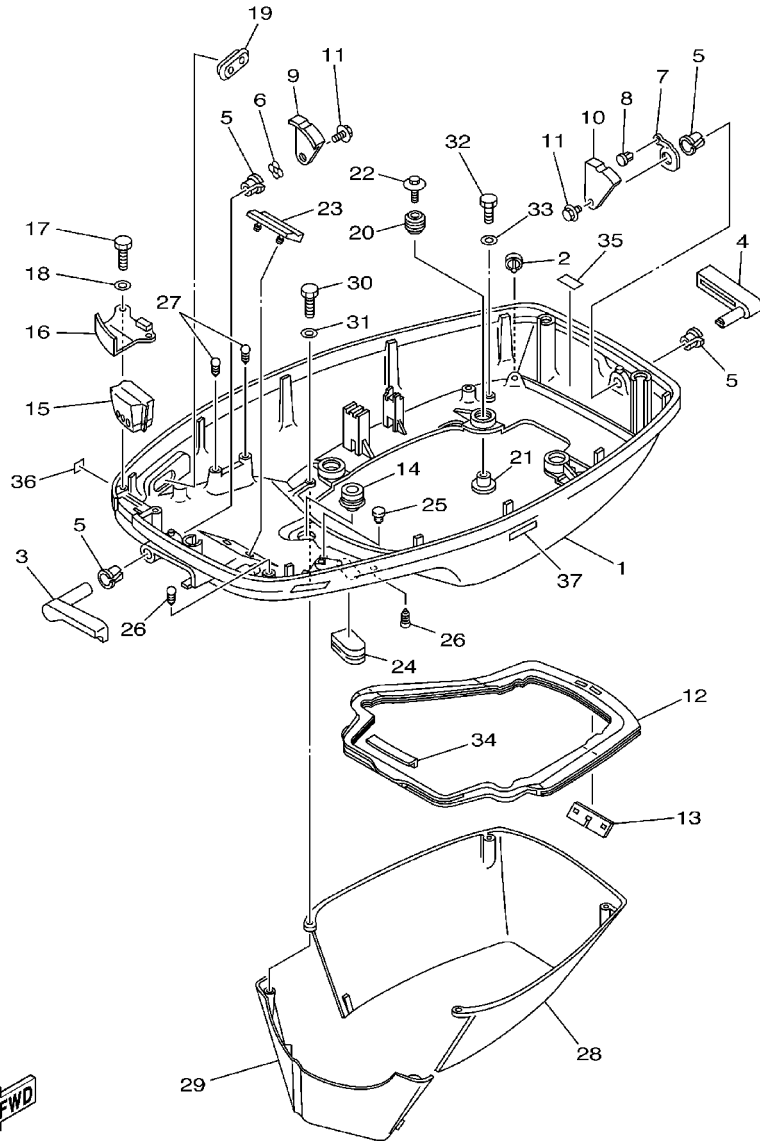


69D1300-2100

REF. NO.	PART NO. NO. PIECES	DESCRIPTION DESCRIPTION	E60H				REMARKS REMARQUES
1	6H3-42711-14-4D	COWLING, BOTTOM CUVETTE	1				
2	69D-44391-00	NIPPLE, HOSE RACCORD D'ESSENCE	1				
3	6H3-42815-01-4D	LEVER, CLAMP LEVIER, PRESSE	1				
4	6H3-42817-01-4D	LEVER, CLAMP LEVIER, PRESSE	1				
5	90386-13M38	BUSH DQUILLE	4				
6	90206-13M10	WASHER, WAVE RONDELLE, ONDULEE	1				
7	6H3-42813-00	SPRING, CLAMP LEVER RESSORT	1				
8	90269-04M03	RIVET RIVET	1				
9	6H3-42816-00	LEVER, CLAMP LEVIER, PRESSE	1				
10	6H3-42818-00	LEVER, CLAMP LEVIER, PRESSE	1				
11	90119-06M09	BOLT, WITH WASHER BOULON, AVEC RONDELLE	2				
12	6H3-42716-02	RUBBER, SEAL 1 JOINT EN CAOUTCHOUC 1	1				
13	6K5-42717-00	RUBBER, SEAL 2 JOINT EN CAOUTCHOUC 2	1				
14	6E5-42724-00	GROMMET PASSE-FIL	1				
15	6K5-42725-00	GROMMET PASSE-FIL	1				
16	6H3-42738-01-5B	PLATE, FITTING ETRIER	1				
17	97095-06016	BOLT BOULON	2				
18	92995-06600	WASHER RONDELLE	2				
19	6H3-42727-00	GROMMET PASSE-FIL	1				
20	90480-09M12	GROMMET PASSE-FIL	4				
21	90387-06M69	COLLAR COLLERETTE	4				
22	90119-06M61	BOLT, WITH WASHER BOULON, AVEC RONDELLE	4				
23	6H3-42768-00	DAMPER AMORTISSEUR	1				
24	6H4-42726-00	GROMMET PASSE-FIL	1				
25	703-82119-00	COVER, LEAD WIRE GARNITURE, FIL	2				
26	90338-05M03	PLUG PLOT	2				
27	90338-05M03	PLUG PLOT	2				

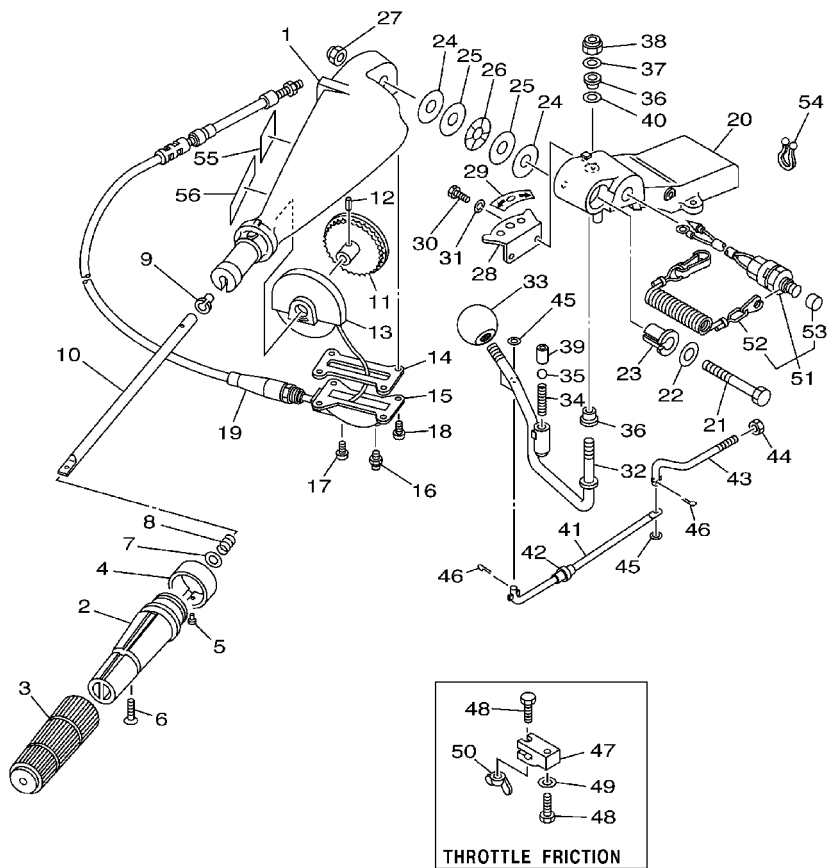
FIG. 10 BOTTOM COWLING

CAPOT INFERIEUR



69D1300-2100

REF. NO.	PART NO. NO. PIECES	DESCRIPTION DESCRIPTION	E60H				REMARKS REMARQUES
28	6H3-42741-01-4D	APRON CAPOT LATERAL	1				
29	6H3-42771-01-4D	APRON CAPOT LATERAL	1				
30	97095-06025	BOLT BOULON	2				
31	92995-06600	WASHER RONDELLE	2				
32	97095-06020	BOLT BOULON	2				
33	92995-06600	WASHER RONDELLE	2				
34	6H3-42718-00	RUBBER, SEAL 3 JOINT	1				
35	6G5-42791-10	MARK 1 ETIQUETTE 1	1				
36	6A1-28176-00	LABEL, CAUTION ETIQUETTE, RECOMMANDATION	1				
37	6E3-8257H-00	PLATE, MARK PLAQUE, ADHESIF	1				

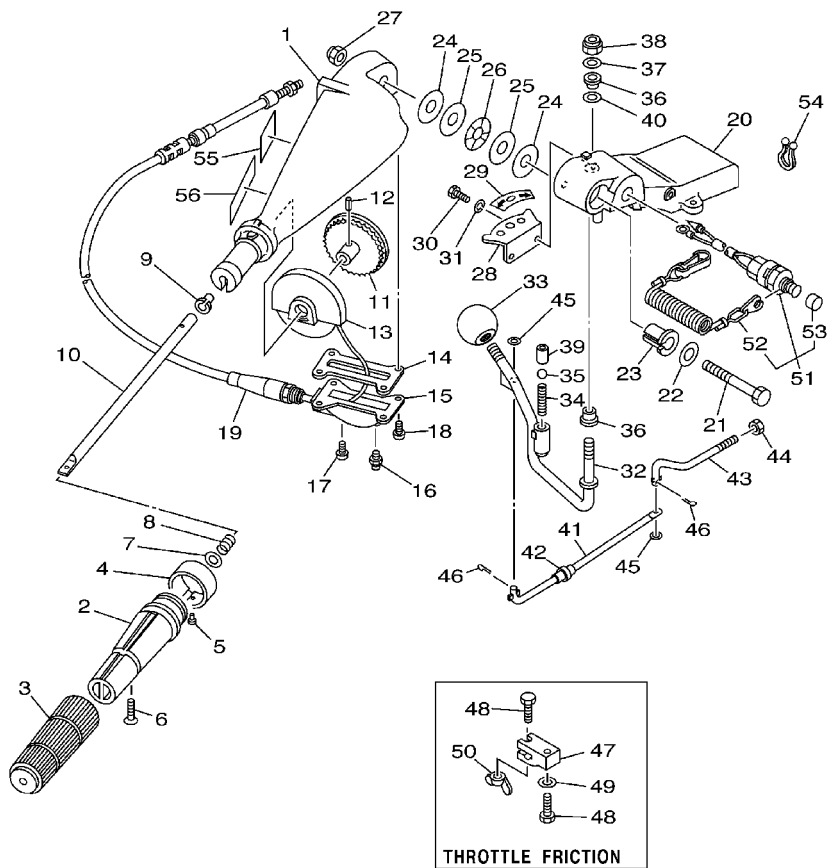


69D1300-2110

FIG. 11 STEERING

DIRECTION

REF. NO.	PART NO. NO. PIECES	DESCRIPTION DESCRIPTION	E60H				REMARKS REMARQUES
1	663-42111-02-4D	HANDLE, STEERING POIGNEE	1				
2	664-42119-00	GRIP, STEERING HANDLE POIGNEE, BARRE FRANCHE	1				
3	6F6-42177-A0	RUBBER, HANDLE CAOUTCHOUC, POIGNEE	1				
4	6K5-42137-00	INDICATOR, THROTTLE INDICATEUR, ACCELERATION	1				
5	90269-02M09	RIVET RIVET	1				
6	90149-05M13	SCREW VIS	1				
7	92903-10600	WASHER, PLATE RONDELLE, PLATE	1				
8	90501-23215	SPRING, COMPRESSION RESSORT, COMPRESSION	1				
9	90386-08032	BUSH DOUILLE	1				
10	663-42115-00	SHAFT, STEERING HANDLE AXE, BARRE FRANCHE	1				
11	663-42138-00	LEVER, THROTTLE LEVIER, ACCELERATEUR	1				
12	90254-03003	PIN, SPRING RIVET, TETE TRONCONIQUE	1				
13	663-42135-01	HOUSING, THROTTLE LEVER BOITIER, CREMAILLE	1				
14	663-42133-01	GASKET JOINT	1				
15	663-42134-03-94	COVER, THROTTLE LEVER CAPOT, CREMAILLE	1				
16	93700-06M03	NIPPLE, GREASE PION	1				
17	97885-06008	SCREW, PAN HEAD VIS, A ENCOCHE	1				
18	97885-05012	SCREW, PAN HEAD VIS, A ENCOCHE	4				
19	692-26301-03	THROTTLE CABLE ASSY CABLE D'ACCELERATEUR	1				
20	692-42121-02-4D	BRACKET SUPPORT	1				
21	90101-12M06	BOLT BOULON	1				
22	92990-12200	WASHER, PLAIN RONDELLE, PLATE	1				
23	90386-12089	BUSH DOUILLE	1				
24	90202-12092	WASHER, PLATE RONDELLE, PLATE	2				
25	90201-12537	WASHER, PLATE RONDELLE, PLATE	2				
26	90206-12054	WASHER, WAVE RONDELLE, ONDULEE	1				
27	90185-12058	NUT, SELF-LOCKING ECROU, AUTO-BLOCANT	1				



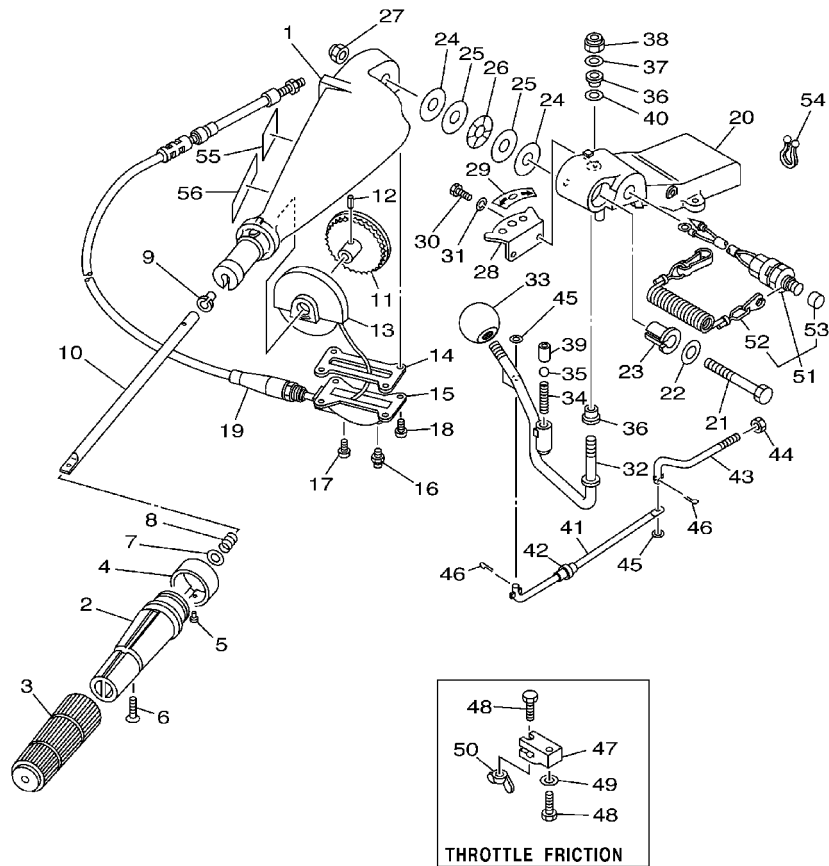
69D1300-2110

FIG. 11 STEERING

DIRECTION

REF. NO.	PART NO. NO. PIECES	DESCRIPTION DESCRIPTION	E60H				REMARKS REMARQUES
28	697-44113-00	CAM PLATE, HANDLE CAME, VERROUILLAGE	1				
29	6K5-44191-00	INDICATOR, SHIFT ETIQUETTE, EMBRAYAGE	1				
30	97013-06016	BOLT BOULON	2				
31	92903-06100	WASHER, SPRING RONDELLE, GROWER	2				
32	692-44159-01	HANDLE, GEAR SHIFT POIGNEE, LEVIER D'EMBRAYAGE	1				
33	663-44173-00	LEVER, SHIFT CONTROL POIGNEE, INVERSION	1				
34	90501-16M17	SPRING, COMPRESSION RESSORT, COMPRESSION	1				
35	93515-32M01	BALL BILLE	1				
36	90386-10009	BUSH DOUILLE	2				
37	90201-10120	WASHER, PLATE RONDELLE, PLATE	1				
38	90185-10051	NUT, SELF-LOCKING ECROU, AUTO-BLOCANT	1				
39	90387-12M30	COLLAR COLLERETTE	1				
40	90201-12M34	WASHER, PLATE RONDELLE, PLATE	1				
41	6H3-42191-01	ROD 1 TRINGLE 2	1				
42	90386-06088	BUSH DOUILLE	1				
43	6H3-42192-00	ROD 2 TRINGLE 2	1				
44	700-48339-00	NUT, CABLE END ECROU, CABLE COMMANDE DISTANCE	1				
45	92990-06600	WASHER, PLATE RONDELLE, PLATE	2				
46	91490-25012	PIN, COTTER GOUPILLE	2				
47	663-42126-01	FRICTION, STEERING HANDLE GRIP CUVETTE, POIGNEE DE DIRECTION	1				
48	90101-06M27	BOLT BOULON	2				
49	92990-06600	WASHER, PLATE RONDELLE, PLATE	1				
50	90175-06003	NUT, WING ECROU, A OREILLES	1				
51	6K5-82575-03	ENGINE STOP SWITCH ASSY COUPE CIRCUIT CPLT	1				
52	682-82556-00	STOPPER PLAQUETTE	1				
53	689-8257Y-00	CAP CHAPEAU	1				
54	90464-08M07	CLAMP BRIDE	2				

D1



69D1300-2110

FIG. 11 STEERING

DIRECTION

REF. NO.	PART NO. NO. PIECES	DESCRIPTION DESCRIPTION	E60H		REMARKS REMARQUES
55	6E0-83627-51	LABEL, CAUTION 7 ETIQUETTE, RECOMMANDATION 7	1		
56	6E0-83627-41	LABEL, CAUTION 7 ETIQUETTE, RECOMMANDATION 7	1		



6K50100-4160

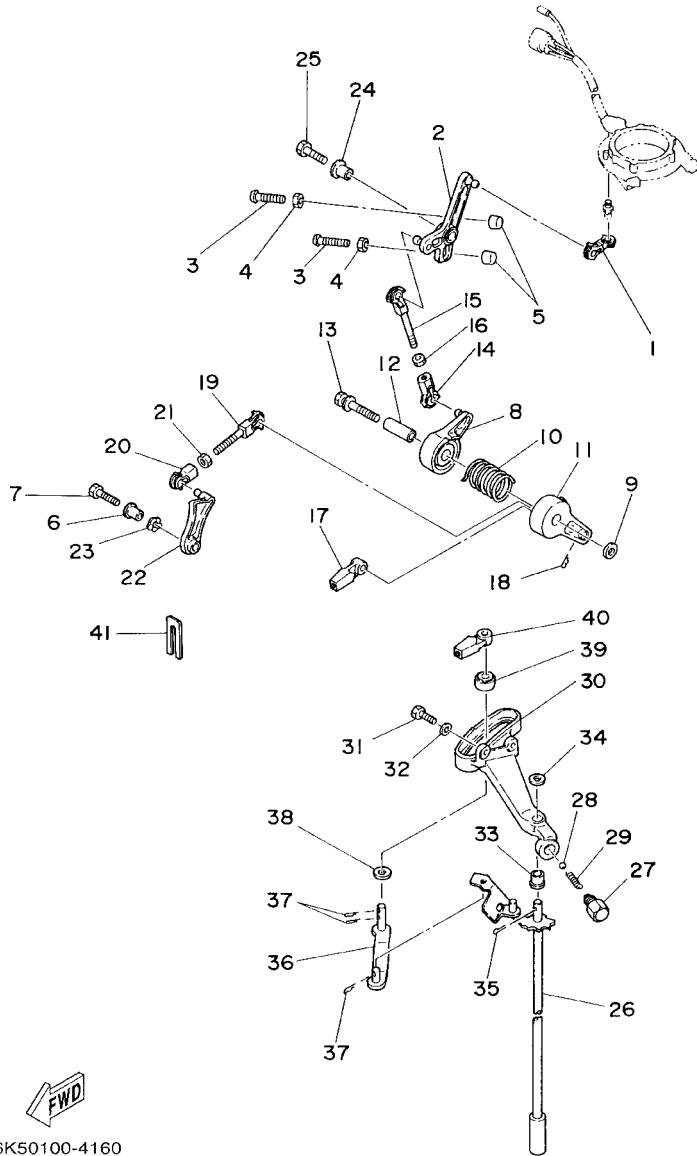


FIG. 12 CONTROL

COMMANDE

REF. NO.	PART NO. NO. PIECES	DESCRIPTION DESCRIPTION	E60H				REMARKS REMARQUES
1	6H3-41238-00	JOINT, LINK RACCORD	1				
2	6H3-41631-00	LEVER, MAGNETO CONTROL LEVIER, COMMANDE D'AVANCE	1				
3	90157-06M13	SCREW, PAN HEAD VIS, TETE TRONCONIQUE	2				
4	95380-06600	NUT, HEXAGON ECROU	2				
5	688-44194-00	CAP CAPUCHON	2				
6	90387-06M60	COLLAR COLLERETTE	1				
7	97095-06025	BOLT BOULON	1				
8	6H3-41632-00	LEVER, MAGNETO CONTROL LEVIER, COMMANDE D'AVANCE	1				
9	90201-06M31	WASHER, PLATE RONDELLE, PLATE	1				
10	90508-29M19	SPRING, TORSION RESSORT, TORSION	1				
11	6H3-41633-00	LEVER, MAGNETO CONTROL LEVIER, COMMANDE D'AVANCE	1				
12	90387-06M59	COLLAR COLLERETTE	1				
13	90119-06M91	BOLT, WITH WASHER BOULON, AVEC RONDELLE	1				
14	662-41237-01	JOINT, LINK RACCORD	1				
15	679-41636-00	ROD, MAGNETO CONTROL BIELLE, COMMANDE D'AVANCE	1				
16	95380-05600	NUT ECROU	1				
17	663-48344-00	CABLE END, REMOTE CONTROL CHAPE CABLE	1				
18	90468-18008	CLIP JONC	1				
19	682-41237-50	JOINT, LINK RACCORD	1				
20	662-41237-01	JOINT, LINK RACCORD	1				
21	95380-05600	NUT ECROU	1				
22	6H3-41213-01	CAM, ACCEL. CAME, ACCELERATION	1				
23	90206-10M04	WASHER, WAVE RONDELLE, ONDULEE	1				
24	90387-06M60	COLLAR COLLERETTE	1				
25	97095-06025	BOLT BOULON	1				
26	6K5-44120-11	HANDLE GEAR SHIFT ASSY LEVIER D'EMBRAYAGE	1				
27	648-42715-00	BUSHING COUSSINET	1				



6K50100-4160

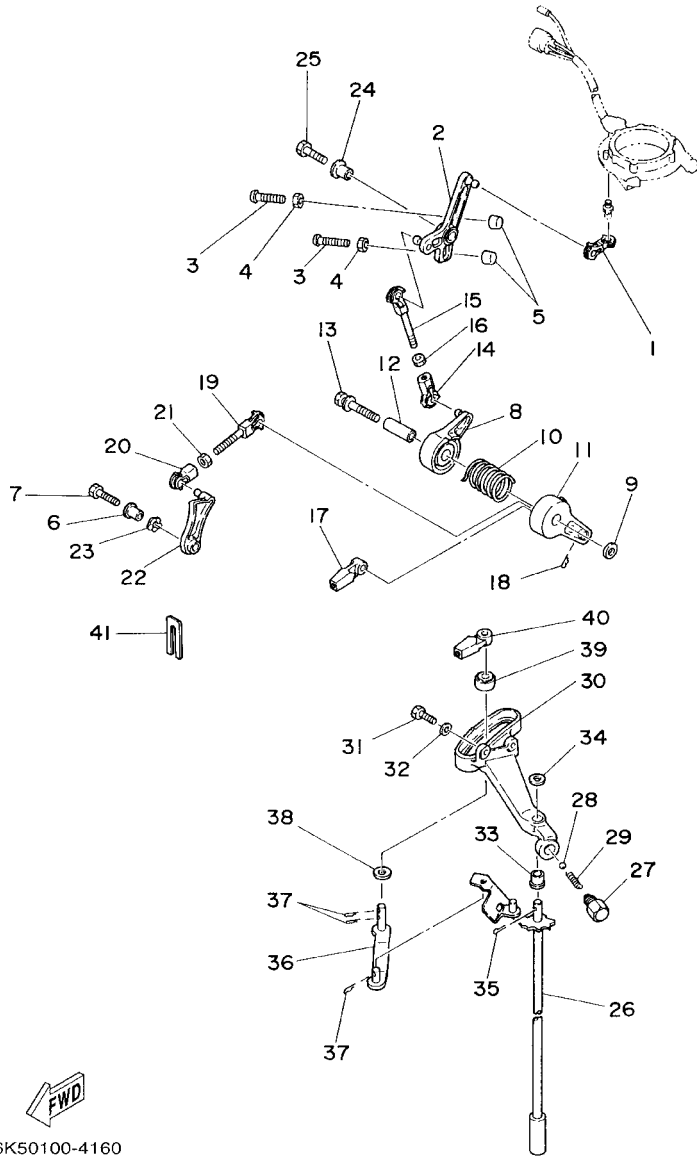


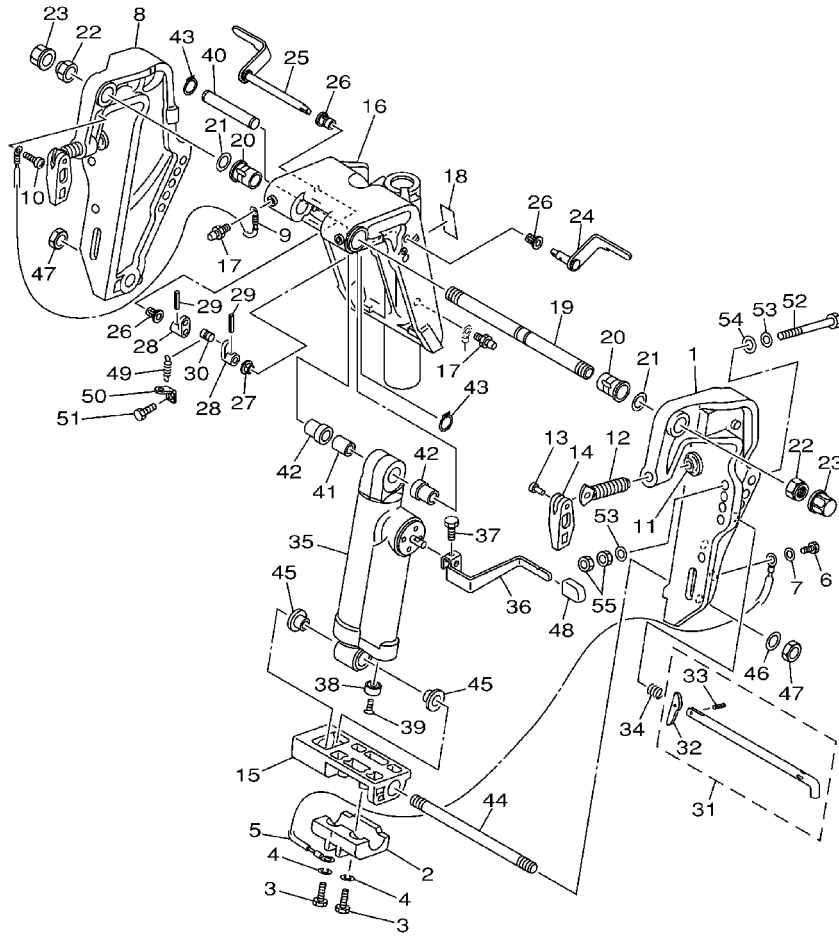
FIG. 12 CONTROL

COMMANDE

REF. NO.	PART NO. NO. PIECES	DESCRIPTION DESCRIPTION	E60H				REMARKS REMARQUES
28	93501-04M02	BALL BILLE	1				
29	90501-12082	SPRING, COMPRESSION RESSORT, COMPRESSION	1				
30	6H3-44117-00-94	BRACKET SUPPORT	1				
31	97013-06020	BOLT BOULON	2				
32	92903-06600	WASHER, PLATE RONDELLE, PLATE	2				
33	90386-07M58	BUSH DOUILLE	1				
34	92990-08200	WASHER, PLAIN RONDELLE, PLATE	1				
35	91490-20012	PIN, COTTER GOUPILLE	1				
36	6H3-44121-01	LEVER, SHIFT ROD LEVIER, TIGE D'INVERSION	1				
37	90468-18008	CLIP JONC	3				
38	90202-07M07	WASHER, PLATE RONDELLE, PLATE	1				
39	688-44122-00	BUSHING, SHIFT ROD LEVER DOUILLE, LEVIER D'EMBRAYAGE	1				
40	663-48344-00	CABLE END, REMOTE CONTROL CHAPE CABLE	1				
41	6H3-48538-00	CLAMP, CABLE 1 COLLIER	1				

FIG. 13 BRACKET 1

SUPPORT 1

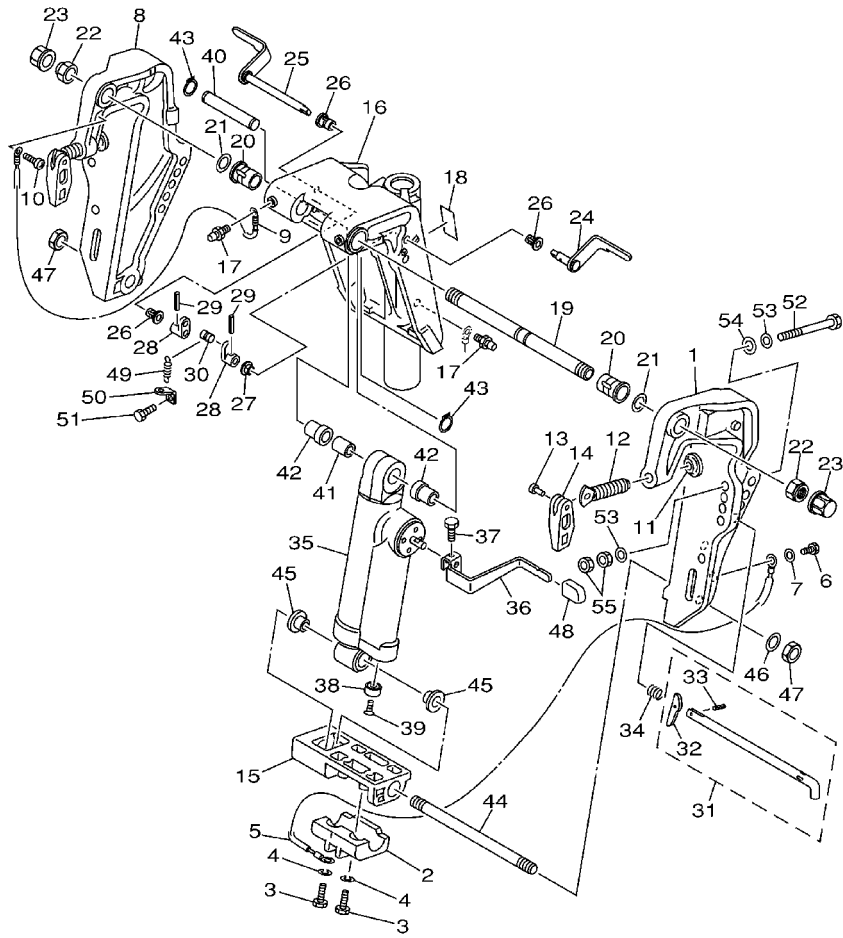


69D0100-1160

REF. NO.	PART NO. NO. PIECES	DESCRIPTION DESCRIPTION	E60H				REMARKS REMARQUES
1	63D-43111-01-4D	BRACKET, CLAMP PRESSE	1				
2	63D-45251-00	ANODE ANODE	1				
3	97095-06025	BOLT BOULON	2				
4	92995-06100	WASHER, SPRING RONDELLE, GROWER	2				
5	6H1-82148-00	WIRE, LEAD 4 FIL 4	1				
6	97095-06010	BOLT BOULON	1				
7	92995-06600	WASHER RONDELLE	1				
8	63D-43112-01-4D	BRACKET, CLAMP PRESSE	1				
9	63D-82148-00	WIRE, LEAD 4 FIL 4	1				
10	97885-06008	SCREW, PAN HEAD VIS, A ENCOCHE	1				
11	648-43114-01	PAD, TRANSOM CLAMP RONDELLE D'APPUI	2				
12	663-43116-01	SCREW, TRANSOM CLAMP VIS DE PRESSE	2				
13	90243-04007	PIN GOUPILLE	2				
14	663-43118-01-4D	HANDLE, TRANSOM CLAMP POIGNEE DE VIS DE PRESSE	2				
15	63D-43128-01-4D	SPACER, CLAMP BRACKET ENTRETOISE	1				
16	69D-43311-11-4D	BRACKET, SWIVEL 1 SUPPORT, PIVOT 1	1				
17	93700-06M03	NIPPLE, GREASE PION	3				
18	63D-43691-00	INDICATOR, TILT ETIQUETTE, RELEVAGE	1				
19	63D-43131-01	BOLT, CLAMP BRACKET BOULON, PRESSE	1				
20	90386-22M15	BUSH DOUILLE	2				
21	90201-22M03	WASHER, PLATE RONDELLE, PLATE	2				
22	90185-22M11	NUT, SELF-LOCKING ECROU, AUTO-BLOCANT	2				
23	6G5-43145-01	CAP, CLAMP BRACKET CAPUCHON, PRESSE	2				
24	6H5-43181-03	LEVER, TILT STOP LEVIER, VERROUILLAGE RELEVAGE	1				
25	6H5-43185-03	LEVER, TILT STOP LEVIER, VERROUILLAGE RELEVAGE	1				
26	90386-10M16	BUSH DOUILLE	3				
27	90386-10025	BUSH DOUILLE	1				

FIG. 13 BRACKET 1

SUPPORT 1



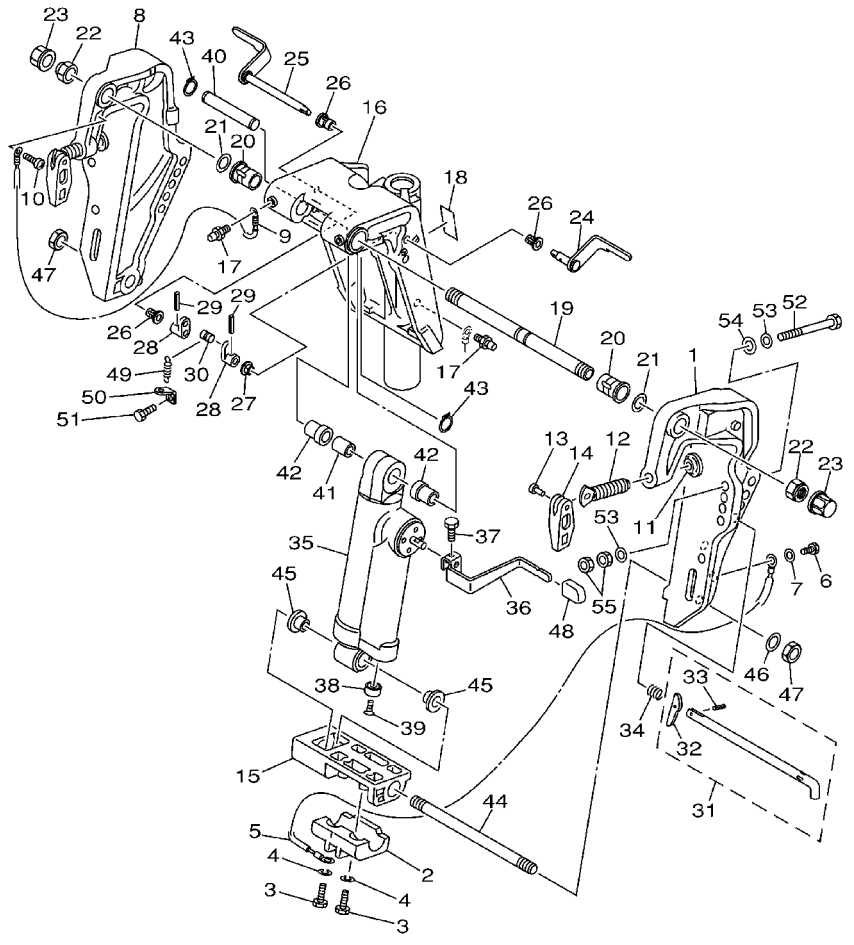
REF. NO.	PART NO. NO. PIECES	DESCRIPTION DESCRIPTION	E60H				REMARKS REMARQUES
28	6G5-43148-00	COLLAR, DISTANCE ENTRETOISE	2				
29	91690-30020	PIN, SPRING AGRAFFE	2				
30	90249-06M19	PIN GOUVILLE	1				
31	688-43160-01	TILT ROD ASSY BROCHE D'INCLINAISON (ENS.)	1				
32	688-43165-00	.PLATE, TILT LOCK .TAQUET, BROCHE INCLINAISON	1				
33	91690-30012	.PIN, SPRING .AGRAFFE	1				
34	90502-16M02	SPRING, CONICAL RESSORT, CONIQUE	1				
35	69D-43170-10-4D	SHOCK ABSORBER ASSY AMORTISSEUR (ENS.)	1				
36	69D-43631-00	LEVER, TILT LEVIER, INCLINAISON	1				
37	97095-06010	BOLT BOULON	1				
38	663-45251-00	ANODE ANODE	1				
39	98680-06525	SCREW, OVAL HEAD VIS, TETE FRAISEE BOMBEE	1				
40	69D-43126-00	PIN, UPPER SHOCK MOUNT AXE, SUPERIEUR AMORTISSEUR	1				
41	90387-16003	COLLAR COLLERETTE	1				
42	90387-16004	COLLAR COLLERETTE	2				
43	93410-16006	CIRCLIP CLIPS	2				
44	90116-18M52	BOLT, STUD GOUJON	1				
45	90386-18M44	BUSH DOUILLE	2				
46	92995-18600	WASHER RONDELLE	1				
47	90170-18M10	NUT ECROU	2				
48	682-43318-01	COVER CAPUCHON	1				
49	90506-14M24	SPRING, TENSION RESSORT, TENSION	1				
50	6G5-43144-00	HOOK, SPRING CROCHET	1				
51	97095-06010	BOLT BOULON	1				
52	90101-12M65	BOLT BOULON	4				
53	92995-12200	WASHER RONDELLE	8				
54	90201-12426	WASHER, PLATE RONDELLE, PLATE	4				

FWD
69D0100-1160

FIG. 13 BRACKET 1

SUPPORT 1

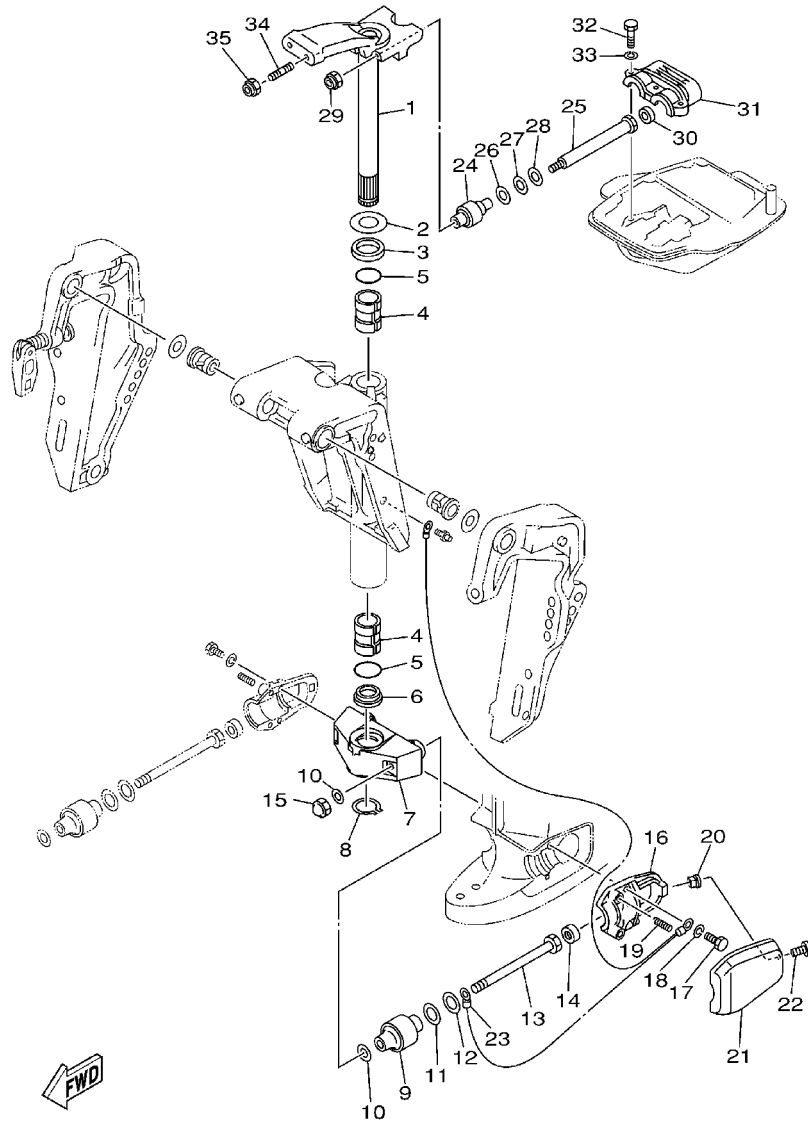
REF. NO.	PART NO. NO. PIECES	DESCRIPTION DESCRIPTION	E60H				REMARKS REMARQUES
55	95380-12600	NUT ECROU	8				



69D0100-1160

FIG. 14 BRACKET 2

SUPPORT 2

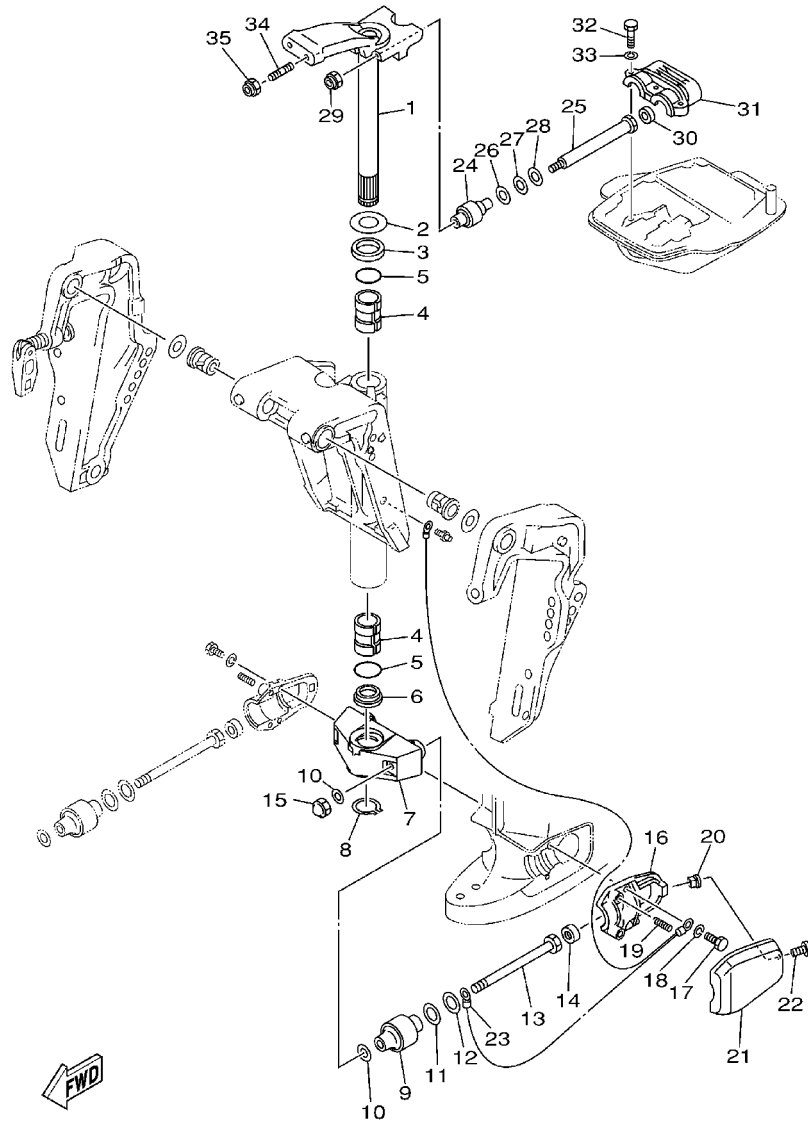


69D0100-1170

REF. NO.	PART NO. NO. PIECES	DESCRIPTION DESCRIPTION	E60H				REMARKS REMARQUES
1	69D-42510-10-4D	STEERING BRACKET ASSY DIRECTION SUPPORT (ENS.)	1				
2	90201-30M00	WASHER, PLATE RONDELLE, PLATE	1				
3	90386-30M78	BUSH DOUILLE	1				
4	90386-30M77	BUSH DOUILLE	2				
5	93210-29M94	O-RING JOINT TORIQUE	2				
6	90386-30M60	BUSH DOUILLE	1				
7	69D-44551-10-4D	HOUSING, LOWER MOUNT RUBBER BOITIER, SILENT-BLOC INFÉRIEUR	1				
8	93410-28M06	CIRCLIP CLIPS	1				
9	687-44555-00-94	MOUNT DAMPER, LOWER SIDE SILENT-BLOC, INFÉRIEUR LATERAL	2				
10	90201-12M16	WASHER, PLATE RONDELLE, PLATE	4				
11	90202-25M04	WASHER, PLATE RONDELLE, PLATE	2				
12	90201-13M19	WASHER, PLATE RONDELLE, PLATE	2				
13	90109-12M21	BOLT BOULON	2				
14	663-44575-00	DAMPER, LOWER MOUNT RUBBER SILENT-BLOC, INFÉRIEUR	2				
15	95380-12800	NUT, CROWN ECROU, BORGNE	2				
16	6H3-44552-03-94	HOUSING, LOWER MOUNT RUBBER BOITIER, SILENT-BLOC INFÉRIEUR	2				
17	97075-08025	BOLT BOULON	4				
18	92995-08100	WASHER RONDELLE	4				
19	90501-14M08	SPRING, COMPRESSION RESSORT, COMPRESSION	4				
20	90179-06066	NUT ECROU	2				
21	6H3-44553-01-4D	COVER, LOWER MOUNT COUVERCLE, SUSPENSION INFÉRIEUR	2				
22	97885-06016	SCREW, PAN HEAD VIS, A ENCOCHE	2				
23	688-82127-02	WIRE, LEAD 2 FIL 2	1				
24	688-44514-00-94	MOUNT DAMPER, UPPER SIDE SILENT-BLOC, SUPÉRIEUR LATERAL	2				
25	90101-10M49	BOLT BOULON	2				
26	90201-20M21	WASHER, PLATE RONDELLE, PLATE	2				
27	90202-20M06	WASHER, PLATE RONDELLE, PLATE	2				

FIG. 14 BRACKET 2

SUPPORT 2

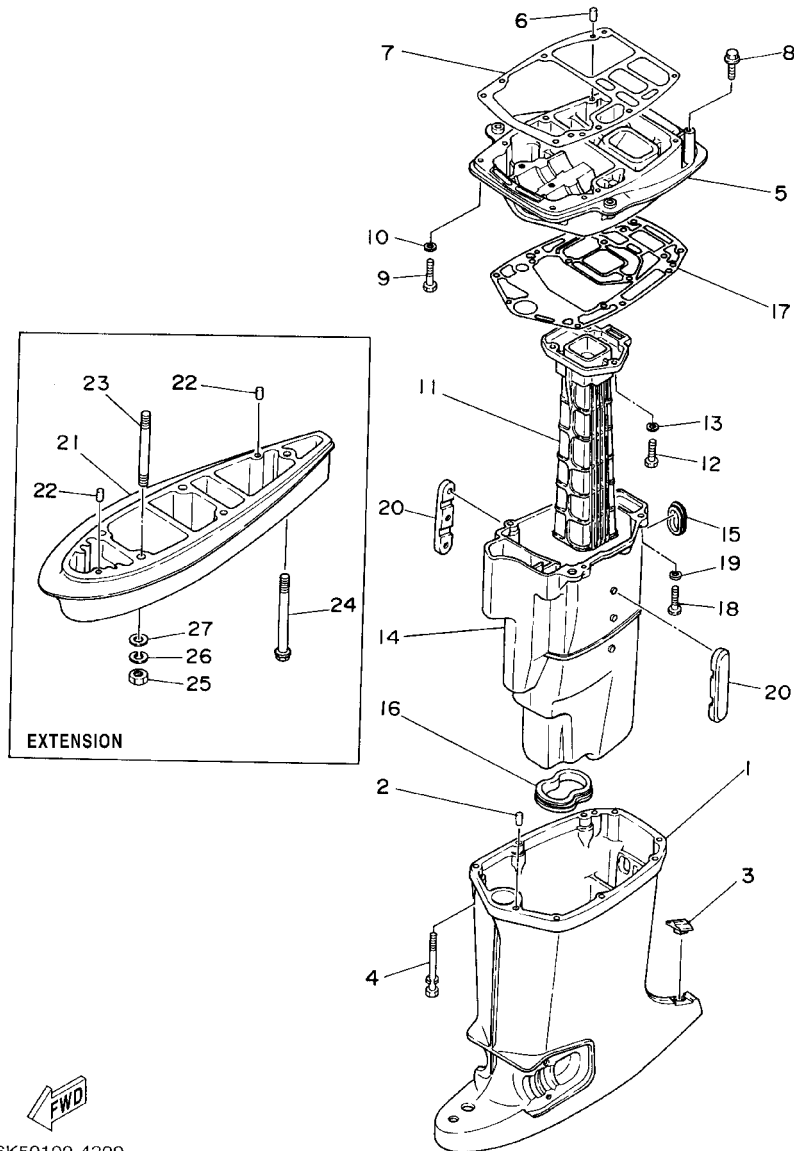


69D0100-1170

REF. NO.	PART NO. NO. PIECES	DESCRIPTION DESCRIPTION	E60H				REMARKS REMARQUES
28	90201-11M22	WASHER, PLATE RONDELLE, PLATE	2				
29	90185-10051	NUT, SELF-LOCKING ECROU, AUTO-BLOCANT	2				
30	663-44575-00	DAMPER, LOWER MOUNT RUBBER SILENT-BLOC, INFÉRIEUR	2				
31	688-44511-00-94	COVER, UPPER MOUNT COUVERCLE, SUSPENSION SUPÉRIEUR	1				
32	97075-08035	BOLT BOULON	3				
33	92995-08100	WASHER RONDELLE	3				
34	90116-10M28	BOLT, STUD GOUJON	2				
35	90185-10051	NUT, SELF-LOCKING ECROU, AUTO-BLOCANT	2				

FIG. 15 UPPER CASING

FOURREAU

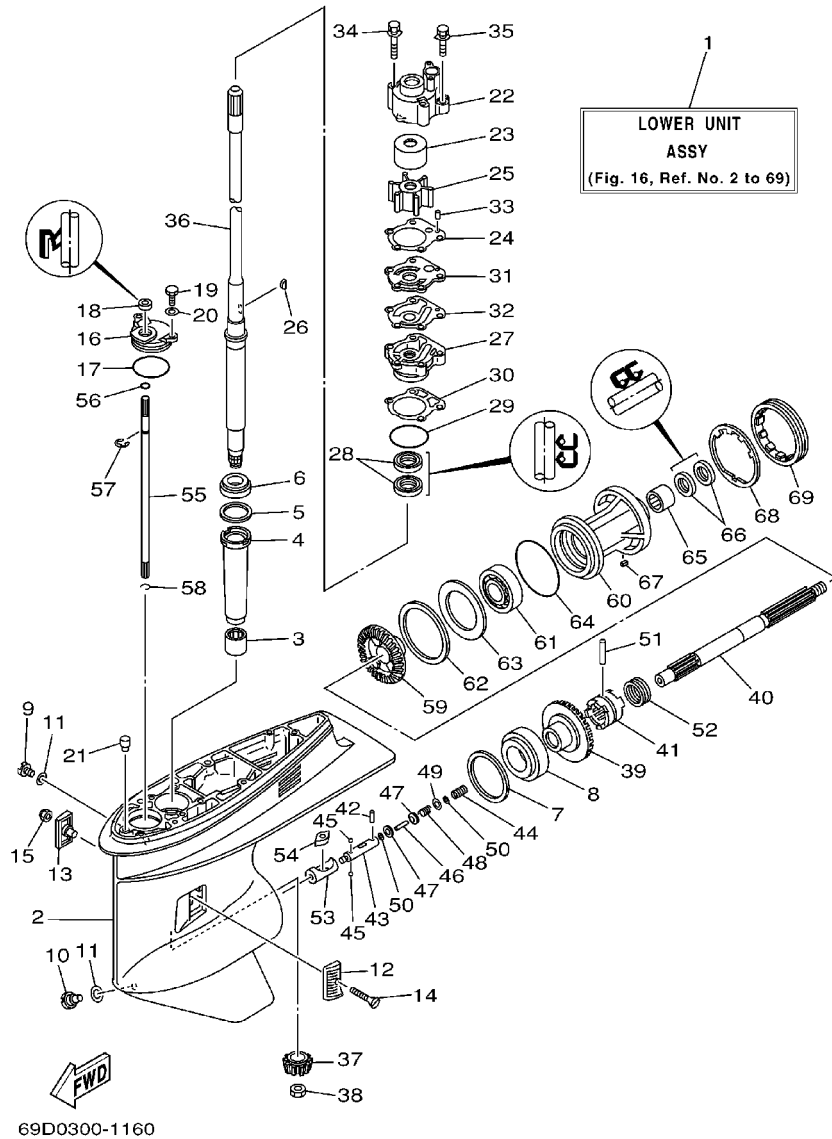


6K50100-4200

REF. NO.	PART NO. NO. PIECES	DESCRIPTION DESCRIPTION	E60H				REMARKS REMARQUES
1	6H3-45111-11-4D	CASING, UPPER FOURREAU	1				L
2	93606-12019	PIN, DOWEL GOUPILLE	2				
3	6H3-45155-00	CAP CAPUCHON	1				
4	90119-08M81	BOLT, WITH WASHER BOULON, AVEC RONDELLE	6				
5	6H3-41137-01-94	GUIDE, EXHAUST COLLECTEUR D'ECHAPPEMENT	1				
6	93606-12019	PIN, DOWEL GOUPILLE	2				
7	6H3-45113-A0	GASKET, UPPER CASING JOINT, TUBE D'ARBRE	1				
8	90119-08M79	BOLT, WITH WASHER BOULON, AVEC RONDELLE	2				
9	97075-08035	BOLT BOULON	2				
10	92995-08100	WASHER RONDELLE	2				
11	6H2-41131-00-5B	MANIFOLD, EXT. 1 PIPE D'ECHAPPEMENT	1				
12	97075-08030	BOLT BOULON	3				
13	92995-08100	WASHER RONDELLE	3				
14	6H3-14711-10-5B	MUFFLER 1 POT D'ECHAPPEMENT 1	1				L
15	6H3-45127-00	SEAL JOINT	1				
16	6H3-45123-00	GASKET, MUFFLER JOINT, POT DE DETENTE	1				
17	6H3-45114-A1	GASKET, UPPER CASING JOINT, TUBE D'ARBRE	1				
18	97075-08030	BOLT BOULON	4				
19	92995-08100	WASHER RONDELLE	4				
20	6H3-14737-10	DAMPER, MUFFLER AMORTISSEUR DE POT D'ECHAPPT	2				L
21	696-45211-01-4D	EXTENSION EXTENSION	1				
22	93606-12019	PIN, DOWEL GOUPILLE	2				
23	90116-10M31	BOLT, STUD GOUJON	4				
24	90119-08M85	BOLT, WITH WASHER BOULON, AVEC RONDELLE	1				
25	95380-10600	NUT ECROU	4				
26	92990-10100	WASHER, SPRING RONDELLE, GROWER	4				
27	92990-10600	WASHER, PLATE RONDELLE, PLATE	4				

FIG. 16 LOWER CASING. DRIVE 1

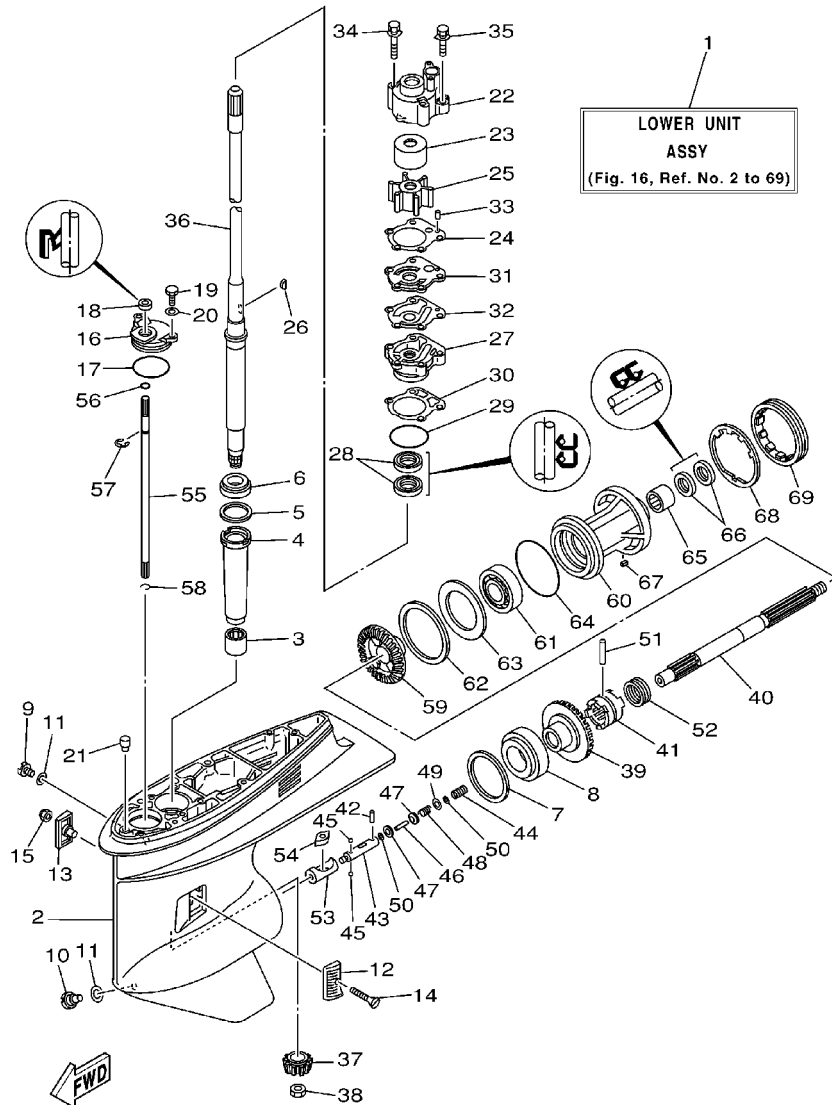
BOITIER D'HELICE, TRANSMISSION 1



REF. NO.	PART NO. NO. PIECES	DESCRIPTION DESCRIPTION	E60H				REMARKS REMARQUES
1	69D-45300-10-4D	LOWER UNIT ASSY UNITE INFERIEURE (ENS.)	1				
2	6H1-45301-03-4D	CASING, LOWER BEQUILLE	1				
3	93315-325V1	BEARING ROULEMENT	1				
4	688-45536-01	SLEEVE, DRIVE SHAFT MANCHON, ARBRE MOTEUR	1				
5	688-45587-01-10	SHIM (T:0.10MM) CALE (T:0.10MM)	1				UR
688-45587-01-12	SHIM (T:0.12MM) CALE (T:0.12MM)	1					UR
688-45587-01-15	SHIM (T:0.15MM) CALE (T:0.15MM)	1					UR
688-45587-01-18	SHIM (T:0.18MM) CALE (T:0.18MM)	1					UR
688-45587-01-30	SHIM (T:0.30MM) CALE (T:0.30MM)	1					UR
688-45587-01-40	SHIM (T:0.40MM) CALE (T:0.40MM)	1					UR
688-45587-01-50	SHIM (T:0.50MM) CALE (T:0.50MM)	1					UR
6	93332-000U3	BEARING ROULEMENT	1				
7	688-45567-01-10	SHIM (T:0.10MM) CALE (T:0.10MM)	1				UR
688-45567-01-12	SHIM (T:0.12MM) CALE (T:0.12MM)	1					UR
688-45567-01-15	SHIM (T:0.15MM) CALE (T:0.15MM)	1					UR
688-45567-01-18	SHIM (T:0.18MM) CALE (T:0.18MM)	1					UR
688-45567-01-30	SHIM (T:0.30MM) CALE (T:0.30MM)	1					UR
688-45567-01-40	SHIM (T:0.40MM) CALE (T:0.40MM)	1					UR
688-45567-01-50	SHIM (T:0.50MM) CALE (T:0.50MM)	1					UR
8	93332-000W7	BEARING ROULEMENT	1				
9	90340-08002	PLUG, STRAIGHT SCREW PLOT, FILETE DROIT	1				
10	688-45341-10	PLUG, DRAIN BOUCHON DE VIDANGE	1				
11	90430-08020	GASKET JOINT	2				
12	6H1-45214-00	COVER, WATER INLET GRILLE, ENTREE D'EAU	1				
13	6H1-45215-00	COVER, WATER INLET GRILLE, ENTREE D'EAU	1				
14	90151-05M00	SCREW, COUNTERSUNK VIS, TETE NOYEE	1				
15	90185-05002	NUT, SELF-LOCKING ECROU, AUTO-BLOCANT	1				

FIG. 16 LOWER CASING. DRIVE 1

BOITIER D'HELICE, TRANSMISSION 1

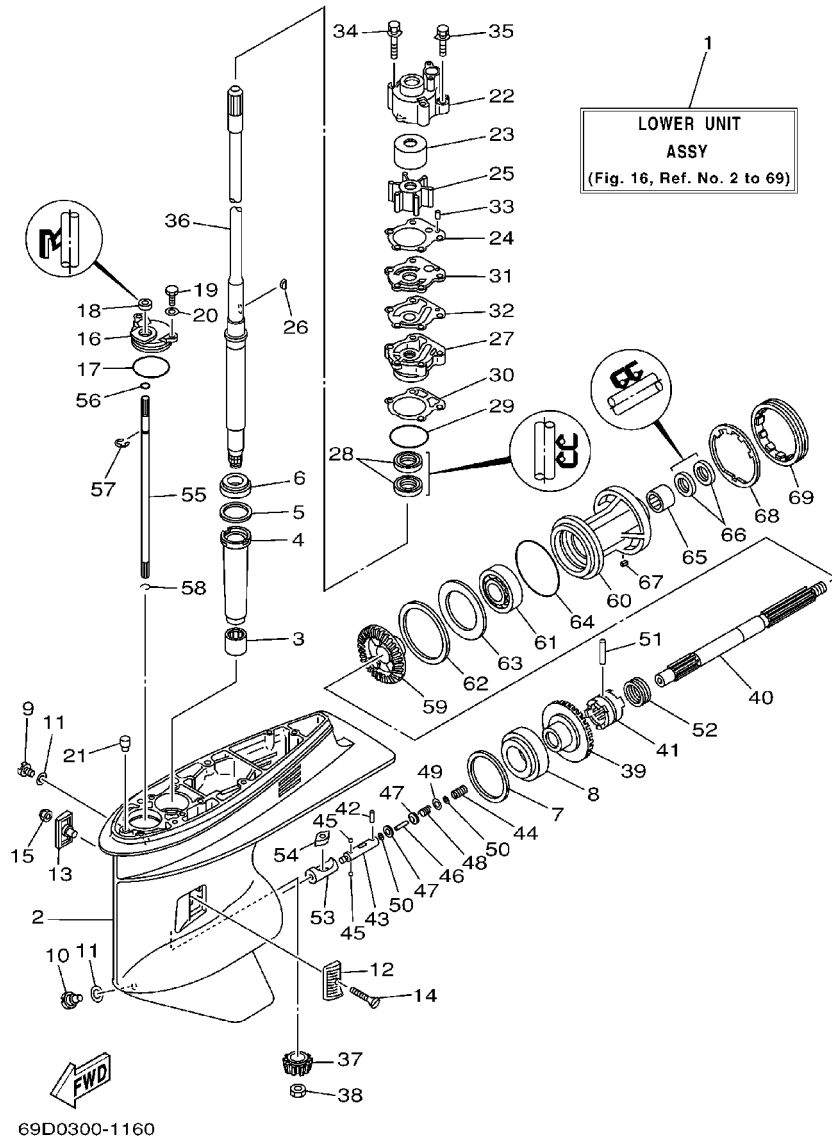


69D0300-1160

REF. NO.	PART NO. NO. PIECES	DESCRIPTION DESCRIPTION	E60H				REMARKS REMARQUES
16	688-45321-00	PLATE PLAQUETTE	1				
17	93210-49046	O-RING JOINT TORIQUE	1				
18	93106-09014	OIL SEAL JOINT SPY	1				
19	97095-06016	BOLT BOULON	2				
20	92995-06600	WASHER RONDELLE	2				
21	6J8-45378-00	NIPPLE, HOSE RACCORD, TUYAU	1				
22	688-44311-01	HOUSING, WATER PUMP CORPS, POMPE A EAU	1				
23	69D-44322-00	INSERT, CARTRIDGE CUVETTE	1				
24	688-44315-A0	GASKET, WATER PUMP JOINT, POMPE A EAU	1				
25	688-44352-03	IMPELLER TURBINE	1				
26	90280-04M04	KEY, WOODRUFF CLAVETTE, DEMI-LUNE	1				
27	688-44341-01-94	HOUSING, WATER PUMP CORPS, POMPE A EAU	1				
28	93101-25M03	OIL SEAL JOINT SPY	2				
29	93210-46044	O-RING JOINT TORIQUE	1				
30	688-44316-A0	GASKET, WATER PUMP JOINT, POMPE A EAU	1				
31	688-44323-40	OUTER PLATE, CARTRIDGE PLAQUE EXTERIEURE	1				
32	688-44324-A0	GASKET, CARTRIDGE JOINT	1				
33	93604-10M03	PIN, DOWEL CLAVETTE	2				
34	90119-08M16	BOLT, WITH WASHER BOULON, AVEC RONDELLE	2				
35	90119-08M13	BOLT, WITH WASHER BOULON, AVEC RONDELLE	2				
36	69D-45501-10	DRIVE SHAFT COMP. ARBRE MOTEUR COMP.	1				
37	6K5-45551-00	PINION (12T) PIGNON D'ATTAQUE (12D)	1				
38	90170-16M01	NUT ECROU	1				
39	6K5-45560-00	GEAR (28T) PIGNON (28D)	1				
40	6H1-45611-01	SHAFT, PROPELLER ARBRE, HELICE	1				
41	6H1-45631-01	CLUTCH, DOG CRABOT	1				
42	93603-12M11	PIN, DOWEL CLAVETTE	1				

FIG. 16 LOWER CASING. DRIVE 1

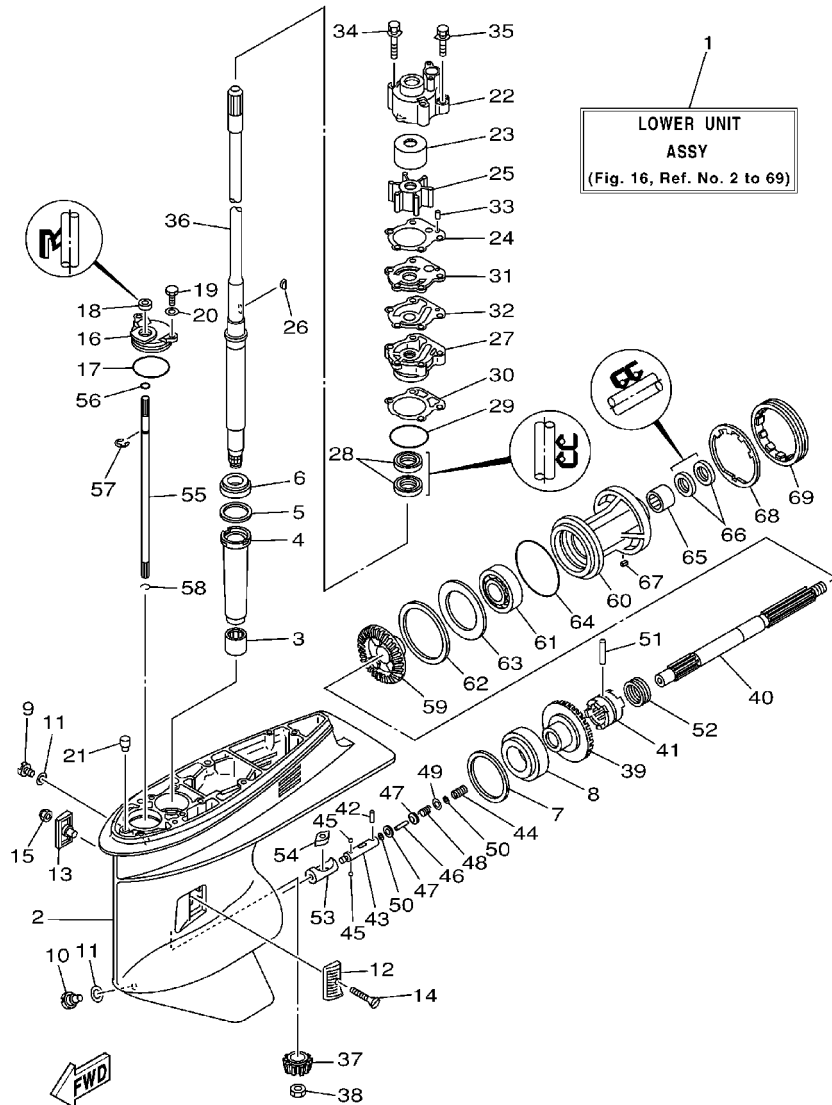
BOITIER D'HELICE, TRANSMISSION 1



REF. NO.	PART NO. NO. PIECES	DESCRIPTION DESCRIPTION	E60H				REMARKS REMARQUES
43	6H1-45634-02	SLIDE, SHIFT CONTRE-POUSSOIR	1				
44	90501-16M65	SPRING, COMPRESSION RESSORT, COMPRESSION	1				
45	93503-16003	BALL BILLES	2				
46	6H1-45668-00	SHAFT, FREE AXE	1				
47	6H1-45635-00	PLUNGER, SHIFT POUSSOIR D'EMBRAYAGE	2				
48	90501-12M48	SPRING, COMPRESSION RESSORT, COMPRESSION	1				
49	90201-03313	WASHER, PLATE RONDELLE, PLATE	1				
50	90183-02M03	NUT, SPRING ECROU, RESSORT	2				
51	90250-07M02	PIN, STRAIGHT GOUPILLE, DROITE	1				
52	688-45633-00	RING, CROSS PIN JONC, GOUPILLE CRABOT	1				
53	6H1-45641-01	SHIFTER EMBRAYAGE	1				
54	6H1-44151-00	CAM, SHIFT CAME, INVERSION	1				
55	6H1-44144-00	ROD, SHIFT TIGE D'EMBRAYAGE	1				
56	93210-07003	O-RING JOINT TORIQUE	1				
57	99001-08600	CIRCLIP CIRCLIP	1				
58	93450-07M00	CIRCLIP CIRCLIP	1				
59	6H3-45571-00	GEAR PIGNON	1				
60	688-45331-00-94	HOUSING, BEARING FLASQUE, ROULEMENT	1				
61	93306-207U0	BEARING ROULEMENT	1				
62	688-45577-01-10	SHIM (T:0.10MM) CALE (T:0.10MM)	1				UR
62	688-45577-01-12	SHIM (T:0.12MM) CALE (T:0.12MM)	1				UR
62	688-45577-01-15	SHIM (T:0.15MM) CALE (T:0.15MM)	1				UR
62	688-45577-01-18	SHIM (T:0.18MM) CALE (T:0.18MM)	1				UR
62	688-45577-01-30	SHIM (T:0.30MM) CALE (T:0.30MM)	1				UR
62	688-45577-01-40	SHIM (T:0.40MM) CALE (T:0.40MM)	1				UR
62	688-45577-01-50	SHIM (T:0.50MM) CALE (T:0.50MM)	1				UR
63	688-45576-00	WASHER, THRUST RONDELLE DE CALAGE	1				

FIG. 16 LOWER CASING. DRIVE 1

BOITIER D'HELICE, TRANSMISSION 1

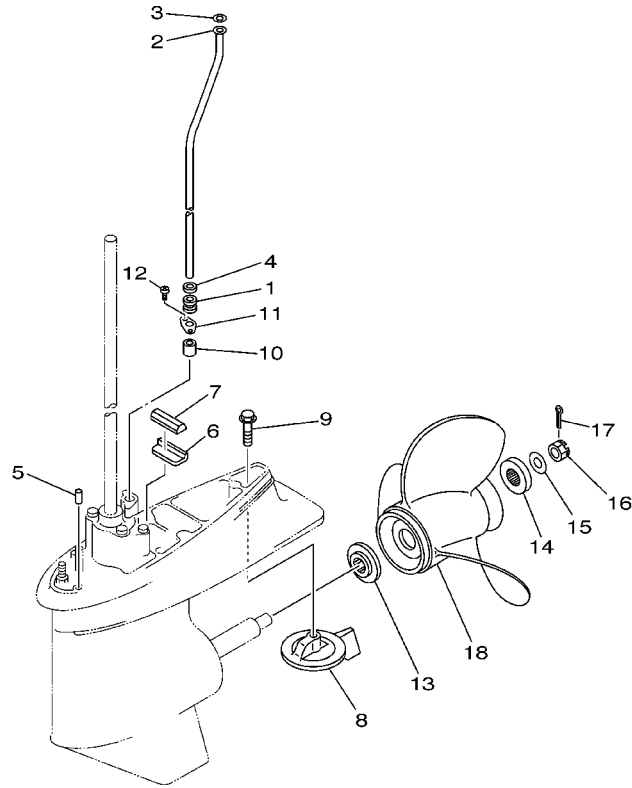


69D0300-1160

REF. NO.	PART NO. NO. PIECES	DESCRIPTION DESCRIPTION	E60H				REMARKS REMARQUES
64	93210-85M97	O-RING JOINT TORIQUE	1				
65	93317-325U0	BEARING PIECE	1				
66	93101-25M03	OIL SEAL JOINT SPY	2				
67	90282-04010	KEY, STRAIGHT CLAVETTE, DROITE	1				
68	688-45383-02	WASHER, CLAW FREIN D'ECROU	1				
69	688-45384-00	NUT ECROU	1				
<hr/>							
<hr/>							
<hr/>							
<hr/>							
<hr/>							
<hr/>							
<hr/>							
<hr/>							
<hr/>							

FIG. 17 LOWER CASING. DRIVE 2

BOITIER D'HELICE, TRANSMISSION 2



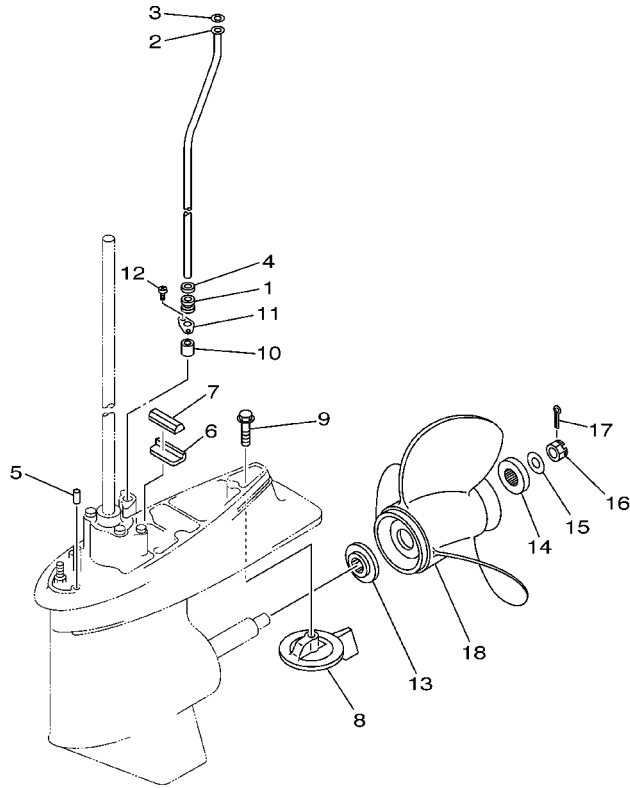
REF. NO.	PART NO. NO. PIECES	DESCRIPTION DESCRIPTION	E60H				REMARKS REMARQUES
1	663-44367-00	DAMPER, WATER SEAL JOINT TUBE D'EAU	1				
2	69D-44361-10	TUBE, WATER TUBE D'EAU	1				
3	90202-12060	WASHER, PLATE RONDELLE, PLATE	1				
4	90430-12072	GASKET JOINT	1				
5	93606-12019	PIN, DOWEL GOUILLE	2				
6	663-45376-00-94	GUIDE, SEAL DAMPER BUTEE, JOINT CAOUTCHOUC	1				
7	688-45375-00	DAMPER, SEAL BOURRELET, CAOUTCHOUC	1				
8	688-45371-02	TAB-TRIM ANODE DERIVE	1				
9	90105-10M67	BOLT, FLANGE BOULON	1				
10	663-44366-00	DAMPER, WATER SEAL JOINT, TUBE D'EAU	1				
11	90480-19M06	GROMMET PASSE-FIL	1				
12	97780-40512	SCREW, TAPPING VIS, TETE BOMBEE	2				
13	688-45987-01	SPACER ENTRETOISE	1				
14	688-45997-01	SPACER ENTRETOISE	1				
15	90201-17M00	WASHER, PLATE RONDELLE, PLATE	1				
16	90171-16011	NUT, CASTLE ECROU, CRENELE	1				
17	91490-40025	PIN, COTTER GOUILLE	1				
18	6E5-45941-00-EL	PROPELLER (3X13"X19"-K) HELICE (3X13"X19"-K)	1				UR
	6E5-45943-00-EL	PROPELLER (3X12-5/8"X21"-K) HELICE (3X12-5/8"X21"-K)	1				UR
	6E5-45945-01-EL	PROPELLER (3X13-1/4"X17"-K) HELICE (3X13-1/4"X17"-K)	1				UR
	6E5-45947-00-EL	PROPELLER (3X13-1/2"X15"-K) HELICE (3X13-1/2"X15"-K)	1				UR
	6E5-45949-00-EL	PROPELLER (3X13-5/8"X13"-K) HELICE (3X13-5/8"X13"-K)	1				UR
	6E5-45952-00-EL	PROPELLER (3X13"X23"-K) HELICE (3X13"X23"-K)	1				UR
	6E5-45954-00-EL	PROPELLER (3X14"X11"-K) HELICE (3X14"X11"-K)	1				UR
	6E5-45956-00-EL	PROPELLER (3X13"X25"-K) HELICE (3X13"X25"-K)	1				UR
		STAINLESS STEEL PROPELLER ACIER INOXYDABLE HELICE					
	688-45970-03-98	PROPELLER (3X13"X19"-K) HELICE (3X13"X19"-K)	1				UR



69D0100-1200

FIG. 17 LOWER CASING. DRIVE 2

BOITIER D'HELICE, TRANSMISSION 2

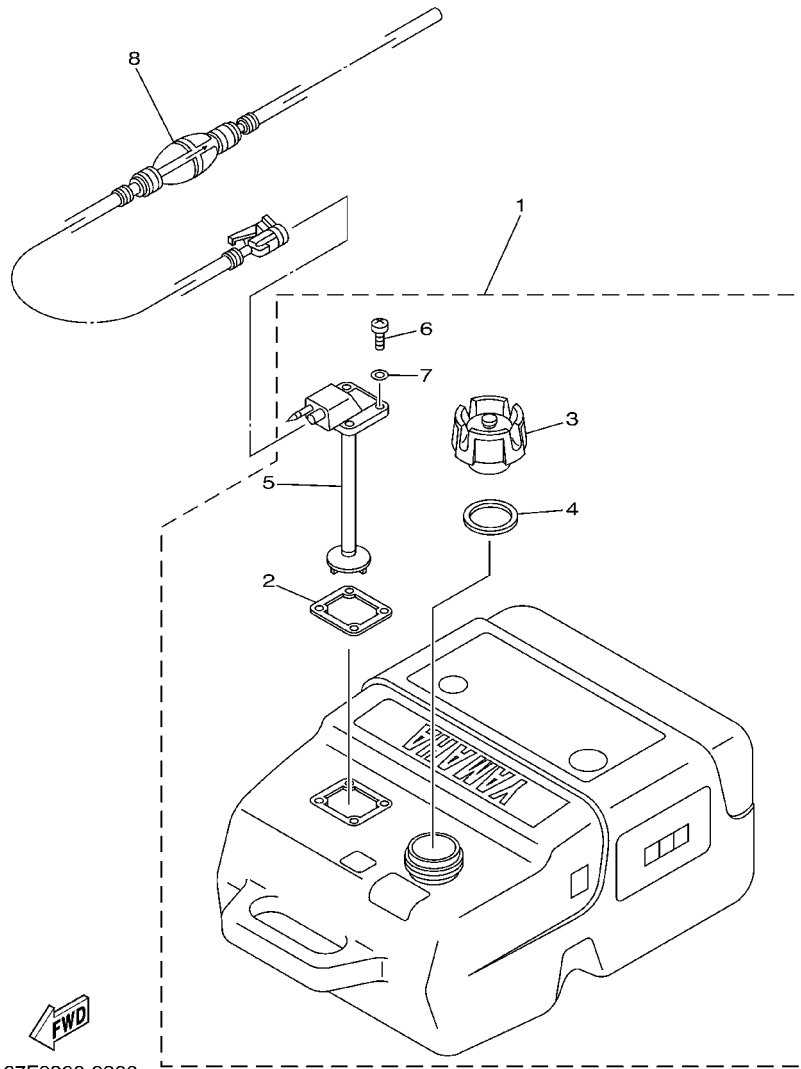


REF. NO.	PART NO. NO. PIECES	DESCRIPTION DESCRIPTION	E60H				REMARKS REMARQUES
18	688-45972-02-98	PROPELLER (3X13"X21"-K) HELICE (3X13"X21"-K)	1				UR
	688-45974-02-98	PROPELLER (3X13"X23"-K) HELICE (3X13"X23"-K)	1				UR
	688-45976-01-98	PROPELLER (3X13"X25"-K) HELICE (3X13"X25"-K)	1				UR
	688-45930-02-98	PROPELLER (3X13"X17"-K) HELICE (3X13"X17"-K)	1				UR
	688-45932-60-98	PROPELLER (3X13-1/2"X14"-K) HELICE (3X13-1/2"X14"-K)	1				UR
	688-45978-60-98	PROPELLER (3X13-1/2"X16"-K) HELICE (3X13-1/2"X16"-K)	1				UR

FWD
69D0100-1200

FIG. 18 FUEL TANK

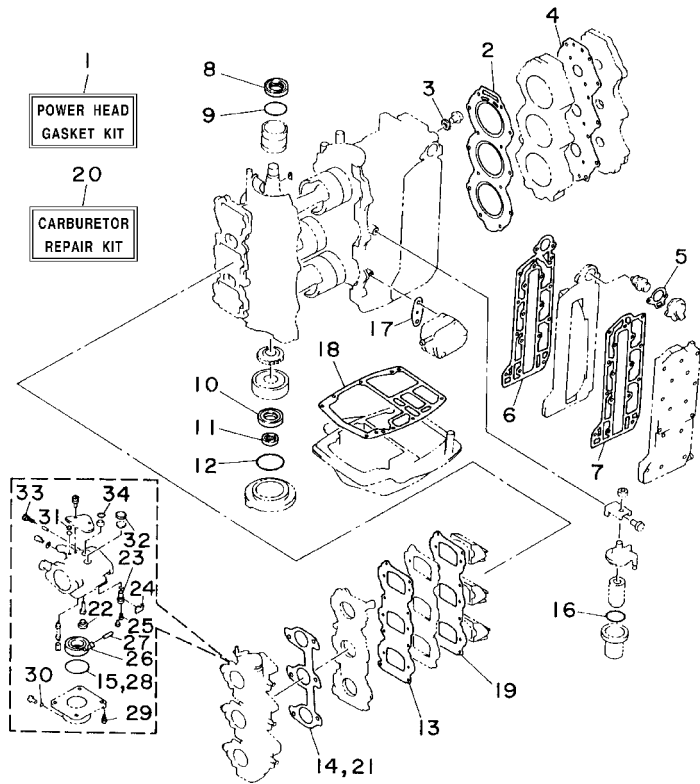
RESERVOIR A CARBURANT



REF. NO.	PART NO. NO. PIECES	DESCRIPTION DESCRIPTION	E60H				REMARKS REMARQUES
1	6YK-24201-01	FUEL TANK ASSY RESERVOIR A ESSENCE (ENS.)	1				AP PLASTIC, 25L
2	6YL-24268-01	.GASKET, FUEL METER .JOINT, JAUGE A CARBURANT	1				
3	6YK-24610-00	.CAP ASSY .BOUCHON	1				WITH INDICATOR
4	6YL-24641-00	.GASKET, CAP 1 .JOINT 1, BOUCHON	1				
5	6YK-24260-01	.FUEL METER ASSY .INDICATEUR DE CARBURANT	1				
6	90157-05M16	.SCREW, PAN HEAD .VIS, TETE TRONCONIQUE	4				
7	6YL-24329-00	.SEAL .JOINT	4				
8	6YL-24306-52	FUEL PIPE COMP. 1 DURITE A ESSENCE 1	1				AP

FIG. 19 REPAIR KIT 1

KITS DE REPARATION 1



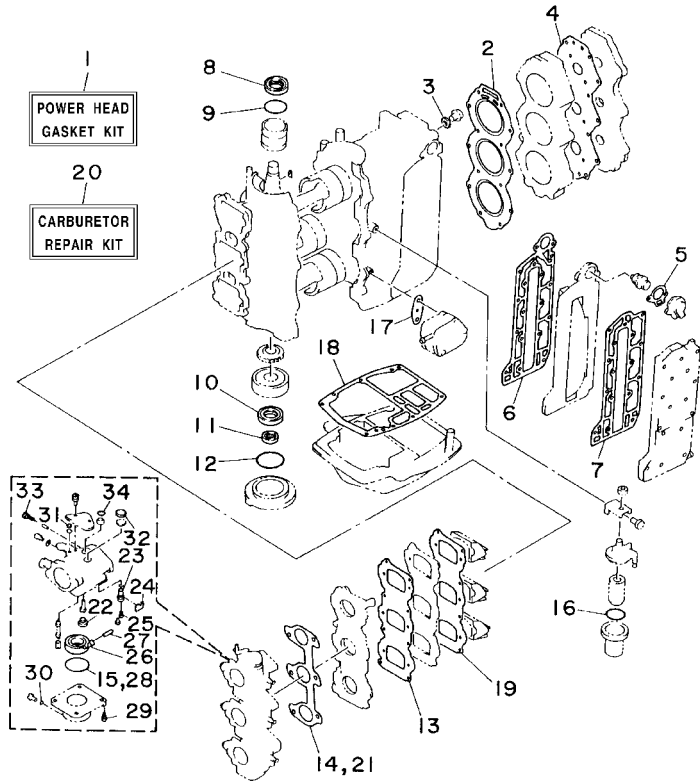
REF. NO.	PART NO. NO. PIECES	DESCRIPTION DESCRIPTION	E60H				REMARKS REMARQUES
1	69D-W0001-00	POWER HEAD GASKET KIT KIT DE JOINTS TETE MOTRICE	1				
2	6H3-11181-A1	.GASKET, CYLINDER HEAD 1 .JOINT, DE CULASSE 1	1				
3	90430-14115	.GASKET .JOINT	1				
4	6H3-11193-A1	.GASKET, HEAD COVER 1 .JOINT, COUVERCLE DE CULASSE 1	1				
5	6H3-12414-A1	.GASKET, COVER .JOINT, COUVERCLE	1				
6	6H3-41112-A0	.GASKET, EXHAUST INNER COVER .JOINT, PLAQUE D'ECHAPPEMENT	1				
7	6H3-41114-A0	.GASKET, EXHAUST OUTER COVER .JOINT, COUVERCLE D'ECHAPPEMEN	1				
8	93102-36M24	.OIL SEAL .JOINT SPY	1				
9	93210-46M16	.O-RING .JOINT TORIQUE	1				
10	93102-30M23	.OIL SEAL .JOINT SPY	1				
11	93106-18M01	.OIL SEAL .JOINT SPY	1				
12	93210-65M50	.O-RING .JOINT TORIQUE	1				
13	6H3-13621-A1	.GASKET, VALVE SEAT .JOINT, SIEGE DE CLAPET	1				
14	6H3-14198-A1	.GASKET .JOINT	1				
15	6G1-14984-00	.O-RING .JOINT TORIQUE	3				
16	61A-24564-00	.O-RING .JOINT TORIQUE	1				
17	650-24431-A0	.GASKET, FUEL PUMP 1 .JOINT 1 DE POMPE A ESSENCE	1				
18	6H3-45113-A0	.GASKET, UPPER CASING .JOINT, TUBE D'ARBRE	1				
19	6H3-13622-A1	.GASKET, VALVE SEAT .JOINT, SIEGE DE CLAPET	1				
20	6H3-W0093-02	CARBURETOR REPAIR KIT KIT DE REPARATION CARBURATEUR	1				
21	6H3-14198-A1	.GASKET .JOINT	1				
22	676-14966-00	.CAP .CAPUCHON	3				
23	6H3-14590-01	.NEEDLE VALVE ASSY .POINTEAU	3				
24	663-14159-00	.CLIP .JONC	3				
25	676-14186-00	.PIN, FLOAT .AXE, FLOTTEUR	3				
26	6G1-14985-00	.FLOAT .FLOTTEUR	3				
27	688-14548-00	.PIN, FLOAT ARM .AXE, BRAS DE FLOTTEUR	3				



6H20010-4180

FIG. 19 REPAIR KIT 1

KITS DE REPARATION 1



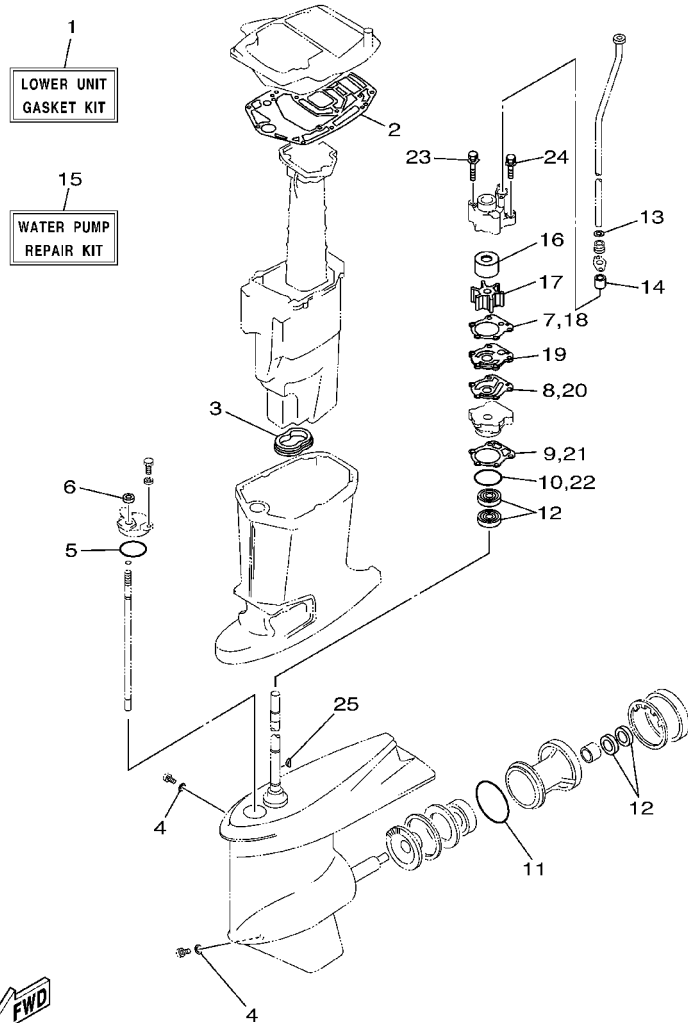
REF. NO.	PART NO. NO. PIECES	DESCRIPTION DESCRIPTION	E60H				REMARKS REMARQUES
28	6G1-14984-00	.O-RING .JOINT TORIQUE	3				
29	97980-04114	.SCREW, WITH WASHER .VIS, AVEC RONDELLE	3				
30	93210-04230	.O-RING .JOINT TORIQUE	3				
31	663-14126-00	.GASKET .JOINT	3				
32	688-14126-00	.GASKET .JOINT	3				
33	692-14923-00	.SCREW, PILOT .VIS, RALENTI	3				
34	93210-15M52	.O-RING .JOINT TORIQUE	3				



6H20010-4180

FIG. 20 REPAIR KIT 2

KITS DE REPARATION 2



69D0100-1230

REF. NO.	PART NO. NO. PIECES	DESCRIPTION DESCRIPTION	E60H				REMARKS REMARQUES
1	69D-W0001-20	LOWER UNIT GASKET KIT POCHETTE DE JOINTS EMBASE	1				
2	6H3-45114-A1	.GASKET, UPPER CASING .JOINT, TUBE D'ARBRE	1				
3	6H3-45123-00	.GASKET, MUFFLER .JOINT, POT DE DETENTE	1				
4	90430-08020	.GASKET .JOINT	2				
5	93210-49046	.O-RING .JOINT TORIQUE	1				
6	93106-09014	.OIL SEAL .JOINT SPY	1				
7	688-44315-A0	.GASKET, WATER PUMP .JOINT, POMPE A EAU	1				
8	688-44324-A0	.GASKET, CARTRIDGE .JOINT	1				
9	688-44316-A0	.GASKET, WATER PUMP .JOINT, POMPE A EAU	1				
10	93210-46044	.O-RING .JOINT TORIQUE	1				
11	93210-85M97	.O-RING .JOINT TORIQUE	1				
12	93101-25M03	.OIL SEAL .JOINT SPY	4				
13	90430-12072	.GASKET .JOINT	1				
14	663-44366-00	.DAMPER, WATER SEAL .JOINT, TUBE D'EAU	1				
15	69D-W0078-00	WATER PUMP REPAIR KIT KIT DE REPARATION DE LA POMPE	1				
16	69D-44322-00	.INSERT, CARTRIDGE .CUVETTE	1				
17	688-44352-03	.IMPELLER .TURBINE	1				
18	688-44315-A0	.GASKET, WATER PUMP .JOINT, POMPE A EAU	1				
19	688-44323-40	.OUTER PLATE, CARTRIDGE PLAQUE EXTERIEURE	1				
20	688-44324-A0	.GASKET, CARTRIDGE .JOINT	1				
21	688-44316-A0	.GASKET, WATER PUMP .JOINT, POMPE A EAU	1				
22	93210-46044	.O-RING .JOINT TORIQUE	1				
23	90119-08M16	.BOLT, WITH WASHER .BOULON, AVEC RONDELLE	2				
24	90119-08M13	.BOLT, WITH WASHER .BOULON, AVEC RONDELLE	2				
25	90280-04M04	.KEY, WOODRUFF .CLAVETTE, DEMI-LUNE	1				

**NUMERICAL INDEX
INDEX NUMERIQUE**

PART NO. NO. PIECES	REF. NO.	PART NO. NO. PIECES	REF. NO.	PART NO. NO. PIECES	REF. NO.	PART NO. NO. PIECES	REF. NO.	PART NO. NO. PIECES	REF. NO.	PART NO. NO. PIECES	REF. NO.
69D-W0001-00	19 - 1	676-14186-00	19 - 25	663-15715-00	7 - 12	650-24431-A0	19 - 17	692-42121-02-4D	11 - 20	63D-43128-01-4D	13 - 15
69D-W0001-20	20 - 1	6H3-14198-A1	4 - 11	663-15716-01	7 - 13	648-24434-01	6 - 29	663-42126-01	11 - 47	63D-43131-01	13 - 19
688-W0004-00	4 - 2		19 - 14	663-15719-00	7 - 15	648-24435-02	6 - 32	663-42133-01	11 - 14	6G5-43144-00	13 - 50
6H3-W0070-30	1 - 15		19 - 21	6K5-15723-00	7 - 46	61A-24469-00	6 - 13	663-42134-03-94	11 - 15	6G5-43145-01	13 - 23
69D-W0078-00	20 - 15	6K5-14301-03	5 - 1	61A-24521-00	7 - 10	61A-24521-00	6 - 8	663-42135-01	11 - 13	6G5-43148-00	13 - 28
69D-W0090-01-1S	2 - 1	6K5-14302-03	5 - 2	663-15734-01	7 - 14	65L-24531-01	6 - 9	6K5-42137-00	11 - 4	688-43160-01	13 - 31
6H3-W0093-02	19 - 20	6K5-14303-03	5 - 3	663-15735-01	7 - 50	65L-24558-00	6 - 14	663-42138-00	11 - 11	688-43165-00	13 - 32
692-W1571-02	7 - 1	6A0-14325-00	6 - 36	663-15736-00	7 - 55	61A-24560-04	6 - 7	6F6-42177-A0	11 - 3	69D-43170-10-4D	13 - 35
656-W2810-02	6 - 48	6H3-14413-10	4 - 18	663-15739-00	7 - 4	61A-24563-00	6 - 12	6H3-42191-01	11 - 41	6H5-43181-03	13 - 24
6H3-11111-01-1S	2 - 24	6H3-14440-02	4 - 19	663-15741-02	7 - 8	61A-24564-00	6 - 10	6H3-42192-00	11 - 43	6H5-43185-03	13 - 25
6K5-11119-01	2 - 20	6H3-14457-01	4 - 20	663-15744-00	7 - 11		19 - 16	69D-42510-10-4D	14 - 1	69D-43311-11-4D	13 - 16
6H3-11181-A1	2 - 25	624-14485-00	2 - 5	663-15752-00	7 - 18	69D-24566-01	6 - 18	624-42542-00	7 - 42	682-43318-01	13 - 48
	19 - 2	6K5-14488-00	4 - 25	663-15753-00	7 - 19	61A-24577-01	6 - 11	6K5-42610-C0-4D	1 - 1	69D-43631-00	13 - 36
6H3-11191-00-1S	2 - 26	63V-14523-00	5 - 29	663-15754-00	7 - 9	6YK-24610-00	18 - 3	6H3-42613-01-4D	1 - 10	63D-43691-00	13 - 18
6H3-11193-A1	2 - 27	6H2-14527-01	5 - 23	689-15755-01	7 - 23	6YL-24641-00	18 - 4	6H3-42615-00	1 - 13	697-44113-00	11 - 28
	19 - 4	663-14527-00	5 - 20	6K5-15758-01-94	7 - 40	692-26301-03	11 - 19	6H3-42647-00-94	1 - 2	6H3-44117-00-94	12 - 30
6H3-11325-01	2 - 16	688-14527-00	5 - 22	6K5-15761-00	1 - 14	6A1-28176-00	10 - 36	6H3-42649-00-94	1 - 3	6K5-44120-11	12 - 26
6H3-11327-00-1S	2 - 17	688-14548-00	5 - 13	6K5-15762-00	7 - 44	69D-28199-60-A0	6 - 49	6H3-42652-00	1 - 5	6H3-44121-01	12 - 36
6H3-11328-00	2 - 18		19 - 27	663-15764-00	7 - 7	6H3-41111-01-1S	2 - 35	663-42662-00	1 - 4	688-44122-00	12 - 39
650-11370-01	2 - 4	679-14555-00	5 - 26	6K5-15770-01	7 - 47	6H3-41112-A0	2 - 36	688-42677-D0	1 - 18	6H1-44144-00	16 - 55
688-11370-01	2 - 3	6H2-14578-00	5 - 31	6K5-15771-00-94	7 - 33		19 - 6	6H2-42678-30	1 - 19	6H1-44151-00	16 - 54
69D-11400-00	3 - 7	6H3-14578-00	5 - 32	6K5-15772-00-94	7 - 36	6H3-41113-02-1S	2 - 37	6H3-42681-30	1 - 16	692-44159-01	11 - 32
6K5-11601-02	3 - 14	6H3-14590-01	5 - 8	6K5-15773-01	7 - 39	6H3-41114-A0	2 - 38	6H3-42682-30	1 - 17	663-44173-00	11 - 33
6K5-11601-12	3 - 14		19 - 23	648-15773-00	7 - 3		19 - 7	6H3-42711-14-4D	10 - 1	6K5-44191-00	11 - 29
6K5-11601-22	3 - 14	6K5-14592-00	5 - 27	6K5-15774-00	7 - 59	6H2-41131-00-5B	15 - 11	648-42715-00	12 - 27	688-44194-00	12 - 5
6K5-11631-03-95	3 - 13	6H3-14711-10-5B	15 - 14	6F5-15779-02	7 - 25	6H3-41137-01-94	15 - 5	6H3-42716-02	10 - 12	688-44311-01	16 - 22
6H3-11633-00	3 - 15	6H3-14737-10	15 - 20	697-15789-00	7 - 45	6H3-41213-01	12 - 22	6K5-42717-00	10 - 13	688-44315-A0	16 - 24
688-11634-10	3 - 16	692-14923-00	5 - 25	663-15791-00	7 - 20	6H3-41217-00	4 - 12	6H3-42718-00	10 - 34		20 - 7
6K5-11635-03	3 - 13		19 - 33	663-15794-00	7 - 52	662-41237-01	12 - 14	6E5-42724-00	10 - 14		20 - 18
6K5-11636-03	3 - 13	676-14943-34	5 - 5	6YK-24201-01	18 - 1		12 - 20	6K5-42725-00	10 - 15	688-44316-A0	16 - 30
6H3-12411-10	2 - 31	6K5-14945-36	5 - 35	6YK-24260-01	18 - 5	682-41237-50	12 - 19	6H4-42726-00	10 - 24		20 - 9
6H3-12413-00-1S	2 - 32	6H2-14947-02	5 - 4	6YL-24268-01	18 - 2	6H3-41238-00	12 - 1	6H3-42727-00	10 - 19		20 - 21
6H3-12414-A1	2 - 33	6H4-14948-15	5 - 6	6G1-24304-02	6 - 1	6H3-41257-00	4 - 13	6H3-42738-01-5B	10 - 16	69D-44322-00	16 - 23
	19 - 5	6K5-14950-21	5 - 36	6YL-24306-52	18 - 8	661-41262-02	4 - 14	6H3-42741-01-4D	10 - 28		20 - 16
6H2-13610-00	4 - 1	676-14966-00	5 - 7	69D-24311-00	6 - 4		4 - 17	6H3-42768-00	10 - 23	688-44323-40	16 - 31
6H3-13621-A1	4 - 6		19 - 22	663-24312-01	2 - 40	6H3-41271-00	4 - 15	6H3-42771-01-4D	10 - 29		20 - 19
	19 - 13	6H2-14980-00	5 - 15	69D-24312-00	6 - 23	689-41273-00	4 - 16	6G5-42791-10	10 - 35	688-44324-A0	16 - 32
6H3-13622-A1	4 - 8	6G1-14984-00	5 - 14	6H3-24313-00	6 - 44	6H4-41611-00	8 - 12	6H3-42813-00	10 - 7		20 - 8
	19 - 19		19 - 15	6H3-24314-00	6 - 46	6H3-41612-00	8 - 13	6H3-42815-01-4D	10 - 3		20 - 20
6H3-13624-00-94	4 - 7		19 - 28	6YL-24329-00	18 - 7	6H3-41612-10	8 - 16	6H3-42816-00	10 - 9	688-44341-01-94	16 - 27
6H3-13641-03-94	4 - 5	6G1-14985-00	5 - 12	688-24378-00	6 - 43	6K5-41618-00	8 - 17	6H3-42817-01-4D	10 - 4	688-44352-03	16 - 25
663-14126-00	5 - 19		19 - 26	692-24410-00	6 - 26	6H3-41631-00	12 - 2	6H3-42818-00	10 - 10		20 - 17
	19 - 31	6H3-14992-00	5 - 17	663-24411-00	6 - 31	6H3-41632-00	12 - 8	63D-43111-01-4D	13 - 1	69D-44361-10	17 - 2
688-14126-00	5 - 21	69D-15100-00-1S	2 - 2	692-24411-00	6 - 28	6H3-41633-00	12 - 11	63D-43112-01-4D	13 - 8	663-44366-00	17 - 10
	19 - 32	6H3-15359-00-94	3 - 1	6A0-24412-02	6 - 37	679-41636-00	12 - 15	648-43114-01	13 - 11		20 - 14
663-14159-00	5 - 9	692-15711-00	7 - 2	6A0-24413-00	6 - 27	663-42111-02-4D	11 - 1	663-43116-01	13 - 12	663-44367-00	17 - 1
	19 - 24	663-15713-00	7 - 5	6A0-24421-01	6 - 35	663-42115-00	11 - 10	663-43118-01-4D	13 - 14	69D-44391-00	10 - 2
676-14186-00	5 - 10	663-15714-01	7 - 6	650-24431-A0	6 - 38	664-42119-00	11 - 2	69D-43126-00	13 - 40	688-44511-00-94	14 - 31

**NUMERICAL INDEX
INDEX NUMERIQUE**

PART NO. NO. PIECES	REF. NO.	PART NO. NO. PIECES	REF. NO.	PART NO. NO. PIECES	REF. NO.	PART NO. NO. PIECES	REF. NO.	PART NO. NO. PIECES	REF. NO.	PART NO. NO. PIECES	REF. NO.
688-44514-00-94	14- 24	688-45577-01-18	16- 62	6K5-82531-00	9- 3	90119-08M64	2- 8	90206-13M10	10- 6	90445-07M45	2- 12
69D-44551-10-4D	14- 7	688-45577-01-30	16- 62	682-82556-00	11- 52	90119-08M79	15- 8	90209-06M05	4- 22	90445-07M82	2- 13
6H3-44552-03-94	14- 16	688-45577-01-40	16- 62	688-82560-10	9- 32	90119-08M81	15- 4	90243-04007	13- 13	90445-09072	6- 41
6H3-44553-01-4D	14- 21	688-45577-01-50	16- 62	6E3-8257H-00	10- 37	90119-08M85	15- 24	90249-06M19	13- 30	90445-09220	6- 45
687-44555-00-94	14- 9	688-45587-01-10	16- 5	689-8257Y-00	11- 53	90119-10005	2- 7	90250-07M02	16- 51	90446-10M02	9- 33
663-44575-00	14- 14	688-45587-01-12	16- 5	6K5-82575-03	11- 51	90149-05M13	11- 6	90254-03003	11- 12	90464-04M12	9- 15
	14- 30	688-45587-01-15	16- 5	6A1-83625-41	4- 23	90149-05095	7- 54	90266-06009	1- 9	90464-07M05	2- 15
6H3-45111-11-4D	15- 1	688-45587-01-18	16- 5	6A1-83625-51	4- 24	90151-05M00	16- 14	90269-02M09	11- 5	90464-07M10	9- 21
6H3-45113-A0	15- 7	688-45587-01-30	16- 5	6E0-83627-41	11- 56	90157-05M16	18- 6	90269-04M03	10- 8	90464-08M07	9- 19
	19- 18	688-45587-01-40	16- 5	6E0-83627-51	11- 55	90157-06M13	12- 3	90280-04M04	16- 26		11- 54
6H3-45114-A1	15- 17	688-45587-01-50	16- 5	6H4-85411-00	9- 4	90170-16M01	16- 38		20- 25	90464-10M59	6- 6
	20- 2	6H1-45611-01	16- 40	6H4-85415-00	9- 5	90170-18M10	13- 47	90280-05015	8- 9	90464-12M17	9- 20
6H3-45123-00	15- 16	6H1-45631-01	16- 41	6H3-85510-A1	8- 2	90170-20137	8- 10	90282-04010	16- 67	90465-06M90	7- 61
	20- 3	688-45633-00	16- 52	663-85518-00	8- 4	90171-16011	17- 16	90338-05M03	10- 26		9- 29
6H3-45127-00	15- 15	6H1-45634-02	16- 43	6H3-85520-00	8- 3	90175-06003	11- 50		10- 27	90465-08M83	6- 25
6H3-45155-00	15- 3	6H1-45635-00	16- 47	6H3-85533-A0	8- 6	90179-06066	14- 20	90340-08002	16- 9	90465-11M10	6- 5
696-45211-01-4D	15- 21	6H1-45641-01	16- 53	6H3-85540-11	9- 16	90179-08M34	2- 30	90340-14M00	2- 22		6- 24
6H1-45214-00	16- 12	6H1-45668-00	16- 46	6H3-85542-00-94	9- 6	90183-02M03	16- 50	90340-12M04	7- 31	90467-06016	2- 10
6H1-45215-00	16- 13	688-45930-02-98	17- 18	6K5-85550-10	8- 1	90185-05002	16- 15	90386-06088	11- 42		2- 14
63D-45251-00	13- 2	688-45932-60-98	17- 18	6H3-85570-10	9- 25	90185-10051	11- 38	90386-07M58	12- 33	90467-08004	2- 41
663-45251-00	13- 38	6E5-45941-00-EL	17- 18	90101-06M27	11- 48		14- 29	90386-08032	11- 9		6- 42
69D-45300-10-4D	16- 1	6E5-45943-00-EL	17- 18	90101-08002	2- 21		14- 35	90386-10M16	13- 26		6- 47
6H1-45301-03-4D	16- 1	6E5-45945-01-EL	17- 18	90101-10M49	14- 25	90185-12058	11- 27	90386-10009	11- 36	90468-18008	7- 56
688-45321-00	16- 16	6E5-45947-00-EL	17- 18	90101-12M06	11- 21	90185-22M11	13- 22	90386-10025	13- 27		12- 18
688-45331-00-94	16- 60	6E5-45949-00-EL	17- 18	90101-12M65	13- 52	90201-03313	16- 49	90386-12089	11- 23		12- 37
688-45341-10	16- 10	6E5-45952-00-EL	17- 18	90105-06M14	9- 7	90201-05652	5- 28	90386-13M38	10- 5	90480-09M12	10- 20
688-45371-02	17- 8	6E5-45954-00-EL	17- 18	90105-10M67	17- 9	90201-06M31	12- 9	90386-18M44	13- 45	90480-13M24	9- 9
688-45375-00	17- 7	6E5-45956-00-EL	17- 18	90109-12M21	14- 13	90201-06068	6- 17	90386-22M15	13- 20	90480-19M06	17- 11
663-45376-00-94	17- 6	688-45970-03-98	17- 18	90116-06M07	9- 11	90201-10120	11- 37	90386-30M60	14- 6	90501-10326	5- 30
6J8-45378-00	16- 21	688-45972-02-98	17- 18	90116-08M69	2- 29	90201-11M22	14- 28	90386-30M77	14- 4	90501-12M48	16- 48
688-45383-02	16- 68	688-45974-02-98	17- 18	90116-10M28	14- 34	90201-12M16	14- 10	90386-30M78	14- 3	90501-12082	12- 29
688-45384-00	16- 69	688-45976-01-98	17- 18	90116-10M31	15- 23	90201-12M34	11- 40	90387-06M43	9- 8	90501-14M08	14- 19
69D-45501-10	16- 36	688-45978-60-98	17- 18	90116-18M52	13- 44	90201-12426	13- 54	90387-06M59	12- 12	90501-16M17	11- 34
688-45536-01	16- 4	688-45987-01	17- 13	90119-06MA3	2- 34	90201-12537	11- 25	90387-06M60	12- 6	90501-16M65	16- 44
6K5-45551-00	16- 37	688-45997-01	17- 14		4- 9	90201-13M19	14- 12		12- 24	90501-23215	11- 8
6K5-45560-00	16- 39	700-48339-00	11- 44	90119-06MA5	2- 39	90201-17M00	17- 15	90387-06M69	10- 21	90502-16M02	13- 34
688-45567-01-10	16- 7	663-48344-00	12- 17	90119-06M09	10- 11	90201-20M21	14- 26	90387-08M05	7- 32	90506-08M23	7- 51
688-45567-01-12	16- 7		12- 40	90119-06M61	10- 22	90201-20417	3- 18	90387-12M30	11- 39	90506-14M24	13- 49
688-45567-01-15	16- 7	6H3-48538-00	12- 41	90119-06M65	7- 43	90201-21M18	8- 11	90387-16003	13- 41	90508-12015	7- 53
688-45567-01-18	16- 7	6K5-81332-60	8- 18	90119-06M91	12- 13	90201-22M03	13- 21	90387-16004	13- 42	90508-29M19	12- 10
688-45567-01-30	16- 7	6H3-81916-00	9- 22	90119-06023	2- 19	90201-30M00	14- 2	90430-08020	16- 11	91490-16012	7- 58
688-45567-01-40	16- 7	6H3-81922-00	9- 10	90119-08MA5	2- 28	90202-07M07	12- 38		20- 4	91490-20012	12- 35
688-45567-01-50	16- 7	703-82119-00	10- 25	90119-08M13	16- 35	90202-12060	17- 3	90430-12072	17- 4	91490-25012	11- 46
6H3-45571-00	16- 59	688-82127-02	14- 23		20- 24	90202-12092	11- 24		20- 13	91490-40025	17- 17
688-45576-00	16- 63	6H1-82148-00	13- 5	90119-08M16	16- 34	90202-20M06	14- 27	90430-14115	2- 23	91690-30012	13- 33
688-45577-01-10	16- 62	63D-82148-00	13- 9		20- 23	90202-25M04	14- 11		19- 3	91690-30020	13- 29
688-45577-01-12	16- 62	6A0-82317-00	7- 41	90119-08M28	7- 29	90206-10M04	12- 23	90445-07M02	2- 11	92903-06100	7- 16
688-45577-01-15	16- 62	6G1-82370-21	9- 28	90119-08M32	7- 30	90206-12054	11- 26	90445-07M44	2- 9		7- 21

NUMERICAL INDEX
INDEX NUMERIQUE

PART NO. NO. PIECES	REF. NO.	PART NO. NO. PIECES	REF. NO.	PART NO. NO. PIECES	REF. NO.	PART NO. NO. PIECES	REF. NO.	PART NO. NO. PIECES	REF. NO.	PART NO. NO. PIECES	REF. NO.
92903-06100	9 - 31	92995-18600	13 - 46	93606-12019	15 - 6	97095-06040	6 - 39				
	11 - 31	93101-25M03	16 - 28		15 - 22	97095-06095	4 - 10				
92903-06200	7 - 57		16 - 66		17 - 5	97303-06016	7 - 17				
92903-06600	7 - 35		20 - 12	93608-12063	2 - 6	97303-06025	7 - 22				
	7 - 38	93102-30M23	3 - 2	93700-06M03	11 - 16	97780-40512	17 - 12				
	8 - 8		19 - 10		13 - 17	97880-05016	4 - 3				
	9 - 2	93102-36M24	3 - 9	94702-00247	2 - 42	97880-06025	9 - 17				
	9 - 27		19 - 8	95380-03600	6 - 30	97885-05012	11 - 18				
	12 - 32	93106-09014	16 - 18	95380-05600	12 - 16	97885-06008	11 - 17				
92903-08100	7 - 27		20 - 6		12 - 21		13 - 10				
92903-08600	7 - 28	93106-18M01	3 - 3	95380-06600	12 - 4	97885-06010	8 - 19				
92903-10600	11 - 7		19 - 11	95380-06700	9 - 12	97885-06012	8 - 14				
92990-05100	6 - 34	93210-04228	5 - 34	95380-10600	15 - 25		9 - 23				
92990-05600	4 - 4	93210-04230	5 - 18	95380-12600	13 - 55	97885-06016	14 - 22				
92990-06100	9 - 14		19 - 30	95380-12800	14 - 15	97885-06045	4 - 21				
92990-06200	9 - 13	93210-07003	16 - 56	97013-06012	7 - 60	97902-05125	8 - 5				
92990-06600	9 - 18	93210-15M52	5 - 33		9 - 1	97980-04114	5 - 16				
	11 - 45		19 - 34		9 - 30		19 - 29				
	11 - 49	93210-29M94	14 - 5	97013-06016	11 - 30	97980-05310	5 - 24				
92990-08200	12 - 34	93210-46M16	3 - 12	97013-06020	12 - 31	98503-05028	6 - 33				
92990-10100	15 - 26		19 - 9	97013-06025	7 - 34	98580-04008	5 - 11				
92990-10600	15 - 27	93210-46044	16 - 29		9 - 26	98680-06525	13 - 39				
92990-12200	11 - 22		20 - 10	97013-06030	8 - 7	99001-08600	16 - 57				
92995-06100	1 - 7		20 - 22	97013-06055	7 - 37						
	6 - 16	93210-49046	16 - 17	97013-08012	7 - 26						
	13 - 4		20 - 5	97075-08025	14 - 17						
92995-06600	1 - 8	93210-65M50	3 - 4	97075-08030	15 - 12						
	1 - 12		19 - 12		15 - 18						
	3 - 6	93210-85M97	16 - 64	97075-08035	14 - 32						
	6 - 3		20 - 11		15 - 9						
	6 - 20	93306-207U0	16 - 61	97095-06010	13 - 6						
	6 - 22	93306-306V1	3 - 11		13 - 37						
	6 - 40	93311-636U6	3 - 8		13 - 51						
	7 - 49	93315-325V1	16 - 3	97095-06012	7 - 48						
	8 - 15	93317-325U0	16 - 65	97095-06014	6 - 19						
	8 - 20	93332-000U3	16 - 6	97095-06016	1 - 6						
	9 - 24	93332-000W7	16 - 8		1 - 11						
	10 - 18	93410-16006	13 - 43		6 - 15						
	10 - 31	93410-28M06	14 - 8		6 - 21						
	10 - 33	93440-49M04	3 - 10		10 - 17						
	13 - 7	93450-07M00	16 - 58		16 - 19						
	16 - 20	93501-04M02	12 - 28	97095-06020	3 - 5						
92995-08100	14 - 18	93503-16003	16 - 45		10 - 32						
	14 - 33	93515-32M01	11 - 35	97095-06025	6 - 2						
	15 - 10	93603-12M11	16 - 42		10 - 30						
	15 - 13	93603-18M09	3 - 17		12 - 7						
	15 - 19	93604-10M03	16 - 33		12 - 25						
92995-12200	13 - 53	93606-12019	15 - 2		13 - 3						

E60HMHD
PARTS CATALOGUE
©2002 by Yamaha Motor Co., Ltd.
1st Edition, Jul. 2002
All rights reserved.
Any reprinting or unauthorized use
without the written permission of
Yamaha Motor Co., Ltd.
is expressly prohibited.

E60HMHD
CATALOGUE DE PIECES DETACHEES
©2002 Yamaha Motor Co., Ltd.
1ère Edition, Juil. 2002
Tous droits réservés.
Toute réimpression ou utilisation
sans la permission écrite de la
Yamaha Motor Co., Ltd.
est formellement interdite.