

PARTS CATALOGUE

E60HMHD'04 (69D3)



1C69D-700E1

(2C69D-700E1)

FOREWORD

This Parts Catalogue is related to the parts for the model(s) on the cover page. When you are ordering replacement parts, please refer to this Parts Catalogue and quote both part numbers and part names correctly.

1. Modifications or additions which have been made after the issue of the Parts Catalogue will be announced in the Parts News.
It is advisable that you make the necessary corrections to the Parts Catalogue according to the Parts News.

2. Abbreviations

The following abbreviations are used in this Parts Catalogue.

- “UR” Use specified parts number.
- “UN” Use as many as needed.
- “AP” Alternate Parts
- “LM” Locally Made (Parts need to be ordered locally)
- “F#” Frame No. (Applicable machine No.)
- “O/S” Over Size

3. The number of components for assembly

- Parts, which are to be supplied in an assembly, are listed with a dot (.) in front of the part name as shown below.
- The numeral appearing to the right of each component part indicates the quantity of parts for each assembly unit.

PART NO.	DESCRIPTION	Q'TY	REMARKS
2F5-83310-60	FRONT FLASHER LIGHT ASSY	2	
115-83311-60	.BULB (6V-18W)	1	

4. Applicable colours of graphics are represented in the “REMARKS” as shown below.

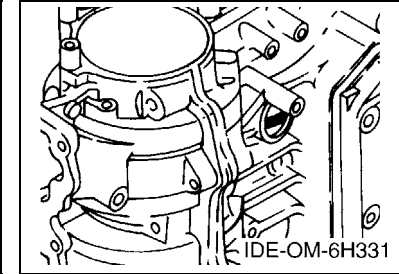
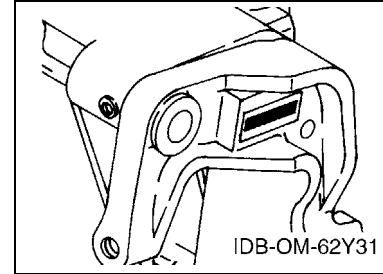
PART NO.	DESCRIPTION	Q'TY	REMARKS
2N4-24110-00-X5	FUEL TANK COMP.	2	MXR
3J1-24240-10	.GRAPHIC, FUEL TANK	1	FOR MXR

5. Note that the illustrations for reference in finding parts numbers are not to be used for assembling. When assembling, please use the applicable service manual.

6. The asterisk (*) before a reference number indicates modified items after the first edition.

7. Applicable Serial No.

Engine Serial No.



8. Applicable Engine Starting Serial No.

Model	Serial No.	Model	Serial No.
E60H	6K5K-1002652		

9. Applicable Colour Code

Abbreviation	Colour Name	Colour Code
DBNM2	DARK BLUISH GRAY METALLIC 2	004D

10. Quantity Column Information

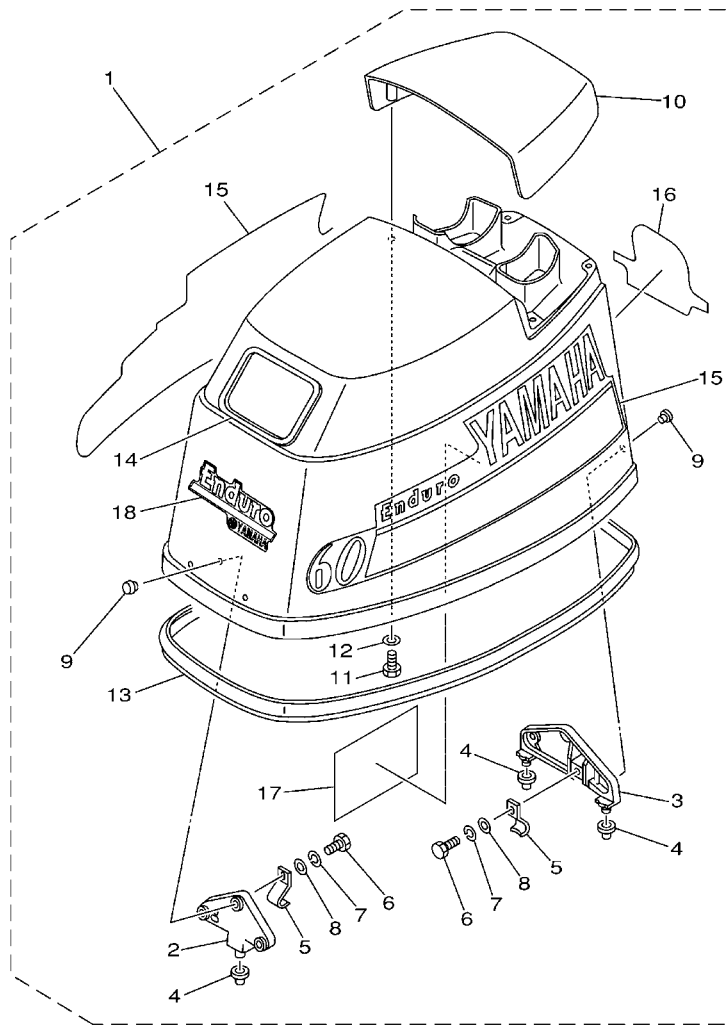
Column No.	Name Of Q'ty Column	Applicable Model
1	E60	E60HMHD

CONTENTS

TOP COWLING	A4
CYLINDER & CRANKCASE	A5
CRANKSHAFT & PISTON	A7
INTAKE	B1
CARBURETOR	B2
FUEL	B4
STARTER	B6
GENERATOR	C2
ELECTRICAL	C3
BOTTOM COWLING	C5
STEERING	C7
CONTROL	D3
BRACKET 1	D5
BRACKET 2	D7
UPPER CASING	E2
LOWER CASING & DRIVE 1	E3
LOWER CASING & DRIVE 2	E7
FUEL TANK	F2
REPAIR KIT 1	F3
REPAIR KIT 2	F5

INDEX

NUMERICAL INDEX	G1
-----------------------	----



69D1100-2010

FIG. 1 TOP COWLING

REF. NO.	PART NO.	DESCRIPTION	E60				REMARKS
1	69D-42610-H0-4D	TOP COWLING ASSY	1				
2	6H3-42647-00-94	.HOLDER, CLAMP BAND	1				
3	6H3-42649-00-94	.HOLDER, CLAMP BAND	1				
4	663-42662-00	.DAMPER	3				
5	6H3-42652-00	.HOOK	2				
6	97095-06016	.BOLT	2				
7	92995-06100	.WASHER, SPRING	2				
8	92995-06600	.WASHER	2				
9	90266-06009	.RIVET	6				
10	6H3-42613-01-4D	.MOLDING, AIR DUCT	1				
11	97095-06016	.BOLT	4				
12	92995-06600	.WASHER	4				
13	6H3-42615-00	.SEAL	1				
14	6K5-15761-00	.SEAL, RUBBER 1	1				
15	6K5-W0070-H0	.GRAPHIC SET	1				
16	6K5-42678-H0	.GRAPHIC, REAR	1				
17	677-13437-0B	.MARK, CAUTION	1				
18	69D-42677-H0	.GRAPHIC, FRONT	1				

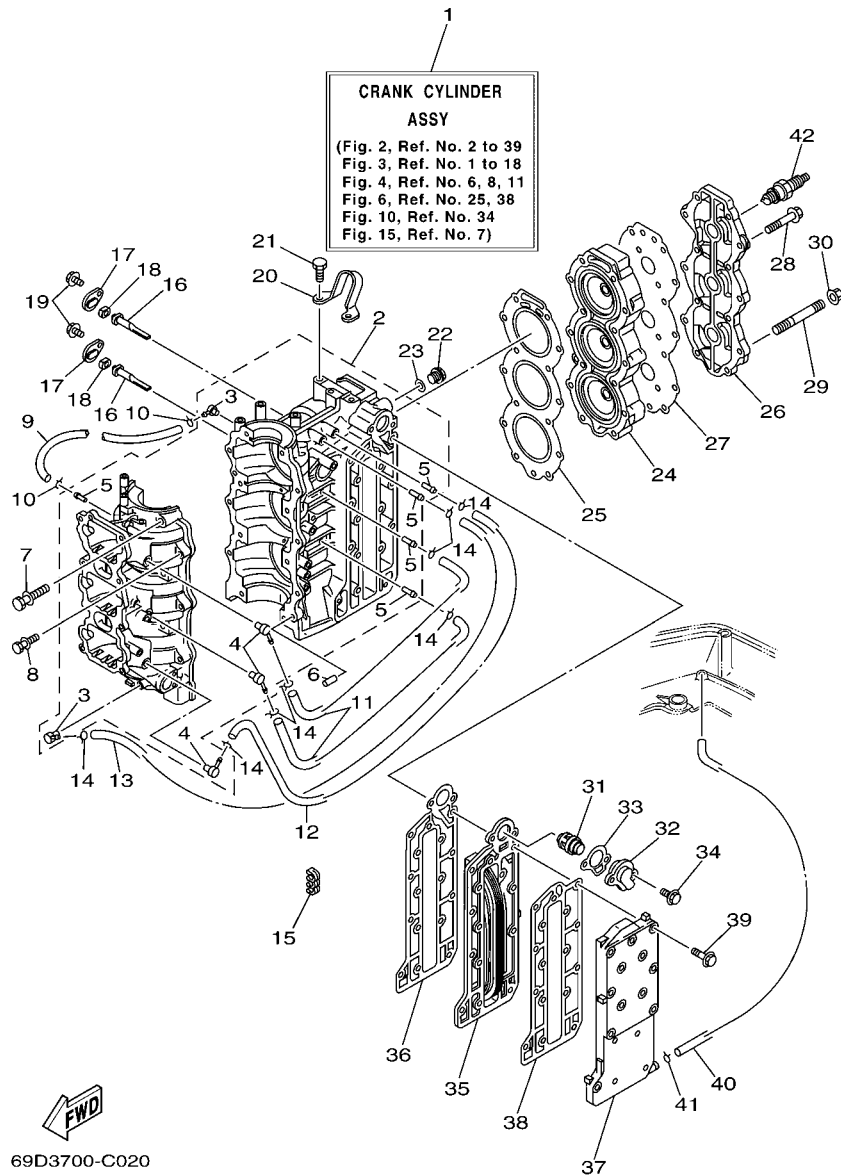
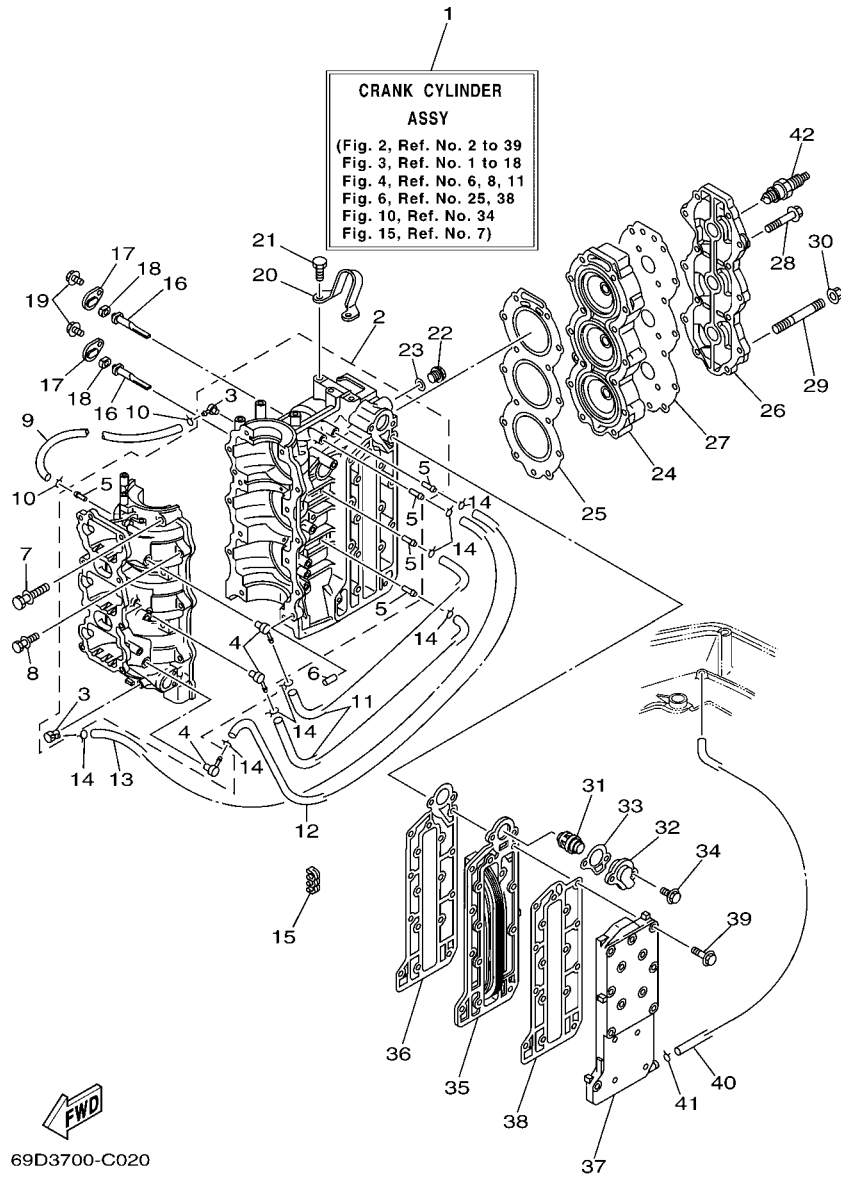


FIG. 2 CYLINDER & CRANKCASE

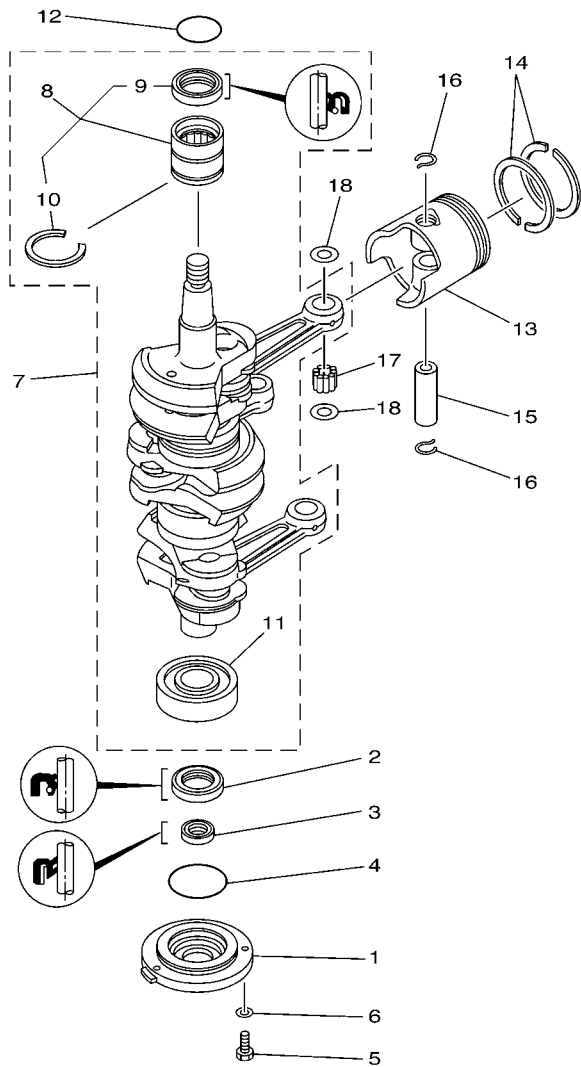
REF. NO.	PART NO.	DESCRIPTION	E60				REMARKS
1	69D-W0090-01-1S	CRANK CYLINDER ASSY	1				
2	69D-15100-00-1S	CRANKCASE ASSY	1				
3	688-11370-01	.CHECK VALVE ASSY	2				
4	650-11370-01	.CHECK VALVE ASSY	3				
5	624-14485-00	.PIPE, JOINT	5				
6	93608-12063	PIN, DOWEL	2				
7	90119-10005	BOLT, WITH WASHER	8				
8	90119-08M64	BOLT, WITH WASHER	6				
9	90445-07M44	HOSE (L250)	1				
10	90467-06016	CLIP	2				
11	90445-07M02	HOSE (L167)	2				
12	90445-07M45	HOSE (L340)	1				
13	90445-07M82	HOSE (L440)	1				
14	90467-06016	CLIP	8				
15	90464-07M05	CLAMP	1				
16	6H3-11325-01	ANODE	2				
17	6H3-11327-00-1S	COVER, ANODE	2				
18	6H3-11328-00	GROMMET, ANODE	2				
19	90119-06023	BOLT, WITH WASHER	2				
20	6K5-11119-01	HANGER, ENGINE	1				
21	90101-08002	BOLT	2				
22	90340-14M00	PLUG, STRAIGHT SCREW	1				
23	90430-14115	GASKET	1				
24	6H3-11111-01-1S	HEAD, CYLINDER 1	1				
25	6H3-11181-A1	GASKET, CYLINDER HEAD 1	1				
26	6H3-11191-00-1S	COVER, CYLINDER HEAD 1	1				
27	6H3-11193-A1	GASKET, HEAD COVER 1	1				



69D3700-C020

FIG. 2 CYLINDER & CRANKCASE

REF. NO.	PART NO.	DESCRIPTION	E60				REMARKS
28	90119-08MA5	BOLT, WITH WASHER	13				
29	90116-08M69	BOLT, STUD	1				
30	90179-08M34	NUT	1				
31	6H3-12411-10	THERMOSTAT	1				
32	6H3-12413-00-1S	COVER, THERMOSTAT	1				
33	6H3-12414-A1	GASKET, COVER	1				
34	90119-06MA3	BOLT, WITH WASHER	2				
35	6H3-41111-01-1S	INNER COVER, EXHAUST	1				
36	6H3-41112-A0	GASKET, EXHAUST INNER COVER	1				
37	6H3-41113-02-1S	OUTER COVER, EXHAUST	1				
38	6H3-41114-A0	GASKET, EXHAUST OUTER COVER	1				
39	90119-06MA5	BOLT, WITH WASHER	16				
40	663-24312-01	PIPE 2	1				
41	90467-08004	CLIP	1				
42	94702-00247	PLUG, SPARK (NGK BR8HS-10)	3				



6H20010-0030

FIG. 3 CRANKSHAFT & PISTON

REF. NO.	PART NO.	DESCRIPTION	E60				REMARKS
1	6H3-15359-00-94	HOUSING, OIL SEAL	1				
2	93102-30009	OIL SEAL	1				
3	93106-18001	OIL SEAL	1				
4	93210-65M50	O-RING	1				
5	97095-06020	BOLT	3				
6	92995-06600	WASHER	3				
7	69D-W1140-01	CRANKSHAFT ASSY	1				
8	93311-636U6	.BEARING	1				
9	93102-36M24	..OIL SEAL	1				
10	93440-49M04	..CIRCLIP	1				
11	93306-306V1	.BEARING	1				
12	93210-46M16	O-RING	1				
13	6K5-11631-03-95	PISTON (STD)	3				
	6K5-11635-03	PISTON (0.25MM O/S)	3				AP
	6K5-11636-03	PISTON (0.50MM O/S)	3				AP
14	6K5-11601-02	PISTON RING SET (STD)	3				
	6K5-11601-12	PISTON RING SET (0.25MM O/S)	3				AP
	6K5-11601-22	PISTON RING SET (0.50MM O/S)	3				AP
15	6H3-11633-00	PIN, PISTON	3				
16	688-11634-10	CLIP, PISTON PIN	6				
17	93603-18M09	PIN, DOWEL	84				
18	90201-20417	WASHER, PLATE	6				

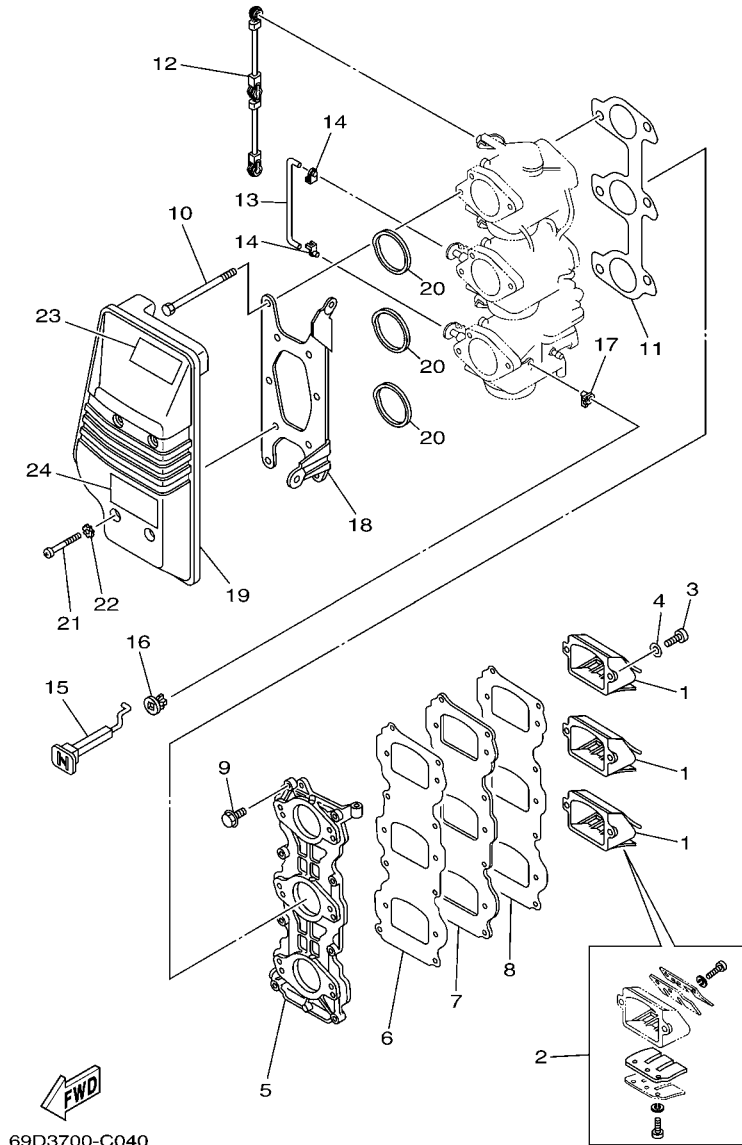
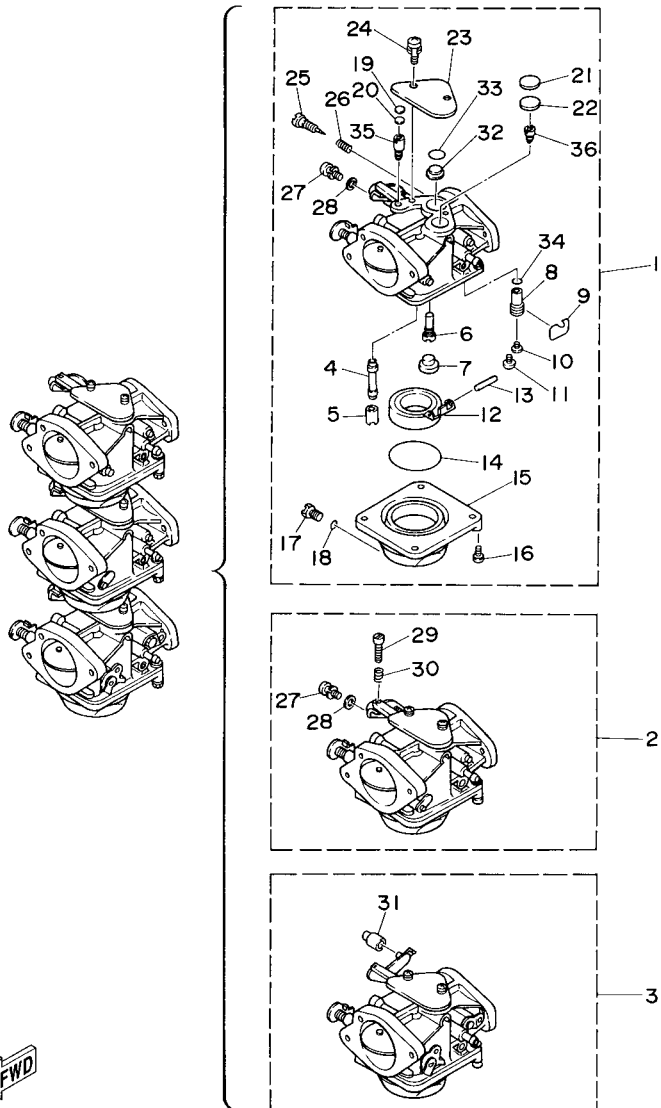


FIG. 4 INTAKE

REF. NO.	PART NO.	DESCRIPTION	E60				REMARKS
1	6H2-13610-00	REED VALVE ASSY	3				
2	688-W0004-00	.REED SET	1				
3	97880-05016	SCREW, PAN HEAD	6				
4	92990-05600	WASHER, PLATE	6				
5	6H3-13641-03-94	MANIFOLD 1	1				
6	6H3-13621-A1	GASKET, VALVE SEAT	1				
7	6H3-13624-00-94	PLATE, REED VALVE	1				
8	6H3-13622-A1	GASKET, VALVE SEAT	1				
9	90119-06MA3	BOLT, WITH WASHER	8				
10	97095-06095	BOLT	6				
11	6H3-14198-A1	GASKET	1				
12	6H3-41217-00	ROD, ACCEL. LEVER	1				
13	6H3-41257-00	ROD, CHOKE 2	2				
14	661-41262-02	JOINT, CHOKE LEVER	4				
15	6H3-41271-00	KNOB, CHOKE	1				
16	689-41273-00	GROMMET	1				
17	661-41262-02	JOINT, CHOKE LEVER	1				
18	6H3-14413-10	STAY	1				
19	6H3-14440-02	SILENCER ASSY, INTAKE	1				
20	6H3-14457-01	SEAL	3				
21	97885-06045	SCREW, PAN HEAD	4				
22	90209-06M05	WASHER	4				
23	6A1-83625-41	MARK 5	1				
24	6K5-14488-00	LABEL, CAUTION	1				

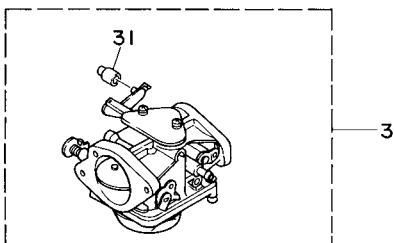
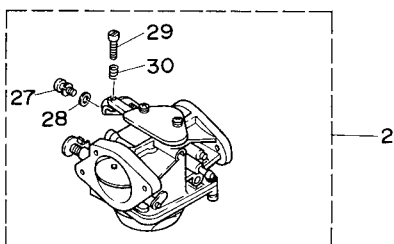
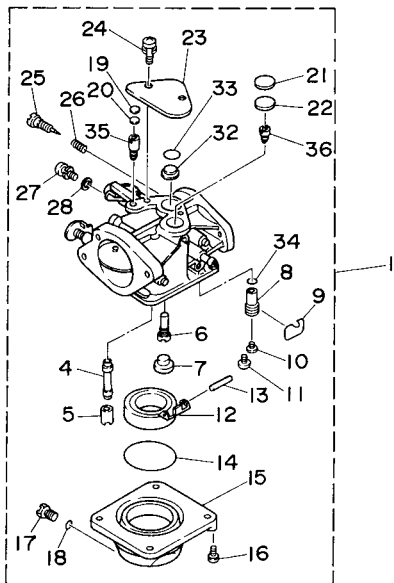
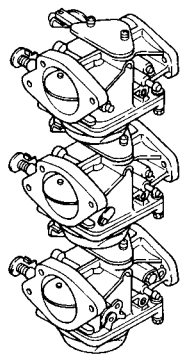
FIG. 5 CARBURETOR



6K50100-4050

REF. NO.	PART NO.	DESCRIPTION	E60				REMARKS
1	6K5-14301-03	CARBURETOR ASSY 1	1				
2	6K5-14302-03	CARBURETOR ASSY 2	1				
3	6K5-14303-03	CARBURETOR ASSY 3	1				
4	6H2-14947-02	.NOZZLE, MAIN	3				
5	676-14943-34	.JET, MAIN (#135)	3				
6	6H4-14948-15	.JET, SLOW (#70)	3				
7	676-14966-00	.CAP	3				
8	6H3-14590-01	.NEEDLE VALVE ASSY	3				
9	663-14159-00	.CLIP	3				
10	676-14186-00	.PIN, FLOAT	3				
11	98580-04008	.SCREW, PAN HEAD	3				
12	6G1-14985-00	.FLOAT	3				
13	688-14548-00	.PIN, FLOAT ARM	3				
14	6G1-14984-00	.O-RING	3				
15	6H2-14980-00	.BODY, FLOAT CHAMBER	3				
16	97980-04114	.SCREW, WITH WASHER	12				
17	6H3-14992-00	.SCREW, DRAIN	3				
18	93210-04230	.O-RING	3				
19	663-14126-00	.GASKET	3				
20	663-14527-00	.PLATE	3				
21	688-14126-00	.GASKET	3				
22	688-14527-00	.PLATE	3				
23	6H2-14527-01	.PLATE	3				
24	97980-05310	.SCREW, WITH WASHER	6				
25	692-14923-00	.SCREW, PILOT	3				
26	679-14555-00	.SPRING	3				
27	6K5-14592-00	.SCREW	2				#1,2

FIG. 5 CARBURETOR



REF. NO.	PART NO.	DESCRIPTION	E60				REMARKS
28	90201-05652	.WASHER, PLATE	2				#1,2
29	63V-14523-00	.SCREW, STOP	1				#2
30	90501-10326	.SPRING, COMPRESSION	1				#2
31	6H2-14578-00	.COLLAR	1				#3
32	6H3-14578-00	.PLATE	3				
33	93210-15M52	.O-RING	3				
34	93210-04228	.O-RING	3				
35	6K5-14945-36	.JET, AIR MAIN (#145)	3				
36	6K5-14950-21	.JET, AIR SLOW (#85)	3				



6K50100-4050

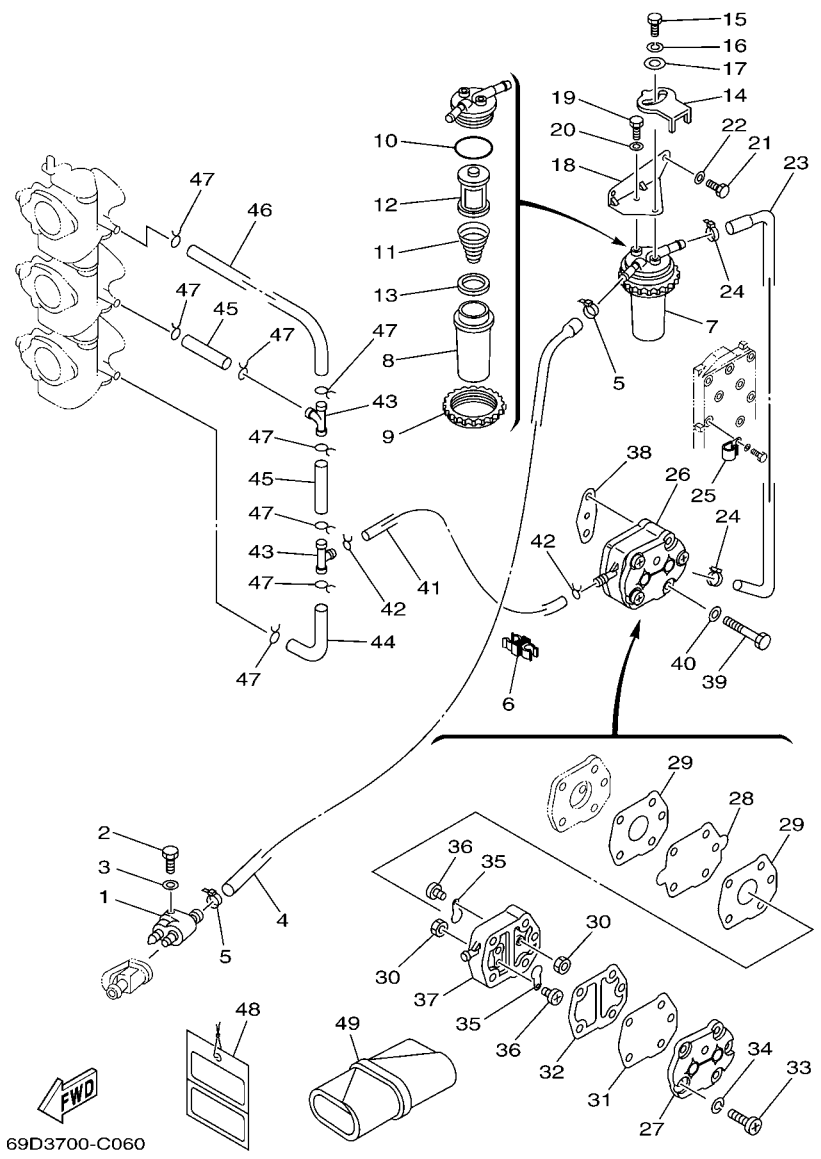


FIG. 6 FUEL

REF. NO.	PART NO.	DESCRIPTION	E60				REMARKS
1	6G1-24304-02	FUEL PIPE JOINT COMP. 1	1				
2	97095-06025	BOLT	1				
3	92995-06600	WASHER	1				
4	69D-24311-00	PIPE, FUEL 1	1				
5	90465-11M10	CLAMP	2				
6	90464-10M59	CLAMP	1				
7	61A-24560-04	FILTER ASSY	1				
8	61A-24521-00	.CUP, FILTER	1				
9	65L-24531-01	.NUT	1				
10	61A-24564-00	.O-RING	1				
11	61A-24577-01	.SPRING	1				
12	61A-24563-00	.ELEMENT, FILTER	1				
13	61A-24469-00	.FLOAT, WATER LEVEL	1				
14	60H-24558-00	HOLDER, FILTER	1				
15	97095-06016	BOLT	1				
16	92995-06100	WASHER, SPRING	1				
17	90201-06068	WASHER, PLATE	1				
18	69D-24566-01	BRACKET, FILTER	1				
19	97095-06014	BOLT	1				
20	92995-06600	WASHER	1				
21	97095-06016	BOLT	2				
22	92995-06600	WASHER	2				
23	69D-24312-00	PIPE 2	1				
24	90465-11M10	CLAMP	2				
25	90465-08M83	CLAMP	1				
26	692-24410-00	FUEL PUMP ASSY	1				
27	6A0-24413-00	.BODY 2	1				

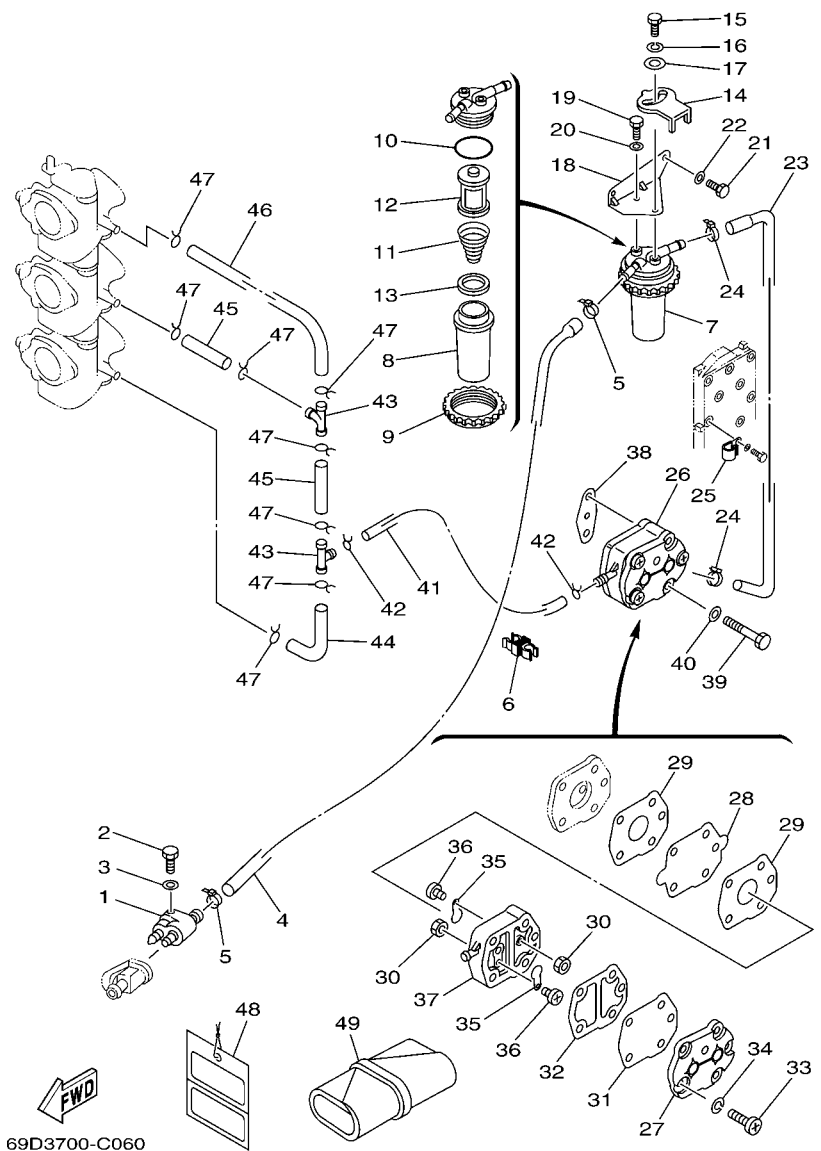
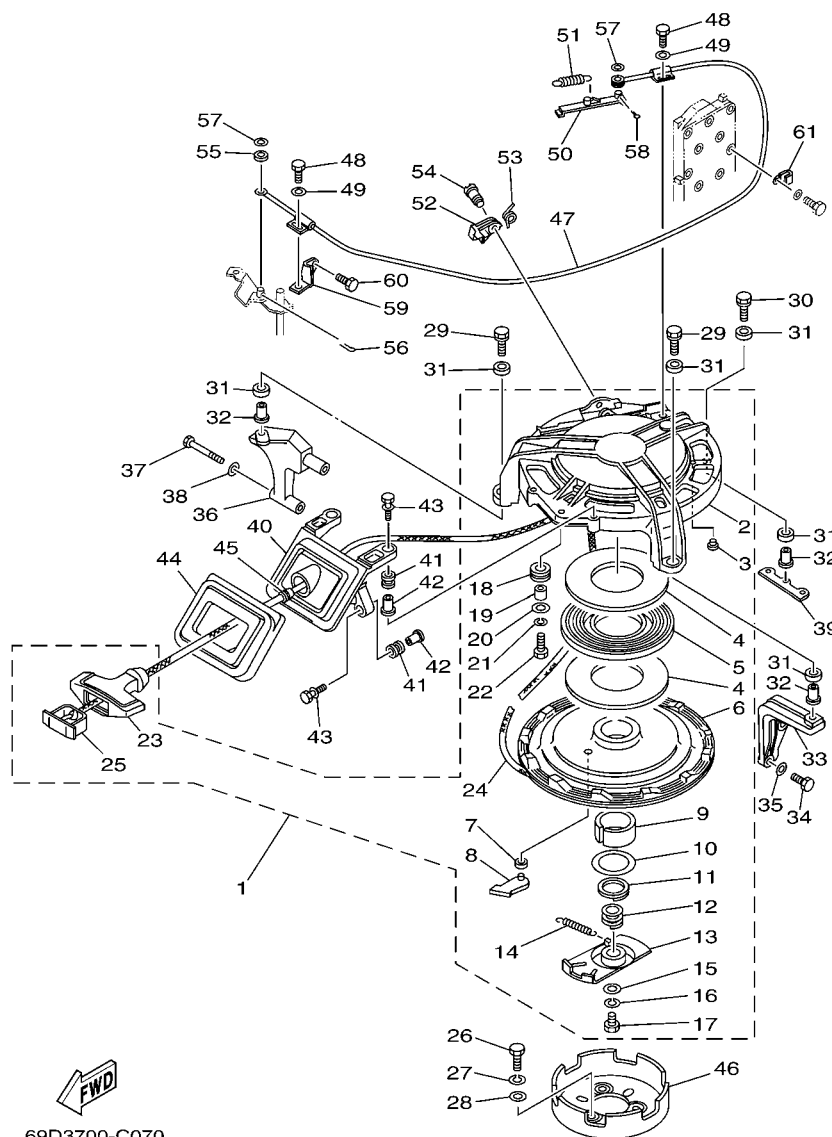


FIG. 6 FUEL

REF. NO.	PART NO.	DESCRIPTION	E60				REMARKS
28	692-24411-00	.DIAPHRAGM	1				
29	648-24434-01	.GASKET, BODY	2				
30	95380-03600	.NUT	2				
31	663-24411-00	.DIAPHRAGM	1				
32	648-24435-02	.GASKET, BODY 2	1				
33	98503-05028	.SCREW, PAN HEAD	3				
34	92990-05100	.WASHER, SPRING	3				
35	6A0-24421-01	.VALVE, CHECK	2				
36	6A0-14325-00	.SCREW, PAN HEAD	2				
37	6A0-24412-02	.BODY 1	1				
38	650-24431-A0	GASKET, FUEL PUMP 1	1				
39	97095-06040	BOLT	2				
40	92995-06600	WASHER	2				
41	90445-09072	HOSE (L120)	1				
42	90467-08004	CLIP	2				
43	688-24378-00	PIPE, JOINT 4	2				
44	6H3-24313-00	PIPE 3	1				
45	90445-09220	HOSE (L30)	2				
46	6H3-24314-00	PIPE 4	1				
47	90467-08004	CLIP	8				
48	61H-2819R-31	TAG, WARNING	1				
49	656-W2810-02	TOOL KIT	1				AP

FIG. 7 STARTER

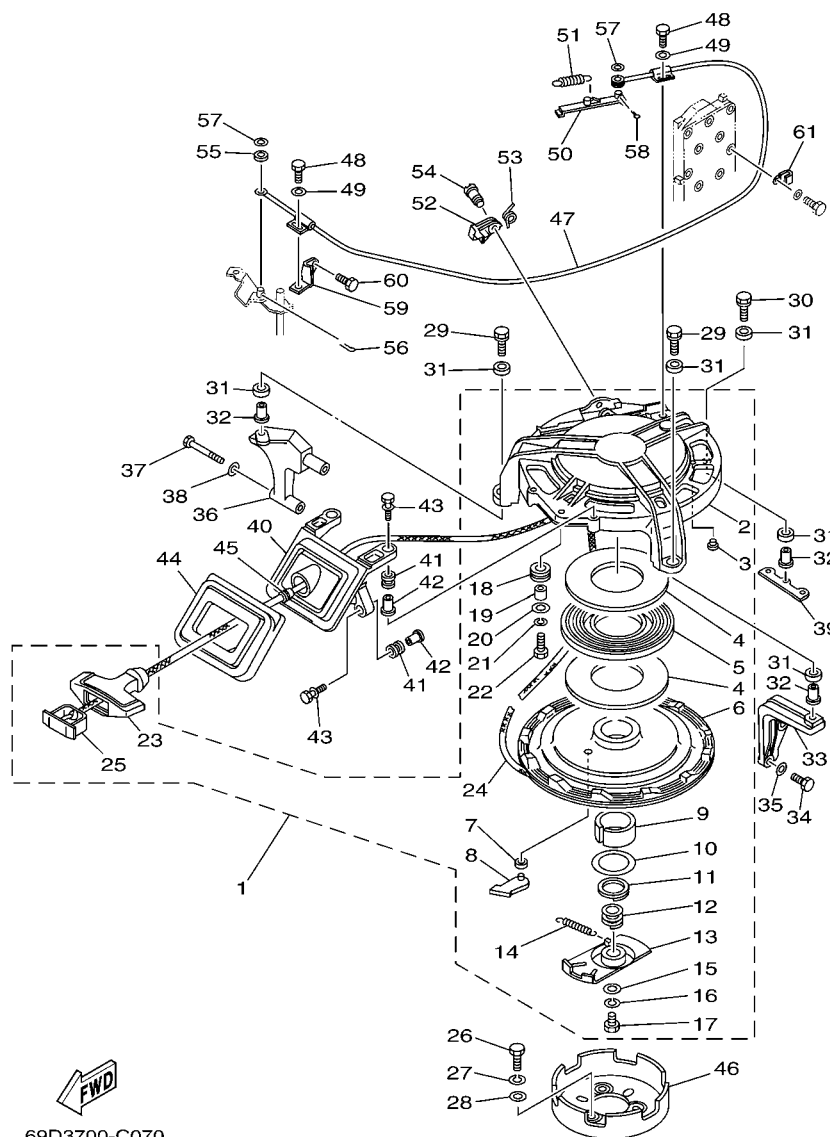


69D3700-C070

*1: CUT FROM 50M ROLLS, PART NO. 90890-44374, CUTTING LENGTH 2.3M

REF. NO.	PART NO.	DESCRIPTION	E60				REMARKS
1	692-W1571-02	STARTER ASSY	1				
2	692-15711-00	.CASE, STARTER	1				
3	648-15773-00	.STAY 3	5				
4	663-15739-00	.WASHER, THRUST	2				
5	663-15713-00	.SPRING, STARTER	1				
6	663-15714-01	.DRUM, SHEAVE	1				
7	663-15764-00	.COLLAR 1	1				
8	663-15741-02	.PAWL, DRIVE	1				
9	663-15754-00	.BUSH 2	1				
10	663-15726-01	.WASHER, FLAT	1				
11	663-15744-00	.CIRCLIP	1				
12	663-15715-00	.SPRING, FRICTION	1				
13	663-15716-01	.PLATE, DRIVE	1				
14	663-15734-01	.SPRING, RETURN	1				
15	663-15719-00	.WASHER, THRUST	1				
16	92903-06100	.WASHER, SPRING	1				
17	97303-06016	.BOLT	1				
18	663-15752-00	.ROLLER, WIRE	1				
19	663-15753-00	.BUSH	1				
20	663-15791-00	.WASHER, LOCK	1				
21	92903-06100	.WASHER, SPRING	1				
22	97303-06025	.BOLT	1				
23	689-15755-01	.HANDLE, STARTER	1				
24	*	.WIRE (L:2300MM)	1				*1
25	6F5-15779-02	.COVER	1				
26	97013-08012	BOLT	3				
27	92903-08100	WASHER, SPRING	3				

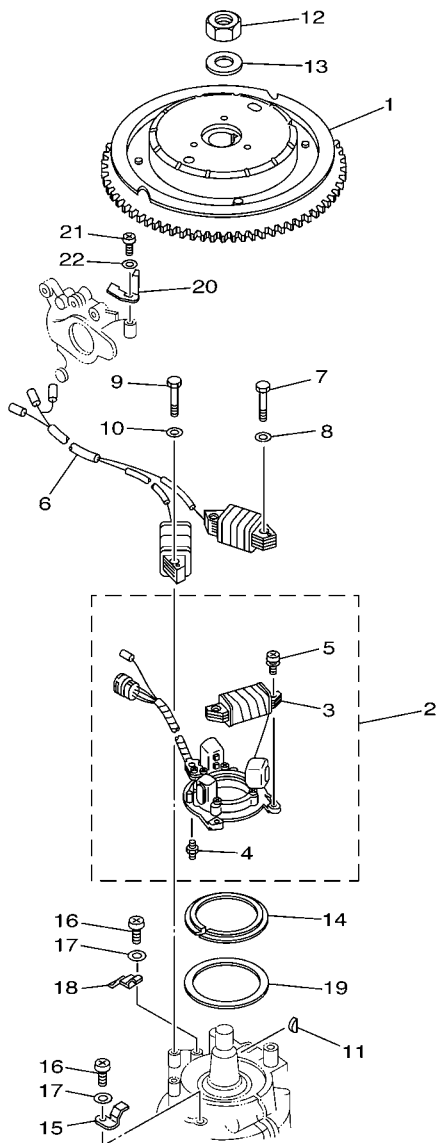
FIG. 7 STARTER



69D3700-C070

*1: CUT FROM 50M ROLLS, PART NO.90890-44374, CUTTING LENGTH 2.3M

REF. NO.	PART NO.	DESCRIPTION	E60				REMARKS
28	92903-08600	WASHER, PLATE	3				
29	90119-08M28	BOLT, WITH WASHER	2				
30	90119-08M32	BOLT, WITH WASHER	1				
31	90385-12M04	BUSH	6				
32	90387-08M05	COLLAR	3				
33	6K5-15771-00-94	STAY 1	1				
34	97013-06025	BOLT	2				
35	92903-06600	WASHER, PLATE	2				
36	6K5-15772-00-94	STAY 2	1				
37	97013-06055	BOLT	2				
38	92903-06600	WASHER, PLATE	2				
39	6K5-15773-01	STAY 3	1				
40	6K5-15758-01-94	GUIDE, ROPE	1				
41	6A0-82317-00	DAMPER, IGNITION COIL	4				
42	624-42542-00	PIPE	4				
43	90119-06M65	BOLT, WITH WASHER	4				
44	6K5-15762-00	SEAL, RUBBER 2	1				
45	697-15789-00	DAMPER	1				
46	6K5-15723-00	PULLEY, STARTER	1				
47	6K5-15770-01	CABLE COMP., STARTER STOP	1				
48	97095-06012	BOLT	2				
49	92995-06600	WASHER	2				
50	663-15735-01	GUIDE, CAM	1				
51	90506-08M23	SPRING, TENSION	1				
52	663-15794-00	STOPPER	1				
53	90508-12015	SPRING, TORSION	1				
54	90149-05095	SCREW	1				



69D0100-1080

FIG. 8 GENERATOR

REF. NO.	PART NO.	DESCRIPTION	E60				REMARKS
1	6K5-85550-A0	ROTOR ASSY	1				
2	6H3-85510-A1	STATOR ASSY	1				
3	6H3-85520-00	.COIL, CHARGE	1				
4	663-85518-00	.JOINT, BALL	1				
5	97902-05125	.SCREW, WITH WASHER	2				
6	6H3-85533-00	COIL, LIGHTING	1				
7	97013-06030	BOLT	2				
8	92903-06600	WASHER, PLATE	2				
9	97013-06030	BOLT	2				
10	92903-06600	WASHER, PLATE	2				
11	90280-05015	KEY, WOODRUFF	1				
12	90170-20137	NUT	1				
13	90201-21M18	WASHER, PLATE	1				
14	6H4-41611-00	RETAINER, MAGNETO BASE	1				
15	6H3-41612-00	RETAINER, MAGNETO BASE	2				
16	97885-06012	SCREW, PAN HEAD	3				
17	92995-06600	WASHER	3				
18	6H3-41612-20	RETAINER, MAGNETO BASE	1				
19	6K5-41618-00	WASHER, MAGNETO	1				
20	6K5-81332-00	PLATE, TIMING	1				
21	97885-06010	SCREW, PAN HEAD	1				
22	92995-06600	WASHER	1				

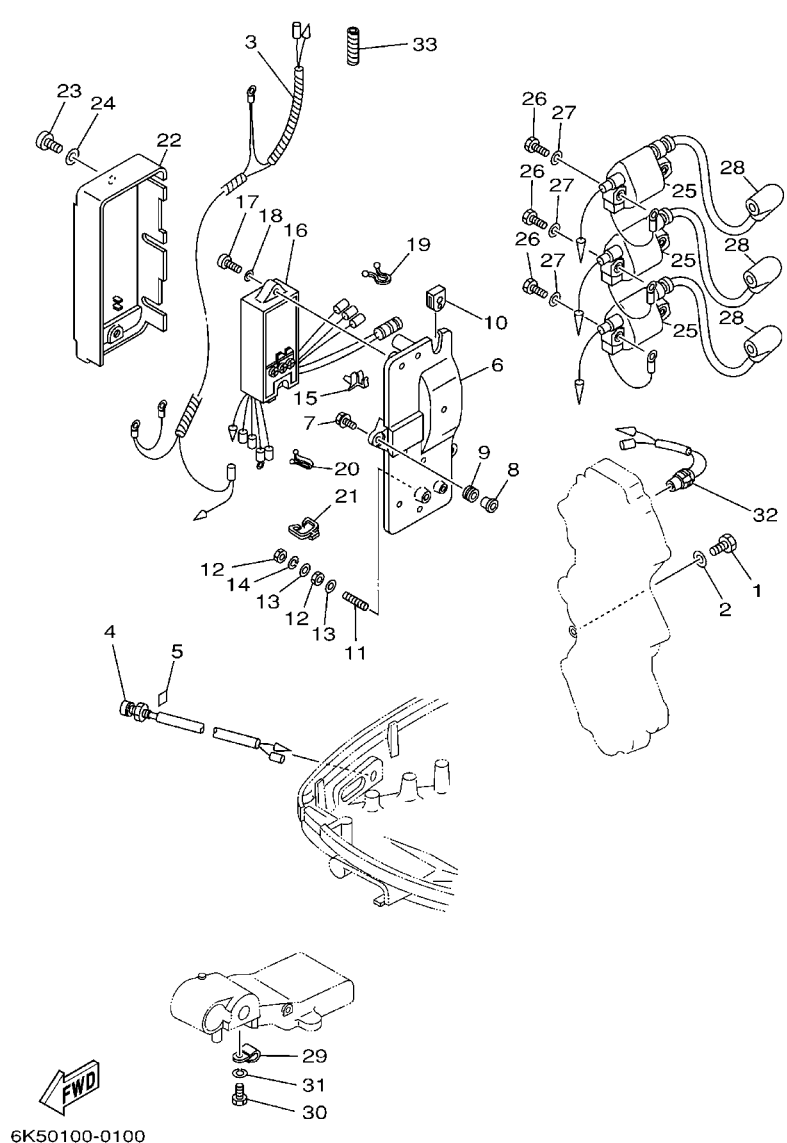


FIG. 9 ELECTRICAL

REF. NO.	PART NO.	DESCRIPTION	E60				REMARKS
1	97013-06012	BOLT	1				
2	92903-06600	WASHER, PLATE	1				
3	6K5-82531-00	WIRE, LEAD	1				
4	6H4-85411-00	OVERHEAT WARNING LAMP	1				
5	6H4-85415-00	MARK, SIGNAL LAMP	1				
6	6H3-85542-00-94	BRACKET	1				
7	90105-06M14	BOLT FLANGE	3				
8	90387-06M43	COLLAR	3				
9	90480-13M24	GROMMET	3				
10	6H3-81922-00	GROMMET	1				
11	90116-06M07	BOLT, STUD	1				
12	95380-06700	NUT	2				
13	92990-06200	WASHER, PLAIN	2				
14	92990-06100	WASHER, SPRING	1				
15	90464-04M12	CLAMP	1				
16	6H3-85540-11	C.D.I. UNIT ASSY	1				
17	97880-06025	SCREW, PAN HEAD	2				
18	92990-06600	WASHER, PLATE	2				
19	90464-08M07	CLAMP	1				
20	90464-12M17	CLAMP	1				
21	90464-07M10	CLAMP	1				
22	6H3-81916-00	COVER, TERMINAL	1				
23	97885-06012	SCREW, PAN HEAD	2				
24	92995-06600	WASHER	2				
25	6H3-85570-10	IGNITION COIL ASSY	3				
26	97013-06025	BOLT	6				
27	92903-06600	WASHER, PLATE	6				

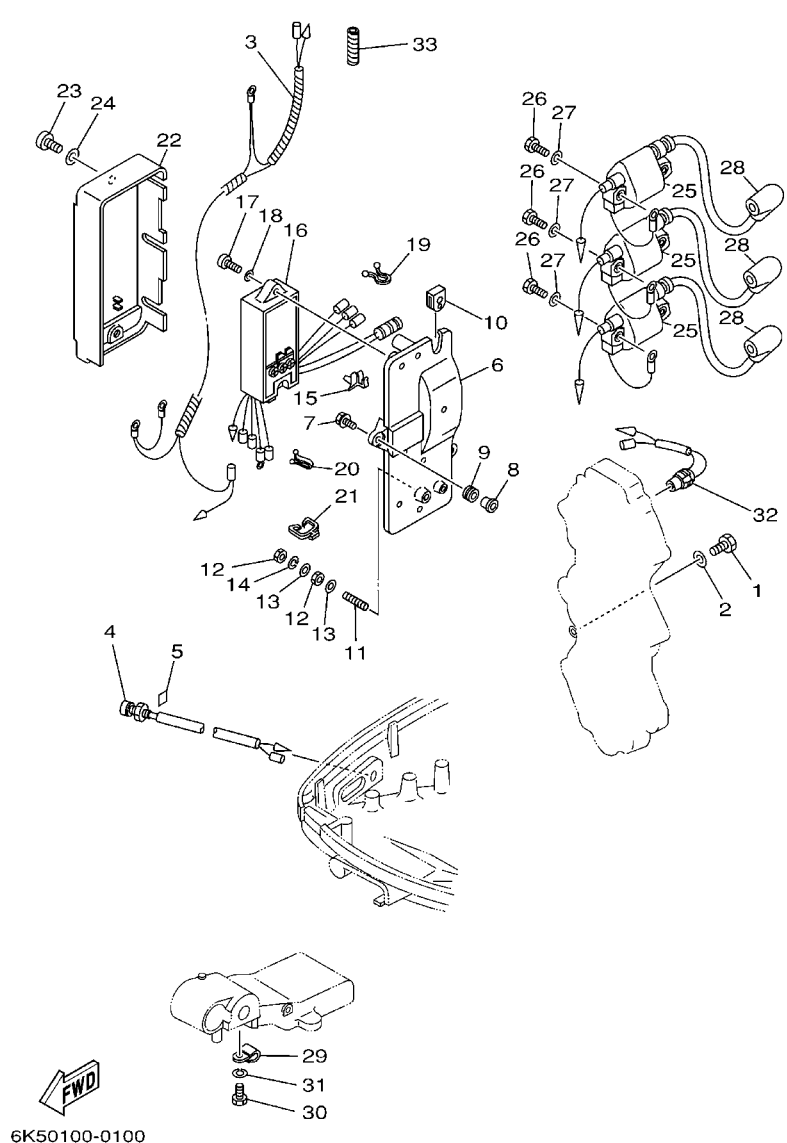
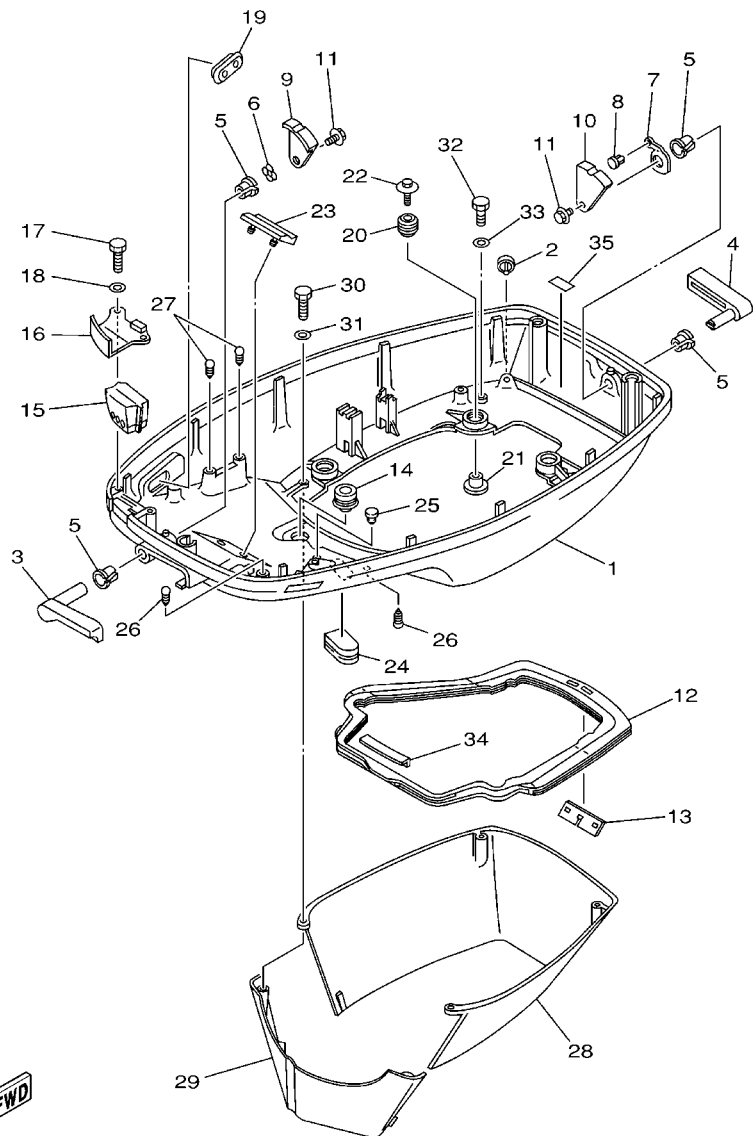


FIG. 9 ELECTRICAL

REF. NO.	PART NO.	DESCRIPTION	E60				REMARKS
28	6G1-82370-21	PLUG CAP ASSY	3				
29	90465-06M90	CLAMP	1				
30	97013-06012	BOLT	1				
31	92903-06100	WASHER, SPRING	1				
32	688-82560-10	THERMO SWITCH ASSY	1				
33	90446-10M02	HOSE	1				

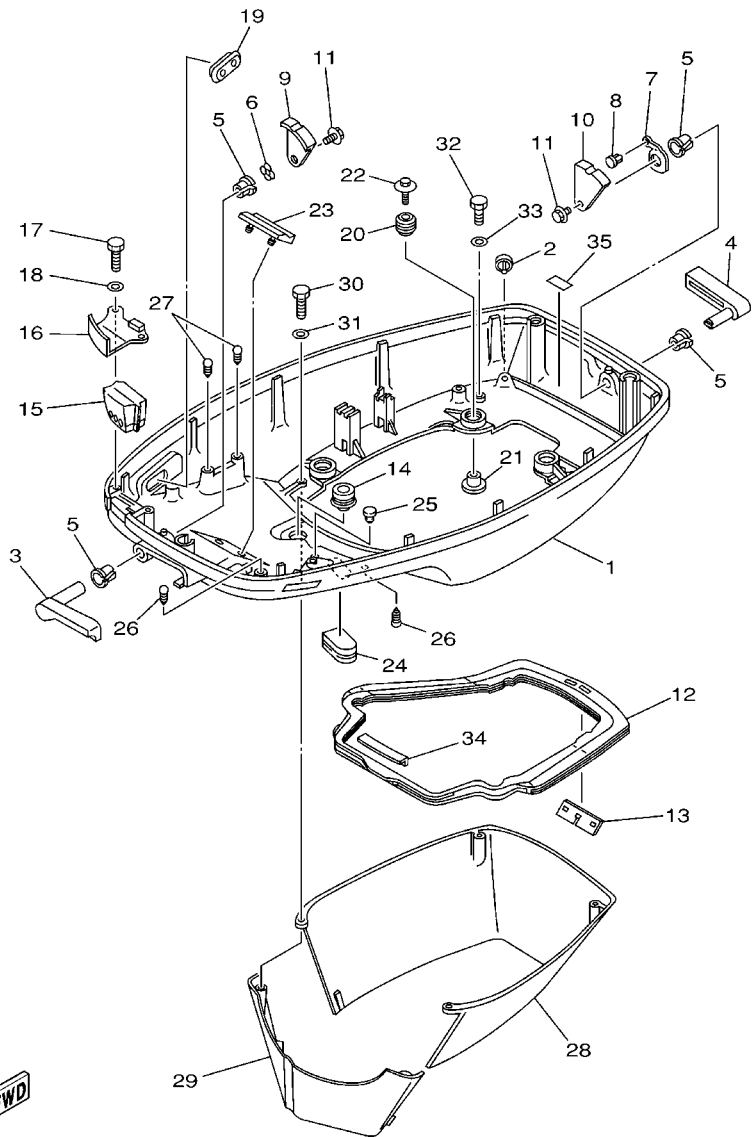
FIG. 10 BOTTOM COWLING



69D1100-2130

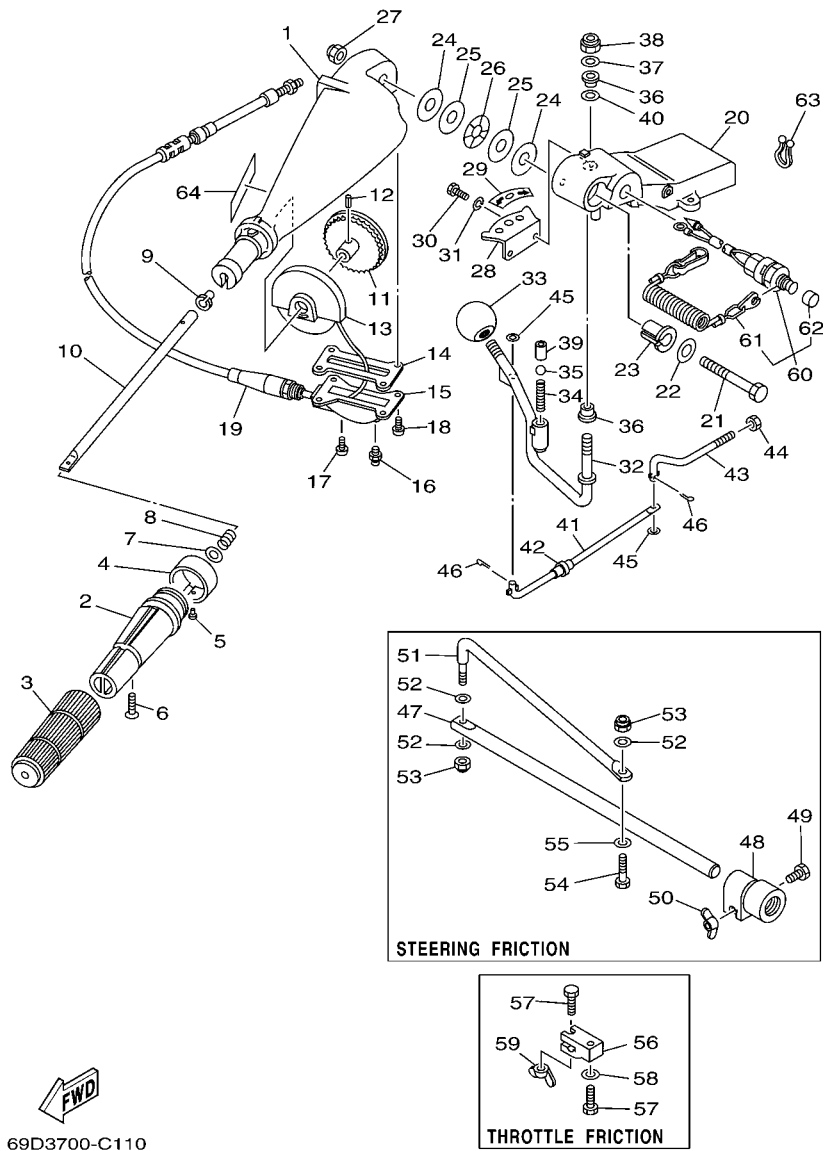
REF. NO.	PART NO.	DESCRIPTION	E60				REMARKS
1	6H3-42711-15-4D	COWLING, BOTTOM	1				
2	69D-44391-00	NIPPLE, HOSE	1				
3	6H3-42815-01-4D	LEVER, CLAMP	1				
4	6H3-42817-01-4D	LEVER, CLAMP	1				
5	90386-13M38	BUSH	4				
6	90206-13M10	WASHER, WAVE	1				
7	6H3-42813-00	SPRING, CLAMP LEVER	1				
8	90269-04M03	RIVET	1				
9	6H3-42816-00	LEVER, CLAMP	1				
10	6H3-42818-00	LEVER, CLAMP	1				
11	90119-06M09	BOLT, WITH WASHER	2				
12	6H3-42716-02	RUBBER, SEAL 1	1				
13	6K5-42717-00	RUBBER, SEAL 2	1				
14	6E5-42724-00	GROMMET	1				
15	6K5-42725-00	GROMMET	1				
16	6H3-42738-01-5B	PLATE, FITTING	1				
17	97095-06016	BOLT	2				
18	92995-06600	WASHER	2				
19	6H3-42727-00	GROMMET	1				
20	90480-09M12	GROMMET	4				
21	90387-06M69	COLLAR	4				
22	90119-06M61	BOLT, WITH WASHER	4				
23	6H3-42768-00	DAMPER	1				
24	6H4-42726-00	GROMMET	1				
25	703-82119-00	COVER, LEAD WIRE	2				
26	90338-05M03	PLUG	2				
27	90338-05M03	PLUG	2				

FIG. 10 BOTTOM COWLING



FWD
69D1100-2130

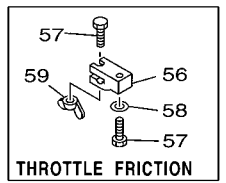
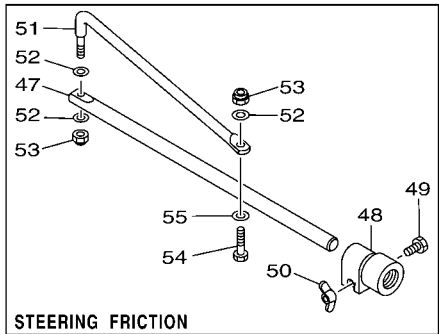
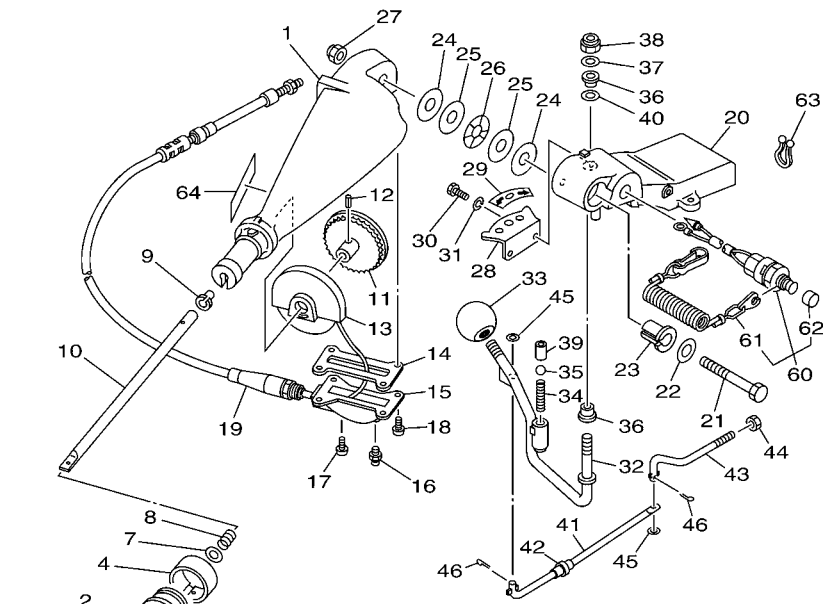
REF. NO.	PART NO.	DESCRIPTION	E60				REMARKS
28	6H3-42741-01-4D	APRON	1				
29	6H3-42771-01-4D	APRON	1				
30	97095-06025	BOLT	2				
31	92995-06600	WASHER	2				
32	97095-06020	BOLT	2				
33	92995-06600	WASHER	2				
34	6H3-42718-00	RUBBER, SEAL 3	1				
35	6G5-42791-10	MARK 1	1				



69D3700-C110

FIG. 11 STEERING

REF. NO.	PART NO.	DESCRIPTION	E60				REMARKS
1	663-42111-02-4D	HANDLE, STEERING	1				
2	664-42119-00	GRIP, STEERING HANDLE	1				
3	6F6-42177-A0	RUBBER, HANDLE	1				
4	6K5-42137-00	INDICATOR, THROTTLE	1				
5	90269-02M09	RIVET	1				
6	90149-05M13	SCREW	1				
7	92903-10600	WASHER, PLATE	1				
8	90501-23215	SPRING, COMPRESSION	1				
9	90386-08032	BUSH	1				
10	663-42115-00	SHAFT, STEERING HANDLE	1				
11	663-42138-00	LEVER, THROTTLE	1				
12	90254-03003	PIN, SPRING	1				
13	663-42135-01	HOUSING, THROTTLE LEVER	1				
14	663-42133-01	GASKET	1				
15	663-42134-03-94	COVER, THROTTLE LEVER	1				
16	93700-06M03	NIPPLE, GREASE	1				
17	97885-06008	SCREW, PAN HEAD	1				
18	97885-05012	SCREW, PAN HEAD	4				
19	692-26301-03	THROTTLE CABLE ASSY	1				
20	692-42121-02-4D	BRACKET	1				
21	90101-12M06	BOLT	1				
22	92990-12200	WASHER, PLAIN	1				
23	90386-12089	BUSH	1				
24	90202-12092	WASHER, PLATE	2				
25	90201-12537	WASHER, PLATE	2				
26	90206-12054	WASHER, WAVE	1				
27	90185-12058	NUT, SELF-LOCKING	1				



FWD
69D3700-C110

FIG. 11 STEERING

REF. NO.	PART NO.	DESCRIPTION	E60				REMARKS
28	697-44113-00	CAM PLATE, HANDLE	1				
29	6K5-44191-00	INDICATOR, SHIFT	1				
30	97013-06016	BOLT	2				
31	92903-06100	WASHER, SPRING	2				
32	692-44159-01	HANDLE, GEAR SHIFT	1				
33	663-44173-00	LEVER, SHIFT CONTROL	1				
34	90501-16M17	SPRING, COMPRESSION	1				
35	93515-32M01	BALL	1				
36	90386-10009	BUSH	2				
37	90201-10120	WASHER, PLATE	1				
38	90185-10051	NUT, SELF-LOCKING	1				
39	90387-12M30	COLLAR	1				
40	90201-12M34	WASHER, PLATE	1				
41	6H3-42191-01	ROD 1	1				
42	90386-06088	BUSH	1				
43	6H3-42192-00	ROD 2	1				
44	700-48339-00	NUT, CABLE END	1				
45	92990-06600	WASHER, PLATE	2				
46	91490-25012	PIN, COTTER	2				
47	663-42518-00	SHAFT, FRICTION	1				
48	67G-42528-00	PLATE, FRICTION	1				
49	97080-06035	BOLT	1				
50	90175-06003	NUT, WING	1				
51	69D-42515-00	ROD, STEERING LINK	1				
52	92990-08600	WASHER, PLATE	3				
53	90185-08057	NUT, SELF-LOCKING	2				
54	97095-08030	BOLT	1				



6K50100-4160

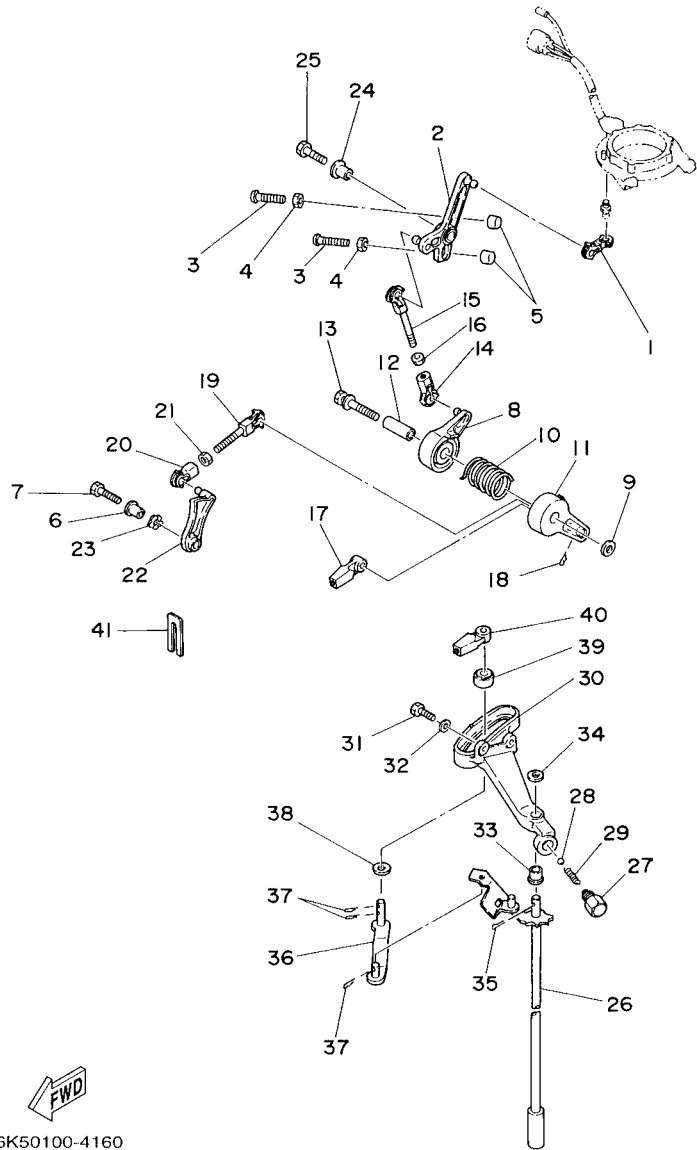
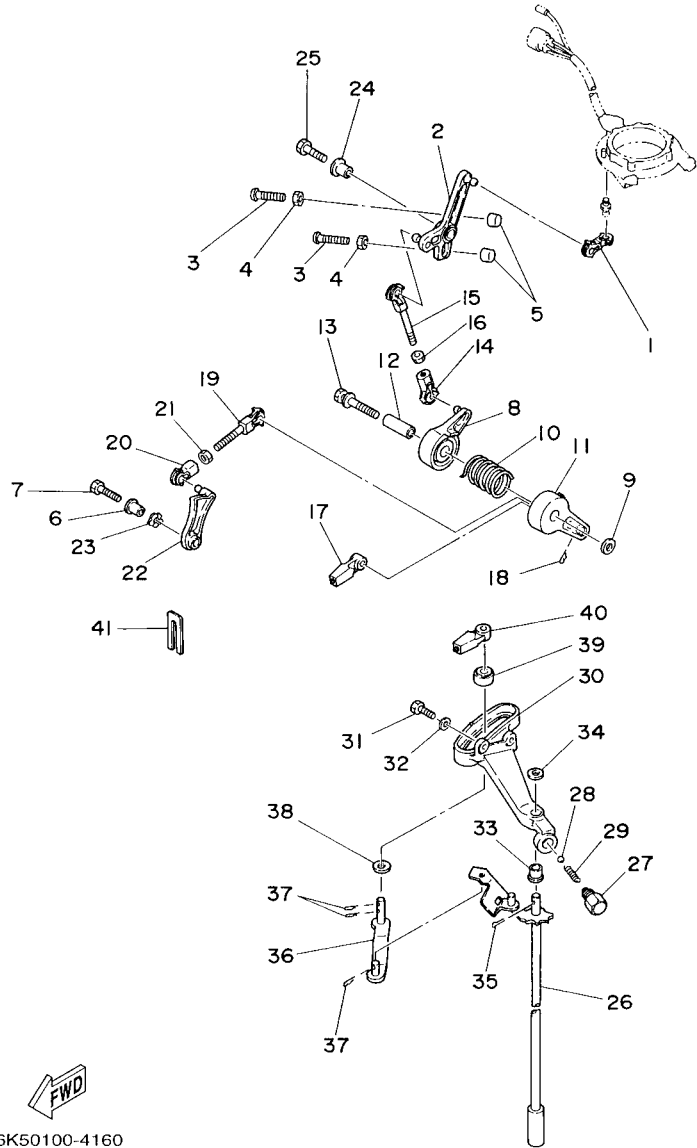


FIG. 12 CONTROL

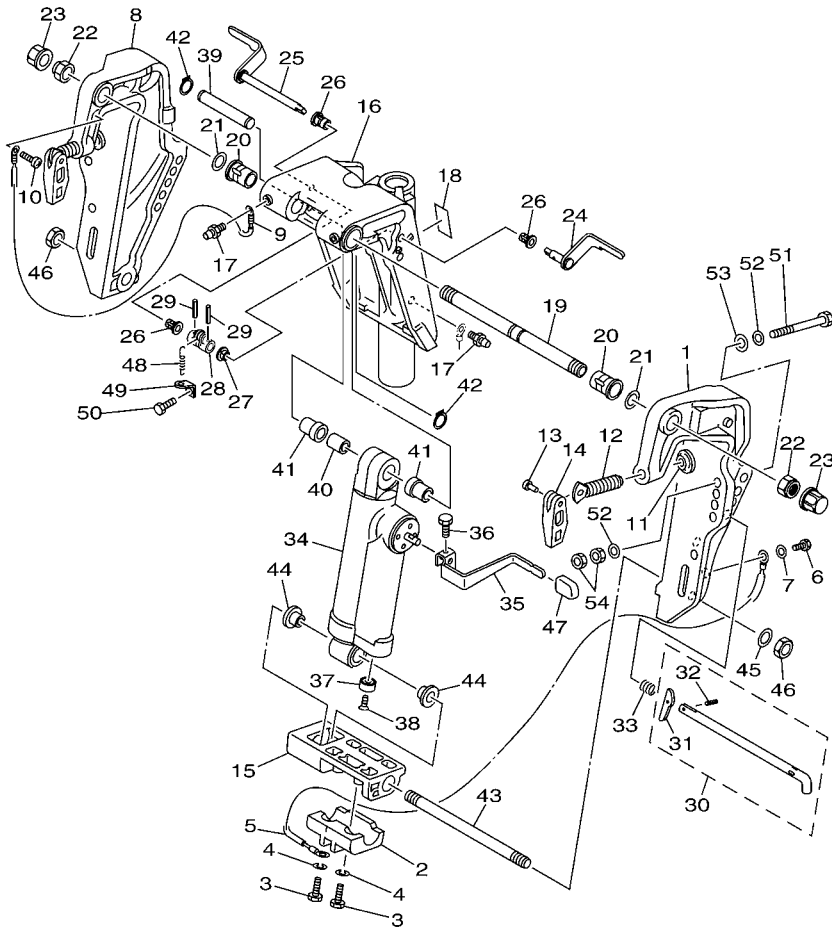
REF. NO.	PART NO.	DESCRIPTION	E60				REMARKS
1	6H3-41238-00	JOINT, LINK	1				
2	6H3-41631-00	LEVER, MAGNETO CONTROL	1				
3	90157-06M13	SCREW, PAN HEAD	2				
4	95380-06600	NUT, HEXAGON	2				
5	688-44194-00	CAP	2				
6	90387-06M60	COLLAR	1				
7	97095-06025	BOLT	1				
8	6H3-41632-00	LEVER, MAGNETO CONTROL	1				
9	90201-06M31	WASHER, PLATE	1				
10	90508-29M19	SPRING, TORSION	1				
11	6H3-41633-00	LEVER, MAGNETO CONTROL	1				
12	90387-06M59	COLLAR	1				
13	90119-06M91	BOLT, WITH WASHER	1				
14	662-41237-01	JOINT, LINK	1				
15	679-41636-00	ROD, MAGNETO CONTROL	1				
16	95380-05600	NUT	1				
17	663-48344-00	CABLE END, REMOTE CONTROL	1				
18	90468-18008	CLIP	1				
19	682-41237-50	JOINT, LINK	1				
20	662-41237-01	JOINT, LINK	1				
21	95380-05600	NUT	1				
22	6H3-41213-01	CAM, ACCEL.	1				
23	90206-10M04	WASHER, WAVE	1				
24	90387-06M60	COLLAR	1				
25	97095-06025	BOLT	1				
26	6K5-44120-11	HANDLE GEAR SHIFT ASSY	1				
27	648-42715-00	BUSHING	1				



6K50100-4160

FIG. 12 CONTROL

REF. NO.	PART NO.	DESCRIPTION	E60				REMARKS
28	93501-04M02	BALL	1				
29	90501-12082	SPRING, COMPRESSION	1				
30	6H3-44117-00-94	BRACKET	1				
31	97013-06020	BOLT	2				
32	92903-06600	WASHER, PLATE	2				
33	90386-07M58	BUSH	1				
34	92990-08200	WASHER, PLAIN	1				
35	91490-20012	PIN, COTTER	1				
36	6H3-44121-01	LEVER, SHIFT ROD	1				
37	90468-18008	CLIP	3				
38	90202-07M07	WASHER, PLATE	1				
39	688-44122-00	BUSHING, SHIFT ROD LEVER	1				
40	663-48344-00	CABLE END, REMOTE CONTROL	1				
41	6H3-48538-00	CLAMP, CABLE 1	1				

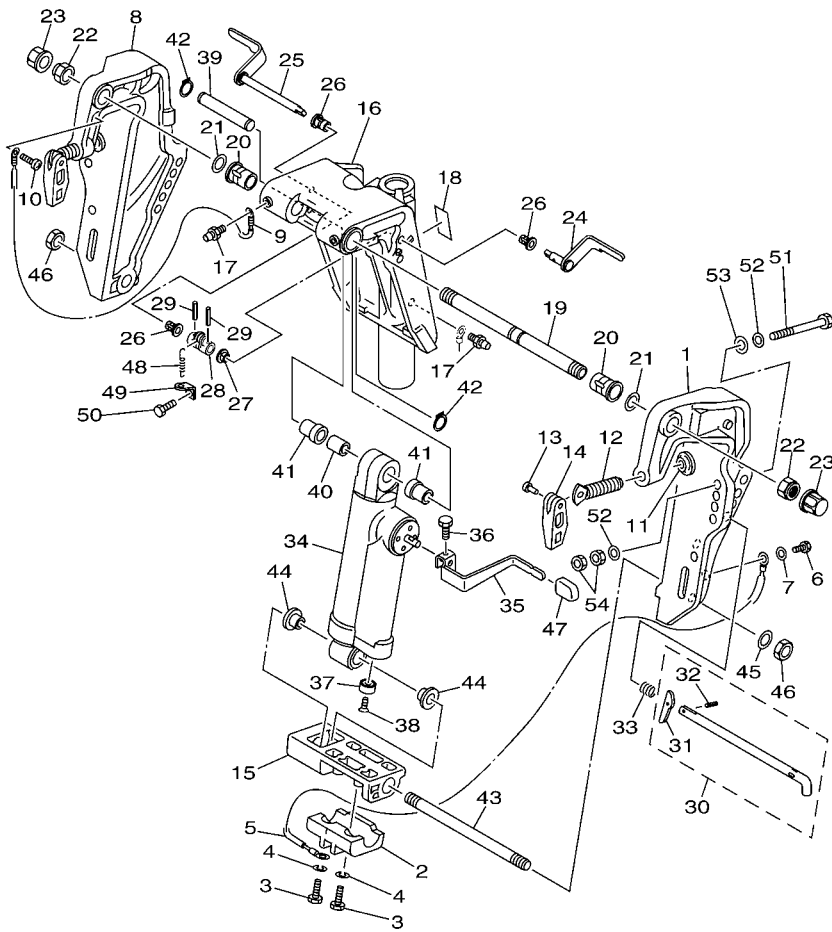


FWD
69D3700-C130

FIG. 13 BRACKET 1

REF. NO.	PART NO.	DESCRIPTION	E60				REMARKS
1	63D-43111-01-4D	BRACKET, CLAMP	1				
2	63D-45251-00	ANODE	1				
3	97095-06025	BOLT	2				
4	92995-06100	WASHER, SPRING	2				
5	6H1-82148-00	WIRE, LEAD 4	1				
6	97095-06010	BOLT	1				
7	92995-06600	WASHER	1				
8	63D-43112-01-4D	BRACKET, CLAMP	1				
9	63D-82148-00	WIRE, LEAD 4	1				
10	97885-06008	SCREW, PAN HEAD	1				
11	648-43114-01	PAD, TRANSOM CLAMP	2				
12	663-43116-01	SCREW, TRANSOM CLAMP	2				
13	90243-04007	PIN	2				
14	663-43118-01-4D	HANDLE, TRANSOM CLAMP	2				
15	63D-43128-01-4D	SPACER, CLAMP BRACKET	1				
16	69D-43311-11-4D	BRACKET, SWIVEL 1	1				
17	93700-06M03	NIPPLE, GREASE	3				
18	63D-43691-00	INDICATOR, TILT	1				
19	63D-43131-01	BOLT, CLAMP BRACKET	1				
20	90386-22M15	BUSH	2				
21	90201-22M03	WASHER, PLATE	2				
22	90185-22M11	NUT, SELF-LOCKING	2				
23	6G5-43145-01	CAP, CLAMP BRACKET	2				
24	6H5-43181-03	LEVER, TILT STOP	1				
25	6H5-43185-03	LEVER, TILT STOP	1				
26	90386-10M16	BUSH	3				
27	90386-10025	BUSH	1				

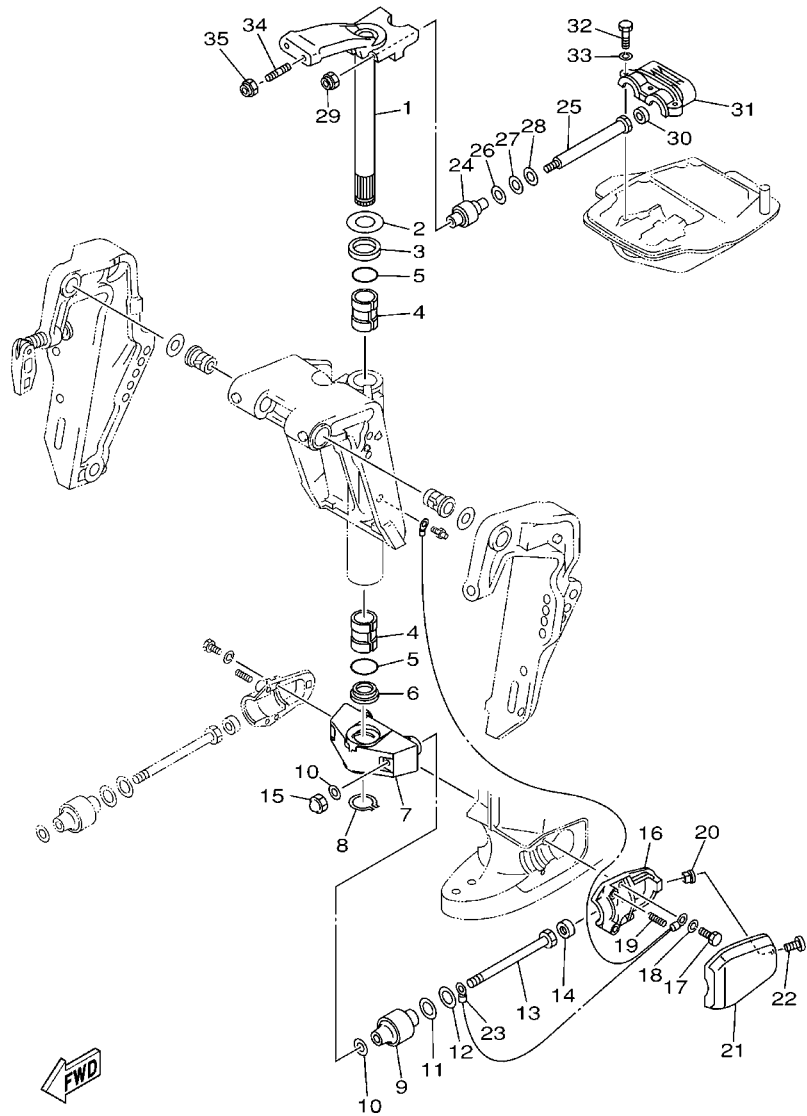
FIG. 13 BRACKET 1



FWD
69D3700-C130

REF. NO.	PART NO.	DESCRIPTION	E60				REMARKS
28	6G5-43148-10	COLLAR, DISTANCE	1				
29	91690-30020	PIN, SPRING	2				
30	688-43160-01	TILT ROD ASSY	1				
31	688-43165-00	.PLATE, TILT LOCK	1				
32	91690-30012	.PIN, SPRING	1				
33	90502-16M02	SPRING, CONICAL	1				
34	69D-43170-10-4D	SHOCK ABSORBER ASSY	1				
35	69D-43631-00	LEVER, TILT	1				
36	97095-06010	BOLT	1				
37	663-45251-00	ANODE	1				
38	98680-06525	SCREW, OVAL HEAD	1				
39	69D-43126-00	PIN, UPPER SHOCK MOUNT	1				
40	90387-16003	COLLAR	1				
41	90387-16004	COLLAR	2				
42	93410-16006	CIRCLIP	2				
43	90116-18M52	BOLT, STUD	1				
44	90386-18M44	BUSH	2				
45	92995-18600	WASHER	1				
46	90170-18M10	NUT	2				
47	682-43318-01	COVER	1				
48	90506-20011	SPRING, TENSION	1				
49	6G5-43144-00	HOOK, SPRING	1				
50	97095-06010	BOLT	1				
51	90101-12M65	BOLT	4				
52	92995-12200	WASHER	8				
53	90201-12426	WASHER, PLATE	4				
54	95380-12600	NUT	8				

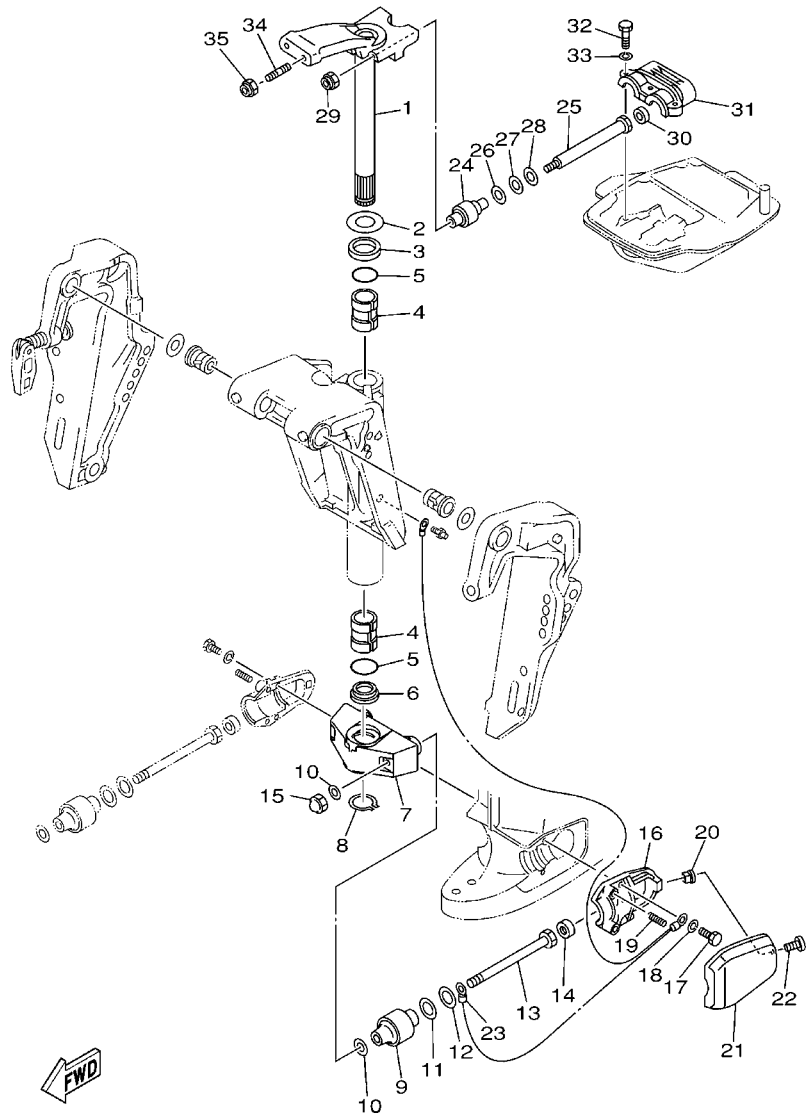
D6



69D0100-1170

FIG. 14 BRACKET 2

REF. NO.	PART NO.	DESCRIPTION	E60				REMARKS
1	69D-42510-11-4D	STEERING BRACKET ASSY	1				
2	90201-30M00	WASHER, PLATE	1				
3	90386-30M78	BUSH	1				
4	90386-30M77	BUSH	2				
5	93210-29M94	O-RING	2				
6	90386-30M60	BUSH	1				
7	69D-44551-10-4D	HOUSING, LOWER MOUNT RUBBER	1				
8	93410-28M06	CIRCLIP	1				
9	687-44555-00-94	MOUNT DAMPER, LOWER SIDE	2				
10	90201-12M16	WASHER, PLATE	4				
11	90202-25M04	WASHER, PLATE	2				
12	90201-13M19	WASHER, PLATE	2				
13	90109-12M21	BOLT	2				
14	663-44575-00	DAMPER, LOWER MOUNT RUBBER	2				
15	95380-12800	NUT, CROWN	2				
16	6H3-44552-03-94	HOUSING, LOWER MOUNT RUBBER	2				
17	97075-08025	BOLT	4				
18	92995-08100	WASHER	4				
19	90501-14M08	SPRING, COMPRESSION	4				
20	90179-06066	NUT	2				
21	6H3-44553-01-4D	COVER, LOWER MOUNT	2				
22	97885-06016	SCREW, PAN HEAD	2				
23	688-82127-02	WIRE, LEAD 2	1				
24	688-44514-00-94	MOUNT DAMPER, UPPER SIDE	2				
25	90101-10M49	BOLT	2				
26	90201-20M21	WASHER, PLATE	2				
27	90202-20M06	WASHER, PLATE	2				

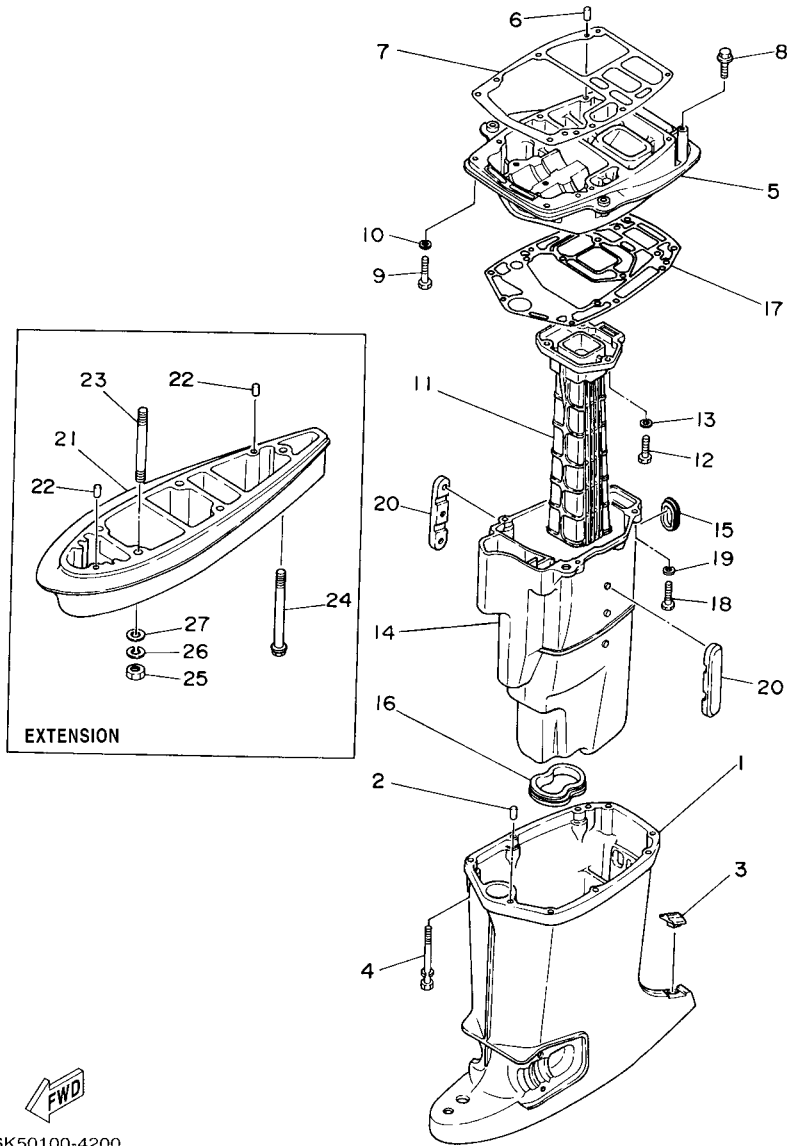


69D0100-1170

FIG. 14 BRACKET 2

REF. NO.	PART NO.	DESCRIPTION	E60				REMARKS
28	90201-11M22	WASHER, PLATE	2				
29	90185-10051	NUT, SELF-LOCKING	2				
30	663-44575-00	DAMPER, LOWER MOUNT RUBBER	2				
31	688-44511-00-94	COVER, UPPER MOUNT	1				
32	97075-08035	BOLT	3				
33	92995-08100	WASHER	3				
34	90116-10M28	BOLT, STUD	2				
35	90185-10051	NUT, SELF-LOCKING	2				

FIG. 15 UPPER CASING



REF. NO.	PART NO.	DESCRIPTION	E60				REMARKS
1	6H3-45111-12-4D	CASING, UPPER	1				
2	93606-12019	PIN, DOWEL	2				
3	6H3-45155-00	CAP	1				
4	90119-08M81	BOLT, WITH WASHER	6				
5	6H3-41137-01-94	GUIDE, EXHAUST	1				
6	93606-12019	PIN, DOWEL	2				
7	6H3-45113-A0	GASKET, UPPER CASING	1				
8	90119-08M79	BOLT, WITH WASHER	2				
9	97075-08035	BOLT	2				
10	92995-08100	WASHER	2				
11	6H2-41131-00-5B	MANIFOLD, EXT. 1	1				
12	97075-08030	BOLT	3				
13	92995-08100	WASHER	3				
14	6H3-14711-11-5B	MUFFLER 1	1				
15	6H3-45127-00	SEAL	1				
16	6H3-45123-00	GASKET, MUFFLER	1				
17	6H3-45114-A1	GASKET, UPPER CASING	1				
18	97075-08030	BOLT	4				
19	92995-08100	WASHER	4				
20	6H3-14737-10	DAMPER, MUFFLER	2				
21	696-45211-01-4D	EXTENSION	1				
22	93606-12019	PIN, DOWEL	2				
23	90116-10M31	BOLT, STUD	4				
24	90119-08M85	BOLT, WITH WASHER	1				
25	95380-10600	NUT	4				
26	92990-10100	WASHER, SPRING	4				
27	92990-10600	WASHER, PLATE	4				

6K50100-4200

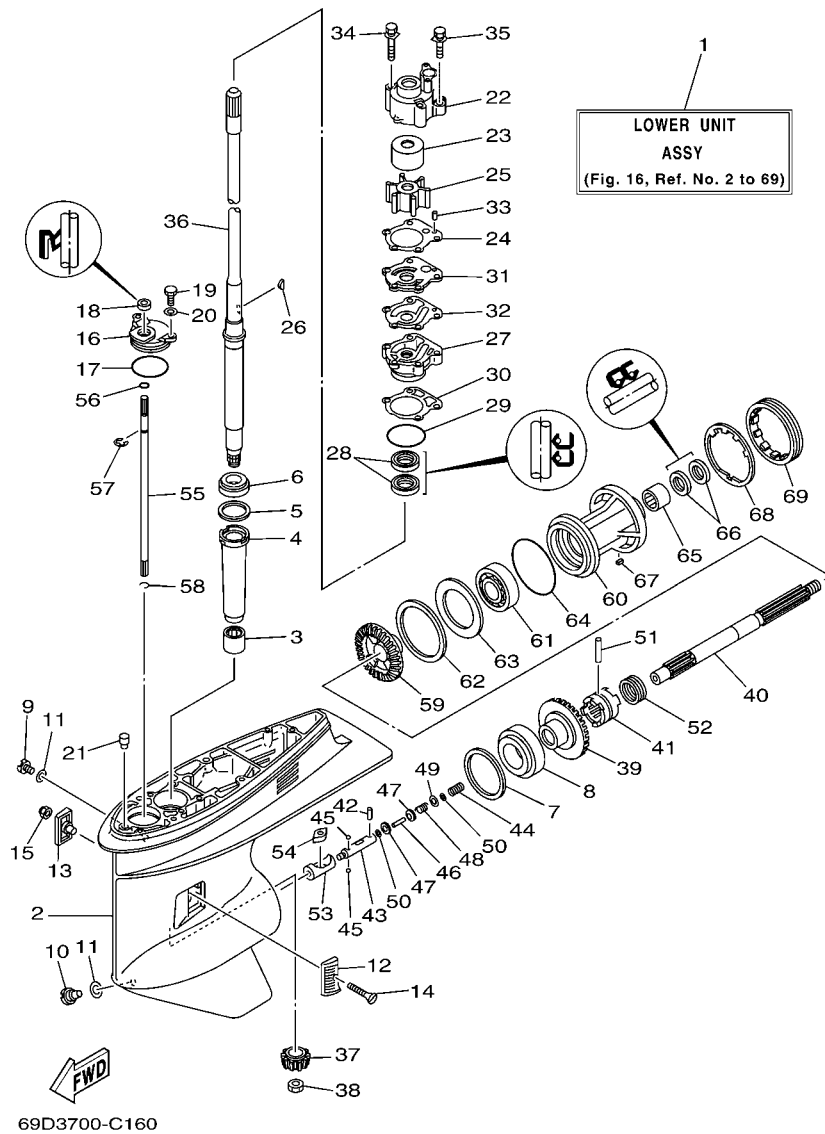


FIG. 16 LOWER CASING & DRIVE 1

REF. NO.	PART NO.	DESCRIPTION	E60			REMARKS
1	69D-45300-10-4D	LOWER UNIT ASSY	1			
2	6H1-45301-03-4D	CASING, LOWER	1			
3	93315-325V1	BEARING	1			
4	688-45536-01	SLEEVE, DRIVE SHAFT	1			
5	688-45587-01-10	SHIM (T:0.10MM)	1			UR
688-45587-01-12	SHIM (T:0.12MM)	1				UR
688-45587-01-15	SHIM (T:0.15MM)	1				UR
688-45587-01-18	SHIM (T:0.18MM)	1				UR
688-45587-01-30	SHIM (T:0.30MM)	1				UR
688-45587-01-40	SHIM (T:0.40MM)	1				UR
688-45587-01-50	SHIM (T:0.50MM)	1				UR
6	93332-000U3	BEARING	1			
7	688-45567-01-10	SHIM (T:0.10MM)	1			UR
688-45567-01-12	SHIM (T:0.12MM)	1				UR
688-45567-01-15	SHIM (T:0.15MM)	1				UR
688-45567-01-18	SHIM (T:0.18MM)	1				UR
688-45567-01-30	SHIM (T:0.30MM)	1				UR
688-45567-01-40	SHIM (T:0.40MM)	1				UR
688-45567-01-50	SHIM (T:0.50MM)	1				UR
8	93332-000W7	BEARING	1			
9	90340-08002	PLUG, STRAIGHT SCREW	1			
10	688-45341-10	PLUG, DRAIN	1			
11	90430-08020	GASKET	2			
12	6H1-45214-00	COVER, WATER INLET	1			
13	6H1-45215-00	COVER, WATER INLET	1			
14	90151-05M00	SCREW, COUNTERSUNK	1			
15	90185-05002	NUT, SELF-LOCKING	1			

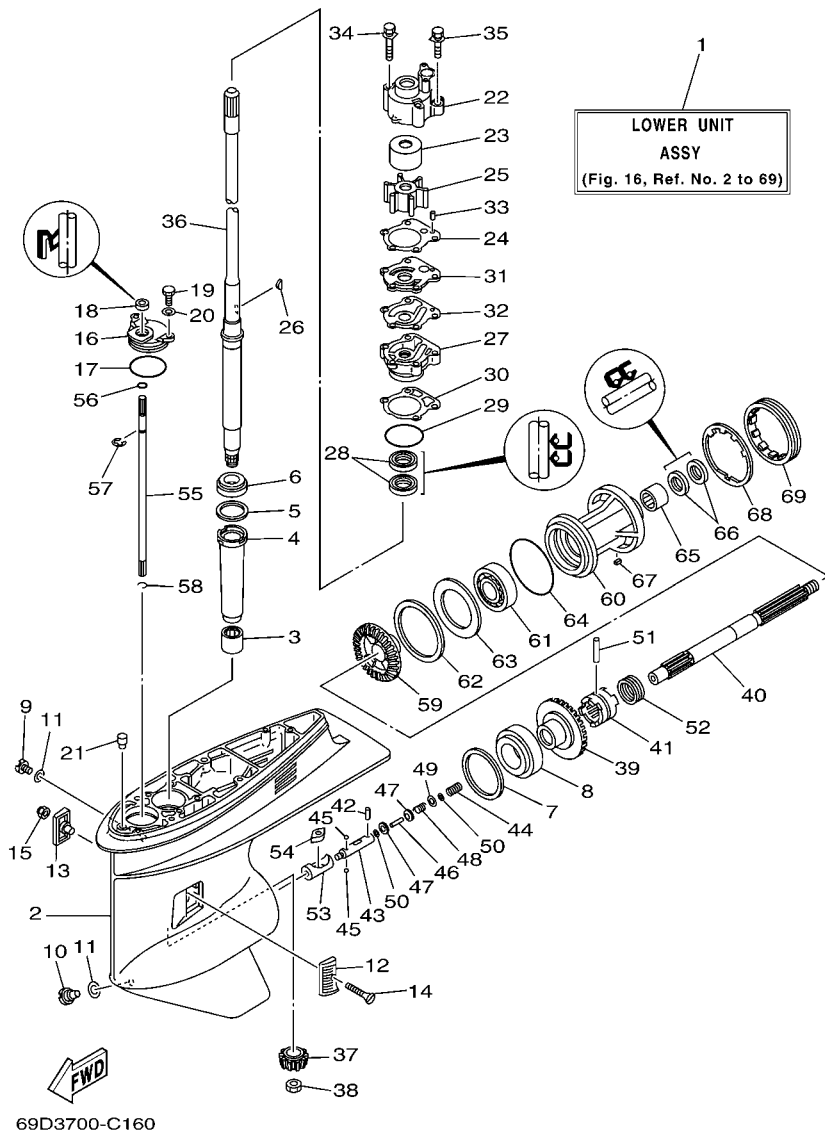


FIG. 16 LOWER CASING & DRIVE 1

REF. NO.	PART NO.	DESCRIPTION	E60				REMARKS
16	688-45321-00	PLATE	1				
17	93210-49046	O-RING	1				
18	93106-09014	OIL SEAL	1				
19	97095-06016	BOLT	2				
20	92995-06600	WASHER	2				
21	6J8-45378-00	NIPPLE, HOSE	1				
22	688-44311-01	HOUSING, WATER PUMP	1				
23	69D-44322-00	INSERT, CARTRIDGE	1				
24	688-44315-A0	GASKET, WATER PUMP	1				
25	688-44352-03	IMPELLER	1				
26	90280-04M04	KEY, WOODRUFF	1				
27	688-44341-01-94	HOUSING, WATER PUMP	1				
28	93101-25M03	OIL SEAL	2				
29	93210-46044	O-RING	1				
30	688-44316-A0	GASKET, WATER PUMP	1				
31	688-44323-40	OUTER PLATE, CARTRIDGE	1				
32	688-44324-A0	GASKET, CARTRIDGE	1				
33	93604-10M03	PIN, DOWEL	2				
34	90119-08M16	BOLT, WITH WASHER	2				
35	90119-08M13	BOLT, WITH WASHER	2				
36	69D-45501-10	DRIVE SHAFT COMP.	1				
37	6K5-45551-00	PINION (12T)	1				
38	90170-16M01	NUT	1				
39	6K5-45560-00	GEAR (28T)	1				
40	6H1-45611-01	SHAFT, PROPELLER	1				
41	6H1-45631-01	CLUTCH, DOG	1				
42	93603-12M11	PIN, DOWEL	1				

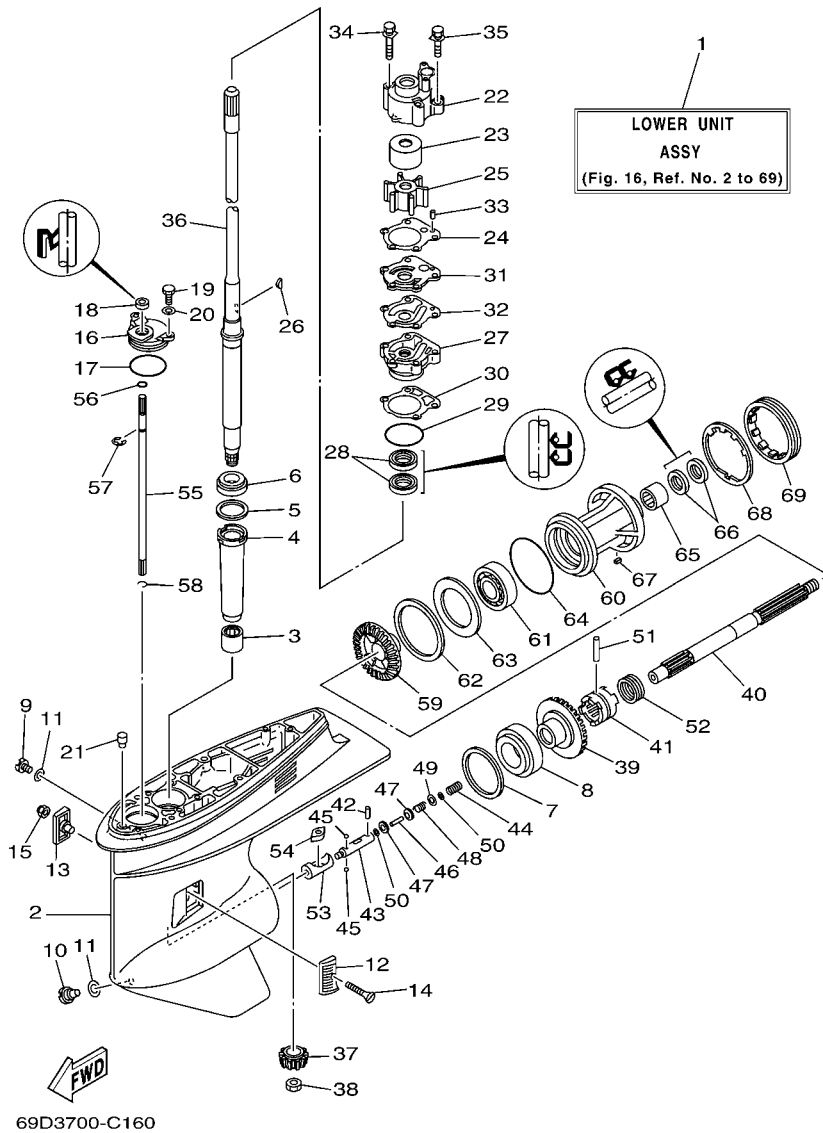


FIG. 16 LOWER CASING & DRIVE 1

REF. NO.	PART NO.	DESCRIPTION	E60				REMARKS
43	6H1-45634-02	SLIDE, SHIFT	1				
44	90501-16M65	SPRING, COMPRESSION	1				
45	93503-16003	BALL	2				
46	6H1-45668-00	SHAFT, FREE	1				
47	6H1-45635-00	PLUNGER, SHIFT	2				
48	90501-12M48	SPRING, COMPRESSION	1				
49	90201-03313	WASHER, PLATE	1				
50	90183-02M03	NUT, SPRING	2				
51	90250-07M02	PIN, STRAIGHT	1				
52	688-45633-00	RING, CROSS PIN	1				
53	6H1-45641-01	SHIFTER	1				
54	6H1-44151-00	CAM, SHIFT	1				
55	6H1-44144-00	ROD, SHIFT	1				
56	93210-07003	O-RING	1				
57	99001-08600	CIRCLIP	1				
58	93450-07M00	CIRCLIP	1				
59	6H3-45571-00	GEAR	1				
60	688-45331-00-94	HOUSING, BEARING	1				
61	93306-207U0	BEARING	1				
62	688-45577-01-10	SHIM (T:0.10MM)	1				UR
62	688-45577-01-12	SHIM (T:0.12MM)	1				UR
62	688-45577-01-15	SHIM (T:0.15MM)	1				UR
62	688-45577-01-18	SHIM (T:0.18MM)	1				UR
62	688-45577-01-30	SHIM (T:0.30MM)	1				UR
62	688-45577-01-40	SHIM (T:0.40MM)	1				UR
62	688-45577-01-50	SHIM (T:0.50MM)	1				UR
63	688-45576-00	WASHER, THRUST	1				

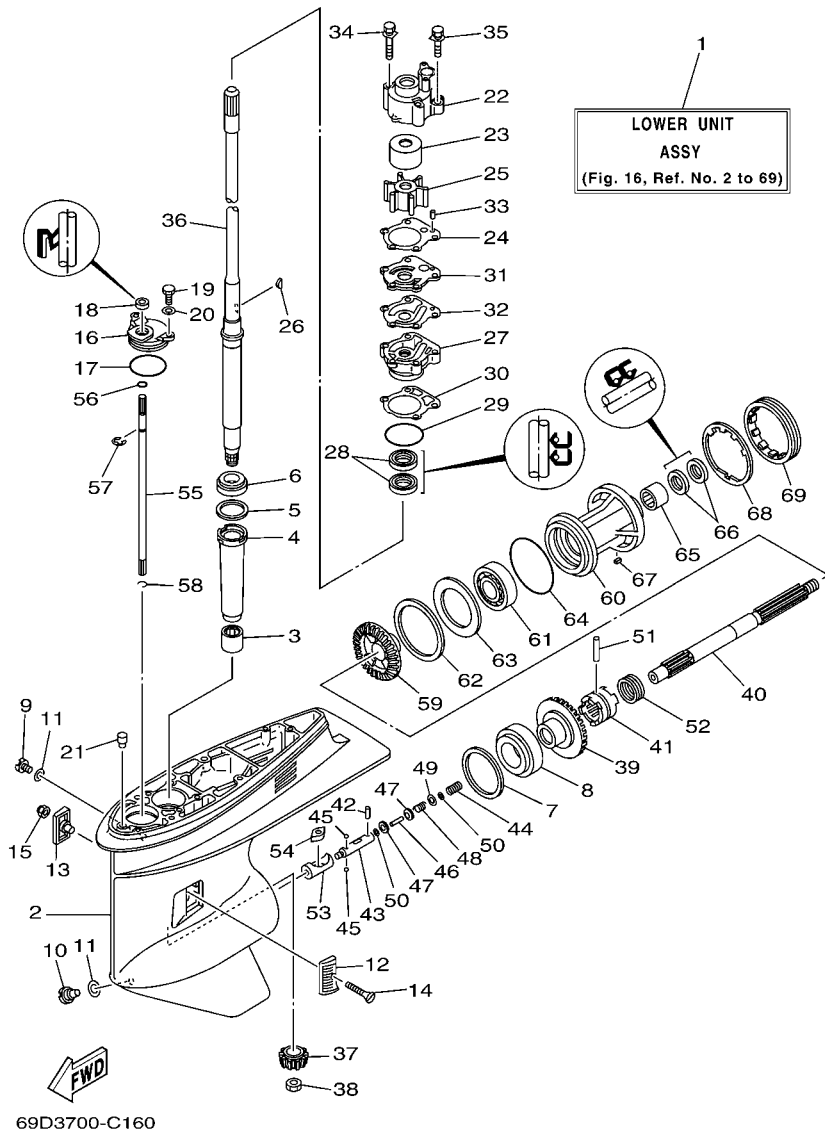
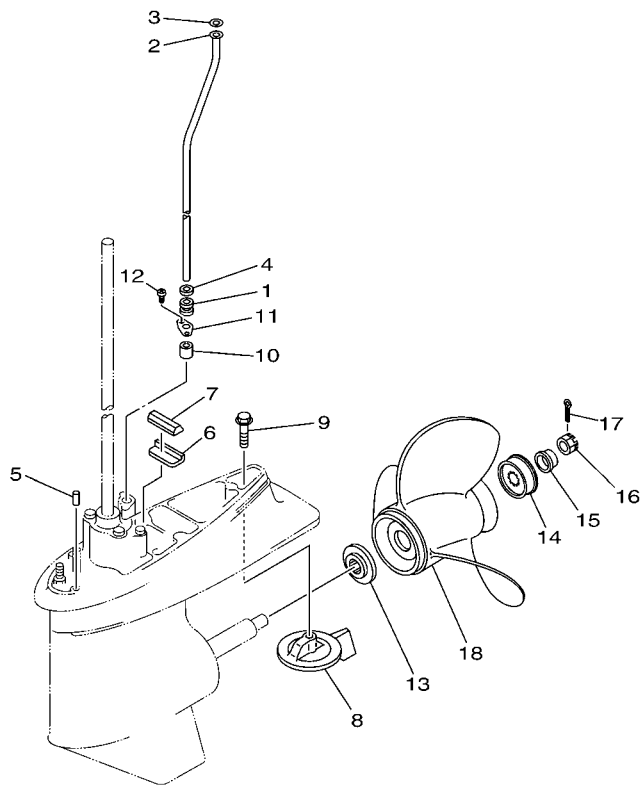


FIG. 16 LOWER CASING & DRIVE 1

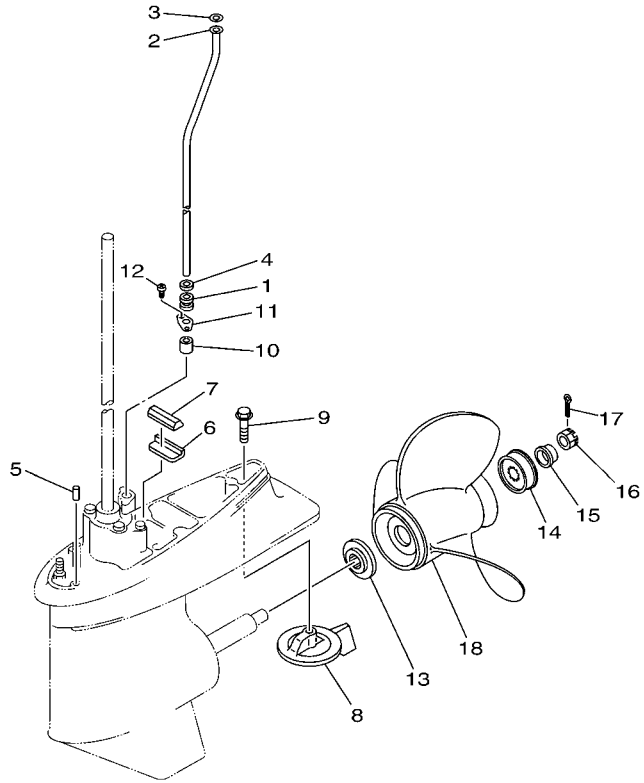
REF. NO.	PART NO.	DESCRIPTION	E60				REMARKS
64	93210-85M97	O-RING	1				
65	93317-325U0	BEARING	1				
66	93101-25M03	OIL SEAL	2				
67	90282-04010	KEY, STRAIGHT	1				
68	688-45383-02	WASHER, CLAW	1				
69	688-45384-00	NUT	1				

FIG. 17 LOWER CASING & DRIVE 2




69D3700-C170

REF. NO.	PART NO.	DESCRIPTION	E60				REMARKS
1	663-44367-00	DAMPER, WATER SEAL	1				
2	69D-44361-10	TUBE, WATER	1				
3	90202-12060	WASHER, PLATE	1				
4	90430-12072	GASKET	1				
5	93606-12019	PIN, DOWEL	2				
6	663-45376-00-94	GUIDE, SEAL DAMPER	1				
7	688-45375-00	DAMPER, SEAL	1				
8	688-45371-02	TAB-TRIM	1				
9	90105-10M67	BOLT, FLANGE	1				
10	663-44366-00	DAMPER, WATER SEAL	1				
11	90480-19M06	GROMMET	1				
12	97780-40512	SCREW, TAPPING	2				
13	688-45987-01	SPACER	1				
14	67F-45997-00	SPACER	1				
15	90389-25M00	BUSH	1				
16	90171-16011	NUT, CASTLE	1				
17	91490-40025	PIN, COTTER	1				
18	6E5-45941-00-EL	PROPELLER (3X13"X19"-K)	1				UR
	6E5-45943-00-EL	PROPELLER (3X12-5/8"X21"-K)	1				UR
	6E5-45945-01-EL	PROPELLER (3X13-1/4"X17"-K)	1				UR
	6E5-45947-00-EL	PROPELLER (3X13-1/2"X15"-K)	1				UR
	6E5-45949-00-EL	PROPELLER (3X13-5/8"X13"-K)	1				UR
	6E5-45952-00-EL	PROPELLER (3X13"X23"-K)	1				UR
	6E5-45954-00-EL	PROPELLER (3X14"X11"-K)	1				UR
	6E5-45956-00-EL	PROPELLER (3X13"X25"-K)	1				UR
	688-45970-03-98	PROPELLER (3X13"X19"-K)	1				UR
	688-45972-02-98	PROPELLER (3X13"X21"-K)	1				UR




69D3700-C170

FIG. 17 LOWER CASING & DRIVE 2

REF. NO.	PART NO.	DESCRIPTION	E60				REMARKS
18	688-45974-02-98	PROPELLER (3X13"X23"-K)	1				UR
	688-45976-01-98	PROPELLER (3X13"X25"-K)	1				UR
	688-45930-02-98	PROPELLER (3X13"X17"-K)	1				UR
	688-45932-60-98	PROPELLER (3X13-1/2"X14"-K)	1				UR
	688-45978-60-98	PROPELLER (3X13-1/2"X16"-K)	1				UR

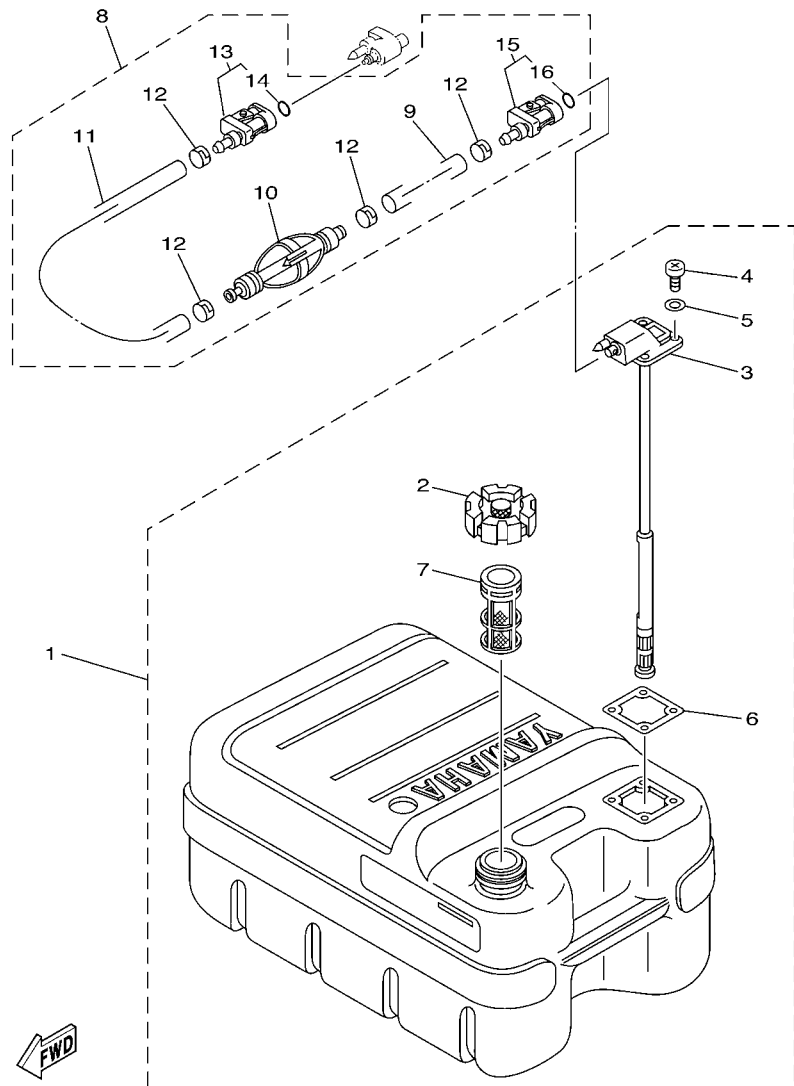


FIG. 18 FUEL TANK

REF. NO.	PART NO.	DESCRIPTION	E60				REMARKS
1	6YJ-24201-10	FUEL TANK ASSY (24L)	1				AP
2	6YJ-24610-00	.CAP ASSY	1				
3	6Y1-24260-12	.FUEL METER ASSY	1				WITH INDICATOR
4	98586-05016	.SCREW, PAN HEAD	4				
5	6Y1-24329-00	.SEAL	4				
6	6Y1-24268-00	.GASKET, FUEL METER	1				
7	6YJ-24167-00	.STRAINER	1				
8	61J-24306-03	FUEL PIPE COMP. 1	1				AP
9	90445-11M06	.HOSE (L2050)	1				
10	61J-24360-00	.PRIMER PUMP ASSY	1				
11	90445-11M05	.HOSE (L850)	1				
12	650-24351-01	.BAND 1	4				
13	6G1-24305-04	.FUEL PIPE JOINT COMP. 2	1				
14	93210-08287	..O-RING	1				
15	6Y1-24305-05	.FUEL PIPE JOINT COMP. 2	1				
16	93210-08287	..O-RING	1				

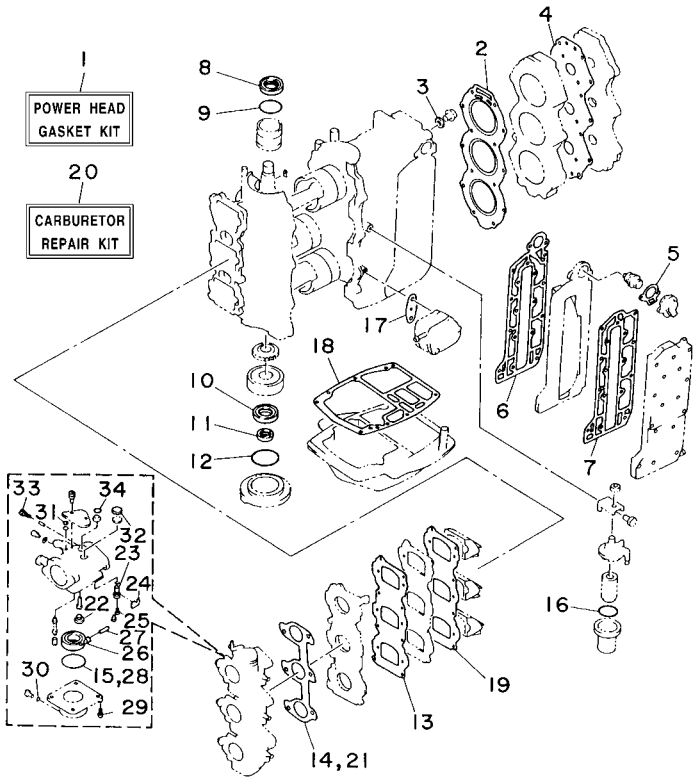
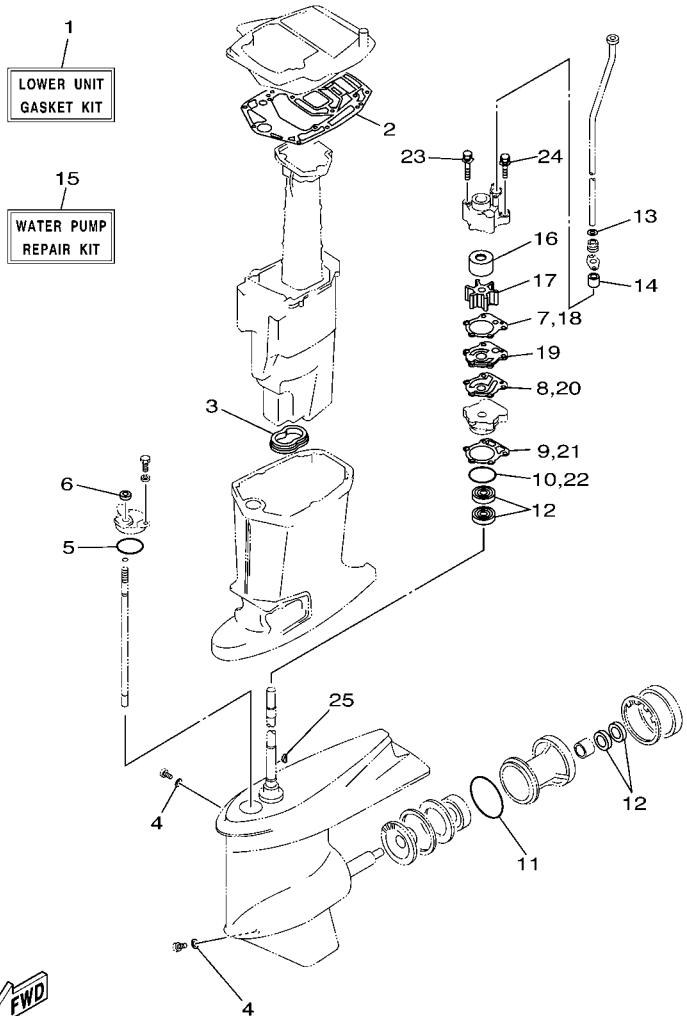


FIG. 19 REPAIR KIT 1

REF. NO.	PART NO.	DESCRIPTION	E60				REMARKS
1	69D-W0001-00	POWER HEAD GASKET KIT	1				
2	6H3-11181-A1	.GASKET, CYLINDER HEAD 1	1				
3	90430-14115	.GASKET	1				
4	6H3-11193-A1	.GASKET, HEAD COVER 1	1				
5	6H3-12414-A1	.GASKET, COVER	1				
6	6H3-41112-A0	.GASKET, EXHAUST INNER COVER	1				
7	6H3-41114-A0	.GASKET, EXHAUST OUTER COVER	1				
8	93102-36M24	.OIL SEAL	1				
9	93210-46M16	.O-RING	1				
10	93102-30009	.OIL SEAL	1				
11	93106-18001	.OIL SEAL	1				
12	93210-65M50	.O-RING	1				
13	6H3-13621-A1	.GASKET, VALVE SEAT	1				
14	6H3-14198-A1	.GASKET	1				
15	6G1-14984-00	.O-RING	3				
16	61A-24564-00	.O-RING	1				
17	650-24431-A0	.GASKET, FUEL PUMP 1	1				
18	6H3-45113-A0	.GASKET, UPPER CASING	1				
19	6H3-13622-A1	.GASKET, VALVE SEAT	1				
20	6H3-W0093-02	CARBURETOR REPAIR KIT	1				
21	6H3-14198-A1	.GASKET	1				
22	676-14966-00	.CAP	3				
23	6H3-14590-01	.NEEDLE VALVE ASSY	3				
24	663-14159-00	.CLIP	3				
25	676-14186-00	.PIN, FLOAT	3				
26	6G1-14985-00	.FLOAT	3				
27	688-14548-00	.PIN, FLOAT ARM	3				



6H20010-4180



FWD
69D0100-1230

FIG. 20 REPAIR KIT 2

REF. NO.	PART NO.	DESCRIPTION	E60				REMARKS
1	69D-W0001-20	LOWER UNIT GASKET KIT	1				
2	6H3-45114-A1	.GASKET, UPPER CASING	1				
3	6H3-45123-00	.GASKET, MUFFLER	1				
4	90430-08020	.GASKET	2				
5	93210-49046	.O-RING	1				
6	93106-09014	.OIL SEAL	1				
7	688-44315-A0	.GASKET, WATER PUMP	1				
8	688-44324-A0	.GASKET, CARTRIDGE	1				
9	688-44316-A0	.GASKET, WATER PUMP	1				
10	93210-46044	.O-RING	1				
11	93210-85M97	.O-RING	1				
12	93101-25M03	.OIL SEAL	4				
13	90430-12072	.GASKET	1				
14	663-44366-00	.DAMPER, WATER SEAL	1				
15	69D-W0078-00	WATER PUMP REPAIR KIT	1				
16	69D-44322-00	.INSERT, CARTRIDGE	1				
17	688-44352-03	.IMPELLER	1				
18	688-44315-A0	.GASKET, WATER PUMP	1				
19	688-44323-40	.OUTER PLATE, CARTRIDGE	1				
20	688-44324-A0	.GASKET, CARTRIDGE	1				
21	688-44316-A0	.GASKET, WATER PUMP	1				
22	93210-46044	.O-RING	1				
23	90119-08M16	.BOLT, WITH WASHER	2				
24	90119-08M13	.BOLT, WITH WASHER	2				
25	90280-04M04	.KEY, WOODRUFF	1				

NUMERICAL INDEX

PART NO.	REF. NO.	PART NO.	REF. NO.	PART NO.	REF. NO.	PART NO.	REF. NO.	PART NO.	REF. NO.	PART NO.	REF. NO.
6H3-11111-01-1S	2 - 24	6H3-14457-01	4 - 20	663-15752-00	7 - 18	60H-24558-00	6 - 14	69D-42510-11-4D	14 - 1	6H5-43185-03	13 - 25
6K5-11119-01	2 - 20	624-14485-00	2 - 5	663-15753-00	7 - 19	61A-24560-04	6 - 7	69D-42515-00	11 - 51	69D-43311-11-4D	13 - 16
6H3-11181-A1	2 - 25	6K5-14488-00	4 - 24	663-15754-00	7 - 9	61A-24563-00	6 - 12	663-42518-00	11 - 47	682-43318-01	13 - 47
	19 - 2	63V-14523-00	5 - 29	689-15755-01	7 - 23	61A-24564-00	6 - 10	67G-42528-00	11 - 48	69D-43631-00	13 - 35
6H3-11191-00-1S	2 - 26	663-14527-00	5 - 20	6K5-15758-01-94	7 - 40		19 - 16	624-42542-00	7 - 42	63D-43691-00	13 - 18
6H3-11193-A1	2 - 27	688-14527-00	5 - 22	6K5-15761-00	1 - 14	69D-24566-01	6 - 18	69D-42610-H0-4D	1 - 1	697-44113-00	11 - 28
	19 - 4	6H2-14527-01	5 - 23	6K5-15762-00	7 - 44	61A-24577-01	6 - 11	6H3-42613-01-4D	1 - 10	6H3-44117-00-94	12 - 30
6H3-11325-01	2 - 16	688-14548-00	5 - 13	663-15764-00	7 - 7	6YJ-24610-00	18 - 2	6K5-44120-11	1 - 13	6K5-44120-11	12 - 26
6H3-11327-00-1S	2 - 17		19 - 27	6K5-15770-01	7 - 47	692-26301-03	11 - 19	6H3-42647-00-94	1 - 2	6H3-44121-01	12 - 36
6H3-11328-00	2 - 18	679-14555-00	5 - 26	6K5-15771-00-94	7 - 33	61H-2819R-31	6 - 48	6H3-42649-00-94	1 - 3	688-44122-00	12 - 39
650-11370-01	2 - 4	6H2-14578-00	5 - 31	6K5-15772-00-94	7 - 36	6H3-41111-01-1S	2 - 35	6H3-42652-00	1 - 5	6H1-44144-00	16 - 55
688-11370-01	2 - 3	6H3-14578-00	5 - 32	648-15773-00	7 - 3	6H3-41112-A0	2 - 36	663-42662-00	1 - 4	6H1-44151-00	16 - 54
6K5-11601-02	3 - 14	6H3-14590-01	5 - 8	6K5-15773-01	7 - 39		19 - 6	69D-42677-H0	1 - 18	692-44159-01	11 - 32
6K5-11601-12	3 - 14		19 - 23	6K5-15774-00	7 - 59	6H3-41113-02-1S	2 - 37	6K5-42678-H0	1 - 16	663-44173-00	11 - 33
6K5-11601-22	3 - 14	6K5-14592-00	5 - 27	6F5-15779-02	7 - 25	6H3-41114-A0	2 - 38	6H3-42711-15-4D	10 - 1	6K5-44191-00	11 - 29
6K5-11631-03-95	3 - 13	6H3-14711-11-5B	15 - 14	697-15789-00	7 - 45		19 - 7	648-42715-00	12 - 27	688-44194-00	12 - 5
6H3-11633-00	3 - 15	6H3-14737-10	15 - 20	663-15791-00	7 - 20	6H2-41131-00-5B	15 - 11	6H3-42716-02	10 - 12	688-44311-01	16 - 22
688-11634-10	3 - 16	692-14923-00	5 - 25	663-15794-00	7 - 52	6H3-41137-01-94	15 - 5	6K5-42717-00	10 - 13	688-44315-A0	16 - 24
6K5-11635-03	3 - 13		19 - 33	6YJ-24167-00	18 - 7	6H3-41213-01	12 - 22	6H3-42718-00	10 - 34		20 - 7
6K5-11636-03	3 - 13	676-14943-34	5 - 5	6YJ-24201-10	18 - 1	6H3-41217-00	4 - 12	6E5-42724-00	10 - 14	688-44316-A0	16 - 30
6H3-12411-10	2 - 31	6K5-14945-36	5 - 35	6Y1-24260-12	18 - 3	662-41237-01	12 - 14	6K5-42725-00	10 - 15		20 - 9
6H3-12413-00-1S	2 - 32	6H2-14947-02	5 - 4	6Y1-24268-00	18 - 6	682-41237-50	12 - 19	6H4-42726-00	10 - 24	69D-44322-00	16 - 23
6H3-12414-A1	2 - 33	6H4-14948-15	5 - 6	6G1-24304-02	6 - 1	6H3-41238-00	12 - 1	6H3-42727-00	10 - 19		20 - 16
	19 - 5	6K5-14950-21	5 - 36	6G1-24305-04	18 - 13	6H3-41257-00	4 - 13	6H3-42738-01-5B	10 - 16	688-44323-40	16 - 31
677-13437-0B	1 - 17	676-14966-00	5 - 7	6Y1-24305-05	18 - 15	661-41262-02	4 - 14	6H3-42741-01-4D	10 - 28		20 - 19
6H2-13610-00	4 - 1		19 - 22	61J-24306-03	18 - 8	6H3-41271-00	4 - 15	6H3-42768-00	10 - 23	688-44324-A0	16 - 32
6H3-13621-A1	4 - 6	6H2-14980-00	5 - 15	69D-24311-00	6 - 4	689-41273-00	4 - 16	6H3-42771-01-4D	10 - 29		20 - 8
	19 - 13	6G1-14984-00	5 - 14	69D-24312-00	6 - 23	6H4-41611-00	8 - 14	6G5-42791-10	10 - 35	688-44341-01-94	16 - 27
6H3-13622-A1	4 - 8		19 - 15	663-24312-01	2 - 40	6H3-41612-00	8 - 15	6H3-42813-00	10 - 7	688-44352-03	16 - 25
	19 - 19	6G1-14985-00	5 - 12	6H3-24313-00	6 - 44	6H3-41612-20	8 - 18	6H3-42815-01-4D	10 - 3		20 - 17
6H3-13624-00-94	4 - 7		19 - 26	6H3-24314-00	6 - 46	6K5-41618-00	8 - 19	6H3-42816-00	10 - 9	69D-44361-10	17 - 2
6H3-13641-03-94	4 - 5	6H3-14992-00	5 - 17	6Y1-24329-00	18 - 5	6H3-41631-00	12 - 2	6H3-42817-01-4D	10 - 4	663-44366-00	17 - 10
663-14126-00	5 - 19	69D-15100-00-1S	2 - 2	650-24351-01	18 - 12	6H3-41632-00	12 - 8	6H3-42818-00	10 - 10		20 - 14
	19 - 31	6H3-15359-00-94	3 - 1	61J-24360-00	18 - 10	6H3-41633-00	12 - 11	63D-43111-01-4D	13 - 1	663-44367-00	17 - 1
688-14126-00	5 - 21	692-15711-00	7 - 2	688-24378-00	6 - 43	679-41636-00	12 - 15	63D-43112-01-4D	13 - 8	69D-44391-00	10 - 2
	19 - 32	663-15713-00	7 - 5	692-24410-00	6 - 26	663-42111-02-4D	11 - 1	648-43114-01	13 - 11	688-44511-00-94	14 - 31
663-14159-00	5 - 9	663-15714-01	7 - 6	663-24411-00	6 - 31	663-42115-00	11 - 10	663-43116-01	13 - 12	688-44514-00-94	14 - 24
	19 - 24	663-15715-00	7 - 12	692-24411-00	6 - 28	664-42119-00	11 - 2	663-43118-01-4D	13 - 14	69D-44551-10-4D	14 - 7
676-14186-00	5 - 10	663-15716-01	7 - 13	6A0-24412-02	6 - 37	692-42121-02-4D	11 - 20	69D-43126-00	13 - 39	6H3-44552-03-94	14 - 16
	19 - 25	663-15719-00	7 - 15	6A0-24413-00	6 - 27	663-42126-01	11 - 56	63D-43128-01-4D	13 - 15	6H3-44553-01-4D	14 - 21
6H3-14198-A1	4 - 11	6K5-15723-00	7 - 46	6A0-24421-01	6 - 35	663-42133-01	11 - 14	63D-43131-01	13 - 19	687-44555-00-94	14 - 9
	19 - 14	663-15726-01	7 - 10	650-24431-A0	6 - 38	663-42134-03-94	11 - 15	6G5-43144-00	13 - 49	663-44575-00	14 - 14
6K5-14301-03	5 - 1	663-15734-01	7 - 14		19 - 17	663-42135-01	11 - 13	6G5-43145-01	13 - 23	6H3-45111-12-4D	15 - 1
6K5-14302-03	5 - 2	663-15735-01	7 - 50	648-24434-01	6 - 29	6K5-42137-00	11 - 4	6G5-43148-10	13 - 28	6H3-45113-A0	15 - 7
6K5-14303-03	5 - 3	663-15736-00	7 - 55	648-24435-02	6 - 32	663-42138-00	11 - 11	688-43160-01	13 - 30		19 - 18
6A0-14325-00	6 - 36	663-15739-00	7 - 4	61A-24469-00	6 - 13	6F6-42177-A0	11 - 3	688-43165-00	13 - 31	6H3-45114-A1	15 - 17
6H3-14413-10	4 - 18	663-15741-02	7 - 8	61A-24521-00	6 - 8	6H3-42191-01	11 - 41	69D-43170-10-4D	13 - 34		20 - 2
6H3-14440-02	4 - 19	663-15744-00	7 - 11	65L-24531-01	6 - 9	6H3-42192-00	11 - 43	6H5-43181-03	13 - 24	6H3-45123-00	15 - 16

NUMERICAL INDEX

PART NO.	REF. NO.	PART NO.	REF. NO.	PART NO.	REF. NO.	PART NO.	REF. NO.	PART NO.	REF. NO.	PART NO.	REF. NO.
6H3-45123-00	20 - 3	688-45633-00	16 - 52	6H3-85542-00-94	9 - 6	90151-05M00	16 - 14	90280-04M04	20 - 25	90464-08M07	11 - 63
6H3-45127-00	15 - 15	6H1-45634-02	16 - 43	6K5-85550-A0	8 - 1	90157-06M13	12 - 3	90280-05015	8 - 11	90464-10M59	6 - 6
6H3-45155-00	15 - 3	6H1-45635-00	16 - 47	6H3-85570-10	9 - 25	90170-16M01	16 - 38	90282-04010	16 - 67	90464-12M17	9 - 20
696-45211-01-4D	15 - 21	6H1-45641-01	16 - 53	69D-W0001-00	19 - 1	90170-18M10	13 - 46	90338-05M03	10 - 26	90465-06M90	7 - 61
6H1-45214-00	16 - 12	6H1-45668-00	16 - 46	69D-W0001-20	20 - 1	90170-20137	8 - 12	90340-08002	16 - 9		9 - 29
6H1-45215-00	16 - 13	688-45930-02-98	17 - 18	688-W0004-00	4 - 2	90171-16011	17 - 16	90340-14M00	2 - 22	90465-08M83	6 - 25
63D-45251-00	13 - 2	688-45932-60-98	17 - 18	6K5-W0070-H0	1 - 15	90175-06003	11 - 50	90385-12M04	7 - 31	90465-11M10	6 - 5
663-45251-00	13 - 37	6E5-45941-00-EL	17 - 18	69D-W0078-00	20 - 15	90179-06066	14 - 20	90386-06088	11 - 42	90467-06016	2 - 10
69D-45300-10-4D	16 - 1	6E5-45943-00-EL	17 - 18	69D-W0090-01-1S	2 - 1	90179-08M34	2 - 30	90386-07M58	12 - 33	90467-08004	2 - 41
6H1-45301-03-4D	16 - 2	6E5-45945-01-EL	17 - 18	6H3-W0093-02	19 - 20	90183-02M03	16 - 50	90386-08032	11 - 9		6 - 42
688-45321-00	16 - 16	6E5-45947-00-EL	17 - 18	69D-W1140-01	3 - 7	90185-05002	16 - 15	90386-10009	11 - 36	90468-18008	7 - 56
688-45331-00-94	16 - 60	6E5-45949-00-EL	17 - 18	692-W1571-02	7 - 1	90185-08057	11 - 53	90386-10025	13 - 27		12 - 18
688-45341-10	16 - 10	6E5-45952-00-EL	17 - 18	656-W2810-02	6 - 49	90185-10051	11 - 38	90386-10M16	13 - 26	90480-09M12	10 - 20
688-45371-02	17 - 8	6E5-45954-00-EL	17 - 18	90101-06M27	11 - 57		14 - 29	90386-12089	11 - 23	90480-13M24	9 - 9
688-45375-00	17 - 7	6E5-45956-00-EL	17 - 18	90101-08002	2 - 21	90185-12058	11 - 27	90386-13M38	10 - 5	90480-19M06	17 - 11
663-45376-00-94	17 - 6	688-45970-03-98	17 - 18	90101-10M49	14 - 25	90185-22M11	13 - 22	90386-18M44	13 - 44	90501-10326	5 - 30
6J8-45378-00	16 - 21	688-45972-02-98	17 - 18	90101-12M06	11 - 21	90201-03313	16 - 49	90386-22M15	13 - 20	90501-12082	12 - 29
688-45383-02	16 - 68	688-45974-02-98	17 - 18	90101-12M65	13 - 51	90201-05652	5 - 28	90386-30M60	14 - 6	90501-12M48	16 - 48
688-45384-00	16 - 69	688-45976-01-98	17 - 18	90105-06M14	9 - 7	90201-06068	6 - 17	90386-30M77	14 - 4	90501-14M08	14 - 19
69D-45501-10	16 - 36	688-45978-60-98	17 - 18	90105-10M67	17 - 9	90201-06M31	12 - 9	90386-30M78	14 - 3	90501-16M17	11 - 34
688-45536-01	16 - 4	688-45987-01	17 - 13	90109-12M21	14 - 13	90201-10120	11 - 37	90387-06M43	9 - 8	90501-16M65	16 - 44
6K5-45551-00	16 - 37	67F-45997-00	17 - 14	90116-06M07	9 - 11	90201-11M22	14 - 28	90387-06M59	12 - 12	90501-23215	11 - 8
6K5-45560-00	16 - 39	700-48339-00	11 - 44	90116-08M69	2 - 29	90201-12426	13 - 53	90387-06M60	12 - 6	90502-16M02	13 - 33
688-45567-01-10	16 - 7	663-48344-00	12 - 17	90116-10M28	14 - 34	90201-12537	11 - 25	90387-06M69	10 - 21	90506-08M23	7 - 51
688-45567-01-12	16 - 7	6H3-48538-00	12 - 41	90116-10M31	15 - 23	90201-12M16	14 - 10	90387-08M05	7 - 32	90506-20011	13 - 48
688-45567-01-15	16 - 7	6K5-81332-00	8 - 20	90116-18M52	13 - 43	90201-12M34	11 - 40	90387-12M30	11 - 39	90508-12015	7 - 53
688-45567-01-18	16 - 7	6H3-81916-00	9 - 22	90119-06023	2 - 19	90201-13M19	14 - 12	90387-16003	13 - 40	90508-29M19	12 - 10
688-45567-01-30	16 - 7	6H3-81922-00	9 - 10	90119-06M09	10 - 11	90201-20417	3 - 18	90387-16004	13 - 41	91490-16012	7 - 58
688-45567-01-40	16 - 7	703-82119-00	10 - 25	90119-06M61	10 - 22	90201-20M21	14 - 26	90389-25M00	17 - 15	91490-20012	12 - 35
688-45567-01-50	16 - 7	688-82127-02	14 - 23	90119-06M65	7 - 43	90201-21M18	8 - 13	90430-08020	16 - 11	91490-25012	11 - 46
6H3-45571-00	16 - 59	63D-82148-00	13 - 9	90119-06M91	12 - 13	90201-22M03	13 - 21		20 - 4	91490-40025	17 - 17
688-45576-00	16 - 63	6H1-82148-00	13 - 5	90119-06MA3	2 - 34	90201-30M00	14 - 2	90430-12072	17 - 4	91690-30012	13 - 32
688-45577-01-10	16 - 62	6A0-82317-00	7 - 41		4 - 9	90202-07M07	12 - 38		20 - 13	91690-30020	13 - 29
688-45577-01-12	16 - 62	6G1-82370-21	9 - 28	90119-06MA5	2 - 39	90202-12060	17 - 3	90430-14115	2 - 23	92903-06100	7 - 16
688-45577-01-15	16 - 62	6K5-82531-00	9 - 3	90119-08M13	16 - 35	90202-12092	11 - 24		19 - 3		9 - 31
688-45577-01-18	16 - 62	682-82556-00	11 - 61		20 - 24	90202-20M06	14 - 27	90445-07M02	2 - 11		11 - 31
688-45577-01-30	16 - 62	688-82560-10	9 - 32	90119-08M16	16 - 34	90202-25M04	14 - 11	90445-07M44	2 - 9	92903-06200	7 - 57
688-45577-01-40	16 - 62	6K5-82575-03	11 - 60		20 - 23	90206-10M04	12 - 23	90445-07M45	2 - 12	92903-06600	7 - 35
688-45577-01-50	16 - 62	689-8257Y-00	11 - 62	90119-08M28	7 - 29	90206-12054	11 - 26	90445-07M82	2 - 13		8 - 8
688-45587-01-10	16 - 5	6A1-83625-41	4 - 23	90119-08M32	7 - 30	90206-13M10	10 - 6	90445-09072	6 - 41		9 - 2
688-45587-01-12	16 - 5	6E0-83627-41	11 - 64	90119-08M64	2 - 8	90209-06M05	4 - 22	90445-09220	6 - 45		12 - 32
688-45587-01-15	16 - 5	6H4-85411-00	9 - 4	90119-08M79	15 - 8	90243-04007	13 - 13	90445-11M05	18 - 11	92903-08100	7 - 27
688-45587-01-18	16 - 5	6H4-85415-00	9 - 5	90119-08M81	15 - 4	90250-07M02	16 - 51	90445-11M06	18 - 9	92903-08600	7 - 28
688-45587-01-30	16 - 5	6H3-85510-A1	8 - 2	90119-08M85	15 - 24	90254-03003	11 - 12	90446-10M02	9 - 33	92903-10600	11 - 7
688-45587-01-40	16 - 5	663-85518-00	8 - 4	90119-08MA5	2 - 28	90266-06009	1 - 9	90464-04M12	9 - 15	92990-05100	6 - 34
688-45587-01-50	16 - 5	6H3-85520-00	8 - 3	90119-10005	2 - 7	90269-02M09	11 - 5	90464-07M05	2 - 15	92990-05600	4 - 4
6H1-45611-01	16 - 40	6H3-85533-00	8 - 6	90149-05095	7 - 54	90269-04M03	10 - 8	90464-07M10	9 - 21	92990-06100	9 - 14
6H1-45631-01	16 - 41	6H3-85540-11	9 - 16	90149-05M13	11 - 6	90280-04M04	16 - 26	90464-08M07	9 - 19	92990-06200	9 - 13

NUMERICAL INDEX

PART NO.	REF. NO.	PART NO.	REF. NO.	PART NO.	REF. NO.	PART NO.	REF. NO.	PART NO.	REF. NO.	PART NO.	REF. NO.
92990-06600	9 - 18	93210-65M50	3 - 4	97095-06010	13 - 6						
	11 - 45		19 - 12	97095-06012	7 - 48						
92990-08200	12 - 34	93210-85M97	16 - 64	97095-06014	6 - 19						
92990-08600	11 - 52		20 - 11	97095-06016	1 - 6						
92990-10100	15 - 26	93306-207U0	16 - 61		6 - 15						
92990-10600	15 - 27	93306-306V1	3 - 11		10 - 17						
92990-12200	11 - 22	93311-636U6	3 - 8		16 - 19						
92995-06100	1 - 7	93315-325V1	16 - 3	97095-06020	3 - 5						
	6 - 16	93317-325U0	16 - 65		10 - 32						
	13 - 4	93332-000U3	16 - 6	97095-06025	6 - 2						
92995-06600	1 - 8	93332-000W7	16 - 8		10 - 30						
	3 - 6	93410-16006	13 - 42		12 - 7						
	6 - 3	93410-28M06	14 - 8		13 - 3						
	7 - 49	93440-49M04	3 - 10	97095-06040	6 - 39						
	8 - 17	93450-07M00	16 - 58	97095-06095	4 - 10						
	9 - 24	93501-04M02	12 - 28	97095-08030	11 - 54						
	10 - 18	93503-16003	16 - 45	97303-06016	7 - 17						
	13 - 7	93515-32M01	11 - 35	97303-06025	7 - 22						
	16 - 20	93603-12M11	16 - 42	97780-40512	17 - 12						
92995-08100	14 - 18	93603-18M09	3 - 17	97880-05016	4 - 3						
	15 - 10	93604-10M03	16 - 33	97880-06025	9 - 17						
92995-08600	11 - 55	93606-12019	15 - 2	97885-05012	11 - 18						
92995-12200	13 - 52		17 - 5	97885-06008	11 - 17						
92995-18600	13 - 45	93608-12063	2 - 6		13 - 10						
93101-25M03	16 - 28	93700-06M03	11 - 16	97885-06010	8 - 21						
	20 - 12		13 - 17	97885-06012	8 - 16						
93102-30009	3 - 2	94702-00247	2 - 42		9 - 23						
	19 - 10	95380-03600	6 - 30	97885-06016	14 - 22						
93102-36M24	3 - 9	95380-05600	12 - 16	97885-06045	4 - 21						
	19 - 8	95380-06600	12 - 4	97902-05125	8 - 5						
93106-09014	16 - 18	95380-06700	9 - 12	97980-04114	5 - 16						
	20 - 6	95380-10600	15 - 25		19 - 29						
93106-18001	3 - 3	95380-12600	13 - 54	97980-05310	5 - 24						
	19 - 11	95380-12800	14 - 15	98503-05028	6 - 33						
93210-04228	5 - 34	97013-06012	7 - 60	98580-04008	5 - 11						
93210-04230	5 - 18		9 - 1	98586-05016	18 - 4						
	19 - 30	97013-06016	11 - 30	98680-06525	13 - 38						
93210-07003	16 - 56	97013-06020	12 - 31	99001-08600	16 - 57						
93210-08287	18 - 14	97013-06025	7 - 34								
93210-15M52	5 - 33		9 - 26								
	19 - 34	97013-06030	8 - 7								
93210-29M94	14 - 5	97013-06055	7 - 37								
93210-46044	16 - 29	97013-08012	7 - 26								
	20 - 10	97075-08025	14 - 17								
93210-46M16	3 - 12	97075-08030	15 - 12								
	19 - 9	97075-08035	14 - 32								
93210-49046	16 - 17		15 - 9								
	20 - 5	97080-06035	11 - 49								

E60HMHD
PARTS CATALOGUE
©2003 by Yamaha Motor Co., Ltd.
1st edition, May 2003
All rights reserved.
Any reprinting or unauthorized use
without the written permission of
Yamaha Motor Co., Ltd.
is expressly prohibited.
Printed in Japan.