

# **PARTS CATALOGUE**

**EK9.9HMH '03**(62S1)

**EK15NMH '03**(65G2)

# FOREWORD

This Parts Catalogue is related to the parts for the model(s) in the below frame. When you are ordering replacement parts, please refer to this Parts Catalogue and quote both part numbers and part names correctly.

EK9.9HMH'03(62S1), EK15NMH'03(65G2)

1. Modifications or additions which have been made after issue of the Parts Catalogue will be announced in the Yamaha Parts News.  
It is advisable that you make necessary corrections to the Parts Catalogue according to the Yamaha Parts News.

2. Abbreviations  
The Following abbreviations are used in this Parts Catalogue.

“UR” Use specified parts number.

“UN” Use as many as needed.

“AP” Alternate Parts

“LM” Local Made  
(Parts need to be ordered locally)

“O/S” Over Size

3. Parts, which are to be supplied in an assembly, are listed with a dot(.) in front of the part name as shown below.

EXAMPLE

CARBURETOR ASSY

.JET, PILOT

.NOZZLE, MAIN

4. Number of component for assembly

The numeral appearing to the right of each component part indicates the quantity of parts for each assembly unit.

EXAMPLE

PART NO.	DESCRIPTION	□	□	□	□	□	REMARKS
6E0-85500-70	C.D.I. MAGNETO ASSY	1					
6E0-85550-70	.ROTOR ASSY	1					
6E0-15723-00-94.	PULLY, STARTER	1					

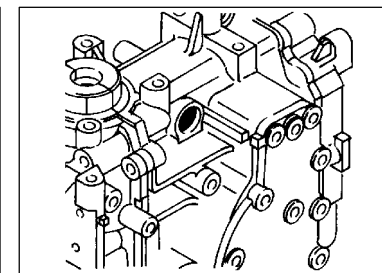
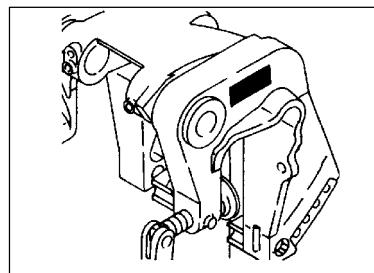
5. Quantity Column Information

NAME for Q'TY COLUMN	APPLICABLE MODEL
EK99	EK9.9HMH
EK15	EK15NMH

6. Applicable Starting Serial No. and Color Code

1) Engine Starting Serial No.

EK9.9HMH L 6M7K : 1000001	EK15NMH S/L 6M7K : 1000001
---------------------------	----------------------------



2) Color Code

Color Code	Color Name	Abbreviation
004D	DARK BLUISH GRAY METALLIC 2	DBNM2

7. Note that the illustrations for reference in finding parts numbers, not to be used for assembling. When assembling, please use the applicable service manual.

8. The asterisk (\*) before a reference number indicates modification items after the first edition.

# CONTENTS

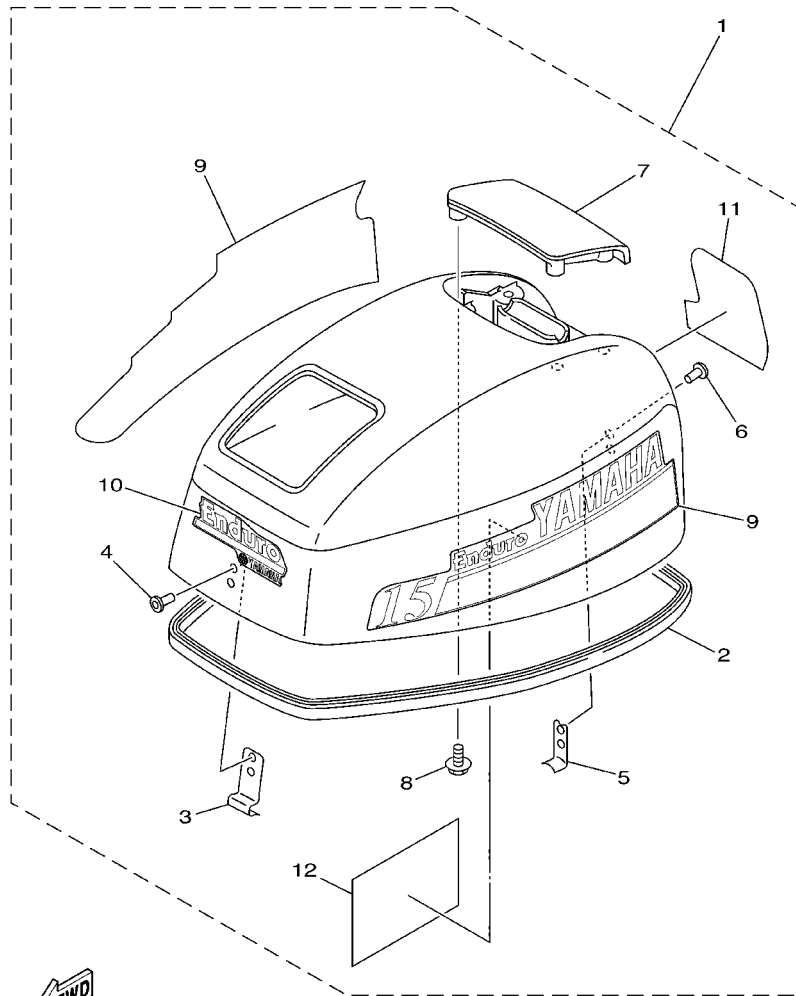
TOP COWLING .....	A4
CYLINDER. CRANKCASE .....	A5
CRANKSHAFT. PISTON .....	A6
INTAKE .....	B1
CARBURETOR .....	B2
FUEL 1 .....	B4
FUEL 2 .....	B7
STARTER .....	C1
GENERATOR .....	C2
ELECTRICAL .....	C3
BOTTOM COWLING .....	C4
STEERING .....	C5
CONTROL .....	C7
BRACKET 1 .....	D2
BRACKET 2 .....	D4
UPPER CASING .....	D6
LOWER CASING. DRIVE 1 .....	D7
LOWER CASING. DRIVE 2 .....	E3
FUEL TANK .....	E5
REPAIR KIT 1 .....	E6
REPAIR KIT 2 .....	F1

## INDEX

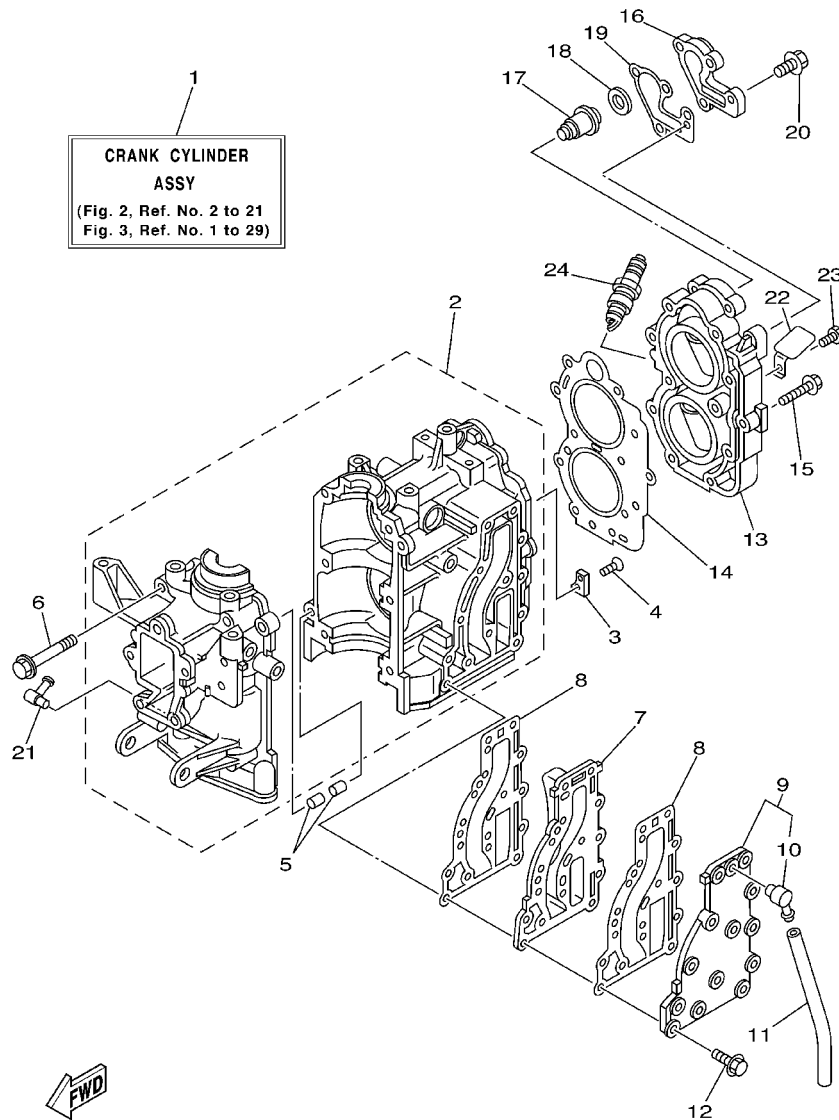
NUMERICAL INDEX .....	F2
-----------------------	----

FIG. 1 TOP COWLING

REF. NO.	PART NO.	DESCRIPTION	EK99	EK15	REMARKS
1	65G-42610-L0-4D	TOP COWLING ASSY		1	
	65G-42610-M0-4D	TOP COWLING ASSY	1		
2	63V-42615-00	.SEAL	1	1	
3	6G1-42651-02	.HOOK	1	1	
4	90266-04M04	.RIVET	2	2	
5	6L2-42647-00	.HOLDER, CLAMP BAND	1	1	
6	90266-04M04	.RIVET	2	2	
7	63V-42613-01-4D	.MOLDING, AIR DUCT	1	1	
8	97595-06516	.BOLT, WITH WASHER	4	4	
9	65F-W0070-H0	.GRAPHIC SET		1	
	65E-W0070-H0	.GRAPHIC SET	1		
10	677-42677-J0	.GRAPHIC, FRONT	1	1	
11	65G-42678-K0	.GRAPHIC, REAR		1	
	65G-42678-W0	.GRAPHIC, REAR	1		
12	677-13437-08	.MARK, CAUTION	1	1	



65G2200-3010

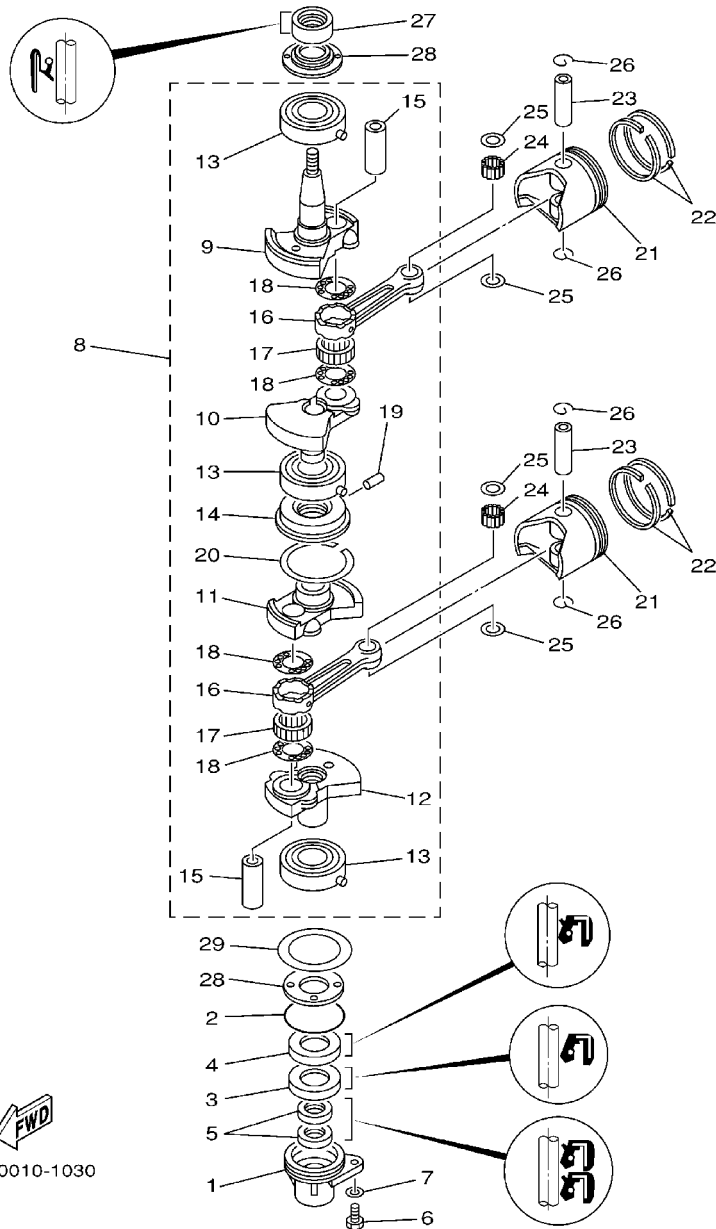


**FIG. 2 CYLINDER. CRANKCASE**

REF. NO.	PART NO.	DESCRIPTION	EK99	EK15	REMARKS
1	65G-W0090-02-1S	CRANK CYLINDER ASSY	1	1	
2	65G-15100-01-1S	CRANKCASE ASSY	1	1	
3	682-11325-00	ANODE	1	1	
4	98780-05015	SCREW, FLAT HEAD	1	1	
5	93606-12019	PIN, DOWEL	2	2	
6	90119-08M07	BOLT, WITH WASHER	6	6	
7	63V-41111-00-1S	INNER COVER, EXHAUST	1	1	
8	63V-41112-A0	GASKET, EXHAUST INNER COVER	2	2	
9	63V-41113-00-1S	OUTER COVER, EXHAUST	1	1	
10	676-11372-00	.NIPPLE, HOSE	1	1	
11	90445-09105	HOSE (L300)	1	1	
12	90119-06MA4	BOLT, WITH WASHER	13	13	
13	65G-11111-00-1S	HEAD, CYLINDER 1	1	1	
14	63V-11181-A1	GASKET, CYLINDER HEAD 1	1	1	
15	90105-07002	BOLT, FLANGE	11	11	
16	682-12413-00-1S	COVER, THERMOSTAT	1	1	
17	6F5-12411-02	THERMOSTAT	1	1	
18	90201-21567	WASHER, PLATE	1	1	
19	682-12414-A1	GASKET, COVER	1	1	
20	90119-06MA2	BOLT, WITH WASHER	4	4	
21	676-11372-00	NIPPLE, HOSE	1	1	
22	65G-11951-00	PLATE	1	1	
23	97090-06012	BOLT	1	1	
24	94702-00217	PLUG, SPARK (NGK B7HS-10)	2	2	

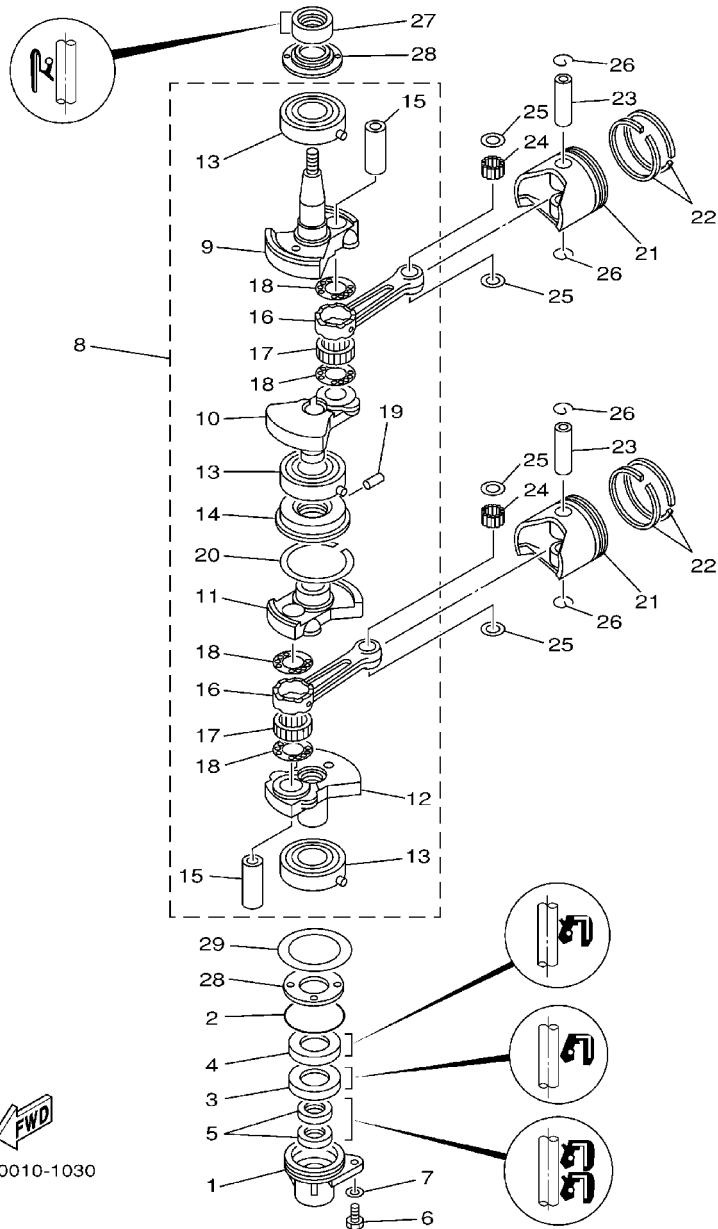
65G2200-3020

FIG. 3 CRANKSHAFT. PISTON



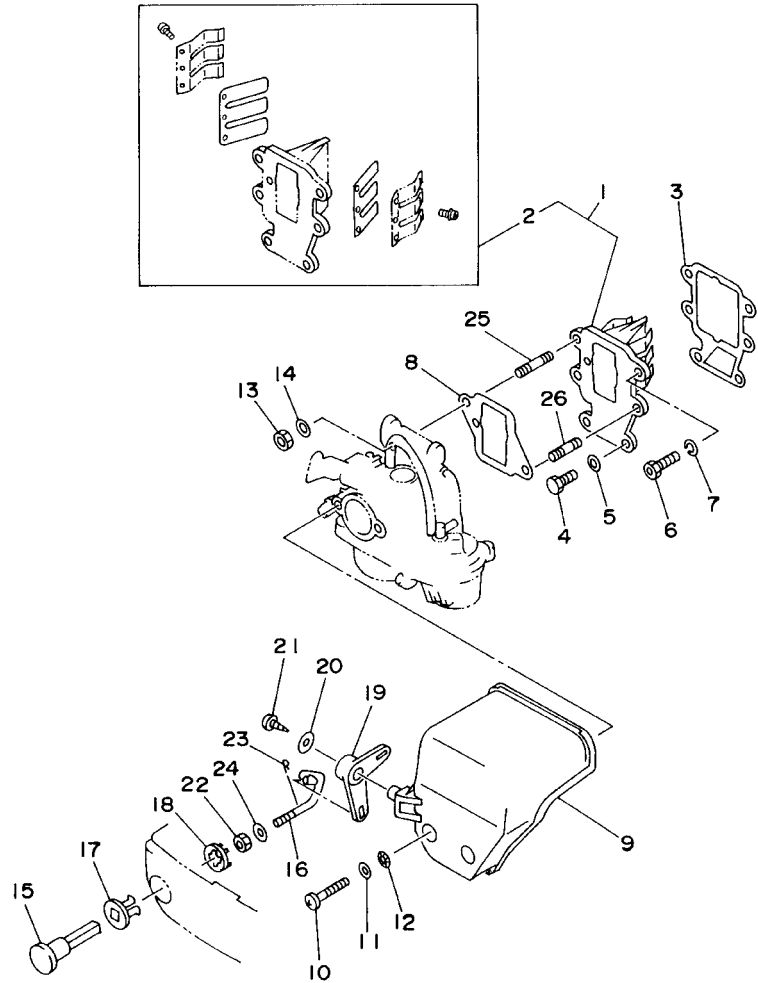
REF. NO.	PART NO.	DESCRIPTION	EK99	EK15	REMARKS
1	63V-15396-01-94	HOUSING, OIL SEAL	1	1	
2	93210-46MH8	O-RING	1	1	
3	93101-25018	OIL SEAL	1	1	
4	93102-25M48	OIL SEAL	1	1	
5	93101-13018	OIL SEAL	2	2	
6	97095-06016	BOLT	1	1	
7	92995-06600	WASHER	1	1	
8	65G-11400-01	CRANKSHAFT ASSY	1	1	
9	63V-11412-00	.CRANK 1	1	1	
10	63V-11422-00	.CRANK 2	1	1	
11	63V-11432-00	.CRANK 3	1	1	
12	63V-11442-00	.CRANK 4	1	1	
13	93306-205U7	.BEARING	3	3	
14	63V-11515-02	.SEAL, LABYRINTH 1	1	1	
15	682-11681-00	.PIN, CRANK 1	2	2	
16	6K4-11651-00	.ROD, CONNECTING	2	2	
17	93310-620W5	.BEARING	2	2	
18	90209-20M23	.WASHER	4	4	
19	91609-20008	.PIN, SPRING	1	1	
20	93440-52009	.CIRCLIP	1	1	
21	6E7-11631-00-97	PISTON (STD)	2	2	
	6E7-11635-00	PISTON (0.25MM O/S)	2	2	AP
	6E7-11636-00	PISTON (0.50MM O/S)	2	2	AP
22	682-11610-01	PISTON RING SET (STD)	2	2	
	682-11610-11	PISTON RING SET (0.25MM O/S)	2	2	AP
	682-11610-21	PISTON RING SET (0.50MM O/S)	2	2	AP
23	634-11633-00	PIN, PISTON	2	2	

FIG. 3 CRANKSHAFT. PISTON



REF. NO.	PART NO.	DESCRIPTION	EK99	EK15	REMARKS
24	93602-14104	PIN, DOWEL	50	50	
25	90201-14377	WASHER, PLATE	4	4	
26	93450-15023	CIRCLIP	4	4	
27	93110-23M00	OIL SEAL	1	1	
28	63V-11445-00	SPACER	2	2	
29	90201-46M29	WASHER, PLATE	1	1	
-----					
-----					
-----					
-----					
-----					
-----					
-----					
-----					
-----					
-----					

FIG. 4 INTAKE



  
65G1200-7040

REF. NO.	PART NO.	DESCRIPTION	EK99	EK15	REMARKS
1	65G-13610-00	REED VALVE ASSY	1	1	
2	682-W0004-00	.REED SET	1	1	
3	682-13621-00	GASKET, VALVE SEAT	1	1	
4	97095-06016	BOLT	3	3	
5	92995-06600	WASHER	3	3	
6	90101-06128	BOLT	1	1	
7	92903-06100	WASHER, SPRING	1	1	
8	677-14198-00	GASKET	1	1	
9	65G-14417-00	COVER 1	1	1	
10	97880-05030	SCREW, PAN HEAD	2	2	
11	92990-05600	WASHER, PLATE	2	2	
12	90209-05M24	WASHER	2	2	
13	95380-06700	NUT	2	2	
14	92995-06600	WASHER	2	2	
15	65G-41271-00	KNOB, CHOKE	1	1	
16	65G-41256-00	ROD, CHOKE 1	1	1	
17	689-41273-00	GROMMET	1	1	
18	6J8-41274-00	GROMMET 2	1	1	
19	6M7-41252-00	LEVER, CHOKE 1	1	1	
20	90201-05M09	WASHER, PLATE	1	1	
21	90164-05M00	SCREW, TAPPING	1	1	
22	95380-04700	NUT	1	1	
23	90468-10004	CLIP	1	1	
24	90202-05203	WASHER, PLATE	1	1	
25	90116-06130	BOLT, STUD	1	1	
26	95627-06325	BOLT, STUD	1	1	



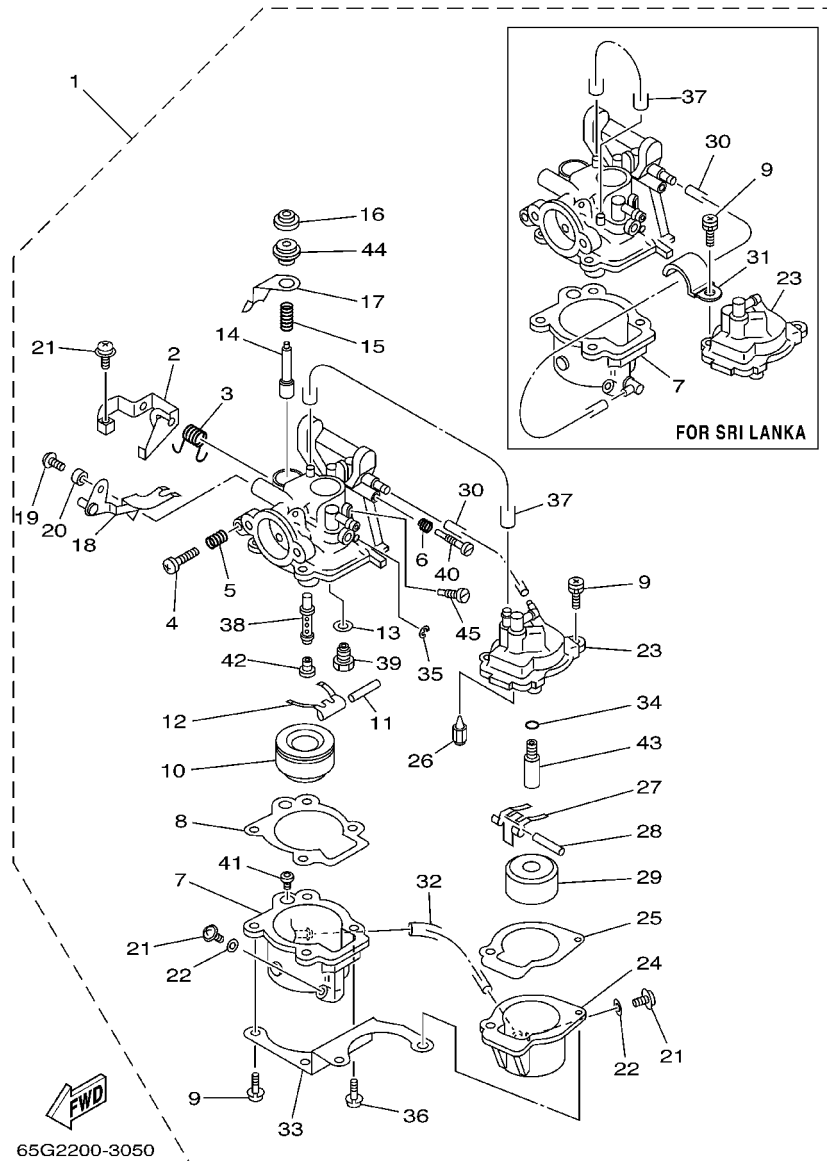
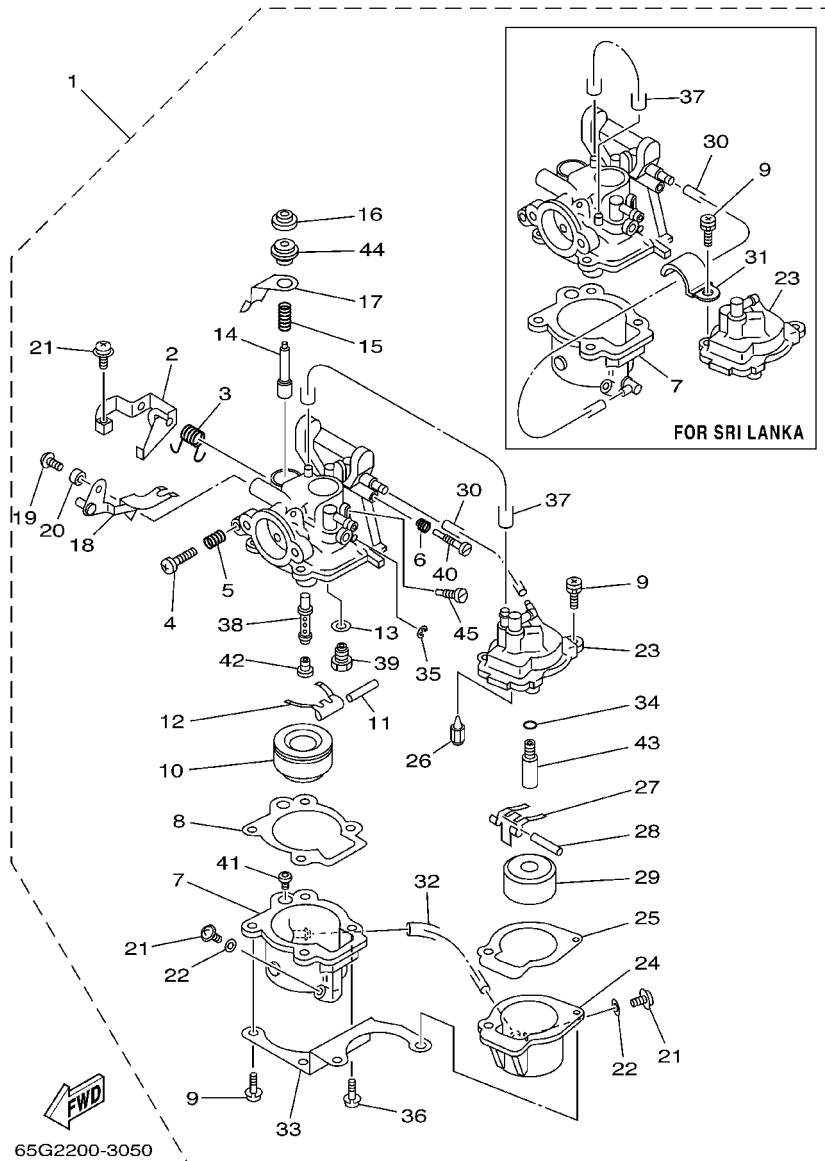


FIG. 5 CARBURETOR

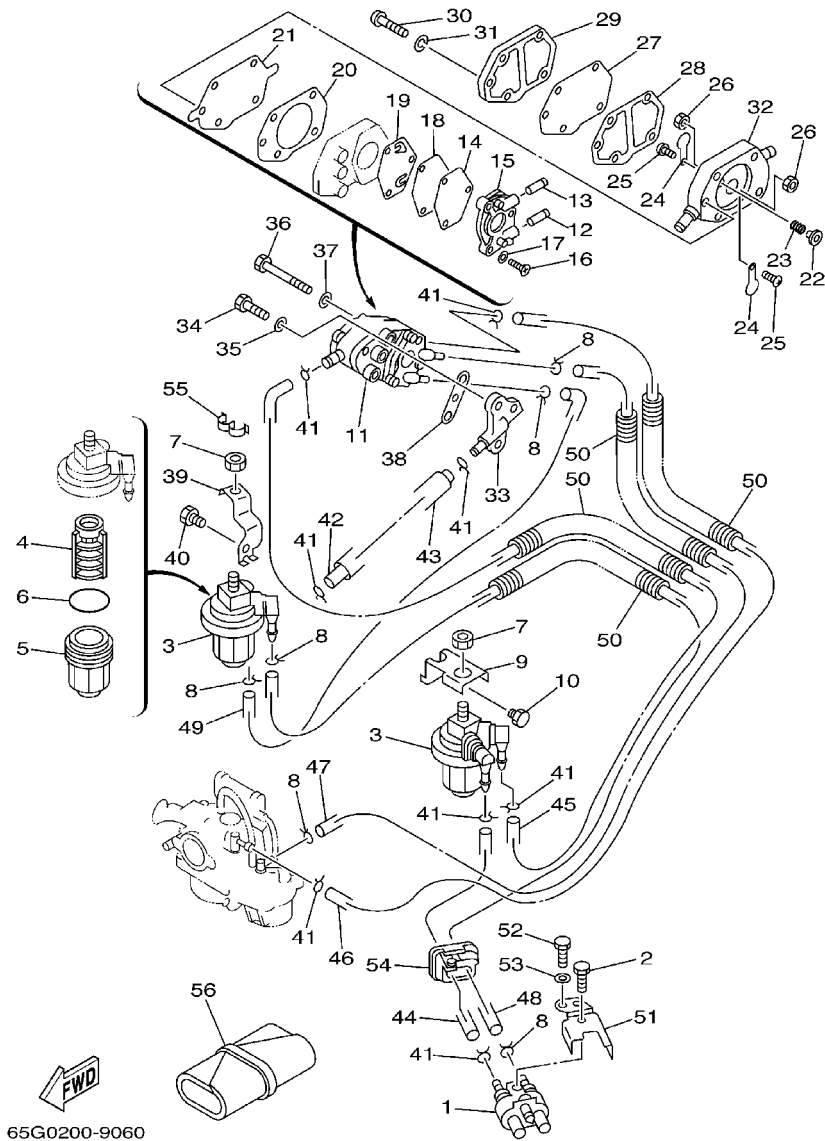
REF. NO.	PART NO.	DESCRIPTION	EK99	EK15	REMARKS
1	65G-14301-01	CARBURETOR ASSY 1	1	1	
	65G-14301-10	CARBURETOR ASSY 1	1	1	FOR SRI LANKA
2	65G-14315-00	.LEVER, THROTTLE 1	1	1	
	65G-14315-10	.LEVER, THROTTLE 1	1	1	FOR SRI LANKA
3	648-14331-00	.SPRING, THROTTLE VALVE	1	1	
4	650-14321-01	.SCREW, THROTTLE	1	1	
5	626-14333-00	.SPRING, THROTTLE STOP	1	1	
6	646-14212-01	.SPRING, PILOT ADJUSTING	1	1	
7	680-14381-20	.BODY, FLOAT CHAMBER	1	1	
	680-14381-30	.BODY, FLOAT CHAMBER	1	1	FOR SRI LANKA
8	650-14384-00	.GASKET, FLOAT CHAMBER	1	1	
9	97980-04115	.SCREW, WITH WASHER	4	4	
10	647-14385-00	.FLOAT	1	1	
11	626-14386-10	.PIN, FLOAT	1	1	
12	626-14387-90	.ARM, DIAPHRAGM	1	1	
13	626-14398-00	.GASKET	1	1	
14	626-14371-00	.PLUNGER, STARTER	1	1	
15	626-14335-00	.SPRING, PLUNGER	1	1	
16	626-14373-00	.COVER, PLUNGER CAP	1	1	
17	626-14378-00	.PLATE, STARTER LEVER 1	1	1	
18	6M7-14376-00	.LEVER, STARTER 2	1	1	
19	650-14327-01	.SCREW	1	1	
20	650-14349-00	.PIPE	1	1	
21	97890-04005	.SCREW, PAN HEAD	3	3	
22	6L2-14398-00	.GASKET	2	2	
23	65G-14182-00	.COVER, FLOAT CHAMBER	1	1	
	65G-14182-10	.COVER, FLOAT CHAMBER	1	1	FOR SRI LANKA



**FIG. 5 CARBURETOR**

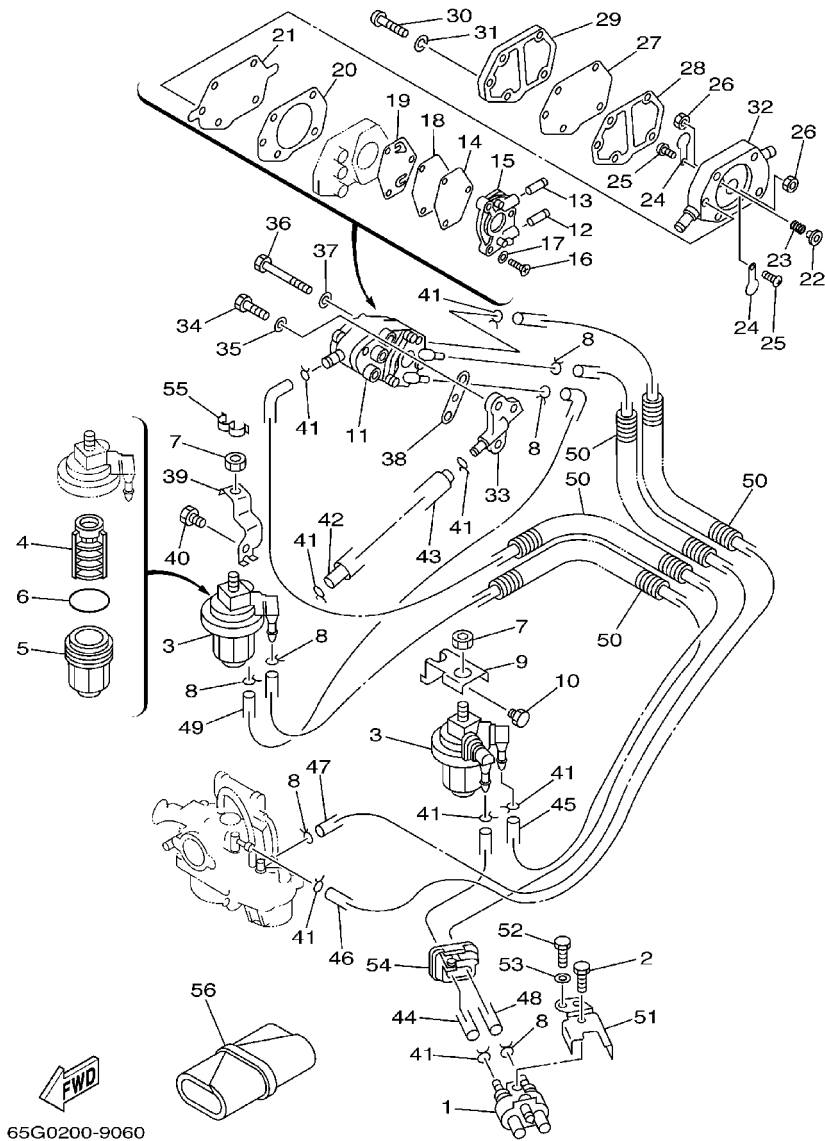
REF. NO.	PART NO.	DESCRIPTION	EK99	EK15	REMARKS
24	680-14181-00	.BODY, FLOAT CHAMBER 1	1	1	
25	652-14384-00	.GASKET, FLOAT CHAMBER	1	1	
26	6F5-14392-00	.VALVE, NEEDLE	1	1	
27	652-14387-40	.ARM, DIAPHRAGM	1	1	
28	6M7-14386-00	.PIN, FLOAT	1	1	
29	652-14385-00	.FLOAT	1	1	
30	6A4-14348-00	.PIPE 1	1	1	
	65G-14348-11	.PIPE 1	1	1	FOR SRI LANKA
31	65G-14261-00	.HOLDER	1	1	FOR SRI LANKA
32	6M7-14348-00	.PIPE 1	1	1	
33	65G-14346-00	.PLATE	1	1	
34	652-14147-00	.O-RING	1	1	
35	93430-04301	.CIRCLIP	1	1	
36	97980-04112	.SCREW, WITH WASHER	2	2	
37	65G-14348-00	.PIPE 1	1	1	
38	6M7-14341-00	.NOZZLE, MAIN	1	1	
39	677-14390-12	.NEEDLE VALVE ASSY	1	1	
40	647-14323-00	.SCREW, AIR ADJUSTING	1	1	
41	648-14344-25	.JET, STARTER (# 50)	1	1	
42	648-14343-51	.JET, MAIN (#102)	1	1	
	648-14343-45	.JET, MAIN (# 90)	1	1	FOR SRI LANKA
43	652-14353-34	.JET, PILOT (# 68)	1	1	
44	626-14374-00	.CAP, PLUNGER	1	1	
45	648-14342-23	.JET, PILOT (# 46)	1	1	

FIG. 6 FUEL 1



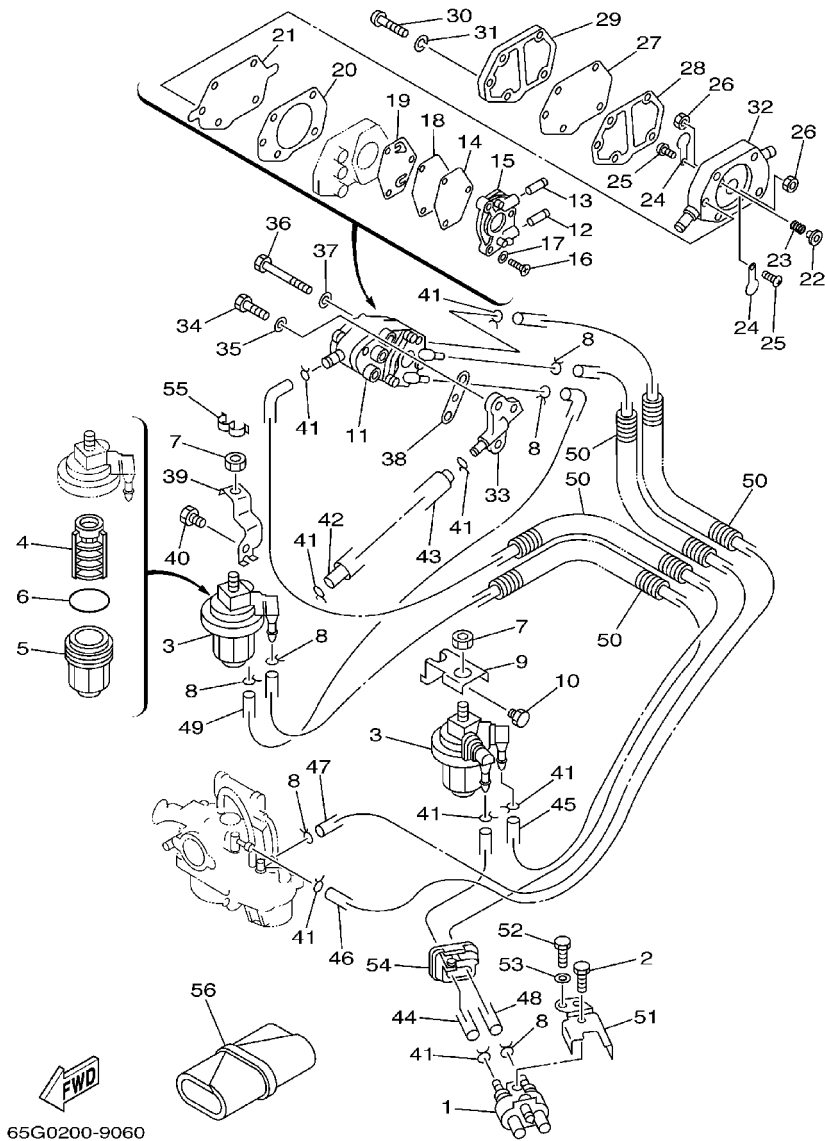
REF. NO.	PART NO.	DESCRIPTION	EK99	EK15	REMARKS
1	680-24304-01	FUEL PIPE JOINT COMP. 1	1	1	
2	97095-06020	BOLT	1	1	
3	61N-24560-00	FILTER ASSY	2	2	
4	61N-24563-00	.ELEMENT, FILTER	1	1	
5	61N-24521-00	.CUP, FILTER	1	1	
6	93210-32738	.O-RING	1	1	
7	95380-08600	NUT	2	2	
8	90467-08004	CLIP	6	6	
9	682-24566-01	BRACKET, FILTER	1	1	
10	97013-06010	BOLT	1	1	
11	6A4-24410-06	FUEL PUMP ASSY	1	1	
12	652-24461-00	.PIPE, JOINT	1	1	
13	62C-24461-00	.PIPE, JOINT	1	1	
14	652-24471-10	.DIAPHRAGM	1	1	
15	652-24415-01	.BODY 4	1	1	
16	98780-04010	.SCREW, FLAT HEAD	3	3	
17	92990-04500	.WASHER	3	3	
18	6A4-24471-00	.DIAPHRAGM	1	1	
19	652-24432-00	.GASKET, FUEL PUMP 2	1	1	
20	648-24434-01	.GASKET, BODY	1	1	
21	648-24411-00	.DIAPHRAGM	1	1	
22	648-24424-00	.SEAT, SPRING	1	1	
23	648-24423-00	.SPRING, DIAPHRAGM	1	1	
24	6A0-24421-01	.VALVE, CHECK	2	2	
25	6A0-14325-00	.SCREW, PAN HEAD	2	2	
26	95380-03600	.NUT	2	2	
27	663-24411-00	.DIAPHRAGM	1	1	

FIG. 6 FUEL 1

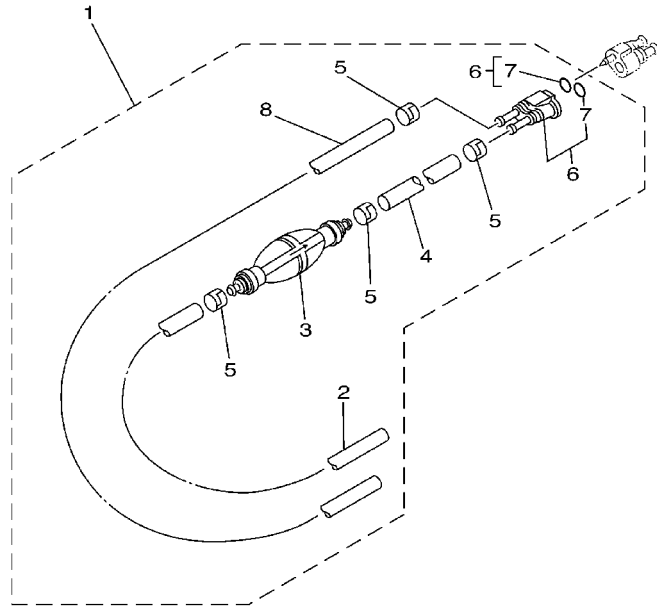


REF. NO.	PART NO.	DESCRIPTION	EK99	EK15	REMARKS
28	648-24435-02	.GASKET, BODY 2	1	1	
29	6A0-24413-00	.BODY 2	1	1	
30	98503-05028	.SCREW, PAN HEAD	3	3	
31	92990-05100	.WASHER, SPRING	3	3	
32	6A0-24412-02	.BODY 1	1	1	
33	65G-24491-00-4D	BRACKET, FUEL PUMP	1	1	
34	97095-06025	BOLT	1	1	
35	92995-06600	WASHER	1	1	
36	97095-06055	BOLT	2	2	
37	92995-06600	WASHER	2	2	
38	6M7-24431-00	GASKET, FUEL PUMP 1	1	1	
39	6L2-24566-00	BRACKET, FILTER	1	1	
40	97013-06010	BOLT	1	1	
41	90467-09M03	CLIP	8	8	
42	90445-10M16	HOSE (L120)	1	1	
43	90445-16M07	HOSE (L80)	1	1	
44	90445-10M50	HOSE (L170)	1	1	
45	65G-24311-00	PIPE, FUEL 1	1	1	
46	90445-10M49	HOSE (L660)	1	1	
47	90445-09M30	HOSE (L630)	1	1	
48	90445-09228	HOSE	1	1	
49	61A-24314-00	PIPE 4	1	1	
50	90446-14M58	HOSE	4	4	
51	65G-24364-00	STAY	1	1	
52	97095-06020	BOLT	2	2	
53	92995-06600	WASHER	2	2	
54	65G-24329-00	SEAL	1	1	

FIG. 6 FUEL 1



REF. NO.	PART NO.	DESCRIPTION	EK99	EK15	REMARKS
55	90464-09M31	CLAMP	1	1	
56	656-W2810-02	TOOL KIT	1	1	



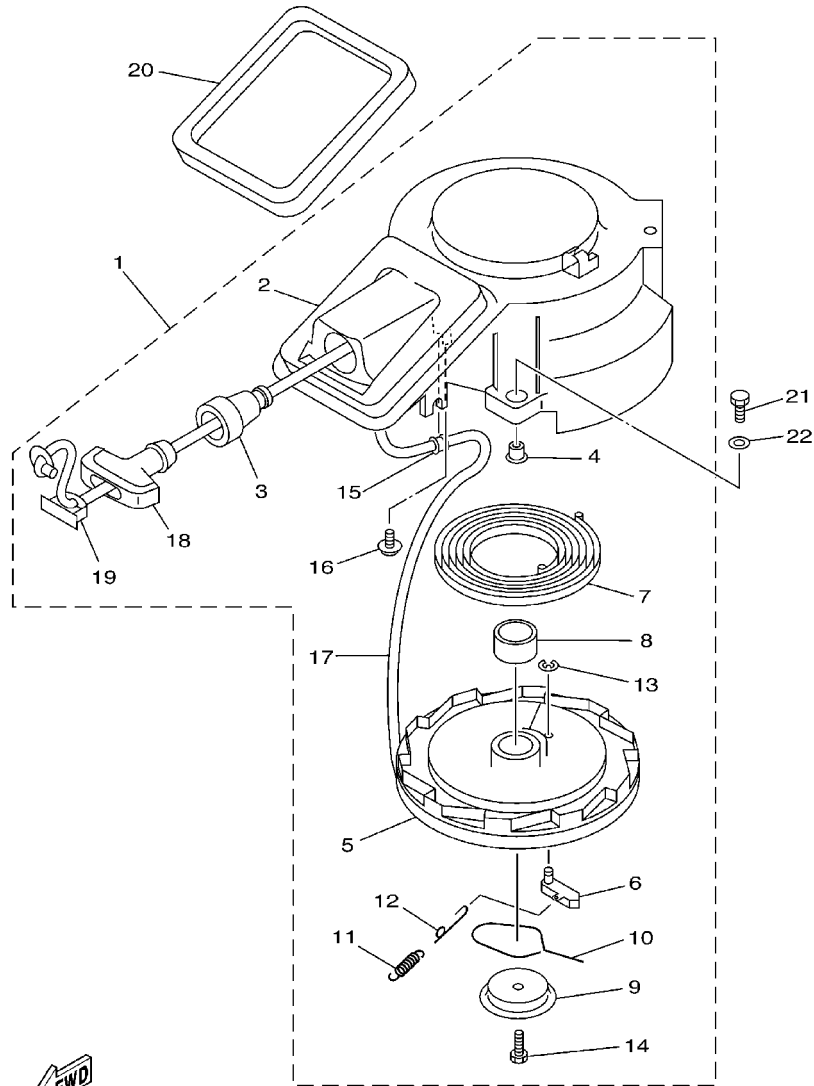
6801200-2070

FIG. 7 FUEL 2

REF. NO.	PART NO.	DESCRIPTION	EK99	EK15	REMARKS
1	6Y3-24306-04	FUEL PIPE COMP. 1	1	1	AP FOR SRI LANKA
2	90445-11M06	.HOSE (L2050)	1	1	
3	61J-24360-00	.PRIMER PUMP ASSY	1	1	
4	90445-11M05	.HOSE (L850)	1	1	
5	650-24351-01	.BAND 1	4	4	
6	680-24305-01	.FUEL PIPE JOINT COMP. 2	1	1	
7	93210-08287	..O-RING	2	2	
8	90445-11M81	.HOSE (L3000)	1	1	

**B7**

FIG. 8 STARTER



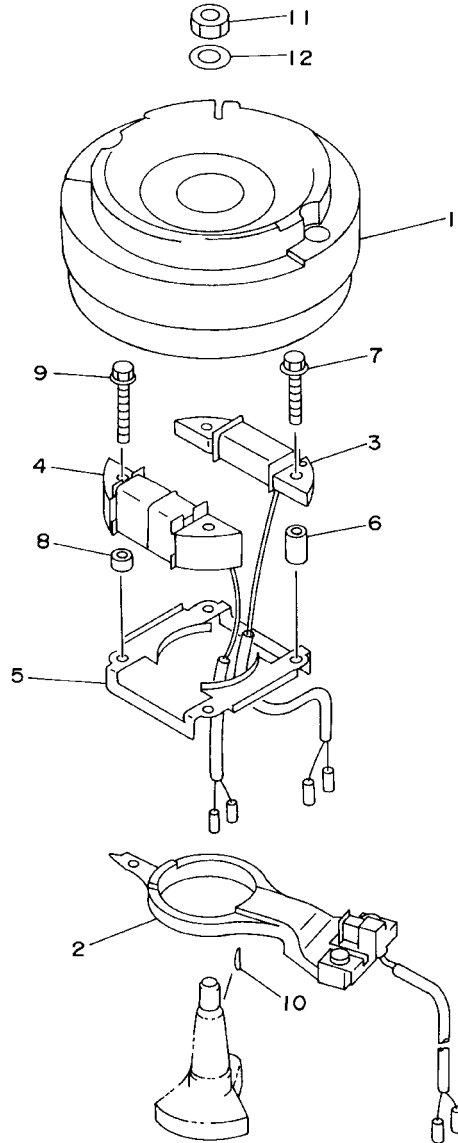
REF. NO.	PART NO.	DESCRIPTION	EK99	EK15	REMARKS
1	63V-15710-02	STARTER ASSY	1	1	
2	63V-15711-01	.CASE, STARTER	1	1	
3	63V-15795-01	.GUIDE, ROPE	1	1	
4	90387-06M05	.COLLAR	3	3	
5	63V-15714-00	.DRUM, SHEAVE	1	1	
6	63V-15741-00	.PAWL, DRIVE	1	1	
7	63V-15713-00	.SPRING, STARTER	1	1	
8	63V-15753-00	.BUSH	1	1	
9	63V-15716-00	.PLATE, DRIVE	1	1	
10	63V-15705-01	.SPRING, DRIVE PAWL	1	1	
11	63V-15767-01	.SPRING	1	1	
12	63V-15784-01	.SPRING, RETURN	1	1	
13	63V-15744-00	.CIRCLIP	1	1	
14	63V-15768-00	.BOLT	1	1	
15	63V-15764-00	.COLLAR 1	1	1	
16	63V-15793-00	.SCREW	1	1	
17	*	.WIRE, STARTER (L:1800MM)	1	1	
18	6G1-15755-00	.HANDLE, STARTER	1	1	
19	6G1-15779-00	.COVER	1	1	
20	63V-15762-00	SEAL, RUBBER 2	1	1	
21	97095-06020	BOLT	3	3	
22	92995-06600	WASHER	3	3	

\* CUT FROM 50M ROLLS, PART NO. 90890-44373, CUTTING LENGTH 1.8M



65G1200-8080

**FIG. 9 GENERATOR**

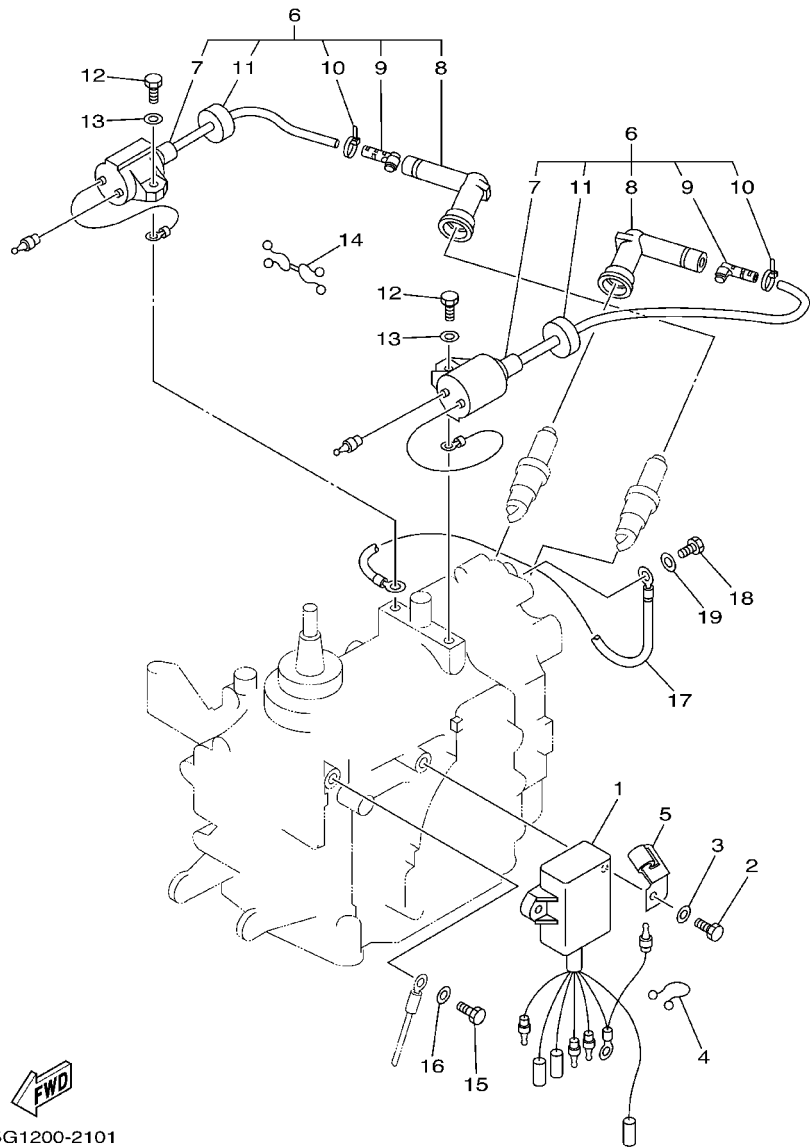


REF. NO.	PART NO.	DESCRIPTION	EK99	EK15	REMARKS
1	63V-85550-11	ROTOR ASSY	1	1	
2	63V-85580-01	COIL, PULSER	1	1	
3	63V-85520-00	COIL, CHARGE	1	1	
4	63V-85533-00	COIL, LIGHTING		1	EK15N-FOR AFRICA
5	63V-41611-00	RETAINER, MAGNETO BASE	1	1	
6	90387-06M53	COLLAR	2	2	
7	90105-06M68	BOLT, FLANGE	2	2	
8	90387-06M24	COLLAR		2	EK15N-FOR AFRICA
9	97095-06012	BOLT	2	2	
	90105-06M69	BOLT, FLANGE		2	EK15N-FOR AFRICA
10	90280-05013	KEY, WOODRUFF	1	1	
11	90170-12066	NUT	1	1	
12	90201-12472	WASHER, PLATE	1	1	

**FWD**  
63V0010-5080



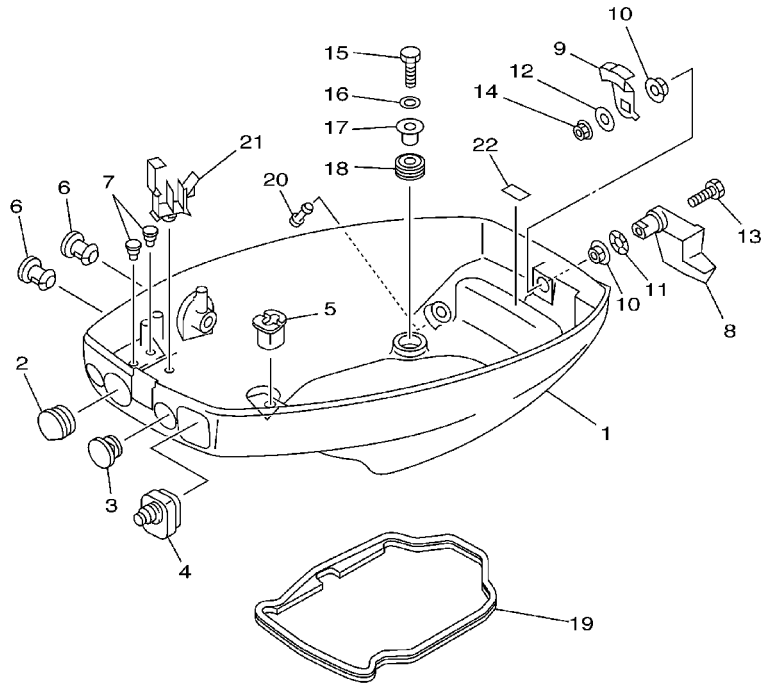
FIG. 10 ELECTRICAL



REF. NO.	PART NO.	DESCRIPTION	EK99	EK15	REMARKS
1	63V-85540-01	C.D.I. UNIT ASSY	1	1	
2	97095-06020	BOLT	2	2	
3	92995-06600	WASHER	2	2	
4	90464-15M11	CLAMP	1	1	
5	90465-08M61	CLAMP	1	1	
6	65E-85530-00	IGNITION COIL ASSY	2	2	
7	65E-85570-00	.IGNITION COIL ASSY	1	1	
8	62E-82371-11	.CAP, PLUG	1	1	
9	62E-8231X-00	.TERMINAL 1	1	1	
10	90465-11M10	.CLAMP	1	1	
11	90480-25161	.GROMMET	1	1	
12	97095-06018	BOLT	2	2	
13	92995-06600	WASHER	2	2	
14	90464-08M02	CLAMP	1	1	
15	97095-06012	BOLT	1	1	
16	92995-06600	WASHER	1	1	
17	61A-82519-00	WIRE, EARTH LEAD	1	1	
18	97095-06012	BOLT	1	1	
19	92995-06600	WASHER	1	1	

  
65G1200-2101

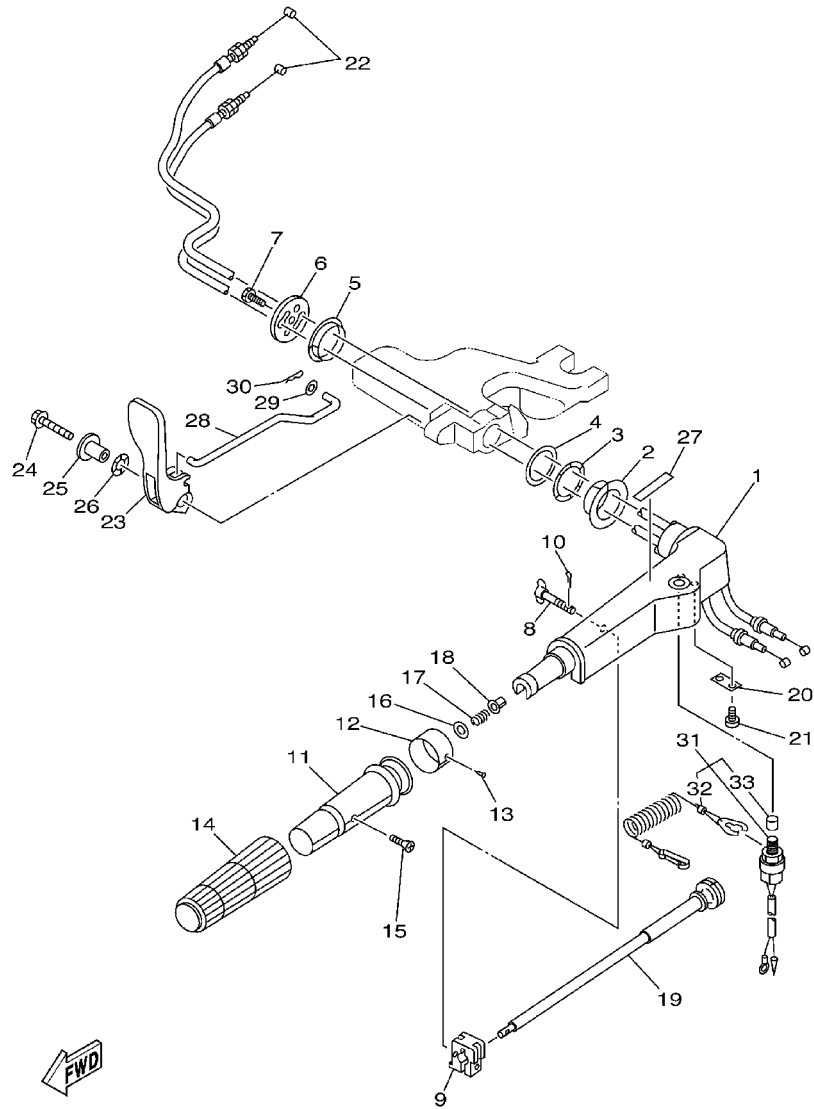
FIG. 11 BOTTOM COWLING



  
65G1200-2110

REF. NO.	PART NO.	DESCRIPTION	EK99	EK15	REMARKS
1	63V-42711-03-4D	COWLING, BOTTOM	1	1	
2	682-42724-00	GROMMET	1	1	
3	682-42725-02	GROMMET	1	1	
4	63V-42726-00	GROMMET	1	1	
5	682-42727-00	GROMMET	1	1	
6	6G1-42748-00	GROMMET	2	2	
7	90480-06M19	GROMMET	2	2	
8	63V-42815-01-4D	LEVER, CLAMP	1	1	
9	6E7-42816-00	LEVER, CLAMP	1	1	
10	90386-12M45	BUSH	2	2	
11	90206-12052	WASHER, WAVE	1	1	
12	90201-06068	WASHER, PLATE	1	1	
13	97095-06025	BOLT	1	1	
14	95380-06700	NUT	1	1	
15	97095-06025	BOLT	4	4	
16	92995-06600	WASHER	4	4	
17	90387-06034	COLLAR	4	4	
18	90480-15M31	GROMMET	4	4	
19	63V-42716-02	RUBBER, SEAL 1	1	1	
20	6H3-44391-01	NIPPLE, HOSE	1	1	
21	90465-25M57	CLAMP	1	1	
22	6E7-42791-00	MARK 1	1	1	

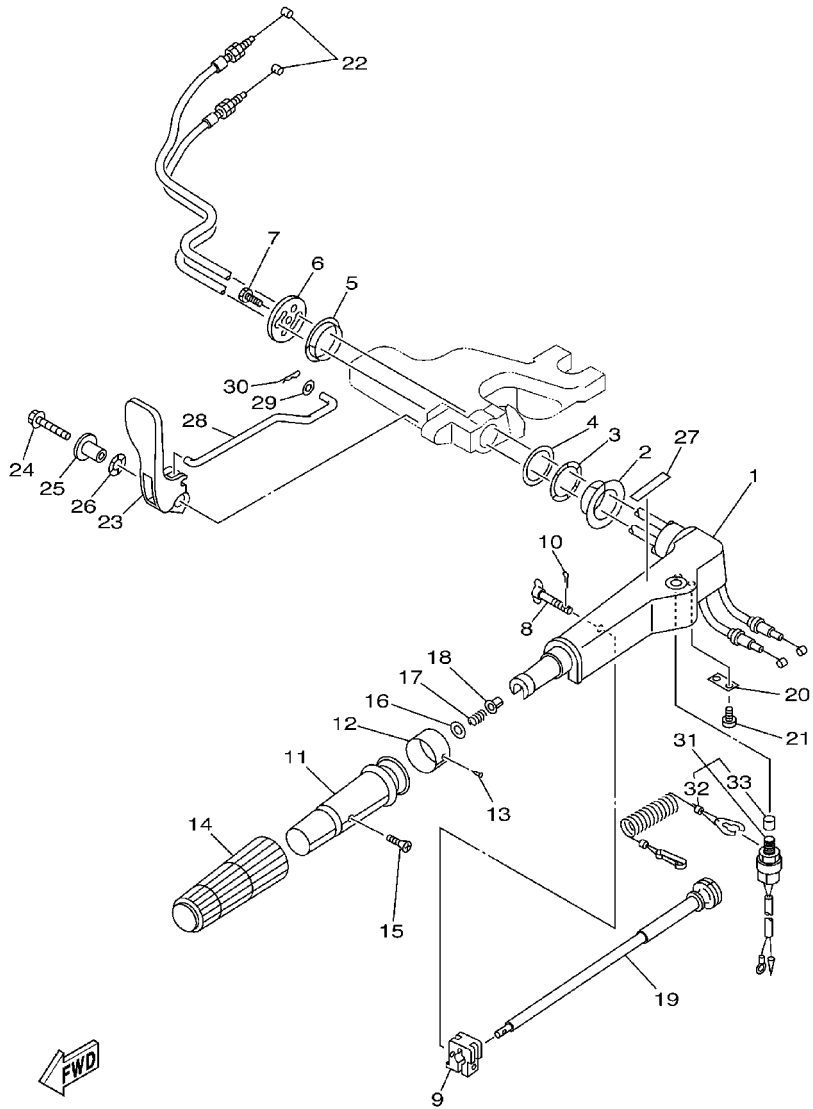
FIG. 12 STEERING



65G1200-2120

REF. NO.	PART NO.	DESCRIPTION	EK99	EK15	REMARKS
1	63V-42111-00-4D	HANDLE, STEERING	1	1	
2	90386-34M97	BUSH	1	1	
3	90206-36M21	WASHER, WAVE	1	1	
4	90202-36M55	WASHER, PLATE	1	1	
5	90386-33M96	BUSH	1	1	
6	6G1-42131-01	COVER, HANDLE STEERING	1	1	
7	97095-06020	BOLT	1	1	
8	6G1-42125-01	BOLT, FRICTION ADJUSTING	1	1	
9	6G1-42126-00	FRICTION, STEERING HANDLE GRIP	1	1	
10	91490-16010	PIN, COTTER	1	1	
11	664-42119-00	GRIP, STEERING HANDLE	1	1	
12	6H2-42137-00	INDICATOR, THROTTLE	1	1	
13	90269-02M09	RIVET	1	1	
14	6G1-42177-00	RUBBER, HANDLE	1	1	
15	90149-05M13	SCREW	1	1	
16	92903-10600	WASHER, PLATE	1	1	
17	90501-23215	SPRING, COMPRESSION	1	1	
18	90386-08032	BUSH	1	1	
19	6G1-42138-01	LEVER, THROTTLE	1	1	
20	6E0-42159-02	STAY	1	1	
21	97885-05012	SCREW, PAN HEAD	2	2	
22	6L2-26301-00	THROTTLE CABLE ASSY	2	2	
23	63V-44111-02	HANDLE, GEAR SHIFT	1	1	
24	90119-06M05	BOLT, WITH WASHER	1	1	
25	90387-06M86	COLLAR	1	1	
26	90206-15M18	WASHER, WAVE	1	1	
27	6E0-44191-11	INDICATOR, SHIFT	1	1	

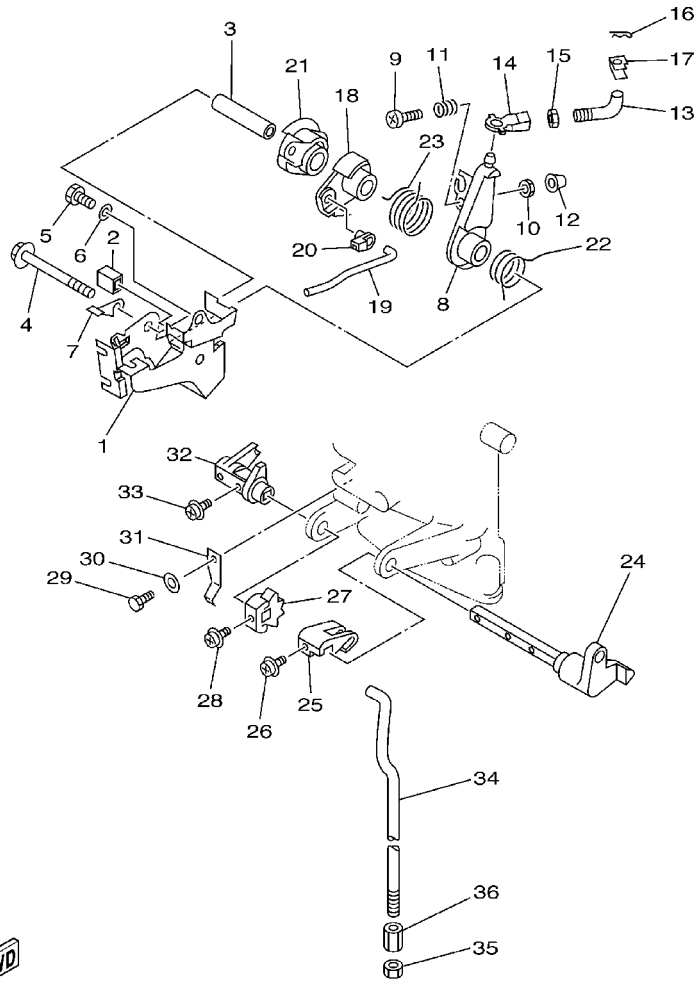
FIG. 12 STEERING



65G1200-2120

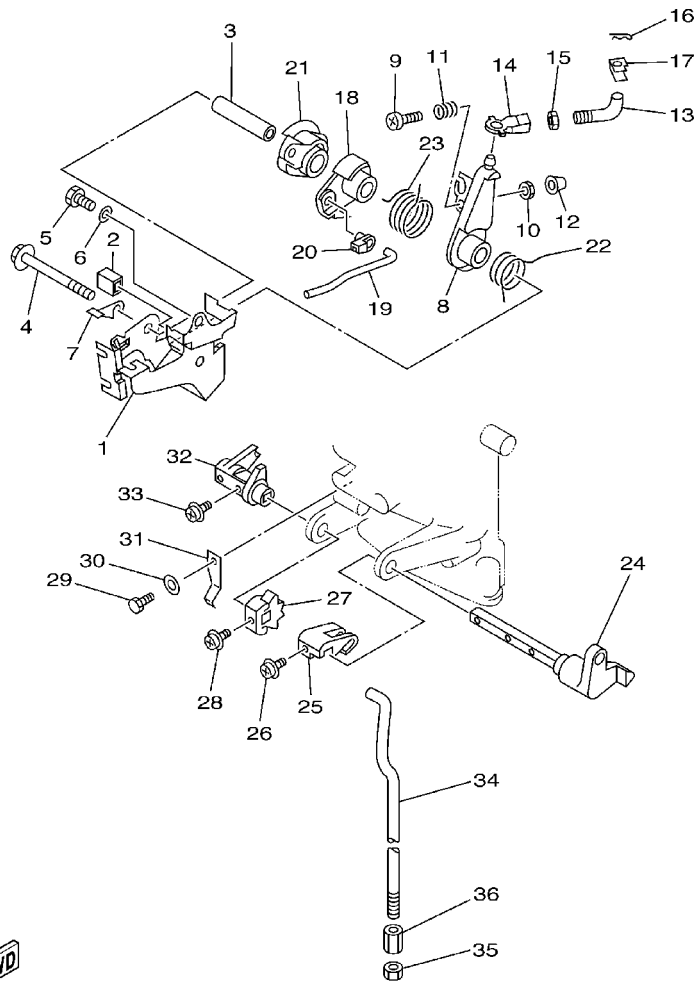
REF. NO.	PART NO.	DESCRIPTION	EK99	EK15	REMARKS
28	63V-44124-02	LINK, SHIFT ROD	1	1	
29	90202-06009	WASHER, PLATE	1	1	
30	90468-18008	CLIP	1	1	
31	65W-82575-01	ENGINE STOP SWITCH ASSY	1	1	
32	682-82556-00	.STOPPER	1	1	
33	689-8257Y-00	.CAP	1	1	

FIG. 13 CONTROL



65G1200-2130

REF. NO.	PART NO.	DESCRIPTION	EK99	EK15	REMARKS
1	63V-14497-02	STAY, THROTTLE WIRE	1	1	
2	65G-44194-00	CAP	1	1	
3	90387-06M50	COLLAR	1	1	
4	95895-06065	BOLT, FLANGE	1	1	
5	97095-06012	BOLT	1	1	
6	92995-06600	WASHER	1	1	
7	63V-41282-00	STOPPER, FREE ACCEL. LINK	1	1	EK9.9H-SRI LANKA
8	63V-41631-00	LEVER, MAGNETO CONTROL	1	1	
9	97885-06030	SCREW, PAN HEAD	1	1	
10	95380-06600	NUT, HEXAGON	1	1	
11	90501-12M16	SPRING, COMPRESSION	1	1	
12	688-44194-00	CAP	1	1	
13	63V-41238-00	JOINT, LINK	1	1	
14	662-41237-01	JOINT, LINK	1	1	
15	95380-05700	NUT	1	1	
16	90468-10005	CLIP	1	1	
17	63V-41223-00	WASHER, LOCK 1	1	1	
18	63V-41283-01	LEVER, FREE ACCEL.	1	1	
19	63V-41211-00	LINK, ACCEL.	1	1	
20	661-41262-02	JOINT, CHOKE LEVER	1	1	
21	63V-41638-00	PULLEY	1	1	
22	90508-16M37	SPRING, TORSION	1	1	
23	90508-20M38	SPRING, TORSION	1	1	
24	63V-44123-01	ARM, SHIFT ROD	1	1	
25	63V-44121-01	LEVER, SHIFT ROD	1	1	
26	90159-05M25	SCREW, WITH WASHER	1	1	
27	63V-44125-00	LEVER, SHIFT ROD	1	1	

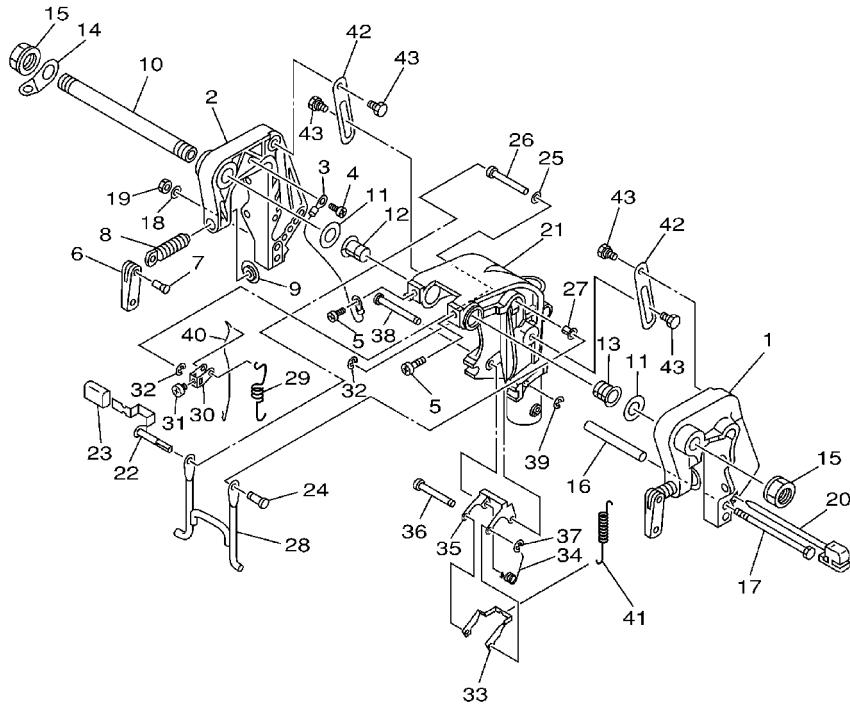


65G1200-2130

**FIG. 13 CONTROL**

REF. NO.	PART NO.	DESCRIPTION	EK99	EK15	REMARKS
28	90159-05M25	SCREW, WITH WASHER	1	1	
29	97095-06012	BOLT	1	1	
30	92995-06600	WASHER	1	1	
31	63V-44116-00	SPRING	1	1	
32	63V-44122-01	BUSHING, SHIFT ROD LEVER	1	1	
33	90159-05M25	SCREW, WITH WASHER	1	1	
34	63V-44143-01	ROD, SHIFT	1	1	
35	95380-06700	NUT	1	1	
36	90170-06015	NUT	1	1	

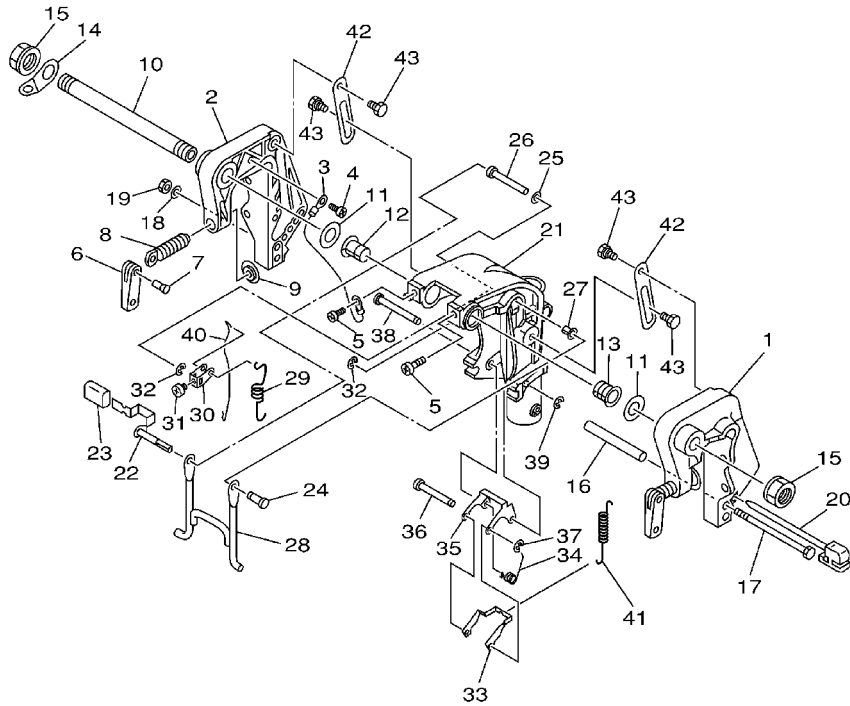
FIG. 14 BRACKET 1



63W0664-1140

REF. NO.	PART NO.	DESCRIPTION	EK99	EK15	REMARKS
1	63V-43111-05-4D	BRACKET, CLAMP	1	1	
2	63V-43112-06-4D	BRACKET, CLAMP	1	1	
3	66M-82148-00	WIRE, LEAD 4	1	1	
4	97885-06008	SCREW, PAN HEAD	1	1	
5	97885-08010	SCREW, PAN HEAD	2	2	
6	6E0-43118-01	HANDLE, TRANSOM CLAMP	2	2	
7	90243-04M01	PIN	2	2	
8	6E7-43116-00	SCREW, TRANSOM CLAMP	2	2	
9	648-43114-01	PAD, TRANSOM CLAMP	2	2	
10	63W-43131-01	BOLT, CLAMP BRACKET	1	1	
11	90202-22M54	WASHER, PLATE	2	2	
12	90386-22M94	BUSH	1	1	
13	90386-22M94	BUSH	1	1	
14	6J8-43113-01	PLATE, CLAMP BRACKET	1	1	
15	90185-22043	NUT, SELF-LOCKING	2	2	
16	90387-06M13	COLLAR	1	1	
17	90101-06M29	BOLT	1	1	
18	92995-06600	WASHER	1	1	
19	95380-06700	NUT	1	1	
20	6L2-43160-00	TILT ROD ASSY	1	1	
21	63V-43311-03-4D	BRACKET, SWIVEL 1	1	1	
22	66M-43630-01	TILT LEVER ASSY	1	1	
23	682-43318-01	COVER	1	1	
24	63V-43191-00	SHAFT, STOPPER	1	1	
25	90202-07M60	WASHER, PLATE	1	1	
26	90387-07M07	COLLAR	1	1	
27	90386-07M95	BUSH	1	1	

FIG. 14 BRACKET 1



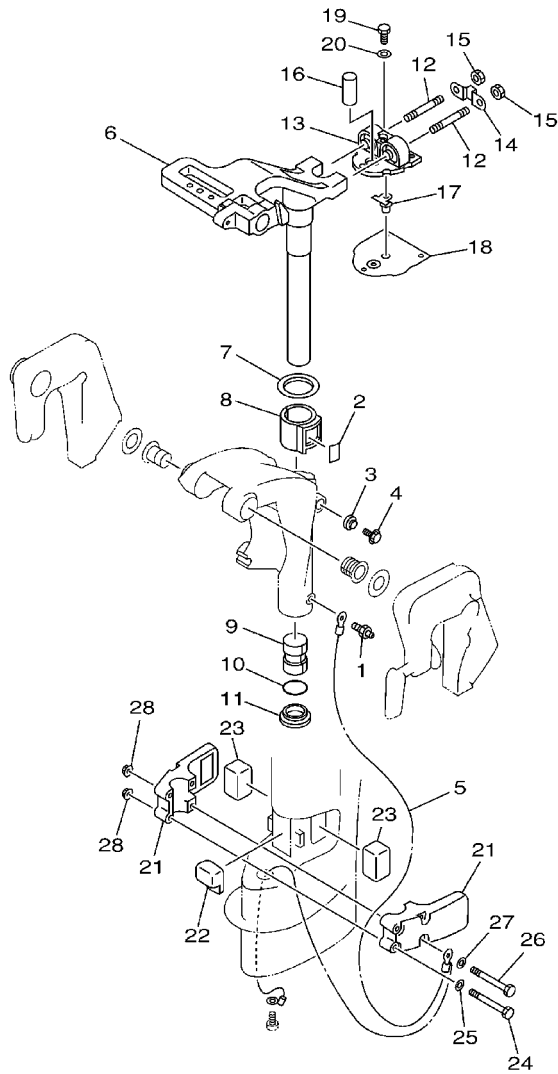
REF. NO.	PART NO.	DESCRIPTION	EK99	EK15	REMARKS
28	66M-43350-01	RECEIVER ASSY	1	1	
29	90507-20M00	SPRING, TENSION	1	1	
30	63V-43641-01	LEVER, TILT	1	1	
31	90157-05014	SCREW, PAN HEAD	1	1	
32	99080-05600	CIRCLIP	2	2	
33	63V-43614-10	PLATE, TILT LOCK	1	1	
34	90508-18M41	SPRING, TORSION	1	1	
35	66R-43615-00	PLATE, TILT LOCK	1	1	
36	66R-43611-00	SHAFT, TILT LOCK	1	1	
37	93430-04M03	CIRCLIP	1	1	
38	63V-43659-00	SHAFT, REVERSE LOCK	1	1	
39	99080-05600	CIRCLIP	1	1	
40	66R-43617-00	ROD, TILT LOCK	1	1	
41	63V-43656-00	SPRING, REVERSE LOCK 1	1	1	
42	63V-43181-00	LEVER, TILT STOP	2	2	
43	90109-06M84	BOLT	4	4	



63W0664-1140

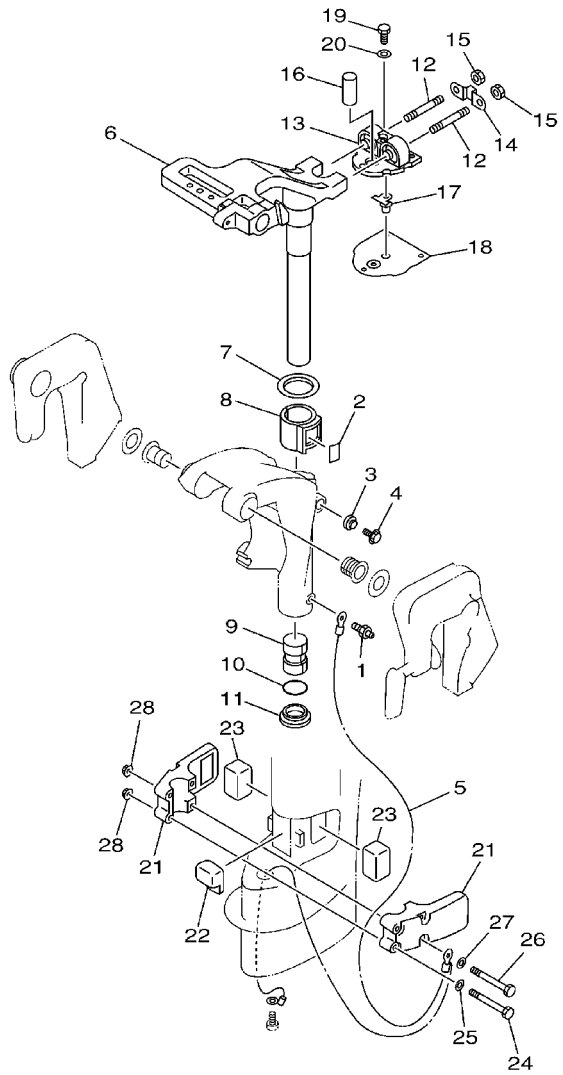


FIG. 15 BRACKET 2



63V0010-1160

REF. NO.	PART NO.	DESCRIPTION	EK99	EK15	REMARKS
1	93700-06M03	NIPPLE, GREASE	1	1	
2	63V-42528-00	PLATE, FRICTION	1	1	
3	689-43373-01	SEAL, DAMPER	1	1	
4	90105-06M07	BOLT, FLANGE	1	1	
5	63V-82127-00	WIRE, LEAD 2	1	1	
6	63V-42511-04-4D	BRACKET, STEERING	1	1	
7	90209-40008	WASHER	1	1	
8	65F-42537-00	BUSHING, PIVOT SHAFT	1	1	
9	90386-30048	BUSH	1	1	
10	93210-29M94	O-RING	1	1	
11	90386-30M60	BUSH	1	1	
12	90116-08M54	BOLT, STUD	2	2	
13	63V-44514-01-5B	MOUNT DAMPER, UPPER SIDE	1	1	
14	63V-44526-00	PLATE	1	1	
15	95380-08600	NUT	2	2	
16	90387-16002	COLLAR	1	1	
17	63V-44366-01	DAMPER, WATER SEAL	1	1	
18	63V-45114-A0	GASKET, UPPER CASING	1	1	
19	97095-06018	BOLT	3	3	
20	92995-06600	WASHER	3	3	
21	63V-44551-01-4D	HOUSING, LOWER MOUNT RUBBER	2	2	
22	63V-44557-00	MOUNT DAMPER, LOWER FRONT	1	1	
23	682-44555-00	MOUNT DAMPER, LOWER SIDE	2	2	
24	97075-06055	BOLT	2	2	
25	92995-06600	WASHER	2	2	
26	97075-06075	BOLT	2	2	
27	92995-06600	WASHER	2	2	

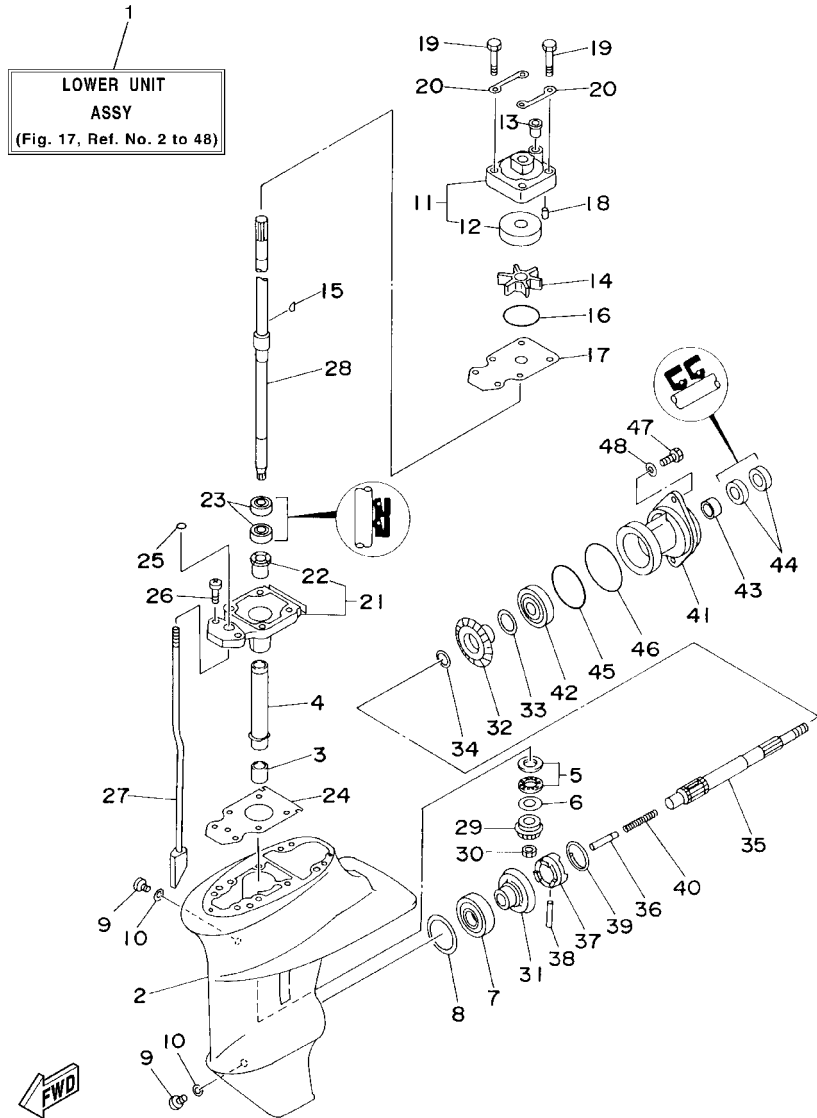


63V0010-1160

FIG. 15 BRACKET 2

REF. NO.	PART NO.	DESCRIPTION	EK99	EK15	REMARKS
28	90179-06M28	NUT	4	4	
-----					
-----					
-----					
-----					
-----					
-----					
-----					





63W0664-5170

FIG. 17 LOWER CASING. DRIVE 1

REF. NO.	PART NO.	DESCRIPTION	EK99	EK15	REMARKS
1	65E-45300-02-4D	LOWER UNIT ASSY		1	S
	65E-45300-12-4D	LOWER UNIT ASSY	1	1	L
2	63V-45311-01-4D	CASING, LOWER	1	1	
3	93315-314V8	BEARING	1	1	
4	63V-45536-00	SLEEVE, DRIVE SHAFT	1	1	
5	93341-41414	BEARING	1	1	
6	6E8-45587-10-13	SHIM (T:1.13MM)	1	1	UR
	6E8-45587-10-20	SHIM (T:1.20MM)	1	1	UR
7	93332-00005	BEARING	1	1	
8	664-45567-01-10	SHIM (T:0.10MM)	1	1	UR
	664-45567-01-12	SHIM (T:0.12MM)	1	1	UR
	664-45567-01-15	SHIM (T:0.15MM)	1	1	UR
	664-45567-01-18	SHIM (T:0.18MM)	1	1	UR
	664-45567-01-30	SHIM (T:0.30MM)	1	1	UR
	664-45567-01-40	SHIM (T:0.40MM)	1	1	UR
	664-45567-01-50	SHIM (T:0.50MM)	1	1	UR
9	90340-08002	PLUG, STRAIGHT SCREW	2	2	
10	90430-08020	GASKET	2	2	
11	63V-44301-40	WATER PUMP HOUSING COMP.	1	1	FOR CHROMATE
12	63V-44322-40	.INSERT, CARTRIDGE	1	1	
13	647-44366-00	DAMPER, WATER SEAL	1	1	
14	63V-44352-01	IMPELLER	1	1	
15	63V-44338-00	KEY, WOODRUFF	1	1	
16	93210-44398	O-RING	1	1	
17	63V-44323-40	OUTER PLATE, CARTRIDGE	1	1	FOR CHROMATE
18	93604-12M07	PIN, DOWEL	2	2	
19	97080-08045	BOLT	4	4	

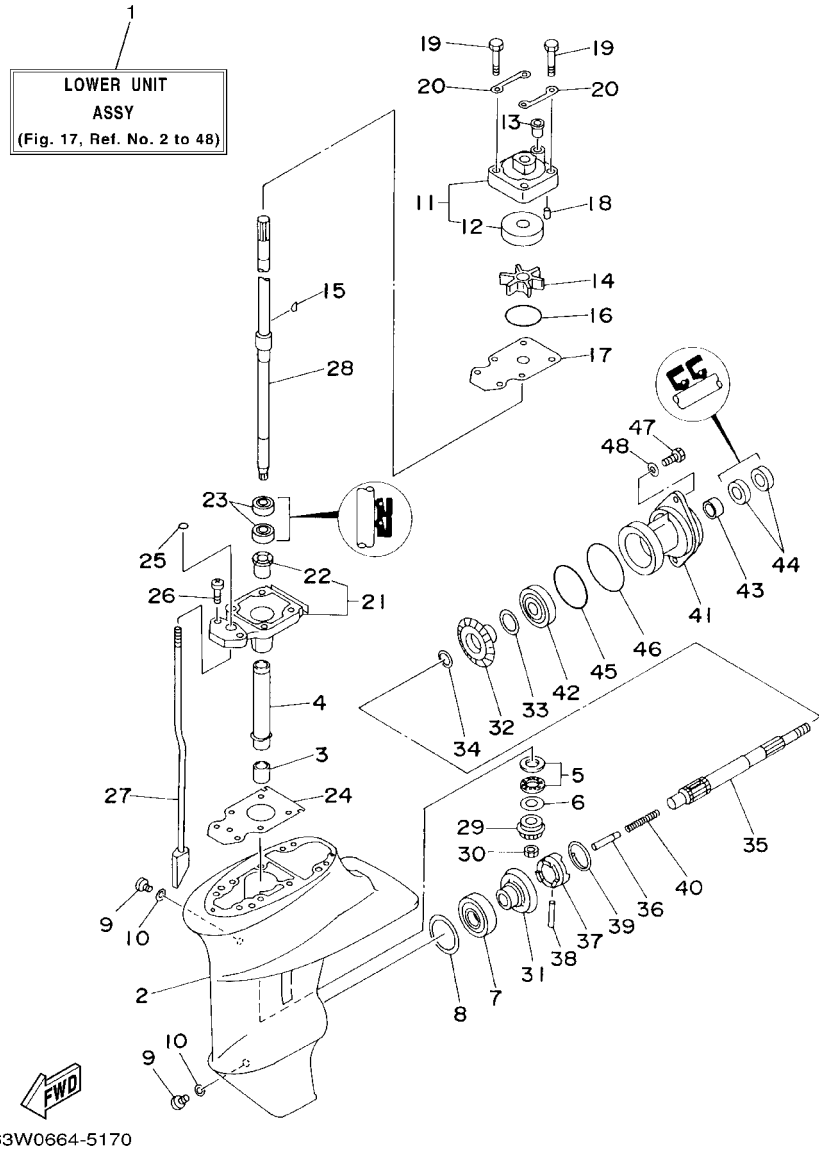
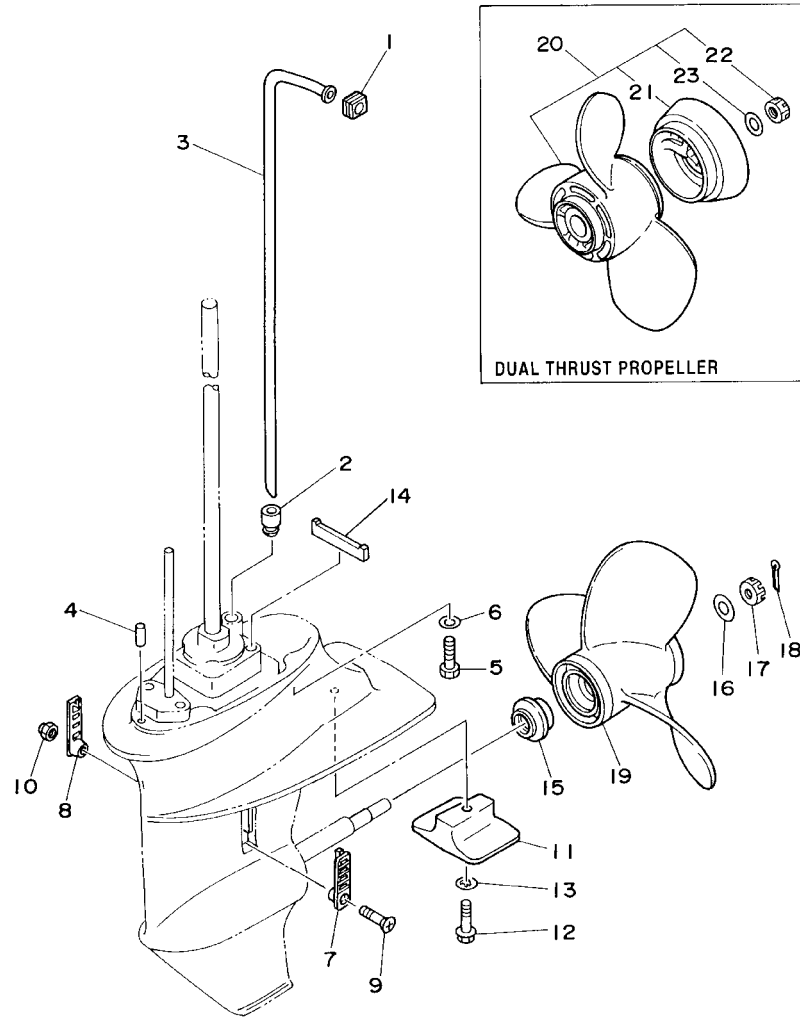


FIG. 17 LOWER CASING. DRIVE 1

REF. NO.	PART NO.	DESCRIPTION	EK99	EK15	REMARKS
20	63V-44328-00	PLATE	2	2	
21	63V-45331-00-5B	HOUSING, BEARING	1	1	
22	90381-14020	.BUSH, SOLID	1	1	
23	93101-20048	OIL SEAL	2	2	
24	63V-45315-A0	PACKING, LOWER CASING	1	1	
25	93210-06ME6	O-RING	1	1	
26	97080-08025	BOLT	2	2	
27	63V-44150-00	SHIFT CAM ASSY	1	1	S
	63V-44150-10	SHIFT CAM ASSY	1	1	L
28	63V-45510-01	DRIVE SHAFT ASSY	1	1	S
	63V-45510-11	DRIVE SHAFT ASSY	1	1	L
29	63V-45551-00	PINION	1	1	
30	90179-08M06	NUT	1	1	
31	6E7-45560-01	GEAR	1	1	
32	6E7-45571-00	GEAR	1	1	
33	626-45577-00-01	SHIM (T:0.10MM)	1	1	UR
	626-45577-00-03	SHIM (T:0.30MM)	1	1	UR
	626-45577-00-05	SHIM (T:0.50MM)	1	1	UR
34	90201-17682	WASHER, PLATE	1	1	
35	683-45611-00	SHAFT, PROPELLER	1	1	
36	650-45635-00	PLUNGER, SHIFT	1	1	
37	682-45631-00	CLUTCH, DOG	1	1	
38	90250-05010	PIN, STRAIGHT	1	1	
39	648-45633-00	RING, CROSS PIN	1	1	
40	90501-14M06	SPRING, COMPRESSION	1	1	
41	683-45361-02-4D	CAP, LOWER CASING	1	1	
42	93306-00501	BEARING (B6005)	1	1	



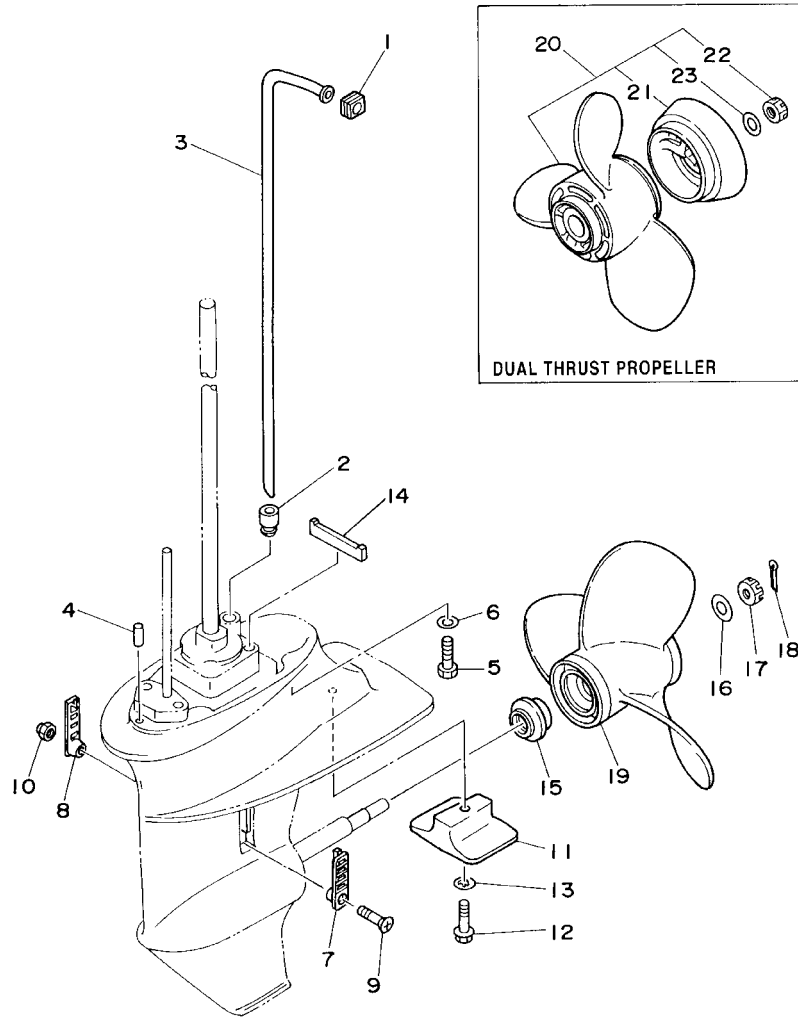
FIG. 18 LOWER CASING. DRIVE 2



63V0010-5190

REF. NO.	PART NO.	DESCRIPTION	EK99	EK15	REMARKS
1	63V-44365-10	DAMPER, WATER SEAL	1	1	
2	63V-44368-00	RUBBER, WATER SEAL 4	1	1	
3	63V-44361-01	TUBE, WATER		1	S
	63V-44361-11	TUBE, WATER	1	1	L
4	93604-12M07	PIN, DOWEL	2	2	
5	97075-08030	BOLT	4	4	
6	92995-08600	WASHER	4	4	
7	6G1-45214-00	COVER, WATER INLET	1	1	
8	63V-45215-00	COVER, WATER INLET	1	1	
9	90152-05M04	SCREW, COUNTERSUNK	1	1	
10	90185-05002	NUT, SELF-LOCKING	1	1	
11	61N-45251-01	ANODE	1	1	
12	95895-06030	BOLT, FLANGE	1	1	
13	92990-06300	WASHER, INTERNAL TOOTH	1	1	
14	63V-45375-00	DAMPER, SEAL	1	1	
15	6E7-45987-01	SPACER	1	1	
16	90201-10M01	WASHER, PLATE	1	1	
17	90171-10M01	NUT, CASTLE	1	1	
18	91490-30020	PIN, COTTER	1	1	
19	683-45941-00-EL	PROPELLER (3X9-1/4"X12"-J)	1	1	UR
	683-45943-00-EL	PROPELLER (3X9-1/4"X10-1/2"-J)	1	1	UR
	683-45945-00-EL	PROPELLER (3X9-1/4"X9"-J)	1	1	UR
	683-45947-00-EL	PROPELLER (3X9-1/4"X8"-J)	1	1	UR
	683-45949-00-EL	PROPELLER (3X9-1/2"X6-1/2"-J)	1	1	UR
	683-45952-00-EL	PROPELLER (3X9-1/4"X9-3/4"-J)	1	1	UR
	63V-45947-00-EL	PROPELLER (3X9-1/4"X8"-J)	1	1	UR
20	683-W4591-02-EL	PROPELLER (3X9-3/4"X8"-J)	1	1	UR

FIG. 18 LOWER CASING. DRIVE 2

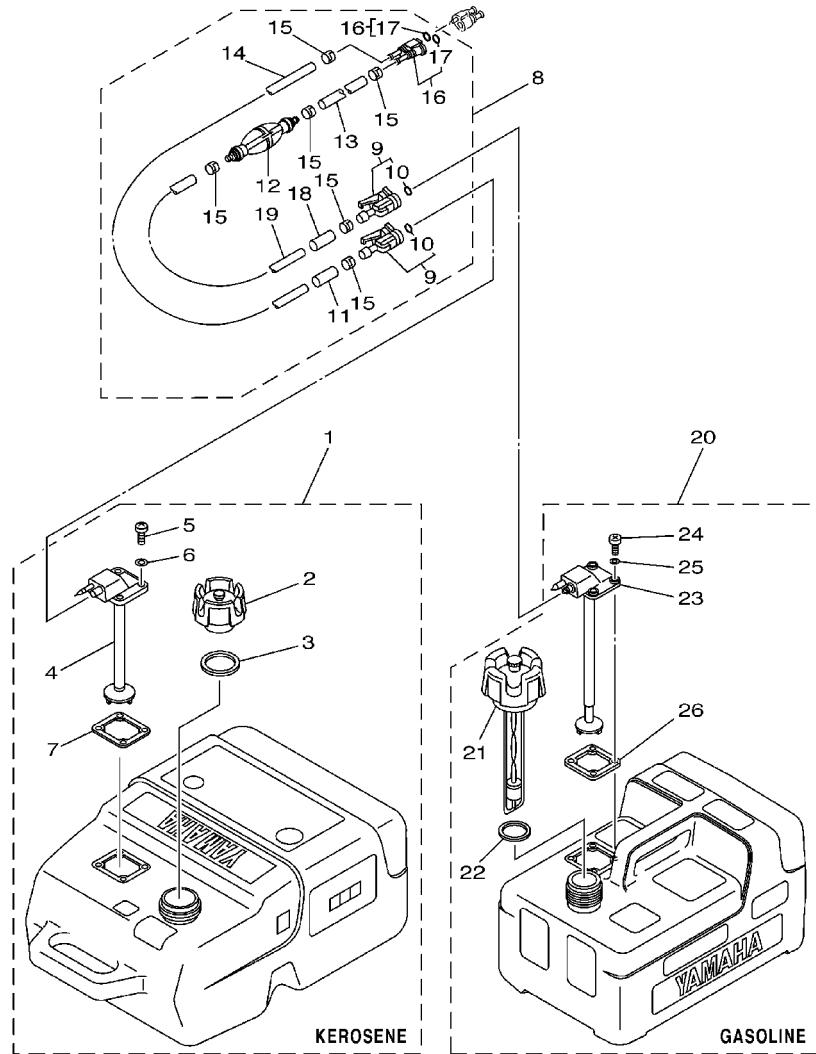


REF. NO.	PART NO.	DESCRIPTION	EK99	EK15	REMARKS
20	683-W4592-02-EL	PROPELLER (3X9-3/4"X6-1/2"-J)	1	1	UR
21	6E7-45986-00	.RING, DEFLECTOR	1	1	
22	90171-10M07	.NUT, CASTLE	1	1	
23	90201-10M02	.WASHER, PLATE	1	1	
-----					
-----					
-----					
-----					
-----					
-----					
-----					
-----					
-----					
-----					

63V0010-5190



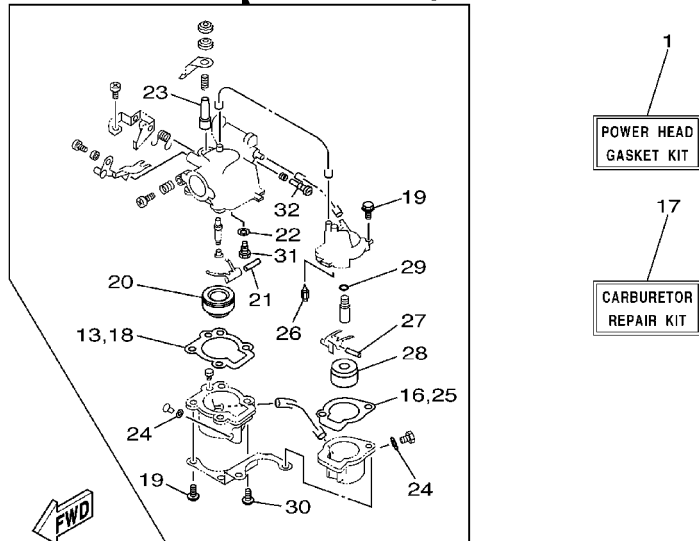
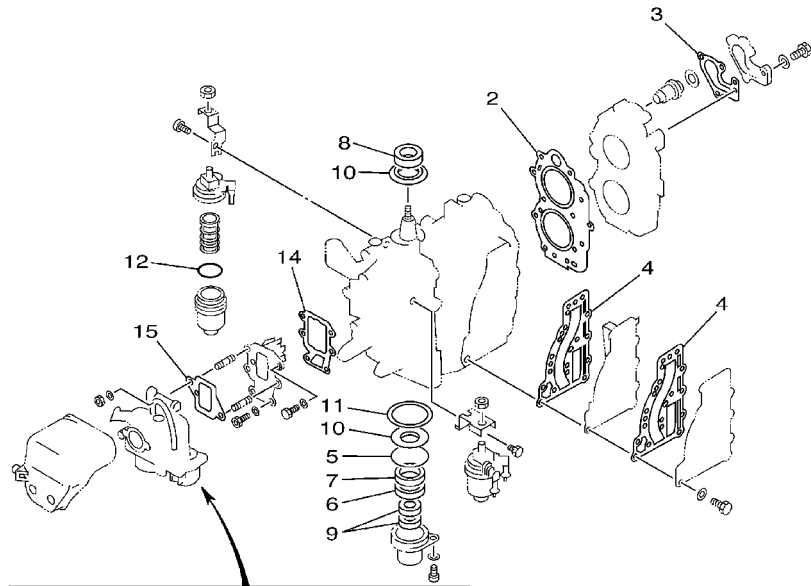
FIG. 19 FUEL TANK



69T0200-1181

REF. NO.	PART NO.	DESCRIPTION	EK99	EK15	REMARKS
1	6YK-24201-20	FUEL TANK ASSY (25L,KEROSENE)	1	1	AP KEROSENE
2	6YK-24610-10	.CAP ASSY	1	1	WITHOUT INDICATOR
3	6YL-24641-00	.GASKET, CAP 1	1	1	
4	6YK-24260-01	.FUEL METER ASSY	1	1	
5	90157-05M16	.SCREW, PAN HEAD	4	4	
6	6YL-24329-00	.SEAL	4	4	
7	6YL-24268-01	.GASKET, FUEL METER	1	1	
8	6YK-24306-02	FUEL PIPE COMP. 1	1	1	AP
9	6Y1-24305-04	.FUEL PIPE JOINT COMP. 2	2	2	
10	93210-08287	.O-RING	1	1	
11	6Y1-24397-10	.COLLAR (KEROSENE)	1	1	
12	61J-24360-00	.PRIMER PUMP ASSY	1	1	
13	90445-11M05	.HOSE (L850)	1	1	
14	90445-11M81	.HOSE (L3000)	1	1	
15	650-24351-01	.BAND 1	6	6	
16	680-24305-01	.FUEL PIPE JOINT COMP. 2	1	1	
17	93210-08287	.O-RING	2	2	
18	6Y1-24397-00	.COLLAR (GASOLINE)	1	1	
19	90445-11M06	.HOSE (L2050)	1	1	
20	6YL-24201-02	FUEL TANK ASSY (12L)	1	1	AP GASOLINE
21	6YL-24610-00	.CAP ASSY	1	1	
22	6YL-24641-00	.GASKET, CAP 1	1	1	
23	6YL-24260-01	.FUEL METER ASSY	1	1	
24	90157-05M16	.SCREW, PAN HEAD	4	4	
25	6YL-24329-00	.SEAL	4	4	
26	6YL-24268-01	.GASKET, FUEL METER	1	1	

FIG. 20 REPAIR KIT 1

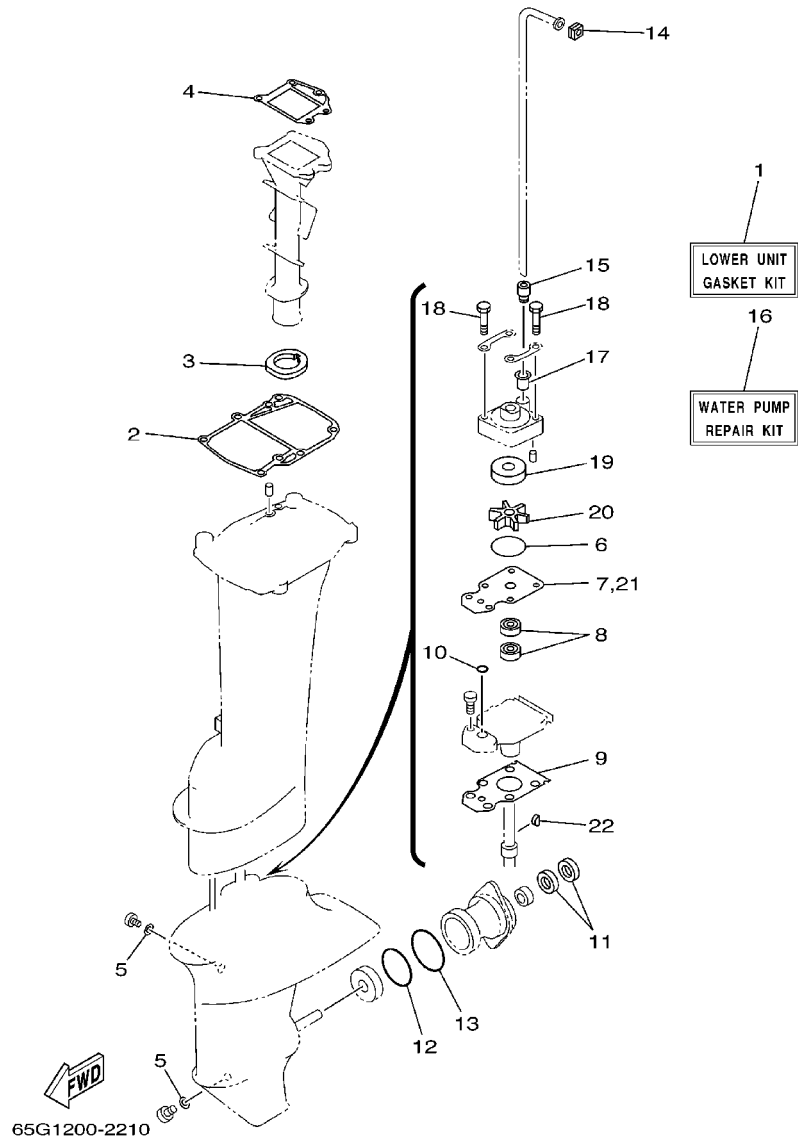


65G1200-2200

REF. NO.	PART NO.	DESCRIPTION	EK99	EK15	REMARKS
1	65G-W0001-02	POWER HEAD GASKET KIT	1	1	
2	63V-11181-A1	.GASKET, CYLINDER HEAD 1	1	1	
3	682-12414-A1	.GASKET, COVER	1	1	
4	63V-41112-A0	.GASKET, EXHAUST INNER COVER	2	2	
5	93210-46MH8	.O-RING	1	1	
6	93101-25018	.OIL SEAL	1	1	
7	93102-25M48	.OIL SEAL	1	1	
8	93110-23M00	.OIL SEAL	1	1	
9	93101-13018	.OIL SEAL	2	2	
10	63V-11445-00	.SPACER	2	2	
11	90201-46M29	.WASHER, PLATE	1	1	
12	93210-32738	.O-RING	1	1	
13	650-14384-00	.GASKET, FLOAT CHAMBER	1	1	
14	682-13621-00	.GASKET, VALVE SEAT	1	1	
15	677-14198-00	.GASKET	1	1	
16	652-14384-00	.GASKET, FLOAT CHAMBER	1	1	
17	65G-W0093-00	CARBURETOR REPAIR KIT	1	1	
18	650-14384-00	.GASKET, FLOAT CHAMBER	1	1	
19	97980-04115	.SCREW, WITH WASHER	4	4	
20	647-14385-00	.FLOAT	1	1	
21	626-14386-10	.PIN, FLOAT	1	1	
22	626-14398-00	.GASKET	1	1	
23	626-14371-00	.PLUNGER, STARTER	1	1	
24	6L2-14398-00	.GASKET	2	2	
25	652-14384-00	.GASKET, FLOAT CHAMBER	1	1	
26	6F5-14392-00	.VÁLVĚ, NĚDĚLĚ	1	1	
27	6M7-14386-00	.PIN, FLOAT	1	1	



FIG. 21 REPAIR KIT 2



REF. NO.	PART NO.	DESCRIPTION	EK99	EK15	REMARKS
1	65G-W0001-C1	LOWER UNIT GASKET KIT	1	1	FOR CHROMATE
2	63V-45113-A1	.GASKET, UPPER CASING	1	1	
3	63V-41135-00	.GASKET, EXHAUST MANIFOLD	1	1	
4	63V-41133-A1	.GASKET, EXHAUST MANIFOLD 1	1	1	
5	90430-08020	.GASKET	2	2	
6	93210-44398	.O-RING	1	1	
7	63V-44323-40	.OUTER PLATE, CARTRIDGE	1	1	
8	93101-20048	.OIL SEAL	2	2	
9	63V-45315-A0	.PACKING, LOWER CASING	1	1	
10	93210-06ME6	.O-RING	1	1	
11	93101-17054	.OIL SEAL	2	2	
12	93210-57M09	.O-RING	1	1	
13	93210-56M80	.O-RING	1	1	
14	63V-44365-10	.DAMPER, WATER SEAL	1	1	
15	63V-44368-00	.RUBBER, WATER SEAL 4	1	1	
16	65G-W0078-01	WATER PUMP REPAIR KIT	1	1	FOR CHROMATE
17	647-44366-00	.DAMPER, WATER SEAL	1	1	
18	97080-08045	.BOLT	4	4	
19	63V-44322-40	.INSERT, CARTRIDGE	1	1	
20	63V-44352-01	.IMPELLER	1	1	
21	63V-44323-40	.OUTER PLATE, CARTRIDGE	1	1	
22	63V-44338-00	.KEY, WOODRUFF	1	1	

NUMERICAL INDEX

PART NO.	REF. NO.	PART NO.	REF. NO.	PART NO.	REF. NO.	PART NO.	REF. NO.	PART NO.	REF. NO.	PART NO.	REF. NO.
65G-W0001-C1	21 - 1	677-14198-00	4 - 8	626-14386-10	5 - 11	6YL-24329-00	19 - 6	63V-41223-00	13 - 17	648-43114-01	14 - 9
65G-W0001-02	20 - 1		20 - 15		20 - 21		19 - 25	662-41237-01	13 - 14	6E7-43116-00	14 - 8
682-W0004-00	4 - 2	646-14212-01	5 - 6	626-14387-90	5 - 12	65G-24329-00	6 - 54	63V-41238-00	13 - 13	6E0-43118-01	14 - 6
65E-W0070-H0	1 - 9	65G-14261-00	5 - 31	652-14387-40	5 - 27	650-24351-01	7 - 5	6M7-41252-00	4 - 19	63W-43131-01	14 - 10
65F-W0070-H0	1 - 9	65G-14301-01	5 - 1	677-14390-12	5 - 39		19 - 15	65G-41256-00	4 - 16	6L2-43160-00	14 - 20
65G-W0078-01	21 - 16	65G-14301-10	5 - 1		20 - 31	61J-24360-00	7 - 3	661-41262-02	13 - 20	63V-43181-00	14 - 42
65G-W0090-02-1S	2 - 1	65G-14315-00	5 - 2	6F5-14392-00	5 - 26		19 - 12	65G-41271-00	4 - 15	63V-43191-00	14 - 24
65G-W0093-00	20 - 17	65G-14315-10	5 - 2		20 - 26	65G-24364-00	6 - 51	689-41273-00	4 - 17	63V-43311-03-4D	14 - 21
656-W2810-02	6 - 56	650-14321-01	5 - 4	6L2-14398-00	5 - 22	6Y1-24397-00	19 - 18	6J8-41274-00	4 - 18	682-43318-01	14 - 23
683-W4591-02-EL	18 - 20	647-14323-00	5 - 40		20 - 24	6Y1-24397-10	19 - 11	63V-41282-00	13 - 7	66M-43350-01	14 - 28
683-W4592-02-EL	18 - 20		20 - 32	626-14398-00	5 - 13	6A4-24410-06	6 - 11	63V-41283-01	13 - 18	689-43373-01	15 - 3
65G-11111-00-1S	2 - 13	6A0-14325-00	6 - 25		20 - 22	648-24411-00	6 - 21	63V-41611-00	9 - 5	66R-43611-00	14 - 36
63V-11181-A1	2 - 14	650-14327-01	5 - 19	65G-14417-00	4 - 9	663-24411-00	6 - 27	63V-41631-00	13 - 8	63V-43614-10	14 - 33
	20 - 2	648-14331-00	5 - 3	63V-14497-02	13 - 1	6A0-24412-02	6 - 32	63V-41638-00	13 - 21	66R-43615-00	14 - 35
682-11325-00	2 - 3	626-14333-00	5 - 5	65G-15100-01-1S	2 - 2	6A0-24413-00	6 - 29	63V-42111-00-4D	12 - 1	66R-43617-00	14 - 40
676-11372-00	2 - 10	626-14335-00	5 - 15	63V-15396-01-94	3 - 1	652-24415-01	6 - 15	664-42119-00	12 - 11	66M-43630-01	14 - 22
	2 - 21	6M7-14341-00	5 - 38	63V-15705-01	8 - 10	6A0-24421-01	6 - 24	6G1-42125-01	12 - 8	63V-43641-01	14 - 30
65G-11400-01	3 - 8	648-14342-23	5 - 45	63V-15710-02	8 - 1	648-24423-00	6 - 23	6G1-42126-00	12 - 9	63V-43656-00	14 - 41
63V-11412-00	3 - 9	648-14343-45	5 - 42	63V-15711-01	8 - 2	648-24424-00	6 - 22	6G1-42131-01	12 - 6	63V-43659-00	14 - 38
63V-11422-00	3 - 10	648-14343-51	5 - 42	63V-15713-00	8 - 7	6M7-24431-00	6 - 38	6H2-42137-00	12 - 12	63V-44111-002	12 - 23
63V-11432-00	3 - 11	648-14344-25	5 - 41	63V-15714-00	8 - 5	652-24432-00	6 - 19	6G1-42138-01	12 - 19	63V-44116-00	13 - 31
63V-11442-00	3 - 12	65G-14346-00	5 - 33	63V-15716-00	8 - 9	648-24434-01	6 - 20	6E0-42159-02	12 - 20	63V-44121-01	13 - 25
63V-11445-00	3 - 28	6A4-14348-00	5 - 30	63V-15741-00	8 - 6	648-24435-02	6 - 28	6G1-42177-00	12 - 14	63V-44122-01	13 - 32
	20 - 10	6M7-14348-00	5 - 32	63V-15744-00	8 - 13	62C-24461-00	6 - 13	63V-42511-04-4D	15 - 6	63V-44123-01	13 - 24
63V-11515-02	3 - 14	65G-14348-00	5 - 37	63V-15753-00	8 - 8	652-24461-00	6 - 12	63V-42528-00	15 - 2	63V-44124-02	12 - 28
682-11610-01	3 - 22	65G-14348-11	5 - 30	6G1-15755-00	8 - 18	6A4-24471-00	6 - 18	65F-42537-00	15 - 8	63V-44125-00	13 - 27
682-11610-11	3 - 22	650-14349-00	5 - 20	63V-15762-00	8 - 20	652-24471-10	6 - 14	65G-42610-L0-4D	1 - 1	63V-44143-01	13 - 34
682-11610-21	3 - 22	652-14353-34	5 - 43	63V-15764-00	8 - 15	65G-24491-00-4D	6 - 33	63V-42610-M0-4D	1 - 1	63V-44150-00	17 - 27
6E7-11631-00-97	3 - 21	626-14371-00	5 - 14	63V-15767-01	8 - 11	61N-24521-00	6 - 5	63V-42613-01-4D	1 - 7	63V-44150-10	17 - 27
634-11633-00	3 - 23		20 - 23	63V-15768-00	8 - 14	61N-24560-00	6 - 3	63V-42615-00	1 - 2	6E0-44191-11	12 - 27
6E7-11635-00	3 - 21	626-14373-00	5 - 16	6G1-15779-00	8 - 19	61N-24563-00	6 - 4	6L2-42647-00	1 - 5	65G-44194-00	13 - 2
6E7-11636-00	3 - 21	626-14374-00	5 - 44	63V-15784-01	8 - 12	6L2-24566-00	6 - 39	6G1-42651-02	1 - 3	688-44194-00	13 - 12
6K4-11651-00	3 - 16	6M7-14376-00	5 - 18	63V-15793-00	8 - 16	682-24566-01	6 - 9	677-42677-J0	1 - 10	63V-44301-40	17 - 11
682-11681-00	3 - 15	626-14378-00	5 - 17	63V-15795-01	8 - 3	6YK-24610-10	19 - 2	65G-42678-K0	1 - 11	63V-44322-40	17 - 12
65G-11951-00	2 - 22	680-14381-20	5 - 7	6YK-24201-20	19 - 1	6YL-24610-00	19 - 21	65G-42678-W0	1 - 11		21 - 19
6F5-12411-02	2 - 17	680-14381-30	5 - 7	6YL-24201-02	19 - 20	6YL-24641-00	19 - 3	63V-42711-03-4D	11 - 1	63V-44323-40	17 - 17
682-12413-00-1S	2 - 16	650-14384-00	5 - 8	6YK-24260-01	19 - 4		19 - 22	63V-42716-02	11 - 19		21 - 7
682-12414-A1	2 - 19		20 - 13	6YL-24260-01	19 - 23		12 - 22	682-42724-00	11 - 2		21 - 21
	20 - 3		20 - 18	6YL-24268-01	19 - 7	6L2-26301-00	12 - 22	682-42725-02	11 - 3	63V-44328-00	17 - 20
677-13437-08	1 - 12	652-14384-00	5 - 25		19 - 26	63V-41112-A0	2 - 8	63V-42726-00	11 - 4	63V-44338-00	17 - 15
65G-13610-00	4 - 1		20 - 16	680-24304-01	6 - 1		20 - 4	682-42727-00	11 - 5		21 - 22
682-13621-00	4 - 3		20 - 25	6Y1-24305-04	19 - 9	63V-41113-00-1S	2 - 9	6G1-42748-00	11 - 6	63V-44352-01	17 - 14
	20 - 14	647-14385-00	5 - 10	680-24305-01	7 - 6	65F-41131-00-5B	16 - 8	6E7-42791-00	11 - 22		21 - 20
652-14147-00	5 - 34		20 - 20		19 - 16	63V-41133-A1	16 - 10	63V-42815-01-4D	11 - 8	63V-44361-01	18 - 3
	20 - 29	652-14385-00	5 - 29	6YK-24306-02	19 - 8		21 - 4	6E7-42816-00	11 - 9	63V-44361-11	18 - 3
680-14181-00	5 - 24		20 - 28	6Y3-24306-04	7 - 1	63V-41135-00	16 - 9	63V-43111-05-4D	14 - 1	63V-44365-10	18 - 1
65G-14182-00	5 - 23	6M7-14386-00	5 - 28	65G-24311-00	6 - 45		21 - 3	63V-43112-06-4D	14 - 2		21 - 14
65G-14182-10	5 - 23		20 - 27	61A-24314-00	6 - 49	63V-41211-00	13 - 19	6J8-43113-01	14 - 14	63V-44366-01	15 - 17

NUMERICAL INDEX

PART NO.	REF. NO.	PART NO.	REF. NO.	PART NO.	REF. NO.	PART NO.	REF. NO.	PART NO.	REF. NO.	PART NO.	REF. NO.
647-44366-00	17 - 13	650-45635-00	17 - 36	90170-06015	13 - 36	90387-06M24	9 - 8	92903-10600	12 - 16	93210-44398	21 - 6
	21 - 17	683-45941-00-EL	18 - 19	90170-12066	9 - 11	90387-06M50	13 - 3	92990-04500	6 - 17	93210-46MH8	3 - 2
63V-44368-00	18 - 2	683-45943-00-EL	18 - 19	90171-10M01	18 - 17	90387-06M53	9 - 6	92990-05100	6 - 31		20 - 5
	21 - 15	683-45945-00-EL	18 - 19	90171-10M07	18 - 22	90387-06M86	12 - 25	92990-05600	4 - 11	93210-56M80	17 - 46
6H3-44391-01	11 - 20	63V-45947-00-EL	18 - 19	90179-06M28	15 - 28	90387-06034	11 - 17	92990-06300	18 - 13		21 - 13
63V-44514-01-5B	15 - 13	683-45947-00-EL	18 - 19	90179-08M06	17 - 30	90387-07M07	14 - 26	92995-06600	3 - 7	93210-57M09	17 - 45
63V-44526-00	15 - 14	683-45949-00-EL	18 - 19	90185-05002	18 - 10	90387-16002	15 - 16		4 - 5		21 - 12
63V-44551-01-4D	15 - 21	683-45952-00-EL	18 - 19	90185-22043	14 - 15	90430-08020	17 - 10		4 - 14	93306-00501	17 - 42
682-44555-00	15 - 23	6E7-45986-00	18 - 21	90201-05M09	4 - 20		21 - 5		6 - 35	93306-205U7	3 - 13
63V-44557-00	15 - 22	6E7-45987-01	18 - 15	90201-06068	11 - 12	90445-09M30	6 - 47		6 - 37	93310-620W5	3 - 17
63V-45111-00-4D	16 - 1	63V-82127-00	15 - 5	90201-10M01	18 - 16	90445-09105	2 - 11		6 - 53	93315-314V8	17 - 3
63V-45111-14-4D	16 - 1	66M-82148-00	14 - 3	90201-10M02	18 - 23	90445-09228	6 - 48		8 - 22	93315-317U2	17 - 43
63V-45113-A1	16 - 5	62E-8231X-00	10 - 9	90201-12472	9 - 12	90445-10M16	6 - 42		10 - 3	93332-00005	17 - 7
	21 - 2	62E-82371-11	10 - 8	90201-14377	3 - 25	90445-10M49	6 - 46		10 - 13	93341-41414	17 - 5
63V-45114-A0	15 - 18	61A-82519-00	10 - 17	90201-17682	17 - 34	90445-10M50	6 - 44		10 - 16	93430-04M03	14 - 37
63V-45126-00	16 - 2	682-82556-00	12 - 32	90201-21567	2 - 18	90445-11M05	7 - 4		10 - 19	93430-04301	5 - 35
6G1-45214-00	18 - 7	689-8257Y-00	12 - 33	90201-46M29	3 - 29		19 - 13		11 - 16	93440-52009	3 - 20
63V-45215-00	18 - 8	65W-82575-01	12 - 31		20 - 11	90445-11M06	7 - 2		13 - 6	93450-15023	3 - 26
61N-45251-01	18 - 11	63V-85520-00	9 - 3	90202-05203	4 - 24		19 - 19		13 - 30	93602-14104	3 - 24
65E-45300-02-4D	17 - 1	65E-85530-00	10 - 6	90202-06009	12 - 29	90445-11M81	7 - 8		14 - 18	93604-12M07	17 - 18
65E-45300-12-4D	17 - 1	63V-85533-00	9 - 4	90202-07M60	14 - 25		19 - 14		15 - 20		18 - 4
63V-45311-01-4D	17 - 2	63V-85540-01	10 - 1	90202-22M54	14 - 11	90445-16M07	6 - 43		15 - 25	93606-12019	2 - 5
63V-45315-A0	17 - 24	63V-85550-11	9 - 1	90202-36M55	12 - 4	90446-14M58	6 - 50		15 - 27		16 - 4
	21 - 9	65E-85570-00	10 - 7	90206-12052	11 - 11	90464-08M02	10 - 14		16 - 12	93700-06M03	15 - 1
63V-45331-00-5B	17 - 21	63V-85580-01	9 - 2	90206-15M18	12 - 26	90464-09M31	6 - 55		17 - 48	94702-00217	2 - 24
683-45361-02-4D	17 - 41	90101-06M29	14 - 17	90206-36M21	12 - 3	90464-15M11	10 - 4	92995-08600	16 - 7	95380-03600	6 - 26
63V-45375-00	18 - 14	90101-06128	4 - 6	90209-05M24	4 - 12	90465-08M61	10 - 5		18 - 6	95380-04700	4 - 22
63V-45510-01	17 - 28	90105-06M07	15 - 4	90209-20M23	3 - 18	90465-11M10	10 - 10	93101-13018	3 - 5	95380-05700	13 - 15
63V-45510-11	17 - 28	90105-06M68	9 - 7	90209-40008	15 - 7	90465-25M57	11 - 21		20 - 9	95380-06600	13 - 10
63V-45536-00	17 - 4	90105-06M69	9 - 9	90243-04M01	14 - 7	90467-08004	6 - 8	93101-17054	17 - 44	95380-06700	4 - 13
63V-45551-00	17 - 29	90105-07002	2 - 15	90250-05010	17 - 38	90467-09M03	6 - 41		21 - 11		11 - 14
6E7-45560-01	17 - 31	90109-06M84	14 - 43	90266-04M04	1 - 4	90468-10004	4 - 23	93101-20048	17 - 23		13 - 35
664-45567-01-10	17 - 8	90116-06130	4 - 25		1 - 6	90468-10005	13 - 16		21 - 8		14 - 19
664-45567-01-12	17 - 8	90116-08M54	15 - 12	90269-02M09	12 - 13	90468-18008	12 - 30	93101-25018	3 - 3	95380-08600	6 - 7
664-45567-01-15	17 - 8	90119-06MA2	2 - 20	90280-05013	9 - 10	90480-06M19	11 - 7		20 - 6		15 - 15
664-45567-01-18	17 - 8	90119-06MA4	2 - 12	90340-08002	17 - 9	90480-15M31	11 - 18	93102-25M48	3 - 4	95627-06325	4 - 26
664-45567-01-30	17 - 8	90119-06M05	12 - 24	90381-14020	17 - 22	90480-25161	10 - 11		20 - 7	95895-06030	18 - 12
664-45567-01-40	17 - 8	90119-08M07	2 - 6	90386-07M95	14 - 27	90501-12M16	13 - 11	93110-23M00	3 - 27	95895-06065	13 - 4
664-45567-01-50	17 - 8	90149-05M13	12 - 15	90386-08032	12 - 18	90501-14M06	17 - 40		20 - 8	97013-06010	6 - 10
6E7-45571-00	17 - 32	90152-05M04	18 - 9	90386-12M45	11 - 10	90501-23215	12 - 17	93210-06ME6	17 - 25		6 - 40
626-45577-00-01	17 - 33	90157-05M16	19 - 5	90386-22M94	14 - 12	90507-20M00	14 - 29		21 - 10	97075-06055	15 - 24
626-45577-00-03	17 - 33		19 - 24		14 - 13	90508-16M37	13 - 22	93210-08287	7 - 7	97075-06075	15 - 26
626-45577-00-05	17 - 33	90157-05014	14 - 31	90386-30M60	15 - 11	90508-18M41	14 - 34		19 - 10	97075-08030	18 - 5
6E8-45587-10-13	17 - 6	90157-06M06	16 - 3	90386-30048	15 - 9	90508-20M38	13 - 23		19 - 17	97080-08025	17 - 26
6E8-45587-10-20	17 - 6	90159-05M25	13 - 26	90386-33M96	12 - 5	91490-16010	12 - 10	93210-29M94	15 - 10	97080-08045	17 - 19
683-45611-00	17 - 35		13 - 28	90386-34M97	12 - 2	91490-30020	18 - 18	93210-32738	6 - 6		21 - 18
682-45631-00	17 - 37		13 - 33	90387-06M05	8 - 4	91609-20008	3 - 19		20 - 12	97090-06012	2 - 23
648-45633-00	17 - 39	90164-05M00	4 - 21	90387-06M13	14 - 16	92903-06100	4 - 7	93210-44398	17 - 16	97095-06012	9 - 9

NUMERICAL INDEX

PART NO.	REF. NO.	PART NO.	REF. NO.	PART NO.	REF. NO.	PART NO.	REF. NO.	PART NO.	REF. NO.
97095-06012	10 - 15								
	10 - 18								
	13 - 5								
	13 - 29								
97095-06016	3 - 6								
	4 - 4								
97095-06018	10 - 12								
	15 - 19								
97095-06020	6 - 2								
	6 - 52								
	8 - 21								
	10 - 2								
	12 - 7								
	16 - 11								
	17 - 47								
97095-06025	6 - 34								
	11 - 13								
	11 - 15								
97095-06055	6 - 36								
97095-08030	16 - 6								
97595-06516	1 - 8								
97880-05030	4 - 10								
97885-05012	12 - 21								
97885-06008	14 - 4								
97885-06030	13 - 9								
97885-08010	14 - 5								
97890-04005	5 - 21								
97980-04112	5 - 36								
	20 - 30								
97980-04115	5 - 9								
	20 - 19								
98503-05028	6 - 30								
98780-04010	6 - 16								
98780-05015	2 - 4								
99080-05600	14 - 32								
	14 - 39								

EK9.9HMH/EK15NMH  
PARTS CATALOGUE

©2002 by Yamaha Motor Co., Ltd.

1st Edition, Sep. 2002

All rights reserved.

Any reprinting or unauthorized use  
without the written permission of  
Yamaha Motor Co., Ltd.

is expressly prohibited.

Printed in Japan

**G7**