

# **PARTS CATALOGUE**

**F15** (66M3)

**F15A'04** (66M3)

# FOREWORD

This Parts Catalogue is related to the parts for the model(s) on the cover page. When you are ordering replacement parts, please refer to this Parts Catalogue and quote both part numbers and part names correctly.

1. Modifications or additions which have been made after the issue of the Parts Catalogue will be announced in the Parts News.  
It is advisable that you make the necessary corrections to the Parts Catalogue according to the Parts News.

2. Abbreviations

The following abbreviations are used in this Parts Catalogue.

“UR” Use specified parts number.

“UN” Use as many as needed.

“AP” Alternate Parts

“LM” Locally Made (Parts need to be ordered locally)

“F#” Frame No. (Applicable machine No.)

“O/S” Over Size

3. The number of components for assembly

- Parts, which are to be supplied in an assembly, are listed with a dot (.) in front of the part name as shown below.
- The numeral appearing to the right of each component part indicates the quantity of parts for each assembly unit.

PART NO.	DESCRIPTION	Q'TY	REMARKS
2F5-83310-60	FRONT FLASHER LIGHT ASSY	2	
115-83311-60	.BULB (6V-18W)	1	

4. Applicable colours of graphics are represented in the “REMARKS” as shown below.

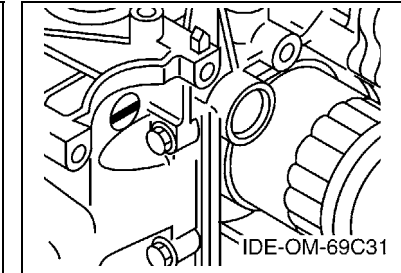
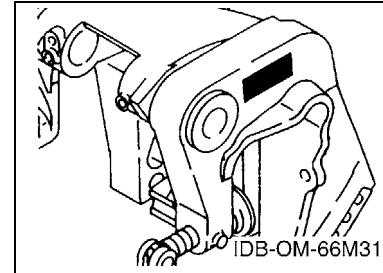
PART NO.	DESCRIPTION	Q'TY	REMARKS
2N4-24110-00-X5	FUEL TANK COMP.	2	MXR
3J1-24240-10	.GRAPHIC, FUEL TANK	1	FOR MXR

5. Note that the illustrations for reference in finding parts numbers are not to be used for assembling. When assembling, please use the applicable service manual.

6. The asterisk (\*) before a reference number indicates modified items after the first edition.

7. Applicable Serial No.

Engine Serial No.



8. Applicable Engine Starting Serial No.

Model	Serial No.	Model	Serial No.
F15	66M-1006655	F15A	66M-1006655

9. Applicable Colour Code

Abbreviation	Colour Name	Colour Code
DBNM2	DARK BLUIISH GRAY METALLIC 2	004D

10. Quantity Column Information

Column No.	Name Of Q'ty Column	Applicable Model
1	MH	F15MHC,F15AMH
2	EH	F15EHC
3	M	F15AM

# CONTENTS

## SHEET1/2

TOP COWLING .....	A4
CYLINDER & CRANKCASE 1 .....	A5
CRANKSHAFT & PISTON .....	A7
CYLINDER & CRANKCASE 2 .....	B1
VALVE .....	B2
INTAKE .....	B3
CARBURETOR .....	B5
OIL PUMP .....	B7
FUEL 1 .....	C1
FUEL 2 .....	C3
STARTER .....	C4
GENERATOR .....	C6
ELECTRICAL 1 .....	C7
ELECTRICAL 2 .....	D1
STARTING MOTOR .....	D3
BOTTOM COWLING .....	D4
STEERING .....	D6
STEERING FRICTION .....	E1
CONTROL .....	E2
REMO CON ATTACHMENT .....	E4
BRACKET 1 .....	E5
BRACKET 2 .....	E7
UPPER CASING .....	F2
OIL PAN .....	F3
LOWER CASING & DRIVE 1 .....	F4
LOWER CASING & DRIVE 2 .....	F7

## INDEX

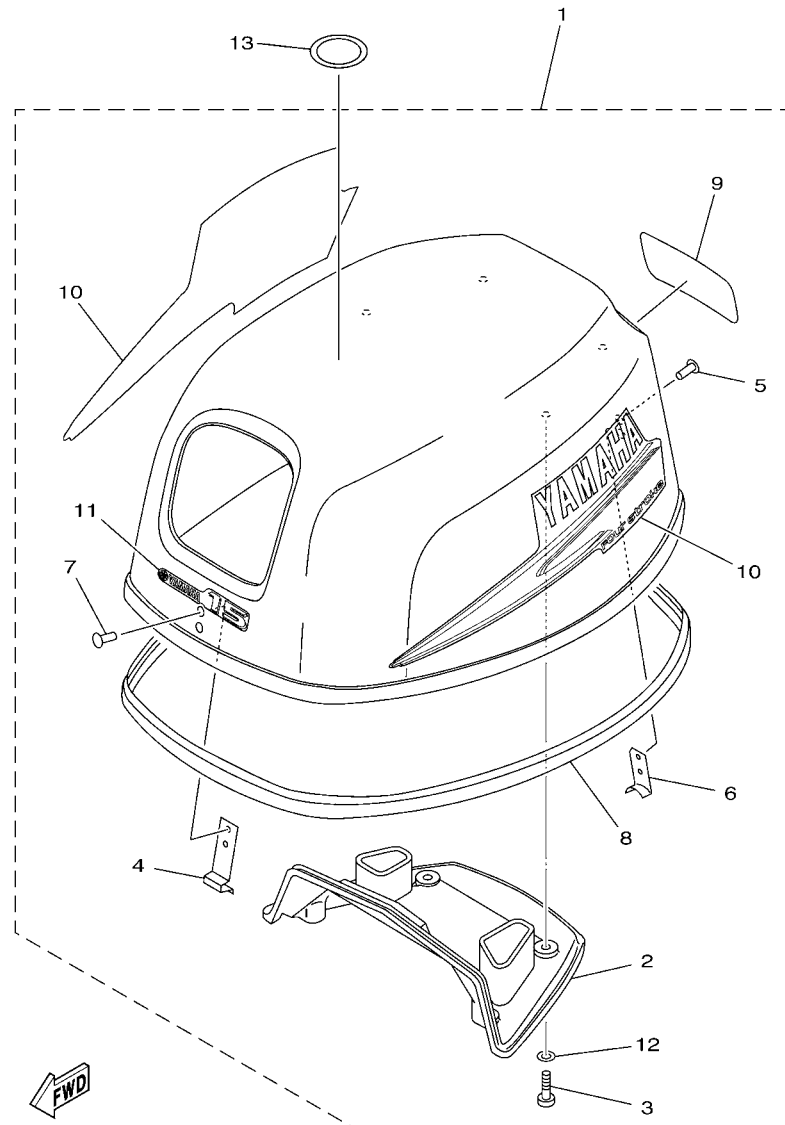
NUMERICAL INDEX .....	G1
-----------------------	----

## SHEET2/2

LOWER CASING & DRIVE 2 .....	A4*
FUEL TANK .....	A5*
STEERING GUIDE .....	A6*
REMOTE CONTROL BOX .....	A7*
REMOTE CONTROL ASSY .....	B1*
REPAIR KIT 1 .....	B3*
REPAIR KIT 2 .....	B4*
REPAIR KIT 3 .....	B5*

## INDEX

NUMERICAL INDEX .....	G1*
-----------------------	-----

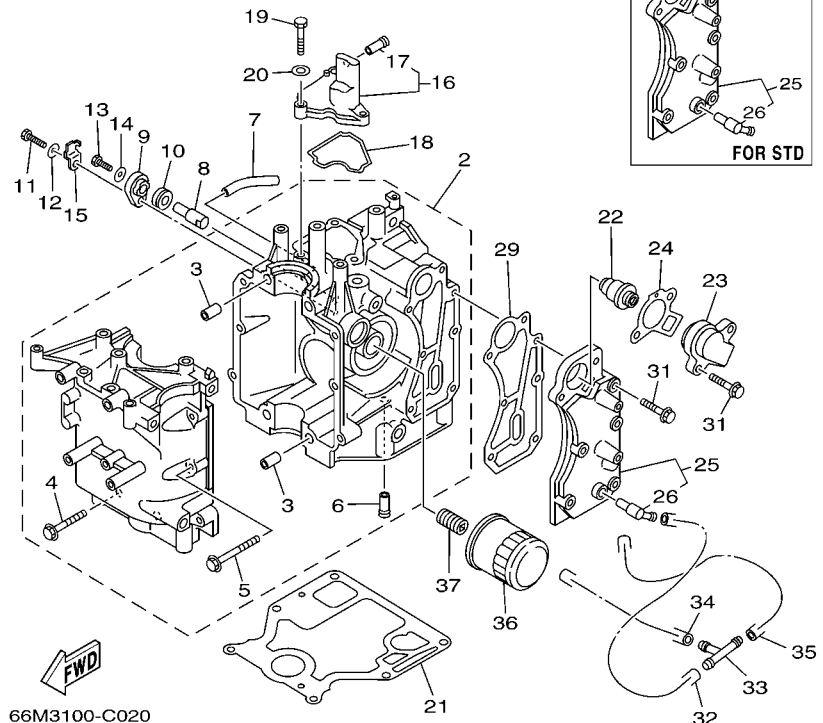
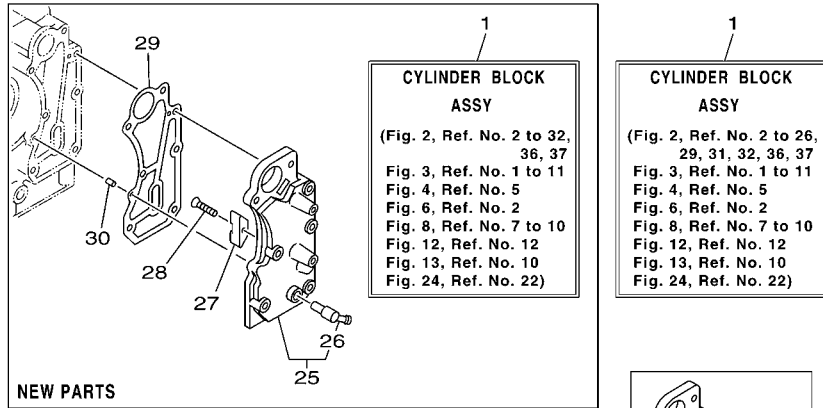


66M3100-C011

\*1: NEW PARTS  
STARTING SERIAL NO. : 66M-1009198 ~

FIG. 1 TOP COWLING

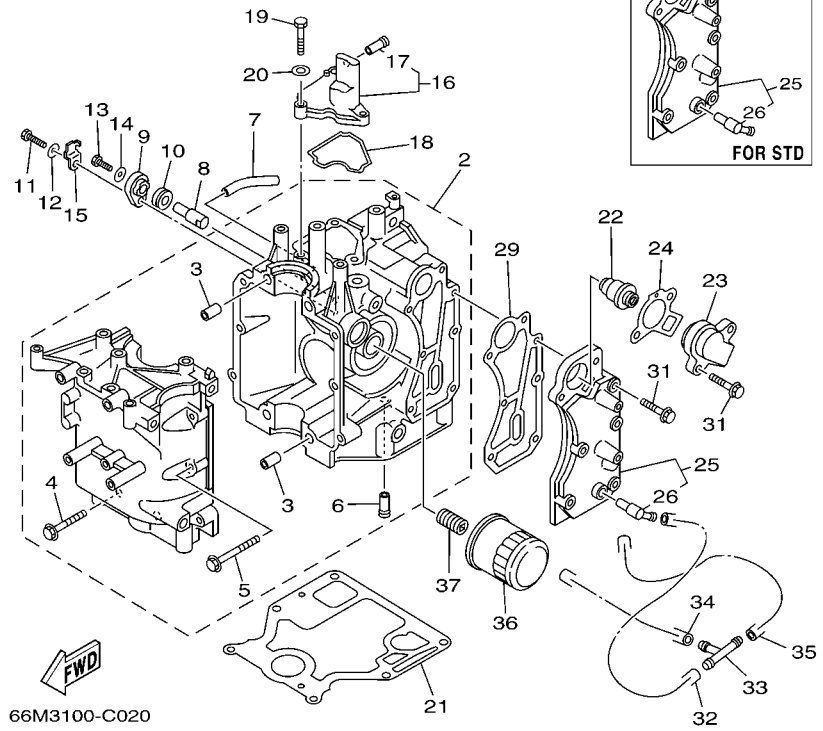
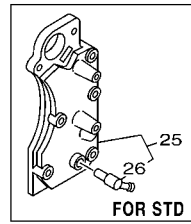
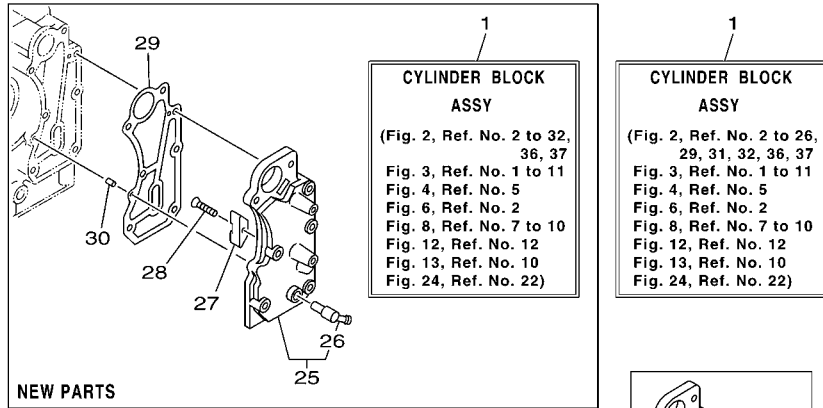
REF. NO.	PART NO.	DESCRIPTION	MH	EH	M	REMARKS
1	66M-42610-11-4D	TOP COWLING ASSY	1	1	1	
	66M-42610-20-4D	TOP COWLING ASSY	1	1	1	NEW PARTS *1
2	66M-42613-00	.MOLDING, AIR DUCT	1	1	1	
3	97780-60520	.SCREW, TAPPING	4	4	4	
4	65W-42651-01	.HOOK	1	1	1	
5	90266-06M02	.RIVET	2	2	2	
6	66M-42652-00	.HOOK	1	1	1	
7	90266-06M02	.RIVET	2	2	2	
8	66M-42615-00	.SEAL	1	1	1	
	6D4-42615-00	.SEAL	1	1	1	NEW PARTS *1
9	66M-42678-20	.GRAPHIC, REAR	1	1	1	
10	66M-W0070-20	.GRAPHIC SET	1	1	1	
11	66M-42677-00	.GRAPHIC, FRONT	1	1	1	
12	90202-05M38	.WASHER, PLATE	4	4	4	
13	67F-13434-02	LABEL, CAUTION	1	1	1	



66M3100-C020  
 \*1: NEW PARTS  
 STARTING SERIAL NO. : 66M-1009198 ~

FIG. 2 CYLINDER & CRANKCASE 1

REF. NO.	PART NO.	DESCRIPTION	MH	EH	M	REMARKS
1	66M-W009B-11-1S	CYLINDER BLOCK ASSY	1	1		FLUSHING KIT
	66M-W009B-12-1S	CYLINDER BLOCK ASSY	1	1		FLUSHING KIT *1
	66M-W009B-03-1S	CYLINDER BLOCK ASSY	1		1	STD
	66M-W009B-04-1S	CYLINDER BLOCK ASSY	1		1	STD *1
2	66M-15100-01-1S	CRANKCASE ASSY	1	1	1	
	66M-15100-02-1S	CRANKCASE ASSY	1	1	1	NEW PARTS *1
3	99510-10114	.PIN, DOWEL	2	2	2	
4	90119-08M66	.BOLT, WITH WASHER	4	4	4	
5	90119-06M14	.BOLT, WITH WASHER	6	6	6	
6	6E5-24377-00	.PIPE, JOINT 3	1	1	1	
7	90445-10M46	HOSE (L65)	1	1	1	
8	66M-11325-00	ANODE	1	1	1	
9	66M-11327-00-94	COVER, ANODE	1	1	1	
10	66M-11328-00	GROMMET, ANODE	1	1	1	
11	97095-06020	BOLT	1	1	1	
12	92995-06600	WASHER	1	1	1	
13	97095-05012	BOLT	1	1	1	
14	92995-05600	WASHER	1	1	1	
15	66M-12535-00	PLATE	1	1	1	
16	66M-11168-00-1S	COVER, BREATHER	1	1	1	
17	6E5-24377-00	.PIPE, JOINT 3	1	1	1	
18	66M-11357-00	SEAL, CYLINDER 3	1	1	1	
19	97095-06020	BOLT	3	3	3	
20	92995-06600	WASHER	3	3	3	
21	66M-11351-00	GASKET, CYLINDER	1	1	1	
	66M-11351-10	GASKET, CYLINDER	1	1	1	NEW PARTS *1
22	66M-12411-00	THERMOSTAT	1	1	1	

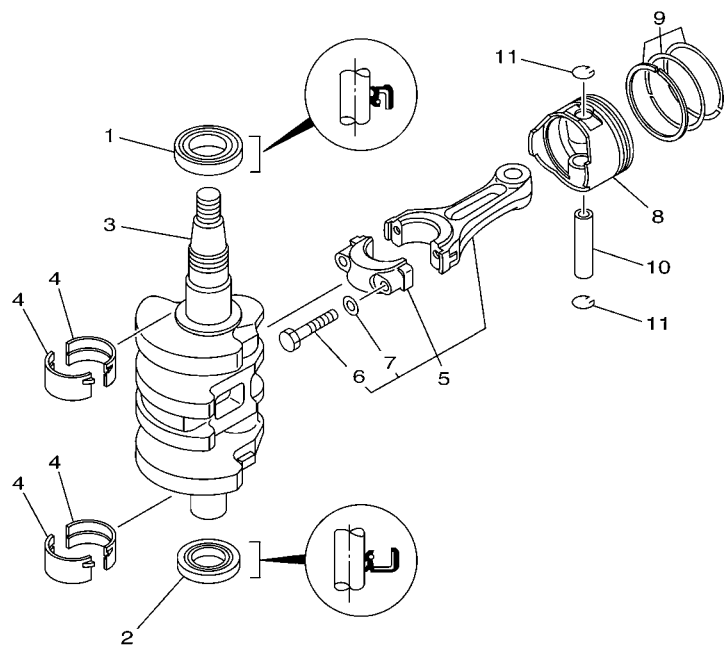


\*1: NEW PARTS  
STARTING SERIAL NO. : 66M-1009198 ~

FIG. 2 CYLINDER & CRANKCASE 1

REF. NO.	PART NO.	DESCRIPTION	MH	EH	M	REMARKS
23	6H3-12413-00-1S	COVER, THERMOSTAT	1	1	1	
24	62Y-12414-00	GASKET, COVER	1	1	1	
25	66M-41113-10-1S	OUTER COVER, EXHAUST	1	1		FLUSHING KIT
	66M-41113-30-1S	OUTER COVER, EXHAUST	1	1		FLUSHING KIT *1
	66M-41113-02-1S	OUTER COVER, EXHAUST	1		1	STD
	66M-41113-20-1S	OUTER COVER, EXHAUST	1		1	STD *1
26	676-11372-00	.NIPPLE, HOSE	1	1	1	
27	6E5-11325-00	ANODE	1	1	1	NEW PARTS *1
28	98780-04015	SCREW, FLAT HEAD	1	1	1	NEW PARTS *1
29	66M-41114-00	GASKET, EXHAUST OUTER COVER	1	1	1	
	66M-41114-01	GASKET, EXHAUST OUTER COVER	1	1	1	NEW PARTS *1
30	93604-12M07	PIN, DOWEL	2	2	2	NEW PARTS *1
31	90119-06MA4	BOLT, WITH WASHER	7	7	7	
32	90445-09061	HOSE (L65)	1	1	1	
33	688-24378-00	PIPE, JOINT 4	1	1	1	
34	90445-09086	HOSE (L170)	1	1	1	
35	90445-09105	HOSE (L300)	1	1	1	
36	5GH-13440-00	ELEMENT ASSY, OIL CLEANER	1	1	1	
37	90401-20M00	BOLT, UNION	1	1	1	

**FIG. 3 CRANKSHAFT & PISTON**

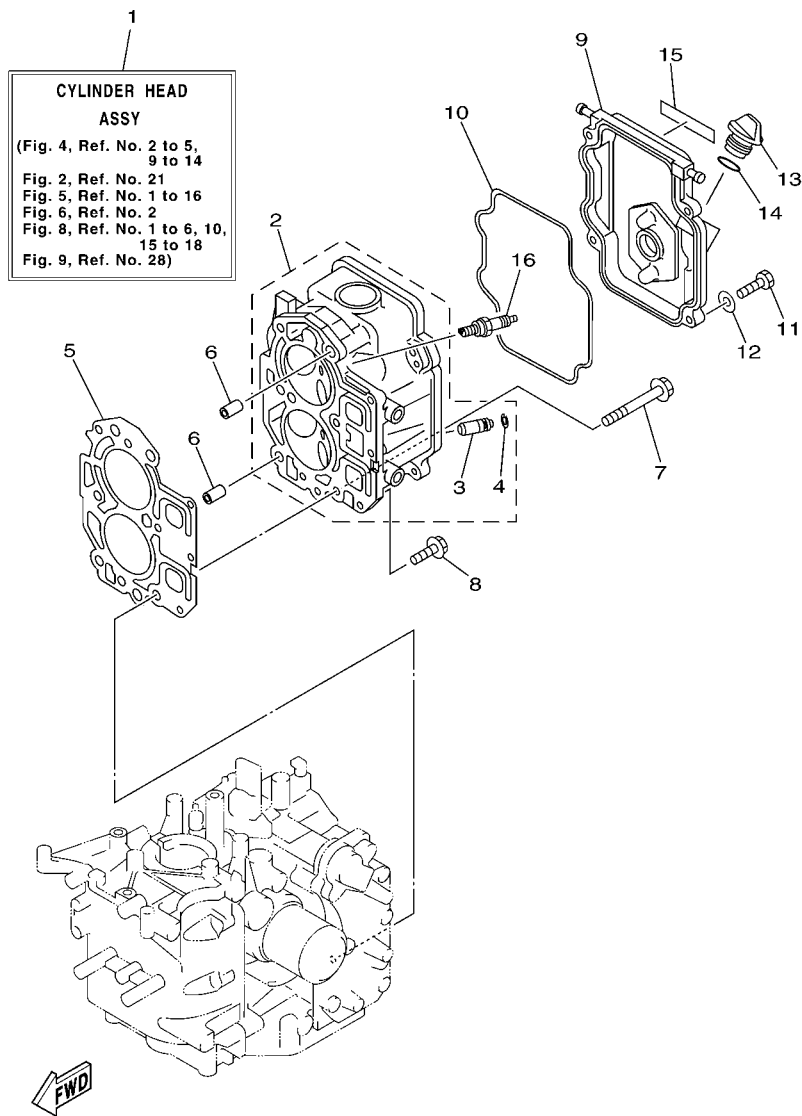


REF. NO.	PART NO.	DESCRIPTION	MH	EH	M	REMARKS
1	93102-35M51	OIL SEAL	1	1	1	
2	93102-25M52	OIL SEAL	1	1	1	
3	66M-11411-00	CRANKSHAFT	1	1	1	
4	66M-11416-00	PLANE BEARING, CRANKSHAFT 1	4	4	4	UR BROWN
	66M-11416-10	PLANE BEARING, CRANKSHAFT 1	4	4	4	UR BLACK
	66M-11416-20	PLANE BEARING, CRANKSHAFT 1	4	4	4	UR BLUE
5	66M-11650-00	CONNECTING ROD ASSY	2	2	2	
6	66M-11654-00	.BOLT, CONNECTING ROD	2	2	2	
7	90201-07M01	.WASHER, PLATE	2	2	2	
8	66M-11631-00-96	PISTON (STD)	2	2	2	
	66M-11635-00	PISTON (0.25MM O/S)	2	2	2	AP
	66M-11636-00	PISTON (0.50MM O/S)	2	2	2	AP
9	66M-11603-00	PISTON RING SET (STD)	2	2	2	
	66N-11603-00	PISTON RING SET (STD)	2	2	2	NEW PARTS *1
	66M-11604-00	PISTON RING SET (0.25MM O/S)	2	2	2	AP
	66N-11604-00	PISTON RING SET (0.25MM O/S)	2	2	2	AP NEW PARTS *1
	66M-11605-00	PISTON RING SET (0.50MM O/S)	2	2	2	AP
	66N-11605-00	PISTON RING SET (0.50MM O/S)	2	2	2	AP NEW PARTS *1
10	634-11633-00	PIN, PISTON	2	2	2	
11	93450-15023	CIRCLIP	4	4	4	



66M3100-C030

\*1: NEW PARTS  
STARTING SERIAL NO. : 66M-1009198 ~



66M3100-C040

\*1: NEW PARTS  
STARTING SERIAL NO. : 66M-1009198 ~

FIG. 4 CYLINDER & CRANKCASE 2

REF. NO.	PART NO.	DESCRIPTION	MH	EH	M	REMARKS
1	66M-W009A-02-1S	CYLINDER HEAD ASSY	1	1	1	
2	66M-11111-01-1S	HEAD, CYLINDER 1	1	1	1	
3	66M-11133-10	.GUIDE, VALVE 1	4	4	4	
4	93450-09M01	.CIRCLIP	4	4	4	
5	66M-11181-00	GASKET, CYLINDER HEAD 1	1	1	1	
	66M-11181-10	GASKET, CYLINDER HEAD 1	1	1	1	NEW PARTS *1
6	99510-10114	PIN, DOWEL	2	2	2	
7	90105-08M78	BOLT, FLANGE	6	6	6	
8	90119-06MA3	BOLT, WITH WASHER	3	3	3	
9	66M-11191-00-1S	COVER, CYLINDER HEAD 1	1	1	1	
10	66M-11356-00	SEAL, CYLINDER 2	1	1	1	
11	97095-06020	BOLT	4	4	4	
12	92995-06600	WASHER	4	4	4	
13	6G8-15363-00	PLUG, OIL	1	1	1	
14	93210-24M79	O-RING	1	1	1	
15	66M-12138-40	MARK, CAUTION	1	1		FOR USA,OCE
	66M-12138-50	MARK, CAUTION	1	1		FOR CAN
	66M-12138-60	MARK, CAUTION	1	1		FOR MEX,BRA
16	94701-00375	PLUG, SPARK (NGK DPR6EA-9)	2	2	2	





66M0010-1051

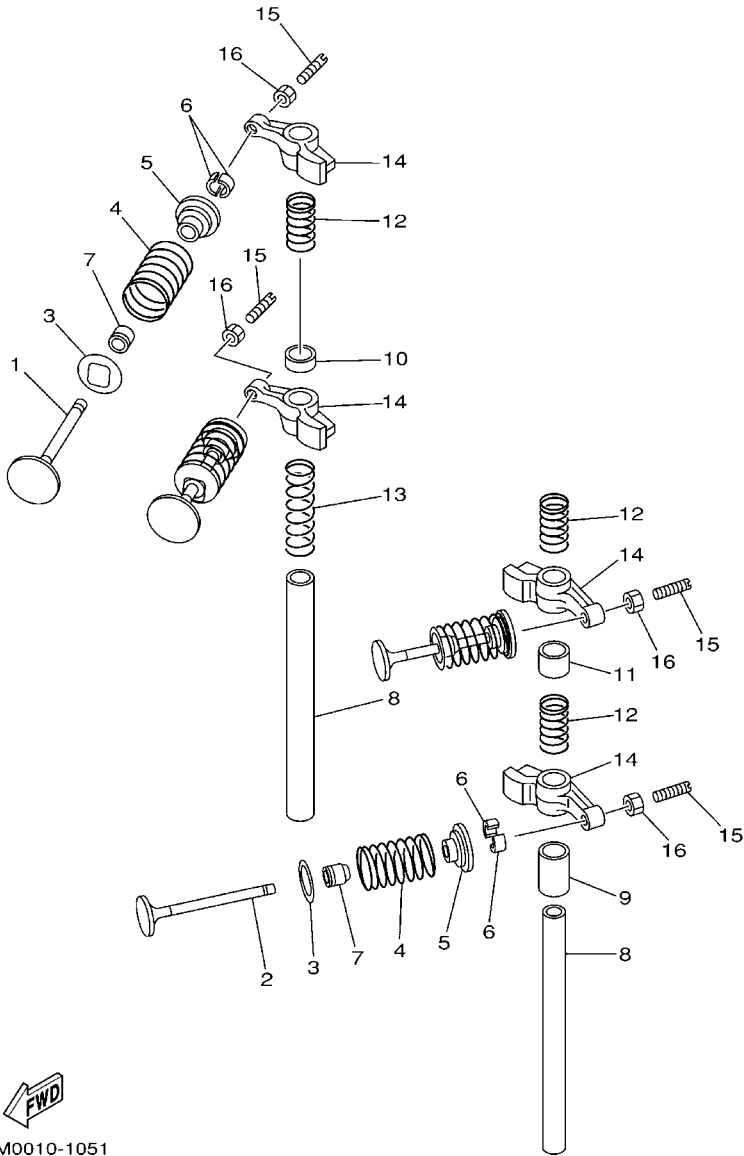
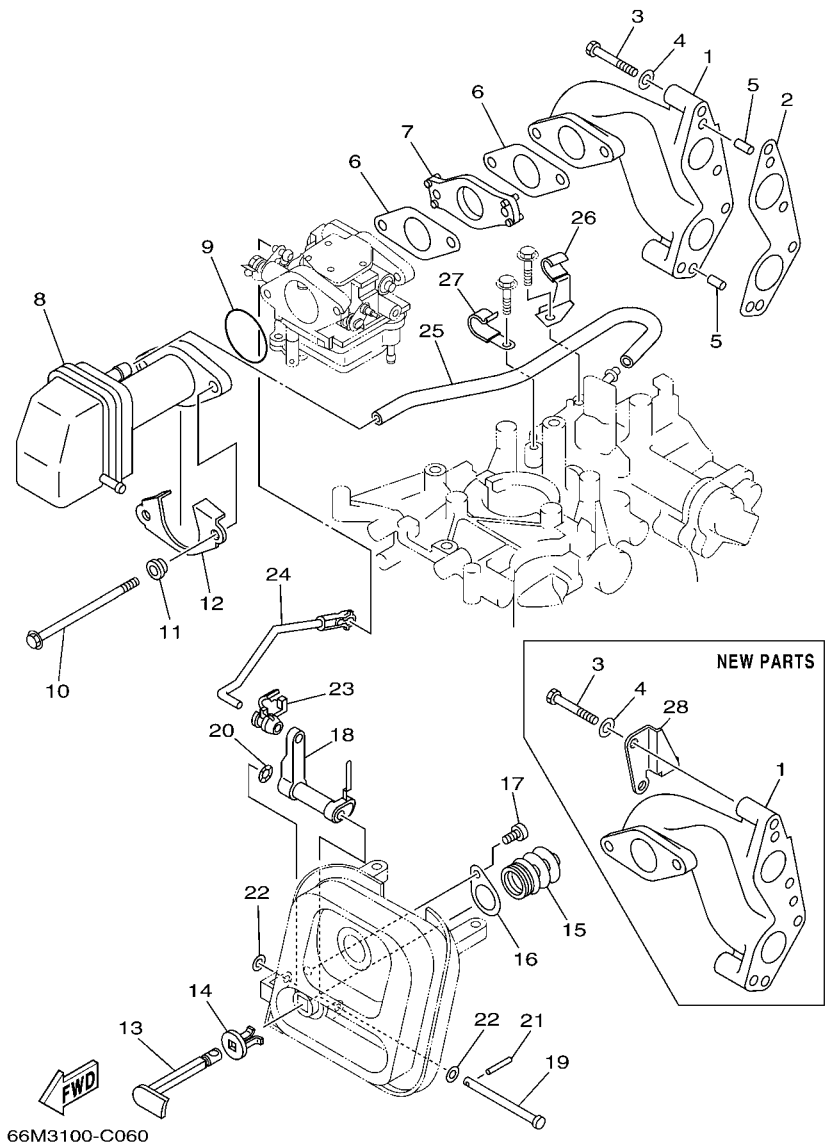


FIG. 5 VALVE

REF. NO.	PART NO.	DESCRIPTION	MH	EH	M	REMARKS
1	66M-12111-00	VALVE, INTAKE	2	2	2	
2	66M-12121-00	VALVE, EXHAUST	2	2	2	
3	66M-12116-00	SEAT, VALVE SPRING	4	4	4	
4	66M-12113-00	SPRING, VALVE INNER	4	4	4	
5	30X-12117-00	RETAINER, VALVE SPRING	4	4	4	
6	30X-12118-00	COTTER, VALVE	8	8	8	
7	51Y-12119-00	SEAL, VALVE STEM	4	4	4	
8	66M-12146-00	SHAFT, ROCKER	2	2	2	
9	90387-13M56	COLLAR	1	1	1	
10	90387-13001	COLLAR	1	1	1	
11	90387-13002	COLLAR	1	1	1	
12	90501-12M40	SPRING, COMPRESSION	3	3	3	
13	90501-12M41	SPRING, COMPRESSION	1	1	1	
14	66M-12151-10	ARM, VALVE ROCKER	4	4	4	
15	62Y-12159-00	SCREW, VALVE ADJUSTING	4	4	4	
16	62Y-12158-00	NUT, LOCK	4	4	4	

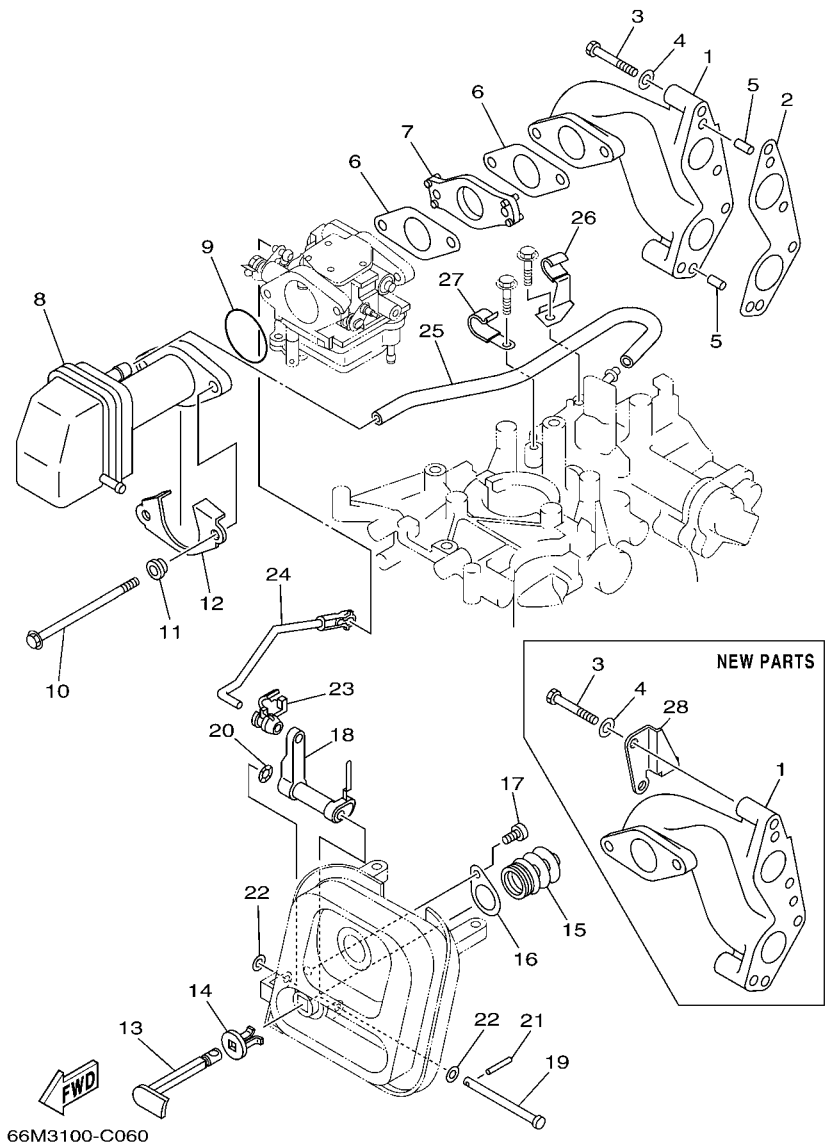


66M3100-C060

\*1: NEW PARTS  
STARTING SERIAL NO. : 66M-1009198 ~

FIG. 6 INTAKE

REF. NO.	PART NO.	DESCRIPTION	MH	EH	M	REMARKS
1	66M-13641-00-94	MANIFOLD 1	1	1	1	
	66M-13641-10-94	MANIFOLD 1	1	1	1	NEW PARTS *1
2	66M-13645-00	GASKET, MANIFOLD 1	1	1	1	
3	97095-06040	BOLT	4	4	4	
4	92995-06600	WASHER	4	4	4	
5	93606-12019	PIN, DOWEL	2	2	2	
6	66M-13646-00	GASKET, MANIFOLD 2	2	2	2	
7	66M-14271-00	INSULATOR	1	1	1	
8	66M-14440-00	SILENCER ASSY, INTAKE	1	1	1	
9	93210-35M86	O-RING	1	1	1	
10	90119-06M76	BOLT, WITH WASHER	2	2	2	
11	90387-06M79	COLLAR	2	2	2	
12	66M-14477-00	PLATE	1	1	1	
13	66M-41271-00	KNOB, CHOKE	1	1	1	
14	689-41273-00	GROMMET	1	1	1	
15	66M-41292-00	BUSH 2	1	1	1	
16	66M-41298-00	WASHER 2	1	1	1	
17	97780-50510	SCREW, TAPPING	1	1	1	
18	66M-41252-00	LEVER, CHOKE 1	1	1	1	
19	90240-05M20	PIN, CLEVIS	1	1	1	
20	90206-05005	WASHER, WAVE	1	1	1	
21	91690-20016	PIN, SPRING	1	1	1	
22	90202-05088	WASHER, PLATE	2	2	2	
23	6R5-41237-00	JOINT, LINK	1	1	1	
24	66M-41256-00	ROD, CHOKE 1	1	1	1	
25	66M-15373-00	PIPE, BREATHER	1	1	1	
26	90465-08M82	CLAMP	1	1	1	



\*1: NEW PARTS  
STARTING SERIAL NO. : 66M-1009198 ~

FIG. 6 INTAKE

REF. NO.	PART NO.	DESCRIPTION	MH	EH	M	REMARKS
27	90465-08M83	CLAMP	1	1	1	
28	6D4-24566-00	BRACKET, FILTER	1	1	1	NEW PARTS *1
-----						
-----						
-----						
-----						
-----						
-----						
-----						
-----						
-----						
-----						

66M0100-8070  

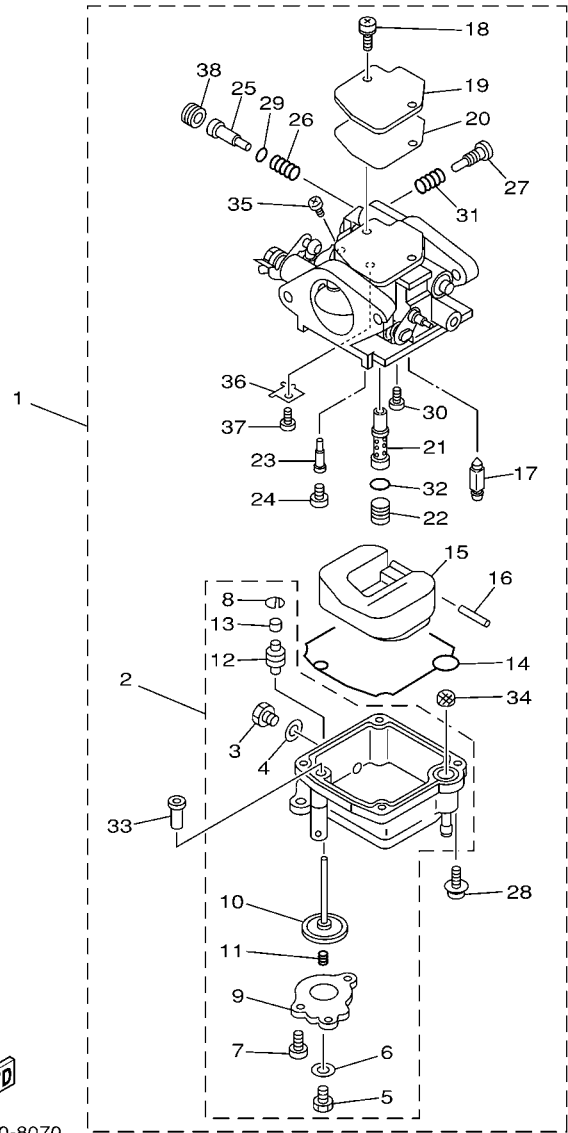



FIG. 7 CARBURETOR

REF. NO.	PART NO.	DESCRIPTION	MH	EH	M	REMARKS
1	66M-14301-12	CARBURETOR ASSY 1	1	1		FOR USA,CAN
	66M-14301-00	CARBURETOR ASSY 1	1		1	FOR OCE,MEX
	66M-14301-30	CARBURETOR ASSY 1	1			FOR BRA
2	66M-14381-02	.BODY, FLOAT CHAMBER	1	1	1	
3	62Y-14383-00	..SCREW, DRAIN	1	1	1	
4	66M-14398-00	..GASKET	1	1	1	
5	677-14383-01	..SCREW, DRAIN	1	1	1	
6	6L2-14398-00	..GASKET	1	1	1	
7	66M-14325-00	..SCREW, PAN HEAD	3	3	3	
8	66M-14377-00	..STOPPER	1	1	1	
9	66M-14958-00	..COVER, DIAPHRAGM	1	1	1	
10	66M-14368-01	..DIAPHRAGM ASSY 1	1	1	1	
11	6G8-14275-02	..SPRING	1	1	1	
12	66M-14239-00	..SEAL	1	1	1	
13	66M-14225-00	..CAP	1	1	1	
14	66M-14384-00	.GASKET, FLOAT CHAMBER	1	1	1	
15	6L2-14385-00	.FLOAT	1	1	1	
16	6E5-14386-01	.PIN, FLOAT	1	1	1	
17	6L2-14392-00	.VALVE, NEEDLE	1	1	1	
18	97980-04110	.SCREW, WITH WASHER	2	2	2	
19	6L2-14157-00	.COVER, MIXING	1	1	1	
20	62Y-14399-00	.GASKET	1	1	1	
21	66M-14341-00	.NOZZLE, MAIN	1	1	1	
22	66M-14343-52	.JET, MAIN (#104)	1	1	1	
	66M-14343-55	.JET, MAIN (#110)	1			FOR 66M-14301-30
23	66M-14342-23	.JET, PILOT (#45)	1	1	1	
	66M-14342-24	.JET, PILOT (#48)	1			FOR 66M-14301-30

66M0100-8070  

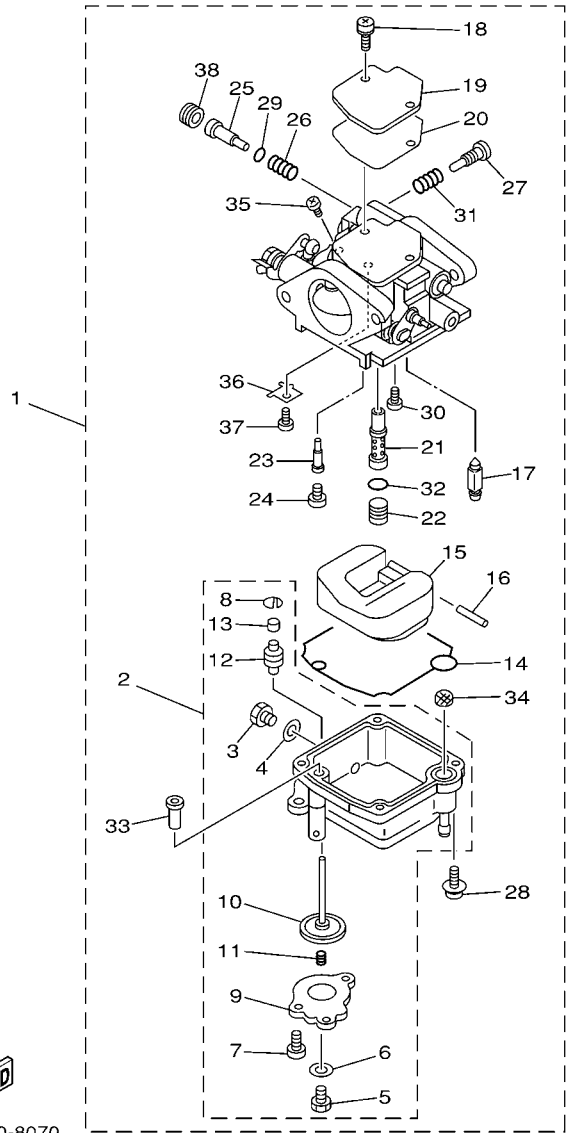
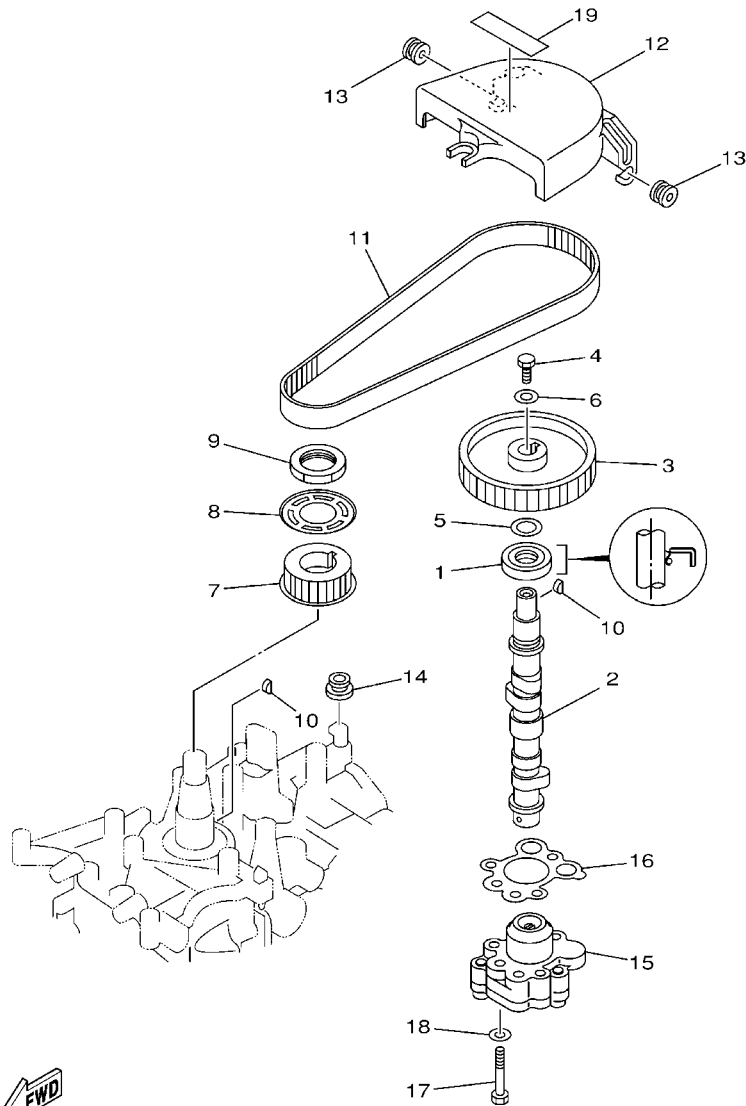



FIG. 7 CARBURETOR

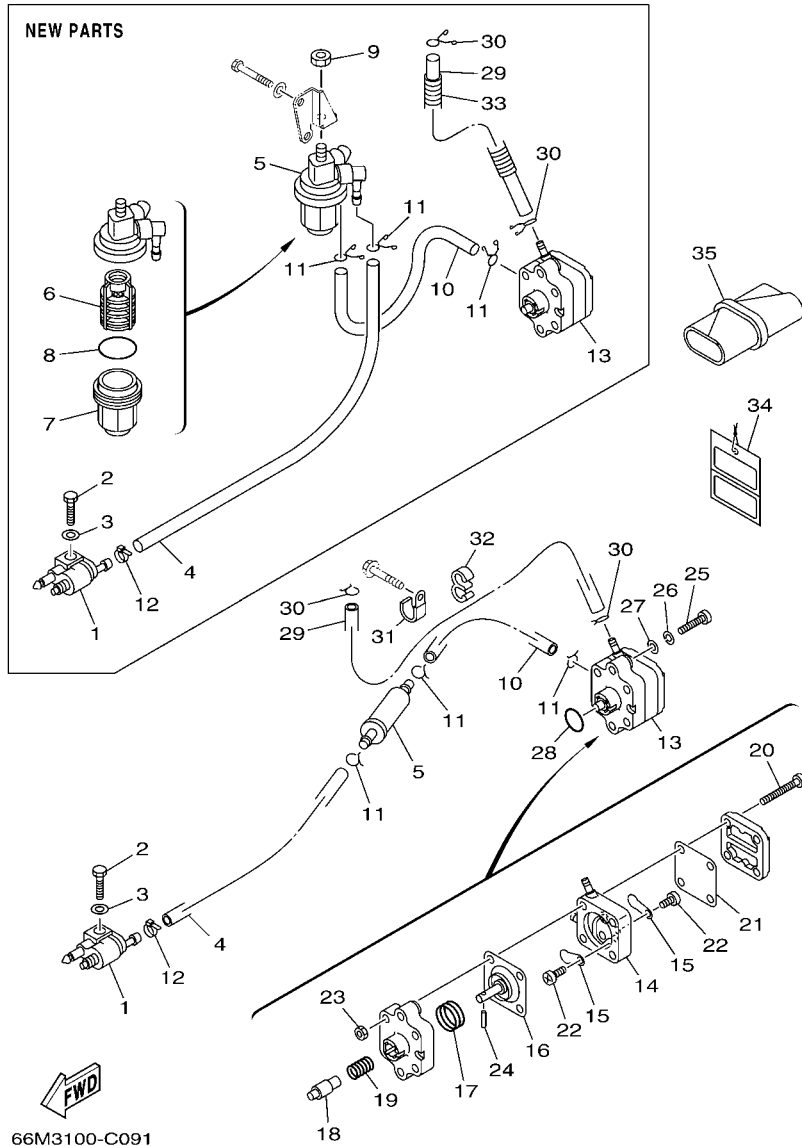
REF. NO.	PART NO.	DESCRIPTION	MH	EH	M	REMARKS
24	66M-14355-00	.PLUG	1	1	1	
25	5H0-14323-00	.SCREW, AIR ADJUSTING	1	1	1	
26	30X-14334-00	.SPRING, AIR ADJUSTING	1	1	1	
27	62Y-14321-00	.SCREW, THROTTLE	1	1	1	
28	97980-04112	.SCREW, WITH WASHER	4	4	4	
29	62Y-14397-00	.O-RING	1	1	1	
30	98980-04006	.SCREW, BIND	1	1	1	
31	646-14212-01	.SPRING, PILOT ADJUSTING	1	1	1	
32	6F5-14397-00	.O-RING	1	1	1	
33	66M-14272-00	.CHECK VALVE ASSY	1	1	1	
34	66M-14827-00	.FILTER	1	1	1	
35	97890-04005	.SCREW, PAN HEAD	1	1	1	
36	66M-14157-00	.PLATE	1	1	1	
37	98580-03005	.SCREW, PAN HEAD	1	1	1	
38	6G8-1432A-10	.PLUG	1	1		FOR 66M-14301-12

**FIG. 8 OIL PUMP**



66M1100-2080

REF. NO.	PART NO.	DESCRIPTION	MH	EH	M	REMARKS
1	93102-18M21	OIL SEAL	1	1	1	
2	66M-12170-00	CAMSHAFT ASSY 1	1		1	
	66M-12171-10	CAMSHAFT 1		1		
3	66M-11537-00-94	GEAR, DRIVEN	1	1	1	
4	97013-06016	BOLT	1	1	1	
5	90201-13201	WASHER, PLATE	1	1	1	
6	90201-06M94	WASHER, PLATE	1	1	1	
7	66M-11536-10	GEAR, DRIVE	1	1	1	
8	66M-11557-00	WASHER 1	1	1	1	
9	90170-28M37	NUT	1	1	1	
10	90280-03M01	KEY, WOODRUFF	2	2	2	
11	66M-46241-00	V-BELT	1	1	1	
12	66M-46297-00	COVER, DUST	1	1	1	
13	90480-10M16	GROMMET	2	2	2	
14	90480-12072	GROMMET	1	1	1	
15	66M-13300-10	OIL PUMP ASSY	1	1	1	
16	66M-13329-10	GASKET, PUMP COVER	1	1	1	
17	97095-06035	BOLT	3	3	3	
18	92995-06600	WASHER	3	3	3	
19	6G8-13437-44	MARK, CAUTION	1	1		FOR USA,OCE
	6G8-13437-54	MARK, CAUTION	1	1		FOR CAN
	6G8-13437-64	MARK, CAUTION	1		1	FOR MEX,BRA

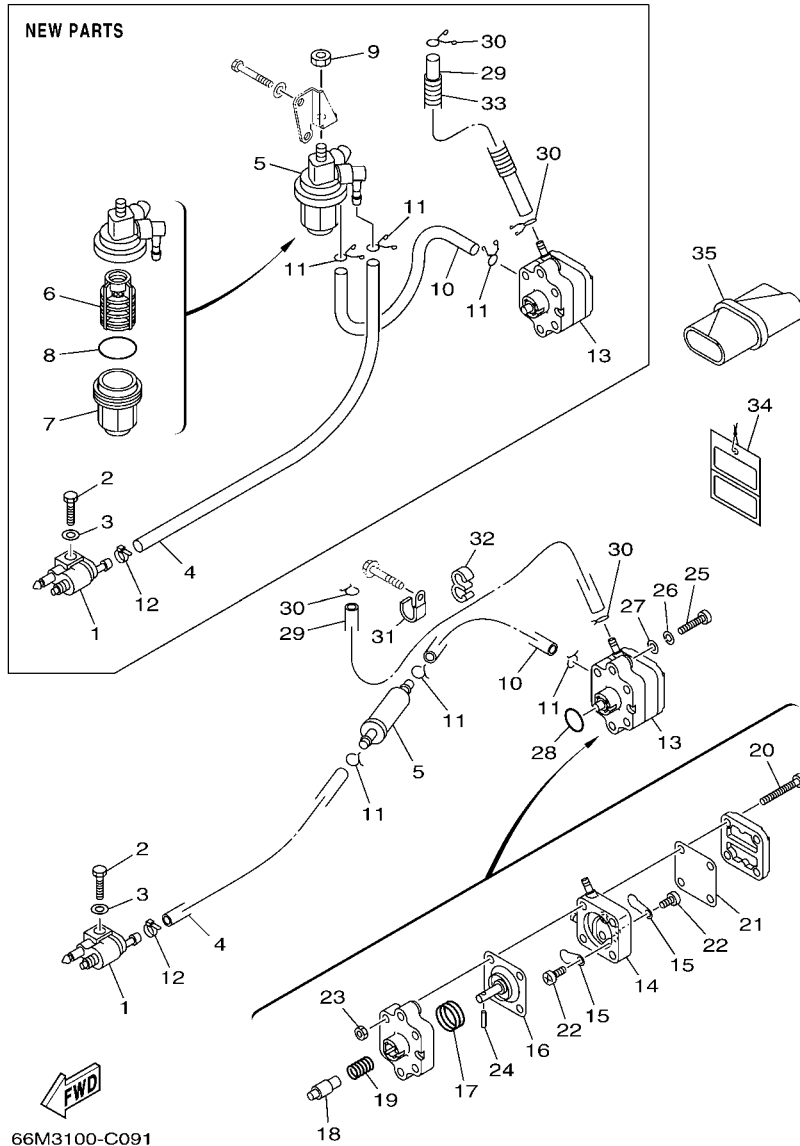


66M3100-C091

\*1: NEW PARTS  
STARTING SERIAL NO. : 66M-1009198 ~

FIG. 9 FUEL 1

REF. NO.	PART NO.	DESCRIPTION	MH	EH	M	REMARKS
1	6G1-24304-02	FUEL PIPE JOINT COMP. 1	1	1	1	
2	97095-06020	BOLT	1	1	1	
3	92995-06600	WASHER	1	1	1	
4	90445-10M40	HOSE (L330)	1	1	1	
	90445-10M19	HOSE (L500)	1	1	1	NEW PARTS *1
5	65W-24251-00	STRAINER 1	1	1	1	
	61N-24560-00	FILTER ASSY	1	1	1	NEW PARTS *1
6	61N-24563-00	.ELEMENT, FILTER	1	1	1	FOR 61N-24560-00
7	61N-24521-00	.CUP, FILTER	1	1	1	FOR 61N-24560-00
8	93210-32738	.O-RING	1	1	1	FOR 61N-24560-00
9	95380-08600	NUT	1	1	1	NEW PARTS *1
10	90445-10M20	HOSE (L150)	1	1	1	
	90445-10M15	HOSE (L140)	1	1	1	NEW PARTS *1
11	90467-09M03	CLIP	3	3	3	
	90467-09M17	CLIP	3	3	3	NEW PARTS *1
12	90465-11M10	CLAMP	1	1	1	
13	66M-24410-10	FUEL PUMP ASSY	1	1	1	
14	66M-24413-01	.BODY 2	1	1	1	
15	6A0-24421-01	.VALVE, CHECK	2	2	2	
16	66M-24411-10	.DIAPHRAGM	1	1	1	
17	66M-24423-00	.SPRING, DIAPHRAGM	1	1	1	
18	66M-13131-10	.PLUNGER	1	1	1	
19	66M-24454-00	.SPRING	1	1	1	
20	66M-24444-00	.SCREW	4	4	4	
21	66M-24471-00	.DIAPHRAGM	1	1	1	
22	6E7-14325-00	.SCREW, PAN HEAD	2	2	2	
23	95380-05600	.NUT	4	4	4	



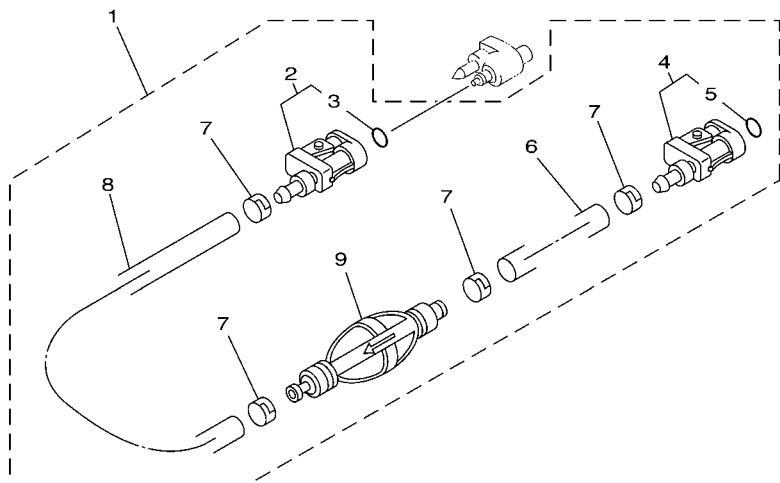
\*1: NEW PARTS  
STARTING SERIAL NO. : 66M-1009198 ~

FIG. 9 FUEL 1

REF. NO.	PART NO.	DESCRIPTION	MH	EH	M	REMARKS
24	66M-24374-00	.PIN	1	1	1	
25	97880-06030	SCREW, PAN HEAD	2	2	2	
26	92990-06100	WASHER, SPRING	2	2	2	
27	92990-06600	WASHER, PLATE	2	2	2	
28	93210-20M65	O-RING	1	1	1	
29	90445-10M93	HOSE (L370)	1	1	1	
30	90467-09M03	CLIP	2	2	2	
	90467-09M17	CLIP	2	2	2	NEW PARTS *1
31	90465-06M86	CLAMP	1	1	1	OLD PARTS
32	90464-09M31	CLAMP	1	1	1	OLD PARTS
33	90446-14M51	HOSE	1	1	1	NEW PARTS *1
34	61H-2819R-31	TAG, WARNING	1	1		FOR USA,CAN,OCE
35	62Y-28100-00	TOOL KIT	1	1	1	AP

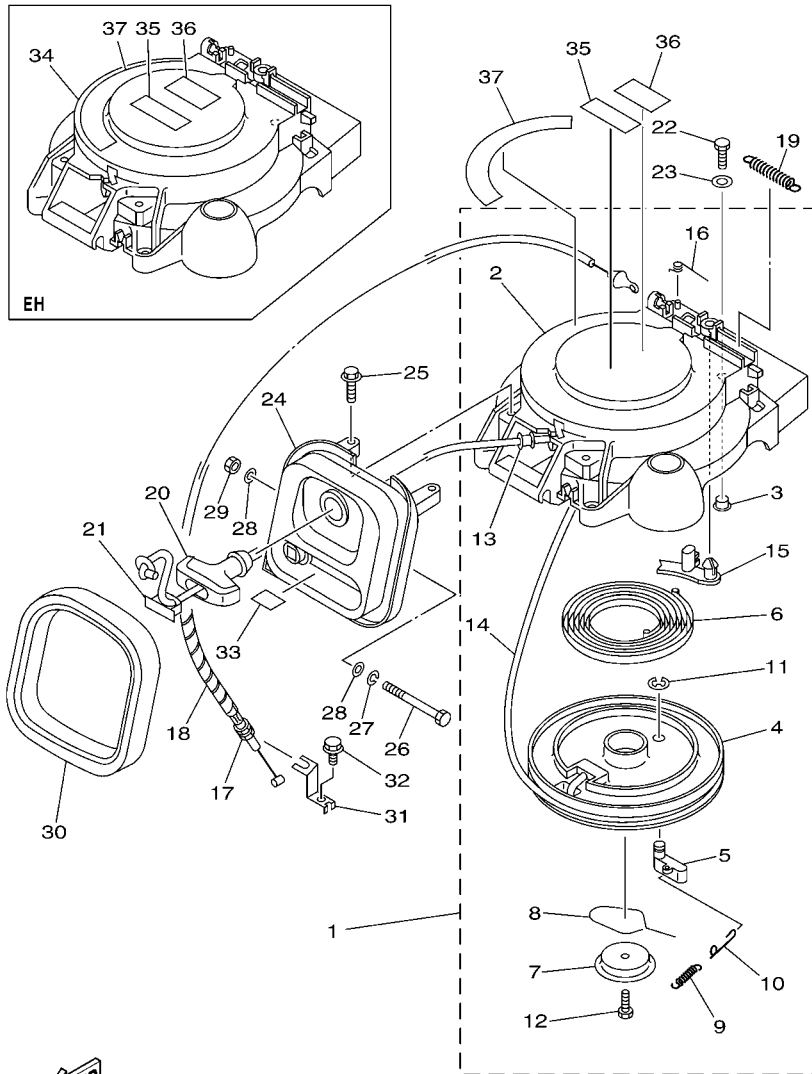


FIG. 10 FUEL 2



REF. NO.	PART NO.	DESCRIPTION	MH	EH	M	REMARKS
1	6Y2-24306-55	FUEL PIPE COMP. 1	1	1		AP FOR USA
2	6E5-24305-05	.FUEL PIPE JOINT COMP. 2	1	1		
3	93210-08287	..O-RING	1	1		
4	6Y2-24305-05	.FUEL PIPE JOINT COMP. 2	1	1		
5	93210-08287	..O-RING	1	1		
6	90445-13M01	.HOSE (L=2050)	1	1		
7	6E5-24351-51	.BAND 1	4	4		
8	90445-13M00	.HOSE (L850)	1	1		
9	6Y2-24360-60	.PRIMER PUMP ASSY	1	1		

  
68R3100-C100

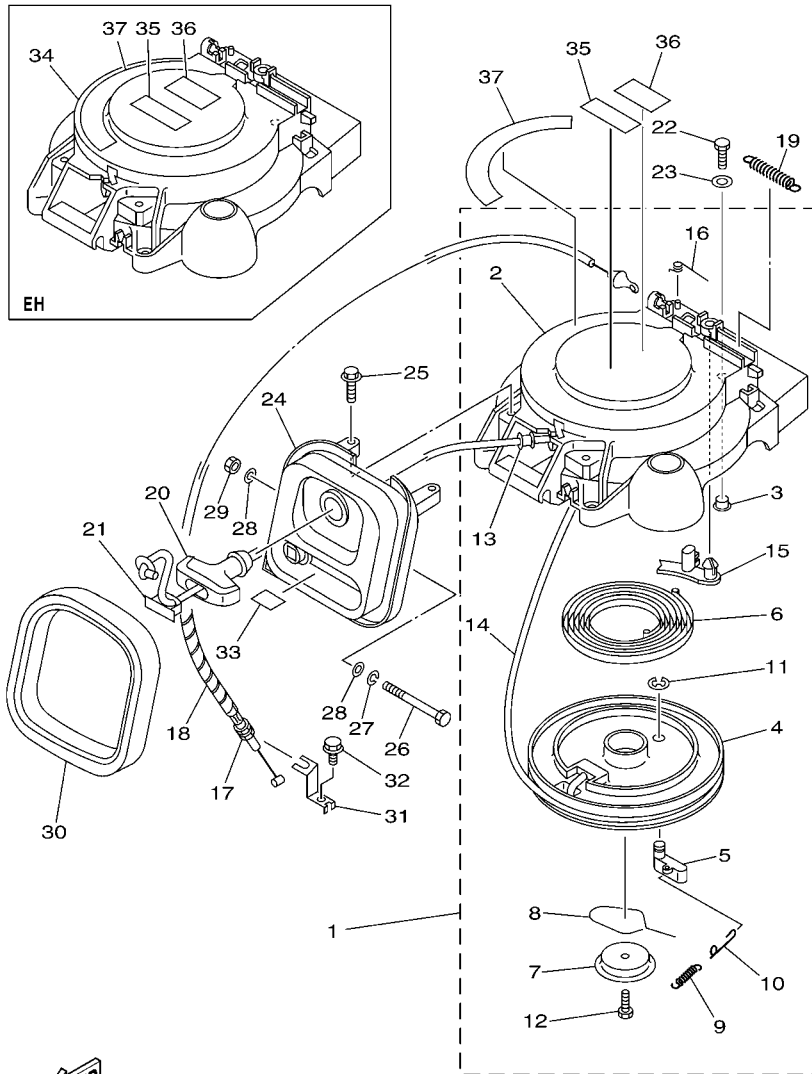


66M3100-C111

\*1: NEW PARTS  
 STARTING SERIAL NO. : 66M-1009198 -  
 \*2: CUT FROM 50M ROLLS,PART NO.90890-44373,CUTTING LENGTH 1.8M

FIG. 11 STARTER

REF. NO.	PART NO.	DESCRIPTION	MH	EH	M	REMARKS
1	66M-15710-01	STARTER ASSY	1		1	
	66M-15710-02	STARTER ASSY	1		1	NEW PARTS *1
2	66M-15711-01	.CASE, STARTER	1		1	
3	90387-06M05	.COLLAR	3		3	
4	63V-15714-00	.DRUM, SHEAVE	1		1	
5	63V-15741-00	.PAWL, DRIVE	1		1	
6	63V-15713-00	.SPRING, STARTER	1		1	
7	63V-15716-00	.PLATE, DRIVE	1		1	
8	63V-15705-01	.SPRING, DRIVE PAWL	1		1	
9	63V-15767-01	.SPRING	1		1	
10	63V-15784-01	.SPRING, RETURN	1		1	
11	63V-15744-00	.CIRCLIP	1		1	
12	63V-15768-00	.BOLT	1		1	
13	63V-15764-00	.COLLAR 1	1		1	
14	*	.WIRE, STARTER (L:1800MM)	1		1	*2
15	66T-15794-00	.STOPPER	1		1	
16	66T-15734-00	.SPRING, RETURN	1		1	
17	66M-15770-00	CABLE COMP., STARTER STOP	1		1	
18	90446-06M90	HOSE (L120)	1		1	
19	66T-15731-00	SPRING, RETURN	1		1	
20	6G1-15755-00	HANDLE, STARTER	1		1	
21	6G1-15779-00	COVER	1		1	
22	97095-06020	BOLT	3	3	3	
23	92995-06600	WASHER	3	3	3	
24	66M-15758-00	GUIDE, ROPE	1		1	
	66M-15758-10	GUIDE, ROPE		1		
25	90119-06M59	BOLT, WITH WASHER	2	2	2	



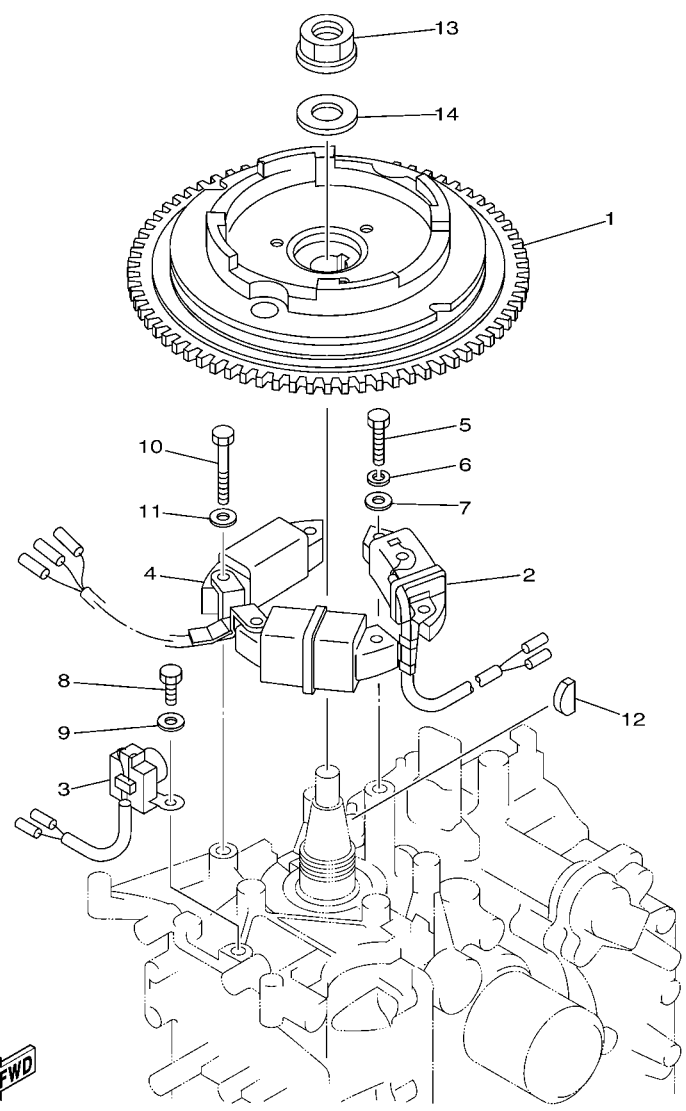
**FWD**  
66M3100-C111

\*1: NEW PARTS  
STARTING SERIAL NO. : 66M-1009198 -  
\*2: CUT FROM 50M ROLLS,PART NO.90890-44373,CUTTING LENGTH 1.8M

**FIG. 11 STARTER**

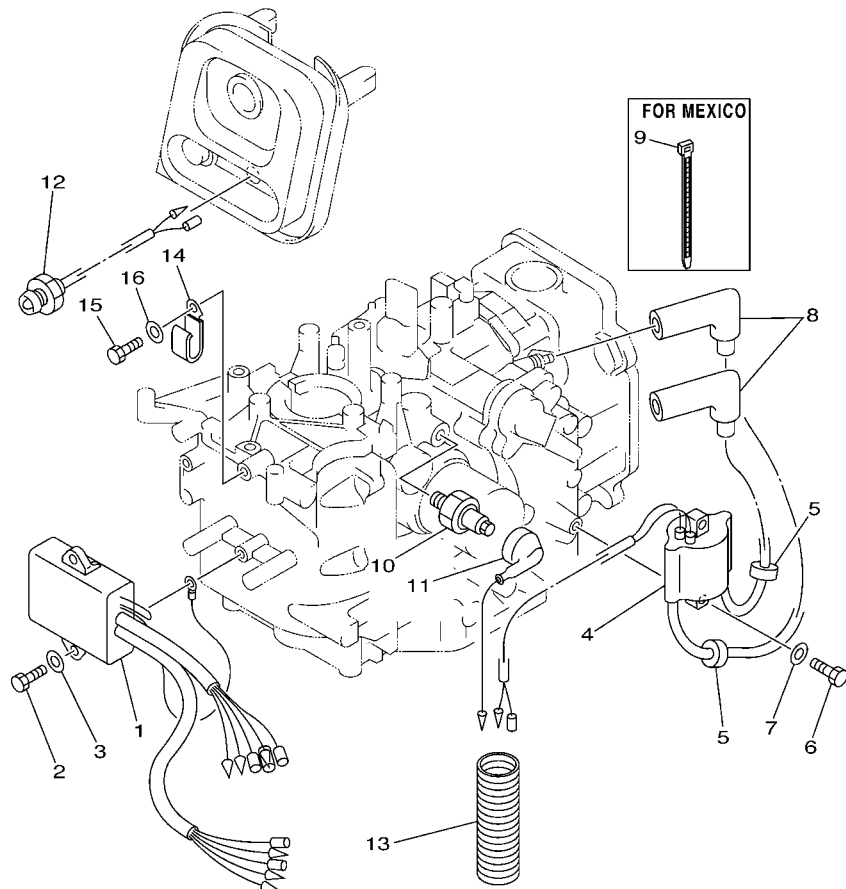
REF. NO.	PART NO.	DESCRIPTION	MH	EH	M	REMARKS
26	97095-06090	BOLT	1	1	1	
27	92995-06100	WASHER, SPRING	1	1	1	
28	90201-06M05	WASHER, PLATE	2	2	2	
29	95380-06700	NUT	1	1	1	
30	66M-15762-00	SEAL, RUBBER 2	1	1	1	
31	66M-15774-00	STAY 4	1		1	
32	90109-06M86	BOLT	1		1	
33	66M-84342-00	SEAT, EMBLEM	1	1	1	
34	66M-15711-10	CASE, STARTER		1		
35	6A1-83625-41	MARK 5	1	1	1	
36	6A1-83625-51	MARK 5	1	1	1	FOR CAN,MEX,BRA
37	66M-14427-40	LABEL, INSTRUCTION	1	1		FOR USA,OCE
	66M-14427-50	LABEL, INSTRUCTION	1	1		FOR CAN
	66M-14427-60	LABEL, INSTRUCTION	1		1	FOR MEX,BRA

FIG. 12 GENERATOR



69B0010-0110

REF. NO.	PART NO.	DESCRIPTION	MH	EH	M	REMARKS
1	66M-85550-10	ROTOR ASSY (WITH RING GEAR)	1	1		MH-FOR USA
	66M-85550-00	ROTOR ASSY (WITHOUT RING GEAR)	1		1	
2	66M-85520-00	COIL, CHARGE	1	1	1	
3	66M-85580-00	COIL, PULSER	1	1	1	
4	66M-85533-00	COIL, LIGHTING	1		1	6A
	66M-85533-10	COIL, LIGHTING		1		10A
5	97095-06025	BOLT	2	2	2	
6	92995-06100	WASHER, SPRING	2	2	2	
7	92995-06600	WASHER	2	2	2	
8	97095-06016	BOLT	2	2	2	
9	92995-06600	WASHER	2	2	2	
10	97095-06030	BOLT	4		4	
	97095-06040	BOLT		4		
11	92995-06600	WASHER	4	4	4	
12	90280-05013	KEY, WOODRUFF	1	1	1	
13	90179-16M05	NUT	1	1	1	
14	90201-16M44	WASHER, PLATE	1	1	1	



66M2100-3130

FIG. 13 ELECTRICAL 1

REF. NO.	PART NO.	DESCRIPTION	MH	EH	M	REMARKS
1	66M-85540-01	C.D.I. UNIT ASSY	1	1		
	66M-85540-10	C.D.I. UNIT ASSY	1		1	FOR MEX,BRA
2	97095-06020	BOLT	2	2	2	
3	92995-06600	WASHER	2	2	2	
4	66M-85570-00	IGNITION COIL ASSY	1	1	1	
5	90480-25161	GROMMET	2	2	2	
6	97095-06020	BOLT	2	2	2	
7	92995-06600	WASHER	2	2	2	
8	6G8-82370-30	PLUG CAP ASSY	2	2	2	
9	90465-13M11	CLAMP			2	FOR MEX
10	62Y-82504-10	OIL PRESSURE SWITCH ASSY	1	1	1	
11	66M-82127-10	WIRE, LEAD 2	1	1	1	
12	65W-85410-01	EMERGENCY SIGNAL LIGHT ASSY	1	1	1	
13	6H1-83557-00	TUBE	1	1	1	
14	90465-06M88	CLAMP	1			
15	97095-06016	BOLT	1			
16	92995-06600	WASHER	1			

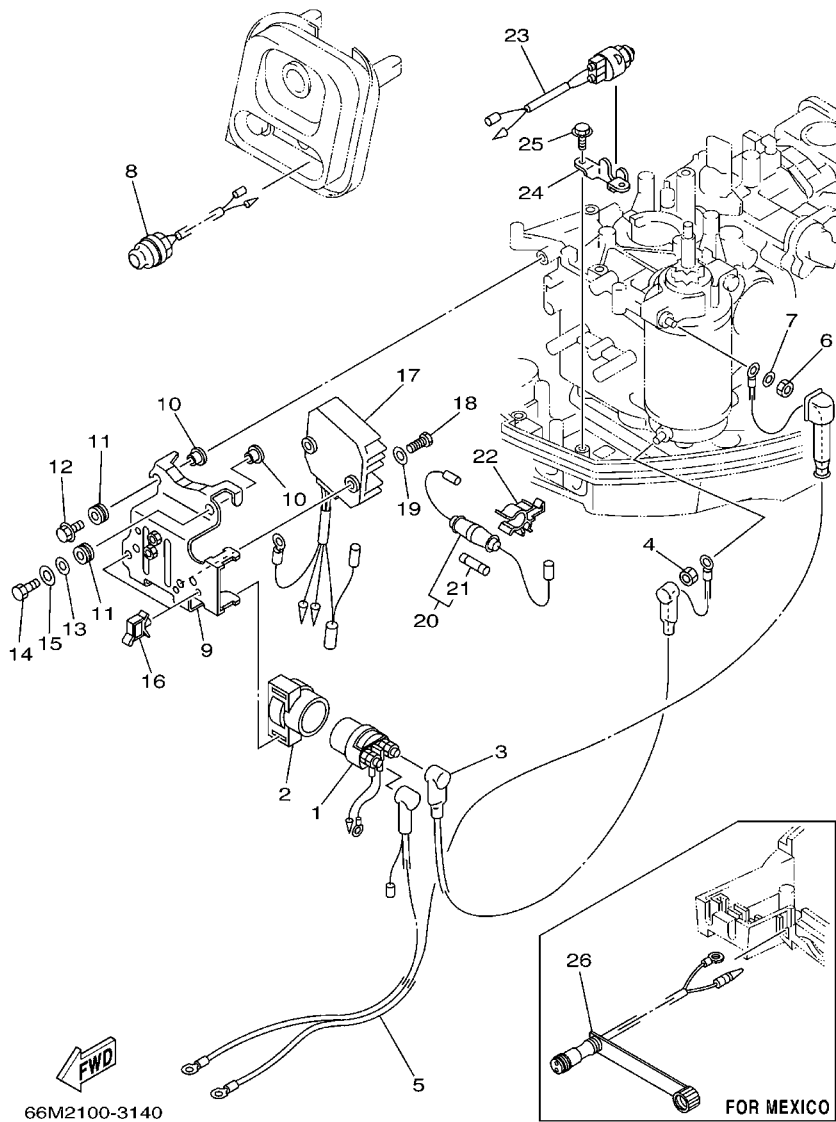


FIG. 14 ELECTRICAL 2

REF. NO.	PART NO.	DESCRIPTION	MH	EH	M	REMARKS
1	6G1-81941-10	STARTER RELAY ASSY		1		
2	6G1-81952-00	HOLDER, RELAY		1		
3	66M-82117-00	WIRE, LEAD		1		
4	65W-8182B-00	NUT, SPECIAL		1		
5	66M-82105-00	WIRE HARNESS		1		
6	95380-08700	NUT		1		
7	92990-08600	WASHER, PLATE		1		
8	65W-81870-00	STARTING SWITCH ASSY		1		
9	66M-85542-10	BRACKET		1		
	66M-85542-00	BRACKET	1	1		FOR MEX,BRA
10	90387-06M05	COLLAR	4	4	4	MH-FOR BRA
11	90480-13M24	GROMMET	4	4	4	MH-FOR BRA
12	95895-06020	BOLT, FLANGE	3	3	3	MH-FOR BRA
13	90201-06M05	WASHER, PLATE	1	1	1	MH-FOR BRA
14	97095-06025	BOLT	1	1	1	MH-FOR BRA
15	92995-06600	WASHER	1	1	1	MH-FOR BRA
16	90464-09M13	CLAMP	2	2	2	MH-FOR BRA
17	6G8-81960-A1	RECTIFIER & REGULATOR ASSY		1		
	6J8-81960-00	RECTIFIER & REGULATOR ASSY	1	1		FOR MEX,BRA
18	97095-06016	BOLT		3		
	97095-06016	BOLT	2	2		FOR MEX,BRA
19	92995-06600	WASHER		3		
	92995-06600	WASHER	2	2		FOR MEX,BRA
20	6G8-82150-00	FUSE HOLDER ASSY		1		
21	663-82151-00	.FUSE (12V-20A)		1		
22	6G5-82152-00	HOLDER, FUSE		1		
23	6H3-82540-00	NEUTRAL SWITCH ASSY		1		

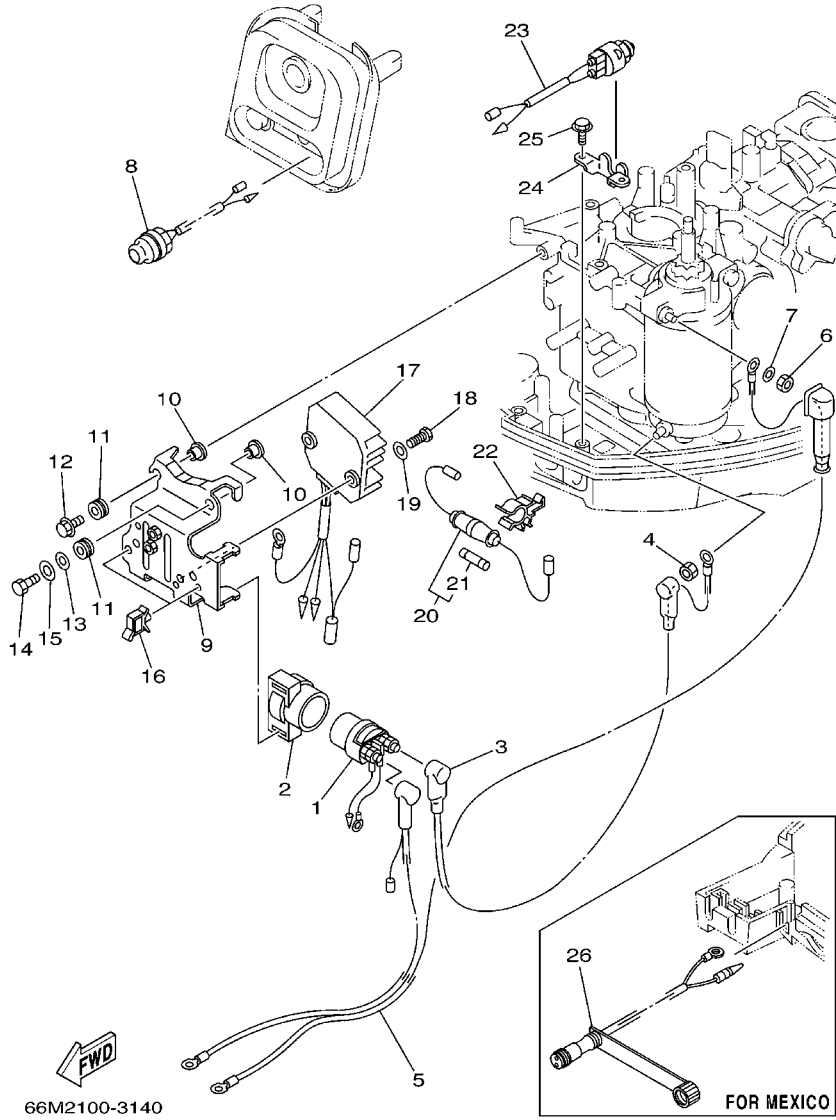
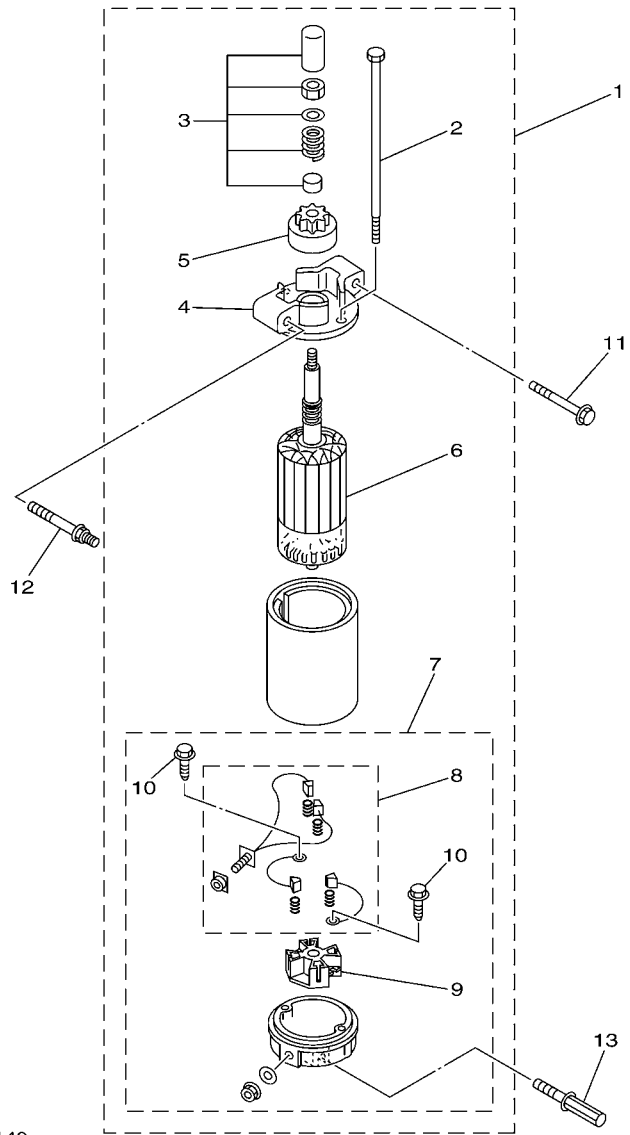


FIG. 14 ELECTRICAL 2

REF. NO.	PART NO.	DESCRIPTION	MH	EH	M	REMARKS
24	6J8-82554-00	STAY, NEUTRAL SWITCH		1		
25	90109-06M86	BOLT		2		
26	689-84340-00	SOCKET CORD ASSY 1			1	FOR MEX
-----						
-----						
-----						
-----						
-----						
-----						
-----						
-----						
-----						
-----						

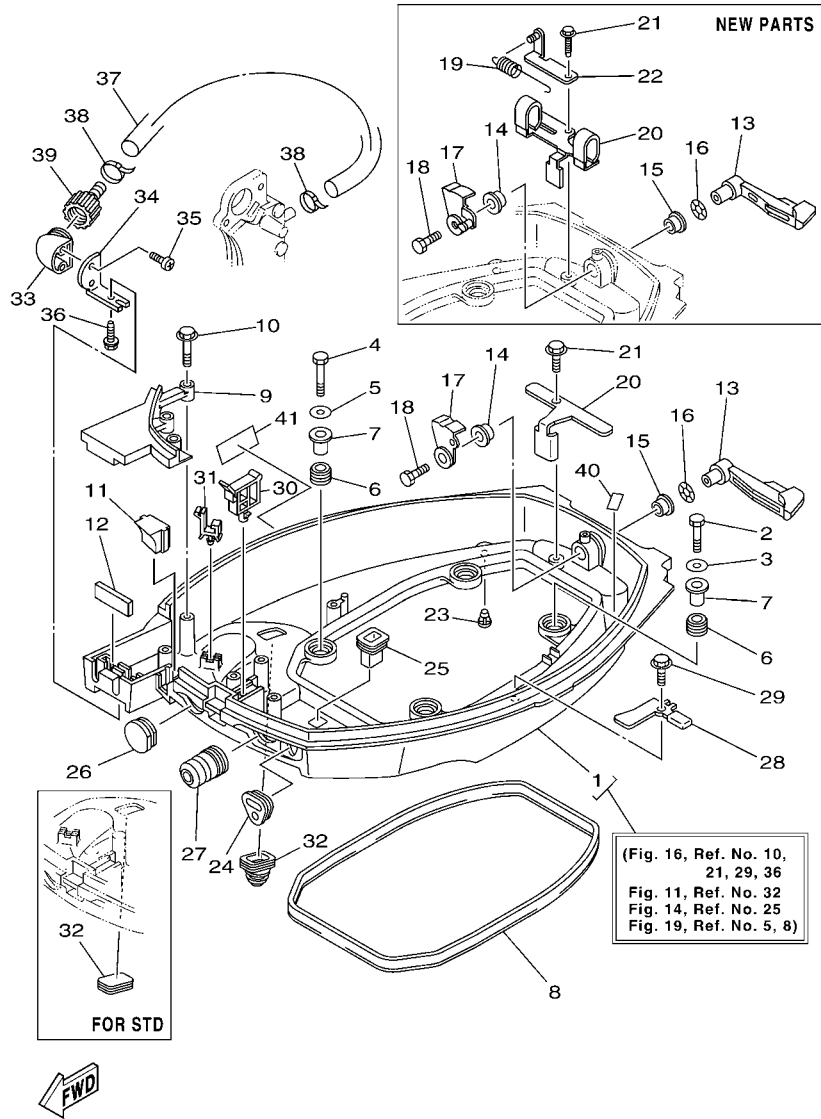


FWD  
66M0010-0140

FIG. 15 STARTING MOTOR

REF. NO.	PART NO.	DESCRIPTION	MH	EH	M	REMARKS
1	66M-81800-01	STARTING MOTOR ASSY		1		
2	65W-81826-00	.BOLT		2		
3	65W-81857-01	.RETAINER		1		
4	66M-81830-00	.FRONT BRACKET ASSY		1		
5	65W-81807-00	.GEAR ASSY, STARTING MOTOR		1		
6	65W-81850-01	.ARMATURE ASSY		1		
7	66M-81820-00	.REAR BRACKET ASSY		1		
8	65W-81801-00	..BRUSH SET		1		
9	65W-81840-00	..BRUSH HOLDER ASSY		1		
10	65W-8182S-00	..SCREW		2		
11	90119-08M39	BOLT, WITH WASHER		1		
12	90109-08M78	BOLT		1		
13	90109-08M85	BOLT		1		





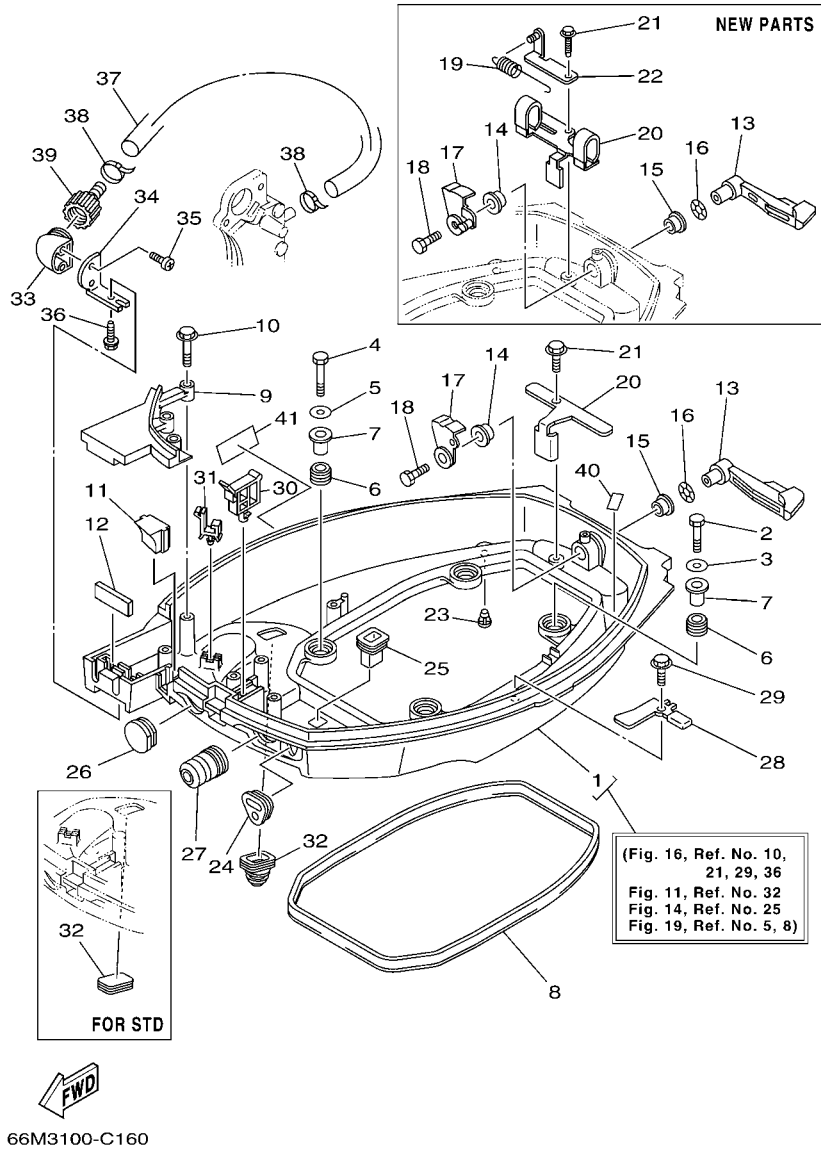
66M3100-C160

\*1: NEW PARTS  
STARTING SERIAL NO. : 66M-1009198 ~

(Fig. 16, Ref. No. 10,  
21, 29, 36  
Fig. 11, Ref. No. 32  
Fig. 14, Ref. No. 25  
Fig. 19, Ref. No. 5, 8)

FIG. 16 BOTTOM COWLING

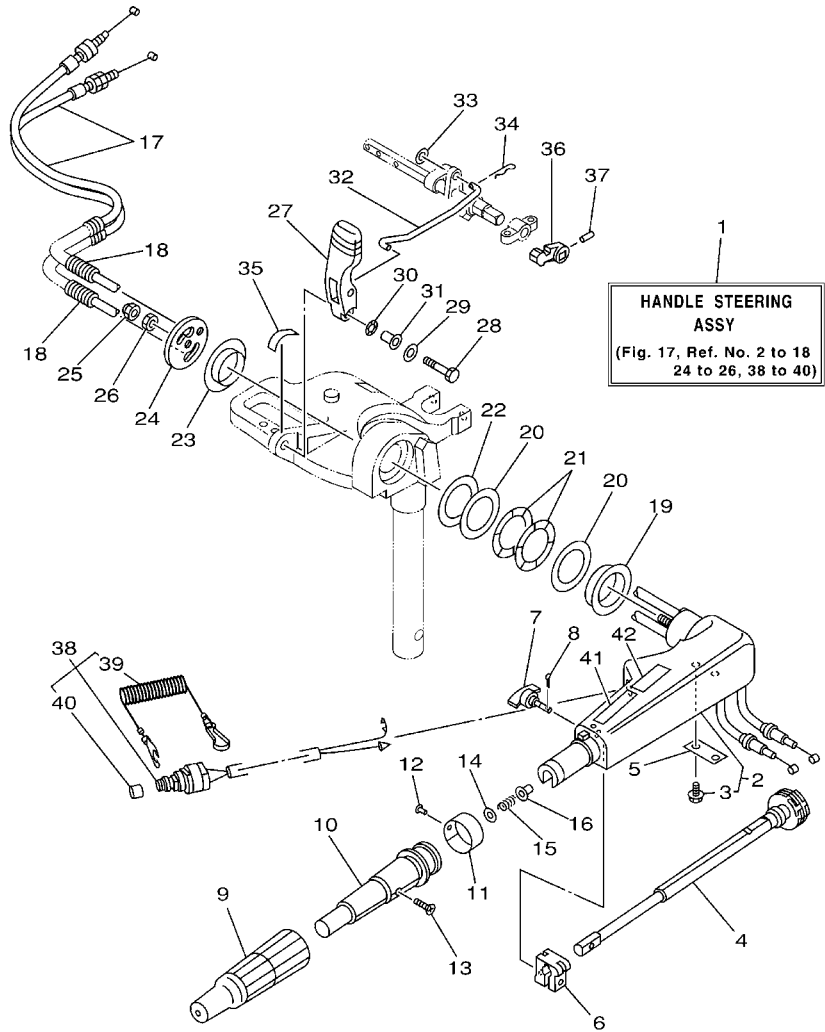
REF. NO.	PART NO.	DESCRIPTION	MH	EH	M	REMARKS
1	66M-42710-04-4D	BOTTOM COWLING ASSY	1	1	1	WITH TAPPING BOLT
	66M-42710-05-4D	BOTTOM COWLING ASSY	1	1	1	WITH TAPPING BOLT *1
2	97095-06035	BOLT	2	2	2	
3	92995-06600	WASHER	2	2	2	
4	97095-06025	BOLT	2	2	2	
5	92995-06600	WASHER	2	2	2	
6	90480-15M31	GROMMET	4	4	4	
7	90387-06034	COLLAR	4	4	4	
8	66M-42716-00	RUBBER, SEAL 1	1	1	1	
9	66M-42738-00-4D	PLATE, FITTING	1	1	1	
10	90109-06M82	BOLT	3	3	3	
11	66M-42725-00	GROMMET	1			
	66M-42725-10	GROMMET		1	1	
12	65W-42727-00	GROMMET	1	1		
	62Y-42727-00	GROMMET			1	FOR MEX
13	66M-42815-00-4D	LEVER, CLAMP	1	1	1	
	6D4-42815-00-4D	LEVER, CLAMP	1	1	1	NEW PARTS *1
14	90386-12M37	BUSH	1	1	1	
15	90386-12MA2	BUSH	1	1	1	
16	90206-12052	WASHER, WAVE	1	1	1	
17	6L2-42816-00	LEVER, CLAMP	1	1	1	
	6D4-42816-00	LEVER, CLAMP	1	1	1	NEW PARTS *1
18	97095-06012	BOLT	1	1	1	
19	90506-18010	SPRING, TENSION	1	1	1	NEW PARTS *1
20	66M-42766-00	BRACKET 2	1	1	1	
	6D4-42766-00	BRACKET 2	1	1	1	NEW PARTS *1
21	90109-06M86	BOLT	1	1	1	



\*1: NEW PARTS  
STARTING SERIAL NO. : 66M-1009198 ~

FIG. 16 BOTTOM COWLING

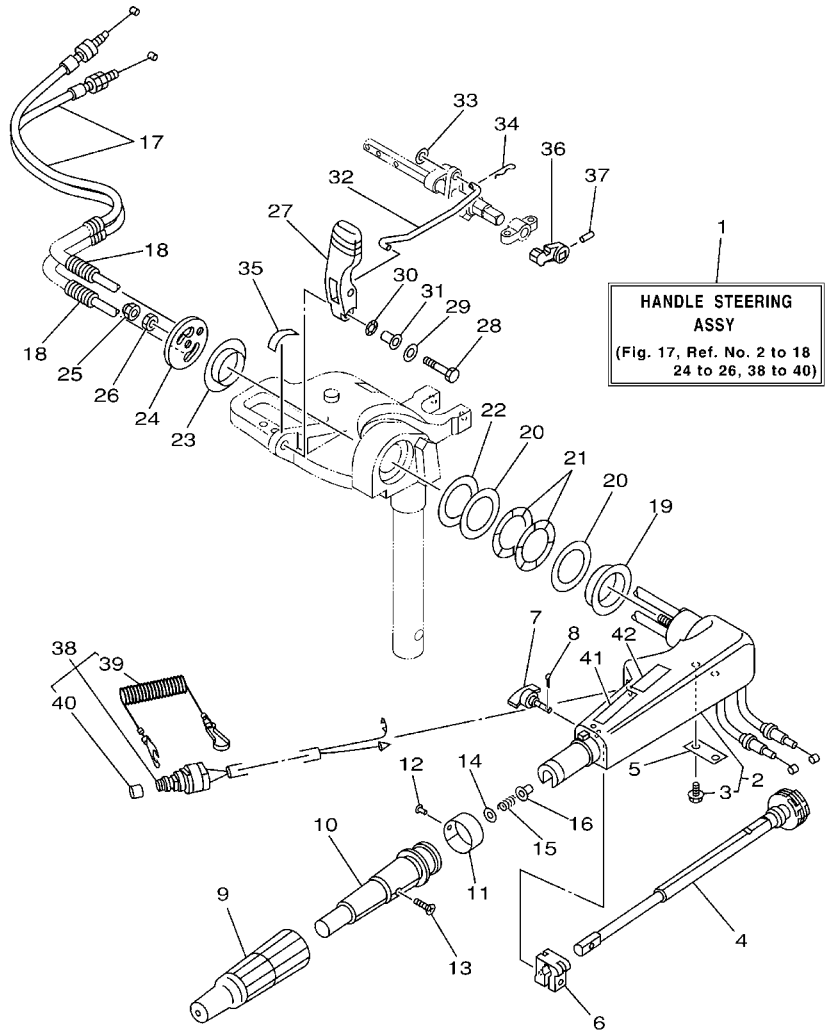
REF. NO.	PART NO.	DESCRIPTION	MH	EH	M	REMARKS
21	90109-06M81	BOLT	1	1	1	NEW PARTS *1
22	6D4-43144-00	HOOK, SPRING	1	1	1	NEW PARTS *1
23	6H3-44391-01	NIPPLE, HOSE	1	1	1	
24	66M-26326-00	GROMMET	1	1		
	65W-26326-10	GROMMET			1	FOR MEX
25	682-42727-00	GROMMET	1	1	1	
26	682-42724-00	GROMMET	1	1	1	
27	65W-42726-00	GROMMET	1	1		
	65W-42726-10	GROMMET			1	FOR MEX
28	66M-42743-00	BRACKET	2	2	2	
29	90109-06M86	BOLT	2	2	2	
30	90465-25M57	CLAMP	1	1	1	
31	90464-09M13	CLAMP	1	1	1	
32	688-42726-10	GROMMET	1	1		FLUSHING KIT
	6H4-42726-00	GROMMET	1		1	STD
33	68T-12572-00	ADAPTER	1	1		FLUSHING KIT
34	69W-12535-00	PLATE	1	1		FLUSHING KIT
35	90167-06002	SCREW, TAPPING	2	2		FLUSHING KIT
36	90109-06M86	BOLT	1	1		FLUSHING KIT
37	66M-12481-00	PIPE 1	1	1		FLUSHING KIT
38	90465-11M10	CLAMP	2	2		FLUSHING KIT
39	6R3-12580-00	JOINT ASSY	1	1		FLUSHING KIT
40	62Y-82377-00	LABEL	1	1	1	
41	6G8-13444-41	MARK	1	1		FOR USA,OCE
	6G8-13444-51	MARK	1	1	1	FOR CAN,MEX,BRA



66M1100-2170

FIG. 17 STEERING

REF. NO.	PART NO.	DESCRIPTION	MH	EH	M	REMARKS
1	66M-W0084-00-4D	HANDLE STEERING ASSY	1	1		
2	65W-42101-01-4D	HANDLE, STEERING	1	1		
3	90109-06M86	.BOLT	2	2		
4	65W-42138-00	LEVER, THROTTLE	1	1		
5	65W-42159-00	STAY	1	1		
6	6G1-42126-00	FRICITION, STEERING HANDLE GRIP	1	1		
7	65W-42125-00	BOLT, FRICTION ADJUSTING	1	1		
8	91490-16010	PIN, COTTER	1	1		
9	66M-42177-00	RUBBER, HANDLE	1	1		
10	66M-42119-00	GRIP, STEERING HANDLE	1	1		
11	689-42137-20	INDICATOR, THROTTLE	1	1		
12	90269-02M09	RIVET	1	1		
13	90149-05M13	SCREW	1	1		
14	92903-10600	WASHER, PLATE	1	1		
15	90501-23215	SPRING, COMPRESSION	1	1		
16	90386-08032	BUSH	1	1		
17	66M-26311-00	CABLE, THROTTLE 1	2	2		
18	90446-10M87	HOSE (L75)	2	2		
19	90386-40MA0	BUSH	1	1		
20	90201-43M00	WASHER, PLATE	2	2		
21	90206-43M22	WASHER, WAVE	2	2		
22	90202-43M57	WASHER, PLATE	1	1		
23	90386-40M99	BUSH	1	1		
24	66M-42131-01	COVER, HANDLE STEERING	1	1		
25	95780-10300	NUT, FLANGE	1	1		
26	95380-10700	NUT	1	1		
27	66M-44111-01	HANDLE, GEAR SHIFT	1	1		



**HANDLE STEERING  
ASSY**  
(Fig. 17, Ref. No. 2 to 18  
24 to 26, 38 to 40)

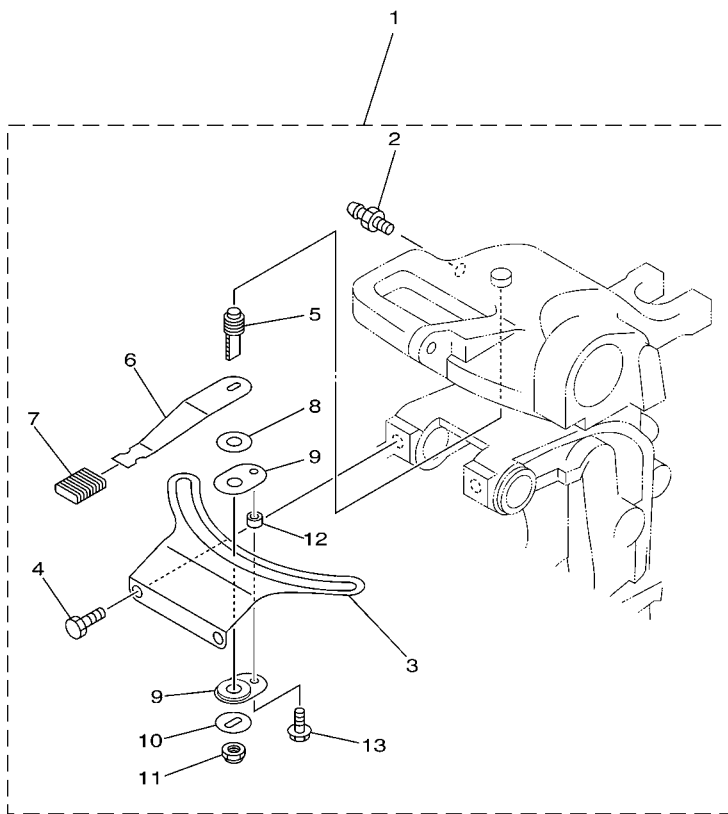


66M1100-2170

**FIG. 17 STEERING**

REF. NO.	PART NO.	DESCRIPTION	MH	EH	M	REMARKS
28	97095-06030	BOLT	1	1		
29	92995-06600	WASHER	1	1		
30	90206-10M04	WASHER, WAVE	1	1		
31	90387-06M78	COLLAR	1	1		
32	66M-44124-00	LINK, SHIFT ROD	1	1		
33	92990-06200	WASHER, PLAIN	1	1		
34	90468-18008	CLIP	1	1		
35	6E0-44191-11	INDICATOR, SHIFT	1	1		
36	65W-44173-00	LEVER, SHIFT CONTROL		1		FOR NEUTRAL SW.
37	90254-03M05	PIN, SPRING		1		FOR NEUTRAL SW.
38	65W-82575-01	ENGINE STOP SWITCH ASSY	1	1		
39	682-82556-00	.STOPPER	1	1		
40	689-8257Y-00	.CAP	1	1		
41	6E0-83627-41	LABEL, CAUTION 7	1	1		
42	6E0-83627-51	LABEL, CAUTION 7	1	1		FOR CAN,BRA

FIG. 18 STEERING FRICTION

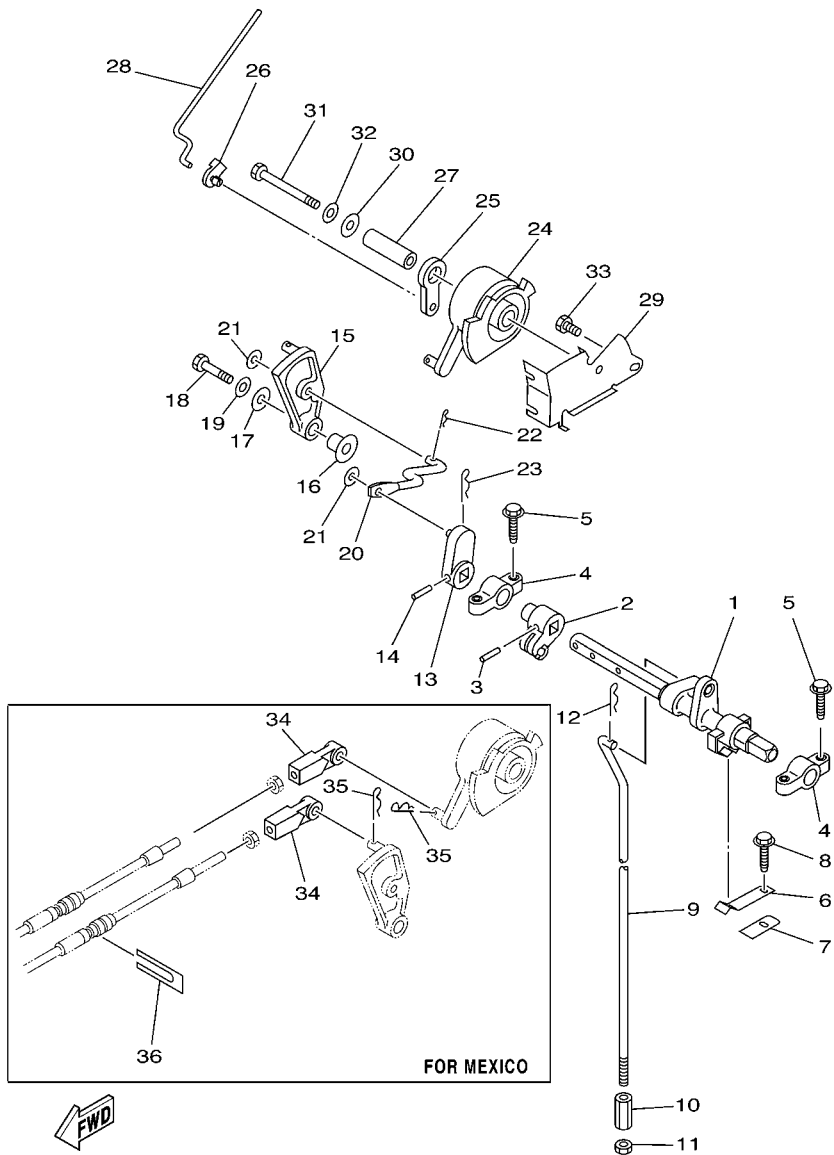


REF. NO.	PART NO.	DESCRIPTION	MH	EH	M	REMARKS
1	66M-42508-01	STEERING FRICTION ASSY	1	1		FOR USA,CAN
2	93700-06M03	.NIPPLE, GREASE	1	1		
3	66M-42527-00	.PLATE, FRICTION	1	1		
4	90109-08M91	.BOLT	2	2		
5	65W-42562-00	.SHAFT, STEERING LOCK	1	1		
6	66M-42561-00	.KNOB, STEERING LOCK	1	1		
7	689-43633-00	.COVER, TILT LEVER	1	1		
8	90202-10M56	.WASHER, PLATE	1	1		
9	65W-42528-00	.PLATE, FRICTION	2	2		
10	90209-10M26	.WASHER	1	1		
11	90185-10M14	.NUT, SELF-LOCKING	1	1		
12	90387-05M11	.COLLAR	1	1		
13	90119-05M03	.BOLT, WITH WASHER	1	1		



66M0010-8170

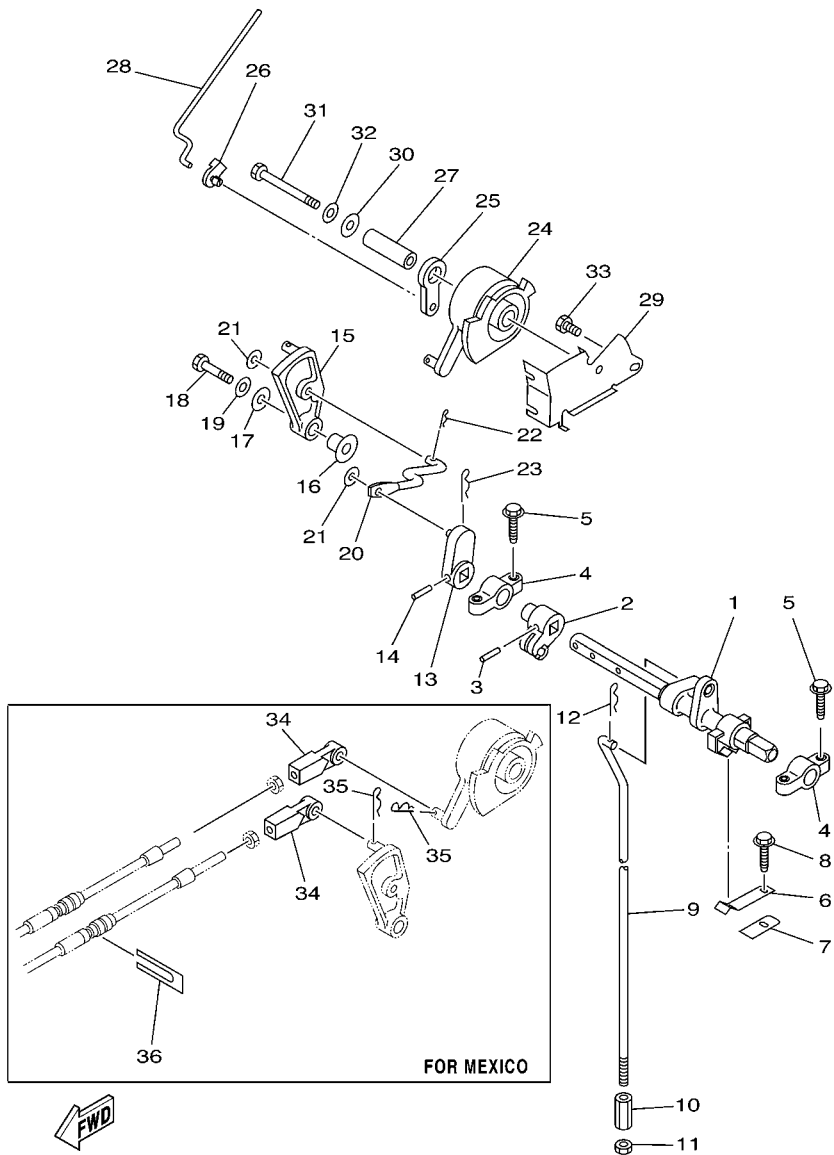
FIG. 19 CONTROL



**FWD**  
66M2100-3190

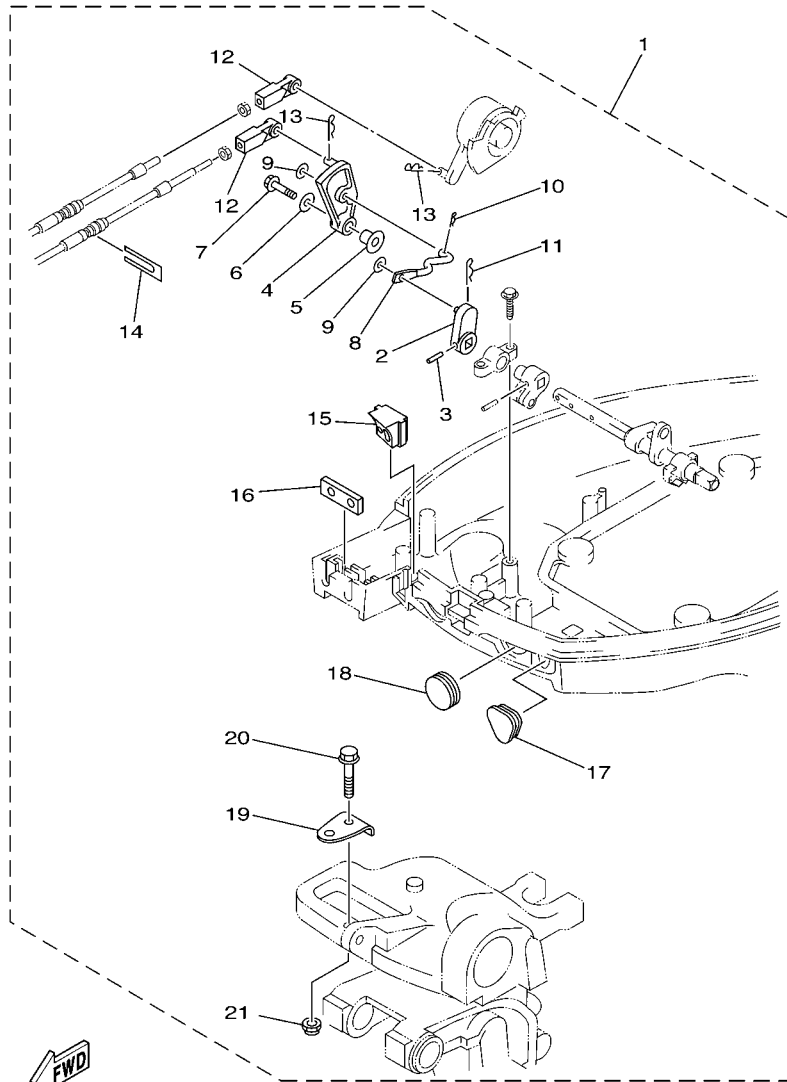
REF. NO.	PART NO.	DESCRIPTION	MH	EH	M	REMARKS
1	65W-44121-00	LEVER, SHIFT ROD	1	1	1	
2	66M-44122-00	BUSHING, SHIFT ROD LEVER	1	1	1	
3	90254-03M05	PIN, SPRING	1	1	1	
4	6F5-41662-00	BRACKET	2	2	2	
5	90109-06M81	BOLT	4	4	4	
6	65W-44116-00	SPRING	1	1	1	
7	66R-44114-00	STOPPER	1	1	1	
8	90109-06M86	BOLT	1	1	1	
9	66M-44143-00	ROD, SHIFT	1	1		S
	66M-44143-10	ROD, SHIFT	1	1	1	L
10	90170-06015	NUT	1	1	1	
11	95380-06700	NUT	1	1	1	
12	90468-18008	CLIP	1	1	1	
13	65W-44142-00	JOINT	1	1	1	MH-EXCEPT BRA
14	90254-03M05	PIN, SPRING	1	1	1	MH-EXCEPT BRA
15	65W-44125-00	LEVER, SHIFT ROD	1	1	1	MH-EXCEPT BRA
16	90387-06M29	COLLAR	1	1	1	MH-EXCEPT BRA
17	90201-06M31	WASHER, PLATE	1	1	1	MH-EXCEPT BRA
18	97095-06025	BOLT	1	1	1	MH-EXCEPT BRA
19	92995-06600	WASHER	1	1	1	MH-EXCEPT BRA
20	66M-44192-00	JOINT, ROD 1	1	1	1	MH-EXCEPT BRA
21	90201-05M06	WASHER, PLATE	2	2	2	MH-EXCEPT BRA
22	90468-10005	CLIP	1	1	1	MH-EXCEPT BRA
23	90468-18008	CLIP	1	1	1	MH-EXCEPT BRA
24	65W-41638-00	PULLEY	1	1	1	
25	65W-41283-00	LEVER, FREE ACCEL.	1	1	1	
26	661-41262-02	JOINT, CHOKE LEVER	1	1	1	

FIG. 19 CONTROL



66M2100-3190

REF. NO.	PART NO.	DESCRIPTION	MH	EH	M	REMARKS
27	90387-06064	COLLAR	1	1	1	
28	66M-41211-00	LINK, ACCEL.	1	1	1	
29	65W-14497-01	STAY, THROTTLE WIRE	1	1	1	
30	90201-06M31	WASHER, PLATE	1	1	1	
31	97095-06055	BOLT	1	1	1	
32	92995-06600	WASHER	1	1	1	
33	97095-06010	BOLT	1	1	1	
34	663-48344-00	CABLE END, REMOTE CONTROL			2	FOR MEX
35	90468-18008	CLIP			2	FOR MEX
36	6H3-48538-00	CLAMP, CABLE 1			1	FOR MEX



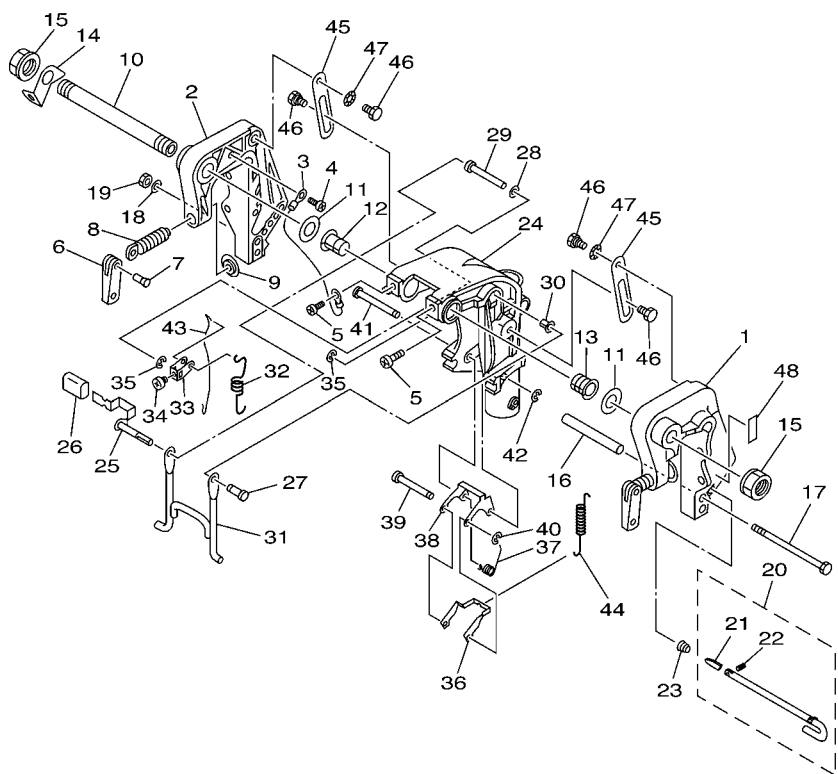
66M0010-9190

FIG. 20 REMO CON ATTACHMENT

REF. NO.	PART NO.	DESCRIPTION	MH	EH	M	REMARKS
1	66M-48501-00	REMOTE CONT. ATTACHMENT ASSY.	1	1		AP
2	65W-44142-00	.JOINT	1	1		
3	90254-03M05	.PIN, SPRING	1	1		
4	65W-44125-00	.LEVER, SHIFT ROD	1	1		
5	90387-06M29	.COLLAR	1	1		
6	90201-06M31	.WASHER, PLATE	1	1		
7	97595-06525	.BOLT, WITH WASHER	1	1		
8	66M-44192-00	.JOINT, ROD 1	1	1		
9	90201-05M06	.WASHER, PLATE	2	2		
10	90468-10005	.CLIP	1	1		
11	90468-18008	.CLIP	1	1		
12	663-48344-00	.CABLE END, REMOTE CONTROL	2	2		
13	90468-18008	.CLIP	2	2		
14	6H3-48538-00	.CLAMP, CABLE 1	1	1		
15	66M-42725-20	.GROMMET	1	1		
16	62Y-42727-00	.GROMMET	1	1		
17	65W-26326-10	.GROMMET	1	1		
18	65W-42726-10	.GROMMET	1	1		
19	63V-48511-01	.HOOK, STEERING	1	1		
20	97575-08535	.BOLT, WITH WASHER	1	1		
21	90185-08057	.NUT, SELF-LOCKING	1	1		



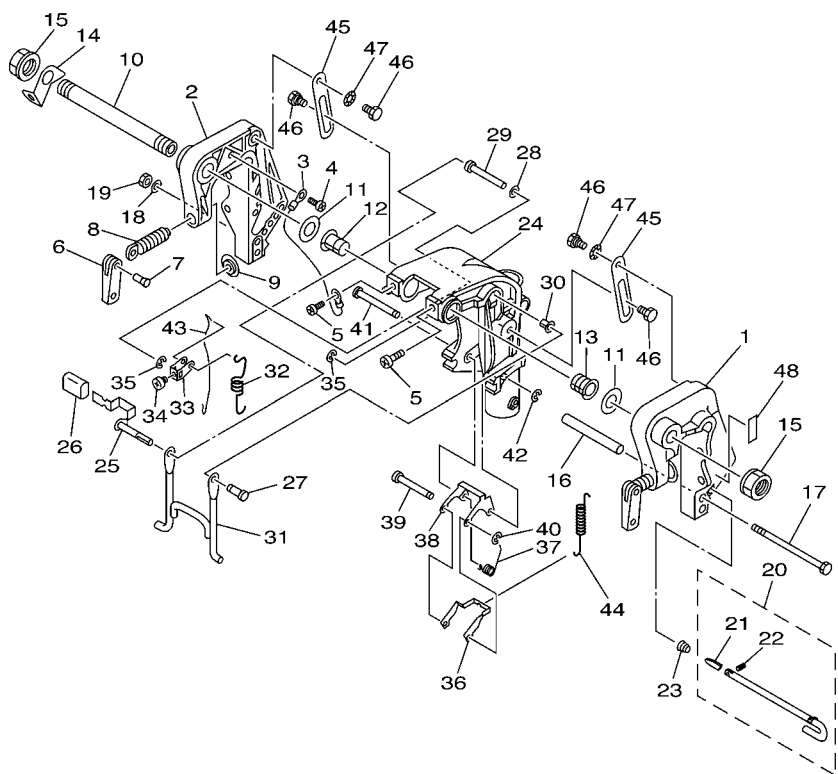
FIG. 21 BRACKET 1



66M3100-C210

REF. NO.	PART NO.	DESCRIPTION	MH	EH	M	REMARKS
1	63V-43111-06-4D	BRACKET, CLAMP	1	1	1	
2	63V-43112-07-4D	BRACKET, CLAMP	1	1	1	
3	66M-82148-00	WIRE, LEAD 4	1	1	1	
4	97885-06008	SCREW, PAN HEAD	1	1	1	
5	97885-08010	SCREW, PAN HEAD	2		2	EXCEPT USA,CAN
6	6E0-43118-01	HANDLE, TRANSOM CLAMP	2	2	2	
7	90243-04M01	PIN	2	2	2	
8	6E7-43116-00	SCREW, TRANSOM CLAMP	2	2	2	
9	648-43114-01	PAD, TRANSOM CLAMP	2	2	2	
10	63W-43131-01	BOLT, CLAMP BRACKET	1	1		
	63W-43131-10	BOLT, CLAMP BRACKET	1		1	RIDE GUIDE
11	90202-22M54	WASHER, PLATE	2	2	2	
12	90386-22M94	BUSH	1	1	1	
13	90386-22M94	BUSH	1	1	1	
14	66R-43113-00	PLATE, CLAMP BRACKET	1	1	1	
15	90185-22043	NUT, SELF-LOCKING	2	2	2	
16	90387-06M13	COLLAR	1	1	1	
17	90101-06M29	BOLT	1	1	1	
18	92995-06600	WASHER	1	1	1	
19	95380-06700	NUT	1	1	1	
20	66M-43160-01	TILT ROD ASSY	1	1	1	
21	689-43165-00	.PLATE, TILT LOCK	1	1	1	
22	91690-30008	.PIN, SPRING	1	1	1	
23	90502-10M07	SPRING, CONICAL	1	1	1	
24	63V-43311-03-4D	BRACKET, SWIVEL 1	1	1		S
	66M-43311-10-4D	BRACKET, SWIVEL 1	1	1	1	L
25	66M-43630-01	TILT LEVER ASSY	1	1	1	

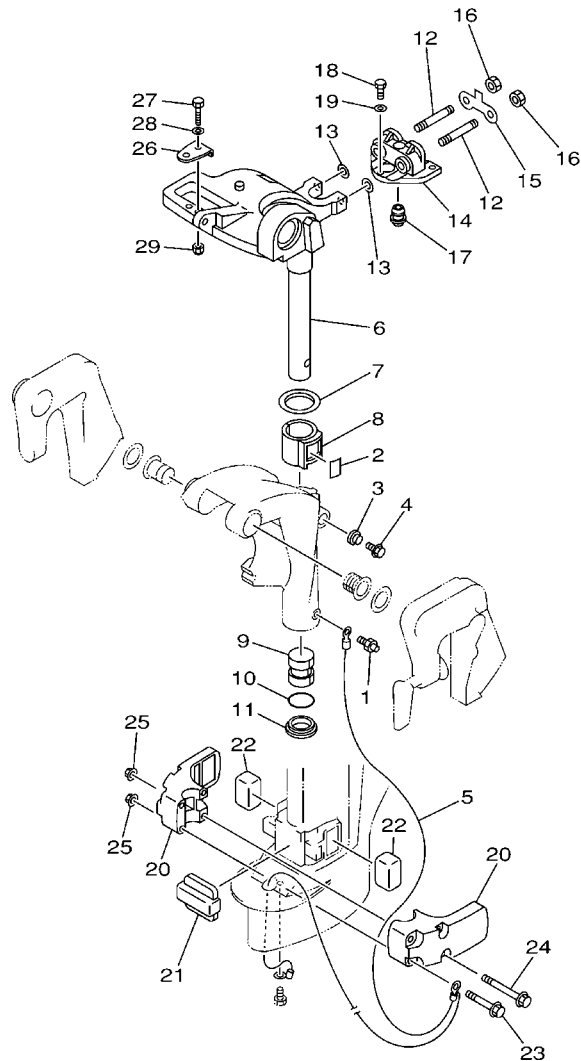
FIG. 21 BRACKET 1



REF. NO.	PART NO.	DESCRIPTION	MH	EH	M	REMARKS
26	682-43318-01	COVER	1	1	1	
27	63V-43191-00	SHAFT, STOPPER	1	1	1	
28	90202-07M60	WASHER, PLATE	1	1	1	
29	90387-07M07	COLLAR	1	1	1	
30	90386-07M95	BUSH	1	1	1	
31	66M-43350-01	RECEIVER ASSY	1	1	1	
32	90507-20M00	SPRING, TENSION	1	1	1	
33	63V-43641-01	LEVER, TILT	1	1	1	
34	90157-05014	SCREW, PAN HEAD	1	1	1	
35	99080-05600	CIRCLIP	2	2	2	
36	63V-43614-10	PLATE, TILT LOCK	1	1	1	
37	90508-18M41	SPRING, TORSION	1	1	1	
38	66R-43615-00	PLATE, TILT LOCK	1	1	1	
39	66R-43611-00	SHAFT, TILT LOCK	1	1	1	
40	93430-04M03	CIRCLIP	1	1	1	
41	63V-43659-00	SHAFT, REVERSE LOCK	1	1	1	
42	99080-05600	CIRCLIP	1	1	1	
43	66R-43617-00	ROD, TILT LOCK	1	1	1	
44	63V-43656-00	SPRING, REVERSE LOCK 1	1	1	1	
45	63V-43181-00	LEVER, TILT STOP	2	2	2	
46	90109-06M84	BOLT	4	4	4	
47	90206-10M24	WASHER, WAVE	2	2	2	
48	63V-82377-50	LABEL (SPARK,IGNITION)	1	1		FOR CAN



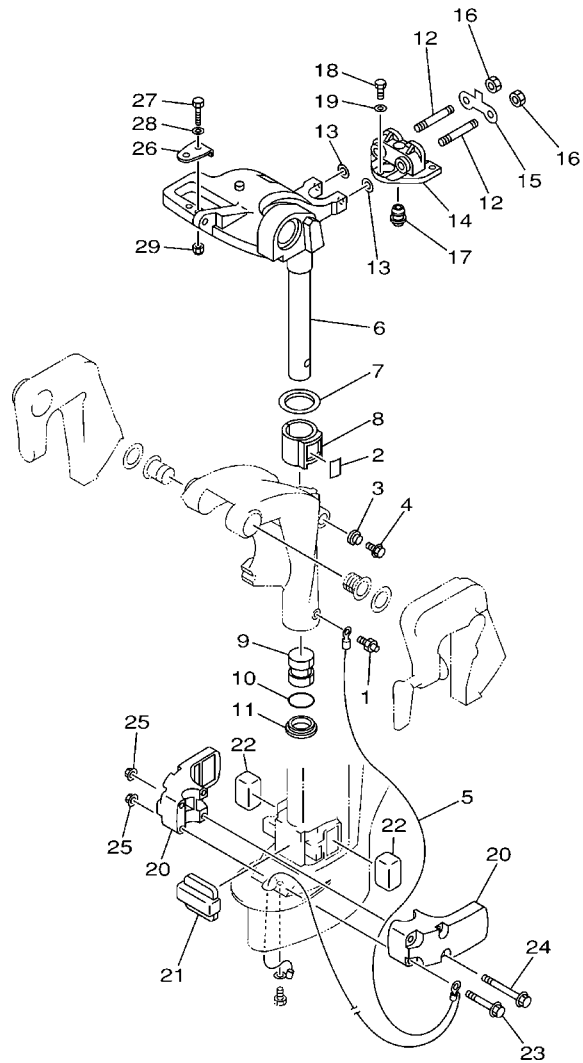
66M3100-C210



66M0300-1200

FIG. 22 BRACKET 2

REF. NO.	PART NO.	DESCRIPTION	MH	EH	M	REMARKS
1	93700-06M03	NIPPLE, GREASE	1	1	1	
2	63V-42528-00	PLATE, FRICTION	1	1	1	
3	689-43373-01	SEAL, DAMPER	1	1	1	
4	90105-06M07	BOLT, FLANGE	1	1	1	
5	66M-82127-00	WIRE, LEAD 2	1	1	1	
6	66M-42511-01-4D	BRACKET, STEERING	1	1		S
	66M-42511-11-4D	BRACKET, STEERING	1	1	1	L
7	90209-40008	WASHER	1	1	1	
8	65F-42537-00	BUSHING, PIVOT SHAFT	1	1	1	
9	90386-30048	BUSH	1	1	1	
10	93210-29M94	O-RING	1	1	1	
11	90386-30M60	BUSH	1	1	1	
12	90116-08M54	BOLT, STUD	2	2	2	
13	90201-08M06	WASHER, PLATE	2	2	2	
14	66M-44514-00-4D	MOUNT DAMPER, UPPER SIDE	1	1	1	
15	66M-44526-00	PLATE	1	1	1	
16	95380-08600	NUT	2	2	2	
17	66M-44366-00	DAMPER, WATER SEAL	1	1	1	
18	97075-06025	BOLT	3	3	3	
19	92995-06600	WASHER	3	3	3	
20	66M-44551-00-4D	HOUSING, LOWER MOUNT RUBBER	2	2	2	
21	66M-44557-00	MOUNT DAMPER, LOWER FRONT	1	1	1	
22	682-44555-30	MOUNT DAMPER, LOWER SIDE	2	2	2	
23	90119-08M45	BOLT, WITH WASHER	2	2	2	
24	90119-08M46	BOLT, WITH WASHER	2	2	2	
25	90179-08M34	NUT	4	4	4	
26	63V-48511-01	HOOK, STEERING			1	FOR MEX

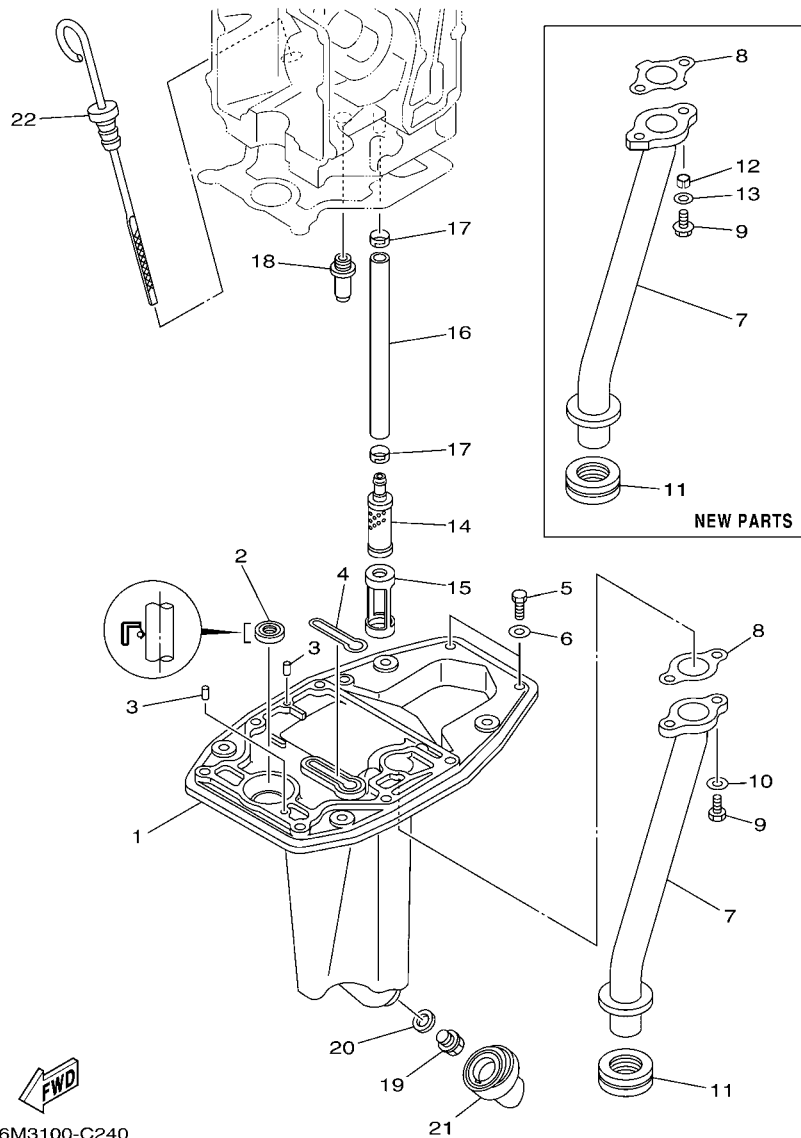


66M0300-1200

FIG. 22 BRACKET 2

REF. NO.	PART NO.	DESCRIPTION	MH	EH	M	REMARKS
27	97075-08035	BOLT			1	FOR MEX
28	92995-08600	WASHER			1	FOR MEX
29	90185-08057	NUT, SELF-LOCKING			1	FOR MEX
-----						
-----						
-----						
-----						
-----						
-----						
-----						
-----						
-----						



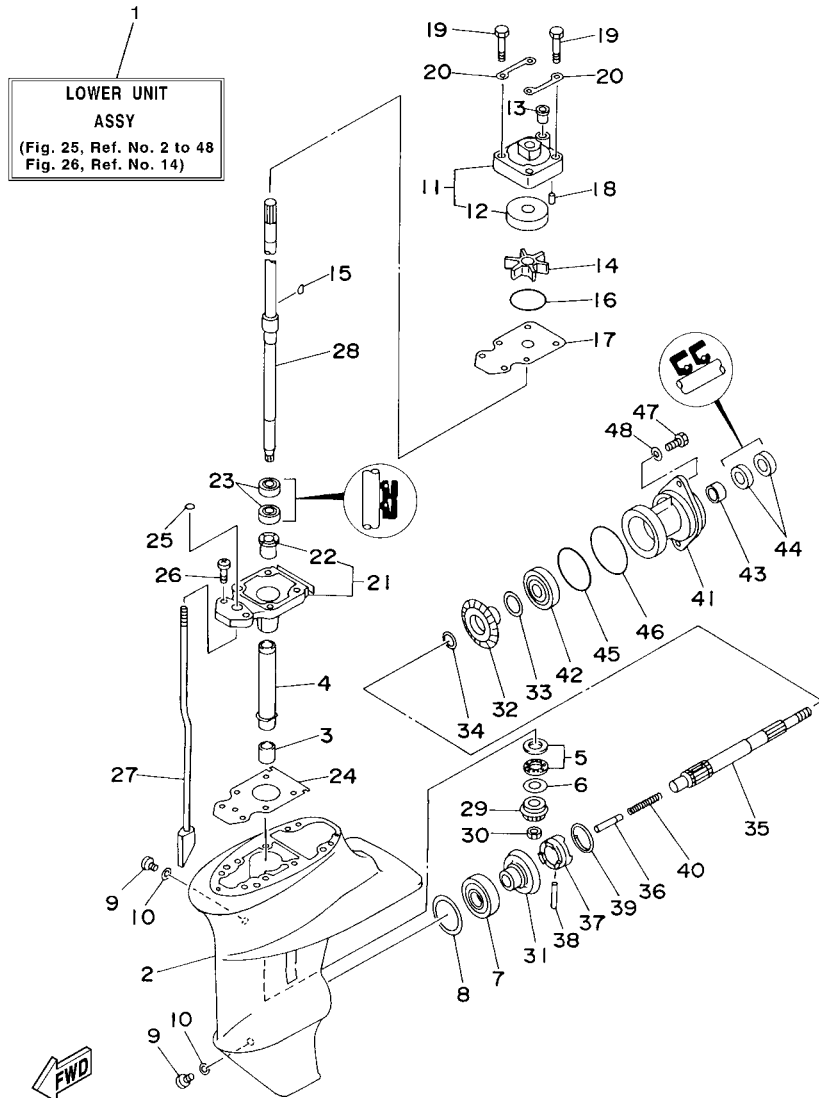


66M3100-C240

\*1: NEW PARTS  
STARTING SERIAL NO. : 66M-1009198 ~

FIG. 24 OIL PAN

REF. NO.	PART NO.	DESCRIPTION	MH	EH	M	REMARKS
1	66M-41137-00-5B	GUIDE, EXHAUST	1	1	1	
2	93101-12M63	OIL SEAL	1	1	1	
3	93606-12019	PIN, DOWEL	2	2	2	
4	66M-11355-00	SEAL, CYLINDER 1	1	1	1	
5	97095-06020	BOLT	2	2	2	
6	92995-06600	WASHER	2	2	2	
7	66M-41131-01-94	MANIFOLD, EXT. 1	1	1	1	
	6D4-41131-00-94	MANIFOLD, EXT. 1	1	1	1	NEW PARTS *1
8	66M-41133-00	GASKET, EXHAUST MANIFOLD 1	1	1	1	
	66M-41133-01	GASKET, EXHAUST MANIFOLD 1	1	1	1	NEW PARTS *1
9	97095-06016	BOLT	2	2	2	
	90119-06090	BOLT, WITH WASHER	2	2	2	NEW PARTS *1
10	92995-06600	WASHER	2	2	2	OLD PARTS
11	66M-41138-00	SEAL, EXT. 1	1	1	1	
	6D4-41138-00	SEAL, EXT. 1	1	1	1	NEW PARTS *1
12	90387-05008	COLLAR	2	2	2	NEW PARTS *1
13	90201-06015	WASHER, PLATE	2	2	2	NEW PARTS *1
14	66M-13421-00	STRAINER 2	1	1	1	
15	66M-13417-00	COVER, STRAINER	1	1	1	
16	66M-13416-00	PIPE, OIL 1	1	1	1	
17	66M-24351-00	BAND 1	2	2	2	
18	6G8-11575-00	RELIEF VALVE ASSY	1	1	1	
19	90340-14M06	PLUG, STRAIGHT SCREW	1	1	1	
20	90430-14M09	GASKET	1	1	1	
21	66M-15316-00	DAMPER, ENGINE MOUNT 1	1	1	1	
22	66M-15362-00	PLUG, OIL LEVEL	1	1	1	

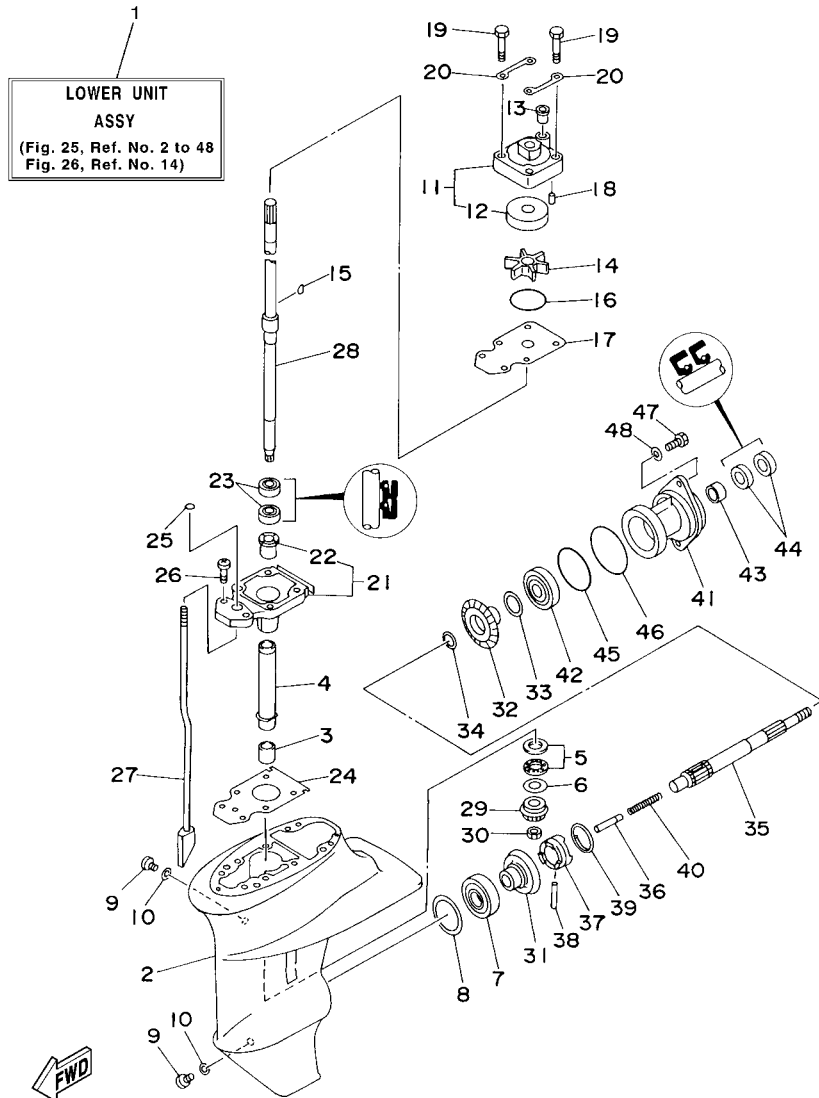


66M3100-C250

\*1: NEW PARTS  
STARTING SERIAL NO. : 66M-1009198 ~

FIG. 25 LOWER CASING & DRIVE 1

REF. NO.	PART NO.	DESCRIPTION	MH	EH	M	REMARKS
1	66M-45300-01-4D	LOWER UNIT ASSY	1	1		S
	66M-45300-11-4D	LOWER UNIT ASSY	1	1	1	L
2	66M-45311-00-4D	CASING, LOWER	1	1		S
	63V-45311-01-4D	CASING, LOWER	1	1	1	L
3	93315-314V8	BEARING	1	1	1	
4	63V-45536-00	SLEEVE, DRIVE SHAFT	1	1	1	
5	93341-41414	BEARING	1	1	1	
6	6E8-45587-10-13	SHIM (T:1.13MM)	1	1	1	UR
	6E8-45587-10-20	SHIM (T:1.20MM)	1	1	1	UR
7	93332-00005	BEARING	1	1	1	
8	664-45567-01-10	SHIM (T:0.10MM)	1	1	1	UR
	664-45567-01-12	SHIM (T:0.12MM)	1	1	1	UR
	664-45567-01-15	SHIM (T:0.15MM)	1	1	1	UR
	664-45567-01-18	SHIM (T:0.18MM)	1	1	1	UR
	664-45567-01-30	SHIM (T:0.30MM)	1	1	1	UR
	664-45567-01-40	SHIM (T:0.40MM)	1	1	1	UR
	664-45567-01-50	SHIM (T:0.50MM)	1	1	1	UR
9	90340-08002	PLUG, STRAIGHT SCREW	2	2	2	
10	90430-08020	GASKET	2	2	2	
11	63V-44301-00	WATER PUMP HOUSING COMP.	1	1	1	
12	63V-44322-00	INSERT, CARTRIDGE	1	1	1	
13	647-44366-00	DAMPER, WATER SEAL	1	1	1	
14	63V-44352-01	IMPELLER	1	1	1	
15	664-44338-00	KEY, WOODRUFF	1	1	1	
16	93210-44398	O-RING	1	1	1	
17	63V-44323-00	OUTER PLATE, CARTRIDGE	1	1	1	...
18	93604-12M07	PIN, DOWEL	2	2	2	



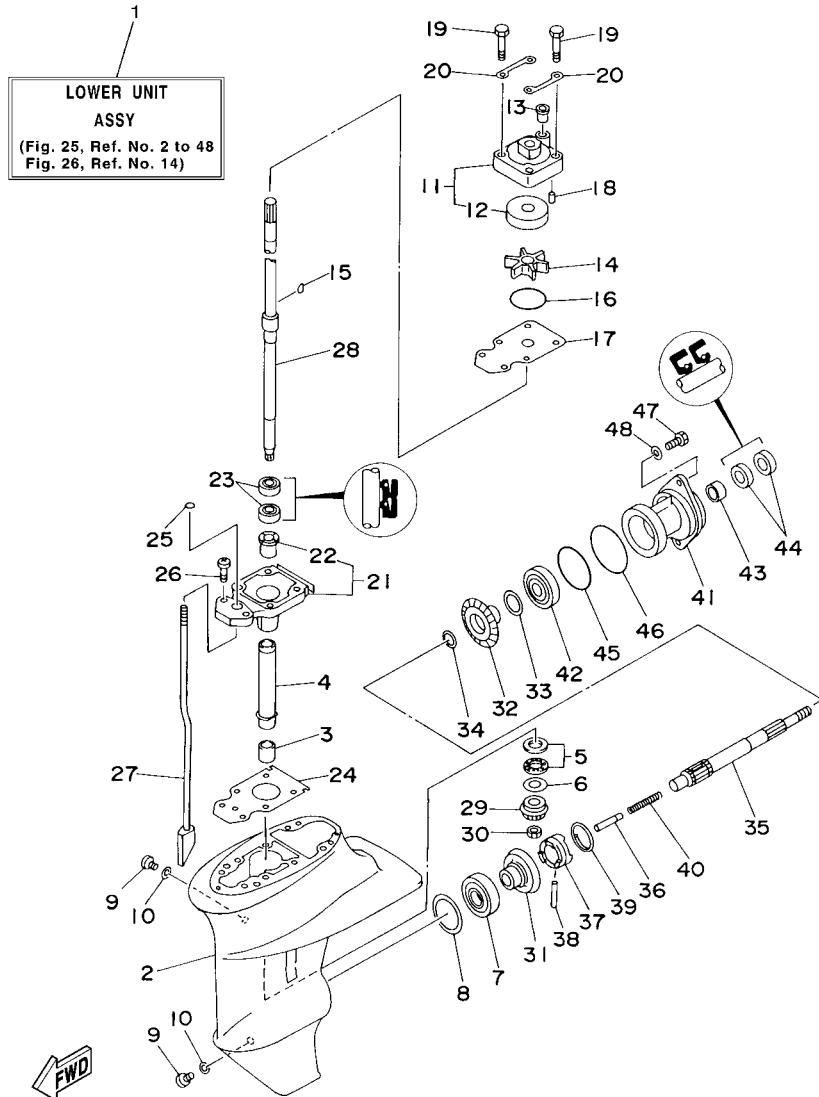
66M3100-C250

\*1: NEW PARTS  
STARTING SERIAL NO. : 66M-1009198 ~

FIG. 25 LOWER CASING & DRIVE 1

REF. NO.	PART NO.	DESCRIPTION	MH	EH	M	REMARKS
19	97080-08045	BOLT	4	4	4	
20	63V-44328-00	PLATE	2	2	2	
21	63V-45331-00-5B	HOUSING, BEARING	1	1	1	
22	626-45316-09	.BUSHING, DRIVE SHAFT	1	1	1	
23	93101-20048	OIL SEAL	2	2	2	
	93101-20001	OIL SEAL	2	2	2	NEW PARTS *1
24	63V-45315-A0	PACKING, LOWER CASING	1	1	1	
25	93210-06ME6	O-RING	1	1	1	
26	97080-08025	BOLT	2	2	2	
27	63V-44150-00	SHIFT CAM ASSY	1	1		S
	66M-44150-10	SHIFT CAM ASSY	1	1	1	L
28	63V-45510-01	DRIVE SHAFT ASSY	1	1		S
	63V-45510-11	DRIVE SHAFT ASSY	1	1	1	L
29	63V-45551-00	PINION	1	1	1	
30	90179-08M06	NUT	1	1	1	
31	6E7-45560-01	GEAR	1	1	1	
32	6E7-45571-00	GEAR	1	1	1	
33	626-45577-00-01	SHIM (T:0.10MM)	1	1	1	UR
	626-45577-00-03	SHIM (T:0.30MM)	1	1	1	UR
	626-45577-00-05	SHIM (T:0.50MM)	1	1	1	UR
34	90201-17682	WASHER, PLATE	1	1	1	
35	683-45611-00	SHAFT, PROPELLER	1	1	1	
36	650-45635-00	PLUNGER, SHIFT	1	1	1	
37	682-45631-00	CLUTCH, DOG	1	1	1	
38	90250-05010	PIN, STRAIGHT	1	1	1	
39	648-45633-00	RING, CROSS PIN	1	1	1	
40	90501-14M06	SPRING, COMPRESSION	1	1	1	





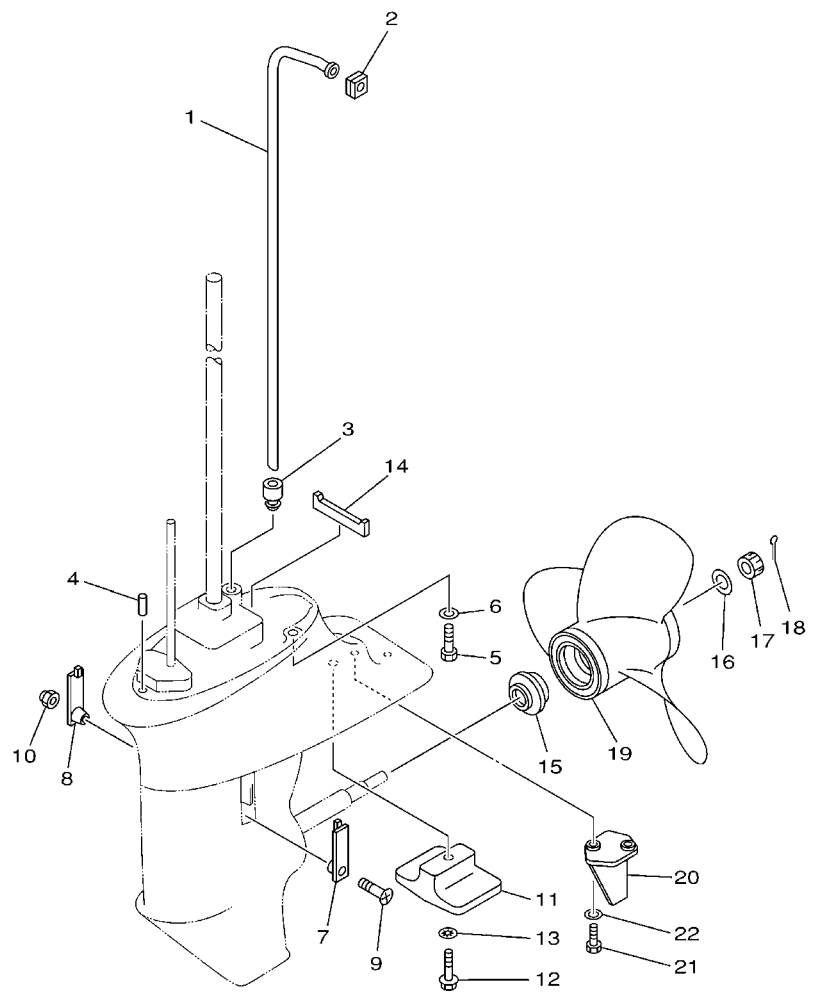
66M3100-C250

\*1: NEW PARTS  
STARTING SERIAL NO. : 66M-1009198 ~

FIG. 25 LOWER CASING & DRIVE 1

REF. NO.	PART NO.	DESCRIPTION	MH	EH	M	REMARKS
41	683-45361-02-4D	CAP, LOWER CASING	1	1	1	
42	93306-00501	BEARING (B6005)	1	1	1	
43	93315-317U2	BEARING	1	1	1	
44	93101-17054	OIL SEAL	2	2	2	
45	93210-57M09	O-RING	1	1	1	
46	93210-56M80	O-RING	1	1	1	
47	97095-06020	BOLT	2	2	2	
48	92995-06600	WASHER	2	2	2	
-----						
-----						
-----						
-----						
-----						
-----						
-----						
-----						

FIG. 26 LOWER CASING & DRIVE 2

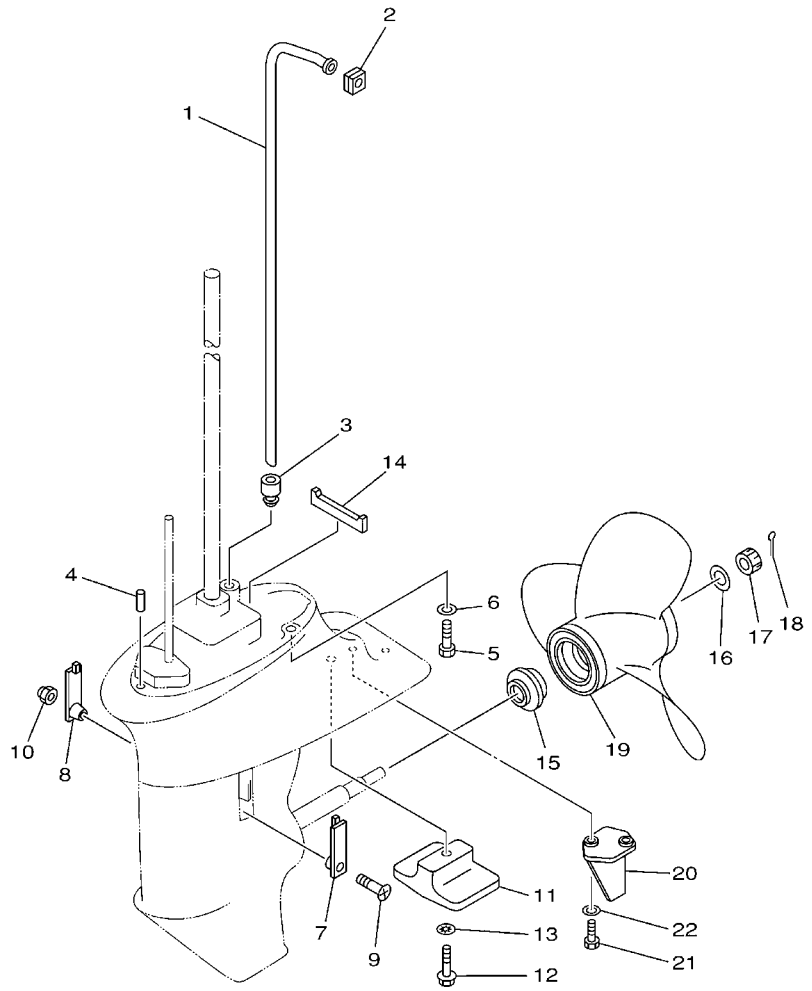


69A0300-0230

REF. NO.	PART NO.	DESCRIPTION	MH	EH	M		REMARKS
1	66M-44361-00	TUBE, WATER	1	1			S
	66M-44361-10	TUBE, WATER	1	1	1		L
2	63V-44365-10	DAMPER, WATER SEAL	1	1	1		
3	63V-44368-00	RUBBER, WATER SEAL 4	1	1	1		
4	93604-12M07	PIN, DOWEL	2	2	2		
5	97075-08030	BOLT	4	4	4		
6	92995-08600	WASHER	4	4	4		
7	6G1-45214-00	COVER, WATER INLET	1	1	1		
8	63V-45215-00	COVER, WATER INLET	1	1	1		
9	90152-05M04	SCREW, COUNTERSUNK	1	1	1		
10	90185-05002	NUT, SELF-LOCKING	1	1	1		
11	61N-45251-01	ANODE	1	1	1		
12	95895-06030	BOLT, FLANGE	1	1	1		
13	92990-06300	WASHER, INTERNAL TOOTH	1	1	1		
14	63V-45375-00	DAMPER, SEAL	1	1	1		
15	6E7-45987-01	SPACER	1	1	1		
16	90201-10M01	WASHER, PLATE	1	1	1		
17	90171-10M01	NUT, CASTLE	1	1	1		
18	91490-30020	PIN, COTTER	1	1	1		
19	683-45941-00-EL	PROPELLER (3X9-1/4"X12"-J)	1	1	1		UR
	683-45943-00-EL	PROPELLER (3X9-1/4"X10-1/2"-J)	1	1	1		UR
	683-45952-00-EL	PROPELLER (3X9-1/4"X9-3/4"-J)	1	1	1		UR
	63V-45943-00-EL	PROPELLER (3X9-1/4"X11"-J)	1	1	1		UR
	63V-45945-00-EL	PROPELLER (3X9-1/4"X9"-J)	1	1	1		UR
	63V-45947-00-EL	PROPELLER (3X9-1/4"X8"-J)	1	1	1		UR
20	66M-45371-00	TAB-TRIM	1	1			S
21	97095-06016	BOLT	2	2			S

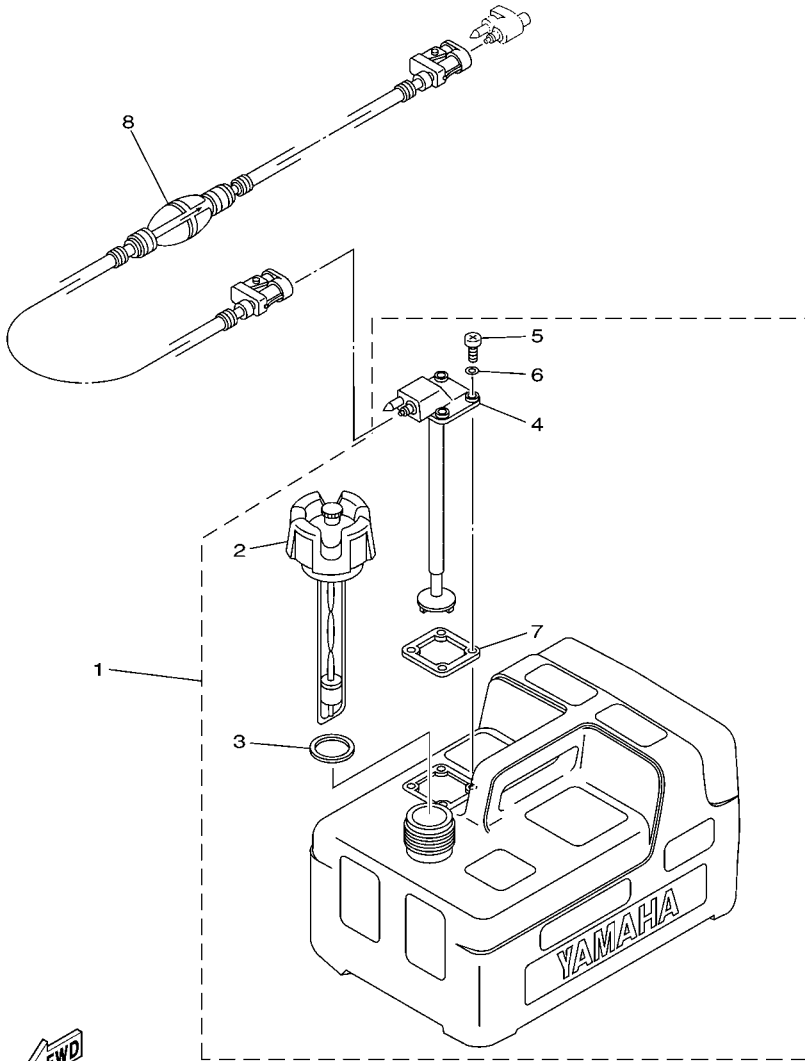
F7

FIG. 26 LOWER CASING & DRIVE 2



69A0300-0230

REF. NO.	PART NO.	DESCRIPTION	MH	EH	M	REMARKS
22	92995-06600	WASHER	2	2		S
-----						
-----						
-----						
-----						
-----						
-----						
-----						
-----						
-----						
-----						

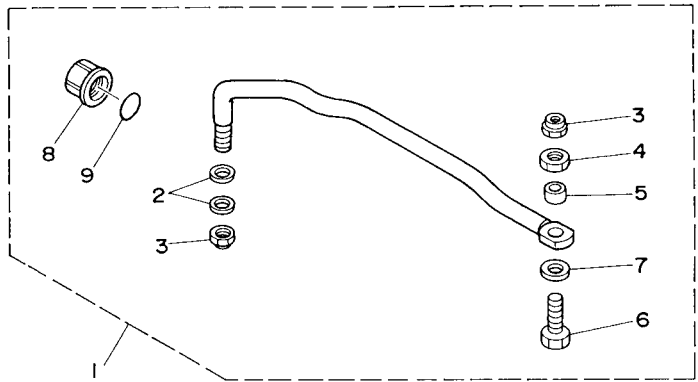


  
 68R3100-C260

**FIG. 27 FUEL TANK**

REF. NO.	PART NO.	DESCRIPTION	MH	EH	M	REMARKS
1	6YL-24201-02	FUEL TANK ASSY (12L)	1	1	1	AP EXCEPT USA
2	6YL-24610-01	.CAP ASSY	1	1	1	
3	6YL-24641-00	.GASKET, CAP 1	1	1	1	
4	6YL-24260-01	.FUEL METER ASSY	1	1	1	
5	90157-05M16	.SCREW, PAN HEAD	4	4	4	
6	6YL-24329-00	.SEAL	4	4	4	
7	6YL-24268-01	.GASKET, FUEL METER	1	1	1	
8	6YL-24306-53	FUEL PIPE COMP. 1	1	1	1	AP EXCEPT USA

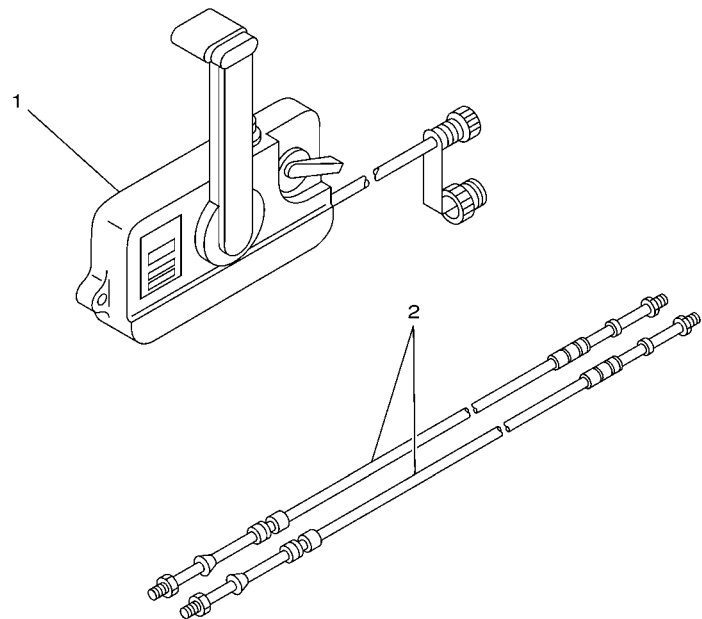
FIG. 28 STEERING GUIDE



63V0100-5210

REF. NO.	PART NO.	DESCRIPTION	MH	EH	M			REMARKS
1	63V-61350-00	STEERING GUIDE ATTACHMENT KIT			1			AP FOR MEX
2	90201-10M20	.WASHER, PLATE			2			
3	90185-09M01	.NUT, SELF-LOCKING			2			
4	90170-09M03	.NUT			1			
5	90387-10M42	.COLLAR			1			
6	6E5-61355-00	.BOLT			1			
7	90201-10M63	.WASHER, PLATE			1			
8	6E5-43145-01	.CAP, CLAMP BRACKET			1			
9	93210-16275	.O-RING			1			

**FIG. 29 REMOTE CONTROL BOX**



REF. NO.	PART NO.	DESCRIPTION	MH	EH	M		REMARKS
1	701-48140-E0	REMOTE CONTROL ASSY (LEFT)			1		AP FOR MEX
2	701-48310-90	CABLE, REMOTE CONTROL L=11F			2		AP FOR MEX

  
63V0100-9220

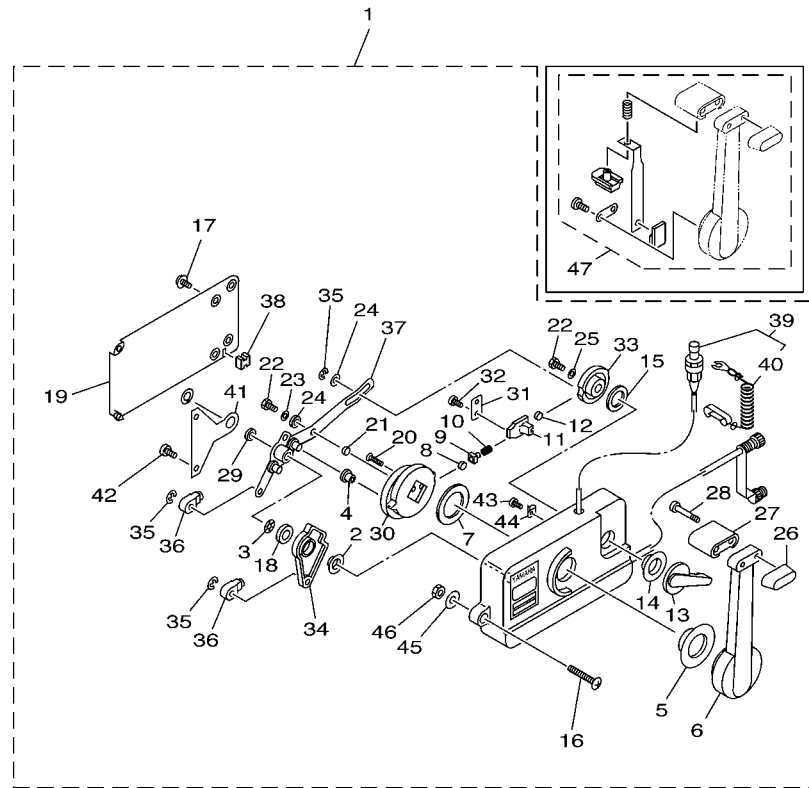


FIG. 30 REMOTE CONTROL ASSY

REF. NO.	PART NO.	DESCRIPTION	MH	EH	M	REMARKS
1	701-48140-E0	REMOTE CONTROL ASSY (LEFT)			1	AP FOR MEX
2	701-48235-00	.BUSHING			1	
3	701-48197-10	.WASHER, WAVE			1	
4	701-48252-00	.ROLLER, CAM			1	
5	701-48234-00	.BUSHING 1			1	
6	701-48221-00	.LEVER, CONTROL			1	
7	701-48196-11	.WASHER, WAVE			1	
8	701-48236-00	.ROLLER, DETENT			1	
9	702-48237-00	.ADAPTOR			1	
10	702-48238-00	.SPRING, DETENT			1	
11	701-48249-00	.ADAPTOR, SPRING			1	
12	701-48248-00	.ROLLER, FREE ACCEL.			1	
13	701-48152-20	.KNOB, FREE ACCEL.			1	LEFT
14	701-48243-00	.BUSHING			1	
15	701-48198-10	.WASHER, WAVE			1	
16	701-48281-10	.SCREW			3	
17	701-48289-00	.SCREW			4	
18	701-48268-00	.SPACER			1	
19	701-48213-00	.BACK PLATE 2			1	
20	92780-06025	.SCREW, FLAT HEAD			2	
21	701-48255-00	.COLLAR			1	
22	97390-06018	.BOLT			2	
23	702-48288-00	.WASHER, PLAIN			1	
24	701-48246-00	.SPACER			2	
25	92990-06300	.WASHER, INTERNAL TOOTH			1	
26	701-48229-00	.GRIP, CONTROL LEVER			1	
27	701-48222-00	.GRIP, CONTROL LEVER			1	

65W2100-3340

**B1**

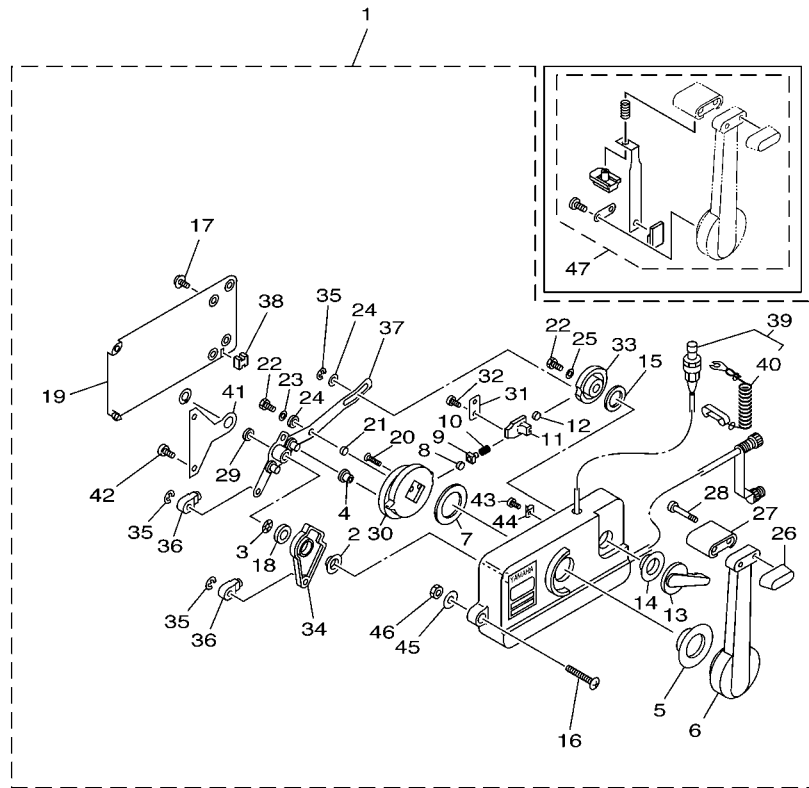
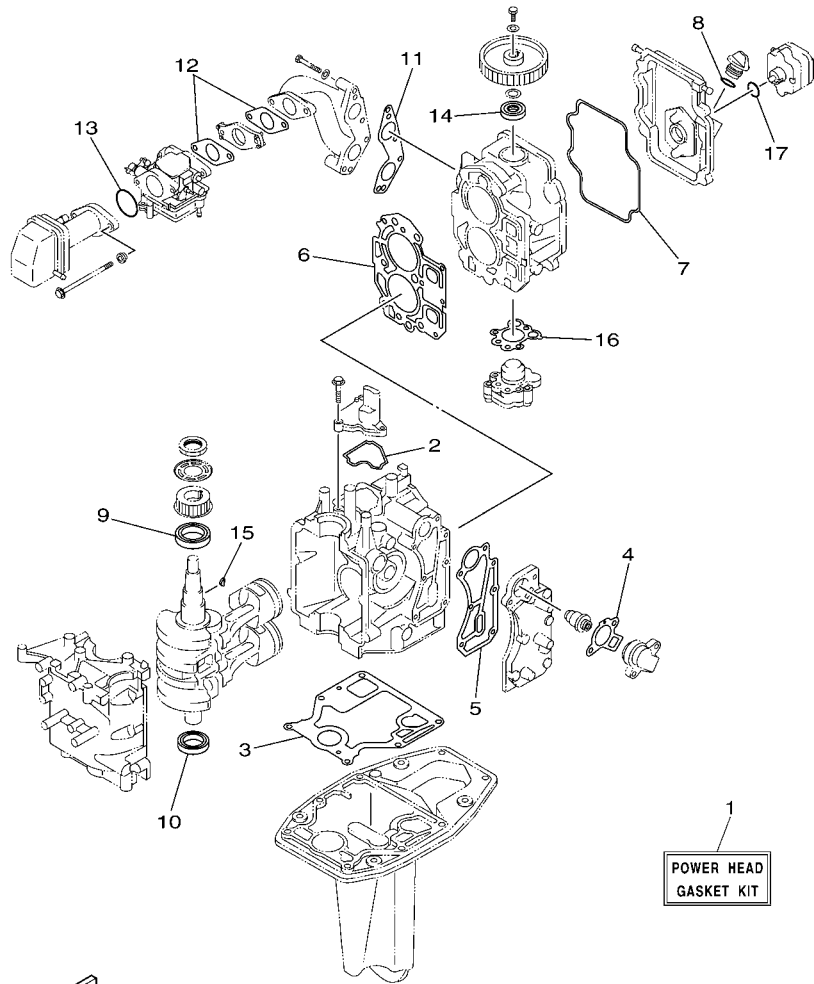


FIG. 30 REMOTE CONTROL ASSY

REF. NO.	PART NO.	DESCRIPTION	MH	EH	M	REMARKS
28	701-48282-00	.SCREW			2	
29	701-48266-00	.SPACER			1	
30	701-48232-00	.GEAR			1	
31	701-48189-11	.RETAINER			1	
32	98580-05010	.SCREW, PAN HEAD			2	
33	701-48153-12	.SHAFT, FREE ACCEL.			1	
34	701-48271-10	.ARM, SHIFT			1	LEFT
35	93430-06024	.CIRCLIP			3	
36	703-48345-01	.CABLE END, REMOTE CONTROL 2			2	
37	701-48261-20	.ARM, THROTTLE			1	
38	701-48358-00	.ANCHOR, CABLE			1	
39	701-82575-53	.ENGINE STOP SWITCH ASSY			1	
40	682-82556-00	..STOPPER			1	
41	701-48133-00	.PLATE, LINK			1	
42	98580-05020	.SCREW, PAN HEAD			2	
43	701-48283-00	.SCREW			1	
44	701-82594-00	.CLAMP			1	
45	701-48287-00	.WASHER			3	
46	95380-06600	.NUT, HEXAGON			3	
47	701-48280-00	NEUTRAL LOCK KIT			1	

65W2100-3340



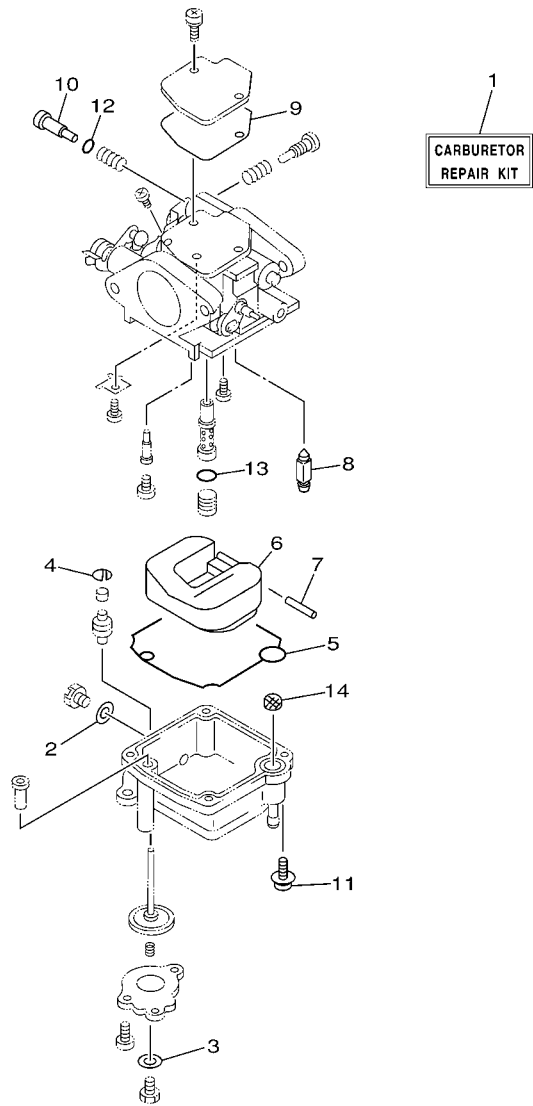


66M3100-C310

\*1: NEW PARTS  
STARTING SERIAL NO. : 66M-1009198 -

FIG. 31 REPAIR KIT 1

REF. NO.	PART NO.	DESCRIPTION	MH	EH	M	REMARKS
1	66M-W0001-01	POWER HEAD GASKET KIT	1	1	1	
	66M-W0001-02	POWER HEAD GASKET KIT	1	1	1	NEW PARTS *1
2	66M-11357-00	.SEAL, CYLINDER 3	1	1	1	
3	66M-11351-00	.GASKET, CYLINDER	1	1	1	
	66M-11351-10	.GASKET, CYLINDER	1	1	1	NEW PARTS *1
4	62Y-12414-00	.GASKET, COVER	1	1	1	
5	66M-41114-00	.GASKET, EXHAUST OUTER COVER	1	1	1	
	66M-41114-01	.GASKET, EXHAUST OUTER COVER	1	1	1	NEW PARTS *1
6	66M-11181-00	.GASKET, CYLINDER HEAD 1	1	1	1	
	66M-11181-10	.GASKET, CYLINDER HEAD 1	1	1	1	NEW PARTS *1
7	66M-11356-00	.SEAL, CYLINDER 2	1	1	1	
8	93210-24M79	.O-RING	1	1	1	
9	93102-35M51	.OIL SEAL	1	1	1	
10	93102-25M52	.OIL SEAL	1	1	1	
11	66M-13645-00	.GASKET, MANIFOLD 1	1	1	1	
12	66M-13646-00	.GASKET, MANIFOLD 2	2	2	2	
13	93210-35M86	.O-RING	1	1	1	
14	93102-18M21	.OIL SEAL	1	1	1	
15	90280-03M01	.KEY, WOODRUFF	1	1	1	
16	66M-13329-10	.GASKET, PUMP COVER	1	1	1	
17	93210-20M65	.O-RING	1	1	1	

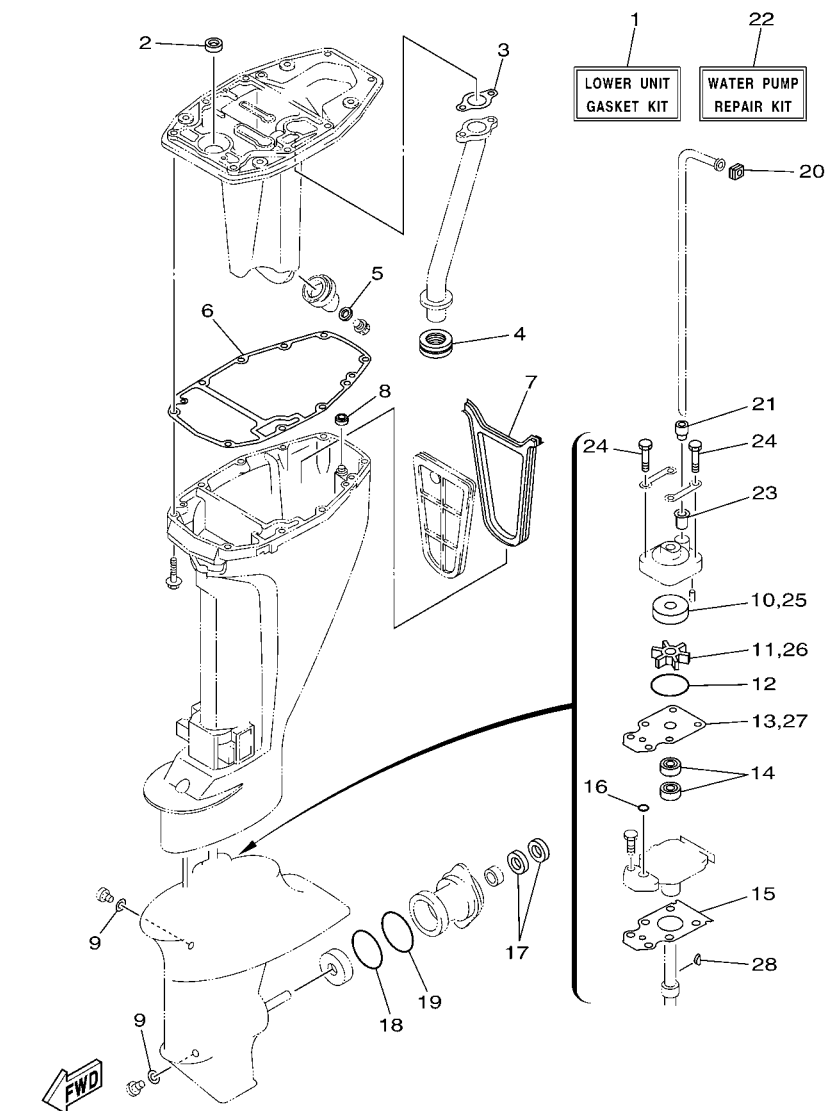


**FWD**  
66M0100-8280

**FIG. 32 REPAIR KIT 2**

REF. NO.	PART NO.	DESCRIPTION	MH	EH	M	REMARKS
1	66M-W0093-01	CARBURETOR REPAIR KIT	1	1	1	
2	66M-14398-00	.GASKET	1	1	1	
3	6L2-14398-00	.GASKET	1	1	1	
4	66M-14377-00	.STOPPER	1	1	1	
5	66M-14384-00	.GASKET, FLOAT CHAMBER	1	1	1	
6	6L2-14385-00	.FLOAT	1	1	1	
7	6E5-14386-01	.PIN, FLOAT	1	1	1	
8	6L2-14392-00	.VALVE, NEEDLE	1	1	1	
9	62Y-14399-00	.GASKET	1	1	1	
10	5H0-14323-00	.SCREW, AIR ADJUSTING	1	1	1	
11	97980-04112	.SCREW, WITH WASHER	4	4	4	
12	62Y-14397-00	.O-RING	1	1	1	
13	6F5-14397-00	.O-RING	1	1	1	
14	66M-14827-00	.FILTER	1	1	1	

FIG. 33 REPAIR KIT 3



66M3100-C330

\*1: NEW PARTS  
STARTING SERIAL NO. : 66M-1009198 -

REF. NO.	PART NO.	DESCRIPTION	MH	EH	M	REMARKS
1	66M-W0001-20	LOWER UNIT GASKET KIT	1	1	1	
	66M-W0001-21	LOWER UNIT GASKET KIT	1	1	1	NEW PARTS *1
2	93101-12M63	.OIL SEAL	1	1	1	
3	66M-41133-00	.GASKET, EXHAUST MANIFOLD 1	1	1	1	
	66M-41133-01	.GASKET, EXHAUST MANIFOLD 1	1	1	1	NEW PARTS *1
4	66M-41138-00	.SEAL, EXT. 1	1	1	1	
	6D4-41138-00	.SEAL, EXT. 1	1	1	1	NEW PARTS *1
5	90430-14M09	.GASKET	1	1	1	
6	66M-45113-00	.GASKET, UPPER CASING	1	1	1	
7	66M-45115-00	.GASKET, UPPER CASING	1	1	1	
8	66M-45128-00	.SEAL 2	1	1	1	
9	90430-08020	.GASKET	2	2	2	
10	63V-44322-00	.INSERT, CARTRIDGE	1	1	1	
11	63V-44352-01	.IMPELLER	1	1	1	
12	93210-44398	.O-RING	1	1	1	
13	63V-44323-00	.OUTER PLATE, CARTRIDGE	1	1	1	
14	93101-20048	.OIL SEAL	2	2	2	
	93101-20001	.OIL SEAL	2	2	2	NEW PARTS *1
15	63V-45315-A0	.PACKING, LOWER CASING	1	1	1	
16	93210-06ME6	.O-RING	1	1	1	
17	93101-17054	.OIL SEAL	2	2	2	
18	93210-57M09	.O-RING	1	1	1	
19	93210-56M80	.O-RING	1	1	1	
20	63V-44365-10	.DAMPER, WATER SEAL	1	1	1	
21	63V-44368-00	.RUBBER, WATER SEAL 4	1	1	1	
22	63V-W0078-00	WATER PUMP REPAIR KIT	1	1	1	
23	647-44366-00	.DAMPER, WATER SEAL	1	1	1	



NUMERICAL INDEX

PART NO.	REF. NO.	PART NO.	REF. NO.	PART NO.	REF. NO.	PART NO.	REF. NO.	PART NO.	REF. NO.	PART NO.	REF. NO.
66M-11111-01-1S	4 - 2	66M-12121-00	5 - 2	66M-14301-12	7 - 1	66M-15100-01-1S	2 - 2	66M-24413-01	9 - 14	6F5-41662-00	19 - 4
66M-11133-10	4 - 3	66M-12138-40	4 - 15	66M-14301-30	7 - 1	66M-15100-02-1S	2 - 2	6A0-24421-01	9 - 15	65W-42101-01-4D	17 - 2
66M-11168-00-1S	2 - 16	66M-12138-50	4 - 15	62Y-14321-00	7 - 27	66M-15316-00	24 - 21	66M-24423-00	9 - 17	66M-42119-00	17 - 10
66M-11181-00	4 - 5	66M-12138-60	4 - 15	5H0-14323-00	7 - 25	66M-15362-00	24 - 22	66M-24444-00	9 - 20	65W-42125-00	17 - 7
	31 - 6	66M-12146-00	5 - 8		32 - 10	6G8-15363-00	4 - 13	66M-24454-00	9 - 19	6G1-42126-00	17 - 6
66M-11181-10	4 - 5	66M-12151-10	5 - 14	66M-14325-00	7 - 7	66M-15373-00	6 - 25	66M-24471-00	9 - 21	66M-42131-01	17 - 24
	31 - 6	62Y-12158-00	5 - 16	6E7-14325-00	9 - 22	63V-15705-01	11 - 8	61N-24521-00	9 - 7	689-42137-20	17 - 11
66M-11191-00-1S	4 - 9	62Y-12159-00	5 - 15	6G8-1432A-10	7 - 38	66M-15710-01	11 - 1	61N-24560-00	9 - 5	65W-42138-00	17 - 4
66M-11325-00	2 - 8	66M-12170-00	8 - 2	30X-14334-00	7 - 26	66M-15710-02	11 - 1	61N-24563-00	9 - 6	65W-42159-00	17 - 5
6E5-11325-00	2 - 27	66M-12171-10	8 - 2	66M-14341-00	7 - 21	66M-15711-01	11 - 2	6D4-24566-00	6 - 28	66M-42177-00	17 - 9
66M-11327-00-94	2 - 9	66M-12411-00	2 - 22	66M-14342-23	7 - 23	66M-15711-10	11 - 34	6YL-24610-01	27 - 2	66M-42508-01	18 - 1
66M-11328-00	2 - 10	6H3-12413-00-1S	2 - 23	66M-14342-24	7 - 23	63V-15713-00	11 - 6	6YL-24641-00	27 - 3	66M-42511-01-4D	22 - 6
66M-11351-00	2 - 21	62Y-12414-00	2 - 24	66M-14343-52	7 - 22	63V-15714-00	11 - 4	66M-26311-00	17 - 17	66M-42511-11-4D	22 - 6
	31 - 3		31 - 4	66M-14343-55	7 - 22	63V-15716-00	11 - 7	66M-26326-00	16 - 24	66M-42527-00	18 - 3
66M-11351-10	2 - 21	66M-12481-00	16 - 37	66M-14355-00	7 - 24	66T-15731-00	11 - 19	65W-26326-10	16 - 24	63V-42528-00	22 - 2
	31 - 3	66M-12535-00	2 - 15	66M-14368-01	7 - 10	66T-15734-00	11 - 16		20 - 17	65W-42528-00	18 - 9
66M-11355-00	24 - 4	69W-12535-00	16 - 34	66M-14377-00	7 - 8	63V-15741-00	11 - 5	62Y-28100-00	9 - 35	65F-42537-00	22 - 8
66M-11356-00	4 - 10	68T-12572-00	16 - 33		32 - 4	63V-15744-00	11 - 11	61H-2819R-31	9 - 34	66M-42561-00	18 - 6
	31 - 7	6R3-12580-00	16 - 39	66M-14381-02	7 - 2	6G1-15755-00	11 - 20	66M-41113-02-1S	2 - 25	65W-42562-00	18 - 5
66M-11357-00	2 - 18	66M-13131-10	9 - 18	62Y-14383-00	7 - 3	66M-15758-00	11 - 24	66M-41113-10-1S	2 - 25	66M-42610-11-4D	1 - 1
	31 - 2	66M-13300-10	8 - 15	677-14383-01	7 - 5	66M-15758-10	11 - 24	66M-41113-20-1S	2 - 25	66M-42610-20-4D	1 - 1
676-11372-00	2 - 26	66M-13329-10	8 - 16	66M-14384-00	7 - 14	66M-15762-00	11 - 30	66M-41113-30-1S	2 - 25	66M-42613-00	1 - 2
66M-11411-00	3 - 3		31 - 16		32 - 5	63V-15764-00	11 - 13	66M-41114-00	2 - 29	66M-42615-00	1 - 8
66M-11416-00	3 - 4	66M-13416-00	24 - 16	6L2-14385-00	7 - 15	63V-15767-01	11 - 9		31 - 5	6D4-42615-00	1 - 8
66M-11416-10	3 - 4	66M-13417-00	24 - 15		32 - 6	63V-15768-00	11 - 12	66M-41114-01	2 - 29	65W-42651-01	1 - 4
66M-11416-20	3 - 4	66M-13421-00	24 - 14	6E5-14386-01	7 - 16	66M-15770-00	11 - 17		31 - 5	66M-42652-00	1 - 6
66M-11536-10	8 - 7	67F-13434-02	1 - 13		32 - 7	66M-15774-00	11 - 31	6D4-41131-00-94	24 - 7	66M-42677-00	1 - 11
66M-11537-00-94	8 - 3	6G8-13437-44	8 - 19	6L2-14392-00	7 - 17	6G1-15779-00	11 - 21	66M-41131-01-94	24 - 7	66M-42678-20	1 - 9
66M-11557-00	8 - 8	6G8-13437-54	8 - 19		32 - 8	63V-15784-01	11 - 10	66M-41133-00	24 - 8	66M-42710-04-4D	16 - 1
6G8-11575-00	24 - 18	6G8-13437-64	8 - 19	62Y-14397-00	7 - 29	66T-15794-00	11 - 15		33 - 3	66M-42710-05-4D	16 - 1
66M-11603-00	3 - 9	5GH-13440-00	2 - 36		32 - 12	6YL-24201-02	27 - 1	66M-41133-01	24 - 8	66M-42716-00	16 - 8
66N-11603-00	3 - 9	6G8-13444-41	16 - 41	6F5-14397-00	7 - 32	65W-24251-00	9 - 5		33 - 3	682-42724-00	16 - 26
66M-11604-00	3 - 9	6G8-13444-51	16 - 41		32 - 13	6YL-24260-01	27 - 4	66M-41137-00-5B	24 - 1	66M-42725-00	16 - 11
66N-11604-00	3 - 9	66M-13641-00-94	6 - 1	66M-14398-00	7 - 4	6YL-24268-01	27 - 7	66M-41138-00	24 - 11	66M-42725-10	16 - 11
66M-11605-00	3 - 9	66M-13641-10-94	6 - 1		32 - 2	6G1-24304-02	9 - 1		33 - 4	66M-42725-20	20 - 15
66N-11605-00	3 - 9	66M-13645-00	6 - 2	6L2-14398-00	7 - 6	6E5-24305-05	10 - 2	6D4-41138-00	24 - 11	65W-42726-00	16 - 27
66M-11631-00-96	3 - 8		31 - 11		32 - 3	6Y2-24305-05	10 - 4		33 - 4	6H4-42726-00	16 - 32
634-11633-00	3 - 10	66M-13646-00	6 - 6	62Y-14399-00	7 - 20	6YL-24306-53	27 - 8	66M-41211-00	19 - 28	65W-42726-10	16 - 27
66M-11635-00	3 - 8		31 - 12		32 - 9	6Y2-24306-55	10 - 1	6R5-41237-00	6 - 23		20 - 18
66M-11636-00	3 - 8	66M-14157-00	7 - 36	66M-14427-40	11 - 37	6YL-24329-00	27 - 6	66M-41252-00	6 - 18	688-42726-10	16 - 32
66M-11650-00	3 - 5	6L2-14157-00	7 - 19	66M-14427-50	11 - 37	66M-24351-00	24 - 17	66M-41256-00	6 - 24	62Y-42727-00	16 - 12
66M-11654-00	3 - 6	646-14212-01	7 - 31	66M-14427-60	11 - 37	6E5-24351-51	10 - 7	661-41262-02	19 - 26		20 - 16
66M-12111-00	5 - 1	66M-14225-00	7 - 13	66M-14440-00	6 - 8	6Y2-24360-60	10 - 9	66M-41271-00	6 - 13	65W-42727-00	16 - 12
66M-12113-00	5 - 4	66M-14239-00	7 - 12	66M-14477-00	6 - 12	66M-24374-00	9 - 24	689-41273-00	6 - 14	682-42727-00	16 - 25
66M-12116-00	5 - 3	66M-14271-00	6 - 7	65W-14497-01	19 - 29	6E5-24377-00	2 - 6	65W-41283-00	19 - 25	66M-42738-00-4D	16 - 9
30X-12117-00	5 - 5	66M-14272-00	7 - 33	66M-14827-00	7 - 34	688-24378-00	2 - 33	66M-41292-00	6 - 15	66M-42743-00	16 - 28
30X-12118-00	5 - 6	6G8-14275-02	7 - 11		32 - 14	66M-24410-10	9 - 13	66M-41298-00	6 - 16	66M-42766-00	16 - 20
51Y-12119-00	5 - 7	66M-14301-00	7 - 1	66M-14958-00	7 - 9	66M-24411-10	9 - 16	65W-41638-00	19 - 24	6D4-42766-00	16 - 20

NUMERICAL INDEX

PART NO.	REF. NO.	PART NO.	REF. NO.	PART NO.	REF. NO.	PART NO.	REF. NO.	PART NO.	REF. NO.	PART NO.	REF. NO.
66M-42815-00-4D	16 - 13	66M-44192-00	19 - 20	683-45361-02-4D	25 - 41	701-48234-00	30 - 5	6J8-81960-00	14 - 17	66M-W0093-01	32 - 1
6D4-42815-00-4D	16 - 13		20 - 8	66M-45371-00	26 - 20	701-48235-00	30 - 2	6G8-81960-A1	14 - 17	66M-W009A-02-1S	4 - 1
6D4-42816-00	16 - 17	63V-44301-00	25 - 11	63V-45375-00	26 - 14	701-48236-00	30 - 8	66M-82105-00	14 - 5	66M-W009B-03-1S	2 - 1
6L2-42816-00	16 - 17	63V-44322-00	25 - 12	63V-45510-01	25 - 28	702-48237-00	30 - 9	66M-82117-00	14 - 3	66M-W009B-04-1S	2 - 1
63V-43111-06-4D	21 - 1		33 - 10	63V-45510-11	25 - 28	702-48238-00	30 - 10	66M-82127-00	22 - 5	66M-W009B-11-1S	2 - 1
63V-43112-07-4D	21 - 2	63V-44323-00	25 - 17	63V-45536-00	25 - 4	701-48243-00	30 - 14	66M-82127-10	13 - 11	66M-W009B-12-1S	2 - 1
66R-43113-00	21 - 14		33 - 13	63V-45551-00	25 - 29	701-48246-00	30 - 24	66M-82148-00	21 - 3	90101-06M29	21 - 17
648-43114-01	21 - 9	63V-44328-00	25 - 20	6E7-45560-01	25 - 31	701-48248-00	30 - 12	6G8-82150-00	14 - 20	90105-06M07	22 - 4
6E7-43116-00	21 - 8	664-44338-00	25 - 15	664-45567-01-10	25 - 8	701-48249-00	30 - 11	663-82151-00	14 - 21	90105-08M78	4 - 7
6E0-43118-01	21 - 6		33 - 28	664-45567-01-12	25 - 8	701-48252-00	30 - 4	6G5-82152-00	14 - 22	90109-06M81	16 - 21
63W-43131-01	21 - 10	63V-44352-01	25 - 14	664-45567-01-15	25 - 8	701-48255-00	30 - 21	6G8-82370-30	13 - 8		19 - 5
63W-43131-10	21 - 10		33 - 11	664-45567-01-18	25 - 8	701-48261-20	30 - 37	62Y-82377-00	16 - 40	90109-06M82	16 - 10
6D4-43144-00	16 - 22	66M-44361-00	26 - 1	664-45567-01-30	25 - 8	701-48266-00	30 - 29	63V-82377-50	21 - 48	90109-06M84	21 - 46
6E5-43145-01	28 - 8	66M-44361-10	26 - 1	664-45567-01-40	25 - 8	701-48268-00	30 - 18	62Y-82504-10	13 - 10	90109-06M86	11 - 32
66M-43160-01	21 - 20	63V-44365-10	26 - 2	664-45567-01-50	25 - 8	701-48271-10	30 - 34	6H3-82540-00	14 - 23		14 - 25
689-43165-00	21 - 21		33 - 20	6E7-45571-00	25 - 32	701-48280-00	30 - 47	6J8-82554-00	14 - 24		16 - 21
63V-43181-00	21 - 45	647-44366-00	25 - 13	626-45577-00-01	25 - 33	701-48281-10	30 - 16	682-82556-00	17 - 39		17 - 3
63V-43191-00	21 - 27		33 - 23	626-45577-00-03	25 - 33	701-48282-00	30 - 28		30 - 40		19 - 8
63V-43311-03-4D	21 - 24	66M-44366-00	22 - 17	626-45577-00-05	25 - 33	701-48283-00	30 - 43	65W-82575-01	17 - 38	90109-08M78	15 - 12
66M-43311-10-4D	21 - 24	63V-44368-00	26 - 3	6E8-45587-10-13	25 - 6	701-48287-00	30 - 45	701-82575-53	30 - 39	90109-08M85	15 - 13
682-43318-01	21 - 26		33 - 21	6E8-45587-10-20	25 - 6	702-48288-00	30 - 23	689-8257Y-00	17 - 40	90109-08M91	18 - 4
66M-43350-01	21 - 31	6H3-44391-01	16 - 23	683-45611-00	25 - 35	701-48289-00	30 - 17	701-82594-00	30 - 44	90116-08M54	22 - 12
689-43373-01	22 - 3	66M-44514-00-4D	22 - 14	682-45631-00	25 - 37	701-48310-90	29 - 2	6H1-83557-00	13 - 13	90119-05M03	18 - 13
66R-43611-00	21 - 39	66M-44526-00	22 - 15	648-45633-00	25 - 39	663-48344-00	19 - 34	6A1-83625-41	11 - 35	90119-06090	24 - 9
63V-43614-10	21 - 36	66M-44551-00-4D	22 - 20	650-45635-00	25 - 36		20 - 12	6A1-83625-51	11 - 36	90119-06M14	2 - 5
66R-43615-00	21 - 38	682-44555-30	22 - 22	683-45941-00-EL	26 - 19	703-48345-01	30 - 36	6E0-83627-41	17 - 41	90119-06M59	11 - 25
66R-43617-00	21 - 43	66M-44557-00	22 - 21	63V-45943-00-EL	26 - 19	701-48358-00	30 - 38	6E0-83627-51	17 - 42	90119-06M76	6 - 10
66M-43630-01	21 - 25	66M-45111-00-4D	23 - 1	683-45943-00-EL	26 - 19	66M-48501-00	20 - 1	689-84340-00	14 - 26	90119-06MA3	4 - 8
689-43633-00	18 - 7	66M-45111-10-4D	23 - 1	63V-45945-00-EL	26 - 19	63V-48511-01	20 - 19	66M-84342-00	11 - 33	90119-06MA4	2 - 31
63V-43641-01	21 - 33	66M-45113-00	23 - 2	63V-45947-00-EL	26 - 19		22 - 26	65W-85410-01	13 - 12	90119-08M39	15 - 11
63V-43656-00	21 - 44		33 - 6	683-45952-00-EL	26 - 19	6H3-48538-00	19 - 36	66M-85520-00	12 - 2	90119-08M45	22 - 23
63V-43659-00	21 - 41	66M-45115-00	23 - 6	6E7-45987-01	26 - 15		20 - 14	66M-85533-00	12 - 4	90119-08M46	22 - 24
66M-44111-01	17 - 27		33 - 7	66M-46241-00	8 - 11	63V-61350-00	28 - 1	66M-85533-10	12 - 4	90119-08M66	2 - 4
66R-44114-00	19 - 7	66M-45126-00	23 - 5	66M-46297-00	8 - 12	6E5-61355-00	28 - 6	66M-85540-01	13 - 1	90149-05M13	17 - 13
65W-44116-00	19 - 6	66M-45128-00	23 - 8	701-48133-00	30 - 41	66M-81800-01	15 - 1	66M-85540-10	13 - 1	90152-05M04	26 - 9
65W-44121-00	19 - 1		33 - 8	701-48140-E0	29 - 1	65W-81801-00	15 - 8	66M-85542-00	14 - 9	90157-05014	21 - 34
66M-44122-00	19 - 2	66M-45136-00	23 - 7		30 - 1	65W-81807-00	15 - 5	66M-85542-10	14 - 9	90157-05M16	27 - 5
66M-44124-00	17 - 32	6G1-45214-00	26 - 7	701-48152-20	30 - 13	66M-81820-00	15 - 7	66M-85550-00	12 - 1	90157-06M06	23 - 9
65W-44125-00	19 - 15	63V-45215-00	26 - 8	701-48153-12	30 - 33	65W-81826-00	15 - 2	66M-85550-10	12 - 1	90167-06002	16 - 35
	20 - 4	61N-45251-01	26 - 11	701-48189-11	30 - 31	65W-8182B-00	14 - 4	66M-85570-00	13 - 4	90170-06015	19 - 10
65W-44142-00	19 - 13	66M-45300-01-4D	25 - 1	701-48196-11	30 - 7	65W-8182S-00	15 - 10	66M-85580-00	12 - 3	90170-09M03	28 - 4
	20 - 2	66M-45300-11-4D	25 - 1	701-48197-10	30 - 3	66M-81830-00	15 - 4	66M-W0001-01	31 - 1	90170-28M37	8 - 9
66M-44143-00	19 - 9	66M-45311-00-4D	25 - 2	701-48198-10	30 - 15	65W-81840-00	15 - 9	66M-W0001-02	31 - 1	90171-10M01	26 - 17
66M-44143-10	19 - 9	63V-45311-01-4D	25 - 2	701-48213-00	30 - 19	65W-81850-01	15 - 6	66M-W0001-20	33 - 1	90179-08M06	25 - 30
63V-44150-00	25 - 27	63V-45315-A0	25 - 24	701-48221-00	30 - 6	65W-81857-01	15 - 3	66M-W0001-21	33 - 1	90179-08M34	22 - 25
66M-44150-10	25 - 27		33 - 15	701-48222-00	30 - 27	65W-81870-00	14 - 8	66M-W0070-20	1 - 10	90179-16M05	12 - 13
65W-44173-00	17 - 36	626-45316-09	25 - 22	701-48229-00	30 - 26	6G1-81941-10	14 - 1	63V-W0078-00	33 - 22	90185-05002	26 - 10
6E0-44191-11	17 - 35	63V-45331-00-5B	25 - 21	701-48232-00	30 - 30	6G1-81952-00	14 - 2	66M-W0084-00-4D	17 - 1	90185-08057	20 - 21

NUMERICAL INDEX

PART NO.	REF. NO.	PART NO.	REF. NO.	PART NO.	REF. NO.	PART NO.	REF. NO.	PART NO.	REF. NO.	PART NO.	REF. NO.
90185-08057	22 - 29	90386-08032	17 - 16	90465-08M82	6 - 26	92995-06600	13 - 3	93341-41414	25 - 5	97095-06025	12 - 5
90185-09M01	28 - 3	90386-12M37	16 - 14	90465-08M83	6 - 27		14 - 15	93430-04M03	21 - 40		14 - 14
90185-10M14	18 - 11	90386-12MA2	16 - 15	90465-11M10	9 - 12		16 - 3	93430-06024	30 - 35		16 - 4
90185-22043	21 - 15	90386-22M94	21 - 12		16 - 38		17 - 29	93450-09M01	4 - 4		19 - 18
90201-05M06	19 - 21	90386-30048	22 - 9	90465-13M11	13 - 9		19 - 19	93450-15023	3 - 11	97095-06030	12 - 10
	20 - 9	90386-30M60	22 - 11	90465-25M57	16 - 30		21 - 18	93604-12M07	2 - 30		17 - 28
90201-06015	24 - 13	90386-40M99	17 - 23	90467-09M03	9 - 11		22 - 19		25 - 18	97095-06035	8 - 17
90201-06M05	11 - 28	90386-40MA0	17 - 19	90467-09M17	9 - 11		24 - 6		26 - 4		16 - 2
	14 - 13	90387-05008	24 - 12	90468-10005	19 - 22		25 - 48	93606-12019	6 - 5	97095-06040	6 - 3
90201-06M31	19 - 17	90387-05M11	18 - 12		20 - 10		26 - 22		23 - 4		12 - 10
	20 - 6	90387-06034	16 - 7	90468-18008	17 - 34	92995-08600	22 - 28		24 - 3	97095-06055	19 - 31
90201-06M94	8 - 6	90387-06064	19 - 27		19 - 12		26 - 6	93700-06M03	18 - 2	97095-06090	11 - 26
90201-07M01	3 - 7	90387-06M05	11 - 3		20 - 11	93101-12M63	24 - 2		22 - 1	97390-06018	30 - 22
90201-08M06	22 - 13		14 - 10	90480-10M16	8 - 13		33 - 2	94701-00375	4 - 16	97575-08535	20 - 20
90201-10M01	26 - 16	90387-06M13	21 - 16	90480-12072	8 - 14	93101-17054	25 - 44	95380-05600	9 - 23	97575-08545	23 - 3
90201-10M20	28 - 2	90387-06M29	19 - 16	90480-13M24	14 - 11		33 - 17	95380-06600	30 - 46	97595-06525	20 - 7
90201-10M63	28 - 7		20 - 5	90480-15M31	16 - 6	93101-20001	25 - 23	95380-06700	11 - 29	97780-50510	6 - 17
90201-13201	8 - 5	90387-06M78	17 - 31	90480-25161	13 - 5		33 - 14		19 - 11	97780-60520	1 - 3
90201-16M44	12 - 14	90387-06M79	6 - 11	90501-12M40	5 - 12	93101-20048	25 - 23		21 - 19	97880-06030	9 - 25
90201-17682	25 - 34	90387-07M07	21 - 29	90501-12M41	5 - 13		33 - 14	95380-08600	9 - 9	97885-06008	21 - 4
90201-43M00	17 - 20	90387-10M42	28 - 5	90501-14M06	25 - 40	93102-18M21	8 - 1		22 - 16	97885-08010	21 - 5
90202-05088	6 - 22	90387-13001	5 - 10	90501-23215	17 - 15		31 - 14	95380-08700	14 - 6	97890-04005	7 - 35
90202-05M38	1 - 12	90387-13002	5 - 11	90502-10M07	21 - 23	93102-25M52	3 - 2	95380-10700	17 - 26	97980-04110	7 - 18
90202-07M60	21 - 28	90387-13M56	5 - 9	90506-18010	16 - 19		31 - 10	95780-10300	17 - 25	97980-04112	7 - 28
90202-10M56	18 - 8	90401-20M00	2 - 37	90507-20M00	21 - 32	93102-35M51	3 - 1	95895-06020	14 - 12		32 - 11
90202-22M54	21 - 11	90430-08020	25 - 10	90508-18M41	21 - 37		31 - 9	95895-06030	26 - 12	98580-03005	7 - 37
90202-43M57	17 - 22		33 - 9	91490-16010	17 - 8	93210-06ME6	25 - 25	97013-06016	8 - 4	98580-05010	30 - 32
90206-05005	6 - 20	90430-14M09	24 - 20	91490-30020	26 - 18		33 - 16	97075-06025	22 - 18	98580-05020	30 - 42
90206-10M04	17 - 30		33 - 5	91690-20016	6 - 21	93210-08287	10 - 3	97075-08030	26 - 5	98780-04015	2 - 28
90206-10M24	21 - 47	90445-09061	2 - 32	91690-30008	21 - 22	93210-16275	28 - 9	97075-08035	22 - 27	98980-04006	7 - 30
90206-12052	16 - 16	90445-09086	2 - 34	92780-06025	30 - 20	93210-20M65	9 - 28	97080-08025	25 - 26	99080-05600	21 - 35
90206-43M22	17 - 21	90445-09105	2 - 35	92903-10600	17 - 14		31 - 17	97080-08045	25 - 19	99510-10114	2 - 3
90209-10M26	18 - 10	90445-10M15	9 - 10	92990-06100	9 - 26	93210-24M79	4 - 14		33 - 24		4 - 6
90209-40008	22 - 7	90445-10M19	9 - 4	92990-06200	17 - 33		31 - 8	97095-05012	2 - 13		
90240-05M20	6 - 19	90445-10M20	9 - 10	92990-06300	26 - 13	93210-29M94	22 - 10	97095-06010	19 - 33		
90243-04M01	21 - 7	90445-10M40	9 - 4		30 - 25	93210-32738	9 - 8	97095-06012	16 - 18		
90250-05010	25 - 38	90445-10M46	2 - 7	92990-06600	9 - 27	93210-35M86	6 - 9	97095-06016	12 - 8		
90254-03M05	17 - 37	90445-10M93	9 - 29	92990-08600	14 - 7		31 - 13		13 - 15		
	19 - 3	90445-13M00	10 - 8	92995-05600	2 - 14	93210-44398	25 - 16		14 - 18		
	20 - 3	90445-13M01	10 - 6	92995-06100	11 - 27		33 - 12		24 - 9		
90266-06M02	1 - 5	90446-06M90	11 - 18		12 - 6	93210-56M80	25 - 46		26 - 21		
90269-02M09	17 - 12	90446-10M87	17 - 18	92995-06600	2 - 12		33 - 19	97095-06020	2 - 11		
90280-03M01	8 - 10	90446-14M51	9 - 33		4 - 12	93210-57M09	25 - 45		4 - 11		
	31 - 15	90464-09M13	14 - 16		6 - 4		33 - 18		9 - 2		
90280-05013	12 - 12		16 - 31		8 - 18	93306-00501	25 - 42		11 - 22		
90340-08002	25 - 9	90464-09M31	9 - 32		9 - 3	93315-314V8	25 - 3		13 - 2		
90340-14M06	24 - 19	90465-06M86	9 - 31		11 - 23	93315-317U2	25 - 43		24 - 5		
90386-07M95	21 - 30	90465-06M88	13 - 14		12 - 7	93332-00005	25 - 7		25 - 47		

F15/F15A  
PARTS CATALOGUE  
©2003 by Yamaha Motor Co., Ltd.  
1st edition, November 2003  
All rights reserved.  
Any reprinting or unauthorized use  
without the written permission of  
Yamaha Motor Co., Ltd.  
is expressly prohibited.  
Printed in Japan.