

# **PARTS CATALOGUE**

**F15MHA (66M1)**

**F15EHA (66M1)**

**F15AMH'02 (66M1)**

---

# FOREWORD

This Parts Catalogue is related to the parts for the model(s) in the below frame. When you are ordering replacement parts, please refer to this Parts Catalogue and quote both part numbers and part names correctly.

F15MHA(66M1), F15EHA(66M1), F15AMH'02(66M1)

1. Modifications or additions which have been made after issue of the Parts Catalogue will be announced in the Yamaha Parts News. It is advisable that you make necessary corrections to the Parts Catalogue according to the Yamaha Parts News.

2. Abbreviations  
The Following abbreviations are used in this Parts Catalogue.

- “UR” Use specified parts number.
- “UN” Use as many as needed.
- “AP” Alternate Parts
- “LM” Local Made  
(Parts need to be ordered locally)
- “O/S” Over Size

3. Parts, which are to be supplied in an assembly, are listed with a dot(.) in front of the part name as shown below.

EXAMPLE  
CARBURETOR ASSY  
.JET, PILOT  
.NOZZLE, MAIN

4. Number of component for assembly  
The numeral appearing to the right of each component part indicates the quantity of parts for each assembly unit.

EXAMPLE

| PART NO.         | DESCRIPTION         | □ | □ | □ | □ | □ | □ | REMARKS |
|------------------|---------------------|---|---|---|---|---|---|---------|
| 6E0-85500-70     | C.D.I. MAGNETO ASSY | 1 |   |   |   |   |   |         |
| 6E0-85550-70     | .ROTOR ASSY         | 1 |   |   |   |   |   |         |
| 6E0-15723-00-94. | PULLY, STARTER      | 1 |   |   |   |   |   |         |

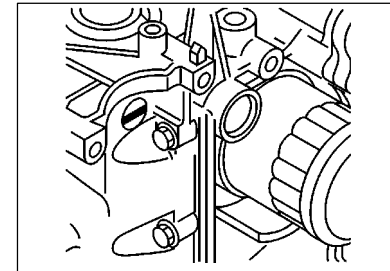
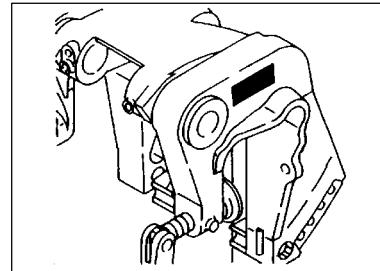
5. Quantity Column Information

| NAME for Q'TY COLUMN | APPLICABLE MODEL |
|----------------------|------------------|
| MH                   | F15MHA, F15AMH   |
| EH                   | F15EHA           |

6. Applicable Starting Serial No. and Color Code

1) Engine Starting Sserial No.

|  |  |
|--|--|
| F15MHA    66M S : 006168<br>66M L : 304145<br>F15EHA    66M S : 202537<br>66M L : 502438 | F15AMH    66M S : 006168<br>66M L : 304145 |
|--|--|



2) Color Code

| Color Code | Color Name                  | Abbreviation |
|------------|-----------------------------|--------------|
| 004D       | DARK BLUISH GRAY METALLIC 2 | DBNM2        |

- 7. Note that the illustrations for reference in finding parts numbers, not to be used for assembling. When assembling, please use the applicable service manual.
- 8. The asterisk (\*) before a reference number indicates modification items after the first edition.

# CONTENTS

## SHEET 1/2

|                                 |    |
|---------------------------------|----|
| TOP COWLING .....               | A4 |
| CYLINDER. CRANKCASE 1 .....     | A5 |
| CRANKSHAFT. PISTON .....        | A7 |
| CYLINDER. CRANKCASE 2 .....     | B1 |
| VALVE .....                     | B2 |
| INTAKE .....                    | B3 |
| CARBURETOR .....                | B4 |
| OIL PUMP .....                  | B6 |
| FUEL 1 .....                    | B7 |
| FUEL 2 .....                    | C2 |
| STARTER .....                   | C3 |
| GENERATOR .....                 | C5 |
| ELECTRICAL 1 .....              | C6 |
| ELECTRICAL 2 .....              | C7 |
| STARTING MOTOR .....            | D1 |
| BOTTOM COWLING .....            | D2 |
| STEERING .....                  | D4 |
| STEERING FRICTION .....         | D6 |
| CONTROL .....                   | D7 |
| REMOTE CONTROL ATTACHMENT ..... | E2 |
| BRACKET 1 .....                 | E3 |
| BRACKET 2 .....                 | E5 |
| UPPER CASING .....              | E6 |
| OIL PAN .....                   | E7 |
| LOWER CASING. DRIVE 1 .....     | F1 |
| LOWER CASING. DRIVE 2 .....     | F4 |
| FUEL TANK .....                 | F5 |
| REPAIR KIT 1 .....              | F6 |
| REPAIR KIT 2 .....              | F7 |

## INDEX

|                       |    |
|-----------------------|----|
| NUMERICAL INDEX ..... | G1 |
|-----------------------|----|

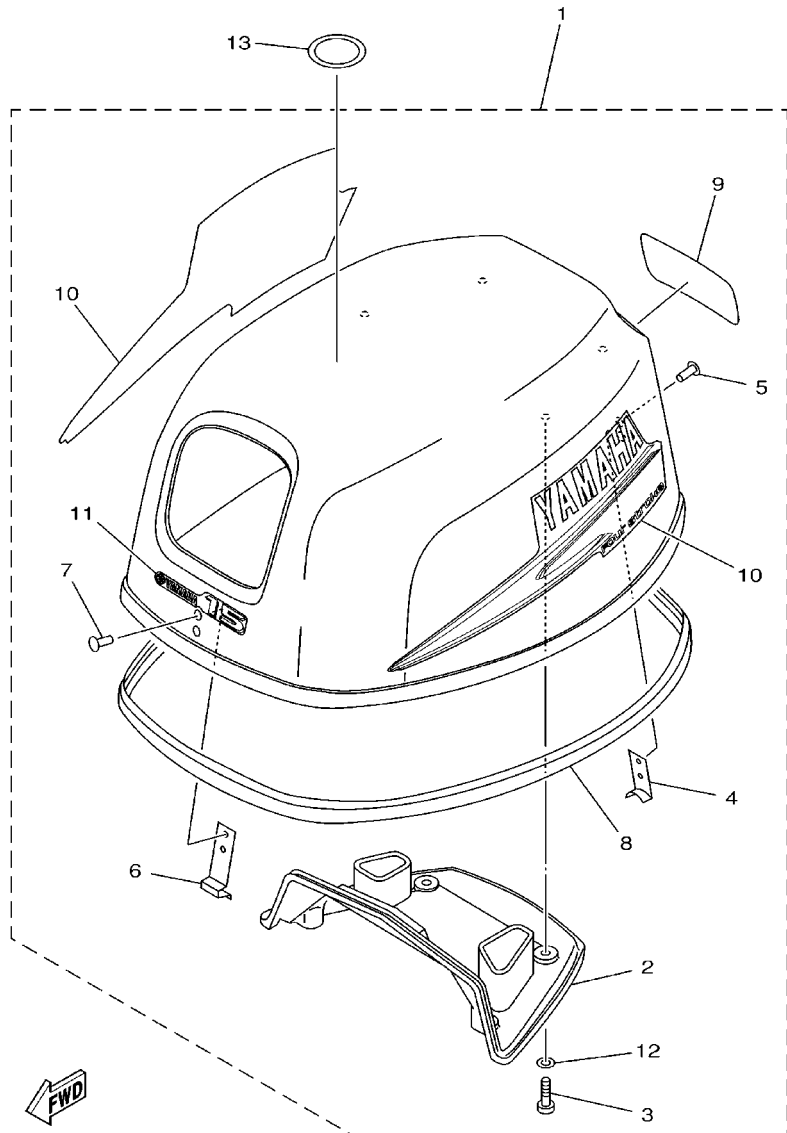
## SHEET 2/2

|                    |     |
|--------------------|-----|
| REPAIR KIT 3 ..... | A4* |
|--------------------|-----|

## INDEX

|                       |     |
|-----------------------|-----|
| NUMERICAL INDEX ..... | G1* |
|-----------------------|-----|

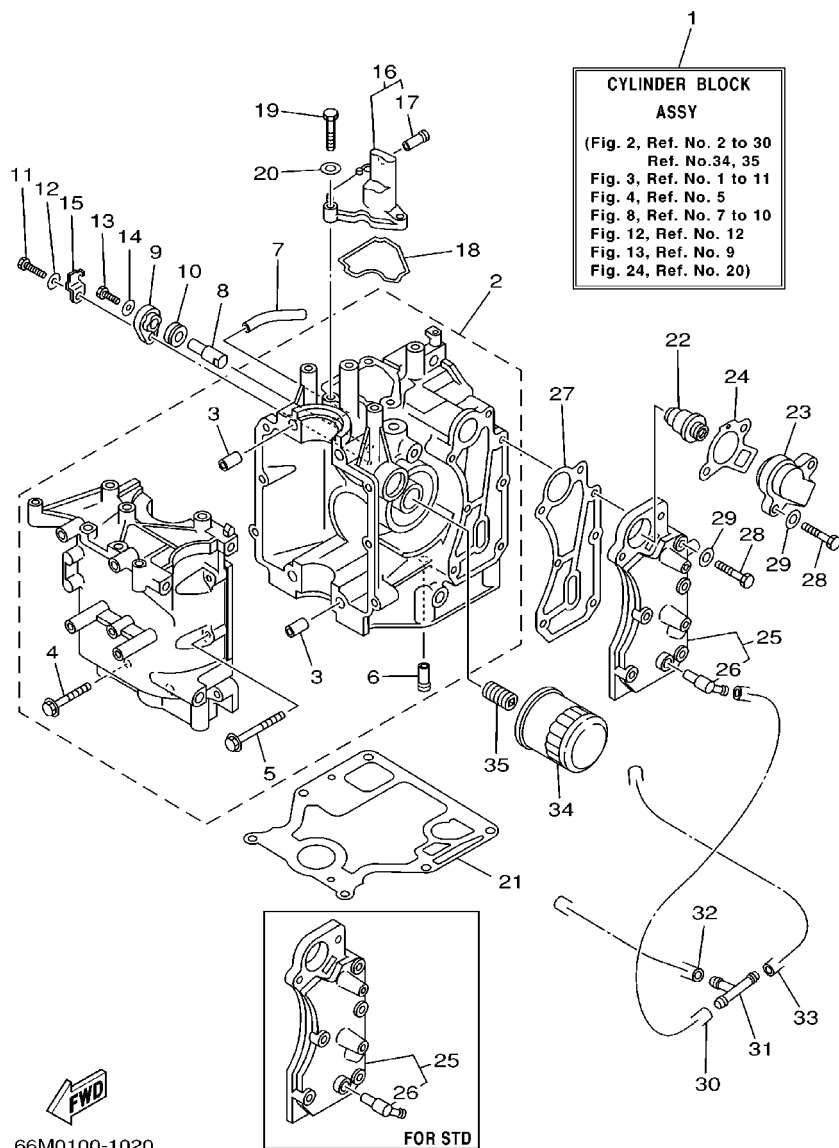
**FIG. 1 TOP COWLING**



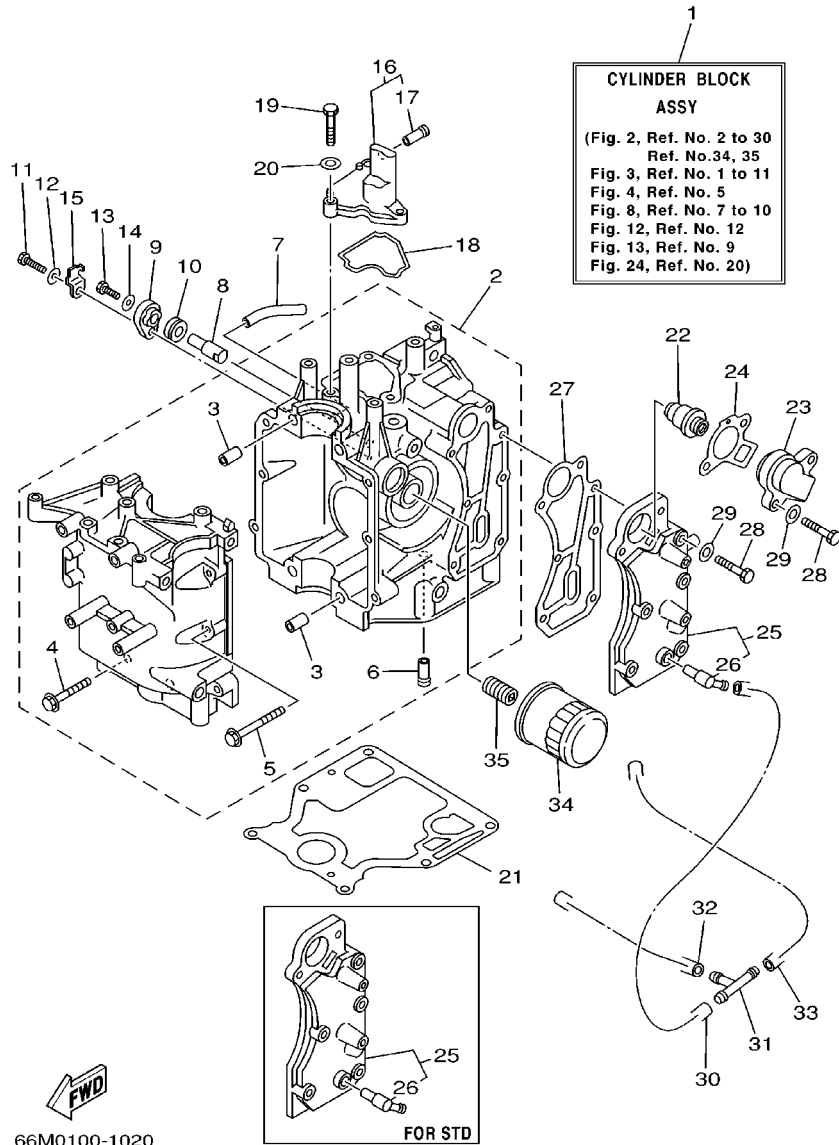
66M1010-2010

| REF. NO. | PART NO.        | DESCRIPTION        | MH | EH |  |  |  |  | REMARKS |
|----------|-----------------|--------------------|----|----|--|--|--|--|---------|
| 1        | 66M-42610-10-4D | TOP COWLING ASSY   | 1  | 1  |  |  |  |  |         |
| 2        | 66M-42613-00    | .MOLDING, AIR DUCT | 1  | 1  |  |  |  |  |         |
| 3        | 97780-60520     | .SCREW, TAPPING    | 4  | 4  |  |  |  |  |         |
| 4        | 6E0-42651-02    | .HOOK              | 1  | 1  |  |  |  |  |         |
| 5        | 90266-04M04     | .RIVET             | 2  | 2  |  |  |  |  |         |
| 6        | 6E7-42652-00    | .HOOK              | 1  | 1  |  |  |  |  |         |
| 7        | 90266-04M04     | .RIVET             | 2  | 2  |  |  |  |  |         |
| 8        | 66M-42615-00    | .SEAL              | 1  | 1  |  |  |  |  |         |
| 9        | 66M-42678-20    | .GRAPHIC, REAR     | 1  | 1  |  |  |  |  |         |
| 10       | 66M-W0070-20    | .GRAPHIC SET       | 1  | 1  |  |  |  |  |         |
| 11       | 66M-42677-00    | .GRAPHIC, FRONT    | 1  | 1  |  |  |  |  |         |
| 12       | 90202-05M38     | .WASHER, PLATE     | 4  | 4  |  |  |  |  |         |
| 13       | 67F-13434-02    | LABEL, CAUTION     | 1  | 1  |  |  |  |  |         |

FIG. 2 CYLINDER. CRANKCASE 1



| REF. NO. | PART NO.        | DESCRIPTION          | MH | EH |  |  | REMARKS          |
|----------|-----------------|----------------------|----|----|--|--|------------------|
| 1        | 66M-W009B-10-1S | CYLINDER BLOCK ASSY  | 1  | 1  |  |  | FOR FLUSHING KIT |
|          | 66M-W009B-02-1S | CYLINDER BLOCK ASSY  | 1  |    |  |  | FOR STD          |
| 2        | 66M-15100-01-1S | CRANKCASE ASSY       | 1  | 1  |  |  |                  |
| 3        | 99510-10114     | .PIN, DOWEL          | 2  | 2  |  |  |                  |
| 4        | 90119-08M66     | .BOLT, WITH WASHER   | 4  | 4  |  |  |                  |
| 5        | 90119-06M14     | .BOLT, WITH WASHER   | 6  | 6  |  |  |                  |
| 6        | 6E5-24377-00    | .PIPE, JOINT 3       | 1  | 1  |  |  |                  |
| 7        | 90445-10M46     | HOSE (L65)           | 1  | 1  |  |  |                  |
| 8        | 66M-11325-00    | ANODE                | 1  | 1  |  |  |                  |
| 9        | 66M-11327-00-94 | COVER, ANODE         | 1  | 1  |  |  |                  |
| 10       | 66M-11328-00    | GROMMET, ANODE       | 1  | 1  |  |  |                  |
| 11       | 97095-06020     | BOLT                 | 1  | 1  |  |  |                  |
| 12       | 92995-06600     | WASHER               | 1  | 1  |  |  |                  |
| 13       | 97095-05012     | BOLT                 | 1  | 1  |  |  |                  |
| 14       | 92995-05600     | WASHER               | 1  | 1  |  |  |                  |
| 15       | 66M-12535-00    | PLATE                | 1  | 1  |  |  |                  |
| 16       | 66M-11168-00-1S | COVER, BREATHER      | 1  | 1  |  |  |                  |
| 17       | 6E5-24377-00    | .PIPE, JOINT 3       | 1  | 1  |  |  |                  |
| 18       | 66M-11357-00    | SEAL, CYLINDER 3     | 1  | 1  |  |  |                  |
| 19       | 97095-06020     | BOLT                 | 3  | 3  |  |  |                  |
| 20       | 92995-06600     | WASHER               | 3  | 3  |  |  |                  |
| 21       | 66M-11351-00    | GASKET, CYLINDER     | 1  | 1  |  |  |                  |
| 22       | 66M-12411-00    | THERMOSTAT           | 1  | 1  |  |  |                  |
| 23       | 6H3-12413-00-1S | COVER, THERMOSTAT    | 1  | 1  |  |  |                  |
| 24       | 62Y-12414-00    | GASKET, COVER        | 1  | 1  |  |  |                  |
| 25       | 66M-41113-10-1S | OUTER COVER, EXHAUST | 1  | 1  |  |  | FOR FLUSHING KIT |
|          | 66M-41113-02-1S | OUTER COVER, EXHAUST | 1  |    |  |  | FOR STD          |

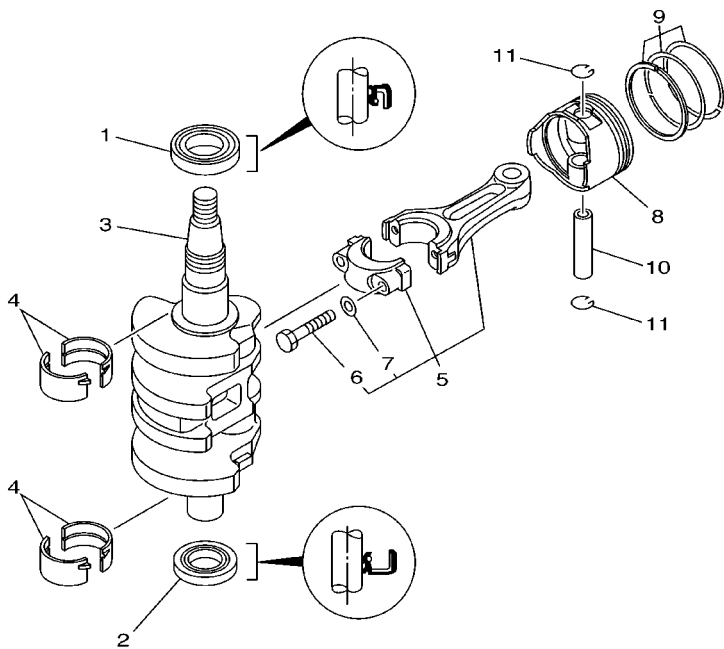


**FIG. 2 CYLINDER. CRANKCASE 1**

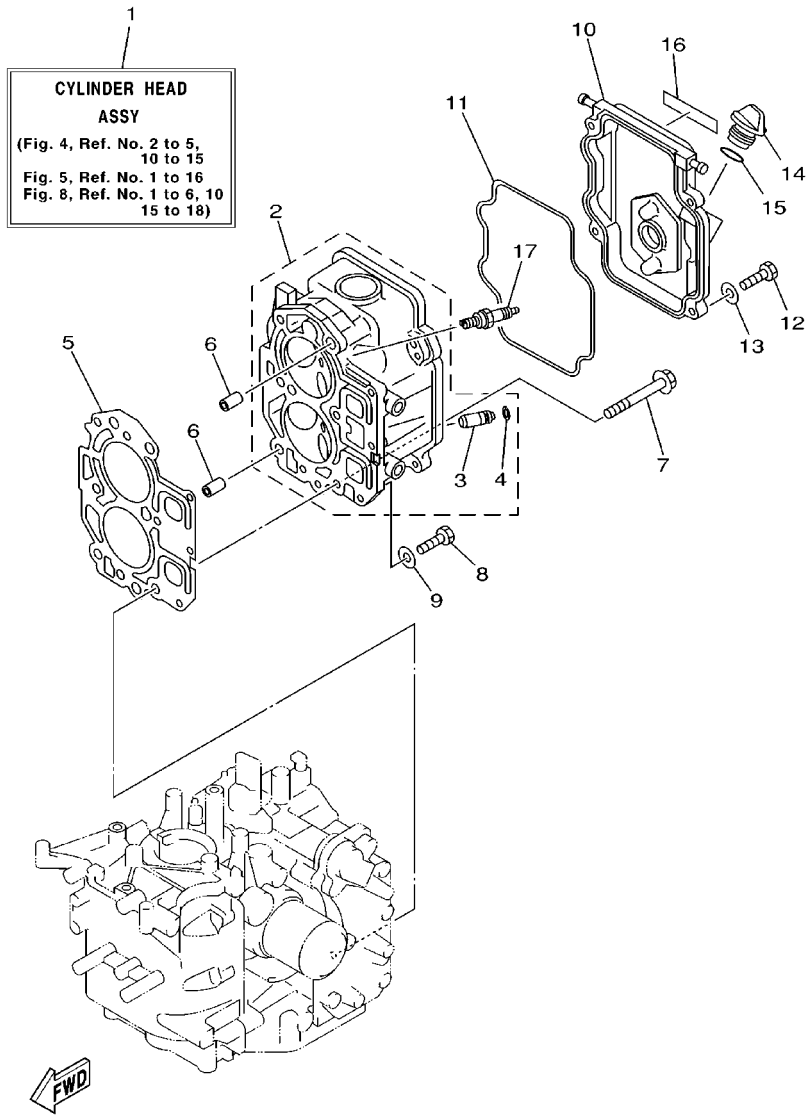
| REF. NO. | PART NO.     | DESCRIPTION                 | MH | EH |  |  |  | REMARKS |
|----------|--------------|-----------------------------|----|----|--|--|--|---------|
| 26       | 676-11372-00 | .NIPPLE, HOSE               | 1  | 1  |  |  |  |         |
| 27       | 66M-41114-00 | GASKET, EXHAUST OUTER COVER | 1  | 1  |  |  |  |         |
| 28       | 97013-06030  | BOLT                        | 7  | 7  |  |  |  |         |
| 29       | 92903-06600  | WASHER, PLATE               | 7  | 7  |  |  |  |         |
| 30       | 90445-09061  | HOSE (L65)                  | 1  | 1  |  |  |  |         |
| 31       | 688-24378-00 | PIPE, JOINT 4               | 1  | 1  |  |  |  |         |
| 32       | 90445-09086  | HOSE (L170)                 | 1  | 1  |  |  |  |         |
| 33       | 90445-09105  | HOSE (L300)                 | 1  | 1  |  |  |  |         |
| 34       | 5GH-13440-00 | ELEMENT ASSY, OIL CLEANER   | 1  | 1  |  |  |  |         |
| 35       | 90401-20M00  | BOLT, UNION                 | 1  | 1  |  |  |  |         |

FIG. 3 CRANKSHAFT. PISTON

| REF. NO. | PART NO.        | DESCRIPTION                  | MH | EH |  |  |  | REMARKS  |
|----------|-----------------|------------------------------|----|----|--|--|--|----------|
| 1        | 93102-35M51     | OIL SEAL                     | 1  | 1  |  |  |  |          |
| 2        | 93102-25M52     | OIL SEAL                     | 1  | 1  |  |  |  |          |
| 3        | 66M-11411-00    | CRANKSHAFT                   | 1  | 1  |  |  |  |          |
| 4        | 66M-11416-00    | PLANE BEARING, CRANKSHAFT 1  | 4  | 4  |  |  |  | UR BROWN |
|          | 66M-11416-10    | PLANE BEARING, CRANKSHAFT 1  | 4  | 4  |  |  |  | UR BLACK |
|          | 66M-11416-20    | PLANE BEARING, CRANKSHAFT 1  | 4  | 4  |  |  |  | UR BLUE  |
| 5        | 66M-11650-00    | CONNECTING ROD ASSY          | 2  | 2  |  |  |  |          |
| 6        | 66M-11654-00    | .BOLT, CONNECTING ROD        | 2  | 2  |  |  |  |          |
| 7        | 90201-07M01     | .WASHER, PLATE               | 2  | 2  |  |  |  |          |
| 8        | 66M-11631-00-96 | PISTON (STD)                 | 2  | 2  |  |  |  |          |
|          | 66M-11635-00    | PISTON (0.25MM O/S)          | 2  | 2  |  |  |  | AP       |
|          | 66M-11636-00    | PISTON (0.50MM O/S)          | 2  | 2  |  |  |  | AP       |
| 9        | 66M-11603-00    | PISTON RING SET (STD)        | 2  | 2  |  |  |  |          |
|          | 66M-11604-00    | PISTON RING SET (0.25MM O/S) | 2  | 2  |  |  |  | AP       |
|          | 66M-11605-00    | PISTON RING SET (0.50MM O/S) | 2  | 2  |  |  |  | AP       |
| 10       | 634-11633-00    | PIN, PISTON                  | 2  | 2  |  |  |  |          |
| 11       | 93450-15023     | CIRCLIP                      | 4  | 4  |  |  |  |          |



66M0010-8030

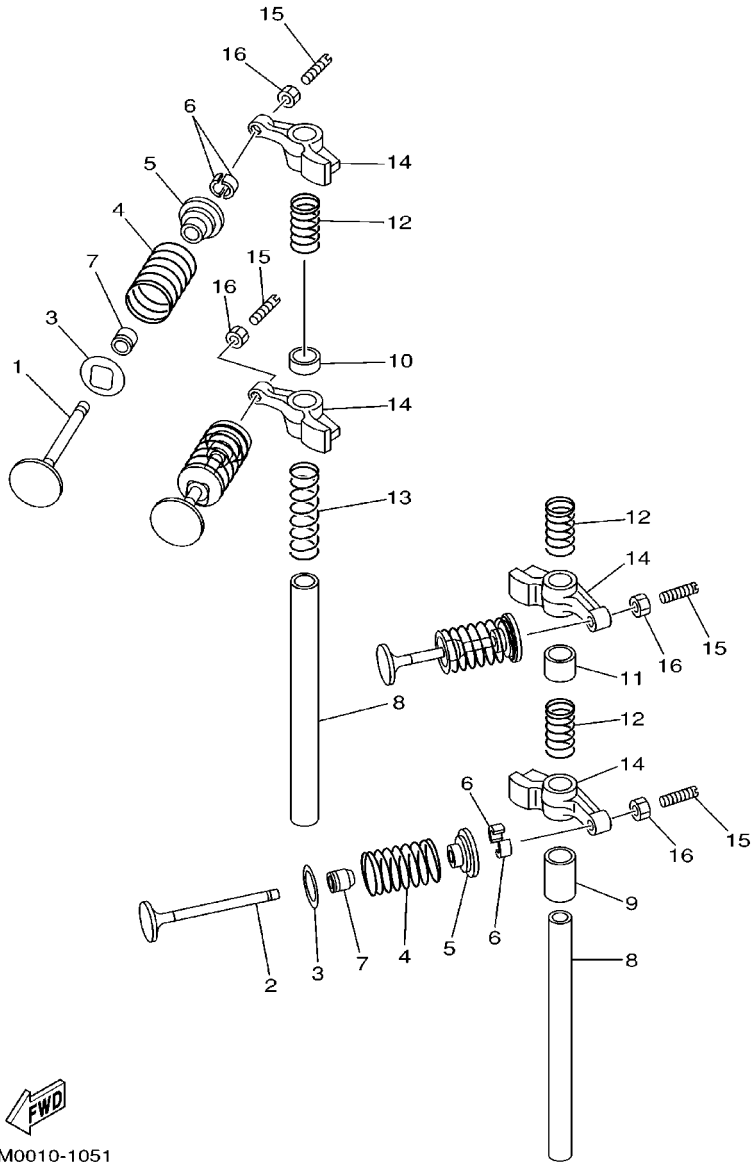


66M1100-2040

**FIG. 4 CYLINDER. CRANKCASE 2**

| REF. NO. | PART NO.        | DESCRIPTION                | MH | EH |  |  |  | REMARKS          |
|----------|-----------------|----------------------------|----|----|--|--|--|------------------|
|          |                 |                            |    |    |  |  |  |                  |
| 1        | 66M-W009A-01-1S | CYLINDER HEAD ASSY         | 1  | 1  |  |  |  |                  |
| 2        | 66M-11111-01-1S | HEAD, CYLINDER 1           | 1  | 1  |  |  |  |                  |
| 3        | 66M-11133-10    | .GUIDE, INTAKE VALVE       | 4  | 4  |  |  |  |                  |
| 4        | 93450-09M01     | .CIRCLIP                   | 4  | 4  |  |  |  |                  |
| 5        | 66M-11181-00    | GASKET, CYLINDER HEAD 1    | 1  | 1  |  |  |  |                  |
| 6        | 99510-10114     | PIN, DOWEL                 | 2  | 2  |  |  |  |                  |
| 7        | 90105-08M78     | BOLT, WASHER BASED         | 6  | 6  |  |  |  |                  |
| 8        | 97013-06025     | BOLT                       | 3  | 3  |  |  |  |                  |
| 9        | 92903-06600     | WASHER, PLATE              | 3  | 3  |  |  |  |                  |
| 10       | 66M-11191-00-1S | COVER, CYLINDER HEAD 1     | 1  | 1  |  |  |  |                  |
| 11       | 66M-11356-00    | SEAL, CYLINDER 2           | 1  | 1  |  |  |  |                  |
| 12       | 97095-06020     | BOLT                       | 4  | 4  |  |  |  |                  |
| 13       | 92995-06600     | WASHER                     | 4  | 4  |  |  |  |                  |
| 14       | 6G8-15363-00    | PLUG, OIL                  | 1  | 1  |  |  |  |                  |
| 15       | 93210-24M79     | O-RING                     | 1  | 1  |  |  |  |                  |
| 16       | 66M-12138-40    | MARK, CAUTION              | 1  | 1  |  |  |  | FOR USA, OCEANIA |
|          | 66M-12138-50    | MARK, CAUTION              | 1  | 1  |  |  |  | FOR CANADA       |
| 17       | 94701-00375     | PLUG, SPARK (NGK DPR6EA-9) | 2  | 2  |  |  |  |                  |



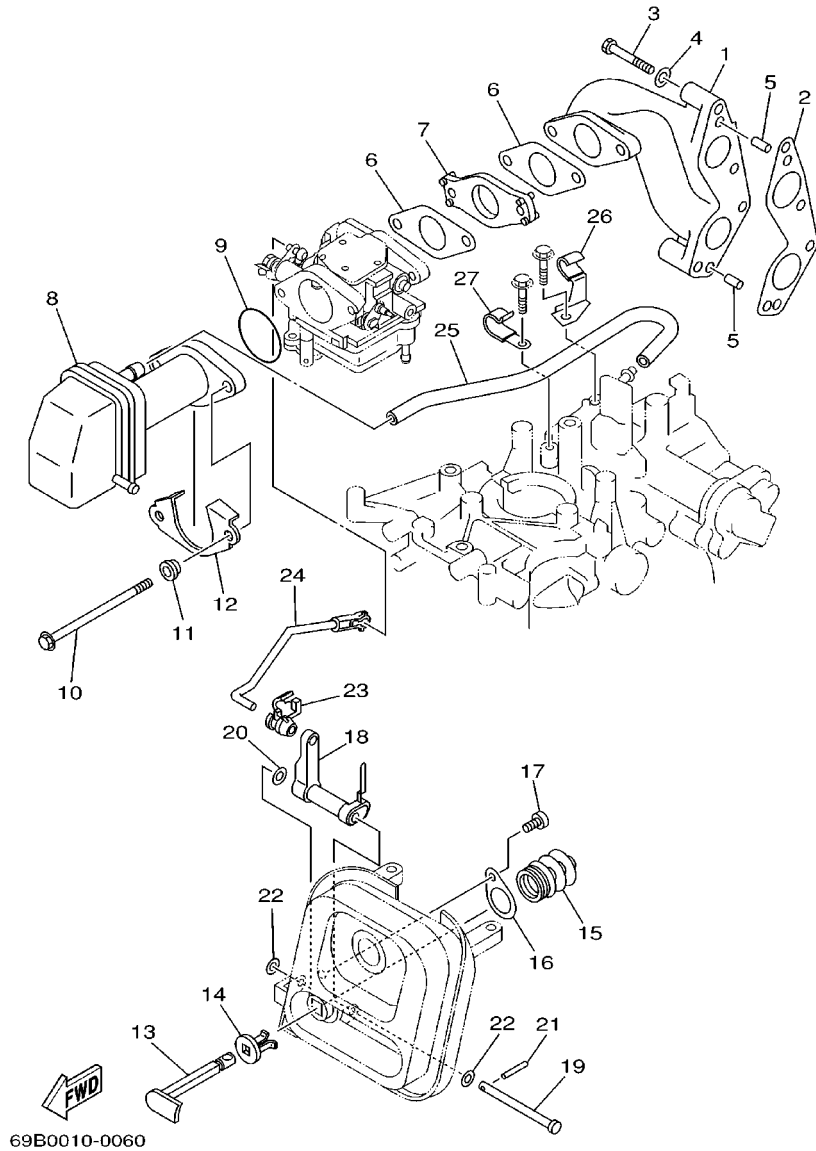


66M0010-1051

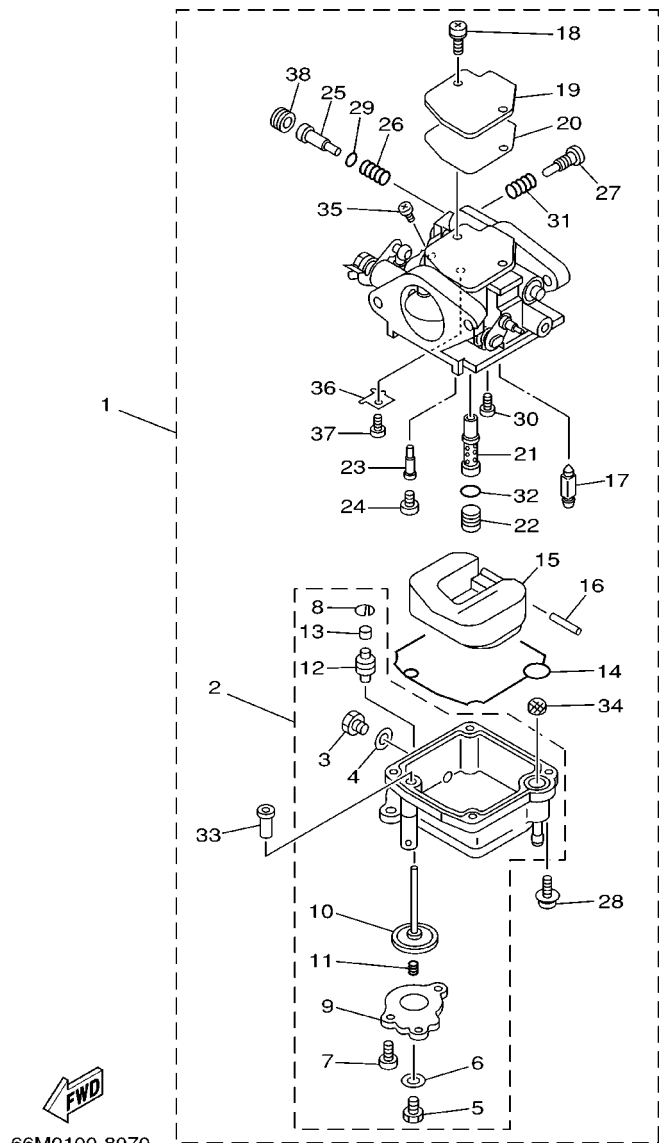
FIG. 5 VALVE

| REF. NO. | PART NO.     | DESCRIPTION            | MH | EH |  |  |  | REMARKS |
|----------|--------------|------------------------|----|----|--|--|--|---------|
| 1        | 66M-12111-00 | VALVE, INTAKE          | 2  | 2  |  |  |  |         |
| 2        | 66M-12121-00 | VALVE, EXHAUST         | 2  | 2  |  |  |  |         |
| 3        | 66M-12116-00 | SEAT, VALVE SPRING     | 4  | 4  |  |  |  |         |
| 4        | 66M-12113-00 | SPRING, VALVE INNER    | 4  | 4  |  |  |  |         |
| 5        | 30X-12117-00 | RETAINER, VALVE SPRING | 4  | 4  |  |  |  |         |
| 6        | 30X-12118-00 | COTTER, VALVE          | 8  | 8  |  |  |  |         |
| 7        | 51Y-12119-00 | SEAL, VALVE STEM       | 4  | 4  |  |  |  |         |
| 8        | 66M-12146-00 | SHAFT, ROCKER          | 2  | 2  |  |  |  |         |
| 9        | 90387-13M56  | COLLAR                 | 1  | 1  |  |  |  |         |
| 10       | 90387-13001  | COLLAR                 | 1  | 1  |  |  |  |         |
| 11       | 90387-13002  | COLLAR                 | 1  | 1  |  |  |  |         |
| 12       | 90501-12M40  | SPRING, COMPRESSION    | 3  | 3  |  |  |  |         |
| 13       | 90501-12M41  | SPRING, COMPRESSION    | 1  | 1  |  |  |  |         |
| 14       | 66M-12151-10 | ARM, VALVE ROCKER      | 4  | 4  |  |  |  |         |
| 15       | 62Y-12159-00 | SCREW, VALVE ADJUSTING | 4  | 4  |  |  |  |         |
| 16       | 62Y-12158-00 | NUT, LOCK              | 4  | 4  |  |  |  |         |

FIG. 6 INTAKE



| REF. NO. | PART NO.        | DESCRIPTION           | MH | EH |  |  |  | REMARKS |
|----------|-----------------|-----------------------|----|----|--|--|--|---------|
| 1        | 66M-13641-00-94 | MANIFOLD 1            | 1  | 1  |  |  |  |         |
| 2        | 66M-13645-00    | GASKET, MANIFOLD 1    | 1  | 1  |  |  |  |         |
| 3        | 97095-06040     | BOLT                  | 4  | 4  |  |  |  |         |
| 4        | 92995-06600     | WASHER                | 4  | 4  |  |  |  |         |
| 5        | 93606-12019     | PIN, DOWEL            | 2  | 2  |  |  |  |         |
| 6        | 66M-13646-00    | GASKET, MANIFOLD 2    | 2  | 2  |  |  |  |         |
| 7        | 66M-14271-00    | INSULATOR             | 1  | 1  |  |  |  |         |
| 8        | 66M-14440-00    | SILENCER ASSY, INTAKE | 1  | 1  |  |  |  |         |
| 9        | 93210-35M86     | O-RING                | 1  | 1  |  |  |  |         |
| 10       | 90119-06M76     | BOLT, WITH WASHER     | 2  | 2  |  |  |  |         |
| 11       | 90387-06M79     | COLLAR                | 2  | 2  |  |  |  |         |
| 12       | 66M-14477-00    | PLATE                 | 1  | 1  |  |  |  |         |
| 13       | 66M-41271-00    | KNOB, CHOKE           | 1  | 1  |  |  |  |         |
| 14       | 689-41273-00    | GROMMET               | 1  | 1  |  |  |  |         |
| 15       | 66M-41292-00    | BUSH 2                | 1  | 1  |  |  |  |         |
| 16       | 66M-41298-00    | WASHER 2              | 1  | 1  |  |  |  |         |
| 17       | 97780-50510     | SCREW, TAPPING        | 1  | 1  |  |  |  |         |
| 18       | 66M-41252-00    | LEVER, CHOKE 1        | 1  | 1  |  |  |  |         |
| 19       | 90240-05M20     | PIN, CLEVIS           | 1  | 1  |  |  |  |         |
| 20       | 90206-05005     | WASHER, WAVE          | 1  | 1  |  |  |  |         |
| 21       | 91690-20016     | PIN, SPRING           | 1  | 1  |  |  |  |         |
| 22       | 90202-05088     | WASHER, PLATE         | 2  | 2  |  |  |  |         |
| 23       | 6R5-41237-00    | JOINT, LINK           | 1  | 1  |  |  |  |         |
| 24       | 66M-41256-00    | ROD, CHOKE 1          | 1  | 1  |  |  |  |         |
| 25       | 66M-15373-00    | PIPE, BREATHER        | 1  | 1  |  |  |  |         |
| 26       | 90465-08M82     | CLAMP                 | 1  | 1  |  |  |  |         |
| 27       | 90465-08M83     | CLAMP                 | 1  | 1  |  |  |  |         |



66M0100-8070

FIG. 7 CARBURETOR

| REF. NO. | PART NO.     | DESCRIPTION             | MH | EH | REMARKS        |
|----------|--------------|-------------------------|----|----|----------------|
| 1        | 66M-14301-11 | CARBURETOR ASSY 1       | 1  | 1  | FOR USA,CANADA |
|          | 66M-14301-00 | CARBURETOR ASSY 1       | 1  |    | FOR OCEANIA    |
| 2        | 66M-14381-02 | ..BODY, FLOAT CHAMBER   | 1  | 1  |                |
| 3        | 62Y-14383-00 | ..SCREW, DRAIN          | 1  | 1  |                |
| 4        | 66M-14398-00 | ..GASKET                | 1  | 1  |                |
| 5        | 677-14383-01 | ..SCREW, DRAIN          | 1  | 1  |                |
| 6        | 6L2-14398-00 | ..GASKET                | 1  | 1  |                |
| 7        | 66M-14325-00 | ..SCREW, PAN HEAD       | 3  | 3  |                |
| 8        | 66M-14377-00 | ..STOPPER               | 1  | 1  |                |
| 9        | 66M-14157-00 | ..PLATE                 | 1  | 1  |                |
| 10       | 66M-14368-01 | ..DIAPHRAGM ASSY 1      | 1  | 1  |                |
| 11       | 6G8-14275-02 | ..SPRING                | 1  | 1  |                |
| 12       | 66M-14239-00 | ..SEAL                  | 1  | 1  |                |
| 13       | 66M-14225-00 | ..CAP                   | 1  | 1  |                |
| 14       | 66M-14384-00 | ..GASKET, FLOAT CHAMBER | 1  | 1  |                |
| 15       | 6L2-14385-00 | ..FLOAT                 | 1  | 1  |                |
| 16       | 6E5-14386-01 | ..PIN, FLOAT            | 1  | 1  |                |
| 17       | 6L2-14392-00 | ..VALVE, NEEDLE         | 1  | 1  |                |
| 18       | 97980-04110  | ..SCREW, WITH WASHER    | 2  | 2  |                |
| 19       | 6L2-14157-00 | ..COVER, MIXING         | 1  | 1  |                |
| 20       | 62Y-14399-00 | ..GASKET                | 1  | 1  |                |
| 21       | 66M-14341-00 | ..NOZZLE, MAIN          | 1  | 1  |                |
| 22       | 66M-14343-52 | ..JET, MAIN (#104)      | 1  | 1  |                |
| 23       | 66M-14342-23 | ..JET, PILOT (#45)      | 1  | 1  |                |
| 24       | 66M-14355-00 | ..PLUG                  | 1  | 1  |                |
| 25       | 5H0-14323-00 | ..SCREW, AIR ADJUSTING  | 1  | 1  |                |
| 26       | 30X-14334-00 | ..SPRING, AIR ADJUSTING | 1  | 1  |                |

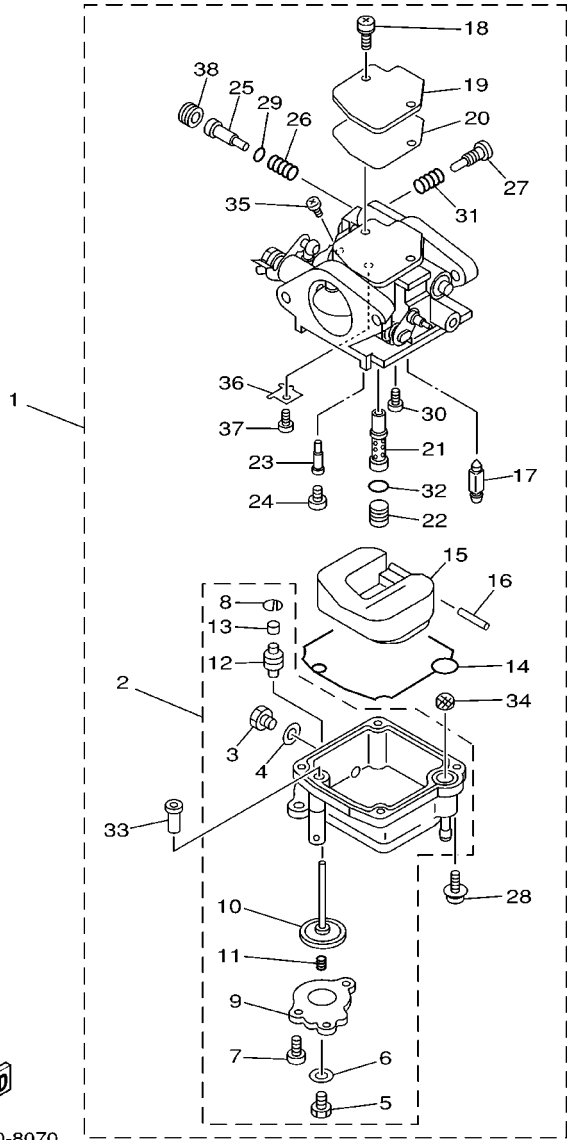
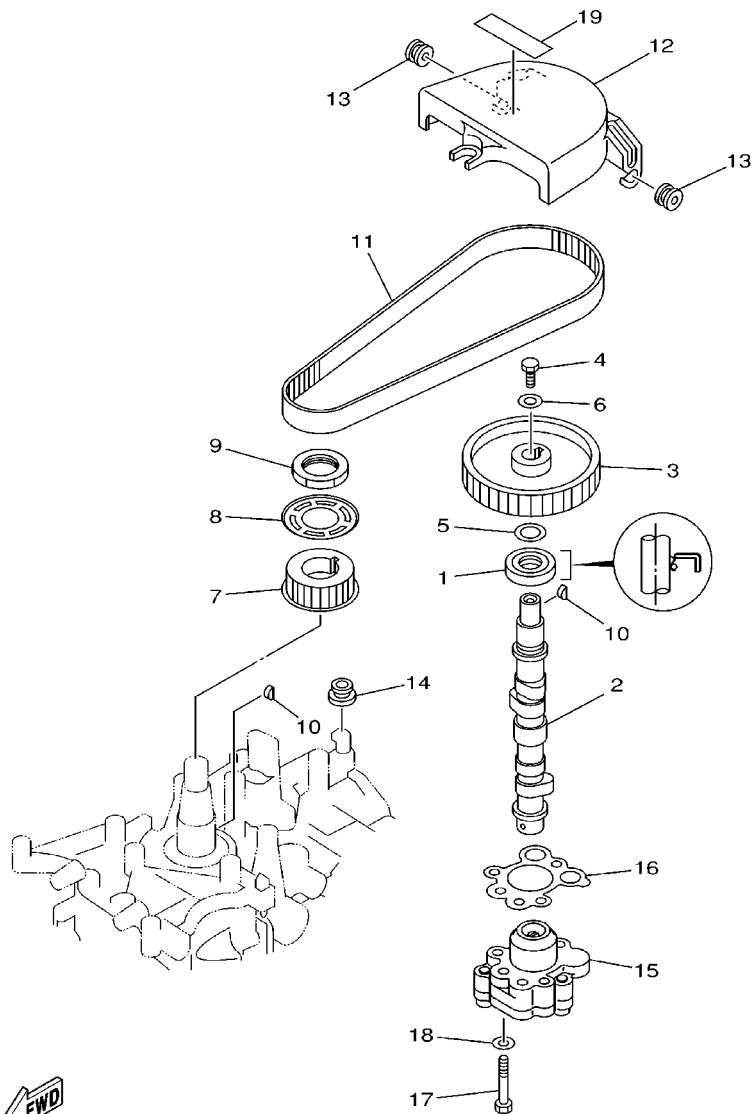


FIG. 7 CARBURETOR

| REF. NO. | PART NO.     | DESCRIPTION              | MH | EH |  |  |  | REMARKS          |
|----------|--------------|--------------------------|----|----|--|--|--|------------------|
| 27       | 62Y-14321-00 | .SCREW, THROTTLE         | 1  | 1  |  |  |  |                  |
| 28       | 97980-04112  | .SCREW, WITH WASHER      | 4  | 4  |  |  |  |                  |
| 29       | 62Y-14397-00 | .O-RING                  | 1  | 1  |  |  |  |                  |
| 30       | 98980-04006  | .SCREW, BIND             | 1  | 1  |  |  |  |                  |
| 31       | 646-14212-01 | .SPRING, PILOT ADJUSTING | 1  | 1  |  |  |  |                  |
| 32       | 6F5-14397-00 | .O-RING                  | 1  | 1  |  |  |  |                  |
| 33       | 66M-14272-00 | .CHECK VALVE ASSY        | 1  | 1  |  |  |  |                  |
| 34       | 66M-14827-00 | .FILTER                  | 1  | 1  |  |  |  |                  |
| 35       | 97890-04005  | .SCREW, PAN HEAD         | 1  | 1  |  |  |  |                  |
| 36       | 66M-14157-00 | .PLATE                   | 1  | 1  |  |  |  |                  |
| 37       | 98580-03005  | .SCREW, PAN HEAD         | 1  | 1  |  |  |  |                  |
| 38       | 6G8-1432A-01 | .PLUG                    | 1  | 1  |  |  |  | FOR 66M-14301-11 |

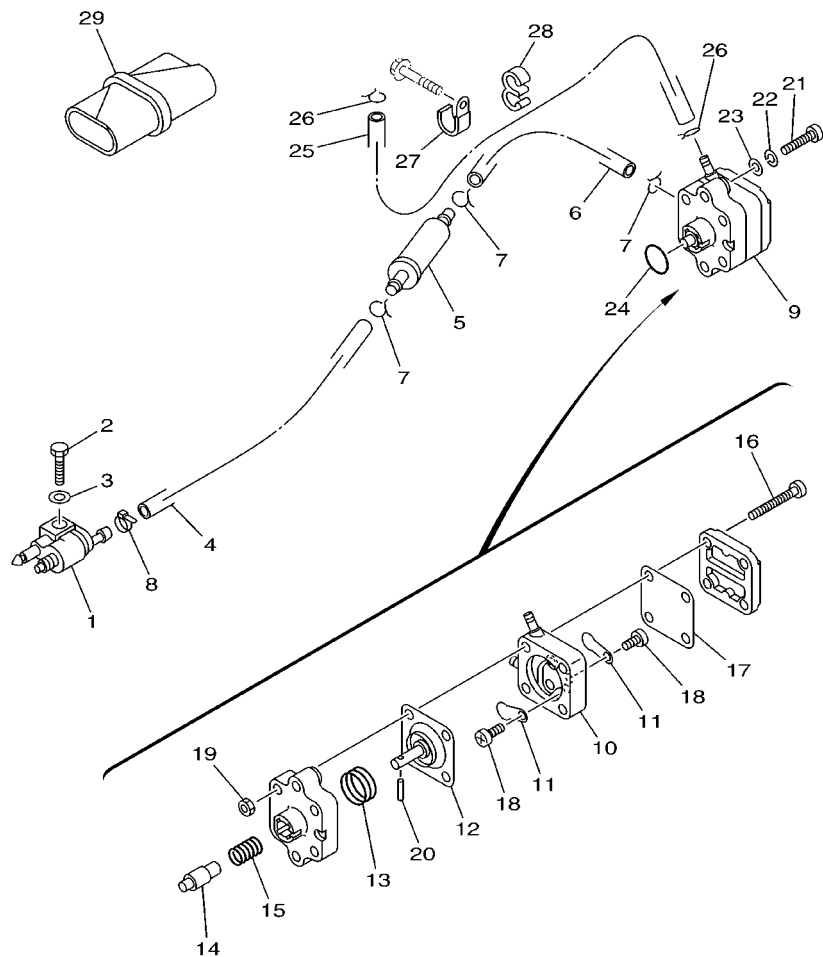
**FIG. 8 OIL PUMP**



| REF. NO. | PART NO.        | DESCRIPTION        | MH | EH |  |  |  | REMARKS         |
|----------|-----------------|--------------------|----|----|--|--|--|-----------------|
| 1        | 93102-18M21     | OIL SEAL           | 1  | 1  |  |  |  |                 |
| 2        | 66M-12170-00    | CAMSHAFT ASSY 1    | 1  |    |  |  |  |                 |
|          | 66M-12171-10    | CAMSHAFT 1         |    | 1  |  |  |  |                 |
| 3        | 66M-11537-00-94 | GEAR, DRIVEN       | 1  | 1  |  |  |  |                 |
| 4        | 97013-06016     | BOLT               | 1  | 1  |  |  |  |                 |
| 5        | 90201-13201     | WASHER, PLATE      | 1  | 1  |  |  |  |                 |
| 6        | 90201-06M94     | WASHER, PLATE      | 1  | 1  |  |  |  |                 |
| 7        | 66M-11536-10    | GEAR, DRIVE        | 1  | 1  |  |  |  |                 |
| 8        | 66M-11557-00    | WASHER 1           | 1  | 1  |  |  |  |                 |
| 9        | 90170-28M37     | NUT                | 1  | 1  |  |  |  |                 |
| 10       | 90280-03M01     | KEY, WOODRUFF      | 2  | 2  |  |  |  |                 |
| 11       | 66M-46241-00    | V-BELT             | 1  | 1  |  |  |  |                 |
| 12       | 66M-46297-00    | COVER, DUST        | 1  | 1  |  |  |  |                 |
| 13       | 90480-10M16     | GROMMET            | 2  | 2  |  |  |  |                 |
| 14       | 90480-12072     | GROMMET            | 1  | 1  |  |  |  |                 |
| 15       | 66M-13300-10    | OIL PUMP ASSY      | 1  | 1  |  |  |  |                 |
| 16       | 66M-13329-10    | GASKET, PUMP COVER | 1  | 1  |  |  |  |                 |
| 17       | 97095-06035     | BOLT               | 3  | 3  |  |  |  |                 |
| 18       | 92995-06600     | WASHER             | 3  | 3  |  |  |  |                 |
| 19       | 6G8-13437-43    | MARK, CAUTION      | 1  | 1  |  |  |  | FOR USA,OCEANIA |
|          | 6G8-13437-53    | MARK, CAUTION      | 1  | 1  |  |  |  | FOR CANADA      |

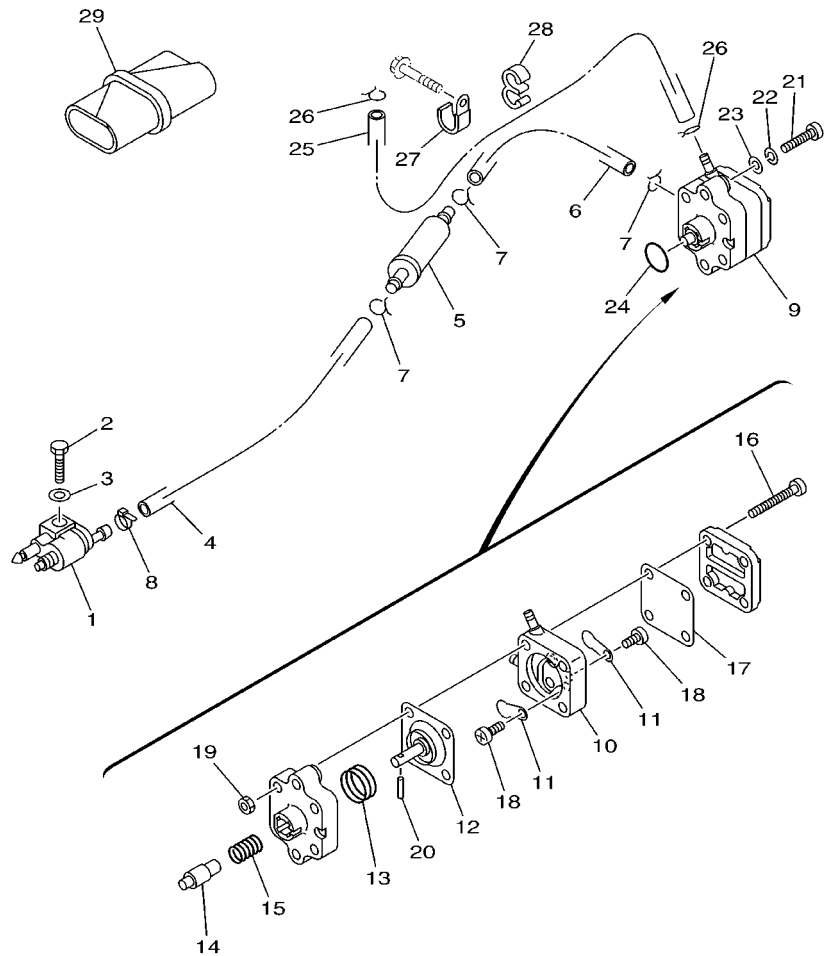
  
66M1100-2080

FIG. 9 FUEL 1



**FWD**  
66M0010-9090

| REF. NO. | PART NO.     | DESCRIPTION             | MH | EH |  |  |  | REMARKS |
|----------|--------------|-------------------------|----|----|--|--|--|---------|
| 1        | 6G1-24304-02 | FUEL PIPE JOINT COMP. 1 | 1  | 1  |  |  |  |         |
| 2        | 97095-06020  | BOLT                    | 1  | 1  |  |  |  |         |
| 3        | 92995-06600  | WASHER                  | 1  | 1  |  |  |  |         |
| 4        | 90445-10M40  | HOSE (L330)             | 1  | 1  |  |  |  |         |
| 5        | 65W-24251-00 | STRAINER 1              | 1  | 1  |  |  |  |         |
| 6        | 90445-10M20  | HOSE (L150)             | 1  | 1  |  |  |  |         |
| 7        | 90467-09M03  | CLIP                    | 3  | 3  |  |  |  |         |
| 8        | 90465-11M10  | CLAMP                   | 1  | 1  |  |  |  |         |
| 9        | 66M-24410-10 | FUEL PUMP ASSY          | 1  | 1  |  |  |  |         |
| 10       | 66M-24413-01 | .BODY 2                 | 1  | 1  |  |  |  |         |
| 11       | 6A0-24421-01 | .VALVE, CHECK           | 2  | 2  |  |  |  |         |
| 12       | 66M-24411-10 | .DIAPHRAGM              | 1  | 1  |  |  |  |         |
| 13       | 66M-24423-00 | .SPRING, DIAPHRAGM      | 1  | 1  |  |  |  |         |
| 14       | 66M-13131-10 | .PLUNGER                | 1  | 1  |  |  |  |         |
| 15       | 66M-24454-00 | .SPRING                 | 1  | 1  |  |  |  |         |
| 16       | 66M-24444-00 | .SCREW                  | 4  | 4  |  |  |  |         |
| 17       | 66M-24471-00 | .DIAPHRAGM              | 1  | 1  |  |  |  |         |
| 18       | 6E7-14325-00 | .SCREW, PAN HEAD        | 2  | 2  |  |  |  |         |
| 19       | 95380-05600  | .NUT                    | 4  | 4  |  |  |  |         |
| 20       | 66M-24374-00 | .PIN                    | 1  | 1  |  |  |  |         |
| 21       | 97880-06030  | SCREW, PAN HEAD         | 2  | 2  |  |  |  |         |
| 22       | 92990-06100  | WASHER, SPRING          | 2  | 2  |  |  |  |         |
| 23       | 92990-06600  | WASHER, PLATE           | 2  | 2  |  |  |  |         |
| 24       | 93210-20M65  | O-RING                  | 1  | 1  |  |  |  |         |
| 25       | 90445-10M93  | HOSE (L370)             | 1  | 1  |  |  |  |         |
| 26       | 90467-09M03  | CLIP                    | 2  | 2  |  |  |  |         |
| 27       | 90465-06M86  | CLAMP                   | 1  | 1  |  |  |  |         |

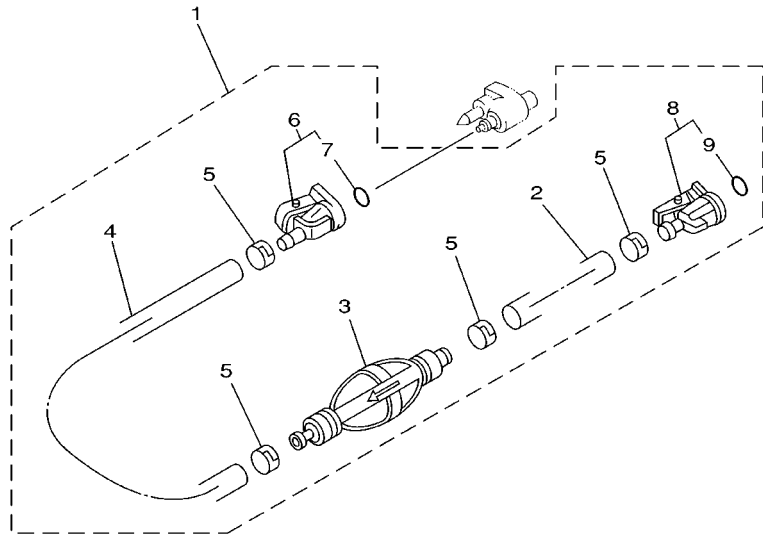


66M0010-9090

**FIG. 9 FUEL 1**

| REF. NO. | PART NO.     | DESCRIPTION | MH | EH |  |  |  |  |  | REMARKS    |
|----------|--------------|-------------|----|----|--|--|--|--|--|------------|
|          |              |             |    |    |  |  |  |  |  |            |
| 28       | 90464-09M31  | CLAMP       | 1  | 1  |  |  |  |  |  |            |
| 29       | 62Y-28100-00 | TOOL KIT    | 1  | 1  |  |  |  |  |  | FOR CANADA |
|          |              |             |    |    |  |  |  |  |  |            |
|          |              |             |    |    |  |  |  |  |  |            |
|          |              |             |    |    |  |  |  |  |  |            |
|          |              |             |    |    |  |  |  |  |  |            |
|          |              |             |    |    |  |  |  |  |  |            |
|          |              |             |    |    |  |  |  |  |  |            |
|          |              |             |    |    |  |  |  |  |  |            |
|          |              |             |    |    |  |  |  |  |  |            |
|          |              |             |    |    |  |  |  |  |  |            |
|          |              |             |    |    |  |  |  |  |  |            |
|          |              |             |    |    |  |  |  |  |  |            |

**FIG. 10 FUEL 2**



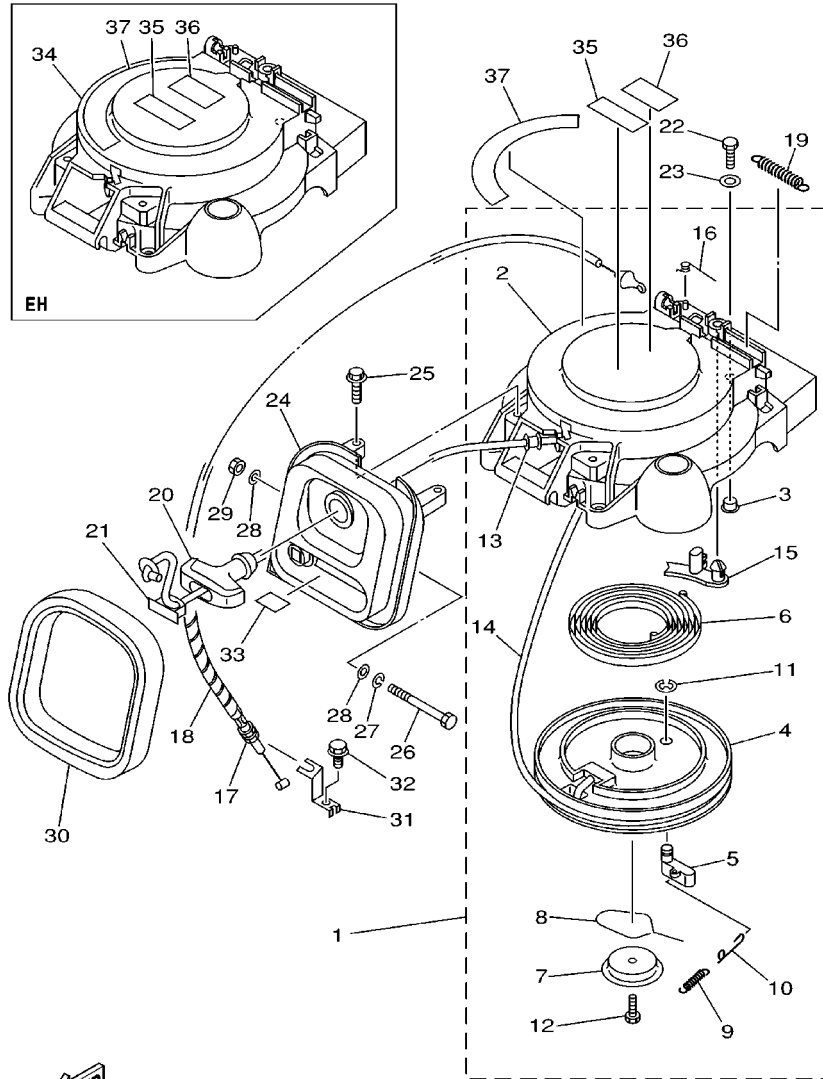
| REF. NO. | PART NO.     | DESCRIPTION              | MH | EH |  |  |  | REMARKS    |
|----------|--------------|--------------------------|----|----|--|--|--|------------|
| 1        | 6Y1-24306-53 | FUEL PIPE COMP. 1        | 1  | 1  |  |  |  | AP FOR USA |
| 2        | 90445-11M06  | .HOSE (L2050)            | 1  | 1  |  |  |  |            |
| 3        | 6Y1-24360-52 | .PRIMER PUMP ASSY        | 1  | 1  |  |  |  |            |
| 4        | 90445-11M05  | .HOSE (L:850MM)          | 1  | 1  |  |  |  |            |
| 5        | 650-24351-51 | .BAND 1                  | 4  | 4  |  |  |  |            |
| 6        | 6G1-24305-03 | .FUEL PIPE JOINT COMP. 2 | 1  | 1  |  |  |  |            |
| 7        | 93210-08287  | ..O-RING                 | 1  | 1  |  |  |  |            |
| 8        | 6Y1-24305-04 | .FUEL PIPE JOINT COMP. 2 | 1  | 1  |  |  |  |            |
| 9        | 93210-08287  | ..O-RING                 | 1  | 1  |  |  |  |            |
|          |              |                          |    |    |  |  |  |            |
|          |              |                          |    |    |  |  |  |            |
|          |              |                          |    |    |  |  |  |            |
|          |              |                          |    |    |  |  |  |            |
|          |              |                          |    |    |  |  |  |            |
|          |              |                          |    |    |  |  |  |            |
|          |              |                          |    |    |  |  |  |            |



6960100-0050



FIG. 11 STARTER

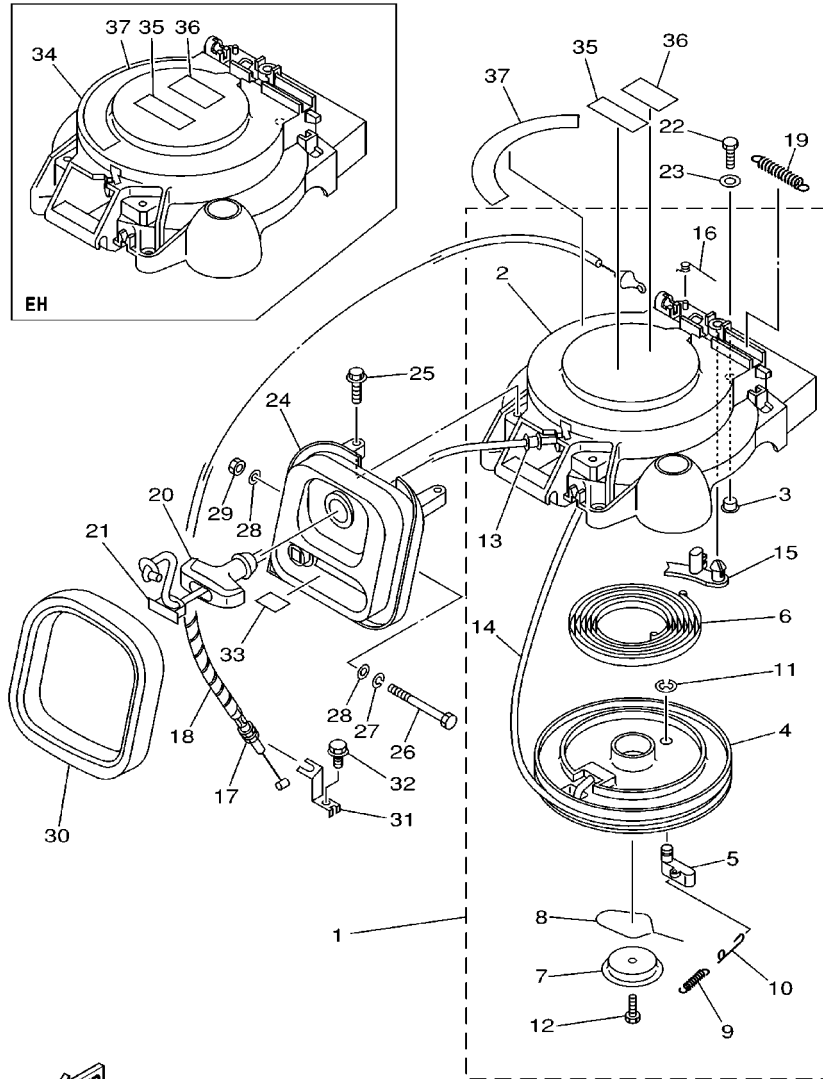


| REF. NO. | PART NO.     | DESCRIPTION               | MH | EH |  |  |  | REMARKS |
|----------|--------------|---------------------------|----|----|--|--|--|---------|
| 1        | 66M-15710-01 | STARTER ASSY              | 1  |    |  |  |  |         |
| 2        | 66M-15711-01 | .CASE, STARTER            | 1  |    |  |  |  |         |
| 3        | 90387-06M05  | .COLLAR                   | 3  |    |  |  |  |         |
| 4        | 63V-15714-00 | .DRUM, SHEAVE             | 1  |    |  |  |  |         |
| 5        | 63V-15741-00 | .PAWL, DRIVE              | 1  |    |  |  |  |         |
| 6        | 63V-15713-00 | .SPRING, STARTER          | 1  |    |  |  |  |         |
| 7        | 63V-15716-00 | .PLATE, DRIVE             | 1  |    |  |  |  |         |
| 8        | 63V-15705-01 | .SPRING, DRIVE PAWL       | 1  |    |  |  |  |         |
| 9        | 63V-15767-01 | .SPRING                   | 1  |    |  |  |  |         |
| 10       | 63V-15784-01 | .SPRING, RETURN           | 1  |    |  |  |  |         |
| 11       | 63V-15744-00 | .CIRCLIP                  | 1  |    |  |  |  |         |
| 12       | 63V-15768-00 | .BOLT                     | 1  |    |  |  |  |         |
| 13       | 63V-15764-00 | .COLLAR 1                 | 1  |    |  |  |  |         |
| 14       | *            | .WIRE, STARTER (L:1800MM) | 1  |    |  |  |  |         |
| 15       | 66T-15794-00 | .STOPPER                  | 1  |    |  |  |  |         |
| 16       | 66T-15734-00 | .SPRING, RETURN           | 1  |    |  |  |  |         |
| 17       | 66M-15770-00 | CABLE COMP., STARTER STOP | 1  |    |  |  |  |         |
| 18       | 90446-06M90  | HOSE                      | 1  |    |  |  |  |         |
| 19       | 66T-15731-00 | SPRING, RETURN            | 1  |    |  |  |  |         |
| 20       | 6G1-15755-00 | HANDLE, STARTER           | 1  |    |  |  |  |         |
| 21       | 6G1-15779-00 | COVER                     | 1  |    |  |  |  |         |
| 22       | 97095-06020  | BOLT                      | 3  | 3  |  |  |  |         |
| 23       | 92995-06600  | WASHER                    | 3  | 3  |  |  |  |         |
| 24       | 66M-15758-00 | GUIDE, ROPE               | 1  |    |  |  |  |         |
|          | 66M-15758-10 | GUIDE, ROPE               |    | 1  |  |  |  |         |

\* CUT FROM 50M ROLLS, PART NO. 90890-44373, CUTTING LENGTH 1.8M

  
66M1100-2110

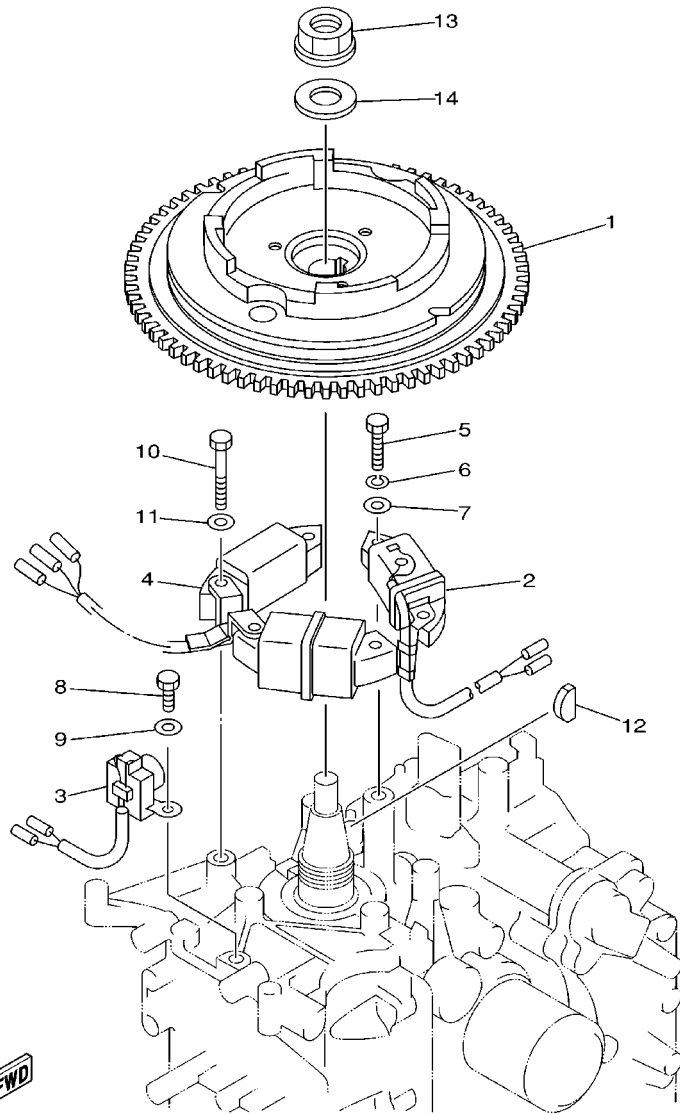
FIG. 11 STARTER



66M1100-2110

| REF. NO. | PART NO.     | DESCRIPTION        | MH | EH |  |  |  |  | REMARKS         |
|----------|--------------|--------------------|----|----|--|--|--|--|-----------------|
| 25       | 90119-06M59  | BOLT, WITH WASHER  | 2  | 2  |  |  |  |  |                 |
| 26       | 97095-06090  | BOLT               | 1  | 1  |  |  |  |  |                 |
| 27       | 92995-06100  | WASHER, SPRING     | 1  | 1  |  |  |  |  |                 |
| 28       | 90201-06M05  | WASHER, PLATE      | 2  | 2  |  |  |  |  |                 |
| 29       | 95380-06700  | NUT                | 1  | 1  |  |  |  |  |                 |
| 30       | 66M-15762-00 | SEAL, RUBBER 2     | 1  | 1  |  |  |  |  |                 |
| 31       | 66M-15774-00 | STAY 4             | 1  |    |  |  |  |  |                 |
| 32       | 90109-06M86  | BOLT               | 1  |    |  |  |  |  |                 |
| 33       | 66M-84342-00 | SEAT, EMBLEM       | 1  | 1  |  |  |  |  |                 |
| 34       | 66M-15711-10 | CASE, STARTER      |    | 1  |  |  |  |  |                 |
| 35       | 6A1-83625-41 | MARK 5             | 1  | 1  |  |  |  |  |                 |
| 36       | 6A1-83625-51 | MARK 5             | 1  | 1  |  |  |  |  | FOR CANADA      |
| 37       | 66M-14427-40 | LABEL, INSTRUCTION | 1  | 1  |  |  |  |  | FOR USA,OCEANIA |
|          | 66M-14427-50 | LABEL, INSTRUCTION | 1  | 1  |  |  |  |  | FOR CANADA      |

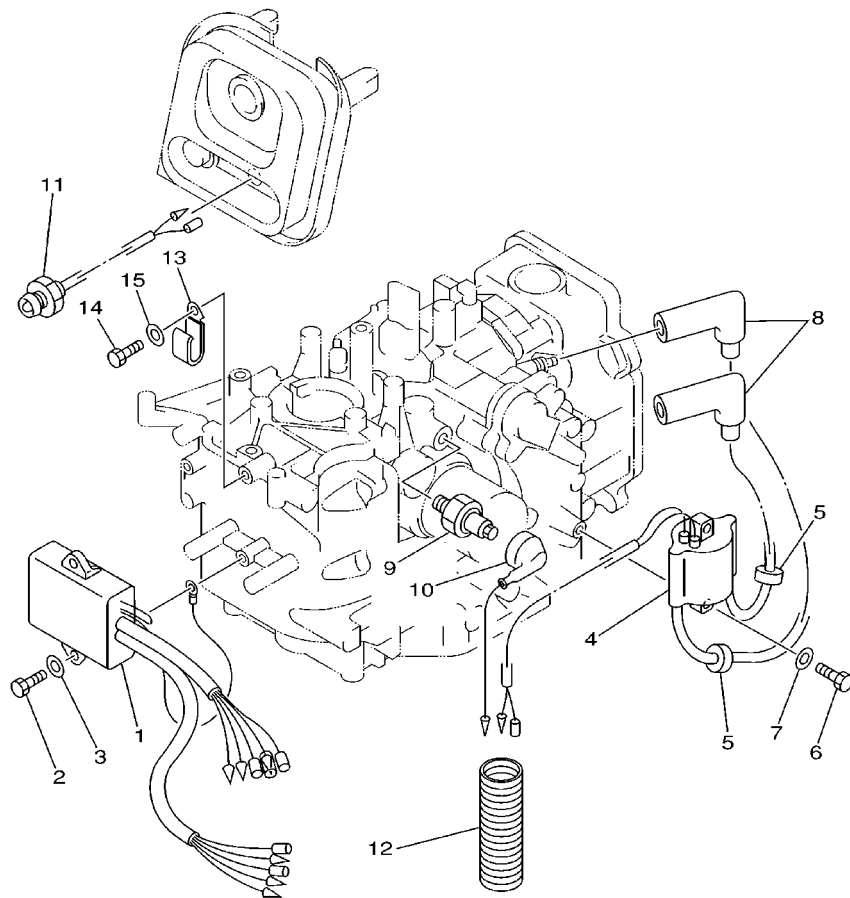
FIG. 12 GENERATOR



69B0010-0110

| REF. NO. | PART NO.     | DESCRIPTION    | MH | EH |  |  |                   | REMARKS                     |
|----------|--------------|----------------|----|----|--|--|-------------------|-----------------------------|
| 1        | 66M-85550-10 | ROTOR ASSY     | 1  | 1  |  |  |                   | "MH"-FOR USA WITH RING GEAR |
|          | 66M-85550-00 | ROTOR ASSY     | 1  |    |  |  | WITHOUT RING GEAR |                             |
| 2        | 66M-85520-00 | COIL, CHARGE   | 1  | 1  |  |  |                   |                             |
| 3        | 66M-85580-00 | COIL, PULSER   | 1  | 1  |  |  |                   |                             |
| 4        | 66M-85533-00 | COIL, LIGHTING | 1  |    |  |  |                   | 6A                          |
|          | 66M-85533-10 | COIL, LIGHTING |    | 1  |  |  |                   | 10A                         |
| 5        | 97095-06025  | BOLT           | 2  | 2  |  |  |                   |                             |
| 6        | 92995-06100  | WASHER, SPRING | 2  | 2  |  |  |                   |                             |
| 7        | 92995-06600  | WASHER         | 2  | 2  |  |  |                   |                             |
| 8        | 97095-06016  | BOLT           | 2  | 2  |  |  |                   |                             |
| 9        | 92995-06600  | WASHER         | 2  | 2  |  |  |                   |                             |
| 10       | 97095-06030  | BOLT           | 4  |    |  |  |                   |                             |
|          | 97095-06040  | BOLT           |    | 4  |  |  |                   |                             |
| 11       | 92995-06600  | WASHER         | 4  | 4  |  |  |                   |                             |
| 12       | 90280-05013  | KEY, WOODRUFF  | 1  | 1  |  |  |                   |                             |
| 13       | 90179-16M05  | NUT            | 1  | 1  |  |  |                   |                             |
| 14       | 90201-16M44  | WASHER, PLATE  | 1  | 1  |  |  |                   |                             |
|          |              |                |    |    |  |  |                   |                             |
|          |              |                |    |    |  |  |                   |                             |
|          |              |                |    |    |  |  |                   |                             |
|          |              |                |    |    |  |  |                   |                             |

FIG. 13 ELECTRICAL 1



| REF. NO. | PART NO.     | DESCRIPTION                 | MH | EH |  |  |  |  | REMARKS |
|----------|--------------|-----------------------------|----|----|--|--|--|--|---------|
| 1        | 66M-85540-01 | C.D.I. UNIT ASSY            | 1  | 1  |  |  |  |  |         |
| 2        | 97095-06020  | BOLT                        | 2  | 2  |  |  |  |  |         |
| 3        | 92995-06600  | WASHER                      | 2  | 2  |  |  |  |  |         |
| 4        | 66M-85570-00 | IGNITION COIL ASSY          | 1  | 1  |  |  |  |  |         |
| 5        | 90480-25161  | GROMMET                     | 2  | 2  |  |  |  |  |         |
| 6        | 97095-06020  | BOLT                        | 2  | 2  |  |  |  |  |         |
| 7        | 92995-06600  | WASHER                      | 2  | 2  |  |  |  |  |         |
| 8        | 6G8-82370-30 | PLUG CAP ASSY               | 2  | 2  |  |  |  |  |         |
| 9        | 62Y-82504-10 | OIL PRESSURE SWITCH ASSY    | 1  | 1  |  |  |  |  |         |
| 10       | 66M-82127-10 | WIRE, LEAD 2                | 1  | 1  |  |  |  |  |         |
| 11       | 65W-85410-01 | EMERGENCY SIGNAL LIGHT ASSY | 1  | 1  |  |  |  |  |         |
| 12       | 6H1-83557-00 | TUBE                        | 1  | 1  |  |  |  |  |         |
| 13       | 90465-06M88  | CLAMP                       | 1  |    |  |  |  |  |         |
| 14       | 97095-06016  | BOLT                        | 1  |    |  |  |  |  |         |
| 15       | 92995-06600  | WASHER                      | 1  |    |  |  |  |  |         |



66M0010-1120

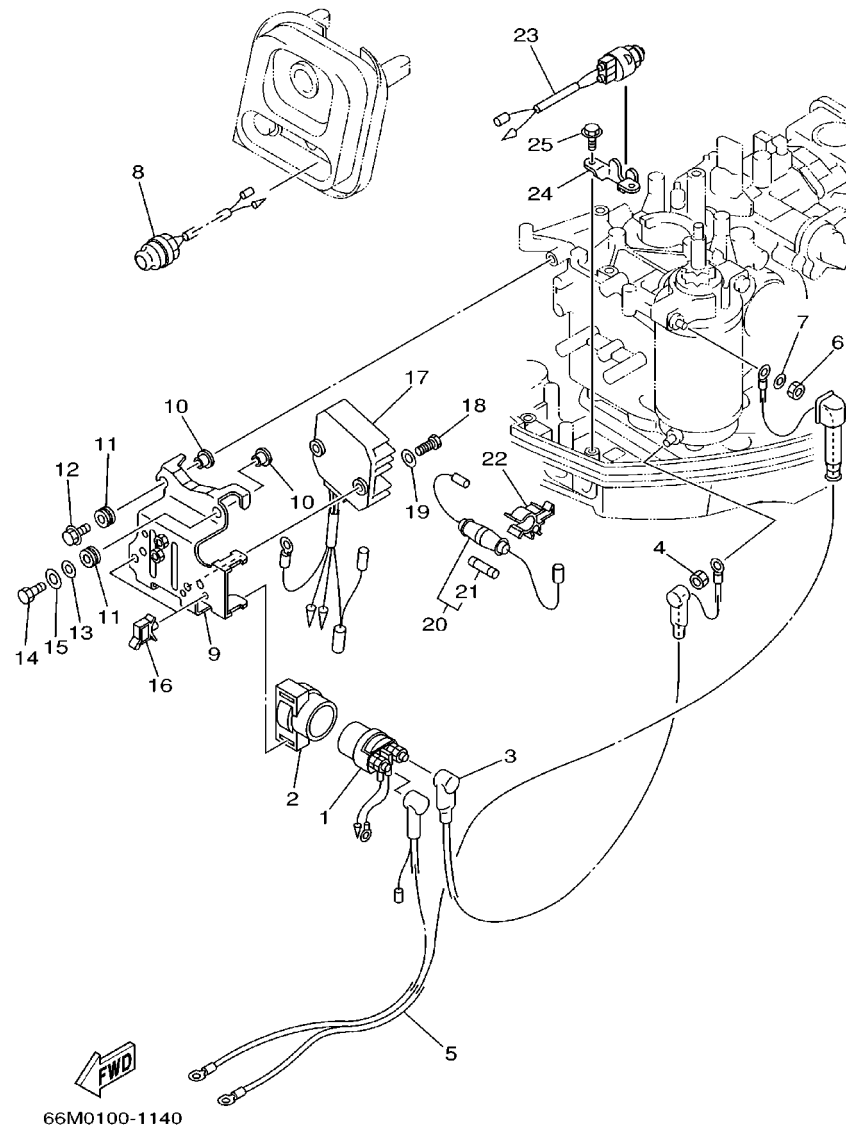
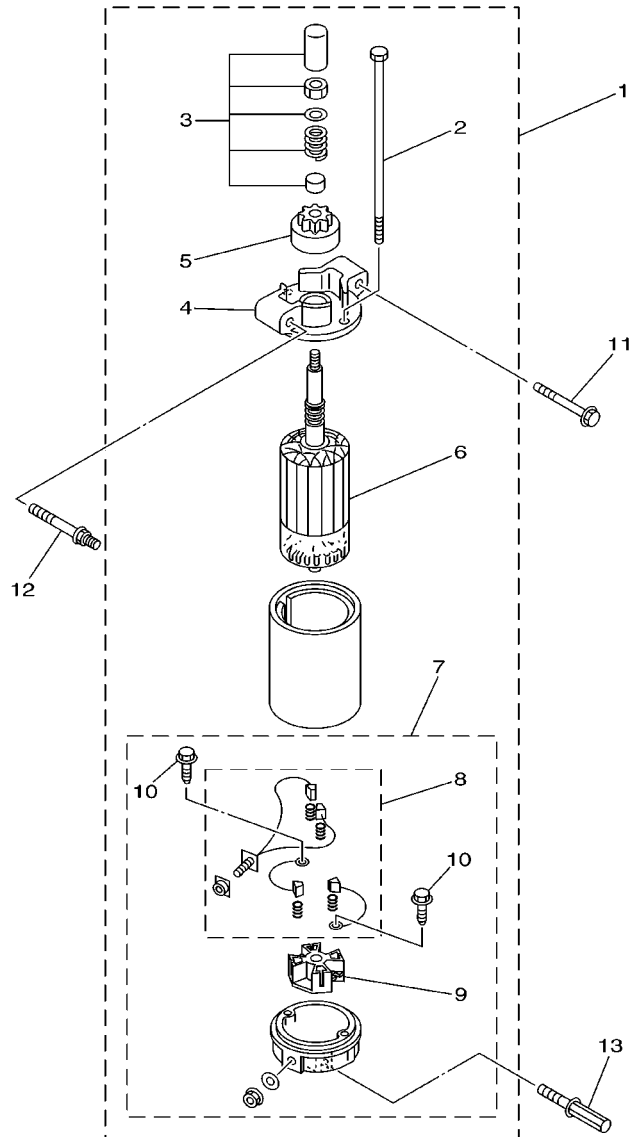


FIG. 14 ELECTRICAL 2

| REF. NO. | PART NO.     | DESCRIPTION                | MH | EH | REMARKS |
|----------|--------------|----------------------------|----|----|---------|
| 1        | 6G1-81941-10 | STARTER RELAY ASSY         |    | 1  |         |
| 2        | 6G1-81952-00 | HOLDER, RELAY              |    | 1  |         |
| 3        | 66M-82117-00 | WIRE, LEAD                 |    | 1  |         |
| 4        | 65W-8182B-00 | NUT, SPECIAL               |    | 1  |         |
| 5        | 66M-82105-00 | WIRE HARNESS               |    | 1  |         |
| 6        | 95380-08700  | NUT                        |    | 1  |         |
| 7        | 92990-08600  | WASHER, PLATE              |    | 1  |         |
| 8        | 65W-81870-00 | STARTING SWITCH ASSY       |    | 1  |         |
| 9        | 66M-85542-10 | BRACKET                    |    | 1  |         |
| 10       | 90387-06M05  | COLLAR                     |    | 4  |         |
| 11       | 90480-13M24  | GROMMET                    |    | 4  |         |
| 12       | 95895-06020  | BOLT, FLANGE               |    | 3  |         |
| 13       | 90201-06M05  | WASHER, PLATE              |    | 1  |         |
| 14       | 97095-06025  | BOLT                       |    | 1  |         |
| 15       | 92995-06600  | WASHER                     |    | 1  |         |
| 16       | 90464-09M13  | CLAMP                      |    | 2  |         |
| 17       | 6G8-81960-A1 | RECTIFIER & REGULATOR ASSY |    | 1  |         |
| 18       | 97095-06016  | BOLT                       |    | 3  |         |
| 19       | 92995-06600  | WASHER                     |    | 3  |         |
| 20       | 6G8-82150-00 | FUSE HOLDER ASSY           |    | 1  |         |
| 21       | 663-82151-00 | FUSE (12V-20A)             |    | 1  |         |
| 22       | 6G5-82152-00 | HOLDER, FUSE               |    | 1  |         |
| 23       | 6H3-82540-00 | NEUTRAL SWITCH ASSY        |    | 1  |         |
| 24       | 6J8-82554-00 | STAY, NEUTRAL SWITCH       |    | 1  |         |
| 25       | 90109-06M86  | BOLT                       |    | 2  |         |

FIG. 15 STARTING MOTOR

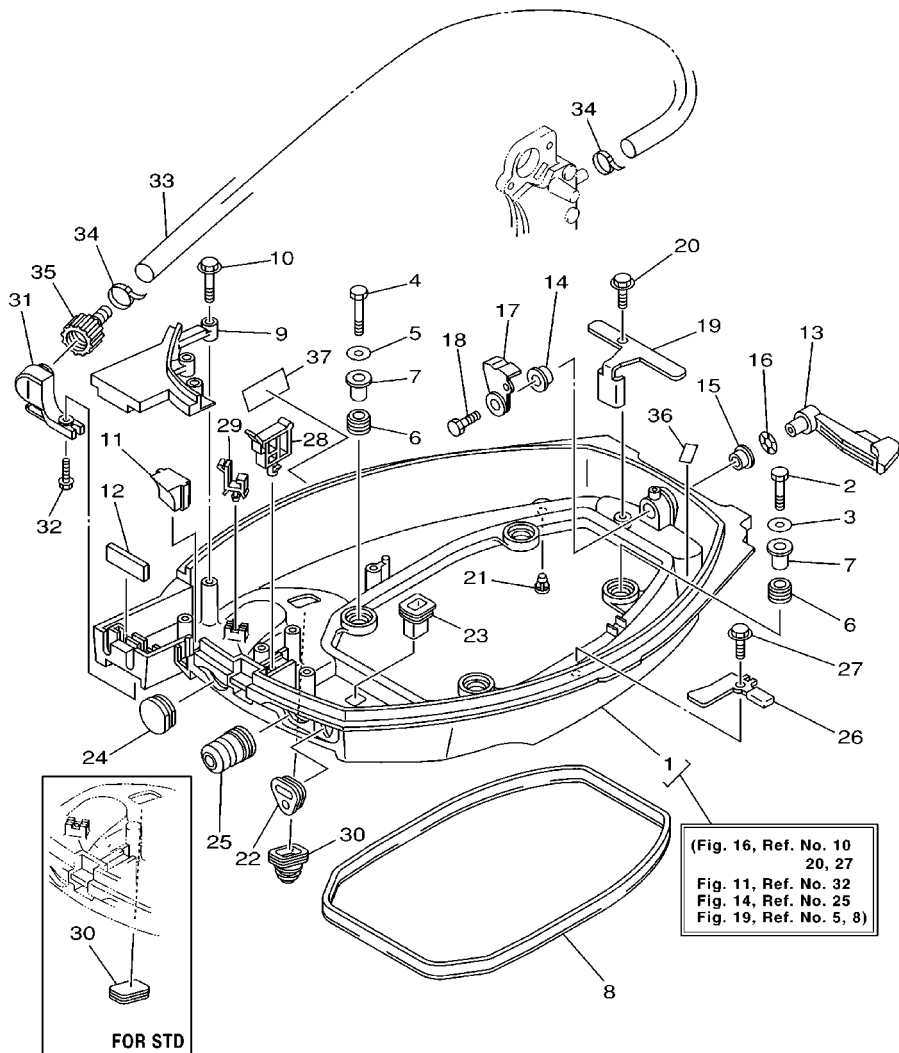


66M0010-0140

| REF. NO. | PART NO.     | DESCRIPTION                | MH | EH |  |  |  |  | REMARKS |
|----------|--------------|----------------------------|----|----|--|--|--|--|---------|
| 1        | 66M-81800-01 | STARTING MOTOR ASSY        |    | 1  |  |  |  |  |         |
| 2        | 65W-81826-00 | .BOLT                      |    | 2  |  |  |  |  |         |
| 3        | 65W-81857-01 | .RETAINER                  |    | 1  |  |  |  |  |         |
| 4        | 66M-81830-00 | .FRONT BRACKET ASSY        |    | 1  |  |  |  |  |         |
| 5        | 65W-81807-00 | .GEAR ASSY, STARTING MOTOR |    | 1  |  |  |  |  |         |
| 6        | 65W-81850-01 | .ARMATURE ASSY             |    | 1  |  |  |  |  |         |
| 7        | 66M-81820-00 | .REAR BRACKET ASSY         |    | 1  |  |  |  |  |         |
| 8        | 65W-81801-00 | ..BRUSH SET                |    | 1  |  |  |  |  |         |
| 9        | 65W-81840-00 | ..BRUSH HOLDER ASSY        |    | 1  |  |  |  |  |         |
| 10       | 65W-8182S-00 | ..SCREW                    |    | 2  |  |  |  |  |         |
| 11       | 90119-08M39  | BOLT, WITH WASHER          |    | 1  |  |  |  |  |         |
| 12       | 90109-08M78  | BOLT                       |    | 1  |  |  |  |  |         |
| 13       | 90109-08M85  | BOLT                       |    | 1  |  |  |  |  |         |

D1

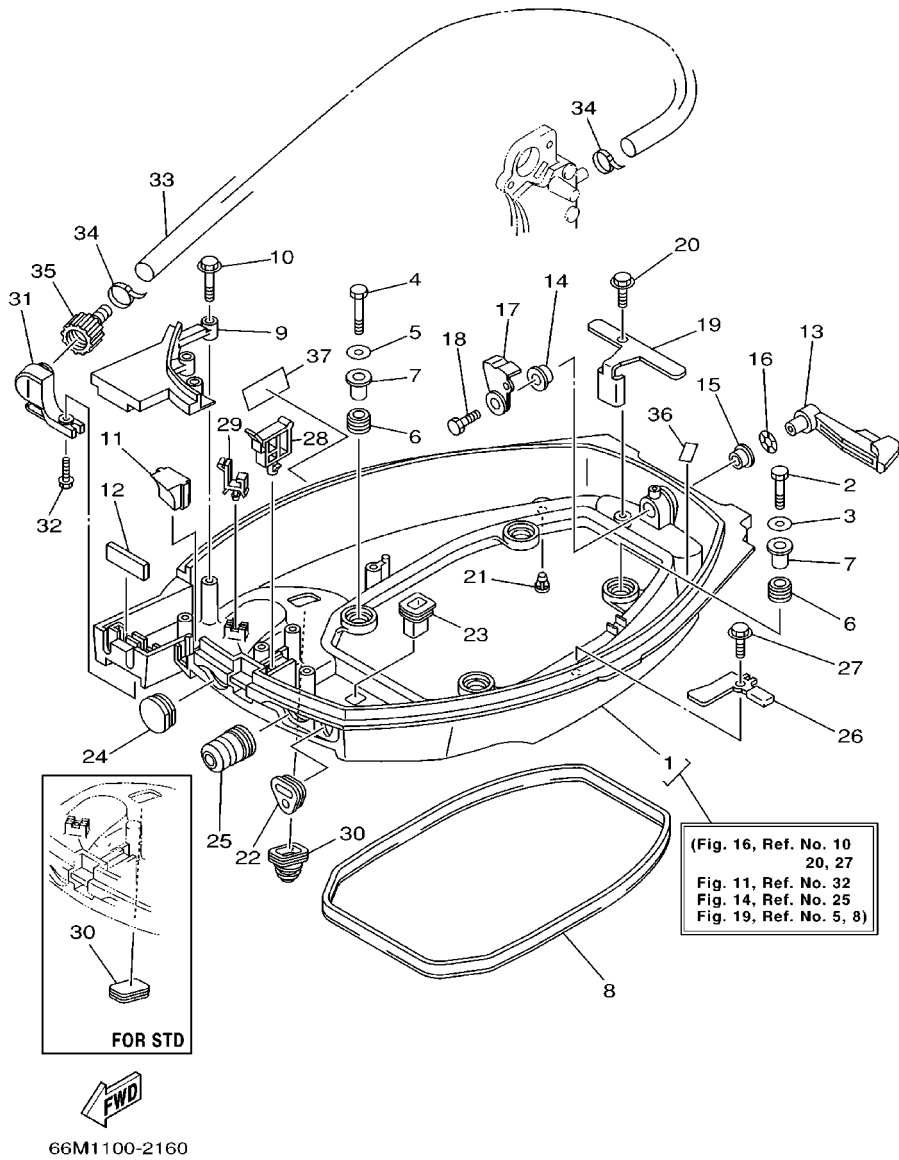
**FIG. 16 BOTTOM COWLING**



66M1100-2160

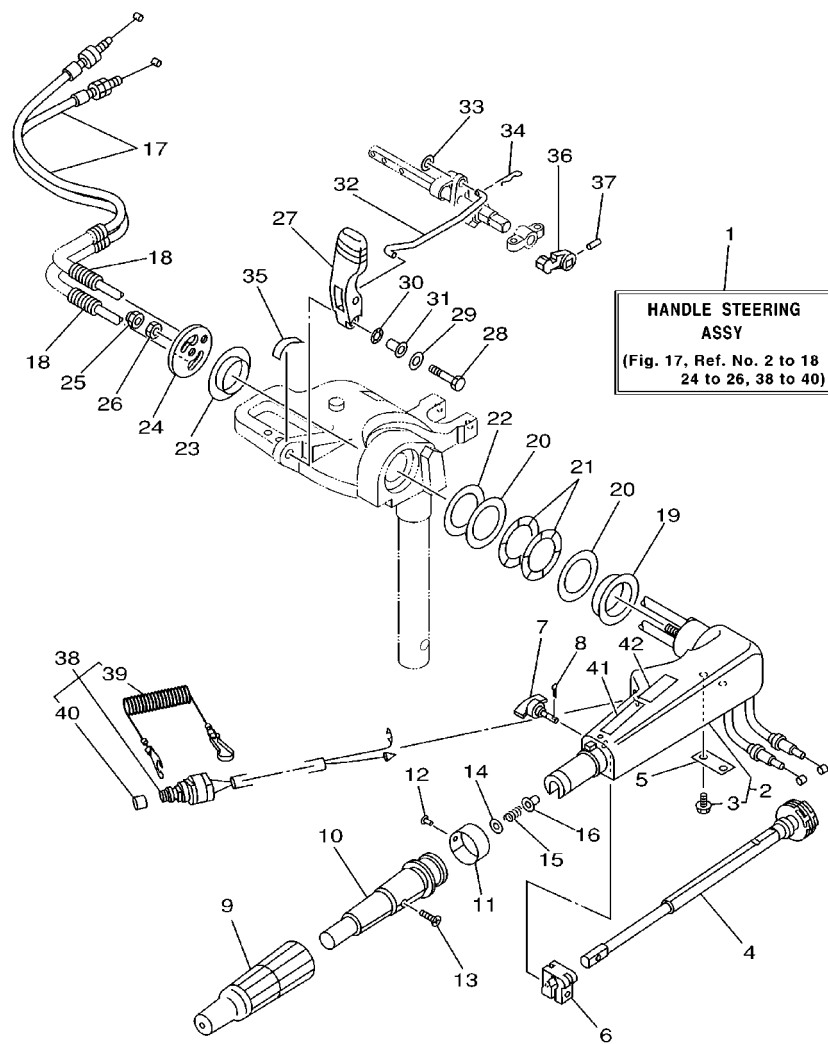
| REF. NO. | PART NO.        | DESCRIPTION         | MH | EH |  |  |  | REMARKS           |
|----------|-----------------|---------------------|----|----|--|--|--|-------------------|
| 1        | 66M-42710-03-4D | BOTTOM COWLING ASSY | 1  | 1  |  |  |  | WITH TAPPING BOLT |
| 2        | 97095-06035     | BOLT                | 2  | 2  |  |  |  |                   |
| 3        | 92995-06600     | WASHER              | 2  | 2  |  |  |  |                   |
| 4        | 97095-06025     | BOLT                | 2  | 2  |  |  |  |                   |
| 5        | 92995-06600     | WASHER              | 2  | 2  |  |  |  |                   |
| 6        | 90480-15M31     | GROMMET             | 4  | 4  |  |  |  |                   |
| 7        | 90387-06M52     | COLLAR              | 4  | 4  |  |  |  |                   |
| 8        | 66M-42716-00    | RUBBER, SEAL 1      | 1  | 1  |  |  |  |                   |
| 9        | 66M-42738-00-4D | PLATE, FITTING      | 1  | 1  |  |  |  |                   |
| 10       | 90109-06M82     | BOLT                | 3  | 3  |  |  |  |                   |
| 11       | 66M-42725-00    | GROMMET             | 1  |    |  |  |  |                   |
|          | 66M-42725-10    | GROMMET             |    | 1  |  |  |  |                   |
| 12       | 65W-42727-00    | GROMMET             | 1  | 1  |  |  |  |                   |
| 13       | 66M-42815-00-4D | LEVER, CLAMP        | 1  | 1  |  |  |  |                   |
| 14       | 90386-12M37     | BUSH                | 1  | 1  |  |  |  |                   |
| 15       | 90386-12MA2     | BUSH                | 1  | 1  |  |  |  |                   |
| 16       | 90206-12052     | WASHER, WAVE        | 1  | 1  |  |  |  |                   |
| 17       | 6L2-42816-00    | LEVER, CLAMP        | 1  | 1  |  |  |  |                   |
| 18       | 97095-06012     | BOLT                | 1  | 1  |  |  |  |                   |
| 19       | 66M-42766-00    | BRACKET 2           | 1  | 1  |  |  |  |                   |
| 20       | 90109-06M86     | BOLT                | 1  | 1  |  |  |  |                   |
| 21       | 6H3-44391-01    | NIPPLE, HOSE        | 1  | 1  |  |  |  |                   |
| 22       | 66M-26326-00    | GROMMET             | 1  | 1  |  |  |  |                   |
| 23       | 682-42727-00    | GROMMET             | 1  | 1  |  |  |  |                   |
| 24       | 682-42724-00    | GROMMET             | 1  | 1  |  |  |  |                   |
| 25       | 65W-42726-00    | GROMMET             | 1  | 1  |  |  |  |                   |
| 26       | 66M-42743-00    | BRACKET             | 2  | 2  |  |  |  |                   |

**FIG. 16 BOTTOM COWLING**



| REF. NO. | PART NO.     | DESCRIPTION | MH | EH | REMARKS          |
|----------|--------------|-------------|----|----|------------------|
| 27       | 90109-06M86  | BOLT        | 2  | 2  |                  |
| 28       | 90465-25M57  | CLAMP       | 1  | 1  |                  |
| 29       | 90464-09M13  | CLAMP       | 1  | 1  |                  |
| 30       | 688-42726-10 | GROMMET     | 1  | 1  | FOR FLUSHING KIT |
|          | 6H4-42726-00 | GROMMET     | 1  |    | FOR STD          |
| 31       | 65W-12572-00 | ADAPTER     | 1  | 1  | FLUSHING KIT     |
| 32       | 90109-06M81  | BOLT        | 1  | 1  | FLUSHING KIT     |
| 33       | 66M-12481-00 | PIPE 1      | 1  | 1  | FLUSHING KIT     |
| 34       | 90465-11M10  | CLAMP       | 2  | 2  | FLUSHING KIT     |
| 35       | 6R3-12580-00 | JOINT ASSY  | 1  | 1  | FLUSHING KIT     |
| 36       | 62Y-82377-00 | LABEL       | 1  | 1  |                  |
| 37       | 6G8-13444-41 | MARK        | 1  | 1  | FOR USA,OCEANIA  |
|          | 6G8-13444-51 | MARK        | 1  | 1  | FOR CANADA       |

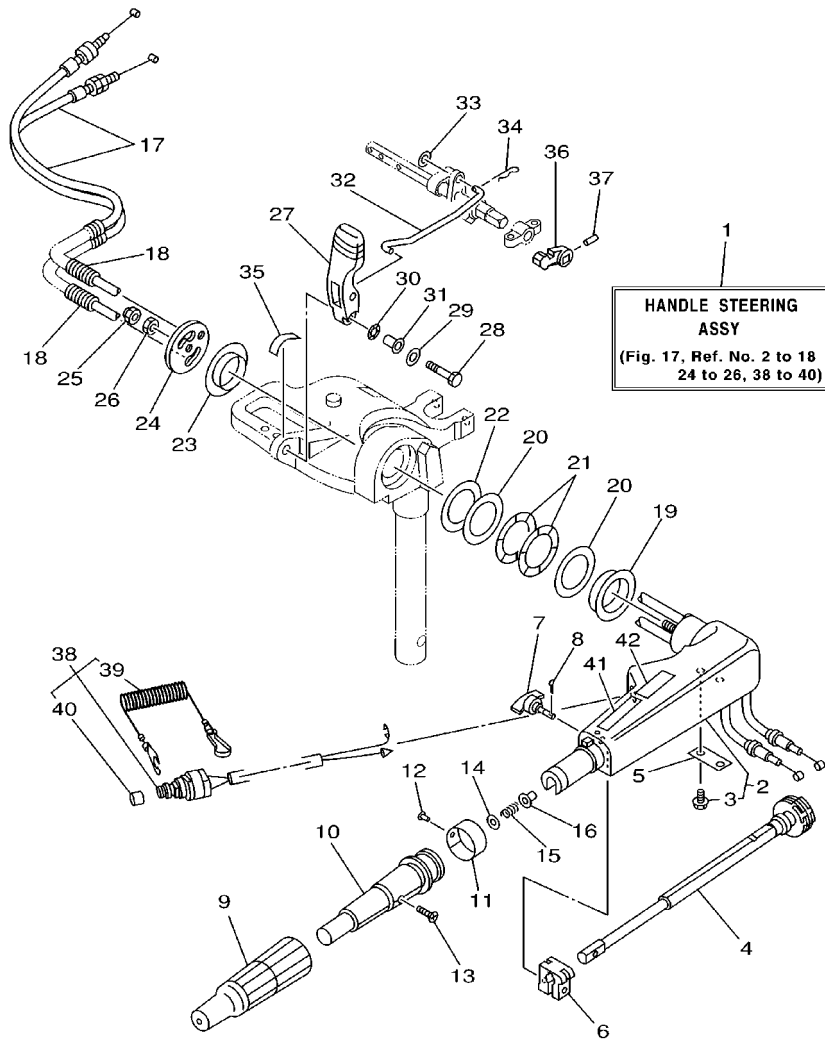




66M1100-2170

FIG. 17 STEERING

| REF. NO. | PART NO.        | DESCRIPTION                   | MH | EH |  |  |  | REMARKS |
|----------|-----------------|-------------------------------|----|----|--|--|--|---------|
| 1        | 66M-W0084-00-4D | HANDLE STEERING ASSY          | 1  | 1  |  |  |  |         |
| 2        | 65W-42101-01-4D | HANDLE, STEERING              | 1  | 1  |  |  |  |         |
| 3        | 90109-06M86     | .BOLT                         | 2  | 2  |  |  |  |         |
| 4        | 65W-42138-00    | LEVER, THROTTLE               | 1  | 1  |  |  |  |         |
| 5        | 65W-42159-00    | STAY                          | 1  | 1  |  |  |  |         |
| 6        | 6G1-42126-00    | FRICION, STEERING HANDLE GRIP | 1  | 1  |  |  |  |         |
| 7        | 65W-42125-00    | BOLT, FRICTION ADJUSTING      | 1  | 1  |  |  |  |         |
| 8        | 91490-16010     | PIN, COTTER                   | 1  | 1  |  |  |  |         |
| 9        | 66M-42177-00    | RUBBER, HANDLE                | 1  | 1  |  |  |  |         |
| 10       | 66M-42119-00    | GRIP, STEERING HANDLE         | 1  | 1  |  |  |  |         |
| 11       | 689-42137-20    | INDICATOR, THROTTLE           | 1  | 1  |  |  |  |         |
| 12       | 90269-02M09     | RIVET                         | 1  | 1  |  |  |  |         |
| 13       | 90149-05M13     | SCREW                         | 1  | 1  |  |  |  |         |
| 14       | 92903-10600     | WASHER, PLATE                 | 1  | 1  |  |  |  |         |
| 15       | 90501-23215     | SPRING, COMPRESSION           | 1  | 1  |  |  |  |         |
| 16       | 90386-08032     | BUSH                          | 1  | 1  |  |  |  |         |
| 17       | 66M-26311-00    | CABLE, THROTTLE 1             | 2  | 2  |  |  |  |         |
| 18       | 90446-10M87     | HOSE                          | 2  | 2  |  |  |  |         |
| 19       | 90386-40MA0     | BUSH                          | 1  | 1  |  |  |  |         |
| 20       | 90201-43M00     | WASHER, PLATE                 | 2  | 2  |  |  |  |         |
| 21       | 90206-43M22     | WASHER, WAVE                  | 2  | 2  |  |  |  |         |
| 22       | 90202-43M57     | WASHER, PLATE                 | 1  | 1  |  |  |  |         |
| 23       | 90386-40M99     | BUSH                          | 1  | 1  |  |  |  |         |
| 24       | 66M-42131-01    | COVER, HANDLE STEERING        | 1  | 1  |  |  |  |         |
| 25       | 95780-10300     | NUT, FLANGE                   | 1  | 1  |  |  |  |         |
| 26       | 95380-10700     | NUT                           | 1  | 1  |  |  |  |         |
| 27       | 66M-44111-01    | HANDLE, GEAR SHIFT            | 1  | 1  |  |  |  |         |

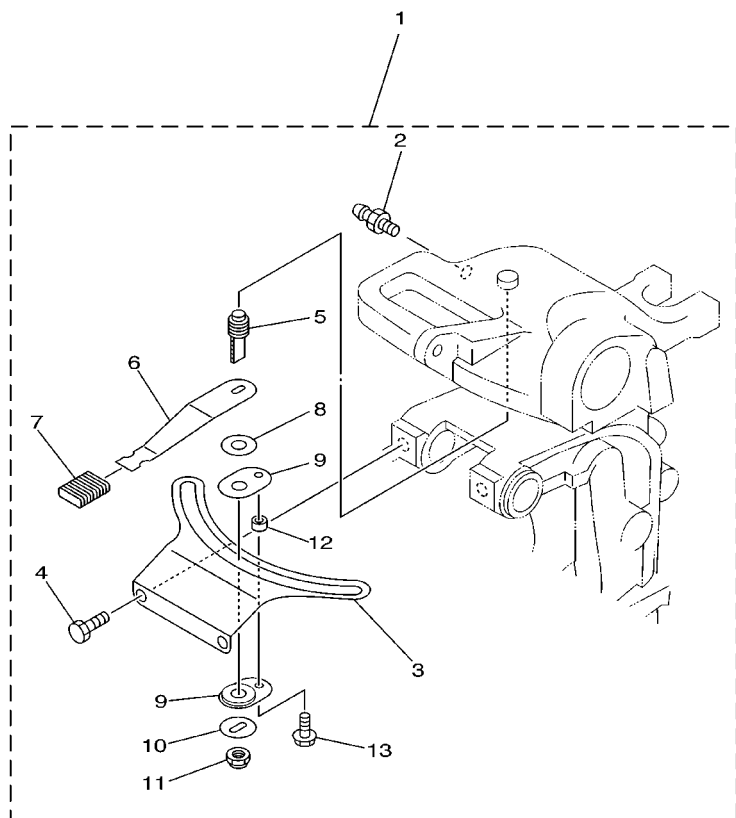


66M1100-2170

FIG. 17 STEERING

| REF. NO. | PART NO.     | DESCRIPTION             | MH | EH |  |  |  | REMARKS         |
|----------|--------------|-------------------------|----|----|--|--|--|-----------------|
| 28       | 97095-06030  | BOLT                    | 1  | 1  |  |  |  |                 |
| 29       | 92995-06600  | WASHER                  | 1  | 1  |  |  |  |                 |
| 30       | 90206-10M04  | WASHER, WAVE            | 1  | 1  |  |  |  |                 |
| 31       | 90387-06M78  | COLLAR                  | 1  | 1  |  |  |  |                 |
| 32       | 66M-44124-00 | LINK, SHIFT ROD         | 1  | 1  |  |  |  |                 |
| 33       | 92990-06200  | WASHER, PLAIN           | 1  | 1  |  |  |  |                 |
| 34       | 90468-18008  | CLIP                    | 1  | 1  |  |  |  |                 |
| 35       | 6E0-44191-11 | INDICATOR, SHIFT        | 1  | 1  |  |  |  |                 |
| 36       | 65W-44173-00 | LEVER, SHIFT CONTROL    | 1  | 1  |  |  |  | FOR NEUTRAL SW. |
| 37       | 90254-03M05  | PIN, SPRING             | 1  | 1  |  |  |  | FOR NEUTRAL SW. |
| 38       | 65W-82575-01 | ENGINE STOP SWITCH ASSY | 1  | 1  |  |  |  |                 |
| 39       | 682-82556-00 | .STOPPER                | 1  | 1  |  |  |  |                 |
| 40       | 689-8257Y-00 | .CAP                    | 1  | 1  |  |  |  |                 |
| 41       | 6E0-83627-41 | LABEL, CAUTION 7        | 1  | 1  |  |  |  |                 |
| 42       | 6E0-83627-51 | LABEL, CAUTION 7        | 1  | 1  |  |  |  | FOR CANADA      |

**FIG. 18 STEERING FRICTION**

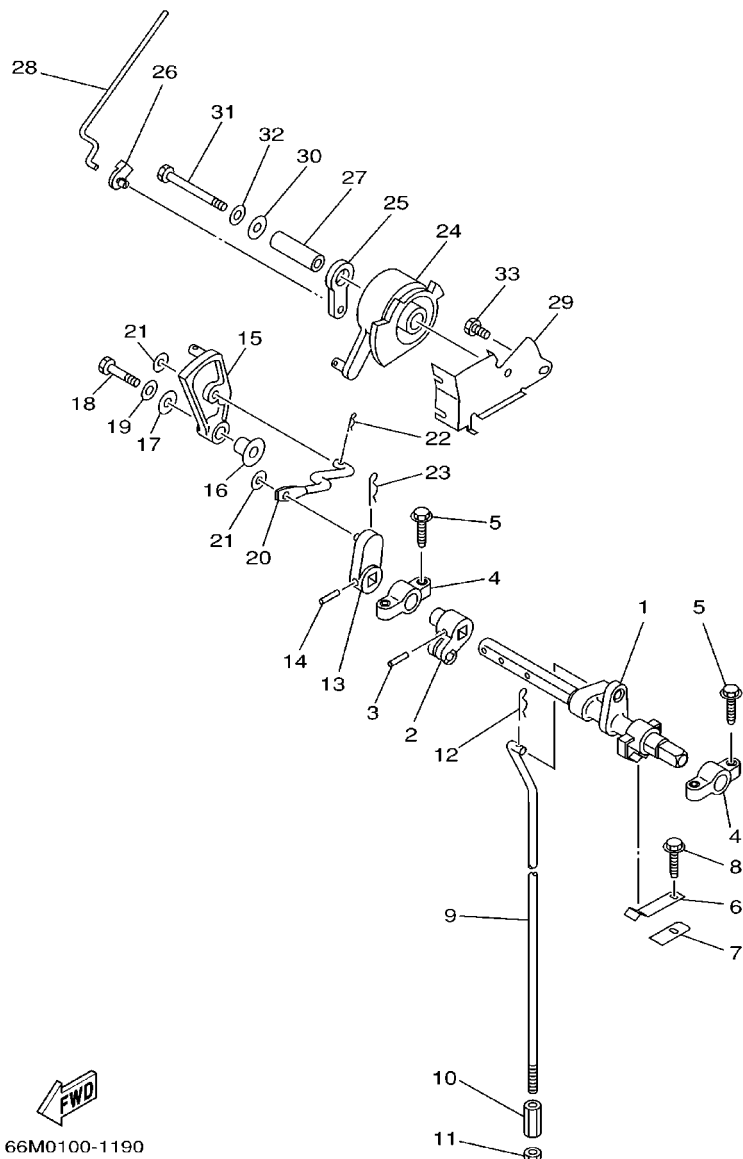


| REF. NO. | PART NO.     | DESCRIPTION            | MH | EH |  |  |  | REMARKS        |
|----------|--------------|------------------------|----|----|--|--|--|----------------|
| 1        | 66M-42508-01 | STEERING FRICTION ASSY | 1  | 1  |  |  |  | FOR USA,CANADA |
| 2        | 93700-06M03  | .NIPPLE, GREASE        | 1  | 1  |  |  |  |                |
| 3        | 66M-42527-00 | .PLATE, FRICTION       | 1  | 1  |  |  |  |                |
| 4        | 90109-08M91  | .BOLT                  | 2  | 2  |  |  |  |                |
| 5        | 65W-42562-00 | .SHAFT, STEERING LOCK  | 1  | 1  |  |  |  |                |
| 6        | 66M-42561-00 | .KNOB, STEERING LOCK   | 1  | 1  |  |  |  |                |
| 7        | 689-43633-00 | .COVER, TILT LEVER     | 1  | 1  |  |  |  |                |
| 8        | 90202-10M56  | .WASHER, PLATE         | 1  | 1  |  |  |  |                |
| 9        | 65W-42528-00 | .PLATE, FRICTION       | 2  | 2  |  |  |  |                |
| 10       | 90209-10M26  | .WASHER                | 1  | 1  |  |  |  |                |
| 11       | 90185-10M14  | .NUT, SELF-LOCKING     | 1  | 1  |  |  |  |                |
| 12       | 90387-05M11  | .COLLAR                | 1  | 1  |  |  |  |                |
| 13       | 90119-05M03  | .BOLT, WITH WASHER     | 1  | 1  |  |  |  |                |



66M0010-8170

FIG. 19 CONTROL

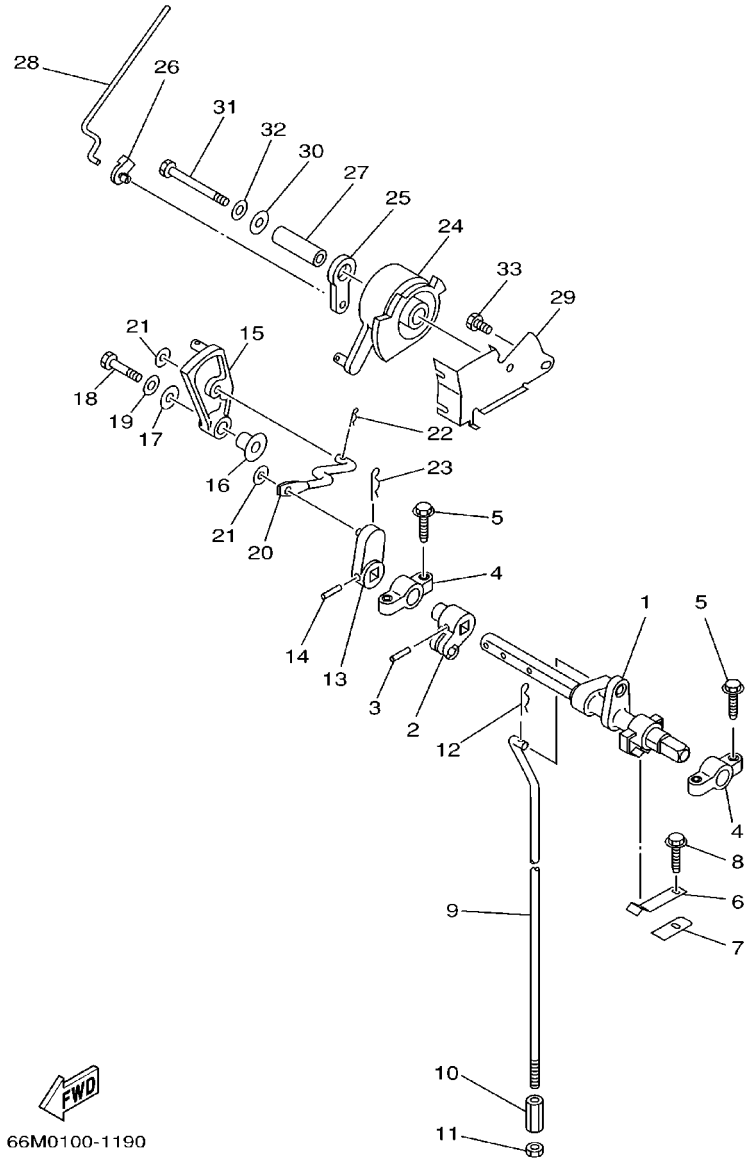


66M0100-1190

| REF. NO. | PART NO.     | DESCRIPTION              | MH | EH |  |  |  | REMARKS |
|----------|--------------|--------------------------|----|----|--|--|--|---------|
| 1        | 65W-44121-00 | LEVER, SHIFT ROD         | 1  | 1  |  |  |  |         |
| 2        | 66M-44122-00 | BUSHING, SHIFT ROD LEVER | 1  | 1  |  |  |  |         |
| 3        | 90254-03M05  | PIN, SPRING              | 1  | 1  |  |  |  |         |
| 4        | 6F5-41662-00 | BRACKET                  | 2  | 2  |  |  |  |         |
| 5        | 90109-06M81  | BOLT                     | 4  | 4  |  |  |  |         |
| 6        | 65W-44116-00 | SPRING                   | 1  | 1  |  |  |  |         |
| 7        | 66R-44114-00 | STOPPER                  | 1  | 1  |  |  |  |         |
| 8        | 90109-06M86  | BOLT                     | 1  | 1  |  |  |  |         |
| 9        | 66M-44143-00 | ROD, SHIFT               | 1  | 1  |  |  |  | S       |
|          | 66M-44143-10 | ROD, SHIFT               | 1  | 1  |  |  |  | L       |
| 10       | 90170-06015  | NUT                      | 1  | 1  |  |  |  |         |
| 11       | 95380-06700  | NUT                      | 1  | 1  |  |  |  |         |
| 12       | 90468-18008  | CLIP                     | 1  | 1  |  |  |  |         |
| 13       | 65W-44142-00 | JOINT                    | 1  | 1  |  |  |  |         |
| 14       | 90254-03M05  | PIN, SPRING              | 1  | 1  |  |  |  |         |
| 15       | 65W-44125-00 | LEVER, SHIFT ROD         | 1  | 1  |  |  |  |         |
| 16       | 90387-06M29  | COLLAR                   | 1  | 1  |  |  |  |         |
| 17       | 90201-06M31  | WASHER, PLATE            | 1  | 1  |  |  |  |         |
| 18       | 97095-06025  | BOLT                     | 1  | 1  |  |  |  |         |
| 19       | 92995-06600  | WASHER                   | 1  | 1  |  |  |  |         |
| 20       | 66M-44192-00 | JOINT, ROD 1             | 1  | 1  |  |  |  |         |
| 21       | 90201-05M06  | WASHER, PLATE            | 2  | 2  |  |  |  |         |
| 22       | 90468-10005  | CLIP                     | 1  | 1  |  |  |  |         |
| 23       | 90468-18008  | CLIP                     | 1  | 1  |  |  |  |         |
| 24       | 65W-41638-00 | PULLEY                   | 1  | 1  |  |  |  |         |
| 25       | 65W-41283-00 | LEVER, FREE ACCÉL.       | 1  | 1  |  |  |  |         |
| 26       | 661-41262-02 | JOINT, CHOKE LEVER       | 1  | 1  |  |  |  |         |

D7

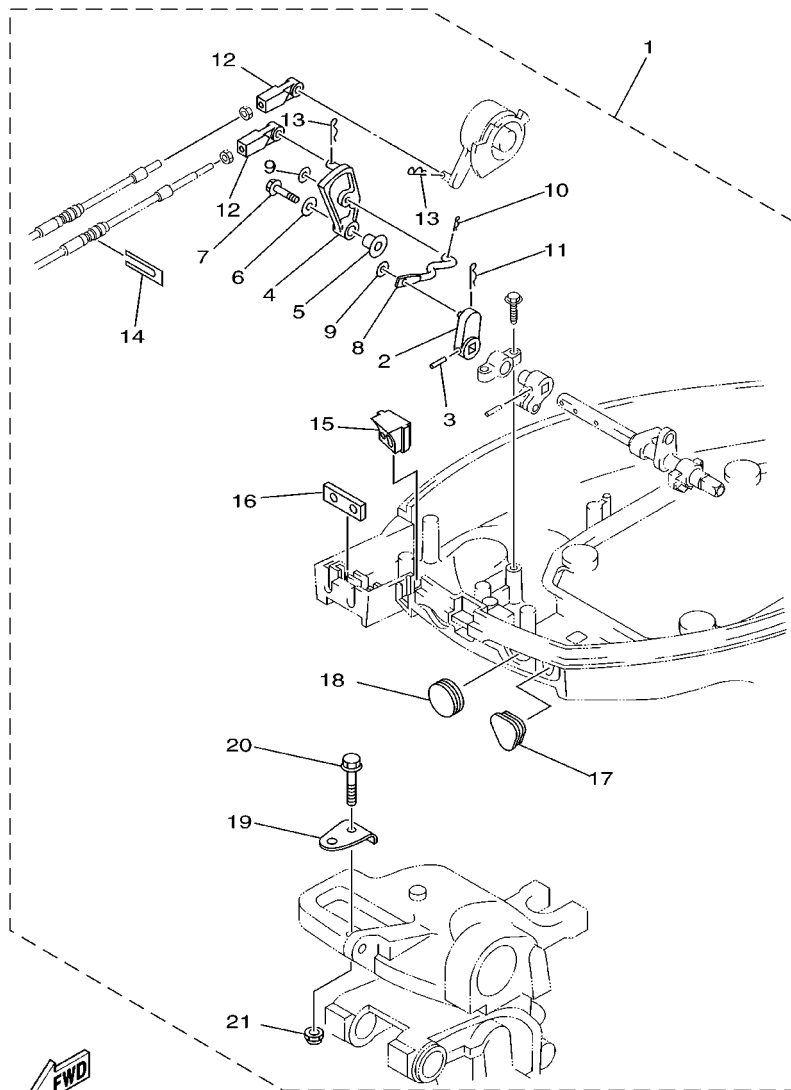
FIG. 19 CONTROL



FWD  
66M0100-1190

| REF. NO. | PART NO.     | DESCRIPTION         | MH | EH |  |  |  |  | REMARKS |
|----------|--------------|---------------------|----|----|--|--|--|--|---------|
| 27       | 90387-06M08  | COLLAR              | 1  | 1  |  |  |  |  |         |
| 28       | 66M-41211-00 | LINK, ACCEL.        | 1  | 1  |  |  |  |  |         |
| 29       | 65W-14497-01 | STAY, THROTTLE WIRE | 1  | 1  |  |  |  |  |         |
| 30       | 90201-06M31  | WASHER, PLATE       | 1  | 1  |  |  |  |  |         |
| 31       | 97095-06055  | BOLT                | 1  | 1  |  |  |  |  |         |
| 32       | 92995-06600  | WASHER              | 1  | 1  |  |  |  |  |         |
| 33       | 97095-06010  | BOLT                | 1  | 1  |  |  |  |  |         |
|          |              |                     |    |    |  |  |  |  |         |
|          |              |                     |    |    |  |  |  |  |         |
|          |              |                     |    |    |  |  |  |  |         |
|          |              |                     |    |    |  |  |  |  |         |
|          |              |                     |    |    |  |  |  |  |         |
|          |              |                     |    |    |  |  |  |  |         |
|          |              |                     |    |    |  |  |  |  |         |
|          |              |                     |    |    |  |  |  |  |         |

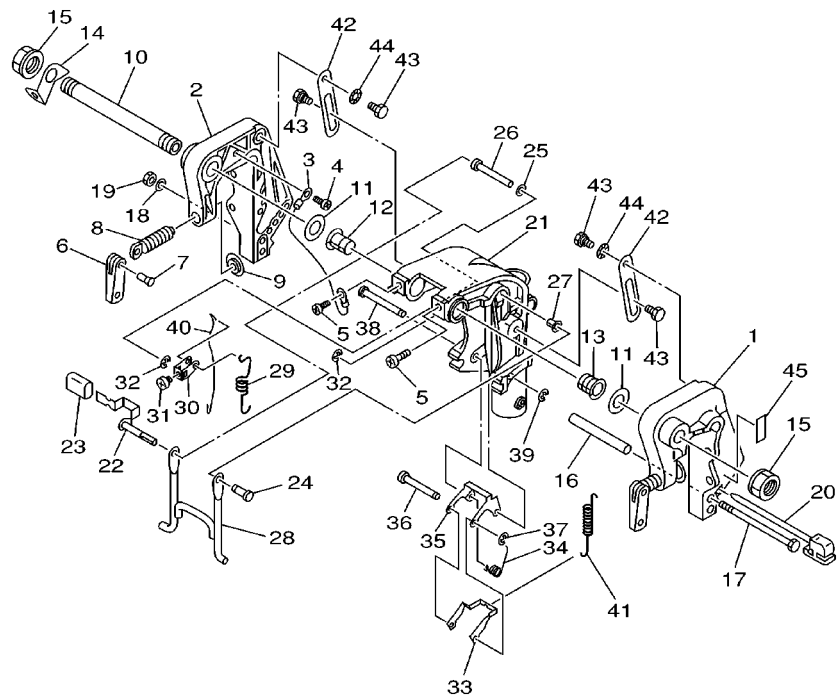
**FIG. 20 REMOTE CONTROL ATTACHMENT**



66M0010-9190

| REF. NO. | PART NO.     | DESCRIPTION                   | MH | EH |  |  |  | REMARKS |
|----------|--------------|-------------------------------|----|----|--|--|--|---------|
| 1        | 66M-48501-00 | REMOTE CONT. ATTACHMENT ASSY. | 1  | 1  |  |  |  | AP      |
| 2        | 65W-44142-00 | .JOINT                        | 1  | 1  |  |  |  |         |
| 3        | 90254-03M05  | .PIN, SPRING                  | 1  | 1  |  |  |  |         |
| 4        | 65W-44125-00 | .LEVER, SHIFT ROD             | 1  | 1  |  |  |  |         |
| 5        | 90387-06M29  | .COLLAR                       | 1  | 1  |  |  |  |         |
| 6        | 90201-06M31  | .WASHER, PLATE                | 1  | 1  |  |  |  |         |
| 7        | 97595-06525  | .BOLT, WITH WASHER            | 1  | 1  |  |  |  |         |
| 8        | 66M-44192-00 | .JOINT, ROD 1                 | 1  | 1  |  |  |  |         |
| 9        | 90201-05M06  | .WASHER, PLATE                | 2  | 2  |  |  |  |         |
| 10       | 90468-10005  | .CLIP                         | 1  | 1  |  |  |  |         |
| 11       | 90468-18008  | .CLIP                         | 1  | 1  |  |  |  |         |
| 12       | 663-48344-00 | .CABLE END, REMOTE CONTROL    | 2  | 2  |  |  |  |         |
| 13       | 90468-18008  | .CLIP                         | 2  | 2  |  |  |  |         |
| 14       | 6H3-48538-00 | .CLAMP, CABLE 1               | 1  | 1  |  |  |  |         |
| 15       | 66M-42725-20 | .GROMMET                      | 1  | 1  |  |  |  |         |
| 16       | 62Y-42727-00 | .GROMMET                      | 1  | 1  |  |  |  |         |
| 17       | 65W-26326-10 | .GROMMET                      | 1  | 1  |  |  |  |         |
| 18       | 65W-42726-10 | .GROMMET                      | 1  | 1  |  |  |  |         |
| 19       | 63V-48511-01 | .HOOK, STEERING               | 1  | 1  |  |  |  |         |
| 20       | 97575-08535  | .BOLT, WITH WASHER            | 1  | 1  |  |  |  |         |
| 21       | 90185-08057  | .NUT, SELF-LOCKING            | 1  | 1  |  |  |  |         |

FIG. 21 BRACKET 1

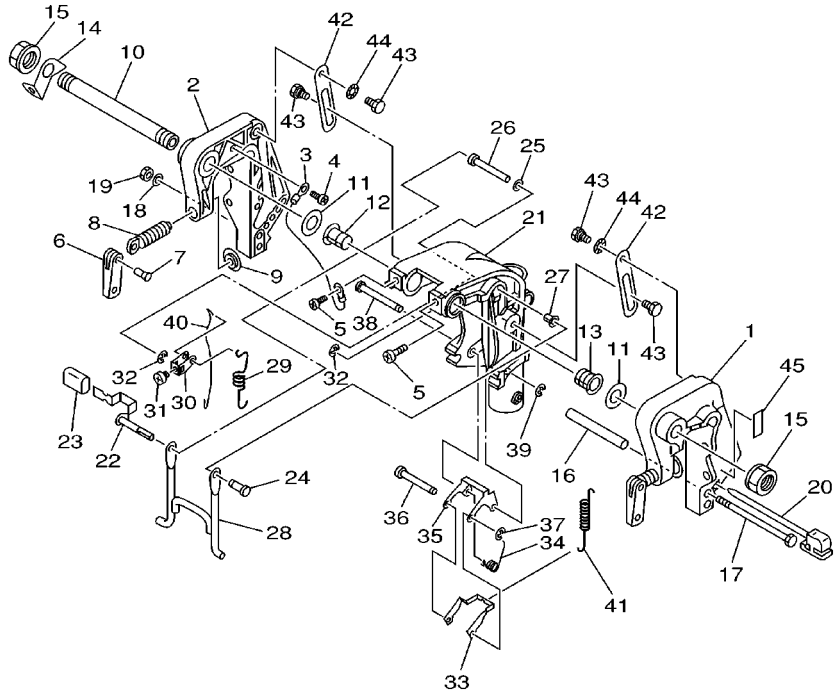


| REF. NO. | PART NO.        | DESCRIPTION           | MH | EH |  |  | REMARKS     |
|----------|-----------------|-----------------------|----|----|--|--|-------------|
| 1        | 63V-43111-05-4D | BRACKET, CLAMP        | 1  | 1  |  |  |             |
| 2        | 63V-43112-06-4D | BRACKET, CLAMP        | 1  | 1  |  |  |             |
| 3        | 66M-82148-00    | WIRE, LEAD 4          | 1  | 1  |  |  |             |
| 4        | 97885-06008     | SCREW, PAN HEAD       | 1  | 1  |  |  |             |
| 5        | 97885-08010     | SCREW, PAN HEAD       | 2  |    |  |  | FOR OCEANIA |
| 6        | 6E0-43118-01    | HANDLE, TRANSOM CLAMP | 2  | 2  |  |  |             |
| 7        | 90243-04M01     | PIN                   | 2  | 2  |  |  |             |
| 8        | 6E7-43116-00    | SCREW, TRANSOM CLAMP  | 2  | 2  |  |  |             |
| 9        | 648-43114-01    | PAD, TRANSOM CLAMP    | 2  | 2  |  |  |             |
| 10       | 63W-43131-01    | BOLT, CLAMP BRACKET   | 1  | 1  |  |  |             |
| 11       | 90202-22M54     | WASHER, PLATE         | 2  | 2  |  |  |             |
| 12       | 90386-22M94     | BUSH                  | 1  | 1  |  |  |             |
| 13       | 90386-22M94     | BUSH                  | 1  | 1  |  |  |             |
| 14       | 66R-43113-00    | PLATE, CLAMP BRACKET  | 1  | 1  |  |  |             |
| 15       | 90185-22043     | NUT, SELF-LOCKING     | 2  | 2  |  |  |             |
| 16       | 90387-06M13     | COLLAR                | 1  | 1  |  |  |             |
| 17       | 90101-06M29     | BOLT                  | 1  | 1  |  |  |             |
| 18       | 92995-06600     | WASHER                | 1  | 1  |  |  |             |
| 19       | 95380-06700     | NUT                   | 1  | 1  |  |  |             |
| 20       | 6L2-43160-00    | TILT ROD ASSY         | 1  | 1  |  |  |             |
| 21       | 63V-43311-03-4D | BRACKET, SWIVEL 1     | 1  | 1  |  |  | S           |
|          | 66M-43311-10-4D | BRACKET, SWIVEL 1     | 1  | 1  |  |  | L           |
| 22       | 66M-43630-01    | TILT LEVER ASSY       | 1  | 1  |  |  |             |
| 23       | 682-43318-01    | COVER                 | 1  | 1  |  |  |             |
| 24       | 63V-43191-00    | SHAFT, STOPPER        | 1  | 1  |  |  |             |
| 25       | 90202-07M60     | WASHER, PLATE         | 1  | 1  |  |  |             |
| 26       | 90387-07M07     | COLLAR                | 1  | 1  |  |  |             |



66M1100-2210

FIG. 21 BRACKET 1



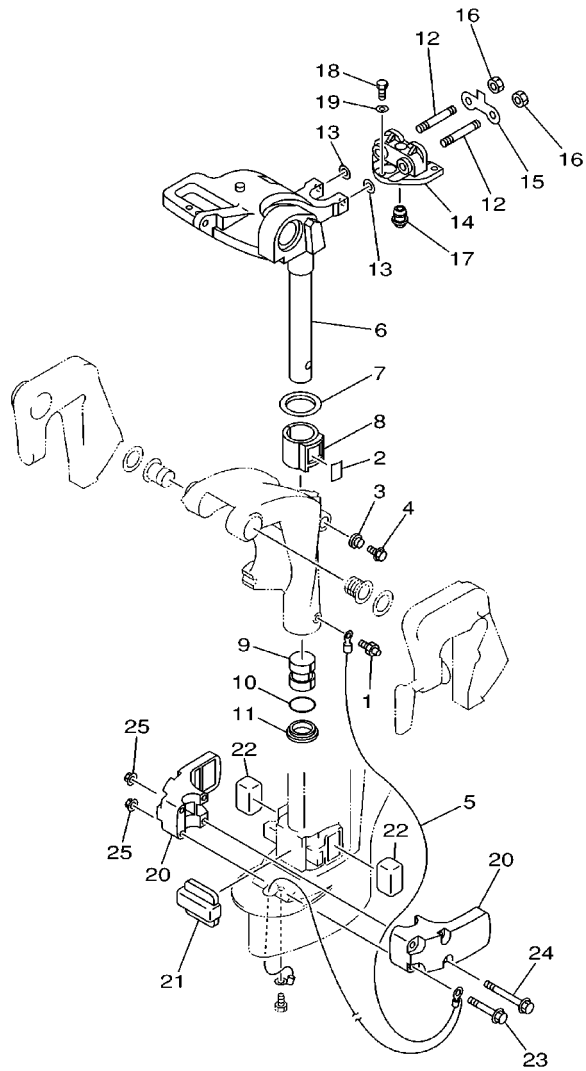
| REF. NO. | PART NO.     | DESCRIPTION            | MH | EH |  |  |  | REMARKS    |
|----------|--------------|------------------------|----|----|--|--|--|------------|
| 27       | 90386-07M95  | BUSH                   | 1  | 1  |  |  |  |            |
| 28       | 66M-43350-01 | RECEIVER ASSY          | 1  | 1  |  |  |  |            |
| 29       | 90507-20M00  | SPRING, TENSION        | 1  | 1  |  |  |  |            |
| 30       | 63V-43641-01 | LEVER, TILT            | 1  | 1  |  |  |  |            |
| 31       | 90157-05014  | SCREW, PAN HEAD        | 1  | 1  |  |  |  |            |
| 32       | 99080-05600  | CIRCLIP                | 2  | 2  |  |  |  |            |
| 33       | 63V-43614-10 | PLATE, TILT LOCK       | 1  | 1  |  |  |  |            |
| 34       | 90508-18M41  | SPRING, TORSION        | 1  | 1  |  |  |  |            |
| 35       | 66R-43615-00 | PLATE, TILT LOCK       | 1  | 1  |  |  |  |            |
| 36       | 66R-43611-00 | SHAFT, TILT LOCK       | 1  | 1  |  |  |  |            |
| 37       | 93430-04M03  | CIRCLIP                | 1  | 1  |  |  |  |            |
| 38       | 63V-43659-00 | SHAFT, REVERSE LOCK    | 1  | 1  |  |  |  |            |
| 39       | 99080-05600  | CIRCLIP                | 1  | 1  |  |  |  |            |
| 40       | 66R-43617-00 | ROD, TILT LOCK         | 1  | 1  |  |  |  |            |
| 41       | 63V-43656-00 | SPRING, REVERSE LOCK 1 | 1  | 1  |  |  |  |            |
| 42       | 63V-43181-00 | LEVER, TILT STOP       | 2  | 2  |  |  |  |            |
| 43       | 90109-06M84  | BOLT                   | 4  | 4  |  |  |  |            |
| 44       | 90206-10M24  | WASHER, WAVE           | 2  | 2  |  |  |  |            |
| 45       | 63V-82377-50 | LABEL (SPARK,IGNITION) | 1  | 1  |  |  |  | FOR CANADA |
|          |              |                        |    |    |  |  |  |            |
|          |              |                        |    |    |  |  |  |            |
|          |              |                        |    |    |  |  |  |            |



66M1100-2210



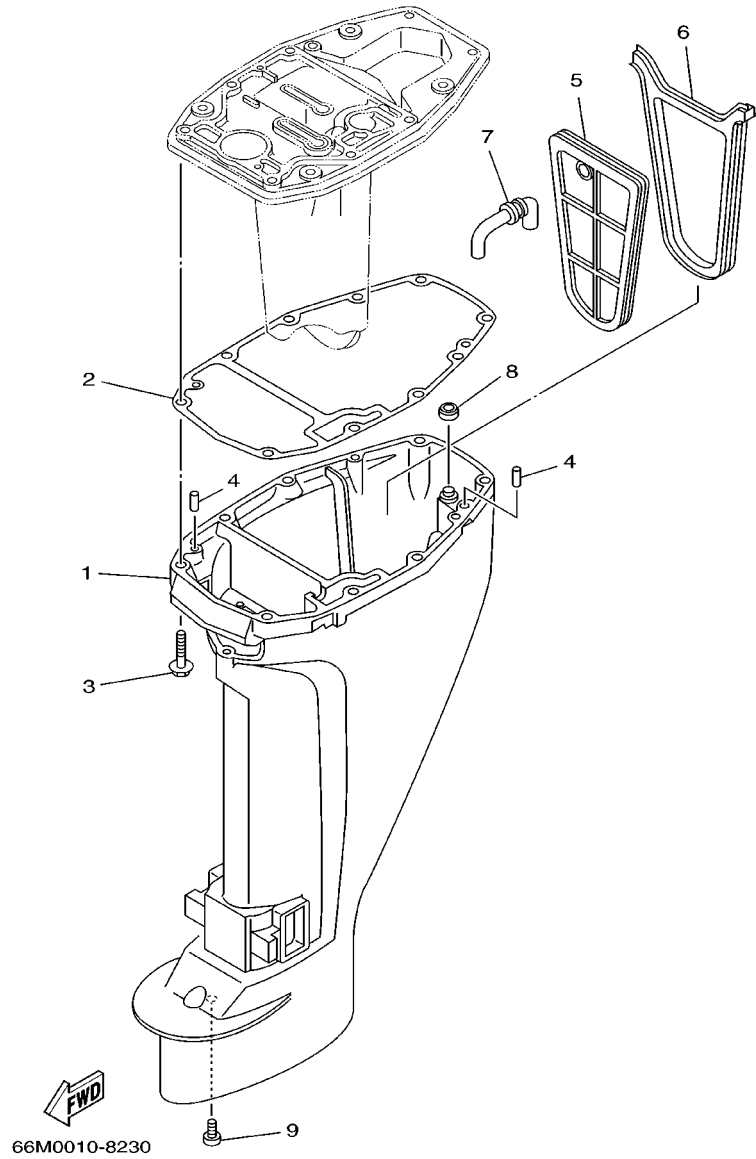
FIG. 22 BRACKET 2



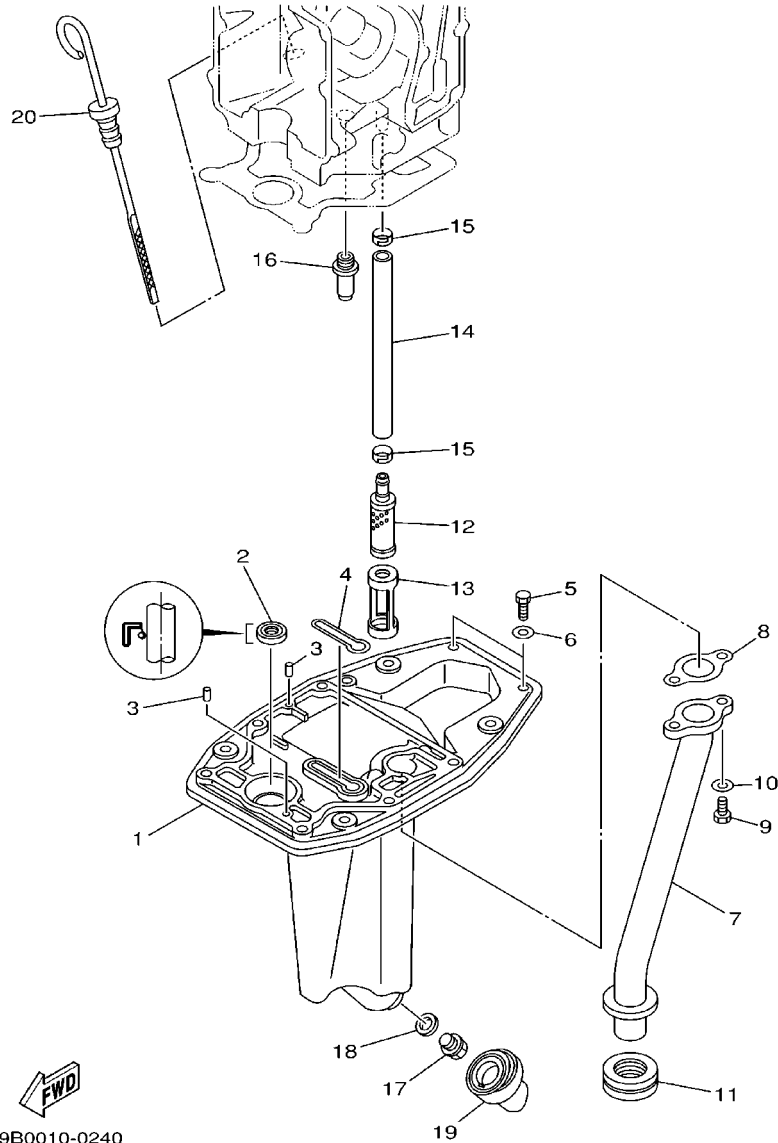
66M0010-1220

| REF. NO. | PART NO.        | DESCRIPTION                 | MH | EH |  |  |  | REMARKS |
|----------|-----------------|-----------------------------|----|----|--|--|--|---------|
| 1        | 93700-06M03     | NIPPLE, GREASE              | 1  | 1  |  |  |  |         |
| 2        | 63V-42528-00    | PLATE, FRICTION             | 1  | 1  |  |  |  |         |
| 3        | 689-43373-01    | SEAL, DAMPER                | 1  | 1  |  |  |  |         |
| 4        | 90105-06M07     | BOLT, WASHER BASED          | 1  | 1  |  |  |  |         |
| 5        | 66M-82127-00    | WIRE, LEAD 2                | 1  | 1  |  |  |  |         |
| 6        | 66M-42511-01-4D | BRACKET, STEERING           | 1  | 1  |  |  |  | S       |
|          | 66M-42511-11-4D | BRACKET, STEERING           | 1  | 1  |  |  |  | L       |
| 7        | 90209-40008     | WASHER                      | 1  | 1  |  |  |  |         |
| 8        | 65F-42537-00    | BUSHING, PIVOT SHAFT        | 1  | 1  |  |  |  |         |
| 9        | 90386-30048     | BUSH                        | 1  | 1  |  |  |  |         |
| 10       | 93210-29M94     | O-RING                      | 1  | 1  |  |  |  |         |
| 11       | 90386-30M60     | BUSH                        | 1  | 1  |  |  |  |         |
| 12       | 90116-08M54     | BOLT, STUD                  | 2  | 2  |  |  |  |         |
| 13       | 90201-08M06     | WASHER, PLATE               | 2  | 2  |  |  |  |         |
| 14       | 66M-44514-00-4D | MOUNT DAMPER, UPPER SIDE    | 1  | 1  |  |  |  |         |
| 15       | 66M-44526-00    | PLATE                       | 1  | 1  |  |  |  |         |
| 16       | 95380-08600     | NUT                         | 2  | 2  |  |  |  |         |
| 17       | 66M-44366-00    | DAMPER, WATER SEAL          | 1  | 1  |  |  |  |         |
| 18       | 97075-06025     | BOLT                        | 3  | 3  |  |  |  |         |
| 19       | 92995-06600     | WASHER                      | 3  | 3  |  |  |  |         |
| 20       | 66M-44551-00-4D | HOUSING, LOWER MOUNT RUBBER | 2  | 2  |  |  |  |         |
| 21       | 66M-44557-00    | MOUNT DAMPER, LOWER FRONT   | 1  | 1  |  |  |  |         |
| 22       | 682-44555-30    | MOUNT DAMPER, LOWER SIDE    | 2  | 2  |  |  |  |         |
| 23       | 90119-08M45     | BOLT, WITH WASHER           | 2  | 2  |  |  |  |         |
| 24       | 90119-08M46     | BOLT, WITH WASHER           | 2  | 2  |  |  |  |         |
| 25       | 90179-08M34     | NUT                         | 4  | 4  |  |  |  |         |

**FIG. 23 UPPER CASING**



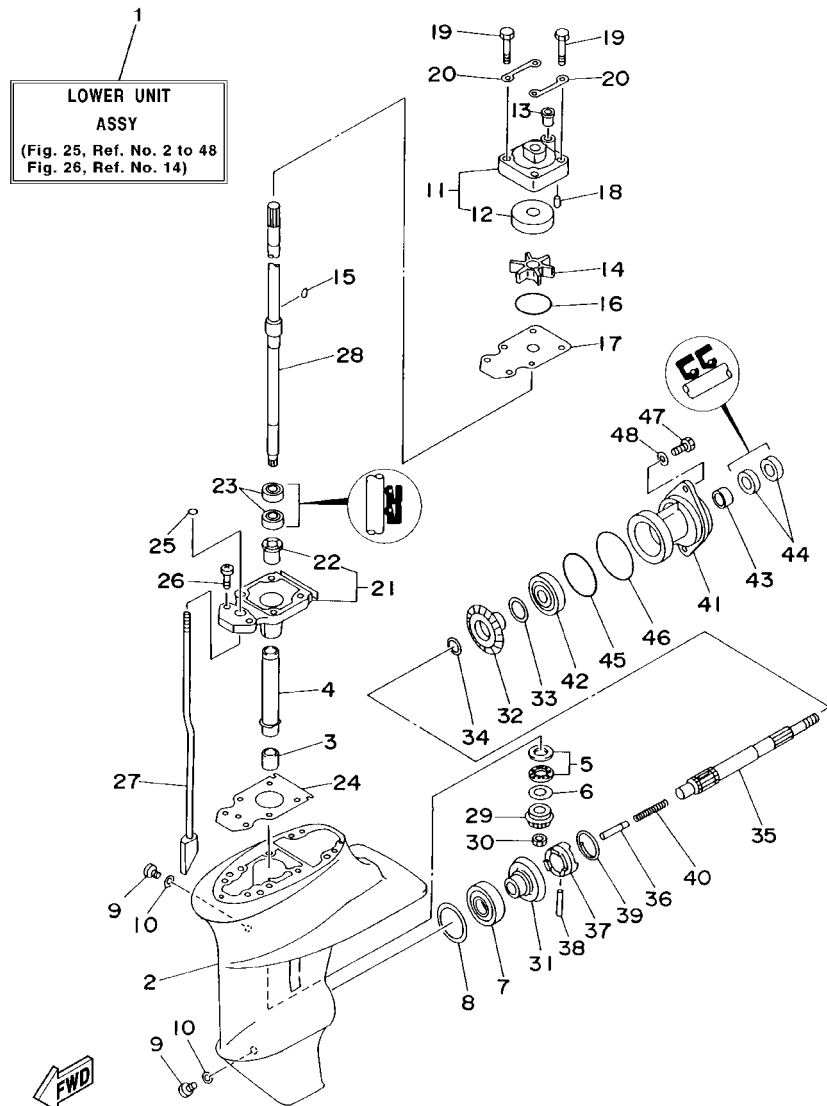
| REF. NO. | PART NO.        | DESCRIPTION          | MH | EH |  |  |  | REMARKS |
|----------|-----------------|----------------------|----|----|--|--|--|---------|
| 1        | 66M-45111-00-4D | CASING, UPPER        | 1  | 1  |  |  |  | S       |
|          | 66M-45111-10-4D | CASING, UPPER        | 1  | 1  |  |  |  | L       |
| 2        | 66M-45113-00    | GASKET, UPPER CASING | 1  | 1  |  |  |  |         |
| 3        | 97575-08545     | BOLT, WITH WASHER    | 6  | 6  |  |  |  |         |
| 4        | 93606-12019     | PIN, DOWEL           | 2  | 2  |  |  |  |         |
| 5        | 66M-45126-00    | PLATE, SEAL DAMPER   | 1  | 1  |  |  |  |         |
| 6        | 66M-45115-00    | GASKET, UPPER CASING | 1  | 1  |  |  |  |         |
| 7        | 66M-45136-00    | PIPE                 | 1  | 1  |  |  |  |         |
| 8        | 66M-45128-00    | SEAL 2               | 1  | 1  |  |  |  |         |
| 9        | 90157-06M06     | SCREW, PAN HEAD      | 1  | 1  |  |  |  |         |
|          |                 |                      |    |    |  |  |  |         |
|          |                 |                      |    |    |  |  |  |         |
|          |                 |                      |    |    |  |  |  |         |
|          |                 |                      |    |    |  |  |  |         |
|          |                 |                      |    |    |  |  |  |         |
|          |                 |                      |    |    |  |  |  |         |
|          |                 |                      |    |    |  |  |  |         |
|          |                 |                      |    |    |  |  |  |         |



**FIG. 24 OIL PAN**

| REF. NO. | PART NO.        | DESCRIPTION                | MH | EH |  |  |  | REMARKS |
|----------|-----------------|----------------------------|----|----|--|--|--|---------|
| 1        | 66M-41137-00-5B | GUIDE, EXHAUST             | 1  | 1  |  |  |  |         |
| 2        | 93101-12M63     | OIL SEAL                   | 1  | 1  |  |  |  |         |
| 3        | 93606-12019     | PIN, DOWEL                 | 2  | 2  |  |  |  |         |
| 4        | 66M-11355-00    | SEAL, CYLINDER 1           | 1  | 1  |  |  |  |         |
| 5        | 97095-06020     | BOLT                       | 2  | 2  |  |  |  |         |
| 6        | 92995-06600     | WASHER                     | 2  | 2  |  |  |  |         |
| 7        | 66M-41131-01-94 | MANIFOLD, EXT. 1           | 1  | 1  |  |  |  |         |
| 8        | 66M-41133-00    | GASKET, EXHAUST MANIFOLD 1 | 1  | 1  |  |  |  |         |
| 9        | 97095-06016     | BOLT                       | 2  | 2  |  |  |  |         |
| 10       | 92995-06600     | WASHER                     | 2  | 2  |  |  |  |         |
| 11       | 66M-41138-00    | SEAL, EXT. 1               | 1  | 1  |  |  |  |         |
| 12       | 66M-13421-00    | STRAINER 2                 | 1  | 1  |  |  |  |         |
| 13       | 66M-13417-00    | COVER, STRAINER            | 1  | 1  |  |  |  |         |
| 14       | 66M-13416-00    | PIPE, OIL 1                | 1  | 1  |  |  |  |         |
| 15       | 66M-24351-00    | BAND 1                     | 2  | 2  |  |  |  |         |
| 16       | 6G8-11575-00    | RELIEF VALVE ASSY          | 1  | 1  |  |  |  |         |
| 17       | 90340-14M06     | PLUG, STRAIGHT SCREW       | 1  | 1  |  |  |  |         |
| 18       | 90430-14M09     | GASKET                     | 1  | 1  |  |  |  |         |
| 19       | 66M-15316-00    | DAMPER, ENGINE MOUNT 1     | 1  | 1  |  |  |  |         |
| 20       | 66M-15362-00    | PLUG, OIL LEVEL            | 1  | 1  |  |  |  |         |

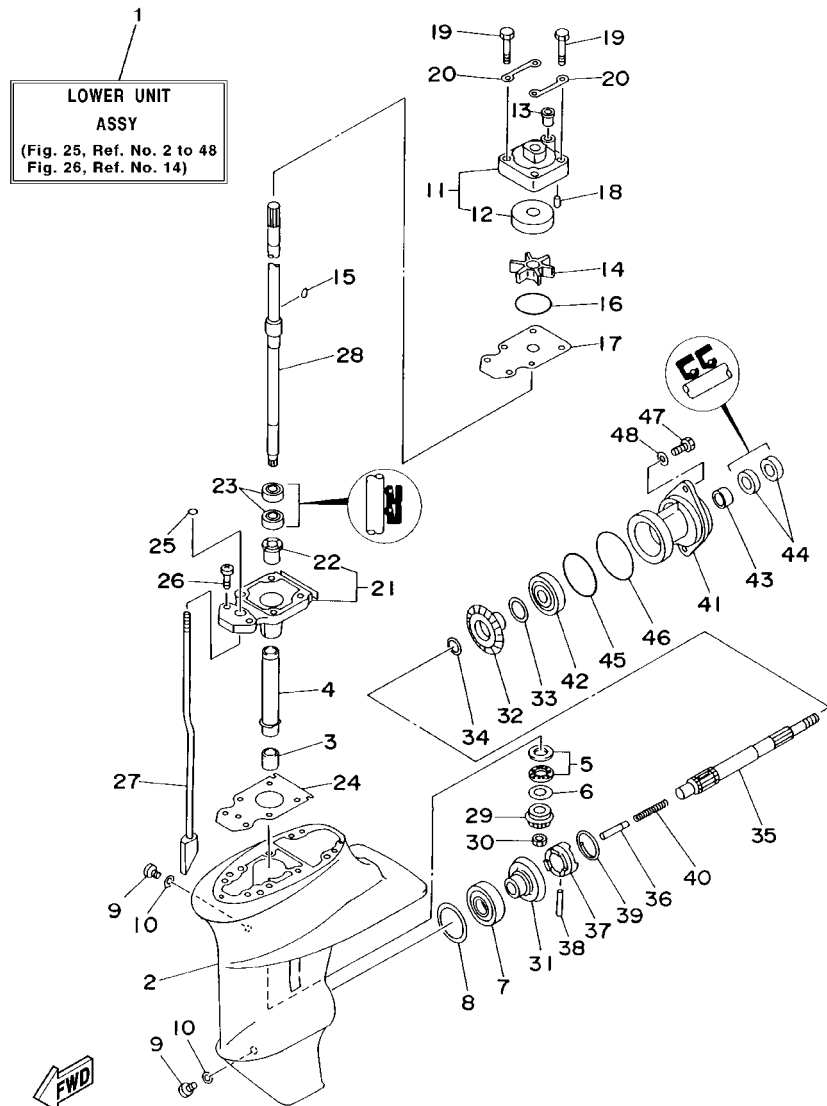
  
69B0010-0240



66M0100-1250

FIG. 25 LOWER CASING, DRIVE 1

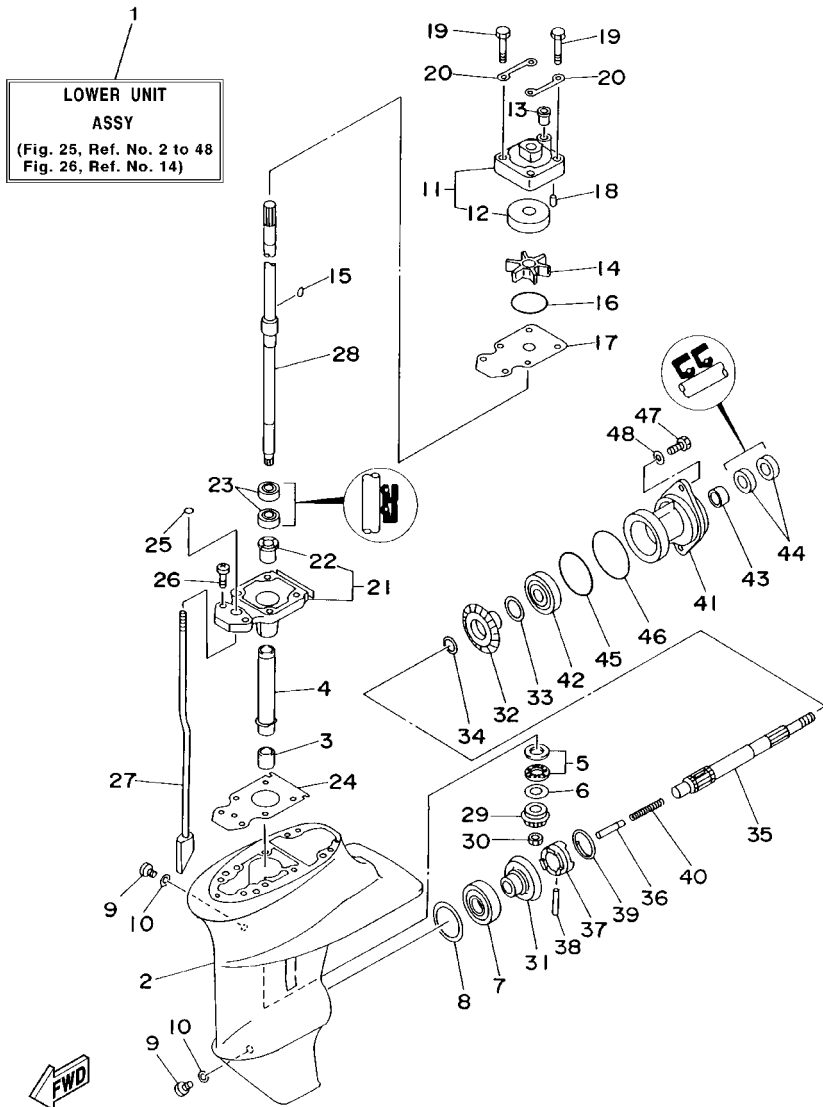
| REF. NO. | PART NO.        | DESCRIPTION              | MH | EH |  | REMARKS |
|----------|-----------------|--------------------------|----|----|--|---------|
| 1        | 66M-45300-01-4D | LOWER UNIT ASSY          | 1  | 1  |  | S       |
|          | 66M-45300-11-4D | LOWER UNIT ASSY          | 1  | 1  |  | L       |
| 2        | 66M-45311-00-4D | CASING, LOWER            | 1  | 1  |  | S       |
|          | 63V-45311-01-4D | CASING, LOWER            | 1  | 1  |  | L       |
| 3        | 93315-314V8     | BEARING                  | 1  | 1  |  |         |
| 4        | 63V-45536-00    | SLEEVE, DRIVE SHAFT      | 1  | 1  |  |         |
| 5        | 93341-41414     | BEARING                  | 1  | 1  |  |         |
| 6        | 6E8-45587-10-13 | SHIM (T:1.13MM)          | 1  | 1  |  | UR      |
|          | 6E8-45587-10-20 | SHIM (T:1.20MM)          | 1  | 1  |  | UR      |
| 7        | 93332-00005     | BEARING                  | 1  | 1  |  |         |
| 8        | 664-45567-01-10 | SHIM (T:0.10MM)          | 1  | 1  |  | UR      |
|          | 664-45567-01-12 | SHIM (T:0.12MM)          | 1  | 1  |  | UR      |
|          | 664-45567-01-15 | SHIM (T:0.15MM)          | 1  | 1  |  | UR      |
|          | 664-45567-01-18 | SHIM (T:0.18MM)          | 1  | 1  |  | UR      |
|          | 664-45567-01-30 | SHIM (T:0.30MM)          | 1  | 1  |  | UR      |
|          | 664-45567-01-40 | SHIM (T:0.40MM)          | 1  | 1  |  | UR      |
|          | 664-45567-01-50 | SHIM (T:0.50MM)          | 1  | 1  |  | UR      |
| 9        | 90340-08M04     | PLUG, STRAIGHT SCREW     | 2  | 2  |  |         |
| 10       | 90430-08020     | GASKET                   | 2  | 2  |  |         |
| 11       | 63V-44301-00    | WATER PUMP HOUSING COMP. | 1  | 1  |  |         |
| 12       | 63V-44322-00    | INSERT, CARTRIDGE        | 1  | 1  |  |         |
| 13       | 647-44366-00    | DAMPER, WATER SEAL       | 1  | 1  |  |         |
| 14       | 63V-44352-01    | IMPELLER                 | 1  | 1  |  |         |
| 15       | 664-44338-00    | KEY, WOODRUFF            | 1  | 1  |  |         |
| 16       | 93210-44398     | O-RING                   | 1  | 1  |  |         |
| 17       | 63V-44323-00    | OUTER PLATE, CARTRIDGE   | 1  | 1  |  |         |
| 18       | 93604-12M07     | PIN, DOWEL               | 2  | 2  |  |         |



66M0100-1250

FIG. 25 LOWER CASING, DRIVE 1

| REF. NO. | PART NO.        | DESCRIPTION           | MH | EH |  |  | REMARKS |
|----------|-----------------|-----------------------|----|----|--|--|---------|
| 19       | 97080-08045     | BOLT                  | 4  | 4  |  |  |         |
| 20       | 63V-44328-00    | PLATE                 | 2  | 2  |  |  |         |
| 21       | 63V-45331-00-5B | HOUSING, BEARING      | 1  | 1  |  |  |         |
| 22       | 90381-14020     | .BUSH, SOLID          | 1  | 1  |  |  |         |
| 23       | 93101-20048     | OIL SEAL              | 2  | 2  |  |  |         |
| 24       | 63V-45315-A0    | PACKING, LOWER CASING | 1  | 1  |  |  |         |
| 25       | 93210-06ME6     | O-RING                | 1  | 1  |  |  |         |
| 26       | 97080-08025     | BOLT                  | 2  | 2  |  |  |         |
| 27       | 63V-44150-00    | SHIFT CAM ASSY        | 1  | 1  |  |  | S       |
|          | 66M-44150-10    | SHIFT CAM ASSY        | 1  | 1  |  |  | L       |
| 28       | 63V-45510-01    | DRIVE SHAFT ASSY      | 1  | 1  |  |  | S       |
|          | 63V-45510-11    | DRIVE SHAFT ASSY      | 1  | 1  |  |  | L       |
| 29       | 63V-45551-00    | PINION                | 1  | 1  |  |  |         |
| 30       | 90179-08M06     | NUT                   | 1  | 1  |  |  |         |
| 31       | 6E7-45560-01    | GEAR                  | 1  | 1  |  |  |         |
| 32       | 6E7-45571-00    | GEAR                  | 1  | 1  |  |  |         |
| 33       | 626-45577-00-01 | SHIM (T:0.10MM)       | 1  | 1  |  |  | UR      |
|          | 626-45577-00-03 | SHIM (T:0.30MM)       | 1  | 1  |  |  | UR      |
|          | 626-45577-00-05 | SHIM (T:0.50MM)       | 1  | 1  |  |  | UR      |
| 34       | 90201-17682     | WASHER, PLATE         | 1  | 1  |  |  |         |
| 35       | 683-45611-00    | SHAFT, PROPELLER      | 1  | 1  |  |  |         |
| 36       | 650-45635-00    | PLUNGER, SHIFT        | 1  | 1  |  |  |         |
| 37       | 682-45631-00    | CLUTCH, DOG           | 1  | 1  |  |  |         |
| 38       | 90250-05010     | PIN, STRAIGHT         | 1  | 1  |  |  |         |
| 39       | 648-45633-00    | RING, CROSS PIN       | 1  | 1  |  |  |         |
| 40       | 90501-14M06     | SPRING, COMPRESSION   | 1  | 1  |  |  |         |
| 41       | 683-45361-02-4D | CAP, LOWER CASING     | 1  | 1  |  |  |         |

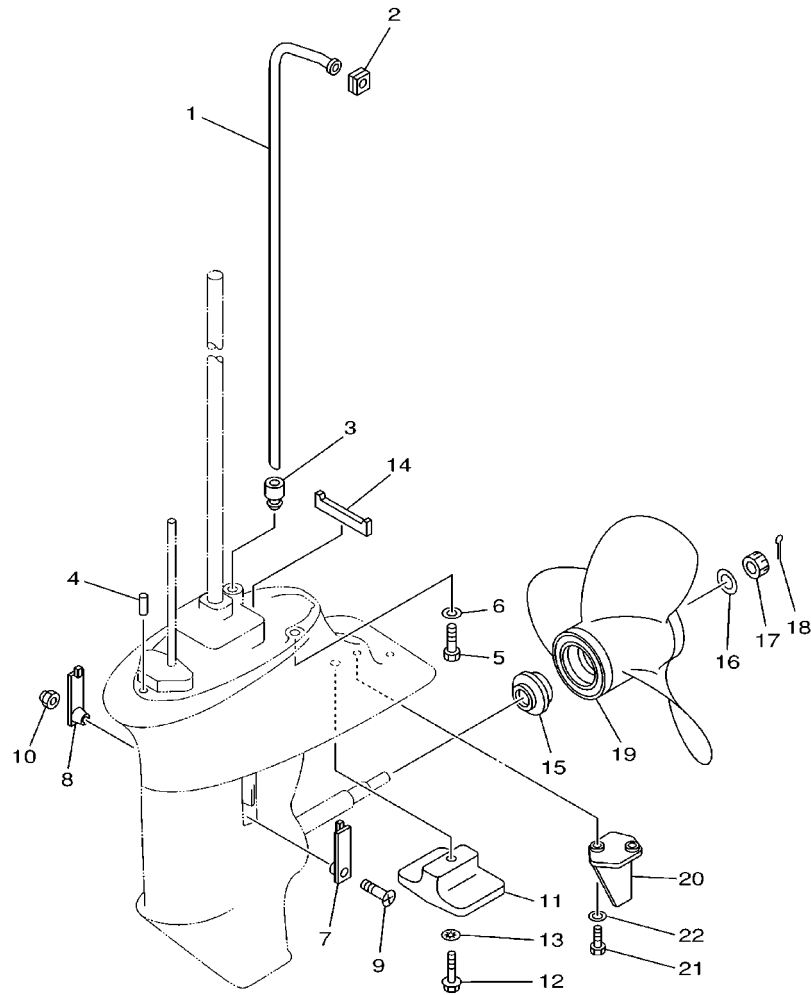


66M0100-1250

FIG. 25 LOWER CASING. DRIVE 1

| REF. NO. | PART NO.    | DESCRIPTION     | MH | EH | REMARKS |
|----------|-------------|-----------------|----|----|---------|
| 42       | 93306-00501 | BEARING (B6005) | 1  | 1  |         |
| 43       | 93315-317U2 | BEARING         | 1  | 1  |         |
| 44       | 93101-17054 | OIL SEAL        | 2  | 2  |         |
| 45       | 93210-57M09 | O-RING          | 1  | 1  |         |
| 46       | 93210-56M80 | O-RING          | 1  | 1  |         |
| 47       | 97095-06020 | BOLT            | 2  | 2  |         |
| 48       | 92995-06600 | WASHER          | 2  | 2  |         |
| -----    |             |                 |    |    |         |
| -----    |             |                 |    |    |         |
| -----    |             |                 |    |    |         |
| -----    |             |                 |    |    |         |
| -----    |             |                 |    |    |         |
| -----    |             |                 |    |    |         |
| -----    |             |                 |    |    |         |
| -----    |             |                 |    |    |         |
| -----    |             |                 |    |    |         |
| -----    |             |                 |    |    |         |

FIG. 26 LOWER CASING. DRIVE 2

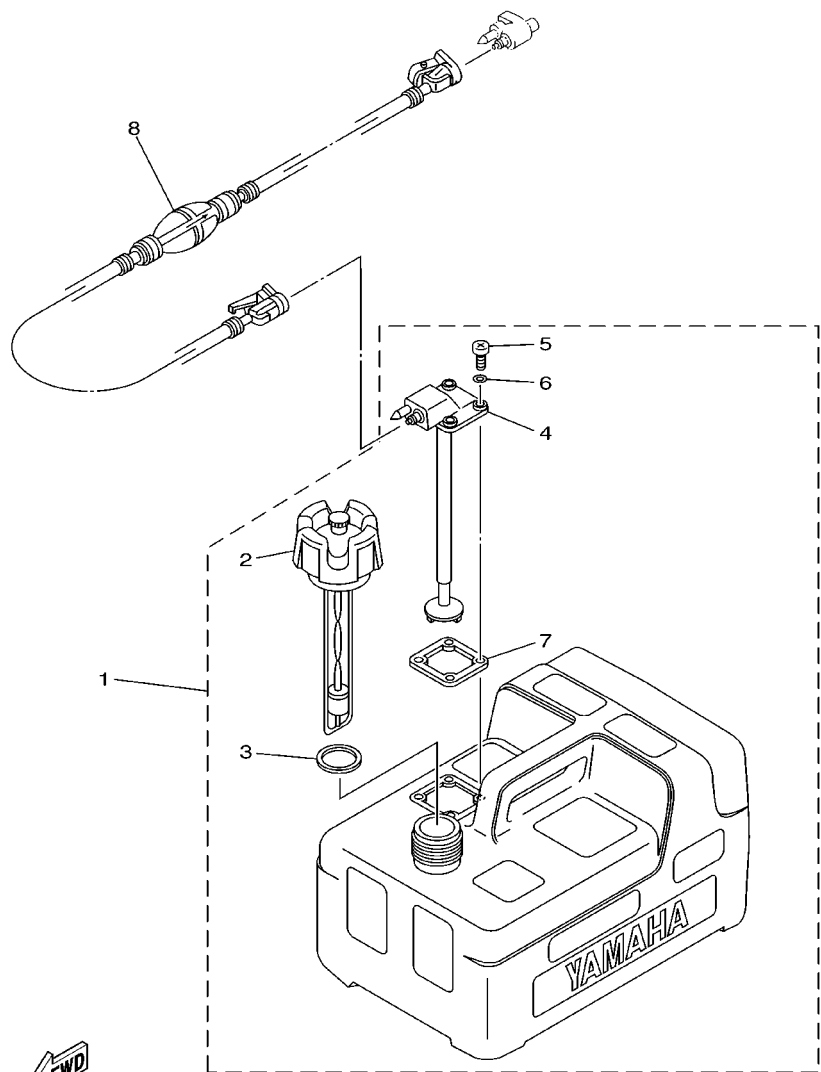


| REF. NO. | PART NO.        | DESCRIPTION                    | MH | EH |  |  |  | REMARKS |
|----------|-----------------|--------------------------------|----|----|--|--|--|---------|
| 1        | 66M-44361-00    | TUBE, WATER                    | 1  | 1  |  |  |  | S       |
|          | 66M-44361-10    | TUBE, WATER                    | 1  | 1  |  |  |  | L       |
| 2        | 63V-44365-10    | DAMPER, WATER SEAL             | 1  | 1  |  |  |  |         |
| 3        | 63V-44368-00    | RUBBER, WATER SEAL 4           | 1  | 1  |  |  |  |         |
| 4        | 93604-12M07     | PIN, DOWEL                     | 2  | 2  |  |  |  |         |
| 5        | 97075-08030     | BOLT                           | 4  | 4  |  |  |  |         |
| 6        | 92995-08600     | WASHER                         | 4  | 4  |  |  |  |         |
| 7        | 6G1-45214-00    | COVER, WATER INLET             | 1  | 1  |  |  |  |         |
| 8        | 63V-45215-00    | COVER, WATER INLET             | 1  | 1  |  |  |  |         |
| 9        | 90152-05M04     | SCREW, COUNTERSUNK             | 1  | 1  |  |  |  |         |
| 10       | 90185-05002     | NUT, SELF-LOCKING              | 1  | 1  |  |  |  |         |
| 11       | 61N-45251-00    | ANODE                          | 1  | 1  |  |  |  |         |
| 12       | 95895-06030     | BOLT, FLANGE                   | 1  | 1  |  |  |  |         |
| 13       | 92990-06300     | WASHER, INTERNAL TOOTH         | 1  | 1  |  |  |  |         |
| 14       | 63V-45375-00    | DAMPER, SEAL                   | 1  | 1  |  |  |  |         |
| 15       | 6E7-45987-01    | SPACER                         | 1  | 1  |  |  |  |         |
| 16       | 90201-10M01     | WASHER, PLATE                  | 1  | 1  |  |  |  |         |
| 17       | 90171-10M01     | NUT, CASTLE                    | 1  | 1  |  |  |  |         |
| 18       | 91490-30020     | PIN, COTTER                    | 1  | 1  |  |  |  |         |
| 19       | 63V-45947-00-EL | PROPELLER (3X9-1/4"X8"-J)      | 1  | 1  |  |  |  | UR      |
|          | 683-45941-00-EL | PROPELLER (3X9-1/4"X12"-J)     | 1  | 1  |  |  |  | UR      |
|          | 683-45943-00-EL | PROPELLER (3X9-1/4"X10-1/2"-J) | 1  | 1  |  |  |  | UR      |
|          | 683-45945-00-EL | PROPELLER (3X9-1/4"X9"-J)      | 1  | 1  |  |  |  | UR      |
|          | 683-45952-00-EL | PROPELLER (3X9-1/4"X9-3/4"-J)  | 1  | 1  |  |  |  | UR      |
| 20       | 66M-45371-00    | TAB-TRIM                       | 1  | 1  |  |  |  | S       |
| 21       | 97095-06016     | BOLT                           | 2  | 2  |  |  |  | S       |
| 22       | 92995-06600     | WASHER                         | 2  | 2  |  |  |  | S       |



69A0300-0230

**FIG. 27 FUEL TANK**

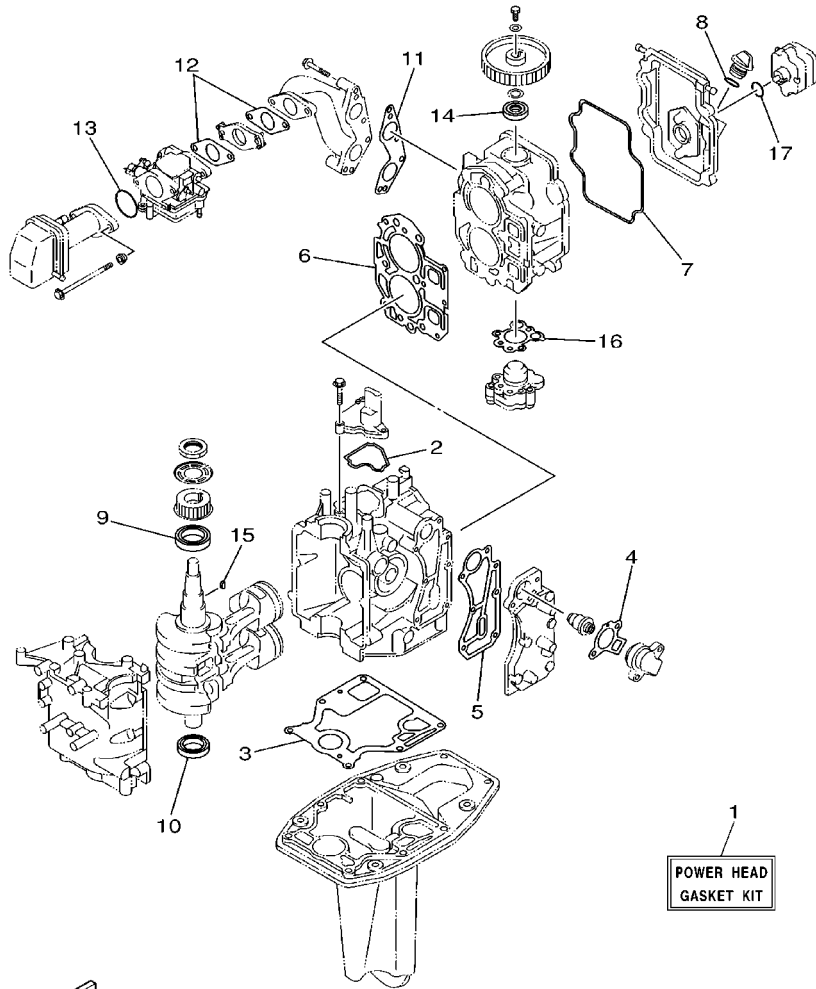


| REF. NO. | PART NO.     | DESCRIPTION         | MH | EH |  |  |  |  | REMARKS                |
|----------|--------------|---------------------|----|----|--|--|--|--|------------------------|
| 1        | 6YL-24201-02 | FUEL TANK ASSY      | 1  | 1  |  |  |  |  | AP FOR CANADA, OCEANIA |
| 2        | 6YL-24610-00 | .CAP ASSY           | 1  | 1  |  |  |  |  |                        |
| 3        | 6YL-24641-00 | .GASKET, CAP 1      | 1  | 1  |  |  |  |  |                        |
| 4        | 6YL-24260-01 | .FUEL METER ASSY    | 1  | 1  |  |  |  |  |                        |
| 5        | 90157-05M16  | .SCREW, PAN HEAD    | 4  | 4  |  |  |  |  |                        |
| 6        | 6YL-24329-00 | .SEAL               | 4  | 4  |  |  |  |  |                        |
| 7        | 6YL-24268-01 | .GASKET, FUEL METER | 1  | 1  |  |  |  |  |                        |
| 8        | 6YL-24306-52 | FUEL PIPE COMP. 1   | 1  | 1  |  |  |  |  | AP FOR CANADA, OCEANIA |
|          |              |                     |    |    |  |  |  |  |                        |
|          |              |                     |    |    |  |  |  |  |                        |
|          |              |                     |    |    |  |  |  |  |                        |
|          |              |                     |    |    |  |  |  |  |                        |
|          |              |                     |    |    |  |  |  |  |                        |
|          |              |                     |    |    |  |  |  |  |                        |
|          |              |                     |    |    |  |  |  |  |                        |
|          |              |                     |    |    |  |  |  |  |                        |
|          |              |                     |    |    |  |  |  |  |                        |
|          |              |                     |    |    |  |  |  |  |                        |
|          |              |                     |    |    |  |  |  |  |                        |
|          |              |                     |    |    |  |  |  |  |                        |
|          |              |                     |    |    |  |  |  |  |                        |

**FWD**  
66R0700-9260



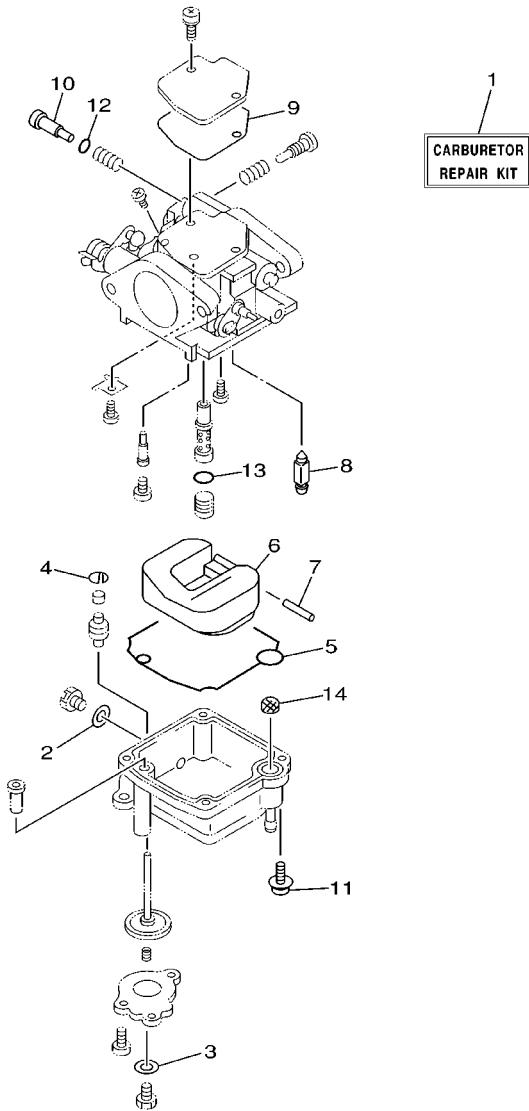
FIG. 28 REPAIR KIT 1



66M0100-1280

| REF. NO. | PART NO.     | DESCRIPTION                  | MH | EH |  |  |  | REMARKS |
|----------|--------------|------------------------------|----|----|--|--|--|---------|
| 1        | 66M-W0001-01 | POWER HEAD GASKET KIT        | 1  | 1  |  |  |  |         |
| 2        | 66M-11357-00 | .SEAL, CYLINDER 3            | 1  | 1  |  |  |  |         |
| 3        | 66M-11351-00 | .GASKET, CYLINDER            | 1  | 1  |  |  |  |         |
| 4        | 62Y-12414-00 | .GASKET, COVER               | 1  | 1  |  |  |  |         |
| 5        | 66M-41114-00 | .GASKET, EXHAUST OUTER COVER | 1  | 1  |  |  |  |         |
| 6        | 66M-11181-00 | .GASKET, CYLINDER HEAD 1     | 1  | 1  |  |  |  |         |
| 7        | 66M-11356-00 | .SEAL, CYLINDER 2            | 1  | 1  |  |  |  |         |
| 8        | 93210-24M79  | .O-RING                      | 1  | 1  |  |  |  |         |
| 9        | 93102-35M51  | .OIL SEAL                    | 1  | 1  |  |  |  |         |
| 10       | 93102-25M52  | .OIL SEAL                    | 1  | 1  |  |  |  |         |
| 11       | 66M-13645-00 | .GASKET, MANIFOLD 1          | 1  | 1  |  |  |  |         |
| 12       | 66M-13646-00 | .GASKET, MANIFOLD 2          | 2  | 2  |  |  |  |         |
| 13       | 93210-35M86  | .O-RING                      | 1  | 1  |  |  |  |         |
| 14       | 93102-18M21  | .OIL SEAL                    | 1  | 1  |  |  |  |         |
| 15       | 90280-03M01  | .KEY, WOODRUFF               | 1  | 1  |  |  |  |         |
| 16       | 66M-13329-10 | .GASKET, PUMP COVER          | 1  | 1  |  |  |  |         |
| 17       | 93210-20M65  | .O-RING                      | 1  | 1  |  |  |  |         |

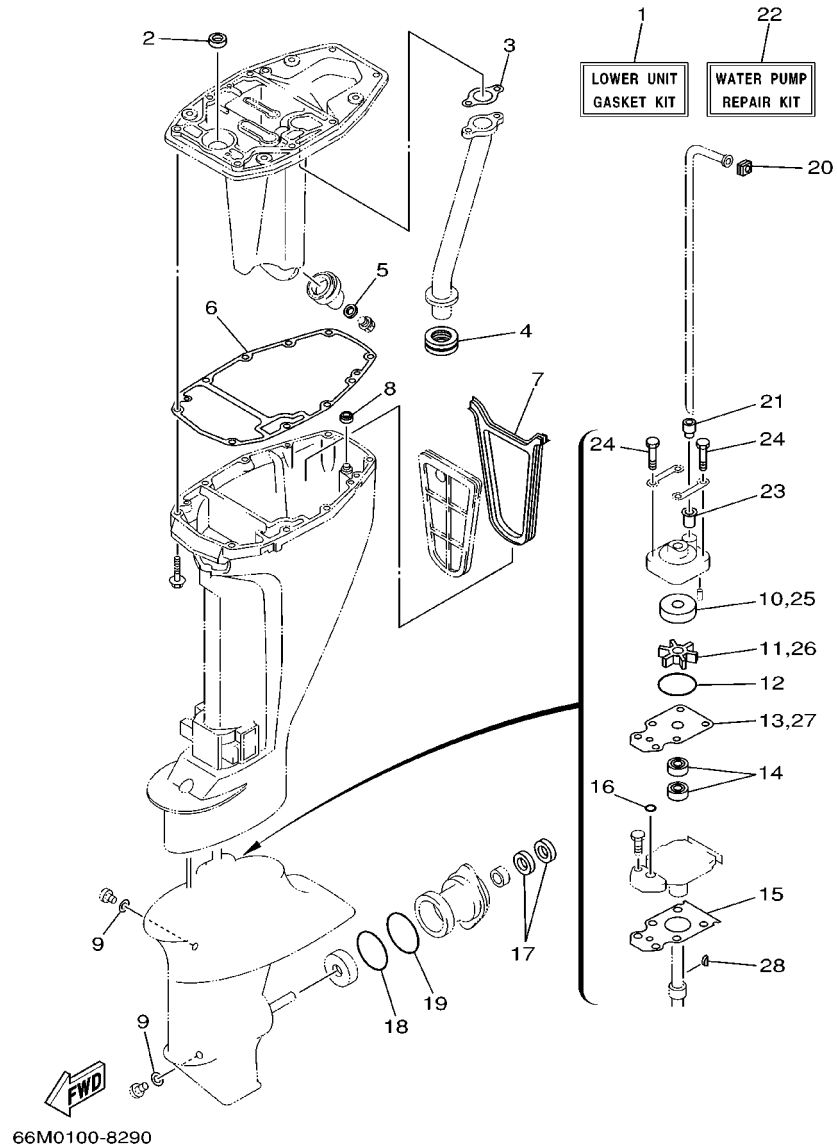
FIG. 29 REPAIR KIT 2



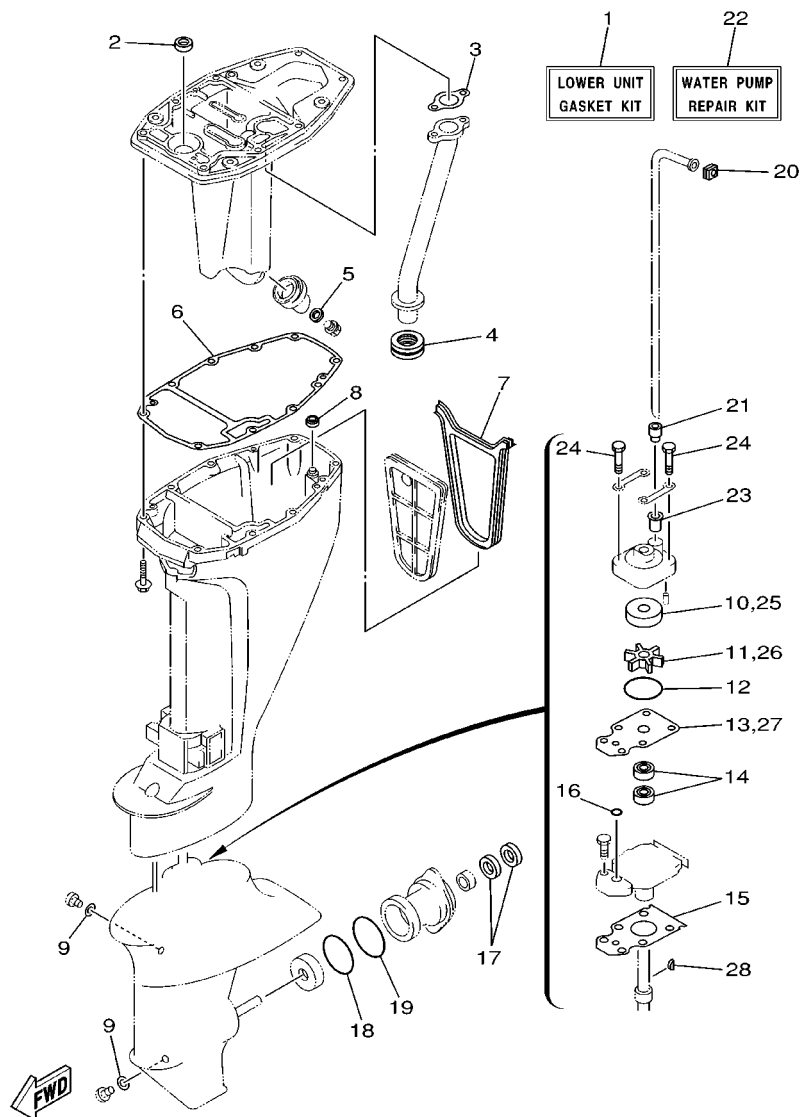
| REF. NO. | PART NO.     | DESCRIPTION            | MH | EH |  |  |  |  | REMARKS |
|----------|--------------|------------------------|----|----|--|--|--|--|---------|
| 1        | 66M-W0093-01 | CARBURETOR REPAIR KIT  | 1  | 1  |  |  |  |  |         |
| 2        | 66M-14398-00 | .GASKET                | 1  | 1  |  |  |  |  |         |
| 3        | 6L2-14398-00 | .GASKET                | 1  | 1  |  |  |  |  |         |
| 4        | 66M-14377-00 | .STOPPER               | 1  | 1  |  |  |  |  |         |
| 5        | 66M-14384-00 | .GASKET, FLOAT CHAMBER | 1  | 1  |  |  |  |  |         |
| 6        | 6L2-14385-00 | .FLOAT                 | 1  | 1  |  |  |  |  |         |
| 7        | 6E5-14386-01 | .PIN, FLOAT            | 1  | 1  |  |  |  |  |         |
| 8        | 6L2-14392-00 | .VALVE, NEEDLE         | 1  | 1  |  |  |  |  |         |
| 9        | 62Y-14399-00 | .GASKET                | 1  | 1  |  |  |  |  |         |
| 10       | 5H0-14323-00 | .SCREW, AIR ADJUSTING  | 1  | 1  |  |  |  |  |         |
| 11       | 97980-04112  | .SCREW, WITH WASHER    | 4  | 4  |  |  |  |  |         |
| 12       | 62Y-14397-00 | .O-RING                | 1  | 1  |  |  |  |  |         |
| 13       | 6F5-14397-00 | .O-RING                | 1  | 1  |  |  |  |  |         |
| 14       | 66M-14827-00 | .FILTER                | 1  | 1  |  |  |  |  |         |

  
66M0100-8280

FIG. 30 REPAIR KIT 3



| REF. NO. | PART NO.     | DESCRIPTION                 | MH | EH |  |  |  | REMARKS |
|----------|--------------|-----------------------------|----|----|--|--|--|---------|
| 1        | 66M-W0001-20 | LOWER UNIT GASKET KIT       | 1  | 1  |  |  |  |         |
| 2        | 93101-12M63  | .OIL SEAL                   | 1  | 1  |  |  |  |         |
| 3        | 66M-41133-00 | .GASKET, EXHAUST MANIFOLD 1 | 1  | 1  |  |  |  |         |
| 4        | 66M-41138-00 | .SEAL, EXT. 1               | 1  | 1  |  |  |  |         |
| 5        | 90430-14M09  | .GASKET                     | 1  | 1  |  |  |  |         |
| 6        | 66M-45113-00 | .GASKET, UPPER CASING       | 1  | 1  |  |  |  |         |
| 7        | 66M-45115-00 | .GASKET, UPPER CASING       | 1  | 1  |  |  |  |         |
| 8        | 66M-45128-00 | .SEAL 2                     | 1  | 1  |  |  |  |         |
| 9        | 90430-08020  | .GASKET                     | 2  | 2  |  |  |  |         |
| 10       | 63V-44322-00 | .INSERT, CARTRIDGE          | 1  | 1  |  |  |  |         |
| 11       | 63V-44352-01 | .IMPELLER                   | 1  | 1  |  |  |  |         |
| 12       | 93210-44398  | .O-RING                     | 1  | 1  |  |  |  |         |
| 13       | 63V-44323-00 | .OUTER PLATE, CARTRIDGE     | 1  | 1  |  |  |  |         |
| 14       | 93101-20048  | .OIL SEAL                   | 2  | 2  |  |  |  |         |
| 15       | 63V-45315-A0 | .PACKING, LOWER CASING      | 1  | 1  |  |  |  |         |
| 16       | 93210-06ME6  | .O-RING                     | 1  | 1  |  |  |  |         |
| 17       | 93101-17054  | .OIL SEAL                   | 2  | 2  |  |  |  |         |
| 18       | 93210-57M09  | .O-RING                     | 1  | 1  |  |  |  |         |
| 19       | 93210-56M80  | .O-RING                     | 1  | 1  |  |  |  |         |
| 20       | 63V-44365-10 | .DAMPER, WATER SEAL         | 1  | 1  |  |  |  |         |
| 21       | 63V-44368-00 | .RUBBER, WATER SEAL 4       | 1  | 1  |  |  |  |         |
| 22       | 63V-W0078-00 | WATER PUMP REPAIR KIT       | 1  | 1  |  |  |  |         |
| 23       | 647-44366-00 | .DAMPER, WATER SEAL         | 1  | 1  |  |  |  |         |
| 24       | 97080-08045  | .BOLT                       | 4  | 4  |  |  |  |         |
| 25       | 63V-44322-00 | .INSERT, CARTRIDGE          | 1  | 1  |  |  |  |         |
| 26       | 63V-44352-01 | .IMPELLER                   | 1  | 1  |  |  |  |         |
| 27       | 63V-44323-00 | .OUTER PLATE, CARTRIDGE     | 1  | 1  |  |  |  |         |



66M0100-8290

FIG. 30 REPAIR KIT 3

| REF. NO. | PART NO.     | DESCRIPTION    | MH | EH | REMARKS |
|----------|--------------|----------------|----|----|---------|
| 28       | 664-44338-00 | .KEY, WOODRUFF | 1  | 1  |         |
|          |              |                |    |    |         |
|          |              |                |    |    |         |
|          |              |                |    |    |         |
|          |              |                |    |    |         |
|          |              |                |    |    |         |
|          |              |                |    |    |         |
|          |              |                |    |    |         |

NUMERICAL INDEX

| PARTNO.         | REF. NO. | PARTNO.         | REF. NO. | PARTNO.         | REF. NO. | PARTNO.      | REF. NO. | PARTNO.         | REF. NO. | PARTNO.         | REF. NO. |
|-----------------|----------|-----------------|----------|-----------------|----------|--------------|----------|-----------------|----------|-----------------|----------|
| 66M-W0001-01    | 28 - 1   | 51Y-12119-00    | 5 - 7    | 62Y-14321-00    | 7 - 27   | 66M-15711-01 | 11 - 2   | 66M-26311-00    | 17 - 17  | 6E7-42652-00    | 1 - 6    |
| 66M-W0001-20    | 30 - 1   | 66M-12121-00    | 5 - 2    | 5H0-14323-00    | 7 - 25   | 66M-15711-10 | 11 - 34  | 65W-26326-10    | 20 - 17  | 66M-42677-00    | 1 - 11   |
| 66M-W0070-20    | 1 - 10   | 66M-12138-40    | 4 - 16   |                 | 29 - 10  | 63V-15713-00 | 11 - 6   | 66M-26326-00    | 16 - 22  | 66M-42678-20    | 1 - 9    |
| 63V-W0078-00    | 30 - 22  | 66M-12138-50    | 4 - 16   | 6E7-14325-00    | 9 - 18   | 63V-15714-00 | 11 - 4   | 62Y-28100-00    | 9 - 29   | 66M-42710-03-4D | 16 - 1   |
| 66M-W0084-00-4D | 17 - 1   | 66M-12146-00    | 5 - 8    | 66M-14325-00    | 7 - 7    | 63V-15716-00 | 11 - 7   | 66M-41113-02-1S | 2 - 25   | 66M-42716-00    | 16 - 8   |
| 66M-W009A-01-1S | 4 - 1    | 66M-12151-10    | 5 - 14   | 30X-14334-00    | 7 - 26   | 66T-15731-00 | 11 - 19  | 66M-41113-10-1S | 2 - 25   | 66M-41113-10-1S | 16 - 24  |
| 66M-W009B-02-1S | 2 - 1    | 62Y-12158-00    | 5 - 16   | 66M-14341-00    | 7 - 21   | 66T-15734-00 | 11 - 16  | 66M-41114-00    | 2 - 27   | 66M-42725-00    | 16 - 11  |
| 66M-W009B-10-1S | 2 - 1    | 62Y-12159-00    | 5 - 15   | 66M-14342-23    | 7 - 23   | 63V-15741-00 | 11 - 5   |                 | 28 - 5   | 66M-42725-10    | 16 - 11  |
| 66M-W0093-01    | 29 - 1   | 66M-12170-00    | 8 - 2    | 66M-14343-52    | 7 - 22   | 63V-15744-00 | 11 - 11  | 66M-41131-01-94 | 24 - 7   | 66M-42725-20    | 20 - 15  |
| 66M-11111-01-1S | 4 - 2    | 66M-12171-10    | 8 - 2    | 66M-14355-00    | 7 - 24   | 6G1-15755-00 | 11 - 20  | 66M-41133-00    | 24 - 8   | 6H4-42726-00    | 16 - 30  |
| 66M-11133-10    | 4 - 3    | 66M-12411-00    | 2 - 22   | 66M-14368-01    | 7 - 10   | 66M-15758-00 | 11 - 24  |                 | 30 - 3   | 65W-42726-00    | 16 - 25  |
| 66M-11168-00-1S | 2 - 16   | 6H3-12413-00-1S | 2 - 23   | 66M-14377-00    | 7 - 8    | 66M-15758-10 | 11 - 24  | 66M-41137-00-5B | 24 - 1   | 65W-42726-10    | 20 - 18  |
| 66M-11181-00    | 4 - 5    | 62Y-12414-00    | 2 - 24   |                 | 29 - 4   | 66M-15762-00 | 11 - 30  | 66M-41138-00    | 24 - 11  | 688-42726-10    | 16 - 30  |
|                 | 28 - 6   |                 | 28 - 4   | 66M-14381-02    | 7 - 2    | 63V-15764-00 | 11 - 13  |                 | 30 - 4   | 62Y-42727-00    | 20 - 16  |
| 66M-11191-00-1S | 4 - 10   | 66M-12481-00    | 16 - 33  | 62Y-14383-00    | 7 - 3    | 63V-15767-01 | 11 - 9   | 66M-41211-00    | 19 - 28  | 65W-42727-00    | 16 - 12  |
| 66M-11325-00    | 2 - 8    | 66M-12535-00    | 2 - 15   | 677-14383-01    | 7 - 5    | 63V-15768-00 | 11 - 12  | 6R5-41237-00    | 6 - 23   | 682-42727-00    | 16 - 23  |
| 66M-11327-00-94 | 2 - 9    | 65W-12572-00    | 16 - 31  | 66M-14384-00    | 7 - 14   | 66M-15770-00 | 11 - 17  | 66M-41252-00    | 6 - 18   | 66M-42738-00-4D | 16 - 9   |
| 66M-11328-00    | 2 - 10   | 6R3-12580-00    | 16 - 35  |                 | 29 - 5   | 66M-15774-00 | 11 - 31  | 66M-41256-00    | 6 - 24   | 66M-42743-00    | 16 - 26  |
| 66M-11351-00    | 2 - 21   | 66M-13131-10    | 9 - 14   | 6L2-14385-00    | 7 - 15   | 6G1-15779-00 | 11 - 21  | 661-41262-02    | 19 - 26  | 66M-42766-00    | 16 - 19  |
|                 | 28 - 3   | 66M-13300-10    | 8 - 15   |                 | 29 - 6   | 63V-15784-01 | 11 - 10  | 66M-41271-00    | 6 - 13   | 66M-42815-00-4D | 16 - 13  |
| 66M-11355-00    | 24 - 4   | 66M-13329-10    | 8 - 16   | 6E5-14386-01    | 7 - 16   | 66T-15794-00 | 11 - 15  | 689-41273-00    | 6 - 14   | 6L2-42816-00    | 16 - 17  |
| 66M-11356-00    | 4 - 11   |                 | 28 - 16  |                 | 29 - 7   | 6YL-24201-02 | 27 - 1   | 65W-41283-00    | 19 - 25  | 63V-43111-05-4D | 21 - 1   |
|                 | 28 - 7   | 66M-13416-00    | 24 - 14  | 6L2-14392-00    | 7 - 17   | 65W-24251-00 | 9 - 5    | 66M-41292-00    | 6 - 15   | 63V-43112-06-4D | 21 - 2   |
| 66M-11357-00    | 2 - 18   | 66M-13417-00    | 24 - 13  |                 | 29 - 8   | 6YL-24260-01 | 27 - 4   | 66M-41298-00    | 6 - 16   | 66R-43113-00    | 21 - 14  |
|                 | 28 - 2   | 66M-13421-00    | 24 - 12  | 6F5-14397-00    | 7 - 32   | 6YL-24268-01 | 27 - 7   | 65W-41638-00    | 19 - 24  | 648-43114-01    | 21 - 9   |
| 676-11372-00    | 2 - 26   | 67F-13434-02    | 1 - 13   |                 | 29 - 13  | 6G1-24304-02 | 9 - 1    | 6F5-41662-00    | 19 - 4   | 6E7-43116-00    | 21 - 8   |
| 66M-11411-00    | 3 - 3    | 6G8-13437-43    | 8 - 19   | 62Y-14397-00    | 7 - 29   | 6G1-24305-03 | 10 - 6   | 65W-42101-01-4D | 17 - 2   | 6E0-43118-01    | 21 - 6   |
| 66M-11416-00    | 3 - 4    | 6G8-13437-53    | 8 - 19   |                 | 29 - 12  | 6Y1-24305-04 | 10 - 8   | 66M-42119-00    | 17 - 10  | 63W-43131-01    | 21 - 10  |
| 66M-11416-10    | 3 - 4    | 5GH-13440-00    | 2 - 34   | 6L2-14398-00    | 7 - 6    | 6YL-24306-52 | 27 - 8   | 65W-42125-00    | 17 - 7   | 6L2-43160-00    | 21 - 20  |
| 66M-11416-20    | 3 - 4    | 6G8-13444-41    | 16 - 37  |                 | 29 - 3   | 6Y1-24306-53 | 10 - 1   | 6G1-42126-00    | 17 - 6   | 63V-43181-00    | 21 - 42  |
| 66M-11536-10    | 8 - 7    | 6G8-13444-51    | 16 - 37  | 66M-14398-00    | 7 - 4    | 6YL-24329-00 | 27 - 6   | 66M-42131-01    | 17 - 24  | 63V-43191-00    | 21 - 24  |
| 66M-11537-00-94 | 8 - 3    | 66M-13641-00-94 | 6 - 1    |                 | 29 - 2   | 650-24351-51 | 10 - 5   | 689-42137-20    | 17 - 11  | 63V-43311-03-4D | 21 - 21  |
| 66M-11557-00    | 8 - 8    | 66M-13645-00    | 6 - 2    | 62Y-14399-00    | 7 - 20   | 66M-24351-00 | 24 - 15  | 65W-42138-00    | 17 - 4   | 66M-43311-10-4D | 21 - 21  |
| 6G8-11575-00    | 24 - 16  |                 | 28 - 11  |                 | 29 - 9   | 6Y1-24360-52 | 10 - 3   | 65W-42159-00    | 17 - 5   | 682-43318-01    | 21 - 23  |
| 66M-11603-00    | 3 - 9    | 66M-13646-00    | 6 - 6    | 66M-14427-40    | 11 - 37  | 66M-24374-00 | 9 - 20   | 66M-42177-00    | 17 - 9   | 66M-43350-01    | 21 - 28  |
| 66M-11604-00    | 3 - 9    |                 | 28 - 12  | 66M-14427-50    | 11 - 37  | 6E5-24377-00 | 2 - 6    | 66M-42508-01    | 18 - 1   | 689-43373-01    | 22 - 3   |
| 66M-11605-00    | 3 - 9    | 6L2-14157-00    | 7 - 19   | 66M-14440-00    | 6 - 8    |              | 2 - 17   | 66M-42511-01-4D | 22 - 6   | 66R-43611-00    | 21 - 36  |
| 66M-11631-00-96 | 3 - 8    | 66M-14157-00    | 7 - 9    | 66M-14477-00    | 6 - 12   | 688-24378-00 | 2 - 31   | 66M-42511-11-4D | 22 - 6   | 63V-43614-10    | 21 - 33  |
| 634-11633-00    | 3 - 10   |                 | 7 - 36   | 65W-14497-01    | 19 - 29  | 66M-24410-10 | 9 - 9    | 66M-42527-00    | 18 - 3   | 66R-43615-00    | 21 - 35  |
| 66M-11635-00    | 3 - 8    | 646-14212-01    | 7 - 31   | 66M-14827-00    | 7 - 34   | 66M-24411-10 | 9 - 12   | 63V-42528-00    | 22 - 2   | 66R-43617-00    | 21 - 40  |
| 66M-11636-00    | 3 - 8    | 66M-14225-00    | 7 - 13   |                 | 29 - 14  | 66M-24413-01 | 9 - 10   | 65W-42528-00    | 18 - 9   | 66M-43630-01    | 21 - 22  |
| 66M-11650-00    | 3 - 5    | 66M-14239-00    | 7 - 12   | 66M-15100-01-1S | 2 - 2    | 6A0-24421-01 | 9 - 11   | 65F-42537-00    | 22 - 8   | 689-43633-00    | 18 - 7   |
| 66M-11654-00    | 3 - 6    | 66M-14271-00    | 6 - 7    | 66M-15316-00    | 24 - 19  | 66M-24423-00 | 9 - 13   | 66M-42561-00    | 18 - 6   | 63V-43641-01    | 21 - 30  |
| 66M-12111-00    | 5 - 1    | 66M-14272-00    | 7 - 33   | 66M-15362-00    | 24 - 20  | 66M-24444-00 | 9 - 16   | 65W-42562-00    | 18 - 5   | 63V-43656-00    | 21 - 41  |
| 66M-12113-00    | 5 - 4    | 6G8-14275-02    | 7 - 11   | 6G8-15363-00    | 4 - 14   | 66M-24454-00 | 9 - 15   | 66M-42610-10-4D | 1 - 1    | 63V-43659-00    | 21 - 38  |
| 66M-12116-00    | 5 - 3    | 66M-14301-00    | 7 - 1    | 66M-15373-00    | 6 - 25   | 66M-24471-00 | 9 - 17   | 66M-42613-00    | 1 - 2    | 66M-44111-01    | 17 - 27  |
| 30X-12117-00    | 5 - 5    | 66M-14301-11    | 7 - 1    | 63V-15705-01    | 11 - 8   | 6YL-24610-00 | 27 - 2   | 66M-42615-00    | 1 - 8    | 66R-44114-00    | 19 - 7   |
| 30X-12118-00    | 5 - 6    | 6G8-1432A-01    | 7 - 38   | 66M-15710-01    | 11 - 1   | 6YL-24641-00 | 27 - 3   | 6E0-42651-02    | 1 - 4    | 65W-44116-00    | 19 - 6   |

NUMERICAL INDEX

| PARTNO.         | REF. NO. | PARTNO.         | REF. NO. | PARTNO.      | REF. NO. | PARTNO.      | REF. NO. | PARTNO.     | REF. NO. | PARTNO.     | REF. NO. |
|-----------------|----------|-----------------|----------|--------------|----------|--------------|----------|-------------|----------|-------------|----------|
| 65W-44121-00    | 19 - 1   | 66M-45115-00    | 30 - 7   | 663-48344-00 | 20 - 12  | 66M-85550-00 | 12 - 1   | 90201-06M31 | 19 - 17  | 90386-40MA0 | 17 - 19  |
| 66M-44122-00    | 19 - 2   | 66M-45126-00    | 23 - 5   | 66M-48501-00 | 20 - 1   | 66M-85550-10 | 12 - 1   |             | 19 - 30  | 90386-40M99 | 17 - 23  |
| 66M-44124-00    | 17 - 32  | 66M-45128-00    | 23 - 8   | 63V-48511-01 | 20 - 19  | 66M-85570-00 | 13 - 4   |             | 20 - 6   | 90387-05M11 | 18 - 12  |
| 65W-44125-00    | 19 - 15  |                 | 30 - 8   | 6H3-48538-00 | 20 - 14  | 66M-85580-00 | 12 - 3   | 90201-06M94 | 8 - 6    | 90387-06M05 | 11 - 3   |
|                 | 20 - 4   | 66M-45136-00    | 23 - 7   | 66M-81800-01 | 15 - 1   | 90101-06M29  | 21 - 17  | 90201-07M01 | 3 - 7    |             | 14 - 10  |
| 65W-44142-00    | 19 - 13  | 6G1-45214-00    | 26 - 7   | 65W-81801-00 | 15 - 8   | 90105-06M07  | 22 - 4   | 90201-08M06 | 22 - 13  | 90387-06M08 | 19 - 27  |
|                 | 20 - 2   | 63V-45215-00    | 26 - 8   | 65W-81807-00 | 15 - 5   | 90105-08M78  | 4 - 7    | 90201-10M01 | 26 - 16  | 90387-06M13 | 21 - 16  |
| 66M-44143-00    | 19 - 9   | 61N-45251-00    | 26 - 11  | 65W-8182B-00 | 14 - 4   | 90109-06M81  | 16 - 32  | 90201-13201 | 8 - 5    | 90387-06M29 | 19 - 16  |
| 66M-44143-10    | 19 - 9   | 66M-45300-01-4D | 25 - 1   | 65W-8182S-00 | 15 - 10  |              | 19 - 5   | 90201-16M44 | 12 - 14  |             | 20 - 5   |
| 63V-44150-00    | 25 - 27  | 66M-45300-11-4D | 25 - 1   | 66M-81820-00 | 15 - 7   | 90109-06M82  | 16 - 10  | 90201-17682 | 25 - 34  | 90387-06M52 | 16 - 7   |
| 66M-44150-10    | 25 - 27  | 63V-45311-01-4D | 25 - 2   | 65W-81826-00 | 15 - 2   | 90109-06M84  | 21 - 43  | 90201-43M00 | 17 - 20  | 90387-06M78 | 17 - 31  |
| 65W-44173-00    | 17 - 36  | 66M-45311-00-4D | 25 - 2   | 66M-81830-00 | 15 - 4   | 90109-06M86  | 11 - 32  | 90202-05M38 | 1 - 12   | 90387-06M79 | 6 - 11   |
| 6E0-44191-11    | 17 - 35  | 63V-45315-A0    | 25 - 24  | 65W-81840-00 | 15 - 9   |              | 14 - 25  | 90202-05088 | 6 - 22   | 90387-07M07 | 21 - 26  |
| 66M-44192-00    | 19 - 20  |                 | 30 - 15  | 65W-81850-01 | 15 - 6   |              | 16 - 20  | 90202-07M60 | 21 - 25  | 90387-13M56 | 5 - 9    |
|                 | 20 - 8   | 63V-45331-00-5B | 25 - 21  | 65W-81857-01 | 15 - 3   |              | 16 - 27  | 90202-10M56 | 18 - 8   | 90387-13001 | 5 - 10   |
| 63V-44301-00    | 25 - 11  | 683-45361-02-4D | 25 - 41  | 65W-81870-00 | 14 - 8   |              | 17 - 3   | 90202-22M54 | 21 - 11  | 90387-13002 | 5 - 11   |
| 63V-44322-00    | 25 - 12  | 66M-45371-00    | 26 - 20  | 6G1-81941-10 | 14 - 1   |              | 19 - 8   | 90202-43M57 | 17 - 22  | 90401-20M00 | 2 - 35   |
|                 | 30 - 10  | 63V-45375-00    | 26 - 14  | 6G1-81952-00 | 14 - 2   | 90109-08M78  | 15 - 12  | 90206-05005 | 6 - 20   | 90430-08020 | 25 - 10  |
|                 | 30 - 25  | 63V-45510-01    | 25 - 28  | 6G8-81960-A1 | 14 - 17  | 90109-08M85  | 15 - 13  | 90206-10M04 | 17 - 30  |             | 30 - 9   |
| 63V-44323-00    | 25 - 17  | 63V-45510-11    | 25 - 28  | 66M-82105-00 | 14 - 5   | 90109-08M91  | 18 - 4   | 90206-10M24 | 21 - 44  | 90430-14M09 | 24 - 18  |
|                 | 30 - 13  | 63V-45536-00    | 25 - 4   | 66M-82117-00 | 14 - 3   | 90116-08M54  | 22 - 12  | 90206-12052 | 16 - 16  |             | 30 - 5   |
|                 | 30 - 27  | 63V-45551-00    | 25 - 29  | 66M-82127-00 | 22 - 5   | 90119-05M03  | 18 - 13  | 90206-43M22 | 17 - 21  | 90445-09061 | 2 - 30   |
| 63V-44328-00    | 25 - 20  | 6E7-45560-01    | 25 - 31  | 66M-82127-10 | 13 - 10  | 90119-06M14  | 2 - 5    | 90209-10M26 | 18 - 10  | 90445-09086 | 2 - 32   |
| 664-44338-00    | 25 - 15  | 664-45567-01-10 | 25 - 8   | 66M-82148-00 | 21 - 3   | 90119-06M59  | 11 - 25  | 90209-40008 | 22 - 7   | 90445-09105 | 2 - 33   |
|                 | 30 - 28  | 664-45567-01-12 | 25 - 8   | 6G8-82150-00 | 14 - 20  | 90119-06M76  | 6 - 10   | 90240-05M20 | 6 - 19   | 90445-10M20 | 9 - 6    |
| 63V-44352-01    | 25 - 14  | 664-45567-01-15 | 25 - 8   | 663-82151-00 | 14 - 21  | 90119-08M39  | 15 - 11  | 90243-04M01 | 21 - 7   | 90445-10M40 | 9 - 4    |
|                 | 30 - 11  | 664-45567-01-18 | 25 - 8   | 6G5-82152-00 | 14 - 22  | 90119-08M45  | 22 - 23  | 90250-05010 | 25 - 38  | 90445-10M46 | 2 - 7    |
|                 | 30 - 26  | 664-45567-01-30 | 25 - 8   | 6G8-82370-30 | 13 - 8   | 90119-08M46  | 22 - 24  | 90254-03M05 | 17 - 37  | 90445-10M93 | 9 - 25   |
| 66M-44361-00    | 26 - 1   | 664-45567-01-40 | 25 - 8   | 62Y-82377-00 | 16 - 36  | 90119-08M66  | 2 - 4    |             | 19 - 3   | 90445-11M05 | 10 - 4   |
| 66M-44361-10    | 26 - 1   | 664-45567-01-50 | 25 - 8   | 63V-82377-50 | 21 - 45  | 90149-05M13  | 17 - 13  |             | 19 - 14  | 90445-11M06 | 10 - 2   |
| 63V-44365-10    | 26 - 2   | 6E7-45571-00    | 25 - 32  | 62Y-82504-10 | 13 - 9   | 90152-05M04  | 26 - 9   |             | 20 - 3   | 90446-06M90 | 11 - 18  |
|                 | 30 - 20  | 626-45577-00-01 | 25 - 33  | 6H3-82540-00 | 14 - 23  | 90157-05M16  | 27 - 5   | 90266-04M04 | 1 - 5    | 90446-10M87 | 17 - 18  |
| 647-44366-00    | 25 - 13  | 626-45577-00-03 | 25 - 33  | 6J8-82554-00 | 14 - 24  | 90157-05014  | 21 - 31  |             | 1 - 7    | 90464-09M13 | 14 - 16  |
|                 | 30 - 23  | 626-45577-00-05 | 25 - 33  | 682-82556-00 | 17 - 39  | 90157-06M06  | 23 - 9   | 90269-02M09 | 17 - 12  |             | 16 - 29  |
| 66M-44366-00    | 22 - 17  | 6E8-45587-10-13 | 25 - 6   | 689-8257Y-00 | 17 - 40  | 90170-06015  | 19 - 10  | 90280-03M01 | 8 - 10   | 90464-09M31 | 9 - 28   |
| 63V-44368-00    | 26 - 3   | 6E8-45587-10-20 | 25 - 6   | 65W-82575-01 | 17 - 38  | 90170-28M37  | 8 - 9    |             | 28 - 15  | 90465-06M86 | 9 - 27   |
|                 | 30 - 21  | 683-45611-00    | 25 - 35  | 6H1-83557-00 | 13 - 12  | 90171-10M01  | 26 - 17  | 90280-05013 | 12 - 12  | 90465-06M88 | 13 - 13  |
| 6H3-44391-01    | 16 - 21  | 682-45631-00    | 25 - 37  | 6A1-83625-41 | 11 - 35  | 90179-08M06  | 25 - 30  | 90340-08M04 | 25 - 9   | 90465-08M82 | 6 - 26   |
| 66M-44514-00-4D | 22 - 14  | 648-45633-00    | 25 - 39  | 6A1-83625-51 | 11 - 36  | 90179-08M34  | 22 - 25  | 90340-14M06 | 24 - 17  | 90465-08M83 | 6 - 27   |
| 66M-44526-00    | 22 - 15  | 650-45635-00    | 25 - 36  | 6E0-83627-41 | 17 - 41  | 90179-16M05  | 12 - 13  | 90381-14020 | 25 - 22  | 90465-11M10 | 9 - 8    |
| 66M-44551-00-4D | 22 - 20  | 683-45941-00-EL | 26 - 19  | 6E0-83627-51 | 17 - 42  | 90185-05002  | 26 - 10  | 90386-07M95 | 21 - 27  |             | 16 - 34  |
| 682-44555-30    | 22 - 22  | 683-45943-00-EL | 26 - 19  | 66M-84342-00 | 11 - 33  | 90185-08057  | 20 - 21  | 90386-08032 | 17 - 16  | 90465-25M57 | 16 - 28  |
| 66M-44557-00    | 22 - 21  | 683-45945-00-EL | 26 - 19  | 65W-85410-01 | 13 - 11  | 90185-10M14  | 18 - 11  | 90386-12MA2 | 16 - 15  | 90467-09M03 | 9 - 7    |
| 66M-45111-00-4D | 23 - 1   | 63V-45947-00-EL | 26 - 19  | 66M-85520-00 | 12 - 2   | 90185-22043  | 21 - 15  | 90386-12M37 | 16 - 14  |             | 9 - 26   |
| 66M-45111-10-4D | 23 - 1   | 683-45952-00-EL | 26 - 19  | 66M-85533-00 | 12 - 4   | 90201-05M06  | 19 - 21  | 90386-22M94 | 21 - 12  | 90468-10005 | 19 - 22  |
| 66M-45113-00    | 23 - 2   | 6E7-45987-01    | 26 - 15  | 66M-85533-10 | 12 - 4   |              | 20 - 9   |             | 21 - 13  |             | 20 - 10  |
|                 | 30 - 6   | 66M-46241-00    | 8 - 11   | 66M-85540-01 | 13 - 1   | 90201-06M05  | 11 - 28  | 90386-30M60 | 22 - 11  | 90468-18008 | 17 - 34  |
| 66M-45115-00    | 23 - 6   | 66M-46297-00    | 8 - 12   | 66M-85542-10 | 14 - 9   |              | 14 - 13  | 90386-30048 | 22 - 9   |             | 19 - 12  |



NUMERICAL INDEX

| PARTNO.     | REF. NO. | PARTNO.     | REF. NO. | PARTNO.     | REF. NO. | PARTNO.     | REF. NO. | PARTNO. | REF. NO. | PARTNO. | REF. NO. |
|-------------|----------|-------------|----------|-------------|----------|-------------|----------|---------|----------|---------|----------|
| 90468-18008 | 19 - 23  | 92995-06600 | 21 - 18  | 93606-12019 | 24 - 3   | 97095-06040 | 12 - 10  |         |          |         |          |
|             | 20 - 11  |             | 22 - 19  | 93700-06M03 | 18 - 2   | 97095-06055 | 19 - 31  |         |          |         |          |
|             | 20 - 13  |             | 24 - 6   |             | 22 - 1   | 97095-06090 | 11 - 26  |         |          |         |          |
| 90480-10M16 | 8 - 13   |             | 24 - 10  | 94701-00375 | 4 - 17   | 97575-08535 | 20 - 20  |         |          |         |          |
| 90480-12072 | 8 - 14   |             | 25 - 48  | 95380-05600 | 9 - 19   | 97575-08545 | 23 - 3   |         |          |         |          |
| 90480-13M24 | 14 - 11  |             | 26 - 22  | 95380-06700 | 11 - 29  | 97595-06525 | 20 - 7   |         |          |         |          |
| 90480-15M31 | 16 - 6   | 92995-08600 | 26 - 6   |             | 19 - 11  | 97780-50510 | 6 - 17   |         |          |         |          |
| 90480-25161 | 13 - 5   | 93101-12M63 | 24 - 2   |             | 21 - 19  | 97780-60520 | 1 - 3    |         |          |         |          |
| 90501-12M40 | 5 - 12   |             | 30 - 2   | 95380-08600 | 22 - 16  | 97880-06030 | 9 - 21   |         |          |         |          |
| 90501-12M41 | 5 - 13   | 93101-17054 | 25 - 44  | 95380-08700 | 14 - 6   | 97885-06008 | 21 - 4   |         |          |         |          |
| 90501-14M06 | 25 - 40  |             | 30 - 17  | 95380-10700 | 17 - 26  | 97885-08010 | 21 - 5   |         |          |         |          |
| 90501-23215 | 17 - 15  | 93101-20048 | 25 - 23  | 95780-10300 | 17 - 25  | 97890-04005 | 7 - 35   |         |          |         |          |
| 90507-20M00 | 21 - 29  |             | 30 - 14  | 95895-06020 | 14 - 12  | 97980-04110 | 7 - 18   |         |          |         |          |
| 90508-18M41 | 21 - 34  | 93102-18M21 | 8 - 1    | 95895-06030 | 26 - 12  | 97980-04112 | 7 - 28   |         |          |         |          |
| 91490-16010 | 17 - 8   |             | 28 - 14  | 97013-06016 | 8 - 4    |             | 29 - 11  |         |          |         |          |
| 91490-30020 | 26 - 18  | 93102-25M52 | 3 - 2    | 97013-06025 | 4 - 8    | 98580-03005 | 7 - 37   |         |          |         |          |
| 91690-20016 | 6 - 21   |             | 28 - 10  | 97013-06030 | 2 - 28   | 98980-04006 | 7 - 30   |         |          |         |          |
| 92903-06600 | 2 - 29   | 93102-35M51 | 3 - 1    | 97075-06025 | 22 - 18  | 99080-05600 | 21 - 32  |         |          |         |          |
|             | 4 - 9    |             | 28 - 9   | 97075-08030 | 26 - 5   |             | 21 - 39  |         |          |         |          |
| 92903-10600 | 17 - 14  | 93210-06ME6 | 25 - 25  | 97080-08025 | 25 - 26  | 99510-10114 | 2 - 3    |         |          |         |          |
| 92990-06100 | 9 - 22   |             | 30 - 16  | 97080-08045 | 25 - 19  |             | 4 - 6    |         |          |         |          |
| 92990-06200 | 17 - 33  | 93210-08287 | 10 - 7   |             | 30 - 24  |             |          |         |          |         |          |
| 92990-06300 | 26 - 13  |             | 10 - 9   | 97095-05012 | 2 - 13   |             |          |         |          |         |          |
| 92990-06600 | 9 - 23   | 93210-20M65 | 9 - 24   | 97095-06010 | 19 - 33  |             |          |         |          |         |          |
| 92990-08600 | 14 - 7   |             | 28 - 17  | 97095-06012 | 16 - 18  |             |          |         |          |         |          |
| 92995-05600 | 2 - 14   | 93210-24M79 | 4 - 15   | 97095-06016 | 12 - 8   |             |          |         |          |         |          |
| 92995-06100 | 11 - 27  |             | 28 - 8   |             | 13 - 14  |             |          |         |          |         |          |
|             | 12 - 6   | 93210-29M94 | 22 - 10  |             | 14 - 18  |             |          |         |          |         |          |
| 92995-06600 | 2 - 12   | 93210-35M86 | 6 - 9    |             | 24 - 9   |             |          |         |          |         |          |
|             | 2 - 20   |             | 28 - 13  |             | 26 - 21  |             |          |         |          |         |          |
|             | 4 - 13   | 93210-44398 | 25 - 16  | 97095-06020 | 2 - 11   |             |          |         |          |         |          |
|             | 6 - 4    |             | 30 - 12  |             | 2 - 19   |             |          |         |          |         |          |
|             | 8 - 18   | 93210-56M80 | 25 - 46  |             | 4 - 12   |             |          |         |          |         |          |
|             | 9 - 3    |             | 30 - 19  |             | 9 - 2    |             |          |         |          |         |          |
|             | 11 - 23  | 93210-57M09 | 25 - 45  |             | 11 - 22  |             |          |         |          |         |          |
|             | 12 - 7   |             | 30 - 18  |             | 13 - 2   |             |          |         |          |         |          |
|             | 12 - 9   | 93306-00501 | 25 - 42  |             | 13 - 6   |             |          |         |          |         |          |
|             | 12 - 11  | 93315-314V8 | 25 - 3   |             | 24 - 5   |             |          |         |          |         |          |
|             | 13 - 3   | 93315-317U2 | 25 - 43  |             | 25 - 47  |             |          |         |          |         |          |
|             | 13 - 7   | 93332-00005 | 25 - 7   | 97095-06025 | 12 - 5   |             |          |         |          |         |          |
|             | 13 - 15  | 93341-41414 | 25 - 5   |             | 14 - 14  |             |          |         |          |         |          |
|             | 14 - 15  | 93430-04M03 | 21 - 37  |             | 16 - 4   |             |          |         |          |         |          |
|             | 14 - 19  | 93450-09M01 | 4 - 4    |             | 19 - 18  |             |          |         |          |         |          |
|             | 16 - 3   | 93450-15023 | 3 - 11   | 97095-06030 | 12 - 10  |             |          |         |          |         |          |
|             | 16 - 5   | 93604-12M07 | 25 - 18  |             | 17 - 28  |             |          |         |          |         |          |
|             | 17 - 29  |             | 26 - 4   | 97095-06035 | 8 - 17   |             |          |         |          |         |          |
|             | 19 - 19  | 93606-12019 | 6 - 5    |             | 16 - 2   |             |          |         |          |         |          |
|             | 19 - 32  |             | 23 - 4   | 97095-06040 | 6 - 3    |             |          |         |          |         |          |

F15MHA/F15EHA/F15AMH  
PARTS CATALOGUE

©2001 by Yamaha Motor Co., Ltd.

1st Edition, May. 2001

All rights reserved.

Any reprinting or unauthorized use  
without the written permission of  
Yamaha Motor Co., Ltd.  
is expressly prohibited.

**G7**