

PARTS CATALOGUE

F25 (65W3)

F25A'04 (65W3)

FOREWORD

This Parts Catalogue is related to the parts for the model(s) on the cover page. When you are ordering replacement parts, please refer to this Parts Catalogue and quote both part numbers and part names correctly.

1. Modifications or additions which have been made after the issue of the Parts Catalogue will be announced in the Parts News.
It is advisable that you make the necessary corrections to the Parts Catalogue according to the Parts News.

2. Abbreviations

The following abbreviations are used in this Parts Catalogue.

“UR” Use specified parts number.

“UN” Use as many as needed.

“AP” Alternate Parts

“LM” Locally Made (Parts need to be ordered locally)

“F#” Frame No. (Applicable machine No.)

“O/S” Over Size

3. The number of components for assembly

- Parts, which are to be supplied in an assembly, are listed with a dot (.) in front of the part name as shown below.
- The numeral appearing to the right of each component part indicates the quantity of parts for each assembly unit.

PART NO.	DESCRIPTION	Q'TY	REMARKS
2F5-83310-60	FRONT FLASHER LIGHT ASSY	2	
115-83311-60	.BULB (6V-18W)	1	

4. Applicable colours of graphics are represented in the “REMARKS” as shown below.

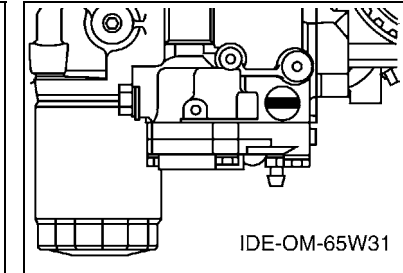
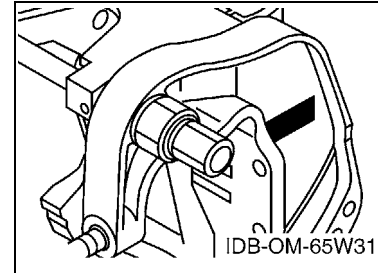
PART NO.	DESCRIPTION	Q'TY	REMARKS
2N4-24110-00-X5	FUEL TANK COMP.	2	MXR
3J1-24240-10	.GRAPHIC, FUEL TANK	1	FOR MXR

5. Note that the illustrations for reference in finding parts numbers are not to be used for assembling. When assembling, please use the applicable service manual.

6. The asterisk (*) before a reference number indicates modified items after the first edition.

7. Applicable Serial No.

Engine Serial No.



8. Applicable Engine Starting Serial No.

Model	Serial No.	Model	Serial No.
F25	65W-1008911	F25A	65W-1008911

9. Applicable Colour Code

Abbreviation	Colour Name	Colour Code
DBNM2	DARK BLUIISH GRAY METALLIC 2	004D

10. Quantity Column Information

Column No.	Name Of Q'ty Column	Applicable Model
1	M(H)	F25MHC,F25AMH,F25AM
2	EH	F25EHC
3	E	F25ERC
4	ET	F25TRC,F25AET
5	EHT	F25AEHT

CONTENTS

SHEET1/2

TOP COWLING	A4
CYLINDER & CRANKCASE 1	A5
CRANKSHAFT & PISTON	A7
CYLINDER & CRANKCASE 2	B1
VALVE	B3
INTAKE	B4
CARBURETOR	B5
OIL PUMP	B7
FUEL 1	C1
FUEL 2	C3
STARTER	C4
GENERATOR	C6
ELECTRICAL 1	D1
ELECTRICAL 2	D3
ELECTRICAL 3	D5
STARTING MOTOR	D6
BOTTOM COWLING	D7
STEERING	E3
STEERING FRICTION	E5
CONTROL	E6
REMO CON ATTACHMENT	F1
BRACKET 1	F2
BRACKET 2	F5
BRACKET 3	F7

INDEX

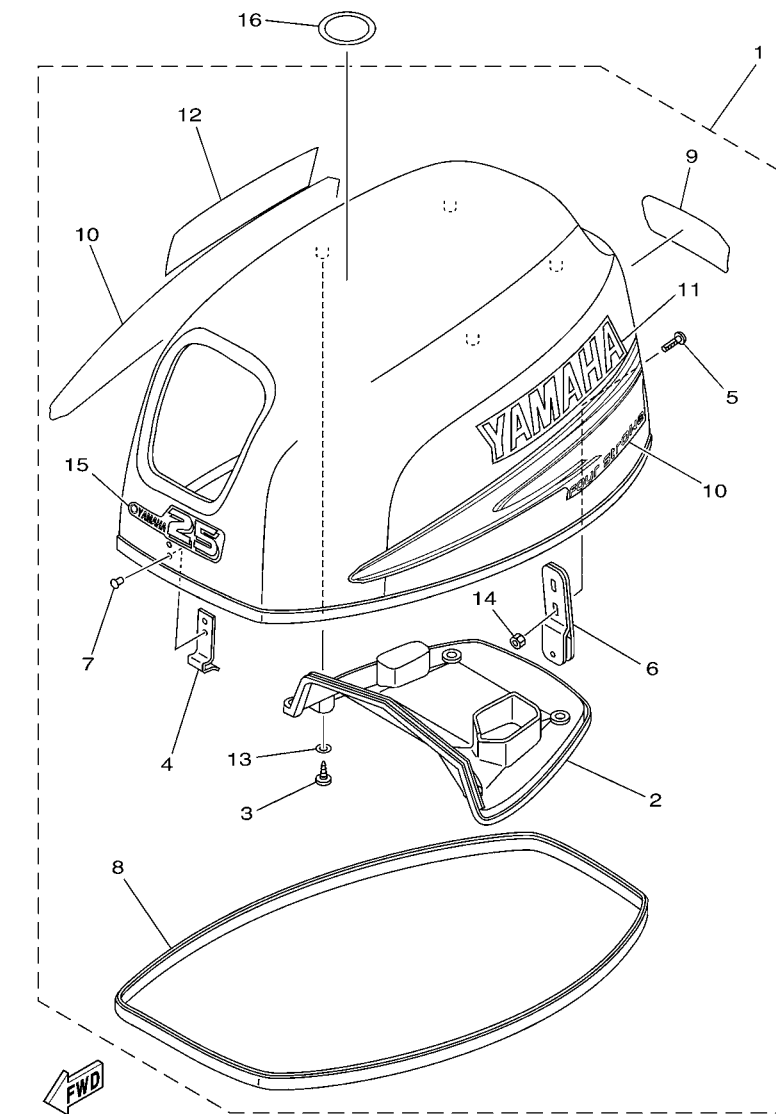
NUMERICAL INDEX	G1
-----------------------	----

SHEET2/2

BRACKET 3	A4*
POWER TRIM & TILT ASSY	A5*
UPPER CASING	B1*
OIL PAN	B2*
LOWER CASING & DRIVE 1	B3*
LOWER CASING & DRIVE 2	B6*
FUEL TANK	B7*
STEERING GUIDE	C1*
REMOTE CONTROL BOX	C2*
REMOTE CONTROL ASSY 1	C3*
REMOTE CONTROL ASSY 2	C6*
REPAIR KIT 1	D1*
REPAIR KIT 2	D2*
REPAIR KIT 3	D3*

INDEX

NUMERICAL INDEX	G1*
-----------------------	-----

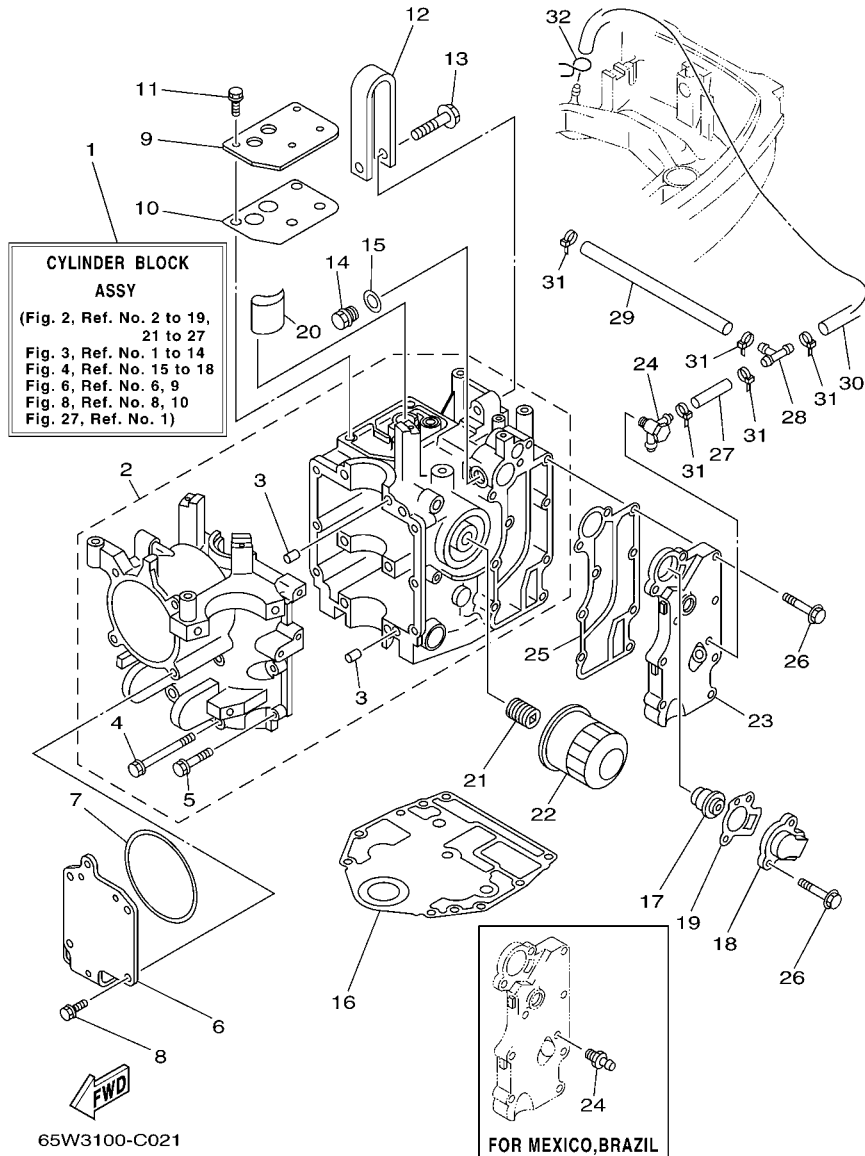


65W3100-C010

*1: NEW PARTS
STARTING SERIAL NO. : 65W-1013331 ~

FIG. 1 TOP COWLING

REF. NO.	PART NO.	DESCRIPTION	M(H)	EH	E	ET	EHT	REMARKS
1	65W-42610-11-4D	TOP COWLING ASSY	1	1	1	1	1	
	65W-42610-20-4D	TOP COWLING ASSY	1	1	1	1	1	NEW PARTS *1
2	65W-42613-00	.MOLDING, AIR DUCT	1	1	1	1	1	
3	97780-60520	.SCREW, TAPPING	4	4	4	4	4	
4	65W-42651-01	.HOOK	1	1	1	1	1	
5	90109-06MA4	.BOLT	2	2	2	2	2	
6	65W-42652-00	.HOOK	1	1	1	1	1	
	65W-42652-01	.HOOK	1	1	1	1	1	NEW PARTS *1
7	90266-06M02	.RIVET	2	2	2	2	2	
8	65W-42615-01	.SEAL	1	1	1	1	1	
	6D5-42615-00	.SEAL	1	1	1	1	1	NEW PARTS *1
9	65W-42678-20	.GRAPHIC, REAR	1	1	1	1	1	
10	65W-W0070-20	.GRAPHIC SET	1	1	1	1	1	
11	65W-42681-20	.MARK, COWLING	1	1	1	1	1	
12	65W-42682-20	.MARK, COWLING	1	1	1	1	1	
13	90202-05M38	.WASHER, PLATE	4	4	4	4	4	
14	95680-06100	.NUT, U	2	2	2	2	2	
15	65W-42677-00	.GRAPHIC, FRONT	1	1	1	1	1	
16	67F-13434-02	LABEL, CAUTION	1	1	1	1	1	

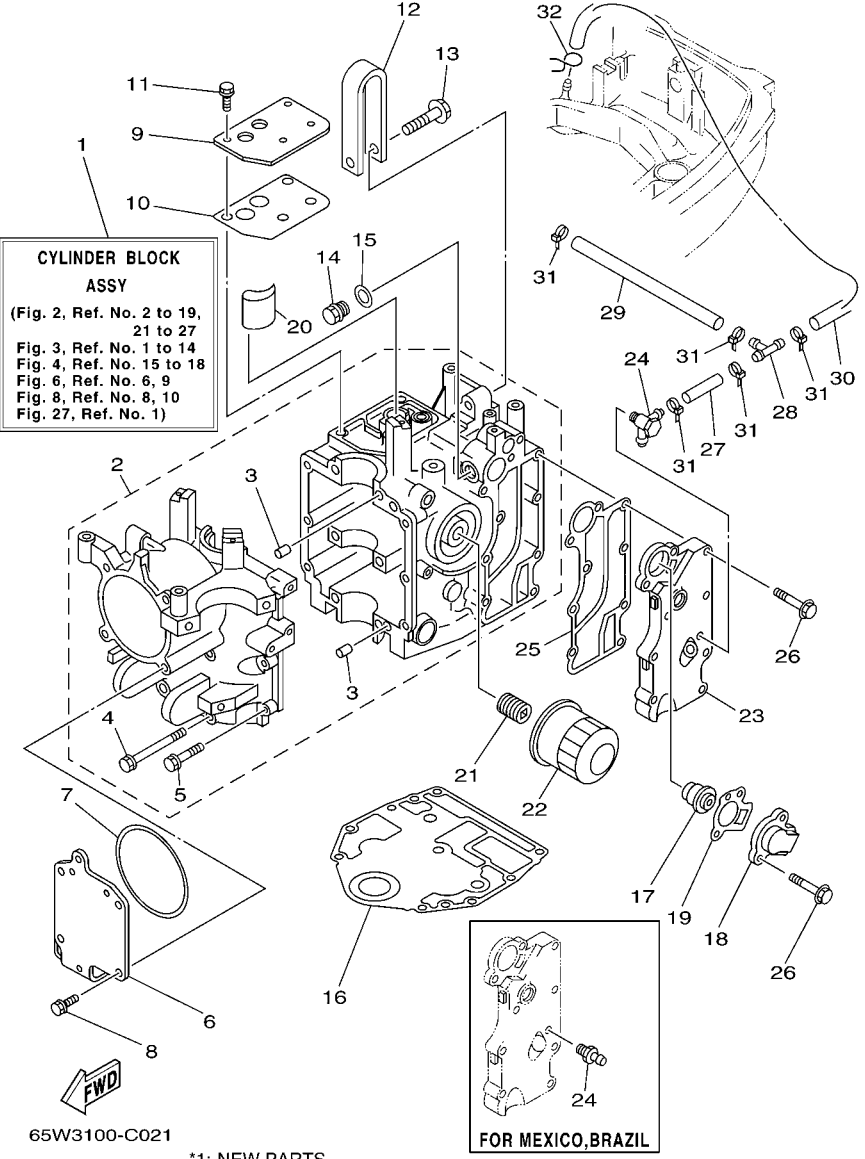


*1: NEW PARTS
 STARTING SERIAL NO. : 65W-1013331 ~

FIG. 2 CYLINDER & CRANKCASE 1

REF. NO.	PART NO.	DESCRIPTION	M(H)	EH	E	ET	EHT	REMARKS
1	65W-W009B-11-1S	CYLINDER BLOCK ASSY	1	1	1	1	1	
	65W-W009B-12-1S	CYLINDER BLOCK ASSY	1	1	1	1	1	NEW PARTS *1
2	65W-15100-11-1S	CRANKCASE ASSY	1	1	1	1	1	
3	99530-08012	.PIN, DOWEL	2	2	2	2	2	
4	90119-08M01	.BOLT, WITH WASHER	6	6	6	6	6	
5	90119-06MA5	.BOLT, WITH WASHER	6	6	6	6	6	
6	65W-15121-01	CRANKCASE 2	1	1	1	1	1	
7	65W-15663-00	SEAL	1	1	1	1	1	
8	65W-12228-00	BOLT	4	4	4	4	4	
9	65W-11168-01	COVER, BREATHER	1	1	1	1	1	
10	65W-11169-01	GASKET, BREATHER COVER	1	1	1	1	1	
11	65W-12228-00	BOLT	4	4	4	4	4	
12	65W-11119-00	HANGER, ENGINE	1	1	1	1	1	
13	90105-08M87	BOLT, FLANGE	1	1	1	1	1	
14	90340-14M06	PLUG, STRAIGHT SCREW	1	1	1	1	1	
15	90430-14115	GASKET	1	1	1	1	1	
16	65W-11351-10	GASKET, CYLINDER	1	1	1	1	1	
17	6G8-12411-02	THERMOSTAT	1	1	1	1	1	
18	6H3-12413-00-1S	COVER, THERMOSTAT	1	1	1	1	1	
19	62Y-12414-00	GASKET, COVER	1	1	1	1	1	
20	65W-13286-00	CLEANER	1	1	1	1	1	
21	90401-20M00	BOLT, UNION	1	1	1	1	1	
22	5GH-13440-00	ELEMENT ASSY, OIL CLEANER	1	1	1	1	1	
23	65W-41113-10-1S	OUTER COVER, EXHAUST	1	1	1	1	1	
24	62Y-11372-01	NIPPLE, HOSE	1	1	1	1	1	FLUSHING KIT
	62Y-12481-00	PIPE 1	1					FOR MEX, BRA
25	65W-41114-00	GASKET, EXHAUST OUTER COVER	1	1	1	1	1	

FIG. 2 CYLINDER & CRANKCASE 1



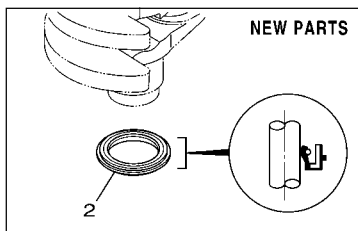
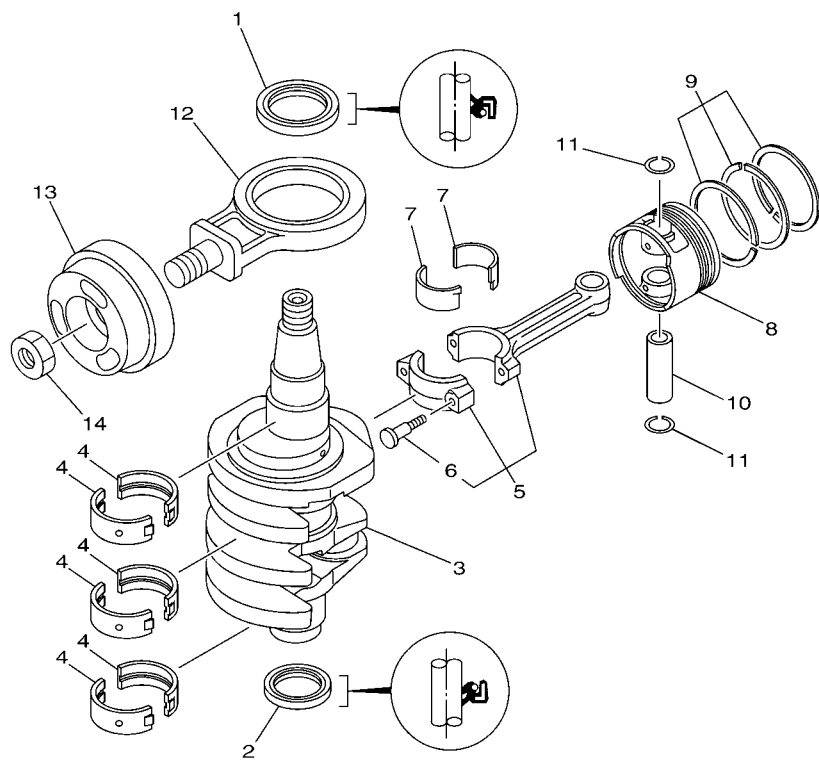
CYLINDER BLOCK ASSY
 (Fig. 2, Ref. No. 2 to 19,
 21 to 27
 Fig. 3, Ref. No. 1 to 14
 Fig. 4, Ref. No. 15 to 18
 Fig. 6, Ref. No. 6, 9
 Fig. 8, Ref. No. 8, 10
 Fig. 27, Ref. No. 1)

FOR MEXICO, BRAZIL

65W3100-C021
 *1: NEW PARTS
 STARTING SERIAL NO. : 65W-1013331 ~

REF. NO.	PART NO.	DESCRIPTION	M(H)	EH	E	ET	EHT	REMARKS
26	90119-06MA5	BOLT, WITH WASHER	9	9	9	9	9	
27	90445-09068	HOSE (L110)	1	1	1	1	1	
28	688-24378-00	PIPE, JOINT 4	1	1	1	1	1	
29	90445-09095	HOSE (L215)	1	1	1	1	1	
30	90445-09104	HOSE (L300)	1	1	1	1	1	
31	90465-11M10	CLAMP	5	5	5	5	5	
32	90467-08004	CLIP	1	1	1	1	1	

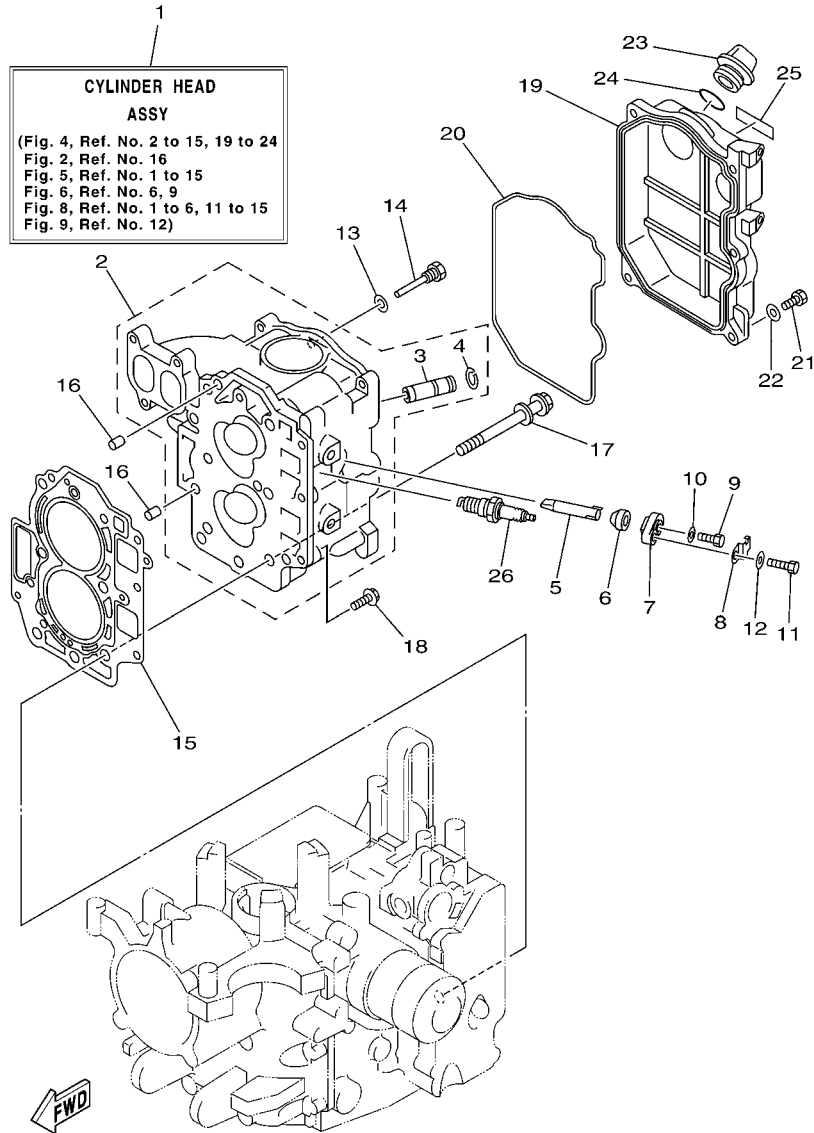
FIG. 3 CRANKSHAFT & PISTON



65W3100-C030

*1: NEW PARTS
STARTING SERIAL NO. : 65W-1013331 ~

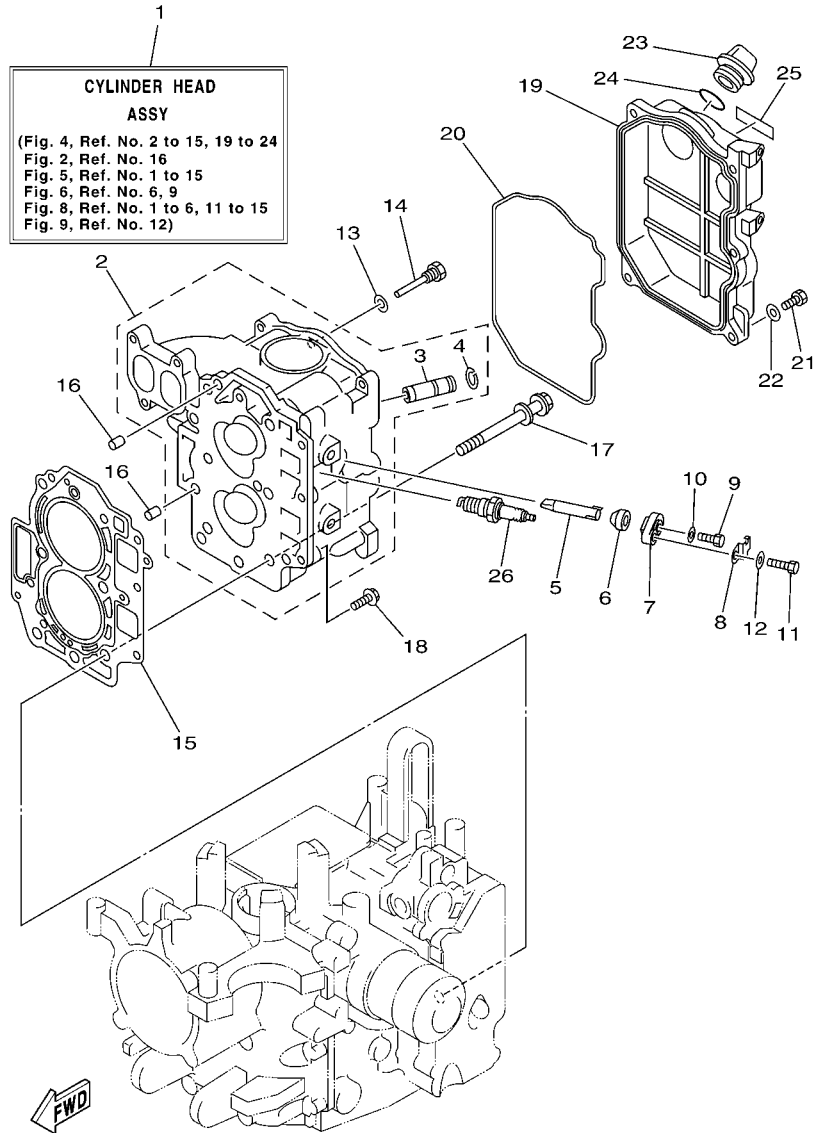
REF. NO.	PART NO.	DESCRIPTION	M(H)	EH	E	ET	EHT	REMARKS
1	93102-43M42	OIL SEAL	1	1	1	1	1	
	93102-43004	OIL SEAL	1	1	1	1	1	NEW PARTS *1
2	93102-35M47	OIL SEAL	1	1	1	1	1	
	93101-35002	OIL SEAL	1	1	1	1	1	NEW PARTS *1
3	65W-11411-01	CRANKSHAFT	1	1	1	1	1	
4	62Y-11416-00	PLANE BEARING, CRANKSHAFT 1	6	6	6	6	6	UR BROWN
	62Y-11416-10	PLANE BEARING, CRANKSHAFT 1	6	6	6	6	6	UR BLACK
	62Y-11416-20	PLANE BEARING, CRANKSHAFT 1	6	6	6	6	6	UR BLUE
5	67C-11650-00	CONNECTING ROD ASSY	2	2	2	2	2	
6	62Y-11654-00	.BOLT, CONNECTING ROD	2	2	2	2	2	
7	62Y-11656-00	PLANE BEARING, CONNECTING ROD	4	4	4	4	4	UR BROWN
	62Y-11656-10	PLANE BEARING, CONNECTING ROD	4	4	4	4	4	UR BLACK
	62Y-11656-20	PLANE BEARING, CONNECTING ROD	4	4	4	4	4	UR BLUE
8	65W-11631-00-96	PISTON (STD)	2	2	2	2	2	
	65W-11635-00	PISTON (0.25MM O/S)	2	2	2	2	2	AP
	65W-11636-00	PISTON (0.50MM O/S)	2	2	2	2	2	AP
9	67C-11603-00	PISTON RING SET (STD)	2	2	2	2	2	
	68U-11603-00	PISTON RING SET (STD)	2	2	2	2	2	NEW PARTS *1
	67C-11604-00	PISTON RING SET (0.25MM O/S)	2	2	2	2	2	AP
	68U-11604-00	PISTON RING SET (0.25MM O/S)	2	2	2	2	2	AP NEW PARTS *1
	67C-11605-00	PISTON RING SET (0.50MM O/S)	2	2	2	2	2	AP
	68U-11605-00	PISTON RING SET (0.50MM O/S)	2	2	2	2	2	AP NEW PARTS *1
10	62Y-11633-00	PIN, PISTON	2	2	2	2	2	
11	93450-17129	CIRCLIP	4	4	4	4	4	
12	65W-11665-00	CON-ROD ASSY, BALANCE	1	1	1	1	1	
13	65W-11642-11	PISTON, BALANCE	1	1	1	1	1	
14	90170-20137	NUT	1	1	1	1	1	



*1: NEW PARTS
STARTING SERIAL NO. : 65W-1013331 ~

FIG. 4 CYLINDER & CRANKCASE 2

REF. NO.	PART NO.	DESCRIPTION	M(H)	EH	E	ET	EHT	REMARKS
1	65W-W009A-14-1S	CYLINDER HEAD ASSY	1	1	1	1	1	
	65W-W009A-15-1S	CYLINDER HEAD ASSY	1	1	1	1	1	NEW PARTS *1
2	65W-11111-20-1S	HEAD, CYLINDER 1	1	1	1	1	1	
3	62Y-11133-30	.GUIDE, VALVE 1	4	4	4	4	4	
4	93450-09M01	.CIRCLIP	4	4	4	4	4	
5	62Y-11325-00	ANODE	2	2	2	2	2	
6	66M-11328-00	GROMMET, ANODE	2	2	2	2	2	
7	66M-11327-00-94	COVER, ANODE	2	2	2	2	2	
8	66M-12535-00	PLATE	2	2	2	2	2	
9	97095-05012	BOLT	2	2	2	2	2	
10	92995-05600	WASHER	2	2	2	2	2	
11	97095-06020	BOLT	2	2	2	2	2	
12	92995-06600	WASHER	2	2	2	2	2	
13	90430-06014	GASKET	1	1	1	1	1	
14	90109-06M65	BOLT	1	1	1	1	1	
15	65W-11181-20	GASKET, CYLINDER HEAD 1	1	1	1	1	1	
	65W-11181-30	GASKET, CYLINDER HEAD 1	1	1	1	1	1	NEW PARTS *1
16	99530-08012	PIN, DOWEL	2	2	2	2	2	
17	90119-09M00	BOLT, WITH WASHER	6	6	6	6	6	
18	90119-06MA3	BOLT, WITH WASHER	3	3	3	3	3	
19	65W-11191-00-1S	COVER, CYLINDER HEAD 1	1	1	1	1	1	
20	65W-11356-00	SEAL, CYLINDER 2	1	1	1	1	1	
21	97095-06020	BOLT	5	5	5	5	5	
22	92995-06600	WASHER	5	5	5	5	5	
23	6G8-15363-00	PLUG, OIL	1	1	1	1	1	
24	93210-24M79	O-RING	1	1	1	1	1	
25	62Y-12138-40	MARK, CAUTION	1	1	1	1	1	FOR USA,OCE

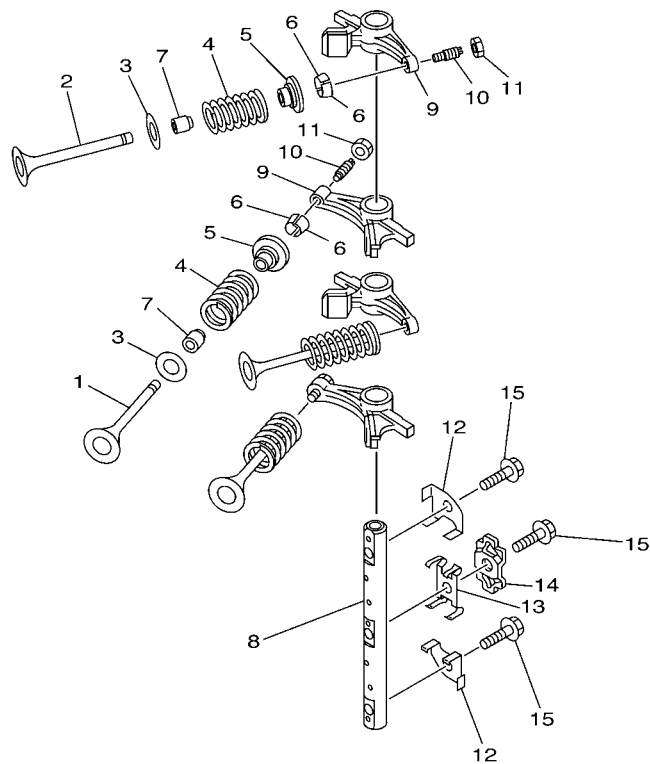


65W3100-C041

*1: NEW PARTS
STARTING SERIAL NO. : 65W-1013331 ~

FIG. 4 CYLINDER & CRANKCASE 2

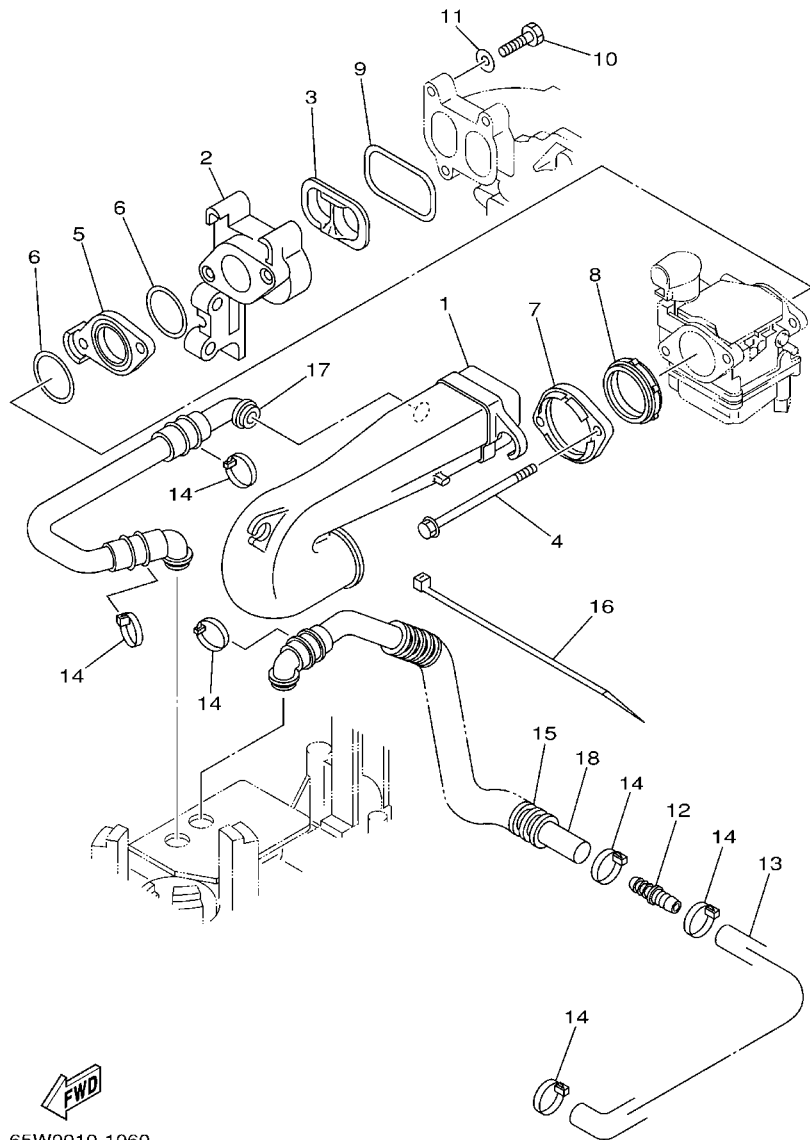
REF. NO.	PART NO.	DESCRIPTION	M(H)	EH	E	ET	EHT	REMARKS
25	62Y-12138-50	MARK, CAUTION	1	1	1	1		FOR CAN
	62Y-12138-60	MARK, CAUTION	1					FOR MEX,BRA
26	94701-00375	PLUG, SPARK (NGK DPR6EA-9)	2	2	2	2	2	



65W1010-2050

FIG. 5 VALVE

REF. NO.	PART NO.	DESCRIPTION	M(H)	EH	E	ET	EHT	REMARKS
1	67C-12111-00	VALVE, INTAKE	2	2	2	2	2	
2	62Y-12121-00	VALVE, EXHAUST	2	2	2	2	2	
3	62Y-12116-00	SEAT, VALVE SPRING	4	4	4	4	4	
4	51Y-12114-00	SPRING, VALVE OUTER	4	4	4	4	4	
5	30X-12117-00	RETAINER, VALVE SPRING	4	4	4	4	4	
6	30X-12118-00	COTTER, VALVE	8	8	8	8	8	
7	51Y-12119-00	SEAL, VALVE STEM	4	4	4	4	4	
8	65W-12146-00	SHAFT, ROCKER	1	1	1	1	1	
9	65W-12151-00	ARM, VALVE ROCKER	4	4	4	4	4	
10	62Y-12159-00	SCREW, VALVE ADJUSTING	4	4	4	4	4	
11	62Y-12158-00	NUT, LOCK	4	4	4	4	4	
12	62Y-12238-00	PLATE, BOLT STOPPER	2	2	2	2	2	
13	62Y-12216-00	SPRING	1	1	1	1	1	
14	62Y-12231-00	GUIDE, STOPPER 1	1	1	1	1	1	
15	90109-08M63	BOLT	3	3	3	3	3	

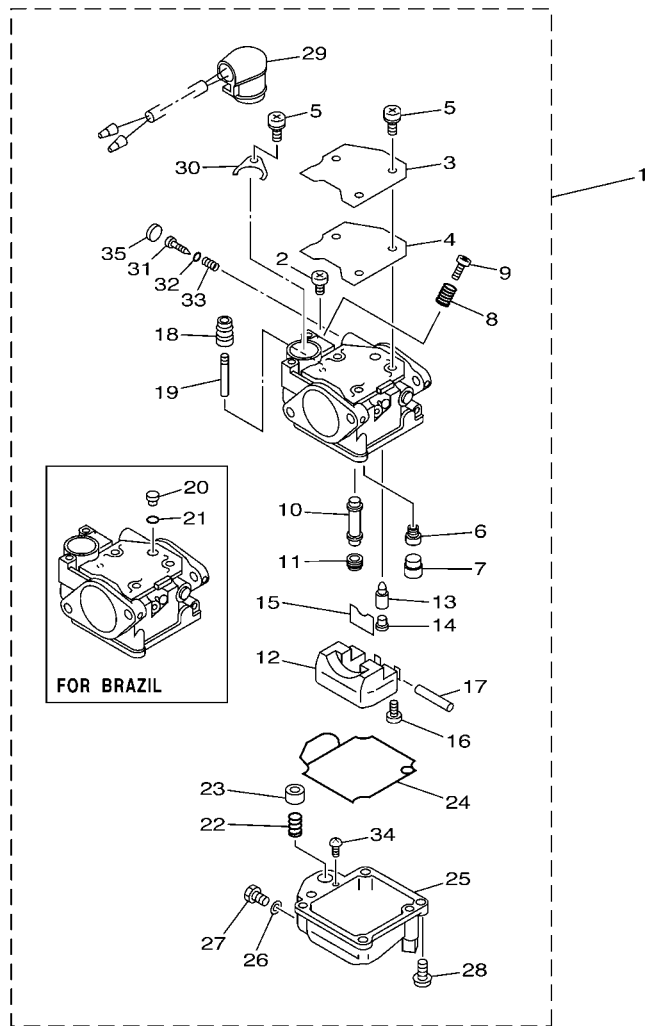


65W0010-1060

FIG. 6 INTAKE

REF. NO.	PART NO.	DESCRIPTION	M(H)	EH	E	ET	EHT	REMARKS
1	65W-14440-00	SILENCER ASSY, INTAKE	1	1	1	1	1	
2	65W-13640-00	MANIFOLD	1	1	1	1	1	
3	65W-13323-00	INSERT	1	1	1	1	1	
4	65W-14496-00	BOLT	2	2	2	2	2	
5	65W-14271-00	INSULATOR	1	1	1	1	1	
6	65W-14198-00	GASKET	2	2	2	2	2	
7	65W-14262-00	FLANGE	1	1	1	1	1	
8	65W-14457-10	SEAL	1	1	1	1	1	
9	65W-13645-00	GASKET, MANIFOLD 1	1	1	1	1	1	
10	97095-06025	BOLT	3	3	3	3	3	
11	92995-06600	WASHER	3	3	3	3	3	
12	65W-24377-00	PIPE, JOINT 3	1	1	1	1	1	
13	65W-15397-10	HOSE	1	1	1	1	1	
14	90465-13M36	CLAMP	6	6	6	6	6	
15	90446-24M54	HOSE (L260)	1	1	1	1	1	
16	90465-11M52	CLAMP	1	1	1	1	1	
17	65W-15370-00	BREATHER ASSY	1	1	1	1	1	
18	65W-15370-10	BREATHER ASSY	1	1	1	1	1	

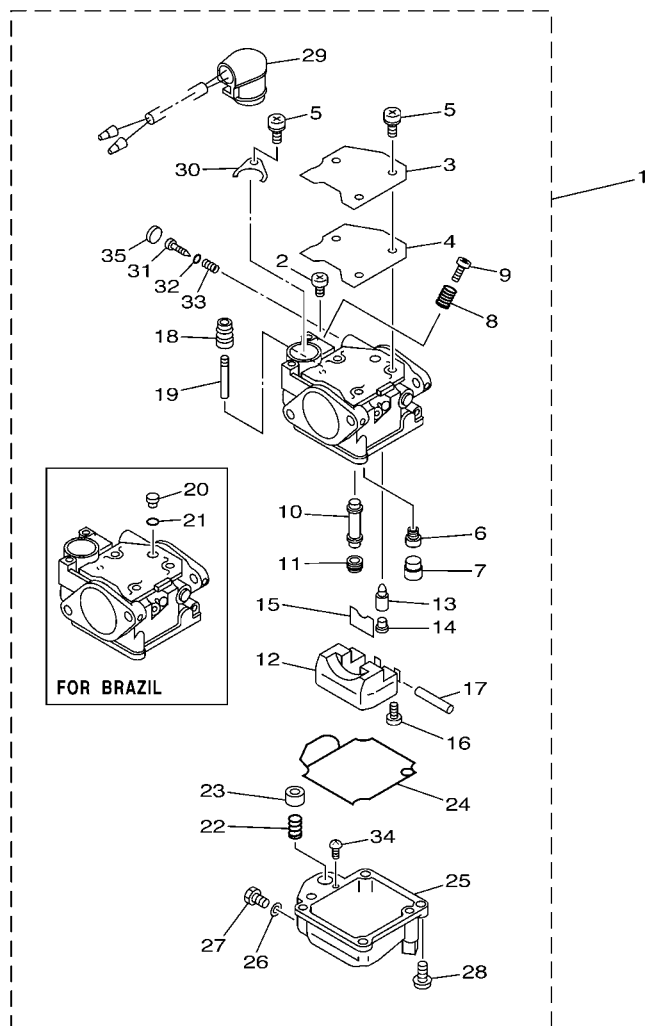
FIG. 7 CARBURETOR



FWD
65W3100-C070

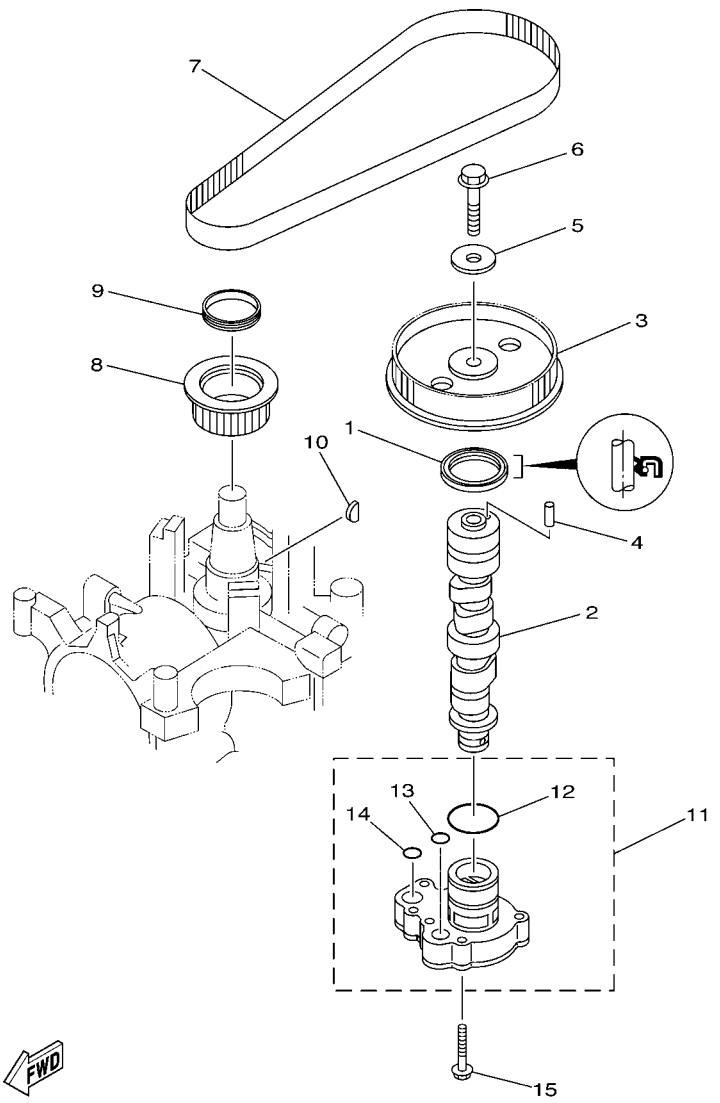
REF. NO.	PART NO.	DESCRIPTION	M(H)	EH	E	ET	EHT	REMARKS
1	65W-14901-50	CARBURETOR ASSY 1		1	1	1		FOR USA,CAN
	65W-14901-60	CARBURETOR ASSY 1	1					FOR USA,CAN
	65W-14901-01	CARBURETOR ASSY 1				1	1	FOR OCE
	65W-14901-11	CARBURETOR ASSY 1	1					FOR OCE,MEX
	65W-14901-40	CARBURETOR ASSY 1	1					FOR BRA
2	98580-04006	.SCREW, PAN HEAD	1	1	1	1	1	
3	65W-14572-00	.PLATE	1	1	1	1	1	
4	65W-14126-00	.GASKET	1	1	1	1	1	
5	97803-04010	.SCREW, PAN HEAD	4	4	4	4	4	
6	676-14948-07	.JET (#50)	1	1	1	1	1	
	676-14948-08	.JET (#52)	1					FOR BRA
7	679-14966-00	.RUBBER CAP	1	1	1	1	1	
8	90501-10326	.SPRING, COMPRESSION	1	1	1	1	1	
9	63V-14523-00	.SCREW, STOP	1	1	1	1	1	
10	65W-14947-00	.JET, NEEDLE	1	1	1	1	1	
11	65W-14943-29	.JET, MAIN (#112)	1	1	1	1	1	
	65W-14943-81	.JET, MAIN (#118)	1					FOR BRA
12	63V-14985-00	.FLOAT	1	1	1	1	1	
13	6G1-14546-01	.VALVE, NEEDLE	1	1	1	1	1	
	62D-14546-01	.VALVE, NEEDLE	1					FOR BRA
14	676-14186-00	.PIN, FLOAT	1	1	1	1	1	
15	663-14159-00	.CLIP	1	1	1	1	1	
16	98580-04008	.SCREW, PAN HEAD	1	1	1	1	1	
17	6H4-14548-00	.PIN, FLOAT ARM	1	1	1	1	1	
18	65W-14373-00	.COVER, PLUNGER CAP	1	1	1	1	1	
19	65W-14379-00	.ROD, STARTER	1	1	1	1	1	
20	65W-1414F-10	.JET, PILOT (#55)	1					FOR BRA

FIG. 7 CARBURETOR



FWD
65W3100-C070

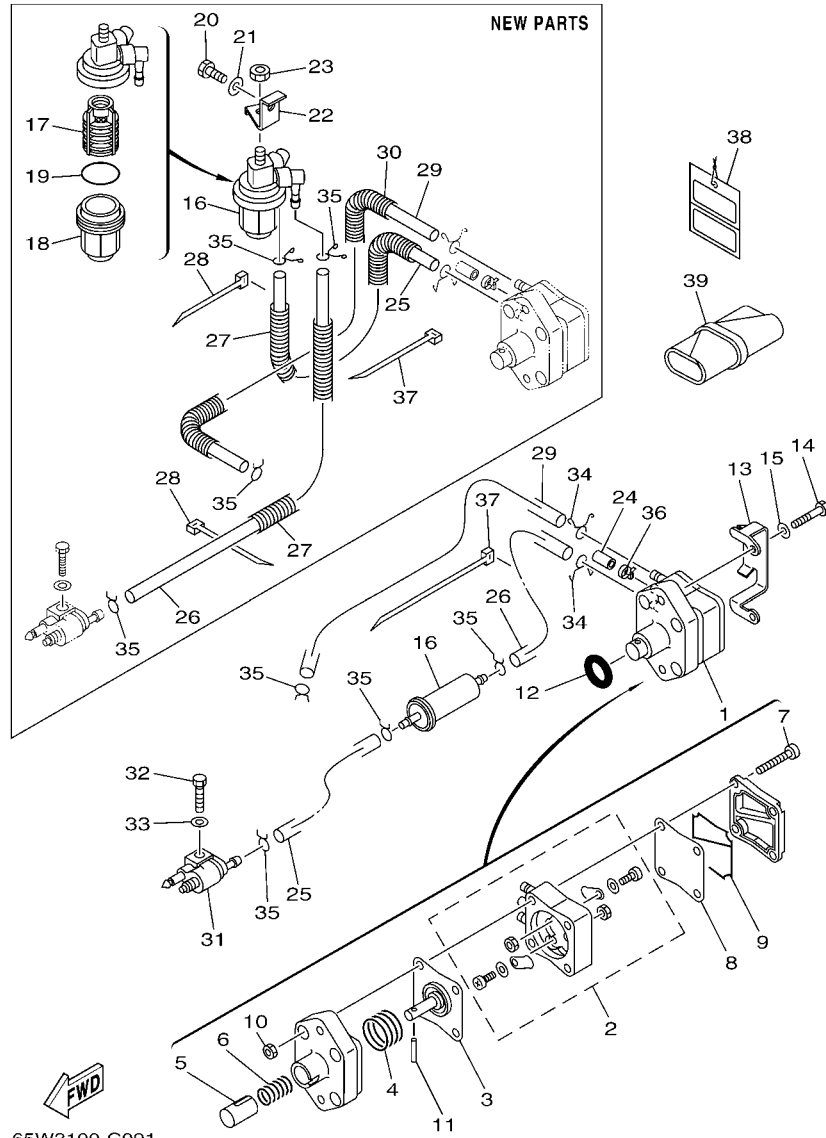
REF. NO.	PART NO.	DESCRIPTION	M(H)	EH	E	ET	EHT	REMARKS
21	65W-14147-00	.O-RING	1					FOR BRA
22	65W-14335-00	.SPRING, PLUNGER	1	1	1	1	1	
23	65W-14371-00	.PLUNGER, STARTER	1	1	1	1	1	
24	65W-14384-00	.GASKET, FLOAT CHAMBER	1	1	1	1	1	
25	65W-14980-00	.BODY, FLOAT CHAMBER		1	1	1	1	
	65W-14980-20	.BODY, FLOAT CHAMBER	1					
26	65W-14398-00	.GASKET	1	1	1	1	1	
27	65W-14992-00	.SCREW, DRAIN	1	1	1	1	1	
28	97980-04114	.SCREW, WITH WASHER	4	4	4	4	4	
29	65W-14380-00	.PRIME STARTER ASSY		1	1	1	1	
	65W-14380-20	.PRIME STARTER ASSY	1					
30	65W-14346-00	.PLATE	1	1	1	1	1	
31	67C-14923-00	.SCREW, PILOT	1	1	1	1	1	EXCEPT FOR BRA
32	67C-14397-00	.O-RING	1	1	1	1	1	EXCEPT FOR BRA
33	67C-14555-00	.SPRING	1	1	1	1	1	EXCEPT FOR BRA
34	67C-14567-00	.SCREW	1	1	1	1	1	EXCEPT FOR BRA
35	67C-1432A-00	.PLUG	1	1	1	1	1	FOR USA,CAN



FWD
65W1010-2080

FIG. 8 OIL PUMP

REF. NO.	PART NO.	DESCRIPTION	M(H)	EH	E	ET	EHT	REMARKS
1	93102-37M40	OIL SEAL	1	1	1	1	1	
2	65W-12171-01	CAMSHAFT 1		1	1	1	1	
	65W-12170-20	CAMSHAFT ASSY 1	1					
3	65W-11537-01	GEAR, DRIVEN	1	1	1	1	1	
4	93605-14143	PIN, DOWEL	1	1	1	1	1	
5	90201-10M06	WASHER, PLATE	1	1	1	1	1	
6	95895-10040	BOLT, FLANGE	1	1	1	1	1	
7	65W-46241-00	V-BELT	1	1	1	1	1	
8	65W-11536-10	GEAR, DRIVE	1	1	1	1	1	
9	65W-11476-00	SPRING	1	1	1	1	1	
10	90280-04M06	KEY, WOODRUFF	1	1	1	1	1	
11	65W-13300-00	OIL PUMP ASSY	1	1	1	1	1	
12	93210-33MH2	.O-RING	1	1	1	1	1	
13	93210-12MG9	.O-RING	1	1	1	1	1	
14	93210-14515	.O-RING	1	1	1	1	1	
15	90119-06MA5	BOLT, WITH WASHER	4	4	4	4	4	

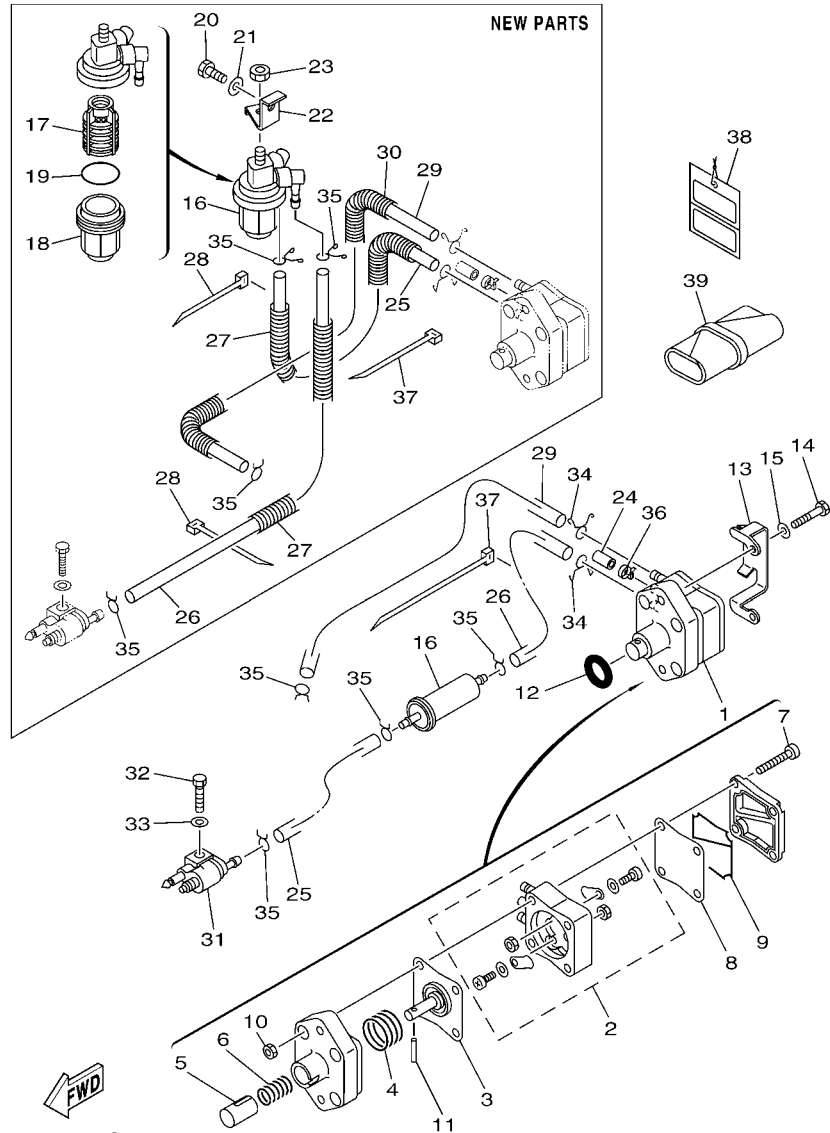


65W3100-C091

*1: NEW PARTS
STARTING SERIAL NO. : 65W-1013331 ~

FIG. 9 FUEL 1

REF. NO.	PART NO.	DESCRIPTION	M(H)	EH	E	ET	EHT	REMARKS
1	62Y-24410-03	FUEL PUMP ASSY	1	1	1	1	1	
2	62Y-24415-00	.PUMP BODY SUB ASSY	1	1	1	1	1	
3	62Y-24411-02	.DIAPHRAGM	1	1	1	1	1	
4	62Y-24423-00	.SPRING, DIAPHRAGM	1	1	1	1	1	
5	62Y-13131-01	.PLUNGER	1	1	1	1	1	
6	62Y-24454-00	.SPRING	1	1	1	1	1	
7	62Y-24444-01	.SCREW	4	4	4	4	4	
8	62Y-24471-00	.DIAPHRAGM	1	1	1	1	1	
9	62Y-24452-00	.PACKING	1	1	1	1	1	
10	95380-05600	.NUT	4	4	4	4	4	
11	62Y-24374-01	.PIN	1	1	1	1	1	
12	93210-24M79	O-RING	1	1	1	1	1	
13	65W-24474-10	COVER	1	1	1	1	1	
14	97095-06030	BOLT	2	2	2	2	2	
15	92995-06600	WASHER	2	2	2	2	2	
16	65W-24251-00	STRAINER 1	1	1	1	1	1	
	61N-24560-00	FILTER ASSY	1	1	1	1	1	NEW PARTS *1
17	61N-24563-00	.ELEMENT, FILTER	1	1	1	1	1	FOR 61N-24560-00
18	61N-24521-00	.CUP, FILTER	1	1	1	1	1	FOR 61N-24560-00
19	93210-32738	.O-RING	1	1	1	1	1	FOR 61N-24560-00
20	97095-08014	BOLT	1	1	1	1	1	NEW PARTS *1
21	92995-08600	WASHER	1	1	1	1	1	NEW PARTS *1
22	6D5-24566-00	BRACKET, FILTER	1	1	1	1	1	NEW PARTS *1
23	95380-08600	NUT	1	1	1	1	1	NEW PARTS *1
24	65W-24481-00	PLUG	1	1	1	1	1	
25	90445-10M33	HOSE (L320)	1	1	1	1	1	
	90445-10MG6	HOSE (L180)	1	1	1	1	1	NEW PARTS *1



65W3100-C091

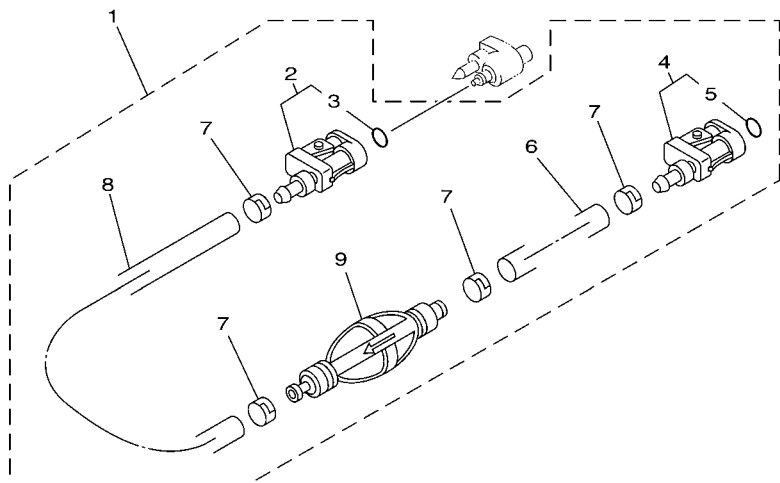
*1: NEW PARTS
STARTING SERIAL NO. : 65W-1013331 ~

FIG. 9 FUEL 1

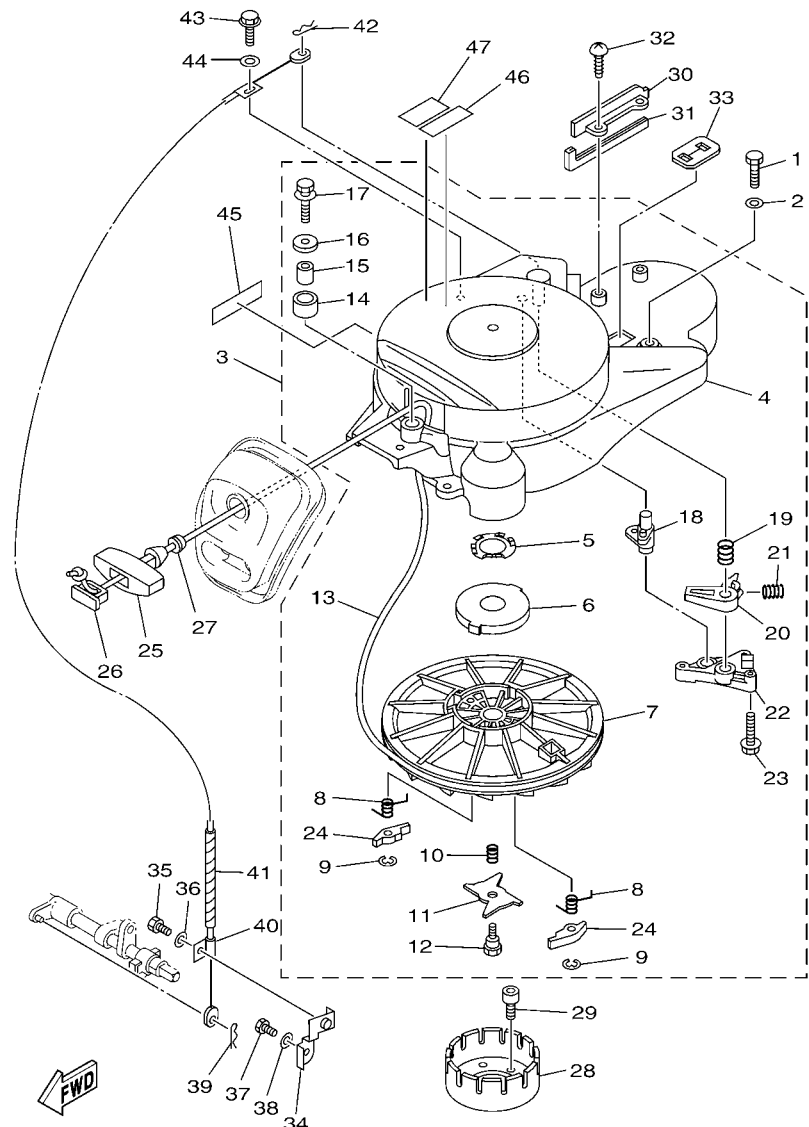
REF. NO.	PART NO.	DESCRIPTION	M(H)	EH	E	ET	EHT	REMARKS
26	90445-10M03	HOSE (L240)	1	1	1	1	1	
	90445-10M34	HOSE (L550)	1	1	1	1	1	NEW PARTS *1
27	90446-14M12	HOSE	2	2	2	2	2	NEW PARTS *1
28	90465-11M10	CLAMP	2	2	2	2	2	NEW PARTS *1
29	90445-10M43	HOSE (L400)	1	1	1	1	1	
	90445-10MG7	HOSE (L350)	1	1	1	1	1	NEW PARTS *1
30	90446-14M51	HOSE	1	1	1	1	1	NEW PARTS *1
31	6G1-24304-02	FUEL PIPE JOINT COMP. 1	1	1	1	1	1	
32	97095-06025	BOLT	1	1	1	1	1	
33	92995-06600	WASHER	1	1	1	1	1	
34	90467-10M04	CLIP	2	2	2	2	2	
35	90467-09M03	CLIP	4	4	4	4	4	
	90467-09M17	CLIP	4	4	4	4	4	NEW PARTS *1
36	90465-11M10	CLAMP	1	1	1	1	1	
37	90465-13M18	CLAMP	1	1	1	1	1	
38	61H-2819R-31	TAG, WARNING	1	1	1	1	1	FOR USA,CAN,OCE
39	62Y-28100-00	TOOL KIT	1	1	1	1	1	AP

FIG. 10 FUEL 2

REF. NO.	PART NO.	DESCRIPTION	M(H)	EH	E	ET	EHT	REMARKS
1	6Y2-24306-55	FUEL PIPE COMP. 1	1	1	1	1		AP FOR USA
2	6E5-24305-05	.FUEL PIPE JOINT COMP. 2	1	1	1	1		
3	93210-08287	..O-RING	1	1	1	1		
4	6Y2-24305-05	.FUEL PIPE JOINT COMP. 2	1	1	1	1		
5	93210-08287	..O-RING	1	1	1	1		
6	90445-13M01	.HOSE (L2050)	1	1	1	1		
7	6E5-24351-51	.BAND 1	4	4	4	4		
8	90445-13M00	.HOSE (L850)	1	1	1	1		
9	6Y2-24360-60	.PRIMER PUMP ASSY	1	1	1	1		



68R3100-C100

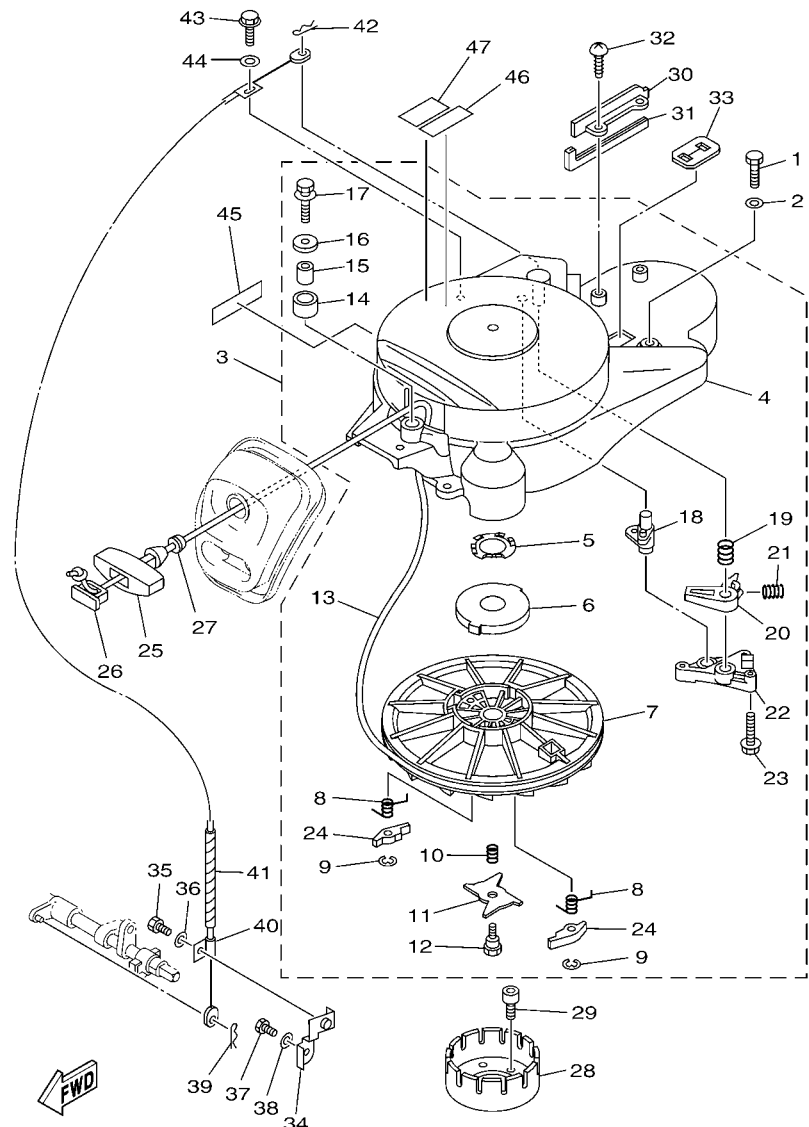


65W3100-C111

*1: NEW PARTS
 STARTING SERIAL NO. : 65W-1013331 ~
 *2: CUT FROM 50M ROLLS,PART NO.90890-44373,CUTTING LENGTH 1.7M

FIG. 11 STARTER

REF. NO.	PART NO.	DESCRIPTION	M(H)	EH	E	ET	EHT	REMARKS
1	97095-06025	BOLT	4					
2	92995-06600	WASHER	4					
3	65W-W1571-01	STARTER ASSY	1					
	65W-W1571-20	STARTER ASSY	1					NEW PARTS *1
4	65W-15711-01	.CASE, STARTER	1					
	65W-15711-20	.CASE, STARTER	1					FOR 65W-W1571-20
5	65W-15732-00	.WASHER, WAVE 1	1					
6	65W-15713-00	.SPRING, STARTER	1					
7	65W-15714-01	.DRUM, SHEAVE	1					
8	65W-15734-00	.SPRING, RETURN	2					
9	65W-15744-00	.CIRCLIP	2					
10	65W-15715-00	.SPRING, FRICTION	1					
11	65W-15716-00	.PLATE, DRIVE	1					
12	65W-15793-00	.SCREW	1					
13	*	.WIRE, STARTER (D:5MM, 1.7M)	1					*2
14	65W-15752-00	.ROLLER, WIRE	1					
15	65W-15753-00	.BUSH	1					
16	65W-15791-00	.WASHER, LOCK	1					
17	65W-15481-00	.BOLT 1	1					
18	65W-15735-01	.GUIDE, CAM	1					
19	65W-15767-01	.SPRING	1					
20	65W-15794-00	.STOPPER	1					
21	65W-15784-00	.SPRING, RETURN	1					
22	65W-15414-00	.COVER 1	1					
23	65W-15768-00	.BOLT	3					
24	65W-15741-10	.PAWL, DRIVE	2					
25	689-15755-01	HANDLE, STARTER	1					



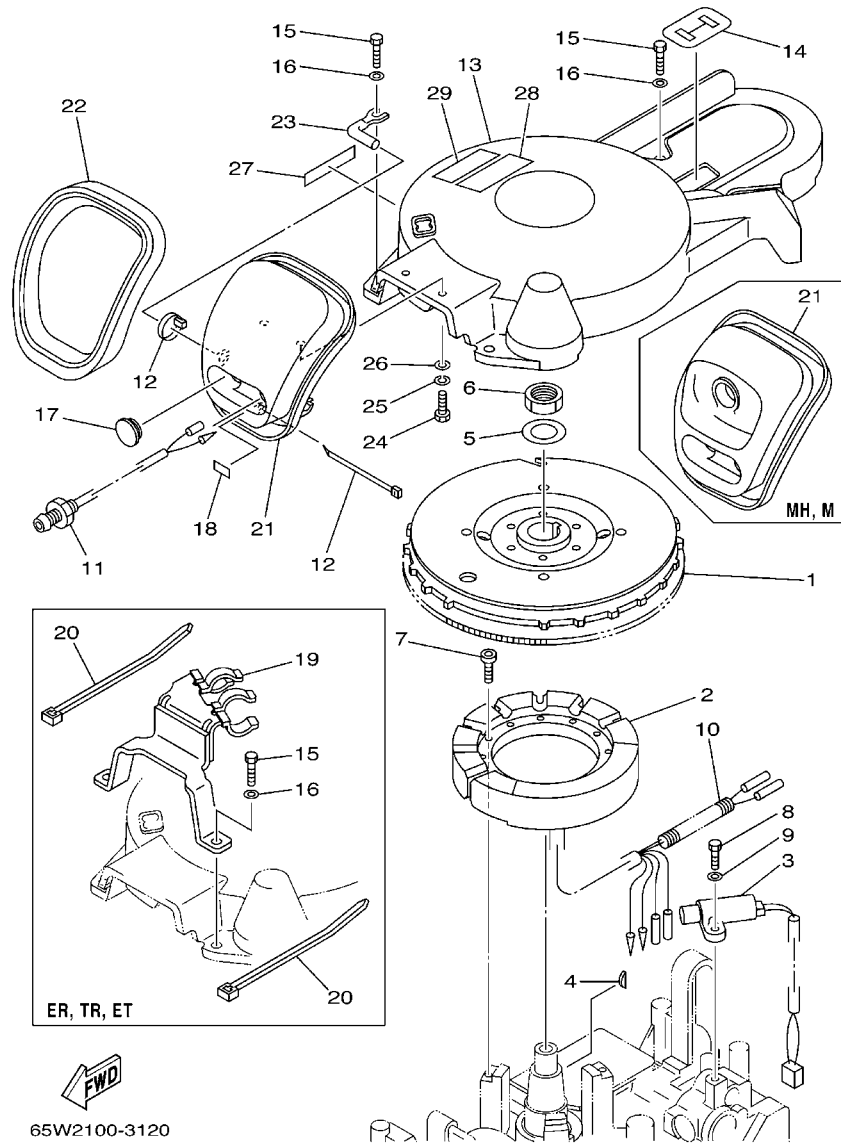
65W3100-C111

*1: NEW PARTS
 STARTING SERIAL NO. : 65W-1013331 ~
 *2: CUT FROM 50M ROLLS,PART NO.90890-44373,CUTTING LENGTH 1.7M

FIG. 11 STARTER

REF. NO.	PART NO.	DESCRIPTION	M(H)	EH	E	ET	EHT	REMARKS
26	6F5-15779-02	COVER	1					
27	6A0-15789-00	DAMPER	1					
28	65W-15723-10	PULLEY, STARTER	1					
29	90110-08M03	BOLT, HEXAGON SOCKET HEAD	3					
30	65W-15645-00	SHIM, KICK SHAFT	1					OLD PARTS
31	65W-15761-00	SEAL, RUBBER 1	1					OLD PARTS
32	97780-60520	SCREW, TAPPING	2					OLD PARTS
33	65W-81639-10	PLATE, ARMATURE FITTING	1					
34	65W-15774-00	STAY 4	1					
35	97095-06012	BOLT	1					
36	92995-06600	WASHER	1					
37	97095-06012	BOLT	1					
38	92995-06600	WASHER	1					
39	90468-18008	CLIP	1					
40	65W-15770-00	CABLE COMP., STARTER STOP	1					
	65W-15770-20	CABLE COMP., STARTER STOP	1					NEW PARTS *1
41	90446-06M90	HOSE (L120)	1					
42	90468-10005	CLIP	1					
43	65W-15482-00	BOLT 2	1					
	65W-15482-20	BOLT 2	1					NEW PARTS *1
44	65W-15726-00	WASHER, FLAT	1					
45	65W-13437-41	MARK, CAUTION	1					FOR USA,OCE
	65W-13437-51	MARK, CAUTION	1					FOR CAN
	65W-13437-61	MARK, CAUTION	1					FOR MEX,BRA
46	6A1-83625-41	MARK 5	1					
47	6A1-83625-51	MARK 5	1					FOR CAN,MEX,BRA

FIG. 12 GENERATOR



REF. NO.	PART NO.	DESCRIPTION	M(H)	EH	E	ET	EHT	REMARKS
1	65W-85550-01	ROTOR ASSY	1	1	1	1	1	
	65W-85550-11	ROTOR ASSY	1					EXCEPT FOR USA
2	65W-85510-10	STATOR ASSY		1	1	1	1	
	65W-85510-00	STATOR ASSY	1					
3	65W-85580-00	COIL, PULSER	1	1	1	1	1	
4	65W-11545-00	KEY, WOODRUFF	1	1	1	1	1	
5	90201-21M18	WASHER, PLATE	1	1	1	1	1	
6	90170-20137	NUT	1	1	1	1	1	
7	91380-05030	BOLT		3	3	3	3	
	91380-05025	BOLT	3					
8	97095-05016	BOLT	2	2	2	2	2	
9	92995-05600	WASHER	2	2	2	2	2	
10	90446-10M82	HOSE (L90)	1	1	1	1	1	
11	65W-85410-01	EMERGENCY SIGNAL LIGHT ASSY	1	1	1	1	1	
12	90465-11M10	CLAMP	2	2	2	2	2	
13	65W-81337-00	COVER, FLYWHEEL	1	1	1	1	1	
14	65W-81639-00	PLATE, ARMATURE FITTING		1	1	1	1	
15	97095-06025	BOLT		4	4	4	4	
16	92995-06600	WASHER		4	4	4	4	
17	6G1-42725-00	GROMMET		1	1	1	1	
18	65W-84342-00	SEAT, EMBLEM	1	1	1	1	1	
19	65W-82594-10	CLAMP			1	1		
20	90465-13M18	CLAMP			2	2		
21	65W-15758-10	GUIDE, ROPE		1	1	1	1	
	65W-15758-00	GUIDE, ROPE	1					
22	65W-15762-00	SEAL, RUBBER 2	1	1	1	1	1	
23	65W-15771-00	STAY 1	1	1	1	1	1	

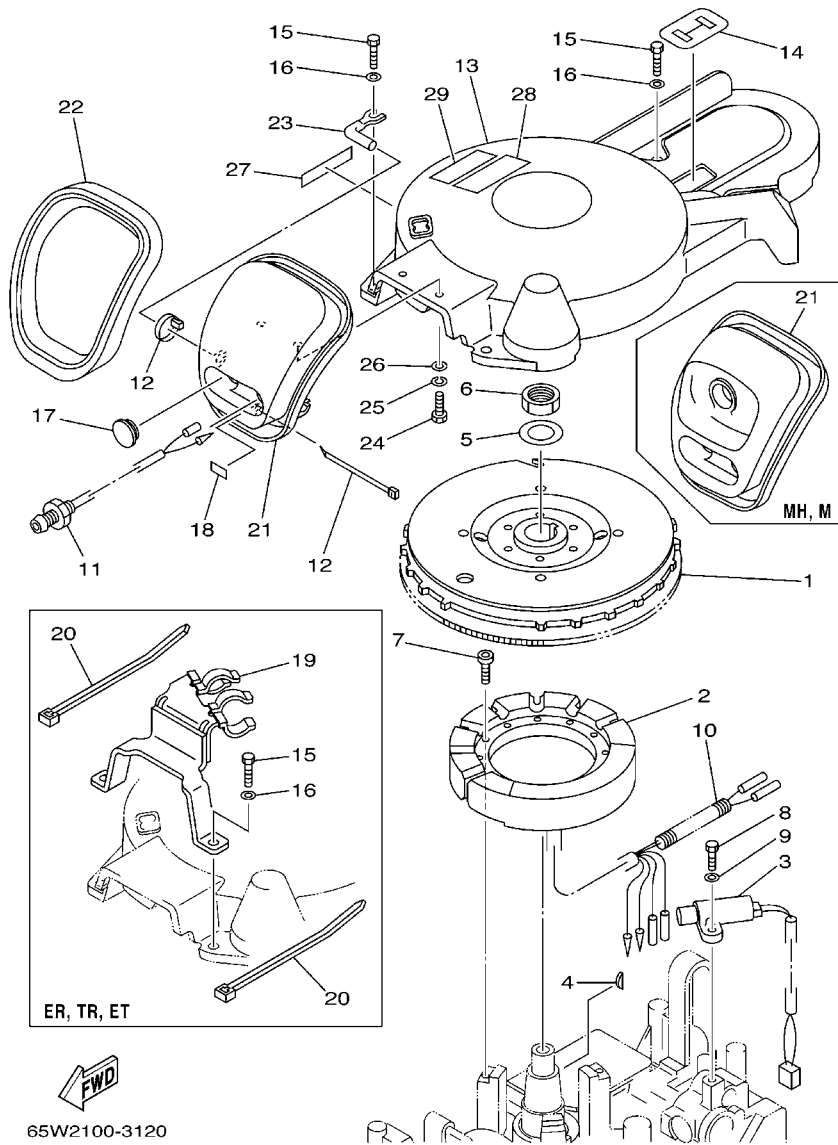


FIG. 12 GENERATOR

REF. NO.	PART NO.	DESCRIPTION	M(H)	EH	E	ET	EHT	REMARKS
24	97095-06020	BOLT	2	2	2	2	2	
25	92995-06100	WASHER, SPRING	2	2	2	2	2	
26	92995-06600	WASHER	2	2	2	2	2	
27	65W-13437-41	MARK, CAUTION		1	1	1	1	FOR USA,OCE
	65W-13437-51	MARK, CAUTION		1	1	1	1	FOR CAN
28	6A1-83625-41	MARK 5		1	1	1	1	
29	6A1-83625-51	MARK 5		1	1	1	1	FOR CAN
<hr/>								
<hr/>								
<hr/>								
<hr/>								
<hr/>								
<hr/>								
<hr/>								

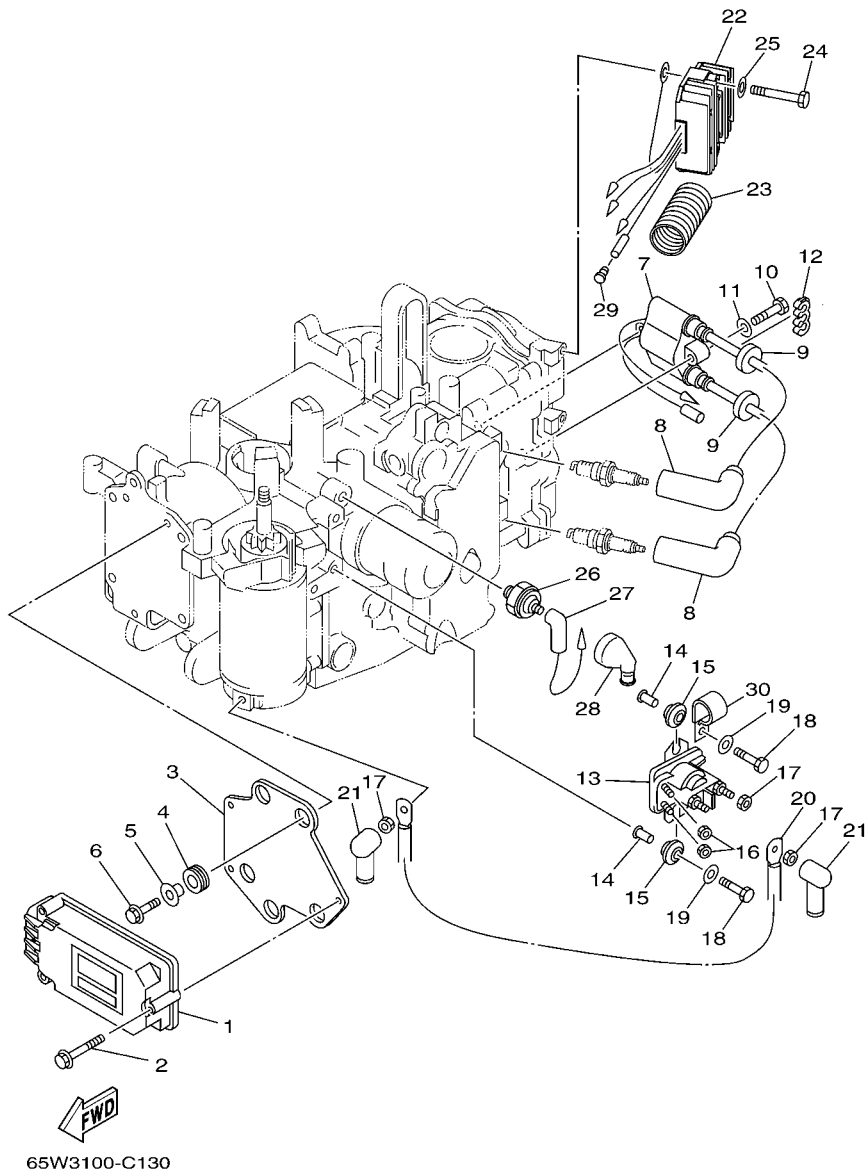
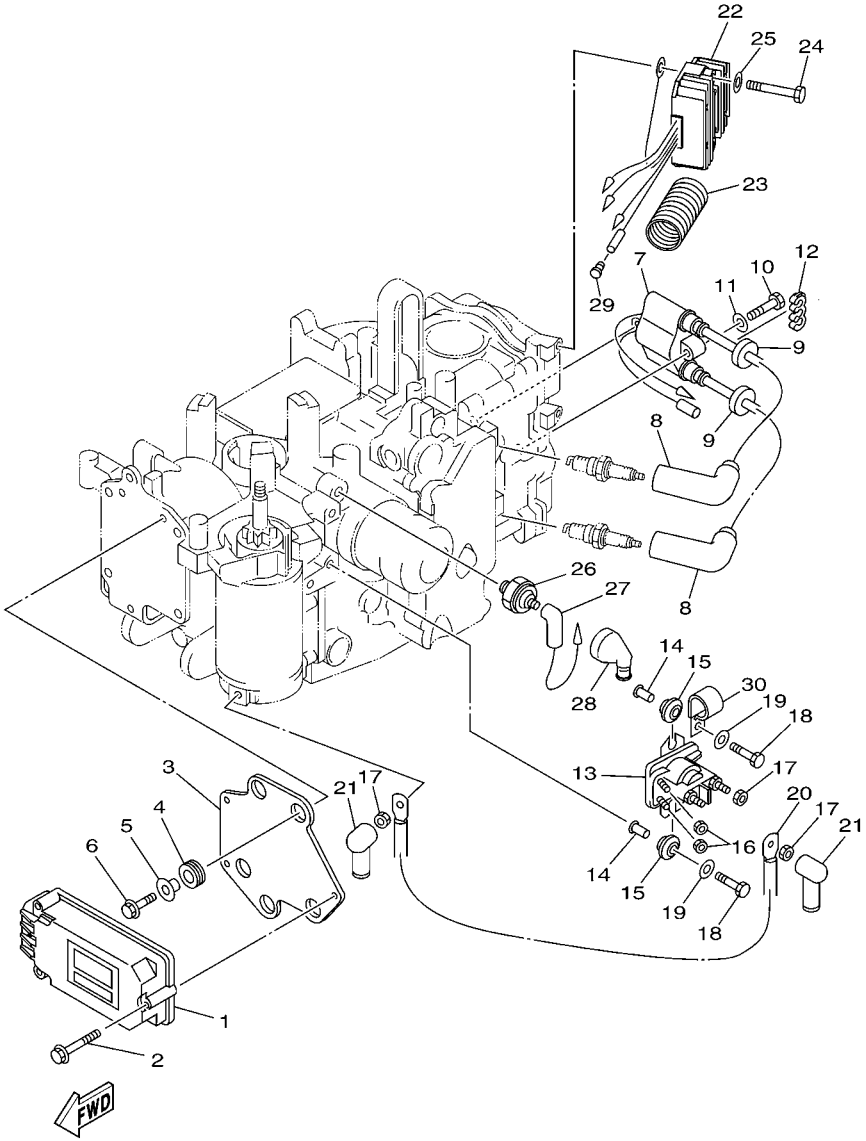


FIG. 13 ELECTRICAL 1

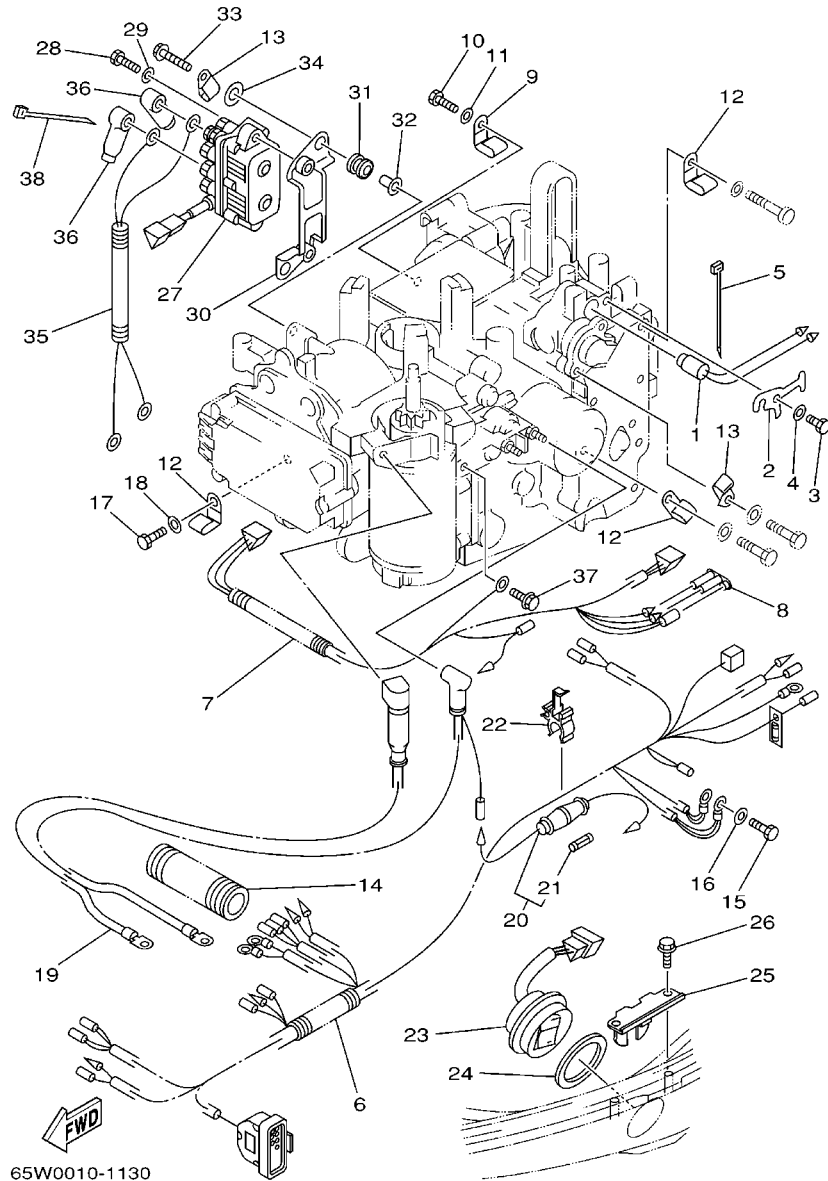
REF. NO.	PART NO.	DESCRIPTION	M(H)	EH	E	ET	EHT	REMARKS
1	65W-85540-20	C.D.I. UNIT ASSY	1	1	1	1	1	
2	65W-8252V-00	SCREW, SPECIAL	3	3	3	3	3	
3	65W-85542-00	BRACKET	1	1	1	1	1	
4	65W-85547-00	DAMPER	3	3	3	3	3	
5	65W-86129-20	COLLAR	3	3	3	3	3	
6	65W-8252V-10	SCREW, SPECIAL	3	3	3	3	3	
7	65W-85570-01	IGNITION COIL ASSY	1	1	1	1	1	
8	6G8-82370-30	PLUG CAP ASSY	2	2	2	2	2	
9	90480-25161	GROMMET	2	2	2	2	2	
10	97095-06030	BOLT	2	2	2	2	2	
11	92995-06600	WASHER	2	2	2	2	2	
12	90464-07M05	CLAMP	1	1	1	1	1	
13	65W-81941-00	STARTER RELAY ASSY	1	1	1	1	1	
14	65W-8191C-00	COLLAR	2	2	2	2	2	
15	65W-81922-00	GROMMET	2	2	2	2	2	
16	65W-8182A-00	NUT	2	2	2	2	2	
17	65W-8182B-00	NUT, SPECIAL	3	3	3	3	3	
18	97095-06025	BOLT	2	2	2	2	2	
	97095-06016	BOLT	1					
19	92995-06600	WASHER	2	2	2	2	2	
	92995-06600	WASHER	1					
20	65W-82117-00	WIRE, LEAD	1	1	1	1	1	
21	6G5-82119-10	COVER, LEAD WIRE	2	2	2	2	2	
22	65W-81960-10	RECTIFIER & REGULATOR ASSY	1	1	1	1	1	
23	6K3-83557-00	TUBE	1	1	1	1	1	
24	97095-06040	BOLT	2	2	2	2	2	
25	92995-06600	WASHER	2	2	2	2	2	

FIG. 13 ELECTRICAL 1



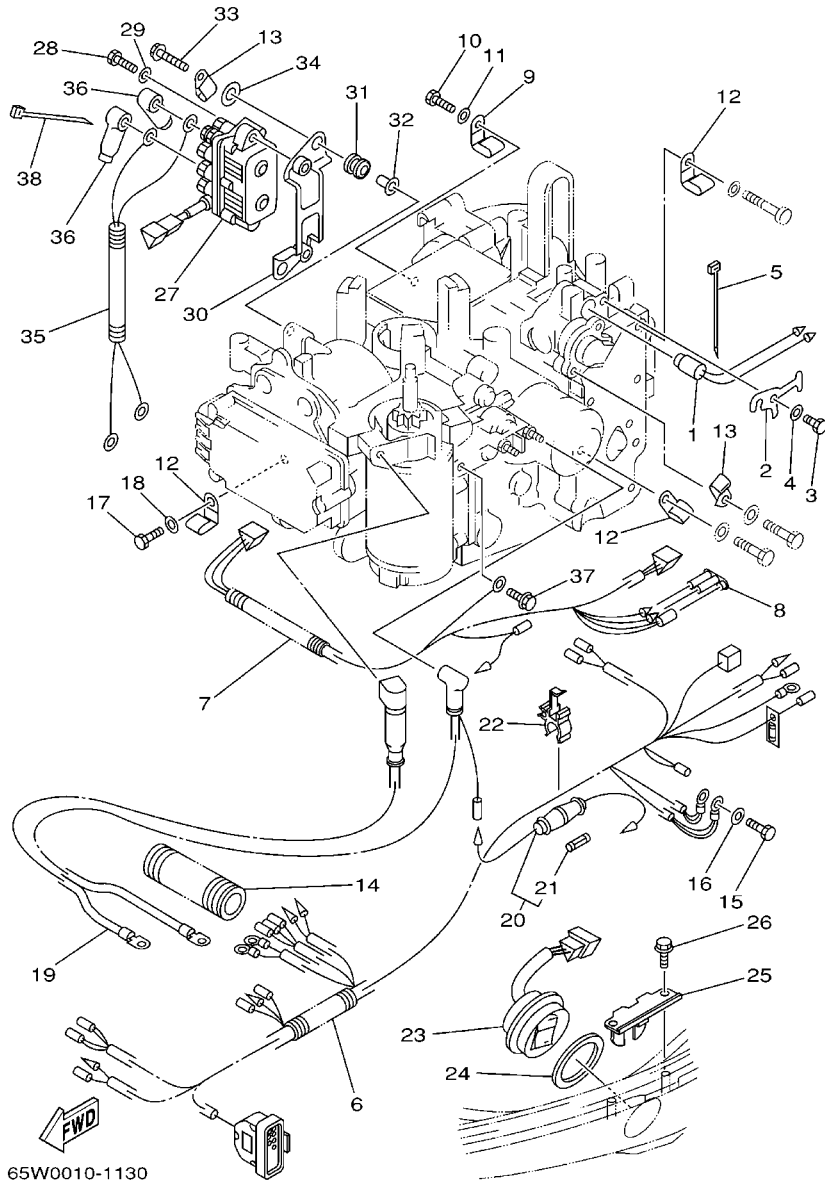
REF. NO.	PART NO.	DESCRIPTION	M(H)	EH	E	ET	EHT	REMARKS
26	65W-82504-00	OIL PRESSURE SWITCH ASSY	1	1	1	1	1	
27	65W-82127-00	WIRE, LEAD 2	1	1	1	1	1	
28	65W-82532-00	CAP	1	1	1	1	1	
29	703-82119-00	COVER, LEAD WIRE		1			1	
30	65W-8339X-00	CLAMP, CORD	1	1	1	1	1	

FIG. 14 ELECTRICAL 2



65W0010-1130

REF. NO.	PART NO.	DESCRIPTION	M(H)	EH	E	ET	EHT	REMARKS
1	65W-85790-00	THERMOSENSOR ASSY	1	1	1	1	1	
2	65W-85757-00	RETAINER	1	1	1	1	1	
3	97095-06012	BOLT	1	1	1	1	1	
4	92995-06600	WASHER	1	1	1	1	1	
5	90465-11M10	CLAMP	1	1	1	1	1	
6	65W-82590-00	WIRE HARNESS ASSY		1			1	
	65W-82590-20	WIRE HARNESS ASSY (10P)			1			
	65W-82590-30	WIRE HARNESS ASSY (10P)				1		
	65W-82590-40	WIRE HARNESS ASSY	1					
	65W-82590-10	WIRE HARNESS ASSY (7P)	1					M-FOR MEX
7	65W-81971-00	WIRE, LEAD					1	
8	6E5-82582-00	COVER, WIRE HARNESS					1	
9	90465-08M08	CLAMP				1	1	
10	97095-06016	BOLT				1	1	
11	92995-06600	WASHER				1	1	
12	90465-08M08	CLAMP	3	3	3	3	3	
13	90465-06M88	CLAMP		2	2	2	2	
	90465-06M88	CLAMP	1					
14	6N7-83557-00	TUBE (I.DIA:22MM)	2	2			2	
	6N7-83557-00	TUBE (I.DIA:22MM)	1		1	1		M-FOR MEX
15	97095-06016	BOLT	2	2	2	2	2	
16	92995-06600	WASHER	2	2	2	2	2	
17	97095-05016	BOLT	1	1	1	1	1	
18	92995-05600	WASHER	1	1	1	1	1	
19	65W-82105-00	WIRE HARNESS		1	1	1	1	
20	6G8-82150-00	FUSE HOLDER ASSY	1	1	1	1	1	M-FOR MEX
21	663-82151-00	.FUSE (12V-20A)	1	1	1	1	1	

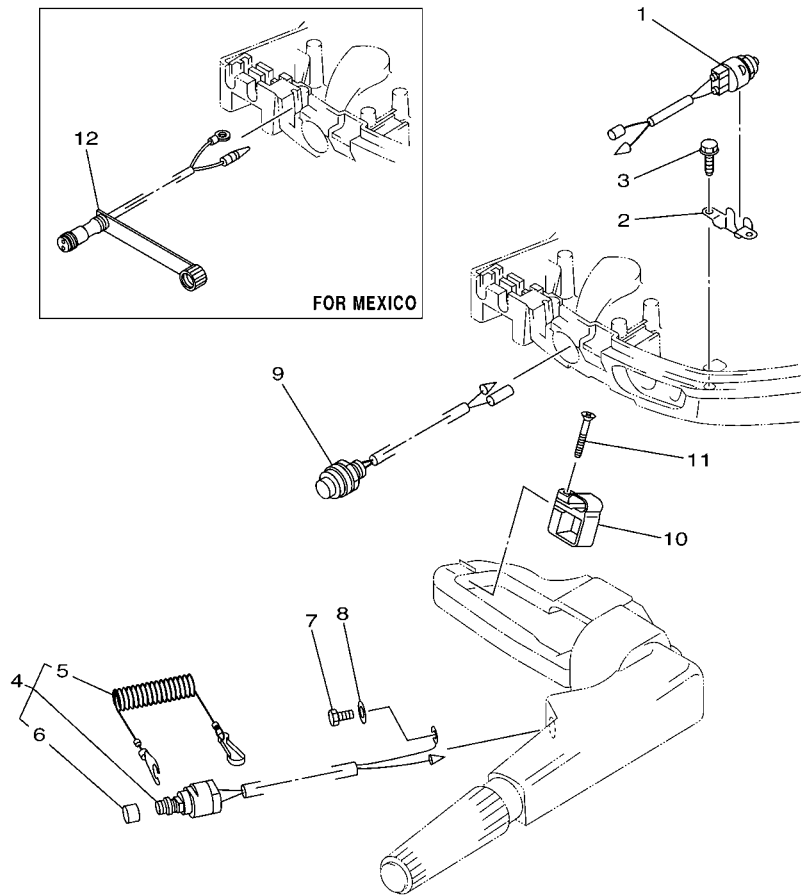


65W0010-1130

FIG. 14 ELECTRICAL 2

REF. NO.	PART NO.	DESCRIPTION	M(H)	EH	E	ET	EHT	REMARKS
22	6G5-82152-00	HOLDER, FUSE	1	1	1	1	1	M-FOR MEX
23	6H1-82563-10	TRIM & TILT SWITCH ASSY				1	1	
24	6E5-82587-00	GASKET				1	1	
25	62Y-83614-00	BRACKET				1	1	
26	90109-06M86	BOLT				2	2	
27	61A-81950-00	RELAY ASSY				1	1	
28	97075-06020	BOLT				2	2	
29	92995-06600	WASHER				2	2	
30	65W-81948-00	BRACKET				1	1	
31	6A0-82317-00	DAMPER, IGNITION COIL				2	2	
32	624-42542-00	PIPE				2	2	
33	95895-06030	BOLT, FLANGE				2	2	
34	90201-12M16	WASHER, PLATE				2	2	
35	65W-81949-00	WIRE, LEAD				1	1	
36	682-82119-01	COVER, LEAD WIRE				4	4	
37	97575-06516	BOLT, WITH WASHER				1	1	
38	90465-11M10	CLAMP				1	1	

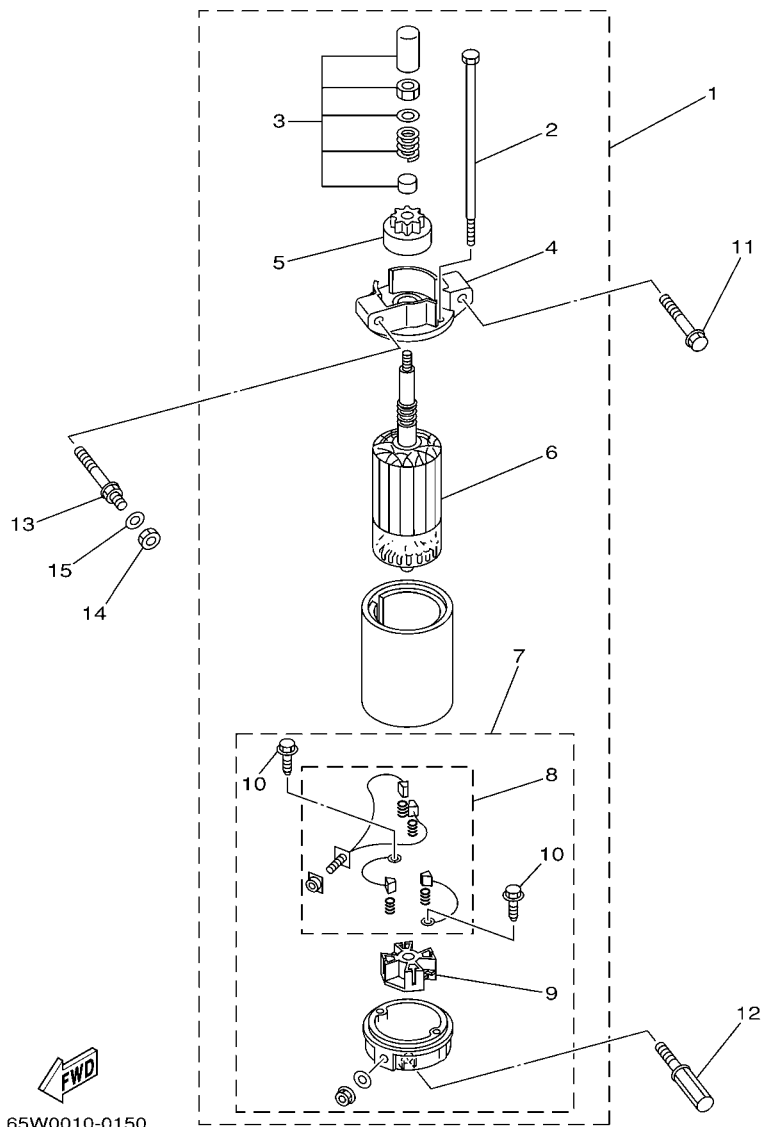
FIG. 15 ELECTRICAL 3



65W2100-3150

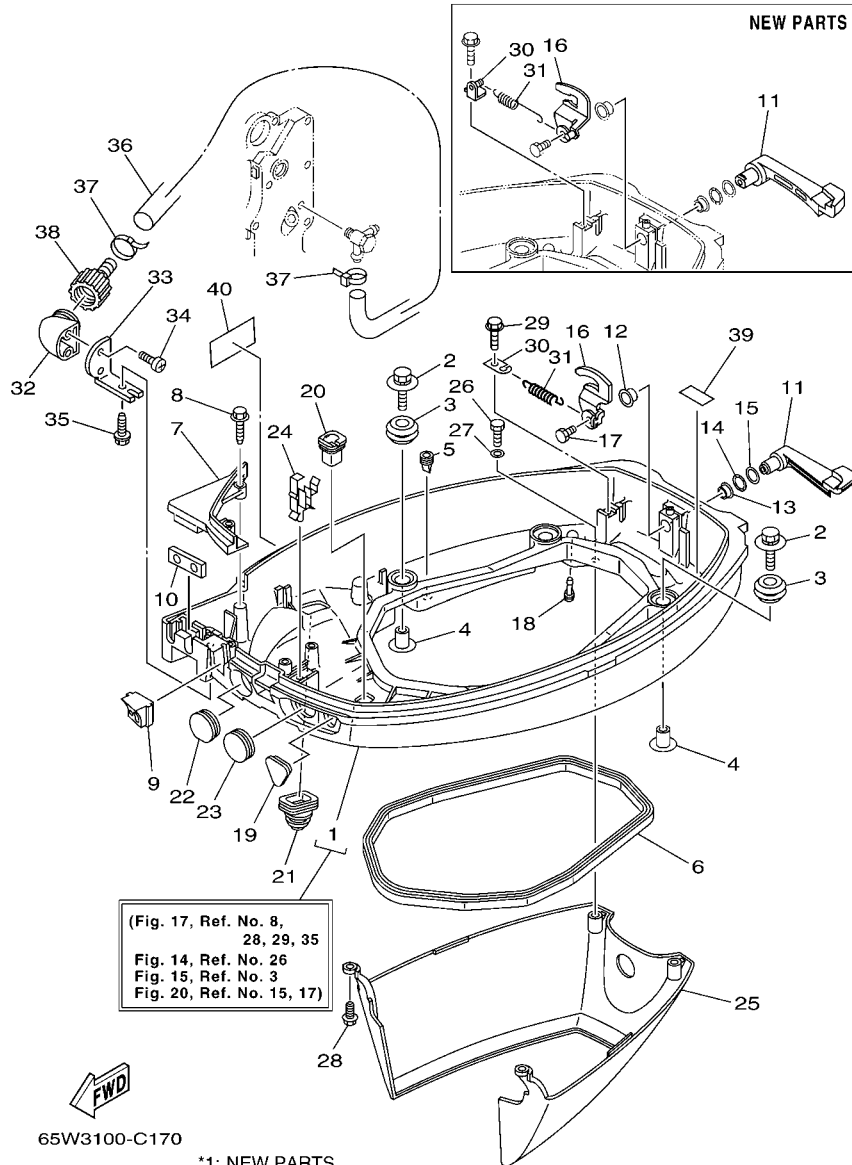
REF. NO.	PART NO.	DESCRIPTION	M(H)	EH	E	ET	EHT	REMARKS
1	6H3-82540-00	NEUTRAL SWITCH ASSY		1			1	
2	6J8-82554-00	STAY, NEUTRAL SWITCH		1			1	
3	90109-06M86	BOLT			2		2	
4	65W-82575-01	ENGINE STOP SWITCH ASSY	1	1			1	
5	682-82556-00	.STOPPER	1	1			1	
6	689-8257Y-00	.CAP	1	1			1	
7	97095-06012	BOLT	1	1			1	
8	92995-06600	WASHER	1	1			1	
9	65W-81870-00	STARTING SWITCH ASSY		1			1	
10	65W-82594-00	CLAMP		1			1	
11	90161-06M00	SCREW, TAPPING		1			1	
12	689-84340-00	SOCKET CORD ASSY 1	1					M-FOR MEX

FIG. 16 STARTING MOTOR



65W0010-0150

REF. NO.	PART NO.	DESCRIPTION	M(H)	EH	E	ET	EHT	REMARKS
1	65W-81800-01	STARTING MOTOR ASSY		1	1	1	1	
2	65W-81826-00	.BOLT		2	2	2	2	
3	65W-81857-01	.RETAINER		1	1	1	1	
4	65W-81830-00	.FRONT BRACKET ASSY		1	1	1	1	
5	65W-81807-00	.GEAR ASSY, STARTING MOTOR		1	1	1	1	
6	65W-81850-01	.ARMATURE ASSY		1	1	1	1	
7	65W-81820-00	.REAR BRACKET ASSY		1	1	1	1	
8	65W-81801-00	..BRUSH SET		1	1	1	1	
9	65W-81840-00	..BRUSH HOLDER ASSY		1	1	1	1	
10	65W-8182S-00	..SCREW		2	2	2	2	
11	90119-08M39	BOLT, WITH WASHER		1	1	1	1	
12	90109-08M77	BOLT		1	1	1	1	
13	90109-08M78	BOLT		1	1	1	1	
14	95380-08700	NUT		1	1	1	1	
15	92990-08600	WASHER, PLATE		2	2	2	2	



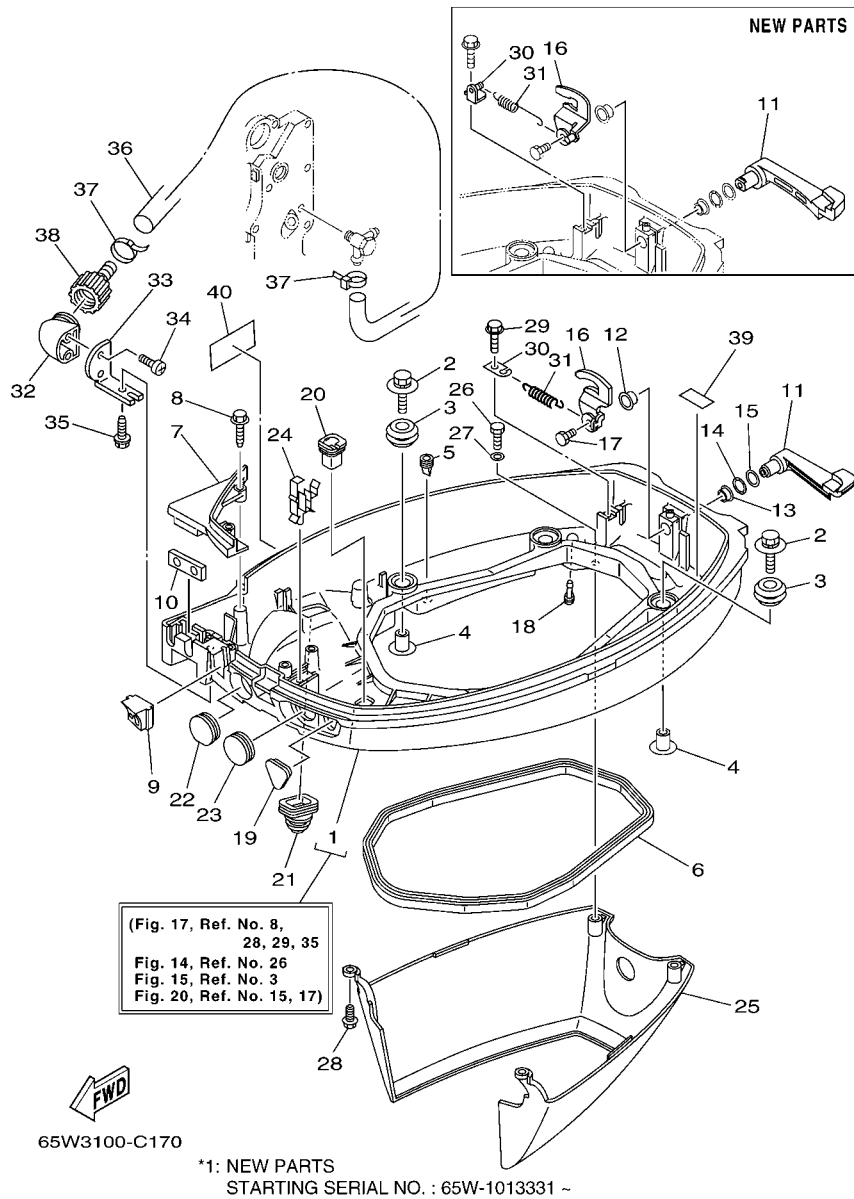
65W3100-C170

*1: NEW PARTS
STARTING SERIAL NO. : 65W-1013331 ~

FIG. 17 BOTTOM COWLING

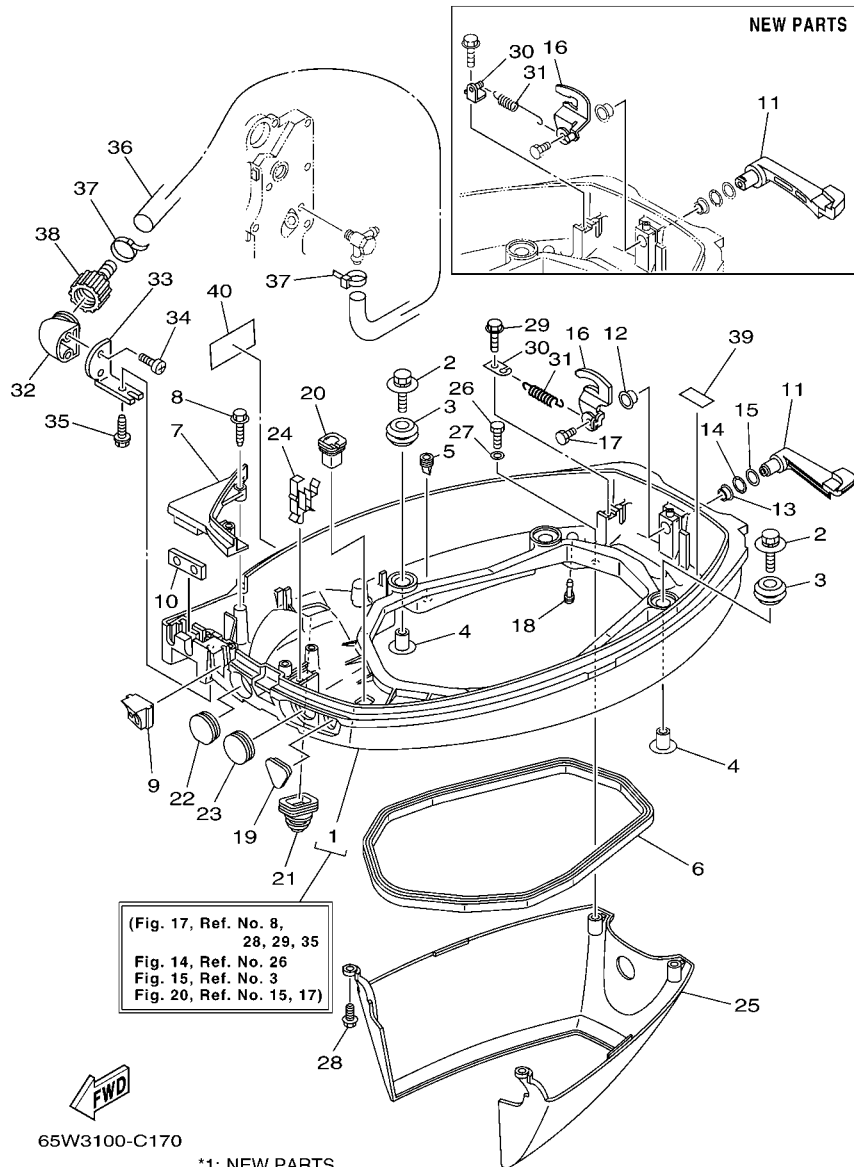
REF. NO.	PART NO.	DESCRIPTION	M(H)	EH	E	ET	EHT	REMARKS
1	65W-42710-05-4D	BOTTOM COWLING ASSY	1	1	1			WITH TAPPING BOLT
	65W-42710-06-4D	BOTTOM COWLING ASSY	1	1	1			WITH TAPPING BOLT *1
	65W-42710-15-4D	BOTTOM COWLING ASSY				1	1	WITH TAPPING BOLT
	65W-42710-16-4D	BOTTOM COWLING ASSY				1	1	WITH TAPPING BOLT *1
2	90119-06M08	BOLT, WITH WASHER	4	4	4	4	4	
3	90480-09M12	GROMMET	4	4	4	4	4	
4	90387-06060	COLLAR	4	4	4	4	4	
5	65W-42717-00	RUBBER, SEAL 2	6	6	6	6	6	
6	62Y-42716-00	RUBBER, SEAL 1	1	1	1	1	1	
7	65W-42738-01-4D	PLATE, FITTING	1	1	1	1	1	
8	90109-06M82	BOLT	2	2	2	2	2	
9	65W-42725-00	GROMMET	1					
	65W-42725-10	GROMMET		1				
	65W-42725-21	GROMMET	1	1	1			M-FOR MEX
	65W-42725-30	GROMMET					1	
10	65W-42727-00	GROMMET	1	1			1	
	62Y-42727-00	GROMMET	1	1	1			M-FOR MEX
11	65W-42815-01-4D	LEVER, CLAMP	1	1	1	1	1	
	6D5-42815-00-4D	LEVER, CLAMP	1	1	1	1	1	NEW PARTS *1
12	90386-12M37	BUSH	1	1	1	1	1	
13	90386-12MA2	BUSH	1	1	1	1	1	
14	90206-12052	WASHER, WAVE	1	1	1	1	1	
15	90201-12M07	WASHER, PLATE	1	1	1	1	1	
16	65W-42816-03	LEVER, CLAMP	1	1	1	1	1	
	6D5-42816-00	LEVER, CLAMP	1	1	1	1	1	NEW PARTS *1
17	97095-06012	BOLT	1	1	1	1	1	
18	6H3-44391-01	NIPPLE, HOSE	1	1	1	1	1	

FIG. 17 BOTTOM COWLING



REF. NO.	PART NO.	DESCRIPTION	M(H)	EH	E	ET	EHT	REMARKS
19	65W-26326-00	GROMMET	1	1			1	
	65W-26326-10	GROMMET	1		1	1		M-FOR MEX
20	682-42727-00	GROMMET	1	1	1	1	1	
21	65W-42724-10	GROMMET	1	1	1			FLUSHING KIT
	6H1-42726-21	GROMMET				1	1	FLUSHING KIT
	6H4-42726-00	GROMMET	1					FOR MEX,BRA
22	6G1-42725-00	GROMMET	1		1	1		
23	65W-42726-00	GROMMET	1	1			1	
	65W-42726-10	GROMMET	1		1	1		M-FOR MEX
24	90465-25M57	CLAMP	1	1	1	1	1	
25	65W-42741-01	APRON	1	1	1	1	1	
26	97095-06014	BOLT	2	2	2	2	2	
27	92995-06600	WASHER	2	2	2	2	2	
28	90109-06M81	BOLT	2	2	2	2	2	
29	90109-06M86	BOLT	1	1	1	1	1	
30	66T-43144-00	HOOK, SPRING	1	1	1	1	1	
	6D5-43144-00	HOOK, SPRING	1	1	1	1	1	NEW PARTS *1
31	90506-16M34	SPRING, TENSION	1	1	1	1	1	
	90506-18010	SPRING, TENSION	1	1	1	1	1	NEW PARTS *1
32	68T-12572-00	ADAPTER	1	1	1	1	1	FLUSHING KIT
33	69W-12535-00	PLATE	1	1	1	1	1	FLUSHING KIT
34	90167-06002	SCREW, TAPPING	2	2	2	2	2	FLUSHING KIT
35	90109-06M86	BOLT	1	1	1	1	1	FLUSHING KIT
36	90445-11M82	HOSE	1	1	1	1	1	FLUSHING KIT
37	90465-11M10	CLAMP	2	2	2	2	2	FLUSHING KIT
38	6R3-12580-00	JOINT ASSY	1	1	1	1	1	FLUSHING KIT
39	62Y-82377-00	LABEL	1	1	1	1	1	

FIG. 17 BOTTOM COWLING



65W3100-C170

*1: NEW PARTS
STARTING SERIAL NO. : 65W-1013331 ~

REF. NO.	PART NO.	DESCRIPTION	M(H)	EH	E	ET	EHT	REMARKS
40	6G8-13444-41	MARK	1	1	1	1	1	FOR USA,OCE
	6G8-13444-51	MARK	1	1	1	1	1	FOR CAN,MEX,BRA

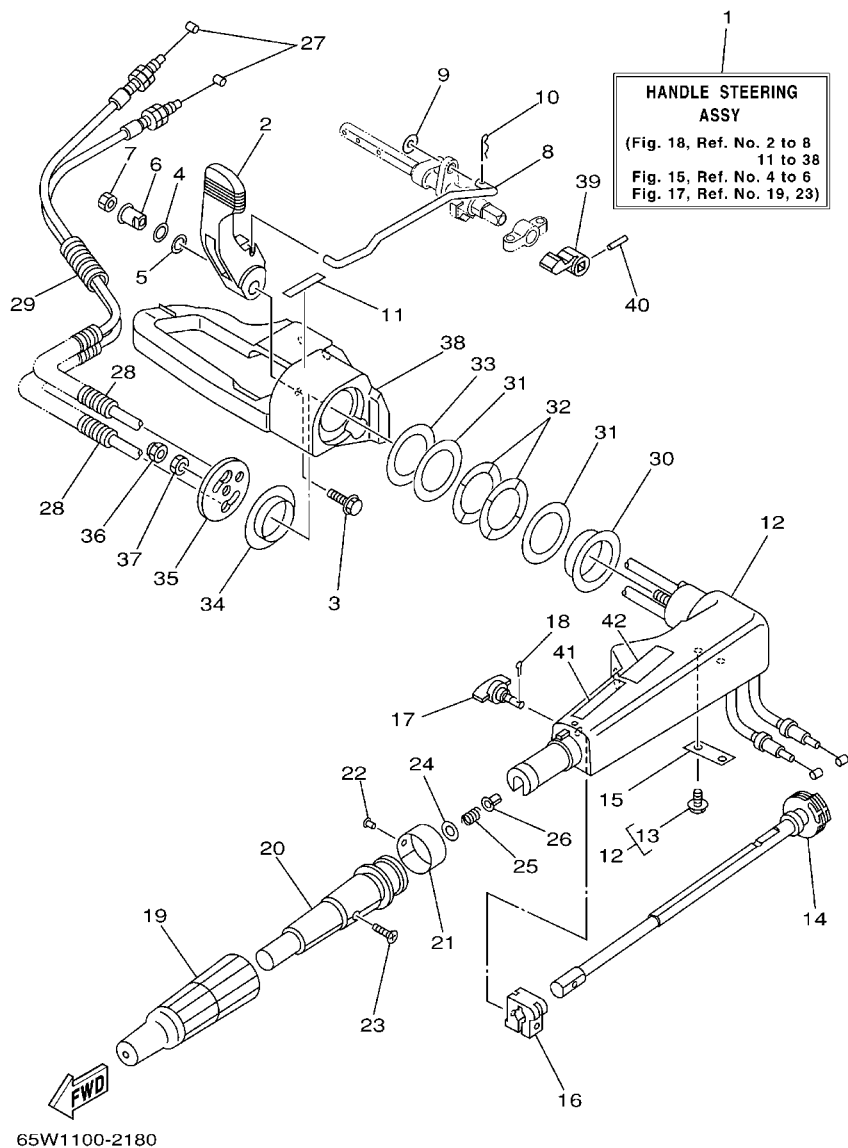


FIG. 18 STEERING

REF. NO.	PART NO.	DESCRIPTION	M(H)	EH	E	ET	EHT	REMARKS
1	65W-W0084-01-4D	HANDLE STEERING ASSY	1	1			1	
2	65W-44111-00	HANDLE, GEAR SHIFT	1	1			1	
3	90119-06M85	BOLT, WITH WASHER	1	1			1	
4	90206-12M00	WASHER, WAVE	1	1			1	
5	90201-12M07	WASHER, PLATE	1	1			1	
6	65W-42123-00	BOLT, HANDLE JOINT	1	1			1	
7	95380-06600	NUT, HEXAGON	1	1			1	
8	65W-44124-00	LINK, SHIFT ROD	1	1			1	
9	92990-06200	WASHER, PLAIN	1	1			1	
10	90468-18008	CLIP	1	1			1	
11	6E0-44191-11	INDICATOR, SHIFT	1	1			1	
12	65W-42101-01-4D	HANDLE, STEERING	1	1			1	
13	90109-06M86	.BOLT	2	2			2	
14	65W-42138-00	LEVER, THROTTLE	1	1			1	
15	65W-42159-00	STAY	1	1			1	
16	6G1-42126-00	FRICTION, STEERING HANDLE GRIP	1	1			1	
17	65W-42125-00	BOLT, FRICTION ADJUSTING	1	1			1	
18	91490-16010	PIN, COTTER	1	1			1	
19	66M-42177-00	RUBBER, HANDLE	1	1			1	
20	66M-42119-00	GRIP, STEERING HANDLE	1	1			1	
21	6J0-42137-00	INDICATOR, THROTTLE	1	1			1	
22	90269-02M09	RIVET	1	1			1	
23	90149-05M13	SCREW	1	1			1	
24	92903-10600	WASHER, PLATE	1	1			1	
25	90501-23215	SPRING, COMPRESSION	1	1			1	
26	90386-08032	BUSH	1	1			1	
27	65W-26311-00	CABLE, THROTTLE 1	2	2			2	

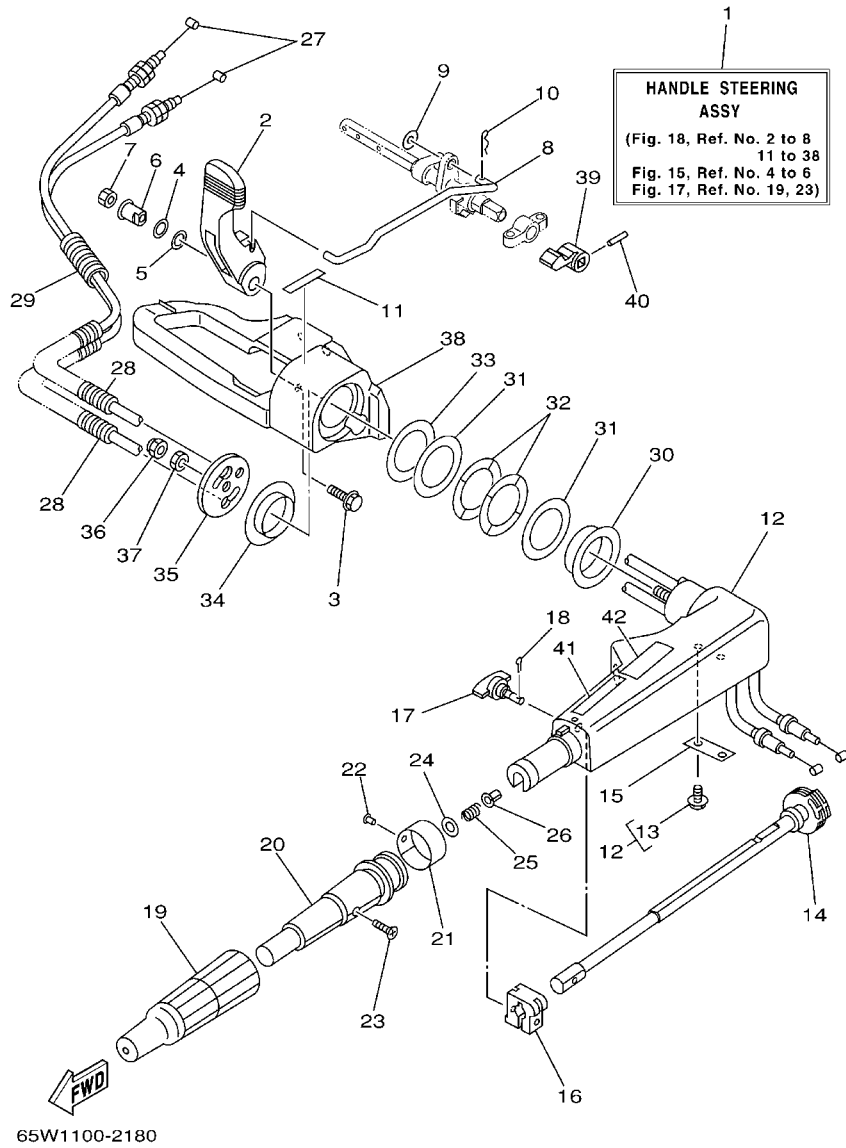
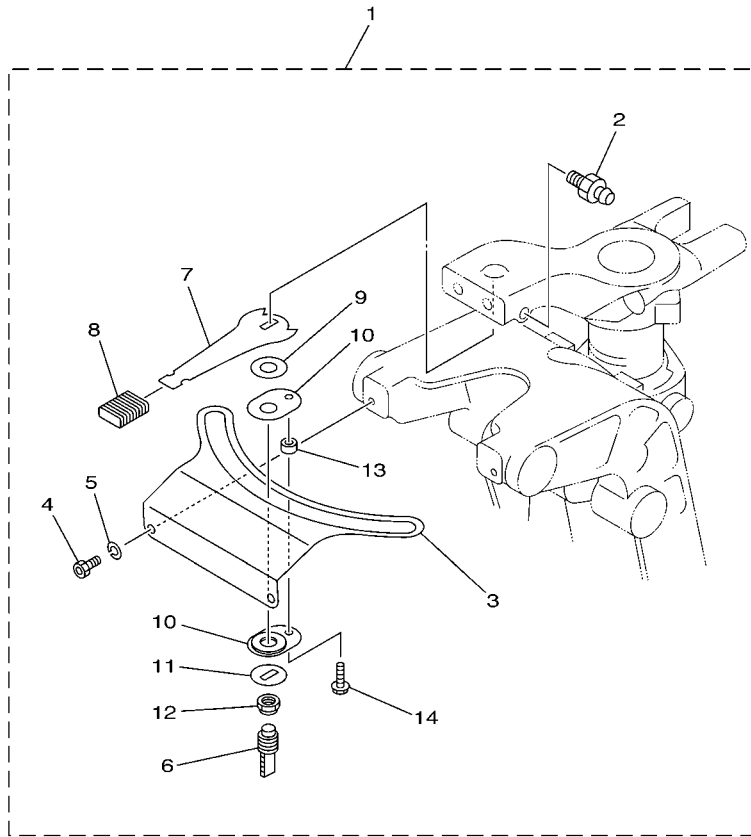


FIG. 18 STEERING

REF. NO.	PART NO.	DESCRIPTION	M(H)	EH	E	ET	EHT	REMARKS
28	90446-10M86	HOSE (L140)	2	2			2	
29	90446-14M88	HOSE	1	1			1	
30	90386-40MA0	BUSH	1	1			1	
31	90201-43M00	WASHER, PLATE	2	2			2	
32	90206-43M22	WASHER, WAVE	2	2			2	
33	90202-43M57	WASHER, PLATE	1	1			1	
34	90386-40M99	BUSH	1	1			1	
35	65W-42131-01	COVER, HANDLE STEERING	1	1			1	
36	95780-10300	NUT, FLANGE	1	1			1	
37	95380-10700	NUT	1	1			1	
38	65W-42121-01-4D	BRACKET	1	1			1	
39	65W-44173-00	LEVER, SHIFT CONTROL		1	1	1	1	
40	90254-03M05	PIN, SPRING		1	1	1	1	
41	6E0-83627-41	LABEL, CAUTION 7	1	1			1	
42	6E0-83627-51	LABEL, CAUTION 7	1	1				FOR CAN,BRA

FIG. 19 STEERING FRICTION

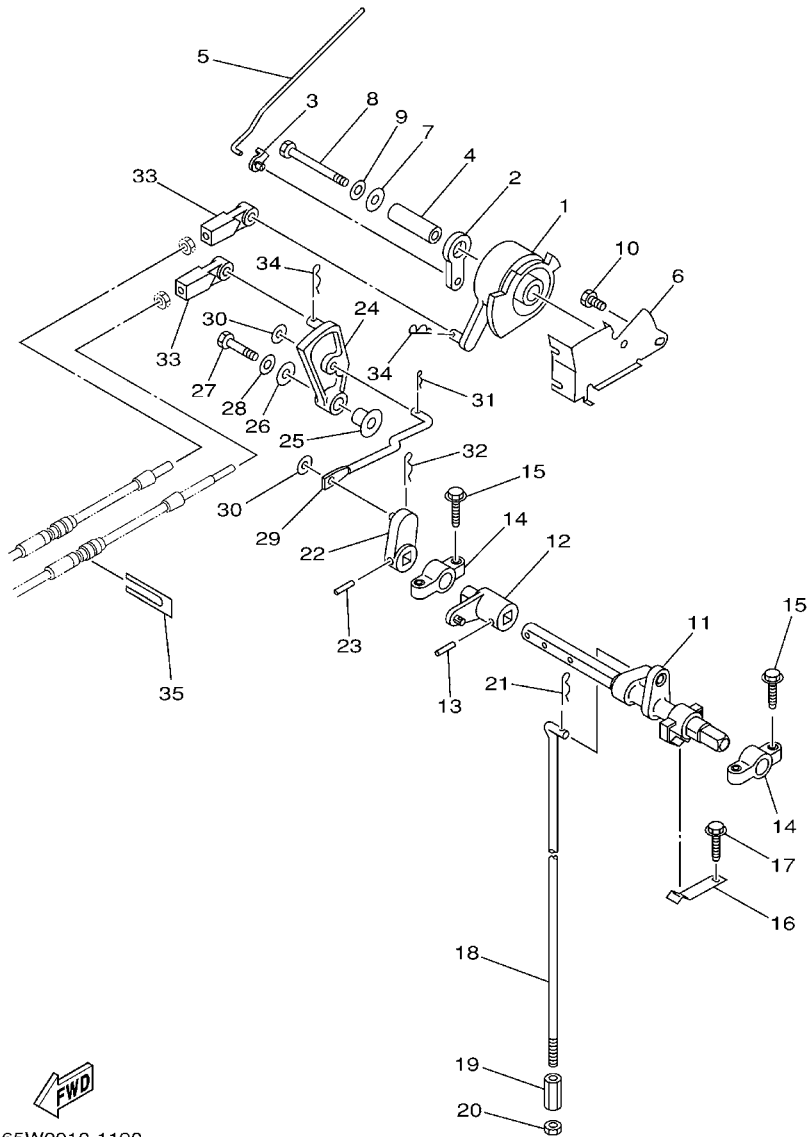


REF. NO.	PART NO.	DESCRIPTION	M(H)	EH	E	ET	EHT	REMARKS
1	65W-42508-00	STEERING FRICTION ASSY	1	1			1	EXCEPT FOR BRA
2	93700-06M03	.NIPPLE, GREASE	1	1			1	
3	65W-42527-00	.PLATE, FRICTION	1	1			1	
4	90109-06M88	.BOLT	2	2			2	
5	92990-06100	.WASHER, SPRING	2	2			2	
6	65W-42562-00	.SHAFT, STEERING LOCK	1	1			1	
7	65W-42561-00	.KNOB, STEERING LOCK	1	1			1	
8	689-43633-00	.COVER, TILT LEVER	1	1			1	
9	90202-10M56	.WASHER, PLATE	1	1			1	
10	65W-42528-00	.PLATE, FRICTION	2	2			2	
11	90209-10M26	.WASHER	1	1			1	
12	90185-10M14	.NUT, SELF-LOCKING	1	1			1	
13	90387-05M11	.COLLAR	1	1			1	
14	90109-05M89	.BOLT	1	1			1	



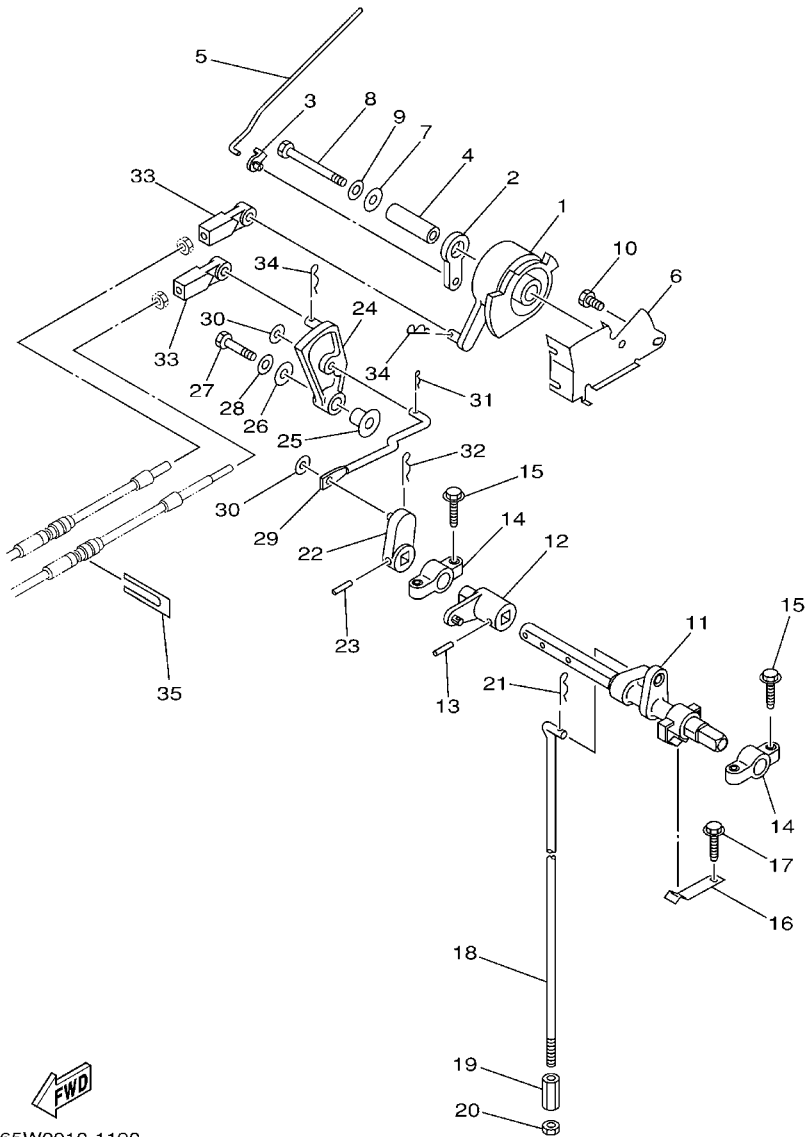
65W1010-2180

FIG. 20 CONTROL



65W0010-1190

REF. NO.	PART NO.	DESCRIPTION	M(H)	EH	E	ET	EHT	REMARKS
1	65W-41638-00	PULLEY	1	1	1	1	1	
2	65W-41283-00	LEVER, FREE ACCEL.	1	1	1	1	1	
3	661-41262-02	JOINT, CHOKE LEVER	1	1	1	1	1	
4	90387-06064	COLLAR	1	1	1	1	1	
5	65W-41211-00	LINK, ACCEL.	1	1	1	1	1	
6	65W-14497-01	STAY, THROTTLE WIRE	1	1	1	1	1	
7	90201-06M31	WASHER, PLATE	1	1	1	1	1	
8	97095-06055	BOLT	1	1	1	1	1	
9	92995-06600	WASHER	1	1	1	1	1	
10	97095-06010	BOLT	1	1	1	1	1	
11	65W-44121-00	LEVER, SHIFT ROD	1	1	1	1	1	
12	65W-44122-00	BUSHING, SHIFT ROD LEVER	1	1	1	1	1	
13	90254-03M05	PIN, SPRING	1	1	1	1	1	
14	6F5-41662-00	BRACKET	2	2	2	2	2	
15	90109-06M81	BOLT	4	4	4	4	4	
16	65W-44116-00	SPRING	1	1	1	1	1	
17	90109-06M86	BOLT	1	1	1	1	1	
18	65W-44143-00	ROD, SHIFT	1	1	1			S
	65W-44143-10	ROD, SHIFT	1	1	1	1	1	L
19	90170-06015	NUT	1	1	1	1	1	
20	95380-06700	NUT	1	1	1	1	1	
21	90468-18008	CLIP	1	1	1	1	1	
22	65W-44142-00	JOINT	1	1	1	1	1	MH-EXCEPT BRA
23	90254-03M05	PIN, SPRING	1	1	1	1	1	MH-EXCEPT BRA
24	65W-44125-00	LEVER, SHIFT ROD	1	1	1	1	1	MH-EXCEPT BRA
25	90387-06M29	COLLAR	1	1	1	1	1	MH-EXCEPT BRA
26	90201-06M31	WASHER, PLATE	1	1	1	1	1	MH-EXCEPT BRA

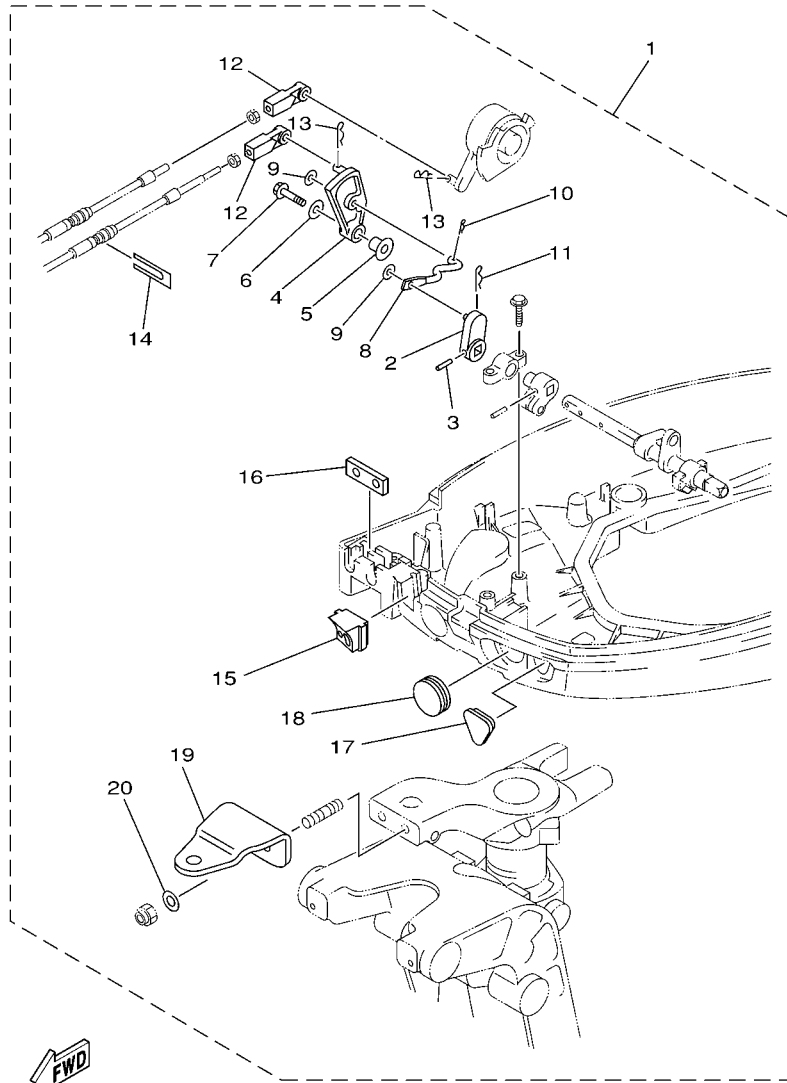


FWD
65W0010-1190

FIG. 20 CONTROL

REF. NO.	PART NO.	DESCRIPTION	M(H)	EH	E	ET	EHT	REMARKS
27	97095-06025	BOLT	1	1	1	1	1	MH-EXCEPT BRA
28	92995-06600	WASHER	1	1	1	1	1	MH-EXCEPT BRA
29	65W-44192-00	JOINT, ROD 1	1	1	1	1	1	MH-EXCEPT BRA
30	90201-05M06	WASHER, PLATE	2	2	2	2	2	MH-EXCEPT BRA
31	90468-10005	CLIP	1	1	1	1	1	MH-EXCEPT BRA
32	90468-18008	CLIP	1	1	1	1	1	MH-EXCEPT BRA
33	663-48344-00	CABLE END, REMOTE CONTROL	2		2	2		M-FOR MEX
34	90468-18008	CLIP	2		2	2		M-FOR MEX
35	6H3-48538-00	CLAMP, CABLE 1	1		1	1		M-FOR MEX

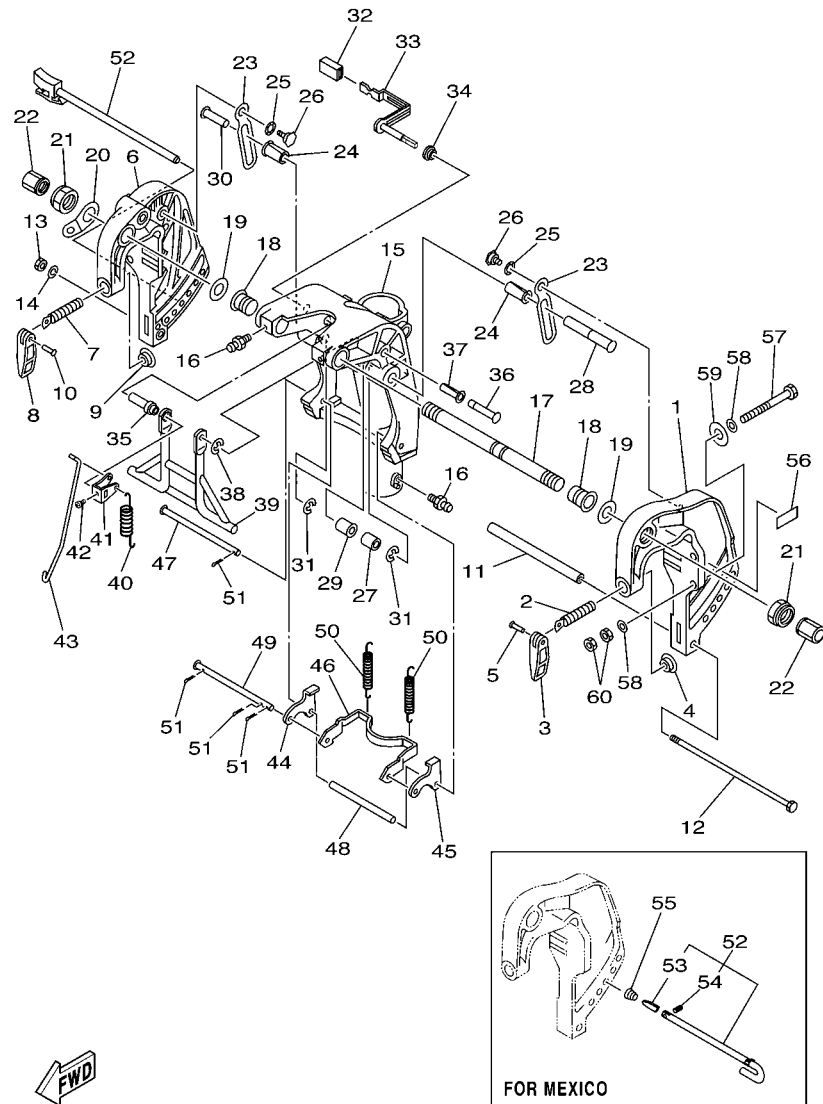
E7



65W0010-9200

FIG. 21 REMO CON ATTACHMENT

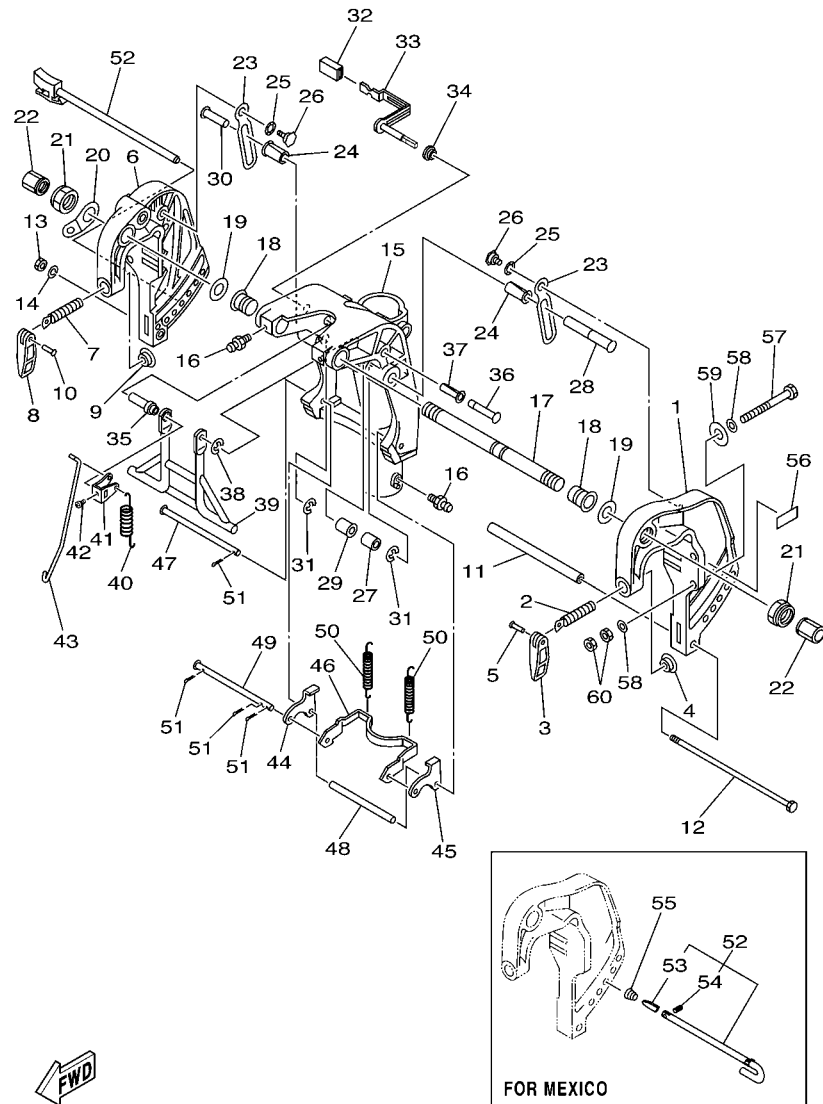
REF. NO.	PART NO.	DESCRIPTION	M(H)	EH	E	ET	EHT	REMARKS
1	65W-48501-00	REMOTE CONT. ATTACHMENT ASSY.	1	1			1	AP
2	65W-44142-00	.JOINT	1	1			1	
3	90254-03M05	.PIN, SPRING	1	1			1	
4	65W-44125-00	.LEVER, SHIFT ROD	1	1			1	
5	90387-06M29	.COLLAR	1	1			1	
6	90201-06M31	.WASHER, PLATE	1	1			1	
7	97595-06525	.BOLT, WITH WASHER	1	1			1	
8	65W-44192-00	.JOINT, ROD 1	1	1			1	
9	90201-05M06	.WASHER, PLATE	2	2			2	
10	90468-10005	.CLIP	1	1			1	
11	90468-18008	.CLIP	1	1			1	
12	663-48344-00	.CABLE END, REMOTE CONTROL	2	2			2	
13	90468-18008	.CLIP	2	2			2	
14	6H3-48538-00	.CLAMP, CABLE 1	1	1			1	
15	65W-42725-21	.GROMMET	1	1			1	
16	62Y-42727-00	.GROMMET	1	1			1	
17	65W-26326-10	.GROMMET	1	1			1	
18	65W-42726-10	.GROMMET	1	1			1	
19	65W-48511-00	.HOOK, STEERING	1	1			1	
20	90201-10120	.WASHER, PLATE	2	2			2	



65W2100-3220

FIG. 22 BRACKET 1

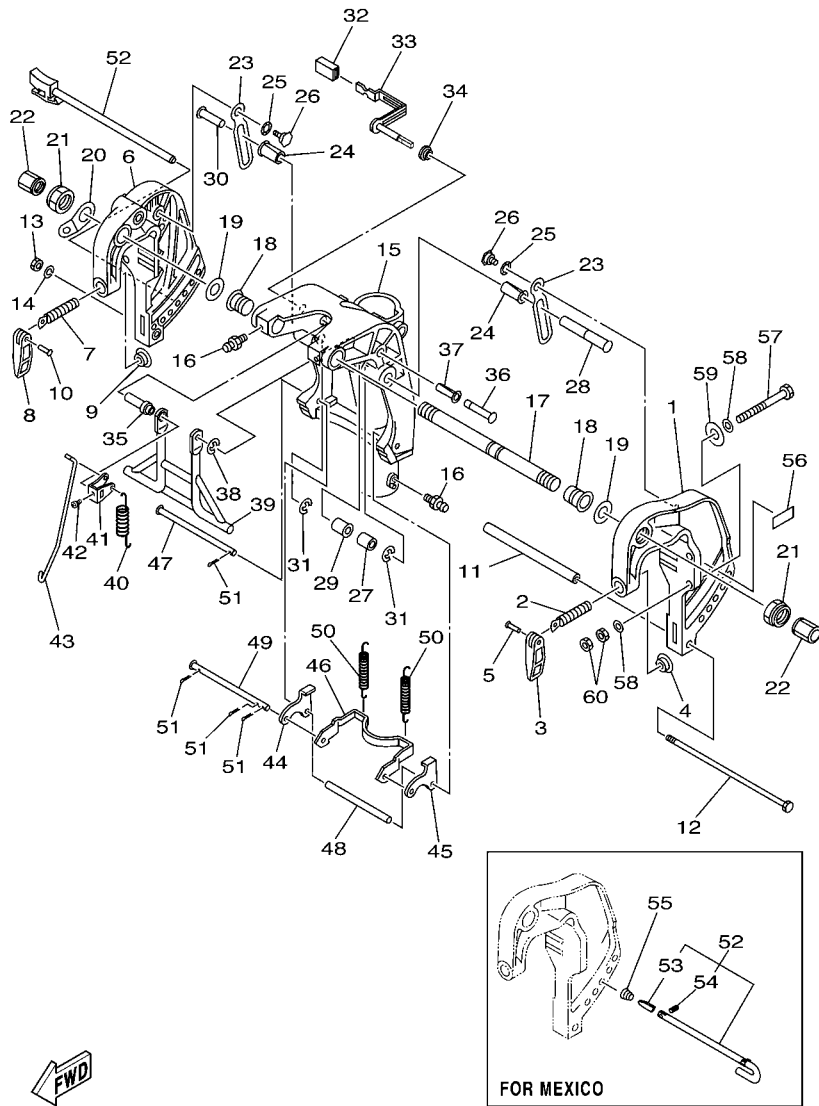
REF. NO.	PART NO.	DESCRIPTION	M(H)	EH	E	ET	EHT	REMARKS
1	65W-43111-02-4D	BRACKET, CLAMP	1	1	1			
2	90149-14M12	SCREW	1	1	1			
3	663-43118-01-4D	HANDLE, TRANSOM CLAMP	1	1	1			
4	648-43114-01	PAD, TRANSOM CLAMP	1	1	1			
5	90243-04007	PIN	1	1	1			
6	65W-43112-02-4D	BRACKET, CLAMP	1	1	1			
7	90149-14M12	SCREW	1	1	1			
8	663-43118-01-4D	HANDLE, TRANSOM CLAMP	1	1	1			
9	648-43114-01	PAD, TRANSOM CLAMP	1	1	1			
10	90243-04007	PIN	1	1	1			
11	90387-08M29	COLLAR	1	1	1			
12	90101-08M76	BOLT	1	1	1			
13	95380-08600	NUT	1	1	1			
14	92990-08100	WASHER, SPRING	1	1	1			
15	65W-43311-00-4D	BRACKET, SWIVEL 1	1	1	1			S
	65W-43311-10-4D	BRACKET, SWIVEL 1	1	1	1			L
16	93700-06M03	NIPPLE, GREASE	3		3			FOR MEX,BRA
	93700-06M03	NIPPLE, GREASE	1	1				
17	63D-43131-01	BOLT, CLAMP BRACKET	1	1	1			
18	90386-22M15	BUSH	2	2	2			
19	90201-22M03	WASHER, PLATE	2	2	2			
20	6J8-43113-01	PLATE, CLAMP BRACKET	1	1	1			
21	90185-22M11	NUT, SELF-LOCKING	2	2	2			
22	6G5-43145-01	CAP, CLAMP BRACKET	2	2	2			
23	65W-43627-01	STOPPER	2	2	2			
24	90386-12M98	BUSH	2	2	2			
25	90206-14M23	WASHER, WAVE	2	2	2			



65W2100-3220

FIG. 22 BRACKET 1

REF. NO.	PART NO.	DESCRIPTION	M(H)	EH	E	ET	EHT	REMARKS
26	90109-08M87	BOLT	2	2	2			
27	90387-12M04	COLLAR	1	1	1			
28	90249-12M39	PIN	1	1	1			
29	90386-12MA0	BUSH	1	1	1			
30	90249-12M34	PIN	1	1	1			
31	93430-10M00	CIRCLIP	2	2	2			
32	682-43318-01	COVER	1	1	1			
33	65W-43630-11	TILT LEVER ASSY	1	1	1			
34	90386-07MA2	BUSH	1	1	1			
35	90387-07M05	COLLAR	1	1	1			
36	90249-10M31	PIN	1	1	1			
37	90386-10M99	BUSH	1	1	1			
38	99080-08600	CIRCLIP	1	1	1			
39	66T-43350-02	RECEIVER ASSY	1	1	1			
40	90506-20M37	SPRING, TENSION	1	1	1			
41	66T-43631-11	LEVER, TILT	1	1	1			
42	90157-05014	SCREW, PAN HEAD	1	1	1			
43	65W-43616-00	ROD, TILT LOCK	1	1	1			
44	65W-43614-01	PLATE, TILT LOCK	1	1	1			
45	65W-43615-01	PLATE, TILT LOCK	1	1	1			
46	65W-43613-00	ARM, TILT LOCK	1	1	1			
47	90249-07M32	PIN	1	1	1			
48	90387-07M29	COLLAR	1	1	1			
49	90249-07M33	PIN	1	1	1			
50	90506-30M00	SPRING, TENSION	2	2	2			
51	91490-20012	PIN, COTTER	4	4	4			
52	65W-43160-00	TILT ROD ASSY	1	1	1			

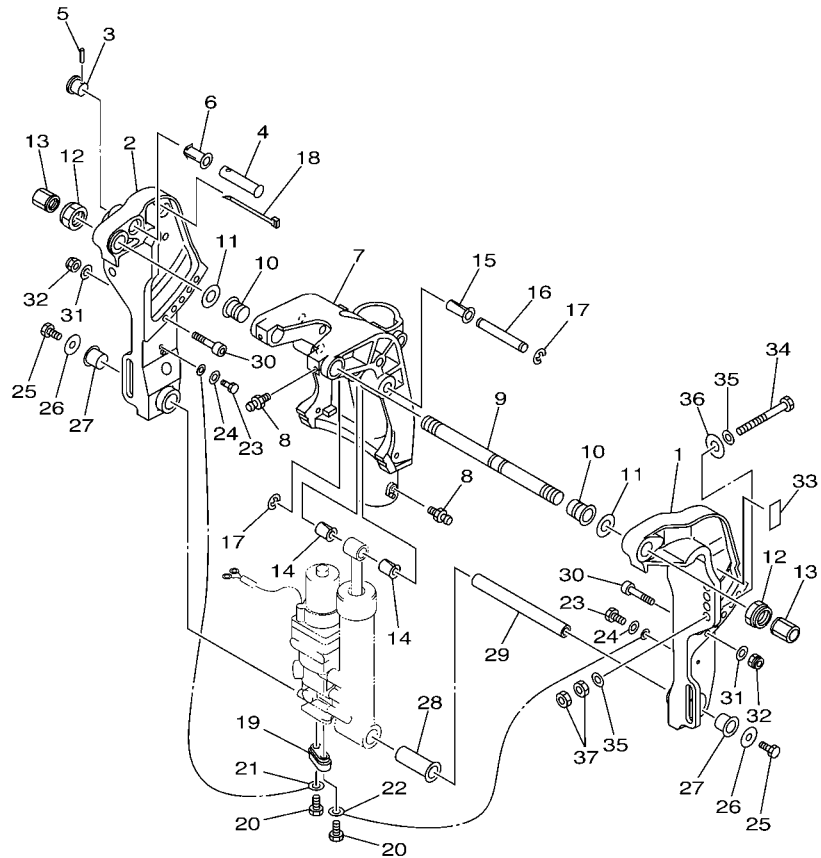


65W2100-3220

FIG. 22 BRACKET 1

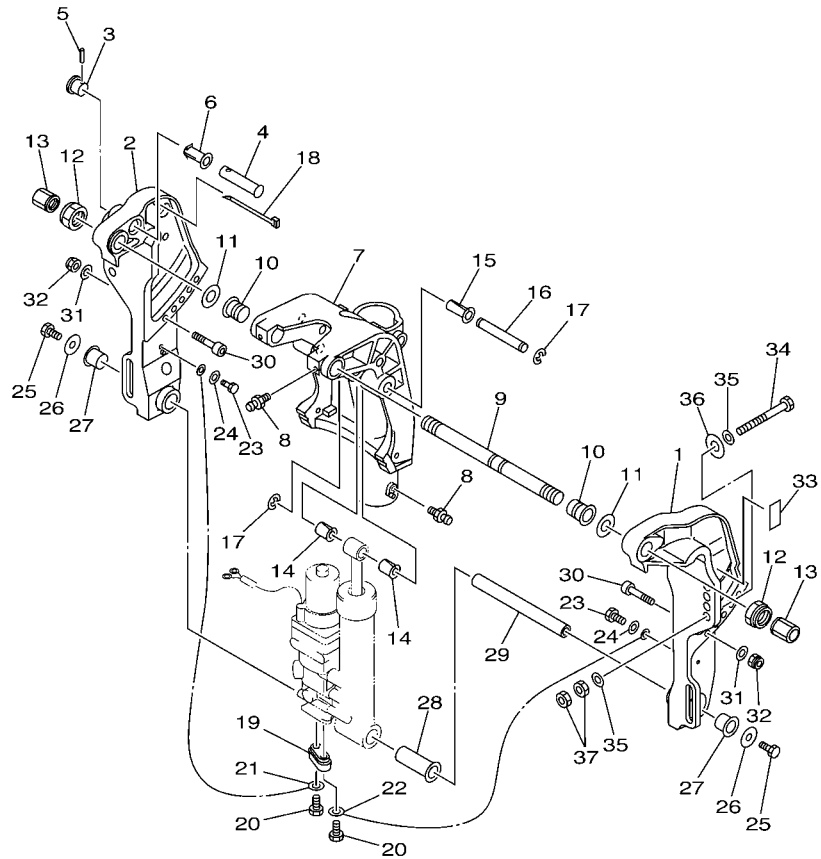
REF. NO.	PART NO.	DESCRIPTION	M(H)	EH	E	ET	EHT	REMARKS
52	65W-43160-11	TILT ROD ASSY	1					M-FOR MEX
53	676-43165-00	.PLATE, TILT LOCK	1					FOR 65W-43160-11
54	91690-30010	.PIN, SPRING	1					FOR 65W-43160-11
55	90502-10M04	SPRING, CONICAL	1					M-FOR MEX
56	63V-82377-50	LABEL (SPARK,IGNITION)	1	1	1			FOR CAN
57	90101-10M58	BOLT	4			4		M-FOR MEX
58	92995-10600	WASHER	8			8		M-FOR MEX
59	90201-12426	WASHER, PLATE	4			4		M-FOR MEX
60	95380-10600	NUT	8			8		M-FOR MEX

FIG. 23 BRACKET 2



65W1100-2230

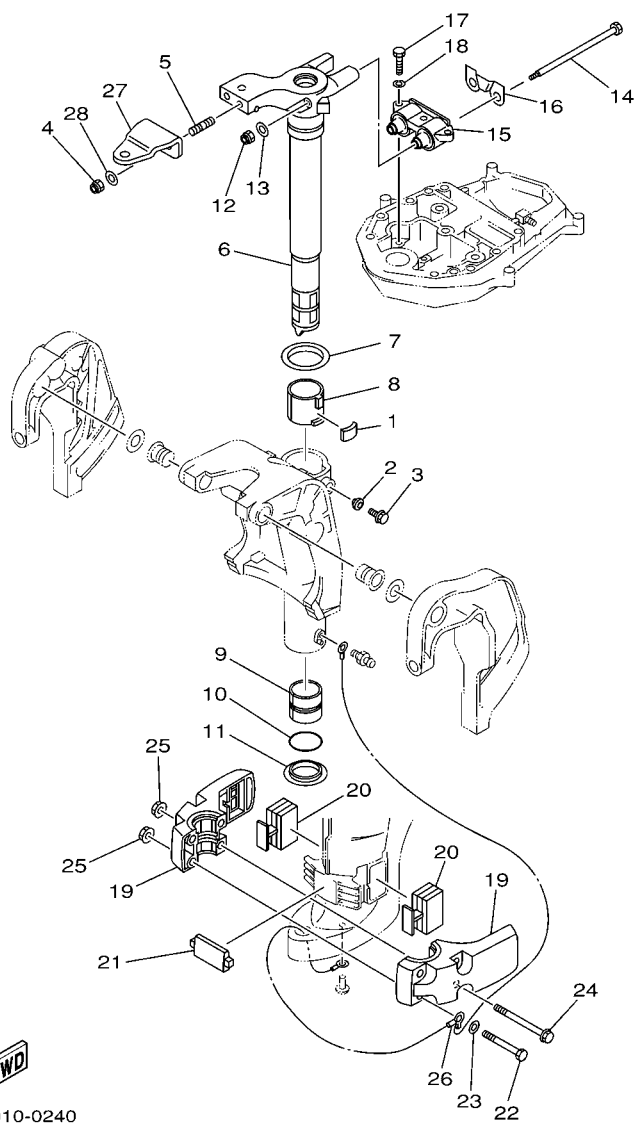
REF. NO.	PART NO.	DESCRIPTION	M(H)	EH	E	ET	EHT	REMARKS
1	65W-43111-10-4D	BRACKET, CLAMP				1	1	
2	65W-43112-10-4D	BRACKET, CLAMP				1	1	
3	65W-43192-00	KNOB, STOPPER				1	1	
4	65W-43191-00	SHAFT, STOPPER				1	1	
5	91690-30018	PIN, SPRING				1	1	
6	90386-14MA1	BUSH				1	1	
7	65W-43311-10-4D	BRACKET, SWIVEL 1				1	1	L
8	93700-06M03	NIPPLE, GREASE				3		
	93700-06M03	NIPPLE, GREASE				1		
9	63D-43131-01	BOLT, CLAMP BRACKET				1	1	
10	90386-22M15	BUSH				2	2	
11	90201-22M03	WASHER, PLATE				2	2	
12	90185-22M11	NUT, SELF-LOCKING				2	2	
13	6G5-43145-01	CAP, CLAMP BRACKET				2	2	
14	90386-12MA0	BUSH				2	2	
15	90386-12M98	BUSH				1	1	
16	90249-12M38	PIN				1	1	
17	93430-10M00	CIRCLIP				2	2	
18	90465-13M11	CLAMP				2	2	
19	65W-45251-00	ANODE				1	1	
20	90101-06020	BOLT				2	2	
21	6H1-82148-00	WIRE, LEAD 4				1	1	
22	6U0-82127-00	WIRE, LEAD 2				1	1	
23	97095-06014	BOLT				2	2	
24	92995-06600	WASHER				2	2	
25	97080-08016	BOLT				2	2	
26	90201-08M00	WASHER, PLATE				2	2	



65W1100-2230

FIG. 23 BRACKET 2

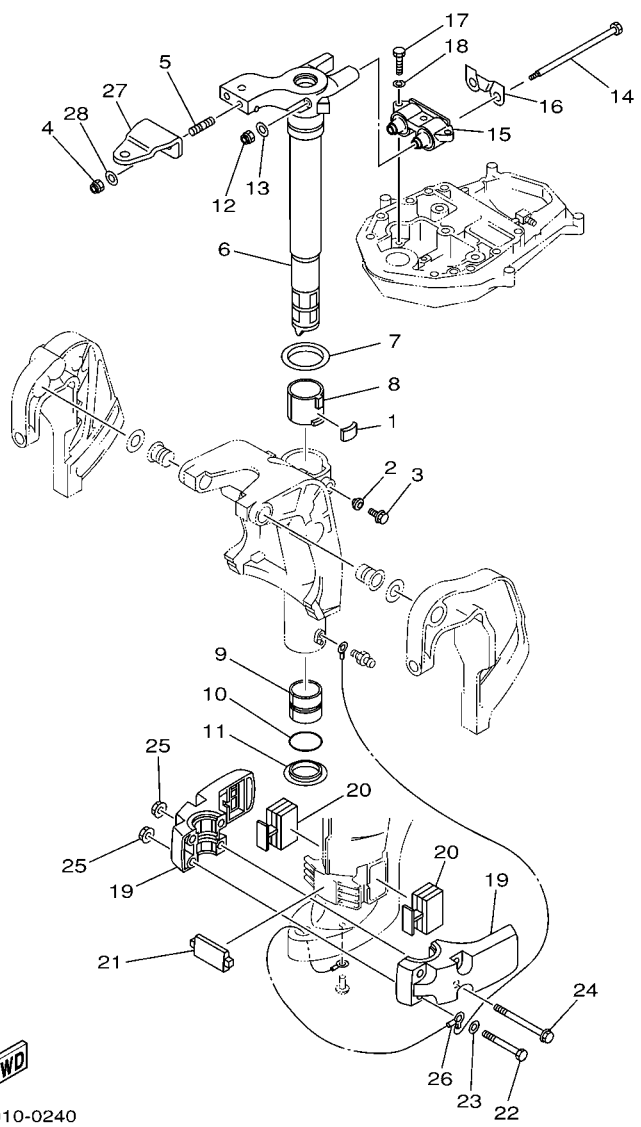
REF. NO.	PART NO.	DESCRIPTION	M(H)	EH	E	ET	EHT	REMARKS
27	90386-18M44	BUSH				2	2	
28	90386-18MA0	BUSH				1	1	
29	90249-18M35	PIN				1	1	
30	90110-10M02	BOLT, HEXAGON SOCKET HEAD				2	2	
31	92995-10600	WASHER				2	2	
32	90185-10M13	NUT, SELF-LOCKING				2	2	
33	63V-82377-50	LABEL (SPARK,IGNITION)				1		FOR CAN
34	90101-12M65	BOLT				4	4	
35	92995-12200	WASHER				8	8	
36	90201-12426	WASHER, PLATE				4	4	
37	95380-12600	NUT				8	8	



65W0010-0240

FIG. 24 BRACKET 3

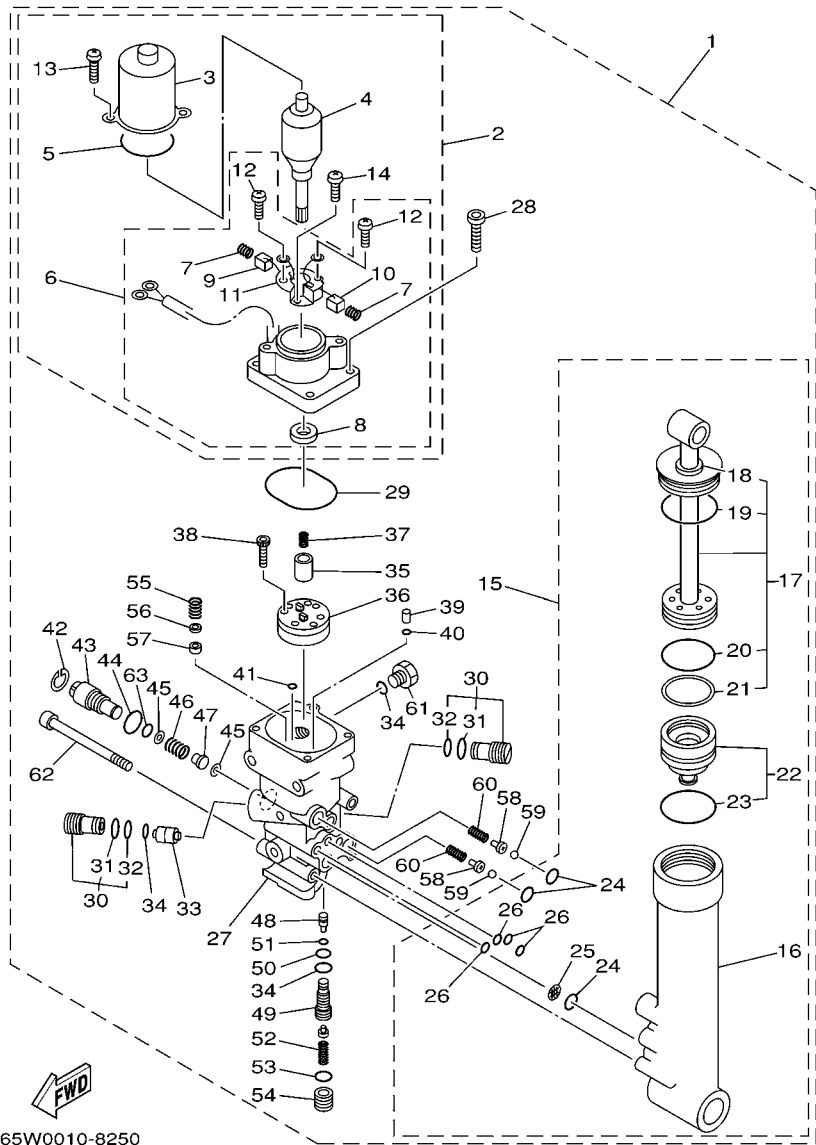
REF. NO.	PART NO.	DESCRIPTION	M(H)	EH	E	ET	EHT	REMARKS
1	648-42528-00	PLATE, FRICTION	1	1	1	1	1	
2	65W-43373-00	SEAL, DAMPER	1	1	1	1	1	
3	90105-08M76	BOLT, FLANGE	1	1	1	1	1	
4	90185-10051	NUT, SELF-LOCKING	2	2	2	2	2	
5	90116-10M28	BOLT, STUD	2	2	2	2	2	
6	65W-42511-00-4D	BRACKET, STEERING	1	1	1			S
	65W-42511-10-4D	BRACKET, STEERING	1	1	1	1	1	L
7	90209-52M00	WASHER	1	1	1	1	1	
8	90386-52M02	BUSH	1	1	1	1	1	
9	90386-44M03	BUSH	1	1	1	1	1	
10	93210-43MJ0	O-RING	1	1	1	1	1	
11	90386-44M99	BUSH	1	1	1	1	1	
12	90185-08045	NUT, SELF-LOCKING	2	2	2	2	2	
13	92995-08200	WASHER	2	2	2	2	2	
14	90101-08M86	BOLT	2	2	2	2	2	
15	67C-44514-20-4D	MOUNT DAMPER, UPPER SIDE	1	1	1	1	1	
16	66T-44526-30	PLATE	1	1	1	1	1	
17	97075-08030	BOLT	3	3	3	3	3	
18	92995-08100	WASHER	3	3	3	3	3	
19	65W-44551-11-4D	HOUSING, LOWER MOUNT RUBBER	2	2	2	2	2	
20	65W-44555-00	MOUNT DAMPER, LOWER SIDE	2	2	2	2	2	
21	65W-44575-01	DAMPER, LOWER MOUNT RUBBER	1	1	1	1	1	
22	97075-10080	BOLT	2	2	2	2	2	
23	92995-10600	WASHER	2	2	2	2	2	
24	90119-10M14	BOLT, WITH WASHER	2	2	2	2	2	
25	90179-10M33	NUT	4	4	4	4	4	
26	65W-82127-10	WIRE, LEAD 2	1	1	1	1	1	



65W0010-0240

FIG. 24 BRACKET 3

REF. NO.	PART NO.	DESCRIPTION	M(H)	EH	E	ET	EHT	REMARKS
27	65W-48511-00	HOOK, STEERING	1		1	1		M-FOR MEX
28	90201-10120	WASHER, PLATE	2		2	2		M-FOR MEX



65W0010-8250

FIG. 25 POWER TRIM & TILT ASSY

REF. NO.	PART NO.	DESCRIPTION	M(H)	EH	E	ET	EHT	REMARKS
1	65W-43800-02-4D	POWER TRIM & TILT ASSY				1	1	
2	65W-43880-00	..MOTOR ASSY				1	1	
3	65W-43804-00	..STATOR ASSY				1	1	
4	65W-43805-00	..ARMATURE ASSY				1	1	
5	65W-43869-00	..O-RING				1	1	
6	65W-43881-00	..FRAME, END				1	1	
7	65W-4386K-00	...SPRING, BRUSH				2	2	
8	65W-43882-00	...OIL SEAL				1	1	
9	65W-43892-00	...BRUSH 2				1	1	
10	65W-43891-00	...BRUSH 1				1	1	
11	65W-4380F-00	...PLATE, BRUSH HOLDER				1	1	
12	65W-43879-00	...SCREW, WITH WASHER				2	2	
13	65W-43887-00	..BOLT, THROUGH				2	2	
14	65W-4388E-00	..BOLT				1	1	
15	65W-43840-00	..POWER TILT ASSY				1	1	
16	65W-4380K-00	..CYLINDER, TILT SUB ASSY				1	1	
17	65W-43810-00	..TILT PISTON SUB ASSY				1	1	
18	65W-43812-00	...SEAL, DUST				1	1	
19	65W-43865-00	...O-RING				1	1	
20	6H1-43861-10	...O-RING				1	1	
21	65W-43871-00	...RING, BACK UP				1	1	
22	65W-4381B-00	..FREE PISTON SUB ASSY				1	1	
23	6H1-43861-10	...O-RING				1	1	
24	93210-11368	..O-RING				3	3	
25	6H1-43816-00	..FILTER 1				1	1	
26	93210-064A5	..O-RING				4	4	
27	65W-4380L-00	..HOUSING, TRIM & TILT SUB ASSY				1	1	

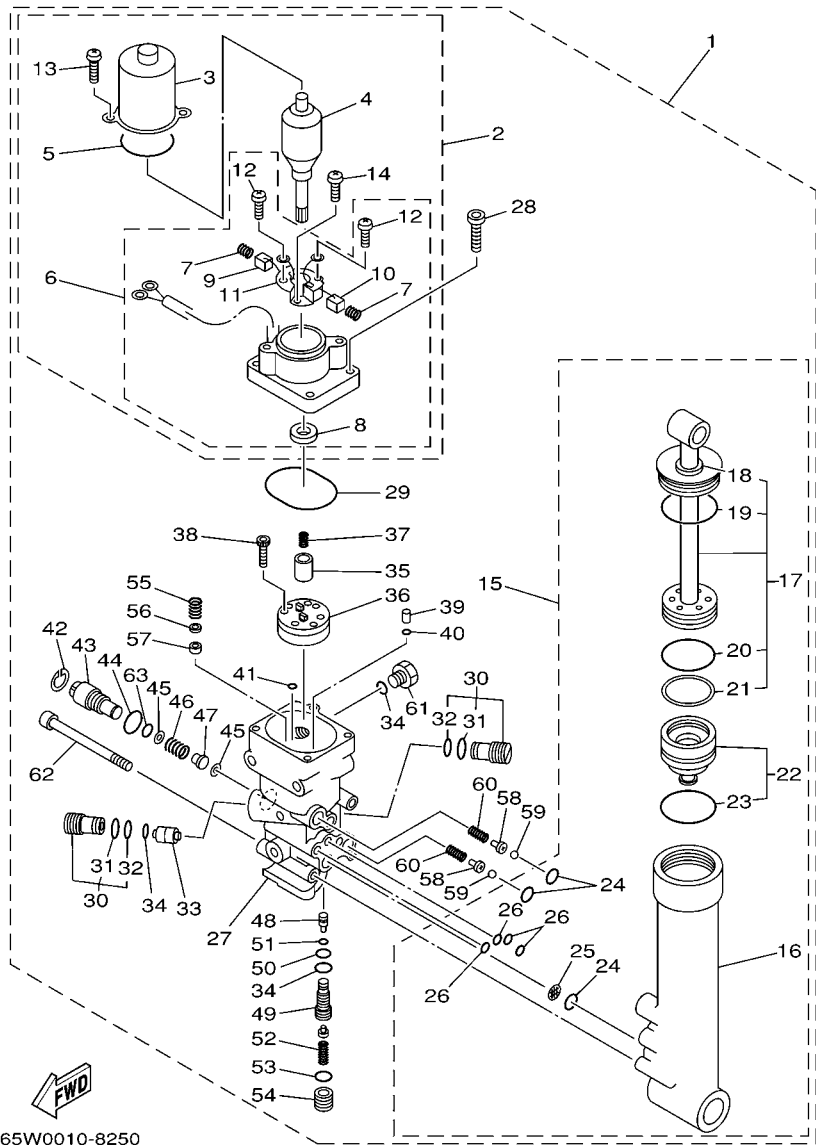
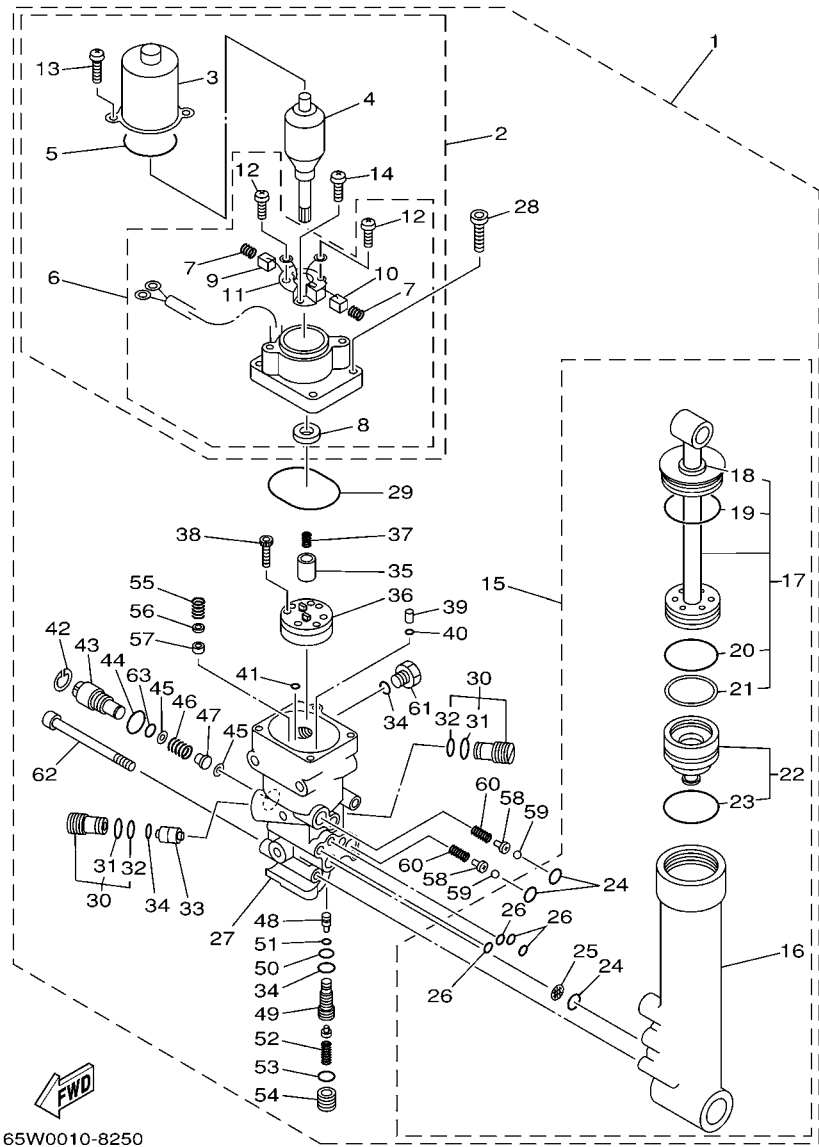


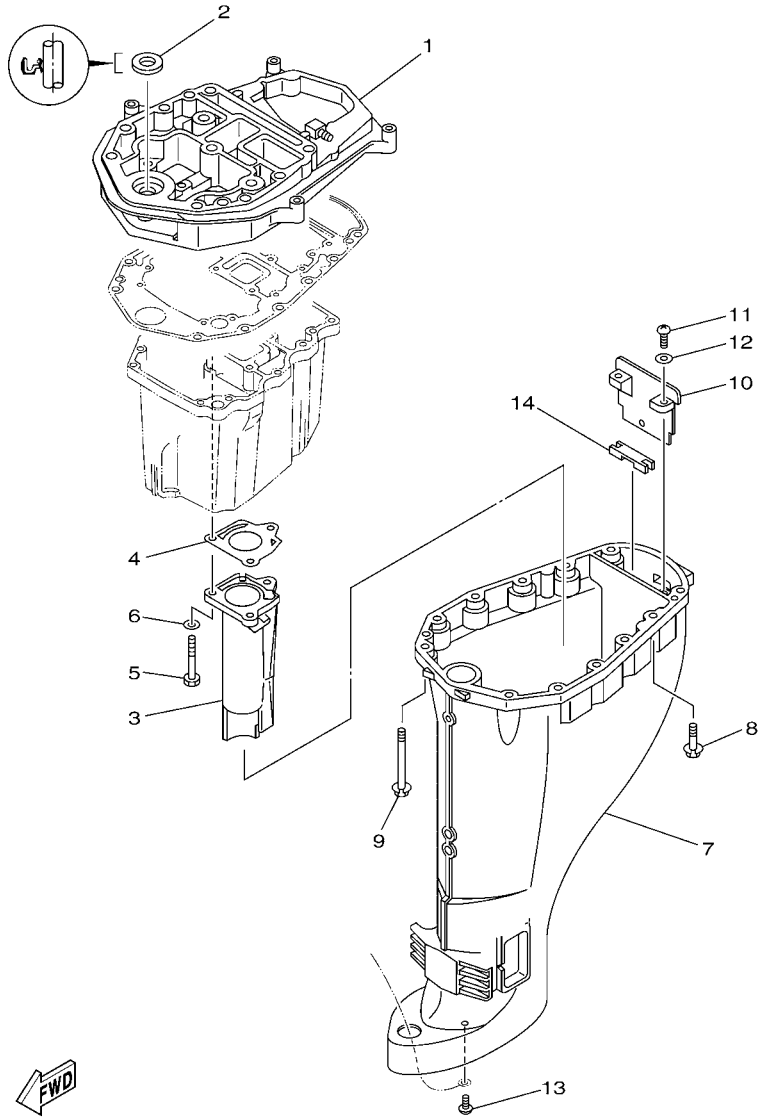
FIG. 25 POWER TRIM & TILT ASSY

REF. NO.	PART NO.	DESCRIPTION	M(H)	EH	E	ET	EHT	REMARKS
28	65W-43888-00	.BOLT, SOCKET				4	4	
29	93210-50768	.O-RING				1	1	
30	6T4-43802-03	.VALVE SUB ASSY				2	2	
31	6H1-43866-00	.O-RING				1	1	
32	6H1-43867-00	.O-RING				1	1	
33	62X-43841-00	.PISTON, SHUTTLE				1	1	
34	93210-09165	.O-RING				3	3	
35	65W-43831-00	.CONNECTOR, SHAFT				1	1	
36	65W-43830-00	.GEAR PUMP ASSY				1	1	
37	6T4-43853-00	.SPRING, MAIN VALVE				1	1	
38	91318-04025	.BOLT				4	4	
39	65W-43817-00	.FILTER 2				2	2	
40	65W-43861-00	.O-RING				2	2	
41	65W-43862-00	.O-RING				2	2	
42	6H1-43875-00	.RING, SNAP				1	1	
43	6H1-43845-00	.SCREW, MANUAL RELEASE				1	1	
44	93210-18397	.O-RING				1	1	
45	6H1-43847-00	.SEAT, MANUAL VALVE				2	2	
46	65W-43854-00	.SPRING, MANUAL RELEASE				1	1	
47	65W-4382A-00	.ADAPTOR 1				1	1	
48	65W-43844-00	.PIN, VALVE SUPPORT				1	1	
49	65W-43851-00	.SEAT, RELIEF VALVE				1	1	
50	93210-08006	.O-RING				1	1	
51	93210-03478	.O-RING				1	1	
52	65W-43855-00	.SPRING, UP RELIEF				1	1	
53	93210-11073	.O-RING				1	1	
54	65W-43843-00	.SCREW, VALVE LOCK				1	1	

FIG. 25 POWER TRIM & TILT ASSY



REF. NO.	PART NO.	DESCRIPTION	M(H)	EH	E	ET	EHT	REMARKS
55	6H1-43856-10	.SPRING, DOWN RELIEF				1	1	
56	6H1-43844-10	.PIN, VALVE SUPPORT				1	1	
57	6H1-4384F-10	.SEAL, MAIN VALVE				1	1	
58	65W-4386A-00	.PIN, ABSORBER VALVE				2	2	
59	93501-08001	.BALL				2	2	
60	65W-43853-00	.SPRING, MAIN VALVE				2	2	
61	6H1-43829-00	.PLUG, RESERVOIR				1	1	
62	62X-43878-00	.BOLT, SOCKET				3	3	
63	93210-10M74	.O-RING				1	1	

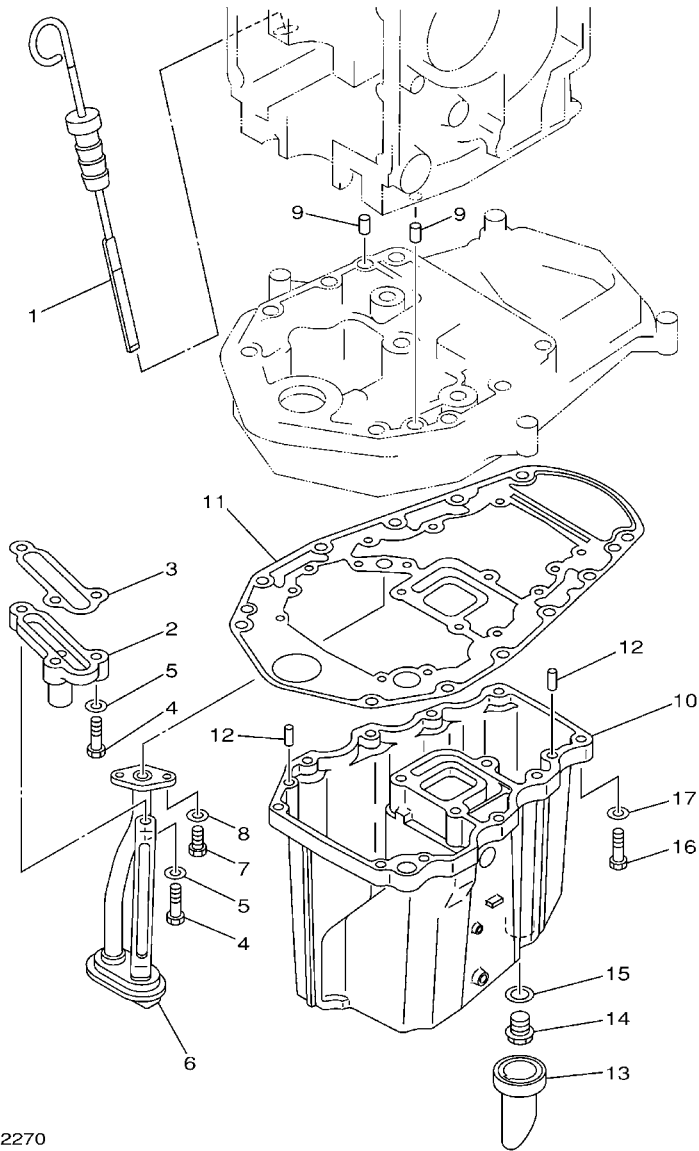


65W3100-C260

*1: NEW PARTS
STARTING SERIAL NO. : 65W-1013331 ~

FIG. 26 UPPER CASING

REF. NO.	PART NO.	DESCRIPTION	M(H)	EH	E	ET	EHT	REMARKS
1	65W-41137-04-94	GUIDE, EXHAUST	1	1	1	1	1	
2	93110-16004	OIL SEAL	1	1	1	1	1	
3	68U-41131-00-5B	MANIFOLD, EXT. 1	1	1	1	1	1	
4	67C-41133-00	GASKET, EXHAUST MANIFOLD 1	1	1	1	1	1	
5	97075-06050	BOLT	3	3	3	3	3	
6	92995-06600	WASHER	3	3	3	3	3	
7	65W-45111-00-4D	CASING, UPPER	1	1	1			S
	6D5-45111-00-4D	CASING, UPPER	1	1	1			NEW PARTS *1- S
	65W-45111-10-4D	CASING, UPPER	1	1	1	1	1	L
	6D5-45111-10-4D	CASING, UPPER	1	1	1	1	1	NEW PARTS *1- L
8	90119-08M79	BOLT, WITH WASHER	4	4	4	4	4	
9	90119-08M82	BOLT, WITH WASHER	8	8	8	8	8	
10	65W-45151-00	COVER, UPPER CASING	1	1	1	1	1	
11	97880-05016	SCREW, PAN HEAD	2	2	2	2	2	
12	92990-05600	WASHER, PLATE	2	2	2	2	2	
13	90157-06M06	SCREW, PAN HEAD	1	1	1	1	1	
14	65W-45128-00	SEAL 2	1	1	1	1	1	



65W1010-2270

FIG. 27 OIL PAN

REF. NO.	PART NO.	DESCRIPTION	M(H)	EH	E	ET	EHT	REMARKS
1	65W-15362-01	PLUG, OIL LEVEL	1	1	1	1	1	
2	62Y-11575-00	RELIEF VALVE ASSY	1	1	1	1	1	
3	62Y-13475-00	GASKET	1	1	1	1	1	
4	97013-06025	BOLT	3	3	3	3	3	
5	92903-06600	WASHER, PLATE	3	3	3	3	3	
6	65W-13411-00	STRAINER, OIL	1	1	1	1	1	
7	97013-06016	BOLT	2	2	2	2	2	
8	92903-06600	WASHER, PLATE	2	2	2	2	2	
9	93608-12M05	PIN, DOWEL	2	2	2	2	2	
10	65W-15311-02-5B	OIL PAN	1	1	1	1	1	
11	69W-15312-00	GASKET, OIL PAN	1	1	1	1	1	
12	93606-12019	PIN, DOWEL	4	4	4	4	4	
13	65W-15316-00	DAMPER, ENGINE MOUNT 1	1	1	1	1	1	
14	90340-14M06	PLUG, STRAIGHT SCREW	1	1	1	1	1	
15	90430-14M09	GASKET	1	1	1	1	1	
16	97075-06025	BOLT	10	10	10	10	10	
17	92995-06600	WASHER	10	10	10	10	10	

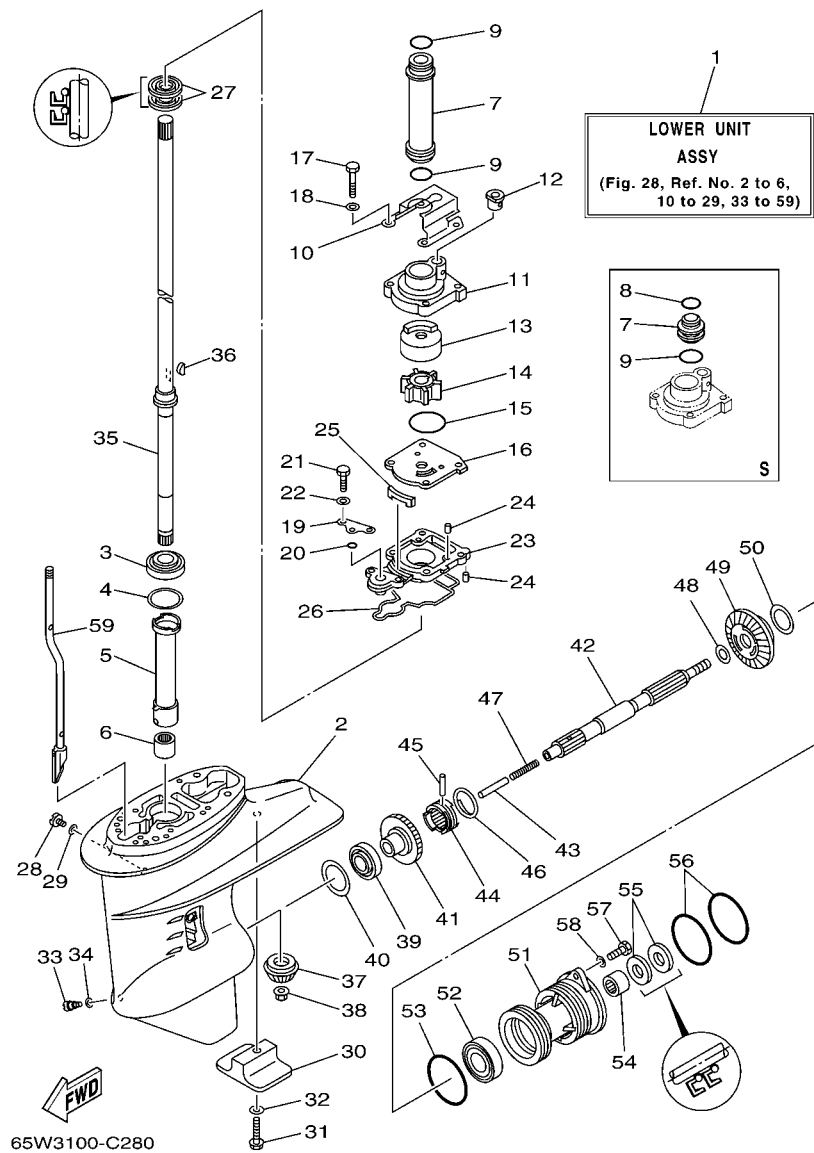


FIG. 28 LOWER CASING & DRIVE 1

REF. NO.	PART NO.	DESCRIPTION	M(H)	EH	E	ET	EHT	REMARKS
1	65W-45300-01-4D	LOWER UNIT ASSY	1	1	1			S
	65W-45300-11-4D	LOWER UNIT ASSY	1	1	1	1	1	L
2	61N-45311-02-4D	CASING, LOWER	1	1	1	1	1	
3	93332-000W5	BEARING	1	1	1	1	1	
4	61N-45587-00-07	SHIM (T:0.7MM)	1	1	1	1	1	UR
	61N-45587-00-10	SHIM (T:1.0MM)	1	1	1	1	1	UR
	61N-45587-00-11	SHIM (T:1.1MM)	1	1	1	1	1	UR
	61N-45587-00-12	SHIM (T:1.2MM)	1	1	1	1	1	UR
	61N-45587-00-13	SHIM (T:1.3MM)	1	1	1	1	1	UR
	61N-45587-00-14	SHIM (T:1.4MM)	1	1	1	1	1	UR
	61N-45587-00-15	SHIM (T:1.5MM)	1	1	1	1	1	UR
	61N-45587-00-16	SHIM (T:1.6MM)	1	1	1	1	1	UR
5	61N-45536-00	SLEEVE, DRIVE SHAFT	1	1	1	1	1	
6	93315-220V7	BEARING	1	1	1	1	1	
7	61N-44362-00	TUBE, WATER	1	1	1			S
	61N-44362-10	TUBE, WATER	1	1	1	1	1	L
8	93210-22164	O-RING	1	1	1			S
9	93210-26130	O-RING	1	1	1			S
	93210-26130	O-RING	2	2	2	2	2	L
10	65W-44328-11	PLATE	1	1	1	1	1	L
11	61N-44311-01	HOUSING, WATER PUMP	1	1	1	1	1	
12	6L2-44367-00	DAMPER, WATER SEAL	1	1	1	1	1	
13	61N-44322-01	INSERT, CARTRIDGE	1	1	1	1	1	
14	6H4-44352-02	IMPELLER	1	1	1	1	1	
15	93210-45161	O-RING	1	1	1	1	1	
16	61N-44323-00	OUTER PLATE, CARTRIDGE	1	1	1	1	1	
17	97095-06040	BOLT	4	4	4	4	4	

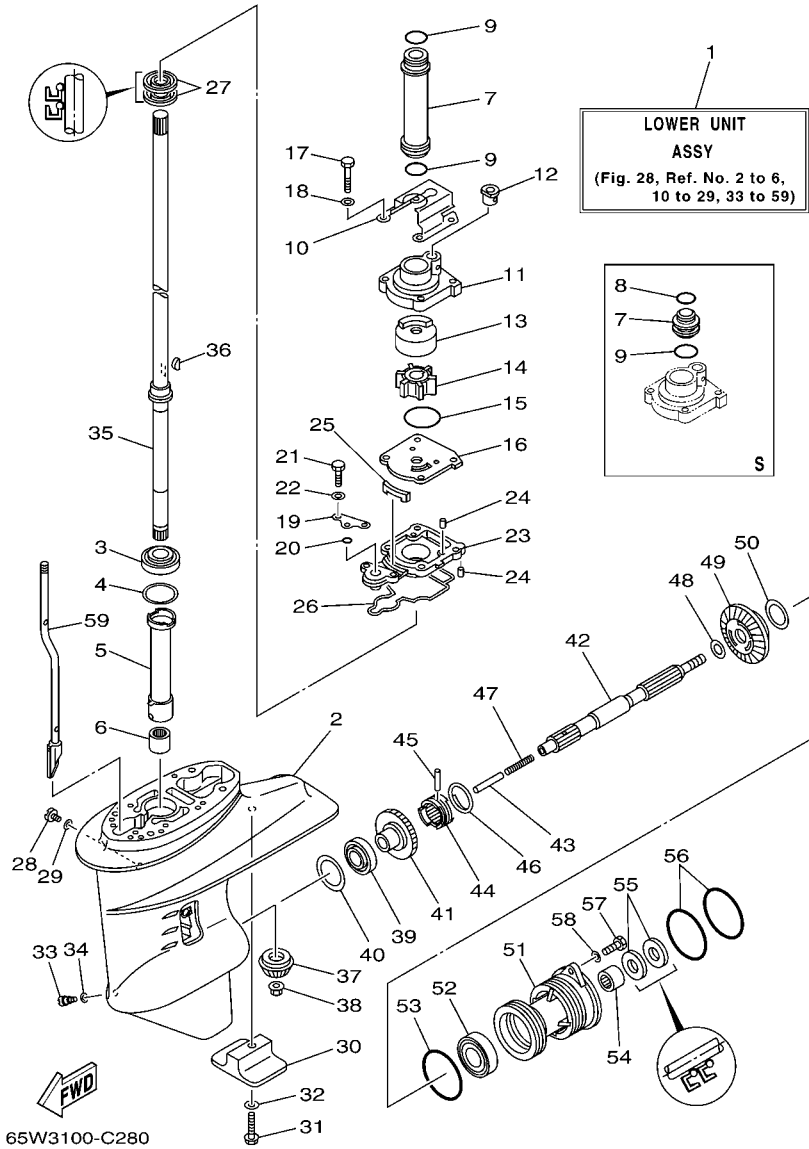


FIG. 28 LOWER CASING & DRIVE 1

REF. NO.	PART NO.	DESCRIPTION	M(H)	EH	E	ET	EHT	REMARKS
18	92995-06600	WASHER	4	4	4	4	4	
19	65W-44176-00	BRACKET	1	1	1	1	1	
20	93210-06ME6	O-RING	1	1	1	1	1	
21	97095-06025	BOLT	2	2	2	2	2	
22	92995-06600	WASHER	2	2	2	2	2	
23	65W-45331-00-5B	HOUSING, BEARING	1	1	1	1	1	
24	93604-10M03	PIN, DOWEL	3	3	3	3	3	
25	61N-45127-00	SEAL	1	1	1	1	1	
26	61N-45315-00	PACKING, LOWER CASING	1	1	1	1	1	
27	93101-22067	OIL SEAL	2	2	2	2	2	
28	90340-08002	PLUG, STRAIGHT SCREW	1	1	1	1	1	
29	90430-08020	GASKET	1	1	1	1	1	
30	61N-45251-01	ANODE	1	1	1	1	1	
31	95895-06035	BOLT, FLANGE	1	1	1	1	1	
32	92990-06300	WASHER, INTERNAL TOOTH	1	1	1	1	1	
33	688-45341-10	PLUG, DRAIN	1	1	1	1	1	
34	90430-08020	GASKET	1	1	1	1	1	
35	61N-45510-00	DRIVE SHAFT ASSY	1	1	1			S
	61N-45510-10	DRIVE SHAFT ASSY	1	1	1	1	1	L
36	90280-03024	KEY, WOODRUFF	1	1	1	1	1	
37	61N-45551-00	PINION	1	1	1	1	1	
38	90179-10M14	NUT	1	1	1	1	1	
39	93332-00005	BEARING	1	1	1	1	1	
40	6L2-45567-00-10	SHIM (T:1.0MM)	1	1	1	1	1	UR
	6L2-45567-00-11	SHIM (T:1.1MM)	1	1	1	1	1	UR
	6L2-45567-00-12	SHIM (T:1.2MM)	1	1	1	1	1	UR
	6L2-45567-00-13	SHIM (T:1.3MM)	1	1	1	1	1	UR

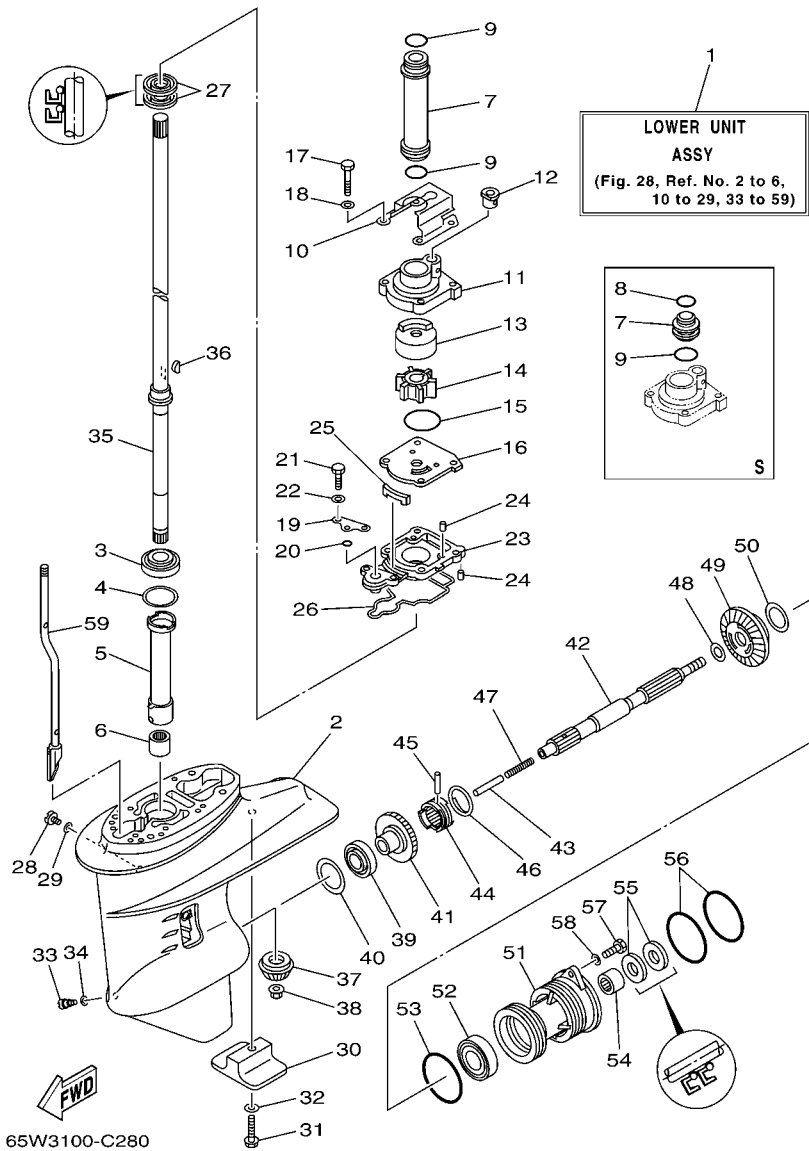
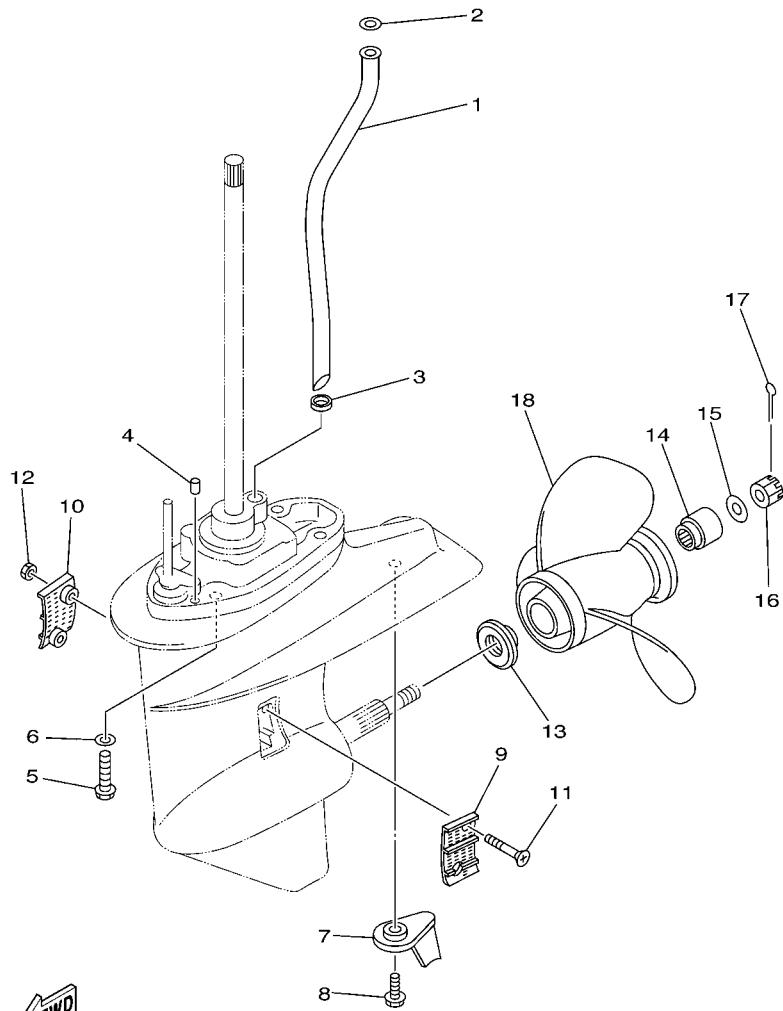


FIG. 28 LOWER CASING & DRIVE 1

REF. NO.	PART NO.	DESCRIPTION	M(H)	EH	E	ET	EHT	REMARKS
40	6L2-45567-00-14	SHIM (T:1.4MM)	1	1	1	1	1	UR
41	61N-45560-10	GEAR	1	1	1	1	1	
42	65W-45611-00	SHAFT, PROPELLER	1	1	1	1	1	
43	648-45635-00	PLUNGER, SHIFT	1	1	1	1	1	
44	664-45631-02	CLUTCH, DOG	1	1	1	1	1	
45	90250-05010	PIN, STRAIGHT	1	1	1	1	1	
46	648-45633-00	RING, CROSS PIN	1	1	1	1	1	
47	90501-10065	SPRING, COMPRESSION	1	1	1	1	1	
48	90201-20417	WASHER, PLATE	1	1	1	1	1	
49	61N-45571-00	GEAR	1	1	1	1	1	
50	6L2-45577-00-10	SHIM (T:1.0MM)	1	1	1	1	1	UR
	6L2-45577-00-11	SHIM (T:1.1MM)	1	1	1	1	1	UR
	6L2-45577-00-12	SHIM (T:1.2MM)	1	1	1	1	1	UR
	6L2-45577-00-13	SHIM (T:1.3MM)	1	1	1	1	1	UR
51	61N-45361-01-4D	CAP, LOWER CASING	1	1	1	1	1	
52	93306-00612	BEARING	1	1	1	1	1	
53	93210-64ME7	O-RING	1	1	1	1	1	
54	93315-22004	BEARING	1	1	1	1	1	
55	93101-20M07	OIL SEAL	2	2	2	2	2	
56	93210-65M50	O-RING	2	2	2	2	2	
57	97075-06020	BOLT	2	2	2	2	2	
58	92995-06600	WASHER	2	2	2	2	2	
59	65W-44150-01	SHIFT CAM ASSY	1	1	1			S
	65W-44150-11	SHIFT CAM ASSY	1	1	1	1	1	L

FIG. 29 LOWER CASING & DRIVE 2



65W1100-2290

REF. NO.	PART NO.	DESCRIPTION	M(H)	EH	E	ET	EHT	REMARKS
1	65W-44361-01	TUBE, WATER	1	1	1			S
	65W-44361-11	TUBE, WATER	1	1	1	1	1	L
2	90202-12060	WASHER, PLATE	1	1	1	1	1	
3	90430-10002	GASKET	1	1	1	1	1	
4	93606-11M24	PIN, DOWEL	2	2	2	2	2	
5	90105-10M12	BOLT, FLANGE	4	4	4	4	4	
6	92995-10600	WASHER	4	4	4	4	4	
7	61N-45371-00	TAB-TRIM	1	1	1	1	1	
8	90119-06M48	BOLT, WITH WASHER	1	1	1	1	1	
9	6L2-45214-00	COVER, WATER INLET	1	1	1	1	1	
10	6L2-45215-00	COVER, WATER INLET	1	1	1	1	1	
11	90151-05M05	SCREW, COUNTERSUNK	2	2	2	2	2	
12	90185-05002	NUT, SELF-LOCKING	2	2	2	2	2	
13	6L2-45987-01	SPACER	1	1	1	1	1	
14	689-45997-00	SPACER	1	1	1	1	1	
15	92990-14200	WASHER, PLAIN	1	1	1	1	1	
16	90171-14013	NUT, CASTLE	1	1	1	1	1	
17	91490-30022	PIN, COTTER	1	1	1	1	1	
18	664-45941-01-EL	PROPELLER (3X9-7/8X9-F)	1	1	1	1	1	UR
	664-45943-01-EL	PROPELLER (3X9-7/8X8-F)	1	1	1	1	1	UR
	664-45945-00-EL	PROPELLER (3X9-7/8X10-1/2-F)	1	1	1	1	1	UR
	664-45947-01-EL	PROPELLER (3X9-7/8X11-1/4-F)	1	1	1	1	1	UR
	664-45949-02-EL	PROPELLER (3X9-7/8X13-F)	1	1	1	1	1	UR
	664-45952-00-EL	PROPELLER (3X9-7/8X14-F)	1	1	1	1	1	UR
	664-45954-00-EL	PROPELLER (3X9-7/8"X12"-F)	1	1	1	1	1	UR
	664-45970-00-98	PROPELLER (3X9-1/8"X13"-F)	1	1	1	1	1	UR
	664-45972-00-98	PROPELLER (3X9-1/8"X12"-F)	1	1	1	1	1	UR

B6

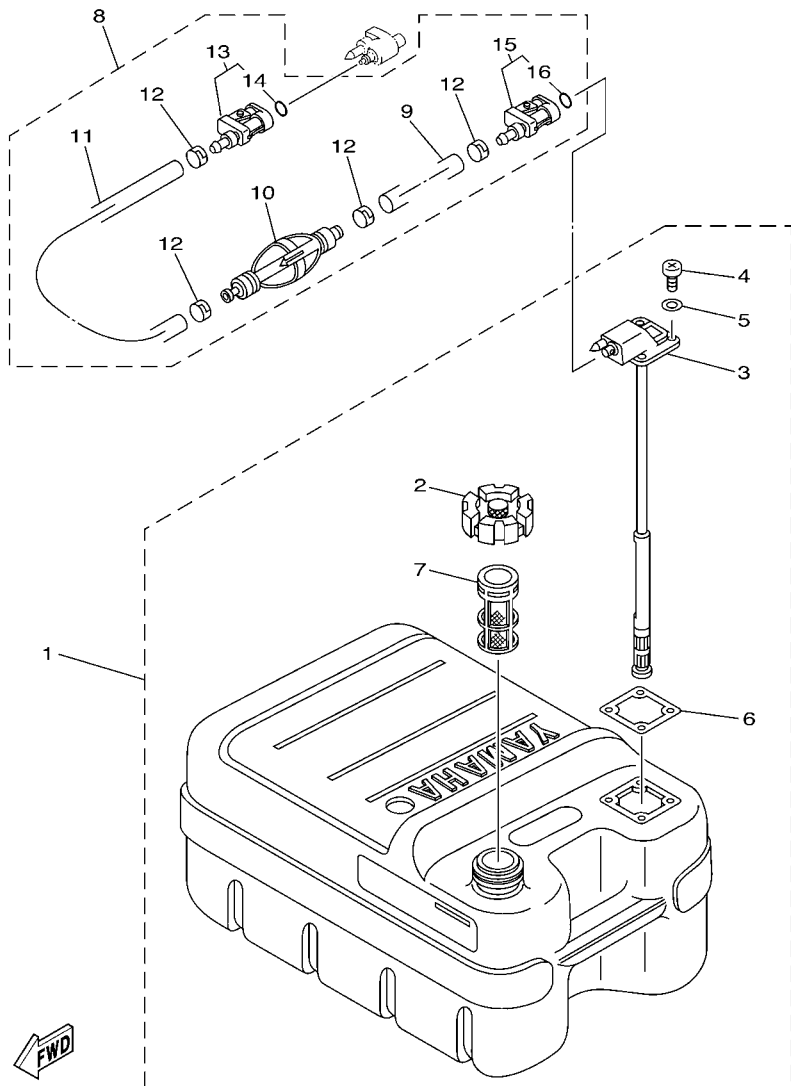
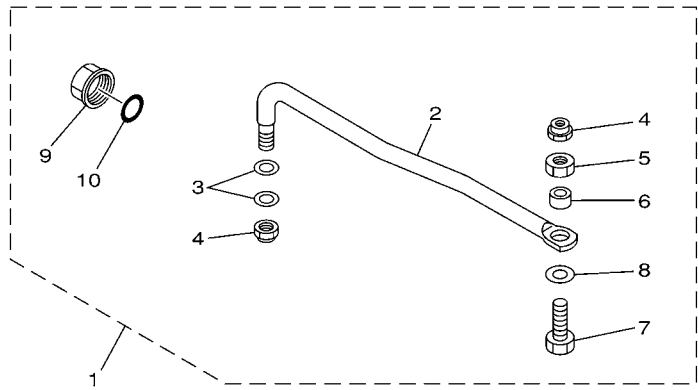


FIG. 30 FUEL TANK

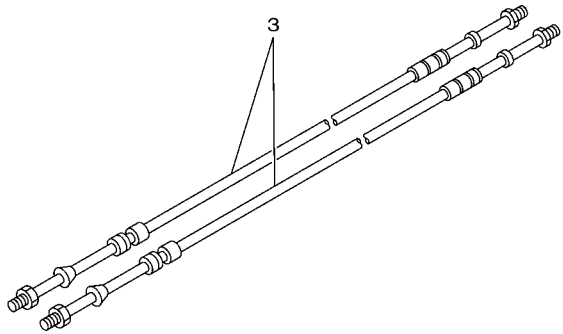
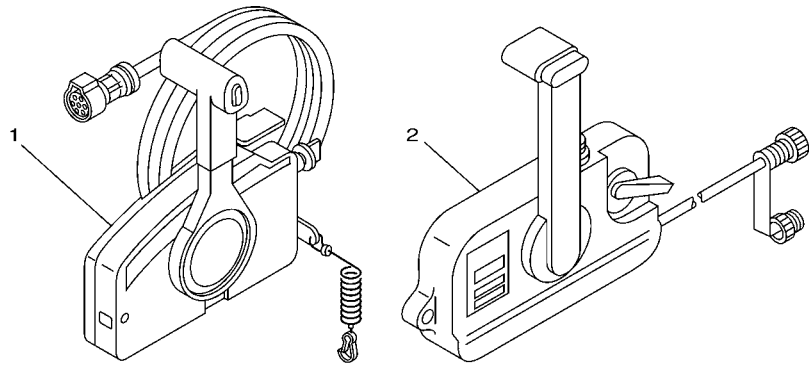
REF. NO.	PART NO.	DESCRIPTION	M(H)	EH	E	ET	EHT	REMARKS
1	6YJ-24201-50	FUEL TANK ASSY (24L)	1	1	1	1	1	AP CAN
	6YJ-24201-10	FUEL TANK ASSY (24L)	1			1	1	AP OCE,MEX,BRA
2	6YJ-24610-01	.CAP ASSY	1	1	1	1	1	
3	6Y1-24260-12	.FUEL METER ASSY	1	1	1	1	1	WITH INDICATOR
4	98586-05016	.SCREW, PAN HEAD	4	4	4	4	4	
5	6Y1-24329-00	.SEAL	4	4	4	4	4	
6	6Y1-24268-00	.GASKET, FUEL METER	1	1	1	1	1	
7	6YJ-24167-00	.STRAINER	1	1	1	1	1	
8	6Y1-24306-54	FUEL PIPE COMP. 1	1	1	1	1	1	AP CAN
	61J-24306-03	FUEL PIPE COMP. 1	1			1	1	AP OCE,MEX,BRA
9	90445-11M06	.HOSE (L2050)	1	1	1	1	1	
10	6Y1-24360-52	.PRIMER PUMP ASSY	1	1	1	1	1	FOR 6Y1-24306-54
	61J-24360-00	.PRIMER PUMP ASSY	1			1	1	FOR 61J-24306-03
11	90445-11M05	.HOSE (L850)	1	1	1	1	1	
12	650-24351-51	.BAND 1	4	4	4	4	4	FOR 6Y1-24306-54
	650-24351-01	.BAND 1	4			4	4	FOR 61J-24306-03
13	6G1-24305-04	.FUEL PIPE JOINT COMP. 2	1	1	1	1	1	
14	93210-08287	..O-RING	1	1	1	1	1	
15	6Y1-24305-05	.FUEL PIPE JOINT COMP. 2	1	1	1	1	1	
16	93210-08287	..O-RING	1	1	1	1	1	



65W0010-8210

FIG. 31 STEERING GUIDE

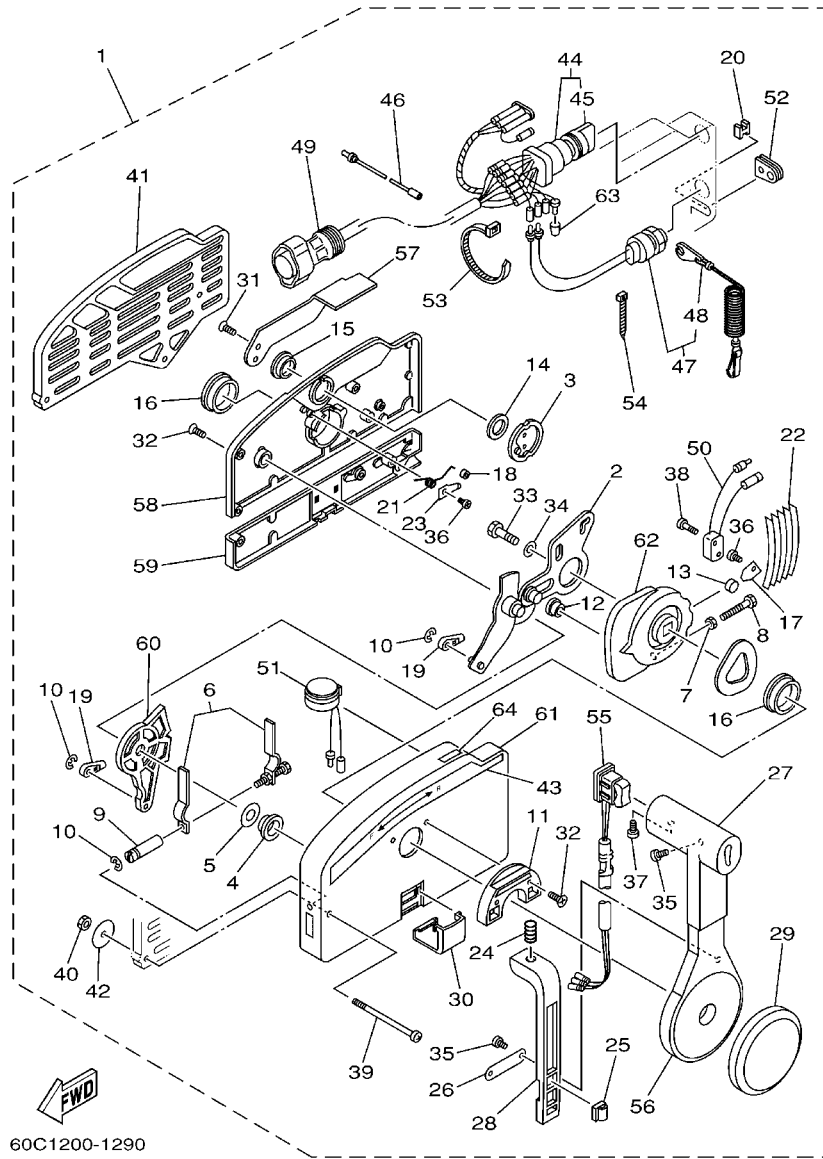
REF. NO.	PART NO.	DESCRIPTION	M(H)	EH	E	ET	EHT	REMARKS
1	65W-61350-00	STEERING GUIDE ATTACHMENT KIT	1		1	1		AP M-FOR MEX
2	65W-61351-00	.ROD, STEERING LINK	1		1	1		
3	90201-10M20	.WASHER, PLATE	2		2	2		
4	90185-09M01	.NUT, SELF-LOCKING	2		2	2		
5	90170-09M03	.NUT	1		1	1		
6	90387-10M42	.COLLAR	1		1	1		
7	90101-09M01	.BOLT	1		1	1		
8	90201-10M63	.WASHER, PLATE	1		1	1		
9	6E5-43145-01	.CAP, CLAMP BRACKET	1		1	1		
10	93210-16275	.O-RING	1		1	1		



67D0ACC-9040

FIG. 32 REMOTE CONTROL BOX

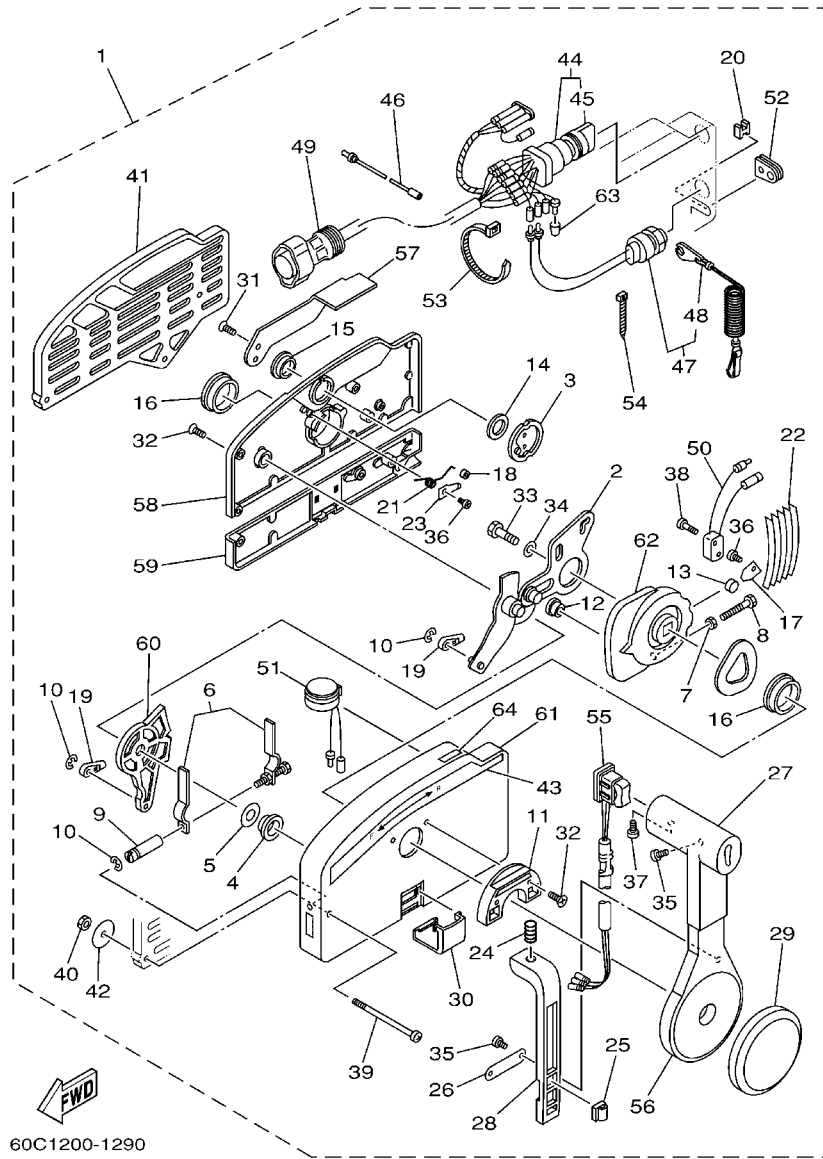
REF. NO.	PART NO.	DESCRIPTION	M(H)	EH	E	ET	EHT	REMARKS
1	703-48205-A4	REMOTE CONTROL ASSY (10P)				1		AP WITH PT/T SW.
	703-48201-A2	REMOTE CONTROL ASSY (10P)			1			AP
2	701-48130-E0	REMOTE CONTROL ASSY (RIGHT)	1					AP FOR MEX
3	701-48310-90	CABLE, REMOTE CONTROL L=11F	2		2	2		UR
	701-48320-00	CABLE, REMOTE CONTROL L=12F	2		2	2		UR
	701-48320-20	CABLE, REMOTE CONTROL L=13F	2		2	2		UR
	701-48320-50	CABLE, REMOTE CONTROL L=15F	2		2	2		UR



60C1200-1290

FIG. 33 REMOTE CONTROL ASSY 1

REF. NO.	PART NO.	DESCRIPTION	M(H)	EH	E	ET	EHT	REMARKS
1	703-48205-A4	REMOTE CONTROL ASSY (10P)				1		AP WITH PT/T SW.
	703-48201-A2	REMOTE CONTROL ASSY (10P)			1			AP
2	703-48261-01	.ARM, THROTTLE			1	1		
3	703-48153-00	.SHAFT, FREE ACCEL.			1	1		
4	703-48235-00	.BUSHING			1	1		
5	703-48268-00	.SPACER			1	1		
6	703-48264-00	.FRICTION, THROTTLE			1	1		
7	95380-05600	.NUT			1	1		
8	97380-05025	.BOLT			1	1		
9	703-48265-00	.SHAFT, FRICTION			1	1		
10	93430-06024	.CIRCLIP			3	3		
11	703-48245-00	.PLATE, LOCK			1	1		
12	703-48252-00	.ROLLER, CAM			1	1		
13	701-48248-00	.ROLLER, FREE ACCEL.			1	1		
14	703-48198-00	.WASHER, WAVE			1	1		
15	703-48243-00	.BUSHING			1	1		
16	703-48236-00	.BUSHING 1			2	2		
17	703-48189-00	.RETAINER			1	1		
18	703-48234-00	.ROLLER, DETENT			1	1		
19	703-48345-01	.CABLE END, REMOTE CONTROL 2			2	2		
20	703-48358-00	.ANCHOR, CABLE			1	1		
21	703-48244-00	.SPRING, FREE ACCEL.			1	1		
22	703-48238-00	.SPRING, DETENT			5	5		
23	703-48246-00	.SPACER			1	1		
24	703-48227-00	.SPRING, NEUTRAL LOCK			1	1		
25	703-82594-00	.CLAMP				1		WITH PT/T SW.
26	703-48226-00	.PLATE, STOPPER			1	1		



60C1200-1290

FIG. 33 REMOTE CONTROL ASSY 1

REF. NO.	PART NO.	DESCRIPTION	M(H)	EH	E	ET	EHT	REMARKS
27	703-48222-00	.GRIP, CONTROL LEVER			1	1		SINGLE
28	703-48223-00	.LOCK, NEUTRAL			1	1		
29	703-48225-00	.COVER			1	1		
30	703-48219-00	.COVER, LEAD			1	1		
31	703-48281-00	.SCREW			2	2		
32	703-48282-00	.SCREW			7	7		
33	97380-08030	.BOLT			1	1		
34	92990-08600	.WASHER, PLATE			1	1		
35	98580-04010	.SCREW, PAN HEAD			3	3		
36	98580-04006	.SCREW, PAN HEAD			2	2		
37	98580-05010	.SCREW, PAN HEAD			1	1		
38	98580-03015	.SCREW, PAN HEAD			2	2		
39	703-48291-10	.SCREW (M6)			3	3		
40	95380-06600	.NUT, HEXAGON			3	3		
41	703-48293-10	.SPACER, REMOTE CONTROL			1	1		SINGLE
42	701-48287-00	.WASHER			3	3		
43	703-48215-00	.GRAPHIC			1	1		
44	703-82510-12	.MAIN SWITCH ASSY			1	1		PRIME START
45	676-82577-00	..CAP, KEY			1	1		
46	703-82531-00	.WIRE, LEAD			1	1		
47	688-82575-01	.ENGINE STOP SWITCH ASSY			1	1		
48	682-82556-00	..STOPPER			1	1		
49	688-8258A-20	.EXTENSION, WIRE HARNESS			1	1		L:5M (10P)
50	703-82540-00	.NEUTRAL SWITCH ASSY			1	1		
51	703-83383-A0	.BUZZER			1	1		
52	703-48284-00	.GROMMET			1	1		
53	703-82591-00	.BAND			1	1		

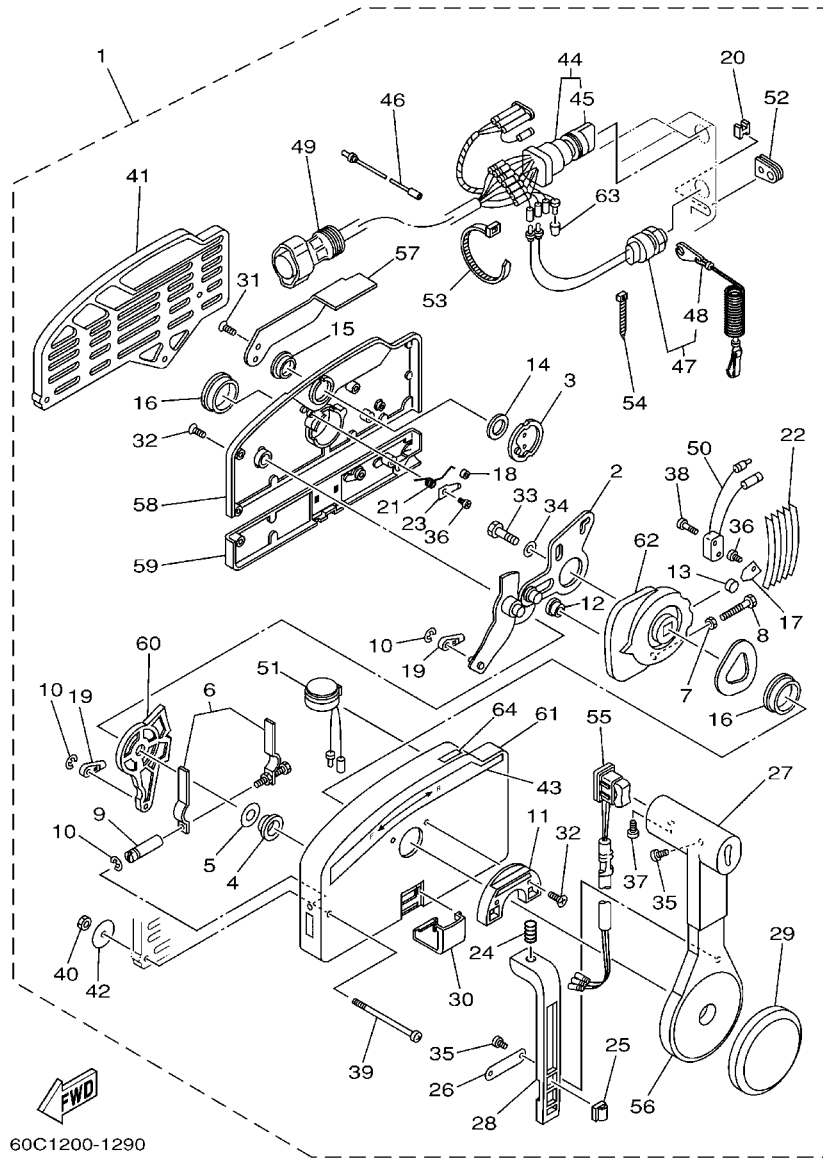


FIG. 33 REMOTE CONTROL ASSY 1

REF. NO.	PART NO.	DESCRIPTION	M(H)	EH	E	ET	EHT	REMARKS
54	703-82592-00	.BAND			1	1		
55	703-82563-02	.TRIM & TILT SWITCH ASSY				1		WITH PT/T SW.
	703-48224-00	.COVER, CONTROL LEVER			1			WITHOUT PT/T SW.
56	703-48221-00	.LEVER, CONTROL			1	1		
57	703-48152-00	.KNOB, FREE ACCEL.			1	1		
58	703-48212-00	.BACK PLATE 1			1	1		
59	703-48213-00	.BACK PLATE 2			1	1		
60	703-48271-00	.ARM, SHIFT			1	1		
61	703-48211-01	.HOUSING,1			1	1		
62	703-48232-00	.GEAR			1	1		
63	703-82542-00	.CAP				1		FOR 703-48205-A4
	703-82542-00	.CAP				3		FOR 703-48201-A2
64	703-48218-00	.GRAPHIC			1	1		

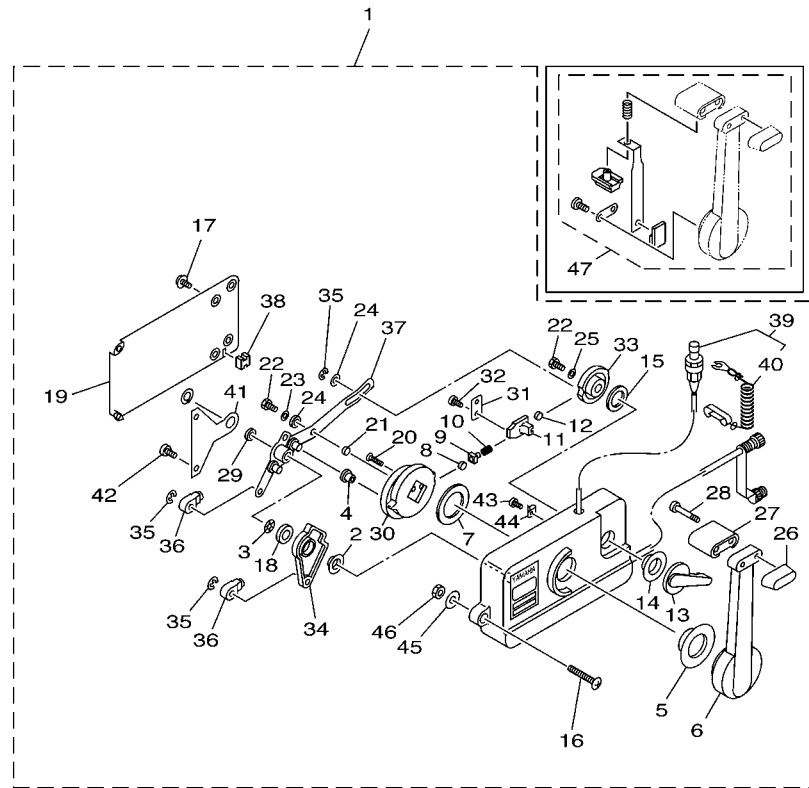
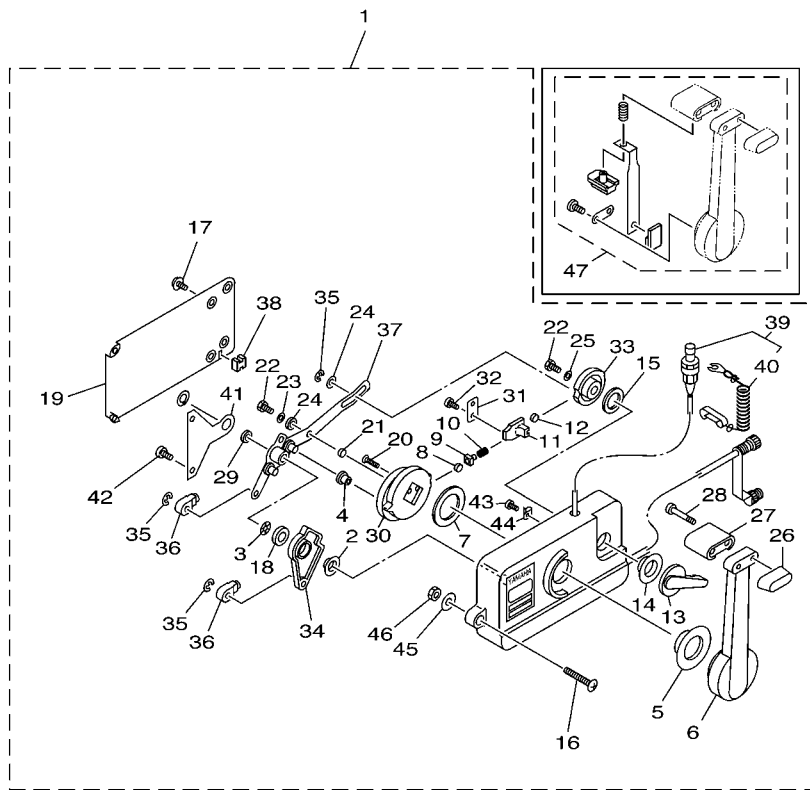


FIG. 34 REMOTE CONTROL ASSY 2

REF. NO.	PART NO.	DESCRIPTION	M(H)	EH	E	ET	EHT	REMARKS
1	701-48130-E0	REMOTE CONTROL ASSY (RIGHT)	1					AP FOR MEX
2	701-48235-00	.BUSHING	1					
3	701-48197-10	.WASHER, WAVE	1					
4	701-48252-00	.ROLLER, CAM	1					
5	701-48234-00	.BUSHING 1	1					
6	701-48221-00	.LEVER, CONTROL	1					
7	701-48196-11	.WASHER, WAVE	1					
8	701-48236-00	.ROLLER, DETENT	1					
9	702-48237-00	.ADAPTOR	1					
10	702-48238-00	.SPRING, DETENT	1					
11	701-48249-00	.ADAPTOR, SPRING	1					
12	701-48248-00	.ROLLER, FREE ACCEL.	1					
13	701-48152-11	.KNOB, FREE ACCEL.	1					RIGHT
14	701-48243-00	.BUSHING	1					
15	701-48198-10	.WASHER, WAVE	1					
16	701-48281-10	.SCREW	3					
17	701-48289-00	.SCREW	4					
18	701-48268-00	.SPACER	1					
19	701-48213-00	.BACK PLATE 2	1					
20	92780-06025	.SCREW, FLAT HEAD	2					
21	701-48255-00	.COLLAR	1					
22	97390-06018	.BOLT	2					
23	702-48288-00	.WASHER, PLAIN	1					
24	701-48246-00	.SPACER	2					
25	92990-06300	.WASHER, INTERNAL TOOTH	1					
26	701-48229-00	.GRIP, CONTROL LEVER	1					
27	701-48222-00	.GRIP, CONTROL LEVER	1					

65W2100-3340

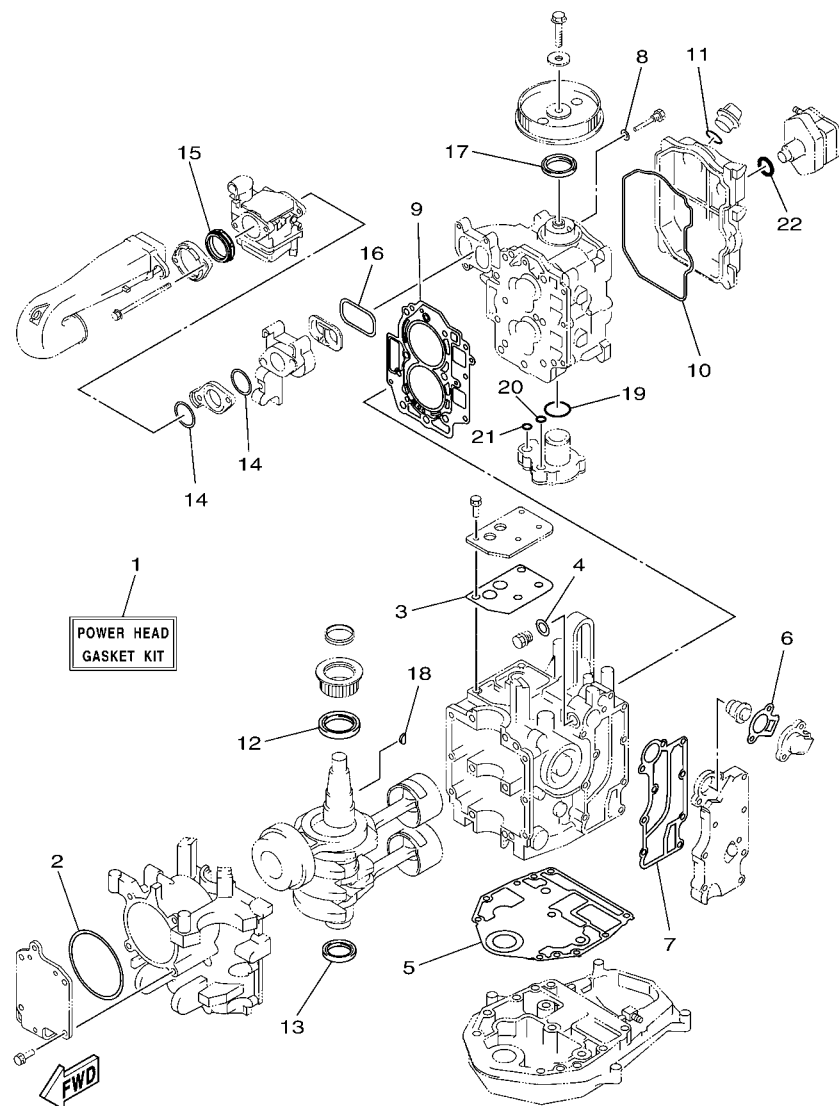
FIG. 34 REMOTE CONTROL ASSY 2



REF. NO.	PART NO.	DESCRIPTION	M(H)	EH	E	ET	EHT	REMARKS
28	701-48282-00	.SCREW	2					
29	701-48266-00	.SPACER	1					
30	701-48232-00	.GEAR	1					
31	701-48189-11	.RETAINER	1					
32	98580-05010	.SCREW, PAN HEAD	2					
33	701-48153-12	.SHAFT, FREE ACCEL.	1					
34	701-48271-00	.ARM, SHIFT	1					RIGHT
35	93430-06024	.CIRCLIP	3					
36	703-48345-01	.CABLE END, REMOTE CONTROL 2	2					
37	701-48261-20	.ARM, THROTTLE	1					
38	701-48358-00	.ANCHOR, CABLE	1					
39	701-82575-53	.ENGINE STOP SWITCH ASSY	1					
40	682-82556-00	..STOPPER	1					
41	701-48133-00	.PLATE, LINK	1					
42	98580-05020	.SCREW, PAN HEAD	2					
43	701-48283-00	.SCREW	1					
44	701-82594-00	.CLAMP	1					
45	701-48287-00	.WASHER	3					
46	95380-06600	.NUT, HEXAGON	3					
47	701-48280-00	NEUTRAL LOCK KIT	1					

65W2100-3340

FIG. 35 REPAIR KIT 1



65W3100-C350

*1: NEW PARTS
STARTING SERIAL NO. : 65W-1013331 ~

REF. NO.	PART NO.	DESCRIPTION	M(H)	EH	E	ET	EHT	REMARKS
1	65W-W0001-02	POWER HEAD GASKET KIT	1	1	1	1	1	
	6D5-W0001-00	POWER HEAD GASKET KIT	1	1	1	1	1	NEW PARTS *1
2	65W-15663-00	.SEAL	1	1	1	1	1	
3	65W-11169-01	.GASKET, BREATHER COVER	1	1	1	1	1	
4	90430-14115	.GASKET	1	1	1	1	1	
5	65W-11351-10	.GASKET, CYLINDER	1	1	1	1	1	
6	62Y-12414-00	.GASKET, COVER	1	1	1	1	1	
7	65W-41114-00	.GASKET, EXHAUST OUTER COVER	1	1	1	1	1	
8	90430-06014	.GASKET	1	1	1	1	1	
9	65W-11181-20	.GASKET, CYLINDER HEAD 1	1	1	1	1	1	
	65W-11181-30	.GASKET, CYLINDER HEAD 1	1	1	1	1	1	NEW PARTS *1
10	65W-11356-00	.SEAL, CYLINDER 2	1	1	1	1	1	
11	93210-24M79	.O-RING	1	1	1	1	1	
12	93102-43M42	.OIL SEAL	1	1	1	1	1	
	93102-43004	.OIL SEAL	1	1	1	1	1	NEW PARTS *1
13	93102-35M47	.OIL SEAL	1	1	1	1	1	
	93101-35002	.OIL SEAL	1	1	1	1	1	NEW PARTS *1
14	65W-14198-00	.GASKET	2	2	2	2	2	
15	65W-14457-10	.SEAL	1	1	1	1	1	
16	65W-13645-00	.GASKET, MANIFOLD 1	1	1	1	1	1	
17	93102-37M40	.OIL SEAL	1	1	1	1	1	
18	90280-04M06	.KEY, WOODRUFF	1	1	1	1	1	
19	93210-33MH2	.O-RING	1	1	1	1	1	
20	93210-12MG9	.O-RING	1	1	1	1	1	
21	93210-14515	.O-RING	1	1	1	1	1	
22	93210-24M79	.O-RING	1	1	1	1	1	

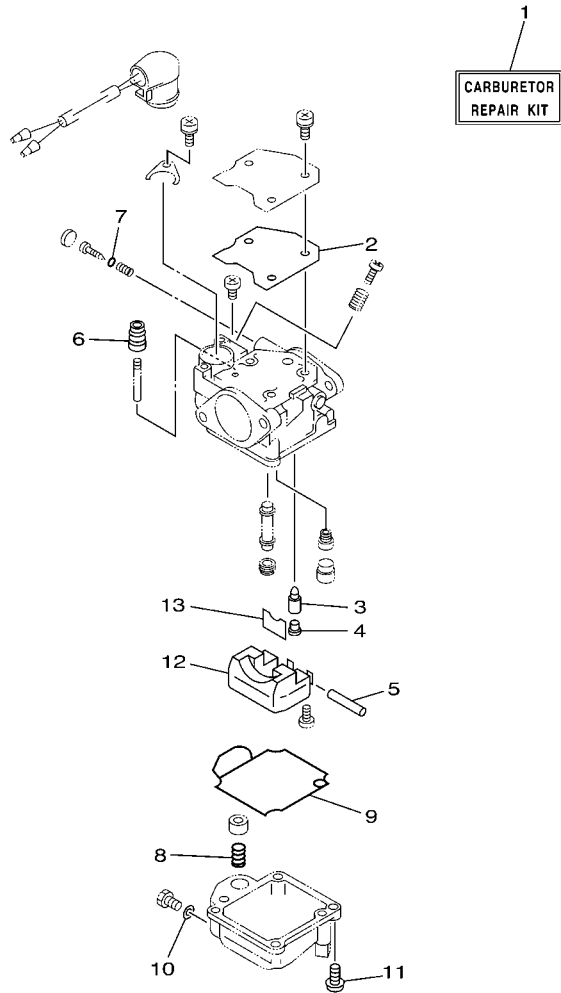


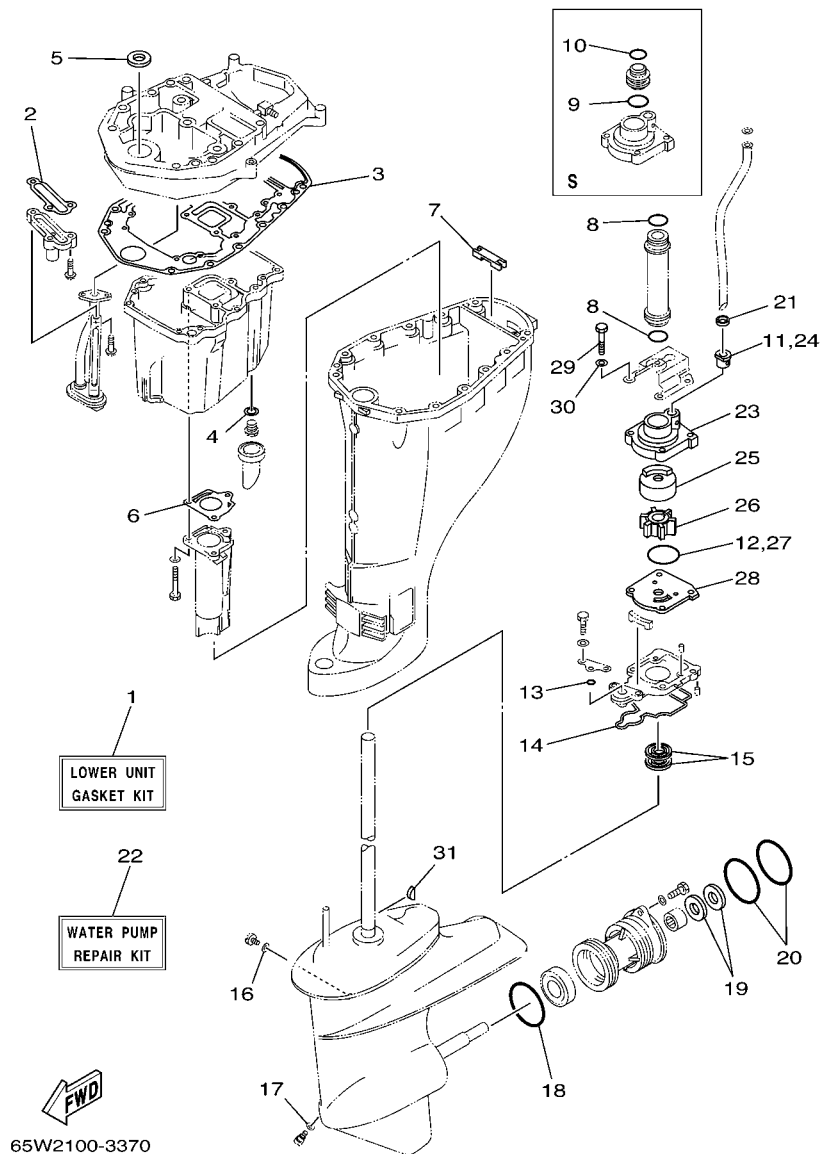
FIG. 36 REPAIR KIT 2

REF. NO.	PART NO.	DESCRIPTION	M(H)	EH	E	ET	EHT	REMARKS
1	65W-W0093-01	CARBURETOR REPAIR KIT	1	1	1	1	1	
2	65W-14126-00	.GASKET	1	1	1	1	1	
3	6G1-14546-01	.VALVE, NEEDLE	1	1	1	1	1	
4	676-14186-00	.PIN, FLOAT	1	1	1	1	1	
5	6H4-14548-00	.PIN, FLOAT ARM	1	1	1	1	1	
6	65W-14373-00	.COVER, PLUNGER CAP	1	1	1	1	1	
7	67C-14397-00	.O-RING	1	1	1	1	1	
8	65W-14335-00	.SPRING, PLUNGER	1	1	1	1	1	
9	65W-14384-00	.GASKET, FLOAT CHAMBER	1	1	1	1	1	
10	65W-14398-00	.GASKET	1	1	1	1	1	
11	97980-04114	.SCREW, WITH WASHER	4	4	4	4	4	
12	63V-14985-00	.FLOAT	1	1	1	1	1	
13	663-14159-00	.CLIP	1	1	1	1	1	



65W3100-C360

FIG. 37 REPAIR KIT 3

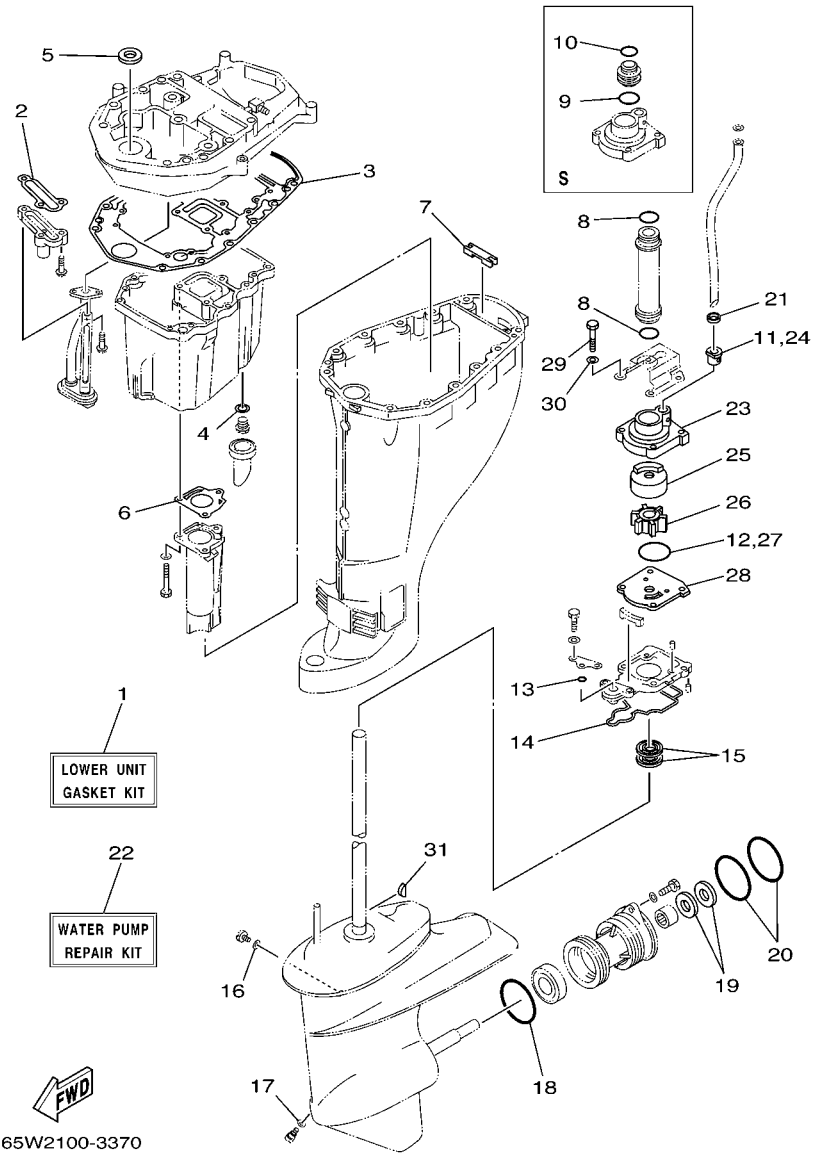


65W2100-3370

REF. NO.	PART NO.	DESCRIPTION	M(H)	EH	E	ET	EHT	REMARKS
1	65W-W0001-23	LOWER UNIT GASKET KIT	1	1	1	1	1	
2	62Y-13475-00	.GASKET	1	1	1	1	1	
3	69W-15312-00	.GASKET, OIL PAN	1	1	1	1	1	
4	90430-14M09	.GASKET	1	1	1	1	1	
5	93110-16004	.OIL SEAL	1	1	1	1	1	
6	67C-41133-00	.GASKET, EXHAUST MANIFOLD 1	1	1	1	1	1	
7	65W-45128-00	.SEAL 2	1	1	1	1	1	
8	93210-26130	.O-RING	2	2	2	2	2	L
9	93210-26130	.O-RING	1	1	1	1	1	S
10	93210-22164	.O-RING	1	1	1	1	1	S
11	6L2-44367-00	.DAMPER, WATER SEAL	1	1	1	1	1	
12	93210-45161	.O-RING	1	1	1	1	1	
13	93210-06ME6	.O-RING	1	1	1	1	1	
14	61N-45315-00	.PACKING, LOWER CASING	1	1	1	1	1	
15	93101-22067	.OIL SEAL	2	2	2	2	2	
16	90430-08020	.GASKET	1	1	1	1	1	
17	90430-08020	.GASKET	1	1	1	1	1	
18	93210-64ME7	.O-RING	1	1	1	1	1	
19	93101-20M07	.OIL SEAL	2	2	2	2	2	
20	93210-65M50	.O-RING	2	2	2	2	2	
21	90430-10002	.GASKET	1	1	1	1	1	
22	61N-W0078-11	WATER PUMP REPAIR KIT	1	1	1	1	1	
23	61N-44311-01	.HOUSING, WATER PUMP	1	1	1	1	1	
24	6L2-44367-00	.DAMPER, WATER SEAL	1	1	1	1	1	
25	61N-44322-01	.INSERT, CARTRIDGE	1	1	1	1	1	
26	6H4-44352-02	.IMPELLER	1	1	1	1	1	
27	93210-45161	.O-RING	1	1	1	1	1	

D3

FIG. 37 REPAIR KIT 3



65W2100-3370

REF. NO.	PART NO.	DESCRIPTION	M(H)	EH	E	ET	EHT	REMARKS
28	61N-44323-00	.OUTER PLATE, CARTRIDGE	1	1	1	1	1	
29	97095-06040	.BOLT	4	4	4	4	4	
30	92995-06600	.WASHER	4	4	4	4	4	
31	90280-03024	.KEY, WOODRUFF	1	1	1	1	1	

NUMERICAL INDEX

PART NO.	REF. NO.	PART NO.	REF. NO.	PART NO.	REF. NO.	PART NO.	REF. NO.	PART NO.	REF. NO.	PART NO.	REF. NO.
65W-11111-20-1S	4 - 2	30X-12117-00	5 - 5	65W-1414F-10	7 - 20	676-14948-07	7 - 6	65W-15770-00	11 - 40	6YJ-24610-01	30 - 2
65W-11119-00	2 - 12	30X-12118-00	5 - 6	663-14159-00	7 - 15	676-14948-08	7 - 6	65W-15770-20	11 - 40	65W-26311-00	18 - 27
62Y-11133-30	4 - 3	51Y-12119-00	5 - 7		36 - 13	679-14966-00	7 - 7	65W-15771-00	12 - 23	65W-26326-00	17 - 19
65W-11168-01	2 - 9	62Y-12121-00	5 - 2	676-14186-00	7 - 14	65W-14980-00	7 - 25	65W-15774-00	11 - 34	65W-26326-10	17 - 19
65W-11169-01	2 - 10	62Y-12138-40	4 - 25		36 - 4	65W-14980-20	7 - 25	6F5-15779-02	11 - 26		21 - 17
	35 - 3	62Y-12138-50	4 - 25	65W-14198-00	6 - 6	63V-14985-00	7 - 12	65W-15784-00	11 - 21	62Y-28100-00	9 - 39
65W-11181-20	4 - 15	62Y-12138-60	4 - 25		35 - 14		36 - 12	6A0-15789-00	11 - 27	61H-2819R-31	9 - 38
	35 - 9	65W-12146-00	5 - 8	65W-14262-00	6 - 7	65W-14992-00	7 - 27	65W-15791-00	11 - 16	65W-41113-10-1S	2 - 23
65W-11181-30	4 - 15	65W-12151-00	5 - 9	65W-14271-00	6 - 5	65W-15100-11-1S	2 - 2	65W-15793-00	11 - 12	65W-41114-00	2 - 25
	35 - 9	62Y-12158-00	5 - 11	67C-1432A-00	7 - 35	65W-15121-01	2 - 6	65W-15794-00	11 - 20		35 - 7
65W-11191-00-1S	4 - 19	62Y-12159-00	5 - 10	65W-14335-00	7 - 22	65W-15311-02-5B	27 - 10	6YJ-24167-00	30 - 7	68U-41131-00-5B	26 - 3
62Y-11325-00	4 - 5	65W-12170-20	8 - 2		36 - 8	69W-15312-00	27 - 11	6YJ-24201-10	30 - 1	67C-41133-00	26 - 4
66M-11327-00-94	4 - 7	65W-12171-01	8 - 2	65W-14346-00	7 - 30		37 - 3	6YJ-24201-50	30 - 1		37 - 6
66M-11328-00	4 - 6	62Y-12216-00	5 - 13	65W-14371-00	7 - 23	65W-15316-00	27 - 13	65W-24251-00	9 - 16	65W-41137-04-94	26 - 1
65W-11351-10	2 - 16	65W-12228-00	2 - 8	65W-14373-00	7 - 18	65W-15362-01	27 - 1	6Y1-24260-12	30 - 3	65W-41211-00	20 - 5
	35 - 5	62Y-12231-00	5 - 14		36 - 6	6G8-15363-00	4 - 23	6Y1-24268-00	30 - 6	661-41262-02	20 - 3
65W-11356-00	4 - 20	62Y-12238-00	5 - 12	65W-14379-00	7 - 19	65W-15370-00	6 - 17	6G1-24304-02	9 - 31	65W-41283-00	20 - 2
	35 - 10	6G8-12411-02	2 - 17	65W-14380-00	7 - 29	65W-15370-10	6 - 18	6G1-24305-04	30 - 13	65W-41638-00	20 - 1
62Y-11372-01	2 - 24	6H3-12413-00-1S	2 - 18	65W-14380-20	7 - 29	65W-15397-10	6 - 13	6E5-24305-05	10 - 2	6F5-41662-00	20 - 14
65W-11411-01	3 - 3	62Y-12414-00	2 - 19	65W-14384-00	7 - 24	65W-15414-00	11 - 22	6Y1-24305-05	30 - 15	65W-42101-01-4D	18 - 12
62Y-11416-00	3 - 4		35 - 6		36 - 9	65W-15481-00	11 - 17	6Y2-24305-05	10 - 4	66M-42119-00	18 - 20
62Y-11416-10	3 - 4	62Y-12481-00	2 - 24	67C-14397-00	7 - 32	65W-15482-00	11 - 43	61J-24306-03	30 - 8	65W-42121-01-4D	18 - 38
62Y-11416-20	3 - 4	66M-12535-00	4 - 8		36 - 7	65W-15482-20	11 - 43	6Y1-24306-54	30 - 8	65W-42123-00	18 - 6
65W-11476-00	8 - 9	69W-12535-00	17 - 33	65W-14398-00	7 - 26	65W-15645-00	11 - 30	6Y2-24306-55	10 - 1	65W-42125-00	18 - 17
65W-11536-10	8 - 8	68T-12572-00	17 - 32		36 - 10	65W-15663-00	2 - 7	6Y1-24329-00	30 - 5	6G1-42126-00	18 - 16
65W-11537-01	8 - 3	6R3-12580-00	17 - 38	65W-14440-00	6 - 1		35 - 2	650-24351-01	30 - 12	65W-42131-01	18 - 35
65W-11545-00	12 - 4	62Y-13131-01	9 - 5	65W-14457-10	6 - 8	65W-15711-01	11 - 4	650-24351-51	30 - 12	6J0-42137-00	18 - 21
62Y-11575-00	27 - 2	65W-13286-00	2 - 20		35 - 15	65W-15711-20	11 - 4	6E5-24351-51	10 - 7	65W-42138-00	18 - 14
67C-11603-00	3 - 9	65W-13300-00	8 - 11	65W-14496-00	6 - 4	65W-15713-00	11 - 6	61J-24360-00	30 - 10	65W-42159-00	18 - 15
68U-11603-00	3 - 9	65W-13323-00	6 - 3	65W-14497-01	20 - 6	65W-15714-01	11 - 7	6Y1-24360-52	30 - 10	66M-42177-00	18 - 19
67C-11604-00	3 - 9	65W-13411-00	27 - 6	63V-14523-00	7 - 9	65W-15715-00	11 - 10	6Y2-24360-60	10 - 9	65W-42508-00	19 - 1
68U-11604-00	3 - 9	67F-13434-02	1 - 16	62D-14546-01	7 - 13	65W-15716-00	11 - 11	62Y-24374-01	9 - 11	65W-42511-00-4D	24 - 6
67C-11605-00	3 - 9	65W-13437-41	11 - 45	6G1-14546-01	7 - 13	65W-15723-10	11 - 28	65W-24377-00	6 - 12	65W-42511-10-4D	24 - 6
68U-11605-00	3 - 9		12 - 27		36 - 3	65W-15726-00	11 - 44	688-24378-00	2 - 28	65W-42527-00	19 - 3
65W-11631-00-96	3 - 8	65W-13437-51	11 - 45	6H4-14548-00	7 - 17	65W-15732-00	11 - 5	62Y-24410-03	9 - 1	648-42528-00	24 - 1
62Y-11633-00	3 - 10		12 - 27		36 - 5	65W-15734-00	11 - 8	62Y-24411-02	9 - 3	65W-42528-00	19 - 10
65W-11635-00	3 - 8	65W-13437-61	11 - 45	67C-14555-00	7 - 33	65W-15735-01	11 - 18	62Y-24415-00	9 - 2	624-42542-00	14 - 32
65W-11636-00	3 - 8	5GH-13440-00	2 - 22	67C-14567-00	7 - 34	65W-15741-10	11 - 24	62Y-24423-00	9 - 4	65W-42561-00	19 - 7
65W-11642-11	3 - 13	6G8-13444-41	17 - 40	65W-14572-00	7 - 3	65W-15744-00	11 - 9	62Y-24444-01	9 - 7	65W-42562-00	19 - 6
67C-11650-00	3 - 5	6G8-13444-51	17 - 40	65W-14901-01	7 - 1	65W-15752-00	11 - 14	62Y-24452-00	9 - 9	65W-42610-11-4D	1 - 1
62Y-11654-00	3 - 6	62Y-13475-00	27 - 3	65W-14901-11	7 - 1	65W-15753-00	11 - 15	62Y-24454-00	9 - 6	65W-42610-20-4D	1 - 1
62Y-11656-00	3 - 7		37 - 2	65W-14901-40	7 - 1	689-15755-01	11 - 25	62Y-24471-00	9 - 8	65W-42613-00	1 - 2
62Y-11656-10	3 - 7	65W-13640-00	6 - 2	65W-14901-50	7 - 1	65W-15758-00	12 - 21	65W-24474-10	9 - 13	6D5-42615-00	1 - 8
62Y-11656-20	3 - 7	65W-13645-00	6 - 9	65W-14901-60	7 - 1	65W-15758-10	12 - 21	65W-24481-00	9 - 24	65W-42615-01	1 - 8
65W-11665-00	3 - 12		35 - 16	67C-14923-00	7 - 31	65W-15761-00	11 - 31	61N-24521-00	9 - 18	65W-42651-01	1 - 4
67C-12111-00	5 - 1	65W-14126-00	7 - 4	65W-14943-29	7 - 11	65W-15762-00	12 - 22	61N-24560-00	9 - 16	65W-42652-00	1 - 6
51Y-12114-00	5 - 4		36 - 2	65W-14943-81	7 - 11	65W-15767-01	11 - 19	61N-24563-00	9 - 17	65W-42652-01	1 - 6
62Y-12116-00	5 - 3	65W-14147-00	7 - 21	65W-14947-00	7 - 10	65W-15768-00	11 - 23	6D5-24566-00	9 - 22	65W-42677-00	1 - 15

NUMERICAL INDEX

PART NO.	REF. NO.	PART NO.	REF. NO.	PART NO.	REF. NO.	PART NO.	REF. NO.	PART NO.	REF. NO.	PART NO.	REF. NO.
65W-42678-20	1 - 9	676-43165-00	22 - 53	6H1-43861-10	25 - 20	65W-44361-11	29 - 1	61N-45587-00-10	28 - 4	703-48221-00	33 - 56
65W-42681-20	1 - 11	65W-43191-00	23 - 4	65W-43862-00	25 - 41	61N-44362-00	28 - 7	61N-45587-00-11	28 - 4	701-48222-00	34 - 27
65W-42682-20	1 - 12	65W-43192-00	23 - 3	65W-43865-00	25 - 19	61N-44362-10	28 - 7	61N-45587-00-12	28 - 4	703-48222-00	33 - 27
65W-42710-05-4D	17 - 1	65W-43311-00-4D	22 - 15	6H1-43866-00	25 - 31	6L2-44367-00	28 - 12	61N-45587-00-13	28 - 4	703-48223-00	33 - 28
65W-42710-06-4D	17 - 1	65W-43311-10-4D	22 - 15	6H1-43867-00	25 - 32		37 - 11	61N-45587-00-14	28 - 4	703-48224-00	33 - 55
65W-42710-15-4D	17 - 1		23 - 7	65W-43869-00	25 - 5	6H3-44391-01	17 - 18	61N-45587-00-15	28 - 4	703-48225-00	33 - 29
65W-42710-16-4D	17 - 1	682-43318-01	22 - 32	65W-4386A-00	25 - 58	67C-44514-20-4D	24 - 15	61N-45587-00-16	28 - 4	703-48226-00	33 - 26
62Y-42716-00	17 - 6	66T-43350-02	22 - 39	65W-4386K-00	25 - 7	66T-44526-30	24 - 16	65W-45611-00	28 - 42	703-48227-00	33 - 24
65W-42717-00	17 - 5	65W-43373-00	24 - 2	65W-43871-00	25 - 21	65W-44551-11-4D	24 - 19	664-45631-02	28 - 44	701-48229-00	34 - 26
65W-42724-10	17 - 21	65W-43613-00	22 - 46	6H1-43875-00	25 - 42	65W-44555-00	24 - 20	648-45633-00	28 - 46	701-48232-00	34 - 30
65W-42725-00	17 - 9	65W-43614-01	22 - 44	62X-43878-00	25 - 62	65W-44575-01	24 - 21	648-45635-00	28 - 43	703-48232-00	33 - 62
6G1-42725-00	12 - 17	65W-43615-01	22 - 45	65W-43879-00	25 - 12	65W-45111-00-4D	26 - 7	664-45941-01-EL	29 - 18	701-48234-00	34 - 5
	17 - 22	65W-43616-00	22 - 43	65W-43880-00	25 - 2	6D5-45111-00-4D	26 - 7	664-45943-01-EL	29 - 18	703-48234-00	33 - 18
65W-42725-10	17 - 9	65W-43627-01	22 - 23	65W-43881-00	25 - 6	65W-45111-10-4D	26 - 7	664-45945-00-EL	29 - 18	701-48235-00	34 - 2
65W-42725-21	17 - 9	65W-43630-11	22 - 33	65W-43882-00	25 - 8	6D5-45111-10-4D	26 - 7	664-45947-01-EL	29 - 18	703-48235-00	33 - 4
	21 - 15	66T-43631-01	22 - 41	65W-43887-00	25 - 13	61N-45127-00	28 - 25	664-45949-02-EL	29 - 18	701-48236-00	34 - 8
65W-42725-30	17 - 9	689-43633-00	19 - 8	65W-43888-00	25 - 28	65W-45128-00	26 - 14	664-45952-00-EL	29 - 18	703-48236-00	33 - 16
65W-42726-00	17 - 23	65W-43800-02-4D	25 - 1	65W-4388E-00	25 - 14		37 - 7	664-45954-00-EL	29 - 18	702-48237-00	34 - 9
6H4-42726-00	17 - 21	6T4-43802-03	25 - 30	65W-43891-00	25 - 10	65W-45151-00	26 - 10	664-45970-00-98	29 - 18	702-48238-00	34 - 10
65W-42726-10	17 - 23	65W-43804-00	25 - 3	65W-43892-00	25 - 9	6L2-45214-00	29 - 9	664-45972-00-98	29 - 18	703-48238-00	33 - 22
	21 - 18	65W-43805-00	25 - 4	65W-44111-00	18 - 2	6L2-45215-00	29 - 10	6L2-45987-01	29 - 13	701-48243-00	34 - 14
6H1-42726-21	17 - 21	65W-4380F-00	25 - 11	65W-44116-00	20 - 16	65W-45251-00	23 - 19	689-45997-00	29 - 14	703-48243-00	33 - 15
62Y-42727-00	17 - 10	65W-4380K-00	25 - 16	65W-44121-00	20 - 11	61N-45251-01	28 - 30	65W-46241-00	8 - 7	703-48244-00	33 - 21
	21 - 16	65W-4380L-00	25 - 27	65W-44122-00	20 - 12	65W-45300-01-4D	28 - 1	701-48130-E0	32 - 2	703-48245-00	33 - 11
65W-42727-00	17 - 10	65W-43810-00	25 - 17	65W-44124-00	18 - 8	65W-45300-11-4D	28 - 1		34 - 1	701-48246-00	34 - 24
682-42727-00	17 - 20	65W-43812-00	25 - 18	65W-44125-00	20 - 24	61N-45311-02-4D	28 - 2	701-48133-00	34 - 41	703-48246-00	33 - 23
65W-42738-01-4D	17 - 7	6H1-43816-00	25 - 25		21 - 4	61N-45315-00	28 - 26	703-48152-00	33 - 57	701-48248-00	33 - 13
65W-42741-01	17 - 25	65W-43817-00	25 - 39	65W-44142-00	20 - 22		37 - 14	701-48152-11	34 - 13		34 - 12
6D5-42815-00-4D	17 - 11	65W-4381B-00	25 - 22		21 - 2	65W-45331-00-5B	28 - 23	703-48153-00	33 - 3	701-48249-00	34 - 11
65W-42815-01-4D	17 - 11	6H1-43829-00	25 - 61	65W-44143-00	20 - 18	688-45341-10	28 - 33	701-48153-12	34 - 33	701-48252-00	34 - 4
6D5-42816-00	17 - 16	65W-4382A-00	25 - 47	65W-44143-10	20 - 18	61N-45361-01-4D	28 - 51	703-48189-00	33 - 17	703-48252-00	33 - 12
65W-42816-03	17 - 16	65W-43830-00	25 - 36	65W-44150-01	28 - 59	61N-45371-00	29 - 7	701-48189-11	34 - 31	701-48255-00	34 - 21
65W-43111-02-4D	22 - 1	65W-43831-00	25 - 35	65W-44150-11	28 - 59	61N-45510-00	28 - 35	701-48196-11	34 - 7	703-48261-01	33 - 2
65W-43111-10-4D	23 - 1	65W-43840-00	25 - 15	65W-44173-00	18 - 39	61N-45510-10	28 - 35	701-48197-10	34 - 3	701-48261-20	34 - 37
65W-43112-02-4D	22 - 6	62X-43841-00	25 - 33	65W-44176-00	28 - 19	61N-45536-00	28 - 5	703-48198-00	33 - 14	703-48264-00	33 - 6
65W-43112-10-4D	23 - 2	65W-43843-00	25 - 54	6E0-44191-11	18 - 11	61N-45551-00	28 - 37	701-48198-10	34 - 15	703-48265-00	33 - 9
6J8-43113-01	22 - 20	65W-43844-00	25 - 48	65W-44192-00	20 - 29	61N-45560-10	28 - 41	703-48201-A2	32 - 1	701-48266-00	34 - 29
648-43114-01	22 - 4	6H1-43844-10	25 - 56		21 - 8	6L2-45567-00-10	28 - 40		33 - 1	701-48268-00	34 - 18
663-43118-01-4D	22 - 3	6H1-43845-00	25 - 43	61N-44311-01	28 - 11	6L2-45567-00-11	28 - 40	703-48205-A4	32 - 1	703-48268-00	33 - 5
63D-43131-01	22 - 17	6H1-43847-00	25 - 45		37 - 23	6L2-45567-00-12	28 - 40		33 - 1	701-48271-00	34 - 34
	23 - 9	6H1-4384F-10	25 - 57	61N-44322-01	28 - 13	6L2-45567-00-13	28 - 40	703-48211-01	33 - 61	703-48271-00	33 - 60
66T-43144-00	17 - 30	65W-43851-00	25 - 49		37 - 25	6L2-45567-00-14	28 - 40	703-48212-00	33 - 58	701-48280-00	34 - 47
6D5-43144-00	17 - 30	65W-43853-00	25 - 60	61N-44323-00	28 - 16	61N-45571-00	28 - 49	701-48213-00	34 - 19	703-48281-00	33 - 31
6E5-43145-01	31 - 9	6T4-43853-00	25 - 37		37 - 28	6L2-45577-00-10	28 - 50	703-48213-00	33 - 59	701-48281-10	34 - 16
6G5-43145-01	22 - 22	65W-43854-00	25 - 46	65W-44328-11	28 - 10	6L2-45577-00-11	28 - 50	703-48215-00	33 - 43	701-48282-00	34 - 28
	23 - 13	65W-43855-00	25 - 52	6H4-44352-02	28 - 14	6L2-45577-00-12	28 - 50	703-48218-00	33 - 64	703-48282-00	33 - 32
65W-43160-00	22 - 52	6H1-43856-10	25 - 55		37 - 26	6L2-45577-00-13	28 - 50	703-48219-00	33 - 30	701-48283-00	34 - 43
65W-43160-11	22 - 52	65W-43861-00	25 - 40	65W-44361-01	29 - 1	61N-45587-00-07	28 - 4	701-48221-00	34 - 6	703-48284-00	33 - 52

NUMERICAL INDEX

PART NO.	REF. NO.	PART NO.	REF. NO.	PART NO.	REF. NO.	PART NO.	REF. NO.	PART NO.	REF. NO.	PART NO.	REF. NO.
701-48287-00	33 - 42	65W-82117-00	13 - 20	703-82594-00	33 - 25	90105-08M87	2 - 13	90185-08045	24 - 12	90254-03M05	21 - 3
	34 - 45	703-82119-00	13 - 29	65W-82594-10	12 - 19	90105-10M12	29 - 5	90185-09M01	31 - 4	90266-06M02	1 - 7
702-48288-00	34 - 23	682-82119-01	14 - 36	703-83383-A0	33 - 51	90109-05M89	19 - 14	90185-10051	24 - 4	90269-02M09	18 - 22
701-48289-00	34 - 17	6G5-82119-10	13 - 21	65W-8339X-00	13 - 30	90109-06M65	4 - 14	90185-10M13	23 - 32	90280-03024	28 - 36
703-48291-10	33 - 39	65W-82127-00	13 - 27	6K3-83557-00	13 - 23	90109-06M81	17 - 28	90185-10M14	19 - 12		37 - 31
703-48293-10	33 - 41	6U0-82127-00	23 - 22	6N7-83557-00	14 - 14		20 - 15	90185-22M11	22 - 21	90280-04M06	8 - 10
701-48310-90	32 - 3	65W-82127-10	24 - 26	62Y-83614-00	14 - 25	90109-06M82	17 - 8		23 - 12		35 - 18
701-48320-00	32 - 3	6H1-82148-00	23 - 21	6A1-83625-41	11 - 46	90109-06M86	14 - 26	90201-05M06	20 - 30	90340-08002	28 - 28
701-48320-20	32 - 3	6G8-82150-00	14 - 20		12 - 28		15 - 3		21 - 9	90340-14M06	2 - 14
701-48320-50	32 - 3	663-82151-00	14 - 21	6A1-83625-51	11 - 47		17 - 29	90201-06M31	20 - 7		27 - 14
663-48344-00	20 - 33	6G5-82152-00	14 - 22		12 - 29		18 - 13		21 - 6	90386-07MA2	22 - 34
	21 - 12	6A0-82317-00	14 - 31	6E0-83627-41	18 - 41		20 - 17	90201-08M00	23 - 26	90386-08032	18 - 26
703-48345-01	33 - 19	6G8-82370-30	13 - 8	6E0-83627-51	18 - 42	90109-06M88	19 - 4	90201-10120	21 - 20	90386-10M99	22 - 37
	34 - 36	62Y-82377-00	17 - 39	689-84340-00	15 - 12	90109-06MA4	1 - 5		24 - 28	90386-12M37	17 - 12
701-48358-00	34 - 38	63V-82377-50	22 - 56	65W-84342-00	12 - 18	90109-08M63	5 - 15	90201-10M06	8 - 5	90386-12M98	22 - 24
703-48358-00	33 - 20		23 - 33	65W-85410-01	12 - 11	90109-08M77	16 - 12	90201-10M20	31 - 3		23 - 15
65W-48501-00	21 - 1	65W-82504-00	13 - 26	65W-85510-00	12 - 2	90109-08M78	16 - 13	90201-10M63	31 - 8	90386-12MA0	22 - 29
65W-48511-00	21 - 19	703-82510-12	33 - 44	65W-85510-10	12 - 2	90109-08M87	22 - 26	90201-12426	22 - 59		23 - 14
	24 - 27	65W-8252V-00	13 - 2	65W-85540-20	13 - 1	90110-08M03	11 - 29		23 - 36	90386-12MA2	17 - 13
6H3-48538-00	20 - 35	65W-8252V-10	13 - 6	65W-85542-00	13 - 3	90110-10M02	23 - 30	90201-12M07	17 - 15	90386-14MA1	23 - 6
	21 - 14	703-82531-00	33 - 46	65W-85547-00	13 - 4	90116-10M28	24 - 5		18 - 5	90386-18M44	23 - 27
	31 - 1	65W-82532-00	13 - 28	65W-85550-01	12 - 1	90119-06M08	17 - 2	90201-12M16	14 - 34	90386-18MA0	23 - 28
65W-61350-00	31 - 2	6H3-82540-00	15 - 1	65W-85550-11	12 - 1	90119-06M48	29 - 8	90201-20417	28 - 48	90386-22M15	22 - 18
65W-61351-00	12 - 13	703-82540-00	33 - 50	65W-85570-01	13 - 7	90119-06M85	18 - 3	90201-21M18	12 - 5		23 - 10
65W-81639-00	12 - 14	703-82542-00	33 - 63	65W-85580-00	12 - 3	90119-06MA3	4 - 18	90201-22M03	22 - 19	90386-40M99	18 - 34
65W-81639-10	11 - 33	6J8-82554-00	15 - 2	65W-85757-00	14 - 2	90119-06MA5	2 - 5		23 - 11	90386-40MA0	18 - 30
65W-81800-01	16 - 1	682-82556-00	15 - 5	65W-85790-00	14 - 1		8 - 15	90201-43M00	18 - 31	90386-44M03	24 - 9
65W-81801-00	16 - 8		33 - 48	65W-86129-20	13 - 5	90119-08M01	2 - 4	90202-05M38	1 - 13	90386-44M99	24 - 11
65W-81807-00	16 - 5		34 - 40	6D5-W0001-00	35 - 1	90119-08M39	16 - 11	90202-10M56	19 - 9	90386-52M02	24 - 8
65W-81820-00	16 - 7	703-82563-02	33 - 55	65W-W0001-02	35 - 1	90119-08M79	26 - 8	90202-12060	29 - 2	90387-05M11	19 - 13
65W-81826-00	16 - 2	6H1-82563-10	14 - 23	65W-W0001-23	37 - 1	90119-08M82	26 - 9	90202-43M57	18 - 33	90387-06060	17 - 4
65W-8182A-00	13 - 16	65W-82575-01	15 - 4	65W-W0070-20	1 - 10	90119-09M00	4 - 17	90206-12052	17 - 14	90387-06064	20 - 4
65W-8182B-00	13 - 17	688-82575-01	33 - 47	61N-W0078-11	37 - 22	90119-10M14	24 - 24	90206-12M00	18 - 4	90387-06M29	20 - 25
65W-8182S-00	16 - 10	701-82575-53	34 - 39	65W-W0084-01-4D	18 - 1	90149-05M13	18 - 23	90206-14M23	22 - 25		21 - 5
65W-81830-00	16 - 4	676-82577-00	33 - 45	65W-W0093-01	36 - 1	90149-14M12	22 - 2	90206-43M22	18 - 32	90387-07M05	22 - 35
65W-81840-00	16 - 9	689-8257Y-00	15 - 6	65W-W009A-14-1S	4 - 1	90151-05M05	29 - 11	90209-10M26	19 - 11	90387-07M29	22 - 48
65W-81850-01	16 - 6	6E5-82582-00	14 - 8	65W-W009A-15-1S	4 - 1	90157-05014	22 - 42	90209-52M00	24 - 7	90387-08M29	22 - 11
65W-81857-01	16 - 3	6E5-82587-00	14 - 24	65W-W009B-11-1S	2 - 1	90157-06M06	26 - 13	90243-04007	22 - 5	90387-10M42	31 - 6
65W-81870-00	15 - 9	688-8258A-20	33 - 49	65W-W009B-12-1S	2 - 1	90161-06M00	15 - 11	90249-07M32	22 - 47	90387-12M04	22 - 27
65W-8191C-00	13 - 14	65W-82590-00	14 - 6	65W-W1571-01	11 - 3	90167-06002	17 - 34	90249-07M33	22 - 49	90401-20M00	2 - 21
65W-81922-00	13 - 15	65W-82590-10	14 - 6	65W-W1571-20	11 - 3	90170-06015	20 - 19	90249-10M31	22 - 36	90430-06014	4 - 13
65W-81941-00	13 - 13	65W-82590-20	14 - 6	90101-06020	23 - 20	90170-09M03	31 - 5	90249-12M34	22 - 30		35 - 8
65W-81948-00	14 - 30	65W-82590-30	14 - 6	90101-08M76	22 - 12	90170-20137	3 - 14	90249-12M38	23 - 16	90430-08020	28 - 29
65W-81949-00	14 - 35	65W-82590-40	14 - 6	90101-08M86	24 - 14		12 - 6	90249-12M39	22 - 28		37 - 16
61A-81950-00	14 - 27	703-82591-00	33 - 53	90101-09M01	31 - 7	90171-14013	29 - 16	90249-18M35	23 - 29	90430-10002	29 - 3
65W-81960-10	13 - 22	703-82592-00	33 - 54	90101-10M58	22 - 57	90179-10M14	28 - 38	90250-05010	28 - 45		37 - 21
65W-81971-00	14 - 7	65W-82594-00	15 - 10	90101-12M65	23 - 34	90179-10M33	24 - 25	90254-03M05	18 - 40	90430-14115	2 - 15
65W-82105-00	14 - 19	701-82594-00	34 - 44	90105-08M76	24 - 3	90185-05002	29 - 12		20 - 13		35 - 4

NUMERICAL INDEX

PART NO.	REF. NO.	PART NO.	REF. NO.	PART NO.	REF. NO.	PART NO.	REF. NO.	PART NO.	REF. NO.	PART NO.	REF. NO.
90430-14M09	27 - 15	90480-09M12	17 - 3	92995-06600	37 - 30	93210-26130	37 - 8	95895-06035	28 - 31	97980-04114	7 - 28
	37 - 4	90480-25161	13 - 9	92995-08100	24 - 18	93210-32738	9 - 19	95895-10040	8 - 6		36 - 11
90445-09068	2 - 27	90501-10065	28 - 47	92995-08200	24 - 13	93210-33MH2	8 - 12	97013-06016	27 - 7	98580-03015	33 - 38
90445-09095	2 - 29	90501-10326	7 - 8	92995-08600	9 - 21		35 - 19	97013-06025	27 - 4	98580-04006	7 - 2
90445-09104	2 - 30	90501-23215	18 - 25	92995-10600	22 - 58	93210-43MJ0	24 - 10	97075-06020	14 - 28		33 - 36
90445-10M03	9 - 26	90502-10M04	22 - 55		23 - 31	93210-45161	28 - 15		28 - 57	98580-04008	7 - 16
90445-10M33	9 - 25	90506-16M34	17 - 31		24 - 23		37 - 12	97075-06025	27 - 16	98580-04010	33 - 35
90445-10M34	9 - 26	90506-18010	17 - 31		29 - 6	93210-50768	25 - 29	97075-06050	26 - 5	98580-05010	33 - 37
90445-10M43	9 - 29	90506-20M37	22 - 40	92995-12200	23 - 35	93210-64ME7	28 - 53	97075-08030	24 - 17		34 - 32
90445-10MG6	9 - 25	90506-30M00	22 - 50	93101-20M07	28 - 55		37 - 18	97075-10080	24 - 22	98580-05020	34 - 42
90445-10MG7	9 - 29	91318-04025	25 - 38		37 - 19	93210-65M50	28 - 56	97080-08016	23 - 25	98586-05016	30 - 4
90445-11M05	30 - 11	91380-05025	12 - 7	93101-22067	28 - 27		37 - 20	97095-05012	4 - 9	99080-08600	22 - 38
90445-11M06	30 - 9	91380-05030	12 - 7		37 - 15	93306-00612	28 - 52	97095-05016	12 - 8	99530-08012	2 - 3
90445-11M82	17 - 36	91490-16010	18 - 18	93101-35002	3 - 2	93315-22004	28 - 54		14 - 17		4 - 16
90445-13M00	10 - 8	91490-20012	22 - 51		35 - 13	93315-220V7	28 - 6	97095-06010	20 - 10		
90445-13M01	10 - 6	91490-30022	29 - 17	93102-35M47	3 - 2	93332-00005	28 - 39	97095-06012	11 - 35		
90446-06M90	11 - 41	91690-30010	22 - 54		35 - 13	93332-000W5	28 - 3		14 - 3		
90446-10M82	12 - 10	91690-30018	23 - 5	93102-37M40	8 - 1	93430-06024	33 - 10		15 - 7		
90446-10M86	18 - 28	92780-06025	34 - 20		35 - 17		34 - 35		17 - 17		
90446-14M12	9 - 27	92903-06600	27 - 5	93102-43004	3 - 1	93430-10M00	22 - 31	97095-06014	17 - 26		
90446-14M51	9 - 30	92903-10600	18 - 24		35 - 12		23 - 17		23 - 23		
90446-14M88	18 - 29	92990-05600	26 - 12	93102-43M42	3 - 1	93450-09M01	4 - 4	97095-06016	13 - 18		
90446-24M54	6 - 15	92990-06100	19 - 5		35 - 12	93450-17129	3 - 11		14 - 10		
90464-07M05	13 - 12	92990-06200	18 - 9	93110-16004	26 - 2	93501-08001	25 - 59	97095-06020	4 - 11		
90465-06M88	14 - 13	92990-06300	28 - 32		37 - 5	93604-10M03	28 - 24		12 - 24		
90465-08M08	14 - 9		34 - 25	93210-03478	25 - 51	93605-14143	8 - 4	97095-06025	6 - 10		
90465-11M10	2 - 31	92990-08100	22 - 14	93210-064A5	25 - 26	93606-11M24	29 - 4		9 - 32		
	9 - 28	92990-08600	16 - 15	93210-06ME6	28 - 20	93606-12019	27 - 12		11 - 1		
	12 - 12		33 - 34		37 - 13	93608-12M05	27 - 9		12 - 15		
	14 - 5	92990-14200	29 - 15	93210-08006	25 - 50	93700-06M03	19 - 2		13 - 18		
	17 - 37	92995-05600	4 - 10	93210-08287	10 - 3		22 - 16		20 - 27		
	6 - 16		12 - 9		30 - 14		23 - 8		28 - 21		
90465-11M52	6 - 16		12 - 9		30 - 14		23 - 8		28 - 21		
90465-13M11	23 - 18		14 - 18	93210-09165	25 - 34	94701-00375	4 - 26	97095-06030	9 - 14		
90465-13M18	9 - 37	92995-06100	12 - 25	93210-10M74	25 - 63	95380-05600	9 - 10		13 - 10		
	12 - 20	92995-06600	4 - 12	93210-11073	25 - 53		33 - 7	97095-06040	13 - 24		
	6 - 14		6 - 11	93210-11368	25 - 24	95380-06600	18 - 7		28 - 17		
90465-13M36	6 - 14		6 - 11	93210-12MG9	8 - 13		33 - 40		37 - 29		
90465-25M57	17 - 24		9 - 15		8 - 14		34 - 46	97095-06055	20 - 8		
90467-08004	2 - 32		11 - 2		35 - 20		20 - 20	97095-08014	9 - 20		
90467-09M03	9 - 35		12 - 16	93210-14515	8 - 14	95380-06700	20 - 20	97380-05025	33 - 8		
90467-09M17	9 - 35		13 - 11		35 - 21	95380-08600	9 - 23	97380-08030	33 - 33		
90467-10M04	9 - 34		14 - 4	93210-16275	31 - 10		22 - 13	97390-06018	34 - 22		
90468-10005	11 - 42		15 - 8	93210-18397	25 - 44	95380-08700	16 - 14	97575-06516	14 - 37		
	20 - 31		17 - 27	93210-22164	28 - 8	95380-10600	22 - 60	97595-06525	21 - 7		
	21 - 10		20 - 9		37 - 10	95380-10700	18 - 37	97780-60520	1 - 3		
90468-18008	11 - 39		23 - 24	93210-24M79	4 - 24	95380-12600	23 - 37		11 - 32		
	18 - 10		26 - 6		9 - 12	95680-06100	1 - 14				
	20 - 21		27 - 17		35 - 11	95780-10300	18 - 36	97803-04010	7 - 5		
	21 - 11		28 - 18	93210-26130	28 - 9	95895-06030	14 - 33	97880-05016	26 - 11		

F25/F25A
PARTS CATALOGUE
©2003 by Yamaha Motor Co., Ltd.
1st edition, December 2003
All rights reserved.
Any reprinting or unauthorized use
without the written permission of
Yamaha Motor Co., Ltd.
is expressly prohibited.
Printed in Japan.