

# **PARTS CATALOGUE**

**F2.5MHC** (69M2)

**F2.5AMH'04** (69M2)

# FOREWORD

This Parts Catalogue is related to the parts for the model(s) on the cover page. When you are ordering replacement parts, please refer to this Parts Catalogue and quote both part numbers and part names correctly.

1. Modifications or additions which have been made after the issue of the Parts Catalogue will be announced in the Yamaha Parts News.  
It is advisable that you make the necessary corrections to the Parts Catalogue according to the Yamaha Parts News.

2. Abbreviations

The following abbreviations are used in this Parts Catalogue.

“UR” Use specified parts number.

“UN” Use as many as needed.

“AP” Alternate Parts

“LM” Locally Made (Parts need to be ordered locally)

“F#” Frame No. (Applicable machine No.)

“O/S” Over Size

3. The number of components for assembly

- Parts, which are to be supplied in an assembly, are listed with a dot (.) in front of the part name as shown below.
- The numeral appearing to the right of each component part indicates the quantity of parts for each assembly unit.

PART NO.	DESCRIPTION	Q'TY	REMARKS
2F5-83310-60	FRONT FLASHER LIGHT ASSY	2	
115-83311-60	.BULB (6V-18W)	1	

4. Applicable colours of graphics are represented in the “REMARKS” as shown below.

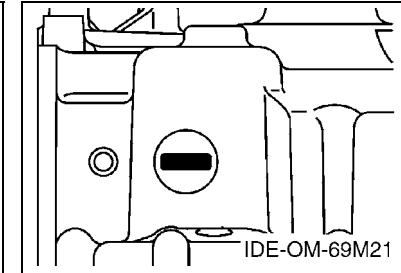
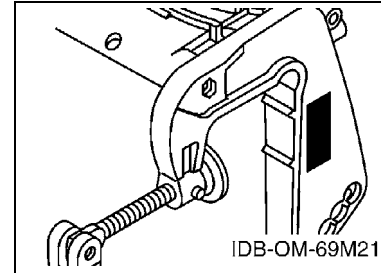
PART NO.	DESCRIPTION	Q'TY	REMARKS
2N4-24110-00-X5	FUEL TANK COMP.	2	MXR
3J1-24240-10	.GRAPHIC, FUEL TANK	1	FOR MXR

5. Note that the illustrations for reference in finding parts numbers are not to be used for assembling. When assembling, please use the applicable service manual.

6. The asterisk (\*) before a reference number indicates modified items after the first edition.

7. Applicable Serial No.

Engine Serial No.



8. Applicable Engine Starting Serial No.

Model	Serial No.	Model	Serial No.
F2.5	69M-1011798	F2.5A	69M-1011798

9. Applicable Colour Code

Abbreviation	Colour Name	Colour Code
DBNM2	DARK BLUISH GRAY METALLIC 2	004D

10. Quantity Column Information

Column No.	Name Of Q'ty Column	Applicable Model
1	F2.5	F2.5MHC,F2.5AMH

# CONTENTS

TOP COWLING .....	A4
CYLINDER. CRANKCASE 1 .....	A5
CRANKSHAFT. PISTON .....	A6
CYLINDER. CRANKCASE 2 .....	A7
VALVE .....	B2
INTAKE .....	B3
CARBURETOR .....	B4
FUEL .....	B5
STARTER .....	B6
GENERATOR .....	B7
BOTTOM COWLING .....	C1
STEERING .....	C2
CONTROL .....	C3
BRACKET .....	C4
UPPER CASING .....	C6
LOWER CASING. DRIVE 1 .....	C7
LOWER CASING. DRIVE 2 .....	D2
REPAIR KIT 1 .....	D3
REPAIR KIT 2 .....	D4
REPAIR KIT 3 .....	D5

## INDEX

NUMERICAL INDEX .....	G1
-----------------------	----

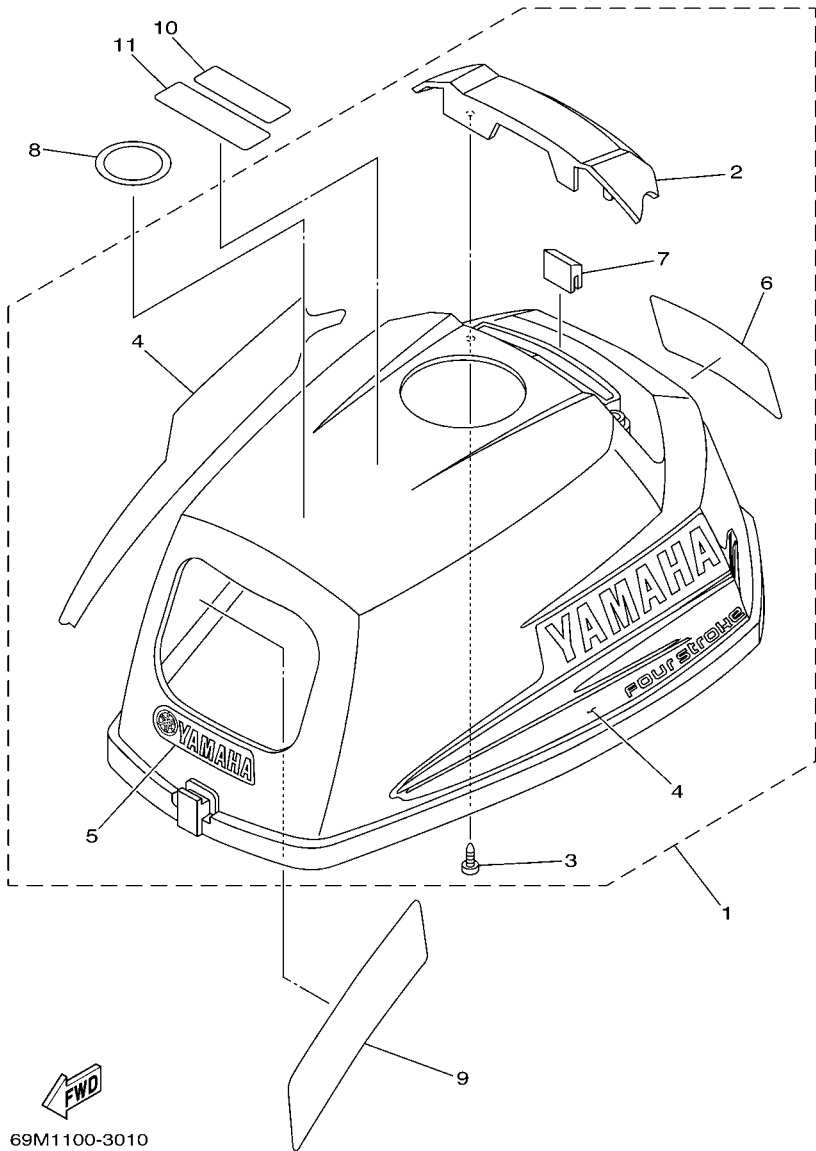
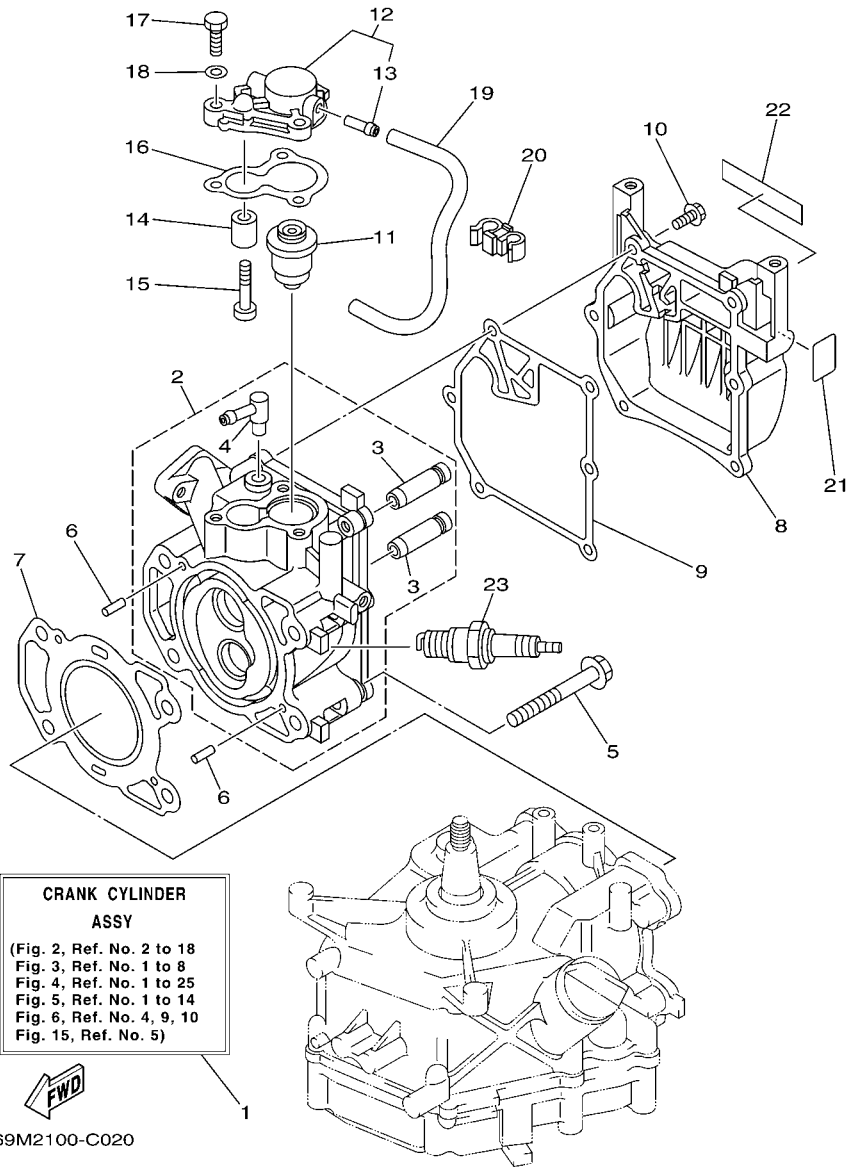


FIG. 1 TOP COWLING

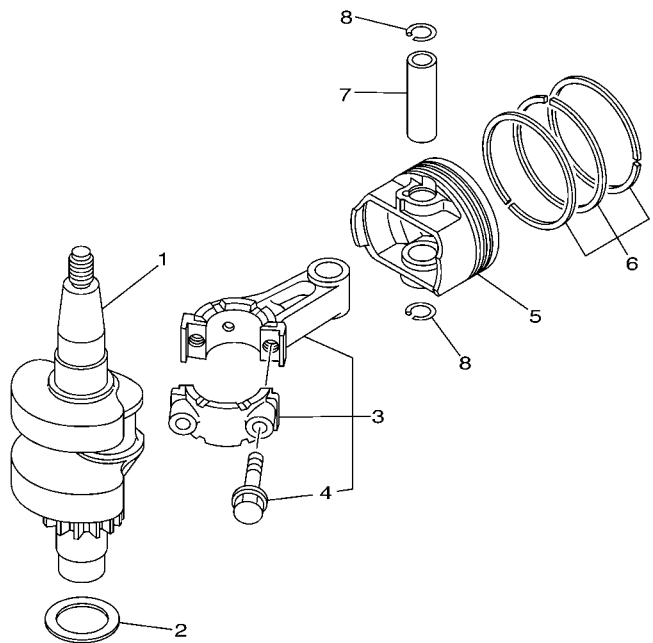
REF. NO.	PART NO.	DESCRIPTION	F2.5				REMARKS
1	69M-G2610-10-4D	TOP COWLING ASSY	1				
2	69M-G2613-00	.MOLDING, AIR DUCT	1				
3	97780-40012	.SCREW, TAPPING	2				
4	69M-WG070-00	.GRAPHIC SET	1				
5	69M-G2677-00	.GRAPHIC, FRONT	1				
6	69M-G2678-10	.GRAPHIC, REAR	1				
7	69M-42662-00	.DAMPER	1				
8	67F-13434-02	LABEL, CAUTION	1				
9	69M-14427-40	LABEL, INSTRUCTION	1				FOR USA,OCE
	69M-14427-50	LABEL, INSTRUCTION	1				FOR CAN
10	6A1-2415A-41	LABEL, CAUTION	1				
11	6A1-2415A-51	LABEL, CAUTION	1				FOR CAN



**FIG. 2 CYLINDER. CRANKCASE 1**

REF. NO.	PART NO.	DESCRIPTION	F2.5				REMARKS
1	69M-WE090-01-4D	CRANK CYLINDER ASSY	1				
2	69M-E1111-00-94	HEAD, CYLINDER 1	1				
3	67D-11133-10	.GUIDE, VALVE 1	2				
4	676-11372-00	.NIPPLE, HOSE	1				
5	90105-08M36	BOLT, FLANGE	4				
6	93604-12M07	PIN, DOWEL	2				
7	69M-11181-00	GASKET, CYLINDER HEAD 1	1				
8	69M-E1191-00-94	COVER, CYLINDER HEAD 1	1				
9	69M-11193-A0	GASKET, HEAD COVER 1	1				
10	90105-06M14	BOLT FLANGE	6				
11	69M-12411-00	THERMOSTAT	1				
12	69M-E2413-00-9M	COVER, THERMOSTAT	1				
13	650-24378-00	.PIPE, JOINT 4	1				
14	68D-E1325-00	ANODE	1				
15	97880-05025	SCREW, PAN HEAD	1				
16	68D-E2414-A0	GASKET, COVER	1				
17	97095-06020	BOLT	3				
18	92995-06600	WASHER	3				
19	90445-09808	HOSE	1				
20	90464-09013	CLAMP	1				
21	67D-42791-10	MARK 1	1				
22	68D-E2138-40	MARK, CAUTION	1				FOR USA,OCE
	68D-E2138-50	MARK, CAUTION	1				FOR CAN
23	94702-00248	PLUG, SPARK (NGK BR6HS)	1				

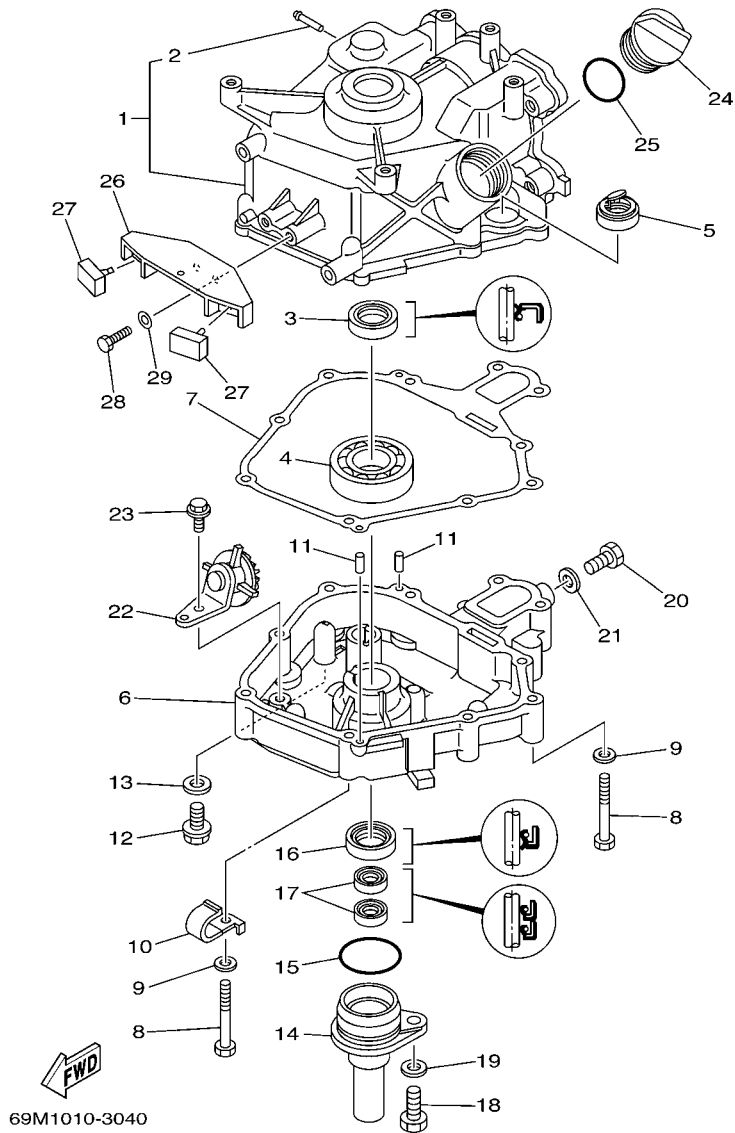
**FIG. 3 CRANKSHAFT. PISTON**



REF. NO.	PART NO.	DESCRIPTION	F2.5				REMARKS
1	69M-11400-00	CRANKSHAFT ASSY	1				
2	90201-23008	WASHER, PLATE	1				
3	69M-11650-00	CONNECTING ROD ASSY	1				
4	7FK-11654-00	.BOLT, CONNECTING ROD	2				
5	69M-E1631-01-96	PISTON (STD)	1				
	69M-E1635-01	PISTON (0.25MM O/S)	1				AP
	69M-E1636-01	PISTON (0.50MM O/S)	1				AP
6	69M-E1603-01	PISTON RING SET (STD)	1				
	69M-E1604-01	PISTON RING SET (0.25MM O/S)	1				AP
	69M-E1605-01	PISTON RING SET (0.50MM O/S)	1				AP
7	69M-E1633-00	PIN, PISTON	1				
8	93450-13130	CIRCLIP	2				

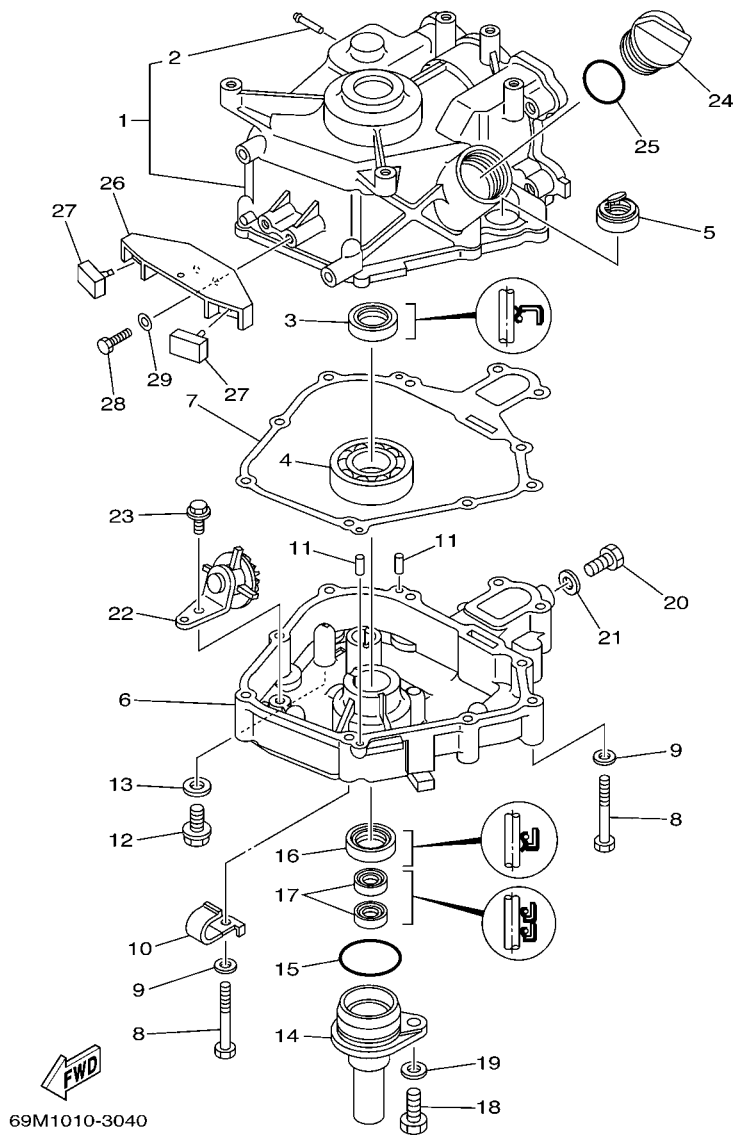
  
69M1010-3030

FIG. 4 CYLINDER. CRANKCASE 2



REF. NO.	PART NO.	DESCRIPTION	F2.5				REMARKS
1	69M-E1311-00-94	CYLINDER 1	1				
2	6H1-14485-00	.PIPE, JOINT	1				
3	93102-20108	OIL SEAL	1				
4	93306-272Y2	BEARING	1				
5	69M-15361-00	GAUGE, LEVEL	1				
6	69M-E5111-00-94	CRANKCASE 1	1				
7	69M-11351-A0	GASKET, CYLINDER	1				
8	97013-06045	BOLT	10				
9	92903-06600	WASHER, PLATE	10				
10	90465-08M99	CLAMP	1				
11	93604-12M07	PIN, DOWEL	2				
12	90105-08M76	BOLT, FLANGE	1				
13	90201-08818	WASHER, PLATE	1				
14	69M-E5396-00-5B	HOUSING, OIL SEAL	1				
15	93210-35537	O-RING	1				
16	93102-20108	OIL SEAL	1				
17	93102-09004	OIL SEAL	2				
18	97095-08020	BOLT	1				
19	92995-08600	WASHER	1				
20	97095-08014	BOLT	1				
21	90430-08800	GASKET	1				
22	69M-E3102-00	GEAR UNIT ASSY	1				
23	95817-06012	BOLT, FLANGE	1				
24	69M-E5363-00	PLUG, OIL	1				
25	93210-24M79	O-RING	1				
26	69M-G2743-00	BRACKET	1				
27	6G8-44532-00	STOPPER, UPPER MOUNT	2				

FIG. 4 CYLINDER. CRANKCASE 2



REF. NO.	PART NO.	DESCRIPTION	F2.5				REMARKS
28	97095-06020	BOLT	2				
29	92995-06600	WASHER	2				
-----							
-----							
-----							
-----							
-----							
-----							
-----							
-----							
-----							
-----							



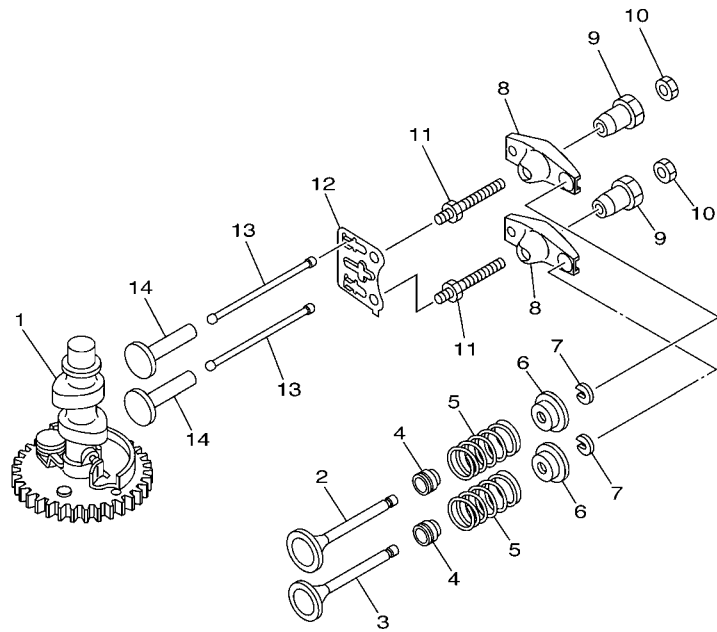
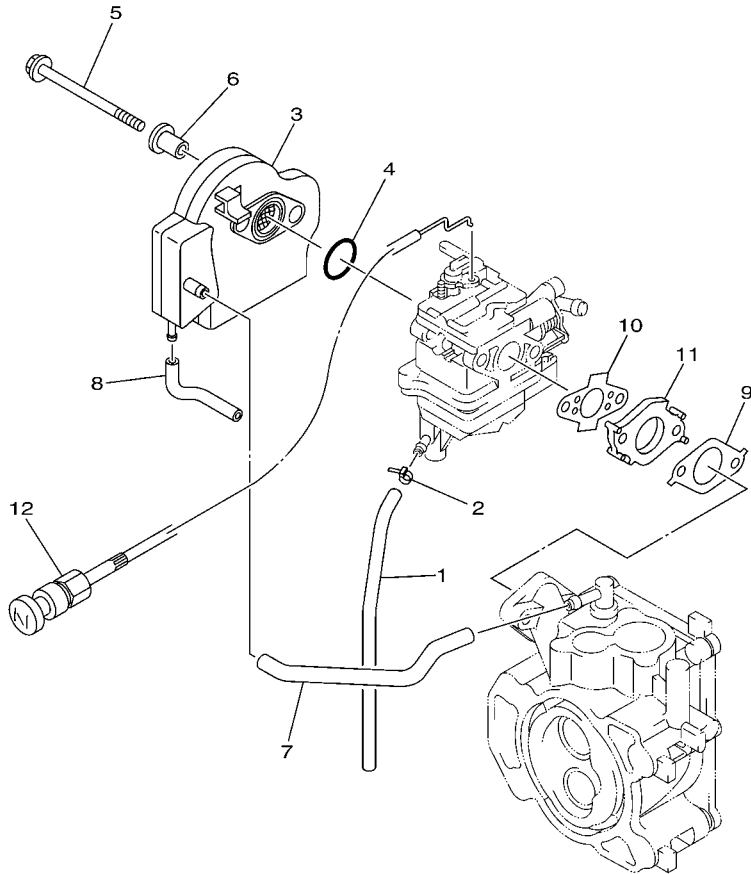


FIG. 5 VALVE

REF. NO.	PART NO.	DESCRIPTION	F2.5				REMARKS
1	69M-12170-20	CAMSHAFT ASSY 1	1				
2	67D-12111-00	VALVE, INTAKE	1				
3	67D-12121-00	VALVE, EXHAUST	1				
4	51Y-12119-00	SEAL, VALVE STEM	2				
5	68D-E2113-00	SPRING, VALVE INNER	2				
6	7NJ-12117-00	RETAINER, VALVE SPRING	2				
7	7NJ-12118-00	COTTER, VALVE	2				
8	67D-12151-00	ARM, VALVE ROCKER	2				
9	7FK-12165-00	PIVOT, ROCKER ARM	2				
10	7FK-12158-00	NUT, LOCK	2				
11	67D-12157-00	BOLT	2				
12	69M-E2155-00	GUIDE, PUSH ROD	1				
13	69M-12154-00	ROD, VALVE PUSH	2				
14	JA9-12153-00	LIFTER, VALVE	2				



69M1010-3050

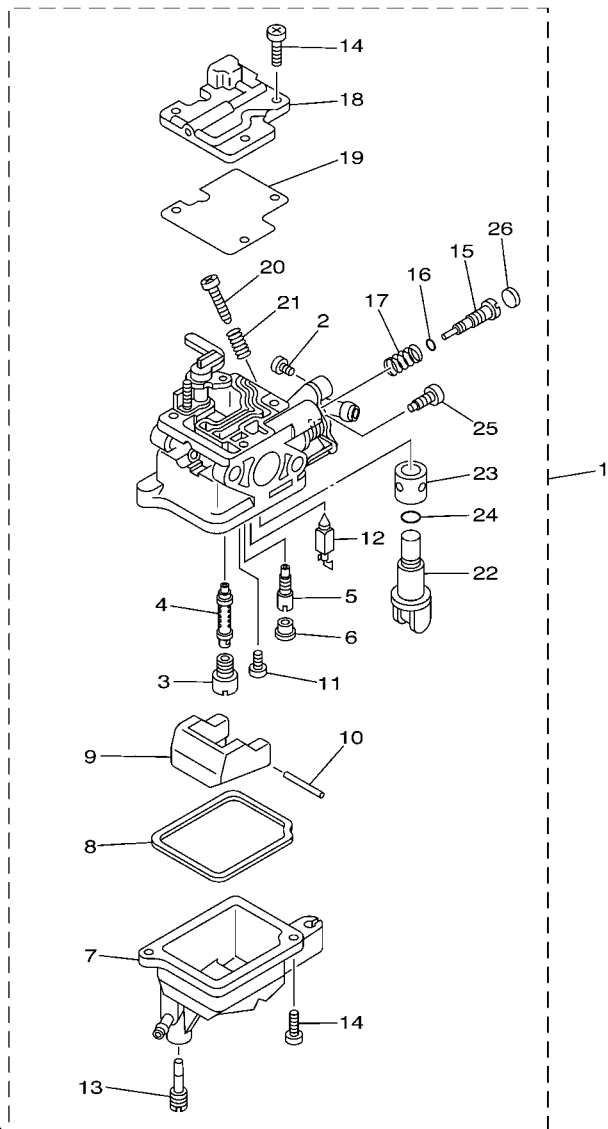


  
69M2100-C060

**FIG. 6 INTAKE**

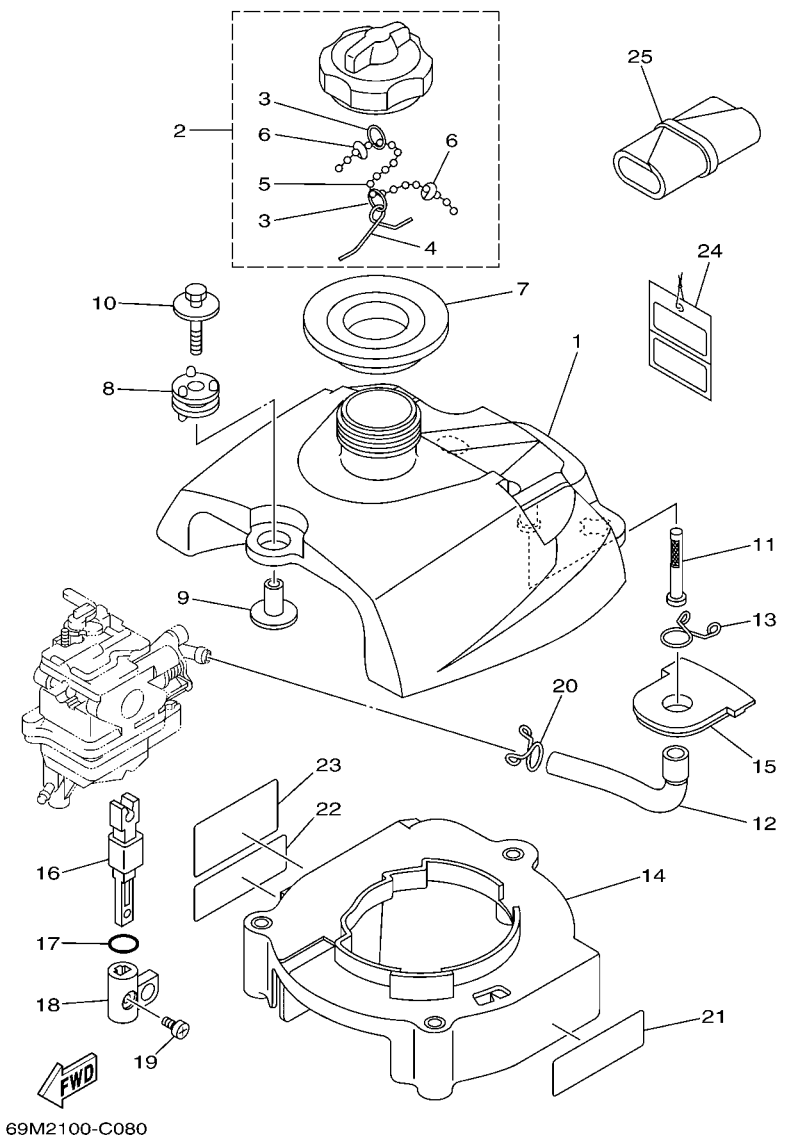
REF. NO.	PART NO.	DESCRIPTION	F2.5				REMARKS
1	69M-E4148-00	PIPE	1				
2	90465-11M10	CLAMP	1				
3	69M-14440-00	SILENCER ASSY, INTAKE	1				
4	93210-20M65	O-RING	1				
5	97595-06575	BOLT, WITH WASHER	2				
6	90387-063Y3	COLLAR	2				
7	69M-E2483-00	PIPE 3	1				
8	90445-07805	HOSE (L70)	1				
9	69M-E3645-A0	GASKET, MANIFOLD 1	1				
10	69M-E3646-A0	GASKET, MANIFOLD 2	1				
11	69M-E3647-00	GASKET, MANIFOLD 3	1				
12	69M-F6330-01	STARTER CABLE ASSY	1				

**FIG. 7 CARBURETOR**



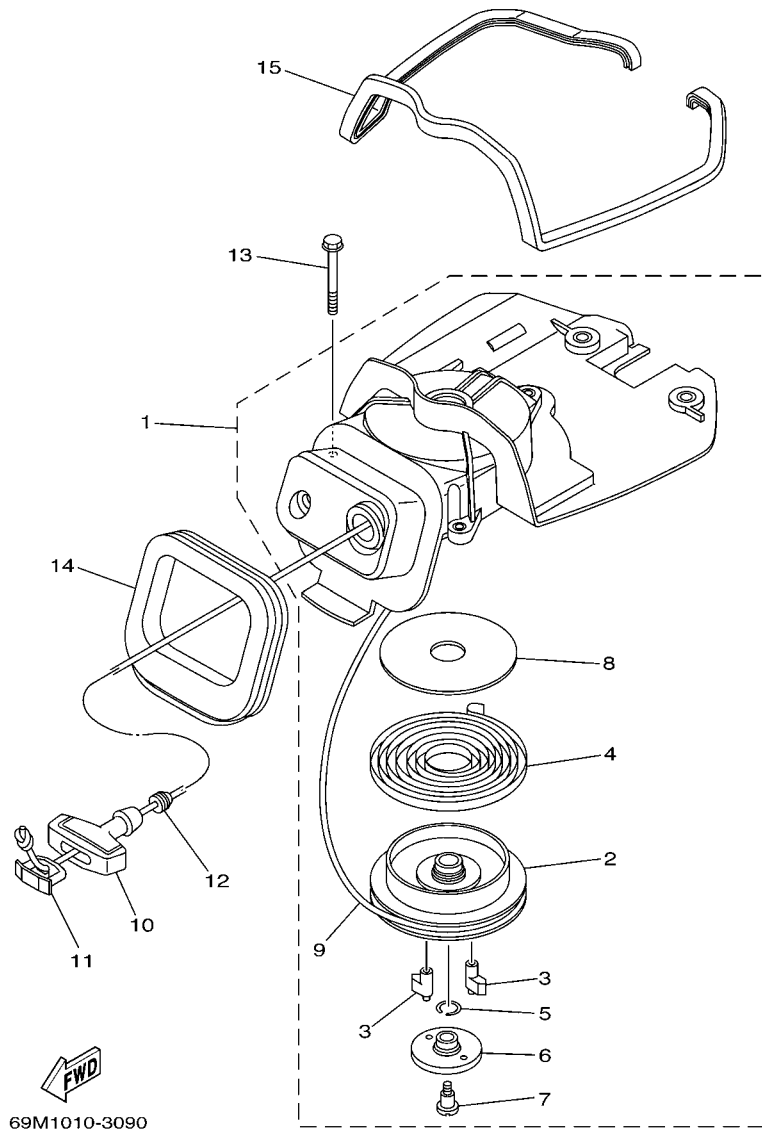
69M1100-3070

REF. NO.	PART NO.	DESCRIPTION	F2.5				REMARKS
1	69M-14301-10	CARBURETOR ASSY 1	1				FOR USA,CAN
	69M-14301-00	CARBURETOR ASSY 1	1				FOR OCE
2	97890-04007	.SCREW, PAN HEAD	2				
3	69M-14343-31	.JET, MAIN (# 62)	1				
4	69M-14341-00	.NOZZLE, MAIN	1				
5	69M-14342-68	.JET, PILOT (#37)	1				
6	69M-14966-00	.BUSH	1				
7	69M-14381-00	.BODY, FLOAT CHAMBER	1				
8	69M-14984-00	.GASKET, FLOAT CHAMBER	1				
9	69M-14385-00	.FLOAT	1				
10	6A1-14386-00	.PIN, FLOAT	1				
11	98580-03005	.SCREW, PAN HEAD	1				
12	62Y-14392-00	.VALVE, NEEDLE	1				
13	69M-14991-00	.SCREW	1				
14	98580-04010	.SCREW, PAN HEAD	5				
15	69M-14323-00	.SCREW, AIR ADJUSTING	1				
16	2T4-14397-00	.O-RING	1				
17	62Y-14334-00	.SPRING, AIR ADJUSTING	1				
18	69M-14527-00	.PLATE	1				
19	69M-14536-00	.GASKET	1				
20	69W-14321-00	.SCREW, THROTTLE	1				
21	62Y-14212-00	.SPRING, PILOT ADJUSTING	1				
22	69M-24524-00	.LEVER, COCK	1				
23	69M-24523-00	.VALVE	1				
24	69M-24533-00	.O-RING	1				
25	69M-24535-00	.SCREW, LEVER FITTING	1				
26	62Y-1432A-01	.PLUG	1				FOR 69M-14301-10



**FIG. 8 FUEL**

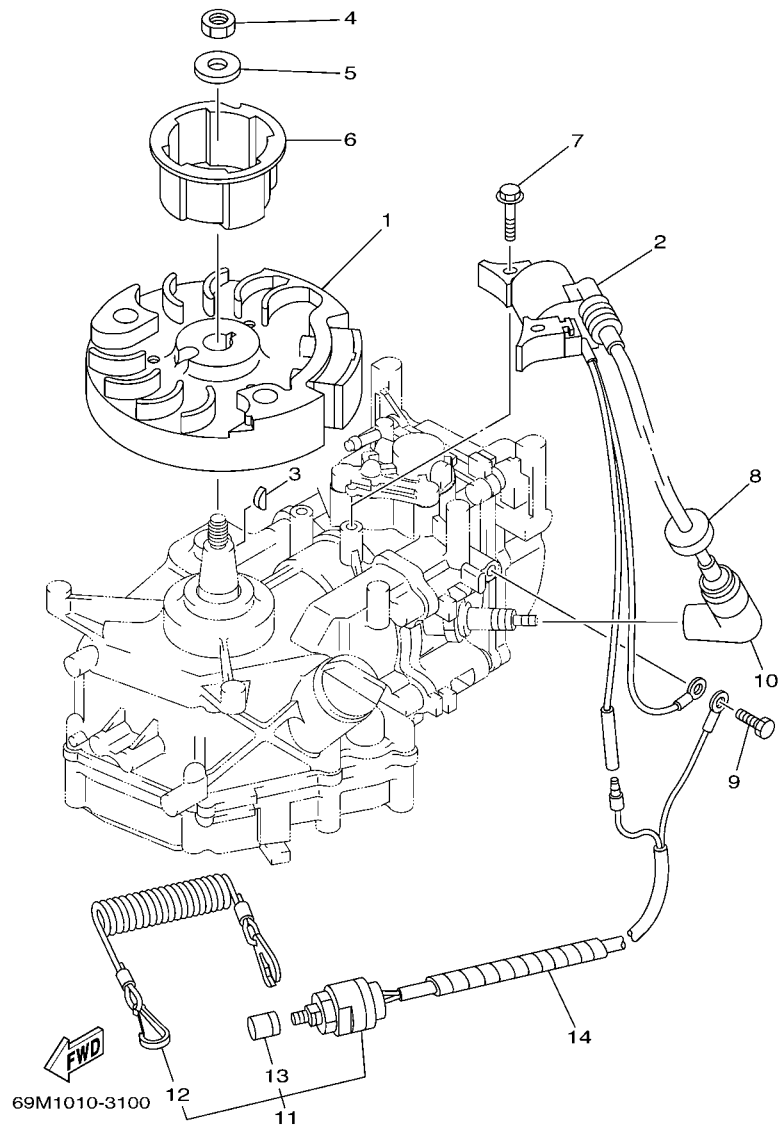
REF. NO.	PART NO.	DESCRIPTION	F2.5				REMARKS
1	69M-F4111-00	TANK, FUEL	1				
2	67D-24610-02	CAP ASSY	1				
3	90501-10260	.SPRING, COMPRESSION	2				
4	624-24634-00	.HOOK, CHAIN BALL	1				
5	69M-24633-00	.CHAIN, BALL	1				
6	6H1-21757-00	.WASHER, SPECIAL 1	2				
7	69M-24641-00	GASKET, CAP 1	1				
8	69M-F4375-00	GROMMET	3				
9	68F-86129-00	COLLAR	3				
10	68F-85119-00	BOLT	3				
11	6L5-24251-00	STRAINER 1	1				
12	69M-F4311-00	PIPE, FUEL 1	1				
13	90467-13M13	CLIP	1				
14	69M-F4191-00	BRACKET, FUEL TANK 1	1				
15	69M-F4181-00	DAMPER, LOCATING 1	1				
16	69M-24554-00	SHAFT, COCK	1				
17	93210-13M43	O-RING	1				
18	69M-24575-00	LEVER, FUEL CHANGE	1				
19	90159-05M12	SCREW, WITH WASHER	1				
20	90467-11M08	CLIP	1				
21	69M-13437-40	MARK, CAUTION	1				FOR USA,OCE
	69M-13437-50	MARK, CAUTION	1				FOR CAN
22	6A1-83625-41	MARK 5	1				
23	6A1-83625-51	MARK 5	1				FOR CAN
24	61H-2819R-31	TAG, WARNING	1				
25	69M-F8100-00	TOOL KIT	1				AP



**FIG. 9 STARTER**

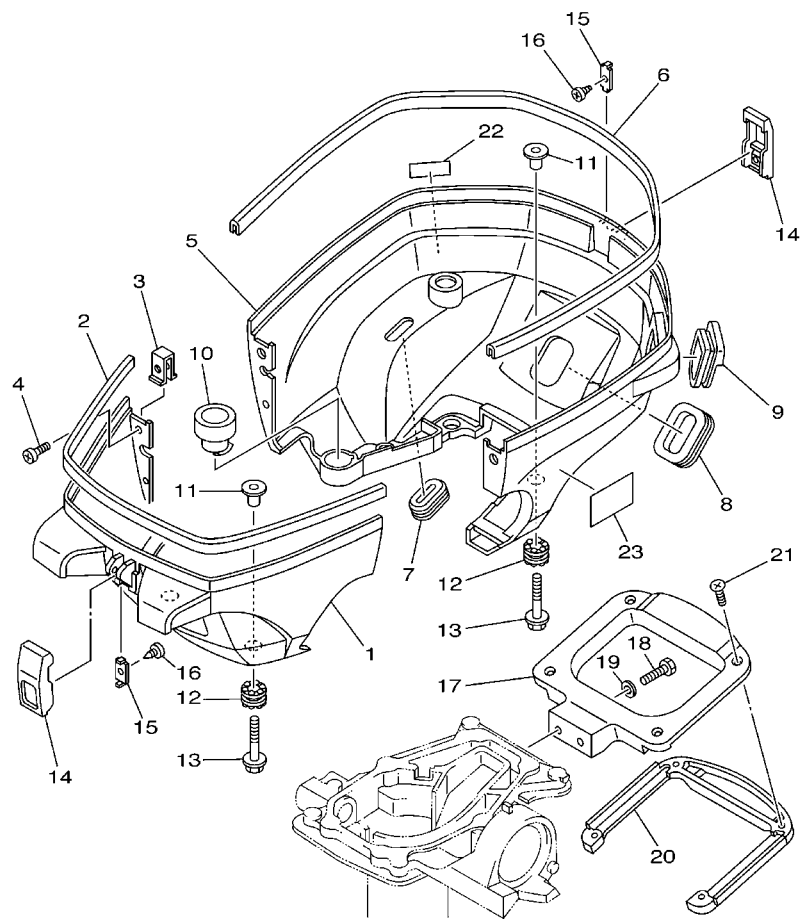
REF. NO.	PART NO.	DESCRIPTION	F2.5				REMARKS
1	69M-15710-00	STARTER ASSY	1				
2	69M-15714-00	.DRUM, SHEAVE	1				
3	69M-15741-00	.PAWL, DRIVE	2				
4	67D-15713-00	.SPRING, STARTER	1				
5	67D-15705-00	.SPRING, DRIVE PAWL	1				
6	69M-15735-00	.GUIDE, CAM	1				
7	69M-15793-00	.SCREW	1				
8	69M-15739-00	.WASHER, THRUST	1				
9	69M-15751-00	.WIRE, STARTER (L:1500MM)	1				
10	6G1-15755-00	HANDLE, STARTER	1				
11	6G1-15779-00	COVER	1				
12	69M-E5789-00	DAMPER	1				
13	97595-06560	BOLT, WITH WASHER	3				
14	69M-15762-00	SEAL, RUBBER 2	1				
15	69M-24182-00	DAMPER, LOCATING 2	1				

**FIG. 10 GENERATOR**



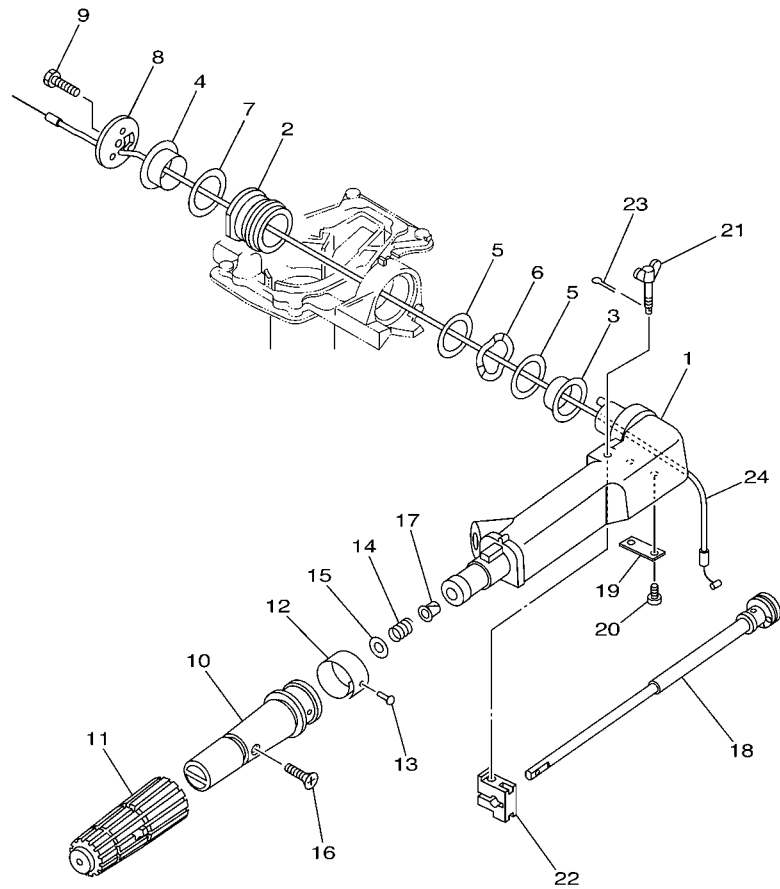
REF. NO.	PART NO.	DESCRIPTION	F2.5				REMARKS
1	69M-85650-00	ROTOR ASSY	1				
2	69M-85640-00	T.C.I. UNIT ASSY	1				
3	90280-04M06	KEY, WOODRUFF	1				
4	90170-10M33	NUT	1				
5	90201-105A2	WASHER, PLATE	1				
6	69M-15723-00	PULLEY, STARTER	1				
7	90105-06M24	BOLT, FLANGE	2				
8	90480-25161	GROMMET	1				
9	97095-06012	BOLT	1				
10	6E3-82370-21	PLUG CAP ASSY	1				
11	65W-82575-01	ENGINE STOP SWITCH ASSY	1				
12	682-82556-00	.STOPPER	1				
13	689-8257Y-00	.CAP	1				
14	90446-06M90	HOSE	1				
-----							
-----							
-----							
-----							

**FIG. 11 BOTTOM COWLING**



69M1010-3110

REF. NO.	PART NO.	DESCRIPTION	F2.5				REMARKS
1	69M-G2711-00-4D	COWLING, BOTTOM	1				
2	69M-42628-00	SEAL	1				
3	6L5-42774-00	STAY, APRON 1	2				
4	90157-05013	SCREW, PAN HEAD	2				
5	69M-G2712-00	COWLING, BOTTOM	1				
6	69M-42629-00	SEAL	1				
7	69M-G2727-00	GROMMET	1				
8	69M-G2724-00	GROMMET	1				
9	69M-G2725-00	GROMMET	1				
10	69M-E5316-00	DAMPER, ENGINE MOUNT 1	1				
11	69M-42758-00	COLLAR	4				
12	69M-G2768-00	DAMPER	4				
13	90119-06M17	BOLT, WITH WASHER	4				
14	6L5-42647-00	HOLDER, CLAMP BAND	2				
15	6L5-42823-00	PLATE, STOP	2				
16	90167-03M02	SCREW, TAPPING	2				
17	69M-G2731-00-4D	CARRYING HANDLE	1				
18	97095-06020	BOLT	2				
19	92995-06600	WASHER	2				
20	69M-G2735-00	PROTECTOR	1				
21	90161-04003	SCREW, TAPPING	4				
22	69M-24591-00	EMBLEM, FUEL COCK	1				
23	69M-13444-40	MARK	1				FOR USA,OCE
	69M-13444-50	MARK	1				FOR CAN



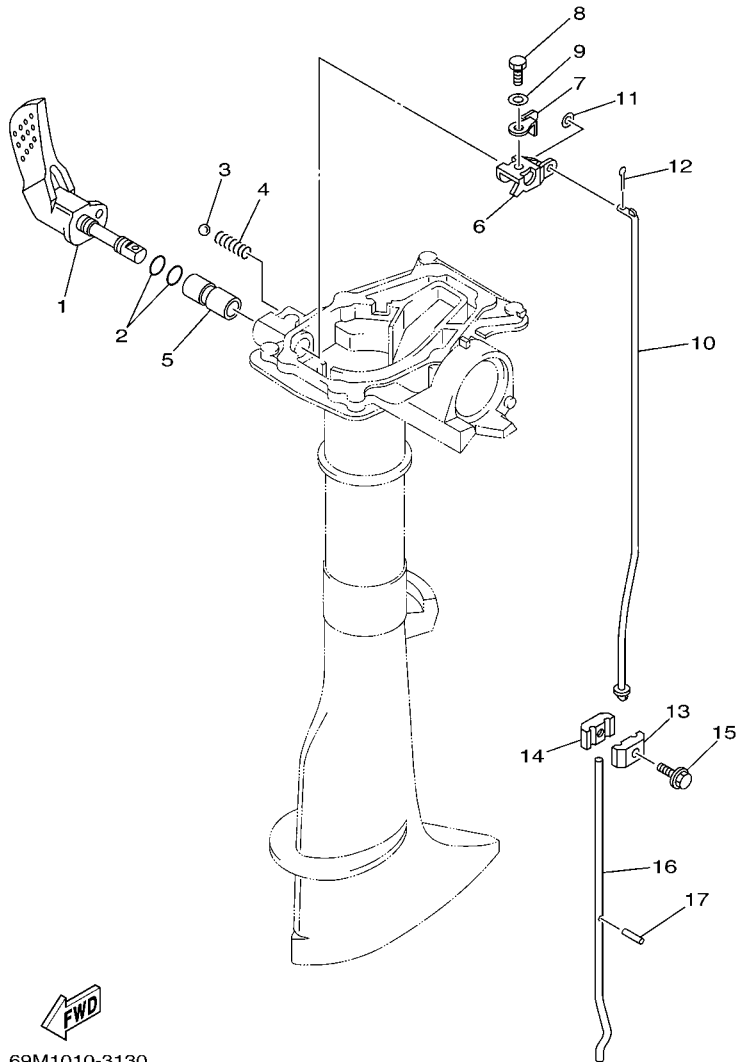
69M1010-3120

FIG. 12 STEERING

REF. NO.	PART NO.	DESCRIPTION	F2.5				REMARKS
1	69M-G2111-00-4D	HANDLE, STEERING	1				
2	67D-42129-00	BUSHING, RUBBER	1				
3	68D-G2171-00	BUSHING	1				
4	68D-G2172-00	BUSHING 2	1				
5	68D-G2181-00	WASHER	2				
6	69M-G2188-00	WASHER, WAVE	1				
7	68D-G2182-00	WASHER 2	1				
8	68D-G2131-01	COVER, HANDLE STEERING	1				
9	97075-08025	BOLT	1				
10	69M-G2119-10	GRIP, STEERING HANDLE	1				
11	6N0-G2177-00	RUBBER, HANDLE	1				
12	69M-G2137-00	INDICATOR, THROTTLE	1				
13	90269-02M09	RIVET	1				
14	90501-23800	SPRING, COMPRESSION	1				
15	92903-10600	WASHER, PLATE	1				
16	90149-05M13	SCREW	1				
17	90386-08032	BUSH	1				
18	69M-G2138-00	LEVER, THROTTLE	1				
19	68D-G2159-00	STAY	1				
20	97885-05012	SCREW, PAN HEAD	2				
21	6G1-42125-01	BOLT, FRICTION ADJUSTING	1				
22	6N0-G2126-00	FRICTION, STEERING HANDLE GRIP	1				
23	91490-16010	PIN, COTTER	1				
24	69M-F6301-00	THROTTLE CABLE ASSY	1				

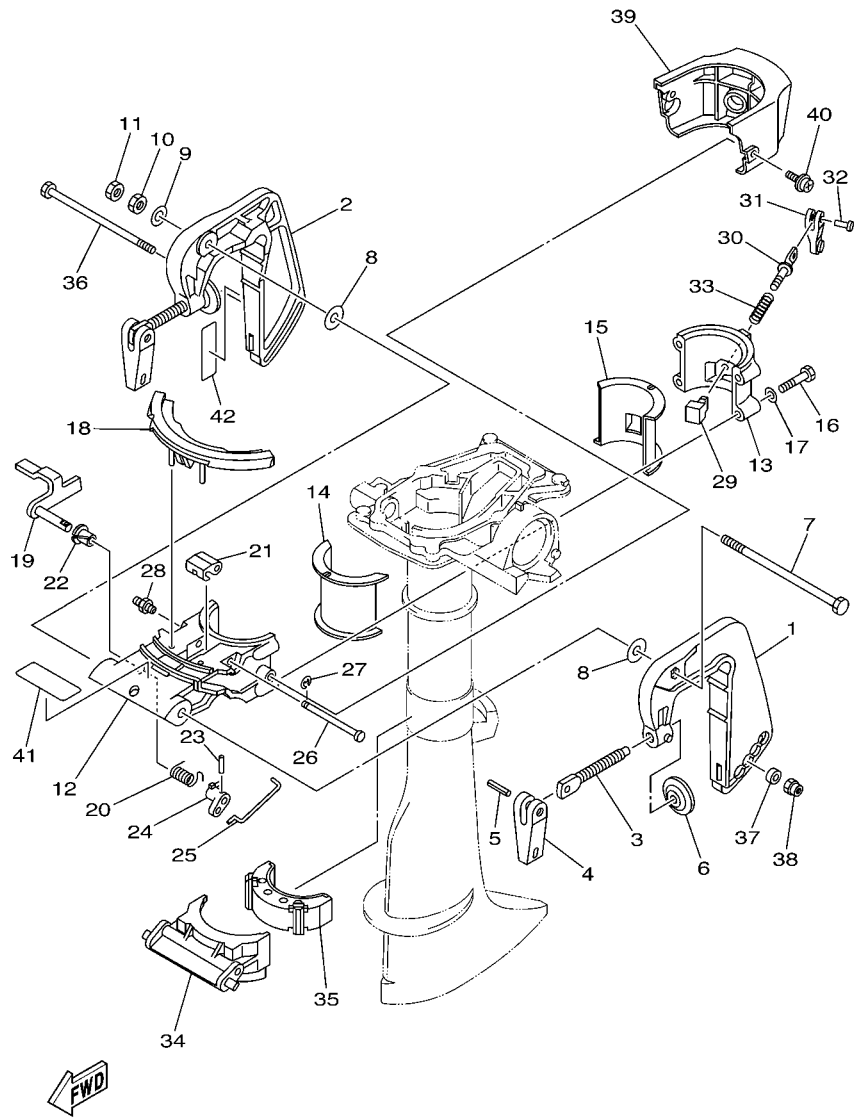


**FIG. 13 CONTROL**



69M1010-3130

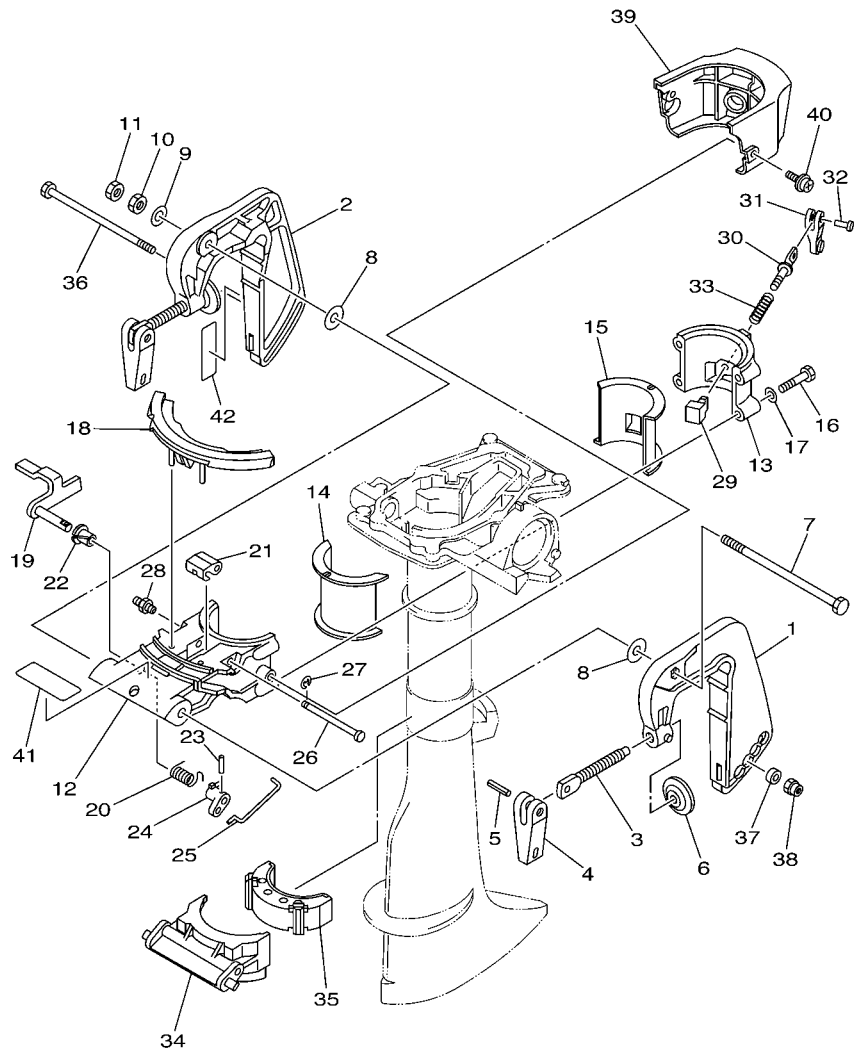
REF. NO.	PART NO.	DESCRIPTION	F2.5				REMARKS
1	69M-G4111-00	HANDLE, GEAR SHIFT	1				
2	93210-09350	O-RING	2				
3	93505-16024	BALL	1				
4	90501-12802	SPRING, COMPRESSION	1				
5	68D-G4122-01	BUSHING, SHIFT ROD LEVER	1				
6	69M-G4121-00	LEVER, SHIFT ROD	1				
7	69M-44126-00	WASHER, SHIFT ROD LEVER	1				
8	97095-05012	BOLT	1				
9	92995-05600	WASHER	1				
10	69M-44143-00	ROD, SHIFT	1				
11	92990-05600	WASHER, PLATE	1				
12	91490-16010	PIN, COTTER	1				
13	6N0-G4145-10	CONNECTOR, SHIFT ROD	1				
14	6N0-G4146-10	CONNECTOR, SHIFT ROD	1				
15	90119-06ME0	BOLT, WITH WASHER	1				
16	6L5-44144-00	ROD, SHIFT	1				S
	6L5-44144-10	ROD, SHIFT	1				L
17	91609-25014	PIN, SPRING	1				



69M1100-3140

FIG. 14 BRACKET

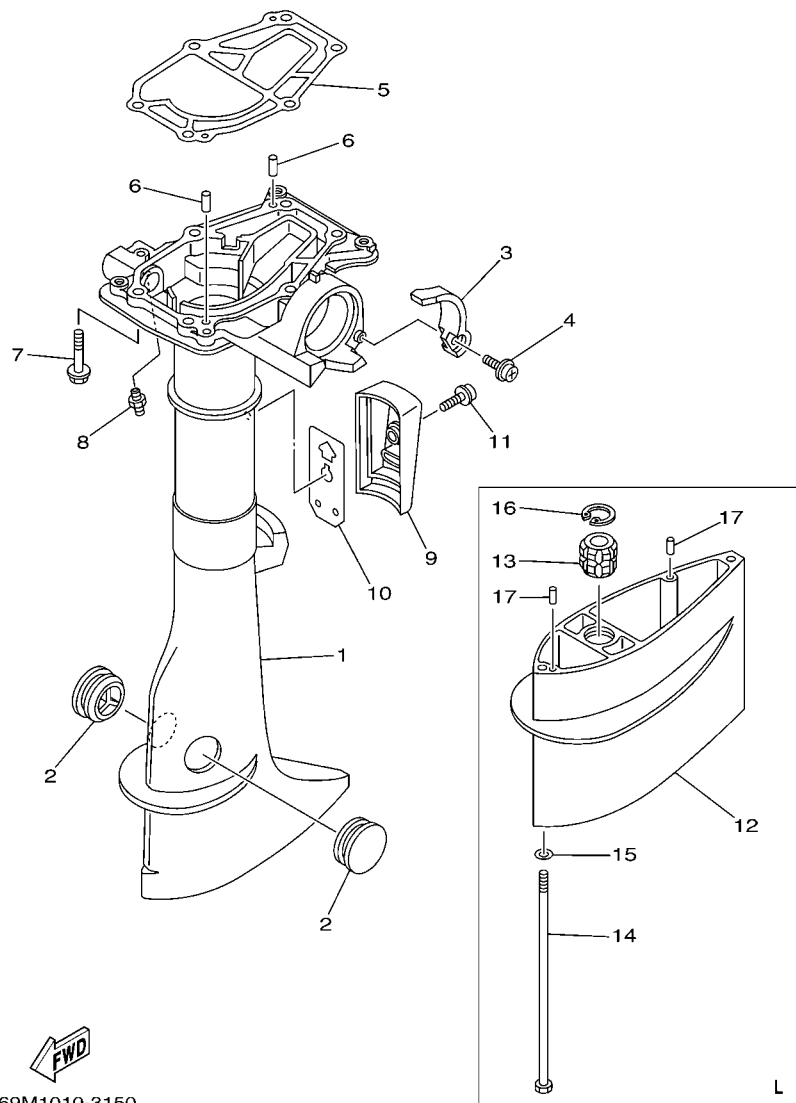
REF. NO.	PART NO.	DESCRIPTION	F2.5				REMARKS
1	69M-G3111-00-4D	BRACKET, CLAMP	1				
2	69M-G3112-00-4D	BRACKET, CLAMP	1				
3	6E0-43116-01	SCREW, TRANSOM CLAMP	2				
4	69M-G3118-00	HANDLE, TRANSOM CLAMP	2				
5	90243-04M01	PIN	2				
6	620-43114-00	PAD, TRANSOM CLAMP	2				
7	90101-08M07	BOLT	1				
8	90202-08022	WASHER, PLATE	2				
9	92990-08200	WASHER, PLAIN	1				
10	95380-08600	NUT	1				
11	95380-08700	NUT	1				
12	69M-G3311-00-4D	BRACKET, SWIVEL 1	1				
13	69M-G3312-00-4D	BRACKET, SWIVEL 2	1				
14	69M-G2537-00	BUSHING, PIVOT SHAFT	1				
15	69M-G2538-00	BUSHING, PIVOT SHAFT	1				
16	97075-06030	BOLT	4				
17	92995-06600	WASHER	4				
18	69M-43679-00	STOPPER, HOOK	1				
19	69M-43180-00	TILT STOP LEVER ASSY	1				
20	69M-G3188-00	SPRING	1				
21	69M-G3186-00	LEVER	1				
22	90386-08032	BUSH	1				
23	91690-20010	PIN, SPRING	1				
24	69M-G3185-00	LEVER, TILT STOP	1				
25	69M-G3164-00	ROD, TILT LOCK	1				
26	69M-G3166-00	PIN	1				
27	99080-04600	CIRCLIP	1				



**FWD**  
69M1100-3140

**FIG. 14 BRACKET**

REF. NO.	PART NO.	DESCRIPTION	F2.5				REMARKS
28	93700-06M03	NIPPLE, GREASE	1				
29	69M-42528-00	PLATE, FRICTION	1				
30	69M-42529-00	SCREW, FRICTION PIECE	1				
31	68D-G2561-01	KNOB, STEERING LOCK	1				
32	90266-04M05	RIVET	1				
33	90501-12803	SPRING, COMPRESSION	1				
34	69M-G3351-00	RECEIVER, THRUST	1				
35	69M-44557-00	MOUNT DAMPER, LOWER FRONT	1				
36	90101-06030	BOLT	1				
37	90201-06040	WASHER, PLATE	1				
38	95780-06300	NUT, FLANGE	1				
39	69M-G3318-00	COVER	1				
40	90159-06M11	SCREW, WITH WASHER	2				
41	69M-G3691-00	INDICATOR, TILT	1				
42	63V-82377-50	LABEL (SPARK,IGNITION)	1				FOR CAN



69M1010-3150

FIG. 15 UPPER CASING

REF. NO.	PART NO.	DESCRIPTION	F2.5				REMARKS
1	69M-G5111-00-4D	CASING, UPPER	1				
2	647-45151-01	COVER, UPPER CASING	2				
3	69M-G5152-00	COVER, UPPER CASING 2	1				
4	90159-05M12	SCREW, WITH WASHER	1				
5	69M-45113-A0	GASKET, UPPER CASING	1				
6	93604-12M07	PIN, DOWEL	2				
7	97575-06535	BOLT, WITH WASHER	6				
8	93700-06M03	NIPPLE, GREASE	1				
9	69M-G5151-00	COVER, UPPER CASING	1				
10	69M-G5115-00	GASKET, UPPER CASING	1				
11	90159-06M11	SCREW, WITH WASHER	1				
12	69M-G5211-00-4D	EXTENSION	1				L
13	6L5-45318-00	BUSHING, DRIVE SHAFT	1				L
14	90101-06M18	BOLT	3				L
15	92990-06600	WASHER, PLATE	3				L
16	93420-22M03	CIRCLIP	1				L
17	93604-12M07	PIN, DOWEL	2				L

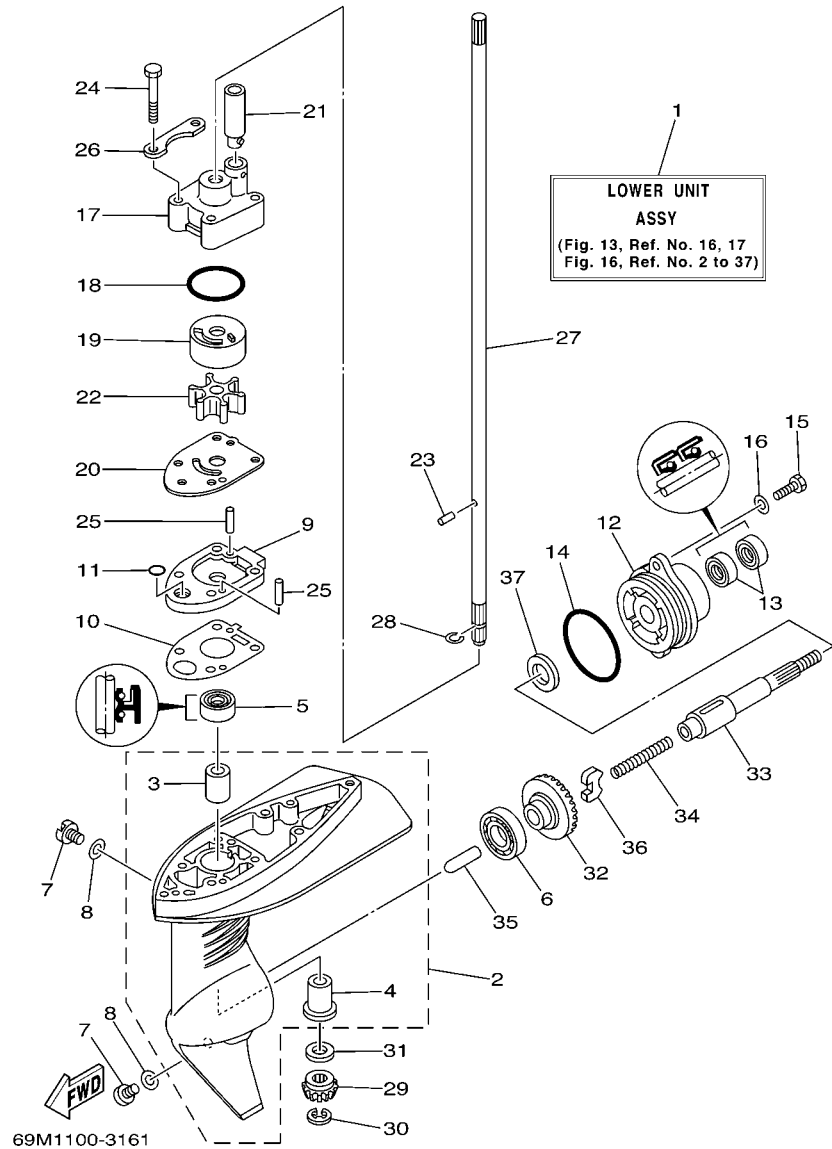


FIG. 16 LOWER CASING. DRIVE 1

REF. NO.	PART NO.	DESCRIPTION	F2.5				REMARKS
1	69M-G5300-00-4D	LOWER UNIT ASSY	1				S
	69M-G5300-10-4D	LOWER UNIT ASSY	1				L
2	69M-G5311-00-4D	CASING, LOWER	1				
3	6L5-45316-09	.BUSHING, DRIVE SHAFT	1				
4	6L5-45317-09	.BUSHING, DRIVE SHAFT	1				
5	93103-09M41	OIL SEAL	1				
6	93316-003Y0	BEARING	1				
7	90340-08002	PLUG, STRAIGHT SCREW	2				
8	90430-08801	GASKET	2				
9	69M-G5321-00-94	PLATE	1				
10	69M-G5315-A0	PACKING, LOWER CASING	1				
11	93210-05001	O-RING	1				
12	69M-G5361-00-4D	CAP, LOWER CASING	1				
13	93101-13M12	OIL SEAL	2				
14	93210-48214	O-RING	1				
15	97095-06016	BOLT	2				
16	92995-06600	WASHER	2				
17	69M-G4311-00	HOUSING, WATER PUMP	1				
18	93210-33M85	O-RING	1				
19	6L5-44322-00	INSERT, CARTRIDGE	1				
20	69M-G4323-00	OUTER PLATE, CARTRIDGE	1				
21	6E0-44366-00	DAMPER, WATER SEAL	1				
22	6L5-44352-00	IMPELLER	1				
23	93604-07M13	PIN, DOWEL	1				
24	97095-06040	BOLT	4				
25	93604-18080	PIN, DOWEL	2				
26	69M-G4328-00	PLATE	2				

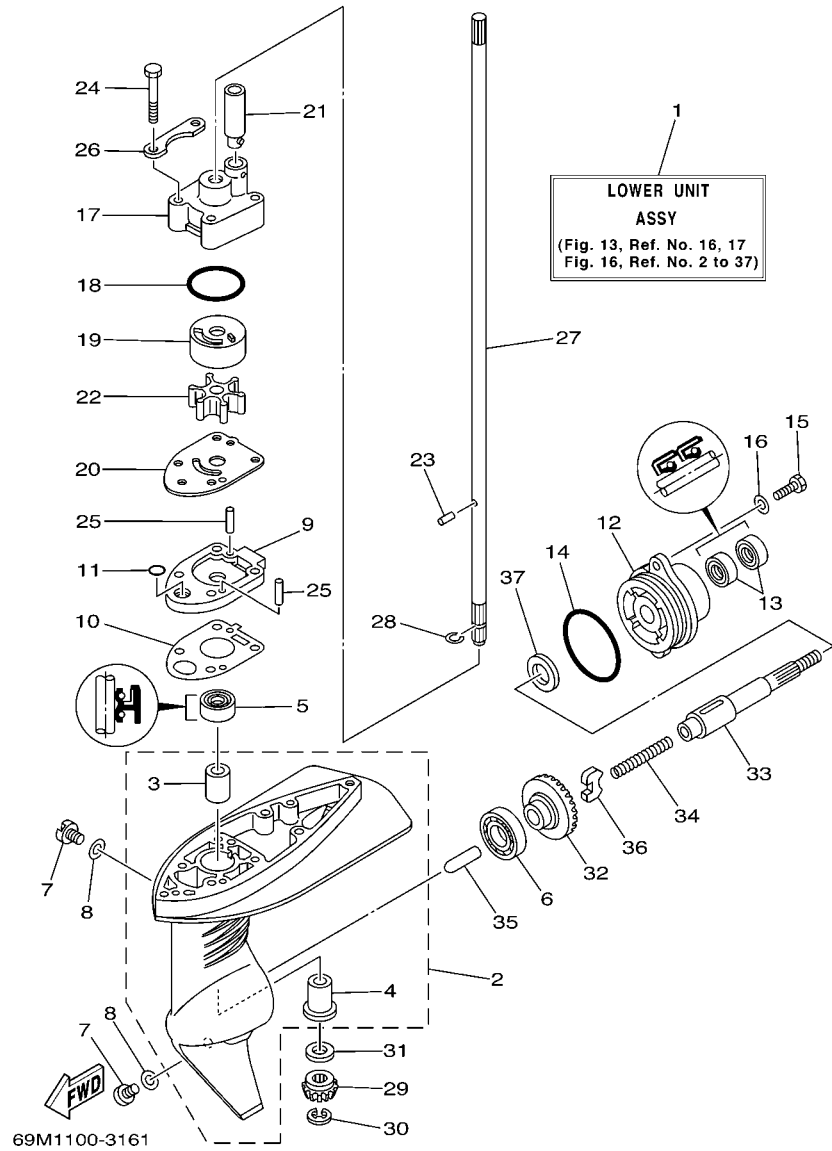
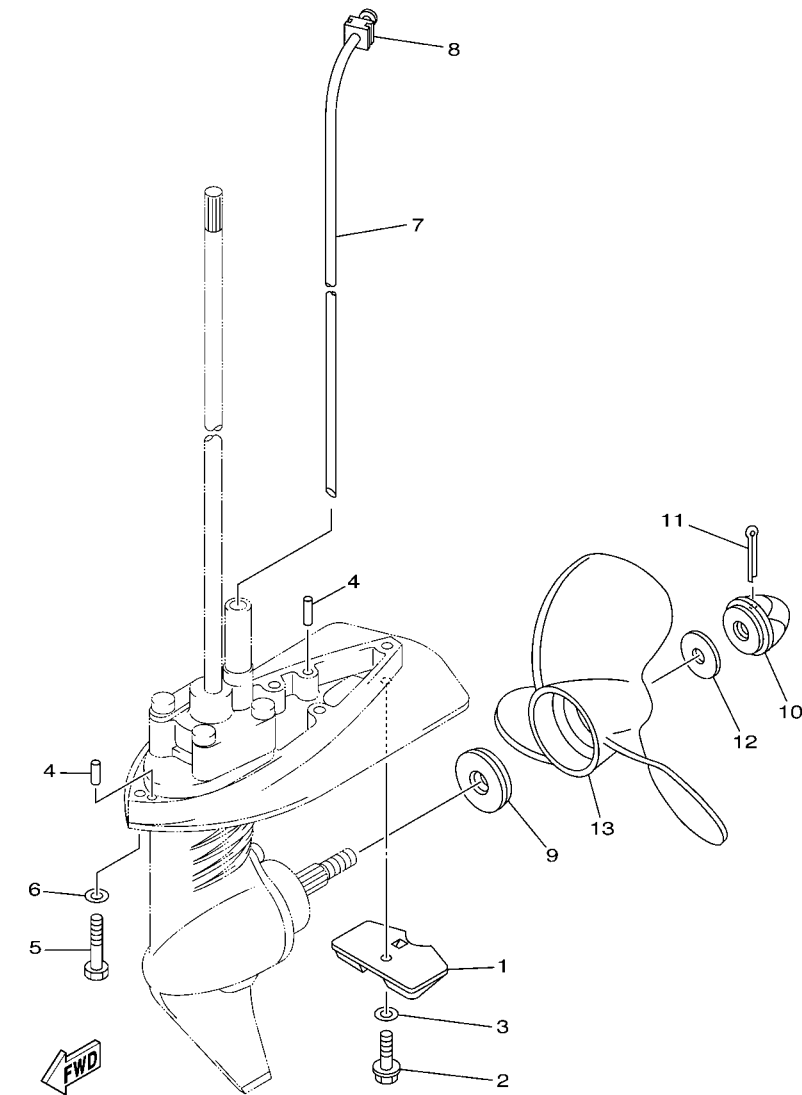


FIG. 16 LOWER CASING. DRIVE 1

REF. NO.	PART NO.	DESCRIPTION	F2.5				REMARKS
27	69M-G5511-00	SHAFT, DRIVE	1				S
	69M-G5511-10	SHAFT, DRIVE	1				L
28	93440-08819	CIRCLIP	1				
29	6L5-45551-00	PINION	1				
30	99001-06600	CIRCLIP	1				
31	6L5-45533-00-20	SHIM (T:2.0MM)	1				UR
	6L5-45533-00-21	SHIM (T:2.1MM)	1				UR
	6L5-45533-00-22	SHIM (T:2.2MM)	1				UR
	6L5-45533-00-23	SHIM (T:2.3MM)	1				UR
32	6L5-45560-00	GEAR	1				
33	6L5-45611-00	SHAFT, PROPELLER	1				
34	90501-10064	SPRING, COMPRESSION	1				
35	69M-G5635-00	PLUNGER, SHIFT	1				
36	6L5-45631-00	CLUTCH, DOG	1				
37	90201-13198	WASHER, PLATE	1				

FIG. 17 LOWER CASING. DRIVE 2



69M1010-3170

REF. NO.	PART NO.	DESCRIPTION	F2.5				REMARKS
1	68D-G5251-00	ANODE	1				
2	95895-06020	BOLT, FLANGE	1				
3	92990-06300	WASHER, INTERNAL TOOTH	1				
4	93604-12M07	PIN, DOWEL	2				
5	97095-06030	BOLT	3				S
6	92995-06600	WASHER	3				S
7	69M-44361-00	TUBE, WATER	1				S
	69M-44361-10	TUBE, WATER	1				L
8	68D-G4365-00	DAMPER, WATER SEAL	1				
9	68D-G5987-00	SPACER	1				
10	6L5-45616-00	NUT, PROPELLER	1				
11	91490-25030	PIN, COTTER	1				
12	90201-08M54	WASHER, PLATE	1				
13	6L5-45943-00-EL	PROPELLER (3X7-1/4"X6"-BS)	1				UR
	6L5-45945-00-EL	PROPELLER (3X7-1/4"X7-1/4"-BS)	1				UR
	6L5-45947-00-EL	PROPELLER (3X7-1/4"X8-1/4"-BS)	1				UR
	6L5-45949-00-EL	PROPELLER (3X7-1/4"X5"-BS)	1				UR
	6L5-45952-00-EL	PROPELLER (3X7-1/2"X5-1/2"-BS)	1				UR

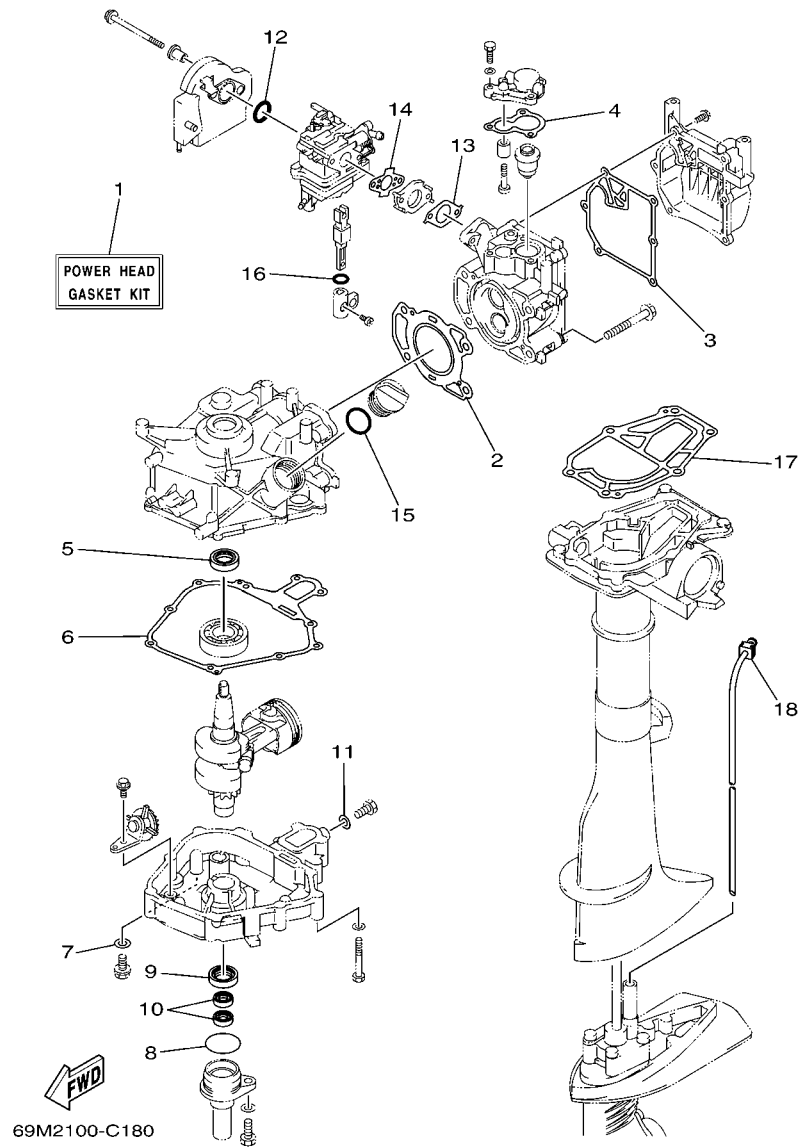
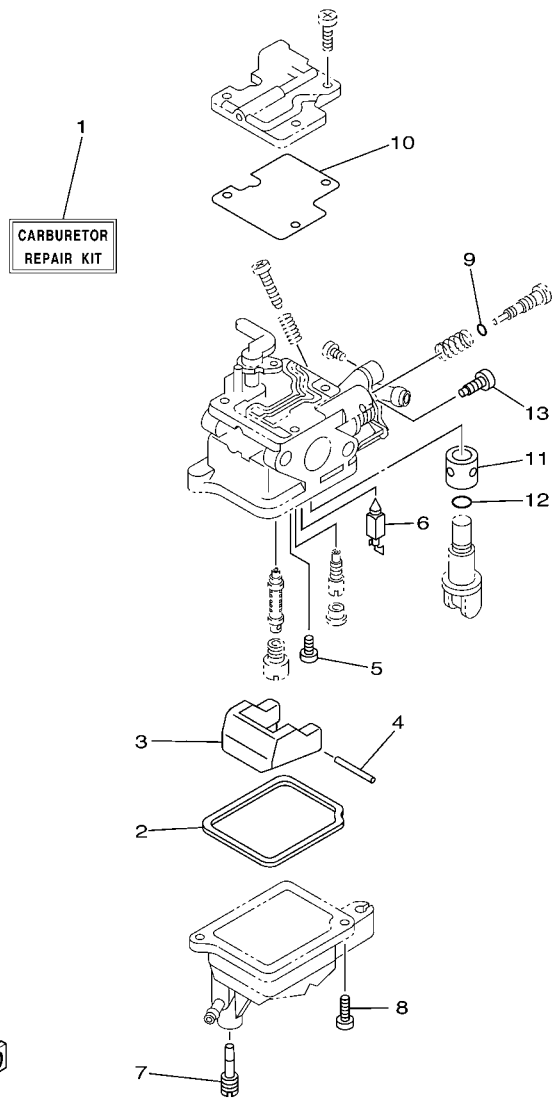


FIG. 18 REPAIR KIT 1

REF. NO.	PART NO.	DESCRIPTION	F2.5				REMARKS
1	69M-WE001-00	POWER HEAD GASKET KIT	1				
2	69M-11181-00	.GASKET, CYLINDER HEAD 1	1				
3	69M-11193-A0	.GASKET, HEAD COVER 1	1				
4	68D-E2414-A0	.GASKET, COVER	1				
5	93102-20108	.OIL SEAL	1				
6	69M-11351-A0	.GASKET, CYLINDER	1				
7	90201-08818	.WASHER, PLATE	1				
8	93210-35537	.O-RING	1				
9	93102-20108	.OIL SEAL	1				
10	93102-09004	.OIL SEAL	2				
11	90430-08800	.GASKET	1				
12	93210-20M65	.O-RING	1				
13	69M-E3645-A0	.GASKET, MANIFOLD 1	1				
14	69M-E3646-A0	.GASKET, MANIFOLD 2	1				
15	93210-24M79	.O-RING	1				
16	93210-13M43	.O-RING	1				
17	69M-45113-A0	.GASKET, UPPER CASING	1				
18	68D-G4365-00	.DAMPER, WATER SEAL	1				



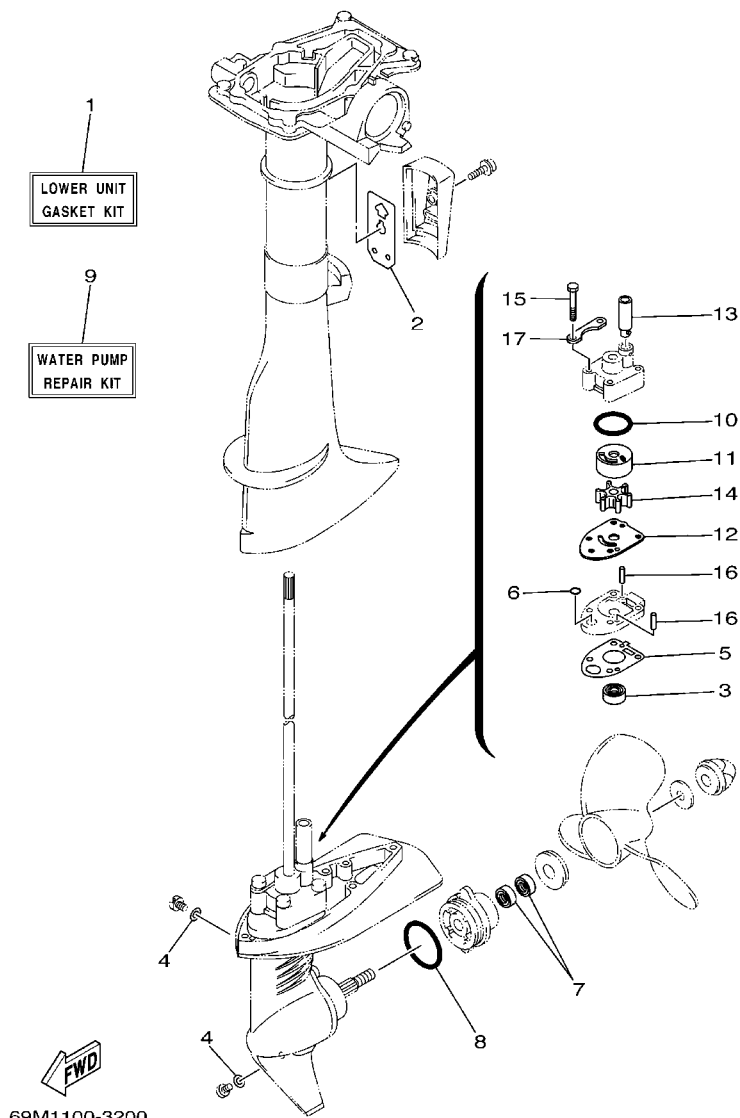


69M1100-3190

FIG. 19 REPAIR KIT 2

REF. NO.	PART NO.	DESCRIPTION	F2.5				REMARKS
1	69M-W0093-00	CARBURETOR REPAIR KIT	1				
2	69M-14984-00	.GASKET, FLOAT CHAMBER	1				
3	69M-14385-00	.FLOAT	1				
4	6A1-14386-00	.PIN, FLOAT	1				
5	98580-03005	.SCREW, PAN HEAD	1				
6	62Y-14392-00	.VALVE, NEEDLE	1				
7	69M-14991-00	.SCREW	1				
8	98580-04010	.SCREW, PAN HEAD	2				
9	2T4-14397-00	.O-RING	1				
10	69M-14536-00	.GASKET	1				
11	69M-24523-00	.VALVE	1				
12	69M-24533-00	.O-RING	1				
13	69M-24535-00	.SCREW, LEVER FITTING	1				

FIG. 20 REPAIR KIT 3



REF. NO.	PART NO.	DESCRIPTION	F2.5				REMARKS
1	69M-WG001-20	LOWER UNIT GASKET KIT	1				
2	69M-G5115-00	.GASKET, UPPER CASING	1				
3	93103-09M41	.OIL SEAL	1				
4	90430-08801	.GASKET	2				
5	69M-G5315-A0	.PACKING, LOWER CASING	1				
6	93210-05001	.O-RING	1				
7	93101-13M12	.OIL SEAL	2				
8	93210-48214	.O-RING	1				
9	69M-WG078-00	WATER PUMP REPAIR KIT	1				
10	93210-33M85	.O-RING	1				
11	6L5-44322-00	.INSERT, CARTRIDGE	1				
12	69M-G4323-00	.OUTER PLATE, CARTRIDGE	1				
13	6E0-44366-00	.DAMPER, WATER SEAL	1				
14	6L5-44352-00	.IMPELLER	1				
15	97095-06040	.BOLT	4				
16	93604-18080	.PIN, DOWEL	2				
17	69M-G4328-00	.PLATE	2				

NUMERICAL INDEX

PART NO.	REF. NO.	PART NO.	REF. NO.	PART NO.	REF. NO.	PART NO.	REF. NO.	PART NO.	REF. NO.	PART NO.	REF. NO.
67D-11133-10	2 - 3	69M-14427-40	1 - 9	67D-42129-00	12 - 2	6L5-45952-00-EL	17 - 13	69M-F6301-00	12 - 24	6N0-G4145-10	13 - 13
69M-11181-00	2 - 7	69M-14427-50	1 - 9	69M-42528-00	14 - 29	6E3-82370-21	10 - 10	69M-F6330-01	6 - 12	6N0-G4146-10	13 - 14
	18 - 2	69M-14440-00	6 - 3	69M-42529-00	14 - 30	63V-82377-50	14 - 42	69M-F8100-00	8 - 25	69M-G4311-00	16 - 17
69M-11193-A0	2 - 9	6H1-14485-00	4 - 2	69M-42628-00	11 - 2	682-82556-00	10 - 12	69M-G2111-00-4D	12 - 1	69M-G4323-00	16 - 20
	18 - 3	69M-14527-00	7 - 18	69M-42629-00	11 - 6	65W-82575-01	10 - 11	69M-G2119-10	12 - 10		20 - 12
69M-11351-A0	4 - 7	69M-14536-00	7 - 19	6L5-42647-00	11 - 14	689-8257Y-00	10 - 13	6N0-G2126-00	12 - 22	69M-G4328-00	16 - 26
	18 - 6		19 - 10	69M-42662-00	1 - 7	6A1-83625-41	8 - 22	68D-G2131-01	12 - 8		20 - 17
676-11372-00	2 - 4	69M-14966-00	7 - 6	69M-42758-00	11 - 11	6A1-83625-51	8 - 23	69M-G2137-00	12 - 12	68D-G4365-00	17 - 8
69M-11400-00	3 - 1	69M-14984-00	7 - 8	6L5-42774-00	11 - 3	68F-85119-00	8 - 10	69M-G2138-00	12 - 18		18 - 18
69M-11650-00	3 - 3		19 - 2	67D-42791-10	2 - 21	69M-85640-00	10 - 2	68D-G2159-00	12 - 19	69M-G5111-00-4D	15 - 1
7FK-11654-00	3 - 4	69M-14991-00	7 - 13	6L5-42823-00	11 - 15	69M-85650-00	10 - 1	68D-G2171-00	12 - 3	69M-G5115-00	15 - 10
67D-12111-00	5 - 2		19 - 7	620-43114-00	14 - 6	68F-86129-00	8 - 9	68D-G2172-00	12 - 4		20 - 2
7NJ-12117-00	5 - 6	69M-15361-00	4 - 5	6E0-43116-01	14 - 3	69M-E1111-00-94	2 - 2	6N0-G2177-00	12 - 11	69M-G5151-00	15 - 9
7NJ-12118-00	5 - 7	67D-15705-00	9 - 5	69M-43180-00	14 - 19	69M-E1191-00-94	2 - 8	68D-G2181-00	12 - 5	69M-G5152-00	15 - 3
51Y-12119-00	5 - 4	69M-15710-00	9 - 1	69M-43679-00	14 - 18	69M-E1311-00-94	4 - 1	68D-G2182-00	12 - 7	69M-G5211-00-4D	15 - 12
67D-12121-00	5 - 3	67D-15713-00	9 - 4	69M-44126-00	13 - 7	68D-E1325-00	2 - 14	69M-G2188-00	12 - 6	68D-G5251-00	17 - 1
67D-12151-00	5 - 8	69M-15714-00	9 - 2	69M-44143-00	13 - 10	69M-E1603-01	3 - 6	69M-G2537-00	14 - 14	69M-G5300-00-4D	16 - 1
JA9-12153-00	5 - 14	69M-15723-00	10 - 6	6L5-44144-00	13 - 16	69M-E1604-01	3 - 6	69M-G2538-00	14 - 15	69M-G5300-10-4D	16 - 1
69M-12154-00	5 - 13	69M-15735-00	9 - 6	6L5-44144-10	13 - 16	69M-E1605-01	3 - 6	68D-G2561-01	14 - 31	69M-G5311-00-4D	16 - 2
67D-12157-00	5 - 11	69M-15739-00	9 - 8	6L5-44322-00	16 - 19	69M-E1631-01-96	3 - 5	69M-G2610-10-4D	1 - 1	69M-G5315-A0	16 - 10
7FK-12158-00	5 - 10	69M-15741-00	9 - 3		20 - 11	69M-E1633-00	3 - 7	69M-G2613-00	1 - 2		20 - 5
7FK-12165-00	5 - 9	69M-15751-00	9 - 9	6L5-44352-00	16 - 22	69M-E1635-01	3 - 5	69M-G2677-00	1 - 5	69M-G5321-00-94	16 - 9
69M-12170-20	5 - 1	6G1-15755-00	9 - 10		20 - 14	69M-E1636-01	3 - 5	69M-G2678-10	1 - 6	69M-G5361-00-4D	16 - 12
69M-12411-00	2 - 11	69M-15762-00	9 - 14	69M-44361-00	17 - 7	68D-E2113-00	5 - 5	69M-G2711-00-4D	11 - 1	69M-G5151-00	16 - 27
67F-13434-02	1 - 8	6G1-15779-00	9 - 11	69M-44361-10	17 - 7	68D-E2138-40	2 - 22	69M-G2712-00	11 - 5	69M-G5511-10	16 - 27
69M-13437-40	8 - 21	69M-15793-00	9 - 7	6E0-44366-00	16 - 21	68D-E2138-50	2 - 22	69M-G2724-00	11 - 8	69M-G5635-00	16 - 35
69M-13437-50	8 - 21	6H1-21757-00	8 - 6		20 - 13	69M-E2155-00	5 - 12	69M-G2725-00	11 - 9	68D-G5987-00	17 - 9
69M-13444-40	11 - 23	6A1-2415A-41	1 - 10	6G8-44532-00	4 - 27	69M-E2413-00-9M	2 - 12	69M-G2727-00	11 - 7	69M-W0093-00	19 - 1
69M-13444-50	11 - 23	6A1-2415A-51	1 - 11	69M-44557-00	14 - 35	68D-E2414-A0	2 - 16	69M-G2731-00-4D	11 - 17	69M-WE001-00	18 - 1
62Y-14212-00	7 - 21	69M-24182-00	9 - 15	69M-45113-A0	15 - 5		18 - 4	69M-G2735-00	11 - 20	69M-WE090-01-4D	2 - 1
69M-14301-00	7 - 1	6L5-24251-00	8 - 11		18 - 17	69M-E2483-00	6 - 7	69M-G2743-00	4 - 26	69M-WG001-20	20 - 1
69M-14301-10	7 - 1	650-24378-00	2 - 13	647-45151-01	15 - 2	69M-E3102-00	4 - 22	69M-G2768-00	11 - 12	69M-WG070-00	1 - 4
69W-14321-00	7 - 20	69M-24523-00	7 - 23	6L5-45316-09	16 - 3	69M-E3645-A0	6 - 9	69M-G3111-00-4D	14 - 1	69M-WG078-00	20 - 9
69M-14323-00	7 - 15		19 - 11	6L5-45317-09	16 - 4		18 - 13	69M-G3112-00-4D	14 - 2	90101-06030	14 - 36
62Y-1432A-01	7 - 26	69M-24524-00	7 - 22	6L5-45318-00	15 - 13	69M-E3646-A0	6 - 10	69M-G3118-00	14 - 4	90101-06M18	15 - 14
62Y-14334-00	7 - 17	69M-24533-00	7 - 24	6L5-45533-00-20	16 - 31		18 - 14	69M-G3164-00	14 - 25	90101-08M07	14 - 7
69M-14341-00	7 - 4		19 - 12	6L5-45533-00-21	16 - 31	69M-E3647-00	6 - 11	69M-G3166-00	14 - 26	90105-06M14	2 - 10
69M-14342-68	7 - 5	69M-24535-00	7 - 25	6L5-45533-00-22	16 - 31	69M-E4148-00	6 - 1	69M-G3185-00	14 - 24	90105-06M24	10 - 7
69M-14343-31	7 - 3		19 - 13	6L5-45533-00-23	16 - 31	69M-E5111-00-94	4 - 6	69M-G3186-00	14 - 21	90105-08M36	2 - 5
69M-14381-00	7 - 7	69M-24554-00	8 - 16	6L5-45551-00	16 - 29	69M-E5316-00	11 - 10	69M-G3188-00	14 - 20	90105-08M76	4 - 12
69M-14385-00	7 - 9	69M-24575-00	8 - 18	6L5-45560-00	16 - 32	69M-E5363-00	4 - 24	69M-G3311-00-4D	14 - 12	90119-06M17	11 - 13
	19 - 3	69M-24591-00	11 - 22	6L5-45611-00	16 - 33	69M-E5396-00-5B	4 - 14	69M-G3312-00-4D	14 - 13	90119-06ME0	13 - 15
6A1-14386-00	7 - 10	67D-24610-02	8 - 2	6L5-45616-00	17 - 10	69M-E5789-00	9 - 12	69M-G3318-00	14 - 39	90149-05M13	12 - 16
	19 - 4	69M-24633-00	8 - 5	6L5-45631-00	16 - 36	69M-F4111-00	8 - 1	69M-G3351-00	14 - 34	90157-05013	11 - 4
62Y-14392-00	7 - 12	624-24634-00	8 - 4	6L5-45943-00-EL	17 - 13	69M-F4181-00	8 - 15	69M-G3691-00	14 - 41	90159-05M12	8 - 19
	19 - 6	69M-24641-00	8 - 7	6L5-45945-00-EL	17 - 13	69M-F4191-00	8 - 14	69M-G4111-00	13 - 1		15 - 4
2T4-14397-00	7 - 16	61H-2819R-31	8 - 24	6L5-45947-00-EL	17 - 13	69M-F4311-00	8 - 12	69M-G4121-00	13 - 6	90159-06M11	14 - 40
	19 - 9	6G1-42125-01	12 - 21	6L5-45949-00-EL	17 - 13	69M-F4375-00	8 - 8	68D-G4122-01	13 - 5		15 - 11

NUMERICAL INDEX

PART NO.	REF. NO.	PART NO.	REF. NO.	PART NO.	REF. NO.	PART NO.	REF. NO.	PART NO.	REF. NO.	PART NO.	REF. NO.
90161-04003	11 - 21	92995-05600	13 - 9	95380-08700	14 - 11						
90167-03M02	11 - 16	92995-06600	2 - 18	95780-06300	14 - 38						
90170-10M33	10 - 4		4 - 29	95817-06012	4 - 23						
90201-06040	14 - 37		11 - 19	95895-06020	17 - 2						
90201-08818	4 - 13		14 - 17	97013-06045	4 - 8						
	18 - 7		16 - 16	97075-06030	14 - 16						
90201-08M54	17 - 12		17 - 6	97075-08025	12 - 9						
90201-105A2	10 - 5	92995-08600	4 - 19	97095-05012	13 - 8						
90201-13198	16 - 37	93101-13M12	16 - 13	97095-06012	10 - 9						
90201-23008	3 - 2		20 - 7	97095-06016	16 - 15						
90202-08022	14 - 8	93102-09004	4 - 17	97095-06020	2 - 17						
90243-04M01	14 - 5		18 - 10		4 - 28						
90266-04M05	14 - 32	93102-20108	4 - 3		11 - 18						
90269-02M09	12 - 13		18 - 5	97095-06030	17 - 5						
90280-04M06	10 - 3	93103-09M41	16 - 5	97095-06040	16 - 24						
90340-08002	16 - 7		20 - 3		20 - 15						
90386-08032	12 - 17	93210-05001	16 - 11	97095-08014	4 - 20						
	14 - 22		20 - 6	97095-08020	4 - 18						
90387-063Y3	6 - 6	93210-09350	13 - 2	97575-06535	15 - 7						
90430-08800	4 - 21	93210-13M43	8 - 17	97595-06560	9 - 13						
	18 - 11		18 - 16	97595-06575	6 - 5						
90430-08801	16 - 8	93210-20M65	6 - 4	97780-40012	1 - 3						
	20 - 4		18 - 12	97880-05025	2 - 15						
90445-07805	6 - 8	93210-24M79	4 - 25	97885-05012	12 - 20						
90445-09808	2 - 19		18 - 15	97890-04007	7 - 2						
90446-06M90	10 - 14	93210-33M85	16 - 18	98580-03005	7 - 11						
90464-09013	2 - 20		20 - 10		19 - 5						
90465-08M99	4 - 10	93210-35537	4 - 15	98580-04010	7 - 14						
90465-11M10	6 - 2		18 - 8		19 - 8						
90467-11M08	8 - 20	93210-48214	16 - 14	99001-06600	16 - 30						
90467-13M13	8 - 13		20 - 8	99080-04600	14 - 27						
90480-25161	10 - 8	93306-272Y2	4 - 4								
90501-10064	16 - 34	93316-003Y0	16 - 6								
90501-10260	8 - 3	93420-22M03	15 - 16								
90501-12802	13 - 4	93440-08819	16 - 28								
90501-12803	14 - 33	93450-13130	3 - 8								
90501-23800	12 - 14	93505-16024	13 - 3								
91490-16010	12 - 23	93604-07M13	16 - 23								
	13 - 12	93604-12M07	2 - 6								
91490-25030	17 - 11		4 - 11								
91609-25014	13 - 17		15 - 6								
91690-20010	14 - 23		17 - 4								
92903-06600	4 - 9	93604-18080	16 - 25								
92903-10600	12 - 15		20 - 16								
92990-05600	13 - 11	93700-06M03	14 - 28								
92990-06300	17 - 3		15 - 8								
92990-06600	15 - 15	94702-00248	2 - 23								
92990-08200	14 - 9	95380-08600	14 - 10								

F2.5MHC/F2.5AMH  
PARTS CATALOGUE  
©2003 by Yamaha Motor Co., Ltd.  
1st edition, March 2003  
All rights reserved.  
Any reprinting or unauthorized use  
without the written permission of  
Yamaha Motor Co., Ltd.  
is expressly prohibited.  
Printed in Japan.