



PARTS CATALOGUE

F30 (69H4)

F40 (67C3)

F30A'04 (69H4)

F40B'04 (67C3)

FOREWORD

This Parts Catalogue is related to the parts for the model(s) on the cover page. When you are ordering replacement parts, please refer to this Parts Catalogue and quote both part numbers and part names correctly.

1. Modifications or additions which have been made after the issue of the Parts Catalogue will be announced in the Yamaha Parts News.
It is advisable that you make the necessary corrections to the Parts Catalogue according to the Yamaha Parts News.

2. Abbreviations

The following abbreviations are used in this Parts Catalogue.

“UR” Use specified parts number.

“UN” Use as many as needed.

“AP” Alternate Parts

“LM” Locally Made (Parts need to be ordered locally)

“F#” Frame No. (Applicable machine No.)

“O/S” Over Size

3. The number of components for assembly

- Parts, which are to be supplied in an assembly, are listed with a dot (.) in front of the part name as shown below.
- The numeral appearing to the right of each component part indicates the quantity of parts for each assembly unit.

PART NO.	DESCRIPTION	Q'TY	REMARKS
2F5-83310-60	FRONT FLASHER LIGHT ASSY	2	
115-83311-60	.BULB (6V-18W)	1	

4. Applicable colours of graphics are represented in the “REMARKS” as shown below.

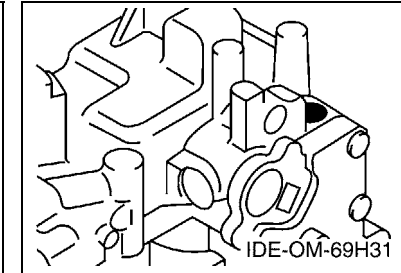
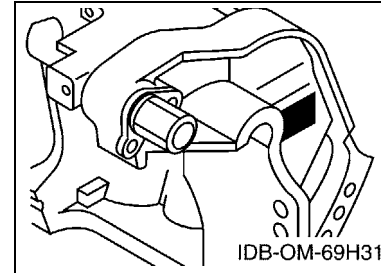
PART NO.	DESCRIPTION	Q'TY	REMARKS
2N4-24110-00-X5	FUEL TANK COMP.	2	MXR
3J1-24240-10	.GRAPHIC, FUEL TANK	1	FOR MXR

5. Note that the illustrations for reference in finding parts numbers are not to be used for assembling. When assembling, please use the applicable service manual.

6. The asterisk (*) before a reference number indicates modified items after the first edition.

7. Applicable Serial No.

Engine Serial No.



8. Applicable Engine Starting Serial No.

Model	Serial No.	Model	Serial No.
F30	69H-1001210	F30A	69H-1001210
F40	67C-1005782	F40B	67C-1005782

9. Applicable Colour Code

Abbreviation	Colour Name	Colour Code
DBNM2	DARK BLUISH GRAY METALLIC 2	004D

10. Quantity Column Information

Column No.	Name Of Q'ty Column	Applicable Model
1	MHD	F40MHC
2	EHD	F30EHC,F40EHC
3	ED	F40ERC
4	ET	F30TRC,F40TRC,F30AET,F40BET
5	WHT	F40BWHT

CONTENTS

SHEET1/2

TOP COWLING	A4
CYLINDER. CRANKCASE 1	A5
CRANKSHAFT. PISTON	A7
CYLINDER. CRANKCASE 2	B1
VALVE	B3
INTAKE	B4
CARBURETOR	B6
OIL PUMP	C2
FUEL 1	C3
FUEL 2	C5
STARTER	C6
GENERATOR	D1
ELECTRICAL 1	D2
ELECTRICAL 2	D3
ELECTRICAL 3	D5
ELECTRICAL 4	D6
STARTING MOTOR	E1
BOTTOM COWLING	E2
STEERING	E5
STEERING FRICTION	F1
CONTROL	F2
BRACKET 1	F4
BRACKET 2	F6

INDEX

NUMERICAL INDEX	G1
-----------------------	----

SHEET2/2

BRACKET 3	A4*
POWER TRIM & TILT ASSY	A7*
UPPER CASING	B3*
OIL PAN	B4*
LOWER CASING. DRIVE 1	B5*
LOWER CASING. DRIVE 2	C1*
FUEL TANK	C3*
STEERING GUIDE	C4*
REMOTE CONTROL BOX	C5*
REMOTE CONTROL ASSY	C6*
METER 1	D2*
METER 2	D3*
REPAIR KIT 1	D4*
REPAIR KIT 2	D5*
REPAIR KIT 3	D6*

INDEX

NUMERICAL INDEX	G1*
-----------------------	-----

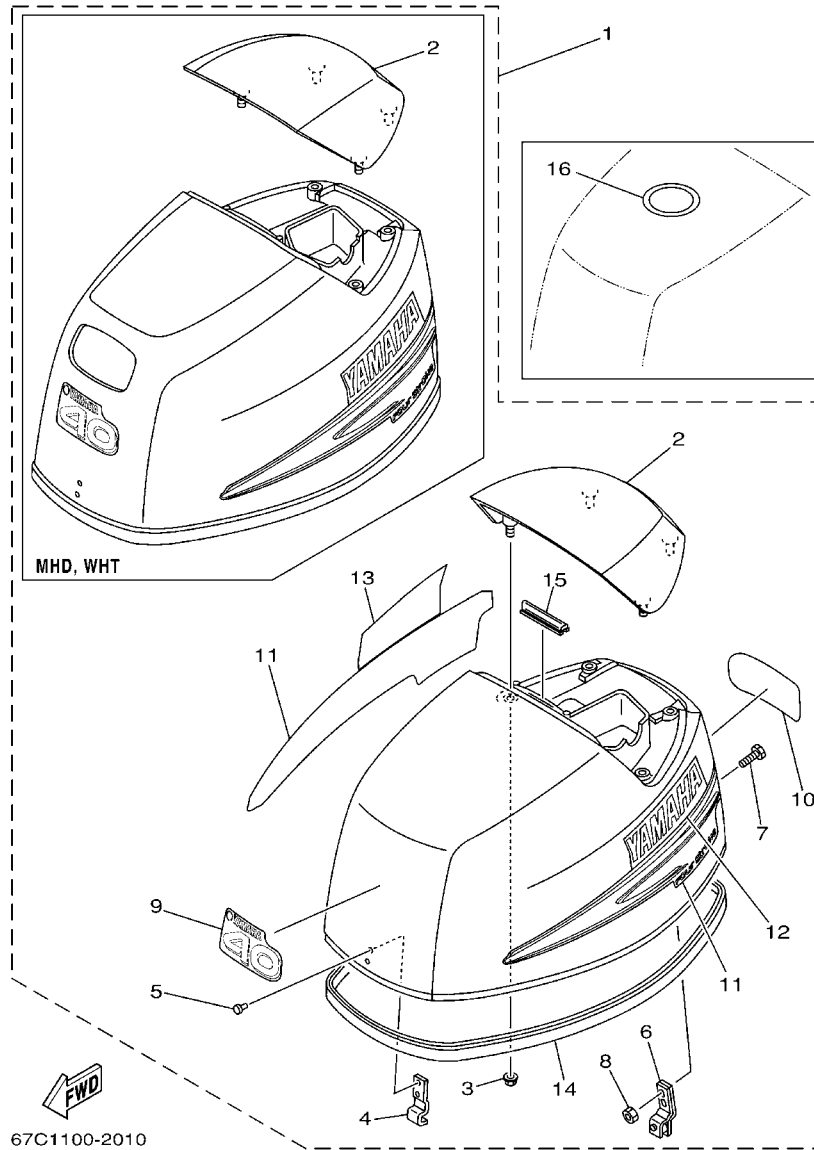


FIG. 1 TOP COWLING

REF. NO.	PART NO.	DESCRIPTION	MHD	EHD	ED	ET	WHT	REMARKS
1	67C-42610-20-4D	TOP COWLING ASSY		1	1	1		F40
	67C-42610-30-4D	TOP COWLING ASSY	1				1	F40
	69H-42610-20-4D	TOP COWLING ASSY		1		1		F30
	67C-42610-A0-4D	TOP COWLING ASSY			1			F40EJR
	67C-42610-B0-4D	TOP COWLING ASSY	1					F40MJH
2	67C-42613-00-4D	.MOLDING, AIR DUCT		1	1	1		
	67C-42613-10-4D	.MOLDING, AIR DUCT	1				1	
3	90179-06M24	.NUT	4	4	4	4	4	
4	62Y-42651-00	.HOOK	1	1	1	1	1	
5	90266-06M02	.RIVET	2	2	2	2	2	
6	67C-42652-00	.HOOK	1	1	1	1	1	
7	90109-06MA4	.BOLT	2	2	2	2	2	
8	95380-06700	.NUT	2	2	2	2	2	
9	67C-42677-00	.GRAPHIC, FRONT	1	1	1	1	1	F40
	67C-42677-A0	.GRAPHIC, FRONT	1		1			F40-JET DRIVE
	69H-42677-10	.GRAPHIC, FRONT		1		1		F30
10	67C-42678-00	.GRAPHIC, REAR	1	1	1	1	1	F40
	67C-42678-A0	.GRAPHIC, REAR	1		1			F40-JET DRIVE
	69H-42678-10	.GRAPHIC, REAR		1		1		F30
11	67C-W0070-10	.GRAPHIC SET	1	1	1	1	1	
12	67C-42681-10	.MARK, COWLING	1	1	1	1	1	
13	67C-42682-10	.MARK, COWLING	1	1	1	1	1	
14	67C-42615-00	.SEAL	1	1	1	1	1	
15	61N-42628-00	.SEAL	1	1	1	1	1	
16	67F-13434-02	LABEL, CAUTION	1	1	1	1	1	

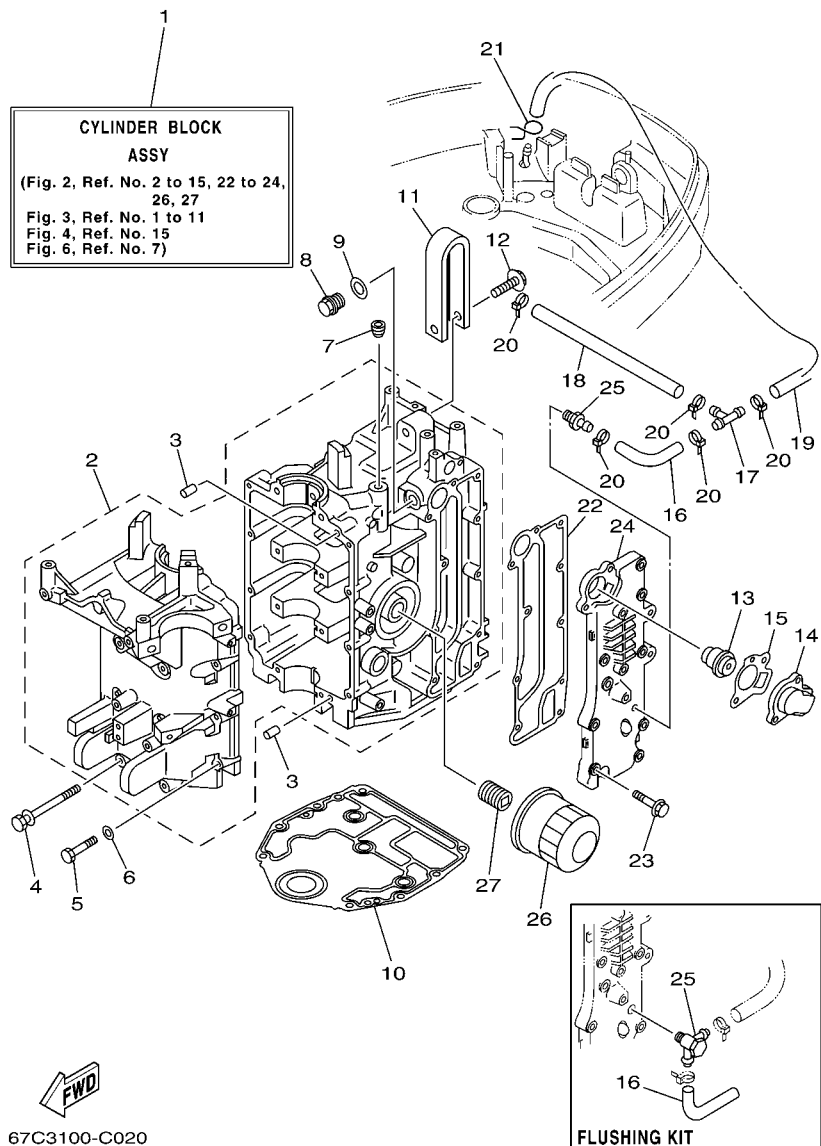


FIG. 2 CYLINDER. CRANKCASE 1

REF. NO.	PART NO.	DESCRIPTION	MHD	EHD	ED	ET	WHT	REMARKS
1	67C-W009B-02-1S	CYLINDER BLOCK ASSY	1	1	1	1	1	
2	67C-15100-01-94	CRANKCASE ASSY	1	1	1	1	1	
3	99530-08012	PIN, DOWEL	2	2	2	2	2	
4	90119-08M01	BOLT, WITH WASHER	8	8	8	8	8	
5	97013-06035	BOLT	8	8	8	8	8	
6	92903-06600	WASHER, PLATE	8	8	8	8	8	
7	90344-51M01	PLUG, TAPER SCREW	1	1	1	1	1	
8	90340-14M06	PLUG, STRAIGHT SCREW	1	1	1	1	1	
9	90430-14115	GASKET	1	1	1	1	1	
10	67C-11351-01	GASKET, CYLINDER	1	1	1	1	1	
11	65W-11119-00	HANGER, ENGINE	1	1	1	1	1	
12	90105-08M87	BOLT, FLANGE	1	1	1	1	1	
13	6G8-12411-02	THERMOSTAT	1	1	1	1	1	
14	6H3-12413-00-1S	COVER, THERMOSTAT	1	1	1	1	1	
15	62Y-12414-00	GASKET, COVER	1	1	1	1	1	
16	90445-09068	HOSE (L110)	1	1	1	1	1	
17	688-24378-00	PIPE, JOINT 4	1	1	1	1	1	
18	90445-09095	HOSE (L215)	1	1	1	1	1	
19	90445-09105	HOSE (L300)	1	1	1	1	1	
20	90465-11M10	CLAMP	5	5	5	5	5	
21	90467-08004	CLIP	1	1	1	1	1	
22	67C-41114-10	GASKET, EXHAUST OUTER COVER	1	1	1	1	1	
23	90119-06MA5	BOLT, WITH WASHER	10	10	10	10	10	
24	67C-41113-01-1S	OUTER COVER, EXHAUST	1	1	1	1	1	
25	62Y-12481-00	PIPE 1				1		STD
	62Y-11372-01	NIPPLE, HOSE	1	1	1	1	1	FLUSHING KIT
26	5GH-13440-00	ELEMENT ASSY, OIL CLEANER	1	1	1	1	1	

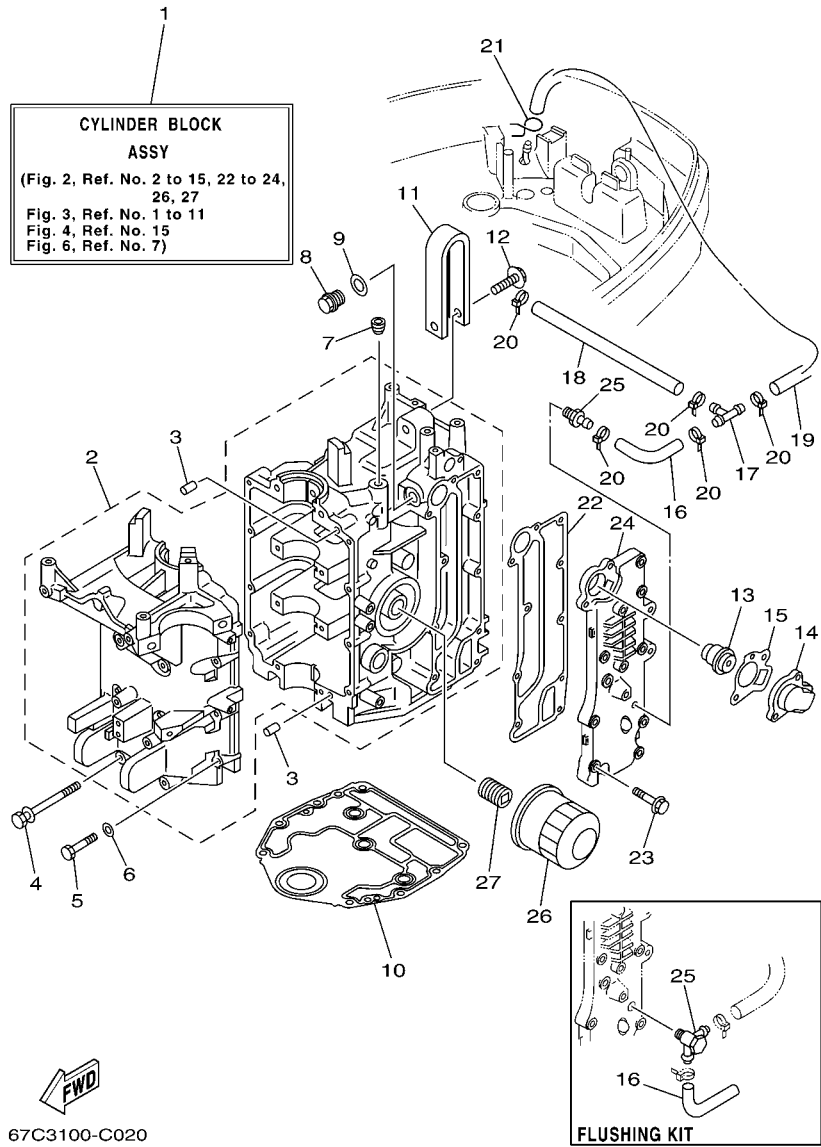
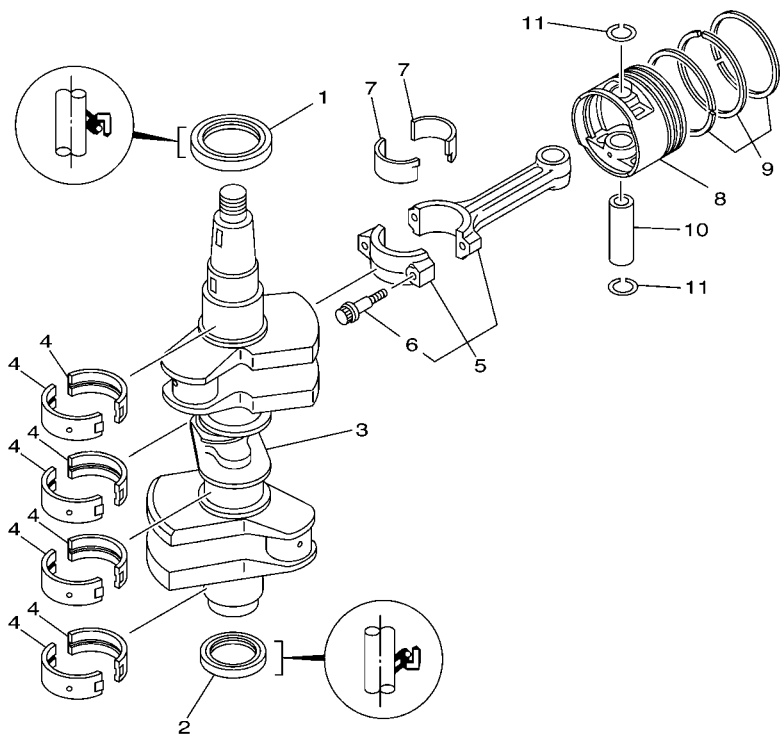


FIG. 2 CYLINDER. CRANKCASE 1

REF. NO.	PART NO.	DESCRIPTION	MHD	EHD	ED	ET	WHT	REMARKS
27	90401-20M00	BOLT, UNION	1	1	1	1	1	

FIG. 3 CRANKSHAFT. PISTON



REF. NO.	PART NO.	DESCRIPTION	MHD	EHD	ED	ET	WHT	REMARKS
1	93102-43M42	OIL SEAL	1	1	1	1	1	
2	93102-35M47	OIL SEAL	1	1	1	1	1	
3	67C-11411-00	CRANKSHAFT	1	1	1	1	1	
4	62Y-11416-00	PLANE BEARING, CRANKSHAFT 1	8	8	8	8	8	UR BROWN
	62Y-11416-10	PLANE BEARING, CRANKSHAFT 1	8	8	8	8	8	UR BLACK
	62Y-11416-20	PLANE BEARING, CRANKSHAFT 1	8	8	8	8	8	UR BLUE
5	62Y-11650-10	CONNECTING ROD ASSY	3	3	3	3	3	
6	62Y-11654-00	.BOLT, CONNECTING ROD	2	2	2	2	2	
7	62Y-11656-00	PLANE BEARING, CONNECTING ROD	6	6	6	6	6	UR BROWN
	62Y-11656-10	PLANE BEARING, CONNECTING ROD	6	6	6	6	6	UR BLACK
	62Y-11656-20	PLANE BEARING, CONNECTING ROD	6	6	6	6	6	UR BLUE
8	65W-11631-00-96	PISTON (STD)	3	3	3	3	3	
	65W-11635-00	PISTON (0.25MM O/S)	3	3	3	3	3	AP
	65W-11636-00	PISTON (0.50MM O/S)	3	3	3	3	3	AP
9	67C-11603-00	PISTON RING SET (STD)	3	3	3	3	3	
	67C-11604-00	PISTON RING SET (0.25MM O/S)	3	3	3	3	3	AP
	67C-11605-00	PISTON RING SET (0.50MM O/S)	3	3	3	3	3	AP
10	62Y-11633-00	PIN, PISTON	3	3	3	3	3	
11	93450-17129	CIRCLIP	6	6	6	6	6	



67C0010-0031

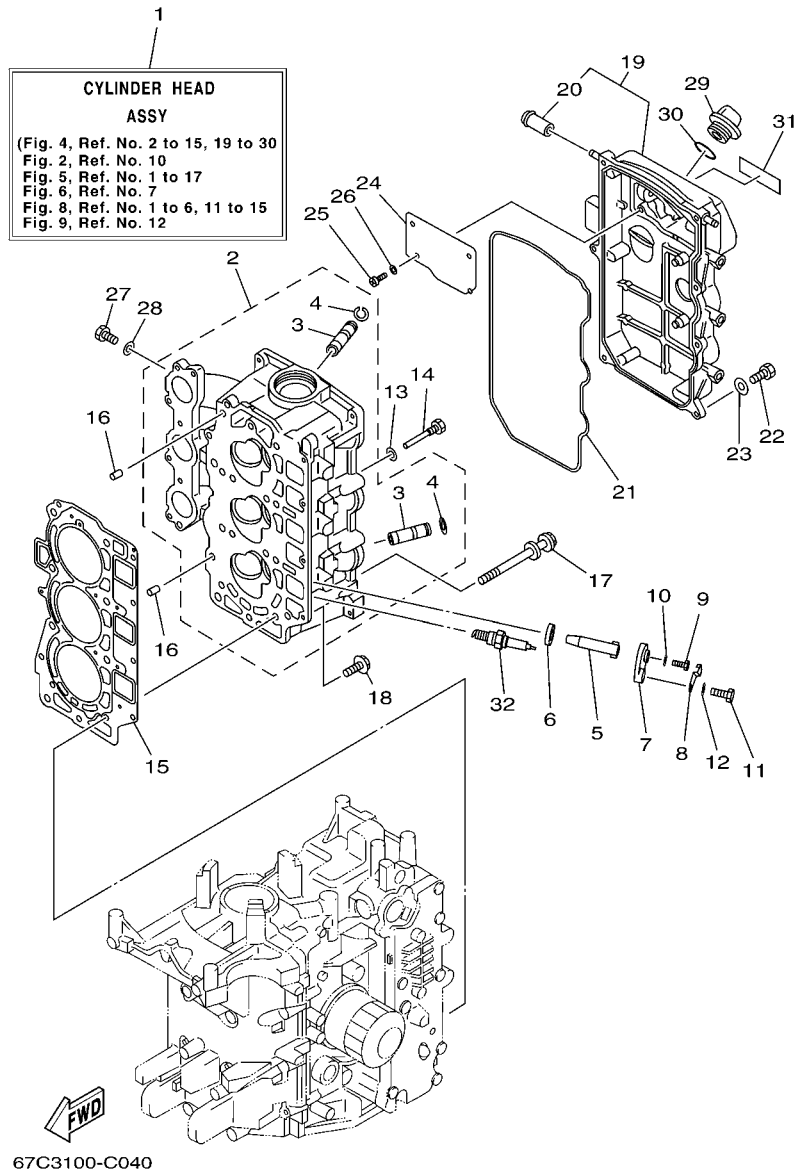


FIG. 4 CYLINDER. CRANKCASE 2

REF. NO.	PART NO.	DESCRIPTION	MHD	EHD	ED	ET	WHT	REMARKS
1	67C-W009A-01-1S	CYLINDER HEAD ASSY	1	1	1	1	1	
2	67C-11111-03-1S	HEAD, CYLINDER 1	1	1	1	1	1	
3	62Y-11133-10	.GUIDE, VALVE 1	6	6	6	6	6	
4	93450-09M01	.CIRCLIP	6	6	6	6	6	
5	62Y-11325-00	ANODE	3	3	3	3	3	
6	66M-11328-00	GROMMET, ANODE	3	3	3	3	3	
7	66M-11327-00-94	COVER, ANODE	3	3	3	3	3	
8	66M-12535-00	PLATE	3	3	3	3	3	
9	97095-05012	BOLT	3	3	3	3	3	
10	92995-05600	WASHER	3	3	3	3	3	
11	97095-06020	BOLT	3	3	3	3	3	
12	92995-06600	WASHER	3	3	3	3	3	
13	90430-06014	GASKET	1	1	1	1	1	
14	90109-06M65	BOLT	1	1	1	1	1	
15	67C-11181-01	GASKET, CYLINDER HEAD 1	1	1	1	1	1	
16	99530-08012	PIN, DOWEL	2	2	2	2	2	
17	90119-09M00	BOLT, WITH WASHER	8	8	8	8	8	
18	90119-06MA3	BOLT, WITH WASHER	4	4	4	4	4	
19	67C-11191-00-1S	COVER, CYLINDER HEAD 1	1	1	1	1	1	
20	62Y-14485-00	.PIPE, JOINT	1	1	1	1	1	
21	67C-11356-00	SEAL, CYLINDER 2	1	1	1	1	1	
22	97095-06020	BOLT	7	7	7	7	7	
23	92995-06600	WASHER	7	7	7	7	7	
24	67C-11168-00	COVER, BREATHER	1	1	1	1	1	
25	98507-04010	SCREW, PAN HEAD	4	4	4	4	4	
26	92907-04600	WASHER	4	4	4	4	4	
27	97095-06010	BOLT	3	3	3	3	3	

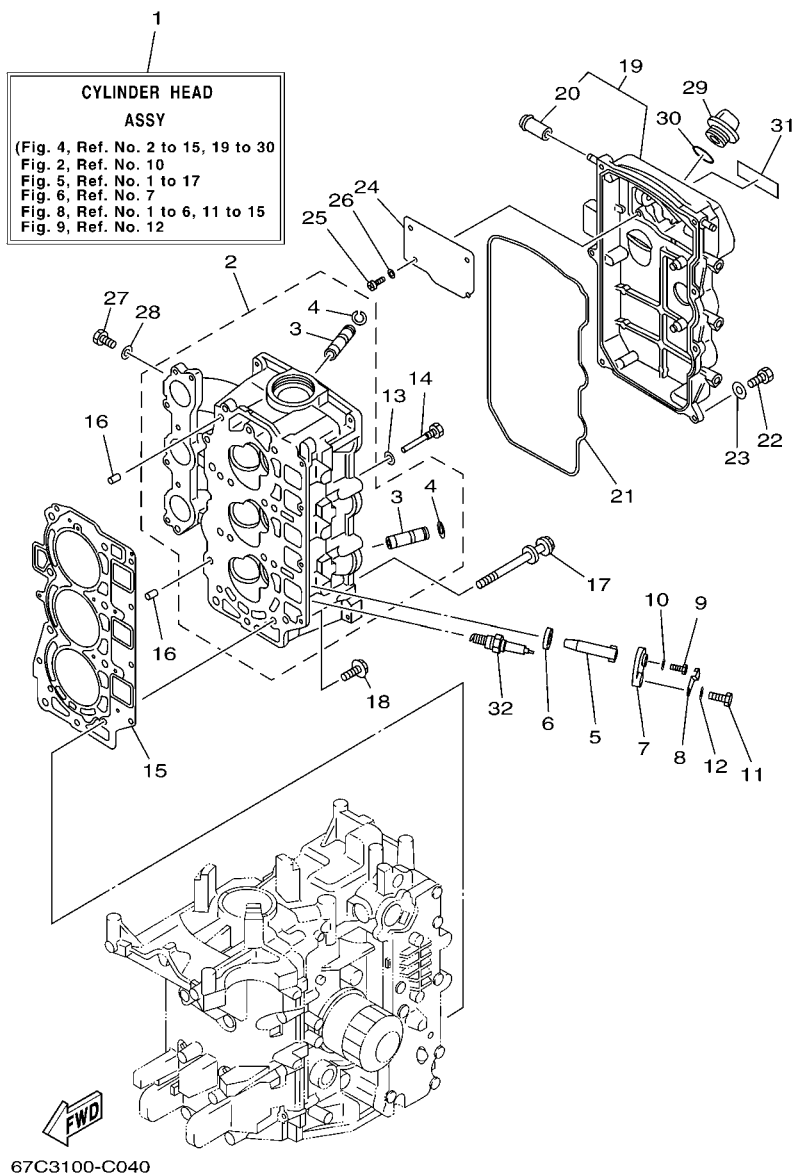
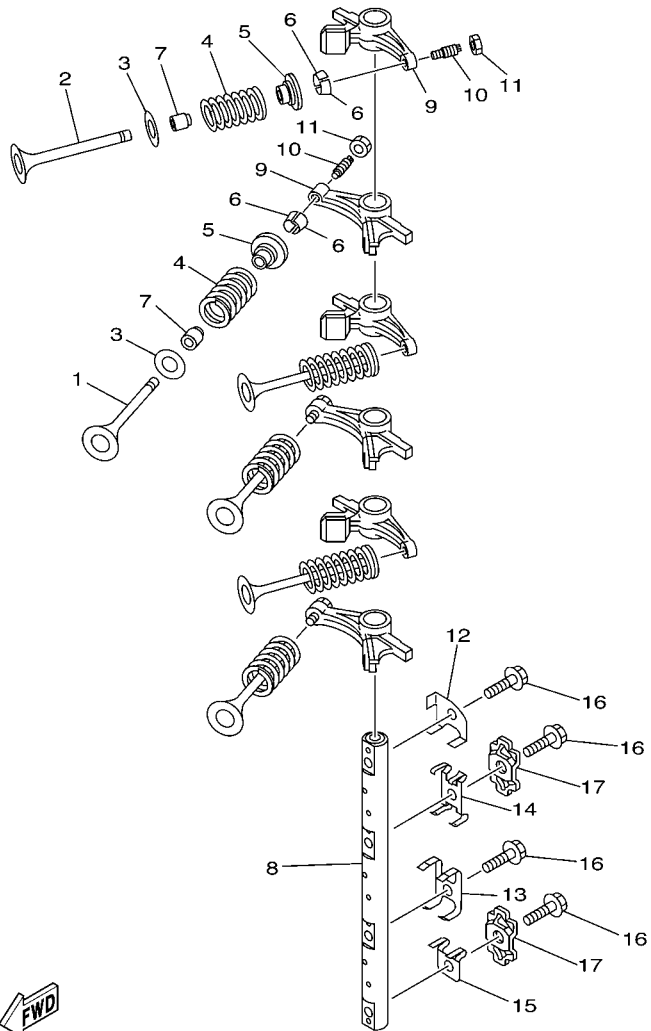


FIG. 4 CYLINDER. CRANKCASE 2

REF. NO.	PART NO.	DESCRIPTION	MHD	EHD	ED	ET	WHT	REMARKS
28	90430-06014	GASKET	3	3	3	3	3	
29	6G8-15363-00	PLUG, OIL	1	1	1	1	1	
30	93210-24M79	O-RING	1	1	1	1	1	
31	62Y-12138-40	MARK, CAUTION	1	1	1	1	1	FOR USA,OCE
	62Y-12138-50	MARK, CAUTION	1	1	1	1	1	FOR CAN
	62Y-12138-60	MARK, CAUTION				1		FOR CAR
32	94701-00375	PLUG, SPARK (NGK DPR6EA-9)	3	3	3	3	3	



67C1010-2051

FIG. 5 VALVE

REF. NO.	PART NO.	DESCRIPTION	MHD	EHD	ED	ET	WHT	REMARKS
1	67C-12111-00	VALVE, INTAKE	3	3	3	3	3	
2	62Y-12121-00	VALVE, EXHAUST	3	3	3	3	3	
3	62Y-12116-00	SEAT, VALVE SPRING	6	6	6	6	6	
4	51Y-12114-00	SPRING, VALVE OUTER	6	6	6	6	6	
5	30X-12117-00	RETAINER, VALVE SPRING	6	6	6	6	6	
6	30X-12118-00	COTTER, VALVE	12	12	12	12	12	
7	51Y-12119-00	SEAL, VALVE STEM	6	6	6	6	6	
8	67C-12146-00	SHAFT, ROCKER	1	1	1	1	1	
9	65W-12151-00	ARM, VALVE ROCKER	6	6	6	6	6	
10	62Y-12159-00	SCREW, VALVE ADJUSTING	6	6	6	6	6	
11	62Y-12158-00	NUT, LOCK	6	6	6	6	6	
12	62Y-12238-00	PLATE, BOLT STOPPER		1	1	1		
	64J-12238-00	PLATE, BOLT STOPPER	1				1	
13	62Y-12279-00	PLATE		1	1	1		
	64J-12279-00	PLATE	1				1	
14	62Y-12216-00	SPRING	1	1	1	1	1	
15	67C-12113-00	SPRING, VALVE INNER	1	1	1	1	1	
16	90109-08M63	BOLT	4	4	4	4	4	
17	62Y-12231-00	GUIDE, STOPPER 1	2	2	2	2	2	

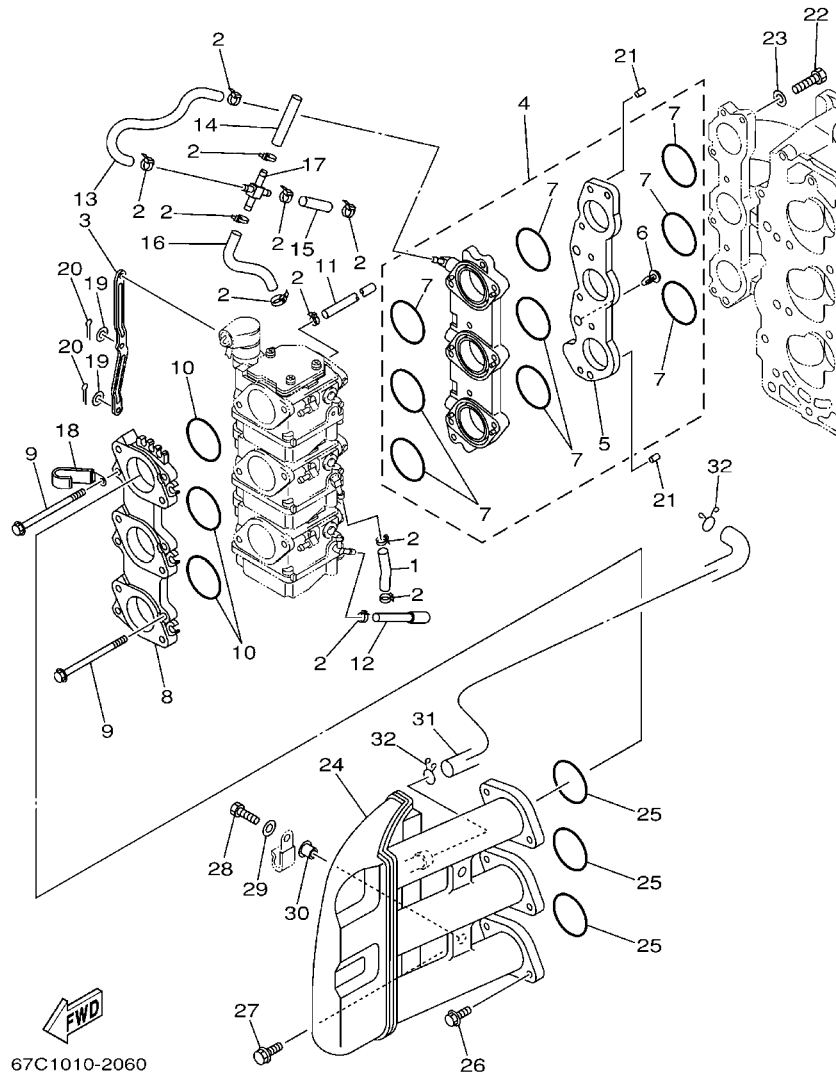


FIG. 6 INTAKE

REF. NO.	PART NO.	DESCRIPTION	MHD	EHD	ED	ET	WHT	REMARKS
1	90445-09M34	HOSE	1	1	1	1	1	
2	90465-11M10	CLAMP	11	11	11	11	11	
3	67C-14585-00	LINK, ACCEL.	1	1	1	1	1	
4	67C-13589-00	CARBURETOR JOINT COMP.	1	1	1	1	1	
5	67C-14271-00	.INSULATOR	1	1	1	1	1	
6	90338-04M17	.PLUG	2	2	2	2	2	
7	67C-14561-00	.O-RING	9	9	9	9	9	
8	67C-14243-01-94	PLATE	1	1	1	1	1	
9	97595-06590	BOLT, WITH WASHER	6	6	6	6	6	
10	67C-14562-00	O-RING	3	3	3	3	3	
11	67C-13971-00	PIPE, FUEL 1	1	1	1	1	1	
12	67C-13972-00	PIPE, FUEL 2	1	1	1	1	1	
13	67C-13973-00	PIPE, FUEL 3	1	1	1	1	1	
14	67C-13974-00	PIPE, FUEL 4	1	1	1	1	1	
15	67C-13975-00	PIPE, FUEL 5	1	1	1	1	1	
16	67C-13976-00	PIPE, FUEL 6	1	1	1	1	1	
17	67C-14318-00	PIPE, JOINT 4	1	1	1	1	1	
18	67C-14255-00	CLAMP	1	1	1	1	1	
19	92990-04600	WASHER, PLATE	2	2	2	2	2	
20	91490-06012	PIN, COTTER	2	2	2	2	2	
21	93608-16M16	PIN, DOWEL	2	2	2	2	2	
22	97095-06025	BOLT	6	6	6	6	6	
23	92995-06600	WASHER	6	6	6	6	6	
24	67C-14440-00	SILENCER ASSY, INTAKE	1	1	1	1	1	
25	93210-34MJ6	O-RING	3	3	3	3	3	
26	90119-06M82	BOLT, WITH WASHER	5	5	5	5	5	
27	90119-06M86	BOLT, WITH WASHER	1	1	1	1	1	

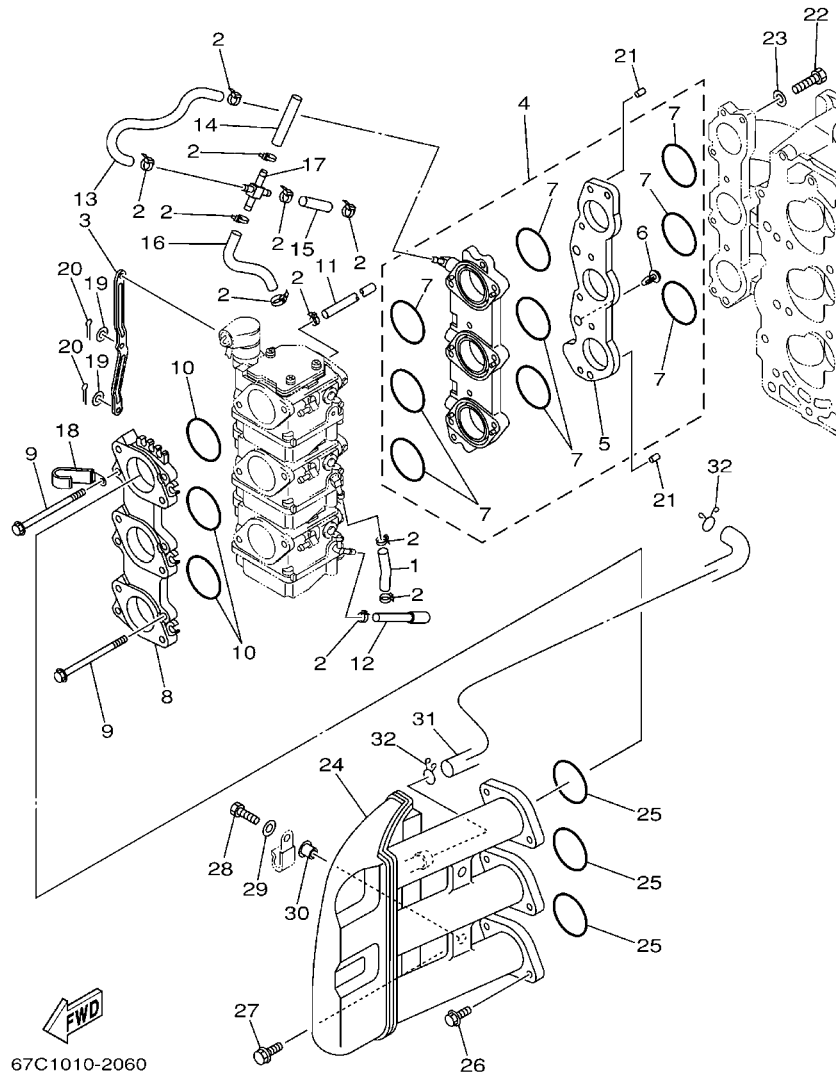
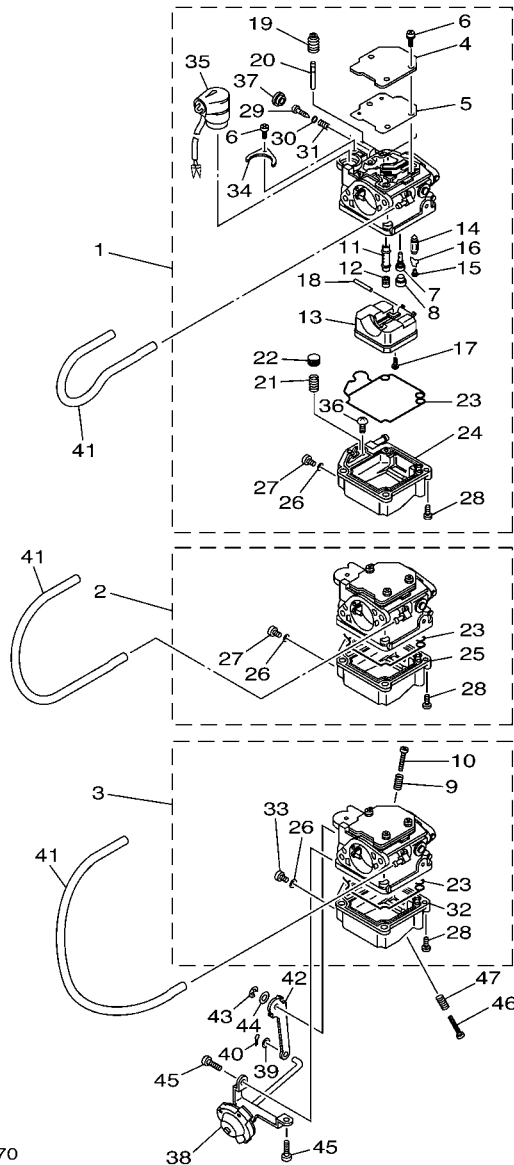


FIG. 6 INTAKE

REF. NO.	PART NO.	DESCRIPTION	MHD	EHD	ED	ET	WHT	REMARKS
28	97095-06020	BOLT	2	2	2	2	2	
29	92995-06600	WASHER	2	2	2	2	2	
30	90387-06M70	COLLAR	2	2	2	2	2	
31	67C-15373-00	PIPE, BREATHER	1	1	1	1	1	
32	90467-15M14	CLIP	2	2	2	2	2	

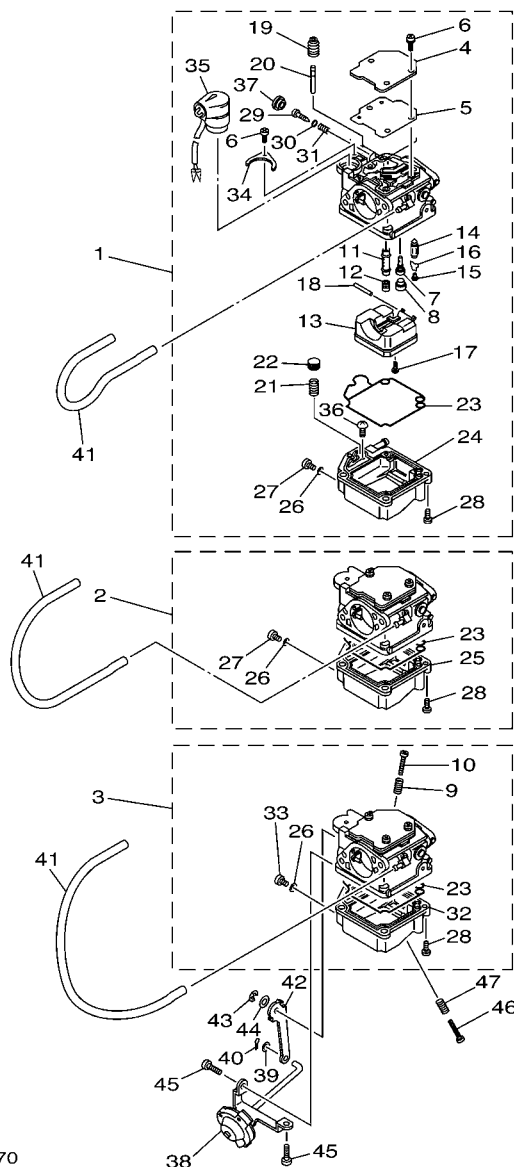


67C2100-3070

FIG. 7 CARBURETOR

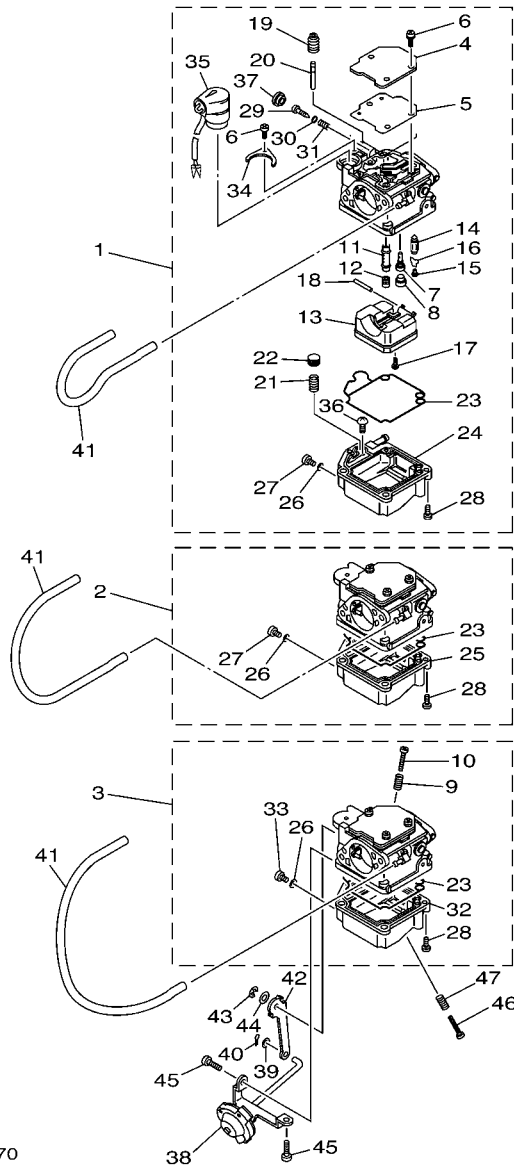
REF. NO.	PART NO.	DESCRIPTION	MHD	EHD	ED	ET	WHT	REMARKS
1	67C-14901-13	CARBURETOR ASSY 1	1	1	1	1		F40-USA,CAN,CAR
	67C-14901-03	CARBURETOR ASSY 1				1	1	F40-OCE
	69H-14901-12	CARBURETOR ASSY 1		1		1		F30-USA,CAN
	69H-14901-02	CARBURETOR ASSY 1				1		F30-OCE
2	67C-14902-13	CARBURETOR ASSY 2	1	1	1	1		F40-USA,CAN,CAR
	67C-14902-03	CARBURETOR ASSY 2				1	1	F40-OCE
	69H-14902-12	CARBURETOR ASSY 2		1		1		F30-USA,CAN
	69H-14902-02	CARBURETOR ASSY 2				1		F30-OCE
3	67C-14903-13	CARBURETOR ASSY 3	1	1	1	1		F40-USA,CAN,CAR
	67C-14903-03	CARBURETOR ASSY 3				1	1	F40-OCE
	69H-14903-12	CARBURETOR ASSY 3		1		1		F30-USA,CAN
	69H-14903-02	CARBURETOR ASSY 3				1		F30-OCE
4	65W-14572-00	.PLATE	3	3	3	3	3	
5	65W-14126-10	.GASKET	3	3	3	3	3	
6	97803-04010	.SCREW, PAN HEAD	13	13	13	13	13	
7	67C-14948-02	.JET (#38)	3	3	3	3	3	F40
	67C-14948-00	.JET (#40)		3		3		F30
8	679-14966-00	.RUBBER CAP	3	3	3	3	3	
9	90501-10326	.SPRING, COMPRESSION	1	1	1	1	1	#3
10	63V-14523-00	.SCREW, STOP	1	1	1	1	1	#3
11	67C-14948-01	.JET (#35)	3	3	3	3	3	F40
	69H-14947-00	.JET, NEEDLE		3		3		F30
12	67C-14943-25	.JET, MAIN (#95)	3	3	3	3	3	F40
	69H-14943-22	.JET, MAIN (#88)		3		3		F30
13	63V-14985-00	.FLOAT	3	3	3	3	3	
14	6G1-14546-01	.VALVE, NEEDLE	3	3	3	3	3	
15	676-14186-00	.PIN, FLOAT	3	3	3	3	3	

FIG. 7 CARBURETOR



67C2100-3070

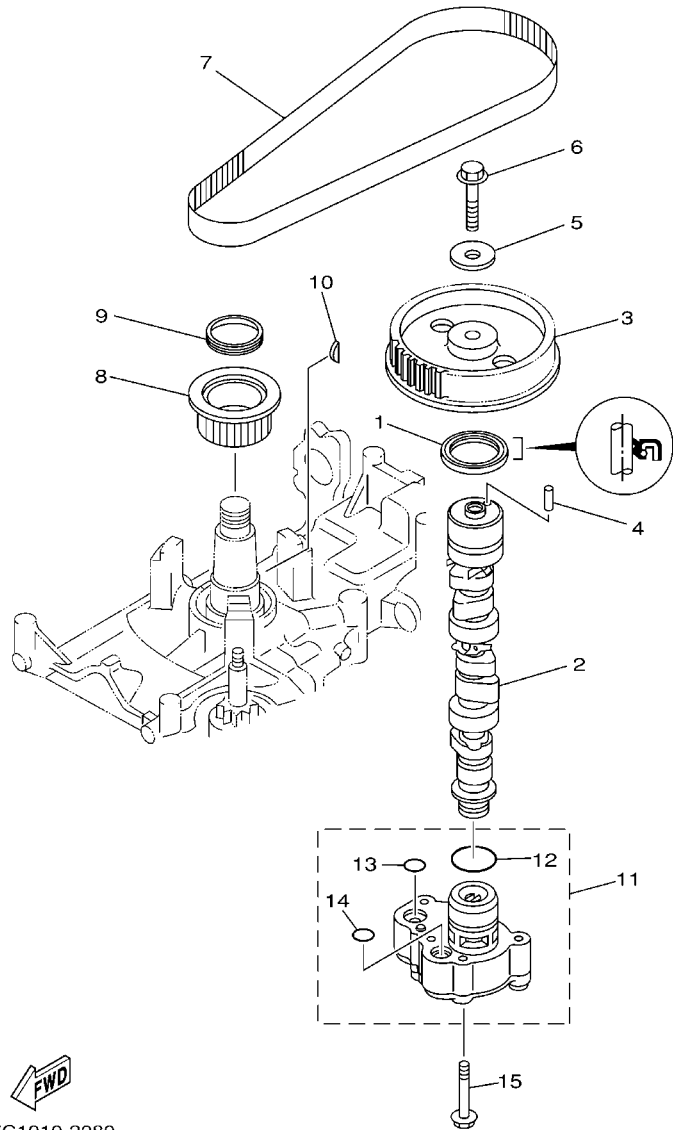
REF. NO.	PART NO.	DESCRIPTION	MFD	EHD	ED	ET	WHT	REMARKS
16	663-14159-00	.CLIP	3	3	3	3	3	
17	98580-04008	.SCREW, PAN HEAD	3	3	3	3	3	
18	6H4-14548-00	.PIN, FLOAT ARM	3	3	3	3	3	
19	65W-14373-00	.COVER, PLUNGER CAP	3	3	3	3	3	
20	67C-14379-10	.ROD, STARTER	3	3	3	3	3	F40
	67C-14379-00	.ROD, STARTER		3		3		F30
21	65W-14335-00	.SPRING, PLUNGER	3	3	3	3	3	
22	67C-14371-00	.PLUNGER, STARTER	3	3	3	3	3	
23	65W-14384-00	.GASKET, FLOAT CHAMBER	3	3	3	3	3	
24	67C-14980-00	.BODY, FLOAT CHAMBER	1	1	1	1	1	F40-#1
	69H-14980-00	.BODY, FLOAT CHAMBER		1		1		F30-#1
25	67C-14981-00	.BODY, FLOAT CHAMBER	1	1	1	1	1	F40-#2
	69H-14981-00	.BODY, FLOAT CHAMBER		1		1		F30-#2
26	65W-14398-00	.GASKET	3	3	3	3	3	
27	65W-14992-00	.SCREW, DRAIN	2	2	2	2	2	#1,2
28	97980-04114	.SCREW, WITH WASHER	12	12	12	12	12	
29	67C-14923-00	.SCREW, PILOT	3	3	3	3	3	
30	67C-14397-00	.O-RING	3	3	3	3	3	
31	67C-14555-00	.SPRING	3	3	3	3	3	
32	67C-14982-00	.BODY, FLOAT CHAMBER	1	1	1	1	1	F40-#3
	69H-14982-00	.BODY, FLOAT CHAMBER		1		1		F30-#3
33	67C-14992-00	.SCREW, DRAIN	1	1	1	1	1	#3
34	65W-14346-00	.PLATE	1	1	1	1	1	
35	67C-14380-00	.PRIME STARTER ASSY	1	1	1	1	1	
36	67C-14567-00	.SCREW	3	3	3	3	3	
37	67C-1432A-10	.PLUG	1	1	1	1	1	FOR USA,CAN,CAR
38	67C-14369-00	DIAPHRAGM ASSY 2	1	1	1	1	1	



67C2100-3070

FIG. 7 CARBURETOR

REF. NO.	PART NO.	DESCRIPTION	MHD	EHD	ED	ET	WHT	REMARKS
39	92990-04600	WASHER, PLATE	1	1	1	1	1	
40	91490-06012	PIN, COTTER	1	1	1	1	1	
41	67C-13974-00	PIPE, FUEL 4	3	3	3	3	3	
42	67C-14974-00	LEVER, CONNECT	1	1	1	1	1	
43	67C-14356-00	CLIP	1	1	1	1	1	
44	67C-14398-00	WASHER	1	1	1	1	1	
45	67C-14325-00	SCREW, PAN HEAD	2	2	2	2	2	
46	67C-14245-00	SCREW, STOP	1	1	1	1	1	
47	67C-14242-00	SPRING	1	1	1	1	1	



67C1010-2080

FIG. 8 OIL PUMP

REF. NO.	PART NO.	DESCRIPTION	MHD	EHD	ED	ET	WHT	REMARKS
1	93102-37M40	OIL SEAL	1	1	1	1	1	
2	67C-12171-00	CAMSHAFT 1		1	1	1		
	67C-12170-11	CAMSHAFT ASSY 1	1				1	
3	67C-11537-01	GEAR, DRIVEN	1	1	1	1	1	
4	93605-14143	PIN, DOWEL	1	1	1	1	1	
5	90201-10M06	WASHER, PLATE	1	1	1	1	1	
6	95895-10040	BOLT, FLANGE	1	1	1	1	1	
7	65W-46241-00	V-BELT	1	1	1	1	1	
8	65W-11536-10	GEAR, DRIVE	1	1	1	1	1	
9	65W-11476-00	SPRING	1	1	1	1	1	
10	90280-04M06	KEY, WOODRUFF	1	1	1	1	1	
11	69W-13300-00	OIL PUMP ASSY	1	1	1	1	1	
12	93210-33MH2	.O-RING	1	1	1	1	1	
13	93210-12MG9	.O-RING	1	1	1	1	1	
14	93210-14515	.O-RING	1	1	1	1	1	
15	90119-06025	BOLT, WITH WASHER	4	4	4	4	4	

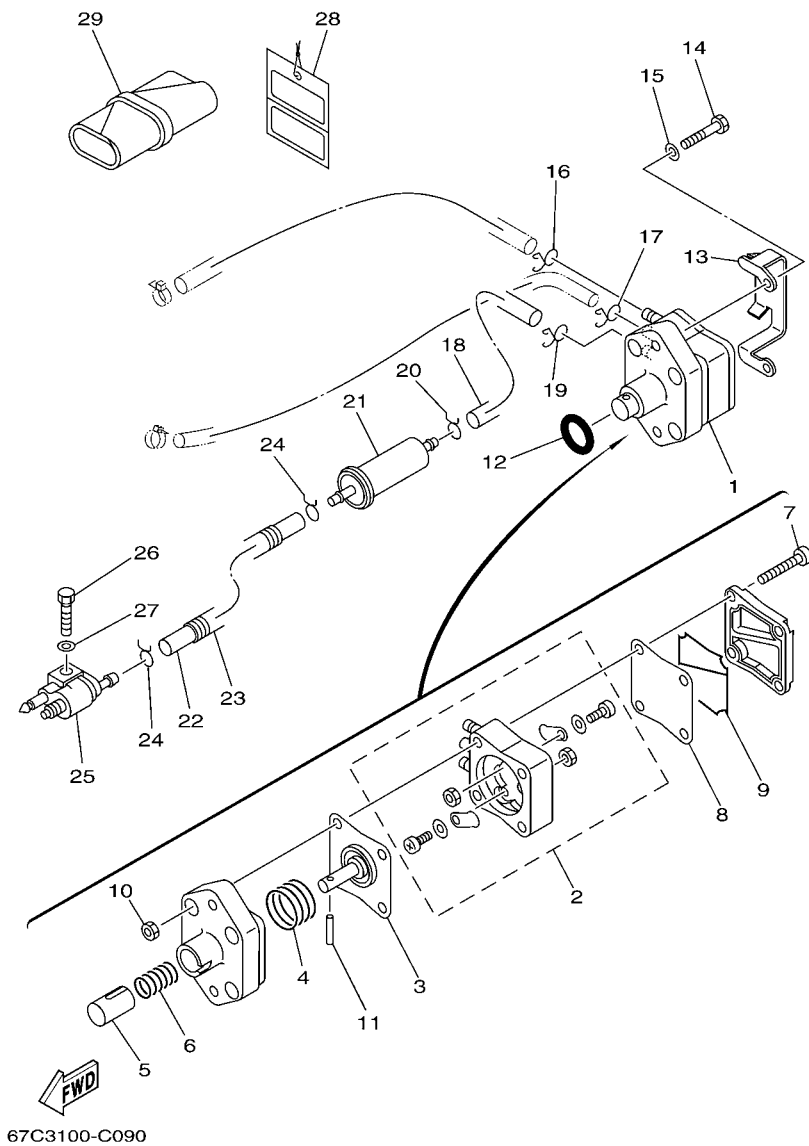


FIG. 9 FUEL 1

REF. NO.	PART NO.	DESCRIPTION	MHD	EHD	ED	ET	WHT	REMARKS
1	62Y-24410-03	FUEL PUMP ASSY	1	1	1	1	1	
2	62Y-24415-00	.PUMP BODY SUB ASSY	1	1	1	1	1	
3	62Y-24411-02	.DIAPHRAGM	1	1	1	1	1	
4	62Y-24423-00	.SPRING, DIAPHRAGM	1	1	1	1	1	
5	62Y-13131-01	.PLUNGER	1	1	1	1	1	
6	62Y-24454-00	.SPRING	1	1	1	1	1	
7	62Y-24444-01	.SCREW	4	4	4	4	4	
8	62Y-24471-00	.DIAPHRAGM	1	1	1	1	1	
9	62Y-24452-00	.PACKING	1	1	1	1	1	
10	95380-05600	.NUT	4	4	4	4	4	
11	62Y-24374-01	.PIN	1	1	1	1	1	
12	93210-24M79	O-RING	1	1	1	1	1	
13	65W-24474-00	COVER	1	1	1	1	1	
14	97095-06030	BOLT	2	2	2	2	2	
15	92995-06600	WASHER	2	2	2	2	2	
16	90467-10M04	CLIP	1	1	1	1	1	
17	90467-09M17	CLIP	1	1	1	1	1	
18	90445-10MG6	HOSE (L180)	1	1	1	1	1	
19	90467-10M04	CLIP	1	1	1	1	1	
20	90467-09M03	CLIP	1	1	1	1	1	
21	65W-24251-00	STRAINER 1	1	1	1	1	1	
22	90445-10MH8	HOSE (L430)	1	1	1	1	1	
23	90446-14M12	HOSE	1	1	1	1	1	
24	90467-09M03	CLIP	2	2	2	2	2	
25	6G1-24304-02	FUEL PIPE JOINT COMP. 1	1	1	1	1	1	
26	97095-06025	BOLT	1	1	1	1	1	
27	92995-06600	WASHER	1	1	1	1	1	

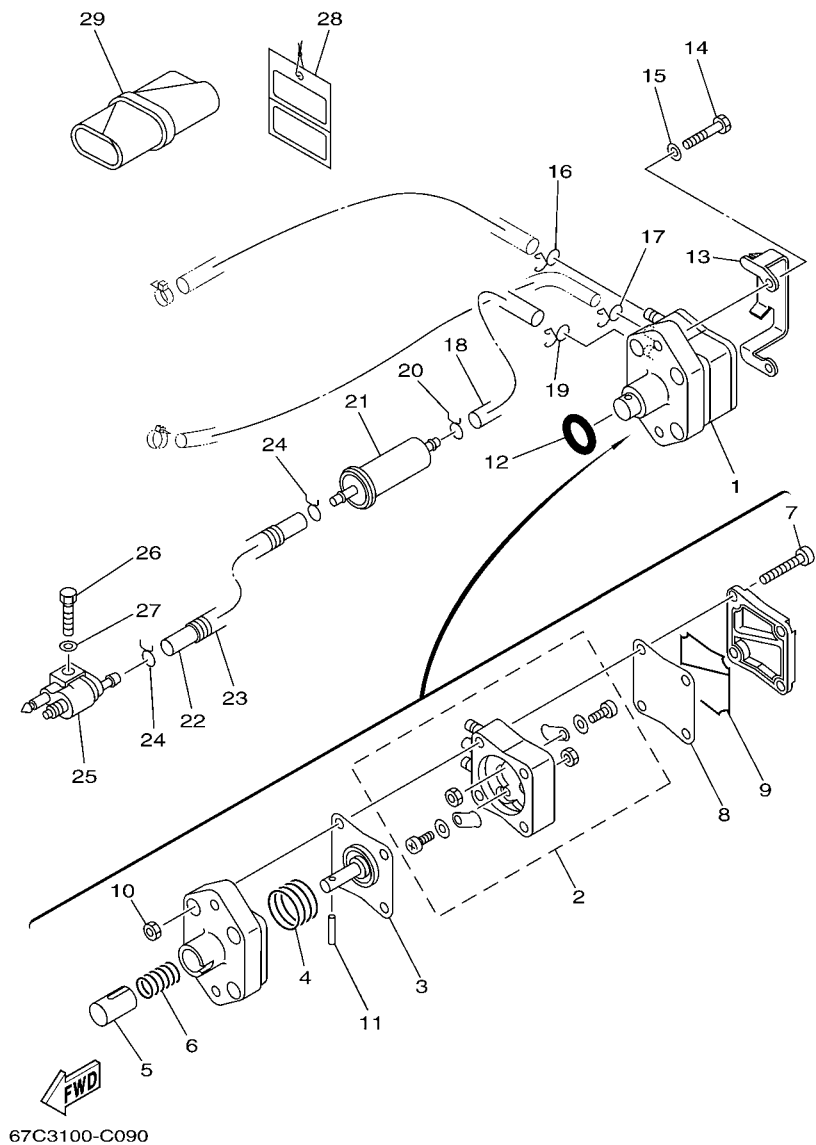
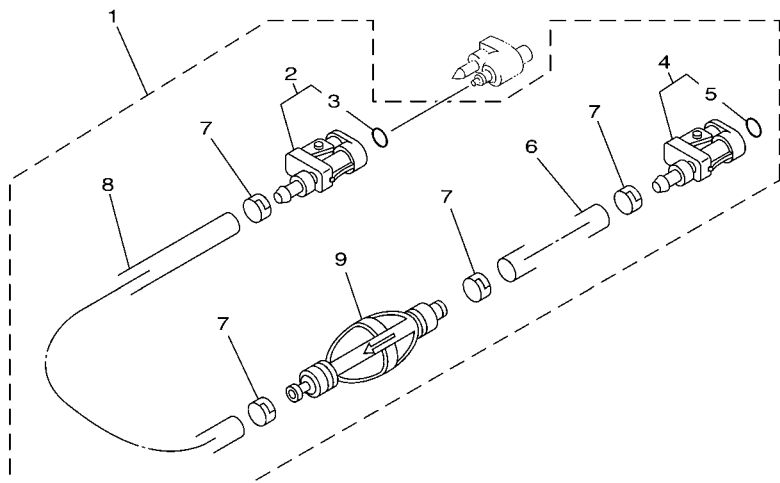


FIG. 9 FUEL 1

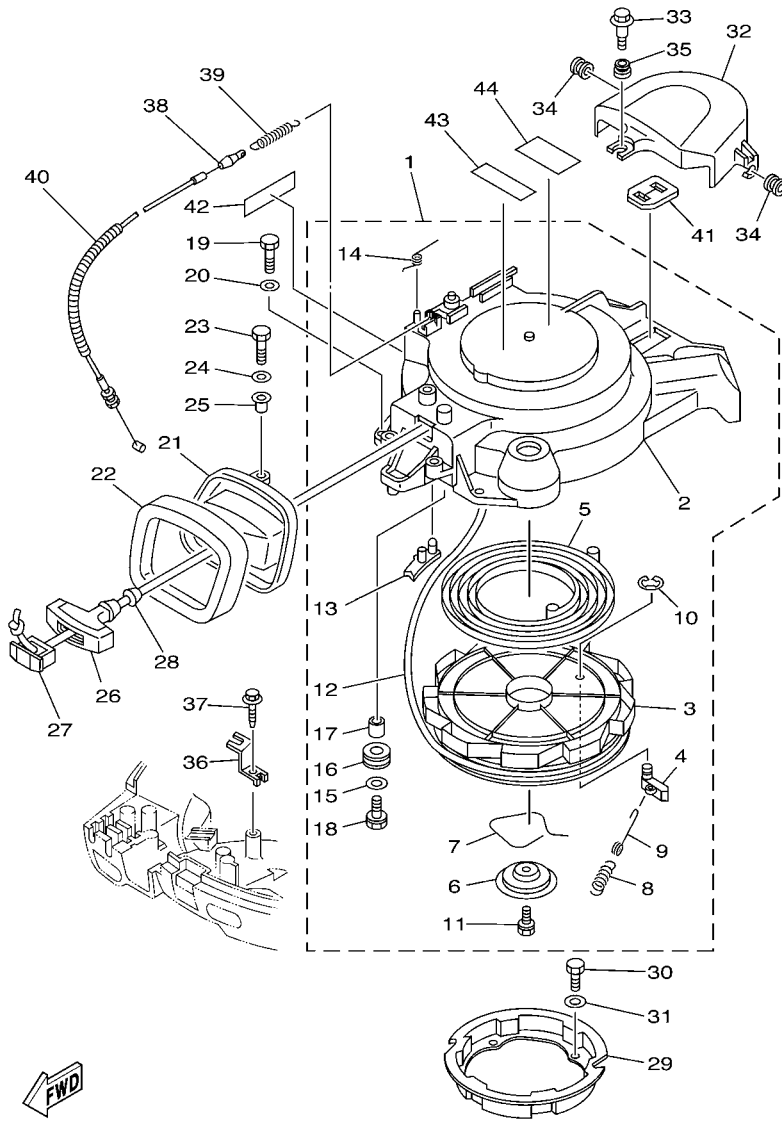
REF. NO.	PART NO.	DESCRIPTION	MFD	EHD	ED	ET	WHT	REMARKS
28	61H-2819R-31	TAG, WARNING	1	1	1	1	1	
29	62Y-28100-00	TOOL KIT	1	1	1	1	1	AP

FIG. 10 FUEL 2



REF. NO.	PART NO.	DESCRIPTION	MHD	EHD	ED	ET	WHT	REMARKS
1	6Y2-24306-55	FUEL PIPE COMP. 1	1		1	1		AP FOR USA
2	6E5-24305-05	.FUEL PIPE JOINT COMP. 2	1		1	1		
3	93210-08287	..O-RING	1		1	1		
4	6Y2-24305-05	.FUEL PIPE JOINT COMP. 2	1		1	1		
5	93210-08287	..O-RING	1		1	1		
6	90445-13M01	.HOSE (L2050)	1		1	1		
7	6E5-24351-51	.BAND 1	4		4	4		
8	90445-13M00	.HOSE (L850)	1		1	1		
9	6Y2-24360-60	.PRIMER PUMP ASSY	1		1	1		


68R3100-C100

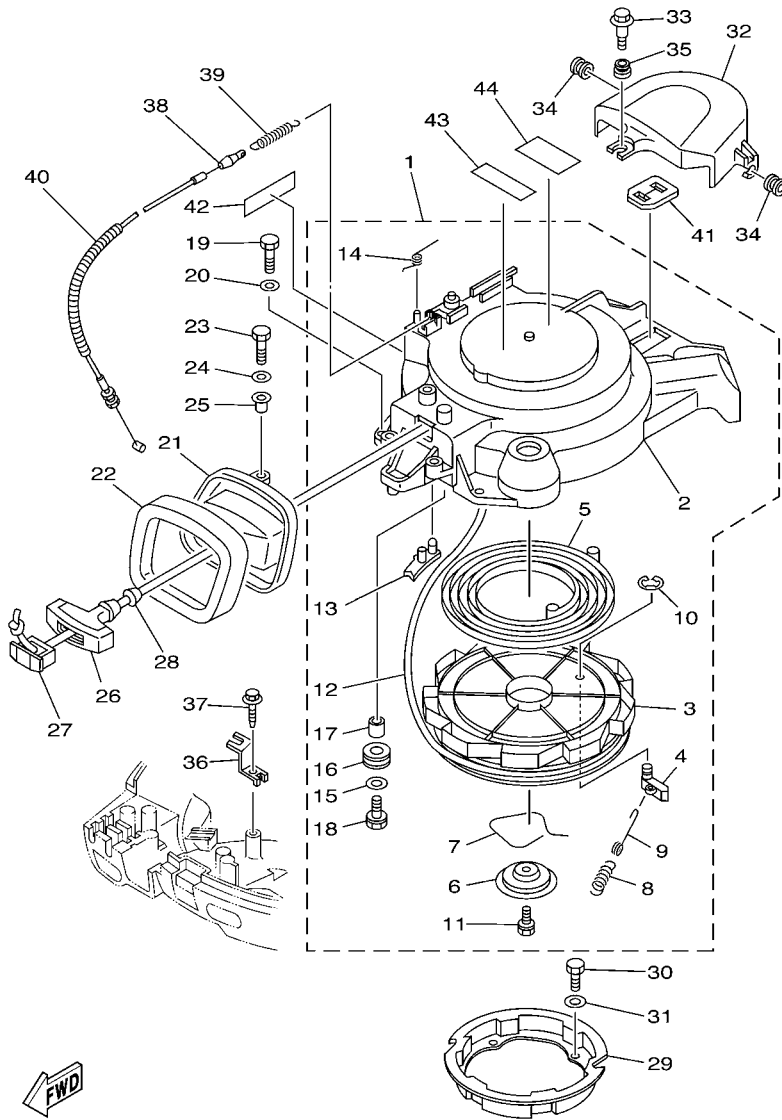


67C2100-3110

*1: CUT FROM 50M ROLLS, PART NO. 90890-44374, CUTTING LENGTH 1.8M

FIG. 11 STARTER

REF. NO.	PART NO.	DESCRIPTION	MFD	EHD	ED	ET	WHT	REMARKS
1	67C-15710-00	STARTER ASSY	1				1	
2	67C-15711-00	.CASE, STARTER	1				1	
3	66T-15714-00	.DRUM, SHEAVE	1				1	
4	63V-15741-00	.PAWL, DRIVE	1				1	
5	66T-15713-00	.SPRING, STARTER	1				1	
6	66T-15716-00	.PLATE, DRIVE	1				1	
7	66T-15705-00	.SPRING, DRIVE PAWL	1				1	
8	66T-15767-00	.SPRING	1				1	
9	66T-15784-00	.SPRING, RETURN	1				1	
10	63V-15744-00	.CIRCLIP	1				1	
11	63V-15768-00	.BOLT	1				1	
12	*	.WIRE, STARTER (L:1800MM)	1				1	*1
13	66T-15794-00	.STOPPER	1				1	
14	66T-15734-00	.SPRING, RETURN	1				1	
15	6F5-15791-00	.WASHER, LOCK	1				1	
16	6F5-15752-00	.ROLLER, WIRE	1				1	
17	6F5-15753-00	.BUSH	1				1	
18	97523-06425	.BOLT, WITH WASHER	1				1	
19	97095-06025	BOLT	4				4	
20	92995-06600	WASHER	4				4	
21	67C-15758-00	GUIDE, ROPE	1				1	
22	67C-15762-00	SEAL, RUBBER 2	1				1	
23	97095-06025	BOLT	3				3	
24	92995-06600	WASHER	3				3	
25	90387-06M89	COLLAR	3				3	
26	689-15755-01	HANDLE, STARTER	1				1	
27	6F5-15779-02	COVER	1				1	

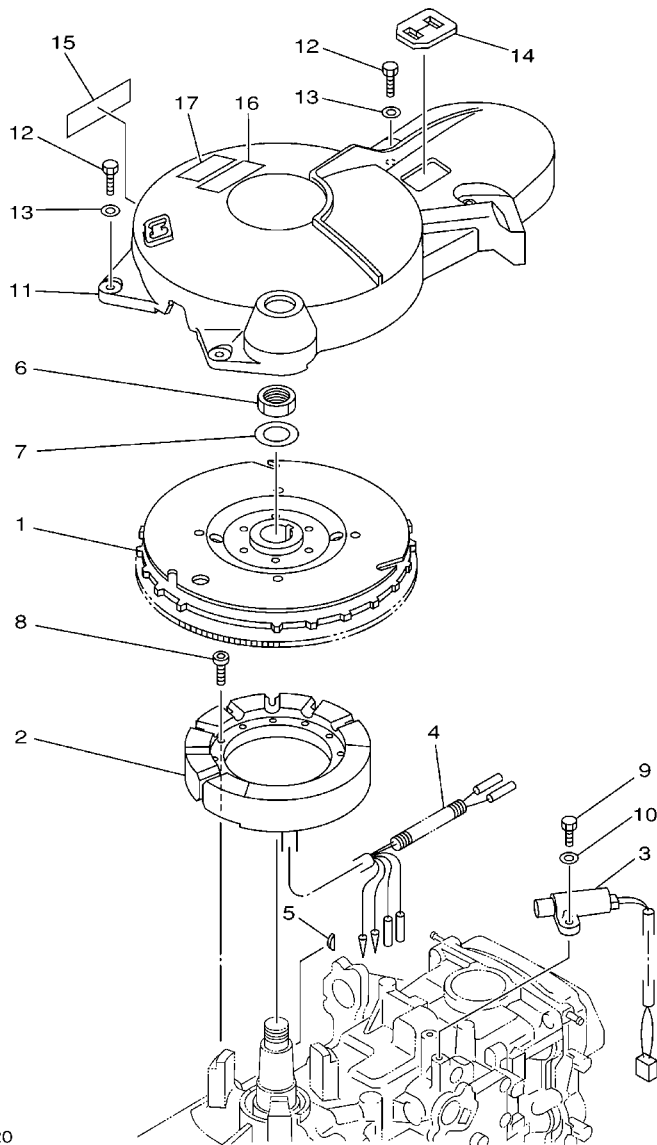


67C2100-3110

*1: CUT FROM 50M ROLLS, PART NO. 90890-44374, CUTTING LENGTH 1.8M

FIG. 11 STARTER

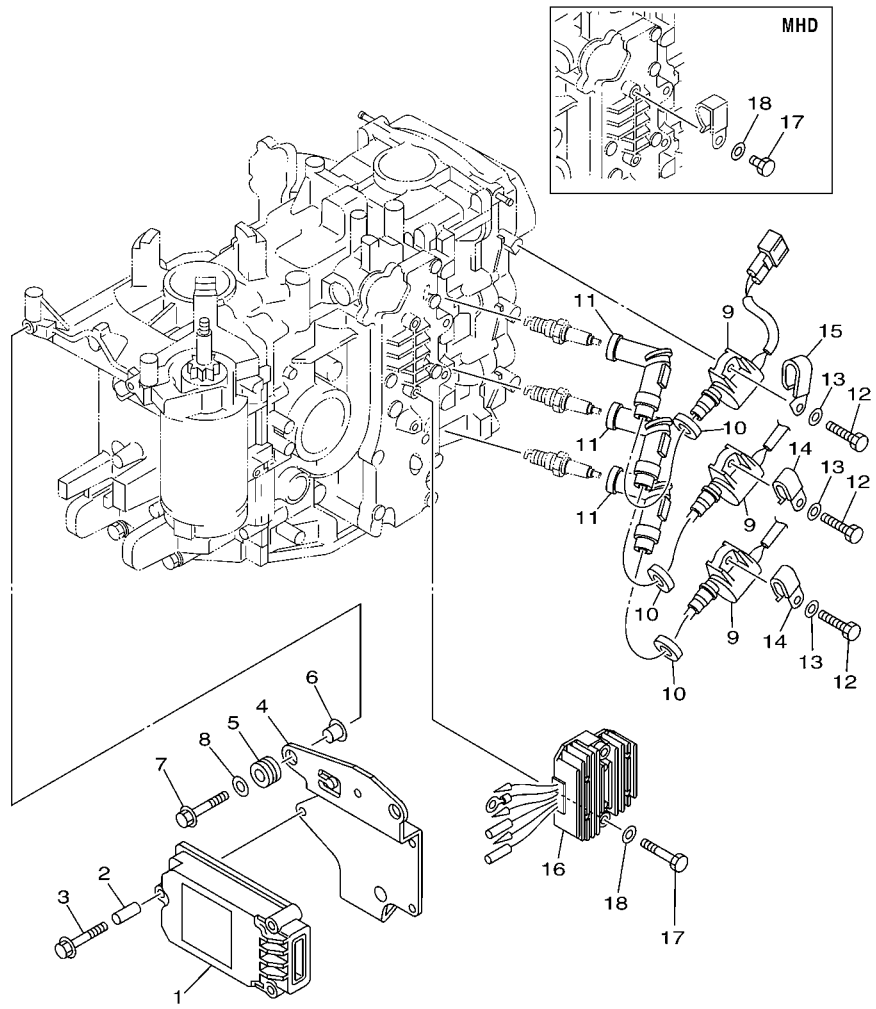
REF. NO.	PART NO.	DESCRIPTION	MFD	EHD	ED	ET	WHT	REMARKS
28	6A0-15789-00	DAMPER	1				1	
29	67C-15723-00	PULLEY, STARTER	1				1	
30	97095-06010	BOLT	4				4	
31	92995-06600	WASHER	4				4	
32	67C-46297-00	COVER, DUST	1				1	
33	90109-06MA1	BOLT	1				1	
34	90480-10M16	GROMMET	2				2	
35	90480-12072	GROMMET	1				1	
36	66M-15774-00	STAY 4	1				1	
37	90109-06M86	BOLT	1				1	
38	67C-15770-00	CABLE COMP., STARTER STOP	1				1	
39	66T-15731-00	SPRING, RETURN	1				1	
40	90446-10M86	HOSE	1				1	
41	65W-81639-10	PLATE, ARMATURE FITTING	1				1	
42	62Y-13437-41	MARK, CAUTION	1				1	FOR USA,OCE
	62Y-13437-51	MARK, CAUTION	1				1	FOR CAN
43	6A1-83625-41	MARK 5	1				1	
44	6A1-83625-51	MARK 5	1				1	FOR CAN



67C1100-2120

FIG. 12 GENERATOR

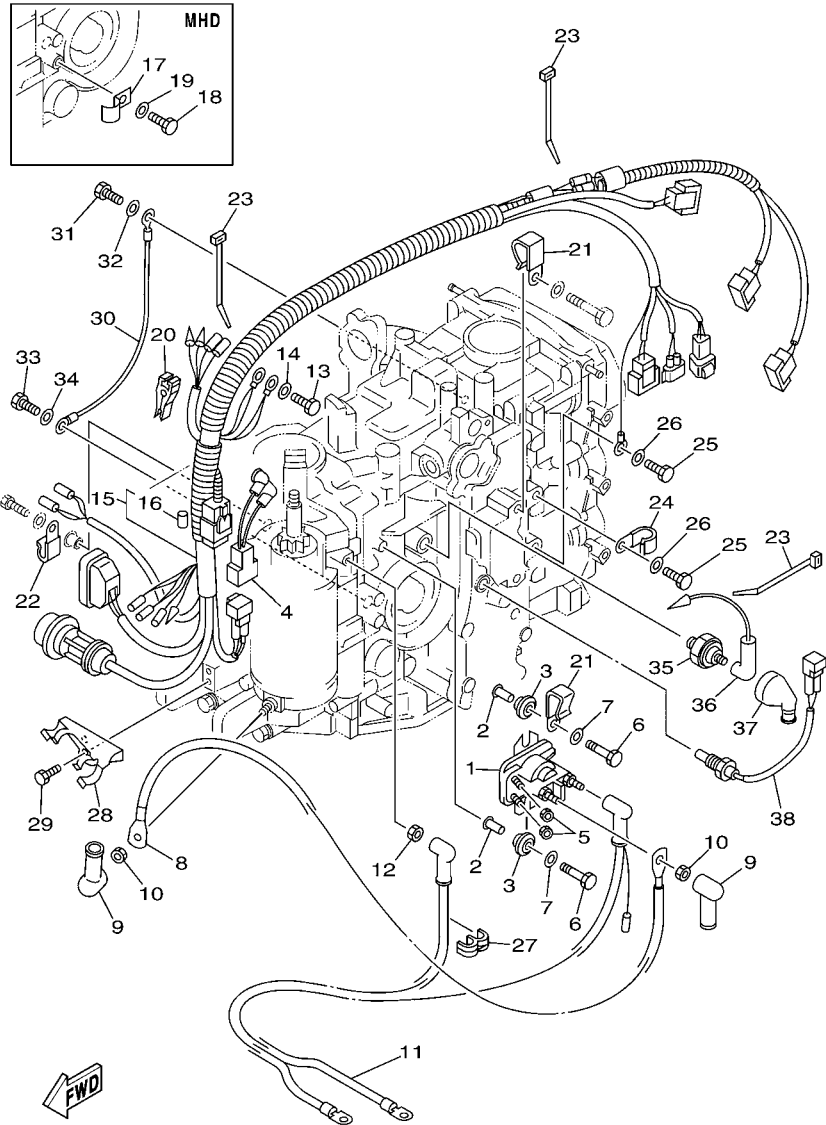
REF. NO.	PART NO.	DESCRIPTION	MHD	EHD	ED	ET	WHT	REMARKS
1	65W-85550-01	ROTOR ASSY	1	1	1	1	1	
	65W-85550-11	ROTOR ASSY	1					F40MH-FOR CAN
2	65W-85510-10	STATOR ASSY	1	1	1	1	1	
	65W-85510-00	STATOR ASSY	1					F40MH-FOR CAN
3	65W-85580-00	COIL, PULSER	1	1	1	1	1	
4	90446-10M82	HOSE (L90)	1	1	1	1	1	
5	65W-11545-00	KEY, WOODRUFF	1	1	1	1	1	
6	90170-20137	NUT	1	1	1	1	1	
7	90201-21M18	WASHER, PLATE	1	1	1	1	1	
8	91380-05030	BOLT	3	3	3	3	3	
	91380-05025	BOLT	3					F40MH-FOR CAN
9	97095-05016	BOLT	2	2	2	2	2	
10	92995-05600	WASHER	2	2	2	2	2	
11	67C-81337-00	COVER, FLYWHEEL	1	1	1			
12	97095-06025	BOLT	4	4	4			
13	92995-06600	WASHER	4	4	4			
14	65W-81639-10	PLATE, ARMATURE FITTING	1	1	1			
15	62Y-13437-41	MARK, CAUTION			1	1		FOR USA,OCE
	62Y-13437-51	MARK, CAUTION			1	1	1	FOR CAN
	62Y-13437-61	MARK, CAUTION				1		FOR CAR
16	6A1-83625-41	MARK 5		1	1	1		
17	6A1-83625-51	MARK 5		1	1	1		FOR CAN,CAR



FWD
67C3100-C130

FIG. 13 ELECTRICAL 1

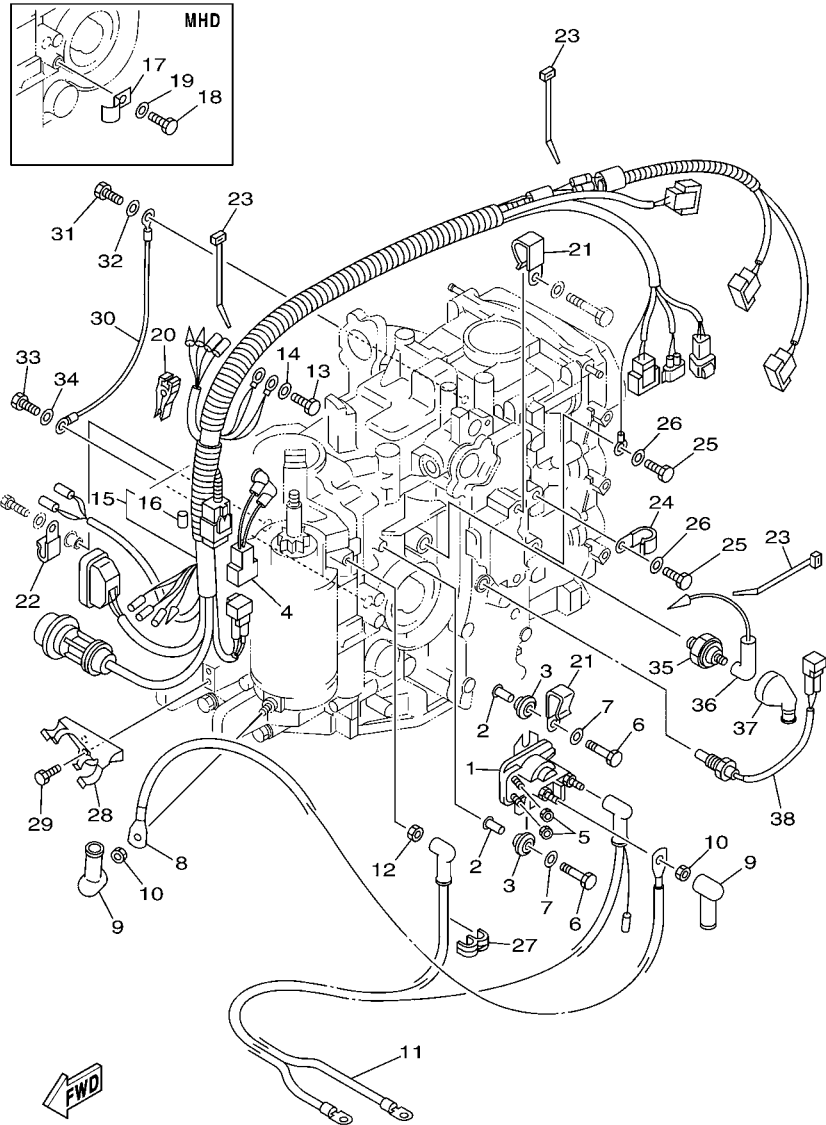
REF. NO.	PART NO.	DESCRIPTION	MHD	EHD	ED	ET	WHT	REMARKS
1	67C-85540-01	C.D.I. UNIT ASSY	1	1	1	1	1	
2	65W-86129-00	COLLAR	3	3	3	3	3	
3	65W-8252V-00	SCREW, SPECIAL	3	3	3	3	3	
4	67C-85542-00	BRACKET	1	1	1	1	1	
5	65W-85547-00	DAMPER	3	3	3	3	3	
6	65W-86129-10	COLLAR	3	3	3	3	3	
7	67C-8252V-00	BOLT, FLANGE (M6X25)	3	3	3	3	3	
8	67C-85554-00	WASHER, ROTOR	3	3	3	3	3	
9	67C-85570-00	IGNITION COIL ASSY	3	3	3	3	3	
10	90480-25161	GROMMET	3	3	3	3	3	
11	6G8-82370-30	PLUG CAP ASSY	3	3	3	3	3	
12	97095-06020	BOLT	3	3	3	3	3	
13	92995-06600	WASHER	3	3	3	3	3	
14	90465-06M90	CLAMP	2	2	2	2	2	
15	90465-06M88	CLAMP	1	1	1	1	1	
16	65W-81960-10	RECTIFIER & REGULATOR ASSY	1	1	1	1	1	
17	97095-06040	BOLT		2	2	2	2	
	97095-06012	BOLT	1					
18	92995-06600	WASHER		2	2	2	2	
	92995-06600	WASHER	1					



67C3100-C140

FIG. 14 ELECTRICAL 2

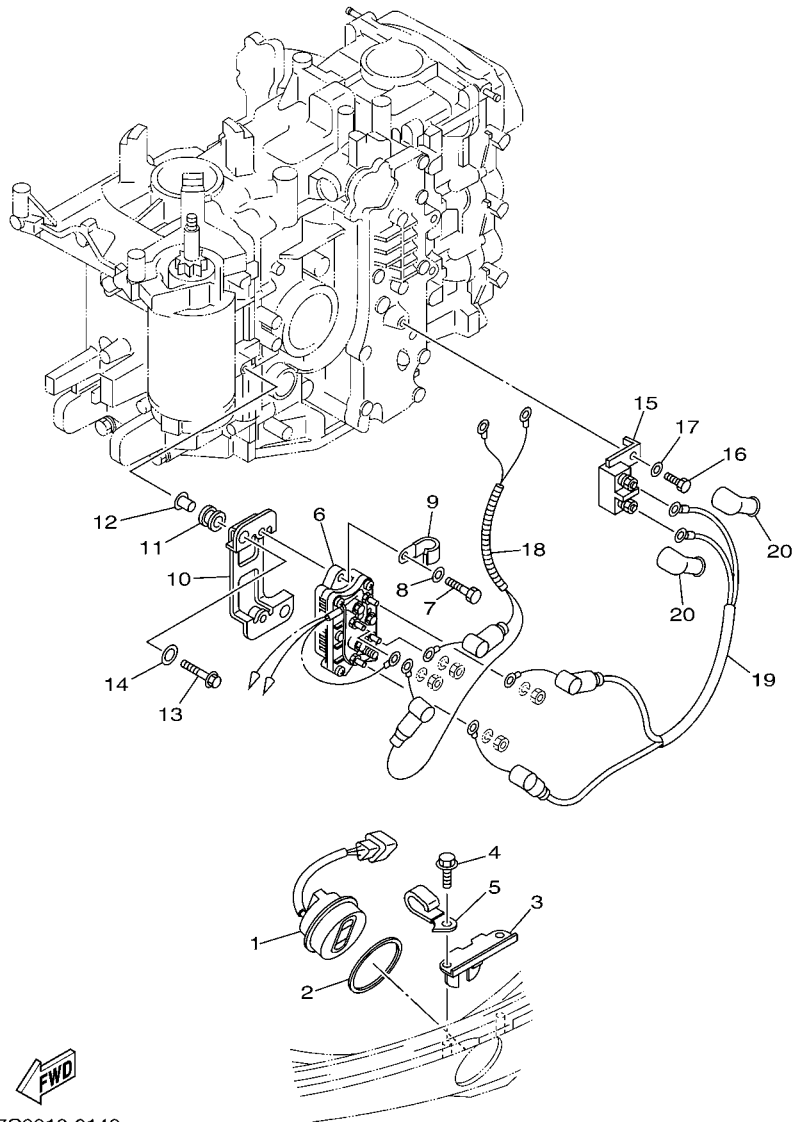
REF. NO.	PART NO.	DESCRIPTION	MHD	EHD	ED	ET	WHT	REMARKS
1	65W-81941-00	STARTER RELAY ASSY		1	1	1	1	
2	65W-8191C-00	COLLAR		2	2	2	2	
3	65W-81922-00	GROMMET		2	2	2	2	
4	67C-82509-00	WIRE, SUB LEAD		1	1	1	1	
5	65W-8182A-00	NUT		2	2	2	2	
6	97095-06030	BOLT		2	2	2	2	
7	92995-06600	WASHER		2	2	2	2	
8	65W-82117-00	WIRE, LEAD		1	1	1	1	
9	6G5-82119-10	COVER, LEAD WIRE		2	2	2	2	
10	65W-8182B-00	NUT, SPECIAL		2	2	2	2	
11	67C-82105-00	WIRE HARNESS		1	1	1	1	EXCEPT FOR USA
	67C-82105-U0	WIRE HARNESS			1	1	1	FOR USA
12	65W-8182B-00	NUT, SPECIAL		1	1	1	1	
13	97095-06012	BOLT		1	1	1	1	
14	92995-06600	WASHER		1	1	1	1	
15	67C-82590-00	WIRE HARNESS ASSY	1					
	67C-82590-10	WIRE HARNESS ASSY		1	1			
	67C-82590-20	WIRE HARNESS ASSY				1	1	
	67C-82590-40	WIRE HARNESS ASSY				1		FOR USA,CAN
16	67F-82151-00	.FUSE (20A)		2	2	2	2	
17	90465-08M63	CLAMP	1					
18	97095-06012	BOLT	1					
19	92995-06600	WASHER	1					
20	67F-2812A-00	PULLER, FUSE		1	1	1	1	
21	90465-05M87	CLAMP	2	2	2	2	2	
22	90465-06M90	CLAMP	1	1	1	1	1	
23	90465-13M18	CLAMP	3	3	3	3	3	



67C3100-C140

FIG. 14 ELECTRICAL 2

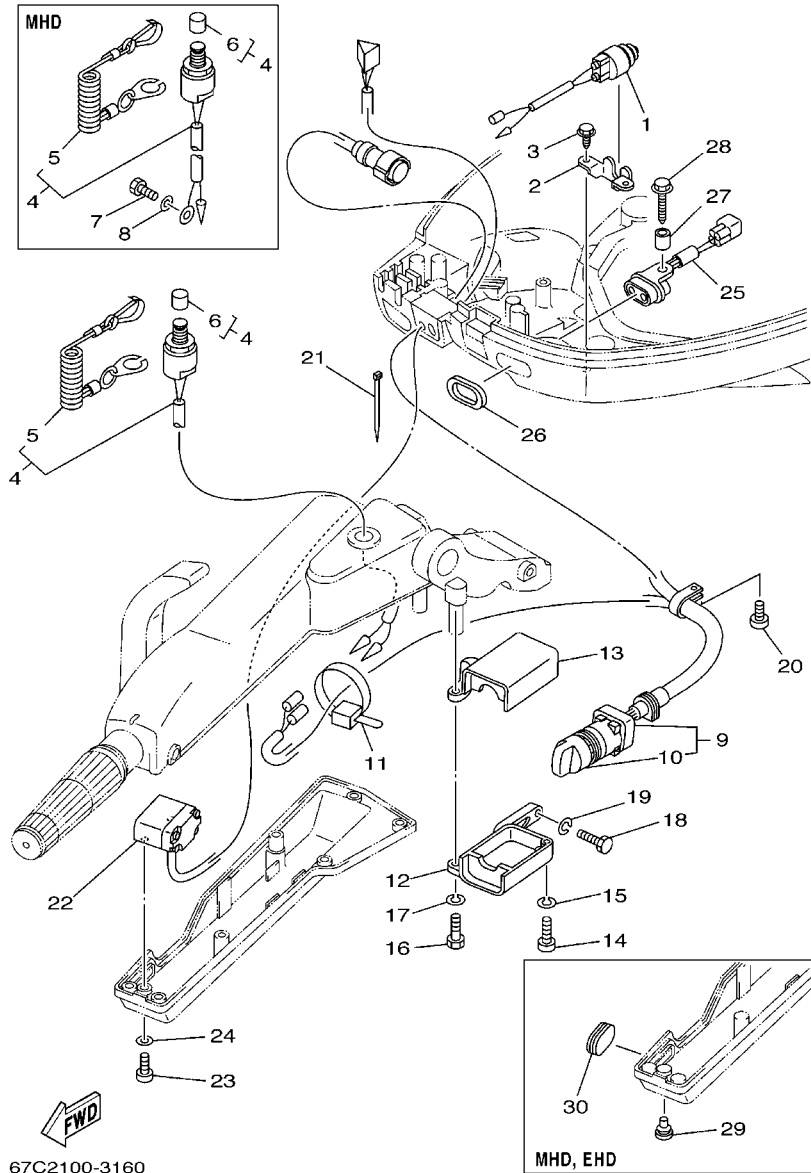
REF. NO.	PART NO.	DESCRIPTION	MHD	EHD	ED	ET	WHT	REMARKS
24	90465-08M75	CLAMP	1	1	1	1	1	
25	97095-06012	BOLT	3	3	3	3	3	
26	92995-06600	WASHER	3	3	3	3	3	
27	90464-10M57	CLAMP		1	1	1	1	
28	67C-82594-00	CLAMP		1	1	1	1	
29	97095-05012	BOLT		2	2	2	2	
30	67C-82519-00	WIRE, EARTH LEAD	1	1	1	1	1	
31	97095-08012	BOLT	1	1	1	1	1	
32	92995-08600	WASHER	1	1	1	1	1	
33	97095-06012	BOLT	1	1	1	1	1	
34	92995-06600	WASHER	1	1	1	1	1	
35	65W-82504-00	OIL PRESSURE SWITCH ASSY	1	1	1	1	1	
36	65W-82127-00	WIRE, LEAD 2	1	1	1	1	1	
37	65W-82532-00	CAP	1	1	1	1	1	
38	67C-85790-00	THERMOSENSOR ASSY	1	1	1	1	1	




67C0010-0140

FIG. 15 ELECTRICAL 3

REF. NO.	PART NO.	DESCRIPTION	MHD	EHD	ED	ET	WHT	REMARKS
1	63D-82563-10	TRIM & TILT SWITCH ASSY				1		
2	6E5-82587-00	GASKET				1		
3	62Y-83614-00	BRACKET				1		
4	90109-06M86	BOLT				2		
	90109-06M86	BOLT					1	
5	90465-06M88	CLAMP				1	1	
6	6H1-81950-00	RELAY ASSY				1	1	
7	97095-06020	BOLT				2	2	
8	92995-06600	WASHER				2	2	
9	90465-08M75	CLAMP				1	1	
10	67C-81948-00	BRACKET				1	1	
11	6A0-82317-00	DAMPER, IGNITION COIL				2	2	
12	624-42542-00	PIPE				2	2	
13	95895-06030	BOLT, FLANGE				2	2	
14	90201-12M16	WASHER, PLATE				2	2	
15	6H5-81920-00	TERMINAL ASSY				1	1	
16	97095-06012	BOLT				1	1	
17	92995-06600	WASHER				1	1	
18	67C-81949-00	WIRE, LEAD				1	1	
19	67C-81949-10	WIRE, LEAD				1	1	
20	6G5-82119-00	COVER, LEAD WIRE				2	2	

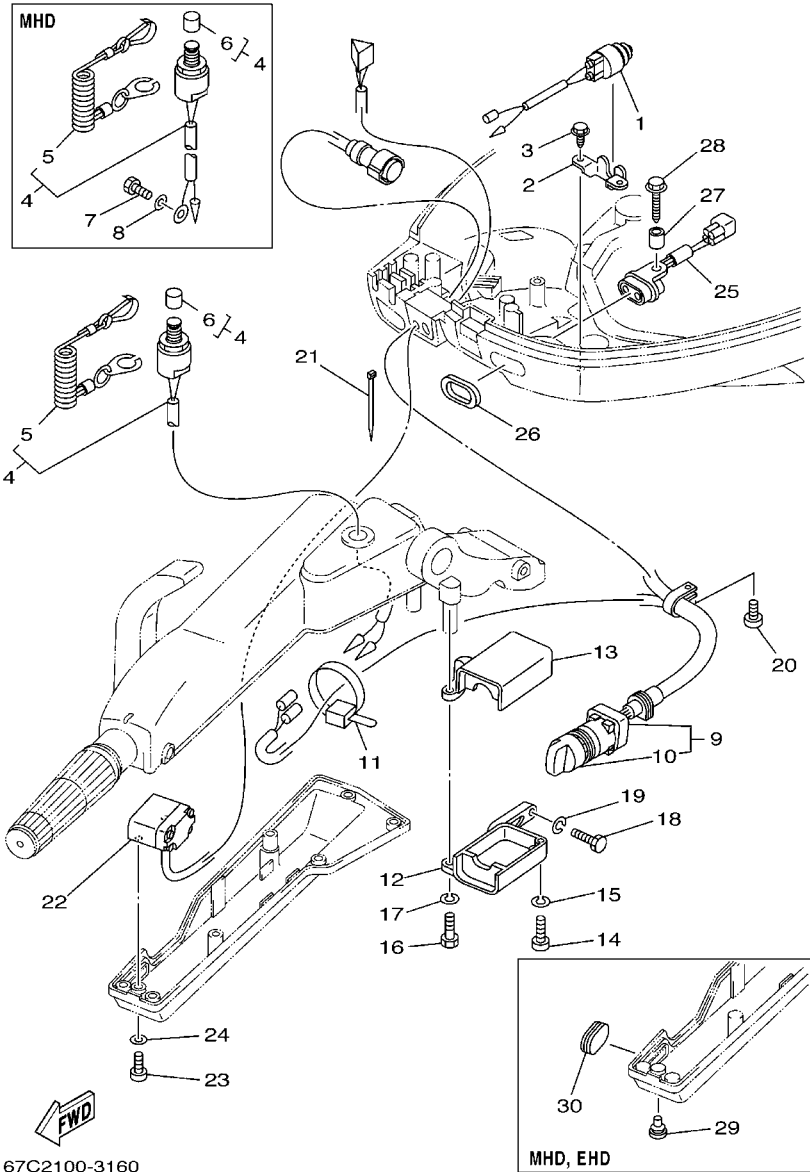


67C2100-3160

FIG. 16 ELECTRICAL 4

REF. NO.	PART NO.	DESCRIPTION	MHD	EHD	ED	ET	WHT	REMARKS
1	6F5-82540-00	NEUTRAL SWITCH ASSY		1			1	
2	6J8-82554-00	STAY, NEUTRAL SWITCH		1			1	
3	90109-06M86	BOLT		2			2	
4	69W-82575-00	ENGINE STOP SWITCH ASSY		1			1	
	6K5-82575-03	ENGINE STOP SWITCH ASSY	1					
5	682-82556-00	.STOPPER	1	1			1	
6	689-8257Y-00	.CAP	1	1			1	
7	97095-06012	BOLT	1					
8	92995-06600	WASHER	1					
9	69W-82510-00	MAIN SWITCH ASSY		1			1	
10	676-82577-00	.CAP, KEY		1			1	
11	90465-13M11	CLAMP		1			1	
12	63D-8252F-01-4D	COVER, MAIN SWITCH 2		1			1	
13	63D-8252E-01-4D	COVER, MAIN SWITCH		1			1	
14	97885-06025	SCREW, PAN HEAD		1			1	
15	92995-06100	WASHER, SPRING		1			1	
16	97095-06025	BOLT		1			1	
17	92995-06100	WASHER, SPRING		1			1	
18	97095-06020	BOLT		1			1	
19	92995-06100	WASHER, SPRING		1			1	
20	97885-06012	SCREW, PAN HEAD		1			1	
21	90465-13M36	CLAMP		1			1	
22	67G-82563-00	TRIM & TILT SWITCH ASSY					1	
23	97885-06016	SCREW, PAN HEAD					2	
24	92995-06600	WASHER					2	
25	62Y-84301-00	PILOT LIGHT ASSY 1	1	1			1	
26	6H4-83589-00	GASKET	1	1			1	

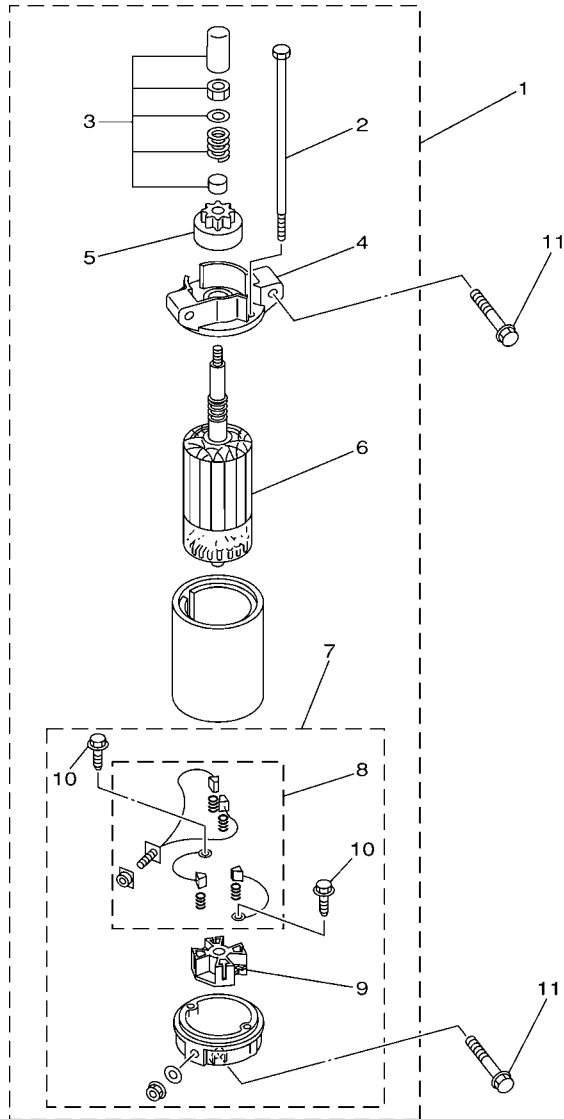
FIG. 16 ELECTRICAL 4



67C2100-3160

REF. NO.	PART NO.	DESCRIPTION	MHD	EHD	ED	ET	WHT	REMARKS
27	90387-06M87	COLLAR	1	1			1	
28	90109-06MA2	BOLT	1	1			1	
29	90480-06M19	GROMMET	2	2				
30	67C-42726-00	GROMMET	1	1				

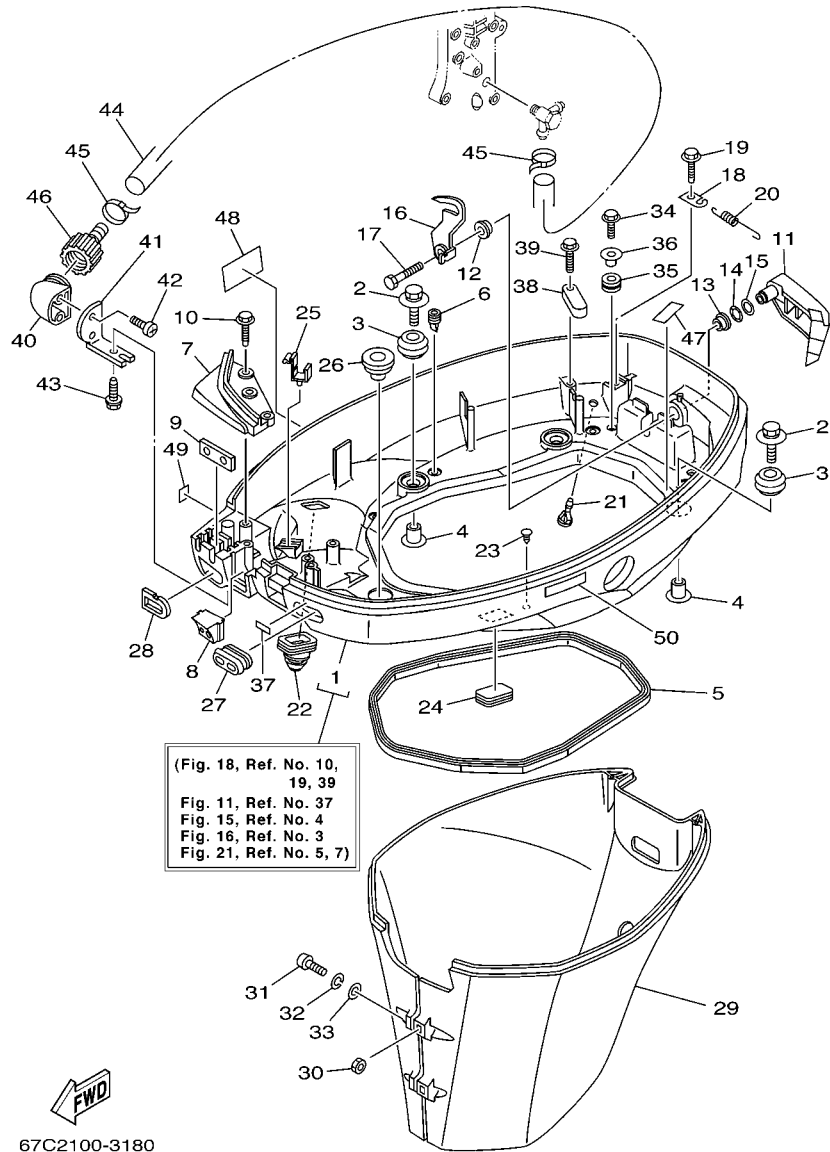
FIG. 17 STARTING MOTOR




67C0010-0160

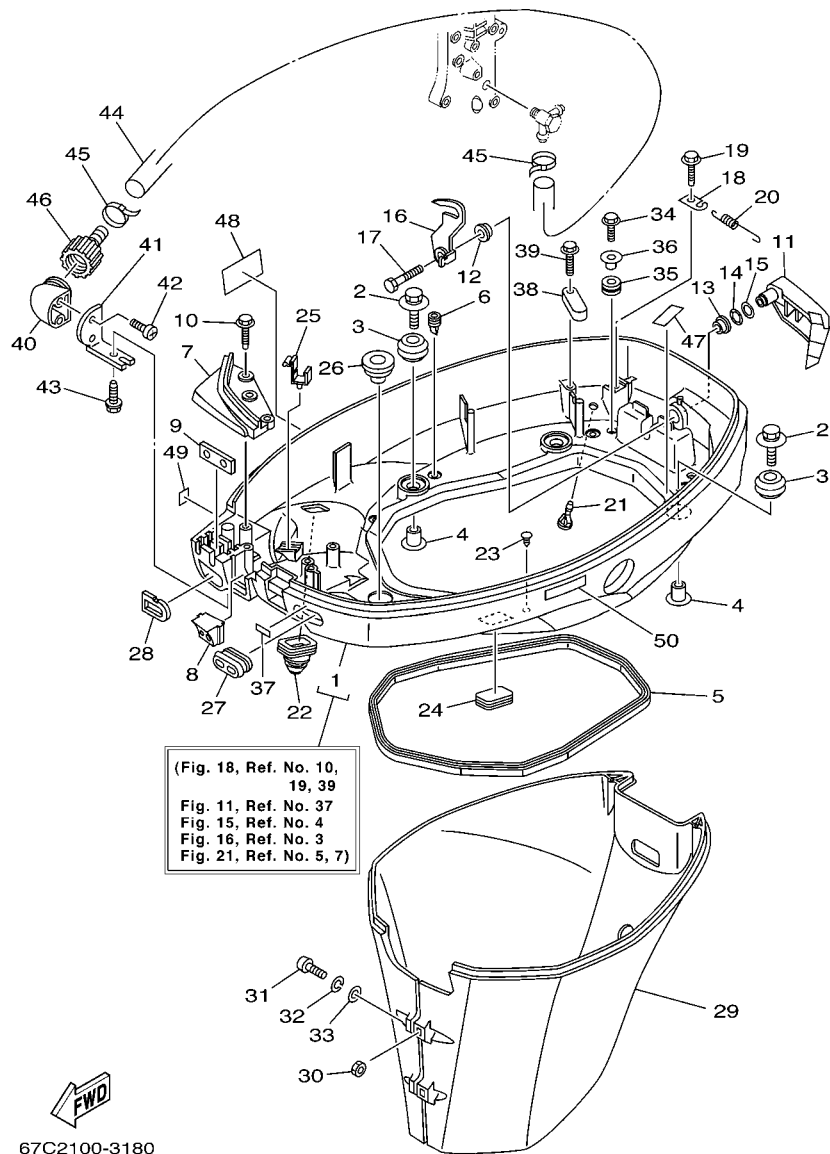
REF. NO.	PART NO.	DESCRIPTION	MFD	EHD	ED	ET	WHT	REMARKS
1	67C-81800-00	STARTING MOTOR ASSY		1	1	1	1	
2	67C-81826-00	.BOLT		2	2	2	2	
3	65W-81857-01	.RETAINER		1	1	1	1	
4	65W-81830-00	.FRONT BRACKET ASSY		1	1	1	1	
5	65W-81807-00	.GEAR ASSY, STARTING MOTOR		1	1	1	1	
6	67C-81850-00	.ARMATURE ASSY		1	1	1	1	
7	65W-81820-00	.REAR BRACKET ASSY		1	1	1	1	
8	65W-81801-00	..BRUSH SET		1	1	1	1	
9	65W-81840-00	..BRUSH HOLDER ASSY		1	1	1	1	
10	65W-8182S-00	..SCREW		2	2	2	2	
11	90119-08M39	BOLT, WITH WASHER		3	3	3	3	

FIG. 18 BOTTOM COWLING



REF. NO.	PART NO.	DESCRIPTION	MHD	EHD	ED	ET	WHT	REMARKS
1	67C-42710-12-4D	BOTTOM COWLING ASSY				1		WITH TAPPING BOLT
	67C-42710-02-4D	BOTTOM COWLING ASSY	1	1	1		1	WITH TAPPING BOLT
2	90119-06M08	BOLT, WITH WASHER	4	4	4	4	4	
3	90480-09M12	GROMMET	4	4	4	4	4	
4	90387-06060	COLLAR	4	4	4	4	4	
5	62Y-42716-00	RUBBER, SEAL 1	1	1	1	1	1	
6	65W-42717-00	RUBBER, SEAL 2	4	4	4	4	4	
7	67C-42738-00-4D	PLATE, FITTING	1	1	1	1	1	
8	62Y-42725-00	GROMMET			1	1		
	62Y-42725-20	GROMMET		1			1	
	62Y-42725-30	GROMMET					1	FOR USA, F40-OCE
	67C-42725-00	GROMMET	1					
9	62Y-42727-00	GROMMET	1	1	1	1	1	
10	90109-06M81	BOLT	3	3	3	3	3	
11	67C-42815-00-4D	LEVER, CLAMP	1	1	1	1	1	
12	90386-12M37	BUSH	1	1	1	1	1	
13	90386-12MA2	BUSH	1	1	1	1	1	
14	90206-12052	WASHER, WAVE	1	1	1	1	1	
15	90201-12M07	WASHER, PLATE	1	1	1	1	1	
16	67C-42816-01	LEVER, CLAMP	1	1	1	1	1	
17	97095-06012	BOLT	1	1	1	1	1	
18	66T-43144-00	HOOK, SPRING	1	1	1	1	1	
19	90109-06M86	BOLT	1	1	1	1	1	
20	90506-18M40	SPRING, TENSION	1	1	1	1	1	
21	6H3-44391-01	NIPPLE, HOSE	1	1	1	1	1	
22	6H1-42726-21	GROMMET				1	1	FLUSHING KIT
	65W-42724-10	GROMMET	1	1	1			FLUSHING KIT

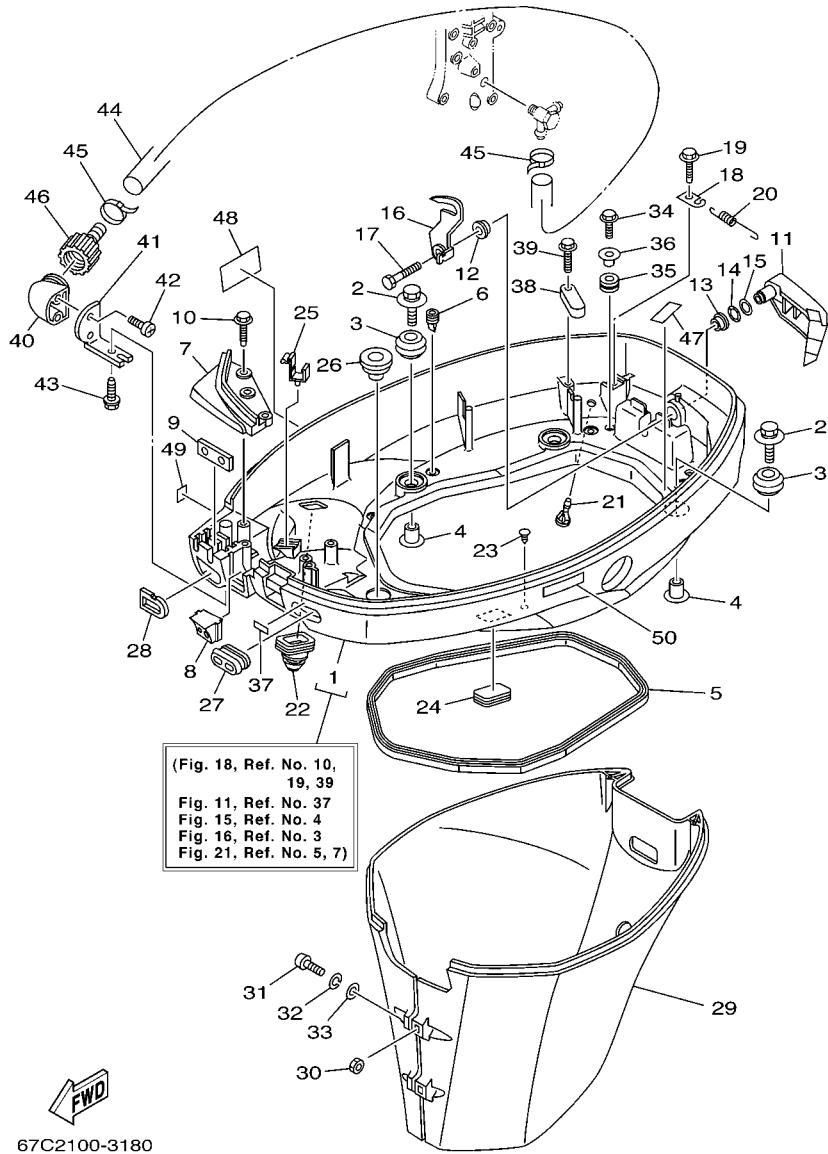
FIG. 18 BOTTOM COWLING



67C2100-3180

REF. NO.	PART NO.	DESCRIPTION	MHD	EHD	ED	ET	WHT	REMARKS
22	688-42726-10	GROMMET				1		STD
23	90338-07004	PLUG	1	1	1	1	1	
24	6H4-42726-00	GROMMET	1	1	1	1	1	
25	90464-09M13	CLAMP	1	1	1	1	1	
26	676-42727-00	GROMMET	1	1	1	1	1	
27	6H3-42727-00	GROMMET				1	1	
28	61N-24329-00	SEAL	1	1	1	1	1	
29	67C-42741-00-4D	APRON	1		1			S
	67C-42741-10-4D	APRON	1	1	1	1	1	L
30	95380-06600	NUT, HEXAGON	2	2	2	2	2	
31	97880-06025	SCREW, PAN HEAD	2	2	2	2	2	
32	92990-06100	WASHER, SPRING	2	2	2	2	2	
33	92990-06600	WASHER, PLATE	2	2	2	2	2	
34	90109-06M80	BOLT	2	2	2	2	2	
35	90480-13M24	GROMMET	2	2	2	2	2	
36	90387-06M43	COLLAR	2	2	2	2	2	
37	67C-85415-00	MARK, SIGNAL LAMP	1	1			1	
38	6E5-82588-00	PLATE	1	1	1	1	1	
39	90109-06M81	BOLT	1	1	1	1	1	
40	68T-12572-00	ADAPTER	1	1	1	1	1	FLUSHING KIT
41	69W-12535-00	PLATE	1	1	1	1	1	FLUSHING KIT
42	90167-06002	SCREW, TAPPING	2	2	2	2	2	FLUSHING KIT
43	90109-06M80	BOLT	1	1	1	1	1	FLUSHING KIT
44	67C-24312-00	PIPE 2	1	1	1	1	1	FLUSHING KIT
45	90465-11M10	CLAMP	2	2	2	2	2	FLUSHING KIT
46	6R3-12580-00	JOINT ASSY	1	1	1	1	1	FLUSHING KIT
47	62Y-82377-00	LABEL	1	1	1	1	1	

FIG. 18 BOTTOM COWLING



67C2100-3180

REF. NO.	PART NO.	DESCRIPTION	MHD	EHD	ED	ET	WHT	REMARKS
48	62Y-13444-40	MARK	1		1	1	1	FOR USA,OCE
	62Y-13444-50	MARK	1	1	1	1		FOR CAN,CAR
49	6A1-28176-00	LABEL, CAUTION					1	FOR CAR
50	6E3-8257H-00	PLATE, MARK					1	FOR CAR

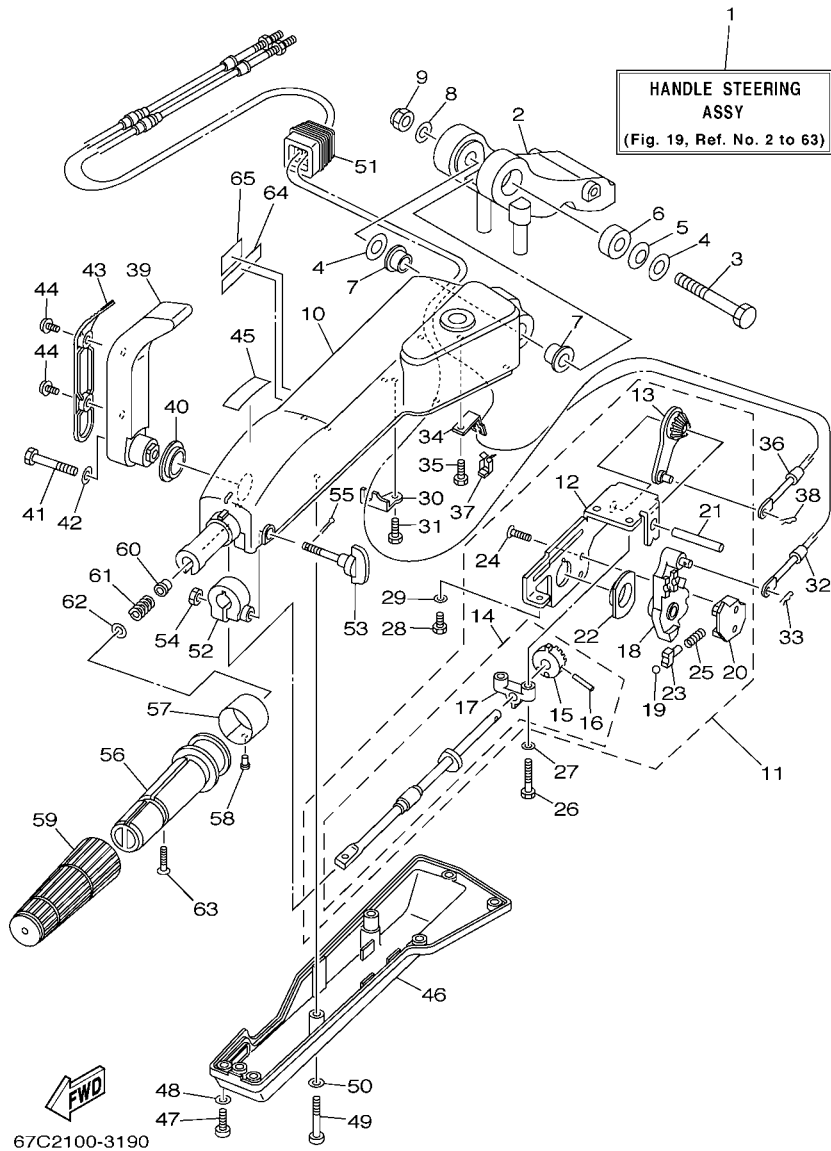


FIG. 19 STEERING

REF. NO.	PART NO.	DESCRIPTION	MHD	EHD	ED	ET	WHT	REMARKS
1	69W-W0084-01-4D	HANDLE STEERING ASSY	1	1			1	
2	63D-42121-20-4D	BRACKET	1	1			1	
3	90101-12M09	BOLT	1	1			1	
4	92990-12200	WASHER, PLAIN	2	2			2	
5	90206-12M22	WASHER, WAVE	1	1			1	
6	90387-12M02	COLLAR	1	1			1	
7	90386-12M93	BUSH	2	2			2	
8	92990-12600	WASHER, PLATE	1	1			1	
9	90185-12M12	NUT, SELF-LOCKING	1	1			1	
10	67G-42111-00-4D	HANDLE, STEERING	1	1			1	
11	69W-44100-00	SHIFT LINK ASSY	1	1			1	
12	67C-44104-00	.PLATE COMP.	1	1			1	
13	69W-48261-00	.ARM, THROTTLE	1	1			1	
14	69W-42115-00	.SHAFT, STEERING HANDLE	1	1			1	
15	650-42152-00-94	..GEAR	1	1			1	
16	91690-30025	..PIN, SPRING	1	1			1	
17	67G-42159-00	..STAY	1	1			1	
18	67C-44113-00	.CAM PLATE, HANDLE	1	1			1	
19	63D-48236-00	.ROLLER, DETENT	1	1			1	
20	67C-48119-00	.COVER	1	1			1	
21	67G-42153-00	.SHAFT, THROTTLE CONTROL	1	1			1	
22	67G-44132-00	.BUSHING	1	1			1	
23	63D-48237-00	.ADAPTOR	1	1			1	
24	98785-05014	.SCREW, FLAT HEAD	2	2			2	
25	63D-48238-00	.SPRING, DETENT	1	1			1	
26	97095-06030	BOLT	2	2			2	
27	92995-06600	WASHER	2	2			2	

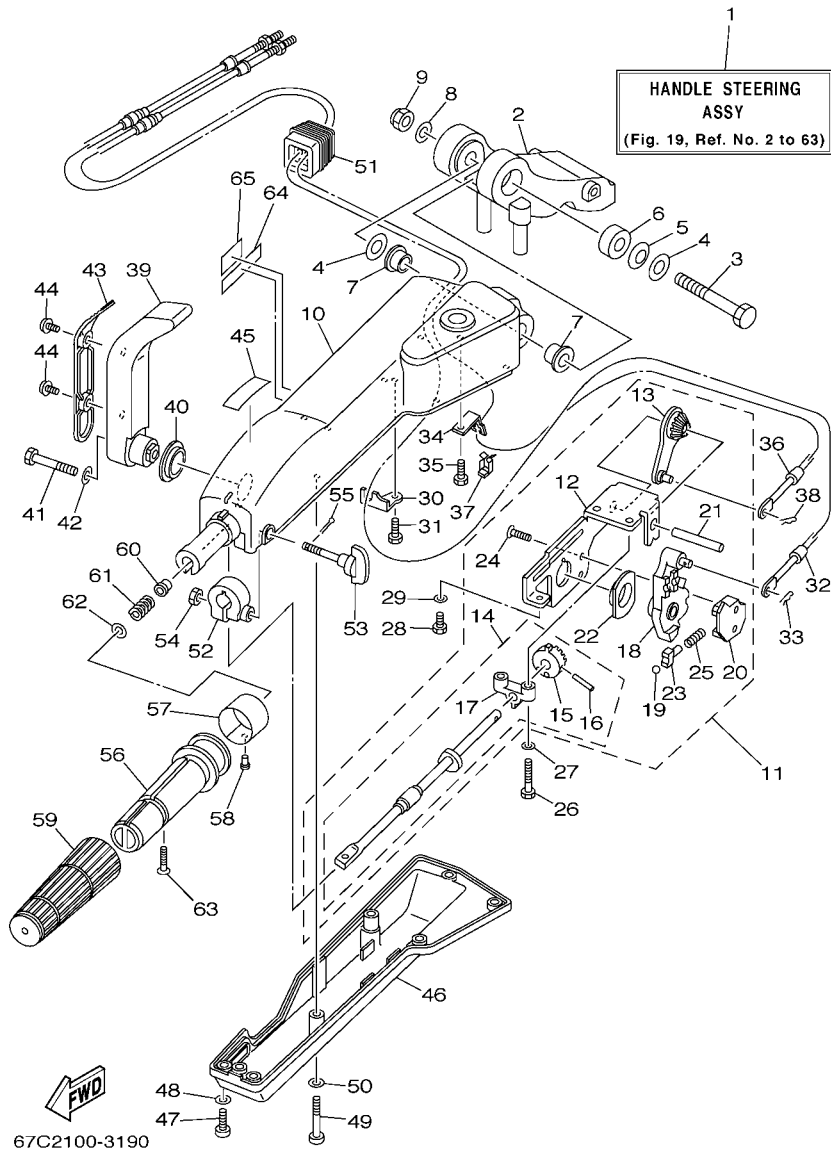


FIG. 19 STEERING

REF. NO.	PART NO.	DESCRIPTION	MFD	EHD	ED	ET	WHT	REMARKS
28	97095-06014	BOLT	1	1			1	
29	92995-06600	WASHER	1	1			1	
30	67G-48531-00	BRACKET, REMOTE CONTROL 1	1	1			1	
31	97095-06014	BOLT	1	1			1	
32	67C-48321-00	CABLE	1	1			1	
33	90468-10005	CLIP	1	1			1	
34	69W-48538-00	CLAMP, CABLE 1	1	1			1	
35	97095-06014	BOLT	1	1			1	
36	69W-26301-00	THROTTLE CABLE ASSY	1	1			1	
37	63D-48538-00	CLAMP, CABLE 1	1	1			1	
38	90468-10005	CLIP	1	1			1	
39	67G-44159-00-4D	HANDLE, GEAR SHIFT	1	1			1	
40	90386-26MA3	BUSH	1	1			1	
41	97095-08040	BOLT	1	1			1	
42	92995-08600	WASHER	1	1			1	
43	67G-44173-00	LEVER, SHIFT CONTROL	1	1			1	
44	90159-06M18	SCREW, WITH WASHER	2	2			2	
45	6G8-44191-00	INDICATOR, SHIFT	1	1			1	
46	67G-42131-00	COVER, HANDLE STEERING	1	1			1	
47	97885-06016	SCREW, PAN HEAD	5	5			5	
48	92995-06600	WASHER	5	5			5	
49	97885-06040	SCREW, PAN HEAD	2	2			2	
50	92995-06600	WASHER	2	2			2	
51	63D-42725-00	GROMMET	1	1			1	
52	63D-42126-00	FRICTION, STEERING HANDLE GRIP	1	1			1	
53	63D-48154-00	KNOB, THROTTLE	1	1			1	
54	95380-06600	NUT, HEXAGON	1	1			1	

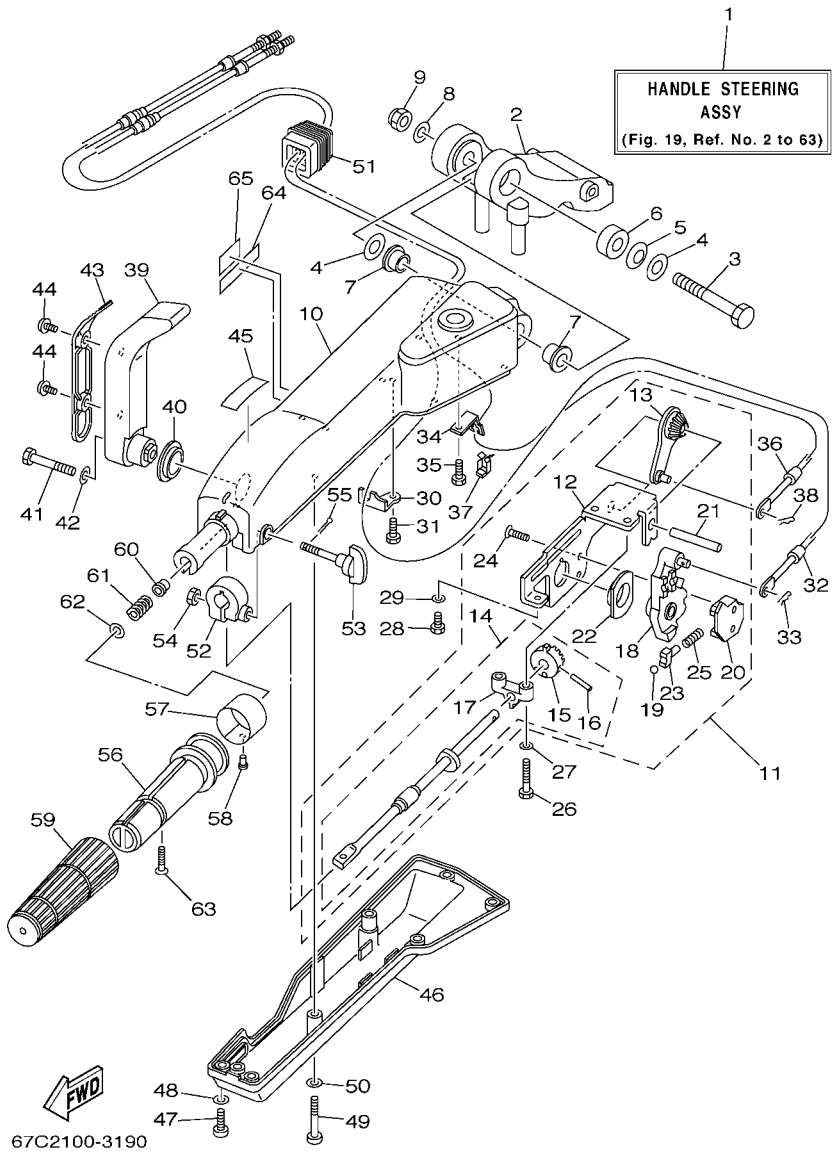
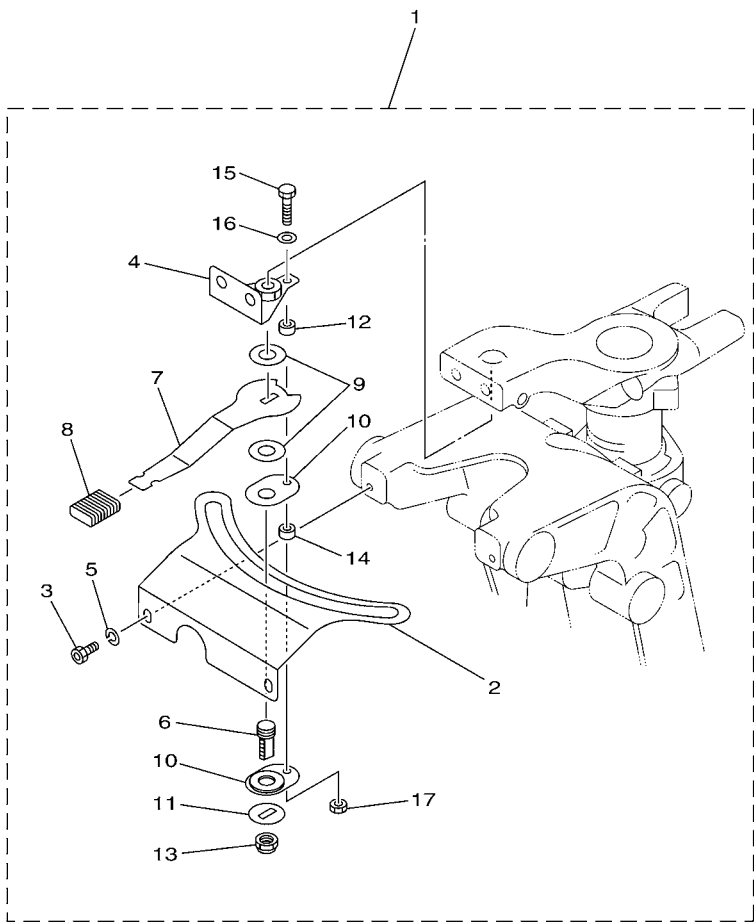


FIG. 19 STEERING

REF. NO.	PART NO.	DESCRIPTION	MHD	EHD	ED	ET	WHT	REMARKS
55	91490-20010	PIN, COTTER	1	1			1	
56	69W-42119-00	GRIP, STEERING HANDLE	1	1			1	
57	6J0-42137-00	INDICATOR, THROTTLE	1	1			1	
58	90269-02M09	RIVET	1	1			1	
59	6G1-42177-00	RUBBER, HANDLE	1	1			1	
60	90386-08032	BUSH	1	1			1	
61	90501-23215	SPRING, COMPRESSION	1	1			1	
62	92903-10600	WASHER, PLATE	1	1			1	
63	90149-05M13	SCREW	1	1			1	
64	6E0-83627-41	LABEL, CAUTION 7	1	1			1	
65	6E0-83627-51	LABEL, CAUTION 7	1	1			1	FOR CAN

FIG. 20 STEERING FRICTION

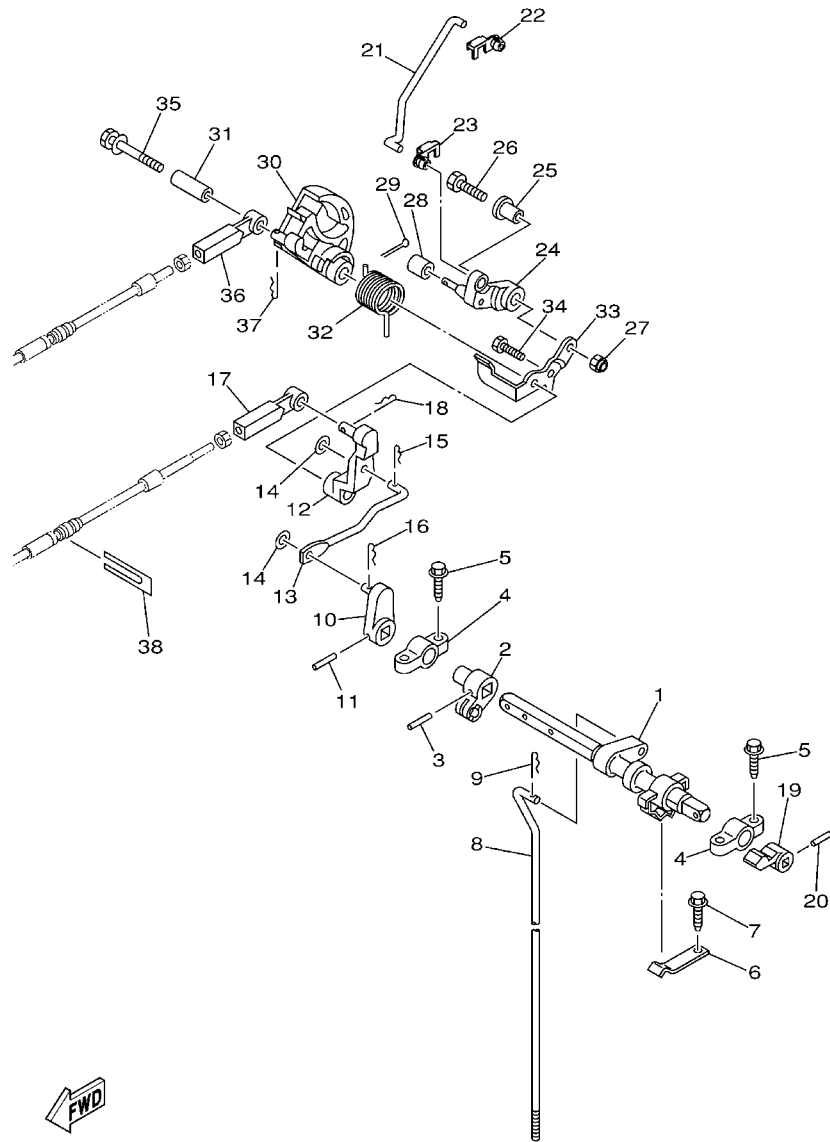


REF. NO.	PART NO.	DESCRIPTION	MHD	EHD	ED	ET	WHT	REMARKS
1	67C-42508-02	STEERING FRICTION ASSY	1	1			1	
2	67C-42527-02	.PLATE, FRICTION	1	1			1	
3	90109-06M88	.BOLT	2	2			2	
4	67C-42525-00	.PLATE, FRICTION	1	1			1	
5	92990-06100	.WASHER, SPRING	2	2			2	
6	67C-42562-10	.SHAFT, STEERING LOCK	1	1			1	
7	67C-42561-00	.KNOB, STEERING LOCK	1	1			1	
8	689-43633-00	.COVER, TILT LEVER	1	1			1	
9	90202-10M56	.WASHER, PLATE	2	2			2	
10	65W-42528-00	.PLATE, FRICTION	2	2			2	
11	90209-10M26	.WASHER	1	1			1	
12	90387-05M05	.COLLAR	1	1			1	
13	90185-10M14	.NUT, SELF-LOCKING	1	1			1	
14	90387-05007	.COLLAR	1	1			1	
15	97095-05020	.BOLT	1	1			1	
16	92995-05600	.WASHER	1	1			1	
17	95380-05600	.NUT	1	1			1	



67C3100-C200

F1

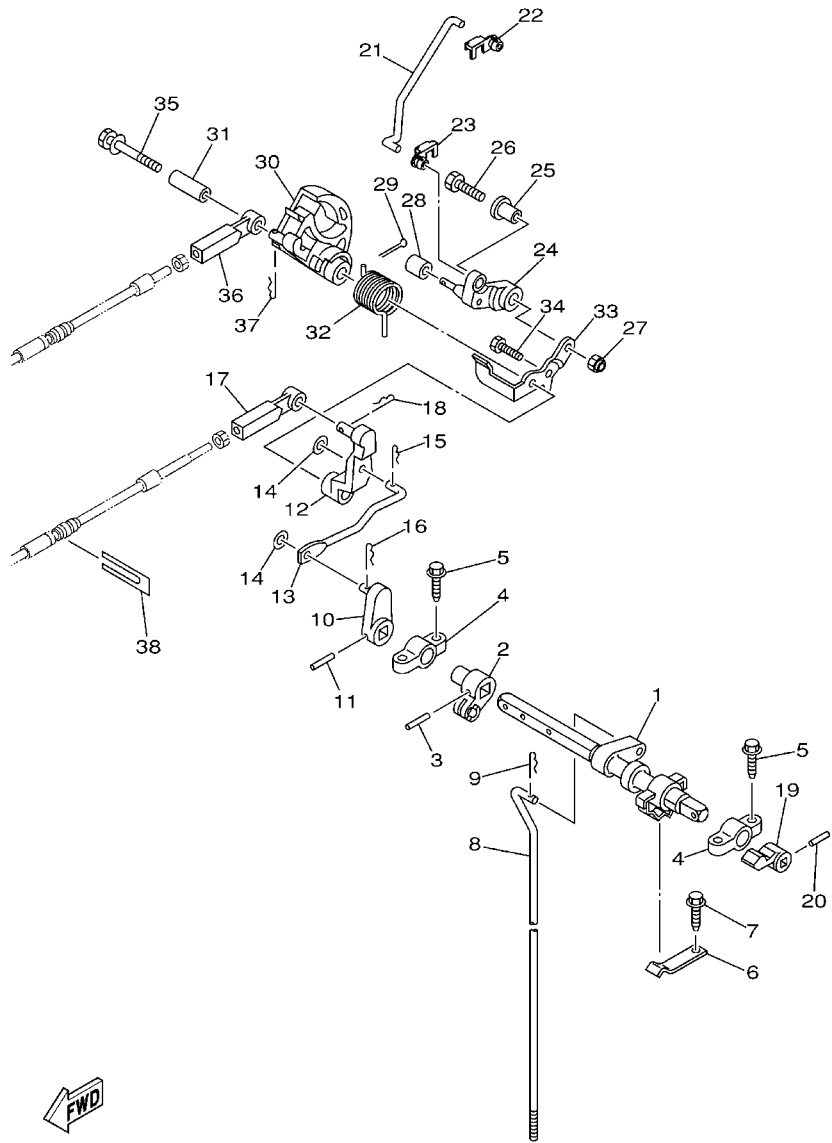


67C0010-0200

FIG. 21 CONTROL

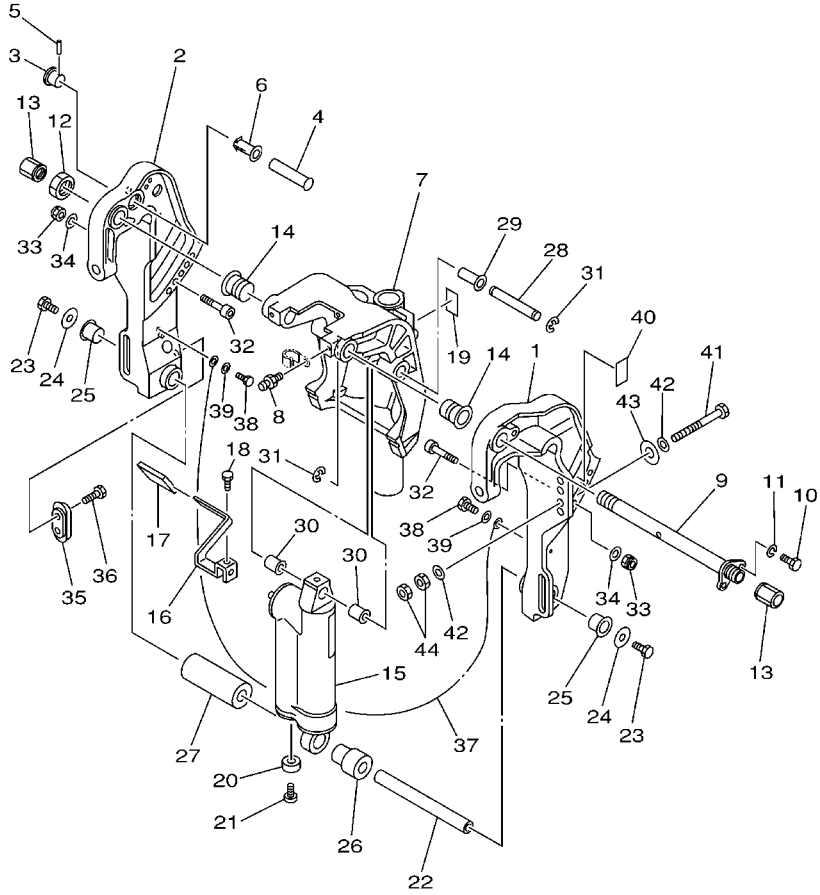
REF. NO.	PART NO.	DESCRIPTION	MHD	EHD	ED	ET	WHT	REMARKS
1	67C-44121-00	LEVER, SHIFT ROD	1	1	1	1	1	
2	66M-44122-00	BUSHING, SHIFT ROD LEVER	1	1	1	1	1	
3	90254-03M05	PIN, SPRING	1	1	1	1	1	
4	6F5-41662-00	BRACKET	2	2	2	2	2	
5	90109-06M81	BOLT	4	4	4	4	4	
6	67C-44116-00	SPRING	1	1	1	1	1	
7	90109-06M86	BOLT	1	1	1	1	1	
8	67C-44143-00	ROD, SHIFT	1		1			S
	67C-44143-10	ROD, SHIFT	1	1	1	1	1	L
9	90468-18008	CLIP	1	1	1	1	1	
10	65W-44142-00	JOINT	1	1	1	1	1	
11	90254-03M05	PIN, SPRING	1	1	1	1	1	
12	67C-44125-00	LEVER, SHIFT ROD	1	1	1	1	1	
13	67C-44192-00	LINK, SHIFT ROD	1	1	1	1	1	
14	90201-05M06	WASHER, PLATE	2	2	2	2	2	
15	90468-10005	CLIP	1	1	1	1	1	
16	90468-18008	CLIP	1	1	1	1	1	
17	67C-48344-00	CABLE END, REMOTE CONTROL	1	1	1	1	1	
18	90468-18008	CLIP	1	1	1	1	1	
19	65W-44173-00	LEVER, SHIFT CONTROL		1			1	
20	90254-03M05	PIN, SPRING		1			1	
21	67C-41241-00	ROD, LINK	1	1	1	1	1	
22	6E9-41237-00	JOINT, LINK	1	1	1	1	1	
23	6F5-41237-00	JOINT, LINK	1	1	1	1	1	
24	67C-41212-00	ARM, ACCEL.	1	1	1	1	1	
25	90387-06M29	COLLAR	1	1	1	1	1	
26	97095-06025	BOLT	1	1	1	1	1	

FIG. 21 CONTROL



REF. NO.	PART NO.	DESCRIPTION	MHD	EHD	ED	ET	WHT	REMARKS
27	95780-06300	NUT, FLANGE	1	1	1	1	1	
28	62Y-42171-00	BUSHING	1	1	1	1	1	
29	91490-12010	PIN, COTTER	1	1	1	1	1	
30	67C-41213-20	CAM, ACCEL.	1	1	1	1	1	
31	90387-06M88	COLLAR	1	1	1	1	1	
32	90508-20M44	SPRING, TORSION	1	1	1	1	1	
33	67C-44117-00	BRACKET	1	1	1	1	1	
34	97095-06014	BOLT	1	1	1	1	1	
35	90119-06M91	BOLT, WITH WASHER	1	1	1	1	1	
36	67C-48344-00	CABLE END, REMOTE CONTROL	1	1	1	1	1	
37	90468-18008	CLIP	1	1	1	1	1	
38	62Y-48538-00	CLAMP, CABLE 1	1	1	1	1	1	

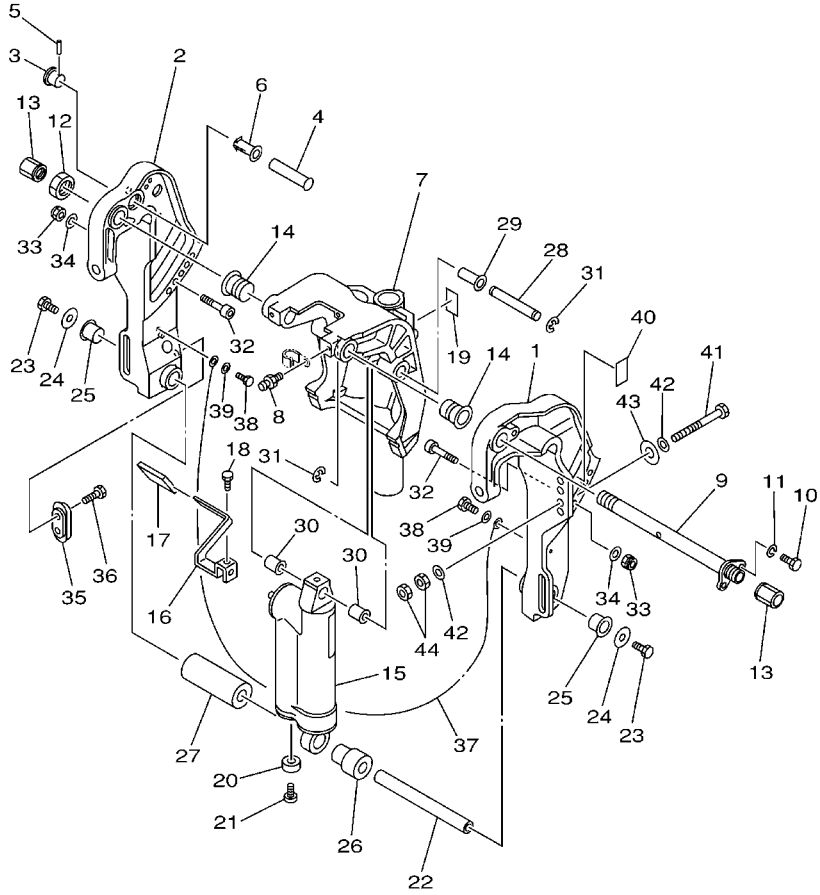

67C0010-0200



67C1100-2220

FIG. 22 BRACKET 1

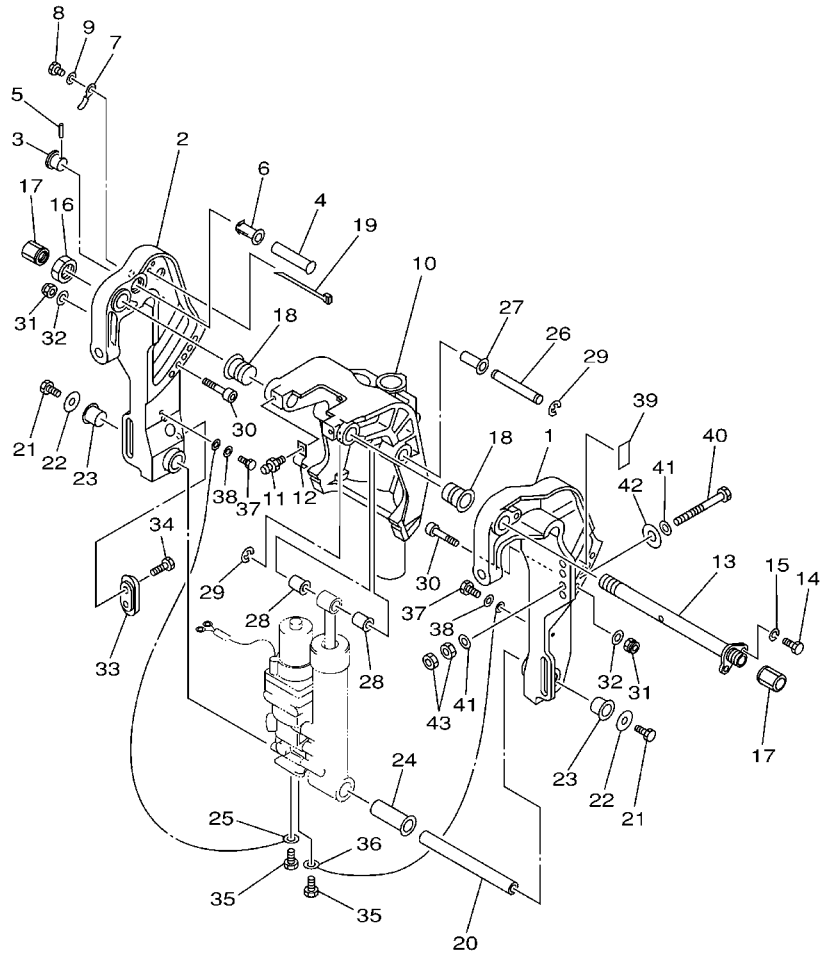
REF. NO.	PART NO.	DESCRIPTION	MHD	EHD	ED	ET	WHT	REMARKS
1	67C-43111-10-4D	BRACKET, CLAMP	1	1	1			
2	67C-43112-10-4D	BRACKET, CLAMP	1	1	1			
3	65W-43192-00	KNOB, STOPPER	1	1	1			
4	65W-43191-00	SHAFT, STOPPER	1	1	1			
5	91690-30018	PIN, SPRING	1	1	1			
6	90386-14MA1	BUSH	1	1	1			
7	67C-43311-00-4D	BRACKET, SWIVEL 1	1	1	1			S
	67C-43311-10-4D	BRACKET, SWIVEL 1	1	1	1			L
8	93700-06M03	NIPPLE, GREASE	1	1	1			
	93700-06M03	NIPPLE, GREASE			3			
9	6K9-43131-01	BOLT, CLAMP BRACKET	1	1	1			
10	97095-08020	BOLT	1	1	1			
11	92995-08100	WASHER	1	1	1			
12	90185-22M11	NUT, SELF-LOCKING	1	1	1			
13	6G5-43145-01	CAP, CLAMP BRACKET	2	2	2			
14	90386-22MA4	BUSH	2	2	2			
15	67C-43170-00-4D	SHOCK ABSORBER ASSY	1	1	1			S
	67C-43170-10-4D	SHOCK ABSORBER ASSY	1	1	1			L
16	67C-43631-00	LEVER, TILT	1	1	1			
17	682-43318-01	COVER	1	1	1			
18	97095-06010	BOLT	1	1	1			
19	63D-43691-00	INDICATOR, TILT	1	1	1			
20	663-45251-00	ANODE	1	1	1			
21	98680-06525	SCREW, OVAL HEAD	1	1	1			
22	90249-18M35	PIN	1	1	1			
23	97080-08016	BOLT	2	2	2			
24	90201-08M00	WASHER, PLATE	2	2	2			



67C1100-2220

FIG. 22 BRACKET 1

REF. NO.	PART NO.	DESCRIPTION	MHD	EHD	ED	ET	WHT	REMARKS
25	90386-18M44	BUSH	2	2	2			
26	90386-18MA5	BUSH	1	1	1			
27	90387-18M03	COLLAR	1	1	1			
28	90249-12M38	PIN	1	1	1			
29	90381-12M10	BUSH, SOLID	1	1	1			
30	90381-12M11	BUSH, SOLID	2	2	2			
31	93430-10M00	CIRCLIP	2	2	2			
32	90110-10M02	BOLT, HEXAGON SOCKET HEAD	2	2	2			
33	90185-10M13	NUT, SELF-LOCKING	2	2	2			
34	92995-10600	WASHER	2	2	2			
35	65W-45251-00	ANODE	1	1	1			
36	90101-06020	BOLT	2	2	2			
37	67C-82127-20	WIRE, LEAD 2	1	1	1			
38	97095-06014	BOLT	2	2	2			
39	92995-06600	WASHER	2	2	2			
40	63V-82377-50	LABEL (SPARK,IGNITION)	1	1	1			FOR CAN
41	90101-12M65	BOLT	4	4	4			
42	92995-12200	WASHER	8	8	8			
43	90201-12426	WASHER, PLATE	4	4	4			
44	95380-12600	NUT	8	8	8			



67C1100-2230

FIG. 23 BRACKET 2

REF. NO.	PART NO.	DESCRIPTION	MFD	EHD	ED	ET	WHT	REMARKS
1	67C-43111-10-4D	BRACKET, CLAMP				1	1	
2	67C-43112-10-4D	BRACKET, CLAMP				1	1	
3	65W-43192-00	KNOB, STOPPER				1	1	
4	65W-43191-00	SHAFT, STOPPER				1	1	
5	91690-30018	PIN, SPRING				1	1	
6	90386-14MA1	BUSH				1	1	
7	90465-10M77	CLAMP				1		
8	97095-06014	BOLT				1		
9	92995-06600	WASHER				1		
10	67C-43311-10-4D	BRACKET, SWIVEL 1				1	1	L
11	93700-06M03	NIPPLE, GREASE				3		
	93700-06M03	NIPPLE, GREASE				1		
12	90465-08M63	CLAMP				1		
13	6K9-43131-01	BOLT, CLAMP BRACKET				1	1	
14	97095-08020	BOLT				1	1	
15	92995-08100	WASHER				1	1	
16	90185-22M11	NUT, SELF-LOCKING				1	1	
17	6G5-43145-01	CAP, CLAMP BRACKET				2	2	
18	90386-22MA4	BUSH				2	2	
19	90465-13M11	CLAMP				2	2	
20	90249-18M35	PIN				1	1	
21	97080-08016	BOLT				2	2	
22	90201-08M00	WASHER, PLATE				2	2	
23	90386-18M44	BUSH				2	2	
24	90386-18MA0	BUSH				1	1	
25	6H1-82148-00	WIRE, LEAD 4				1	1	
26	90249-12M38	PIN				1	1	

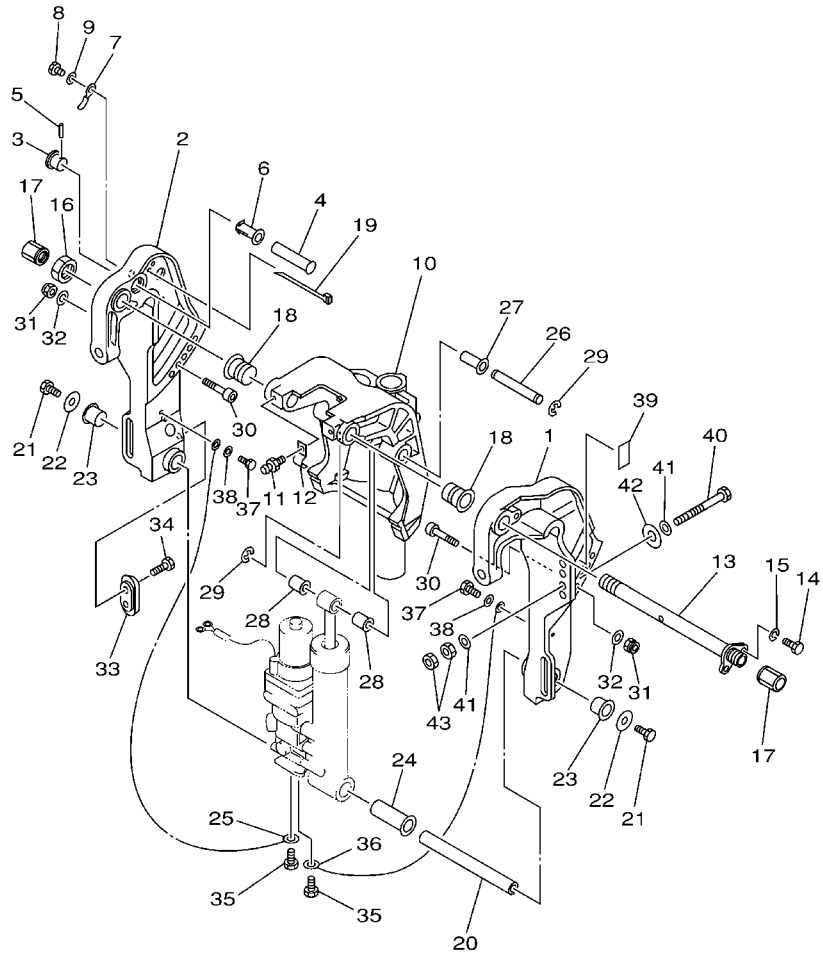
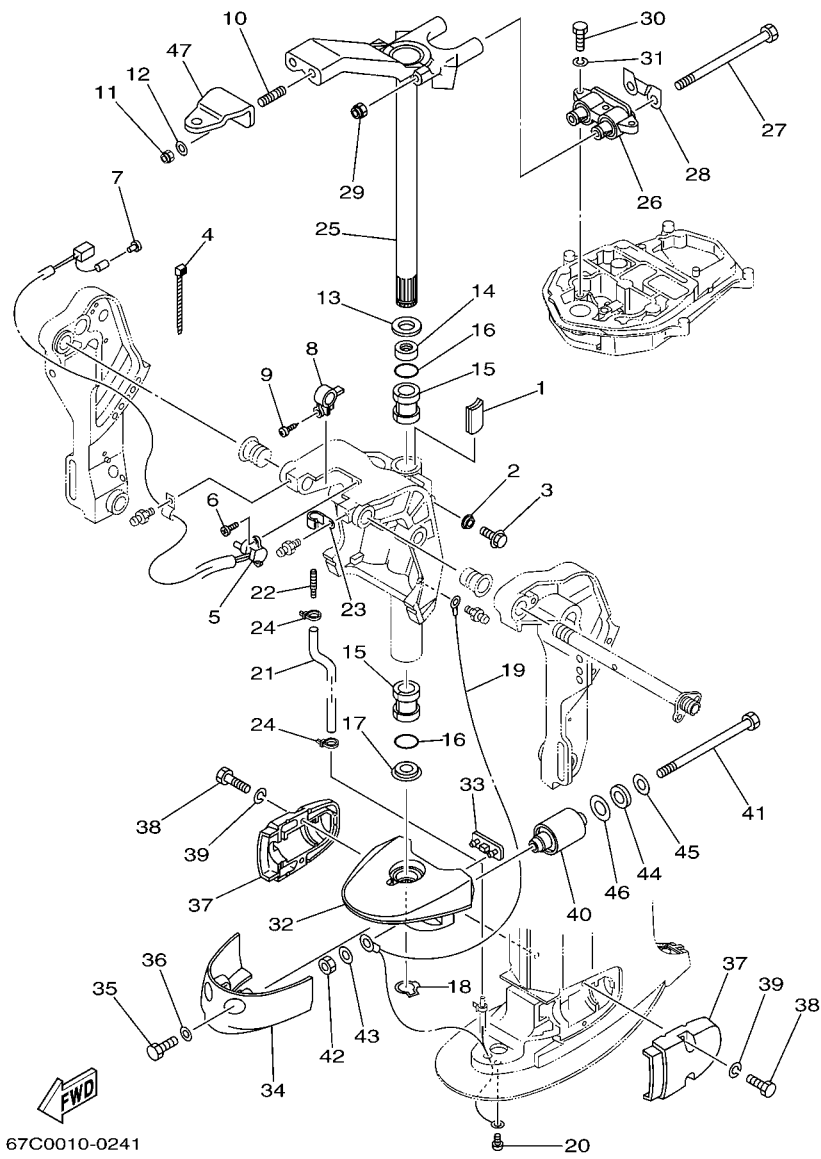


FIG. 23 BRACKET 2

REF. NO.	PART NO.	DESCRIPTION	MFD	EHD	ED	ET	WHT	REMARKS
27	90381-12M10	BUSH, SOLID				1	1	
28	90381-12M11	BUSH, SOLID				2	2	
29	93430-10M00	CIRCLIP				2	2	
30	90110-10M02	BOLT, HEXAGON SOCKET HEAD				2	2	
31	90185-10M13	NUT, SELF-LOCKING				2	2	
32	92995-10600	WASHER				2	2	
33	65W-45251-00	ANODE				1	1	
34	90101-06020	BOLT				2	2	
35	97085-06010	BOLT				2	2	
36	6U0-82127-00	WIRE, LEAD 2				1	1	
37	97095-06014	BOLT				2	2	
38	92995-06600	WASHER				2	2	
39	63V-82377-50	LABEL (SPARK,IGNITION)				1		FOR CAN
40	90101-12M65	BOLT				4	4	
41	92995-12200	WASHER				8	8	
42	90201-12426	WASHER, PLATE				4	4	
43	95380-12600	NUT				8	8	

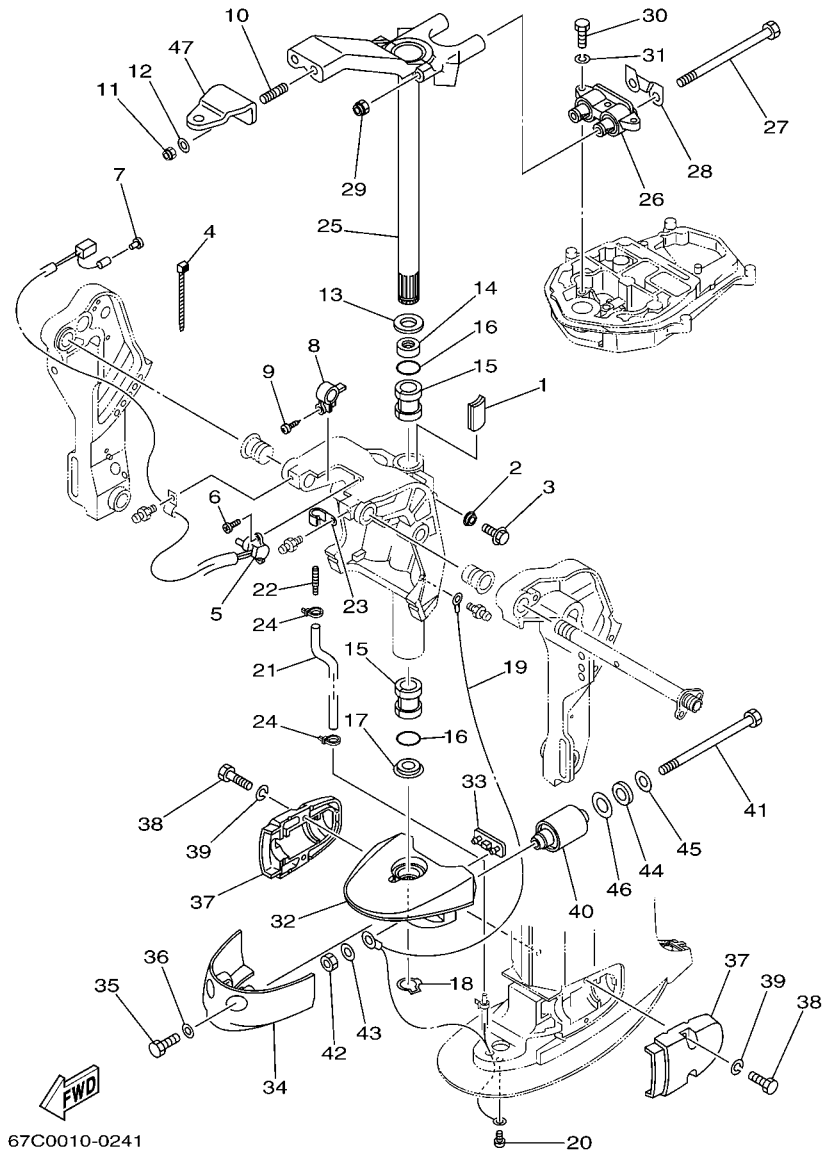

67C1100-2230



67C0010-0241

FIG. 24 BRACKET 3

REF. NO.	PART NO.	DESCRIPTION	MFD	EHD	ED	ET	WHT	REMARKS
1	6J8-42528-00	PLATE, FRICTION	1	1	1	1	1	
2	689-43373-01	SEAL, DAMPER	1	1	1	1	1	
3	90105-06M18	BOLT, FLANGE	1	1	1	1	1	
4	90465-11M10	CLAMP					4	
	90465-11M10	CLAMP					1	
5	64E-83672-02	TRIM SENDER					1	FOR OCE,CAR
	67H-83672-00	TRIM SENDER					1	FOR USA,CAN
6	97885-06016	SCREW, PAN HEAD					2	
7	703-82119-00	COVER, LEAD WIRE					1	FOR OCE,CAR
8	6K9-43139-01	CAM, TRIM SENDER					1	
9	97780-60525	SCREW, TAPPING					1	
10	90116-10M28	BOLT, STUD	2	2	2	2	2	
11	90185-10051	NUT, SELF-LOCKING	2	2	2	2	2	
12	92995-10600	WASHER	2	2	2	2	2	
13	90201-30M00	WASHER, PLATE	1	1	1	1	1	
14	90386-30M78	BUSH	1	1	1	1	1	
15	90386-30M77	BUSH	2	2	2	2	2	
16	93210-29M94	O-RING	2	2	2	2	2	
17	90386-30M60	BUSH	1	1	1	1	1	
18	93410-28M06	CIRCLIP	1	1	1	1	1	
19	67C-82127-00	WIRE, LEAD 2	1		1			S
	67C-82127-10	WIRE, LEAD 2	1	1	1	1	1	L
20	97885-06008	SCREW, PAN HEAD	1	1	1	1	1	
21	90445-07MF1	HOSE (L570)	1					S
	90445-07M53	HOSE (L700)	1	1	1	1	1	L
22	6E5-83558-00	END, NIPPLE	1	1	1	1	1	
23	90465-08M07	CLAMP	1	1	1	1	1	



67C0010-0241

FIG. 24 BRACKET 3

REF. NO.	PART NO.	DESCRIPTION	MFD	EHD	ED	ET	WHT	REMARKS
24	90465-11M10	CLAMP	2	2	2	2	2	
25	67C-42510-01-4D	STEERING BRACKET ASSY	1		1			S
	67C-42510-11-4D	STEERING BRACKET ASSY	1	1	1	1	1	L
26	67C-44514-00-4D	MOUNT DAMPER, UPPER SIDE	1		1			S
	67C-44514-10-4D	MOUNT DAMPER, UPPER SIDE	1	1	1	1	1	L
<hr/>								
27	90101-08M15	BOLT	2	2	2	2	2	
28	66T-44526-30	PLATE	1	1	1	1	1	
29	90185-08045	NUT, SELF-LOCKING	2	2	2	2	2	
30	97075-08030	BOLT	3	3	3	3	3	
31	92995-08100	WASHER	3	3	3	3	3	
<hr/>								
32	67C-44551-01-4D	HOUSING, LOWER MOUNT RUBBER	1		1			S
	67C-44551-10-4D	HOUSING, LOWER MOUNT RUBBER	1	1	1	1	1	L
33	67C-44575-00	DAMPER, LOWER MOUNT RUBBER	1	1	1	1	1	
34	67C-44553-00-4D	COVER, LOWER MOUNT	1	1	1	1	1	L
35	97095-08020	BOLT	2	2	2	2	2	L
<hr/>								
36	92995-08600	WASHER	2	2	2	2	2	L
37	67C-44552-01-4D	HOUSING, LOWER MOUNT RUBBER	2	2	2	2	2	
38	97075-08030	BOLT	4	4	4	4	4	
39	92995-08100	WASHER	4	4	4	4	4	
40	67C-44555-21-94	MOUNT DAMPER, LOWER SIDE	2		2			S
	67C-44555-11-94	MOUNT DAMPER, LOWER SIDE	2	2	2	2	2	L
<hr/>								
41	90109-12MA3	BOLT	2	2	2	2	2	
42	95380-12700	NUT	2	2	2	2	2	
43	90201-12M16	WASHER, PLATE	4	4	4	4	4	
44	90202-21100	WASHER, PLATE	2	2	2	2	2	
<hr/>								
45	90201-13M19	WASHER, PLATE	2	2	2	2	2	
<hr/>								
46	90201-22M05	WASHER, PLATE	2	2	2	2	2	

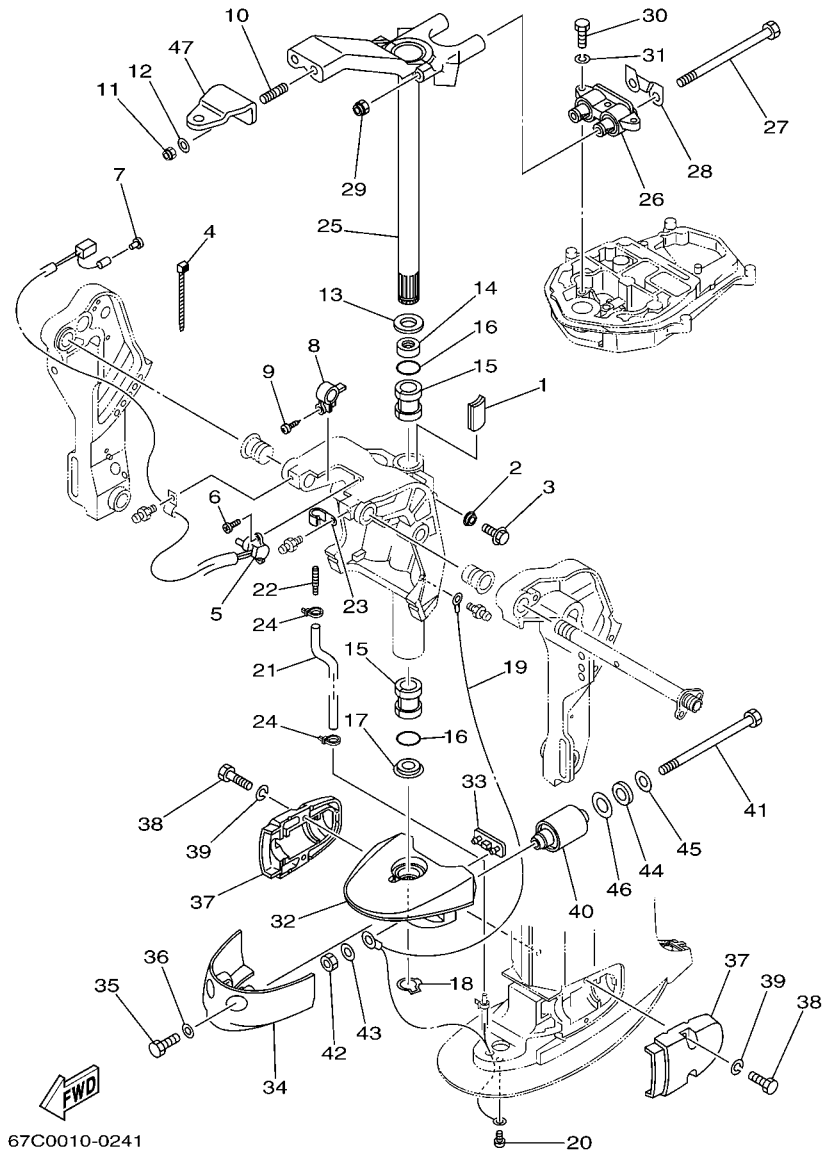
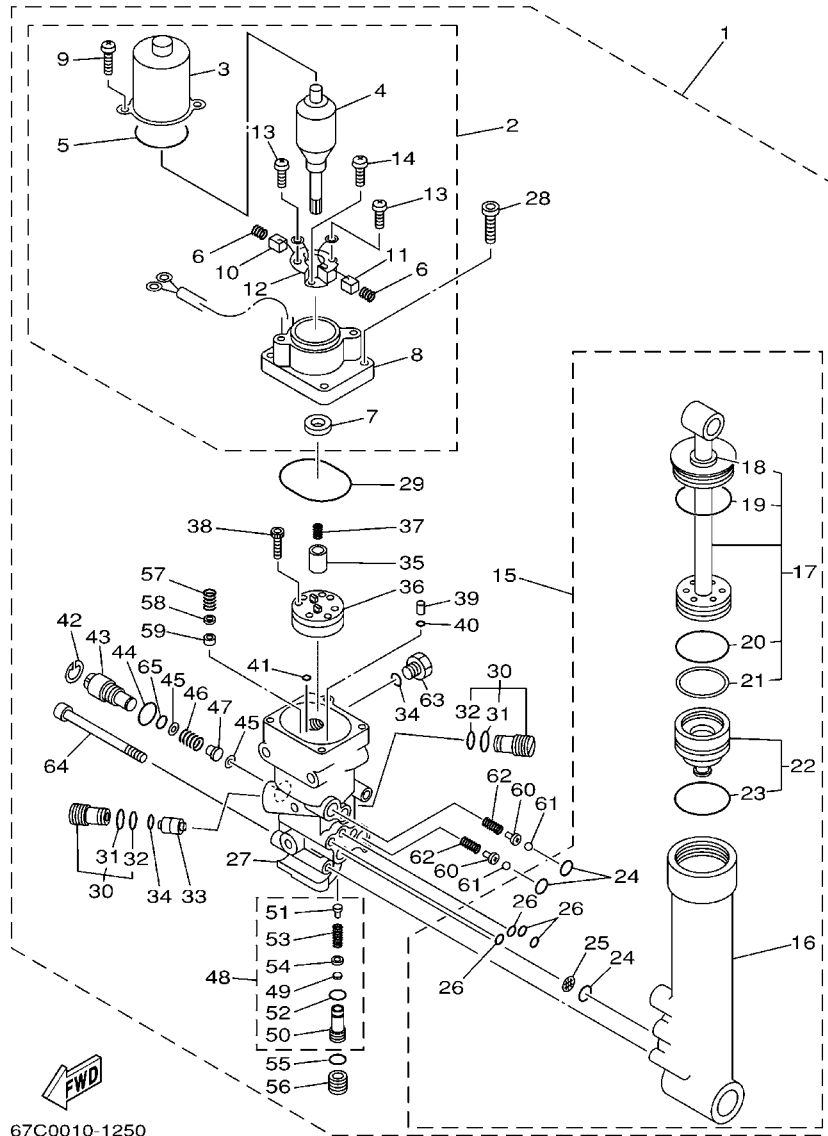


FIG. 24 BRACKET 3

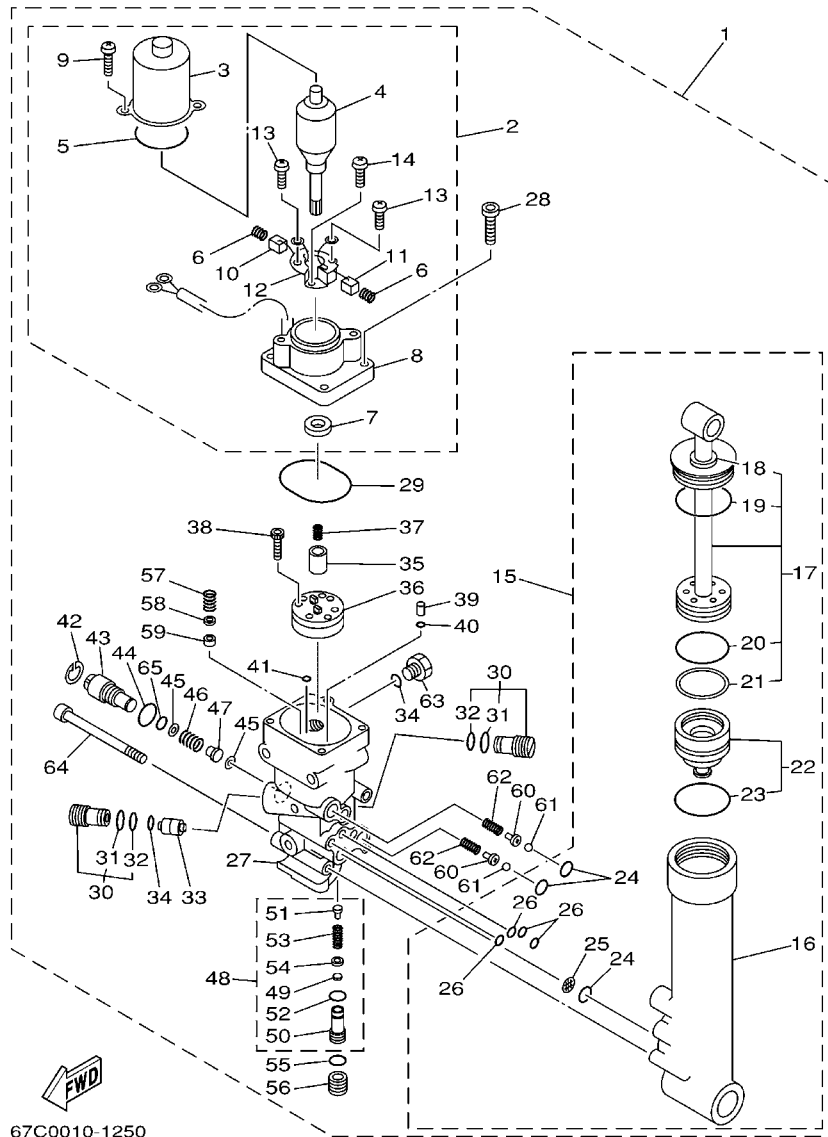
REF. NO.	PART NO.	DESCRIPTION	MFD	EHD	ED	ET	WHT	REMARKS
47	65W-48511-00	HOOK, STEERING			1	1		

FIG. 25 POWER TRIM & TILT ASSY



67C0010-1250

REF. NO.	PART NO.	DESCRIPTION	MHD	EHD	ED	ET	WHT	REMARKS
1	67C-43800-00-4D	POWER TRIM & TILT ASSY				1	1	
2	67C-43880-00	..MOTOR ASSY				1	1	
3	65W-43804-00	..STATOR ASSY				1	1	
4	65W-43805-00	..ARMATURE ASSY				1	1	
5	65W-43869-00	..O-RING				1	1	
6	65W-4386K-00	..SPRING, BRUSH				2	2	
7	65W-43882-00	..OIL SEAL				1	1	
8	67C-43881-00	..FRAME, END				1	1	
9	65W-43887-00	..BOLT, THROUGH				2	2	
10	65W-43892-00	..BRUSH 2				1	1	
11	65W-43891-00	..BRUSH 1				1	1	
12	65W-4380F-00	..PLATE, BRUSH HOLDER				1	1	
13	65W-43879-00	..SCREW, WITH WASHER				2	2	
14	65W-4388E-00	..BOLT				1	1	
15	65W-43840-00	..POWER TILT ASSY				1	1	
16	65W-4380K-00	..CYLINDER, TILT SUB ASSY				1	1	
17	65W-43810-00	..TILT PISTON SUB ASSY				1	1	
18	65W-43812-00	..SEAL, DUST				1	1	
19	65W-43865-00	..O-RING				1	1	
20	6H1-43861-10	..O-RING				1	1	
21	65W-43871-00	..RING, BACK UP				1	1	
22	65W-4381B-00	..FREE PISTON SUB ASSY				1	1	
23	6H1-43861-10	..O-RING				1	1	
24	93210-11368	..O-RING				3	3	
25	6H1-43816-00	..FILTER 1				1	1	
26	93210-064A5	..O-RING				4	4	
27	67C-4380L-00	..HOUSING, TRIM & TILT SUB ASSY				1	1	



67C0010-1250

FIG. 25 POWER TRIM & TILT ASSY

REF. NO.	PART NO.	DESCRIPTION	MHD	EHD	ED	ET	WHT	REMARKS
28	65W-43888-00	.BOLT, SOCKET				4	4	
29	93210-50768	.O-RING				1	1	
30	6T4-43802-03	.VALVE SUB ASSY				2	2	
31	6H1-43866-00	..O-RING				1	1	
32	6H1-43867-00	..O-RING				1	1	
33	62X-43841-00	.PISTON, SHUTTLE				1	1	
34	93210-09165	.O-RING				3	3	
35	65W-43831-00	.CONNECTOR, SHAFT				1	1	
36	65W-43830-00	.GEAR PUMP ASSY				1	1	
37	6T4-43853-00	.SPRING, MAIN VALVE				1	1	
38	91318-04025	.BOLT				4	4	
39	65W-43817-00	.FILTER 2				2	2	
40	65W-43861-00	.O-RING				2	2	
41	65W-43862-00	.O-RING				2	2	
42	6H1-43875-00	.RING, SNAP				1	1	
43	6H1-43845-00	.SCREW, MANUAL RELEASE				1	1	
44	93210-18397	.O-RING				1	1	
45	6H1-43847-00	.SEAT, MANUAL VALVE				2	2	
46	65W-43854-00	.SPRING, MANUAL RELEASE				1	1	
47	65W-4382A-00	.ADAPTOR 1				1	1	
48	CS2-43803-81	.CASE VALVE COMP.				1	1	
49	6H1-4384G-11	..SEAL, RELIEF VALVE				1	1	
50	CS2-43851-80	..SEAT, RELIEF VALVE				1	1	
51	67F-43843-00	..SCREW, VALVE LOCK				1	1	
52	93210-10M74	..O-RING				1	1	
53	6H1-43856-10	..SPRING, DOWN RELIEF				1	1	
54	6H1-43844-10	..PIN, VALVE SUPPORT				1	1	

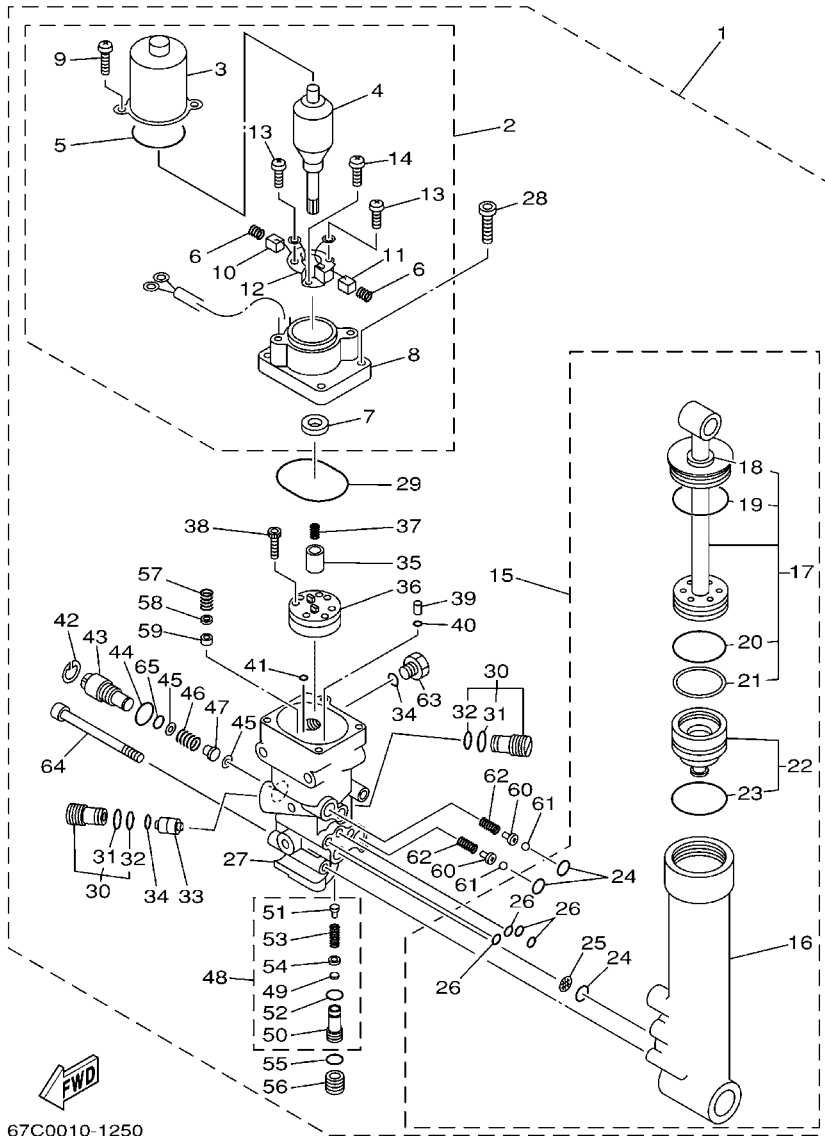
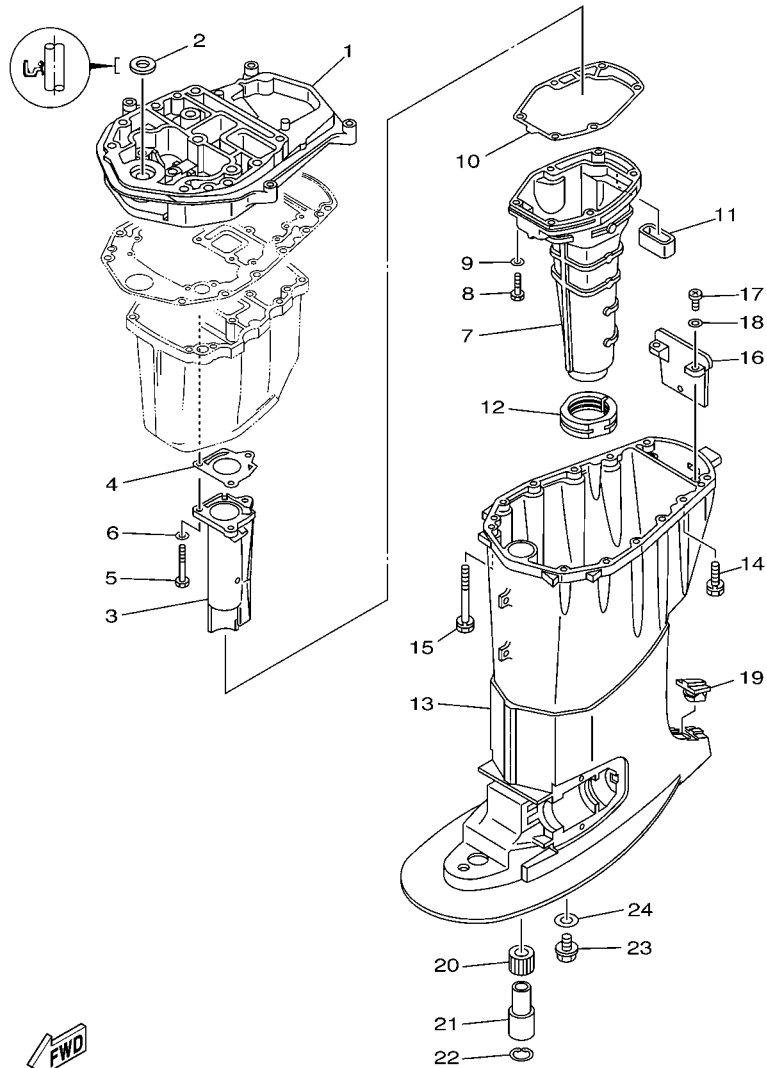


FIG. 25 POWER TRIM & TILT ASSY

REF. NO.	PART NO.	DESCRIPTION	MHD	EHD	ED	ET	WHT	REMARKS
55	93210-11073	.O-RING				1	1	
56	65W-43843-00	.SCREW, VALVE LOCK				1	1	
57	6H1-43856-10	.SPRING, DOWN RELIEF				1	1	
58	6H1-43844-10	.PIN, VALVE SUPPORT				1	1	
59	6H1-4384F-10	.SEAL, MAIN VALVE				1	1	
60	65W-4386A-00	.PIN, ABSORBER VALVE				2	2	
61	93501-08001	.BALL				2	2	
62	65W-43853-00	.SPRING, MAIN VALVE				2	2	
63	6H1-43829-00	.PLUG, RESERVOIR				1	1	
64	62X-43878-00	.BOLT, SOCKET				3	3	
65	93210-10M74	.O-RING				1	1	

FIG. 26 UPPER CASING



67C2100-3260

REF. NO.	PART NO.	DESCRIPTION	MHD	EHD	ED	ET	WHT	REMARKS
1	67C-41137-01-94	GUIDE, EXHAUST	1	1	1	1	1	
2	93110-16004	OIL SEAL	1	1	1	1	1	
3	67C-41131-00-5B	MANIFOLD, EXT. 1	1	1	1	1	1	
4	67C-41133-00	GASKET, EXHAUST MANIFOLD 1	1	1	1	1	1	
5	97075-06050	BOLT	3	3	3	3	3	
6	92995-06600	WASHER	3	3	3	3	3	
7	67C-14711-00-5B	MUFFLER 1	1	1	1	1	1	S
	67C-14711-12-5B	MUFFLER 1	1	1	1	1	1	L
8	97075-06025	BOLT	6	6	6	6	6	
9	92995-06600	WASHER	6	6	6	6	6	
10	62Y-41134-01	GASKET, EXHAUST MANIFOLD	1	1	1	1	1	
11	62Y-45127-00	SEAL	1	1	1	1	1	
12	67C-45123-00	GASKET, MUFFLER	1	1	1	1	1	
13	67C-45111-00-4D	CASING, UPPER	1	1	1	1	1	S
	67C-45111-21-4D	CASING, UPPER	1	1	1	1	1	L
14	90119-08M79	BOLT, WITH WASHER	4	4	4	4	4	
15	90119-08M82	BOLT, WITH WASHER	8	8	8	8	8	
16	67C-45151-00	COVER, UPPER CASING	1	1	1	1	1	
17	97880-05016	SCREW, PAN HEAD	2	2	2	2	2	
18	92990-05600	WASHER, PLATE	2	2	2	2	2	
19	63D-45155-00	CAP	1	1	1	1	1	S
	6H3-45155-00	CAP	1	1	1	1	1	L
20	679-45318-00	BUSHING, DRIVE SHAFT	1	1	1	1	1	L
21	90387-23002	COLLAR	1	1	1	1	1	L
22	93420-36M01	CIRCLIP	1	1	1	1	1	L
23	90340-14M06	PLUG, STRAIGHT SCREW	1	1	1	1	1	L
24	90430-14M09	GASKET	1	1	1	1	1	L

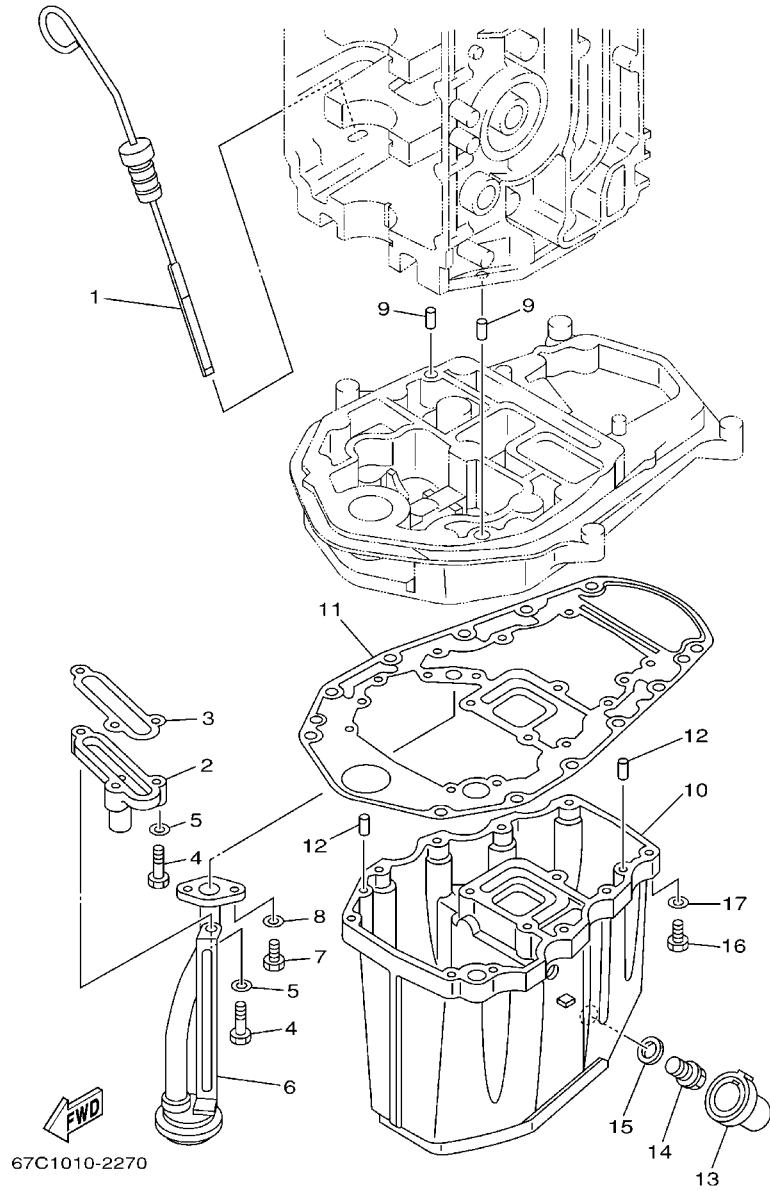
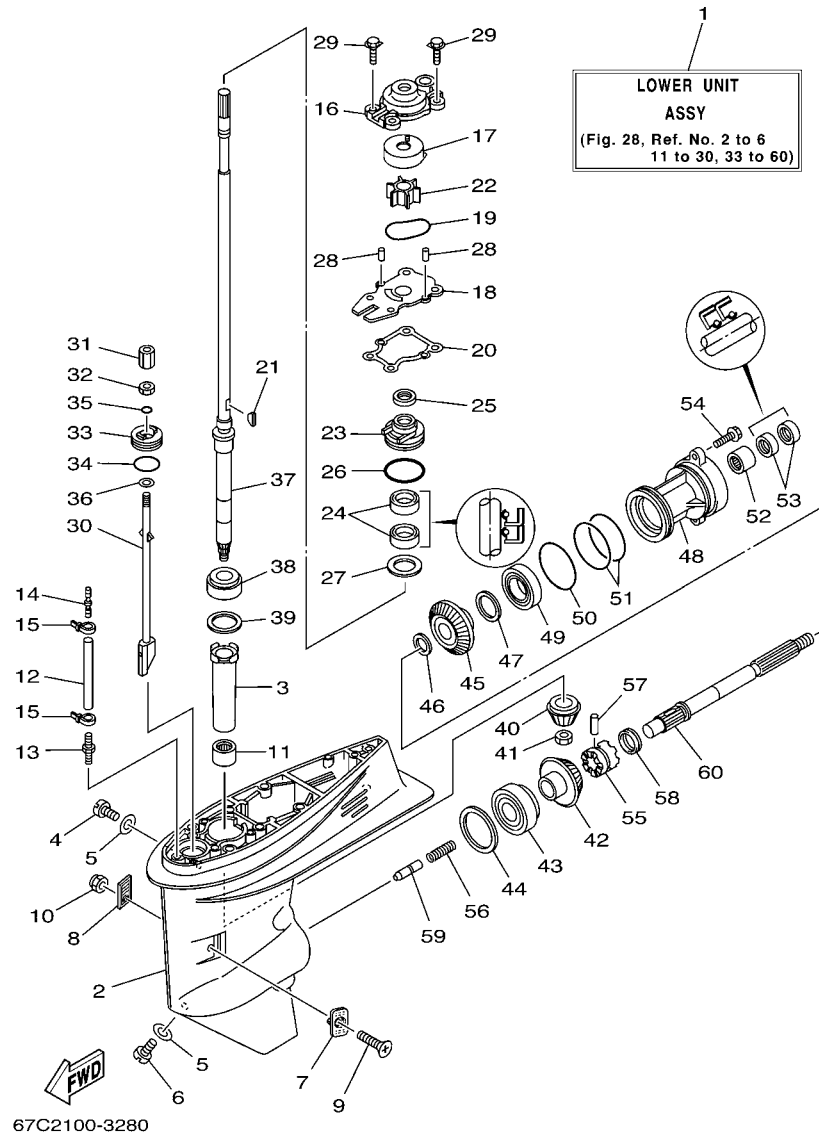


FIG. 27 OIL PAN

REF. NO.	PART NO.	DESCRIPTION	MHD	EHD	ED	ET	WHT	REMARKS
1	67C-15362-00	PLUG, OIL LEVEL	1	1	1	1	1	
2	62Y-11575-00	RELIEF VALVE ASSY	1	1	1	1	1	
3	62Y-13475-00	GASKET	1	1	1	1	1	
4	97013-06025	BOLT	3	3	3	3	3	
5	92903-06600	WASHER, PLATE	3	3	3	3	3	
6	62Y-13411-00	STRAINER, OIL	1	1	1	1	1	
7	97013-06016	BOLT	2	2	2	2	2	
8	92903-06600	WASHER, PLATE	2	2	2	2	2	
9	93608-12M05	PIN, DOWEL	2	2	2	2	2	
10	62Y-15311-02-5B	OIL PAN	1	1	1	1	1	
11	69W-15312-00	GASKET, OIL PAN	1	1	1	1	1	
12	93606-12019	PIN, DOWEL	4	4	4	4	4	
13	67C-15316-10	DAMPER, ENGINE MOUNT 1	1		1			S
	67C-15316-00	DAMPER, ENGINE MOUNT 1	1	1	1	1	1	L
14	90340-14M06	PLUG, STRAIGHT SCREW	1	1	1	1	1	
15	90430-14M09	GASKET	1	1	1	1	1	
16	97075-06025	BOLT	10	10	10	10	10	
17	92995-06600	WASHER	10	10	10	10	10	

FIG. 28 LOWER CASING. DRIVE 1



REF. NO.	PART NO.	DESCRIPTION	MHD	EHD	ED	ET	WHT	REMARKS
1	67C-45300-01-4D	LOWER UNIT ASSY	1		1			S
	67C-45300-11-4D	LOWER UNIT ASSY	1	1	1	1	1	L
2	67C-45301-00-4D	CASING, LOWER	1	1	1	1	1	
3	6H4-45536-00	SLEEVE, DRIVE SHAFT	1	1	1	1	1	
4	90340-08002	PLUG, STRAIGHT SCREW	1	1	1	1	1	
5	90430-08020	GASKET	2	2	2	2	2	
6	688-45341-10	PLUG, DRAIN	1	1	1	1	1	
7	63D-45214-00	COVER, WATER INLET	1	1	1	1	1	
8	63D-45215-00	COVER, WATER INLET	1	1	1	1	1	
9	90142-05M06	SCREW, COUNTERSUNK	1	1	1	1	1	
10	95380-05600	NUT	1	1	1	1	1	
11	93315-32224	BEARING	1	1	1	1	1	
12	90445-07ME8	HOSE (L80)	1	1	1	1	1	
13	6E5-45378-00	NIPPLE, HOSE	1	1	1	1	1	
14	6E5-83558-10	END, NIPPLE	1	1	1	1	1	
15	90465-11M10	CLAMP	2	2	2	2	2	
16	66T-44311-00	HOUSING, WATER PUMP	1	1	1	1	1	
17	63D-44322-00	INSERT, CARTRIDGE	1	1	1	1	1	
18	66T-44323-00	OUTER PLATE, CARTRIDGE	1	1	1	1	1	
19	93210-59MG7	O-RING	1	1	1	1	1	
20	63D-44316-00	GASKET, WATER PUMP	1	1	1	1	1	
21	90280-03M03	KEY, WOODRUFF	1	1	1	1	1	
22	6H4-44352-02	IMPELLER	1	1	1	1	1	
23	63D-44341-00	HOUSING, WATER PUMP	1	1	1	1	1	
24	93101-22M60	OIL SEAL	2	2	2	2	2	
25	66T-45344-01	COVER, OIL SEAL	1	1	1	1	1	
26	93210-48MG8	O-RING	1	1	1	1	1	

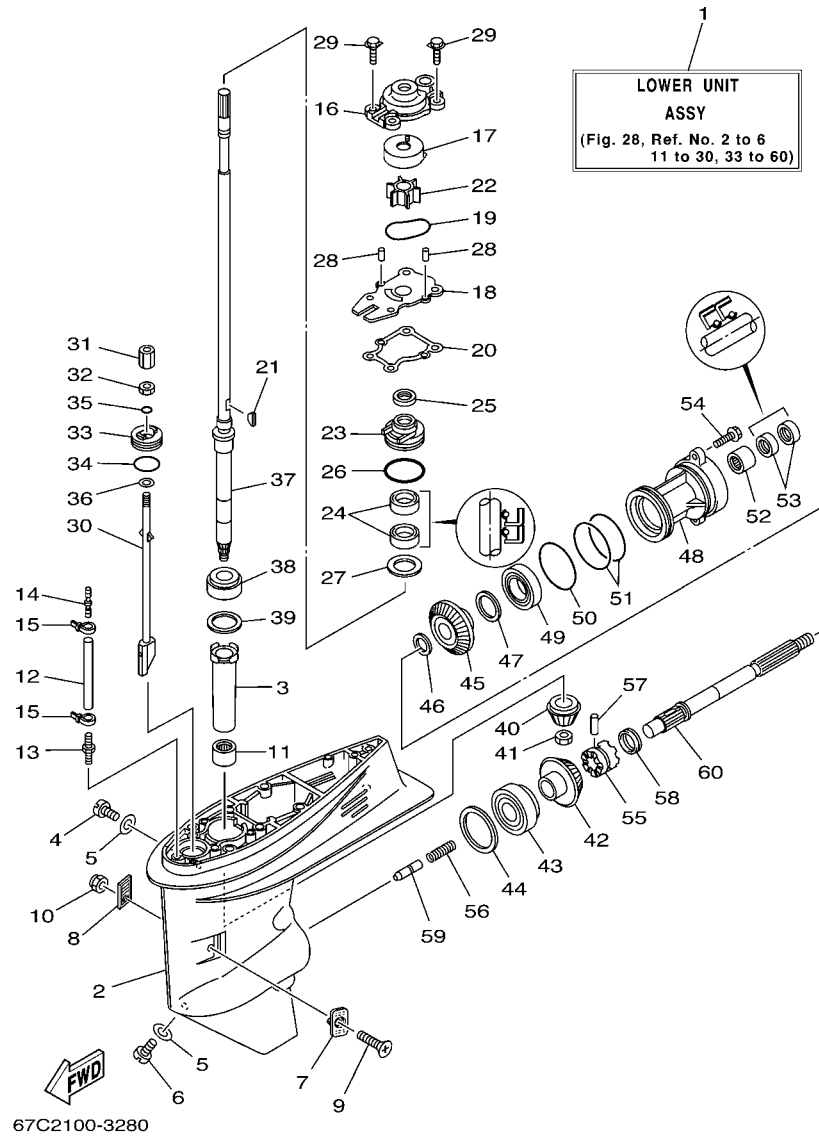


FIG. 28 LOWER CASING. DRIVE 1

REF. NO.	PART NO.	DESCRIPTION	MHD	EHD	ED	ET	WHT	REMARKS
27	90201-27M00	WASHER, PLATE	1	1	1	1	1	
28	93604-08062	PIN, DOWEL	2	2	2	2	2	
29	90119-08M15	BOLT, WITH WASHER	4	4	4	4	4	
30	67C-44150-10	SHIFT CAM ASSY	1	1	1	1	1	
31	67C-44146-00	CONNECTOR, SHIFT ROD	1	1	1	1	1	
32	95380-06700	NUT	1	1	1	1	1	
33	66T-45321-00	PLATE	1	1	1	1	1	
34	93210-33MG4	O-RING	1	1	1	1	1	
35	93210-06ME6	O-RING	1	1	1	1	1	
36	92990-06600	WASHER, PLATE	1	1	1	1	1	
37	67C-45501-00	DRIVE SHAFT COMP.	1		1			S
	67C-45501-10	DRIVE SHAFT COMP.	1	1	1	1	1	L
38	93332-00001	BEARING	1	1	1	1	1	
39	663-45587-01-10	SHIM (T:0.10MM)	1	1	1	1	1	UR
	663-45587-01-12	SHIM (T:0.12MM)	1	1	1	1	1	UR
	663-45587-01-15	SHIM (T:0.15MM)	1	1	1	1	1	UR
	663-45587-01-18	SHIM (T:0.18MM)	1	1	1	1	1	UR
	663-45587-01-30	SHIM (T:0.30MM)	1	1	1	1	1	UR
	663-45587-01-40	SHIM (T:0.40MM)	1	1	1	1	1	UR
	663-45587-01-50	SHIM (T:0.50MM)	1	1	1	1	1	UR
40	66T-45551-00	PINION	1	1	1	1	1	
41	90170-12138	NUT	1	1	1	1	1	
42	66T-45560-01	GEAR	1	1	1	1	1	
43	93332-00003	BEARING	1	1	1	1	1	
44	663-45567-01-10	SHIM (T:0.10MM)	1	1	1	1	1	UR
	663-45567-01-12	SHIM (T:0.12MM)	1	1	1	1	1	UR
	663-45567-01-15	SHIM (T:0.15MM)	1	1	1	1	1	UR

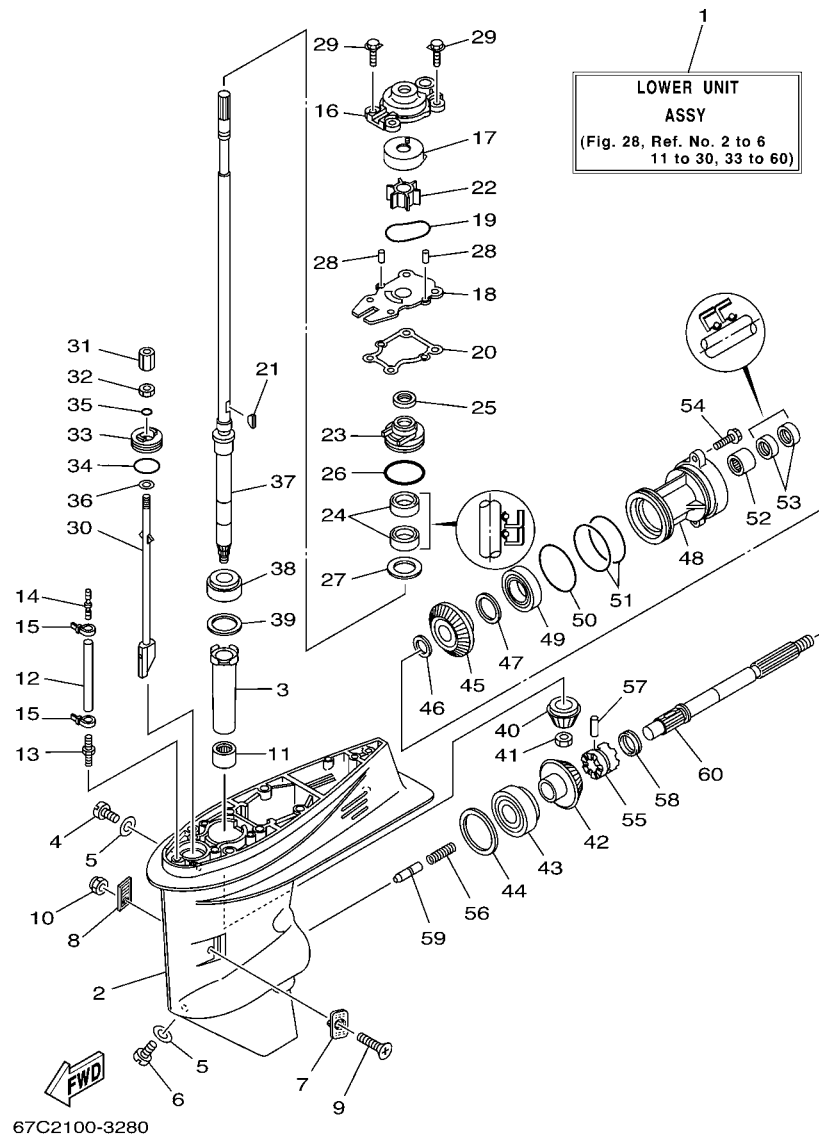
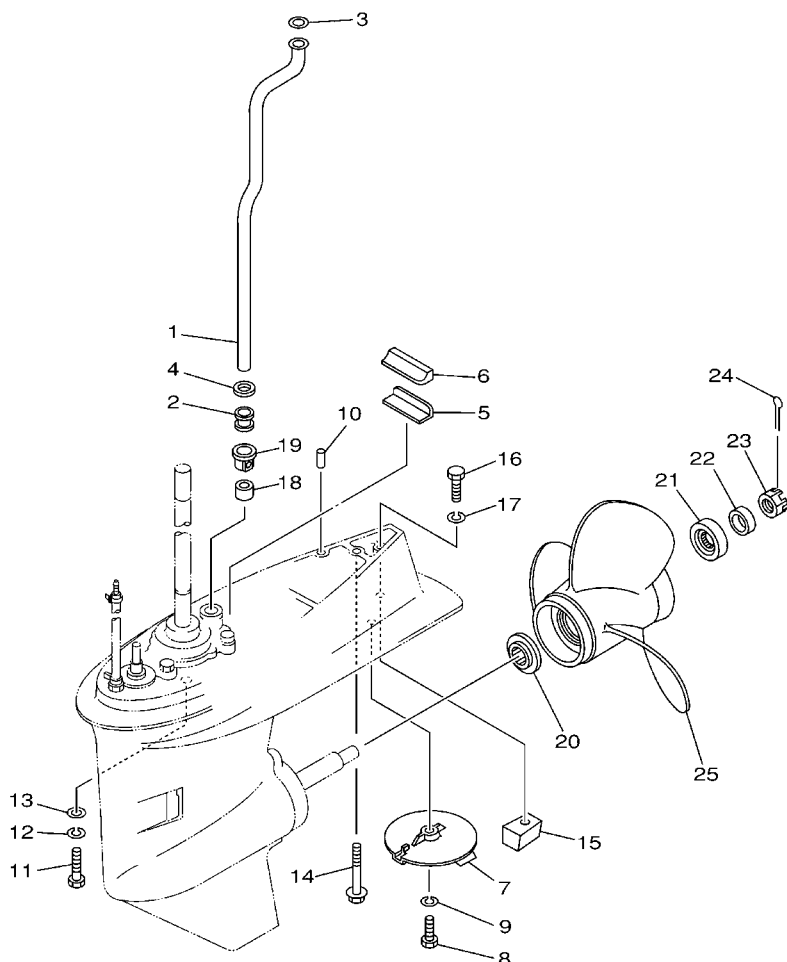


FIG. 28 LOWER CASING. DRIVE 1

REF. NO.	PART NO.	DESCRIPTION	MHD	EHD	ED	ET	WHT	REMARKS
44	663-45567-01-18	SHIM (T:0.18MM)	1	1	1	1	1	UR
	663-45567-01-30	SHIM (T:0.30MM)	1	1	1	1	1	UR
	663-45567-01-40	SHIM (T:0.40MM)	1	1	1	1	1	UR
	663-45567-01-50	SHIM (T:0.50MM)	1	1	1	1	1	UR
45	66T-45571-00	GEAR	1	1	1	1	1	
46	90201-22429	WASHER, PLATE	1	1	1	1	1	
47	63D-45577-00-10	SHIM (T:0.10MM)	1	1	1	1	1	UR
	63D-45577-00-12	SHIM (T:0.12MM)	1	1	1	1	1	UR
	63D-45577-00-15	SHIM (T:0.15MM)	1	1	1	1	1	UR
	63D-45577-00-18	SHIM (T:0.18MM)	1	1	1	1	1	UR
	63D-45577-00-30	SHIM (T:0.30MM)	1	1	1	1	1	UR
	63D-45577-00-40	SHIM (T:0.40MM)	1	1	1	1	1	UR
	63D-45577-00-50	SHIM (T:0.50MM)	1	1	1	1	1	UR
48	63D-45361-02-4D	CAP, LOWER CASING	1	1	1	1	1	
49	93306-001U1	BEARING	1	1	1	1	1	
50	93210-69MG6	O-RING	1	1	1	1	1	
51	93210-74MG5	O-RING	2	2	2	2	2	
52	93317-22204	BEARING	1	1	1	1	1	
53	93101-22M00	OIL SEAL	2	2	2	2	2	
54	90105-08M61	BOLT, FLANGE	2	2	2	2	2	
55	66T-45631-00	CLUTCH, DOG	1	1	1	1	1	
56	90501-18M01	SPRING, COMPRESSION	1	1	1	1	1	
57	90250-06023	PIN, STRAIGHT	1	1	1	1	1	
58	67C-45633-00	RING, CROSS PIN	1	1	1	1	1	
59	66T-45635-00	PLUNGER, SHIFT	1	1	1	1	1	
60	66T-45611-00	SHAFT, PROPELLER	1	1	1	1	1	

FIG. 29 LOWER CASING. DRIVE 2

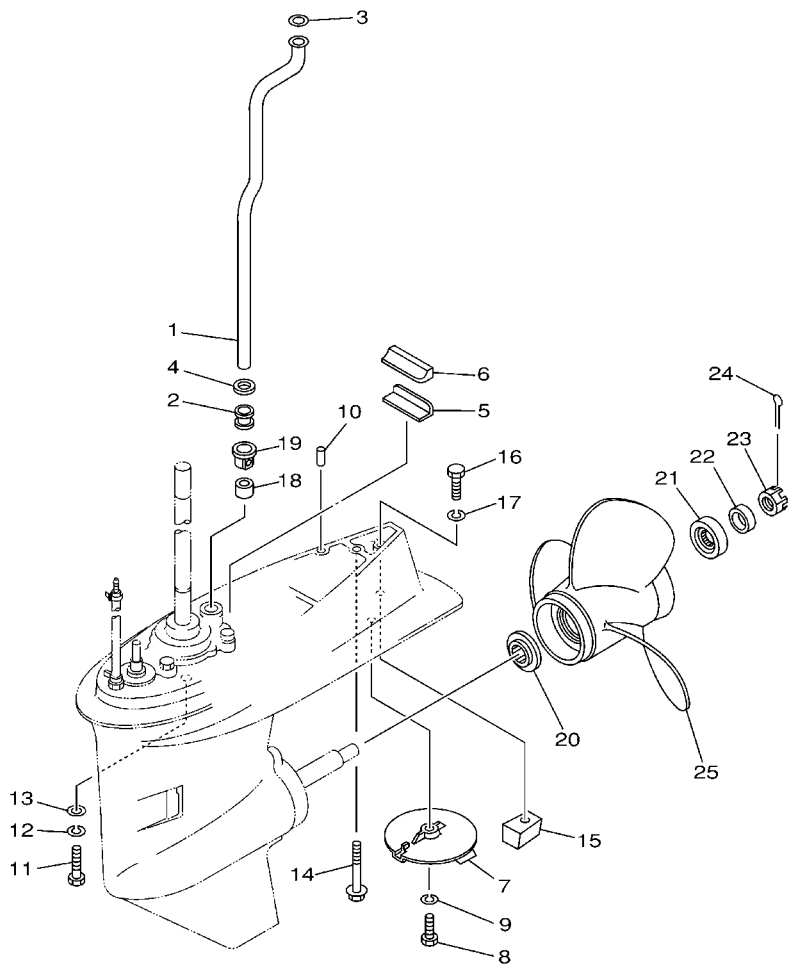



67C0010-0290

REF. NO.	PART NO.	DESCRIPTION	MHD	EHD	ED	ET	WHT	REMARKS
1	67C-44361-00	TUBE, WATER	1		1			S
	62Y-44361-00	TUBE, WATER	1	1	1	1	1	L
2	663-44367-00	DAMPER, WATER SEAL	1	1	1	1	1	
3	90202-12060	WASHER, PLATE	1	1	1	1	1	
4	90430-12072	GASKET	1	1	1	1	1	
5	663-45376-00-94	GUIDE, SEAL DAMPER	1	1	1	1	1	
6	63D-45375-00	DAMPER, SEAL	1	1	1	1	1	
7	67C-45371-00	TAB-TRIM	1	1	1	1	1	
8	97095-08025	BOLT	1	1	1	1	1	
9	92995-08100	WASHER	1	1	1	1	1	
10	93606-12019	PIN, DOWEL	2	2	2	2	2	
11	97075-10040	BOLT	4	4	4	4	4	
12	92995-10100	WASHER	4	4	4	4	4	
13	92995-10600	WASHER	4	4	4	4	4	
14	90119-08M44	BOLT, WITH WASHER	1	1	1	1	1	
15	67C-45251-00	ANODE	1	1	1	1	1	
16	97095-08035	BOLT	1	1	1	1	1	
17	92995-08100	WASHER	1	1	1	1	1	
18	663-44366-00	DAMPER, WATER SEAL	1	1	1	1	1	
19	63D-44312-00	COVER, WATER PUMP HOUSING	1	1	1	1	1	
20	663-45987-02	SPACER	1	1	1	1	1	
21	66T-45997-00	SPACER	1	1	1	1	1	
22	90389-22M01	BUSH	1	1	1	1	1	
23	90171-16011	NUT, CASTLE	1	1	1	1	1	
24	91490-30025	PIN, COTTER	1	1	1	1	1	
25	69W-45945-00-EL	PROPELLER (3X11-1/8"X13"-G)	1	1	1	1	1	UR
	69W-45947-00-EL	PROPELLER (3X11-5/8"X11"-G)	1	1	1	1	1	UR

C1

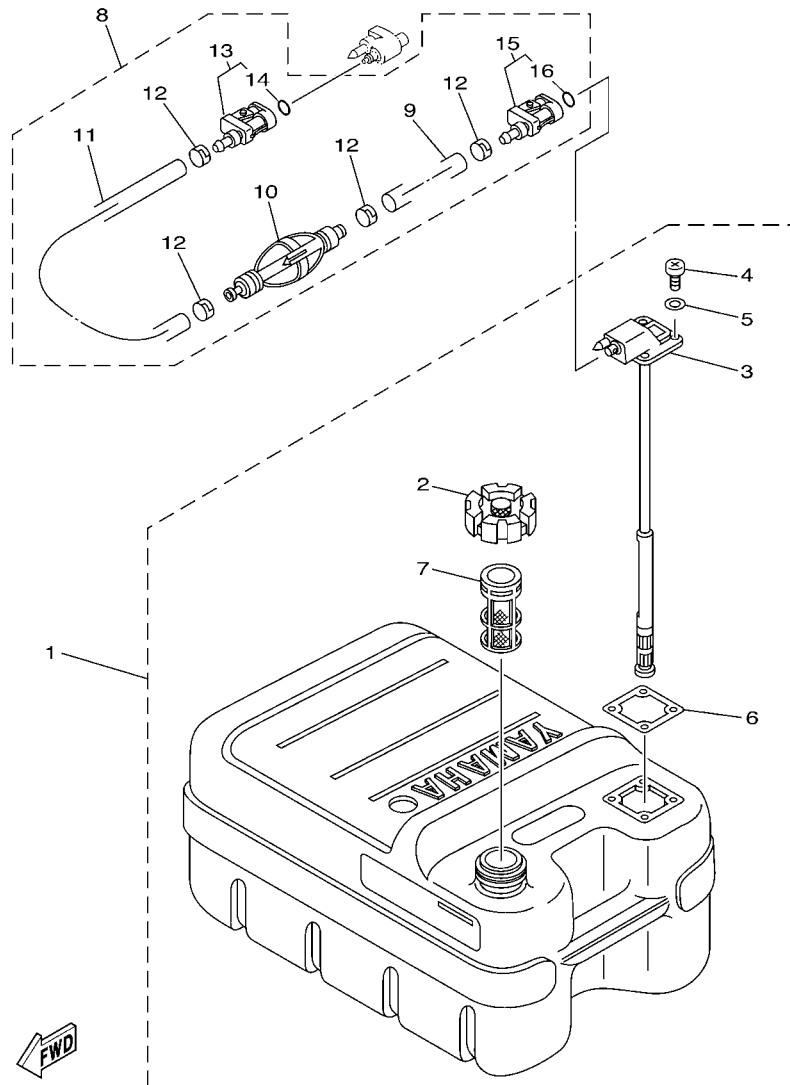
FIG. 29 LOWER CASING. DRIVE 2



FWD
67C0010-0290

REF. NO.	PART NO.	DESCRIPTION	MHD	EHD	ED	ET	WHT	REMARKS
25	69W-45952-00-EL	PROPELLER (3X11-3/8"X12"-G)	1	1	1	1	1	UR
	663-45941-01-EL	PROPELLER (3X10-3/4"X17"-G)	1	1	1	1	1	UR
	663-45949-01-EL	PROPELLER (3X10-3/4"X16"-G)	1	1	1	1	1	UR
	663-45952-02-EL	PROPELLER (3X11-3/8"X12"-G)	1	1	1	1	1	UR
	663-45956-01-EL	PROPELLER (3X12-1/4"X9"-G)	1	1	1	1	1	UR
	663-45958-01-EL	PROPELLER (3X11-1/4"X14"-G)	1	1	1	1	1	UR
	6H5-45943-00-EL	PROPELLER (3X10"X15"-G)	1	1	1	1	1	UR WITH LIP CUP
	6H5-45945-00-EL	PROPELLER (3X10-3/8"X13"-G)	1	1	1	1	1	UR WITH LIP CUP
	6H5-45952-00-EL	PROPELLER (3X10-5/8"X12"-G)	1	1	1	1	1	UR WITH LIP CUP
	6H5-45958-00-EL	PROPELLER (3X10-1/4"X14"-G)	1	1	1	1	1	UR WITH LIP CUP
	663-45930-00-98	PROPELLER (3X10-1/4"X14"-G)	1	1	1	1	1	UR
	663-45974-02-98	PROPELLER (3X10-5/8"X13"-G)	1	1	1	1	1	UR
	663-45976-00-98	PROPELLER (3X10-1/4"X15"-G)	1	1	1	1	1	UR
	663-45978-00-98	PROPELLER (3X10-1/4"X16"-G)	1	1	1	1	1	UR
	697-45970-00-98	PROPELLER (3X11-1/4"X14"-G)	1	1	1	1	1	UR
	663-45970-60-98	PROPELLER (3X11-3/4"X12"-G)	1	1	1	1	1	UR
	663-45972-60-98	PROPELLER (3X12"X11"-G)	1	1	1	1	1	UR
	663-45974-60-98	PROPELLER (3X11-1/2"X13"-G)	1	1	1	1	1	UR

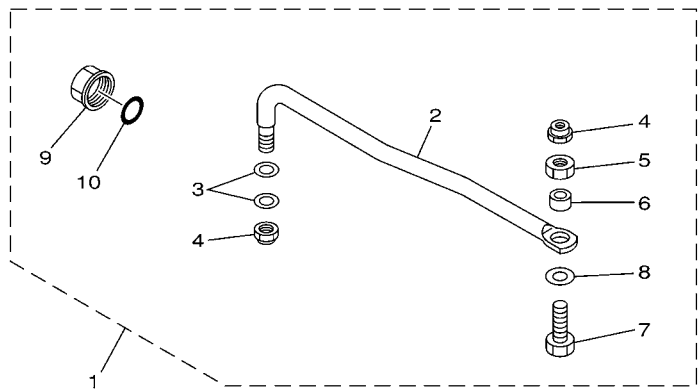
FIG. 30 FUEL TANK



68U3100-C240

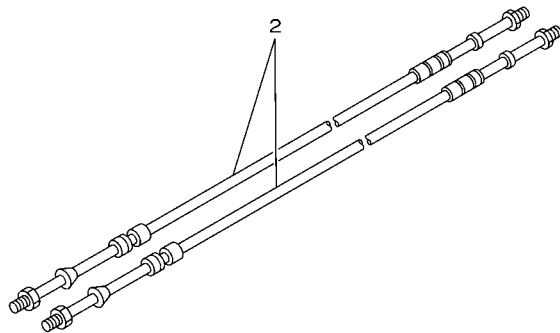
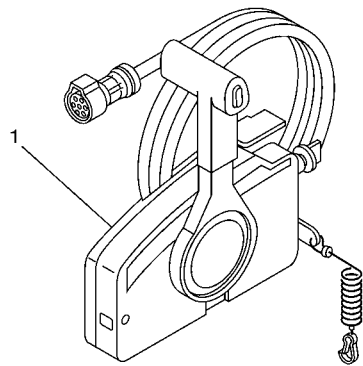
REF. NO.	PART NO.	DESCRIPTION	MHD	EHD	ED	ET	WHT	REMARKS
1	6YJ-24201-50	FUEL TANK ASSY	1	1	1	1		AP FOR CAN
	6YJ-24201-10	FUEL TANK ASSY (24L)				1	1	AP FOR OCE,CAR
2	6YJ-24610-00	.CAP ASSY	1	1	1	1	1	
3	6Y1-24260-12	.FUEL METER ASSY	1	1	1	1	1	WITH INDICATOR
4	98586-05016	.SCREW, PAN HEAD	4	4	4	4	4	
5	6Y1-24329-00	.SEAL	4	4	4	4	4	
6	6Y1-24268-00	.GASKET, FUEL METER	1	1	1	1	1	
7	6YJ-24167-00	.STRAINER	1	1	1	1	1	
8	6Y1-24306-54	FUEL PIPE COMP. 1	1	1	1	1	1	AP FOR CAN
	61J-24306-03	FUEL PIPE COMP. 1				1	1	AP FOR OCE,CAR
9	90445-11M06	.HOSE (L2050)	1	1	1	1	1	
10	6Y1-24360-52	.PRIMER PUMP ASSY	1	1	1	1	1	FOR 6Y1-24306-54
	61J-24360-00	.PRIMER PUMP ASSY				1	1	FOR 61J-24306-03
11	90445-11M05	.HOSE (L850)	1	1	1	1	1	
12	650-24351-51	.BAND 1	4	4	4	4	4	FOR 6Y1-24306-54
	650-24351-01	.BAND 1				4	4	FOR 61J-24306-03
13	6G1-24305-04	.FUEL PIPE JOINT COMP. 2	1	1	1	1	1	
14	93210-08287	..O-RING	1	1	1	1	1	
15	6Y1-24305-05	.FUEL PIPE JOINT COMP. 2	1	1	1	1	1	
16	93210-08287	..O-RING	1	1	1	1	1	

FIG. 31 STEERING GUIDE



65W0010-8210

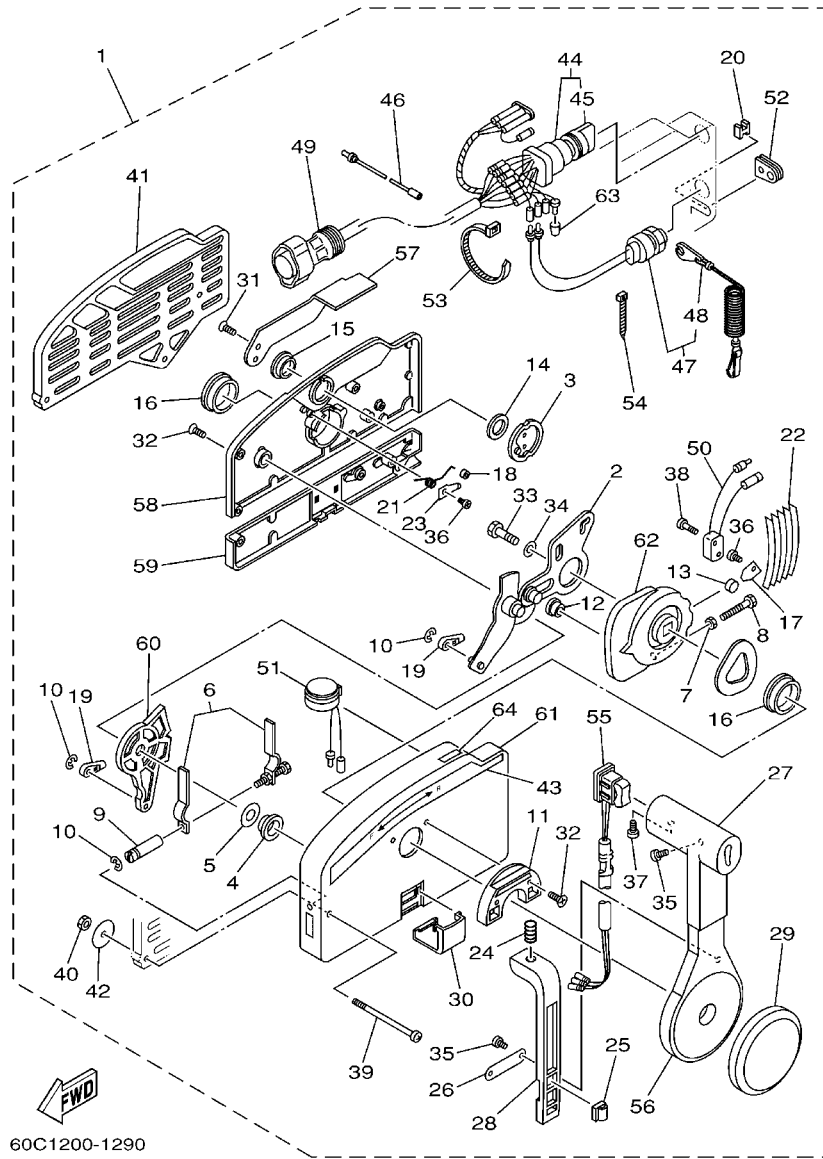
REF. NO.	PART NO.	DESCRIPTION	MFD	EHD	ED	ET	WHT	REMARKS
1	65W-61350-00	STEERING GUIDE ATTACHMENT KIT			1	1		AP
2	65W-61351-00	.ROD, STEERING LINK			1	1		
3	90201-10M20	.WASHER, PLATE			2	2		
4	90185-09M01	.NUT, SELF-LOCKING			2	2		
5	90170-09M03	.NUT			1	1		
6	90387-10M42	.COLLAR			1	1		
7	90101-09M01	.BOLT			1	1		
8	90201-10M63	.WASHER, PLATE			1	1		
9	6E5-43145-01	.CAP, CLAMP BRACKET			1	1		
10	93210-16275	.O-RING			1	1		



67M0100-8280

FIG. 32 REMOTE CONTROL BOX

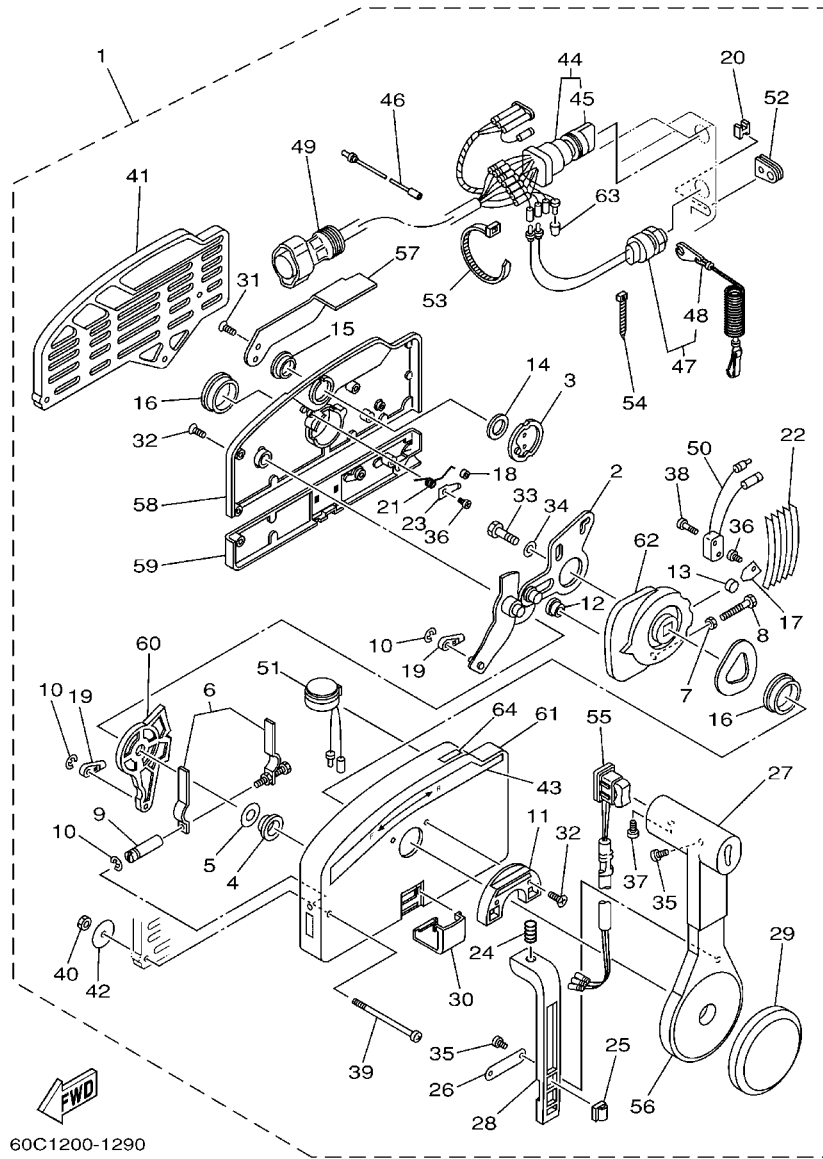
REF. NO.	PART NO.	DESCRIPTION	MHD	EHD	ED	ET	WHT	REMARKS
1	703-48205-A4	REMOTE CONTROL ASSY				1		AP F30/F40-CAR
	703-48205-17	REMOTE CONTROL ASSY				1		AP F40-CAN,OCE
	703-48201-A2	REMOTE CONTROL ASSY			1			AP
2	701-48310-90	CABLE, REMOTE CONTROL L=11F			2	2		UR
	701-48320-00	CABLE, REMOTE CONTROL L=12F			2	2		UR
	701-48320-20	CABLE, REMOTE CONTROL L=13F			2	2		UR
	701-48320-50	CABLE, REMOTE CONTROL L=15F			2	2		UR



60C1200-1290

FIG. 33 REMOTE CONTROL ASSY

REF. NO.	PART NO.	DESCRIPTION	MHD	EHD	ED	ET	WHT	REMARKS
1	703-48205-A4	REMOTE CONTROL ASSY				1		AP F30/F40-CAR
	703-48205-17	REMOTE CONTROL ASSY				1		AP F40-CAN,OCE
	703-48201-A2	REMOTE CONTROL ASSY			1			AP
2	703-48261-01	.ARM, THROTTLE				1	1	
3	703-48153-00	.SHAFT, FREE ACCEL.				1	1	
4	703-48235-00	.BUSHING				1	1	
5	703-48268-00	.SPACER				1	1	
6	703-48264-00	.THROTTLE, FRICTION				1	1	
7	95380-05600	.NUT				1	1	
8	97380-05025	.BOLT				1	1	
9	703-48265-00	.SHAFT, FRICTION				1	1	
10	93430-06024	.CIRCLIP				3	3	
11	703-48245-00	.PLATE, LOCK				1	1	
12	703-48252-00	.ROLLER, CAM				1	1	
13	701-48248-00	.ROLLER, FREE ACCEL.				1	1	
14	703-48198-00	.WASHER, WAVE				1	1	
15	703-48243-00	.BUSHING				1	1	
16	703-48236-00	.BUSHING 1				2	2	
17	703-48189-00	.RETAINER				1	1	
18	703-48234-00	.ROLLER, DETENT				1	1	
19	703-48345-01	.CABLE END, REMOTE CONTROL 2				2	2	
20	703-48358-00	.ANCHOR, CABLE				1	1	
21	703-48244-00	.SPRING, FREE ACCEL.				1	1	
22	703-48238-00	.SPRING, DETENT				5	5	
23	703-48246-00	.SPACER				1	1	
24	703-48227-00	.SPRING, NEUTRAL LOCK				1	1	
25	703-82594-00	.CLAMP				1		WITH PT/T SW.



60C1200-1290

FIG. 33 REMOTE CONTROL ASSY

REF. NO.	PART NO.	DESCRIPTION	MFD	EHD	ED	ET	WHT	REMARKS
26	703-48226-00	.PLATE, STOPPER				1	1	
27	703-48222-00	.GRIP, CONTROL LEVER				1	1	SINGLE
28	703-48223-00	.LOCK, NEUTRAL				1	1	
29	703-48225-00	.COVER				1	1	
30	703-48219-00	.COVER, LEAD				1	1	
31	703-48281-00	.SCREW				2	2	
32	703-48282-00	.SCREW				7	7	
33	97380-08030	.BOLT				1	1	
34	92990-08600	.WASHER, PLATE				1	1	
35	98580-04010	.SCREW, PAN HEAD				3	3	
36	98580-04006	.SCREW, PAN HEAD				2	2	
37	98580-05010	.SCREW, PAN HEAD				1	1	
38	98580-03015	.SCREW, PAN HEAD				2	2	
39	703-48291-10	.SCREW (M6)				3	3	
40	95380-06600	.NUT, HEXAGON				3	3	
41	703-48293-10	.SPACER, REMOTE CONTROL				1	1	SINGLE
42	701-48287-00	.WASHER				3	3	
43	703-48215-00	.GRAPHIC				1	1	
44	703-82510-12	.MAIN SWITCH ASSY				1	1	PRIME START MODEL
	703-82510-43	.MAIN SWITCH ASSY				1		FOR 703-48205-17
45	676-82577-00	..CAP, KEY				1	1	FOR 703-82510-12
	703-82577-00	..CAP, KEY				1		FOR 703-82510-43
46	703-82531-00	.WIRE, LEAD				1	1	
47	688-82575-01	.ENGINE STOP SWITCH ASSY				1	1	
48	682-82556-00	..STOPPER				1	1	
49	688-8258A-20	.EXTENSION, WIRE HARNESS				1	1	L:5M (10P)
50	703-82540-00	.NEUTRAL SWITCH ASSY				1	1	

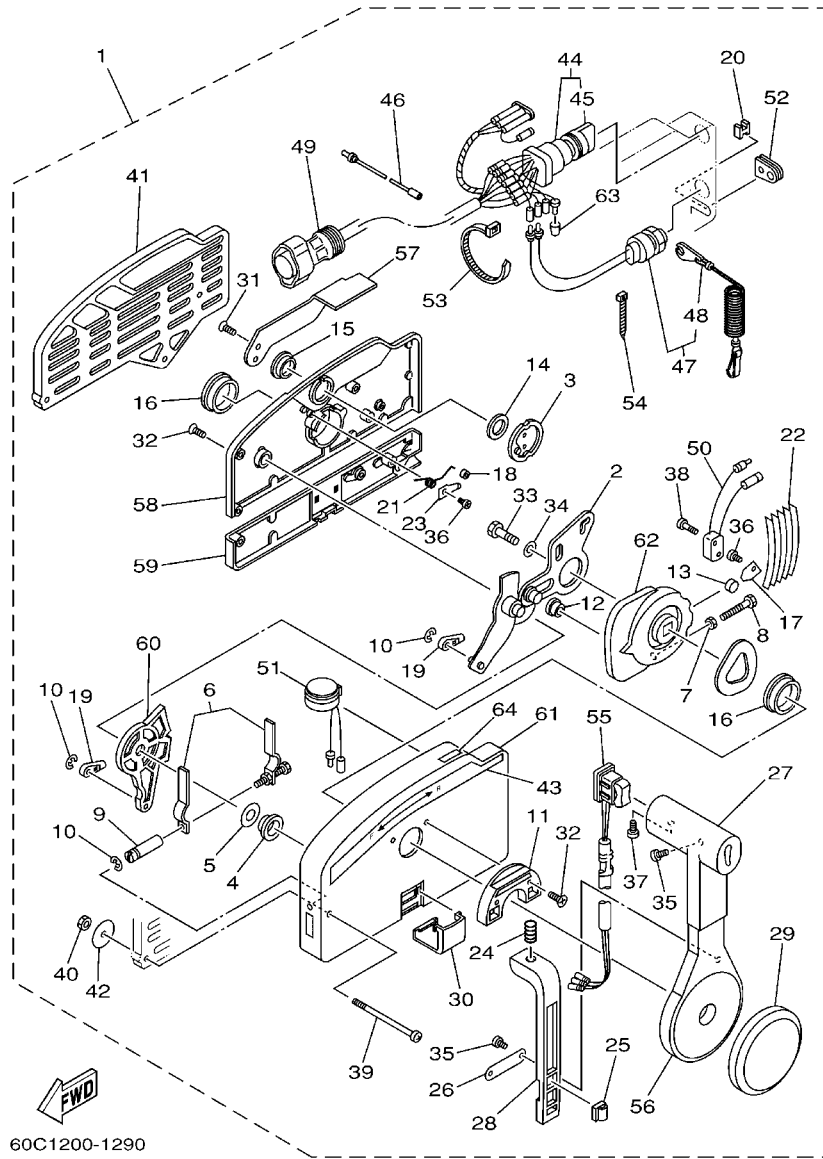
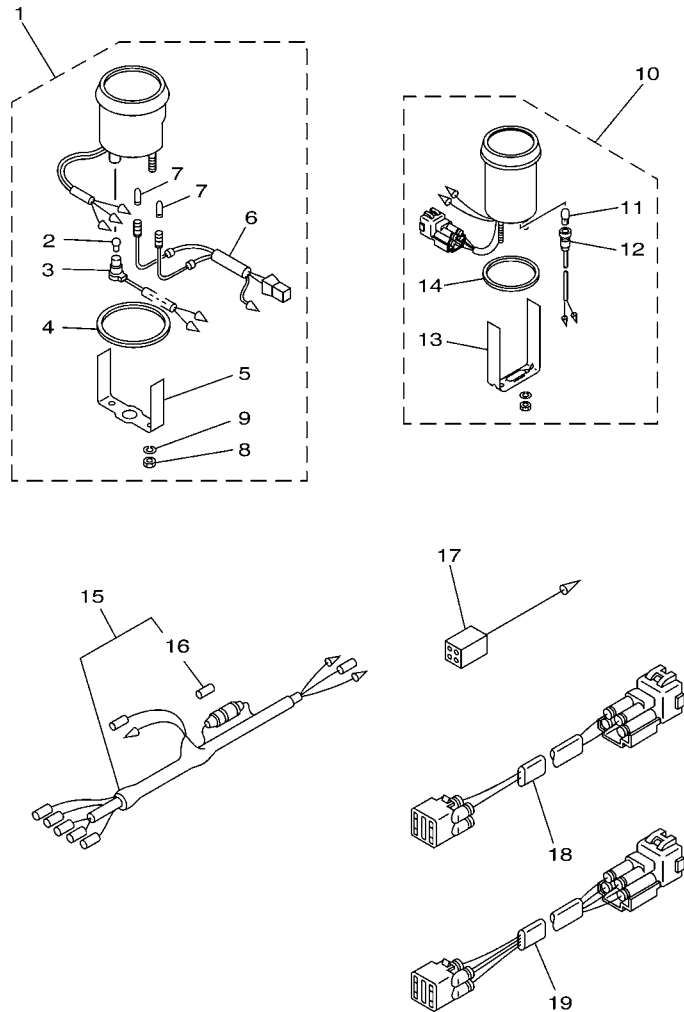


FIG. 33 REMOTE CONTROL ASSY

REF. NO.	PART NO.	DESCRIPTION	MHD	EHD	ED	ET	WHT	REMARKS
51	703-83383-A0	.BUZZER			1	1		
	703-83383-02	.BUZZER				1		FOR 703-48205-17
52	703-48284-00	.GROMMET			1	1		
53	703-82591-00	.BAND			1	1		
54	703-82592-00	.BAND			1	1		
55	703-82563-02	.TRIM & TILT SWITCH ASSY				1		WITH PT/T SW.
	703-48224-00	.COVER, CONTROL LEVER				1		WITHOUT PT/T SW.
56	703-48221-00	.LEVER, CONTROL			1	1		
57	703-48152-00	.KNOB, FREE ACCEL.			1	1		
58	703-48212-00	.BACK PLATE 1			1	1		
59	703-48213-00	.BACK PLATE 2			1	1		
60	703-48271-00	.ARM, SHIFT			1	1		
61	703-48211-01	.HOUSING,1			1	1		
62	703-48232-00	.GEAR			1	1		
63	703-82542-00	.CAP				1		FOR 703-48205-A4
	703-82542-00	.CAP				3		FOR 703-48201-A2
64	703-48218-00	.GRAPHIC			1	1		ET-703-48205-A4

F40BET-FOR CARIB

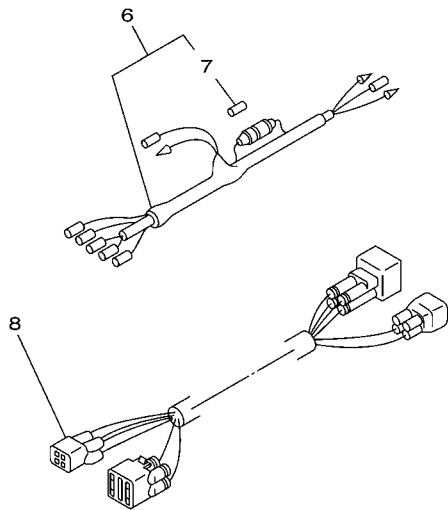
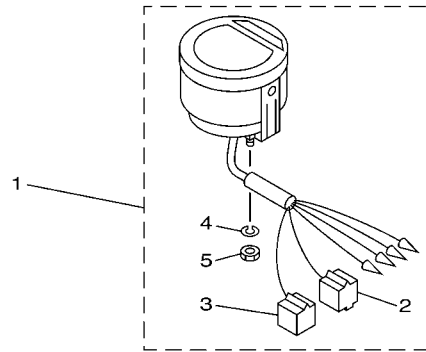


67C2100-3340

FIG. 34 METER 1

REF. NO.	PART NO.	DESCRIPTION	MFD	EHD	ED	ET	WHT	REMARKS
1	6Y5-83540-20	TACHOMETER ASSY				1		AP
2	6Y5-83517-00	.BULB (12V-1.7W, T10)				1		
3	6Y5-83536-10	.SOCKET, METER				1		
4	6Y5-83523-00	.DAMPER				1		
5	6Y5-83514-00	.PLATE, FITTING				1		
6	6Y5-83509-10	.SOCKET CORD ASSY				1		
7	6Y5-83518-00	.BULB (12V-1.7W, T6.5)				2		
8	95380-05600	.NUT				2		
9	92990-05100	.WASHER, SPRING				2		
10	6Y5-83670-12	TRIM METER ASSY.				1		AP
11	6Y5-83518-00	.BULB (12V-1.7W, T6.5)				1		
12	6Y5-83536-00	.SOCKET, METER				1		
13	6Y5-83544-00	.PLATE, FITTING				1		
14	688-83664-00	.DAMPER				1		
15	6Y5-83553-00	WIRE, LEAD				1		AP
16	1E6-82151-00	.FUSE (10A)				1		
17	6Y5-82117-00	WIRE, LEAD (BLACK)				1		AP
18	6R3-82521-70	WIRE, LEAD				1		AP 7M
19	6R3-82553-70	EXTENSION, WIRE LEAD				1		AP 4P,7M

F40BET-FOR OCEANIA



67C2100-3350

FIG. 35 METER 2

REF. NO.	PART NO.	DESCRIPTION	MFD	EHD	ED	ET	WHT	REMARKS
1	6Y5-8350T-03	TACHOMETER ASSY				1		AP
2	9E450-04433	.CONNECTOR				1		M-4-W
3	9E450-04533	.CONNECTOR				1		F-4-W
4	92990-04100	.WASHER, SPRING				2		
5	95380-04600	.NUT				2		
6	6Y5-83553-00	WIRE, LEAD				1		AP
7	1E6-82151-00	.FUSE (10A)				1		
8	68F-82553-70	EXTENSION, WIRE LEAD				1		AP

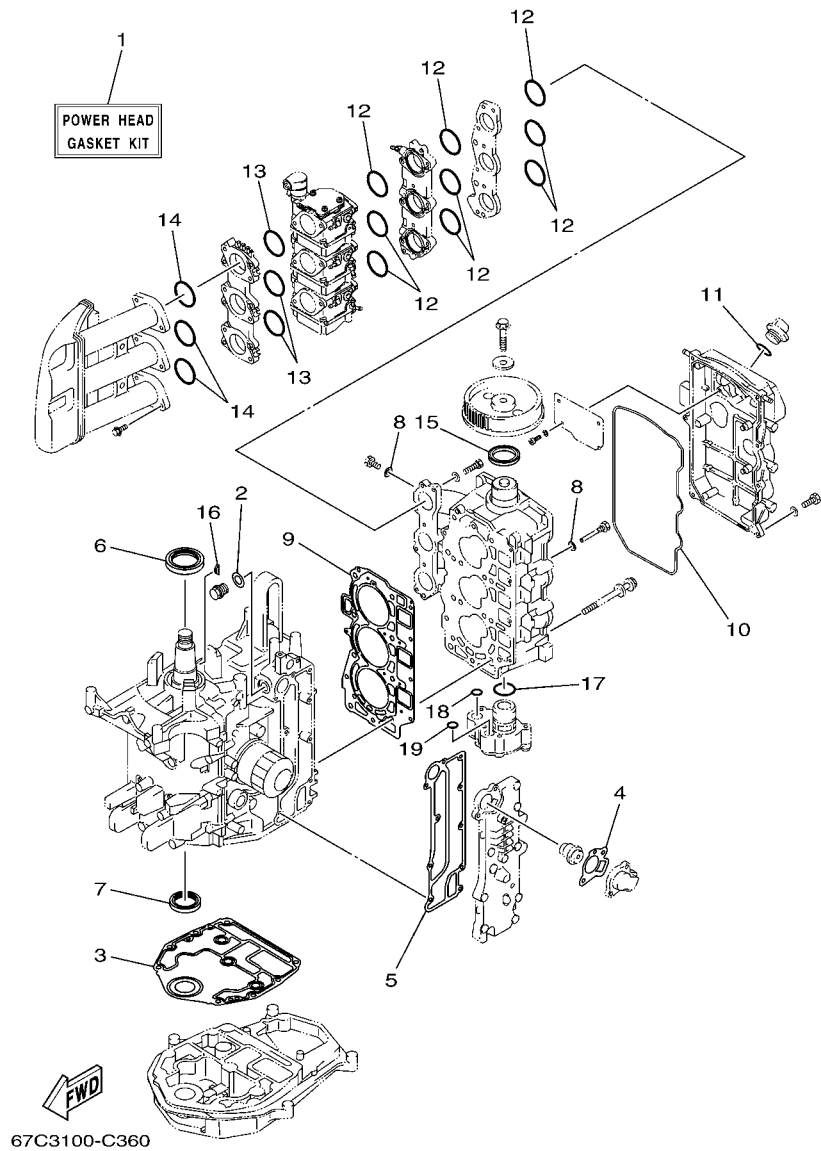


FIG. 36 REPAIR KIT 1

REF. NO.	PART NO.	DESCRIPTION	MHD	EHD	ED	ET	WHT	REMARKS
1	67C-W0001-01	POWER HEAD GASKET KIT	1	1	1	1	1	
2	90430-14115	.GASKET	1	1	1	1	1	
3	67C-11351-01	.GASKET, CYLINDER	1	1	1	1	1	
4	62Y-12414-00	.GASKET, COVER	1	1	1	1	1	
5	67C-41114-10	.GASKET, EXHAUST OUTER COVER	1	1	1	1	1	
6	93102-43M42	.OIL SEAL	1	1	1	1	1	
7	93102-35M47	.OIL SEAL	1	1	1	1	1	
8	90430-06014	.GASKET	4	4	4	4	4	
9	67C-11181-01	.GASKET, CYLINDER HEAD 1	1	1	1	1	1	
10	67C-11356-00	.SEAL, CYLINDER 2	1	1	1	1	1	
11	93210-24M79	.O-RING	2	2	2	2	2	
12	67C-14561-00	.O-RING	9	9	9	9	9	
13	67C-14562-00	.O-RING	3	3	3	3	3	
14	93210-34MJ6	.O-RING	3	3	3	3	3	
15	93102-37M40	.OIL SEAL	1	1	1	1	1	
16	90280-04M06	.KEY, WOODRUFF	1	1	1	1	1	
17	93210-33MH2	.O-RING	1	1	1	1	1	
18	93210-12MG9	.O-RING	1	1	1	1	1	
19	93210-14515	.O-RING	1	1	1	1	1	

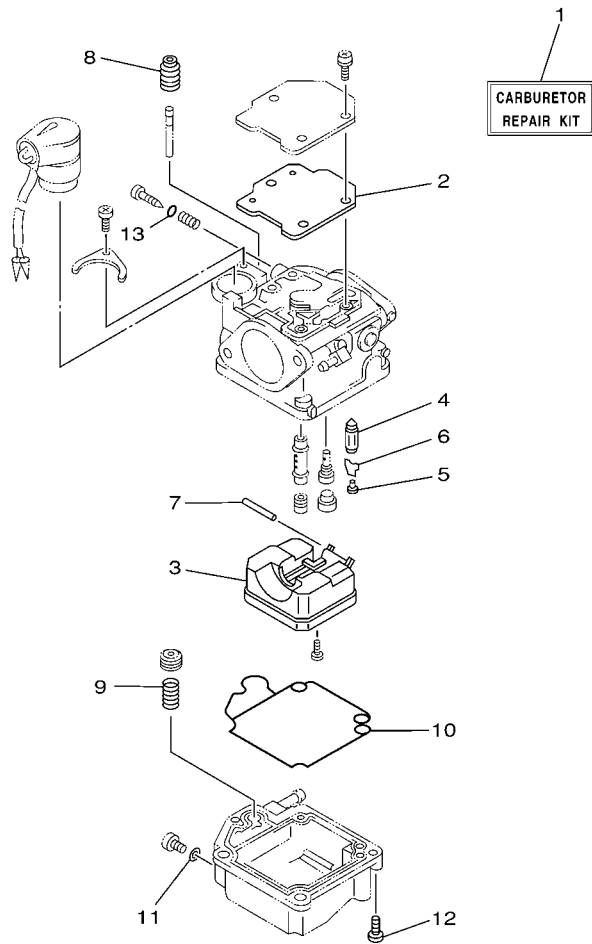


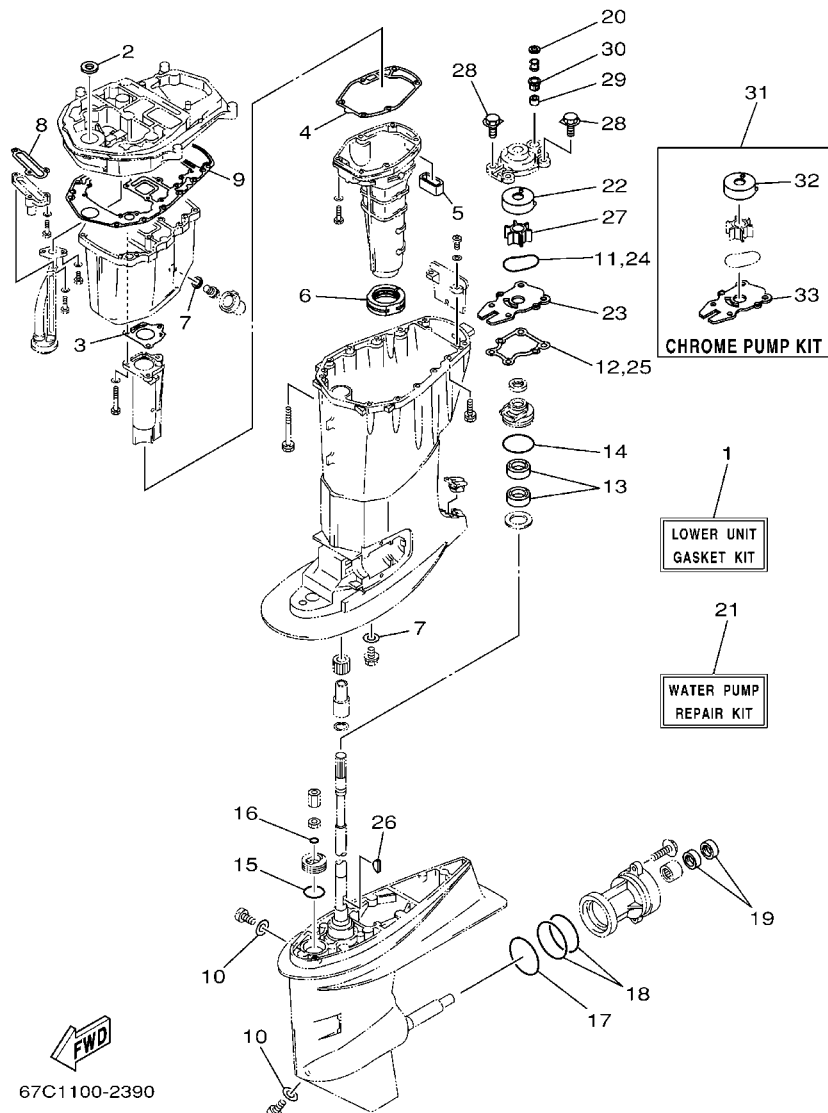
FIG. 37 REPAIR KIT 2

REF. NO.	PART NO.	DESCRIPTION	MHD	EHD	ED	ET	WHT	REMARKS
1	67C-W0093-00	CARBURETOR REPAIR KIT	1	1	1	1	1	
2	65W-14126-10	.GASKET	1	1	1	1	1	
3	63V-14985-00	.FLOAT	1	1	1	1	1	
4	6G1-14546-01	.VALVE, NEEDLE	1	1	1	1	1	
5	676-14186-00	.PIN, FLOAT	1	1	1	1	1	
6	663-14159-00	.CLIP	1	1	1	1	1	
7	6H4-14548-00	.PIN, FLOAT ARM	1	1	1	1	1	
8	65W-14373-00	.COVER, PLUNGER CAP	1	1	1	1	1	
9	65W-14335-00	.SPRING, PLUNGER	1	1	1	1	1	
10	65W-14384-00	.GASKET, FLOAT CHAMBER	1	1	1	1	1	
11	65W-14398-00	.GASKET	1	1	1	1	1	
12	97980-04114	.SCREW, WITH WASHER	4	4	4	4	4	
13	67C-14397-00	.O-RING	1	1	1	1	1	



67C0100-0360

FIG. 38 REPAIR KIT 3



REF. NO.	PART NO.	DESCRIPTION	MHD	EHD	ED	ET	WHT	REMARKS
1	67C-W0001-22	LOWER UNIT GASKET KIT	1	1	1	1	1	
2	93110-16004	.OIL SEAL	1	1	1	1	1	
3	67C-41133-00	.GASKET, EXHAUST MANIFOLD 1	1	1	1	1	1	
4	62Y-41134-01	.GASKET, EXHAUST MANIFOLD	1	1	1	1	1	
5	62Y-45127-00	.SEAL	1	1	1	1	1	
6	67C-45123-00	.GASKET, MUFFLER	1	1	1	1	1	
7	90430-14M09	.GASKET	2	2	2	2	2	
8	62Y-13475-00	.GASKET	1	1	1	1	1	
9	69W-15312-00	.GASKET, OIL PAN	1	1	1	1	1	
10	90430-08020	.GASKET	2	2	2	2	2	
11	93210-59MG7	.O-RING	1	1	1	1	1	
12	63D-44316-00	.GASKET, WATER PUMP	1	1	1	1	1	
13	93101-22M60	.OIL SEAL	2	2	2	2	2	
14	93210-48MG8	.O-RING	1	1	1	1	1	
15	93210-33MG4	.O-RING	1	1	1	1	1	
16	93210-06ME6	.O-RING	1	1	1	1	1	
17	93210-69MG6	.O-RING	1	1	1	1	1	
18	93210-74MG5	.O-RING	2	2	2	2	2	
19	93101-22M00	.OIL SEAL	2	2	2	2	2	
20	90430-12072	.GASKET	1	1	1	1	1	
21	66T-W0078-00	WATER PUMP REPAIR KIT	1	1	1	1	1	
22	63D-44322-00	.INSERT, CARTRIDGE	1	1	1	1	1	
23	66T-44323-00	.OUTER PLATE, CARTRIDGE	1	1	1	1	1	
24	93210-59MG7	.O-RING	1	1	1	1	1	
25	63D-44316-00	.GASKET, WATER PUMP	1	1	1	1	1	
26	90280-03M03	.KEY, WOODRUFF	1	1	1	1	1	
27	6H4-44352-02	.IMPELLER	1	1	1	1	1	

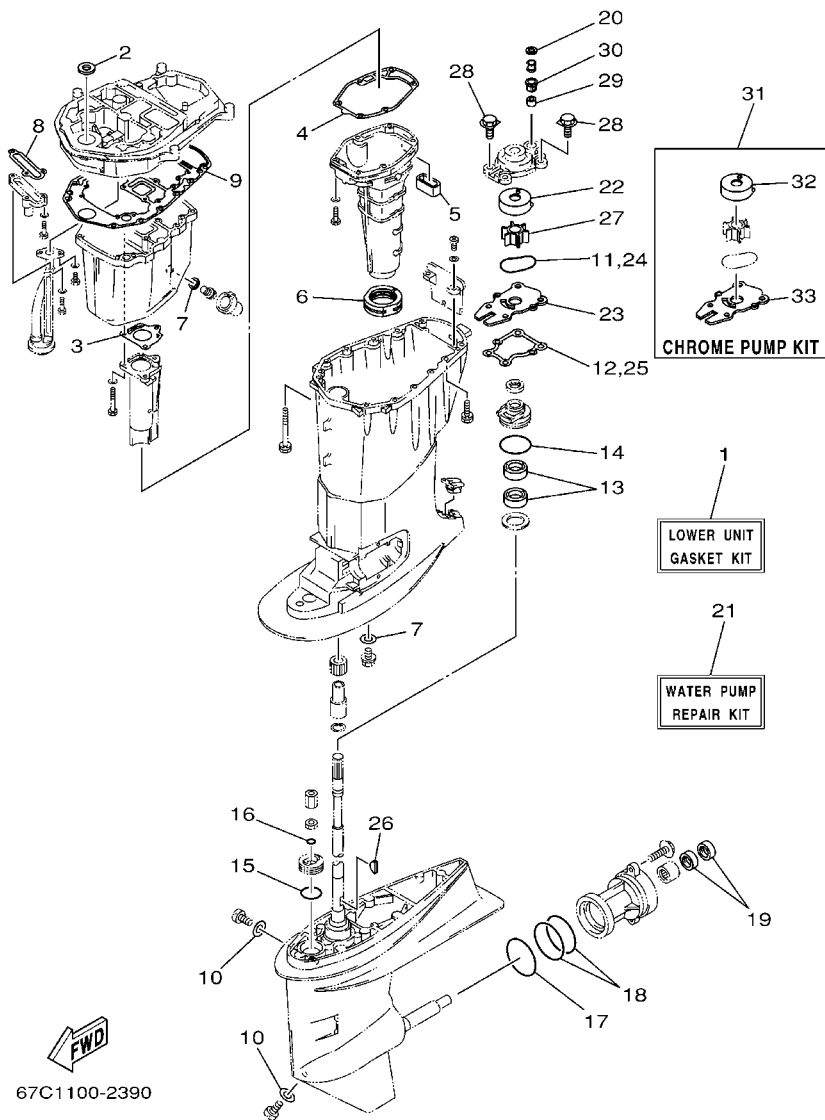


FIG. 38 REPAIR KIT 3

REF. NO.	PART NO.	DESCRIPTION	MHD	EHD	ED	ET	WHT	REMARKS
28	90119-08M15	.BOLT, WITH WASHER	4	4	4	4	4	
29	663-44366-00	.DAMPER, WATER SEAL	1	1	1	1	1	
30	63D-44312-00	.COVER, WATER PUMP HOUSING	1	1	1	1	1	
31	66T-W0078-0A	CHROME PUMP KIT	1	1	1	1	1	
32	63D-44322-40	.INSERT, CARTRIDGE	1	1	1	1	1	
33	66T-44323-40	.OUTER PLATE, CARTRIDGE	1	1	1	1	1	

NUMERICAL INDEX

PART NO.	REF. NO.	PART NO.	REF. NO.	PART NO.	REF. NO.	PART NO.	REF. NO.	PART NO.	REF. NO.	PART NO.	REF. NO.
67C-11111-03-1S	4 - 2	65W-12151-00	5 - 9	67C-14242-00	7 - 47	67C-14902-03	7 - 2	689-15755-01	11 - 26	62Y-28100-00	9 - 29
65W-11119-00	2 - 11	62Y-12158-00	5 - 11	67C-14243-01-94	6 - 8	69H-14902-12	7 - 2	67C-15758-00	11 - 21	67F-2812A-00	14 - 20
62Y-11133-10	4 - 3	62Y-12159-00	5 - 10	67C-14245-00	7 - 46	67C-14902-13	7 - 2	67C-15762-00	11 - 22	6A1-28176-00	18 - 49
67C-11168-00	4 - 24	67C-12170-11	8 - 2	67C-14255-00	6 - 18	69H-14903-02	7 - 3	66T-15767-00	11 - 8	61H-2819R-31	9 - 28
67C-11181-01	4 - 15	67C-12171-00	8 - 2	67C-14271-00	6 - 5	67C-14903-03	7 - 3	63V-15768-00	11 - 11	67C-41113-01-1S	2 - 24
	36 - 9	62Y-12216-00	5 - 14	67C-14318-00	6 - 17	69H-14903-12	7 - 3	67C-15770-00	11 - 38	67C-41114-10	2 - 22
67C-11191-00-1S	4 - 19	62Y-12231-00	5 - 17	67C-14325-00	7 - 45	67C-14903-13	7 - 3	66M-15774-00	11 - 36		36 - 5
62Y-11325-00	4 - 5	62Y-12238-00	5 - 12	67C-1432A-10	7 - 37	67C-14923-00	7 - 29	67C-15779-02	11 - 27	67C-41131-00-5B	26 - 3
66M-11327-00-94	4 - 7	64J-12238-00	5 - 12	65W-14335-00	7 - 21	69H-14943-22	7 - 12	66T-15784-00	11 - 9	67C-41133-00	26 - 4
66M-11328-00	4 - 6	62Y-12279-00	5 - 13		37 - 9	67C-14943-25	7 - 12	6A0-15789-00	11 - 28		38 - 3
67C-11351-01	2 - 10	64J-12279-00	5 - 13	65W-14346-00	7 - 34	69H-14947-00	7 - 11	6F5-15791-00	11 - 15	62Y-41134-01	26 - 10
	36 - 3	6G8-12411-02	2 - 13	67C-14356-00	7 - 43	67C-14948-00	7 - 7	66T-15794-00	11 - 13		38 - 4
67C-11356-00	4 - 21	6H3-12413-00-1S	2 - 14	67C-14369-00	7 - 38	67C-14948-01	7 - 11	6YJ-24167-00	30 - 7	67C-41137-01-94	26 - 1
	36 - 10	62Y-12414-00	2 - 15	67C-14371-00	7 - 22	67C-14948-02	7 - 7	6YJ-24201-10	30 - 1	67C-41212-00	21 - 24
62Y-11372-01	2 - 25		36 - 4	65W-14373-00	7 - 19	67C-14966-00	7 - 8	6YJ-24201-50	30 - 1	67C-41213-20	21 - 30
67C-11411-00	3 - 3	62Y-12481-00	2 - 25		37 - 8	67C-14974-00	7 - 42	65W-24251-00	9 - 21	6E9-41237-00	21 - 22
62Y-11416-00	3 - 4	66M-12535-00	4 - 8	67C-14379-00	7 - 20	67C-14980-00	7 - 24	6Y1-24260-12	30 - 3	6F5-41237-00	21 - 23
62Y-11416-10	3 - 4	69W-12535-00	18 - 41	67C-14379-10	7 - 20	69H-14980-00	7 - 24	6Y1-24268-00	30 - 6	67C-41241-00	21 - 21
62Y-11416-20	3 - 4	68T-12572-00	18 - 40	67C-14380-00	7 - 35	67C-14981-00	7 - 25	6G1-24304-02	9 - 25	6F5-41662-00	21 - 4
65W-11476-00	8 - 9	6R3-12580-00	18 - 46	65W-14384-00	7 - 23	69H-14981-00	7 - 25	6G1-24305-04	30 - 13	67G-42111-00-4D	19 - 10
65W-11536-10	8 - 8	62Y-13131-01	9 - 5		37 - 10	67C-14982-00	7 - 32	6E5-24305-05	10 - 2	69W-42115-00	19 - 14
67C-11537-01	8 - 3	69W-13300-00	8 - 11	67C-14397-00	7 - 30	69H-14982-00	7 - 32	6Y1-24305-05	30 - 15	69W-42119-00	19 - 56
65W-11545-00	12 - 5	62Y-13411-00	27 - 6		37 - 13	63V-14985-00	7 - 13	6Y2-24305-05	10 - 4	63D-42121-20-4D	19 - 2
62Y-11575-00	27 - 2	67F-13434-02	1 - 16	65W-14398-00	7 - 26		37 - 3	61J-24306-03	30 - 8	63D-42126-00	19 - 52
67C-11603-00	3 - 9	62Y-13437-41	11 - 42		37 - 11	65W-14992-00	7 - 27	6Y1-24306-54	30 - 8	67G-42131-00	19 - 46
67C-11604-00	3 - 9		12 - 15	67C-14398-00	7 - 44	67C-14992-00	7 - 33	6Y2-24306-55	10 - 1	6J0-42137-00	19 - 57
67C-11605-00	3 - 9	62Y-13437-51	11 - 42	67C-14440-00	6 - 24	67C-15100-01-94	2 - 2	67C-24312-00	18 - 44	650-42152-00-94	19 - 15
65W-11631-00-96	3 - 8		12 - 15	62Y-14485-00	4 - 20	62Y-15311-02-5B	27 - 10	61N-24329-00	18 - 28	67G-42153-00	19 - 21
62Y-11633-00	3 - 10	62Y-13437-61	12 - 15	63V-14523-00	7 - 10	69W-15312-00	27 - 11	6Y1-24329-00	30 - 5	67G-42159-00	19 - 17
65W-11635-00	3 - 8	5GH-13440-00	2 - 26	6G1-14546-01	7 - 14		38 - 9	650-24351-01	30 - 12	62Y-42171-00	21 - 28
65W-11636-00	3 - 8	62Y-13444-40	18 - 48		37 - 4	67C-15316-00	27 - 13	650-24351-51	30 - 12	6G1-42177-00	19 - 59
62Y-11650-10	3 - 5	62Y-13444-50	18 - 48	6H4-14548-00	7 - 18	67C-15316-10	27 - 13	6E5-24351-51	10 - 7	67C-42508-02	20 - 1
62Y-11654-00	3 - 6	62Y-13475-00	27 - 3		37 - 7	67C-15362-00	27 - 1	61J-24360-00	30 - 10	67C-42510-01-4D	24 - 25
62Y-11656-00	3 - 7		38 - 8	67C-14555-00	7 - 31	6G8-15363-00	4 - 29	6Y1-24360-52	30 - 10	67C-42510-11-4D	24 - 25
62Y-11656-10	3 - 7	67C-13589-00	6 - 4	67C-14561-00	6 - 7	67C-15373-00	6 - 31	6Y2-24360-60	10 - 9	67C-42525-00	20 - 4
62Y-11656-20	3 - 7	67C-13971-00	6 - 11		36 - 12	66T-15705-00	11 - 7	62Y-24374-01	9 - 11	67C-42527-02	20 - 2
67C-12111-00	5 - 1	67C-13972-00	6 - 12	67C-14562-00	6 - 10	67C-15710-00	11 - 1	688-24378-00	2 - 17	65W-42528-00	20 - 10
67C-12113-00	5 - 15	67C-13973-00	6 - 13		36 - 13	67C-15711-00	11 - 2	62Y-24410-03	9 - 1	6J8-42528-00	24 - 1
51Y-12114-00	5 - 4	67C-13974-00	6 - 14	67C-14567-00	7 - 36	66T-15713-00	11 - 5	62Y-24411-02	9 - 3	624-42542-00	15 - 12
62Y-12116-00	5 - 3		7 - 41	65W-14572-00	7 - 4	66T-15714-00	11 - 3	62Y-24415-00	9 - 2	67C-42561-00	20 - 7
30X-12117-00	5 - 5	67C-13975-00	6 - 15	67C-14585-00	6 - 3	66T-15716-00	11 - 6	62Y-24423-00	9 - 4	67C-42562-10	20 - 6
30X-12118-00	5 - 6	67C-13976-00	6 - 16	67C-14711-00-5B	26 - 7	67C-15723-00	11 - 29	62Y-24444-01	9 - 7	67C-42610-20-4D	1 - 1
51Y-12119-00	5 - 7	65W-14126-10	7 - 5	67C-14711-12-5B	26 - 7	66T-15731-00	11 - 39	62Y-24452-00	9 - 9	69H-42610-20-4D	1 - 1
62Y-12121-00	5 - 2		37 - 2	69H-14901-02	7 - 1	66T-15734-00	11 - 14	62Y-24454-00	9 - 6	67C-42610-30-4D	1 - 1
62Y-12138-40	4 - 31	663-14159-00	7 - 16	67C-14901-03	7 - 1	63V-15741-00	11 - 4	62Y-24471-00	9 - 8	67C-42610-A0-4D	1 - 1
62Y-12138-50	4 - 31		37 - 6	69H-14901-12	7 - 1	63V-15744-00	11 - 10	65W-24474-00	9 - 13	67C-42610-B0-4D	1 - 1
62Y-12138-60	4 - 31	676-14186-00	7 - 15	67C-14901-13	7 - 1	6F5-15752-00	11 - 16	6YJ-24610-00	30 - 2	67C-42613-00-4D	1 - 2
67C-12146-00	5 - 8		37 - 5	69H-14902-02	7 - 2	6F5-15753-00	11 - 17	69W-26301-00	19 - 36	67C-42613-10-4D	1 - 2

NUMERICAL INDEX

PART NO.	REF. NO.	PART NO.	REF. NO.	PART NO.	REF. NO.	PART NO.	REF. NO.	PART NO.	REF. NO.	PART NO.	REF. NO.
67C-42615-00	1 - 14	65W-43191-00	23 - 4	65W-43869-00	25 - 5	62Y-44361-00	29 - 1	663-45567-01-10	28 - 44	65W-46241-00	8 - 7
61N-42628-00	1 - 15	65W-43192-00	22 - 3	65W-4386A-00	25 - 60	67C-44361-00	29 - 1	663-45567-01-12	28 - 44	67C-46297-00	11 - 32
62Y-42651-00	1 - 4		23 - 3	65W-4386K-00	25 - 6	663-44366-00	29 - 18	663-45567-01-15	28 - 44	67C-48119-00	19 - 20
67C-42652-00	1 - 6	67C-43311-00-4D	22 - 7	65W-43871-00	25 - 21		38 - 29	663-45567-01-18	28 - 44	703-48152-00	33 - 57
67C-42677-00	1 - 9	67C-43311-10-4D	22 - 7	6H1-43875-00	25 - 42	663-44367-00	29 - 2	663-45567-01-30	28 - 44	703-48153-00	33 - 3
69H-42677-10	1 - 9		23 - 10	62X-43878-00	25 - 64	6H3-44391-01	18 - 21	663-45567-01-40	28 - 44	63D-48154-00	19 - 53
67C-42677-A0	1 - 9	682-43318-01	22 - 17	65W-43879-00	25 - 13	67C-44514-00-4D	24 - 26	663-45567-01-50	28 - 44	703-48189-00	33 - 17
67C-42678-00	1 - 10	689-43373-01	24 - 2	67C-43880-00	25 - 2	67C-44514-10-4D	24 - 26	66T-45571-00	28 - 45	703-48198-00	33 - 14
69H-42678-10	1 - 10	67C-43631-00	22 - 16	67C-43881-00	25 - 8	66T-44526-30	24 - 28	63D-45577-00-10	28 - 47	703-48201-A2	32 - 1
67C-42678-A0	1 - 10	689-43633-00	20 - 8	65W-43882-00	25 - 7	67C-44551-01-4D	24 - 32	63D-45577-00-12	28 - 47		33 - 1
67C-42681-10	1 - 12	63D-43691-00	22 - 19	65W-43887-00	25 - 9	67C-44551-10-4D	24 - 32	63D-45577-00-15	28 - 47	703-48205-17	32 - 1
67C-42682-10	1 - 13	67C-43800-00-4D	25 - 1	65W-43888-00	25 - 28	67C-44552-01-4D	24 - 37	63D-45577-00-18	28 - 47		33 - 1
67C-42710-02-4D	18 - 1	6T4-43802-03	25 - 30	65W-4388E-00	25 - 14	67C-44553-00-4D	24 - 34	63D-45577-00-30	28 - 47	703-48205-A4	32 - 1
67C-42710-12-4D	18 - 1	CS2-43803-81	25 - 48	65W-43891-00	25 - 11	67C-44555-11-94	24 - 40	63D-45577-00-40	28 - 47		33 - 1
62Y-42716-00	18 - 5	65W-43804-00	25 - 3	65W-43892-00	25 - 10	67C-44555-21-94	24 - 40	63D-45577-00-50	28 - 47	703-48211-01	33 - 61
65W-42717-00	18 - 6	65W-43805-00	25 - 4	69W-44100-00	19 - 11	67C-44575-00	24 - 33	663-45587-01-10	28 - 39	703-48212-00	33 - 58
65W-42724-10	18 - 22	65W-4380F-00	25 - 12	67C-44104-00	19 - 12	67C-44575-00	24 - 33	663-45587-01-12	28 - 39	703-48213-00	33 - 59
62Y-42725-00	18 - 8	65W-4380K-00	25 - 16	67C-44113-00	19 - 18	67C-45111-00-4D	26 - 13	663-45587-01-15	28 - 39	703-48215-00	33 - 43
63D-42725-00	19 - 51	67C-4380L-00	25 - 27	67C-44116-00	21 - 6	67C-45111-21-4D	26 - 13	663-45587-01-18	28 - 39	703-48218-00	33 - 64
67C-42725-00	18 - 8	65W-43810-00	25 - 17	67C-44117-00	21 - 33	67C-45123-00	26 - 12	663-45587-01-30	28 - 39	703-48219-00	33 - 30
62Y-42725-20	18 - 8	65W-43812-00	25 - 18	67C-44121-00	21 - 1		38 - 6	663-45587-01-40	28 - 39	703-48221-00	33 - 56
62Y-42725-30	18 - 8	6H1-43816-00	25 - 25	66M-44122-00	21 - 2		38 - 5	663-45587-01-50	28 - 39	703-48222-00	33 - 27
67C-42726-00	16 - 30	65W-43817-00	25 - 39	67C-44125-00	21 - 12	67C-45151-00	26 - 16	66T-45611-00	28 - 60	703-48223-00	33 - 28
6H4-42726-00	18 - 24	65W-4381B-00	25 - 22	67G-44132-00	19 - 22	63D-45155-00	26 - 19	66T-45631-00	28 - 55	703-48224-00	33 - 55
688-42726-10	18 - 22	6H1-43829-00	25 - 63	65W-44142-00	21 - 10	6H3-45155-00	26 - 19	67C-45633-00	28 - 58	703-48225-00	33 - 29
6H1-42726-21	18 - 22	65W-4382A-00	25 - 47	67C-44143-00	21 - 8	63D-45214-00	28 - 7	66T-45635-00	28 - 59	703-48226-00	33 - 26
62Y-42727-00	18 - 9	65W-43830-00	25 - 36	67C-44143-10	21 - 8	63D-45215-00	28 - 8	663-45930-00-98	29 - 25	703-48227-00	33 - 24
676-42727-00	18 - 26	65W-43831-00	25 - 35	67C-44146-00	28 - 31	65W-45251-00	22 - 35	663-45941-01-EL	29 - 25	703-48232-00	33 - 62
6H3-42727-00	18 - 27	65W-43840-00	25 - 15	67C-44150-10	28 - 30		23 - 33	6H5-45943-00-EL	29 - 25	703-48234-00	33 - 18
67C-42738-00-4D	18 - 7	62X-43841-00	25 - 33	67G-44159-00-4D	19 - 39	663-45251-00	22 - 20	69W-45945-00-EL	29 - 25	703-48235-00	33 - 4
67C-42741-00-4D	18 - 29	65W-43843-00	25 - 56	65W-44173-00	21 - 19	67C-45251-00	29 - 15	6H5-45945-00-EL	29 - 25	63D-48236-00	19 - 19
67C-42741-10-4D	18 - 29	67F-43843-00	25 - 51	67G-44173-00	19 - 43	67C-45300-01-4D	28 - 1	69W-45947-00-EL	29 - 25	703-48236-00	33 - 16
67C-42815-00-4D	18 - 11	6H1-43844-10	25 - 54	6G8-44191-00	19 - 45	67C-45300-11-4D	28 - 1	663-45949-01-EL	29 - 25	63D-48237-00	19 - 23
67C-42816-01	18 - 16	6H1-43845-00	25 - 43	67C-44192-00	21 - 13	67C-45301-00-4D	28 - 2	69W-45952-00-EL	29 - 25	63D-48238-00	19 - 25
67C-43111-10-4D	22 - 1	6H1-43847-00	25 - 45	66T-44311-00	28 - 16	679-45318-00	26 - 20	6H5-45952-00-EL	29 - 25	703-48238-00	33 - 22
	23 - 1	6H1-4384F-10	25 - 59	63D-44312-00	29 - 19	66T-45321-00	28 - 33	663-45952-02-EL	29 - 25	703-48243-00	33 - 15
67C-43112-10-4D	22 - 2	6H1-4384G-11	25 - 49		38 - 30	688-45341-10	28 - 6	663-45956-01-EL	29 - 25	703-48244-00	33 - 21
	23 - 2	CS2-43851-80	25 - 50	63D-44316-00	28 - 20	66T-45344-01	28 - 25	6H5-45958-00-EL	29 - 25	703-48245-00	33 - 11
6K9-43131-01	22 - 9	65W-43853-00	25 - 62		38 - 12	63D-45361-02-4D	28 - 48	663-45958-01-EL	29 - 25	703-48246-00	33 - 23
	23 - 13	6T4-43853-00	25 - 37	63D-44322-00	28 - 17	67C-45371-00	29 - 7	697-45970-00-98	29 - 25	701-48248-00	33 - 13
6K9-43139-01	24 - 8	65W-43854-00	25 - 46		38 - 22	63D-45375-00	29 - 6	663-45970-60-98	29 - 25	703-48252-00	33 - 12
66T-43144-00	18 - 18	6H1-43856-10	25 - 53	63D-44322-40	38 - 32	663-45376-00-94	29 - 5	663-45972-00-98	29 - 25	69W-48261-00	19 - 13
6E5-43145-01	31 - 9	65W-43861-00	25 - 40	66T-44323-00	28 - 18	6E5-45378-00	28 - 13	663-45974-02-98	29 - 25	703-48261-01	33 - 2
6G5-43145-01	22 - 13	6H1-43861-10	25 - 20		38 - 23	67C-45501-00	28 - 37	663-45974-60-98	29 - 25	703-48264-00	33 - 6
	23 - 17	65W-43862-00	25 - 41	66T-44323-40	38 - 33	67C-45501-10	28 - 37	663-45976-00-98	29 - 25	703-48265-00	33 - 9
67C-43170-00-4D	22 - 15	65W-43865-00	25 - 19	63D-44341-00	28 - 23	6H4-45536-00	28 - 3	663-45978-00-98	29 - 25	703-48268-00	33 - 5
67C-43170-10-4D	22 - 15	6H1-43866-00	25 - 31	6H4-44352-02	28 - 22	66T-45551-00	28 - 40	663-45987-02	29 - 20	703-48271-00	33 - 60
65W-43191-00	22 - 4	6H1-43867-00	25 - 32		38 - 27	66T-45560-01	28 - 42	66T-45997-00	29 - 21	703-48281-00	33 - 31

NUMERICAL INDEX

PART NO.	REF. NO.	PART NO.	REF. NO.	PART NO.	REF. NO.	PART NO.	REF. NO.	PART NO.	REF. NO.	PART NO.	REF. NO.
703-48282-00	33 - 32	6G5-82119-00	15 - 20	689-8257Y-00	16 - 6	65W-85550-11	12 - 1	90119-06M91	21 - 35	90202-21100	24 - 44
703-48284-00	33 - 52	703-82119-00	24 - 7	6E5-82587-00	15 - 2	67C-85554-00	13 - 8	90119-06MA3	4 - 18	90206-12052	18 - 14
701-48287-00	33 - 42	6G5-82119-10	14 - 9	6E5-82588-00	18 - 38	67C-85570-00	13 - 9	90119-06MA5	2 - 23	90206-12M22	19 - 5
703-48291-10	33 - 39	65W-82127-00	14 - 36	688-8258A-20	33 - 49	65W-85580-00	12 - 3	90119-08M01	2 - 4	90209-10M26	20 - 11
703-48293-10	33 - 41	67C-82127-00	24 - 19	67C-82590-00	14 - 15	67C-85790-00	14 - 38	90119-08M15	28 - 29	90249-12M38	22 - 28
701-48310-90	32 - 2	6U0-82127-00	23 - 36	67C-82590-10	14 - 15	65W-86129-00	13 - 2		38 - 28		23 - 26
701-48320-00	32 - 2	67C-82127-10	24 - 19	67C-82590-20	14 - 15	65W-86129-10	13 - 6	90119-08M39	17 - 11	90249-18M35	22 - 22
701-48320-20	32 - 2	67C-82127-20	22 - 37	67C-82590-40	14 - 15	67C-W0001-01	36 - 1	90119-08M44	29 - 14		23 - 20
701-48320-50	32 - 2	6H1-82148-00	23 - 25	703-82591-00	33 - 53	67C-W0001-22	38 - 1	90119-08M79	26 - 14	90250-06023	28 - 57
67C-48321-00	19 - 32	1E6-82151-00	34 - 16	703-82592-00	33 - 54	67C-W0070-10	1 - 11	90119-08M82	26 - 15	90254-03M05	21 - 3
67C-48344-00	21 - 17		35 - 7	67C-82594-00	14 - 28	66T-W0078-00	38 - 21	90119-09M00	4 - 17	90266-06M02	1 - 5
703-48345-01	33 - 19	67F-82151-00	14 - 16	703-82594-00	33 - 25	66T-W0078-0A	38 - 31	90142-05M06	28 - 9	90269-02M09	19 - 58
703-48358-00	33 - 20	6A0-82317-00	15 - 11	703-83383-02	33 - 51	69W-W0084-01-4D	19 - 1	90149-05M13	19 - 63	90280-03M03	28 - 21
65W-48511-00	24 - 47	6G8-82370-30	13 - 11	703-83383-A0	33 - 51	67C-W0093-00	37 - 1	90159-06M18	19 - 44		38 - 26
67G-48531-00	19 - 30	62Y-82377-00	18 - 47	6Y5-83509-10	34 - 6	67C-W009A-01-1S	4 - 1	90167-06002	18 - 42	90280-04M06	8 - 10
62Y-48538-00	21 - 38	63V-82377-50	22 - 40	6Y5-8350T-03	35 - 1	67C-W009B-02-1S	2 - 1	90170-09M03	31 - 5		36 - 16
63D-48538-00	19 - 37		23 - 39	6Y5-83514-00	34 - 5	90101-06020	22 - 36	90170-12138	28 - 41	90338-04M17	6 - 6
69W-48538-00	19 - 34	65W-82504-00	14 - 35	6Y5-83517-00	34 - 2		23 - 34	90170-20137	12 - 6	90338-07004	18 - 23
65W-61350-00	31 - 1	67C-82509-00	14 - 4	6Y5-83518-00	34 - 7	90101-08M15	24 - 27	90171-16011	29 - 23	90340-08002	28 - 4
65W-61351-00	31 - 2	69W-82510-00	16 - 9	6Y5-83523-00	34 - 4	90101-09M01	31 - 7	90179-06M24	1 - 3	90340-14M06	2 - 8
67C-81337-00	12 - 11	703-82510-12	33 - 44	6Y5-83536-00	34 - 12	90101-12M09	19 - 3	90185-08045	24 - 29		26 - 23
65W-81639-10	11 - 41	703-82510-43	33 - 44	6Y5-83536-10	34 - 3	90101-12M65	22 - 41	90185-09M01	31 - 4		27 - 14
	12 - 14	67C-82519-00	14 - 30	6Y5-83540-20	34 - 1		23 - 40	90185-10051	24 - 11	90344-51M01	2 - 7
67C-81800-00	17 - 1	6R3-82521-70	34 - 18	6Y5-83544-00	34 - 13	90105-06M18	24 - 3	90185-10M13	22 - 33	90381-12M10	22 - 29
65W-81801-00	17 - 8	63D-8252E-01-4D	16 - 13	6Y5-83553-00	34 - 15	90105-08M61	28 - 54		23 - 31		23 - 27
65W-81807-00	17 - 5	63D-8252F-01-4D	16 - 12		35 - 6	90105-08M87	2 - 12	90185-10M14	20 - 13	90381-12M11	22 - 30
65W-81820-00	17 - 7	65W-8252V-00	13 - 3	6E5-83558-00	24 - 22	90109-06M65	4 - 14	90185-12M12	19 - 9		23 - 28
67C-81826-00	17 - 2	67C-8252V-00	13 - 7	6E5-83558-10	28 - 14	90109-06M80	18 - 34	90185-22M11	22 - 12	90386-08032	19 - 60
65W-8182A-00	14 - 5	703-82531-00	33 - 46	6H4-83589-00	16 - 26	90109-06M81	18 - 10		23 - 16	90386-12M37	18 - 12
65W-8182B-00	14 - 10	65W-82532-00	14 - 37	62Y-83614-00	15 - 3		21 - 5	90201-05M06	21 - 14	90386-12M93	19 - 7
65W-8182S-00	17 - 10	6F5-82540-00	16 - 1	6A1-83625-41	11 - 43	90109-06M86	11 - 37	90201-08M00	22 - 24	90386-12MA2	18 - 13
65W-81830-00	17 - 4	703-82540-00	33 - 50		12 - 16		15 - 4		23 - 22	90386-14MA1	22 - 6
65W-81840-00	17 - 9	703-82542-00	33 - 63	6A1-83625-51	11 - 44		16 - 3	90201-10M06	8 - 5		23 - 6
67C-81850-00	17 - 6	68F-82553-70	35 - 8		12 - 17		18 - 19	90201-10M20	31 - 3	90386-18M44	22 - 25
65W-81857-01	17 - 3	6R3-82553-70	34 - 19	6E0-83627-41	19 - 64		21 - 7	90201-10M63	31 - 8		23 - 23
65W-8191C-00	14 - 2	6J8-82554-00	16 - 2	6E0-83627-51	19 - 65	90109-06M88	20 - 3	90201-12426	22 - 43	90386-18MA0	23 - 24
6H5-81920-00	15 - 15	682-82556-00	16 - 5	688-83664-00	34 - 14	90109-06MA1	11 - 33		23 - 42	90386-18MA5	22 - 26
65W-81922-00	14 - 3		33 - 48	6Y5-83670-12	34 - 10	90109-06MA2	16 - 28	90201-12M07	18 - 15	90386-22MA4	22 - 14
65W-81941-00	14 - 1	67G-82563-00	16 - 22	67H-83672-00	24 - 5	90109-06MA4	1 - 7	90201-12M16	15 - 14		23 - 18
67C-81948-00	15 - 10	703-82563-02	33 - 55	64E-83672-02	24 - 5	90109-08M63	5 - 16		24 - 43	90386-26MA3	19 - 40
67C-81949-00	15 - 18	63D-82563-10	15 - 1	62Y-84301-00	16 - 25	90109-12MA3	24 - 41	90201-13M19	24 - 45	90386-30M60	24 - 17
67C-81949-10	15 - 19	69W-82575-00	16 - 4	67C-85415-00	18 - 37	90110-10M02	22 - 32	90201-21M18	12 - 7	90386-30M77	24 - 15
6H1-81950-00	15 - 6	688-82575-01	33 - 47	65W-85510-00	12 - 2		23 - 30	90201-22429	28 - 46	90386-30M78	24 - 14
65W-81960-10	13 - 16	6K5-82575-03	16 - 4	65W-85510-10	12 - 2	90116-10M28	24 - 10	90201-22M05	24 - 46	90387-05007	20 - 14
67C-82105-00	14 - 11	676-82577-00	16 - 10	67C-85540-01	13 - 1	90119-06025	8 - 15	90201-27M00	28 - 27	90387-05M05	20 - 12
67C-82105-U0	14 - 11		33 - 45	67C-85542-00	13 - 4	90119-06M08	18 - 2	90201-30M00	24 - 13	90387-06060	18 - 4
65W-82117-00	14 - 8	703-82577-00	33 - 45	65W-85547-00	13 - 5	90119-06M82	6 - 26	90202-10M56	20 - 9	90387-06M29	21 - 25
6Y5-82117-00	34 - 17	6E3-8257H-00	18 - 50	65W-85550-01	12 - 1	90119-06M86	6 - 27	90202-12060	29 - 3	90387-06M43	18 - 36

NUMERICAL INDEX

PART NO.	REF. NO.	PART NO.	REF. NO.	PART NO.	REF. NO.	PART NO.	REF. NO.	PART NO.	REF. NO.	PART NO.	REF. NO.
90387-06M70	6 - 30	90465-08M75	15 - 9	92990-05100	34 - 9	93102-37M40	36 - 15	93430-10M00	23 - 29	97095-06012	13 - 17
90387-06M87	16 - 27	90465-10M77	23 - 7	92990-05600	26 - 18	93102-43M42	3 - 1	93450-09M01	4 - 4		14 - 13
90387-06M88	21 - 31	90465-11M10	2 - 20	92990-06100	18 - 32		36 - 6	93450-17129	3 - 11		15 - 16
90387-06M89	11 - 25		6 - 2		20 - 5	93110-16004	26 - 2	93501-08001	25 - 61		16 - 7
90387-10M42	31 - 6		18 - 45	92990-06600	18 - 33		38 - 2	93604-08062	28 - 28		18 - 17
90387-12M02	19 - 6		24 - 4		28 - 36	93210-064A5	25 - 26	93605-14143	8 - 4	97095-06014	19 - 28
90387-18M03	22 - 27		28 - 15	92990-08600	33 - 34	93210-06ME6	28 - 35	93606-12019	27 - 12		21 - 34
90387-23002	26 - 21	90465-13M11	16 - 11	92990-12200	19 - 4		38 - 16		29 - 10		22 - 38
90389-22M01	29 - 22		23 - 19	92990-12600	19 - 8	93210-08287	10 - 3	93608-12M05	27 - 9		23 - 8
90401-20M00	2 - 27	90465-13M18	14 - 23	92995-05600	4 - 10		30 - 14	93608-16M16	6 - 21	97095-06020	4 - 11
90430-06014	4 - 13	90465-13M36	16 - 21		12 - 10	93210-09165	25 - 34	93700-06M03	22 - 8		6 - 28
	36 - 8	90467-08004	2 - 21		20 - 16	93210-10M74	25 - 52		23 - 11		13 - 12
90430-08020	28 - 5	90467-09M03	9 - 20	92995-06100	16 - 15	93210-11073	25 - 55	94701-00375	4 - 32		15 - 7
	38 - 10	90467-09M17	9 - 17	92995-06600	4 - 12	93210-11368	25 - 24	95380-04600	35 - 5		16 - 18
90430-12072	29 - 4	90467-10M04	9 - 16		6 - 23	93210-12MG9	8 - 13	95380-05600	9 - 10	97095-06025	6 - 22
	38 - 20	90467-15M14	6 - 32		9 - 15		36 - 18		20 - 17		9 - 26
90430-14115	2 - 9	90468-10005	19 - 33		11 - 20	93210-14515	8 - 14		28 - 10		11 - 19
	36 - 2		21 - 15		12 - 13		36 - 19		33 - 7		12 - 12
90430-14M09	26 - 24	90468-18008	21 - 9		13 - 13	93210-16275	31 - 10		34 - 8		16 - 16
	27 - 15	90480-06M19	16 - 29		14 - 7	93210-18397	25 - 44	95380-06600	18 - 30		21 - 26
	38 - 7	90480-09M12	18 - 3		15 - 8	93210-24M79	4 - 30		19 - 54	97095-06030	9 - 14
90445-07M53	24 - 21	90480-10M16	11 - 34		16 - 8		9 - 12		33 - 40		14 - 6
90445-07ME8	28 - 12	90480-12072	11 - 35		19 - 27		36 - 11	95380-06700	1 - 8		19 - 26
90445-07MF1	24 - 21	90480-13M24	18 - 35		22 - 39	93210-29M94	24 - 16		28 - 32	97095-06040	13 - 17
90445-09068	2 - 16	90480-25161	13 - 10		23 - 9	93210-33MG4	28 - 34	95380-12600	22 - 44	97095-08012	14 - 31
90445-09095	2 - 18	90501-10326	7 - 9		26 - 6		38 - 15		23 - 43	97095-08020	22 - 10
90445-09105	2 - 19	90501-18M01	28 - 56		27 - 17	93210-33MH2	8 - 12	95380-12700	24 - 42		23 - 14
90445-09M34	6 - 1	90501-23215	19 - 61	92995-08100	22 - 11		36 - 17	95780-06300	21 - 27		24 - 35
90445-10MG6	9 - 18	90506-18M40	18 - 20		23 - 15	93210-34MJ6	6 - 25	95895-06030	15 - 13	97095-08025	29 - 8
90445-10MH8	9 - 22	90508-20M44	21 - 32		24 - 31		36 - 14	95895-10040	8 - 6	97095-08035	29 - 16
90445-11M05	30 - 11	91318-04025	25 - 38		29 - 9	93210-48MG8	28 - 26	97013-06016	27 - 7	97095-08040	19 - 41
90445-11M06	30 - 9	91380-05025	12 - 8	92995-08600	14 - 32		38 - 14	97013-06025	27 - 4	97380-05025	33 - 8
90445-13M00	10 - 8	91380-05030	12 - 8		19 - 42	93210-50768	25 - 29	97013-06035	2 - 5	97380-08030	33 - 33
90445-13M01	10 - 6	91490-06012	6 - 20		24 - 36	93210-59MG7	28 - 19	97075-06025	26 - 8	97523-06425	11 - 18
90446-10M82	12 - 4		7 - 40	92995-10100	29 - 12		38 - 11		27 - 16	97595-06590	6 - 9
90446-10M86	11 - 40	91490-12010	21 - 29	92995-10600	22 - 34	93210-69MG6	28 - 50	97075-06050	26 - 5	97780-60525	24 - 9
90446-14M12	9 - 23	91490-20010	19 - 55		23 - 32		38 - 17	97075-08030	24 - 30	97803-04010	7 - 6
90464-09M13	18 - 25	91490-30025	29 - 24		24 - 12	93210-74MG5	28 - 51	97075-10040	29 - 11	97880-05016	26 - 17
90464-10M57	14 - 27	91690-30018	22 - 5		29 - 13		38 - 18	97080-08016	22 - 23	97880-06025	18 - 31
90465-05M87	14 - 21		23 - 5	92995-12200	22 - 42	93306-001U1	28 - 49		23 - 21	97885-06008	24 - 20
90465-06M88	13 - 15	91690-30025	19 - 16		23 - 41	93315-32224	28 - 11	97085-06010	23 - 35	97885-06012	16 - 20
	15 - 5	92903-06600	2 - 6	93101-22M00	28 - 53	93317-22204	28 - 52	97095-05012	4 - 9	97885-06016	16 - 23
90465-06M90	13 - 14		27 - 5		38 - 19	93332-00001	28 - 38		14 - 29		19 - 47
	14 - 22	92903-10600	19 - 62	93101-22M60	28 - 24	93332-00003	28 - 43	97095-05016	12 - 9		24 - 6
90465-08M07	24 - 23	92907-04600	4 - 26		38 - 13	93410-28M06	24 - 18	97095-05020	20 - 15	97885-06025	16 - 14
90465-08M63	14 - 17	92990-04100	35 - 4	93102-35M47	3 - 2	93420-36M01	26 - 22	97095-06010	4 - 27	97885-06040	19 - 49
	23 - 12	92990-04600	6 - 19		36 - 7	93430-06024	33 - 10		11 - 30	97980-04114	7 - 28
90465-08M75	14 - 24		7 - 39	93102-37M40	8 - 1	93430-10M00	22 - 31		22 - 18		37 - 12

NUMERICAL INDEX

PART NO.	REF. NO.	PART NO.	REF. NO.	PART NO.	REF. NO.	PART NO.	REF. NO.	PART NO.	REF. NO.
98507-04010	4 - 25								
98580-03015	33 - 38								
98580-04006	33 - 36								
98580-04008	7 - 17								
98580-04010	33 - 35								
98580-05010	33 - 37								
98586-05016	30 - 4								
98680-06525	22 - 21								
98785-05014	19 - 24								
99530-08012	2 - 3								
	4 - 16								
9E450-04433	35 - 2								
9E450-04533	35 - 3								

F30/F40
F30A/F40B
PARTS CATALOGUE
©2003 by Yamaha Motor Co., Ltd.
1st edition, March 2003
All rights reserved.
Any reprinting or unauthorized use
without the written permission of
Yamaha Motor Co., Ltd.
is expressly prohibited.
Printed in Japan.