

PARTS CATALOGUE

F50D '02(60A2)

FT50C '02(64J1)

FOREWORD

This Parts Catalogue is related to the parts for the model(s) in the below frame. When you are ordering replacement parts, please refer to this Parts Catalogue and quote both part numbers and part names correctly.

F50D'02(60A2), FT50C'02(64J1)

1. Modifications or additions which have been made after issue of the Parts Catalogue will be announced in the Yamaha Parts News.
It is advisable that you make necessary corrections to the Parts Catalogue according to the Yamaha Parts News.

2. Abbreviations
The Following abbreviations are used in this Parts Catalogue.

“UR” Use specified parts number.

“UN” Use as many as needed.

“AP” Alternate Parts

“LM” Local Made
(Parts need to be ordered locally)

“O/S” Over Size

3. Parts, which are to be supplied in an assembly, are listed with a dot(.) in front of the part name as shown below.

EXAMPLE

CARBURETOR ASSY

.JET, PILOT

.NOZZLE, MAIN

4. Number of component for assembly

The numeral appearing to the right of each component part indicates the quantity of parts for each assembly unit.

EXAMPLE

PART NO.	DESCRIPTION	□	田	田	田	REMARKS
6E0-85500-70	C.D.I. MAGNETO ASSY	1				
6E0-85550-70	.ROTOR ASSY	1				
6E0-15723-00-94.	.PULLY, STARTER	1				

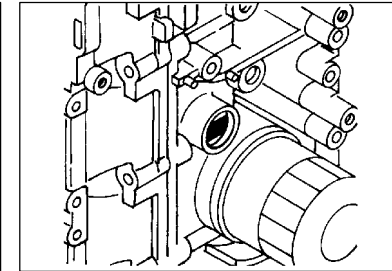
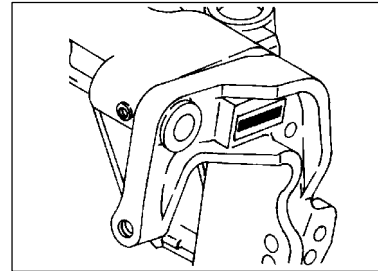
5. Quantity Column Information

NAME for Q'TY COLUMN	APPLICABLE MODEL
ET	F50DET, FT50CET
ED	FT50CED

6. Applicable Starting Serial No. and Color Code

1) Engine Starting Sserial No.

F50DET 62YZ L : 400111	FT50CED 64J L : 550101 FT50CET 64J L : 450624
------------------------	--



2) Color Code

Color Code	Color Name	Abbreviation
004D	DARK BLUISH GRAY METALLIC 2	DBNM2

7. Note that the illustrations for reference in finding parts numbers, not to be used for assembling. When assembling, please use the applicable service manual.

8. The asterisk (*) before a reference number indicates modification items after the first edition.

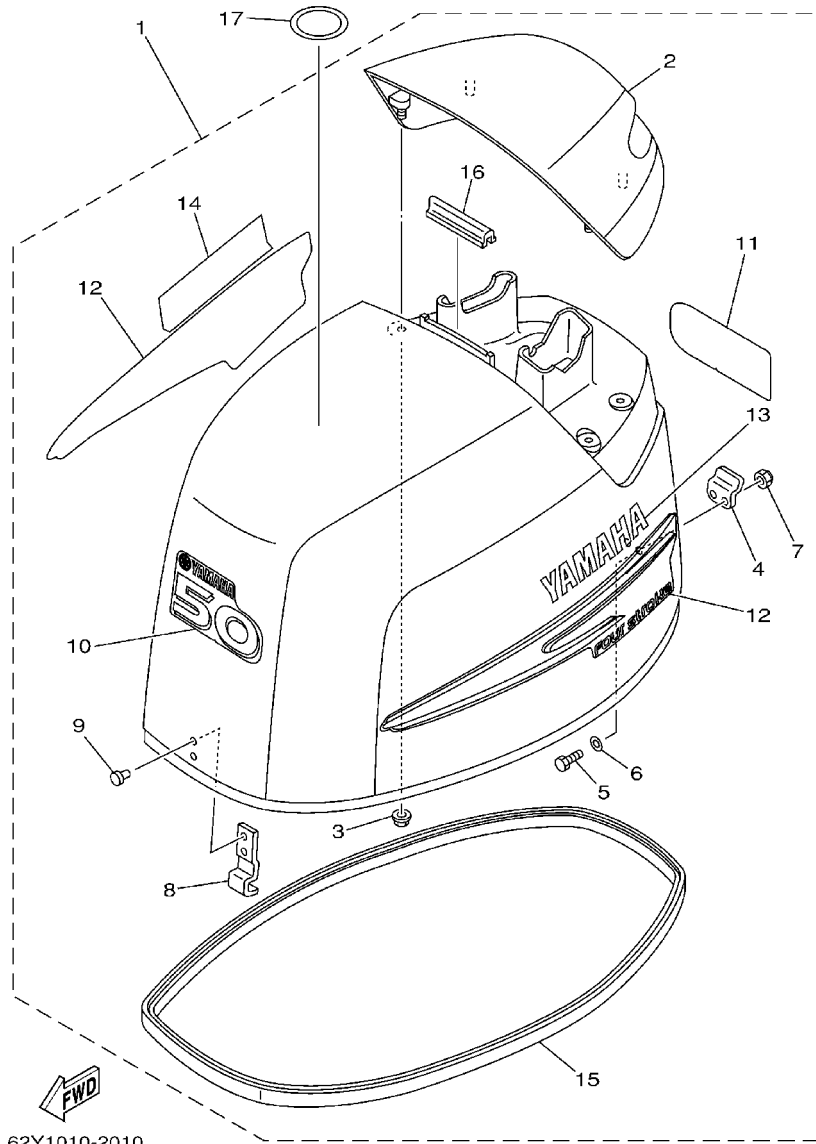
CONTENTS

TOP COWLING	1	POWER TRIM & TILT ASSY 2	34
CYLINDER, CRANKCASE 1	2	UPPER CASING	35
CRANKSHAFT, PISTON	4	OIL PAN	37
CYLINDER, CRANKCASE 2	5	LOWER CASING, DRIVE 1 (FOR F50D)	38
VALVE	7	LOWER CASING, DRIVE 2 (FOR F50D)	41
INTAKE	8	LOWER CASING, DRIVE 3 (FOR FT50C)	43
CARBURETOR	10	LOWER CASING, DRIVE 4 (FOR FT50C)	46
OIL PUMP	12	FUEL TANK 1	48
FUEL	13	FUEL TANK 2	49
GENERATOR	15	STEERING GUIDE	50
ELECTRICAL 1	16	REMOTE CONTROL BOX	51
ELECTRICAL 2	17	REMOTE CONTROL ASSY	52
ELECTRICAL 3	19	METER	55
STARTING MOTOR	20	REPAIR KIT 1	56
BOTTOM COWLING	21	REPAIR KIT 2	57
CONTROL	23	REPAIR KIT 3	58
BRACKET 1	25	REPAIR KIT 4	60
BRACKET 2	27		
BRACKET 3	29		
POWER TRIM & TILT ASSY 1	31		

INDEX

NUMERICAL INDEX	62
-----------------------	----

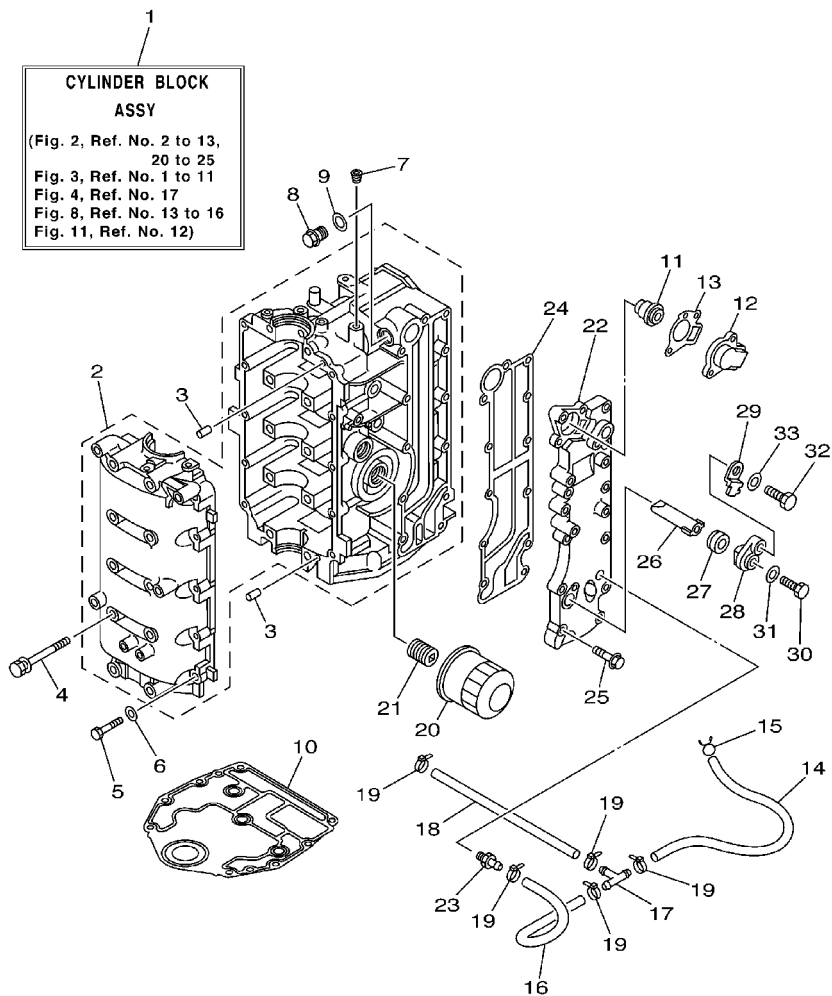
FIG. 1 TOP COWLING



62Y1010-2010

REF. NO.	PART NO.	DESCRIPTION	ET	ED	REMARKS
1	62Y-42610-30-4D	TOP COWLING ASSY	1		F50D
	64J-42610-10-4D	TOP COWLING ASSY	1	1	FT50C
2	62Y-42613-00-4D	.MOLDING, AIR DUCT	1	1	
3	90179-06M24	.NUT	4	4	
4	62Y-42652-00	.HOOK	1	1	
5	97095-05016	.BOLT	2	2	
6	92995-05600	.WASHER	2	2	
7	95780-05300	.NUT, NYLON	2	2	
8	62Y-42651-00	.HOOK	1	1	
9	90266-06M02	.RIVET	2	2	
10	62Y-42677-30	.GRAPHIC, FRONT	1	1	
11	62Y-42678-30	.GRAPHIC, REAR	1		F50D
	64J-42678-10	.GRAPHIC, REAR	1	1	FT50C
12	62Y-W0070-10	.GRAPHIC SET	1	1	
13	62Y-42681-10	.MARK, COWLING	1	1	
14	62Y-42682-10	.MARK, COWLING	1	1	
15	62Y-42615-10	.SEAL	1	1	
16	61N-42628-00	.SEAL	1	1	
17	67F-13434-02	LABEL, CAUTION	1	1	

FIG. 2 CYLINDER. CRANKCASE 1



REF. NO.	PART NO.	DESCRIPTION	ET	ED	REMARKS
1	60A-W009B-00-1S	CYLINDER BLOCK ASSY	1	1	
2	64J-15100-00-1S	CRANKCASE ASSY	1	1	
3	93606-12019	PIN, DOWEL	4	4	
4	90119-08M01	BOLT, WITH WASHER	10	10	
5	97013-06035	BOLT	10	10	
6	92903-06600	WASHER, PLATE	10	10	
7	90344-51003	PLUG, TAPER SCREW	1	1	
8	90340-14M06	PLUG, STRAIGHT SCREW	1	1	
9	90430-14115	GASKET	1	1	
10	67C-11351-00	GASKET, CYLINDER	1	1	
11	6G8-12411-02	THERMOSTAT	1	1	
12	6H3-12413-00-1S	COVER, THERMOSTAT	1	1	
13	62Y-12414-00	GASKET, COVER	1	1	
14	90445-09105	HOSE (L300)	1	1	
15	90467-08M18	CLIP	1	1	
16	90445-09068	HOSE (L110)	1	1	
17	688-24378-00	PIPE, JOINT 4	1	1	
18	90445-09095	HOSE (L215)	1	1	
19	90465-11M10	CLAMP	5	5	
20	5GH-13440-00	ELEMENT ASSY, OIL CLEANER	1	1	
21	90401-20M00	BOLT, UNION	1	1	
22	62Y-41113-20-1S	OUTER COVER, EXHAUST	1	1	
23	62Y-12481-10	PIPE 1	1	1	
24	62Y-41114-00	GASKET, EXHAUST OUTER COVER	1	1	
25	90119-06MA5	BOLT, WITH WASHER	12	12	
26	62Y-11325-00	ANODE	1	1	
27	66M-11328-00	GROMMET, ANODE	1	1	

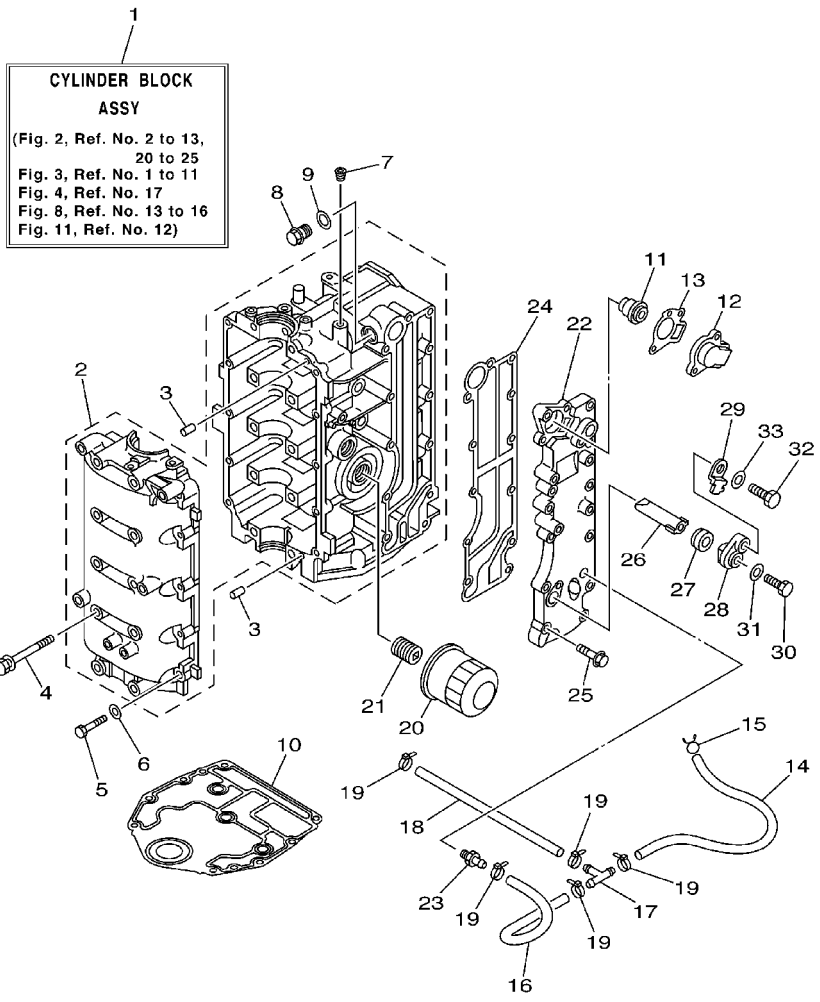
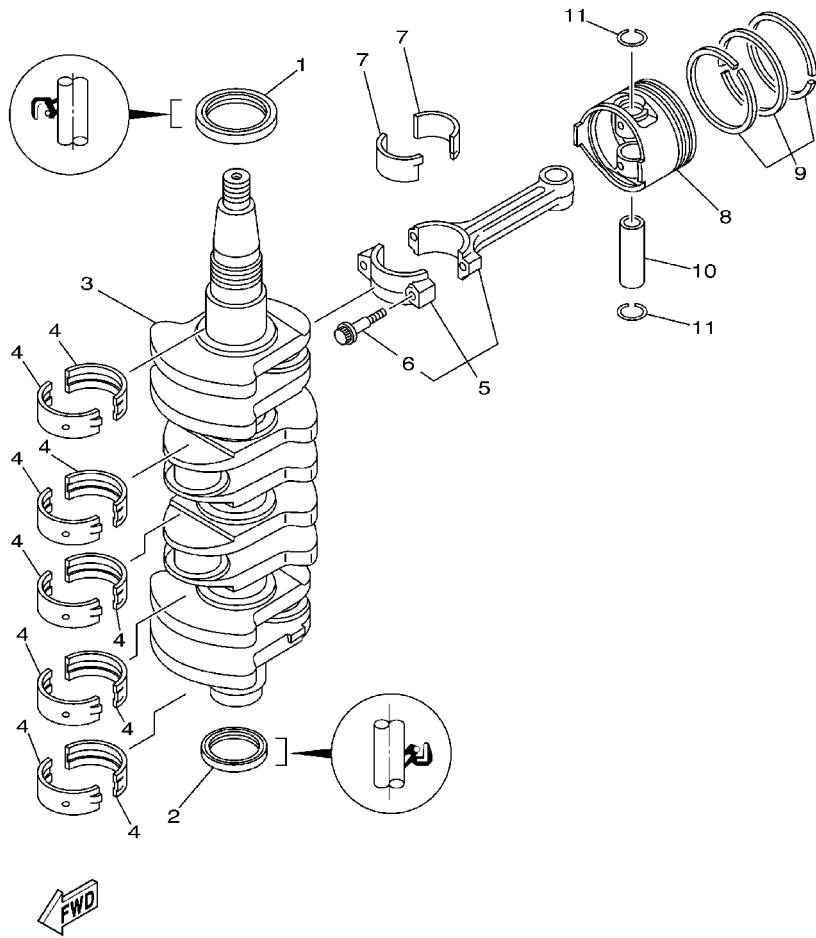


FIG. 2 CYLINDER. CRANKCASE 1

REF. NO.	PART NO.	DESCRIPTION	ET	ED	REMARKS
28	66M-11327-00-94	COVER, ANODE	1	1	
29	66M-12535-00	PLATE	1	1	
30	97095-05012	BOLT	1	1	
31	92995-05600	WASHER	1	1	
32	97013-06020	BOLT	1	1	
33	92903-06600	WASHER, PLATE	1	1	

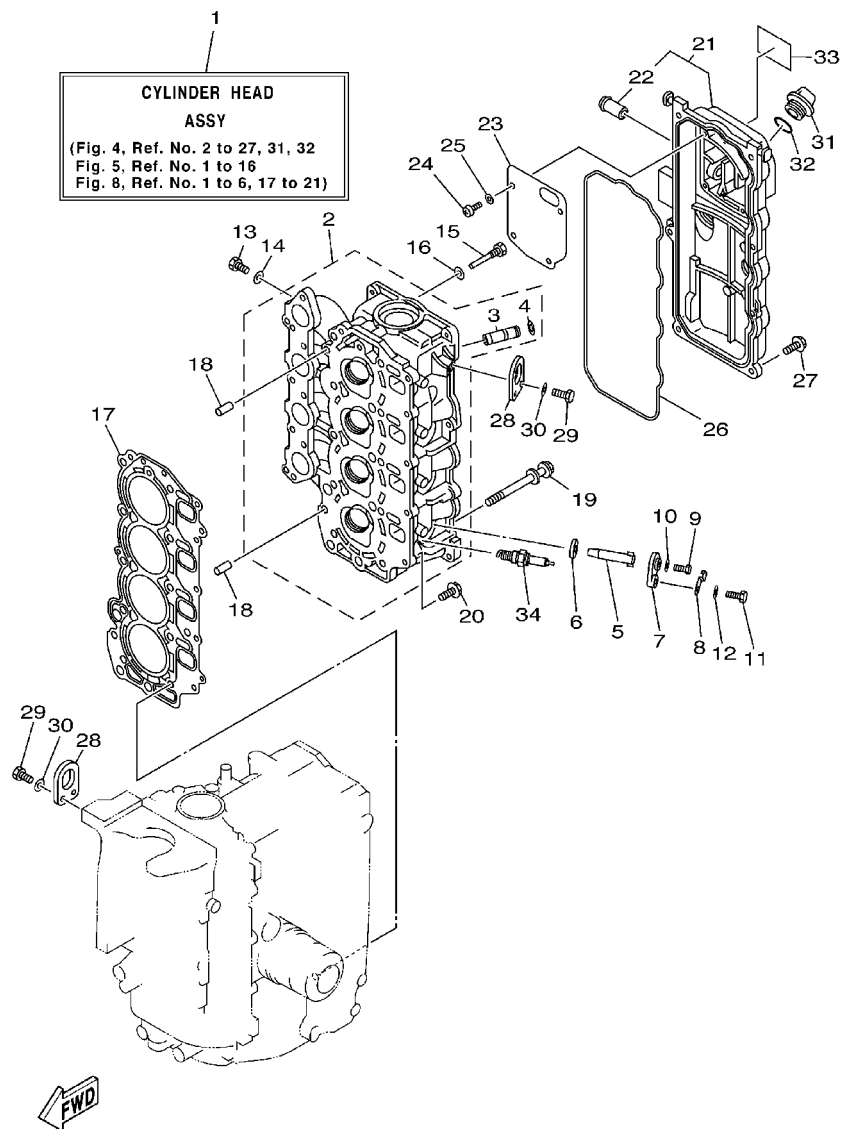

 60A2200-2020

FIG. 3 CRANKSHAFT. PISTON



62Y0010-1031

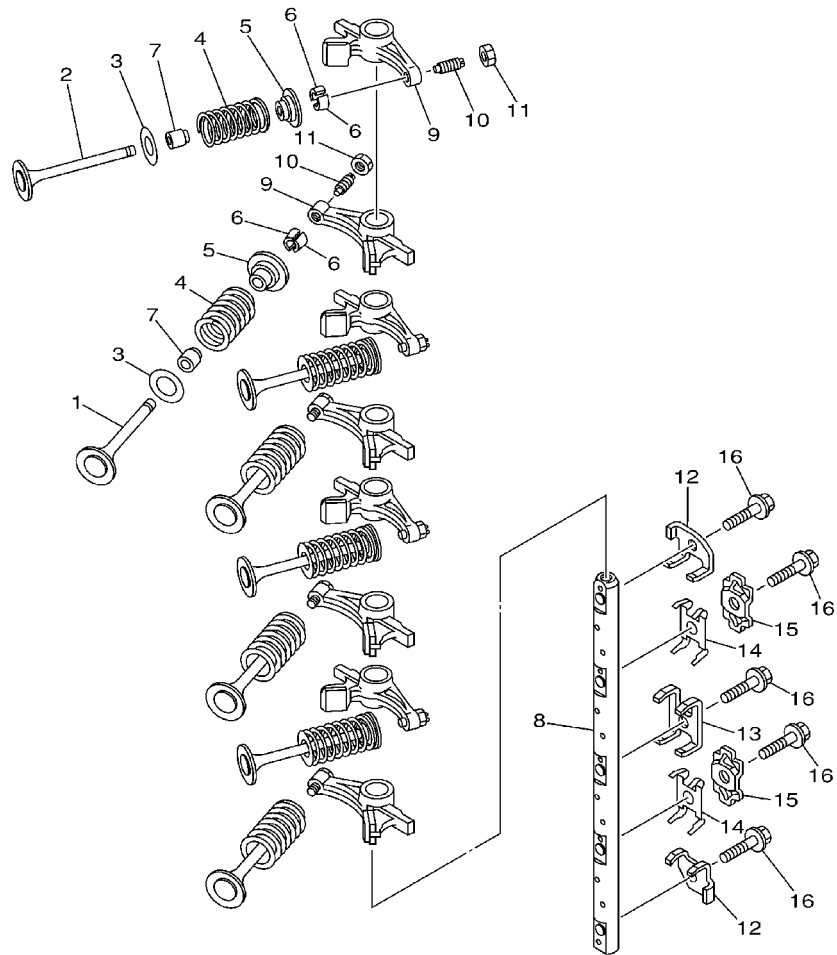
REF. NO.	PART NO.	DESCRIPTION	ET	ED			REMARKS
1	93102-43M42	OIL SEAL	1	1			
2	93101-35002	OIL SEAL	1	1			
3	62Y-11411-20	CRANKSHAFT	1	1			
4	62Y-11416-30	PLANE BEARING, CRANKSHAFT 1	10	10			UR YELLOW
	62Y-11416-40	PLANE BEARING, CRANKSHAFT 1	10	10			UR RED
	62Y-11416-50	PLANE BEARING, CRANKSHAFT 1	10	10			UR PINK
	62Y-11416-60	PLANE BEARING, CRANKSHAFT 1	10	10			UR GREEN
5	62Y-11650-10	CONNECTING ROD ASSY	4	4			
6	62Y-11654-00	.BOLT, CONNECTING ROD	2	2			
7	62Y-11656-30	PLANE BEARING, CONNECTING ROD	8	8			UR YELLOW
	62Y-11656-40	PLANE BEARING, CONNECTING ROD	8	8			UR RED
	62Y-11656-50	PLANE BEARING, CONNECTING ROD	8	8			UR PINK
	62Y-11656-60	PLANE BEARING, CONNECTING ROD	8	8			UR GREEN
8	62Y-11631-10-96	PISTON (STD)	4	4			
	62Y-11635-10	PISTON (0.25MM O/S)	4	4			AP
	62Y-11636-10	PISTON (0.50MM O/S)	4	4			AP
9	64J-11603-00	PISTON RING SET (STD)	4	4			
	64J-11604-00	PISTON RING SET (0.25MM O/S)	4	4			AP
	64J-11605-00	PISTON RING SET (0.50MM O/S)	4	4			AP
10	62Y-11633-00	PIN, PISTON	4	4			
11	93450-17129	CIRCLIP	8	8			



60A2200-2040

FIG. 4 CYLINDER. CRANKCASE 2

REF. NO.	PART NO.	DESCRIPTION	ET	ED	REMARKS
1	64J-W009A-00-1S	CYLINDER HEAD ASSY	1	1	
2	64J-11111-00-1S	HEAD, CYLINDER 1	1	1	
3	62Y-11133-30	.GUIDE, INTAKE VALVE	8	8	
4	93450-09M01	.CIRCLIP	8	8	
5	62Y-11325-00	ANODE	4	4	
6	66M-11328-00	GROMMET, ANODE	4	4	
7	66M-11327-00-94	COVER, ANODE	4	4	
8	66M-12535-00	PLATE	4	4	
9	97095-05012	BOLT	4	4	
10	92995-05600	WASHER	4	4	
11	97095-06020	BOLT	4	4	
12	92995-06600	WASHER	4	4	
13	97095-06010	BOLT	4	4	
14	90430-06014	GASKET	4	4	
15	90109-06M65	BOLT	1	1	
16	90430-06014	GASKET	1	1	
17	62Y-11181-00	GASKET, CYLINDER HEAD 1	1	1	
18	99530-08012	PIN, DOWEL	2	2	
19	90119-09M00	BOLT, WITH WASHER	10	10	
20	90119-06MA3	BOLT, WITH WASHER	5	5	
21	62Y-11191-01-1S	COVER, CYLINDER HEAD 1	1	1	
22	62Y-14485-00	.PIPE, JOINT	1	1	
23	62Y-11168-00	COVER, BREATHER	1	1	
24	98507-04010	SCREW, PAN HEAD	4	4	
25	92907-04600	WASHER	4	4	
26	62Y-11356-00	SEAL, CYLINDER 2	1	1	
27	90119-06MA2	BOLT, WITH WASHER	7	7	



62Y1010-2050

FIG. 5 VALVE

REF. NO.	PART NO.	DESCRIPTION	ET	ED	REMARKS
1	64J-12111-00	VALVE, INTAKE	4	4	
2	64J-12121-00	VALVE, EXHAUST	4	4	
3	62Y-12116-00	SEAT, VALVE SPRING	8	8	
4	51Y-12114-00	SPRING, VALVE OUTER	8	8	
5	30X-12117-00	RETAINER, VALVE SPRING	8	8	
6	30X-12118-00	COTTER, VALVE	16	16	
7	51Y-12119-00	SEAL, VALVE STEM	8	8	
8	62Y-12146-00	SHAFT, ROCKER	1	1	
9	62Y-12151-00	ARM, VALVE ROCKER	8	8	
10	64J-12159-00	SCREW, VALVE ADJUSTING	8	8	
11	62Y-12158-00	NUT, LOCK	8	8	
12	64J-12238-00	PLATE, BOLT STOPPER	2	2	
13	64J-12279-00	PLATE	1	1	
14	62Y-12216-00	SPRING	2	2	
15	62Y-12231-00	GUIDE, STOPPER 1	2	2	
16	90109-08M63	BOLT	5	5	

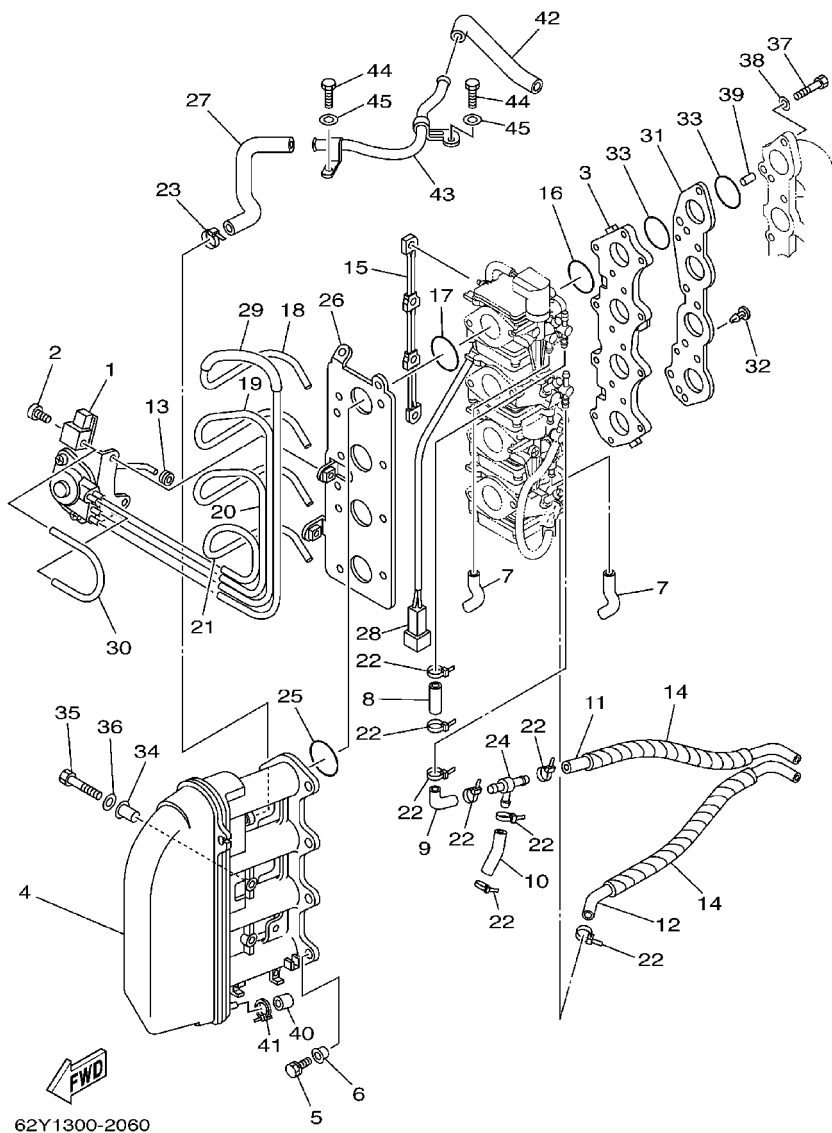


FIG. 6 INTAKE

REF. NO.	PART NO.	DESCRIPTION	ET	ED	REMARKS
1	62Y-14369-30	DIAPHRAGM ASSY 2	1	1	
2	650-14327-01	SCREW	3	3	
3	62Y-13586-30	JOINT, CARBURETOR 1	1	1	
4	62Y-14440-00	SILENCER ASSY, INTAKE	1	1	
5	97595-06590	BOLT, WITH WASHER	8	8	
6	90387-06M70	COLLAR	8	8	
7	62Y-24312-00	PIPE 2	2	2	
8	62Y-24313-30	PIPE 3	1	1	
9	62Y-24313-40	PIPE 3	2	2	
10	62Y-24313-50	PIPE 3	1	1	
11	62Y-24313-61	PIPE 3	1	1	
12	62Y-24313-70	PIPE 3	1	1	
13	62Y-41262-30	JOINT, CHOKE LEVER	1	1	
14	62Y-24313-80	PIPE 3	2	2	
15	64J-14585-00	ROD, CHOKE	1	1	
16	93210-30MH4	O-RING	4	4	
17	93210-35M86	O-RING	4	4	
18	64J-14349-01	PIPE	1	1	
19	64J-14349-11	PIPE	1	1	
20	64J-14349-21	PIPE	1	1	
21	64J-14349-31	PIPE	1	1	
22	90465-11M10	CLAMP	12	12	
23	90465-13M36	CLAMP	1	1	
24	62Y-24378-00	PIPE, JOINT 4	1	1	
25	93210-38MH3	O-RING	4	4	
26	62Y-14291-30	BRACKET 1	1	1	
27	62Y-1532B-00	PIPE, BREATHER	1	1	

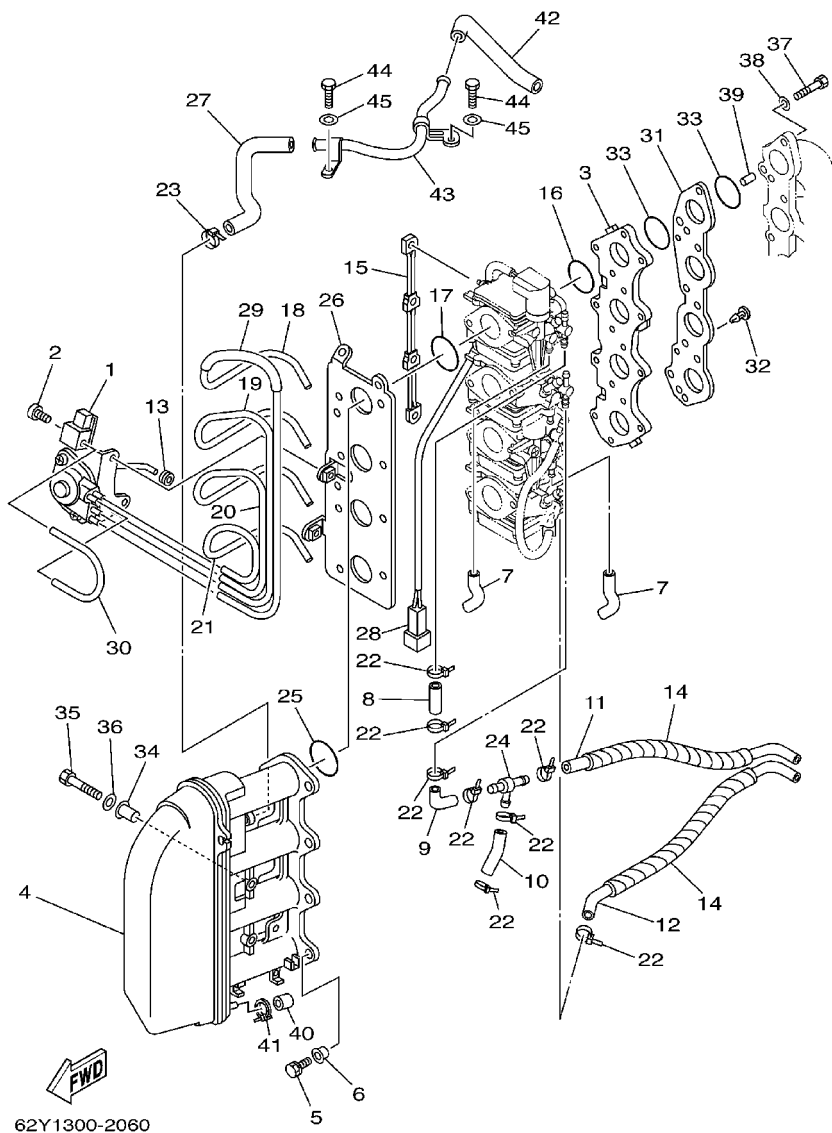


FIG. 6 INTAKE

REF. NO.	PART NO.	DESCRIPTION	ET	ED	REMARKS
28	62Y-82509-00	WIRE, SUB LEAD	1	1	
29	64J-14349-40	PIPE	1	1	
30	64J-14349-50	PIPE	1	1	
31	62Y-14271-00	INSULATOR	1	1	
32	90338-04M17	PLUG	2	2	
33	93210-35M86	O-RING	8	8	
34	90387-06M15	COLLAR	2	2	
35	97095-06030	BOLT	2	2	
36	92995-06600	WASHER	2	2	
37	97095-06025	BOLT	8	8	
38	92995-06600	WASHER	8	8	
39	93608-16M16	PIN, DOWEL	2	2	
40	62Y-13448-00	CAP	1	1	
41	90465-11M10	CLAMP	1	1	
42	62Y-1531A-00	HOSE, BREATHER 1	1	1	
43	62Y-15373-10	PIPE, BREATHER	1	1	
44	97095-06016	BOLT	2	2	
45	92995-06600	WASHER	2	2	

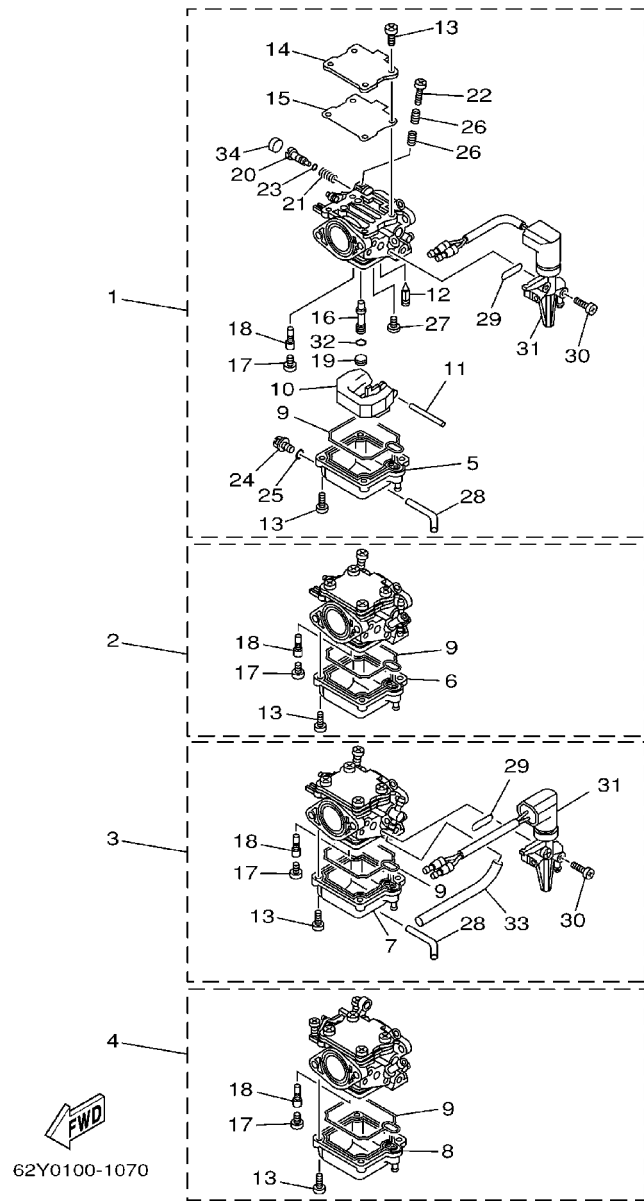
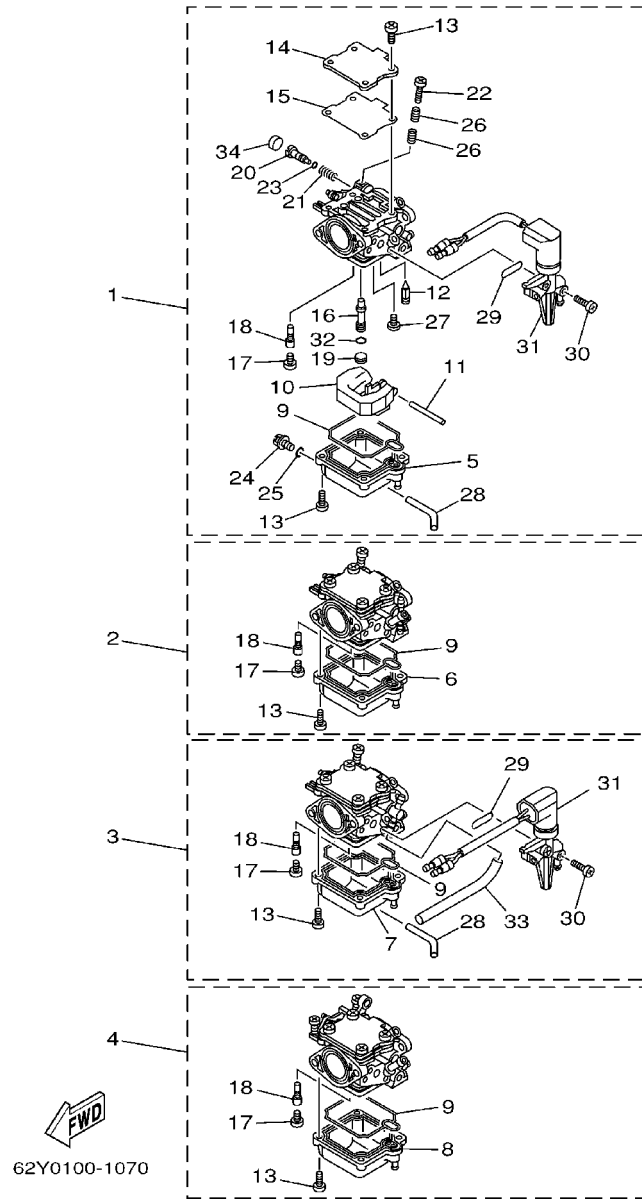


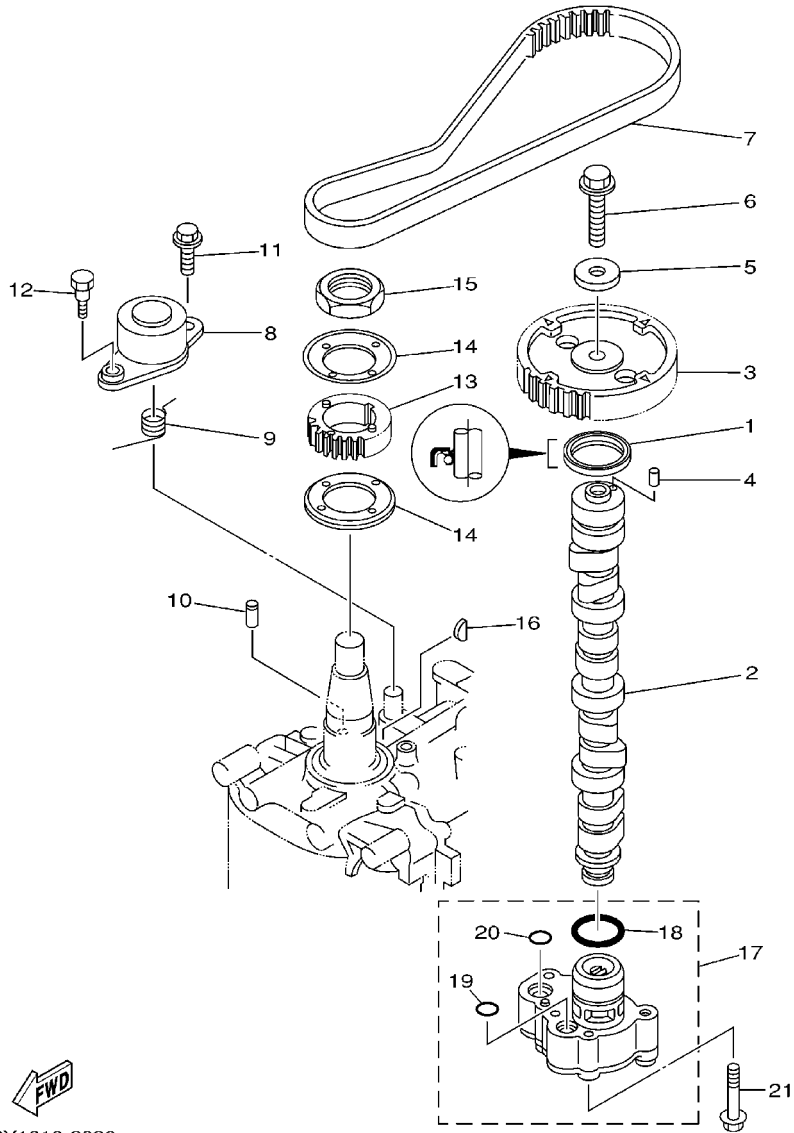
FIG. 7 CARBURETOR

REF. NO.	PART NO.	DESCRIPTION	ET	ED	REMARKS
1	62Y-14901-40	CARBURETOR ASSY 1	1		F50D
	62Y-14901-30	CARBURETOR ASSY 1	1	1	FT50C
2	62Y-14902-40	CARBURETOR ASSY 2	1		F50D
	62Y-14902-30	CARBURETOR ASSY 2	1	1	FT50C
3	62Y-14903-40	CARBURETOR ASSY 3	1		F50D
	62Y-14903-30	CARBURETOR ASSY 3	1	1	FT50C
4	62Y-14904-41	CARBURETOR ASSY 4	1		F50D
	62Y-14904-31	CARBURETOR ASSY 4	1	1	FT50C
5	62Y-14381-30	.BODY, FLOAT CHAMBER	1	1	#1
6	62Y-14381-40	.BODY, FLOAT CHAMBER	1	1	#2
7	62Y-14381-50	.BODY, FLOAT CHAMBER	1	1	#3
8	62Y-14381-61	.BODY, FLOAT CHAMBER	1	1	#4
9	62Y-14384-30	.GASKET, FLOAT CHAMBER	4	4	
10	6L2-14385-00	.FLOAT	4	4	
11	6E5-14386-01	.PIN, FLOAT	4	4	
12	62Y-14392-00	.VALVE, NEEDLE	4	4	
13	62Y-14321-00	.SCREW, THROTTLE	32	32	
14	62Y-14157-30	.COVER, MIXING	4	4	
15	62Y-14399-30	.GASKET	4	4	
16	62Y-14341-30	.NOZZLE, MAIN	4	4	
17	62Y-14343-62	.JET, MAIN (#124)	1	1	#1
	62Y-14343-63	.JET, MAIN (#126)	1	1	#2
	62Y-14343-58	.JET, MAIN (#116)	1	1	#3
	62Y-14343-57	.JET, MAIN (#114)	1	1	#4
18	64J-14342-20	.JET, PILOT (#39)	4	4	
19	62Y-14355-30	.PLUG	4	4	
20	62Y-14323-30	.SCREW, AIR ADJUSTING	4	4	

FIG. 7 CARBURETOR



REF. NO.	PART NO.	DESCRIPTION	ET	ED	REMARKS
21	62Y-14334-00	.SPRING, AIR ADJUSTING	4	4	
22	62Y-14321-10	.SCREW, THROTTLE	4	4	
23	2T4-14397-00	.O-RING	4	4	
24	62Y-14383-30	.SCREW, DRAIN	4	4	
25	652-14397-00	.O-RING	4	4	
26	62Y-14212-00	.SPRING, PILOT ADJUSTING	8	8	
27	98980-04006	.SCREW, BIND	4	4	
28	62Y-24311-30	.PIPE, FUEL 1	2	2	#1,3
29	62Y-14398-30	.GASKET	2	2	#1,3
30	62Y-14567-30	.SCREW	2	2	#1
	62Y-14567-40	.SCREW	2	2	#3
31	62Y-14380-10	.PRIME STARTER ASSY	1	1	#1
	62Y-14380-20	.PRIME STARTER ASSY	1	1	#3
32	62Y-14227-00	.WASHER	4	4	
33	62Y-24313-90	.PIPE 3	1	1	#3
34	62Y-1432A-01	.PLUG	4		FOR F50D

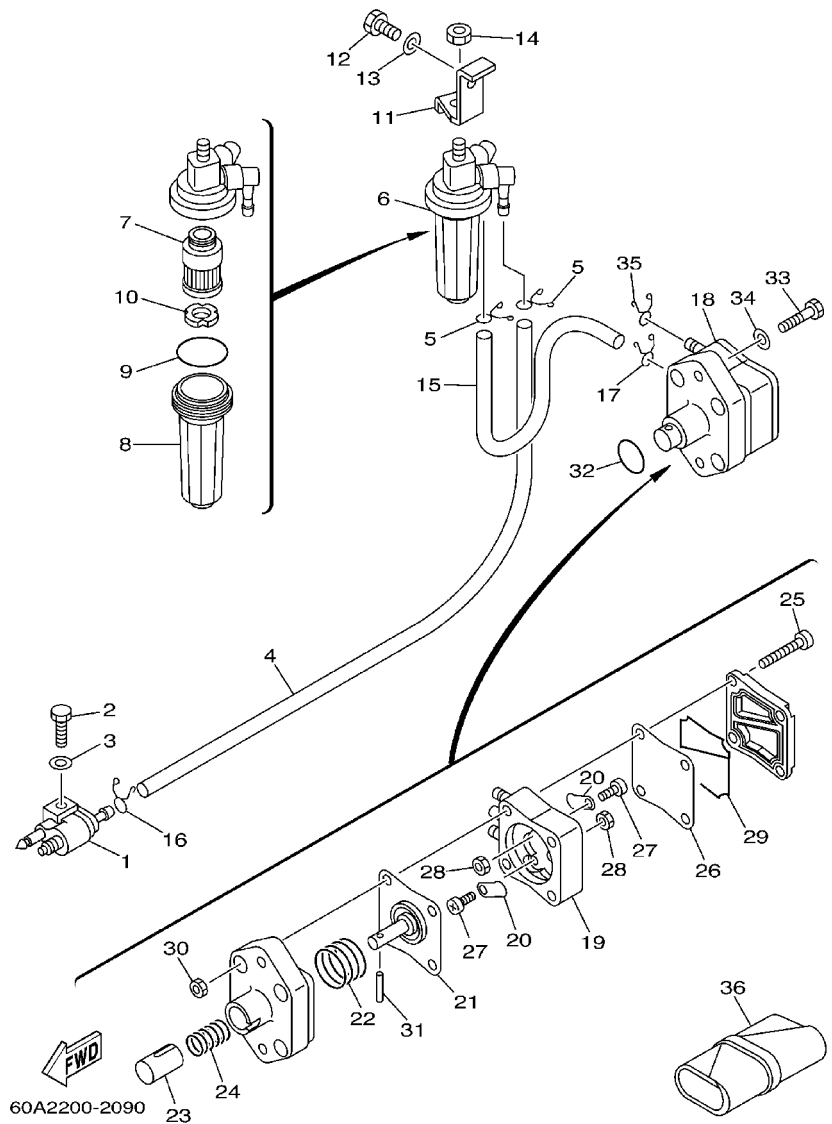


62Y1010-2090

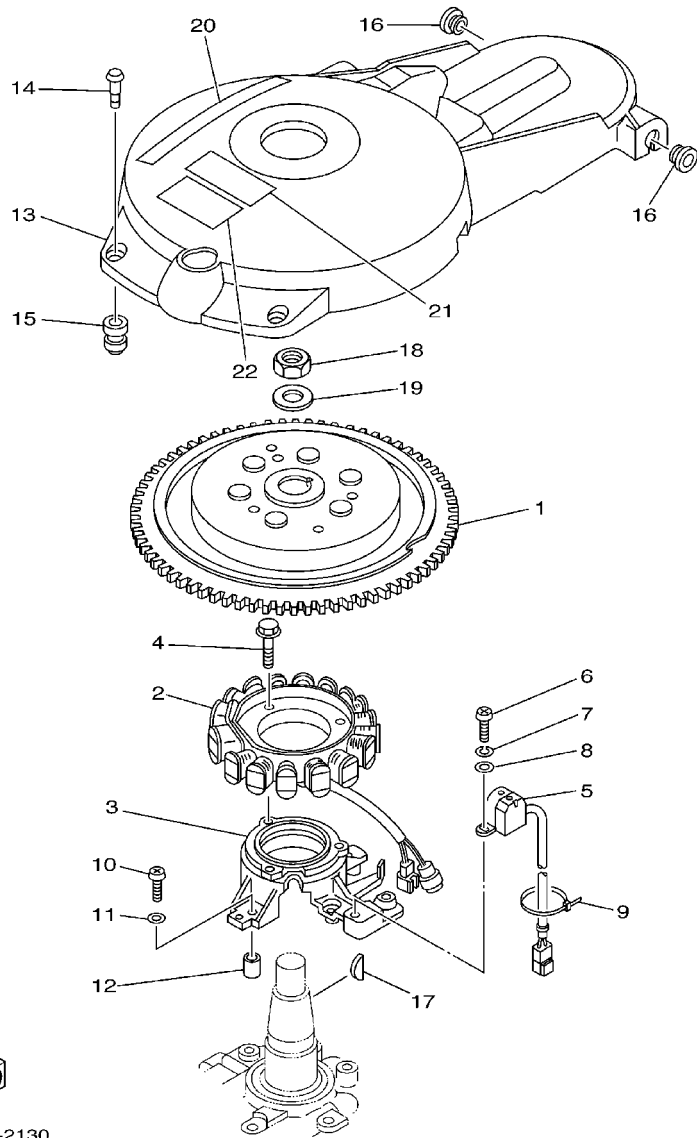
FIG. 8 OIL PUMP

REF. NO.	PART NO.	DESCRIPTION	ET	ED	REMARKS
1	93102-37M40	OIL SEAL	1	1	
2	62Y-12171-00	CAMSHAFT 1	1	1	
3	62Y-11537-10	GEAR, DRIVEN	1	1	
4	93605-14143	PIN, DOWEL	1	1	
5	90201-10M06	WASHER, PLATE	1	1	
6	95895-10040	BOLT, FLANGE	1	1	
7	62Y-46241-00	BELT	1	1	
8	62Y-11590-10	TENSIONER ASSY	1	1	
9	90508-20018	SPRING, TORSION	1	1	
10	90249-07M29	PIN	1	1	
11	95895-08020	BOLT, FLANGE	1	1	
12	90109-06M64	BOLT	1	1	
13	62Y-11536-10	GEAR, DRIVE	1	1	
14	62Y-11557-00	WASHER 1	2	2	
15	90170-35M32	NUT	1	1	
16	90280-04M06	KEY, WOODRUFF	1	1	
17	62Y-13300-00	OIL PUMP ASSY	1	1	
18	93210-33MH2	.O-RING	1	1	
19	93210-12MG9	.O-RING	1	1	
20	93210-14515	.O-RING	1	1	
21	90119-06MA6	BOLT, WITH WASHER	4	4	

FIG. 9 FUEL



REF. NO.	PART NO.	DESCRIPTION	EL	ED	REMARKS
1	6G1-24304-02	FUEL PIPE JOINT COMP. 1	1	1	
2	97095-06025	BOLT	1	1	
3	92995-06600	WASHER	1	1	
4	90445-10020	HOSE	1	1	
5	90467-09M17	CLIP	2	2	
6	64J-24560-00	FILTER ASSY	1	1	
7	68V-24563-00	.ELEMENT, FILTER	1	1	
8	68V-24521-00	.CUP, FILTER	1	1	
9	93210-32738	.O-RING	1	1	
10	68V-24469-00	.FLOAT, WATER LEVEL	1	1	
11	62Y-24566-00	BRACKET, FILTER	1	1	
12	97095-08014	BOLT	1	1	
13	92995-08600	WASHER	1	1	
14	95380-08600	NUT	1	1	
15	90445-10M48	HOSE (L205)	1	1	
16	90467-09M17	CLIP	1	1	
17	90467-10M04	CLIP	1	1	
18	62Y-24410-02	FUEL PUMP ASSY	1	1	
19	62Y-24413-00	.BODY 2	1	1	
20	62Y-24421-01	.VALVE, CHECK	2	2	
21	62Y-24411-02	.DIAPHRAGM	1	1	
22	62Y-24423-00	.SPRING, DIAPHRAGM	1	1	
23	62Y-13131-01	.PLUNGER	1	1	
24	62Y-24454-00	.SPRING	1	1	
25	62Y-24444-00	.SCREW	4	4	
26	62Y-24471-00	.DIAPHRAGM	1	1	
27	6A0-14325-00	.SCREW, PAN HEAD	2	2	

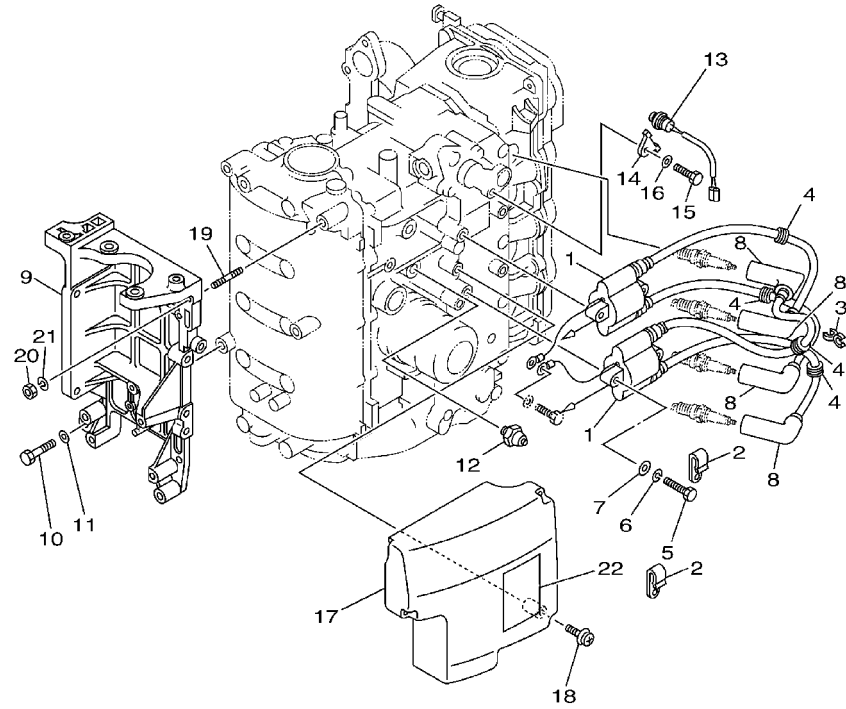


FWD
62Y1300-2130

FIG. 10 GENERATOR

REF. NO.	PART NO.	DESCRIPTION	ET	ED	REMARKS
1	64J-85550-00	ROTOR ASSY	1	1	
2	64J-85510-00	STATOR ASSY	1	1	
3	62Y-85561-00-94	BASE, MAGNETO	1	1	
4	95023-06025	BOLT, FLANGE	3	3	
5	62Y-85580-00	COIL, PULSER	1	1	
6	97880-05012	SCREW, PAN HEAD	2	2	
7	92990-05100	WASHER, SPRING	2	2	
8	92990-05600	WASHER, PLATE	2	2	
9	90465-13M97	CLAMP	1	1	
10	97880-06025	SCREW, PAN HEAD	4	4	
11	92990-06600	WASHER, PLATE	4	4	
12	99530-08012	PIN, DOWEL	2	2	
13	62Y-81337-11	COVER, FLYWHEEL	1	1	
14	6K7-81338-01	CLAMP, LEAD	2	2	
15	663-82317-01	DAMPER, IGNITION COIL	2	2	
16	90480-12072	GROMMET	2	2	
17	6H4-11545-00	KEY, WOODRUFF	1	1	
18	90170-20137	NUT	1	1	
19	90201-21M18	WASHER, PLATE	1	1	
20	62Y-13437-60	MARK, CAUTION	1	1	
21	6A1-83625-41	MARK 5	1	1	
22	6A1-83625-51	MARK 5	1	1	

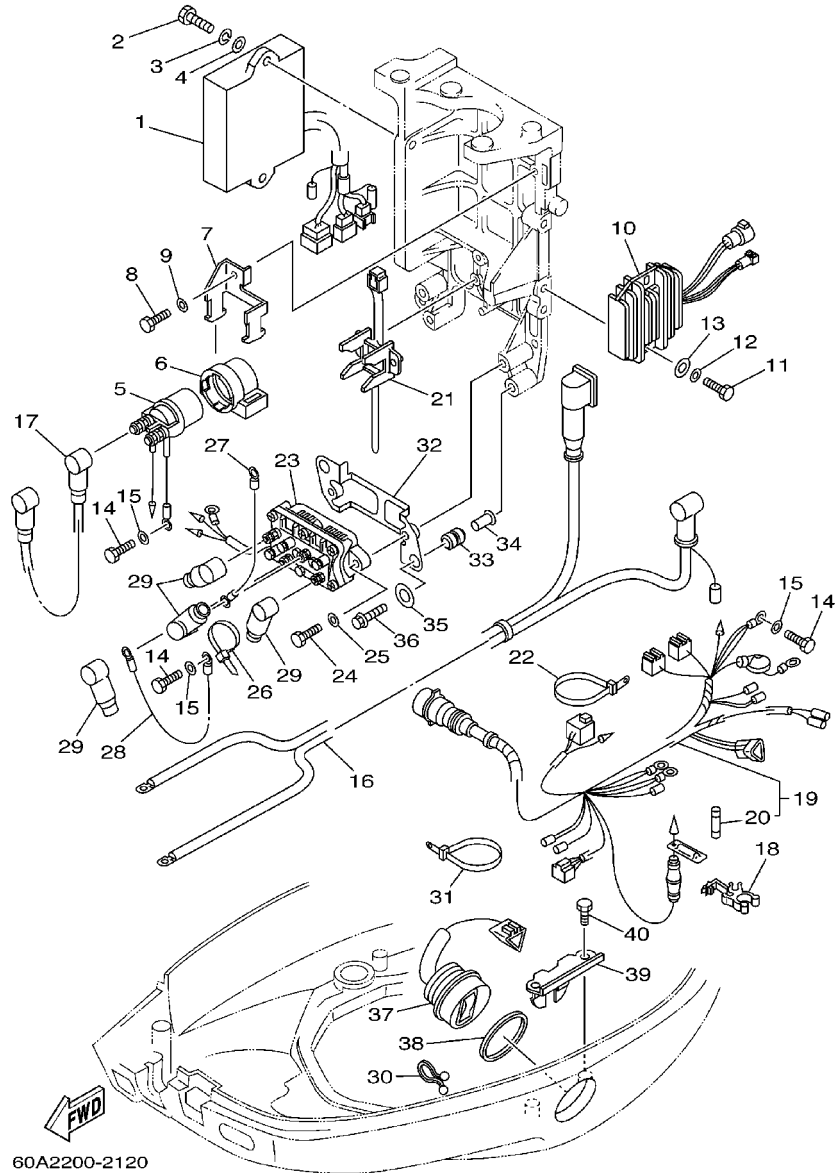
FIG. 11 ELECTRICAL 1



62Y1010-2110

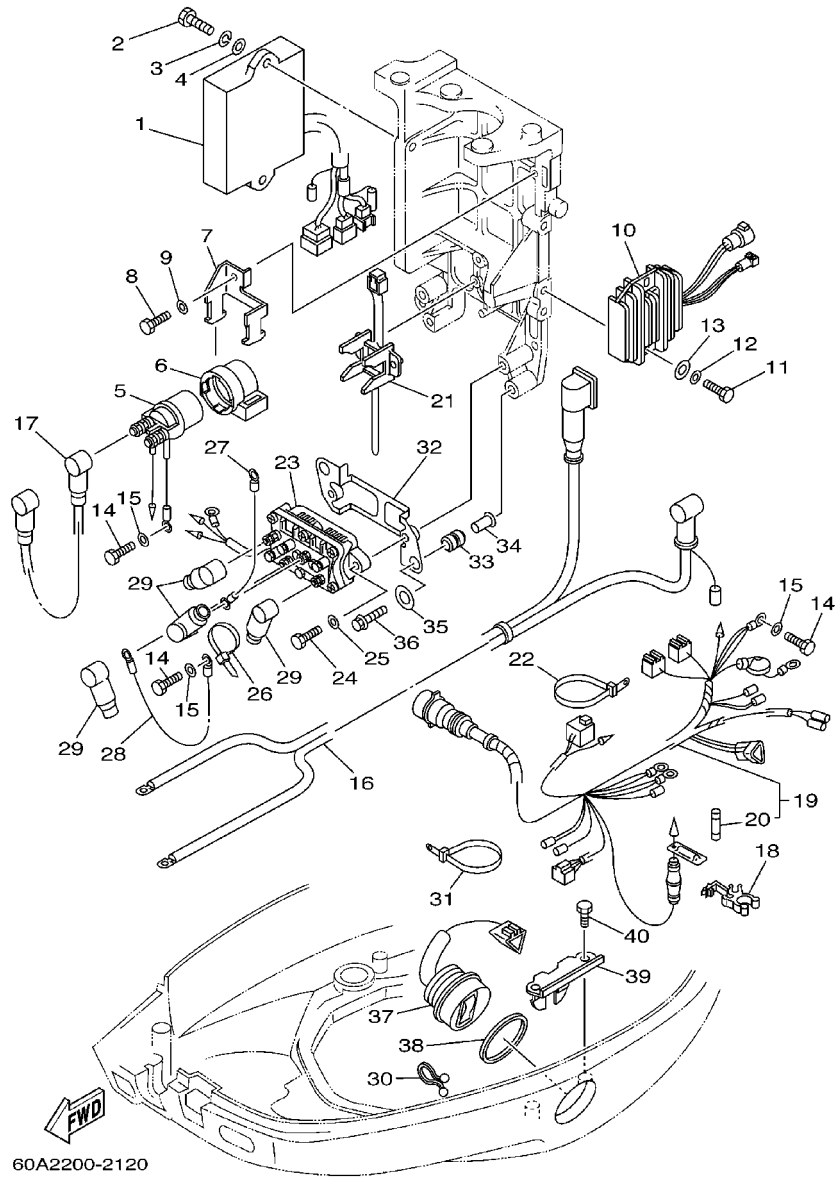
REF. NO.	PART NO.	DESCRIPTION	ET	ED	REMARKS
1	62Y-85570-00	IGNITION COIL ASSY	2	2	
2	90465-06M90	CLAMP	2	2	
3	90464-07M41	CLAMP	1	1	
4	90480-25161	GROMMET	4	4	
5	97095-06030	BOLT	4	4	
6	92995-06100	WASHER, SPRING	4	4	
7	92995-06600	WASHER	4	4	
8	6G8-82370-30	PLUG CAP ASSY	4	4	
9	62Y-81822-01-94	BRACKET, STARTING MOTOR	1	1	
10	97095-08035	BOLT	3	3	
11	92995-08600	WASHER	3	3	
12	64J-82504-00	OIL PRESSURE SWITCH ASSY	1	1	
13	62Y-82560-01	THERMO SWITCH ASSY	1	1	
14	6E9-82588-00	PLATE	1	1	
15	97095-06012	BOLT	1	1	
16	92995-06600	WASHER	1	1	
17	62Y-85599-00	COVER	1	1	
18	90159-06M08	SCREW, WITH WASHER	3	3	
19	90116-08M14	BOLT, STUD	1	1	
20	95380-08600	NUT	1	1	
21	92990-08100	WASHER, SPRING	1	1	
22	62Y-83626-00	MARK 6	1	1	

FIG. 12 ELECTRICAL 2



60A2200-2120

REF. NO.	PART NO.	DESCRIPTION	ET	ED				REMARKS
1	64J-85540-11	C.D.I. UNIT ASSY	1	1				
2	97095-06020	BOLT	2	2				
3	92995-06100	WASHER, SPRING	2	2				
4	92995-06600	WASHER	2	2				
5	6G1-81941-10	STARTER RELAY ASSY	1	1				
6	6G1-81952-00	HOLDER, RELAY	1	1				
7	6L2-81945-00	PLATE, SWITCH FITTING	1	1				
8	97095-06014	BOLT	1	1				
9	92995-06600	WASHER	1	1				
10	64J-81960-10	RECTIFIER & REGULATOR ASSY	1	1				
11	97095-06040	BOLT	2	2				
12	92995-06600	WASHER	2	2				
13	90201-06M05	WASHER, PLATE	2	2				
14	97095-06012	BOLT	4	4				
15	92995-06600	WASHER	4	4				
16	62Y-82105-00	WIRE HARNESS	1	1				
17	6E5-82117-01	WIRE, LEAD	1	1				
18	6G5-82152-00	HOLDER, FUSE	1	1				
19	64J-82590-30	WIRE HARNESS ASSY	1					
	64J-82590-20	WIRE HARNESS ASSY		1				
20	663-82151-00	FUSE (12V-20A)	1	1				
21	688-82594-00	CLAMP	1	1				
22	90465-13M24	CLAMP	1	1				
23	6H1-81950-00	RELAY ASSY	1					
24	97095-06020	BOLT	2					
25	92995-06600	WASHER	2					
26	90465-13M11	CLAMP	1					



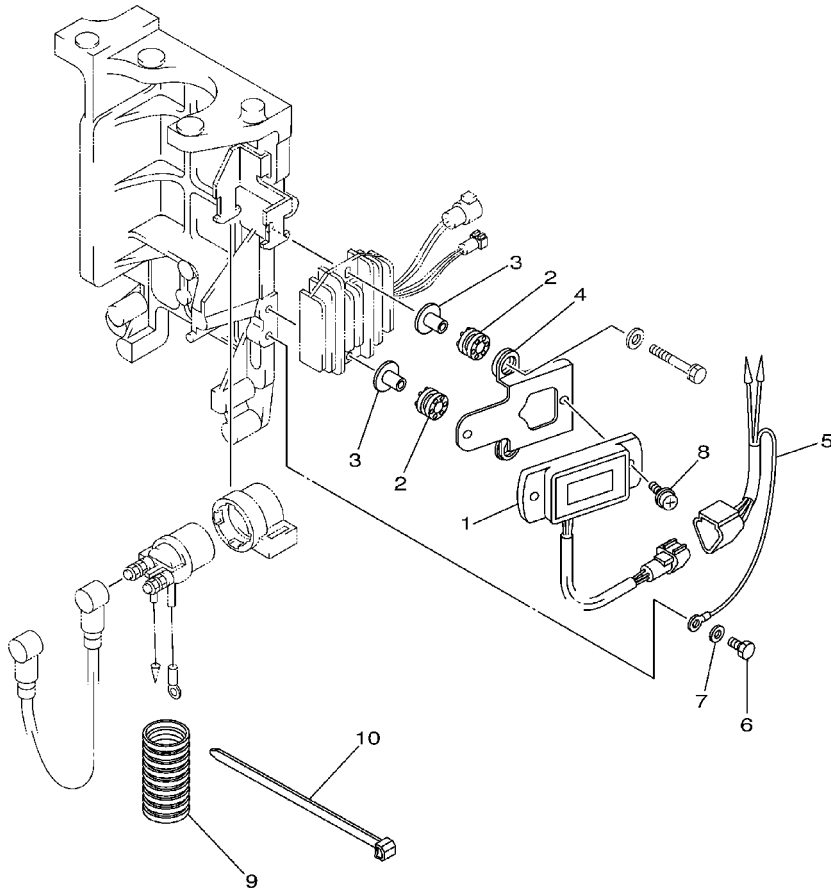
60A2200-2120

FIG. 12 ELECTRICAL 2

REF. NO.	PART NO.	DESCRIPTION	ET	ED	REMARKS
27	6H2-81949-01	WIRE, LEAD	1		
28	61A-81949-00	WIRE, LEAD	1		
29	682-82119-01	COVER, LEAD WIRE	4		
30	90464-15M11	CLAMP	1		
31	90465-13M24	CLAMP	1		
32	62Y-81948-00	BRACKET	1		
33	6A0-82317-00	DAMPER, IGNITION COIL	2		
34	624-42542-00	PIPE	2		
35	90201-12M16	WASHER, PLATE	2		
36	95895-06025	BOLT, FLANGE	2		
37	63D-82563-10	TRIM & TILT SWITCH ASSY	1		
38	6E5-82587-00	GASKET	1		
39	62Y-83614-00	BRACKET	1		
40	97095-06012	BOLT	2		

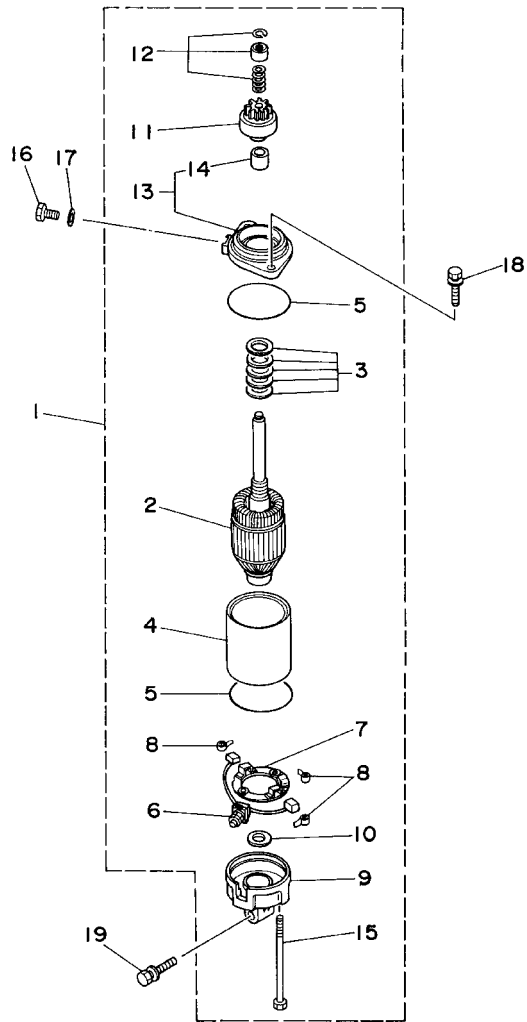
FIG. 13 ELECTRICAL 3

REF. NO.	PART NO.	DESCRIPTION	ET	ED	REMARKS
1	6Y5-83504-20	HOUR METER ASSY	1	1	
2	64J-85516-00	SPACER	2	2	
3	69M-42758-00	COLLAR	2	2	
4	64J-83519-00	BRACKET, METER	1	1	
5	64J-82553-00	EXTENSION, WIRE LEAD	1	1	
6	97095-06012	BOLT	1	1	
7	92995-06600	WASHER	1	1	
8	90159-05M13	SCREW, WITH WASHER	2	2	
9	6K3-83557-00	TUBE	1	1	
10	90465-13M24	CLAMP	1	1	



60A2200-2130

FIG. 14 STARTING MOTOR

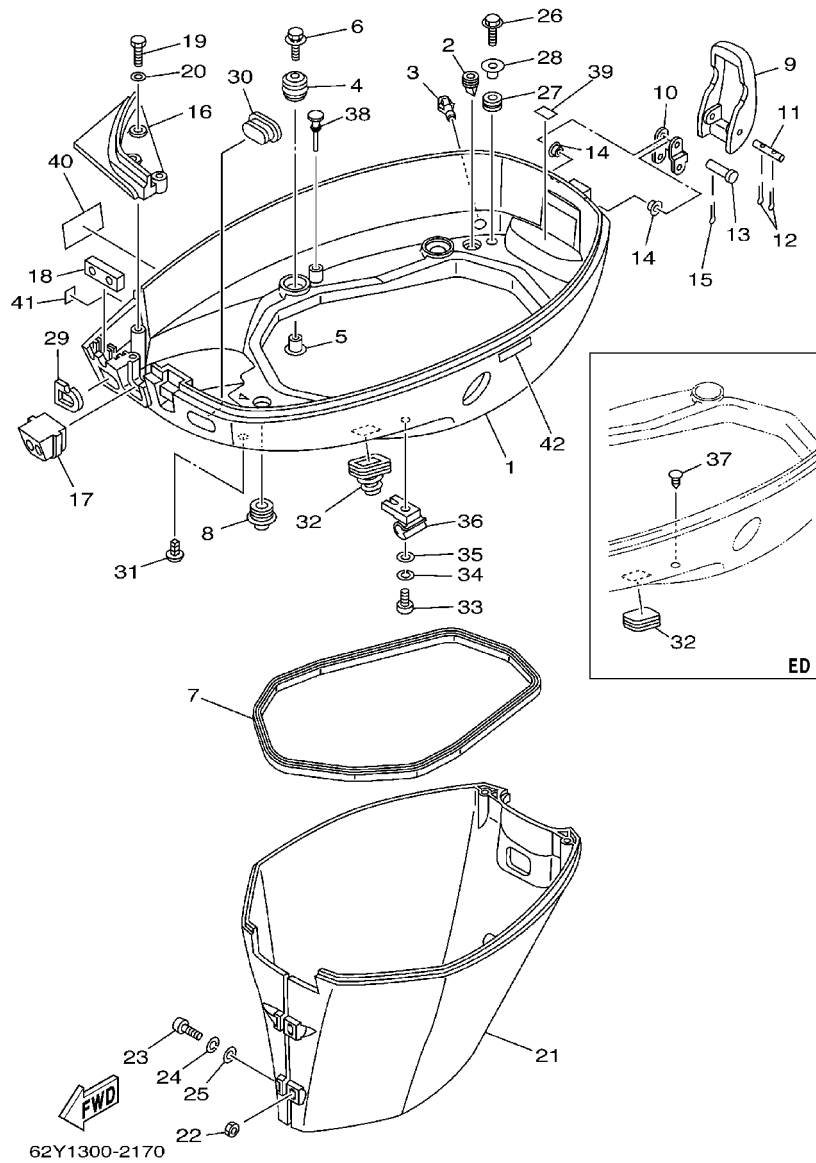


REF. NO.	PART NO.	DESCRIPTION	ET	ED	REMARKS
1	6E5-81800-12	STARTING MOTOR ASSY	1	1	
2	6E5-81850-11	.ARMATURE ASSY	1	1	
3	6E5-81809-10	.WASHER KIT	1	1	
4	6E5-81810-10	.STATOR ASSY	1	1	
5	6E5-81847-10	.O-RING	2	2	
6	6E5-81801-10	.BRUSH SET	1	1	
7	6E5-81840-10	.BRUSH HOLDER ASSY	1	1	
8	6E5-81813-10	.SPRING, BRUSH	3	3	
9	6E5-81820-11	.REAR BRACKET ASSY	1	1	
10	6E5-81824-00	.WASHER 2	1	1	
11	6E5-81807-11	.GEAR ASSY, STARTING MOTOR	1	1	
12	61H-81857-00	.RETAINER	1	1	
13	6E5-81830-10	.FRONT BRACKET ASSY	1	1	
14	688-81831-00	..METAL, FRONT	1	1	
15	6E5-81826-10	.BOLT	2	2	
16	97095-08016	BOLT	1	1	
17	92995-08600	WASHER	1	1	
18	90119-08M76	BOLT, WITH WASHER	2	2	
19	90119-08M77	BOLT, WITH WASHER	1	1	



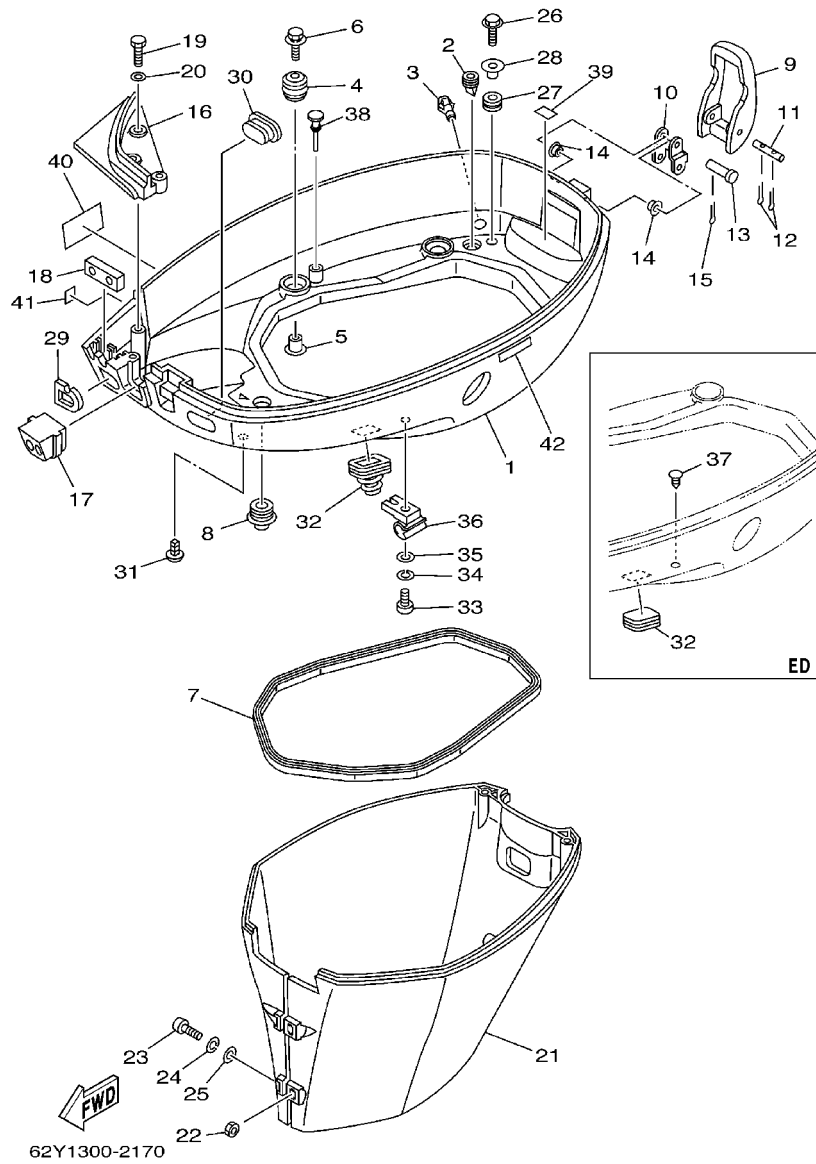
62Y0010-5150

FIG. 15 BOTTOM COWLING

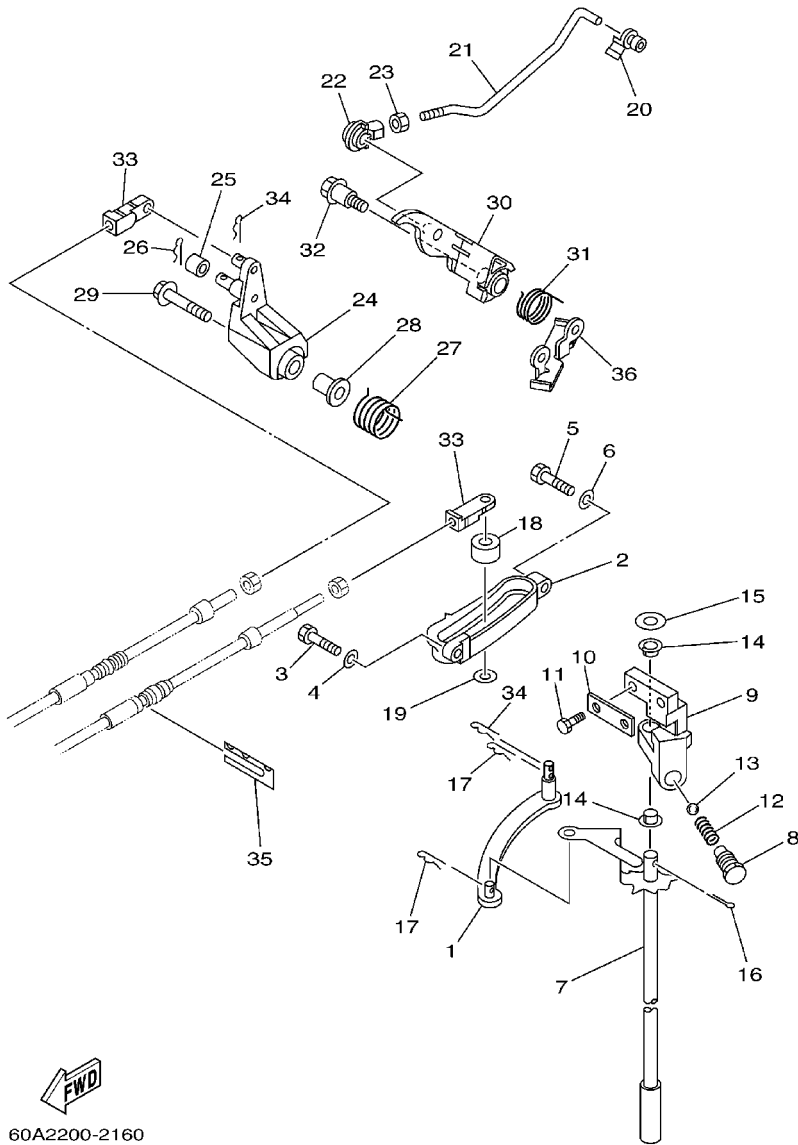


REF. NO.	PART NO.	DESCRIPTION	ET	ED				REMARKS
1	62Y-42711-14-4D	COWLING, BOTTOM	1					
	62Y-42711-04-4D	COWLING, BOTTOM		1				
2	65W-42717-00	RUBBER, SEAL 2	4	4				
3	6H3-44391-01	NIPPLE, HOSE	1	1				
4	90480-09M12	GROMMET	4	4				
5	90387-06M69	COLLAR	4	4				
6	90119-06M08	BOLT, WITH WASHER	4	4				
7	62Y-42716-00	RUBBER, SEAL 1	1	1				
8	6E5-42724-00	GROMMET	1	1				
9	62Y-42828-00-4D	PLATE, CLAMP	1	1				
10	62Y-42815-00	LEVER, CLAMP	1	1				
11	90249-05M30	PIN	1	1				
12	91490-16010	PIN, COTTER	2	2				
13	90240-05M19	PIN, CLEVIS	1	1				
14	90386-05002	BUSH	2	2				
15	91490-16010	PIN, COTTER	1	1				
16	62Y-42738-01-5B	PLATE, FITTING	1	1				
17	62Y-42725-00	GROMMET	1	1				
18	62Y-42727-00	GROMMET	1	1				
19	97095-06020	BOLT	3	3				
20	92995-06600	WASHER	3	3				
21	62Y-42741-00-4D	APRON	1	1				
22	95380-06600	NUT, HEXAGON	2	2				
23	97880-06025	SCREW, PAN HEAD	2	2				
24	92990-06100	WASHER, SPRING	2	2				
25	92990-06600	WASHER, PLATE	2	2				
26	95895-06016	BOLT, FLANGE	2	2				

FIG. 15 BOTTOM COWLING



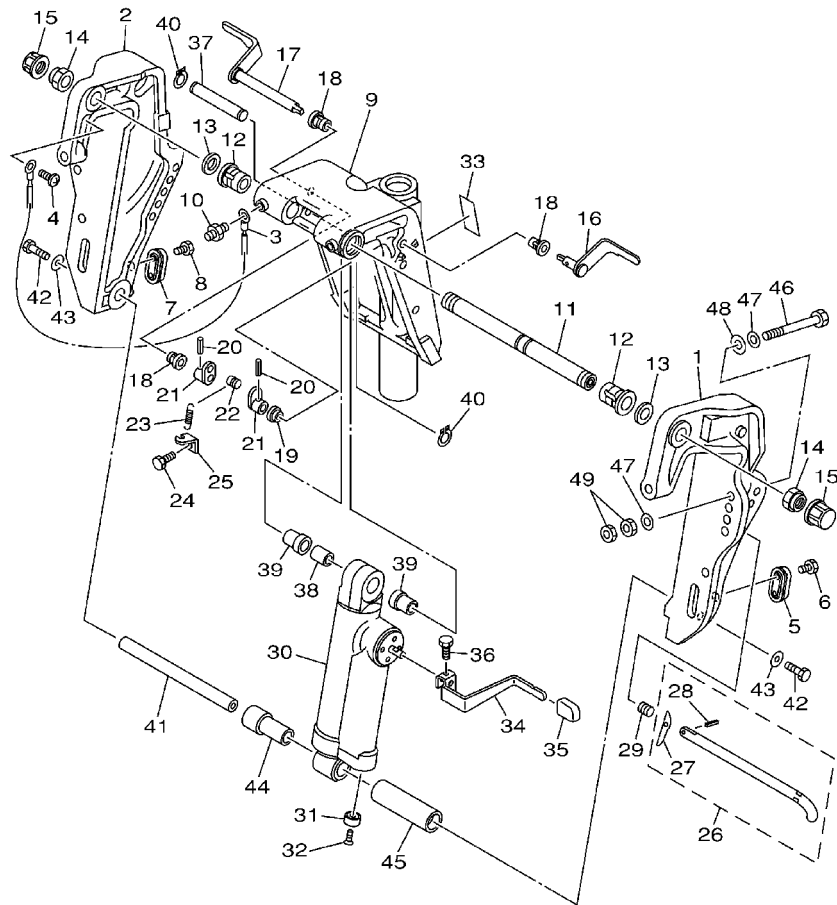
REF. NO.	PART NO.	DESCRIPTION	ET	ED				REMARKS
27	90480-13M24	GROMMET	2	2				
28	90387-06M40	COLLAR	2	2				
29	61N-24329-00	SEAL	1	1				
30	6H3-42727-00	GROMMET	1	1				
31	90338-05M03	PLUG	1	1				
32	688-42726-10	GROMMET	1					
	6H4-42726-00	GROMMET		1				
33	97880-06025	SCREW, PAN HEAD	1					
34	92990-06100	WASHER, SPRING	1					
35	92990-06600	WASHER, PLATE	1					
36	90464-09M43	CLAMP	1					
37	90338-05M03	PLUG		1				
38	62Y-42748-00	GROMMET	1	1				
39	62Y-82377-00	LABEL	1	1				
40	62Y-13444-50	MARK	1	1				
41	6A1-28176-00	LABEL, CAUTION	1	1				
42	6E3-8257H-00	PLATE, MARK	1	1				



60A2200-2160

FIG. 16 CONTROL

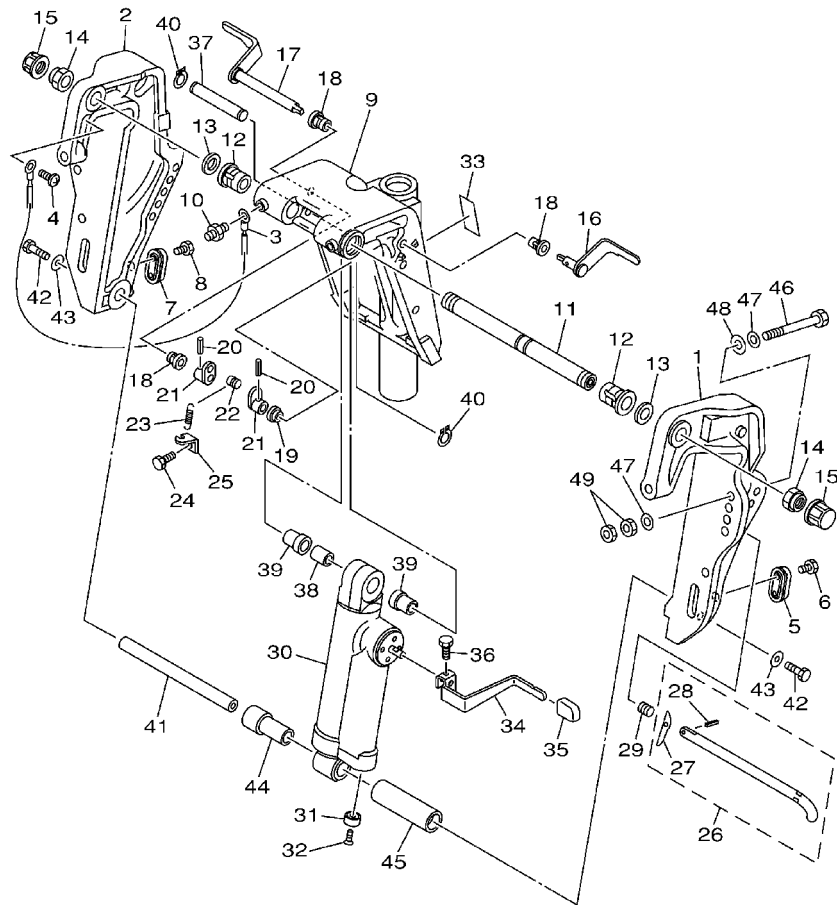
REF. NO.	PART NO.	DESCRIPTION	ET	ED	REMARKS
1	69W-44121-00	LEVER, SHIFT ROD	1	1	
2	62Y-44117-01-4D	BRACKET	1	1	
3	97095-06020	BOLT	1	1	
4	92995-06600	WASHER	1	1	
5	97095-06025	BOLT	1	1	
6	92995-06600	WASHER	1	1	
7	62Y-44120-01	HANDLE GEAR SHIFT ASSY	1	1	
8	62Y-42715-01	BUSHING	1	1	
9	62Y-44118-00	BRACKET	1	1	
10	62Y-44112-00	STAY, HANDLE GEAR SHIFT	1	1	
11	97095-06020	BOLT	2	2	
12	90501-12082	SPRING, COMPRESSION	1	1	
13	93501-04M02	BALL	1	1	
14	90386-90M90	BUSH	2	2	
15	90201-10M20	WASHER, PLATE	1	1	
16	91490-20015	PIN, COTTER	1	1	
17	90468-18008	CLIP	2	2	
18	688-44122-00	BUSHING, SHIFT ROD LEVER	1	1	
19	90202-07M07	WASHER, PLATE	1	1	
20	6F5-41237-00	JOINT, LINK	1	1	
21	62Y-41241-00	ROD, LINK	1	1	
22	662-41237-01	JOINT, LINK	1	1	
23	95380-05700	NUT	1	1	
24	62Y-42154-00	LEVER, THROTTLE CONTROL	1	1	
25	62Y-42171-00	BUSHING	1	1	
26	91490-16010	PIN, COTTER	1	1	
27	62Y-44135-00	SPRING	1	1	



62Y0010-1200

FIG. 17 BRACKET 1

REF. NO.	PART NO.	DESCRIPTION	ET	ED	REMARKS
1	62Y-43111-00-4D	BRACKET, CLAMP		1	
2	62Y-43112-00-4D	BRACKET, CLAMP		1	
3	63D-82148-00	WIRE, LEAD 4		1	
4	97885-06008	SCREW, PAN HEAD		1	
5	65W-45251-00	ANODE		1	
6	90101-06020	BOLT		2	
7	65W-45251-00	ANODE		1	
8	90101-06020	BOLT		2	
9	63D-43311-13-4D	BRACKET, SWIVEL 1		1	
10	93700-06M03	NIPPLE, GREASE		3	
11	63D-43131-01	BOLT, CLAMP BRACKET		1	
12	90386-22M15	BUSH		2	
13	90201-22M03	WASHER, PLATE		2	
14	90185-22M11	NUT, SELF-LOCKING		2	
15	6G5-43145-01	CAP, CLAMP BRACKET		2	
16	6H5-43181-03	LEVER, TILT STOP		1	
17	6H5-43185-03	LEVER, TILT STOP		1	
18	90386-10M16	BUSH		3	
19	90386-10025	BUSH		1	
20	91690-30020	PIN, SPRING		2	
21	6G5-43148-00	COLLAR, DISTANCE		2	
22	90249-06M19	PIN		1	
23	90506-14M24	SPRING, TENSION		1	
24	97095-06010	BOLT		1	
25	6G5-43144-00	HOOK, SPRING		1	
26	688-43160-01	TILT ROD ASSY		1	
27	688-43165-00	.PLATE, TILT LOCK		1	

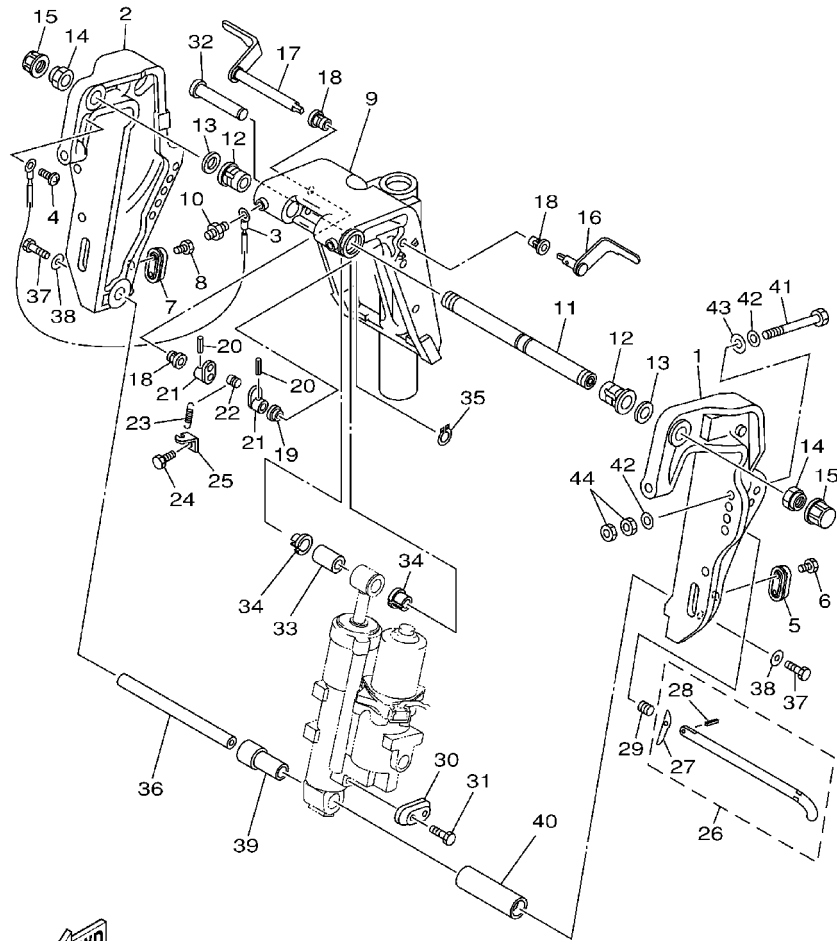


62Y0010-1200

FIG. 17 BRACKET 1

REF. NO.	PART NO.	DESCRIPTION	ET	ED	REMARKS
28	91690-30012	.PIN, SPRING		1	
29	90502-16M02	SPRING, CONICAL		1	
30	62Y-43170-20-4D	SHOCK ABSORBER ASSY		1	
31	663-45251-00	ANODE		1	
32	90152-06M01	SCREW, COUNTERSUNK		1	
33	63D-43691-00	INDICATOR, TILT		1	
34	69D-43631-00	LEVER, TILT		1	
35	682-43318-01	COVER		1	
36	97095-06010	BOLT		1	
37	69D-43126-00	PIN, UPPER SHOCK MOUNT		1	
38	90387-16003	COLLAR		1	
39	90387-16004	COLLAR		2	
40	93410-16006	CIRCLIP		2	
41	62Y-43818-00	PIN, LOWER SHOCK MOUNT		1	
42	97080-08016	BOLT		2	
43	90201-08M04	WASHER, PLATE		2	
44	90387-18002	COLLAR		1	
45	90387-18003	COLLAR		1	
46	90101-12M65	BOLT		4	
47	92995-12200	WASHER		8	
48	90201-12426	WASHER, PLATE		4	
49	95380-12600	NUT		8	

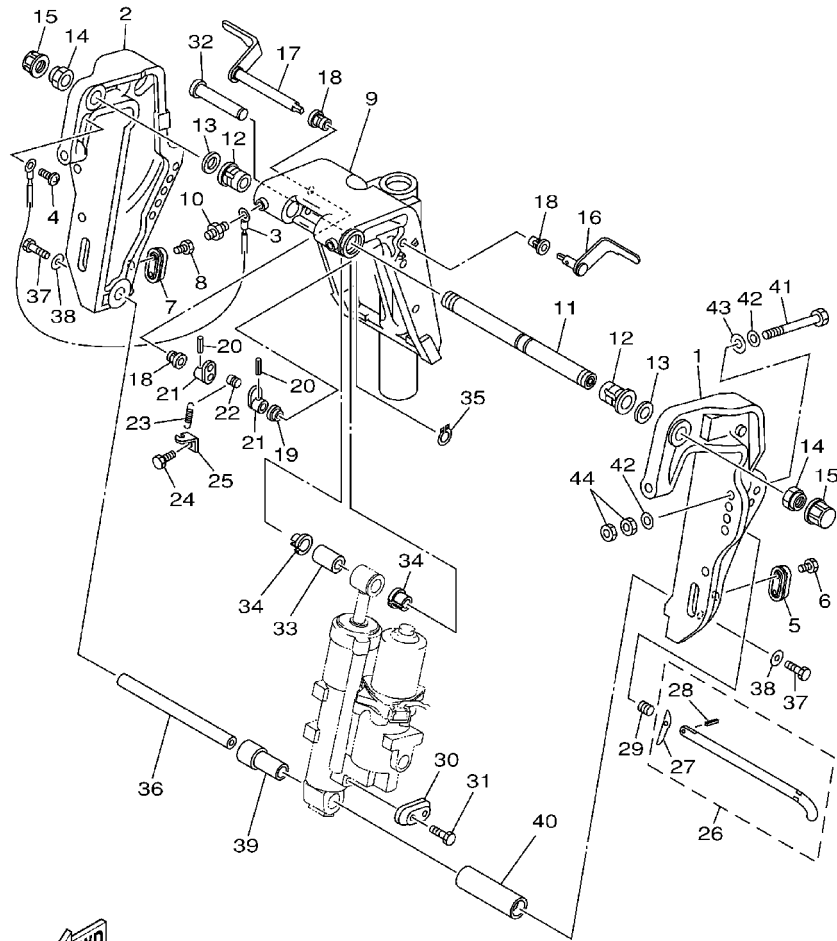
FIG. 18 BRACKET 2



62Y0010-1210

REF. NO.	PART NO.	DESCRIPTION	ET	ED				REMARKS
1	62Y-43111-00-4D	BRACKET, CLAMP	1					
2	62Y-43112-00-4D	BRACKET, CLAMP	1					
3	63D-82148-00	WIRE, LEAD 4	1					
4	97885-06008	SCREW, PAN HEAD	1					
5	65W-45251-00	ANODE	1					
6	90101-06020	BOLT	2					
7	65W-45251-00	ANODE	1					
8	90101-06020	BOLT	2					
9	63D-43311-13-4D	BRACKET, SWIVEL 1	1					
10	93700-06M03	NIPPLE, GREASE	3					
11	63D-43131-01	BOLT, CLAMP BRACKET	1					
12	90386-22M15	BUSH	2					
13	90201-22M03	WASHER, PLATE	2					
14	90185-22M11	NUT, SELF-LOCKING	2					
15	6G5-43145-01	CAP, CLAMP BRACKET	2					
16	6H5-43181-03	LEVER, TILT STOP	1					
17	6H5-43185-03	LEVER, TILT STOP	1					
18	90386-10M16	BUSH	3					
19	90386-10025	BUSH	1					
20	91690-30020	PIN, SPRING	2					
21	6G5-43148-00	COLLAR, DISTANCE	2					
22	90249-06M19	PIN	1					
23	90506-14M24	SPRING, TENSION	1					
24	97095-06010	BOLT	1					
25	6G5-43144-00	HOOK, SPRING	1					
26	688-43160-01	TILT ROD ASSY	1					
27	688-43165-00	.PLATE, TILT LOCK	1					

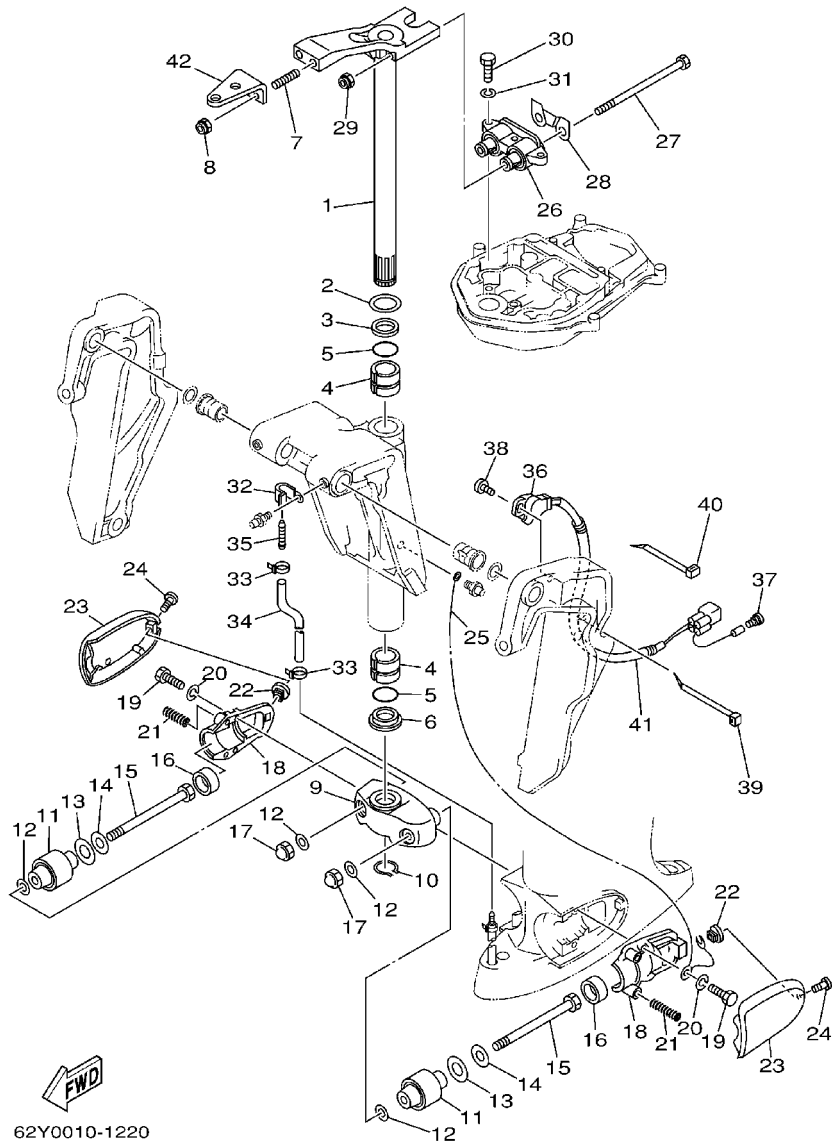
FIG. 18 BRACKET 2



62Y0010-1210

REF. NO.	PART NO.	DESCRIPTION	ET	ED	REMARKS
28	91690-30012	.PIN, SPRING	1		
29	90502-16M02	SPRING, CONICAL	1		
30	65W-45251-00	ANODE	1		
31	90101-06020	BOLT	2		
32	6E5-43126-02	PIN, UPPER SHOCK MOUNT	1		
33	90386-18M92	BUSH	1		
34	90386-18M35	BUSH	2		
35	93410-18M02	CIRCLIP	1		
36	62Y-43818-00	PIN, LOWER SHOCK MOUNT	1		
37	97080-08016	BOLT	2		
38	90201-08M04	WASHER, PLATE	2		
39	90387-18002	COLLAR	1		
40	90387-18003	COLLAR	1		
41	90101-12M65	BOLT	4		
42	92995-12200	WASHER	8		
43	90201-12426	WASHER, PLATE	4		
44	95380-12600	NUT	8		

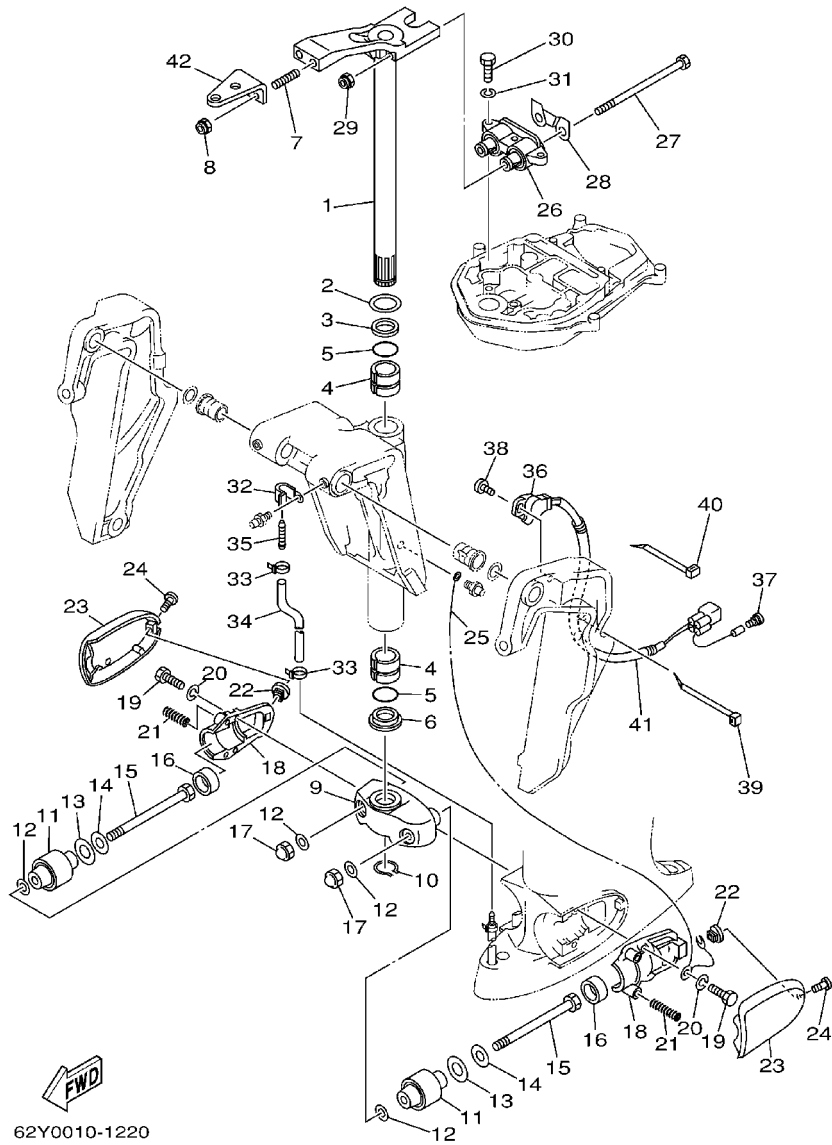
FIG. 19 BRACKET 3



62Y0010-1220

REF. NO.	PART NO.	DESCRIPTION	ET	ED	REMARKS
1	63D-42510-11-4D	STEERING BRACKET ASSY	1	1	
2	90201-30M00	WASHER, PLATE	1	1	
3	90386-30M78	BUSH	1	1	
4	90386-30M77	BUSH	2	2	
5	93210-29M94	O-RING	2	2	
6	90386-30M60	BUSH	1	1	
7	90116-10175	BOLT, STUD	2	2	
8	90185-10051	NUT, SELF-LOCKING	2	2	
9	663-44551-02-4D	HOUSING, LOWER MOUNT RUBBER	1	1	
10	93410-28M06	CIRCLIP	1	1	
11	62Y-44555-00-94	MOUNT DAMPER, LOWER SIDE	2	2	
12	90201-12M16	WASHER, PLATE	4	4	
13	90202-21100	WASHER, PLATE	2	2	
14	90201-13M19	WASHER, PLATE	2	2	
15	90109-12261	BOLT	2	2	
16	663-44575-00	DAMPER, LOWER MOUNT RUBBER	2	2	
17	95380-12800	NUT, CROWN	2	2	
18	663-44552-01-94	HOUSING, LOWER MOUNT RUBBER	2	2	
19	97075-08025	BOLT	4	4	
20	92995-08100	WASHER	4	4	
21	90501-14M08	SPRING, COMPRESSION	4	4	
22	90179-06066	NUT	2	2	
23	62Y-44553-01-4D	COVER, LOWER MOUNT	2	2	
24	97885-06016	SCREW, PAN HEAD	2	2	
25	697-82127-01	WIRE, LEAD 2	1	1	
26	67C-44514-00-4D	MOUNT DAMPER, UPPER SIDE	1		F50D
	62Y-44514-10-4D	MOUNT DAMPER, UPPER SIDE	1	1	FT50C

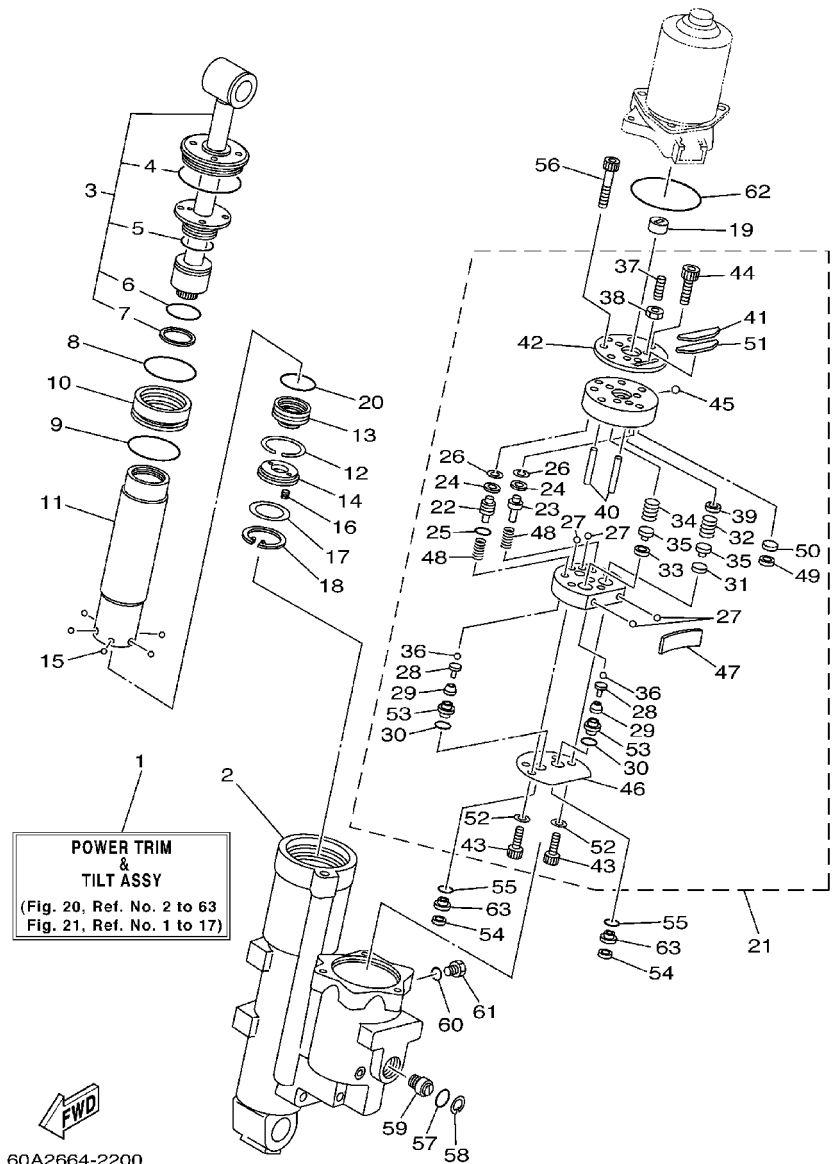
FIG. 19 BRACKET 3



62Y0010-1220

REF. NO.	PART NO.	DESCRIPTION	ET	ED	REMARKS
27	90101-08M15	BOLT	2	2	
28	66T-44526-30	PLATE	1	1	
29	90185-08045	NUT, SELF-LOCKING	2	2	
30	97075-08030	BOLT	3	3	
31	92995-08100	WASHER	3	3	
32	90465-06M86	CLAMP	1	1	
33	90465-11M10	CLAMP	2	2	
34	90445-07MF1	HOSE (L570)	1	1	
35	6E5-83558-00	END, NIPPLE	1	1	
36	63D-83672-01	TRIM SENDER	1		
37	703-82119-00	COVER, LEAD WIRE	1		
38	97885-06016	SCREW, PAN HEAD	2		
39	90465-13M18	CLAMP	1		
40	90465-11M10	CLAMP	1		
41	90446-17M91	HOSE	1		
42	63D-48511-00-4D	HOOK, STEERING	1	1	STEERING GUIDE TYPE

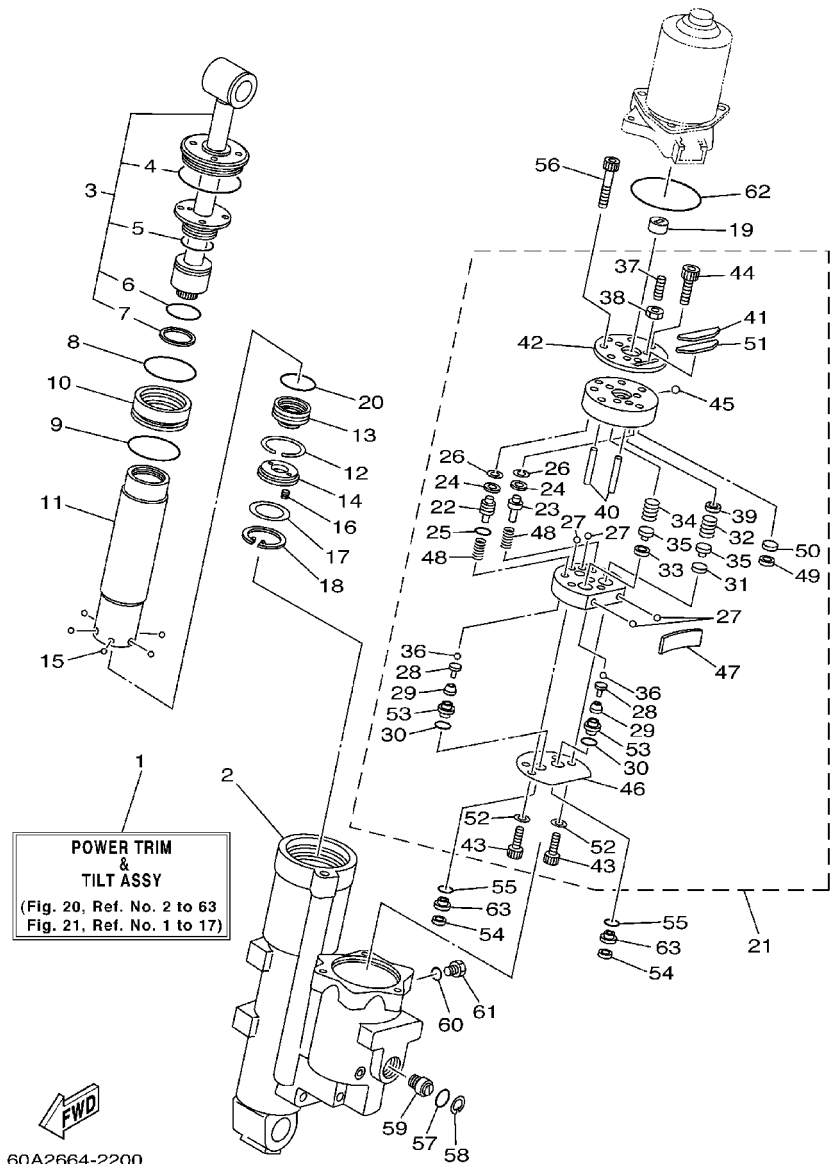
FIG. 20 POWER TRIM & TILT ASSY 1



60A2664-2200

REF. NO.	PART NO.	DESCRIPTION	ET	ED	REMARKS
1	62Y-43800-01-4D	POWER TRIM & TILT ASSY	1		
2	CS3-4380K-01	CYLINDER, TILT SUB ASSY	1		
3	62X-43810-01	TILT PISTON SUB ASSY	1		
4	62X-43861-00	.O-RING	1		
5	62X-43862-00	.O-RING	1		
6	93210-29375	.O-RING	1		
7	62X-43871-00	.RING, BACK UP	1		
8	93210-44383	O-RING	1		
9	93210-48214	O-RING	1		
10	62X-4388A-00	PISTON, TRIM	1		
11	CS3-22471-00	CYLINDER, SHOCK ABSORBER	1		
12	67F-43875-00	RING, SNAP	1		
13	69W-4381B-00	FREE PISTON SUB ASSY	1		
14	62X-43899-00	PLATE STOPPER	1		
15	93503-16003	BALL	6		
16	62X-4384H-00	SPRING	2		
17	1UF-22434-00	PLATE, VALVE 1	1		
18	62X-43875-00	RING, SNAP	1		
19	6H1-43831-10	CONNECTOR, SHAFT	1		
20	93210-29375	O-RING	1		
21	CS3-43830-01	GEAR PUMP ASSY	1		
22	69J-43841-00	.PISTON, SHUTTLE	1		
23	69J-4384M-00	.PISTON, SHUTTLE 2	1		
24	69A-4384F-00	.SEAL, MAIN VALVE	2		
25	6H1-43883-00	.O-RING	1		
26	99001-03600	.CIRCLIP	2		
27	93505-32038	.BALL	4		

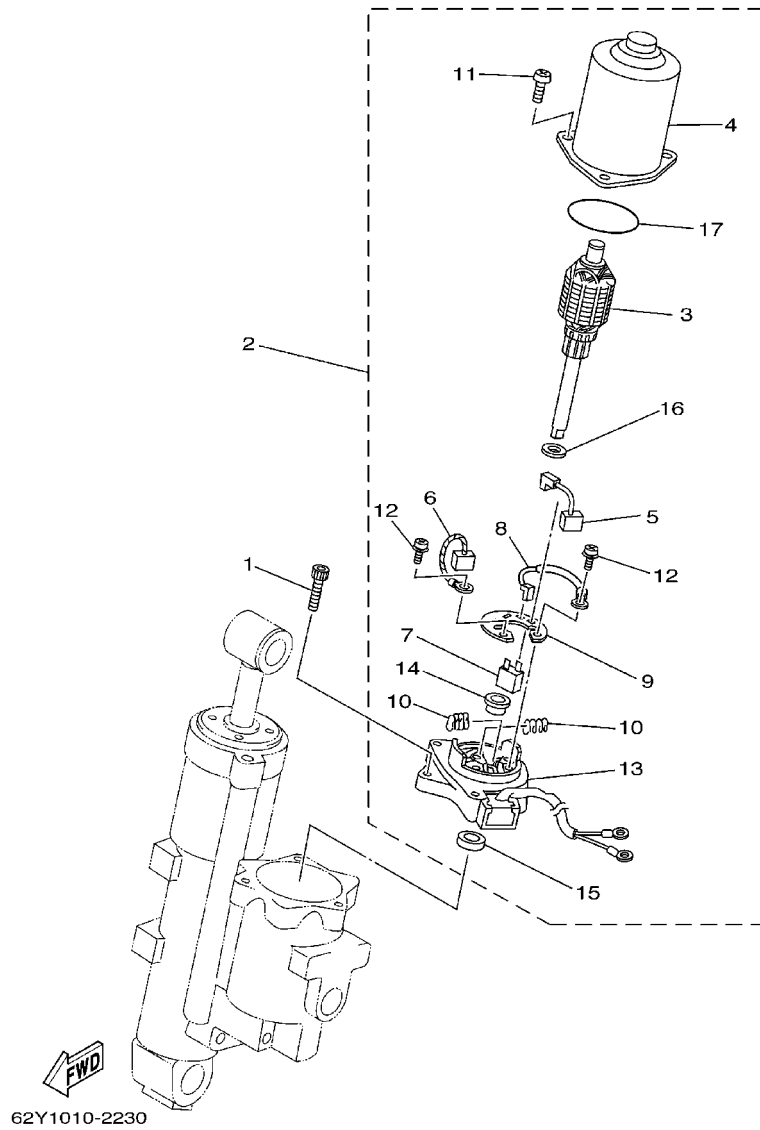
FIG. 20 POWER TRIM & TILT ASSY 1



60A2664-2200

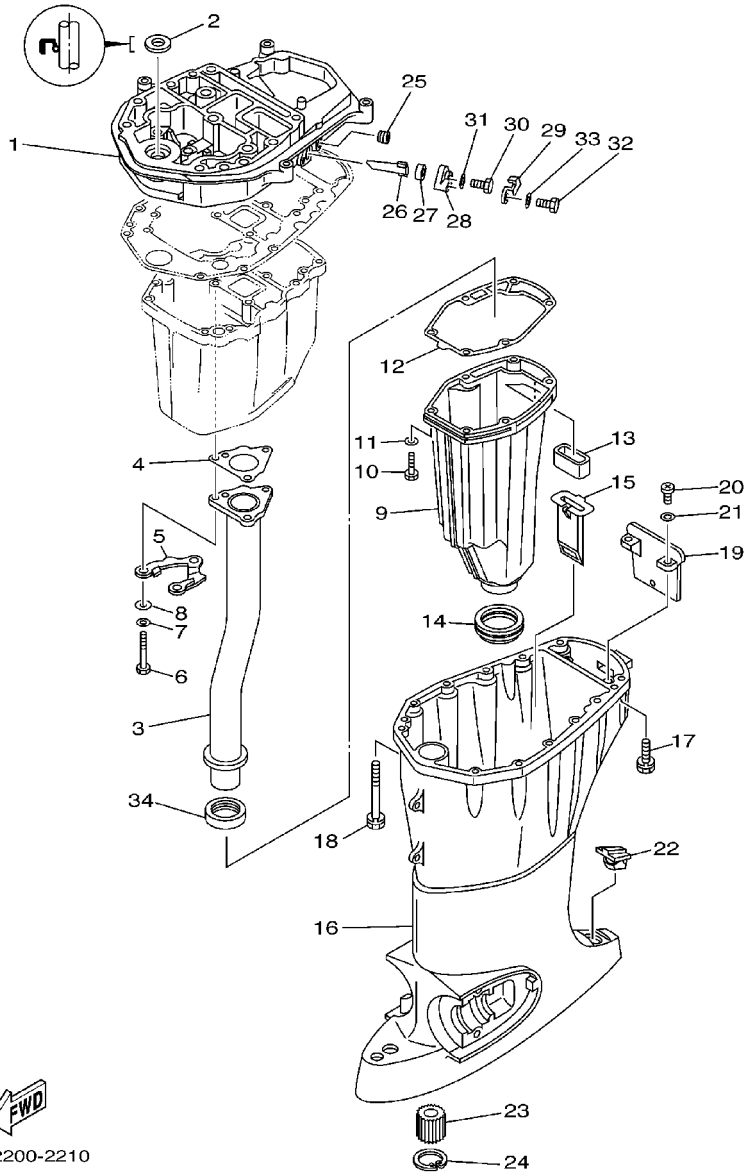
REF. NO.	PART NO.	DESCRIPTION	ET	ED	REMARKS
28	65W-4386A-00	.PIN, ABSORBER VALVE	2		
29	69J-43853-00	.SPRING, MAIN VALVE	2		
30	69J-4389J-00	.O-RING	2		
31	6H1-4384G-11	.SEAL, RELIEF VALVE	1		
32	CS3-43855-00	.SPRING, UP RELIEF	1		
33	6H1-4384F-10	.SEAL, MAIN VALVE	1		
34	6H1-43856-10	.SPRING, DOWN RELIEF	1		
35	6H1-43844-10	.PIN, VALVE SUPPORT	2		
36	93505-32038	.BALL	2		
37	92A08-03110	.SCREW SET	1		
38	95307-03600	.NUT	1		
39	CS3-4382A-00	.ADAPTOR 1	1		
40	93604-26256	.PIN, DOWEL	2		
41	CS3-43816-00	.FILTER 1	1		
42	CS3-4382L-00	.CAP, RELIEF VALVE	1		
43	91318-05020	.BOLT	2		
44	91318-05008	.BOLT	2		
45	93501-08001	.BALL	1		
46	69W-4384G-00	.SEAL, RELIEF VALVE	1		
47	CS3-43854-00	.SPRING, MANUAL RELEASE	1		
48	69J-43894-00	.SPRING, SHUTTLE RETURN	2		
49	CS3-4387J-00	.WASHER, SPECIAL 2	1		
50	CK5-22434-00	.PLATE, VALVE 1	1		
51	CS3-43871-00	.RING, BACK UP	1		
52	CS3-4387G-00	.WASHER	2		
53	69J-43893-00	.WASHER	2		
54	6H1-43816-00	FILTER 1	2		

FIG. 21 POWER TRIM & TILT ASSY 2



REF. NO.	PART NO.	DESCRIPTION	ET	ED	REMARKS
1	62X-43888-00	BOLT, SOCKET	3		
2	CS3-43880-01	MOTOR ASSY	1		
3	CS3-43805-00	.ARMATURE ASSY	1		
4	62X-43804-01	.STATOR ASSY	1		
5	CS3-43892-00	.BRUSH 2	1		
6	CS3-43891-00	.BRUSH 1	1		
7	CS3-82181-01	.CIRCUIT BREAKER COMP.	1		
8	62X-43807-00	.WIRE SUB ASSY	1		
9	69W-4380F-00	.PLATE, BRUSH HOLDER	1		
10	62X-4386K-00	.SPRING, BRUSH	2		
11	97880-05020	.SCREW, PAN HEAD	3		
12	97607-04212	.SCREW, PAN HEAD WITH WASHER	2		
13	CS3-43881-00	.FRAME, END	1		
14	62X-4380H-00	.METAL	1		
15	93102-08414	.OIL SEAL	1		
16	90201-083J8	.WASHER, PLATE	1		
17	93210-52449	.O-RING	1		

FIG. 22 UPPER CASING




60A2200-2210

REF. NO.	PART NO.	DESCRIPTION	ET	ED	REMARKS
1	64J-41137-00-94	GUIDE, EXHAUST	1	1	
2	93103-18011	OIL SEAL	1	1	
3	64J-41131-10	MANIFOLD, EXT. 1	1	1	
4	64J-41133-10	GASKET, EXHAUST MANIFOLD 1	1	1	
5	64J-41116-00	PROTECTOR	1	1	
6	97075-06050	BOLT	3	3	
7	92995-06600	WASHER	3	3	
8	90201-06015	WASHER, PLATE	3	3	
9	64J-14711-00-5B	MUFFLER 1	1	1	
10	97075-06025	BOLT	6	6	
11	92995-06600	WASHER	6	6	
12	62Y-41134-01	GASKET, EXHAUST MANIFOLD	1	1	
13	62Y-45127-00	SEAL	1	1	
14	663-45123-00	GASKET, MUFFLER	1	1	
15	64J-77123-00	GUIDE 1	1	1	
16	62Y-45111-21-4D	CASING, UPPER	1	1	
17	90119-08M79	BOLT, WITH WASHER	4	4	
18	90119-08M82	BOLT, WITH WASHER	8	8	
19	62Y-45151-00	COVER, UPPER CASING	1	1	
20	97880-05016	SCREW, PAN HEAD	2	2	
21	92990-05600	WASHER, PLATE	2	2	
22	6H3-45155-00	CAP	1	1	
23	62Y-45318-00	BUSHING, DRIVE SHAFT	1	1	
24	93420-36M01	CIRCLIP	1	1	
25	68T-11112-00	PLUG, BLIND 1	1	1	
26	62Y-11325-00	ANODE	1	1	
27	66M-11328-00	GROMMET, ANODE	1	1	

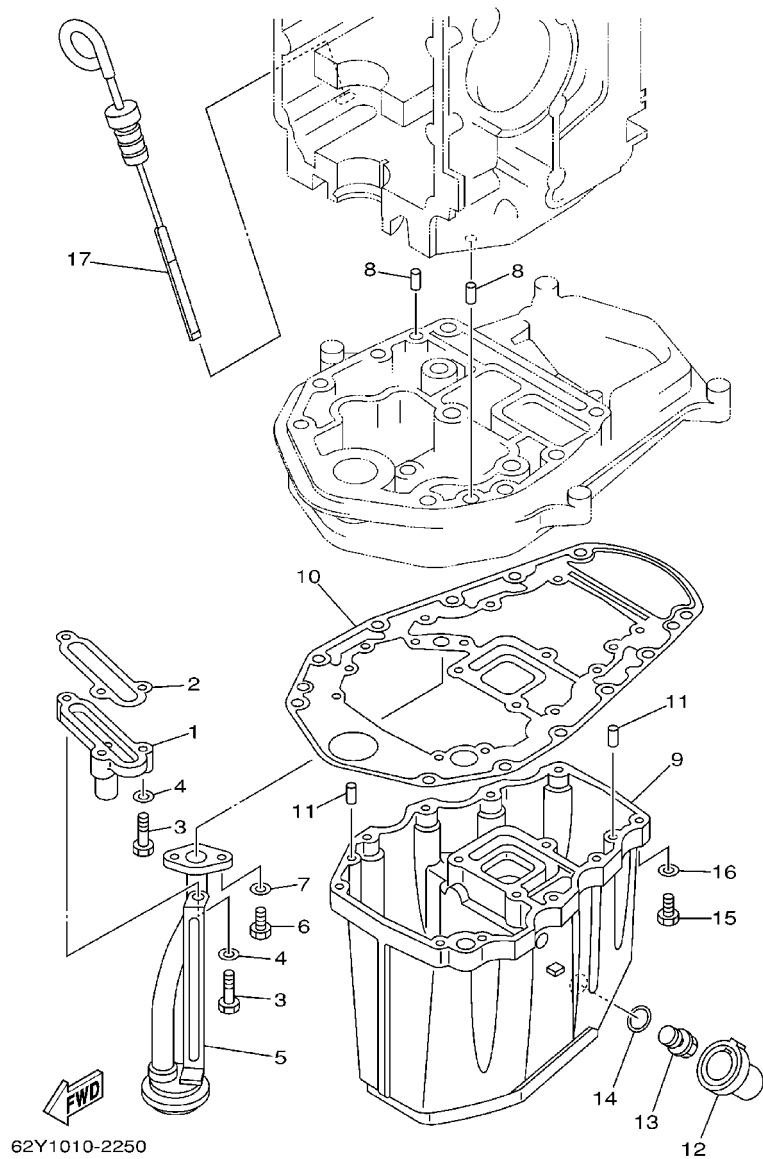
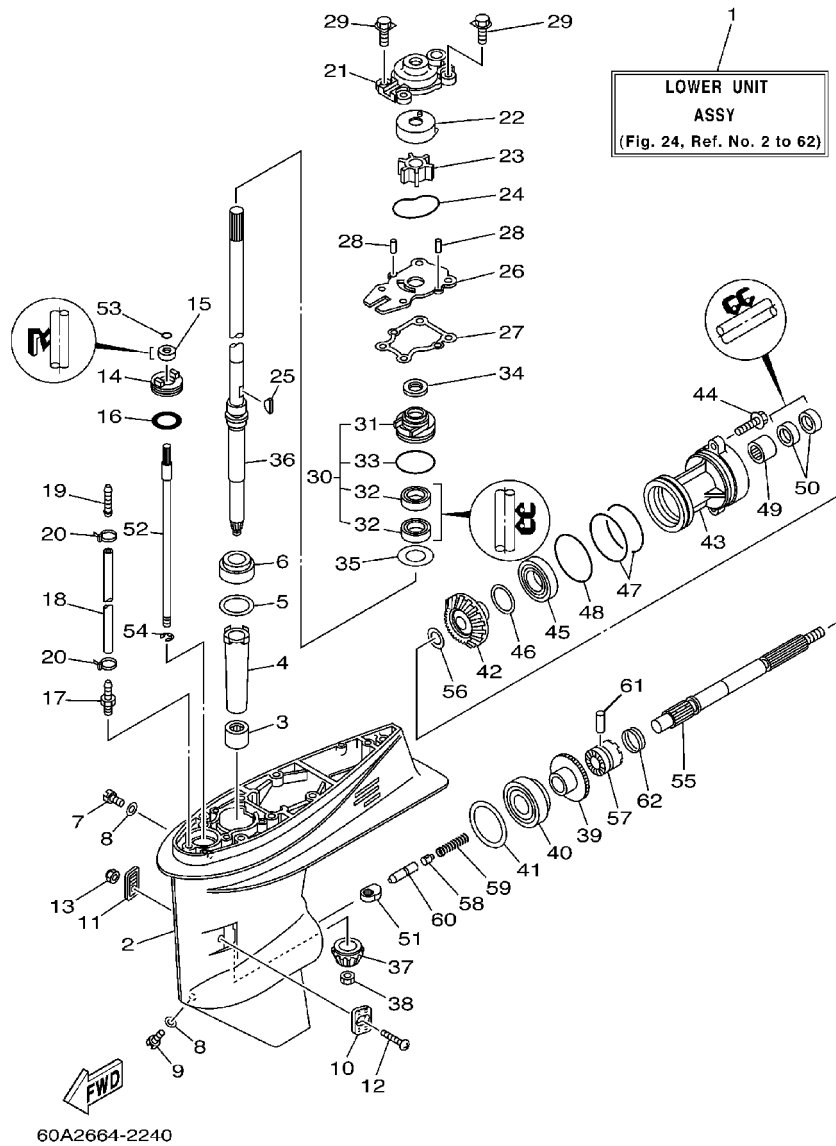


FIG. 23 OIL PAN

REF. NO.	PART NO.	DESCRIPTION	ET	ED	REMARKS
1	62Y-11575-00	RELIEF VALVE ASSY	1	1	
2	62Y-13475-00	GASKET	1	1	
3	97013-06025	BOLT	3	3	
4	92903-06600	WASHER, PLATE	3	3	
5	62Y-13411-00	STRAINER, OIL	1	1	
6	97013-06016	BOLT	2	2	
7	92903-06600	WASHER, PLATE	2	2	
8	93608-12M05	PIN, DOWEL	2	2	
9	64J-15311-01-5B	OIL PAN	1	1	
10	69W-15312-00	GASKET, OIL PAN	1	1	
11	93606-12019	PIN, DOWEL	4	4	
12	62Y-15316-00	DAMPER, ENGINE MOUNT 1	1	1	
13	90340-14M06	PLUG, STRAIGHT SCREW	1	1	
14	90430-14M09	GASKET	1	1	
15	97075-06025	BOLT	10	10	
16	92995-06600	WASHER	10	10	
17	62Y-15362-00	PLUG, OIL LEVEL	1	1	

FIG. 24 LOWER CASING. DRIVE 1 (FOR F50D)



REF. NO.	PART NO.	DESCRIPTION	EL	ED	REMARKS
1	62Y-45300-30-4D	LOWER UNIT ASSY	1		
2	62Y-45301-00-4D	CASING, LOWER	1		
3	93315-32224	BEARING	1		
4	6H4-45536-00	SLEEVE, DRIVE SHAFT	1		
5	663-45587-01-10	SHIM (T:0.10MM)	1		UR
	663-45587-01-12	SHIM (T:0.12MM)	1		UR
	663-45587-01-15	SHIM (T:0.15MM)	1		UR
	663-45587-01-18	SHIM (T:0.18MM)	1		UR
	663-45587-01-30	SHIM (T:0.30MM)	1		UR
	663-45587-01-40	SHIM (T:0.40MM)	1		UR
	663-45587-01-50	SHIM (T:0.50MM)	1		UR
6	93332-00001	BEARING	1		
7	90340-08002	PLUG, STRAIGHT SCREW	1		
8	90430-08020	GASKET	2		
9	688-45341-10	PLUG, DRAIN	1		
10	63D-45214-00	COVER, WATER INLET	1		
11	63D-45215-00	COVER, WATER INLET	1		
12	90142-05M06	SCREW, COUNTERSUNK	1		
13	95380-05600	NUT	1		
14	63D-45321-00	PLATE	1		
15	93106-09014	OIL SEAL	1		
16	93210-33MG4	O-RING	1		
17	6E5-45378-00	NIPPLE, HOSE	1		
18	90445-07M31	HOSE (L200)	1		
19	6E5-83558-10	END, NIPPLE	1		
20	90465-11M10	CLAMP	2		
21	63D-44311-00	HOUSING, WATER PUMP	1		

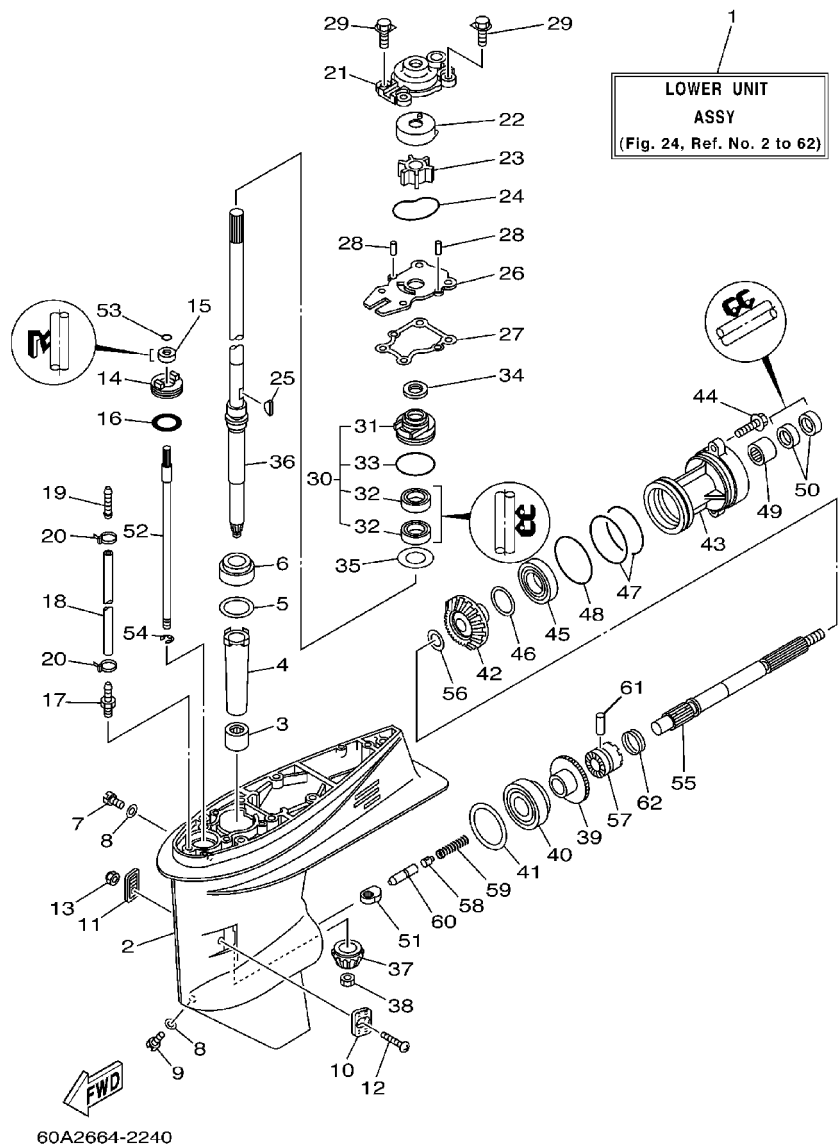


FIG. 24 LOWER CASING. DRIVE 1 (FOR F50D)

REF. NO.	PART NO.	DESCRIPTION	EL	ED	REMARKS
22	63D-44322-40	INSERT, CARTRIDGE	1		FOR CHROMATE
23	6H3-44352-00	IMPELLER	1		
24	93210-59MG7	O-RING	1		
25	90280-03024	KEY, WOODRUFF	1		
26	63D-44323-40	OUTER PLATE, CARTRIDGE	1		FOR CHROMATE
27	63D-44316-00	GASKET, WATER PUMP	1		
28	93604-08062	PIN, DOWEL	2		
29	90119-08M15	BOLT, WITH WASHER	4		
30	63D-W4434-00	WATER PUMP HOUSING ASSY	1		
31	63D-44341-00	HOUSING, WATER PUMP	1		
32	93101-25M57	OIL SEAL	2		
33	93210-48MG8	O-RING	1		
34	63D-45344-00	COVER, OIL SEAL	1		
35	90201-27M00	WASHER, PLATE	1		
36	62Y-45501-30	DRIVE SHAFT COMP.	1		
37	6H4-45551-01	PINION	1		
38	90170-12138	NUT	1		
39	6H4-45560-01	GEAR	1		
40	93332-00003	BEARING	1		
41	663-45567-01-10	SHIM (T:0.10MM)	1		UR
	663-45567-01-12	SHIM (T:0.12MM)	1		UR
	663-45567-01-15	SHIM (T:0.15MM)	1		UR
	663-45567-01-18	SHIM (T:0.18MM)	1		UR
	663-45567-01-30	SHIM (T:0.30MM)	1		UR
	663-45567-01-40	SHIM (T:0.40MM)	1		UR
	663-45567-01-50	SHIM (T:0.50MM)	1		UR
42	62Y-45571-00	GEAR	1		

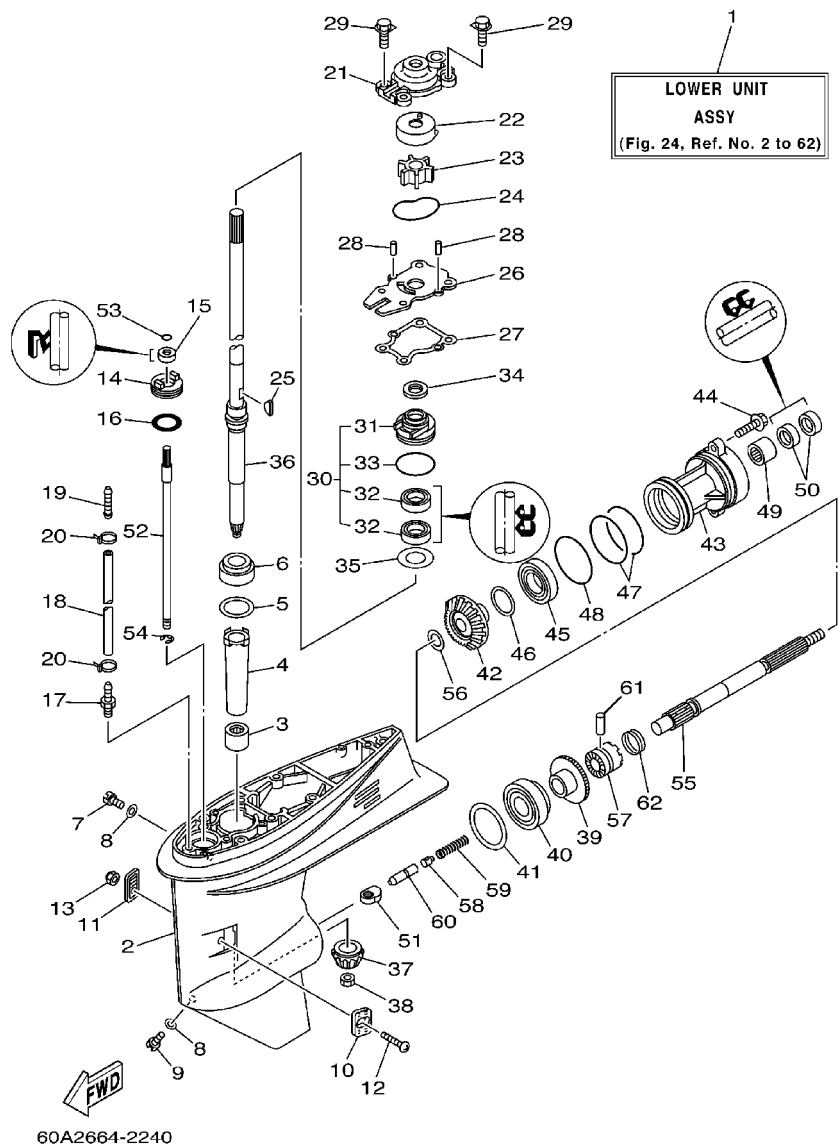
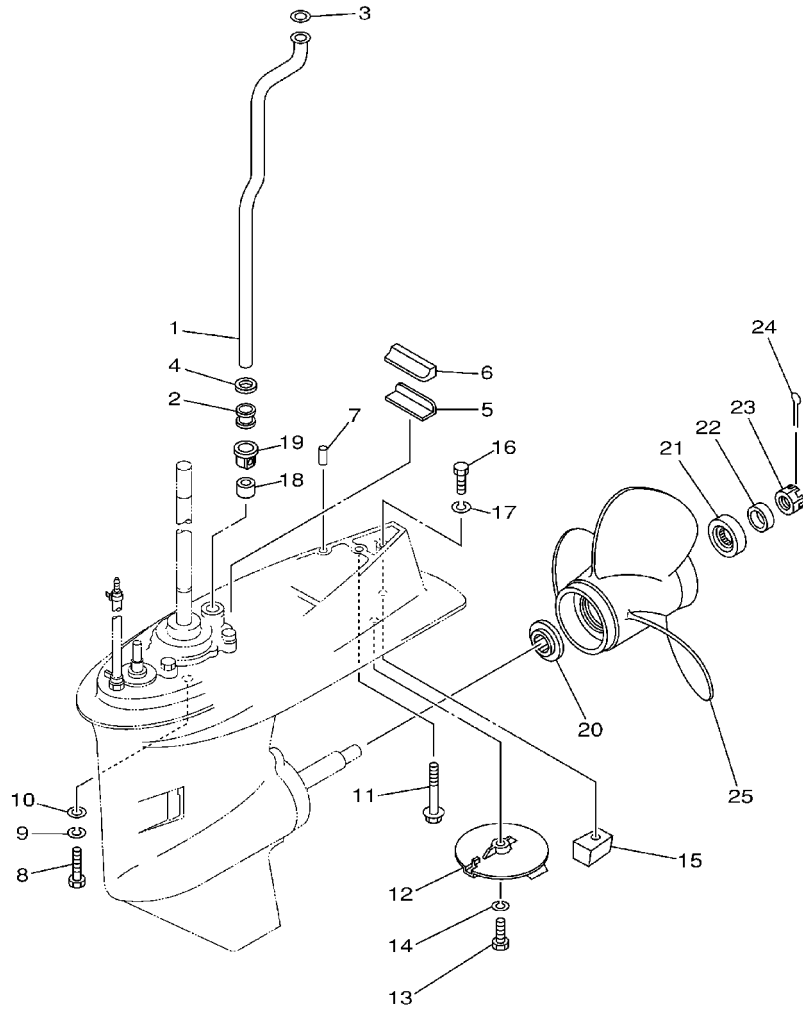


FIG. 24 LOWER CASING. DRIVE 1 (FOR F50D)

REF. NO.	PART NO.	DESCRIPTION	ET	ED	REMARKS
43	63D-45361-02-4D	CAP, LOWER CASING	1		
44	90105-08M61	BOLT, FLANGE	2		
45	93306-001U1	BEARING	1		
46	63D-45577-00-10	SHIM (T:0.10MM)	1		UR
	63D-45577-00-12	SHIM (T:0.12MM)	1		UR
	63D-45577-00-15	SHIM (T:0.15MM)	1		UR
	63D-45577-00-18	SHIM (T:0.18MM)	1		UR
	63D-45577-00-30	SHIM (T:0.30MM)	1		UR
	63D-45577-00-40	SHIM (T:0.40MM)	1		UR
	63D-45577-00-50	SHIM (T:0.50MM)	1		UR
47	93210-74MG5	O-RING	2		
48	93210-69MG6	O-RING	1		
49	93317-22204	BEARING	1		
50	93101-22M00	OIL SEAL	2		
51	62Y-44151-00	CAM, SHIFT	1		
52	63D-44144-00	ROD, SHIFT	1		
53	93210-07003	O-RING	1		
54	99001-08600	CIRCLIP	1		
55	63D-45611-00	SHAFT, PROPELLER	1		
56	90201-22429	WASHER, PLATE	1		
57	62Y-45631-00	CLUTCH, DOG	1		
58	663-45634-00	SLIDE, SHIFT	1		
59	90501-18001	SPRING, COMPRESSION	1		
60	63D-45635-00	PLUNGER, SHIFT	1		
61	90250-06023	PIN, STRAIGHT	1		
62	67C-45633-00	RING, CROSS PIN	1		

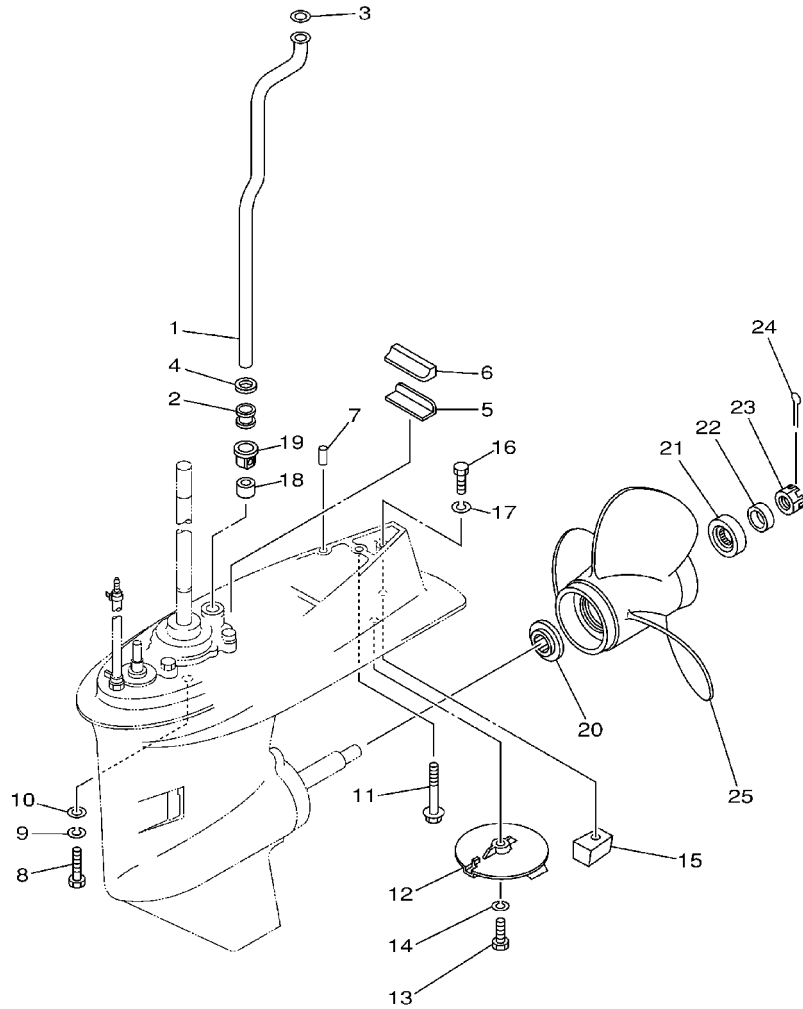
FIG. 25 LOWER CASING. DRIVE 2 (FOR F50D)




62Y0100-1270

REF. NO.	PART NO.	DESCRIPTION	EL	ED			REMARKS
1	62Y-44361-00	TUBE, WATER	1				
2	663-44367-00	DAMPER, WATER SEAL	1				
3	90202-12060	WASHER, PLATE	1				
4	90430-12072	GASKET	1				
5	663-45376-00-94	GUIDE, SEAL DAMPER	1				
6	63D-45375-00	DAMPER, SEAL	1				
7	93606-12019	PIN, DOWEL	2				
8	97075-10040	BOLT	4				
9	92995-10100	WASHER	4				
10	92995-10600	WASHER	4				
11	90119-08M84	BOLT, WITH WASHER	1				
12	67C-45371-00	TAB-TRIM	1				
13	97095-08025	BOLT	1				
14	92995-08100	WASHER	1				
15	67C-45251-00	ANODE	1				
16	97095-08035	BOLT	1				
17	92995-08100	WASHER	1				
18	663-44366-00	DAMPER, WATER SEAL	1				
19	63D-44312-00	COVER, WATER PUMP HOUSING	1				
20	663-45987-02	SPACER	1				
21	66T-45997-00	SPACER	1				
22	90389-22M01	BUSH	1				
23	90171-16011	NUT, CASTLE	1				
24	91490-30025	PIN, COTTER	1				
25	663-45941-01-EL	PROPELLER (3X10-3/4"X17"-G)	1				UR
	663-45947-02-EL	PROPELLER (3X11-5/8"X11"-G)	1				UR
	663-45949-01-EL	PROPELLER (3X10-3/4"X16"-G)	1				UR

FIG. 25 LOWER CASING. DRIVE 2 (FOR F50D)



62Y0100-1270

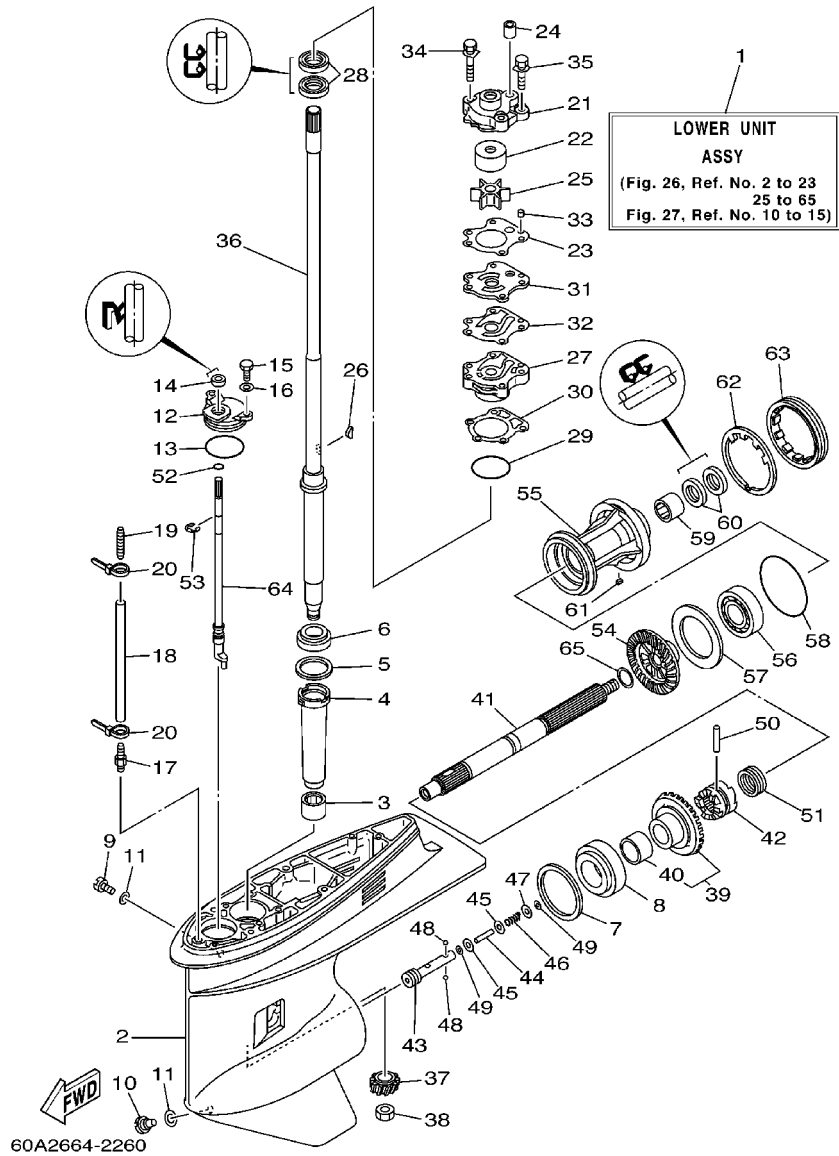
REF. NO.	PART NO.	DESCRIPTION	EL	ED	REMARKS
25	663-45952-02-EL	PROPELLER (3X11-3/8"X12"-G)	1		UR
	663-45956-01-EL	PROPELLER (3X12-1/4"X9"-G)	1		UR
	663-45958-01-EL	PROPELLER (3X11-1/4"X14"-G)	1		UR
	69W-45943-00-EL	PROPELLER (3X11"X15"-G)	1		UR
	69W-45945-00-EL	PROPELLER (3X11-1/8"X13"-G)	1		UR

	6H5-45943-00-EL	PROPELLER (3X10"X15"-G)	1		UR WITH LIP CUP
	6H5-45945-00-EL	PROPELLER (3X10-3/8"X13"-G)	1		UR WITH LIP CUP
	6H5-45952-00-EL	PROPELLER (3X10-5/8"X12"-G)	1		UR WITH LIP CUP
	6H5-45958-00-EL	PROPELLER (3X10-1/4"X14"-G)	1		UR WITH LIP CUP
STAINLESS STEEL PROPELLER					

	663-45970-60-98	PROPELLER (3X11-3/4"X12"-G)	1		UR
	663-45972-60-98	PROPELLER (3X12"X11"-G)	1		UR
	663-45974-60-98	PROPELLER (3X11-1/2"X13"-G)	1		UR
	663-45930-00-98	PROPELLER (3X10-1/4"X14"-G)	1		UR
	663-45974-02-98	PROPELLER (3X10-5/8"X13"-G)	1		UR

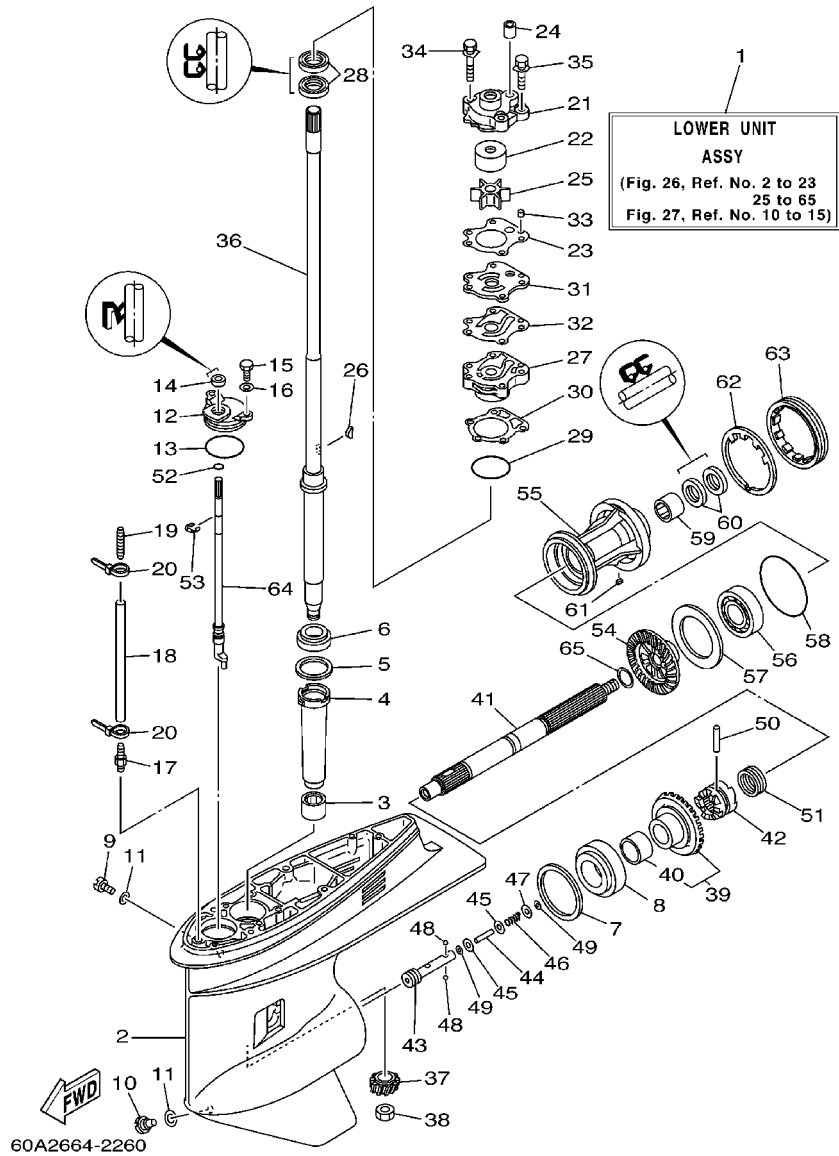
	663-45976-00-98	PROPELLER (3X10-1/4"X15"-G)	1		UR
	663-45978-00-98	PROPELLER (3X10-1/4"X16"-G)	1		UR
	697-45970-00-98	PROPELLER (3X11-1/4"X14"-G)	1		UR

FIG. 26 LOWER CASING. DRIVE 3 (FOR FT50C)



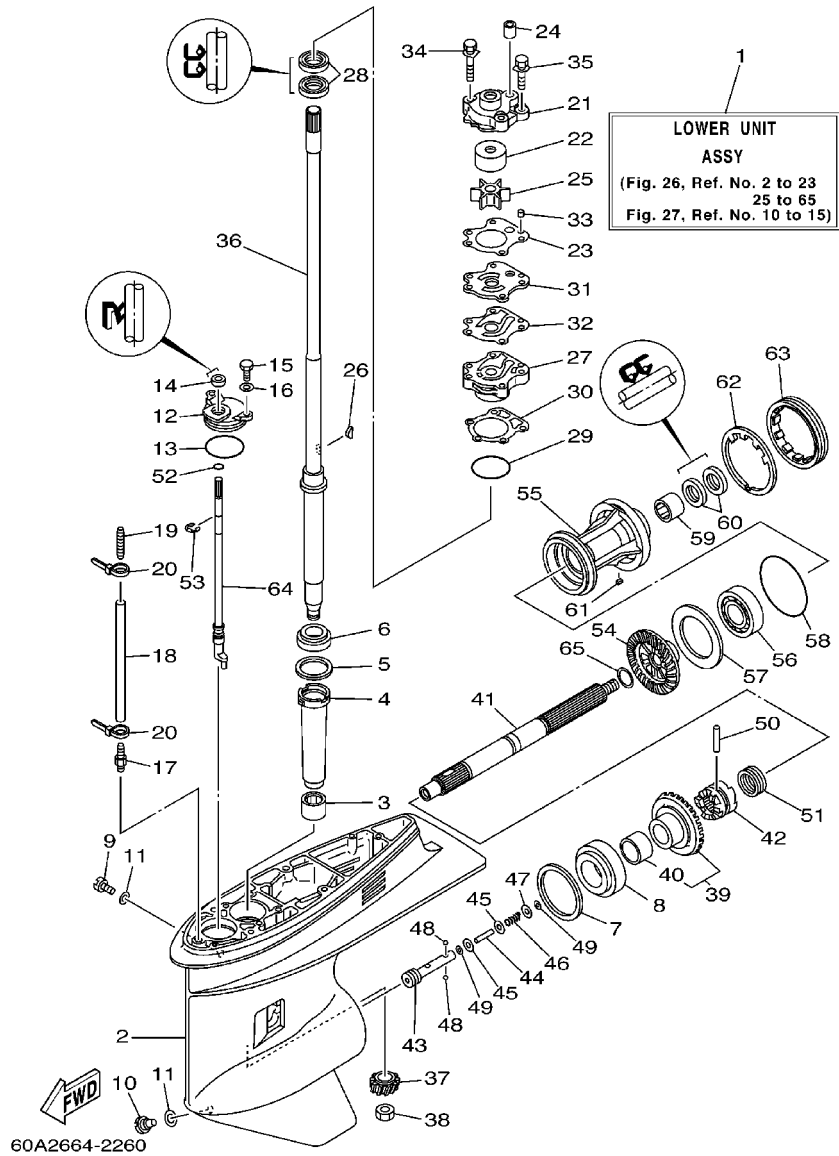
REF. NO.	PART NO.	DESCRIPTION	EL	ED	REMARKS
1	64J-45300-30-4D	LOWER UNIT ASSY	1	1	
2	67F-45301-00-4D	CASING, LOWER	1	1	
3	93315-325W4	BEARING	1	1	
4	688-45536-01	SLEEVE, DRIVE SHAFT	1	1	
5	688-45587-01-10	SHIM (T:0.10MM)	1	1	UR
	688-45587-01-12	SHIM (T:0.12MM)	1	1	UR
	688-45587-01-15	SHIM (T:0.15MM)	1	1	UR
	688-45587-01-18	SHIM (T:0.18MM)	1	1	UR
	688-45587-01-30	SHIM (T:0.30MM)	1	1	UR
	688-45587-01-40	SHIM (T:0.40MM)	1	1	UR
	688-45587-01-50	SHIM (T:0.50MM)	1	1	UR
6	93332-000U3	BEARING	1	1	
7	688-45567-01-10	SHIM (T:0.10MM)	1	1	UR
	688-45567-01-12	SHIM (T:0.12MM)	1	1	UR
	688-45567-01-15	SHIM (T:0.15MM)	1	1	UR
	688-45567-01-18	SHIM (T:0.18MM)	1	1	UR
	688-45567-01-30	SHIM (T:0.30MM)	1	1	UR
	688-45567-01-40	SHIM (T:0.40MM)	1	1	UR
	688-45567-01-50	SHIM (T:0.50MM)	1	1	UR
8	93332-000UD	BEARING	1	1	
9	90340-08002	PLUG, STRAIGHT SCREW	1	1	
10	688-45341-10	PLUG, DRAIN	1	1	
11	90430-08020	GASKET	2	2	
12	688-45321-00	PLATE	1	1	
13	93210-49046	O-RING	1	1	
14	93106-09014	OIL SEAL	1	1	
15	97095-06016	BOLT	2	2	

FIG. 26 LOWER CASING. DRIVE 3 (FOR FT50C)



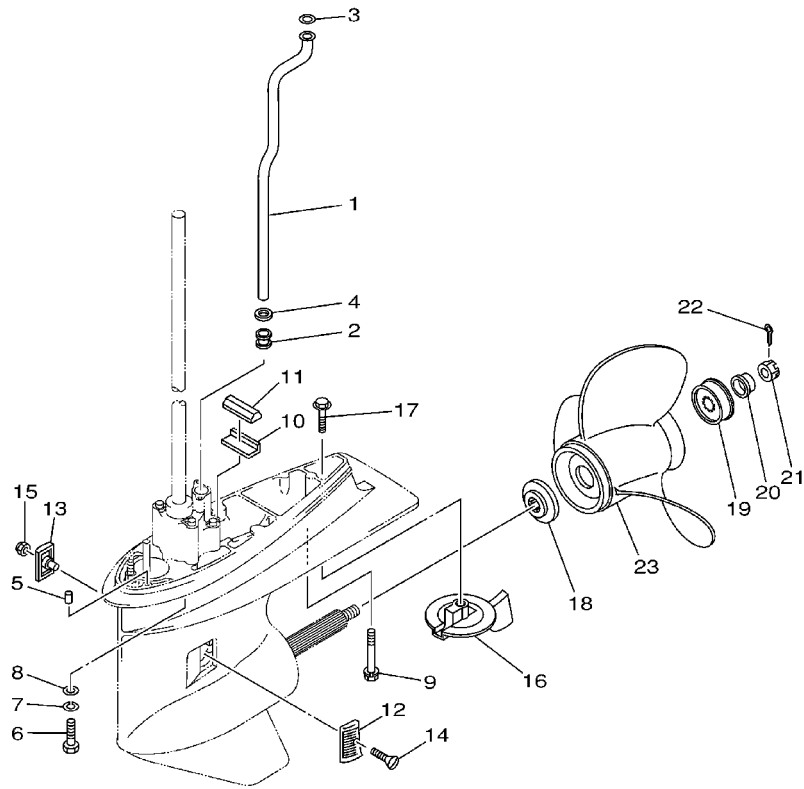
REF. NO.	PART NO.	DESCRIPTION	ET	ED	REMARKS
16	92995-06600	WASHER	2	2	
17	6E5-45378-00	NIPPLE, HOSE	1	1	
18	90445-07M31	HOSE (L200)	1	1	
19	6E5-83558-10	END, NIPPLE	1	1	
20	90465-11M10	CLAMP	2	2	
21	6H3-44311-00	HOUSING, WATER PUMP	1	1	
22	663-44322-00	INSERT, CARTRIDGE	1	1	
23	6H3-44315-A0	GASKET, WATER PUMP	1	1	
24	663-44366-00	DAMPER, WATER SEAL	1	1	
25	6H3-44352-00	IMPELLER	1	1	
26	90280-03M03	KEY, WOODRUFF	1	1	
27	6H3-44341-00-94	HOUSING, WATER PUMP	1	1	
28	93101-23070	OIL SEAL	2	2	
29	93210-46044	O-RING	1	1	
30	688-44316-A0	GASKET, WATER PUMP	1	1	
31	6H3-44323-00	OUTER PLATE, CARTRIDGE	1	1	
32	6H3-44324-A0	GASKET, CARTRIDGE	1	1	
33	93604-10M03	PIN, DOWEL	2	2	
34	90119-08M33	BOLT, WITH WASHER	2	2	
35	90119-08M14	BOLT, WITH WASHER	2	2	
36	64J-45501-30	DRIVE SHAFT COMP.	1	1	
37	64J-45551-00	PINION	1	1	
38	90170-16M01	NUT	1	1	
39	64J-45560-00	GEAR	1	1	
40	93317-322V0	BEARING	1	1	
41	67F-45611-00	SHAFT, PROPÉLLER	1	1	
42	67F-45631-00	CLUTCH, DOG	1	1	

FIG. 26 LOWER CASING. DRIVE 3 (FOR FT50C)



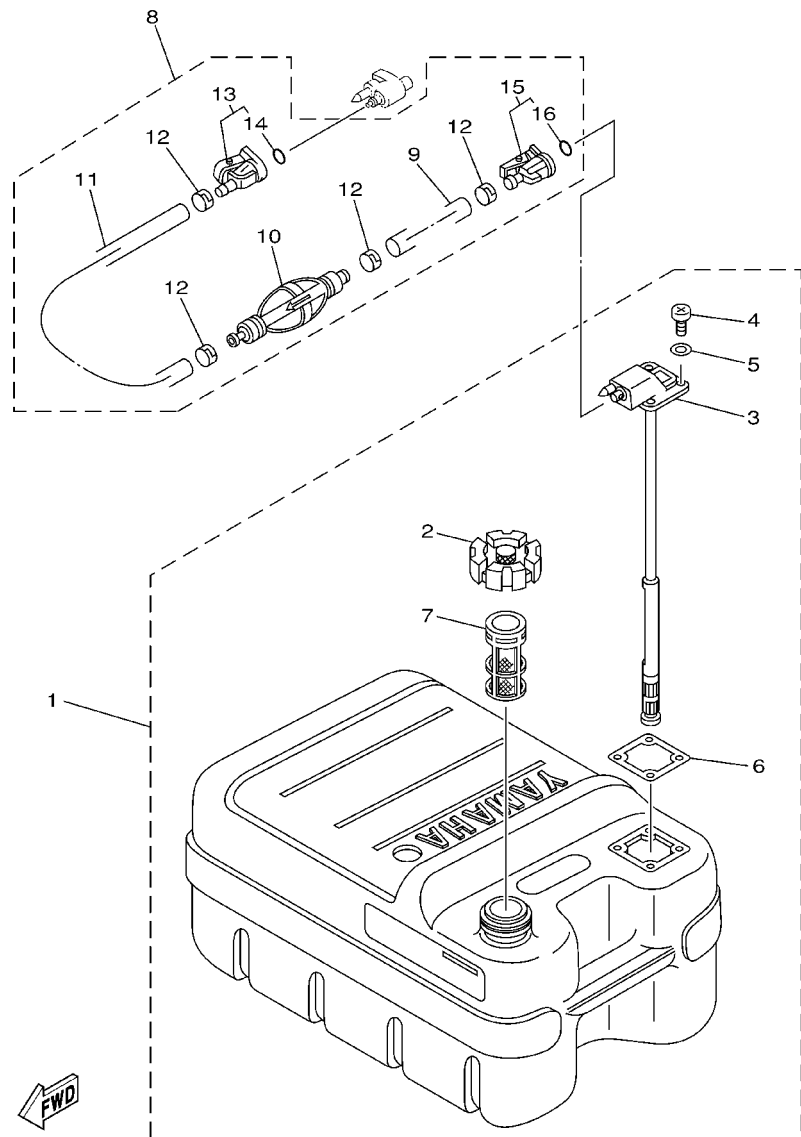
REF. NO.	PART NO.	DESCRIPTION	ET	ED	REMARKS
43	67F-45634-00	SLIDE, SHIFT	1	1	
44	6H1-45668-00	SHAFT, FREE	1	1	
45	6H1-45635-00	PLUNGER, SHIFT	2	2	
46	90501-12M48	SPRING, COMPRESSION	1	1	
47	90201-03313	WASHER, PLATE	1	1	
48	93503-16003	BALL	2	2	
49	90183-02M03	NUT, SPRING	2	2	
50	90250-07M02	PIN, STRAIGHT	1	1	
51	688-45633-00	RING, CROSS PIN	1	1	
52	93210-07003	O-RING	1	1	
53	99001-08600	CIRCLIP	1	1	
54	67F-45571-00	GEAR	1	1	
55	67F-45331-00-94	HOUSING, BEARING	1	1	
56	93306-207U0	BEARING	1	1	
57	67F-45576-00	WASHER, THRUST	1	1	
58	93210-86M39	O-RING	1	1	
59	93317-325U0	BEARING	1	1	
60	93101-25M03	OIL SEAL	2	2	
61	90282-04010	KEY, STRAIGHT	1	1	
62	688-45383-02	WASHER, CLAW	1	1	
63	688-45384-02	NUT	1	1	
64	64J-44150-00	SHIFT CAM ASSY	1	1	
65	90201-25M05	WASHER, PLATE	1	1	

FIG. 27 LOWER CASING. DRIVE 4 (FOR FT50C)



64J0100-1290

REF. NO.	PART NO.	DESCRIPTION	EL	ED				REMARKS
1	62Y-44361-00	TUBE, WATER	1	1				
2	663-44367-00	DAMPER, WATER SEAL	1	1				
3	90202-12060	WASHER, PLATE	1	1				
4	90430-12072	GASKET	1	1				
5	93606-12019	PIN, DOWEL	2	2				
6	97075-10040	BOLT	4	4				
7	92995-10100	WASHER	4	4				
8	92995-10600	WASHER	4	4				
9	90119-08M84	BOLT, WITH WASHER	1	1				
10	663-45376-00-94	GUIDE, SEAL DAMPER	1	1				
11	688-45375-00	DAMPER, SEAL	1	1				
12	6H1-45214-00	COVER, WATER INLET	1	1				
13	6H1-45215-00	COVER, WATER INLET	1	1				
14	90151-05M00	SCREW, COUNTERSUNK	1	1				
15	90185-05002	NUT, SELF-LOCKING	1	1				
16	67F-45371-00	TAB-TRIM	1	1				
17	90105-10M67	BOLT, FLANGE	1	1				
18	688-45987-01	SPACER	1	1				
19	67F-45997-00	SPACER	1	1				
20	90389-25M00	BUSH	1	1				
21	90171-16011	NUT, CASTLE	1	1				
22	91490-40025	PIN, COTTER	1	1				
23	6E5-45941-00-EL	PROPELLER (3X13"X19"-K)	1	1				UR
	6E5-45943-00-EL	PROPELLER (3X12-5/8"X21"-K)	1	1				UR
	6E5-45945-01-EL	PROPELLER (3X13-1/4"X17"-K)	1	1				UR
	6E5-45947-00-EL	PROPELLER (3X13-1/2"X15"-K)	1	1				UR
	6E5-45949-00-EL	PROPELLER (3X13-5/8"X13"-K)	1	1				UR

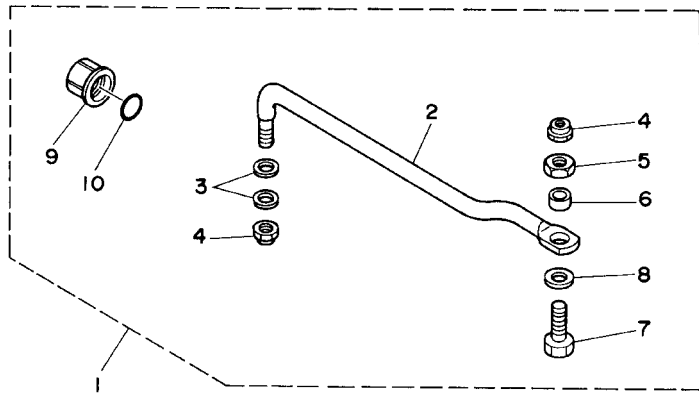


67C0100-9300

FIG. 28 FUEL TANK 1

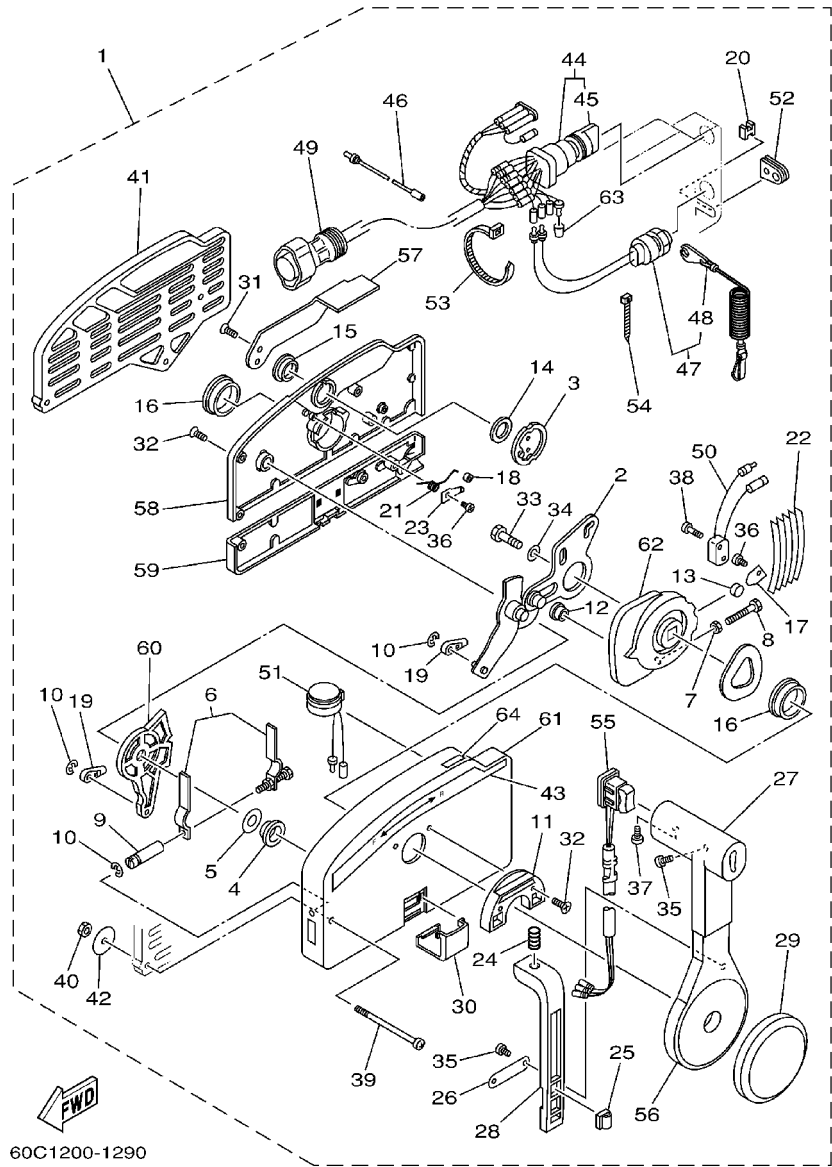
REF. NO.	PART NO.	DESCRIPTION	EL	ED	REMARKS
1	6YJ-24201-10	FUEL TANK ASSY (24L)	1		AP FOR F50D- WITH INDICATOR
2	6YJ-24610-01	.CAP ASSY	1		
3	6Y1-24260-12	.FUEL METER ASSY	1		WITH INDICATOR
4	98586-05016	.SCREW, PAN HEAD	4		
5	6Y1-24329-00	.SEAL	4		
6	6Y1-24268-00	.GASKET, FUEL METER	1		
7	6YJ-24167-00	.STRAINER	1		
8	61J-24306-02	FUEL PIPE COMP. 1	1		AP FOR F50D
9	90445-11M06	.HOSE (L=2050)	1		
10	61J-24360-00	.PRIMER PUMP ASSY	1		
11	90445-11M05	.HOSE (L=850)	1		
12	650-24351-51	.BAND 1	4		
13	6G1-24305-03	.FUEL PIPE JOINT COMP. 2	1		
14	93210-08287	..O-RING	1		
15	6Y1-24305-04	.FUEL PIPE JOINT COMP. 2	1		
16	93210-08287	..O-RING	1		

FIG. 30 STEERING GUIDE



REF. NO.	PART NO.	DESCRIPTION	ET	ED				REMARKS
1	63D-61350-00	STEERING GUIDE ATTACHMENT KIT	1	1				AP
2	63D-61351-00	.ROD, STEERING LINK	1	1				
3	90201-10M20	.WASHER, PLATE	2	2				
4	90185-09M01	.NUT, SELF-LOCKING	2	2				
5	90170-09M03	.NUT	1	1				
6	90387-10M42	.COLLAR	1	1				
7	90101-09M01	.BOLT	1	1				
8	90201-10M63	.WASHER, PLATE	1	1				
9	6E5-43145-01	.CAP, CLAMP BRACKET	1	1				
10	93210-16275	.O-RING	1	1				

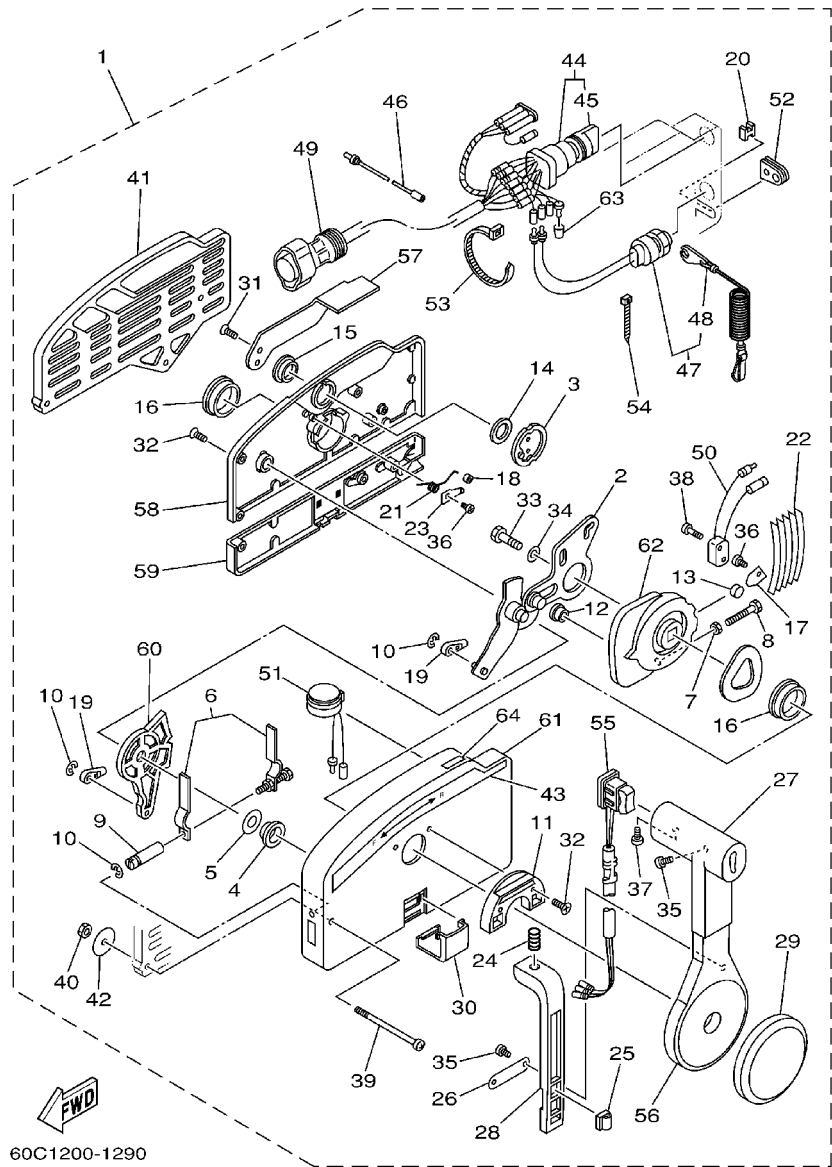
62Y0010-5200



60C1200-1290

FIG. 32 REMOTE CONTROL ASSY

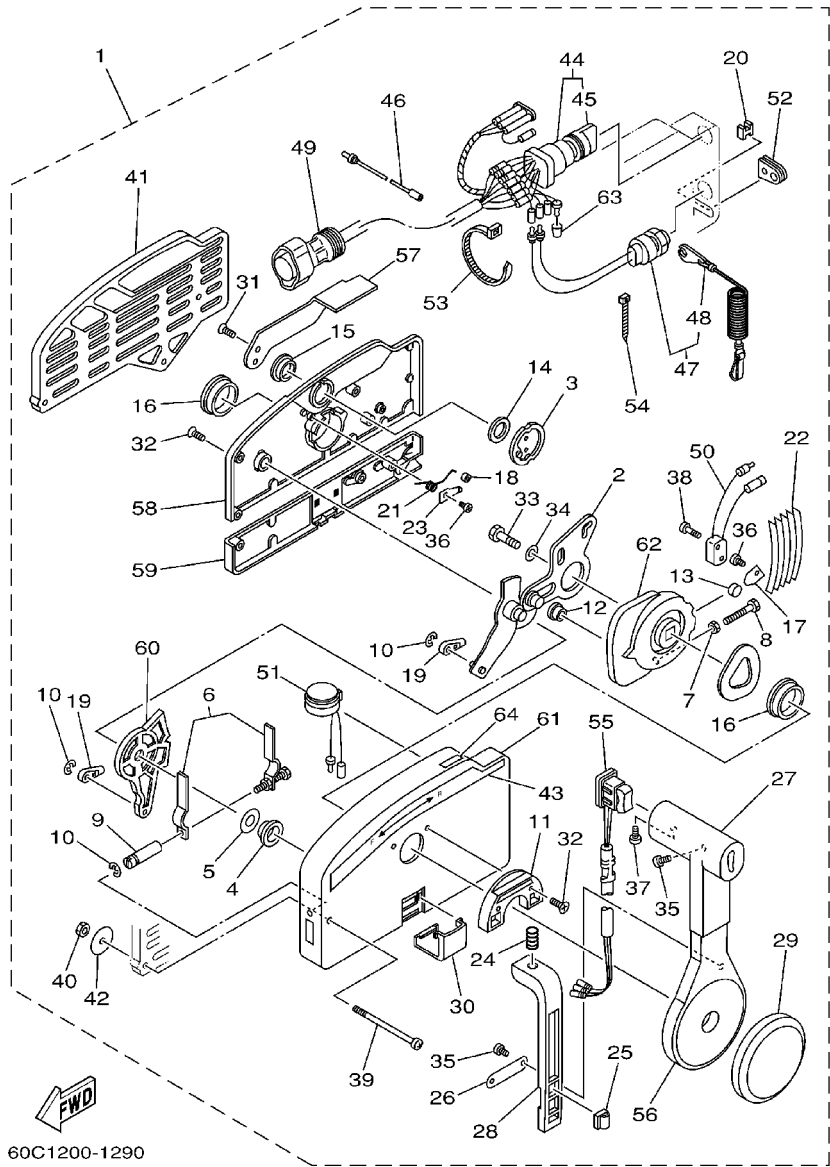
REF. NO.	PART NO.	DESCRIPTION	EL	ED	REMARKS
1	703-48205-A4	REMOTE CONTROL ASSY	1		AP WITH PT/T SW.
	703-48201-A2	REMOTE CONTROL ASSY		1	AP
2	703-48261-01	.ARM, THROTTLE	1	1	
3	703-48153-00	.SHAFT, FREE ACCEL.	1	1	
4	703-48235-00	.BUSHING	1	1	
5	703-48268-00	.SPACER	1	1	
6	703-48264-00	.THROTTLE, FRICTION	1	1	
7	95380-05600	.NUT	1	1	
8	97380-05025	.BOLT	1	1	
9	703-48265-00	.SHAFT, FRICTION	1	1	
10	93430-06024	.CIRCLIP	3	3	
11	703-48245-00	.PLATE, LOCK	1	1	
12	703-48252-00	.ROLLER, CAM	1	1	
13	701-48248-00	.ROLLER, FREE ACCEL.	1	1	
14	703-48198-00	.WASHER, WAVE	1	1	
15	703-48243-00	.BUSHING	1	1	
16	703-48236-00	.BUSHING 1	2	2	
17	703-48189-00	.RETAINER	1	1	
18	703-48234-00	.ROLLER, DETENT	1	1	
19	703-48345-01	.CABLE END, REMOTE CONTROL 2	2	2	
20	703-48358-00	.ANCHOR, CABLE	1	1	
21	703-48244-00	.SPRING, FREE ACCEL.	1	1	
22	703-48238-00	.SPRING, DETENT	5	5	
23	703-48246-00	.SPACER	1	1	
24	703-48227-00	.SPRING, NEUTRAL LOCK	1	1	
25	703-82594-00	.CLAMP	1		WITH PT/T SW.
26	703-48226-00	.PLATE, STOPPER	1	1	



60C1200-1290

FIG. 32 REMOTE CONTROL ASSY

REF. NO.	PART NO.	DESCRIPTION	EL	ED	REMARKS
27	703-48222-00	.GRIP, CONTROL LEVER	1	1	SINGLE
28	703-48223-00	.LOCK, NEUTRAL	1	1	
29	703-48225-00	.COVER	1	1	
30	703-48219-00	.COVER, LEAD	1	1	
31	703-48281-00	.SCREW	2	2	
32	703-48282-00	.SCREW	7	7	
33	97380-08030	.BOLT	1	1	
34	92990-08600	.WASHER, PLATE	1	1	
35	98580-04010	.SCREW, PAN HEAD	3	3	
36	98580-04006	.SCREW, PAN HEAD	2	2	
37	98580-05010	.SCREW, PAN HEAD	1	1	
38	98580-03015	.SCREW, PAN HEAD	2	2	
39	703-48291-10	.SCREW (M6)	3	3	
40	95380-06600	.NUT, HEXAGON	3	3	
41	703-48293-10	.SPACER, REMOTE CONTROL	1	1	SINGLE
42	701-48287-00	.WASHER	3	3	
43	703-48215-00	.GRAPHIC	1	1	
44	703-82510-12	.MAIN SWITCH ASSY	1	1	FOR PRIME START MODEL
45	676-82577-00	..CAP, KEY	1	1	
46	703-82531-00	.WIRE, LEAD	1	1	
47	688-82575-01	.ENGINE STOP SWITCH ASSY	1	1	
48	682-82556-00	..STOPPER	1	1	
49	688-8258A-20	.EXTENSION, WIRE HARNESS	1	1	L:5M (10P)
50	703-82540-00	.NEUTRAL SWITCH ASSY	1	1	
51	703-83383-A0	.BUZZER	1	1	
52	703-48284-00	.GRÖMMET	1	1	
53	703-82591-00	.BAND	1	1	



60C1200-1290

FIG. 32 REMOTE CONTROL ASSY

REF. NO.	PART NO.	DESCRIPTION	EL	ED	REMARKS
54	703-82592-00	.BAND	1	1	
55	703-82563-02	.TRIM & TILT SWITCH ASSY	1		WITH PT/T SW.
	703-48224-00	.COVER, CONTROL LEVER		1	WITHOUT PT/T SW.
56	703-48221-00	.LEVER, CONTROL	1	1	
57	703-48152-00	.KNOB, FREE ACCEL.	1	1	
58	703-48212-00	.BACK PLATE 1	1	1	
59	703-48213-00	.BACK PLATE 2	1	1	
60	703-48271-00	.ARM, SHIFT	1	1	
61	703-48211-01	.HOUSING,1	1	1	
62	703-48232-00	.GEAR	1	1	
63	703-82542-00	.CAP	1		FOR 703-48205-A4
	703-82542-00	.CAP		3	FOR 703-48201-A2
64	703-48218-00	.GRAPHIC	1	1	

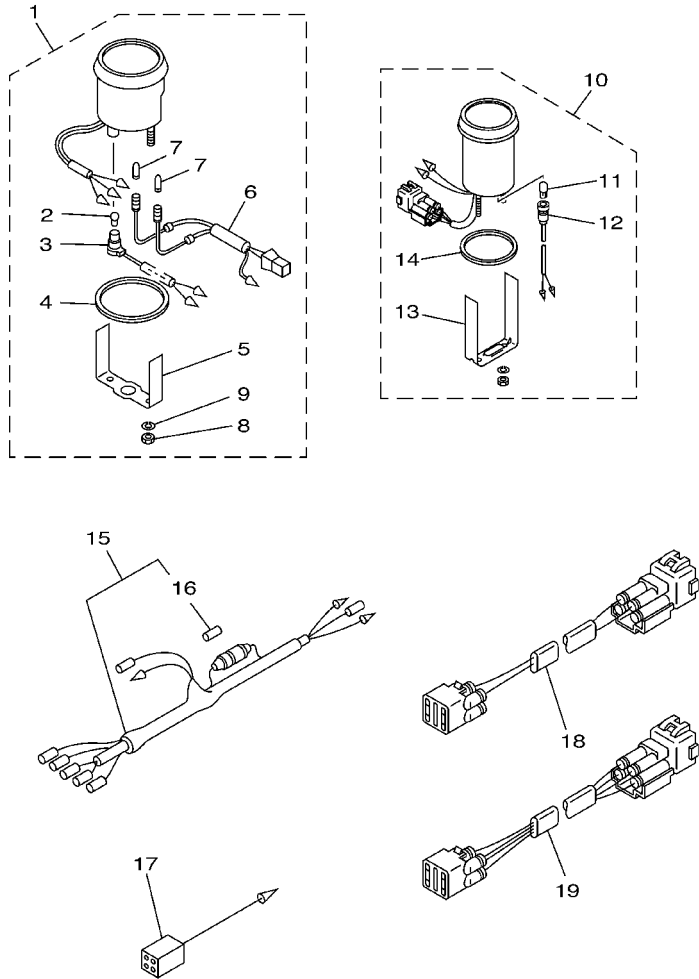
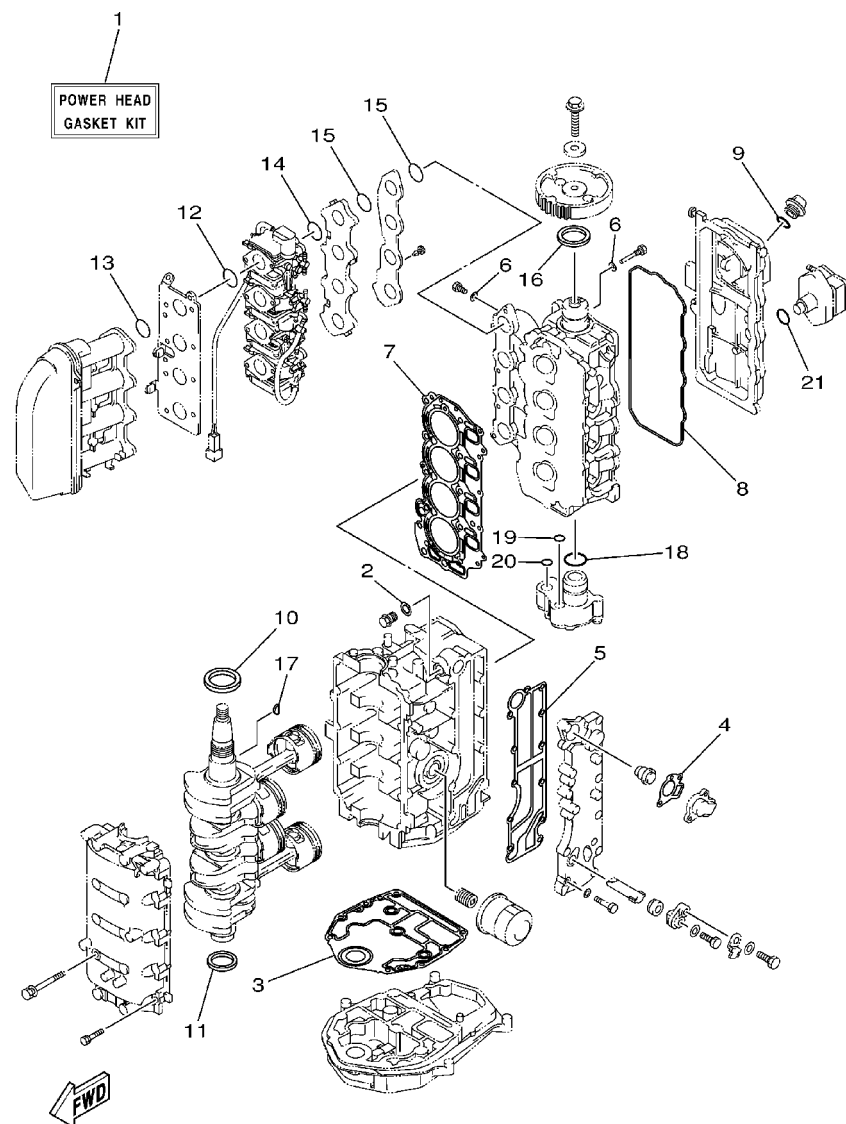


FIG. 33 METER

REF. NO.	PART NO.	DESCRIPTION	ET	ED	REMARKS
1	6Y5-83540-20	TACHOMETER ASSY	1	1	AP
2	6Y5-83517-00	.BULB (T10, 12V-1.7W)	1	1	
3	6Y5-83536-10	.SOCKET, METER	1	1	
4	6Y5-83523-00	.DAMPER	1	1	
5	6Y5-83514-00	.PLATE, FITTING	1	1	
6	6Y5-83509-10	.SOCKET CORD ASSY	1	1	
7	6Y5-83518-00	.BULB (12V-1.7W, T6.5)	2	2	
8	95380-05600	.NUT	2	2	
9	92990-05100	.WASHER, SPRING	2	2	
10	6Y5-83670-12	TRIM METER ASSY.	1		AP
11	6Y5-83518-00	.BULB (12V-1.7W, T6.5)	1		
12	6Y5-83536-00	.SOCKET, METER	1		
13	6Y5-83544-00	.PLATE, FITTING	1		
14	688-83664-00	.DAMPER	1		
15	6Y5-83553-00	WIRE, LEAD	1	1	AP
16	1E6-82151-00	.FUSE (10A)	1	1	
17	6Y5-82117-00	WIRE, LEAD (BLACK)	1		AP
18	6R3-82521-70	WIRE, LEAD	1	1	AP
19	6R3-82553-70	EXTENSION, WIRE LEAD	1		AP

62Y0100-0350

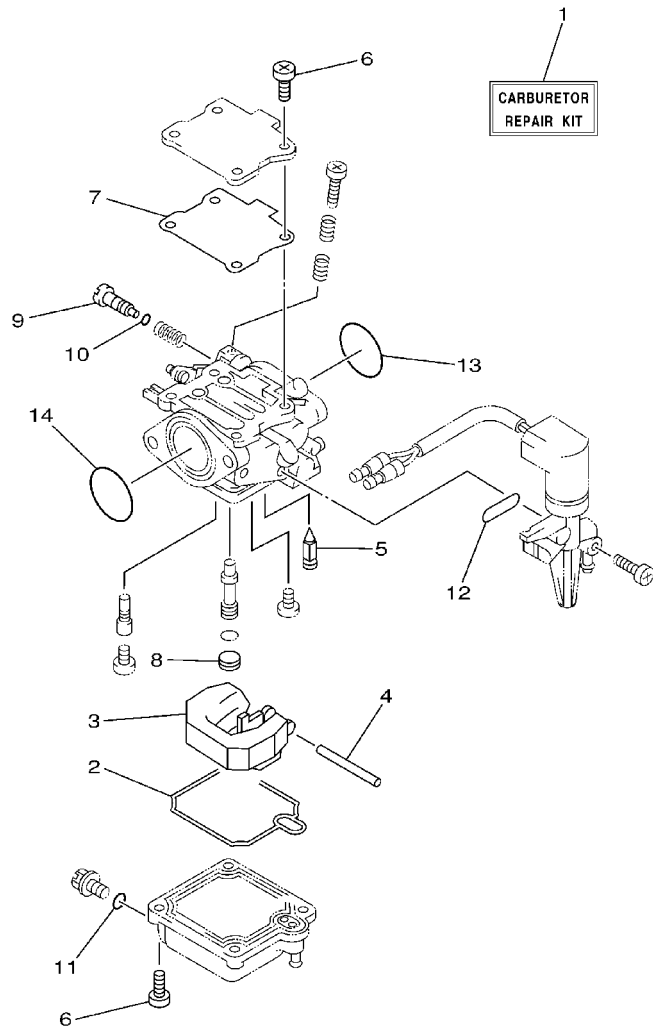


62Y1100-2390

FIG. 34 REPAIR KIT 1

REF. NO.	PART NO.	DESCRIPTION	ET	ED	REMARKS
1	62Y-W0001-10	POWER HEAD GASKET KIT	1	1	
2	90430-14115	.GASKET	1	1	
3	67C-11351-00	.GASKET, CYLINDER	1	1	
4	62Y-12414-00	.GASKET, COVER	1	1	
5	62Y-41114-00	.GASKET, EXHAUST OUTER COVER	1	1	
6	90430-06014	.GASKET	5	5	
7	62Y-11181-00	.GASKET, CYLINDER HEAD 1	1	1	
8	62Y-11356-00	.SEAL, CYLINDER 2	1	1	
9	93210-24M79	.O-RING	1	1	
10	93102-43M42	.OIL SEAL	1	1	
11	93101-35002	.OIL SEAL	1	1	
12	93210-35M86	.O-RING	4	4	
13	93210-38MH3	.O-RING	4	4	
14	93210-30MH4	.O-RING	4	4	
15	93210-35M86	.O-RING	8	8	
16	93102-37M40	.OIL SEAL	1	1	
17	90280-04M06	.KEY, WOODRUFF	1	1	
18	93210-33MH2	.O-RING	1	1	
19	93210-12MG9	.O-RING	1	1	
20	93210-14515	.O-RING	1	1	
21	93210-24M79	.O-RING	1	1	

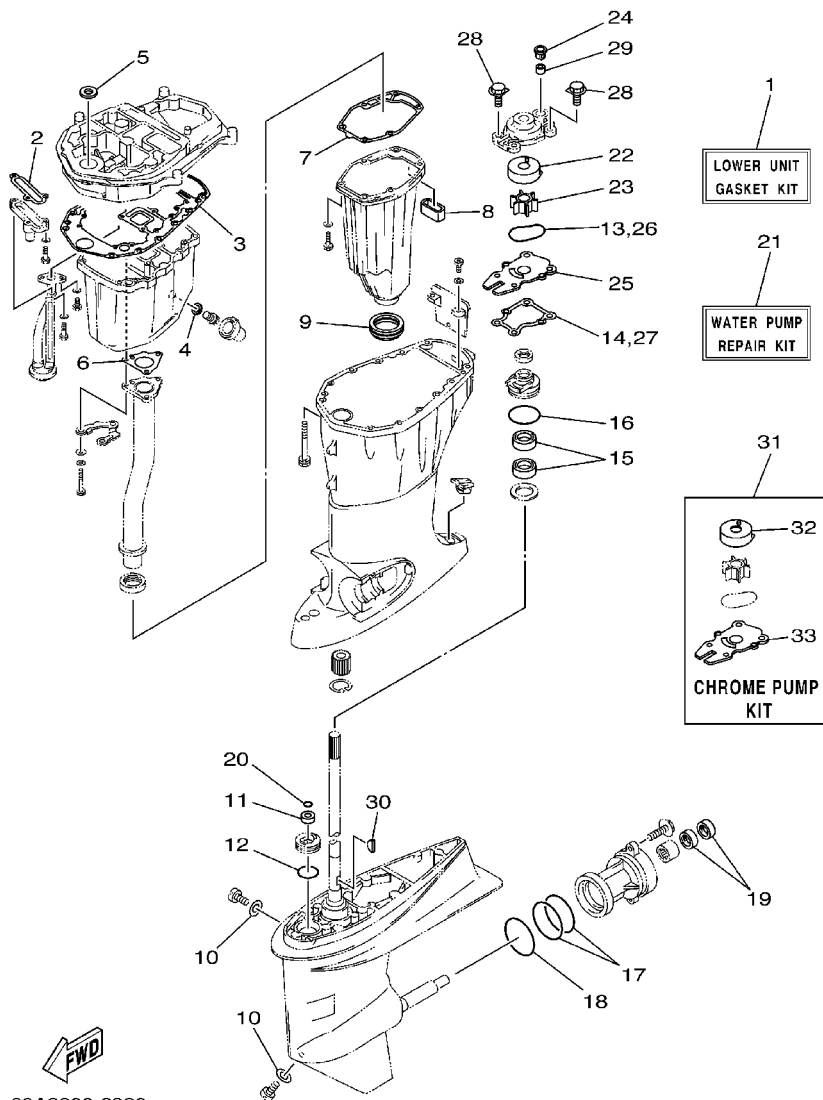
FIG. 35 REPAIR KIT 2



REF. NO.	PART NO.	DESCRIPTION	ET	ED	REMARKS
1	62Y-W0093-10	CARBURETOR REPAIR KIT	1	1	
2	62Y-14384-30	.GASKET, FLOAT CHAMBER	1	1	
3	6L2-14385-00	.FLOAT	1	1	
4	6E5-14386-01	.PIN, FLOAT	1	1	
5	62Y-14392-00	.VALVE, NEEDLE	1	1	
6	62Y-14321-00	.SCREW, THROTTLE	8	8	
7	62Y-14399-30	.GASKET	1	1	
8	62Y-14355-30	.PLUG	1	1	
9	62Y-14323-30	.SCREW, AIR ADJUSTING	1	1	
10	2T4-14397-00	.O-RING	1	1	
11	652-14397-00	.O-RING	1	1	
12	62Y-14398-30	.GASKET	1	1	
13	93210-30MH4	.O-RING	4	4	
14	93210-35M86	.O-RING	4	4	


 62Y0100-1390

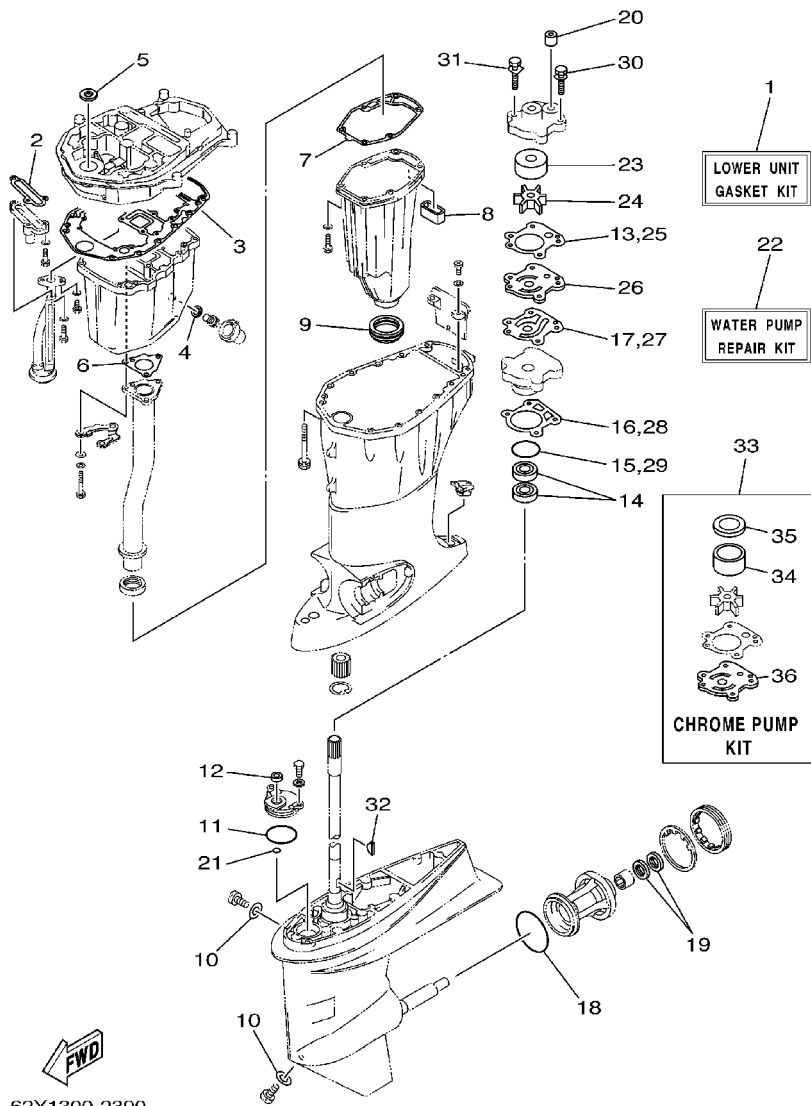
FIG. 36 REPAIR KIT 3



60A2200-2320

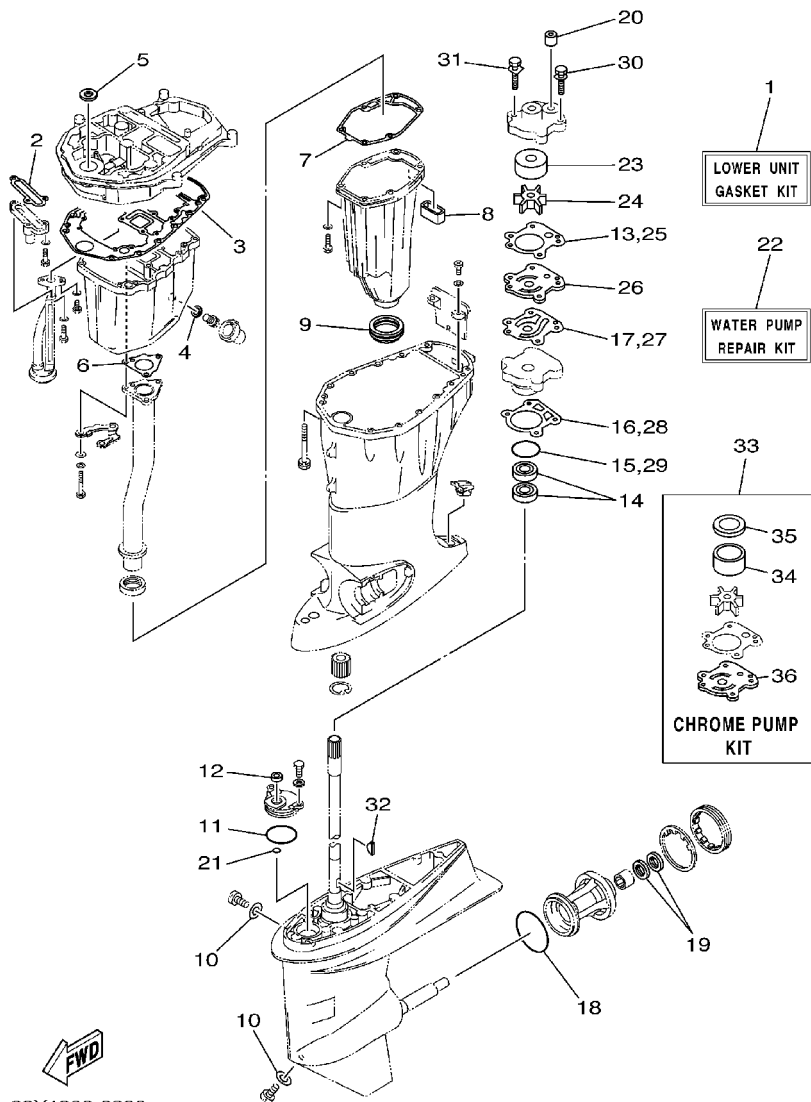
REF. NO.	PART NO.	DESCRIPTION	ET	ED	REMARKS
1	60A-W0001-21	LOWER UNIT GASKET KIT	1		F50D
2	62Y-13475-00	.GASKET	1		
3	69W-15312-00	.GASKET, OIL PAN	1		
4	90430-14M09	.GASKET	1		
5	93103-18011	.OIL SEAL	1		
6	64J-41133-10	.GASKET, EXHAUST MANIFOLD 1	1		
7	62Y-41134-01	.GASKET, EXHAUST MANIFOLD	1		
8	62Y-45127-00	.SEAL	1		
9	663-45123-00	.GASKET, MUFFLER	1		
10	90430-08020	.GASKET	2		
11	93106-09014	.OIL SEAL	1		
12	93210-33MG4	.O-RING	1		
13	93210-59MG7	.O-RING	1		
14	63D-44316-00	.GASKET, WATER PUMP	1		
15	93101-25M57	.OIL SEAL	2		
16	93210-48MG8	.O-RING	1		
17	93210-74MG5	.O-RING	2		
18	93210-69MG6	.O-RING	1		
19	93101-22M00	.OIL SEAL	2		
20	93210-07003	.O-RING	1		
21	63D-W0078-01	WATER PUMP REPAIR KIT	1		F50D
22	63D-44322-00	.INSERT, CARTRIDGE	1		
23	6H3-44352-00	.IMPELLER	1		
24	63D-44312-00	.COVER, WATER PUMP HOUSING	1		
25	63D-44323-00	.OUTER PLATE, CARTRIDGE	1		
26	93210-59MG7	.O-RING	1		
27	63D-44316-00	.GASKET, WATER PUMP	1		

FIG. 37 REPAIR KIT 4



REF. NO.	PART NO.	DESCRIPTION	ET	ED	REMARKS
1	64J-W0001-2B	LOWER UNIT GASKET KIT	1	1	FT50C
2	62Y-13475-00	.GASKET	1	1	
3	69W-15312-00	.GASKET, OIL PAN	1	1	
4	90430-14M09	.GASKET	1	1	
5	93103-18011	.OIL SEAL	1	1	
6	64J-41133-10	.GASKET, EXHAUST MANIFOLD 1	1	1	
7	62Y-41134-01	.GASKET, EXHAUST MANIFOLD	1	1	
8	62Y-45127-00	.SEAL	1	1	
9	663-45123-00	.GASKET, MUFFLER	1	1	
10	90430-08020	.GASKET	2	2	
11	93210-49046	.O-RING	1	1	
12	93106-09014	.OIL SEAL	1	1	
13	6H3-44315-A0	.GASKET, WATER PUMP	1	1	
14	93101-23070	.OIL SEAL	2	2	
15	93210-46044	.O-RING	1	1	
16	688-44316-A0	.GASKET, WATER PUMP	1	1	
17	6H3-44324-A0	.GASKET, CARTRIDGE	1	1	
18	93210-86M39	.O-RING	1	1	
19	93101-25M03	.OIL SEAL	2	2	
20	663-44366-00	.DAMPER, WATER SEAL	1	1	
21	93210-07003	.O-RING	1	1	
22	6H3-W0078-02	WATER PUMP REPAIR KIT	1	1	FT50C
23	663-44322-00	.INSERT, CARTRIDGE	1	1	
24	6H3-44352-00	.IMPELLER	1	1	
25	6H3-44315-A0	.GASKET, WATER PUMP	1	1	
26	6H3-44323-00	.OUTER PLATE, CARTRIDGE	1	1	
27	6H3-44324-A0	.GASKET, CARTRIDGE	1	1	

FIG. 37 REPAIR KIT 4



62Y1300-2390

REF. NO.	PART NO.	DESCRIPTION	ET	ED	REMARKS
28	688-44316-A0	.GASKET, WATER PUMP	1	1	
29	93210-46044	.O-RING	1	1	
30	90119-08M14	.BOLT, WITH WASHER	2	2	
31	90119-08M33	.BOLT, WITH WASHER	2	2	
32	90280-03M03	.KEY, WOODRUFF	1	1	
33	6H3-W0078-0A	CHROME PUMP KIT	1	1	FT50C
34	670-44322-01	.INSERT, CARTRIDGE	1	1	
35	670-44321-00	.INNER PLATE, CARTRIDGE	1	1	
36	6H3-44323-40	.OUTER PLATE, CARTRIDGE	1	1	

NUMERICAL INDEX

PART NO.	REF. NO.	PART NO.	REF. NO.	PART NO.	REF. NO.	PART NO.	REF. NO.	PART NO.	REF. NO.	PART NO.	REF. NO.
60A-W0001-21	36 - 1	62Y-11633-00	3 - 10	62Y-14227-00	7 - 32	62Y-14399-30	7 - 15	62Y-24313-70	6 - 12	62Y-42159-01	16 - 36
62Y-W0001-10	34 - 1	62Y-11635-10	3 - 8	62Y-14271-00	6 - 31		35 - 7	62Y-24313-80	6 - 14	62Y-42171-00	16 - 25
64J-W0001-2B	37 - 1	62Y-11636-10	3 - 8	62Y-14291-30	6 - 26	62Y-14440-00	6 - 4	62Y-24313-90	7 - 33	62Y-42335-20	16 - 30
62Y-W0070-10	1 - 12	62Y-11650-10	3 - 5	62Y-1432A-01	7 - 34	62Y-14485-00	4 - 22	6YL-24329-00	29 - 7	63D-42510-11-4D	19 - 1
6H3-W0078-0A	37 - 33	62Y-11654-00	3 - 6	62Y-14321-00	7 - 13	62Y-14567-30	7 - 30	6Y1-24329-00	28 - 5	624-42542-00	12 - 34
6H3-W0078-02	37 - 22	62Y-11656-30	3 - 7		35 - 6	62Y-14567-40	7 - 30	61N-24329-00	15 - 29	62Y-42610-30-4D	1 - 1
63D-W0078-0A	36 - 31	62Y-11656-40	3 - 7	62Y-14321-10	7 - 22	64J-14585-00	6 - 15	650-24351-51	28 - 12	64J-42610-10-4D	1 - 1
63D-W0078-01	36 - 21	62Y-11656-50	3 - 7	62Y-14323-30	7 - 20	64J-14711-00-5B	22 - 9	61J-24360-00	28 - 10	62Y-42613-00-4D	1 - 2
64J-W009A-00-1S	4 - 1	62Y-11656-60	3 - 7		35 - 9	62Y-14901-30	7 - 1	62Y-24374-01	9 - 31	62Y-42615-10	1 - 15
60A-W009B-00-1S	2 - 1	64J-12111-00	5 - 1	6A0-14325-00	9 - 27	62Y-14901-40	7 - 1	62Y-24378-00	6 - 24	61N-42628-00	1 - 16
62Y-W0093-10	35 - 1	51Y-12114-00	5 - 4	650-14327-01	6 - 2	62Y-14902-30	7 - 2	688-24378-00	2 - 17	62Y-42651-00	1 - 8
63D-W4434-00	24 - 30	62Y-12116-00	5 - 3	62Y-14334-00	7 - 21	62Y-14902-40	7 - 2	62Y-24410-02	9 - 18	62Y-42652-00	1 - 4
64J-11111-00-1S	4 - 2	30X-12117-00	5 - 5	62Y-14341-30	7 - 16	62Y-14903-30	7 - 3	62Y-24411-02	9 - 21	62Y-42677-30	1 - 10
68T-11112-00	22 - 25	30X-12118-00	5 - 6	64J-14342-20	7 - 18	62Y-14903-40	7 - 3	62Y-24413-00	9 - 19	62Y-42678-30	1 - 11
62Y-11119-00	4 - 28	51Y-12119-00	5 - 7	62Y-14343-57	7 - 17	62Y-14904-31	7 - 4	62Y-24421-01	9 - 20	64J-42678-10	1 - 11
62Y-11133-30	4 - 3	64J-12121-00	5 - 2	62Y-14343-58	7 - 17	62Y-14904-41	7 - 4	62Y-24423-00	9 - 22	62Y-42681-10	1 - 13
62Y-11168-00	4 - 23	62Y-12138-60	4 - 33	62Y-14343-62	7 - 17	64J-15100-00-1S	2 - 2	62Y-24444-00	9 - 25	62Y-42682-10	1 - 14
62Y-11181-00	4 - 17	62Y-12146-00	5 - 8	62Y-14343-63	7 - 17	62Y-1531A-00	6 - 42	62Y-24452-00	9 - 29	62Y-42711-04-4D	15 - 1
	34 - 7	62Y-12151-00	5 - 9	64J-14349-01	6 - 18	64J-15311-01-5B	23 - 9	62Y-24454-00	9 - 24	62Y-42711-14-4D	15 - 1
62Y-11191-01-1S	4 - 21	62Y-12158-00	5 - 11	64J-14349-11	6 - 19	69W-15312-00	23 - 10	68V-24469-00	9 - 10	62Y-42715-01	16 - 8
62Y-11325-00	2 - 26	64J-12159-00	5 - 10	64J-14349-21	6 - 20		36 - 3	62Y-24471-00	9 - 26	62Y-42716-00	15 - 7
	4 - 5	62Y-12171-00	8 - 2	64J-14349-31	6 - 21		37 - 3	68V-24521-00	9 - 8	65W-42717-00	15 - 2
	22 - 26	62Y-12216-00	5 - 14	64J-14349-40	6 - 29	62Y-15316-00	23 - 12	64J-24560-00	9 - 6	6E5-42724-00	15 - 8
66M-11327-00-94	2 - 28	62Y-12231-00	5 - 15	64J-14349-50	6 - 30	62Y-1532B-00	6 - 27	68V-24563-00	9 - 7	62Y-42725-00	15 - 17
	4 - 7	64J-12238-00	5 - 12	62Y-14355-30	7 - 19	62Y-15362-00	23 - 17	62Y-24566-00	9 - 11	6H4-42726-00	15 - 32
	22 - 28	64J-12279-00	5 - 13		35 - 8	6G8-15363-00	4 - 31	6YJ-24610-01	28 - 2	688-42726-10	15 - 32
66M-11328-00	2 - 27	6G8-12411-02	2 - 11	62Y-14369-30	6 - 1	62Y-15373-10	6 - 43	6YK-24610-00	29 - 3	6H3-42727-00	15 - 30
	4 - 6	6H3-12413-00-1S	2 - 12	62Y-14380-10	7 - 31	CK5-22434-00	20 - 50	6YL-24641-00	29 - 4	62Y-42727-00	15 - 18
	22 - 27	62Y-12414-00	2 - 13	62Y-14380-20	7 - 31	1UF-22434-00	20 - 17	6G8-26363-00	16 - 33	62Y-42738-01-5B	15 - 16
67C-11351-00	2 - 10		34 - 4	62Y-14381-30	7 - 5	CS3-22471-00	20 - 11	62Y-28100-00	9 - 36	62Y-42741-00-4D	15 - 21
	34 - 3	62Y-12481-10	2 - 23	62Y-14381-40	7 - 6	6YJ-24167-00	28 - 7	6A1-28176-00	15 - 41	62Y-42748-00	15 - 38
62Y-11356-00	4 - 26	66M-12535-00	2 - 29	62Y-14381-50	7 - 7	6YJ-24201-10	28 - 1	62Y-41113-20-1S	2 - 22	69M-42758-00	13 - 3
	34 - 8		4 - 8	62Y-14381-61	7 - 8	6YK-24201-01	29 - 1	62Y-41114-00	2 - 24	62Y-42815-00	15 - 10
62Y-11411-20	3 - 3		22 - 29	62Y-14383-30	7 - 24	6YK-24260-01	29 - 5		34 - 5	62Y-42828-00-4D	15 - 9
62Y-11416-30	3 - 4	62Y-13131-01	9 - 23	62Y-14384-30	7 - 9	6Y1-24260-12	28 - 3	64J-41116-00	22 - 5	62Y-43111-00-4D	17 - 1
62Y-11416-40	3 - 4	62Y-13300-00	8 - 17		35 - 2	6YL-24268-01	29 - 2	64J-41131-10	22 - 3		18 - 1
62Y-11416-50	3 - 4	62Y-13411-00	23 - 5	6L2-14385-00	7 - 10	6Y1-24268-00	28 - 6	64J-41133-10	22 - 4	62Y-43112-00-4D	17 - 2
62Y-11416-60	3 - 4	67F-13434-02	1 - 17		35 - 3	6G1-24304-02	9 - 1		36 - 6		18 - 2
62Y-11536-10	8 - 13	62Y-13437-60	10 - 20	6E5-14386-01	7 - 11	6G1-24305-03	28 - 13		37 - 6	6E5-43126-02	18 - 32
62Y-11537-10	8 - 3	5GH-13440-00	2 - 20		35 - 4	6Y1-24305-04	28 - 15	62Y-41134-01	22 - 12	69D-43126-00	17 - 37
6H4-11545-00	10 - 17	62Y-13444-50	15 - 40	62Y-14392-00	7 - 12	6YL-24306-52	29 - 8		36 - 7	63D-43131-01	17 - 11
62Y-11557-00	8 - 14	62Y-13448-00	6 - 40		35 - 5	61J-24306-02	28 - 8		37 - 7		18 - 11
62Y-11575-00	23 - 1	62Y-13475-00	23 - 2	2T4-14397-00	7 - 23	62Y-24311-30	7 - 28	64J-41137-00-94	22 - 1	6G5-43144-00	17 - 25
62Y-11590-10	8 - 8		36 - 2		35 - 10	62Y-24312-00	6 - 7	6F5-41237-00	16 - 20		18 - 25
64J-11603-00	3 - 9		37 - 2	652-14397-00	7 - 25	62Y-24313-30	6 - 8	662-41237-01	16 - 22	6E5-43145-01	30 - 9
64J-11604-00	3 - 9	62Y-13586-30	6 - 3		35 - 11	62Y-24313-40	6 - 9	62Y-41241-00	16 - 21	6G5-43145-01	17 - 15
64J-11605-00	3 - 9	62Y-14157-30	7 - 14	62Y-14398-30	7 - 29	62Y-24313-50	6 - 10	62Y-41262-30	6 - 13		18 - 15
62Y-11631-10-96	3 - 8	62Y-14212-00	7 - 26		35 - 12	62Y-24313-61	6 - 11	62Y-42154-00	16 - 24	6G5-43148-00	17 - 21

NUMERICAL INDEX

PART NO.	REF. NO.	PART NO.	REF. NO.	PART NO.	REF. NO.	PART NO.	REF. NO.	PART NO.	REF. NO.	PART NO.	REF. NO.
6G5-43148-00	18 - 21	62X-43861-00	20 - 4	63D-44322-00	36 - 22	63D-45214-00	24 - 10	688-45567-01-12	26 - 7	6H5-45945-00-EL	25 - 25
688-43160-01	17 - 26	62X-43862-00	20 - 5	63D-44322-40	24 - 22	6H1-45215-00	27 - 13	688-45567-01-15	26 - 7	69W-45945-00-EL	25 - 25
	18 - 26	62X-43865-00	20 - 62		36 - 32	63D-45215-00	24 - 11	688-45567-01-18	26 - 7	6E5-45947-00-EL	27 - 23
688-43165-00	17 - 27	CS3-4387G-00	20 - 52	663-44322-00	26 - 22	65W-45251-00	17 - 5	688-45567-01-30	26 - 7	663-45947-02-EL	25 - 25
	18 - 27	CS3-4387J-00	20 - 49		37 - 23		17 - 7	688-45567-01-40	26 - 7	6E5-45949-00-EL	27 - 23
62Y-43170-20-4D	17 - 30	CS3-43871-00	20 - 51	670-44322-01	37 - 34		18 - 5	688-45567-01-50	26 - 7	663-45949-01-EL	25 - 25
6H5-43181-03	17 - 16	62X-43871-00	20 - 7	6H3-44323-00	26 - 31		18 - 7	62Y-45571-00	24 - 42	6E5-45952-00-EL	27 - 23
	18 - 16	6H1-43875-00	20 - 58		37 - 26		18 - 30	67F-45571-00	26 - 54	6H5-45952-00-EL	25 - 25
6H5-43185-03	17 - 17	62X-43875-00	20 - 18	6H3-44323-40	37 - 36	663-45251-00	17 - 31	67F-45576-00	26 - 57	663-45952-02-EL	25 - 25
	18 - 17	67F-43875-00	20 - 12	63D-44323-00	36 - 25	67C-45251-00	25 - 15	63D-45577-00-10	24 - 46	6E5-45954-00-EL	27 - 23
63D-43311-13-4D	17 - 9	62X-4388A-00	20 - 10	63D-44323-40	24 - 26	62Y-45300-30-4D	24 - 1	63D-45577-00-12	24 - 46	6E5-45956-00-EL	27 - 23
	18 - 9	CS3-43880-01	21 - 2		36 - 33	64J-45300-30-4D	26 - 1	63D-45577-00-15	24 - 46	663-45956-01-EL	25 - 25
682-43318-01	17 - 35	CS3-43881-00	21 - 13	6H3-44324-A0	26 - 32	62Y-45301-00-4D	24 - 2	63D-45577-00-18	24 - 46	6H5-45958-00-EL	25 - 25
69D-43631-00	17 - 34	6H1-43883-00	20 - 25		37 - 17	67F-45301-00-4D	26 - 2	63D-45577-00-30	24 - 46	663-45958-01-EL	25 - 25
63D-43691-00	17 - 33	62X-43888-00	21 - 1		37 - 27	62Y-45318-00	22 - 23	63D-45577-00-40	24 - 46	663-45972-60-98	25 - 25
69W-4380F-00	21 - 9	69J-4389J-00	20 - 30	6H3-44341-00-94	26 - 27	63D-45321-00	24 - 14	63D-45577-00-50	24 - 46	697-45970-00-98	25 - 25
62X-4380H-00	21 - 14		20 - 55	63D-44341-00	24 - 31	688-45321-00	26 - 12	663-45587-01-10	24 - 5	663-45972-60-98	25 - 25
CS3-4380K-01	20 - 2	CS3-43891-00	21 - 6	6H3-44352-00	24 - 23	67F-45331-00-94	26 - 55	663-45587-01-12	24 - 5	663-45974-02-98	25 - 25
62Y-43800-01-4D	20 - 1	CS3-43892-00	21 - 5		26 - 25	688-45341-10	24 - 9	663-45587-01-15	24 - 5	663-45974-60-98	25 - 25
62X-43804-01	21 - 4	69J-43893-00	20 - 53		36 - 23		26 - 10	663-45587-01-18	24 - 5	663-45976-00-98	25 - 25
CS3-43805-00	21 - 3	69J-43894-00	20 - 48	62Y-44361-00	25 - 1	63D-45344-00	24 - 34	663-45587-01-30	24 - 5	663-45978-00-98	25 - 25
62X-43807-00	21 - 8	62X-43899-00	20 - 14		27 - 1	63D-45361-02-4D	24 - 43	663-45587-01-40	24 - 5	663-45987-02	25 - 20
69W-4381B-00	20 - 13	69W-43899-00	20 - 63	663-44366-00	25 - 18	67C-45371-00	25 - 12	663-45587-01-50	24 - 5	688-45987-01	27 - 18
62X-43810-01	20 - 3	62X-44112-00	16 - 10		26 - 24	67F-45371-00	27 - 16	688-45587-01-10	26 - 5	66T-45997-00	25 - 21
CS3-43816-00	20 - 41	62Y-44116-01	16 - 31		36 - 29	63D-45375-00	25 - 6	688-45587-01-12	26 - 5	67F-45997-00	27 - 19
6H1-43816-00	20 - 54	62Y-44117-01-4D	16 - 2		37 - 20	688-45375-00	27 - 11	688-45587-01-15	26 - 5	64J-46132-10	22 - 34
62Y-43818-00	17 - 41	62Y-44118-00	16 - 9	663-44367-00	25 - 2	663-45376-00-94	25 - 5	688-45587-01-18	26 - 5	62Y-46241-00	8 - 7
	18 - 36	62Y-44120-01	16 - 7		27 - 2		27 - 10	688-45587-01-30	26 - 5	703-48152-00	32 - 57
CS3-4382A-00	20 - 39	69W-44121-00	16 - 1		27 - 2	6E5-45378-00	24 - 17	688-45587-01-40	26 - 5	703-48153-00	32 - 3
CS3-4382L-00	20 - 42	688-44122-00	16 - 18	6H3-44391-01	15 - 3		26 - 17	688-45587-01-50	26 - 5	703-48189-00	32 - 17
6H1-43829-00	20 - 61	62Y-44135-00	16 - 27	62Y-44514-10-4D	19 - 26	688-45383-02	26 - 62	63D-45611-00	24 - 55	703-48198-00	32 - 14
CS3-43830-01	20 - 21	63D-44144-00	24 - 52	67C-44514-00-4D	19 - 26	688-45384-02	26 - 63	67F-45611-00	26 - 41	703-48201-A2	31 - 1
6H1-43831-10	20 - 19	64J-44150-00	26 - 64	66T-44526-30	19 - 28	62Y-45501-30	24 - 36	62Y-45631-00	24 - 57		32 - 1
6H1-4384F-10	20 - 33	62Y-44151-00	24 - 51	663-44551-02-4D	19 - 9	64J-45501-30	26 - 36	67F-45631-00	26 - 42	703-48205-A4	31 - 1
69A-4384F-00	20 - 24	6H3-44311-00	26 - 21	663-44552-01-94	19 - 18	6H4-45536-00	24 - 4	67C-45633-00	24 - 62		32 - 1
6H1-4384G-11	20 - 31	63D-44311-00	24 - 21	62Y-44553-01-4D	19 - 23	688-45536-01	26 - 4	688-45633-00	26 - 51	703-48211-01	32 - 61
69W-4384G-00	20 - 46	63D-44312-00	25 - 19	62Y-44555-00-94	19 - 11	6H4-45551-01	24 - 37	663-45634-00	24 - 58	703-48212-00	32 - 58
62X-4384H-00	20 - 16		36 - 24	663-44575-00	19 - 16	64J-45551-00	26 - 37	67F-45634-00	26 - 43	703-48213-00	32 - 59
69J-4384M-00	20 - 23	6H3-44315-A0	26 - 23	62Y-45111-21-4D	22 - 16	6H4-45560-01	24 - 39	6H1-45635-00	26 - 45	703-48215-00	32 - 43
69J-43841-00	20 - 22		37 - 13	663-45123-00	22 - 14	64J-45560-00	26 - 39	63D-45635-00	24 - 60	703-48218-00	32 - 64
6H1-43844-10	20 - 35	63D-44316-00	24 - 27		36 - 9	663-45567-01-10	24 - 41	6H1-45668-00	26 - 44	703-48219-00	32 - 30
CS3-43845-00	20 - 59		37 - 9	62Y-45127-00	22 - 13	663-45567-01-12	24 - 41	663-45930-00-98	25 - 25	703-48221-00	32 - 56
69J-43853-00	20 - 29		36 - 14		36 - 8	663-45567-01-15	24 - 41	6E5-45941-00-EL	27 - 23	703-48222-00	32 - 27
CS3-43854-00	20 - 47		36 - 27		37 - 8	663-45567-01-18	24 - 41	663-45941-01-EL	25 - 25	703-48223-00	32 - 28
CS3-43855-00	20 - 32	688-44316-A0	26 - 30		37 - 8	663-45567-01-30	24 - 41	6E5-45943-00-EL	27 - 23	703-48224-00	32 - 55
6H1-43856-10	20 - 34		37 - 16	62Y-45151-00	22 - 19	663-45567-01-40	24 - 41	6H5-45943-00-EL	25 - 25	703-48225-00	32 - 29
65W-4386A-00	20 - 28		37 - 28	6H3-45155-00	22 - 22	663-45567-01-50	24 - 41	69W-45943-00-EL	25 - 25	703-48226-00	32 - 26
62X-4386K-00	21 - 10	670-44321-00	37 - 35	6H1-45214-00	27 - 12	688-45567-01-10	26 - 7	6E5-45945-01-EL	27 - 23	703-48227-00	32 - 24

NUMERICAL INDEX

PART NO.	REF. NO.	PART NO.	REF. NO.	PART NO.	REF. NO.	PART NO.	REF. NO.	PART NO.	REF. NO.	PART NO.	REF. NO.
703-48232-00	32-62	6E5-81847-10	14-5	703-82591-00	32-53	90109-06M30	16-32	90201-03313	26-47	90344-51003	2-7
703-48234-00	32-18	6E5-81850-11	14-2	703-82592-00	32-54	90109-06M64	8-12	90201-06M05	12-13	90386-05002	15-14
703-48235-00	32-4	61H-81857-00	14-12	688-82594-00	12-21	90109-06M65	4-15	90201-06015	22-8	90386-10M16	17-18
703-48236-00	32-16	6G1-81941-10	12-5	703-82594-00	32-25	90109-08M63	5-16	90201-08M04	17-43		18-18
703-48238-00	32-22	6L2-81945-00	12-7	703-83383-A0	32-51	90109-12261	19-15		18-38	90386-10025	17-19
703-48243-00	32-15	62Y-81948-00	12-32	6Y5-83504-20	13-1	90116-08M14	11-19	90201-083J8	21-16		18-19
703-48244-00	32-21	6H2-81949-01	12-27	6Y5-83509-10	33-6	90116-10175	19-7	90201-10M06	8-5	90386-18M35	18-34
703-48245-00	32-11	61A-81949-00	12-28	6Y5-83514-00	33-5	90119-06MA2	4-27	90201-10M20	16-15	90386-18M92	18-33
703-48246-00	32-23	6H1-81950-00	12-23	6Y5-83517-00	33-2	90119-06MA3	4-20		30-3	90386-22M15	17-12
701-48248-00	32-13	6G1-81952-00	12-6	6Y5-83518-00	33-7	90119-06MA5	2-25	90201-10M63	30-8		18-12
703-48252-00	32-12	64J-81960-10	12-10		33-11	90119-06MA6	8-21	90201-12M16	12-35	90386-30M60	19-6
703-48261-01	32-2	62Y-82105-00	12-16	64J-83519-00	13-4	90119-06M08	15-6		19-12	90386-30M77	19-4
703-48264-00	32-6	6E5-82117-01	12-17	6Y5-83523-00	33-4	90119-08M01	2-4	90201-12426	17-48	90386-30M78	19-3
703-48265-00	32-9	6Y5-82117-00	33-17	6Y5-83536-00	33-12	90119-08M14	26-35		18-43	90386-90M90	16-14
703-48268-00	32-5	682-82119-01	12-29	6Y5-83536-10	33-3		37-30	90201-13M19	19-14	90387-06M15	6-34
703-48271-00	32-60	703-82119-00	19-37	6Y5-83540-20	33-1	90119-08M15	24-29	90201-21M18	10-19	90387-06M40	15-28
703-48281-00	32-31	697-82127-01	19-25	6Y5-83544-00	33-13		36-28	90201-22M03	17-13	90387-06M45	16-28
703-48282-00	32-32	63D-82148-00	17-3	6Y5-83553-00	33-15	90119-08M33	26-34		18-13	90387-06M69	15-5
703-48284-00	32-52		18-3	6K3-83557-00	13-9		37-31	90201-22429	24-56	90387-06M70	6-6
701-48287-00	32-42	1E6-82151-00	33-16	6E5-83558-00	19-35	90119-08M76	14-18	90201-25M05	26-65	90387-10M42	30-6
703-48291-10	32-39	663-82151-00	12-20	6E5-83558-10	24-19	90119-08M77	14-19	90201-27M00	24-35	90387-16003	17-38
703-48293-10	32-41	6G5-82152-00	12-18		26-19	90119-08M79	22-17	90201-30M00	19-2	90387-16004	17-39
701-48310-90	31-2	CS3-82181-01	21-7	62Y-83614-00	12-39	90119-08M82	22-18	90202-07M07	16-19	90387-18002	17-44
701-48320-00	31-2	6A0-82317-00	12-33	6A1-83625-41	10-21	90119-08M84	25-11	90202-12060	25-3		18-39
701-48320-20	31-2	663-82317-01	10-15	6A1-83625-51	10-22		27-9		27-3	90387-18003	17-45
701-48320-50	31-2	6G8-82370-30	11-8	62Y-83626-00	11-22	90119-09M00	4-19	90202-21100	19-13		18-40
703-48345-01	32-19	62Y-82377-00	15-39	688-83664-00	33-14	90142-05M06	24-12	90240-05M19	15-13	90389-22M01	25-22
703-48358-00	32-20	64J-82504-00	11-12	6Y5-83670-12	33-10	90151-05M00	27-14	90249-05M30	15-11	90389-25M00	27-20
63D-48511-00-4D	19-42	62Y-82509-00	6-28	63D-83672-01	19-36	90152-06M01	17-32	90249-06M19	17-22	90401-20M00	2-21
62Y-48538-00	16-35	703-82510-12	32-44	64J-85510-00	10-2	90157-05M16	29-6		18-22	90430-06014	4-14
63D-61350-00	30-1	6R3-82521-70	33-18	64J-85516-00	13-2	90159-05M13	13-8	90249-07M29	8-10		4-16
63D-61351-00	30-2	703-82531-00	32-46	64J-85540-11	12-1	90159-06M08	11-18	90250-06023	24-61		34-6
64J-77123-00	22-15	703-82540-00	32-50	64J-85550-00	10-1	90170-09M03	30-5	90250-07M02	26-50	90430-08020	24-8
62Y-81337-11	10-13	703-82542-00	32-63	62Y-85561-00-94	10-3	90170-12138	24-38	90266-06M02	1-9		26-11
6K7-81338-01	10-14	6R3-82553-70	33-19	62Y-85570-00	11-1	90170-16M01	26-38	90280-03M03	26-26		36-10
6E5-81800-12	14-1	64J-82553-00	13-5	62Y-85580-00	10-5	90170-20137	10-18		37-32		37-10
6E5-81801-10	14-6	682-82556-00	32-48	62Y-85599-00	11-17	90170-35M32	8-15	90280-03024	24-25	90430-12072	25-4
6E5-81807-11	14-11	62Y-82560-01	11-13	90101-06020	17-6	90171-16011	25-23		36-30		27-4
6E5-81809-10	14-3	63D-82563-10	12-37		17-8		27-21	90280-04M06	8-16	90430-14M09	23-14
6E5-81810-10	14-4	703-82563-02	32-55		18-6	90179-06M24	1-3		34-17		36-4
6E5-81813-10	14-8	6E3-8257H-00	15-42		18-8	90179-06066	19-22	90282-04010	26-61		37-4
6E5-81820-11	14-9	688-82575-01	32-47		18-31	90183-02M03	26-49	90338-04M17	6-32	90430-14115	2-9
62Y-81822-01-94	11-9	676-82577-00	32-45	90101-08M15	19-27	90185-05002	27-15	90338-05M03	15-31		34-2
6E5-81824-00	14-10	688-8258A-20	32-49	90101-09M01	30-7	90185-08045	19-29		15-37	90445-07MF1	19-34
6E5-81826-10	14-15	6E5-82587-00	12-38	90101-12M65	17-46	90185-09M01	30-4	90340-08002	24-7	90445-07M31	24-18
6E5-81830-10	14-13	6E9-82588-00	11-14		18-41	90185-10051	19-8		26-9		26-18
688-81831-00	14-14	64J-82590-20	12-19	90105-08M61	24-44	90185-22M11	17-14	90340-14M06	2-8	90445-09068	2-16
6E5-81840-10	14-7	64J-82590-30	12-19	90105-10M67	27-17		18-14		23-13	90445-09095	2-18

NUMERICAL INDEX

PART NO.	REF. NO.	PART NO.	REF. NO.	PART NO.	REF. NO.	PART NO.	REF. NO.	PART NO.	REF. NO.	PART NO.	REF. NO.
90445-09105	2 - 14	91490-16010	15 - 12	92995-06600	13 - 7	93210-08287	28 - 16	93210-86M39	37 - 18	95380-08600	9 - 14
90445-10M48	9 - 15		15 - 15		15 - 20	93210-09165	20 - 60	93306-001U1	24 - 45		11 - 20
90445-10020	9 - 4		16 - 26		16 - 4	93210-12MG9	8 - 19	93306-207U0	26 - 56	95380-12600	17 - 49
90445-11M05	28 - 11	91490-20015	16 - 16		16 - 6		34 - 19	93315-32224	24 - 3		18 - 44
90445-11M06	28 - 9	91490-30025	25 - 24		22 - 7	93210-14515	8 - 20	93315-325W4	26 - 3	95380-12800	19 - 17
90446-17M91	19 - 41	91490-40025	27 - 22		22 - 11		34 - 20	93317-22204	24 - 49	95780-05300	1 - 7
90464-07M41	11 - 3	91690-30012	17 - 28		23 - 16	93210-16275	30 - 10	93317-322V0	26 - 40	95895-06016	15 - 26
90464-09M43	15 - 36		18 - 28		26 - 16	93210-18397	20 - 57	93317-325U0	26 - 59	95895-06025	12 - 36
90464-15M11	12 - 30	91690-30020	17 - 20	92995-08100	19 - 20	93210-18397	4 - 32	93332-000UD	26 - 8	95895-06035	16 - 29
90465-06M86	19 - 32		18 - 20		19 - 31		9 - 32	93332-000U3	26 - 6	95895-08020	8 - 11
90465-06M90	11 - 2	92A08-03110	20 - 37		25 - 14		34 - 9	93332-00001	24 - 6	95895-10040	8 - 6
90465-11M10	2 - 19	92903-06600	2 - 6		25 - 17		34 - 21	93332-00003	24 - 40	97013-06016	23 - 6
	6 - 22		2 - 33	92995-08600	9 - 13	93210-29M94	19 - 5	93410-16006	17 - 40	97013-06020	2 - 32
	6 - 41		22 - 33		11 - 11	93210-29375	20 - 6	93410-18M02	18 - 35		22 - 32
	19 - 33		23 - 4		14 - 17		20 - 20	93410-28M06	19 - 10	97013-06025	23 - 3
	19 - 40		23 - 7	92995-10100	25 - 9	93210-30MH4	6 - 16	93420-36M01	22 - 24	97013-06035	2 - 5
	24 - 20	92907-04600	4 - 25		27 - 7		34 - 14	93430-06024	32 - 10	97075-06025	22 - 10
	26 - 20	92990-05100	10 - 7	92995-10600	25 - 10		35 - 13	93450-09M01	4 - 4		23 - 15
90465-13M11	12 - 26		33 - 9		27 - 8	93210-32738	9 - 9	93450-17129	3 - 11	97075-06050	22 - 6
90465-13M18	19 - 39	92990-05600	10 - 8	92995-12200	17 - 47	93210-33MG4	24 - 16	93501-04M02	16 - 13	97075-08025	19 - 19
90465-13M24	12 - 22		22 - 21		18 - 42		36 - 12	93501-08001	20 - 45	97075-08030	19 - 30
	12 - 31	92990-06100	15 - 24	93101-22M00	24 - 50	93210-33MH2	8 - 18	93503-16003	20 - 15	97075-10040	25 - 8
	13 - 10		15 - 34		36 - 19		34 - 18		26 - 48		27 - 6
90465-13M36	6 - 23	92990-06600	10 - 11	93101-23070	26 - 28	93210-35M86	6 - 17	93505-32038	20 - 27	97080-08016	17 - 42
90465-13M97	10 - 9		15 - 25		37 - 14		6 - 33		20 - 36		18 - 37
90467-08M18	2 - 15		15 - 35	93101-25M03	26 - 60		34 - 12	93604-08062	24 - 28	97095-05012	2 - 30
90467-09M17	9 - 5	92990-08100	11 - 21		37 - 19		34 - 15	93604-10M03	26 - 33		4 - 9
	9 - 16	92990-08600	32 - 34	93101-25M57	24 - 32		35 - 14	93604-26256	20 - 40		22 - 30
90467-10M04	9 - 17	92995-05600	1 - 6		36 - 15	93210-38MH3	6 - 25	93605-14143	8 - 4	97095-05016	1 - 5
	9 - 35		2 - 31	93101-35002	3 - 2		34 - 13	93606-12019	2 - 3	97095-06010	4 - 13
90468-18008	16 - 17		4 - 10		34 - 11	93210-44383	20 - 8		23 - 11		17 - 24
	16 - 34		22 - 31	93102-08414	21 - 15	93210-46044	26 - 29		25 - 7		17 - 36
90480-09M12	15 - 4	92995-06100	11 - 6	93102-37M40	8 - 1		37 - 15		27 - 5		18 - 24
90480-12072	10 - 16		12 - 3		34 - 16		37 - 29	93608-12M05	23 - 8	97095-06012	11 - 15
90480-13M24	15 - 27	92995-06600	4 - 12	93102-43M42	3 - 1	93210-48MG8	24 - 33	93608-16M16	6 - 39		12 - 14
90480-25161	11 - 4		4 - 30		34 - 10		36 - 16	93700-06M03	17 - 10		12 - 40
90501-12M48	26 - 46		6 - 36	93103-18011	22 - 2	93210-48214	20 - 9		18 - 10		13 - 6
90501-12082	16 - 12		6 - 38		36 - 5	93210-49046	26 - 13	94701-00375	4 - 34	97095-06014	12 - 8
90501-14M08	19 - 21		6 - 45		37 - 5		37 - 11	95023-06025	10 - 4	97095-06016	6 - 44
90501-18001	24 - 59		9 - 3	93106-09014	24 - 15	93210-52449	21 - 17	95307-03600	20 - 38		26 - 15
90502-16M02	17 - 29		9 - 34		26 - 14	93210-59MG7	24 - 24	95380-03600	9 - 28	97095-06020	4 - 11
	18 - 29		11 - 7		36 - 11		36 - 13	95380-05600	9 - 30		4 - 29
90506-14M24	17 - 23		11 - 16		37 - 12		36 - 26		24 - 13		12 - 2
	18 - 23		12 - 4	93210-07003	24 - 53	93210-69MG6	24 - 48		32 - 7		12 - 24
90508-20018	8 - 9		12 - 9		26 - 52		36 - 18		33 - 8		15 - 19
91318-05008	20 - 44		12 - 12		36 - 20	93210-74MG5	24 - 47	95380-05700	16 - 23		16 - 3
91318-05020	20 - 43		12 - 15		37 - 21		36 - 17	95380-06600	15 - 22		16 - 11
91318-06040	20 - 56		12 - 25	93210-08287	28 - 14	93210-86M39	26 - 58		32 - 40	97095-06025	6 - 37

NUMERICAL INDEX

PART NO.	REF. NO.	PART NO.	REF. NO.	PART NO.	REF. NO.	PART NO.	REF. NO.	PART NO.	REF. NO.	PART NO.	REF. NO.
97095-06025	9 - 2										
	16 - 5										
97095-06030	6 - 35										
	9 - 33										
	11 - 5										
97095-06040	12 - 11										
97095-08014	9 - 12										
97095-08016	14 - 16										
97095-08025	25 - 13										
97095-08035	11 - 10										
	25 - 16										
97380-05025	32 - 8										
97380-08030	32 - 33										
97595-06590	6 - 5										
97607-04212	21 - 12										
97880-05012	10 - 6										
97880-05016	22 - 20										
97880-05020	21 - 11										
97880-06025	10 - 10										
	15 - 23										
	15 - 33										
97885-06008	17 - 4										
	18 - 4										
97885-06016	19 - 24										
	19 - 38										
98507-04010	4 - 24										
98580-03015	32 - 38										
98580-04006	32 - 36										
98580-04010	32 - 35										
98580-05010	32 - 37										
98586-05016	28 - 4										
98980-04006	7 - 27										
99001-03600	20 - 26										
99001-08600	24 - 54										
	26 - 53										
99530-08012	4 - 18										
	10 - 12										

F50D/FT50C
PARTS CATALOGUE
E2001 by Yamaha Motor Co., Ltd.
1st Edition, Nov. 2001
All rights reserved.
Any reprinting or unauthorized use
without the written permission of
Yamaha Motor Co., Ltd.
is expressly prohibited.
Printed in Japan