

PARTS CATALOGUE

F60 (69W3)

F60A'04 (69W3)

FOREWORD

This Parts Catalogue is related to the parts for the model(s) on the cover page. When you are ordering replacement parts, please refer to this Parts Catalogue and quote both part numbers and part names correctly.

1. Modifications or additions which have been made after the issue of the Parts Catalogue will be announced in the Yamaha Parts News.
It is advisable that you make the necessary corrections to the Parts Catalogue according to the Yamaha Parts News.

2. Abbreviations

The following abbreviations are used in this Parts Catalogue.

“UR” Use specified parts number.

“UN” Use as many as needed.

“AP” Alternate Parts

“LM” Locally Made (Parts need to be ordered locally)

“F#” Frame No. (Applicable machine No.)

“O/S” Over Size

3. The number of components for assembly

- Parts, which are to be supplied in an assembly, are listed with a dot (.) in front of the part name as shown below.
- The numeral appearing to the right of each component part indicates the quantity of parts for each assembly unit.

PART NO.	DESCRIPTION	Q'TY	REMARKS
2F5-83310-60	FRONT FLASHER LIGHT ASSY	2	
115-83311-60	.BULB (6V-18W)	1	

4. Applicable colours of graphics are represented in the “REMARKS” as shown below.

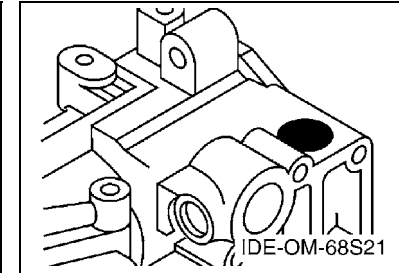
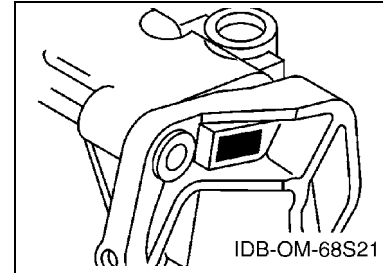
PART NO.	DESCRIPTION	Q'TY	REMARKS
2N4-24110-00-X5	FUEL TANK COMP.	2	MXR
3J1-24240-10	.GRAPHIC, FUEL TANK	1	FOR MXR

5. Note that the illustrations for reference in finding parts numbers are not to be used for assembling. When assembling, please use the applicable service manual.

6. The asterisk (*) before a reference number indicates modified items after the first edition.

7. Applicable Serial No.

Engine Serial No.



8. Applicable Engine Starting Serial No.

Model	Serial No.	Model	Serial No.
F60	69W-1006198	F60A	69W-1006198

9. Applicable Colour Code

Abbreviation	Colour Name	Colour Code
DBNM2	DARK BLUISH GRAY METALLIC 2	004D

10. Quantity Column Information

Column No.	Name Of Q'ty Column	Applicable Model
1	EHT	F60THC,F60AEHT
2	ET	F60TRC,F60AET

CONTENTS

SHEET1/2

TOP COWLING	A4
CYLINDER. CRANKCASE 1	A5
CRANKSHAFT. PISTON	A7
CYLINDER. CRANKCASE 2	B1
VALVE	B3
INTAKE	B4
CARBURETOR	B6
OIL PUMP	C1
FUEL 1	C2
FUEL 2	C4
GENERATOR	C5
ELECTRICAL 1	C6
ELECTRICAL 2	C7
ELECTRICAL 3	D2
STARTING MOTOR	D4
BOTTOM COWLING	D5
STEERING	E1
STEERING FRICTION	E4
CONTROL	E5
BRACKET 1	E7
BRACKET 2	F2
POWER TRIM & TILT ASSY 1	F4
POWER TRIM & TILT ASSY 2	F7

INDEX

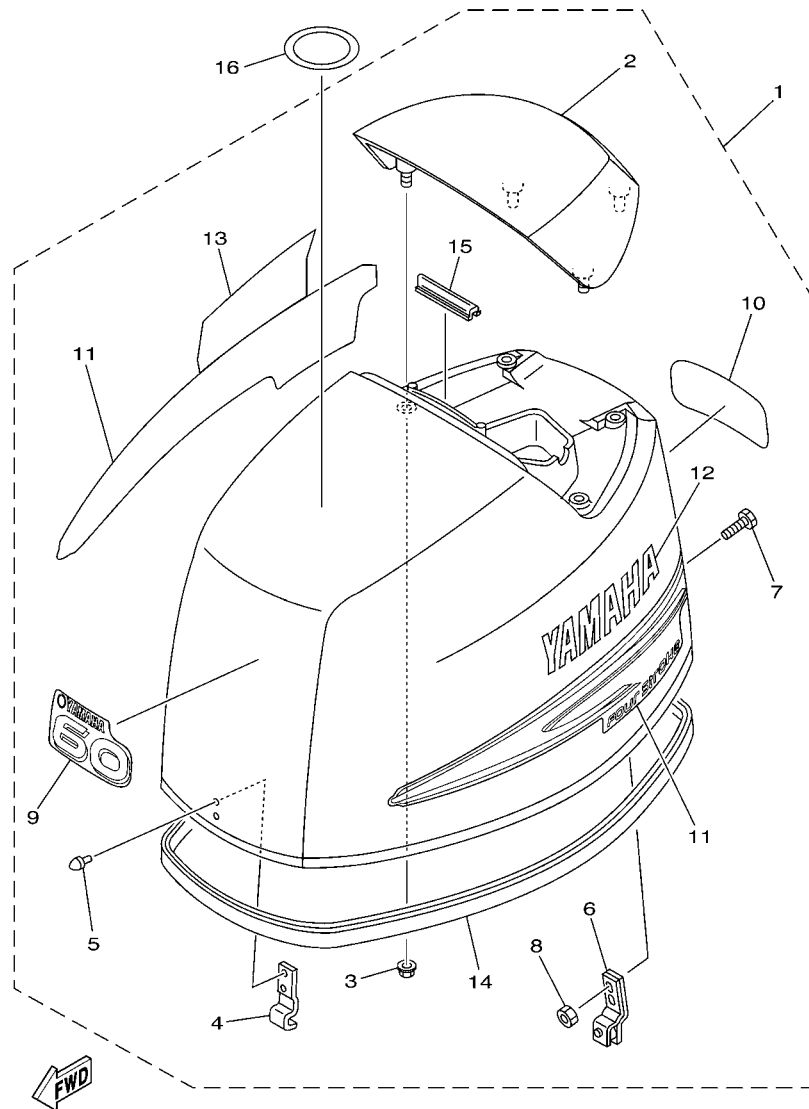
NUMERICAL INDEX	G1
-----------------------	----

SHEET2/2

UPPER CASING	A4*
OIL PAN	A6*
LOWER CASING. DRIVE 1	A7*
LOWER CASING. DRIVE 2	B3*
FUEL TANK	B5*
STEERING GUIDE	B6*
REMOTE CONTROL BOX	B7*
REMOTE CONTROL ASSY	C1*
METER	C4*
REPAIR KIT 1	C6*
REPAIR KIT 2	C7*
REPAIR KIT 3	D1*

INDEX

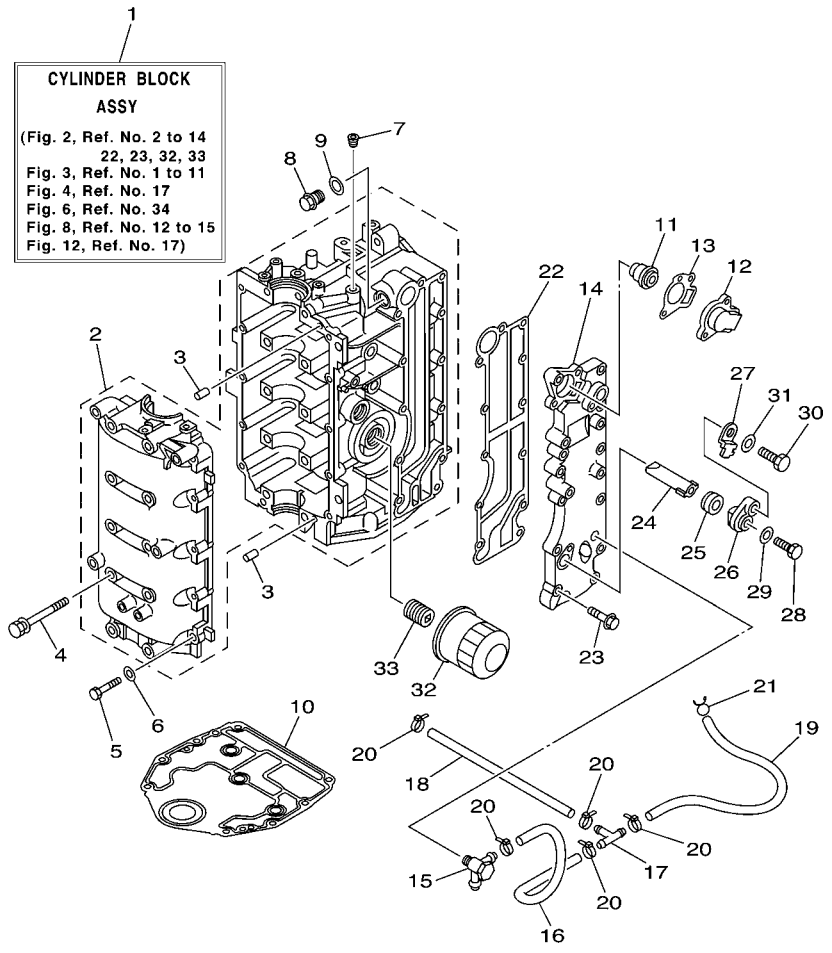
NUMERICAL INDEX	G1*
-----------------------	-----



69W1010-2010

FIG. 1 TOP COWLING

REF. NO.	PART NO.	DESCRIPTION	EHT	ET	REMARKS
1	69W-42610-00-4D	TOP COWLING ASSY	1	1	
	69W-42610-A0-4D	TOP COWLING ASSY		1	F60TJR
2	67C-42613-00-4D	.MOLDING, AIR DUCT	1	1	
3	90179-06M24	.NUT	4	4	
4	62Y-42651-00	.HOOK	1	1	
5	90266-06M02	.RIVET	2	2	
6	67C-42652-00	.HOOK	1	1	
7	90109-06047	.BOLT	2	2	
8	95680-06100	.NUT, U	2	2	
9	69W-42677-00	.GRAPHIC, FRONT	1	1	
	69W-42677-A0	.GRAPHIC, FRONT		1	F60TJR
10	69W-42678-00	.GRAPHIC, REAR	1	1	
	69W-42678-A0	.GRAPHIC, REAR		1	F60TJR
11	69W-W0070-00	.GRAPHIC SET	1	1	
12	69W-42681-00	.MARK, COWLING	1	1	
13	69W-42682-00	.MARK, COWLING	1	1	
14	69W-42615-00	.SEAL	1	1	
15	61N-42628-00	SEAL	1	1	
16	67F-13434-02	LABEL, CAUTION	1	1	

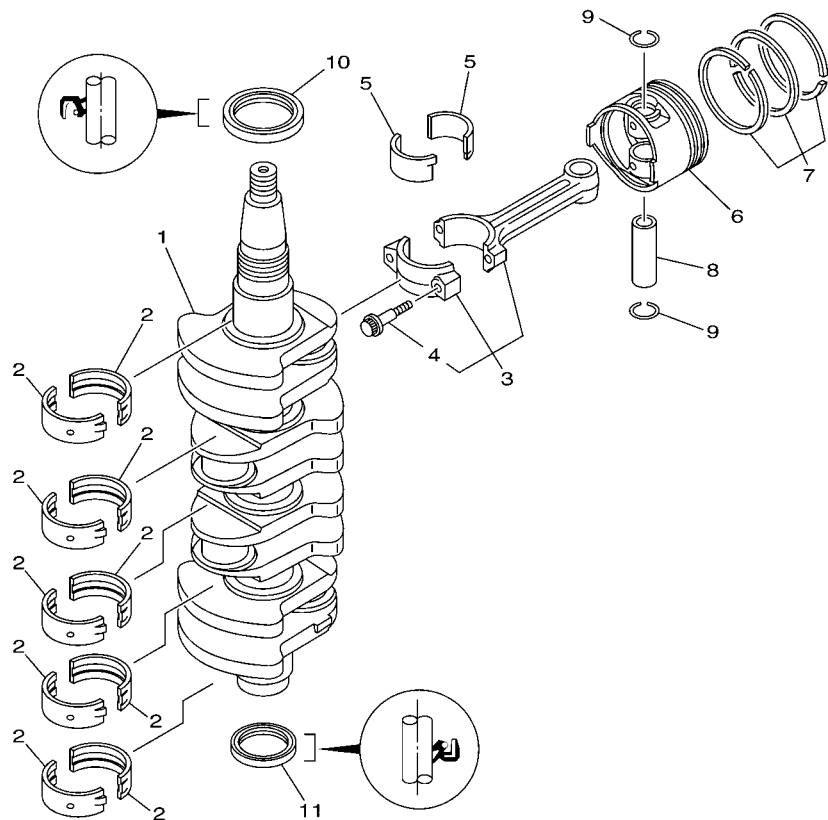


FWD
 69W3100-C020

FIG. 2 CYLINDER. CRANKCASE 1

REF. NO.	PART NO.	DESCRIPTION	EHT	ET	REMARKS
1	69W-W009B-01-1S	CYLINDER BLOCK ASSY	1	1	
2	69W-15100-00-1S	CRANKCASE ASSY	1	1	
3	93606-12019	PIN, DOWEL	4	4	
4	90119-08M01	BOLT, WITH WASHER	10	10	
5	97013-06035	BOLT	10	10	
6	92903-06600	WASHER, PLATE	10	10	
7	90344-51003	PLUG, TAPER SCREW	1	1	
8	90340-14M06	PLUG, STRAIGHT SCREW	1	1	
9	90430-14115	GASKET	1	1	
10	67C-11351-01	GASKET, CYLINDER	1	1	
11	6G8-12411-02	THERMOSTAT	1	1	
12	6H3-12413-00-1S	COVER, THERMOSTAT	1	1	
13	62Y-12414-00	GASKET, COVER	1	1	
14	62Y-41113-20-1S	OUTER COVER, EXHAUST	1	1	
15	62Y-11372-01	NIPPLE, HOSE	1	1	FLUSHING KIT
16	90445-09068	HOSE (L110)	1	1	
17	688-24378-00	PIPE, JOINT 4	1	1	
18	90445-09095	HOSE (L215)	1	1	
19	90445-09105	HOSE (L300)	1	1	
20	90465-11M10	CLAMP	5	5	
21	90467-08M18	CLIP	1	1	
22	62Y-41114-00	GASKET, EXHAUST OUTER COVER	1	1	
23	90119-06MA5	BOLT, WITH WASHER	12	12	
24	62Y-11325-00	ANODE	1	1	
25	66M-11328-00	GROMMET, ANODE	1	1	
26	66M-11327-00-94	COVER, ANODE	1	1	
27	66M-12535-00	PLATE	1	1	

FIG. 3 CRANKSHAFT. PISTON



FWD
69W1010-2030

REF. NO.	PART NO.	DESCRIPTION	EHT	ET		REMARKS
1	69W-11411-00	CRANKSHAFT	1	1		
2	62Y-11416-30	PLANE BEARING, CRANKSHAFT 1	10	10		UR YELLOW
	62Y-11416-40	PLANE BEARING, CRANKSHAFT 1	10	10		UR RED
	62Y-11416-50	PLANE BEARING, CRANKSHAFT 1	10	10		UR PINK
	62Y-11416-60	PLANE BEARING, CRANKSHAFT 1	10	10		UR GREEN
3	62Y-11650-10	CONNECTING ROD ASSY	4	4		
4	62Y-11654-00	.BOLT, CONNECTING ROD	2	2		
5	62Y-11656-30	PLANE BEARING, CONNECTING ROD	8	8		UR YELLOW
	62Y-11656-40	PLANE BEARING, CONNECTING ROD	8	8		UR RED
	62Y-11656-50	PLANE BEARING, CONNECTING ROD	8	8		UR PINK
	62Y-11656-60	PLANE BEARING, CONNECTING ROD	8	8		UR GREEN
6	69W-11631-00-97	PISTON (STD)	4	4		
	69W-11635-00	PISTON (0.25MM O/S)	4	4		AP
	69W-11636-00	PISTON (0.50MM O/S)	4	4		AP
7	67C-11603-00	PISTON RING SET (STD)	4	4		
	67C-11604-00	PISTON RING SET (0.25MM O/S)	4	4		AP
	67C-11605-00	PISTON RING SET (0.50MM O/S)	4	4		AP
8	62Y-11633-00	PIN, PISTON	4	4		
9	93450-17129	CIRCLIP	8	8		
10	93102-43M42	OIL SEAL	1	1		
11	93101-35002	OIL SEAL	1	1		

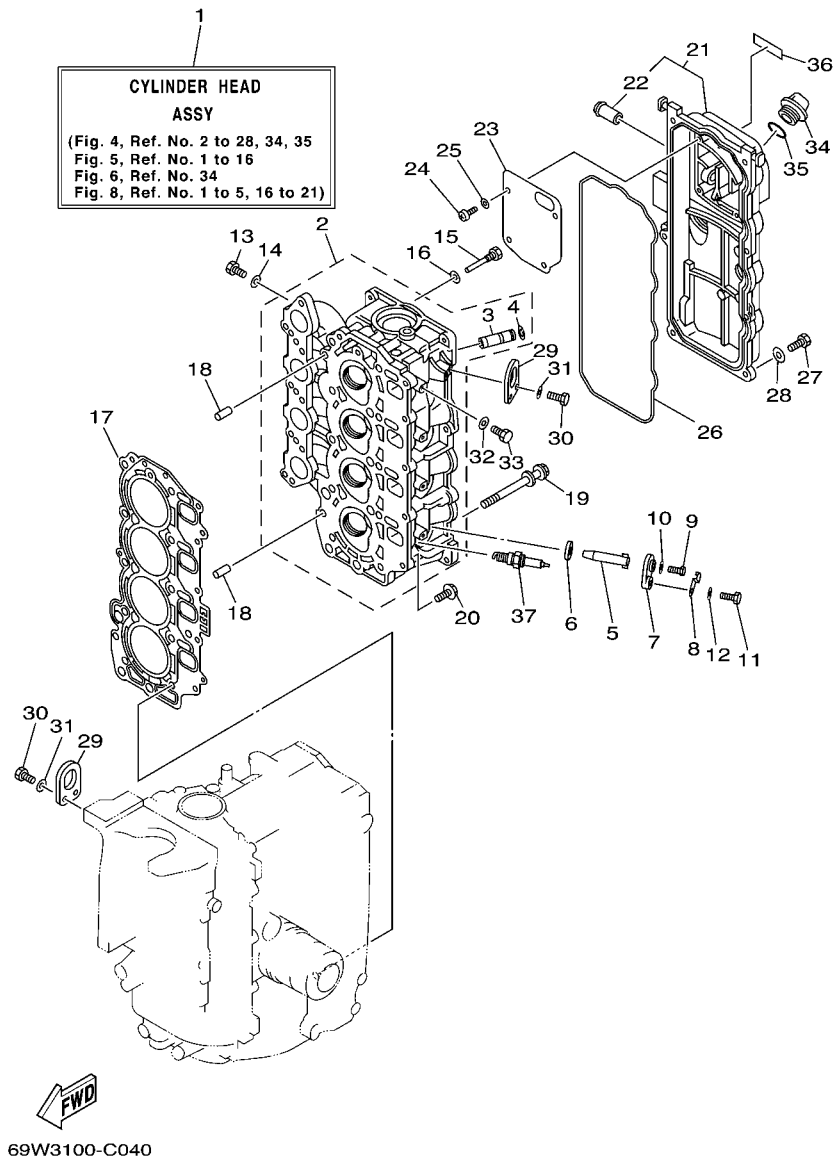


FIG. 4 CYLINDER. CRANKCASE 2

REF. NO.	PART NO.	DESCRIPTION	EHT	ET	REMARKS
1	69W-W009A-00-1S	CYLINDER HEAD ASSY	1	1	
2	69W-11111-00-1S	HEAD, CYLINDER 1	1	1	
3	62Y-11133-30	.GUIDE, VALVE 1	8	8	
4	93450-09M01	.CIRCLIP	8	8	
5	62Y-11325-00	ANODE	4	4	
6	66M-11328-00	GROMMET, ANODE	4	4	
7	66M-11327-00-94	COVER, ANODE	4	4	
8	66M-12535-00	PLATE	4	4	
9	97095-05012	BOLT	4	4	
10	92995-05600	WASHER	4	4	
11	97095-06020	BOLT	4	4	
12	92995-06600	WASHER	4	4	
13	97095-06010	BOLT	4	4	
14	90430-06014	GASKET	4	4	
15	90109-06M65	BOLT	1	1	
16	90430-06014	GASKET	1	1	
17	69W-11181-00	GASKET, CYLINDER HEAD 1	1	1	
18	99530-08012	PIN, DOWEL	2	2	
19	90119-09M00	BOLT, WITH WASHER	10	10	
20	90119-06MA3	BOLT, WITH WASHER	5	5	
21	62Y-11191-01-1S	COVER, CYLINDER HEAD 1	1	1	
22	62Y-14485-00	.PIPE, JOINT	1	1	
23	62Y-11168-00	COVER, BREATHER	1	1	
24	98507-04010	SCREW, PAN HEAD	4	4	
25	92907-04600	WASHER	4	4	
26	62Y-11356-00	SEAL, CYLINDER 2	1	1	
27	97095-06020	BOLT	7	7	

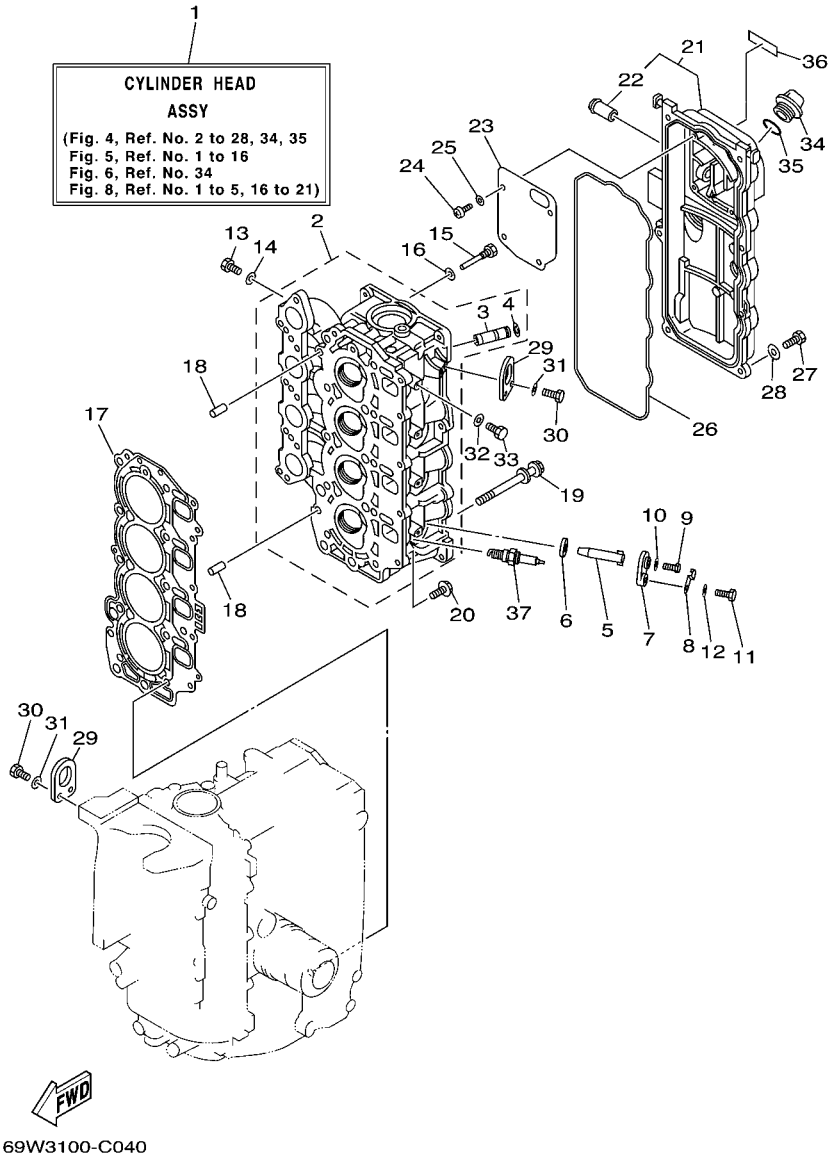
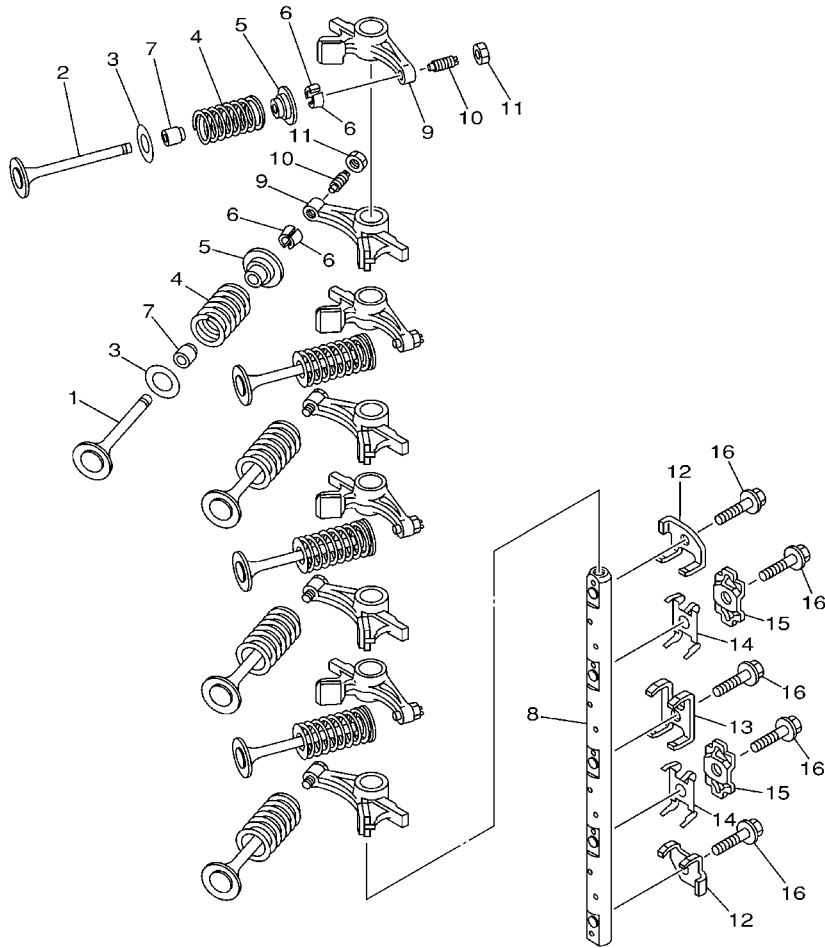


FIG. 4 CYLINDER. CRANKCASE 2

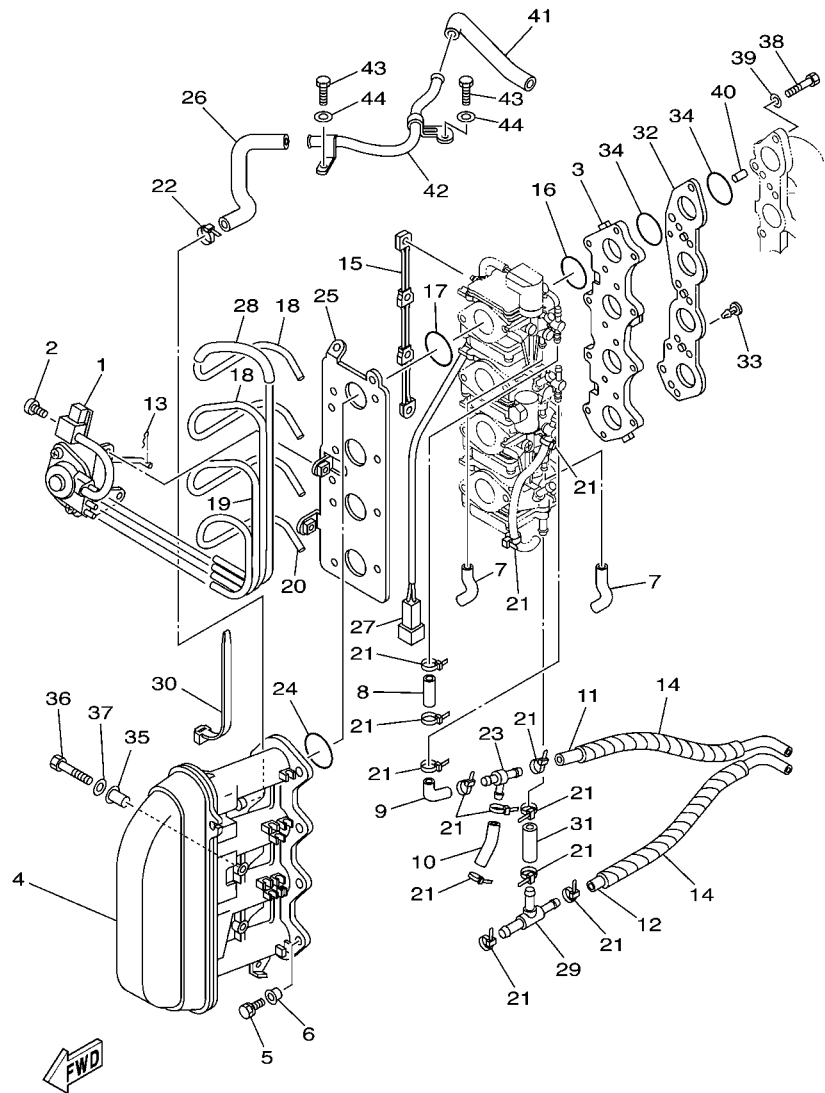
REF. NO.	PART NO.	DESCRIPTION	EHT	ET	REMARKS
28	92995-06600	WASHER	7	7	
29	62Y-11119-00	HANGER, ENGINE	2	2	
30	97095-06020	BOLT	4	4	
31	92995-06600	WASHER	4	4	
32	90430-08143	GASKET	4	4	
33	97095-08014	BOLT	4	4	
34	6G8-15363-00	PLUG, OIL	1	1	
35	93210-24M79	O-RING	1	1	
36	62Y-12138-40	MARK, CAUTION	1	1	FOR USA,OCE
	62Y-12138-50	MARK, CAUTION	1	1	FOR CAN
37	94701-00406	PLUG, SPARK (NGK DPR5EA-9)	4	4	



62Y1010-2050

FIG. 5 VALVE

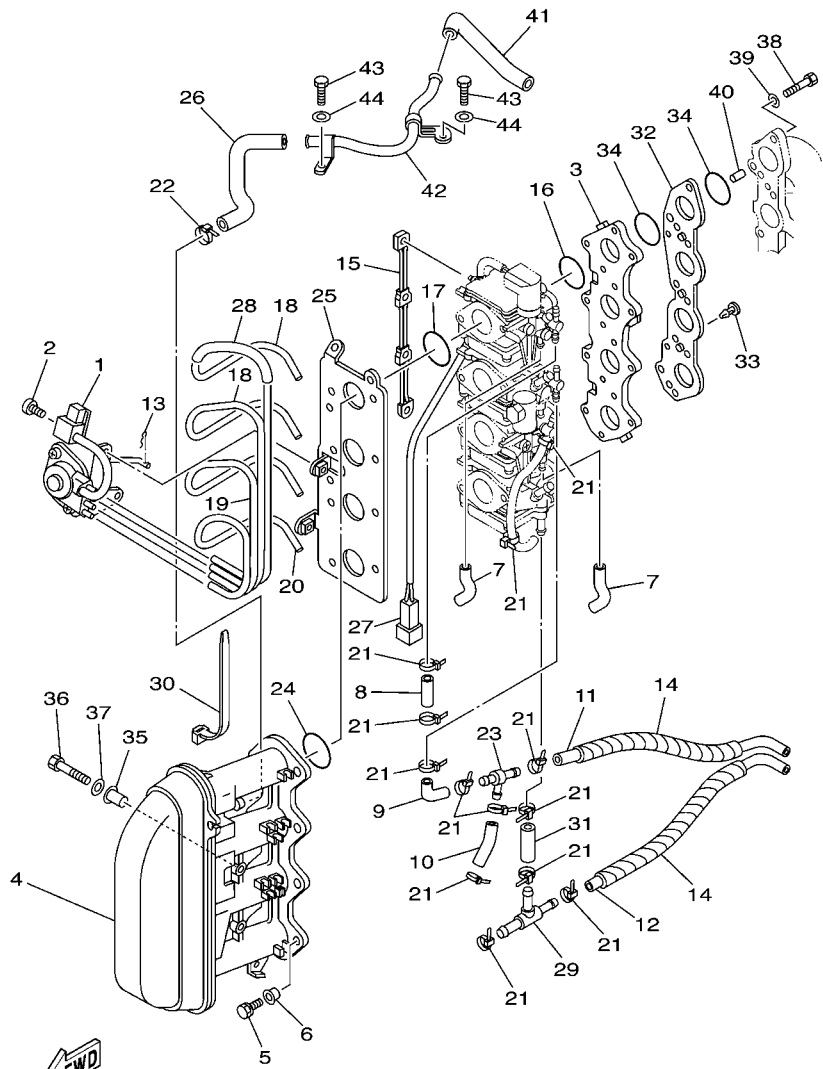
REF. NO.	PART NO.	DESCRIPTION	EHT	ET			REMARKS
1	69W-12111-00	VALVE, INTAKE	4	4			
2	69W-12121-00	VALVE, EXHAUST	4	4			
3	62Y-12116-00	SEAT, VALVE SPRING	8	8			
4	51Y-12114-00	SPRING, VALVE OUTER	8	8			
5	30X-12117-00	RETAINER, VALVE SPRING	8	8			
6	30X-12118-00	COTTER, VALVE	16	16			
7	51Y-12119-00	SEAL, VALVE STEM	8	8			
8	62Y-12146-00	SHAFT, ROCKER	1	1			
9	62Y-12151-00	ARM, VALVE ROCKER	8	8			
10	64J-12159-00	SCREW, VALVE ADJUSTING	8	8			
11	62Y-12158-00	NUT, LOCK	8	8			
12	62Y-12238-00	PLATE, BOLT STOPPER	2	2			
13	62Y-12279-00	PLATE	1	1			
14	62Y-12216-00	SPRING	2	2			
15	62Y-12231-00	GUIDE, STOPPER 1	2	2			
16	90109-08M63	BOLT	5	5			



69W1100-2060

FIG. 6 INTAKE

REF. NO.	PART NO.	DESCRIPTION	EHT	ET	REMARKS
1	69W-14369-00	DIAPHRAGM ASSY 2	1	1	
2	650-14327-01	SCREW	3	3	
3	69W-13586-00	JOINT, CARBURETOR 1	1	1	
4	69W-14440-00	SILENCER ASSY, INTAKE	1	1	
5	97595-06590	BOLT, WITH WASHER	8	8	
6	90387-06M70	COLLAR	8	8	
7	62Y-24312-00	PIPE 2	2	2	
8	62Y-24313-30	PIPE 3	1	1	
9	62Y-24313-40	PIPE 3	1	1	
10	62Y-24313-50	PIPE 3	1	1	
11	62Y-24313-61	PIPE 3	1	1	
12	62Y-24313-70	PIPE 3	1	1	
13	69W-23153-00	RING, SNAP	1	1	
14	69W-24313-80	PIPE 3	2	2	
15	64J-14585-00	ROD, CHOKE	1	1	
16	69W-14561-00	O-RING	4	4	
17	93210-35M86	O-RING	4	4	
18	64J-14349-11	PIPE	2	2	
19	69W-14349-00	PIPE	1	1	
20	69W-14349-10	PIPE	1	1	
21	90465-11M10	CLAMP	13	13	
22	90465-13M36	CLAMP	1	1	
23	62Y-24378-00	PIPE, JOINT 4	1	1	
24	93210-38MH3	O-RING	4	4	
25	62Y-14291-30	BRACKET 1	1	1	
26	62Y-1532B-00	PIPE, BREATHER	1	1	
27	69W-82509-00	WIRE, SUB LEAD	1	1	



69W1100-2060

FIG. 6 INTAKE

REF. NO.	PART NO.	DESCRIPTION	EHT	ET				REMARKS
28	64J-14349-40	PIPE	1	1				
29	62Y-24378-00	PIPE, JOINT 4	1	1				
30	62Y-82544-00	CLAMP	1	1				
31	62Y-24314-00	PIPE 4	1	1				
32	69W-14271-00	INSULATOR	1	1				
33	90338-04M17	PLUG	2	2				
34	93210-35M86	O-RING	8	8				
35	90387-06M15	COLLAR	2	2				
36	97095-06030	BOLT	2	2				
37	92995-06600	WASHER	2	2				
38	97095-06025	BOLT	8	8				
39	92995-06600	WASHER	8	8				
40	93608-16M16	PIN, DOWEL	2	2				
41	62Y-1531A-00	HOSE, BREATHER 1	1	1				
42	62Y-15373-10	PIPE, BREATHER	1	1				
43	97095-06016	BOLT	2	2				
44	92995-06600	WASHER	2	2				

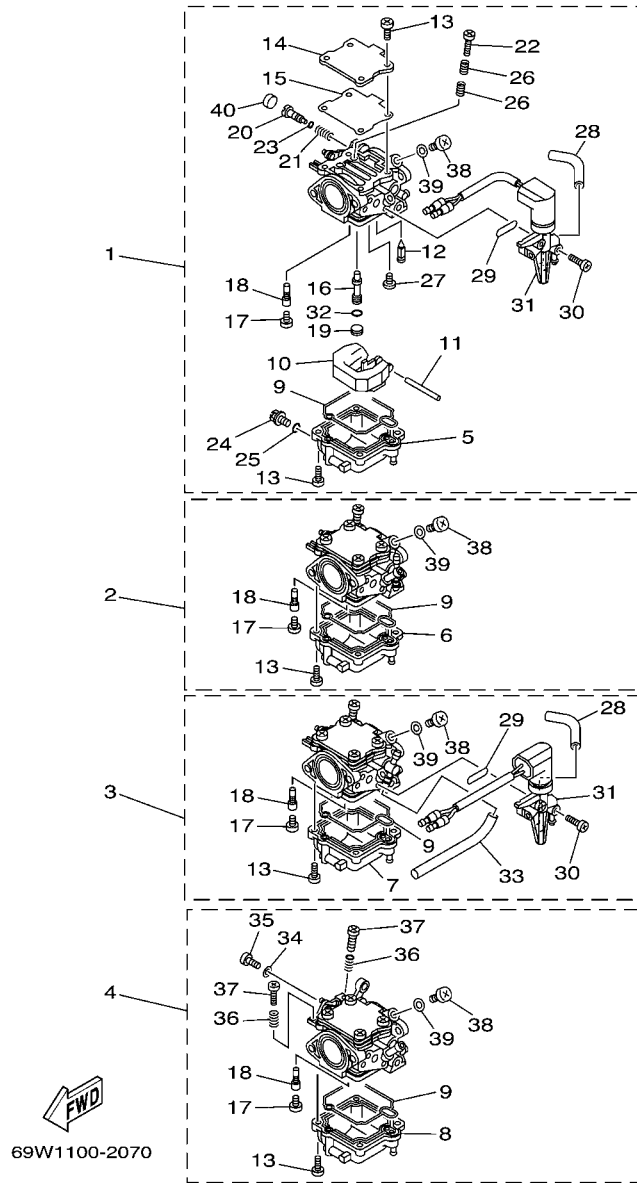


FIG. 7 CARBURETOR

REF. NO.	PART NO.	DESCRIPTION	EHT	ET	REMARKS
1	69W-14901-12	CARBURETOR ASSY 1	1	1	FOR USA,CAN
	69W-14901-01	CARBURETOR ASSY 1	1	1	FOR OCE
2	69W-14902-12	CARBURETOR ASSY 2	1	1	FOR USA,CAN
	69W-14902-01	CARBURETOR ASSY 2	1	1	FOR OCE
3	69W-14903-12	CARBURETOR ASSY 3	1	1	FOR USA,CAN
	69W-14903-01	CARBURETOR ASSY 3	1	1	FOR OCE
4	69W-14904-12	CARBURETOR ASSY 4	1	1	FOR USA,CAN
	69W-14904-01	CARBURETOR ASSY 4	1	1	FOR OCE
5	69W-14381-00	.BODY, FLOAT CHAMBER	1	1	#1
6	69W-14381-10	.BODY, FLOAT CHAMBER	1	1	#2
7	69W-14381-20	.BODY, FLOAT CHAMBER	1	1	#3
8	69W-14381-30	.BODY, FLOAT CHAMBER	1	1	#4
9	69W-14384-00	.GASKET, FLOAT CHAMBER	4	4	
10	6L2-14385-00	.FLOAT	4	4	
11	6E5-14386-01	.PIN, FLOAT	4	4	
12	62Y-14392-00	.VALVE, NEEDLE	4	4	
13	62Y-14321-00	.SCREW, THROTTLE	32	32	
14	62Y-14157-30	.COVER, MIXING	4	4	
15	69W-14399-00	.VALVE, BIMETAL	4	4	
16	69W-14341-00	.NOZZLE, MAIN	4	4	
17	69W-14343-62	.JET, MAIN (#124)	4	4	
18	64J-14342-20	.JET, PILOT (#39)	4	4	
19	66M-14355-00	.PLUG	4	4	
20	69W-14323-00	.SCREW, AIR ADJUSTING	4	4	
21	62Y-14334-00	.SPRING, AIR ADJUSTING	4	4	
22	62Y-14321-10	.SCREW, THROTTLE	4	4	
23	2T4-14397-00	.O-RING	4	4	

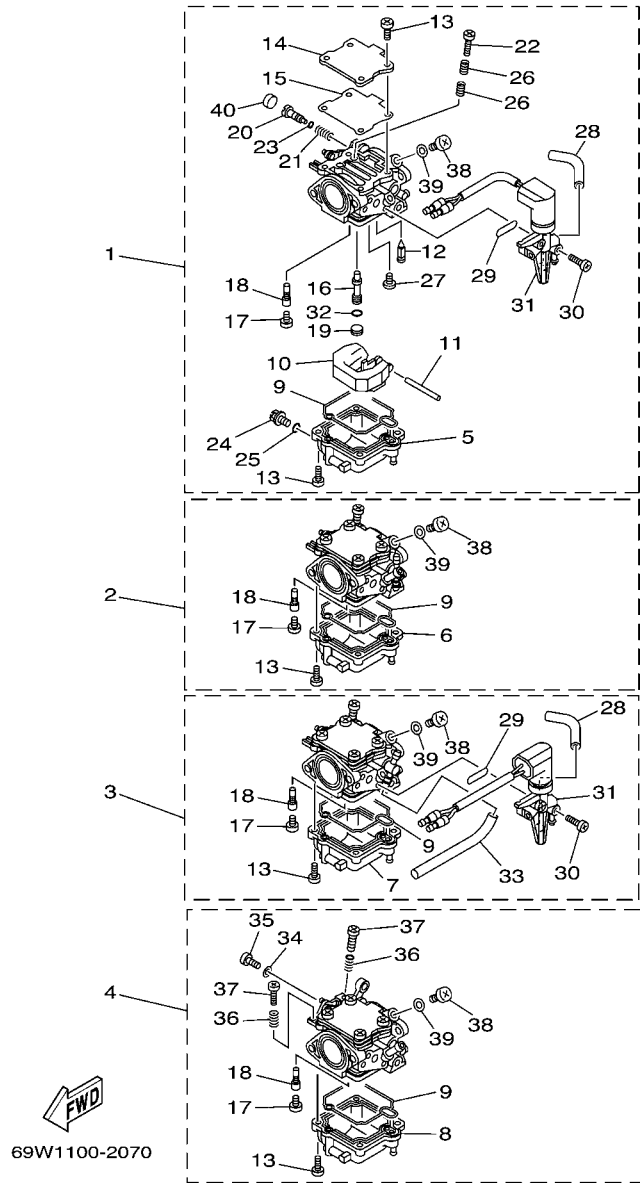
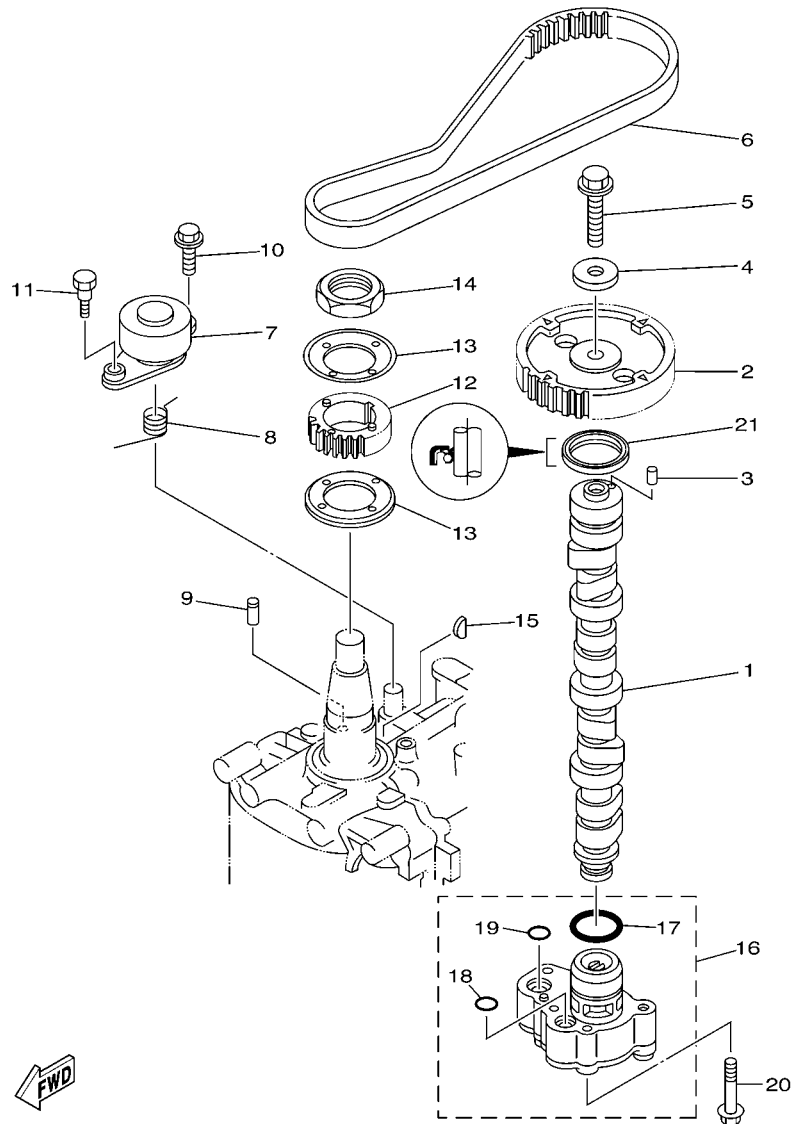


FIG. 7 CARBURETOR

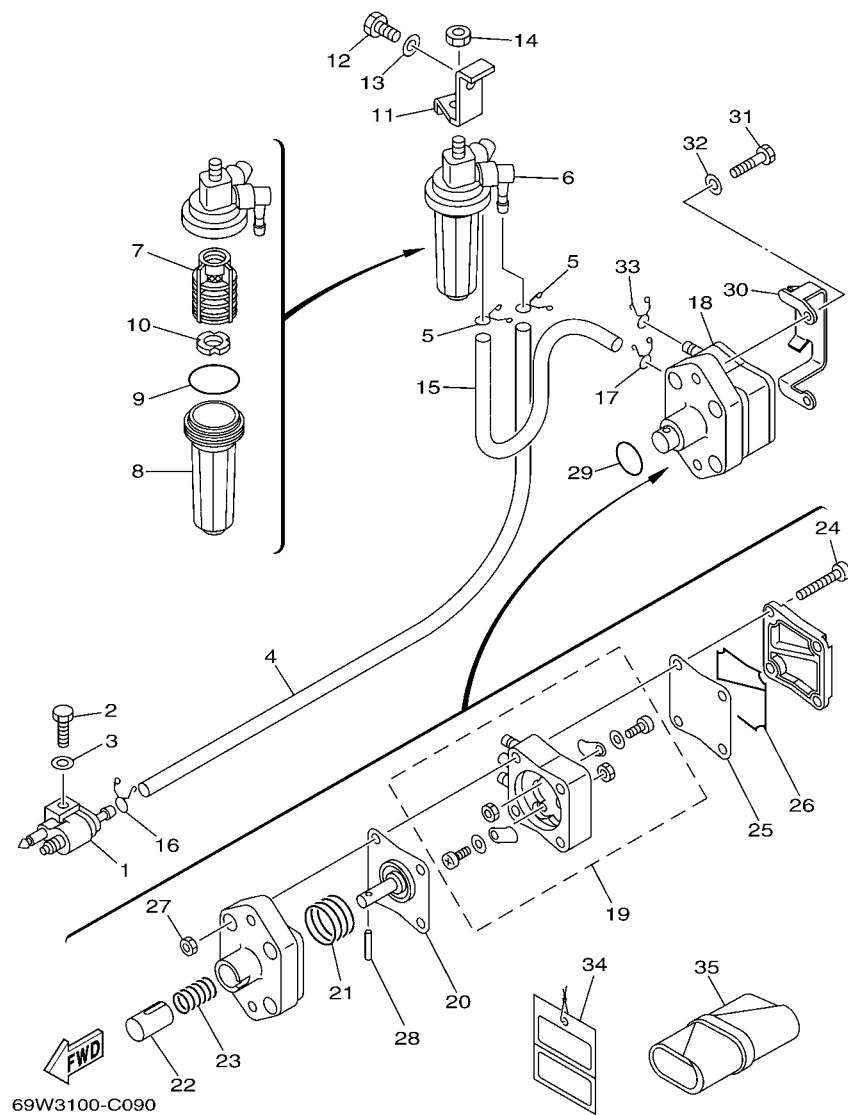
REF. NO.	PART NO.	DESCRIPTION	EHT	ET	REMARKS
24	62Y-14383-30	.SCREW, DRAIN	4	4	
25	652-14397-00	.O-RING	4	4	
26	62Y-14212-00	.SPRING, PILOT ADJUSTING	8	8	
27	98980-04006	.SCREW, BIND	4	4	
28	69W-24311-00	.PIPE, FUEL 1	2	2	#1,3
29	62Y-14398-30	.GASKET	2	2	#1,3
30	62Y-14567-30	.SCREW	2	2	#1
	62Y-14567-40	.SCREW	2	2	#3
31	69W-14380-01	.PRIME STARTER ASSY	1	1	#1
	69W-14380-11	.PRIME STARTER ASSY	1	1	#3
32	62Y-14227-00	.WASHER	4	4	
33	62Y-24313-90	.PIPE 3	1	1	#3
34	62Y-14597-00	.WASHER	1	1	#4
35	664-14327-01	.SCREW	1	1	#4
36	69W-14212-00	.SPRING, PILOT ADJUSTING	2	2	#4
37	69W-14321-00	.SCREW, THROTTLE	2	2	#4
38	69W-14115-00	.PLUG, SCREW	4	4	
39	90430-08209	.GASKET	4	4	
40	62Y-1432A-01	.PLUG	4	4	FOR USA,CAN




69W1010-2080

FIG. 8 OIL PUMP

REF. NO.	PART NO.	DESCRIPTION	EHT	ET	REMARKS
1	62Y-12171-00	CAMSHAFT 1	1	1	
2	62Y-11537-10	GEAR, DRIVEN	1	1	
3	93605-14143	PIN, DOWEL	1	1	
4	90201-10M06	WASHER, PLATE	1	1	
5	95895-10040	BOLT, FLANGE	1	1	
6	62Y-46241-00	BELT	1	1	
7	62Y-11590-10	TENSIONER ASSY	1	1	
8	90508-20018	SPRING, TORSION	1	1	
9	90249-07M29	PIN	1	1	
10	95895-08020	BOLT, FLANGE	1	1	
11	90109-06M64	BOLT	1	1	
12	62Y-11536-10	GEAR, DRIVE	1	1	
13	62Y-11557-00	WASHER 1	2	2	
14	90170-35M32	NUT	1	1	
15	90280-04M06	KEY, WOODRUFF	1	1	
16	69W-13300-00	OIL PUMP ASSY	1	1	
17	93210-33MH2	.O-RING	1	1	
18	93210-12MG9	.O-RING	1	1	
19	93210-14515	.O-RING	1	1	
20	90119-06025	BOLT, WITH WASHER	4	4	
21	93102-37M40	OIL SEAL	1	1	

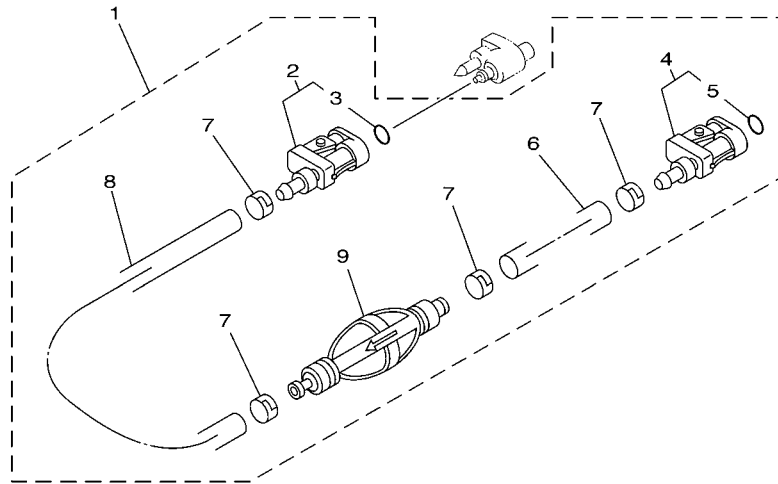


69W3100-C090

FIG. 9 FUEL 1

REF. NO.	PART NO.	DESCRIPTION	EHT	ET				REMARKS
1	6G1-24304-02	FUEL PIPE JOINT COMP. 1	1	1				
2	97095-06025	BOLT	1	1				
3	92995-06600	WASHER	1	1				
4	90445-10020	HOSE	1	1				
5	90467-09M17	CLIP	2	2				
6	64J-24560-00	FILTER ASSY	1	1				
7	61N-24563-00	.ELEMENT, FILTER	1	1				
8	68V-24521-01	.CUP, FILTER	1	1				
9	93210-32738	.O-RING	1	1				
10	68V-24469-01	.FLOAT, WATER LEVEL	1	1				
11	62Y-24566-00	BRACKET, FILTER	1	1				
12	97095-08014	BOLT	1	1				
13	92995-08600	WASHER	1	1				
14	95380-08600	NUT	1	1				
15	90445-10M48	HOSE (L205)	1	1				
16	90467-09M17	CLIP	1	1				
17	90467-10M04	CLIP	1	1				
18	62Y-24410-03	FUEL PUMP ASSY	1	1				
19	62Y-24415-00	.PUMP BODY SUB ASSY	1	1				
20	62Y-24411-02	.DIAPHRAGM	1	1				
21	62Y-24423-00	.SPRING, DIAPHRAGM	1	1				
22	62Y-13131-01	.PLUNGER	1	1				
23	62Y-24454-00	.SPRING	1	1				
24	62Y-24444-01	.SCREW	4	4				
25	62Y-24471-00	.DIAPHRAGM	1	1				
26	62Y-24452-00	.PACKING	1	1				
27	95380-05600	.NUT	4	4				

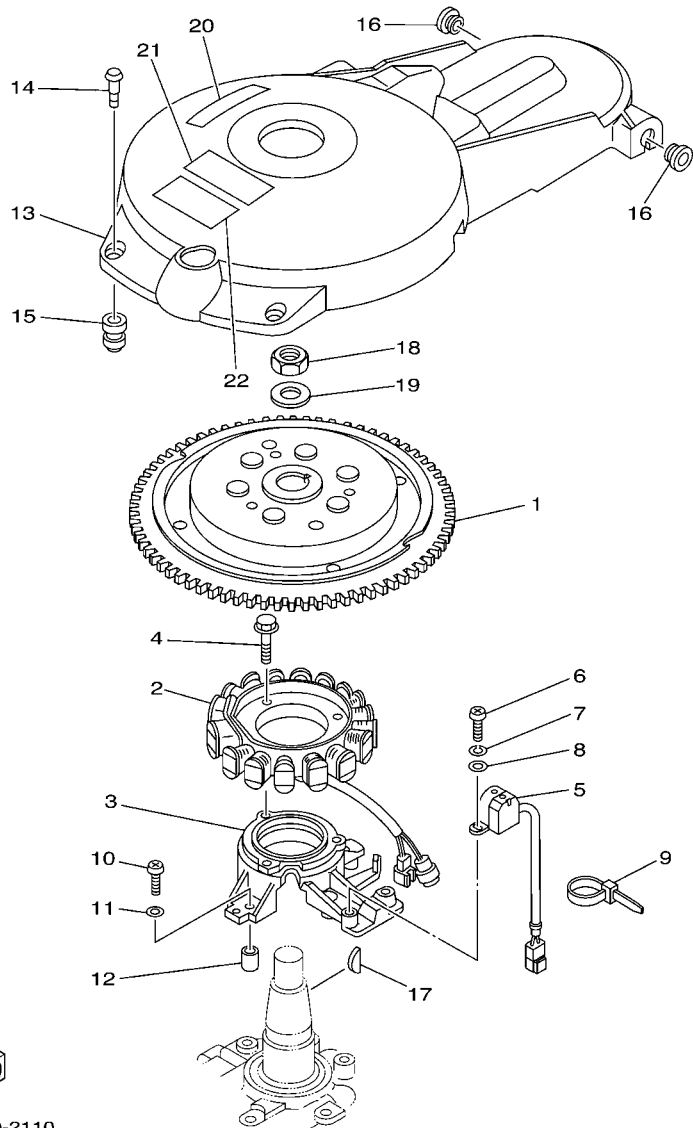
FIG. 10 FUEL 2



REF. NO.	PART NO.	DESCRIPTION	EHT	ET		REMARKS
1	6Y2-24306-55	FUEL PIPE COMP. 1		1		AP FOR USA
	6Y1-24306-54	FUEL PIPE COMP. 1	1	1		AP FOR CAN
2	6E5-24305-05	.FUEL PIPE JOINT COMP. 2		1		FOR 6Y2-24306-55
	6G1-24305-04	.FUEL PIPE JOINT COMP. 2	1	1		FOR 6Y1-24306-54
3	93210-08287	..O-RING	1	1		
4	6Y2-24305-05	.FUËL PIPE JOINT COMP. 2		1		FOR 6Y2-24306-55
	6Y1-24305-05	.FUËL PIPE JOINT COMP. 2	1	1		FOR 6Y1-24306-54
5	93210-08287	..O-RING	1	1		
6	90445-13M01	.HOSE (L2050)		1		FOR 6Y2-24306-55
	90445-11M06	.HOSE (L2050)	1	1		FOR 6Y1-24306-54
7	6E5-24351-51	.BAND 1		4		FOR 6Y2-24306-55
	650-24351-51	.BAND 1	4	4		FOR 6Y1-24306-54
8	90445-13M00	.HOSE (L850)		1		FOR 6Y2-24306-55
	90445-11M05	.HOSE (L850)	1	1		FOR 6Y1-24306-54
9	6Y2-24360-60	.PRIMER PUMP ASSY		1		FOR 6Y2-24306-55
	6Y1-24360-52	.PRIMER PUMP ASSY	1	1		FOR 6Y1-24306-54



68R3100-C100

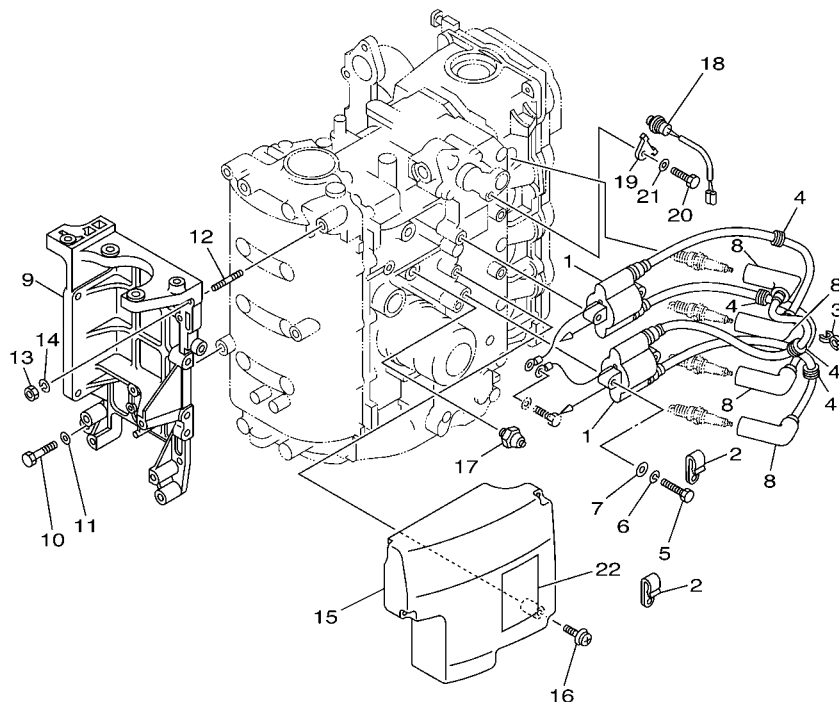


FWD
69W1100-2110

FIG. 11 GENERATOR

REF. NO.	PART NO.	DESCRIPTION	EHT	ET	REMARKS
1	69W-85550-10	ROTOR ASSY	1	1	
2	64J-85510-00	STATOR ASSY	1	1	
3	62Y-85561-00-94	BASE, MAGNETO	1	1	
4	95023-06025	BOLT	3	3	
5	62Y-85580-00	COIL, PULSER	1	1	
6	97880-05012	SCREW, PAN HEAD	2	2	
7	92990-05100	WASHER, SPRING	2	2	
8	92990-05600	WASHER, PLATE	2	2	
9	90465-13M97	CLAMP	1	1	
10	97880-06025	SCREW, PAN HEAD	4	4	
11	92990-06600	WASHER, PLATE	4	4	
12	99530-08012	PIN, DOWEL	2	2	
13	62Y-81337-11	COVER, FLYWHEEL	1	1	
14	6K7-81338-01	CLAMP, LEAD	2	2	
15	663-82317-01	DAMPER, IGNITION COIL	2	2	
16	90480-12072	GROMMET	2	2	
17	6H4-11545-00	KEY, WOODRUFF	1	1	
18	90170-20137	NUT	1	1	
19	90201-21M18	WASHER, PLATE	1	1	
20	62Y-13437-41	MARK, CAUTION	1	1	FOR USA,OCE
	62Y-13437-51	MARK, CAUTION	1	1	FOR CAN
21	6A1-83625-41	MARK 5	1	1	
22	6A1-83625-51	MARK 5	1	1	FOR CAN

FIG. 12 ELECTRICAL 1



REF. NO.	PART NO.	DESCRIPTION	EHT	ET	REMARKS
1	62Y-85570-00	IGNITION COIL ASSY	2	2	
2	90465-06M90	CLAMP	2	2	
3	90464-07M41	CLAMP	1	1	
4	90480-25161	GROMMET	4	4	
5	97095-06030	BOLT	4	4	
6	92995-06100	WASHER, SPRING	4	4	
7	92995-06600	WASHER	4	4	
8	6G8-82370-30	PLUG CAP ASSY	4	4	
9	62Y-81822-01-94	BRACKET, STARTING MOTOR	1	1	
10	97095-08035	BOLT	3	3	
11	92995-08600	WASHER	3	3	
12	90116-08M14	BOLT, STUD	1	1	
13	95380-08600	NUT	1	1	
14	92990-08100	WASHER, SPRING	1	1	
15	62Y-85599-00	COVER	1	1	
16	90159-06M08	SCREW, WITH WASHER	3	3	
17	64J-82504-00	OIL PRESSURE SWITCH ASSY	1	1	
18	62Y-82560-01	THERMO SWITCH ASSY	1	1	
19	6E9-82588-00	PLATE	1	1	
20	97095-06012	BOLT	1	1	
21	92995-06600	WASHER	1	1	
22	62Y-83626-00	MARK 6	1	1	


69W1010-2110

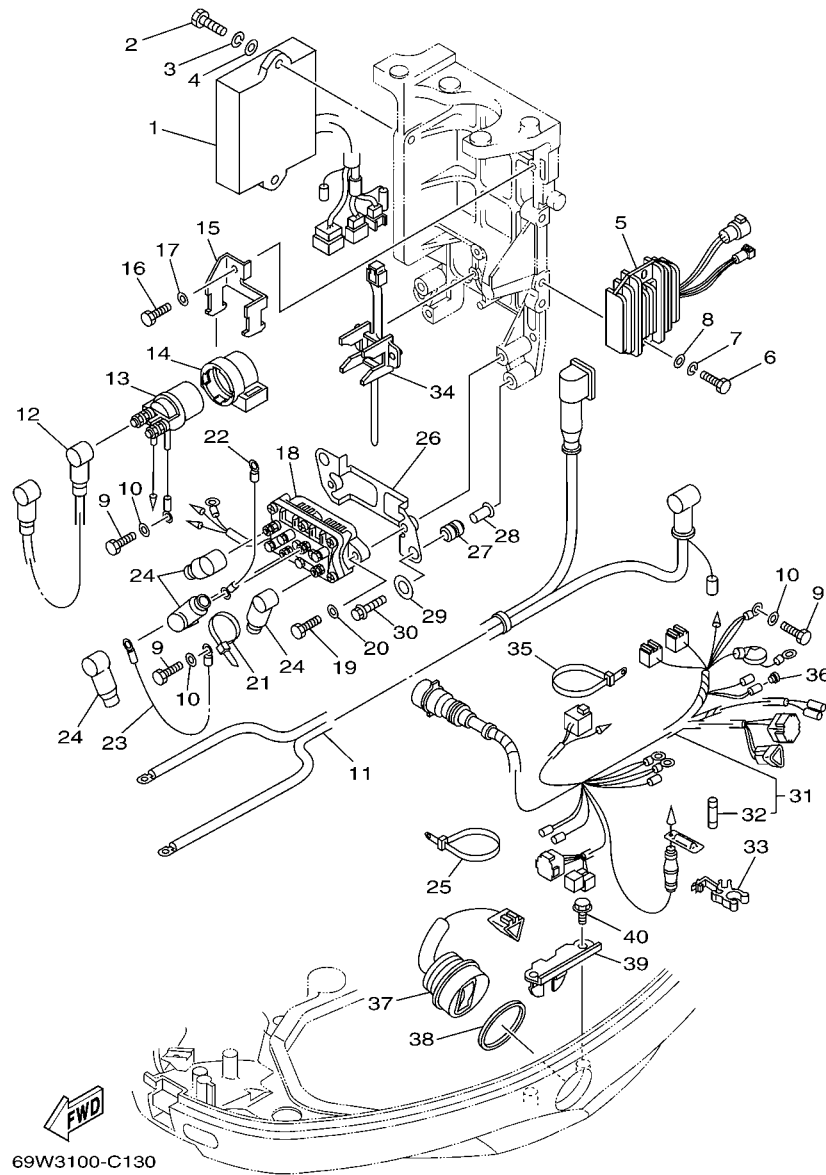
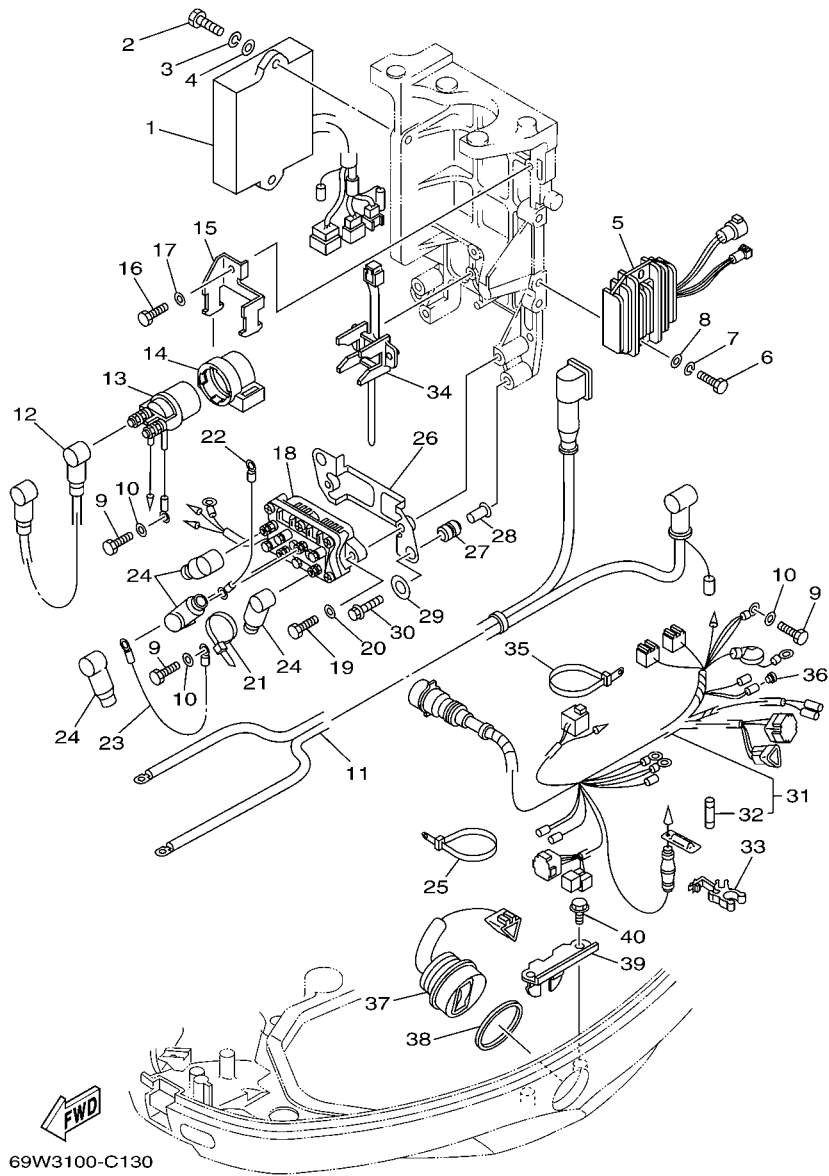


FIG. 13 ELECTRICAL 2

REF. NO.	PART NO.	DESCRIPTION	EHT	ET	REMARKS
1	69W-85540-00	C.D.I. UNIT ASSY	1	1	
2	97095-06020	BOLT	2	2	
3	92995-06100	WASHER, SPRING	2	2	
4	92995-06600	WASHER	2	2	
5	64J-81960-00	RECTIFIER & REGULATOR ASSY	1	1	
6	97095-06025	BOLT	2	2	
7	92995-06100	WASHER, SPRING	2	2	
8	92995-06600	WASHER	2	2	
9	97095-06012	BOLT	3	3	
10	92995-06600	WASHER	3	3	
11	62Y-82105-U0	WIRE HARNESS	1	1	FOR USA,OCE
	62Y-82105-00	WIRE HARNESS	1	1	FOR CAN
12	6E5-82117-01	WIRE, LEAD	1	1	
13	6G1-81941-10	STARTER RELAY ASSY	1	1	
14	6G1-81952-00	HOLDER, RELAY	1	1	
15	6L2-81945-00	PLATE, SWITCH FITTING	1	1	
16	97095-06014	BOLT	1	1	
17	92995-06600	WASHER	1	1	
18	6H1-81950-00	RELAY ASSY	1	1	
19	97095-06020	BOLT	2	2	
20	92995-06600	WASHER	2	2	
21	90465-13M11	CLAMP	1	1	
22	6H2-81949-01	WIRE, LEAD	1	1	
23	61A-81949-00	WIRE, LEAD	1	1	
24	682-82119-01	COVER, LEAD WIRE	4	4	
25	90465-13M24	CLAMP	1	1	
26	62Y-81948-00	BRACKET	1	1	



69W3100-C130

FIG. 13 ELECTRICAL 2

REF. NO.	PART NO.	DESCRIPTION	EHT	ET			REMARKS
27	6A0-82317-00	DAMPER, IGNITION COIL	2	2			
28	624-42542-00	PIPE	2	2			
29	90201-12M16	WASHER, PLATE	2	2			
30	95895-06025	BOLT, FLANGE	2	2			
31	69W-82590-10	WIRE HARNESS ASSY	1	1			FOR USA,CAN
	69W-82590-00	WIRE HARNESS ASSY	1	1			FOR OCE
32	663-82151-00	.FUSE (12V-20A)	1	1			
33	6G5-82152-00	HOLDER, FUSE	1	1			
34	688-82594-00	CLAMP	1	1			
35	90465-13M24	CLAMP	1	1			
36	703-82119-00	COVER, LEAD WIRE	2	2			
37	63D-82563-10	TRIM & TILT SWITCH ASSY	1	1			EHT-FOR CAN
38	6E5-82587-00	GASKET	1	1			EHT-FOR CAN
39	62Y-83614-00	BRACKET	1	1			EHT-FOR CAN
40	90109-06M86	BOLT	2	2			EHT-FOR CAN

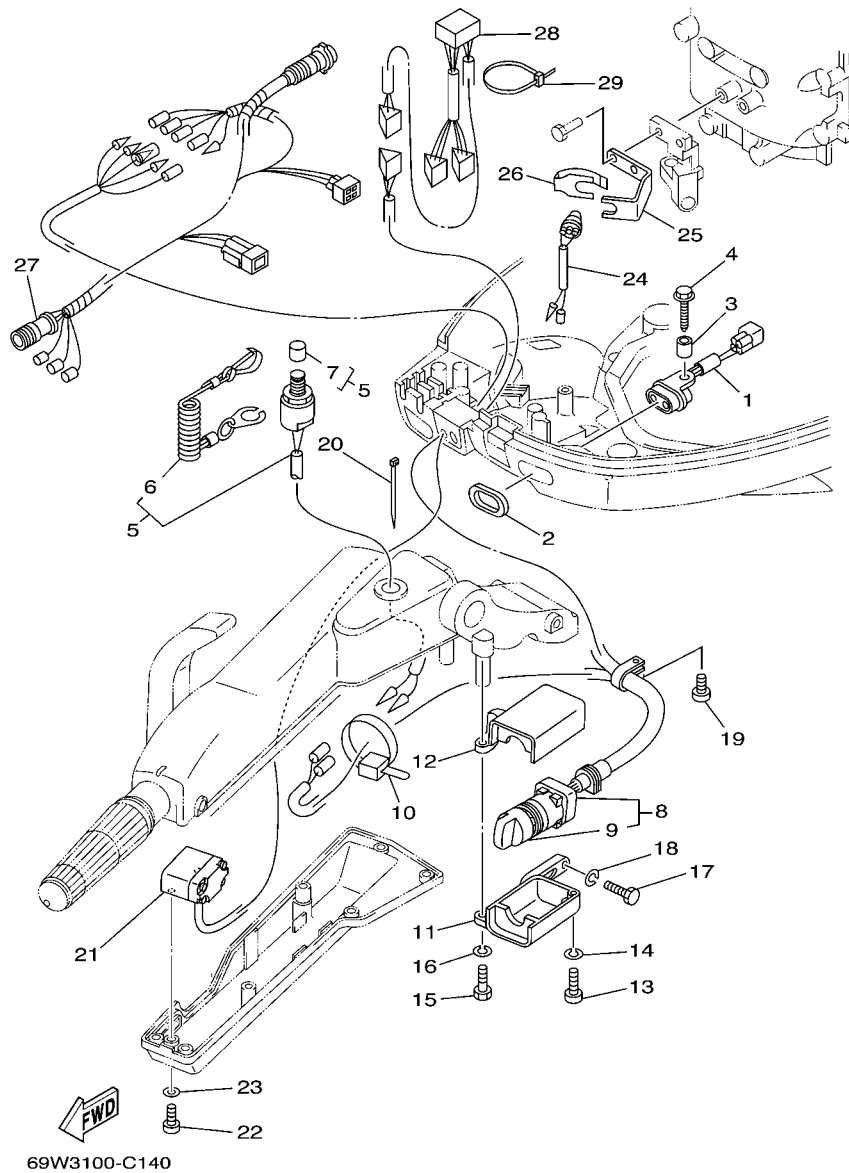


FIG. 14 ELECTRICAL 3

REF. NO.	PART NO.	DESCRIPTION	EHT	ET		REMARKS
1	62Y-84301-00	PILOT LIGHT ASSY 1	1			FOR OCE
2	6H4-83589-00	GASKET	1			FOR OCE
3	90387-06M87	COLLAR	1			FOR OCE
4	90109-06MA2	BOLT	1			FOR OCE
5	69W-82575-00	ENGINE STOP SWITCH ASSY	1			
6	682-82556-00	.STOPPER	1			
7	689-8257Y-00	.CAP	1			
8	69W-82510-00	MAIN SWITCH ASSY	1			FOR OCE
	69W-82510-10	MAIN SWITCH ASSY	1			FOR CAN
9	676-82577-00	.CAP, KEY	1			
10	90465-13M11	CLAMP	1			
11	63D-8252F-01-4D	COVER, MAIN SWITCH 2	1			
12	63D-8252E-01-4D	COVER, MAIN SWITCH	1			
13	97885-06025	SCREW, PAN HEAD	1			
14	92995-06100	WASHER, SPRING	1			
15	97095-06025	BOLT	1			
16	92995-06100	WASHER, SPRING	1			
17	97095-06020	BOLT	1			
18	92995-06100	WASHER, SPRING	1			
19	97885-06012	SCREW, PAN HEAD	1			
20	90465-13M36	CLAMP	1			
21	67G-82563-00	TRIM & TILT SWITCH ASSY	1			
22	97885-06016	SCREW, PAN HEAD	2			
23	92995-06600	WASHER	2			
24	6F5-82540-00	NEUTRAL SWITCH ASSY	1			
25	62Y-82554-00	STAY, NEUTRAL SWITCH	1			
26	62Y-82555-10	DAMPER, MAIN SWITCH 1	1			

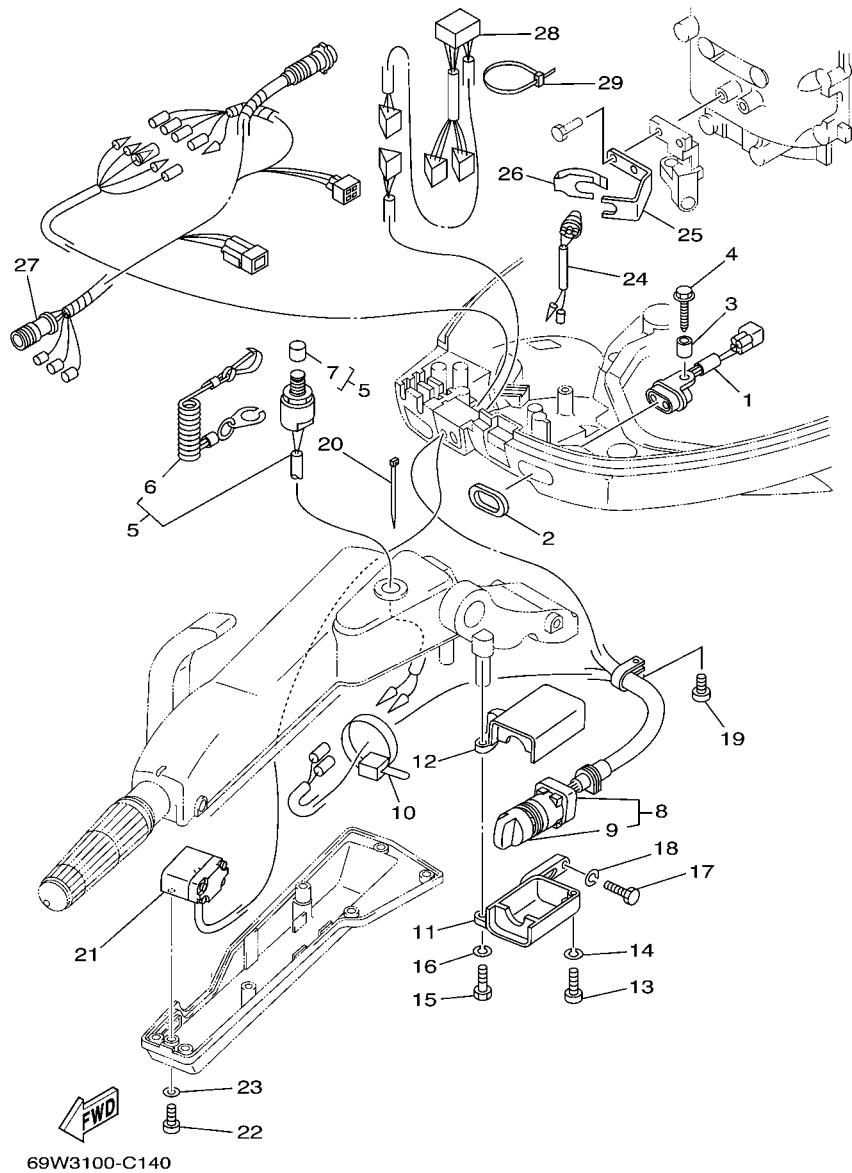
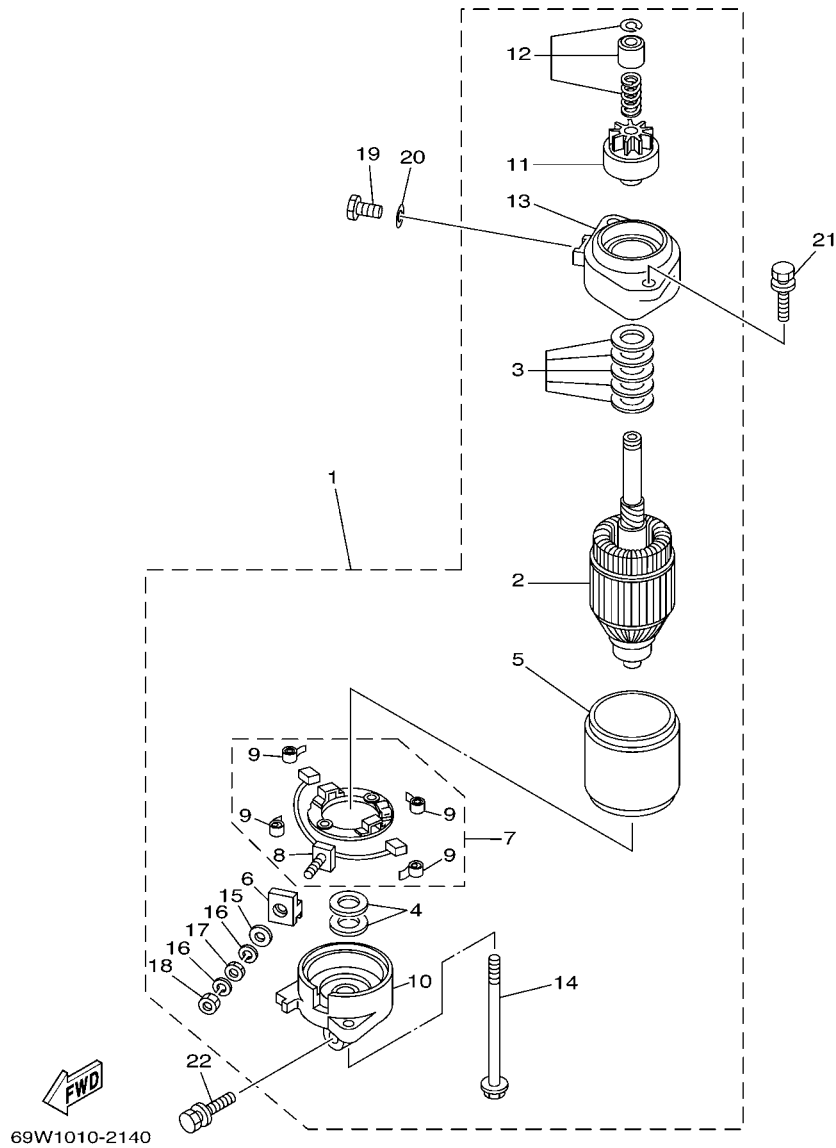


FIG. 14 ELECTRICAL 3

REF. NO.	PART NO.	DESCRIPTION	EHT	ET		REMARKS
27	6H2-82586-02	EXTENSION, WIRE HARNESS	1			FOR CAN
28	63D-83728-00	CONNECTOR ASSY	1			FOR CAN
29	90465-13M24	CLAMP	1			FOR CAN

FIG. 15 STARTING MOTOR



REF. NO.	PART NO.	DESCRIPTION	EHT	ET			REMARKS
1	69W-81800-00	STARTING MOTOR ASSY	1	1			
2	6N7-81850-10	.ARMATURE ASSY	1	1			
3	61A-81809-00	.WASHER KIT	1	1			
4	61A-81824-00	.WASHER 2	2	2			
5	6N7-81810-00	.STATOR ASSY	1	1			
6	6K7-8182G-10	.BUSH, TERMINAL	1	1			
7	6N7-81840-00	.BRUSH HOLDER ASSY	1	1			
8	6N7-81801-00	..BRUSH SET	1	1			
9	6N7-81813-00	..SPRING, BRUSH	4	4			
10	6N7-81820-00	.REAR BRACKET ASSY	1	1			
11	69W-81807-00	.GEAR ASSY, STARTING MOTOR	1	1			
12	6N7-81857-00	.RETAINER	1	1			
13	6N7-81830-00	.FRONT BRACKET ASSY	1	1			
14	6K7-81826-10	.BOLT	2	2			
15	6E5-8182E-10	.WASHER	1	1			
16	6E5-8182F-10	.WASHER	2	2			
17	6E5-8182A-10	.NUT	1	1			
18	6E5-8182K-10	.NUT	1	1			
19	97095-08016	BOLT	1	1			
20	92995-08600	WASHER	1	1			
21	90119-08M76	BOLT, WITH WASHER	2	2			
22	90119-08M77	BOLT, WITH WASHER	1	1			

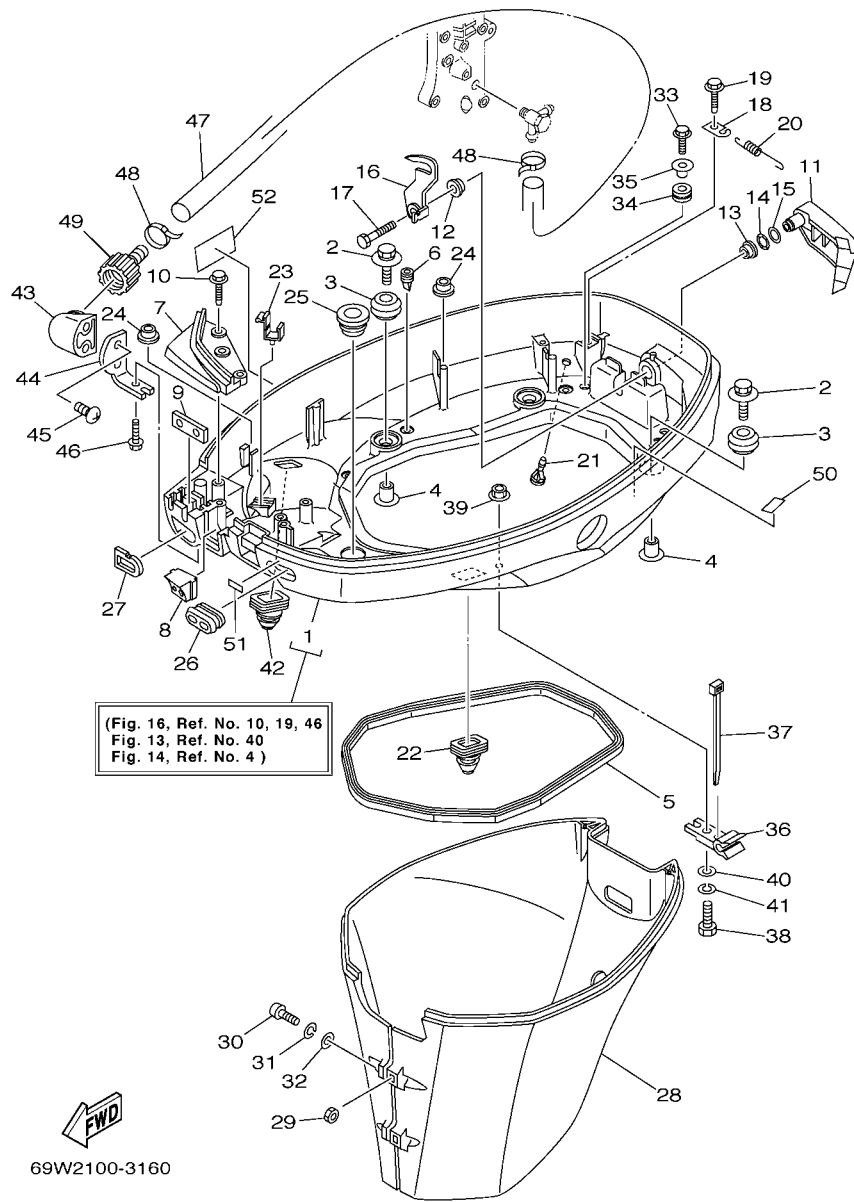


FIG. 16 BOTTOM COWLING

REF. NO.	PART NO.	DESCRIPTION	EHT	ET	REMARKS
1	67C-42710-12-4D	BOTTOM COWLING ASSY	1	1	WITH TAPPING BOLT
	67C-42710-02-4D	BOTTOM COWLING ASSY	1		FOR OCE
2	90119-06M08	BOLT, WITH WASHER	4	4	
3	90480-09M12	GROMMET	4	4	
4	90387-06060	COLLAR	4	4	
5	62Y-42716-00	RUBBER, SEAL 1	1	1	
6	65W-42717-00	RUBBER, SEAL 2	4	4	
7	67C-42738-00-4D	PLATE, FITTING	1	1	
8	62Y-42725-30	GROMMET		1	
	62Y-42725-20	GROMMET	1		FOR OCE
	62Y-42725-40	GROMMET	1		FOR CAN
9	62Y-42727-00	GROMMET	1	1	
10	90109-06M81	BOLT	3	3	
11	67C-42815-00-4D	LEVER, CLAMP	1	1	
12	90386-12M37	BUSH	1	1	
13	90386-12MA2	BUSH	1	1	
14	90206-12052	WASHER, WAVE	1	1	
15	90201-12M07	WASHER, PLATE	1	1	
16	67C-42816-01	LEVER, CLAMP	1	1	
17	97095-06012	BOLT	1	1	
18	66T-43144-00	HOOK, SPRING	1	1	
19	90109-06M86	BOLT	1	1	
20	90506-18M40	SPRING, TENSION	1	1	
21	6H3-44391-01	NIPPLE, HOSE	1	1	
22	688-42726-10	GROMMET	1	1	
23	90464-09M13	CLAMP	1	1	
24	6E7-82317-00	DAMPER, IGNITION COIL	2	2	

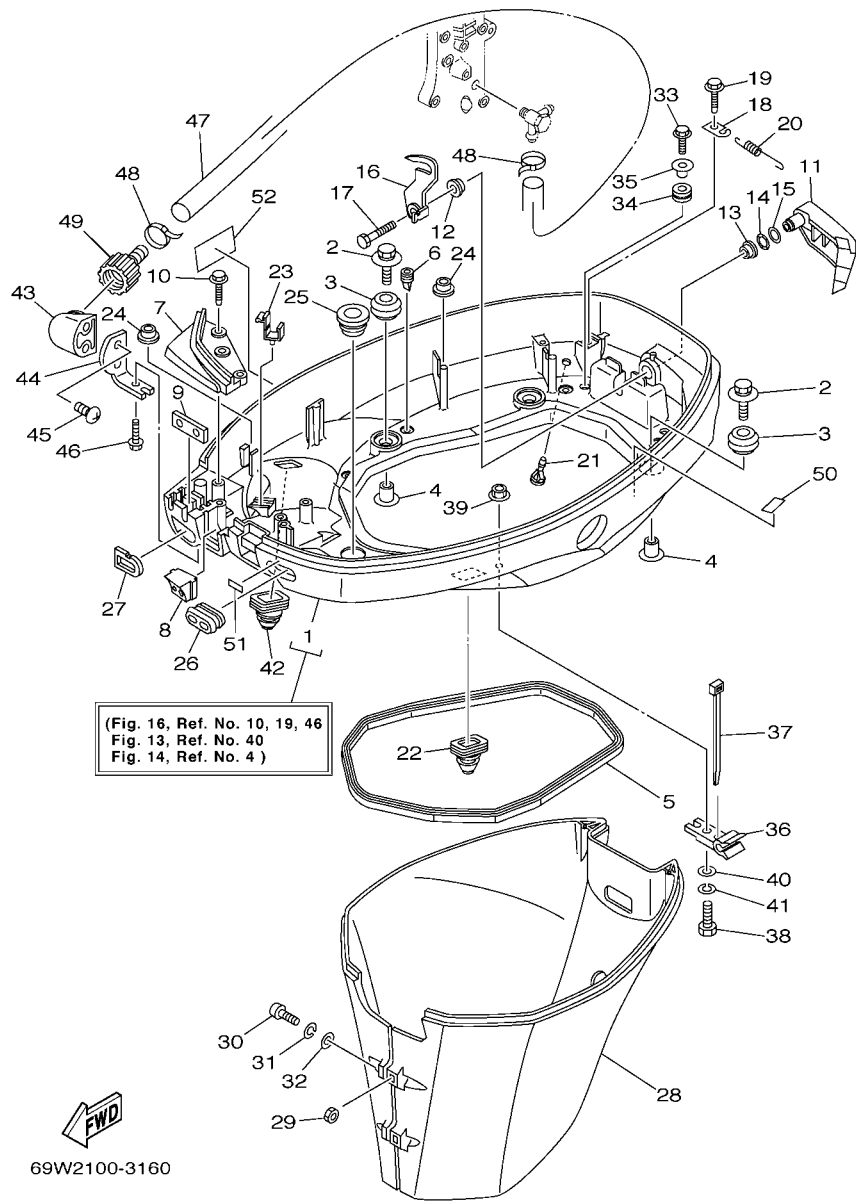
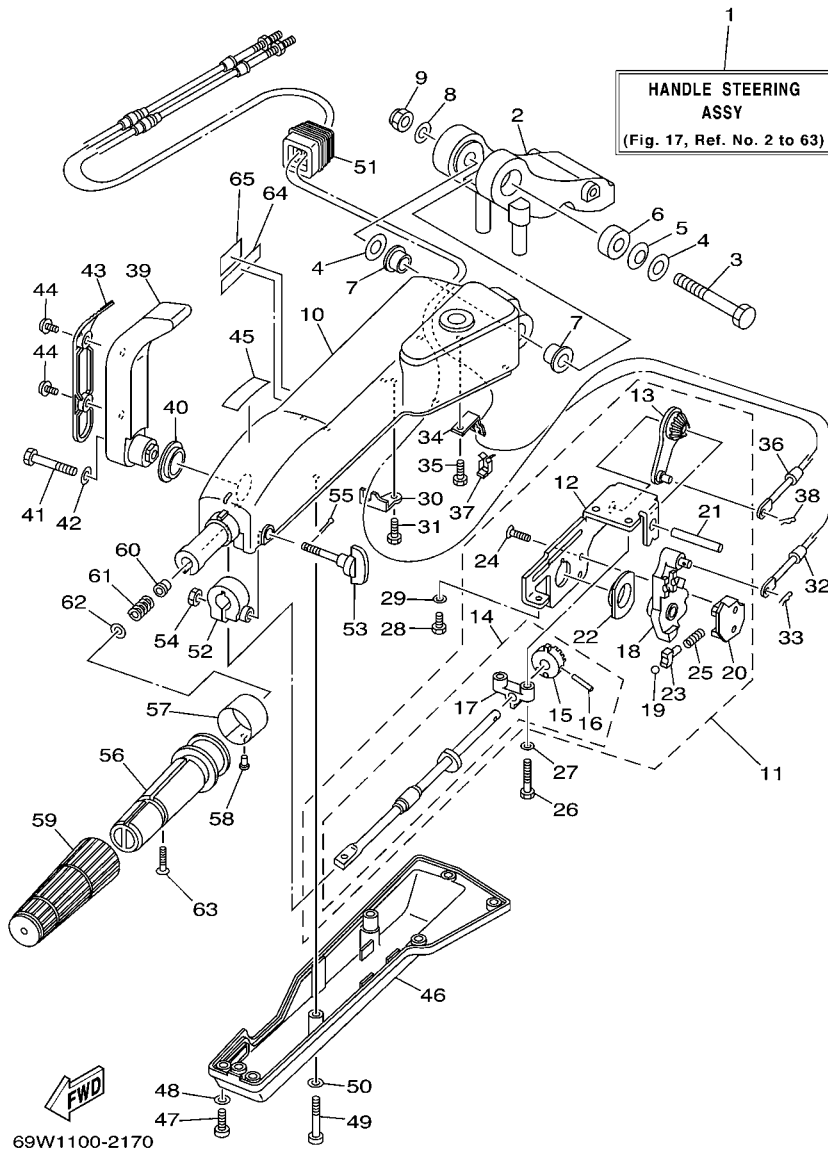


FIG. 16 BOTTOM COWLING

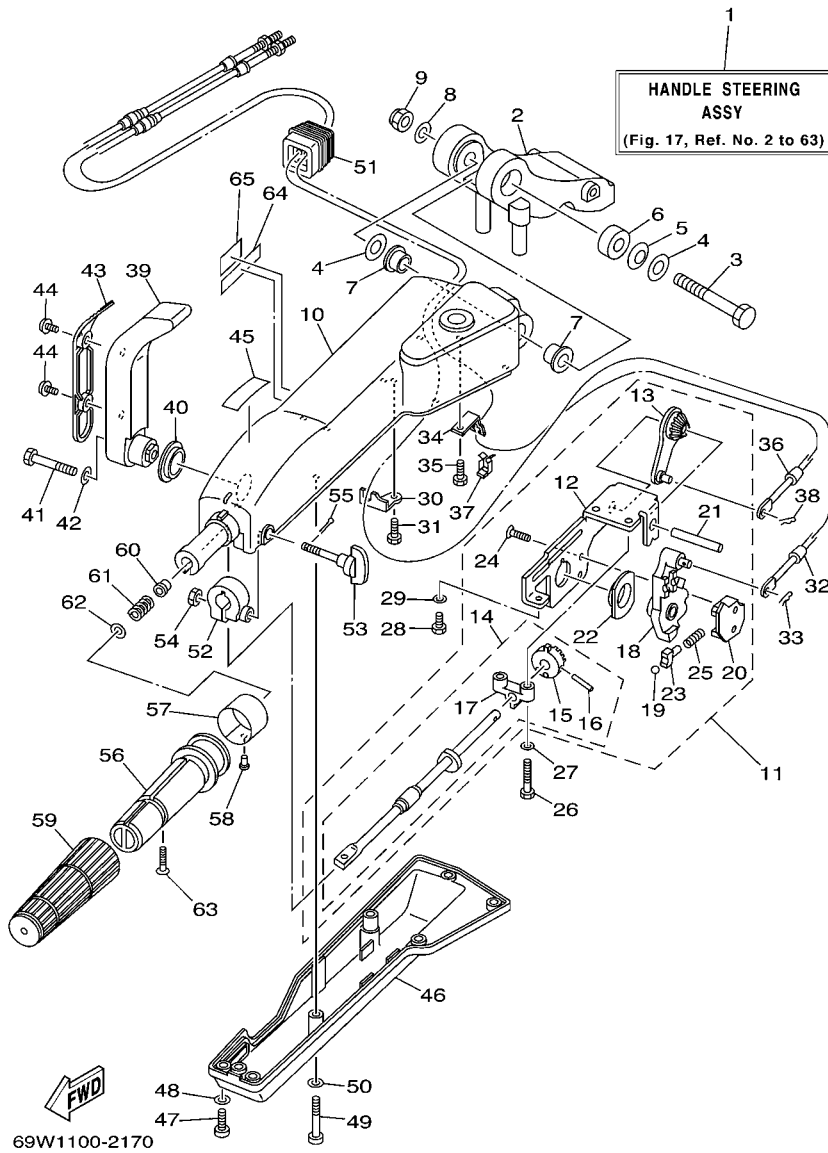
REF. NO.	PART NO.	DESCRIPTION	EHT	ET	REMARKS
25	68U-42727-00	GROMMET	1	1	
26	6H3-42727-00	GROMMET	1	1	EHT-FOR CAN
27	61N-24329-00	SEAL	1	1	
28	67C-42741-10-4D	APRON	1	1	
29	95380-06600	NUT, HEXAGON	2	2	
30	97880-06025	SCREW, PAN HEAD	2	2	
31	92990-06100	WASHER, SPRING	2	2	
32	92990-06600	WASHER, PLATE	2	2	
33	90109-06M80	BOLT	2	2	
34	90480-13M24	GROMMET	2	2	
35	90387-06M43	COLLAR	2	2	
36	90464-09M49	CLAMP	1	1	
37	90465-11M10	CLAMP	1	1	
38	90101-06020	BOLT	1	1	
39	90179-06M28	NUT	1	1	
40	92990-06600	WASHER, PLATE	1	1	
41	92995-06100	WASHER, SPRING	1	1	
42	65W-42724-10	GROMMET	1	1	FLUSHING KIT
43	68T-12572-00	ADAPTER	1	1	FLUSHING KIT
44	69W-12535-00	PLATE	1	1	FLUSHING KIT
45	90167-06002	SCREW, TAPPING	2	2	FLUSHING KIT
46	90109-06M80	BOLT	1	1	FLUSHING KIT
47	67C-24312-00	PIPE 2	1	1	FLUSHING KIT
48	90465-11M10	CLAMP	2	2	FLUSHING KIT
49	6R3-12580-00	JOINT ASSY	1	1	FLUSHING KIT
50	69W-82377-00	LABEL	1	1	
51	67C-85415-00	MARK, SIGNAL LAMP	1		FOR OCE

FIG. 17 STEERING



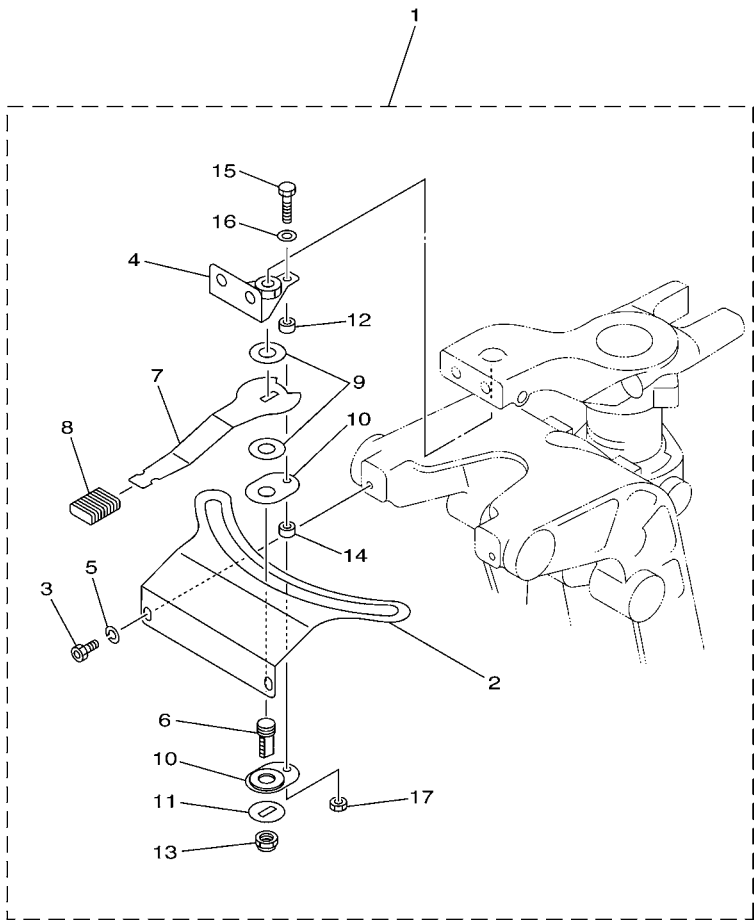
REF. NO.	PART NO.	DESCRIPTION	EHT	ET	REMARKS
1	69W-W0084-01-4D	HANDLE STEERING ASSY	1		
2	63D-42121-20-4D	BRACKET	1		
3	90101-12M09	BOLT	1		
4	92990-12200	WASHER, PLAIN	2		
5	90206-12M22	WASHER, WAVE	1		
6	90387-12M02	COLLAR	1		
7	90386-12M93	BUSH	2		
8	92990-12600	WASHER, PLATE	1		
9	90185-12M12	NUT, SELF-LOCKING	1		
10	67G-42111-00-4D	HANDLE, STEERING	1		
11	69W-44100-00	SHIFT LINK ASSY	1		
12	67C-44104-00	.PLATE COMP.	1		
13	69W-48261-00	.ARM, THROTTLE	1		
14	69W-42115-00	.SHAFT, STEERING HANDLE	1		
15	650-42152-00-94	..GEAR	1		
16	91690-30025	..PIN, SPRING	1		
17	67G-42159-00	..STAY	1		
18	67C-44113-00	.CAM PLATE, HANDLE	1		
19	63D-48236-00	.ROLLER, DETENT	1		
20	67C-48119-00	.COVER	1		
21	67G-42153-00	.SHAFT, THROTTLE CONTROL	1		
22	67G-44132-00	.BUSHING	1		
23	63D-48237-00	.ADAPTOR	1		
24	98785-05014	.SCREW, FLAT HEAD	2		
25	63D-48238-00	.SPRING, DETENT	1		
26	97095-06030	BOLT	2		
27	92995-06600	WASHER	2		

FIG. 17 STEERING



REF. NO.	PART NO.	DESCRIPTION	EHT	ET	REMARKS
28	97095-06014	BOLT	1		
29	92995-06600	WASHER	1		
30	67G-48531-00	BRACKET, REMOTE CONTROL 1	1		
31	97095-06014	BOLT	1		
32	67C-48321-00	CABLE	1		
33	90468-10005	CLIP	1		
34	69W-48538-00	CLAMP, CABLE 1	1		
35	97095-06014	BOLT	1		
36	69W-26301-00	THROTTLE CABLE ASSY	1		
37	63D-48538-00	CLAMP, CABLE 1	1		
38	90468-10005	CLIP	1		
39	67G-44159-00-4D	HANDLE, GEAR SHIFT	1		
40	90386-26MA3	BUSH	1		
41	97095-08040	BOLT	1		
42	92995-08600	WASHER	1		
43	67G-44173-00	LEVER, SHIFT CONTROL	1		
44	90159-06M18	SCREW, WITH WASHER	2		
45	6G8-44191-00	INDICATOR, SHIFT	1		
46	67G-42131-00	COVER, HANDLE STEERING	1		
47	97885-06016	SCREW, PAN HEAD	5		
48	92995-06600	WASHER	5		
49	97885-06040	SCREW, PAN HEAD	2		
50	92995-06600	WASHER	2		
51	63D-42725-00	GROMMET	1		
52	63D-42126-00	FRICTION, STEERING HANDLE GRIP	1		
53	63D-48154-00	KNOB, THROTTLE	1		
54	95380-06600	NUT, HEXAGON	1		

FIG. 18 STEERING FRICTION

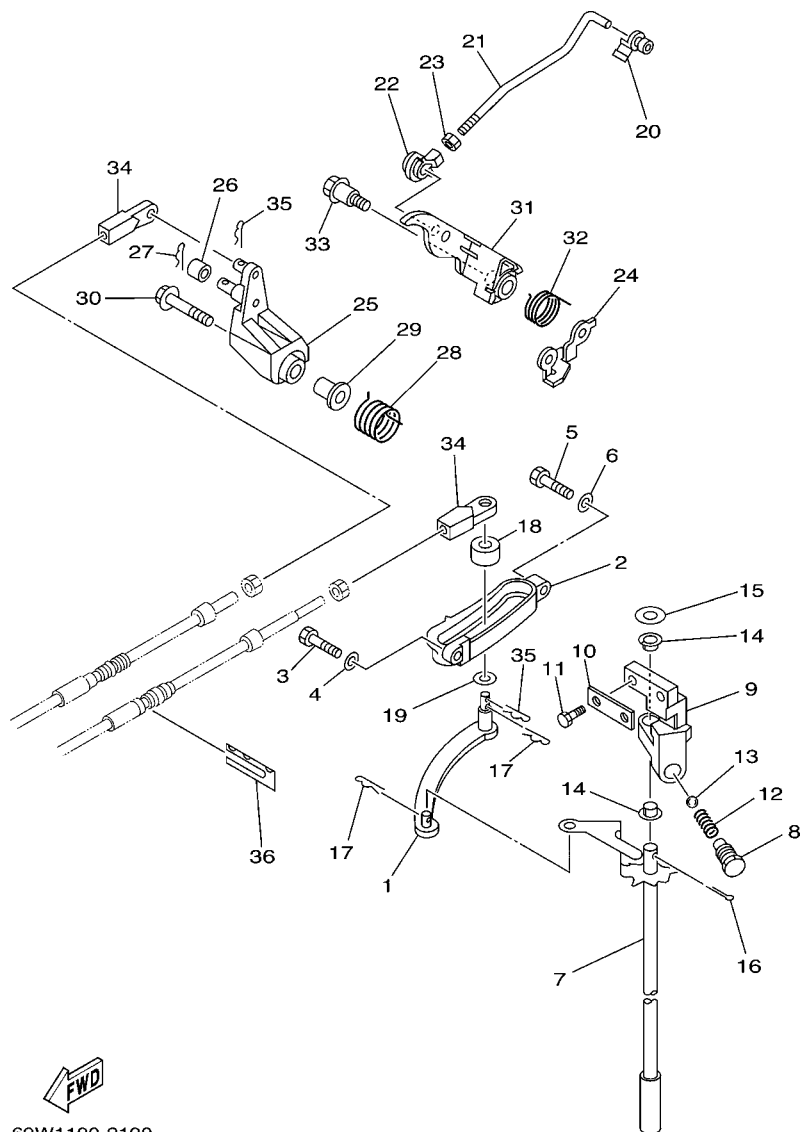


REF. NO.	PART NO.	DESCRIPTION	EHT	ET	REMARKS
1	69W-42508-00	STEERING FRICTION ASSY	1		
2	69W-42527-00	.PLATE, FRICTION	1		
3	90109-06M88	.BOLT	2		
4	67C-42525-00	.PLATE, FRICTION	1		
5	92990-06100	.WASHER, SPRING	2		
6	67C-42562-00	.SHAFT, STEERING LOCK	1		
7	67C-42561-00	.KNOB, STEERING LOCK	1		
8	689-43633-00	.COVER, TILT LEVER	1		
9	90202-10M56	.WASHER, PLATE	2		
10	65W-42528-00	.PLATE, FRICTION	2		
11	90209-10M26	.WASHER	1		
12	90387-05M05	.COLLAR	1		
13	90185-10M14	.NUT, SELF-LOCKING	1		
14	90387-05M11	.COLLAR	1		
15	97095-05020	.BOLT	1		
16	92995-05600	.WASHER	1		
17	95380-05600	.NUT	1		



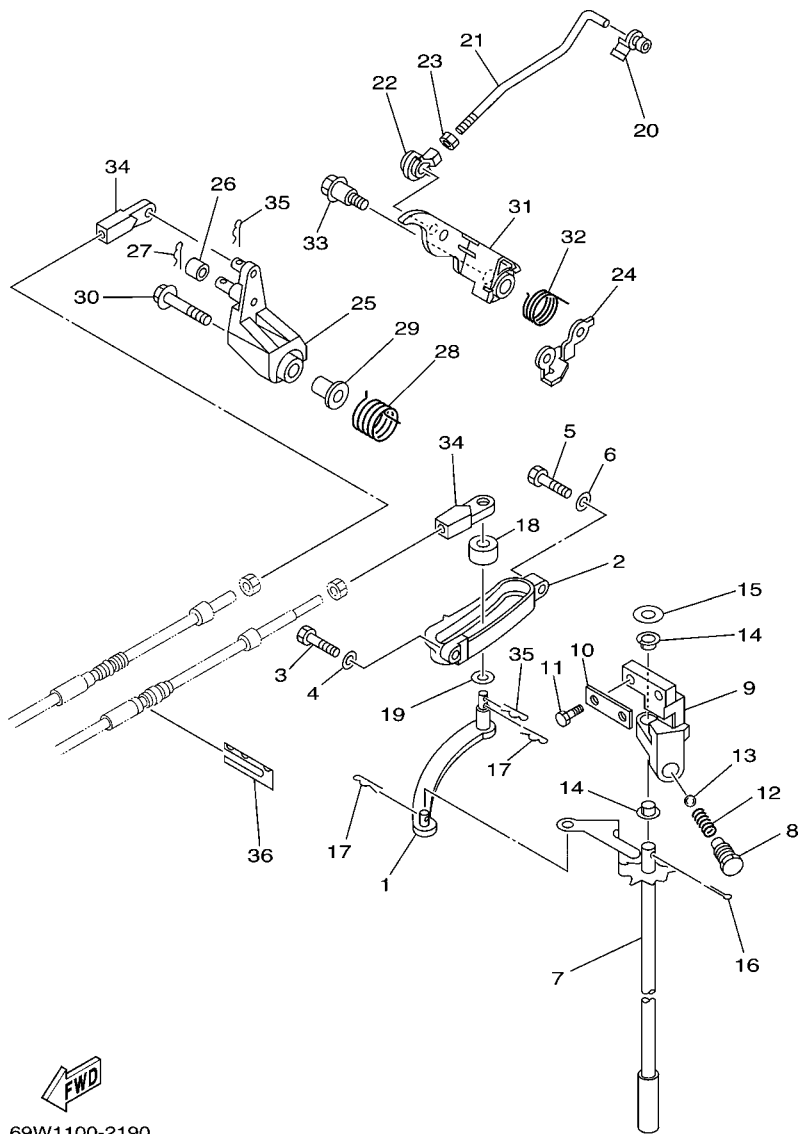
69W1010-2170

FIG. 19 CONTROL



69W1100-2190

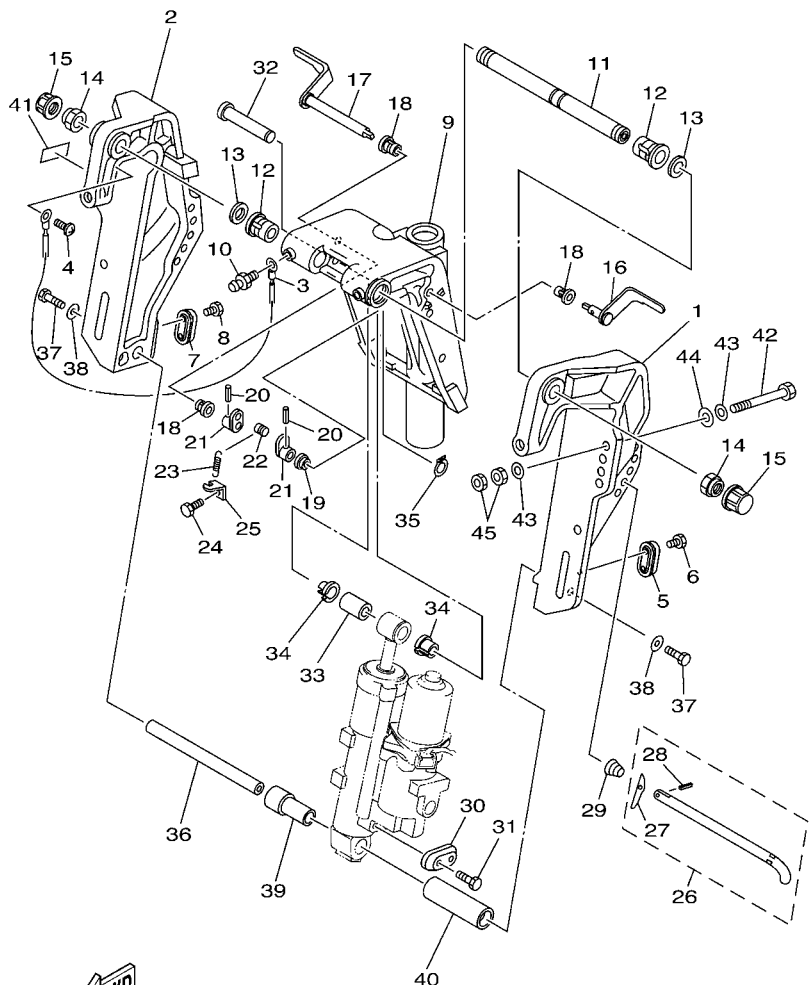
REF. NO.	PART NO.	DESCRIPTION	EHT	ET				REMARKS
1	69W-44121-00	LEVER, SHIFT ROD	1	1				
2	62Y-44117-01-4D	BRACKET	1	1				
3	97095-06020	BOLT	1	1				
4	92995-06600	WASHER	1	1				
5	97095-06025	BOLT	1	1				
6	92995-06600	WASHER	1	1				
7	62Y-44120-01	HANDLE GEAR SHIFT ASSY	1	1				L
8	62Y-42715-01	BUSHING	1	1				
9	62Y-44118-00	BRACKET	1	1				
10	62Y-44112-00	STAY, HANDLE GEAR SHIFT		1				
11	97095-06020	BOLT	2	2				
12	90501-12082	SPRING, COMPRESSION	1	1				
13	93501-04M02	BALL	1	1				
14	90386-90M90	BUSH	2	2				
15	90201-10M20	WASHER, PLATE	1	1				
16	91490-20015	PIN, COTTER	1	1				
17	90468-18008	CLIP	2	2				
18	688-44122-00	BUSHING, SHIFT ROD LEVER	1	1				
19	90202-07M07	WASHER, PLATE	1	1				
20	6F5-41237-00	JOINT, LINK	1	1				
21	69W-41241-00	ROD, LINK	1	1				
22	662-41237-01	JOINT, LINK	1	1				
23	95380-05700	NUT	1	1				
24	69W-42159-00	STAY	1	1				
25	62Y-42154-00	LEVER, THROTTLE CONTROL	1	1				
26	69W-42171-00	BUSHING	1	1				
27	91490-16010	PIN, COTTER	1	1				



69W1100-2190

FIG. 19 CONTROL

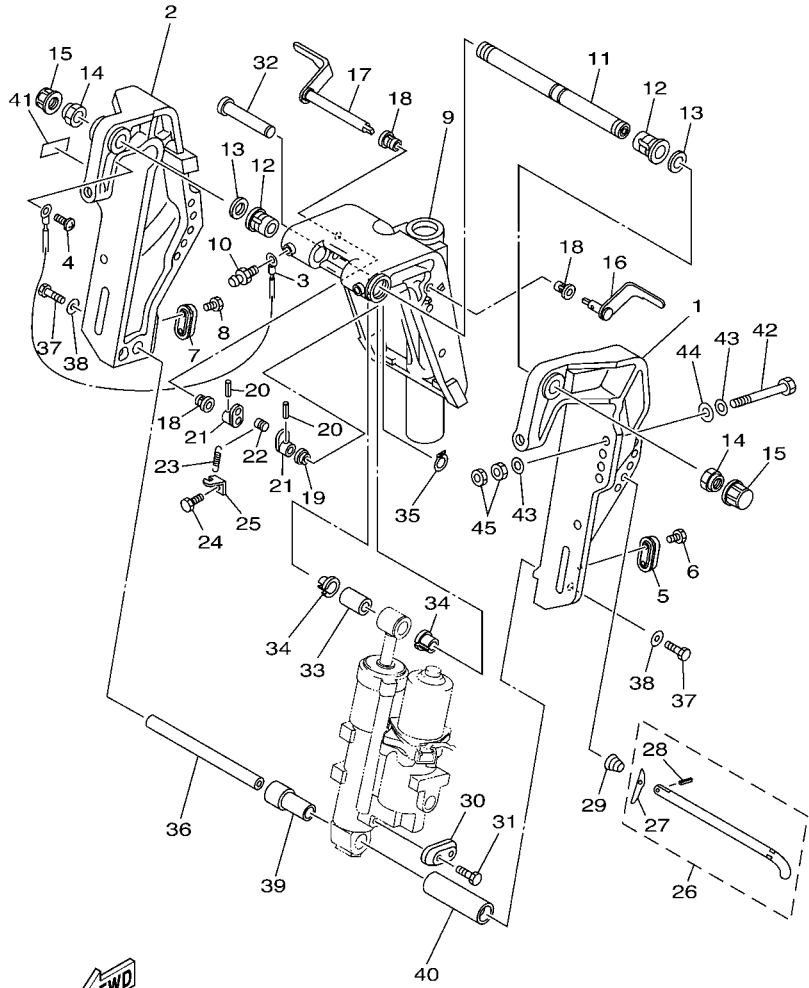
REF. NO.	PART NO.	DESCRIPTION	EHT	ET	REMARKS
28	62Y-44135-00	SPRING	1	1	
29	90387-06M45	COLLAR	1	1	
30	95895-06035	BOLT, FLANGE	1	1	
31	62Y-42335-20	LEVER, ACCEL. CONTROL	1	1	
32	62Y-44116-01	SPRING	1	1	
33	90109-06M30	BOLT	1	1	
34	69W-48344-00	CABLE END, REMOTE CONTROL	2	2	
35	90468-18008	CLIP	2	2	
36	62Y-48538-00	CLAMP, CABLE 1	1	1	



69W1100-2200

FIG. 20 BRACKET 1

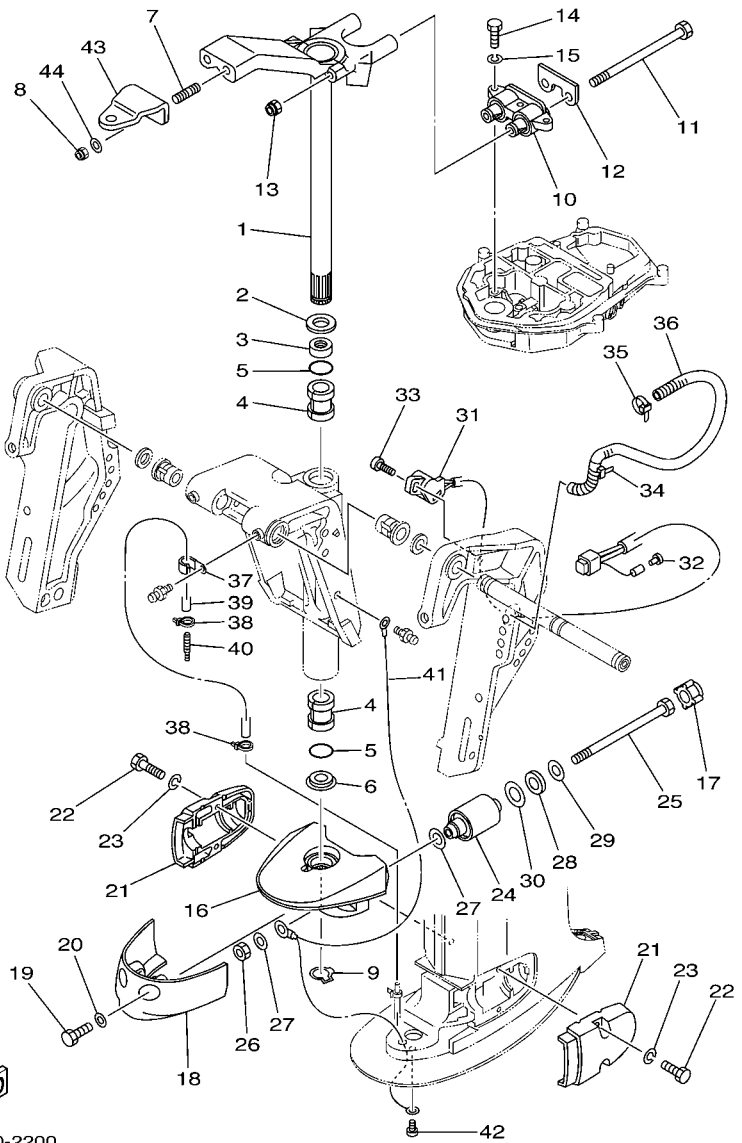
REF. NO.	PART NO.	DESCRIPTION	EHT	ET				REMARKS
1	69W-43111-00-4D	BRACKET, CLAMP	1	1				
2	69W-43112-00-4D	BRACKET, CLAMP	1	1				
3	63D-82148-00	WIRE, LEAD 4	1	1				
4	97885-06008	SCREW, PAN HEAD	1	1				
5	65W-45251-00	ANODE	1	1				
6	90101-06020	BOLT	2	2				
7	65W-45251-00	ANODE	1	1				
8	90101-06020	BOLT	2	2				
9	63D-43311-13-4D	BRACKET, SWIVEL 1	1	1				
10	93700-06M03	NIPPLE, GREASE	1					
	93700-06M03	NIPPLE, GREASE		3				
11	63D-43131-01	BOLT, CLAMP BRACKET	1	1				
12	90386-22M15	BUSH	2	2				
13	90201-22M03	WASHER, PLATE	2	2				
14	90185-22M11	NUT, SELF-LOCKING	2	2				
15	6G5-43145-01	CAP, CLAMP BRACKET	2	2				
16	6H5-43181-03	LEVER, TILT STOP	1	1				
17	6H5-43185-03	LEVER, TILT STOP	1	1				
18	90386-10M16	BUSH	3	3				
19	90386-10025	BUSH	1	1				
20	91690-30020	PIN, SPRING	2	2				
21	6G5-43148-00	COLLAR, DISTANCE	2	2				
22	90249-06M19	PIN	1	1				
23	90506-14M24	SPRING, TENSION	1	1				
24	97095-06010	BOLT	1	1				
25	6G5-43144-00	HOOK, SPRING	1	1				
26	688-43160-01	TILT ROD ASSY	1	1				



69W1100-2200

FIG. 20 BRACKET 1

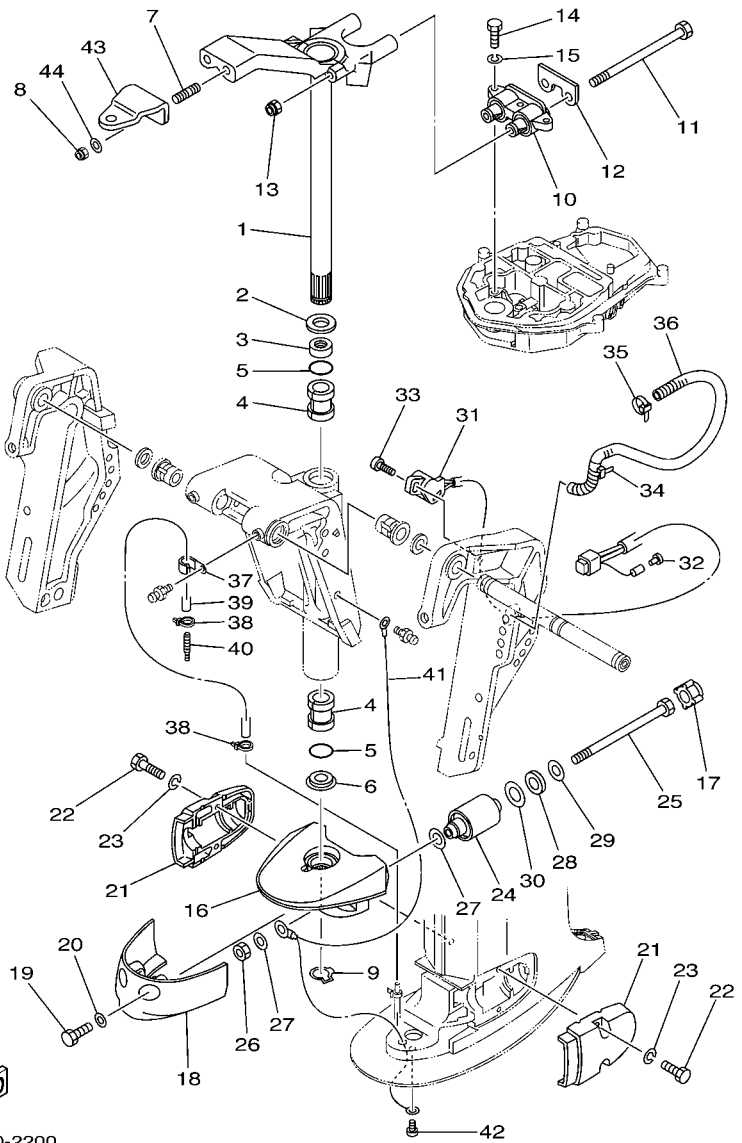
REF. NO.	PART NO.	DESCRIPTION	EHT	ET	REMARKS
27	688-43165-00	.PLATE, TILT LOCK	1	1	
28	91690-30012	.PIN, SPRING	1	1	
29	90502-16M02	SPRING, CONICAL	1	1	
30	65W-45251-00	ANODE	1	1	
31	90101-06020	BOLT	2	2	
32	6E5-43126-02	PIN, UPPER SHOCK MOUNT	1	1	
33	90386-18M92	BUSH	1	1	
34	90386-18M35	BUSH	2	2	
35	93410-18M02	CIRCLIP	1	1	
36	62Y-43818-00	PIN, LOWER SHOCK MOUNT	1	1	
37	97080-08016	BOLT	2	2	
38	90201-08M04	WASHER, PLATE	2	2	
39	90387-18002	COLLAR	1	1	
40	90387-18003	COLLAR	1	1	
41	63V-82377-50	LABEL (SPARK,IGNITION)	1	1	FOR CAN
42	90101-12M65	BOLT	4	4	
43	92995-12200	WASHER	8	8	
44	90201-12426	WASHER, PLATE	4	4	
45	95380-12600	NUT	8	8	



69W1010-2200

FIG. 21 BRACKET 2

REF. NO.	PART NO.	DESCRIPTION	EHT	ET	REMARKS
1	69W-42510-01-4D	STEERING BRACKET ASSY	1	1	
2	90201-30M00	WASHER, PLATE	1	1	
3	90386-30M78	BUSH	1	1	
4	90386-30M77	BUSH	2	2	
5	93210-29M94	O-RING	2	2	
6	90386-30M60	BUSH	1	1	
7	90116-10M28	BOLT, STUD	2	2	
8	90185-10051	NUT, SELF-LOCKING	2	2	
9	93410-28M06	CIRCLIP	1	1	
10	69W-44514-00-4D	MOUNT DAMPER, UPPER SIDE	1	1	
11	90101-08M15	BOLT	2	2	
12	69W-44526-01	PLATE	1	1	
13	90185-08045	NUT, SELF-LOCKING	2	2	
14	97075-08030	BOLT	3	3	
15	92995-08100	WASHER	3	3	
16	69W-44551-00-4D	HOUSING, LOWER MOUNT RUBBER	1	1	
17	69W-44575-00	DAMPER, LOWER MOUNT RUBBER	2	2	
18	67C-44553-00-4D	COVER, LOWER MOUNT	1	1	
19	97095-08020	BOLT	2	2	
20	92995-08600	WASHER	2	2	
21	67C-44552-01-4D	HOUSING, LOWER MOUNT RUBBER	2	2	
22	97075-08030	BOLT	4	4	
23	92995-08100	WASHER	4	4	
24	69W-44555-00-4D	MOUNT DAMPER, LOWER SIDE	2	2	
25	90109-12MA3	BOLT	2	2	
26	95380-12700	NUT	2	2	
27	90201-12M16	WASHER, PLATE	4	4	

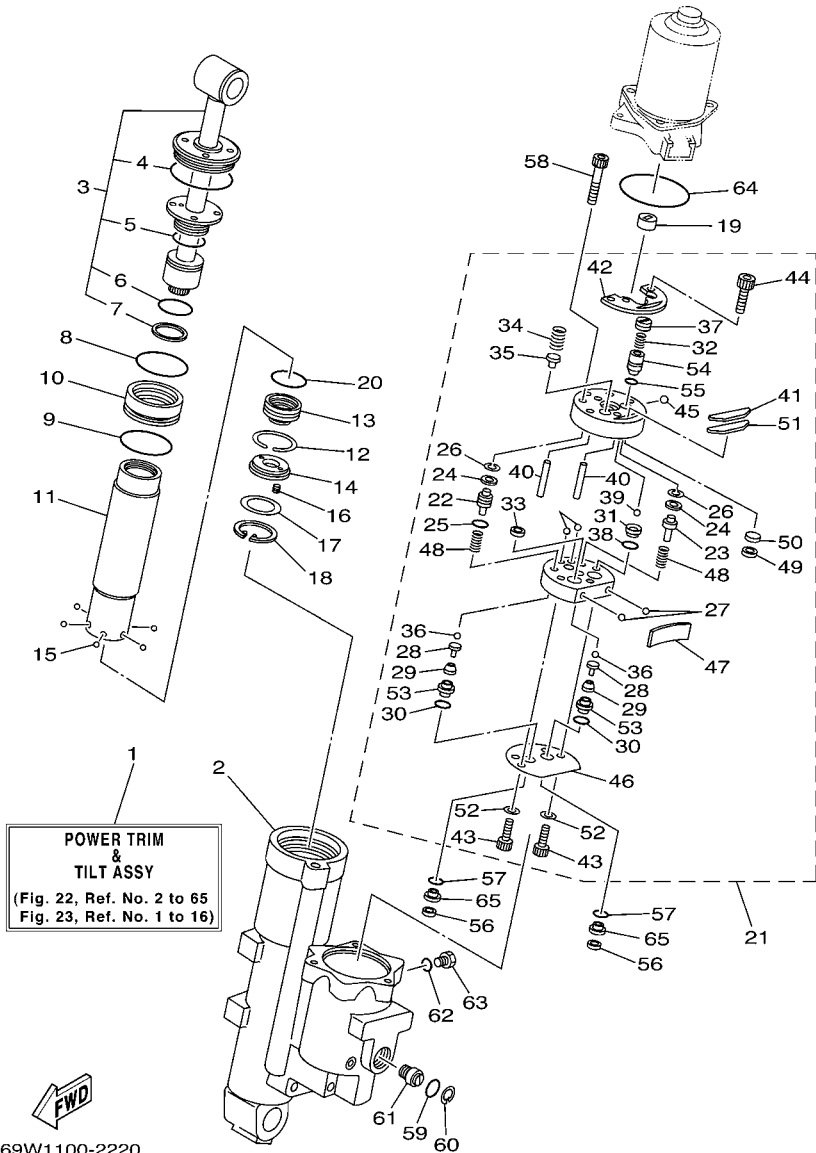


69W1010-2200

FIG. 21 BRACKET 2

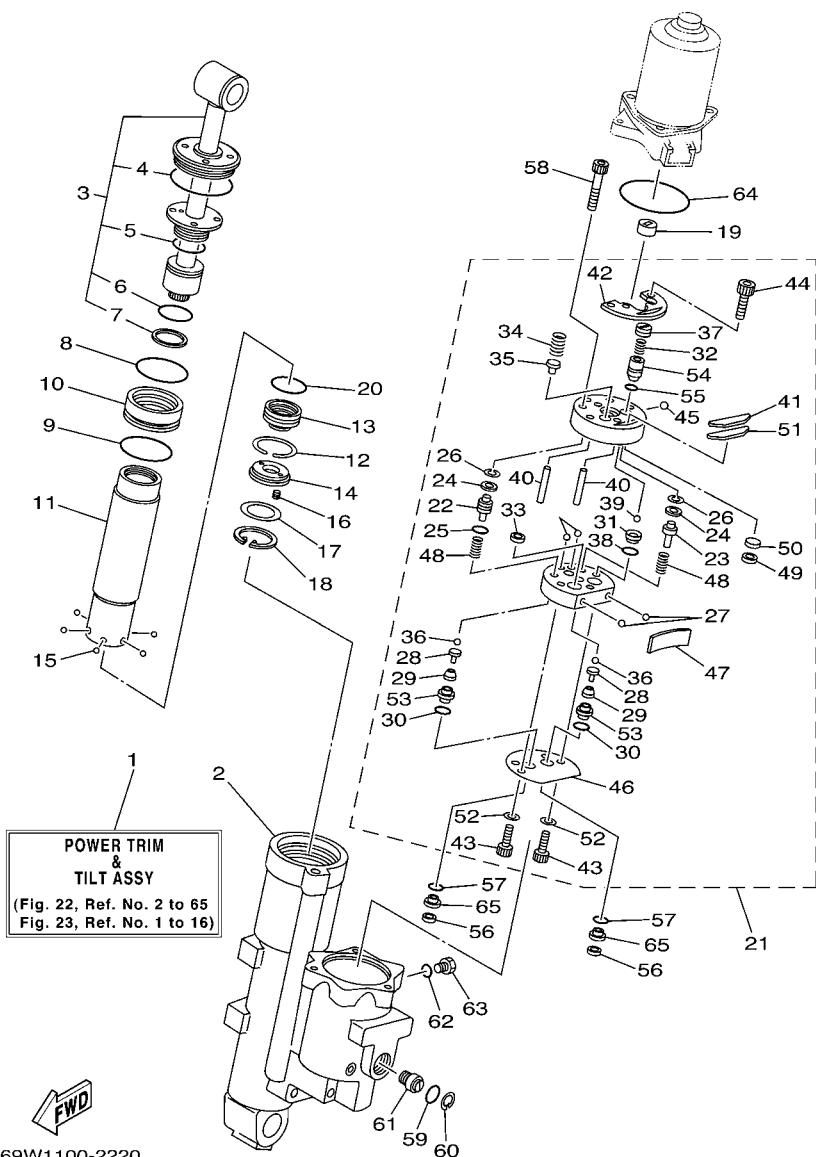
REF. NO.	PART NO.	DESCRIPTION	EHT	ET		REMARKS
28	90202-21100	WASHER, PLATE	2	2		
29	90201-13M19	WASHER, PLATE	2	2		
30	90201-22M05	WASHER, PLATE	2	2		
31	63D-83672-01	TRIM SENDER		1		FOR OCE
	63D-83672-10	TRIM SENDER		1		FOR USA,CAN
32	703-82119-00	COVER, LEAD WIRE		1		FOR OCE
33	97885-06016	SCREW, PAN HEAD	2	2		EHT-FOR CAN
34	90465-13M18	CLAMP	1	1		
35	90465-11M10	CLAMP	1	1		EHT-FOR CAN
36	90446-17M91	HOSE	1	1		
37	90465-06M86	CLAMP	1	1		EXCEPT F60TJR
38	90465-11M10	CLAMP	2	2		EXCEPT F60TJR
39	90445-07M53	HOSE (L700)	1	1		EXCEPT F60TJR
40	6E5-83558-00	END, NIPPLE	1	1		EXCEPT F60TJR
41	67C-82127-10	WIRE, LEAD 2	1	1		
42	97885-06008	SCREW, PAN HEAD	1	1		
43	65W-48511-00	HOOK, STEERING		1		
44	92995-10600	WASHER		2		

FIG. 22 POWER TRIM & TILT ASSY 1



REF. NO.	PART NO.	DESCRIPTION	EHT	ET	REMARKS
1	69W-43800-00-4D	POWER TRIM & TILT ASSY	1	1	
2	69W-4380K-00	CYLINDER, TILT SUB ASSY	1	1	
3	62X-43810-01	TILT PISTON SUB ASSY	1	1	
4	62X-43861-00	.O-RING	1	1	
5	62X-43862-00	.O-RING	1	1	
6	93210-29375	.O-RING	1	1	
7	62X-43871-00	.RING, BACK UP	1	1	
8	93210-44383	O-RING	1	1	
9	93210-48214	O-RING	1	1	
10	62X-4388A-00	PISTON, TRIM	1	1	
11	62Y-22471-00	CYLINDER, SHOCK ABSORBER	1	1	
12	67F-43875-00	RING, SNAP	1	1	
13	69W-4381B-00	FREE PISTON SUB ASSY	1	1	
14	62X-43899-00	PLATE STOPPER	1	1	
15	93503-16003	BALL	6	6	
16	62X-4384H-00	SPRING	2	2	
17	1UF-22434-00	PLATE, VALVE 1	1	1	
18	62X-43875-00	RING, SNAP	1	1	
19	6H1-43831-10	CONNECTOR, SHAFT	1	1	
20	93210-29375	O-RING	1	1	
21	69W-43830-00	GEAR PUMP ASSY	1	1	
22	69J-43841-00	.PISTON, SHUTTLE	1	1	
23	69J-4384M-00	.PISTON, SHUTTLE 2	1	1	
24	69A-4384F-00	.SEAL, MAIN VALVE	2	2	
25	6H1-43883-00	.O-RING	1	1	
26	99001-03600	.CIRCLIP	2	2	
27	93505-32038	.BALL	4	4	

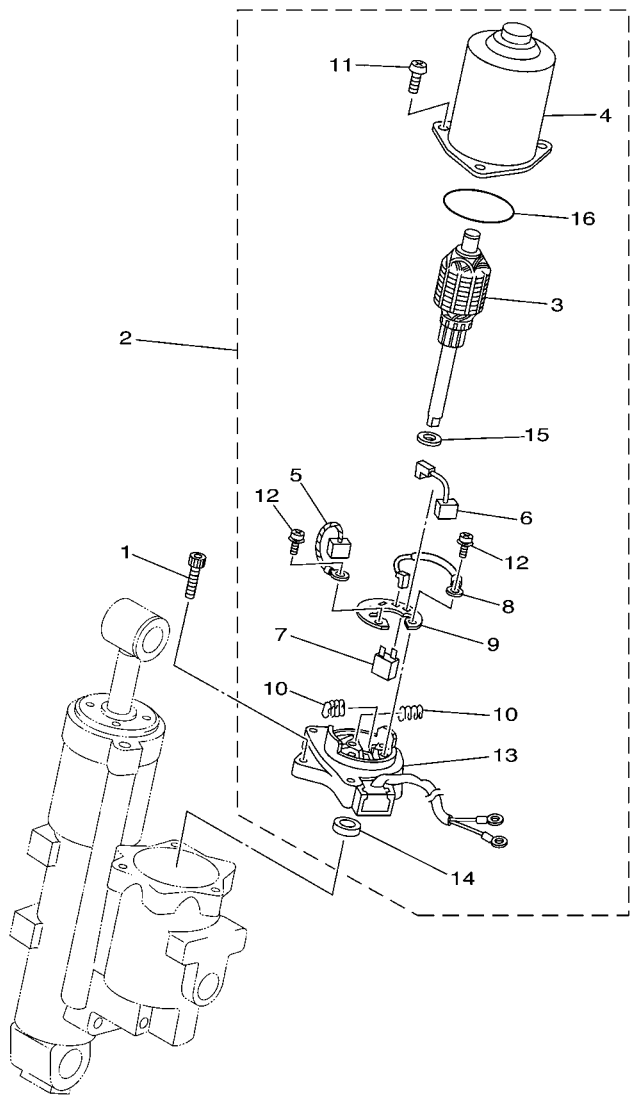
FIG. 22 POWER TRIM & TILT ASSY 1



69W1100-2220

REF. NO.	PART NO.	DESCRIPTION	EHT	ET	REMARKS
28	65W-4386A-00	.PIN, ABSORBER VALVE	2	2	
29	69J-43853-00	.SPRING, MAIN VALVE	2	2	
30	69J-4389J-00	.O-RING	2	2	
31	69J-43851-00	.SEAT, RELIEF VALVE	1	1	
32	69J-43855-00	.SPRING, UP RELIEF	1	1	
33	6H1-4384F-10	.SEAL, MAIN VALVE	1	1	
34	69W-43856-00	.SPRING, DOWN RELIEF	1	1	
35	6H1-43844-10	.PIN, VALVE SUPPORT	1	1	
36	93505-32038	.BALL	2	2	
37	69J-43843-00	.SCREW, VALVE LOCK	1	1	
38	93210-08391	.O-RING	1	1	
39	93501-08001	.BALL	1	1	
40	93604-26256	.PIN, DOWEL	2	2	
41	62Y-43816-00	.FILTER 1	1	1	
42	69W-4382L-00	.CAP, RELIEF VALVE	1	1	
43	91318-05020	.BOLT	2	2	
44	91318-05008	.BOLT	2	2	
45	93501-08001	.BALL	1	1	
46	69W-4384G-00	.SEAL, RELIEF VALVE	1	1	
47	69W-43854-00	.SPRING, MANUAL RELEASE	1	1	
48	69J-43894-00	.SPRING, SHUTTLE RETURN	2	2	
49	62Y-4387J-00	.WASHER, SPECIAL 2	1	1	
50	62Y-22434-00	.PLATE, VALVE 1	1	1	
51	62Y-43871-00	.RING, BACK UP	1	1	
52	62Y-4387G-00	.WASHER	2	2	
53	69J-43893-00	.WASHER	2	2	
54	69J-43844-00	.PIN, VALVE SUPPORT	1	1	

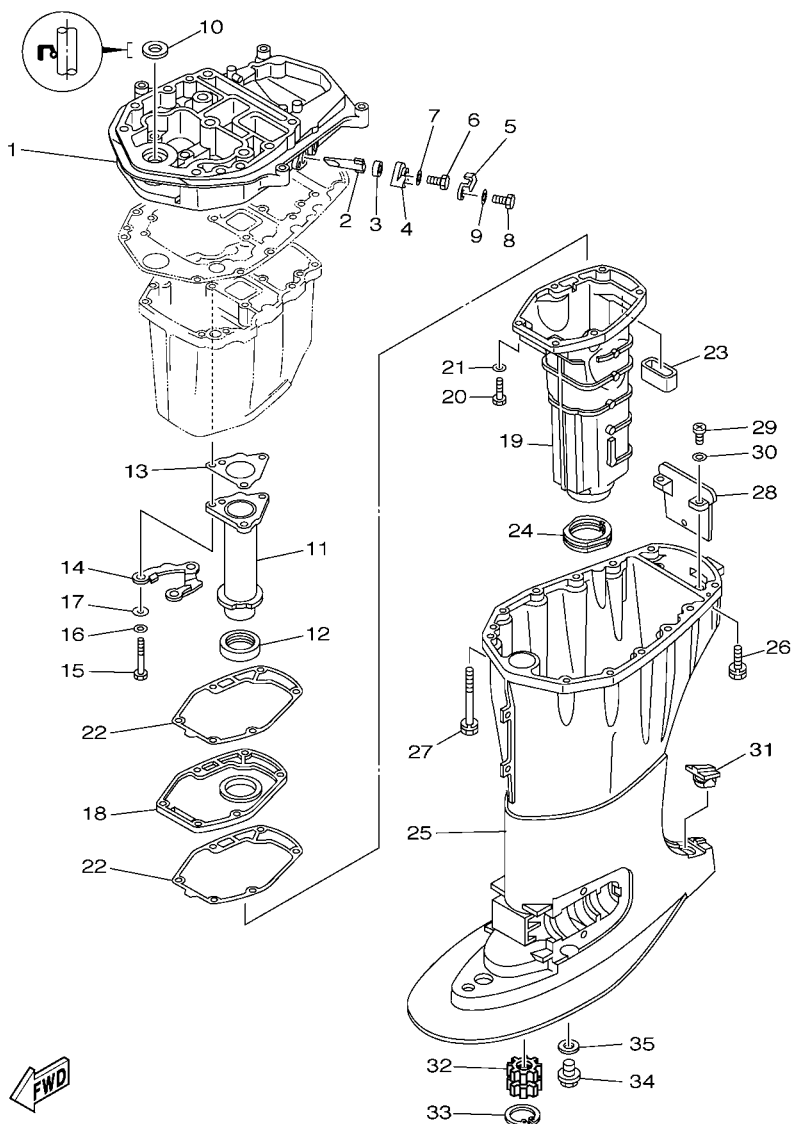
FIG. 23 POWER TRIM & TILT ASSY 2



69W1010-2220

REF. NO.	PART NO.	DESCRIPTION	EHT	ET			REMARKS
1	62X-43888-00	BOLT, SOCKET	3	3			
2	69W-43880-00	MOTOR ASSY	1	1			
3	69W-43805-00	.ARMATURE ASSY	1	1			
4	62X-43804-01	.STATOR ASSY	1	1			
5	62Y-43892-00	.BRUSH 2	1	1			
6	62Y-43891-00	.BRUSH 1	1	1			
7	69W-82181-00	.CIRCUIT BREAKER COMP.	1	1			
8	62X-43807-00	.WIRE SUB ASSY	1	1			
9	69W-4380F-00	.PLATE, BRUSH HOLDER	1	1			
10	62X-4386K-00	.SPRING, BRUSH	2	2			
11	97880-05020	.SCREW, PAN HEAD	3	3			
12	97607-04212	.SCREW, WITH WASHER	2	2			
13	69W-43881-00	.FRAME, END	1	1			
14	93102-08414	.OIL SEAL	1	1			
15	90201-083J8	.WASHER, PLATE	1	1			
16	93210-52449	.O-RING	1	1			

FIG. 24 UPPER CASING



69W2010-3230

REF. NO.	PART NO.	DESCRIPTION	EHT	ET				REMARKS
1	69W-41137-01-94	GUIDE, EXHAUST	1	1				
2	62Y-11325-00	ANODE	1	1				
3	66M-11328-00	GROMMET, ANODE	1	1				
4	66M-11327-00-94	COVER, ANODE	1	1				
5	66M-12535-00	PLATE	1	1				
6	97095-05012	BOLT	1	1				
7	92995-05600	WASHER	1	1				
8	97013-06020	BOLT	1	1				
9	92903-06600	WASHER, PLATE	1	1				
10	93103-18011	OIL SEAL	1	1				
11	69W-41131-00	MANIFOLD, EXT. 1	1	1				
12	64J-46132-10	GASKET 1	1	1				
13	64J-41133-10	GASKET, EXHAUST MANIFOLD 1	1	1				
14	64J-41116-00	PROTECTOR	1	1				
15	97075-06050	BOLT	3	3				
16	92995-06600	WASHER	3	3				
17	90201-06015	WASHER, PLATE	3	3				
18	69W-45181-00-5B	PLATE	1	1				
19	69W-14711-00-5B	MUFFLER 1	1	1				
20	97075-06025	BOLT	6	6				
21	92995-06600	WASHER	6	6				
22	62Y-41134-01	GASKET, EXHAUST MANIFOLD	2	2				
23	62Y-45127-00	SEAL	1	1				
24	67C-45123-00	GASKET, MUFFLER	1	1				
25	67C-45111-21-4D	CASING, UPPER	1	1				
26	90119-08M79	BOLT, WITH WASHER	4	4				
27	90119-08M82	BOLT, WITH WASHER	8	8				

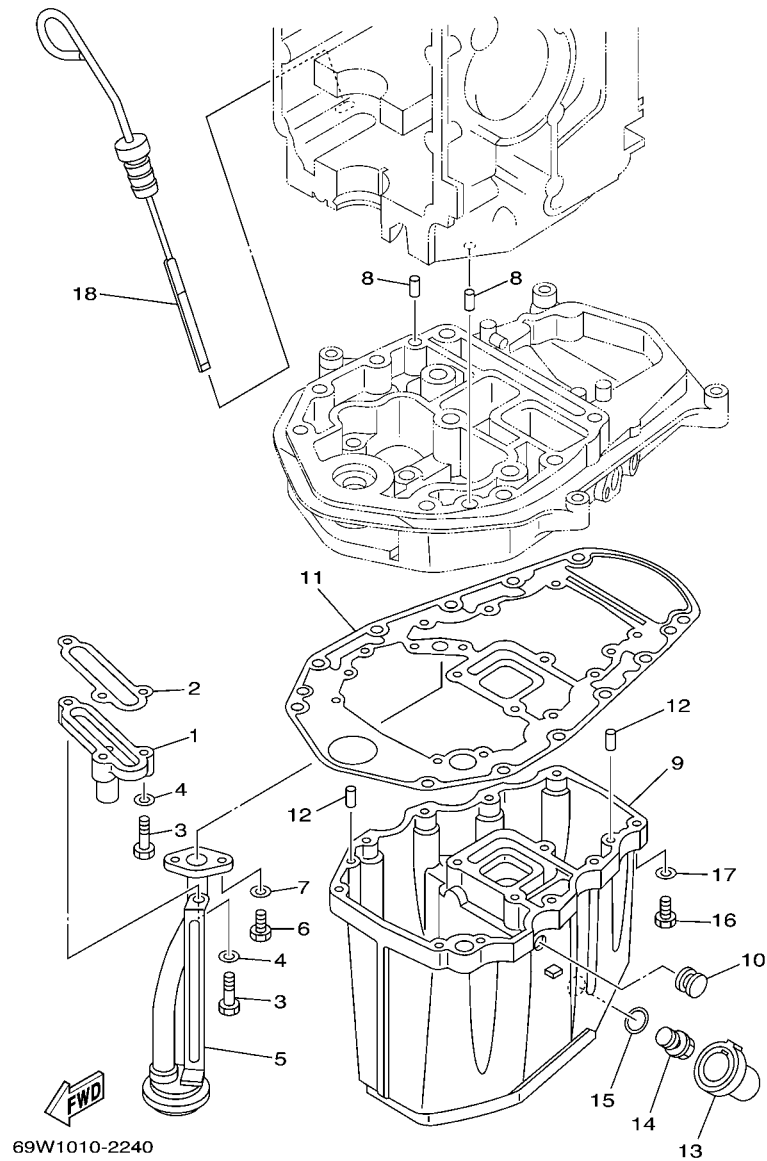


FIG. 25 OIL PAN

REF. NO.	PART NO.	DESCRIPTION	EHT	ET			REMARKS
1	62Y-11575-00	RELIEF VALVE ASSY	1	1			
2	62Y-13475-00	GASKET	1	1			
3	97013-06025	BOLT	3	3			
4	92903-06600	WASHER, PLATE	3	3			
5	62Y-13411-00	STRAINER, OIL	1	1			
6	97013-06016	BOLT	2	2			
7	92903-06600	WASHER, PLATE	2	2			
8	93608-12M05	PIN, DOWEL	2	2			
9	64J-15311-01-5B	OIL PAN	1	1			
10	90480-12M25	GROMMET	1	1			
11	69W-15312-00	GASKET, OIL PAN	1	1			
12	93606-12019	PIN, DOWEL	4	4			
13	67C-15316-00	DAMPER, ENGINE MOUNT 1	1	1			
14	90340-14M06	PLUG, STRAIGHT SCREW	1	1			
15	90430-14M09	GASKET	1	1			
16	97075-06025	BOLT	10	10			
17	92995-06600	WASHER	10	10			
18	67C-15362-00	PLUG, OIL LEVEL	1	1			

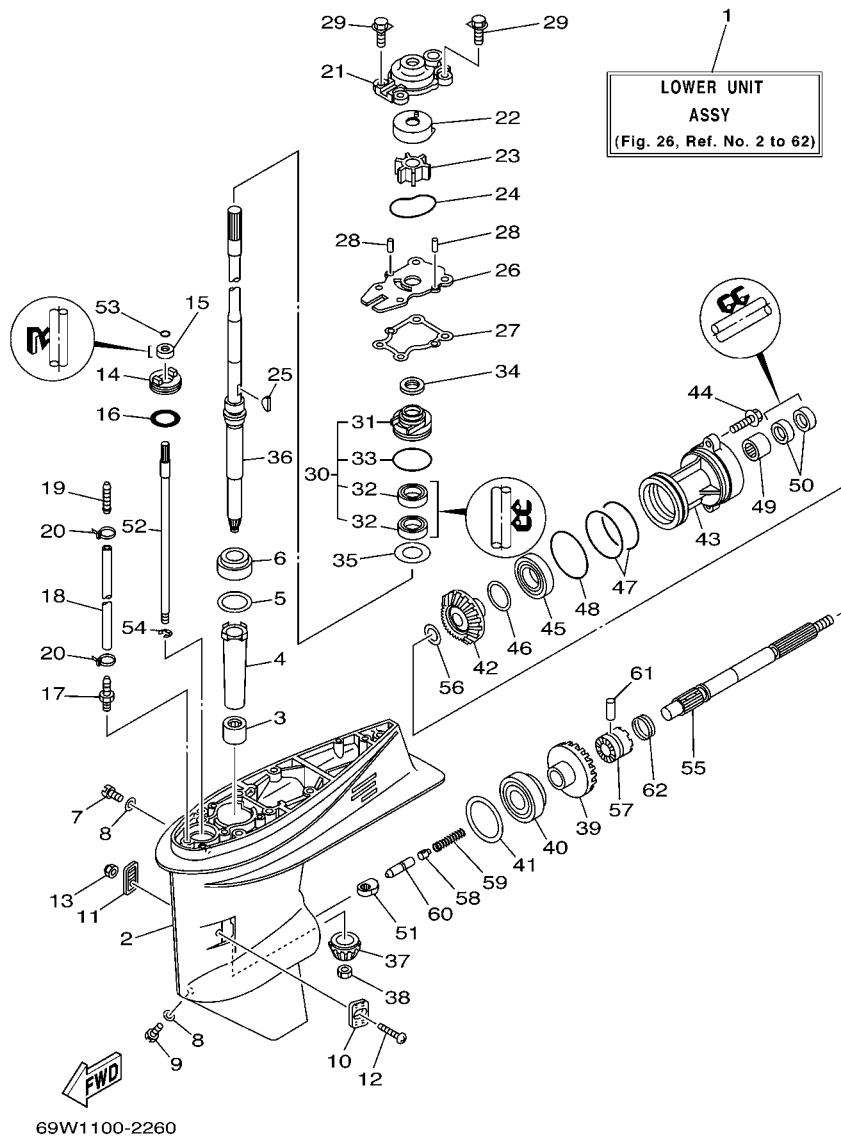


FIG. 26 LOWER CASING. DRIVE 1

REF. NO.	PART NO.	DESCRIPTION	EHT	ET		REMARKS
1	69W-45300-00-4D	LOWER UNIT ASSY	1	1		L
2	69W-45301-00-4D	CASING, LOWER	1	1		
3	93315-32224	BEARING	1	1		
4	6H4-45536-00	SLEEVE, DRIVE SHAFT	1	1		
5	663-45587-01-10	SHIM (T:0.10MM)	1	1		UR
6	663-45587-01-12	SHIM (T:0.12MM)	1	1		UR
7	663-45587-01-15	SHIM (T:0.15MM)	1	1		UR
8	663-45587-01-18	SHIM (T:0.18MM)	1	1		UR
9	663-45587-01-30	SHIM (T:0.30MM)	1	1		UR
10	663-45587-01-40	SHIM (T:0.40MM)	1	1		UR
11	663-45587-01-50	SHIM (T:0.50MM)	1	1		UR
12	93332-00001	BEARING	1	1		
13	90340-08002	PLUG, STRAIGHT SCREW	1	1		
14	90430-08020	GASKET	2	2		
15	688-45341-10	PLUG, DRAIN	1	1		
16	63D-45214-00	COVER, WATER INLET	1	1		
17	63D-45215-00	COVER, WATER INLET	1	1		
18	90142-05M06	SCREW, COUNTERSUNK	1	1		
19	95380-05600	NUT	1	1		
20	63D-45321-00	PLATE	1	1		
21	93106-09014	OIL SEAL	1	1		
22	93210-33MG4	O-RING	1	1		
23	6E5-45378-00	NIPPLE, HOSE	1	1		
24	90445-07ME8	HOSE (L80)	1	1		L
25	6E5-83558-10	END, NIPPLE	1	1		
26	90465-11M10	CLAMP	2	2		
27	63D-44311-00	HOUSING, WATER PUMP	1	1		

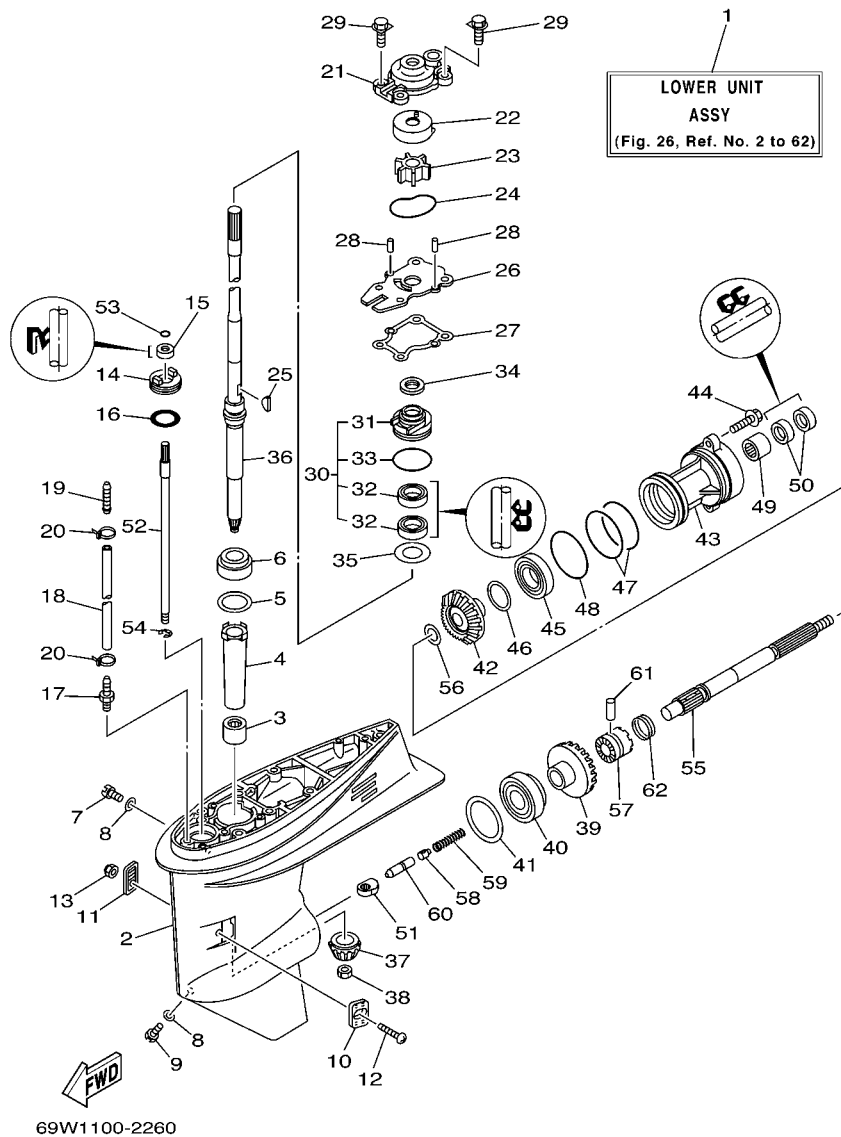


FIG. 26 LOWER CASING. DRIVE 1

REF. NO.	PART NO.	DESCRIPTION	EHT	ET	REMARKS
22	63D-44322-00	INSERT, CARTRIDGE	1	1	
23	6H3-44352-00	IMPELLER	1	1	
24	93210-59MG7	O-RING	1	1	
25	90280-03024	KEY, WOODRUFF	1	1	
26	63D-44323-00	OUTER PLATE, CARTRIDGE	1	1	
27	63D-44316-00	GASKET, WATER PUMP	1	1	
28	93604-08062	PIN, DOWEL	2	2	
29	90119-08M15	BOLT, WITH WASHER	4	4	
30	63D-W4434-00	WATER PUMP HOUSING ASSY	1	1	
31	63D-44341-00	.HOUSING, WATER PUMP	1	1	
32	93101-25M57	.OIL SEAL	2	2	
33	93210-48MG8	.O-RING	1	1	
34	63D-45344-00	COVER, OIL SEAL	1	1	
35	90201-27M00	WASHER, PLATE	1	1	
36	69W-45501-00	DRIVE SHAFT COMP.	1	1	L
37	69W-45551-00	PINION	1	1	
38	90170-12138	NUT	1	1	
39	69W-45560-00	GEAR	1	1	
40	93332-00092	BEARING	1	1	
41	663-45567-01-10	SHIM (T:0.10MM)	1	1	UR
	663-45567-01-12	SHIM (T:0.12MM)	1	1	UR
	663-45567-01-15	SHIM (T:0.15MM)	1	1	UR
	663-45567-01-18	SHIM (T:0.18MM)	1	1	UR
	663-45567-01-30	SHIM (T:0.30MM)	1	1	UR
	663-45567-01-40	SHIM (T:0.40MM)	1	1	UR
	663-45567-01-50	SHIM (T:0.50MM)	1	1	UR
42	62Y-45571-00	GEAR	1	1	

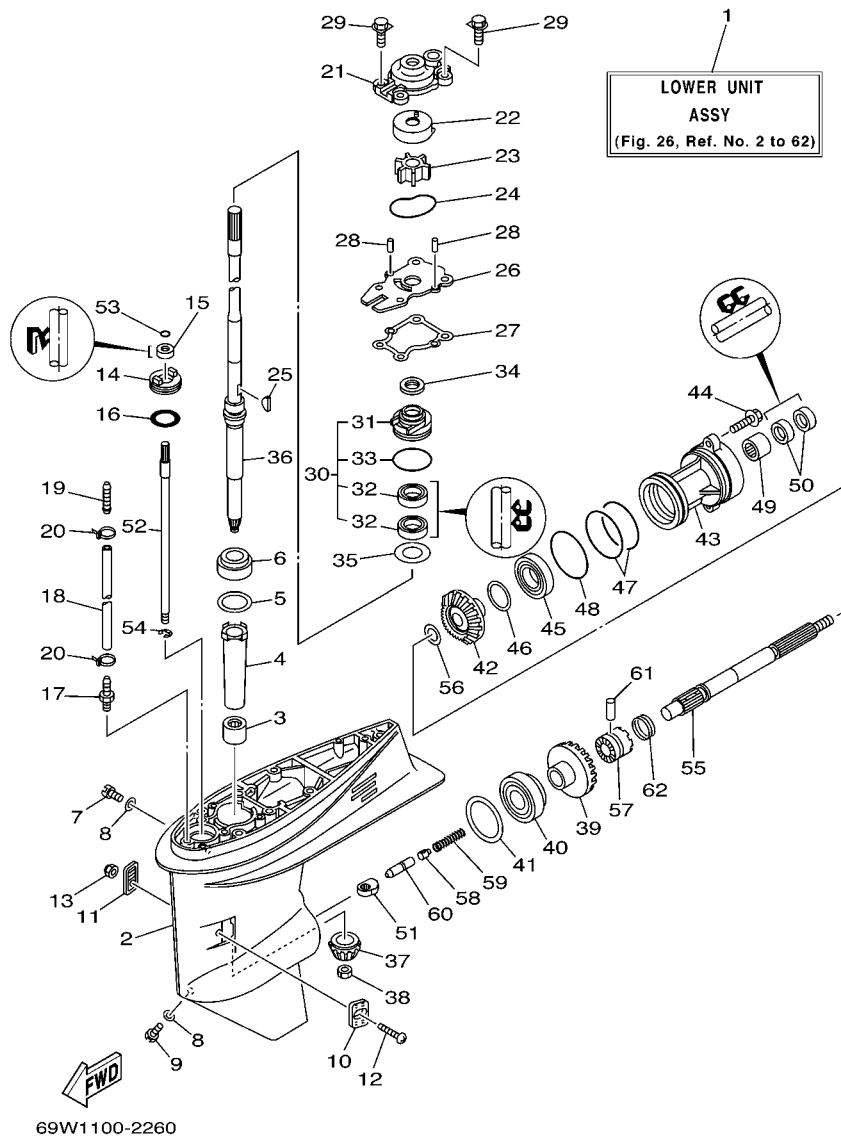
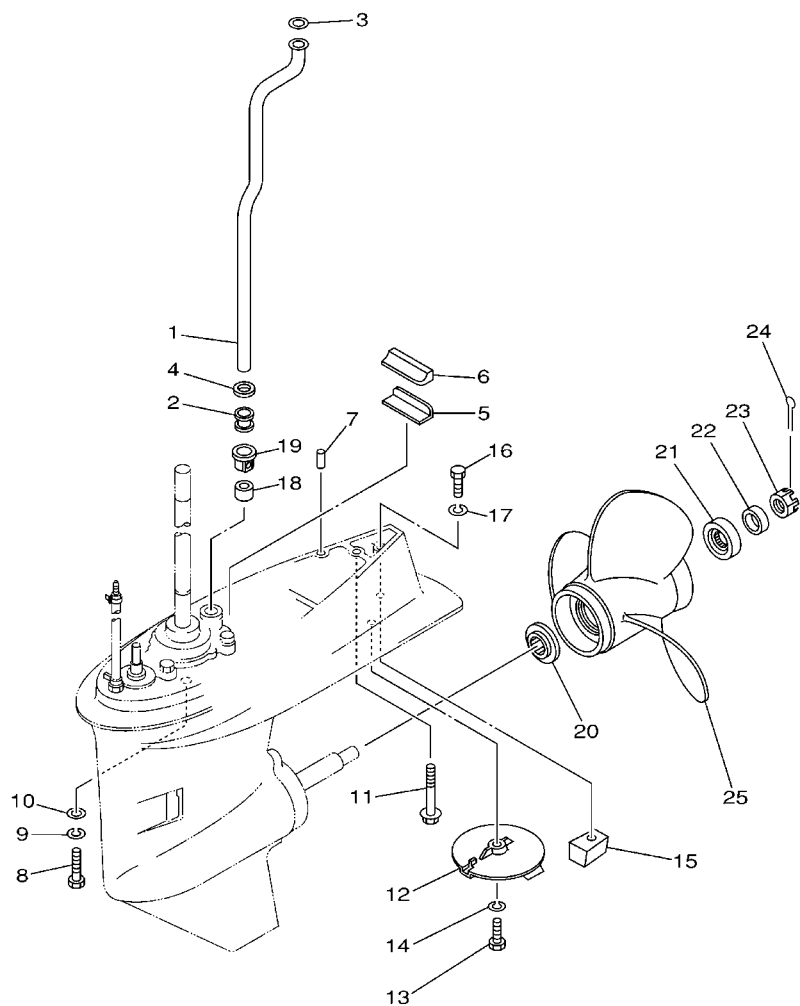


FIG. 26 LOWER CASING. DRIVE 1

REF. NO.	PART NO.	DESCRIPTION	EHT	ET				REMARKS
43	63D-45361-02-4D	CAP, LOWER CASING	1	1				
44	90105-08M61	BOLT, FLANGE	2	2				
45	93306-001U1	BEARING	1	1				
46	63D-45577-00-10	SHIM (T:0.10MM)	1	1				UR
	63D-45577-00-12	SHIM (T:0.12MM)	1	1				UR
	63D-45577-00-15	SHIM (T:0.15MM)	1	1				UR
	63D-45577-00-18	SHIM (T:0.18MM)	1	1				UR
	63D-45577-00-30	SHIM (T:0.30MM)	1	1				UR
	63D-45577-00-40	SHIM (T:0.40MM)	1	1				UR
	63D-45577-00-50	SHIM (T:0.50MM)	1	1				UR
47	93210-74MG5	O-RING	2	2				
48	93210-69MG6	O-RING	1	1				
49	93317-22204	BEARING	1	1				
50	93101-22M00	OIL SEAL	2	2				
51	62Y-44151-00	CAM, SHIFT	1	1				
52	63D-44144-00	ROD, SHIFT	1	1				
53	93210-07003	O-RING	1	1				
54	99001-08600	CIRCLIP	1	1				
55	63D-45611-00	SHAFT, PROPELLER	1	1				
56	90201-22008	WASHER, PLATE	1	1				
57	62Y-45631-00	CLUTCH, DOG	1	1				
58	663-45634-00	SLIDE, SHIFT	1	1				
59	90501-18001	SPRING, COMPRESSION	1	1				
60	63D-45635-00	PLUNGER, SHIFT	1	1				
61	90250-06023	PIN, STRAIGHT	1	1				
62	67C-45633-00	RING, CROSS PIN	1	1				

FIG. 27 LOWER CASING. DRIVE 2




62Y0100-1270

REF. NO.	PART NO.	DESCRIPTION	EHT	ET			REMARKS
1	62Y-44361-00	TUBE, WATER	1	1			L
2	663-44367-00	DAMPER, WATER SEAL	1	1			
3	90202-12060	WASHER, PLATE	1	1			
4	90430-12072	GASKET	1	1			
5	663-45376-00-94	GUIDE, SEAL DAMPER	1	1			
6	63D-45375-00	DAMPER, SEAL	1	1			
7	93606-12019	PIN, DOWEL	2	2			
8	97075-10040	BOLT	4	4			L
9	92995-10100	WASHER	4	4			L
10	92995-10600	WASHER	4	4			L
11	90119-08M84	BOLT, WITH WASHER	1	1			L
12	67C-45371-00	TAB-TRIM	1	1			
13	97095-08025	BOLT	1	1			
14	92995-08100	WASHER	1	1			
15	67C-45251-00	ANODE	1	1			
16	97095-08035	BOLT	1	1			
17	92995-08100	WASHER	1	1			
18	663-44366-00	DAMPER, WATER SEAL	1	1			
19	63D-44312-00	COVER, WATER PUMP HOUSING	1	1			
20	663-45987-02	SPACER	1	1			
21	66T-45997-00	SPACER	1	1			
22	90389-22M01	BUSH	1	1			
23	90171-16011	NUT, CASTLE	1	1			
24	91490-30025	PIN, COTTER	1	1			
25	69W-45943-00-EL	PROPELLER (3X11"X15"-G)	1	1			UR
	69W-45947-00-EL	PROPELLER (3X11-5/8"X11"-G)	1	1			UR
	663-45949-01-EL	PROPELLER (3X10-3/4"X16"-G)	1	1			UR

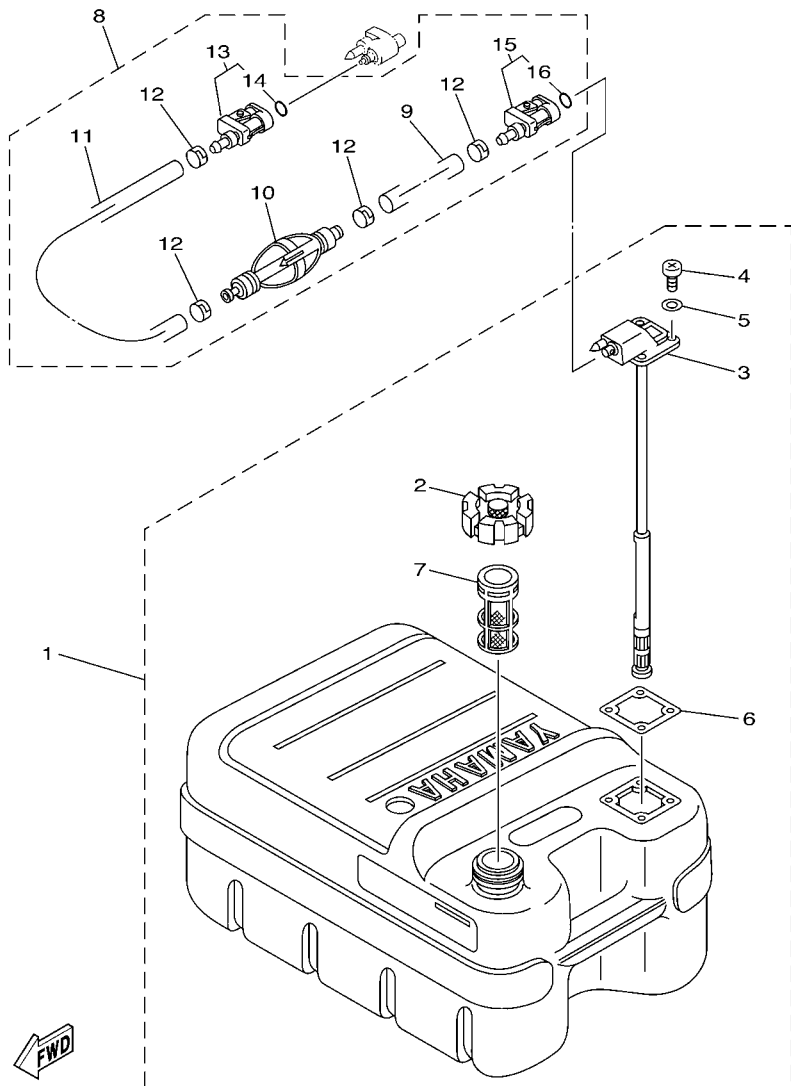
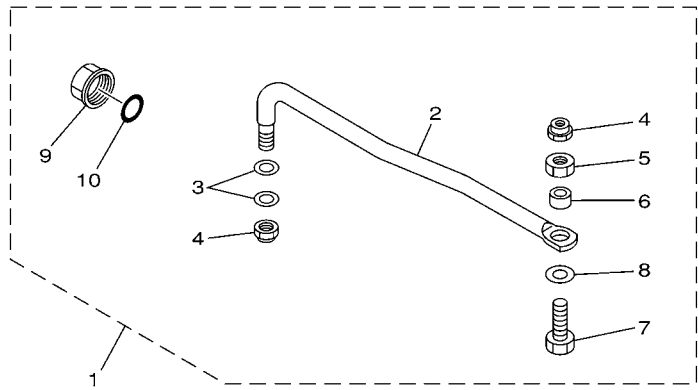


FIG. 28 FUEL TANK

REF. NO.	PART NO.	DESCRIPTION	EHT	ET				REMARKS
1	6YJ-24201-10	FUEL TANK ASSY (24L)	1	1				AP FOR OCE
2	6YJ-24610-00	.CAP ASSY	1	1				
3	6Y1-24260-12	.FUEL METER ASSY	1	1				WITH INDICATOR
4	98586-05016	.SCREW, PAN HEAD	4	4				
5	6Y1-24329-00	.SEAL	4	4				
6	6Y1-24268-00	.GASKET, FUEL METER	1	1				
7	6YJ-24167-00	.STRAINER	1	1				
8	61J-24306-03	FUEL PIPE COMP. 1	1	1				AP FOR OCE
9	90445-11M06	.HOSE (L2050)	1	1				
10	61J-24360-00	.PRIMER PUMP ASSY	1	1				
11	90445-11M05	.HOSE (L850)	1	1				
12	650-24351-01	.BAND 1	4	4				
13	6G1-24305-04	.FUEL PIPE JOINT COMP. 2	1	1				
14	93210-08287	..O-RING	1	1				
15	6Y1-24305-05	.FUEL PIPE JOINT COMP. 2	1	1				
16	93210-08287	..O-RING	1	1				

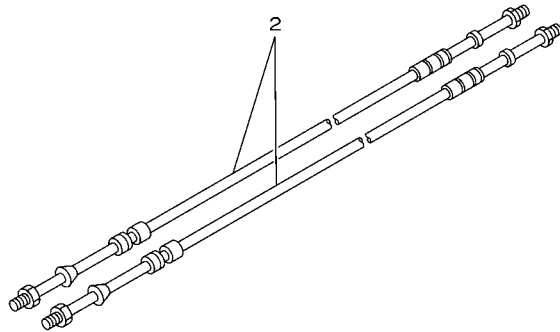
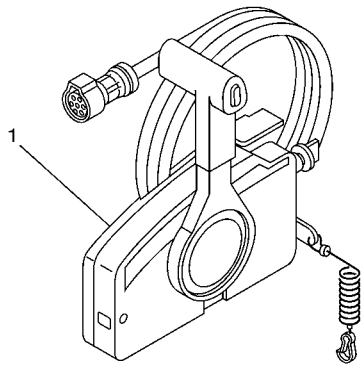


65W0010-8210

FIG. 29 STEERING GUIDE

REF. NO.	PART NO.	DESCRIPTION	EHT	ET		REMARKS
1	65W-61350-00	STEERING GUIDE ATTACHMENT KIT		1		AP
2	65W-61351-00	.ROD, STEERING LINK		1		
3	90201-10M20	.WASHER, PLATE		2		
4	90185-09M01	.NUT, SELF-LOCKING		2		
5	90170-09M03	.NUT		1		
6	90387-10M42	.COLLAR		1		
7	90101-09M01	.BOLT		1		
8	90201-10M63	.WASHER, PLATE		1		
9	6E5-43145-01	.CAP, CLAMP BRACKET		1		
10	93210-16275	.O-RING		1		

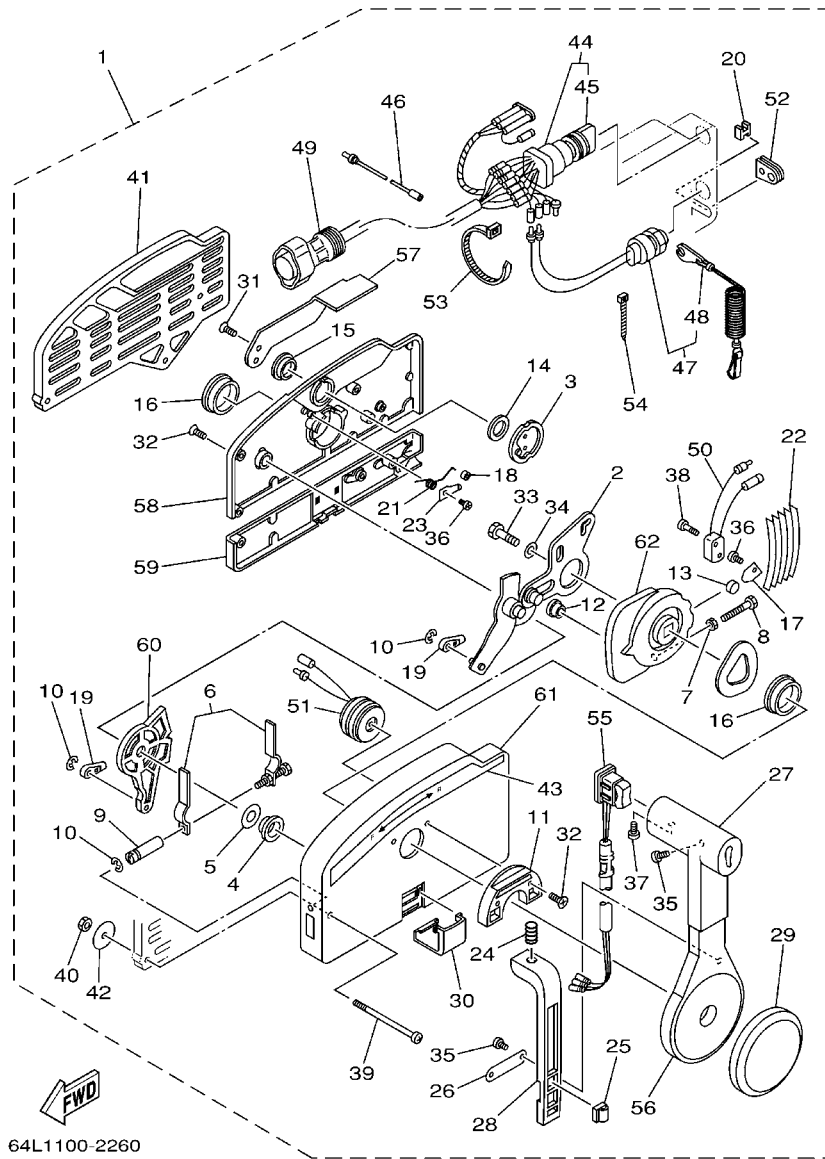
B6



67M0100-8280

FIG. 30 REMOTE CONTROL BOX

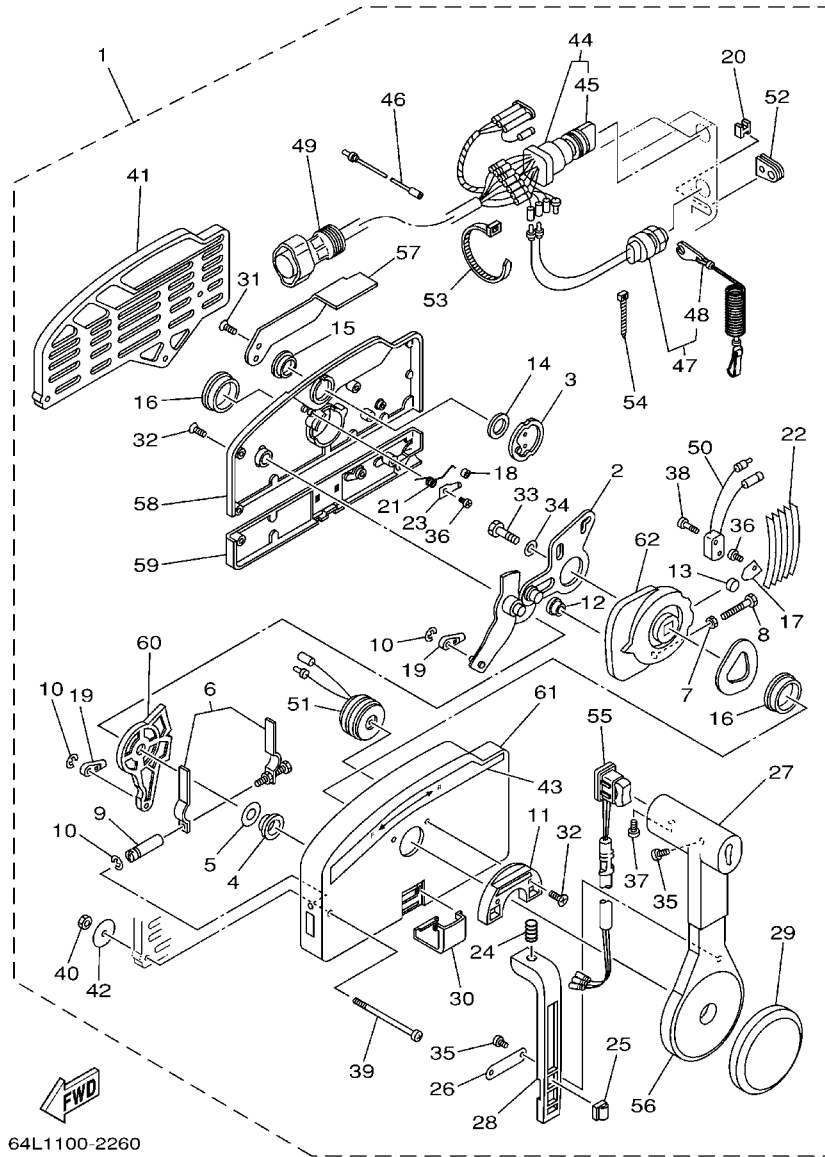
REF. NO.	PART NO.	DESCRIPTION	EHT	ET		REMARKS
1	703-48205-17	REMOTE CONTROL ASSY		1		AP WITH PT/T SW.
2	701-48310-90	CABLE, REMOTE CONTROL L=11F		2		UR
	701-48320-00	CABLE, REMOTE CONTROL L=12F		2		UR
	701-48320-20	CABLE, REMOTE CONTROL L=13F		2		UR
	701-48320-50	CABLE, REMOTE CONTROL L=15F		2		UR



64L1100-2260

FIG. 31 REMOTE CONTROL ASSY

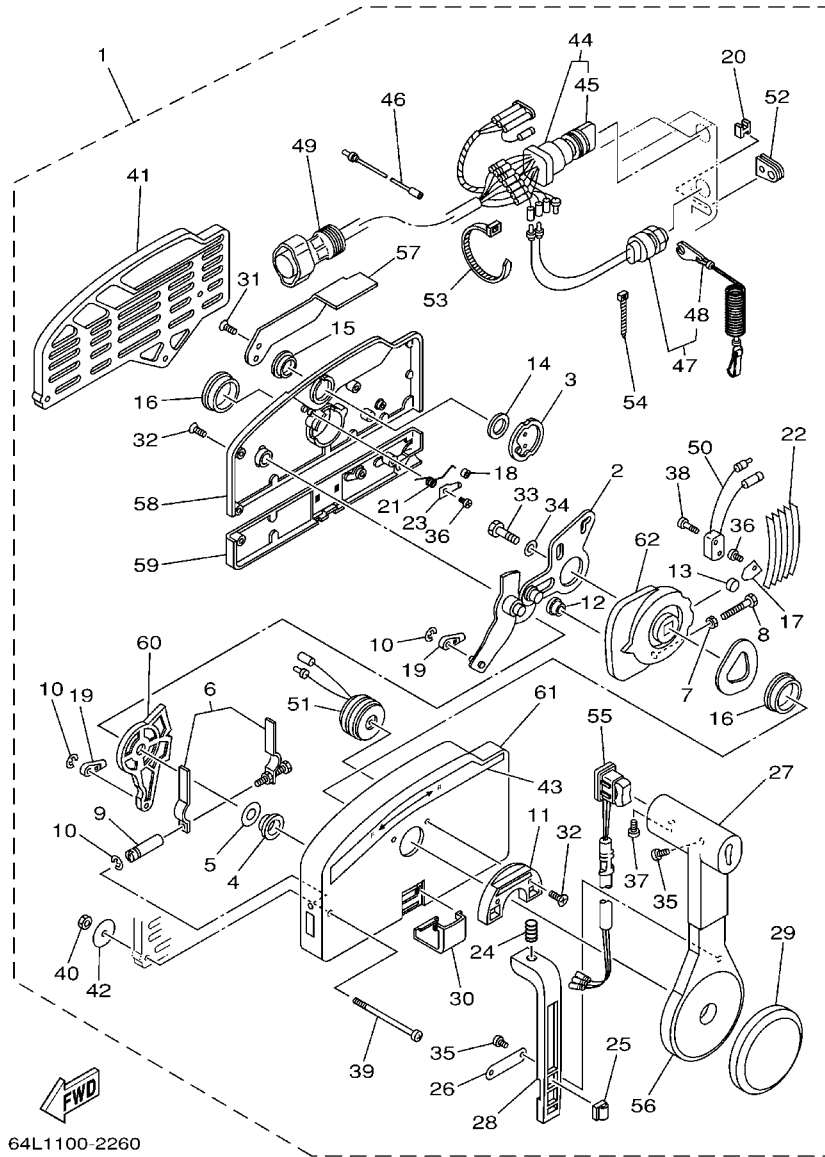
REF. NO.	PART NO.	DESCRIPTION	EHT	ET	REMARKS
1	703-48205-17	REMOTE CONTROL ASSY		1	AP WITH PT/T SW.
2	703-48261-01	.ARM, THROTTLE		1	
3	703-48153-00	.SHAFT, FREE ACCEL.		1	
4	703-48235-00	.BUSHING		1	
5	703-48268-00	.SPACER		1	
6	703-48264-00	.THROTTLE, FRICTION		1	
7	95380-05600	.NUT		1	
8	97380-05025	.BOLT		1	
9	703-48265-00	.SHAFT, FRICTION		1	
10	93430-06024	.CIRCLIP		3	
11	703-48245-00	.PLATE, LOCK		1	
12	703-48252-00	.ROLLER, CAM		1	
13	701-48248-00	.ROLLER, FREE ACCEL.		1	
14	703-48198-00	.WASHER, WAVE		1	
15	703-48243-00	.BUSHING		1	
16	703-48236-00	.BUSHING 1		2	
17	703-48189-00	.RETAINER		1	
18	703-48234-00	.ROLLER, DETENT		1	
19	703-48345-01	.CABLE END, REMOTE CONTROL 2		2	
20	703-48358-00	.ANCHOR, CABLE		1	
21	703-48244-00	.SPRING, FREE ACCEL.		1	
22	703-48238-00	.SPRING, DETENT		5	
23	703-48246-00	.SPACER		1	
24	703-48227-00	.SPRING, NEUTRAL LOCK		1	
25	703-82594-00	.CLAMP		1	WITH PT/T SW.
26	703-48226-00	.PLATE, STOPPER		1	
27	703-48222-00	.GRIP, CONTROL LEVER		1	SINGLE



64L1100-2260

FIG. 31 REMOTE CONTROL ASSY

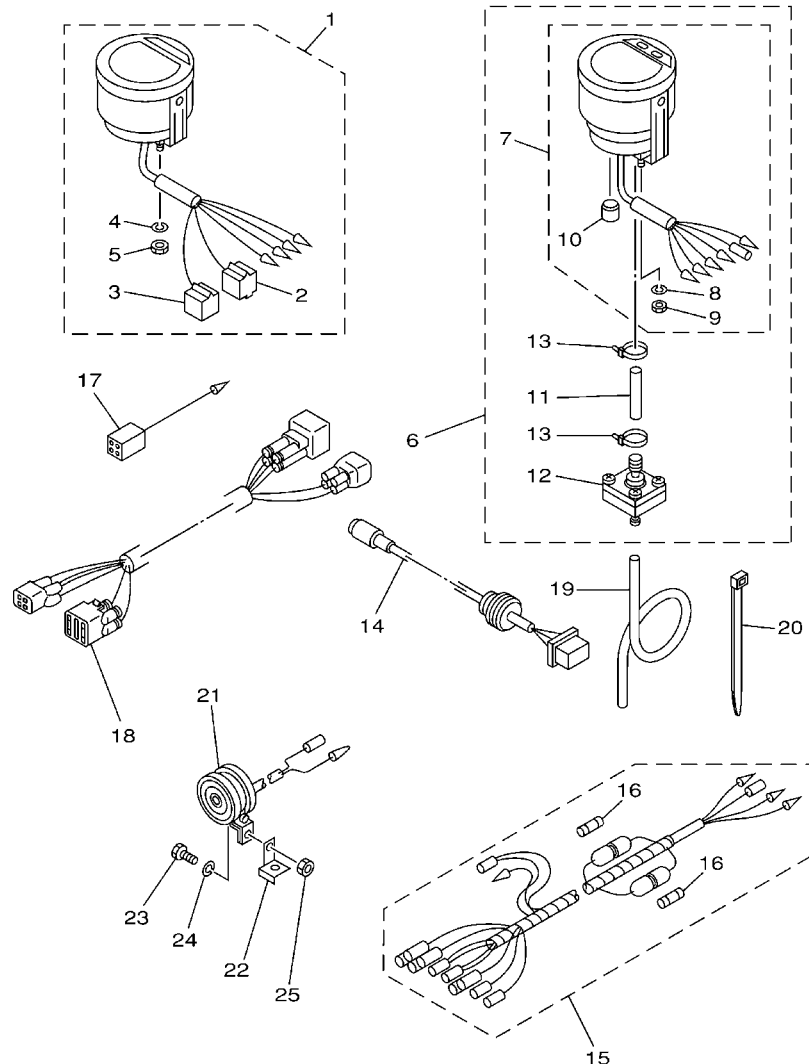
REF. NO.	PART NO.	DESCRIPTION	EHT	ET	REMARKS
28	703-48223-00	.LOCK, NEUTRAL		1	
29	703-48225-00	.COVER		1	
30	703-48219-00	.COVER, LEAD		1	
31	703-48281-00	.SCREW		2	
32	703-48282-00	.SCREW		7	
33	97380-08030	.BOLT		1	
34	92990-08600	.WASHER, PLATE		1	
35	98580-04010	.SCREW, PAN HEAD		3	
36	98580-04006	.SCREW, PAN HEAD		2	
37	98580-05010	.SCREW, PAN HEAD		1	
38	98580-03015	.SCREW, PAN HEAD		2	
39	703-48291-10	.SCREW (M6)		3	
40	95380-06600	.NUT, HEXAGON		3	
41	703-48293-10	.SPACER, REMOTE CONTROL		1	SINGLE
42	701-48287-00	.WASHER		3	
43	703-48215-00	.GRAPHIC		1	
44	703-82510-43	.MAIN SWITCH ASSY		1	
45	703-82577-00	..CAP, KEY		1	
46	703-82531-00	.WIRE, LEAD		1	
47	688-82575-01	.ENGINE STOP SWITCH ASSY		1	
48	682-82556-00	..STOPPER		1	
49	688-8258A-20	.EXTENSION, WIRE HARNESS		1	L:5M (10P)
50	703-82540-00	.NEUTRAL SWITCH ASSY		1	
51	703-83383-02	.BUZZER		1	
52	703-48284-00	.GROMMET		1	
53	703-82591-00	.BAND		1	
54	703-82592-00	.BAND		1	



64L1100-2260

FIG. 31 REMOTE CONTROL ASSY

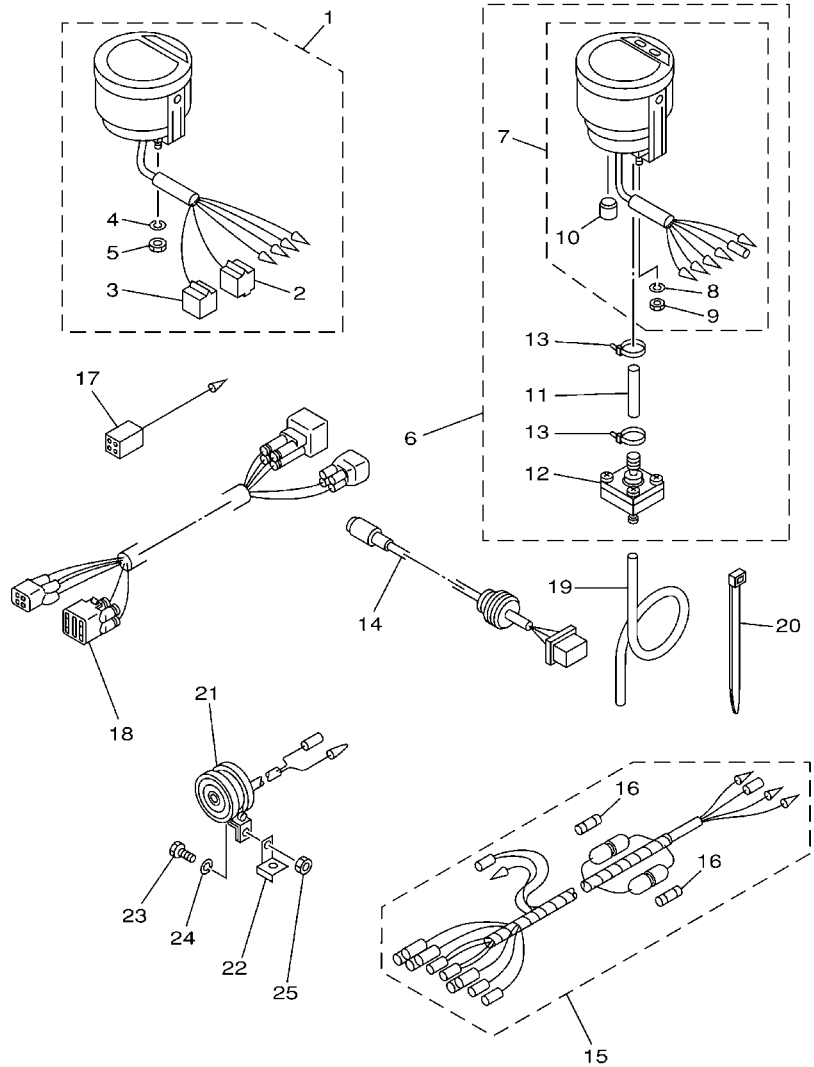
REF. NO.	PART NO.	DESCRIPTION	EHT	ET	REMARKS
55	703-82563-02	.TRIM & TILT SWITCH ASSY		1	WITH PT/T SW.
56	703-48221-00	.LEVER, CONTROL		1	
57	703-48152-00	.KNOB, FREE ACCEL.		1	
58	703-48212-00	.BACK PLATE 1		1	
59	703-48213-00	.BACK PLATE 2		1	
60	703-48271-00	.ARM, SHIFT		1	
61	703-48211-01	.HOUSING,1		1	
62	703-48232-00	.GEAR		1	



62Y1100-2360

FIG. 32 METER

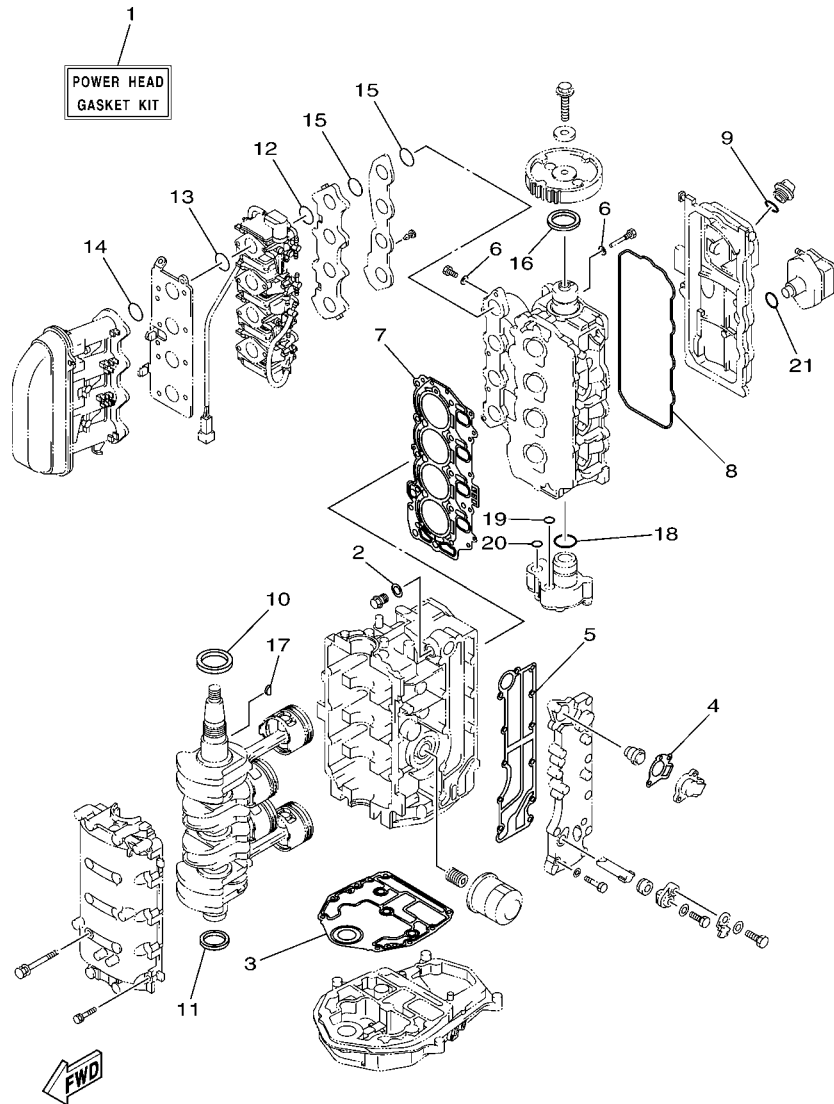
REF. NO.	PART NO.	DESCRIPTION	EHT	ET		REMARKS
1	6Y5-8350T-03	TACHOMETER ASSY	1	1		AP
2	9E450-04433	.CONNECTOR	1	1		M-4-W
3	9E450-04533	.CONNECTOR	1	1		F-4-W
4	92990-04100	.WASHER, SPRING	2	2		
5	95380-04600	.NUT	2	2		
6	6Y5-83500-S5	DIGITAL SPEEDOMETER ASSY		1		AP FOR OCE
7	6Y5-83570-S5	.SPEEDOMETER ASSY		1		
8	92990-04100	..WASHER, SPRING		2		
9	95380-04600	..NUT		2		
10	6Y5-83533-T2	..GROMMET		1		
11	6Y5-83557-31	.TUBE		1		
12	6Y5-83728-00	.CONNECTOR ASSY		1		
13	90465-11M10	.CLAMP		2		
14	6Y5-87122-S0	CORD ASSY 1		1		AP FOR OCE
15	6Y5-83553-M0	WIRE, LEAD		1		AP FOR OCE
	6Y5-83553-00	WIRE, LEAD		1		AP FOR CAN
	6H5-83553-12	WIRE, LEAD	1			AP FOR CAN
16	1E6-82151-00	.FUSE (10A)		2		FOR 6Y5-83553-M0
	1E6-82151-00	.FUSE (10A)		1		FOR 6Y5-83553-00
17	6Y5-82117-00	WIRE, LEAD (BLACK)		1		AP FOR OCE
18	68F-82553-70	EXTENSION, WIRE LEAD		1		AP FOR CAN
	68F-82553-80	EXTENSION, WIRE LEAD		1		AP FOR OCE
19	6Y5-83557-10	TUBE (8M)		1		AP FOR OCE
20	90465-11M10	CLAMP		2		AP FOR OCE
21	688-83383-11	BUZZER		1		AP FOR CAN
22	6H5-83386-00	STAY, BUZZER	1			AP FOR CAN
23	97013-05010	BOLT		2		AP FOR CAN



62Y1100-2360

FIG. 32 METER

REF. NO.	PART NO.	DESCRIPTION	EHT	ET				REMARKS
24	92990-05100	WASHER, SPRING	2					AP FOR CAN
25	95303-05600	NUT	2					AP FOR CAN

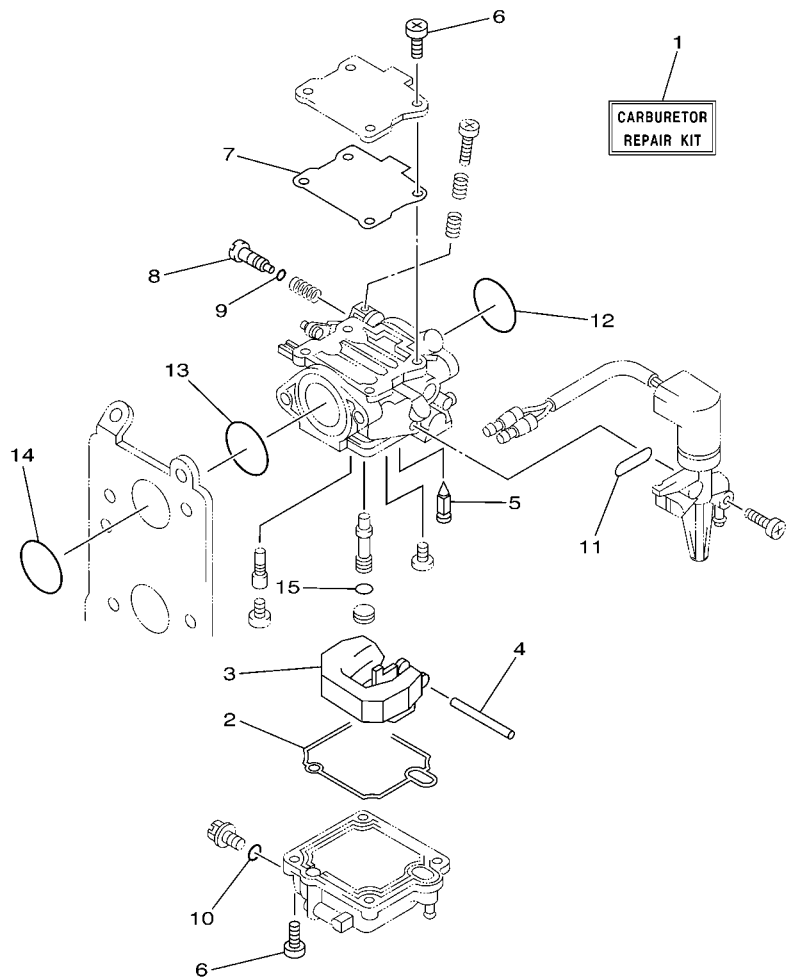


69W3100-C330

FIG. 33 REPAIR KIT 1

REF. NO.	PART NO.	DESCRIPTION	EHT	ET	REMARKS
1	69W-W0001-00	POWER HEAD GASKET KIT	1	1	
2	90430-14115	.GASKET	1	1	
3	67C-11351-01	.GASKET, CYLINDER	1	1	
4	62Y-12414-00	.GASKET, COVER	1	1	
5	62Y-41114-00	.GASKET, EXHAUST OUTER COVER	1	1	
6	90430-06014	.GASKET	5	5	
7	69W-11181-00	.GASKET, CYLINDER HEAD 1	1	1	
8	62Y-11356-00	.SEAL, CYLINDER 2	1	1	
9	93210-24M79	.O-RING	1	1	
10	93102-43M42	.OIL SEAL	1	1	
11	93101-35002	.OIL SEAL	1	1	
12	69W-14561-00	.O-RING	4	4	
13	93210-35M86	.O-RING	4	4	
14	93210-38MH3	.O-RING	4	4	
15	93210-35M86	.O-RING	8	8	
16	93102-37M40	.OIL SEAL	1	1	
17	90280-04M06	.KEY, WOODRUFF	1	1	
18	93210-33MH2	.O-RING	1	1	
19	93210-12MG9	.O-RING	1	1	
20	93210-14515	.O-RING	1	1	
21	93210-24M79	.O-RING	1	1	

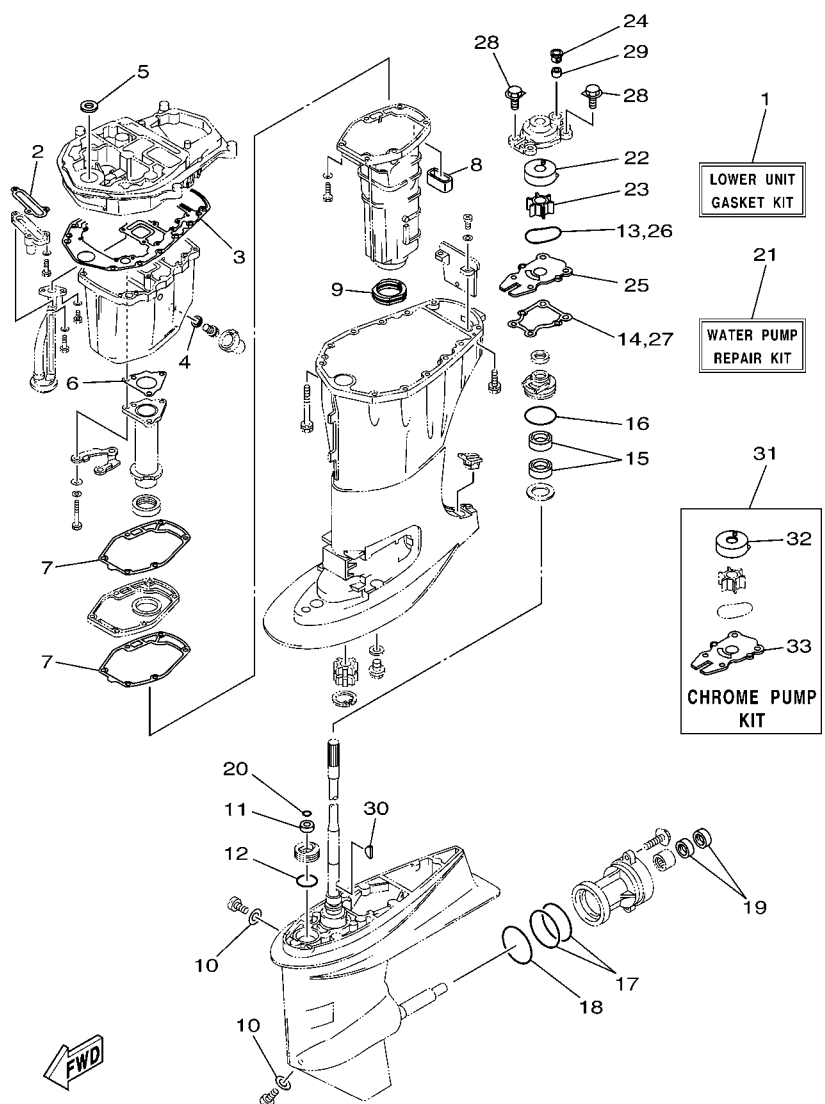
FIG. 34 REPAIR KIT 2




69W1100-2340

REF. NO.	PART NO.	DESCRIPTION	EHT	ET				REMARKS
1	69W-W0093-10	CARBURETOR REPAIR KIT	1	1				
2	69W-14384-00	.GASKET, FLOAT CHAMBER	1	1				
3	6L2-14385-00	.FLOAT	1	1				
4	6E5-14386-01	.PIN, FLOAT	1	1				
5	62Y-14392-00	.VALVE, NEEDLE	1	1				
6	62Y-14321-00	.SCREW, THROTTLE	8	8				
7	69W-14399-00	.VALVE, BIMETAL	1	1				
8	69W-14323-00	.SCREW, AIR ADJUSTING	1	1				
9	2T4-14397-00	.O-RING	1	1				
10	652-14397-00	.O-RING	1	1				
11	62Y-14398-30	.GASKET	1	1				
12	69W-14561-00	.O-RING	4	4				
13	93210-35M86	.O-RING	4	4				
14	93210-38MH3	.O-RING	4	4				
15	62Y-14227-00	.WASHER	4	4				

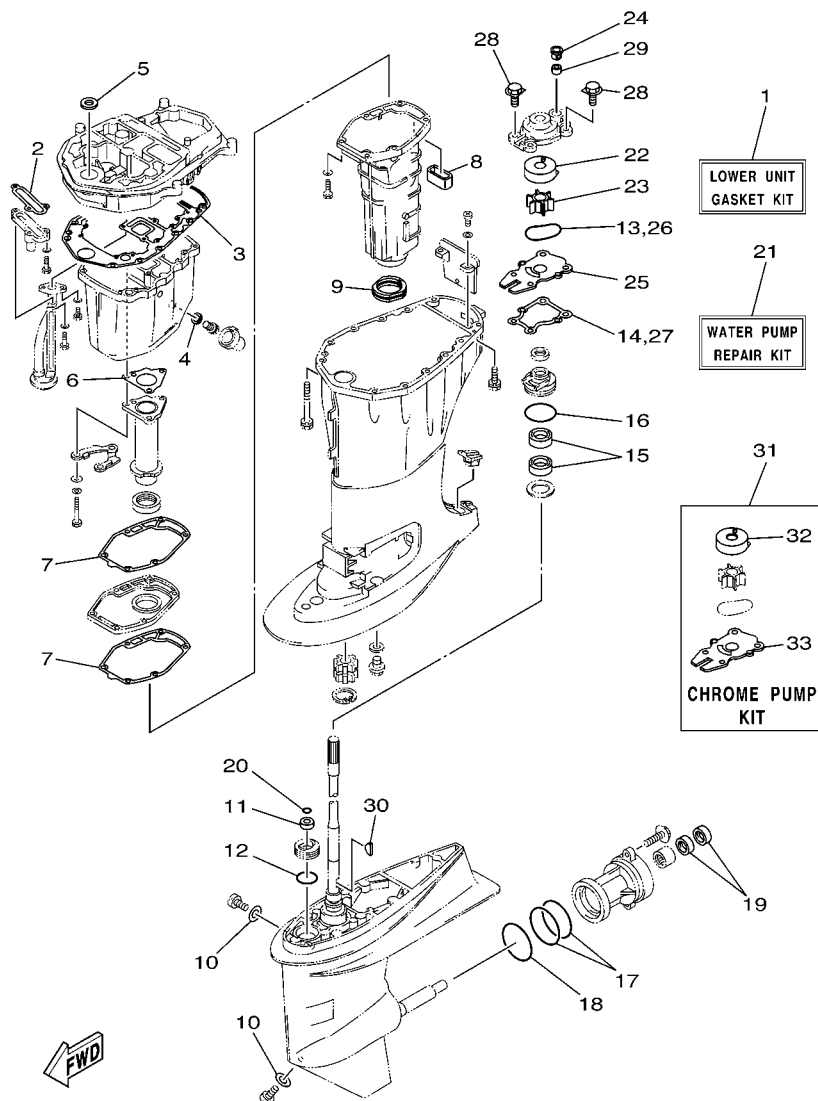
FIG. 35 REPAIR KIT 3



69W1100-2350

REF. NO.	PART NO.	DESCRIPTION	EHT	ET			REMARKS
1	69W-W0001-20	LOWER UNIT GASKET KIT	1	1			
2	62Y-13475-00	.GASKET	1	1			
3	69W-15312-00	.GASKET, OIL PAN	1	1			
4	90430-14M09	.GASKET	1	1			
5	93103-18011	.OIL SEAL	1	1			
6	64J-41133-10	.GASKET, EXHAUST MANIFOLD 1	1	1			
7	62Y-41134-01	.GASKET, EXHAUST MANIFOLD	2	2			
8	62Y-45127-00	.SEAL	1	1			
9	67C-45123-00	.GASKET, MUFFLER	1	1			
10	90430-08020	.GASKET	2	2			
11	93106-09014	.OIL SEAL	1	1			
12	93210-33MG4	.O-RING	1	1			
13	93210-59MG7	.O-RING	1	1			
14	63D-44316-00	.GASKET, WATER PUMP	1	1			
15	93101-25M57	.OIL SEAL	2	2			
16	93210-48MG8	.O-RING	1	1			
17	93210-74MG5	.O-RING	2	2			
18	93210-69MG6	.O-RING	1	1			
19	93101-22M00	.OIL SEAL	2	2			
20	93210-07003	.O-RING	1	1			
21	63D-W0078-01	WATER PUMP REPAIR KIT	1	1			
22	63D-44322-00	.INSERT, CARTRIDGE	1	1			
23	6H3-44352-00	.IMPELLER	1	1			
24	63D-44312-00	.COVER, WATER PUMP HOUSING	1	1			
25	63D-44323-00	.OUTER PLATE, CARTRIDGE	1	1			
26	93210-59MG7	.O-RING	1	1			
27	63D-44316-00	.GASKET, WATER PUMP	1	1			

FIG. 35 REPAIR KIT 3



REF. NO.	PART NO.	DESCRIPTION	EHT	ET					REMARKS
28	90119-08M15	.BOLT, WITH WASHER	4	4					
29	663-44366-00	.DAMPER, WATER SEAL	1	1					
30	90280-03024	.KEY, WOODRUFF	1	1					
31	63D-W0078-0A	CHROME PUMP KIT	1	1					
32	63D-44322-40	.INSERT, CARTRIDGE	1	1					
33	63D-44323-40	.OUTER PLATE, CARTRIDGE	1	1					

NUMERICAL INDEX

PART NO.	REF. NO.	PART NO.	REF. NO.	PART NO.	REF. NO.	PART NO.	REF. NO.	PART NO.	REF. NO.	PART NO.	REF. NO.
69W-11111-00-1S	4 - 2	30X-12117-00	5 - 5	62Y-14321-10	7 - 22	69W-14711-00-5B	24 - 19	61N-24329-00	16 - 27	6J0-42137-00	17 - 57
62Y-11119-00	4 - 29	30X-12118-00	5 - 6	69W-14323-00	7 - 20	69W-14901-01	7 - 1	6Y1-24329-00	28 - 5	650-42152-00-94	17 - 15
62Y-11133-30	4 - 3	51Y-12119-00	5 - 7		34 - 8	69W-14901-12	7 - 1	650-24351-01	28 - 12	67G-42153-00	17 - 21
62Y-11168-00	4 - 23	69W-12121-00	5 - 2	650-14327-01	6 - 2	69W-14902-01	7 - 2	650-24351-51	10 - 7	62Y-42154-00	19 - 25
69W-11181-00	4 - 17	62Y-12138-40	4 - 36	664-14327-01	7 - 35	69W-14902-12	7 - 2	6E5-24351-51	10 - 7	67G-42159-00	17 - 17
	33 - 7	62Y-12138-50	4 - 36	62Y-1432A-01	7 - 40	69W-14903-01	7 - 3	61J-24360-00	28 - 10	69W-42159-00	19 - 24
62Y-11191-01-1S	4 - 21	62Y-12146-00	5 - 8	62Y-14334-00	7 - 21	69W-14903-12	7 - 3	6Y1-24360-52	10 - 9	69W-42171-00	19 - 26
62Y-11325-00	2 - 24	62Y-12151-00	5 - 9	69W-14341-00	7 - 16	69W-14904-01	7 - 4	6Y2-24360-60	10 - 9	6G1-42177-00	17 - 59
	4 - 5	62Y-12158-00	5 - 11	64J-14342-20	7 - 18	69W-14904-12	7 - 4	62Y-24374-01	9 - 28	62Y-42335-20	19 - 31
	24 - 2	64J-12159-00	5 - 10	69W-14343-62	7 - 17	69W-15100-00-1S	2 - 2	62Y-24378-00	6 - 23	69W-42508-00	18 - 1
66M-11327-00-94	2 - 26	62Y-12171-00	8 - 1	69W-14349-00	6 - 19	64J-15311-01-5B	25 - 9	688-24378-00	2 - 17	69W-42510-01-4D	21 - 1
	4 - 7	62Y-12216-00	5 - 14	69W-14349-10	6 - 20	69W-15312-00	25 - 11	62Y-24410-03	9 - 18	67C-42525-00	18 - 4
	24 - 4	62Y-12231-00	5 - 15	64J-14349-11	6 - 18		35 - 3	62Y-24411-02	9 - 20	69W-42527-00	18 - 2
66M-11328-00	2 - 25	62Y-12238-00	5 - 12	64J-14349-40	6 - 28	67C-15316-00	25 - 13	62Y-24415-00	9 - 19	65W-42528-00	18 - 10
	4 - 6	62Y-12279-00	5 - 13	66M-14355-00	7 - 19	62Y-1531A-00	6 - 41	62Y-24423-00	9 - 21	624-42542-00	13 - 28
	24 - 3	6G8-12411-02	2 - 11	69W-14369-00	6 - 1	62Y-1532B-00	6 - 26	62Y-24444-01	9 - 24	67C-42561-00	18 - 7
67C-11351-01	2 - 10	6H3-12413-00-1S	2 - 12	69W-14380-01	7 - 31	67C-15362-00	25 - 18	62Y-24452-00	9 - 26	67C-42562-00	18 - 6
	33 - 3	62Y-12414-00	2 - 13	69W-14380-11	7 - 31	6G8-15363-00	4 - 34	62Y-24454-00	9 - 23	69W-42610-00-4D	1 - 1
62Y-11356-00	4 - 26		33 - 4	69W-14381-00	7 - 5	62Y-15373-10	6 - 42	68V-24469-01	9 - 10	69W-42610-A0-4D	1 - 1
	33 - 8	66M-12535-00	2 - 27	69W-14381-10	7 - 6	1UF-22434-00	22 - 17	62Y-24471-00	9 - 25	67C-42613-00-4D	1 - 2
62Y-11372-01	2 - 15		4 - 8	69W-14381-20	7 - 7	62Y-22434-00	22 - 50	65W-24474-00	9 - 30	69W-42615-00	1 - 14
69W-11411-00	3 - 1		24 - 5	69W-14381-30	7 - 8	62Y-22471-00	22 - 11	68V-24521-01	9 - 8	61N-42628-00	1 - 15
62Y-11416-30	3 - 2	69W-12535-00	16 - 44	62Y-14383-30	7 - 24	69W-23153-00	6 - 13	64J-24560-00	9 - 6	62Y-42651-00	1 - 4
62Y-11416-40	3 - 2	68T-12572-00	16 - 43	69W-14384-00	7 - 9	6YJ-24167-00	28 - 7	61N-24563-00	9 - 7	67C-42652-00	1 - 6
62Y-11416-50	3 - 2	6R3-12580-00	16 - 49		34 - 2	6YJ-24201-10	28 - 1	62Y-24566-00	9 - 11	69W-42677-00	1 - 9
62Y-11416-60	3 - 2	62Y-13131-01	9 - 22	6L2-14385-00	7 - 10	6Y1-24260-12	28 - 3	6YJ-24610-00	28 - 2	69W-42677-A0	1 - 9
62Y-11536-10	8 - 12	69W-13300-00	8 - 16		34 - 3	6Y1-24268-00	28 - 6	69W-26301-00	17 - 36	69W-42678-00	1 - 10
62Y-11537-10	8 - 2	62Y-13411-00	25 - 5	6E5-14386-01	7 - 11	6G1-24304-02	9 - 1	62Y-28100-00	9 - 35	69W-42678-A0	1 - 10
6H4-11545-00	11 - 17	67F-13434-02	1 - 16		34 - 4	6G1-24305-04	10 - 2	61H-2819R-31	9 - 34	69W-42681-00	1 - 12
62Y-11557-00	8 - 13	62Y-13437-41	11 - 20	62Y-14392-00	7 - 12		28 - 13	62Y-41113-20-1S	2 - 14	69W-42682-00	1 - 13
62Y-11575-00	25 - 1	62Y-13437-51	11 - 20		34 - 5	6E5-24305-05	10 - 2	62Y-41114-00	2 - 22	67C-42710-02-4D	16 - 1
62Y-11590-10	8 - 7	5GH-13440-00	2 - 32	2T4-14397-00	7 - 23	6Y1-24305-05	10 - 4		33 - 5	67C-42710-01	16 - 1
67C-11603-00	3 - 7	62Y-13444-40	16 - 52		34 - 9		28 - 15	64J-41116-00	24 - 14	62Y-42715-01	19 - 8
67C-11604-00	3 - 7	62Y-13444-50	16 - 52	652-14397-00	7 - 25	6Y2-24305-05	10 - 4	69W-41131-00	24 - 11	62Y-42716-00	16 - 5
67C-11605-00	3 - 7	62Y-13475-00	25 - 2		34 - 10	61J-24306-03	28 - 8	64J-41133-10	24 - 13	65W-42717-00	16 - 6
69W-11631-00-97	3 - 6		35 - 2	62Y-14398-30	7 - 29	6Y1-24306-54	10 - 1		35 - 6	65W-42724-10	16 - 42
62Y-11633-00	3 - 8	69W-13586-00	6 - 3		34 - 11	6Y2-24306-55	10 - 1	62Y-41134-01	24 - 22	63D-42725-00	17 - 51
69W-11635-00	3 - 6	69W-14115-00	7 - 38	69W-14399-00	7 - 15	69W-24311-00	7 - 28		35 - 7	62Y-42725-20	16 - 8
69W-11636-00	3 - 6	62Y-14157-30	7 - 14		34 - 7	62Y-24312-00	6 - 7	69W-41137-01-94	24 - 1	62Y-42725-30	16 - 8
62Y-11650-10	3 - 3	62Y-14212-00	7 - 26	69W-14440-00	6 - 4	67C-24312-00	16 - 47	6F5-41237-00	19 - 20	62Y-42725-40	16 - 8
62Y-11654-00	3 - 4	69W-14212-00	7 - 36	62Y-14485-00	4 - 22	62Y-24313-30	6 - 8	662-41237-01	19 - 22	688-42726-10	16 - 22
62Y-11656-30	3 - 5	62Y-14227-00	7 - 32	69W-14561-00	6 - 16	62Y-24313-40	6 - 9	69W-41241-00	19 - 21	62Y-42727-00	16 - 9
62Y-11656-40	3 - 5		34 - 15		33 - 12	62Y-24313-50	6 - 10	67G-42111-00-4D	17 - 10	68U-42727-00	16 - 25
62Y-11656-50	3 - 5	69W-14271-00	6 - 32		34 - 12	62Y-24313-61	6 - 11	69W-42115-00	17 - 14	6H3-42727-00	16 - 26
62Y-11656-60	3 - 5	62Y-14291-30	6 - 25	62Y-14567-30	7 - 30	62Y-24313-70	6 - 12	69W-42119-00	17 - 56	67C-42738-00-4D	16 - 7
69W-12111-00	5 - 1	62Y-14321-00	7 - 13	62Y-14567-40	7 - 30	69W-24313-80	6 - 14	63D-42121-20-4D	17 - 2	67C-42741-10-4D	16 - 28
51Y-12114-00	5 - 4		34 - 6	64J-14585-00	6 - 15	62Y-24313-90	7 - 33	63D-42126-00	17 - 52	67C-42815-00-4D	16 - 11
62Y-12116-00	5 - 3	69W-14321-00	7 - 37	62Y-14597-00	7 - 34	62Y-24314-00	6 - 31	67G-42131-00	17 - 46	67C-42816-01	16 - 16

NUMERICAL INDEX

PART NO.	REF. NO.	PART NO.	REF. NO.	PART NO.	REF. NO.	PART NO.	REF. NO.	PART NO.	REF. NO.	PART NO.	REF. NO.
69W-43111-00-4D	20 - 1	65W-4386A-00	22 - 28	63D-44323-40	35 - 33	663-45567-01-40	26 - 41	703-48205-17	31 - 1	62Y-48538-00	19 - 36
69W-43112-00-4D	20 - 2	62X-4386K-00	23 - 10	63D-44341-00	26 - 31	663-45567-01-50	26 - 41	703-48211-01	31 - 61	63D-48538-00	17 - 37
6E5-43126-02	20 - 32	62X-43871-00	22 - 7	6H3-44352-00	26 - 23	62Y-45571-00	26 - 42	703-48212-00	31 - 58	69W-48538-00	17 - 34
63D-43131-01	20 - 11	62Y-43871-00	22 - 51		35 - 23	63D-45577-00-10	26 - 46	703-48213-00	31 - 59	65W-61350-00	29 - 1
66T-43144-00	16 - 18	62X-43875-00	22 - 18	62Y-44361-00	27 - 1	63D-45577-00-12	26 - 46	703-48215-00	31 - 43	65W-61351-00	29 - 2
6G5-43144-00	20 - 25	67F-43875-00	22 - 12	663-44366-00	27 - 18	63D-45577-00-15	26 - 46	703-48219-00	31 - 30	62Y-81337-11	11 - 13
6E5-43145-01	29 - 9	6H1-43875-00	22 - 60		35 - 29	63D-45577-00-18	26 - 46	703-48221-00	31 - 56	6K7-81338-01	11 - 14
6G5-43145-01	20 - 15	62Y-4387G-00	22 - 52	663-44367-00	27 - 2	63D-45577-00-30	26 - 46	703-48222-00	31 - 27	69W-81800-00	15 - 1
6G5-43148-00	20 - 21	62Y-4387J-00	22 - 49	6H3-44391-01	16 - 21	63D-45577-00-40	26 - 46	703-48223-00	31 - 28	6N7-81801-00	15 - 8
688-43160-01	20 - 26	69W-43880-00	23 - 2	69W-44514-00-4D	21 - 10	63D-45577-00-50	26 - 46	703-48225-00	31 - 29	69W-81807-00	15 - 11
688-43165-00	20 - 27	69W-43881-00	23 - 13	69W-44526-01	21 - 12	663-45587-01-10	26 - 5	703-48226-00	31 - 26	61A-81809-00	15 - 3
6H5-43181-03	20 - 16	6H1-43883-00	22 - 25	69W-44551-00-4D	21 - 16	663-45587-01-12	26 - 5	703-48227-00	31 - 24	6N7-81810-00	15 - 5
6H5-43185-03	20 - 17	62X-43888-00	23 - 1	67C-44552-01-4D	21 - 21	663-45587-01-15	26 - 5	703-48232-00	31 - 62	6N7-81813-00	15 - 9
63D-43311-13-4D	20 - 9	62X-4388A-00	22 - 10	67C-44553-00-4D	21 - 18	663-45587-01-18	26 - 5	703-48234-00	31 - 18	6N7-81820-00	15 - 10
689-43633-00	18 - 8	62Y-43891-00	23 - 6	69W-44555-00-4D	21 - 24	663-45587-01-30	26 - 5	703-48235-00	31 - 4	62Y-81822-01-94	12 - 9
69W-43800-00-4D	22 - 1	62Y-43892-00	23 - 5	69W-44575-00	21 - 17	663-45587-01-40	26 - 5	63D-48236-00	17 - 19	61A-81824-00	15 - 4
62X-43804-01	23 - 4	69J-43893-00	22 - 53	67C-45111-21-4D	24 - 25	663-45587-01-50	26 - 5	703-48236-00	31 - 16	6K7-81826-10	15 - 14
69W-43805-00	23 - 3	69J-43894-00	22 - 48	67C-45123-00	24 - 24	63D-45611-00	26 - 55	63D-48237-00	17 - 23	6E5-8182A-10	15 - 17
62X-43807-00	23 - 8	62X-43899-00	22 - 14		35 - 9	62Y-45631-00	26 - 57	63D-48238-00	17 - 25	6E5-8182E-10	15 - 15
69W-4380F-00	23 - 9	69W-43899-01	22 - 65	62Y-45127-00	24 - 23	67C-45633-00	26 - 62	703-48238-00	31 - 22	6E5-8182F-10	15 - 16
69W-4380K-00	22 - 2	69J-4389J-00	22 - 30		35 - 8	663-45634-00	26 - 58	703-48243-00	31 - 15	6K7-8182G-10	15 - 6
62X-43810-01	22 - 3	69W-44100-00	17 - 11	67C-45151-00	24 - 28	63D-45635-00	26 - 60	703-48244-00	31 - 21	6E5-8182K-10	15 - 18
62Y-43816-00	22 - 41	67C-44104-00	17 - 12	6H3-45155-00	24 - 31	663-45930-00-98	27 - 25	703-48245-00	31 - 11	6N7-81830-00	15 - 13
6H1-43816-00	22 - 56	62Y-44112-00	19 - 10	69W-45181-00-5B	24 - 18	69W-45943-00-EL	27 - 25	703-48246-00	31 - 23	6N7-81840-00	15 - 7
62Y-43818-00	20 - 36	67C-44113-00	17 - 18	63D-45214-00	26 - 10	6H5-45943-00-EL	27 - 25	701-48248-00	31 - 13	6N7-81850-10	15 - 2
69W-4381B-00	22 - 13	62Y-44116-01	19 - 32	63D-45215-00	26 - 11	6H5-45945-00-EL	27 - 25	703-48252-00	31 - 12	6N7-81857-00	15 - 12
6H1-43829-00	22 - 63	62Y-44117-01-4D	19 - 2	65W-45251-00	20 - 5	69W-45947-00-EL	27 - 25	69W-48261-00	17 - 13	6G1-81941-10	13 - 13
69W-4382L-00	22 - 42	62Y-44118-00	19 - 9	67C-45251-00	27 - 15	663-45949-01-EL	27 - 25	703-48261-01	31 - 2	6L2-81945-00	13 - 15
69W-43830-00	22 - 21	62Y-44120-01	19 - 7	69W-45300-00-4D	26 - 1	6H5-45952-00-EL	27 - 25	703-48264-00	31 - 6	62Y-81948-00	13 - 26
6H1-43831-10	22 - 19	69W-44121-00	19 - 1	69W-45301-00-4D	26 - 2	663-45954-01-EL	27 - 25	703-48265-00	31 - 9	61A-81949-00	13 - 23
69J-43841-00	22 - 22	688-44122-00	19 - 18	69W-45318-00	24 - 32	663-45956-01-EL	27 - 25	703-48268-00	31 - 5	6H2-81949-01	13 - 22
69J-43843-00	22 - 37	67G-44132-00	17 - 22	63D-45321-00	26 - 14	663-45970-60-98	27 - 25	703-48271-00	31 - 60	6H1-81950-00	13 - 18
69J-43844-00	22 - 54	62Y-44135-00	19 - 28	688-45341-10	26 - 9	663-45972-60-98	27 - 25	703-48281-00	31 - 31	6G1-81952-00	13 - 14
6H1-43844-10	22 - 35	63D-44144-00	26 - 52	63D-45344-00	26 - 34	663-45974-02-98	27 - 25	703-48282-00	31 - 32	64J-81960-00	13 - 5
62Y-43845-00	22 - 61	62Y-44151-00	26 - 51	63D-45361-02-4D	26 - 43	663-45974-60-98	27 - 25	703-48284-00	31 - 52	62Y-82105-00	13 - 11
69A-4384F-00	22 - 24	67G-44159-00-4D	17 - 39	67C-45371-00	27 - 12	663-45976-00-98	27 - 25	701-48287-00	31 - 42	62Y-82105-U0	13 - 11
6H1-4384F-10	22 - 33	67G-44173-00	17 - 43	63D-45375-00	27 - 6	663-45978-00-98	27 - 25	703-48291-10	31 - 39	6Y5-82117-00	32 - 17
69W-4384G-00	22 - 46	6G8-44191-00	17 - 45	663-45376-00-94	27 - 5	663-45978-00-98	27 - 25	703-48293-10	31 - 41	6E5-82117-01	13 - 12
62X-4384H-00	22 - 16	63D-44311-00	26 - 21	6E5-45378-00	26 - 17	66T-45997-00	27 - 21	701-48310-90	30 - 2	703-82119-00	13 - 36
69J-4384M-00	22 - 23	63D-44312-00	27 - 19	69W-45501-00	26 - 36	64J-46132-10	24 - 12	701-48320-00	30 - 2		21 - 32
69J-43851-00	22 - 31		35 - 24	6H4-45536-00	26 - 4	62Y-46241-00	8 - 6	701-48320-20	30 - 2	682-82119-01	13 - 24
69J-43853-00	22 - 29	63D-44316-00	26 - 27	69W-45551-00	26 - 37	67C-48119-00	17 - 20	701-48320-50	30 - 2	67C-82127-10	21 - 41
69W-43854-00	22 - 47		35 - 14	69W-45560-00	26 - 39	703-48152-00	31 - 57	67C-48321-00	17 - 32	63D-82148-00	20 - 3
69J-43855-00	22 - 32	63D-44322-00	26 - 22	663-45567-01-10	26 - 41	703-48153-00	31 - 3	69W-48344-00	19 - 34	1E6-82151-00	32 - 16
69W-43856-00	22 - 34		35 - 22	663-45567-01-12	26 - 41	63D-48154-00	17 - 53	703-48345-01	31 - 19	663-82151-00	13 - 32
62X-43861-00	22 - 4	63D-44322-40	35 - 32	663-45567-01-15	26 - 41	703-48189-00	31 - 17	703-48358-00	31 - 20	6G5-82152-00	13 - 33
62X-43862-00	22 - 5	63D-44323-00	26 - 26	663-45567-01-18	26 - 41	703-48198-00	31 - 14	65W-48511-00	21 - 43	69W-82181-00	23 - 7
62X-43865-00	22 - 64		35 - 25	663-45567-01-30	26 - 41	703-48205-17	30 - 1	67G-48531-00	17 - 30	6A0-82317-00	13 - 27

NUMERICAL INDEX

PART NO.	REF. NO.	PART NO.	REF. NO.	PART NO.	REF. NO.	PART NO.	REF. NO.	PART NO.	REF. NO.	PART NO.	REF. NO.
6E7-82317-00	16 - 24	6H5-83553-12	32 - 15	90109-06M65	4 - 15	90201-10M63	29 - 8	90387-05M05	18 - 12	90465-11M10	21 - 35
663-82317-01	11 - 15	6Y5-83553-M0	32 - 15	90109-06M80	16 - 33	90201-12426	20 - 44	90387-05M11	18 - 14		26 - 20
6G8-82370-30	12 - 8	6Y5-83557-10	32 - 19	90109-06M81	16 - 10	90201-12M07	16 - 15	90387-06060	16 - 4		32 - 13
69W-82377-00	16 - 50	6Y5-83557-31	32 - 11	90109-06M86	13 - 40	90201-12M16	13 - 29	90387-06M15	6 - 35	90465-13M11	13 - 21
63V-82377-50	20 - 41	6E5-83558-00	21 - 40		16 - 19		21 - 27	90387-06M43	16 - 35		14 - 10
64J-82504-00	12 - 17	6E5-83558-10	26 - 19	90109-06M88	18 - 3	90201-13M19	21 - 29	90387-06M45	19 - 29	90465-13M18	21 - 34
69W-82509-00	6 - 27	6Y5-83570-S5	32 - 7	90109-06MA2	14 - 4	90201-21M18	11 - 19	90387-06M70	6 - 6	90465-13M24	13 - 25
69W-82510-00	14 - 8	6H4-83589-00	14 - 2	90109-08M63	5 - 16	90201-22008	26 - 56	90387-06M87	14 - 3		14 - 29
69W-82510-10	14 - 8	62Y-83614-00	13 - 39	90109-12MA3	21 - 25	90201-22M03	20 - 13	90387-10M42	29 - 6	90465-13M36	6 - 22
703-82510-43	31 - 44	6A1-83625-41	11 - 21	90116-08M14	12 - 12	90201-22M05	21 - 30	90387-12M02	17 - 6		14 - 20
63D-8252E-01-4D	14 - 12	6A1-83625-51	11 - 22	90116-10M28	21 - 7	90201-27M00	26 - 35	90387-18002	20 - 39	90465-13M97	11 - 9
63D-8252F-01-4D	14 - 11	62Y-83626-00	12 - 22	90119-06025	8 - 20	90201-30M00	21 - 2	90387-18003	20 - 40	90467-08M18	2 - 21
703-82531-00	31 - 46	6E0-83627-41	17 - 64	90119-06M08	16 - 2	90202-07M07	19 - 19	90389-22M01	27 - 22	90467-09M17	9 - 5
6F5-82540-00	14 - 24	6E0-83627-51	17 - 65	90119-06MA3	4 - 20	90202-10M56	18 - 9	90401-20M00	2 - 33	90467-10M04	9 - 17
703-82540-00	31 - 50	63D-83672-01	21 - 31	90119-06MA5	2 - 23	90202-12060	27 - 3	90430-06014	4 - 14	90468-10005	17 - 33
62Y-82544-00	6 - 30	63D-83672-10	21 - 31	90119-08M01	2 - 4	90202-21100	21 - 28		33 - 6	90468-18008	19 - 17
68F-82553-70	32 - 18	63D-83728-00	14 - 28	90119-08M15	26 - 29	90206-12052	16 - 14	90430-08020	26 - 8	90480-09M12	16 - 3
68F-82553-80	32 - 18	6Y5-83728-00	32 - 12		35 - 28	90206-12M22	17 - 5		35 - 10	90480-12072	11 - 16
62Y-82554-00	14 - 25	62Y-84301-00	14 - 1	90119-08M76	15 - 21	90209-10M26	18 - 11	90430-08143	4 - 32	90480-12M25	25 - 10
62Y-82555-10	14 - 26	67C-85415-00	16 - 51	90119-08M77	15 - 22	90249-06M19	20 - 22	90430-08209	7 - 39	90480-13M24	16 - 34
682-82556-00	14 - 6	64J-85510-00	11 - 2	90119-08M79	24 - 26	90249-07M29	8 - 9	90430-12072	27 - 4	90480-25161	12 - 4
	31 - 48	69W-85540-00	13 - 1	90119-08M82	24 - 27	90250-06023	26 - 61	90430-14115	2 - 9	90501-12082	19 - 12
62Y-82560-01	12 - 18	69W-85550-10	11 - 1	90119-08M84	27 - 11	90266-06M02	1 - 5		33 - 2	90501-18001	26 - 59
67G-82563-00	14 - 21	62Y-85561-00-94	11 - 3	90119-09M00	4 - 19	90269-02M09	17 - 58	90430-14M09	24 - 35	90501-23215	17 - 61
703-82563-02	31 - 55	62Y-85570-00	12 - 1	90142-05M06	26 - 12	90280-03024	26 - 25		25 - 15	90502-16M02	20 - 29
63D-82563-10	13 - 37	62Y-85580-00	11 - 5	90149-05M13	17 - 63		35 - 30		35 - 4	90506-14M24	20 - 23
69W-82575-00	14 - 5	62Y-85599-00	12 - 15	90159-06M08	12 - 16	90280-04M06	8 - 15	90445-07M53	21 - 39	90506-18M40	16 - 20
688-82575-01	31 - 47	6Y5-87122-S0	32 - 14	90159-06M18	17 - 44		33 - 17	90445-07ME8	26 - 18	90508-20018	8 - 8
676-82577-00	14 - 9	69W-W0001-00	33 - 1	90167-06002	16 - 45	90338-04M17	6 - 33	90445-09068	2 - 16	91318-05008	22 - 44
703-82577-00	31 - 45	69W-W0001-20	35 - 1	90170-09M03	29 - 5	90340-08002	26 - 7	90445-09095	2 - 18	91318-05020	22 - 43
689-8257Y-00	14 - 7	69W-W0070-00	1 - 11	90170-12138	26 - 38	90340-14M06	2 - 8	90445-09105	2 - 19	91318-06040	22 - 58
6H2-82586-02	14 - 27	63D-W0078-01	35 - 21	90170-20137	11 - 18		24 - 34	90445-10020	9 - 4	91490-16010	19 - 27
6E5-82587-00	13 - 38	63D-W0078-0A	35 - 31	90170-35M32	8 - 14		25 - 14	90445-10M48	9 - 15	91490-20010	17 - 55
6E9-82588-00	12 - 19	69W-W0084-01-4D	17 - 1	90171-16011	27 - 23	90344-51003	2 - 7	90445-11M05	10 - 8	91490-20015	19 - 16
688-8258A-20	31 - 49	69W-W0093-10	34 - 1	90179-06M24	1 - 3	90386-08032	17 - 60		28 - 11	91490-30025	27 - 24
69W-82590-00	13 - 31	69W-W009A-00-1S	4 - 1	90179-06M28	16 - 39	90386-10025	20 - 19	90445-11M06	10 - 6	91690-30012	20 - 28
69W-82590-10	13 - 31	69W-W009B-01-1S	2 - 1	90185-08045	21 - 13	90386-10M16	20 - 18		28 - 9	91690-30020	20 - 20
703-82591-00	31 - 53	63D-W4434-00	26 - 30	90185-09M01	29 - 4	90386-12M37	16 - 12	90445-13M00	10 - 8	91690-30025	17 - 16
703-82592-00	31 - 54	90101-06020	16 - 38	90185-10051	21 - 8	90386-12M93	17 - 7	90445-13M01	10 - 6	92903-06600	2 - 6
688-82594-00	13 - 34		20 - 6	90185-10M14	18 - 13	90386-12MA2	16 - 13	90446-17M91	21 - 36		24 - 9
703-82594-00	31 - 25	90101-08M15	21 - 11	90185-12M12	17 - 9	90386-18M35	20 - 34	90464-07M41	12 - 3		25 - 4
703-83383-02	31 - 51	90101-09M01	29 - 7	90185-22M11	20 - 14	90386-18M92	20 - 33	90464-09M13	16 - 23	92903-10600	17 - 62
688-83383-11	32 - 21	90101-12M09	17 - 3	90201-06015	24 - 17	90386-22M15	20 - 12	90464-09M49	16 - 36	92907-04600	4 - 25
6H5-83386-00	32 - 22	90101-12M65	20 - 42	90201-08J3J	23 - 15	90386-26MA3	17 - 40	90465-06M86	21 - 37	92990-04100	32 - 4
6Y5-83500-S5	32 - 6	90105-08M61	26 - 44	90201-08M04	20 - 38	90386-30M60	21 - 6	90465-06M90	12 - 2	92990-05100	11 - 7
6Y5-8350T-03	32 - 1	90109-06047	1 - 7	90201-10M06	8 - 4	90386-30M77	21 - 4	90465-11M10	2 - 20		32 - 24
6Y5-83533-T2	32 - 10	90109-06M30	19 - 33	90201-10M20	19 - 15	90386-30M78	21 - 3		6 - 21	92990-05600	11 - 8
6Y5-83553-00	32 - 15	90109-06M64	8 - 11		29 - 3	90386-90M90	19 - 14		16 - 37		24 - 30

NUMERICAL INDEX

PART NO.	REF. NO.	PART NO.	REF. NO.	PART NO.	REF. NO.	PART NO.	REF. NO.	PART NO.	REF. NO.	PART NO.	REF. NO.
92990-06100	16 - 31	93102-43M42	33 - 10	93332-00001	26 - 6	97075-06025	25 - 16	97885-06008	20 - 4		
	18 - 5	93103-18011	24 - 10	93332-00092	26 - 40	97075-06050	24 - 15		21 - 42		
92990-06600	11 - 11		35 - 5	93410-18M02	20 - 35	97075-08030	21 - 14	97885-06012	14 - 19		
	16 - 32	93106-09014	26 - 15	93410-28M06	21 - 9	97075-10040	27 - 8	97885-06016	14 - 22		
92990-08100	12 - 14		35 - 11	93420-36M01	24 - 33	97080-08016	20 - 37		17 - 47		
92990-08600	31 - 34	93210-064A5	22 - 55	93430-06024	31 - 10	97095-05012	2 - 28		21 - 33		
92990-12200	17 - 4	93210-07003	26 - 53	93450-09M01	4 - 4		4 - 9	97885-06025	14 - 13		
92990-12600	17 - 8		35 - 20	93450-17129	3 - 9		24 - 6	97885-06040	17 - 49		
92995-05600	2 - 29	93210-08287	10 - 3	93501-04M02	19 - 13	97095-05020	18 - 15	98507-04010	4 - 24		
	4 - 10		28 - 14	93501-08001	22 - 39	97095-06010	4 - 13	98580-03015	31 - 38		
	18 - 16	93210-08391	22 - 38	93503-16003	22 - 15		20 - 24	98580-04006	31 - 36		
	24 - 7	93210-09165	22 - 62	93505-32038	22 - 27	97095-06012	12 - 20	98580-04010	31 - 35		
92995-06100	12 - 6	93210-12MG9	8 - 18	93604-08062	26 - 28		13 - 9	98580-05010	31 - 37		
	13 - 3		33 - 19	93604-26256	22 - 40		16 - 17	98586-05016	28 - 4		
	14 - 14	93210-14515	8 - 19	93605-14143	8 - 3	97095-06014	13 - 16	98785-05014	17 - 24		
	16 - 41		33 - 20	93606-12019	2 - 3		17 - 28	98980-04006	7 - 27		
92995-06600	2 - 31	93210-16275	29 - 10		25 - 12	97095-06016	6 - 43	99001-03600	22 - 26		
	4 - 12	93210-18397	22 - 59		27 - 7	97095-06020	2 - 30	99001-08600	26 - 54		
	6 - 37	93210-24M79	4 - 35	93608-12M05	25 - 8		4 - 11	99530-08012	4 - 18		
	9 - 3		9 - 29	93608-16M16	6 - 40		13 - 2		11 - 12		
	12 - 7		33 - 9	93700-06M03	20 - 10		14 - 17	9E450-04433	32 - 2		
	13 - 4	93210-29375	22 - 6	94701-00406	4 - 37		19 - 3	9E450-04533	32 - 3		
	14 - 23	93210-29M94	21 - 5	95023-06025	11 - 4	97095-06025	6 - 38				
	17 - 27	93210-32738	9 - 9	95303-05600	32 - 25		9 - 2				
	19 - 4	93210-33MG4	26 - 16	95380-04600	32 - 5		13 - 6				
	24 - 16		35 - 12	95380-05600	9 - 27		14 - 15				
	25 - 17	93210-33MH2	8 - 17		18 - 17		19 - 5				
92995-08100	21 - 15		33 - 18		26 - 13	97095-06030	6 - 36				
	27 - 14	93210-35M86	6 - 17		31 - 7		9 - 31				
92995-08600	9 - 13		33 - 13	95380-05700	19 - 23		12 - 5				
	12 - 11		34 - 13	95380-06600	16 - 29		17 - 26				
	15 - 20	93210-38MH3	6 - 24		17 - 54	97095-08014	4 - 33				
	17 - 42		33 - 14		31 - 40		9 - 12				
	21 - 20		34 - 14	95380-08600	9 - 14	97095-08016	15 - 19				
92995-10100	27 - 9	93210-44383	22 - 8		12 - 13	97095-08020	21 - 19				
92995-10600	21 - 44	93210-48214	22 - 9	95380-12600	20 - 45	97095-08025	27 - 13				
	27 - 10	93210-48MG8	26 - 33	95380-12700	21 - 26	97095-08035	12 - 10				
92995-12200	20 - 43		35 - 16	95680-06100	1 - 8		27 - 16				
93101-22M00	26 - 50	93210-52449	23 - 16	95895-06025	13 - 30	97095-08040	17 - 41				
	35 - 19	93210-59MG7	26 - 24	95895-06035	19 - 30	97380-05025	31 - 8				
93101-25M57	26 - 32		35 - 13	95895-08020	8 - 10	97380-08030	31 - 33				
	35 - 15	93210-69MG6	26 - 48	95895-10040	8 - 5	97595-06590	6 - 5				
93101-35002	3 - 11		35 - 18	97013-05010	32 - 23	97607-04212	23 - 12				
	33 - 11	93210-74MG5	26 - 47	97013-06016	25 - 6	97880-05012	11 - 6				
93102-08414	23 - 14		35 - 17	97013-06020	24 - 8	97880-05016	24 - 29				
93102-37M40	8 - 21	93306-001U1	26 - 45	97013-06025	25 - 3	97880-05020	23 - 11				
	33 - 16	93315-32224	26 - 3	97013-06035	2 - 5	97880-06025	11 - 10				
93102-43M42	3 - 10	93317-22204	26 - 49	97075-06025	24 - 20		16 - 30				

F60/F60A
PARTS CATALOGUE
©2003 by Yamaha Motor Co., Ltd.
1st edition, March 2003
All rights reserved.
Any reprinting or unauthorized use
without the written permission of
Yamaha Motor Co., Ltd.
is expressly prohibited.
Printed in Japan.