



# **PARTS CATALOGUE**

**F6MHC** (68R3)

**F8MHC** (68T3)

**F8CMH'04** (68T3)

# FOREWORD

This Parts Catalogue is related to the parts for the model(s) on the cover page. When you are ordering replacement parts, please refer to this Parts Catalogue and quote both part numbers and part names correctly.

1. Modifications or additions which have been made after the issue of the Parts Catalogue will be announced in the Yamaha Parts News.  
It is advisable that you make the necessary corrections to the Parts Catalogue according to the Yamaha Parts News.

2. Abbreviations

The following abbreviations are used in this Parts Catalogue.

“UR” Use specified parts number.

“UN” Use as many as needed.

“AP” Alternate Parts

“LM” Locally Made (Parts need to be ordered locally)

“F#” Frame No. (Applicable machine No.)

“O/S” Over Size

3. The number of components for assembly

- Parts, which are to be supplied in an assembly, are listed with a dot (.) in front of the part name as shown below.
- The numeral appearing to the right of each component part indicates the quantity of parts for each assembly unit.

PART NO.	DESCRIPTION	Q'TY	REMARKS
2F5-83310-60	FRONT FLASHER LIGHT ASSY	2	
115-83311-60	.BULB (6V-18W)	1	

4. Applicable colours of graphics are represented in the “REMARKS” as shown below.

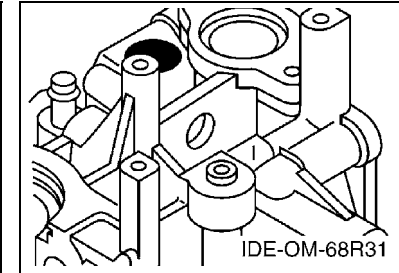
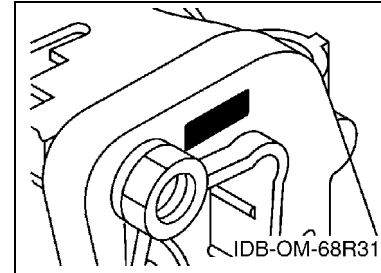
PART NO.	DESCRIPTION	Q'TY	REMARKS
2N4-24110-00-X5	FUEL TANK COMP.	2	MXR
3J1-24240-10	.GRAPHIC, FUEL TANK	1	FOR MXR

5. Note that the illustrations for reference in finding parts numbers are not to be used for assembling. When assembling, please use the applicable service manual.

6. The asterisk (\*) before a reference number indicates modified items after the first edition.

7. Applicable Serial No.

Engine Serial No.



8. Applicable Engine Starting Serial No.

Model	Serial No.	Model	Serial No.
F6	68R-1002547	F8	68T-1004260
F8C	68T-1004260		

9. Applicable Colour Code

Abbreviation	Colour Name	Colour Code
DBNM2	DARK BLUISH GRAY METALLIC 2	004D

10. Quantity Column Information

Column No.	Name Of Q'ty Column	Applicable Model
1	F6	F6MHC
2	F8	F8MHC/F8CMH

# CONTENTS

## SHEET1/2

TOP COWLING .....	A4
CYLINDER. CRANKCASE 1 .....	A5
CRANKSHAFT. PISTON .....	A6
CYLINDER. CRANKCASE 2 .....	A7
VALVE .....	B1
INTAKE .....	B2
CARBURETOR .....	B3
OIL PUMP .....	B4
FUEL 1 .....	B5
FUEL 2 .....	B7
STARTER .....	C1
GENERATOR .....	C3
ELECTRICAL 1 .....	C4
ELECTRICAL 2 .....	C6
BOTTOM COWLING .....	C7
STEERING .....	D2
STEERING FRICTION .....	D5
CONTROL .....	D6
REMO-CON ATTACHMENT .....	E1
BRACKET 1 .....	E2
BRACKET 2 .....	E4
UPPER CASING .....	E5
OIL PAN .....	E6
LOWER CASING. DRIVE 1 .....	E7
LOWER CASING. DRIVE 2 .....	F3
FUEL TANK .....	F4
STEERING GUIDE .....	F5
OPTIONAL PARTS 1 .....	F6

## INDEX

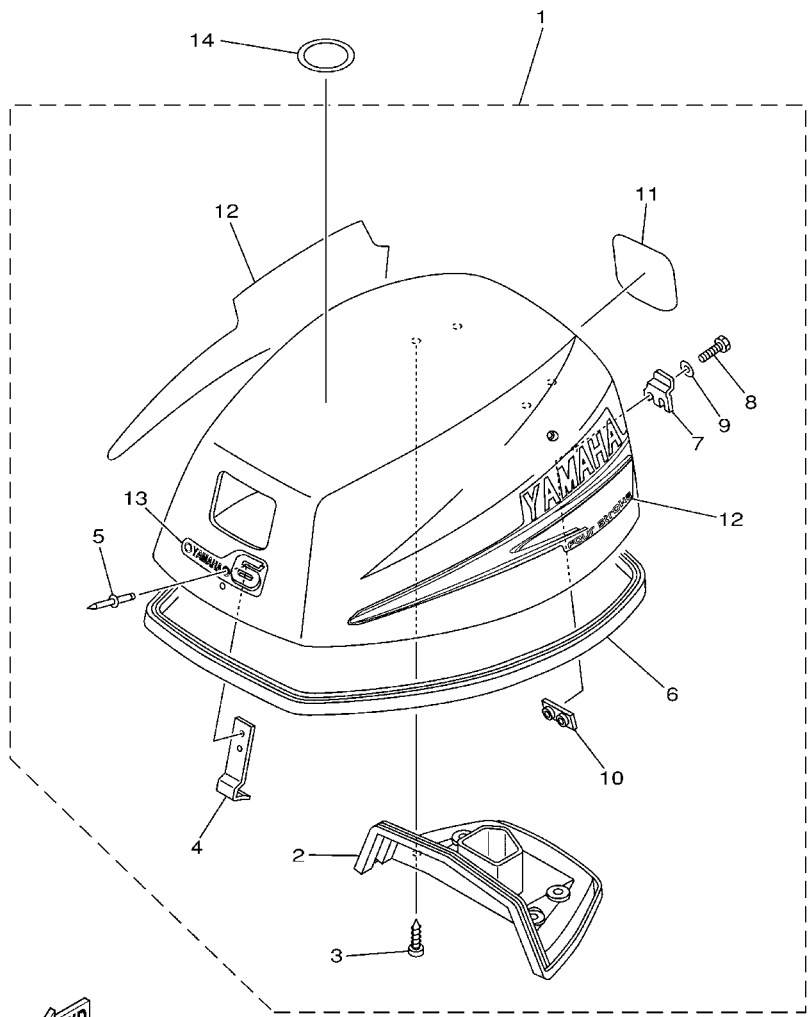
NUMERICAL INDEX .....	G1
-----------------------	----

## SHEET2/2

OPTIONAL PARTS 2 .....	A4*
OPTIONAL PARTS 3 .....	A5*
REPAIR KIT 1 .....	A6*
REPAIR KIT 2 .....	A7*
REPAIR KIT 3 .....	B1*

## INDEX

NUMERICAL INDEX .....	G1*
-----------------------	-----

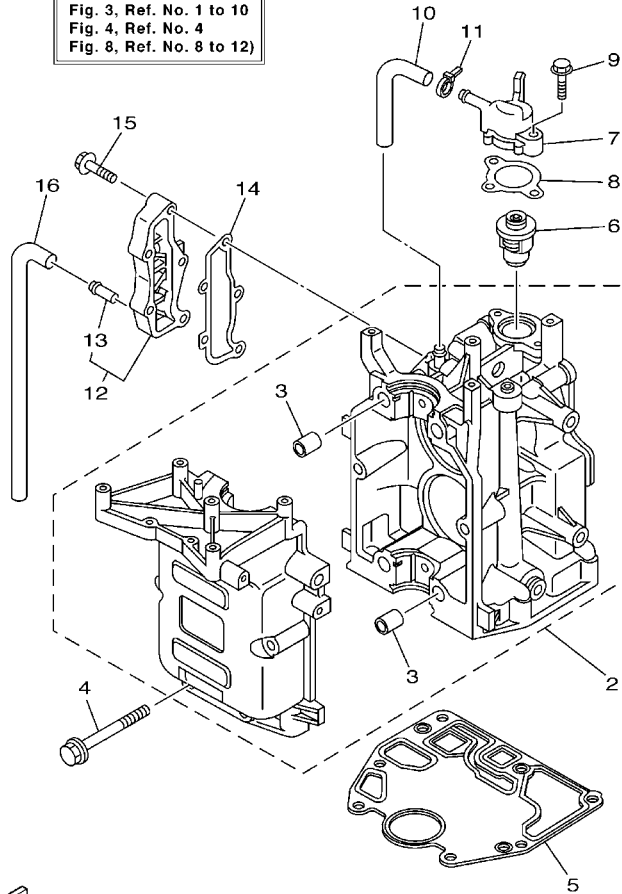


**FWD**  
68R1100-2010

**FIG. 1 TOP COWLING**

REF. NO.	PART NO.	DESCRIPTION	F6	F8				REMARKS
1	68R-42610-20-4D	TOP COWLING ASSY	1					
	68T-42610-20-4D	TOP COWLING ASSY		1				
2	68T-42613-00	.MOLDING, AIR DUCT	1	1				
3	97780-60516	.SCREW, TAPPING	4	4				
4	6G1-42651-02	.HOOK	1	1				
5	90266-04M04	.RIVET	2	2				
6	68T-42615-00	.SEAL	1	1				
7	68T-42652-00	.HOOK	1	1				
8	97095-05016	.BOLT	2	2				
9	92995-05600	.WASHER	2	2				
10	68T-42649-00	.HOLDER, CLAMP BAND	1	1				
11	68R-42678-20	.GRAPHIC, REAR	1					
	68T-42678-20	.GRAPHIC, REAR		1				
12	68T-W0070-20	.GRAPHIC SET	1	1				
13	68R-42677-00	.GRAPHIC, FRONT	1					
	68T-42677-00	.GRAPHIC, FRONT		1				
14	67F-13434-02	LABEL, CAUTION	1	1				

1  
**CYLINDER BLOCK  
 ASSY**  
 (Fig. 2, Ref. No. 2 to 9,  
 12 to 15  
 Fig. 3, Ref. No. 1 to 10  
 Fig. 4, Ref. No. 4  
 Fig. 8, Ref. No. 8 to 12)

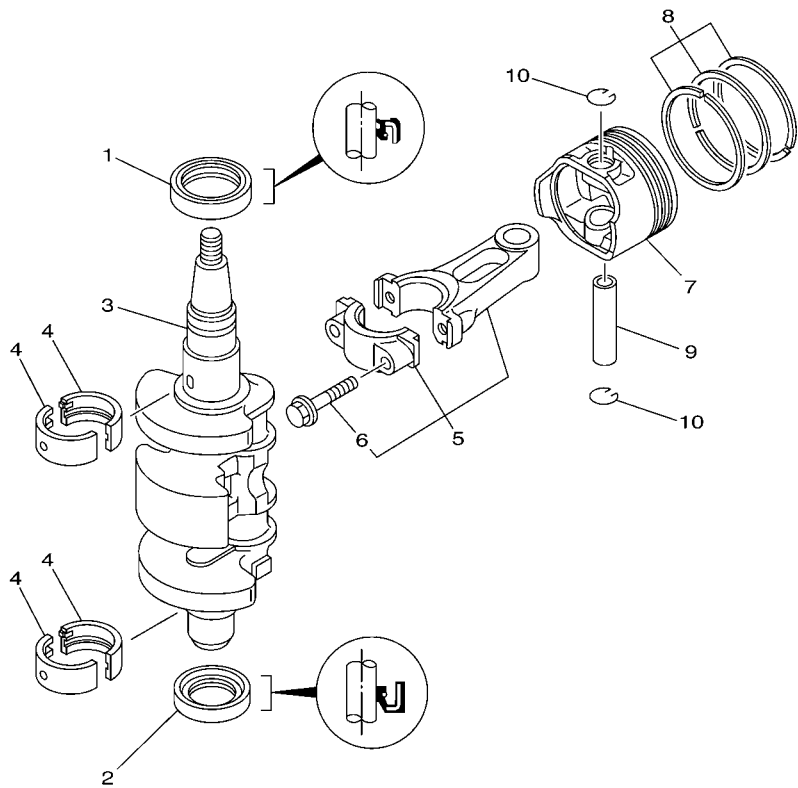


68R2100-3020

**FIG. 2 CYLINDER. CRANKCASE 1**

REF. NO.	PART NO.	DESCRIPTION	F6	F8	REMARKS
1	68T-W009B-10-1S	CYLINDER BLOCK ASSY	1	1	
2	68T-15100-10-1S	CRANKCASE ASSY	1	1	
3	99530-12016	.PIN, DOWEL	4	4	
4	90119-08M29	BOLT, WITH WASHER	6	6	
5	68T-11351-00	GASKET, CYLINDER	1	1	
6	66M-12411-00	THERMOSTAT	1	1	
7	68T-12413-00-1S	COVER, THERMOSTAT	1	1	
8	6G8-12414-A0	GASKET, COVER	1	1	
9	90119-06MA2	BOLT, WITH WASHER	2	2	
10	68T-12481-00	PIPE 1	1	1	
11	90465-11M10	CLAMP	1	1	
12	68T-41113-00-1S	OUTER COVER, EXHAUST	1	1	
13	6E9-24378-00	.PIPE, JOINT 4	1	1	
14	68T-41114-A0	GASKET, EXHAUST OUTER COVER	1	1	
15	90119-06MA3	BOLT, WITH WASHER	5	5	
16	68T-12482-00	PIPE 2	1	1	

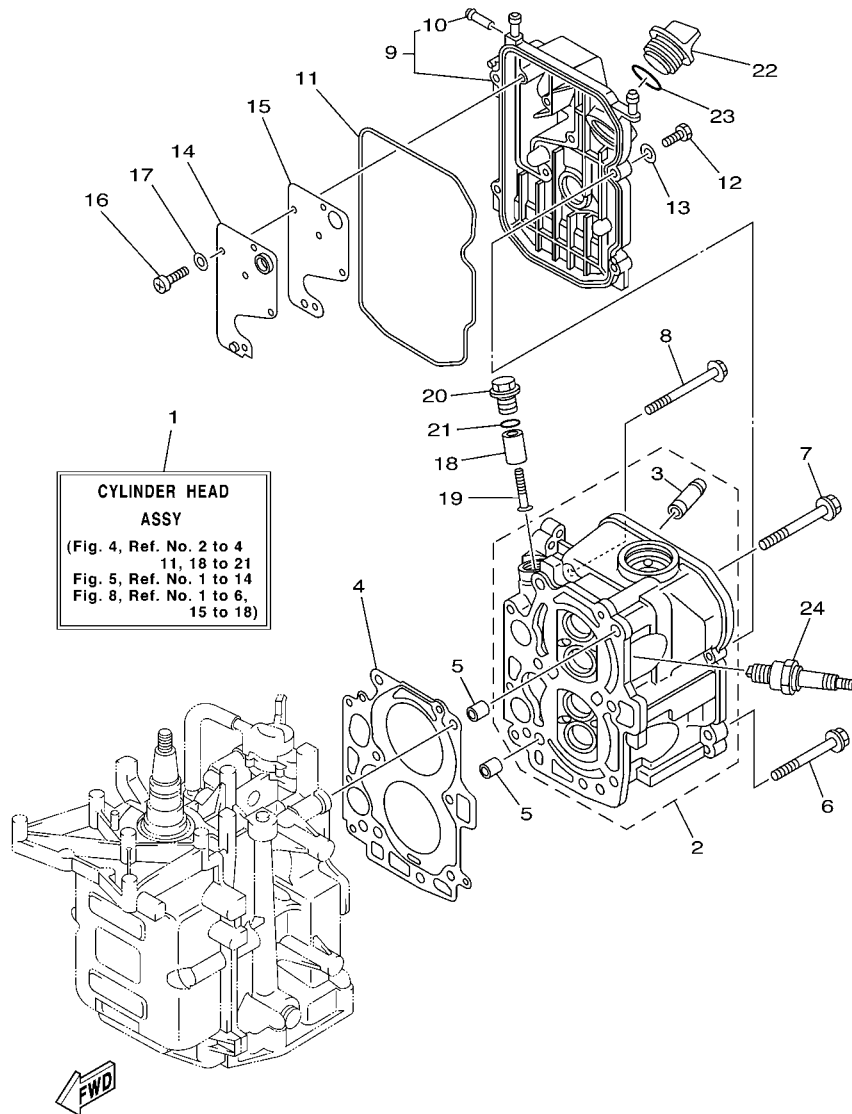
**FIG. 3 CRANKSHAFT. PISTON**



REF. NO.	PART NO.	DESCRIPTION	F6	F8	REMARKS
1	93102-30M22	OIL SEAL	1	1	
2	93101-25M69	OIL SEAL	1	1	
3	68T-11411-00	CRANKSHAFT	1	1	
4	68T-11416-00	PLANE BEARING, CRANKSHAFT 1	4	4	UR BROWN
	68T-11416-10	PLANE BEARING, CRANKSHAFT 1	4	4	UR BLACK
	68T-11416-20	PLANE BEARING, CRANKSHAFT 1	4	4	UR BLUE
5	68T-11650-00	CONNECTING ROD ASSY	2	2	
6	67D-11654-00	.BOLT, CONNECTING ROD	2	2	
7	68T-11631-00-96	PISTON (STD)	2	2	
	68T-11635-00	PISTON (0.25MM O/S)	2	2	AP
	68T-11636-00	PISTON (0.50MM O/S)	2	2	AP
8	68T-11603-01	PISTON RING SET (STD)	2	2	
	68T-11604-01	PISTON RING SET (0.25MM O/S)	2	2	AP
	68T-11605-01	PISTON RING SET (0.50MM O/S)	2	2	AP
9	68T-11633-00	PIN, PISTON	2	2	
10	93450-15023	CIRCLIP	4	4	



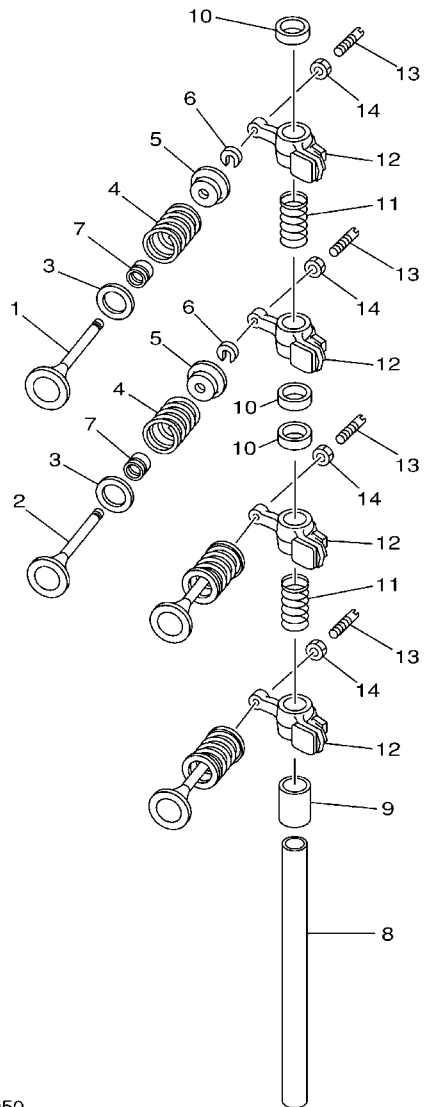
68R0010-0031



68R2100-3040

**FIG. 4 CYLINDER. CRANKCASE 2**

REF. NO.	PART NO.	DESCRIPTION	F6	F8	REMARKS
1	68T-W009A-02-1S	CYLINDER HEAD ASSY	1	1	
2	68T-11111-01-1S	HEAD, CYLINDER 1	1	1	
3	67D-11133-10	.GUIDE, VALVE 1	4	4	
4	68T-11181-00	GASKET, CYLINDER HEAD 1	1	1	
5	99510-10114	PIN, DOWEL	2	2	
6	90105-08M36	BOLT, FLANGE	2	2	
7	90105-08M78	BOLT, FLANGE	4	4	
8	90119-06049	BOLT, WITH WASHER	3	3	
9	68T-11191-00-1S	COVER, CYLINDER HEAD 1	1	1	
10	650-24378-00	.PIPE, JOINT 4	1	1	
11	68T-11356-00	SEAL, CYLINDER 2	1	1	
12	97095-06020	BOLT	4	4	
13	92995-06600	WASHER	4	4	
14	68T-11168-00	COVER, BREATHER	1	1	
15	68T-11169-A0	GASKET, BREATHER COVER	1	1	
16	98507-04010	SCREW, PAN HEAD	5	5	
17	92907-04600	WASHER	5	5	
18	6G8-11325-00	ANODE	1	1	
19	97880-05025	SCREW, PAN HEAD	1	1	
20	6G8-11197-01	PLUG, BLIND	1	1	
21	93210-13M63	O-RING	1	1	
22	6G8-15363-00	PLUG, OIL	1	1	
23	93210-24M79	O-RING	1	1	
24	94702-00274	PLUG SPARK (NGK BR6HS-10)	2	2	

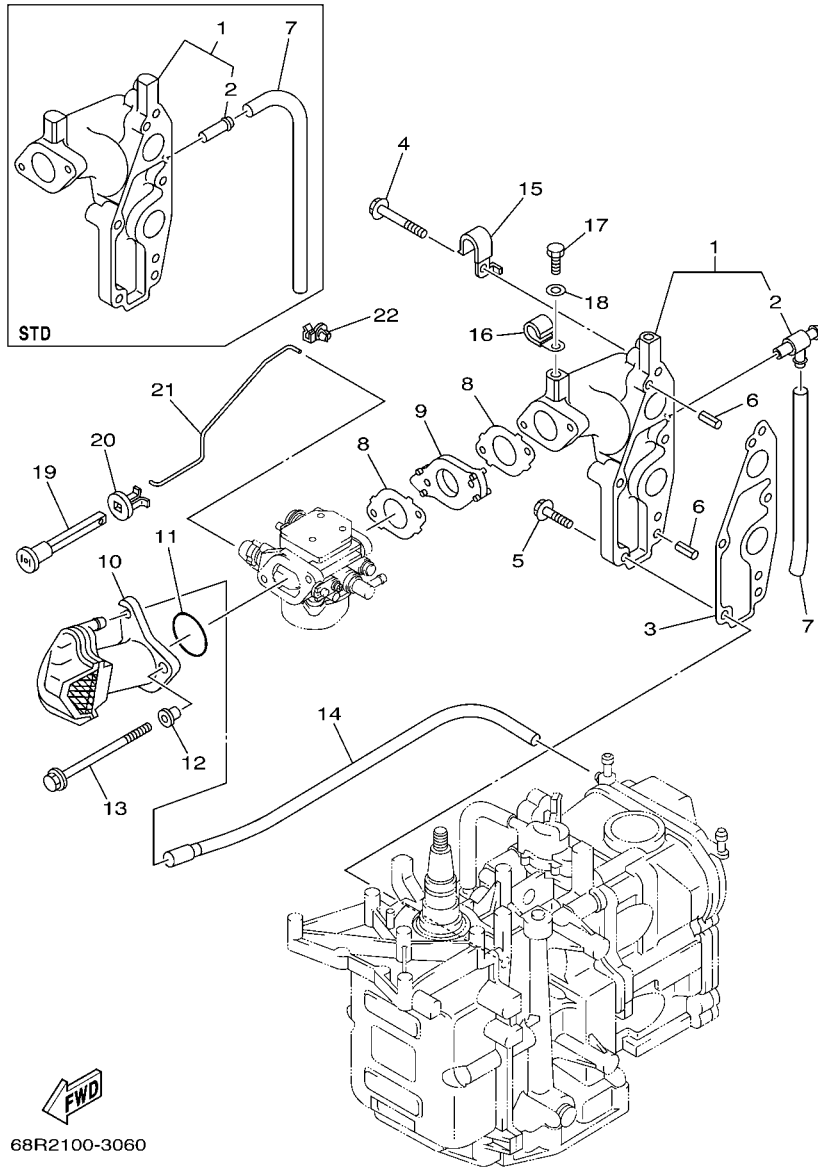


68R0010-0050

FIG. 5 VALVE

REF. NO.	PART NO.	DESCRIPTION	F6	F8			REMARKS
1	67D-12111-00	VALVE, INTAKE	2	2			
2	67D-12121-00	VALVE, EXHAUST	2	2			
3	68T-12116-00	SEAT, VALVE SPRING	4	4			
4	68T-12113-00	SPRING, VALVE INNER	4	4			
5	7NJ-12117-00	RETAINER, VALVE SPRING	4	4			
6	7NJ-12118-00	COTTER, VALVE	4	4			
7	51Y-12119-00	SEAL, VALVE STEM	4	4			
8	68T-12146-00	SHAFT, ROCKER	1	1			
9	90387-13M56	COLLAR	1	1			
10	90387-14M03	COLLAR	3	3			
11	90501-12M40	SPRING, COMPRESSION	2	2			
12	68T-12151-00	ARM, VALVE ROCKER	4	4			
13	6G8-12159-00	SCREW, VALVE ADJUSTING	4	4			
14	6G8-12158-00	NUT, LOCK	4	4			



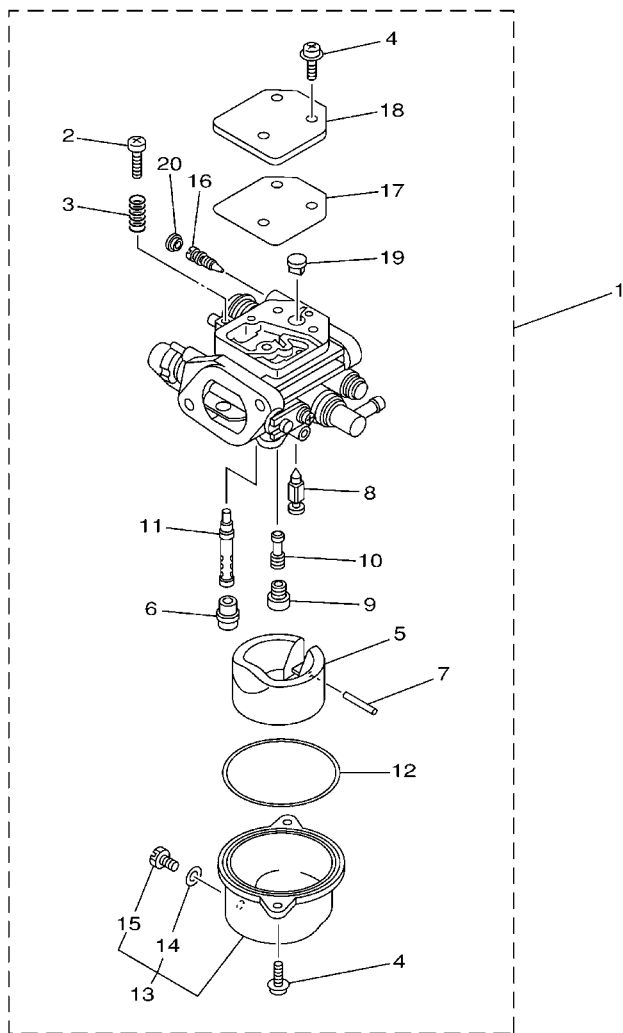


68R2100-3060

FIG. 6 INTAKE

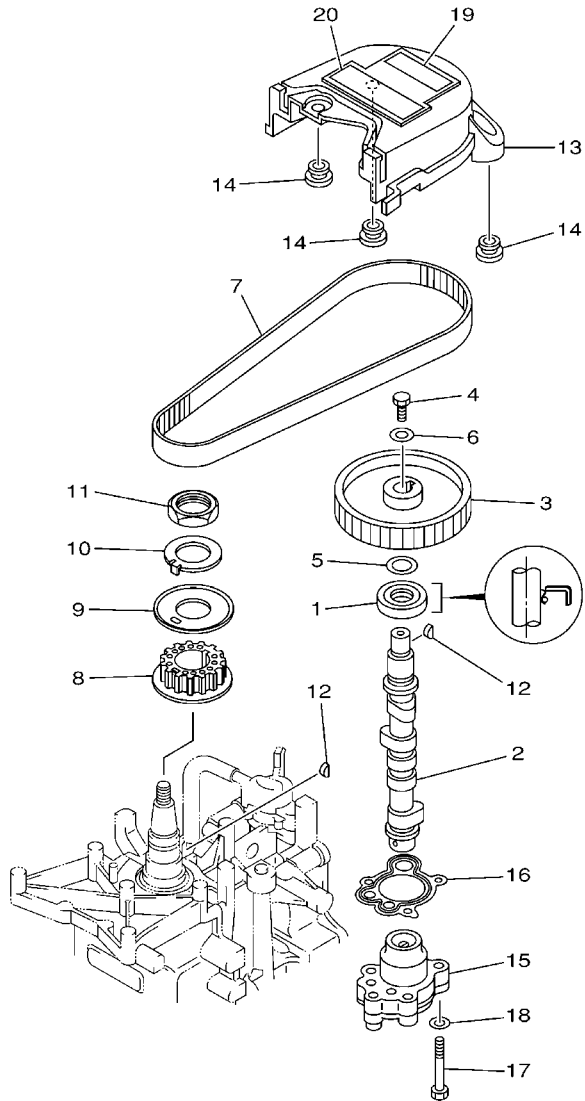
REF. NO.	PART NO.	DESCRIPTION	F6	F8	REMARKS
1	68T-13641-20-1S	MANIFOLD 1	1	1	FLUSHING KIT
	68T-13641-00-1S	MANIFOLD 1		1	STD (FOR OCE)
2	67F-12482-00	.PIPE 2	1	1	FLUSHING KIT
	650-24378-00	.PIPE, JOINT 4		1	STD (FOR OCE)
3	68T-13645-00	GASKET, MANIFOLD 1	1	1	
4	90119-06MA5	BOLT, WITH WASHER	3	3	
5	90119-06MA3	BOLT, WITH WASHER	2	2	
6	91690-50014	PIN, SPRING	2	2	
7	90445-09M20	HOSE (L95)	1	1	FLUSHING KIT
	90445-09074	HOSE (L130)		1	STD (FOR OCE)
8	68T-13646-A0	GASKET, MANIFOLD 2	2	2	
9	68T-14271-00	INSULATOR	1	1	
10	68T-14440-00	SILENCER ASSY, INTAKE	1	1	
11	93210-31MJ5	O-RING	1	1	
12	90387-06M70	COLLAR	2	2	
13	97595-06585	BOLT, WITH WASHER	2	2	
14	68T-12483-00	PIPE 3	1	1	
15	90465-08M99	CLAMP	1	1	
16	90465-08M83	CLAMP	1	1	FLUSHING KIT
17	97095-06010	BOLT	1	1	FLUSHING KIT
18	92995-06600	WASHER	1	1	FLUSHING KIT
19	6H4-41271-01	KNOB, CHOKE	1	1	
20	689-41273-00	GROMMET	1	1	
21	68T-41256-00	ROD, CHOKE 1	1	1	
22	6J8-41262-00	JOINT, CHOKE LEVER	1	1	

FIG. 7 CARBURETOR



68R0100-1070

REF. NO.	PART NO.	DESCRIPTION	F6	F8	REMARKS
1	68R-14301-11	CARBURETOR ASSY 1	1		
	68T-14301-11	CARBURETOR ASSY 1		1	FOR USA,CAN
	68T-14301-00	CARBURETOR ASSY 1		1	FOR OCE
2	6E5-14321-00	.SCREW, THROTTLE	1	1	
3	6J8-14334-00	.SPRING, THROTTLE	1	1	
4	97980-04112	.SCREW, WITH WASHER	5	5	
5	68T-14385-00	.FLOAT	1	1	
6	67D-14966-00	.RUBBER CAP	1	1	
7	67D-14386-00	.PIN, FLOAT	1	1	
8	68T-14546-00	.VALVE, NEEDLE	1	1	
9	68T-1492E-37	.JET, MAIN (#74)	1	1	
10	68T-1492F-1K	.JET, AIR SLOW (#39)	1	1	
11	68T-1492A-00	.NOZZLE, MAIN	1	1	
12	67D-14984-00	.GASKET, FLOAT CHAMBER	1	1	
13	68T-14981-00	.BODY, FLOAT CHAMBER	1	1	
14	6J8-14959-00	..GASKET	1	1	
15	66T-14991-00	..PLUG, DRAIN	1	1	
16	67D-14323-00	.SCREW, AIR ADJUSTING	1	1	
17	67D-14536-00	.GASKET	1	1	
18	67D-14527-00	.PLATE	1	1	
19	68T-14126-00	.PLUG	1	1	
20	67D-1432A-00	.PLUG	1	1	FOR USA,CAN



68R1100-2080

FIG. 8 OIL PUMP

REF. NO.	PART NO.	DESCRIPTION	F6	F8	REMARKS
1	93102-18M21	OIL SEAL	1	1	
2	68T-12171-00	CAMSHAFT 1	1	1	
3	66M-11537-00-94	GEAR, DRIVEN	1	1	
4	97013-06016	BOLT	1	1	
5	90201-13201	WASHER, PLATE	1	1	
6	90201-06M94	WASHER, PLATE	1	1	
7	68T-46241-00	V-BELT	1	1	
8	68T-11536-00	GEAR, DRIVE	1	1	
9	68T-11557-00	WASHER 1	1	1	
10	6G8-11587-01	WASHER, LOCK	1	1	
11	90170-24M09	NUT	1	1	
12	90280-03M01	KEY, WOODRUFF	2	2	
13	68T-46297-00	COVER, DUST	1	1	
14	90480-10627	GROMMET	3	3	
15	68T-13300-00	OIL PUMP ASSY	1	1	
16	68T-13329-00	GASKET, PUMP COVER	1	1	
17	97095-06030	BOLT	3	3	
18	92995-06600	WASHER	3	3	
19	6G9-12138-40	MARK, CAUTION	1	1	FOR USA,OCE
	6G9-12138-50	MARK, CAUTION	1	1	FOR CAN
20	68T-13437-41	MARK, CAUTION	1	1	FOR USA,OCE
	68T-13437-51	MARK, CAUTION	1	1	FOR CAN

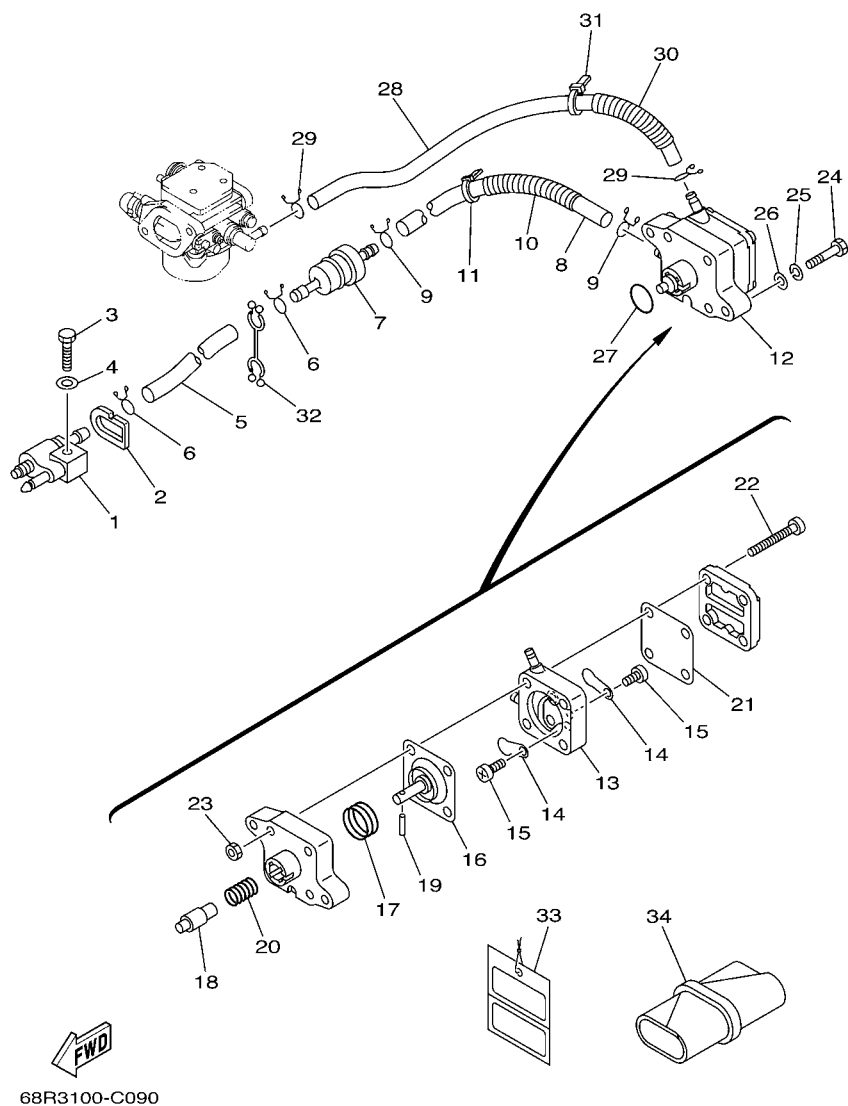


FIG. 9 FUEL 1

REF. NO.	PART NO.	DESCRIPTION	F6	F8	REMARKS
1	6G1-24304-02	FUEL PIPE JOINT COMP. 1	1	1	
2	61N-24329-00	SEAL	1	1	
3	97095-06025	BOLT	1	1	
4	92995-06600	WASHER	1	1	
5	90445-10M18	HOSE (L295)	1	1	
6	90467-09M09	CLIP	2	2	
7	68T-24251-00	STRAINER 1	1	1	
8	90445-10M50	HOSE (L170)	1	1	
9	90467-09M09	CLIP	2	2	
10	90446-14M66	HOSE	1	1	
11	90465-11M10	CLAMP	1	1	
12	68T-24410-00	FUEL PUMP ASSY	1	1	
13	66M-24413-01	.BODY 2	1	1	
14	6A0-24421-01	.VALVE, CHECK	2	2	
15	6E7-14325-00	.SCREW, PAN HEAD	2	2	
16	66M-24411-00	.DIAPHRAGM	1	1	
17	66M-24423-00	.SPRING, DIAPHRAGM	1	1	
18	66M-13131-00	.PLUNGER	1	1	
19	66M-24374-00	.PIN	1	1	
20	66M-24454-00	.SPRING	1	1	
21	66M-24471-00	.DIAPHRAGM	1	1	
22	66M-24444-00	.SCREW	4	4	
23	95380-05600	.NUT	4	4	
24	97095-06030	BOLT	2	2	
25	92995-06100	WASHER, SPRING	2	2	
26	92995-06600	WASHER	2	2	
27	93210-20M65	O-RING	1	1	

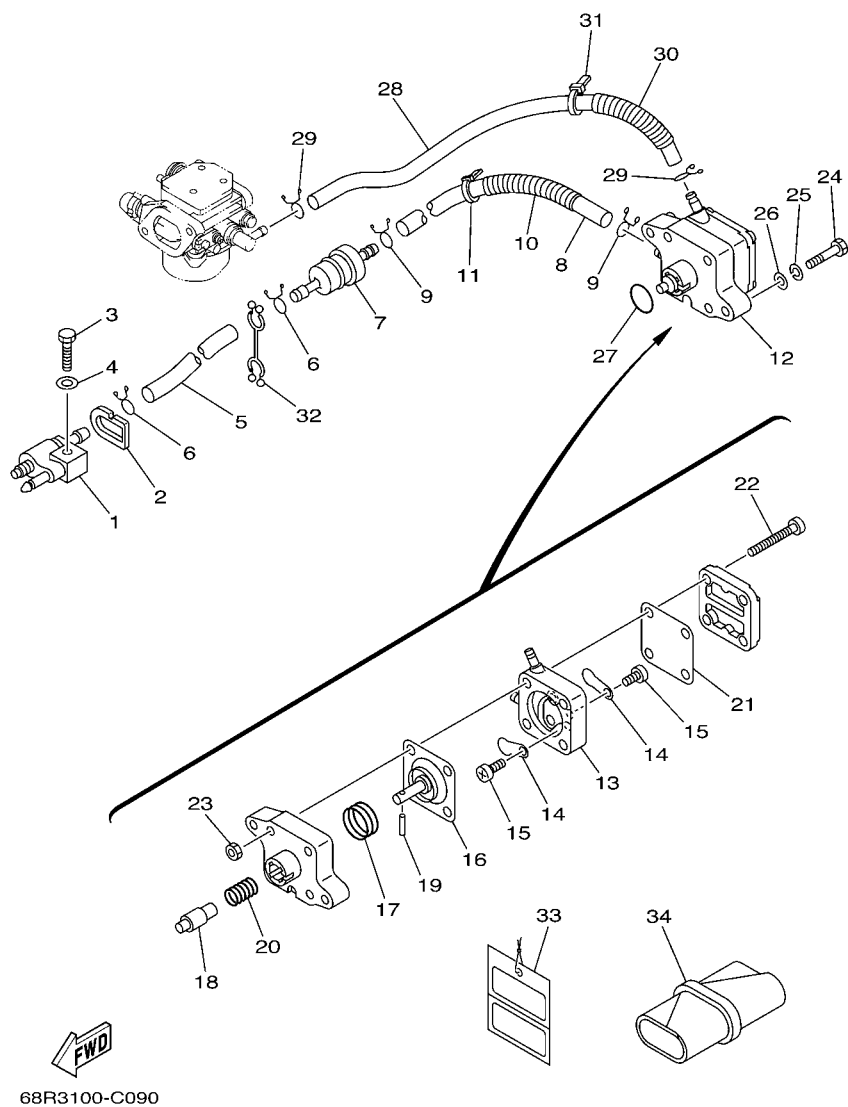
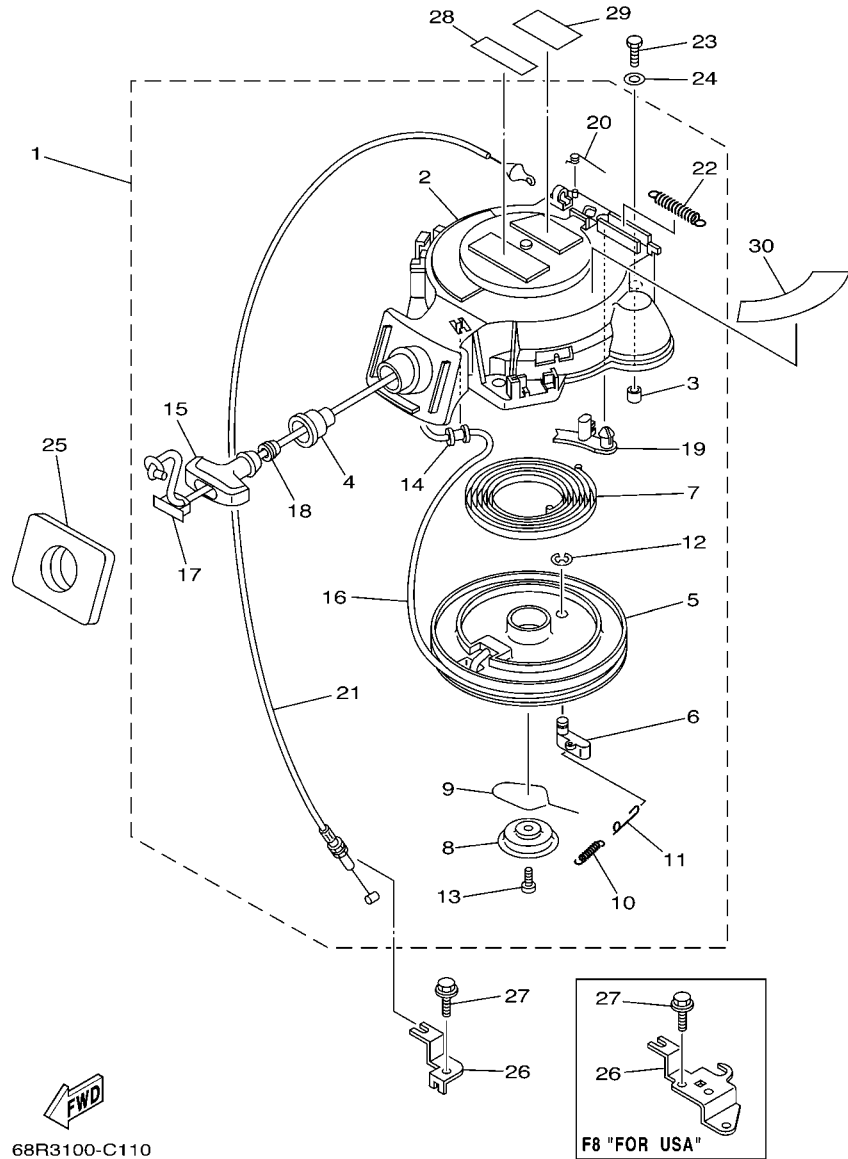


FIG. 9 FUEL 1

REF. NO.	PART NO.	DESCRIPTION	F6	F8	REMARKS
28	90445-10016	HOSE (L280)	1	1	
29	90467-09M09	CLIP	2	2	
30	90446-14M66	HOSE	1	1	
31	90465-11M10	CLAMP	1	1	
32	90464-10M53	CLAMP	1	1	
33	61H-2819R-31	TAG, WARNING	1	1	
34	68T-28100-00	TOOL KIT	1	1	AP





68R3100-C110

\*1: CUT FROM 50M ROLLS, PART NO. 90890-44373, CUTTING LENGTH 1.8M

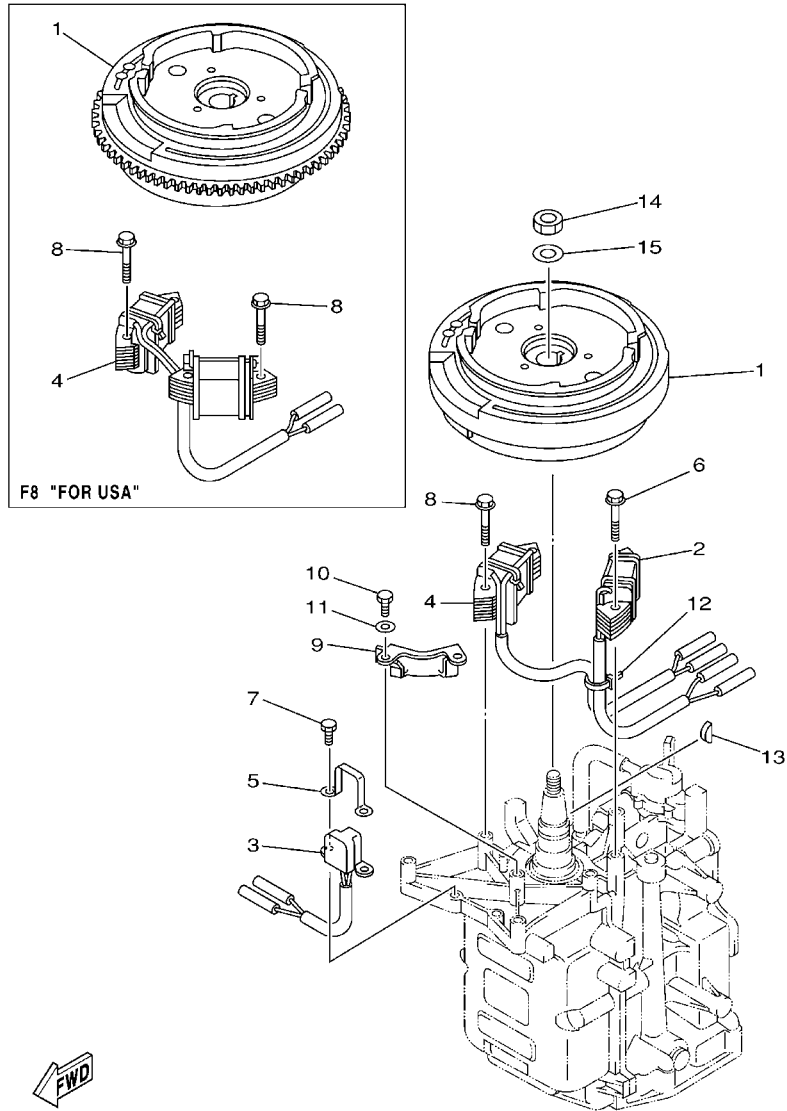
**FIG. 11 STARTER**

REF. NO.	PART NO.	DESCRIPTION	F6	F8	REMARKS
1	68T-15710-01	STARTER ASSY	1	1	
2	68T-15711-01	.CASE, STARTER	1	1	
3	67D-15764-00	.COLLAR 1	3	3	
4	68T-15795-00	.GUIDE, ROPE	1	1	
5	63V-15714-00	.DRUM, SHEAVE	1	1	
6	63V-15741-00	.PAWL, DRIVE	1	1	
7	63V-15713-00	.SPRING, STARTER	1	1	
8	68T-15716-00	.PLATE, DRIVE	1	1	
9	63V-15705-01	.SPRING, DRIVE PAWL	1	1	
10	63V-15767-01	.SPRING	1	1	
11	68T-15784-00	.SPRING, RETURN	1	1	
12	63V-15744-00	.CIRCLIP	1	1	
13	68T-15793-00	.SCREW	1	1	
14	68T-15764-00	.COLLAR 1	1	1	
15	6G1-15755-00	.HANDLE, STARTER	1	1	
16	*	.WIRE, STARTER (L:1800MM)	1	1	*1
17	6G1-15779-00	.COVER	1	1	
18	6A0-15789-00	.DAMPER	1	1	
19	66T-15794-00	.STOPPER	1	1	
20	66T-15734-00	.SPRING, RETURN	1	1	
21	68T-15770-00	.CABLE COMP., STARTER STOP	1	1	
22	66T-15731-00	.SPRING, RETURN	1	1	
23	97095-06020	BOLT	3	3	
24	92995-06600	WASHER	3	3	
25	68T-15762-00	SEAL, RUBBER 2	1	1	
26	68T-15774-00	STAY 4	1	1	
	68T-15774-10	STAY 4		1	FOR USA

**C1**







  
68R0100-1120

**FIG. 12 GENERATOR**

REF. NO.	PART NO.	DESCRIPTION	F6	F8		REMARKS
1	68T-85550-01	ROTOR ASSY	1	1		
	68T-85550-11	ROTOR ASSY		1		FOR USA
2	68T-85520-00	COIL, CHARGE	1	1		
3	68T-85580-01	COIL, PULSER	1	1		
4	68T-85533-00	COIL, LIGHTING	1	1		
	68T-85533-10	COIL, LIGHTING		1		FOR USA
5	6H2-85582-00	ATTACHMENT, PULSER	1	1		
6	90119-06014	BOLT, WITH WASHER	2	2		
7	97095-05010	BOLT	2	2		
8	90119-06MA1	BOLT, WITH WASHER	2	2		
	90119-06MA1	BOLT, WITH WASHER		4		FOR USA
9	68T-81328-00	CLAMP	1	1		EXCEPT F8-FOR USA
10	97013-06012	BOLT	2	2		EXCEPT F8-FOR USA
11	92903-06600	WASHER, PLATE	2	2		EXCEPT F8-FOR USA
12	90465-11M10	CLAMP	1	1		
13	90280-04M06	KEY, WOODRUFF	1	1		
14	90170-12066	NUT	1	1		
15	90201-12472	WASHER, PLATE	1	1		

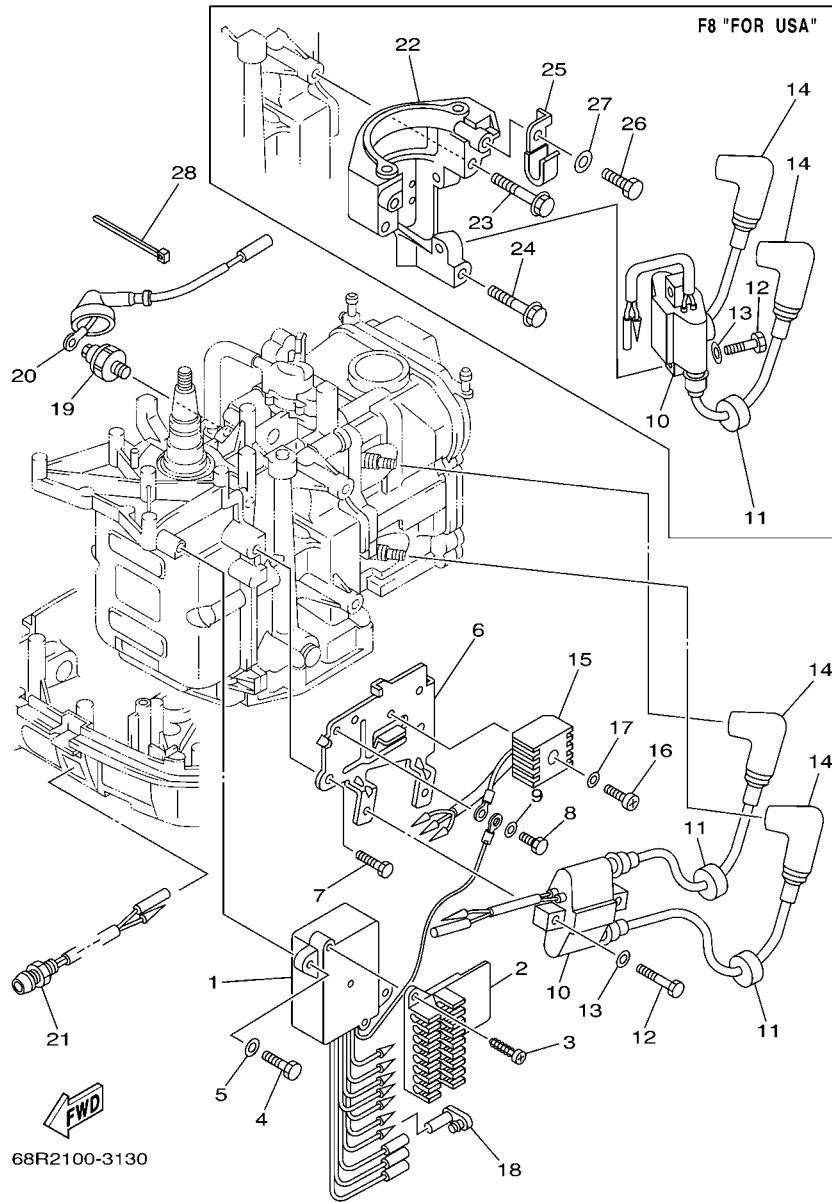
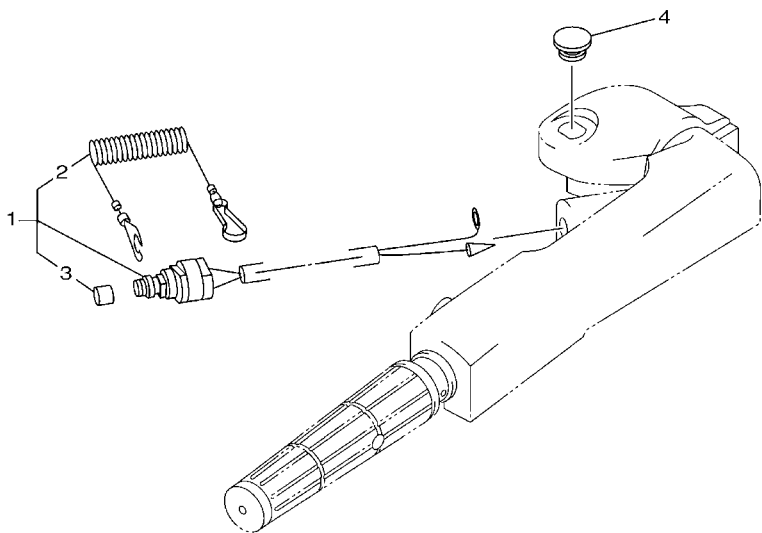


FIG. 13 ELECTRICAL 1

REF. NO.	PART NO.	DESCRIPTION	F6	F8	REMARKS
1	68R-85540-00	C.D.I. UNIT ASSY	1		
	68T-85540-00	C.D.I. UNIT ASSY		1	
2	68T-82522-00	CLAMP, COUPLER	1	1	
3	97780-40512	SCREW, TAPPING	2	2	
4	97095-06020	BOLT	2	2	
5	92995-06600	WASHER	2	2	
6	68T-85542-00	BRACKET	1	1	EXCEPT F8-FOR USA
7	97095-08012	BOLT	2	2	EXCEPT F8-FOR USA
8	97095-06012	BOLT	1	1	
9	92995-06600	WASHER	1	1	
10	680-85570-00	IGNITION COIL ASSY	1	1	
11	90480-25161	GROMMET	2	2	
12	97095-06025	BOLT	2	2	
13	92995-06600	WASHER	2	2	
14	6E3-82370-21	PLUG CAP ASSY	2	2	
15	664-81970-61	RECTIFIER ASSY	1	1	FOR CAN,OCE
16	97880-05025	SCREW, PAN HEAD	1	1	FOR CAN,OCE
17	92990-05600	WASHER, PLATE	1	1	FOR CAN,OCE
18	6A0-82119-00	COVER, LEAD WIRE	1	1	FOR CAN,OCE
19	67F-82504-00	OIL PRESSURE SWITCH ASSY	1	1	
20	68T-82127-10	WIRE, LEAD 2	1	1	
21	68T-85410-00	EMERGENCY SIGNAL LIGHT ASSY	1	1	
22	68T-81822-00-94	BRACKET, STARTING MOTOR		1	FOR USA
23	90119-08046	BOLT, WITH WASHER		2	FOR USA
24	90119-08020	BOLT, WITH WASHER		1	FOR USA
25	90465-08M99	CLAMP		1	FOR USA
26	97095-06012	BOLT		1	FOR USA



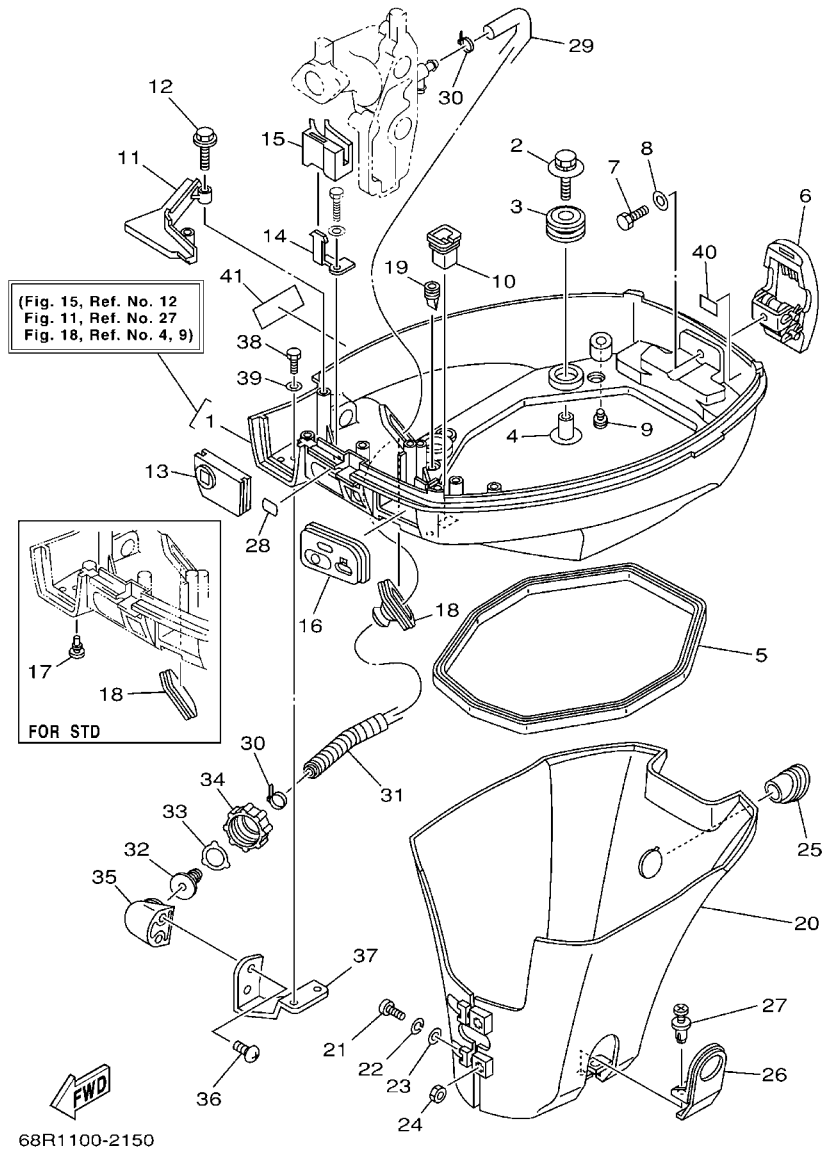
FIG. 14 ELECTRICAL 2



68R0100-0130

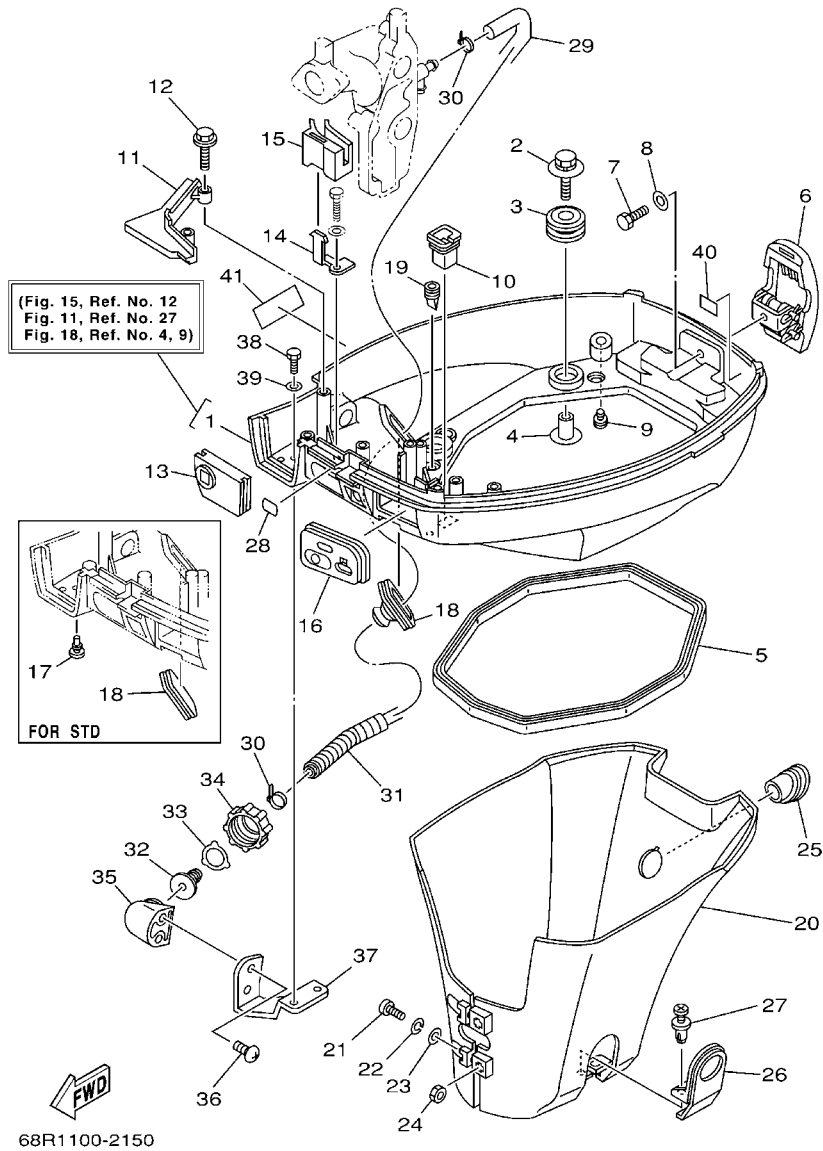
REF. NO.	PART NO.	DESCRIPTION	F6	F8				REMARKS
1	65W-82575-01	ENGINE STOP SWITCH ASSY	1	1				
2	682-82556-00	.STOPPER	1	1				
3	689-8257Y-00	.CAP	1	1				
4	6G1-42725-00	GROMMET	1	1				
-----								
-----								
-----								
-----								
-----								
-----								
-----								
-----								
-----								
-----								

**FIG. 15 BOTTOM COWLING**



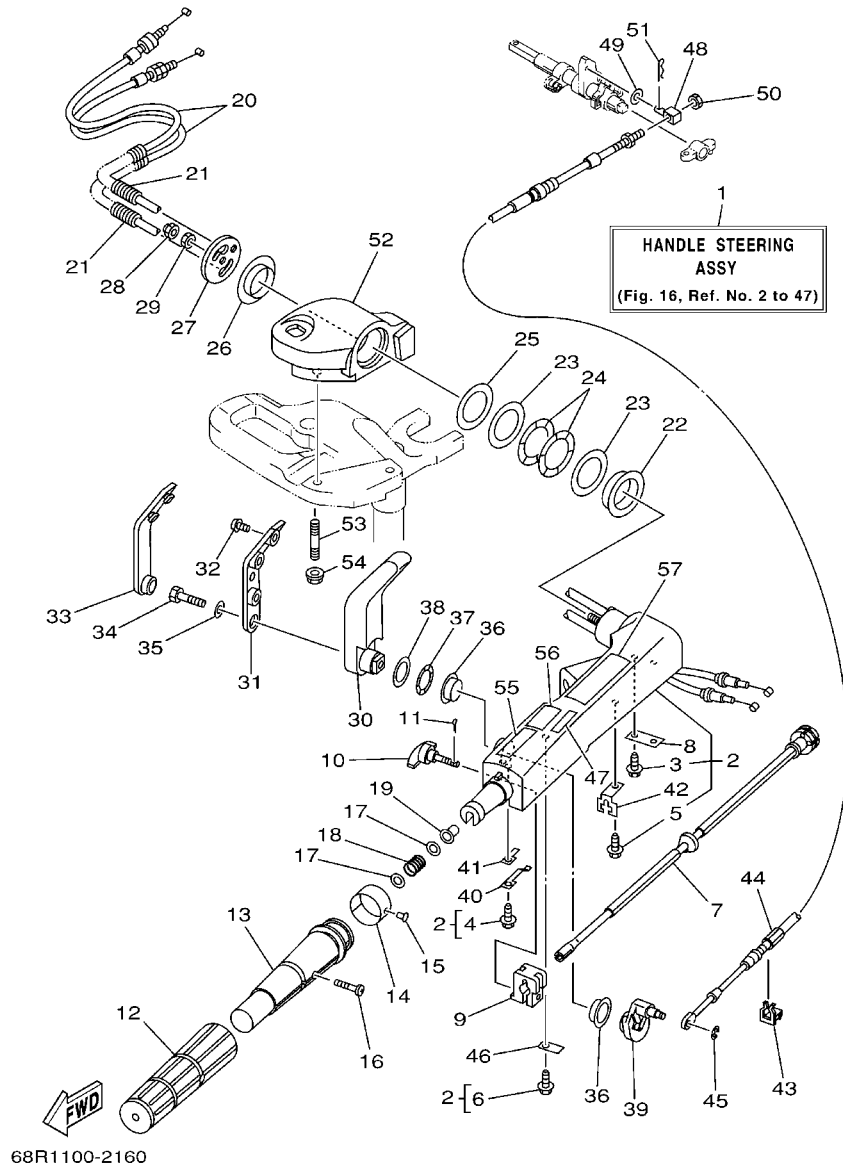
68R1100-2150

REF. NO.	PART NO.	DESCRIPTION	F6	F8	REMARKS
1	68T-42710-00-4D	BOTTOM COWLING ASSY	1	1	WITH TAPPING BOLT
2	68F-85119-00	BOLT	4	4	
3	90480-21M82	GROMMET	4	4	
4	90387-06053	COLLAR	4	4	
5	68T-42716-10	RUBBER, SEAL 1	1	1	
6	68T-42801-00	COWLING CLAMP COMP.	1	1	
7	97095-06012	BOLT	1	1	
8	92995-06600	WASHER	1	1	
9	6H3-44391-01	NIPPLE, HOSE	1	1	
10	682-42727-00	GROMMET	1	1	
11	68T-42738-00-4D	PLATE, FITTING	1	1	
12	90109-06M81	BOLT	2	2	
13	68T-42725-00	GROMMET	1	1	
14	68T-26393-00	HOLDER	1	1	
15	68T-26367-00	PROTECTOR	1	1	
16	68T-42724-20	GROMMET	1	1	
17	90480-06M19	GROMMET		2	STD (FOR OCE)
18	688-42726-10	GROMMET	1	1	FLUSHING KIT
	6H4-42726-00	GROMMET		1	STD (FOR OCE)
19	65W-42717-00	RUBBER, SEAL 2	2	2	
20	68T-42741-00	APRON	1	1	
21	97885-06030	SCREW, PAN HEAD	2	2	
22	92995-06100	WASHER, SPRING	2	2	
23	92995-06600	WASHER	2	2	
24	95380-06600	NUT, HEXAGON	2	2	
25	68T-42717-00	RUBBER, SEAL 2	1	1	
26	68T-42771-00	APRON	1	1	



**FIG. 15 BOTTOM COWLING**

REF. NO.	PART NO.	DESCRIPTION	F6	F8	REMARKS
27	90338-06M20	PLUG	2	2	
28	65W-84342-00	SEAT, EMBLEM	1	1	
29	6E5-12481-00	PIPE 1	1	1	FLUSHING KIT
30	90465-11M10	CLAMP	2	2	FLUSHING KIT
31	90447-13M00	HOSE, WITH SPRING	1	1	FLUSHING KIT
32	6R3-12582-00	JOINT, HOSE 2	1	1	FLUSHING KIT
33	6R3-12583-00	GASKET, HOSE JOINT	1	1	FLUSHING KIT
34	6R3-12581-00	JOINT, HOSE 1	1	1	FLUSHING KIT
35	68T-12572-00	ADAPTER	1	1	FLUSHING KIT
36	90167-06002	SCREW, TAPPING	2	2	FLUSHING KIT
37	68T-12535-00	PLATE	1	1	FLUSHING KIT
38	97095-06010	BOLT	2	2	FLUSHING KIT
39	92995-06600	WASHER	2	2	FLUSHING KIT
40	6H8-42791-10	MARK 1	1	1	
41	62Y-13444-40	MARK	1	1	FOR USA,OCE
	62Y-13444-50	MARK	1	1	FOR CAN



68R1100-2160

FIG. 16 STEERING

REF. NO.	PART NO.	DESCRIPTION	F6	F8	REMARKS
1	68T-W0084-10-4D	HANDLE STEERING ASSY	1	1	
2	66R-42101-01-4D	HANDLE, STEERING	1	1	
3	90109-06M86	.BOLT	2	2	
4	90109-06M80	.BOLT	1	1	
5	90109-06M80	.BOLT	1	1	
6	90109-06M80	.BOLT	1	1	
7	68T-42138-01	LEVER, THROTTLE	1	1	
8	65W-42159-00	STAY	1	1	
9	6G1-42126-00	FRICTION, STEERING HANDLE GRIP	1	1	
10	65W-42125-00	BOLT, FRICTION ADJUSTING	1	1	
11	91490-16010	PIN, COTTER	1	1	
12	67D-42177-00	RUBBER, HANDLE	1	1	
13	67D-42119-00	GRIP, STEERING HANDLE	1	1	
14	68R-42137-00	INDICATOR, THROTTLE	1		
	68T-42137-00	INDICATOR, THROTTLE		1	
15	90269-02M09	RIVET	1	1	
16	90149-05M13	SCREW	1	1	
17	90201-10M02	WASHER, PLATE	2	2	
18	90501-23215	SPRING, COMPRESSION	1	1	
19	90386-08032	BUSH	1	1	
20	68T-26301-11	THROTTLE CABLE ASSY	2	2	
21	90447-07005	HOSE, WITH SPRING	2	2	
22	66R-42171-00	BUSHING	1	1	
23	90201-43M00	WASHER, PLATE	2	2	
24	90206-43M22	WASHER, WAVE	2	2	
25	90202-43M57	WASHER, PLATE	1	1	
26	90386-40M99	BUSH	1	1	

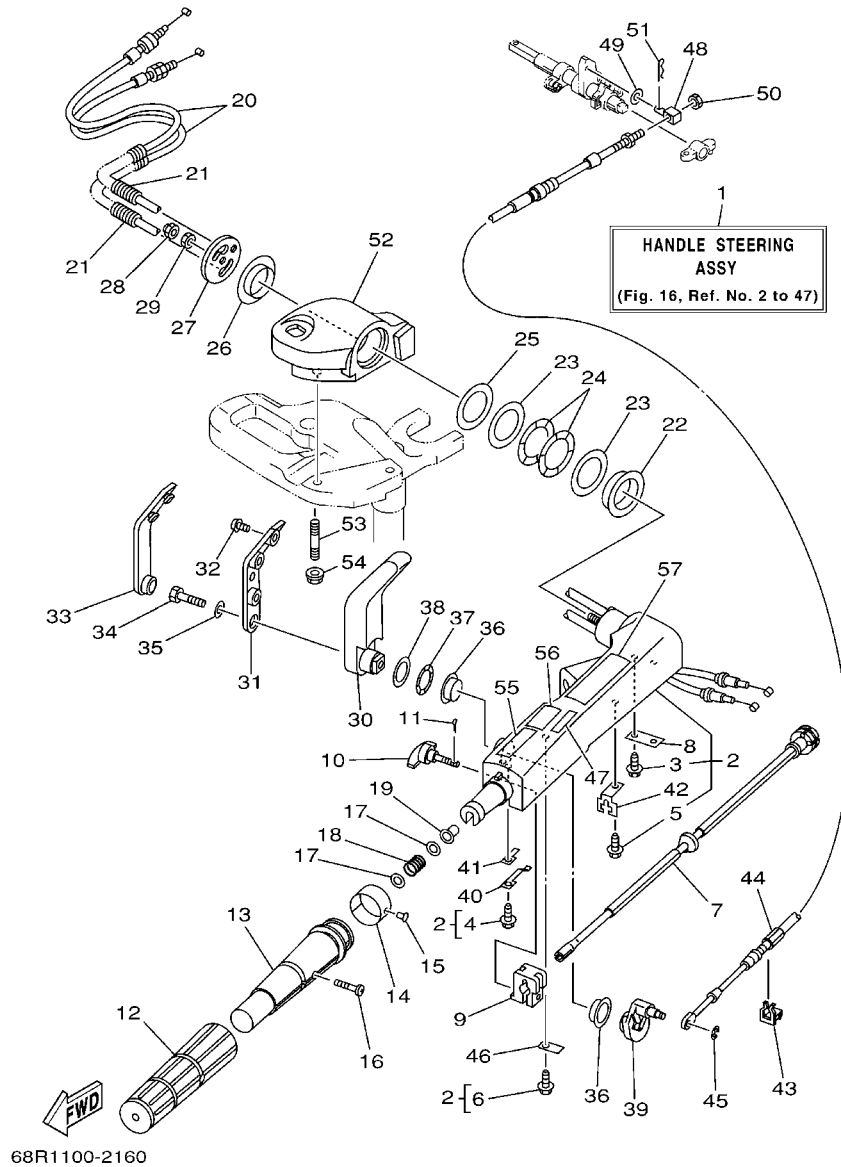
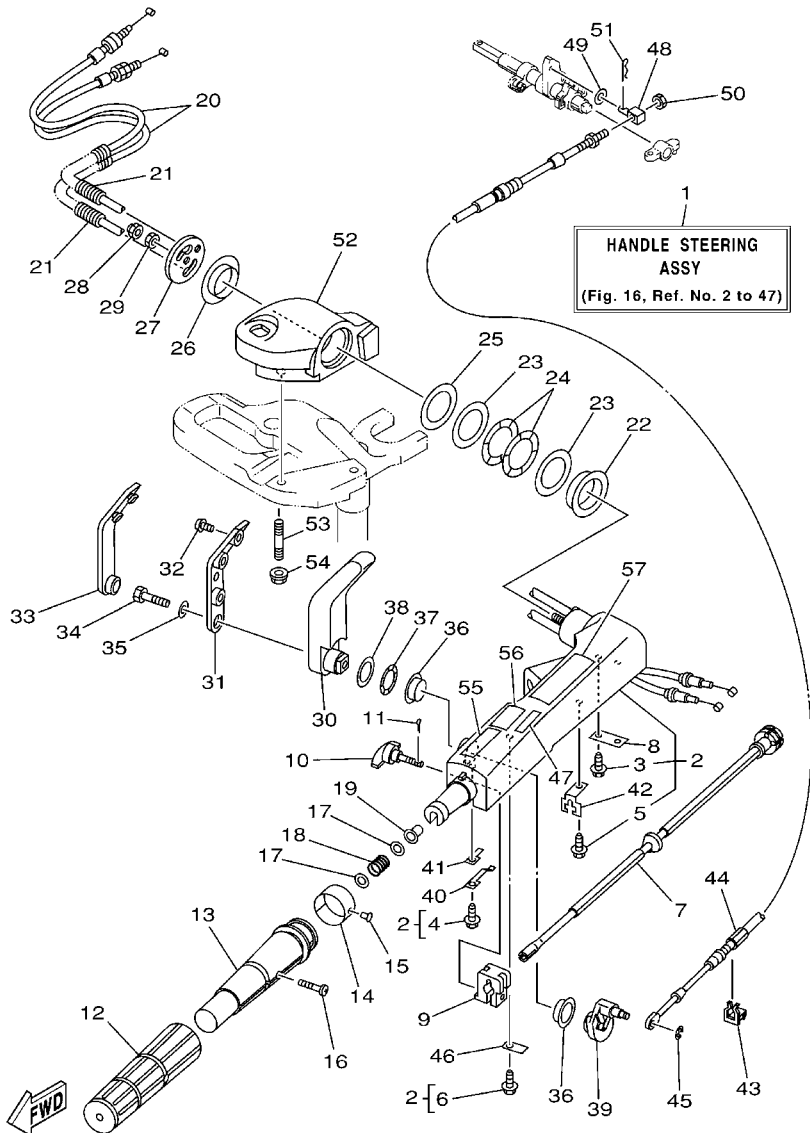


FIG. 16 STEERING

REF. NO.	PART NO.	DESCRIPTION	F6	F8	REMARKS
27	66M-42131-01	COVER, HANDLE STEERING	1	1	
28	95780-10300	NUT, FLANGE	1	1	
29	95380-10700	NUT	1	1	
30	66R-44111-00-4D	HANDLE, GEAR SHIFT	1	1	
31	66R-44173-00	LEVER, SHIFT CONTROL	1	1	
32	90159-06M18	SCREW, WITH WASHER	3	3	
33	66R-42129-00	BUSHING, RUBBER	1	1	
34	97095-08030	BOLT	1	1	
35	92995-08600	WASHER	1	1	
36	90386-26MA3	BUSH	2	2	
37	90206-26M25	WASHER, WAVE	1	1	
38	90202-26M59	WASHER, PLATE	1	1	
39	68T-44113-01	CAM PLATE, HANDLE	1	1	
40	66R-44116-00	SPRING	1	1	
41	66R-44118-00	BRACKET	1	1	
42	66R-48538-00	CLAMP, CABLE 1	1	1	
43	63D-48538-00	CLAMP, CABLE 1	1	1	
44	68T-48321-00	CABLE	1	1	
45	99080-04600	CIRCLIP	1	1	
46	66R-44114-00	STOPPER	1	1	
47	6E0-44191-11	INDICATOR, SHIFT	1	1	
48	66R-48344-00	CABLE END, REMOTE CONTROL	1	1	
49	90201-06M62	WASHER, PLATE	1	1	
50	90170-05M38	NUT	1	1	
51	91490-20012	PIN, COTTER	1	1	
52	68T-42121-10-4D	BRACKET	1	1	
53	90116-10019	BOLT, STUD	2	2	





68R1100-2160

FIG. 16 STEERING

REF. NO.	PART NO.	DESCRIPTION	F6	F8	REMARKS
54	90179-10M33	NUT	2	2	
55	6E0-83627-41	LABEL, CAUTION 7	1	1	
56	6E0-83627-51	LABEL, CAUTION 7	1	1	FOR CAN
57	6G9-1571Y-40	MARK, CAUTION	1	1	FOR USA,OCE
	6G9-1571Y-50	MARK, CAUTION	1	1	FOR CAN
-----					
-----					
-----					
-----					
-----					
-----					
-----					
-----					
-----					
-----					

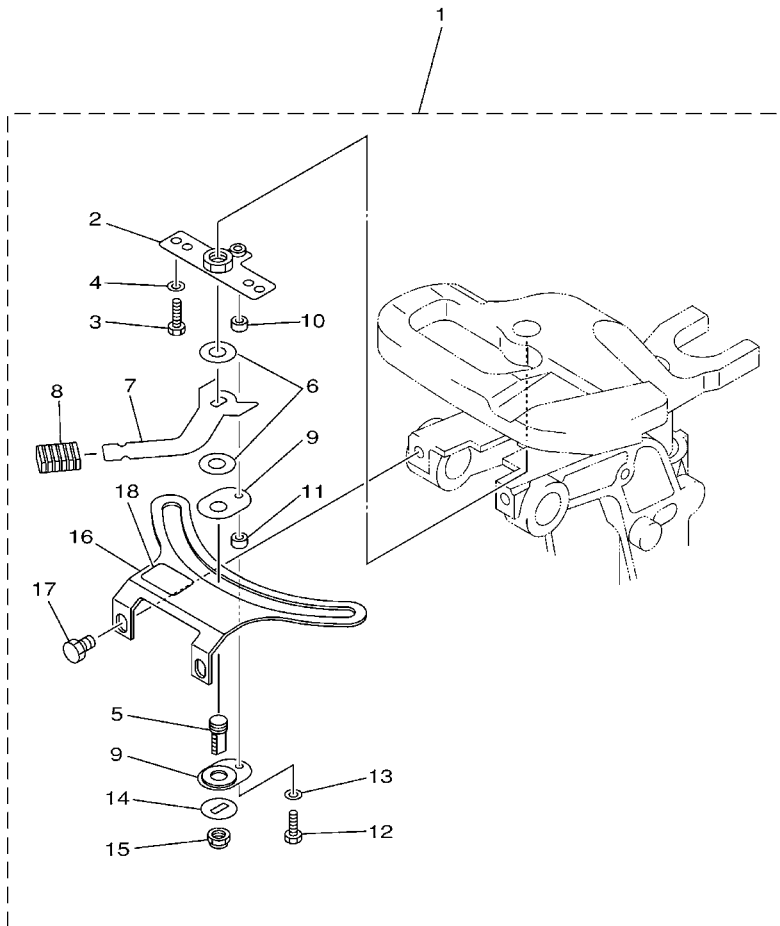


FIG. 17 STEERING FRICTION

REF. NO.	PART NO.	DESCRIPTION	F6	F8			REMARKS
1	68T-42508-00	STEERING FRICTION ASSY	1	1			FOR USA,CAN
2	68T-42525-01	.PLATE, FRICTION	1	1			
3	97095-05020	.BOLT	2	2			
4	92995-05600	.WASHER	2	2			
5	67C-42562-00	.SHAFT, STEERING LOCK	1	1			
6	90202-10M56	.WASHER, PLATE	2	2			
7	68T-42561-00	.KNOB, STEERING LOCK	1	1			
8	689-43633-00	.COVER, TILT LEVER	1	1			
9	65W-42528-00	.PLATE, FRICTION	2	2			
10	90387-05M05	.COLLAR	1	1			
11	90387-05M11	.COLLAR	1	1			
12	97095-05020	.BOLT	1	1			
13	92995-05600	.WASHER	1	1			
14	90209-10M26	.WASHER	1	1			
15	90185-10M14	.NUT, SELF-LOCKING	1	1			
16	68T-42527-00	.PLATE, FRICTION	1	1			
17	90109-08M91	.BOLT	2	2			
18	68T-43155-00	.MARK 1	1	1			



68R1100-2170

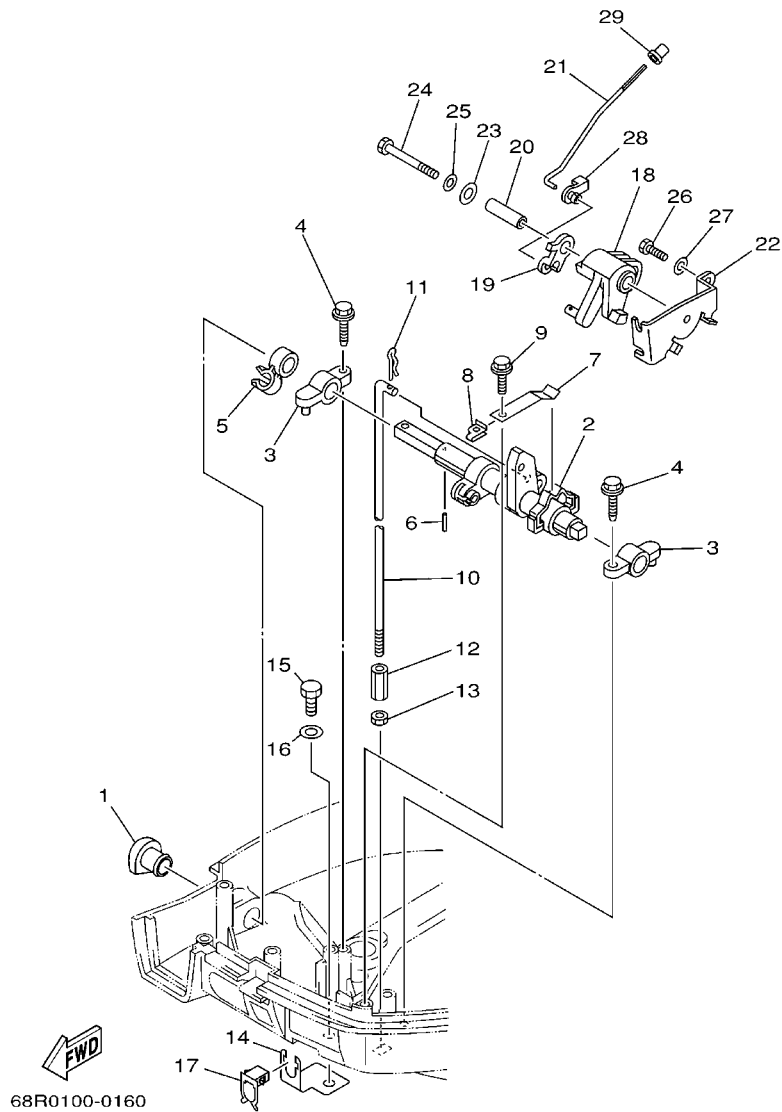


FIG. 18 CONTROL

REF. NO.	PART NO.	DESCRIPTION	F6	F8	REMARKS
1	68T-42726-00	GROMMET	1	1	
2	68T-44121-01	LEVER, SHIFT ROD	1	1	
3	6G1-41662-01-94	BRACKET	2	2	
4	90109-06M81	BOLT	2	2	
5	90464-10M60	CLAMP	1	1	
6	91690-30014	PIN, SPRING	1	1	
7	65W-44116-00	SPRING	1	1	
8	66R-44117-00	BRACKET	1	1	
9	90109-06M86	BOLT	1	1	
10	68T-44143-00	ROD, SHIFT	1	1	S
	68T-44143-10	ROD, SHIFT	1	1	L
11	90468-18001	CLIP	1	1	
12	90170-06015	NUT	1	1	
13	95380-06700	NUT	1	1	
14	68T-48538-00	CLAMP, CABLE 1	1	1	
15	97095-06012	BOLT	1	1	
16	92995-06600	WASHER	1	1	
17	63D-48538-00	CLAMP, CABLE 1	1	1	
18	68T-41638-00	PULLEY	1	1	
19	68R-41283-00	LEVER, FREE ACCEL.	1	1	
	68T-41283-00	LEVER, FREE ACCEL.	1	1	
20	90387-06M59	COLLAR	1	1	
21	68T-41211-00	LINK, ACCEL.	1	1	
22	68T-14497-00	STAY, THROTTLE WIRE	1	1	
23	90201-06M62	WASHER, PLATE	1	1	
24	97095-06045	BOLT	1	1	
25	92995-06600	WASHER	1	1	

D6

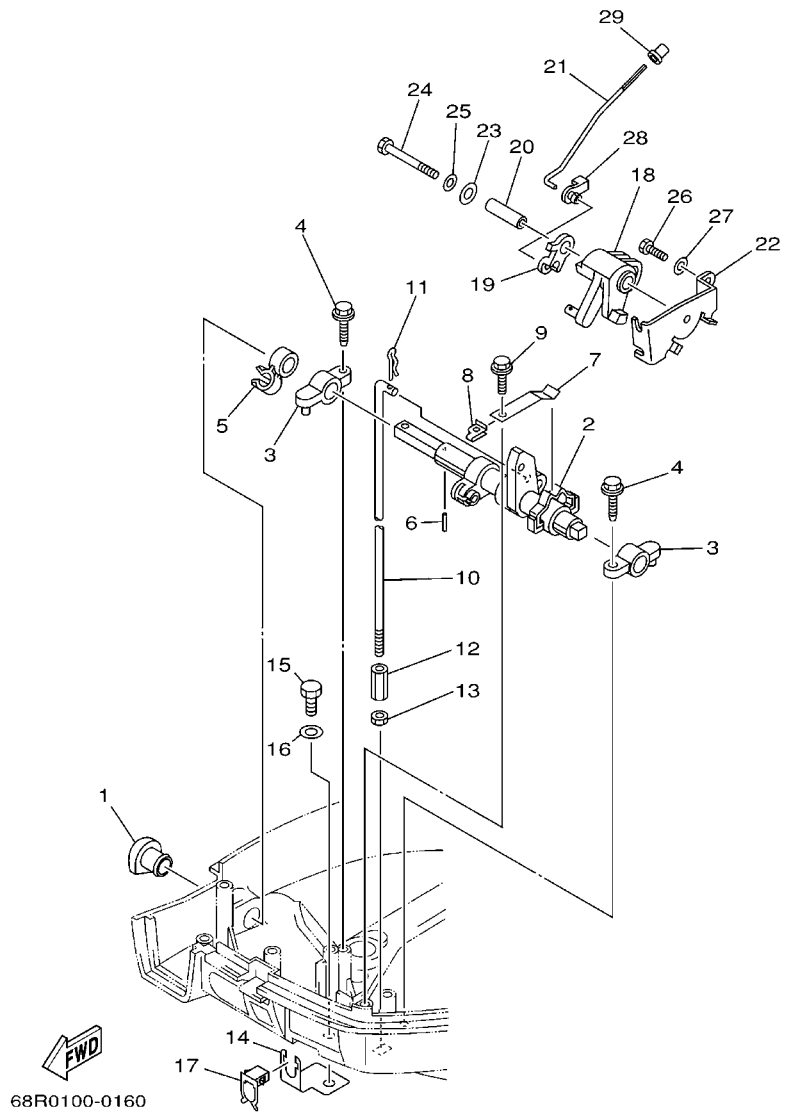
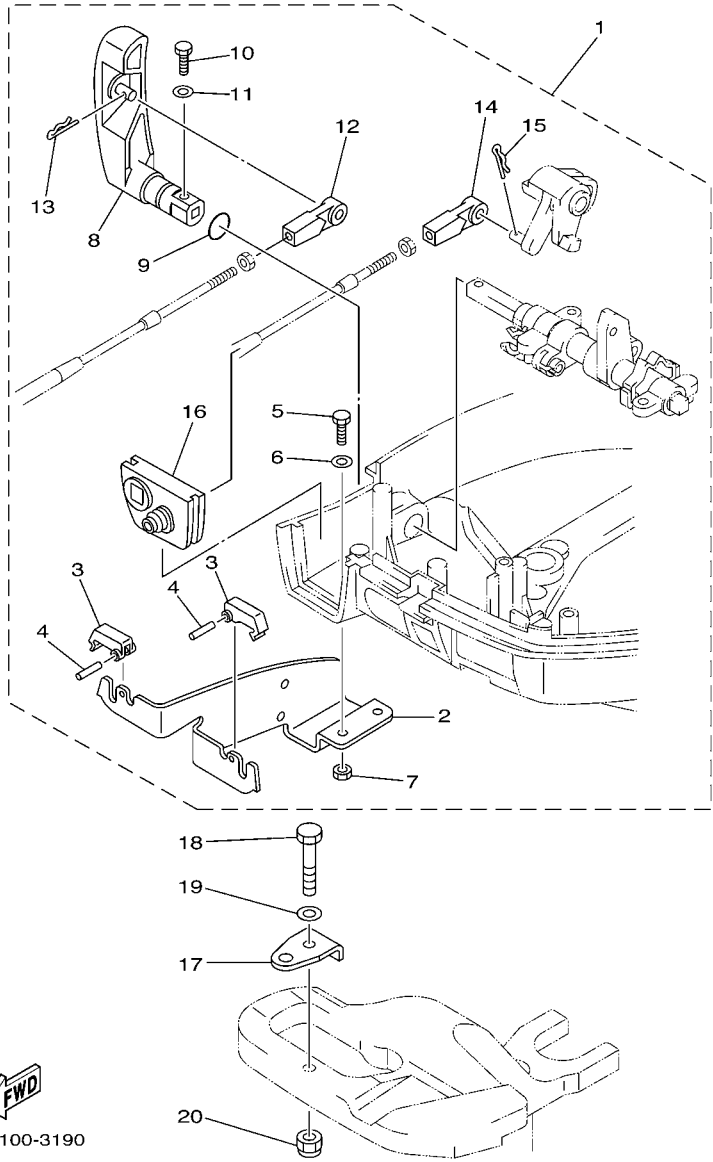


FIG. 18 CONTROL

REF. NO.	PART NO.	DESCRIPTION	F6	F8	REMARKS
26	97095-06012	BOLT	1	1	
27	92995-06600	WASHER	1	1	
28	661-41262-02	JOINT, CHOKE LEVER	1	1	
29	647-14395-60	CAP, OVERFLOW PIPE	1	1	
-----					
-----					
-----					
-----					
-----					
-----					
-----					
-----					

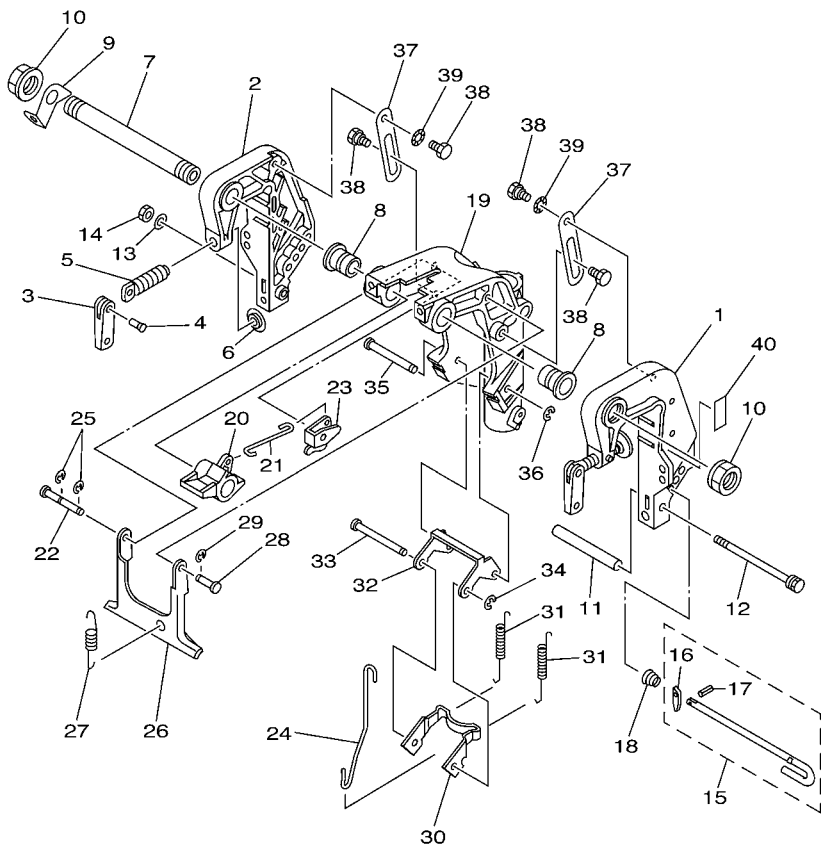


  
 68R2100-3190

**FIG. 19 REMO-CON ATTACHMENT**

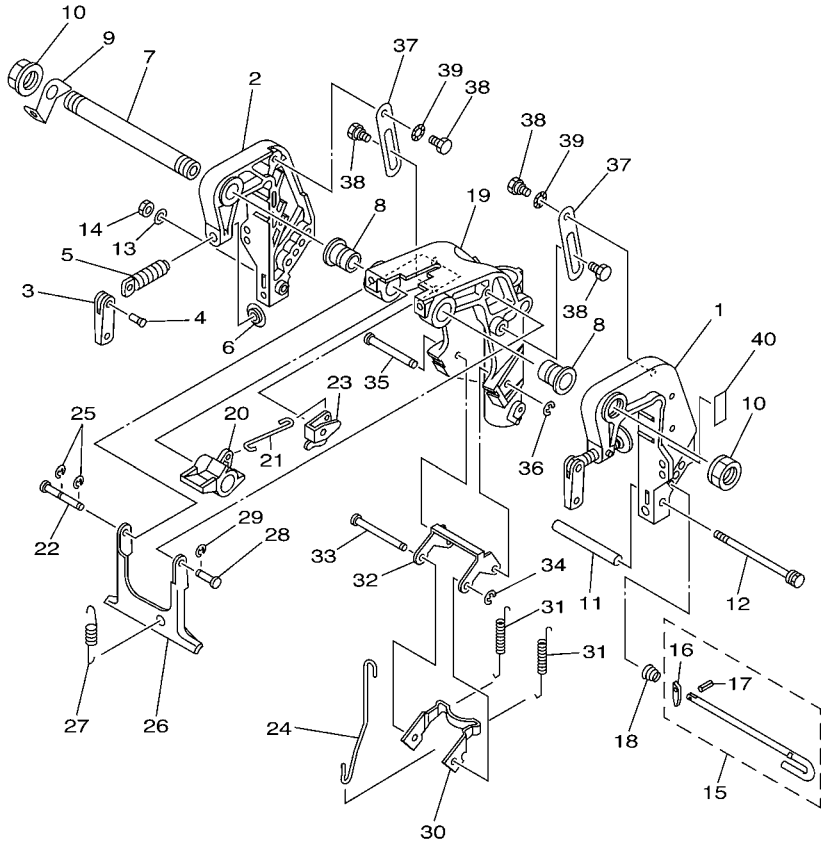
REF. NO.	PART NO.	DESCRIPTION	F6	F8	REMARKS
1	68R-48501-00	REMOTE CONT. ATTACHMENT ASSY.	1	1	AP
2	68T-48531-00	.BRACKET, REMOTE CONTROL 1	1	1	
3	682-48538-50	.CLAMP, CABLE 1	2	2	
4	91690-30012	.PIN, SPRING	2	2	
5	97095-06012	.BOLT	2	2	
6	92995-06600	.WASHER	2	2	
7	95380-06600	.NUT, HEXAGON	2	2	
8	68T-44111-10	.HANDLE, GEAR SHIFT	1	1	
9	93210-12327	.O-RING	1	1	
10	97095-05016	.BOLT	1	1	
11	92995-05600	.WASHER	1	1	
12	663-48344-00	.CABLE END, REMOTE CONTROL	1	1	
13	90468-18008	.CLIP	1	1	
14	663-48344-00	.CABLE END, REMOTE CONTROL	1	1	
15	90468-18008	.CLIP	1	1	
16	68T-42725-10	.GROMMET	1	1	
17	63V-48511-01	HOOK, STEERING		1	AP
18	97075-08035	BOLT		1	AP
19	92995-08600	WASHER		1	AP
20	90185-08057	NUT, SELF-LOCKING		1	AP

FIG. 20 BRACKET 1



  
68R3100-C200

REF. NO.	PART NO.	DESCRIPTION	F6	F8			REMARKS
1	68T-43111-02-4D	BRACKET, CLAMP	1	1			
2	68T-43112-02-4D	BRACKET, CLAMP	1	1			
3	6E0-43118-01	HANDLE, TRANSOM CLAMP	2	2			
4	90243-04M01	PIN	2	2			
5	677-43116-01	SCREW, TRANSOM CLAMP	2	2			
6	648-43114-01	PAD, TRANSOM CLAMP	2	2			
7	68T-43131-00	BOLT, CLAMP BRACKET (L:215.5MM)	1	1			
8	90386-22MA4	BUSH	2	2			
9	66R-43113-00	PLATE, CLAMP BRACKET	1	1			
10	90185-22043	NUT, SELF-LOCKING	2	2			
11	90387-06M13	COLLAR	1	1			
12	90101-06M18	BOLT	1	1			
13	92990-06600	WASHER, PLATE	1	1			
14	95380-06700	NUT	1	1			
15	6L2-43160-01	TILT ROD ASSY	1	1			
16	689-43165-00	.PLATE, TILT LOCK	1	1			
17	91690-30008	.PIN, SPRING	1	1			
18	90502-10M07	SPRING, CONICAL	1	1			
19	68T-43311-00-4D	BRACKET, SWIVEL 1	1	1			S
	68T-43311-10-4D	BRACKET, SWIVEL 1	1	1			L
20	68T-43631-00	LEVER, TILT	1	1			
21	68T-43616-00	ROD, TILT LOCK	1	1			
22	68T-43646-00	SHAFT, LEVER	1	1			
23	68T-43641-00	LEVER, TILT	1	1			
24	68T-43617-00	ROD, TILT LOCK	1	1			
25	99080-05600	CIRCLIP	2	2			
26	68T-43350-00	RECEIVER ASSY	1	1			

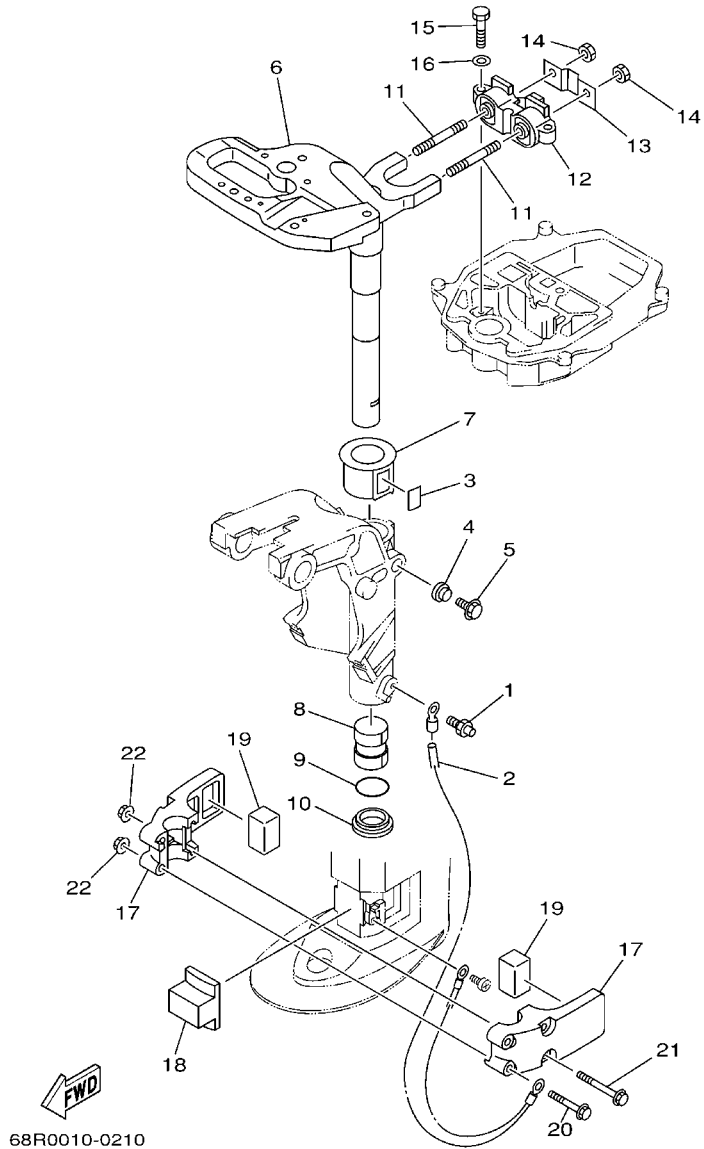


68R3100-C200

FIG. 20 BRACKET 1

REF. NO.	PART NO.	DESCRIPTION	F6	F8		REMARKS
27	90506-18M41	SPRING, TENSION	1	1		S
	90506-20005	SPRING, TENSION	1	1		L
28	63V-43191-00	SHAFT, STOPPER	1	1		
29	99080-05600	CIRCLIP	1	1		
30	68T-43614-00	PLATE, TILT LOCK	1	1		
31	90506-20M42	SPRING, TENSION	2	2		S
	90506-23003	SPRING, TENSION	2	2		L
32	68T-43615-00	PLATE, TILT LOCK	1	1		
33	68T-43611-00	SHAFT, TILT LOCK	1	1		
34	93430-04M03	CIRCLIP	1	1		
35	68T-43659-00	SHAFT, REVERSE LOCK	1	1		
36	99080-05600	CIRCLIP	1	1		
37	68T-43627-00	STOPPER	2	2		
38	90109-06M84	BOLT	4	4		
39	90206-10M24	WASHER, WAVE	2	2		
40	63V-82377-50	LABEL (SPARK,IGNITION)	1	1		FOR CAN

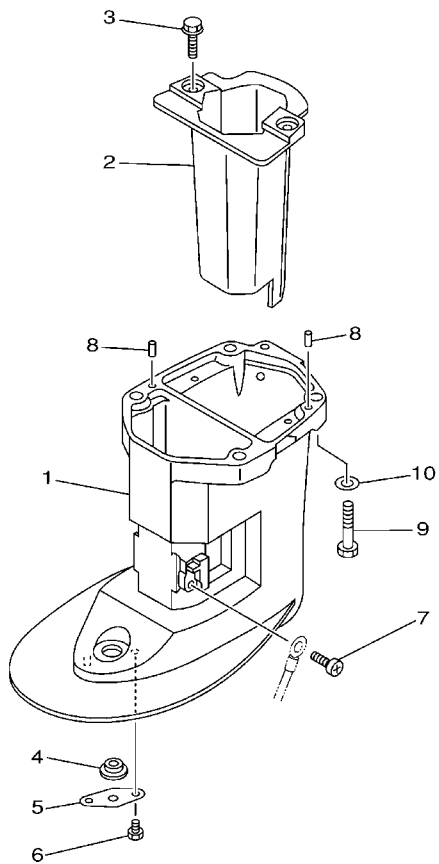
FIG. 21 BRACKET 2



REF. NO.	PART NO.	DESCRIPTION	F6	F8	REMARKS
1	93700-06M03	NIPPLE, GREASE	1	1	
2	68T-82127-00	WIRE, LEAD 2	1	1	
3	63V-42528-00	PLATE, FRICTION	1	1	
4	689-43373-01	SEAL, DAMPER	1	1	
5	90105-06M07	BOLT, FLANGE	1	1	
6	68T-42511-01-4D	BRACKET, STEERING	1	1	S
	68T-42511-11-4D	BRACKET, STEERING	1	1	L
7	63V-42537-00	BUSHING, PIVOT SHAFT	1	1	
8	90386-30048	BUSH	1	1	
9	93210-29M94	O-RING	1	1	
10	90386-30M60	BUSH	1	1	
11	90116-08M54	BOLT, STUD	2	2	
12	68T-44517-00-94	MOUNT RUBBER	1	1	
13	68T-44526-00	PLATE	1	1	
14	95380-08600	NUT	2	2	
15	97075-06025	BOLT	2	2	
16	92995-06600	WASHER	2	2	
17	68T-44551-00-4D	HOUSING, LOWER MOUNT RUBBER	2	2	
18	68T-44557-00	MOUNT DAMPER, LOWER FRONT	1	1	
19	682-44555-00	MOUNT DAMPER, LOWER SIDE	2	2	
20	90119-06012	BOLT, WITH WASHER	2	2	
21	90119-06013	BOLT, WITH WASHER	2	2	
22	90179-06M28	NUT	4	4	



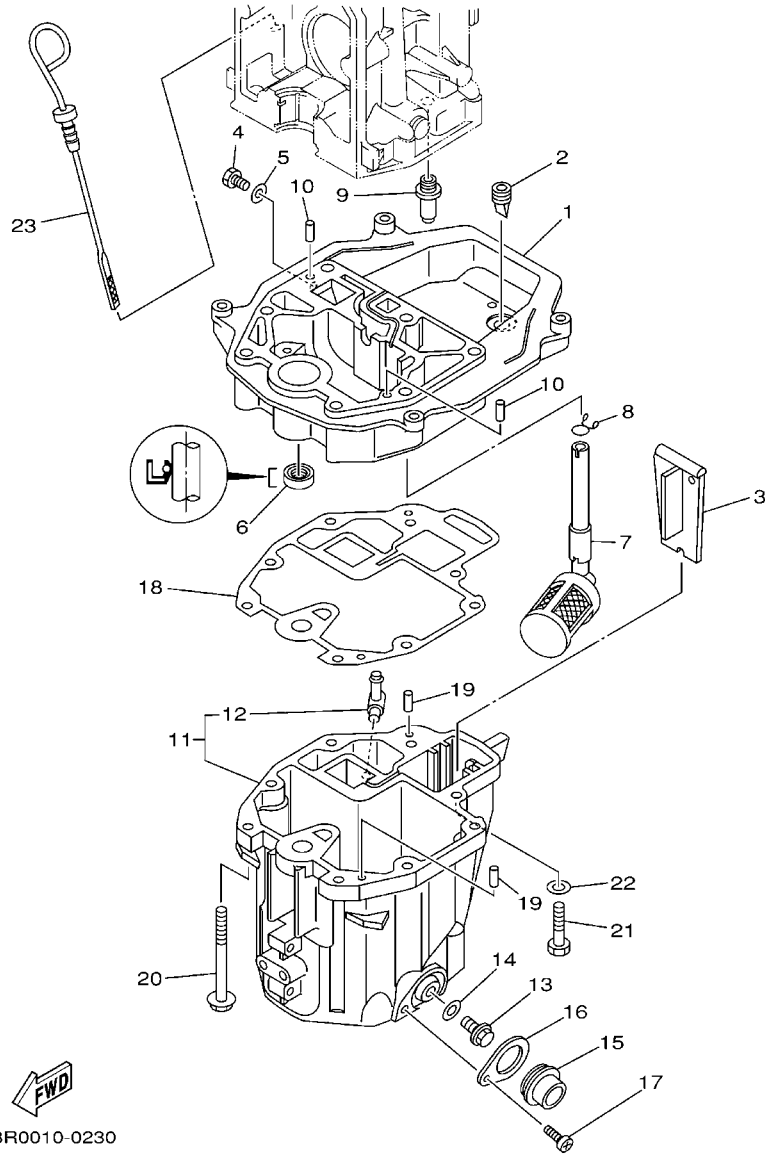
**FIG. 22 UPPER CASING**



68R0010-0220

REF. NO.	PART NO.	DESCRIPTION	F6	F8				REMARKS
1	68T-45111-00-4D	CASING, UPPER	1	1				S
	68T-45111-10-4D	CASING, UPPER	1	1				L
2	68T-14711-00-5B	MUFFLER 1	1	1				
3	97575-06514	BOLT, WITH WASHER	2	2				
4	90480-14M54	GROMMET	1	1				
5	68T-45321-00	PLATE	1	1				
6	97095-06008	BOLT	1	1				
7	97885-05008	SCREW, PAN HEAD	1	1				
8	93604-12M07	PIN, DOWEL	2	2				
9	97075-08035	BOLT	4	4				
10	92995-08600	WASHER	4	4				

FIG. 23 OIL PAN



68R0010-0230

REF. NO.	PART NO.	DESCRIPTION	F6	F8			REMARKS
1	68T-41137-00-94	GUIDE, EXHAUST	1	1			
2	65W-42717-00	RUBBER, SEAL 2	1	1			
3	68T-45181-00	PLATE	1	1			
4	97095-08014	BOLT	1	1			
5	90430-08143	GASKET	1	1			
6	93101-12M70	OIL SEAL	1	1			
7	68T-13421-01	STRAINER 2	1	1			
8	90467-11M08	CLIP	1	1			
9	6G8-11575-00	RELIEF VALVE ASSY	1	1			
10	93606-19M23	PIN, DOWEL	2	2			
11	68T-15311-00-5B	OIL PAN	1	1			
12	6H1-11372-00	.NIPPLE, HOSE	1	1			
13	90340-10M10	PLUG, STRAIGHT SCREW	1	1			
14	90430-10M11	GASKET	1	1			
15	68T-15316-00	DAMPER, ENGINE MOUNT 1	1	1			
16	68T-15317-00	SPACER, ENGINE MOUNT	1	1			
17	97885-05008	SCREW, PAN HEAD	1	1			
18	68T-13475-00	GASKET	1	1			
19	93604-12M07	PIN, DOWEL	2	2			
20	90119-08005	BOLT, WITH WASHER	6	6			
21	97075-08030	BOLT	2	2			
22	92995-08600	WASHER	2	2			
23	68T-15362-00	PLUG, OIL LEVEL	1	1			

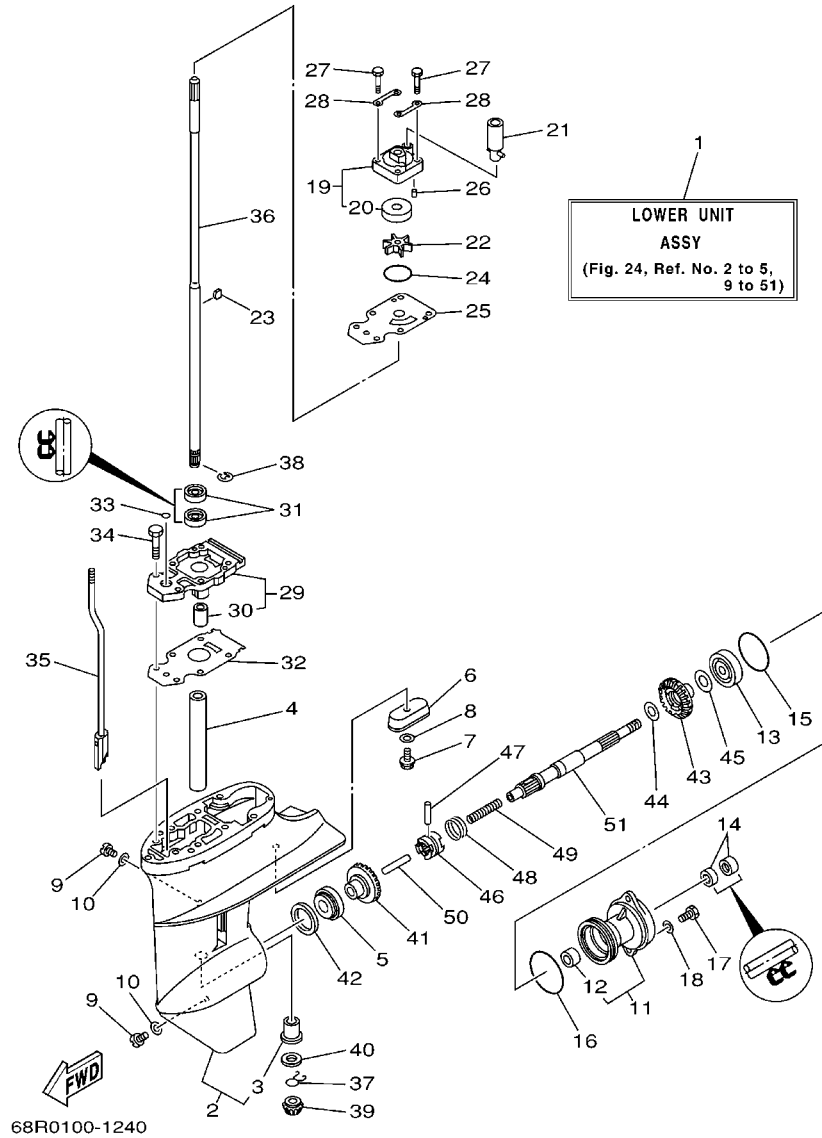


FIG. 24 LOWER CASING. DRIVE 1

REF. NO.	PART NO.	DESCRIPTION	F6	F8		REMARKS
1	68T-45300-00-4D	LOWER UNIT ASSY	1	1		S
	68T-45300-10-4D	LOWER UNIT ASSY	1	1		L
2	68T-45311-00-4D	CASING, LOWER	1	1		
3	6G1-45317-09	.BUSHING, DRIVE SHAFT	1	1		
4	90387-14M49	COLLAR	1	1		
5	93306-004U0	BEARING	1	1		
6	68T-45251-00	ANODE	1	1		
7	95895-06016	BOLT, FLANGE	1	1		
8	92990-06300	WASHER, INTERNAL TOOTH	1	1		
9	90340-08002	PLUG, STRAIGHT SCREW	2	2		
10	90430-08020	GASKET	2	2		
11	6G1-45361-01-4D	CAP, LOWER CASING	1	1		
12	6G1-45362-09	.BUSHING	1	1		
13	93306-004U0	BEARING	1	1		
14	93101-15074	OIL SEAL	2	2		
15	93210-49046	O-RING	1	1		
16	93210-53M08	O-RING	1	1		
17	97095-06016	BOLT	2	2		
18	92995-06600	WASHER	2	2		
19	63V-44301-00	WATER PUMP HOUSING COMP.	1	1		
20	63V-44322-00	.INSERT, CARTRIDGE	1	1		
21	68T-44366-00	DAMPER, WATER SEAL	1	1		
22	68T-44352-00	IMPELLER	1	1		
23	664-44338-00	KEY, WOODRUFF	1	1		
24	93210-44398	O-RING	1	1		
25	68T-44323-00	OUTER PLATE, CARTRIDGE	1	1		
26	93604-12M07	PIN, DOWEL	2	2		

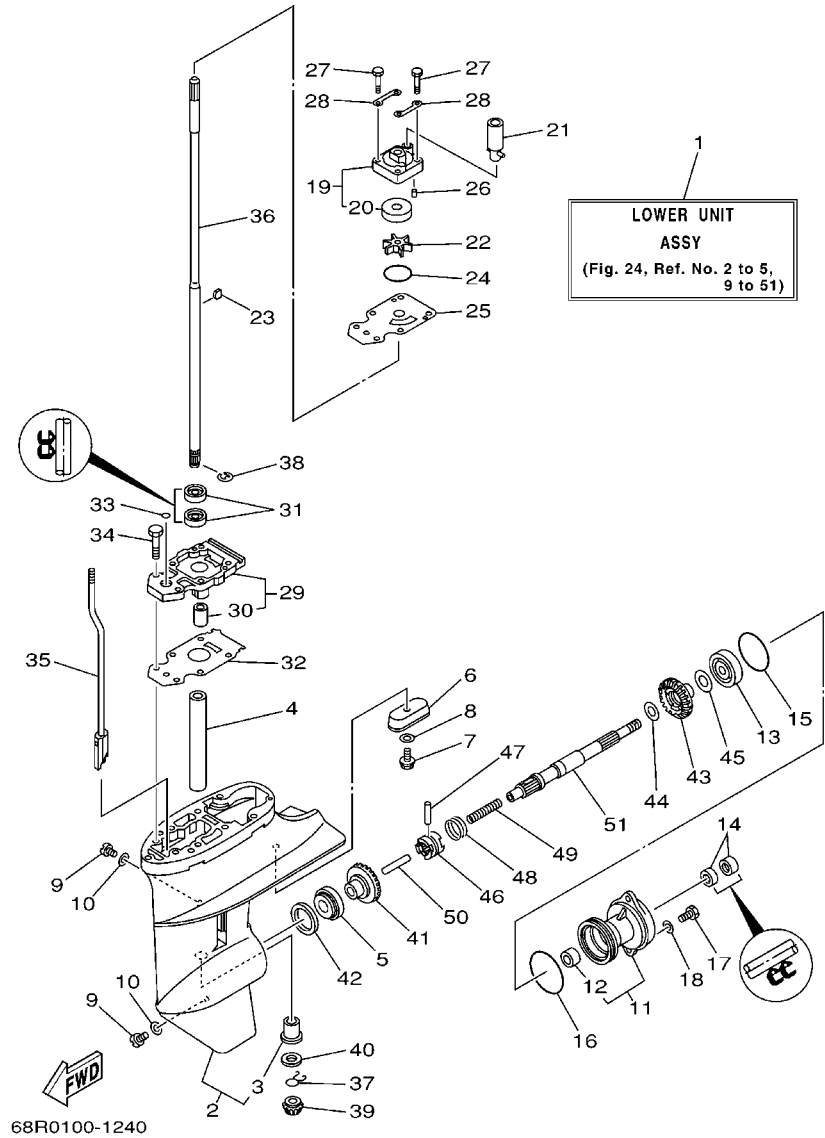


FIG. 24 LOWER CASING. DRIVE 1

REF. NO.	PART NO.	DESCRIPTION	F6	F8	REMARKS
27	97080-08045	BOLT	4	4	
28	63V-44328-00	PLATE	2	2	
29	68T-45331-00-5B	HOUSING, BEARING	1	1	
30	6G1-45316-09	.BUSHING, DRIVE SHAFT	1	1	
31	93101-11M23	OIL SEAL	2	2	
32	68T-45315-A0	PACKING, LOWER CASING	1	1	
33	93210-06ME6	O-RING	1	1	
34	97080-08025	BOLT	2	2	
35	68T-44150-00	SHIFT CAM ASSY	1	1	
36	68T-45511-00	SHAFT, DRIVE	1	1	S
	68T-45511-10	SHAFT, DRIVE	1	1	L
37	90467-09M05	CLIP	1	1	
38	99001-07600	CIRCLIP	1	1	
39	68T-45551-00	PINION	1	1	
40	6G1-45533-00-19	SHIM (T:1.9MM)	1	1	UR
	6G1-45533-00-20	SHIM (T:2.0MM)	1	1	UR
	6G1-45533-00-21	SHIM (T:2.1MM)	1	1	UR
	6G1-45533-00-22	SHIM (T:2.2MM)	1	1	UR
41	68T-45560-00	GEAR	1	1	
42	664-45587-01-10	SHIM (T:0.10MM)	1	1	UR
	664-45587-01-12	SHIM (T:0.12MM)	1	1	UR
	664-45587-01-15	SHIM (T:0.15MM)	1	1	UR
	664-45587-01-18	SHIM (T:0.18MM)	1	1	UR
	664-45587-01-30	SHIM (T:0.30MM)	1	1	UR
	664-45587-01-40	SHIM (T:0.40MM)	1	1	UR
	664-45587-01-50	SHIM (T:0.50MM)	1	1	UR
43	68T-45571-00	GEAR	1	1	

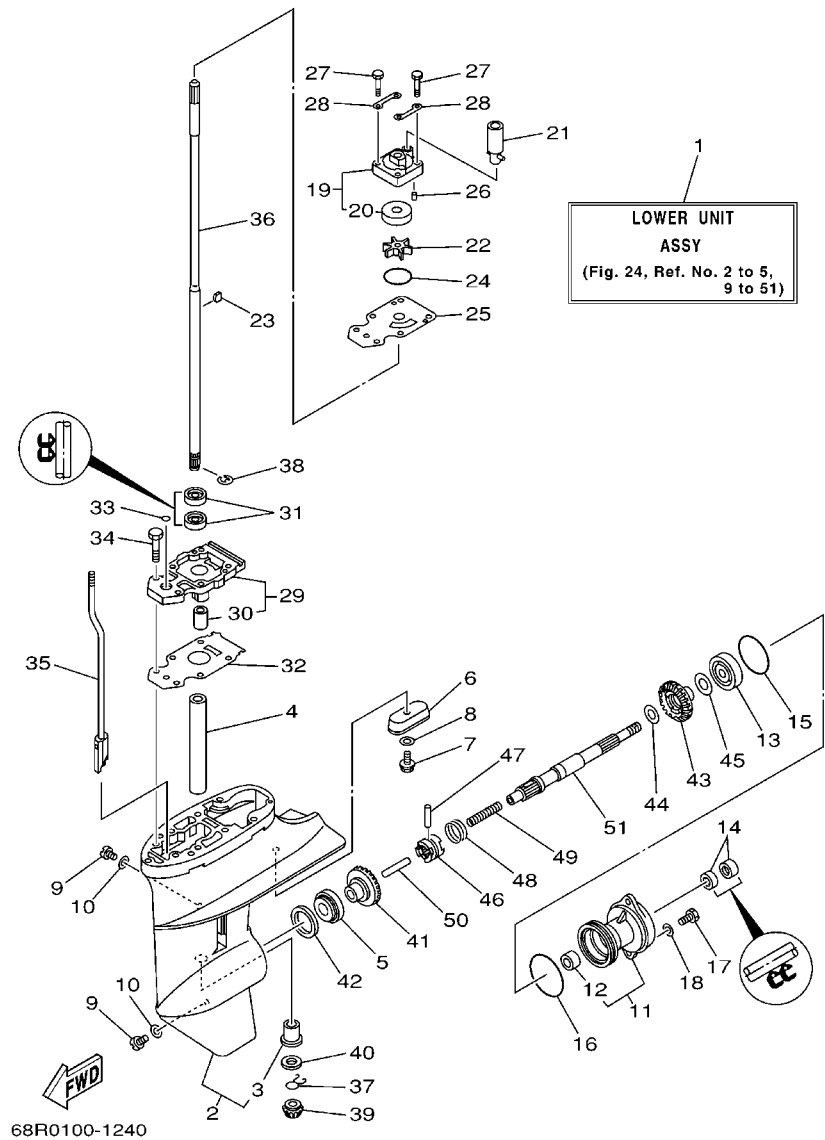
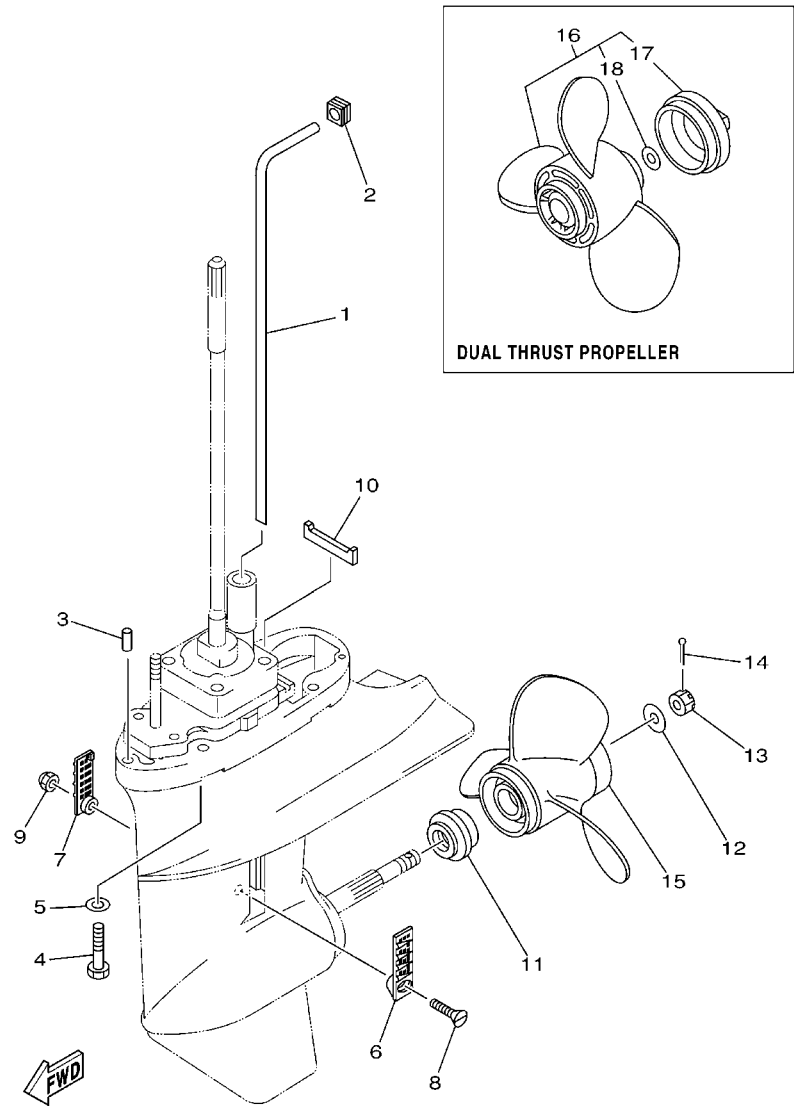


FIG. 24 LOWER CASING. DRIVE 1

REF. NO.	PART NO.	DESCRIPTION	F6	F8	REMARKS
44	90201-15M89	WASHER, PLATE	1	1	
45	647-45567-00	SHIM (T:0.10MM)	1	1	UN
46	68T-45631-00	CLUTCH, DOG	1	1	
47	6G1-45632-00	PIN, CROSS	1	1	
48	654-45633-00	RING, CROSS PIN	1	1	
49	90501-12M05	SPRING, COMPRESSION	1	1	
50	6G1-45635-00	PLUNGER, SHIFT	1	1	
51	68T-45611-00	SHAFT, PROPELLER	1	1	
-----					
-----					
-----					
-----					
-----					
-----					
-----					
-----					



DUAL THRUST PROPELLER

68R0100-0230

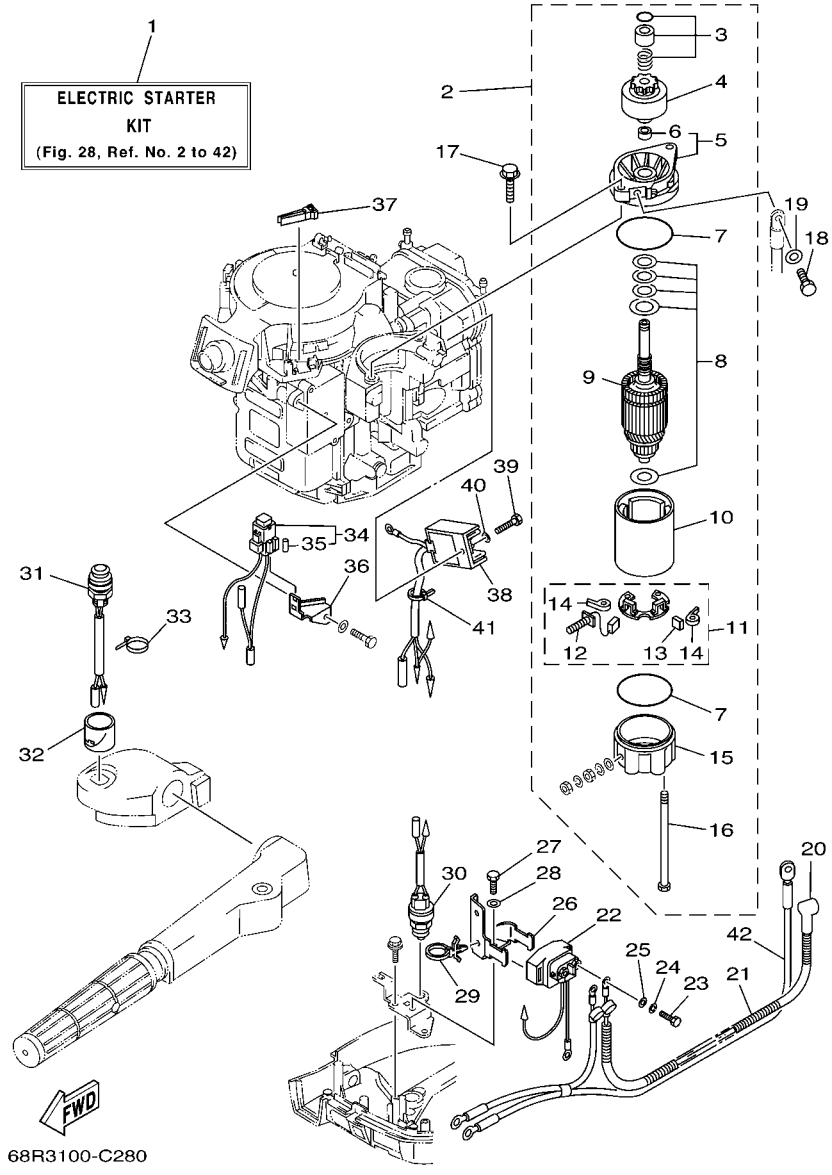
FIG. 25 LOWER CASING. DRIVE 2

REF. NO.	PART NO.	DESCRIPTION	F6	F8		REMARKS
1	68T-44361-00	TUBE, WATER	1	1		S
	68T-44361-10	TUBE, WATER	1	1		L
2	63V-44365-10	DAMPER, WATER SEAL	1	1		
3	93604-12M07	PIN, DOWEL	2	2		
4	97075-08035	BOLT	4	4		
5	92995-08600	WASHER	4	4		
6	6G1-45214-00	COVER, WATER INLET	1	1		
7	6G1-45215-00	COVER, WATER INLET	1	1		
8	90152-05M03	SCREW, COUNTERSUNK	1	1		
9	90185-05002	NUT, SELF-LOCKING	1	1		
10	63V-45375-00	DAMPER, SEAL	1	1		
11	6G1-45987-02	SPACER	1	1		
12	90201-10M01	WASHER, PLATE	1	1		
13	90171-10M01	NUT, CASTLE	1	1		
14	91490-30020	PIN, COTTER	1	1		
15	6G1-45941-00-EL	PROPELLER (3X8-1/2"X8-1/2"-N)	1	1		UR
	6G1-45943-00-EL	PROPELLER (3X8-1/2"X7-1/2"-N)	1	1		UR
	6G1-45947-00-EL	PROPELLER (3X8-1/2"X6-1/2"-N)	1	1		UR
	6G1-45952-00-EL	PROPELLER (3X8-1/2"X8"-N)	1	1		UR
16	6G1-W4591-01-EL	PROPELLER (3X9"X7"-N)	1	1		UR
	6G1-W4592-00-EL	PROPELLER (3X9"X5"-N)	1	1		UR
17	6G1-45616-01	.NUT, PROPELLER	1	1		
18	90201-10M02	.WASHER, PLATE	1	1		



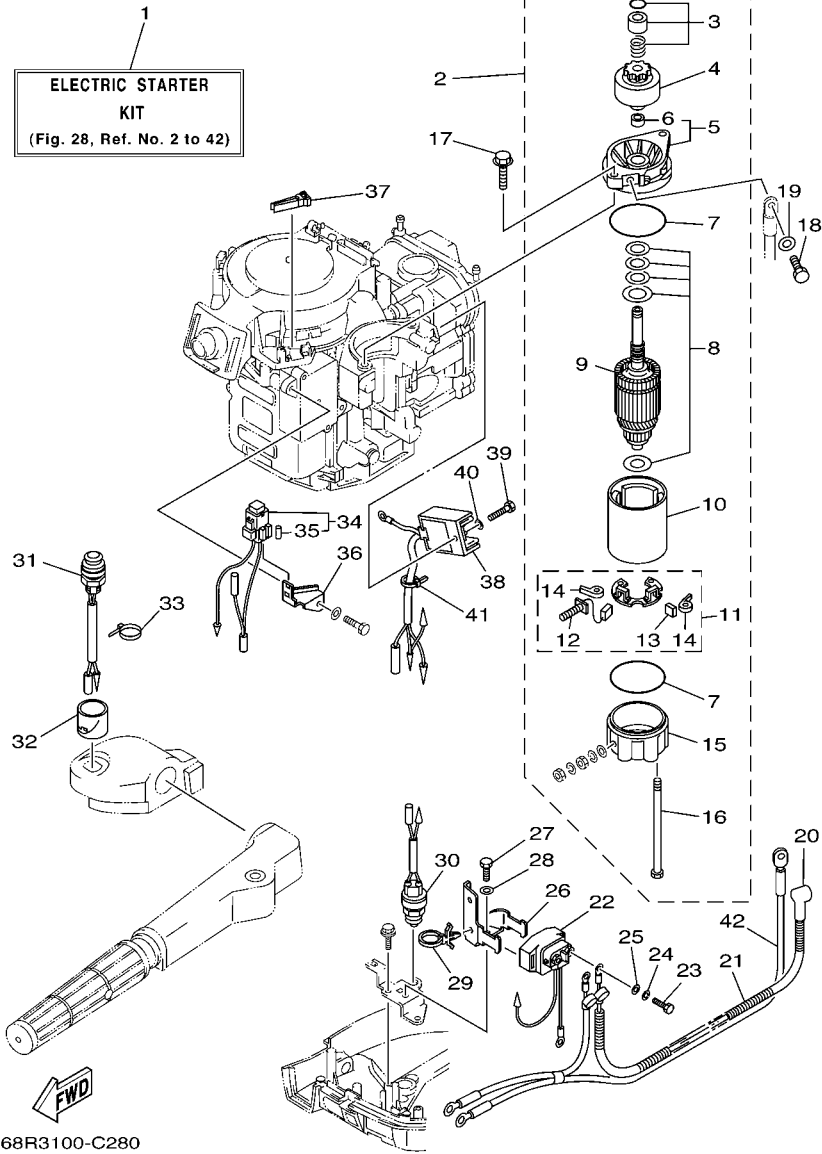






**FIG. 28 OPTIONAL PARTS 1**

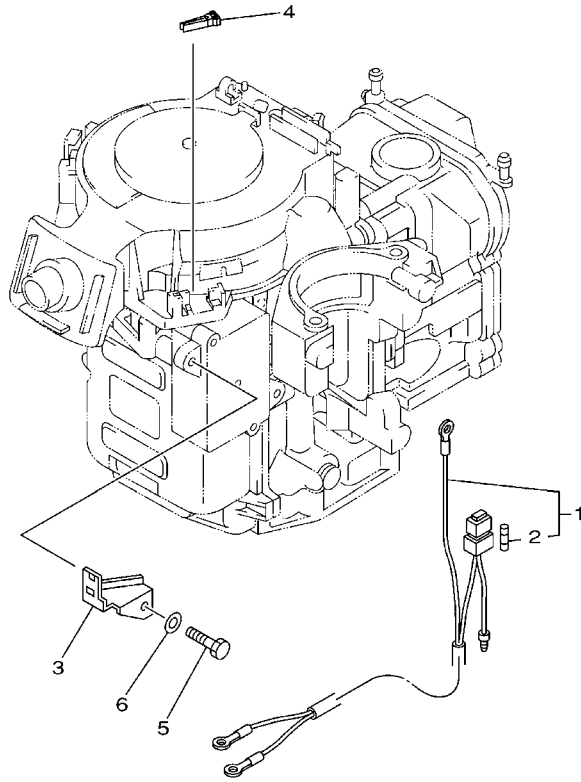
REF. NO.	PART NO.	DESCRIPTION	F6	F8	REMARKS
1	68R-W8180-10	ELECTRIC STARTER KIT		1	AP FOR USA
2	68T-81800-00	STARTING MOTOR ASSY		1	
3	68T-81857-00	.RETAINER		1	
4	689-81807-12	.GEAR ASSY, STARTING MOTOR		1	
5	6F5-81830-10	.FRONT BRACKET ASSY		1	
6	689-81831-00	..METAL, FRONT		1	
7	689-81847-11	.O-RING		2	
8	689-81809-11	.WASHER KIT		1	
9	689-81850-11	.ARMATURE ASSY		1	
10	689-81810-11	.STATOR ASSY		1	
11	689-81840-11	.BRUSH HOLDER ASSY		1	
12	689-81811-11	..BRUSH 1		1	
13	689-81812-11	..BRUSH 2		1	
14	689-81813-10	..SPRING, BRUSH		2	
15	689-81820-11	.REAR BRACKET ASSY		1	
16	689-81826-10	.BOLT		2	
17	90119-08M76	BOLT, WITH WASHER		2	
18	97095-08016	BOLT		1	
19	92995-08600	WASHER		1	
20	6G8-82117-00	WIRE, LEAD		1	
21	90446-10M86	HOSE		1	
22	68T-81940-00	STARTER RELAY ASSY		1	
23	97095-06010	BOLT		2	
24	92995-06100	WASHER, SPRING		2	
25	92995-06600	WASHER		2	
26	68T-81945-00	PLATE, SWITCH FITTING		1	
27	97095-06012	BOLT		1	



**FIG. 28 OPTIONAL PARTS 1**

REF. NO.	PART NO.	DESCRIPTION	F6	F8	REMARKS
28	92995-06600	WASHER		1	
29	90465-12M56	CLAMP		1	
30	6F5-82540-00	NEUTRAL SWITCH ASSY		1	
31	68T-81870-00	STARTING SWITCH ASSY		1	
32	68T-81821-00	COVER, SWITCH		1	
33	90465-11M10	CLAMP		1	
34	68T-82150-00	FUSE HOLDER ASSY		1	
35	66V-82151-00	.FUSE (10A-BL)		2	
36	68T-82171-00	STAY, FUSE BOX		1	
37	67F-2812A-00	PULLER, FUSE		1	
38	68T-81960-00	RECTIFIER & REGULATOR ASSY		1	
39	97095-06012	BOLT		1	
40	92995-06600	WASHER		1	
41	90465-11M10	CLAMP		1	
42	68T-82105-00	WIRE HARNESS		1	

**FIG. 29 OPTIONAL PARTS 2**

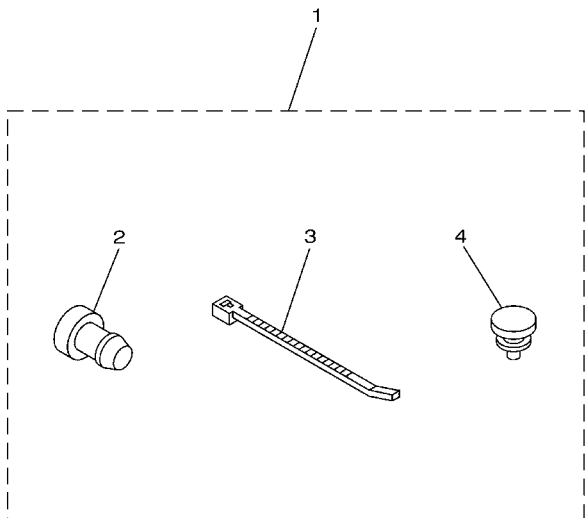


REF. NO.	PART NO.	DESCRIPTION	F6	F8		REMARKS
1	68T-81949-00	WIRE, LEAD	1	1		AP
2	66V-82151-00	.FUSE (10A-BL)	2	2		
3	68T-82171-00	STAY, FUSE BOX	1	1		AP
4	67F-2812A-00	PULLER, FUSE	1	1		AP
5	97095-06012	BOLT	1	1		AP
6	92995-06600	WASHER	1	1		AP
-----						
-----						
-----						
-----						
-----						
-----						
-----						
-----						
-----						
-----						



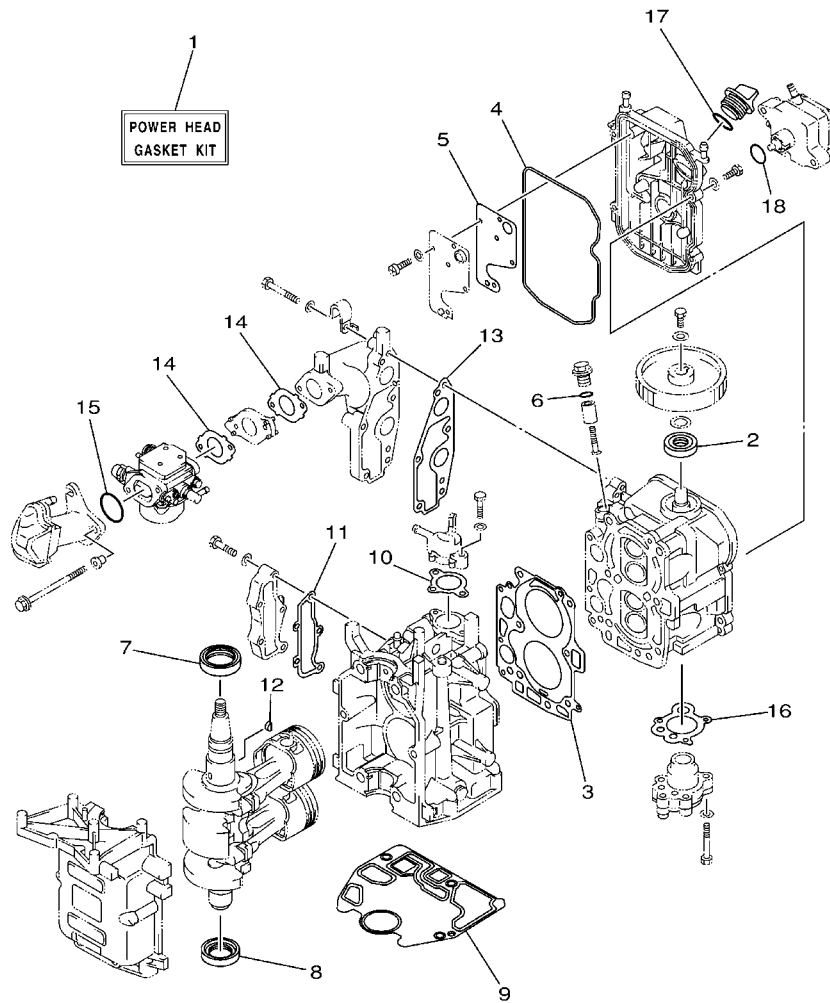
68R1100-2280

**FIG. 30 OPTIONAL PARTS 3**



REF. NO.	PART NO.	DESCRIPTION	LF8	LF8		REMARKS
1	69G-W1257-00	FLUSHING ELIMINATION KIT	1	1		AP FOR USA,CAN
2	90338-07M16	.PLUG	1	1		
3	90465-11M10	.CLAMP	1	1		
4	90480-06M19	.GROMMET	2	2		

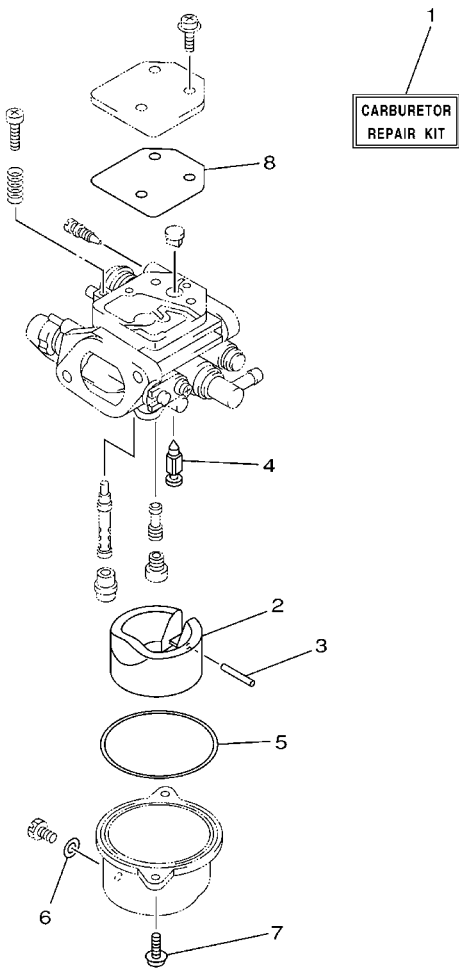
68R1100-2290



68R0100-0250

FIG. 31 REPAIR KIT 1

REF. NO.	PART NO.	DESCRIPTION	F6	F8	REMARKS
1	68T-W0001-00	POWER HEAD GASKET KIT	1	1	
2	93102-18M21	.OIL SEAL	1	1	
3	68T-11181-00	.GASKET, CYLINDER HEAD 1	1	1	
4	68T-11356-00	.SEAL, CYLINDER 2	1	1	
5	68T-11169-A0	.GASKET, BREATHER COVER	1	1	
6	93210-13M63	.O-RING	1	1	
7	93102-30M22	.OIL SEAL	1	1	
8	93101-25M69	.OIL SEAL	1	1	
9	68T-11351-00	.GASKET, CYLINDER	1	1	
10	6G8-12414-A0	.GASKET, COVER	1	1	
11	68T-41114-A0	.GASKET, EXHAUST OUTER COVER	1	1	
12	90280-03M01	.KEY, WOODRUFF	1	1	
13	68T-13645-00	.GASKET, MANIFOLD 1	1	1	
14	68T-13646-A0	.GASKET, MANIFOLD 2	2	2	
15	93210-31MJ5	.O-RING	1	1	
16	68T-13329-00	.GASKET, PUMP COVER	1	1	
17	93210-24M79	.O-RING	1	1	
18	93210-20M65	.O-RING	1	1	

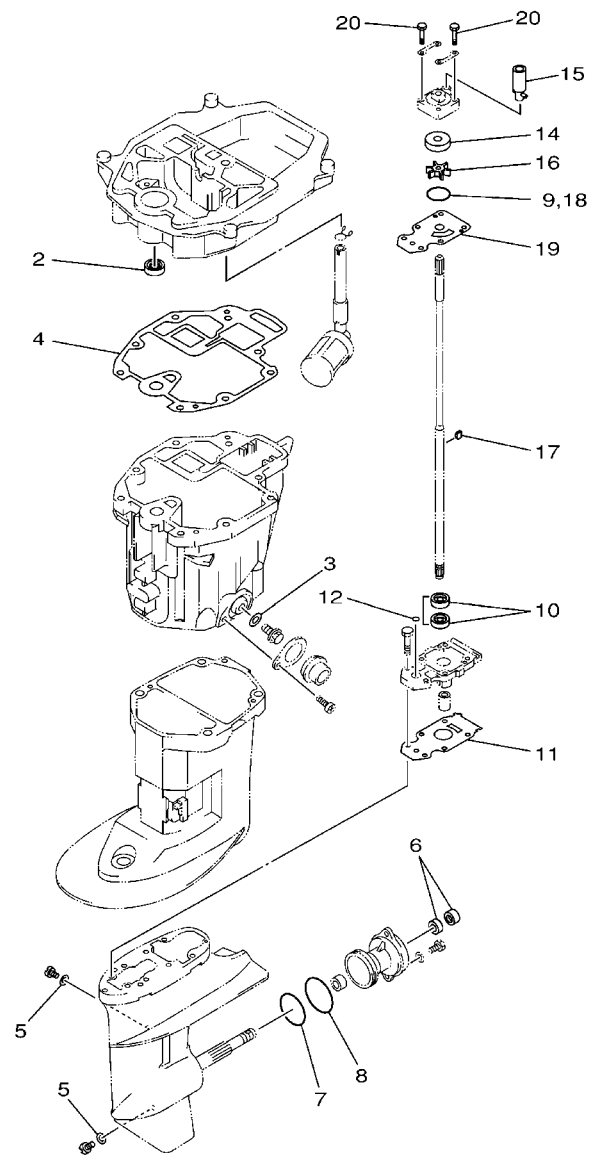


68R0100-0260

FIG. 32 REPAIR KIT 2

REF. NO.	PART NO.	DESCRIPTION	F6	F8		REMARKS
1	68T-W0093-00	CARBURETOR REPAIR KIT	1	1		
2	68T-14385-00	.FLOAT	1	1		
3	67D-14386-00	.PIN, FLOAT	1	1		
4	68T-14546-00	.VALVE, NEEDLE	1	1		
5	67D-14984-00	.GASKET, FLOAT CHAMBER	1	1		
6	6J8-14959-00	.GASKET	1	1		
7	97980-04112	.SCREW, WITH WASHER	2	2		
8	67D-14536-00	.GASKET	1	1		

**FIG. 33 REPAIR KIT 3**



68R0100-0270

REF. NO.	PART NO.	DESCRIPTION	F6	F8	REMARKS
1	68T-W0001-20	LOWER UNIT GASKET KIT	1	1	
2	93101-12M70	.OIL SEAL	1	1	
3	90430-10M11	.GASKET	1	1	
4	68T-13475-00	.GASKET	1	1	
5	90430-08020	.GASKET	2	2	
6	93101-15074	.OIL SEAL	2	2	
7	93210-49046	.O-RING	1	1	
8	93210-53M08	.O-RING	1	1	
9	93210-44398	.O-RING	1	1	
10	93101-11M23	.OIL SEAL	2	2	
11	68T-45315-A0	.PACKING, LOWER CASING	1	1	
12	93210-06ME6	.O-RING	1	1	
13	68T-W0078-00	WATER PUMP REPAIR KIT	1	1	
14	63V-44322-00	.INSERT, CARTRIDGE	1	1	
15	68T-44366-00	.DAMPER, WATER SEAL	1	1	
16	68T-44352-00	.IMPELLER	1	1	
17	664-44338-00	.KEY, WOODRUFF	1	1	
18	93210-44398	.O-RING	1	1	
19	68T-44323-00	.OUTER PLATE, CARTRIDGE	1	1	
20	97080-08045	.BOLT	4	4	

**B1**

NUMERICAL INDEX

PART NO.	REF. NO.	PART NO.	REF. NO.	PART NO.	REF. NO.	PART NO.	REF. NO.	PART NO.	REF. NO.	PART NO.	REF. NO.
68T-11111-01-1S	4 - 2	68T-12413-00-1S	2 - 7	67D-14527-00	7 - 18	6YL-24201-02	26 - 1	66R-42101-01-4D	16 - 2	68T-42741-00	15 - 20
67D-11133-10	4 - 3	6G8-12414-A0	2 - 8	67D-14536-00	7 - 17	68T-24251-00	9 - 7	67D-42119-00	16 - 13	68T-42771-00	15 - 26
68T-11168-00	4 - 14		31 - 10		32 - 8	6YL-24260-01	26 - 4	68T-42121-10-4D	16 - 52	6H8-42791-10	15 - 40
68T-11169-A0	4 - 15	68T-12481-00	2 - 10	68T-14546-00	7 - 8	6YL-24268-01	26 - 7	65W-42125-00	16 - 10	68T-42801-00	15 - 6
	31 - 5	6E5-12481-00	15 - 29		32 - 4	6G1-24304-02	9 - 1	6G1-42126-00	16 - 9	68T-43111-02-4D	20 - 1
68T-11181-00	4 - 4	67F-12482-00	6 - 2	68T-14711-00-5B	22 - 2	6E5-24305-05	10 - 2	66R-42129-00	16 - 33	68T-43112-02-4D	20 - 2
	31 - 3	68T-12482-00	2 - 16	68T-1492A-00	7 - 11	6Y2-24305-05	10 - 4	66M-42131-01	16 - 27	66R-43113-00	20 - 9
68T-11191-00-1S	4 - 9	68T-12483-00	6 - 14	68T-1492E-37	7 - 9	6YL-24306-53	26 - 8	68R-42137-00	16 - 14	648-43114-01	20 - 6
6G8-11197-01	4 - 20	68T-12535-00	15 - 37	68T-1492F-1K	7 - 10	6Y2-24306-55	10 - 1	68T-42137-00	16 - 14	677-43116-01	20 - 5
6G8-11325-00	4 - 18	68T-12572-00	15 - 35	6J8-14959-00	7 - 14	61N-24329-00	9 - 2	68T-42138-01	16 - 7	6E0-43118-01	20 - 3
68T-11351-00	2 - 5	6R3-12581-00	15 - 34		32 - 6	6YL-24329-00	26 - 6	65W-42159-00	16 - 8	68T-43131-00	20 - 7
	31 - 9	6R3-12582-00	15 - 32	67D-14966-00	7 - 6	6E5-24351-51	10 - 7	66R-42171-00	16 - 22	6E5-43145-01	27 - 9
68T-11356-00	4 - 11	6R3-12583-00	15 - 33	68T-14981-00	7 - 13	6Y2-24360-60	10 - 9	67D-42177-00	16 - 12	68T-43155-00	17 - 18
	31 - 4	66M-13131-00	9 - 18	67D-14984-00	7 - 12	66M-24374-00	9 - 19	68T-42508-00	17 - 1	6L2-43160-01	20 - 15
6H1-11372-00	23 - 12	68T-13300-00	8 - 15		32 - 5	650-24378-00	4 - 10	68T-42511-01-4D	21 - 6	689-43165-00	20 - 16
68T-11411-00	3 - 3	68T-13329-00	8 - 16	66T-14991-00	7 - 15		6 - 2	68T-42511-11-4D	21 - 6	63V-43191-00	20 - 28
68T-11416-00	3 - 4		31 - 16	68T-15100-10-1S	2 - 2	6E9-24378-00	2 - 13	68T-42525-01	17 - 2	68T-43311-00-4D	20 - 19
68T-11416-10	3 - 4	68T-13421-01	23 - 7	68T-15311-00-5B	23 - 11	68T-24410-00	9 - 12	68T-42527-00	17 - 16	68T-43311-10-4D	20 - 19
68T-11416-20	3 - 4	67F-13434-02	1 - 14	68T-15316-00	23 - 15	66M-24411-00	9 - 16	63V-42528-00	21 - 3	68T-43350-00	20 - 26
68T-11536-00	8 - 8	68T-13437-41	8 - 20	68T-15317-00	23 - 16	66M-24413-01	9 - 13	65W-42528-00	17 - 9	689-43373-01	21 - 4
66M-11537-00-94	8 - 3	68T-13437-51	8 - 20	68T-15362-00	23 - 23	6A0-24421-01	9 - 14	63V-42537-00	21 - 7	68T-43611-00	20 - 33
68T-11557-00	8 - 9	62Y-13444-40	15 - 41	6G8-15363-00	4 - 22	66M-24423-00	9 - 17	68T-42561-00	17 - 7	68T-43614-00	20 - 30
6G8-11575-00	23 - 9	62Y-13444-50	15 - 41	63V-15705-01	11 - 9	66M-24444-00	9 - 22	67C-42562-00	17 - 5	68T-43615-00	20 - 32
6G8-11587-01	8 - 10	68T-13475-00	23 - 18	68T-15710-01	11 - 1	66M-24454-00	9 - 20	68R-42610-20-4D	1 - 1	68T-43616-00	20 - 21
68T-11603-01	3 - 8		33 - 4	68T-15711-01	11 - 2	66M-24471-00	9 - 21	68T-42610-20-4D	1 - 1	68T-43617-00	20 - 24
68T-11604-01	3 - 8	68T-13641-00-1S	6 - 1	63V-15713-00	11 - 7	6YL-24610-00	26 - 2	68T-42613-00	1 - 2	68T-43627-00	20 - 37
68T-11605-01	3 - 8	68T-13641-20-1S	6 - 1	63V-15714-00	11 - 5	6YL-24641-00	26 - 3	68T-42615-00	1 - 6	68T-43631-00	20 - 20
68T-11631-00-96	3 - 7	68T-13645-00	6 - 3	68T-15716-00	11 - 8	68T-26301-11	16 - 20	68T-42649-00	1 - 10	689-43633-00	17 - 8
68T-11633-00	3 - 9		31 - 13	6G9-1571Y-40	16 - 57	68T-26367-00	15 - 15	6G1-42651-02	1 - 4	68T-43641-00	20 - 23
68T-11635-00	3 - 7	68T-13646-A0	6 - 8	6G9-1571Y-50	16 - 57	68T-26393-00	15 - 14	68T-42652-00	1 - 7	68T-43646-00	20 - 22
68T-11636-00	3 - 7		31 - 14	66T-15731-00	11 - 22	68T-28100-00	9 - 34	68R-42677-00	1 - 13	68T-43659-00	20 - 35
68T-11650-00	3 - 5	68T-14126-00	7 - 19	66T-15734-00	11 - 20	67F-2812A-00	28 - 37	68T-42677-00	1 - 13	66R-44111-00-4D	16 - 30
67D-11654-00	3 - 6	68T-14271-00	6 - 9	63V-15741-00	11 - 6		29 - 4	68R-42678-20	1 - 11	68T-44111-10	19 - 8
67D-12111-00	5 - 1	68T-14301-00	7 - 1	63V-15744-00	11 - 12	61H-2819R-31	9 - 33	68T-42678-20	1 - 11	68T-44113-01	16 - 39
68T-12113-00	5 - 4	68R-14301-11	7 - 1	6G1-15755-00	11 - 15	68T-41113-00-1S	2 - 12	68T-42710-00-4D	15 - 1	66R-44114-00	16 - 46
68T-12116-00	5 - 3	68T-14301-11	7 - 1	68T-15762-00	11 - 25	68T-41114-A0	2 - 14	68T-42716-10	15 - 5	65W-44116-00	18 - 7
7NJ-12117-00	5 - 5	6E5-14321-00	7 - 2	67D-15764-00	11 - 3		31 - 11	65W-42717-00	15 - 19	66R-44116-00	16 - 40
7NJ-12118-00	5 - 6	67D-14323-00	7 - 16	68T-15764-00	11 - 14	68T-41137-00-94	23 - 1		23 - 2	66R-44117-00	18 - 8
51Y-12119-00	5 - 7	6E7-14325-00	9 - 15	63V-15767-01	11 - 10	68T-41211-00	18 - 21	68T-42717-00	15 - 25	66R-44118-00	16 - 41
67D-12121-00	5 - 2	67D-1432A-00	7 - 20	68T-15770-00	11 - 21	68T-41256-00	6 - 21	68T-42724-20	15 - 16	68T-44121-01	18 - 2
6G9-12138-40	8 - 19	6J8-14334-00	7 - 3	68T-15774-00	11 - 26	6J8-41262-00	6 - 22	68T-42725-00	15 - 13	68T-44143-00	18 - 10
6G9-12138-50	8 - 19	68T-14385-00	7 - 5	68T-15774-10	11 - 26	661-41262-02	18 - 28	6G1-42725-00	14 - 4	68T-44143-10	18 - 10
68T-12146-00	5 - 8		32 - 2	6G1-15779-00	11 - 17	6H4-41271-01	6 - 19	68T-42725-10	19 - 16	68T-44150-00	24 - 35
68T-12151-00	5 - 12	67D-14386-00	7 - 7	68T-15784-00	11 - 11	689-41273-00	6 - 20	68T-42726-00	18 - 1	66R-44173-00	16 - 31
6G8-12158-00	5 - 14		32 - 3	6A0-15789-00	11 - 18	68R-41283-00	18 - 19	6H4-42726-00	15 - 18	6E0-44191-11	16 - 47
6G8-12159-00	5 - 13	647-14395-60	18 - 29	68T-15793-00	11 - 13	68T-41283-00	18 - 19	688-42726-10	15 - 18	63V-44301-00	24 - 19
68T-12171-00	8 - 2	68T-14440-00	6 - 10	66T-15794-00	11 - 19	68T-41638-00	18 - 18	682-42727-00	15 - 10	63V-44322-00	24 - 20
66M-12411-00	2 - 6	68T-14497-00	18 - 22	68T-15795-00	11 - 4	6G1-41662-01-94	18 - 3	68T-42738-00-4D	15 - 11		33 - 14



NUMERICAL INDEX

PART NO.	REF. NO.	PART NO.	REF. NO.	PART NO.	REF. NO.	PART NO.	REF. NO.	PART NO.	REF. NO.	PART NO.	REF. NO.
68T-44323-00	24 - 25	664-45587-01-15	24 - 42	689-81850-11	28 - 9	68T-W0070-20	1 - 12	90171-10M01	25 - 13	90387-06M70	6 - 12
	33 - 19	664-45587-01-18	24 - 42	68T-81857-00	28 - 3	68T-W0078-00	33 - 13	90179-06M28	21 - 22	90387-10M42	27 - 6
63V-44328-00	24 - 28	664-45587-01-30	24 - 42	68T-81870-00	28 - 31	68T-W0084-10-4D	16 - 1	90179-10M33	16 - 54	90387-13M56	5 - 9
664-44338-00	24 - 23	664-45587-01-40	24 - 42	68T-81940-00	28 - 22	68T-W0093-00	32 - 1	90185-05002	25 - 9	90387-14M03	5 - 10
	33 - 17	664-45587-01-50	24 - 42	68T-81945-00	28 - 26	68T-W009A-02-1S	4 - 1	90185-08057	19 - 20	90387-14M49	24 - 4
68T-44352-00	24 - 22	68T-45611-00	24 - 51	68T-81949-00	29 - 1	68T-W009B-10-1S	2 - 1	90185-09M01	27 - 4	90430-08020	24 - 10
	33 - 16	6G1-45616-01	25 - 17	68T-81960-00	28 - 38	69G-W1257-00	30 - 1	90185-10M14	17 - 15		33 - 5
68T-44361-00	25 - 1	68T-45631-00	24 - 46	664-81970-61	13 - 15	6G1-W4591-01-EL	25 - 16	90185-22043	20 - 10	90430-08143	23 - 5
68T-44361-10	25 - 1	6G1-45632-00	24 - 47	68T-82105-00	28 - 42	6G1-W4592-00-EL	25 - 16	90201-06M62	16 - 49	90430-10M11	23 - 14
63V-44365-10	25 - 2	654-45633-00	24 - 48	6G8-82117-00	28 - 20	68R-W8180-10	28 - 1		18 - 23		33 - 3
68T-44366-00	24 - 21	6G1-45635-00	24 - 50	6A0-82119-00	13 - 18	90101-06M18	20 - 12	90201-06M94	8 - 6	90445-09074	6 - 7
	33 - 15	6G1-45941-00-EL	25 - 15	68T-82127-00	21 - 2	90105-06M07	21 - 5	90201-10M01	25 - 12	90445-09M20	6 - 7
6H3-44391-01	15 - 9	6G1-45943-00-EL	25 - 15	68T-82127-10	13 - 20	90105-08M36	4 - 6	90201-10M02	16 - 17	90445-10016	9 - 28
68T-44517-00-94	21 - 12	6G1-45947-00-EL	25 - 15	68T-82150-00	28 - 34	90105-08M78	4 - 7		25 - 18	90445-10M18	9 - 5
68T-44526-00	21 - 13	6G1-45952-00-EL	25 - 15	66V-82151-00	28 - 35	90109-06M80	16 - 4	90201-10M20	27 - 3	90445-10M50	9 - 8
68T-44551-00-4D	21 - 17	6G1-45987-02	25 - 11		29 - 2	90109-06M81	15 - 12	90201-10M63	27 - 8	90445-13M00	10 - 8
682-44555-00	21 - 19	68T-46241-00	8 - 7	68T-82171-00	28 - 36		18 - 4	90201-12472	12 - 15	90445-13M01	10 - 6
68T-44557-00	21 - 18	68T-46297-00	8 - 13		29 - 3	90109-06M84	20 - 38	90201-13201	8 - 5	90446-10M86	28 - 21
68T-45111-00-4D	22 - 1	68T-48321-00	16 - 44	6E3-82370-21	13 - 14	90109-06M86	11 - 27	90201-15M89	24 - 44	90446-14M66	9 - 10
68T-45111-10-4D	22 - 1	663-48344-00	19 - 12	63V-82377-50	20 - 40		16 - 3	90201-43M00	16 - 23	90447-07005	16 - 21
68T-45181-00	23 - 3	66R-48344-00	16 - 48	67F-82504-00	13 - 19		18 - 9	90202-10M56	17 - 6	90447-13M00	15 - 31
6G1-45214-00	25 - 6	68R-48501-00	19 - 1	68T-82522-00	13 - 2	90109-08M91	17 - 17	90202-26M59	16 - 38	90464-10M53	9 - 32
6G1-45215-00	25 - 7	63V-48511-01	19 - 17	6F5-82540-00	28 - 30	90116-08M54	21 - 11	90202-43M57	16 - 25	90464-10M60	18 - 5
68T-45251-00	24 - 6	68T-48531-00	19 - 2	682-82556-00	14 - 2	90116-10019	16 - 53	90206-10M24	20 - 39	90465-08M83	6 - 16
68T-45300-00-4D	24 - 1	63D-48538-00	16 - 43	65W-82575-01	14 - 1	90119-06012	21 - 20	90206-26M25	16 - 37	90465-08M99	6 - 15
68T-45300-10-4D	24 - 1		18 - 17	689-8257Y-00	14 - 3	90119-06013	21 - 21	90206-43M22	16 - 24		13 - 25
68T-45311-00-4D	24 - 2	66R-48538-00	16 - 42	6A1-83625-41	11 - 28	90119-06014	12 - 6	90209-10M26	17 - 14	90465-11M10	2 - 11
68T-45315-A0	24 - 32	68T-48538-00	18 - 14	6A1-83625-51	11 - 29	90119-06049	4 - 8	90243-04M01	20 - 4		9 - 11
	33 - 11	682-48538-50	19 - 3	6E0-83627-41	16 - 55	90119-06MA1	12 - 8	90266-04M04	1 - 5		12 - 12
6G1-45316-09	24 - 30	68T-61350-00	27 - 1	6E0-83627-51	16 - 56	90119-06MA2	2 - 9	90269-02M09	16 - 15		13 - 28
6G1-45317-09	24 - 3	68T-61351-00	27 - 2	65W-84342-00	15 - 28	90119-06MA3	2 - 15	90280-03M01	8 - 12		15 - 30
68T-45321-00	22 - 5	6E5-61355-00	27 - 7	68F-85119-00	15 - 2		6 - 5		31 - 12		28 - 33
68T-45331-00-5B	24 - 29	68T-81328-00	12 - 9	68T-85410-00	13 - 21	90119-06MA5	6 - 4	90280-04M06	12 - 13		30 - 3
6G1-45361-01-4D	24 - 11	68T-81800-00	28 - 2	68T-85520-00	12 - 2	90119-08005	23 - 20	90338-06M20	15 - 27	90465-12M56	28 - 29
6G1-45362-09	24 - 12	689-81807-12	28 - 4	68T-85533-00	12 - 4	90119-08020	13 - 24	90338-07M16	30 - 2	90467-09M05	24 - 37
63V-45375-00	25 - 10	689-81809-11	28 - 8	68T-85533-10	12 - 4	90119-08046	13 - 23	90340-08002	24 - 9	90467-09M09	9 - 6
68T-45511-00	24 - 36	689-81810-11	28 - 10	68R-85540-00	13 - 1	90119-08M29	2 - 4	90340-10M10	23 - 13	90467-11M08	23 - 8
68T-45511-10	24 - 36	689-81811-11	28 - 12	68T-85540-00	13 - 1	90119-08M76	28 - 17	90386-08032	16 - 19	90468-18001	18 - 11
6G1-45533-00-19	24 - 40	689-81812-11	28 - 13	68T-85542-00	13 - 6	90149-05M13	16 - 16	90386-22MA4	20 - 8	90468-18008	19 - 13
6G1-45533-00-20	24 - 40	689-81813-10	28 - 14	68T-85550-01	12 - 1	90152-05M03	25 - 8	90386-26MA3	16 - 36	90480-06M19	15 - 17
6G1-45533-00-21	24 - 40	689-81820-11	28 - 15	68T-85550-11	12 - 1	90157-05M16	26 - 5	90386-30048	21 - 8		30 - 4
6G1-45533-00-22	24 - 40	68T-81821-00	28 - 32	680-85570-00	13 - 10	90159-06M18	16 - 32	90386-30M60	21 - 10	90480-10627	8 - 14
68T-45551-00	24 - 39	68T-81822-00-94	13 - 22	68T-85580-01	12 - 3	90167-06002	15 - 36	90386-40M99	16 - 26	90480-14M54	22 - 4
68T-45560-00	24 - 41	689-81826-10	28 - 16	6H2-85582-00	12 - 5	90170-05M38	16 - 50	90387-05M05	17 - 10	90480-21M82	15 - 3
647-45567-00	24 - 45	6F5-81830-10	28 - 5	68T-85711-40	11 - 30	90170-06015	18 - 12	90387-05M11	17 - 11	90480-25161	13 - 11
68T-45571-00	24 - 43	689-81831-00	28 - 6	68T-85711-50	11 - 30	90170-09M03	27 - 5	90387-06053	15 - 4	90501-12M05	24 - 49
664-45587-01-10	24 - 42	689-81840-11	28 - 11	68T-W0001-00	31 - 1	90170-12066	12 - 14	90387-06M13	20 - 11	90501-12M40	5 - 11
664-45587-01-12	24 - 42	689-81847-11	28 - 7	68T-W0001-20	33 - 1	90170-24M09	8 - 11	90387-06M59	18 - 20	90501-23215	16 - 18

NUMERICAL INDEX

PART NO.	REF. NO.	PART NO.	REF. NO.	PART NO.	REF. NO.	PART NO.	REF. NO.	PART NO.	REF. NO.	PART NO.	REF. NO.
90502-10M07	20 - 18	93101-25M69	3 - 2	97075-08030	23 - 21	99080-05600	20 - 25				
90506-18M41	20 - 27		31 - 8	97075-08035	19 - 18	99510-10114	4 - 5				
90506-20005	20 - 27	93102-18M21	8 - 1		22 - 9	99530-12016	2 - 3				
90506-20M42	20 - 31		31 - 2		25 - 4						
90506-23003	20 - 31	93102-30M22	3 - 1	97080-08025	24 - 34						
91490-16010	16 - 11		31 - 7	97080-08045	24 - 27						
91490-20012	16 - 51	93210-06ME6	24 - 33		33 - 20						
91490-30020	25 - 14		33 - 12	97095-05010	12 - 7						
91690-30008	20 - 17	93210-08287	10 - 3	97095-05016	1 - 8						
91690-30012	19 - 4	93210-12327	19 - 9		19 - 10						
91690-30014	18 - 6	93210-13M63	4 - 21	97095-05020	17 - 3						
91690-50014	6 - 6		31 - 6	97095-06008	22 - 6						
92903-06600	12 - 11	93210-16275	27 - 10	97095-06010	6 - 17						
92907-04600	4 - 17	93210-20M65	9 - 27		15 - 38						
92990-05600	13 - 17		31 - 18		28 - 23						
92990-06300	24 - 8	93210-24M79	4 - 23	97095-06012	13 - 8						
92990-06600	20 - 13		31 - 17		15 - 7						
92995-05600	1 - 9	93210-29M94	21 - 9		18 - 15						
	17 - 4	93210-31MJ5	6 - 11		19 - 5						
	19 - 11		31 - 15		28 - 27						
92995-06100	9 - 25	93210-44398	24 - 24		29 - 5						
	15 - 22		33 - 9	97095-06016	24 - 17						
	28 - 24	93210-49046	24 - 15	97095-06020	4 - 12						
92995-06600	4 - 13		33 - 7		11 - 23						
	6 - 18	93210-53M08	24 - 16		13 - 4						
	8 - 18		33 - 8	97095-06025	9 - 3						
	9 - 4	93306-004U0	24 - 5		13 - 12						
	11 - 24	93430-04M03	20 - 34	97095-06030	8 - 17						
	13 - 5	93450-15023	3 - 10		9 - 24						
	15 - 8	93604-12M07	22 - 8	97095-06045	18 - 24						
	18 - 16		23 - 19	97095-08012	13 - 7						
	19 - 6		24 - 26	97095-08014	23 - 4						
	21 - 16		25 - 3	97095-08016	28 - 18						
	24 - 18	93606-19M23	23 - 10	97095-08030	16 - 34						
	28 - 25	93700-06M03	21 - 1	97575-06514	22 - 3						
	29 - 6	94702-00274	4 - 24	97595-06585	6 - 13						
92995-08600	16 - 35	95380-05600	9 - 23	97780-40512	13 - 3						
	19 - 19	95380-06600	15 - 24	97780-60516	1 - 3						
	22 - 10		19 - 7	97880-05025	4 - 19						
	23 - 22	95380-06700	18 - 13		13 - 16						
	25 - 5		20 - 14	97885-05008	22 - 7						
	28 - 19	95380-08600	21 - 14		23 - 17						
93101-11M23	24 - 31	95380-10700	16 - 29	97885-06030	15 - 21						
	33 - 10	95780-10300	16 - 28	97980-04112	7 - 4						
93101-12M70	23 - 6	95895-06016	24 - 7		32 - 7						
	33 - 2	97013-06012	12 - 10	98507-04010	4 - 16						
93101-15074	24 - 14	97013-06016	8 - 4	99001-07600	24 - 38						
	33 - 6	97075-06025	21 - 15	99080-04600	16 - 45						

F6MHC  
F8MHC/F8CMH  
PARTS CATALOGUE  
©2003 by Yamaha Motor Co., Ltd.  
1st edition, March 2003  
All rights reserved.  
Any reprinting or unauthorized use  
without the written permission of  
Yamaha Motor Co., Ltd.  
is expressly prohibited.  
Printed in Japan.