

PARTS CATALOGUE

K40J'03(6H92)

FOREWORD

This Parts Catalogue is related to the parts for the model(s) in the below frame. When you are ordering replacement parts, please refer to this Parts Catalogue and quote both part numbers and part names correctly.

K40J'03(6H92)

1. Modifications or additions which have been made after issue of the Parts Catalogue will be announced in the Yamaha Parts News.
It is advisable that you make necessary corrections to the Parts Catalogue according to the Yamaha Parts News.

2. Abbreviations

The Following abbreviations are used in this Parts Catalogue.

“UR” Use specified parts number.

“UN” Use as many as needed.

“AP” Alternate Parts

“LM” Local Made
(Parts need to be ordered locally)

“O/S” Over Size

3. Parts, which are to be supplied in an assembly, are listed with a dot(.) in front of the part name as shown below.

EXAMPLE

CARBURETOR ASSY

.JET, PILOT

.NOZZLE, MAIN

4. Number of component for assembly

The numeral appearing to the right of each component part indicates the quantity of parts for each assembly unit.

EXAMPLE

PART NO.	DESCRIPTION	u	1/2	1/4	REMARKS
6E0-85500-70	C.D.I. MAGNETO ASSY	1			
6E0-85550-70	.ROTOR ASSY	1			
6E0-15723-00-94	.PULLY, STARTER	1			

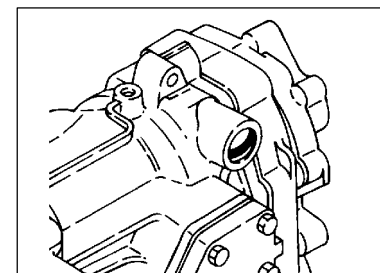
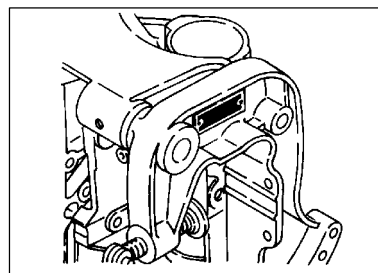
5. Quantity Column Information

NAME for Q'TY COLUMN	APPLICABLE MODEL
MH	K40JMH
W	K40JW

6. Applicable Starting Serial No. and Color Code

1) Engine Starting Serial No.

K40JMH S/L	6H9K : 1000001
K40JW S	6H9K : 1000001



2) Color Code

Color Code	Color Name	Abbreviation
004D	DARK BLUISH GRAY METALLIC 2	DBNM2

7. Note that the illustrations for reference in finding parts numbers, not to be used for assembling. When assembling, please use the applicable service manual.

8. The asterisk (*) before a reference number indicates modification items after the first edition.

CONTENTS

SHEET 1/2

TOP COWLING	A4
CYLINDER. CRANKCASE	A5
CRANKSHAFT. PISTON	A7
INTAKE	B1
CARBURETOR	B3
FUEL 1	B5
FUEL 2	B7
STARTER	C1
GENERATOR	C3
ELECTRICAL 1	C4
ELECTRICAL 2	C5
STARTING MOTOR	C7
BOTTOM COWLING	D1
STEERING	D3
CONTROL 1	D5
CONTROL 2	D7
BRACKET 1	E1
BRACKET 2	E4
UPPER CASING	E6
LOWER CASING. DRIVE 1	E7
LOWER CASING. DRIVE 2	F4
FUEL TANK	F6
STEERING GUIDE	F7

INDEX

NUMERICAL INDEX	G1
-----------------------	----

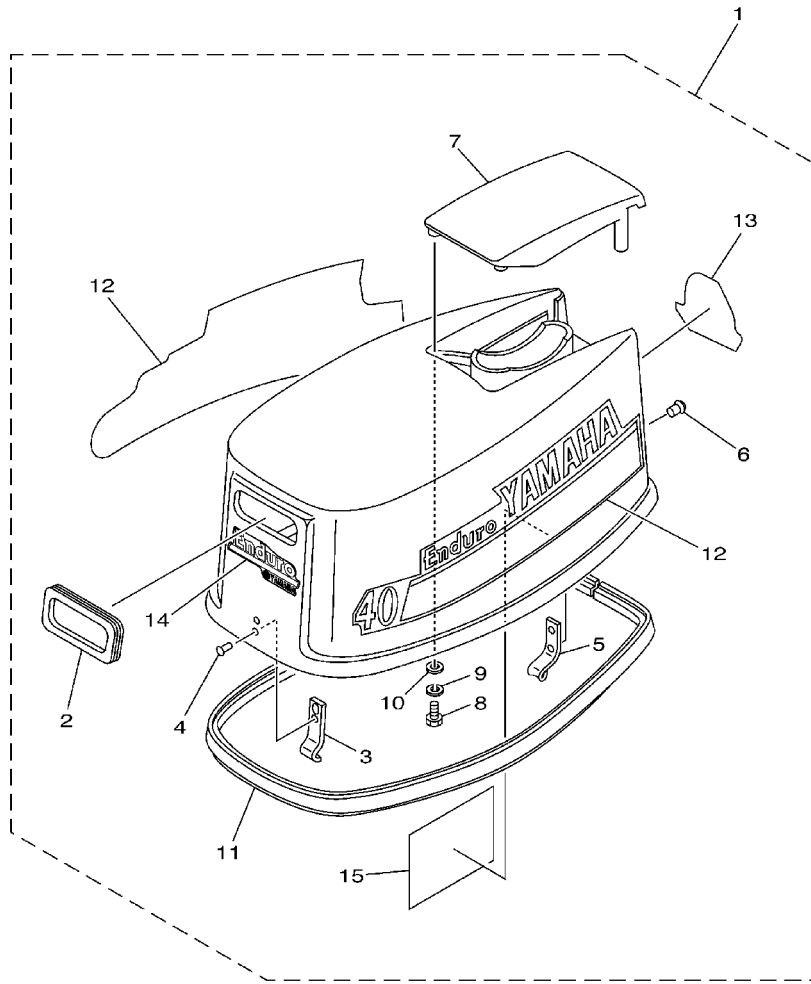
SHEET 2/2

REMOTE CONTROL BOX	A4*
REMOTE CONTROL ASSY	A5*
SWITCH. PANEL	B1*
REPAIR KIT 1	B2*
REPAIR KIT 2	B4*

INDEX

NUMERICAL INDEX	G1*
-----------------------	-----

FIG. 1 TOP COWLING



REF. NO.	PART NO.	DESCRIPTION	MH	W	REMARKS
1	6F5-42610-L0-4D	TOP COWLING ASSY	1	1	
2	6A0-15761-00	.SEAL, RUBBER 1	1	1	
3	6E9-42651-01	.HOOK	1	1	
4	90266-04M04	.RIVET	2	2	
5	6F5-42652-01	.HOOK	1	1	
6	90266-04M01	.RIVET	2	2	
7	6F5-42613-01-4D	.MOLDING, AIR DUCT	1	1	
8	97095-06016	.BOLT	4	4	
9	92995-06100	.WASHER, SPRING	4	4	
10	92995-06600	.WASHER	4	4	
11	6F5-42615-00	.SEAL	1	1	
12	6F5-W0070-K0	.GRAPHIC SET	1	1	
13	6F5-42678-K0	.GRAPHIC, REAR	1	1	
14	69P-42677-H0	.GRAPHIC, FRONT	1	1	
15	677-13437-08	.MARK, CAUTION	1	1	

FWD
6F51200-2010

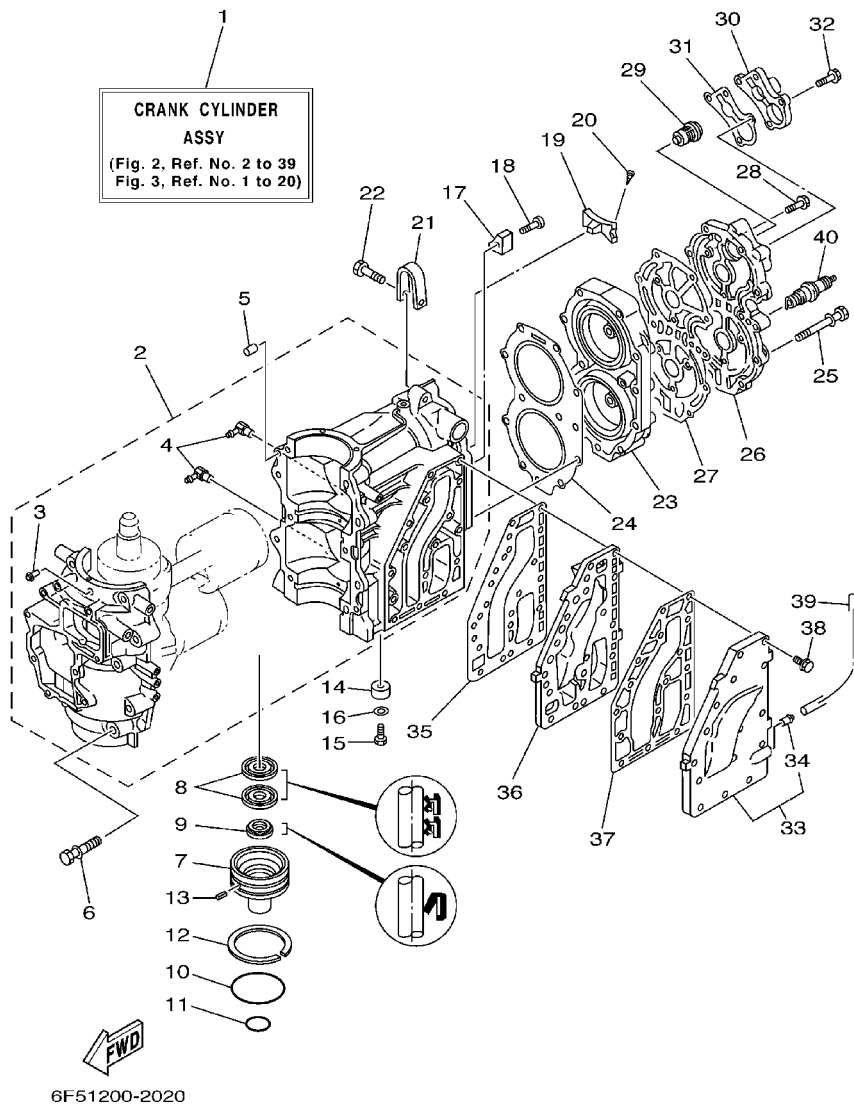
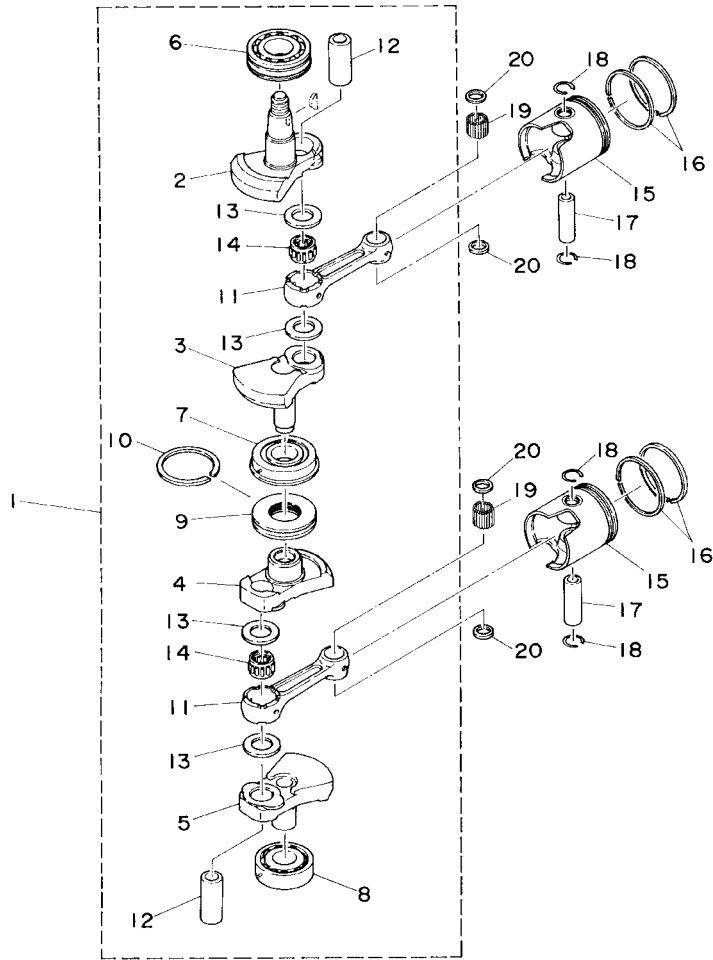


FIG. 2 CYLINDER. CRANKCASE

REF. NO.	PART NO.	DESCRIPTION	MH	W				REMARKS
1	6F5-W0090-63-1S	CRANK CYLINDER ASSY	1	1				
2	6F6-15100-00-1S	CRANKCASE ASSY	1	1				
3	624-14485-00	.PIPE, JOINT	1	1				
4	650-11370-01	.CHECK VALVE ASSY	2	2				
5	93608-12063	PIN, DOWEL	2	2				
6	90119-10005	BOLT, WITH WASHER	10	10				
7	6F5-15396-01-5B	HOUSING, OIL SEAL	1	1				
8	93101-30M33	OIL SEAL	2	2				
9	93104-16M01	OIL SEAL	1	1				
10	93210-65M50	O-RING	1	1				
11	93210-22M02	O-RING	1	1				
12	93440-68M03	CIRCLIP	1	1				
13	91690-30010	PIN, SPRING	1	1				
14	676-45251-00	ANODE	1	1				
15	97095-06016	BOLT	1	1				
16	92995-06600	WASHER	1	1				
17	676-11325-00	ANODE	1	1				
18	90141-06M00	SCREW, COUNTERSUNK	1	1				
19	6F5-11325-00	ANODE	1	1				
20	97880-05030	SCREW, PAN HEAD	2	2				
21	6F5-11119-00	HANGER, ENGINE	1	1				
22	90101-08001	BOLT	1	1				
23	6F5-11111-00-1S	HEAD, CYLINDER 1	1	1				
24	6F5-11181-A1	GASKET, CYLINDER HEAD 1	1	1				
25	90119-08MA5	BOLT, WITH WASHER	11	11				
26	6F5-11191-00-1S	COVER, CYLINDER HEAD 1	1	1				
27	6F5-11193-A1	GASKET, HEAD COVER 1	1	1				

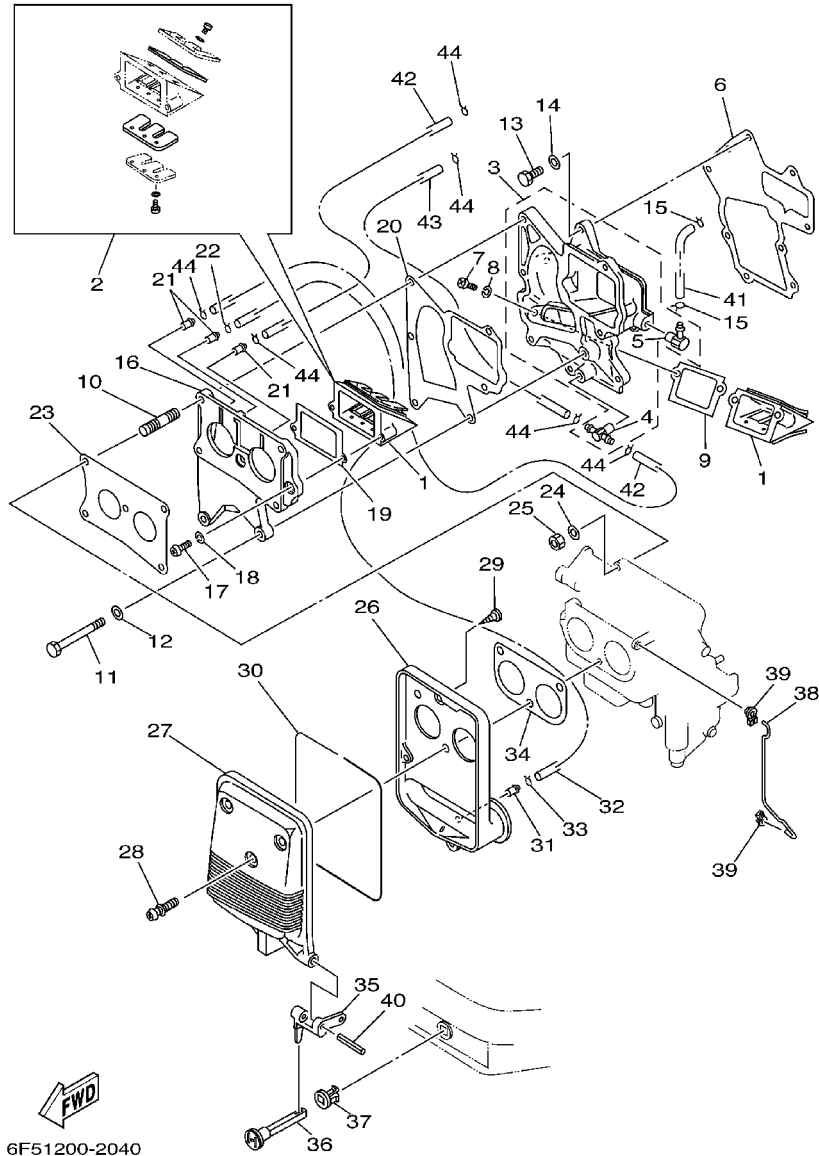
FIG. 3 CRANKSHAFT. PISTON



6H90010-4030

REF. NO.	PART NO.	DESCRIPTION	MH	W		REMARKS
1	6F5-11400-10	CRANKSHAFT ASSY	1	1		
2	6F5-11412-11	.CRANK 1	1	1		
3	6F5-11422-11	.CRANK 2	1	1		
4	6F5-11432-11	.CRANK 3	1	1		
5	6F5-11442-11	.CRANK 4	1	1		
6	93306-307U0	.BEARING	1	1		
7	93332-000UE	.BEARING	1	1		
8	93306-306U2	.BEARING	1	1		
9	6F5-11515-00	.SEAL, LABYRINTH 1	1	1		
10	93440-68M03	.CIRCLIP	1	1		
11	6F5-11651-00	.ROD, CONNECTING	2	2		
12	6F5-11681-00	.PIN, CRANK 1	2	2		
13	90202-27M23	.WASHER, PLATE	4	4		
14	93310-727V7	.BEARING	2	2		
15	6F6-11631-00-95	PISTON (STD)	2	2		
	6F6-11635-00	PISTON (0.25MM O/S)	2	2		AP
	6F6-11636-00	PISTON (0.50MM O/S)	2	2		AP
16	6F5-11610-00	PISTON RING SET (STD)	2	2		
	6F5-11610-10	PISTON RING SET (0.25MM O/S)	2	2		AP
	6F5-11610-20	PISTON RING SET (0.50MM O/S)	2	2		AP
17	6F5-11633-00	PIN, PISTON	2	2		
18	663-11634-00	CLIP, PISTON PIN	4	4		
19	93603-21111	PIN, DOWEL	56	56		
20	90201-20417	WASHER, PLATE	4	4		

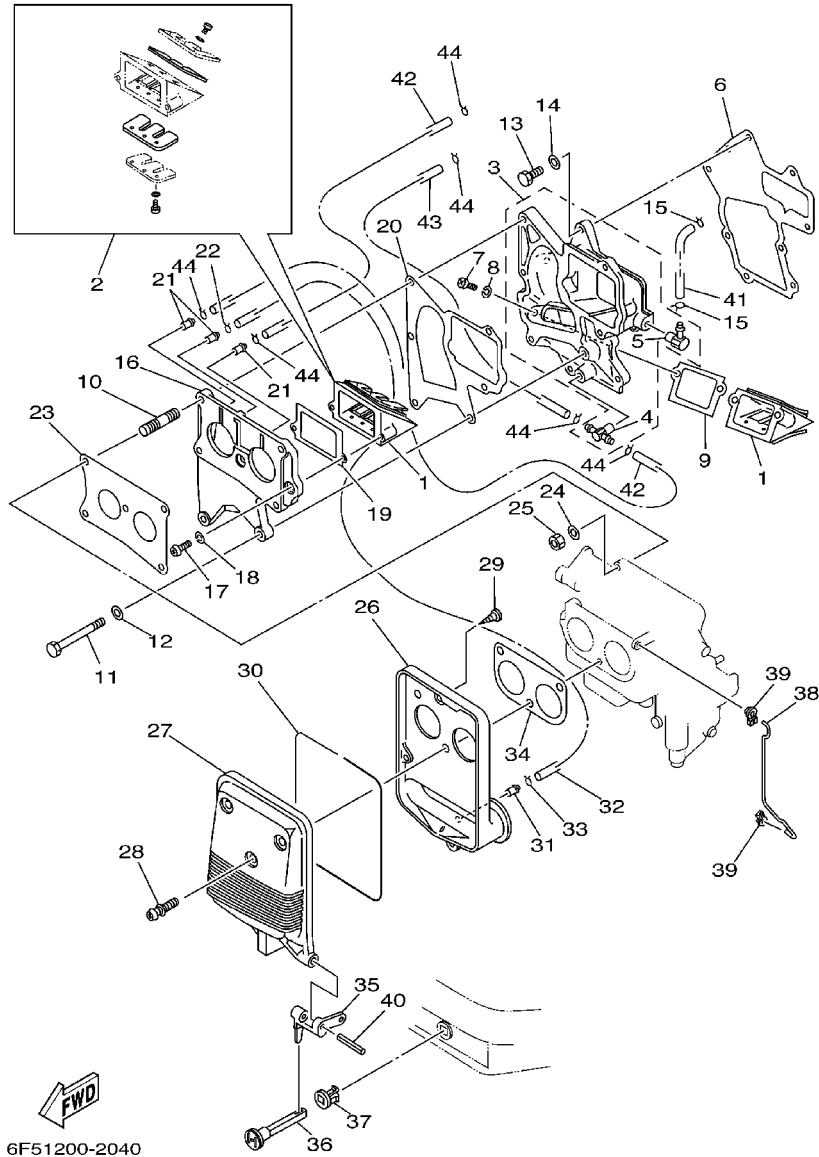
FIG. 4 INTAKE



6F51200-2040

REF. NO.	PART NO.	DESCRIPTION	MH	W				REMARKS
1	6F5-13610-00	REED VALVE ASSY	2	2				
2	6F5-W0004-00	.REED SET	1	1				
3	6F6-13641-00-1S	MANIFOLD 1	1	1				
4	6F6-11370-01	.CHECK VALVE ASSY	1	1				
5	650-11370-01	.CHECK VALVE ASSY	1	1				
6	6F5-13646-A2	GASKET, MANIFOLD 2	1	1				
7	97880-05014	SCREW, PAN HEAD	2	2				
8	92990-05100	WASHER, SPRING	2	2				
9	6F5-13621-A1	GASKET, VALVE SEAT	1	1				
10	90116-06M17	BOLT, STUD	4	4				
11	97013-06065	BOLT	2	2				
12	92903-06600	WASHER, PLATE	2	2				
13	97013-06025	BOLT	7	7				
14	92903-06600	WASHER, PLATE	7	7				
15	90467-06016	CLIP	2	2				
16	6F6-13643-01-1S	COVER, MANIFOLD	1	1				
17	97880-05014	SCREW, PAN HEAD	2	2				
18	92990-05100	WASHER, SPRING	2	2				
19	6F5-13621-A1	GASKET, VALVE SEAT	1	1				
20	6F5-13645-A1	GASKET, MANIFOLD 1	1	1				
21	624-14485-00	PIPE, JOINT	3	3				
22	90467-06016	CLIP	1	1				
23	6F5-14198-A1	GASKET	1	1				
24	92995-06600	WASHER	4	4				
25	95380-06600	NUT, HEXAGON	4	4				
26	6F5-14417-00	COVER 1	1	1				
27	6F5-14418-00	COVER 2	1	1				

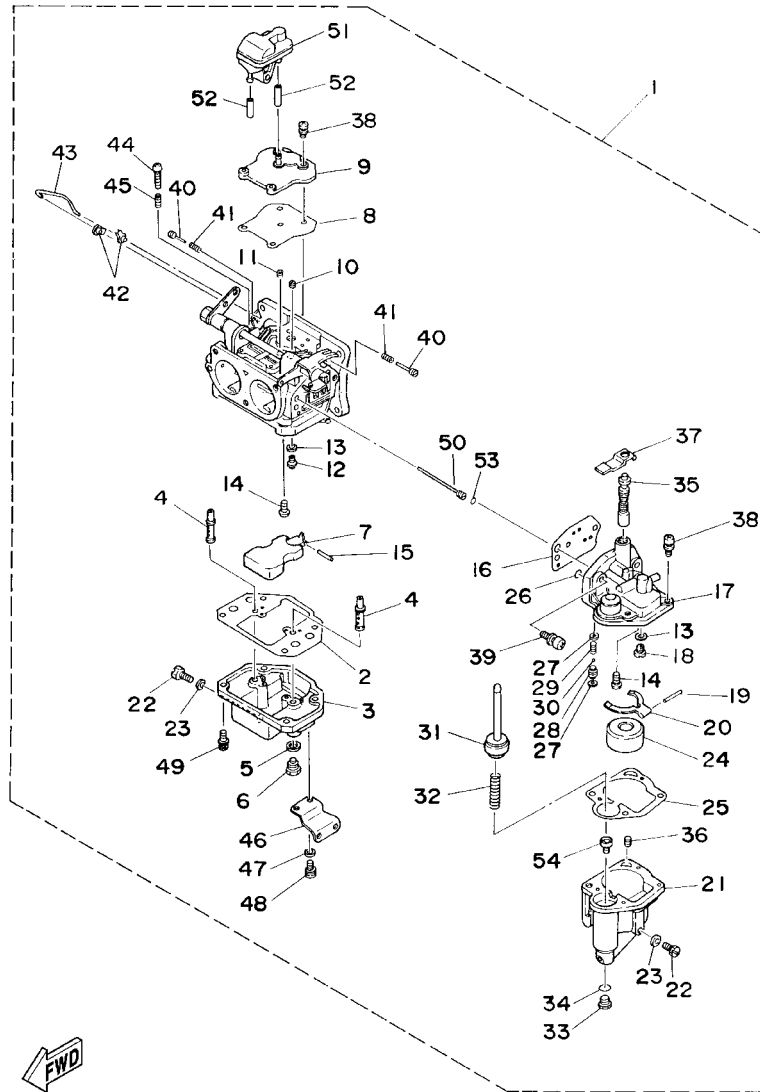
FIG. 4 INTAKE



6F51200-2040

REF. NO.	PART NO.	DESCRIPTION	MH	W	REMARKS
28	90159-06M01	SCREW, WITH WASHER	3	3	
29	97780-50716	SCREW, TAPPING	4	4	
30	6F5-14476-00	SEAL	1	1	
31	624-14485-00	PIPE, JOINT	1	1	
32	90445-07240	HOSE (L330)	1	1	
33	90467-06016	CLIP	1	1	
34	6F5-14483-00	GASKET	1	1	
35	6F5-41252-00	LEVER, CHOKE 1	1	1	
36	682-41271-00	KNOB, CHOKE	1	1	
37	689-41273-00	GROMMET	1	1	
38	6F5-41256-00	ROD, CHOKE 1	1	1	
39	661-41262-02	JOINT, CHOKE LEVER	2	2	
40	91690-40032	PIN, SPRING	1	1	
41	90445-07254	HOSE (L118)	1	1	
42	90445-07240	HOSE (L330)	2	2	
43	90445-07M24	HOSE (L240)	1	1	
44	90467-06016	CLIP	6	6	

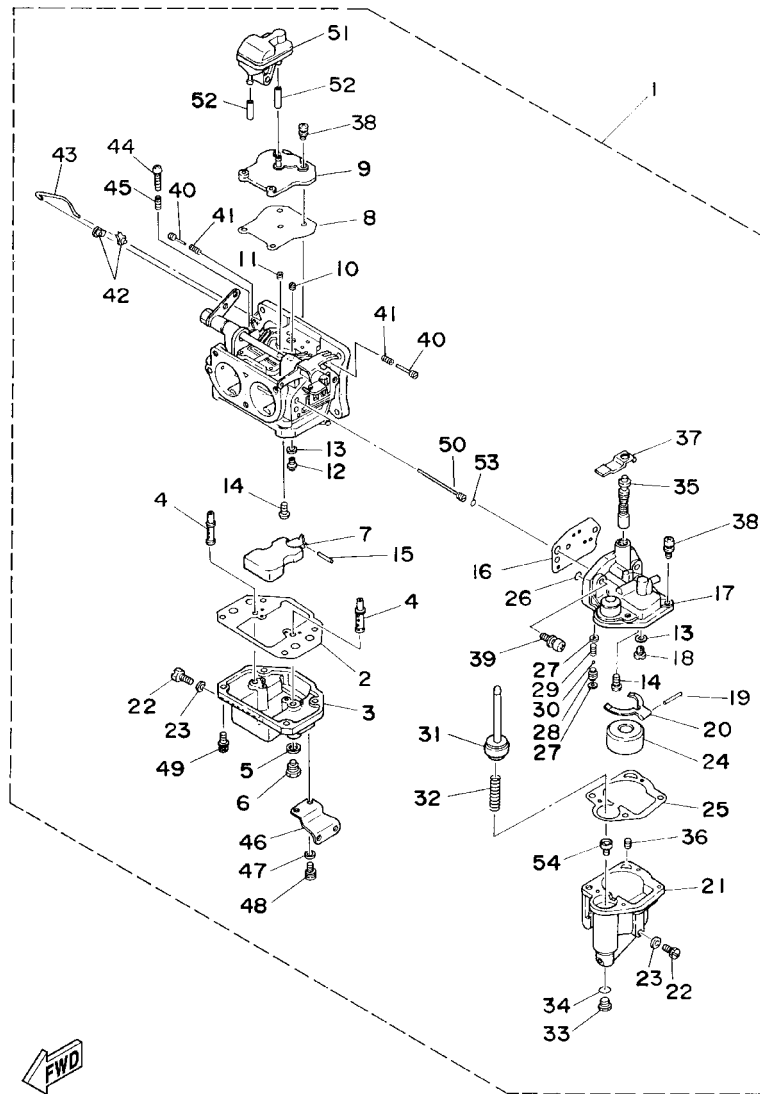
FIG. 5 CARBURETOR




6F52200-4050

REF. NO.	PART NO.	DESCRIPTION	MH	W				REMARKS
1	6F5-14301-42	CARBURETOR ASSY 1	1	1				
2	6F5-14384-00	.GASKET, FLOAT CHAMBER	1	1				
3	6F5-14381-00	.BODY, FLOAT CHAMBER	1	1				
4	6F5-14341-00	.NOZZLE, MAIN	2	2				
5	1J2-14398-00	.GASKET	2	2				
6	677-14343-73	.JET, MAIN (#145)	2	2				
7	6F6-14385-00	.FLOAT	1	1				
8	6F5-14398-00	.GASKET	1	1				
9	6F5-14383-00	.PLATE, COVER	1	1				
10	647-14342-45	.JET, PILOT (# 90)	2	2				
11	647-14342-30	.JET, PILOT (# 60)	2	2				
12	6F5-14390-21	.NEEDLE VALVE ASSY	1	1				
13	367-14195-00	.GASKET	2	2				
14	98980-04006	.SCREW, BIND	2	2				
15	6E5-14386-01	.PIN, FLOAT	1	1				
16	6F5-14399-00	.GASKET	1	1				
17	6F5-14182-41	.COVER, FLOAT CHAMBER	1	1				
18	6F5-14390-12	.NEEDLE VALVE ASSY	1	1				
19	367-14386-00	.PIN, FLOAT	1	1				
20	6F5-14387-00	.ARM, FLOAT	1	1				
21	6F5-14381-11	.BODY, FLOAT CHAMBER	1	1				
22	6E5-14383-10	.SCREW, DRAIN	2	2				
23	6E5-14398-00	.GASKET	2	2				
24	626-14385-00	.FLOAT	1	1				
25	6F5-14384-10	.GASKET, FLOAT CHAMBER	1	1				
26	6F5-14397-00	.O-RING	1	1				
27	6F5-14372-01	.SEAT, PACKING	2	2				

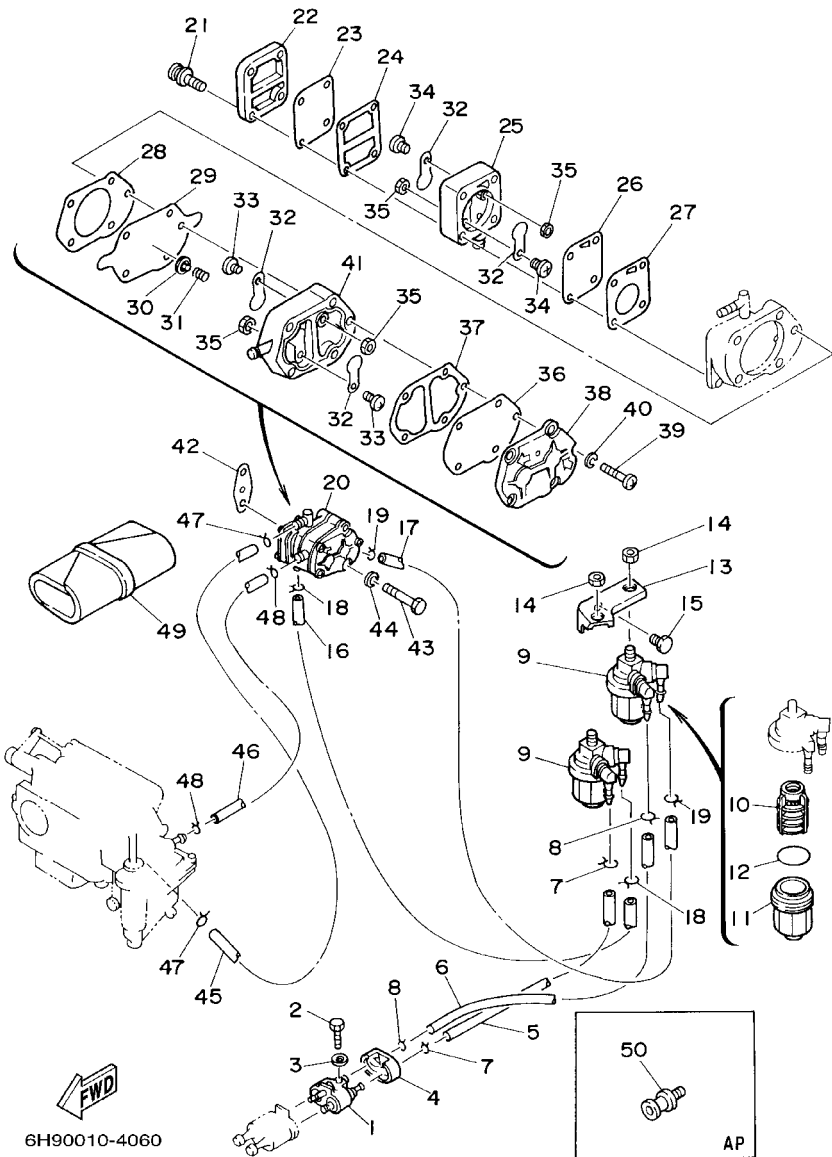
FIG. 5 CARBURETOR




6F52200-4050

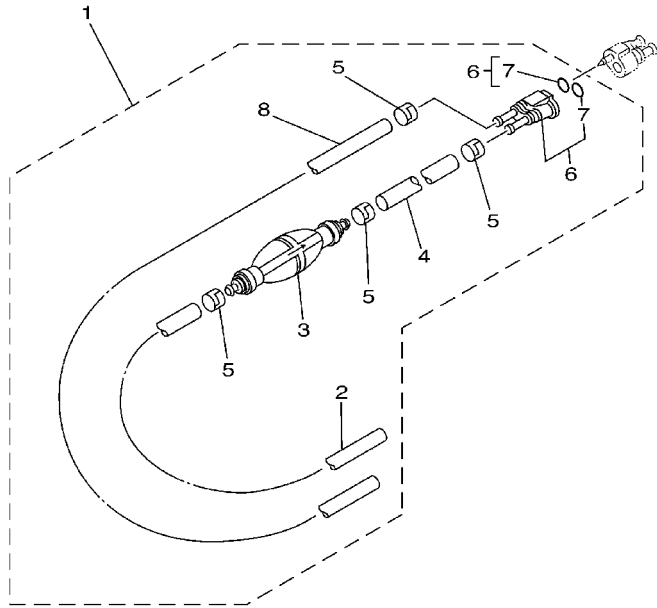
REF. NO.	PART NO.	DESCRIPTION	MH	W				REMARKS
28	6A4-14355-00	.SEAT, BALL	1	1				
29	6F5-14332-01	.SPRING	1	1				
30	6F5-14369-00	.BALL	1	1				
31	6F5-14370-02	.PLUNGER STARTER ASSY	1	1				
32	6F5-14339-00	.SPRING	1	1				
33	6A4-14394-00	.SCREW, DRAIN	1	1				
34	652-14397-00	.O-RING	1	1				
35	6F5-14371-00	.PLUNGER, STARTER	1	1				
36	647-14344-35	.JET, STARTER (# 70)	1	1				
37	6F5-14377-00	.STOPPER	1	1				
38	97603-04114	.SCREW, PAN HEAD WITH WASHER	8	8				
39	97603-06120	.SCREW, PAN HEAD WITH WASHER	2	2				
40	6F5-14323-01	.SCREW, AIR ADJUSTING	2	2				
41	6F5-14334-01	.SPRING, AIR ADJUSTING	2	2				
42	6F5-41262-01	.JOINT, THROTTLE LEVER	2	2				
43	6F5-14379-00	.ROD, STARTER	1	1				
44	650-14321-01	.SCREW, THROTTLE	1	1				
45	647-14334-00	.SPRING	1	1				
46	6F5-14346-00	.PLATE	1	1				
47	654-14243-00	.WASHER	4	4				
48	97603-06113	.SCREW, PAN HEAD WITH WASHER	4	4				
49	97603-05117	.SCREW, PAN HEAD WITH WASHER	4	4				
50	6F5-14340-00	.NOZZLE, ACCELERATING	1	1				
51	6F5-14425-00	.DAMPER 1	1	1				
52	90445-09M55	.HOSE (L20)	2	2				
53	6F5-14397-00	.O-RING	1	1				
54	6F5-13940-01	.CHECK VALVE ASSY	1	1				

FIG. 6 FUEL 1



6H90010-4060

REF. NO.	PART NO.	DESCRIPTION	MH	W				REMARKS
28	648-24434-01	.GASKET, BODY	1	1				
29	648-24411-00	.DIAPHRAGM	1	1				
30	648-24424-00	.SEAT, SPRING	1	1				
31	648-24423-00	.SPRING, DIAPHRAGM	1	1				
32	6A0-24421-01	.VALVE, CHECK	4	4				
33	6A0-14325-00	.SCREW, PAN HEAD	2	2				
34	6E7-14325-00	.SCREW, PAN HEAD	2	2				
35	95380-03600	.NUT	4	4				
36	663-24411-00	.DIAPHRAGM	1	1				
37	648-24435-02	.GASKET, BODY 2	1	1				
38	6A0-24413-00	.BODY 2	1	1				
39	98503-05028	.SCREW, PAN HEAD	3	3				
40	92990-05100	.WASHER, SPRING	3	3				
41	6A0-24412-02	.BODY 1	1	1				
42	650-24431-A0	GASKET, FUEL PUMP 1	1	1				
43	97095-06055	BOLT	2	2				
44	92995-06600	WASHER	2	2				
45	90445-09M53	HOSE (L160)	1	1				
46	90445-10M50	HOSE (L170)	1	1				
47	90467-08004	CLIP	2	2				
48	90467-09M03	CLIP	2	2				
49	676-W2810-01	TOOL KIT	1	1				
50	626-28193-01-94	PLUG, WATER CHECK	1	1				AP D:15MM

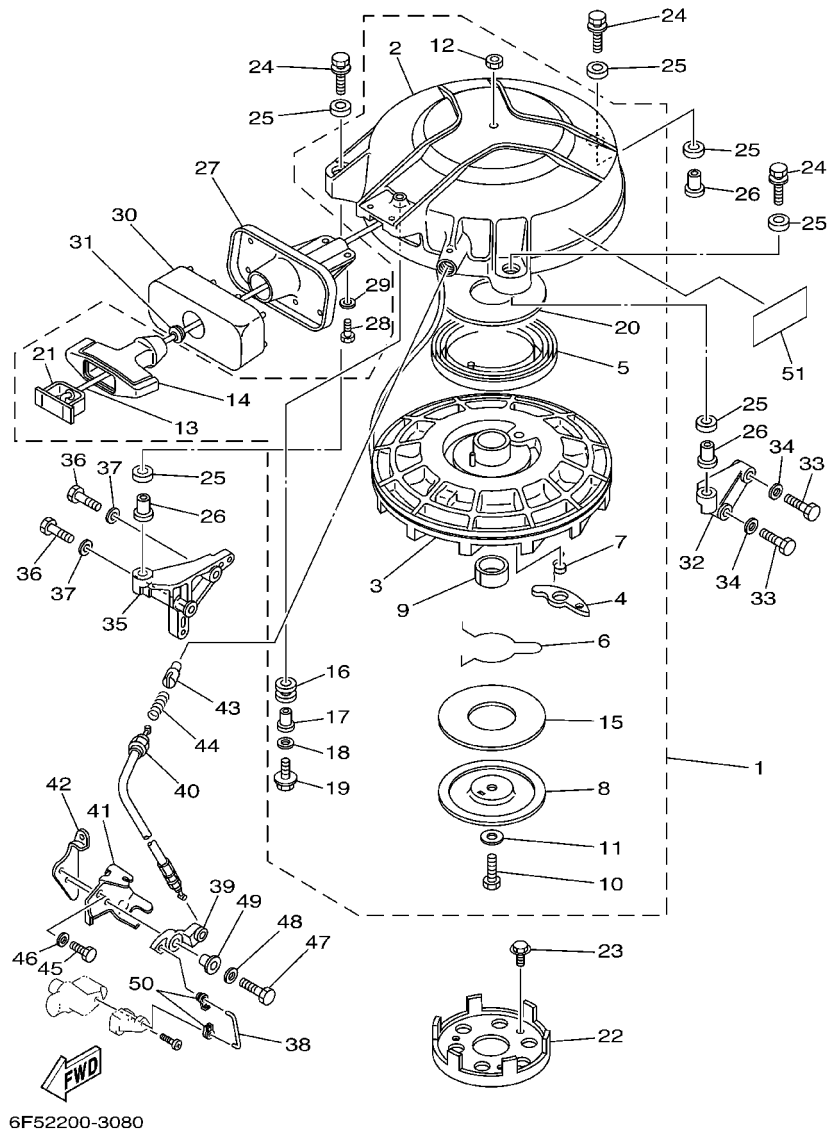


6801200-2070

FIG. 7 FUEL 2

REF. NO.	PART NO.	DESCRIPTION	MH	W		REMARKS
1	6Y3-24306-04	FUEL PIPE COMP. 1	1			AP
2	90445-11M06	.HOSE (L2050)	1			
3	61J-24360-00	.PRIMER PUMP ASSY	1			
4	90445-11M05	.HOSE (L850)	1			
5	650-24351-01	.BAND 1	4			
6	680-24305-01	.FUEL PIPE JOINT COMP. 2	1			
7	93210-08287	..O-RING	2			
8	90445-11M81	.HOSE (L3000)	1			

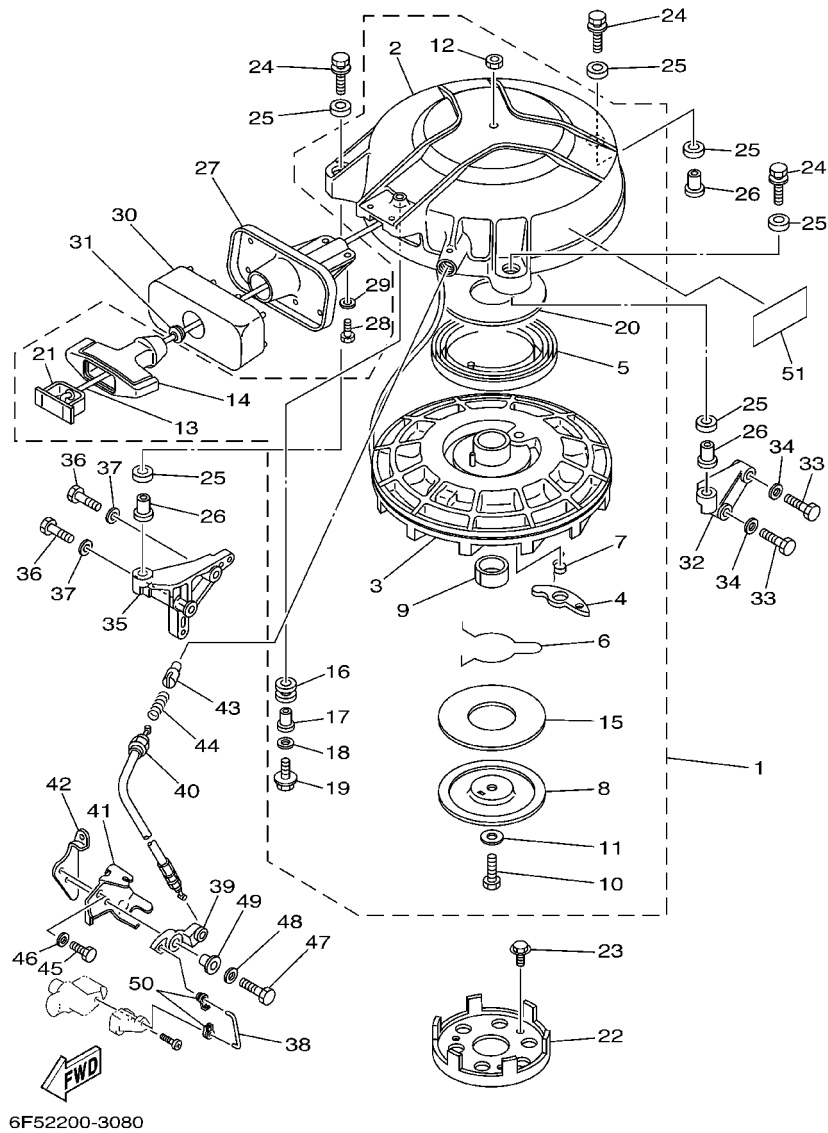
FIG. 8 STARTER



REF. NO.	PART NO.	DESCRIPTION	MH	W		REMARKS
1	6F5-W1571-02	STARTER ASSY	1	1		
2	6F5-15711-01	.CASE, STARTER	1	1		
3	6F5-15714-03	.DRUM, SHEAVE	1	1		
4	6F5-15741-01	.PAWL, DRIVE	1	1		
5	6F5-15713-00	.SPRING, STARTER	1	1		
6	6F5-15715-00	.SPRING, FRICTION	1	1		
7	6F5-15734-01	.SPRING, RETURN	1	1		
8	6F5-15716-01	.PLATE, DRIVE	1	1		
9	6F5-15754-00	.BUSH 2	1	1		
10	97013-08030	.BOLT	1	1		
11	6F5-15726-01	.WASHER, FLAT	1	1		
12	95303-08700	.NUT	1	1		
13	*	.WIRE (L:1900MM)	1	1		
14	689-15755-01	.HANDLE, STARTER	1	1		
15	6F5-15764-00	.COLLAR 1	1	1		
16	6F5-15752-00	.ROLLER, WIRE	1	1		
17	6F5-15753-00	.BUSH	1	1		
18	6F5-15791-00	.WASHER, LOCK	1	1		
19	6F5-15768-00	.BOLT	1	1		
20	6F5-15739-00	.WASHER, THRUST	1	1		
21	6F5-15779-02	.COVER	1	1		
22	6F5-15723-01	PULLEY, STARTER	1	1		
23	90105-08M10	BOLT, FLANGE	3	3		
24	90119-08M10	BOLT, WITH WASHER	3	3		
25	90385-12M04	BUSH	6	6		

* CUT FROM 50M ROLLS, PART NO. 90890-44373, CUTTING LENGTH 1.9M

FIG. 8 STARTER



REF. NO.	PART NO.	DESCRIPTION	MH	W				REMARKS
26	90387-08M05	COLLAR	3	3				
27	6A0-15758-01-94	GUIDE, ROPE	1	1				
28	97095-06016	BOLT	2	2				
29	92995-06600	WASHER	2	2				
30	6A0-15762-00	SEAL, RUBBER 2	1	1				
31	6A0-15789-00	DAMPER	1	1				
32	6F5-15771-00-94	STAY 1	1	1				
33	97013-08035	BOLT	2	2				
34	92903-08600	WASHER, PLATE	2	2				
35	6F5-15772-00-94	STAY 2	1	1				
36	97013-08035	BOLT	2	2				
37	92903-08600	WASHER, PLATE	2	2				
38	6F5-15747-00	LINK	1	1				
39	6F5-15746-00	ARM	1	1				
40	6F5-15770-00	CABLE COMP., STARTER STOP	1	1				
41	6F5-15774-00	STAY 4	1	1				
42	6F5-15773-00	STAY 3	1	1				
43	656-15748-00	PLUNGER, STARTER STOP	1	1				
44	90501-10227	SPRING, COMPRESSION	1	1				
45	97095-06016	BOLT	1	1				
46	92995-06600	WASHER	1	1				
47	97095-06030	BOLT	1	1				
48	92995-06600	WASHER	1	1				
49	90387-06M29	COLLAR	1	1				
50	661-41262-02	JOINT, CHOKE LEVER	2	2				
51	6F6-14488-00	LABEL, CAUTION	1	1				

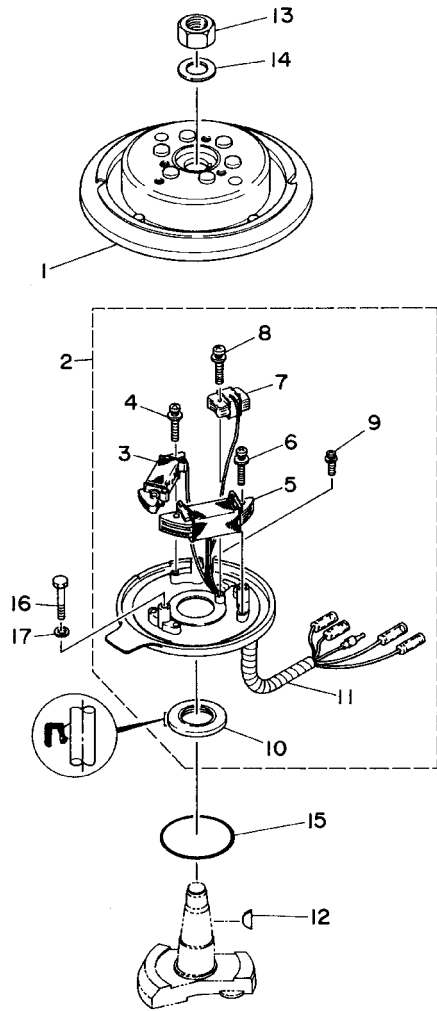


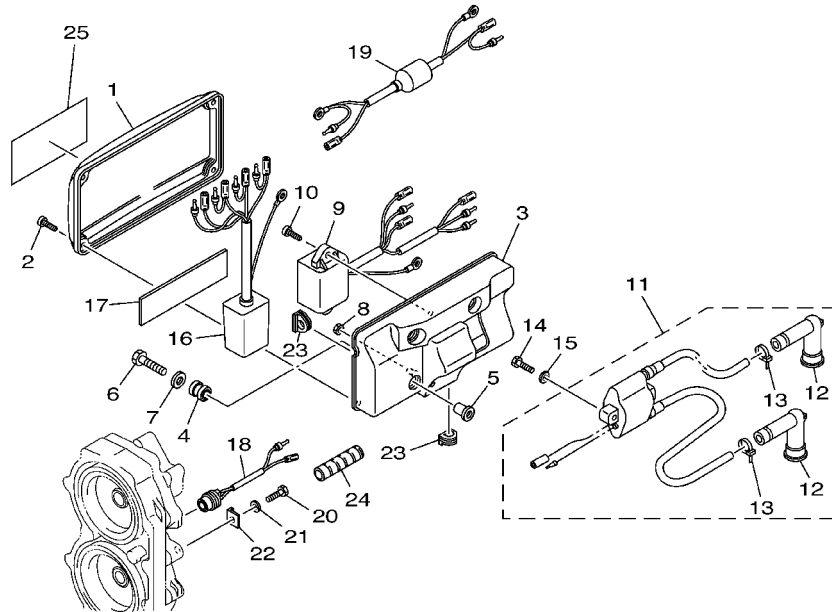
FIG. 9 GENERATOR

REF. NO.	PART NO.	DESCRIPTION	MH	W		REMARKS
1	6F5-85550-A2	ROTOR ASSY		1		
	6F5-85550-F2	ROTOR ASSY	1			
2	6F5-85560-A2	BASE ASSY	1	1		
3	6F5-85520-00	.COIL, CHARGE	1	1		
4	90159-05040	.SCREW, WITH WASHER	2	2		
5	6F5-85533-00	.COIL, LIGHTING	1	1		
6	90159-05040	.SCREW, WITH WASHER	2	2		
7	6F5-85580-00	.COIL, PULSER	1	1		
8	90159-04063	.SCREW, WITH WASHER	2	2		
9	90159-04035	.SCREW, WITH WASHER	1	1		
10	93102-35M18	.OIL SEAL	1	1		
11	6F5-85515-00	.LEAD WIRE ASSY	1	1		
12	90280-05015	KEY, WOODRUFF	1	1		
13	90170-20137	NUT	1	1		
14	90201-21M18	WASHER, PLATE	1	1		
15	93210-75M51	O-RING	1	1		
16	97095-06040	BOLT	3	3		
17	92995-06600	WASHER	3	3		



6J40200-4080

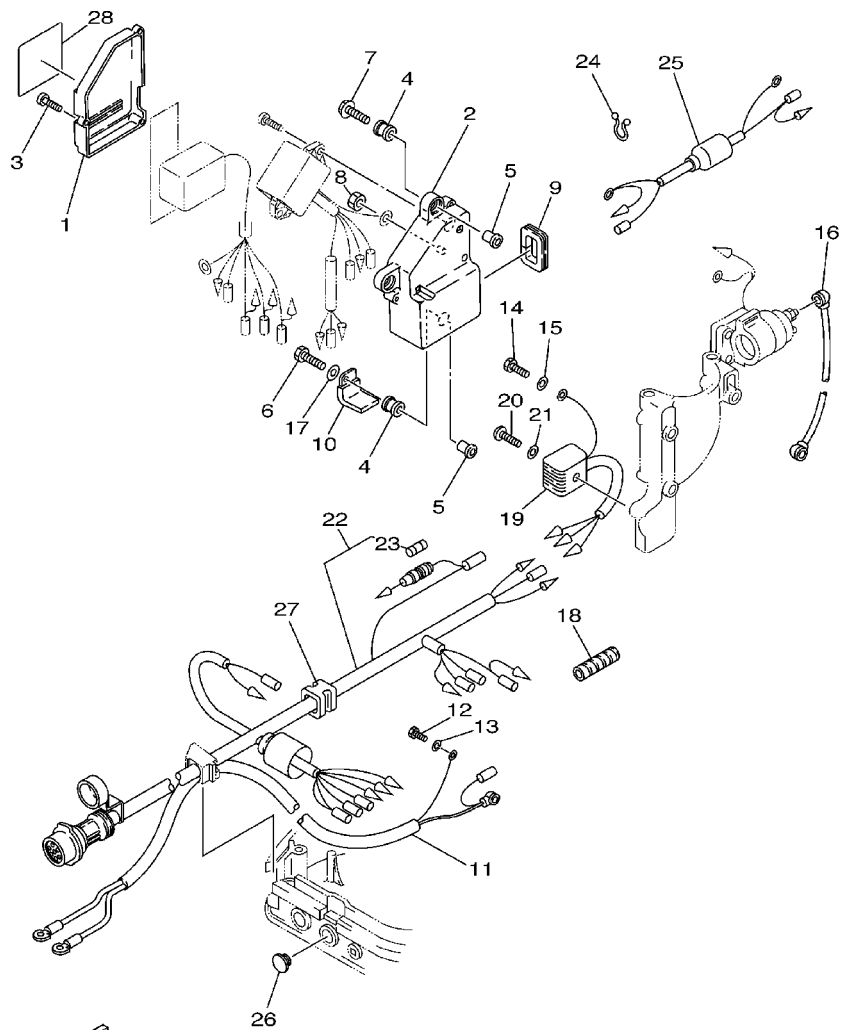
FIG. 10 ELECTRICAL 1



REF. NO.	PART NO.	DESCRIPTION	MH	W				REMARKS
1	6F5-81916-00	COVER, TERMINAL	1					
2	90164-06M01	SCREW, TAPPING	4					
3	6F5-85542-01	BRACKET	1					
4	6F5-82317-00	DAMPER, IGNITION COIL	3					
5	90387-08M45	COLLAR	3					
6	97075-08030	BOLT	3					
7	92995-08600	WASHER	3					
8	95380-06600	NUT, HEXAGON	1					
9	6F5-85540-22	C.D.I. UNIT ASSY	1	1				
10	90164-06M01	SCREW, TAPPING	2	2				
11	6F6-85530-00	IGNITION COIL ASSY	1	1				
12	62E-82371-11	.CAP, PLUG	2	2				
13	90465-11M10	.CLAMP	2	2				
14	97095-06025	BOLT	2	2				
15	92995-06600	WASHER	2	2				
16	6F5-85590-21	CONTROL UNIT ASSY	1	1				
17	6F5-82131-00	BAND, BATTERY	1	1				
18	688-82560-10	THERMO SWITCH ASSY	1	1				
19	6F5-82519-00	WIRE, EARTH LEAD	1					
20	97095-06016	BOLT	1	1				
21	92995-06600	WASHER	1	1				
22	6F5-82588-00	PLATE	1	1				
23	6F5-81922-00	GROMMET	2					
24	90446-10M01	HOSE	1	1				
25	6F5-83622-81	MARK 2	1					



6F52200-3100

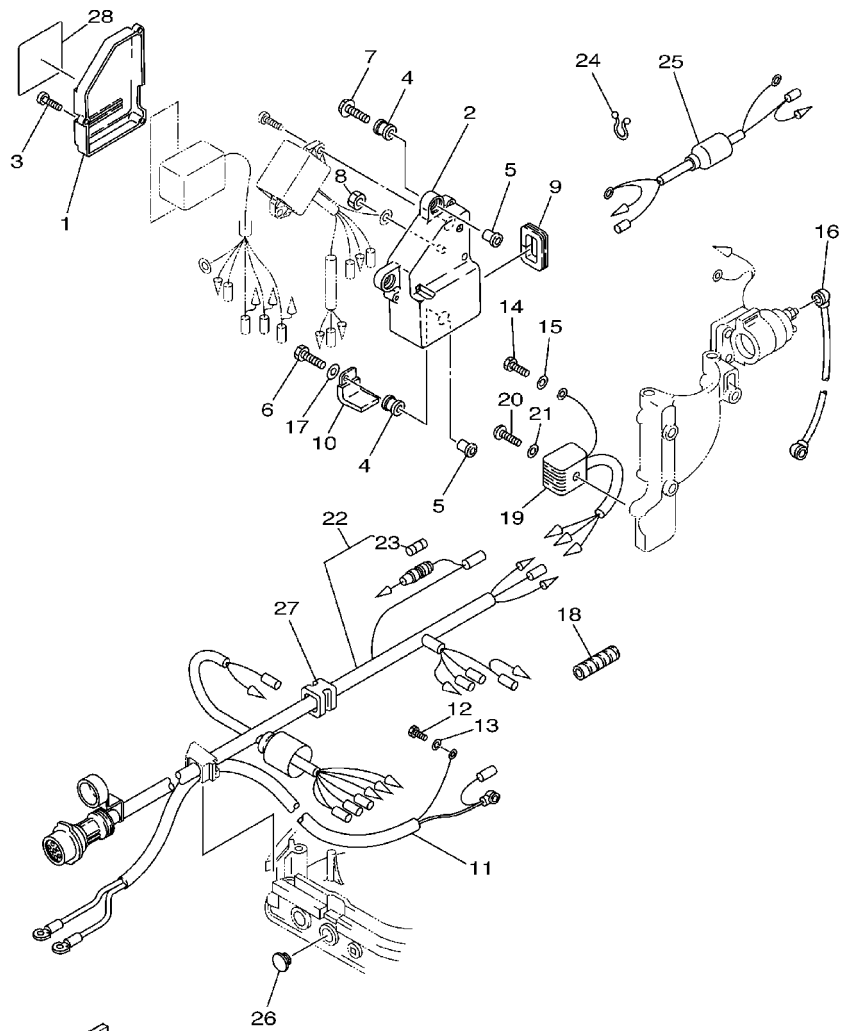


6F51200-2110

FIG. 11 ELECTRICAL 2

REF. NO.	PART NO.	DESCRIPTION	MH	W	REMARKS
1	6F5-81916-40	COVER, TERMINAL		1	
2	6F5-85542-40	BRACKET		1	
3	90164-05M00	SCREW, TAPPING		3	
4	6A0-82317-00	DAMPER, IGNITION COIL		3	
5	624-42542-00	PIPE		3	
6	97095-06025	BOLT		1	
7	90119-06M88	BOLT, WITH WASHER		2	
8	95380-06600	NUT, HEXAGON		1	
9	6F5-81922-40	GROMMET		1	
10	90465-06M16	CLAMP		1	
11	6F5-82105-00	WIRE HARNESS		1	
12	97095-08016	BOLT		1	
13	92995-08100	WASHER		1	
14	97013-06016	BOLT		1	
15	92903-06600	WASHER, PLATE		1	
16	6F5-82117-00	WIRE, LEAD		1	
17	90201-06050	WASHER, PLATE		1	
18	90446-10M02	HOSE		1	
19	6F5-81970-61	RECTIFIER ASSY		1	
20	97880-05025	SCREW, PAN HEAD		1	
21	92990-05600	WASHER, PLATE		1	
22	6F5-82590-01	WIRE HARNESS ASSY		1	
23	663-82151-00	.FUSE (12V-20A)		1	
24	90465-18147	CLAMP		1	
25	6F5-82519-10	WIRE, EARTH LEAD		1	
26	90480-17165	GROMMET		1	
27	90480-17M08	GROMMET		1	

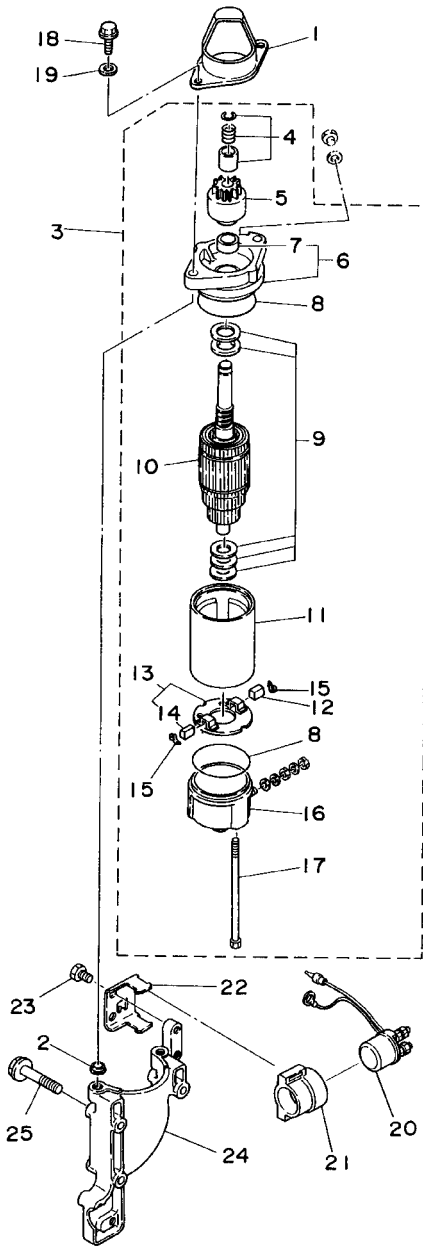
FIG. 11 ELECTRICAL 2



6F51200-2110

REF. NO.	PART NO.	DESCRIPTION	MH	W	REMARKS
28	6F5-83622-60	MARK 2		1	

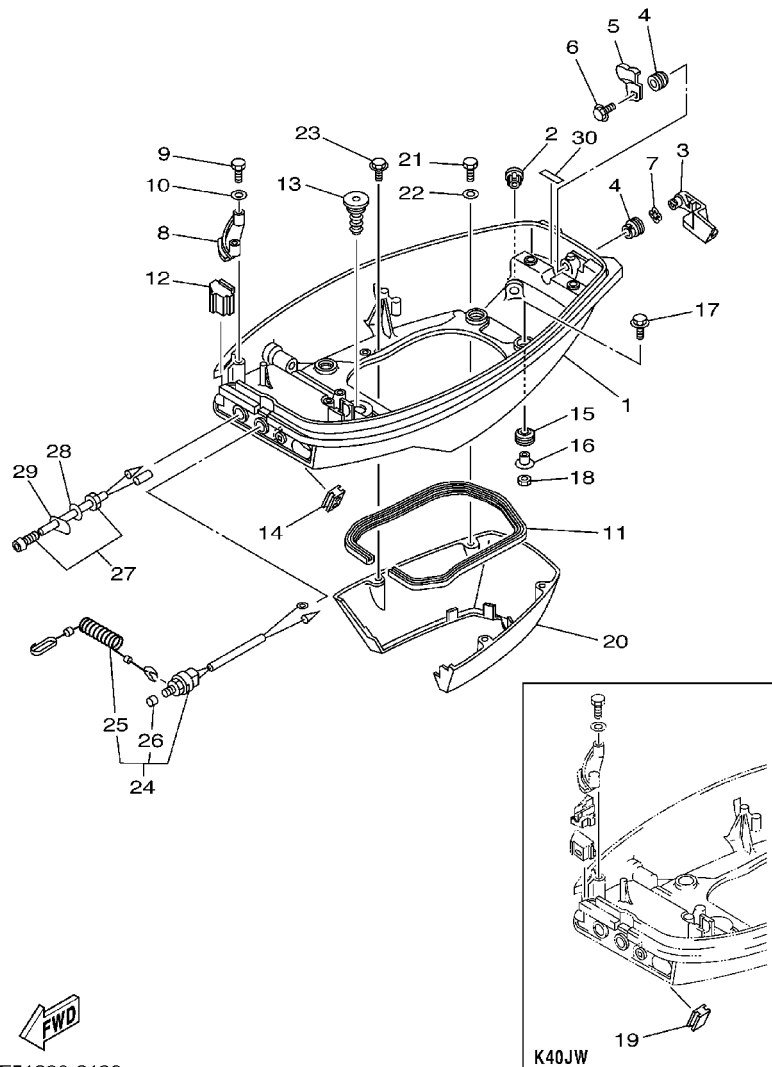
FIG. 12 STARTING MOTOR



6H90010-4120

REF. NO.	PART NO.	DESCRIPTION	MH	W	REMARKS
1	6F5-81842-41	COVER		1	
2	90387-08M12	COLLAR		2	
3	6J4-81800-01	STARTING MOTOR ASSY		1	
4	689-81857-11	.PINION STOPPER SET		1	
5	689-81807-12	.GEAR ASSY, STARTING MOTOR		1	
6	6F5-81830-11	.FRONT BRACKET ASSY		1	
7	689-81831-00	..METAL, FRONT		1	
8	689-81847-11	.O-RING		2	
9	689-81809-11	.WASHER KIT		1	
10	689-81850-12	.ARMATURE ASSY		1	
11	689-81810-11	.STATOR ASSY		1	
12	689-81811-11	.BRUSH 1		1	
13	689-81840-11	.BRUSH HOLDER ASSY		1	
14	689-81812-11	..BRUSH 2		1	
15	689-81813-10	.SPRING, BRUSH		2	
16	689-81820-11	.REAR BRACKET ASSY		1	
17	689-81826-10	.BOLT		2	
18	90105-08M50	BOLT, FLANGE		2	
19	92990-08600	WASHER, PLATE		2	
20	6G1-81941-10	STARTER RELAY ASSY		1	
21	6G1-81952-00	HOLDER, RELAY		1	
22	6F5-81945-00	PLATE, SWITCH FITTING		1	
23	97095-06012	BOLT		2	
24	6J4-81820-00	REAR BRACKET ASSY		1	
25	90105-08M51	BOLT, FLANGE		3	

FIG. 13 BOTTOM COWLING



6F51200-2130

REF. NO.	PART NO.	DESCRIPTION	MH	W				REMARKS
1	6F5-42711-02-4D	COWLING, BOTTOM	1	1				
2	6E5-44391-00	NIPPLE, HOSE	1	1				
3	6F5-42815-01-4D	LEVER, CLAMP	1	1				
4	90386-12M37	BUSH	2	2				
5	6F5-42816-00	LEVER, CLAMP	1	1				
6	90119-06M73	BOLT, WITH WASHER	1	1				
7	90206-12052	WASHER, WAVE	1	1				
8	6F5-42738-01-94	PLATE, FITTING	1	1				
9	97013-06025	BOLT	2	2				
10	92903-06600	WASHER, PLATE	2	2				
11	6F5-42716-00	RUBBER, SEAL 1	1	1				
12	6F5-42724-00	GROMMET	1					
13	6F5-42727-00	GROMMET	1	1				
14	676-26326-00	GROMMET	1					
15	90480-09M21	GROMMET	4	4				
16	90387-06035	COLLAR	4	4				
17	90119-06M61	BOLT, WITH WASHER	4	4				
18	95380-06600	NUT, HEXAGON	4	4				
19	676-42724-40	GROMMET		1				
20	6F5-42741-11	APRON	1	1				
21	97095-06025	BOLT	2	2				
22	92995-06600	WASHER	2	2				
23	90119-06M11	BOLT, WITH WASHER	2	2				
24	6E9-82575-02	ENGINE STOP SWITCH ASSY	1					
25	682-82556-00	.STOPPER	1					
26	689-8257Y-00	.CAP	1					
27	6E9-85411-00	OVERHEAT WARNING LAMP	1	1				

1
**HANDLE STEERING
 ASSY**
 (Fig. 14, Ref. No. 2 to 32)

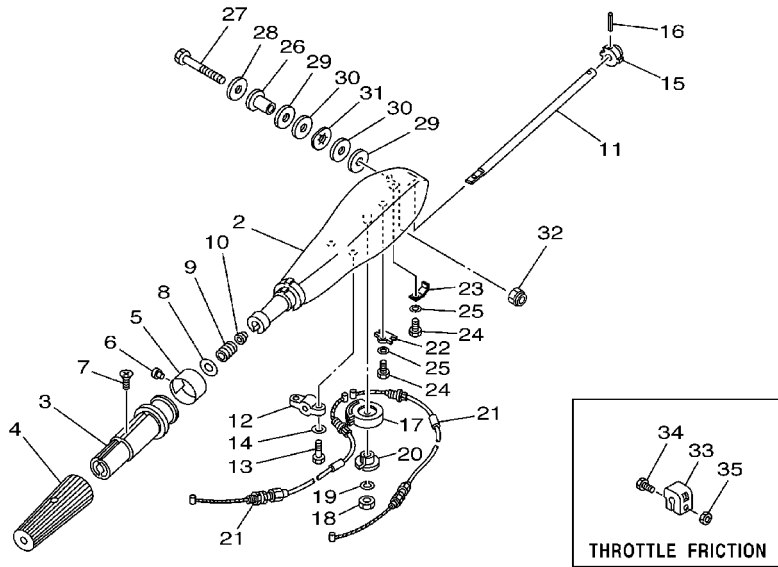
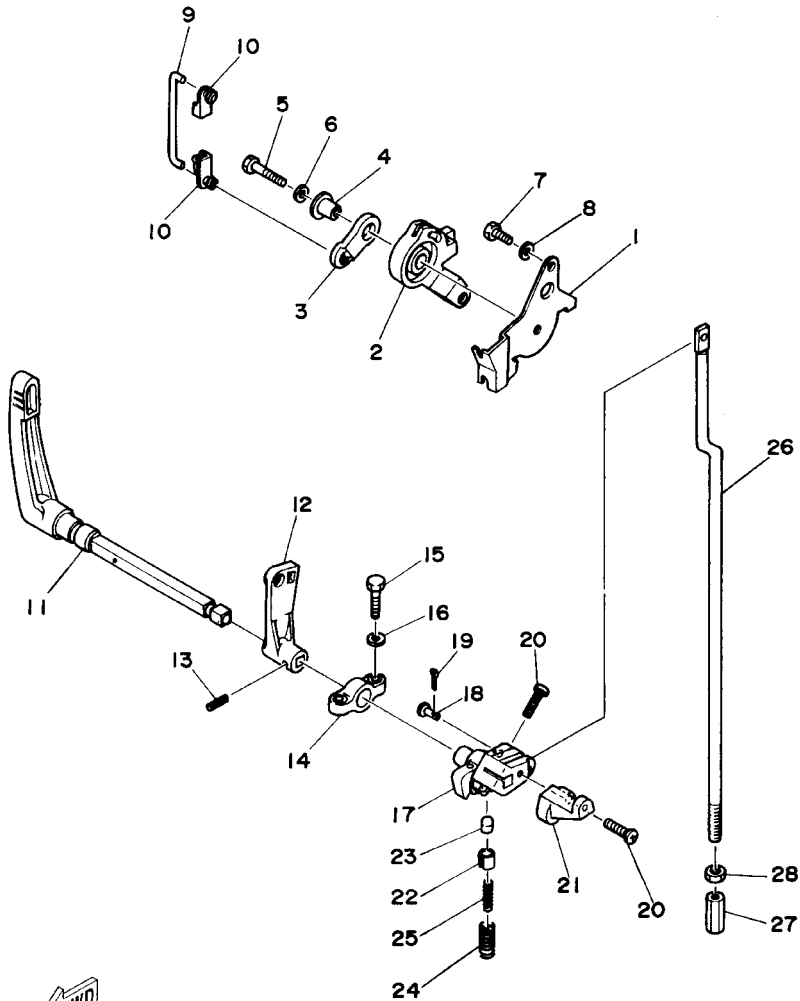


FIG. 14 STEERING

REF. NO.	PART NO.	DESCRIPTION	MH	W		REMARKS
1	6F5-W0084-00-4D	HANDLE STEERING ASSY	1			
2	676-42111-02-4D	HANDLE, STEERING	1			
3	664-42119-00	GRIP, STEERING HANDLE	1			
4	6F6-42177-A0	RUBBER, HANDLE	1			
5	6F5-42137-00	INDICATOR, THROTTLE	1			
6	90269-02M09	RIVET	1			
7	90149-05M13	SCREW	1			
8	92903-10600	WASHER, PLATE	1			
9	90501-23215	SPRING, COMPRESSION	1			
10	90386-08032	BUSH	1			
11	676-42115-00	SHAFT, STEERING HANDLE	1			
12	676-42159-00	STAY	1			
13	97095-06020	BOLT	2			
14	92995-06600	WASHER	2			
15	650-42152-00-94	GEAR	1			
16	91690-30025	PIN, SPRING	1			
17	676-42151-00-94	PINION	1			
18	95380-06600	NUT, HEXAGON	1			
19	92990-06100	WASHER, SPRING	1			
20	90386-08M00	BUSH	1			
21	6F5-26311-00	CABLE, THROTTLE 1	2			
22	676-26391-00	CLIP, CABLE	1			
23	676-26392-00	CLIP, CABLE 2	1			
24	97095-05010	BOLT	2			
25	92995-05600	WASHER	2			
26	90386-12089	BUSH	1			
27	90101-12M37	BOLT	1			

FIG. 15 CONTROL 1

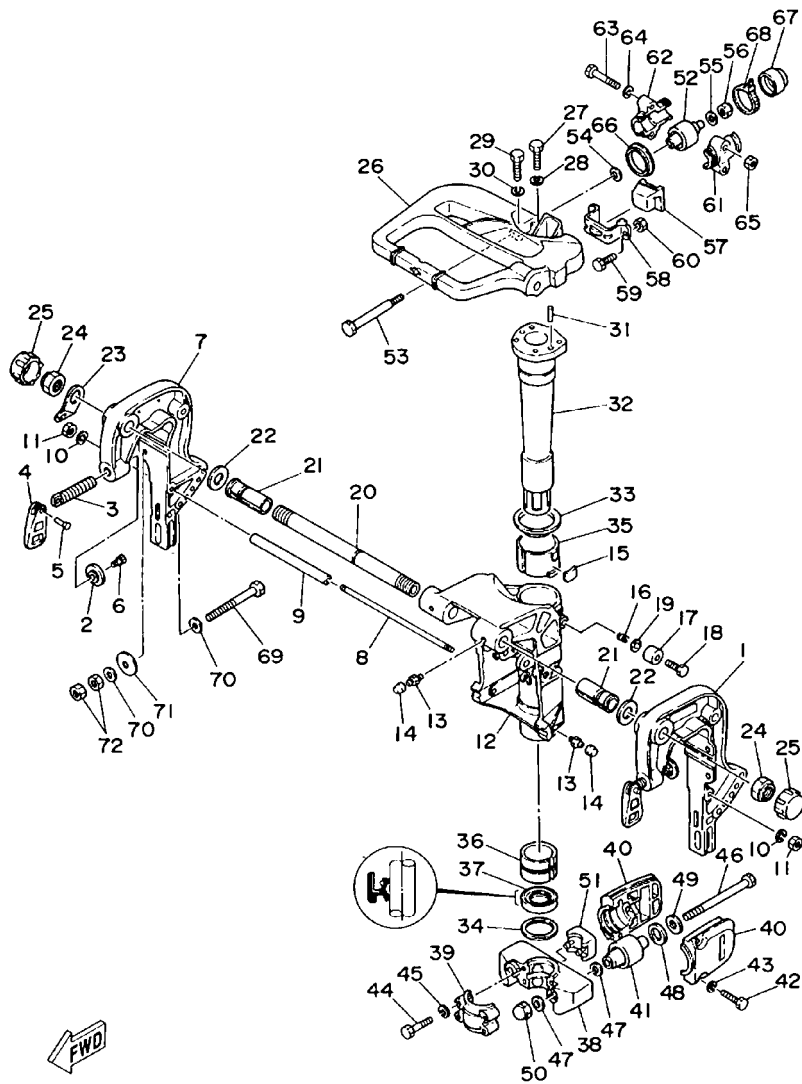
REF. NO.	PART NO.	DESCRIPTION	MH	W	REMARKS
1	6F5-14497-00	STAY, THROTTLE WIRE	1	1	
2	6F5-41638-00	PULLEY	1	1	
3	6F5-41283-00	LEVER, FREE ACCEL.	1	1	
4	90387-06M29	COLLAR	1	1	
5	97095-06030	BOLT	1	1	
6	92995-06600	WASHER	1	1	
7	97095-06016	BOLT	1	1	
8	92995-06600	WASHER	1	1	
9	6F5-41211-00	LINK, ACCEL.	1	1	
10	6E9-41237-00	JOINT, LINK	2	2	
11	6F5-44111-00	HANDLE, GEAR SHIFT	1		
12	6F5-44125-00	LEVER, SHIFT ROD	1	1	
13	91690-25016	PIN, SPRING	1	1	
14	6F5-41662-00	BRACKET	1	1	
15	97013-06025	BOLT	2	2	
16	92903-06600	WASHER, PLATE	2	2	
17	6F5-44121-00	LEVER, SHIFT ROD	1	1	
18	90240-05M09	PIN, CLEVIS	1	1	
19	91490-16010	PIN, COTTER	1	1	
20	97780-40520	SCREW, TAPPING	2	2	
21	6F5-44173-00	LEVER, SHIFT CONTROL	1	1	
22	6F5-42715-00	BUSHING	1	1	
23	6F5-44167-00	PLUNGER, SHIFT CAM	1	1	
24	90501-12M36	SPRING, COMPRESSION	1	1	
25	90501-07M33	SPRING, COMPRESSION	1	1	
26	676-44143-00	ROD, SHIFT	1	1	
27	648-44146-00	CONNECTOR, SHIFT ROD	1	1	



6H90010-4150

D5

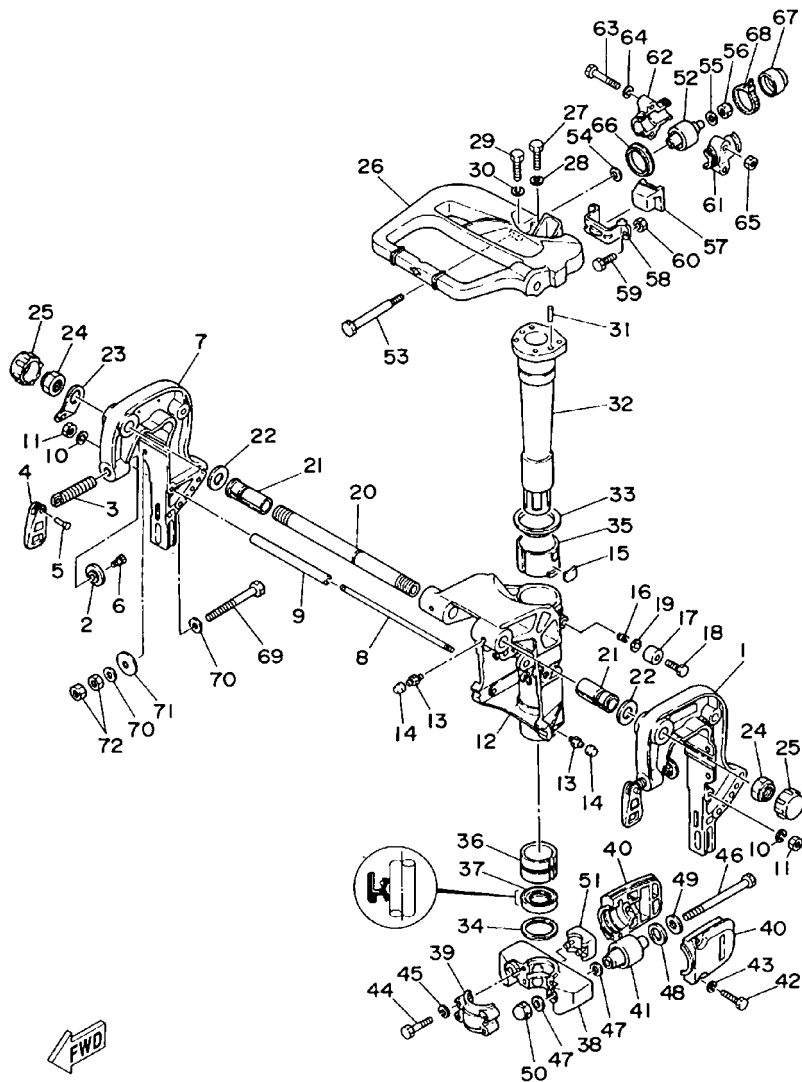
FIG. 17 BRACKET 1



6H90010-4170

REF. NO.	PART NO.	DESCRIPTION	MH	W				REMARKS
1	676-43111-04-4D	BRACKET, CLAMP	1	1				
2	6F5-43114-00	PAD, TRANSOM CLAMP	2	2				
3	6F5-43116-00	SCREW, TRANSOM CLAMP	2	2				
4	663-43118-01-4D	HANDLE, TRANSOM CLAMP	2	2				
5	90243-04007	PIN	2	2				
6	90109-06M12	BOLT	2	2				
7	676-43112-04-4D	BRACKET, CLAMP	1	1				
8	90116-08M00	BOLT, STUD	1	1				
9	90387-08M02	COLLAR	1	1				
10	92990-08100	WASHER, SPRING	2	2				
11	95380-08600	NUT	2	2				
12	676-43311-10-4D	BRACKET, SWIVEL 1	1	1				
13	93700-06M03	NIPPLE, GREASE	4	4				
14	663-45119-00	CAP, GREASE NIPPLE	4	4				AP
15	648-42528-00	PLATE, FRICTION	1	1				
16	90501-18M00	SPRING, COMPRESSION	1	1				
17	676-43373-00	SEAL, DAMPER	1	1				
18	97075-08025	BOLT	1	1				
19	92995-08600	WASHER	1	1				
20	6J8-43131-01	BOLT, CLAMP BRACKET	1	1				
21	90386-22M15	BUSH	2	2				
22	90201-22M03	WASHER, PLATE	2	2				
23	6J8-43113-01	PLATE, CLAMP BRACKET	1	1				
24	90185-22043	NUT, SELF-LOCKING	2	2				
25	6G5-43145-01	CAP, CLAMP BRACKET	2	2				
26	676-42511-02-4D	BRACKET, STEERING	1	1				
27	97075-08030	BOLT	2	2				

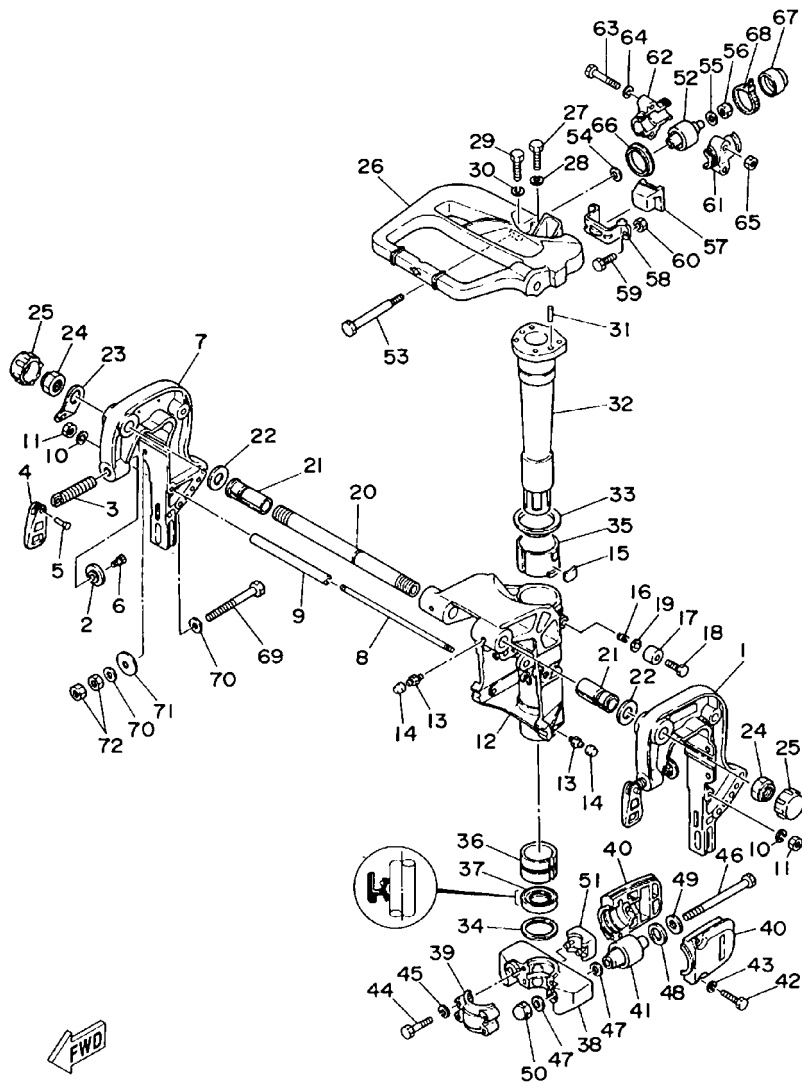
FIG. 17 BRACKET 1



6H90010-4170

REF. NO.	PART NO.	DESCRIPTION	MH	W			REMARKS
28	92995-08100	WASHER	2	2			
29	97075-08035	BOLT	2	2			
30	92995-08100	WASHER	2	2			
31	93608-12063	PIN, DOWEL	2	2			
32	676-42521-00-94	SHAFT, STEERING PIVOT	1	1			
33	90209-52M00	WASHER	1	1			
34	90201-44M01	WASHER, PLATE	1	1			
35	90386-52M02	BUSH	1	1			
36	90386-44M03	BUSH	1	1			
37	93109-44M00	OIL SEAL	1	1			
38	676-44551-01-4D	HOUSING, LOWER MOUNT RUBBER	1	1			
39	676-44552-01-4D	HOUSING, LOWER MOUNT RUBBER	1	1			
40	676-44553-01-4D	COVER, LOWER MOUNT	2	2			
41	679-44555-00-94	MOUNT DAMPER, LOWER SIDE	2	2			
42	97075-08030	BOLT	4	4			
43	92995-08100	WASHER	4	4			
44	97095-08045	BOLT	4	4			
45	92995-08100	WASHER	4	4			
46	90101-12M01	BOLT	2	2			
47	90201-12M16	WASHER, PLATE	4	4			
48	90202-21100	WASHER, PLATE	2	2			
49	90201-13M11	WASHER, PLATE	2	2			
50	95380-12800	NUT, CROWN	2	2			
51	676-44575-00	DAMPER, LOWER MOUNT RUBBER	1	1			
52	679-44514-00-94	MOUNT DAMPER, UPPER SIDE	2	2			
53	90101-08M02	BOLT	2	2			
54	90201-08M08	WASHER, PLATE	2	2			

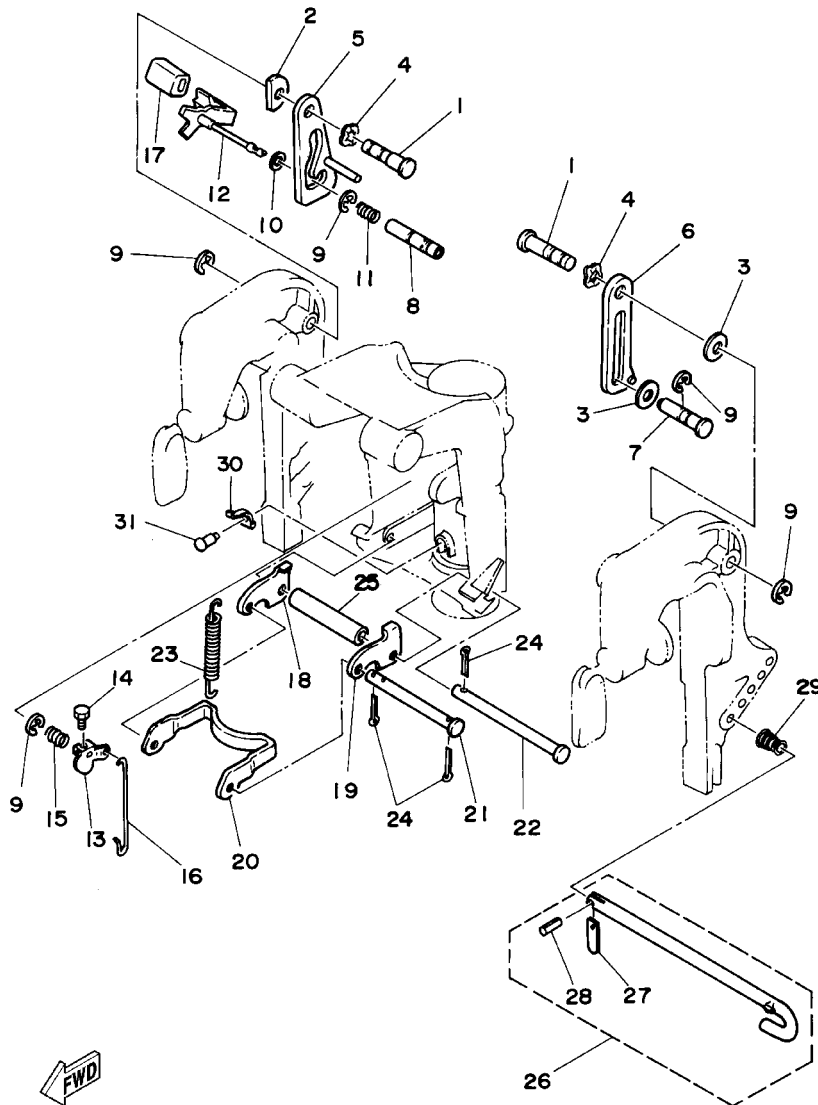
FIG. 17 BRACKET 1



6H90010-4170

REF. NO.	PART NO.	DESCRIPTION	MH	W	REMARKS
55	90201-09M00	WASHER, PLATE	2	2	
56	90185-08057	NUT, SELF-LOCKING	2	2	
57	676-44533-00	DAMPER, UPPER MOUNT RUBBER	1	1	
58	676-44518-00	BRACKET COMP.	1	1	
59	97095-06025	BOLT	2	2	
60	95380-06600	NUT, HEXAGON	2	2	
61	676-44511-00-94	COVER, UPPER MOUNT	2	2	
62	676-44512-00-94	COVER, UPPER MOUNT	2	2	
63	97095-08050	BOLT	4	4	
64	92995-08600	WASHER	4	4	
65	95380-08600	NUT	4	4	
66	676-44521-00	SEAL	2	2	
67	676-44522-01	SEAL	2	2	
68	90465-11M52	CLAMP	2	2	
69	90101-10M58	BOLT	4	4	
70	92995-10600	WASHER	8	8	
71	90201-12426	WASHER, PLATE	4	4	
72	95380-10600	NUT	8	8	

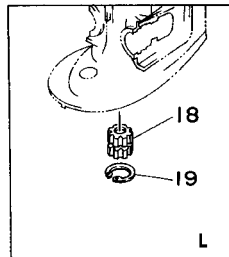
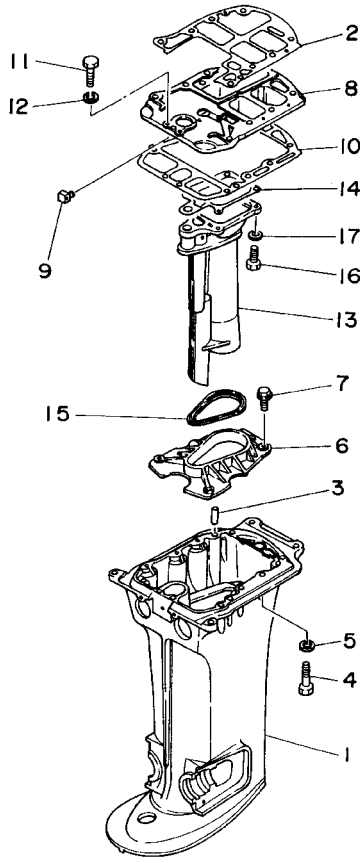
FIG. 18 BRACKET 2



6J40200-4180

REF. NO.	PART NO.	DESCRIPTION	MH	W				REMARKS
1	90249-12M27	PIN	2	2				
2	676-43132-00	WASHER, FRICTION	1	1				
3	90202-12M01	WASHER, PLATE	2	2				
4	90206-12M00	WASHER, WAVE	2	2				
5	6F5-43627-80	STOPPER	1	1				
6	6F5-43628-80	STOPPER	1	1				
7	90249-12M13	PIN	1	1				
8	676-43191-00	SHAFT, STOPPER	1	1				
9	93430-10M00	CIRCLIP	5	5				
10	90202-06M00	WASHER, PLATE	1	1				
11	90501-14M05	SPRING, COMPRESSION	1	1				
12	6F5-43630-80	TILT LEVER ASSY	1	1				
13	676-43631-00	LEVER, TILT	1	1				
14	97095-05010	BOLT	1	1				
15	90508-14M00	SPRING, TORSION	1	1				
16	676-43616-00	ROD, TILT LOCK	1	1				
17	663-43318-00	COVER	1	1				
18	676-43614-00	PLATE, TILT LOCK	1	1				
19	676-43615-00	PLATE, TILT LOCK	1	1				
20	676-43613-00	ARM, TILT LOCK	1	1				
21	90249-07M01	PIN	1	1				
22	90249-07M02	PIN	1	1				
23	90506-30M00	SPRING, TENSION	2	2				
24	91490-20012	PIN, COTTER	4	4				
25	90387-07M04	COLLAR	1	1				
26	676-43160-02	TILT ROD ASSY	1	1				
27	676-43165-00	.PLATE, TILT LOCK	1	1				

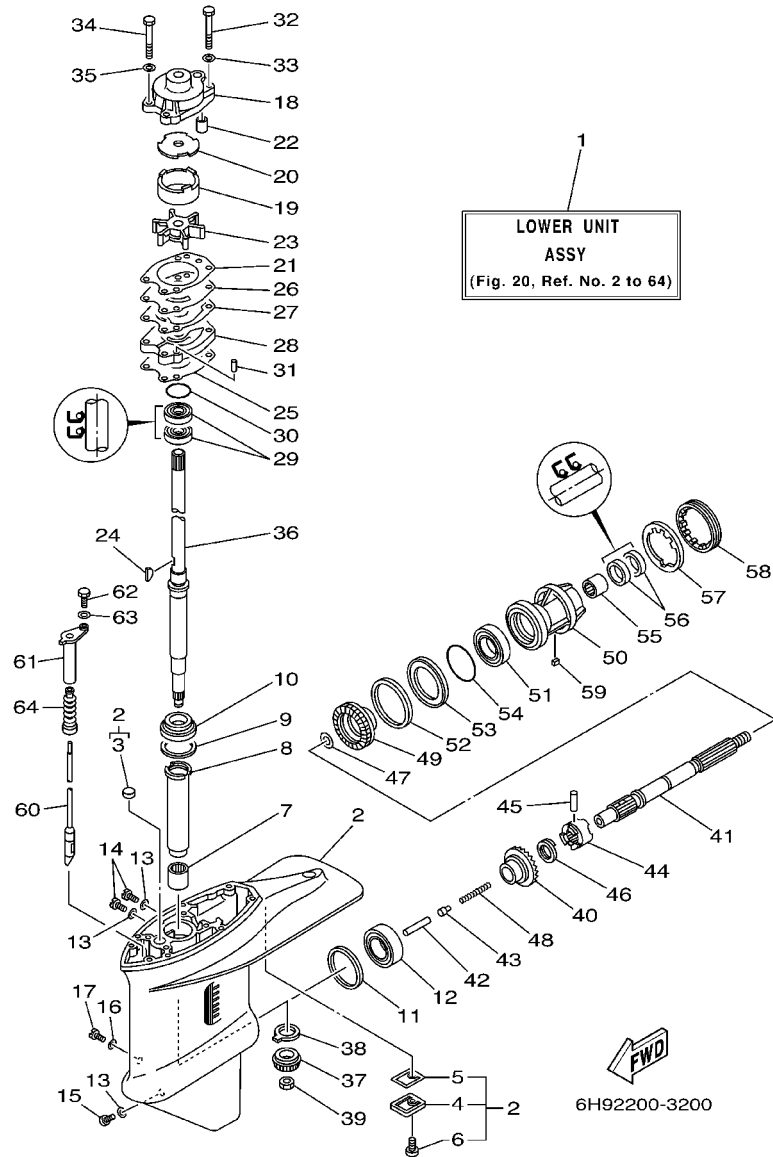
FIG. 19 UPPER CASING



FWD
6F51200-2200

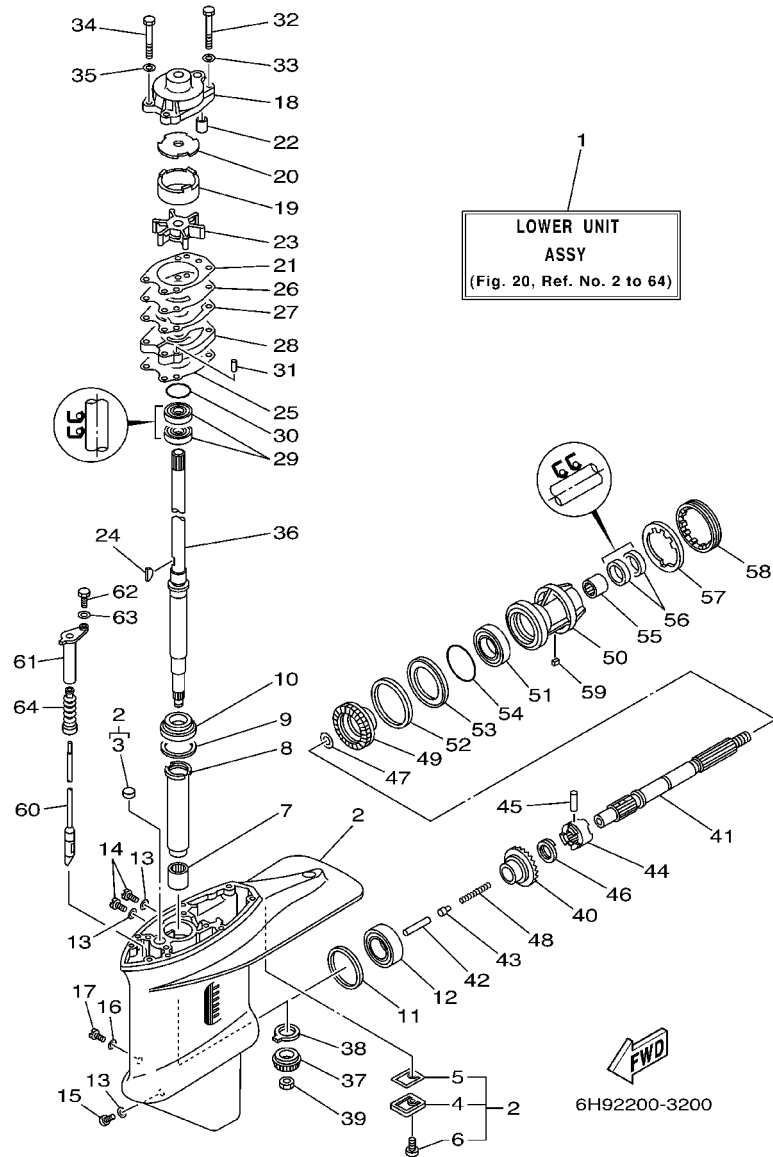
REF. NO.	PART NO.	DESCRIPTION	MH	W				REMARKS
1	676-45111-03-4D	CASING, UPPER	1	1				S
	6H9-45111-11-4D	CASING, UPPER	1					L
2	6F5-45113-A0	GASKET, UPPER CASING	1	1				
3	93606-25M00	PIN, DOWEL	2	2				
4	97095-08040	BOLT	8	8				
5	92995-08100	WASHER	8	8				
6	6F5-41116-00-5B	PROTECTOR	1	1				
7	90105-06M01	BOLT, FLANGE	4	4				
8	6F5-41137-02-94	GUIDE, EXHAUST	1	1				
9	6F5-41141-00	ELBOW, WATER MIXING	1	1				
10	676-45114-A1	GASKET, UPPER CASING	1	1				
11	97095-06025	BOLT	3	3				
12	92995-06100	WASHER, SPRING	3	3				
13	676-41131-01-5B	MANIFOLD, EXT. 1	1	1				
14	676-41133-A1	GASKET, EXHAUST MANIFOLD 1	1	1				
15	676-45127-00	SEAL	1	1				
16	97095-06020	BOLT	4	4				
17	92995-06100	WASHER, SPRING	4	4				
18	6A0-45318-00	BUSHING, DRIVE SHAFT	1					L
19	93420-36M01	CIRCLIP	1					L
20	676-45151-00-4D	COVER, UPPER CASING	1	1				S
	676-45151-10-4D	COVER, UPPER CASING	1					L

FIG. 20 LOWER CASING. DRIVE 1



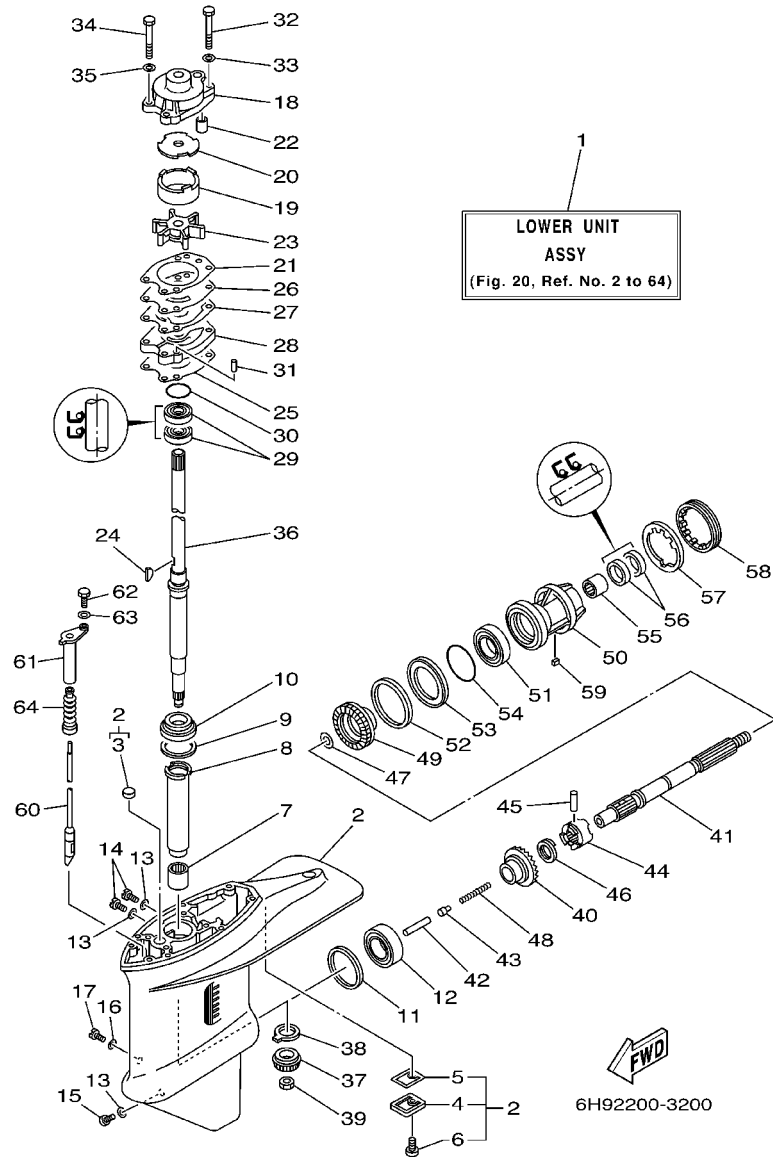
REF. NO.	PART NO.	DESCRIPTION	MH	W		REMARKS
1	6J4-45300-02-4D	LOWER UNIT ASSY	1	1		S
	6J4-45300-12-4D	LOWER UNIT ASSY	1			L
2	6J4-W4531-01-4D	CASING, LOWER	1	1		
3	90338-22007	.PLUG	1	1		
4	679-45321-02	.PLATE	1	1		
5	679-45315-A1	.PACKING, LOWER CASING	1	1		
6	97880-06016	.SCREW, PAN HEAD	1	1		
7	93315-32224	BEARING	1	1		
8	679-45536-00	SLEEVE, DRIVE SHAFT	1	1		
9	663-45587-01-10	SHIM (T:0.10MM)	1	1		UR
	663-45587-01-12	SHIM (T:0.12MM)	1	1		UR
	663-45587-01-15	SHIM (T:0.15MM)	1	1		UR
	663-45587-01-18	SHIM (T:0.18MM)	1	1		UR
	663-45587-01-30	SHIM (T:0.30MM)	1	1		UR
	663-45587-01-40	SHIM (T:0.40MM)	1	1		UR
	663-45587-01-50	SHIM (T:0.50MM)	1	1		UR
10	93332-00001	BEARING	1	1		
11	663-45567-01-10	SHIM (T:0.10MM)	1	1		UR
	663-45567-01-12	SHIM (T:0.12MM)	1	1		UR
	663-45567-01-15	SHIM (T:0.15MM)	1	1		UR
	663-45567-01-18	SHIM (T:0.18MM)	1	1		UR
	663-45567-01-30	SHIM (T:0.30MM)	1	1		UR
	663-45567-01-40	SHIM (T:0.40MM)	1	1		UR
	663-45567-01-50	SHIM (T:0.50MM)	1	1		UR
12	93332-00003	BEARING	1	1		
13	90430-08020	GASKET	3	3		
14	90340-08002	PLUG, STRAIGHT SCREW	2	2		

FIG. 20 LOWER CASING. DRIVE 1



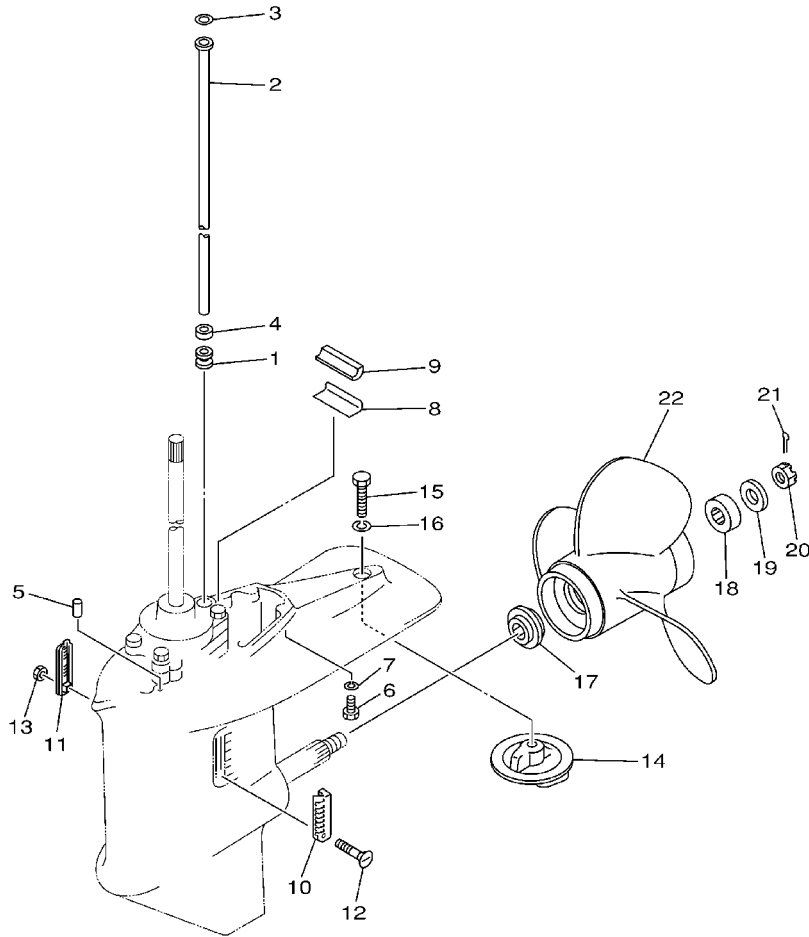
REF. NO.	PART NO.	DESCRIPTION	MH	W			REMARKS
15	688-45341-10	PLUG, DRAIN	1	1			
16	90430-06M03	GASKET	1	1			
17	90149-06M00	SCREW	1	1			
18	676-44311-00	HOUSING, WATER PUMP	1	1			
19	676-44322-40	INSERT, CARTRIDGE	1	1			FOR CHROMATE
20	676-44321-40	INNER PLATE, CARTRIDGE	1	1			FOR CHROMATE
21	676-44315-A1	GASKET, WATER PUMP	1	1			
22	663-44366-00	DAMPER, WATER SEAL	1	1			
23	6F5-44352-00	IMPELLER	1	1			
24	90280-04M00	KEY, WOODRUFF	1	1			
25	679-44316-A1	GASKET, WATER PUMP	1	1			FOR CHROMATE
26	676-44323-40	OUTER PLATE, CARTRIDGE	1	1			FOR CHROMATE
27	676-44324-A1	GASKET, CARTRIDGE	1	1			
28	679-44341-00-94	HOUSING, WATER PUMP	1	1			
29	93101-22M00	OIL SEAL	2	2			
30	93210-41042	O-RING	1	1			
31	93604-08062	PIN, DOWEL	2	2			
32	97095-08055	BOLT	2	2			
33	92995-08600	WASHER	2	2			
34	97095-08045	BOLT	2	2			
35	92995-08600	WASHER	2	2			
36	679-45501-00	DRIVE SHAFT COMP.	1	1			S
	679-45501-10	DRIVE SHAFT COMP.	1	1			L
37	6H9-45551-00	PINION	1	1			
38	663-45552-00	BEARING, PLAIN	1	1			
39	90170-12138	NUT	1	1			
40	679-45560-00	GEAR	1	1			

FIG. 20 LOWER CASING. DRIVE 1



REF. NO.	PART NO.	DESCRIPTION	MH	W			REMARKS
41	679-45611-01	SHAFT, PROPELLER	1	1			
42	676-45635-00	PLUNGER, SHIFT	1	1			
43	663-45634-00	SLIDE, SHIFT	1	1			
44	663-45631-01	CLUTCH, DOG	1	1			
45	90250-06023	PIN, STRAIGHT	1	1			
46	663-45633-00	RING, CROSS PIN	1	1			
47	90201-22429	WASHER, PLATE	1	1			
48	90501-16M01	SPRING, COMPRESSION	1	1			
49	679-45571-00	GEAR	1	1			
50	679-45331-00-94	HOUSING, BEARING	1	1			
51	93306-00702	BEARING	1	1			
52	663-45577-01-10	SHIM (T:0.10MM)	1	1			UR
	663-45577-01-12	SHIM (T:0.12MM)	1	1			UR
	663-45577-01-15	SHIM (T:0.15MM)	1	1			UR
	663-45577-01-18	SHIM (T:0.18MM)	1	1			UR
	663-45577-01-30	SHIM (T:0.30MM)	1	1			UR
	663-45577-01-40	SHIM (T:0.40MM)	1	1			UR
	663-45577-01-50	SHIM (T:0.50MM)	1	1			UR
53	663-45576-00	WASHER, THRUST	1	1			
54	93210-66M98	O-RING	1	1			
55	93317-22204	BEARING	1	1			
56	93101-22M00	OIL SEAL	2	2			
57	90214-48M03	WASHER, CLAW	1	1			
58	697-45384-02	NUT	1	1			
59	90282-04010	KEY, STRAIGHT	1	1			
60	679-44150-00	SHIFT CAM ASSY	1	1			S
	679-44150-10	SHIFT CAM ASSY	1				L

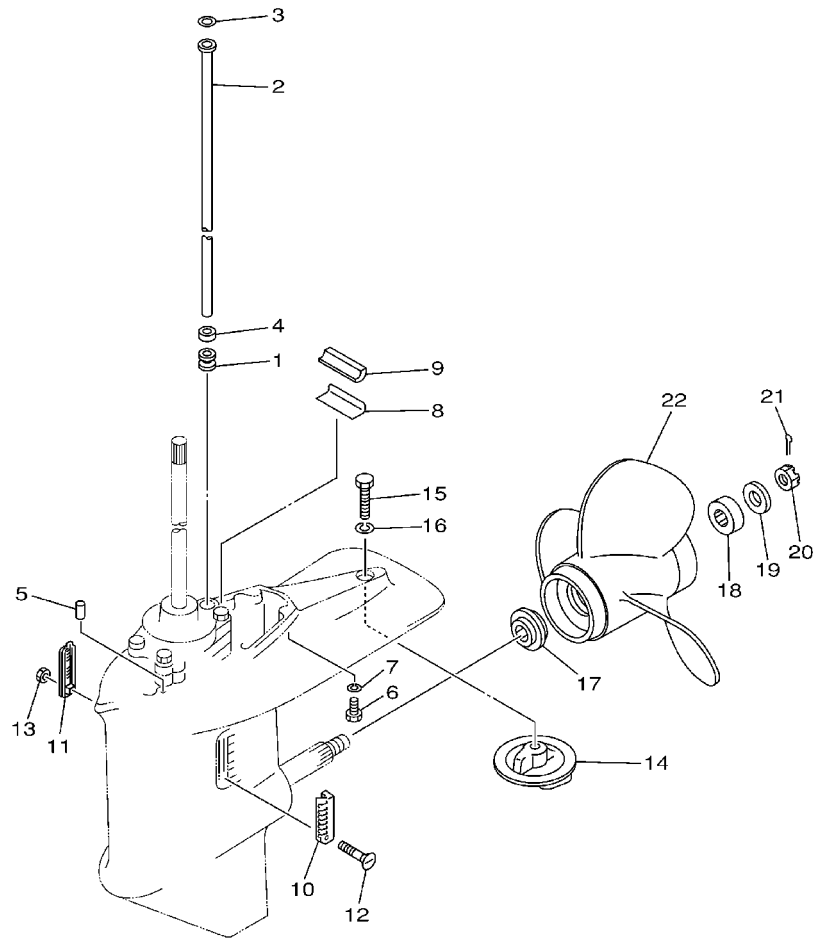
FIG. 21 LOWER CASING. DRIVE 2



6J40200-1220

REF. NO.	PART NO.	DESCRIPTION	MH	W				REMARKS
1	663-44367-00	DAMPER, WATER SEAL	1	1				
2	676-44361-00	TUBE, WATER	1	1				S
	676-44361-10	TUBE, WATER	1					L
3	90202-12060	WASHER, PLATE	1	1				
4	90430-12072	GASKET	1	1				
5	93606-12019	PIN, DOWEL	2	2				
6	97075-08030	BOLT	6	6				
7	92995-08100	WASHER	6	6				
8	663-45376-00-94	GUIDE, SEAL DAMPER	1	1				
9	663-45375-00	DAMPER, SEAL	1	1				
10	688-45214-02	COVER, WATER INLET	1	1				
11	688-45215-02	COVER, WATER INLET	1	1				
12	90152-05M09	SCREW, COUNTERSUNK	1	1				
13	90185-05002	NUT, SELF-LOCKING	1	1				
14	679-45371-00	TAB-TRIM	1	1				
15	97095-10030	BOLT	1	1				
16	92995-10100	WASHER	1	1				
17	663-45987-02	SPACER	1	1				
18	670-45997-02	SPACER	1	1				
19	92990-16200	WASHER, PLAIN	1	1				
20	90171-16011	NUT, CASTLE	1	1				
21	91490-30025	PIN, COTTER	1	1				
22	69W-45943-00-EL	PROPELLER (3X11"X15"-G)	1	1				UR
	69W-45945-00-EL	PROPELLER (3X11-1/8"X13"-G)	1	1				UR
	69W-45947-00-EL	PROPELLER (3X11-5/8"X11"-G)	1	1				UR
	663-45941-01-EL	PROPELLER (3X10-3/4"X17"-G)	1	1				UR
	663-45949-01-EL	PROPELLER (3X10-3/4"X16"-G)	1	1				UR

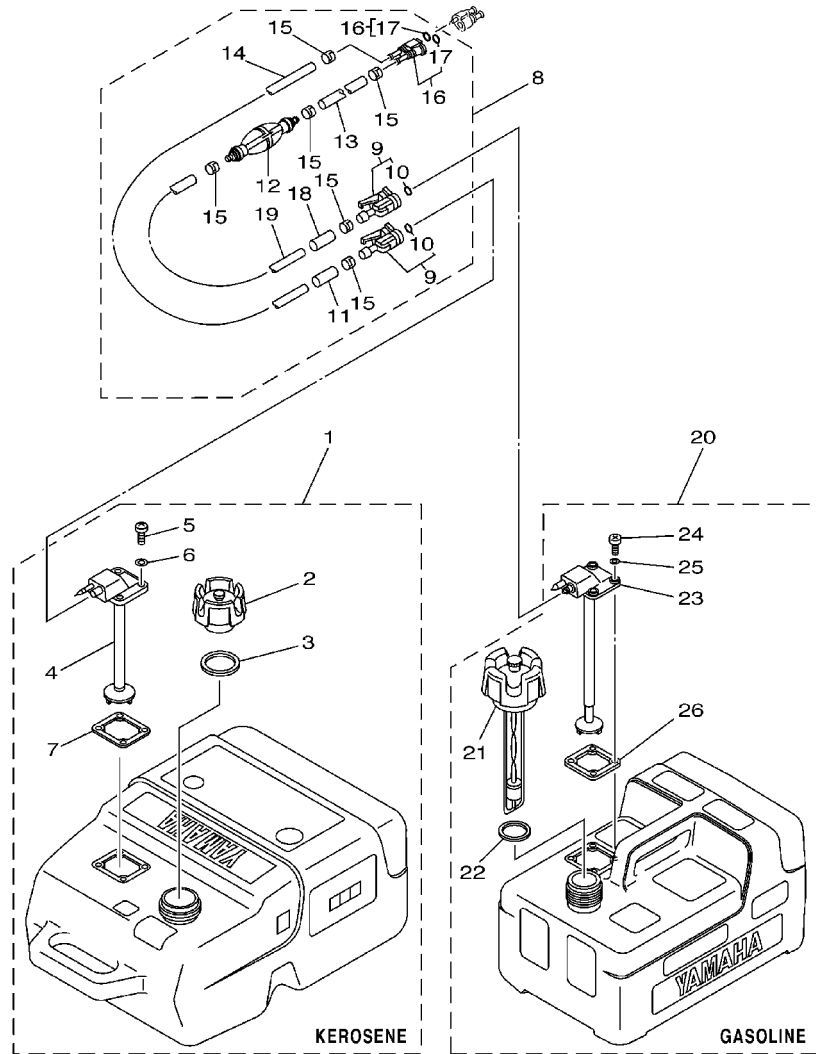
FIG. 21 LOWER CASING. DRIVE 2



6J40200-1220

REF. NO.	PART NO.	DESCRIPTION	MH	W			REMARKS
22	663-45952-02-EL	PROPELLER (3X11-3/8"X12"-G)	1	1			UR
	663-45954-01-EL	PROPELLER (3X11-3/4"X10"-G)	1	1			UR
	663-45956-01-EL	PROPELLER (3X12-1/4"X9"-G)	1	1			UR
	663-45958-01-EL	PROPELLER (3X11-1/4"X14"-G)	1	1			UR
STAINLESS STEEL PROPELLER							
	663-45930-00-98	PROPELLER (3X10-1/4"X14"-G)	1	1			UR
	663-45976-00-98	PROPELLER (3X10-1/4"X15"-G)	1	1			UR
	663-45978-00-98	PROPELLER (3X10-1/4"X16"-G)	1	1			UR
	663-45970-60-98	PROPELLER (3X11-3/4"X12"-G)	1	1			UR
	663-45972-60-98	PROPELLER (3X12"X11"-G)	1	1			UR
	663-45974-60-98	PROPELLER (3X11-1/2"X13"-G)	1	1			UR

FIG. 22 FUEL TANK

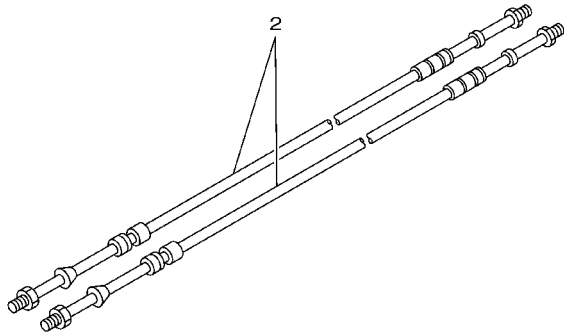
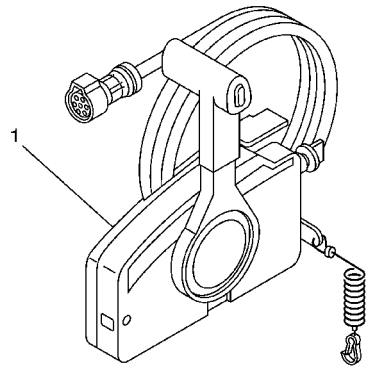


69T0200-1181

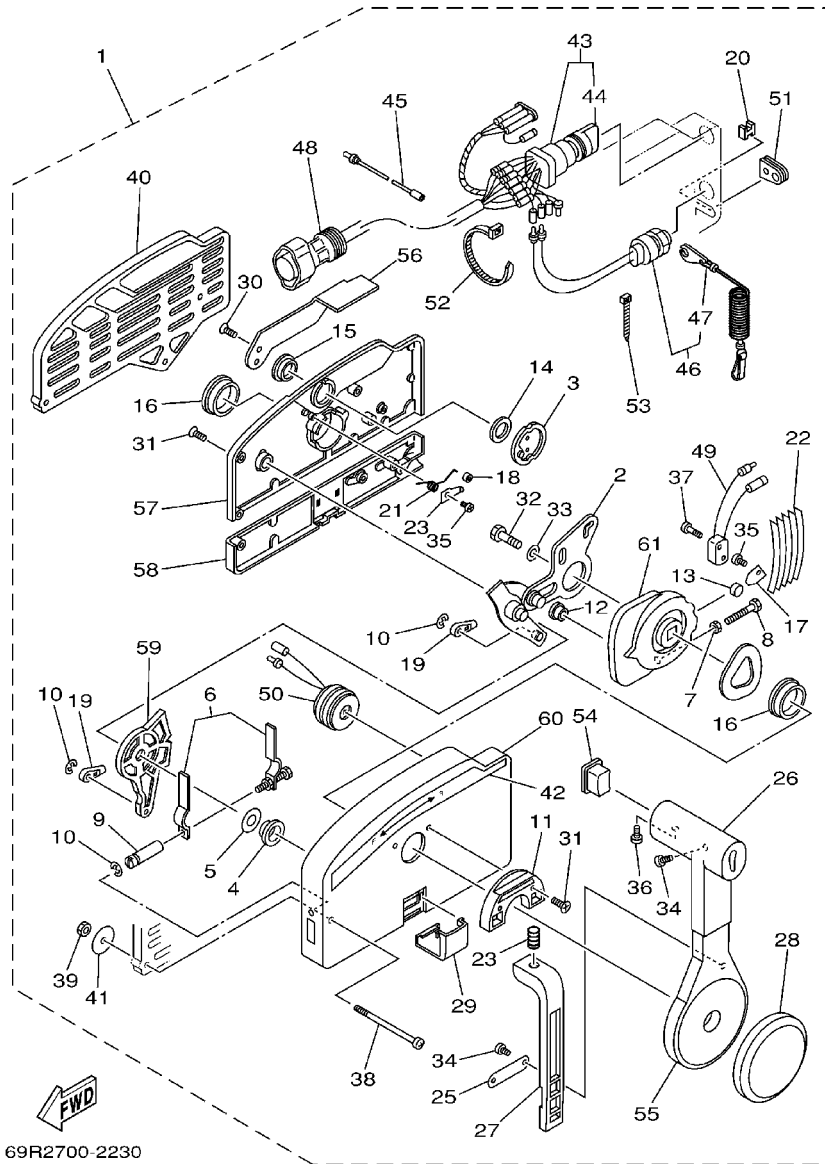
REF. NO.	PART NO.	DESCRIPTION	MH	W			REMARKS
1	6YK-24201-20	FUEL TANK ASSY (25L,KEROSENE)	1	1			AP KEROSENE
2	6YK-24610-10	.CAP ASSY	1	1			WITHOUT INDICATOR
3	6YL-24641-00	.GASKET, CAP 1	1	1			
4	6YK-24260-01	.FUEL METER ASSY	1	1			
5	90157-05M16	.SCREW, PAN HEAD	4	4			
6	6YL-24329-00	.SEAL	4	4			
7	6YL-24268-01	.GASKET, FUEL METER	1	1			
8	6YK-24306-02	FUEL PIPE COMP. 1	1	1			AP
9	6Y1-24305-04	.FUEL PIPE JOINT COMP. 2	2	2			
10	93210-08287	.O-RING	1	1			
11	6Y1-24397-10	.COLLAR (KEROSENE)	1	1			
12	61J-24360-00	.PRIMER PUMP ASSY	1	1			
13	90445-11M05	.HOSE (L850)	1	1			
14	90445-11M81	.HOSE (L3000)	1	1			
15	650-24351-01	.BAND 1	6	6			
16	680-24305-01	.FUEL PIPE JOINT COMP. 2	1	1			
17	93210-08287	.O-RING	2	2			
18	6Y1-24397-00	.COLLAR (GASOLINE)	1	1			
19	90445-11M06	.HOSE (L2050)	1	1			
20	6YL-24201-02	FUEL TANK ASSY (12L)	1	1			AP GASOLINE
21	6YL-24610-00	.CAP ASSY	1	1			
22	6YL-24641-00	.GASKET, CAP 1	1	1			
23	6YL-24260-01	.FUEL METER ASSY	1	1			
24	90157-05M16	.SCREW, PAN HEAD	4	4			
25	6YL-24329-00	.SEAL	4	4			
26	6YL-24268-01	.GASKET, FUEL METER	1	1			

FIG. 24 REMOTE CONTROL BOX

REF. NO.	PART NO.	DESCRIPTION	MH	W		REMARKS
1	703-48230-15	REMOTE CONTROL ASSY		1		AP
2	701-48320-30	CABLE, REMOTE CONTROL L=14F		2		



67M0100-8280



69R2700-2230

FIG. 25 REMOTE CONTROL ASSY

REF. NO.	PART NO.	DESCRIPTION	MH	W	REMARKS
1	703-48230-15	REMOTE CONTROL ASSY		1	AP
2	703-48261-11	.ARM, THROTTLE		1	
3	703-48153-00	.SHAFT, FREE ACCEL.		1	
4	703-48235-00	.BUSHING		1	
5	703-48268-00	.SPACER		1	
6	703-48264-00	.THROTTLE, FRICTION		1	
7	95380-05600	.NUT		1	
8	97380-05025	.BOLT		1	
9	703-48265-00	.SHAFT, FRICTION		1	
10	93430-06024	.CIRCLIP		3	
11	703-48245-00	.PLATE, LOCK		1	
12	703-48252-00	.ROLLER, CAM		1	
13	701-48248-00	.ROLLER, FREE ACCEL.		1	
14	703-48198-00	.WASHER, WAVE		1	
15	703-48243-00	.BUSHING		1	
16	703-48236-00	.BUSHING 1		2	
17	703-48189-00	.RETAINER		1	
18	703-48234-00	.ROLLER, DETENT		1	
19	703-48345-01	.CABLE END, REMOTE CONTROL 2		2	
20	703-48358-00	.ANCHOR, CABLE		1	
21	703-48244-00	.SPRING, FREE ACCEL.		1	
22	703-48238-00	.SPRING, DETENT		5	
23	703-48246-00	.SPACER		1	
24	703-48227-00	.SPRING, NEUTRAL LOCK		1	
25	703-48226-00	.PLATE, STOPPER		1	
26	703-48222-00	.GRIP, CONTROL LEVER		1	SINGLE
27	703-48223-00	.LOCK, NEUTRAL		1	

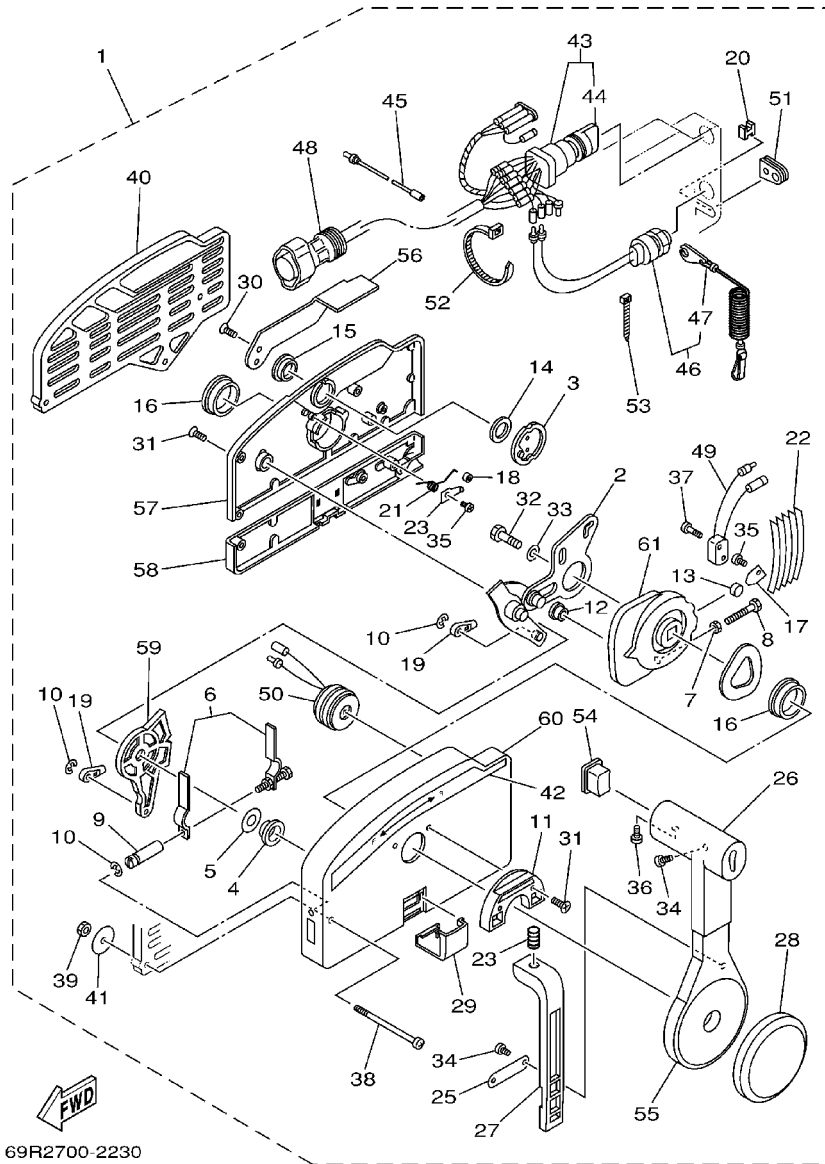
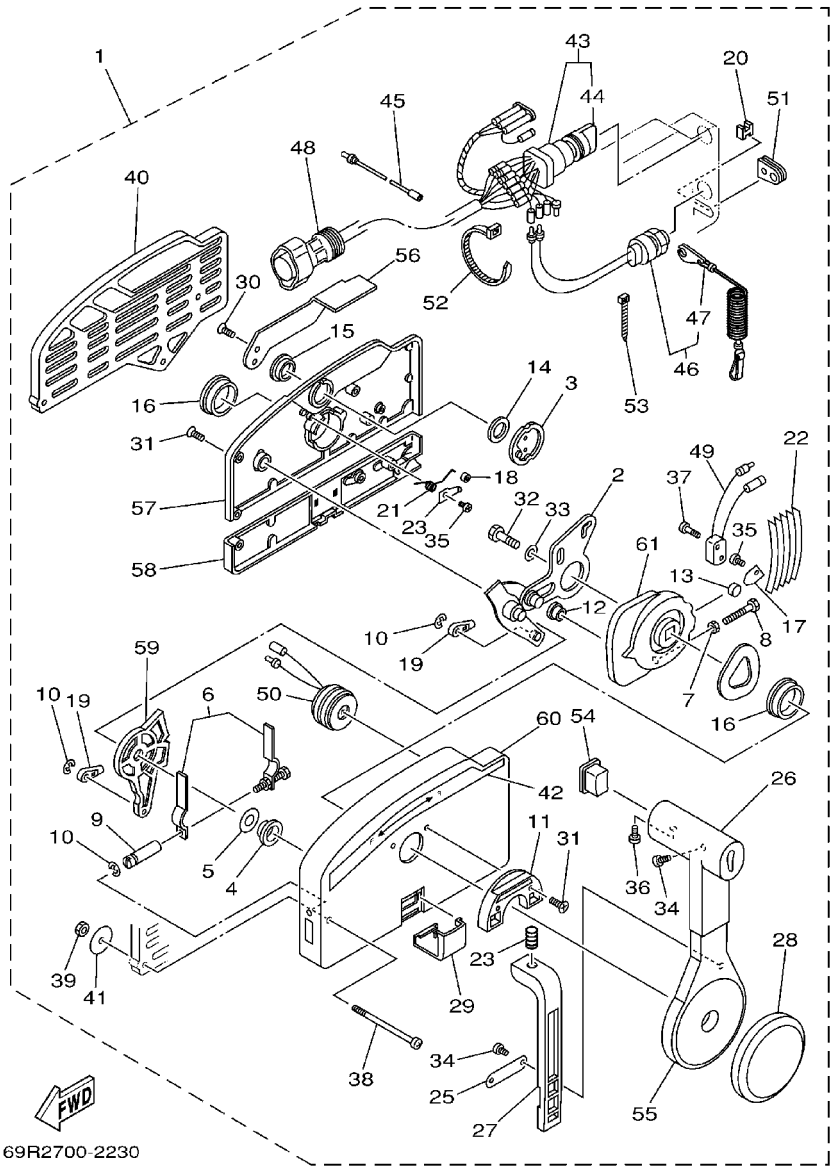


FIG. 25 REMOTE CONTROL ASSY

REF. NO.	PART NO.	DESCRIPTION	MH	W	REMARKS
28	703-48225-00	.COVER		1	
29	703-48219-00	.COVER, LEAD		1	
30	703-48281-00	.SCREW		2	
31	703-48282-00	.SCREW		7	
32	97380-08030	.BOLT		1	
33	92990-08600	.WASHER, PLATE		1	
34	98580-04010	.SCREW, PAN HEAD		3	
35	98580-04006	.SCREW, PAN HEAD		2	
36	98580-05010	.SCREW, PAN HEAD		1	
37	98580-03015	.SCREW, PAN HEAD		2	
38	703-48291-10	.SCREW (M6)		3	
39	95380-06600	.NUT, HEXAGON		3	
40	703-48293-10	.SPACER, REMOTE CONTROL		1	SINGLE
41	701-48287-00	.WASHER		3	
42	703-48215-00	.GRAPHIC		1	
43	703-82510-33	.MAIN SWITCH ASSY		1	
44	703-82577-00	..CAP, KEY		1	
45	703-82531-00	.WIRE, LEAD		1	
46	688-82575-01	.ENGINE STOP SWITCH ASSY		1	
47	682-82556-00	..STOPPER		1	
48	688-82586-21	.EXTENSION, WIRE HARNESS		1	L:5M (7P)
49	703-82540-00	.NEUTRAL SWITCH ASSY		1	
50	703-83383-02	.BUZZER		1	
51	703-48284-00	.GROMMET		1	
52	703-82591-00	.BAND		1	
53	703-82592-00	.BAND		1	
54	703-48224-00	.COVER, CONTROL LEVER		1	WITHOUT PT/T SW.

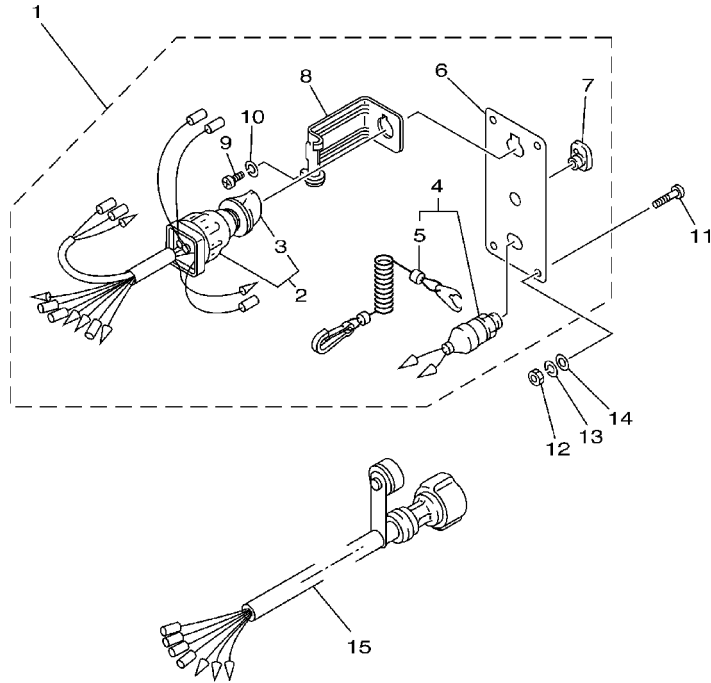


69R2700-2230

FIG. 25 REMOTE CONTROL ASSY

REF. NO.	PART NO.	DESCRIPTION	MH	W	REMARKS
55	703-48221-00	.LEVER, CONTROL		1	
56	703-48152-00	.KNOB, FREE ACCEL.		1	
57	703-48212-00	.BACK PLATE 1		1	
58	703-48213-00	.BACK PLATE 2		1	
59	703-48271-00	.ARM, SHIFT		1	
60	703-48211-01	.HOUSING,1		1	
61	703-48232-00	.GEAR		1	

FIG. 26 SWITCH. PANEL

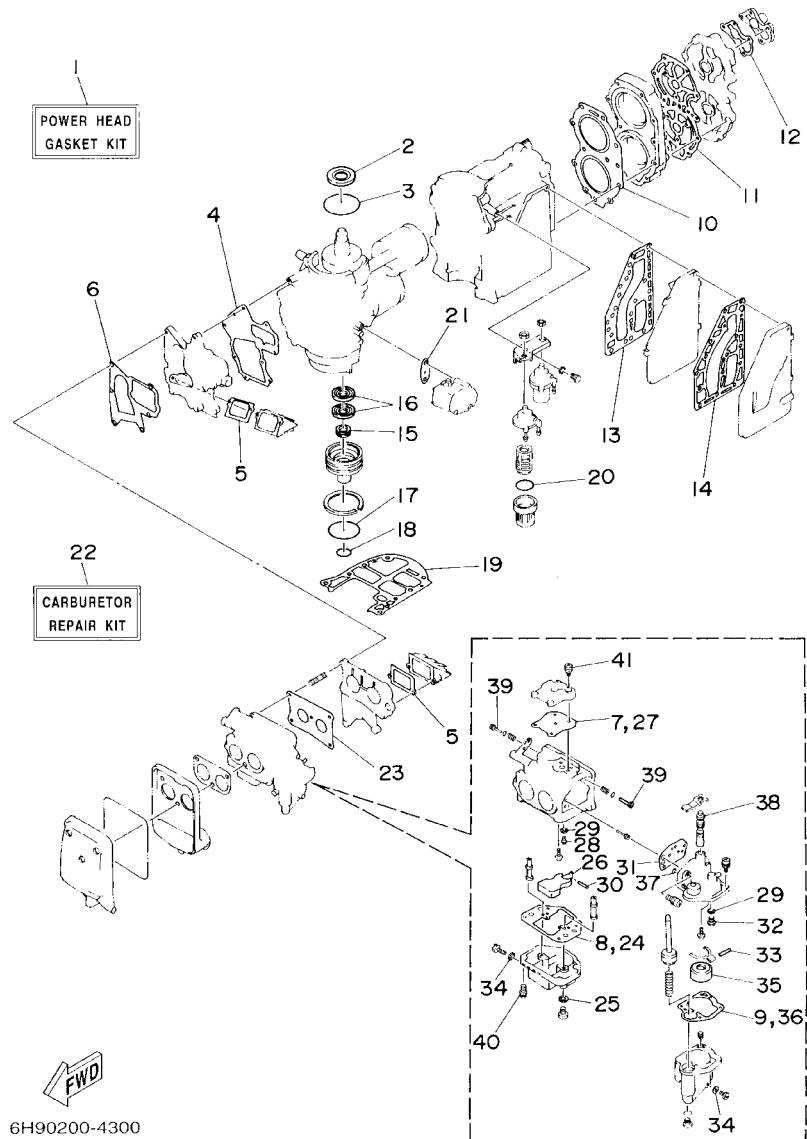


REF. NO.	PART NO.	DESCRIPTION	MH	W	REMARKS
1	6F5-82570-04	PANEL SWITCH ASSY		1	AP
2	688-82510-12	.MAIN SWITCH ASSY		1	
3	676-82577-00	..CAP, KEY		1	
4	688-82575-01	.ENGINE STOP SWITCH ASSY		1	
5	682-82556-00	..STOPPER		1	
6	6F5-82571-01	.PANEL, SWITCH		1	
7	6F5-82535-00	.GROMMET		1	
8	663-82581-01	.STAY, CORD CLAMP		1	
9	97803-04008	.SCREW, PAN HEAD		1	
10	92901-04100	.WASHER, SPRING		1	
11	90149-05M05	SCREW		4	AP
12	95380-05600	NUT		4	AP
13	92990-05100	WASHER, SPRING		4	AP
14	92990-05600	WASHER, PLATE		4	AP
15	6F5-82586-21	EXTENSION, WIRE HARNESS		1	AP



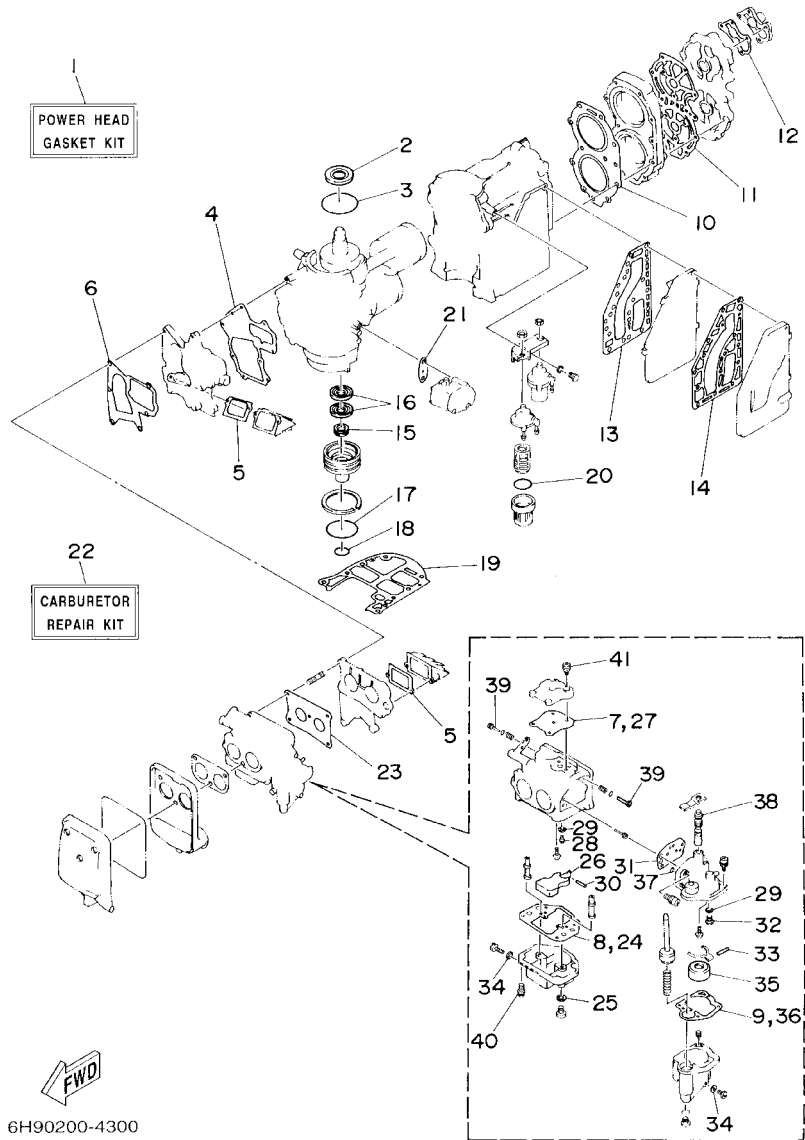
6F51200-2290

FIG. 27 REPAIR KIT 1



REF. NO.	PART NO.	DESCRIPTION	MH	W				REMARKS
1	6F5-W0001-A2	POWER HEAD GASKET KIT	1	1				
2	93102-35M18	.OIL SEAL	1	1				
3	93210-75M51	.O-RING	1	1				
4	6F5-13646-A2	.GASKET, MANIFOLD 2	1	1				
5	6F5-13621-A1	.GASKET, VALVE SEAT	2	2				
6	6F5-13645-A1	.GASKET, MANIFOLD 1	1	1				
7	6F5-14398-00	.GASKET	1	1				
8	6F5-14384-00	.GASKET, FLOAT CHAMBER	1	1				
9	6F5-14384-10	.GASKET, FLOAT CHAMBER	1	1				
10	6F5-11181-A1	.GASKET, CYLINDER HEAD 1	1	1				
11	6F5-11193-A1	.GASKET, HEAD COVER 1	1	1				
12	676-12414-A1	.GASKET, COVER	1	1				
13	6F5-41112-A0	.GASKET, EXHAUST INNER COVER	1	1				
14	6F5-41114-A0	.GASKET, EXHAUST OUTER COVER	1	1				
15	93104-16M01	.OIL SEAL	1	1				
16	93101-30M33	.OIL SEAL	2	2				
17	93210-65M50	.O-RING	1	1				
18	93210-22M02	.O-RING	1	1				
19	6F5-45113-A0	.GASKET, UPPER CASING	1	1				
20	93210-32738	.O-RING	2	2				
21	650-24431-A0	.GASKET, FUEL PUMP 1	1	1				
22	6F5-W0093-01	CARBURETOR REPAIR KIT	1	1				
23	6F5-14198-A1	.GASKET	1	1				
24	6F5-14384-00	.GASKET, FLOAT CHAMBER	1	1				
25	1J2-14398-00	.GASKET	2	2				
26	6F6-14385-00	.FLOAT	1	1				
27	6F5-14398-00	.GASKET	1	1				

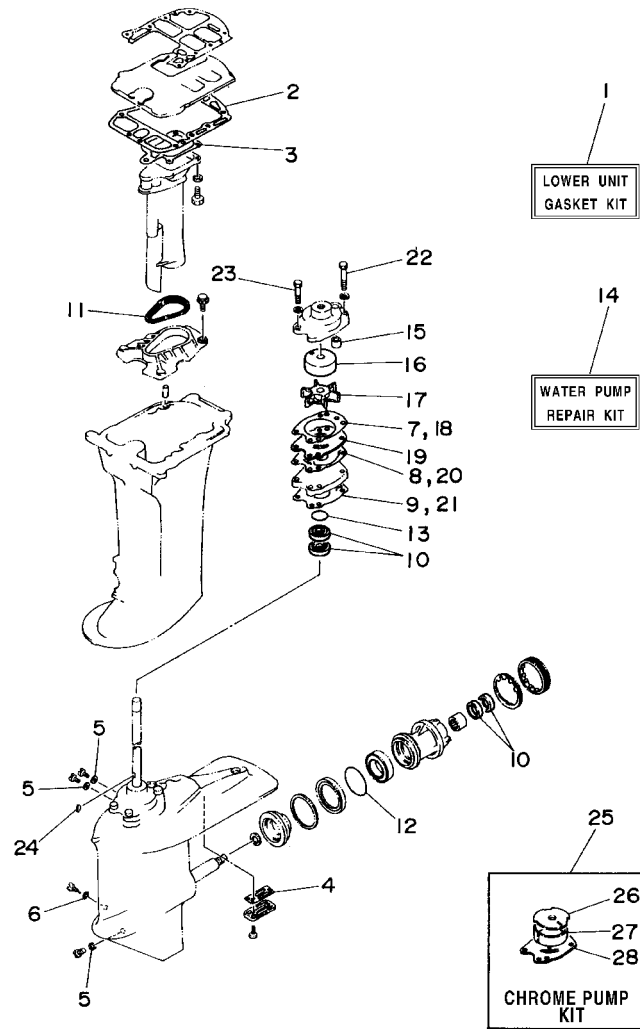
FIG. 27 REPAIR KIT 1



6H90200-4300

REF. NO.	PART NO.	DESCRIPTION	MH	W	REMARKS
28	6F5-14390-21	.NEEDLE VALVE ASSY	1	1	
29	367-14195-00	.GASKET	2	2	
30	6E5-14386-01	.PIN, FLOAT	1	1	
31	6F5-14399-00	.GASKET	1	1	
32	6F5-14390-12	.NEEDLE VALVE ASSY	1	1	
33	367-14386-00	.PIN, FLOAT	1	1	
34	6E5-14398-00	.GASKET	2	2	
35	626-14385-00	.FLOAT	1	1	
36	6F5-14384-10	.GASKET, FLOAT CHAMBER	1	1	
37	6F5-14397-00	.O-RING	2	2	
38	6F5-14371-00	.PLUNGER, STARTER	1	1	
39	6F5-14323-01	.SCREW, AIR ADJUSTING	2	2	
40	97603-05117	.SCREW, PAN HEAD WITH WASHER	4	4	
41	97603-04114	.SCREW, PAN HEAD WITH WASHER	8	8	

FIG. 28 REPAIR KIT 2



6J40200-4300

REF. NO.	PART NO.	DESCRIPTION	MH	W		REMARKS
1	6H9-W0001-22	LOWER UNIT GASKET KIT	1	1		
2	676-45114-A1	.GASKET, UPPER CASING	1	1		
3	676-41133-A1	.GASKET, EXHAUST MANIFOLD 1	1	1		
4	679-45315-A1	.PACKING, LOWER CASING	1	1		
5	90430-08020	.GASKET	3	3		
6	90430-06M03	.GASKET	1	1		
7	676-44315-A1	.GASKET, WATER PUMP	1	1		
8	676-44324-A1	.GASKET, CARTRIDGE	1	1		
9	679-44316-A1	.GASKET, WATER PUMP	1	1		
10	93101-22M00	.OIL SEAL	4	4		
11	676-45127-00	.SEAL	1	1		
12	93210-66M98	.O-RING	1	1		
13	93210-41042	.O-RING	1	1		
14	6F5-W0078-A0	WATER PUMP REPAIR KIT	1	1		
15	663-44366-00	.DAMPER, WATER SEAL	1	1		
16	676-44322-00	.INSERT, CARTRIDGE	1	1		
17	6F5-44352-00	.IMPELLER	1	1		
18	676-44315-A1	.GASKET, WATER PUMP	1	1		
19	676-44323-00	.OUTER PLATE, CARTRIDGE	1	1		
20	676-44324-A1	.GASKET, CARTRIDGE	1	1		
21	679-44316-A1	.GASKET, WATER PUMP	1	1		
22	97095-08055	.BOLT	2	2		
23	97095-08045	.BOLT	2	2		
24	90280-04M00	.KEY, WOODRUFF	1	1		
25	676-W0078-0A	CHROME PUMP KIT	1	1		
26	676-44321-40	.INNER PLATE, CARTRIDGE	1	1		
27	676-44322-40	.INSERT, CARTRIDGE	1	1		

NUMERICAL INDEX

PART NO.	REF. NO.	PART NO.	REF. NO.	PART NO.	REF. NO.	PART NO.	REF. NO.	PART NO.	REF. NO.	PART NO.	REF. NO.
6F5-W0001-A2	27 - 1	6F5-13621-A1	27 - 5	6F5-14384-10	27 - 36	6F5-15739-00	8 - 20	6A0-24412-02	6 - 41	682-41271-00	4 - 36
6H9-W0001-22	28 - 1	6F6-13641-00-1S	4 - 3	6F6-14385-00	5 - 7	6F5-15741-01	8 - 4	682-24412-01	6 - 25	689-41273-00	4 - 37
6F5-W0004-00	4 - 2	6F6-13643-01-1S	4 - 16		27 - 26	6F5-15746-00	8 - 39	6A0-24413-00	6 - 38	6F5-41283-00	15 - 3
6F5-W0070-K0	1 - 12	6F5-13645-A1	4 - 20	626-14385-00	5 - 24	6F5-15747-00	8 - 38	677-24413-01	6 - 22	6F5-41638-00	15 - 2
6F5-W0078-A0	28 - 14		27 - 6		27 - 35	656-15748-00	8 - 43	6A0-24421-01	6 - 32	6F5-41662-00	15 - 14
676-W0078-0A	28 - 25	6F5-13646-A2	4 - 6	367-14386-00	5 - 19	6F5-15752-00	8 - 16	648-24423-00	6 - 31	676-42111-02-4D	14 - 2
6F5-W0084-00-4D	14 - 1		27 - 4		27 - 33	6F5-15753-00	8 - 17	648-24424-00	6 - 30	676-42115-00	14 - 11
6F5-W0090-63-1S	2 - 1	6F5-13940-01	5 - 54	6E5-14386-01	5 - 15	6F5-15754-00	8 - 9	650-24431-A0	6 - 42	664-42119-00	14 - 3
6F5-W0093-01	27 - 22	6F5-14182-41	5 - 17		27 - 30	689-15755-01	8 - 14		27 - 21	656-42126-01	14 - 33
6F5-W1571-02	8 - 1	367-14195-00	5 - 13	6F5-14387-00	5 - 20	6A0-15758-01-94	8 - 27	648-24434-01	6 - 28	6F5-42137-00	14 - 5
676-W2810-01	6 - 49		27 - 29	6F5-14390-12	5 - 18	6A0-15761-00	1 - 2	677-24434-02	6 - 27	676-42151-00-94	14 - 17
6J4-W4531-01-4D	20 - 2	6F5-14198-A1	4 - 23		27 - 32	6A0-15762-00	8 - 30	648-24435-02	6 - 37	650-42152-00-94	14 - 15
6F5-11111-00-1S	2 - 23		27 - 23	6F5-14390-21	5 - 12	6F5-15764-00	8 - 15	677-24435-02	6 - 24	676-42159-00	14 - 12
6F5-11119-00	2 - 21	654-14243-00	5 - 47		27 - 28	6F5-15768-00	8 - 19	677-24444-01	6 - 21	6F6-42177-A0	14 - 4
6F5-11181-A1	2 - 24	6F5-14301-42	5 - 1	6A4-14394-00	5 - 33	6F5-15770-00	8 - 40	648-42511-01	6 - 23	676-42511-02-4D	17 - 26
	27 - 10	650-14321-01	5 - 44	6F5-14397-00	5 - 26	6F5-15771-00-94	8 - 32	61N-24521-00	6 - 11	676-42521-00-94	17 - 32
6F5-11191-00-1S	2 - 26	6F5-14323-01	5 - 40		5 - 53	6F5-15772-00-94	8 - 35	61N-24560-00	6 - 9	648-42528-00	17 - 15
6F5-11193-A1	2 - 27		27 - 39		27 - 37	6F5-15773-00	8 - 42	61N-24563-00	6 - 10	624-42542-00	11 - 5
	27 - 11	6A0-14325-00	6 - 33	652-14397-00	5 - 34	6F5-15774-00	8 - 41	6F5-24566-00	6 - 13	6F5-42610-L0-4D	1 - 1
6F5-11325-00	2 - 19	6E7-14325-00	6 - 34	1J2-14398-00	5 - 5	6F5-15779-02	8 - 21	6YK-24610-10	22 - 2	6F5-42613-01-4D	1 - 7
676-11325-00	2 - 17	6F5-14332-01	5 - 29		27 - 25	6A0-15789-00	8 - 31	6YL-24610-00	22 - 21	6F5-42615-00	1 - 11
6F6-11370-01	4 - 4	6F5-14334-01	5 - 41	6E5-14398-00	5 - 23	6F5-15791-00	8 - 18	6YL-24641-00	22 - 3	6E9-42651-01	1 - 3
650-11370-01	2 - 4	647-14334-00	5 - 45		27 - 34	6YK-24201-20	22 - 1		22 - 22	6F5-42652-01	1 - 5
	4 - 5	6F5-14339-00	5 - 32	6F5-14398-00	5 - 8	6YL-24201-02	22 - 20	6F5-26311-00	14 - 21	69P-42677-H0	1 - 14
6F5-11400-10	3 - 1	6F5-14340-00	5 - 50		27 - 7	6YK-24260-01	22 - 4	676-26326-00	13 - 14	6F5-42678-K0	1 - 13
6F5-11412-11	3 - 2	6F5-14341-00	5 - 4	6F5-14399-00	5 - 16	6YL-24260-01	22 - 23	676-26391-00	14 - 22	6F5-42711-02-4D	13 - 1
6F5-11422-11	3 - 3	647-14342-30	5 - 11		27 - 27	6YL-24268-01	22 - 7	676-26392-00	14 - 23	6F5-42715-00	15 - 22
6F5-11432-11	3 - 4	647-14342-45	5 - 10		27 - 31		22 - 26	626-28193-01-94	6 - 50	6F5-42716-00	13 - 11
6F5-11442-11	3 - 5	677-14343-73	5 - 6	6F5-14417-00	4 - 26	680-24304-01	6 - 1	6F5-41111-01-1S	2 - 36	6F5-42724-00	13 - 12
6F5-11515-00	3 - 9	647-14344-35	5 - 36	6F5-14418-00	4 - 27	6Y1-24305-04	22 - 9	6F5-41112-A0	2 - 35	676-42724-40	13 - 19
6F5-11610-00	3 - 16	6F5-14346-00	5 - 46	6F5-14425-00	5 - 51	680-24305-01	7 - 6		27 - 13	6F5-42725-50	16 - 10
6F5-11610-10	3 - 16	6A4-14355-00	5 - 28	6F5-14476-00	4 - 30		22 - 16	6F5-41113-01-1S	2 - 33	6F5-42727-00	13 - 13
6F5-11610-20	3 - 16	6F5-14369-00	5 - 30	6F5-14483-00	4 - 34	6YK-24306-02	22 - 8	6F5-41114-A0	2 - 37	6F5-42738-01-94	13 - 8
6F6-11631-00-95	3 - 15	6F5-14370-02	5 - 31	624-14485-00	2 - 3	6Y3-24306-04	7 - 1		27 - 14	6F5-42741-11	13 - 20
6F5-11633-00	3 - 17	6F5-14371-00	5 - 35		4 - 21	6A4-24329-00	6 - 4	6F5-41116-00-5B	19 - 6	664-42791-00	13 - 30
663-11634-00	3 - 18		27 - 38		4 - 31	6YL-24329-00	22 - 6	676-41131-01-5B	19 - 13	6F5-42815-01-4D	13 - 3
6F6-11635-00	3 - 15	6F5-14372-01	5 - 27	6F6-14488-00	8 - 51		22 - 25	676-41133-A1	19 - 14	6F5-42816-00	13 - 5
6F6-11636-00	3 - 15	6F5-14377-00	5 - 37	6F5-14497-00	15 - 1	650-24351-01	7 - 5		28 - 3	676-43111-04-4D	17 - 1
6F5-11651-00	3 - 11	6F5-14379-00	5 - 43	6F6-15100-00-1S	2 - 2		22 - 15	6F5-41137-02-94	19 - 8	676-43112-04-4D	17 - 7
6F5-11681-00	3 - 12	6F5-14381-00	5 - 3	6F5-15396-01-5B	2 - 7	61J-24360-00	7 - 3		19 - 9	6J8-43113-01	17 - 23
6F5-12411-02	2 - 29	6F5-14381-11	5 - 21	6F5-15711-01	8 - 2		22 - 12	6F5-41141-00	15 - 9	6F5-43114-00	17 - 2
676-12413-00-1S	2 - 30	6E5-14383-10	5 - 22	6F5-15713-00	8 - 5	650-24378-00	2 - 34	6F5-41211-00	15 - 10	6F5-43116-00	17 - 3
676-12414-A1	2 - 31	6F5-14383-00	5 - 9	6F5-15714-03	8 - 3	6Y1-24397-00	22 - 18	6E9-41237-00	15 - 10	6F5-41237-00	16 - 4
	27 - 12	6F5-14384-00	5 - 2	6F5-15715-00	8 - 6	6Y1-24397-10	22 - 11	6F5-41252-00	4 - 35	6F5-41252-00	4 - 35
677-13437-08	1 - 15		27 - 8	6F5-15716-01	8 - 8	6F5-24410-06	6 - 20	6F5-41256-00	4 - 38	6F5-41256-00	4 - 38
6F5-13610-00	4 - 1		27 - 24	6F5-15723-01	8 - 22	648-24411-00	6 - 29	6F5-41262-01	5 - 42	676-43132-00	18 - 2
6F5-13621-A1	4 - 9	6F5-14384-10	5 - 25	6F5-15726-01	8 - 11	663-24411-00	6 - 36	661-41262-02	4 - 39	6E5-43145-01	23 - 9
	4 - 19		27 - 9	6F5-15734-01	8 - 7	677-24411-02	6 - 26		8 - 50	6G5-43145-01	17 - 25
										676-43160-02	18 - 26

NUMERICAL INDEX

PART NO.	REF. NO.	PART NO.	REF. NO.	PART NO.	REF. NO.	PART NO.	REF. NO.	PART NO.	REF. NO.	PART NO.	REF. NO.
676-43165-00	18 - 27	676-44361-10	21 - 2	679-45560-00	20 - 40	703-48189-00	25 - 17	689-81807-12	12 - 5	676-82577-00	26 - 3
676-43191-00	18 - 8	663-44366-00	20 - 22	663-45567-01-10	20 - 11	703-48198-00	25 - 14	689-81809-11	12 - 9	703-82577-00	25 - 44
676-43311-10-4D	17 - 12		28 - 15	663-45567-01-12	20 - 11	703-48211-01	25 - 60	689-81810-11	12 - 11	663-82581-01	26 - 8
663-43318-00	18 - 17	663-44367-00	21 - 1	663-45567-01-15	20 - 11	703-48212-00	25 - 57	689-81811-11	12 - 12	6F5-82586-21	26 - 15
676-43373-00	17 - 17	6E5-44391-00	13 - 2	663-45567-01-18	20 - 11	703-48213-00	25 - 58	689-81812-11	12 - 14	688-82586-21	25 - 48
676-43613-00	18 - 20	676-44511-00-94	17 - 61	663-45567-01-30	20 - 11	703-48215-00	25 - 42	689-81813-10	12 - 15	6F5-82588-00	10 - 22
676-43614-00	18 - 18	676-44512-00-94	17 - 62	663-45567-01-40	20 - 11	703-48219-00	25 - 29	6J4-81820-00	12 - 24	6F5-82590-01	11 - 22
676-43615-00	18 - 19	679-44514-00-94	17 - 52	663-45567-01-50	20 - 11	703-48221-00	25 - 55	689-81820-11	12 - 16	703-82591-00	25 - 52
676-43616-00	18 - 16	676-44518-00	17 - 58	679-45571-00	20 - 49	703-48222-00	25 - 26	689-81826-10	12 - 17	703-82592-00	25 - 53
6F5-43627-80	18 - 5	676-44521-00	17 - 66	663-45576-00	20 - 53	703-48223-00	25 - 27	6F5-81830-11	12 - 6	703-83383-02	25 - 50
6F5-43628-80	18 - 6	676-44522-01	17 - 67	663-45577-01-10	20 - 52	703-48224-00	25 - 54	689-81831-00	12 - 7	6F5-83622-60	11 - 28
6F5-43630-80	18 - 12	676-44533-00	17 - 57	663-45577-01-12	20 - 52	703-48225-00	25 - 28	689-81840-11	12 - 13	6F5-83622-81	10 - 25
676-43631-00	18 - 13	676-44551-01-4D	17 - 38	663-45577-01-15	20 - 52	703-48226-00	25 - 25	6F5-81842-41	12 - 1	6E9-85411-00	13 - 27
676-43643-00	18 - 30	676-44552-01-4D	17 - 39	663-45577-01-18	20 - 52	703-48227-00	25 - 24	689-81847-11	12 - 8	6E9-85414-00	13 - 29
6F5-44111-00	15 - 11	676-44553-01-4D	17 - 40	663-45577-01-30	20 - 52	703-48230-15	24 - 1	689-81850-12	12 - 10	6F5-85515-00	9 - 11
6F5-44111-50	16 - 1	679-44555-00-94	17 - 41	663-45577-01-40	20 - 52		25 - 1	689-81857-11	12 - 4	6F5-85520-00	9 - 3
6F5-44121-00	15 - 17	676-44575-00	17 - 51	663-45577-01-50	20 - 52	703-48232-00	25 - 61	6F5-81916-00	10 - 1	6F6-85530-00	10 - 11
6F5-44125-00	15 - 12	6H9-45111-11-4D	19 - 1	663-45587-01-10	20 - 9	703-48234-00	25 - 18	6F5-81916-40	11 - 1	6F5-85533-00	9 - 5
676-44143-00	15 - 26	676-45111-03-4D	19 - 1	663-45587-01-12	20 - 9	703-48235-00	25 - 4	6F5-81922-00	10 - 23	6F5-85540-22	10 - 9
648-44146-00	15 - 27	6F5-45113-A0	19 - 2	663-45587-01-15	20 - 9	703-48236-00	25 - 16	6F5-81922-40	11 - 9	6F5-85542-01	10 - 3
650-44147-00	20 - 64		27 - 19	663-45587-01-18	20 - 9	703-48238-00	25 - 22	6G1-81941-10	12 - 20	6F5-85542-40	11 - 2
679-44150-00	20 - 60	676-45114-A1	19 - 10	663-45587-01-30	20 - 9	703-48243-00	25 - 15	6F5-81945-00	12 - 22	6F5-85550-A2	9 - 1
679-44150-10	20 - 60		28 - 2	663-45587-01-40	20 - 9	703-48244-00	25 - 21	6G1-81952-00	12 - 21	6F5-85550-F2	9 - 1
679-44152-00	20 - 61	663-45119-00	17 - 14	663-45587-01-50	20 - 9	703-48245-00	25 - 11	6F5-81970-61	11 - 19	6F5-85560-A2	9 - 2
6F5-44167-00	15 - 23	676-45127-00	19 - 15	679-45611-01	20 - 41	703-48246-00	25 - 23	6F5-82105-00	11 - 11	6F5-85580-00	9 - 7
6F5-44173-00	15 - 21		28 - 11	663-45631-01	20 - 44	701-48248-00	25 - 13	6F5-82117-00	11 - 16	6F5-85590-21	10 - 16
676-44311-00	20 - 18	676-45151-00-4D	19 - 20	663-45633-00	20 - 46	703-48252-00	25 - 12	6F5-82131-00	10 - 17	90101-08M02	17 - 53
676-44315-A1	20 - 21	676-45151-10-4D	19 - 20	663-45634-00	20 - 43	703-48261-11	25 - 2	663-82151-00	11 - 23	90101-08001	2 - 22
	28 - 7	688-45214-02	21 - 10	676-45635-00	20 - 42	703-48264-00	25 - 6	6A0-82317-00	11 - 4	90101-10M58	17 - 69
	28 - 18	688-45215-02	21 - 11	663-45930-00-98	21 - 22	703-48265-00	25 - 9	6F5-82317-00	10 - 4	90101-12M01	17 - 46
679-44316-A1	20 - 25	676-45251-00	2 - 14	663-45941-01-EL	21 - 22	703-48268-00	25 - 5	62E-82371-11	10 - 12	90101-12M37	14 - 27
	28 - 9	6J4-45300-02-4D	20 - 1	69W-45943-00-EL	21 - 22	703-48271-00	25 - 59	688-82510-12	26 - 2	90105-06M01	19 - 7
	28 - 21	6J4-45300-12-4D	20 - 1	69W-45945-00-EL	21 - 22	703-48281-00	25 - 30	703-82510-33	25 - 43	90105-08M10	8 - 23
676-44321-40	20 - 20	679-45315-A1	20 - 5	69W-45947-00-EL	21 - 22	703-48282-00	25 - 31	6F5-82519-00	10 - 19	90105-08M50	12 - 18
	28 - 26		28 - 4	663-45949-01-EL	21 - 22	703-48284-00	25 - 51	6F5-82519-10	11 - 25	90105-08M51	12 - 25
676-44322-00	28 - 16	6A0-45318-00	19 - 18	663-45952-02-EL	21 - 22	701-48287-00	25 - 41	703-82531-00	25 - 45	90109-06M12	17 - 6
676-44322-40	20 - 19	679-45321-02	20 - 4	663-45954-01-EL	21 - 22	703-48291-10	25 - 38	6F5-82535-00	26 - 7	90116-06M17	4 - 10
	28 - 27	679-45331-00-94	20 - 50	663-45956-01-EL	21 - 22	703-48293-10	25 - 40	703-82540-00	25 - 49	90116-08M00	17 - 8
676-44323-00	28 - 19	688-45341-10	20 - 15	663-45958-01-EL	21 - 22	701-48320-30	24 - 2	682-82556-00	13 - 25	90119-06MA2	2 - 32
676-44323-40	20 - 26	679-45371-00	21 - 14	663-45970-60-98	21 - 22	6F5-48345-00	16 - 3		25 - 47	90119-06MA3	2 - 28
	28 - 28	663-45375-00	21 - 9	663-45972-60-98	21 - 22	703-48345-01	25 - 19		26 - 5		2 - 38
676-44324-A1	20 - 27	663-45376-00-94	21 - 8	663-45974-60-98	21 - 22	703-48358-00	25 - 20	688-82560-10	10 - 18	90119-06M11	13 - 23
	28 - 8	697-45384-02	20 - 58	663-45976-00-98	21 - 22	676-48511-01	16 - 5	689-8257Y-00	13 - 26	90119-06M61	13 - 17
	28 - 20	679-45501-00	20 - 36	663-45978-00-98	21 - 22	6F5-48538-00	16 - 2	6F5-82570-04	26 - 1	90119-06M73	13 - 6
679-44341-00-94	20 - 28	679-45501-10	20 - 36	663-45987-02	21 - 17	689-61350-02	23 - 1	6F5-82571-01	26 - 6	90119-06M88	11 - 7
6F5-44352-00	20 - 23	679-45536-00	20 - 8	670-45997-02	21 - 18	689-61351-01	23 - 2	6E9-82575-02	13 - 24	90119-08MA5	2 - 25
	28 - 17	6H9-45551-00	20 - 37	703-48152-00	25 - 56	6E5-61355-00	23 - 7	688-82575-01	25 - 46	90119-08M10	8 - 24
676-44361-00	21 - 2	663-45552-00	20 - 38	703-48153-00	25 - 3	6J4-81800-01	12 - 3		26 - 4	90119-10005	2 - 6

NUMERICAL INDEX

PART NO.	REF. NO.	PART NO.	REF. NO.	PART NO.	REF. NO.	PART NO.	REF. NO.	PART NO.	REF. NO.	PART NO.	REF. NO.
90141-06M00	2 - 18	90206-12052	13 - 7	90445-09M53	6 - 45	91690-30025	14 - 16	92995-08100	17 - 43	93430-10M00	18 - 9
90149-05M05	26 - 11	90206-12054	14 - 31	90445-09M54	6 - 16	91690-40032	4 - 40		17 - 45	93440-68M03	2 - 12
90149-05M13	14 - 7	90209-52M00	17 - 33	90445-09M55	5 - 52	92901-04100	26 - 10		19 - 5		3 - 10
90149-06M00	20 - 17	90214-48M03	20 - 57	90445-09226	6 - 5	92903-06600	4 - 12		21 - 7	93603-21111	3 - 19
90152-05M09	21 - 12	90240-05M09	15 - 18	90445-10M43	6 - 6		4 - 14	92995-08600	10 - 7	93604-08062	20 - 31
90157-05M16	22 - 5	90243-04007	17 - 5	90445-10M50	6 - 17		11 - 15		17 - 19	93606-12019	21 - 5
	22 - 24	90249-07M01	18 - 21		6 - 46		13 - 10		17 - 64	93606-25M00	19 - 3
90159-04035	9 - 9	90249-07M02	18 - 22	90445-11M05	7 - 4		15 - 16		20 - 33	93608-12063	2 - 5
90159-04063	9 - 8	90249-12M13	18 - 7		22 - 13	92903-08600	8 - 34		20 - 35		17 - 31
90159-05040	9 - 4	90249-12M27	18 - 1	90445-11M06	7 - 2		8 - 37	92995-10100	21 - 16	93700-06M03	17 - 13
	9 - 6	90250-06023	20 - 45		22 - 19	92903-10600	14 - 8	92995-10600	17 - 70	94702-00040	2 - 40
90159-06M01	4 - 28	90266-04M01	1 - 6	90445-11M81	7 - 8	92990-05100	4 - 8	93101-22M00	20 - 29	95303-08700	8 - 12
90164-05M00	11 - 3	90266-04M04	1 - 4		22 - 14		4 - 18		20 - 56	95380-03600	6 - 35
90164-06M01	10 - 2	90269-02M09	14 - 6	90446-10M01	10 - 24		6 - 40		28 - 10	95380-05600	25 - 7
	10 - 10	90269-04M00	18 - 31	90446-10M02	11 - 18		26 - 13	93101-30M33	2 - 8		26 - 12
90170-07021	15 - 28	90280-04M00	20 - 24	90465-06M16	11 - 10	92990-05600	11 - 21		27 - 16	95380-06600	4 - 25
90170-09M03	23 - 5		28 - 24	90465-11M10	10 - 13		26 - 14	93102-35M18	9 - 10		10 - 8
90170-12138	20 - 39	90280-05015	9 - 12	90465-11M52	17 - 68	92990-06100	14 - 19		27 - 2		11 - 8
90170-20137	9 - 13	90282-04010	20 - 59	90465-18147	11 - 24	92990-08100	17 - 10	93104-16M01	2 - 9		13 - 18
90171-16011	21 - 20	90338-22007	20 - 3	90467-06016	4 - 15	92990-08600	12 - 19		27 - 15		14 - 18
90185-05002	21 - 13	90340-08002	20 - 14		4 - 22		25 - 33	93109-44M00	17 - 37		17 - 60
90185-06062	14 - 35	90385-12M04	8 - 25		4 - 33	92990-10100	16 - 7	93210-08287	7 - 7		25 - 39
90185-08057	17 - 56	90386-08M00	14 - 20		4 - 44	92990-10600	16 - 8		22 - 10	95380-08600	6 - 14
90185-09M01	23 - 4	90386-08032	14 - 10	90467-08004	6 - 7	92990-12200	14 - 28		22 - 17		17 - 11
90185-12058	14 - 32	90386-12M37	13 - 4		6 - 18	92990-16200	21 - 19	93210-16275	23 - 10		17 - 65
90185-22043	17 - 24	90386-12089	14 - 26		6 - 47	92995-05600	14 - 25	93210-22M02	2 - 11	95380-10600	16 - 9
90201-06050	11 - 17	90386-22M15	17 - 21	90467-09M03	6 - 8	92995-06100	1 - 9		27 - 18		17 - 72
90201-08M08	17 - 54	90386-44M03	17 - 36		6 - 19		19 - 12	93210-32738	6 - 12	95380-12800	17 - 50
90201-09M00	17 - 55	90386-52M02	17 - 35		6 - 48		19 - 17		27 - 20	97013-06014	6 - 15
90201-10M20	23 - 3	90387-06M29	8 - 49	90480-09M21	13 - 15	92995-06600	1 - 10	93210-41042	20 - 30	97013-06016	11 - 14
90201-10M63	23 - 8		15 - 4	90480-17M08	11 - 27		2 - 16		28 - 13	97013-06025	4 - 13
90201-12M16	17 - 47	90387-06035	13 - 16	90480-17165	11 - 26		4 - 24	93210-65M50	2 - 10		13 - 9
90201-12361	13 - 28	90387-07M04	18 - 25	90501-07M33	15 - 25		6 - 3		27 - 17		15 - 15
90201-12426	17 - 71	90387-08M02	17 - 9	90501-10227	8 - 44		6 - 44	93210-66M98	20 - 54	97013-06065	4 - 11
90201-12537	14 - 30	90387-08M05	8 - 26	90501-12M36	15 - 24		8 - 29		28 - 12	97013-08030	8 - 10
90201-13M11	17 - 49	90387-08M12	12 - 2	90501-14M05	18 - 11		8 - 46	93210-75M51	9 - 15	97013-08035	8 - 33
90201-20417	3 - 20	90387-08M45	10 - 5	90501-16M01	20 - 48		8 - 48		27 - 3		8 - 36
90201-21M18	9 - 14	90387-10M42	23 - 6	90501-18M00	17 - 16		9 - 17	93306-00702	20 - 51	97075-08025	17 - 18
90201-22M03	17 - 22	90430-06M03	20 - 16	90501-23215	14 - 9		10 - 15	93306-306U2	3 - 8	97075-08030	10 - 6
90201-22429	20 - 47		28 - 6	90502-10M04	18 - 29		10 - 21	93306-307U0	3 - 6		17 - 27
90201-44M01	17 - 34	90430-08020	20 - 13	90506-30M00	18 - 23		13 - 22	93310-727V7	3 - 14		17 - 42
90202-06M00	18 - 10		28 - 5	90508-14M00	18 - 15		14 - 14	93315-32224	20 - 7		21 - 6
90202-12M01	18 - 3	90430-12072	21 - 4	91490-16010	15 - 19		15 - 6	93317-22204	20 - 55	97075-08035	17 - 29
90202-12060	21 - 3	90445-07M24	4 - 43	91490-20012	18 - 24		15 - 8	93332-000UE	3 - 7	97075-10040	16 - 6
90202-12092	14 - 29	90445-07240	4 - 32	91490-30025	21 - 21		20 - 63	93332-00001	20 - 10	97095-05010	14 - 24
90202-21100	17 - 48		4 - 42	91690-25016	15 - 13	92995-08100	11 - 13	93332-00003	20 - 12		18 - 14
90202-27M23	3 - 13	90445-07254	4 - 41	91690-30010	2 - 13		17 - 28	93420-36M01	19 - 19	97095-06012	12 - 23
90206-12M00	18 - 4	90445-09M37	2 - 39		18 - 28		17 - 30	93430-06024	25 - 10	97095-06016	1 - 8

NUMERICAL INDEX

PART NO.	REF. NO.	PART NO.	REF. NO.	PART NO.	REF. NO.	PART NO.	REF. NO.	PART NO.	REF. NO.
97095-06016	2 - 15	98580-05010	25 - 36						
	8 - 28	98980-04006	5 - 14						
	8 - 45								
	10 - 20								
	15 - 7								
97095-06018	20 - 62								
97095-06020	14 - 13								
	14 - 34								
	19 - 16								
97095-06025	6 - 2								
	10 - 14								
	11 - 6								
	13 - 21								
	17 - 59								
	19 - 11								
97095-06030	8 - 47								
	15 - 5								
97095-06040	9 - 16								
97095-06055	6 - 43								
97095-08016	11 - 12								
97095-08040	19 - 4								
97095-08045	17 - 44								
	20 - 34								
	28 - 23								
97095-08050	17 - 63								
97095-08055	20 - 32								
	28 - 22								
97095-10030	21 - 15								
97380-05025	25 - 8								
97380-08030	25 - 32								
97603-04114	5 - 38								
	27 - 41								
97603-05117	5 - 49								
	27 - 40								
97603-06113	5 - 48								
97603-06120	5 - 39								
97780-40520	15 - 20								
97780-50716	4 - 29								
97803-04008	26 - 9								
97880-05014	4 - 7								
	4 - 17								
97880-05025	11 - 20								
97880-05030	2 - 20								
97880-06016	20 - 6								
98503-05028	6 - 39								
98580-03015	25 - 37								
98580-04006	25 - 35								
98580-04010	25 - 34								

K40J
PARTS CATALOGUE
©2002 by Yamaha Motor Co., Ltd.
1st Edition, Sep. 2002
All rights reserved.
Any reprinting or unauthorized use
without the written permission of
Yamaha Motor Co., Ltd.
is expressly prohibited.
Printed in Japan

G7